

SPARE PART

DRUM MOWERS - 135
CATALOG

2020



Product Code: 4010100

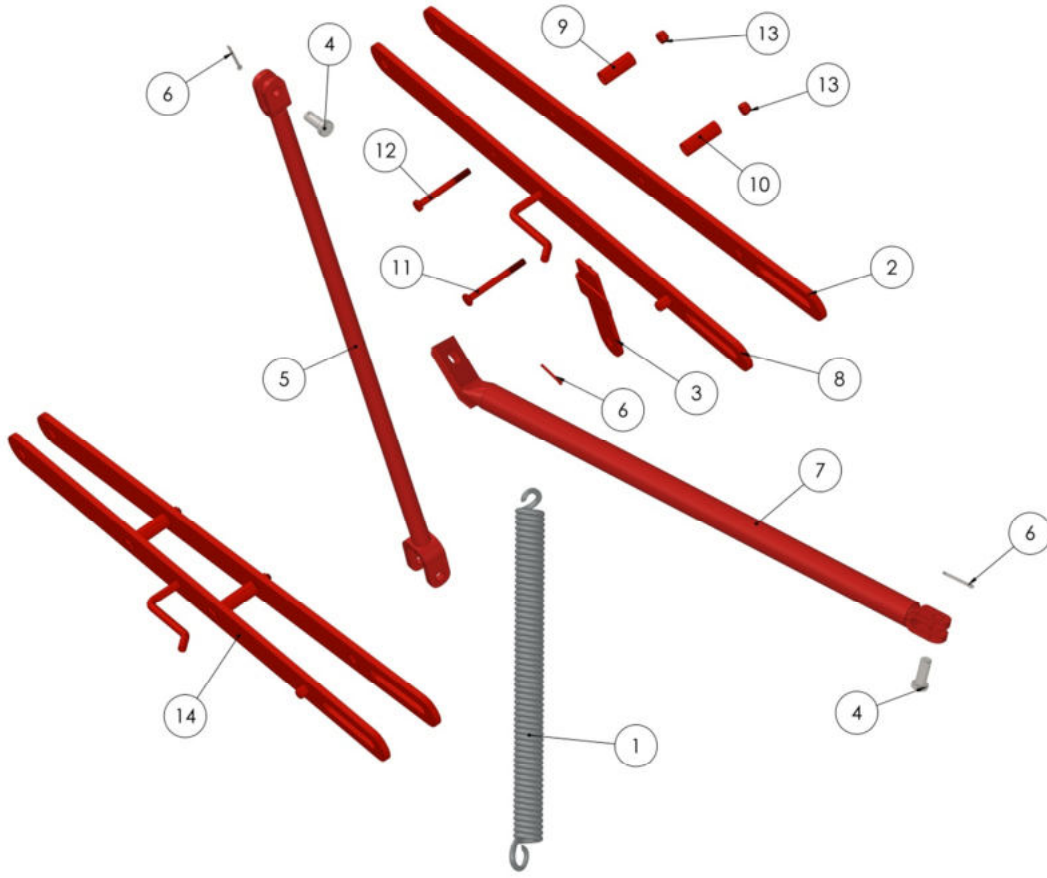
Model: T135/2020



Product Code: 4010100

HANGER ARM

Model: T135/2020

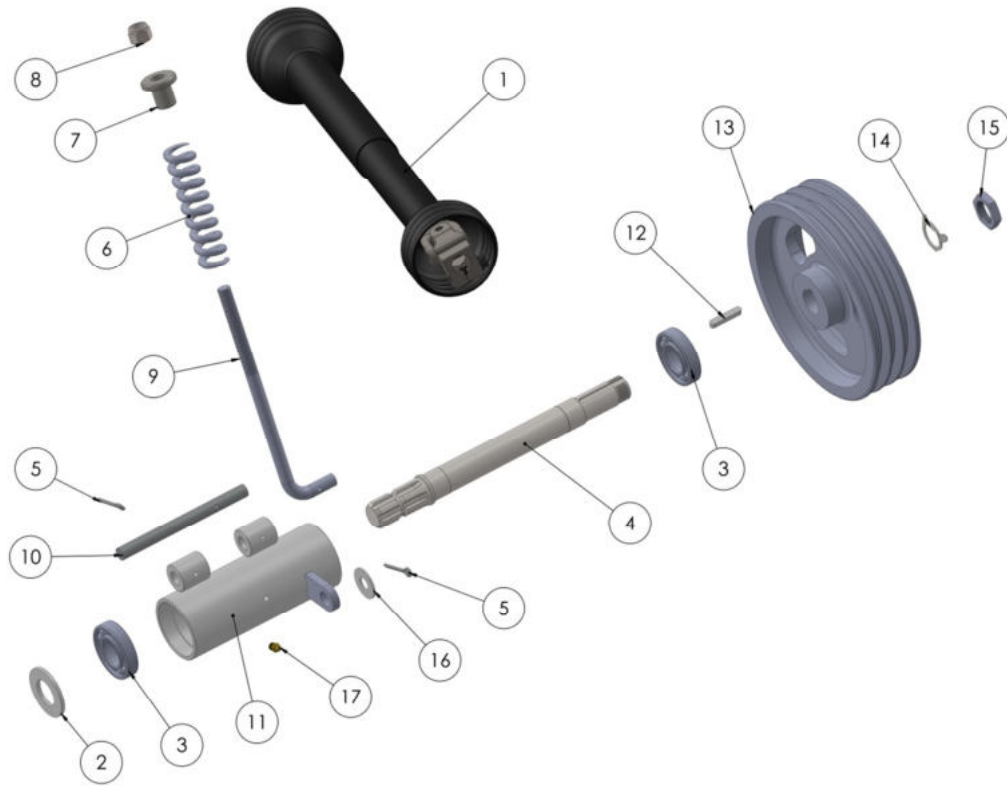


Picture Code	Track Code	Track Name	Piece	Dealer Buy (Piece /Dolar)
1	2210023	Suspension Spring	1	\$8,30
2	3080090	Hanger Arm - Right	1	\$9,95
3	3080035	Hanger Lock	1	\$1,85
4	3080036	Interconnection Arm Pin	2	\$1,00
5	3080091	Interconnection Arm	1	\$7,15
6	2340001	4x40 pins	3	\$0,10
7	3080092	Side Arm	1	\$8,85
8	3080093	Hanger Arm - Left	1	\$10,95
9	3080094	Short Distance Pipe	1	\$0,20
10	3080041	Long Distance Pipe	1	\$0,25
11	2010029	M10x100 Bolt	1	\$0,45
12	2010027	M10x90 Bolt	1	\$0,40
13	2020006	M10 Fiber Nut	2	\$0,05
14	3080095	Hanger Arm Assembly	1	\$49,55

Product Code: 4010100

LARGE PULLEY

Model: T135/2020

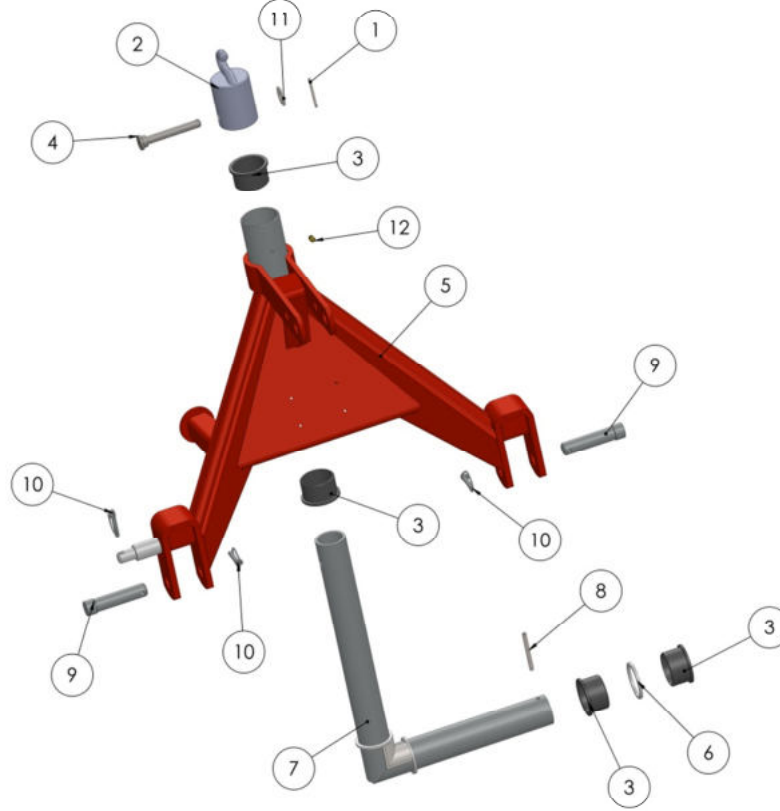


Picture Code	Track Code	Track Name	Piece	Dealer Buy (Piece /Dolar)
1	2120002	Shaft	1	\$106,20
2	3090027	66x36x5 Stamp	1	\$0,45
3	2040009	6207 Bearing	2	\$7,45
4	3090028	Large Pulley Shaft	1	\$10,55
5	2340001	4x40 pins	2	\$0,10
6	2210020	Belt Tension Spring	1	\$3,20
7	3090029	Stretch Spring Bush	1	\$0,85
8	2020011	M16 Fiber Nut	1	\$0,20
9	3090030	Belt Tension Bar	1	\$1,90
10	3090031	Large Pulley Connection Bandage	1	\$1,05
11	3090032	Large Pulley Shaft Bearing	1	\$13,65
12	2330001	8x7x45 Wedge	1	\$0,30
13	2150010	Big Pulley	1	\$58,25
14	3090001	M30 Clamp Washer	1	\$0,10
15	2020015	M30 Screw Nut	1	\$1,05
16	2030019	Stamp - Ø40	1	\$0,15
17	2380006	5/16 Grease Nuts	1	\$0,25

Product Code: 4010100

HEAD

Model: T135/2020

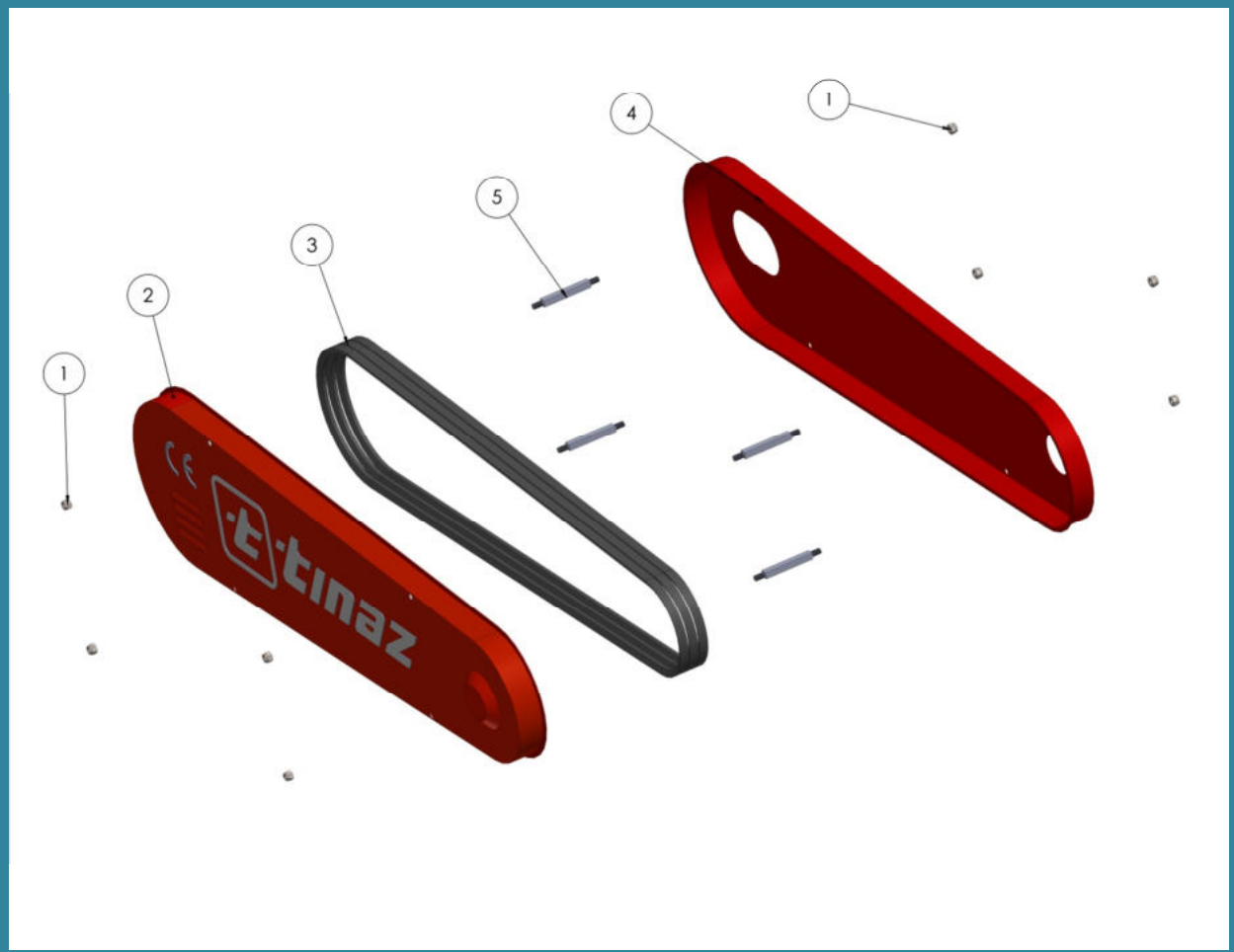


Picture Code	Track Code	Track Name	Piece	Dealer Buy (Piece /Dolar)
1	2340003	5X50 Copil	1	\$0,10
2	2150009	Cast Hanger	1	\$7,95
3	2380007	Plastic Bush	4	\$0,90
4	3070001	Head Hanger Pin	1	\$1,30
5	3070025	Head - Saddle	1	\$83,55
6	3070003	Distance Stamp	3	\$0,65
7	3070026	Miter Arm	1	\$21,05
8	2350007	Slotted Pin	1	\$0,70
9	3070027	Pin - Ø30	2	\$2,10
10	2260002	Spring Pin	3	\$0,55
11	2030019	Stamp - Ø40	1	\$0,15
12	2380006	5/16 Grease Nuts	1	\$0,25

Product Code: 4010100

BELT GROUP

Model: T135/2020

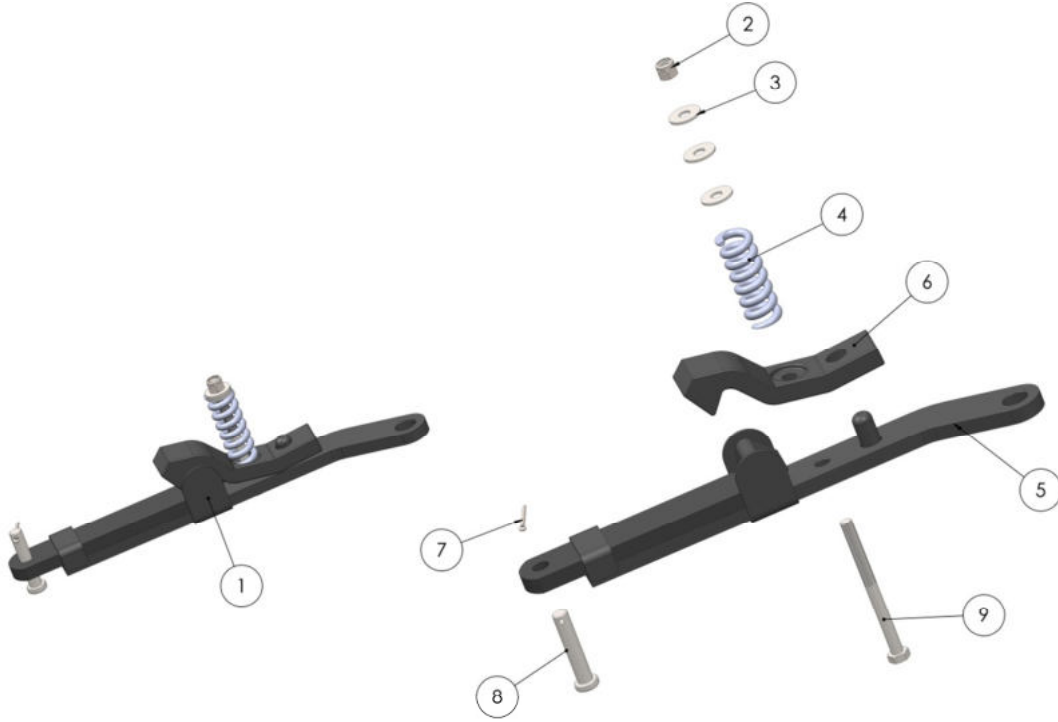


Picture Code	Track Code	Track Name	Piece	Dealer Buy (Piece /Dolar)
1	2020006	M10 Fiber Nut	8	\$0,05
2	3090052	Belt Cover Outer Cover	1	\$30,35
3	2410001	17x2650 'V' Belt	3	\$10,40
4	3090053	Belt Cover Inner Cover	1	\$21,15
5	3090054	M10 Square Stud	4	\$2,15

Product Code: 4010100

AUTOMATIC

Model: T135/2020

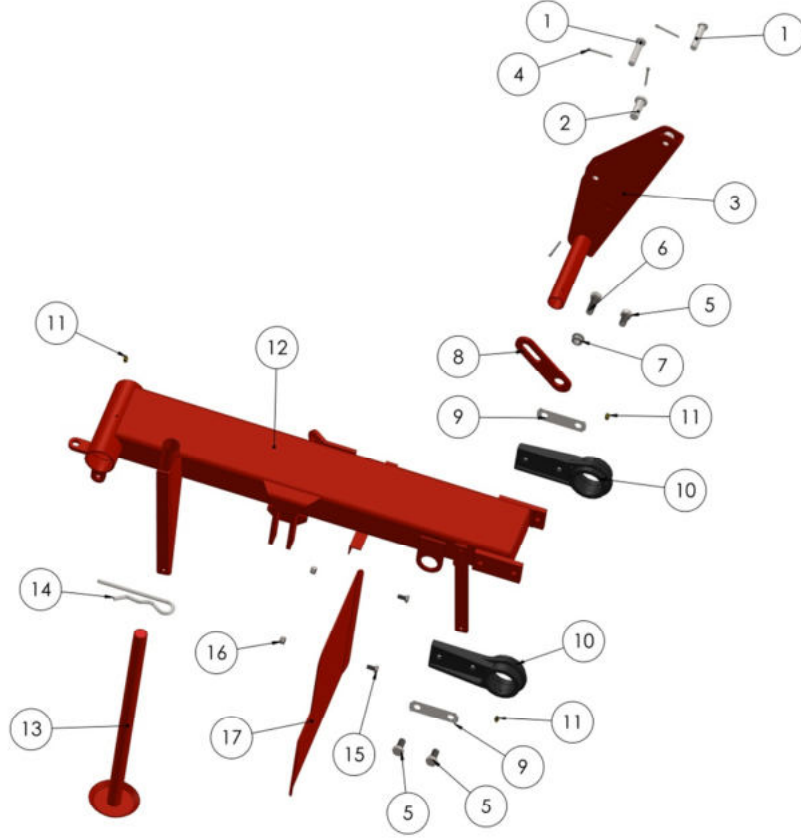


Picture Code	Track Code	Track Name	Piece	Dealer Buy (Piece /Dolar)
1	3080052	Automatic - Complete	1	\$29,05
2	2020007	M12 Nut	1	\$0,10
3	2030021	M12 Clamping Washer	3	\$0,05
4	2210019	Automatic Spring	1	\$1,65
5	3080060	Automatic - Body	1	\$19,10
6	2150001	Automatic Casting	1	\$6,10
7	2340001	4x40 pins	1	\$0,10
8	3080058	Auto Connection Pin	1	\$0,65
9	2010039	M12x150 AKB Bolt	1	\$0,85

Product Code: 4010100

FRONT BOX

Model: T135/2020

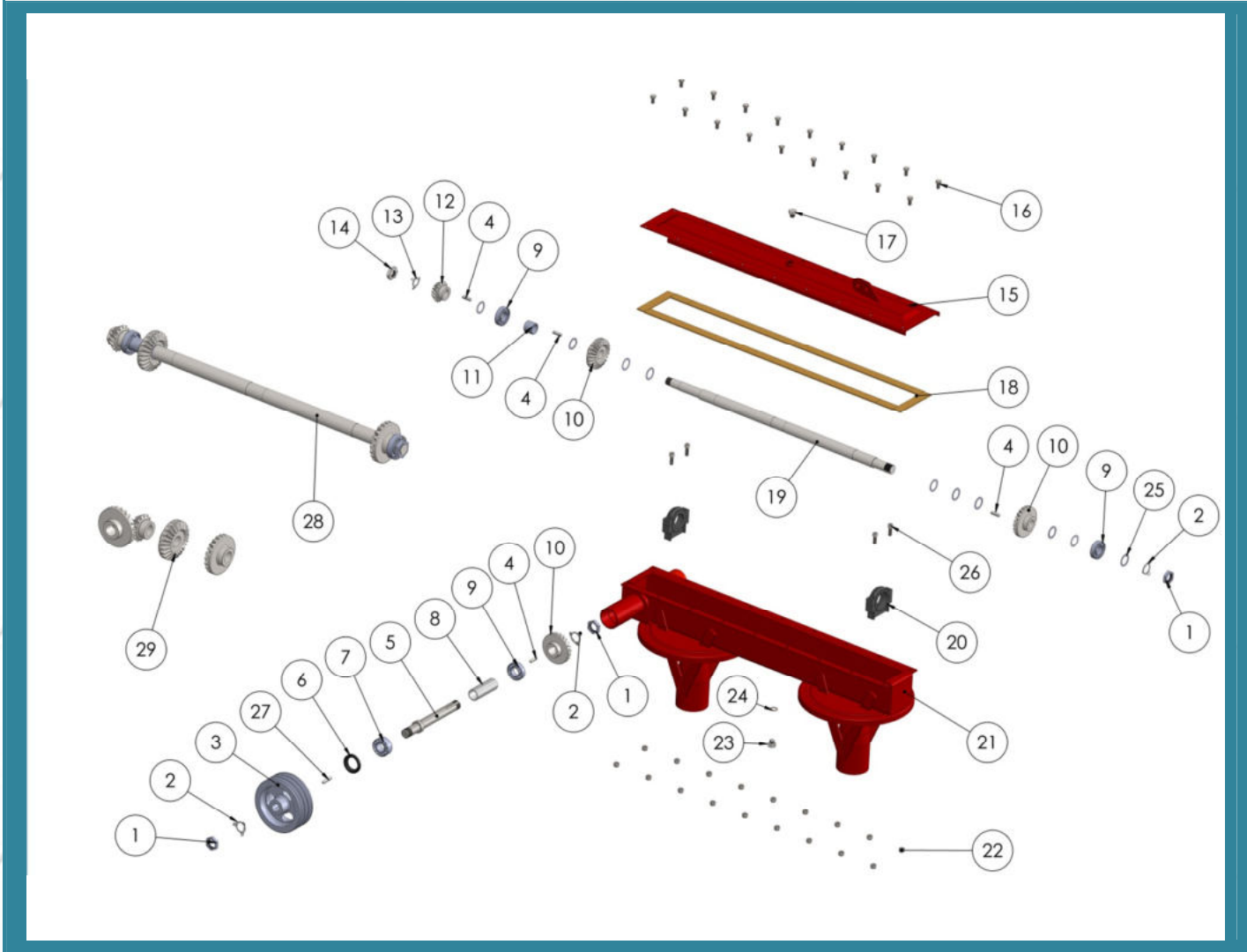


Picture Code	Track Code	Track Name	Piece	Dealer Buy (Piece /Dolar)
1	3080001	Front Box Pin	2	\$0,95
2	3080002	Thick Joint Pin	1	\$0,95
3	3080003	Joint	1	\$14,50
4	2340003	5x50 Copil	4	\$0,10
5	2010091	M16x30 Bolt	3	\$0,45
6	2010092	M16x50 Bolt	1	\$0,50
7	3080004	Joint Connection Ring	1	\$0,40
8	3080005	Joint Connection Lam	1	\$2,30
9	3080006	Ear Plate	2	\$2,10
10	2150008	Casting Ear	2	\$13,85
11	2380006	5/16 Grease Nuts	3	\$0,25
12	3080099	Front Box	1	\$90,35
13	3080100	Support Foot	1	\$5,90
14	3080009	R Pin	1	\$0,55
15	2010011	M10x20 Bolt	2	\$0,10
16	2020006	M10 Nut	2	\$0,05
17	3080010	Leggings Sheet	1	\$12,25

Product Code: 4010100

GEARBOX

Model: T135/2020



Product Code: 4010100

GEARBOX

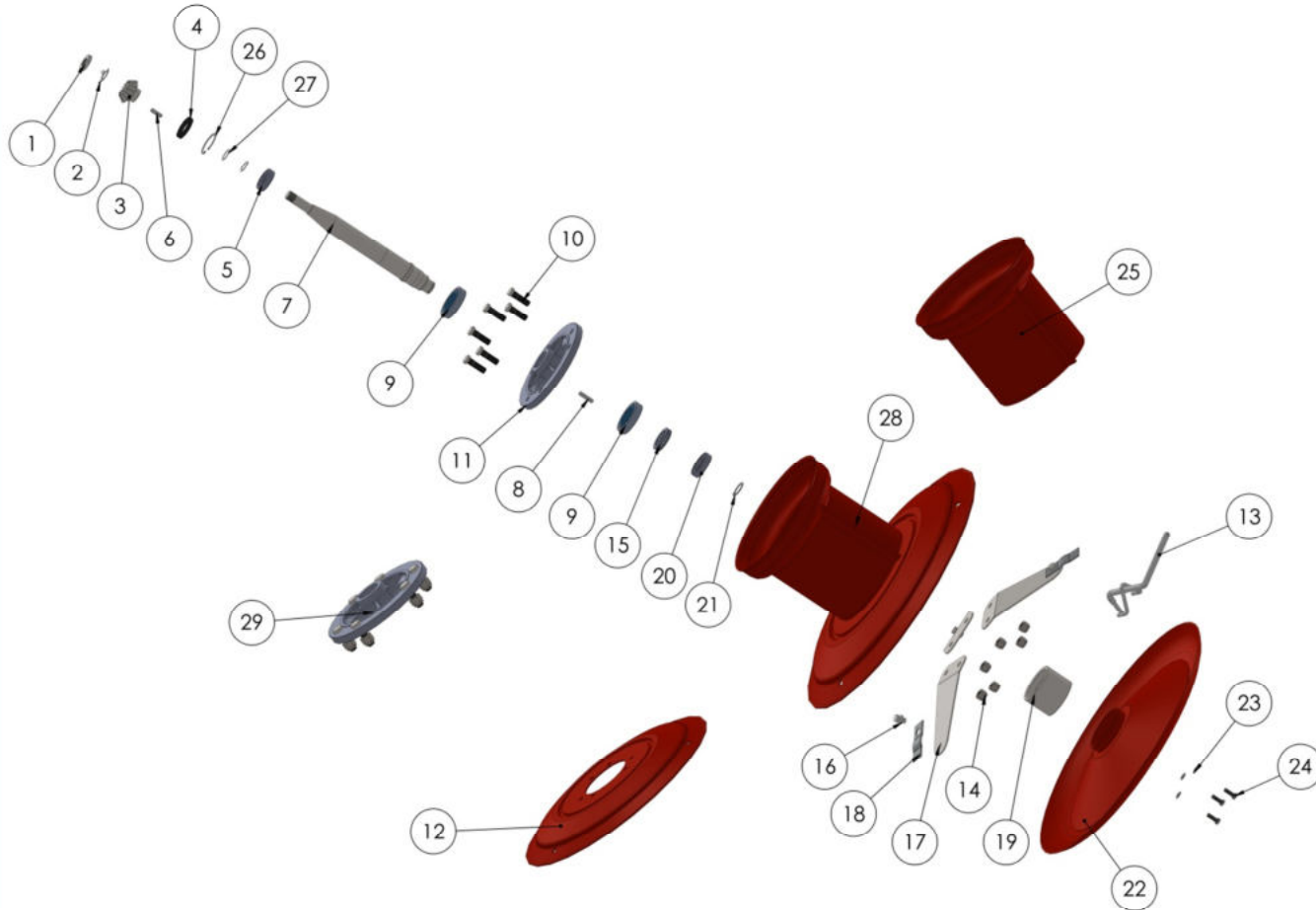
Model: T135/2020

Picture Code	Track Code	Track Name	Piece	Dealer Buy (Piece /Dolar)	Picture Code	Track Code	Track Name	Piece	Dealer Buy (Piece /Dolar)
1	2020015	M30 Screw Nut	3	\$1,05	16	2010011	M10x20 Bolt	18	\$0,10
2	3090001	M30 Clamp Washer	3	\$0,25	17	3090007	Oil Plug Top	1	\$0,50
3	2150002	Small Pulley	1	\$28,60	18	3090046	Mushroom Gasket (TOOL)	1	\$2,85
4	2330002	8x7x35 Wedge	4	\$0,30	19	3090047	Transmission Shaft	1	\$25,05
5	3090002	Small Pulley Shaft	1	\$6,60	20	2150003	Cast Bed (SET)	2	\$8,80
6	2050002	40x62x10 Felt	1	\$2,10	21	3090048	Transmission Box	1	\$158,60
7	2040003	3206 Bearing	1	\$13,45	22	2020006	M10 Fiber Nut	18	\$0,05
8	3090003	107x38x3mm Distance Pipe	1	\$2,05	23	3090011	Oil Plug Bottom	1	\$0,50
9	2040008	6206 Bearing	3	\$6,75	24	2030039	Copper Washer	1	\$0,30
10	2070001	Z 23 Gear	3	\$19,10	25	2030008	Layner Stamp	5	\$0,25
11	3090044	38x30x3mm Distance Pipe	1	\$1,40	26	2010068	M10X30 Bolt imbus	4	\$0,15
12	2070003	Ø28 Z15 Gear	1	\$19,10	27	2330001	8X7X45 Wedge	1	\$0,30
13	3090005	M25 Clamp Washer	1	\$0,15	28	3090067	Transmission Shaft (TOOL)	1	\$100,20
14	2020014	M25 Screw Nut	1	\$0,90	29	3090013	Gear Set (TOOL)	1	\$76,45
15	3090045	Transmission Box Top Cover	1	\$21,65					

Product Code: 4010100

MOWERS

Model: T135/2020



Product Code: 4010100

MOWERS

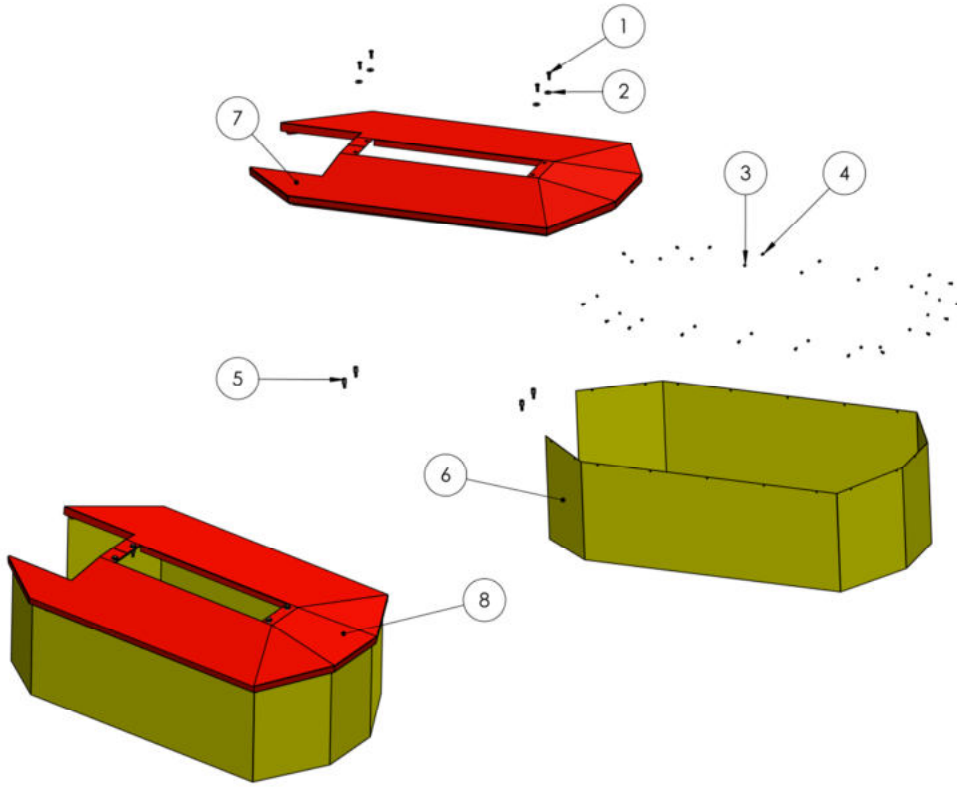
Model: T135/2020

Picture Code	Track Code	Track Name	Piece	Dealer Buy (Piece /Dolar)	Picture Code	Track Code	Track Name	Piece	Dealer Buy (Piece /Dolar)
1	2020014	M25 Screw Nut	2	\$0,90	16	3100023	Knife Holder Pin	6	\$0,90
2	3090005	M25 Clamp Washer	2	\$0,15	17	3100024	Blade Holder (Lamas)	6	\$3,00
3	2070002	Ø25 Z15 Gear	2	\$19,10	18	2380021	Drum Knife	12	\$1,05
4	2050002	40x62x10 Felt	2	\$2,10	19	2150011	Casting Wedge	2	\$19,15
5	2040011	6305 Bearing	2	\$7,20	20	2040009	6207 Bearing	2	\$7,45
6	2330002	8x7x35 Wedge	2	\$0,30	21	2230002	DIN 471 32x2.5 Circlip	2	\$0,45
7	3100020	Tapered (Flashlight) Shaft	2	\$23,60	22	3100025	Lower Drum	2	\$51,30
8	2330001	8x7x45 Wedge	2	\$0,30	23	2030011	M10 Washer	6	\$0,10
9	2040012	6210 Bearing	4	\$15,60	24	2010015	M10x30 Bolt	6	\$0,15
10	2250006	5 / 8x55 Wheel Nut	12	\$0,85	25	3100026	Drum Bowl (Flashlight)	2	\$18,60
11	2150006	Hub	2	\$49,30	26	2230003	DIN 472 62x2 Circlip	2	\$0,40
12	3100021	Upper Drum Plate	2	\$43,20	27	2030004	Layner Stamp	5	\$0,35
13	3100022	Knife Switch	1	\$3,45	28	3100034	Upper Drum	2	\$61,80
14	2020016	5/8 Fiber Nut	12	\$0,50	29	3100016	Hub (With Nut)	2	\$57,90
15	2040001	51109 Axial Bearing	2	\$4,80					

Product Code: 4010101

COVER

Model: T135B/2020



Picture Code	Track Code	Track Name	Piece	Dealer Buy (Piece /Dolar)
1	2010011	M10x20 Bolt	4	\$0,10
2	2030011	M10 Washer	4	\$0,10
3	2020002	M6 Nut Fiber	19	\$0,15
4	2010002	M6X16 Bolt	19	\$0,05
5	3090036	M10 Male Female Nut	4	\$1,90
6	2420001	Brenda	1	\$27,60
7	3090059	Canvas Cover Sheet	1	\$128,20
8	3090060	Canvas Complete	1	\$168,15

2020

www.tinaztarim.com

