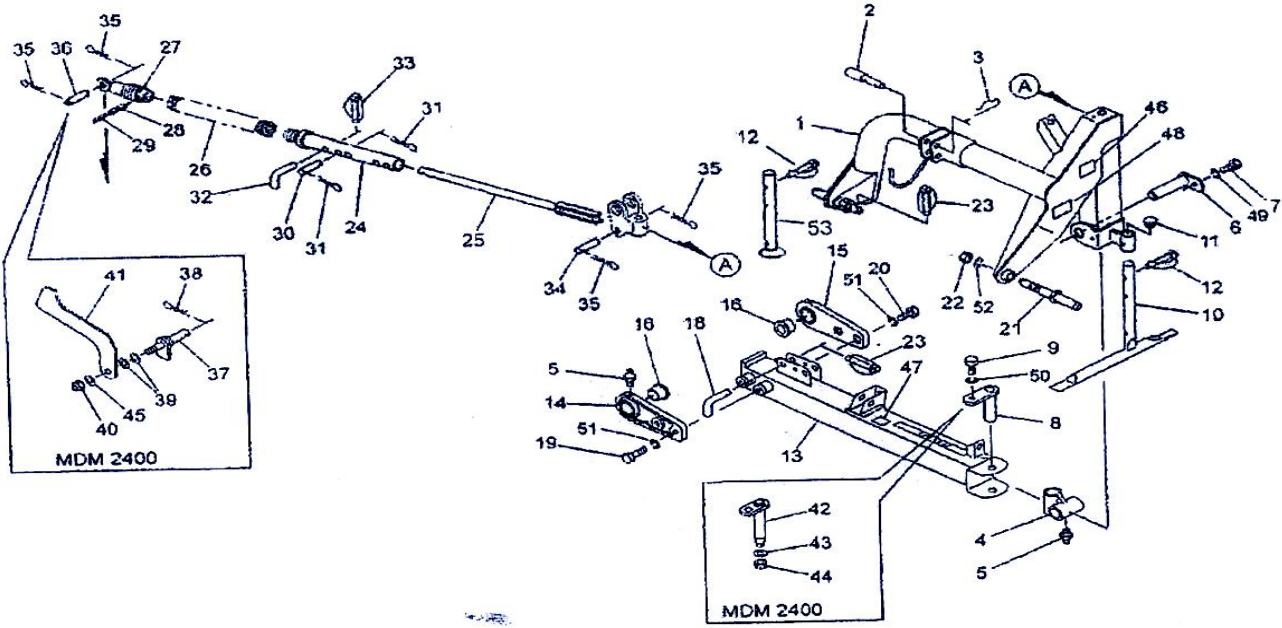
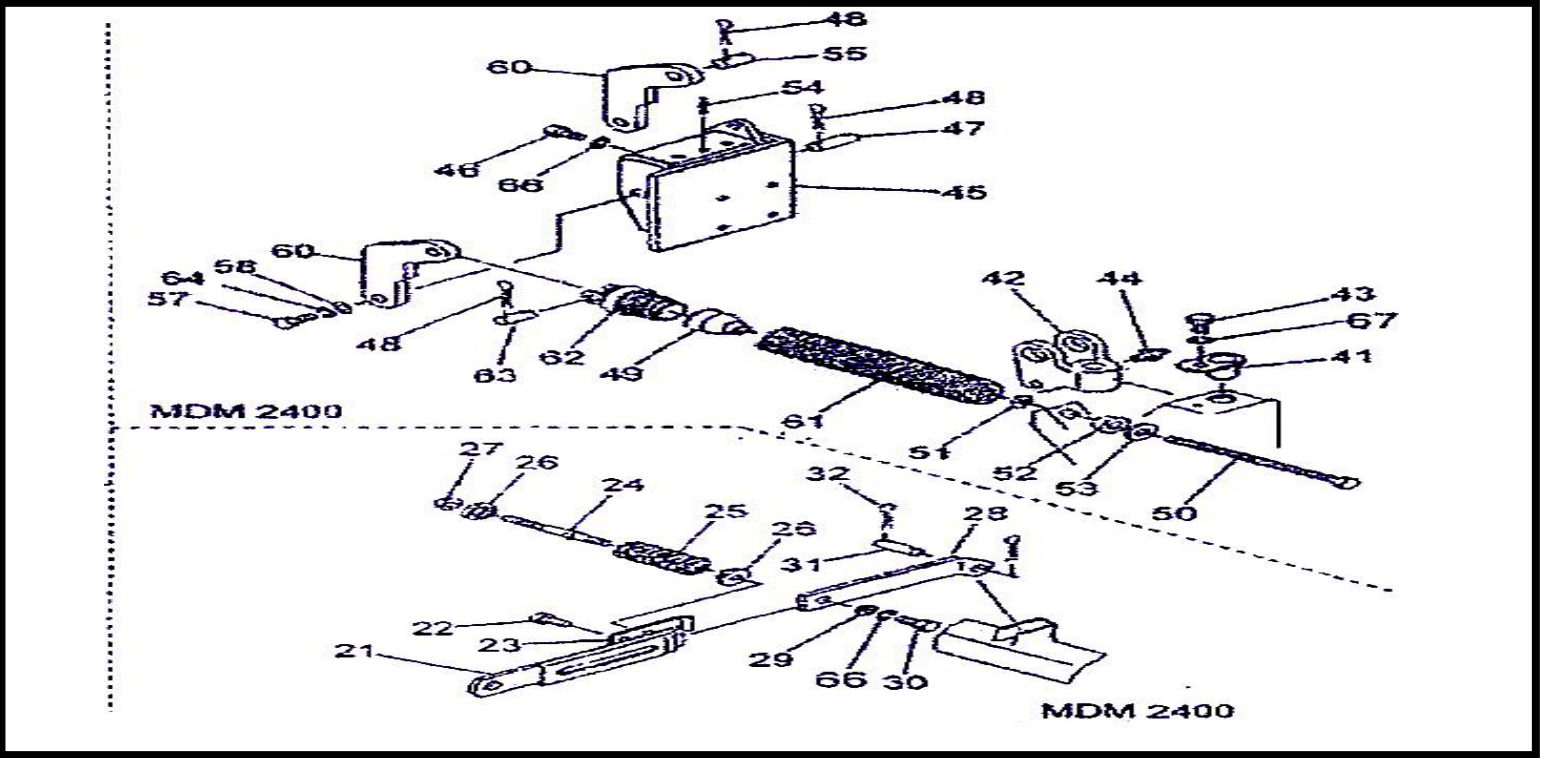


FRAME SUSPENSION ASS



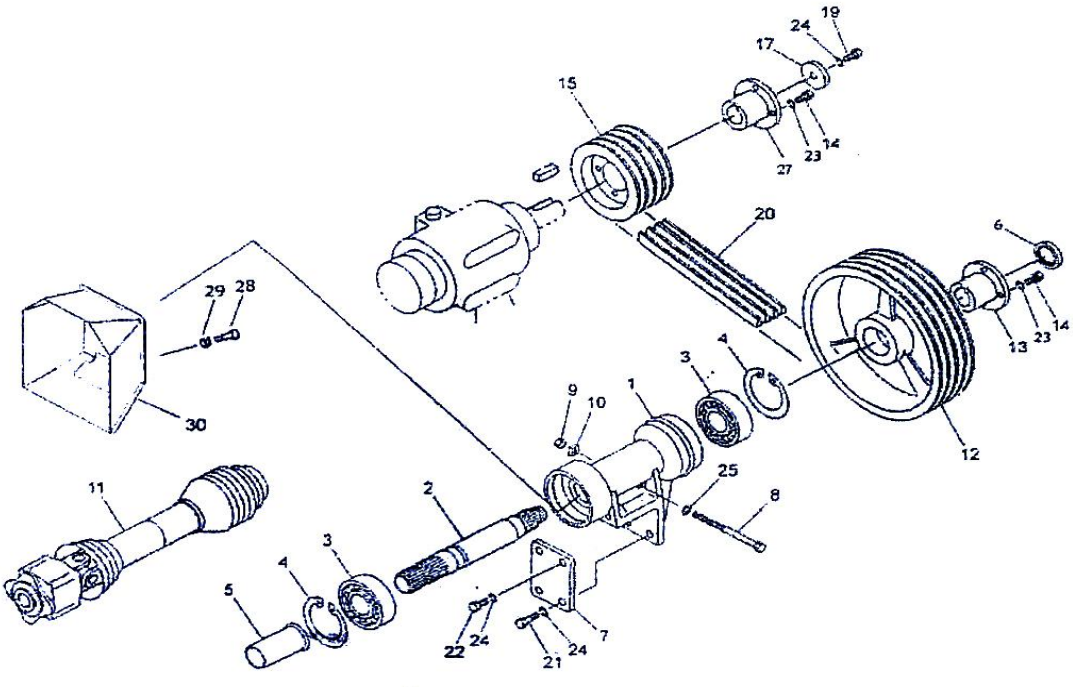
No.	Serial No.	item	Qty	Unit price	No.	Drawing No.	item	Qty	Unit price
1	0450110100	3P frame CP	1	107	28		Cylindrical pin 6x40	1	0.1
2	0450110200	Upper connecting pin	1	1.27	29		Cylindrical pin 10x40	1	0.17
3		B pin: 19x3	1	0.05	30	0450111600	Pin 16x60	1	0.64
4	0450110300	sleeve	1	9.5	31		Cotter pin 3.2x32	1	0.04
5		Grease nipple A M6x1	3	0.34	32	0450111700	Pin	1	1.3
6	0450110400	Pin CP: F40x135	1	2.7	33		Annular pin 9	1	0.42
7		Bolt M12x25 8.8	1	0.05	34	0450111800	Pin 20x104	1	0.74
9		Bolt M10x20 8.8	1	0.05	37	0450111900	Pin CP	1	2.55
10	0450110500	Support CP	1	8.6	38		Cotter pin 5x36	1	0.04
11		Cap 28.6	1	0.45	39		Disc spring	2	0.01
12		Bayonet lock 9	2	0.32	40		Nylon locking nut M16	1	0.07
13	0450110700	Main frame CP	1	59.4	41	0450112000	Stop plate	1	3.2
14	0450110800	Sleeve F	1	12.1	42	0450112100	Pin CP	1	2.55
15		Sleeve RE	1	12.1	43		Washer 20	1	0.03
16	0450110900	Bush 100x34	2	12.1	44		Nylon locking nut M20	1	0.1
18	0450111000	Pin 16	1	1.3	45		Washer 16	1	0.02
19		Bolt M16x35 8.8	2	0.19	46		Label: operating	1	4.24
20		Bolt M16x35 8.8	2	0.19	47		Label :540-600rpm	1	
21	0450111100	Lower connecting pin;II	2	3.4	48		Data plate	1	
22		Nut M24x1.5 8	2	0.3	49		Spring washer 12	11	0.009
23		Annular pin 9	4	0.42	50		Spring washer 10	1	0.009
24	0450111200	Seat CP	1	5.1	51		Spring washer16	4	0.02
25	0450111300	Conneting rod CP	1	7.6	52		Spring washer 24	2	0.03
26	0450111400	Spring H10x53x500	1	17	53	0450112200	Support CP	1	5.5
27	0450111500	Rod head CP	1	1.3					

CONNECTING PARTS--SAFETY ASS



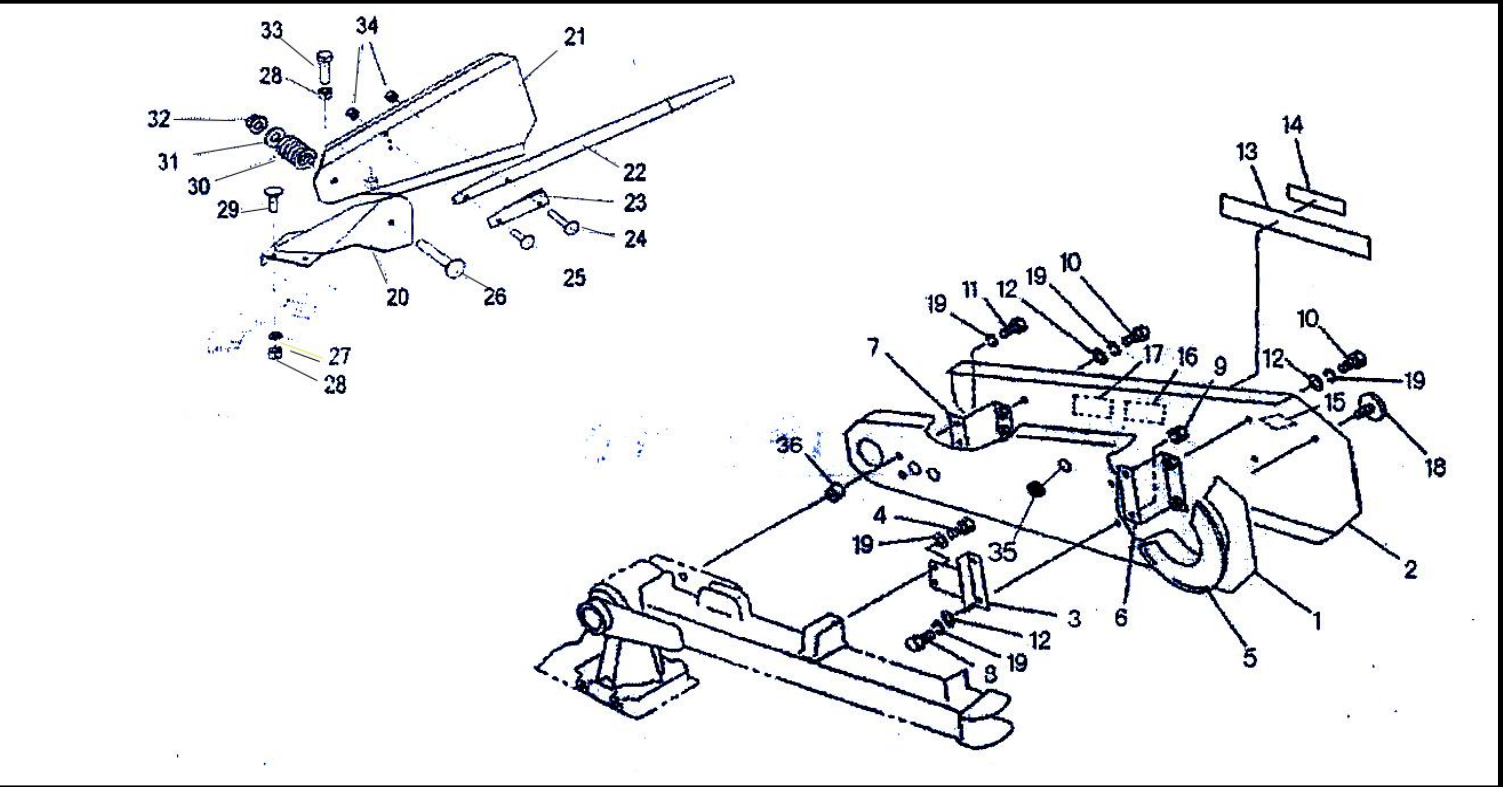
No.	Serial No.	item	Qty	Unit price	No.	Drawing No.	item	Qty	Unit price
21	0450210100	Safe bar CP	1	17USD/set	51		Nut M16	1	0.08
22	0450210200	Pin; 20	1		52	0450211600	Spheric washer :16	1	1.3
23	0450210300	Positioning plate	1		53		Washer: 16	1	0.19
24	0450210400	Double head safety bolt	1		54		Elastic cylindrical pin 10x32	1	0.08
25	0450210500	Spring A10x38x150	1		55	0450211700	Pin 20x55	1	0.64
26	0450210600	Spring seat	2		57		Bolt M12x30 8.8	1	0.07
27		Nylon locking nut M16	1		58		washer	1	0.009
28	0450210700	Rod CP	1		60	0450211800	Rod : 180	2	2.55
29	0450210800	Axle sleeve	1		61	0450211900	Spring :H14x68x756	1	40
30		Bolt M16x35	1		0.19	62	0450212000	Seat : CP	1
31	0450210900	Pin 20x72	1	0.64	63	0450212100	Pin :20x55	1	0.64
32		Cotter pin 5x36	2	0.04	64		Spring washer 12	1	0.009
41	0450211000	Pin CP: B	1	2.55	66		Spring washer 16	1	0.02
42	0450211100	Bracket	1	9.8	67		Spring washer 10	1	0.006
43		Bolt M10x20 8.8	1	0.05					
44		Grease nipple A M6	1	.034					
45	0450211200	Lifting support CP	1	25.5					
46		Hexagon socket screw M16x40	4	0.2					
47	0450211300	Pin 20x65	1	0.64					
48		Cotter pin 5x36	4	0.04					
49	0450211400	Spring seat: 51	1	2.1					
50	0450211500	Bolt CP: M16x600	1	4.3					

TRANSMISSION MECHANISM1



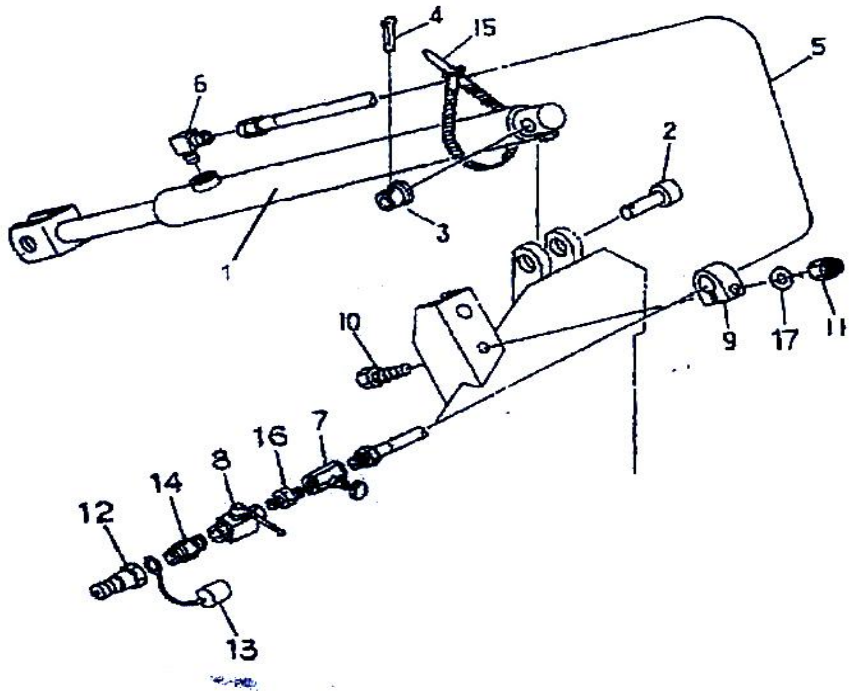
No.	Serial No.	item	Qty	Unit price	No.	Drawing No.	item	Qty	Unit pruce
1	0450310100	Bracket	1	21.8	24		Spring Washer 12	5	0.009
2	0450310200	PIC input shaft	1	10.6	25		Washer 12	1	0.009
3		Bearing	2	1.6	27	0450310900	Liner bushing B	1	4.2
4		Circlip 72	2	0.21	28		Bolt M8x20	2	0.02
5		Shaft sleeve	1	0.42	29		Nut M8	2	0.08
6		Caulking nut M30x1.5	1	0.55	30	0450311000	PIC cover CP	1	3.82
7	0450310300	Steel plate	1	1.9					
8	0450310400	Bolt	1	0.32					
9		Hex Nut M12 (8)	1	0.03					
10	0450310500	Four hexagon nut M12	1	0.53					
11		Universal coupling	1	174					
12	0450310600	V belt pulley 305B-4	1	31.8					
13	0450310700	Liner bushing: A	1	4.2					
14		Bolt M10x30 8.8	8	0.05					
15	0450310800	V belt pulley: 165B-4	1	19.5					
17		Washer 13x6	1	0.32					
19		Bolt M12x30 8.8	1	0.05					
20		V belt B-104	4	3					
21		Hex bolt M12x190	2	0.42					
22		Bolt M12x100 8.8	2	0.25					
23		Spring Washer 10	8	0.006					

COVER--GUARD PLATE



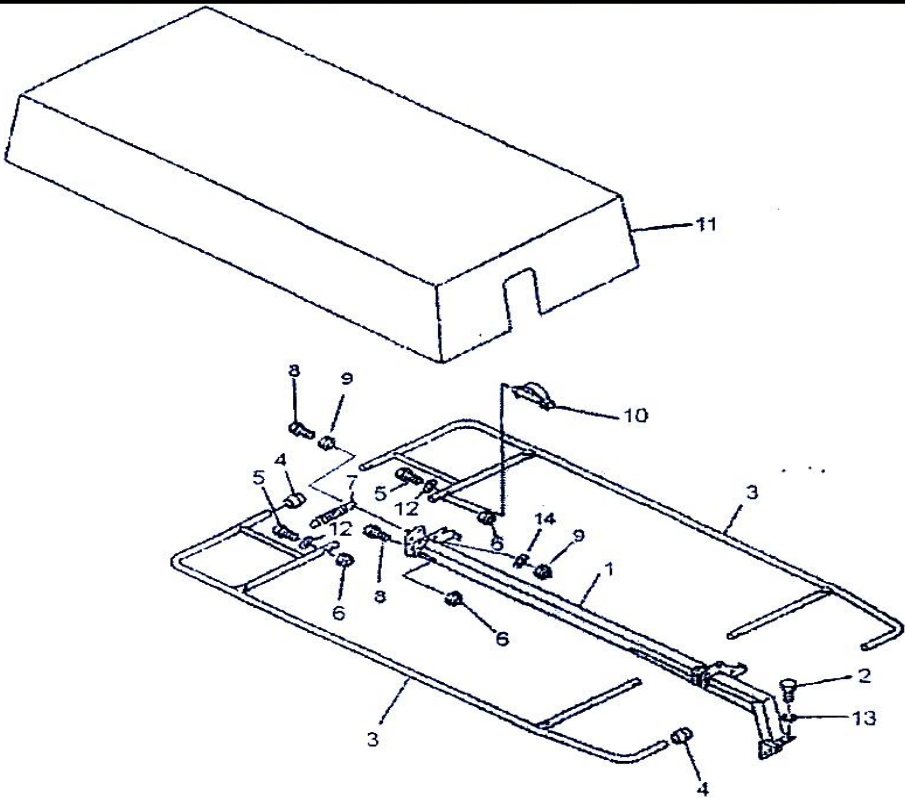
No.	Serial No.	item	Qty	Unit price	No.	Drawing No.	item	Qty	Unit price
1	0450410100	Pulley cover: F	1	25.5	23	0450411100	Guard rod seat	1	0.64
2	0450410200	Pulley cover CP: RE	1	11	24		Bolt M8	1	0.04
3	0450410300	Support plate CP	1	1.48	25		Bolt M8	1	0.04
4		Bolt M10x20	2	0.04	26		Bolt M12x85	1	0.25
5	0450410400	Cover	1	1.27	27		Spring washer 10	3	0.02
6	0450410500	Support plate CP big	1	1.27	28		Hex nut M10	3	0.09
7	0450410600	Support plate CP small	1	1.06	29		Bolt M10x30	3	0.06
8		Bolt M10x25	2	0.04	30	0450411200	Compression spring 6x25x48	1	1.7
9		Nut M10	2	0.03	31		Washer 12	1	0.27
10		Bolt M10x20	4	0.04	32		Nylon locknut M12	1	0.45
11		Bolt M10x40	2	0.05	33		Bolt M10x40 8.8	1	0.15
12		Washer 10	6	0.006	34		Nylon locknut M8	2	0.09
16		Label :waring	2		35		Seal cap	1	0.2
17		Label: waring	1		36	0450411400	Bush	2	0.64
18	0450410700	Mirror	1						
19		Spring washer 10	1	0.006					
20	0450410800	Support connecting plate CP: R	1	6.8					
21	0450410900	Guard plate CP: R	1	9.8					
22	0450411000	Guard rod	1	2.7					

ADJUSTMENT LEVER



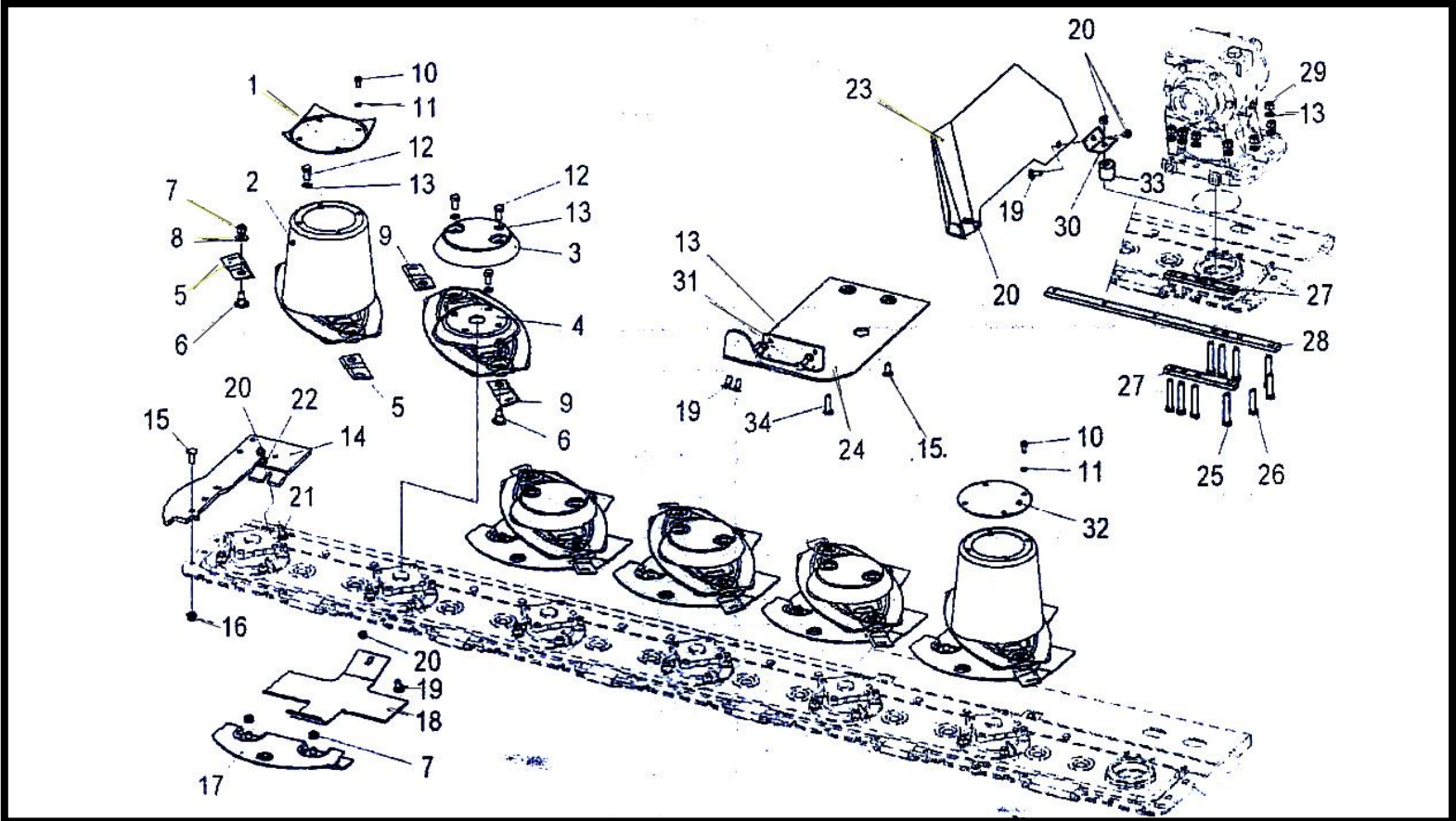
No.	Serial No.	item	Qty	Unit price	No.	Drawing No.	item	Qty
1	0450510100	Hydraulic cylinder	1	72				
2	0450510200	Pin	1	1.5				
3	0450510300	Bush	1	1				
4		Cotter pin 5x56	1	0.3				
5	0450510400	Hose CP G1/4x	1	25				
6		Elbow PF1/4-PT1/4	1	0.45				
7		Throttle valve Rc1/4	1	4.3				
8		Stope valve Rc1/4	1	9				
9		Pipe clamp	1	0.9				
10		Bolt M8x50	1	0.05				
11		Nylon locknut: M8	1	0.01				
12		Quick coupling	1	6.4				
13		Join PT1/4-1/8	1	0.56				
14		Plastic buckle 7.5x382	1	0.05				
15		Join PT1/4	1	0.45				
16		Washer M8	1	0.01				

PROTECTOR ASS



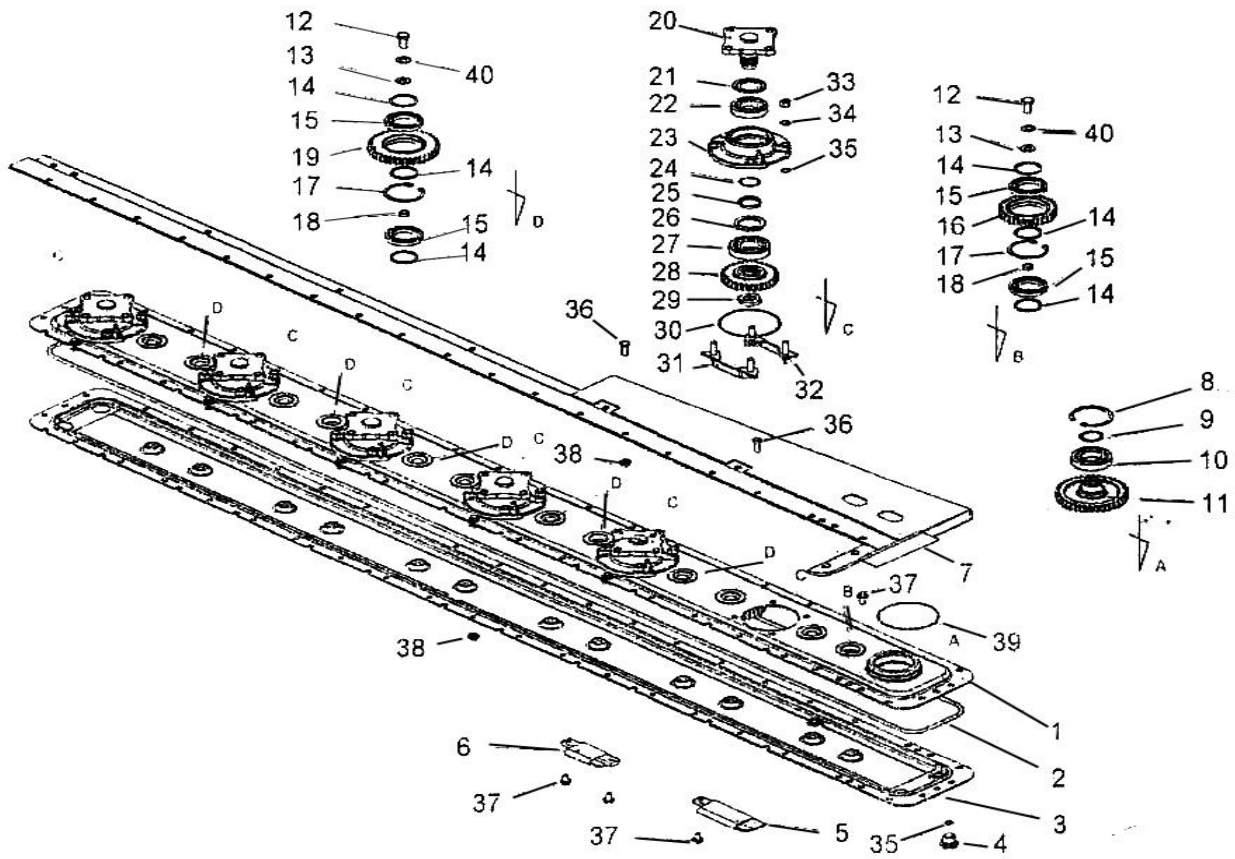
No.	Serial No.	item	Qty	Unit ptice	No.	Drawing No.	item	Qty
1	0450610100	Protector bracket CP	1	41				
2		Bolt M12x30 8.8	4	0.18				
3	0450610200	Protector CP	2	15.9				
4	0450610300	Handle 24	2	0.53				
5		Bolt M10x50	4	0.07				
6		Nylon locknut	6	0.005				
7	0450610400	Spring 4x125	1	0.74				
8		Bolt M10x60	3	0.1				
9		Nut M10 8.8	2	0.027				
10		Bayonet lock	1	0.42				
11		Protector cover	1	41				
12		Washer 10	4	0.06				
13		Spring washer 12	4	0.009				
14		Spring washer 10	1	0.006				

BRACKET---CUTTER BAR ASS



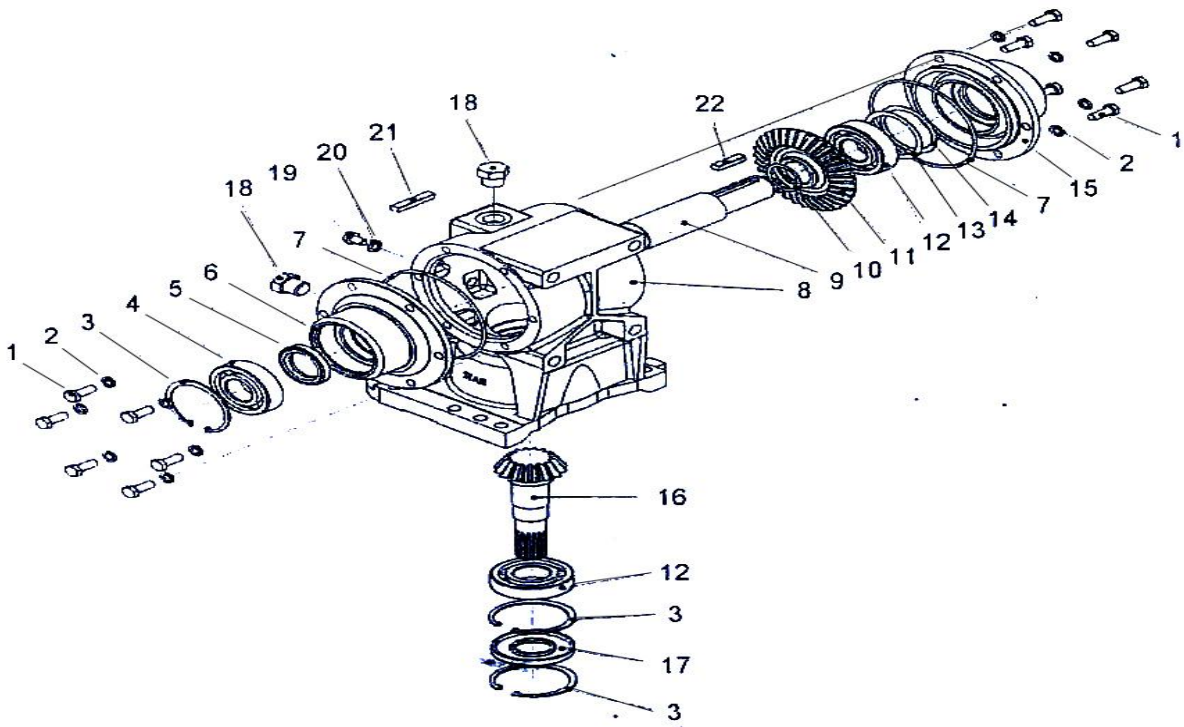
No.	serial No.	Item	Qty	Unit price	No.	Serial No.	item	Qty	Unit price
1	0450710100	Side disc caps	1	3.2	21		Square neck bolt M10x35	1	0.13
2	0450710200	Side discs CP	2	36.4	22		Flat gasket 10	1	0.01
3	0450710300	Middle disc cups	4	4.55	23	0450711200	Connecting plate CP	1	2.3
4	0450710400	Middle discs CP	4	18.2	24	0450711300	Bracket bottom board CP	1	17.7
5	0450710500	Blades L	6	0.8	25		Hex bolt M12x75	8	0.18
6	0450710600	Bolt	12	0.7	26		Hex bolt M12x55	2	0.18
7		Nylon locknut M12	24	0.03	27	0450711400	Rod B	2	1.2
8		Washer	12	0.004	28	0450711500	Rod A	1	2.3
9	0450710800	Blades R	6	0.8	29		Hex bolt M12	10	0.03
10		Hex blot M8x20	8	0.13	30	0450711600	Folded plate	1	0.53
11		Spring washer 8	8	0.009	31		Hex bolt M12x20	2	0.18
12		Hex bolt M12x25	24	0.13	32	0450711700	Steel plate	1	2.1
13		Spring washer 12	36	0.009	33	0450711800	Bush	1	0.64
14	0450710900	Support positioning plate	1	6.4	34		Bolt M10x60	1	0.2
15		Square neck bolt M10x35	3	0.13					
16		Nylon locknut M10	3	0.09					
17	0450711000	Guard plate CP	6	19.4					
18	0450711100	Lower guard plate	6	7					
19		Square neck bolt M10x25	10	0.13					
20		Nylon locknut M10	12	0.45					

DISCS



No.	Serial No.	item	Qty	Unit price	No.	Serial No.	item	Qty	Unit price
1	0450810100	Upper gearbox cover CP	1	59	21	0450811300	Scraper seal	6	0.9
2		Seal bar	1	1.94	22		Deep groove ball bearing 6207-2RS	6	4.3
3	0450810300	Lower gearbox cover CP	1	141	23	0450811400	Disc sleeve	6	18.2
4		Oil Plug 1/4"	2	0.45	24		O seal ring G35	6	0.3
5	0450810400	Connecting plate CP2	1	2.3	25	0450811500	Inner Oil seal ring	6	1.14
6	0450810500	Connecting plate CP1	5	1.8	26		Oil seal 45x60x7	6	1.25
7	0450810600	Reinforcing bar	1	82	27		Deep groove ball bearing 6307	6	5.7
8		Circlip 80	1	0.3	28	0450811600	Gear 30T	6	7.5
9		Circlip 40	1	0.11	29		Hex nut M27	6	0.4
10		Deep groove ball bearing 6208	1	4.8	30		O sea l ring G110	6	0.6
11	0450810700	Gear 39T	1	10.2	31	0450811700	Bolt connecting parts CP (large)	6	2
12		Hex bolt M14x35 8.8	12	0.13	32	0450811800	Bolt connecting parts CP (small)	6	1.8
13		Flat gasket 14	12	0.01	33		Hex nut M12	24	0.45
14	0450810800	Washer 2.7	36	0.01	34		Spring washer 12	24	0.007
15		Bearing 16009	24	5.5	35		O seal ring P11	26	0.22
16	0450810900	Gear 31T	2	6.82	36		Hex bolt M10x30	18	0.09
17		Circlip 75	12	0.22	37		Hex locking bolt M10x20	17	0.15
18	0450811000	Gasket ring	12	0.45	38		Hex locknut M10	24	0.09
19	0450811100	Gear 38T	10	7.95	39		O seal ring G100	1	0.4
20	0450811200	Disc shaft	6	16	40		Spring washer 14	12	0.009

GEARBOX



No.	Serial No.	item	Qty	Unit price	No.	Serial No.	item	Qty
1		Hex bolt M10x25	12	0.13				
2		Spring washer 10	12	6				
3		Circlip 80	3	0.22				
4		Deep groove ball bearing	1	5.7				
5		Seal 42x62x10	1	0.64				
6	0450910100	Gearbox cover A	1	14.8				
7		O seal ring G135	2	0.22				
8	0450910200	Gearbox	1	126				
9	0450910300	shaft	1	6.8				
10		Wedge	2	0.34				
11	0450910500	Bevel gear 33T	1	21.6				
12		Deep groove ball bearing	2	5.7				
13		Wedge 63x0.1	1	0.3				
14		Wedge 63x0.2	2	0.35				
15	0450910800	Gearbox cover B	1	19.3				
16	0450910900	Bevel gear shaft 16T	1	14.8				
17		Seal 35x80x10	1	0.6				
18		Bolt AS	2	0.23				
19		Bolt M10	1	0.13				
20		Washer	1	0.01				
21		Flat key 10x8x50	1	0.09				
22		Flat key 10x8x35	1	0.09				