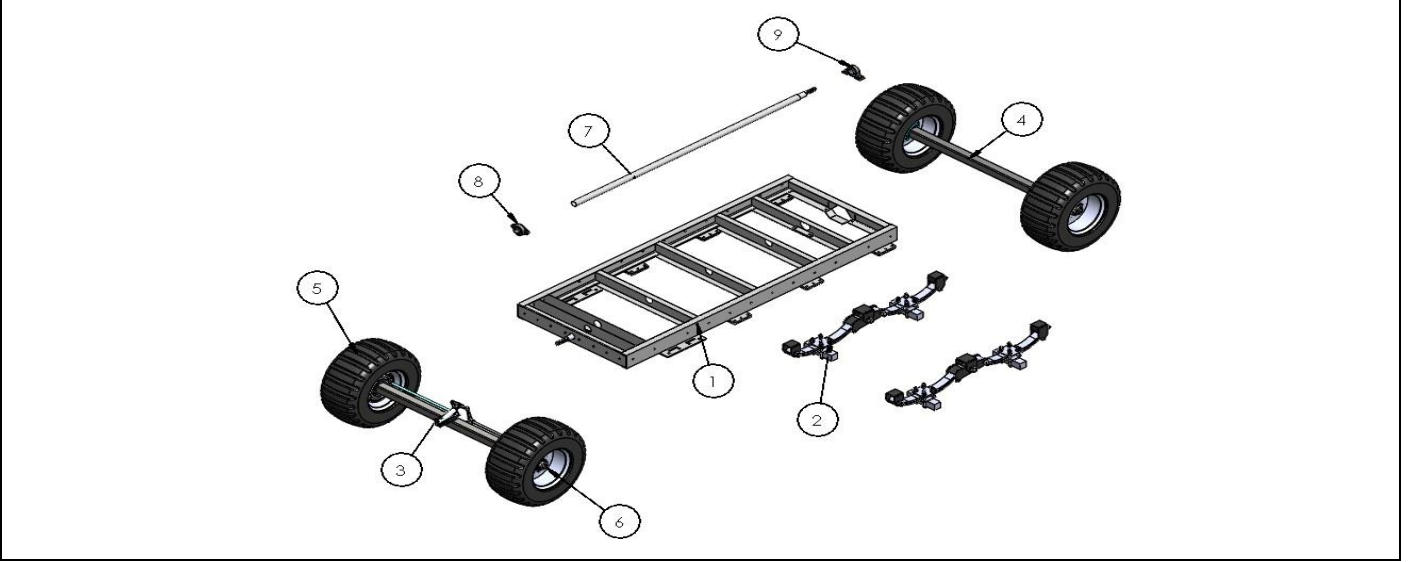




**8 m<sup>3</sup> SOLID MANURE SPREADER MACHINE**  
**SPARE PARTS LIST**

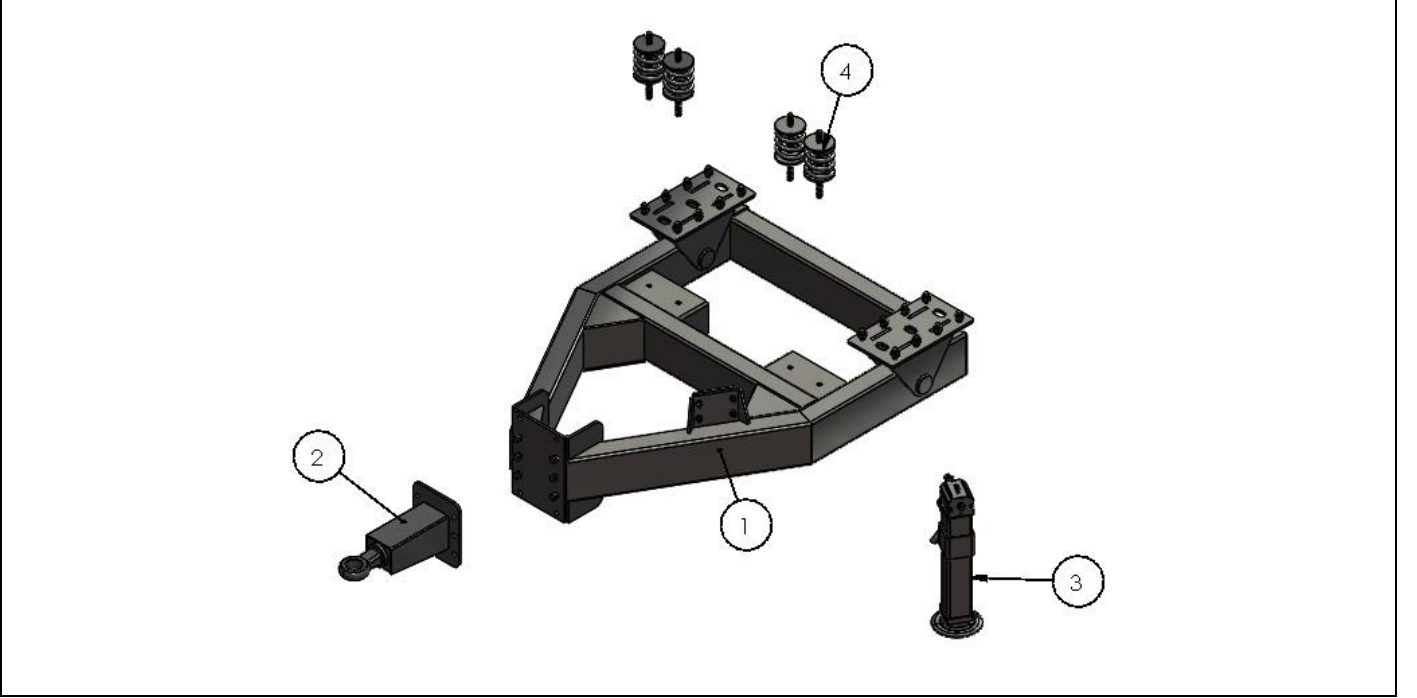


# Chassis



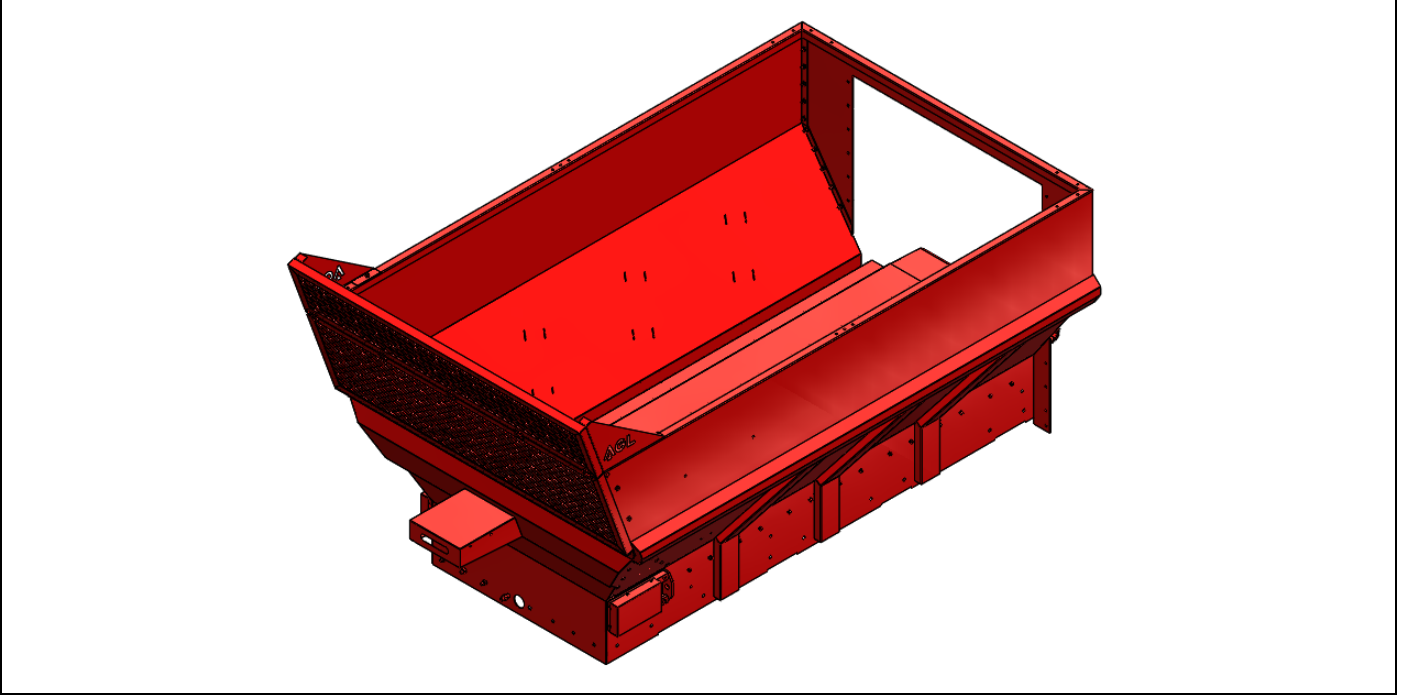
PRODUCT NUMBER	PRODUCT CODE	DESCRIPTION	QUANTITY	PRICE(N/\$)
1	SMSM08100001	Chassis	1	
2	SMSM08100002	Tandem Leaf Spring System	2	
3	SMSM08100003	Axle With Break	1	
4	SMSM08100004	Axle	1	
5	SMSM08100005	Tire 400/60-15.5	4	
6	SMSM08100006	Rim	4	
7	SMSM08100007	Shaft	1	
8	SMSM08100008	UCFL 210	1	
9	SMSM08100009	UCP 210	1	

# Tow Bar Group



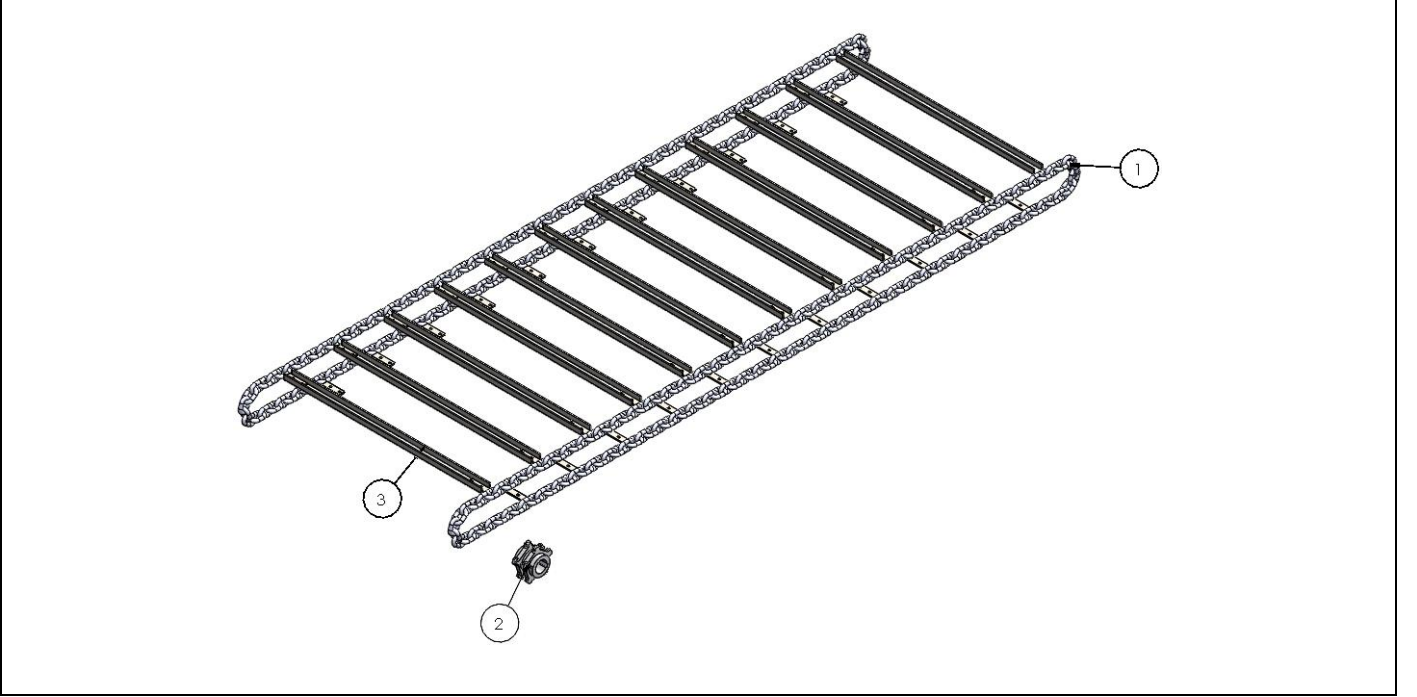
PRODUCT NUMBER	PRODUCT CODE	DESCRIPTION	QUANTITY	PRICE(N/\$)
1	SMSM08110001	Tow Bar Body	1	
2	SMSM08110002	Towing Eye	1	
3	SMSM08110003	Lever Jack	1	
4	SMSM08110004	Compression Spring	4	

# Body



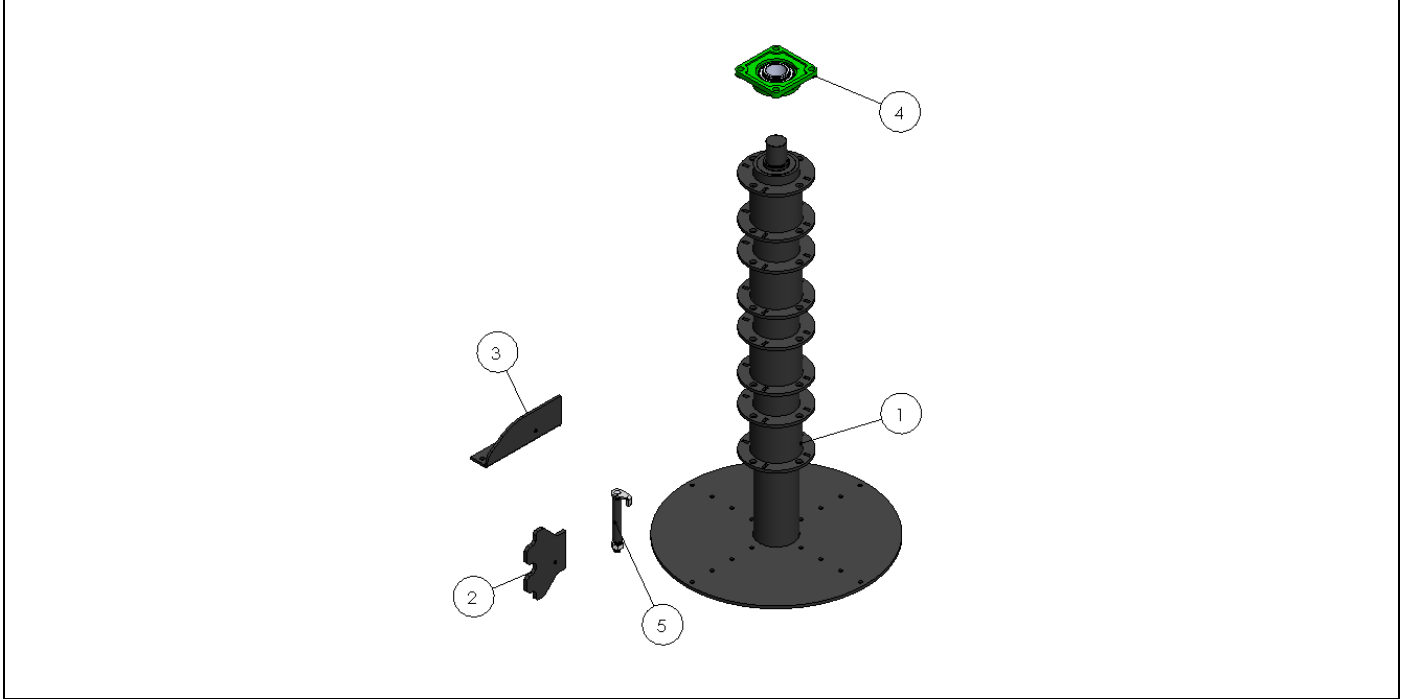
PRODUCT NUMBER	PRODUCT CODE	DESCRIPTION	QUANTITY	PRICE(N/\$)
1	SMSM08120001	Body	1	

# Chain Conveyor



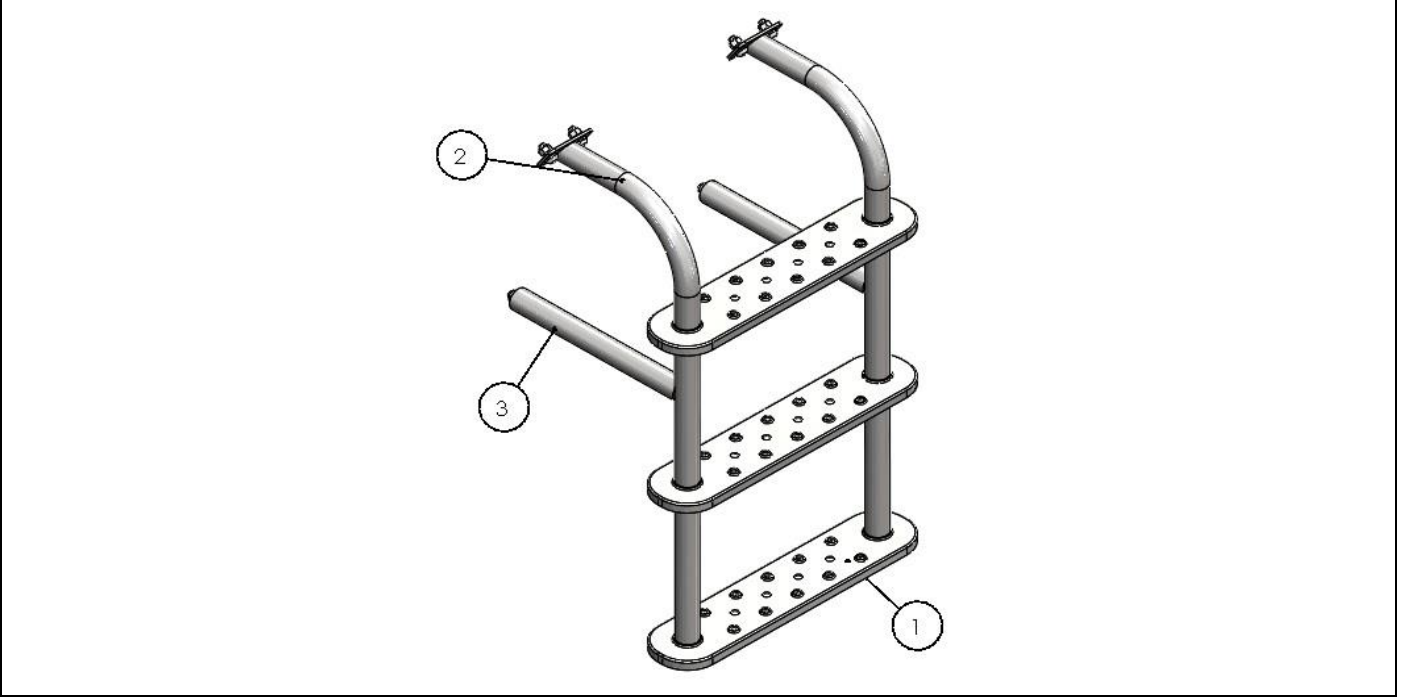
PRODUCT NUMBER	PRODUCT CODE	DESCRIPTION	QUANTITY	PRICE(N/\$)
1	SMSM08130001	Chain	2	
2	SMSM08130002	Gear	4	
3	SMSM08130003	Pallet U Sheet Metal Piece	26	

# Spreader



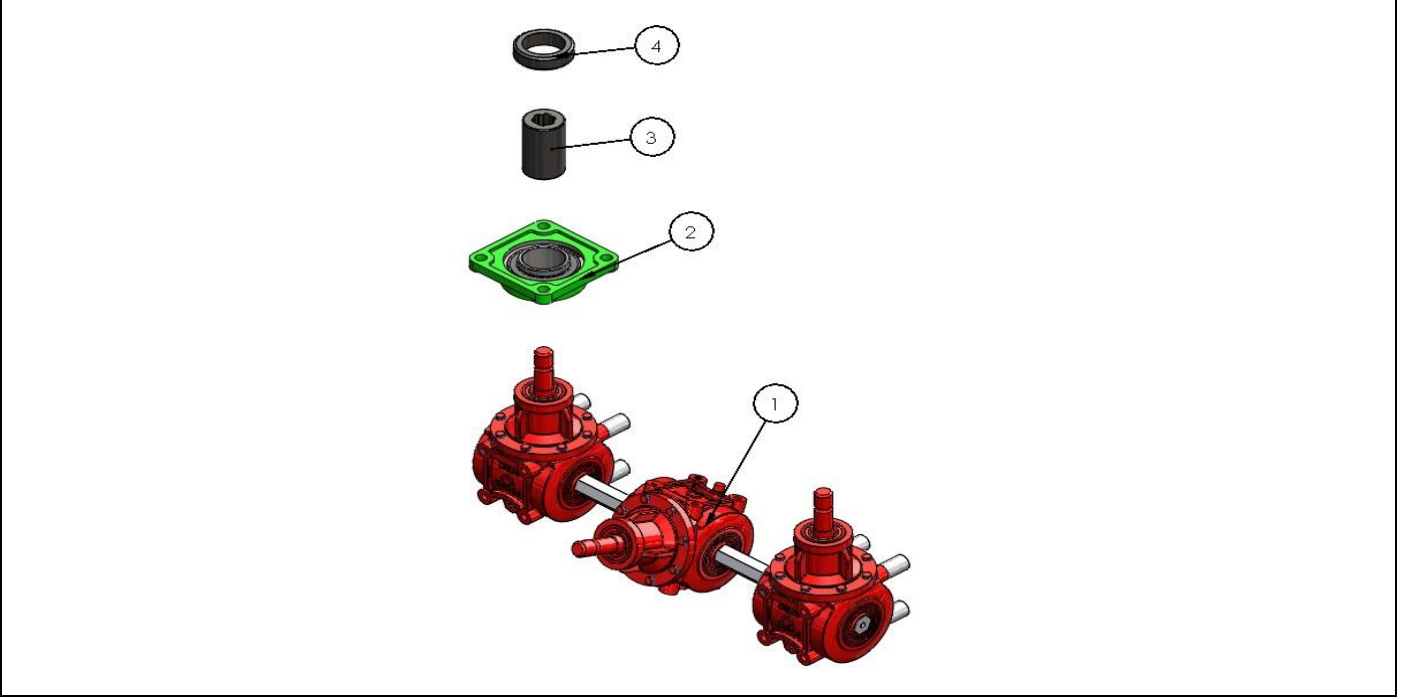
PRODUCT NUMBER	PRODUCT CODE	DESCRIPTION	QUANTITY	PRICE(N/\$)
1	SMSM08140001	Spreader Auger Body	2	
2	SMSM08140002	Spreader Piece	16	
3	SMSM08140003	Spreader L Piece (Left – Right)	8	
4	SMSM08140004	UCF 212	2	
5	SMSM08140005	Spreader Auger – Spreader Piece Connecting Piece	16	

# Stair



PRODUCT NUMBER	PRODUCT CODE	DESCRIPTION	QUANTITY	PRICE(N/\$)
1	SMSM08150001	Platform Stair	3	
2	SMSM08150002	Stair Pipe	2	
3	SMSM08150002	Stair - Body Connecting Piece	2	

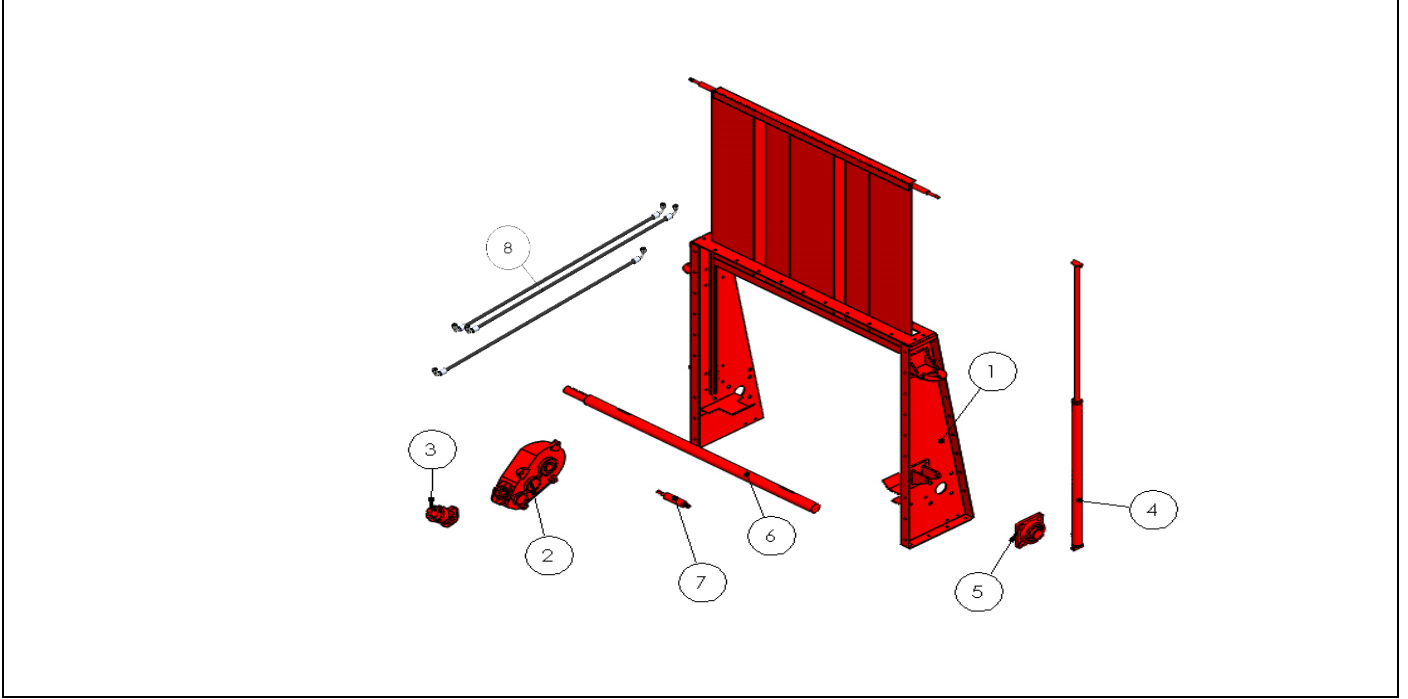
# Gearbox



PRODUCT NUMBER	PRODUCT CODE	DESCRIPTION	QUANTITY	PRICE(N/\$)
1	SMSM08160001	Gearbox	1	
2	SMSM08160002	UCF 216	2	
3	SMSM08160002	Coupler	2	
4	SMSM08160002	Gearbox – Spreader Connecting Piece	2	



# Cover Group



PRODUCT NUMBER	PRODUCT CODE	DESCRIPTION	QUANTITY	PRICE(N/\$)
1	SMSM08170001	Cover	1	
2	SMSM08170002	Reductor CD -700	1	
3	SMSM08170003	Hydromotor 250 cc/min , 53 lt/min , 40,1 daNm	1	
4	SMSM08170004	Hydraulic Cylinder	2	
5	SMSM08170005	UCF 212	2	
6	SMSM08170006	Reductor Mile	1	
7	SMSM08170007	Reductor – Body Connecting Piece	2	
8	SMSM08170008	Hydraulic Hose Set	1	



**Erenler OSB.Mh. Cumhuriyet Bulvarı No:29**

**68220 AKSARAY/TURKEY**

**Tel: +90 382 502 03 00**

**Tel: +90 382 502 03 05**

**[www.agl-industrial.com](http://www.agl-industrial.com)**

