

# WCD150

## 4.7 INCH CHIPPER SHREDDER

D.O.T. TOWABLE DUCAR/LONCIN/Briggs & Stratton/Kohler/Yamaha/Honda PRO ENGINE, DISK CHIPPER

# ASSEMBLY GUIDE



Read this owner's manual carefully in its entirety before attempting to assemble this machine. Read, understand and follow all instructions on the machine before operation. Be completely familiar with the controls and the proper use of the machine before operating it. Keep this manual in a safe place for future and regular reference and for ordering replacement parts



# TABLE OF CONTENTS

SPECIFICATIONS ..... 3

**SECTION I: SAFETY**

GENERAL RULES ..... 6

CALIFORNIA PROP 65 ..... 7

WARNING LABELS ..... 7

TRAINING ..... 9

PREPARATION ..... 9

OPERATION ..... 10

TOWING ..... 12

MAINTENANCE & STORAGE ..... 12

OPERATOR ZONE ..... 14

YOUR RESPONSIBILITY ..... 14

SAVE THESE INSTRUCTIONS FOR FUTURE REFERENCE ..... 14

**SECTION II: ASSEMBLY**

PACKAGE CONTENTS ..... 16

TOOLS REQUIRED FOR ASSEMBLY ..... 16

UNPACKING AND CHECKING THE CONTENTS ..... 16

WOOD CHIPPER ASSEMBLY ..... 18

**SECTION III: OPERATION**

PROPER USE GUIDELINES ..... 28

OIL AND FUEL ..... 29

STARTING AND STOPPING ..... 30

OPERATION NOTES ..... 31

**SECTION IV: CHIPPING**

PROCESSING 5" OR SMALLER TREES ..... 34

CHIPPING NOTES ..... 34

TROUBLESHOOTING ..... 35

**SECTION V: MAINTENANCE & STORAGE**

HOW TO MAINTAIN YOUR MACHINE ..... 38

REMOVAL, SHARPENING & REINSTALLATION OF CHIPPER BLADE ..... 40

ADJUSTING OR REPLACING BELT ..... 41

CENTRIFUGAL CLUTCH TECH TIPS ..... 42

TROUBLESHOOTING ..... 44

PARTS LIST ..... 45

PARTS DIAGRAM ..... 46

**WARRANTY ..... 48**

# SPECIFICATIONS

Item Number						
<b>Engine</b>	Ducar DH420	Loncin G420F(D)	Briggs & Stratton XR2100	Kohler CH440	Yamaha MX400	Honda GX390
<b>Displacement</b>	420cc	420cc	420cc	429cc	402cc	389cc
<b>Net Power</b>	15hp (9.1kw)	15hp (9.0kw)	13.5hp (9.0kw)	14hp(10.5kw)	12.8hp (9.4KW)	13hp (9.6kw)
<b>Chipping Capacity</b>	12cm					
<b>Knives Nos.</b>	2 x rotating knives; 1 x anvil					
<b>Drive</b>	Direct belt drive, 17 x 900Li Kevlar belt, Centrifugal clutch					
<b>Cutting Method</b>	Disc					
<b>Cutter RPM</b>	2000 rpm/min					
<b>Tire</b>	4.8-8 Tubeless					
<b>Towing</b>	2" Coupler hitch, Jockey wheel					
<b>Overall size</b>	2448 x 1010 x 1807 mm					
<b>Weight (N.W./G.W.)</b>	248 / 268KGS					
<b>Package Methoo</b>	Plywood case					
<b>Packing Size</b>	1050 x 770 x 1250 mm					
<b>20GP/40HQ Qty.</b>	15/66 pcs					



# **SECTION I**

## SAFETY

# SAFETY

## GENERAL RULES



This symbol points out important safety instructions which, if not followed, could endanger the personal safety and/or property of yourself and others.

Read and follow all instructions in this manual before attempting to operate your chipper. Failure to comply with these instructions may result in personal injury.

**When you see this symbol - heed its warning.**

**THIS MACHINE IS CAPABLE OF INFLICTING SERIOUS INJURY IF OPERATED IMPROPERLY - READ WARNINGS AND CAUTION LABELS.**

### INTENDED USE

**Never** use your chipper for any other purpose than chipping wood. It is designed for this use and any other use may cause serious injury and void the warranty.



**DANGER: Rotating cutting blade.**

Keep your hands and feet out of inlet and discharge opening while machine is running.



**DANGER:** This machine can **CRUSH, GRIND, CUT,** and **SEVER** parts of your body if they enter the inlet or discharge area of your chipper.



**DANGER:** Your chipper was built to be operated according to the rules for safe operation in this manual. As with any type of power equipment, carelessness or error on the part of the operator can result in serious injury. If you violate any of these rules, you may cause serious injury to yourself or others.

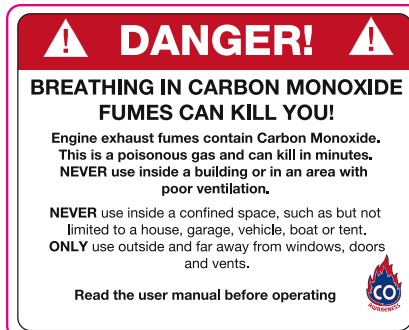
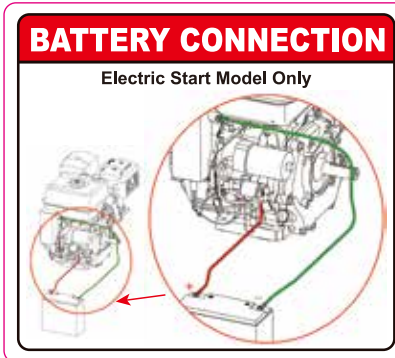
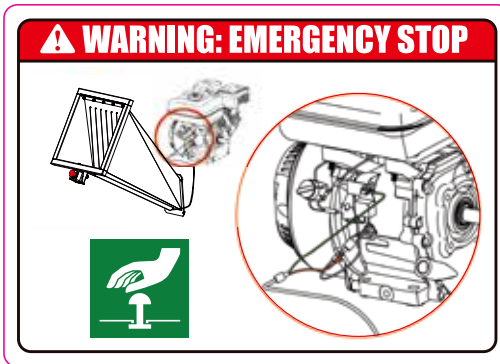
# SAFETY

## WARNING LABELS



**CALIFORNIA PROP 65:** The Engine Exhaust from this product contains chemicals known to the state of California to cause cancer, birth defects or other reproductive harm.

**MAKE CERTAIN THAT ALL SAFETY LABELS ON THIS EQUIPMENT ARE KEPT CLEAN AND IN GOOD CONDITION. IF YOU NEED REPLACEMENT LABELS, CONTACT THE SUPPLIER.**



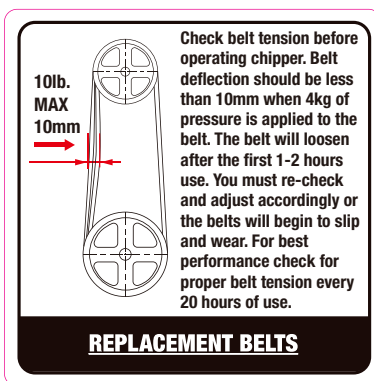
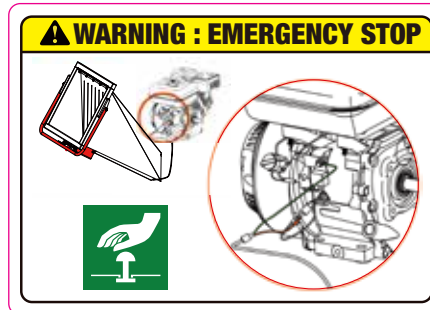
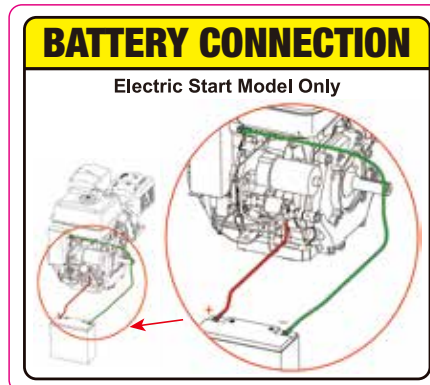
# SAFETY

## WARNING LABELS



**CALIFORNIA PROP 65:** The Engine Exhaust from this product contains chemicals known to the state of California to cause cancer, birth defects or other reproductive harm.

**MAKE CERTAIN THAT ALL SAFETY LABELS ON THIS EQUIPMENT ARE KEPT CLEAN AND IN GOOD CONDITION. IF YOU NEED REPLACEMENT LABELS, CONTACT THE SUPPLIER.**





# SAFETY

## SAFE OPERATION PRACTICES

### TRAINING

- Read this owner's manual carefully in its entirety before attempting to assemble this machine. Read, understand and follow all instructions on the machine before operation. Be completely familiar with the controls and the proper use of the machine before operating it. Keep this manual in a safe place for future and regular reference and for ordering replacement parts.
- Never allow children to operate the unit. Never operate the equipment without proper instruction. Only responsible individuals who are familiar with these rules of safe operation should be allowed to use this unit.
- Keep the area of operation clear of all persons, particularly small children and pets. Stop the engine when they are in the vicinity of the unit. Keep work area clean and clear of branches and obstacles, which could cause you to stumble or fall.
- Keep in mind that the operator or user is responsible for accidents or hazards occurring to other people, their property, and themselves.
- Your chipper is a powerful tool, not a plaything. Exercise extreme caution at all times. Your unit has been designed to chip wood. Do not use it for any other purpose.
- If situations occur which are not covered in this manual, use care and good judgment.

### PREPARATION

- Thoroughly inspect the area where the equipment is to be used and remove all foreign objects.
- Do not operate the machine without wearing adequate protection and safety goggles. Always wear safety glasses or goggles during operation and while performing any adjustment or repair, to protect eyes from foreign objects that may be thrown from the machine. Be sure your glasses or goggles fit properly.
- Avoid loose-fitting clothes and use protective footwear that will improve footing on slippery surfaces. Shirt and slacks that cover the arms and legs and steel-toed boots are recommended. Secure hair above shoulders. Do not wear loose clothes or jewelry that can be caught in moving parts. Never operate the unit in bare feet, sandals, or sneakers. Wear gloves when feeding the material into the chipper chute. Be sure your gloves fit properly.



**WARNING:** Fuel is highly flammable and the vapors are explosive. Take the following precautions.

- Store fuel and oil in approved containers.
- Keep away from heat and open flame, and out of reach from children.
- Refuel outdoors only and do not smoke while refueling.

# SAFETY

## SAFE OPERATION PRACTICES

- Check and add fuel before starting the engine. Never remove gas cap or add fuel while the engine is running or when the engine is hot. Allow engine to cool before refueling.
- If fuel is spilled, do not attempt to start the engine but move the machine away from the area of spillage and avoid creating any source of ignition until fuel vapors have disappeared.
- Replace all fuel tank and container caps securely.
- Never store the machine or fuel container inside where there is an open flame or spark, such as a gas hot water heater, space heater, clothes dryer or furnace.
- To reduce fire hazard, keep engine and muffler free of debris build-up. Clean up fuel and oil spillage. Allow unit to cool at least five minutes before storing.
- Never attempt to make any adjustments while the engine is running.

### OPERATION

- Never place your hands, feet, or any part of your body in the chipper chute, discharge opening, or near or under any moving part while the engine is running. Keep clear of the discharge opening at all times. If it becomes necessary to push material into the chipper chute, use a small diameter stick, NOT YOUR HANDS.
- Keep your face and body back from chipper chute to avoid accidental bounce back of any material.
- The machine should only be operated on a level surface. Never operate your unit on a slippery, wet, muddy, or icy surface.
- Stay alert for hidden hazards or traffic. Do not carry passengers.
- If the cutting mechanism strikes a foreign object or if your machine should start making an unusual noise or vibration, immediately stop the engine, After the machine has come to a complete stop proceed as follows:
- Remove the spark plug wire(s) and wait for all moving parts to come to a complete stop.
  - Inspect for any damage
  - Repair or replace any damaged parts before restarting and operating the machine.
- Exercise caution to avoid slipping or falling
- If the machine should start to vibrate abnormally, immediately stop the engine, and wait for all moving parts to come to a complete stop and inspect for the cause. Vibration is generally a warning sign of trouble.
- Stop the engine when leaving the operating position, and when making any repairs, adjustments and inspections. **STAY CLEAR OF THE CHIP CHUTE AT ALL TIMES.**
- Take all possible precautions as recommended by the manufacturer when leaving the machine unattended. Push the E-STOP.
- Before cleaning, repairing, or inspecting, shut off the engine and make certain the flywheel and all moving parts have come to a complete stop. Disconnect the spark plug wire and keep the wire away from spark plug to prevent accidental starting.
- Never run this machine in an enclosed area as the exhaust from the engine contains carbon monoxide, which is an odorless, tasteless, and deadly poisonous gas.

# SAFETY

## SAFE OPERATION PRACTICES

- Keep all guards and safety devices in place and operating properly. Do not operate the machine if all safety guards are not in place.
- Do not use the unit with the chipper hopper removed.
- The muffler and engine become hot and can cause a severe burn. Do not touch.
- Keep children and pets away.
  - Tragic accidents can occur if the operator is not alert to the presence of small children.
  - Keep children out of the work area and under the watchful eye of a responsible adult other than the operator.
  - Be alert and turn the unit off if a child enters the area.
  - Never allow children to operate the chipper.
- Do not overload or attempt to chip material beyond 4 inches.  
Personal injury or damage to the machine could result.
- Never operate the machine at high transport speeds or on hard or slippery surfaces.
- Never allow bystanders near the unit while running.
- Only use accessories approved for this machine by the manufacturer. Read, understand, and follow all the instructions provided with the approved accessory.
- Only operate unit in good daylight. Do not operate unit at night or in dark areas where your vision may be impaired.
- Use extreme caution when reversing or pulling the machine towards you. NEVER move the machine while it is running.
- Do not tamper with the engine's governor setting. The governor controls the maximum safe operation speed and protects the engine. Over-speeding the engine is dangerous and will cause damage to the engine and to the other moving parts of the machine.
- Start the engine according to the manufacturers instructions. Keep hands and feet away from inlet and discharge areas.
- Never pick up or carry the machine while the engine is running.
- Do not operate while under the use of alcohol, drugs, or medication. A clear mind is essential for safety.
- Do not allow anyone who is not alert to operate this machine.
- When feeding material into this equipment, be extremely careful that pieces of metal, rocks, or other foreign objects are not included. Personal injury or damage to the machine could result.
- Keep area of discharge clear of people, animals, buildings, glass or anything else that will obstruct clear discharge, cause injury or damage. Wind can also change discharge direction, so be aware.
- Do not allow an accumulation of processed material to build up in the discharge area as this will prevent proper discharge and can result in kick-back from the chipper chute.
- Do not allow any part of the engine, especially around the cooling fins and muffler, to become clogged with processed material, leaves, oil, grease or any other combustible material.
- Do not operate engine if air cleaner or cover over carburetor air-intake is removed, except for adjustment. Non-Removal of such parts could create a fire hazard.

# SAFETY

## SAFE OPERATION PRACTICES

### TOWING

- Obey all state and local regulations when towing on public roads. **THIS MACHINE IS NOT HIGHWAY TOWABLE.**
- Before towing, be certain the chipper is correctly and securely attached to the towing vehicle and the safety chains are in place. Leave slack in the chains to allow for turning.
- Do not allow anyone to sit or ride on the chipper. This can cause serious injury.
- Stay alert for hidden hazards or traffic. Do not carry passengers.
- Never carry any cargo or wood on your chipper. It may fall off and endanger following vehicles.
- Allow for added length when turning, parking, crossing intersections and in all driving situations.
- Be careful when backing up. You can easily jackknife your chipper.
- Adjust towing speed for terrain and conditions. Do not exceed 45 MPH when towing.
- Because there is no suspension on the chipper, it will tend to bounce more on rough roads. Be extra cautious when towing over bumpy or rough terrain including railroad crossings.

### MAINTENANCE & STORAGE

- Keep machine, attachments and accessories in safe working condition.
- Check engine mounting bolts and other hardware before each use for proper tightness. Never operate your chipper in poor mechanical condition or when in need of repair. Be sure all safety guards and shields are in proper position. These safety devices are for your protection.
- Never store machine with fuel in the fuel tank inside a building where ignition sources are present, such as hot water and space heaters, clothes dryers and the like. Allow the engine to cool before storing in any enclosure.
- Always refer to the operator's manual for important details if the machine is to be stored for an extended period.
- If the fuel tank is to be drained, do this outdoors.
- If it is necessary for any reason to unclog the feed intake or discharge openings or to inspect or repair the machine where a moving part can come in contact with your body or clothing, shut the machine off, allow all moving parts to come to a complete stop, disconnect the spark plug wire(s) and allow the engine to cool before attempting to unclog, inspect or repair.
- Check the blade mounting screws before each use for proper tightness. Also visually inspect the blade for wear or damage. Replace the blade with parts that meet original equipment specifications.

# SAFETY

## SAFE OPERATION PRACTICES

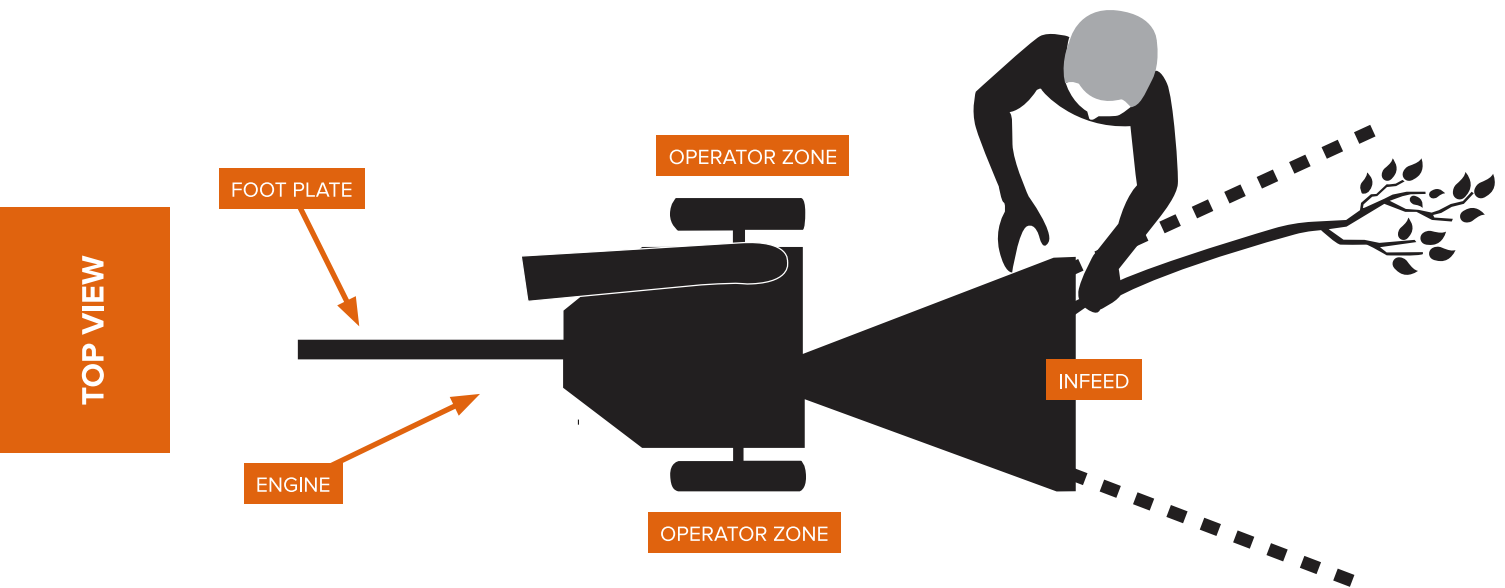
- Blades should be checked for sharpness and the bolts attaching them to the flywheel for tightness before each operation.
- Replace the nylock nuts securing the blade every time you replace the blade.
- Check the gap between the blade and wear plate every time you sharpen or replace the blade.
- Never tamper with safety devices. Check their proper operation regularly.
- Inspect the belt each time you use the unit. Look for damage, worn areas or tears. Do not use the unit if this condition exists.
- Do not tamper with the engine's governor setting. The governor controls the maximum safe operation speed and protects the engine. Over-speeding the engine is dangerous and will cause damage to the engine and to the other moving parts of the machine.

# SAFETY

## SAFE OPERATION PRACTICES

### OPERATOR ZONE

- Only operate your chipper from the operator zone.
- Know how to turn your unit off.
- Never move your chipper or leave it unattended with the engine running.
- Follow engine owner's manual for engine maintenance and repair



**HAZARD:** This unit is equipped with an internal combustion engine and should not be used on or near any unimproved forest-covered, brush-covered or grass-covered land unless the engine's exhaust system is equipped with a spark arrester applicable to local or state laws (if any). If a spark is used, the operator should maintain it in effective meeting arrester working order.

### YOUR RESPONSIBILITY

- Restrict the use of this power machine to persons who read, understand and follow the warnings and instructions in this manual and on the machine.

### SAVE THESE INSTRUCTIONS FOR FUTURE REFERENCE

In the State of California, the above is required by law (section 4442 of the California Public Resources Code). Other states may have similar laws. Federal laws apply on federal lands. A spark arrester for the muffler is available through your servicing dealer.

# **SECTION II**

## ASSEMBLY

# ASSEMBLY

## PACKAGE CONTENTS

SKID	PARTS BOX	BOLT BAG
CHIPPER	CHIPPER HOPPER	4 EA - 5/16-18 X 3/4" CARRIAGE BOLTS
HITCH ARMS	STAND	4 EA - 5/16-18 NYLOCK NUT
HITCH ASSEMBLY	GLASSES	4 EA - 5/16 USS FLATWASHER
PARTS BOX	OWNER'S MANUAL	2 EA - 1/2-13 X 3" HHCS
	ENGINE MANUAL	4 EA - 1/2 -13 X 1 1/4" HHCS
	BOLT BAG	2 EA - 1/2-13 GRIPCO NUT
	WIRE HARNESS	1 EA - 3/16 HAIR COTTER PIN
	10 EA - 14 1/2" CABLE TIES	2 EA - HITCH ARM MOUNTING PLATES
	BLADE GAUGE	2 EA - ENGINE KEY

### TOOLS REQUIRED FOR ASSEMBLY

- 1/2" Wrench or Socket - 2 required
- 3/4" Wrench or Socket - 2 required

### UNPACKING AND CHECKING THE CONTENTS

- Remove all the items from the crate.
- After unpacking the crate, compare the contents with the list above.
- If any parts are missing, please contact the supplier directly.
- Assembly should be done on a clean, level surface.



# ASSEMBLY

PACKAGE CONTENTS



# ASSEMBLY

## STEP BY STEP INSTRUCTIONS

### WOOD CHIPPER ASSEMBLY

Set the shipping crate on a solid flat surface and carefully remove the lid. Use two people and take all parts out of the crate and inspect the components to ensure there are no missing pieces before starting to assemble the wood chipper.

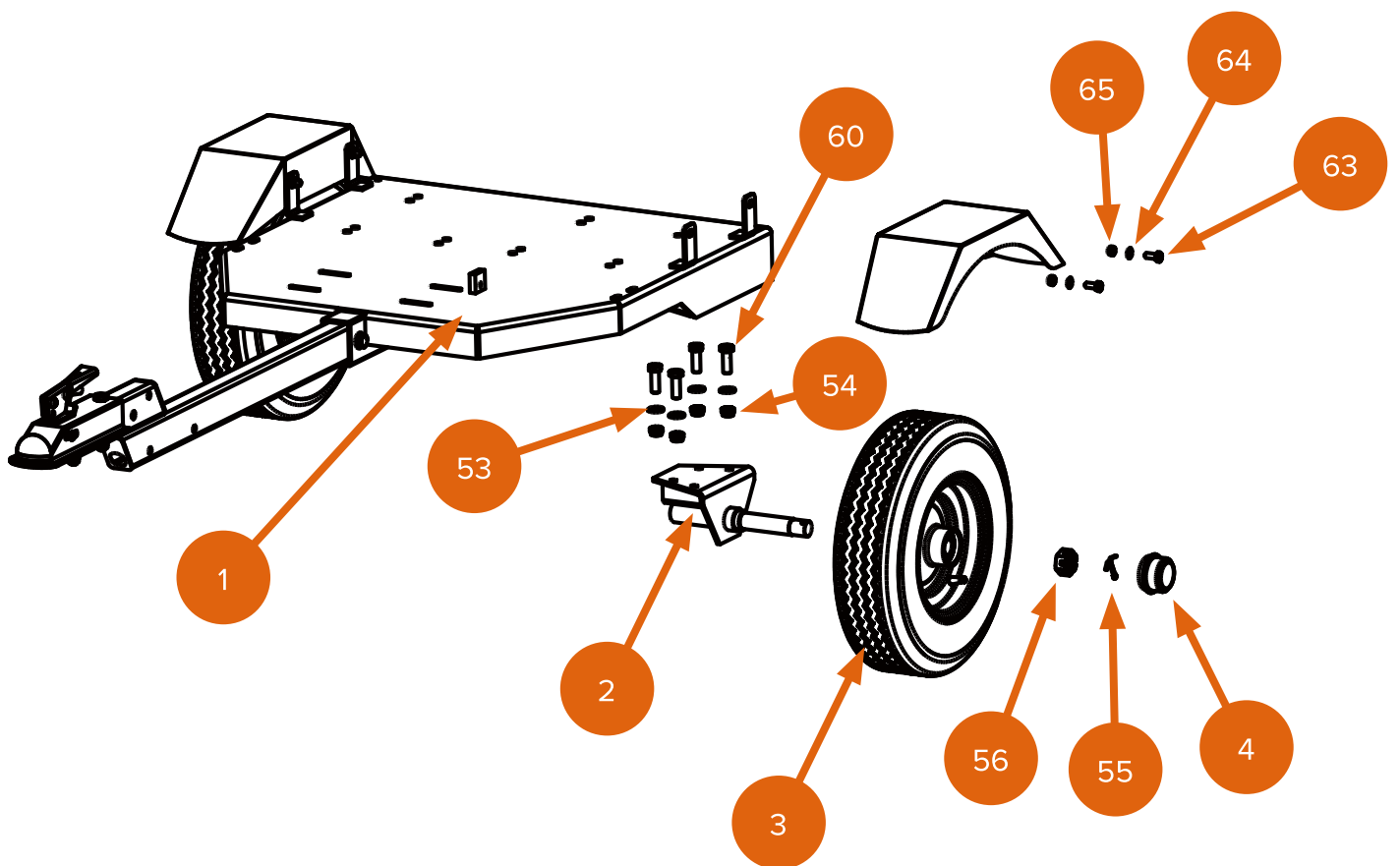
### STEP 1: ATTACHING THE TIRES

1. Attach the wheel axis (2) to the chassis (1) using M12x30 hex bolt (60), flat washer 12 (53) and lock nut M12 (54).
2. Attach the fender (43) to the chassis (1) using M8x20 hex bolt (63), flat washer 8 (64) and M8 lock nut (65).
3. Attach the wheel (3) to the wheel axis (2), lock the M24x1.5 hex slotted nut (56) in place using the 4x45 split pin (55) and install the dust cap (4) on the end using a rubber mallet.



# ASSEMBLY

## STEP BY STEP INSTRUCTIONS



# ASSEMBLY

## STEP BY STEP INSTRUCTIONS

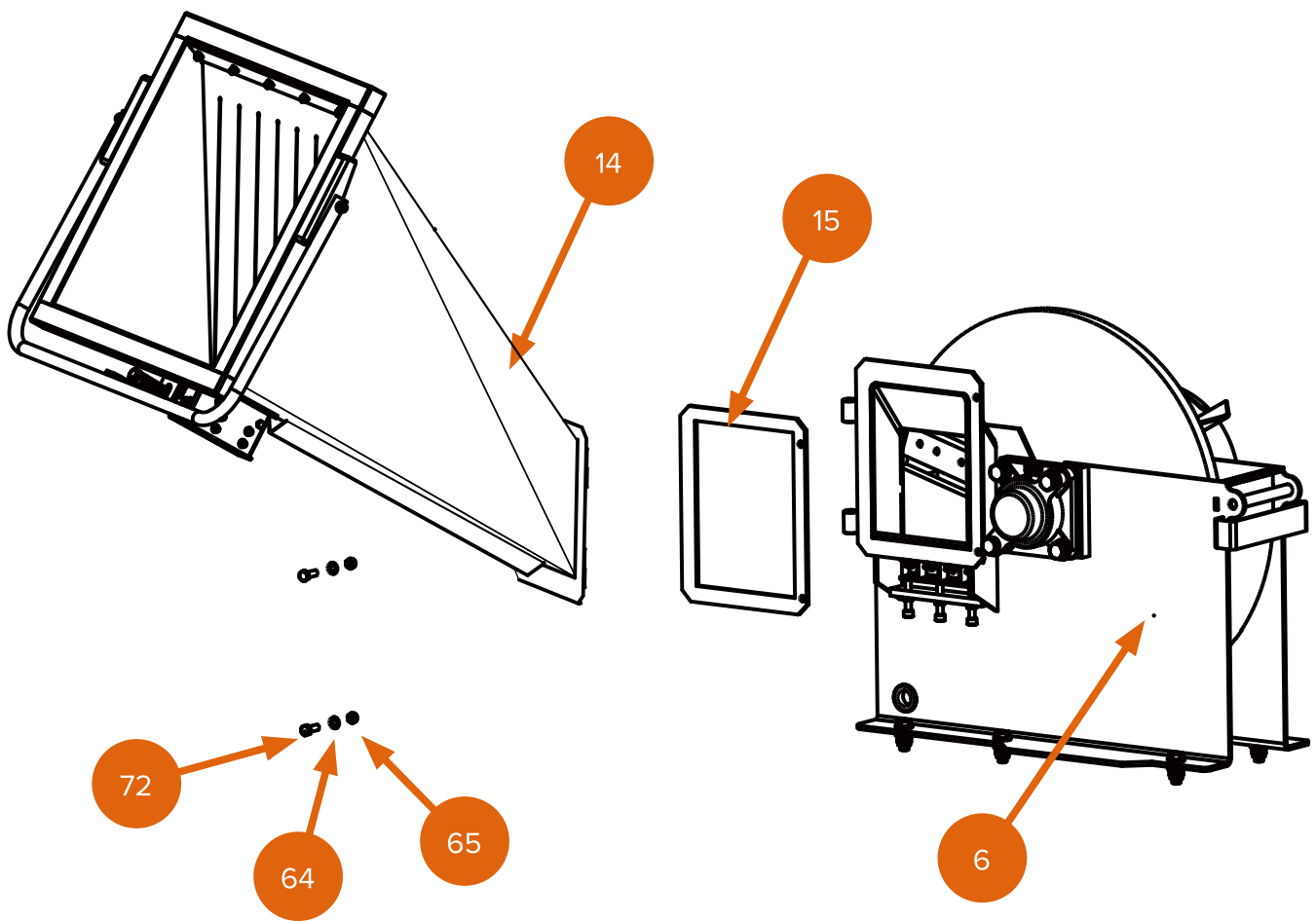
### STEP 2: INSTALLING THE FEED HOPPER

Attach the feeding hopper (14) to the cutter disk base (6) with the rubber frame (15) between the two pieces, and install using M8x25 hex bolt (72), flat washer 8 (64) and M8 lock nut (65).



# ASSEMBLY

## STEP BY STEP INSTRUCTIONS



# ASSEMBLY

## STEP BY STEP INSTRUCTIONS

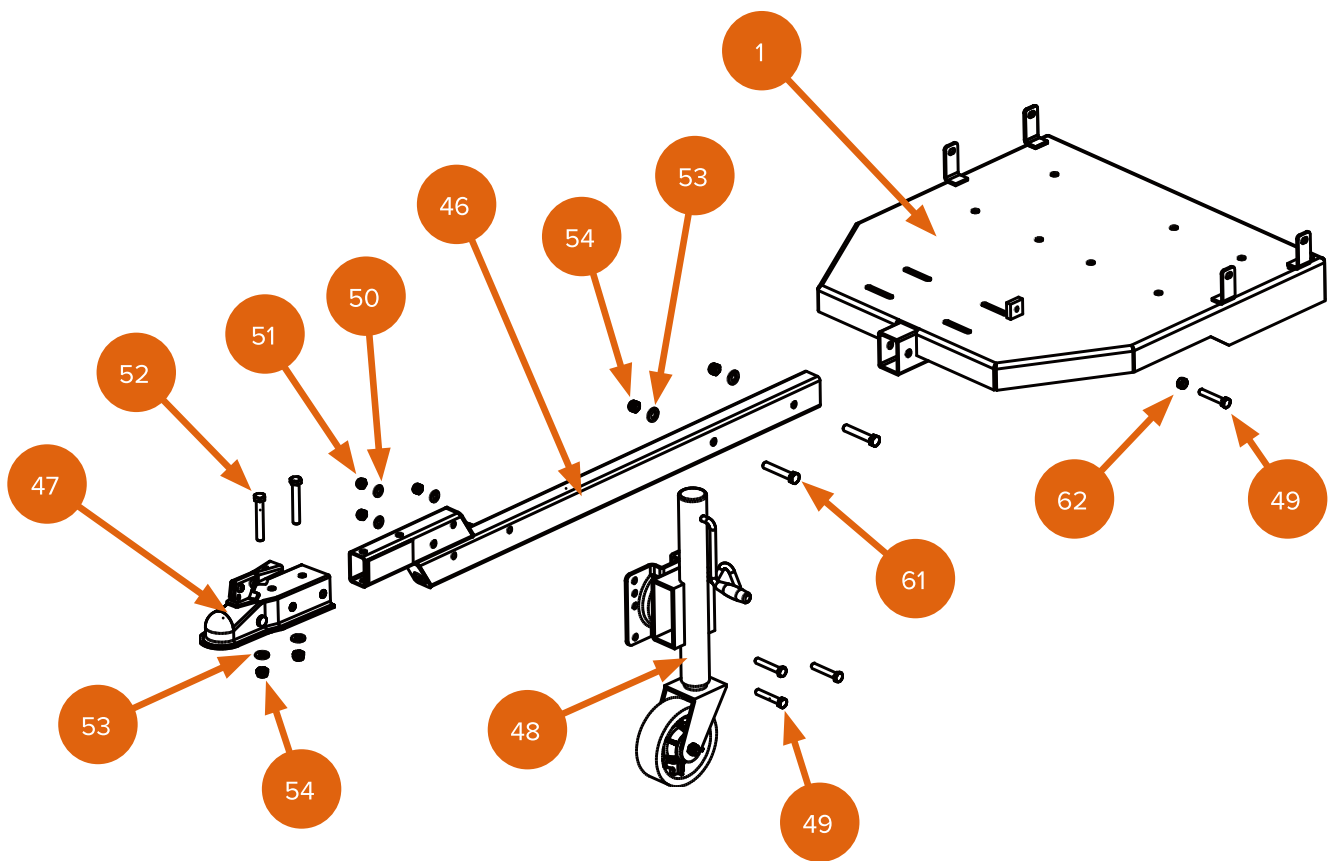
### STEP 3: ATTACHING THE HITCH ARMS AND TRAILER HITCH

1. Attach the coupler (47) to the tow bar (46) using M12x80 hex bolt (52), flat washer 12 (53) and M12 lock nut (54).
2. Attach the tow bar (46) to the chassis (1) using M12x70 hex bolt (61), flat washer 12 (53) and M12 lock nut (54).
3. Attach the jockey wheel (48) to the tow bar (46) using M10x60 hex bolt (49), flat washer 12 (53) and flat washer 10 (50).



# ASSEMBLY

## STEP BY STEP INSTRUCTIONS



# ASSEMBLY

## STEP BY STEP INSTRUCTIONS

### STEP 4: ATTACHING THE EXPULSION CHUTE

1. Place the junction plates (27, 29) on top of the disk cover (26).
2. Take the rotating plate (28) and place it on top of the junction plates (27, 29)
3. Fasten the expulsion chute (34) to the rotating plate (28) and junction plates (27, 29) using flat washer 6 (73), lock nut M6 (74) and hex bolt M6x20 (77).



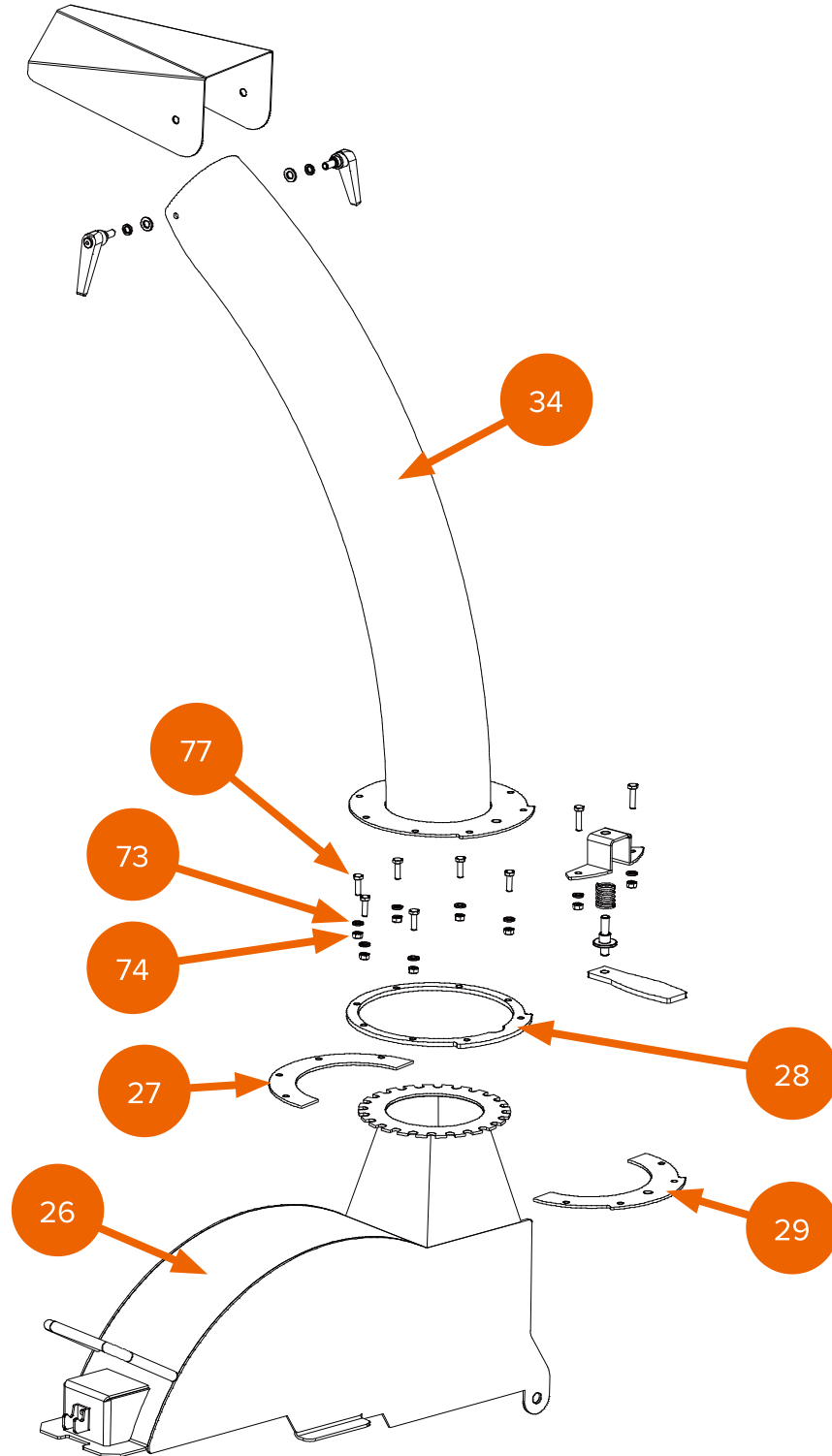
Junction plates, rotating plate and fasteners are all pre-assembled **underneath** their intended installation spot.





# ASSEMBLY

## STEP BY STEP INSTRUCTIONS



# ASSEMBLY

## STEP BY STEP INSTRUCTIONS

### STEP 5: EMERGENCY STOP HOOKUP



# **SECTION III**

## OPERATION

# OPERATION

## PROPER USE GUIDELINES

**BEFORE STARTING ENGINE, ALWAYS CHECK OIL LEVEL!**

**REFER TO THE ENGINE OWNER'S MANUAL FOR FURTHER DETAILS REGARDING OPERATION AND MAINTENANCE OF THE ENGINE.**

**NOTE:** Engine is shipped without oil! Fill the crankcase with 10w30 oil before starting the engine. Be very careful not to allow dirt to enter the engine when checking or adding oil or fuel.

### **OIL**

- Use a high quality oil per the gasoline engine Manual.
- Do not use special additives.

# OPERATION

## PROPER USE GUIDELINES

### CHECKING AND ADDING OIL

- Check oil level before starting engine.
- Check oil level daily, or after every eight hours.
- Keep oil level at FULL.
- Do not overfill.

### OIL FILLING PROCEDURE

Please follow your Kohler Manual for instructions on filling the oil in your machine.

### OIL CHECKING PROCEDURE

1. Before starting engine, check oil level.
2. Place engine level. Clean around oil fill and dipstick.
3. Push dipstick back in and remove to check oil level.
4. Remove oil fill cap. Pour oil slowly.
5. Fill to FULL mark on dipstick - re-check
6. Replace dipstick firmly.

### FUEL

- Use clean, fresh, regular unleaded gasoline as per the Kohler Manual.

### ADDING FUEL

- Fill tank outdoors or in a well-ventilated area, away from sparks, open flames, pilot lights, heat and other ignition sources.
- If fuel spills, wait until it evaporates before starting engine.
- Turn engine OFF and let engine cool at least 2 minutes before removing gas cap.
- Remove cap. Fill tank to approximately 1-½ inches below top of neck to allow for fuel expansion. Be careful not to overfill. Replace cap before starting.

# OPERATION

## PROPER USE GUIDELINES

### STARTING AND STOPPING

#### STARTING AND OPERATING TIPS

- Store and fuel equipment in a level position.
- Use fresh fuel.
- Use correct type of oil as per your Kohler Manual.
- Remove external equipment/engine loads.
- Periodically remove any debris build-up from the machine.
- After engine has started, let it warm up several seconds to several minutes, depending on outside temperature.
- For maximum performance and life, operate the engine with choke in RUN and throttle in FAST.

#### TO START ENGINE

- Check oil level.
- Open fuel shut-off valve.
- Move choke control to CHOKE position.
- Move throttle to TURTLE position. Operate engine with throttle in RABBIT.
- Let engine warm up. Slowly adjust choke control toward RUN position. Wait until engine runs smoothly before each choke adjustment.

#### TO STOP ENGINE

- Move throttle to TURTLE.
- Move gas lever to the far left.
- See Kohler manual for instruction.



**CAUTION:** Do not stop engine by moving choke control to CHOKE. Backfire, fire or engine damage could occur.

# OPERATION

## PROPER USE GUIDELINES

### OPERATION NOTES

- At engine start-up, the engine of your chipper operates under no load at 3600 RPM until approximately 1200 - 1400 RPM's at which speed the centrifugal clutch engages and begins driving the rotor.
- Rotor speed is 2400 RPM + / - 200 RPM when engine is at full RPM.
- When viewed from the operator zone, the flywheel turns in a clockwise direction. This rotation pulls branches into the chipper.
- Always wear protective gloves and safety glasses during operation of the chipper.
- If it becomes necessary to push material into the chipper hopper, only use a wood stick, never your hands or anything steel.
- Always keep your hands out of the chipper hopper.
- Keep area of discharge clear of people, animals, buildings, glass or anything else that will obstruct clear discharge, cause injury or damage. Wind can also change discharge direction, so be aware.



**PLEASE READ ALL SAFETY GUIDELINES IN THIS MANUAL PRIOR TO OPERATION.**





# **SECTION IV**

## CHIPPING

# CHIPPING

## IMPORTANT NOTES

**THIS CHIPPER WAS DESIGNED FOR CHIPPING 5" DIAMETER AND SMALLER TREES AND BRANCHES. NEVER USE THIS MACHINE FOR ANY OTHER PURPOSE AS IT COULD CAUSE SERIOUS INJURY.**

### PROCESSING 5" OR SMALLER TREES & BRANCHES

- Your chipper can process dry or green material.
- Feed branch into chipper hopper.
- Keep branch at same angle as chipper hopper.
- As the branch becomes short and is inside the chipper hopper, finish processing it by pushing it into the chipper with the next branch if needed.
- If branches are 2" or larger in diameter, feed only one branch at a time into the chipper.
- If branches are smaller than 2", more than one at a time can be fed into the chipper.
- Green branches process easier than hard wood.
- Make sure protective gloves are worn when feeding the chipper.

### CHIPPING NOTES

- Use common sense when using your chipper.
- Learn to recognize the change in the sound of your machine when it is overloaded.
- Become familiar with successful operating conditions and avoid those that can overload and damage the machine.
- If the machine becomes jammed by overloading or any other cause, stop the machine immediately.
- If you jam the machine and do not stop the engine it can:
  - Burn the belt
  - Ruin the clutch

**THIS DAMAGE CAN BE COSTLY AND IT IS NOT COVERED UNDER WARRANTY. FOR THIS REASON, IT IS IMPORTANT THAT YOU IMMEDIATELY SHUT OFF THE MACHINE IF IT BECOMES JAMMED.**

- Only your operator experience will tell you how fast to feed trees and branches.
- Check to see that the flywheel will turn freely before you start the chipper.
- Visually check the chipper blade for damage each time you use your chipper.
- Check blade condition, wear plate condition, and the nuts and bolts that hold the blade in place for tightness before each use.
- To move pile of processed material, use a spade, rake, or long handle tool. Never use your hands or feet.

# CHIPPING

## TROUBLESHOOTING

### **FREEING A JAMMED FLYWHEEL**

1. Stop the engine.
2. Remove the spark plug wire and keep away from spark plug.
3. Disconnect battery at negative “-” terminal (if so equipped).
4. Remove any material left in the chipper hopper.
5. Remove the deflector.

**NOTE:** Never pry against the scroll weldment when removing the deflector or at any other time. This will cause damage to the machine.

6. Check to see if deflector is clogged. If it is, clear with a branch.
7. With a wooden stick, loosen and remove any material left in the chipping chamber.
8. Reinstall the deflector.
9. Reconnect the spark plug wire and battery (if so equipped).
10. Start the machine and let material in chipping chamber discharge through deflector.
11. If chamber doesn't clear and the flywheel is still jammed, repeat above process.
12. Be certain chipping chamber is clear before trying to process more material into the chipper.



**SECTION V**  
MAINTENANCE & STORAGE

# MAINTENANCE & STORAGE

## HOW TO MAINTAIN YOUR MACHINE



**IMPORTANT:** The blade should be checked for sharpness and the nuts and bolts attaching them to the flywheel for tightness before each operation.



**IMPORTANT:** Every time you perform maintenance or any kind of service or check on the blade, be sure to check the gap between the blade and wear plate for proper setting.

**NOTE:** A blade gauge has been provided with your machine. It is  $\frac{1}{16}$ " thick and should be used to set the correct gap between the knife and wear plate.

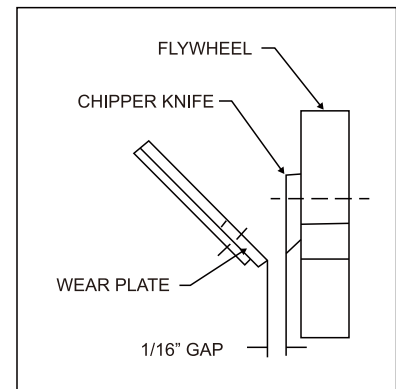
If the cutting mechanism strikes any foreign object or if your machine should start making an unusual noise or is vibrating, stop the engine, disconnect the spark plug wires from the spark plugs. Allow the engine to cool before you:

- Inspect and examine for obvious damage.
  - Check for loose parts, bolts and nuts.
1. When not in use, your chipper should be stored out of reach of children. Be sure there is no gasoline fumes in the storage area. For long periods of storage (over winter), refer to the engine owner's manual.
  2. After every 8 hours of operation, lubricate the chipper side and drive side bearings. To do this, wipe all dirt, etc., from the grease fittings with a clean cloth, then apply no more than 3 shots of quality general-purpose grease with a hand-pumped grease gun. Over lubrication can also damage bearings. Also, check the bearing collar set screws regularly to be sure they are tight. If they are loose, reset them with Loctite, obtainable at any hardware store.
  3. You will find information included referring to operation and maintenance of the chipper engine.
  4. When the steel chipping knife needs replacing or sharpening, refer to the section on removal, sharpening and re-installation.

# MAINTENANCE & STORAGE

## HOW TO MAINTAIN YOUR MACHINE

5. When you install the new OEM blade, the clearance between the blade and wear plate must be checked and set. This clearance or gap should be set to  $\frac{1}{16}$ ".
6. To adjust this clearance, loosen the four nuts and bolts holding the wear plate in place. The wear plate can be slid up or down (in or out) to achieve the correct gap setting.
7. Take the blade gauge and slide between the blade and wear plate. If the gap is set correctly, the blade gauge will lightly touch both the blade and wear plate. If the gap is too small, you will not be able to get the gauge between the blade and wear plate. If the gap is too large, there will be excess room between blade gauge, blade and wear plate. Tighten the nuts and bolts when the wear plate is in the correct position. Be certain the flywheel rotates without hitting anything before starting the chipper.
8. If the gap between the wear plate and the blade is not set correctly, you will have excessive vibration when chipping and the blade will seem to be dull. This should be checked every 8-10 hours of operation.
9. If at any time it becomes necessary to disassemble the chipper for repairs, the chipper disk must be re-installed in exactly the same position on the rotor shaft.



**NOTE:** Proper gap setting is critical to the proper operation of your machine.

# MAINTENANCE & STORAGE

## REMOVAL, SHARPENING & REINSTALLATION OF CHIPPER BLADE

### HOW TO REMOVE THE KNIFE

1. Stop the engine.
2. Open the upper disk housing.
3. Rotate the chipper disk until the four countersunk screws and lock nuts attaching the knife to the flywheel are visible through the access doors.
4. Remove all four screws and nuts.

### BLADE SHARPENING

- You should never attempt to sharpen the chipper blade.
- It is extremely important that the 45 degree angle be maintained consistently for proper performance.
- The chipper blade should be taken to a machine shop for proper sharpening.
- Excessive heat generated during the sharpening process will damage blades and weaken the metal.



# MAINTENANCE & STORAGE

## ADJUSTING OR REPLACING BELT

### BELT ADJUSTMENT

The belt on your chipper should deflect  $\frac{3}{8}$ " under three pounds of pressure as shown in **fig. 1** below. If it doesn't, adjust per the following directions.

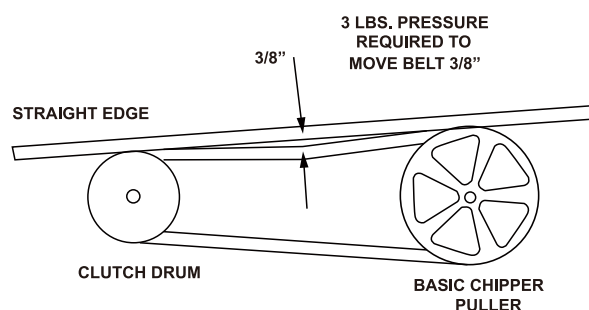


Fig. 1

1. Remove belt guard.
2. Loosen engine bolts.
3. Tighten or loosen the nut until you have the correct tension as shown in **fig. 1**.
4. Retighten engine bolts.
5. Check alignment of the clutch with the drive pulley by placing a straight edge across both faces as shown in **fig. 2**. If adjustment is necessary, correct alignment by moving rotor pulley in or out on the rotor shaft. Do not make adjustment by moving the clutch on the engine shaft.
6. Replace belt guard.

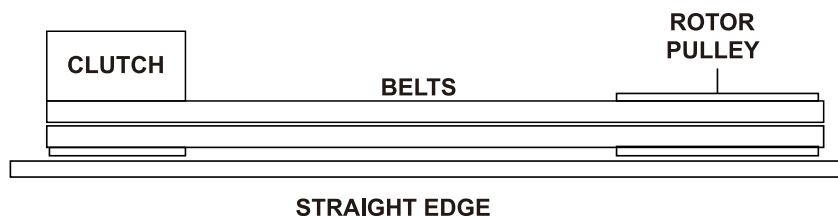


Fig. 2

### BELT REPLACEMENT

1. To replace the belt, follow the above belt adjustment directions.
2. After you have loosened the engine bolts, remove the old belts and replace it with new belts. Always replace both belts as they come in a matched set. This is required for proper operation.
3. Set belt tension and alignment per above instructions.

**NOTE:** Check and re-tighten belts after initial break-in period, one hour of use.

# MAINTENANCE & STORAGE

## CENTRIFUGAL CLUTCH TECH TIPS

**THE SHOES AND SPRINGS ON THE CLUTCH ARE NORMAL WEAR ITEMS. IF YOU NOTICE DECREASED PERFORMANCE OF THE CLUTCH THEY SHOULD BE CHECKED AND REPLACED IF NECESSARY.**

The clutch on your machine is designed for rugged, dependable service, however, it is important to understand the limitations of a clutch. A clutch is designed to provide load free starting of the engine, and slippage under excessive overloading of the driven application. These features help protect the engine from damages such as broken crankshafts and starters.

The clutch obtains its power from engine RPM's. The lower the engagement speed, and the higher the maintained engine speed, the more torque the clutch can transfer to the driven unit. Do not operate at less than full RPM's.

- At engine start-up, the engine of your chipper operates under no load until approximately 1000-1200 RPM'S at which speed the centrifugal clutch engages and begins driving the rotor.
- Proper rotor speed is 2400 RPM + / - 200 RPM when engine is at full RPM.
- Do not tamper with the engine's governor setting. The governor controls the maximum safe operation speed and protects the engine. Over-speeding the engine is dangerous and will cause damage to the engine and to the other moving parts of the machine. See your authorized dealer for engine governor adjustments.
- Become familiar with successful operating conditions and avoid those that can overload and damage the machine.
- Do not overload or attempt to chip material beyond manufacturers recommendation. Personal injury or damage to the machine could result.
- Learn to recognize the sound of the machine when it is overloaded.
- If the machine becomes jammed by overloading or any other cause, stop the machine immediately.
- If you jam the machine and do not stop the engine, it can:
  - Burn the belt.
  - Ruin the clutch.
- Only your operator experience will tell you how fast you can successfully feed limbs into the machine.
- Clutch damage can be costly and damage is not covered under warranty. For this reason, it is important that you immediately shut off the machine if it becomes jammed.

# MAINTENANCE & STORAGE

## CENTRIFUGAL CLUTCH TECH TIPS

### CLUTCH MAINTENANCE

The centrifugal clutch on this machine is permanently lubricated and does not require oil or grease. If, after long periods of use, the drum wobbles excessively, replace the drum assembly. Always replace shoes and springs in sets. Whenever shoes are changed, replace all springs.

### CLUTCH REMOVAL

1. Remove clutch from shaft by removing bolt and washers.
2. Slide clutch off shaft.
3. Remove key from keyway.

### INSTALLATION OF A NEW CLUTCH

1. Clean shaft and remove any burrs.
2. Apply anti-seize compound to the shaft.
3. Place key in keyway on shaft.
4. Slide clutch onto shaft, secure with bolt, flatwasher and lockwasher.
5. Tighten two allen head set screws.

# MAINTENANCE & STORAGE

## TROUBLESHOOTING

SYMPTOM	PROBLEM	CORRECTION
<ul style="list-style-type: none"> <li>Clutch overheats.</li> <li>Belt burns.</li> <li>Flywheel won't turn.</li> </ul>	<ul style="list-style-type: none"> <li>Clutch is slipping or flywheel is jammed or stopped.</li> </ul>	<ul style="list-style-type: none"> <li>Immediately stop engine.</li> <li>Remove spark plug wires.</li> <li>Turn flywheel by hand to be sure it turns freely.</li> <li>Check belt tension.</li> <li>Clear chipper chamber.</li> </ul>
<ul style="list-style-type: none"> <li>Chipping action seems too slow or flywheel stalling.</li> </ul>	<ul style="list-style-type: none"> <li>Engine speed is too slow. Belts are slipping.</li> </ul>	<ul style="list-style-type: none"> <li>Run engine at full throttle.</li> <li>Check for loose or missing belt and tighten.</li> </ul>
<ul style="list-style-type: none"> <li>When chipping, log seems to vibrate excessively &amp; "hammers" hands.</li> </ul>	<ul style="list-style-type: none"> <li>Knife is dull.</li> <li>Gap between knife &amp; wear plate is too great.</li> </ul>	<ul style="list-style-type: none"> <li>Remove blade &amp; sharpen.</li> <li>Adjust gap as per instructions.</li> </ul>
<ul style="list-style-type: none"> <li>Chipper blade is hitting wear plate.</li> </ul>	<ul style="list-style-type: none"> <li>The gap between the knife and wear plate is set incorrectly.</li> </ul>	<ul style="list-style-type: none"> <li>Adjust gap per directions in the front of this section.</li> </ul>
<ul style="list-style-type: none"> <li>Engine runs but flywheel doesn't rotate</li> </ul>	<ul style="list-style-type: none"> <li>Inner shoes of clutch worn.</li> <li>Retaining springs weak or broken.</li> <li>Loose drive belt.</li> </ul>	<ul style="list-style-type: none"> <li>Replace worn clutch.</li> <li>Check belt tension.</li> <li>Clear chipper chamber.</li> </ul>

# MAINTENANCE & STORAGE

## PARTS LIST

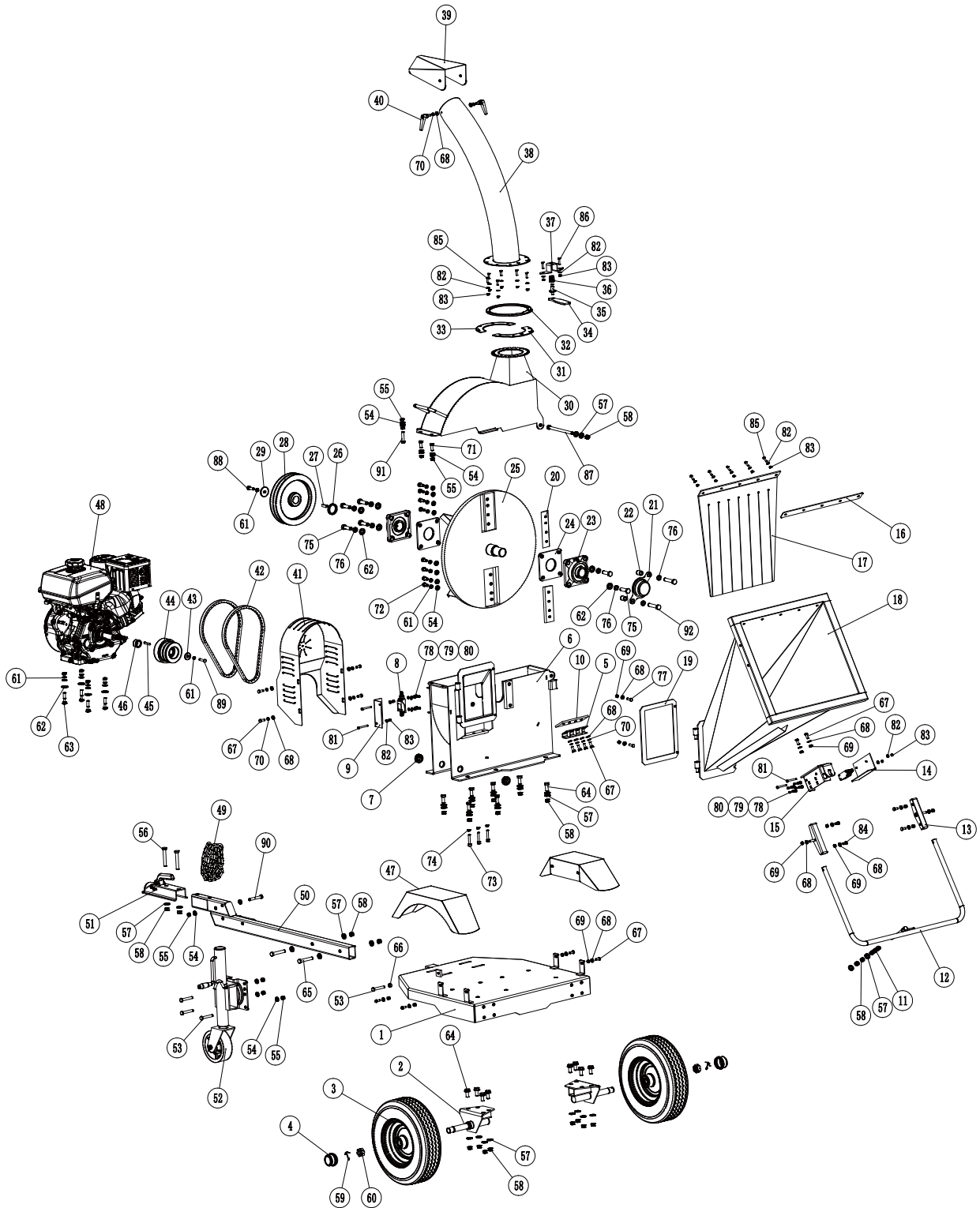
NO.	DESCRIPTION	QTY.
1	Chassis	1
2	Wheel axis	2
3	Wheel	2
4	Dust cap	2
5	Anvil adjusting plate	1
6	Cutter disk base	1
7	Protective ring	2
8	Switch	2
9	Switch cover	1
10	Anvil	1
11	Spring	1
12	Emergency stop lever	1
13	Stop lever support	2
14	Switch cover	1
15	Switch base	1
16	Rubber mounting plate	1
17	Rubber chip baffle	1
18	Feeding hopper	1
19	In-feed to frame rubber	1
20	Blades	2
21	Bearing cover	1
22	Locating bush	2
23	UCFU208 bearing	2
24	Bearing base	2
25	Chipper disk	1
26	Locating bush	1
27	Flat key	1
28	Pulley	1
29	Pulley gasket	1
30	Disk cover	1
31	Junction plate 1	1
32	Rotating plate	1
33	Junction plate 2	1
34	Handle	1
35	Handle shaft	1
36	Spring	1
37	Handle support	1
38	Discharge chute	1
39	Deflector	1
40	Clamp handle	2
41	Belt cover	1

NO.	DESCRIPTION	QTY.
42	Belt	2
43	Clutch gasket	1
44	Clutch	1
45	Engine flat key	1
46	Locating bush	1
47	Fenders	2
48	Hyundai IC420E Engine	1
49	Safetey chain	2
50	Tow bar	1
51	Coupler	1
52	Jockey wheel	1
53	Hex Bolt M10x60	4
54	Flat washer 10	23
55	Lock nut M10	12
56	Hex Bolt M12x80	2
57	Flat washer 12	30
58	Lock nut M12	22
59	Split pin 4x45	2
60	Hex slotted nut M24x1.5	2
61	Spring washer 10	14
62	Flat washer 14	10
63	Carriage bolt M10x45	4
64	Hex Bolt M12x30	15
65	Hex Bolt M12x70	2
66	Hex nut M10	1
67	Hex Bolt M8x20	14
68	Flat washer 8	24
69	Lock nut M8	14
70	Spring washer 8	10
71	Hex Bolt M10x25	2
72	Hex Bolt M10x20	8
73	Hex socket screw M8x45	3
74	Hex nut M8	3
75	Hex Bolt M14x45	6
76	Spring washer 14	8
77	Hex Bolt M8x25	2
78	Hex Bolt M5x12	8
79	Spring washer 5	8
80	Flat washer 5	8
81	Hex Bolt M6x50	4
82	Flat washer 6	17

NO.	DESCRIPTION	QTY.
83	Lock nut M6	17
84	Hex Bolt M8x16	4
85	Hex Bolt M6x20	11
86	Hex Bolt M6x25	2
87	Hex Bolt M12x165	1
88	Hex Bolt M10x30	1
89	Hex bolt 3/8-24x1	1
90	Hex Bolt M10x70	1
91	Hex Bolt M10x45	1
92	Hex Bolt M14x65	2

# MAINTENANCE & STORAGE

## PARTS DIAGRAM





# WARRANTY

## 3 YEAR ENGINE & 1 YEAR CHASSIS

**PLEASE DO NOT RETURN TO THE STORE**

**CALL THE DEALER FOR OEM WARRANTY PARTS AND QUESTIONS**

### WHAT IS COVERED - 3YR ENGINE AND 1 YEAR COMMERCIAL WARRANTY INCLUDED

The dealers warrants to the original purchaser that model DGS1500 will be free and clear of manufacturing defects in workmanship and materials under normal use and service for a period of one (1) year from the date of the original purchase. If one (1) year from the original date of purchase this DGS1500 fails due to defect in material or 1-year parts only warranty no labor. The gasoline engine 3 year warranty is PARTS and LABOR.

Upon expiry of one (1) year, The dealers will no further liability to the product. The dealers does not authorize any party, including its authorized distributors or dealers, to offer any other warranty on behalf of The dealers.

### THIS WARRANTY DOES NOT COVER OR APPLY TO:

- (a) Damage to the product due to misuse, mishandling and abuse
- (b) Improper installation, maintenance and storage
- (c) Expendable parts such as nuts and bolts, pins and springs, wiring and switch components, hydraulic hoses and fittings, cutting teeth, cutting chains, cutting blades, throttles, belts and tires.
- (d) Normal wear and tear
- (e) Consequential damage & incidental damages such as damage to persons or property

### PROCEDURE FOR OUTDOOR POWER EQUIPMENT WARRANTY

Within one (1) year warranty period, the purchaser of the product can CALL the dealer Notify us of the claimed defect and provide proof of original purchase. At this time the validity of the claim will be determined, and if approved replacement parts will be issued. No returned product will be accepted under warranty unless accompanied by an RGA# issued by the manufacturer.

### DAMAGED FREIGHT

Damage to your product caused by freight mishandling is NOT covered under warranty. If your freight arrives damaged, REFUSE it. **Inspect your product when it arrives**, otherwise if you accept it, you will be responsible for filing any freight claims with the delivery company. The dealers warranty excludes damage to product.

### RETURNS BEFORE GAS AND OIL

Follow the return policy from the retailer you purchased the equipment from.

### ADDITIONAL INFORMATION

INCOMPLETELY FILLED SERVICE FORMS CANNOT BE PROCESSED!

FOR GUARANTEE CLAIMS PLEASE ADD A COPY OF YOUR ORIGINAL SALES / DELIVERY RECEIPT OTHERWISE IT CANNOT BE ACCEPTED.

FOR SPARE PART ORDERS PLEASE ADD TO THIS SERVICE FORM A COPY OF THE RESPECTIVE EXPLODED DRAWING WITH THE REQUIRED SPARE PARTS BEING MARKED CLEARLY AND UNMISTAKABLE.

THIS HELPS US TO IDENTIFY THE REQUIRED SPARE PARTS FASTLY AND ACCELERATES THE HANDLING OF YOUR INQUIRY.

THANK YOU FOR YOUR COOPERATION!