

Machine type: SHREDDER

Document ID: 902684001

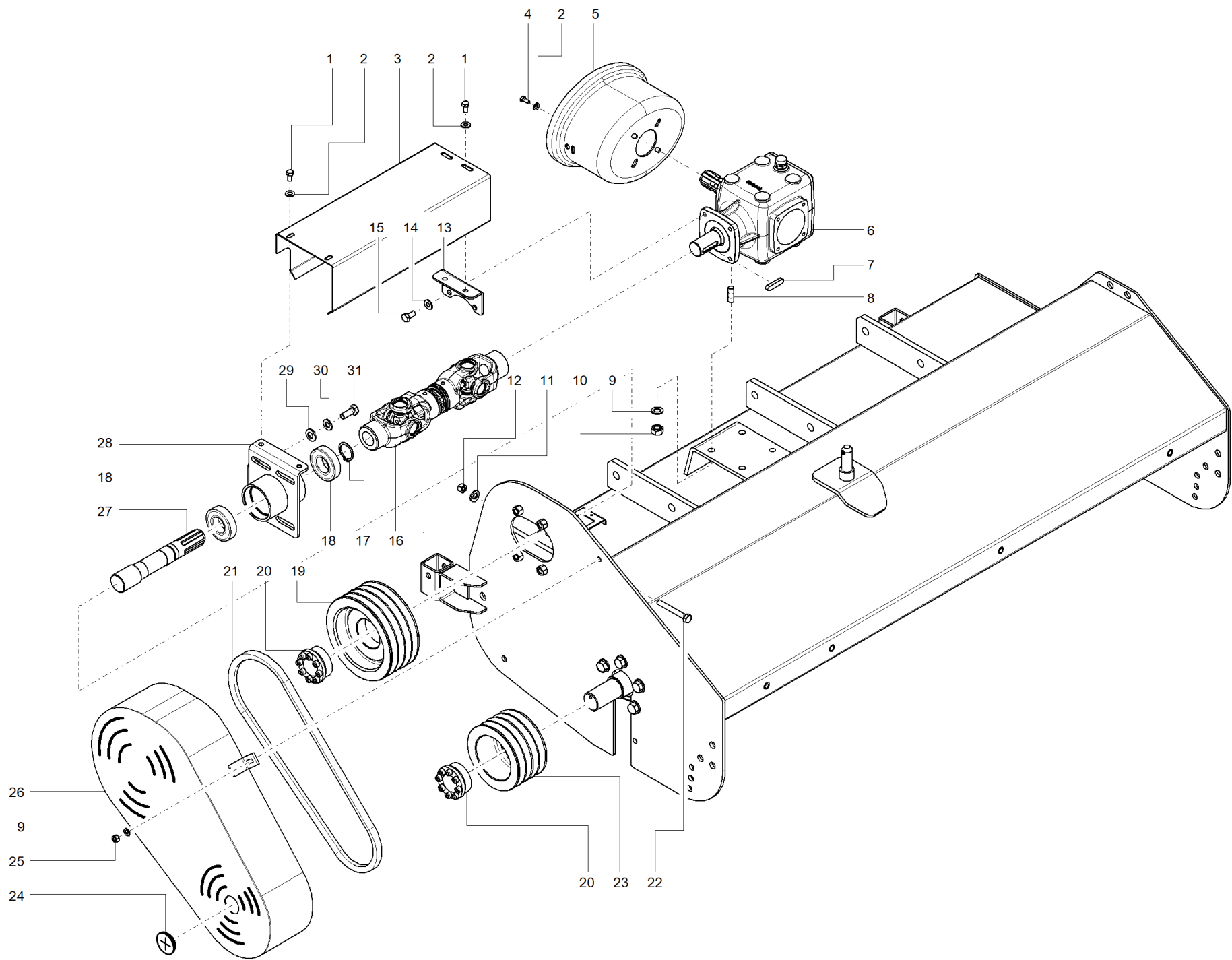
Model: TE

Revision: 07_20/09/2020 ->

Group: Tractor hitches

Table: 01

Reference	P/N	Description	Model #	Quantity
1	3021108016	Screw UNI5739 8.8 M8x16 galvanised (coarse pitch)		1
2	5137068	RC/SA coupling support hook clip		1
3	4337002	200 hook for shaft drive		1
4	5005199	TSD/TE/TB upper 3rd point pin		1
5	6351004	Split pin Ad R Ø4 galvanised		3
6	5005830	Fixed version TE arc		1
7	4301590	SL/.../FA/.../BH/.../RG lower 3rd point pin		2
8	3011016055	Screw TE M16x55 UNI5737		6
9	5135829	TE 3rd point lower not-adjustable arc		4
10	3614100020	Wide washer Ø20 UNI6593		1
11	6037683	Male quick-hitch 1/2"		2
12	6470012	Washer Cu 1/2		2
13	6037390	Nipple 1/2" 3/8"		2
14	6470038	Washer Cu 3/8		6
15	64126200	Rubber hose R1At 3/8 Fd+Occ. L2000		2
16	6560008	Type-A greaser UNI7663 M8x1.25		4
17	5935812	TE right adjustable arc support plate		1
18	3625000016	Grower Washer Ø16 UNI1751		2
19	3021116040	Screw UNI5739 8.8 M16x40 galvanised (coarse pitch)		2
20	3464101016	UNI7473 (coarse pitch) M16 zinc plated nut		4
21	5005832	Fixed/shifting TE arc tie-rod		1
22	3021116050	Screw UNI5739 8.8 M16x50 galvanised (coarse pitch)		4
23	5005826	TB/TE moving piston (300mm stroke)		1
24	6330832	Elastic pin Ø8x32 UNI6873		1
25	6421904	3/8" perforated coupling		2
26	3021112030	Screw UNI5739 8.8 M12x30 galvanised (coarse pitch)		1
27	3625000012	Grower washer DIN1751 C70 Øi12		1
28	3614100020	Wide washer Ø20 UNI6593		1
29	3464101012	UNI7473 (coarse pitch) M12 zinc plated nut		1
30	5005837	Manual mechanical jack		1
31	5005821	Hydraulic shifting version TE arc		1
32	6832044	Double pipe clamp collar Ø16 M8		1
33	6038640	I/DWR 40/2 guide ring		4
34	6330832	Elastic pin Ø8x32 UNI6873		2
35	4532393	SD/TE/TB/TSN jacket spacer		1
36	6560008	Type-A greaser UNI7663 M8x1.25		2
37	5005831	TE piston rod coupling		1
38	3011008040	Screw UNI5737 8.8 M08x040 (coarse pitch)		1
39	3464101008	UNI7473 (coarse pitch) M8 zinc plated nut		1
40	5425802	TE chrome-plated shaft for arc sliding	TE/145•160•175•205	1
40	5425803	TE220/235 chrome-plated sliding shaft	TE/220•2351	1
41	5005839	Mechanical jack external pipe		1
42	3021110055	Screw UNI5739 8.8 M10x55 galvanised (coarse pitch)		1
43	3464101010	UNI7473 (coarse pitch) M10 zinc plated nut		1
44	5005838	Mechanical jack internal pipe		1
45	5005827	Hydraulic piston jacket		1
46	5005828	Piston rod		1
47	6038280	Gasket DBM137098		1
48	6036216	O-ring 216 3.53x28.17		1
49	6038020	Gasket B110078		1
50	4641401	SF piston rod guide ring		1
51	6038320	WRM 078110 scraper		1
52	8001401	SF jack seals kit		1



Machine type: SHREDDER

Document ID: 902684001

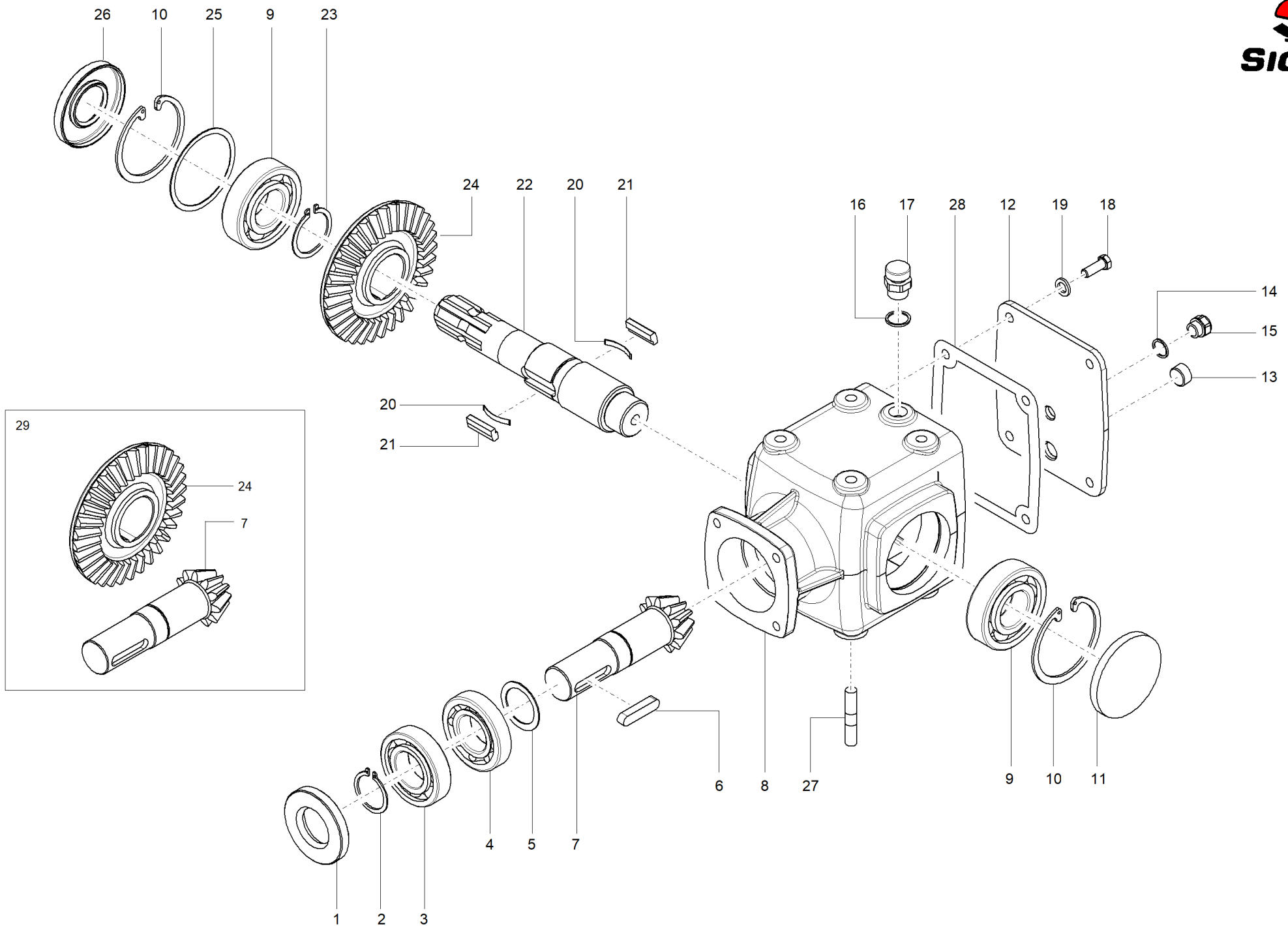
Model: TE

Revision: 07_20/09/2020 ->

Group: SIDE TRANSMISSION

Table: 02

Reference	P/N	Description	Model #	Quantity
1	3021108016	Screw UNI5739 8.8 M8x16 galvanised (coarse pitch)		4
2	3614100008	Wide washer UNI6593 100Hv Øi08 galvanised		8
3	5135831	TE160 transmission shaft guard	TE/160	1
3	5135832	Transmission shaft guard	TE/175	1
3	5135833	Transmission shaft guard TE205	TE/205	1
3	5135834	Transmission shaft guard TE220	TE/220	1
3	5135835	Transmission shaft guard TE235	TE/235	1
3	5135839	Transmission shaft guard TE145	TE/145	1
4	3021108020	Screw UNI5739 8.8 M8x20 galvanised (coarse pitch)		4
5	1883512	Counter-cone		1
6	80115-00	GT30 ratio 3:1 gearbox		1
7	6361045	10x45x8 UNI6604 key		1
8	4307516	12x25 SL/TE/TMX/SLE hanger bolt		4
9	3604100012	Flat washer UNI6592 140Hv Øi12 galvanised		7
10	3464101012	UNI7473 (coarse pitch) M12 zinc plated nut		4
11	3614100010	Wide washer UNI6593 100Hv Øi10 galvanised		10
12	3464101010	UNI7473 (coarse pitch) M10 zinc plated nut		1
13	5135826	Guard support		1
14	3604100010	Flat washer UNI6592 140Hv Øi10 galvanised		2
15	3051110020	Screw TCEI M10x20 UNI5931		2
16	EAX45000-0025	Driveshaft TE235		1
16	EAX45000-0026	Driveshaft AX4F 514/698 1704010-1064007 SP		1
16	EAX45000-0027	Driveshaft AX4F 434/618 1704010-1064007 SP		1
16	EAX45000-0028	Driveshaft AX4F 284/468 1704010-1064007		1
16	EAX45000-0029	Driveshaft AX4F 214/398 1704010-1064007 SP		1
16	EAX45000-0062	Driveshaft AX4F 186/370 1704010-1064007 SP		1
17	6320035	Elastic ring Ø35 UNI7435 DIN471		1
18	2226207	6207 2RS bearing		2
19	5645802	Pulley vibik spb 180/4 grooves	TE/205•220•235	1
19	5645804	Pulley vibik spb 180/3 grooves	TE/145•160•175	1
20	6374065	VK 156 40/65 shrink disc		2
21	6721045	BX-45 Li=1143 Le=1212 toothed belt	TE/145•160•175	3
21	6721045	BX-45 Li=1143 Le=1212 toothed belt	TE/205•220•235	4
22	3021110080	Screw UNI5739 8.8 M10x80 galvanised (coarse pitch)		1
23	5645155	Duct pulley 140x3 spb hole 65	TE/145•160•175	1
23	5645801	Pulley vibik spb 140/4 grooves	TE/205•220•235	1
24	6603516	Ø35x16 cap with opening for greaser		1
25	3464101008	UNI7473 (coarse pitch) M8 zinc plated nut		3
26	5005834	TE belt crankcase		1
27	5207101	MFM/TE driving pulley transmission shaft		1
28	5005822	TE driving pulley support unit		1
29	3614100010	Wide washer UNI6593 100Hv Øi10 galvanised		4
30	3625000012	Grower washer DIN1751 C70 Øi12		4
31	3021112030	Screw UNI5739 8.8 M12x30 galvanised (coarse pitch)		4



Machine type: SHREDDER

Model: TE

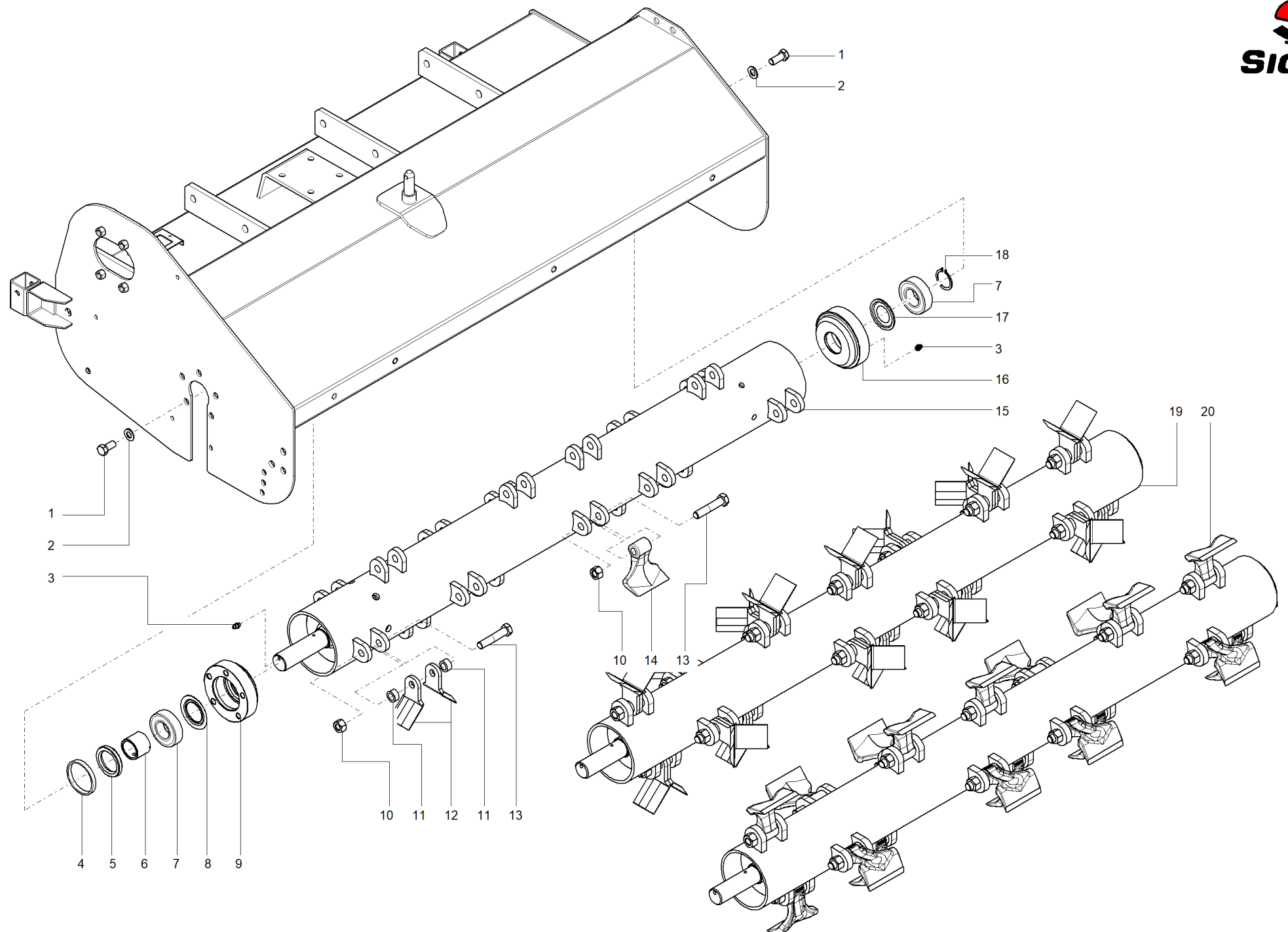
Group: GEARBOX

Document ID: 902684001

Revision: 07 _20/09/2020 ->

Table: 03

Reference	P/N	Description	Model #	Quantity
1	6203572	Oil seal 35x72x10 PP DIN3760, AS type		1
2	6320035	Elastic ring Ø35 UNI7435 DIN471		1
3	2106207	6207 bearing		1
4	2730207	30207 bearing		1
5	6013510	35x47x1 shim		1
6	6361045	10x45x8 UNI6604 key		1
7	17215-08	Z11 GT30 conical sprocket		1
8	16515-01	GT30 TE-TMX bevel gear crankcase		1
9	2106307	6307 bearing		2
10	6310080	Elastic ring Ø80 UNI7437 DIN472		2
11	6100080	Locking screw cap, Ø80 H=10		1
12	19315-01	GT3 gearbox lid		1
13	3441018	18x1.5 conical cap (hexagon socket)		1
14	6470114	Washer M14 (Al/Cu)		1
15	3444014	M14x1.5 porthole cap with washer 6470114		1
16	6470118	Washer M18 (Al/Cu)		1
17	3442018	18X1.5 cylindrical valve cap		1
18	3021108020	Screw UNI5739 8.8 M8x20 galvanised (coarse pitch)		4
19	3604100008	Flat washer UNI6592 140Hv Øi08 galvanised		4
20	1811001	Flat spring		2
21	1321001	EC60 free wheel stud		2
22	12215-01	GT3 power take-off shaft with free wheel		1
23	6320042	Elastic ring Ø42 UNI7435 DIN471		1
24	17215-07	Z33 GT30 conical crown free wheel		1
25	6017008	70x80x0.8 shim		1
26	6203580	Oil seal 35x80x10 PP DIN3760, AS type		1
27	4307516	12x25 SL/TE/TMX/SLE hanger bolt		4
28	20815-01	GT30 lid seal		1
29	80115-10	GT30 bevel gear kit R.3:1 for free wheel		1



Machine type: SHREDDER

Document ID: 902684001

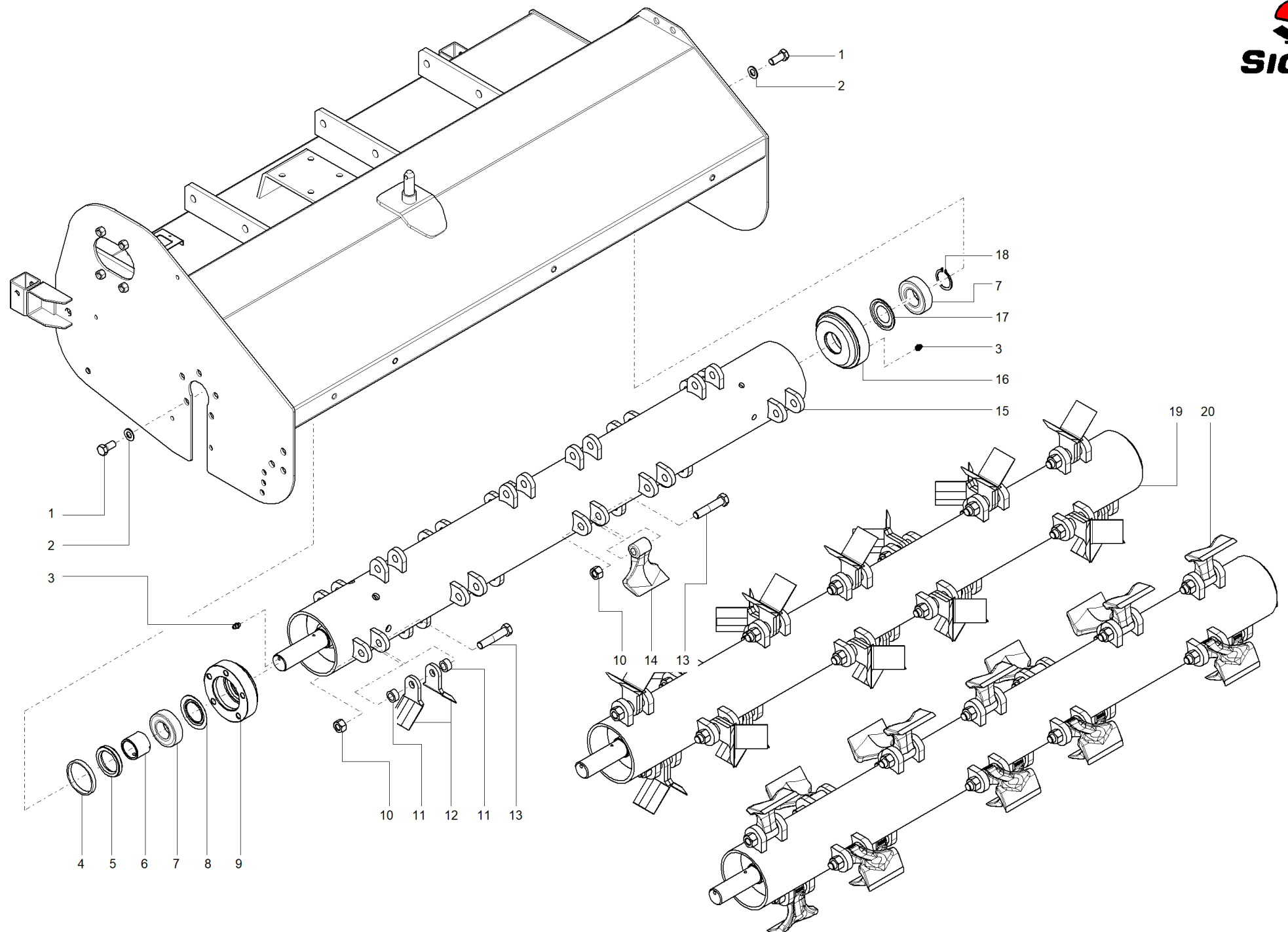
Model: TE

Revision: 07_20/09/2020 ->

Group: ROTOR AND TOOLS

Table: 04

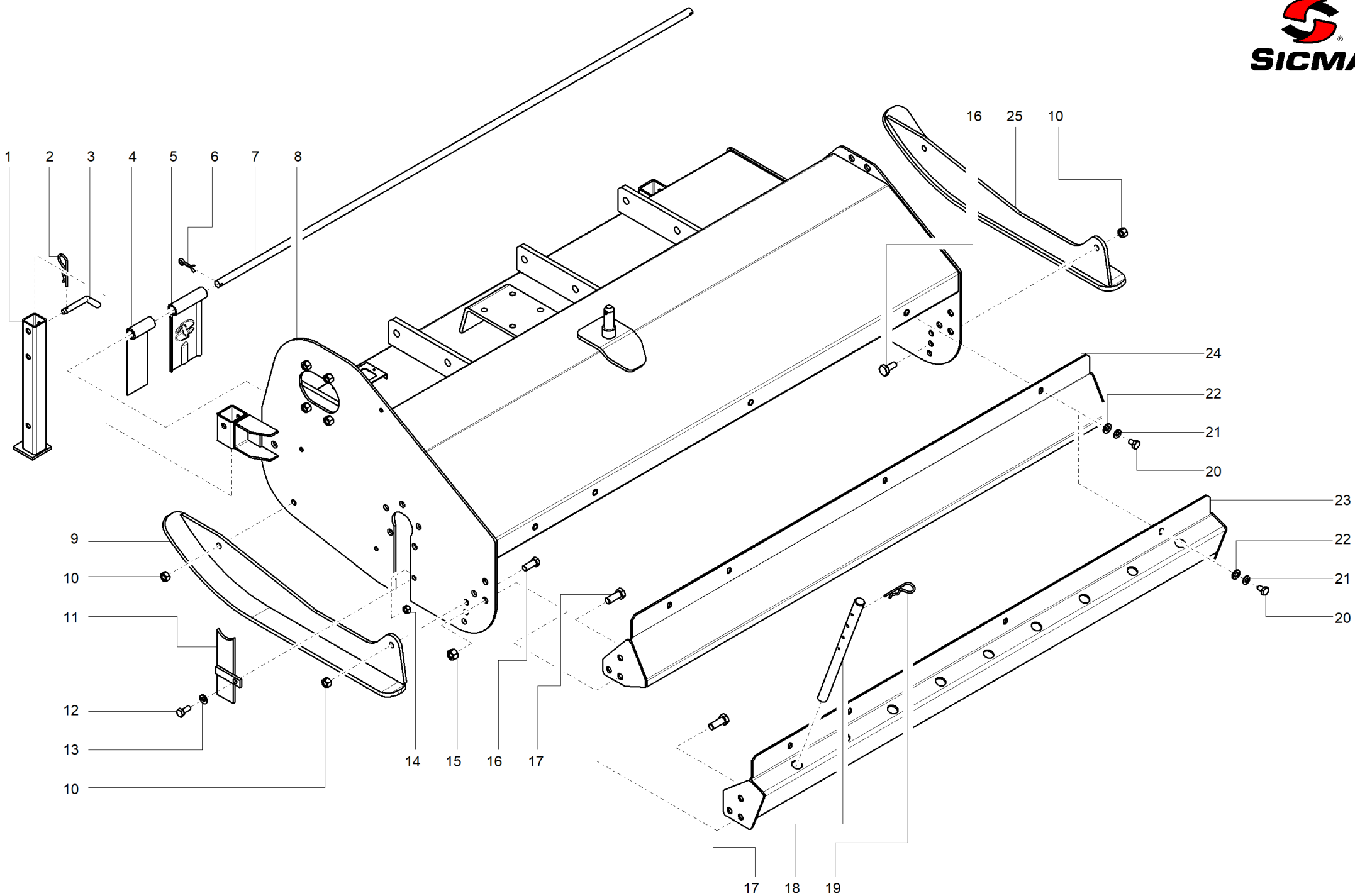
Reference	P/N	Description	Model #	Quantity
1	3022112025	Screw M12x25 UNI 5739-10.9		10
2	3645200012	Schnorr washer Cl.10 Ø12 galvanized		10
3	6560008	Type-A greaser UNI7663 M8x1.25		2
4	5596108	TRX/TS/TSD/TUF oil seal holder ring		1
5	6205072	Oil seal 50x72x10 PP DIN3760, AS type		1
6	5536107	Driven pulley spacer	TE/145•160•175	1
6	5536534	Ø50 L=39 TE/TUF/TRP driven pulley spacer	TE/205•220•235	1
7	2822208	22208 bearing		2
8	2122208	22208/JV Nilos		1
9	5706098	TRX/TS/TRP/TSD/TUF pulley side rotor support		1
10	3464101016	UNI7473 (coarse pitch) M16 zinc plated nut	TE/160	20
10	3464101016	UNI7473 (coarse pitch) M16 zinc plated nut	TE/145	16
10	3464101016	UNI7473 (coarse pitch) M16 zinc plated nut	TE/220	28
10	3464101016	UNI7473 (coarse pitch) M16 zinc plated nut	TE/235	30
10	3464101016	UNI7473 (coarse pitch) M16 zinc plated nut	TE/175	22
10	3464101016	UNI7473 (coarse pitch) M16 zinc plated nut	TE/205	26
11	5535710	TMX knife spacer	TE/205	52
11	5535710	TMX knife spacer	TE/175	44
11	5535710	TMX knife spacer	TE/235	60
11	5535710	TMX knife spacer	TE/145	32
11	5535710	TMX knife spacer	TE/220	56
11	5535710	TMX knife spacer	TE/160	40
12	5815160	"Y" TMX/TE/TL/TLXR knife	TE/160	40
12	5815160	"Y" TMX/TE/TL/TLXR knife	TE/175	44
12	5815160	"Y" TMX/TE/TL/TLXR knife	TE/205	52
12	5815160	"Y" TMX/TE/TL/TLXR knife	TE/220	56
12	5815160	"Y" TMX/TE/TL/TLXR knife	TE/235	60
12	5815160	"Y" TMX/TE/TL/TLXR knife	TE/145	32
13	3011016090	UNI5737 8.8 M16x90 screw (coarse pitch)	TE/145	16
13	3011016090	UNI5737 8.8 M16x90 screw (coarse pitch)	TE/160	20
13	3011016090	UNI5737 8.8 M16x90 screw (coarse pitch)	TE/220	28
13	3011016090	UNI5737 8.8 M16x90 screw (coarse pitch)	TE/235	30
13	3011016090	UNI5737 8.8 M16x90 screw (coarse pitch)	TE/175	22
13	3011016090	UNI5737 8.8 M16x90 screw (coarse pitch)	TE/205	26
14	5715100	TC/TE/TMX smooth hammer	TE/175	22
14	5715100	TC/TE/TMX smooth hammer	TE/235	30
14	5715100	TC/TE/TMX smooth hammer	TE/205	26
14	5715100	TC/TE/TMX smooth hammer	TE/160	20
14	5715100	TC/TE/TMX smooth hammer	TE/145	16
14	5715100	TC/TE/TMX smooth hammer	TE/220	28
15	5005816	TE160 rotor	TE/160	1
15	5005817	TE175 rotor	TE/175	1
15	5005818	TE205 rotor	TE/205	1
15	5005819	TE220 rotor	TE/220	1
15	5005820	TE235 rotor	TE/235	1
15	5005851	TE145 rotor	TE/145	1
16	5706099	TRX/TS/TRP/TSD external side rotor support		1
17	2022208	22208/AV Nilos		1
18	6320040	Elastic ring Ø40 UNI7435 DIN471		1
19	5005816C	TE160 balanced rotor with knives	TE/160	1
19	5005817C	TE175 balanced rotor with knives	TE/175	1
19	5005818C	TE205 balanced rotor with knives	TE/205	1
19	5005819C	TE220 balanced rotor with knives	TE/220	1
19	5005820C	TE235 balanced rotor with knives	TE/235	1
19	5005851C	TE145 balanced rotor with knives	TE/145	1
20	5005816C	TE160 balanced rotor with knives	TE/160	1
20	5005817C	TE175 balanced rotor with knives	TE/175	1
20	5005818C	TE205 balanced rotor with knives	TE/205	1
20	5005819C	TE220 balanced rotor with knives	TE/220	1
20	5005820C	TE235 balanced rotor with knives	TE/235	1



Machine type: SHREDDER
Model: TE
Group: ROTOR AND TOOLS

Document ID: 902684001
Revision: 07_20/09/2020 ->
Table: 04

Reference	P/N	Description	Model #	Quantity
20	5005851C	TE145 balanced rotor with knives	TE/145	1



Machine type: SHREDDER

Document ID: 902684001

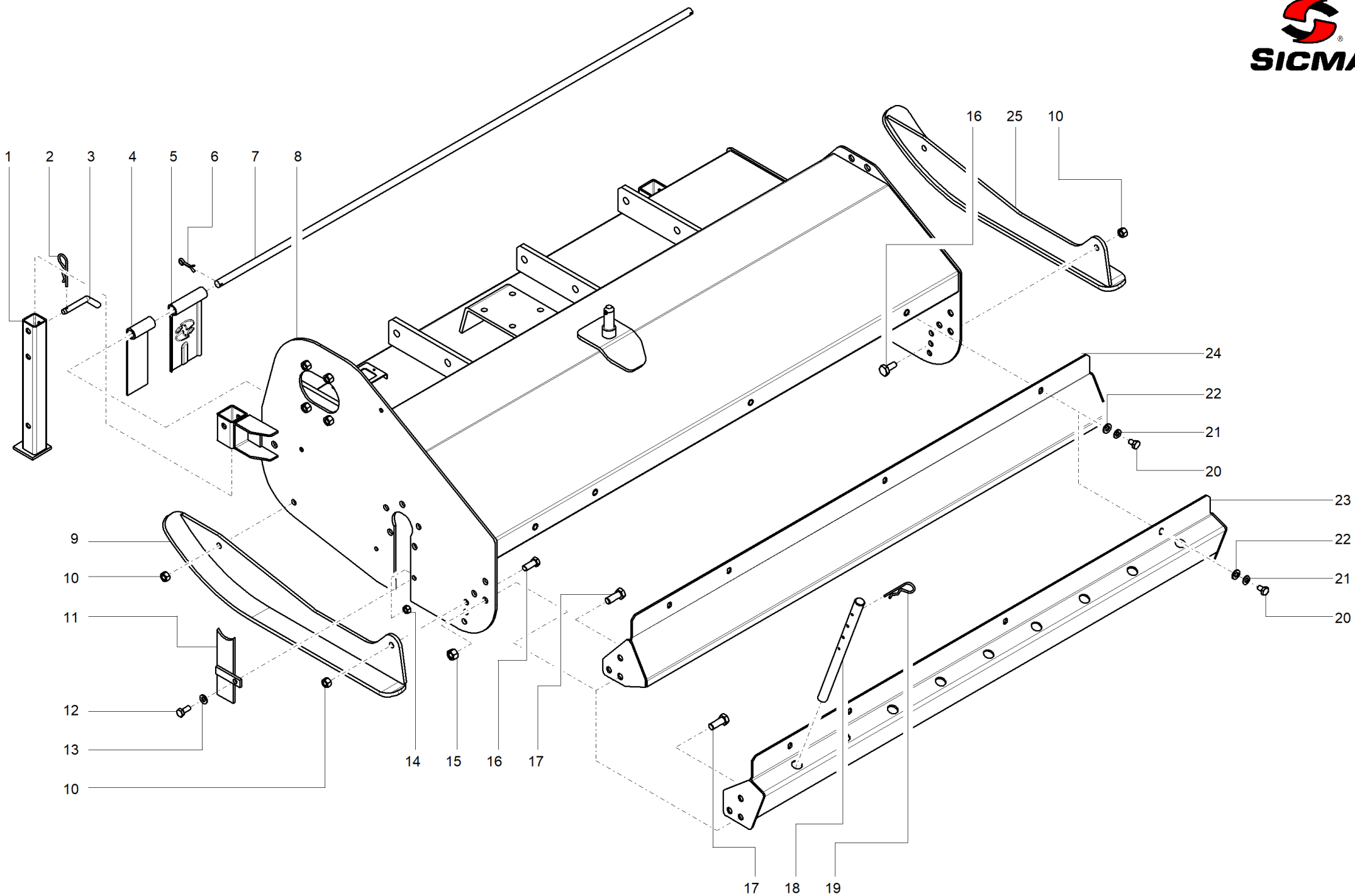
Model: TE

Revision: 07_20/09/2020 ->

Group: FRAME, SUPPORTS, SLIDES AND GUARDS

Table: 05

Reference	P/N	Description	Model #	Quantity
1	5006114	TS/TE/TRP support foot		2
2	6351004	Split pin Ad R Ø4 galvanised		2
3	4236115	SA/SB/CS/ZLL/RM foot locking pin		2
4	5136124	155x60 protection pallet (2019)	TE/220	4
4	5136124	155x60 protection pallet (2019)	TE/160	1
5	5136119	110x155 protection pallet (2019)	TE/175	17
5	5136119	110x155 protection pallet (2019)	TE/160	15
5	5136119	110x155 protection pallet (2019)	TE/145	14
5	5136119	110x155 protection pallet (2019)	TE/235	23
5	5136119	110x155 protection pallet (2019)	TE/205	20
5	5136119	110x155 protection pallet (2019)	TE/220	19
6	6340550	Split pin UNI1336 5x50 Untreated		2
7	5235800	TE145 pallet pivot	TE/145	1
7	5235801	TE160 pallet pivot	TE/160	1
7	5235802	TE175 pallet pivot	TE/175	1
7	5235803	TE205 pallet pivot	TE/205	1
7	5235804	TE220 pallet pivot	TE/220	1
7	5235805	TE235 pallet pivot	TE/235	1
8	5005800	Body	TE/145	1
8	5005801	Body	TE/160	1
8	5005802	Body	TE/175	1
8	5005803	Body	TE/205	1
8	5005804	Body	TE/220	1
8	5005805	Body	TE/235	1
9	5006685	TRX/TE left slide		1
10	3464101012	UNI7473 (coarse pitch) M12 zinc plated nut		4
11	5005836	TE transmission loop lock		1
12	3021110025	Screw UNI5739 8.8 M10x25 galvanised (coarse pitch)		1
13	3625000010	Grower washer DIN1751 C70 Øi10		1
14	3464101010	UNI7473 (coarse pitch) M10 zinc plated nut		1
15	3464101014	UNI7473 (coarse pitch) M14 zinc plated nut		6
16	3021112035	Screw UNI5739 8.8 M12x35 galvanised (coarse pitch)		4
17	3021114035	Screw UNI5739 8.8 M14x35 galvanised (coarse pitch)		6
18	5205142	TMX crampon	TE/160	10
18	5205142	TMX crampon	TE/235	15
18	5205142	TMX crampon	TE/220	14
18	5205142	TMX crampon	TE/205	13
18	5205142	TMX crampon	TE/145	9
18	5205142	TMX crampon	TE/175	11
19	6351004	Split pin Ad R Ø4 galvanised	TE/145	9
19	6351004	Split pin Ad R Ø4 galvanised	TE/160	10
19	6351004	Split pin Ad R Ø4 galvanised	TE/235	15
19	6351004	Split pin Ad R Ø4 galvanised	TE/220	14
19	6351004	Split pin Ad R Ø4 galvanised	TE/205	13
19	6351004	Split pin Ad R Ø4 galvanised	TE/175	11
20	3021110030	Screw UNI5739 8.8 M10x30 galvanised (coarse pitch)	TE/145•160•175	4
20	3021110030	Screw UNI5739 8.8 M10x30 galvanised (coarse pitch)	TE/205•220	5
20	3021110030	Screw UNI5739 8.8 M10x30 galvanised (coarse pitch)	TE/235	6
21	3625000010	Grower washer DIN1751 C70 Øi10	TE/205•220	5
21	3625000010	Grower washer DIN1751 C70 Øi10	TE/145•160•175	4
21	3625000010	Grower washer DIN1751 C70 Øi10	TE/235	6
22	3604100010	Flat washer UNI6592 140Hv Øi10 galvanised	TE/145•160•175	4
22	3604100010	Flat washer UNI6592 140Hv Øi10 galvanised	TE/205•220	5
22	3604100010	Flat washer UNI6592 140Hv Øi10 galvanised	TE/235	6
23	5005811	TE160 rake holder	TE/160	1
23	5005812	TE175 rake holder	TE/175	1
23	5005813	TE205 rake holder	TE/205	1
23	5005814	TE220 rake holder	TE/220	1
23	5005815	TE235 rake holder	TE/235	1
23	5005852	Rake-support	TE/145	1



Machine type: SHREDDER

Model: TE

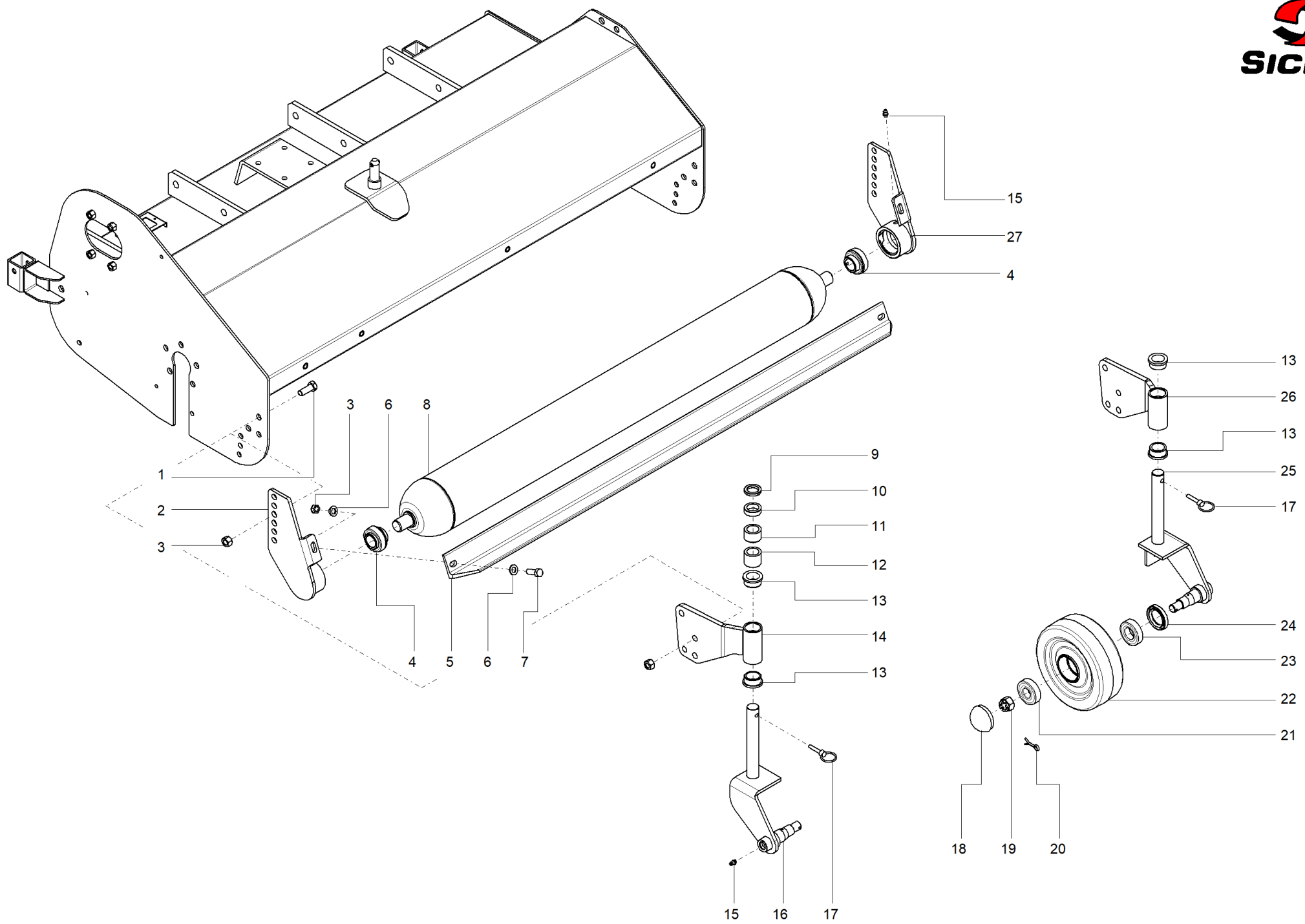
Group: FRAME, SUPPORTS, SLIDES AND GUARDS

Document ID: 902684001

Revision: 07 _20/09/2020 ->

Table: 05

Reference	P/N	Description	Model #	Quantity
24	5005841	Rear lid	TE/160	1
24	5005842	Rear lid	TE/175	1
24	5005843	Rear lid	TE/205	1
24	5005844	Rear lid	TE/220	1
24	5005845	Rear lid	TE/235	1
24	5005853	Rear lid	TE/145	1
25	5006686	TRX/TE right slide		1



Machine type: SHREDDER

Document ID: 902684001

Model: TE

Revision: 07 _20/09/2020 ->

Group: REAR WHEELS AND ROLLER

Table: 06

Reference	P/N	Description	Model #	Quantity
1	3021114035	Screw UNI5739 8.8 M14x35 galvanised (coarse pitch)		4
2	5005856	TE left side roller support		1
3	3464101014	UNI7473 (coarse pitch) M14 zinc plated nut		6
4	2030030	UC206 bearing		2
5	5865800	Scraper	TE/145	1
5	5865801	Scraper	TE/160	1
5	5865802	Scraper	TE/175	1
5	5865803	Scraper	TE/205	1
5	5865804	TE220 scraper angle	TE/220	1
5	5865805	Scraper	TE/235	1
6	3614100012	Wide washer UNI6593 100Hv Øi12 galvanised		8
7	3021114035	Screw UNI5739 8.8 M14x35 galvanised (coarse pitch)		2
8	5008004	TE/TRX220 stabilising roller	TE/220	1
8	5008018	TE145 stabilising roller	TE/145	1
8	5008019	TE160 stabilising roller	TE/160	1
8	5008020	TE175 stabilising roller	TE/175	1
8	5008021	TE205 stabilising roller	TE/205	1
8	5008023	TE235 stabilising roller	TE/235	1
9	5532725	H=6 spacer 2100 lawnmower		2
10	5532724	H=12.5 spacer 2100 lawnmower		2
11	5532722	H=25 spacer 2100 lawnmower		2
12	5532721	H=32 spacer 2100 lawnmower		2
13	5782791	M250 MFM2836/20 iglidur bearing		4
14	5005846	Left wheel support		1
15	6560008	Type-A greaser UNI7663 M8x1.25		2
16	5005775	Left castor wheel boom SL/TMX		1
17	6332056	Snap pin Ø8		2
18	6600062	Closure cap D62		2
19	34006120	UNI5593 M20 high slotted nut (coarse pitch)		2
20	6340350	Split pin UNI1336 3x50 Untreated		2
21	2106305	6305 bearing		2
22	6610230	Smooth wheel 230x80 int.62-28x28		2
23	2106206	6206 bearing		2
24	6104062	Type-A oil seal 40x62x10 DIN3760		2
25	5005774	Right castor wheel boom SL/TMX		1
26	5005847	Right wheel support		1
27	5005855	TE right side roller support		1