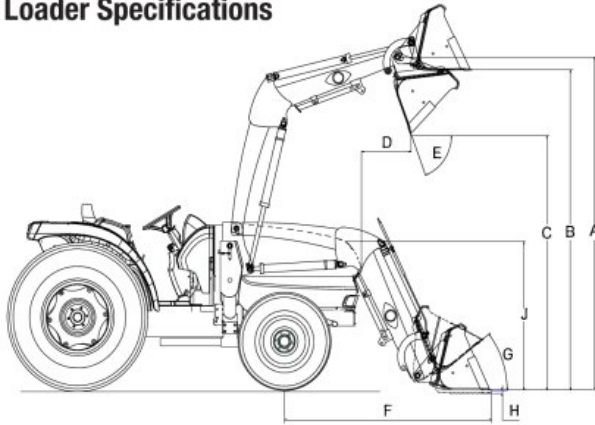


Front End Loader

The Kioti KL2510 front end loader is specially designed for the CK2510 tractor, providing efficient performance with single joystick control. The Kioti loader is designed for quick and easy attachment and detachment.

Loader Specifications



Loader Model: **KL2510** Tractor Model: **CK2510**

Cycle time (sec)	1,500 rpm	2,000 rpm	2,600 rpm (Full)
Raise Boom frame	4.3	3.2	2.5
Lower Boom frame	2.3	1.7	1.5
Dump bucket	5.5	4.4	3.5
Rollback bucket	3.4	2.5	1.5

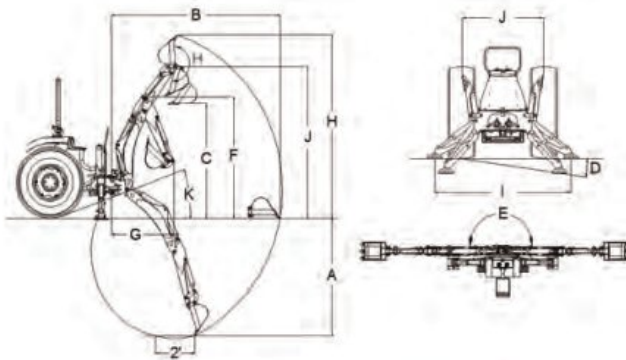
Model	KL2510
A Maximum Lift Height to pivot pin	87.8 in (2,230 mm)
B Maximum Lift Height under level bucket	84.3 in (2,141 mm)
C Clearance w/ Bucket Dumped	67.2 in (1,706 mm)
D Reach at Maximum Height	31.5 in (800 mm)
E Maximum Dump Angle	53 °
F Reach Bucket on Ground	59.0 in (1,498 mm)
G Maximum Rollback Angle	33 °
H Digging Depth	3.9 in (99 mm)
J Overall Height in Carry Position	40 in (1,016 mm)
L Bucket Depth (inner shell)	19.6 in (498 mm)
M Bucket Height	18.2 in (411 mm)
N Bucket Depth (pivot pin)	24.9 in (632 mm)
Lift Capacity to Full Height at Pivot Pins	1,092 lbs. (495 kg)
Breakout Force at Pivot Pin	1,843 lbs. (836 kg)
Relief Valve Setting (Loader control valve)	2,275 psi
Rated Flow (Tractor system)	7.66 gpm (29 lpm)
Bucket size	50 in (1,270 mm)
Weight (with Bucket)	605 lbs. (274 kg)
Lift Cylinder	1.DØ45mm x Rod Ø30mm
Bucket Cylinder	1.DØ45mm x Rod Ø30mm
Bucket Capacity	7.8 ft ³

*Specifications and design are subject to change without notice.

Backhoe

The subframe mounted KB2465 backhoe can be easily attached and detached using locking pins and quick-connect hydraulics. The backhoe's offset subframe design provides a large approach angle for the easiest trailer loading in its class.

Backhoe Specifications



Backhoe Model: **KB2465** Tractor Model: **CK2510**

Model	KB2465
A. Digging Depth (two foot flat bottom)	76.3 (1,940) in.(mm)
B. Reach from center line of Swing Pivot	113.1 (2,875) in.(mm)
C. Loading Height (bucket at 60°)	63.6 (1,615) in.(mm)
D. Maximum Leveling Angle	10°
E. Swing Arc	180°
F. Transport Height (maximum)	73.1 (1,856) in.(mm)
G. Transport Overhang	43.5 (1,105) in.(mm)
H. Bucket Rotation	180°
I. Stabilizer Spread (down position)	68.7 (1,745) in.(mm)
J. Stabilizer Spread (up position)	46.4 (1,180) in.(mm)
K. Angle of Departure	21°
Shipping Weight - Backhoe	1,012 (459) lbs.(kg)
Bucket Digging Force	2,817.5 (1,278) lbs.(kg)
Dipperstick Digging Force	1,748 (793) lbs.(kg)
Operating Pressure	2,466 (170) psi (bar)

Cylinders

Cylinder	Bore DIA	RetractedLength	Stroke	Rod DIA
Boom	2.75"	23"	15.1"	1.57"
Bucket	2.36"	21"	11.7"	1.38"
Dipperstick	2.36"	20.6"	11.9"	1.38"
Swing	2.36"	15.67"	8.78"	1.38"
Stabilizer	2.36"	17.5"	10.31"	1.38"

Buckets

Bucket	Teeth Qty	Struck Capacity	Heaped Capacity	Shipping Weight
9" Bucket	3	0.73 cu. ft.	0.87 cu. ft.	46 lbs.
12" Bucket	3	1.01 cu. ft.	1.24 cu. ft.	56 lbs.
16" Bucket	3	1.38 cu. ft.	1.76 cu. ft.	64 lbs.
18" Bucket	4	1.56 cu. ft.	2.02 cu. ft.	70 lbs.
24" Bucket	5	2.11 cu. ft.	2.82 cu. ft.	94 lbs.
36" Muck Bucket	6	2.78 cu. ft.	4.00 cu. ft.	114 lbs.

*Specifications and design are subject to change without notice.