

# kurtsan

## SCRATCH BRUSH User's Manual



**KURTSAN TARIM END. MAK. SAN. VE TİC. LTD. ŞTİ**

Selahaddin Eyyübi Mah. 1596 Sok. No:3/2 Esenyurt , İSTANBUL / TURKEY

Tel: +90 212 605 0909 / Fax: +90 212 605 0333

[www.kurtsantarim.com](http://www.kurtsantarim.com)



## PLEASE READ THIS DOCUMENT BEFORE YOU START!

Dear customer,

This machine is made by qualified equipment so we can warranty the best results for your farm.

Please make sure that you read this document completely and carefully before you start using the machine and keep this document as a source.

---

Please,

Take into consideration the security warnings.

Before using read any documentation that comes with your product.

---

### Symbols & Explanations



**Warning!** specific information to avoid damage



**Danger!** specific information to prevent damage to people and animals

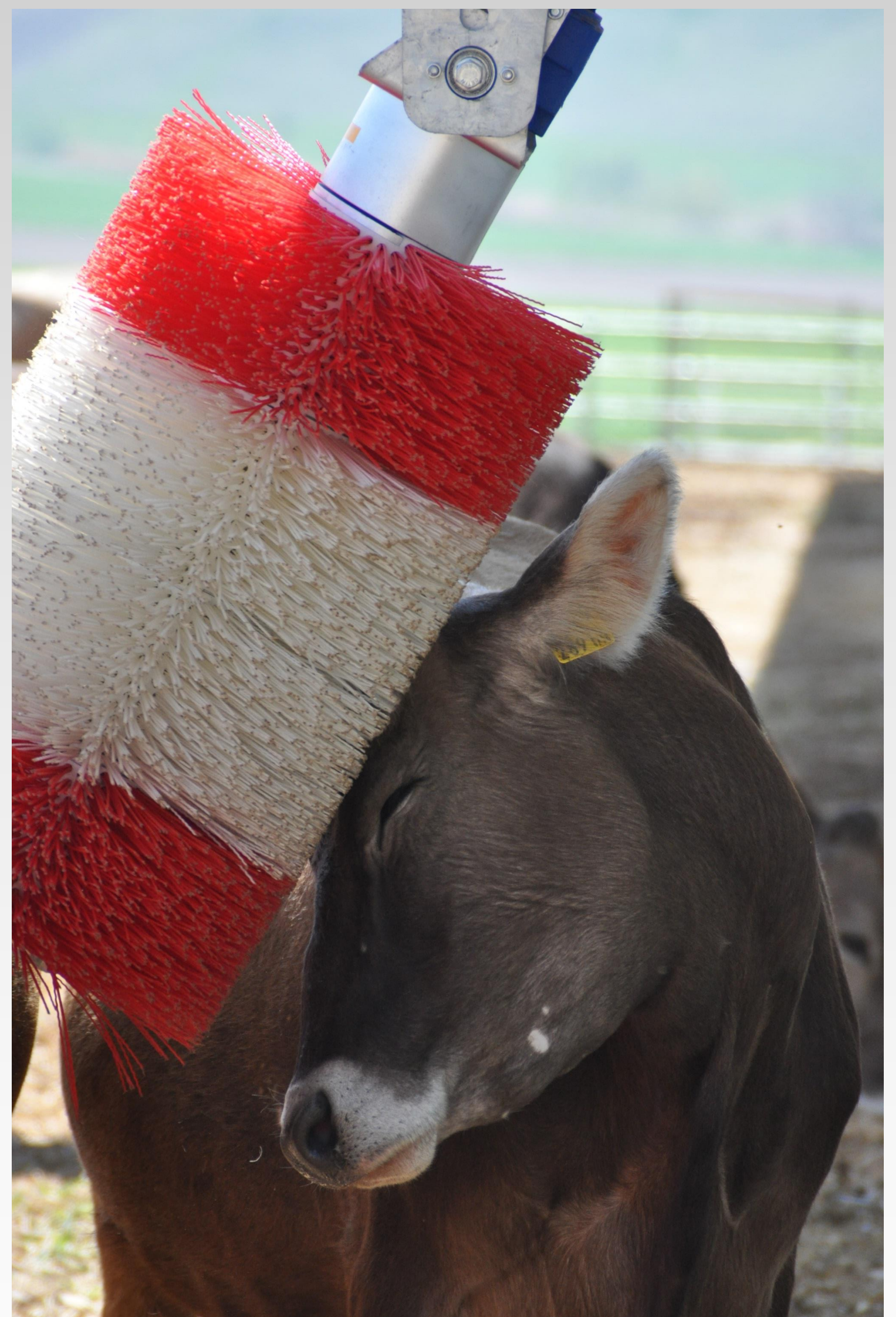


**Note:** information necessary for easy management of the machine



# CONTENTS

<b>General Information.....</b>	<b>4</b>
<b>Kurtsan Scratch Brushes.....</b>	<b>4</b>
Benefits of Kurtsan Scratch Brushes	
Specifications of Scratch Brushes	
<b>Spare Parts of The Scratch Brushes .....</b>	<b>5</b>
<b>Technical Information.....</b>	<b>5-6</b>
Electrical Engine	
Reducer	
Brush	
Chassis	
<b>How To Assemble The Scratch Brush.....</b>	<b>6</b>
<b>Instructions .....</b>	<b>6</b>
<b>Maintenance &amp; Cleaning.....</b>	<b>7</b>
<b>Safety First.....</b>	<b>7</b>
<b>Transportation and Shipping.....</b>	<b>8</b>
<b>Solving Problems.....</b>	<b>9</b>
<b>Warranty Conditions.....</b>	<b>9</b>
<b>Customer Service.....</b>	<b>10</b>





## GENERAL INFORMATION

This machine is made by Kurtsan Tarim in Turkey.

The Scratch Brush is made to increasing the health and the proportion of milk yield significantly. The cows are able to give more milk in distressful areas.

According to the Turkish Laws, after the sale, the services of industrial products should be equal to the product life which is announced 10 (ten) years by the Ministry of Law No. 4077.



## KURTSAN SCRATCH BRUSHES

### BENEFITS OF KURTSAN SCRATCH BRUSH

- Protect the health of the cows.
- Increases the comfort at the farm.
- The massage increases the blood circulation.
- Increases the herd performance.
- Makes the cows calm and clean.
- Plenty transpiration from the animal's skin.
- Increases the rate of utilization of feed.
- Increases the quality of the leather of the cows.
- Increases the meat and milk production by 10%.

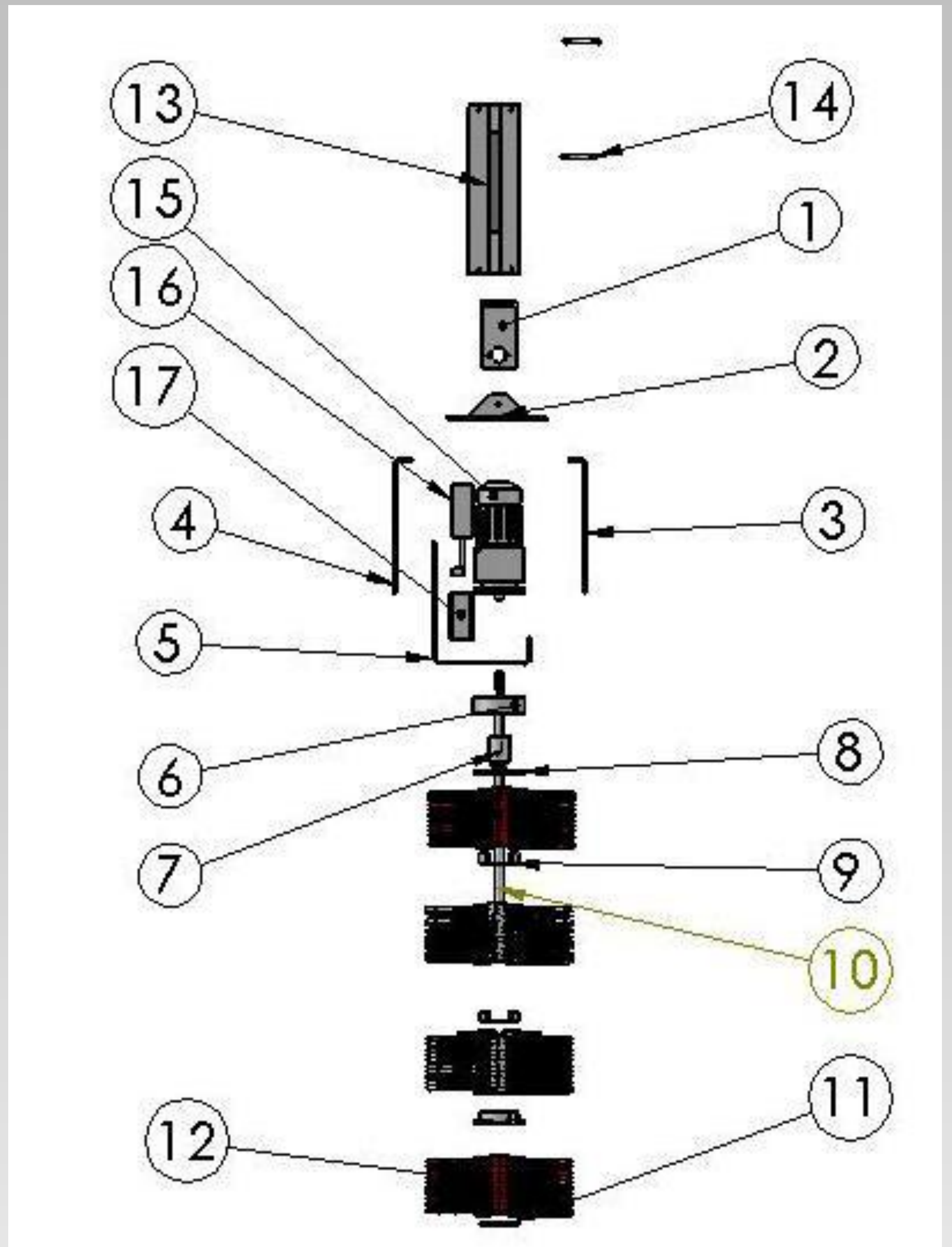
### SPECIFICATIONS OF THE SCRATCH BRUSH

- ✓ Automated on/off feature.
- ✓ Easy and quick installation.
- ✓ Low energy consumption.
- ✓ Easy to clean.
- ✓ Suitable for 40-50 animals.
- ✓ The ability to act 360° .
- ✓ In case of jamming of the tail, engine stops and acts in the opposite direction.

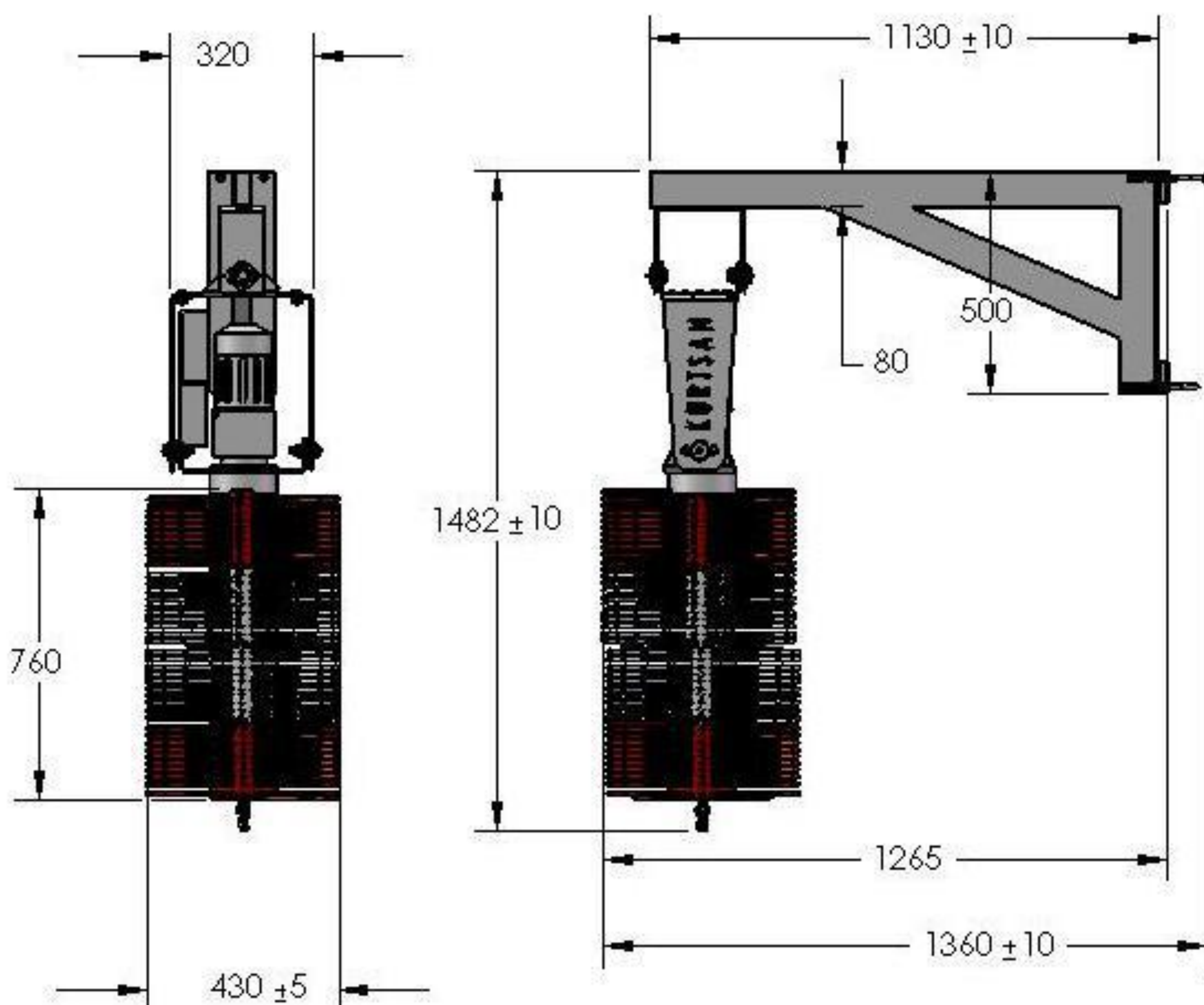


## SPARE PARTS OF THE SCRATCH BRUSHES

	NAME	Qty
1	Flange hanger	1
2	Flange Swing	1
3	Lama Swing Right	1
4	Lama Swing Left	1
5	Engine Flange	1
6	Plate Storage	1
7	Spindle and Engine Holder	1
8	Centering Flange	3
9	Print Flange	1
10	Brush Shaft	1
11	Lower Thrust Flange	1
12	Brush	2
13	Scratching Machine Strap	1
14	M10 U Bolt	4
15	Engine	1
16	Electronics & Censors	1
17	Cable Protector	1



## TECHNICAL INFORMATION



### ELECTRICAL ENGINE

Power	0,18
Current (A)	11
Cos $\phi$	0,69
Frequency (Hz)	50
Operating Voltage (V)	220
Speed (rev/min)	1340
Power	0,18
Current (A)	11



## REDUCER

This is a tool which reduces the high rate of rotation of the electric motor until the required rates of return. (The required speed: 31 Rev / Min)

## BRUSH

Thanks to its robust construction, it is easy to clean with pressure washers. The brushes diameter is 440mm and the height is 730mm. The bristles are made by Polypropylene-Nylon which are 150mm long and the diameter is 0,270mm.

## CHASSIS

Made in hot-dip galvanized (40x80x3).

## HOW TO ASSEMBLE THE SCRATCH BRUSH

The user can assemble the brush to the wall or pole. This brush is ready for the final user, however we recommend to be installed by a licensed electrician. Brush can be located inside or outside of the farm.

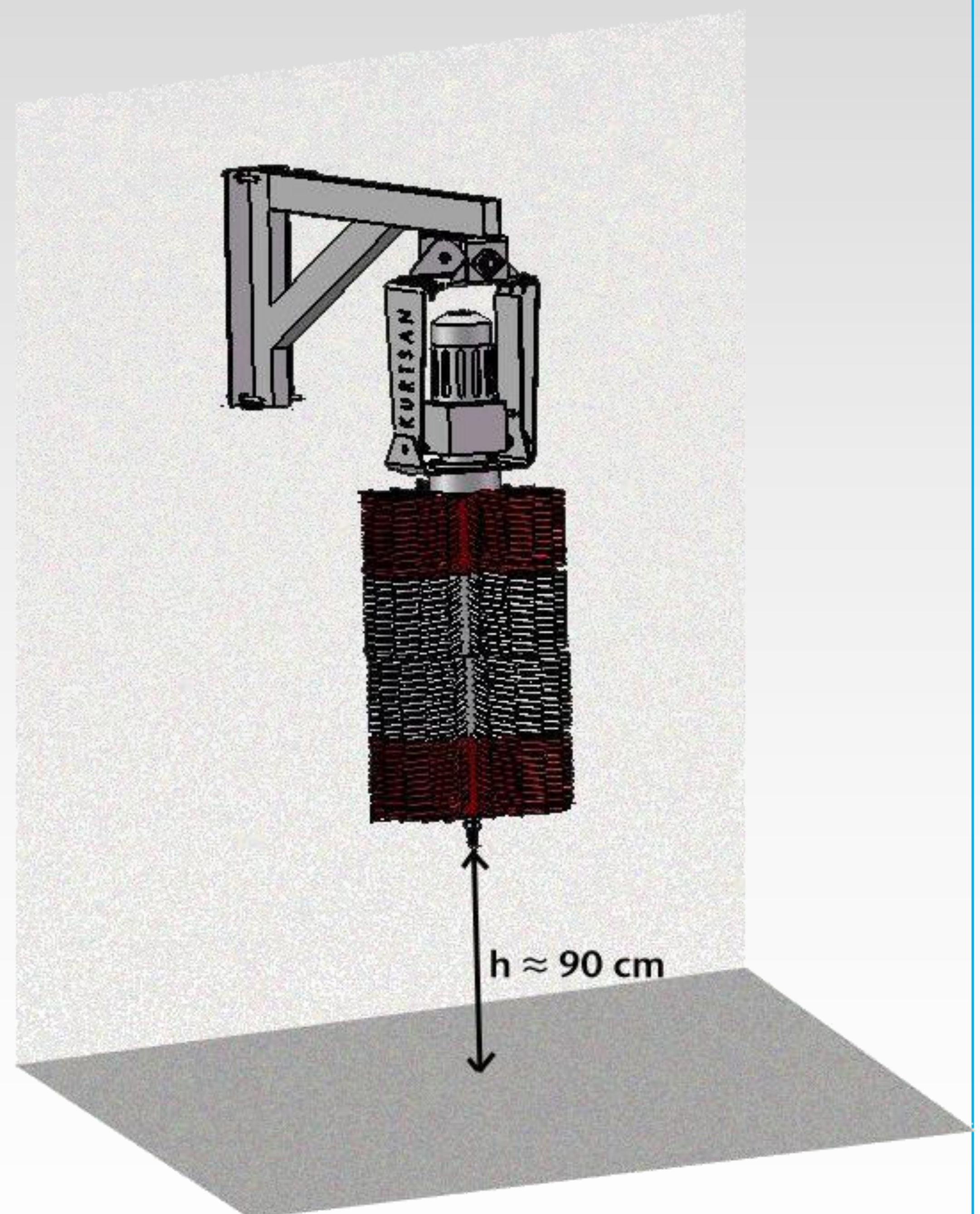
- 220V power line must be drawn.
- The distance of brush to the floor should be 90cm. The height of the link/connection arm should be 220cm.
- It is recommended to be installed by a licensed electrician.
- 4 Amp fuse must be used.
- All cables must be grounded.
- Keep the connection cables dry.



## INSTRUCTIONS

### Attention!

The engine should not be in contact with water or rain. Be sure to make a periodic maintenances.



**KEEP IT SAFE FROM WATER OR RAIN!**



## MAINTENANCE & CLEANING

- To get the best results, the user should clean the brush regularly.
- Keep away dust, dirt, oil, etc. from the brush and maximize the life of the brush.

	Maintenance	Periods
<b>Electric Engine</b>	Cleaning with air	Every month
<b>Reducer</b>	Renewing the oil	Every six month
<b>Brush</b>	Changing the brush	Every two years
	Cleaning with water	Every day
<b>Chassis</b>	Cleaning	Every month

## SAFETY FIRST

Please review the information below. Risk of personal injury or property damage may occur. Failure to comply these requirements and reliability commitment will void any warranty.



Apply to a Daily Procedure. Make sure that all the guidelines related to the product are dominated.

- Do not put oil in the machine and electric motor.
- Do not wet the machine and electric motor.
- A qualified electrician is recommended to make the installation.

Kurtsan uses cables and plugs which are suitable for the brushes. If a failure occurs, please do not hesitate to contact with us.

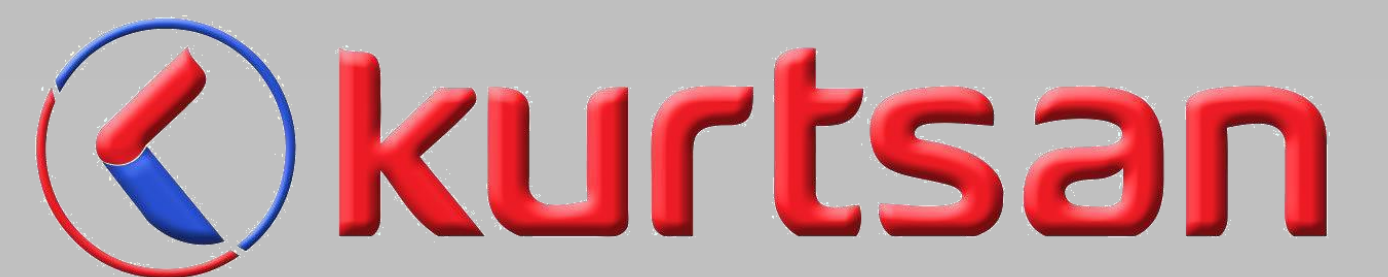


The brush should turns in the direction indicated by the arrow. If it is rotating in the opposite direction all the times, turn off the brush and contact with Kurtsan assistance or qualified electricians.

- Do not contact with the electricity directly.
- Outlets must be grounded.
- Do not wet the engine or any electrical equipment.
- In case of any malfunction, the user must contact with qualified electricians.
- If it is observed thermal radiation events, the user must stop the brush and contact with Kurtsan assistance.



## TRANSPORTATION & SHIPPING



- ✓ The machine must be protected against shocks during transportation and shipping.
- ✓ In order to protect against shocks, the user should use stretch bands, cage materials and packaging materials etc.

Problem	Reason	Solution
The brush does not rotate	It might not be receiving electricity	It is recommended to check the connections with a qualified electrician
	The sensor is defective or damaged	Contact with the retailer
	The insurance switch was down	The insurance should be fixed
Electrical crashing	Not grounded	It must be grounded

## WARRANTY CONDITIONS

The Kurtsan Scratch Brushes are not a composition of ordinary and simple parts. In order to guarantee your safety, reliability and hygiene, please make sure that you are using the equipment properly. All spare parts are perfectly designed by Kurtsan.

The perfect harmony of spare parts are the result of the brand awareness. Therefore, Kurtsan only gives guarantee to the brushes which are used with Kurtsan original spare parts. Kurtsan Warranty Terms are the followings:

- The warranty period starts from the date of delivery for 1 (one) year.
- Kurtsan brand equipment are protected by warranty against defects in material and workmanship.
- Acting against to user's manual makes your machine out of warranty.
- If there is any event of disagreement with the competent service, the system owner should notify to the company by post-letter or via e-mail.
- If you do not use **Original Kurtsan Spare Parts**, your machine will be out of warranty.
- If you do not keep your invoice or warranty card, your machine will be out of warranty.





## CUSTOMER SERVICE

Dear Valued Customer,

Kurtsan Call Center is available on weekdays from 08:30 to 18:00 (GMT +2) at phone number +90.212.605.09.09.

Apply directly to us by turning this number and you can request the desired service.

You reach Call Center also via e-mail or fax (+90.212.605.03.33).

**Post-Letter applications should be addressed to:**

Selahaddin Eyyübi Mah. 1596 Sok. No:3/2  
Esenyurt, İSTANBUL  
TURKEY

**KURTSAN TARIM END. MAK. SAN. VE TİC. LTD. ŞTİ**

Selahaddin Eyyübi Mah. 1596 Sok. No:3/2 Esenyurt , İSTANBUL / TURKEY

Tel: +90 212 605 0909 / Fax: +90 212 605 0333

[www.kurtsantarim.com](http://www.kurtsantarim.com)