

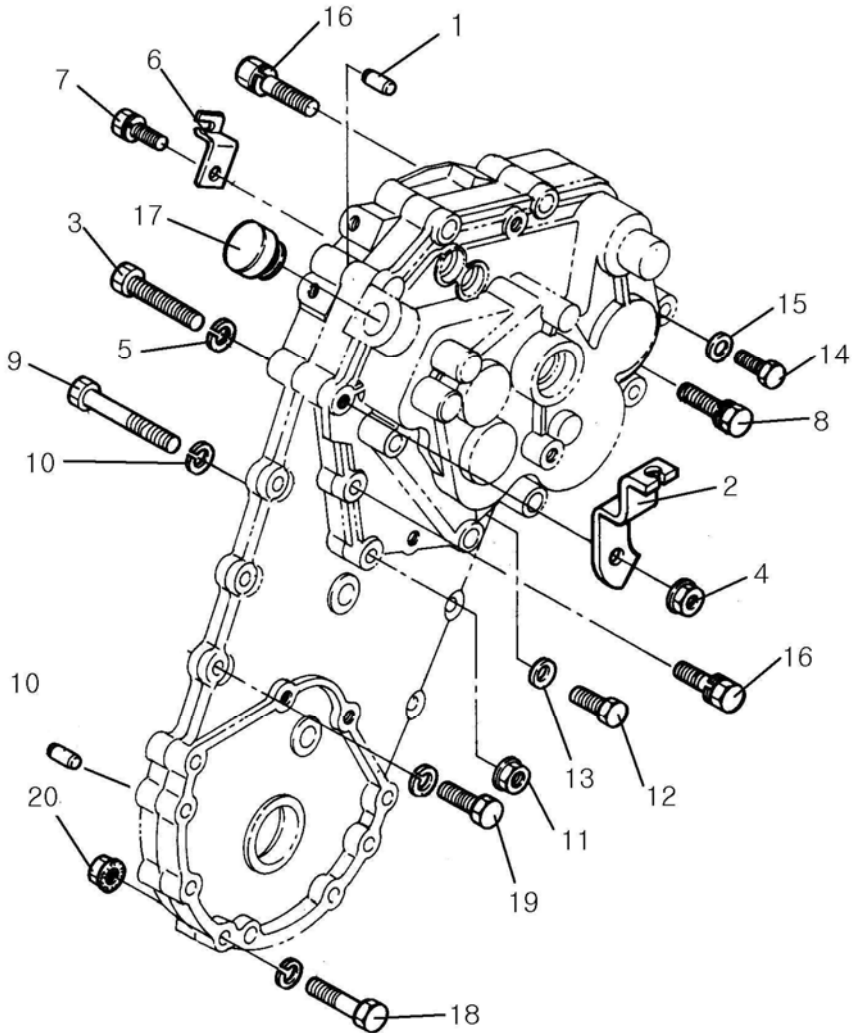
THE ASIA PARTS LIST

***Never use other than GENUINE ASIA PARTS
they are standardized, tested and proved.***

***Using genuine parts saves your time and money above all.
Ensures that your machine will always be ready for
immediate work.***

CONTENTS

| No. | Group | Description | Page |
|-----|-------------|--------------------------------|------|
| 1 | AA115-G010A | Transmission Case Group | 46 |
| 2 | AA116-G021A | Transmission Gear Group(F3,R1) | 48 |
| 3 | AA115-G022A | Driving Fork Group | 52 |
| 4 | AA110-G023A | PTO Fork Group | 54 |
| 5 | AA115-G031A | Handle Group(Y) | 56 |
| 6 | AA115-G032A | Operating Wire Group(Y) | 60 |
| 7 | AA116-G033A | Shifting Lever Group(F3,R1) | 62 |
| 8 | AA115-G040A | Engine & Pulley Group | 64 |
| 9 | AA115-G052A | Wheel Group | 68 |
| 10 | AA110-G061B | Rotary Case & Frame Group | 70 |
| 11 | AA110-G062B | Rotary Cover Group | 76 |
| 12 | AA317-G070A | Label Group | 80 |
| 13 | AA110-G080A | Service & Tool Group | 82 |
| 14 | AB320 | Rotary(SCR-350) | 84 |
| 15 | AB336 | Ditching Rotor(SDR-250) | 86 |
| 16 | AB341 | Ridge(SRD-3) | 88 |



ASIA PARTS LIST

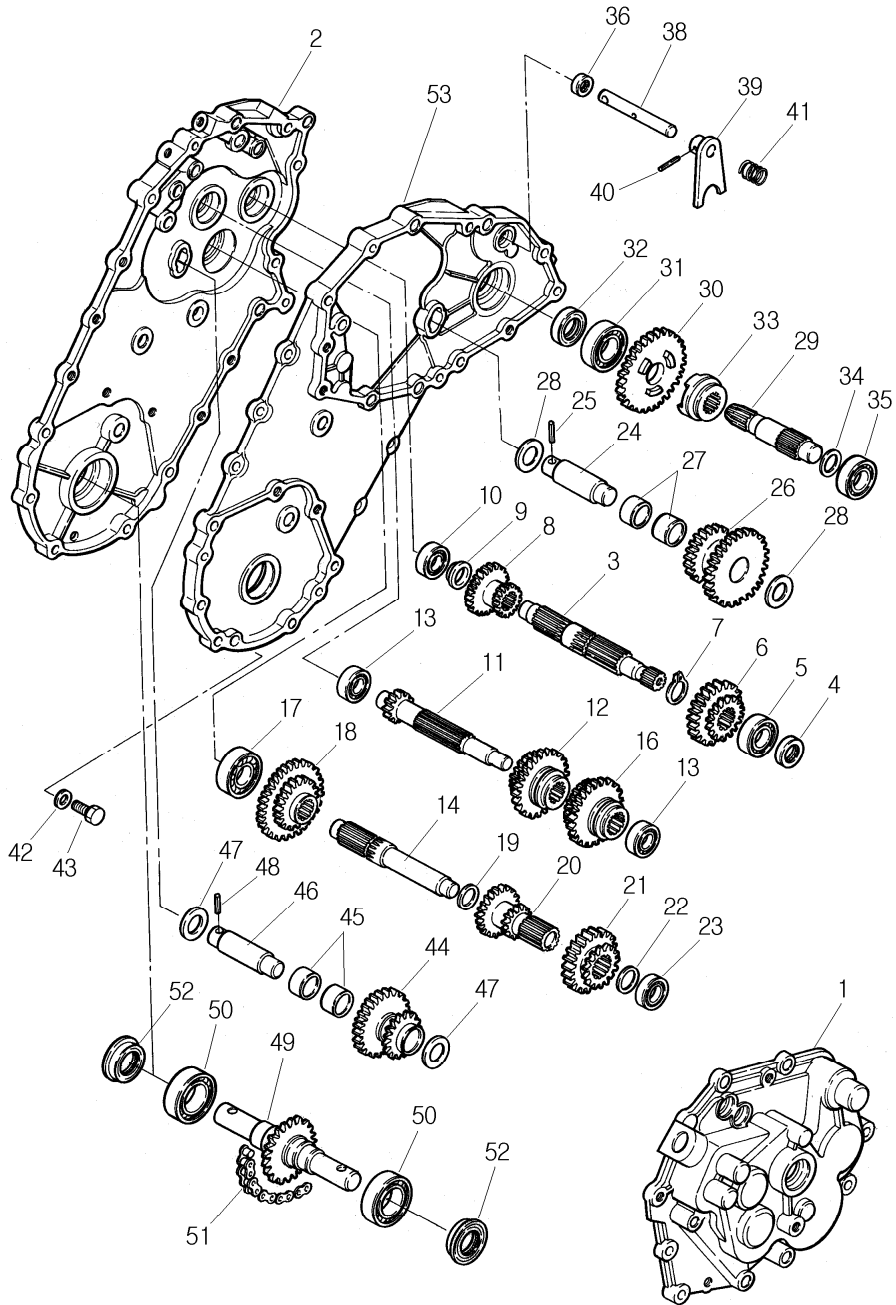
2017.05.

G010A

Transmission Case Group

ASC-640

| No. | Parts No. | Size | Parts Name | Q'ty | Remarks |
|-----|----------------|------------------|-----------------------|------|---------|
| 01 | A331-8×18 | Φ 8x18 | Guide Pin | 2 | |
| 02 | AA110-03461 | | Bracket, Wire | 1 | |
| 03 | A100-8×50(50)Z | M8x1.25Px50Ls | Bolt | 1 | |
| 04 | A580-8Z | M8x1.25P | Nut, Flange | 1 | |
| 05 | A204-8Z | M8 | Washer, Spring | 1 | |
| 06 | A60 0106A | | Stopper | 1 | |
| 07 | A560-6×12Z | M6x1.0Px12Ls | Bolt, Spring Washer | 1 | |
| 08 | A560-8×32Z | M8x1.25Px32L-22s | Bolt, Spring Washer | 1 | |
| 09 | A560-8×25Z | M8x1.25Px25L-22s | Bolt, Spring Washer | 2 | |
| 10 | A331-8×18 | Φ 8x18 | Guide Pin | 2 | |
| 11 | A1126-50870 | M8x1.25Px70L-22s | Bolt, Washer | 1 | |
| 12 | A100-8×16Z | M8x1.25Px16Ls | Bolt | 1 | |
| 13 | RP-0154 | | Seal Washer | 1 | |
| 14 | A100-6x12Z | M6x1.0Px12Ls | Bolt | 1 | |
| 15 | GT-0652 | | Seal Washer | 1 | |
| 16 | A560-8×25Z | M8x1.25Px25L-22s | Bolt, Washer | 2 | |
| 17 | AA100-02501 | | Oil Cap | 1 | |
| 18 | A1120-50870 | M8x1.25Px70L-22s | Bolt, Spring Washer | 5 | |
| 19 | A564-8x25Z | | Bolt, W/Spring Washer | 5 | |
| 20 | A580-8Z | M8x1.25P | Nut, Flange | 5 | |



ASIA PARTS LIST

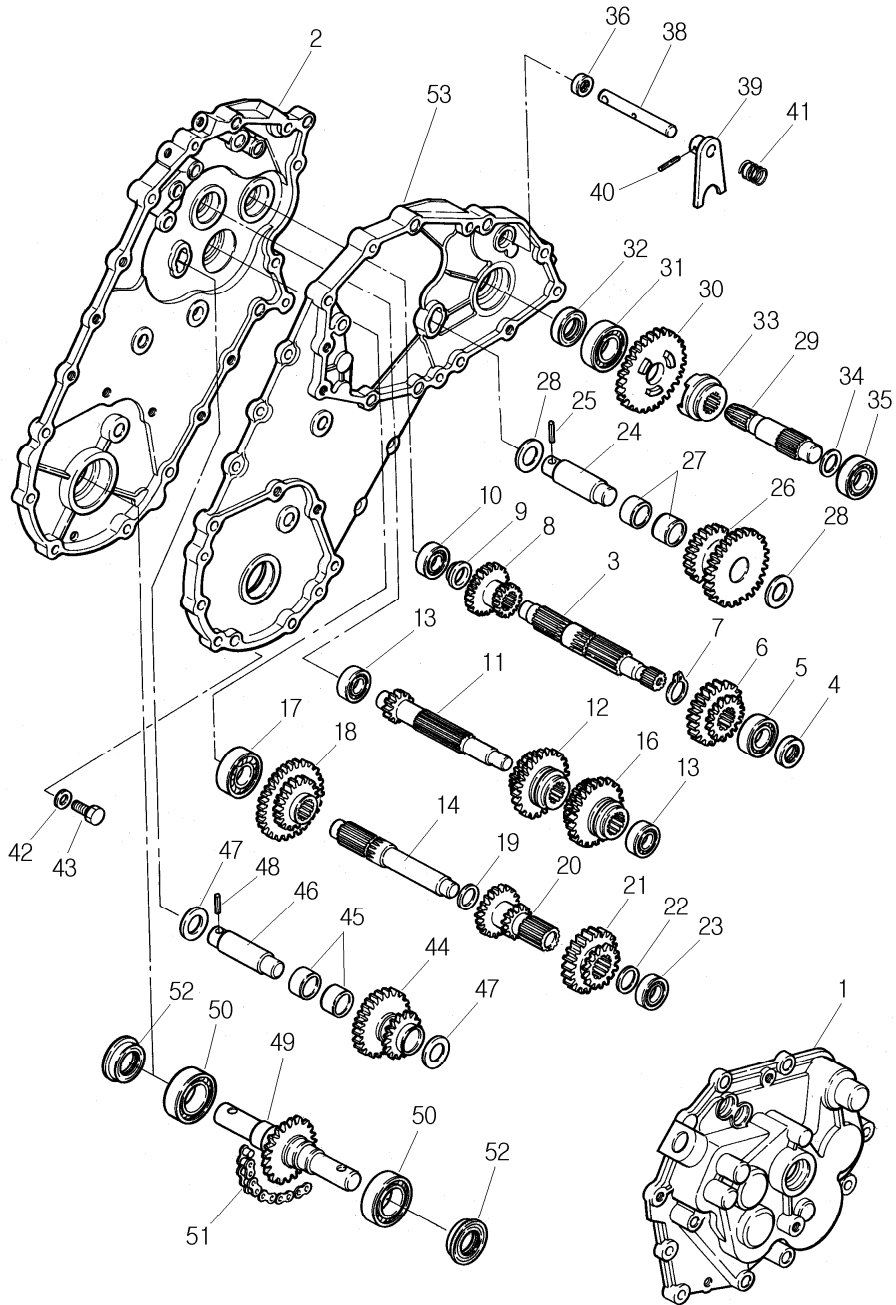
2017.05.

G021A

Transmission Gear Group(F3,R1)

ASC-640

| No. | Parts No. | Size | Parts Name | Q'ty | Remarks |
|-----|-------------|----------------|-------------------------|------|---------|
| 1 | AA110-02012 | | Case, Transmission(L) | 1 | |
| 2 | AA115-02023 | | Case, Transmission(R) | 1 | |
| 3 | AA112-02032 | | Shaft, Input | 1 | |
| 4 | A9500-20307 | D15×30×7 | Oil Seal | 1 | |
| 5 | A8101-06202 | #6202 | Ball Bearing | 1 | |
| 6 | AA110-02051 | | Gear(15-23), Rotary | 1 | |
| 7 | A4612-00200 | Axle C Φ20 | Cir-Clip, External | 1 | |
| 8 | AA110-02042 | | Gear(15-24), Driving | 1 | |
| 9 | AA110-02621 | | Collar | 1 | |
| 10 | A8101-06201 | #6201 | Ball Bearing | 1 | |
| 11 | AA110-02062 | | Shaft, Gear 9 | 1 | |
| 12 | AA110-02071 | | Gear(23-32), Driving | 1 | |
| 13 | A8101-06201 | #6201 | Ball Bearing | 2 | |
| 14 | AA116-02091 | | Shaft, Driving | 1 | |
| 16 | AA112-02071 | | Gear(35T), Driving | 1 | |
| 17 | A8101-06203 | #6203 | Ball Bearing | 1 | |
| 18 | AA116-09011 | | Gear(16-38) | 1 | |
| 19 | AA112-08081 | | Bush | 1 | |
| 20 | AA112-02111 | | Gear(12T), Reverse Idle | 1 | |
| 21 | AA110-02121 | | Gear(15-23), Idle | 1 | |
| 22 | AA110-02131 | Φ12.5xΦ22xt1.0 | Washer | 1 | |
| 23 | A8101-06201 | #6201 | Ball Bearing | 1 | |
| 24 | A60 0214A | | Shaft, Rotary Idle | 1 | |
| 25 | A5411-00622 | Φ6x22 | Spring Pin | 1 | |
| 26 | A60 0216A | | Gear(21-29), Rotary | 1 | |
| 27 | A60 0219A | | Oilless Bearing | 2 | |
| 28 | AA100-02151 | Φ13.5xΦ26xt2.0 | Washer | 2 | |
| 29 | AA110-02205 | | Shaft, Rotary Output | 1 | |
| 30 | A60 0223A | | Clutch, Rotary | 1 | |
| 31 | A8101-06303 | #6303 | Ball Bearing | 1 | |



ASIA PARTS LIST

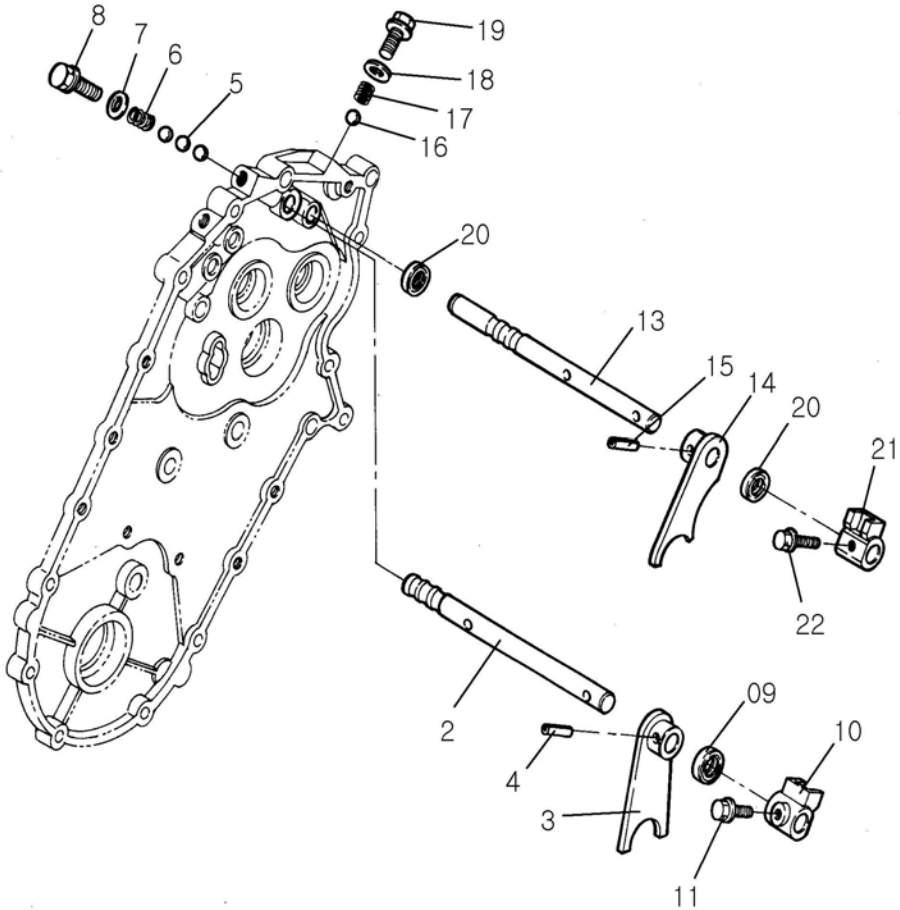
2017.05.

G021A

Transmission Gear Group(F3,R1)

ASC-640

| No. | Parts No. | Size | Parts Name | Q'ty | Remarks |
|-----|-------------|----------------|----------------------------|------|---------|
| 32 | A9400-17357 | D17×35×7 | Oil Seal | 1 | |
| 33 | A60 0222A | | Clutch | 1 | |
| 34 | A60 0221A | | Washer | 1 | |
| 35 | A8101-06202 | #6202 | Ball Bearing | 1 | |
| 36 | A60 0231A | | Oil Seal | 1 | |
| 37 | AA100-02451 | | Shaft Ass'y, Rotary Output | 1 | 38~40 |
| 38 | AA100-02461 | | Shaft, Rotary Clutch | 1 | |
| 39 | A60 0247A | | Fork, Rotary Clutch | 1 | |
| 40 | A5411-00520 | Φ5x20 | Spring Pin | 1 | |
| 41 | AA100-02491 | | Spring, Rotary Connection | 1 | |
| 42 | Z4710-00100 | | Packing | 1 | |
| 43 | DT-0103 | | Plug, Drain | 1 | |
| 44 | AA115-02661 | | Gear(28-10), Sprocket | 1 | |
| 45 | A60 0510A | Φ14xΦ16x15L | Oilless Bearing | 2 | |
| 46 | AA115-02671 | | Shaft, Driving Idle | 1 | |
| 47 | AA100-02151 | Φ13.5xΦ26xt2.0 | Washer | 2 | |
| 48 | A5411-00622 | Φ6x22 | Spring Pin | 1 | |
| 49 | AA315-05151 | | Axle | 1 | |
| 50 | A8101-06908 | #6908 | Ball Bearing | 2 | |
| 51 | AA115-05141 | #428Hx54Link | Chain | 1 | |
| 52 | A60-0522A | | Oil Seal | 2 | |
| 53 | AA115-02653 | | Case, Transmission(C) | 1 | |
| 54 | AA110-02611 | Φ15.5xΦ23xt1.0 | Washer | 1 | |



AA115

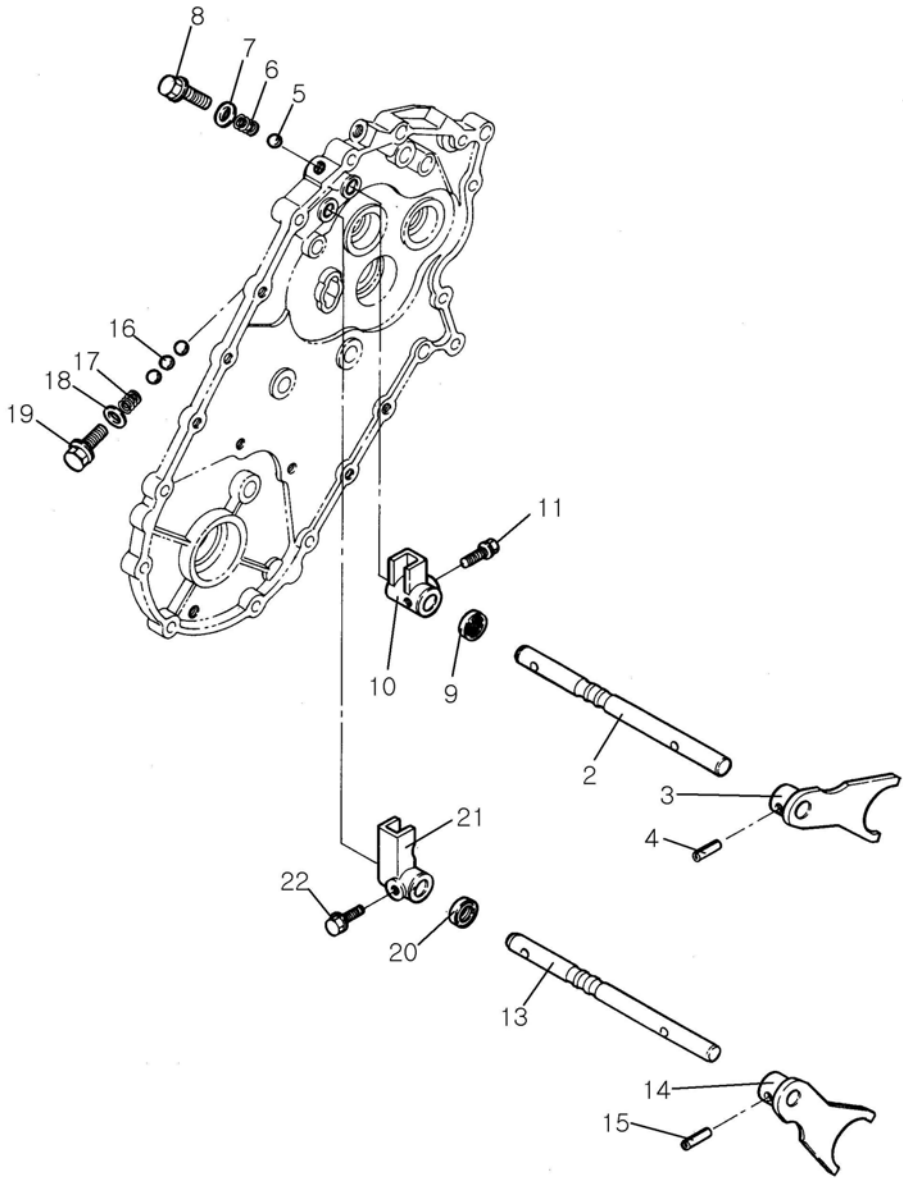
ASIA PARTS LIST

2017.05.

G022A**Driving Fork Group**

ASC-640

| No. | Parts No. | Size | Parts Name | Q'ty | Remarks |
|-----|-------------|----------------|----------------------|------|---------|
| 1 | AA110-02321 | | Fork Ass'y, Forward | 1 | 02~04 |
| 2 | AA110-02331 | | Fork Shaft, Forward | 1 | |
| 3 | AA110-02341 | | Fork, Forward | 1 | |
| 4 | A5411-00520 | Φ5x20 | Spring Pin | 1 | |
| 5 | A7715-01605 | 5/16"(Φ7.9) | Ball, Steel | 3 | |
| 6 | A60 0229A | d1.2 | Spring | 1 | |
| 7 | RP-0736 | Φ9xΦ22xt2.0 | Seal Washer | 1 | |
| 8 | A60 0230A | M10xP1.5x12L | Bolt(A), Fixing | 1 | |
| 9 | A60 0231A | Φ12xΦ18x5.0L | Oil Seal | 1 | |
| 10 | AA115-01030 | | Guide, Driving Shift | 1 | |
| 11 | A1754-50620 | | Bolt, Flange | 1 | |
| 12 | AA115-02371 | | Fork Ass'y, Reverse | 1 | 13~15 |
| 13 | AA115-02381 | | Fork Shaft, Reverse | 1 | |
| 14 | AA110-02391 | | Fork, Reverse | 1 | |
| 15 | A5411-00520 | Φ5x20 | Spring Pin | 1 | |
| 16 | A7715-01605 | 5/16"(Φ7.9) | Ball, Steel | 1 | |
| 17 | A60 0229A | d1.2 | Spring | 1 | |
| 18 | RP-0736 | Φ9xΦ22xt2.0 | Seal Washer | 1 | |
| 19 | AA110-02411 | M10xP1.5x24.5L | Bolt(B), Fixing | 1 | |
| 20 | A60 0231A | Φ12xΦ18x5.0L | Oil Seal | 1 | |
| 21 | AA115-01030 | | Guide, Driving Shift | 1 | |
| 22 | A1754-50620 | | Bolt, Flange | 1 | |



AA110

ASIA PARTS LIST

2017.05.

G023A**PTO Fork Group**

ASC-640

| No. | Parts No. | Size | Parts Name | Q'ty | Remarks |
|-----|-------------|----------------|--------------------------|------|---------|
| 1 | AA110-02241 | | Fork Ass'y, Input Shaft | 1 | 02~04 |
| 2 | AA110-02251 | | Fork Shaft, Input | 1 | |
| 3 | AA110-02261 | | Fork, Input | 1 | |
| 4 | A5411-00520 | Φ5x20 | Spring Pin | 1 | |
| 5 | A7715-01605 | 5/16"(Φ7.9) | Ball, Steel | 3 | |
| 6 | A60 0229A | d1.2 | Spring | 1 | |
| 7 | RP-0736 | Φ9xΦ22xt2.0 | Seal Washer | 1 | |
| 8 | A60 0230A | M10xP1.5x12L | Bolt(A), Fixing | 1 | |
| 9 | A60 0231A | Φ12xΦ18x5.0L | Oil Seal | 1 | |
| 10 | AA110-01011 | | Guide, Input Shift | 1 | |
| 11 | A1754-50620 | | Bolt, Flange | 1 | |
| 12 | AA110-02421 | | Fork Ass'y, Rotary Shift | 1 | 13~15 |
| 13 | AA110-02251 | | Fork Shaft, Input | 1 | |
| 14 | AA110-02441 | | Fork, Rotary Shift | 1 | |
| 15 | A5411-00520 | Φ5x20 | Spring Pin | 1 | |
| 16 | A7715-01605 | 5/16" | Ball, Steel | 1 | |
| 17 | A60 0229A | | Spring | 1 | |
| 18 | RP-0736 | Φ9xΦ22xt2.0 | Seal Washer | 1 | |
| 19 | AA110-02411 | M10xP1.5x24.5L | Bolt(B), Fixing | 1 | |
| 20 | A60 0231A | Φ12xΦ18x5.0L | Oil Seal | 1 | |
| 21 | AA110-01051 | | Guide, Rotary Shift | 1 | |
| 22 | A1754-50620 | | Bolt, Flange | 1 | |

AA315

ASIA PARTS LIST

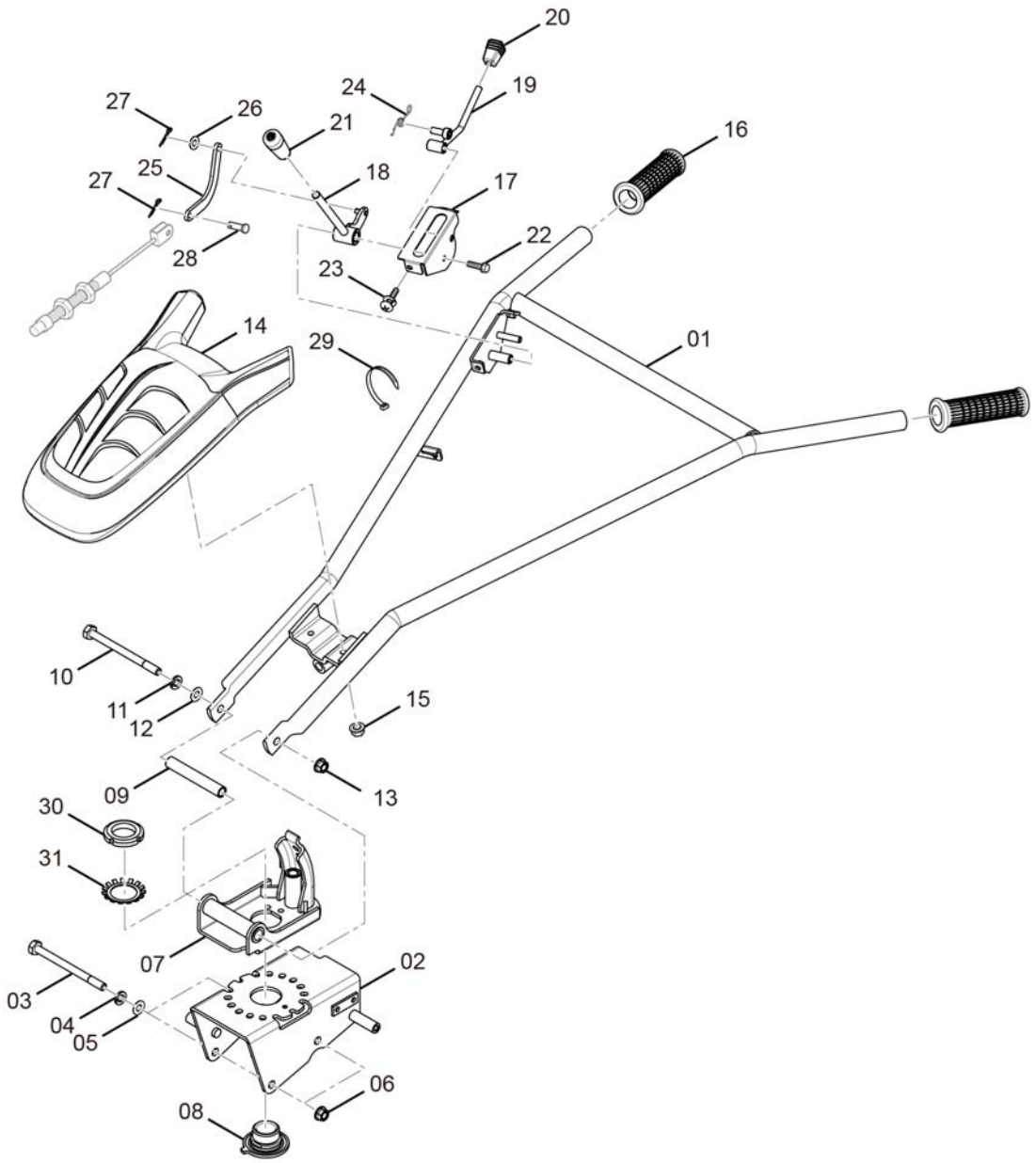
2017.05.

G031A**Handle Group**

ASC-640

| No. | Parts No. | Size | Parts Name | Q'ty | Remarks |
|-----|-------------|----------------|------------------------|------|---------|
| 1 | AA115-03014 | | Handle | 1 | |
| 2 | AA114-03072 | | Bracket, Handle Fixing | 1 | |
| 3 | A1070-51006 | M10x1.25Px125L | Bolt | 2 | |
| 4 | A4512-50100 | M10 | Washer, Spring | 2 | |
| 5 | A4014-50100 | M10 | Washer, Plain | 2 | |
| 6 | A2783-50100 | M10 | Nut, Flange | 2 | |
| 7 | AA110-03113 | | Support, Handle | 1 | |
| 8 | AA110-03822 | | Plate, Handle Support | 1 | |
| 9 | A60 0337A | Ø17.3x3.7t-103 | Bush | 1 | |
| 10 | Z1170-10125 | M10x125(30)Z | Bolt | 1 | |
| 11 | A4512-50100 | M10 | Washer, Spring | 1 | |
| 12 | A4014-50100 | M10 | Washer, Plain | 1 | |
| 13 | A2783-50100 | M10 | Nut, Flange | 1 | |
| 14 | AA310-03451 | | Cover, Handle | 1 | |
| 15 | A2761-50060 | M6 | Nut, Flange | 2 | |
| 16 | AA10003381 | | Grip, Handle | 2 | |
| 17 | AA115-04592 | | Cover, Main Clutch | 1 | |
| 18 | AA115-04691 | | Lever, Main Clutch | 1 | |
| 19 | AA115-04543 | | Lever, Safety | 1 | |
| 20 | GT-0455 | | Grip(B) | 1 | |
| 21 | DT-0115 | | Grip | 1 | |
| 22 | A1026-50614 | M6x14Z | Bolt, W/Spring Washer | 1 | |
| 23 | A1026-50614 | | Bolt, W/Spring Washer | 2 | |
| 24 | AA115-03812 | | Spring, Safety Lever | 1 | |
| 25 | GT-0456 | | Joint, Wire Connect | 1 | |
| 26 | A4014-50060 | M6 | Washer, Plain | 1 | |
| 27 | A5511-50216 | 2.0x15 | Pin, Split | 2 | |
| 28 | A5122-50616 | Φ6x16L | Pin | 1 | |
| 29 | DT-0458 | White200 | Cable,ties | 1 | |
| 30 | AA110-03831 | | Bearing Nut | 1 | |

ASC-640



ASIA PARTS LIST

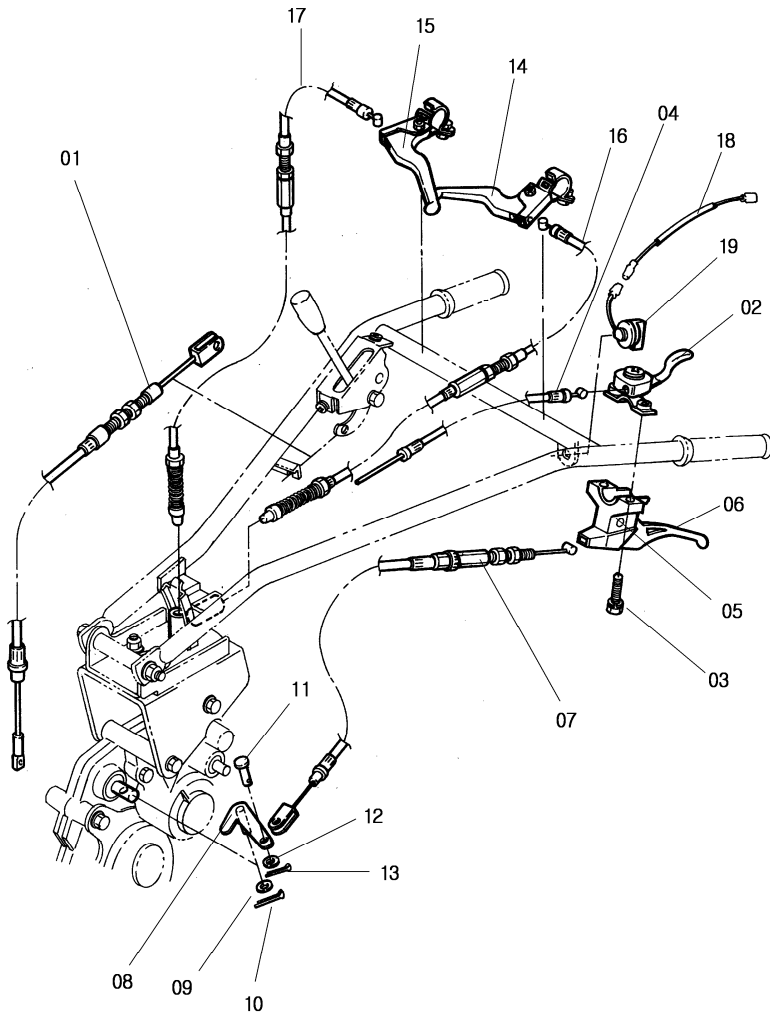
2017.05.

G031A

Handle Group

ASC-640

| No. | Parts No. | Size | Parts Name | Q'ty | Remarks |
|-----|-------------|------|----------------------------|------|---------|
| 31 | AA110-03842 | | Washer, Bearing Nut Fixing | 1 | |



ASIA PARTS LIST

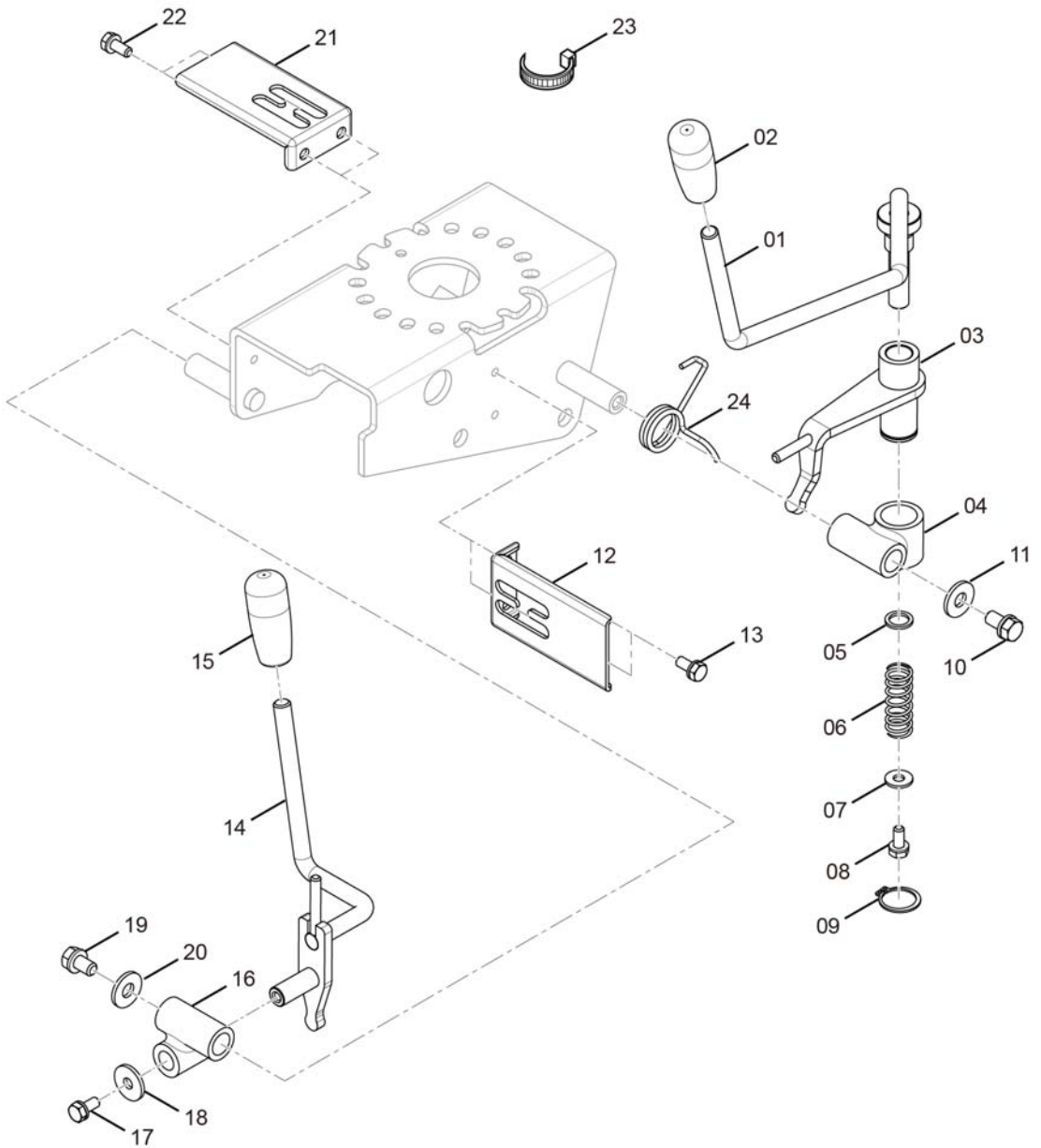
2017.05.

G032A

Operating Wire Group

ASC-640

| No. | Parts No. | Size | Parts Name | Q'ty | Remarks |
|-----|-------------|-----------------|--------------------------|------|---------|
| 1 | AA115-03492 | L=895 | Wire, Main Clutch | 1 | |
| 2 | A60 0355A | | Lever Ass'y, Throttle | 1 | |
| 3 | A1026-50632 | M6×32Z | (+)Bolt, W/Spring Washer | 2 | |
| 4 | AA115-03482 | L=1300 | Wire, Throttle | 1 | |
| 5 | A60 0340A | | Body, Lever | 1 | |
| 6 | A60 0344A | | Lever, Rotary | 1 | |
| 7 | AA115-03511 | L=1040 | Wire, Rotary Clutch | 1 | |
| 8 | A60 0111A | | Plate, Disconnected | 1 | |
| 9 | A4014-50060 | d6.6xD12.5x1.6t | Washer, Plain | 1 | |
| 10 | A5515-50600 | A형Φ6 | Pin, Split | 1 | |
| 11 | A5122-50616 | Φ6x16 | Pin | 1 | |
| 12 | A4014-50060 | d6.6xD12.5x1.6t | Washer, Plain | 1 | |
| 13 | A5511-50216 | Φ2x16 | Pin, Split | 1 | |
| 14 | GT-0551A | | Lever Ass'y, Adjust(L) | 1 | |
| 15 | GT-0556A | | Lever Ass'y, Adjust(R) | 1 | |
| 16 | AA115-03521 | L=895 | Wire, Left-Right Adjust | 1 | |
| 17 | AA115-03541 | L=815 | Wire, Up-Down Adjust | 1 | |
| 18 | AA115-04881 | L=1600 | Wire, Lead | 1 | |
| 19 | GT-0317 | | Stop Switch | 1 | |



ASIA PARTS LIST

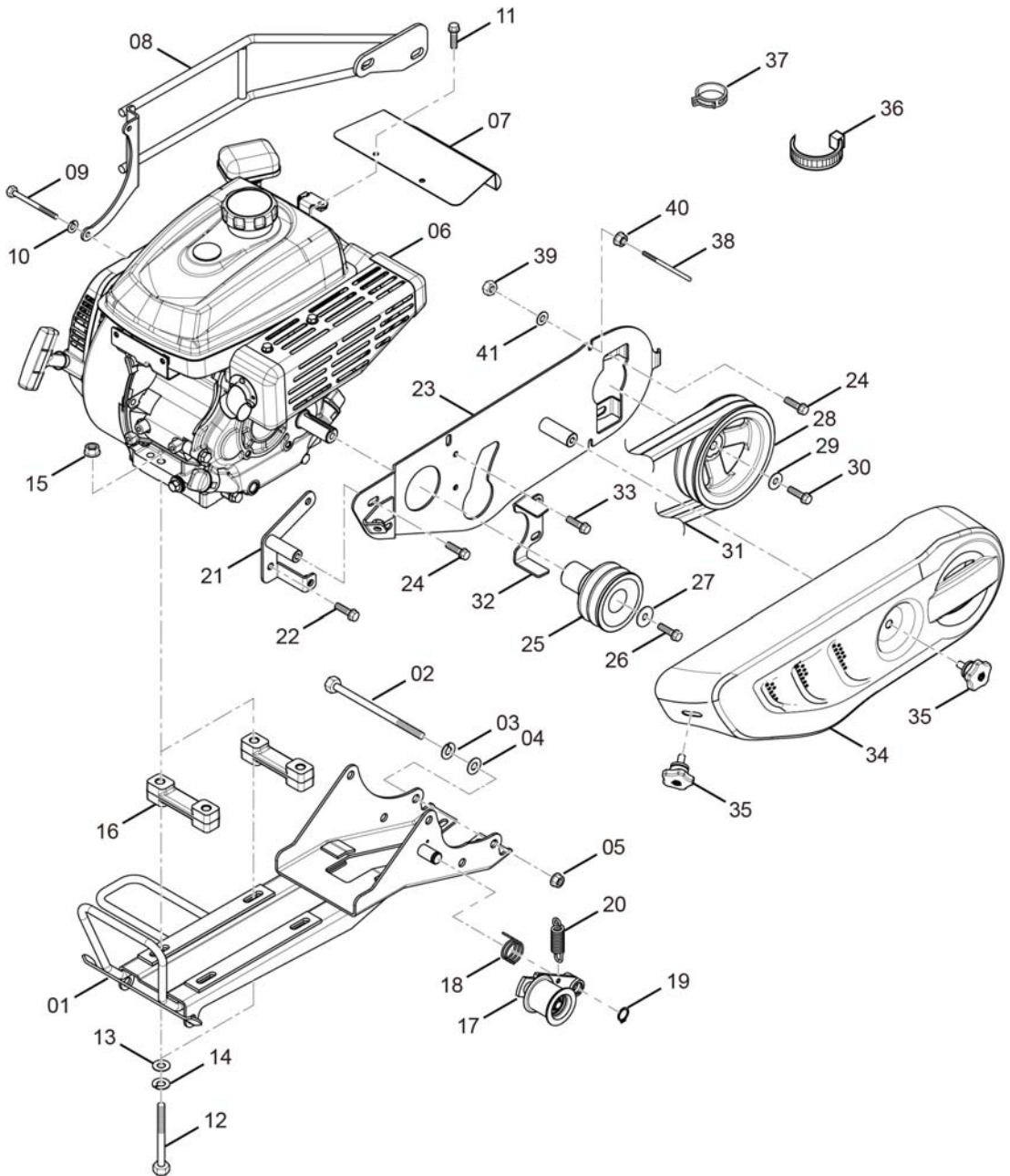
2017.05.

G033A

Shifting Lever Group

ASC-640

| No. | Parts No. | Size | Parts Name | Q'ty | Remarks |
|-----|-------------|----------------|----------------------------|------|---------|
| 1 | AA115-03293 | | Lever, Driving Shift | 1 | |
| 2 | DT-0115 | | Grip(A) | 1 | |
| 3 | AA115-03320 | | Shift, Driving | 1 | |
| 4 | A60 0322A | | Lever Holder, Diving Shift | 1 | |
| 5 | GT-0436 | d11.7xD16x1.6t | Washer, Plain | 1 | |
| 6 | GT-0437 | | Spring | 1 | |
| 7 | GT-0438 | D6.5xD16x1.6t | Washer, Plain | 1 | |
| 8 | A1020-50614 | M6x1.0Px14 | Bolt, Spring Washer | 1 | |
| 9 | A4612-00210 | Axle C Φ21 | Cir-Clip, External | 1 | |
| 10 | A1120-50816 | M8x1.25Px16 | Bolt, Spring Washer | 1 | |
| 11 | S7-1158 | Φ9xΦ22xt2.3 | Washer, Plain | 1 | |
| 12 | AA110-03362 | t2.3 | Plate, Shift Guide | 1 | |
| 13 | A1025-50614 | M6xP1x14(7T) | Bolt, Spring Washer | 2 | |
| 14 | AA110-03271 | | Lever, Rotary Shift | 1 | |
| 15 | DT-0115 | | Grip(A) | 1 | |
| 16 | A60 0331A | | Lever Holder, Rotary Shift | 1 | |
| 17 | A1020-50616 | | Bolt, Spring Washer | 1 | |
| 18 | A60 0332A | 7x22xt2.3 | Washer | 1 | |
| 19 | A1120-50816 | M8x1.25Px16Ls | Bolt, Spring Washer | 1 | |
| 20 | S7-1158 | | Washer, Plain | 1 | |
| 21 | AA110-03362 | t2.3 | Plate, Shift Guide | 1 | |
| 22 | A1025-50614 | M6xP1x14(7T) | Bolt, Spring Washer | 2 | |
| 23 | DT-0458 | | Tie, Cable | 5 | |
| 24 | AA115-03803 | | Spring, Shift Lever | 1 | |



ASIA PARTS LIST

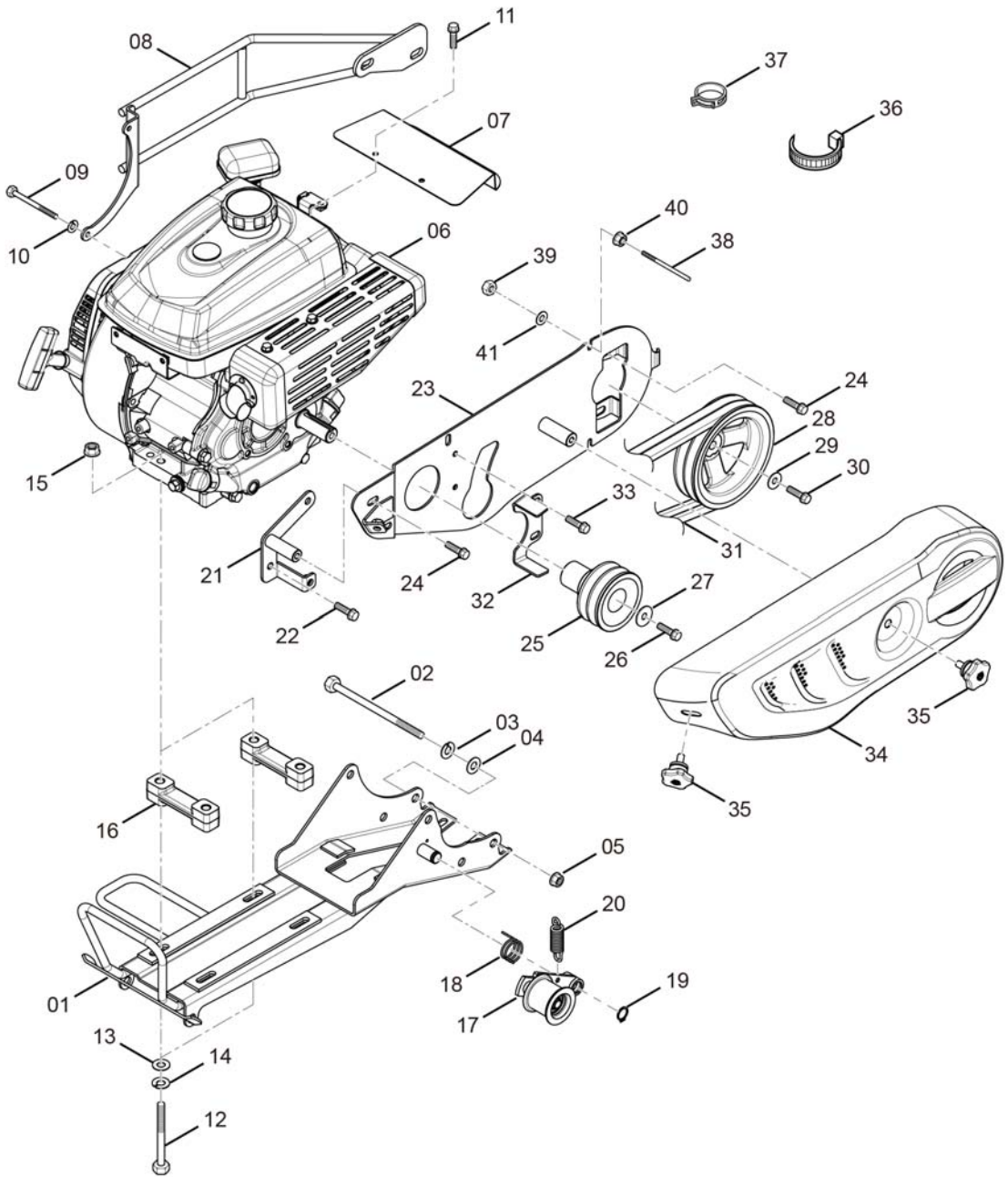
2017.05.

G040A

Engine & Pulley Group

ASC-640

| No. | Parts No. | Size | Parts Name | Q'ty | Remarks |
|-----|-------------|--------------------------|--------------------------|------|---------|
| 1 | AA115-04014 | | Frame, Engine | 1 | |
| 2 | Z1170-10155 | M10x155(26)Z(7T) | Bolt | 3 | |
| 3 | A4512-50100 | M10 | Washer, Spring | 3 | |
| 4 | A4014-50100 | M10 | Washer, Plain | 3 | |
| 5 | A2783-50100 | M10 | Nut, Flange | 3 | |
| 6 | AA315-04101 | | Engine Ass'y(GB-181LN) | 1 | |
| 7 | AA115-04893 | | Cover | 1 | |
| 8 | AA115-04112 | | Protector, Air Cleaner | 1 | |
| 9 | A1050-50650 | M6x50(18)Z | Bolt | 2 | |
| 10 | A4512-50060 | M6 | Washer, Spring | 2 | |
| 11 | A1020-50612 | M6x12Z | Bolt, Spring Washer | 2 | |
| 12 | A1153-50870 | M8x70(25)Z(7T) | Bolt | 4 | |
| 13 | A4014-50080 | M8 | Washer, Plain | 4 | |
| 14 | A4512-50080 | M8 | Washer, Spring | 4 | |
| 15 | A2763-50080 | M8 | Nut, Flange | 4 | |
| 16 | AA115-04582 | | Spacer, Engine | 2 | |
| 17 | AA110-04241 | | Pulley Ass'y, Engine | 1 | |
| 18 | A60 0430A | | Spring, Return | 1 | |
| 19 | A4612-00150 | Axle C Φ 15 | Cir-Clip, External | 1 | |
| 20 | DT-0419A | Φ 2.8-260 | Spring, Tension | 1 | |
| 21 | AA315-04551 | | Plate, Belt Cover Fixing | 1 | |
| 22 | A1120-50816 | M8x1.25Px16Ls | Bolt, Spring Washer | 2 | |
| 23 | AA310-04551 | | Cover(Inner), Belt | 1 | |
| 24 | A1120-50816 | M8x1.25Px16Ls | Bolt, Spring Washer | 4 | |
| 25 | AA115-04181 | | Pulley, Engine | 1 | |
| 26 | A1120-50816 | M8x1.25Px16Ls | Bolt, Spring Washer | 1 | |
| 27 | 237 957.0 | 8.5x30x3.0 | Washer | 1 | |
| 28 | AA110-04202 | | Pulley, Transmission | 1 | |
| 29 | S7-1158 | Φ 9x Φ 22xt2.3 | Washer, Plain | 1 | |
| 30 | A1120-50820 | M8x20Z | Bolt, Spring Washer | 1 | |



ASIA PARTS LIST

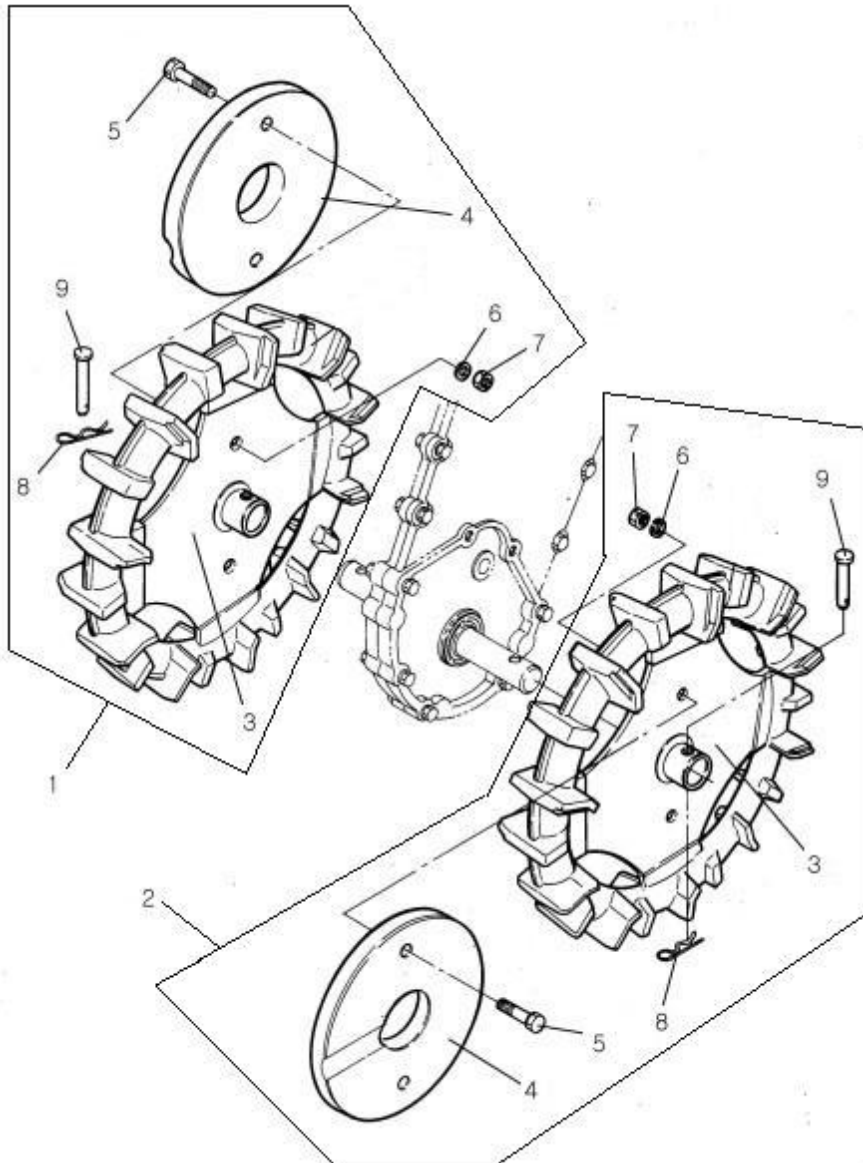
2017.05.

G040A

Engine & Pulley Group

ASC-640

| No. | Parts No. | Size | Parts Name | Q'ty | Remarks |
|-----|-------------|----------|----------------------|------|---------|
| 31 | AA10004221 | LA39 | Belt | 2 | |
| 32 | AA100-04601 | | Support, Engine Belt | 1 | |
| 33 | A1754-50612 | | Bolt, Flange | 2 | |
| 34 | AA310-04231 | | Cover(Outer), Belt | 1 | |
| 35 | GT-0326 | M8xP1.25 | Grip Ass'y | 2 | |
| 36 | S7-2222 | 100L | Cable ties | 1 | |
| 37 | 755 629A.0 | 7Φ | Clip | 1 | |
| 38 | AA115-04952 | | Bolt, Belt Support | 2 | |
| 39 | A2014-50060 | M6 | Nut | 2 | |
| 40 | A2761-50060 | M6 | Nut, Flange | 2 | |
| 41 | A4014-50060 | M6 | Washer, Plain | 2 | |



AA115

ASIA PARTS LIST

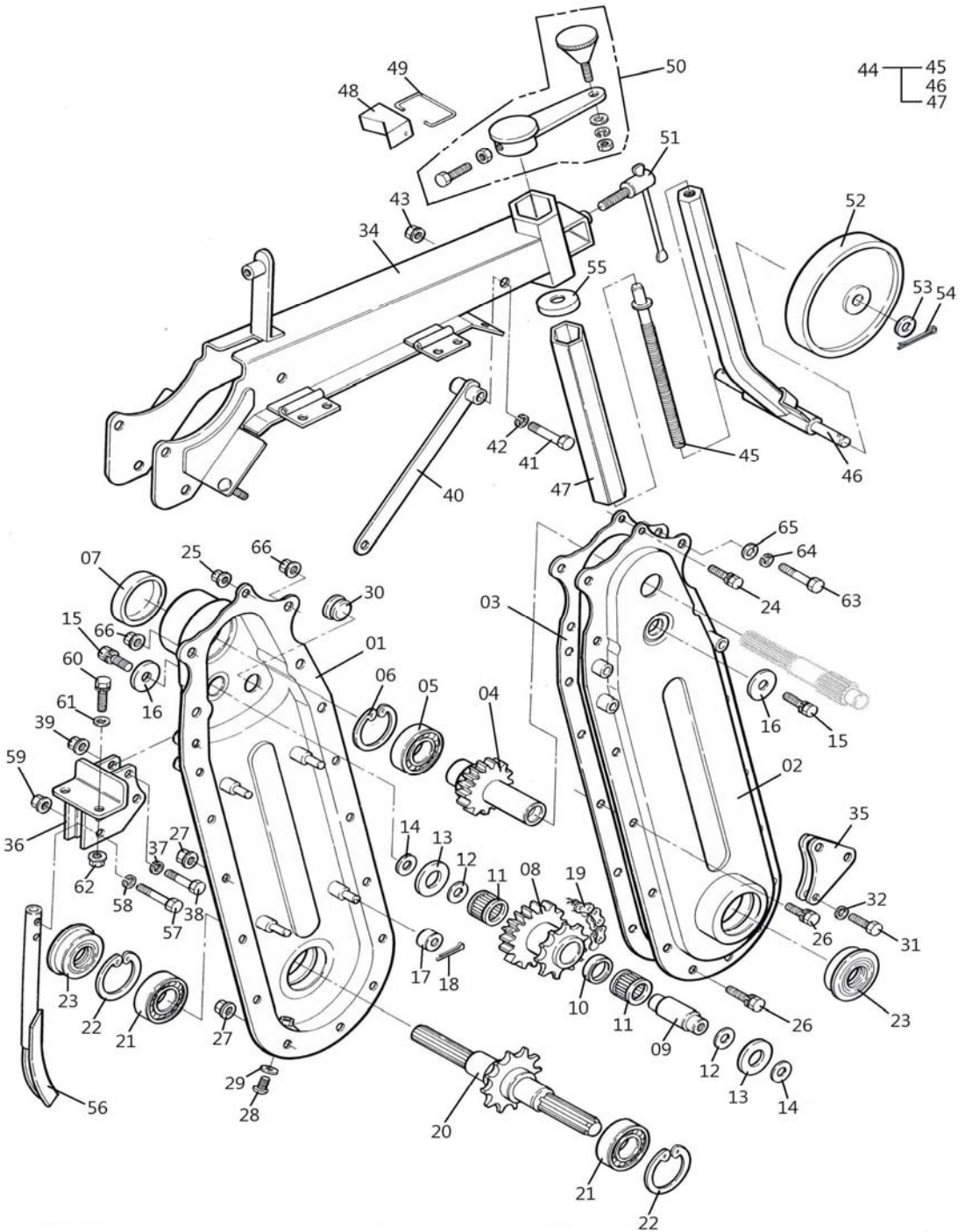
2015.05.

G052A

차륜관계

ASC-640

| No. | Parts No. | Size | Parts Name | Q'ty | Remarks |
|-----|----------------|---------------|------------------------|------|---------|
| 1 | AA115-05011-01 | | Wheel Ass'y(L), Rubber | 1 | 03~07 |
| 2 | AA115-05021-01 | | Wheel Ass'y(R), Rubber | 1 | 03~07 |
| 3 | AA315-05341 | | Wheel, Rubber | 2 | |
| 4 | AA110-05421-01 | | Weight, Wheel | 2 | |
| 5 | A1173-51040 | M10x1.25Px40L | Bolt | 2 | |
| 6 | A4512-50100 | M10 | Washer, Spring | 2 | |
| 7 | A2118-50100 | M10x1.25P | Nut | 2 | |
| 8 | A5515-50800 | Φ8 | Pin, Split | 2 | |
| 9 | AA115-05211 | | Pin(626) | 2 | |



ASIA PARTS LIST

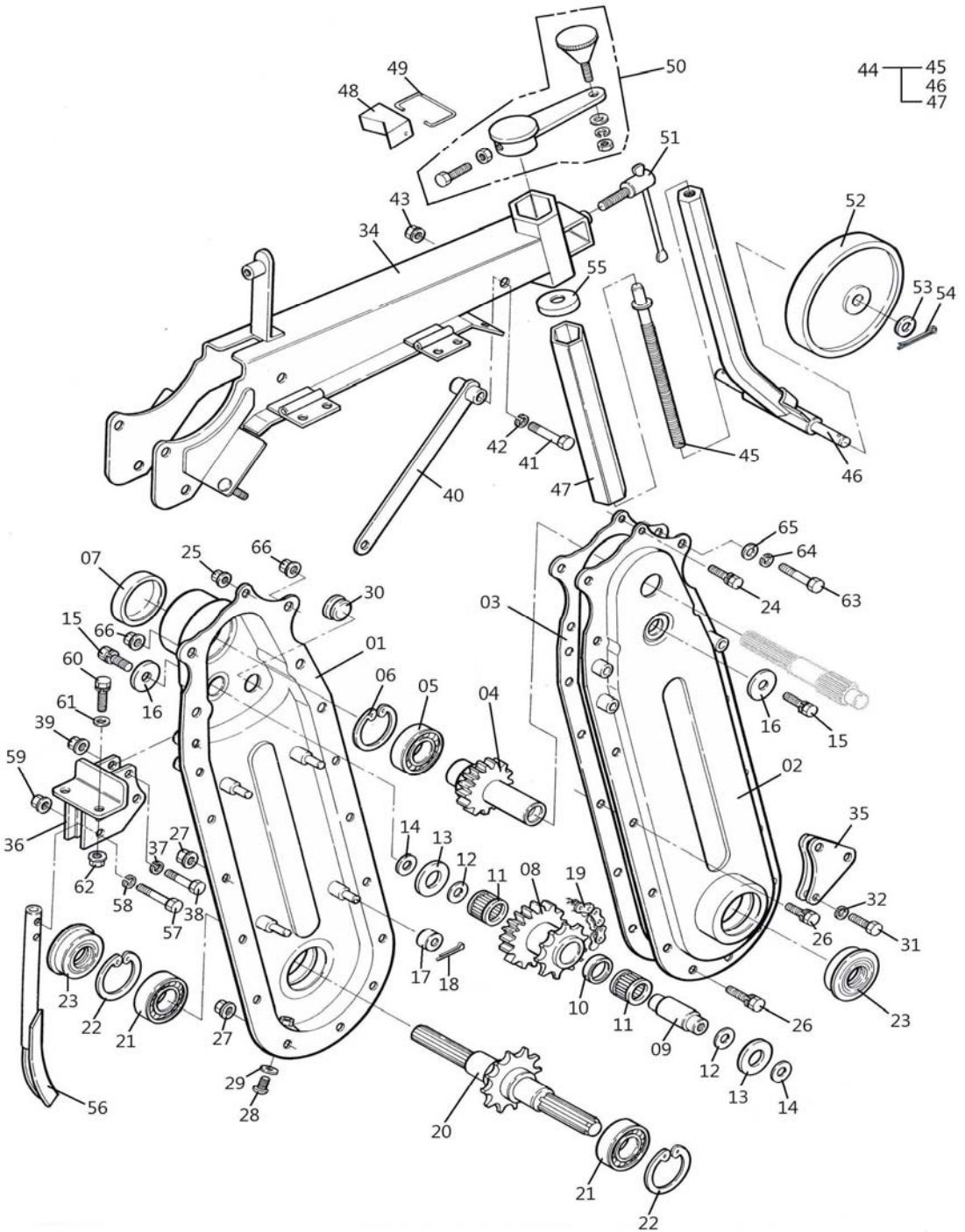
2017.05.

G061B

Rotary Case & Frame Group

ASC-640

| No. | Parts No. | Size | Parts Name | Q'ty | Remarks |
|-----|-------------|--------------|-----------------------------|------|---------|
| 1 | AA118-06021 | | Case Ass'y(L) | 1 | |
| 2 | AA118-06111 | | Case Ass'y(R) | 1 | |
| 3 | AA118-06151 | | Packing | 1 | |
| 4 | AA118-06161 | | Gear, Driving | 1 | |
| 5 | A8101-06005 | #6005 | Ball Bearing | 1 | |
| 6 | A4611-00470 | Hole C Φ47 | Cir-Clip, Internal | 1 | |
| 7 | DT-0620 | | Cover, Seal | 1 | |
| 8 | AA118-06171 | | Gear(19-10), Idle | 1 | |
| 9 | AA118-06201 | | Shaft, Idle | 1 | |
| 10 | AA118-06211 | | Collar | 1 | |
| 11 | DT-0220 | | Needle Bearing(222613) | 2 | |
| 12 | AA118-06221 | | Packing, Copper(16x26xt1.0) | 2 | |
| 13 | AA118-06231 | | Spacer(16x34xt2.0) | 2 | |
| 14 | DT-0223 | | Packing, Copper(16x24xt0.2) | 2 | |
| 15 | A1120-50820 | M8x1.25Px20L | Bolt, Spring Washer | 2 | |
| 16 | GT-0219 | | Washer, Plain(9x26xt2.3) | 2 | |
| 17 | GT-0636 | | Roller, Guide | 4 | |
| 18 | A5511-51616 | Φ1.6x16 | Pin, Split | 4 | |
| 19 | DT-0604 | | Chain(#50x46Link) | 1 | |
| 20 | AA118-06241 | | Shaft, Cultivating | 1 | |
| 21 | A8101-06906 | #6906 | Ball Bearing | 2 | |
| 22 | A4611-00470 | Hole C Φ47 | Cir-Clip, Internal | 2 | |
| 23 | A60 0609A | | Oil Seal | 2 | |
| 24 | A1025-50616 | M6x1.0Px16L | Bolt, Spring Washer | 1 | |
| 25 | A2761-50060 | M6x1.0P | Nut, Flange | 1 | |
| 26 | A1025-50818 | M8x1.25Px18L | Bolt, Spring Washer | 9 | |
| 27 | A2763-50080 | M8x1.25P | Nut, Flange | 9 | |
| 28 | A3014-50608 | M6x1.0Px8L | Bolt, Round Head | 1 | |
| 29 | GT-0652 | | Packing, Drain Plug | 1 | |
| 30 | DT-0630 | | Cap, Oiling | 1 | |



ASIA PARTS LIST

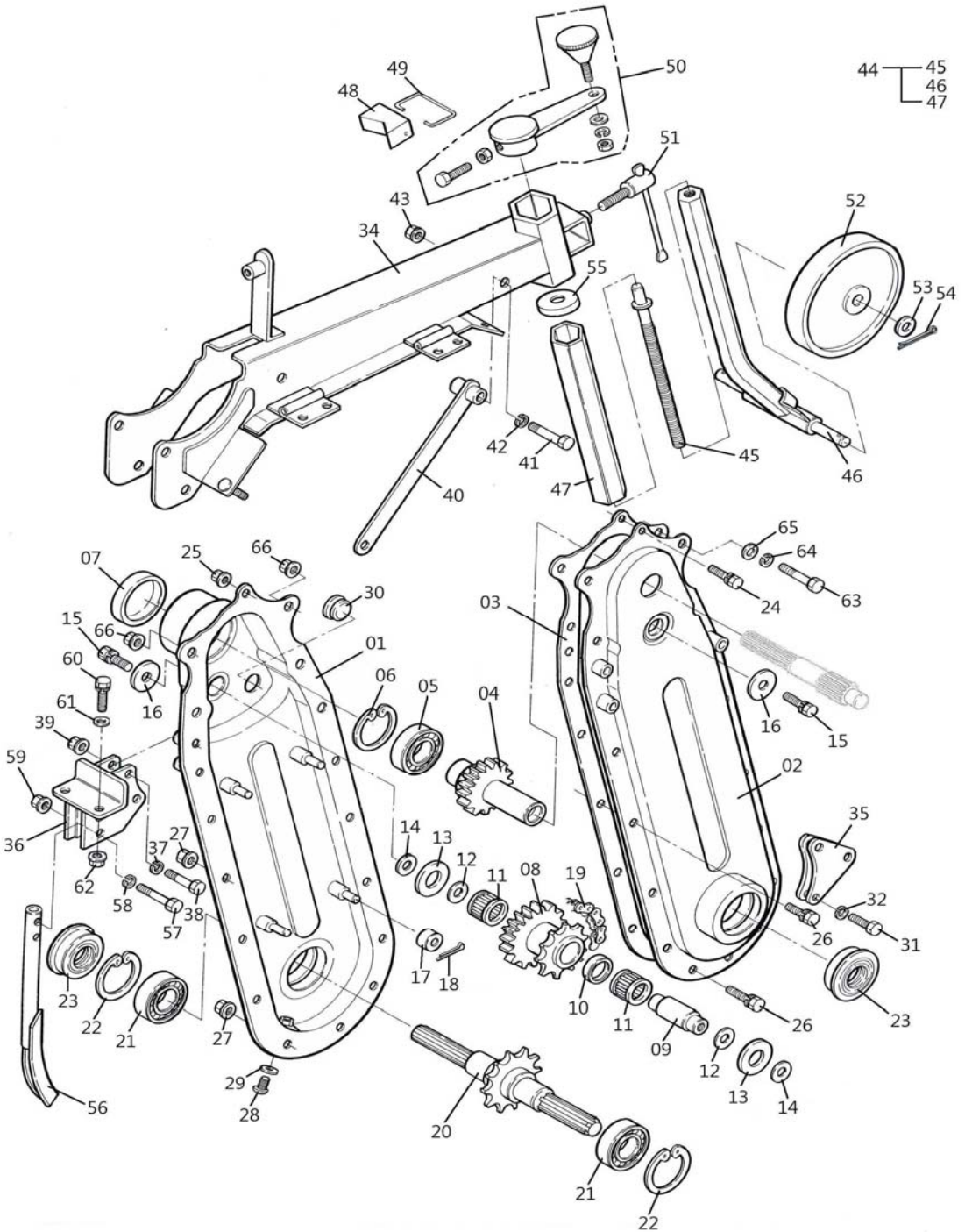
2017.05.

G061B

Rotary Case & Frame Group

ASC-640

| No. | Parts No. | Size | Parts Name | Q'ty | Remarks |
|-----|-------------|--------------|-----------------------------|------|---------|
| 31 | A1125-50822 | M8x1.25P | Bolt, Spring Washer | 3 | |
| 32 | | | | | |
| 33 | A2763-50080 | M8x1.25P | Nut, Flange | 3 | |
| 34 | AA118-06402 | | Frame Ass'y | 1 | |
| 35 | AA118-06301 | | Plate, Support | 1 | |
| 36 | AA118-06501 | | Bracket, Frame Connection | 1 | |
| 37 | A4512-50080 | M8 | Washer, Spring | 3 | |
| 38 | A1153-50850 | M8x1.25Px50L | Bolt(7T) | 3 | |
| 39 | A2763-50080 | M8x1.25P | Nut, Flange | 3 | |
| 40 | AA118-06311 | | Bracket, Support | 1 | |
| 41 | A1153-50850 | M8x1.25Px50L | Bolt(7T) | 1 | |
| 42 | A4512-50080 | M8 | Washer, Spring | 1 | |
| 43 | A2763-50080 | M8x1.25P | Nut, Flange | 1 | |
| 44 | AA110-06902 | | Support Ass'y, Tail Wheel | 1 | |
| 45 | GT-0712 | | Bolt, Tail Wheel Adjusting | 1 | |
| 46 | AA110-06544 | | Support, Tail Wheel | 1 | |
| 47 | GT-0713 | | Support, Tail Wheel Fixing | 1 | |
| 48 | AA210-07080 | | Bracket, Tail Wheel Support | 1 | |
| 49 | GT-0709 | | Spring, Bracket Fixing | 1 | |
| 50 | GT-0716 | | Handle Ass'y, Adjusting | 1 | |
| 51 | DT-0684 | | Lever, Tail Wheel Fixing | 1 | |
| 52 | HT-0682 | | Tail Wheel | 2 | |
| 53 | DT-0683 | | Washer | 2 | |
| 54 | A5511-50332 | Φ3.2x32 | Pin, Split | 2 | |
| 55 | GT-0714 | | Cap, Protect | 1 | |
| 56 | AA110-08054 | | Plate, Unplowed Field | 1 | |
| 57 | A1153-50850 | M8x1.25Px50L | Bolt(7T) | 2 | |
| 58 | A4512-50080 | M8 | Washer, Spring | 2 | |
| 59 | A2763-50080 | M8x1.25P | Nut, Flange | 2 | |
| 60 | A1126-50820 | M8x1.25Px20L | Bolt, Spring Washer | 2 | |



ASIA PARTS LIST

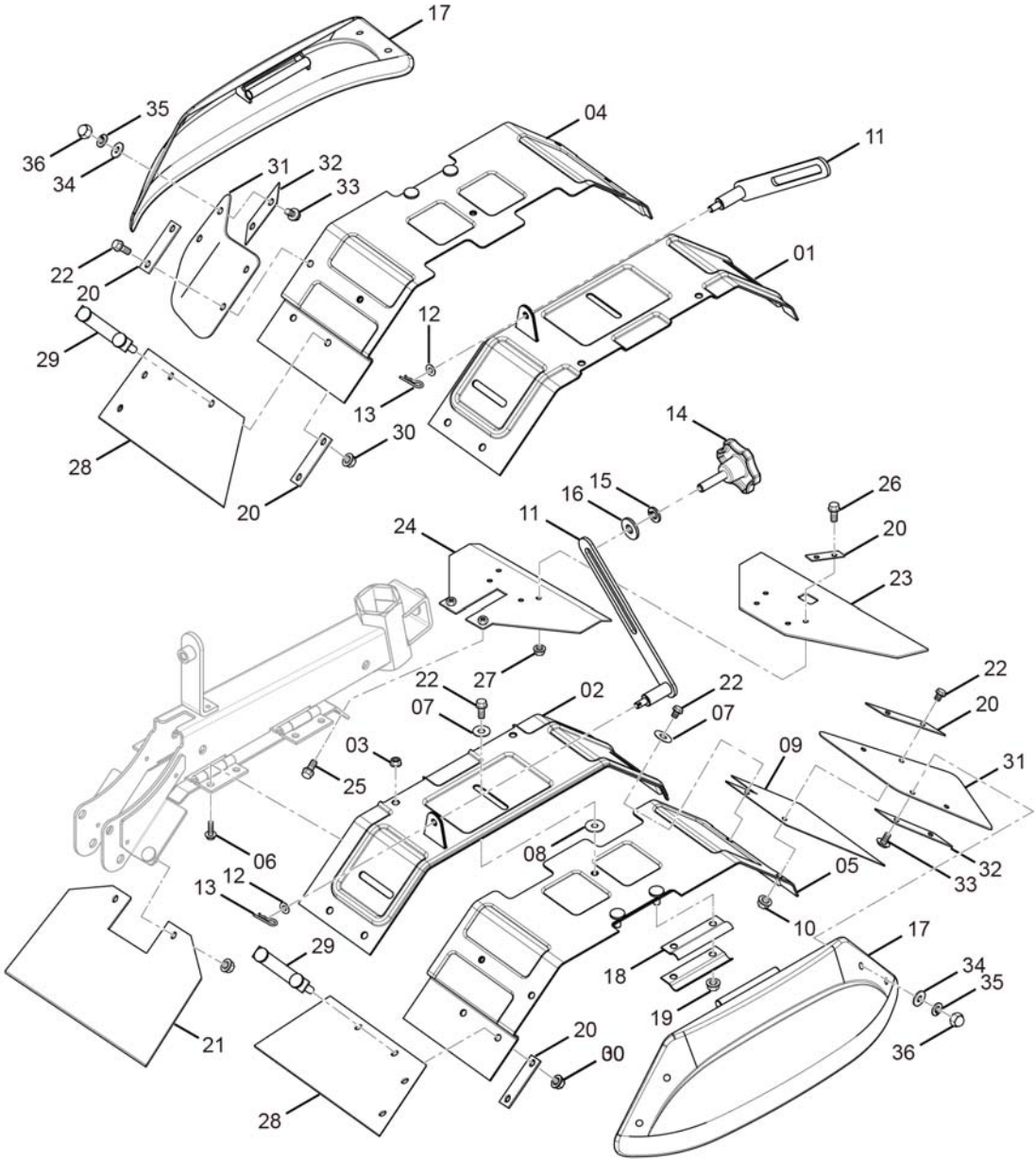
2017.05.

G061B

Rotary Case & Frame Group

ASC-640

| No. | Parts No. | Size | Parts Name | Q'ty | Remarks |
|-----|-------------|--------------|----------------|------|---------|
| 61 | A4512-50080 | M8 | Washer, Spring | 2 | |
| 62 | A2763-50080 | M8x1.25P | Nut, Flange | 2 | |
| 63 | A1150-50875 | M8x1.25Px75L | Bolt | 3 | |
| 64 | A4512-50080 | M8 | Washer, Spring | 3 | |
| 65 | A4014-50080 | M8 | Washer, Plain | 3 | |
| 66 | A2763-50080 | M8x1.25P | Nut, Flange | 3 | |



ASIA PARTS LIST

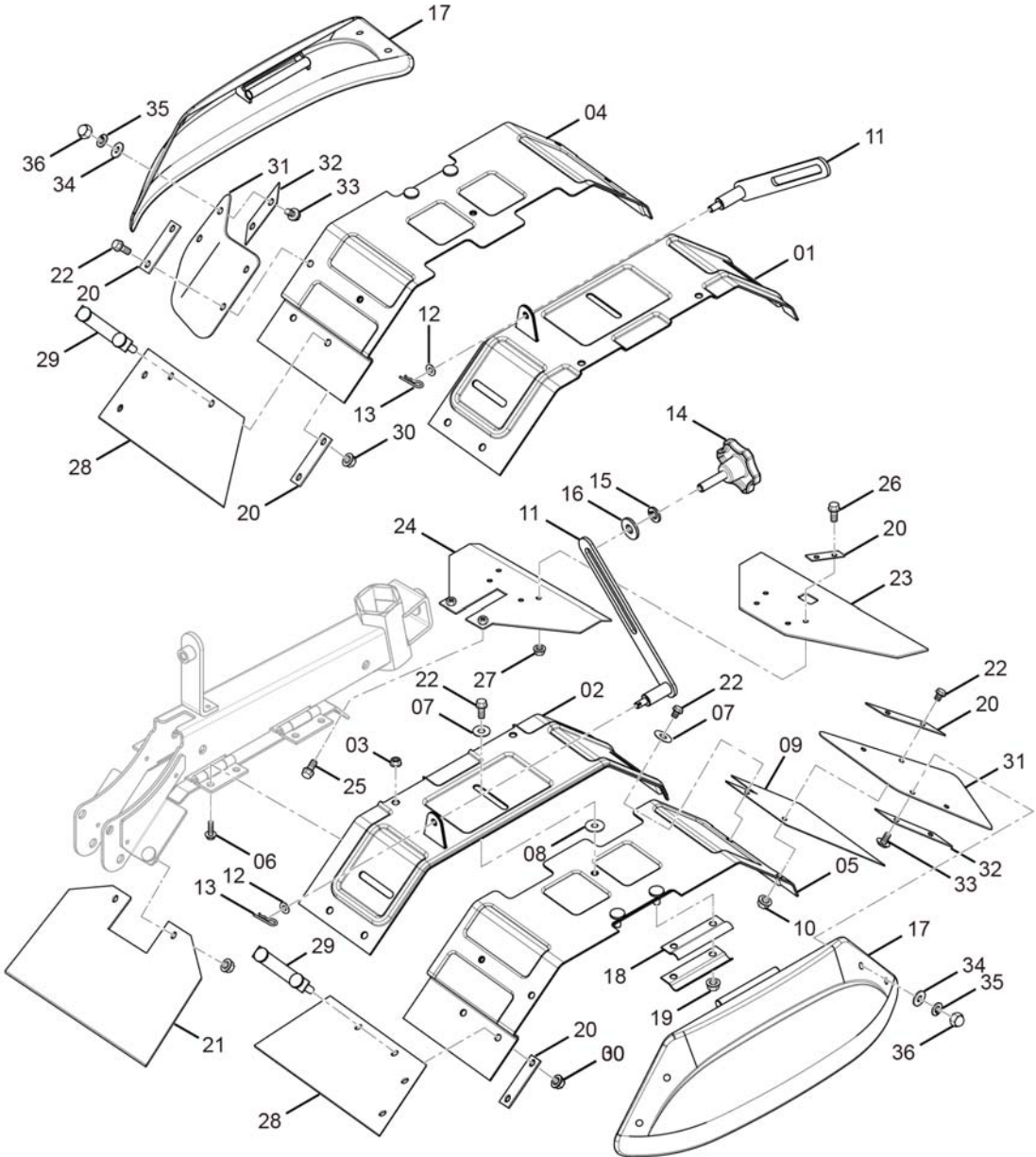
2017.05.

G062A

Rotary Cover Group

ASC-640

| No. | Parts No. | Size | Parts Name | Q'ty | Remarks |
|-----|-------------|-------------|-----------------------------|------|---------|
| 1 | AA310-06291 | | Cover(A)(L), Upper | 1 | |
| 2 | AA310-06321 | | Cover(A)(R), Upper | 1 | |
| 3 | A2761-50060 | M6 | Nut, Flange | 4 | |
| 4 | AA310-06331 | | Cover(B)(L), Upper | 1 | |
| 5 | AA310-06351 | | Cover(B)(R), Upper | 1 | |
| 6 | A1020-50616 | M6x16Z | Bolt, Spring Washer | 4 | |
| 7 | A60 0332A | 7x22xt2.3 | Washer | 6 | |
| 8 | A60 0623A | 9x30x2.0 | Washer | 4 | |
| 9 | AA110-06722 | | Plate, Drift Prevent | 2 | |
| 10 | A2761-50060 | M6 | Nut, Flange | 2 | |
| 11 | AA110-06491 | | Arm, Adjusting | 2 | |
| 12 | A4014-50060 | M6 | Washer, Plain | 2 | |
| 13 | A5515-50600 | | Pin, Split | 2 | |
| 14 | GT-0753 | | Bolt, Grip | 1 | |
| 15 | A4512-50080 | M8 | Washer, Spring | 1 | |
| 16 | S7-1158 | Φ9xΦ22xt2.3 | Washer, Plain | 1 | |
| 17 | AA310-06431 | | Cover Ass'y, Side | 2 | |
| 18 | AA100-06421 | | Support, Side Cover | 4 | |
| 19 | A2761-50060 | M6 | Nut, Flange | 4 | |
| 20 | AA110-06391 | | Plate, Rubber Fixing | 8 | |
| 21 | AA110-06862 | | Plate, Rubber | 1 | |
| 22 | A1020-50616 | M6x16Z | Bolt, Spring Washer | 10 | |
| 23 | AA110-06262 | | Plate, Center Rubber | 1 | |
| 24 | AA118-06481 | | Plate, Center Rubber Fixing | 1 | |
| 25 | A1026-50616 | M6x16Z | Bolt, Spring Washer | 2 | |
| 26 | A1020-50616 | M6x16Z | Bolt, Spring Washer | 4 | |
| 27 | A2761-50060 | M6 | Nut, Flange | 4 | |
| 28 | AA110-06372 | | Plate(A), Rubber | 2 | |
| 29 | A60 0637A | | Plate(A), Rubber Fixing | 2 | |
| 30 | A2761-50060 | M6 | Nut, Flange | 4 | |



AA310

ASIA PARTS LIST


2017.05.

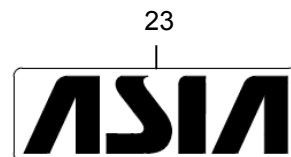
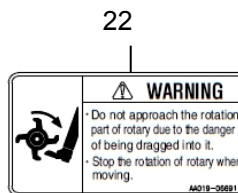
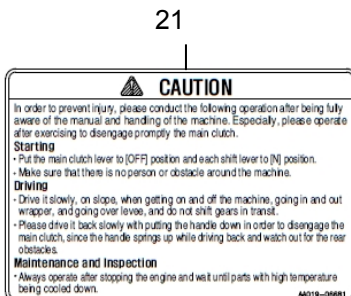
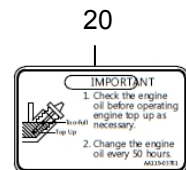
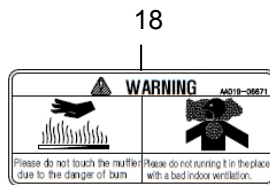
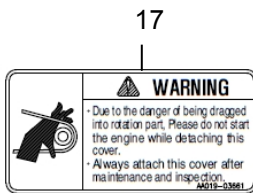
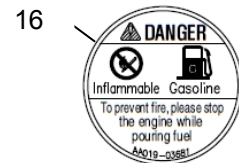
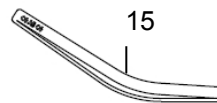
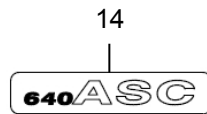
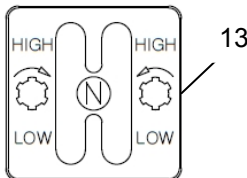
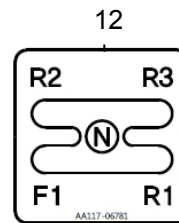
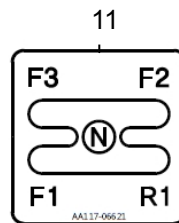
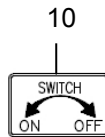
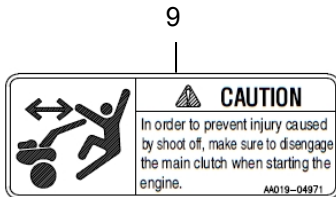
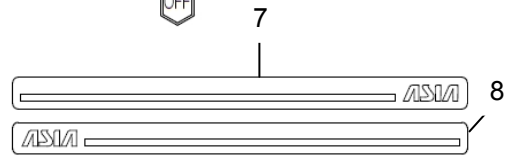
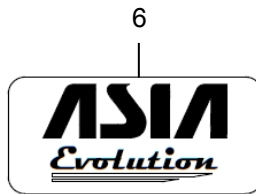
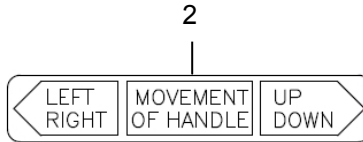
G062A**Rotary Cover Group**

ASC-640

| No. | Parts No. | Size | Parts Name | Q'ty | Remarks |
|-----|-------------|--------------|-------------------------|------|---------|
| 31 | A60 0648A | t1.0x140x157 | Plate(B), Rubber | 4 | |
| 32 | A60 0638A | t1.2x95xt1.2 | Plate(B), Rubber Fixing | 4 | |
| 33 | A1020-50614 | M6x1.0 | Bolt, Spring Washer | 8 | |
| 34 | A4014-50060 | M6 | Washer, Plain | 8 | |
| 35 | A4512-50060 | M6 | Washer, Spring | 8 | |
| 36 | A2731-50060 | M6 | Nut, Cap | 8 | |

1

| ASIA CULTIVATOR | |
|--|-----------------|
| Model | ASC-640 |
| Engine | Gasoline 3.9 kW |
| Serial No. | AA317- |
|  ASIA TECH. CO., LTD MADE IN KOREA AA317-03389 | |



ASIA PARTS LIST

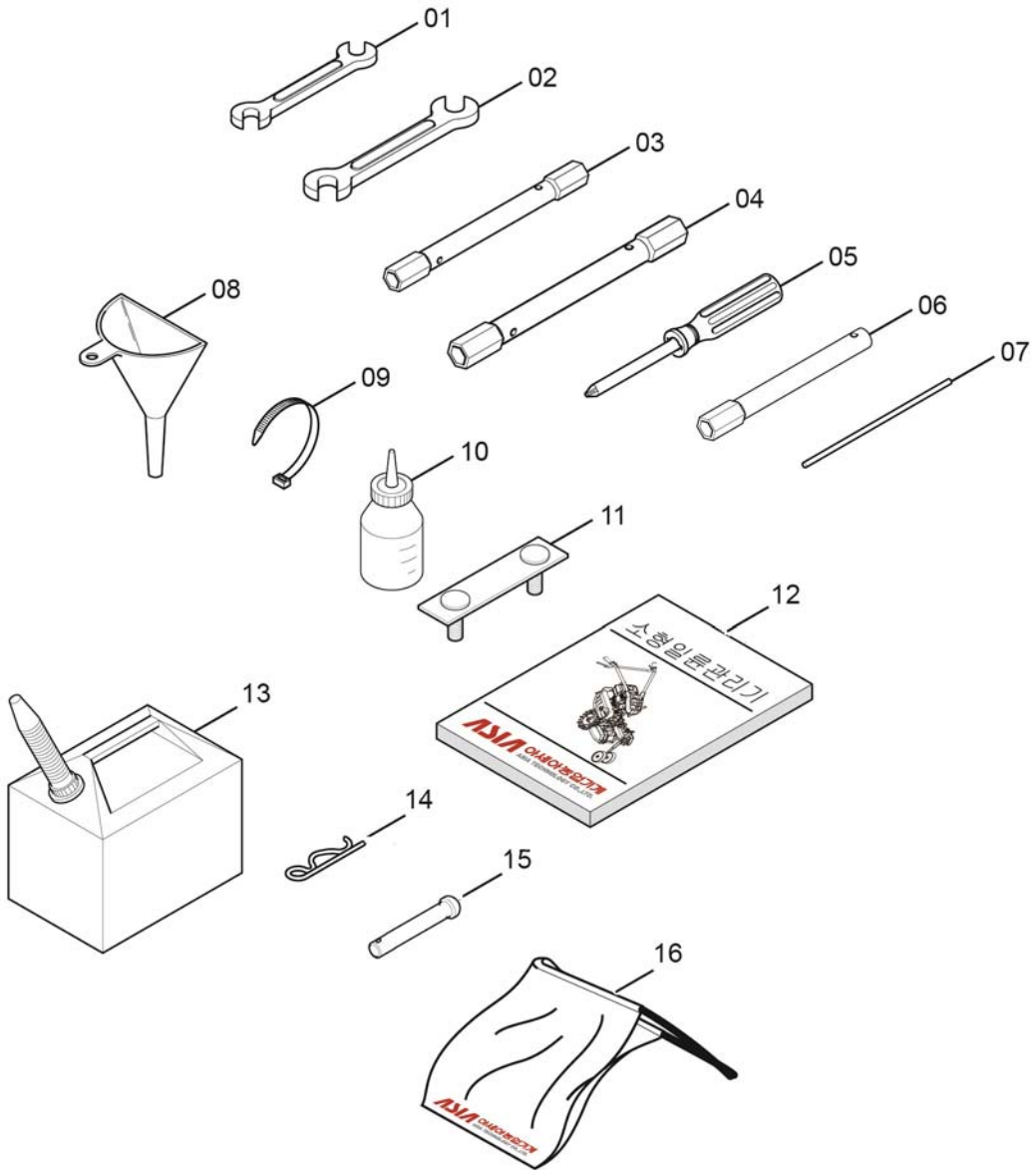
2017.05.

G070A

Label Group

ASC-640

| No. | Parts No. | Size | Parts Name | Q'ty | Remarks |
|-----|----------------|------|--------------------------------|------|---------|
| 1 | AA317-03289 | | Label, Product | 1 | |
| 2 | DT-0486E | | Label, Handle Adjusting | 1 | |
| 3 | AA010-04589 | | Label, Main Clutch | 1 | |
| 4 | AA119-04591 | | Label, Safety Lever | 1 | |
| 5 | AA119-06641 | | Label, Rotary Clutch | 1 | |
| 6 | AA310-06581 | | Label, Handle Cover | 1 | |
| 7 | AA310-06641 | | Label, Handle Cover(L) | 1 | |
| 8 | AA310-06651 | | Label, Handle Cover(R) | 1 | |
| 9 | AA019-04971 | | Label, Unintended Acceleration | 1 | |
| 10 | DT-0385E | | Label, Stop Switch | 1 | |
| 11 | AA117-06621 | | Label(A), Main Shift | 1 | |
| 12 | AA117-06781 | | Label(B), Main Shift | 1 | |
| 13 | AA119-06611 | | Label, Rotary Shift | 1 | |
| 14 | AA315-06601 | | Label, Belt Cover A | 1 | |
| 15 | AA310-06631 | | Label, Belt Cover A | 1 | |
| 16 | AA019-03681 | | Label, Fuel Tank Cap | 1 | |
| 17 | AA019-03661 | | Label, Belt Cover Caution | 1 | |
| 18 | AA019-06671 | | Label(B), Caution | 1 | |
| 19 | AA019-07561 | | Label, Rearward Caution | 1 | |
| 20 | AA119-03781 | | Label(Oil), Important | 1 | |
| 21 | AA019-03681 | | Label(C), Caution | 1 | |
| 22 | AA019-06691 | | Label, Rotary Caution | 1 | |
| 23 | AA238-24030-01 | | Label, Rotary Cover | 2 | |



ASIA PARTS LIST

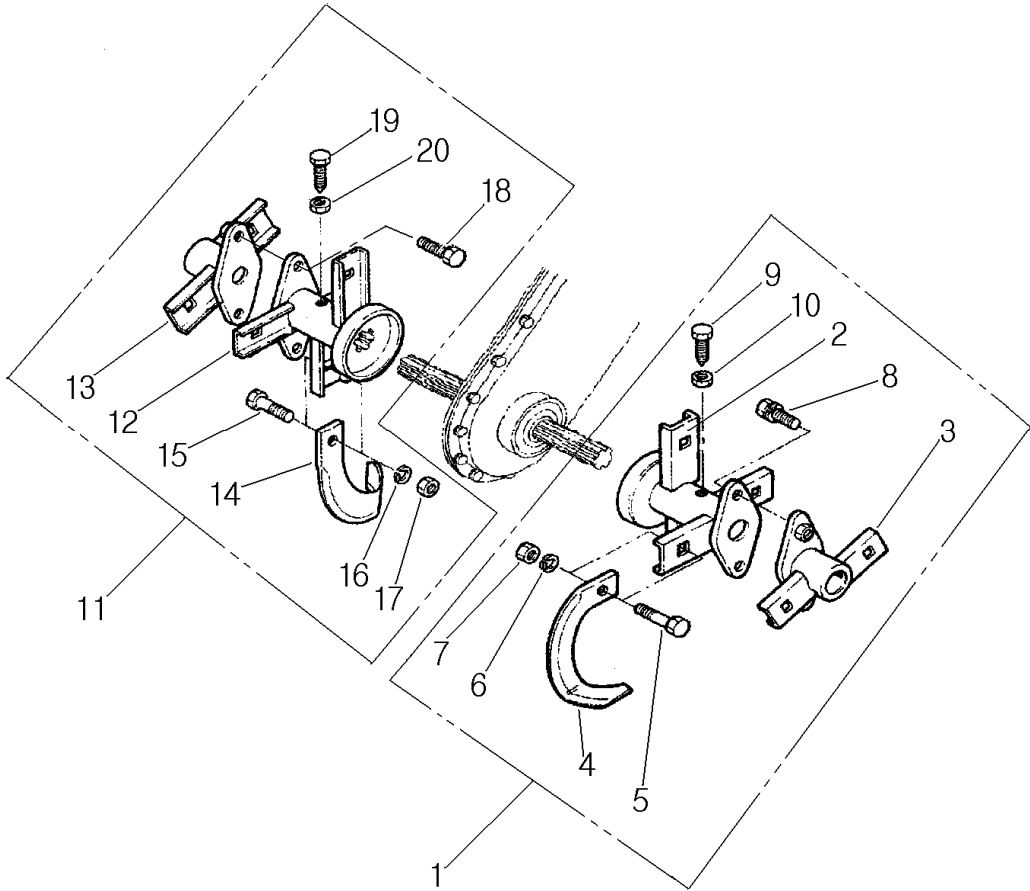
2017.05.

G080A

Service & Tool Group

ASC-640

| No. | Parts No. | Size | Parts Name | Q'ty | Remarks |
|-----|-------------|-------|--------------------------------|------|---------|
| 1 | A7012-31012 | 10x12 | Double Enbed Spanner (M10×M12) | 1 | |
| 2 | A7012-31417 | 14x17 | Double Enbed Spanner (M14×M17) | 1 | |
| 3 | DT-0796 | 10x12 | Box Spanner (10×12) | 1 | |
| 4 | DT-0795 | 14x17 | Box Spanner (14×17) | 1 | |
| 5 | A7115-06160 | | (+,-)Driver | 1 | |
| 6 | | | Plug Box | 1 | |
| 7 | | | Plug Box Handle | 1 | |
| 8 | DT-0799 | | Oil Hopper | 1 | |
| 9 | DT-0458 | | Cable Ties | 4 | |
| 10 | AA010-13020 | | Oil Tube | 1 | |
| 11 | A60 0637A | | Plate(A), Rubber Fixing | 8 | |
| 12 | | | Manual | 1 | |
| 13 | AA010-07621 | | Spare Fuel Tank | 1 | |
| 14 | A5515-50800 | Φ8 | Snap Pin | 2 | |
| 15 | RP-0240 | | Axle Pin(B) | 2 | |
| 16 | HA010-07010 | | Tools Pocket | 1 | |



ASIA PARTS LIST

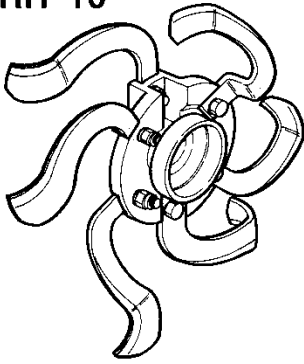
2017.05.

Rotary

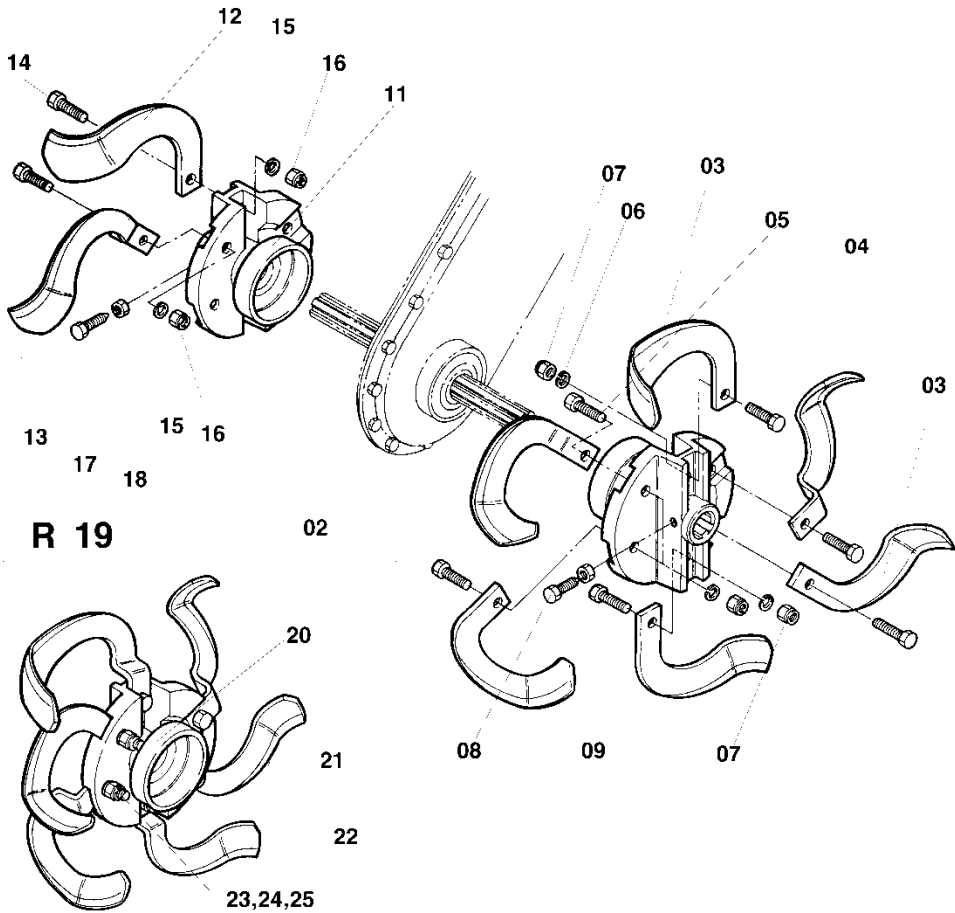
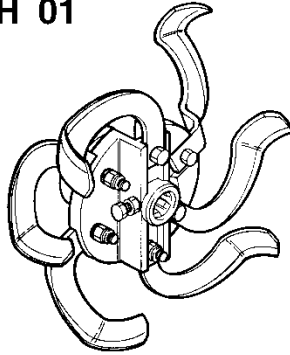
SCR-350

| No. | Parts No. | Size | Parts Name | Q'ty | Remarks |
|-----|-------------|---------------|--------------------------|------|---------|
| 1 | A60 0713A | | Blade Ass;y(L), Rotary | 1 | 02~10 |
| 2 | A60 0701A | | Tube(L), Rotary | 1 | |
| 3 | A60 0706A | | Tube(L), Rotary Extended | 1 | |
| 4 | A60 0710A | | Blade(L), Rotary | 6 | |
| 5 | A60 0715A | | Bolt, Blade Fixing | 6 | |
| 6 | A4512-50100 | M10 | Washer, Spring | 6 | |
| 7 | A2056-50100 | M10x1.5P(6T) | Nut | 6 | |
| 8 | A1120-50818 | M8x1.25Px18Ls | Bolt, Spring Washer | 2 | |
| 9 | DT-0708 | | Bolt, Lock | 1 | |
| 10 | A2012-50100 | M10x1.5P | Nut | 1 | |
| 11 | A60 0714A | | Blade Ass;y(R), Rotary | 1 | 12~20 |
| 12 | A60 0708A | | Tube(R), Rotary | 1 | |
| 13 | A60 0709A | | Tube(R), Rotary Extended | 1 | |
| 14 | A60 0711A | | Blade(R), Rotary | 6 | |
| 15 | A60 0715A | | Bolt, Blade Fixing | 6 | |
| 16 | A4512-50100 | M10 | Washer, Spring | 6 | |
| 17 | A2056-50100 | M10x1.5P(6T) | Nut | 6 | |
| 18 | A1120-50818 | M8x1.25Px18Ls | Bolt, Spring Washer | 2 | |
| 19 | DT-0708 | | Bolt, Lock | 1 | |
| 20 | A2012-50100 | M10x1.5P | Nut | 1 | |

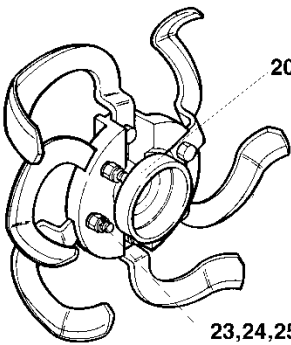
RH 10



LH 01



R 19



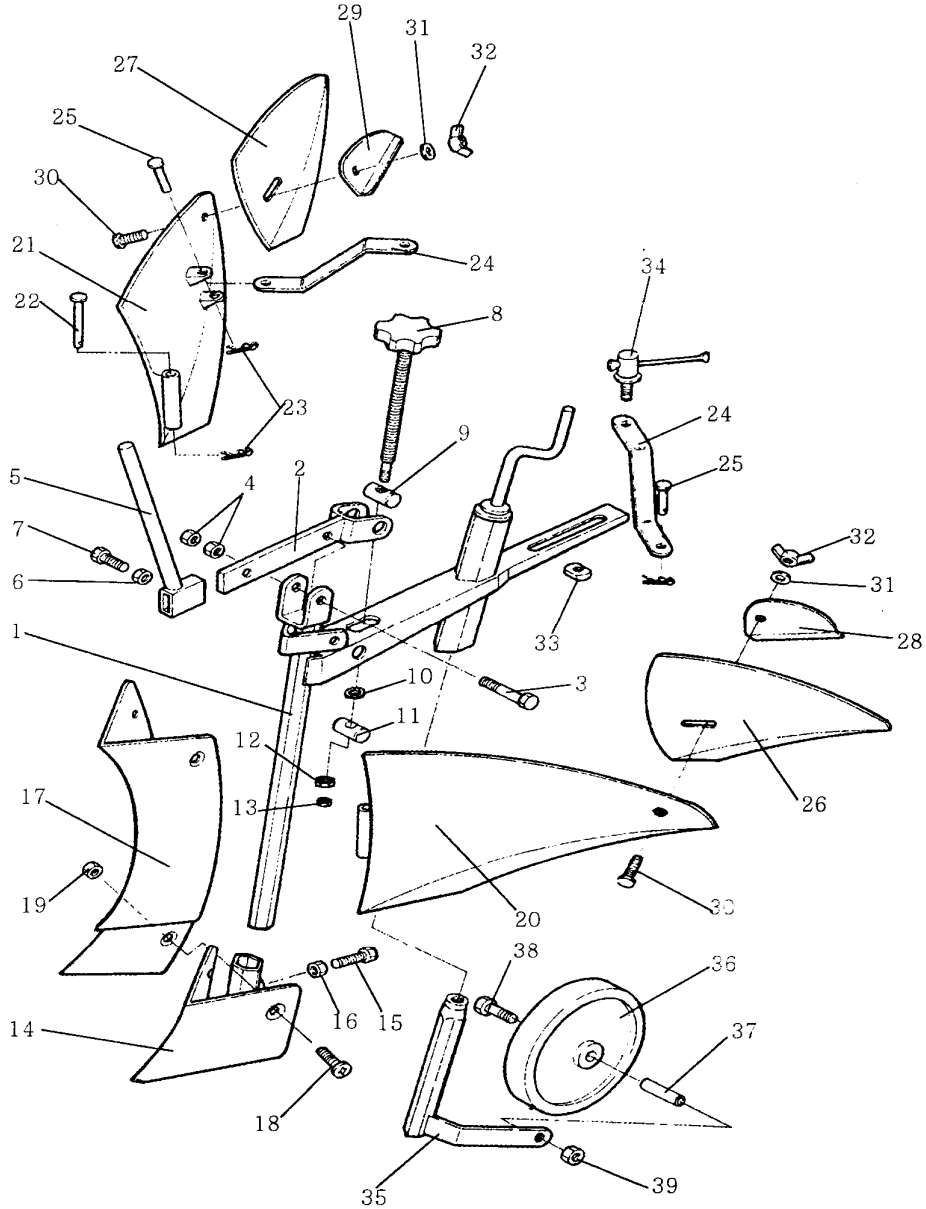
ASIA PARTS LIST

2015.05.

Ditching Rotor

SDR-250

| No. | Parts No. | Size | Parts Name | Q'ty | Remarks |
|-----|-------------|---------------|-------------------------------|------|-------------------|
| 1 | AB331-01012 | | Ditching Rotor Ass'y(L) | 1 | 02~09 |
| 2 | AA110-08151 | | Blade Holder | 1 | |
| 3 | AA110-08021 | | Blade(L) | 4 | |
| 4 | AB331-01031 | | Special Blade(L) | 2 | |
| 5 | AA110-08161 | M10x1.25Px32L | Bolt, Blade | 6 | |
| 6 | A4512-50100 | M10 | Washer, Spring | 6 | |
| 7 | A60 0361A | M10x1.25P | Nut, Nylon | 6 | |
| 8 | DT-0708 | M10x1.5P | Bolt, Lock | 1 | |
| 9 | A2012-50100 | M10x1.5P | Nut | 1 | |
| 10 | AB331-01022 | | Ditching Rotor Ass'y(R) | 1 | 11~18 |
| 11 | AA110-08151 | | Blade Holder | 1 | |
| 12 | AA110-08031 | | Blade(R) | 4 | |
| 13 | AB331-01041 | | Special Blade(R) | 2 | |
| 14 | AA110-08161 | M10x1.25Px32L | Bolt, Blade | 6 | |
| 15 | A4512-50100 | M10 | Washer, Spring | 6 | |
| 16 | A60 0361A | M10x1.25P | Nut, Nylon | 6 | |
| 17 | DT-0708 | M10x1.5P | Bolt, Lock | 1 | |
| 18 | A2012-50100 | M10x1.5P | Nut | 1 | |
| 19 | AB334-01011 | | Ditching Rotor Ass'y(R), One- | 1 | 20~27 |
| 20 | AA110-08151 | Red | Blade Holder | 1 | One-side Ditching |
| 21 | AA110-08021 | | Blade(L) | 2 | One-side Ditching |
| 22 | AB331-01031 | | Special Blade(L) | 4 | One-side Ditching |
| 23 | AA110-08161 | M10x1.25Px32L | Bolt, Blade | 6 | One-side Ditching |
| 24 | A4512-50100 | M10 | Washer, Spring | 6 | One-side Ditching |
| 25 | A60 0361A | M10x1.25P | Nut, Nylon | 6 | One-side Ditching |
| 26 | DT-0708 | M10x1.5P | Bolt, Lock | 1 | One-side Ditching |
| 27 | A2012-50100 | M10x1.5P | Nut | 1 | One-side Ditching |



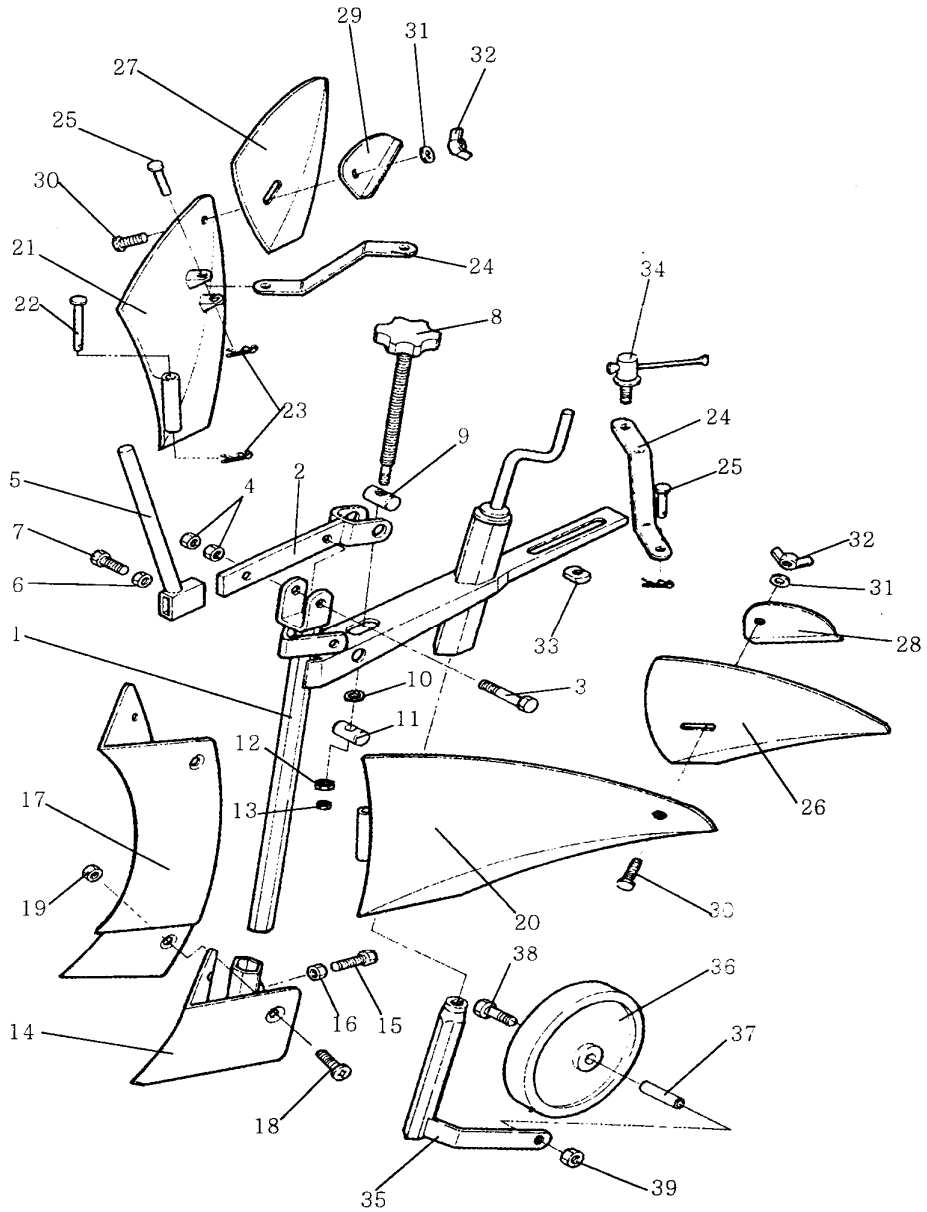
ASIA PARTS LIST

2017.05.

Ridger

SRD-3

| No. | Parts No. | Size | Parts Name | Q'ty | Remarks |
|-----|-------------|---------------|-----------------------------|------|---------|
| 1 | A60 1001A | | Frame, Ridge | 1 | |
| 2 | A60 1007A | | Bracket, Angle Adjusting | 1 | |
| 3 | A1170-51035 | M10x1.25Px35L | Bolt | 1 | |
| 4 | A2116-50100 | M10x1.25P | Nut | 3 | |
| 5 | AA110-10101 | | Bracket, High Adjusting | 1 | |
| 6 | DT-0773A | | Bolt, Lock | 1 | |
| 7 | A2012-50100 | M10x1.5P | Nut | 1 | |
| 8 | A60 1013B | | Grip, Adjusting | 1 | |
| 9 | A60 1015A | | Rod, Adjusting | 1 | |
| 10 | A4014-50100 | d11xD21x2.0t | Washer, Plain | 1 | |
| 11 | A60 1016A | | Rod, Hinge | 1 | |
| 12 | A2174-50120 | M12x1.25P | Nut | 1 | |
| 13 | DT-1057 | M8 | Nut, Nylon | 1 | |
| 14 | A60 1017A | | Plow, Ridger | 1 | |
| 15 | A1050-51020 | M10x1.5Px20Ls | Bolt | 1 | |
| 16 | A2012-50100 | M10x1.5P | Nut | 1 | |
| 17 | A60 1022A | | Body, Ridger | 1 | |
| 18 | A3016-50620 | M6x1.0Px20Ls | (+)Bolt, Small | 4 | |
| 19 | A2761-50060 | M6x1.0P | Nut, Flange | 4 | |
| 20 | A60 1023A | | Plate, Ridger(L) | 1 | |
| 21 | A60 1024A | | Plate, Ridger(R) | 1 | |
| 22 | Z5120-06085 | Φ6x85 | Pin | 2 | |
| 23 | A5515-50600 | A형 Φ6 | Pin, Split | 4 | |
| 24 | A60 1025A | | Bracket, Angle Adjusting | 2 | |
| 25 | A5122-50640 | | Pin | 2 | |
| 26 | A60 1026A | | Plate(L), Assistance Redger | 1 | |
| 27 | A60 1027A | | Plate(R), Assistance Redger | 1 | |
| 28 | A60 1028A | | Plate(L) | 1 | |
| 29 | A60 1029A | | Plate(R) | 1 | |
| 30 | A60 1030A | | Bolt | 2 | |



ASIA PARTS LIST

2017.05.

Ridger

SRD-3

| No. | Parts No. | Size | Parts Name | Q'ty | Remarks |
|-----|-------------|---------------|---------------|------|---------|
| 31 | A4014-50080 | d9xD17x1.6t | Washer, Plain | 2 | |
| 32 | A2814-50080 | M8x1.25P | Nut, Wing | 2 | |
| 33 | A60 1031A | | Plate | 1 | |
| 34 | A60 1032A | | Lever, Fixing | 1 | |
| 35 | A60 1036A | | Supporter | 1 | |
| 36 | A60 0919A | | Tail Wheel | 1 | |
| 37 | A60 0920A | | Bush | 1 | |
| 38 | A1173-51060 | M10x1.25Px60L | Bolt | 1 | |
| 39 | A2116-50100 | M10x1.25P | Nut | 1 | |