

J-600

English version

EDITION - 06/2007

CODE - 979122

Parts catalog



MÁQUINAS AGRÍCOLAS JACTO S.A.

Rua Dr. Luiz Miranda, 1650

17580-000 - Pompéia - SP - Brasil

Tel.: +55 14 3405-2100 - Fax: +55 14 3452 1306

E-mail: export@jacto.com.br

Home page: <http://www.jacto.com.br>

J-600

EQUIPMENT	PAGE
JS-600 ELECTRIC.....	4

JS-600 ELECTRIC (CODE: 057596)

ENTIRE ASSEMBLIES	PAGE
15-LITER TANK ASSEMBLY	36 48 48
3-WAY REGULATING VALVE	30 30 30 30
ACCESSORIES BOX FOR JS-600 EL	21 21 21
ACCESSORIES BOX	20 20 55
ACCESSORIES BOX FOR "JATÃO SUPER 600"	55
APPLICATION ASSEMBLY	8 8 8 8
CENTRIFUGAL PUMP BC-1143 (DUAL STAGE - SERIES 4)	16 16 16 16
CHASSIS AND COMPLEMENTS	17 17 49 17
CHEMICAL CIRCUIT	10 10 10 10
CHEMICAL CONTAINER RINSE NOZZLE KIT	31 31 31 31
CHEMICAL CONTAINER RINSE NOZZLE ROD	42 42 42 42
CONTROL BRANCH - ASSEMBLY	32 32 32 32
DIRECTIONAL VALVE	28 28 28 28
DRIVE TRANSMISSION AND COMPLEMENTS	25 25 25 25
DUCT ACTUATION CIRCUIT	12 12 12 12
ELECTRIC CONTROL- JATÃO 600	14 14 54 54
ELECTRIC CONTROL VALVE	33 33 33 33
FAN	26 26 26 26

**JS-600 ELECTRIC
(CODE: 057596)**

Continuation

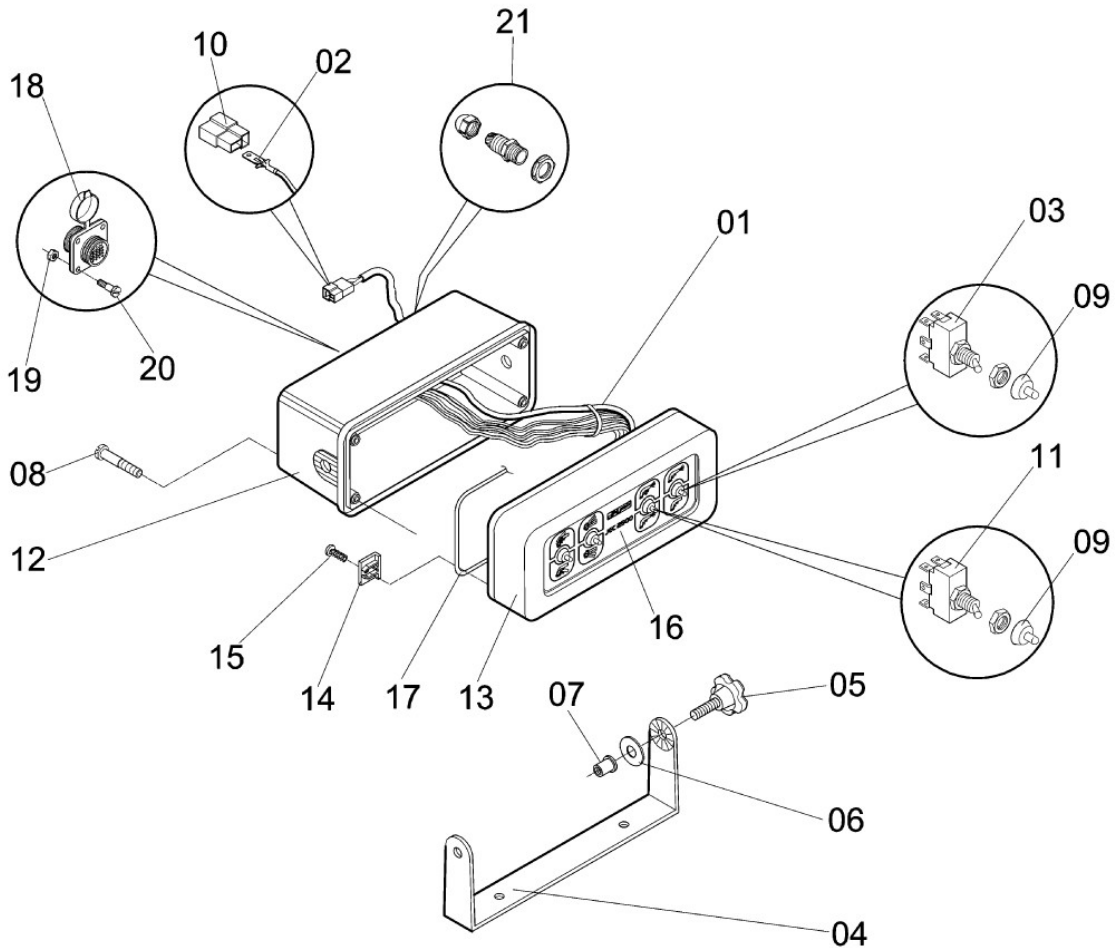
ENTIRE ASSEMBLIES	PAGE
FILTER FVS 102	27 27 52 27
GEAR CASE COVER ASSEMBLY	45 45 45 45
GEAR CASE SHAFT	44 44 44 44
GEAR CASE WITH BUSHING	46 46 46 46
GEARBOX JACTO 5	18 18 18 18
HYDRAULIC CONTROL - ELECTRIC OPERATION	34 34 34 34
JEC-2500 COMPUTER	40 40 7
LEVEL INDICATOR 5	24 24 51 51 24
LID WITH BREATHER	43 43 43 43
MECHANICAL AGITATOR 8	22
MECHANICAL AGITATOR III	23 23 50 50
PTO SHAFT 500	19 19 19 19
QUICK RELIEF	35 35 53 53
QUICK RELIEF	37 37 37 37
QUICK RELIEF REDUCTION BOX	37 37 37 37
RINSE NOZZLE	41 41 41 41
STICKER: "JACTO" - CANNON SPRAYER E	39 39 39 39

JS-600 ELECTRIC
(CODE: 057596)

Continuation

ENTIRE ASSEMBLIES	PAGE
STICKER: "JACTO" CANNON SPRAYER D	38 38 38 38
TIGHTENING PULLEY ASSEMBLY 78 (SHAFT Ø 15 X 50,5)	47
TIGHTENING PULLEY ASSEMBLY 78 X 1A (PE-78 I)	29 29 56

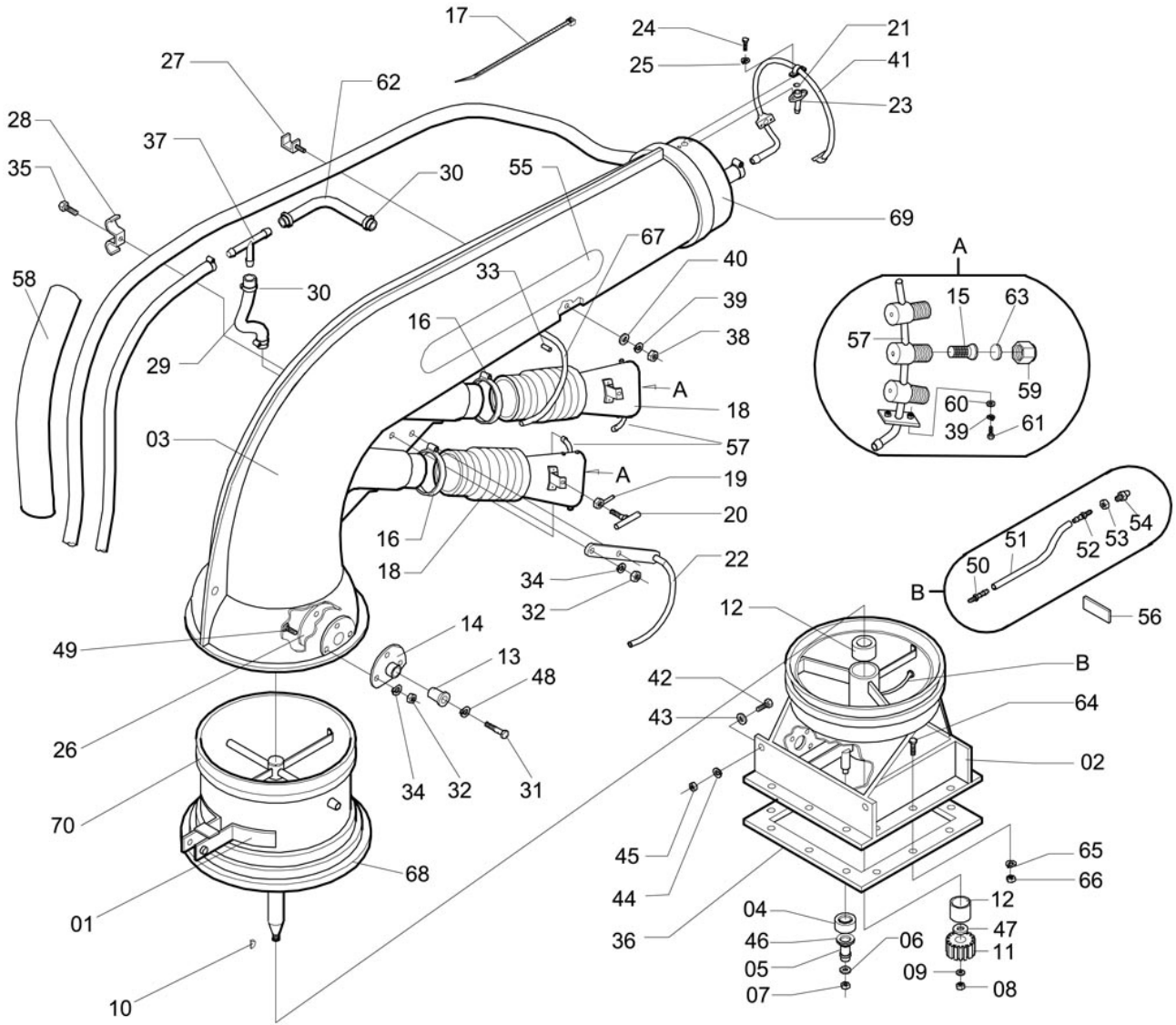
JEC-2500 COMPUTER



CE-145

Item	CODE	DESCRIPTION	Qty.	Item	CODE	DESCRIPTION	Qty.
00	278515	JEC-2500 computer	1				
01	278523	Main cable	1				
02	441782	Contact finger	2				
03	557835	Double throw switch	3				
04	091405	U-shaped support	1				
05	971994	Thermoplastic knob	2				
06	973388	Rubber washer ø 31	2				
07	972018	Threaded rubber bushing	2				
08	878769	Screw 3.5 x 20	4				
09	437194	Protective cap	5				
10	970442	Contact finger holder 2 - Tee male	1				
11	437178	Double-throw switch with nut	1				
12	972729	Lower panel	1				
13	972711	Upper panel	1				
14	878611	Fastening claw	12				
15	849331	Screw ø 3.5 x 12	4				
16	276261	Decal "Computer Panel - JEC-2500"	1				
16A	278481	Sticker base JEC-2500	1				
17	080168	Silicone tube 4.8 x 3.0	1				
18	082362	Receptacle guard	1				
19	209965	Nut M3 x 0.5	4				
20	441907	Screw M3 x 15 x 0.5	4				
21	077008	Cable press	1				

APPLICATION ASSEMBLY



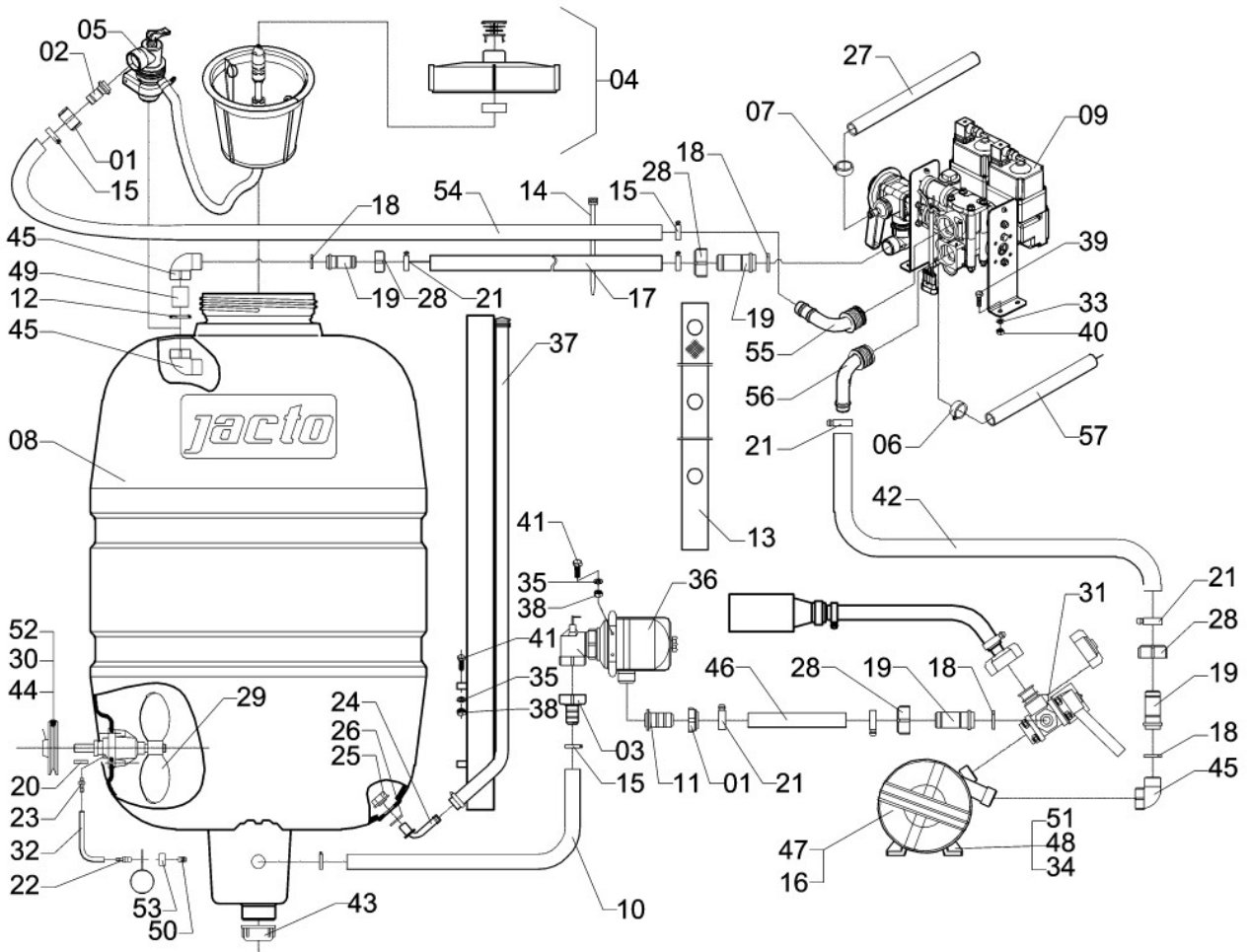
CA-114

APPLICATION ASSEMBLY

Continuation

Item	CODE	DESCRIPTION	Qty.	Item	CODE	DESCRIPTION	Qty.
00	445874	Application assembly	1	59	039545	Hex. nut \varnothing 11/16" - 16 UNC	6
01	519033	Intermediate duct	1	60	707182	Flat washer 63 x 140 x 9.1	4
02	519199	Fixed duct	1	61	910109	Screw \varnothing 1/4" - 20 UNC x 1/2"	4
03	332429	Outlet duct	1	62	216424	Hose \varnothing 9,60 3/8" x 510 PT 80	1
04	520734	Bearing no. 6002	1	63	519645	Blank disk	3
05	519330	Bushing	1	64	829382	Hex head bolt M8 x 25 x 1.25	14
06	214452	Flat washer 100 x 180 x 6	1	65	519736	Lock washer M8	14
07	108761	Nut 3/8" - 16 UNC]	1	66	810770	Hex. nut M-8 x 1.25	14
08	521021	Nut M-16 X 1.50 DODI LOC	1	67	332478		1
09	881243	Flat washer 170 x 300 x 19	1	68	519140		1
10	519348	Half moon key 6 x 9 x 22	1	69	519421		1
11	519355	Gear	1	70	519173		1
12	519322	Bushing	2				
13	620682	Bushing 15.9 x 28	2				
14	620633	External bearing	2				
15	439083	Nozzle filter (50 mesh)	6				
16	332635	Clamp D102-121 - stainless steel	2				
17	326710	Hose tie	1				
18	337972	Lower outlet hose	2				
19	823682	Lock nut 5/16" - 18 UNC x 28	2				
20	944439	Locking screw 5/16" - 18 UNC x 28	2				
21	411884	O-ring ORI - 111	3				
22	332569	Lower slide	1				
23	519603	Deflector nozzle 30°	3				
24	202382	Screw \varnothing 3/16" UNC x 3/4"	6				
25	520676	Lock washer M5	6				
26	620674	Internal bearing	2				
27	519363	Single fastener	1				
28	519389	Double fastener	1				
29	421107	Hose 3/8" x 330	1				
30	063370	Clamp D 12-16 - stainless steel	4				
31	912717	Bolt 3/8" x 16 UNC x 1.3/4"	2				
32	912758	Hex. nut 5/16" - 18 UNC	6				
33	626200	Rivet "POP" 6.2 x 21.6	3				
34	519736	Lock washer M8	1				
35	912667	Bolt 5/16" x 18 UNC x 7/8	1				
36	519702	Packing 32 x 325 x 3.20	4				
37	409169	Tee fitting for hose \varnothing 3/8"	1				
38	912741	Nut \varnothing 1/4" - 20 UNC	1				
39	910117	Lock washer \varnothing 1/4"	5				
40	413468	Flat washer 68 x 190 x 12	1				
41	521617	Upper nozzle branch	1				
42	829515	Hex. bolt M10 x 30 x 1.5	4				
43	422436	Flat washer 104 x 254 x 19	2				
44	209395	Lock washer M10	4				
45	209205	Hex. nut M10 x 1,50	4				
46	705129	Flat washer 152 x 272 x 9	1				
47	544932	Flat washer 260 x 420 x 1.4	2				
48	908566	Lock washer \varnothing 3/8"	2				
49	833814	Screw \varnothing 5/16" UNC x 1"	6				
50	426205	Male fitting for hose \varnothing 1/4"	1				
51	625269	Hose \varnothing 6.35 - 1/4" x 110	1				
52	426189	Grease nipple fitting	1				
53	916627	Nut 7/16" - 14 UNC	1				
54	910463	Grease nipple 1/4" - 28 UNF	1				
55	049379	Sticker: "Jacto" Cannon Sprayer D	1				
55A	049387	Sticker: "Jacto" - Cannon Sprayer E	1				
56	625202	Sticker: "Lubricate periodically"	1				
57	332536	Lower nozzle branch	2				
58	801167	Protective hose 2" x 400	1				

CHEMICAL CIRCUIT



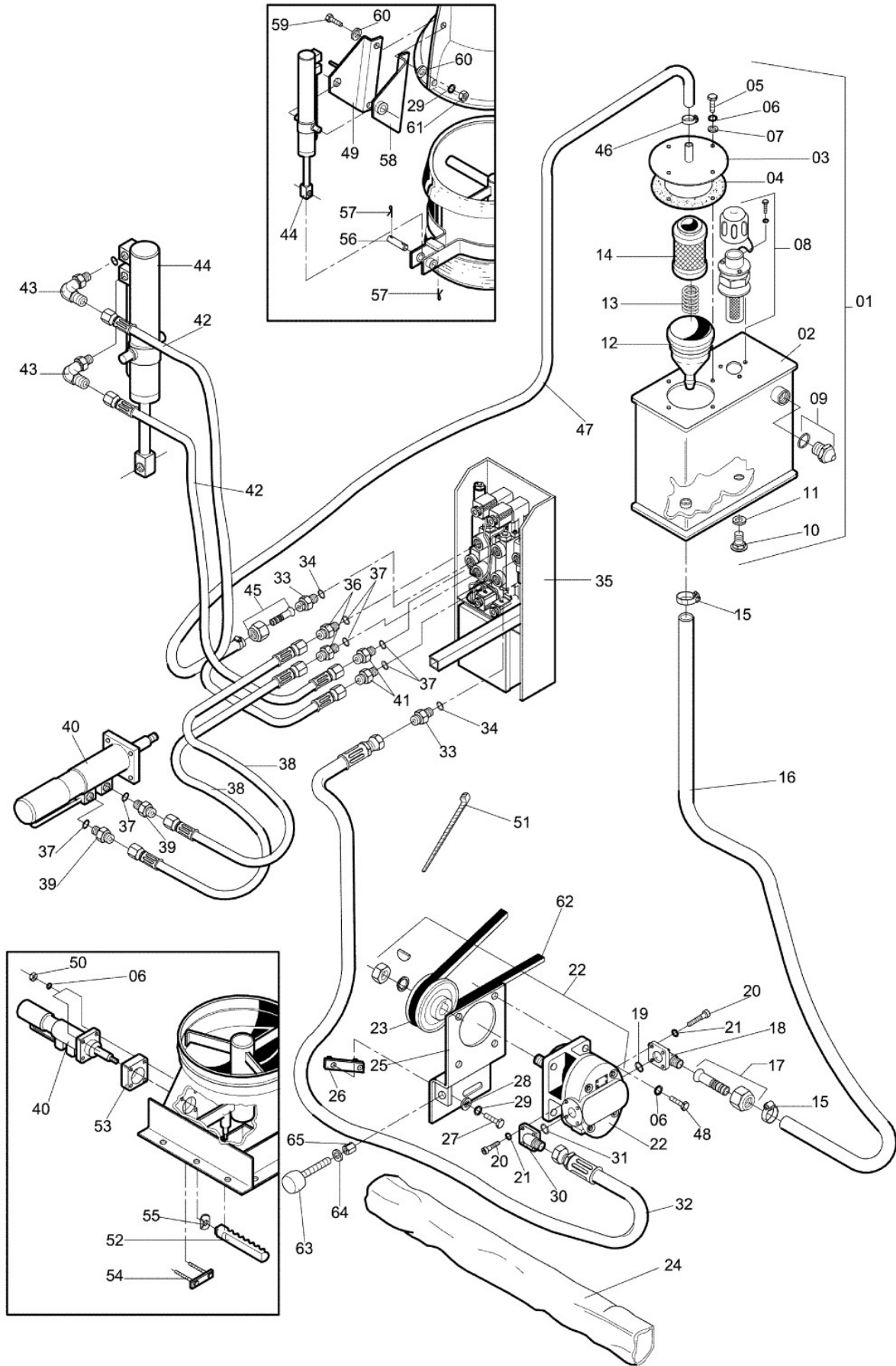
CD-342

CHEMICAL CIRCUIT

Continuation

Item	CODE	DESCRIPTION	Qty.	Item	CODE	DESCRIPTION	Qty.
00	276642	Chemical circuit	1				
01	005884	Nut 1.1/4" BSP	2				
02	005892	Fitting 1.1/4"	1				
03	005926	Plastic extension 1.1/4"	1				
04	037374	Lid with breather	1				
05	060434	Chemical container rinse nozzle kit	1				
06	063370	Clamp D 12-16 - stainless steel	2				
07	107664	Clamp D14-22 - stainless steel	2				
08	137174	Tank 600 L	1				
09	139378	Electric control- Jatão 600	1				
10	206748	Hose Ø 1.1/4" x 470	1				
11	208777	Hose fitting 1" x 33	2				
12	212472	Packing 45 x 33.5	1				
13	278606	Protective hose Ø 2" x 1800	1				
14	323584	Hose tie	1				
15	330969	Clamp D25-38 - stainless steel	4				
16	337964	Centrifugal pump BC-1143 (dual stage - series 4)	1				
17	349068	Hose Ø 1" x 570	1				
18	402412	Lock washer ø 31 x 22.5 x 22.5/3.0	4				
19	404434	Hose fitting	4				
20	405597	Square key 4,75 (3/16") x 28	1				
21	423814	Clamp D22-32 - stainless steel	6				
22	426189	Fitting	1				
23	426205	Male fitting for hose ø 1/4"	1				
24	428730	Elbow 3/4" x 1/2" BSP -14 F.P.P.	1				
25	428748	Flanged nut 1/2" BSP -14 F.P.P.	1				
26	428797	Seal washer ø 40 x 21 x 2.0	1				
27	456822	Hose Ø 1/2" x 3200	1				
28	511733	Round nut 1" BSP (40-45)	4				
29	517573	Mechanical agitator III	1				
30	517763	Pulley ø 119-1A	1				
31	517821	3-way regulating valve	1				
32	517920	Hose ø 1/4" x 340	1				
33	519736	Lock washer M8	4				
34	520221	Bolt guide	1				
35	521666	Lock washer M6	4				
36	613596	Filter FVS 102	1				
37	716670	Level indicator 5	1				
38	810689	Hex. nut M6 x 1.00	4				
39	829374	Hex. head bolt M8 x 20 x 1.25 -cl 8.8	4				
40	810770	Hex. nut M-8 x 1.25	4				
41	829507	Hex. head bolt M6 x 16 x 1.00	4				
42	839563	Hose 25.4 (1") x 2000 - km 25 - blue	1				
43	900761	Drain cap ø 67	1				
44	901363	Allen bolt 1/4" - 20 UNC x 1/2"	1				
45	902817	Male/female elbow ø 1" BSP x 90°	3				
46	905497	Hose Ø 1" x 750	1				
47	907592	Trapezoid belt A-45	1				
48	908566	Lock washer ø 3/8"	2				
49	910000	Nipple 1" BSP	1				
50	910463	Grease nipple 1/4" - 28 UNF	1				
51	912709	Bolt ø 3/8" - 16 UNC x 1"	2				
52	913624	Trapeze belt A 38	1				
53	916627	Nut 7/16" - 14 UNC	1				
54	932103	Hose 31.5 (1.1/4") x 800 - blue	1				
55	989053	Elbow fitting 1.1/4" x 90°	1				
56	989087	Hose fitting ø 1"	1				
57	517912	Hose 3/8 x 3050	1				

DUCT ACTUATION CIRCUIT



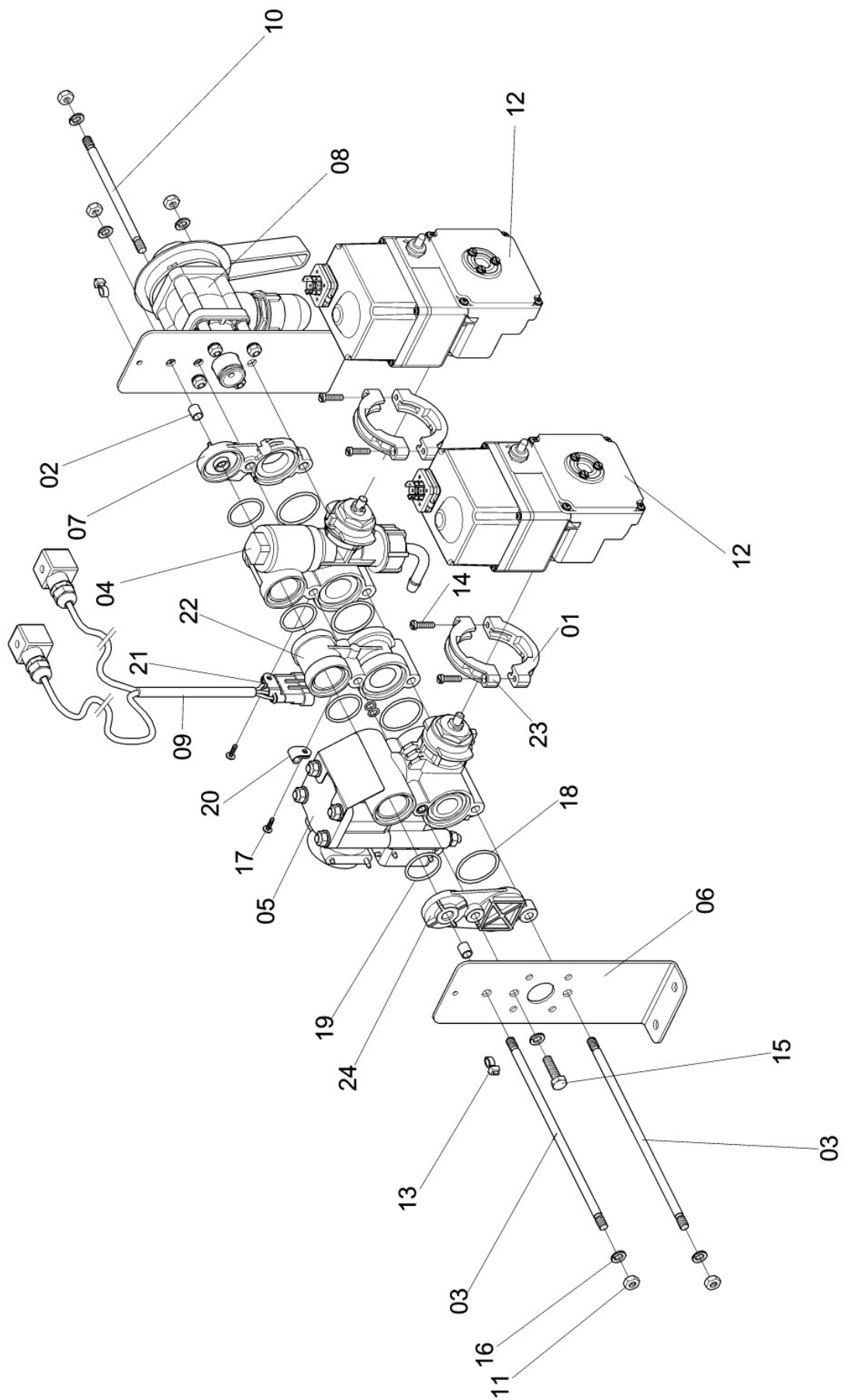
CH-43

DUCT ACTUATION CIRCUIT

Continuation

Item	CODE	DESCRIPTION	Qty.	Item	CODE	DESCRIPTION	Qty.
00	278390	Duct actuation circuit	1	58	926345	Cylinder support	1
01	518878	Hydraulic oil reservoir (4 liters)	1	59	913665	Hex. head bolt 3/8" - 16 UNC x 1.1/4"	3
02	518886	Hydraulic reservoir body	1	60	422436	Flat washer 104 x 254 x 19	6
03	521518	Filter cover	1	61	912774	Hex. nut 3/8" - 16 UNC	3
04	519710	Packing ring ø 115 x 96 1.59	1	62	878801	Trapeze belt A-27	1
05	637041	Bolt ø 5/16" - 20 UNC x 5/8"	8	63	542613	Tightening screw 3/8" - 16 UNC x 100	1
06	519736	Lock washer M8	16	64	416578	Flat washer 100 x 190 x 12.4	2
07	903575	Lock washer 15 x 1.2	4	65	327445	Hex. nut ø 3/8" - 16 UNC	1
08	521047	Air cleaner	1		592048	Woodruff key - 3 x 5	1
09	521351	Oil sight 1/2" BSP with packing ring	1		954255	Hydraulic oil	4
10	520775	Drain plug 1/4" BSP	1				
11	325290	O-ring OR1-112	1				
12	212779	Return filter cap	1				
13	212761	Compression spring	1				
14	213710	Return filter	1				
15	107664	Clamp D14-22 - stainless steel	2				
16	519819	Hose MBP-08 Ø 1/2" x 1000	1				
17	537530	Fitting with nut	1				
18	211466	Pump intake connection	1				
19	106955	O-ring OR1-120	1				
20	521658	Screw M6 x 20 x 1.0	8				
21	521666	Lock washer M6	8				
22	211318	Hydraulic pump	1				
23	618363	Pulley ø 91 - 1A	1				
24	520379	Protective hose ø 4 "	1				
25	521641	Pump support	1				
26	519918	Bolt guide	1				
27	912709	Bolt ø 3/8" - 16 UNC x 1"	2				
28	422436	Flat washer 104 x 254 x 19	2				
29	908566	Lock washer ø 3/8"	5				
30	211458	Pump outlet connection	1				
31	110494	O-ring OR1-116	1				
32	216853	Hose ø 5/16" x 1759	1				
33	210567	Dosage nipple 9/16" UNF x 3/4" UNF	2				
34	331272	O-ring OR3- 906	2				
35	276667	Hydraulic control - electric operation	1				
36	949503	Nipple 1/2" UNF x 3/4" UNF	2				
37	426361	O-ring OR2-905	6				
38	520098	Hose ø 1/4" x 1500	2				
39	521906	Dosage nipple 0.50	2				
40	519967	Hydraulic cylinder ø 32 x 100	1				
40A	130674	Repair kit	1				
41	340083	Dosage nipple Ø 1,50 - 37	2				
42	210674	Hose MHMP 04 - 1/4 x 2660	2				
43	210963	Elbow with o-ring	2				
44	519991	Hydraulic cylinder ø 32 x 160	1				
44A	130690	Repair kit for cylinder (Focker)	1				
45	537548	Fitting with nut	1				
46	063370	Clamp D 12-16 - stainless steel	2				
47	519868	Hose ø 3/8" x 450	1				
48	836502	Screw 5/16" - 18 UNC x 1"	4				
49	926337	Cylinder support	1				
50	912758	Hex. nut 5/16" - 18 UNC	8				
51	323584	Hose tie	2				
52	519975	Rack	1				
53	519983	Hydraulic cylinder spacer	1				
54	520999	Clip plate	2				
55	903591	Seal washer ø 25.8 x 13.4 x 1.25	1				
56	520015	Joint pin	1				
57	808451	Cotter pin ø 3/32" x 3/4"	2				

ELECTRIC CONTROL- JATÃO 600



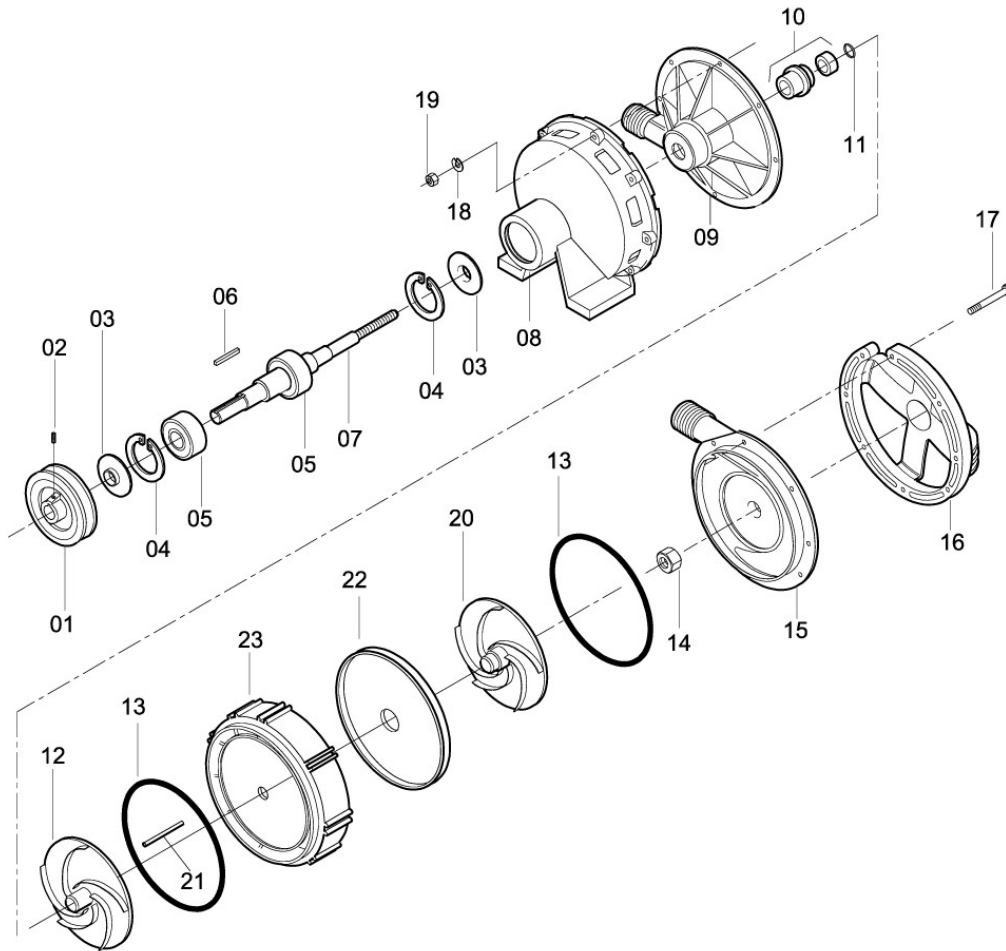
CV-306

ELECTRIC CONTROL- JATÃO 600

Continuation

Item	CODE	DESCRIPTION	Qty.	Item	CODE	DESCRIPTION	Qty.
00	139378	Electric control- Jatão 600	1				
01	053561	Semi-clamp assembly	2				
02	055764	Bushing	2				
03	139295	Stud bolt M 8 x 250 x 1,25	2				
04	139311	Control Branch - Assembly	1				
05	139337	Quick relief	1				
06	139360	Support	1				
07	139923	Right cover	1				
08	140160	Electric Control Valve	1				
09	148338	Electric control cable	1				
10	166884	Stud bolt M8 x 149 x 1,25 - inox	1				
11	221648	Nut M8 x 1.25 - stainless steel	5				
12	998195	Quick Relief Reduction Box	2				
13	326710	Hose tie	2				
14	444810	Screw M5 x 20 x 0.8	4				
15	448233	Bolt M8 x 30 x 1,25	1				
16	519736	Lock washer M8	6				
17	849331	Screw ø 3.5 x 12	2				
18	648170	O-ring OR1-128	4				
19	731521	O-ring OR1 - 124	4				
20	781500	Clamp	1				
21	849794	Clamp N4	1				
22	860114	Spacer	1				
23	865907	Semi-clamp	2				
24	866012	Left cover	1				
	008895	Repair kit (Masterflow 2000)	1				

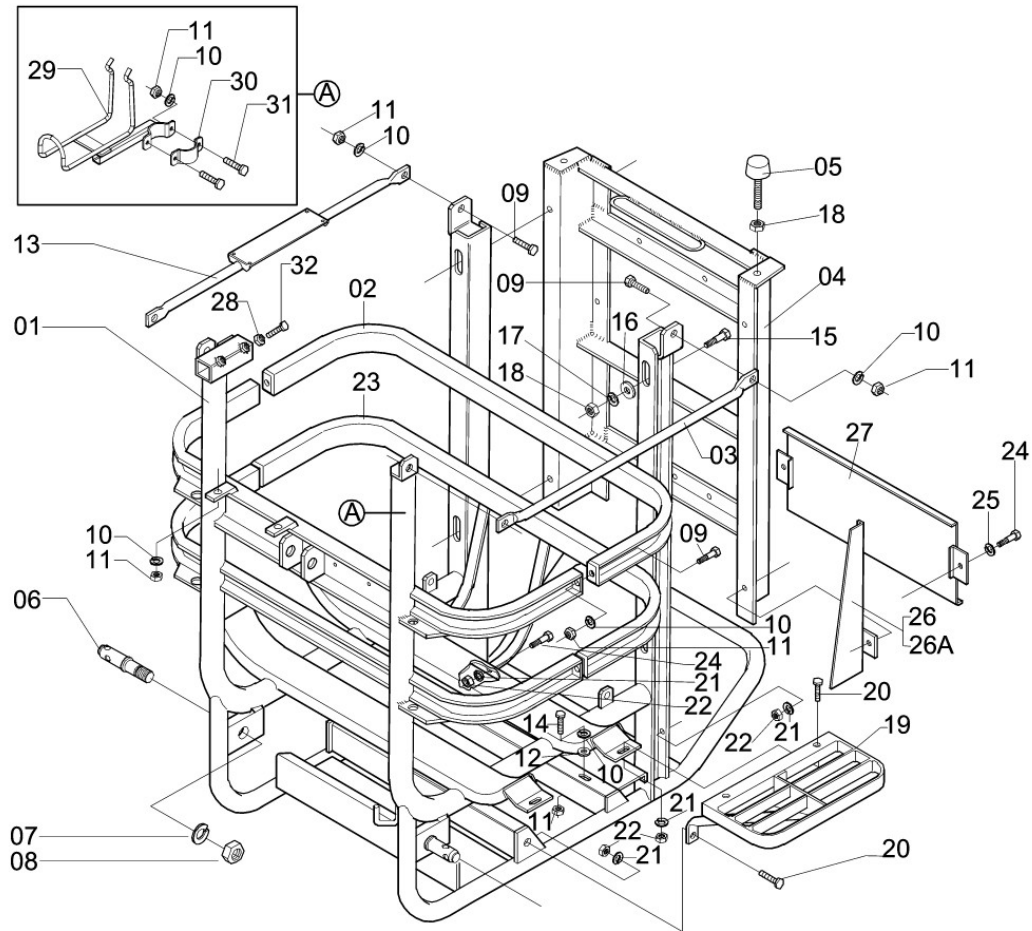
CENTRIFUGAL PUMP BC-1143 (DUAL STAGE - SERIES 4)



B-19

Item	CODE	DESCRIPTION	Qty.	Item	CODE	DESCRIPTION	Qty.
00	337964	Centrifugal pump BC-1143 (dual stage - series 4)	1				
01	704874	Pulley \varnothing 90-1A	1				
02	901363	Allen bolt 1/4" - 20 UNC x 1/2"	1				
03	707067	Bearing protector	2				
04	901371	Snap ring for hole \varnothing 47	2				
05	901389	Fixed bearing no. 6204 DDU	2				
06	901355	Square key 3/16" x 22	1				
07	340406	Pump shaft	1				
08	019182	Pump housing	1				
09	703132	Pump body I	1				
10	918763	Seal and seat	1				
11	901405	O-ring ORI-014	1				
12	340372	Pump rotor I	1				
13	901413	O-ring ORI-258	2				
14	815829	Hex. nut \varnothing 3/8" - 16 UNC	1				
15	703140	Pump body II	1				
16	901850	Pump cover	1				
17	901967	Screw 1/4" - 20 UNC x 2"	8				
18	910117	Lock washer \varnothing 1/4"	8				
19	912741	Nut \varnothing 1/4" - 20 UNC	8				
20	901348	Pump rotor	1				
21	340414	Square key 3 x 20	1				
22	054304	Output Separator	1				
23	973396	Output spacer	1				

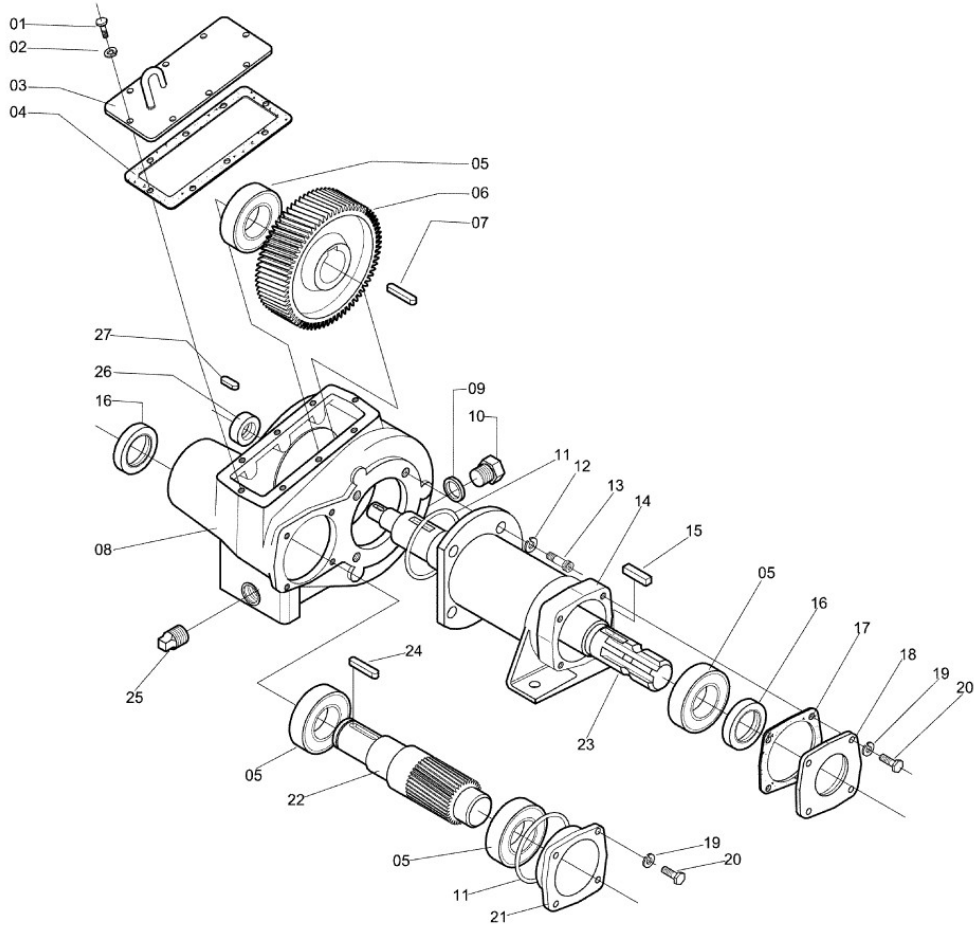
CHASSIS AND COMPLEMENTS



C3P-84

Item	CODE	DESCRIPTION	Qty.	Item	CODE	DESCRIPTION	Qty.
00	150409	Chassis and complements	1	26	018390	Left side guard plate	1
01	516948	Chassis body	1	26A	018366	Right side guard plate	1
02	517235	Upper half-strap	1	27	018424	Pulleys protector	1
03	517250	Angle brace 850	1	28	907030	Hex. nut M10 x 1.25	2
04	517268	Fan support	1	29	136846	15-liter tank support	1
05	941948	Tightening screw \varnothing 1/2" - 13 UNC	2	30	206003	Semiclamp	1
06	870758	Lower coupling pin	2	31	518753	Bolt 3/8" - 16 UNC x 1.1/4"	2
07	910075	Lock washer \varnothing 1"	2	32	757559	Hex. bolt M10 x 30 x 1.25	2
08	910430	Nut \varnothing 1" - 8 UNC	2		039396	Sticker: "PTO shaft protection"	1
09	912709	Bolt \varnothing 3/8" - 16 UNC x 1"	10		515734	Sticker: "Clean filter..."	1
10	908566	Lock washer \varnothing 3/8"	10		625236	Plate "With instructions for runing PTO"	1
11	912774	Hex. nut 3/8" - 16 UNC	14				
12	422436	Flat washer 104 x 254 x 19	2				
13	149542	Sprayer Control Support	1				
14	663161	Bolt 3/8" - 16 UNC x 7/8"	2				
15	428573	Bolt \varnothing 1/2" - 13 UNC x 1.1/4"	4				
16	916148	Flat washer 132 x 404 x 47.5	4				
17	908582	Lock washer 1/2"	4				
18	912790	Hex. nut 1/2" - 13 UNC	6				
19	520791	Platform	1				
20	912667	Bolt 5/16" x 18 UNC x 7/8	3				
21	519736	Lock washer M8	8				
22	912758	Hex. nut 5/16" - 18 UNC	7				
23	625111	Lower half-strap	1				
24	663153	Hex. bolt 5/16" - 18 UNC x 3/4"	4				
25	013433	Flat washer	2				

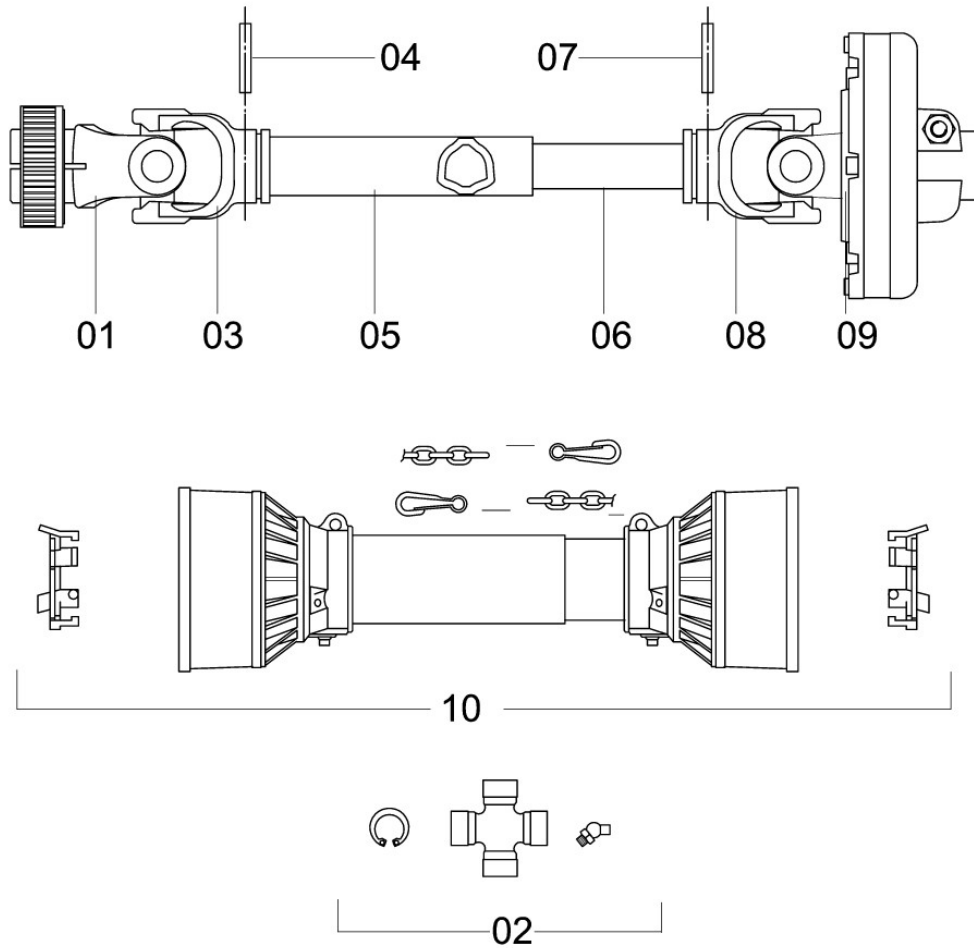
GEARBOX JACTO 5



CM-3

Item	CODE	DESCRIPTION	Qty.	Item	CODE	DESCRIPTION	Qty.
00	349043	Gearbox Jacto 5	1	25	812057	Plug \varnothing 1/2" BSP	1
01	441030	Bolt \varnothing 1/4" - 20 UNC x 5/8"	8	26	106922	Retainer \varnothing 22 x 35.2 x 7	1
02	910117	Lock washer \varnothing 1/4"	8	27	520213	Square key 3/8" x 20	1
03	213801	Cover	1		427153	Lubricating oil - ref. multigear EP-90" (Texaco)	1
04	114439	Packing	1				
05	203737	Fixed bearing	4				
06	627794	Drive gear	1				
07	108936	Square key 3/8" x 35	1				
08	627828	Gearbox body	1				
09	625715	Flat washer \varnothing 27 x 22 x 1.5	1				
10	430116	Magnetic plug 1/2" - 14 BSP	1				
11	516575	O-ring ORI-235	2				
12	908566	Lock washer \varnothing 3/8"	4				
13	325688	Allen screw \varnothing 3/8" UNC x 1"	4				
14	430629	Pillow block	1				
15	814210	Square key 3/8" x 25	1				
15A	516526	Square key 3/8" x 90 (until 03/88)	1				
16	822031	Retainer \varnothing 40 x 62 x 8	2				
17	516518	Packing	1				
18	430587	Cover	1				
19	519736	Lock washer M8	4				
20	913608	Hex. head bolt 5/16" - 18 UNC x 3/4"	8				
21	627737	Cover	1				
22	628552	Driven shaft	1				
23	349050	Shaft 474	1				
24	519793	Square key 9.53 (3/8") x 45	1				

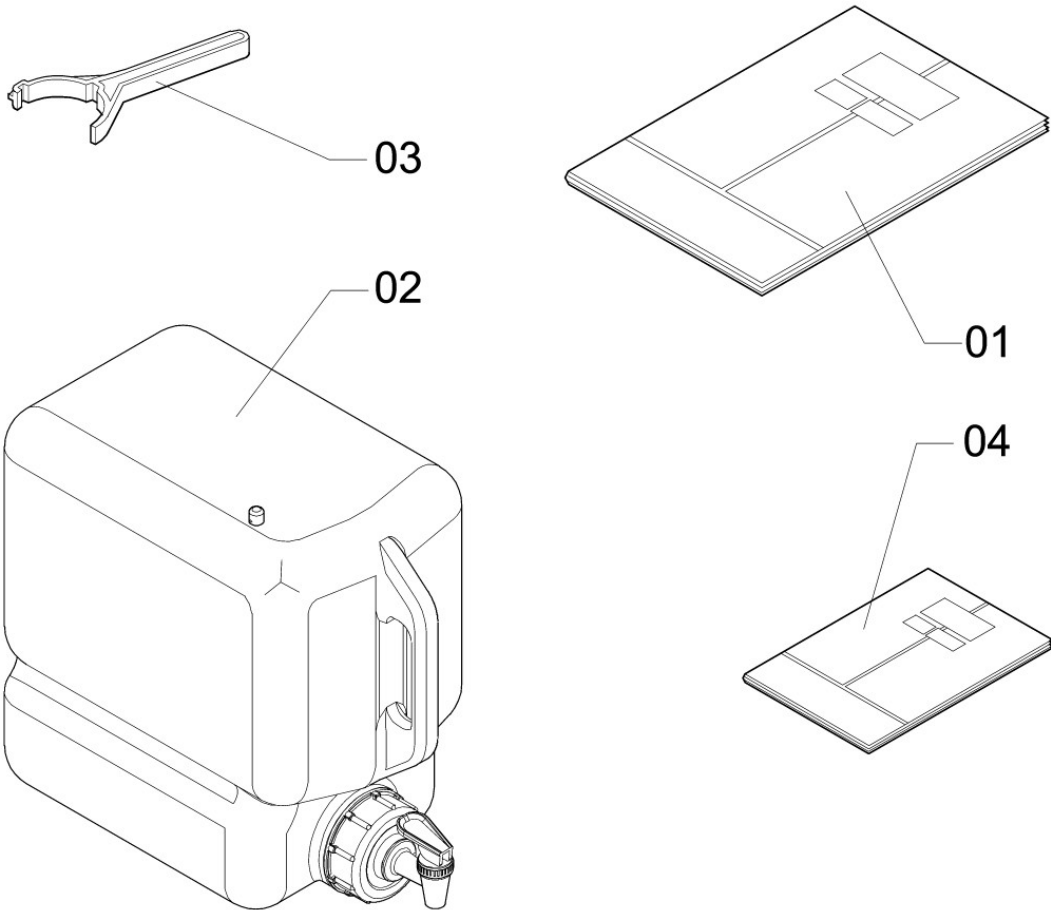
PTO SHAFT 500



CN-15

Item	CODE	DESCRIPTION	Qty.	Item	CODE	DESCRIPTION	Qty.
00	655811	PTO shaft 500	1				
01	572198	Coupling end with lock	1				
02	572206	Cross	2				
03	572222	Female tube coupling end	1				
04	572230	Flexible pin	1				
05	965731	Female tube	1				
06	971549	Male tube	1				
07	572123	Flexible pin	1				
08	572263	Male tube coupling end	1				
09	979534	Coupling end (sprayer side)	1				
10	955765	Guard shield	1				

ACCESSORIES BOX

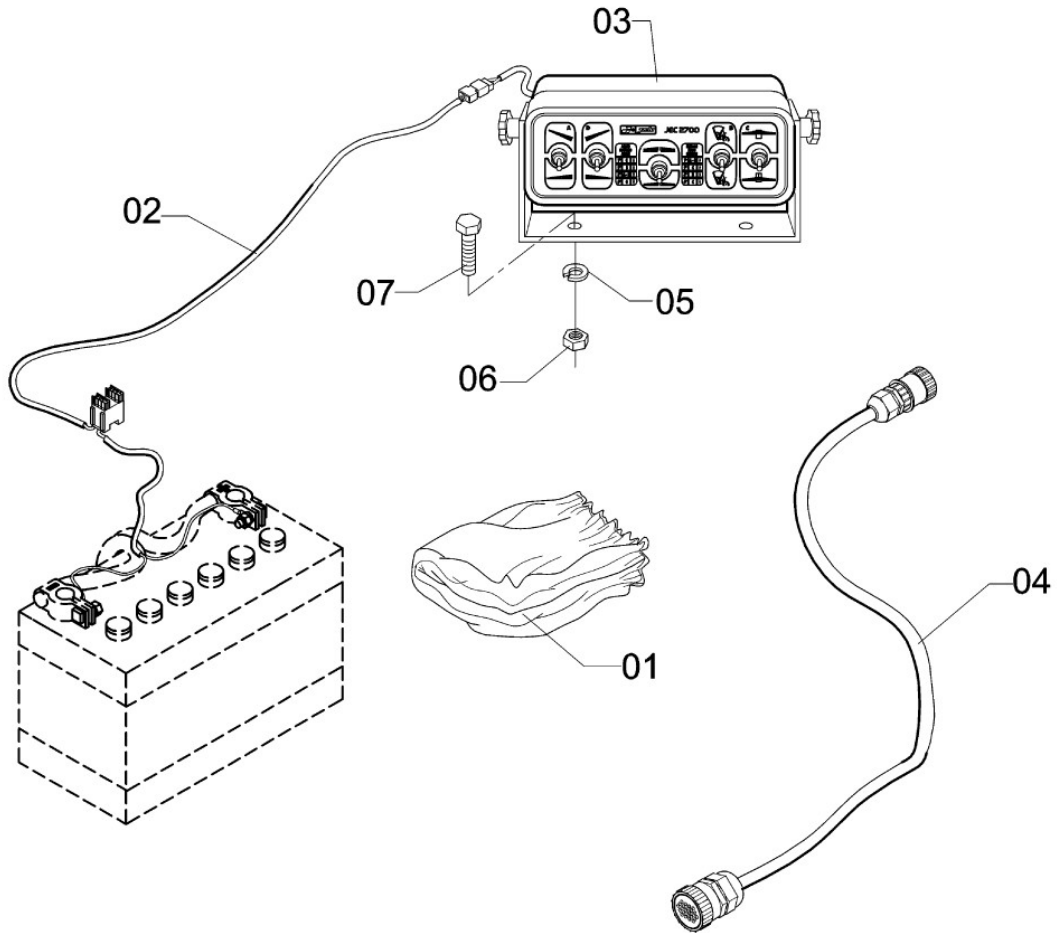


CXA-276

Item	CODE	DESCRIPTION	Qty.
00	545830	Accessories box	1
01	059179	Operator's manual "JS-600 EL English"	1
02	299768	15-liter tank assembly	1
03	703694	Key 40-45	1
04	907212	Operator's manual Chemical container rinse nozzle (USA)	1

Item	CODE	DESCRIPTION	Qty.

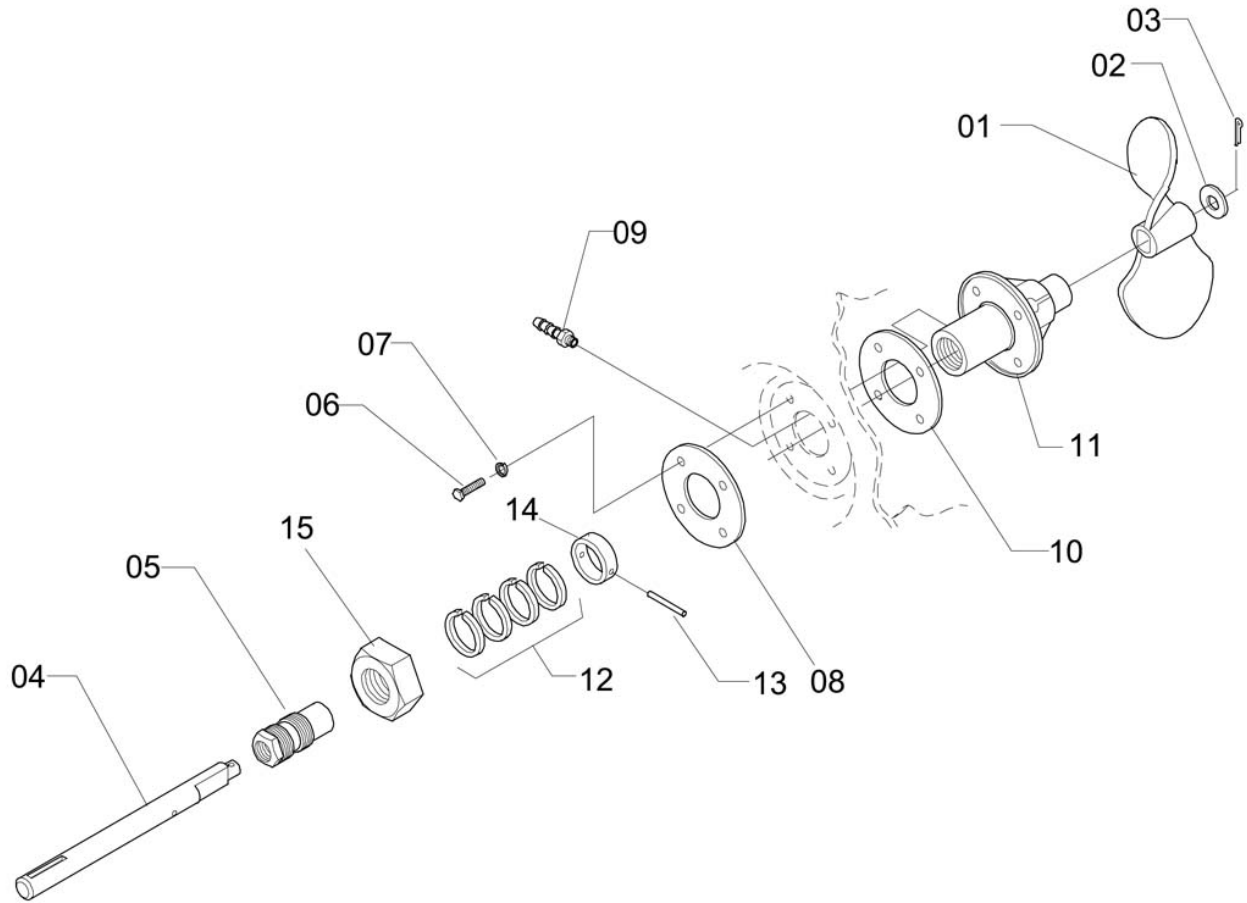
ACCESORIES BOX FOR JS-600 EL



CXA-151

Item	CODE	DESCRIPTION	Qty.	Item	CODE	DESCRIPTION	Qty.
00	287367	Accesories box for JS-600 EL	1				
01	065177	Computer protective cap	1				
02	982248	Feed cable	1				
03	278515	JEC-2500 computer	1				
04	287375	Panel connection cable	1				
05	519736	Lock washer M8	2				
06	810770	Hex. nut M-8 x 1.25	2				
07	829374	Hex. head bolt M8 x 20 x 1.25 -cl 8.8	2				

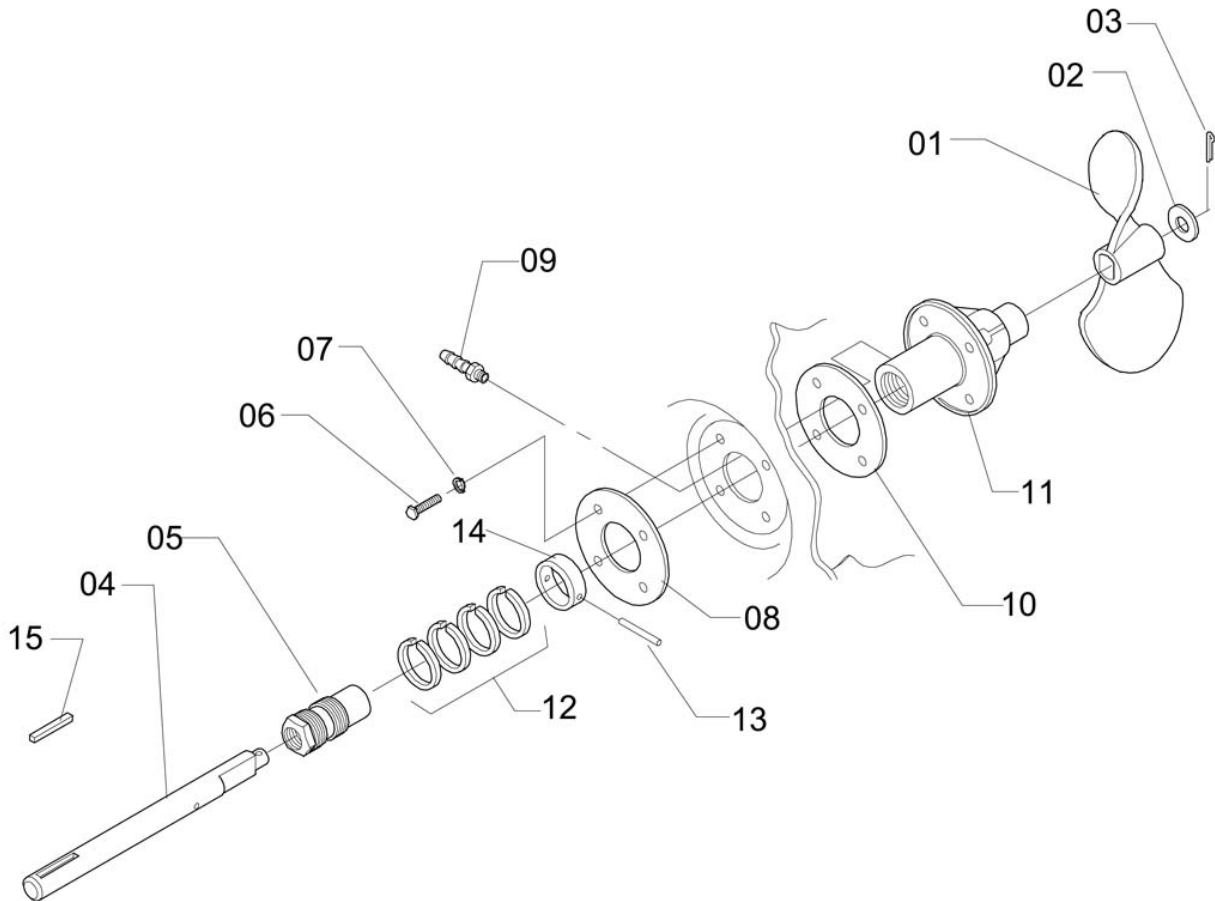
MECHANICAL AGITATOR 8



MM-7

Item	CODE	DESCRIPTION	Qty.	Item	CODE	DESCRIPTION	Qty.
00	744789	Mechanical agitator 8	1				
01	517581	Propeller	1				
02	416578	Flat washer 100 x 190 x 12.4	1				
03	517599	Cotter pin \varnothing 3/32" x 5/8"	1				
04	517607	Shaft	1				
05	517623	Gasket tightener	1				
06	166892	Hexagonal head bolt M6 x 25 x 1.00	4				
07	521666	Lock washer M6	4				
08	517631	Flange \varnothing 80	1				
09	426205	Male fitting for hose \varnothing 1/4"	1				
10	517649	Rubber seal \varnothing 74	1				
11	517664	Agitator body	1				
12	517672	Gasket 3/16" x 70	4				
13	517680	Pin \varnothing 3/16" x 24	1				
14	517698	Seat bushing \varnothing 1" x 10	1				
15	744771	Hex. nut M28 x 2.00	1				

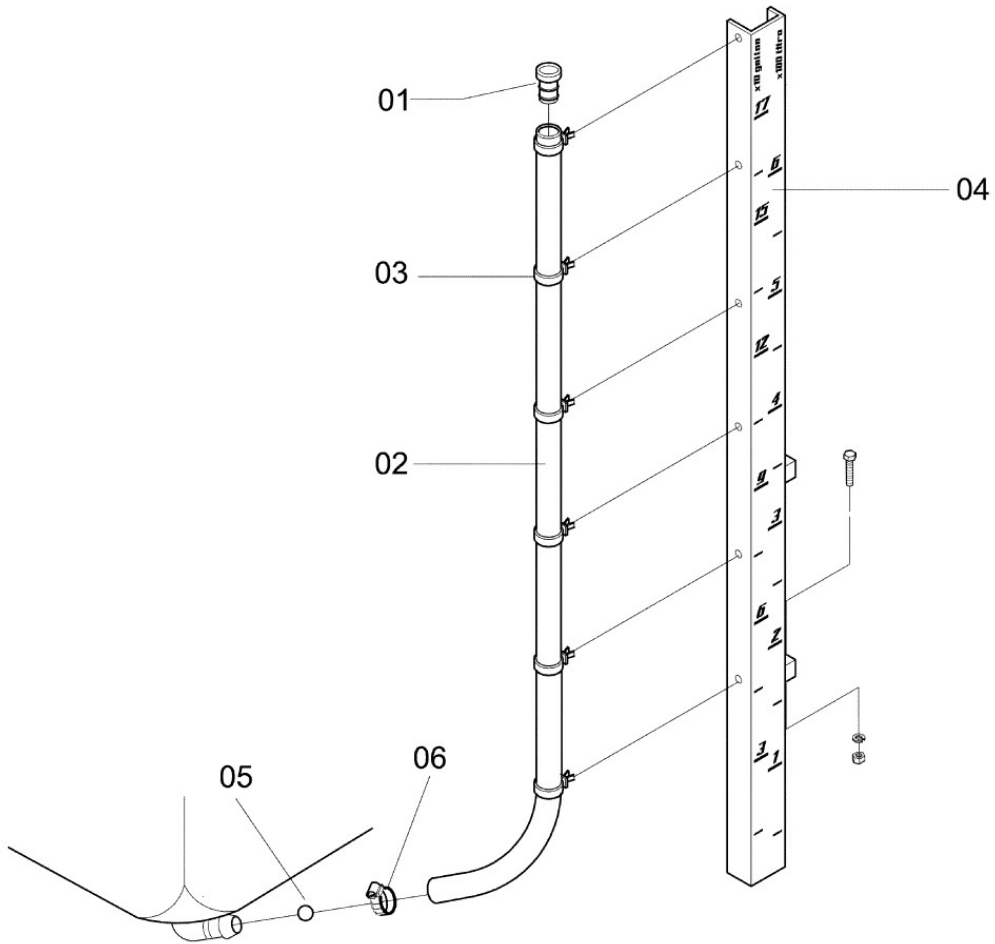
MECHANICAL AGITATOR III



MM-30

Item	CODE	DESCRIPTION	Qty.	Item	CODE	DESCRIPTION	Qty.
00	517573	Mechanical agitator III	1				
01	517581	Propeller	1				
02	973313	Flat washer 105 x 210 x 20	1				
03	1148305	Counterpin 2.5 x 16 DIN 94 (stainless)	1				
04	517607	Shaft	1				
05	517623	Gasket tightener	1				
06	166892	Hexagonal head bolt M6 x 25 x 1.00	4				
07	521666	Lock washer M6	4				
08	517631	Flange ø 80	1				
09	426205	Male fitting for hose ø 1/4"	1				
10	517649	Rubber seal ø 74	1				
11	517664	Agitator body	1				
12	517672	Gasket 3/16" x 70	1				
13	517680	Pin ø 3/16" x 24	1				
14	517698	Seat bushing ø 1" x 10	1				
15	419416	Square key 3/16" x 38					

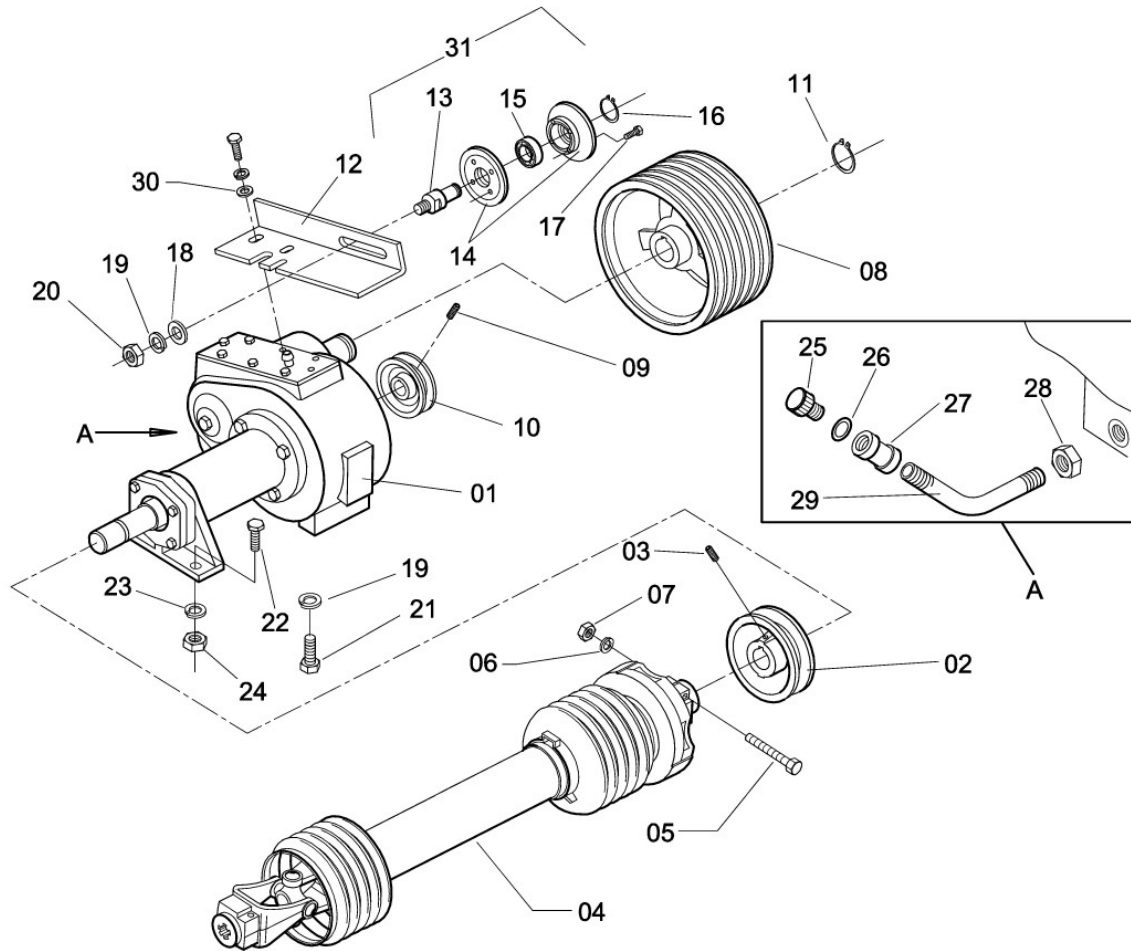
LEVEL INDICATOR 5



MN-13

Item	CODE	DESCRIPTION	Qty.	Item	CODE	DESCRIPTION	Qty.
00	716670	Level indicator 5	1				
01	537381	Plug	1				
02	717199	Hose ø 3/4" x 1060	1				
03	546598	Hose clip ø 22/25	6				
04	716688	Level indicator body	1				
05	324764	Float ø 14	1				
06	423814	Clamp D22-32 - stainless steel	1				

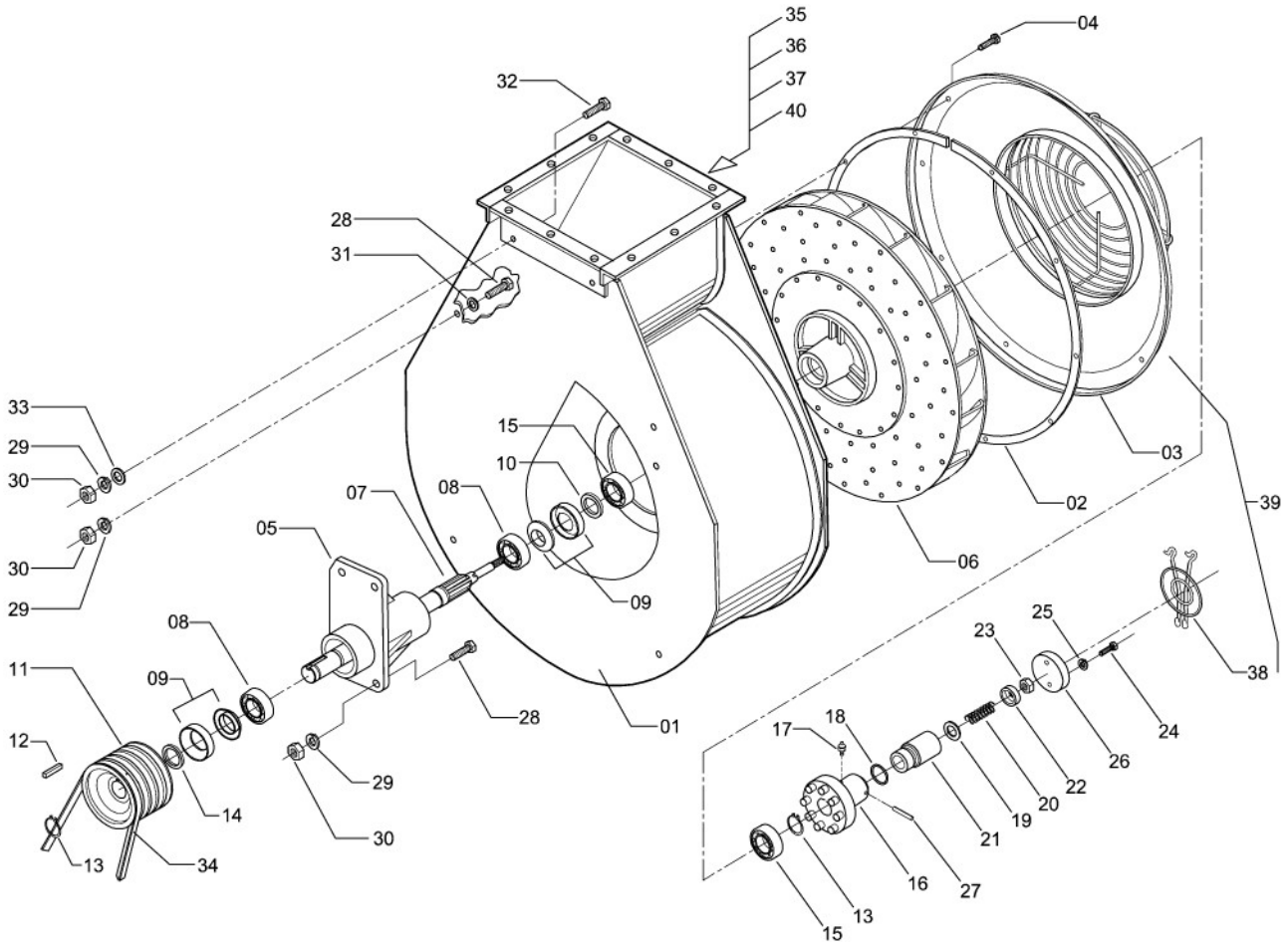
DRIVE TRANSMISSION AND COMPLEMENTS



TMT-8

Item	CODE	DESCRIPTION	Qty.	Item	CODE	DESCRIPTION	Qty.
00	516864	Drive transmission and complements	1	25	213736	Plug 1/2" BSP	1
01	349043	Gearbox Jacto 5	1	26	210146	O-ring OR1-117	1
02	430603	Pulley ø 135 - 1-A	1	27	430553	Sleeve 1/2" BSP	1
03	901363	Allen bolt 1/4" - 20 UNC x 1/2"	1	28	715722	Lock nut ø 1/2" - 14 BSP	1
04	655811	PTO shaft 500	1	29	516849	Filling tube	1
05	626218	Hex. bolt M-12 x 90 x 1.75	1	30	413468	Flat washer 68 x 190 x 12	3
06	209163	Lock washer M12	1	31	645416	Tightening pulley assembly 78 (Shaft ø 15 x 50,5)	1
07	427013	Nut ABTN - 1020 thread M12 x 1,50	1		428631	Sticker: Pto shaft instructions	1
08	430579	Pulley ø 225 - 6A	1				
09	517565	Allen screw 1/4" - 20 UNC x 5/8"	1				
10	704874	Pulley ø 90-1A	1				
11	203067	Snap ring for shaft ø 35	1				
12	516930	Tightening pulley support	1				
13	817627	Tightening pulley shaft 15 x 50.5	1				
14	644641	Pulley disk ø 78 - 1A	2				
15	328781	Fixed bearing	1				
16	910851	Snap ring for shaft 15	1				
17	645432	Flanged head screw 240	4				
18	818112	Flat washer 130 x 240 x 30	1				
19	908582	Lock washer 1/2"	3				
20	912790	Hex. nut 1/2" - 13 UNC	1				
21	621086	Bolt ø 1/2" UNC x 1"	2				
22	913665	Hex. head bolt 3/8" - 16 UNC x 1.1/4"	2				
23	908566	Lock washer ø 3/8"	2				
24	912774	Hex. nut 3/8" - 16 UNC	2				

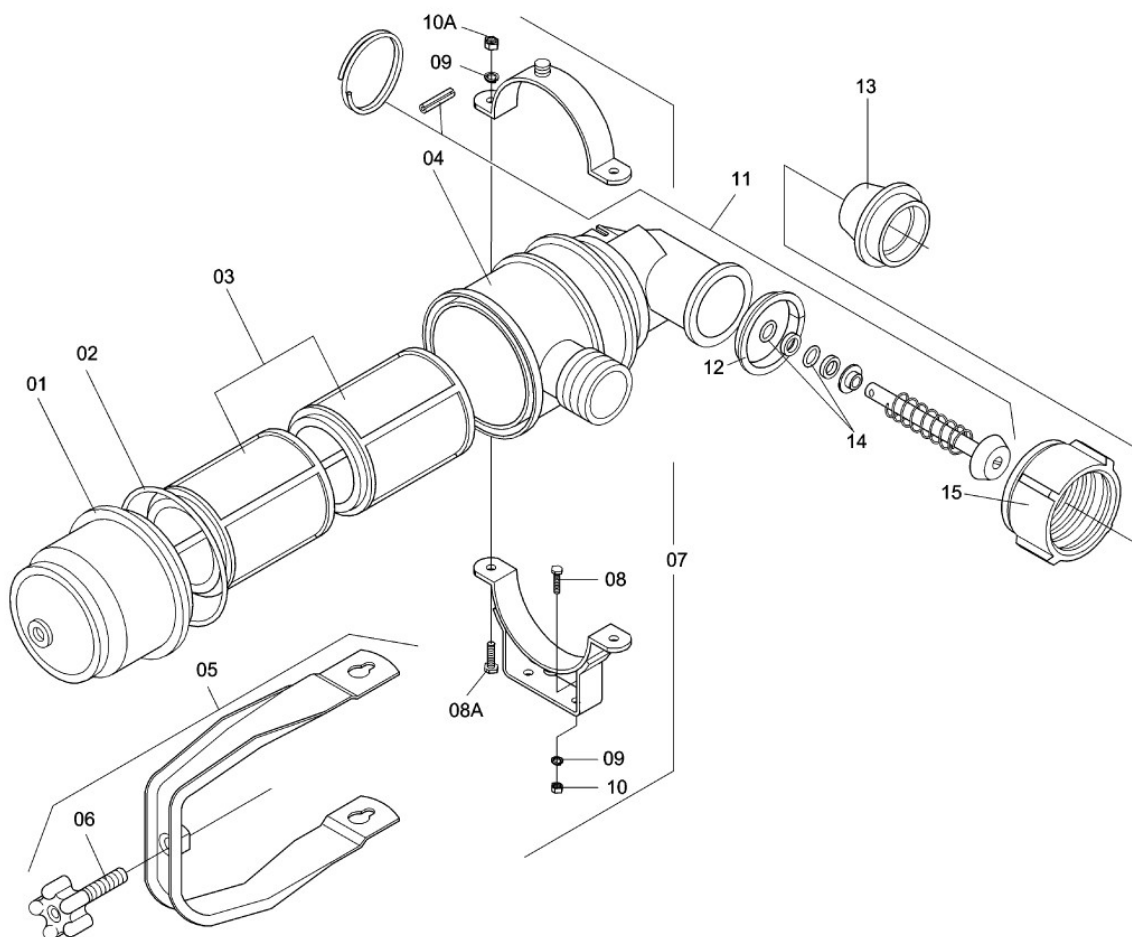
FAN



V-8

Item	CODE	DESCRIPTION	Qty.	Item	CODE	DESCRIPTION	Qty.
00	518340	Fan	1	26	201087	Disc ø 70	1
01	518605	Fan housing	1	27	427567	Flexible pin ø 5 x 32	1
02	518100	Packing 15 x 2000 x 8.00	1	28	518753	Bolt 3/8" - 16 UNC x 1.1/4"	6
03	018457	Fan housing cover	1	29	908566	Lock washer ø 3/8"	14
04	910745	Self-locking screw ø 1/4" x 3/4"	10	30	518761	Hex. nut ø 3/8"	14
05	820324	Pillow block body	1	31	416735	Flat washer 100 x 260 x 30	8
06	989129	Fan rotor	1	32	912709	Bolt ø 3/8" - 16 UNC x 1"	8
07	984187	Shaft 446	1	33	422436	Flat washer 104 x 254 x 19	2
08	328062	Bearing no. 6207 SKF	2	34	520940	Trapeze belt A-58	5
09	429340	Inner and outer protector	2	35	446500	Sticker: "Fan lock instructions"	1
10	518118	Spacer ring	1	36	360230	Sticker: protectors indication	1
11	517466	Pulley 121-5A	1	37	039420	Sticker: "Chemicals" (Port.)	1
12	519793	Square key 9.53 (3/8") x 45	1	38	358465	Fan lock guard	1
13	203067	Snap ring for shaft ø 35	1	39	434084	Fan housing cover	1
14	518126	Spacer ring 42.2 x 2.7	2	40	049361	Sticker: "Jacto" - Cannon Sprayer J600	2
15	202549	Fixed bearing	2				
16	018713	Grooved hub with pins					
17	111245	Grease nipple 1/4" x 28 UNF x 45	1				
18	011643	O-ring ORI-129	1				
19	881243	Flat washer 170 x 300 x 19	1				
20	204537	Compression spring	1				
21	201103	Coupling hub	1				
22	425892	Spring seat ring	1				
23	108787	Nut DODI-LOC ø 1/2" - 13 UNC	1				
24	007179	Screw ø 3/16" UNC x 5/8"	1				
25	520676	Lock washer M5	2				

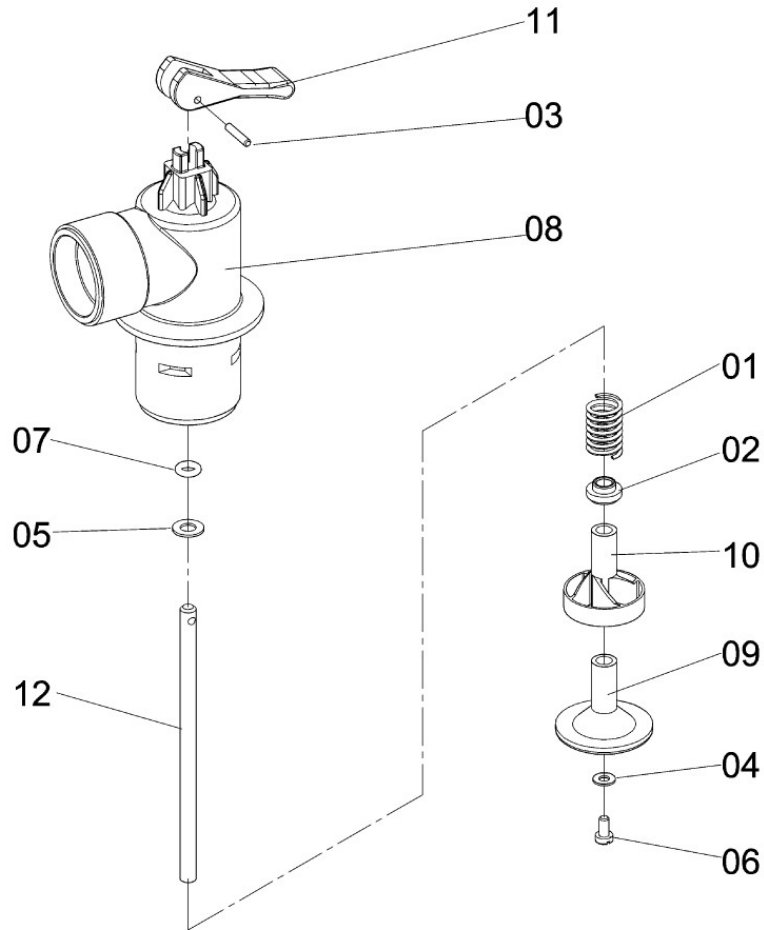
FILTER FVS 102



F-23

Item	CODE	DESCRIPTION	Qty.	Item	CODE	DESCRIPTION	Qty.
00	613596	Filter FVS 102	1				
01	005793	Filter cover	1				
02	012138	O-ring ORI - 241	1				
03	613604	Double filtering element	1				
04	005785	Filter body	1				
05	110866	Handle	1				
06	011734	Knobbed screw	1				
07	107904	Strap with support	1				
08	910489	Bolt \varnothing 1/4" 28 - UNF x 5/8"	2				
08A	007229	Bolt 1/4" x 20 UNC x 3/4"	2				
09	910117	Lock washer \varnothing 1/4"	2				
10	910125	Nut \varnothing 1/4"- 28 UNF	2				
10A	912741	Nut \varnothing 1/4" - 20 UNC	2				
11	005942	Filter valve assembly	1				
12	005918	Locking ring	1				
13	005934	Valve seat	1				
14	416669	O-ring OR1-110	2				
15	005900	Coupling nut	1				

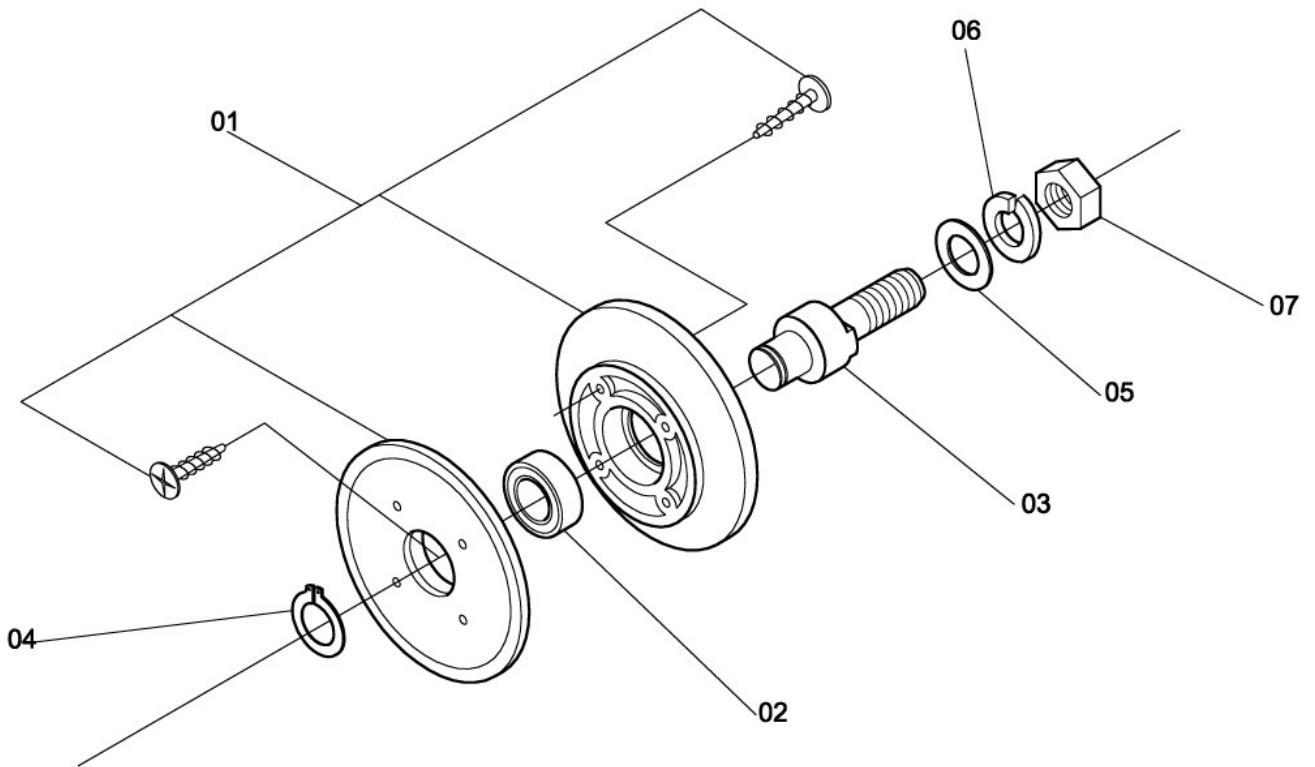
DIRECTIONAL VALVE



CV-167

Item	CODE	DESCRIPTION	Qty.	Item	CODE	DESCRIPTION	Qty.
00	054395	Directional valve	1				
01	044057	Compression spring 12.7	1				
02	048199	Seal	1				
03	049858	Lever pin	1				
04	050187	Flat washer 43 x 90 x 8	1				
05	050195	Flat washer 64 x 125 x 95 stainless steel	1				
06	050211	Screw M4 x 8	1				
07	050237	O-ring OR2-108	1				
08	054403	Valve body	1				
09	054429	Piston cup	1				
10	054437	Guide	1				
11	054445	Rinse nozzle lever	1				
12	054452	Spring Guide Pin	1				

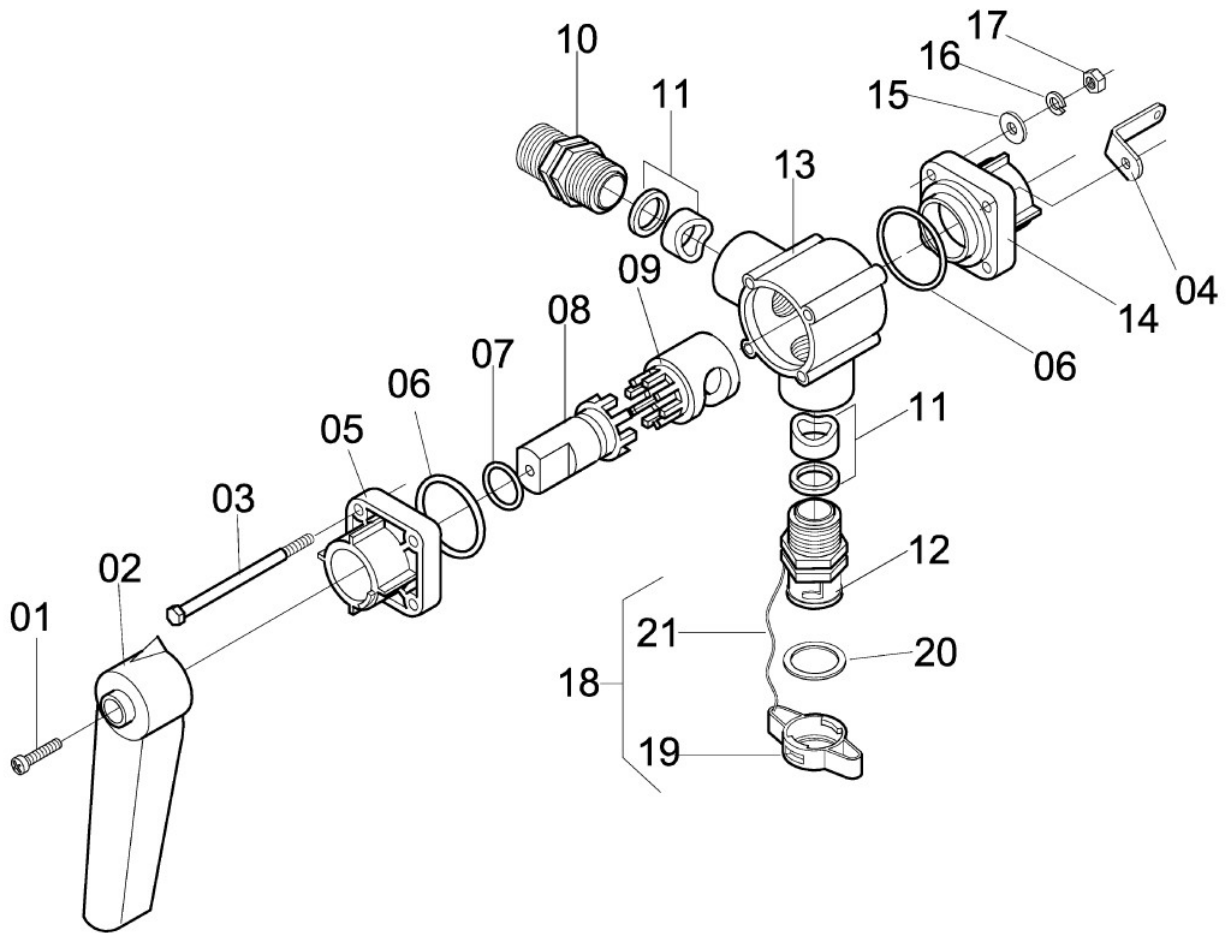
TIGHTENING PULLEY ASSEMBLY 78 X 1A (PE-78 I)



LE-7

Item	CODE	DESCRIPTION	Qty.	Item	CODE	DESCRIPTION	Qty.
00	645416	Tightening pulley assembly 78 x 1A (PE-78 I)	1				
01	660605	Split pulley and screws	1				
02	328781	Fixed bearing	1				
03	817627	Tightening pulley shaft 15 x 50.5	1				
04	910851	Snap ring for shaft 15	1				
05	818112	Flat washer 130 x 240 x 30	1				
06	908582	Lock washer 1/2"	1				
07	912790	Hex. nut 1/2" - 13 UNC	1				

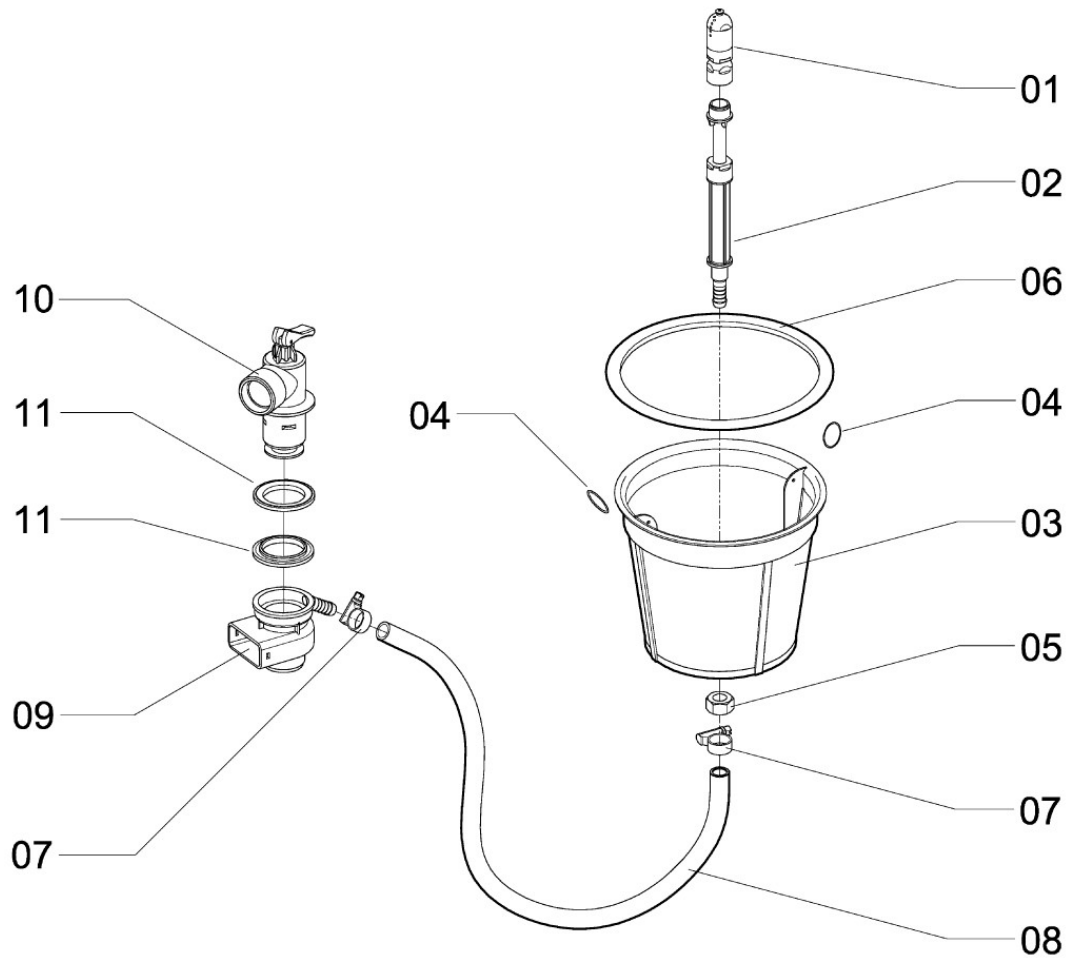
3-WAY REGULATING VALVE



CV-25

Item	CODE	DESCRIPTION	Qty.	Item	CODE	DESCRIPTION	Qty.
00	517821	3-way regulating valve	1				
01	912642	Screw \varnothing 1/4" UNC x 5/8"	1				
02	212571	Setting lever	1				
03	216218	Bolt \varnothing 1/4" - 20 UNC x 3.1/4"	4				
04	517839	Bracket	1				
05	322594	Valve cover	1				
06	216200	O-ring ORI-132	2				
07	216192	O-ring OR1-213	1				
08	200048	Valve rod	1				
09	200014	Regulator core	1				
10	517847	Nipple 1/2" BSP	1				
11	211235	Seat and packing ring	2				
12	206177	Coupling body \varnothing 1"	1				
13	200121	Core body	1				
14	200170	Valve cover \varnothing 1" - BSP	1				
15	413468	Flat washer 68 x 190 x 12	4				
16	910117	Lock washer \varnothing 1/4"	4				
17	912741	Nut \varnothing 1/4" - 20 UNC	4				
18	614289	Plug with nylon yarn	1				
19	614297	Plug	1				
20	206185	Packing ring \varnothing 32.8 x 6.00	1				
21	228916	Nylon yarn \varnothing 1.00 x 220	1				

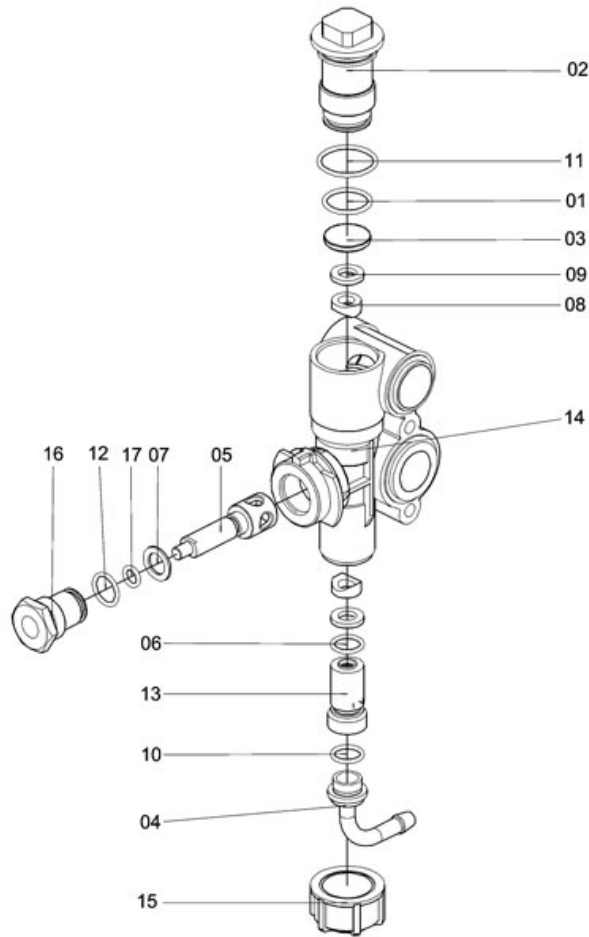
CHEMICAL CONTAINER RINSE NOZZLE KIT



KIT-29

Item	CODE	DESCRIPTION	Qty.	Item	CODE	DESCRIPTION	Qty.
00	060434	Chemical container rinse nozzle kit	1				
01	071944	Rinse nozzle	1				
02	088237	Chemical container rinse nozzle rod	1				
03	061788	Strainer 190-2T	1				
04	622969	Double ring \varnothing 22 x 26 x 3	2				
05	938498	Hex. nut M16 x 2.00	1				
06	516393	Strainer packing ring	1				
07	107664	Clamp D14-22 - stainless steel	2				
08	071886	Hose 12.7 (1/2") x 600	1				
09	054411	Valve fastener	1				
10	054395	Directional valve	1				
11	088245	Packing ring	2				

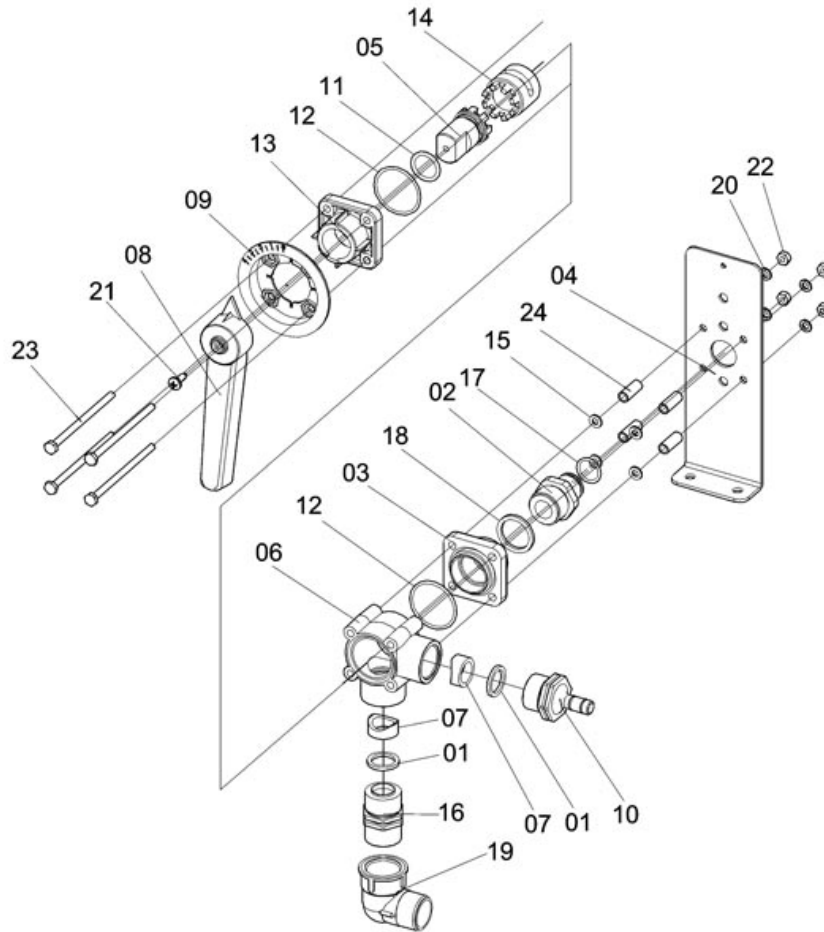
CONTROL BRANCH - ASSEMBLY



CV-125

Item	CODE	DESCRIPTION	Qty.	Item	CODE	DESCRIPTION	Qty.
00	139311	Control Branch - Assembly	1				
01	106955	O-ring OR1-120	1				
02	139261	Fastener	1				
03	139329	Cell	1				
04	144105	Curve fitting for hose 3/8"	1				
05	148155	Branch ball core with pin	1				
06	322057	O-ring ORI-114	1				
07	414748	O-ring ø 22 x 1.5	1				
08	414763	Seal seat Ø 18	2				
09	414771	O-ring ø 20 x 11 x 3.0	2				
10	706796	O-ring OR1-114	1				
11	731521	O-ring OR1 - 124	1				
12	832857	O-ring OR1-115	1				
13	860064	Outlet nipple bushing	1				
14	860130	Branch body	1				
15	867044	Nut for branch outlet	1				
16	946079	Core seat	1				
17	955617	O-ring OR2-110	1				

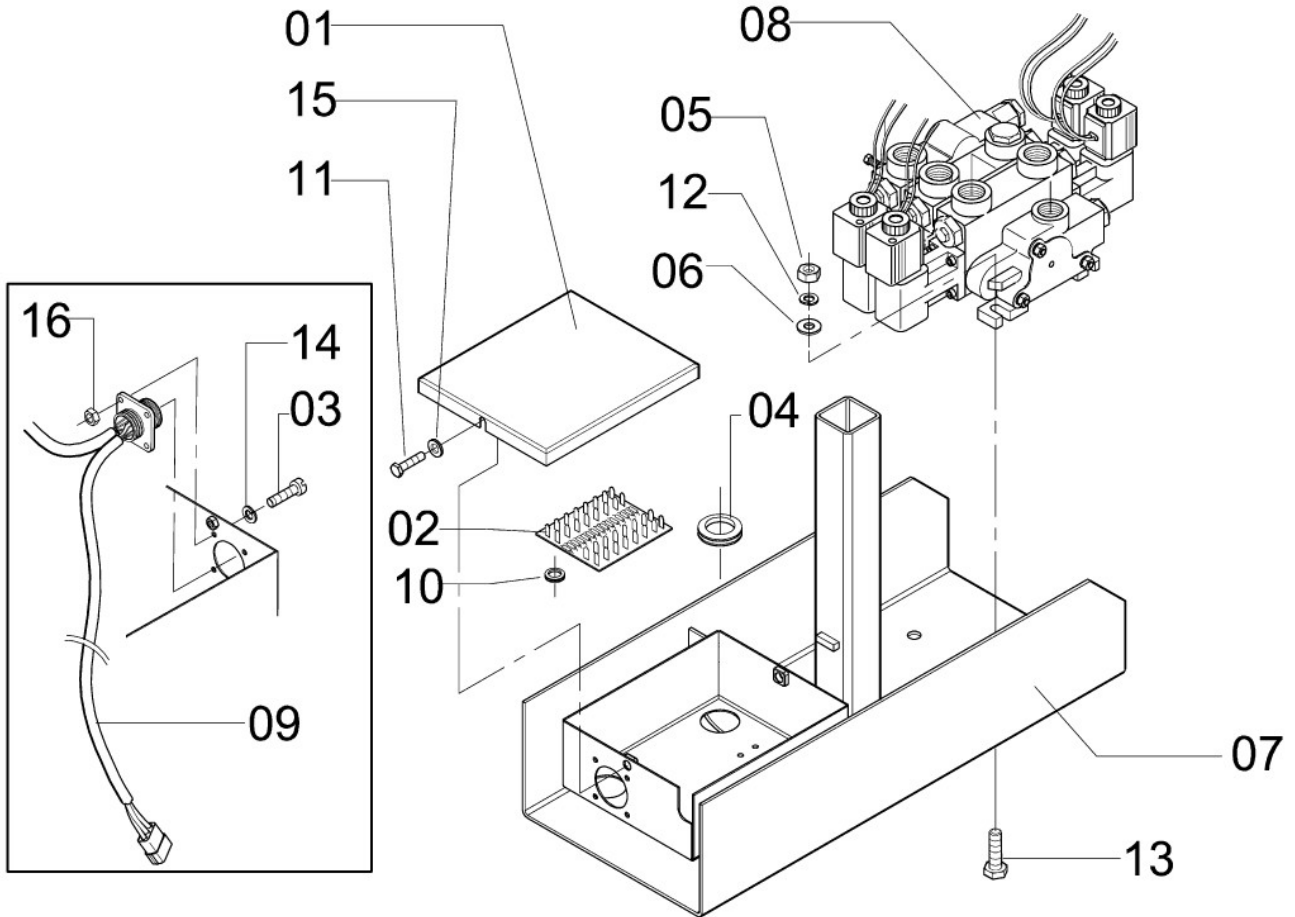
ELECTRIC CONTROL VALVE



CV-127

Item	CODE	DESCRIPTION	Qty.	Item	CODE	DESCRIPTION	Qty.
00	140160	Electric Control Valve	1				
01	010827	Packing ring \varnothing 29 x 22 x 3	2				
02	139279	Quick 1" - BSP	1				
03	139303	Cover	1				
04	139360	Support	1				
05	200048	Valve rod	1				
06	200121	Core body	1				
07	200139	Packing ring seat \varnothing 28 x 8	2				
08	200204	Setting lever	1				
09	212134	Indicator	1				
10	212175	Fitting \varnothing 1/2" x 1" BSP	1				
11	216192	O-ring OR1-213	1				
12	216200	O-ring ORI-132	2				
13	322594	Valve cover	1				
14	333724	Regulator core	1				
15	358267	Flat washer 64 x 125 x 16	4				
16	517847	Nipple $\frac{1}{2}$ BSP	1				
17	531806	O-ring OR1-117	1				
18	535062	Packing ring \varnothing 37.7 X 3.00	1				
19	902817	Male/female elbow 1" BSP x 90 degrees	1				
20	910117	Lock washer \varnothing 1/4"	4				
21	912642	Screw \varnothing 1/4" UNC x 5/8"	1				
22	912741	Nut \varnothing 1/4" - 20 UNC	4				
23	912808	Hex. head bolt 1/4" - 20 UNC X 110	4				
24	994772	Spacer bushing 26	4				

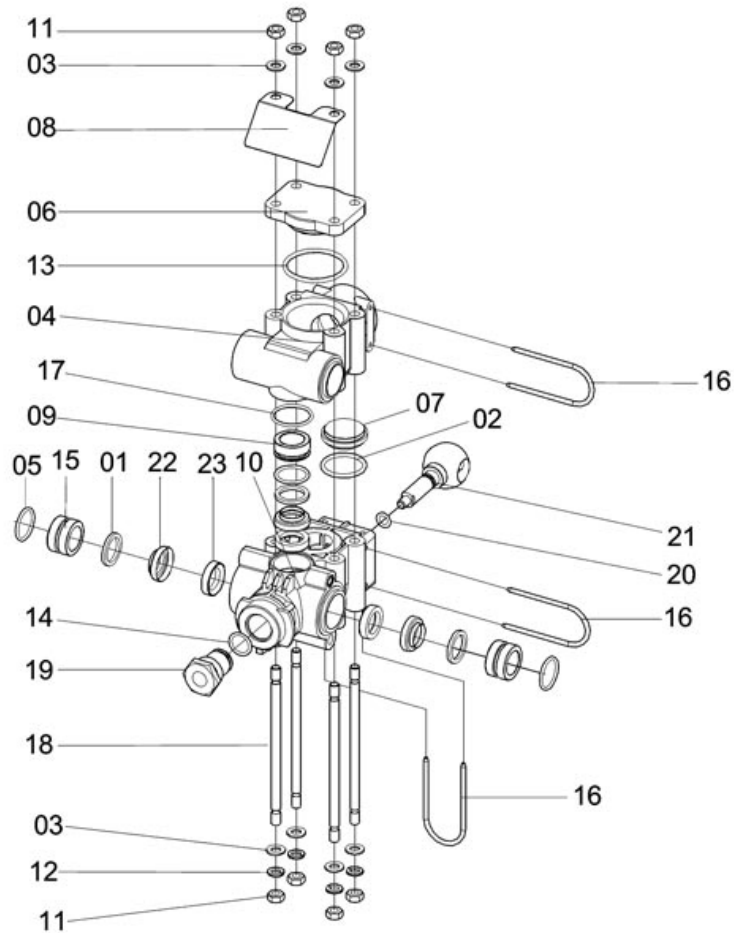
HYDRAULIC CONTROL - ELECTRIC OPERATION



CE-79

Item	CODE	DESCRIPTION	Qty.	Item	CODE	DESCRIPTION	Qty.
00	276667	Hydraulic control - electric operation	1				
01	054783	Electric connection box cover	1				
02	468504	Electronic plate	1				
03	727669	Bolt M4 x 12	4				
04	762393	Conjugate gear	2				
05	810770	Hex. nut M-8 x 1.25	3				
06	881276	Flat washer 87 x 200 x 12	3				
07	149534	Hydraulic control support	1				
08	276782	Electric hydraulic control	1				
09	277889	Intermediate cable - hydraulic control	1				
10	441881	Spacer 6	4				
11	448019	Hex. head bolt M6 x 12	2				
12	519736	Lock washer M8	3				
13	519744	Screw M8 x 40 x 1.25	3				
14	520700	Lock washer M4	4				
15	521666	Lock washer M6	2				
16	551523	Hex. nut M-4 x 0.7 stainless steel	4				

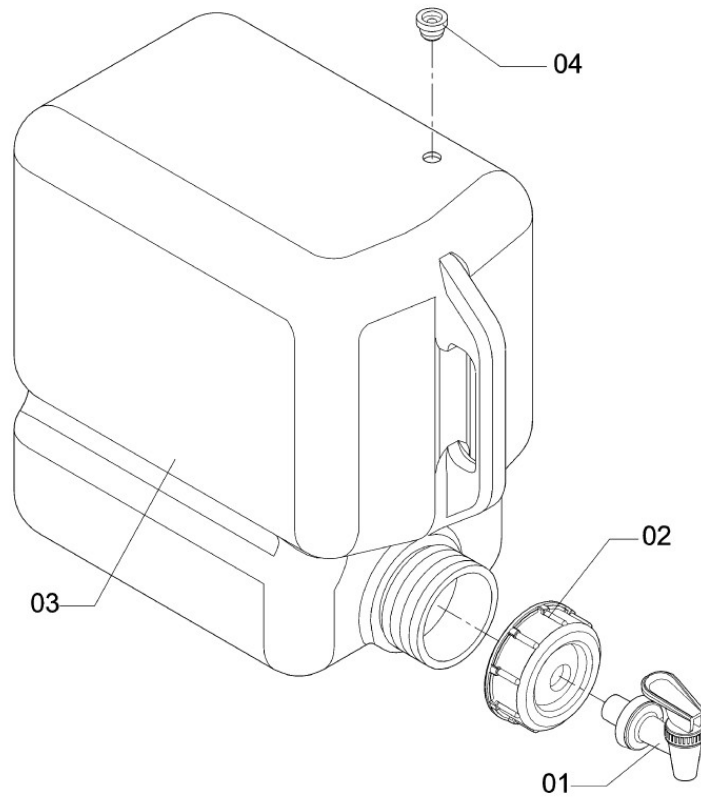
QUICK RELIEF



CV-126

Item	CODE	DESCRIPTION	Qty.	Item	CODE	DESCRIPTION	Qty.
00	139337	Quick relief	1				
01	010827	Packing ring \varnothing 29 x 22 x 3	3				
02	011593	O-ring OR1-219	1				
03	013433	Flat washer	8				
04	049494	Quick relief body	1				
05	106955	O-ring OR1-120	3				
06	139345	Quick Relief Cover	1				
07	139352	Valve seat	1				
08	144121	Identification plate	1				
09	165274	Seat bushing	1				
10	165811	Body base	1				
11	221648	Nut M8 x 1.25 - stainless steel	8				
12	519736	Lock washer M8	4				
13	735282	O-ring OR2-225	1				
14	832857	O-ring OR1-115	1				
15	860080	Quick relief seat bushing	2				
16	868372	Nozzles U-shaped clamp	3				
17	881839	O-ring OR2-124	1				
18	945907	Stud bolt M8 x 1.25 x 156	4				
19	946079	Core seat	1				
20	955617	O-ring OR2-110	1				
21	974154	Quick relief spherical core	1				
22	982736	Sleeve (teflon)	3				
23	982744	Seal seat	3				

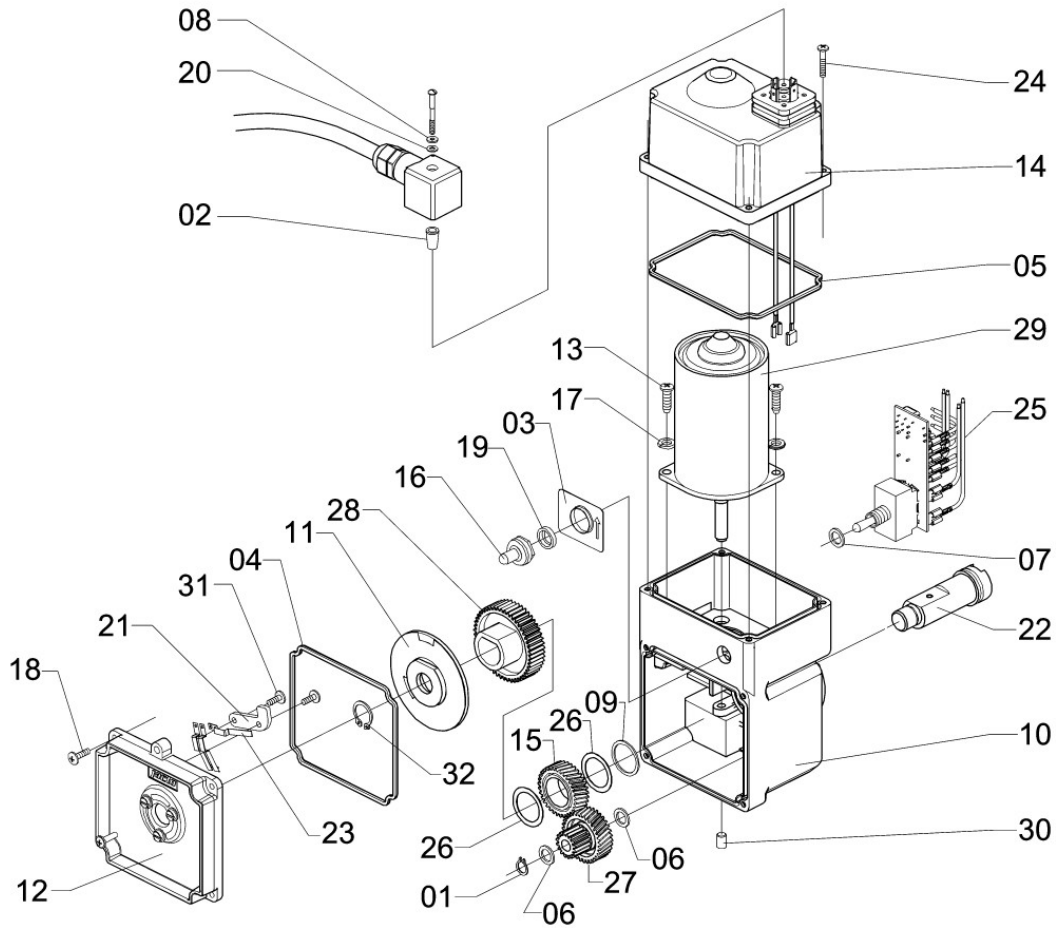
15-LITER TANK ASSEMBLY



D-73

Item	CODE	DESCRIPTION	Qty.	Item	CODE	DESCRIPTION	Qty.
00	299768	15-liter tank assembly	1				
01	044180	Plastic tap 23 x 3/8" BSP	1				
02	247262	Cover	1				
03	299875	15 liter tank	1				
04	398594	Breather	1				

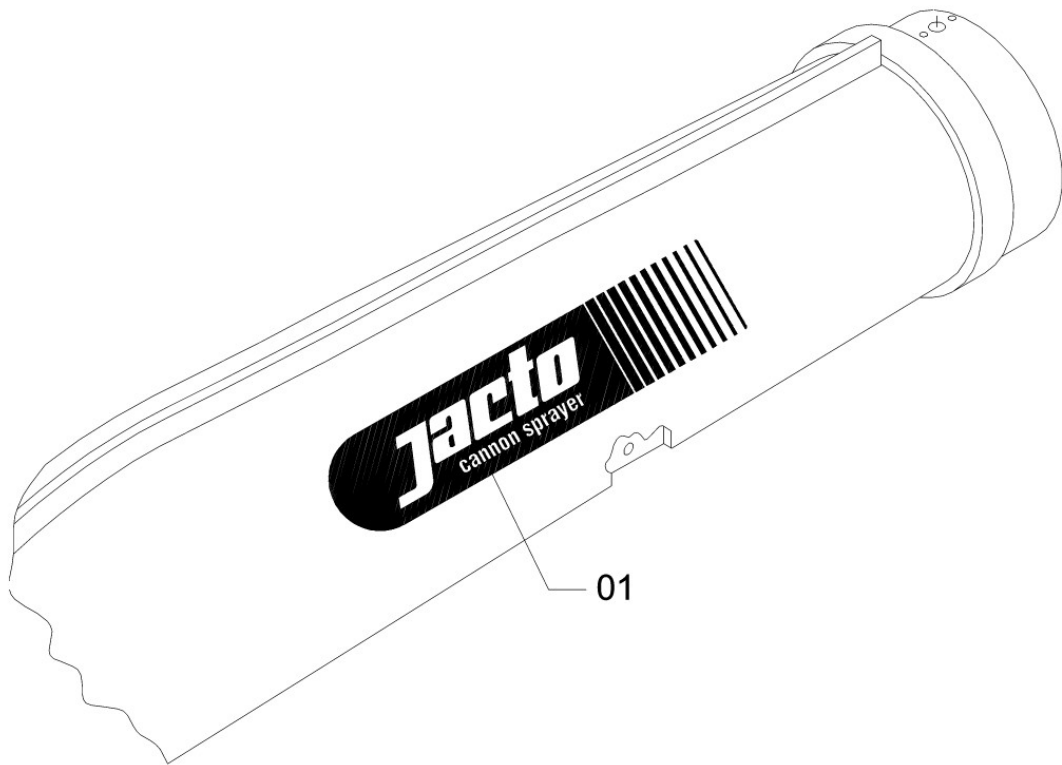
QUICK RELIEF REDUCTION BOX



CV-263

Item	CODE	DESCRIPTION	Qty.	Item	CODE	DESCRIPTION	Qty.
00	998195	Quick Relief Reduction Box	1	25	893347	Boom section plate assembly	1
01	049833	Snap ring	1	26	965087	Flat washer 205 x 270 x 5	2
02	058552	Fitting Bushing	1	27	983957	Conjugate gear	1
03	061176	Plate	1	28	983965	Gear	1
04	062265	Box ring	1	29	997148	12-V electric engine without reducer	1
05	063032	Engine cover ring	1	30	997205	Bolt M6 x 10 x 0.8	1
06	093369	Flat washer 84 x 127 x 12.4	2	31	997213	Flanged head screw 3.5 x 10	2
07	109462	Flat washer 120 x 205 x 9	1	32	997239	Snap ring for shaft ø 14	1
08	162016	Flat washer 700 x 260 x 9	1				
09	164343	Seat washer M24	1				
10	172973	Gear case with bushing	1				
11	175737	Contact disc	1				
12	189803	Gear case cover assembly	1				
13	304774	Self-tapping screw 4,8 x 19	2				
14	464842	Cover assembly - quick relief valve motor and tubings	1				
15	472340	Right helicoidal gear	1				
16	508408	Fastener nut	1				
17	520676	Lock washer M5	2				
18	709642	Bolt PH ø 4 x 14	5				
19	796953	Packing ring	1				
20	818195	Flat washer 32 x 70 x 5	1				
21	860205	Plate fastening support	1				
22	867069	Gear case shaft	1				
23	868422	Contact plate	3				
24	878769	Screw 3.5 x 20	4				

STICKER: "JACTO" CANNON SPRAYER D

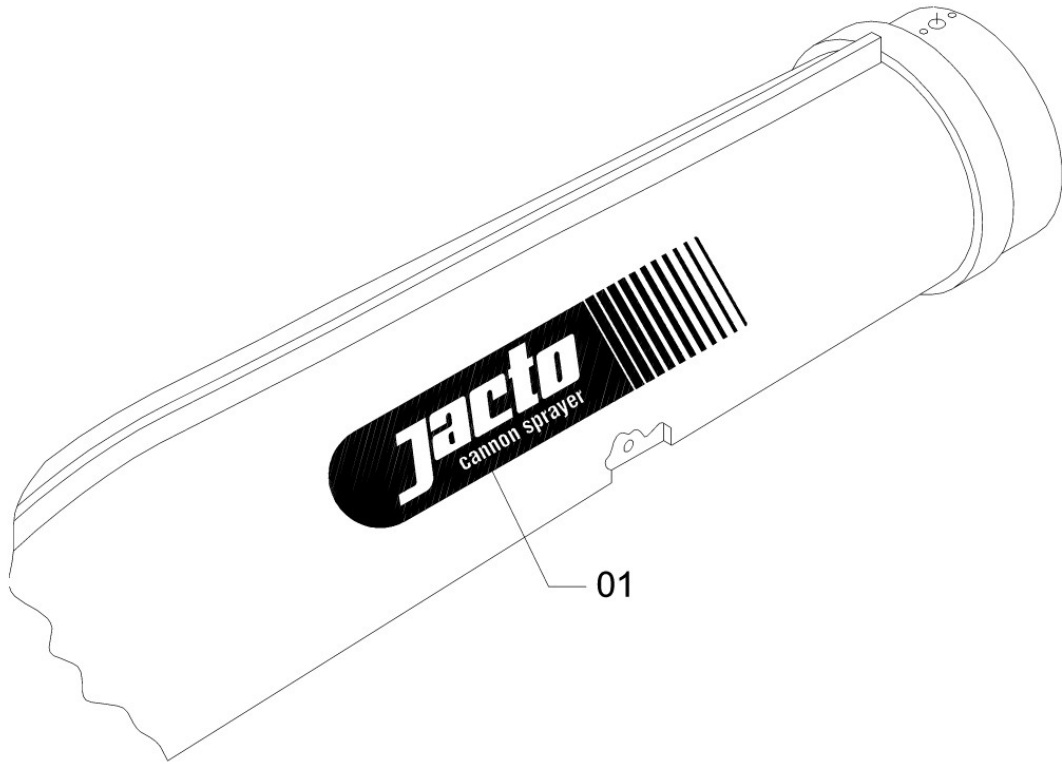


ADS-34

Item	CODE	DESCRIPTION	Qty.
00	049379	Sticker: "Jacto" Cannon Sprayer D	1
01	049379	Sticker: "Jacto" - Cannon Sprayer D	1

Item	CODE	DESCRIPTION	Qty.

STICKER: "JACTO" - CANNON SPRAYER E

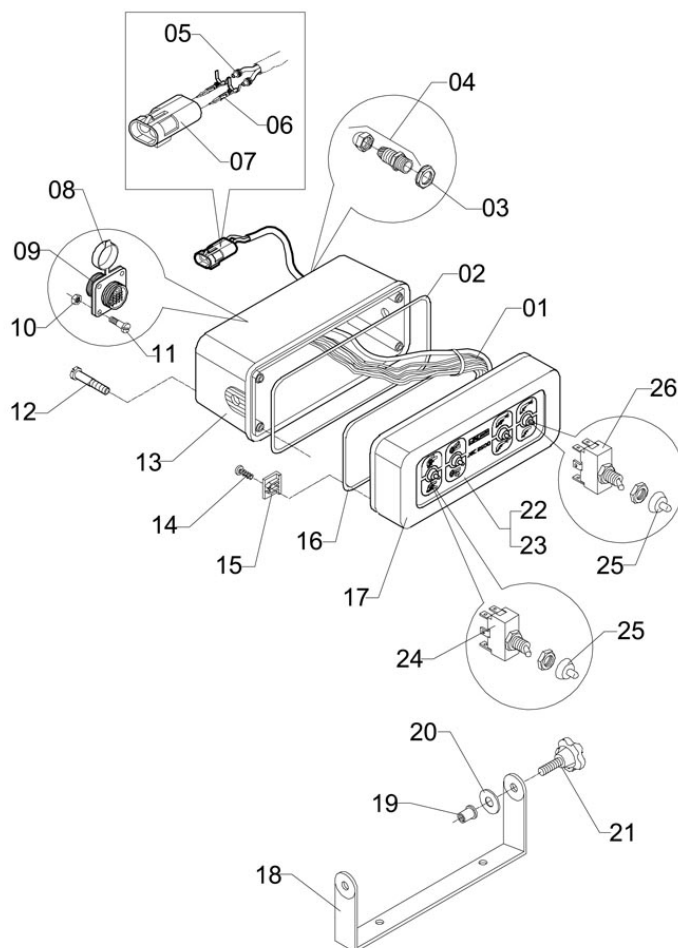


ADS-34

Item	CODE	DESCRIPTION	Qty.
00	049387	Sticker: "Jacto" - Cannon Sprayer E	1

Item	CODE	DESCRIPTION	Qty.

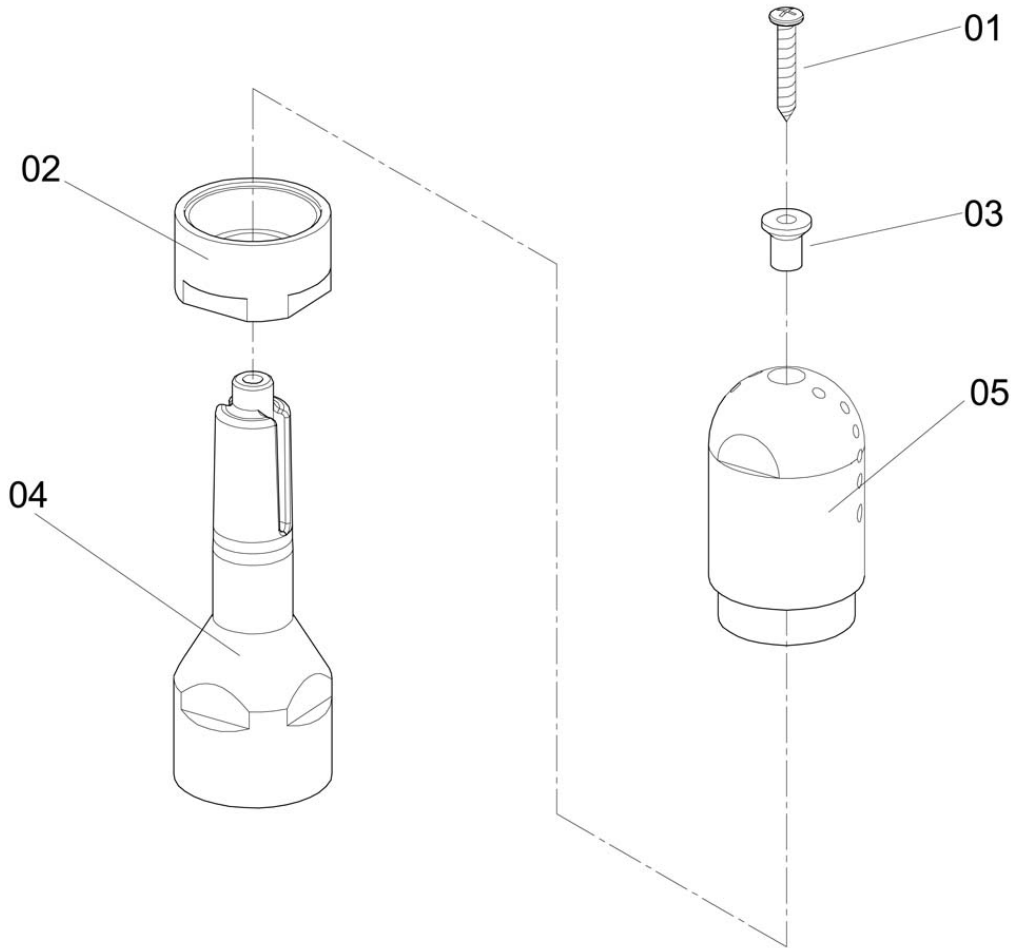
JEC-2500 COMPUTER



CE-308

Item	CODE	DESCRIPTION	Qty.	Item	CODE	DESCRIPTION	Qty.
00	278515	JEC-2500 computer	1	26	437178	Double-throw switch with nut	2
01	278523	Main cable	1				
02	301226	Red silicone tube 3.0 x 1.5 x 640 mm	1				
03	592147	Plastic nut for cable press PG9	1				
04	077008	Cable press	1				
05	467092	Cable silicon packing 2.85 Delphi	2				
06	467118	Male terminal	2				
07	672683	2-way connection (male) - Delphi	1				
08	082362	Receptacle guard	1				
09	467043	Receptacle - 16 ways	1				
10	209965	Nut M3 x 0.5	4				
11	441907	Screw M3 x 15 x 0.5	4				
12	878769	Screw 3.5 x 20	4				
13	972729	Lower panel	1				
14	849331	Screw \varnothing 3.5 x 12	12				
15	878611	Fastening claw	12				
16	018614	Red silicone tube 4.8 x 3.0 x 530 mm	1				
17	972711	Upper panel	1				
18	091405	Small U support	1				
19	972018	Threaded rubber bushing	2				
20	973388	Rubber washer \varnothing 31	2				
21	971994	Thermoplastic knob	2				
22	276261	Decal "Computer Panel - JEC-2500"	1				
23	278481	Sticker base JEC-2500	1				
24	557835	Double throw switch	2				
25	437194	Protective cap	4				

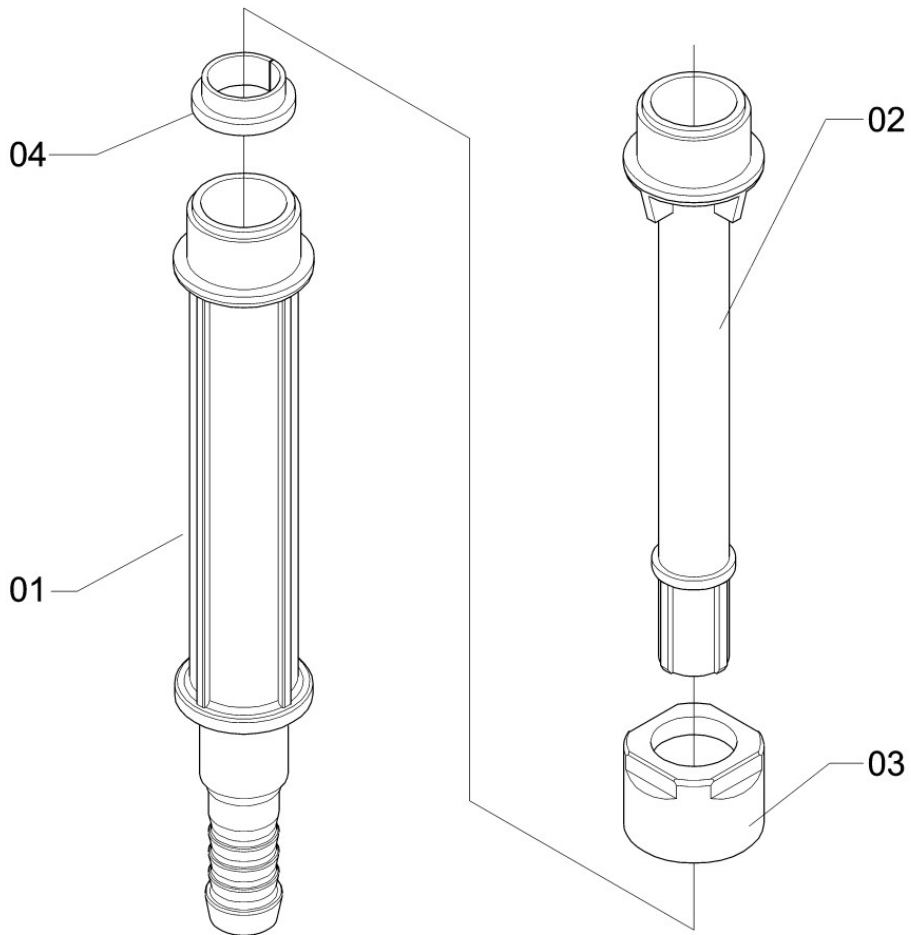
RINSE NOZZLE



KIT-75

Item	CODE	DESCRIPTION	Qty.	Item	CODE	DESCRIPTION	Qty.
00	071944	Rinse nozzle	1				
01	483628	Bolt 2.9 x 22	1				
02	059055	Nozzle nut	1				
03	061119	Bushing	1				
04	058909	Nozzle core	1				
05	060426	Nozzle body	1				

CHEMICAL CONTAINER RINSE NOZZLE ROD

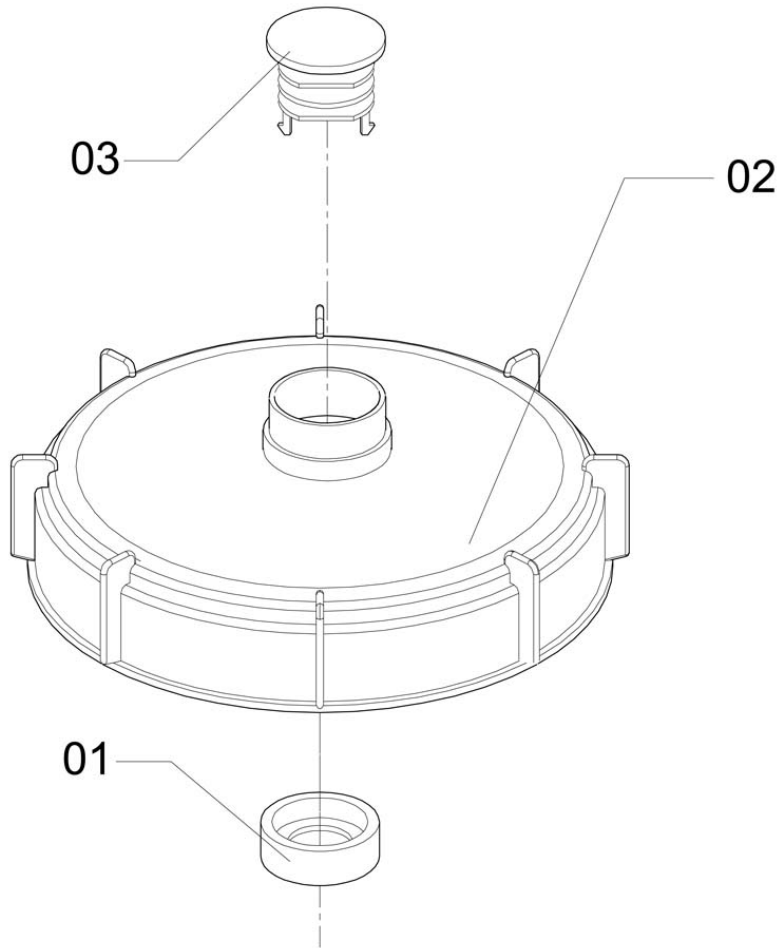


KIT-76

Item	CODE	DESCRIPTION	Qty.
00	088237	Chemical container rinse nozzle rod	1
01	058834	Nozzle rod	1
02	083907	Rod extension	1
03	087882	Extension nut	1
04	134221	Lock ring	1

Item	CODE	DESCRIPTION	Qty.

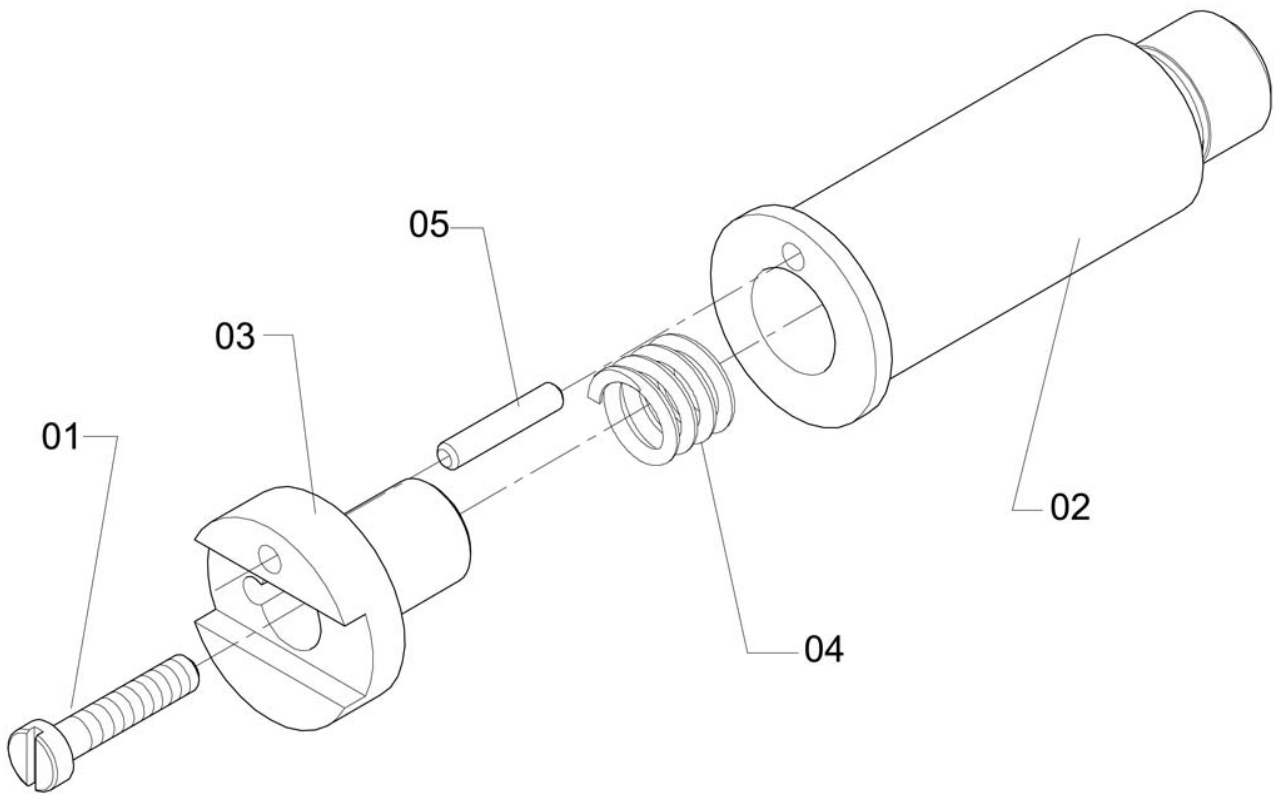
LID WITH BREATHER



D-101

Item	CODE	DESCRIPTION	Qty.	Item	CODE	DESCRIPTION	Qty.
00	037374	Lid with breather	1				
01	088419	Labyrinth lock	1				
02	233965	Spray tank lid	1				
03	088427	Labyrinth	1				

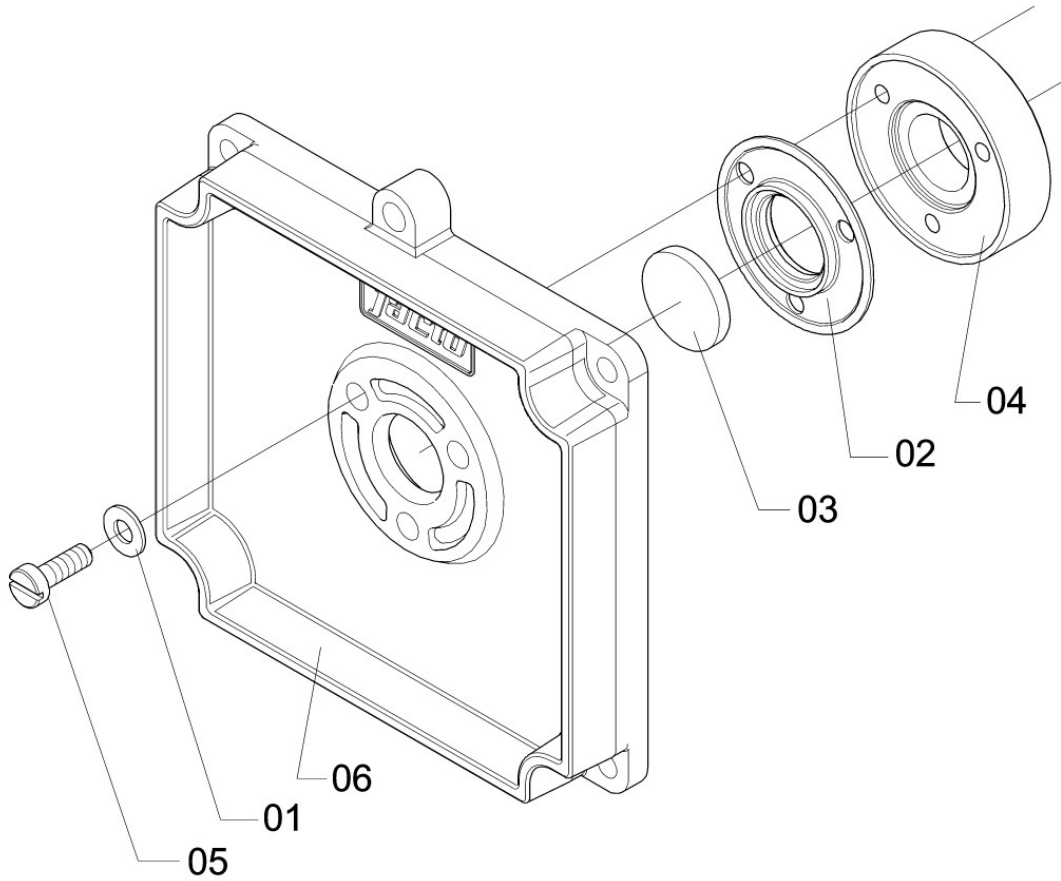
GEAR CASE SHAFT



CV-304

Item	CODE	DESCRIPTION	Qty.	Item	CODE	DESCRIPTION	Qty.
00	867069	Gear case shaft	1				
01	071894	Bolt M4 x 20 x 07	1				
02	145490	Shaft body	1				
03	145508	Shaft head	1				
04	462572	Compression spring	1				
05	693861	Lever pin	1				

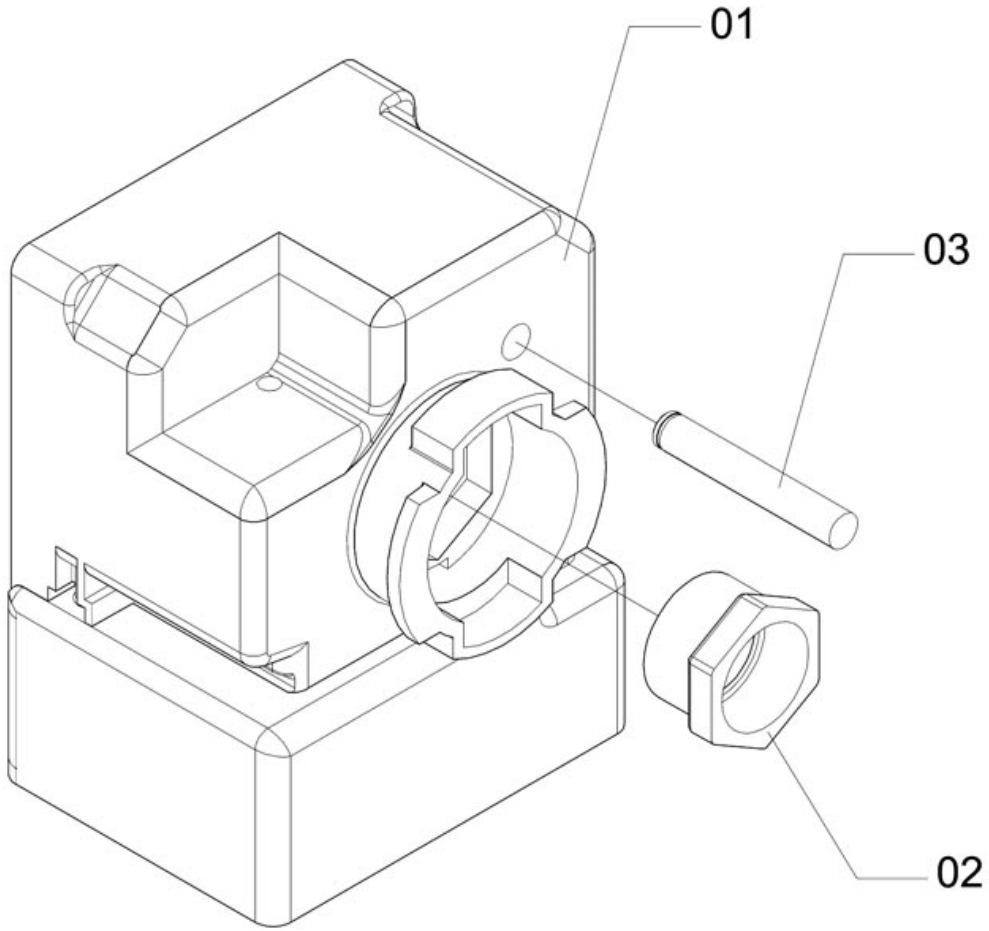
GEAR CASE COVER ASSEMBLY



CV-303

Item	CODE	DESCRIPTION	Qty.	Item	CODE	DESCRIPTION	Qty.
00	189803	Gear case cover assembly	1				
01	050187	Flat washer 43 x 90 x 8	3				
02	189126	Sight seal	1				
03	189795	Gearbox sight	1				
04	189845	Sliding bearing	1				
05	727669	Bolt M4 x 12	3				
06	860148	Gear case cover	1				

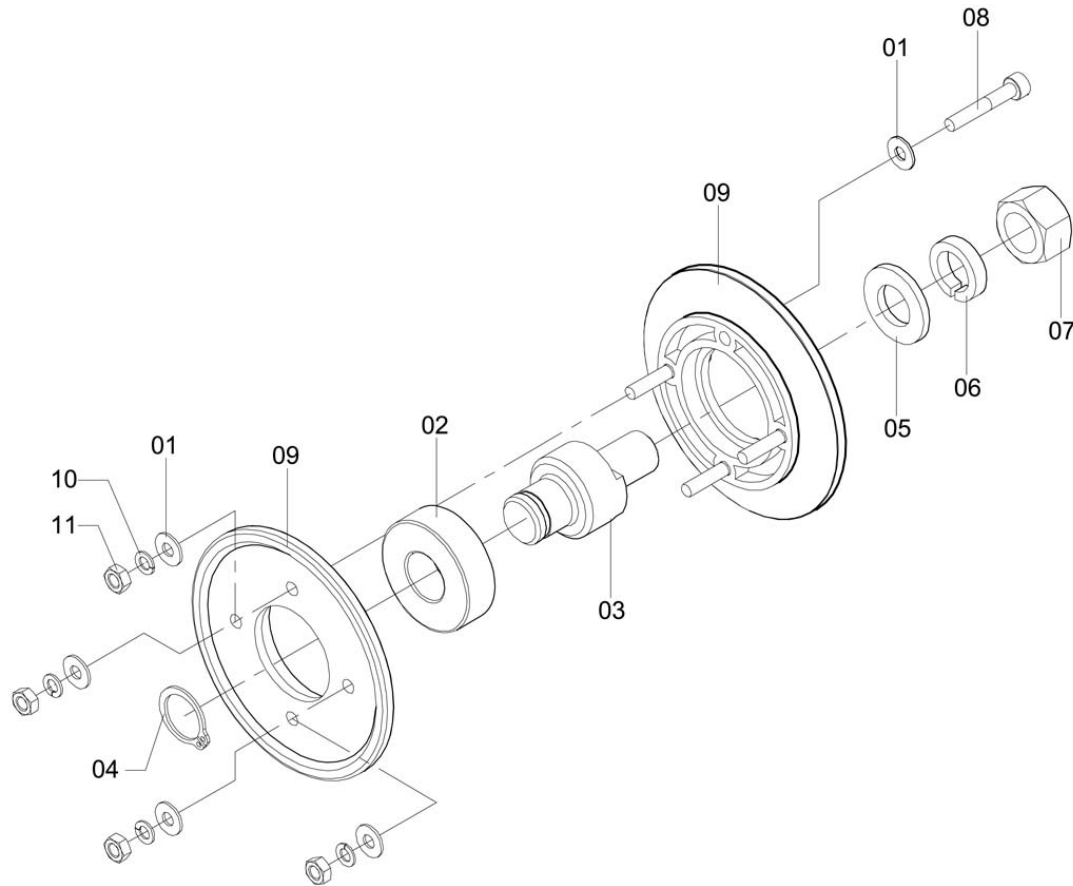
GEAR CASE WITH BUSHING



CV-311

Item	CODE	DESCRIPTION	Qty.	Item	CODE	DESCRIPTION	Qty.
00	172973	Gear case with bushing	1				
01	049486	Gear box	1				
02	267773	Gear box bushing	1				
03	866046	Gear shaft	1				

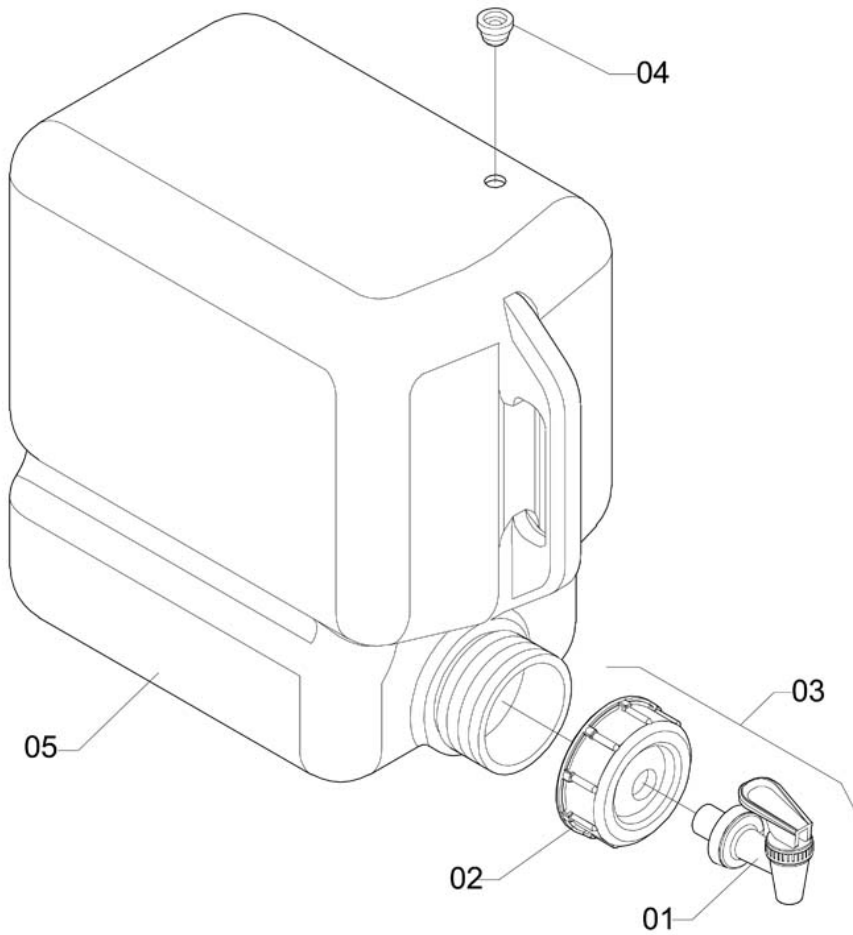
TIGHTENING PULLEY ASSEMBLY 78 (SHAFT Ø 15 X 50,5)



LE-14

Item	CODE	DESCRIPTION	Qty.	Item	CODE	DESCRIPTION	Qty.
00	645416	Tightening pulley assembly 78 (Shaft ø 15 x 50,5)	1				
01	508515	Flat washer no. 43 x 102 x 8	8				
02	328781	Fixed bearing	1				
03	817627	Tightening pulley shaft 15 x 50.5	1				
04	910851	Snap ring for shaft 15	1				
05	818112	Flat washer 130 x 240 x 30	1				
06	908582	Lock washer 1/2"	1				
07	912790	Hex. nut 1/2" - 13 UNC	1				
08	1148396	Screw M4 X 0.7 MM 25 Comp	4				
09	644641	Pulley disk ø 78 - 1A	2				
10	520700	Lock washer M4	4				
11	551523	Hex. nut M-4 x 0.7 stainless steel	4				

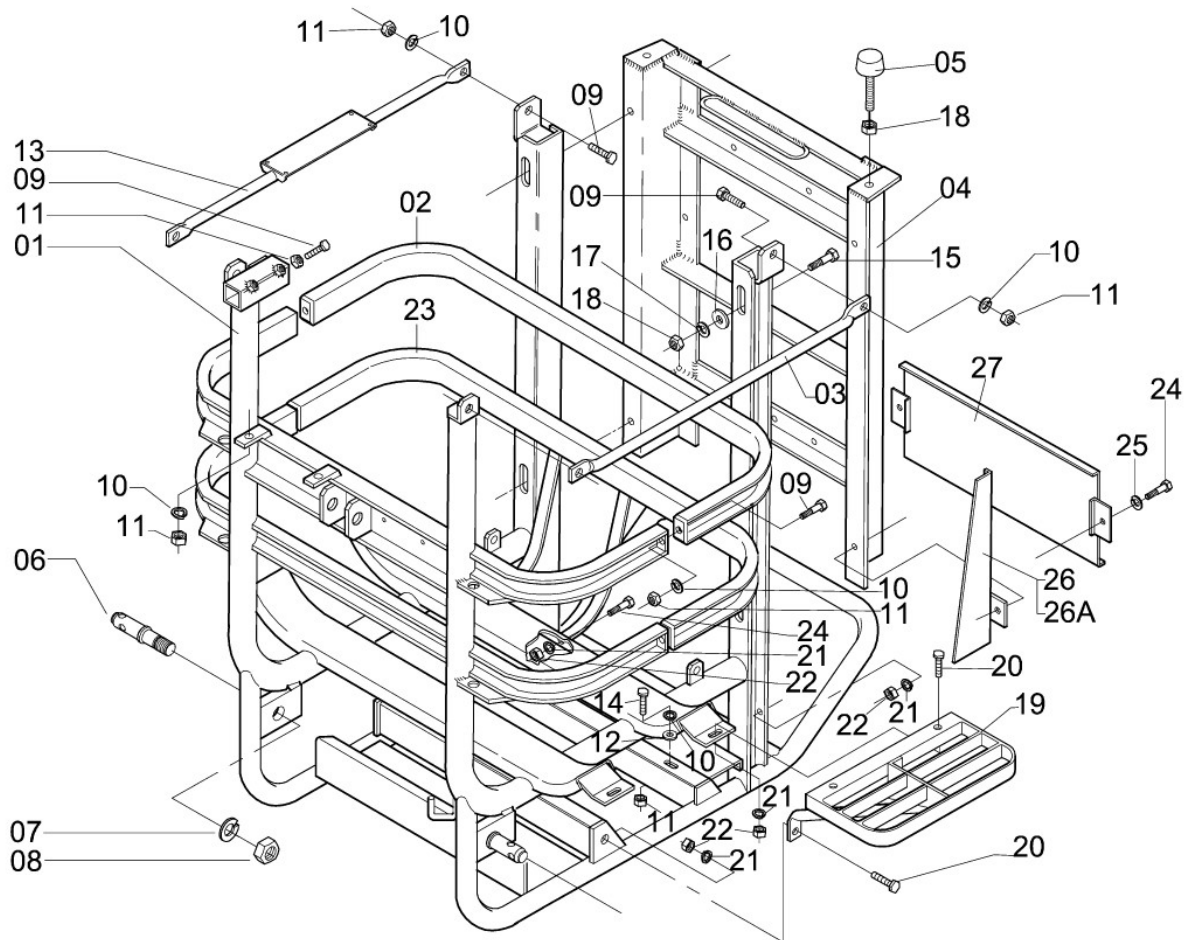
15-LITER TANK ASSEMBLY



D-114

Item	CODE	DESCRIPTION	Qty.	Item	CODE	DESCRIPTION	Qty.
00	299768	15-liter tank assembly	1				
01	044180	Plastic tap 23 x 3/8" BSP	1				
02	122648	Lid ø 67	1				
03	069780	Cover	1				
04	247270	Breather	1				
05	299875	15 liter tank	1				

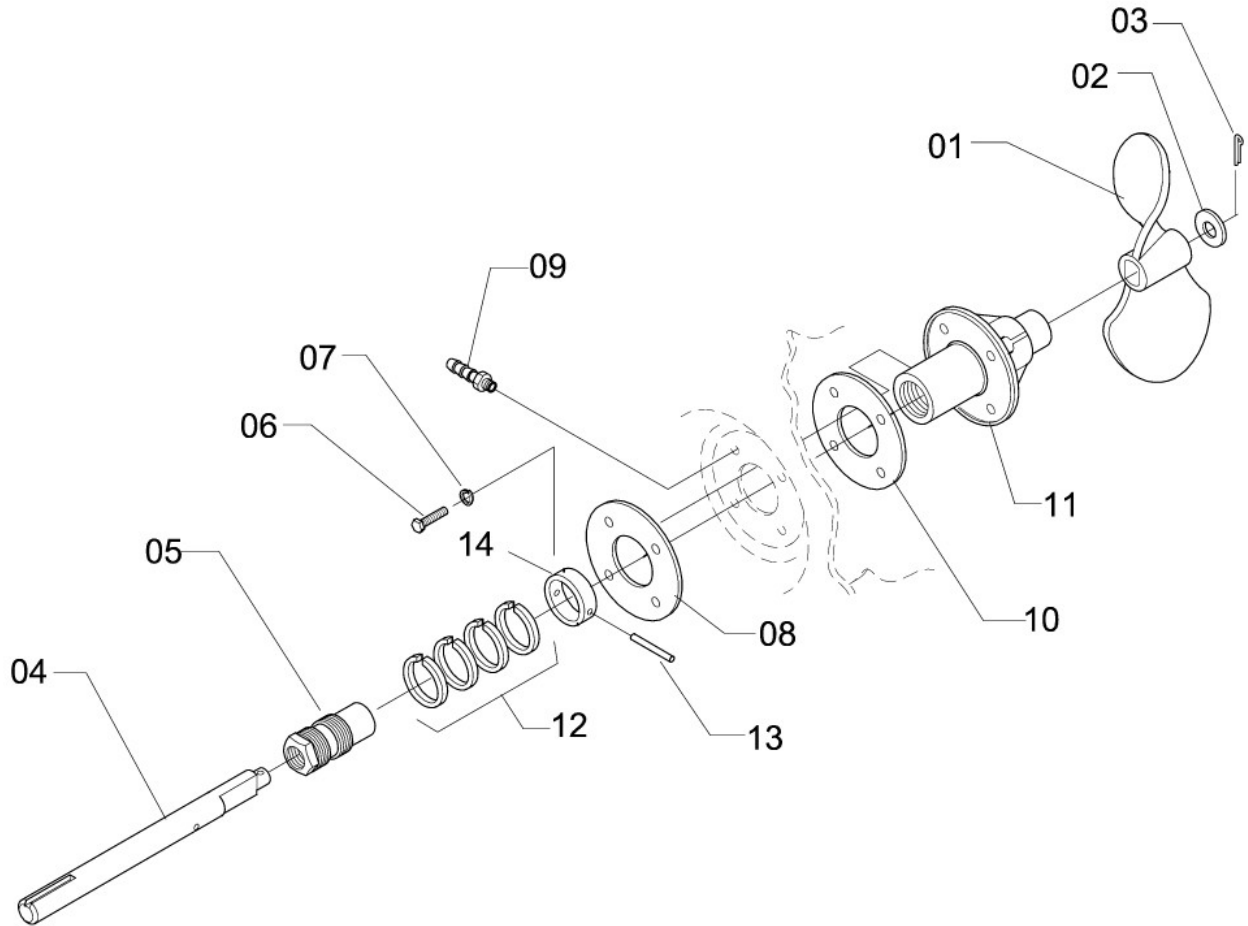
CHASSIS AND COMPLEMENTS



C3P-61

Item	CODE	DESCRIPTION	Qty.	Item	CODE	DESCRIPTION	Qty.
00	150409	Chassis and complements	1	26	018390	Left side guard plate	1
01	516948	Chassis body	1	26A	018366	Right side guard plate	1
02	517235	Upper half-strap	1	27	018424	Pulleys protector	1
03	517250	Angle brace 850	1		039396	Sticker: "PTO shaft protection"	1
04	517268	Fan support	1		515734	Sticker: "Clean filter..."	1
05	941948	Tightening screw \varnothing 1/2" - 13 UNC	2				
06	870758	Lower coupling pin	2				
07	910075	Lock washer \varnothing 1"	2				
08	910430	Nut \varnothing 1" - 8 UNC	2				
09	912709	Bolt \varnothing 3/8" - 16 UNC x 1"	10				
10	908566	Lock washer \varnothing 3/8"	10				
11	912774	Hex. nut 3/8" - 16 UNC	14				
12	422436	Flat washer 104 x 254 x 19	2				
13	149542	Sprayer Control Support	1				
14	663161	Bolt 3/8" - 16 UNC x 7/8"	2				
15	428573	Bolt \varnothing 1/2" - 13 UNC x 1.1/4"	4				
16	916148	Flat washer 132 x 404 x 47.5	4				
17	908582	Lock washer 1/2"	4				
18	912790	Hex. nut 1/2" - 13 UNC	6				
19	520791	Platform	1				
20	912667	Bolt 5/16" x 18 UNC x 7/8"	3				
21	519736	Lock washer M8	7				
22	912758	Hex. nut 5/16" - 18 UNC	7				
23	625111	Lower half-strap	1				
24	913608	Hex. head bolt 5/16" - 18 UNC x 3/4"	4				
25	013433	Flat washer	2				

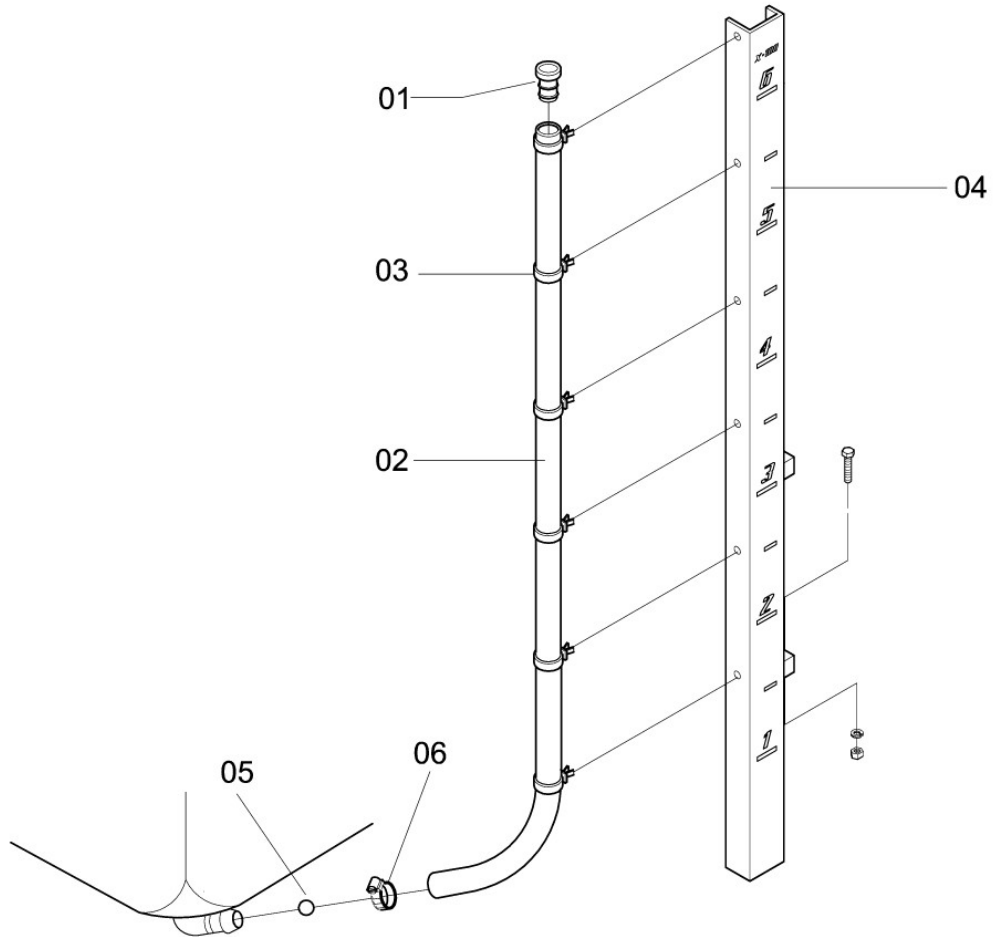
MECHANICAL AGITATOR III



MM-5

Item	CODE	DESCRIPTION	Qty.	Item	CODE	DESCRIPTION	Qty.
00	517573	Mechanical agitator III	1				
01	517581	Propeller	1				
02	973313	Flat washer 105 x 210 x 20	1				
03	1148305	Counterpin 2.5 x 16 DIN 94 (stainless)	1				
04	517607	Shaft	1				
05	517623	Gasket tightener	1				
06	009977	Bolt 1/4" - 20 UNC	4				
07	910117	Lock washer \varnothing 1/4"	4				
08	517631	Flange \varnothing 80	1				
09	426205	Male fitting for hose \varnothing 1/4"	1				
10	517649	Rubber seal \varnothing 74	1				
11	517664	Agitator body	1				
12	517672	Gasket 3/16" x 70	1				
13	517680	Pin \varnothing 3/16" x 24	1				
14	517698	Seat bushing \varnothing 1" x 10	1				

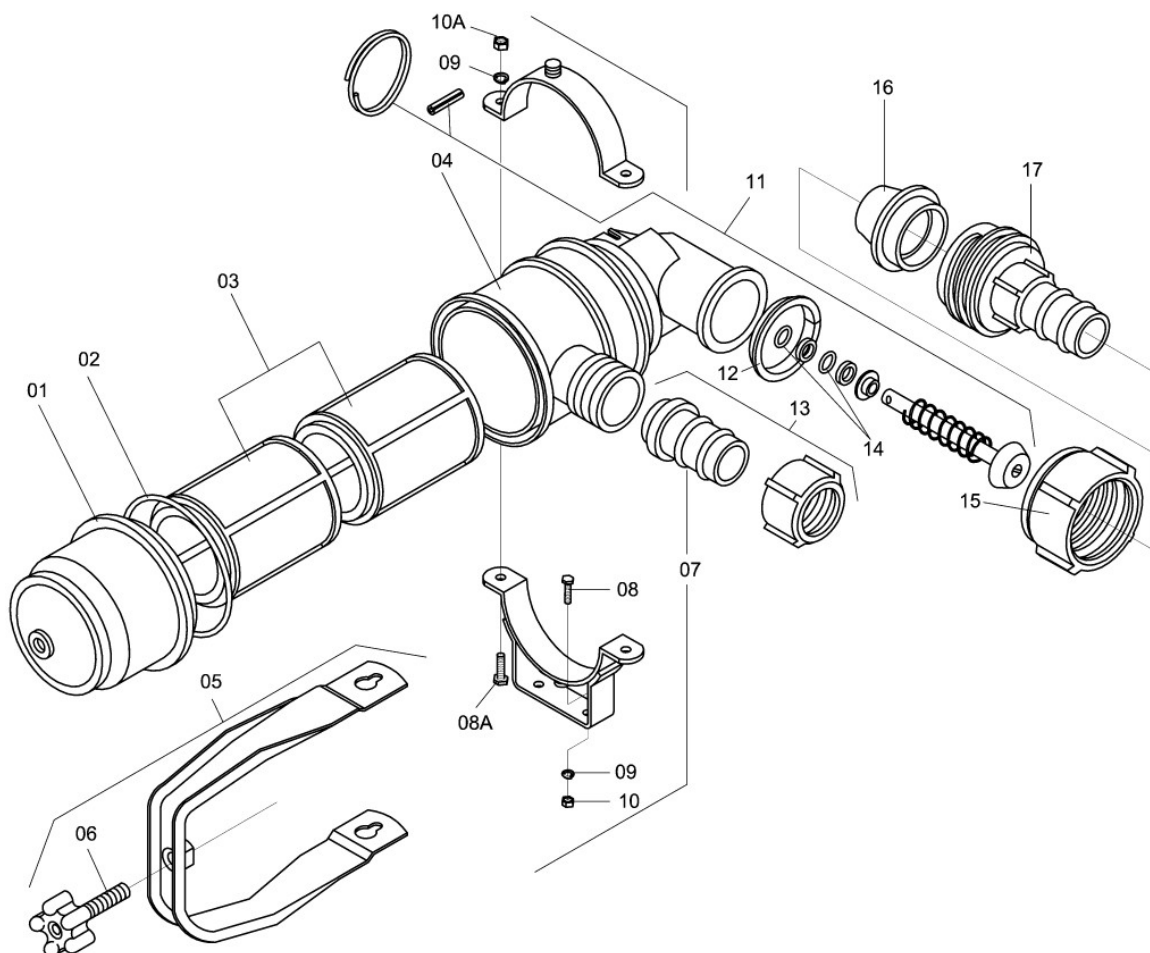
LEVEL INDICATOR 5



MN-4

Item	CODE	DESCRIPTION	Qty.	Item	CODE	DESCRIPTION	Qty.
00	716670	Level indicator 5	1				
01	537381	Plug	1				
02	717199	Hose \varnothing 3/4" x 1060	1				
03	546598	Hose clip \varnothing 22/25	6				
04	716688	Level indicator body	1				
05	324764	Float \varnothing 14	1				
06	423814	Clamp D22-32 - stainless steel	1				

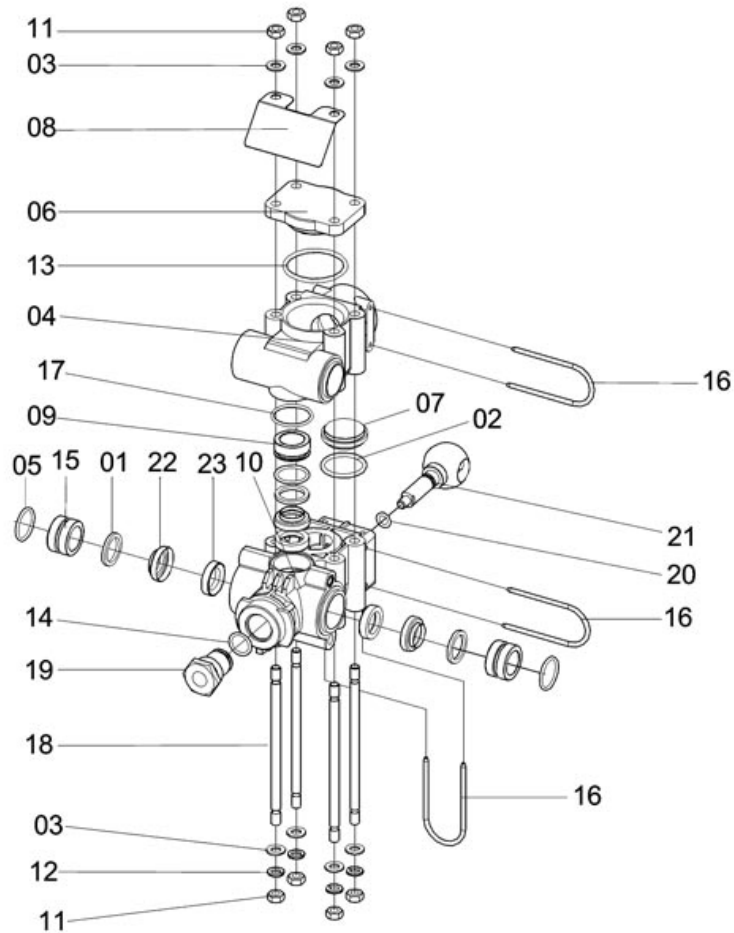
FILTER FVS 102



F-1

Item	CODE	DESCRIPTION	Qty.	Item	CODE	DESCRIPTION	Qty.
00	613596	Filter FVS 102	1				
01	005793	Filter cover	1				
02	012138	O-ring ORI - 241	1				
03	613604	Double filtering element	1				
04	005785	Filter body	1				
05	110866	Handle	1				
06	011734	Knobbed screw	1				
07	107904	Strap with support	1				
08	910489	Bolt \varnothing 1/4" 28 - UNF x 5/8"	2				
08A	007229	Bolt 1/4" x 20 UNC x 3/4"	2				
09	910117	Lock washer \varnothing 1/4"	2				
10	910125	Nut \varnothing 1/4"- 28 UNF	2				
10A	912741	Nut \varnothing 1/4" - 20 UNC	2				
11	005942	Filter valve assembly	1				
12	005918	Locking ring	1				
13	015438	Hose fitting \varnothing 1" with nut	1				
14	416669	O-ring OR1-110	2				
15	005900	Coupling nut	1				
16	005934	Valve seat	1				
17	325845	Extension for hose \varnothing 1"	1				

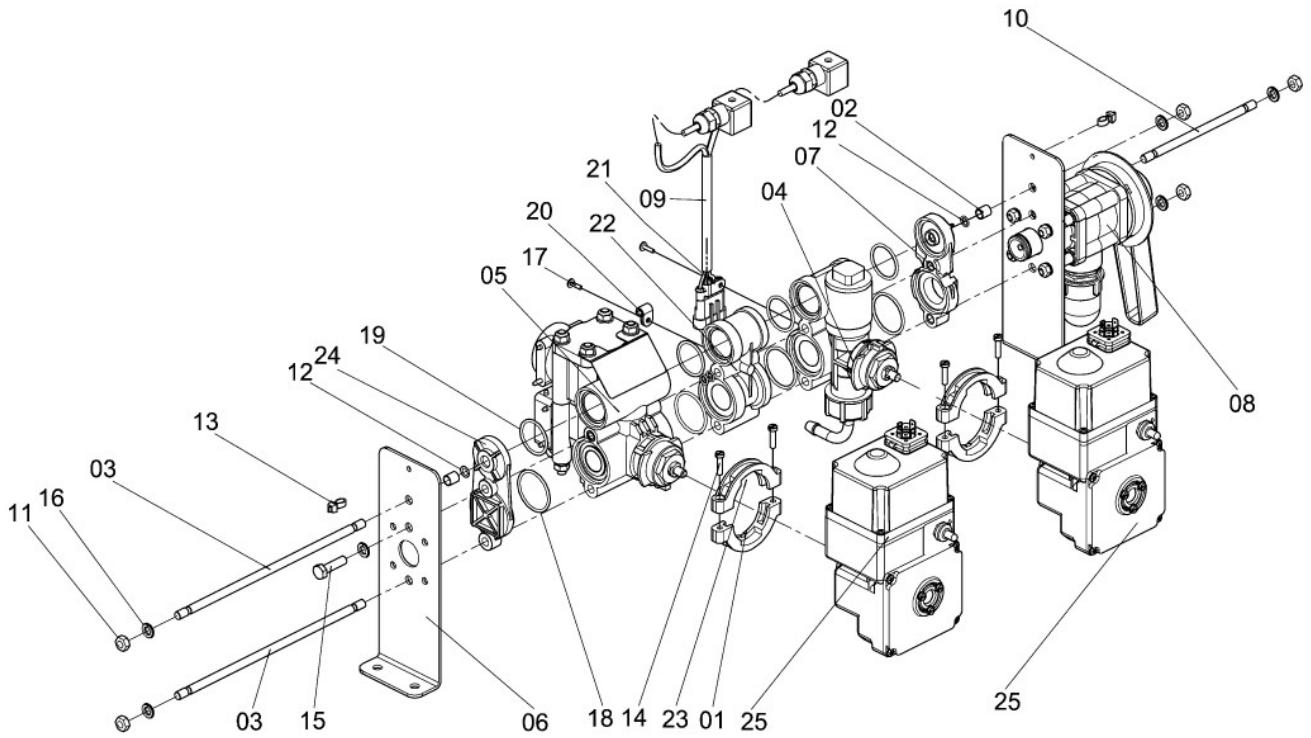
QUICK RELIEF



CV-126

Item	CODE	DESCRIPTION	Qty.	Item	CODE	DESCRIPTION	Qty.
00	139337	Quick relief	1				
01	010827	Packing ring \varnothing 29 x 22 x 3	3				
02	011593	O-ring OR1-219	1				
03	013433	Flat washer	8				
04	049494	Quick relief body	1				
05	106955	O-ring OR1-120	3				
06	139345	Quick Relief Cover	1				
07	139352	Valve seat	1				
08	144121	Identification plate	1				
09	165274	Seat bushing	1				
10	165811	Body base	1				
11	221648	Nut M8 x 1.25 - stainless steel	8				
12	519736	Lock washer M8	4				
13	735282	O-ring OR2-225	1				
14	832857	O-ring OR1-115	1				
15	860080	Quick relief seat bushing	2				
16	868372	Nozzles U-shaped clamp	3				
17	881839	O-ring OR2-124	1				
18	945907	Stud bolt M8 x 1.25 x 156	4				
19	946079	Core seat	1				
20	955617	O-ring OR2-110	1				
21	974154	Quick relief spherical core	1				
22	982736	Sleeve (teflon)	3				
23	982744	Seal seat	3				

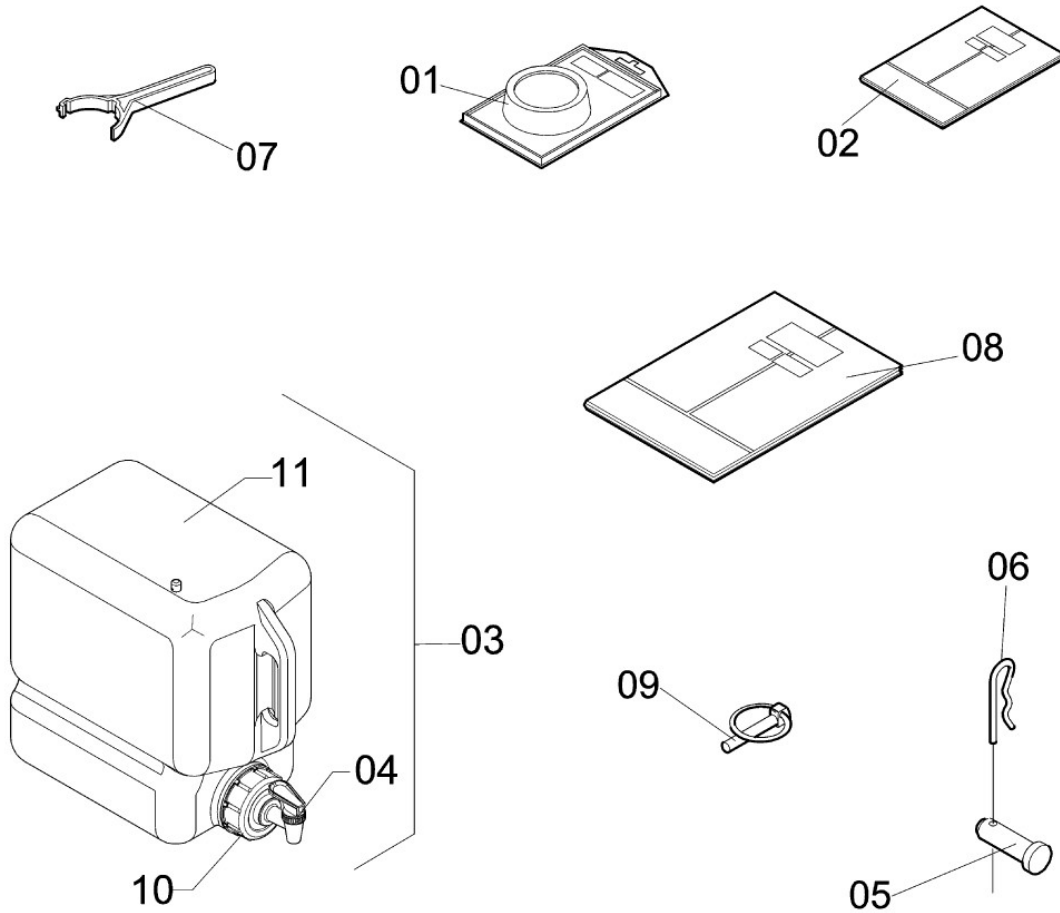
ELECTRIC CONTROL- JATÃO 600



CV-128

Item	CODE	DESCRIPTION	Qty.	Item	CODE	DESCRIPTION	Qty.
00	139378	Electric control- Jatão 600	1		008895	Repair kit (Masterflow 2000)	1
01	053561	Semi-clamp assembly	2				
02	055764	Bushing	2				
03	139295	Stud bolt M 8 x 250 x 1,25	2				
04	139311	Control Branch - Assembly	1				
05	139337	Quick relief	1				
06	139360	Support	1				
07	139923	Right cover	1				
08	140160	Electric Control Valve	1				
09	148338	Electric control cable	1				
10	166884	Stud bolt M8 x 149 x 1,25 - inox	1				
11	221648	Nut M8 x 1.25 - stainless steel	5				
12	322040	O-ring ORI-011	4				
13	326710	Hose tie	2				
14	444810	Screw M5 x 20 x 0.8	4				
15	448233	Bolt M8 x 30 x 1,25	1				
16	519736	Lock washer M8	6				
17	849331	Screw ø 3.5 x 12	2				
18	648170	O-ring OR1-128	4				
19	731521	O-ring OR1 - 124	4				
20	781500	Clamp	1				
21	849794	Clamp N4	1				
22	860114	Spacer	1				
23	865907	Semi-clamp	2				
24	866012	Left cover	1				
25	998195	Quick Relief Reduction Box	2				

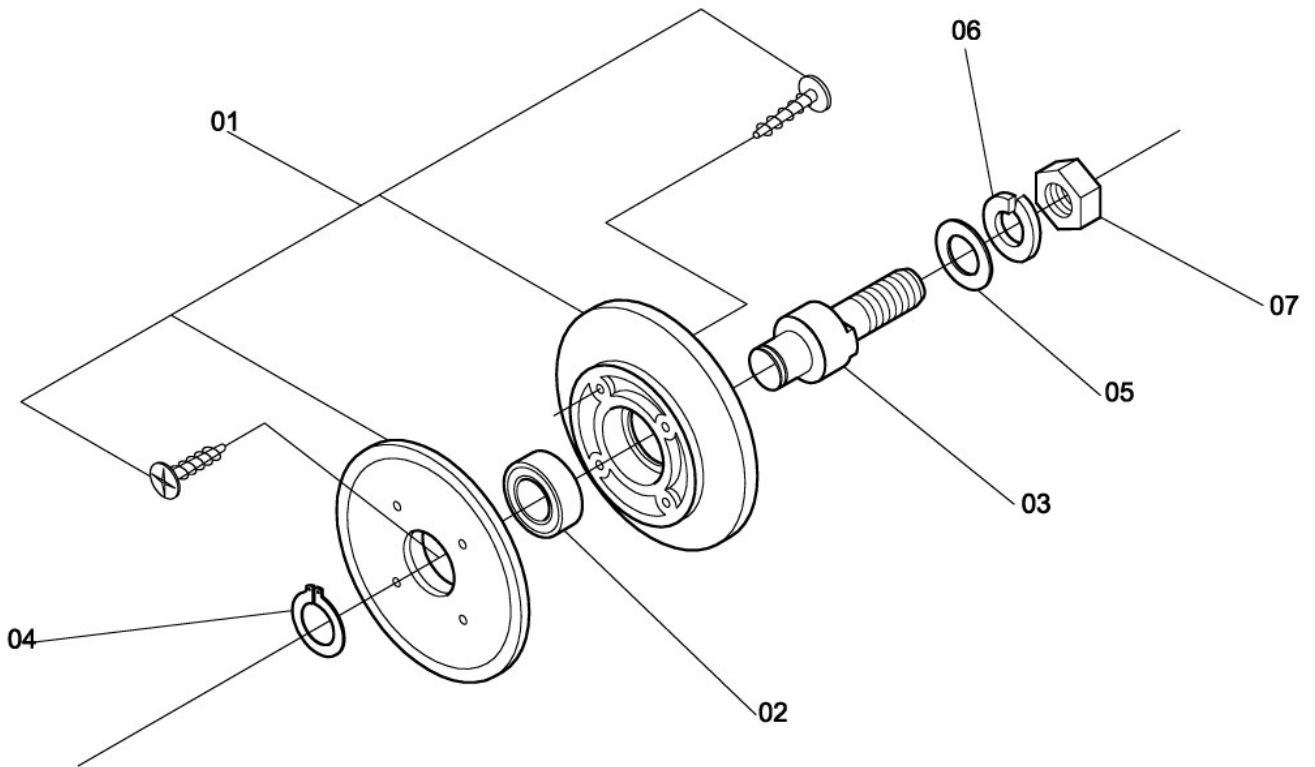
ACCESSORIES BOX FOR "JATÃO SUPER 600"



CXA-154

Item	CODE	DESCRIPTION	Qty.	Item	CODE	DESCRIPTION	Qty.
00	138487	Accessories box for "Jatão Super 600"	1				
01	000026	Cone nozzle JA-2 (black)	6				
02	158576	Operator's manual-Chemical container rinse nozzle	1				
03	299768	15-liter tank assembly	1				
04	044180	Plastic tap 23 x 3/8" BSP	1				
05	517383	Upper coupling pin 1" x 95	1				
06	517409	Cotter pin 3/16"	1				
07	703694	Key 40-45	1				
08	767533	Operator's manual -"JS - 600" (Inglês)	1				
09	812636	Universal lock pin 7/16"	2				
10	247262	Cover	1				
11	299768	15-liter tank assembly	1				

TIGHTENING PULLEY ASSEMBLY 78 X 1A (PE-78 I)



LE-7

Item	CODE	DESCRIPTION	Qty.	Item	CODE	DESCRIPTION	Qty.
00	645416	Tightening pulley assembly 78 x 1A (PE-78 I)	1				
01	660605	Split pulley and screws	1				
02	328781	Fixed bearing	1				
03	817627	Tightening pulley shaft 15 x 50.5	1				
04	910851	Snap ring for shaft 15	1				
05	418152	Flat washer 132 x 258 x 26.5	1				
06	908582	Lock washer 1/2"	1				
07	912790	Hex. nut 1/2" - 13 UNC	1				