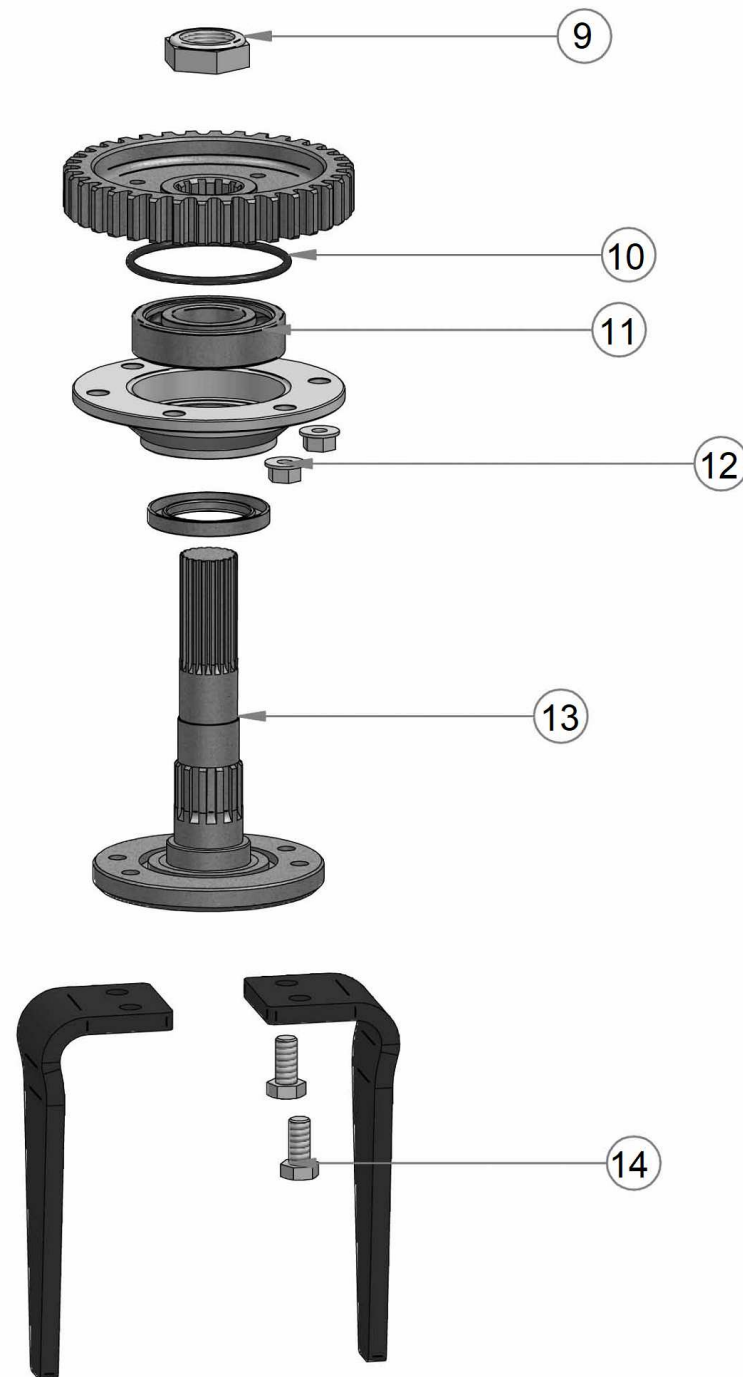
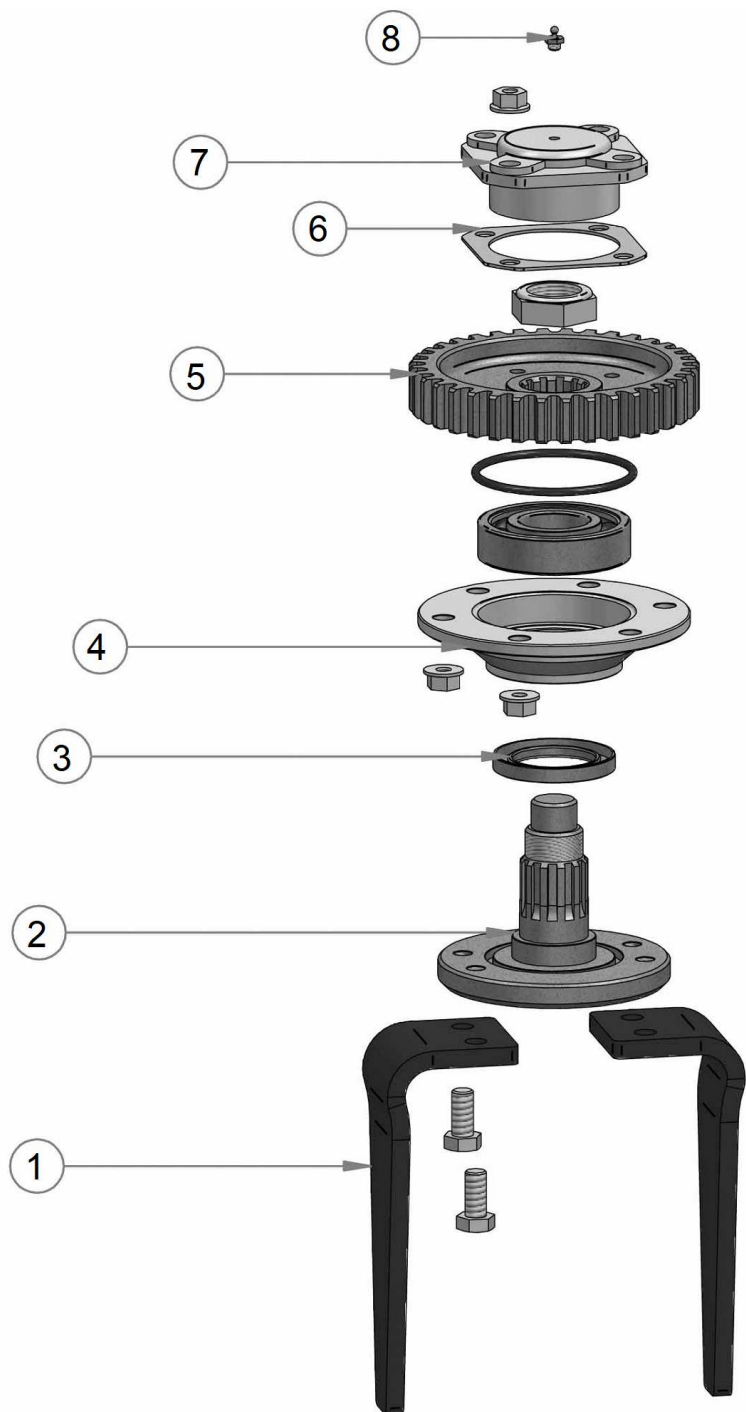


Machine type: POWER HARROW
Model: EA
Group: TRACTOR HITCHES

Document ID: 902686001
Revision: 02_15/07/2022 ->
Table: 01

Reference	P/N	Description	Model #	Quantity
1	100.013.003	Gear box		1
2	130.013.178.00	Bevel gear Z25 M6,25 R 1/1,78		1
3	140.013.178.00	Pinion Z14 M6,25 R 1/1,78 8		1
4	150.013.003	PTO shaft		1
5	240.013.003	Reae plate		1
6	240.013.004	Front plate		1
7	510.42.7437	Seeger 42 UNI 7437		1
8	510.55.7435	Seeger Ø55 UNI 7435		1
9	510.62.7437	Spacer Ø62 UNI 7437		1
10	530.55X68X1	Spacer 55x68x1		1
11	530.RAM62.0,5	Spacer RAM 62.0,5		2
12	56.030.211	Bearing 30211		1
13	56.032.007	Bearing 32007		1
14	56.032.207	Bearing 32207		1
15	5.606.211	Bearing 6211		1
16	570.35x62x8.TC	Seal ring 35x62x8 TC		1
17	570.42x7.RCA	Plug42x7 RCA		1
18	570.55x100x10.TC	Seal ring 55x100x10 TC		1
19	570.72x10.RCA	Plug 72x10 CA		1
20	570.80X10.RCA	Plug Ø80x10 RCA		1
21	580.10X25.ES	Screw M10x25		8
22	580.12x25.BR	Screw M12x25		4
23	590.T.3-8.906	Conical oil cap 3/8" DIN906		7



Machine type: POWER HARROW

Document ID: 902686001

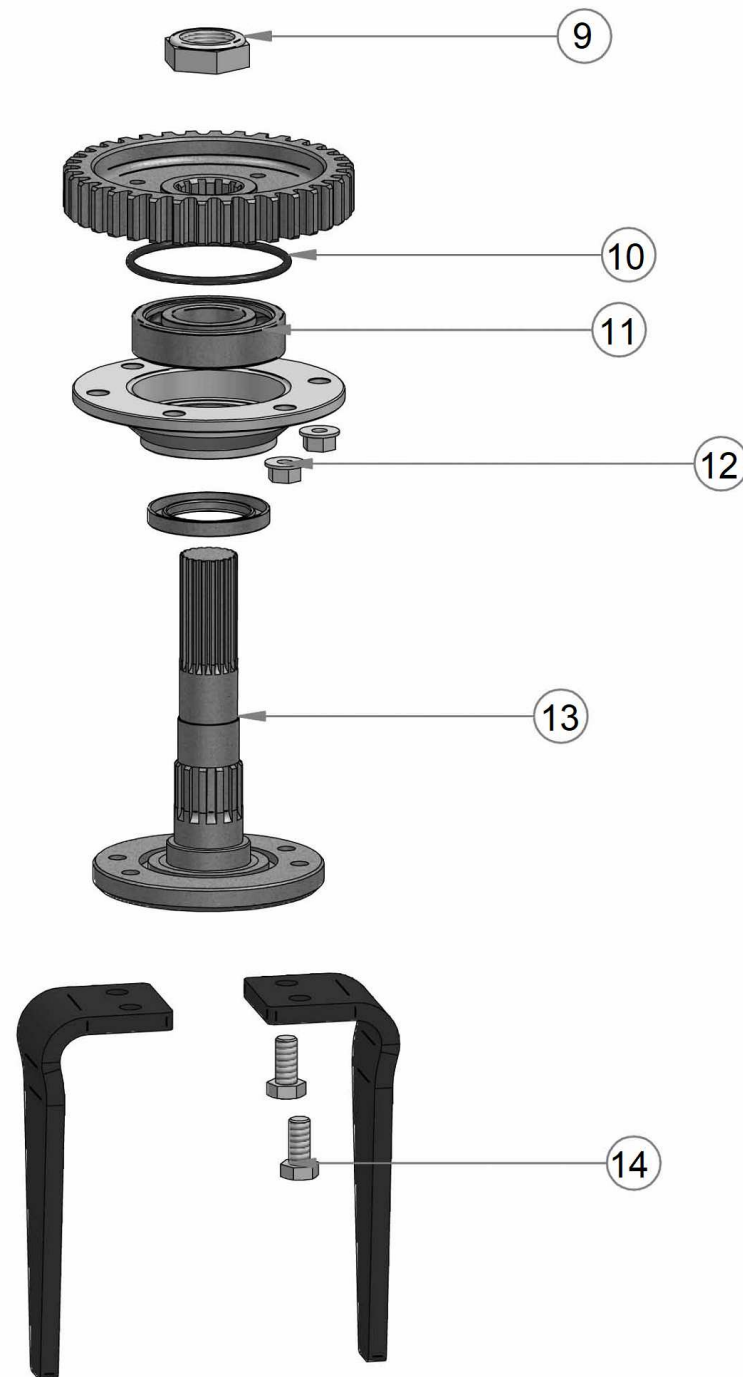
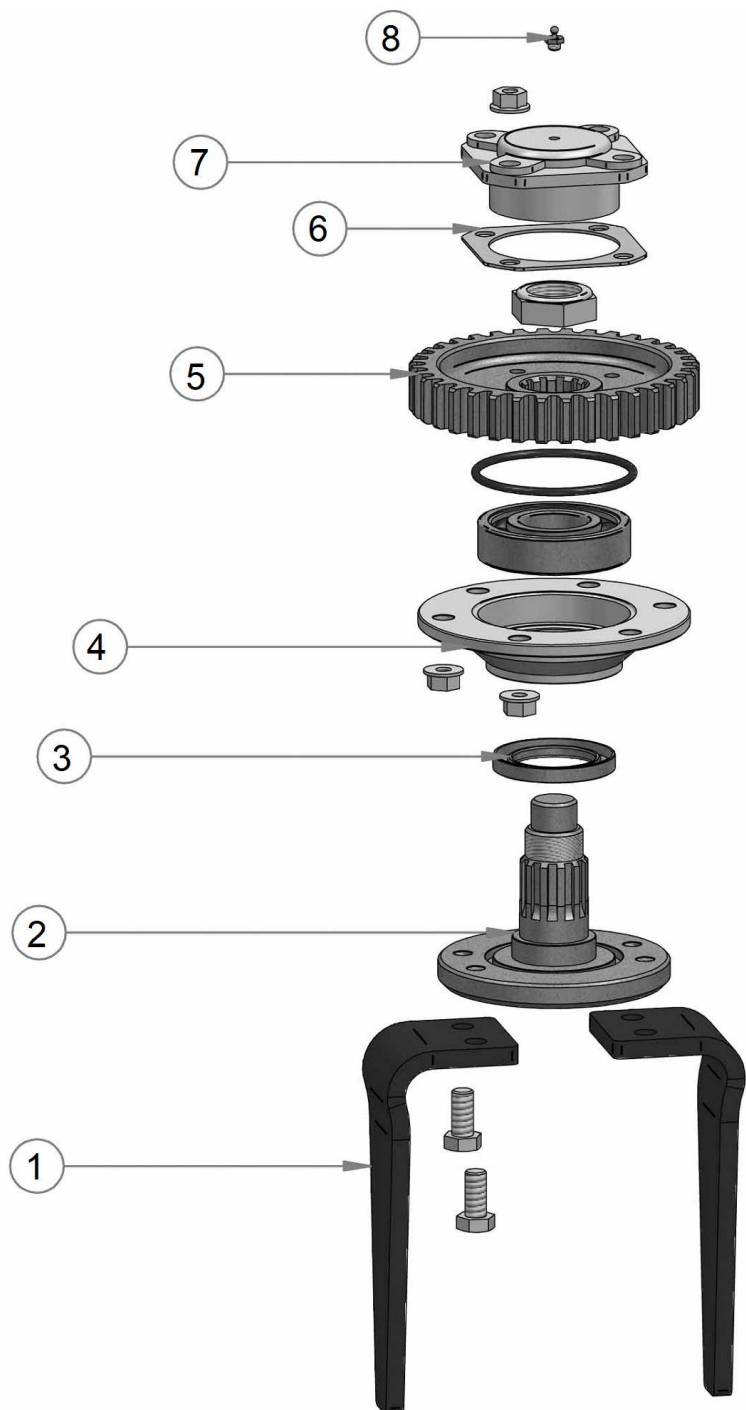
Model: EA

Revision: 01_15/06/2020 ->

Group: TOOLS AND RELATIVE SUPPORTS

Table: 02

Reference	P/N	Description	Model #	Quantity
1	56000929	Rh, blade	EA/180	9
1	56000929	Rh, blade	EA/200	10
1	56000929	Rh, blade	EA/140	7
1	56000929	Rh, blade	EA/080	4
1	56000929	Rh, blade	EA/160	8
1	56000929	Rh, blade	EA/120	6
1	56000929	Rh, blade	EA/100	5
2	57000933	Side shaft	EA/160	7
2	57000933	Side shaft	EA/080	3
2	57000933	Side shaft	EA/100	4
2	57000933	Side shaft	EA/200	9
2	57000933	Side shaft	EA/120	5
2	57000933	Side shaft	EA/140	6
2	57000933	Side shaft	EA/180	8
3	0050031	SEAL 80X55X10	EA/180	9
3	0050031	SEAL 80X55X10	EA/160	8
3	0050031	SEAL 80X55X10	EA/140	7
3	0050031	SEAL 80X55X10	EA/080	4
3	0050031	SEAL 80X55X10	EA/100	5
3	0050031	SEAL 80X55X10	EA/120	6
3	0050031	SEAL 80X55X10	EA/200	10
4	56000927	Lower holder	EA/100	5
4	56000927	Lower holder	EA/180	9
4	56000927	Lower holder	EA/200	10
4	56000927	Lower holder	EA/120	6
4	56000927	Lower holder	EA/080	4
4	56000927	Lower holder	EA/160	8
4	56000927	Lower holder	EA/140	7
5	56000926	Side gear wheel Z36	EA/180	9
5	56000926	Side gear wheel Z36	EA/120	6
5	56000926	Side gear wheel Z36	EA/140	7
5	56000926	Side gear wheel Z36	EA/100	5
5	56000926	Side gear wheel Z36	EA/200	10
5	56000926	Side gear wheel Z36	EA/160	8
5	56000926	Side gear wheel Z36	EA/080	4
6	00560162	Upper gasket	EA/140	6
6	00560162	Upper gasket	EA/080	3
6	00560162	Upper gasket	EA/120	5
6	00560162	Upper gasket	EA/180	8
6	00560162	Upper gasket	EA/200	9
6	00560162	Upper gasket	EA/100	4
6	00560162	Upper gasket	EA/160	7
7	56000924	Upper support	EA/180	8
7	56000924	Upper support	EA/100	4
7	56000924	Upper support	EA/080	3
7	56000924	Upper support	EA/120	5
7	56000924	Upper support	EA/140	6
7	56000924	Upper support	EA/200	9
7	56000924	Upper support	EA/160	7
8	0010001	Straight grease M8x1	EA/120	5
8	0010001	Straight grease M8x1	EA/100	4
8	0010001	Straight grease M8x1	EA/180	8
8	0010001	Straight grease M8x1	EA/200	9
8	0010001	Straight grease M8x1	EA/160	7
8	0010001	Straight grease M8x1	EA/080	3
8	0010001	Straight grease M8x1	EA/140	6
9	0010010	LOCKING NUT M38	EA/180	9
9	0010010	LOCKING NUT M38	EA/160	8
9	0010010	LOCKING NUT M38	EA/080	4
9	0010010	LOCKING NUT M38	EA/100	5



Machine type: POWER HARROW

Model: EA

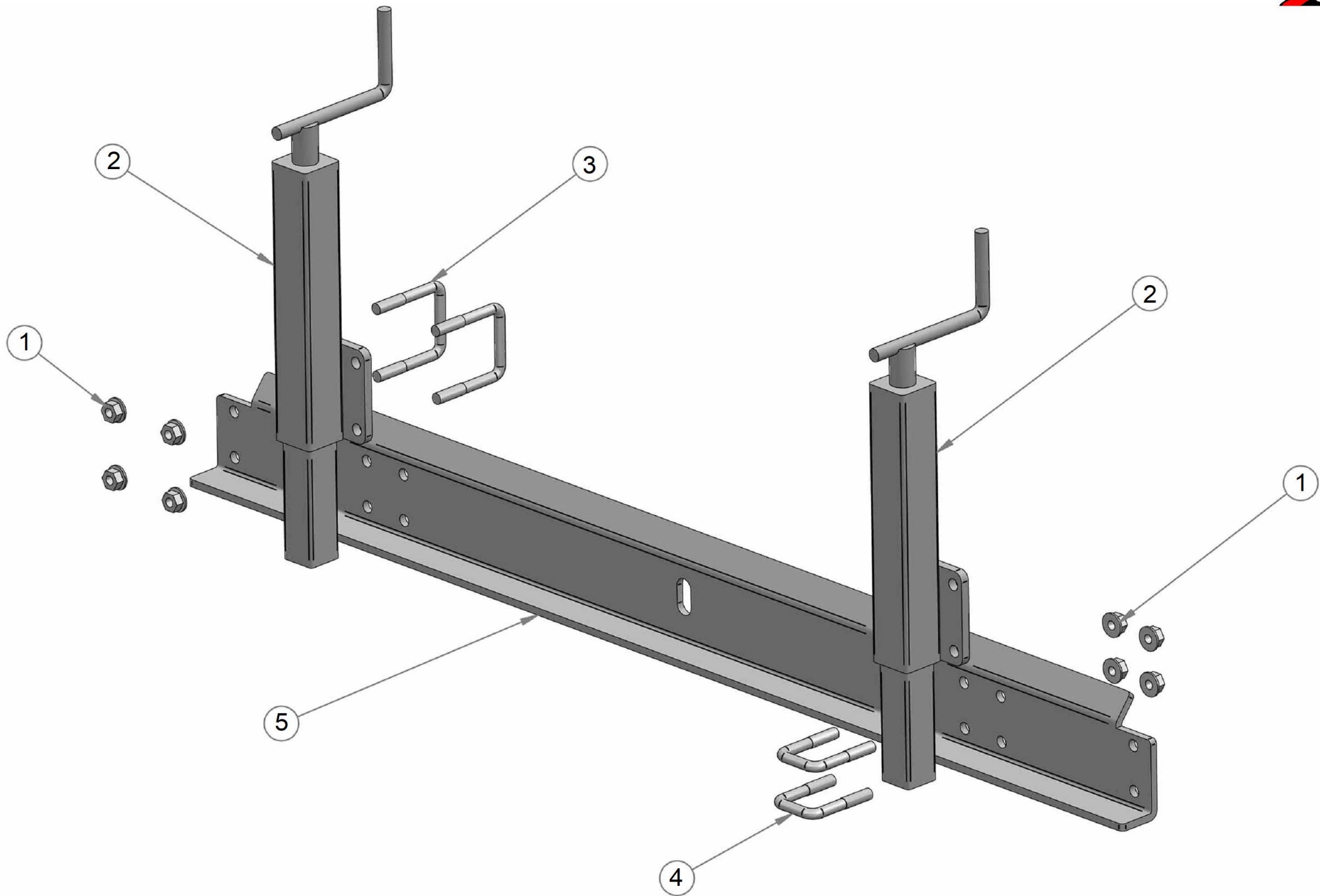
Group: TOOLS AND RELATIVE SUPPORTS

Document ID: 902686001

Revision: 01 _15/06/2020 ->

Table: 02

Reference	P/N	Description	Model #	Quantity
9	0010010	LOCKING NUT M38	EA/140	7
9	0010010	LOCKING NUT M38	EA/120	6
9	0010010	LOCKING NUT M38	EA/200	10
10	0080001	UPPER O-RING GASKET 098X3.53	EA/160	8
10	0080001	UPPER O-RING GASKET 098X3.53	EA/100	5
10	0080001	UPPER O-RING GASKET 098X3.53	EA/080	4
10	0080001	UPPER O-RING GASKET 098X3.53	EA/140	7
10	0080001	UPPER O-RING GASKET 098X3.53	EA/180	9
10	0080001	UPPER O-RING GASKET 098X3.53	EA/200	10
10	0080001	UPPER O-RING GASKET 098X3.53	EA/120	6
11	0080069	BEARING 6309 45x100x25	EA/200	10
11	0080069	BEARING 6309 45x100x25	EA/160	8
11	0080069	BEARING 6309 45x100x25	EA/120	6
11	0080069	BEARING 6309 45x100x25	EA/100	5
11	0080069	BEARING 6309 45x100x25	EA/080	4
11	0080069	BEARING 6309 45x100x25	EA/180	9
11	0080069	BEARING 6309 45x100x25	EA/140	7
12	0030022	Flanged nut M12	EA/160	364
12	0030022	Flanged nut M12	EA/140	276
12	0030022	Flanged nut M12	EA/180	464
12	0030022	Flanged nut M12	EA/080	84
12	0030022	Flanged nut M12	EA/100	136
12	0030022	Flanged nut M12	EA/120	200
12	0030022	Flanged nut M12	EA/200	576
13	05700737	Central shaft		1
14	00100073	Screw TE M14x30	EA/120	24
14	00100073	Screw TE M14x30	EA/100	20
14	00100073	Screw TE M14x30	EA/140	28
14	00100073	Screw TE M14x30	EA/160	32
14	00100073	Screw TE M14x30	EA/180	36
14	00100073	Screw TE M14x30	EA/200	40
14	00100073	Screw TE M14x30	EA/080	16



Machine type: POWER HARROW

Model: EA

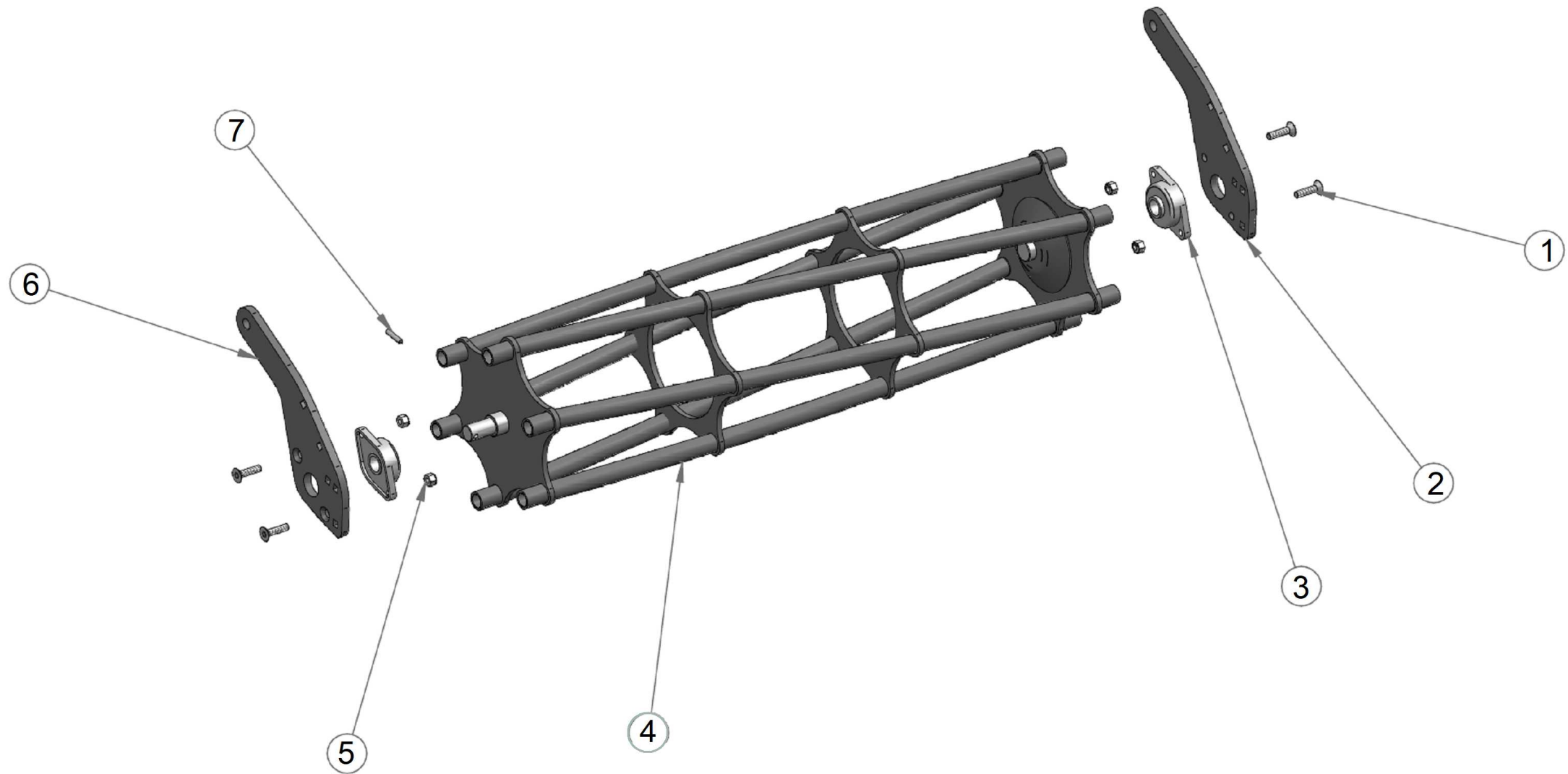
Group: LEVELLING BAR

Document ID: 902686001

Revision: 01 _15/06/2020 ->

Table: 03

Reference	P/N	Description	Model #	Quantity
1	0030022	Flanged nut M12		16
2	58000015	Harrows bar's handle		2
3	00580166	U tube m12 60x60 - 62x86		4
4	001970019	U tube m12 50x50		4
5	58000008	Bended blade	EA/080	1
5	58000009	Bended blade	EA/100	1
5	58000010	Bended blade	EA/120	1
5	58000011	Bended blade	EA/140	1
5	58000012	Bended blade	EA/160	1
5	58000013	Bended blade	EA/180	1
5	58000014	Bended blade	EA/200	1



Machine type: POWER HARROW

Model: EA

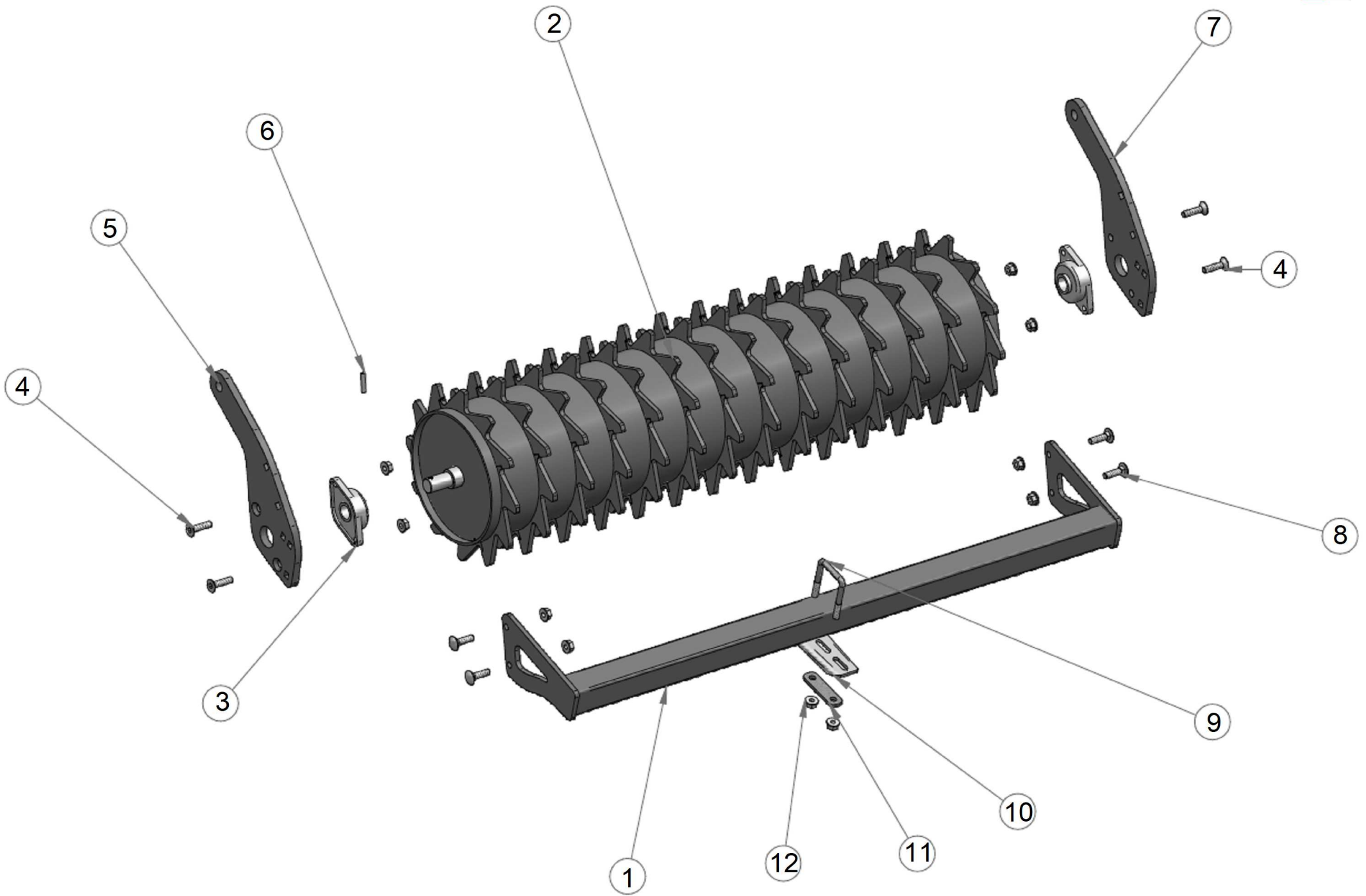
Group: CAGE ROLLER

Document ID: 902686001

Revision: 01 _15/06/2020 ->

Table: 04

Reference	P/N	Description	Model #	Quantity
1	00300005	SCREW TSCE M14x40		4
2	29000391	Lateral roller holder ascot		1
3	001290115	UCFL 206 HOLDER		2
4	03100352	CAGE ROLLER Ø355 ASCOT 800	EA/800	1
4	03100359	CAGE ROLLER Ø355 ASCOT 1000	EA/1000	1
4	03100360	CAGE ROLLER Ø355 ASCOT 1200	EA/1200	1
4	03100361	CAGE ROLLER Ø355 ASCOT 1400	EA/1400	1
4	03100362	CAGE ROLLER Ø355 ASCOT 1600	EA/1600	1
4	03100363	CAGE ROLLER Ø355 ASCOT 1800	EA/1800	1
4	03100364	CAGE ROLLER Ø355 ASCOT 2000	EA/2000	1
5	0030026	LOCKING NUT M12		4
6	29000396	Lateral roller holder		1
7	000290116	ELASTIC PLUG Ø8.5 L=40		2



Machine type: POWER HARROW

Model: EA

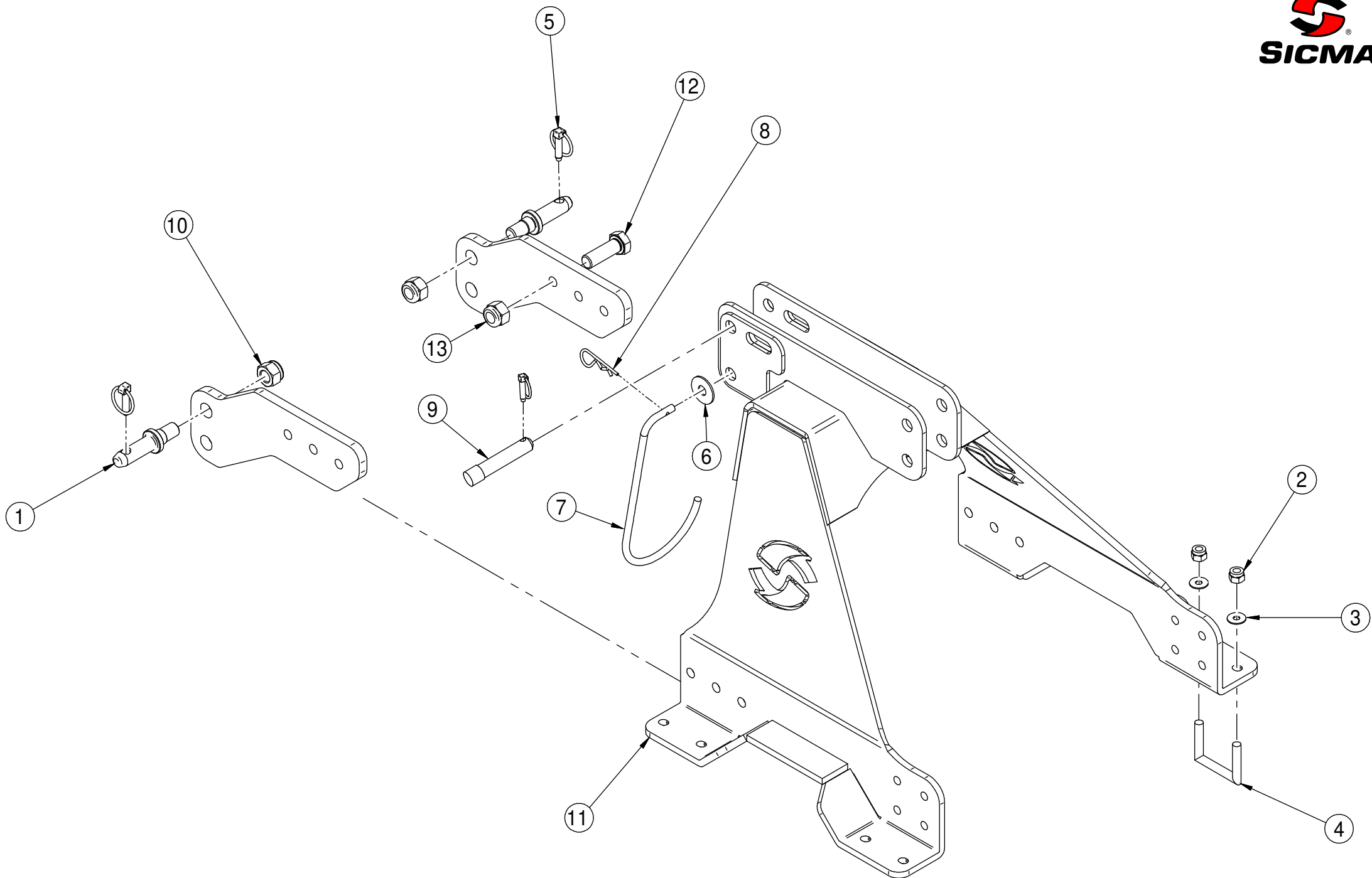
Group: PACKER ROLLER

Document ID: 902686001

Revision: 01 _15/06/2020 ->

Table: 05

Reference	P/N	Description	Model #	Quantity
1	03300064	CLEANER CHASSIS ASCOT 800	EA/800	1
1	03300065	CLEANER CHASSIS ASCOT 1000	EA/1000	1
1	03300066	CLEANER CHASSIS ASCOT 1200	EA/1200	1
1	03300067	CLEANER CHASSIS ASCOT 1200	EA/1400	1
1	03300068	CLEANER CHASSIS ASCOT 1600	EA/1600	1
1	03300069	CLEANER CHASSIS ASCOT 1800	EA/1800	1
1	03300070	CLEANER CHASSIS ASCOT 2000	EA/2000	1
2	03300050	PACKER ROLLER Ø308 ASCOT 800	EA/800	1
2	03300051	PACKER ROLLER Ø308 ASCOT 1000	EA/1000	1
2	03300052	PACKER ROLLER Ø308 ASCOT 1200	EA/1200	1
2	03300053	PACKER ROLLER Ø308 ASCOT 1400	EA/1400	1
2	03300054	PACKER ROLLER Ø308 ASCOT 1600	EA/1600	1
2	03300055	PACKER ROLLER Ø308 ASCOT 1800	EA/1800	1
2	03300056	PACKER ROLLER Ø308 ASCOT 2000	EA/2000	1
2	03300057	PACKER ROLLER Ø370 ASCOT 800	EA/800	1
2	03300058	PACKER ROLLER Ø370 ASCOT 1000	EA/1000	1
2	03300059	PACKER ROLLER Ø370 ASCOT 1200	EA/1200	1
2	03300060	PACKER ROLLER Ø370 ASCOT 1400	EA/1400	1
2	03300061	PACKER ROLLER Ø370 ASCOT 1600	EA/1600	1
2	03300062	PACKER ROLLER Ø370 ASCOT 1800	EA/1800	1
2	03300063	PACKER ROLLER Ø370 ASCOT 2000	EA/2000	1
3	001290115	UCFL 206 HOLDER		2
4	00300005	SCREW TSCE M14x40		4
5	29000396	Lateral roller holder		1
6	000290116	ELASTIC PLUG Ø8.5 L=40		2
7	29000391	Lateral roller holder ascot		1
8	00300004	SCREW TE M12x40		4
9	00580166	U tube m12 60x60 - 62x86		13
10	33000016	Large roller cleaner		13
11	33000490	Roller cleaner holder		13
12	00300022	Flanged nut M12		34



Machine type: POWER HARROW

Model: EA

Group: Tractor hitches

Document ID: 902686001

Revision: 02_15/07/2022 ->

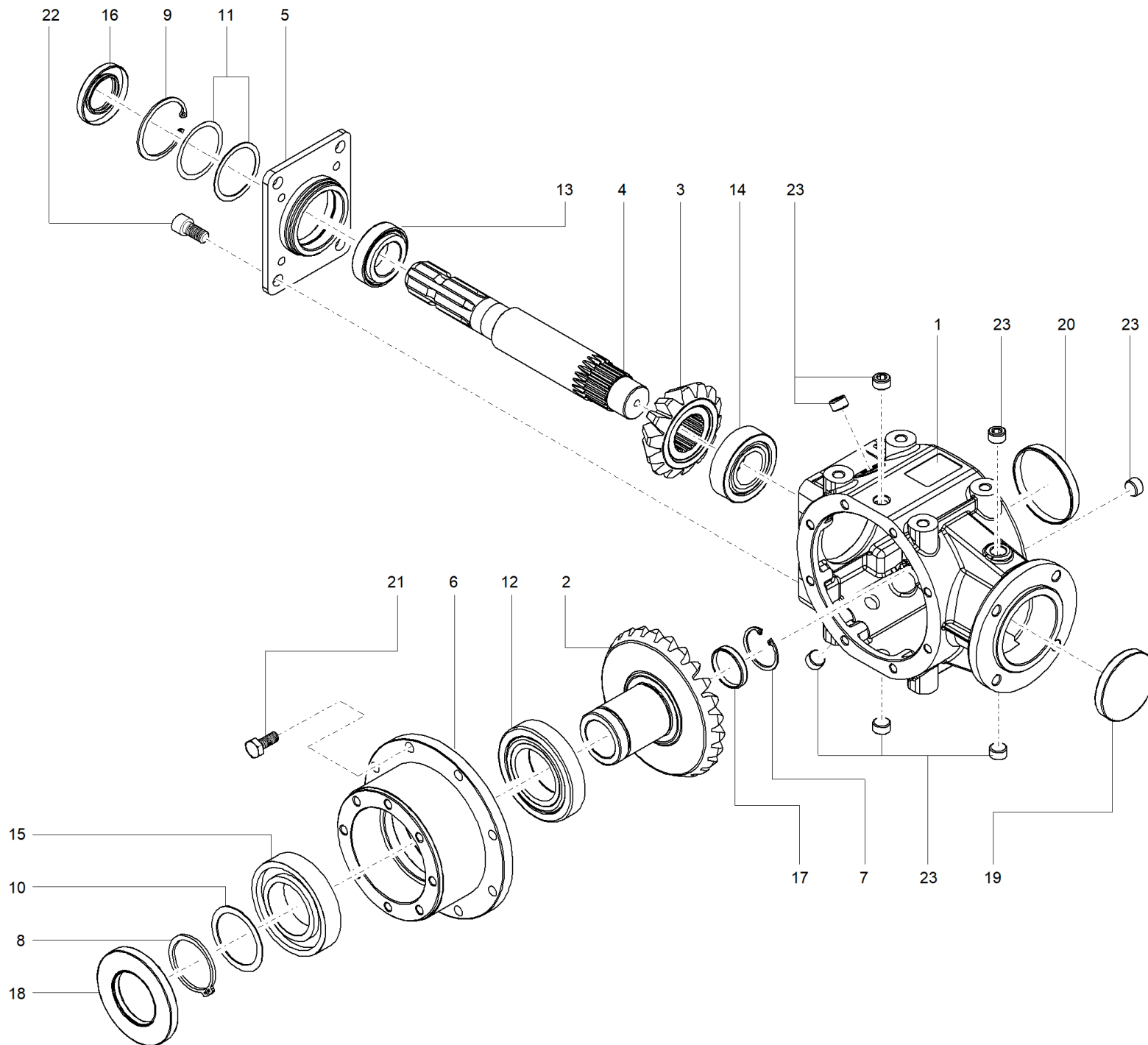
Table: 06

Reference	P/N	Description	Model #	Quantity
1	5205279	TA/FK/TB coupling 3rd point pin		2
2	3464101012	UNI7473 (coarse pitch) M12 zinc plated nut		8
3	3614000012	Wide washer UNI6593 100Hv Øi12		8
4	580166	U tube M12 60x60 - 62x86		4
5	0010176	CLIP WITH LACE		3
6	0010103	RING 42X15X2.5 GALVANIZED		1
7	1000268	Hook for carda		1
8	00110102	Elastic pin "R"		1
9	11000267	Pin Ø25		1
10	3464101020	UNI7473 (coarse pitch) M20 zinc plated nut		2
11	4002701	3rd point coupling pole		1
12	3021114050	Screw UNI5739 8.8 M14x50 galvanised (coarse pitch)		6
13	3464101014	UNI7473 (coarse pitch) M14 zinc plated nut		6

Machine type: POWER HARROW
 Model: EA
 Group: FRAME AND GUARDS

Document ID: 902686001
 Revision: 01_15/06/2020 ->
 Table: 07

Reference	P/N	Description	Model #	Quantity
1	4932705	Rh, guard plate		1
2	30026	LOCKING NUT M12		0
3	58001062	Side deflector's support left		1
4	10040	SCREW TE M12 X 40		6
5	29000292	Short pin		2
6	60051	R PLUG 5mm DIAMETER		2
7	5800724	Cover	EA/140	1
7	5800725	Cover	EA/160	1
7	5800726	Cover	EA/180	1
7	5800727	Cover	EA/200	1
7	5800728	Cover	EA/100	1
7	5800729	Cover	EA/120	1
7	5800735	Cover	EA/080	1
8	30025	FLANGE ZINC-COATEO SCREW TE M12 X		0
9	60043	COVER'S CAP		1
10	60053	Case-cover mousse gasket		1
11	6000257	Lithium grease	EA/160	12
11	6000257	Lithium grease	EA/200	15
11	6000257	Lithium grease	EA/080	6
11	6000257	Lithium grease	EA/100	7,5
11	6000257	Lithium grease	EA/120	9
11	6000257	Lithium grease	EA/180	13,5
11	6000257	Lithium grease	EA/140	10,5
12	6000638	Roller's fixing screw		2
13	60001	GROWER WASHER 024		2
14	58001058	Angolar side deflector junction		2
15	58001061	Sire deflector's support right		1
16	60180	SCREW TTOE M12 X 40		6
17	60179	SCREW TE M16 X 180		4
18	6000655	Sin deflector spacer		4
19	6000653	Rounder washer		8
20	6000654	Sire deflector's spring		4
21	50035	LOCKING NUT M16		0
22	5800722	Case	EA/100	1
22	5800723	Case	EA/120	1
22	5800730	Case	EA/140	1
22	5800731	Case	EA/160	1
22	5800732	Case	EA/180	1
22	5800733	Case	EA/200	1
22	5800734	Case	EA/080	1
23	3464101012	UNI7473 (coarse pitch) M12 zinc plated nut		6
24	3604000012	Flat washer UNI6592 140Hv Øi12		0
25	4932706	Lh, guard plate		0



Machine type: POWER HARROW

Model: EA

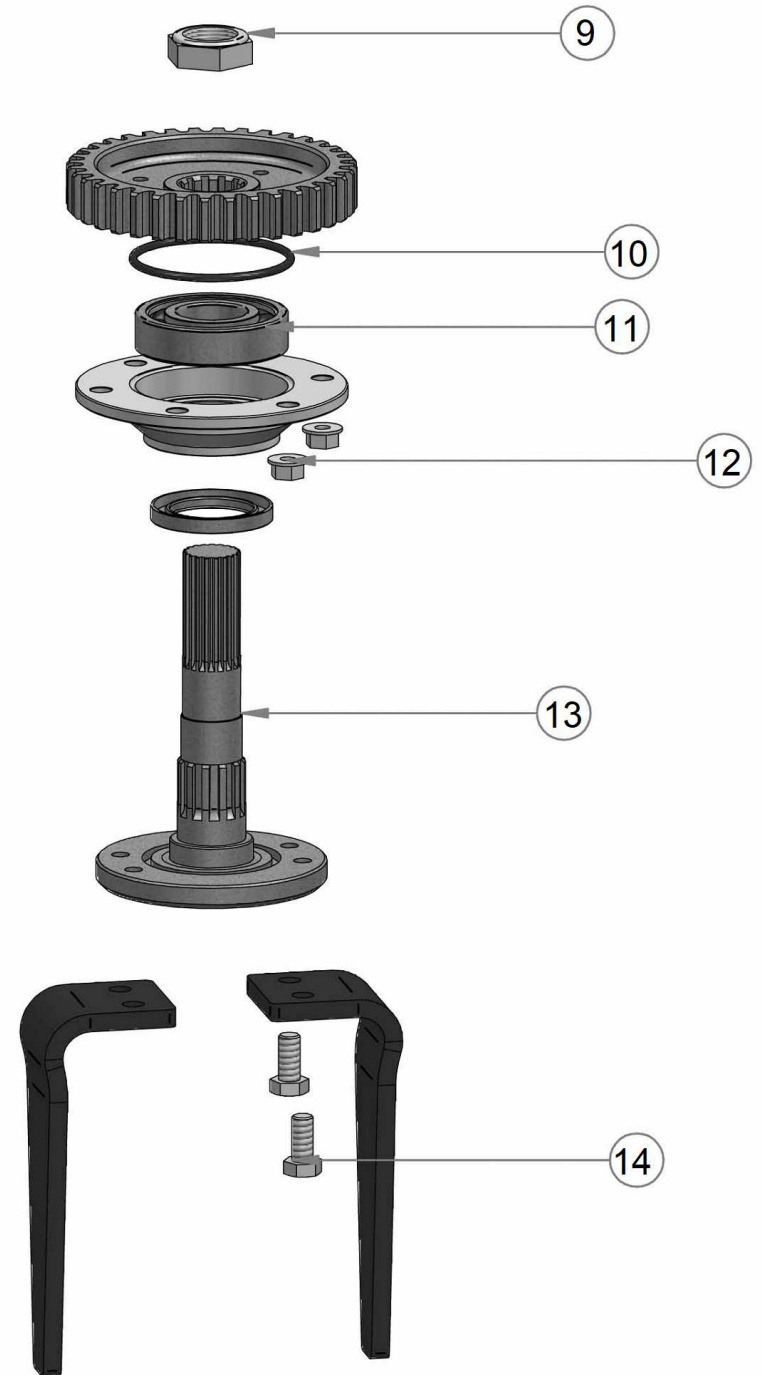
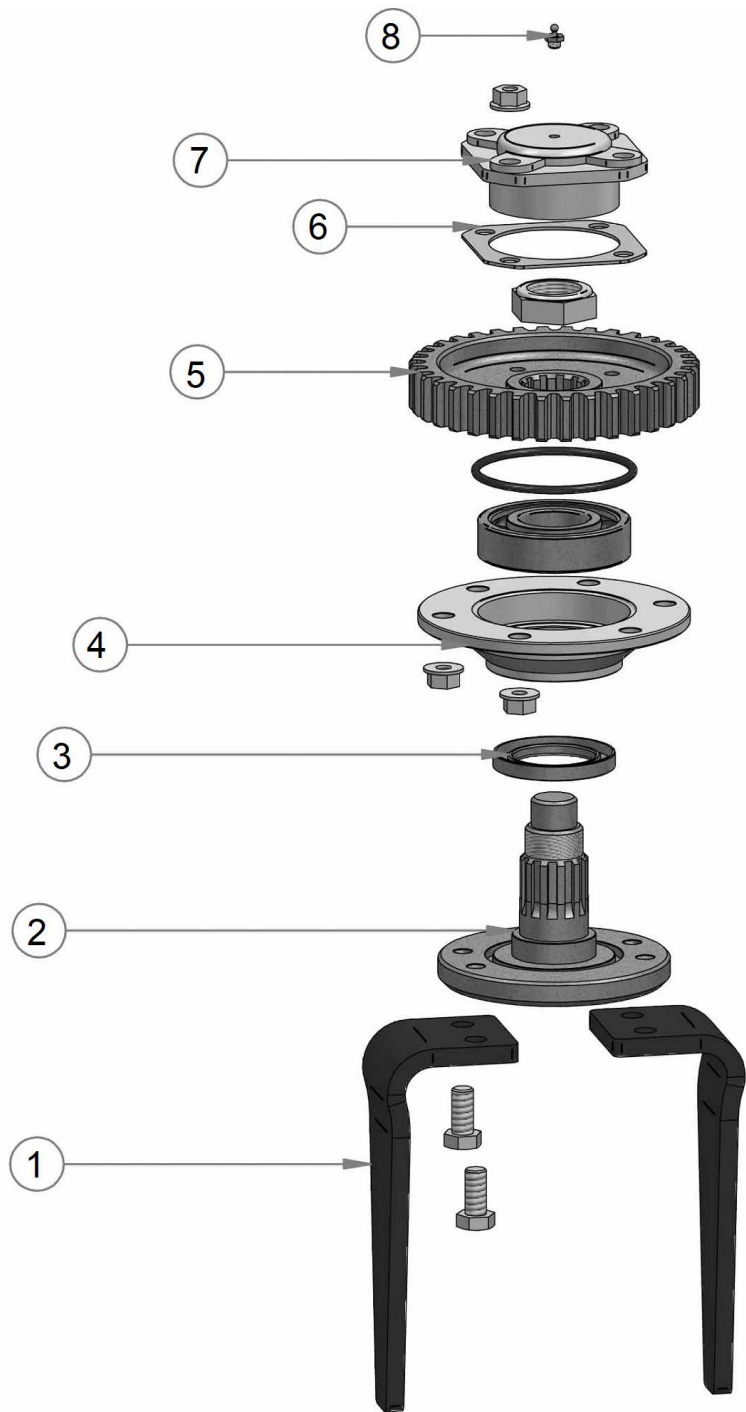
Group: GEARBOX

Document ID: 902686001

Revision: 01 _15/06/2020 ->

Table: 01

Reference	P/N	Description	Model #	Quantity
1	100.013.003	Gear box		1
2	130.013.178.00	Bevel gear Z25 M6,25 R 1/1,78		1
3	140.013.178.00	Pinion Z14 M6,25 R 1/1,78 8		1
4	150.013.003	PTO shaft		1
5	240.013.003	Reae plate		1
6	240.013.004	Front plate		1
7	510.42.7437	Seeger 42 UNI 7437		1
8	510.55.7435	Seeger Ø55 UNI 7435		1
9	510.62.7437	Spacer Ø62 UNI 7437		1
10	530.55X68X1	Spacer 55x68x1		1
11	530.RAM62.0,5	Spacer RAM 62.0,5		2
12	56.030.211	Bearing 30211		1
13	56.032.007	Bearing 32007		1
14	56.032.207	Bearing 32207		1
15	5.606.211	Bearing 6211		1
16	570.35x62x8.TC	Seal ring 35x62x8 TC		1
17	570.42x7.RCA	Plug42x7 RCA		1
18	570.55x100x10.TC	Seal ring 55x100x10 TC		1
19	570.72x10.RCA	Plug 72x10 CA		1
20	570.80X10.RCA	Plug Ø80x10 RCA		1
21	580.10X25.ES	Screw M10x25		8
22	580.12x25.BR	Screw M12x25		4
23	590.T.3-8.906	Conical oil cap 3/8" DIN906		7



Machine type: POWER HARROW

Document ID: 902686001

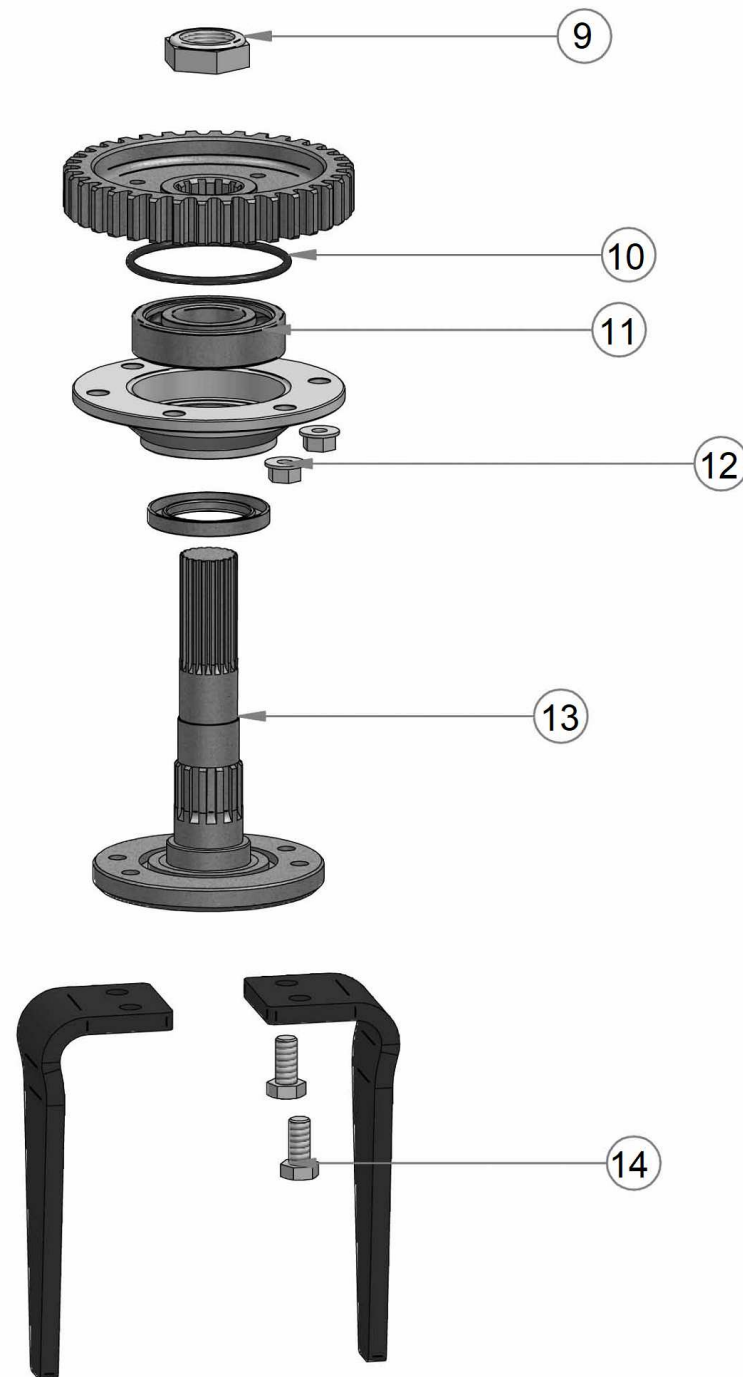
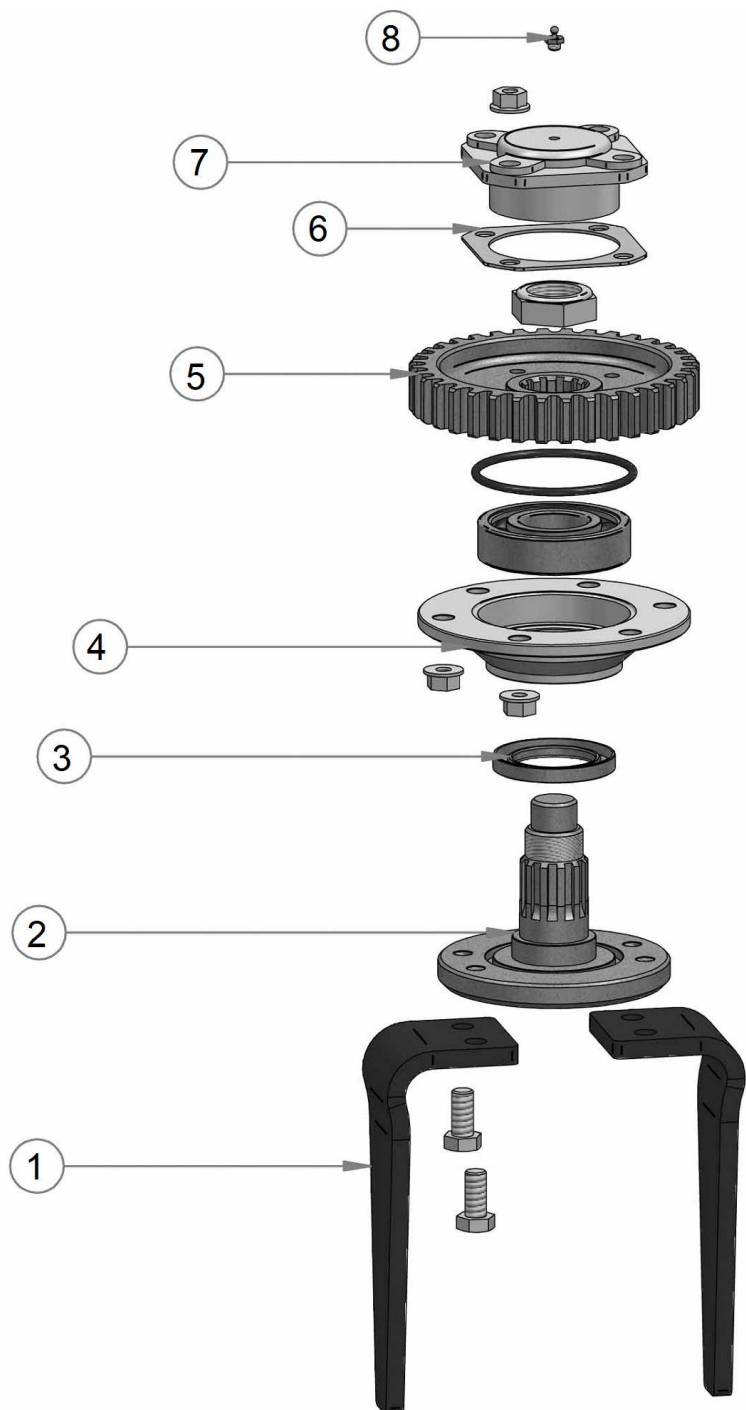
Model: EA

Revision: 01_15/06/2020 ->

Group: TOOLS AND RELATIVE SUPPORTS

Table: 02

Reference	P/N	Description	Model #	Quantity
1	56000929	Rh, blade	EA/180	9
1	56000929	Rh, blade	EA/200	10
1	56000929	Rh, blade	EA/140	7
1	56000929	Rh, blade	EA/080	4
1	56000929	Rh, blade	EA/160	8
1	56000929	Rh, blade	EA/120	6
1	56000929	Rh, blade	EA/100	5
2	57000933	Side shaft	EA/160	7
2	57000933	Side shaft	EA/080	3
2	57000933	Side shaft	EA/100	4
2	57000933	Side shaft	EA/200	9
2	57000933	Side shaft	EA/120	5
2	57000933	Side shaft	EA/140	6
2	57000933	Side shaft	EA/180	8
3	0050031	SEAL 80X55X10	EA/180	9
3	0050031	SEAL 80X55X10	EA/160	8
3	0050031	SEAL 80X55X10	EA/140	7
3	0050031	SEAL 80X55X10	EA/080	4
3	0050031	SEAL 80X55X10	EA/100	5
3	0050031	SEAL 80X55X10	EA/120	6
3	0050031	SEAL 80X55X10	EA/200	10
4	56000927	Lower holder	EA/100	5
4	56000927	Lower holder	EA/180	9
4	56000927	Lower holder	EA/200	10
4	56000927	Lower holder	EA/120	6
4	56000927	Lower holder	EA/080	4
4	56000927	Lower holder	EA/160	8
4	56000927	Lower holder	EA/140	7
5	56000926	Side gear wheel Z36	EA/180	9
5	56000926	Side gear wheel Z36	EA/120	6
5	56000926	Side gear wheel Z36	EA/140	7
5	56000926	Side gear wheel Z36	EA/100	5
5	56000926	Side gear wheel Z36	EA/200	10
5	56000926	Side gear wheel Z36	EA/160	8
5	56000926	Side gear wheel Z36	EA/080	4
6	00560162	Upper gasket	EA/140	6
6	00560162	Upper gasket	EA/080	3
6	00560162	Upper gasket	EA/120	5
6	00560162	Upper gasket	EA/180	8
6	00560162	Upper gasket	EA/200	9
6	00560162	Upper gasket	EA/100	4
6	00560162	Upper gasket	EA/160	7
7	56000924	Upper support	EA/180	8
7	56000924	Upper support	EA/100	4
7	56000924	Upper support	EA/080	3
7	56000924	Upper support	EA/120	5
7	56000924	Upper support	EA/140	6
7	56000924	Upper support	EA/200	9
7	56000924	Upper support	EA/160	7
8	0010001	Straight grease M8x1	EA/120	5
8	0010001	Straight grease M8x1	EA/100	4
8	0010001	Straight grease M8x1	EA/180	8
8	0010001	Straight grease M8x1	EA/200	9
8	0010001	Straight grease M8x1	EA/160	7
8	0010001	Straight grease M8x1	EA/080	3
8	0010001	Straight grease M8x1	EA/140	6
9	0010010	LOCKING NUT M38	EA/180	9
9	0010010	LOCKING NUT M38	EA/160	8
9	0010010	LOCKING NUT M38	EA/080	4
9	0010010	LOCKING NUT M38	EA/100	5



Machine type: POWER HARROW

Model: EA

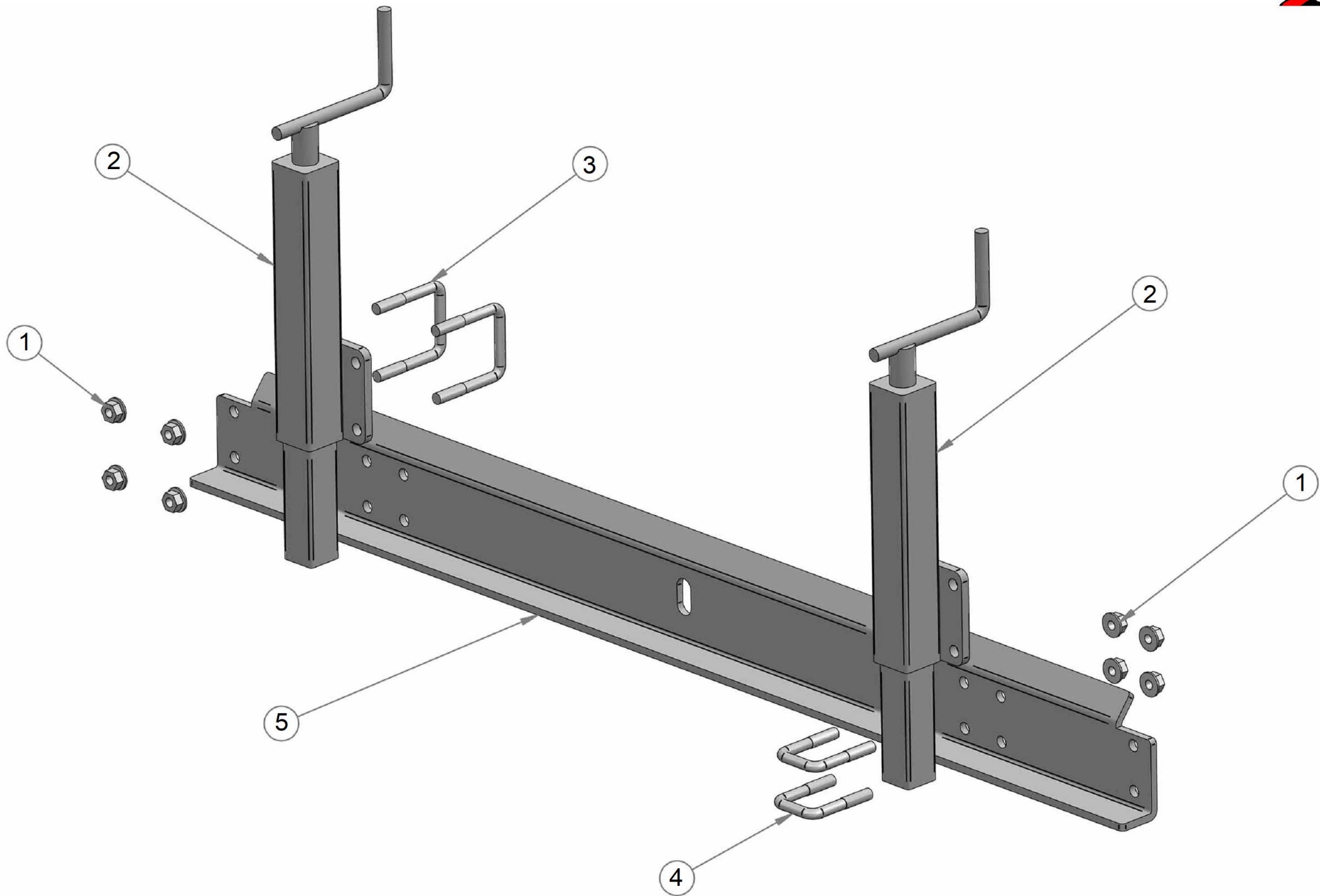
Group: TOOLS AND RELATIVE SUPPORTS

Document ID: 902686001

Revision: 01 _15/06/2020 ->

Table: 02

Reference	P/N	Description	Model #	Quantity
9	0010010	LOCKING NUT M38	EA/140	7
9	0010010	LOCKING NUT M38	EA/120	6
9	0010010	LOCKING NUT M38	EA/200	10
10	0080001	UPPER O-RING GASKET 098X3.53	EA/160	8
10	0080001	UPPER O-RING GASKET 098X3.53	EA/100	5
10	0080001	UPPER O-RING GASKET 098X3.53	EA/080	4
10	0080001	UPPER O-RING GASKET 098X3.53	EA/140	7
10	0080001	UPPER O-RING GASKET 098X3.53	EA/180	9
10	0080001	UPPER O-RING GASKET 098X3.53	EA/200	10
10	0080001	UPPER O-RING GASKET 098X3.53	EA/120	6
11	0080069	BEARING 6309 45x100x25	EA/200	10
11	0080069	BEARING 6309 45x100x25	EA/160	8
11	0080069	BEARING 6309 45x100x25	EA/120	6
11	0080069	BEARING 6309 45x100x25	EA/100	5
11	0080069	BEARING 6309 45x100x25	EA/080	4
11	0080069	BEARING 6309 45x100x25	EA/180	9
11	0080069	BEARING 6309 45x100x25	EA/140	7
12	0030022	Flanged nut M12	EA/160	364
12	0030022	Flanged nut M12	EA/140	276
12	0030022	Flanged nut M12	EA/180	464
12	0030022	Flanged nut M12	EA/080	84
12	0030022	Flanged nut M12	EA/100	136
12	0030022	Flanged nut M12	EA/120	200
12	0030022	Flanged nut M12	EA/200	576
13	05700737	Central shaft		1
14	00100073	Screw TE M14x30	EA/120	24
14	00100073	Screw TE M14x30	EA/100	20
14	00100073	Screw TE M14x30	EA/140	28
14	00100073	Screw TE M14x30	EA/160	32
14	00100073	Screw TE M14x30	EA/180	36
14	00100073	Screw TE M14x30	EA/200	40
14	00100073	Screw TE M14x30	EA/080	16



Machine type: POWER HARROW

Model: EA

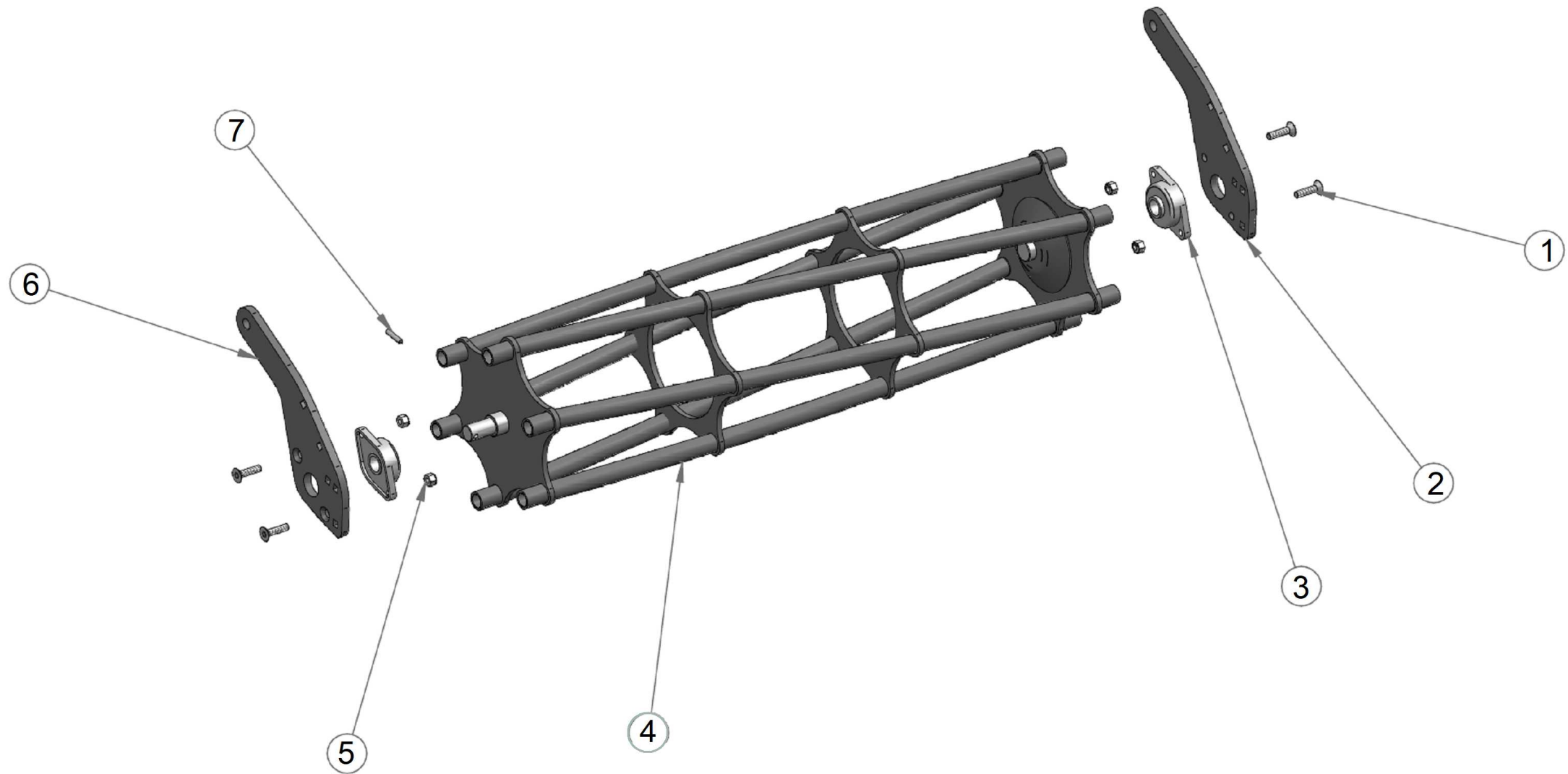
Group: LEVELLING BAR

Document ID: 902686001

Revision: 01 _15/06/2020 ->

Table: 03

Reference	P/N	Description	Model #	Quantity
1	0030022	Flanged nut M12		16
2	58000015	Harrows bar's handle		2
3	00580166	U tube m12 60x60 - 62x86		4
4	001970019	U tube m12 50x50		4
5	58000008	Bended blade	EA/080	1
5	58000009	Bended blade	EA/100	1
5	58000010	Bended blade	EA/120	1
5	58000011	Bended blade	EA/140	1
5	58000012	Bended blade	EA/160	1
5	58000013	Bended blade	EA/180	1
5	58000014	Bended blade	EA/200	1



Machine type: POWER HARROW

Model: EA

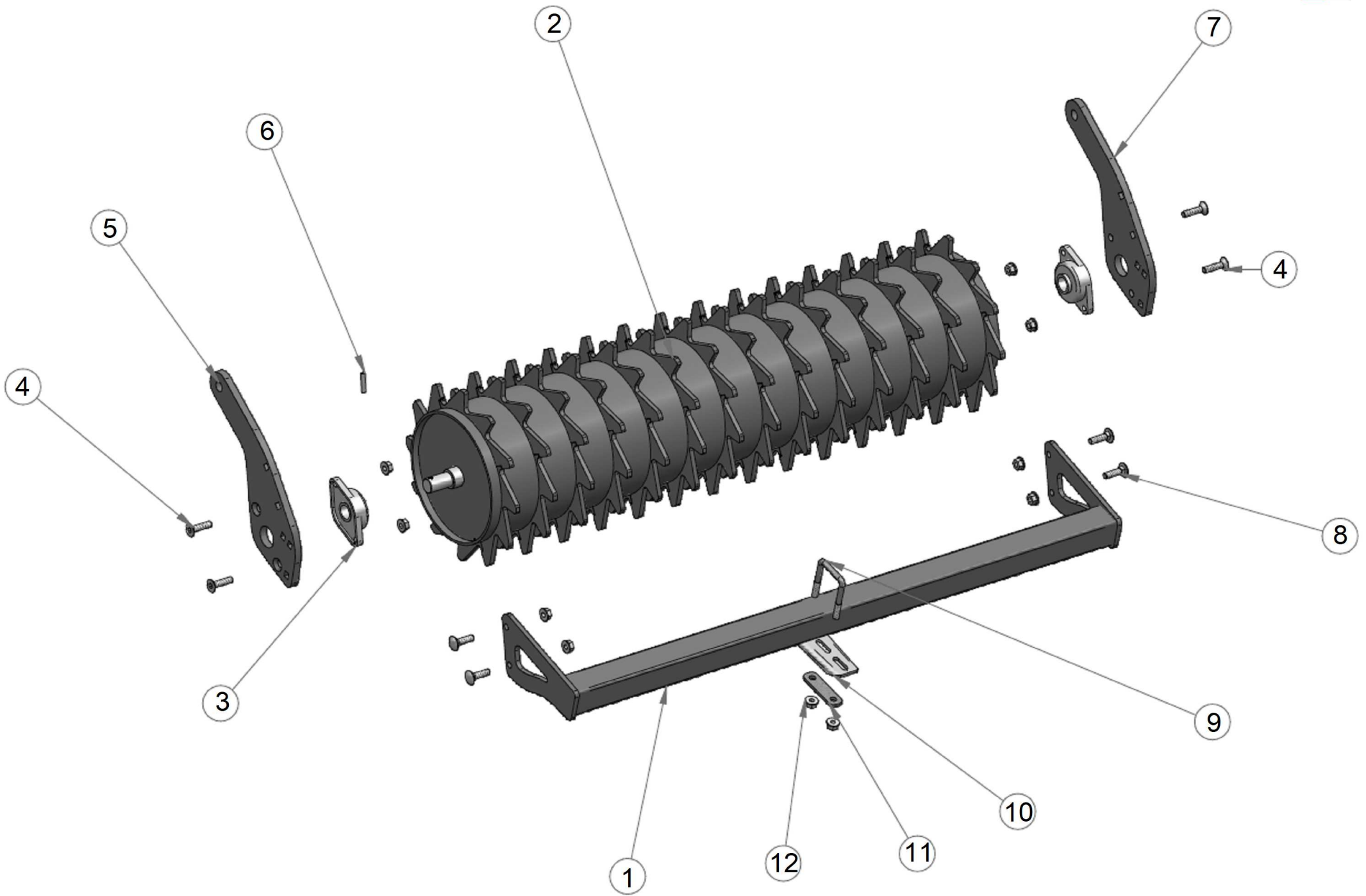
Group: CAGE ROLLER

Document ID: 902686001

Revision: 01 _15/06/2020 ->

Table: 04

Reference	P/N	Description	Model #	Quantity
1	00300005	SCREW TSCE M14x40		4
2	29000391	Lateral roller holder ascot		1
3	001290115	UCFL 206 HOLDER		2
4	03100352	CAGE ROLLER Ø355 ASCOT 800	EA/800	1
4	03100359	CAGE ROLLER Ø355 ASCOT 1000	EA/1000	1
4	03100360	CAGE ROLLER Ø355 ASCOT 1200	EA/1200	1
4	03100361	CAGE ROLLER Ø355 ASCOT 1400	EA/1400	1
4	03100362	CAGE ROLLER Ø355 ASCOT 1600	EA/1600	1
4	03100363	CAGE ROLLER Ø355 ASCOT 1800	EA/1800	1
4	03100364	CAGE ROLLER Ø355 ASCOT 2000	EA/2000	1
5	0030026	LOCKING NUT M12		4
6	29000396	Lateral roller holder		1
7	000290116	ELASTIC PLUG Ø8.5 L=40		2



Machine type: POWER HARROW

Model: EA

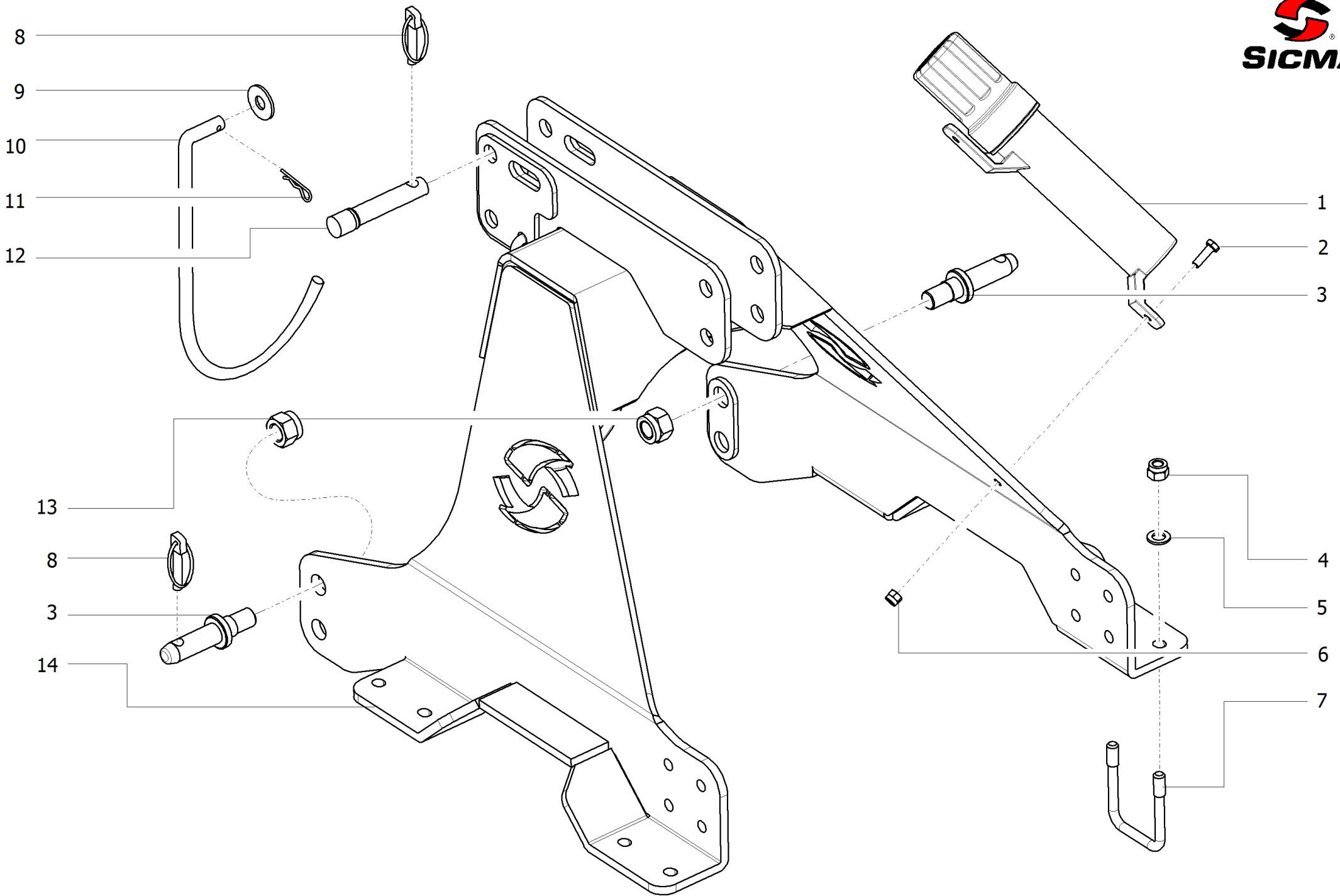
Group: PACKER ROLLER

Document ID: 902686001

Revision: 01 _15/06/2020 ->

Table: 05

Reference	P/N	Description	Model #	Quantity
1	03300064	CLEANER CHASSIS ASCOT 800	EA/800	1
1	03300065	CLEANER CHASSIS ASCOT 1000	EA/1000	1
1	03300066	CLEANER CHASSIS ASCOT 1200	EA/1200	1
1	03300067	CLEANER CHASSIS ASCOT 1200	EA/1400	1
1	03300068	CLEANER CHASSIS ASCOT 1600	EA/1600	1
1	03300069	CLEANER CHASSIS ASCOT 1800	EA/1800	1
1	03300070	CLEANER CHASSIS ASCOT 2000	EA/2000	1
2	03300050	PACKER ROLLER Ø308 ASCOT 800	EA/800	1
2	03300051	PACKER ROLLER Ø308 ASCOT 1000	EA/1000	1
2	03300052	PACKER ROLLER Ø308 ASCOT 1200	EA/1200	1
2	03300053	PACKER ROLLER Ø308 ASCOT 1400	EA/1400	1
2	03300054	PACKER ROLLER Ø308 ASCOT 1600	EA/1600	1
2	03300055	PACKER ROLLER Ø308 ASCOT 1800	EA/1800	1
2	03300056	PACKER ROLLER Ø308 ASCOT 2000	EA/2000	1
2	03300057	PACKER ROLLER Ø370 ASCOT 800	EA/800	1
2	03300058	PACKER ROLLER Ø370 ASCOT 1000	EA/1000	1
2	03300059	PACKER ROLLER Ø370 ASCOT 1200	EA/1200	1
2	03300060	PACKER ROLLER Ø370 ASCOT 1400	EA/1400	1
2	03300061	PACKER ROLLER Ø370 ASCOT 1600	EA/1600	1
2	03300062	PACKER ROLLER Ø370 ASCOT 1800	EA/1800	1
2	03300063	PACKER ROLLER Ø370 ASCOT 2000	EA/2000	1
3	001290115	UCFL 206 HOLDER		2
4	00300005	SCREW TSCE M14x40		4
5	29000396	Lateral roller holder		1
6	000290116	ELASTIC PLUG Ø8.5 L=40		2
7	29000391	Lateral roller holder ascot		1
8	00300004	SCREW TE M12x40		4
9	00580166	U tube m12 60x60 - 62x86		13
10	33000016	Large roller cleaner		13
11	33000490	Roller cleaner holder		13
12	0030022	Flanged nut M12		34



Machine type: POWER HARROW

Model: EA

Group: Tractor hitches

Document ID: 902686001

Revision: 01 _15/06/2020 ->

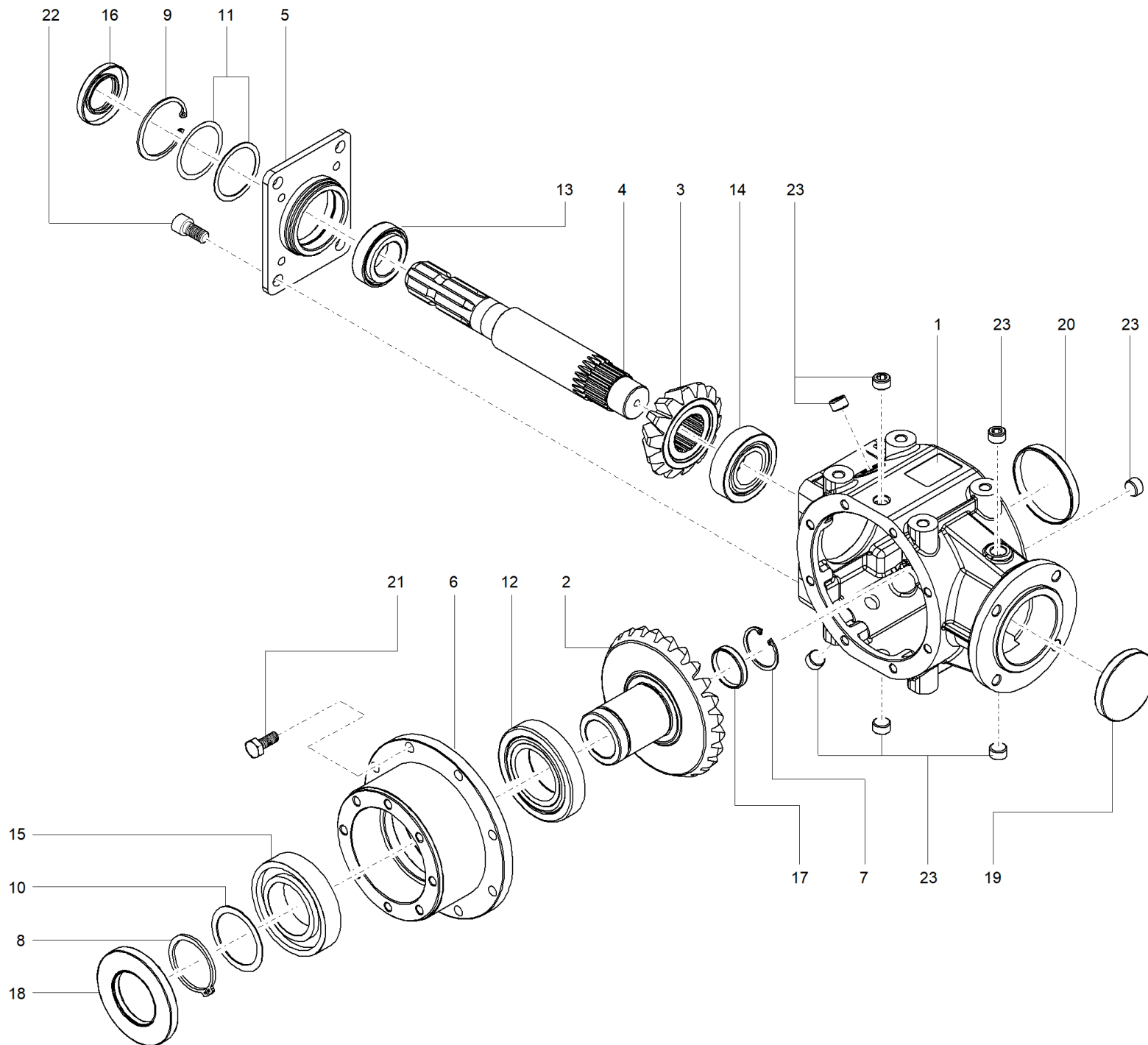
Table: 06

Reference	P/N	Description	Model #	Quantity
1	6601603	Document holder container - small		1
2	3021108025	Screw UNI5739 8.8 M8x25 galvanised (coarse pitch)		2
3	5205279	TA/FK/TB coupling 3rd point pin		2
4	3464101012	UNI7473 (coarse pitch) M12 zinc plated nut		8
5	3614000012	Wide washer UNI6593 100Hv Øi12		8
6	3464101008	UNI7473 (coarse pitch) M8 zinc plated nut		2
7	580166	U tube M12 60x60 - 62x86		4
8	0010176	CLIP WITH LACE		3
9	0010103	RING 42X15X2.5 GALVANIZED		1
10	1000268	Hook for carda		1
11	00110102	Elastic pin "R"		1
12	11000267	Pin Ø25		1
13	3464101020	UNI7473 (coarse pitch) M20 zinc plated nut		2
14	4002701	3rd point coupling pole		1

Machine type: POWER HARROW
 Model: EA
 Group: FRAME AND GUARDS

Document ID: 902686001
 Revision: 01_15/06/2020 ->
 Table: 07

Reference	P/N	Description	Model #	Quantity
1	4932705	Rh, guard plate		1
2	30026	LOCKING NUT M12		0
3	58001062	Side deflector's support left		1
4	10040	SCREW TE M12 X 40		6
5	29000292	Short pin		2
6	60051	R PLUG 5mm DIAMETER		2
7	5800724	Cover	EA/140	1
7	5800725	Cover	EA/160	1
7	5800726	Cover	EA/180	1
7	5800727	Cover	EA/200	1
7	5800728	Cover	EA/100	1
7	5800729	Cover	EA/120	1
7	5800735	Cover	EA/080	1
8	30025	FLANGE ZINC-COATED SCREW TE M12 X		0
9	60043	COVER'S CAP		1
10	60053	Case-cover mousse gasket		1
11	6000257	Lithium grease	EA/160	12
11	6000257	Lithium grease	EA/200	15
11	6000257	Lithium grease	EA/080	6
11	6000257	Lithium grease	EA/100	7,5
11	6000257	Lithium grease	EA/120	9
11	6000257	Lithium grease	EA/180	13,5
11	6000257	Lithium grease	EA/140	10,5
12	6000638	Roller's fixing screw		2
13	60001	GROWER WASHER 024		2
14	58001058	Angular side deflector junction		2
15	58001061	Sire deflector's support right		1
16	60180	SCREW TTOE M12 X 40		6
17	60179	SCREW TE M16 X 180		4
18	6000655	Sin deflector spacer		4
19	6000653	Rounder washer		8
20	6000654	Sire deflector's spring		4
21	50035	LOCKING NUT M16		0
22	5800722	Case	EA/100	1
22	5800723	Case	EA/120	1
22	5800730	Case	EA/140	1
22	5800731	Case	EA/160	1
22	5800732	Case	EA/180	1
22	5800733	Case	EA/200	1
22	5800734	Case	EA/080	1
23	3464101012	UNI7473 (coarse pitch) M12 zinc plated nut		6
24	3604000012	Flat washer UNI6592 140Hv Øi12		0
25	4932706	Lh, guard plate		0



Machine type: POWER HARROW

Model: EA

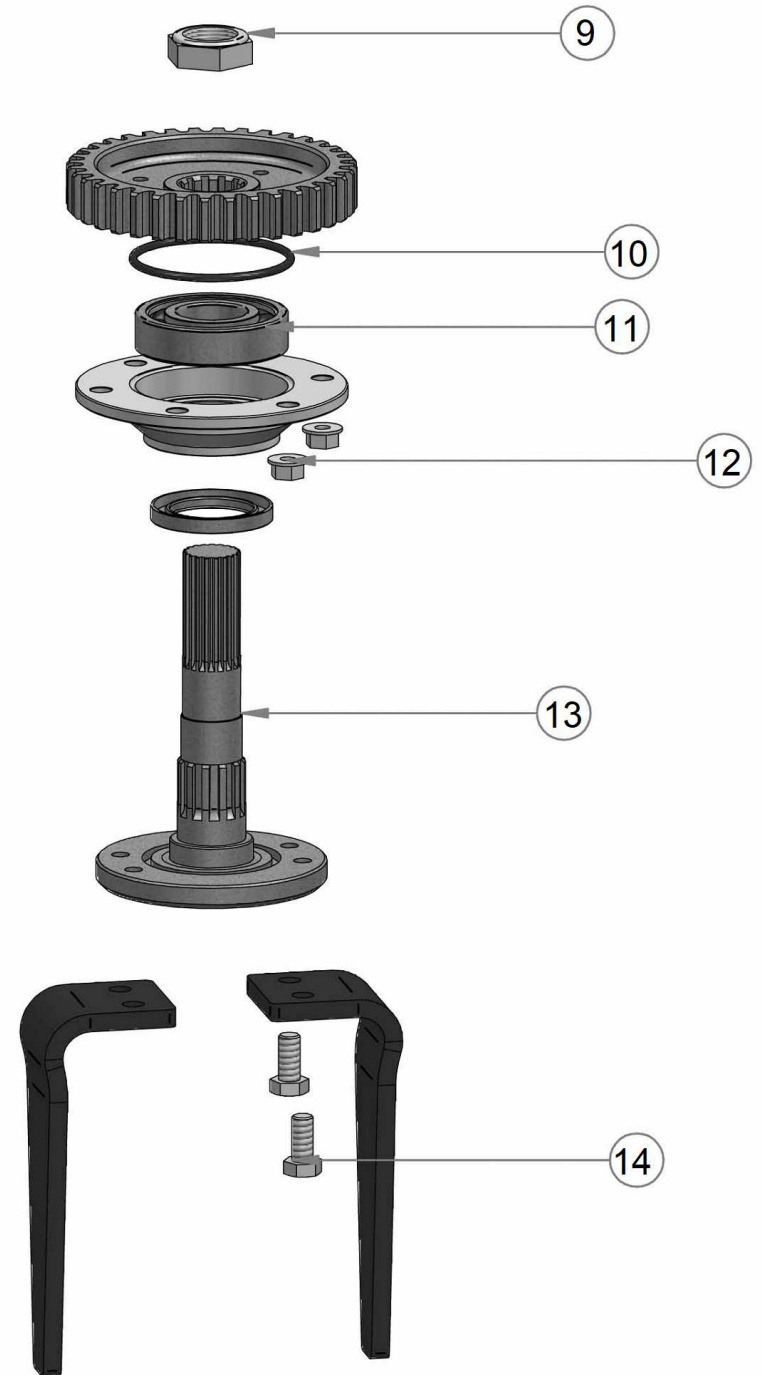
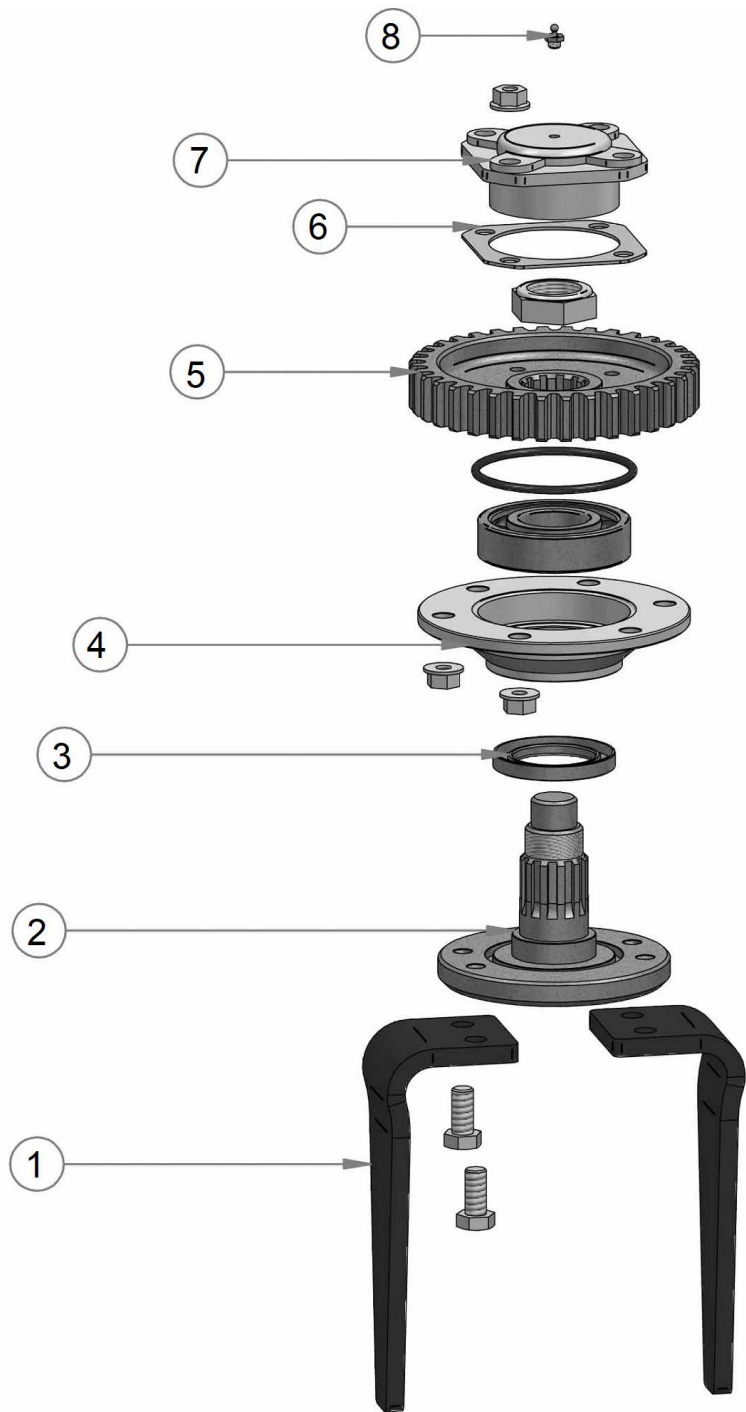
Group: GEARBOX

Document ID: 902686001

Revision: 00_04/04/2019 - 15/06/2020

Table: 01

Reference	P/N	Description	Model #	Quantity
1	100.013.003	Gear box		1
2	130.013.178.00	Bevel gear Z25 M6,25 R 1/1,78		1
3	140.013.178.00	Pinion Z14 M6,25 R 1/1,78 8		1
4	150.013.003	PTO shaft		1
5	240.013.003	Reae plate		1
6	240.013.004	Front plate		1
7	510.42.7437	Seeger 42 UNI 7437		1
8	510.55.7435	Seeger Ø55 UNI 7435		1
9	510.62.7437	Spacer Ø62 UNI 7437		1
10	530.55X68X1	Spacer 55x68x1		1
11	530.RAM62.0,5	Spacer RAM 62.0,5		2
12	56.030.211	Bearing 30211		1
13	56.032.007	Bearing 32007		1
14	56.032.207	Bearing 32207		1
15	5.606.211	Bearing 6211		1
16	570.35x62x8.TC	Seal ring 35x62x8 TC		1
17	570.42x7.RCA	Plug42x7 RCA		1
18	570.55x100x10.TC	Seal ring 55x100x10 TC		1
19	570.72x10.RCA	Plug 72x10 CA		1
20	570.80X10.RCA	Plug Ø80x10 RCA		1
21	580.10X25.ES	Screw M10x25		8
22	580.12x25.BR	Screw M12x25		4
23	590.T.3-8.906	Conical oil cap 3/8" DIN906		7



Machine type: POWER HARROW

Document ID: 902686001

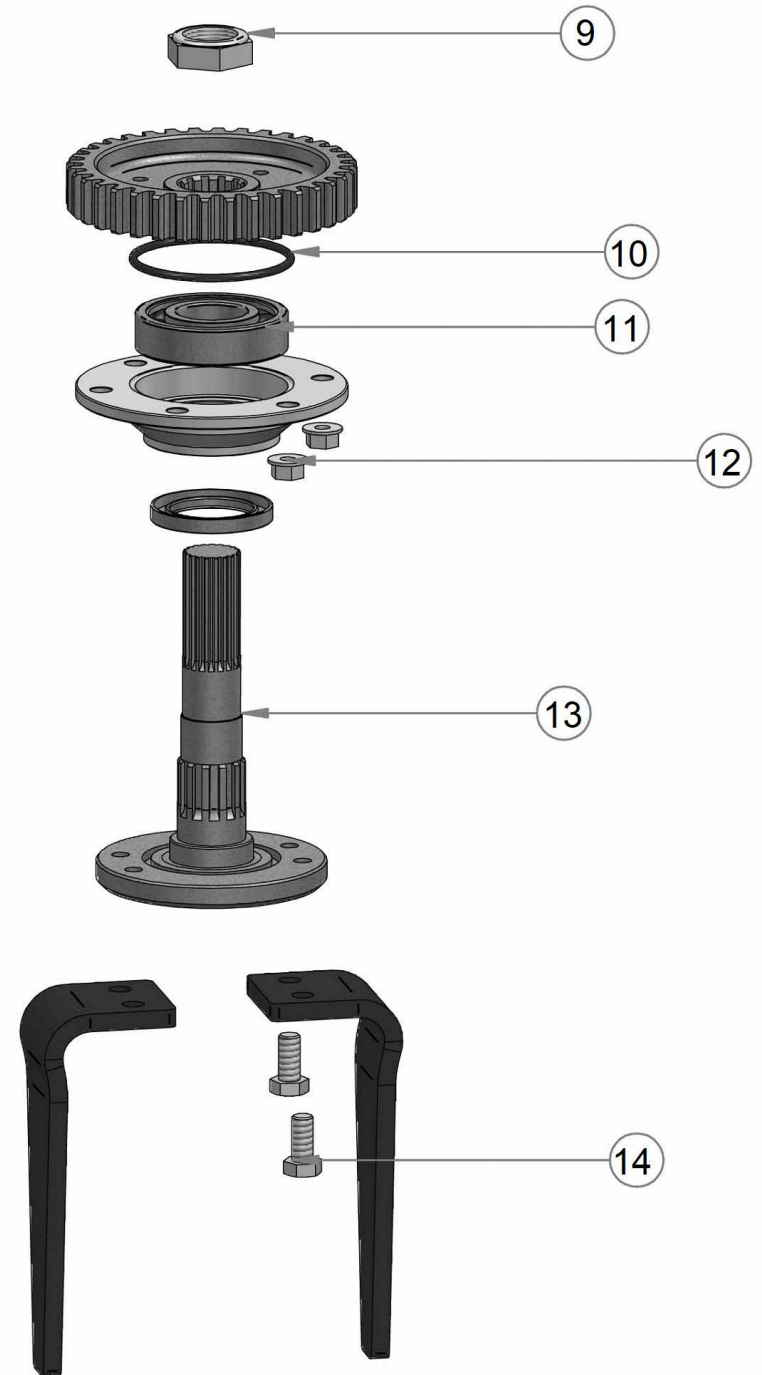
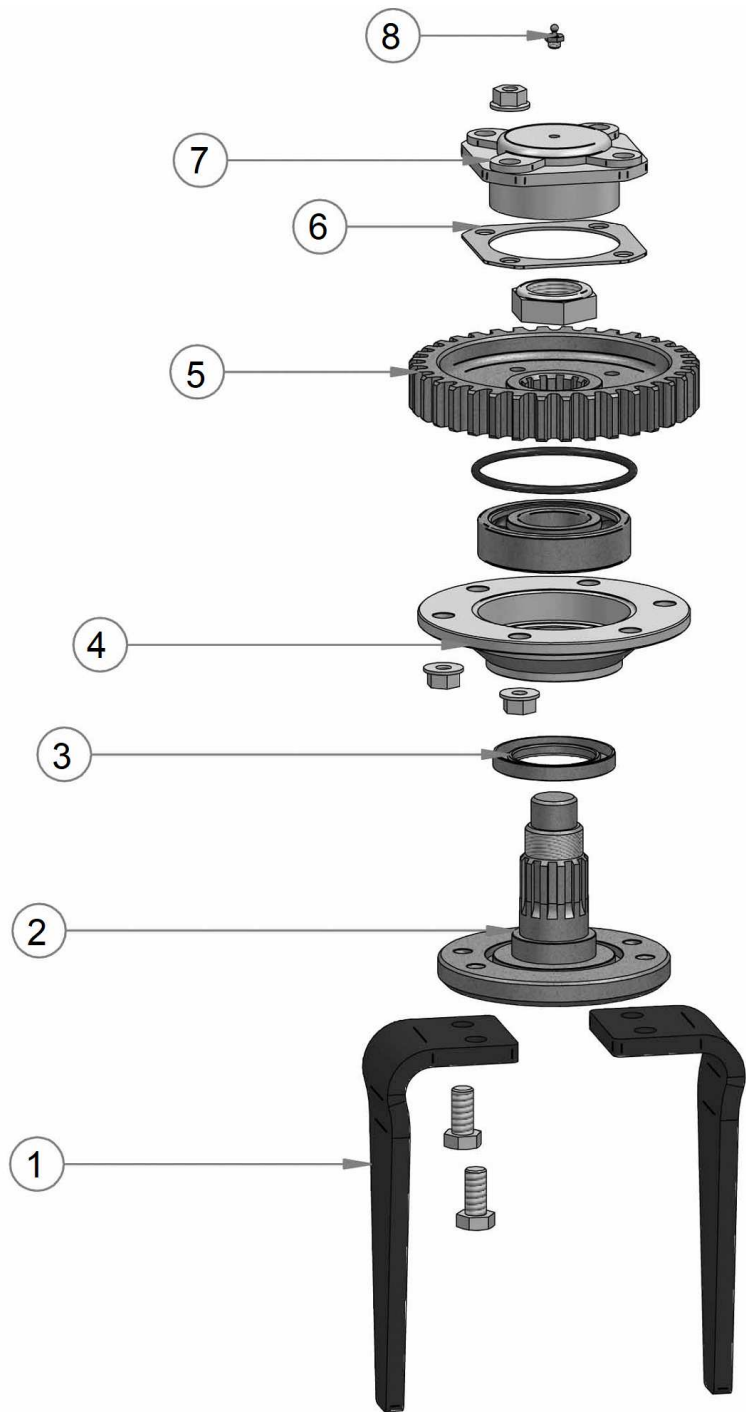
Model: EA

Revision: 00_04/04/2019 - 15/06/2020

Group: TOOLS AND RELATIVE SUPPORTS

Table: 02

Reference	P/N	Description	Model #	Quantity
1	56000929	Rh, blade	EA/180	9
1	56000929	Rh, blade	EA/200	10
1	56000929	Rh, blade	EA/140	7
1	56000929	Rh, blade	EA/080	4
1	56000929	Rh, blade	EA/160	8
1	56000929	Rh, blade	EA/120	6
1	56000929	Rh, blade	EA/100	5
2	57000933	Side shaft	EA/160	7
2	57000933	Side shaft	EA/080	3
2	57000933	Side shaft	EA/100	4
2	57000933	Side shaft	EA/200	9
2	57000933	Side shaft	EA/120	5
2	57000933	Side shaft	EA/140	6
2	57000933	Side shaft	EA/180	8
3	0050031	SEAL 80X55X10	EA/180	9
3	0050031	SEAL 80X55X10	EA/160	8
3	0050031	SEAL 80X55X10	EA/140	7
3	0050031	SEAL 80X55X10	EA/080	4
3	0050031	SEAL 80X55X10	EA/100	5
3	0050031	SEAL 80X55X10	EA/120	6
3	0050031	SEAL 80X55X10	EA/200	10
4	56000927	Lower holder	EA/100	5
4	56000927	Lower holder	EA/180	9
4	56000927	Lower holder	EA/200	10
4	56000927	Lower holder	EA/120	6
4	56000927	Lower holder	EA/080	4
4	56000927	Lower holder	EA/160	8
4	56000927	Lower holder	EA/140	7
5	56000926	Side gear wheel Z36	EA/180	9
5	56000926	Side gear wheel Z36	EA/120	6
5	56000926	Side gear wheel Z36	EA/140	7
5	56000926	Side gear wheel Z36	EA/100	5
5	56000926	Side gear wheel Z36	EA/200	10
5	56000926	Side gear wheel Z36	EA/160	8
5	56000926	Side gear wheel Z36	EA/080	4
6	00560162	Upper gasket	EA/140	6
6	00560162	Upper gasket	EA/080	3
6	00560162	Upper gasket	EA/120	5
6	00560162	Upper gasket	EA/180	8
6	00560162	Upper gasket	EA/200	9
6	00560162	Upper gasket	EA/100	4
6	00560162	Upper gasket	EA/160	7
7	56000924	Upper support	EA/180	8
7	56000924	Upper support	EA/100	4
7	56000924	Upper support	EA/080	3
7	56000924	Upper support	EA/120	5
7	56000924	Upper support	EA/140	6
7	56000924	Upper support	EA/200	9
7	56000924	Upper support	EA/160	7
8	0010001	Straight grease M8x1	EA/120	5
8	0010001	Straight grease M8x1	EA/100	4
8	0010001	Straight grease M8x1	EA/180	8
8	0010001	Straight grease M8x1	EA/200	9
8	0010001	Straight grease M8x1	EA/160	7
8	0010001	Straight grease M8x1	EA/080	3
8	0010001	Straight grease M8x1	EA/140	6
9	0010010	LOCKING NUT M38	EA/180	9
9	0010010	LOCKING NUT M38	EA/160	8
9	0010010	LOCKING NUT M38	EA/080	4
9	0010010	LOCKING NUT M38	EA/100	5



Machine type: POWER HARROW

Model: EA

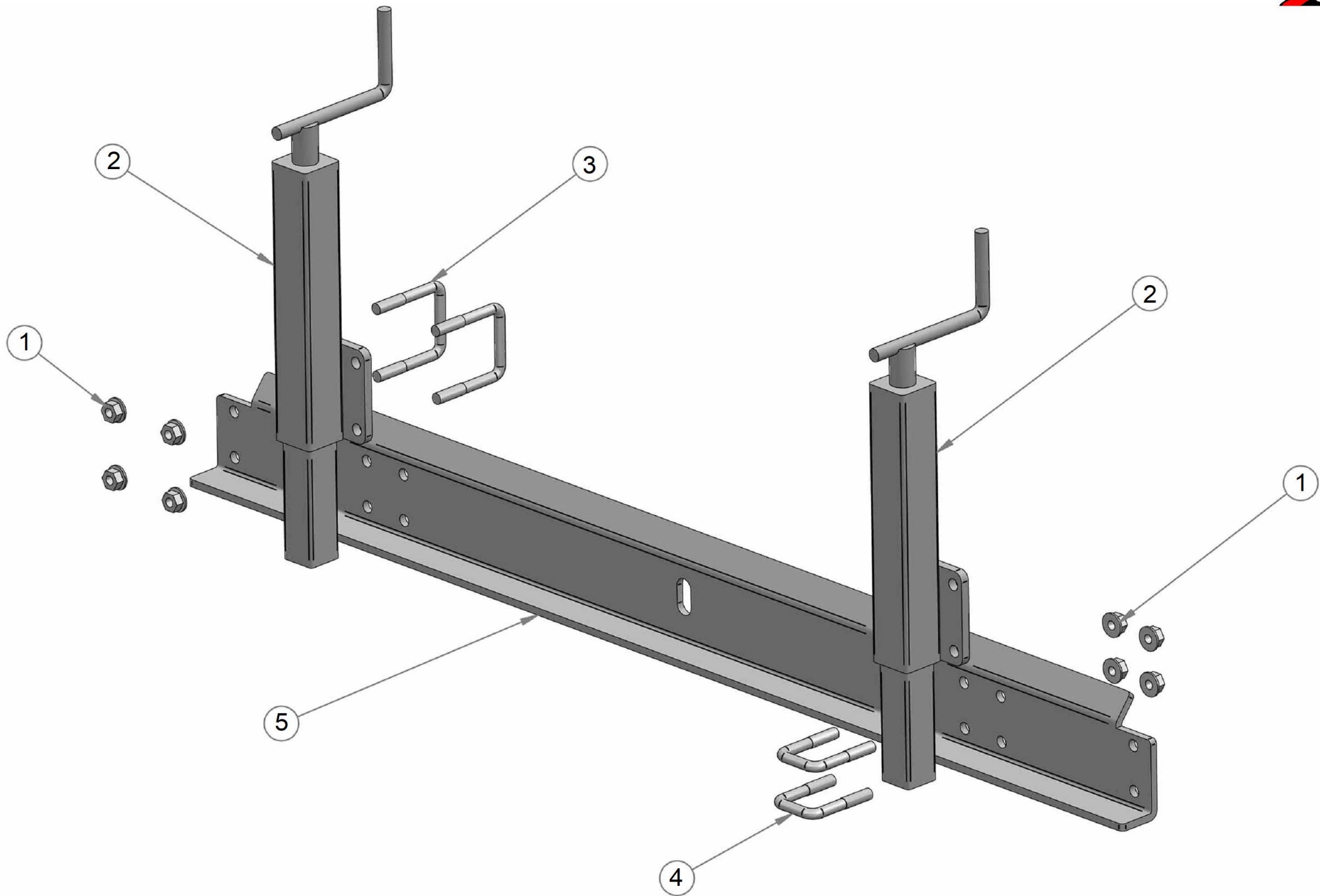
Group: TOOLS AND RELATIVE SUPPORTS

Document ID: 902686001

Revision: 00_04/04/2019 - 15/06/2020

Table: 02

Reference	P/N	Description	Model #	Quantity
9	0010010	LOCKING NUT M38	EA/140	7
9	0010010	LOCKING NUT M38	EA/120	6
9	0010010	LOCKING NUT M38	EA/200	10
10	0080001	UPPER O-RING GASKET 098X3.53	EA/160	8
10	0080001	UPPER O-RING GASKET 098X3.53	EA/100	5
10	0080001	UPPER O-RING GASKET 098X3.53	EA/080	4
10	0080001	UPPER O-RING GASKET 098X3.53	EA/140	7
10	0080001	UPPER O-RING GASKET 098X3.53	EA/180	9
10	0080001	UPPER O-RING GASKET 098X3.53	EA/200	10
10	0080001	UPPER O-RING GASKET 098X3.53	EA/120	6
11	0080069	BEARING 6309 45x100x25	EA/200	10
11	0080069	BEARING 6309 45x100x25	EA/160	8
11	0080069	BEARING 6309 45x100x25	EA/120	6
11	0080069	BEARING 6309 45x100x25	EA/100	5
11	0080069	BEARING 6309 45x100x25	EA/080	4
11	0080069	BEARING 6309 45x100x25	EA/180	9
11	0080069	BEARING 6309 45x100x25	EA/140	7
12	0030022	Flanged nut M12	EA/160	364
12	0030022	Flanged nut M12	EA/140	276
12	0030022	Flanged nut M12	EA/180	464
12	0030022	Flanged nut M12	EA/080	84
12	0030022	Flanged nut M12	EA/100	136
12	0030022	Flanged nut M12	EA/120	200
12	0030022	Flanged nut M12	EA/200	576
13	05700737	Central shaft		1
14	00100073	Screw TE M14x30	EA/120	24
14	00100073	Screw TE M14x30	EA/100	20
14	00100073	Screw TE M14x30	EA/140	28
14	00100073	Screw TE M14x30	EA/160	32
14	00100073	Screw TE M14x30	EA/180	36
14	00100073	Screw TE M14x30	EA/200	40
14	00100073	Screw TE M14x30	EA/080	16



Machine type: POWER HARROW

Model: EA

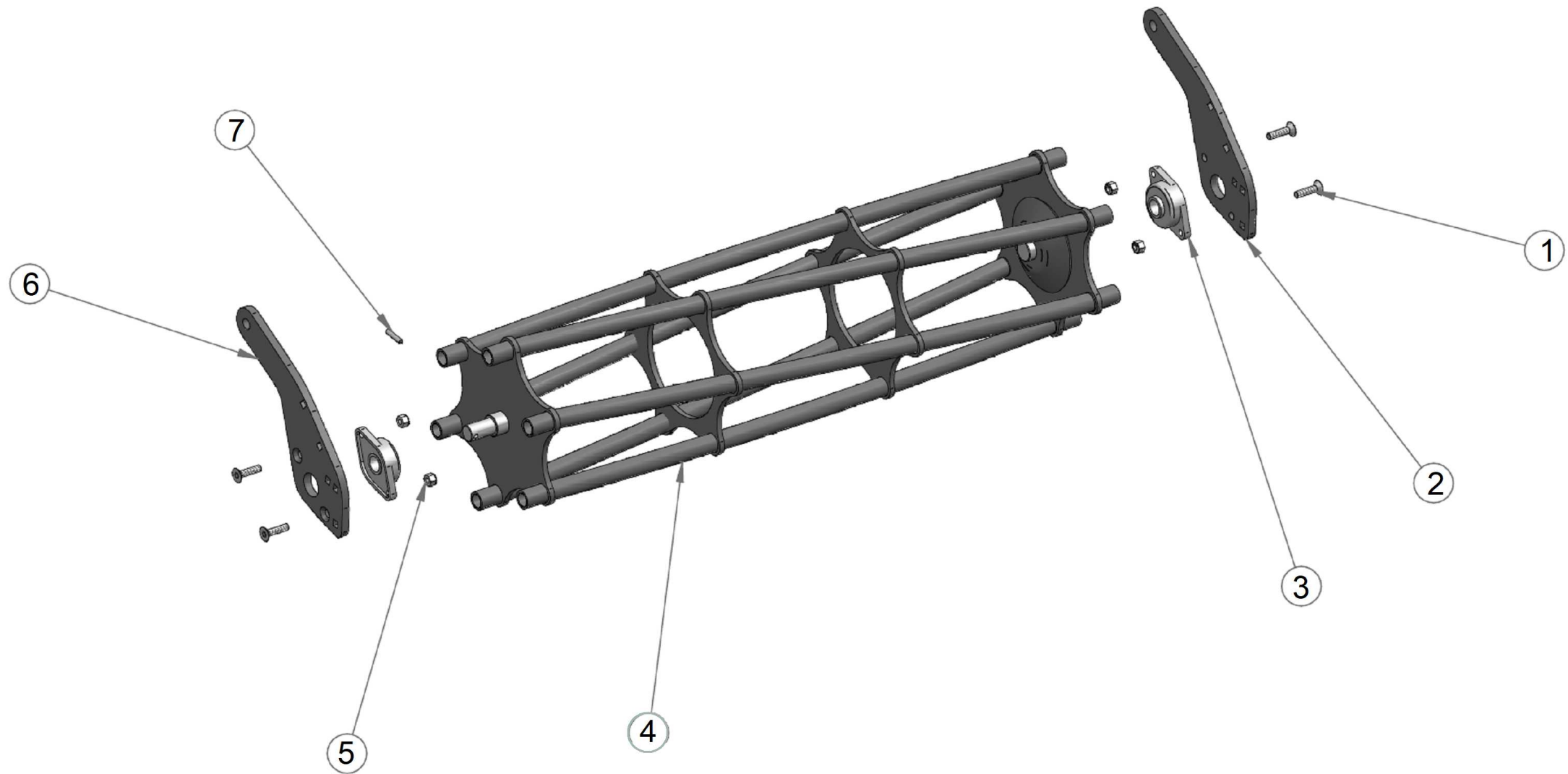
Group: LEVELLING BAR

Document ID: 902686001

Revision: 00_04/04/2019 - 15/06/2020

Table: 03

Reference	P/N	Description	Model #	Quantity
1	0030022	Flanged nut M12		16
2	58000015	Harrows bar's handle		2
3	00580166	U tube m12 60x60 - 62x86		4
4	001970019	U tube m12 50x50		4
5	58000008	Bended blade	EA/080	1
5	58000009	Bended blade	EA/100	1
5	58000010	Bended blade	EA/120	1
5	58000011	Bended blade	EA/140	1
5	58000012	Bended blade	EA/160	1
5	58000013	Bended blade	EA/180	1
5	58000014	Bended blade	EA/200	1



Machine type: POWER HARROW

Model: EA

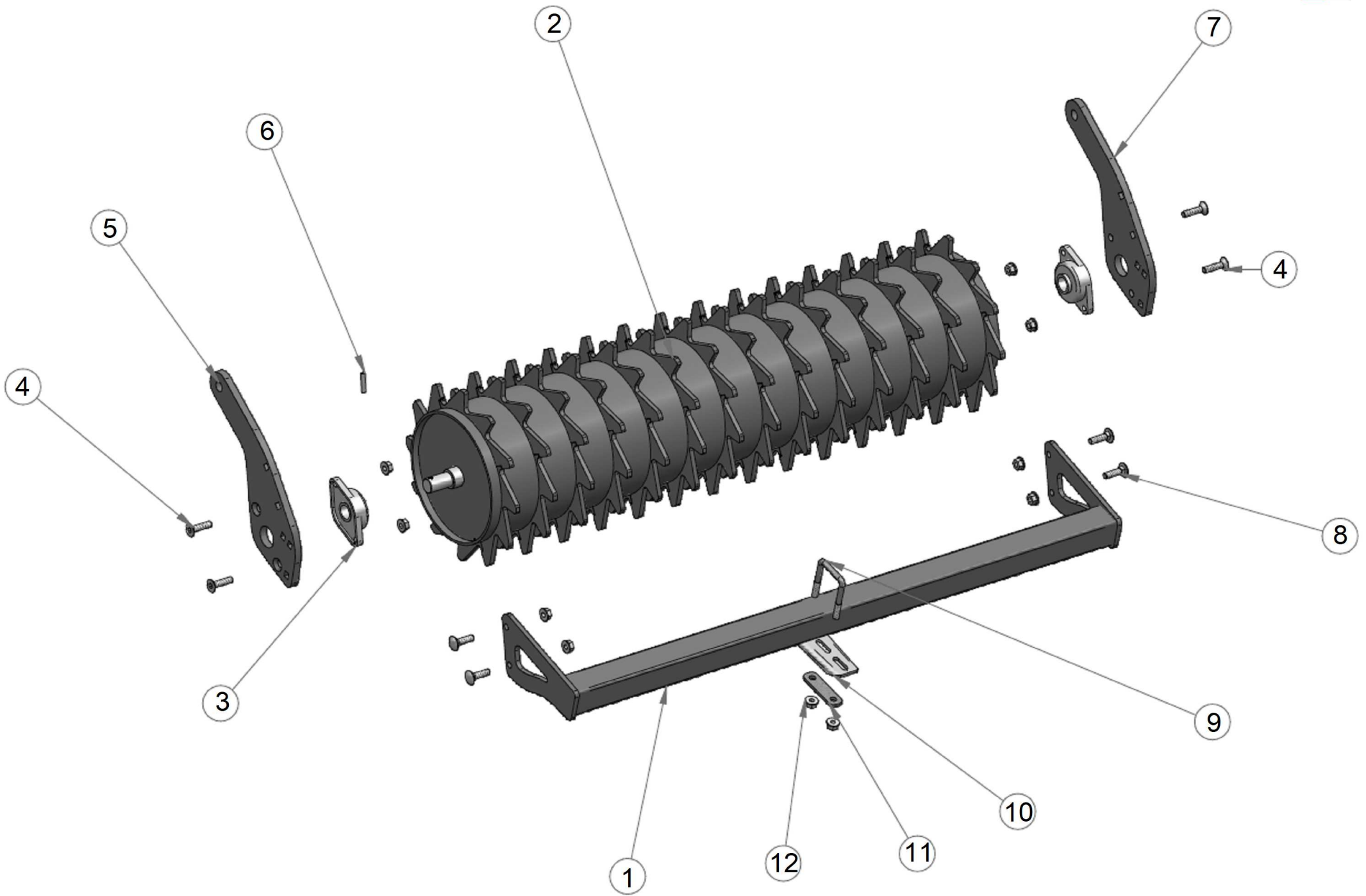
Group: CAGE ROLLER

Document ID: 902686001

Revision: 00_04/04/2019 - 15/06/2020

Table: 04

Reference	P/N	Description	Model #	Quantity
1	00300005	SCREW TSCE M14x40		4
2	29000391	Lateral roller holder ascot		1
3	001290115	UCFL 206 HOLDER		2
4	03100352	CAGE ROLLER Ø355 ASCOT 800	EA/800	1
4	03100359	CAGE ROLLER Ø355 ASCOT 1000	EA/1000	1
4	03100360	CAGE ROLLER Ø355 ASCOT 1200	EA/1200	1
4	03100361	CAGE ROLLER Ø355 ASCOT 1400	EA/1400	1
4	03100362	CAGE ROLLER Ø355 ASCOT 1600	EA/1600	1
4	03100363	CAGE ROLLER Ø355 ASCOT 1800	EA/1800	1
4	03100364	CAGE ROLLER Ø355 ASCOT 2000	EA/2000	1
5	0030026	LOCKING NUT M12		4
6	29000396	Lateral roller holder		1
7	000290116	ELASTIC PLUG Ø8.5 L=40		2



Machine type: POWER HARROW

Model: EA

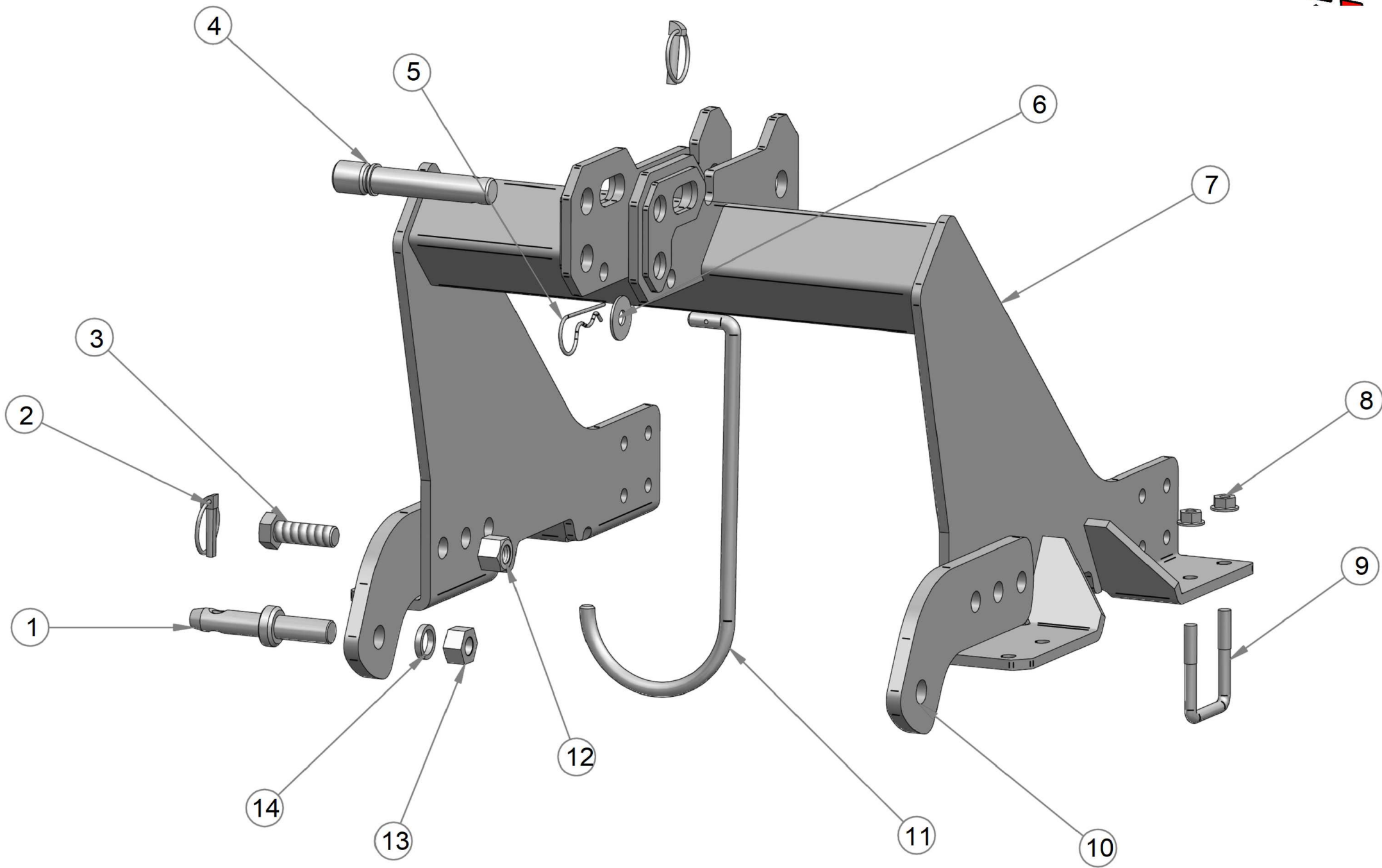
Group: PACKER ROLLER

Document ID: 902686001

Revision: 00_04/04/2019 - 15/06/2020

Table: 05

Reference	P/N	Description	Model #	Quantity
1	03300064	CLEANER CHASSIS ASCOT 800	EA/800	1
1	03300065	CLEANER CHASSIS ASCOT 1000	EA/1000	1
1	03300066	CLEANER CHASSIS ASCOT 1200	EA/1200	1
1	03300067	CLEANER CHASSIS ASCOT 1200	EA/1400	1
1	03300068	CLEANER CHASSIS ASCOT 1600	EA/1600	1
1	03300069	CLEANER CHASSIS ASCOT 1800	EA/1800	1
1	03300070	CLEANER CHASSIS ASCOT 2000	EA/2000	1
2	03300050	PACKER ROLLER Ø308 ASCOT 800	EA/800	1
2	03300051	PACKER ROLLER Ø308 ASCOT 1000	EA/1000	1
2	03300052	PACKER ROLLER Ø308 ASCOT 1200	EA/1200	1
2	03300053	PACKER ROLLER Ø308 ASCOT 1400	EA/1400	1
2	03300054	PACKER ROLLER Ø308 ASCOT 1600	EA/1600	1
2	03300055	PACKER ROLLER Ø308 ASCOT 1800	EA/1800	1
2	03300056	PACKER ROLLER Ø308 ASCOT 2000	EA/2000	1
2	03300057	PACKER ROLLER Ø370 ASCOT 800	EA/800	1
2	03300058	PACKER ROLLER Ø370 ASCOT 1000	EA/1000	1
2	03300059	PACKER ROLLER Ø370 ASCOT 1200	EA/1200	1
2	03300060	PACKER ROLLER Ø370 ASCOT 1400	EA/1400	1
2	03300061	PACKER ROLLER Ø370 ASCOT 1600	EA/1600	1
2	03300062	PACKER ROLLER Ø370 ASCOT 1800	EA/1800	1
2	03300063	PACKER ROLLER Ø370 ASCOT 2000	EA/2000	1
3	001290115	UCFL 206 HOLDER		2
4	00300005	SCREW TSCE M14x40		4
5	29000396	Lateral roller holder		1
6	000290116	ELASTIC PLUG Ø8.5 L=40		2
7	29000391	Lateral roller holder ascot		1
8	00300004	SCREW TE M12x40		4
9	00580166	U tube m12 60x60 - 62x86		13
10	33000016	Large roller cleaner		13
11	33000490	Roller cleaner holder		13
12	0030022	Flanged nut M12		34



Machine type: POWER HARROW

Model: EA

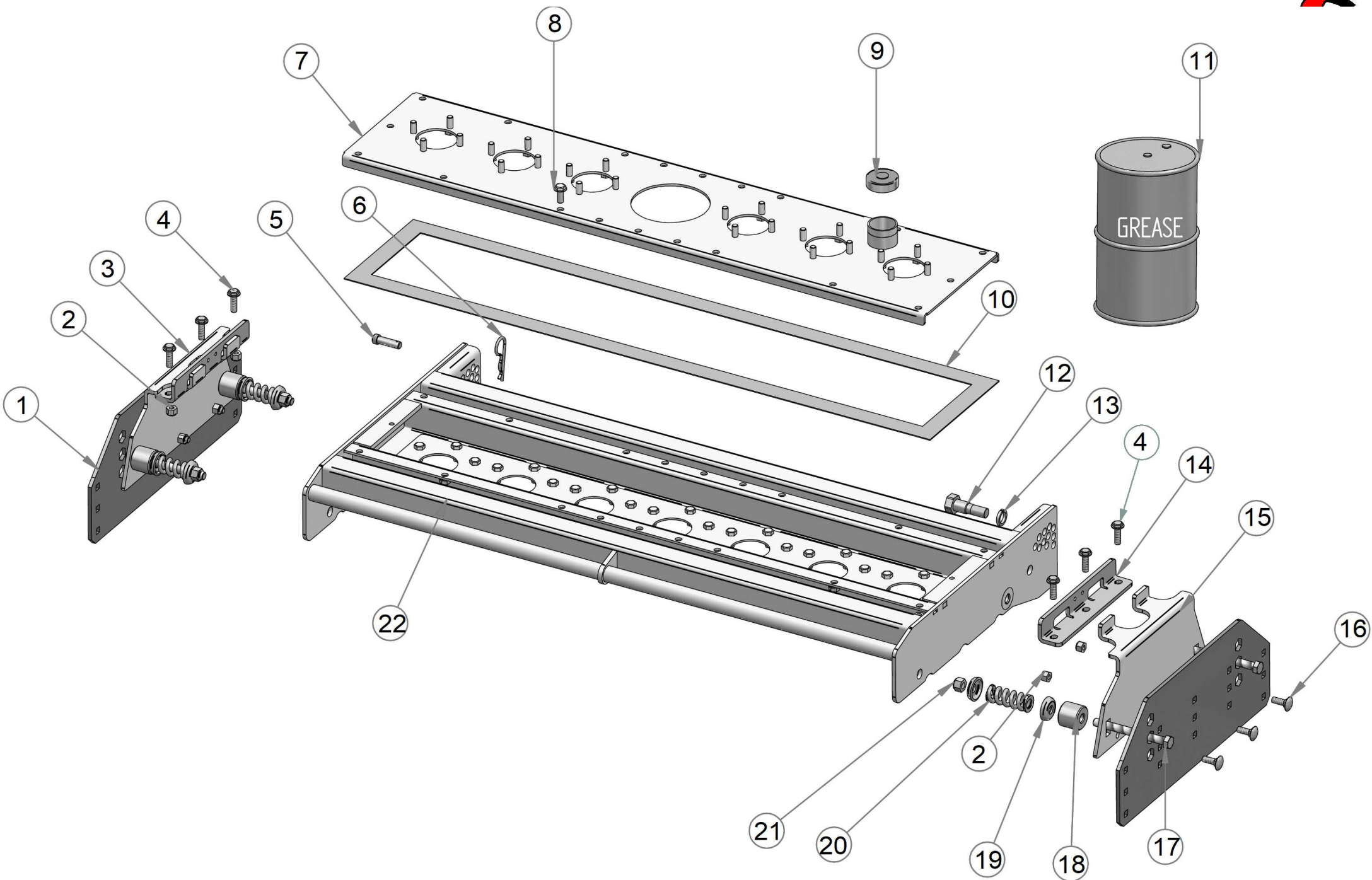
Group: Tractor hitches

Document ID: 902686001

Revision: 00_04/04/2019 - 15/06/2020

Table: 06

Reference	P/N	Description	Model #	Quantity
1	58000936	Pin Ø22		1
2	0010176	CLIP WITH LACE		2
3	0060050			1
4	11000267	Pin Ø25		1
5	00110102	Elastic pin "R"		1
6	0010103	RING 42X15X2.5 GALVANIZED		1
7	05800721			1
8	0030022	Flanged nut M12		6
9	00580166	U tube m12 60x60 - 62x86		1
10	76000004	Lower third point linkage		2
11	1000268	Hook for carda		1
12	0010004			4
13	00180110			1
14	0060001	GROWER WASHER 024		2



Machine type: POWER HARROW
 Model: EA
 Group: FRAME AND GUARDS

Document ID: 902686001
 Revision: 00_04/04/2019 - 15/06/2020
 Table: 07

Reference	P/N	Description	Model #	Quantity
1	58001063	Side deflector		2
2	0030026	LOCKING NUT M12		10
3	58001062	Side deflector's support left		1
4	0010040	SCREW TE M12 X 40		6
5	29000292	Short pin		1
6	0060051	"R" PLUG 5mm DIAMETER		1
7	05800724	COVER MOD.1400	EA/1400	1
7	05800725	COVER MOD.1600	EA/1600	1
7	05800726	COVER MOD.1800	EA/1800	1
7	05800727	COVER MOD.2000	EA/2000	1
7	05800728	COVER MOD.1000	EA/1000	1
7	05800729	COVER MOD.1200	EA/1200	1
7	05800735	COVER MOD.800	EA/800	1
8	0030025	FLANGE ZINC-COATEO SCREW TE M12 X		1
9	0060043	COVER'S CAP		1
10	0060053	CASE-COVER MOUSSE GASKET		1
11	6000257	Lithium grease	EA/800	1
11	6000257	Lithium grease	EA/1200	9
11	6000257	Lithium grease	EA/1800	13,5
11	6000257	Lithium grease	EA/1400	10,5
11	6000257	Lithium grease	EA/2000	15
11	6000257	Lithium grease	EA/1000	7,5
11	6000257	Lithium grease	EA/1600	12
12	6000638	Roller's fixing screw		2
13	0060001	GROWER WASHER 024		2
14	58001058	Angolar side deflector junction		2
15	58001061	Sire deflector's support right		1
16	0060180	SCREW TTOE M12 X 40		6
17	0060179	SCREW TE M16 X 180		4
18	6000655	Sin deflector spacer		4
19	6000653	Rounder washer		8
20	6000654	Sire deflector's spring		4
21	0050035	LOCKING NUT M16		4
22	05800722	CASE MOD.1000	EA/1000	1
22	05800723	CASE MOD.1200	EA/1200	1
22	05800730	CASE MOD.1400	EA/1400	1
22	05800731	CASE MOD.1600	EA/1600	1
22	05800732	CASE MOD.1800	EA/1800	1
22	05800733	CASE MOD.2000	EA/2000	1
22	05800734	CASE MOD.800	EA/800	1