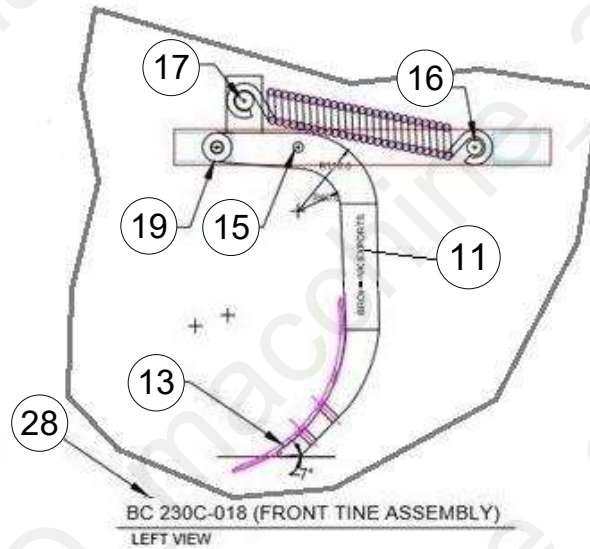
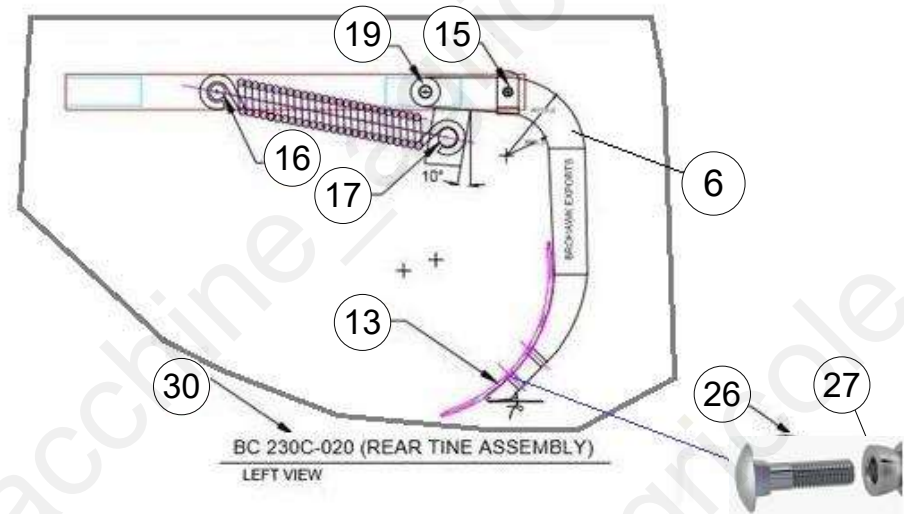
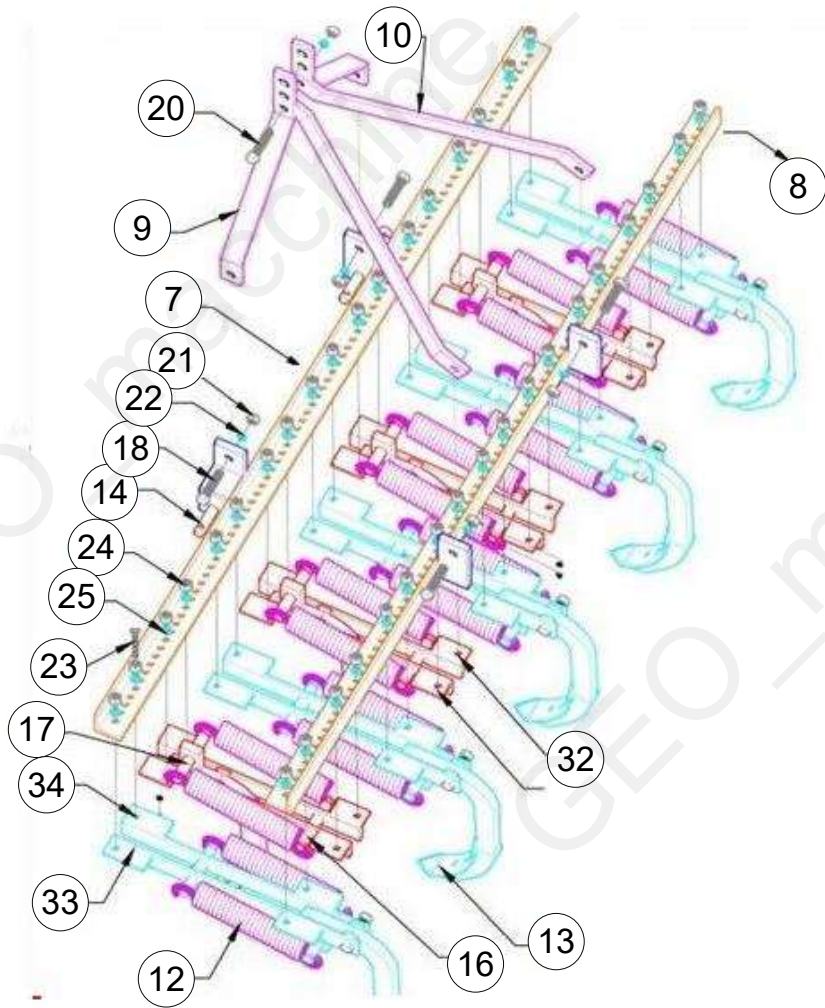


## AC



# Table of Contents

Tavola	Page
AC_parte1	3



Pos	Code	Description	NOTE	Q.
6	BC.230C-000	Rear TYNE	QUANTITIES: AC5=3; AC7=4; AC9=5	1
7	BC.230C-FF.(AC5)	FRONT FRAME 110		1
7	BC.230C-FF.(AC7)	FRONT FRAME 156		1
7	BC.230C-FF.(AC9)	FRONT FRAME 200		1
8	BC.230C-FR.(AC5)	REAR FRAME 110		1
8	BC.230C-FR.(AC7)	REAR FRAME 156		1
8	BC.230C-FR.(AC9)	REAR FRAME 200		1
9	BC.230-LF	3 POINT LINKAGE FRONT		1
10	BC.230-LR	3 POINT LINKAGE REAR		1
11	BC.230C-001	Front TYNE	QUANTITIES: AC5=2; AC7=3; AC9=4	5
12	BC.230C-002	SPRING	QUANTITIES: AC5=10; AC7=14; AC9=18	18
13	BC.230C-003	SHOVEL - TEETH	QUANTITIES: AC5=5; AC7=7; AC9=9	7
14	BC.230C-004	DOUBLE TILLER PIN		2
15	BC.230C-005	U BOLT	QUANTITIES: AC5=5; AC7=7; AC9=9	9
16	BC.230C-006	SPACER PIN WITH TURNING & GROVE		0
17	BC.230C-007	SPACER PIN WITH GROVE		0
18	BC.230C-008	BOLT 5/8 X 2" H.T		4
19	BC.230C-009	BOLT 5/8 X 3.5" H.T	QUANTITIES: AC5=5; AC7=7; AC9=9	9
20	BC.230C-010	BOLT 5/8 X 4.5" H.T		1
21	BC.230C-011	NUT 5/8"	QUANTITIES: AC5=10; AC7=12; AC9=14	10
22	BC.230C-012	WASHER 5/8"	QUANTITIES: AC5=10; AC7=12; AC9=14	14
23	BC.230C-013	BOLT 1/2 X 1-1/4" FULL THREAD	QUANTITIES: AC5=20; AC7=28; AC9=36	28
24	BC.230C-014	NUT 1/2"	QUANTITIES: AC5=20; AC7=28; AC9=36	28
25	BC.230C-015	WASHER 1/2"	QUANTITIES: AC5=20; AC7=28; AC9=36	20
26	BC.230C-016	SHOVEL BOLT 3/8 X 2"	QUANTITIES: AC5=10; AC7=14; AC9=18	10

Machine: AC

Assembly: AC\_parte1



Pos	Code	Description	NOTE	Q.
27	BC.230C-017	NUT 3/8"	QUANTITIES: AC5=10; AC7=14; AC9=18	18
28	BC.230C-018	FRONT TINE ASSEMBLY	QUANTITIES: AC5=2; AC7=3; AC9=4	2
30	BC.230C-020	REAR TINE ASSEMBLY	QUANTITIES: AC5=2; AC7=3; AC9=4	3
32	BC.230C-022	FRONT TINE FRAME RIGHT	QUANTITIES: AC5=2; AC7=3; AC9=4	4
33	BC.230C-023	REAR TINE FRAME LEFT	QUANTITIES: AC5=3; AC7=4; AC9=5	1
34	BC.230C-024	REAR TINE FRAME RIGHT	QUANTITIES: AC5=3; AC7=4; AC9=5	4