

零件编号	结构代码	零件顺序	零件编号	结构代码	零件顺序	零件编号	结构代码	零件顺序
0.030.4773.0	9.DI066.02.0_0	1	SH900.56.155/10	A11.56.901.4_0	6	0.027.8033.0	A23.13.900.4_2	27
2.1560.012.0	9.DI066.02.0_0	2	SH900.56.027/20	A11.56.901.4_1	1	2.6859.165.2	A23.13.900.4_2	28
GBT3733.2-83-G12	9.DI066.02.0_0	3	SH900.56.031	A11.56.901.4_1	2	A23.13.002.0	A23.13.900.4_2	29
GBT93-6-A3L	9.DI066.02.0_0	4	SH900.56.105	A11.56.901.4_1	3	A23.13.003.0	A23.13.900.4_2	30
GBT93-6-A2L	9.DI066.02.0_0	4	SH900.56.107	A11.56.901.4_1	4	JBT8870-d60	A23.13.900.4_2	31
GBT5783-M6x12-A2L	9.DI066.02.0_0	5	SH900.56.108	A11.56.901.4_1	5	CD1104A.13.102/10	A23.13.900.4_2	32
DF1204.58B.011	9.DI688.25.0_0	1	SH900.56.155/10	A11.56.901.4_1	6	CD804A.13.102	A23.13.900.4_2	33
GBT3452.1-300X3.55-G	A11.43.001.4/10	1	GBT91-5X40-A3L	A11.56.902.4_2	4	CD1104A.13.013/10	A23.13.900.4_2	34
GBT3452.1-260X3.55-G	A11.43.001.4/10	2	GBT9459-M24X2-A3L	A11.56.902.4_2	6	CD1104A.13.105	A23.13.900.4_2	35
GBT119.1-10m6X22	A11.43.001.4/10	3	A11.56.040.4	A11.56.902.4_2	7	GBT5783-M10X20-A3L	A23.13.900.4_2	36
0.026.3890.0/10	A11.43.001.4/10	4	SH900.56.104	A11.56.902.4_2	8	CD1104A.13.010/50	A23.13.900.4_3	1
SH900.43.027	A11.43.001.4/10	5	SH900.56.105	A11.56.902.4_2	9	LE1204.13.110	A23.13.900.4_3	2
SH900.43.173	A11.43.001.4/10	6	A11.56.039.0	A11.56.902.4_2	10	LE1204.13.111	A23.13.900.4_3	3
A11.43.007.0/10	A11.43.001.4/10	7	SH900.56.150	A11.56.902.4_2	11	GBT5783-M10X55-10.9-A3L	A23.13.900.4_3	4
JBT982-10	A11.43.001.4/10	8	CD1104A.13.010/50	A23.13.900.4_2	1	GBT5783-M10X25-A3L	A23.13.900.4_3	5
SH900.43.189	A11.43.001.4/10	9	LE1204.13.110	A23.13.900.4_2	2	GBT93-10-A3L	A23.13.900.4_3	6
GBT3452.1-300X3.55-G	A11.43.002.4/10	1	LE1204.13.111	A23.13.900.4_2	3	GBT97.1-10-A3L	A23.13.900.4_3	7
GBT3452.1-260X3.55-G	A11.43.002.4/10	2	GBT5783-M10X55-10.9-A3L	A23.13.900.4_2	4	CD1104A.13.014/10	A23.13.900.4_3	8
GBT119.1-10m6X22	A11.43.002.4/10	3	GBT5783-M10X25-A3L	A23.13.900.4_2	5	SH900.13.107	A23.13.900.4_3	9
0.026.3890.0/10	A11.43.002.4/10	4	GBT93-10-A3L	A23.13.900.4_2	6	GBT97.1-8-A3L	A23.13.900.4_3	10
SH900.43.027	A11.43.002.4/10	5	GBT97.1-10-A3L	A23.13.900.4_2	7	GBT5783-M8X30-A2L	A23.13.900.4_3	11
SH900.43.173	A11.43.002.4/10	6	CD1104A.13.014/10	A23.13.900.4_2	8	GBT5783-M8X20-A2L	A23.13.900.4_3	12
A11.43.008.0/10	A11.43.002.4/10	7	SH900.13.107	A23.13.900.4_2	9	0.023.2676.2	A23.13.900.4_3	13
JBT982-10	A11.43.002.4/10	8	GBT97.1-8-A3L	A23.13.900.4_2	10	GBT5783-M4X12-A2L	A23.13.900.4_3	14
SH900.43.189	A11.43.002.4/10	9	GBT5783-M8X30-A2L	A23.13.900.4_2	11	GBT97.1-4-A3L	A23.13.900.4_3	15
A11.43.001.4/10	A11.43.905.4_2	1	GBT5783-M8X20-A2L	A23.13.900.4_2	12	CD1204.13.012	A23.13.900.4_3	16
A11.43.002.4/10	A11.43.905.4_2	2	0.023.2676.2	A23.13.900.4_2	13	JBT8870-d16	A23.13.900.4_3	17
0.170.5455.0	A11.43.905.4_2	3	GBT5783-M4X12-A2L	A23.13.900.4_2	14	0.026.5598.0	A23.13.900.4_3	18
2.3199.039.0	A11.43.905.4_2	4	GBT97.1-4-A3L	A23.13.900.4_2	15	0.026.5598.0	A23.13.900.4_3	19
A23.51.001.0	A11.51.907.4_0	1	CD1204.13.012	A23.13.900.4_2	16	A31.13.005.0/20	A23.13.900.4_3	20
A23.51.002.0	A11.51.909.4_0	1	JBT8870-d16	A23.13.900.4_2	17	CD1104A.13.108	A23.13.900.4_3	21
SH900.56.020	A11.56.040.4	1	0.026.5598.0	A23.13.900.4_2	18	A31.13.006.0	A23.13.900.4_3	22
SH900.56.034	A11.56.040.4	2	0.026.5598.0	A23.13.900.4_2	19	0.023.0628.0	A23.13.900.4_3	23
A11.40.041.3	A11.56.040.4	3	A31.13.005.0/10	A23.13.900.4_2	20	CD1104A.13.015/10	A23.13.900.4_3	24
GBT5796.3-TR28X3-A3L	A11.56.040.4	4	CD1104A.13.108	A23.13.900.4_2	21	CD1204A.13.105	A23.13.900.4_3	25
SH900.56.109	A11.56.040.4	5	A31.13.006.0	A23.13.900.4_2	22	2.6859.155.0	A23.13.900.4_3	26
SH900.56.027/10	A11.56.901.4_0	1	0.023.0628.0	A23.13.900.4_2	23	0.027.8033.0	A23.13.900.4_3	27
SH900.56.031	A11.56.901.4_0	2	CD1104A.13.015/10	A23.13.900.4_2	24	2.6859.165.2	A23.13.900.4_3	28
SH900.56.105	A11.56.901.4_0	3	CD1204A.13.105	A23.13.900.4_2	25	A23.13.002.0	A23.13.900.4_3	29
SH900.56.107	A11.56.901.4_0	4	2.6859.155.0	A23.13.900.4_2	26	A23.13.003.0	A23.13.900.4_3	30

零件编号	结构代码	零件顺序	零件编号	结构代码	零件顺序	零件编号	结构代码	零件顺序
A23.13.003.0	A23.13.900.4_3	30	SH900.37.203	A23.37.900.4_0	17	GBT893.1-40	A23.37.900.4_1	28
JBT8870-d60	A23.13.900.4_3	31	LE1204.37.157	A23.37.900.4_0	18	SH900.37.174	A23.37.904.4_0	1
CD1104A.13.102/10	A23.13.900.4_3	32	SH900.37.181	A23.37.900.4_0	19	SH900.37.175	A23.37.904.4_0	2
CD804A.13.102	A23.13.900.4_3	33	GBT3452.1-17X2.65-G	A23.37.900.4_0	20	GBT5781-M8X20-A3L	A23.37.904.4_0	3
CD1104A.13.013/10	A23.13.900.4_3	34	GBT879.1-3X32	A23.37.900.4_0	21	GBT93-8-A3L	A23.37.904.4_0	4
CD1104A.13.105	A23.13.900.4_3	35	SH900.37.185	A23.37.900.4_0	22	SH900.37.178/10	A23.37.904.4_0	5
GBT5783-M10X20-A3L	A23.13.900.4_3	36	LE1204.37.184	A23.37.900.4_0	23	SH900.37.177	A23.37.904.4_0	6
0.011.2973.0	A23.21.907.4_0	1	GBT879.1-5X30	A23.37.900.4_0	24	GBT5781-M10X20-A3L	A23.37.904.4_0	7
0.012.6739.0	A23.21.907.4_0	2	GBT879.1-3X30	A23.37.900.4_0	25	GBT5780-M10X75-A3L	A23.37.904.4_0	8
2.3820.105.2	A23.21.907.4_0	3	QCT388-24	A23.37.900.4_0	26	GBT5781-M10X25-A3L	A23.37.904.4_0	9
A23.21.005.0	A23.21.907.4_0	4	SH900.37.176	A23.37.900.4_0	27	GBT5780-M10X40-A3L	A23.37.904.4_0	10
A23.21.007.0	A23.21.907.4_0	5	SH900.37.191	A23.37.900.4_0	28	GBT93-10-A3L	A23.37.904.4_0	11
A41.21.002.0	A23.21.907.4_0	6	GBT893.1-40	A23.37.900.4_0	29	GBT119.1-16m6X32	A23.37.904.4_0	12
GBT6172.1-M20-A3L	A23.21.907.4_0	7	SH900.37.174	A23.37.900.4_1	1	SH900.37.208	A23.37.904.4_0	13
GBT6173-M10X1-A2L	A23.21.907.4_0	8	LE1204.37.153	A23.37.900.4_1	2	SH900.37.180	A23.37.904.4_0	14
CD904A.31.011/10	A23.31.901.4_1	1	LE1204.37.150	A23.37.900.4_1	3	SH900.37.181	A23.37.904.4_0	15
GBT93-16-A3L	A23.31.901.4_1	2	LE1204.37.201	A23.37.900.4_1	4	SH900.37.182/10	A23.37.904.4_0	16
GBT5782-M16X75-10.9-A3L	A23.31.901.4_1	3	2.0114.207.2	A23.37.900.4_1	5	SH900.37.203	A23.37.904.4_0	17
GBT5782-M16X110-A3L	A23.31.901.4_1	4	GBT93-8-A3L	A23.37.900.4_1	6	GBT879.1-8X32	A23.37.904.4_0	18
SH900.31.113	A23.31.901.4_1	5	2.0114.307.2	A23.37.900.4_1	7	GBT879.1-5X32	A23.37.904.4_0	19
CD904A.31.011/20	A23.31.901.4_2	1	2.0112.324.2	A23.37.900.4_1	8	SH900.37.183-1	A23.37.904.4_0	20
GBT93-16-A3L	A23.31.901.4_2	2	2.0114.309.2	A23.37.900.4_1	9	SH900.37.184-1	A23.37.904.4_0	21
GBT5782-M16X75-10.9-A3L	A23.31.901.4_2	3	SH900.37.180	A23.37.900.4_1	10	SH900.37.185	A23.37.904.4_0	22
GBT5782-M16X110-A3L	A23.31.901.4_2	4	GBT93-10-A3L	A23.37.900.4_1	11	GBT879.1-3X32	A23.37.904.4_0	23
SH900.31.113	A23.31.901.4_2	5	2.0114.311.2	A23.37.900.4_1	12	QCT388-24	A23.37.904.4_0	24
SH900.37.174	A23.37.900.4_0	1	GBT119.1-16m6X32	A23.37.900.4_1	13	SH900.37.176	A23.37.904.4_0	25
LE1204.37.153	A23.37.900.4_0	2	2.1630.713.2	A23.37.900.4_1	14	SH900.37.191	A23.37.904.4_0	26
LE1204.37.150	A23.37.900.4_0	3	2.1630.513.2	A23.37.900.4_1	15	GBT893.1-40	A23.37.904.4_0	27
LE1204.37.201	A23.37.900.4_0	4	LE1204.37.156	A23.37.900.4_1	16	GBT3452.1-17X2.65-G	A23.37.904.4_0	28
GBT5783-M8X20-A2L	A23.37.900.4_0	5	SH900.37.203	A23.37.900.4_1	17	SH900.37.174	A23.37.904.4_1	1
GBT93-8-A3L	A23.37.900.4_0	6	LE1204.37.157	A23.37.900.4_1	18	SH900.37.175	A23.37.904.4_1	2
GBT5783-M10X20-A3L	A23.37.900.4_0	7	SH900.37.181	A23.37.900.4_1	19	2.0114.207.2	A23.37.904.4_1	3
GBT5782-M10X75-A3L	A23.37.900.4_0	8	2.1630.213.2	A23.37.900.4_1	20	GBT93-8-A3L	A23.37.904.4_1	4
GBT5783-M10X25-A3L	A23.37.900.4_0	9	SH900.37.185	A23.37.900.4_1	21	SH900.37.178/10	A23.37.904.4_1	5
SH900.37.180	A23.37.900.4_0	10	LE1204.37.184	A23.37.900.4_1	22	SH900.37.177	A23.37.904.4_1	6
GBT93-10-A3L	A23.37.900.4_0	11	2.1630.552.2	A23.37.900.4_1	23	2.0114.307.2	A23.37.904.4_1	7
GBT5783-M10X30-A3L	A23.37.900.4_0	12	2.1630.252.2	A23.37.900.4_1	24	2.0112.324.2	A23.37.904.4_1	8
GBT119.1-16m6X32	A23.37.900.4_0	13	QCT388-24	A23.37.900.4_1	25	2.0114.309.2	A23.37.904.4_1	9
GBT879.1-8X32	A23.37.900.4_0	14	SH900.37.176	A23.37.900.4_1	26	2.0114.313.2	A23.37.904.4_1	10
GBT879.1-5X32	A23.37.900.4_0	15	SH900.37.191	A23.37.900.4_1	27	GBT93-10-A3L	A23.37.904.4_1	11

零件编号	结构代码	零件顺序	零件编号	结构代码	零件顺序	零件编号	结构代码	零件顺序
GBT93-10-A3L	A23.37.904.4_1	11	A23.37.007.0	A23.37.913.4_2	2	LE1204.37.114	A23.37.914.4_1	7
GBT119.1-16m6X32	A23.37.904.4_1	12	SH900.37.152	A23.37.913.4_2	3	SH900.37A.106	A23.37.914.4_1	8
SH900.37.208	A23.37.904.4_1	13	A23.37.008.0	A23.37.913.4_2	4	SH900.37A.121	A23.37.914.4_1	9
SH900.37.180	A23.37.904.4_1	14	GBT305-90/96.5	A23.37.913.4_2	5	GBT276-6408N	A23.37.914.4_1	10
SH900.37.181	A23.37.904.4_1	15	GBT276-6210N/P6	A23.37.913.4_2	6	GBT305-110/116.6	A23.37.914.4_1	11
SH900.37.182/10	A23.37.904.4_1	16	SH900.37.151	A23.37.913.4_2	7	GBT894.1-40	A23.37.914.4_1	12
SH900.37.203	A23.37.904.4_1	17	SH900.37.149	A23.37.913.4_2	8	SH900.37A.108	A23.37.915.4_2	1
2.1630.713.2	A23.37.904.4_1	18	JBT7918-K64X74X41ZW	A23.37.913.4_2	9	LE1204.37.140	A23.37.915.4_2	2
2.1630.513.2	A23.37.904.4_1	19	A23.37.002.0	A23.37.913.4_2	10	LE1204.37.141	A23.37.915.4_2	3
SH900.37.183-1	A23.37.904.4_1	20	SH900.37.107	A23.37.913.4_2	11	JBT7918-K55X65X43ZW	A23.37.915.4_2	4
SH900.37.184-1	A23.37.904.4_1	21	SH900.41.121	A23.37.913.4_2	12	SH900.37A.114	A23.37.915.4_2	5
SH900.37.185	A23.37.904.4_1	22	SH900.37.111	A23.37.913.4_2	13	SH900.37A.116	A23.37.915.4_2	6
2.1630.213.2	A23.37.904.4_1	23	SH900.37.109	A23.37.913.4_2	14	LE1204.37.144	A23.37.915.4_2	7
QCT388-24	A23.37.904.4_1	24	SH900.37A.113	A23.37.913.4_2	15	LE1204.37.205	A23.37.915.4_2	8
SH900.37.176	A23.37.904.4_1	25	SH900.37A.112	A23.37.913.4_2	16	LE1204.37.145/30	A23.37.915.4_2	9
SH900.37.191	A23.37.904.4_1	26	SH900.37.145	A23.37.913.4_2	17	SH900.37.135A	A23.37.917.4_0	1
GBT893.1-40	A23.37.904.4_1	27	SH900.37A.110	A23.37.913.4_2	18	GBT308-10-G100-b	A23.37.917.4_0	2
LE1204.37.203	A23.37.913.4_1	1	GBT283-NUP211E	A23.37.913.4_2	19	SH900.37.159	A23.37.917.4_0	3
A23.37.007.0	A23.37.913.4_1	2	LE1204.37.137/30	A23.37.913.4_2	20	SH900.37.158	A23.37.917.4_0	4
SH900.37.152	A23.37.913.4_1	3	LE1204.37.211	A23.37.913.4_2	21	SH900.38.110	A23.37.917.4_0	5
A23.37.008.0	A23.37.913.4_1	4	GBT309-P5X23.8-G2-3-5	A23.37.913.4_2	22	YBT5294-SZ-F-1.4	A23.37.917.4_0	6
GBT305-90/96.5	A23.37.913.4_1	5	GBT895.1-42	A23.37.913.4_2	23	LE1204.37.165	A23.37.917.4_0	7
GBT276-6210N/P6	A23.37.913.4_1	6	GBT288-20209	A23.37.914.4_0	1	LE1204.37.188-1	A23.37.917.4_0	8
SH900.37.151	A23.37.913.4_1	7	SH900.37A.107	A23.37.914.4_0	2	GBT5783-M10X25-A3L	A23.37.917.4_0	9
SH900.37.149	A23.37.913.4_1	8	GBT283-NUP1014M	A23.37.914.4_0	3	GBT93-10-A3L	A23.37.917.4_0	10
JBT7918-K64X74X41ZW	A23.37.913.4_1	9	GBT894.1-70	A23.37.914.4_0	4	SH900.37.119	A23.37.917.4_0	11
A23.37.002.0	A23.37.913.4_1	10	SH900.37A.104	A23.37.914.4_0	5	LE1204.37.166-1	A23.37.917.4_0	12
SH900.37.107	A23.37.913.4_1	11	JBT7918-K55X62X46ZW	A23.37.914.4_0	6	SH900.37.125	A23.37.917.4_0	13
SH900.41.121	A23.37.913.4_1	12	LE1204.37.114	A23.37.914.4_0	7	SH900.37.102A	A23.37.922.4_1	1
SH900.37.111	A23.37.913.4_1	13	SH900.37A.106	A23.37.914.4_0	8	GBT13871.1-FB-050072-D	A23.37.922.4_1	2
SH900.37.109	A23.37.913.4_1	14	SH900.37A.121	A23.37.914.4_0	9	SH900.37.217	A23.37.922.4_1	3
SH900.37A.113	A23.37.913.4_1	15	GBT276-6408N	A23.37.914.4_0	10	GBT276-6310	A23.37.922.4_1	4
SH900.37A.112	A23.37.913.4_1	16	GBT305-110/116.6	A23.37.914.4_0	11	SH900.37.103A	A23.37.922.4_1	5
SH900.37.145	A23.37.913.4_1	17	GBT894.1-40	A23.37.914.4_0	12	GBT894.1-55	A23.37.922.4_1	6
SH900.37A.110	A23.37.913.4_1	18	GBT288-20209	A23.37.914.4_1	1	SH900.37A.109	A23.37.922.4_1	7
GBT283-NUP211E	A23.37.913.4_1	19	SH900.37A.107	A23.37.914.4_1	2	JBT7918-K64X74X41ZW	A23.37.922.4_1	8
LE1204.37.137/30	A23.37.913.4_1	20	GBT283-NUP1014M	A23.37.914.4_1	3	SH900.37.109	A23.37.922.4_1	9
LE1204.37.211	A23.37.913.4_1	21	GBT894.1-70	A23.37.914.4_1	4	SH900.37A.105	A23.37.922.4_1	10
GBT309-P5X23.8-G2-3-5	A23.37.913.4_1	22	SH900.37A.104	A23.37.914.4_1	5	SH900.41.121	A23.37.922.4_1	11
GBT895.1-42	A23.37.913.4_1	23	JBT7918-K55X62X46ZW	A23.37.914.4_1	6	SH900.37.111	A23.37.922.4_1	12

零件编号	结构代码	零件顺序	零件编号	结构代码	零件顺序	零件编号	结构代码	零件顺序
SH900.37.111	A23.37.922.4_1	12	SH900.37.143	A23.37.923.4_0	19	JBT7918-K55X65X43ZW	A23.37.925.4_0	4
DF1204.37.101/10	A23.37.922.4_1	13	GBT276-6211	A23.37.923.4_0	20	SH900.37.138	A23.37.925.4_0	5
SH900.37.112/10	A23.37.922.4_1	14	SH900.37.148	A23.37.923.4_0	21	SH900.37.134	A23.37.925.4_0	6
SH900.37.113	A23.37.922.4_1	15	SH900.37.142	A23.37.923.4_0	22	SH900.37.165	A23.37.925.4_0	7
SH900.41.105	A23.37.922.4_1	16	JBT7918-K32X39X20	A23.37.923.4_0	23	GBT276-6211N/P6	A23.37.925.4_0	8
GBT893.1-28	A23.37.922.4_1	17	SH900.37.152	A23.37.923.4_0	24	GBT305-100/106.5	A23.37.925.4_0	9
SH900.37.102A	A23.37.922.4_2	1	YBT5294-SZ-F-1.4	A23.37.923.4_1	1	GBT894.1-55	A23.37.925.4_0	10
GBT13871.1-FB-050072-D	A23.37.922.4_2	2	GBT32.1-M10X20-A3L	A23.37.923.4_1	2	SH900.37.141	A23.37.925.4_1	1
SH900.37.217	A23.37.922.4_2	3	GBT93-10-A3L	A23.37.923.4_1	3	SH900.37.140	A23.37.925.4_1	2
GBT276-6310	A23.37.922.4_2	4	SH900.37.153	A23.37.923.4_1	4	A23.37.003.0	A23.37.925.4_1	3
SH900.37.103A	A23.37.922.4_2	5	GBT305-90/96.5	A23.37.923.4_1	5	JBT7918-K55X65X43ZW	A23.37.925.4_1	4
GBT894.1-55	A23.37.922.4_2	6	GBT276-6210N/P6	A23.37.923.4_1	6	SH900.37.138	A23.37.925.4_1	5
SH900.37A.109	A23.37.922.4_2	7	SH900.37.151	A23.37.923.4_1	7	SH900.37.134	A23.37.925.4_1	6
JBT7918-K64X74X41ZW	A23.37.922.4_2	8	A23.37.002.0	A23.37.923.4_1	8	SH900.37.165	A23.37.925.4_1	7
SH900.37.109	A23.37.922.4_2	9	SH900.37.149	A23.37.923.4_1	9	GBT276-6211N/P6	A23.37.925.4_1	8
SH900.37A.105	A23.37.922.4_2	10	JBT7918-K64X74X41ZW	A23.37.923.4_1	10	GBT305-100/106.5	A23.37.925.4_1	9
SH900.41.121	A23.37.922.4_2	11	SH900.37B.102	A23.37.923.4_1	11	GBT894.1-55	A23.37.925.4_1	10
SH900.37.111	A23.37.922.4_2	12	SH900.41.121	A23.37.923.4_1	12	YBT5294-SZ-F-1.4	A23.37.926.4_0	1
DF1204.37.101/10	A23.37.922.4_2	13	SH900.37.111	A23.37.923.4_1	13	SH900.38.110	A23.37.926.4_0	2
SH900.37.112/10	A23.37.922.4_2	14	SH900.37.109	A23.37.923.4_1	14	SH900.37.135A	A23.37.926.4_0	3
SH900.37.113	A23.37.922.4_2	15	SH900.37B.104	A23.37.923.4_1	15	GBT308-10-G100-b	A23.37.926.4_0	4
SH900.41.105	A23.37.922.4_2	16	SH900.37B.106	A23.37.923.4_1	16	SH900.37.156	A23.37.926.4_0	5
GBT893.1-28	A23.37.922.4_2	17	SH900.37.145	A23.37.923.4_1	17	SH900.37.159	A23.37.926.4_0	6
YBT5294-SZ-F-1.4	A23.37.923.4_0	1	SH900.37B.108	A23.37.923.4_1	18	SH900.37.166	A23.37.926.4_0	7
GBT32.1-M10X20-A3L	A23.37.923.4_0	2	SH900.37.143	A23.37.923.4_1	19	SH900.37.167	A23.37.926.4_0	8
GBT93-10-A3L	A23.37.923.4_0	3	GBT276-6211	A23.37.923.4_1	20	SH900.37.157	A23.37.926.4_0	9
SH900.37.153	A23.37.923.4_0	4	SH900.37.148	A23.37.923.4_1	21	SH900.37.164	A23.37.926.4_0	10
GBT305-90/96.5	A23.37.923.4_0	5	SH900.37.142	A23.37.923.4_1	22	SH900.37.161	A23.37.926.4_0	11
GBT276-6210N/P6	A23.37.923.4_0	6	JBT7918-K32X39X20	A23.37.923.4_1	23	SH900.37.160	A23.37.926.4_0	12
SH900.37.151	A23.37.923.4_0	7	SH900.37.152	A23.37.923.4_1	24	YBT5294-SZ-F-1.4	A23.37.926.4_1	1
A23.37.002.0	A23.37.923.4_0	8	GBT288-20209	A23.37.924.4_0	1	SH900.38.110	A23.37.926.4_1	2
SH900.37.149	A23.37.923.4_0	9	SH900.37B.107	A23.37.924.4_0	2	SH900.37.135A	A23.37.926.4_1	3
JBT7918-K64X74X41ZW	A23.37.923.4_0	10	GBT283-NUP1014M	A23.37.924.4_0	3	GBT308-10-G100-b	A23.37.926.4_1	4
SH900.37B.102	A23.37.923.4_0	11	GBT894.1-70	A23.37.924.4_0	4	SH900.37.156	A23.37.926.4_1	5
SH900.41.121	A23.37.923.4_0	12	GBT276-6408N	A23.37.924.4_0	5	SH900.37.159	A23.37.926.4_1	6
SH900.37.111	A23.37.923.4_0	13	GBT305-110/116.6	A23.37.924.4_0	6	SH900.37.166	A23.37.926.4_1	7
SH900.37.109	A23.37.923.4_0	14	GBT894.1-40	A23.37.924.4_0	7	SH900.37.167	A23.37.926.4_1	8
SH900.37B.104	A23.37.923.4_0	15	SH900.37.141	A23.37.925.4_0	1	SH900.37.157	A23.37.926.4_1	9
SH900.37B.106	A23.37.923.4_0	16	SH900.37.140	A23.37.925.4_0	2	SH900.37.164	A23.37.926.4_1	10
SH900.37.145	A23.37.923.4_0	17	A23.37.003.0	A23.37.925.4_0	3	SH900.37.161	A23.37.926.4_1	11

零件编号	结构代码	零件顺序	零件编号	结构代码	零件顺序	零件编号	结构代码	零件顺序
SH900.37.161	A23.37.926.4_1	11	SH900.37.124A	A23.37.927.4_1	12	SH900.37.109	A23.37.933.4_1	14
SH900.37.160	A23.37.926.4_1	12	SH900.37.163	A23.37.927.4_1	13	SH900.37.147	A23.37.933.4_1	15
SH900.37.135A	A23.37.927.4	1	SH900.37.123	A23.37.927.4_1	14	SH900.37.146	A23.37.933.4_1	16
GBT308-10-G100-b	A23.37.927.4	2	YBT5294-SZ-F-1.4	A23.37.933.4_0	1	SH900.37.145	A23.37.933.4_1	17
SH900.37.159	A23.37.927.4	3	GBT32.1-M10X20-A3L	A23.37.933.4_0	2	SH900.37.144	A23.37.933.4_1	18
SH900.37.125	A23.37.927.4	4	GBT93-10-A3L	A23.37.933.4_0	3	SH900.37.143	A23.37.933.4_1	19
SH900.37.158	A23.37.927.4	5	SH900.37.153	A23.37.933.4_0	4	GBT276-6211	A23.37.933.4_1	20
SH900.37.162	A23.37.927.4	6	GBT305-90/96.5	A23.37.933.4_0	5	SH900.37.148	A23.37.933.4_1	21
SH900.37.119	A23.37.927.4	7	GBT276-6210N/P6	A23.37.933.4_0	6	SH900.37.142	A23.37.933.4_1	22
GBT93-10-A3L	A23.37.927.4	8	SH900.37.151	A23.37.933.4_0	7	JBT7918-K32X39X20	A23.37.933.4_1	23
2.0114.309.2	A23.37.927.4	9	A23.37.002.0	A23.37.933.4_0	8	SH900.37.152	A23.37.933.4_1	24
YBT5294-SZ-F-1.4	A23.37.927.4	10	SH900.37.149	A23.37.933.4_0	9	GBT288-20209	A23.37.934.4_0	1
SH900.38.110	A23.37.927.4	11	JBT7918-K64X74X41ZW	A23.37.933.4_0	10	SH900.37.114	A23.37.934.4_0	2
SH900.37.124A	A23.37.927.4	12	SH900.37.107	A23.37.933.4_0	11	GBT283-NUP1014M	A23.37.934.4_0	3
SH900.37.163	A23.37.927.4	13	SH900.41.121	A23.37.933.4_0	12	GBT894.1-70	A23.37.934.4_0	4
SH900.37.123	A23.37.927.4	14	SH900.37.111	A23.37.933.4_0	13	GBT276-6408N	A23.37.934.4_0	5
SH900.37.135A	A23.37.927.4_0	1	SH900.37.109	A23.37.933.4_0	14	GBT305-110/116.6	A23.37.934.4_0	6
GBT308-10-G100-b	A23.37.927.4_0	2	SH900.37.147	A23.37.933.4_0	15	GBT894.1-40	A23.37.934.4_0	7
SH900.37.159	A23.37.927.4_0	3	SH900.37.146	A23.37.933.4_0	16	SH900.37.102A	A23.37.942.4_1	1
SH900.37.125	A23.37.927.4_0	4	SH900.37.145	A23.37.933.4_0	17	GBT13871.1-FB-050072-D	A23.37.942.4_1	2
SH900.37.158	A23.37.927.4_0	5	SH900.37.144	A23.37.933.4_0	18	SH900.37.217	A23.37.942.4_1	3
SH900.37.162	A23.37.927.4_0	6	SH900.37.143	A23.37.933.4_0	19	GBT276-6310	A23.37.942.4_1	4
SH900.37.119	A23.37.927.4_0	7	GBT276-6211	A23.37.933.4_0	20	SH900.37B.101	A23.37.942.4_1	5
GBT93-10-A3L	A23.37.927.4_0	8	SH900.37.148	A23.37.933.4_0	21	GBT894.1-55	A23.37.942.4_1	6
GBT5783-M10X25-A3L	A23.37.927.4_0	9	SH900.37.142	A23.37.933.4_0	22	SH900.37B.103	A23.37.942.4_1	7
YBT5294-SZ-F-1.4	A23.37.927.4_0	10	JBT7918-K32X39X20	A23.37.933.4_0	23	SH900.37.109	A23.37.942.4_1	8
SH900.38.110	A23.37.927.4_0	11	SH900.37.152	A23.37.933.4_0	24	JBT7918-K64X74X41ZW	A23.37.942.4_1	9
SH900.37.124A	A23.37.927.4_0	12	YBT5294-SZ-F-1.4	A23.37.933.4_1	1	SH900.37B.105	A23.37.942.4_1	10
SH900.37.163	A23.37.927.4_0	13	GBT32.1-M10X20-A3L	A23.37.933.4_1	2	SH900.41.121	A23.37.942.4_1	11
SH900.37.123	A23.37.927.4_0	14	GBT93-10-A3L	A23.37.933.4_1	3	SH900.37.111	A23.37.942.4_1	12
SH900.37.135A	A23.37.927.4_1	1	SH900.37.153	A23.37.933.4_1	4	DF1204.37.101/10	A23.37.942.4_1	13
GBT308-10-G100-b	A23.37.927.4_1	2	GBT305-90/96.5	A23.37.933.4_1	5	SH900.37.112/10	A23.37.942.4_1	14
SH900.37.159	A23.37.927.4_1	3	GBT276-6210N/P6	A23.37.933.4_1	6	SH900.37.113	A23.37.942.4_1	15
SH900.37.125	A23.37.927.4_1	4	SH900.37.151	A23.37.933.4_1	7	SH900.41.105	A23.37.942.4_1	16
SH900.37.158	A23.37.927.4_1	5	A23.37.002.0	A23.37.933.4_1	8	GBT893.1-28	A23.37.942.4_1	17
SH900.37.162	A23.37.927.4_1	6	SH900.37.149	A23.37.933.4_1	9	SH900.37.102A	A23.37.942.4_2	1
SH900.37.119	A23.37.927.4_1	7	JBT7918-K64X74X41ZW	A23.37.933.4_1	10	GBT13871.1-FB-050072-D	A23.37.942.4_2	2
GBT93-10-A3L	A23.37.927.4_1	8	SH900.37.107	A23.37.933.4_1	11	SH900.37.217	A23.37.942.4_2	3
2.0114.309.2	A23.37.927.4_1	9	SH900.41.121	A23.37.933.4_1	12	GBT276-6310	A23.37.942.4_2	4
YBT5294-SZ-F-1.4	A23.37.927.4_1	10	SH900.37.111	A23.37.933.4_1	13	SH900.37B.101	A23.37.942.4_2	5

零件编号	结构代码	零件顺序	零件编号	结构代码	零件顺序	零件编号	结构代码	零件顺序
SH900.37B.101	A23.37.942.4_2	5	GBT309-P4X25.8-G3-3-6	A23.37.952.4_0	11	GBT308-10-G100-b	A23.37.960.4_1	11
GBT894.1-55	A23.37.942.4_2	6	LE1204.37.187	A23.37.952.4_0	12	SH900.37B.109	A23.37.960.4_1	12
SH900.37B.103	A23.37.942.4_2	7	SH900.37.131	A23.37.952.4_0	13	SH900.37.118-1	A23.37.960.4_1	13
SH900.37.109	A23.37.942.4_2	8	SH900.37A.115	A23.37.952.4_1	1	GBT3452.1-17X1.8-G	A23.37.960.4_1	14
JBT7918-K64X74X41ZW	A23.37.942.4_2	9	GBT93-10-A3L	A23.37.952.4_1	2	GBT894.1-35	A23.37.961.4_0	1
SH900.37B.105	A23.37.942.4_2	10	GBT5783-M10X25-A3L	A23.37.952.4_1	3	SH900.37A.120	A23.37.961.4_0	2
SH900.41.121	A23.37.942.4_2	11	LE1204.37.185	A23.37.952.4_1	4	SH900.37.170A	A23.37.961.4_0	3
SH900.37.111	A23.37.942.4_2	12	SH900.37.013	A23.37.952.4_1	5	SH900.37.222	A23.37.961.4_0	4
DF1204.37.101/10	A23.37.942.4_2	13	LE1204.37.186	A23.37.952.4_1	6	JBT7918-K35X45X30	A23.37.961.4_0	5
SH900.37.112/10	A23.37.942.4_2	14	GBT893.1-170	A23.37.952.4_1	7	A23.37.001.0	A23.37.961.4_0	6
SH900.37.113	A23.37.942.4_2	15	SH900.37.116	A23.37.952.4_1	8	SH900.37.117	A23.37.961.4_0	7
SH900.41.105	A23.37.942.4_2	16	A23.37.004.0	A23.37.952.4_1	9	GBT93-10-A3L	A23.37.961.4_0	8
GBT893.1-28	A23.37.942.4_2	17	A23.37.005.0	A23.37.952.4_1	10	GBT5783-M10X20-A3L	A23.37.961.4_0	9
QCT388-14	A23.37.951.4_0	1	GBT309-P4X25.8-G3-3-6	A23.37.952.4_1	11	SH900.37.122A/10	A23.37.961.4_0	10
SH900.37A.119	A23.37.951.4_0	2	LE1204.37.187/10	A23.37.952.4_1	12	QCT388-14	A23.37.961.4_0	11
SH900.37A.117	A23.37.951.4_0	3	SH900.37.131	A23.37.952.4_1	13	SH900.37.133	A23.37.962.4_0	1
JBT7918-K35X45X43ZW	A23.37.951.4_0	4	GBT5783-M10X25-A3L	A23.37.960.4_0	1	GBT93-10-A3L	A23.37.962.4_0	2
SH900.37A.120	A23.37.951.4_0	5	GBT93-10-A3L	A23.37.960.4_0	2	GBT5783-M10X25-A3L	A23.37.962.4_0	3
SH900.37A.118	A23.37.951.4_0	6	SH900.37.119	A23.37.960.4_0	3	SH900.37.128	A23.37.962.4_0	4
QCT388-14	A23.37.951.4_1	1	SH900.37.137	A23.37.960.4_0	4	SH900.37.013	A23.37.962.4_0	5
SH900.37A.119	A23.37.951.4_1	2	SH900.37.115	A23.37.960.4_0	5	SH900.37.127	A23.37.962.4_0	6
SH900.37A.117	A23.37.951.4_1	3	SH900.38.110	A23.37.960.4_0	6	GBT893.1-175	A23.37.962.4_0	7
JBT7918-K35X45X43ZW	A23.37.951.4_1	4	YBT5294-SZ-F-1.4	A23.37.960.4_0	7	SH900.37.116	A23.37.962.4_0	8
SH900.37A.120	A23.37.951.4_1	5	GBT6170-M12-A3L	A23.37.960.4_0	8	A23.37.004.0	A23.37.962.4_0	9
SH900.37A.118	A23.37.951.4_1	6	GBT71-M12X40-A3L	A23.37.960.4_0	9	A23.37.005.0	A23.37.962.4_0	10
QCT388-14	A23.37.951.4_2	1	SH900.37.135A	A23.37.960.4_0	10	SH900.37.132	A23.37.962.4_0	11
SH900.37A.119	A23.37.951.4_2	2	GBT308-10-G100-b	A23.37.960.4_0	11	GBT309-P4X25.8-G3-3-6	A23.37.962.4_0	12
SH900.37A.117	A23.37.951.4_2	3	SH900.37B.109	A23.37.960.4_0	12	SH900.37.131	A23.37.962.4_0	13
JBT7918-K35X45X43ZW	A23.37.951.4_2	4	SH900.37.118-1	A23.37.960.4_0	13	SH900.37.133	A23.37.962.4_1	1
SH900.37A.120	A23.37.951.4_2	5	GBT3452.1-17X1.8-G	A23.37.960.4_0	14	GBT93-10-A3L	A23.37.962.4_1	2
SH900.37A.118	A23.37.951.4_2	6	2.0114.309.2	A23.37.960.4_1	1	GBT5783-M10X25-A3L	A23.37.962.4_1	3
SH900.37A.115	A23.37.952.4_0	1	GBT93-10-A3L	A23.37.960.4_1	2	SH900.37.128	A23.37.962.4_1	4
GBT93-10-A3L	A23.37.952.4_0	2	SH900.37.119	A23.37.960.4_1	3	SH900.37.013	A23.37.962.4_1	5
GBT5783-M10X25-A3L	A23.37.952.4_0	3	SH900.37.137	A23.37.960.4_1	4	SH900.37.127	A23.37.962.4_1	6
LE1204.37.185	A23.37.952.4_0	4	SH900.37.115	A23.37.960.4_1	5	GBT893.1-175	A23.37.962.4_1	7
SH900.37.013	A23.37.952.4_0	5	SH900.38.110	A23.37.960.4_1	6	SH900.37.116	A23.37.962.4_1	8
LE1204.37.186	A23.37.952.4_0	6	YBT5294-SZ-F-1.4	A23.37.960.4_1	7	A23.37.004.0	A23.37.962.4_1	9
GBT893.1-170	A23.37.952.4_0	7	2.1011.107.2	A23.37.960.4_1	8	A23.37.005.0	A23.37.962.4_1	10
SH900.37.116	A23.37.952.4_0	8	GBT71-M12X40-A3L	A23.37.960.4_1	9	SH900.37.132	A23.37.962.4_1	11
A23.37.004.0	A23.37.952.4_0	9	SH900.37.135A	A23.37.960.4_1	10	GBT309-P4X25.8-G3-3-6	A23.37.962.4_1	12

零件编号	结构代码	零件顺序	零件编号	结构代码	零件顺序	零件编号	结构代码	零件顺序
GBT309-P4X25.8-G3-3-6	A23.37.962.4_1	12	GBT894.1-55	A23.37.982.4_4	6	SH900.38.153/10	A23.38.903.4_1	8
SH900.37.131	A23.37.962.4_1	13	SH900.37.108	A23.37.982.4_4	7	A23.38.002.0	A23.38.903.4_1	9
SH900.37.102A	A23.37.982.4_1	1	SH900.37.109	A23.37.982.4_4	8	SH900.38.148/10	A23.38.903.4_1	10
GBT13871.1-FB-050072-D	A23.37.982.4_1	2	JBT7918-K64X74X41ZW	A23.37.982.4_4	9	SH900.38.154	A23.38.903.4_1	11
SH900.37.217	A23.37.982.4_1	3	SH900.37.110	A23.37.982.4_4	10	SH900.38.144	A23.38.903.4_1	12
GBT276-6310	A23.37.982.4_1	4	SH900.41.121	A23.37.982.4_4	11	A23.38.001.0	A23.38.903.4_1	13
SH900.37.103A	A23.37.982.4_1	5	SH900.37.111	A23.37.982.4_4	12	SH900.38.142	A23.38.903.4_1	14
GBT894.1-55	A23.37.982.4_1	6	DF1204.37.101/10	A23.37.982.4_4	13	2.1475.004.2	A23.38.903.4_1	15
SH900.37.108	A23.37.982.4_1	7	SH900.37.112/10	A23.37.982.4_4	14	GBT5783-M12X25-A3L	A23.38.903.4_1	16
SH900.37.109	A23.37.982.4_1	8	SH900.37.113	A23.37.982.4_4	15	GBT297-30216	A23.38.903.4_1	17
JBT7918-K64X74X41ZW	A23.37.982.4_1	9	SH900.41.105	A23.37.982.4_4	16	GBT3452.1-30X2.65-G	A23.38.904.4_0	1
SH900.37.110	A23.37.982.4_1	10	GBT893.1-28	A23.37.982.4_4	17	SH900.38.114	A23.38.904.4_0	2
SH900.41.121	A23.37.982.4_1	11	JBT982-12	A23.38.902.4_0	1	GBT3452.1-20X2.65-G	A23.38.904.4_0	3
SH900.37.111	A23.37.982.4_1	12	SH900.38.159	A23.38.902.4_0	2	SH900.38.113	A23.38.904.4_0	4
DF1204.37.101/10	A23.37.982.4_1	13	SH900.38.160/10	A23.38.902.4_0	3	SH900.38.109	A23.38.904.4_0	5
SH900.37.112/10	A23.37.982.4_1	14	JBT8870-D20	A23.38.902.4_0	4	SH900.38.112	A23.38.904.4_0	6
SH900.37.113	A23.37.982.4_1	15	GBT297-32216	A23.38.903.4_0	1	SH900.38.110	A23.38.904.4_0	7
SH900.41.105	A23.37.982.4_1	16	GBT6171-M14X1.5-10-A3L	A23.38.903.4_0	2	YBT5294-SZ-F-1.4	A23.38.904.4_0	8
GBT893.1-28	A23.37.982.4_1	17	2.1475.005.7	A23.38.903.4_0	3	SH900.38.111	A23.38.904.4_0	9
SH900.37.102A	A23.37.982.4_2	1	SH900.38.152	A23.38.903.4_0	4	SH900.38.126	A23.38.904.4_0	10
GBT13871.1-FB-050072-D	A23.37.982.4_2	2	SH900.38.151	A23.38.903.4_0	5	GBT3452.1-30X2.65-G	A23.38.904.4_1	1
SH900.37.217	A23.37.982.4_2	3	SH900.38.150	A23.38.903.4_0	6	SH900.38.114	A23.38.904.4_1	2
GBT276-6310	A23.37.982.4_2	4	SH900.38.145/20	A23.38.903.4_0	7	GBT3452.1-20X2.65-G	A23.38.904.4_1	3
SH900.37.103A	A23.37.982.4_2	5	SH900.38.153/10	A23.38.903.4_0	8	SH900.38.113	A23.38.904.4_1	4
GBT894.1-55	A23.37.982.4_2	6	A23.38.002.0	A23.38.903.4_0	9	SH900.38.109	A23.38.904.4_1	5
SH900.37.108	A23.37.982.4_2	7	SH900.38.148/10	A23.38.903.4_0	10	SH900.38.112	A23.38.904.4_1	6
SH900.37.109	A23.37.982.4_2	8	SH900.38.154	A23.38.903.4_0	11	SH900.38.110	A23.38.904.4_1	7
JBT7918-K64X74X41ZW	A23.37.982.4_2	9	SH900.38.144	A23.38.903.4_0	12	YBT5294-SZ-F-1.4	A23.38.904.4_1	8
SH900.37.110	A23.37.982.4_2	10	A23.38.001.0	A23.38.903.4_0	13	SH900.38.111	A23.38.904.4_1	9
SH900.41.121	A23.37.982.4_2	11	SH900.38.142	A23.38.903.4_0	14	SH900.38.126	A23.38.904.4_1	10
SH900.37.111	A23.37.982.4_2	12	2.1475.004.2	A23.38.903.4_0	15	GBT3452.1-30X2.65-G	A23.38.904.4_3	1
SH900.37.101	A23.37.982.4_2	13	GBT5783-M12X25-A3L	A23.38.903.4_0	16	SH900.38.114	A23.38.904.4_3	2
SH900.37.112/10	A23.37.982.4_2	14	GBT297-30216	A23.38.903.4_0	17	GBT3452.1-20X2.65-G	A23.38.904.4_3	3
SH900.37.113	A23.37.982.4_2	15	GBT297-32216	A23.38.903.4_1	1	SH900.38.113	A23.38.904.4_3	4
SH900.41.105	A23.37.982.4_2	16	GBT6171-M14X1.5-10-A3L	A23.38.903.4_1	2	SH900.38.109	A23.38.904.4_3	5
GBT893.1-28	A23.37.982.4_2	17	2.1475.005.7	A23.38.903.4_1	3	SH900.38.112	A23.38.904.4_3	6
SH900.37.102A	A23.37.982.4_4	1	SH900.38.152	A23.38.903.4_1	4	SH900.38.110	A23.38.904.4_3	7
GBT13871.1-FB-050072-D	A23.37.982.4_4	2	SH900.38.151	A23.38.903.4_1	5	YBT5294-SZ-F-1.4	A23.38.904.4_3	8
SH900.37.217	A23.37.982.4_4	3	SH900.38.150	A23.38.903.4_1	6	SH900.38.111	A23.38.904.4_3	9
GBT276-6310	A23.37.982.4_4	4	SH900.38.145/20	A23.38.903.4_1	7	SH900.38.126	A23.38.904.4_3	10

零件编号	结构代码	零件顺序	零件编号	结构代码	零件顺序	零件编号	结构代码	零件顺序
SH900.38.126	A23.38.904.4_3	10	GBT5783-M8X25-A2L	A23.38.910.4_2	15	2.1475.108.2	A23.39.900.4	7
SH900.38.131	A23.38.905.4_0	1	GBT3452.1-15X2.65-G	A23.38.910.4_2	16	LE1204.34.104	A23.39.900.4	8
SH900.38.146	A23.38.905.4_0	2	SH900.38.018/10	A23.38.910.4_2	17	2.1414.056.2	A23.39.900.4	9
GBT812-M50X1.5	A23.38.908.4_1	1	JBT982-36	A23.38.910.4_2	18	2.1012.311.2	A23.39.900.4	10
GBT858-50	A23.38.908.4_1	2	QCT388-20	A23.38.910.4_2	19	GBT5786-M18X1.5X75-12.9-A3L	A23.39.900.4	11
GBT297-30310	A23.38.908.4_1	3	A23.38.003.0/20	A23.38.910.4_2	20	GBT119.1-6m8X22	A23.39.900.4	12
GBT5783-M12X35-10.9-A3L	A23.38.908.4_1	4	GBT119.1-12m6X30	A23.38.910.4_2	21	2.1475.107.7	A23.39.900.4	13
GBT93-12-A3L	A23.38.908.4_1	5	SH900.38.105A	A23.38.910.4_2	22	SH954.34.110	A23.39.900.4_2	1
SH900.38.130/10	A23.38.908.4_1	6	GBT899-AM14X1.5X200-10.9-A3L	A23.38.910.4_2	23	SH954.34.109/20	A23.39.900.4_2	2
SH900.38.128/10	A23.38.908.4_1	7	SH900.38.016	A23.38.910.4_2	24	SH954.34.106	A23.39.900.4_2	3
SH900.38.163/10	A23.38.908.4_1	8	SH900.38.162	A23.38.910.4_3	1	SH954.34.105	A23.39.900.4_2	4
SH900.38.164/10	A23.38.908.4_1	9	SH900.38.117	A23.38.910.4_3	2	SH954.34.104	A23.39.900.4_2	5
GBT297-32311	A23.38.908.4_1	10	SH900.38.161	A23.38.910.4_3	3	2.1475.108.2	A23.39.900.4_2	7
SH900.38.118	A23.38.909.4_0	1	GBT6171-M14X1.5-10-A3L	A23.38.910.4_3	4	LE1204.34.104	A23.39.900.4_2	8
GBT5783-M10X25-A3L	A23.38.909.4_0	2	GBT93-14-A3L	A23.38.910.4_3	5	GBT894.1-95	A23.39.900.4_2	9
SH900.38.119	A23.38.909.4_0	3	GBT899-AM14X1.5X190-10.9-A3L	A23.38.910.4_3	6	GBT6176-M20X1.5-10-A3L	A23.39.900.4_2	10
SH900.38.120	A23.38.909.4_0	4	0.026.3892.0	A23.38.910.4_3	7	GBT5786-M18X1.5X75-12.9-A3L	A23.39.900.4_2	11
GBT305-72/78.6	A23.38.909.4_0	5	GBT5783-M10X25-A3L	A23.38.910.4_3	8	GBT119.1-6m8X22	A23.39.900.4_2	12
GBT276-6306N	A23.38.909.4_0	6	GBT93-10-A3L	A23.38.910.4_3	9	2.1475.107.7	A23.39.900.4_2	13
GBT895.2-30	A23.38.909.4_0	7	SH900.38.011	A23.38.910.4_3	10	SH954.34.110	A23.39.900.4_4	1
SH900.38.118	A23.38.909.4_1	1	GBT119.1-16m6X35	A23.38.910.4_3	11	SH954.34.109/20	A23.39.900.4_4	2
GBT5783-M10X25-A3L	A23.38.909.4_1	2	0.026.3891.0	A23.38.910.4_3	12	SH954.34.106	A23.39.900.4_4	3
SH900.38.119	A23.38.909.4_1	3	DF904.38.013/10	A23.38.910.4_3	13	SH954.34.105	A23.39.900.4_4	4
SH900.38.120	A23.38.909.4_1	4	GBT93-8-A3L	A23.38.910.4_3	14	SH954.34.104	A23.39.900.4_4	5
GBT305-72/78.6	A23.38.909.4_1	5	GBT5783-M8X25-A2L	A23.38.910.4_3	15	2.1475.108.2	A23.39.900.4_4	6
GBT276-6306N	A23.38.909.4_1	6	GBT3452.1-15X2.65-G	A23.38.910.4_3	16	LE1204.34.104	A23.39.900.4_4	7
GBT895.2-30	A23.38.909.4_1	7	SH900.38.018/10	A23.38.910.4_3	17	2.1414.056.2	A23.39.900.4_4	8
SH900.38.162	A23.38.910.4_2	1	JBT982-36	A23.38.910.4_3	18	2.1012.311.2	A23.39.900.4_4	9
SH900.38.117	A23.38.910.4_2	2	QCT388-20	A23.38.910.4_3	19	GBT5786-M18X1.5X75-12.9-A3L	A23.39.900.4_4	10
SH900.38.161	A23.38.910.4_2	3	A23.38.003.0/20	A23.38.910.4_3	20	GBT119.1-6m8X22	A23.39.900.4_4	11
GBT6171-M14X1.5-10-A3L	A23.38.910.4_2	4	GBT119.1-12m6X30	A23.38.910.4_3	21	2.1475.107.7	A23.39.900.4_4	12
GBT93-14-A3L	A23.38.910.4_2	5	SH900.38.105A	A23.38.910.4_3	22	SH904.39.101	A23.39.912.4_0	1
GBT899-AM14X1.5X190-10.9-A3L	A23.38.910.4_2	6	GBT899-AM14X1.5X200-10.9-A3L	A23.38.910.4_3	23	SH904.39.118	A23.39.912.4_0	2
0.026.3892.0	A23.38.910.4_2	7	SH900.38.016	A23.38.910.4_3	24	SH904.39.101	A23.39.912.4_1	1
GBT5783-M10X25-A3L	A23.38.910.4_2	8	A26.38.011.0	A23.38.910.4_3	25	SH904.39.118	A23.39.912.4_1	2
GBT93-10-A3L	A23.38.910.4_2	9	SH954.34.110	A23.39.900.4	1	SH900.39.111	A23.39.913.4_0	1
SH900.38.011	A23.38.910.4_2	10	SH954.34.109/20	A23.39.900.4	2	SH900.39.102	A23.39.913.4_0	2
GBT119.1-16m6X35	A23.38.910.4_2	11	SH954.34.106	A23.39.900.4	3	SH900.39.109	A23.39.913.4_0	3
0.026.3891.0	A23.38.910.4_2	12	SH954.34.105	A23.39.900.4	4	SH900.39.110	A23.39.913.4_0	4
DF904.38.013/10	A23.38.910.4_2	13	SH954.34.104	A23.39.900.4	5	SH900.39.107	A23.39.913.4_0	5



零件编号	结构代码	零件顺序	零件编号	结构代码	零件顺序	零件编号	结构代码	零件顺序
SH900.39.107	A23.39.913.4_0	5	GBT5783-M10X25-A3L	A23.40.900.4_2	12	SH900.41.116	A23.41.901.4_1	1
SH904.39.106	A23.39.913.4_0	6	GBT93-10-A3L	A23.40.900.4_2	13	SH900.41.012	A23.41.902.4_0	1
A23.39.001.0	A23.39.913.4_0	7	GBT6170-M10-A3L	A23.40.900.4_2	14	GBT3452.1-17X1.8-G	A23.41.902.4_0	2
GBT309-P8X23.8-G3-3-6	A23.39.913.4_0	8	GBT70.1-MX30-A2L	A23.40.901.4_1	1	SH900.41.104	A23.41.902.4_0	3
SH900.39.105	A23.39.913.4_0	9	GBT5782-M8X100-A2L	A23.40.901.4_1	2	YBT5294-SZ-F-1.4	A23.41.902.4_0	4
SH904.39.103	A23.39.913.4_0	10	GBT93-8-A3L	A23.40.901.4_1	3	SH900.38.110	A23.41.902.4_0	5
SH900.39.104	A23.39.913.4_0	11	CD904A.40.011	A23.40.901.4_1	4	SH900.41.128	A23.41.902.4_0	6
GBT879.2-12X32	A23.39.913.4_0	12	SH900.40.110	A23.40.902.4_0	1	GBT6172.1-M16-A3L	A23.41.902.4_0	7
GBT879.1-10X32	A23.39.913.4_0	13	2.1560.014.0	A23.40.902.4_0	2	GBT71-M16X30-A3L	A23.41.902.4_0	8
SH900.39.111	A23.39.913.4_1	1	A23.40.002.3	A23.40.902.4_0	3	SH900.41.133	A23.41.902.4_0	9
SH900.39.102	A23.39.913.4_1	2	2.1560.016.0	A23.40.903.4_1	1	SH900.41.132	A23.41.902.4_0	10
SH900.39.109	A23.39.913.4_1	3	A23.40.003.3	A23.40.903.4_1	2	GBT71-M12X65-A3L	A23.41.902.4_0	11
SH900.39.110	A23.39.913.4_1	4	CD1204A.40.019	A23.40.903.4_1	3	GBT6170-M12-A3L	A23.41.902.4_0	12
SH900.39.107	A23.39.913.4_1	5	CD404A.40.102	A23.40.903.4_1	4	SH900.41.131	A23.41.902.4_0	13
SH904.39.106	A23.39.913.4_1	6	CD804A.40A.101/10	A23.40.903.4_1	5	GBT3452.1-17X2.65-G	A23.41.902.4_0	14
A23.39.001.0	A23.39.913.4_1	7	CD904A.40.021/10	A23.40.903.4_1	6	SH900.41.130	A23.41.902.4_0	15
GBT309-P8X23.8-G3-3-6	A23.39.913.4_1	8	CD904A.40.022/10	A23.40.903.4_1	7	SH900.41.127	A23.41.902.4_0	16
SH900.39.105	A23.39.913.4_1	9	CD1204A.40B.101	A23.40.903.4_1	8	SH900.41.012	A23.41.902.4_1	1
SH904.39.103	A23.39.913.4_1	10	GBT5783-M8X35-A2L	A23.40.903.4_1	9	GBT3452.1-17X1.8-G	A23.41.902.4_1	2
SH900.39.104	A23.39.913.4_1	11	GBT5783-M8X40-A2L	A23.40.903.4_1	10	SH900.41.104	A23.41.902.4_1	3
GBT879.2-12X32	A23.39.913.4_1	12	GBT6170-M8-A2L	A23.40.903.4_1	11	YBT5294-SZ-F-1.4	A23.41.902.4_1	4
GBT879.1-10X32	A23.39.913.4_1	13	GBT93-8-A3L	A23.40.903.4_1	12	SH900.38.110	A23.41.902.4_1	5
GBT5783-M14X40-A3L	A23.39.920.4_0	1	JBT8870-D25	A23.40.903.4_1	13	SH900.41.128	A23.41.902.4_1	6
GBT93-14-A3L	A23.39.920.4_0	2	SH900.40.112	A23.40.903.4_1	14	2.1011.209.2	A23.41.902.4_1	7
SH950.39.103	A23.39.920.4_0	3	SH900.40.138	A23.40.903.4_1	15	GBT71-M16X30-A3L	A23.41.902.4_1	8
GBT13871.1-FB-100130-D	A23.39.920.4_0	4	SH900.40.013	A23.40.904.4_0	1	SH900.41.133	A23.41.902.4_1	9
GBT297-30218	A23.39.920.4_0	5	A23.40.005.3/10	A23.40.905.4_2	1	SH900.41.132	A23.41.902.4_1	10
SH950.39.101/20	A23.39.920.4_0	6	A23.40.006.3/10	A23.40.905.4_2	2	GBT71-M12X65-A3L	A23.41.902.4_1	11
GBT297-30214	A23.39.920.4_0	7	CD904A.40.109/10	A23.40.905.4_2	3	2.1011.107.2	A23.41.902.4_1	12
B36.39.001.0	A23.39.934.4_0	1	CD904A.40.110	A23.40.905.4_2	4	SH900.41.131	A23.41.902.4_1	13
GBT5783-M8X30-A2L	A23.40.900.4_2	1	GBT5783-M10X20-A3L	A23.40.905.4_2	5	GBT3452.1-17X2.65-G	A23.41.902.4_1	14
GBT93-8-A3L	A23.40.900.4_2	2	GBT5783-M8X20-A2L	A23.40.905.4_2	6	SH900.41.130	A23.41.902.4_1	15
GBT3452.1-19X2.65-G	A23.40.900.4_2	3	GBT5783-M8X40-A2L	A23.40.905.4_2	7	SH900.41.127	A23.41.902.4_1	16
GBT6170-M6-A2L	A23.40.900.4_2	4	GBT6170-M8-A2L	A23.40.905.4_2	8	SH904.42.103	A23.42.001.4	1
LE1204.40.111	A23.40.900.4_2	5	GBT93-10-A3L	A23.40.905.4_2	9	SH904.42.104	A23.42.001.4	2
GBT93-6-A3L	A23.40.900.4_2	6	GBT93-8-A3L	A23.40.905.4_2	10	SH904.42.105	A23.42.001.4	3
GBT70.1-M6X20-A2L	A23.40.900.4_2	7	SH900.40.112	A23.40.905.4_2	11	SH904.42.106	A23.42.001.4	4
CD704-1B.40.104	A23.40.900.4_2	8	CD554.40.028/10	A23.40.916.4_0	1	SH904.42.107	A23.42.001.4	5
A23.40.001.3/20	A23.40.900.4_2	9	SH900.41.116A/10	A23.41.900.4_0	1	SH904.42.108	A23.42.001.4	6
JBT8870-D25	A23.40.900.4_2	10	SH900.41.116	A23.41.901.4_0	1	SH904.42.113	A23.42.001.4	7

零件编号	结构代码	零件顺序	零件编号	结构代码	零件顺序	零件编号	结构代码	零件顺序
SH904.42.113	A23.42.001.4	7	SH904.42A.104	A23.42.002.4	9	SH904.42.115	A23.42.003.4	10
SH904.42.112	A23.42.001.4	8	SH904.42A.105	A23.42.002.4	10	SH904.42B.116	A23.42.003.4	11
SH904.42.114	A23.42.001.4	9	SH904.42.107	A23.42.002.4	11	SH904.42.117	A23.42.003.4	12
SH904.42.115	A23.42.001.4	10	SH904.42.108	A23.42.002.4	12	SH904.42.118	A23.42.003.4	13
SH904.42.116	A23.42.001.4	11	SH904.42A.106	A23.42.002.4	13	SH904.42.119	A23.42.003.4	14
SH904.42.117	A23.42.001.4	12	SH904.42.106	A23.42.002.4	14	SH904.42.120	A23.42.003.4	15
SH904.42.118	A23.42.001.4	13	GBT3452.1-15X2.65-G	A23.42.002.4	15	SH904.42.124	A23.42.003.4	16
SH904.42.119	A23.42.001.4	14	GBT879.1-8X32	A23.42.002.4	16	SH904.42.121	A23.42.003.4	17
SH904.42.120	A23.42.001.4	15	GBT5783-M10X40-A3L	A23.42.002.4	17	SH904.42.013	A23.42.003.4	18
SH904.42.124	A23.42.001.4	16	GBT93-10-A3L	A23.42.002.4	18	SH904.42.014	A23.42.003.4	19
SH904.42.121	A23.42.001.4	17	GBT5783-M10X25-A3L	A23.42.002.4	19	GBT3452.1-15X2.65-G	A23.42.003.4	20
SH904.42.013	A23.42.001.4	18	SH904.42.112	A23.42.002.4	20	GBT879.1-8X32	A23.42.003.4	21
SH904.42.014	A23.42.001.4	19	GBT276-6306	A23.42.002.4	21	GBT5783-M10X40-A3L	A23.42.003.4	22
GBT3452.1-15X2.65-G	A23.42.001.4	20	GBT894.1-38	A23.42.002.4	22	GBT93-10-A3L	A23.42.003.4	23
GBT879.1-8X32	A23.42.001.4	21	SH904.42.115	A23.42.002.4	23	GBT5783-M10X25-A3L	A23.42.003.4	24
GBT5783-M10X40-A3L	A23.42.001.4	22	SH904.42.114	A23.42.002.4	24	GBT276-6306	A23.42.003.4	25
GBT93-10-A3L	A23.42.001.4	23	SH904.42A.107	A23.42.002.4	25	GBT894.1-38	A23.42.003.4	26
GBT5783-M10X25-A3L	A23.42.001.4	24	SH904.42A.108	A23.42.002.4	26	GBT308-10-G100-b	A23.42.003.4	27
GBT276-6306	A23.42.001.4	25	SH904.42.118	A23.42.002.4	27	JBT982-18	A23.42.003.4	28
GBT894.1-38	A23.42.001.4	26	SH904.42A.109	A23.42.002.4	28	GBT5783-M10X30-A3L	A23.42.003.4	29
GBT308-10-G100-b	A23.42.001.4	27	SH904.42.120	A23.42.002.4	29	GBT13871.1-B-030052-D	A23.42.003.4	30
JBT982-18	A23.42.001.4	28	GBT13871.1-B-030052-D	A23.42.002.4	30	GBT119.1-8m6X20	A23.42.003.4	31
GBT5783-M10X30-A3L	A23.42.001.4	29	JBT982-18	A23.42.002.4	31	GBT6170-M10-A3L	A23.42.003.4	32
GBT13871.1-B-030052-D	A23.42.001.4	30	SH904.42.113	A23.42.002.4	32	GBT79-M10X20-A3L	A23.42.003.4	33
GBT119.1-8m6X20	A23.42.001.4	31	GBT5783-M10X30-A3L	A23.42.002.4	33	GBT283-NJ305	A23.42.003.4	34
GBT6170-M10-A3L	A23.42.001.4	32	GBT308-10-G100-b	A23.42.002.4	34	GBT893.1-62	A23.42.003.4	35
GBT79-M10X20-A3L	A23.42.001.4	33	SH904.42.124	A23.42.002.4	35	YBT5294-SZ-F-1.00	A23.42.003.4	36
GBT283-NJ305	A23.42.001.4	34	YBT5294-SZ-F-1.00	A23.42.002.4	36	GBT894.1-29	A23.42.003.4	37
GBT893.1-62	A23.42.001.4	35	SH904.42.121	A23.42.002.4	37	SH904.42.142	A23.42.003.4	38
YBT5294-SZ-F-1.00	A23.42.001.4	36	SH904.42.013	A23.42.002.4	38	SH904.42.143	A23.42.003.4	39
GBT894.1-29	A23.42.001.4	37	SH904.42.014	A23.42.002.4	39	CD904A.42.012	A23.42.900.4_0	1
SH904.42.142	A23.42.001.4	38	SH904.42B.103	A23.42.003.4	1	GBT5783-M16X45-A3L	A23.42.900.4_0	2
SH904.42.143	A23.42.001.4	39	SH904.42.104	A23.42.003.4	2	GBT93-10-A3L	A23.42.900.4_0	3
GBT894.1-29	A23.42.002.4	1	SH904.42.105	A23.42.003.4	3	GBT5783-M10X30-A3L	A23.42.900.4_0	4
GBT119.1-8m6X20	A23.42.002.4	2	SH904.42.106	A23.42.003.4	4	GBT93-10-A3L	A23.42.900.4_0	5
GBT6170-M10-A3L	A23.42.002.4	3	SH904.42.107	A23.42.003.4	5	GBT5783-M10X25-A3L	A23.42.900.4_0	6
GBT79-M10X20-A3L	A23.42.002.4	4	SH904.42.108	A23.42.003.4	6	A23.42.001.4	A23.42.901.4_0	1
GBT893.1-62	A23.42.002.4	5	SH904.42.113	A23.42.003.4	7	GBT5783-M14X40-A3L	A23.42.901.4_0	2
GBT283-NJ305	A23.42.002.4	6	SH904.42.112	A23.42.003.4	8	GBT93-14-A3L	A23.42.901.4_0	3
SH904.42A.102	A23.42.002.4	7	SH904.42.114	A23.42.003.4	9	SH904.42.101	A23.42.901.4_0	4

零件编号	结构代码	零件顺序	零件编号	结构代码	零件顺序	零件编号	结构代码	零件顺序
SH904.42.101	A23.42.901.4_0	4	GBT93-10-A3L	A23.43.902.4_1	10	2.1011.105.2	A23.43.903.4_3	14
SH904.42.102	A23.42.901.4_0	5	SH900.43.131	A23.43.902.4_1	11	A23.43.006.3/10	A23.43.903.4_3	15
SH904.42.109	A23.42.901.4_0	6	SH900.43.023	A23.43.902.4_1	12	A23.43.007.3/10	A23.43.903.4_3	16
A23.42.002.4	A23.42.902.4_0	1	SH900.43.024	A23.43.902.4_1	13	A11.43.014.0	A23.43.903.4_3	17
GBT5783-M14X40-A3L	A23.42.902.4_0	2	GBT894.1-48	A23.43.902.4_1	14	GBT3452.1-11.8X1.8-G	A23.43.903.4_3	18
GBT93-14-A3L	A23.42.902.4_0	3	SH900.43.136	A23.43.902.4_1	15	SH900.43.130	A23.43.903.4_3	19
SH904.42.101	A23.42.902.4_0	4	SH900.43.141	A23.43.902.4_1	16	2.1560.012.0	A23.43.903.4_3	20
SH904.42A.101	A23.42.902.4_0	5	SH900.43.142	A23.43.902.4_1	17	2.1310.006.2	A23.43.903.4_3	21
SH904.42.109	A23.42.902.4_0	6	SH900.43.115	A23.43.903.4_2	1	A23.43.004.3/10	A23.43.903.4_3	23
A23.42.003.4	A23.42.903.4_0	1	2.1560.008.0	A23.43.903.4_2	2	2.0114.003.2	A23.43.903.4_3	24
GBT5783-M14X40-A3L	A23.42.903.4_0	2	GBT5783-M10X30-A3L	A23.43.903.4_2	3	A11.43.031.3	A23.43.903.4_3	26
GBT93-14-A3L	A23.42.903.4_0	3	GBT93-10-A3L	A23.43.903.4_2	4	A23.43.012.3	A23.43.903.4_3	27
SH904.42.101	A23.42.903.4_0	4	A23.43.005.3	A23.43.903.4_2	5	CD554A.13.106/10	A23.43.903.4_3	28
SH904.42B.102	A23.42.903.4_0	5	JBT8870-D25	A23.43.903.4_2	6	2.1473.006.2	A23.43.903.4_3	29
SH904.42.109	A23.42.903.4_0	6	SH900.43.018	A23.43.903.4_2	7	A23.48.027.4	A23.43.903.4_3	30
2.3110.404.2	A23.43.902.4_0	1	GBT5783-M8X20-A2L	A23.43.903.4_2	8	A23.44.001.4/10	A23.44.900.4_1	1
2.1560.012.0	A23.43.902.4_0	2	GBT93-8-A3L	A23.43.903.4_2	9	GBT5783-M10X25-A3L	A23.44.900.4_1	2
SH900.43.169	A23.43.902.4_0	3	A23.43.002.0	A23.43.903.4_2	10	GBT93-10-A3L	A23.44.900.4_1	3
GBT3452.1-15X2.65-G	A23.43.902.4_0	4	DF904.43.053	A23.43.903.4_2	11	GBT97.1-10-A3L	A23.44.900.4_1	4
SH900.43.194	A23.43.902.4_0	5	GBT6170-M8-A2L	A23.43.903.4_2	14	GBT6170-M10-A3L	A23.45.902.4_2	1
GBT854-10	A23.43.902.4_0	6	A23.43.006.3	A23.43.903.4_2	15	A23.45.003.3	A23.45.902.4_2	2
GBT119.1-8m6X15	A23.43.902.4_0	7	A23.43.007.3	A23.43.903.4_2	16	GBT879.1-8X32	A23.45.902.4_2	3
SH900.43.132	A23.43.902.4_0	8	A11.43.014.0	A23.43.903.4_2	17	GBT879.1-5X32	A23.45.902.4_2	4
GBT5783-M10X35-A3L	A23.43.902.4_0	9	GBT3452.1-10X1.8-G	A23.43.903.4_2	18	A23.45.004.3	A23.45.902.4_2	5
GBT93-10-A3L	A23.43.902.4_0	10	SH900.43.130	A23.43.903.4_2	19	A23.45.027.4/10	A23.45.902.4_2	6
SH900.43.131	A23.43.902.4_0	11	2.1560.012.0	A23.43.903.4_2	20	A23.45.072.4/10	A23.45.902.4_2	7
SH900.43.023	A23.43.902.4_0	12	GBT97.1-10-A3L	A23.43.903.4_2	21	SH900.37.121	A23.45.903.4_1	1
SH900.43.024	A23.43.902.4_0	13	GBT97.1-8-A3L	A23.43.903.4_2	22	GBT6170-M10-A3L	A23.45.903.4_1	2
GBT894.1-48	A23.43.902.4_0	14	A23.43.004.3	A23.43.903.4_2	23	GBT93-6-A3L	A23.45.903.4_1	3
SH900.43.136	A23.43.902.4_0	15	SH900.43.115	A23.43.903.4_3	1	GBT97.1-6-A3L	A23.45.903.4_1	4
SH900.43.141	A23.43.902.4_0	16	2.1560.008.0	A23.43.903.4_3	2	SH404.42.113	A23.45.903.4_1	5
SH900.43.142	A23.43.902.4_0	17	2.0114.311.2	A23.43.903.4_3	3	A23.45.001.0	A23.45.903.4_1	6
2.3110.404.2	A23.43.902.4_1	1	2.1473.008.2	A23.43.903.4_3	4	SH900.41.102	A23.45.903.4_1	7
2.1560.012.0	A23.43.902.4_1	2	A23.43.005.3/10	A23.43.903.4_3	5	GBT5783-M6X25-A3L	A23.45.903.4_1	8
SH900.43.169	A23.43.902.4_1	3	2.6851.018.0	A23.43.903.4_3	6	SH404.42.114	A23.45.903.4_1	9
GBT3452.1-15X2.65-G	A23.43.902.4_1	4	A11.43.021.4	A23.43.903.4_3	7	A23.45.078.4/10	A23.45.903.4_1	10
SH900.43.194	A23.43.902.4_1	5	2.0114.207.2	A23.43.903.4_3	8	GBT91-2.5X16-A3L	A23.45.903.4_1	11
GBT854-10	A23.43.902.4_1	6	2.1473.007.2	A23.43.903.4_3	9	GBT97.1-10-A3L	A23.45.903.4_1	12
GBT119.1-8m6X15	A23.43.902.4_1	7	A23.43.002.0	A23.43.903.4_3	10	SH900.37.120	A23.45.903.4_1	13
SH900.43.132	A23.43.902.4_1	8	DF904.43.053	A23.43.903.4_3	11	SH900.37.011	A23.45.903.4_1	14

零件编号	结构代码	零件顺序	零件编号	结构代码	零件顺序	零件编号	结构代码	零件顺序
SH900.37.011	A23.45.903.4_1	14	CD904.45.033	A23.45.914.4_1	1	CD904.47.101/20	A23.47.900.4_2	11
GBT93-10-A3L	A23.45.903.4_1	15	GBT97.1-12-A3L	A23.45.914.4_1	2	GBT5783-M10X30-A3L	A23.47.900.4_2	12
GBT879.1-8X30	A23.45.903.4_1	16	GBT93-12-A3L	A23.45.914.4_1	3	CD904A.47.013	A23.47.900.4_2	13
GBT879.1-5X30	A23.45.903.4_1	17	GBT5783-M12X25-A3L	A23.45.914.4_1	4	GBT5783-M8X25-A2L	A23.47.900.4_2	14
SH900.37.121	A23.45.903.4_2	1	GBT882-B16X60-A3L	A23.47.900.4_1	1	GBT93-8-A3L	A23.47.900.4_2	15
GBT6170-M10-A3L	A23.45.903.4_2	2	CD904.47.013	A23.47.900.4_1	2	GBT97.1-8-A3L	A23.47.900.4_2	16
GBT93-6-A3L	A23.45.903.4_2	3	GBT97.1-12-A3L	A23.47.900.4_1	3	CD904.47.211	A23.47.900.4_2	17
GBT97.1-6-A3L	A23.45.903.4_2	4	GBT5783-M12X45-A3L	A23.47.900.4_1	4	GBT93-12-A3L	A23.47.900.4_2	18
SH404.42.113	A23.45.903.4_2	5	GBT97.1-16-A3L	A23.47.900.4_1	5	GBT6170-M12-A3L	A23.47.900.4_2	19
A23.45.001.0	A23.45.903.4_2	6	GBT91-3.2X32-A3L	A23.47.900.4_1	6	A23.47.001.3	A23.47.900.4_2	20
SH900.41.102	A23.45.903.4_2	7	GBT6170-M10-A3L	A23.47.900.4_1	7	GBT5782-M10X60-A3L	A23.47.900.4_2	21
GBT5783-M6X25-A2L	A23.45.903.4_2	8	GBT93-10-A3L	A23.47.900.4_1	8	GBT5783-M8X20-A2L	A23.47.900.4_2	22
SH404.42.114	A23.45.903.4_2	9	GBT97.1-10-A3L	A23.47.900.4_1	9	0.028.2394.3/10	A23.47.900.4_2	23
A23.45.078.4/10	A23.45.903.4_2	10	CD904.47.014	A23.47.900.4_1	10	A23.47.003.3	A23.47.900.4_2	24
GBT91-2.5X16-A3L	A23.45.903.4_2	11	CD904.47.101/20	A23.47.900.4_1	11	GBT5783-M10X25-A3L	A23.47.900.4_2	25
GBT97.1-10-A3L	A23.45.903.4_2	12	GBT5783-M10X30-A3L	A23.47.900.4_1	12	A23.47.002.3	A23.47.900.4_2	26
SH900.37.120	A23.45.903.4_2	13	CD904A.47.013	A23.47.900.4_1	13	A23.48.004.0/40	A23.48.904.4_3	1
SH900.37.011	A23.45.903.4_2	14	GBT5783-M8X25-A2L	A23.47.900.4_1	14	2.8039.359.0	A23.48.904.4_3	2
GBT93-10-A3L	A23.45.903.4_2	15	GBT93-8-A3L	A23.47.900.4_1	15	LD700.48.037	A23.48.904.4_3	3
GBT879.1-8X30	A23.45.903.4_2	16	GBT97.1-8-A3L	A23.47.900.4_1	16	2.7659.481.0	A23.48.904.4_3	4
GBT879.1-5X30	A23.45.903.4_2	17	CD904.47.211	A23.47.900.4_1	17	A23.48.008.0	A23.48.904.4_3	5
A23.45.076.4/10	A23.45.906.4_2	1	GBT93-12-A3L	A23.47.900.4_1	18	A23.48.016.0	A23.48.904.4_3	8
GBT6170-M10-A3L	A23.45.906.4_2	3	GBT6170-M12-A3L	A23.47.900.4_1	19	A23.48.017.0	A23.48.904.4_3	9
A23.45.062.0	A23.45.906.4_2	4	A23.47.001.3	A23.47.900.4_1	20	SH900.48.059	A23.48.904.4_3	10
GBT5783-M6X25-A2L	A23.45.906.4_2	5	GBT5782-M10X60-A3L	A23.47.900.4_1	21	CD1204.48.041/20	A23.48.904.4_3	11
GBT93-6-A3L	A23.45.906.4_2	6	GBT5783-M8X20-A2L	A23.47.900.4_1	22	CD1204.48.032/20	A23.48.904.4_3	12
GBT97.1-6-A3L	A23.45.906.4_2	7	0.028.2394.3/10	A23.47.900.4_1	23	2.6569.069.0/10	A23.48.904.4_3	13
SH404.42.113	A23.45.906.4_2	8	A23.47.003.3	A23.47.900.4_1	24	A39.48.035.0	A23.48.904.4_3	14
SH404.42.114	A23.45.906.4_2	9	GBT5783-M10X25-A3L	A23.47.900.4_1	25	A39.48.036.0	A23.48.904.4_3	15
A23.45.001.0	A23.45.906.4_2	10	A23.47.002.3	A23.47.900.4_1	26	CD1204.48.030	A23.48.911.4_0	1
SH904.42.126	A23.45.906.4_2	11	GBT882-B16X60-A3L	A23.47.900.4_2	1	SH400.48.118	A23.48.911.4_0	2
GBT882-B10X32-A3L	A23.45.906.4_2	12	CD904.47.013	A23.47.900.4_2	2	CD554.48.105	A23.48.912.4_1	1
GBT97.1-10-A3L	A23.45.906.4_2	13	GBT97.1-12-A3L	A23.47.900.4_2	3	A39.48.026.0/10	A23.48.912.4_1	2
GBT91-3.2X20-A3L	A23.45.906.4_2	14	GBT5783-M12X45-A3L	A23.47.900.4_2	4	A39.48.044.0	A23.48.912.4_1	3
A31.45.009.3/10	A23.45.912.4_2	1	GBT97.1-16-A3L	A23.47.900.4_2	5	GBT5783-M10X25-A3L	A23.48.912.4_1	4
GBT6170-M10-A3L	A23.45.912.4_2	2	GBT91-3.2X32-A3L	A23.47.900.4_2	6	GBT97.1-10-A3L	A23.48.912.4_1	5
A23.45.005.3	A23.45.912.4_2	3	GBT6170-M10-A3L	A23.47.900.4_2	7	GBT93-10-A3L	A23.48.912.4_1	6
A46.37.001.4/10	A23.45.912.4_2	4	GBT93-10-A3L	A23.47.900.4_2	8	GBT6170-M10-A3L	A23.48.912.4_1	7
A23.45.006.3	A23.45.912.4_2	5	GBT97.1-10-A3L	A23.47.900.4_2	9	A23.48.014.0	A23.48.914.4_0	1
GBT879.1-5X32	A23.45.912.4_2	6	CD904.47.014	A23.47.900.4_2	10	A23.48.015.0	A23.48.914.4_0	2

零件编号	结构代码	零件顺序	零件编号	结构代码	零件顺序	零件编号	结构代码	零件顺序
A23.48.015.0	A23.48.914.4_0	2	GBT91-5X45-A3L	A23.55.901.4_0	4	GBT3452.1-26.5X2.65-G	A23.58.900.4_1	7
SH900.48.057	A23.48.914.4_0	3	GBT93-18-A3L	A23.55.901.4_0	5	GBT3452.1-32.5X2.65-G	A23.58.900.4_1	8
A23.48.019.0	A23.48.915.4_0	1	SH900.55.014	A23.55.901.4_0	6	GBT5783-M16X30-10.9-A3L	A23.58.900.4_1	9
A23.48.012.0	A23.48.915.4_0	2	SH900.55.107	A23.55.901.4_0	7	GBT5783-M6X16-A2L	A23.58.900.4_1	10
2.6852.203.0	A23.48.915.4_0	3	SH900.55.108	A23.55.901.4_0	8	GBT5783-M6X30-A2L	A23.58.900.4_1	11
C05.51.002.0/10	A23.51.909.4_0	1	SH900.55.115	A23.55.901.4_0	9	GBT5783-M8X16-A2L	A23.58.900.4_1	12
A23.51.008.0	A23.51.909.4_0	2	SH900.55.147	A23.55.901.4_0	10	GBT5783-M8X20-A2L	A23.58.900.4_1	13
A23.51.007.0	A23.51.909.4_0	3	SH900.55.102	A23.55.901.4_0	11	GBT5783-M8X50-A2L	A23.58.900.4_1	14
FT800.55.107A	A23.55.001.0/10	22	SH900.55.103	A23.55.901.4_0	12	GBT6170-M6-A2L	A23.58.900.4_1	15
TD904.55.1.109	A23.55.001.0/10	26	GBT91-2.5X25-A3L	A23.56.900.4_0	1	GBT93-16-A3L	A23.58.900.4_1	16
FT800.55.106B	A23.55.001.0/10	27	GBT97.1-8-A3L	A23.56.900.4_0	2	GBT93-6-A3L	A23.58.900.4_1	17
GB3452.1-92	A23.55.001.0/10	28	SH900.56.101/10	A23.56.900.4_0	3	GBT93-8-A3L	A23.58.900.4_1	18
GB3452.1-92	A23.55.001.0/10	29	SH900.56.030-1	A23.56.900.4_0	4	JBT8870-D32	A23.58.900.4_1	19
GB3452.1-92	A23.55.001.0/10	30	GBT119.1-20m6X35	A23.56.900.4_0	5	SH900.58.018	A23.58.900.4_1	20
TD904.55.1.105	A23.55.001.0/10	31	SH900.56.018	A23.56.900.4_0	6	SH900.58.019	A23.58.900.4_1	21
FT65.55.121	A23.55.001.0/10	61	SH900.56.106	A23.56.900.4_0	7	SH900.58.034	A23.58.900.4_1	22
GB3452.1-92	A23.55.001.0/10	62	SH400.56.025	A23.56.900.4_0	8	SH900.58.043	A23.58.900.4_1	23
GB3452.1-92	A23.55.001.0/10	64	SH900.56.111	A23.56.900.4_0	9	GBT93-8-A3L	A23.58.901.4_0	1
FT65.55.165	A23.55.001.0/10	65	GBT899-AM16X95-10.9-A3L	A23.56.900.4_0	10	GBT70.1-M8X45-A2L	A23.58.901.4_0	2
TD904.55.1.107	A23.55.001.0/10	68	GBT93-16-A3L	A23.56.900.4_0	11	CD904A.58.013	A23.58.901.4_0	3
GBT3452.1-32.5X1.8-G	A23.55.900.4_2	1	GBT6170-M16-10-A3L	A23.56.900.4_0	12	A23.58.003.3	A23.58.902.4_0	1
GBT5782-M12X140-10.9-A3L	A23.55.900.4_2	2	GBT95-24-A3L	A23.56.900.4_0	13	CD904A.58.014	A23.58.902.4_0	2
GBT5783-M8X20-A2L	A23.55.900.4_2	3	GBT9459-M24X2-A3L	A23.56.900.4_0	14	GBT3452.1-15X2.65-G	A23.58.902.4_0	3
GBT5783-M8X30-A2L	A23.55.900.4_2	4	GBT91-5X40-A3L	A23.56.900.4_0	15	GBT5783-M8X30-A2L	A23.58.902.4_0	4
GBT6170-M12-10-A3L	A23.55.900.4_2	5	GBT72-M8X16-A2L	A23.56.900.4_0	16	GBT93-8-A3L	A23.58.902.4_0	5
GBT6170-M16-10-A3L	A23.55.900.4_2	6	SH900.56.103	A23.56.900.4_0	17	GBT3737.2-83-G16	A23.58.902.4_0	6
GBT6170-M8-A2L	A23.55.900.4_2	7	SH900.56.019	A23.56.903.4_0	1	A23.58.001.0/10	A23.58.903.4_1	1
GBT899-AM12X40-10.9-A3L	A23.55.900.4_2	8	SH900.56.025	A23.56.903.4_0	2	SH400.58.112	A23.58.904.4_5	1
GBT899-AM16X70-10.9-A3L	A23.55.900.4_2	9	GBT5783-M16X40-10.9-A3L	A23.56.903.4_0	3	SH900.58.182	A23.58.904.4_5	2
GBT93-12-A3L	A23.55.900.4_2	10	GBT93-16-A3L	A23.56.903.4_0	4	SH900.58.101	A23.58.904.4_5	3
GBT93-16-A3L	A23.55.900.4_2	11	CD1104A.56.011/10	A23.56.913.4_0	1	SH900.58.025	A23.58.904.4_5	4
GBT93-8-A3L	A23.55.900.4_2	12	CD1104A.56.012/10	A23.56.913.4_0	2	SH900.58.020/20	A23.58.904.4_5	5
JBT8870-D20	A23.55.900.4_2	13	GBT5783-M16X40-10.9-A3L	A23.56.913.4_0	3	SH400.58.106	A23.58.904.4_5	6
SH704-1.55.015-1	A23.55.900.4_2	14	GBT93-16-A3L	A23.56.913.4_0	4	A68.58.003.0	A23.58.904.4_5	7
SH900.55.012	A23.55.900.4_2	15	A23.58.002.0	A23.58.900.4_1	1	JBT8870-D32	A23.58.904.4_5	8
SH900.55.148	A23.55.900.4_2	16	A23.58.014.3	A23.58.900.4_1	2	GBT93-8-A3L	A23.58.904.4_5	9
SH900.55.162/10	A23.55.900.4_2	17	A23.58.019.3	A23.58.900.4_1	3	GBT93-10-A3L	A23.58.904.4_5	10
A23.55.001.0/10	A23.55.900.4_2	18	CD904A.58.012/10	A23.58.900.4_1	4	GBT70.1-M8X25-A2L	A23.58.904.4_5	11
GBT119.1-20m6X35	A23.55.901.4_0	1	CD904A.58.103	A23.58.900.4_1	5	GBT6170-M10-A3L	A23.58.904.4_5	12
GBT6170-M18-10-A3L	A23.55.901.4_0	2	GBT3452.1-21.2X1.8-G	A23.58.900.4_1	6	GBT5783-M8X20-A2L	A23.58.904.4_5	13

零件编号	结构代码	零件顺序	零件编号	结构代码	零件顺序	零件编号	结构代码	零件顺序
GBT5783-M8X20-A2L	A23.58.904.4_5	13	GBT5783-M10X25-A3L	A23.58.909.4_0	14	A23.80.009.3	A23.80.910.4_0	1
GBT5783-M8X16-A2L	A23.58.904.4_5	14	GBT5783-M10X16-A3L	A23.58.909.4_0	15	B80.10.007.2	A23.80.910.4_0	2
GBT5783-M10X70-A3L	A23.58.904.4_5	15	DF904.58B.016/10	A23.58.909.4_0	16	2.1560.018.0	A23.80.910.4_0	3
GBT5783-M10X20-A3L	A23.58.904.4_5	16	DF904.58B.015/10	A23.58.909.4_0	17	A23.80.006.0	A23.80.910.4_0	4
GBT3452.1-19X2.65-G	A23.58.904.4_5	17	CD554.581A.112	A23.58.909.4_0	18	A23.80.008.3/20	A23.80.910.4_0	5
A23.58.016.3/10	A23.58.904.4_5	18	CD554.581A.015	A23.58.909.4_0	19	A23.80.010.3	A23.80.910.4_0	6
A23.58.015.3	A23.58.904.4_5	19	2.1560.020.0	A23.58.909.4_0	20	GBT5783-M8X80-A2L	A23.80.910.4_0	7
A23.58.013.3/10	A23.58.904.4_5	20	2.1560.016.0	A23.58.909.4_0	21	GBT5783-M12X25-A3L	A23.80.910.4_0	8
A23.58.004.3	A23.58.904.4_5	21	2.1560.014.0	A23.58.909.4_0	22	GBT93-12-A3L	A23.80.910.4_0	9
2.1560.018.0	A23.58.904.4_5	23	A23.80.003.2	A23.80.901.4_1	1	A23.80.014.3	A23.80.910.4_0	10
A23.58.021.0/10	A23.58.904.4_5	24	GBT97.1-10-A3L	A23.80.901.4_1	2	A23.80.015.3	A23.80.910.4_0	11
A23.58.022.3	A23.58.904.4_5	25	GBT93-10-A3L	A23.80.901.4_1	3	A23.80.012.0	A23.80.910.4_0	12
SH904.58.170	A23.58.904.4_5	26	GBT5783-M10X30-A3L	A23.80.901.4_1	4	A23.80.007.0	A23.80.910.4_0	13
2.1560.014.0	A23.58.905.4_1	1	GBT6170-M10-A3L	A23.80.901.4_1	5	A23.80.011.0	A23.80.910.4_0	14
A23.58.005.3	A23.58.905.4_1	2	GBT5783-M10X35-A3L	A23.80.901.4_1	6	GBT5783-M6X16-A2L	A23.80.910.4_0	15
A23.58.006.3	A23.58.905.4_1	3	SH900.80.012	A23.80.901.4_1	7	GBT93-6-A3L	A23.80.910.4_0	16
A23.58.007.3	A23.58.905.4_1	4	SH900.80.105	A23.80.902.4_1	1	GBT6170-M6-A2L	A23.80.910.4_0	17
A23.58.008.3	A23.58.905.4_1	5	CD904A.80.012	A23.80.902.4_1	2	GBT5783-M8X16-A2L	A23.80.910.4_0	18
A23.58.009.3	A23.58.905.4_1	6	CD904A.80.103	A23.80.902.4_1	3	GBT93-8-A3L	A23.80.910.4_0	19
A23.58.010.3	A23.58.905.4_1	7	2.1560.010.0	A23.80.902.4_1	4	A23.80.016.0	A23.80.910.4_0	20
A23.58.017.3	A23.58.905.4_1	8	SH900.40.133	A23.80.902.4_1	5	CD904A.80.018/20	A23.80.915.4_5	1
CD554.58.111	A23.58.905.4_1	9	A23.80.004.3	A23.80.902.4_1	6	SH900.48.045	A23.80.915.4_5	2
GBT5783-M10X25-A3L	A23.58.905.4_1	10	CD904A.80.013	A23.80.904.4_0	1	SH900.48.028	A23.80.915.4_5	3
GBT6172-M22X1.5-A3L	A23.58.905.4_1	11	CD904A.80.018/30	A23.80.905.4_4	1	SH400.45.010	A23.80.915.4_5	5
GBT93-10-A3L	A23.58.905.4_1	12	SH900.48.045	A23.80.905.4_4	2	B09.80.001.0	A23.80.915.4_5	6
SH904.58.012	A23.58.905.4_1	13	SH900.48.028	A23.80.905.4_4	3	2.1011.106.2	A23.81.910.4_0	1
SH904.58.171	A23.58.905.4_1	14	SH400.45.010	A23.80.905.4_4	5	2.0113.335.2	A23.81.910.4_0	2
SH904.58.015	A23.58.905.4_1	15	CD904A.80.017/10	A23.80.905.4_4	6	CD904.81.012	A23.81.910.4_0	3
SH904.58.026	A23.58.909.4_0	1	GBT5783-M10X30-A3L	A23.80.905.4_4	7	2.4119.221.0/10	A23.81.910.4_0	4
LD700.58.107	A23.58.909.4_0	2	GBT97.1-10-A3L	A23.80.905.4_4	8	2.1470.006.2	A23.81.910.4_0	5
SH900.58.111	A23.58.909.4_0	3	GBT93-10-A3L	A23.80.905.4_4	9	2.1310.006.2	A23.81.910.4_0	6
SH900.58.105	A23.58.909.4_0	4	GBT6170-M10-A3L	A23.80.905.4_4	10	A23.21.001.0/10	A25.21.900.4_3	1
SH900.58.038	A23.58.909.4_0	5	B09.80.001.0	A23.80.905.4_4	11	SH900.21.103	A25.21.900.4_3	2
SH900.58.022	A23.58.909.4_0	6	A23.80.005.3/10	A23.80.907.4_3	1	NTM8842A.00	A25.21.900.4_3	3
SH900.58.021	A23.58.909.4_0	7	SH900.80.104	A23.80.907.4_3	2	LE1354.21.101/10	A25.21.900.4_3	4
SH900.40.105	A23.58.909.4_0	8	GBT6173-18X1.5-A3L	A23.80.907.4_3	3	SH900.21.109	A25.21.900.4_3	5
LE1204.58.134-1	A23.58.909.4_0	9	CD554.80.105	A23.80.907.4_3	4	SH900.21.110	A25.21.900.4_3	6
GBT93-8-A3L	A23.58.909.4_0	10	B80.80.006.0	A23.80.907.4_3	5	YBT5294-SZ-F-1.4	A25.21.900.4_3	7
GBT93-10-A3L	A23.58.909.4_0	11	GBT5783-M8X25-A2L	A23.80.907.4_3	6	SH900.21.111/10	A25.21.900.4_3	8
GBT5783-M8X65-A2L	A23.58.909.4_0	12	GBT93-8-A3L	A23.80.907.4_3	7	SH900.21.112	A25.21.900.4_3	9

零件编号	结构代码	零件顺序	零件编号	结构代码	零件顺序	零件编号	结构代码	零件顺序
SH900.21.112	A25.21.900.4_3	9	SH900.43.166	A31.45.909.4_2	3	A31.48.010.0	A31.48.919.4_0	1
LE1354.21.011	A25.21.900.4_3	10	SH900.43.041	A31.45.909.4_2	4	GBT97.1-10-A3L	A31.48.919.4_0	2
SH900.21.113	A25.21.900.4_3	11	SH900.43.016	A31.45.909.4_2	5	GBT93-10-A3L	A31.48.919.4_0	3
SH900.21.019	A25.21.900.4_3	12	GBT894.1-30	A31.45.909.4_2	6	GBT5783-M10X25-A3L	A31.48.919.4_0	4
LE1354.21.102	A25.21.900.4_3	13	SH900.43.030	A31.45.909.4_2	7	A31.48.017.0	A31.48.919.4_0	5
SH900.21.124	A25.21.900.4_3	14	GBT6170-M10-A3L	A31.45.909.4_2	8	A31.48.018.0	A31.48.919.4_0	6
GBT93-8-A3L	A25.21.900.4_3	15	SH900.43.103	A31.45.909.4_2	9	2.6852.203.0	A31.48.975.4_1	1
GBT6170-M8-A2L	A25.21.900.4_3	16	GBT93-10-A3L	A31.45.909.4_2	10	A31.48.020.0/20	A31.48.975.4_1	2
A23.21.001.0/10	A25.21.900.4_4	1	SH900.43.011	A31.45.909.4_2	11	0.024.0988.0	A31.51.900.4_0	1
SH900.21.103	A25.21.900.4_4	2	GBT879.1-5X18	A31.45.909.4_2	12	A68.44.001.4	A68.44.900.4_1	1
NTM8842A.00	A25.21.900.4_4	3	SH900.56.105	A31.45.909.4_2	13	GBT5783-M8X20-A2L	A68.44.900.4_1	2
LE1354.21.101/10	A25.21.900.4_4	4	GBT6170-M8-A2L	A31.45.909.4_2	14	GBT93-8-A3L	A68.44.900.4_1	3
SH900.21.109	A25.21.900.4_4	5	GBT93-8-A3L	A31.45.909.4_2	15	GBT97.1-8-A3L	A68.44.900.4_1	4
SH900.21.110	A25.21.900.4_4	6	GBT5783-M8X20-A2L	A31.45.909.4_2	16	SH900.35.102	A73.35.001.4_10_0	1
YBT5294-SZ-F-1.4	A25.21.900.4_4	7	SH900.21.101	A31.45.909.4_2	17	LE1204.35.104	A73.35.001.4_10_0	2
SH900.21.111/10	A25.21.900.4_4	8	A31.45.052.4/20	A31.45.945.4_2	1	A73.35.002.3	A73.35.001.4_10_0	3
SH900.21.112	A25.21.900.4_4	9	A23.45.002.0	A31.45.945.4_2	2	A73.35.006.2/10	A73.35.001.4_10_0	4
LE1354.21.011	A25.21.900.4_4	10	A23.45.050.0	A31.45.945.4_2	3	A73.35.007.0	A73.35.001.4_10_0	5
SH900.21.113	A25.21.900.4_4	11	GBT6171-M10X1-A2L	A31.45.945.4_2	4	A73.35.008.4	A73.35.001.4_10_0	6
SH900.21.019	A25.21.900.4_4	12	SH900.21.117	A31.45.945.4_2	5	A73.35.005.0	A73.35.008.4	1
LE1354.21.102	A25.21.900.4_4	13	GBT882-B10X32-A3L	A31.45.945.4_2	6	GBT5782-M16X100-A3L	A73.35.008.4	2
SH900.21.124	A25.21.900.4_4	14	GBT97.1-10-A3L	A31.45.945.4_2	7	GBT93-16-A3L	A73.35.008.4	3
GBT93-8-A3L	A25.21.900.4_4	15	GBT91-3.2X20-A3L	A31.45.945.4_2	8	GBT6170-M16-A3L	A73.35.008.4	4
2.1011.105.2	A25.21.900.4_4	16	GBT5783-M8X35-A2L	A31.45.945.4_2	9	A73.35.004.0	A73.35.008.4	5
A26.10.001.4	A26.10.900.4_0	1	GBT93-8-A3L	A31.45.945.4_2	10	SH900.35.102	A73.35.008.4	6
L-03033 - 0120-00	A26.21.001.4	2	GBT97.1-8-A3L	A31.45.945.4_2	11	SH900.35.101	A73.35.008.4	7
L-03033 - 0800-00	A26.21.001.4	7	SH900.21.016	A31.45.945.4_2	12	GBT899-AM16X40-A3L	A73.35.900.4_0	1
L-02615-0069-03	A26.21.001.4	10	GBT5782-M10X60-A3L	A31.45.945.4_2	13	GBT93-16-A3L	A73.35.900.4_0	2
L-02615-0G81-00	A26.21.001.4	11	GBT6170-M10-A3L	A31.45.945.4_2	14	GBT6170-M16-A3L	A73.35.900.4_0	3
GBT2979-12.4-24-R1	A29.32.901.4_1	1	GBT93-10-A3L	A31.45.945.4_2	15	A73.35.001.4/10	A73.35.900.4_0	4
GBT2979-12.4-24-8PR-R1	A29.32.901.4_1	2	SH900.21.119	A31.45.945.4_2	16	GBT899-AM16X110-A3L	A73.35.900.4_0	5
SH904.32A.011	A29.32.901.4_1	3	SH900.21.118	A31.45.945.4_2	17	A78.45.003.4	A78.45.933.4_0	1
LE1204.11.012	A31.11.910.4_0	1	SH900.21.020	A31.45.945.4_2	18	2.0332.407.3	A78.45.933.4_0	2
A26.21.001.4	A31.21.902.4_1	1	GBT894.1-30	A31.45.945.4_2	19	2.1312.003.2	A78.45.933.4_0	3
GBT5782-M10X45-10.9-A3L	A31.21.902.4_1	2	SH900.21.115	A31.45.945.4_2	20	B80.48.011.4	A78.48.904.4_0	1
GBT93-10-A3L	A31.21.902.4_1	3	GBT5783-M10X25-A3L	A31.45.945.4_2	21	0.049.1217.0	A78.48.904.4_0	2
SH900.40.012	A31.40.916.4_0	1	SH900.21.116	A31.45.945.4_2	22	2.6039.020.0	A78.48.904.4_0	3
GBT5783-M10X25-A3L	A31.40.916.4_0	2	SH900.21.120	A31.45.945.4_2	23	2.0332.207.2	A78.48.904.4_0	4
GBT93-10-A3L	A31.40.916.4_0	3	SH900.43.145	A31.45.945.4_2	24	2.1310.028.2	A78.48.904.4_0	5
SH900.43.181	A31.45.909.4_2	1	A31.45.072.0	A31.45.945.4_2	25	B80.48.012.4	A78.48.904.4_0	6

零件编号	结构代码	零件顺序	零件编号	结构代码	零件顺序	零件编号	结构代码	零件顺序
B80.48.012.4	A78.48.904.4_0	6	2.0115.616.2	A80.37.910.4_5	13	A80.45.026.0	A80.45.902.4_0	2
A24.48.002.0	A78.48.964.4_0	1	SH900.37.104	A80.37.910.4_5	14	A80.45.027.3	A80.45.902.4_0	3
A78.48.003.0	A78.48.964.4_0	2	2.1473.007.2	A80.37.910.4_5	15	A80.45.041.3	A80.45.902.4_0	4
2.6852.203.0	A78.48.964.4_0	3	2.0114.209.2	A80.37.910.4_5	16	A80.45.044.0	A80.45.902.4_0	5
2.1310.028.2	A78.48.964.4_0	4	2.1012.307.2	A80.37.910.4_5	17	A80.45.045.0	A80.45.902.4_0	6
2.1473.004.2	A78.48.964.4_0	5	GBT900-AM12X1.5X40-10.9-A3L	A80.37.910.4_5	18	A80.45.040.0	A80.45.902.4_0	7
2.0332.203.2	A78.48.964.4_0	6	SH900.37.105	A80.37.910.4_5	19	A80.45.034.3	A80.45.902.4_0	8
A78.74.001.2	A78.74.904.4_0	1	QCT388-14	A80.37.910.4_5	20	A80.45.037.0	A80.45.902.4_0	9
GBT5783-M10X25-A3L	A80.37.910.4_3	1	2.1475.004.7	A80.37.910.4_5	21	A80.45.033.0	A80.45.902.4_0	10
GBT93-10-A3L	A80.37.910.4_3	2	GBT6170-M12-10-A3L	A80.37.911.4_1	1	A80.45.039.0	A80.45.902.4_0	11
SH900.37.106	A80.37.910.4_3	3	GBT93-12-A3L	A80.37.911.4_1	2	A80.45.047.0	A80.45.902.4_0	12
GBT91-5X25-A3L	A80.37.910.4_3	4	CD904A.37.102	A80.37.911.4_1	3	A80.45.048.0	A80.45.902.4_0	13
GBT5783-M12X25-A3L	A80.37.910.4_3	5	GBT5783-M10X40-10.9-A3L	A80.37.911.4_1	4	A80.45.038.0	A80.45.902.4_0	14
GBT93-12-A3L	A80.37.910.4_3	6	GBT93-10-A3L	A80.37.911.4_1	5	2.0332.409.2	A80.45.902.4_0	15
SH900.37.154	A80.37.910.4_3	7	GBT5782-M12X40-10.9-A3L	A80.37.911.4_1	6	A80.45.046.0	A80.45.902.4_0	16
SH900.37.016/10	A80.37.910.4_3	8	GBT93-18-A3L	A80.37.911.4_1	7	A39.45.047.0	A80.45.902.4_0	17
JBT982-30	A80.37.910.4_3	9	GBT5782-M18X140-10.9-A3L	A80.37.911.4_1	8	A39.45.048.0	A80.45.902.4_0	18
SH900.37.216	A80.37.910.4_3	10	GBT93-16-A3L	A80.37.911.4_1	9	GBT5783-M8X20-A2L	A80.45.902.4_0	19
A80.37.001.0/20	A80.37.910.4_3	11	GBT70.1-M16X140-10.9-A3L	A80.37.911.4_1	10	GBT97.1-8-A3L	A80.45.902.4_0	20
GBT93-16-A3L	A80.37.910.4_3	12	2.0314.618.2	A80.37.911.4_1	11	2.1430.011.7	A80.45.902.4_0	21
GBT5783-M16X45-10.9-A3L	A80.37.910.4_3	13	GBT5782-M14X50-10.9-A3L	A80.37.911.4_1	12	2.0332.408.2	A80.45.902.4_0	22
SH900.37.104	A80.37.910.4_3	14	GBT5783-M16X50-10.9-A3L	A80.37.911.4_1	13	GBT93-6-A3L	A80.45.902.4_0	23
GBT93-8-A3L	A80.37.910.4_3	15	GBT93-14-A3L	A80.37.911.4_1	14	GBT97.1-6-A3L	A80.45.902.4_0	24
GBT5783-M8X25-A2L	A80.37.910.4_3	16	2.1012.107.2	A80.37.911.4_2	1	GBT6170-M6-A2L	A80.45.902.4_0	25
GBT6176-M12X1.5-10-A3L	A80.37.910.4_3	17	GBT93-12-A3L	A80.37.911.4_2	2	GBT6170-M8-A2L	A80.45.902.4_0	26
GBT900-AM12X1.5X40-10.9-A3L	A80.37.910.4_3	18	CD904A.37.102	A80.37.911.4_2	3	A80.45.049.0	A80.45.903.4_0	1
SH900.37.105	A80.37.910.4_3	19	2.0115.315.2	A80.37.911.4_2	4	A80.45.026.0	A80.45.903.4_0	2
QCT388-14	A80.37.910.4_3	20	GBT93-10-A3L	A80.37.911.4_2	5	A80.45.050.3	A80.45.903.4_0	3
2.1475.004.7	A80.37.910.4_3	21	2.0115.415.2	A80.37.911.4_2	6	A80.45.058.3	A80.45.903.4_0	4
2.0114.309.2	A80.37.910.4_5	1	GBT93-18-A3L	A80.37.911.4_2	7	A80.45.044.0	A80.45.903.4_0	5
2.1473.008.2	A80.37.910.4_5	2	2.0113.737.2	A80.37.911.4_2	8	A80.45.056.0	A80.45.903.4_0	6
SH900.37.106	A80.37.910.4_5	3	GBT93-16-A3L	A80.37.911.4_2	9	A80.45.057.0	A80.45.903.4_0	7
GBT91-5X25-A3L	A80.37.910.4_5	4	2.0314.630.2	A80.37.911.4_2	10	A80.45.054.3	A80.45.903.4_0	8
2.0114.409.2	A80.37.910.4_5	5	2.0314.618.2	A80.37.911.4_2	11	A80.45.037.0	A80.45.903.4_0	9
2.1473.009.2	A80.37.910.4_5	6	2.0113.519.2	A80.37.911.4_2	12	A80.45.033.0	A80.45.903.4_0	10
SH900.37.154/10	A80.37.910.4_5	7	2.0115.617.2	A80.37.911.4_2	13	A80.45.039.0	A80.45.903.4_0	11
SH900.37.016/10	A80.37.910.4_5	8	GBT93-14-A3L	A80.37.911.4_2	14	A80.45.047.0	A80.45.903.4_0	12
2.1561.015.0	A80.37.910.4_5	9	2.0113.641.2	A80.37.911.4_2	15	A80.45.048.0	A80.45.903.4_0	13
SH900.37.216	A80.37.910.4_5	10	A80.45.005.0	A80.45.901.4_0	1	A80.45.038.0	A80.45.903.4_0	14
A80.37.001.0/30	A80.37.910.4_5	11	A80.45.025.0	A80.45.902.4_0	1	2.0332.409.2	A80.45.903.4_0	15



零件编号	结构代码	零件顺序	零件编号	结构代码	零件顺序	零件编号	结构代码	零件顺序
2.0332.409.2	A80.45.903.4_0	15	A80.45.081.0	A80.45.905.4_0	8	GBT93-10-A3L	A80.45.919.4_3	1
A80.45.061.0	A80.45.903.4_0	16	A80.45.082.0	A80.45.905.4_0	9	GBT5783-M10X25-A3L	A80.45.919.4_3	2
A39.45.047.0	A80.45.903.4_0	17	GBT819.1-M8X35-A2L	A80.45.905.4_0	10	GBT894.1-20	A80.45.919.4_3	3
A39.45.048.0	A80.45.903.4_0	18	GBT889.1-M8-A2L	A80.45.905.4_0	11	SH900.21.117	A80.45.919.4_3	4
GBT5783-M8X20-A2L	A80.45.903.4_0	19	A39.45.047.0	A80.45.905.4_0	12	GBT97.1-20-A3L	A80.45.919.4_3	5
GBT97.1-8-A3L	A80.45.903.4_0	20	GBT96.1-8-A3L	A80.45.905.4_0	13	SH900.21.118	A80.45.919.4_3	6
2.1430.011.7	A80.45.903.4_0	21	A80.45.084.4	A80.45.906.4_0	1	A80.45.004.3	A80.45.919.4_3	7
2.0332.408.2	A80.45.903.4_0	22	GBT5783-M8X20-A2L	A80.45.906.4_0	2	SH900.21.022	A80.45.919.4_3	8
GBT93-6-A3L	A80.45.903.4_0	23	GBT97.1-8-A3L	A80.45.906.4_0	3	GBT6170-M10-A3L	A80.45.919.4_3	9
GBT97.1-6-A3L	A80.45.903.4_0	24	GBT6170-M8-A2L	A80.45.906.4_0	4	SH900.43.030	A80.45.919.4_3	10
GBT6170-M6-A2L	A80.45.903.4_0	25	A80.45.012.0	A80.45.907.4_0	1	SH900.21.101	A80.45.919.4_3	11
GBT6170-M8-A2L	A80.45.903.4_0	26	A80.45.013.0	A80.45.907.4_0	2	GBT91-3.2X20-A3L	A80.45.919.4_3	12
A80.45.063.0	A80.45.904.4_0	1	A80.45.086.0	A80.45.907.4_0	3	GBT97.1-10-A3L	A80.45.919.4_3	13
A80.45.064.0	A80.45.904.4_0	2	A80.45.087.0	A80.45.907.4_0	4	SH900.21.011	A80.45.919.4_3	14
A80.45.068.3	A80.45.904.4_0	3	A80.45.089.0	A80.45.907.4_0	5	GBT6170-M8-A2L	A80.45.919.4_3	15
A80.45.066.0	A80.45.904.4_0	4	A80.45.088.0	A80.45.907.4_0	6	GBT5783-M8X20-A2L	A80.45.919.4_3	16
A39.45.048.0	A80.45.904.4_0	5	A80.45.014.4	A80.45.908.4_0	1	GBT93-8-A3L	A80.45.919.4_3	17
A39.45.047.0	A80.45.904.4_0	6	A80.45.088.0	A80.45.908.4_0	2	GBT894.1-30	A80.45.919.4_3	18
GBT97.1-8-A3L	A80.45.904.4_0	7	A80.45.015.2	A80.45.909.4_0	1	SH900.21.021	A80.45.919.4_3	19
GBT889.1-M8-A2L	A80.45.904.4_0	8	A80.45.090.0	A80.45.909.4_0	2	SH900.21.012	A80.45.919.4_3	20
A80.45.076.0	A80.45.904.4_0	9	A80.45.091.0	A80.45.909.4_0	3	SH900.21.122	A80.45.919.4_3	21
A80.45.067.0	A80.45.904.4_0	10	A39.45.125.0	A80.45.909.4_0	4	A80.45.002.3	A80.45.919.4_3	22
A80.45.077.0	A80.45.904.4_0	11	GBT818-M5X16-A2L	A80.45.909.4_0	5	SH900.21.105	A80.45.919.4_3	23
2.1430.006.7	A80.45.904.4_0	12	GBT825-M16-A3L	A80.45.909.4_0	6	GBT6171-M10X1-A2L	A80.45.919.4_3	24
A80.45.074.0	A80.45.904.4_0	13	2.1569.211.0	A80.45.909.4_0	7	LE1204.21.101	A80.45.919.4_3	25
A80.45.075.0	A80.45.904.4_0	14	GBT97.1-12-A3L	A80.45.909.4_0	8	GBT882-B10X32-A3L	A80.45.919.4_3	26
A80.45.070.0	A80.45.904.4_0	15	2.0112.435.2	A80.45.909.4_0	9	SH900.43.181	A80.45.919.4_3	27
GBT5783-M6X25-A2L	A80.45.904.4_0	16	A80.45.083.0	A80.45.915.4_0	1	2.1473.008.2	A80.45.919.4_4	1
GBT97.1-6-A3L	A80.45.904.4_0	17	A80.45.079.0	A80.45.915.4_0	2	2.0114.309.2	A80.45.919.4_4	2
A80.45.072.0	A80.45.904.4_0	18	A80.45.080.0	A80.45.915.4_0	3	2.1414.018.2	A80.45.919.4_4	3
A80.45.069.0	A80.45.904.4_0	19	GBT97.1-6-A3L	A80.45.915.4_0	4	SH900.21.117	A80.45.919.4_4	4
A80.45.073.0	A80.45.904.4_0	20	2.0332.408.2	A80.45.915.4_0	5	2.1310.013.2	A80.45.919.4_4	5
A80.45.071.0	A80.45.904.4_0	21	A39.45.048.0	A80.45.915.4_0	6	SH900.21.118	A80.45.919.4_4	6
2.1430.007.2	A80.45.904.4_0	22	A80.45.072.0	A80.45.915.4_0	7	A80.45.004.3	A80.45.919.4_4	7
A80.45.078.0	A80.45.905.4_0	1	A80.45.081.0	A80.45.915.4_0	8	SH900.21.022	A80.45.919.4_4	8
A80.45.079.0	A80.45.905.4_0	2	A80.45.082.0	A80.45.915.4_0	9	0.020.5363.2/10	A80.45.919.4_4	9
A80.45.080.0	A80.45.905.4_0	3	GBT819.1-M8X35-A2L	A80.45.915.4_0	10	SH900.21.101	A80.45.919.4_4	10
GBT97.1-6-A3L	A80.45.905.4_0	4	GBT889.1-M8-A2L	A80.45.915.4_0	11	2.1690.308.2	A80.45.919.4_4	11
2.0332.408.2	A80.45.905.4_0	5	A39.45.047.0	A80.45.915.4_0	12	2.1310.006.2	A80.45.919.4_4	12
A39.45.048.0	A80.45.905.4_0	6	GBT96.1-8-A3L	A80.45.915.4_0	13	SH900.21.011	A80.45.919.4_4	13

零件编号	结构代码	零件顺序	零件编号	结构代码	零件顺序	零件编号	结构代码	零件顺序
SH900.21.011	A80.45.919.4_4	13	2.6852.101.0	A80.81.913.4_0	6	2.1310.001.2	A88.41.905.4_2	34
2.1012.105.2	A80.45.919.4_4	14	A80.81.006.2	A80.81.923.4_0	1	2.0332.304.2	A88.41.905.4_2	35
2.0114.207.2	A80.45.919.4_4	15	A80.81.007.2	A80.81.923.4_0	2	GBT895.2-30	A88.41.905.4_2	36
2.1473.007.2	A80.45.919.4_4	16	2.6852.101.0	A80.81.923.4_0	3	SH900.41.107-10	A88.41.910.4_1	1
2.1414.026.2	A80.45.919.4_4	17	SH900.41C.101-10	A88.41.900.4_2	1	SH900.41.120	A88.41.910.4_1	2
SH900.21.021	A80.45.919.4_4	18	SH900.41C.102	A88.41.900.4_2	2	SH900.41.123	A88.41.910.4_1	3
A78.21.013.3/10	A80.45.919.4_4	19	SH900.41.120	A88.41.900.4_2	3	SH900.41B.101-10	A88.41.930.4_1	1
SH900.21.122	A80.45.919.4_4	20	GBT297-30210	A88.41.905.4_2	1	SH900.41B.103	A88.41.930.4_1	2
A80.45.002.3	A80.45.919.4_4	21	SH900.41.108	A88.41.905.4_2	2	SH900.41B.102	A88.41.930.4_1	3
SH900.21.105	A80.45.919.4_4	22	SH900.41.145	A88.41.905.4_2	3	GBT5786-M16X1.5X45-A3L	B09.31.900.4_1	1
2.1011.406.2	A80.45.919.4_4	23	SH900.41.109	A88.41.905.4_2	4	SH904.31.193	B09.31.900.4_1	2
LE1204.21.101	A80.45.919.4_4	24	GBT93-10-A3L	A88.41.905.4_2	5	GBT119.1-12h8x24	B09.31.900.4_1	3
2.1671.409.2	A80.45.919.4_4	25	2.0114.316.2	A88.41.905.4_2	6	SH904.31.187	B09.31.900.4_1	4
SH900.43.181	A80.45.919.4_4	26	SH900.41.105	A88.41.905.4_2	7	JBT7940.1-M10X1	B09.31.900.4_1	5
A80.45.021.0	A80.45.925.4_0	1	GBT893.1-28	A88.41.905.4_2	8	GBT5785-M18X1.5X60-8.8-A3L	B09.31.900.4_1	6
A80.45.022.0	A80.45.925.4_0	2	SH900.41.106	A88.41.905.4_2	9	GBT93-18-A3L	B09.31.900.4_1	7
A80.45.023.0	A80.45.925.4_0	3	GBT894.1-45	A88.41.905.4_2	10	SH904.31.188	B09.31.900.4_1	8
A80.45.024.0	A80.45.925.4_0	4	GBT276-6309	A88.41.905.4_2	11	GBT3452.1-52.6x3.55-G	B09.31.900.4_1	9
A80.45.092.0	A80.45.930.4_0	1	SH900.41.126	A88.41.905.4_2	12	SH904.31.189	B09.31.900.4_1	10
A80.45.093.0	A80.45.930.4_0	2	SH900.41.125	A88.41.905.4_2	13	SH904.31.010	B09.31.900.4_1	11
A80.45.088.0	A80.45.930.4_0	3	GBT276-6210	A88.41.905.4_2	14	SH904.31.190	B09.31.900.4_1	12
CD904A.45A.025	A80.45.962.4_0	1	SH900.41.124	A88.41.905.4_2	15	GBT3452.1-99.6x5.3-G	B09.31.900.4_1	13
GBT5783-M6X20-A2L	A80.45.962.4_0	2	JBT7918-K68X78X34	A88.41.905.4_2	16	SH904.31.191	B09.31.900.4_1	14
GBT97.1-6-A3L	A80.45.962.4_0	3	SH900.41.122	A88.41.905.4_2	17	GBT5786-M16X1.5X45-A3L	B09.31.900.4_2	1
A80.48.001.4	A80.48.904.4_0	1	SH900.41.121	A88.41.905.4_2	18	SH904.31.193	B09.31.900.4_2	2
A80.81.001.4	A80.81.903.4_1	1	SH900.41.111	A88.41.905.4_2	19	GBT119.1-12h8X24	B09.31.900.4_2	3
K81TY2500G-01	A80.81.903.4_1	1	SH900.41.119	A88.41.905.4_2	20	SH904.31.187	B09.31.900.4_2	4
GBT5783-M10X25-A3L	A80.81.903.4_1	2	GBT297-30212	A88.41.905.4_2	21	JBT7940.1-M10X1	B09.31.900.4_2	5
GBT96.1-10-A3L	A80.81.903.4_1	3	SH900.37.111	A88.41.905.4_2	22	GBT5785-M18X1.5X60-10.9-A3L	B09.31.900.4_2	6
GBT97.1-10-A3L	A80.81.903.4_1	4	A11.41.003.0	A88.41.905.4_2	23	GBT93-18-A3L	B09.31.900.4_2	7
GBT6170-M10-A3L	A80.81.903.4_1	5	SH900.41.118	A88.41.905.4_2	24	SH904.31.188	B09.31.900.4_2	8
A80.81.008.4	A80.81.904.4_1	1	GBT13871.1-FB-070090-D	A88.41.905.4_2	25	GBT3452.1-53X3.55-G	B09.31.900.4_2	9
GBT5783-M10X25-A3L	A80.81.904.4_1	2	A11.41.004.0	A88.41.905.4_2	26	SH904.31.189	B09.31.900.4_2	10
GBT96.1-10-A3L	A80.81.904.4_1	3	2.0112.321.2	A88.41.905.4_2	27	SH904.31.010	B09.31.900.4_2	11
GBT97.1-10-A3L	A80.81.904.4_1	4	SH900.41.115	A88.41.905.4_2	28	SH904.31.190	B09.31.900.4_2	12
GBT6170-M10-A3L	A80.81.904.4_1	5	SH900.41.113	A88.41.905.4_2	29	GBT3452.1-100X5.3-G	B09.31.900.4_2	13
A80.81.002.0	A80.81.913.4_0	1	2.1475.005.7	A88.41.905.4_2	30	SH904.31.191	B09.31.900.4_2	14
A80.81.003.0	A80.81.913.4_0	2	2.1012.408.2	A88.41.905.4_2	31	GBT5786-M16X1.5X45-10.9-A3L	B09.31.900.4_3	1
A80.81.004.0	A80.81.913.4_0	3	SH900.41.117/10	A88.41.905.4_2	32	SH904.31.193	B09.31.900.4_3	2
A80.81.005.0	A80.81.913.4_0	4	GBT93-5-A3L	A88.41.905.4_2	33	GBT119.1-12h8X24	B09.31.900.4_3	3

零件编号	结构代码	零件顺序	零件编号	结构代码	零件顺序	零件编号	结构代码	零件顺序
GBT119.1-12h8X24	B09.31.900.4_3	3	2.1310.006.2	B29.43.905.4_2	6	2.1310.004.2	B30.48.906.4_3	10
SH904.31.187	B09.31.900.4_3	4	2.1671.409.2	B29.43.905.4_2	7	A02.48.010.0	B30.48.906.4_3	11
2.3820.105.2	B09.31.900.4_3	5	GBT6171-M10X1-A2L	B29.43.905.4_2	8	2.1011.105.2	B30.48.906.4_3	12
2.0123.721.2	B09.31.900.4_3	6	2.0114.213.2	B29.43.905.4_2	9	B30.48.009.0	B30.48.906.4_3	13
GBT93-18-A3L	B09.31.900.4_3	7	GBT93-8-A3L	B29.43.905.4_2	10	2.0114.205.2	B30.48.906.4_3	14
GBT3452.1-53X3.55-G	B09.31.900.4_3	9	2.1310.004.2	B29.43.905.4_2	11	2.0115.615.2	B30.48.906.4_3	15
SH904.31.189	B09.31.900.4_3	10	A23.45.010.0/20	B29.43.905.4_2	12	2.0113.624.2	B30.48.906.4_3	16
GBT5786-M16X1.5X45-10.9-A3L	B09.31.900.4_4	1	SH900.43.145	B29.43.905.4_2	13	2.0115.620.2	B30.48.906.4_3	17
SH904.31.193	B09.31.900.4_4	2	B06.45.144.0	B29.43.905.4_2	14	E04.48.007.4	B30.48.906.4_3	18
GBT119.1-12h8X24	B09.31.900.4_4	3	A23.45.050.0	B29.43.905.4_2	15	2.1312.003.2	B30.48.906.4_3	19
SH904.31.187	B09.31.900.4_4	4	A23.45.002.0	B29.43.905.4_2	16	A39.45.228.2	B30.48.906.4_3	20
2.3820.105.2	B09.31.900.4_4	5	C45.43.001.4	B29.43.905.4_2	17	CD904A.47.016	B34.47.902.4_0	1
2.0123.721.2	B09.31.900.4_4	6	GBT6171-M10X1-LH-A2L	B29.43.905.4_2	18	CD904A.47.017	B34.47.902.4_0	2
GBT93-18-A3L	B09.31.900.4_4	7	2.1011.103.2	B29.43.905.4_2	19	CD904A.47.016/10	B34.47.902.4_1	1
GBT3452.1-53X3.55-G	B09.31.900.4_4	8	2.0114.007.2	B29.43.905.4_2	20	CD904A.47.017	B34.47.902.4_1	2
SH904.31.189	B09.31.900.4_4	9	GBT6176-M14X1.5-A3L	B29.43.905.4_2	21	A23.47.005.0/10	B34.47.902.4_1	3
SH904.31.010	B09.31.900.4_4	10	2.7659.133.0	B29.43.905.4_2	22	GBT5783-M6X16-A2L	B34.47.902.4_1	4
SH904.31.010	B09.31.900.4_4	11	2.1470.008.2	B29.43.905.4_2	23	GBT93-6-A3L	B34.47.902.4_1	5
SH904.31.190	B09.31.900.4_4	11	B29.45.037.0	B29.43.905.4_2	24	GBT96.1-6-A3L	B34.47.902.4_1	6
GBT3452.1-100X5.3-G	B09.31.900.4_4	12	B29.45.023.3/20	B29.45.905.4_2	1	GBT97.1-8-A3L	B34.47.902.4_1	7
SH904.31.190	B09.31.900.4_4	12	CD904.45.105	B29.45.905.4_2	2	GBT93-8-A3L	B34.47.902.4_1	8
GBT3452.1-100X5.3-G	B09.31.900.4_4	13	CD904.45.106	B29.45.905.4_2	3	GBT5783-M8X20-A2L	B34.47.902.4_1	9
2.1310.007.2	B09.31.902.4_0	1	GBT93-8-A3L	B29.45.905.4_2	4	GBT97.1-8-A3L	B34.48.920.4_1	1
A23.81.013.0	B09.81.912.4_0	1	GBT97.1-8-A3L	B29.45.905.4_2	5	GBT93-8-A3L	B34.48.920.4_1	2
B09.81.012.3	B09.81.912.4_0	2	GBT5783-M8X25-A2L	B29.45.905.4_2	6	GBT5783-M8X20-A2L	B34.48.920.4_1	3
B09.81.013.3	B09.81.912.4_0	3	GBT6170-M8-A2L	B29.45.905.4_2	7	CD1204.48.041/20	B34.48.920.4_1	4
D16.81.012.4	B09.81.912.4_0	4	B29.45.035.0	B29.45.965.4_0	1	CD1204.48.032/20	B34.48.920.4_1	5
B09.81.011.2	B09.81.912.4_0	5	GBT5783-M6X20-A2L	B29.45.965.4_0	2	A79.48.003.2	B34.48.920.4_1	6
2.0112.005.2	B09.81.912.4_0	6	GBT96.1-6-A3L	B29.45.965.4_0	3	A79.48.002.2	B34.48.920.4_1	7
2.1473.006.2	B09.81.912.4_0	7	GBT93-6-A3L	B29.45.965.4_0	4	GBT6170-M8-A2L	B34.48.920.4_1	8
2.1310.002.2	B09.81.912.4_0	8	GBT6170-M6-A2L	B29.45.965.4_0	5	B34.48.009.0	B34.48.920.4_1	9
2.0112.207.2	B09.81.912.4_0	9	B30.48.005.3/20	B30.48.906.4_3	1	B26.48.008.0	B34.48.920.4_1	10
2.1473.007.2	B09.81.912.4_0	10	DF1204.48.206	B30.48.906.4_3	2	B39.48.005.0	B34.48.942.4_1	1
2.1310.004.2	B09.81.912.4_0	11	B30.48.007.0/10	B30.48.906.4_3	3	2.7659.475.0	B34.48.942.4_1	2
B09.81.014.3	B09.81.912.4_0	12	2.1473.011.2	B30.48.906.4_3	4	LD700.48.037	B34.48.942.4_1	3
2.0312.106.2	B09.81.912.4_0	13	2.1011.109.2	B30.48.906.4_3	5	B36.11.002.0	B36.11.902.4_0	1
2.1630.752.2	B29.43.905.4_2	1	B30.48.006.2	B30.48.906.4_3	6	B36.11.006.3	B36.11.902.4_0	2
2.1630.552.2	B29.43.905.4_2	2	CD904A.48.207	B30.48.906.4_3	7	A23.11.008.2/20	B36.11.902.4_0	3
SH900.43.170	B29.43.905.4_2	3	2.0114.209.2	B30.48.906.4_3	8	GBT5783-M8X25-A2L	B36.11.902.4_0	4
SH900.21.117	B29.43.905.4_2	4	2.1473.007.2	B30.48.906.4_3	9	GBT93-8-A3L	B36.11.902.4_0	5

零件编号	结构代码	零件顺序	零件编号	结构代码	零件顺序	零件编号	结构代码	零件顺序
GBT93-8-A3L	B36.11.902.4_0	5	GBT2979-12-38-10PR-R1	B36.34.900.4_1	1	B36.45.012.3/10	B36.45.908.4_2	5
GBT6170-M8-A2L	B36.11.902.4_0	6	GBT2979-12-38-R1	B36.34.900.4_1	2	B36.45.010.3/10	B36.45.908.4_2	6
GBT97.1-8-A3L	B36.11.902.4_0	7	B36.34.002.4	B36.34.900.4_1	3	A23.45.019.0	B36.45.908.4_2	7
JBT8870-D130	B36.11.902.4_0	8	B36.45.015.2	B36.45.903.4_1	1	GBT894.1-20	B36.45.908.4_2	8
B36.11.003.0	B36.11.902.4_0	9	LD700.47.031	B36.45.903.4_1	2	GBT5783-M8X30-A2L	B36.45.908.4_2	9
B36.11.004.4/10	B36.11.911.4_0	1	CD904A.45.104	B36.45.903.4_1	3	GBT93-8-A3L	B36.45.908.4_2	10
JBT8870-D130	B36.11.912.4_0	1	GBT96-16-A3L	B36.45.903.4_1	4	GBT97.1-8-A3L	B36.45.908.4_2	11
B36.11.010.0	B36.11.912.4_0	2	GBT5782-M16X110-A3L	B36.45.903.4_1	5	A11.55.018.0	B36.45.908.4_2	12
A23.11.022.3	B36.11.912.4_0	3	GBT6170-M16-A3L	B36.45.903.4_1	6	GBT6170-M8-A2L	B36.45.908.4_2	13
GBT97.1-8-A3L	B36.11.912.4_0	4	GBT5783-M16X85-10.9-A3L	B36.45.903.4_1	7	A23.45.037.0	B36.45.908.4_2	14
GBT93-8-A3L	B36.11.912.4_0	5	B36.45.003.3	B36.45.903.4_1	8	B36.45.002.0	B36.45.908.4_2	15
GBT6170-M8-A2L	B36.11.912.4_0	6	GBT5782-M16X150-A3L	B36.45.903.4_1	9	A23.45.038.3/10	B36.45.908.4_2	16
GBT96.1-8-A3L	B36.11.912.4_0	7	GBT5783-M16X45-10.9-A3L	B36.45.903.4_1	10	GBT6170-M8-LH-A2L	B36.45.908.4_2	17
GBT5783-M8X20-A2L	B36.11.912.4_0	8	GBT97.1-16-A3L	B36.45.903.4_1	11	A11.55.017.0	B36.45.908.4_2	18
B36.11.012.2	B36.11.912.4_0	9	GBT889.1-M16-A3L	B36.45.903.4_1	12	A23.45.035.3/10	B36.45.908.4_2	19
B95.11.002.0	B36.11.912.4_0	10	SH900.45B.023/0 x 2	B36.45.904.4_0	1	GBT91-1.6X18-A3L	B36.45.908.4_2	20
A23.11.008.2/20	B36.11.912.4_0	11	GBT97.1-12-A3L/0-WASHER x 6	B36.45.904.4_0	2	GBT882-B6X24-A3L	B36.45.908.4_2	21
GBT5783-M8X25-A2L	B36.11.912.4_0	12	GBT93-12-A3L/0-WASHER x 6	B36.45.904.4_0	3	GBT97.1-6-A3L	B36.45.908.4_2	23
B36.22.001.0	B36.22.900.4_1	5	GBT5783-M12X25-A3L/0-BOLT x 6	B36.45.904.4_0	4	A23.45.018.0	B36.45.908.4_2	24
B36.22.002.0	B36.22.900.4_1	6	B36.45.069.0	B36.45.905.4_3	1	0.020.5466.0	B36.45.908.4_2	25
B36.22.003.2	B36.22.900.4_1	7	CD904A.45A.121	B36.45.905.4_3	2	GBT882-B10X32-A3L	B36.45.909.4_0	1
B36.22.004.2	B36.22.900.4_1	8	CD904A.45A.102	B36.45.905.4_3	3	GBT91-3.2X18-A3L	B36.45.909.4_0	2
CD804A.22.101	B36.22.900.4_1	12	2.1470.002.2	B36.45.905.4_3	4	LD700.43.134	B36.45.909.4_0	3
GBT5783-M10X35-A3L	B36.22.900.4_1	13	2.0112.005.2	B36.45.905.4_3	5	B36.45.023.0	B36.45.909.4_0	4
GBT5783-M10X40-A3L	B36.22.900.4_1	14	LE1204.45.015A	B36.45.906.4_2	1	GBT6170-M10-A3L	B36.45.909.4_0	5
GBT5783-M12X40-10.9-A3L	B36.22.900.4_1	16	LD700.47.031	B36.45.906.4_2	2	LE1204.38.015	B36.45.910.4_1	1
GBT5783-M14X40-10.9-A3L	B36.22.900.4_1	17	CD904A.45.104	B36.45.906.4_2	3	GBT5783-M6X25-A2L	B36.45.910.4_1	2
GBT5783-M16X45-10.9-A3L	B36.22.900.4_1	18	GBT96-16-A3L	B36.45.906.4_2	4	GBT93-6-A3L	B36.45.910.4_1	3
GBT5783-M6X12-A2L	B36.22.900.4_1	19	GBT5782-M16X110-A3L	B36.45.906.4_2	5	GBT97.1-6-A3L	B36.45.910.4_1	4
GBT6170-M10-A3L	B36.22.900.4_1	22	GBT6170-M16-A3L	B36.45.906.4_2	6	CD1204.45.106	B36.45.910.4_1	5
GBT6170-M12-A3L	B36.22.900.4_1	23	GBT5782-M16X80-A3L	B36.45.906.4_2	7	SH404.42.114	B36.45.910.4_1	6
GBT93-10-A3L	B36.22.900.4_1	24	B36.45.003.3	B36.45.906.4_2	8	A23.45.001.0	B36.45.910.4_1	7
GBT93-12-A3L	B36.22.900.4_1	25	GBT5782-M16X150-A3L	B36.45.906.4_2	9	GBT882-B8X24-A3L	B36.45.910.4_1	8
GBT93-14-A3L	B36.22.900.4_1	26	GBT5783-M16X45-10.9-A3L	B36.45.906.4_2	10	GBT97.1-8-A3L	B36.45.910.4_1	9
GBT93-16-A3L	B36.22.900.4_1	27	GBT97.1-16-A3L	B36.45.906.4_2	11	GBT91-2X20-A3L	B36.45.910.4_1	10
GBT97.1-10-A3L	B36.22.900.4_1	29	GBT889.1-M16-A3L	B36.45.906.4_2	12	GBT894.1-20	B36.45.910.4_1	11
GBT97.1-12-A3L	B36.22.900.4_1	30	0.020.3757.0	B36.45.908.4_2	1	SH900.38.012	B36.45.910.4_1	12
GBT97.1-14-A3L	B36.22.900.4_1	31	A08.55.015.0	B36.45.908.4_2	2	GBT5783-M10X25-A3L	B36.45.910.4_1	13
GBT97.1-16-A3L	B36.22.900.4_1	32	B36.45.016.3/10	B36.45.908.4_2	3	GBT93-10-A3L	B36.45.910.4_1	14
GBT97.1-6-A3L	B36.22.900.4_1	33	B36.45.014.3/10	B36.45.908.4_2	4	SH900.38.106	B36.45.910.4_1	15

零件编号	结构代码	零件顺序	零件编号	结构代码	零件顺序	零件编号	结构代码	零件顺序
SH900.38.106	B36.45.910.4_1	15	GBT5783-M6X25-A2L	B36.45.913.4_0	4	JBT8870-D20	B36.50.900.4_0	3
SH900.38.103	B36.45.910.4_1	16	GBT93-6-A3L	B36.45.913.4_0	5	CD904.50.103	B36.50.900.4_0	4
SH900.38.102	B36.45.910.4_1	17	GBT97.1-6-A3L	B36.45.913.4_0	6	2.6839.053.0	B36.50.900.4_0	5
GBT91-2.5X16-A3L	B36.45.910.4_1	18	LE1204.45.107	B36.45.913.4_0	7	CD1204.50.019	B36.50.900.4_0	6
SH900.38.115	B36.45.910.4_1	19	SH404.42.114	B36.45.913.4_0	8	GBT93-6-A3L	B36.50.900.4_0	7
GBT879.1-8X40	B36.45.910.4_1	20	A23.45.001.0	B36.45.913.4_0	9	GBT5783-M6X12-A2L	B36.50.900.4_0	8
GBT879.1-5X40	B36.45.910.4_1	21	SH900.41.102	B36.45.913.4_0	10	SH900.50.111	B36.50.900.4_0	9
SH900.38.104	B36.45.910.4_1	22	GBT882-B10X35-A3L	B36.45.913.4_0	11	DF904.50.016	B36.50.900.4_0	10
A23.45.073.4/10	B36.45.911.4_0	1	GBT97.1-10-A3L	B36.45.913.4_0	12	JBT8870-D40	B36.50.900.4_0	11
GBT6170-M10-A3L	B36.45.911.4_0	2	GBT91-3.2X25-A3L	B36.45.913.4_0	13	SH900.50.110	B36.50.900.4_0	12
LE1204.41.122	B36.45.911.4_0	3	SH900.41.103	B36.45.913.4_0	14	SH900.50.023	B36.50.900.4_0	13
GBT5783-M6X25-A2L	B36.45.911.4_0	4	GBT879.1-8X40	B36.45.913.4_0	15	SH900.50.140	B36.50.900.4_0	14
GBT93-6-A3L	B36.45.911.4_0	5	B36.45.006.2	B36.45.964.4_0	1	SH900.50.138	B36.50.900.4_0	15
GBT97.1-6-A3L	B36.45.911.4_0	6	B36.45.007.2	B36.45.964.4_0	2	SH900.50.012	B36.50.900.4_0	16
LE1204.45.107	B36.45.911.4_0	7	A80.45.098.0	B36.45.964.4_0	3	GBT93-10-A3L	B36.50.900.4_0	17
SH404.42.114	B36.45.911.4_0	8	A80.45.099.0	B36.45.964.4_0	4	GBT5783-M10X20-A3L	B36.50.900.4_0	18
A23.45.001.0	B36.45.911.4_0	9	A80.45.100.0	B36.45.964.4_0	5	GBT97.1-10-A3L	B36.50.900.4_0	19
SH900.41.102	B36.45.911.4_0	10	A80.45.101.0	B36.45.964.4_0	6	GBT6170-M10-A3L	B36.50.900.4_0	20
GBT882-B10X35-A3L	B36.45.911.4_0	11	A23.45.103.0	B36.45.964.4_0	7	SH900.50.019	B36.50.900.4_0	21
GBT97.1-10-A3L	B36.45.911.4_0	12	2.0350.455.2	B36.45.964.4_0	8	SH900.50.141	B36.50.900.4_0	22
GBT91-3.2X25-A3L	B36.45.911.4_0	13	GBT5783-M8X20-A2L	B36.45.964.4_0	9	GBT5783-M16X30-A3L	B36.50.900.4_0	23
SH900.41.103	B36.45.911.4_0	14	GBT97.1-8-A3L	B36.45.964.4_0	10	GBT93-16-A3L	B36.50.900.4_0	24
GBT879.1-8X40	B36.45.911.4_0	15	GBT6170-M8-A2L	B36.45.964.4_0	11	SH900.50.114	B36.50.900.4_0	25
A23.45.089.4/10	B36.45.912.4_0	1	GBT97.1-6-A3L	B36.45.964.4_0	12	SH900.50.018	B36.50.900.4_0	26
GBT6170-M10-A3L	B36.45.912.4_0	2	GBT6170-M6-A2L	B36.45.964.4_0	13	SH900.50.013	B36.50.900.4_0	27
LE1204.41.122	B36.45.912.4_0	3	B36.45.008.3/20	B36.45.972.4_1	1	SH900.50.139	B36.50.900.4_0	28
GBT5783-M6X25-A2L	B36.45.912.4_0	4	A23.45.221.0	B36.45.972.4_1	2	SH900.50.011	B36.50.900.4_0	29
GBT93-6-A3L	B36.45.912.4_0	5	CD904A.45A.107	B36.45.972.4_1	3	2.3249.853.2	B36.81.909.4_0	1
GBT97.1-6-A3L	B36.45.912.4_0	6	GBT5783-M8X20-A2L	B36.45.972.4_1	4	2.6851.001.0	B36.81.909.4_0	2
LE1204.45.107	B36.45.912.4_0	7	GBT97.1-8-A3L	B36.45.972.4_1	5	SH400.45.010	B36.81.909.4_0	3
SH404.42.114	B36.45.912.4_0	8	GBT5783-M6X16-A2L	B36.45.972.4_1	6	B39.48.005.0	B39.48.922.4_1	1
A23.45.001.0	B36.45.912.4_0	9	GBT97.1-6-A3L	B36.45.972.4_1	7	B39.48.007.0	B39.48.922.4_1	2
SH900.41.102	B36.45.912.4_0	10	B80.45.006.3/10	B36.45.972.4_1	8	LD700.48.037	B39.48.922.4_1	3
GBT882-B10X35-A3L	B36.45.912.4_0	11	A23.45.053.0	B36.45.972.4_1	9	C48.51.001.0/10	B47.51.901.4_0	1
GBT97.1-10-A3L	B36.45.912.4_0	12	A23.45.052.0	B36.45.972.4_1	10	SH900.51.136	B61.51.901.4_4	1
GBT91-3.2X25-A3L	B36.45.912.4_0	13	A23.45.011.0	B36.45.972.4_1	11	SH900.51.132	B61.51.901.4_4	2
SH900.41.103	B36.45.912.4_0	14	GBT5783-M6X20-A2L	B36.45.972.4_1	12	SH900.51.135	B61.51.901.4_4	3
GBT879.1-8X40	B36.45.912.4_0	15	GBT93-6-A3L	B36.45.972.4_1	13	SH900.51B.103	B61.51.901.4_4	4
A23.45.092.4/10	B36.45.913.4_0	1	CD904A.50.011/10	B36.50.900.4_0	1	SH900.51B.110	B61.51.901.4_4	5
GBT6170-M10-A3L	B36.45.913.4_0	2	JBT8870-D32	B36.50.900.4_0	2	SH900.51B.122	B61.51.901.4_4	6

零件编号	结构代码	零件顺序	零件编号	结构代码	零件顺序	零件编号	结构代码	零件顺序
SH900.51B.122	B61.51.901.4_4	6	SH900.51B.102	B61.51.901.4_5	24	GBT2979-13.6-24-R1	B80.32.901.4_0	2
B61.51.009.0/10	B61.51.901.4_4	8	SH900.51.130	B61.51.901.4_5	25	SH904.32A.011	B80.32.901.4_0	3
SH900.51B.117	B61.51.901.4_4	9	SH900.51B.120	B61.51.901.4_5	26	GBT2979-11.2-28-8PR-R1	B80.32.902.4_0	1
SH900.51B.116	B61.51.901.4_4	10	SH900.51B.123	B61.51.901.4_5	27	GBT2979-11.2-28-R1	B80.32.902.4_0	2
SH900.51.118	B61.51.901.4_4	11	SH900.51.138	B61.51.901.4_5	29	SH904.32.011B	B80.32.902.4_0	3
SH900.51B.119	B61.51.901.4_4	12	2.9939.835.0/10	B61.51.901.4_5	30	GBT2979-16.9-34-10PR-R1	B80.34.901.4_1	1
SH900.51B.125	B61.51.901.4_4	13	B61.51.012.0	B61.51.903.4_1	1	GBT2979-16.9-34-R1	B80.34.901.4_1	2
SH900.51.153	B61.51.901.4_4	14	SH900.51B.129	B61.51.906.4_0	1	SH954.34.010	B80.34.901.4_1	3
SH900.51.154	B61.51.901.4_4	15	B61.51.001.0	B61.51.911.4_1	1	SH900.45.037	B80.45.904.4_1	1
SH900.51.152	B61.51.901.4_4	16	B61.51.005.3	B61.51.911.4_1	2	GBT5783-M6X20-A2L	B80.45.904.4_1	2
SH900.51B.112	B61.51.901.4_4	17	B61.51.006.0	B61.51.911.4_1	3	GBT96.1-6-A3L	B80.45.904.4_1	3
SH900.51.122	B61.51.901.4_4	18	GB/T 12618	B61.51.911.4_1	4	CD904A.45A.120	B80.45.904.4_1	4
A11.51.004.0	B61.51.901.4_4	19	A62.51.002.0/20	B61.51.911.4_2	1	ZBT31004-ST4.8x20A-A3L	B80.45.904.4_1	5
B61.51.010.0	B61.51.901.4_4	20	B61.51.005.3	B61.51.911.4_2	2	GBT845-ST4.8X16	B80.45.904.4_1	6
SH900.51.125	B61.51.901.4_4	23	B61.51.006.0	B61.51.911.4_2	3	SH900.40.151	B80.45.904.4_1	7
SH900.51B.102	B61.51.901.4_4	24	GBT12618.1-3X15	B61.51.911.4_2	4	CD904A.45A.105	B80.45.917.4_0	1
SH900.51.130	B61.51.901.4_4	25	B80.10.002.4	B80.10.901.4_0	1	CD904A.45A.106	B80.45.917.4_0	2
SH900.51B.120	B61.51.901.4_4	26	GBT3452.1-112X2.65	B80.10.901.4_0	2	A80.45.094.0	B80.45.931.4_0	1
SH900.51B.123	B61.51.901.4_4	27	GBT3452.1-112X2.65-G	B80.10.901.4_0	2	B80.45.033.2	B80.45.931.4_0	2
SH900.51.138	B61.51.901.4_4	29	B80.10.004.0	B80.10.901.4_0	3	A80.45.088.0	B80.45.931.4_0	3
2.9939.835.0/10	B61.51.901.4_4	30	GBT5786-M10X1X30-A3L	B80.10.901.4_0	4	B80.51.101.0	B80.51.904.4_0	1
SH900.51.136	B61.51.901.4_5	1	GBT93-10-A3L	B80.10.901.4_0	5	SH900.51B.109	B80.51.918.4_0	1
SH900.51.132	B61.51.901.4_5	2	GBT97.1-10-A3L	B80.10.901.4_0	6	B80.68.020.4	B80.68.910.4_0	1
SH900.51.135	B61.51.901.4_5	3	GBT5783-M10X35-A3L	B80.10.901.4_0	7	2.0114.207.2	B80.68.910.4_0	2
SH900.51B.103	B61.51.901.4_5	4	B80.10.010.0	B80.10.901.4_0	8	2.1312.004.2	B80.68.910.4_0	3
SH900.51B.110	B61.51.901.4_5	5	B80.10.007.2	B80.10.901.4_0	9	2.1473.007.2	B80.68.910.4_0	4
SH900.51B.122	B61.51.901.4_5	6	B80.10.008.0	B80.10.901.4_0	10	2.1011.105.2	B80.68.910.4_0	5
B61.51.009.0/10	B61.51.901.4_5	8	B80.10.006.0	B80.10.901.4_0	11	2.0114.415.2	B80.68.910.4_0	6
SH900.51B.117	B61.51.901.4_5	9	GBT5783-M8X20-A2L	B80.10.901.4_0	12	2.1473.009.2	B80.68.910.4_0	7
SH900.51B.116	B61.51.901.4_5	10	GBT93-8-A3L	B80.10.901.4_0	13	2.0139.013.1	B80.68.910.4_0	8
SH900.51.118	B61.51.901.4_5	11	GBT97.1-8-A3L	B80.10.901.4_0	14	B80.68.019.2	B80.68.910.4_0	9
SH900.51B.119	B61.51.901.4_5	12	JBT8870-D32	B80.10.901.4_0	15	B80.68.018.2	B80.68.910.4_0	10
SH900.51B.125	B61.51.901.4_5	13	B80.10.009.0	B80.10.901.4_0	16	GBT5785-M18X1.5X95-10.9-A3L	B80.74.900.4_1	1
SH900.51.153	B61.51.901.4_5	14	B80.10.005.2	B80.10.901.4_0	17	GBT97.1-18-A3L	B80.74.900.4_1	2
SH900.51.154	B61.51.901.4_5	15	JBT982-8	B80.10.901.4_0	18	GBT93-18-A3L	B80.74.900.4_1	3
SH900.51.152	B61.51.901.4_5	16	B80.10.003.0	B80.10.901.4_0	19	GBT5785-M18X1.5X70-10.9-A3L	B80.74.900.4_1	4
SH900.51B.112	B61.51.901.4_5	17	GBT2979-11.2-24-10PR-R1	B80.32.900.4_0	1	SH900.74.102/10	B80.74.900.4_1	5
SH900.51.122	B61.51.901.4_5	18	GBT2979-11.2-24-R1	B80.32.900.4_0	2	GBT5785-M18X1.5X70-10.9-A3L	B80.74.900.4_1	6
A11.51.004.0	B61.51.901.4_5	19	SH904.32.010	B80.32.900.4_0	3	SH900.74.011	B80.74.903.4_1	1
B61.51.010.0	B61.51.901.4_5	20	GBT2979-13.6-24-8PR-R1	B80.32.901.4_0	1	GBT5783-M16X40-10.9-A3L	B80.74.903.4_1	2

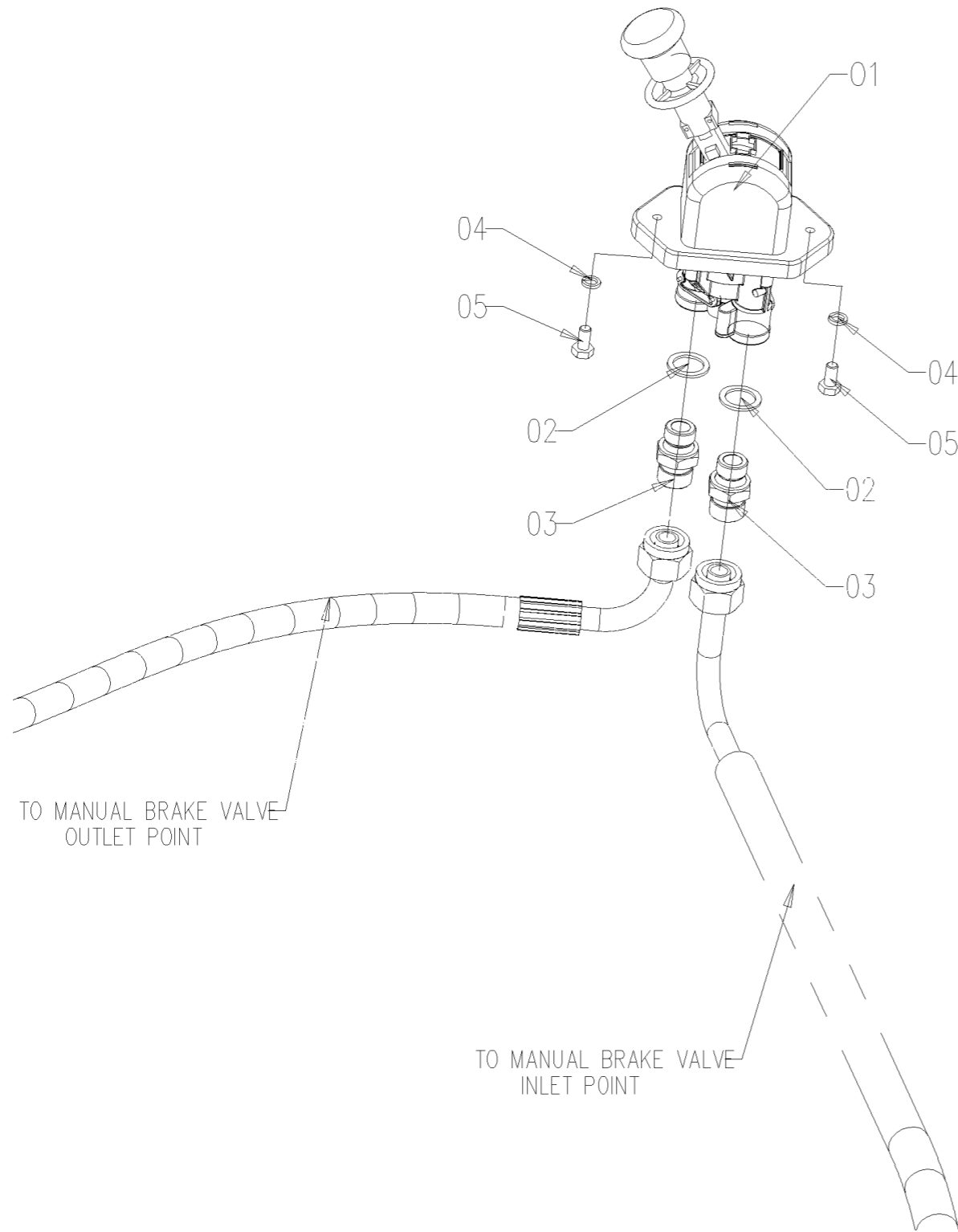
零件编号	结构代码	零件顺序	零件编号	结构代码	零件顺序	零件编号	结构代码	零件顺序
GBT5783-M16X40-10.9-A3L	B80.74.903.4_1	2	CD1104A.13.011/50	CD1104A.13.010/50	1	GBT5783-M8X40-A2L	CD904A.46.002_1	5
GBT97.1-16-A3L	B80.74.903.4_1	3	CD1104A.13.012/40	CD1104A.13.010/50	2	GBT96.1-8-A3L	CD904A.46.002_1	6
GBT93-16-A3L	B80.74.903.4_1	4	CD1104A.13.107	CD1104A.13.010/50	3	CD904A.46.016/20	CD904A.46.002_1	7
SH900.74.012	B80.74.903.4_1	5	CD804A.20.002/30	CD804A.20.001_3	1	GBT5782-M12X165-A3L	CD904A.46.002_1	8
SH900.74.101/10	B80.74.903.4_1	6	GBT5783-M8X20-A2L	CD804A.20.001_3	2	GBT97.1-12-A3L	CD904A.46.002_1	9
GBT6170-M16-10-A3L	B80.74.903.4_1	8	GBT93-8-A3L	CD804A.20.001_3	3	GBT93-12-A3L	CD904A.46.002_1	10
SH900.74.103-1	B80.74.903.4_1	9	GBT823-M6X16-A2L	CD804A.20.001_3	4	GBT6170-M12-A3L	CD904A.46.002_1	11
SH900.74.107	B80.74.904.4_0	1	GBT93-6-A3L	CD804A.20.001_3	5	GBT5782-M8X100-A2L	CD904A.46.002_1	12
SH400.75.102	B80.74.904.4_0	2	CD804A.20.104	CD804A.20.001_3	6	GBT97.1-8-A3L	CD904A.46.002_1	13
GBT97.1-20-A3L	B80.74.904.4_0	3	CD904A.42.015	CD904A.42.012	1	GBT93-8-A3L	CD904A.46.002_1	14
GBT93-20-A3L	B80.74.904.4_0	4	SH904.42.123	CD904A.42.012	2	GBT6170-M8-A2L	CD904A.46.002_1	15
GBT6170-M20-A3L	B80.74.904.4_0	5	CD904A.42.130	CD904A.42.012	3	GBT5783-M8X25-A2L	CD904A.46.002_1	16
GBT5783-M16X40-10.9-A3L	B80.91.903.4_0	1	SH904.42.016	CD904A.42.012	4	DF304.46.015	CD904A.46.002_1	17
GBT93-16-A3L	B80.91.903.4_0	2	SH904.42.017	CD904A.42.012	5	DF304.46.101/10	CD904A.46.002_1	18
SH900.91.105	B80.91.903.4_0	3	SH904.42.018	CD904A.42.012	6	CD904A.47.018	CD904A.47.016	1
CD904A.91.101/10	B80.91.903.4_0	4	SH904.42.125	CD904A.42.012	7	CD904A.47.101	CD904A.47.016	2
SH900.91.104	B80.91.903.4_0	5	SH904.42.019	CD904A.42.012	8	GBT93-8-A3L	CD904A.47.016	3
GBT97.1-16-A3L	B80.91.903.4_0	6	GBT894.1-29	CD904A.42.012	9	GBT97.1-8-A3L	CD904A.47.016	4
GBT6170-M16-10-A3L	B80.91.903.4_0	7	GBT3452.1-45X3.55-G	CD904A.42.012	10	GBT5783-M6X16-A2L	CD904A.47.016	5
B61.51.003.0	B88.51.900.4_0	1	GBT5783-M10X30-A3L	CD904A.42.012	11	GBT93-6-A3L	CD904A.47.016	6
B61.51.002.0	B88.51.900.4_0	2	GBT93-10-A3L	CD904A.42.012	12	GBT97.1-6-A3L	CD904A.47.016	7
B61.51.004.0	B88.51.900.4_0	3	CD904A.46.011/20	CD904A.46.001_3	1	GBT5783-M8X16-A2L	CD904A.47.016	8
B89.51.001.0	B88.51.900.4_0	4	CD904A.46.012/20	CD904A.46.001_3	2	CD904A.47.019	CD904A.47.016	9
B72.51.001.0	B88.51.900.4_0	5	GBT5783-M10X35-A3L	CD904A.46.001_3	3	CD904A.47.018	CD904A.47.016/10	1
C45.41.001.2-10	C45.41.900.4_1	1	GBT97.1-10-A3L	CD904A.46.001_3	4	A23.47.004.3/10	CD904A.47.016/10	2
C45.41.002.3	C45.41.900.4_1	2	GBT93-10-A3L	CD904A.46.001_3	5	GBT93-8-A3L	CD904A.47.016/10	3
GBT93-8-A3L	C45.41.900.4_1	3	GBT6170-M10-A3L	CD904A.46.001_3	6	GBT97.1-8-A3L	CD904A.47.016/10	4
GBT93-16-A3L	C45.41.900.4_1	4	CD904A.46.014	CD904A.46.001_3	7	GBT5783-M6X16-A2L	CD904A.47.016/10	5
GBT97.1-8-A3L	C45.41.900.4_1	5	GBT5782-M16X110-A3L	CD904A.46.001_3	8	GBT93-6-A3L	CD904A.47.016/10	6
GBT5783-M8X20-A2L	C45.41.900.4_1	6	GBT97.1-16-A3L	CD904A.46.001_3	9	GBT97.1-6-A3L	CD904A.47.016/10	7
GBT5783-M16X30-A3L	C45.41.900.4_1	7	GBT93-16-A3L	CD904A.46.001_3	10	GBT5783-M8X16-A2L	CD904A.47.016/10	8
C45.74.001.2/10	C45.74.900.4_0	1	GBT6170-M16-A3L	CD904A.46.001_3	11	CD904A.47.019	CD904A.47.016/10	9
C45.74.002.3/10	C45.74.900.4_0	2	CD904A.46.013/20	CD904A.46.001_3	12	CD904A.47.101	CD904A.47.017	1
GBT5783-M8X20-A2L	C45.74.900.4_0	3	GBT5782-M16X55-A3L	CD904A.46.001_3	13	CD904A.47.018	CD904A.47.017	2
GBT93-8-A3L	C45.74.900.4_0	4	GBT12618.1-3X10	CD904A.46.001_3	14	CD904A.47.020	CD904A.47.017	3
GBT97.1-8-A3L	C45.74.900.4_0	5	0.034.4543.0/10	CD904A.46.001_3	15	GBT93-6-A3L	CD904A.47.017	4
GBT97.1-16-A3L	C45.74.900.4_0	6	CD904A.46.015/10	CD904A.46.002_1	1	GBT97.1-6-A3L	CD904A.47.017	5
C63.11.003.4	C63.11.910.4_0	1	CD904A.46.110	CD904A.46.002_1	2	GBT5783-M6X16-A2L	CD904A.47.017	6
CD1104A.13.011/50	CD1104A.13.010/50	1	CD904A.46.111	CD904A.46.002_1	3	GBT93-8-A3L	CD904A.47.017	7
CD1104A.13.012/40	CD1104A.13.010/50	2	CD904A.46.112	CD904A.46.002_1	4	GBT97.1-8-A3L	CD904A.47.017	8

零件编号	结构代码	零件顺序	零件编号	结构代码	零件顺序	零件编号	结构代码	零件顺序
GBT97.1-8-A3L	CD904A.47.017	8	B30.48.001.4/10	D86.48.900.4_2	1	A31.48.012.0/10	D86.48.908.4_0	1
GBT5783-M8X16-A2L	CD904A.47.017	9	B30.48.012.4/10	D86.48.900.4_2	2	2.7659.561.0	D86.48.908.4_0	2
CD904A.47.101	CD904A.47.017	1	B30.48.003.4	D86.48.900.4_2	3	CD1204A.48.025	D86.48.908.4_0	3
CD904A.47.018	CD904A.47.017	2	B30.48.004.4	D86.48.900.4_2	4	0.020.3709.0	D86.48.908.4_0	4
CD904A.47.020	CD904A.47.017	3	A11.48.031.0	D86.48.900.4_2	5	GBT818-M6X16-A2L	D86.48.908.4_0	5
GBT93-6-A3L	CD904A.47.017	4	CD904.48.101	D86.48.900.4_2	6	GBT5783-M8X35-A2L	D86.48.908.4_0	6
GBT97.1-6-A3L	CD904A.47.017	5	CD554.48.030	D86.48.900.4_2	7	GBT93-8-A3L	D86.48.908.4_0	7
GBT5783-M6X16-A2L	CD904A.47.017	6	CD904A.48.021	D86.48.900.4_2	8	GBT97.1-8-A3L	D86.48.908.4_0	8
GBT93-8-A3L	CD904A.47.017	7	2.6839.054.0	D86.48.900.4_2	9	D86.50.001.4	D86.50.901.4_0	1
GBT97.1-8-A3L	CD904A.47.017	8	2.6859.153.0	D86.48.900.4_2	10	JBT982-14	D86.50.901.4_0	2
GBT5783-M8X16-A2L	CD904A.47.017	9	2.6852.203.0	D86.48.900.4_2	11	0.012.6449.0	D86.50.901.4_0	3
2.3249.853.2	CD904A.81.002_1	1	2.1473.006.2	D86.48.900.4_2	12	JBT8870-D20	D86.50.901.4_0	4
2.6851.001.0	CD904A.81.002_1	2	2.1473.007.2	D86.48.900.4_2	13	CD1204.50.105	D86.50.901.4_0	5
CD904A.81.014	CD904A.81.002_1	3	2.1310.002.2	D86.48.900.4_2	14	2.6852.203.0	D86.50.901.4_0	6
GBT2979-11-38-8PR-R1	D02.32.900.4_1	1	2.1310.004.2	D86.48.900.4_2	15	JBT8870-D25	D86.50.901.4_0	7
GBT2979-11-38-R1	D02.32.900.4_1	2	2.0114.007.2	D86.48.900.4_2	16	2.0115.411.2	E87.11.903.4_0	1
D02.32.001.4/10	D02.32.900.4_1	3	2.0114.207.2	D86.48.900.4_2	17	2.1473.009.2	E87.11.903.4_0	2
D02.32.002.2/10	D02.32.905.4_2	2	2.0114.209.2	D86.48.900.4_2	18	2.1310.007.2	E87.11.903.4_0	3
GBT5786-M16X1.5X60-10.9-A3L	D02.32.905.4_2	3	2.1011.105.2	D86.48.900.4_2	19	B36.11.001.0	E87.11.903.4_0	4
GBT5786-M16X1.5X55-10.9-A3L	D02.32.905.4_2	4	A23.48.018.0	D86.48.900.4_2	20	JBT8870-D80	E87.11.903.4_0	5
GBT6176-M16X1.5-10-A3L	D02.32.905.4_2	5	A31.48.003.0/30	D86.48.901.4_0	1	CD904A.11.012/10	E87.11.903.4_0	6
SH904.31.193	D02.32.905.4_2	6	2.1051.002.7	D86.48.901.4_0	1	CD904A.11.103/10	E87.11.903.4_0	7
GBT2979-12.4-54-12PR-R1	D02.34.900.4_0	1	2.1051.003.7	D86.48.901.4_0	2	2.0114.309.2	E87.11.903.4_0	8
GBT2979-12.4-54-R1	D02.34.900.4_0	2	A31.48.013.0	D86.48.901.4_0	2	2.1312.005.2	E87.11.903.4_0	9
D02.34.001.4	D02.34.900.4_0	3	CD904A.48.022A/10	D86.48.901.4_0	3	2.1122.006.2	E87.11.903.4_0	10
GBT5783-M12X30-10.9-A3L	D86.11.903.4_0	1	CD304.48.039	D86.48.901.4_0	4	CD904A.11.105	E87.11.903.4_0	11
GBT93-12-A3L	D86.11.903.4_0	2	B34.48.001.3/10	D86.48.901.4_0	5	A23.11.004.2	E87.11.903.4_0	12
GBT97.1-12-A3L	D86.11.903.4_0	3	LD800.48.030	D86.48.901.4_0	6	CD904A.11.104/20	E87.11.903.4_0	13
B36.11.001.0	D86.11.903.4_0	4	LD800.48.031	D86.48.901.4_0	7	2.1473.008.2	E87.11.903.4_0	14
JBT8870-D80	D86.11.903.4_0	5	LD700.48.037	D86.48.901.4_0	8	JBT8870-D120	E87.11.903.4_0	15
CD904A.11.012/10	D86.11.903.4_0	6	SH400.48.047	D86.48.901.4_0	9	E87.47.001.4	E87.47.900.4_0	1
CD904A.11.012A	D86.11.903.4_0	7	A23.48.005.0/40	D86.48.901.4_0	10	CD1204.47.019	E87.47.900.4_0	2
GBT5783-M10X25-A3L	D86.11.903.4_0	8	GBT5783-M6X20-A2L	D86.48.901.4_0	11	B09.47.034.4	E87.47.900.4_0	3
GBT96.1-10-A3L	D86.11.903.4_0	9	GBT818-M6X25-A2L	D86.48.901.4_0	12	CD1204.47.024/10	E87.47.900.4_0	4
GBT889.1-M10-A3L	D86.11.903.4_0	10	GBT818-M6X16-A2L	D86.48.901.4_0	13	CD1204.47.216/10	E87.47.900.4_0	5
CD904A.11.105	D86.11.903.4_0	11	GBT93-6-A3L	D86.48.901.4_0	14	CD1204.47.217	E87.47.900.4_0	6
A23.11.004.2	D86.11.903.4_0	12	GBT97.1-6-A3L	D86.48.901.4_0	15	CD1204.47.271	E87.47.900.4_0	7
CD904A.11.104/20	D86.11.903.4_0	13	2.6859.153.0	D86.48.901.4_0	16	CD904.47.015	E87.47.900.4_0	8
JBT8870-D32	D86.11.903.4_0	14	2.6852.203.0	D86.48.901.4_0	17	CD904.47.103	E87.47.900.4_0	9
GBT93-10-A3L	D86.11.903.4_0	15	2.3110.404.2	D86.48.901.4_0	18	CD904A.47.014	E87.47.900.4_0	10



零件编号	结构代码	零件顺序	零件编号	结构代码	零件顺序	零件编号	结构代码	零件顺序
CD904A.47.014	E87.47.900.4_0	10	E87.81.001.2	E87.81.901.4_0	1	240100029621	SH904.31.010	1
CD904A.47.107/10	E87.47.900.4_0	11	A23.81.003.2	E87.81.901.4_0	2	240100029667	SH904.31.010	1
2.0114.311.2	E87.47.900.4_0	12	CD904A.81.013	E87.81.901.4_0	3	240100029618	SH904.31.010	1
2.0114.009.2	E87.47.900.4_0	13	2.6852.101.0	E87.81.901.4_0	4	240100009966	SH904.31.010	1
2.1011.103.2	E87.47.900.4_0	14	GBT899-AM16X40-A3L	SH804.53.001_2	1	02011601A011	SH904.31.010	2
2.1690.107.2	E87.47.900.4_0	15	GBT93-16-A3L	SH804.53.001_2	2	240100061054	SH904.31.010	3
2.1473.008.2	E87.47.900.4_0	16	GBT6170-M16-A3L	SH804.53.001_2	3	020125010046	SH904.31.010	4
2.1473.006.2	E87.47.900.4_0	17	SH804.53.011/10	SH804.53.001_2	4	240100010726	SH904.31.010	6
2.1312.005.2	E87.47.900.4_0	18	SH900.53.103	SH804.53.001_2	5	240100051767	SH904.31.010	14
2.1310.006.2	E87.47.900.4_0	19	SH804.53.110	SH804.53.001_2	6	240100123679	SH904.31.010	18
2.1310.002.2	E87.47.900.4_0	20	LE1204.53.102	SH804.53.001_2	7			
SH554A.47.018/10	E87.47.900.4_0	21	SH900.53.102	SH804.53.001_2	8			
SH554A.47.125-1	E87.47.900.4_0	22	SH900.38.132	SH900.38.011	1			
A68.47.015.0	E87.47.900.4_0	23	SH900.38.135	SH900.38.011	2			
2.1011.106.2	E87.47.900.4_0	24	SH900.38.132	SH900.38.011	1			
B09.47.035.0	E87.47.900.4_0	25	SH900.38.135	SH900.38.011	2			
B29.48.032.0	E87.48.902.4_0	1	SH900.43.213	SH900.43.018	1			
E87.48.001.4	E87.48.902.4_0	2	SH900.43.042	SH900.43.018	2			
CD1204.48.036	E87.48.902.4_0	3	SH900.43.214	SH900.43.018	3			
2.6852.203.0	E87.48.902.4_0	4	SH900.43.215	SH900.43.018	4			
CD1204.48.035	E87.48.902.4_0	5	SH900.56.125	SH900.56.016	1			
2.0114.007.2	E87.48.902.4_0	6	SH900.56.126	SH900.56.016	2			
2.1473.006.2	E87.48.902.4_0	7	SH900.56.138	SH900.56.020	1			
2.1310.002.2	E87.48.902.4_0	8	SH900.56.156	SH900.56.020	2			
E87.48.003.4	E87.48.903.4_0	1	SH900.56.011	SH900.56.030-1	1			
DF904.48.023	E87.48.903.4_0	2	SH900.56.014-1	SH900.56.030-1	2			
2.0332.203.2	E87.48.903.4_0	3	SH900.56.013-1	SH900.56.030-1	3			
2.1473.004.2	E87.48.903.4_0	4	SH900.56.015	SH900.56.030-1	4			
2.0332.310.2	E87.48.903.4_0	6	SH900.56.024	SH900.56.030-1	5			
2.1473.005.2	E87.48.903.4_0	7	SH900.56.016	SH900.56.031	1			
2.1310.001.2	E87.48.903.4_0	8	GBT5796.3-TR30X3-A3L	SH900.56.031	2			
A56.48.010.0	E87.48.903.4_0	10	SH900.56.017	SH900.56.031	3			
B80.48.008.3	E87.48.903.4_0	11	SH900.56.153	SH900.56.031	4			
2.1473.007.2	E87.48.903.4_0	12	GBT5796.3-TR30X3-LH-A3L	SH900.56.031	5			
2.0114.205.2	E87.48.903.4_0	13	SH900.56.102	SH900.56.031	6			
A56.48.011.0	E87.48.903.4_0	14	SH900.56.157	SH900.56.034	1			
CD1204.48.044	E87.48.909.4_0	1	SH900.56.158	SH900.56.034	2			
E87.48.002.4	E87.48.909.4_0	2	SH900.58.025-1	SH900.58.025	4			
2.3199.383.0	E87.48.909.4_0	3	240100061053	SH904.31.010	1			
A39.48.038.0	E87.48.909.4_0	4	240100029666	SH904.31.010	1			

# 9.DI066.02.0 PARKING AIR BRAKE VALVE ASS.



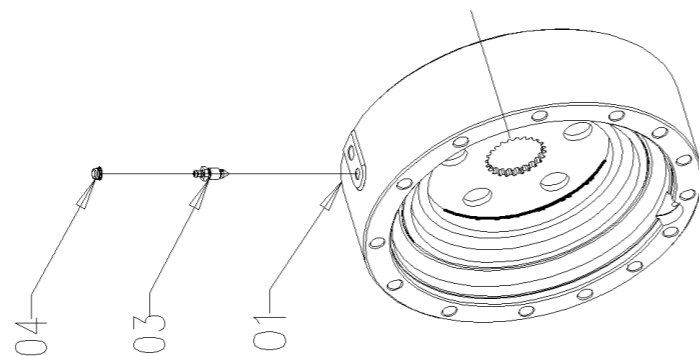
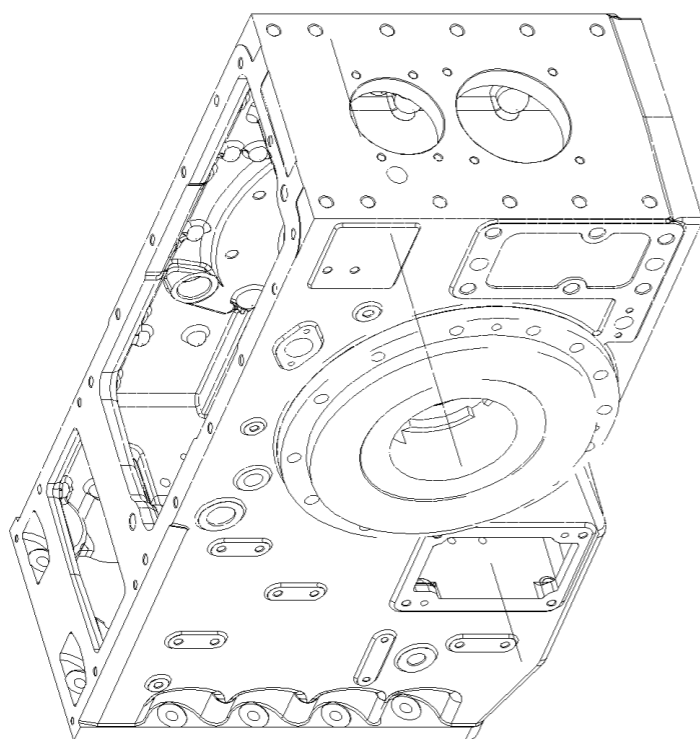
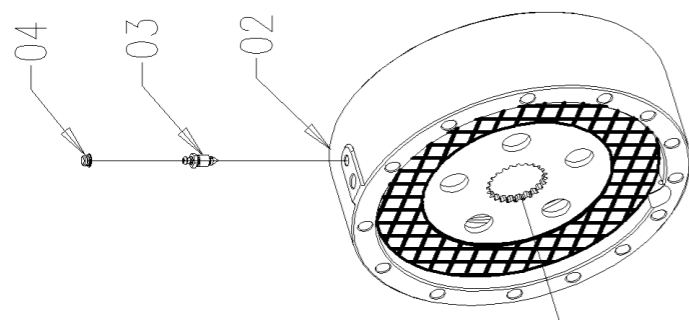
# 9.DI066.02.0\_0 手制动阀总成 (气刹) PARKING AIR BRAKE VALVE ASS. (AIR BRAKES)

序号	零件编号	零件名称	数量	图号
1	0.030.4773.0	气刹制动阀 AIR PARKING BRAKE	1	0.030.4773.0
2	2.1560.012.0	密封圈 SEALING RING	2	2.1560.012.0
3	GBT3733.2-83-G12	管件 FITTING	2	GBT3733.2-83-G12
4	GBT93-6-A3L	垫圈 WASHER	2	GBT93-6-A3L
4	GBT93-6-A2L	垫圈 WASHER	2	GBT93-6-A2L
5	GBT5783-M6x12-A2L	螺栓 BOLT	2	GBT5783-M6x12-A2L

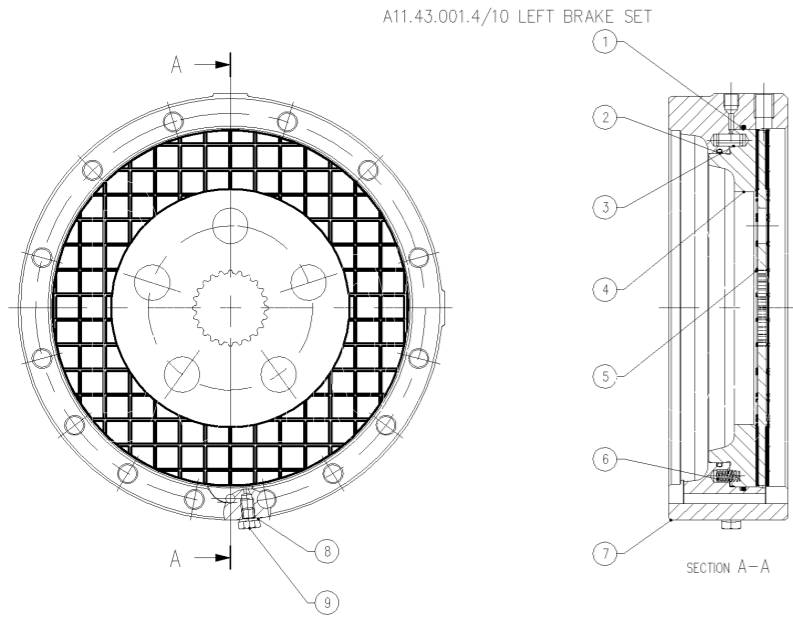
# A11.43.905.4 REAR BRAKE ASS.LY

## A11.43.905.4\_2 后制动总成Rear brake assembly

序号	零件编号	零件名称	数量	图号
1	A11.43.001.4/10	左制动组 LEFT BRAKE SET	1	A11.43.001.4/10
2	A11.43.002.4/10	右制动组 RIGHT BRAKE SET	1	A11.43.002.4/10
3	0.170.5455.0	螺栓 VITE DI SPURGO	2	0.170.5455.0
4	2.3199.039.0	螺母保护帽 TAPPO X VITE	2	2.3199.039.0

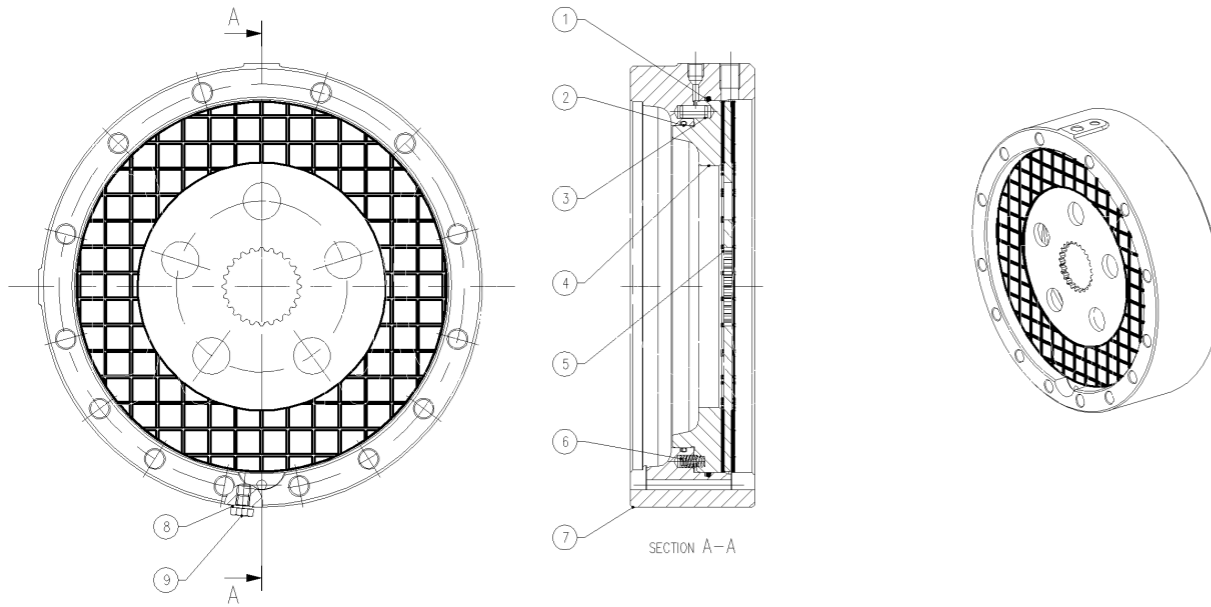


### A11.43.001.4/10 左制动组 Left brake set



序号	零件编号	零件名称	数量	图号
1	GBT3452.1-300X3.55-G	O型密封圈 O-RING	1	GBT3452.1-300X3.55-G
2	GBT3452.1-260X3.55-G	O型密封圈 O-RING	1	GBT3452.1-260X3.55-G
3	GBT119.1-10m6X22	销 PIN	3	GBT119.1-10m6X22
4	0.026.3890.0/10	制动器汽缸活塞 BRAKE PISTON	1	0.026.3890.0/10
5	SH900.43.027	摩擦片组件 SH900.43.027	1	SH900.43.027
6	SH900.43.173	弹簧 SPRING	3	SH900.43.173
7	A11.43.007.0/10	左制动器壳 LEFT BRAKE HOUSING	1	A11.43.007.0/10
8	JBT982-10	组合密封垫圈 SEALING RINGS	1	JBT982-10
9	SH900.43.189	塞子 PLUG	1	SH900.43.189

A11.43.002.4/10 RIGHT BRAKE SET



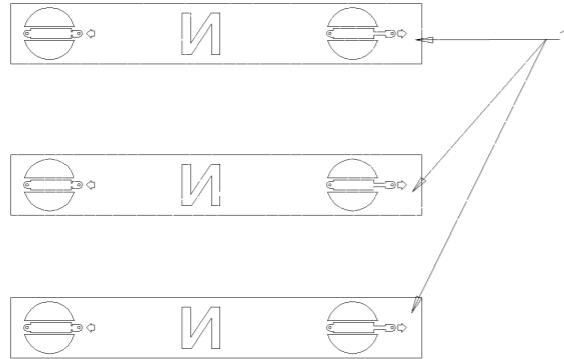
### A11.43.002.4/10 右制动组 Right brake set

序号	零件编号	零件名称	数量	图号
1	GBT3452.1-300X3.55-G	O型密封圈 O-RING	1	GBT3452.1-300X3.55-G
2	GBT3452.1-260X3.55-G	O型密封圈 O-RING	1	GBT3452.1-260X3.55-G
3	GBT119.1-10m6X22	销 PIN	3	GBT119.1-10m6X22
4	0.026.3890.0/10	制动器汽缸活塞 BRAKE PISTON	1	0.026.3890.0/10
5	SH900.43.027	摩擦片组件 SH900.43.027	1	SH900.43.027
6	SH900.43.173	弹簧 SPRING	3	SH900.43.173
7	A11.43.008.0/10	右制动器盖 RIGHT BRAKE HOUSING	1	A11.43.008.0/10
8	JBT982-10	组合密封垫圈 SEALING RINGS	1	JBT982-10
9	SH900.43.189	塞子 PLUG	1	SH900.43.189

A11.51.907.4\_0 3组液压输出标识总成GROUPS HYDRAULIC OUTPUT LABEL

A11.51.907.4 3 GROUPS HYDRAULIC OUTPUT LABEL ASS. Y

序号	零件编号	零件名称	数量	图号
1	A23.51.001.0	滑阀标识 SPOOL VALVE LABEL	3	A23.51.001.0

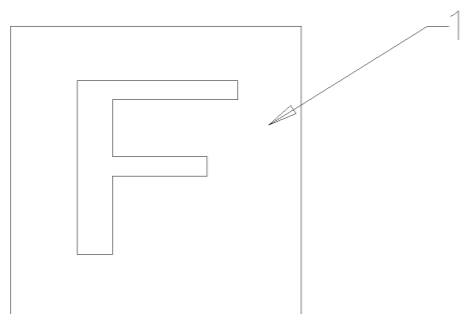


FLOAT LABEL A11.51.909.4

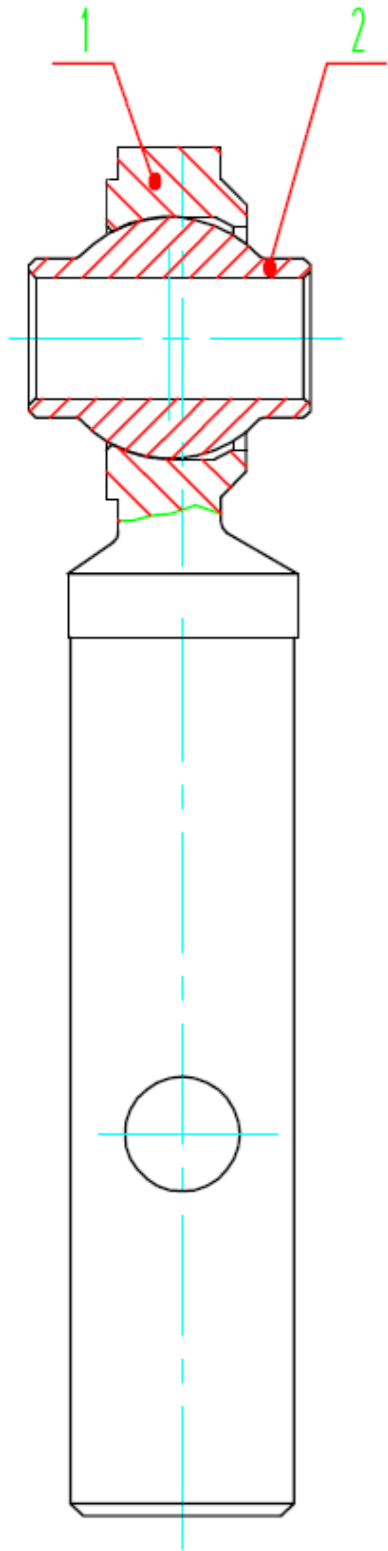
YFB-R-2016-014 SH.058

A11.51.909.4\_0 浮动标识总成 FLOAT LABEL ASS.

序号	零件编号	零件名称	数量	图号
1	A23.51.002.0	扁平标签 FLOAT LABEL	1	A23.51.002.0



SH900.56.020 限位杆焊合



SH900.56.020 限位杆总成 LIMITED ROD ASS.

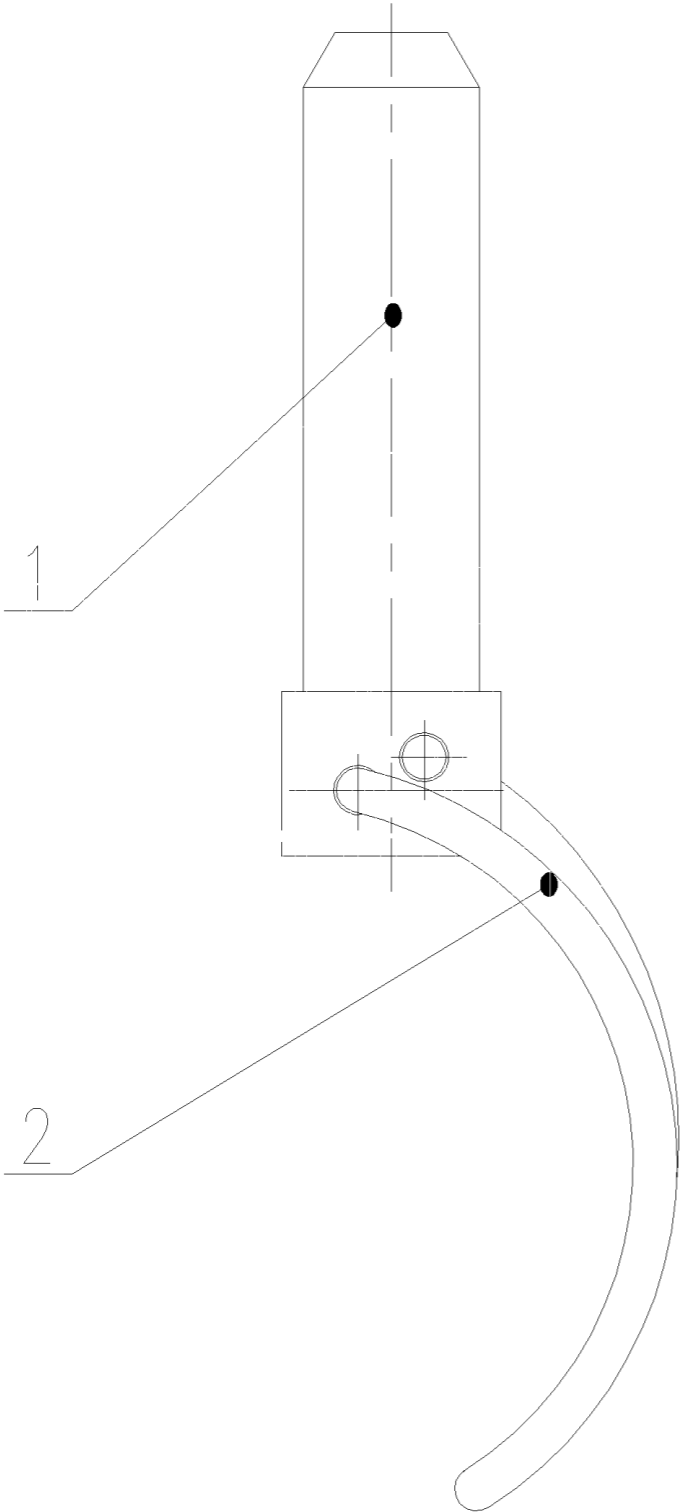
序号	零件编号	零件名称	数量	图号
1	SH900.56.138	限位杆 LIMIT ROD	1	SH900.56.138
2	SH900.56.156	上拉杆球形接头 UPPER PULL ROD	1	SH900.56.156



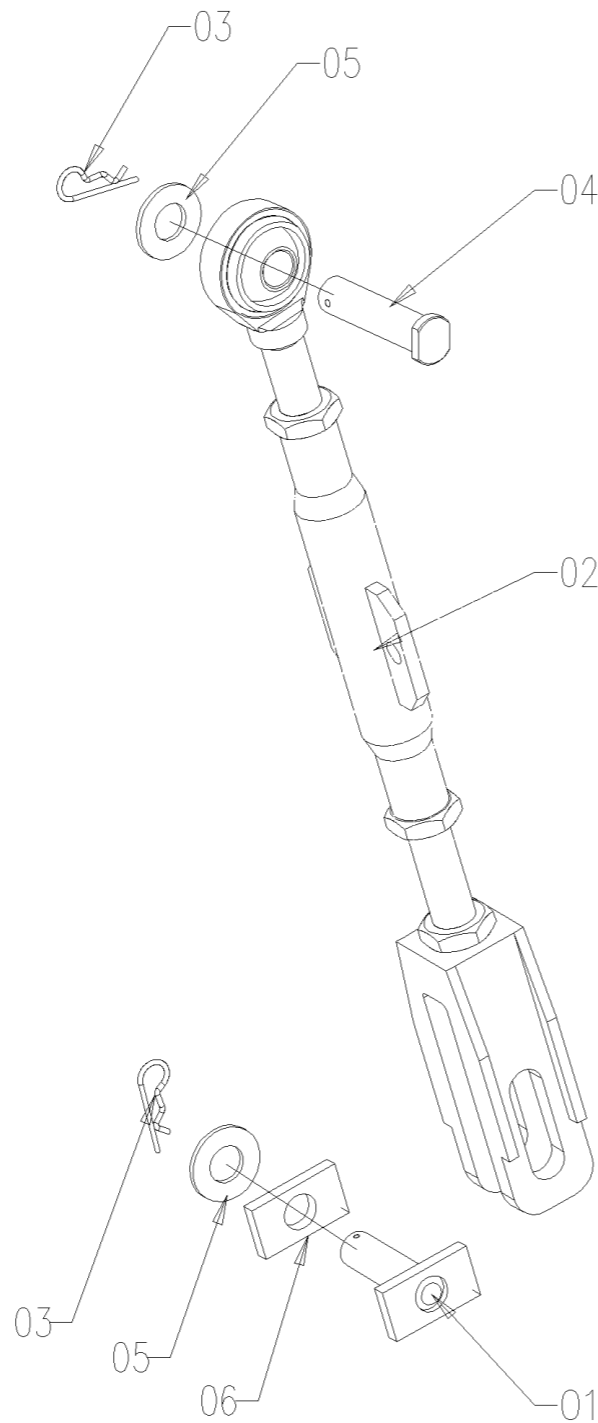
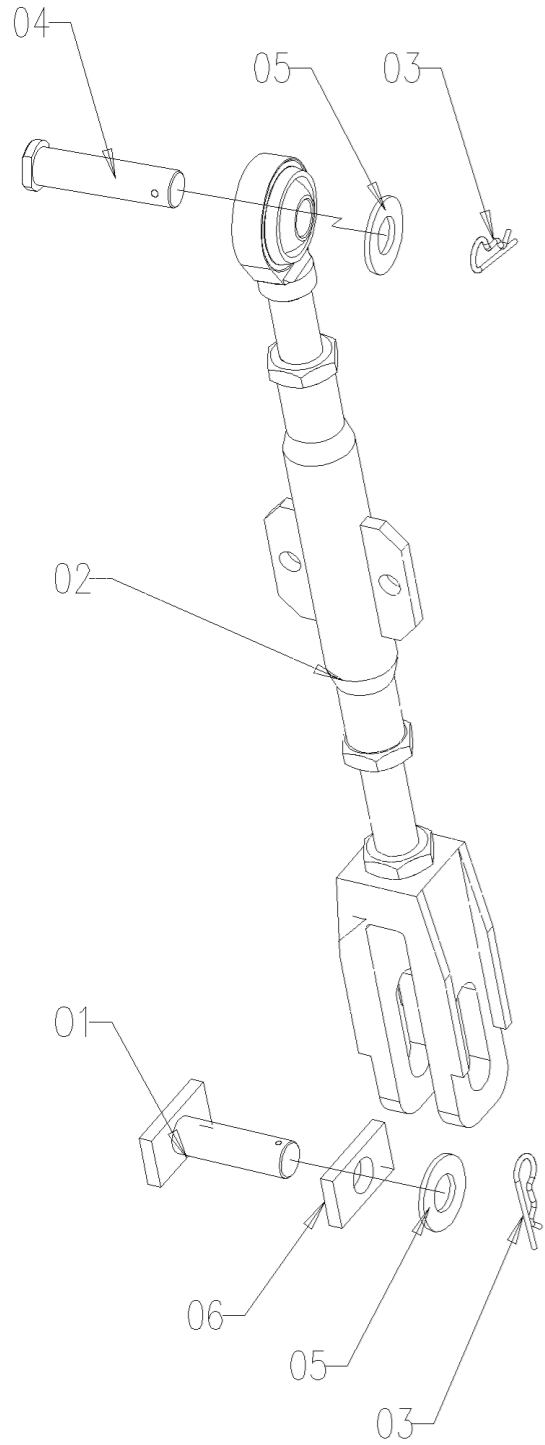
SH900.56.034 限位锁销组合

SH900.56.034 限位锁销组合 LIMIT PIN COMBINATION

序号	零件编号	零件名称	数量	图号
1	SH900.56.157	锁销轴 LOCK PIN SHAFT	1	SH900.56.157
2	SH900.56.158	锁销环 LOCK RING	1	SH900.56.158



# A11.56.901.4 3 POINT LINKAGE



## A11.56.901.4\_0 提升杆总成 LIFT LINK ASS.Y

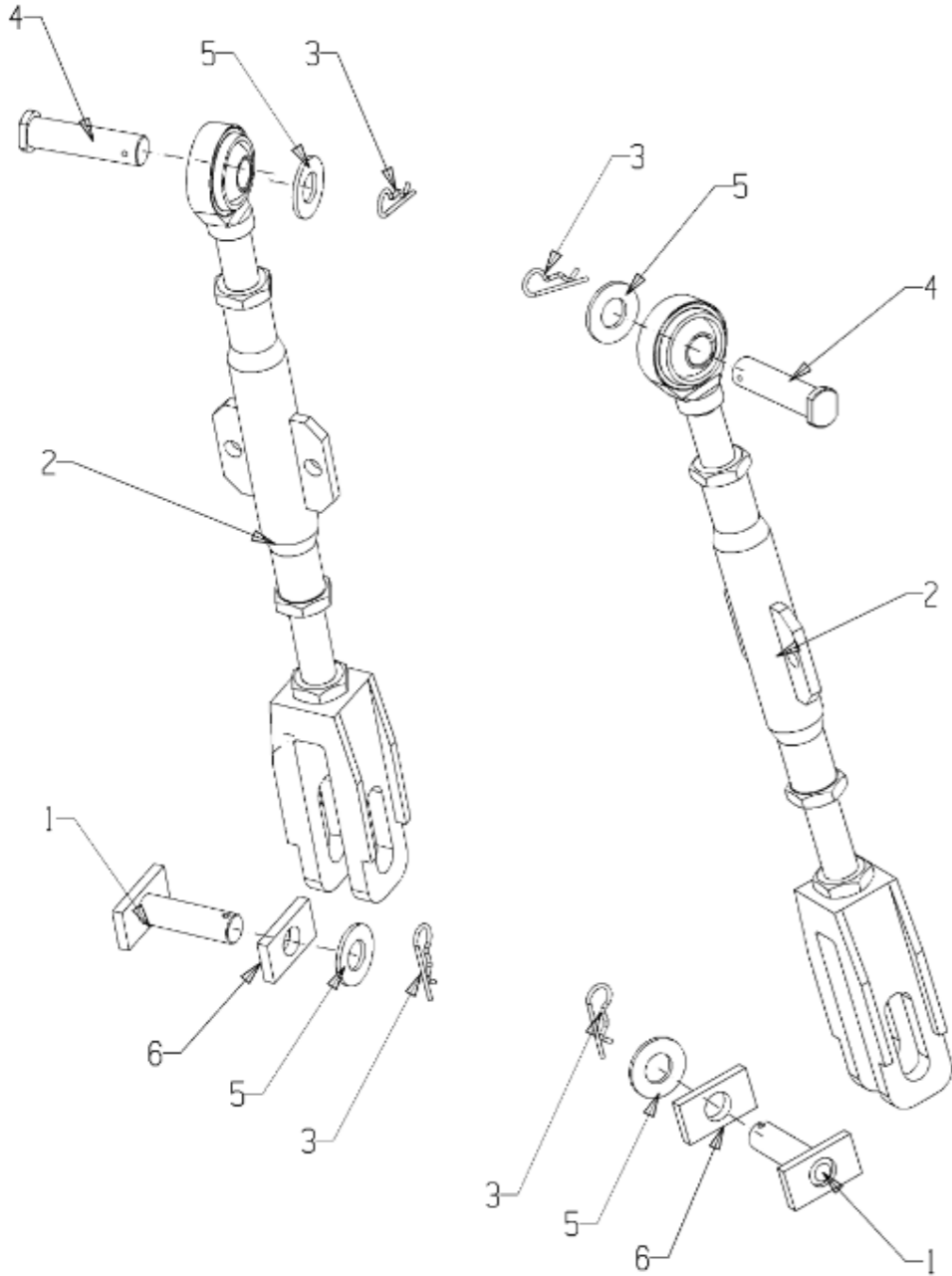
序号	零件编号	零件名称	数量	图号
1	SH900.56.027/10	销轴焊合 GUIDE PIN WELDMENT	2	SH900.56.027/10
2	SH900.56.031	提升杆总成 LIFTING ROD ASSY	2	SH900.56.031
3	SH900.56.105	碳素弹簧钢丝\U+22053.5-2/65Mn	4	SH900.56.105
4	SH900.56.107	提升杆上销轴 LIFTING ROD TOP PIN	2	SH900.56.107
5	SH900.56.108	垫圈 WASHER	4	SH900.56.108
6	SH900.56.155/10	垫片 SHIM	2	SH900.56.155/10

NON VALIDA I.C.

YFB-R-2017-011 SH.090

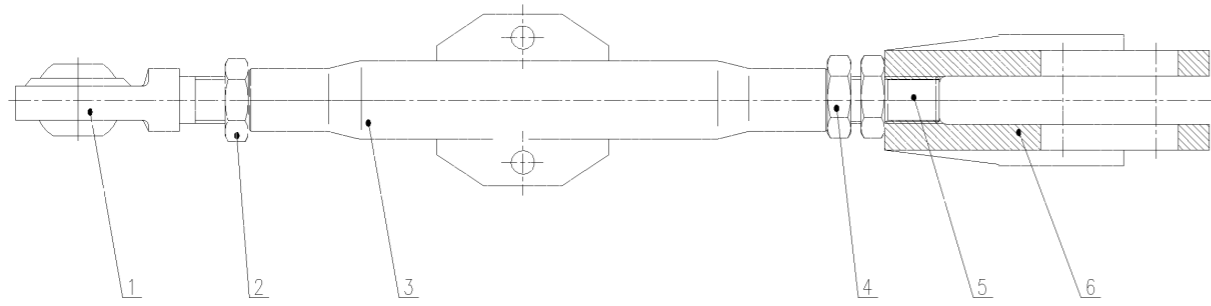
A11.56.901.4\_1 提升杆总成 LIFT LINK ASS.Y

序号	零件编号	零件名称	数量	图号
1	SH900.56.027/20	销轴焊合 GUIDE PIN WELDMENT	2	SH900.56.027/20
2	SH900.56.031	提升杆总成 LIFTING ROD ASSY	2	SH900.56.031
3	SH900.56.105	碳素弹簧钢丝 SPRING LOCKING PIN	4	SH900.56.105
4	SH900.56.107	提升杆上销轴 LIFTING ROD TOP PIN	2	SH900.56.107
5	SH900.56.108	垫圈 WASHER	4	SH900.56.108
6	SH900.56.155/10	垫片 SHIM	2	SH900.56.155/10



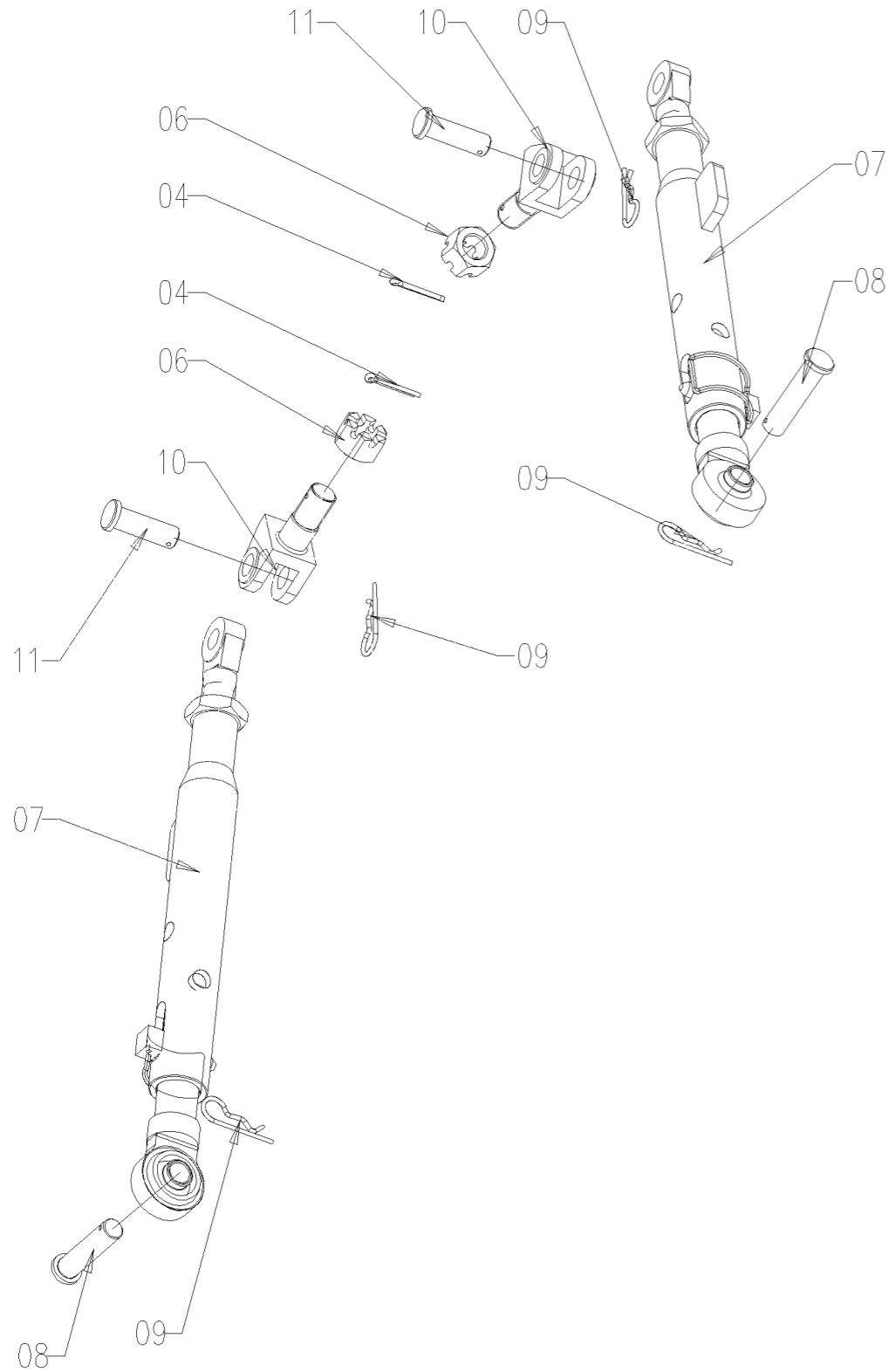
### SH900.56.031 提升杆总成 LIFTING ROD ASSY

SH900.56.031 提升杆总成



序号	零件编号	零件名称	数量	图号
1	SH900.56.016	螺钉铆接件 SCREW RIVETING PIECES	1	SH900.56.016
2	GBT5796.3-TR30X3-A3L	螺母 NUT	1	GBT5796.3-TR30X3-A3L
3	SH900.56.017	提升杆导管焊合 LIFT THREAD TUBE	1	SH900.56.017
4	SH900.56.153	提升下螺杆 LIFTING SCREW	1	SH900.56.153
5	GBT5796.3-TR30X3-LH-	螺母 NUT	2	GBT5796.3-TR30X3-LH-A3L
6	SH900.56.102	提升杆导管焊合 LIFT LINK FORK	1	SH900.56.102

# A11.56.902.4 LIMIT ROD ASS.



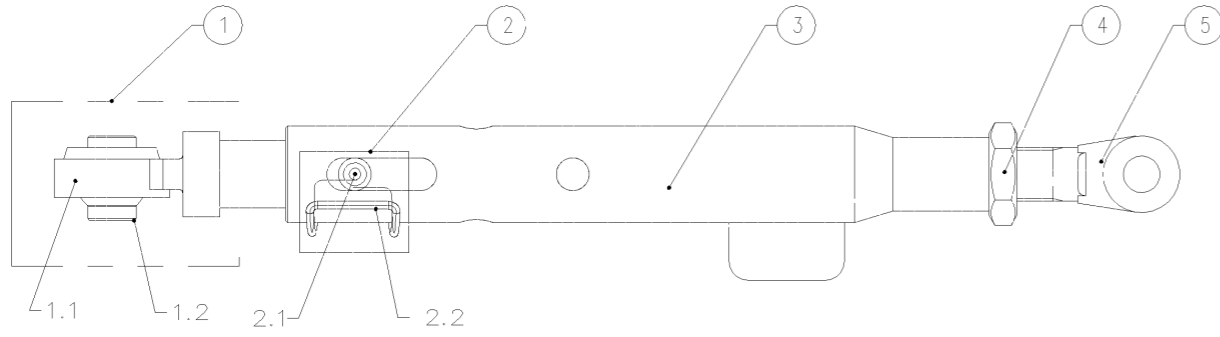
# A11.56.902.4\_2 限位杆总成STABILIZZATORE COMPL ASSY

序号	零件编号	零件名称	数量	图号
4	GBT91-5X40-A3L	销 PIN	2	GBT91-5X40-A3L
6	GBT9459-M24X2-A3L	螺母 NUT	2	GBT9459-M24X2-A3L
7	A11.56.040.4	限位杆总成 LIMIT ROD ASSY	2	A11.56.040.4
8	SH900.56.104	销轴 PIN SHAFT	2	SH900.56.104
9	SH900.56.105	碳素弹簧钢丝\U+22053.5-2/65Mn	4	SH900.56.105
10	A11.56.039.0	限制杆螺栓 LIMIT ROD BOLT	2	A11.56.039.0
11	SH900.56.150	销轴 PIN SHAFT	2	SH900.56.150

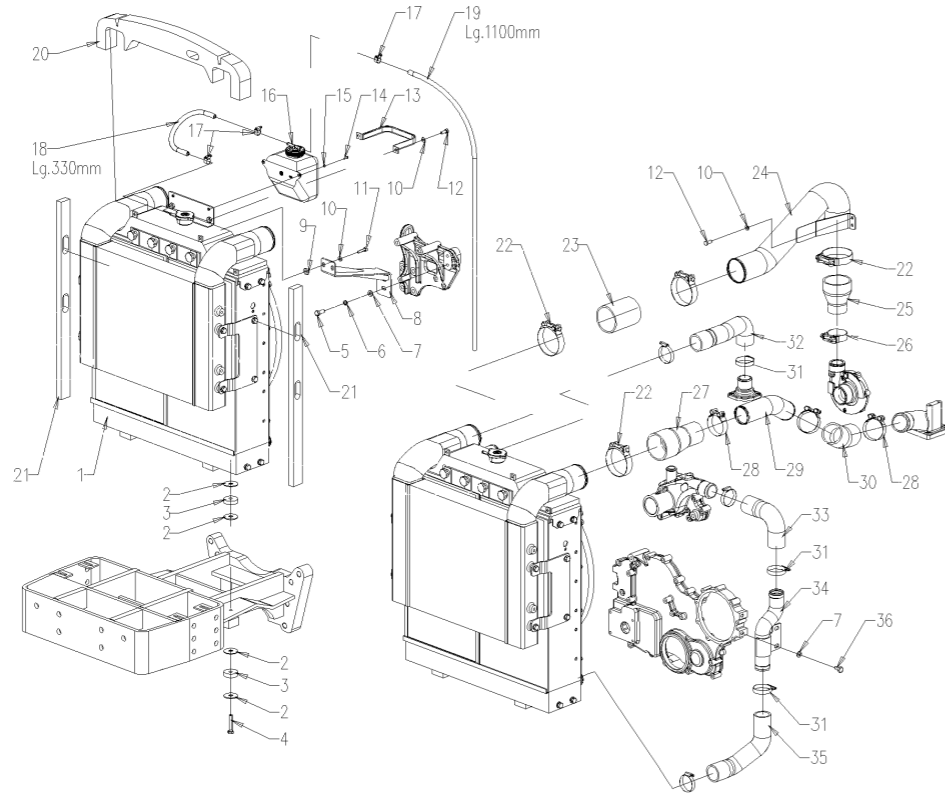
### A11.56.040.4 限位杆总成STABILIZZATORE COMPL ASSY

序号	零件编号	零件名称	数量	图号
1	SH900.56.020	限位杆总成 LIMITED ROD ASS.	1	SH900.56.020
2	SH900.56.034	限位锁销组合 LIMIT PIN	1	SH900.56.034
3	A11.40.041.3	焊接限制螺纹管 LIMITED THREAD	1	A11.40.041.3
4	GBT5796.3-TR28X3-A3L	螺母 NUT	1	GBT5796.3-TR28X3-A3L
5	SH900.56.109	调整螺钉 ADJUSTING SCREW	1	SH900.56.109

A11.56.040.4 LIMIT ROD ASSY



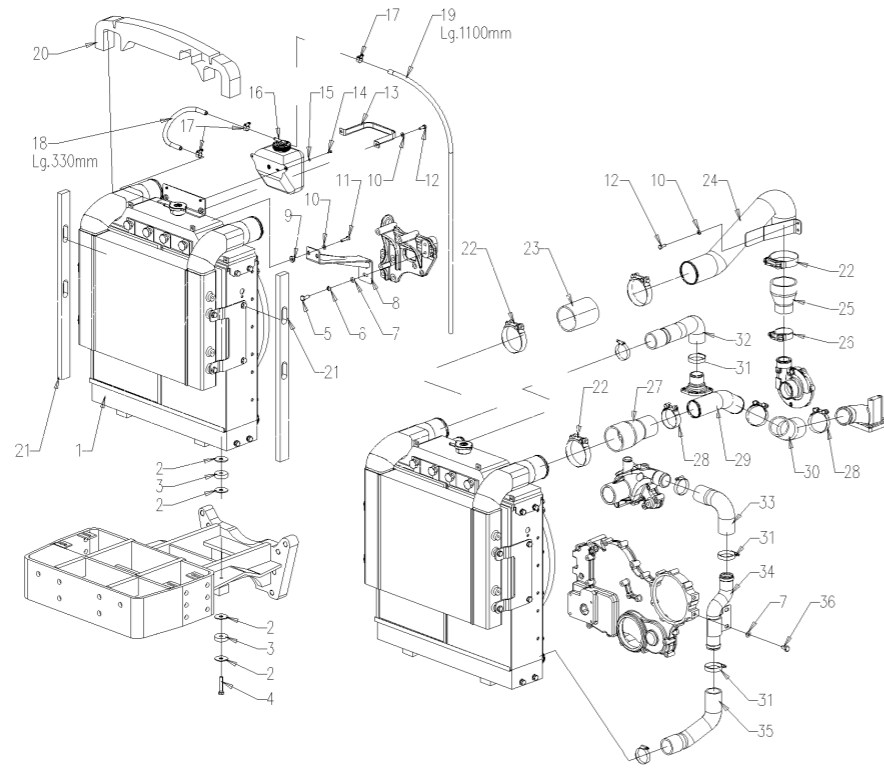
A23.13.900.4 COOLING SYSTEM



A23.13.900.4\_2 冷却系总成 COOLING SYSTEM

序号	零件编号	零件名称	数量	图号
1	CD1104A.13.010/50	水散热器总成 RADIATOR ASSY	1	CD1104A.13.010/50
2	LE1204.13.110	垫圈 GASKET	16	LE1204.13.110
3	LE1204.13.111	前扎带胶垫 RUBBER CUSHION	8	LE1204.13.111
4	GBT5783-M10X55-10.9-	螺栓 BOLT	4	GBT5783-M10X55-10.9-A3L
5	GBT5783-M10X25-A3L	螺栓 BOLT	2	GBT5783-M10X25-A3L
6	GBT93-10-A3L	垫圈 WASHER	2	GBT93-10-A3L
7	GBT97.1-10-A3L	垫圈 WASHER	4	GBT97.1-10-A3L
8	CD1104A.13.014/10	支架 BRACKET	1	CD1104A.13.014/10
9	SH900.13.107	橡胶垫圈 RUBBER RING	2	SH900.13.107
10	GBT97.1-8-A3L	垫圈 WASHER	6	GBT97.1-8-A3L
11	GBT5783-M8X30-A2L	螺栓 BOLT	2	GBT5783-M8X30-A2L
12	GBT5783-M8X20-A2L	螺栓 BOLT	4	GBT5783-M8X20-A2L
13	0.023.2676.2	副水箱固定 EXPANSION TANK	1	0.023.2676.2
14	GBT5783-M4X12-A2L	螺栓 BOLT	2	GBT5783-M4X12-A2L
15	GBT97.1-4-A3L	垫圈 WASHER	2	GBT97.1-4-A3L
16	CD1204.13.012	膨胀水箱 EXPANSION TANK	1	CD1204.13.012
17	JBT8870-d16	软管夹 HOSE CLAMP	3	JBT8870-d16
18	0.026.5598.0	水箱水管 WATER RADIATOR HOSE	1	0.026.5598.0
19	0.026.5598.0	水箱水管 WATER RADIATOR HOSE	1	0.026.5598.0
20	A31.13.005.0/10	海绵 SPONGE	1	A31.13.005.0/10
21	CD1104A.13.108	海绵 SPONGE	2	CD1104A.13.108
22	A31.13.006.0	重型卡箍 86-94 HEAVY CLAMP 86-94	4	A31.13.006.0
23	0.023.0628.0	中冷器软管 CAC HOSE	1	0.023.0628.0
24	CD1104A.13.015/10	中冷器管 CAC PIPE	1	CD1104A.13.015/10
25	CD1204A.13.105	中冷器软管 CAC HOSE	1	CD1204A.13.105
26	2.6859.155.0	夹子59-63 FASCETTA 59-63	1	2.6859.155.0
27	0.027.8033.0	中冷器出口软管 CAC OUTLET HOSE	1	0.027.8033.0
28	2.6859.165.2	夹子 66 - 72 Fascetta 66 - 72	3	2.6859.165.2
29	A23.13.002.0	中冷器出口管 CAC OUTLET PIPE	1	A23.13.002.0
30	A23.13.003.0	硅胶管 SILICONE HOSE	1	A23.13.003.0
31	JBT8870-d60	软管夹 HOSE CLAMP	6	JBT8870-d60
32	CD1104A.13.102/10	散热器进水软管 WATER INLET HOSE	1	CD1104A.13.102/10
33	CD804A.13.102	散热器下水管 WATER HOSE	1	CD804A.13.102
34	CD1104A.13.013/10	出水钢管 OUTLET WATER STEEL PIPE	1	CD1104A.13.013/10
35	CD1104A.13.105	散热器出水软管 WATER OUTLET	1	CD1104A.13.105
36	GBT5783-M10X20-A3L	螺栓 BOLT	2	GBT5783-M10X20-A3L

A23.13.900.4 COOLING SYSTEM

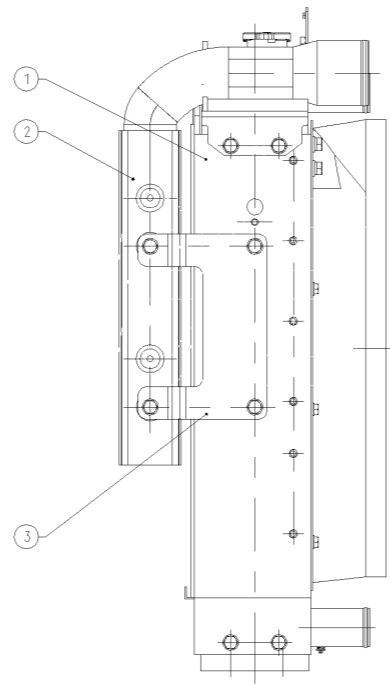
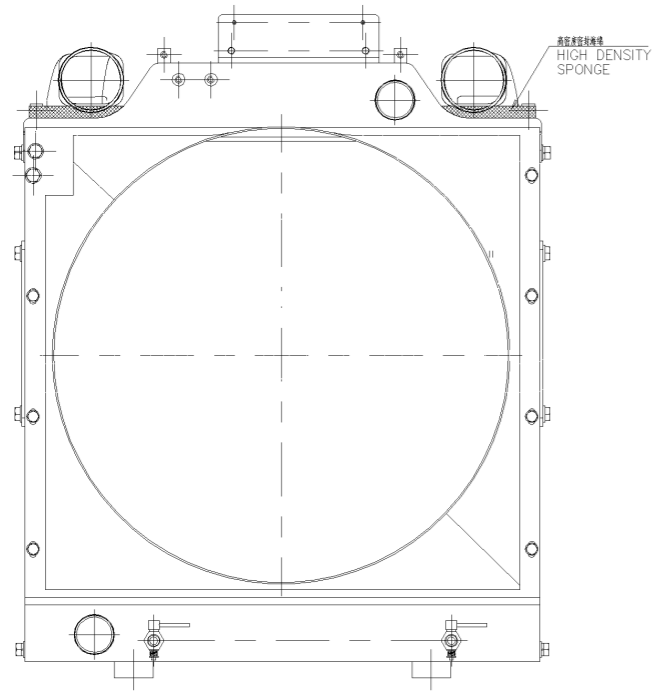


A23.13.900.4\_3 冷却系总成 COOLING SYSTEM

序号	零件编号	零件名称	数量	图号
1	CD1104A.13.010/50	水散热器总成 RADIATOR ASSY	1	CD1104A.13.010/50
2	LE1204.13.110	垫圈 GASKET	16	LE1204.13.110
3	LE1204.13.111	前扎带胶垫 RUBBER CUSHION	8	LE1204.13.111
4	GBT5783-M10X55-10.9-	螺栓 BOLT	4	GBT5783-M10X55-10.9-A3L
5	GBT5783-M10X25-A3L	螺栓 BOLT	2	GBT5783-M10X25-A3L
6	GBT93-10-A3L	垫圈 WASHER	2	GBT93-10-A3L
7	GBT97.1-10-A3L	垫圈 WASHER	4	GBT97.1-10-A3L
8	CD1104A.13.014/10	支架 BRACKET	1	CD1104A.13.014/10
9	SH900.13.107	橡胶垫圈 RUBBER RING	2	SH900.13.107
10	GBT97.1-8-A3L	垫圈 WASHER	6	GBT97.1-8-A3L
11	GBT5783-M8X30-A2L	螺栓 BOLT	2	GBT5783-M8X30-A2L
12	GBT5783-M8X20-A2L	螺栓 BOLT	4	GBT5783-M8X20-A2L
13	0.023.2676.2	副水箱固定 EXPANSION TANK	1	0.023.2676.2
14	GBT5783-M4X12-A2L	螺栓 BOLT	2	GBT5783-M4X12-A2L
15	GBT97.1-4-A3L	垫圈 WASHER	2	GBT97.1-4-A3L
16	CD1204.13.012	膨胀水箱 EXPANSION TANK	1	CD1204.13.012
17	JBT8870-d16	软管夹 HOSE CLAMP	3	JBT8870-d16
18	0.026.5598.0	水箱水管 WATER RADIATOR HOSE	1	0.026.5598.0
19	0.026.5598.0	水箱水管 WATER RADIATOR HOSE	1	0.026.5598.0
20	A31.13.005.0/20	海绵 SPONGE	1	A31.13.005.0/20
21	CD1104A.13.108	海绵 SPONGE	2	CD1104A.13.108
22	A31.13.006.0	重型卡箍 86-94 HEAVY CLAMP 86-94	4	A31.13.006.0
23	0.023.0628.0	中冷器软管 CAC HOSE	1	0.023.0628.0
24	CD1104A.13.015/10	中冷器管 CAC PIPE	1	CD1104A.13.015/10
25	CD1204A.13.105	中冷器软管 CAC HOSE	1	CD1204A.13.105
26	2.6859.155.0	夹子59-63 FASCETTA 59-63	1	2.6859.155.0
27	0.027.8033.0	中冷器出口软管 CAC OUTLET HOSE	1	0.027.8033.0
28	2.6859.165.2	夹子 66 - 72 Fascetta 66 - 72	3	2.6859.165.2
29	A23.13.002.0	中冷器出口管 CAC OUTLET PIPE	1	A23.13.002.0
30	A23.13.003.0	硅胶管 SILICONE HOSE	1	A23.13.003.0
31	JBT8870-d60	软管夹 HOSE CLAMP	6	JBT8870-d60
32	CD1104A.13.102/10	散热器进水软管 WATER INLET HOSE	1	CD1104A.13.102/10
33	CD804A.13.102	散热器下水管 WATER HOSE	1	CD804A.13.102
34	CD1104A.13.013/10	出水钢管 OUTLET WATER STEEL PIPE	1	CD1104A.13.013/10
35	CD1104A.13.105	散热器出水软管 WATER OUTLET	1	CD1104A.13.105
36	GBT5783-M10X20-A3L	螺栓 BOLT	2	GBT5783-M10X20-A3L

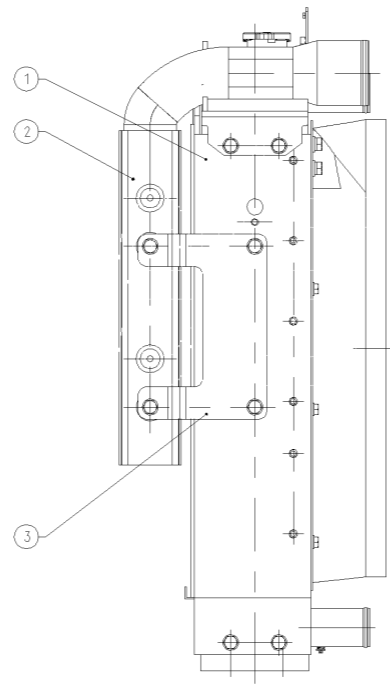
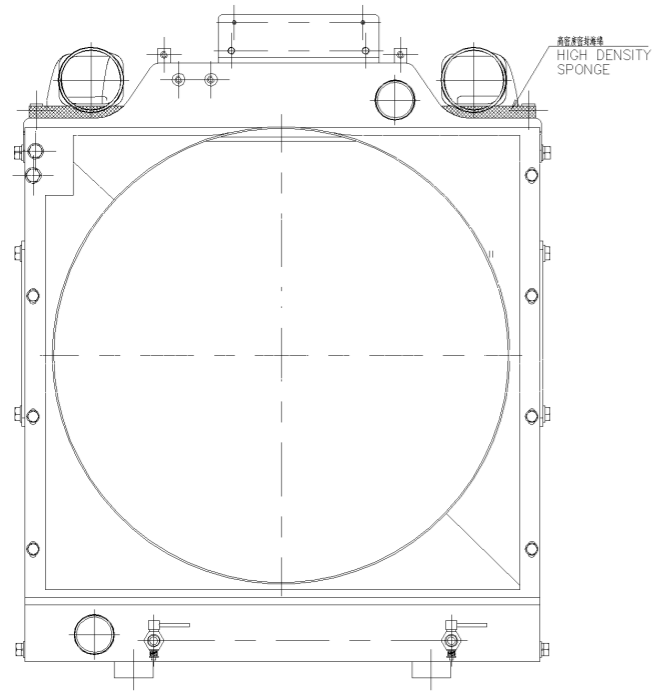


**CD1104A.13.010/50 水散热器总成 RADIATOR ASSEMBLY**



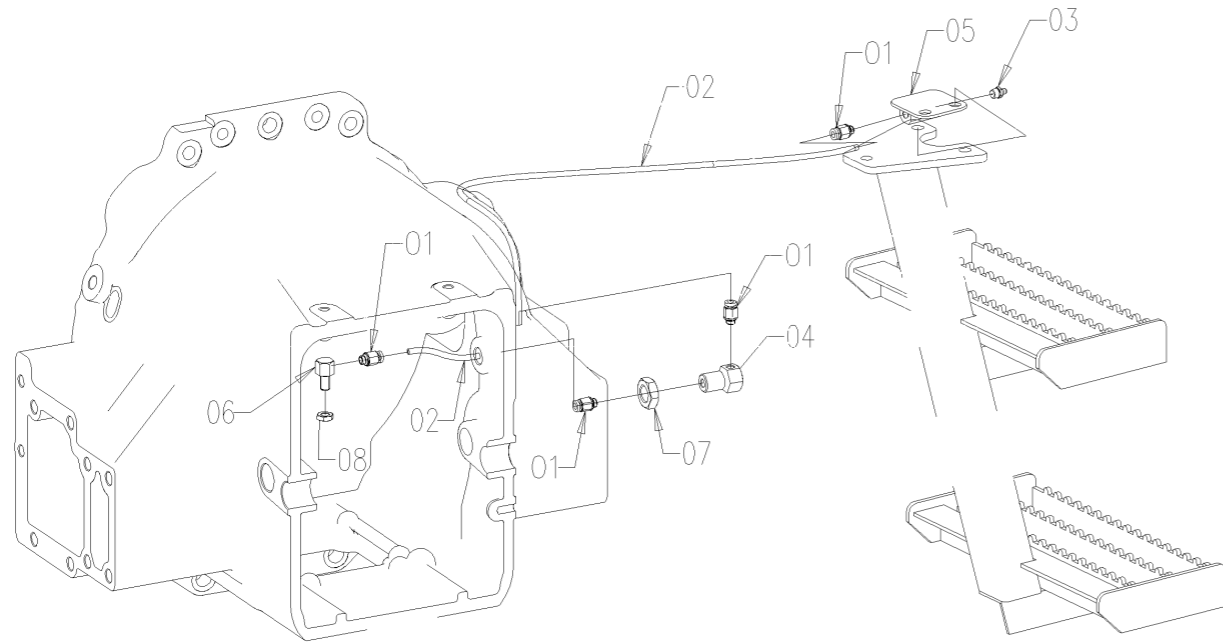
序号	零件编号	零件名称	数量	图号
1	CD1104A.13.011/50	水散热器 WATER RADIATOR	1	CD1104A.13.011/50
2	CD1104A.13.012/40	中间冷却器 INTERCOOLER	1	CD1104A.13.012/40
3	CD1104A.13.107	钢板 STEEL PLATE	2	CD1104A.13.107

CD1104A.13.010/50 水散热器总成 RADIATOR ASSEMBLY



序号	零件编号	零件名称	数量	图号
1	CD1104A.13.011/50	水散热器 WATER RADIATOR	1	CD1104A.13.011/50
2	CD1104A.13.012/40	中间冷却器 INTERCOOLER	1	CD1104A.13.012/40
3	CD1104A.13.107	钢板 STEEL PLATE	2	CD1104A.13.107

# A23.21.907.4 GREASE FILLING SYSTEM

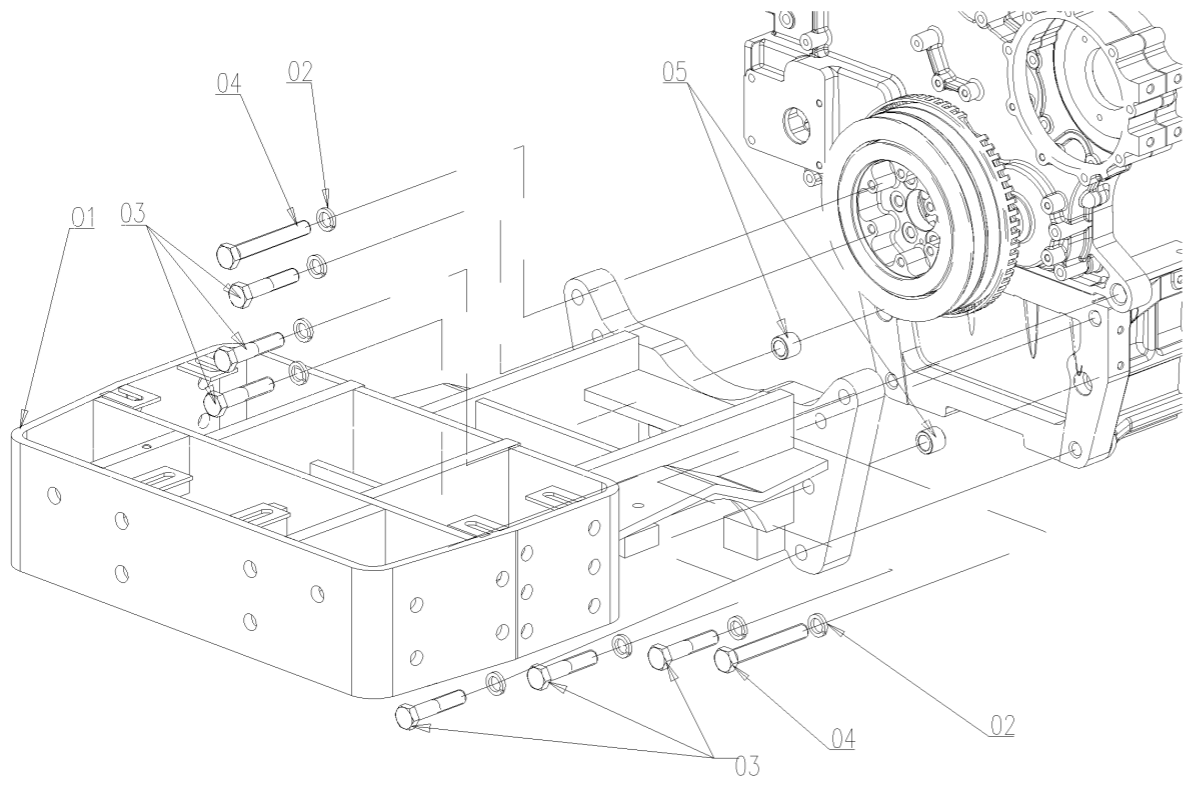


# A23.21.907.4\_0 黄油加注系统 GREASE FILLING SYSTEM

序号	零件编号	零件名称	数量	图号
1	0.011.2973.0	连接件 ATTACCO RAPIDO	4	0.011.2973.0
2	0.012.6739.0	软管 TUBO	2	0.012.6739.0
3	2.3820.105.2	油嘴 NIPPLES M10	1	2.3820.105.2
4	A23.21.005.0	管件 FITTING	1	A23.21.005.0
5	A23.21.007.0	支架 BRACKET	1	A23.21.007.0
6	A41.21.002.0	排气弯管接头 JOINT	1	A41.21.002.0
7	GBT6172.1-M20-A3L	螺母 NUT	1	GBT6172.1-M20-A3L
8	GBT6173-M10X1-A2L	螺母 NUT	1	GBT6173-M10X1-A2L

A23.31.901.4 FRONT SUPPORT ASS.Y

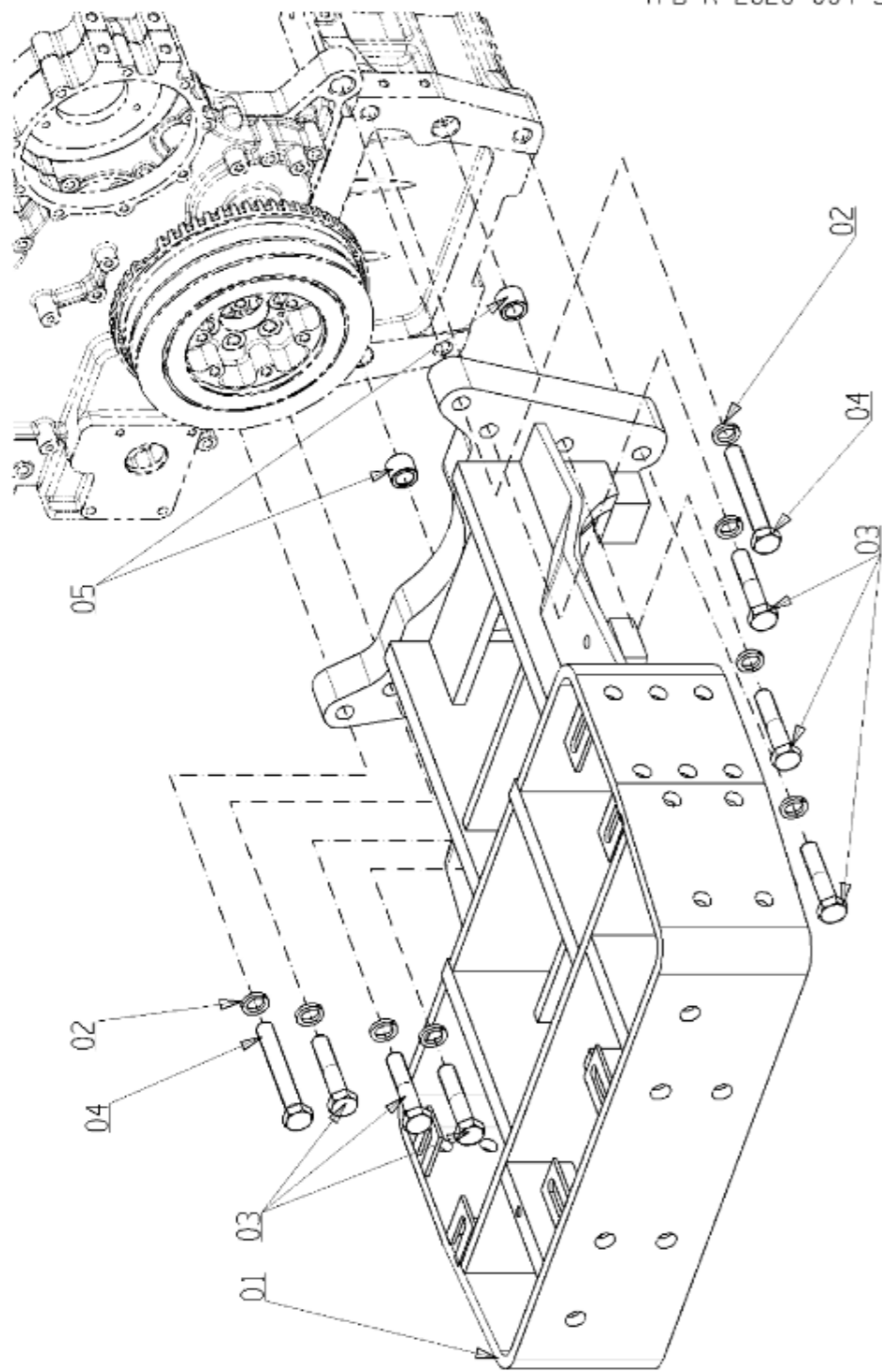
A23.31.901.4\_1 托架总成 FRONT SUPPORT ASS.Y



序号	零件编号	零件名称	数量	图号
1	CD904A.31.011/10	前托架 FRONT SUPPORT JUNCTION	1	CD904A.31.011/10
2	GBT93-16-A3L	垫圈 WASHER	8	GBT93-16-A3L
3	GBT5782-M16X75-10.9-	螺栓 BOLT	6	GBT5782-M16X75-10.9-A3L
4	GBT5782-M16X110-A3L	螺栓 BOLT	2	GBT5782-M16X110-A3L
5	SH900.31.113	套管 BUSHING - 4 CYL -	2	SH900.31.113

 SH90 Series SH90 Series SH90 Series Gruppo - Group	SH90 Series	N. dis. - P/N A23.31.901.4
	FRONT SUPPORT ASS.Y	Rev. 2 Partic. 1 di 1 Val. data il 16/03/2021

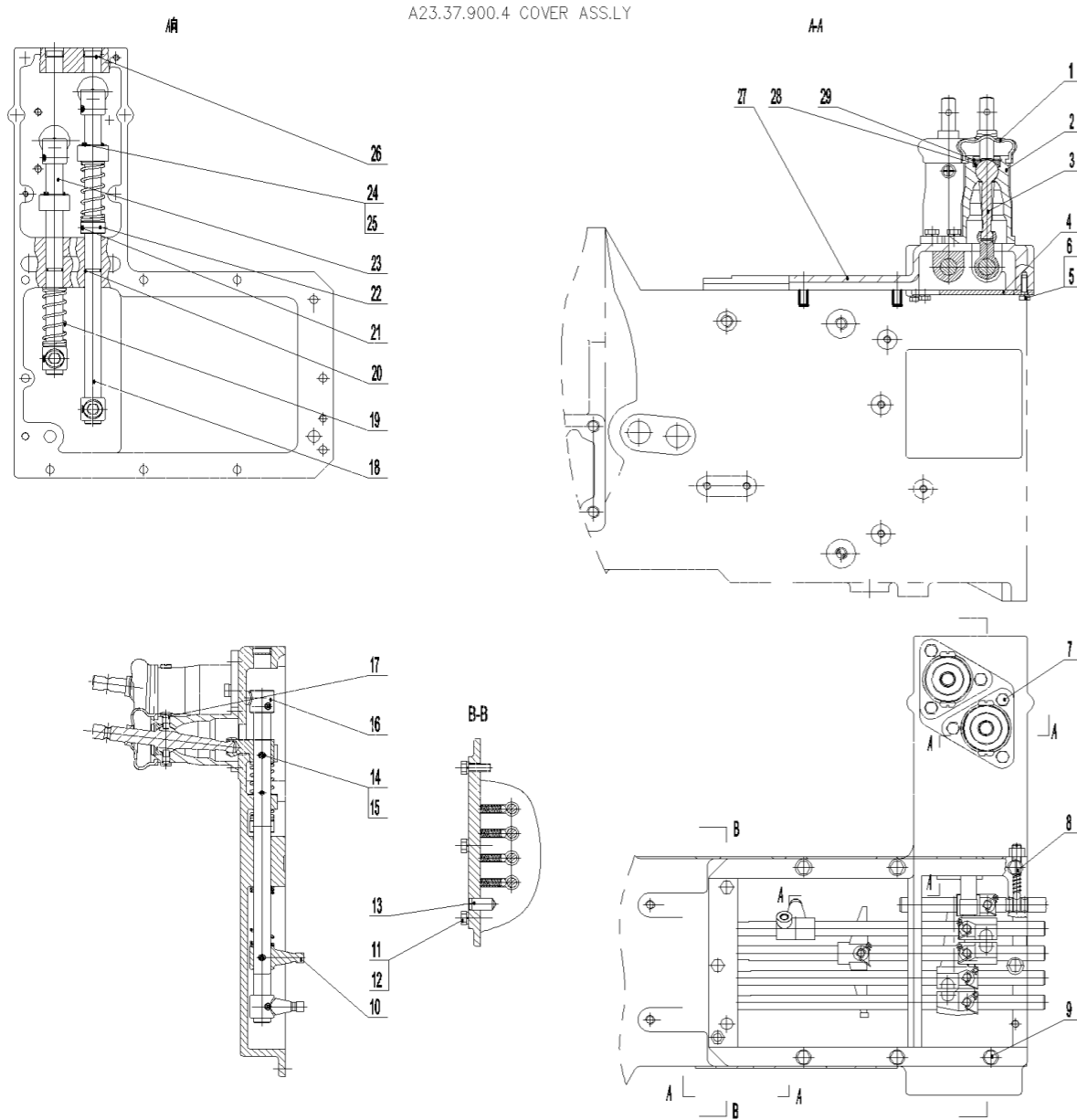
YFB-R-2020-004 SH.029



### A23.31.901.4\_2 托架总成 FRONT SUPPORT ASS.Y

序号	零件编号	零件名称	数量	图号
1	CD904A.31.011/20	前托架 FRONT AXLE BRACKET	1	CD904A.31.011/20
2	GBT93-16-A3L	垫圈 WASHER	8	GBT93-16-A3L
3	GBT5782-M16X75-10.9-	螺栓 BOLT	6	GBT5782-M16X75-10.9-A3L
4	GBT5782-M16X110-A3L	螺栓 BOLT	2	GBT5782-M16X110-A3L
5	SH900.31.113	套管 BUSHING - 4 CYL -	2	SH900.31.113

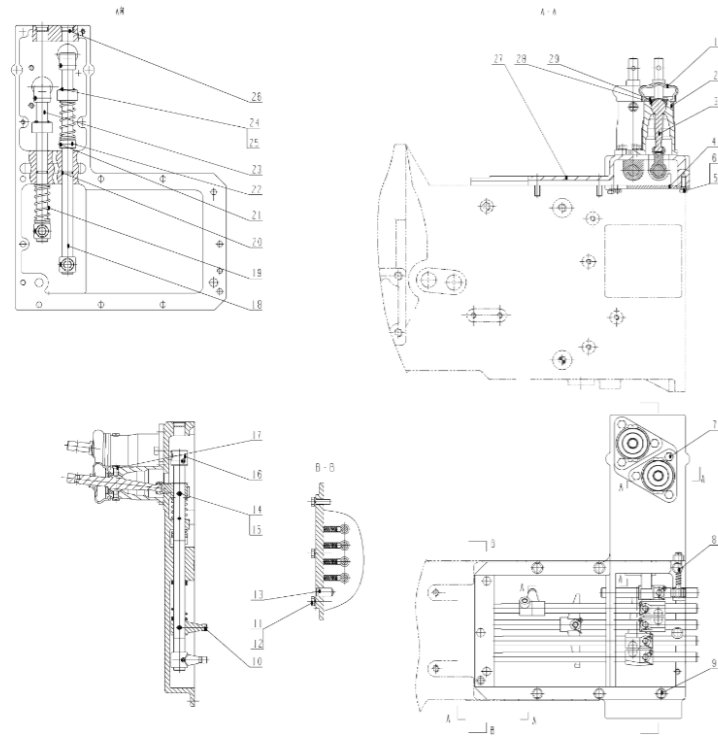
### A23.37.900.4\_0 变速箱盖总成 (16F+8R 梭式档) COVER ASS.Y(16F+8R shuttle gear)



A23.37.900.4 COVER ASS.LY

序号	零件编号	零件名称	数量	图号
1	SH900.37.174	防尘套 DUST SLEEVE	2	SH900.37.174
2	LE1204.37.153	变速杆支座 Gear shift lever support	2	LE1204.37.153
3	LE1204.37.150	下操纵杆 lower joystick	2	LE1204.37.150
4	LE1204.37.201	下盖 lower?cover	1	LE1204.37.201
5	GBT5783-M8X20-A2L	螺栓 BOLT	8	GBT5783-M8X20-A2L
6	GBT93-8-A3L	垫圈 WASHER	8	GBT93-8-A3L
7	GBT5783-M10X20-A3L	螺栓 BOLT	6	GBT5783-M10X20-A3L
8	GBT5782-M10X75-A3L	螺栓 BOLT	2	GBT5782-M10X75-A3L
9	GBT5783-M10X25-A3L	螺栓 BOLT	5	GBT5783-M10X25-A3L
10	SH900.37.180	拨叉头 Fork head	2	SH900.37.180
11	GBT93-10-A3L	垫圈 WASHER	16	GBT93-10-A3L
12	GBT5783-M10X30-A3L	螺栓 BOLT	3	GBT5783-M10X30-A3L
13	GBT119.1-16m6X32	销 PIN	2	GBT119.1-16m6X32
14	GBT879.1-8X32	销 PIN	4	GBT879.1-8X32
15	GBT879.1-5X32	销 PIN	5	GBT879.1-5X32
16	LE1204.37.156	副变速操纵拨头 range shift operationg	2	LE1204.37.156
17	SH900.37.203	定位螺栓 POSITIONING BOLT	4	SH900.37.203
18	LE1204.37.157	副变速操纵传递杆 range shift operationg	1	LE1204.37.157
19	SH900.37.181	压簧 PRESSURE SPRING	2	SH900.37.181
20	GBT3452.1-17X2.65-G	O形密封圈 O RING	2	GBT3452.1-17X2.65-G
21	GBT879.1-3X32	销 PIN	1	GBT879.1-3X32
22	SH900.37.185	套筒 SLEEVE	1	SH900.37.185
23	LE1204.37.184	主变速操纵传递杆 main shift operationg	1	LE1204.37.184
24	GBT879.1-5X30	销 PIN	2	GBT879.1-5X30
25	GBT879.1-3X30	销 PIN	2	GBT879.1-3X30
26	QCT388-24	塞块 PLUG PIECE	2	QCT388-24
27	SH900.37.176	变速箱盖 gearbox cover	1	SH900.37.176
28	SH900.37.191	盖 COVER	2	SH900.37.191
29	GBT893.1-40	弹性挡圈 CIRCLIP	2	GBT893.1-40

## A23.37.900.4\_1 变速箱盖总成 (16F+8R 梭式档) COVER ASS.Y(16F+8R shuttle gear)



**技术要求**

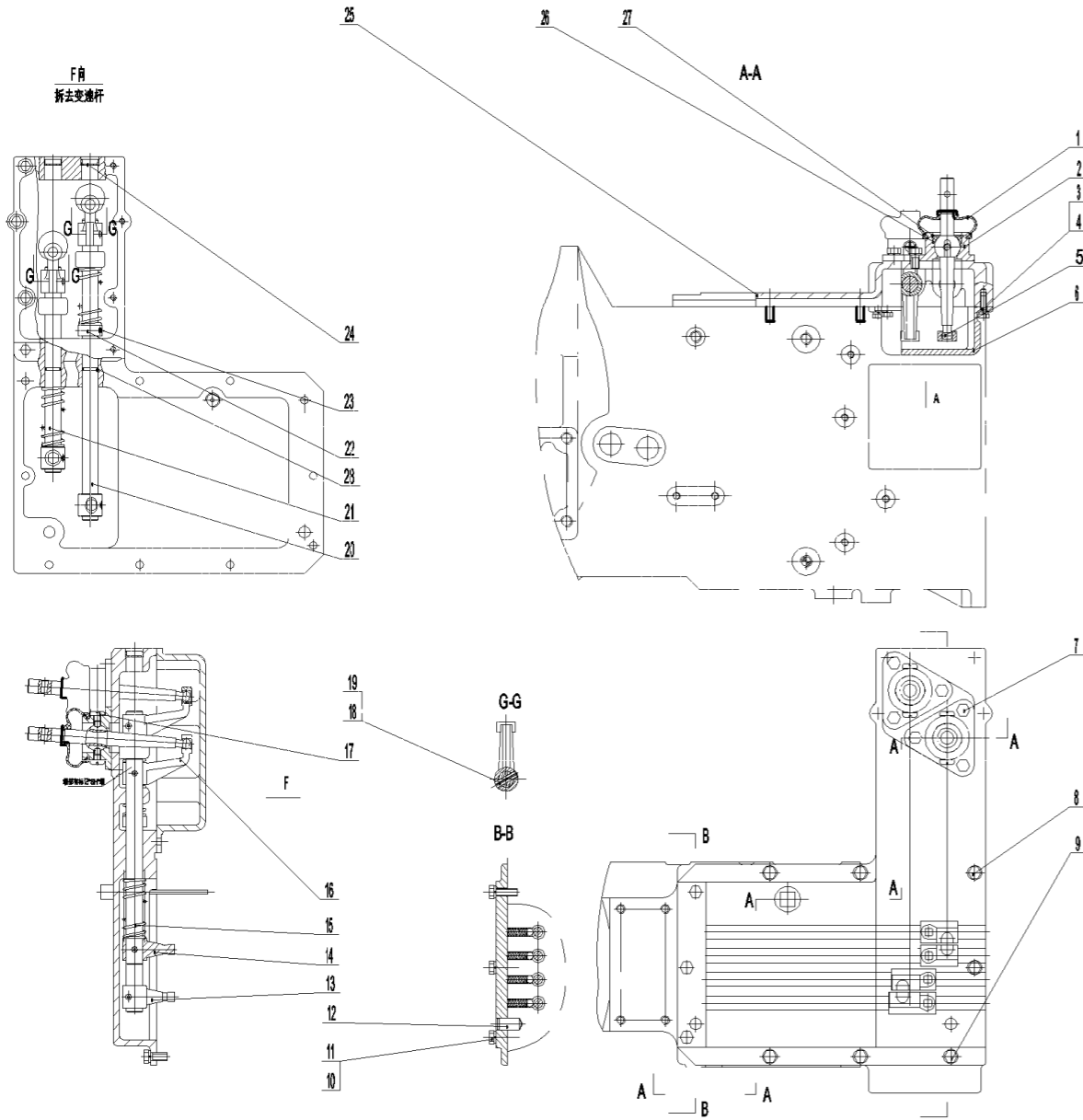
1. 装配前各零件应清洗干净, 无油污、锈迹, 装配时涂油防锈。
2. 装配时各零件应装配到位, 螺栓应拧紧到位。
3. 装配后应检查各零件装配到位, 无异响, 各零件应无松动现象。

序号	零件编号	零件名称	数量	图号
23	GBT893.1-40	销轴	2	
24	SH900.37.181	压簧	2	
27	SH900.37.176	副变速杆	1	副变速杆
26	QCT388-24	碗形塞片	2	
25	GBT93.1-3X30	垫圈	2	
24	GBT93.1-5X30	垫圈	2	
23	LE1204.37.184	主变速操纵传递杆	1	主变速杆
22	SH900.37.185	套筒	1	套筒
21	GBT93.1-3X32	垫圈	1	
20	GBT3452.1-1.1FK7.65-6	O型圈	2	
19	SH900.37.181	压簧	2	压簧
18	LE1204.37.157	副变速操纵传递杆	1	副变速杆
17	SH900.37.203	定位螺栓	4	定位螺栓
16	LE1204.37.156	换挡拨头	2	换挡拨头
15	GBT93.1-5X32	垫圈	5	
14	GBT93.1-3X32	垫圈	4	
13	GBT119.1-16M6X32	销	2	
12	GBT5783-M10X30-A3L	螺栓	3	
11	GBT93-10-A3L	垫圈	16	
10	SH900.37.180	内操纵拨快	2	内操纵拨快
9	SH900.37.180	内操纵拨快	2	内操纵拨快
8	LE1204.37.157	副变速操纵传递杆	1	副变速杆
7	GBT5783-M10X20-A3L	螺栓	5	
6	GBT93-B-A3L	垫圈	8	
5	GBT5783-M10X20-A2L	螺栓	1	
4	LE1204.37.201	下盖	1	下盖
3	LE1204.37.150	副变速杆	2	副变速杆
2	LE1204.37.153	副变速杆	2	副变速杆
1	SH900.37.174	防尘套	2	防尘套

序号	零件编号	零件名称	数量	图号
1	SH900.37.174	防尘套 DUST SLEEVE	2	SH900.37.174
2	LE1204.37.153	副变速变速杆支座 RANGE GEAR	2	LE1204.37.153
3	LE1204.37.150	副变速变速杆支座 DOWN JOYSTICK	2	LE1204.37.150
4	LE1204.37.201	下盖 DOWN COVER	1	LE1204.37.201
5	2.0114.207.2	螺栓 SCREW M8x20	8	2.0114.207.2
6	GBT93-8-A3L	垫圈 WASHER	8	GBT93-8-A3L
7	2.0114.307.2	螺栓 SCREW M10x20	6	2.0114.307.2
8	2.0112.324.2	螺栓 HEX BOLT M10x1.5x75	2	2.0112.324.2
9	2.0114.309.2	螺栓 SCREW M10x25	5	2.0114.309.2
10	SH900.37.180	内操纵拨快 INNER MANIPULATION	2	SH900.37.180
11	GBT93-10-A3L	垫圈 WASHER	16	GBT93-10-A3L
12	2.0114.311.2	螺栓 SCREW M10x30	3	2.0114.311.2
13	GBT119.1-16M6X32	销 PIN	2	GBT119.1-16M6X32
14	2.1630.713.2	重型开槽弹簧式直销 SPRING-TYPE	4	2.1630.713.2
15	2.1630.513.2	重型开槽弹簧式直销 SPRING-TYPE	5	2.1630.513.2
16	LE1204.37.156	换挡拨头 RANGE GEAR OPERATOR	2	LE1204.37.156
17	SH900.37.203	定位螺栓 POSITIONING BOLT	4	SH900.37.203
18	LE1204.37.157	副变速操纵传递杆 RANGE GEAR	1	LE1204.37.157
19	SH900.37.181	压簧 PRESSURE SPRING	2	SH900.37.181
20	2.1630.213.2	弹性圆柱销 SPRING-TYPE STRAIGHT	1	2.1630.213.2
21	SH900.37.185	套筒 SLEEVE	1	SH900.37.185
22	LE1204.37.184	主变速操纵传递杆 MAIN GEAR SHIFT	1	LE1204.37.184
23	2.1630.552.2	重型开槽弹簧式直销 SPRING-TYPE	2	2.1630.552.2
24	2.1630.252.2	重型开槽弹簧式直销 SPRING-TYPE	2	2.1630.252.2
25	QCT388-24	碗形塞片 BOWL TYPE EXPANSION	2	QCT388-24
26	SH900.37.176	变速箱盖 SH900.37.176	1	SH900.37.176
27	SH900.37.191	盖板 COVER	2	SH900.37.191
28	GBT893.1-40	轴用弹性挡圈 CIRCLIPS FOR HOLE	2	GBT893.1-40

COVER ASS.LY  
A23.37.900.4

A23.37.904.4 COVER ASS.LY

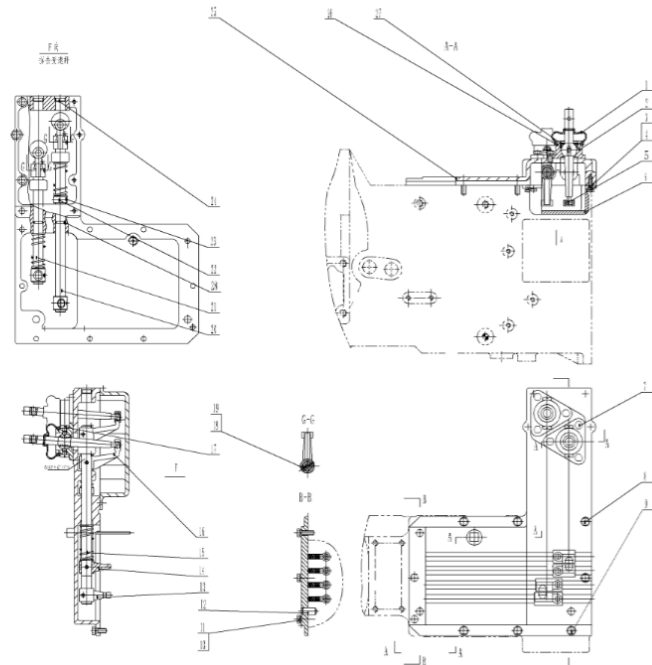


A23.37.904.4\_0 变速箱盖总成 ( 16F+8R ) COVER ASS.Y ( 16F+8R )

序号	零件编号	零件名称	数量	图号
1	SH900.37.174	防尘套 DUST SLEEVE	2	SH900.37.174
2	SH900.37.175	操纵杆支座 JOYSTICK SUPPORT	2	SH900.37.175
3	GBT5781-M8X20-A3L	螺栓 BOLT	8	GBT5781-M8X20-A3L
4	GBT93-8-A3L	垫圈 WASHER	8	GBT93-8-A3L
5	SH900.37.178/10	变速杆 gear?shift?lever	2	SH900.37.178/10
6	SH900.37.177	盖 COVER	1	SH900.37.177
7	GBT5781-M10X20-A3L	螺栓 BOLT	6	GBT5781-M10X20-A3L
8	GBT5780-M10X75-A3L	螺栓 BOLT	2	GBT5780-M10X75-A3L
9	GBT5781-M10X25-A3L	螺栓 BOLT	5	GBT5781-M10X25-A3L
10	GBT5780-M10X40-A3L	螺栓 BOLT	3	GBT5780-M10X40-A3L
11	GBT93-10-A3L	垫圈 WASHER	16	GBT93-10-A3L
12	GBT119.1-16m6X32	销 PIN	2	GBT119.1-16m6X32
13	SH900.37.208	拨叉头 Fork head	1	SH900.37.208
14	SH900.37.180	拨叉头 Fork head	1	SH900.37.180
15	SH900.37.181	压簧 PRESSURE SPRING	2	SH900.37.181
16	SH900.37.182/10	变速杆操纵拨叉 SHIFT LEVER	2	SH900.37.182/10
17	SH900.37.203	定位螺栓 POSITIONING BOLT	4	SH900.37.203
18	GBT879.1-8X32	销 PIN	4	GBT879.1-8X32
19	GBT879.1-5X32	销 PIN	5	GBT879.1-5X32
20	SH900.37.183-1	副变速操纵传递杆 range shift operationg	1	SH900.37.183-1
21	SH900.37.184-1	主变速操纵传递杆 main shift operationg	1	SH900.37.184-1
22	SH900.37.185	套筒 SLEEVE	1	SH900.37.185
23	GBT879.1-3X32	销 PIN	1	GBT879.1-3X32
24	QCT388-24	塞块 PLUG PIECE	2	QCT388-24
25	SH900.37.176	变速箱盖 gearbox cover	1	SH900.37.176
26	SH900.37.191	盖 COVER	2	SH900.37.191
27	GBT893.1-40	弹性挡圈 CIRCLIP	2	GBT893.1-40
28	GBT3452.1-17X2.65-G	O形密封圈 O RING	2	GBT3452.1-17X2.65-G



## A23.37.904.4\_1 变速箱盖总成 ( 16F+8R ) COVER ASS.Y ( 16F+8R )



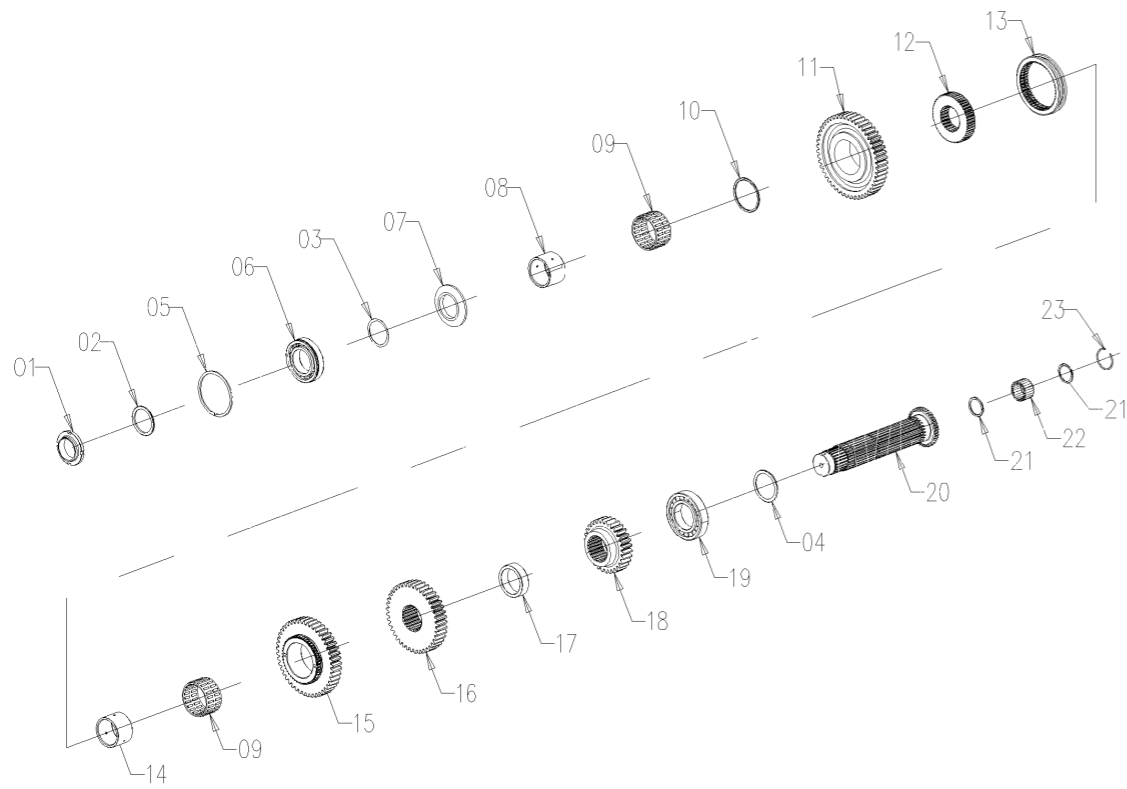
### 技术要求

1. 装配前各零件清洗干净, 无油污、杂质, 润滑油在装配前涂油;
2. 密封面涂平密封胶时, 橡胶密封件按图装配;
3. 装配后变速箱换挡轻便自如, 可靠; 零件损坏及时更换。

序号	零件名称	规格	数量	备注
1	防尘套	SH900.37.174	2	
2	操纵杆支座	SH900.37.175	2	
3	螺栓	2.0114.207.2	8	
4	垫圈	GBT93-8-A3L	8	
5	下操纵杆	SH900.37.178/10	2	
6	盖	SH900.37.177	1	
7	螺栓	2.0114.307.2	6	
8	六角螺栓	2.0112.324.2	2	
9	螺栓	2.0114.309.2	5	
10	螺栓	2.0114.313.2	3	
11	垫圈	GBT93-10-A3L	16	
12	销	GBT119.1-16m6X32	2	
13	拨叉头	SH900.37.208	1	
14	内操纵拨块	SH900.37.180	1	
15	压簧	SH900.37.181	2	
16	变速杆控制叉	SH900.37.182/10	2	
17	定位螺栓	SH900.37.203	4	
18	重型开槽弹簧式直销	2.1630.713.2	4	
19	重型开槽弹簧式直销	2.1630.513.2	5	
20	副变速操纵传递杆	SH900.37.183-1	1	
21	主变速操纵传递杆	SH900.37.184-1	1	
22	套筒	SH900.37.185	1	
23	弹性圆柱销	2.1630.213.2	1	
24	碗形塞片	QCT388-24	2	
25	变速箱盖	SH900.37.176	1	
26	盖板	SH900.37.191	2	
27	轴用弹性挡圈	GBT893.1-40	2	

Design: Design Date: 14/11/2017 Drawn: Shao-Yue Date: 15/11/2017 Checked: Lian-Wen Date: 15/11/2017 Approved: Lian-Wen Date: 15/11/2017 Part Name: COVER ASS.Y Part No.: A23.37.904.4 Scale: 1:1 Sheet: 1 of 1	This drawing shall not be reproduced or used for the manufacture of any part without the written approval of the design office. This drawing shall not be used for the manufacture of any part without the written approval of the design office. This drawing shall not be used for the manufacture of any part without the written approval of the design office. This drawing shall not be used for the manufacture of any part without the written approval of the design office.
---	--

序号	零件编号	零件名称	数量	图号
1	SH900.37.174	防尘套 DUST SLEEVE	2	SH900.37.174
2	SH900.37.175	操纵杆支座 JOYSTICK SUPPORT	2	SH900.37.175
3	2.0114.207.2	螺栓 SCREW M8x20	8	2.0114.207.2
4	GBT93-8-A3L	垫圈 WASHER	8	GBT93-8-A3L
5	SH900.37.178/10	下操纵杆 SHIFT LEVER	2	SH900.37.178/10
6	SH900.37.177	盖 COVER	1	SH900.37.177
7	2.0114.307.2	螺栓 SCREW M10x20	6	2.0114.307.2
8	2.0112.324.2	六角螺栓 HEX BOLT M10x1.5x75	2	2.0112.324.2
9	2.0114.309.2	螺栓 SCREW M10x25	5	2.0114.309.2
10	2.0114.313.2	螺栓 SCREW M10x35	3	2.0114.313.2
11	GBT93-10-A3L	垫圈 WASHER	16	GBT93-10-A3L
12	GBT119.1-16m6X32	销 PIN	2	GBT119.1-16m6X32
13	SH900.37.208	拨叉头 INNER CONTROL PULL HEAD	1	SH900.37.208
14	SH900.37.180	内操纵拨块 INNER MANIPULATION	1	SH900.37.180
15	SH900.37.181	压簧 PRESSURE SPRING	2	SH900.37.181
16	SH900.37.182/10	变速杆控制叉 SHIFT LEVER	2	SH900.37.182/10
17	SH900.37.203	定位螺栓 POSITIONING BOLT	4	SH900.37.203
18	2.1630.713.2	重型开槽弹簧式直销 SPRING-TYPE	4	2.1630.713.2
19	2.1630.513.2	重型开槽弹簧式直销 SPRING-TYPE	5	2.1630.513.2
20	SH900.37.183-1	副变速操纵传递杆 AUXILIARY	1	SH900.37.183-1
21	SH900.37.184-1	主变速操纵传递杆 MAIN	1	SH900.37.184-1
22	SH900.37.185	套筒 SLEEVE	1	SH900.37.185
23	2.1630.213.2	弹性圆柱销 SPRING-TYPE STRAIGHT	1	2.1630.213.2
24	QCT388-24	碗形塞片 BOWL TYPE EXPANSION	2	QCT388-24
25	SH900.37.176	变速箱盖 SH900.37.176	1	SH900.37.176
26	SH900.37.191	盖板 COVER	2	SH900.37.191
27	GBT893.1-40	轴用弹性挡圈 CIRCLIPS FOR HOLE	2	GBT893.1-40

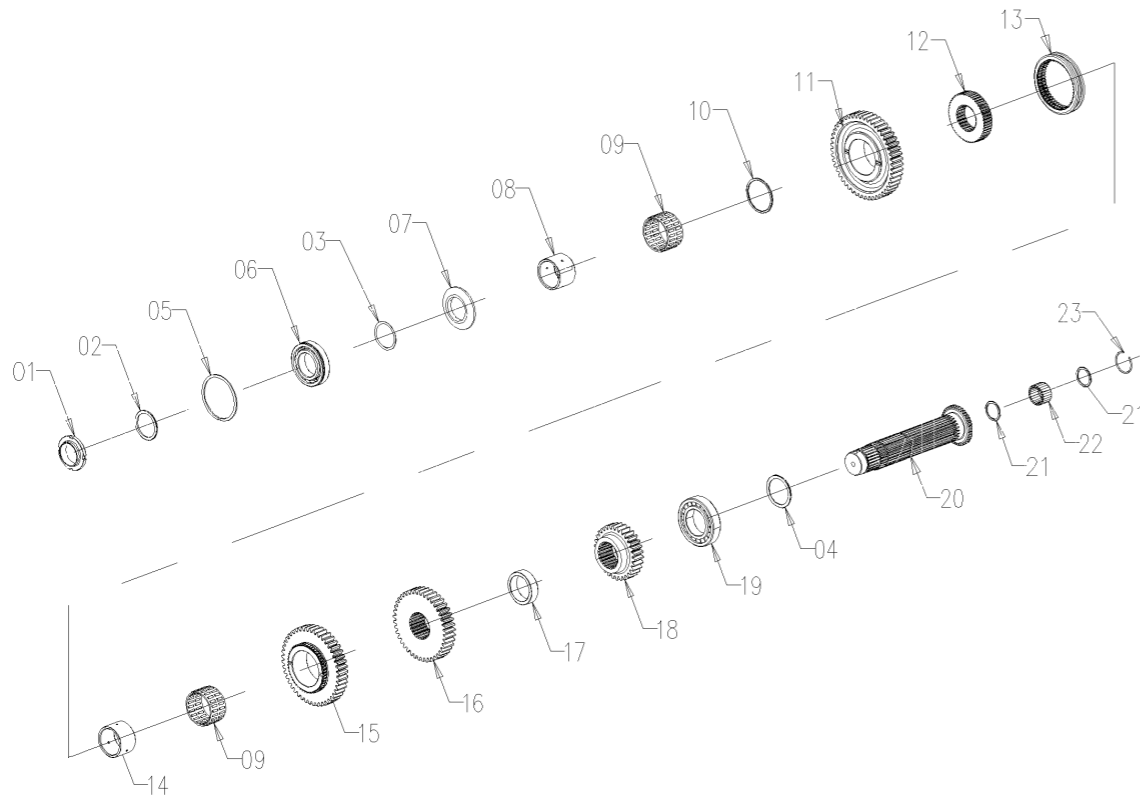


A23.37.913.4 MAIN GEARS ASS.Y

### A23.37.913.4\_1 主变速齿轮总成 (16F+8R 梭式档) MAIN GEARS ASS.Y(16F+8R shuttle gear)

序号	零件编号	零件名称	数量	图号
1	LE1204.37.203	锁紧螺母 LOCK NUT	1	LE1204.37.203
2	A23.37.007.0	隔圈 SPACER	1	A23.37.007.0
3	SH900.37.152	垫片 SHIM	0	SH900.37.152
4	A23.37.008.0	隔圈 SPACER	1	A23.37.008.0
5	GBT305-90/96.5	卡环 SNAP RING	1	GBT305-90/96.5
6	GBT276-6210N/P6	轴承 BEARING	1	GBT276-6210N/P6
7	SH900.37.151	中间轴止腿推环 CHECK THE LEG	1	SH900.37.151
8	SH900.37.149	滚针内环43.5 43.5 INNER RING	1	SH900.37.149
9	JBT7918-K64X74X41ZW	轴承 BEARING	2	JBT7918-K64X74X41ZW
10	A23.37.002.0	滚针隔套 NEEDLE SPACER	1	A23.37.002.0
11	SH900.37.107	第一速度齿轮 FIRST GEAR	1	SH900.37.107
12	SH900.41.121	变速啮合齿轮 GEAR MESHING GEAR	1	SH900.41.121
13	SH900.37.111	齿轮啮合套 GEAR	1	SH900.37.111
14	SH900.37.109	滚针内环41.5 41.5 INNER RING	1	SH900.37.109
15	SH900.37A.113	档齿轮从动齿轮 GEAR DRIVEN	1	SH900.37A.113
16	SH900.37A.112	档从动齿轮 GEAR DRIVEN GEAR	1	SH900.37A.112
17	SH900.37.145	档隔套 GEAR SLEEVE	1	SH900.37.145
18	SH900.37A.110	档从动齿轮 GEAR DRIVEN GEAR	1	SH900.37A.110
19	GBT283-NUP211E	轴承 BEARING	1	GBT283-NUP211E
20	LE1204.37.137/30	中心轴 INTERMEDIATE SHAFT	1	LE1204.37.137/30
21	LE1204.37.211	垫圈 WASHER	2	LE1204.37.211
22	GBT309-P5X23.8-G2-3-5	滚针 NEEDLE ROLLER	23	GBT309-P5X23.8-G2-3-5
23	GBT895.1-42	花键套 RING	1	GBT895.1-42

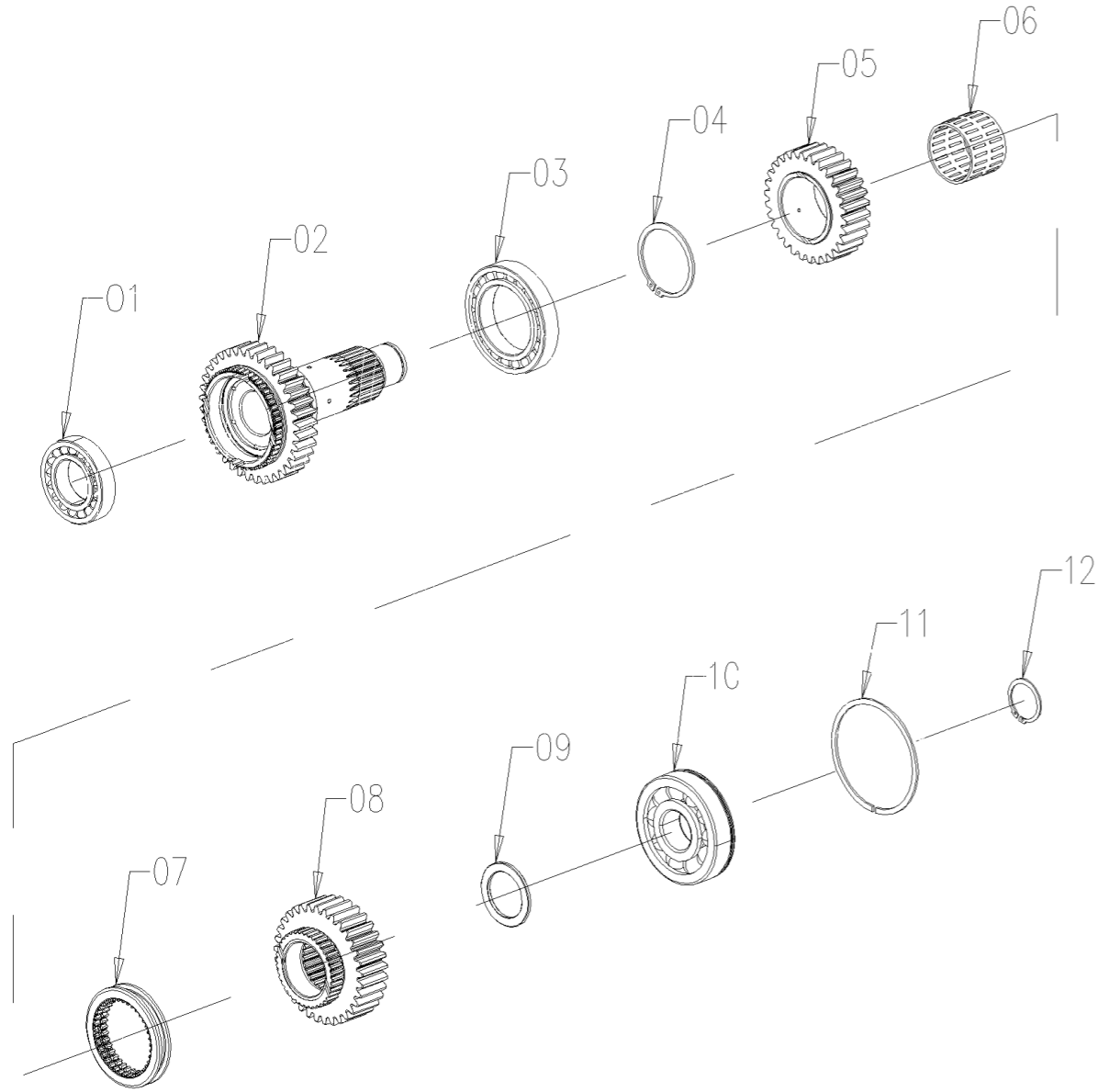
A23.37.913.4 MAIN GEARS ASS.Y



A23.37.913.4\_2 主变速齿轮总成 (16F+8R 梭式档) MAIN GEARS ASS.Y(16F+8R shuttle gear)

序号	零件编号	零件名称	数量	图号
1	LE1204.37.203	锁紧螺母 LOCK NUT	1	LE1204.37.203
2	A23.37.007.0	隔圈 SPACER	1	A23.37.007.0
3	SH900.37.152	垫片 SHIM	0	SH900.37.152
4	A23.37.008.0	隔圈 SPACER	1	A23.37.008.0
5	GBT305-90/96.5	卡环 SNAP RING	1	GBT305-90/96.5
6	GBT276-6210N/P6	轴承 BEARING	1	GBT276-6210N/P6
7	SH900.37.151	中间轴止腿推环 CHECK THE LEG	1	SH900.37.151
8	SH900.37.149	滚针内环43.5 43.5 INNER RING	1	SH900.37.149
9	JBT7918-K64X74X41ZW	轴承 BEARING	2	JBT7918-K64X74X41ZW
10	A23.37.002.0	滚针隔套 NEEDLE SPACER	1	A23.37.002.0
11	SH900.37.107	第一速度齿轮 FIRST GEAR	1	SH900.37.107
12	SH900.41.121	变速啮合齿轮 GEAR MESHING GEAR	1	SH900.41.121
13	SH900.37.111	齿轮啮合套 GEAR	1	SH900.37.111
14	SH900.37.109	滚针内环41.5 41.5 INNER RING	1	SH900.37.109
15	SH900.37A.113	档齿轮从动齿轮 GEAR DRIVEN	1	SH900.37A.113
16	SH900.37A.112	档从动齿轮 GEAR DRIVEN GEAR	1	SH900.37A.112
17	SH900.37.145	档隔套 GEAR SLEEVE	1	SH900.37.145
18	SH900.37A.110	档从动齿轮 GEAR DRIVEN GEAR	1	SH900.37A.110
19	GBT283-NUP211E	轴承 BEARING	1	GBT283-NUP211E
20	LE1204.37.137/30	中心轴 INTERMEDIATE SHAFT	1	LE1204.37.137/30
21	LE1204.37.211	垫圈 WASHER	2	LE1204.37.211
22	GBT309-P5X23.8-G2-3-5	滚针 NEEDLE ROLLER	23	GBT309-P5X23.8-G2-3-5
23	GBT895.1-42	花键套 RING	1	GBT895.1-42

# A23.37.914.4 RANGE GEARS ASS.Y



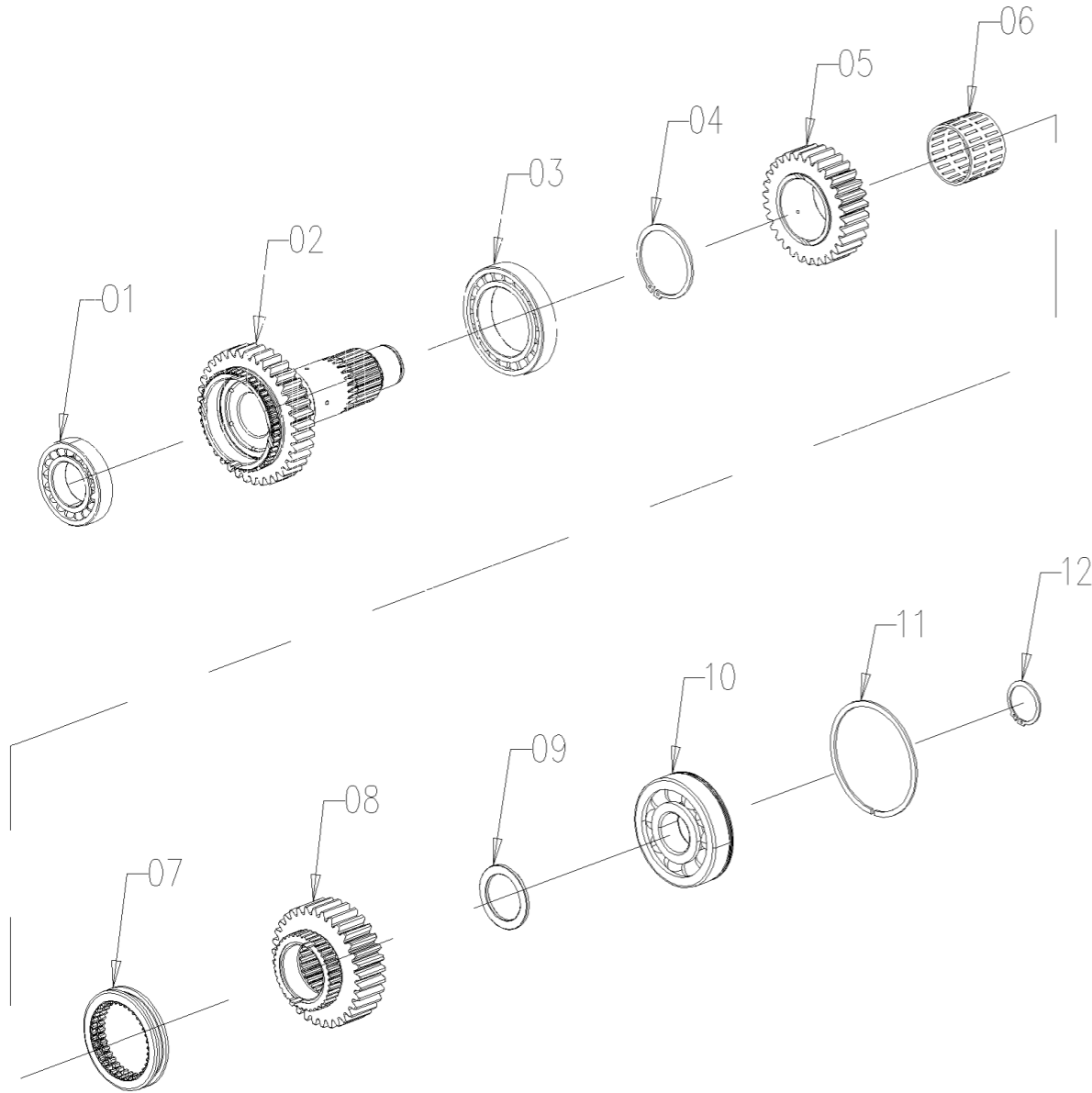
## A23.37.914.4\_0 副变速齿轮总成 (16F+8R 梭式档) RANGE GEARS ASS.Y(16F+8R shuttle gear)

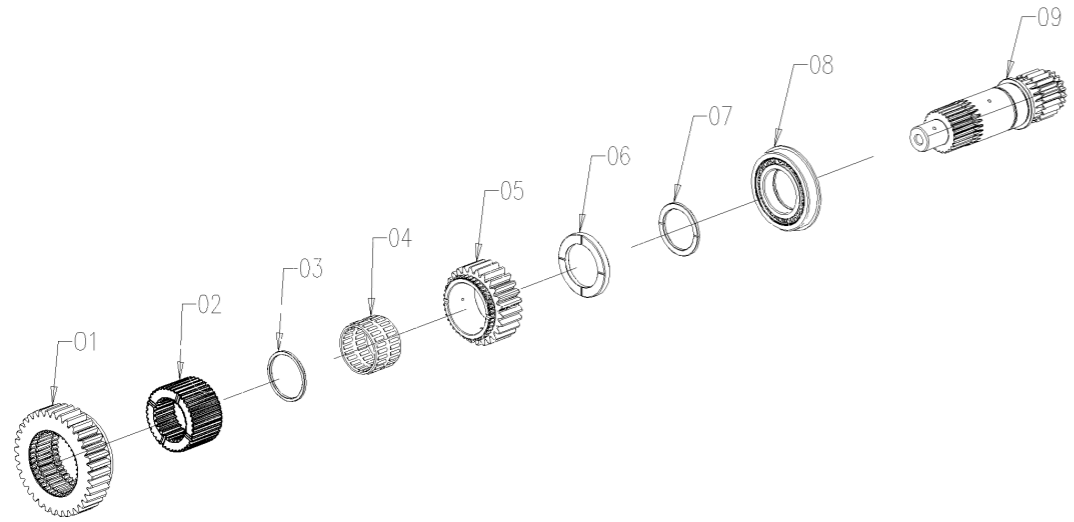
序号	零件编号	零件名称	数量	图号
1	GBT288-20209	轴承 BEARING	1	GBT288-20209
2	SH900.37A.107	梭式换挡中间轴 SHUTTLE TYPE	1	SH900.37A.107
3	GBT283-NUP1014M	轴承 BEARING	1	GBT283-NUP1014M
4	GBT894.1-70	弹性挡圈 CIRCLIP	1	GBT894.1-70
5	SH900.37A.104	副变速低档主动齿轮 AUXILIARY	1	SH900.37A.104
6	JBT7918-K55X62X46ZW	轴承 BEARING	1	JBT7918-K55X62X46ZW
7	LE1204.37.114	副变速套筒 RANGE LOW SHIFT	1	LE1204.37.114
8	SH900.37A.106	梭式换挡主动齿轮 SHUTTLE TYPE	1	SH900.37A.106
9	SH900.37A.121	中间环 INTERMEDIATE RING	1	SH900.37A.121
10	GBT276-6408N	轴承 BEARING	1	GBT276-6408N
11	GBT305-110/116.6	挡圈 CHECK RING	1	GBT305-110/116.6
12	GBT894.1-40	弹性挡圈 CIRCLIP	1	GBT894.1-40

# A23.37.914.4 RANGE GEARS ASS.Y

## A23.37.914.4\_1 副变速齿轮总成 (16F+8R 梭式档) RANGE GEARS ASS.Y(16F+8R shuttle gear)

序号	零件编号	零件名称	数量	图号
1	GBT288-20209	轴承 BEARING	1	GBT288-20209
2	SH900.37A.107	梭式换挡中间轴 SHUTTLE TYPE	1	SH900.37A.107
3	GBT283-NUP1014M	轴承 BEARING	1	GBT283-NUP1014M
4	GBT894.1-70	弹性挡圈 CIRCLIP	1	GBT894.1-70
5	SH900.37A.104	副变速低档主动齿轮 AUXILIARY	1	SH900.37A.104
6	JBT7918-K55X62X46ZW	轴承 BEARING	1	JBT7918-K55X62X46ZW
7	LE1204.37.114	副变速套筒 RANGE LOW SHIFT	1	LE1204.37.114
8	SH900.37A.106	梭式换挡主动齿轮 SHUTTLE TYPE	1	SH900.37A.106
9	SH900.37A.121	中间环 INTERMEDIATE RING	1	SH900.37A.121
10	GBT276-6408N	轴承 BEARING	1	GBT276-6408N
11	GBT305-110/116.6	挡圈 CHECK RING	1	GBT305-110/116.6
12	GBT894.1-40	弹性挡圈 CIRCLIP	1	GBT894.1-40





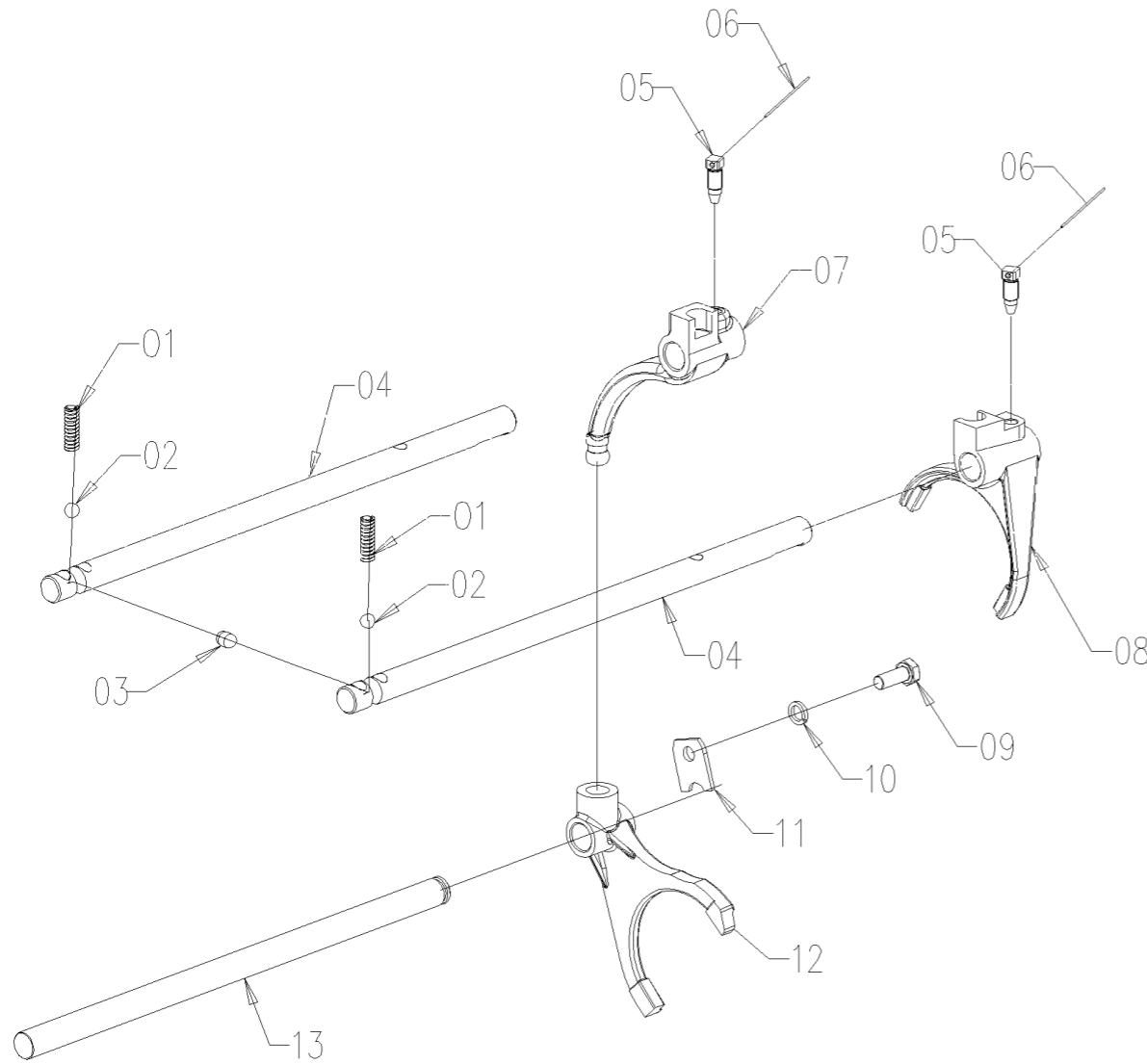
A23.37.915.4 OUTPUT SHAFT ASS.Y

### A23.37.915.4\_2 输出轴总成 (16F+8R 梭式档) OUTPUT SHAFT ASS.Y(16F+8R shuttle gear)

序号	零件编号	零件名称	数量	图号
1	SH900.37A.108	梭式换档啮合套 SHUTTLE TYPE GEAR	1	SH900.37A.108
2	LE1204.37.140	副变速从动齿座 RANGE MESHING	1	LE1204.37.140
3	LE1204.37.141	滚针隔套 NEEDLE SLEEVE	1	LE1204.37.141
4	JBT7918-K55X65X43ZW	轴承 BEARING	1	JBT7918-K55X65X43ZW
5	SH900.37A.114	梭式换档从动齿轮 SHUTTLE TYPE	1	SH900.37A.114
6	SH900.37A.116	止推环 THRUST RING RETAINER	1	SH900.37A.116
7	LE1204.37.144	止推环 THRUST COLLAR	1	LE1204.37.144
8	LE1204.37.205	圆柱滚子轴承NUP211E CRLINDRICAL	1	LE1204.37.205
9	LE1204.37.145/30	输出轴 OUTPUT SHAFT	1	LE1204.37.145/30

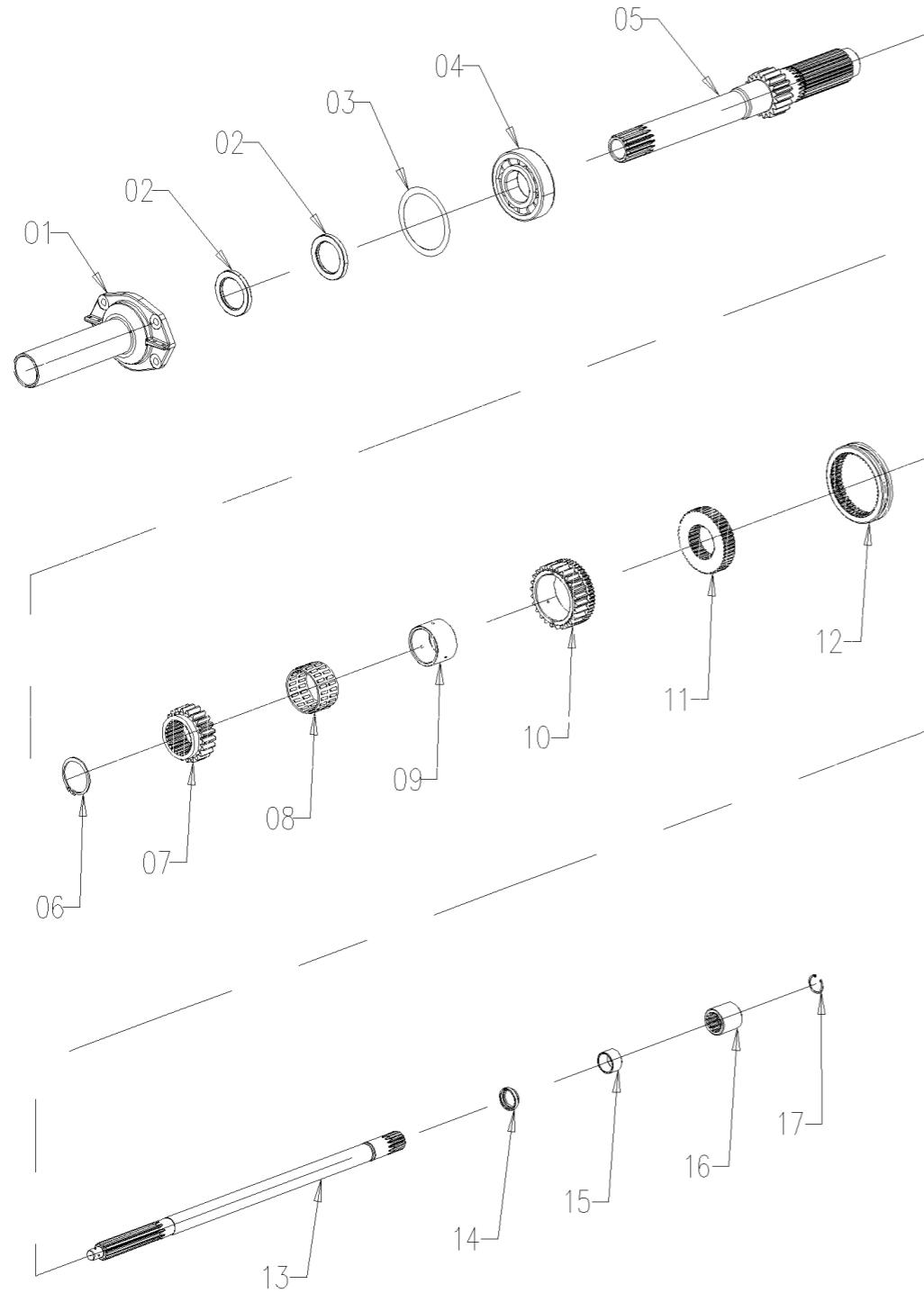
# A23.37.917.4 RANGE SHIFT ASS.Y

## A23.37.917.4\_0 副变速换档总成 (16F+8R 梭式档) RANGE SHIFT ASS.Y(16F+8R shuttle gear)



序号	零件编号	零件名称	数量	图号
1	SH900.37.135A	定位弹簧 POSITIONING SPRING	2	SH900.37.135A
2	GBT308-10-G100-b	球 BALL	2	GBT308-10-G100-b
3	SH900.37.159	互锁销 INTERLOCK PIN	1	SH900.37.159
4	SH900.37.158	副变速拨叉轴 AUXILIARY GEAR	2	SH900.37.158
5	SH900.38.110	紧定螺钉 SET SCREW	2	SH900.38.110
6	YBT5294-SZ-F-1.4	低碳钢丝 LOW CARBON STEEL WIRE	2	YBT5294-SZ-F-1.4
7	LE1204.37.165	梭式换档拨杆 SHUTTLE TYPE SHIFT	1	LE1204.37.165
8	LE1204.37.188-1	副变速拨叉 RANGE GEAR LOWER	1	LE1204.37.188-1
9	GBT5783-M10X25-A3L	螺栓 BOLT	1	GBT5783-M10X25-A3L
10	GBT93-10-A3L	垫圈 WASHER	1	GBT93-10-A3L
11	SH900.37.119	锁片II LOCK II	1	SH900.37.119
12	LE1204.37.166-1	副变速叉 RANGE GEAR SHIFTING	1	LE1204.37.166-1
13	SH900.37.125	拨叉轴 FORK ROD	1	SH900.37.125

# A23.37.922.4 INPUT SHAFT ASS.Y

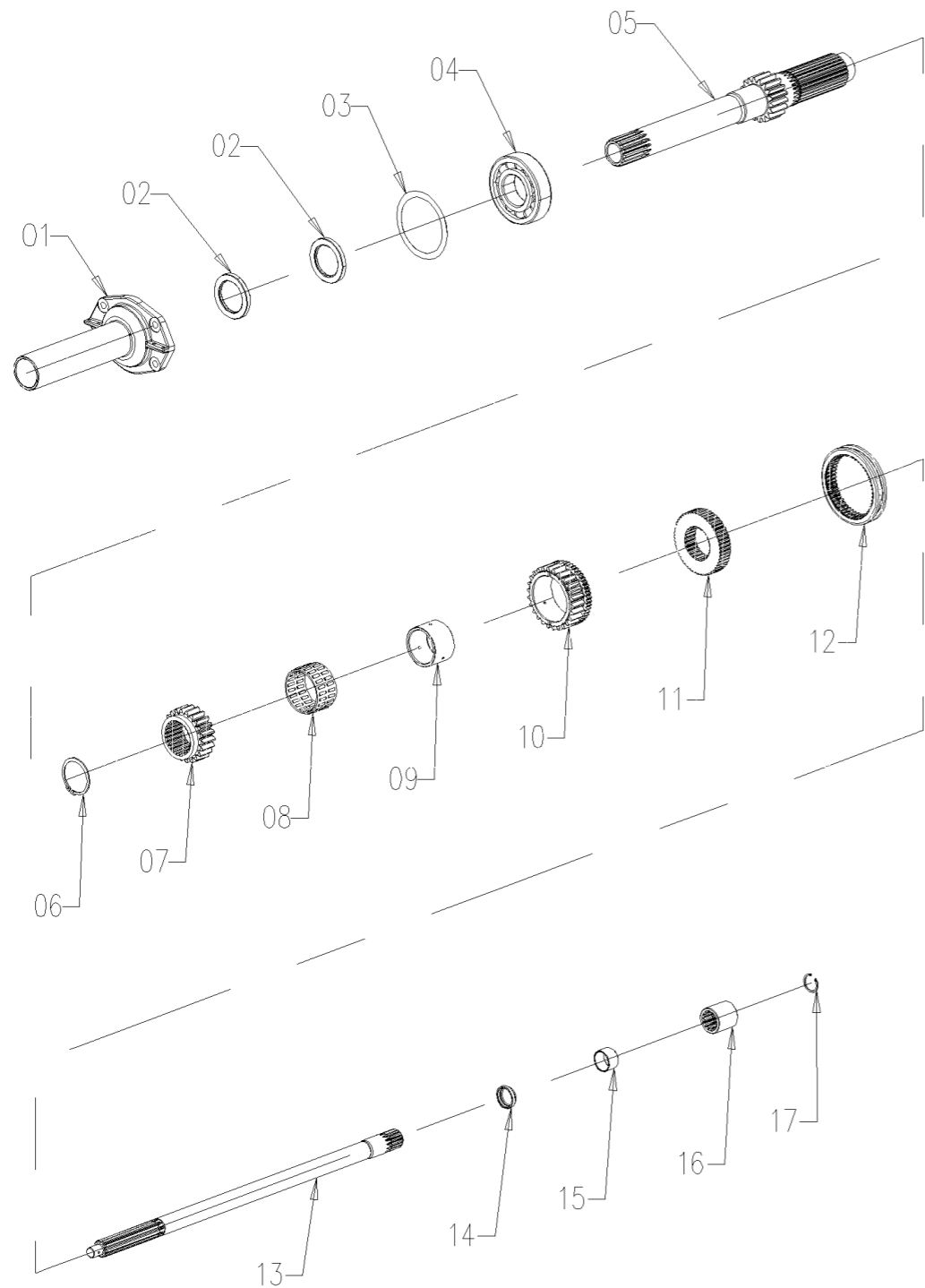


# A23.37.922.4\_1 输入轴总成 (16+8梭式) INPUT SHAFT ASS.Y(16+8 shuttle)

序号	零件编号	零件名称	数量	图号
1	SH900.37.102A	输入轴轴承 INPUT SHAFT BEARING	1	SH900.37.102A
2	GBT13871.1-FB-050072-D	油封 OIL SEAL	2	GBT13871.1-FB-050072-D
3	SH900.37.217	调整垫圈 ADJUSTING WASHER	0	SH900.37.217
4	GBT276-6310	轴承 BEARING	1	GBT276-6310
5	SH900.37.103A	输入轴 INPUT SHAFT	1	SH900.37.103A
6	GBT894.1-55	轴用弹性挡圈 CIRCLIPS FOR SHAFT	1	GBT894.1-55
7	SH900.37A.109	档齿轮传动齿轮 GEAR DRIVING	1	SH900.37A.109
8	JBT7918-K64X74X41ZW	轴承 BEARING	1	JBT7918-K64X74X41ZW
9	SH900.37.109	滚针内环41.5 41.5 INNER RING	1	SH900.37.109
10	SH900.37A.105	档主动齿轮 GEAR DRIVE GEAR	1	SH900.37A.105
11	SH900.41.121	变速啮合齿轮 GEAR MESHING GEAR	1	SH900.41.121
12	SH900.37.111	齿轮啮合套 GEAR	1	SH900.37.111
13	DF1204.37.101/10	输入轴 PTO INPUT SHAFT	1	DF1204.37.101/10
14	SH900.37.112/10	输入轴座 INPUT SHAFT SEAL	1	SH900.37.112/10
15	SH900.37.113	输入轴轴承 INPUT SHAFT BUSHING	1	SH900.37.113
16	SH900.41.105	连接套筒 PTO CONNECTING SLEEVE	1	SH900.41.105
17	GBT893.1-28	弹性挡圈 CIRCLIP	1	GBT893.1-28

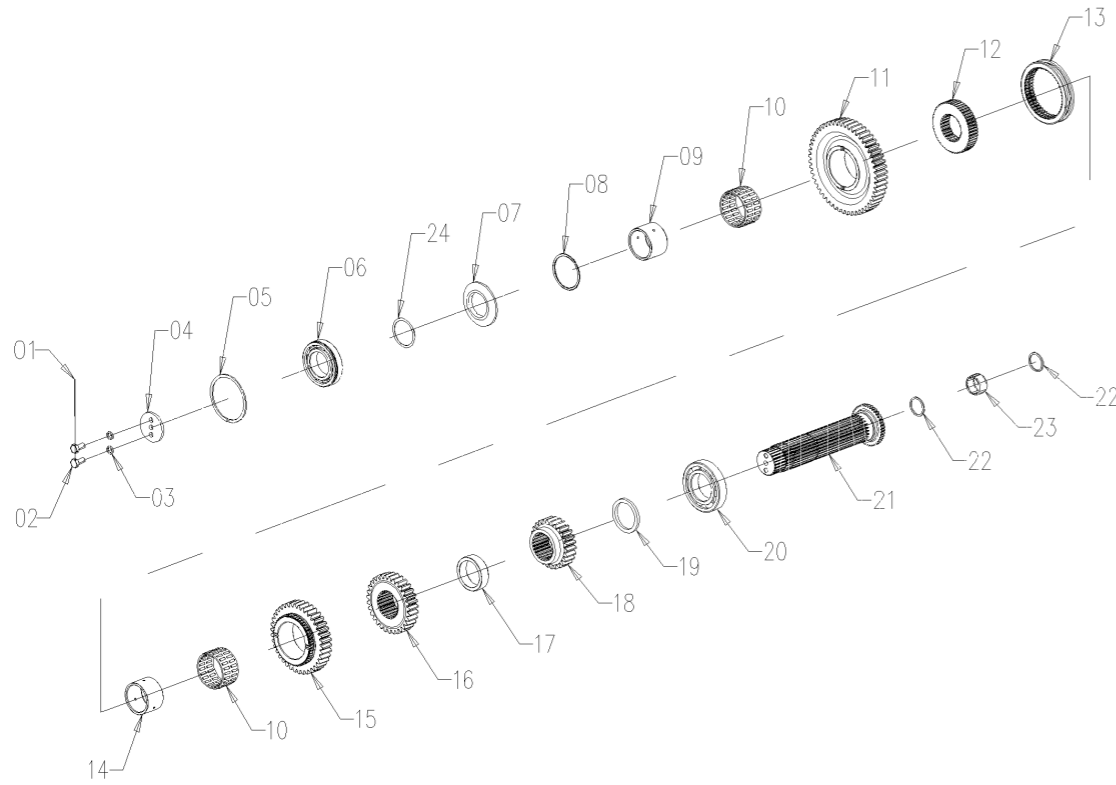


# A23.37.922.4 INPUT SHAFT ASS.Y



## A23.37.922.4\_2 输入轴总成 (16+8梭式) INPUT SHAFT ASS.Y(16+8 shuttle)

序号	零件编号	零件名称	数量	图号
1	SH900.37.102A	输入轴轴承 INPUT SHAFT BEARING	1	SH900.37.102A
2	GBT13871.1-FB-050072-D	油封 OIL SEAL	2	GBT13871.1-FB-050072-D
3	SH900.37.217	调整垫圈 ADJUSTING WASHER	0	SH900.37.217
4	GBT276-6310	轴承 BEARING	1	GBT276-6310
5	SH900.37.103A	输入轴 INPUT SHAFT	1	SH900.37.103A
6	GBT894.1-55	轴用弹性挡圈 CIRCLIPS FOR SHAFT	1	GBT894.1-55
7	SH900.37A.109	档齿轮传动齿轮 GEAR DRIVING	1	SH900.37A.109
8	JBT7918-K64X74X41ZW	轴承 BEARING	1	JBT7918-K64X74X41ZW
9	SH900.37.109	滚针内环41.5 41.5 INNER RING	1	SH900.37.109
10	SH900.37A.105	档主动齿轮 GEAR DRIVE GEAR	1	SH900.37A.105
11	SH900.41.121	变速啮合齿轮 GEAR MESHING GEAR	1	SH900.41.121
12	SH900.37.111	齿轮啮合套 GEAR	1	SH900.37.111
13	DF1204.37.101/10	输入轴 PTO INPUT SHAFT	1	DF1204.37.101/10
14	SH900.37.112/10	输入轴座 INPUT SHAFT SEAL	1	SH900.37.112/10
15	SH900.37.113	输入轴轴承 INPUT SHAFT BUSHING	1	SH900.37.113
16	SH900.41.105	连接套筒 PTO CONNECTING SLEEVE	1	SH900.41.105
17	GBT893.1-28	弹性挡圈 CIRCLIP	1	GBT893.1-28

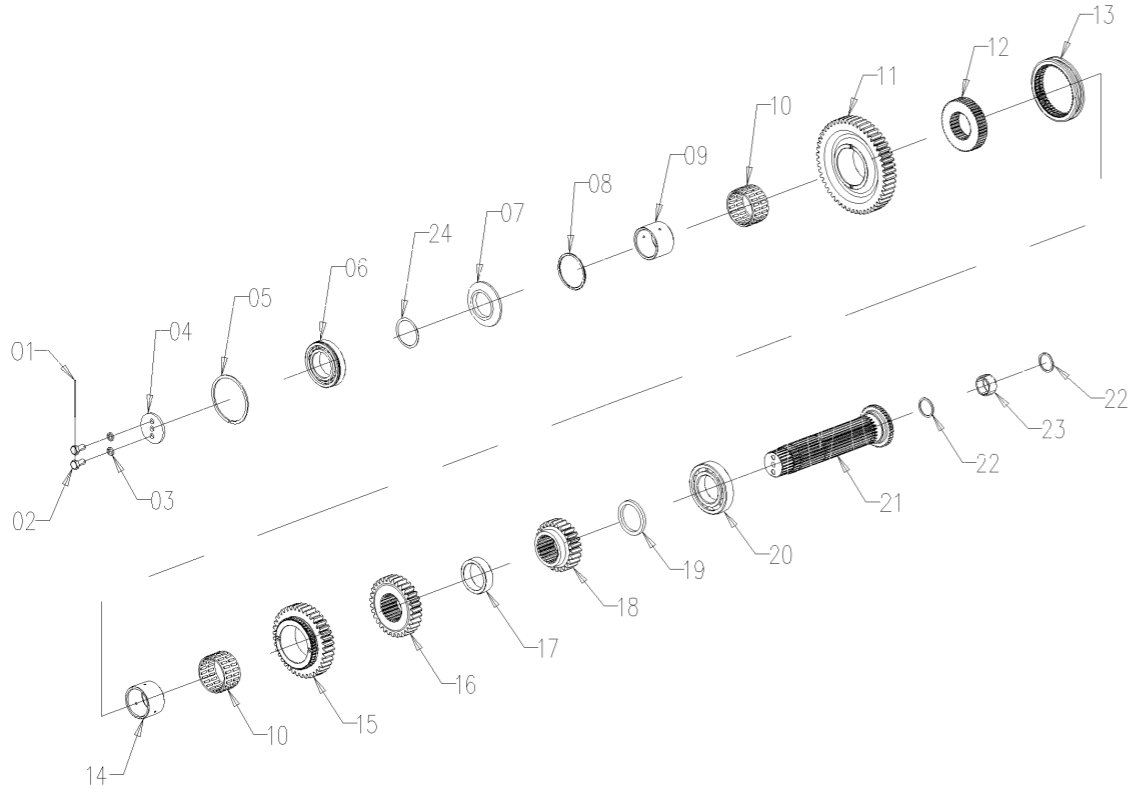


A23.37.923.4 MAIN GEARS ASS.Y

### A23.37.923.4\_0 主变速齿轮总成 (16F+8R 微爬档) MAIN GEARS ASS.Y(16F+8R micro crawl gear)

序号	零件编号	零件名称	数量	图号
1	YBT5294-SZ-F-1.4	低碳钢丝 LOW CARBON STEEL WIRE	1	YBT5294-SZ-F-1.4
2	GBT32.1-M10X20-A3L	螺栓 BOLT	2	GBT32.1-M10X20-A3L
3	GBT93-10-A3L	垫圈 WASHER	2	GBT93-10-A3L
4	SH900.37.153	挡板 BAFFLE	1	SH900.37.153
5	GBT305-90/96.5	卡环 SNAP RING	1	GBT305-90/96.5
6	GBT276-6210N/P6	轴承 BEARING	1	GBT276-6210N/P6
7	SH900.37.151	中间轴止腿推环 CHECK THE LEG	1	SH900.37.151
8	A23.37.002.0	滚针隔套 NEEDLE SPACER	1	A23.37.002.0
9	SH900.37.149	滚针内环43.5 43.5 INNER RING	1	SH900.37.149
10	JBT7918-K64X74X41ZW	轴承 BEARING	2	JBT7918-K64X74X41ZW
11	SH900.37B.102	齿轮 GEAR	1	SH900.37B.102
12	SH900.41.121	啮合座 GEAR MESHING GEAR	1	SH900.41.121
13	SH900.37.111	齿轮啮合套 、 GEAR	1	SH900.37.111
14	SH900.37.109	滚针内环41.5 41.5 INNER RING	1	SH900.37.109
15	SH900.37B.104	齿轮 GEAR	1	SH900.37B.104
16	SH900.37B.106	齿轮 GEAR	1	SH900.37B.106
17	SH900.37.145	、 档隔套 、 GEAR SLEEVE	1	SH900.37.145
18	SH900.37B.108	齿轮 GEAR	1	SH900.37B.108
19	SH900.37.143	隔套 SLEEVE	1	SH900.37.143
20	GBT276-6211	轴承 BEARING	1	GBT276-6211
21	SH900.37.148	花键轴 COUNTER SHAFT	1	SH900.37.148
22	SH900.37.142	滚针隔套 NEEDLE SLEEVE	2	SH900.37.142
23	JBT7918-K32X39X20	轴承 BARING	1	JBT7918-K32X39X20
24	SH900.37.152	垫片 SHIM	0	SH900.37.152

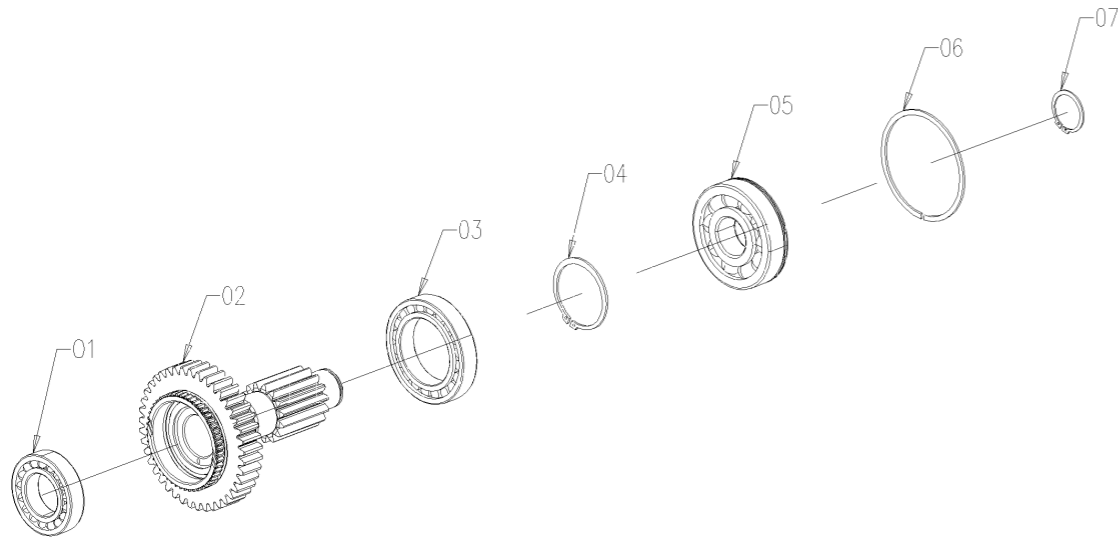
A23.37.923.4 MAIN GEARS ASS.Y



A23.37.923.4\_1 主变速齿轮总成 (16F+8R 微爬档) MAIN GEARS ASS.Y(16F+8R micro crawl gear)

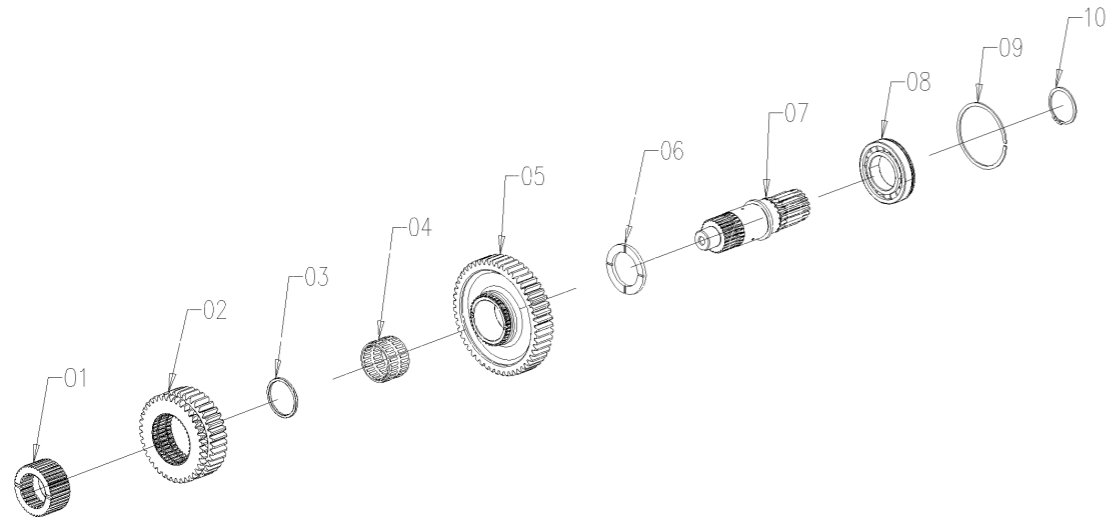
序号	零件编号	零件名称	数量	图号
1	YBT5294-SZ-F-1.4	低碳钢丝 LOW CARBON STEEL WIRE	1	YBT5294-SZ-F-1.4
2	GBT32.1-M10X20-A3L	螺栓 BOLT	2	GBT32.1-M10X20-A3L
3	GBT93-10-A3L	垫圈 WASHER	2	GBT93-10-A3L
4	SH900.37.153	挡板 BAFFLE	1	SH900.37.153
5	GBT305-90/96.5	卡环 SNAP RING	1	GBT305-90/96.5
6	GBT276-6210N/P6	轴承 BEARING	1	GBT276-6210N/P6
7	SH900.37.151	中间轴止腿推环 CHECK THE LEG	1	SH900.37.151
8	A23.37.002.0	滚针隔套 NEEDLE SPACER	1	A23.37.002.0
9	SH900.37.149	滚针内环43.5 43.5 INNER RING	1	SH900.37.149
10	JBT7918-K64X74X41ZW	轴承 BEARING	2	JBT7918-K64X74X41ZW
11	SH900.37B.102	齿轮 GEAR	1	SH900.37B.102
12	SH900.41.121	啮合座 GEAR MESHING GEAR	1	SH900.41.121
13	SH900.37.111	齿轮啮合套 、 GEAR	1	SH900.37.111
14	SH900.37.109	滚针内环41.5 41.5 INNER RING	1	SH900.37.109
15	SH900.37B.104	齿轮 GEAR	1	SH900.37B.104
16	SH900.37B.106	齿轮 GEAR	1	SH900.37B.106
17	SH900.37.145	、 档隔套 、 GEAR SLEEVE	1	SH900.37.145
18	SH900.37B.108	齿轮 GEAR	1	SH900.37B.108
19	SH900.37.143	隔套 SLEEVE	1	SH900.37.143
20	GBT276-6211	轴承 BEARING	1	GBT276-6211
21	SH900.37.148	花键轴 COUNTER SHAFT	1	SH900.37.148
22	SH900.37.142	滚针隔套 NEEDLE SLEEVE	2	SH900.37.142
23	JBT7918-K32X39X20	轴承 BARING	1	JBT7918-K32X39X20
24	SH900.37.152	垫片 SHIM	0	SH900.37.152

A23.37.924.4\_0 副变速齿轮总成 (16F+8R 微爬档) RANGE GEARS ASS.Y(16F+8R micro crawl gear)



A23.37.924.4 RANGE GEARS ASS.Y

序号	零件编号	零件名称	数量	图号
1	GBT288-20209	轴承 BEARING	1	GBT288-20209
2	SH900.37B.107	齿轮轴 GEAR SHAFT	1	SH900.37B.107
3	GBT283-NUP1014M	轴承 BEARING	1	GBT283-NUP1014M
4	GBT894.1-70	弹性挡圈 CIRCLIP	1	GBT894.1-70
5	GBT276-6408N	轴承 BEARING	1	GBT276-6408N
6	GBT305-110/116.6	挡圈 CHECK RING	1	GBT305-110/116.6
7	GBT894.1-40	弹性挡圈 CIRCLIP	1	GBT894.1-40

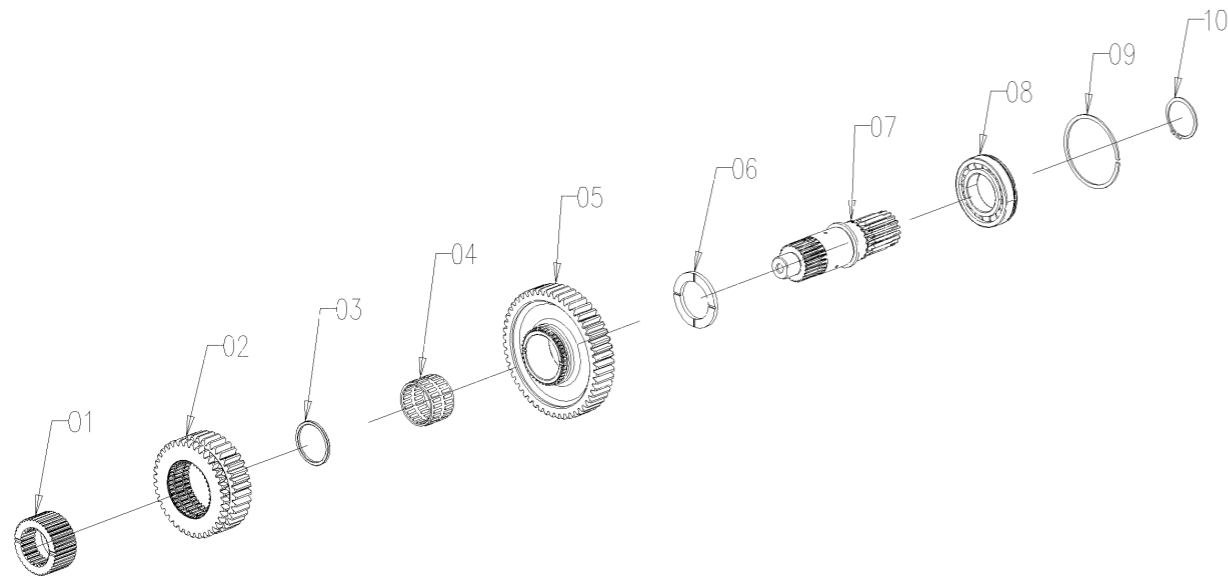


A23.37.925.4 OUTPUT SHAFT ASS.Y

### A23.37.925.4\_0 输出轴总成 (16F+8R 梭式档) OUTPUT SHAFT ASS.Y(16F+8R shuttle gear)

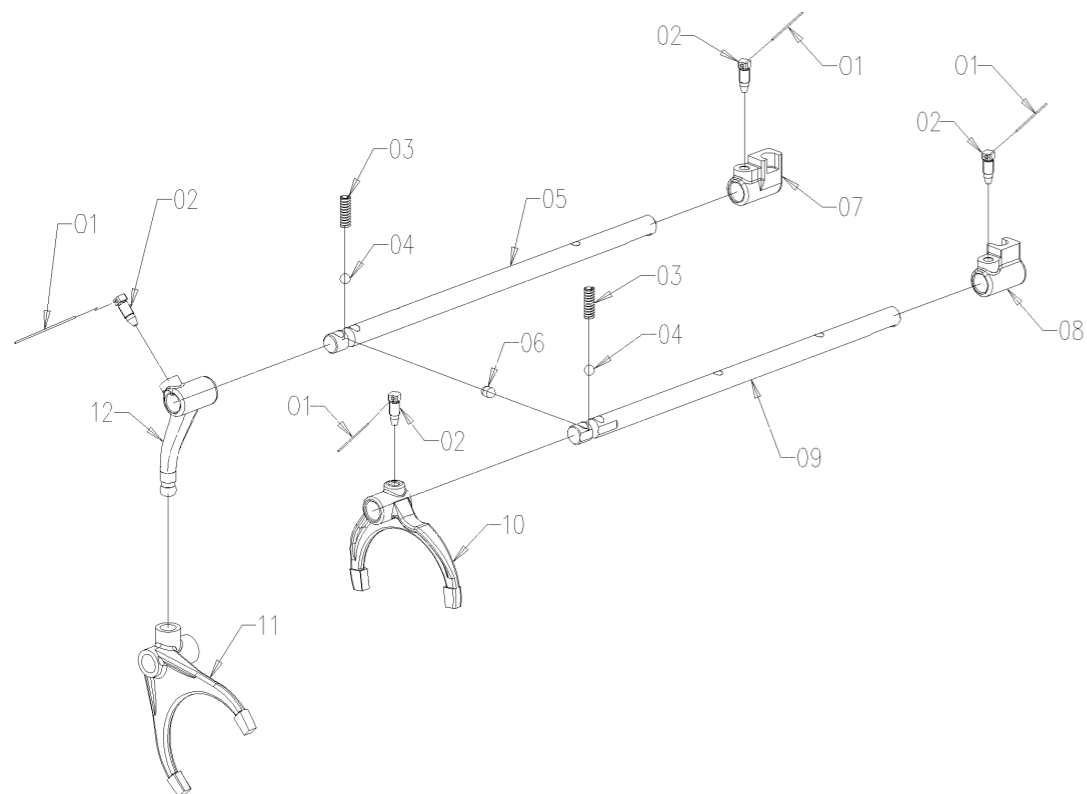
序号	零件编号	零件名称	数量	图号
1	SH900.37.141	倒挡齿轮从动齿轮座 REVERSE GEAR	1	SH900.37.141
2	SH900.37.140	倒挡齿轮从动齿轮 REVERSE GEAR	1	SH900.37.140
3	A23.37.003.0	滚针隔套 NEEDLE SPACER	1	A23.37.003.0
4	JBT7918-K55X65X43ZW	轴承 BEARING	1	JBT7918-K55X65X43ZW
5	SH900.37.138	齿轮 AUXILIARY GEAR LOW GEAR	1	SH900.37.138
6	SH900.37.134	垫圈 WASHER	1	SH900.37.134
7	SH900.37.165	输出轴 OUTPUT SHAFT	1	SH900.37.165
8	GBT276-6211N/P6	深槽滚珠轴承 DEEP GROOVE BALL	1	GBT276-6211N/P6
9	GBT305-100/106.5	挡圈 CHECK RING	1	GBT305-100/106.5
10	GBT894.1-55	轴用弹性挡圈 CIRCLIPS FOR SHAFT	1	GBT894.1-55

A23.37.925.4 OUTPUT SHAFT ASS.Y



A23.37.925.4\_1 输出轴总成 (16F+8R 梭式档) OUTPUT SHAFT ASS.Y(16F+8R shuttle gear)

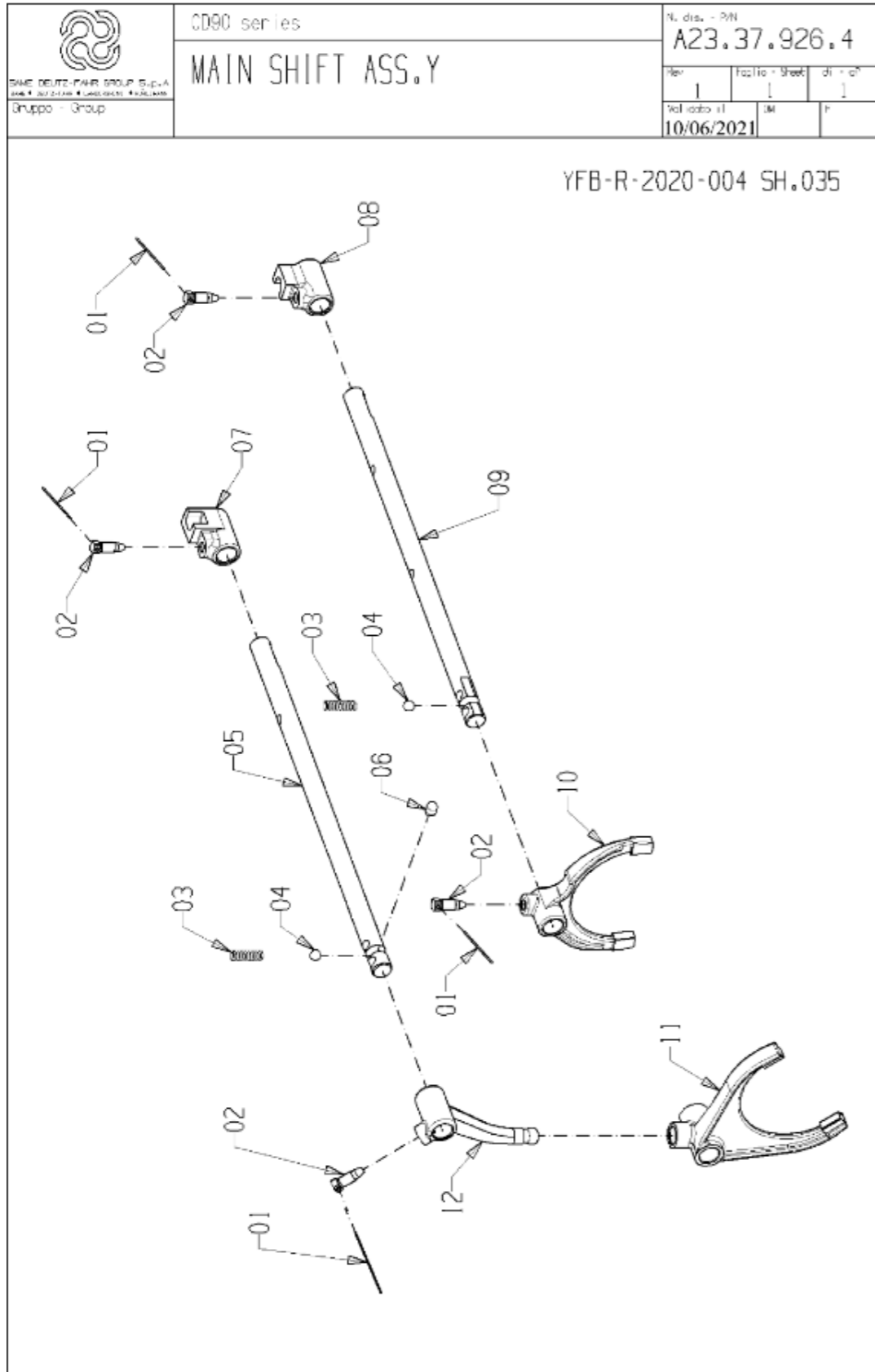
序号	零件编号	零件名称	数量	图号
1	SH900.37.141	倒挡齿轮从动齿轮座 REVERSE GEAR	1	SH900.37.141
2	SH900.37.140	倒挡齿轮从动齿轮 REVERSE GEAR	1	SH900.37.140
3	A23.37.003.0	滚针隔套 NEEDLE SPACER	1	A23.37.003.0
4	JBT7918-K55X65X43ZW	轴承 BEARING	1	JBT7918-K55X65X43ZW
5	SH900.37.138	齿轮 AUXILIARY GEAR LOW GEAR	1	SH900.37.138
6	SH900.37.134	垫圈 WASHER	1	SH900.37.134
7	SH900.37.165	输出轴 OUTPUT SHAFT	1	SH900.37.165
8	GBT276-6211N/P6	深槽滚珠轴承 DEEP GROOVE BALL	1	GBT276-6211N/P6
9	GBT305-100/106.5	挡圈 CHECK RING	1	GBT305-100/106.5
10	GBT894.1-55	轴用弹性挡圈 CIRCLIPS FOR SHAFT	1	GBT894.1-55



A23.37.926.4 MAIN SHIFT ASS.Y

### A23.37.926.4\_0 主变速换挡总成 MAIN SHIFT ASS.Y

序号	零件编号	零件名称	数量	图号
1	YBT5294-SZ-F-1.4	低碳钢丝 LOW CARBON STEEL WIRE	4	YBT5294-SZ-F-1.4
2	SH900.38.110	紧定螺钉 SET SCREW	4	SH900.38.110
3	SH900.37.135A	定位弹簧 POSITIONING SPRING	2	SH900.37.135A
4	GBT308-10-G100-b	球 BALL	2	GBT308-10-G100-b
5	SH900.37.156	- 档拨叉轴 GEAR SHIFTING FORK	1	SH900.37.156
6	SH900.37.159	互锁销 INTERLOCK PIN	1	SH900.37.159
7	SH900.37.166	- 档拨头 GEAR SHIFTING HEAD	1	SH900.37.166
8	SH900.37.167	- 档拨头 GEAR SHIFTING HEAD	1	SH900.37.167
9	SH900.37.157	- 档拨叉轴 GEAR SHIFTING FORK	1	SH900.37.157
10	SH900.37.164	、 档拨叉 、 SHIFT FORK	1	SH900.37.164
11	SH900.37.161	、 档拨叉 、 SHIFT FORK	1	SH900.37.161
12	SH900.37.160	、 档变速杆 、 GEAR LEVER	1	SH900.37.160



### A23.37.926.4\_1 主变速换挡总成 MAIN SHIFT ASS.Y

序号	零件编号	零件名称	数量	图号
1	YBT5294-SZ-F-1.4	低碳钢线 LOW CARBON STEEL WIRE	按需	YBT5294-SZ-F-1.4
2	SH900.38.110	紧定螺钉 SET SCREW	4	SH900.38.110
3	SH900.37.135A	定位弹簧 POSITIONING SPRING	2	SH900.37.135A
4	GBT308-10-G100-b	球 BALL	2	GBT308-10-G100-b
5	SH900.37.156	- 档拨叉轴 GEAR SHIFTING FORK	1	SH900.37.156
6	SH900.37.159	连锁销 INTERLOCK PIN	1	SH900.37.159
7	SH900.37.166	换挡头 GEAR SHIFTING HEAD	1	SH900.37.166
8	SH900.37.167	换挡头 GEAR SHIFTING HEAD	1	SH900.37.167
9	SH900.37.157	- 档拨叉轴 GEAR SHIFTING FORK	1	SH900.37.157
10	SH900.37.164	III-IV 档拨叉 III-IV SHIFT FORK	1	SH900.37.164
11	SH900.37.161	I-II 档拨叉 I-II SHIFT FORK	1	SH900.37.161
12	SH900.37.160	变速杆 I-II GEAR LEVER	1	SH900.37.160





SIME DEUTZ-FAHR GROUP S.p.A.  
 Via S. Vito 2-11010 - 01010 - FROSINONE - ITALIA  
 Gruppo - Group

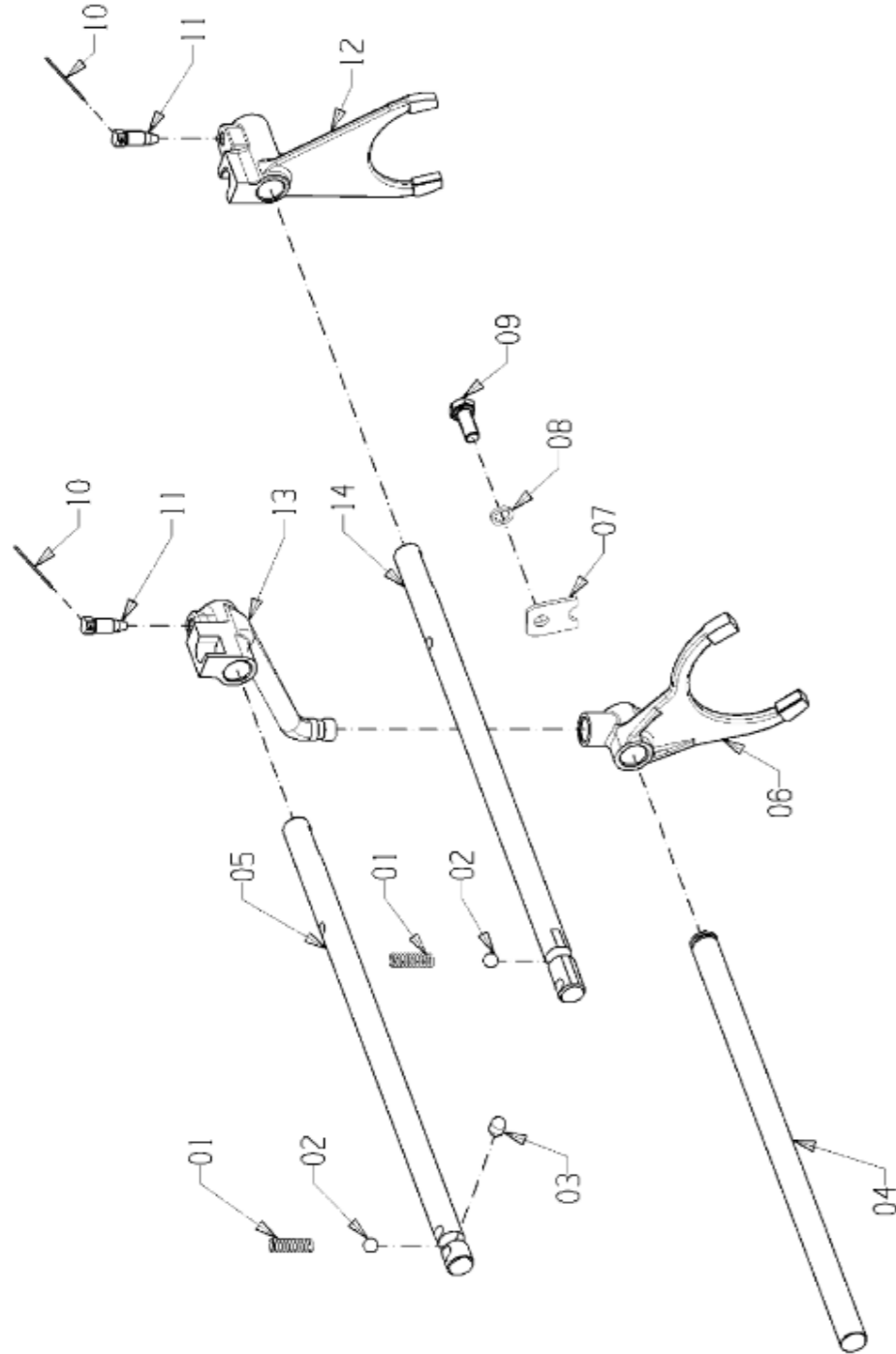
CD90 series

# RANGE SHIFT ASS.Y

N. dis. - P/N  
**A23.37.927.4**

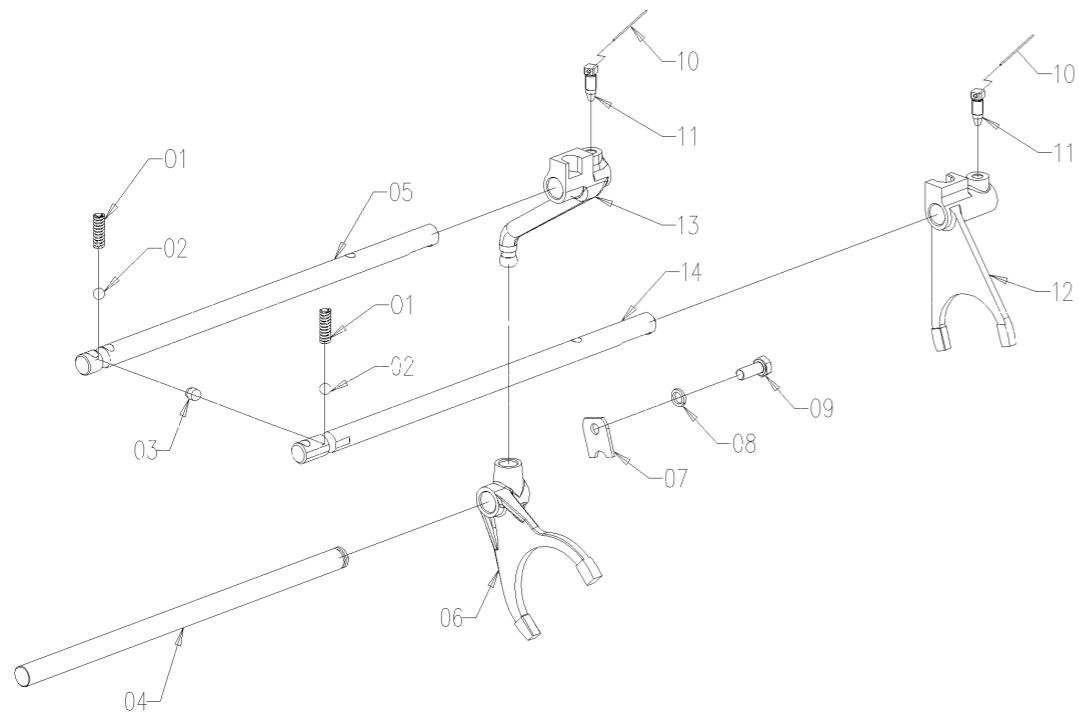
Rev	1	1	1
10/06/2021	DM	F	

YFB-R-2020-004 SH.035



## A23.37.927.4 副变速换挡总成 RANGE SHIFT ASS.Y

序号	零件编号	零件名称	数量	图号
1	SH900.37.135A	POSITIONING SPRING POSITIONING	2	SH900.37.135A
2	GBT308-10-G100-b	BALL BALL	2	GBT308-10-G100-b
3	SH900.37.159	INTERLOCK PIN INTERLOCK PIN	1	SH900.37.159
4	SH900.37.125	FORK ROD FORK ROD	1	SH900.37.125
5	SH900.37.158	AUXILIARY GEAR SHIFTING FORK	1	SH900.37.158
6	SH900.37.162	AUXILIARY GEAR SHIFTING FORK	1	SH900.37.162
7	SH900.37.119	LOCK II LOCK II	1	SH900.37.119
8	GBT93-10-A3L	WASHER WASHER	1	GBT93-10-A3L
9	2.0114.309.2	SCREW M10x25 SCREW M10x25	1	2.0114.309.2
10	YBT5294-SZ-F-1.4	LOW CARBON STEEL WIRE LOW	按需	YBT5294-SZ-F-1.4
11	SH900.38.110	SET SCREW SET SCREW	2	SH900.38.110
12	SH900.37.124A	REVERSE GEAR SHIFTING FORK	1	SH900.37.124A
13	SH900.37.163	AUXILIARY GEAR SHIFT LEVER	1	SH900.37.163
14	SH900.37.123	REVERSE GEAR SHIFTING FORK	1	SH900.37.123



A23.37.927.4 RANGE SHIFT ASS.Y

### A23.37.927.4\_0 副变速换挡总成 RANGE SHIFT ASS.Y

序号	零件编号	零件名称	数量	图号
1	SH900.37.135A	定位弹簧 POSITIONING SPRING	2	SH900.37.135A
2	GBT308-10-G100-b	球 BALL	2	GBT308-10-G100-b
3	SH900.37.159	互锁销 INTERLOCK PIN	1	SH900.37.159
4	SH900.37.125	拨叉轴 FORK ROD	1	SH900.37.125
5	SH900.37.158	副变速拨叉轴 AUXILIARY GEAR	1	SH900.37.158
6	SH900.37.162	副变速拨叉 AUXILIARY GEAR	1	SH900.37.162
7	SH900.37.119	锁片 II LOCK II	1	SH900.37.119
8	GBT93-10-A3L	垫圈 WASHER	1	GBT93-10-A3L
9	GBT5783-M10X25-A3L	螺栓 BOLT	1	GBT5783-M10X25-A3L
10	YBT5294-SZ-F-1.4	低碳钢丝 LOW CARBON STEEL WIRE	2	YBT5294-SZ-F-1.4
11	SH900.38.110	紧定螺钉 SET SCREW	2	SH900.38.110
12	SH900.37.124A	倒档拨叉 REVERSE GEAR SHIFTING	1	SH900.37.124A
13	SH900.37.163	副变速拨杆 AUXILIARY GEAR SHIFT	1	SH900.37.163
14	SH900.37.123	倒档拨叉轴 REVERSE GEAR SHIFTING	1	SH900.37.123



SIEMENS DEUTZ P44R GROUP S.p.A.  
 VIA S. GIUSEPPE 100 - 37030 VERONA - ITALIA  
 Gruppo - Group

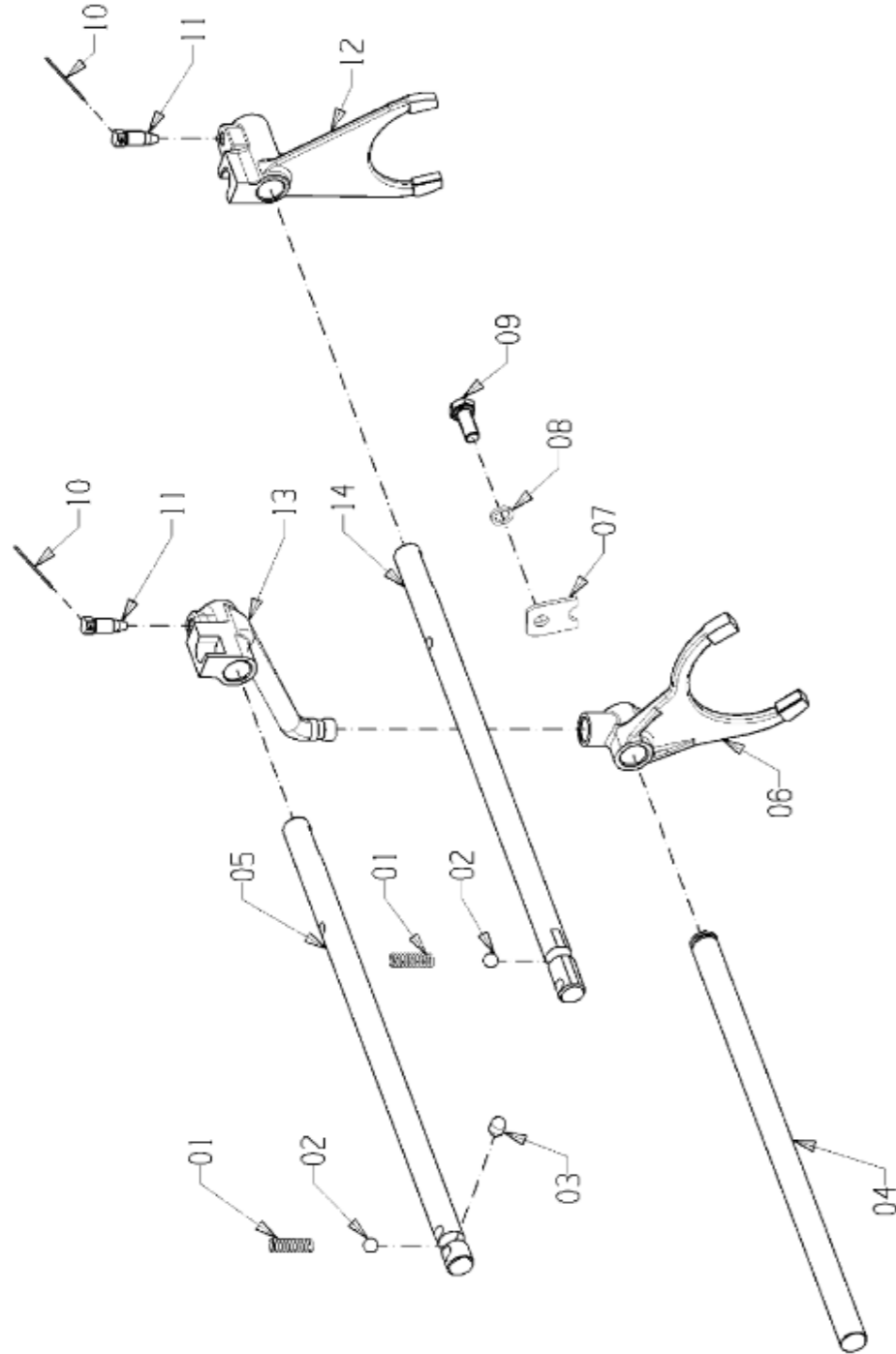
CD90 series

RANGE SHIFT ASS.Y

N. dis. - P/N  
**A23.37.927.4**

Rev	Facile Sheet	di - di'
1	1	1
Validato il 10/06/2021		

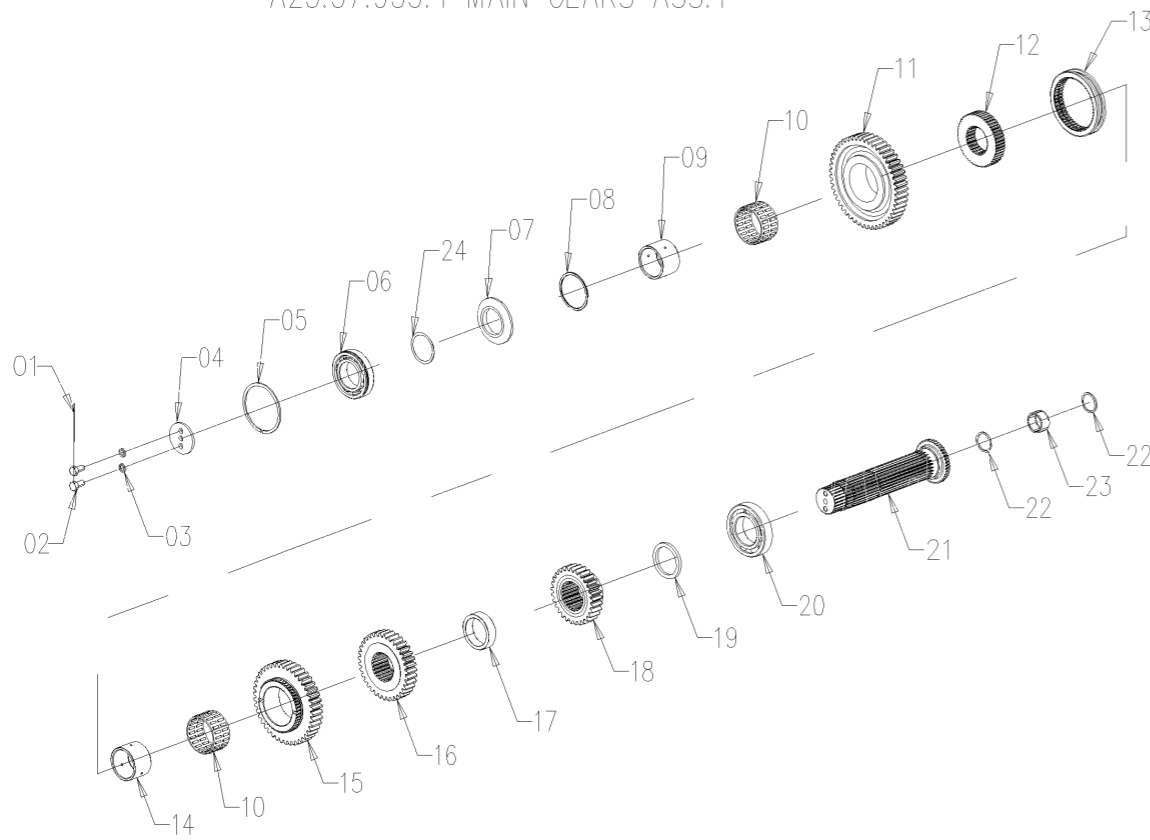
YFB-R-2020-004 SH.035



**A23.37.927.4\_1 副变速换档总成 RANGE SHIFT ASS.Y**

序号	零件编号	零件名称	数量	图号
1	SH900.37.135A	定位弹簧 POSITIONING SPRING	2	SH900.37.135A
2	GBT308-10-G100-b	球 BALL	2	GBT308-10-G100-b
3	SH900.37.159	连锁销 INTERLOCK PIN	1	SH900.37.159
4	SH900.37.125	拨叉轴 FORK ROD	1	SH900.37.125
5	SH900.37.158	副变速拨叉轴 AUXILIARY GEAR	1	SH900.37.158
6	SH900.37.162	副变速拨叉轴 AUXILIARY GEAR	1	SH900.37.162
7	SH900.37.119	锁片II LOCK II	1	SH900.37.119
8	GBT93-10-A3L	垫圈 WASHER	1	GBT93-10-A3L
9	2.0114.309.2	螺栓 SCREW M10x25	1	2.0114.309.2
10	YBT5294-SZ-F-1.4	低碳钢线 LOW CARBON STEEL WIRE	按需	YBT5294-SZ-F-1.4
11	SH900.38.110	紧定螺钉 SET SCREW	2	SH900.38.110
12	SH900.37.124A	倒档拨叉 REVERSE GEAR SHIFTING	1	SH900.37.124A
13	SH900.37.163	副变速拨杆 AUXILIARY GEAR SHIFT	1	SH900.37.163
14	SH900.37.123	倒档拨叉轴 REVERSE GEAR SHIFTING	1	SH900.37.123

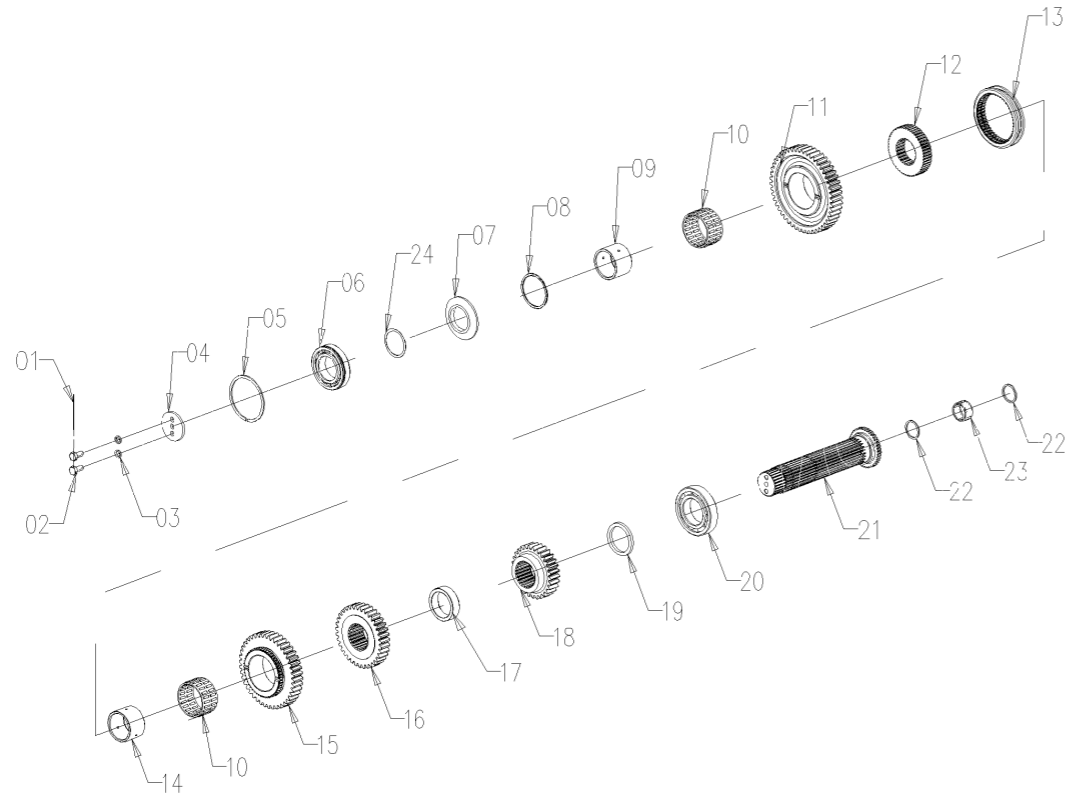
A23.37.933.4 MAIN GEARS ASS.Y



A23.37.933.4\_0 主变速齿轮总成 (16F+8R 爬行档) MAIN GEARS ASS.Y(16F+8R crawl gear)

序号	零件编号	零件名称	数量	图号
1	YBT5294-SZ-F-1.4	低碳钢丝 LOW CARBON STEEL WIRE	1	YBT5294-SZ-F-1.4
2	GBT32.1-M10X20-A3L	螺栓 BOLT	2	GBT32.1-M10X20-A3L
3	GBT93-10-A3L	垫圈 WASHER	2	GBT93-10-A3L
4	SH900.37.153	挡板 BAFFLE	1	SH900.37.153
5	GBT305-90/96.5	卡环 SNAP RING	1	GBT305-90/96.5
6	GBT276-6210N/P6	轴承 BEARING	1	GBT276-6210N/P6
7	SH900.37.151	中间轴止腿推环 CHECK THE LEG	1	SH900.37.151
8	A23.37.002.0	滚针隔套 NEEDLE SPACER	1	A23.37.002.0
9	SH900.37.149	滚针内环43.5 43.5 INNER RING	1	SH900.37.149
10	JBT7918-K64X74X41ZW	轴承 BEARING	2	JBT7918-K64X74X41ZW
11	SH900.37.107	一档齿轮 FIRST GEAR	1	SH900.37.107
12	SH900.41.121	啮合座 GEAR MESHING GEAR	1	SH900.41.121
13	SH900.37.111	齿轮啮合套 、 GEAR	1	SH900.37.111
14	SH900.37.109	滚针内环41.5 41.5 INNER RING	1	SH900.37.109
15	SH900.37.147	档齿轮从动齿轮 GEAR DRIVEN	1	SH900.37.147
16	SH900.37.146	三挡从动齿轮 THIRD GEAR	1	SH900.37.146
17	SH900.37.145	、 档隔套 、 GEAR SLEEVE	1	SH900.37.145
18	SH900.37.144	四挡从动齿轮 FOURTH GEAR	1	SH900.37.144
19	SH900.37.143	隔套 SLEEVE	1	SH900.37.143
20	GBT276-6211	轴承 BEARING	1	GBT276-6211
21	SH900.37.148	花键轴 COUNTER SHAFT	1	SH900.37.148
22	SH900.37.142	滚针隔套 NEEDLE SLEEVE	2	SH900.37.142
23	JBT7918-K32X39X20	轴承 BARING	1	JBT7918-K32X39X20
24	SH900.37.152	垫片 SHIM	0	SH900.37.152

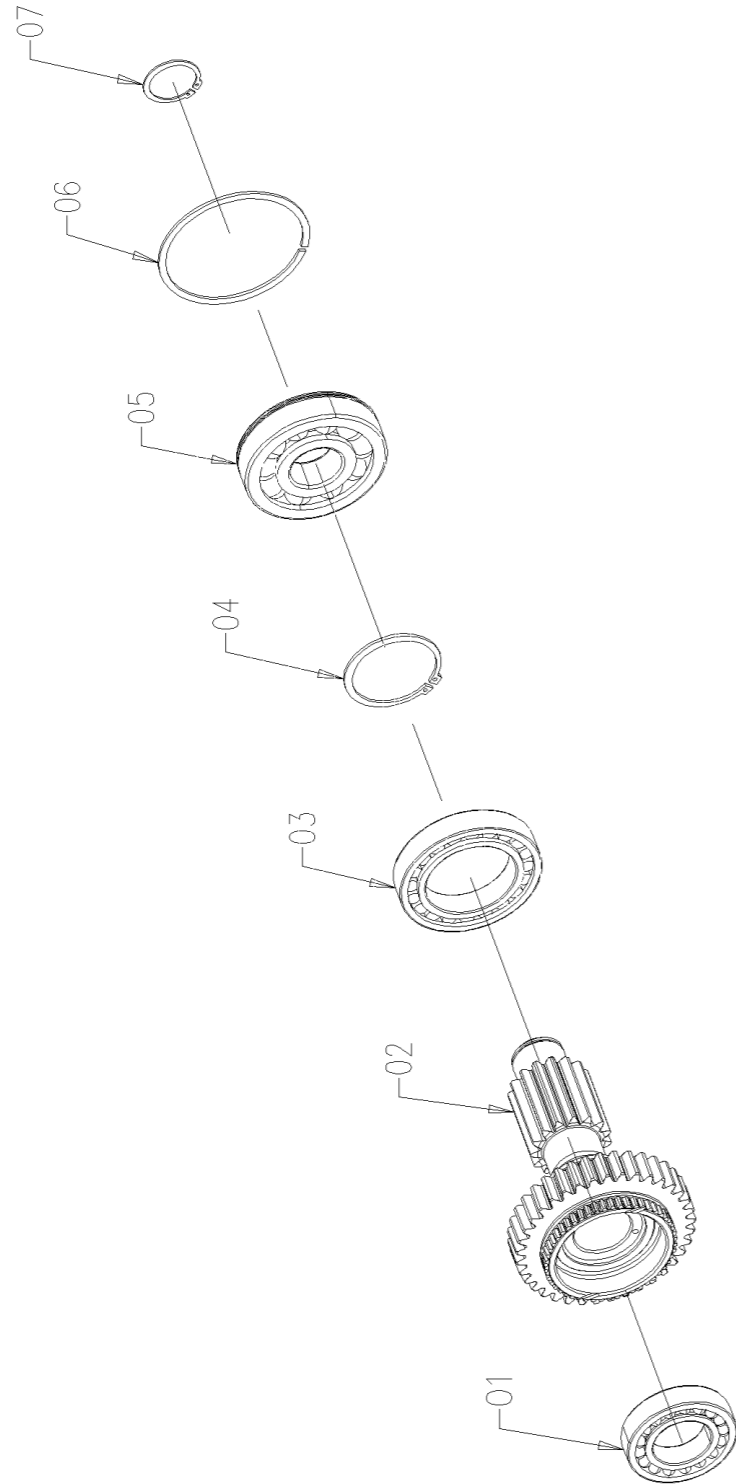
A23.37.933.4 MAIN GEARS ASS.Y



A23.37.933.4\_1 主变速齿轮总成 (16F+8R 爬行档) MAIN GEARS ASS.Y(16F+8R crawl gear)

序号	零件编号	零件名称	数量	图号
1	YBT5294-SZ-F-1.4	低碳钢丝 LOW CARBON STEEL WIRE	1	YBT5294-SZ-F-1.4
2	GBT32.1-M10X20-A3L	螺栓 BOLT	2	GBT32.1-M10X20-A3L
3	GBT93-10-A3L	垫圈 WASHER	2	GBT93-10-A3L
4	SH900.37.153	挡板 BAFFLE	1	SH900.37.153
5	GBT305-90/96.5	卡环 SNAP RING	1	GBT305-90/96.5
6	GBT276-6210N/P6	轴承 BEARING	1	GBT276-6210N/P6
7	SH900.37.151	中间轴止腿推环 CHECK THE LEG	1	SH900.37.151
8	A23.37.002.0	滚针隔套 NEEDLE SPACER	1	A23.37.002.0
9	SH900.37.149	滚针内环43.5 43.5 INNER RING	1	SH900.37.149
10	JBT7918-K64X74X41ZW	轴承 BEARING	2	JBT7918-K64X74X41ZW
11	SH900.37.107	一档齿轮 FIRST GEAR	1	SH900.37.107
12	SH900.41.121	啮合座 GEAR MESHING GEAR	1	SH900.41.121
13	SH900.37.111	齿轮啮合套 GEAR	1	SH900.37.111
14	SH900.37.109	滚针内环41.5 41.5 INNER RING	1	SH900.37.109
15	SH900.37.147	档齿轮从动齿轮 GEAR DRIVEN	1	SH900.37.147
16	SH900.37.146	三挡从动齿轮 THIRD GEAR	1	SH900.37.146
17	SH900.37.145	档隔套 GEAR SLEEVE	1	SH900.37.145
18	SH900.37.144	四档从动齿轮 FOURTH GEAR	1	SH900.37.144
19	SH900.37.143	隔套 SLEEVE	1	SH900.37.143
20	GBT276-6211	轴承 BEARING	1	GBT276-6211
21	SH900.37.148	花键轴 COUNTER SHAFT	1	SH900.37.148
22	SH900.37.142	滚针隔套 NEEDLE SLEEVE	2	SH900.37.142
23	JBT7918-K32X39X20	轴承 BARING	1	JBT7918-K32X39X20
24	SH900.37.152	垫片 SHIM	0	SH900.37.152

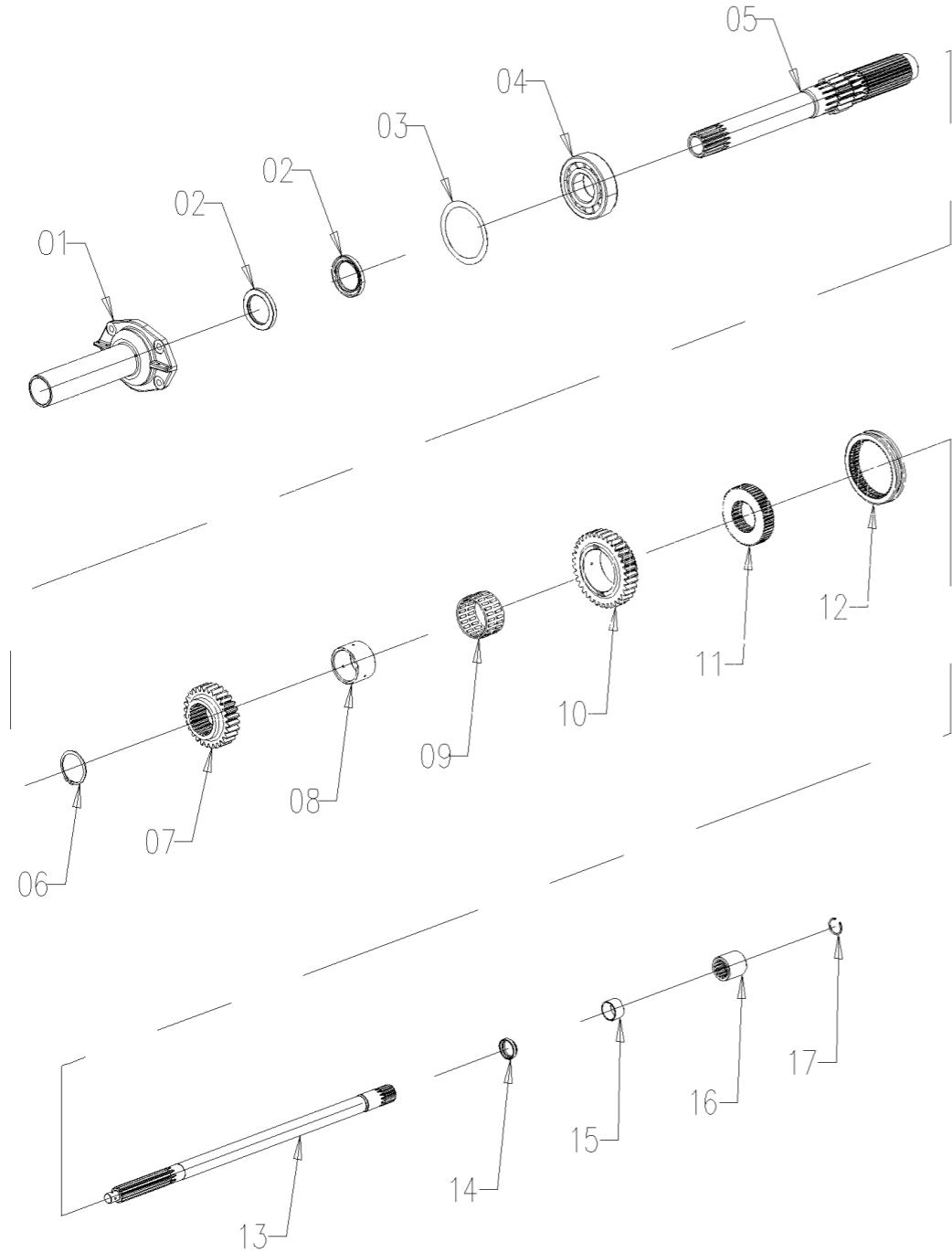
# A23.37.934.4 RANGE GEARS ASS.Y



# A23.37.934.4\_0 副变速齿轮总成 (16F+8R 爬行档) RANGE SHIFT ASS.Y(16F+8R crawl gear)

序号	零件编号	零件名称	数量	图号
1	GBT288-20209	轴承 BEARING	1	GBT288-20209
2	SH900.37.114	对轴 COUNTER SHAFT	1	SH900.37.114
3	GBT283-NUP1014M	轴承 BEARING	1	GBT283-NUP1014M
4	GBT894.1-70	弹性挡圈 CIRCLIP	1	GBT894.1-70
5	GBT276-6408N	轴承 BEARING	1	GBT276-6408N
6	GBT305-110/116.6	挡圈 CHECK RING	1	GBT305-110/116.6
7	GBT894.1-40	弹性挡圈 CIRCLIP	1	GBT894.1-40

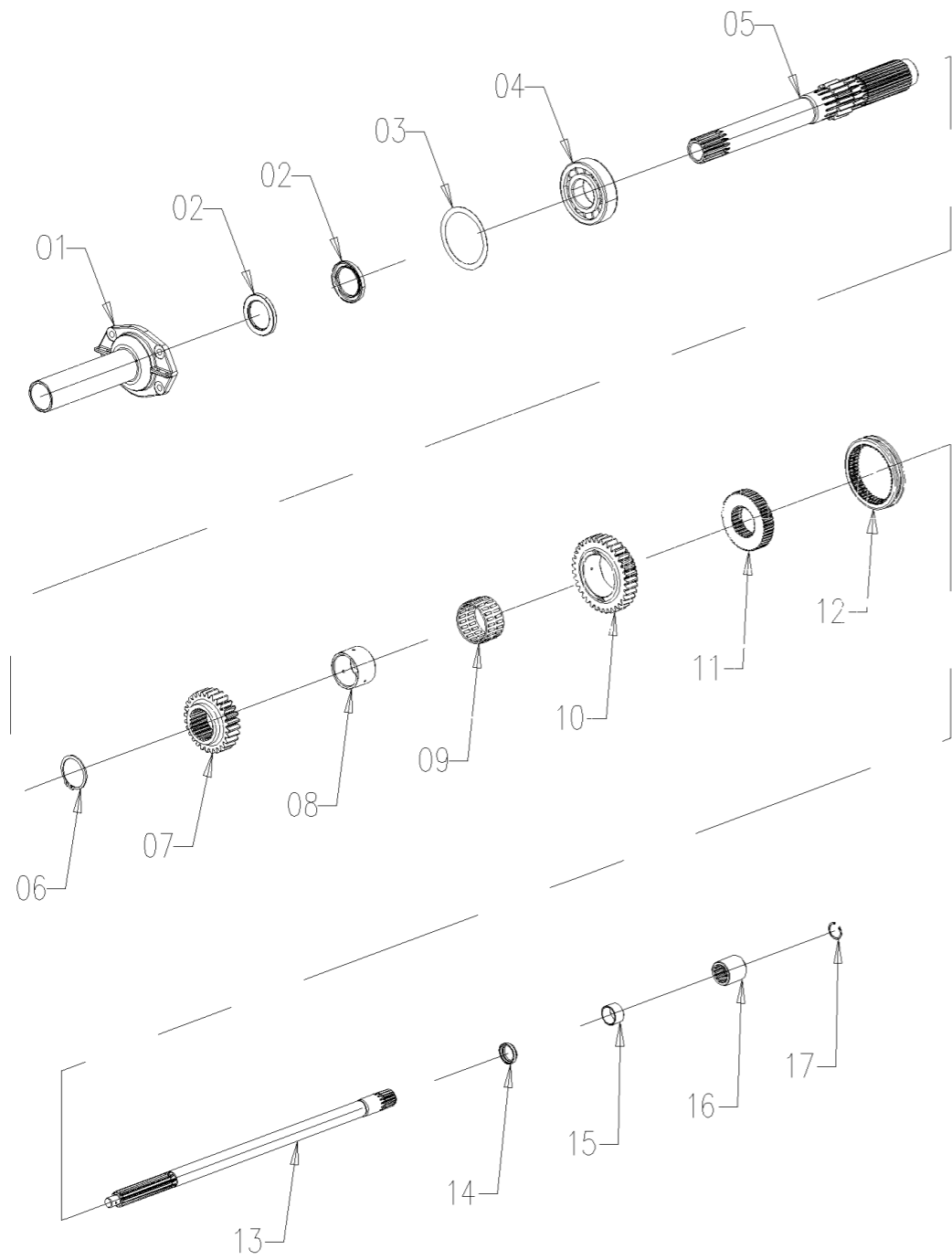
# A23.37.942.4 INPUT SHAFT ASS.Y



# A23.37.942.4\_1 输入轴总成 (16+8微爬) INPUT SHAFT ASS.Y(16F+8R micro crawl gear)

序号	零件编号	零件名称	数量	图号
1	SH900.37.102A	输入轴轴承 INPUT SHAFT BEARING	1	SH900.37.102A
2	GBT13871.1-FB-050072-D	油封 OIL SEAL	2	GBT13871.1-FB-050072-D
3	SH900.37.217	调整垫圈 ADJUSTING WASHER	0	SH900.37.217
4	GBT276-6310	轴承 BEARING	1	GBT276-6310
5	SH900.37B.101	输入轴 INPUT SHAFT	1	SH900.37B.101
6	GBT894.1-55	轴用弹性挡圈 CIRCLIPS FOR SHAFT	1	GBT894.1-55
7	SH900.37B.103	齿轮 GEAR	1	SH900.37B.103
8	SH900.37.109	滚针内环41.5 41.5 INNER RING	1	SH900.37.109
9	JBT7918-K64X74X41ZW	轴承 BEARING	1	JBT7918-K64X74X41ZW
10	SH900.37B.105	齿轮 GEAR	1	SH900.37B.105
11	SH900.41.121	变速啮合齿轮 GEAR MESHING GEAR	1	SH900.41.121
12	SH900.37.111	齿轮啮合套 GEAR	1	SH900.37.111
13	DF1204.37.101/10	输入轴 PTO INPUT SHAFT	1	DF1204.37.101/10
14	SH900.37.112/10	输入轴座 INPUT SHAFT SEAL	1	SH900.37.112/10
15	SH900.37.113	输入轴轴承 INPUT SHAFT BUSHING	1	SH900.37.113
16	SH900.41.105	连接套筒 PTO CONNECTING SLEEVE	1	SH900.41.105
17	GBT893.1-28	弹性挡圈 CIRCLIP	1	GBT893.1-28

# A23.37.942.4 INPUT SHAFT ASS.Y

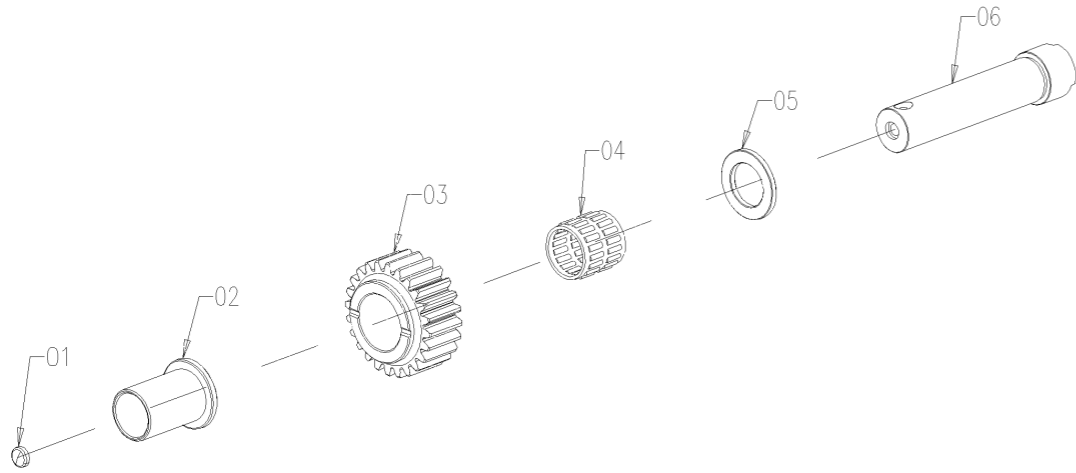


# A23.37.942.4\_2 输入轴总成 (16+8微爬) INPUT SHAFT ASS.Y(16F+8R micro crawl gear)

序号	零件编号	零件名称	数量	图号
1	SH900.37.102A	输入轴轴承 INPUT SHAFT BEARING	1	SH900.37.102A
2	GBT13871.1-FB-050072-D	油封 OIL SEAL	2	GBT13871.1-FB-050072-D
3	SH900.37.217	调整垫圈 ADJUSTING WASHER	0	SH900.37.217
4	GBT276-6310	轴承 BEARING	1	GBT276-6310
5	SH900.37B.101	输入轴 INPUT SHAFT	1	SH900.37B.101
6	GBT894.1-55	轴用弹性挡圈 CIRCLIPS FOR SHAFT	1	GBT894.1-55
7	SH900.37B.103	齿轮 GEAR	1	SH900.37B.103
8	SH900.37.109	滚针内环41.5 41.5 INNER RING	1	SH900.37.109
9	JBT7918-K64X74X41ZW	轴承 BEARING	1	JBT7918-K64X74X41ZW
10	SH900.37B.105	齿轮 GEAR	1	SH900.37B.105
11	SH900.41.121	变速啮合齿轮 GEAR MESHING GEAR	1	SH900.41.121
12	SH900.37.111	齿轮啮合套 GEAR	1	SH900.37.111
13	DF1204.37.101/10	输入轴 PTO INPUT SHAFT	1	DF1204.37.101/10
14	SH900.37.112/10	输入轴座 INPUT SHAFT SEAL	1	SH900.37.112/10
15	SH900.37.113	输入轴轴承 INPUT SHAFT BUSHING	1	SH900.37.113
16	SH900.41.105	连接套筒 PTO CONNECTING SLEEVE	1	SH900.41.105
17	GBT893.1-28	弹性挡圈 CIRCLIP	1	GBT893.1-28



### A23.37.951.4\_0 倒档惰轮总成 (16F+8R 梭式档) IDLER SHAFT ASS.Y(16F+8R shuttle gear)



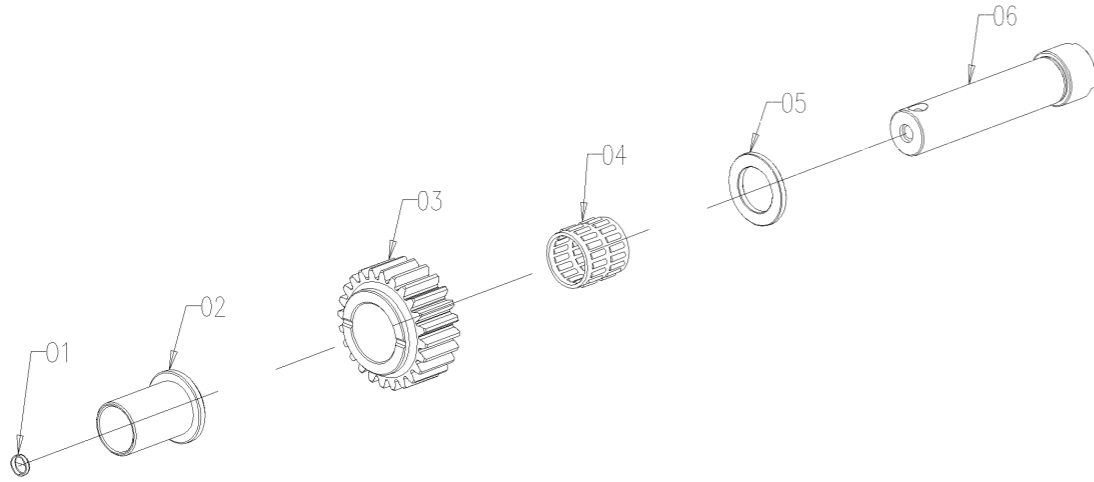
A23.37.951.4 IDLER SHAFT ASS.Y

序号	零件编号	零件名称	数量	图号
1	QCT388-14	碗形膨胀塞 BOWL TYPE WXPANSION	1	QCT388-14
2	SH900.37A.119	惰轮间隔套筒 IDLER GEAR SPACER	1	SH900.37A.119
3	SH900.37A.117	惰轮 IDLER GEAR	1	SH900.37A.117
4	JBT7918-K35X45X43ZW	轴承 BEARING	1	JBT7918-K35X45X43ZW
5	SH900.37A.120	隔圈 RING	1	SH900.37A.120
6	SH900.37A.118	惰轮轴 IDLER GEAR SHAFT	1	SH900.37A.118

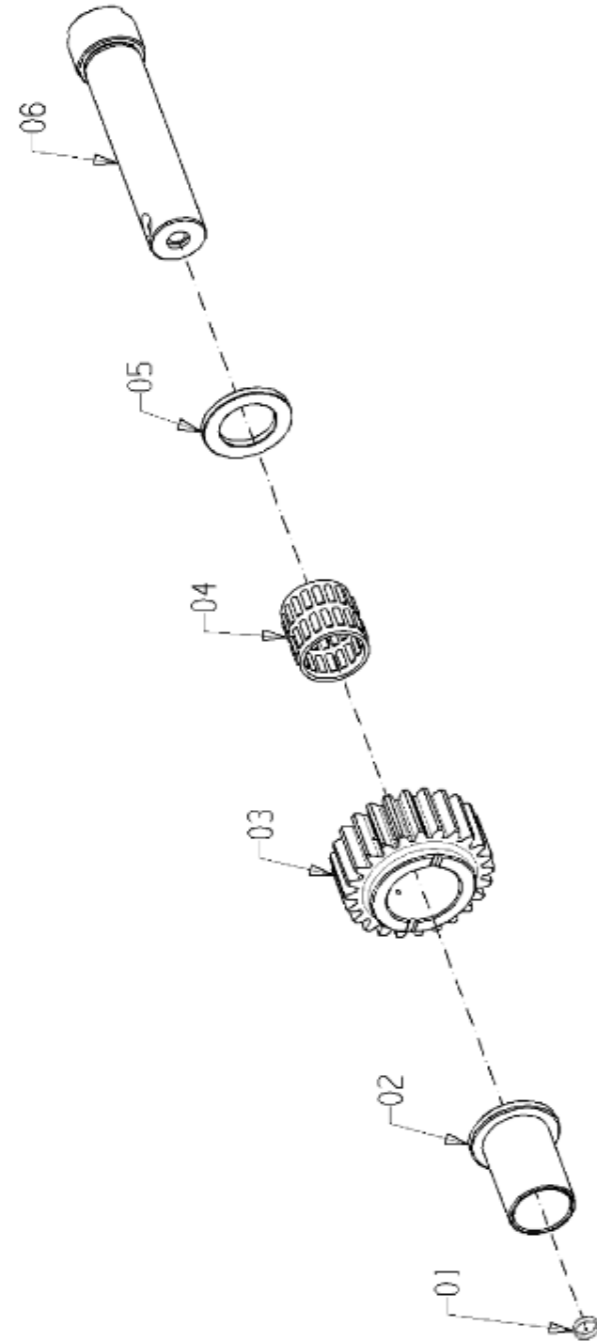
A23.37.951.4 IDLER SHAFT ASS.Y

A23.37.951.4\_1 倒档惰轮总成 (16F+8R 梭式档) IDLER SHAFT ASS.Y(16F+8R shuttle gear)

序号	零件编号	零件名称	数量	图号
1	QCT388-14	碗形膨胀塞 BOWL TYPE WXPANSION	1	QCT388-14
2	SH900.37A.119	惰轮间隔套筒 IDLER GEAR SPACER	1	SH900.37A.119
3	SH900.37A.117	惰轮 IDLER GEAR	1	SH900.37A.117
4	JBT7918-K35X45X43ZW	轴承 BEARING	1	JBT7918-K35X45X43ZW
5	SH900.37A.120	隔圈 RING	1	SH900.37A.120
6	SH900.37A.118	惰轮轴 IDLER GEAR SHAFT	1	SH900.37A.118

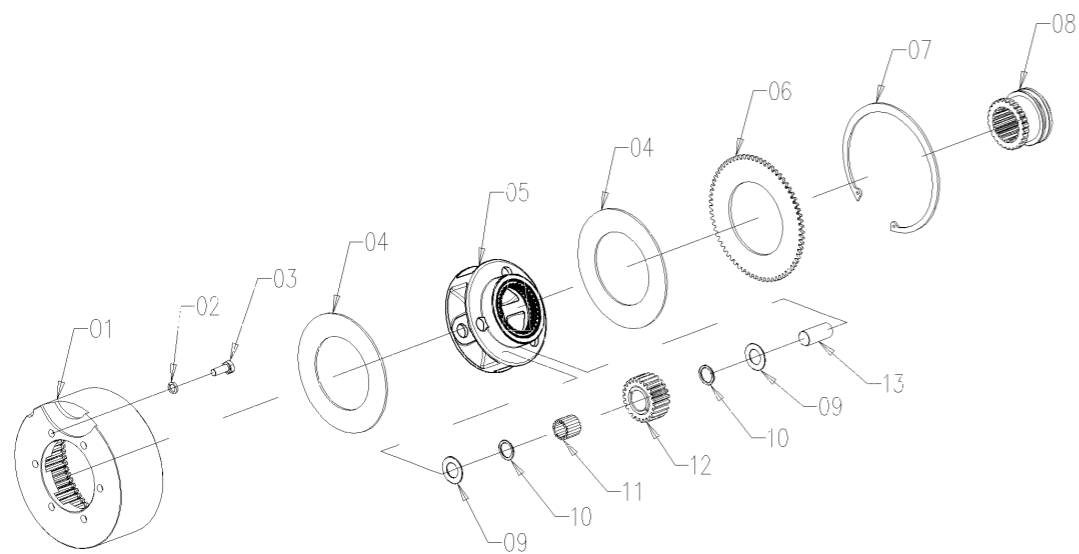


YFB-R-2020-004 SH.035



A23.37.951.4\_2 倒档惰轮总成 (16F+8R 梭式档) IDLER SHAFT ASS.Y(16F+8R shuttle gear)

序号	零件编号	零件名称	数量	图号
1	QCT388-14	碗形塞片 BOWL TYPE WXPANSION	1	QCT388-14
2	SH900.37A.119	惰轮间隔套筒 IDLER GEAR SPACER	1	SH900.37A.119
3	SH900.37A.117	惰轮 IDLER GEAR	1	SH900.37A.117
4	JBT7918-K35X45X43ZW	轴承 BEARING	1	JBT7918-K35X45X43ZW
5	SH900.37A.120	花键套 RING	1	SH900.37A.120
6	SH900.37A.118	惰轮轴 IDLER GEAR SHAFT	1	SH900.37A.118



A23.37.952.4 PLANETARY REDUCER ASS.Y

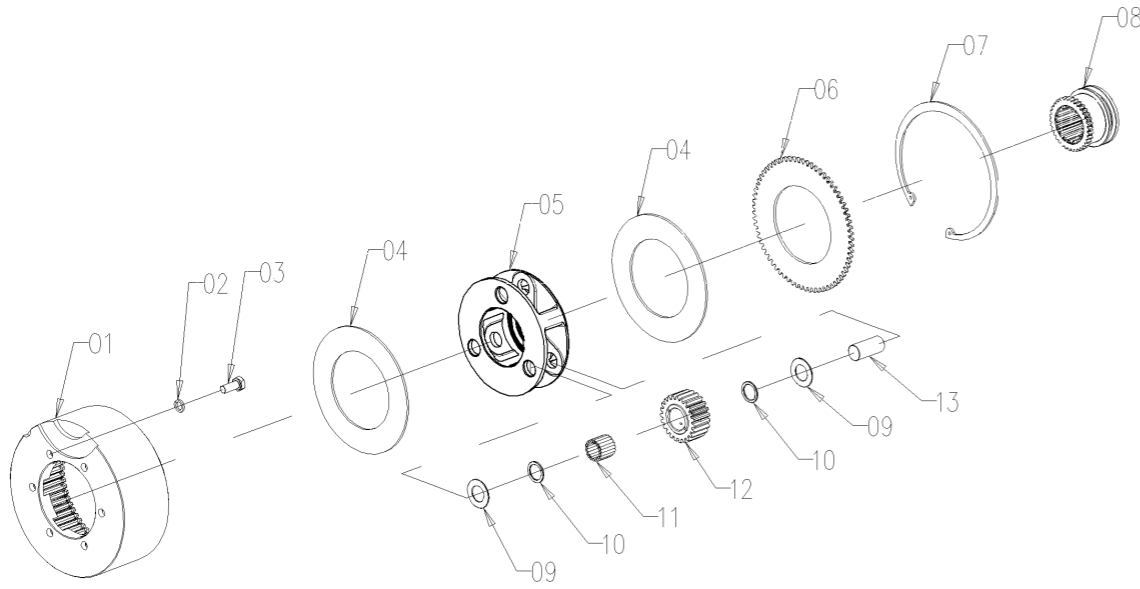
### A23.37.952.4\_0 行星减速总成 (16F+8R 梭式档) PLANETARY REDUCER ASS.Y(16F+8R shuttle gear)

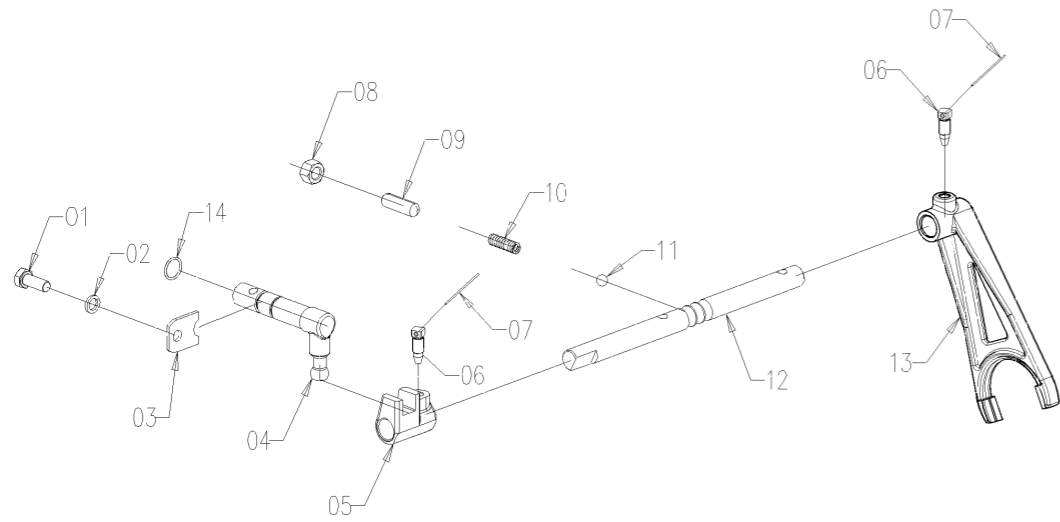
序号	零件编号	零件名称	数量	图号
1	SH900.37A.115	内齿圈 INNER GEAR RING	1	SH900.37A.115
2	GBT93-10-A3L	垫圈 WASHER	6	GBT93-10-A3L
3	GBT5783-M10X25-A3L	螺栓 BOLT	6	GBT5783-M10X25-A3L
4	LE1204.37.185	行星架隔垫 PLANET CARRIER	2	LE1204.37.185
5	SH900.37.013	行星架铆合 PLANETARY FRAME	1	SH900.37.013
6	LE1204.37.186	行星载体槽盘 PLANET CARRIER	1	LE1204.37.186
7	GBT893.1-170	弹性挡圈 CIRCLIP	1	GBT893.1-170
8	SH900.37.116	传动齿轮组 DRIVING GEAR SETS	1	SH900.37.116
9	A23.37.004.0	行星齿轮垫片 PLANETARY GEAR	6	A23.37.004.0
10	A23.37.005.0	滚针隔套 NEEDLE SPACER	6	A23.37.005.0
11	GBT309-P4X25.8-G3-3-6	滚针 NEEDLE ROLLER	57	GBT309-P4X25.8-G3-3-6
12	LE1204.37.187	行星齿轮 EPOCYCLIC GEAR	3	LE1204.37.187
13	SH900.37.131	行星齿轮轴 PLANET WHEEL AXLE	3	SH900.37.131

A23.37.952.4 PLANETARY REDUCER ASS.Y

A23.37.952.4\_1 行星减速总成 (16F+8R 梭式档) PLANETARY REDUCER ASS.Y(16F+8R shuttle gear)

序号	零件编号	零件名称	数量	图号
1	SH900.37A.115	内齿圈 INNER GEAR RING	1	SH900.37A.115
2	GBT93-10-A3L	垫圈 WASHER	6	GBT93-10-A3L
3	GBT5783-M10X25-A3L	螺栓 BOLT	6	GBT5783-M10X25-A3L
4	LE1204.37.185	行星架隔垫 PLANET CARRIER	2	LE1204.37.185
5	SH900.37.013	行星架铆合 PLANETARY FRAME	1	SH900.37.013
6	LE1204.37.186	行星载体槽盘 PLANET CARRIER	1	LE1204.37.186
7	GBT893.1-170	弹性挡圈 CIRCLIP	1	GBT893.1-170
8	SH900.37.116	传动齿轮组 DRIVING GEAR SETS	1	SH900.37.116
9	A23.37.004.0	行星齿轮垫片 PLANETARY GEAR	6	A23.37.004.0
10	A23.37.005.0	滚针隔套 NEEDLE SPACER	6	A23.37.005.0
11	GBT309-P4X25.8-G3-3-6	滚针 NEEDLE ROLLER	57	GBT309-P4X25.8-G3-3-6
12	LE1204.37.187/10	行星齿轮 EPOCYCLIC GEAR	3	LE1204.37.187/10
13	SH900.37.131	行星齿轮轴 PLANET WHEEL AXLE	3	SH900.37.131





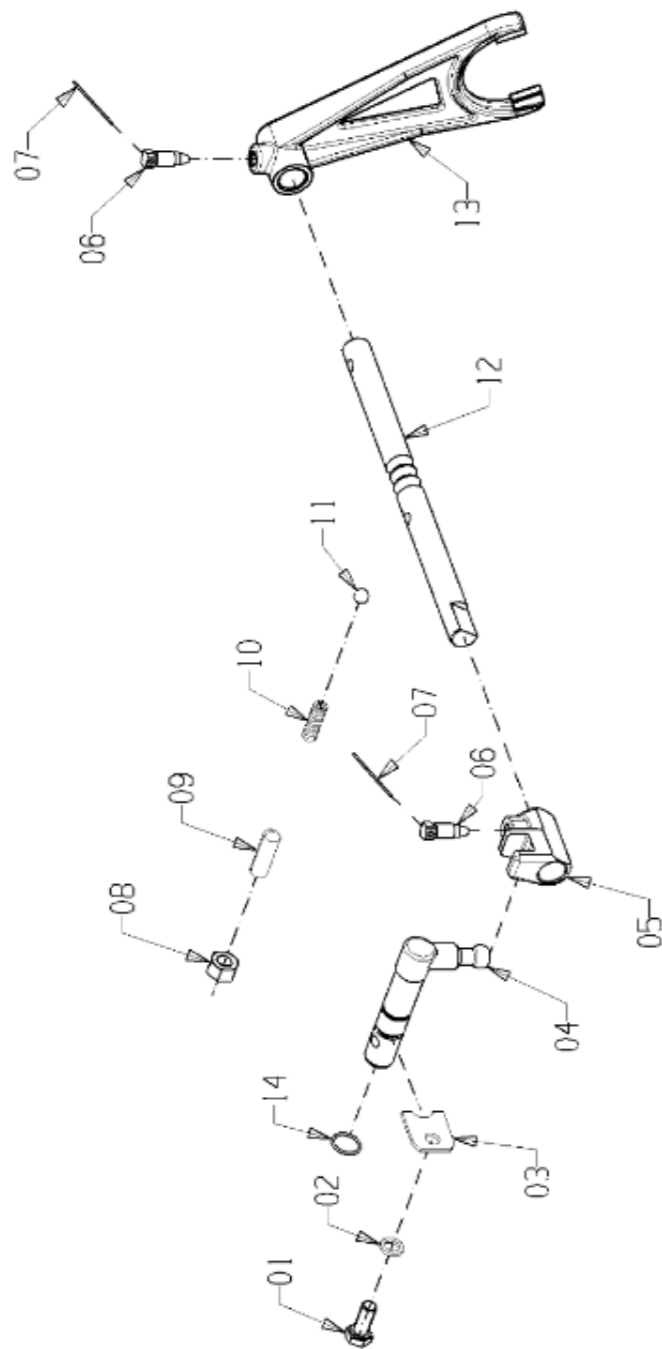
A23.37.960.4 H-L SHIFT ASS.Y

### A23.37.960.4\_0 高低档换挡总成 H-L SHIFT ASS.Y

序号	零件编号	零件名称	数量	图号
1	GBT5783-M10X25-A3L	螺栓 BOLT	1	GBT5783-M10X25-A3L
2	GBT93-10-A3L	垫圈 WASHER	1	GBT93-10-A3L
3	SH900.37.119	锁片II LOCK II	1	SH900.37.119
4	SH900.37.137	爬行档摇臂 CRAWLING GEAR	1	SH900.37.137
5	SH900.37.115	爬行档拨头 CRAWLING GEAR	1	SH900.37.115
6	SH900.38.110	紧定螺钉 SET SCREW	2	SH900.38.110
7	YBT5294-SZ-F-1.4	低碳钢丝网 LOW CARBON STEEL	2	YBT5294-SZ-F-1.4
8	GBT6170-M12-A3L	螺母 NUT	1	GBT6170-M12-A3L
9	GBT71-M12X40-A3L	螺钉 SCREW	1	GBT71-M12X40-A3L
10	SH900.37.135A	定位弹簧 POSITIONING SPRING	1	SH900.37.135A
11	GBT308-10-G100-b	球 BALL	1	GBT308-10-G100-b
12	SH900.37B.109	叉轴 FORK SHAFT	1	SH900.37B.109
13	SH900.37.118-1	爬行档拨叉 CRAWLING GEAR	1	SH900.37.118-1
14	GBT3452.1-17X1.8-G	O形密封圈 O RING	1	GBT3452.1-17X1.8-G

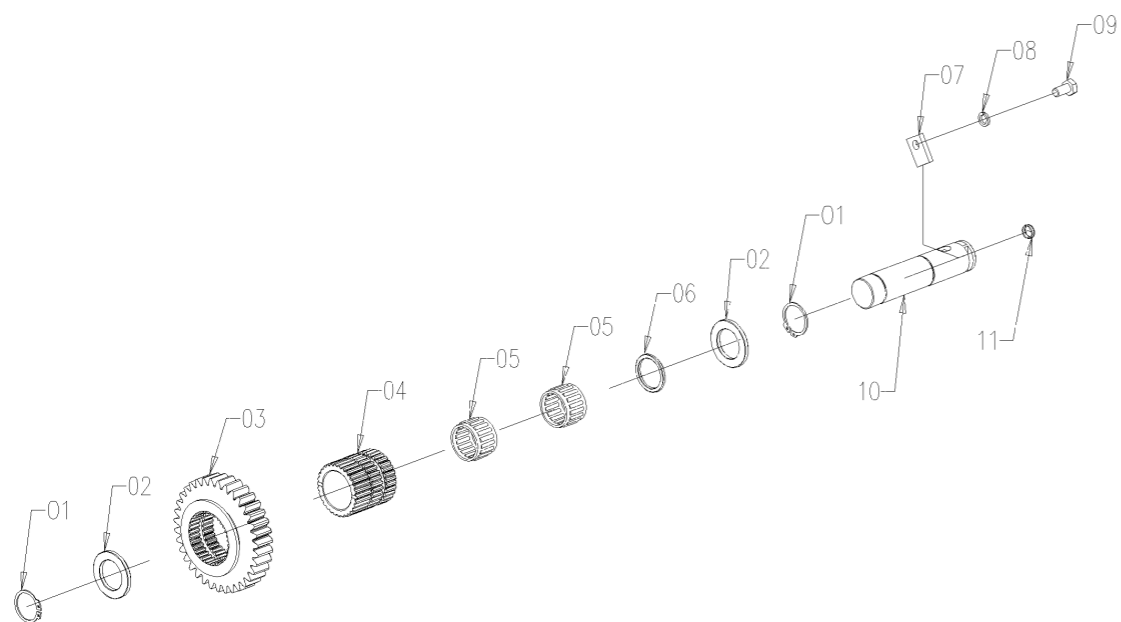
 SAME DEUTZ-FAHR GROUP S.p.A. Gruppo - Group	CD90 series	N. dis. - P/N <b>A23.37.960.4</b>													
	<b>H-L SHIFT ASS.Y</b>	<table border="1"> <tr> <td>Rev</td> <td>Edizione</td> <td>Stato</td> <td>di - di</td> </tr> <tr> <td>1</td> <td>1</td> <td>1</td> <td>1</td> </tr> </table> <table border="1"> <tr> <td>Validato il</td> <td>IM</td> <td>P</td> </tr> <tr> <td>10/06/2021</td> <td></td> <td></td> </tr> </table>	Rev	Edizione	Stato	di - di	1	1	1	1	Validato il	IM	P	10/06/2021	
Rev	Edizione	Stato	di - di												
1	1	1	1												
Validato il	IM	P													
10/06/2021															

YFB-R-2020-004 SH.035



### A23.37.960.4\_1 高低档换挡总成 H-L SHIFT ASS.Y

序号	零件编号	零件名称	数量	图号
1	2.0114.309.2	螺栓 SCREW M10x25	1	2.0114.309.2
2	GBT93-10-A3L	垫圈 WASHER	1	GBT93-10-A3L
3	SH900.37.119	锁片 II LOCK II	1	SH900.37.119
4	SH900.37.137	爬行档摇臂 CRAWLING GEAR	1	SH900.37.137
5	SH900.37.115	爬行换挡头 CRAWLING GEAR	1	SH900.37.115
6	SH900.38.110	紧定螺钉 SET SCREW	2	SH900.38.110
7	YBT5294-SZ-F-1.4	低碳钢线 LOW CARBON STEEL WIRE	按需	YBT5294-SZ-F-1.4
8	2.1011.107.2	螺母 NUT M12x1.75	1	2.1011.107.2
9	GBT71-M12X40-A3L	螺栓 bolt	1	GBT71-M12X40-A3L
10	SH900.37.135A	定位弹簧 POSITIONING SPRING	1	SH900.37.135A
11	GBT308-10-G100-b	球 BALL	1	GBT308-10-G100-b
12	SH900.37B.109	叉轴 FORK SHAFT	1	SH900.37B.109
13	SH900.37.118-1	爬行换挡叉 CRAWLING GEAR	1	SH900.37.118-1
14	GBT3452.1-17X1.8-G	O型圈 O-RING	1	GBT3452.1-17X1.8-G

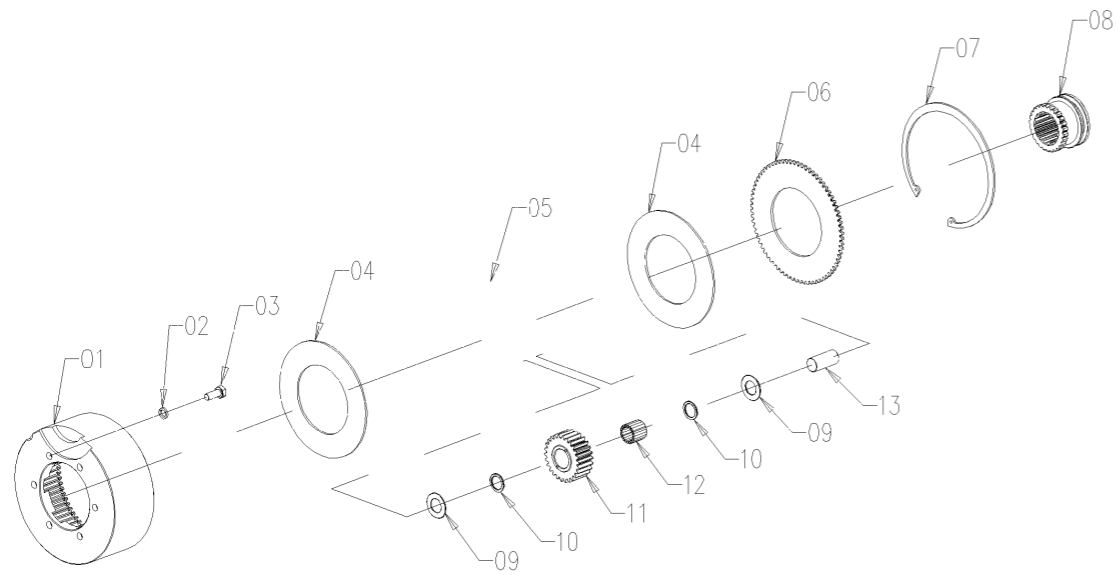


A23.37.961.4 IDLER SHAFT ASS.Y

### A23.37.961.4\_0 倒档惰轮总成 (16F+8R) IDLER SHAFT ASS.Y (16F+8R)

序号	零件编号	零件名称	数量	图号
1	GBT894.1-35	弹性挡圈 CIRCLIP	2	GBT894.1-35
2	SH900.37A.120	花键套 RING	2	SH900.37A.120
3	SH900.37.170A	倒档齿轮 REVERSE GEAR	1	SH900.37.170A
4	SH900.37.222	倒档齿轮座 REVERSE GEAR SEAT	1	SH900.37.222
5	JBT7918-K35X45X30	轴承 BEARING	2	JBT7918-K35X45X30
6	A23.37.001.0	滚针隔套 NEEDLE SPACER	1	A23.37.001.0
7	SH900.37.117	锁片 LOCK I	1	SH900.37.117
8	GBT93-10-A3L	垫圈 WASHER	1	GBT93-10-A3L
9	GBT5783-M10X20-A3L	螺栓 BOLT	1	GBT5783-M10X20-A3L
10	SH900.37.122A/10	倒档轴 REVERSE SHAFT	1	SH900.37.122A/10
11	QCT388-14	碗形膨胀塞 BOWL TYPE WXPANSION	1	QCT388-14



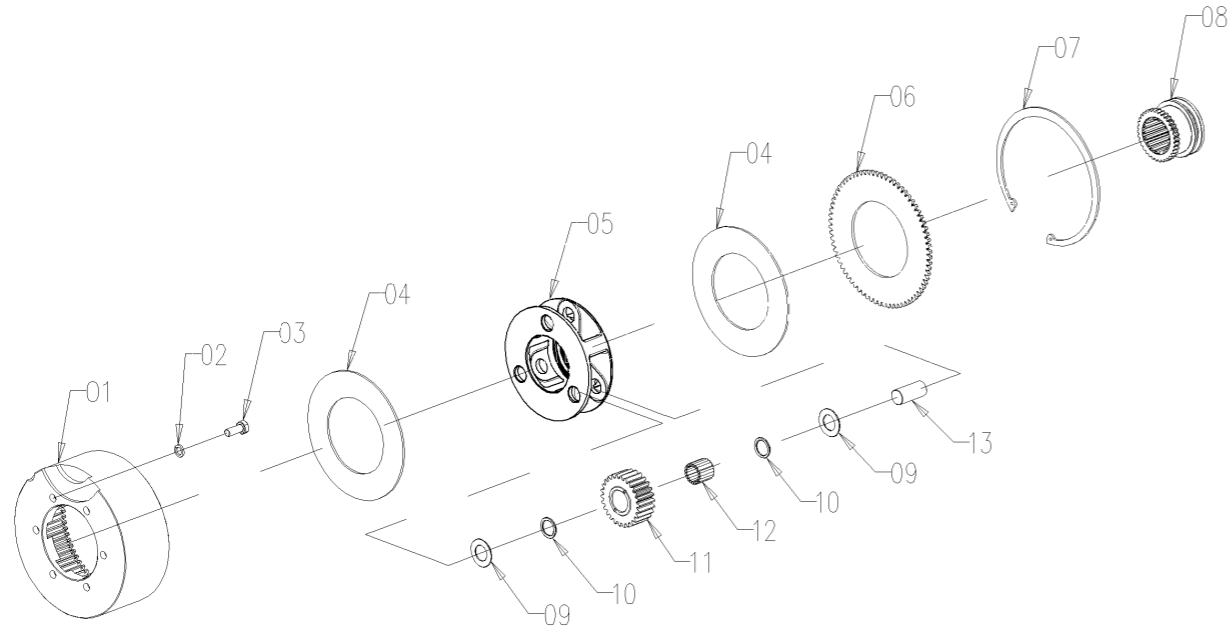


A23.37.962.4 PLANETARY REDUCER ASS.Y

### A23.37.962.4\_0 行星减速总成 ( 16F+8R ) PLANETARY REDUCER ASS.Y ( 16F+8R )

序号	零件编号	零件名称	数量	图号
1	SH900.37.133	内齿圈 GEAR RING	1	SH900.37.133
2	GBT93-10-A3L	垫圈 WASHER	6	GBT93-10-A3L
3	GBT5783-M10X25-A3L	螺栓 BOLT	6	GBT5783-M10X25-A3L
4	SH900.37.128	行星架隔垫 PLANET CARRIER	2	SH900.37.128
5	SH900.37.013	行星架铆合 PLANETARY FRAME	1	SH900.37.013
6	SH900.37.127	齿轮盘 GEAR DISC	1	SH900.37.127
7	GBT893.1-175	弹性挡圈 CIRCLIP	1	GBT893.1-175
8	SH900.37.116	传动齿轮组 DRIVING GEAR SETS	1	SH900.37.116
9	A23.37.004.0	行星齿轮垫片 PLANETARY GEAR	6	A23.37.004.0
10	A23.37.005.0	滚针隔套 NEEDLE SPACER	6	A23.37.005.0
11	SH900.37.132	最终传动行星齿轮 PLANET GEAR	3	SH900.37.132
12	GBT309-P4X25.8-G3-3-6	滚针 NEEDLE ROLLER	57	GBT309-P4X25.8-G3-3-6
13	SH900.37.131	行星齿轮轴 PLANET WHEEL AXLE	3	SH900.37.131

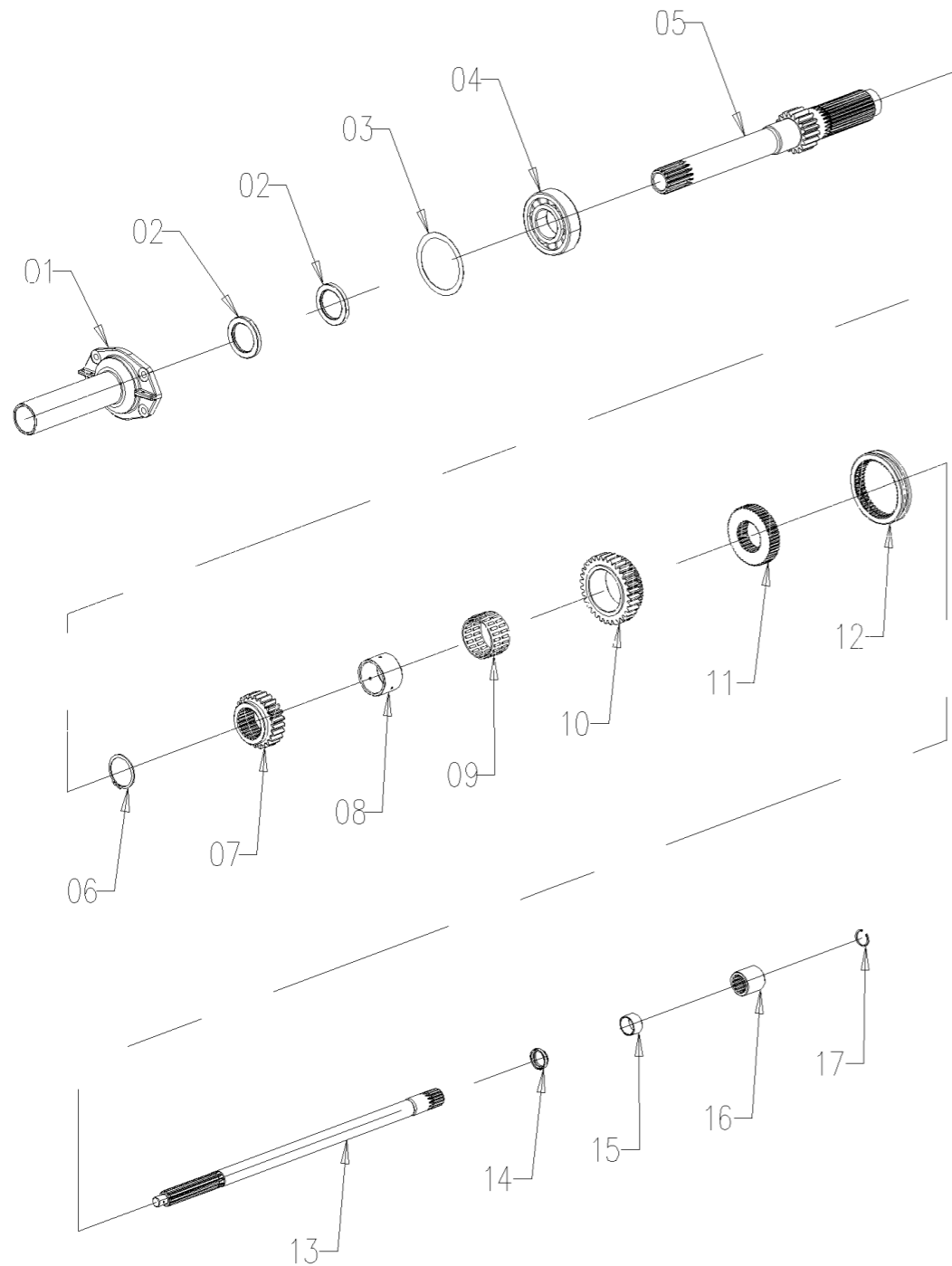
# A23.37.962.4 PLANETARY REDUCER ASS.Y



## A23.37.962.4\_1 行星减速总成 ( 16F+8R ) PLANETARY REDUCER ASS.Y ( 16F+8R )

序号	零件编号	零件名称	数量	图号
1	SH900.37.133	内齿圈 GEAR RING	1	SH900.37.133
2	GBT93-10-A3L	垫圈 WASHER	6	GBT93-10-A3L
3	GBT5783-M10X25-A3L	螺栓 BOLT	6	GBT5783-M10X25-A3L
4	SH900.37.128	行星架隔垫 PLANET CARRIER	2	SH900.37.128
5	SH900.37.013	行星架铆合 PLANETARY FRAME	1	SH900.37.013
6	SH900.37.127	齿轮盘 GEAR DISC	1	SH900.37.127
7	GBT893.1-175	弹性挡圈 CIRCLIP	1	GBT893.1-175
8	SH900.37.116	传动齿轮组 DRIVING GEAR SETS	1	SH900.37.116
9	A23.37.004.0	行星齿轮垫片 PLANETARY GEAR	6	A23.37.004.0
10	A23.37.005.0	滚针隔套 NEEDLE SPACER	6	A23.37.005.0
11	SH900.37.132	最终传动行星齿轮 PLANET GEAR	3	SH900.37.132
12	GBT309-P4X25.8-G3-3-6	滚针 NEEDLE ROLLER	57	GBT309-P4X25.8-G3-3-6
13	SH900.37.131	行星齿轮轴 PLANET WHEEL AXLE	3	SH900.37.131

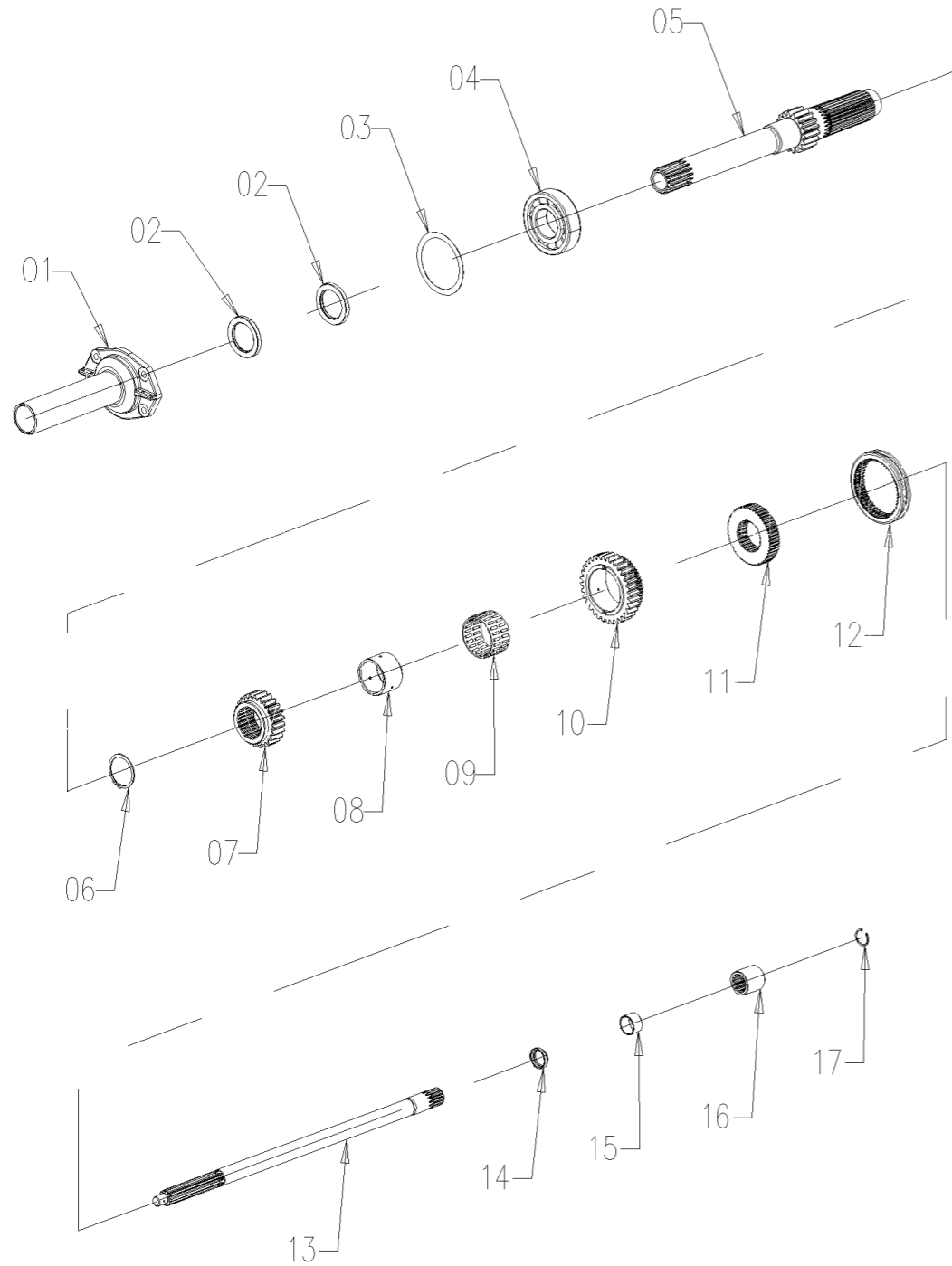
# A23.37.982.4 INPUT SHAFT ASS.Y



## A23.37.982.4\_1 输入轴总成 (16F+8R 爬行档) INPUT SHAFT ASS.Y(16F+8R crawl gear)

序号	零件编号	零件名称	数量	图号
1	SH900.37.102A	输入轴轴承 INPUT SHAFT BEARING	1	SH900.37.102A
2	GBT13871.1-FB-050072-D	油封 OIL SEAL	2	GBT13871.1-FB-050072-D
3	SH900.37.217	调整垫圈 ADJUSTING WASHER	0	SH900.37.217
4	GBT276-6310	轴承 BEARING	1	GBT276-6310
5	SH900.37.103A	输入轴 INPUT SHAFT	1	SH900.37.103A
6	GBT894.1-55	轴用弹性挡圈 CIRCLIPS FOR SHAFT	1	GBT894.1-55
7	SH900.37.108	档主动齿轮 GEAR DRIVING GEAR	1	SH900.37.108
8	SH900.37.109	滚针内环41.5 41.5 INNER RING	1	SH900.37.109
9	JBT7918-K64X74X41ZW	轴承 BEARING	1	JBT7918-K64X74X41ZW
10	SH900.37.110	档传动齿轮 SPEED DRIVE GEAR	1	SH900.37.110
11	SH900.41.121	变速啮合齿轮 GEAR MESHING GEAR	1	SH900.41.121
12	SH900.37.111	齿轮啮合套 GEAR	1	SH900.37.111
13	DF1204.37.101/10	输入轴 PTO INPUT SHAFT	1	DF1204.37.101/10
14	SH900.37.112/10	输入轴座 INPUT SHAFT SEAL	1	SH900.37.112/10
15	SH900.37.113	输入轴轴承 INPUT SHAFT BUSHING	1	SH900.37.113
16	SH900.41.105	连接套筒 PTO CONNECTING SLEEVE	1	SH900.41.105
17	GBT893.1-28	弹性挡圈 CIRCLIP	1	GBT893.1-28

# A23.37.982.4 INPUT SHAFT ASS.Y

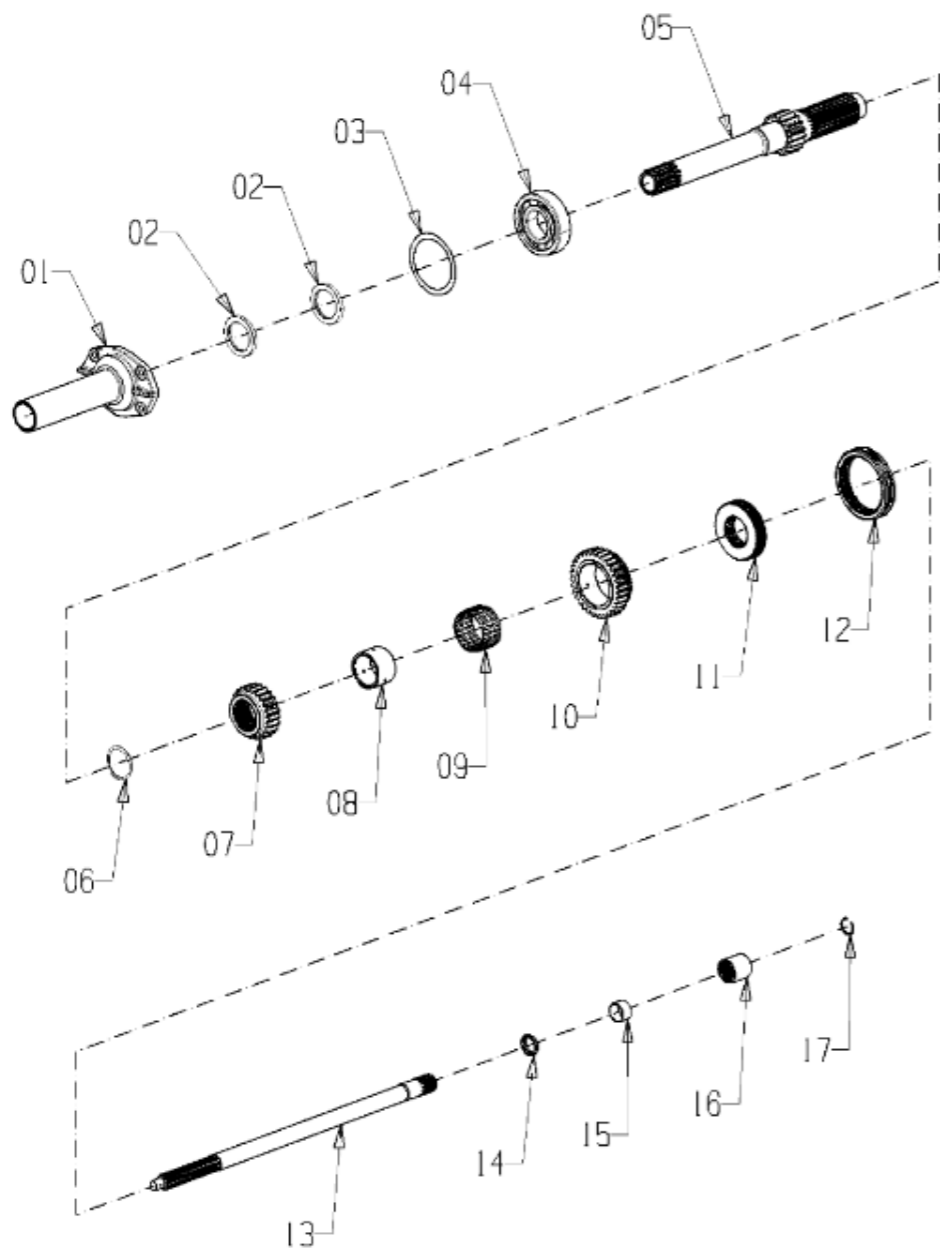


## A23.37.982.4\_2 输入轴总成 (16F+8R 爬行档) INPUT SHAFT ASS.Y(16F+8R crawl gear)

序号	零件编号	零件名称	数量	图号
1	SH900.37.102A	输入轴轴承 INPUT SHAFT BEARING	1	SH900.37.102A
2	GBT13871.1-FB-050072-D	油封 OIL SEAL	2	GBT13871.1-FB-050072-D
3	SH900.37.217	调整垫圈 ADJUSTING WASHER	0	SH900.37.217
4	GBT276-6310	轴承 BEARING	1	GBT276-6310
5	SH900.37.103A	输入轴 INPUT SHAFT	1	SH900.37.103A
6	GBT894.1-55	轴用弹性挡圈 CIRCLIPS FOR SHAFT	1	GBT894.1-55
7	SH900.37.108	档主动齿轮 GEAR DRIVING GEAR	1	SH900.37.108
8	SH900.37.109	滚针内环41.5 41.5 INNER RING	1	SH900.37.109
9	JBT7918-K64X74X41ZW	轴承 BEARING	1	JBT7918-K64X74X41ZW
10	SH900.37.110	档传动齿轮 III SPEED DRIVE GEAR	1	SH900.37.110
11	SH900.41.121	变速啮合齿轮 GEAR MESHING GEAR	1	SH900.41.121
12	SH900.37.111	齿轮啮合套 GEAR	1	SH900.37.111
13	SH900.37.101	前轴 PTO FRONT SHAFT	1	SH900.37.101
14	SH900.37.112/10	输入轴座 INPUT SHAFT SEAL	1	SH900.37.112/10
15	SH900.37.113	输入轴轴承 INPUT SHAFT BUSHING	1	SH900.37.113
16	SH900.41.105	连接套筒 PTO CONNECTING SLEEVE	1	SH900.41.105
17	GBT893.1-28	弹性挡圈 CIRCLIP	1	GBT893.1-28

 SME DEUTZ-FAHR GROUP S.p.A. Gruppo - Group	CD90 series	N. dis. - P/N A23.37.982.4	
	INPUT SHAFT ASS.Y	Rev 4	di - o° 1
		Edizione 23/12/2021	P 1

YFB-R-2018-003 SH.042



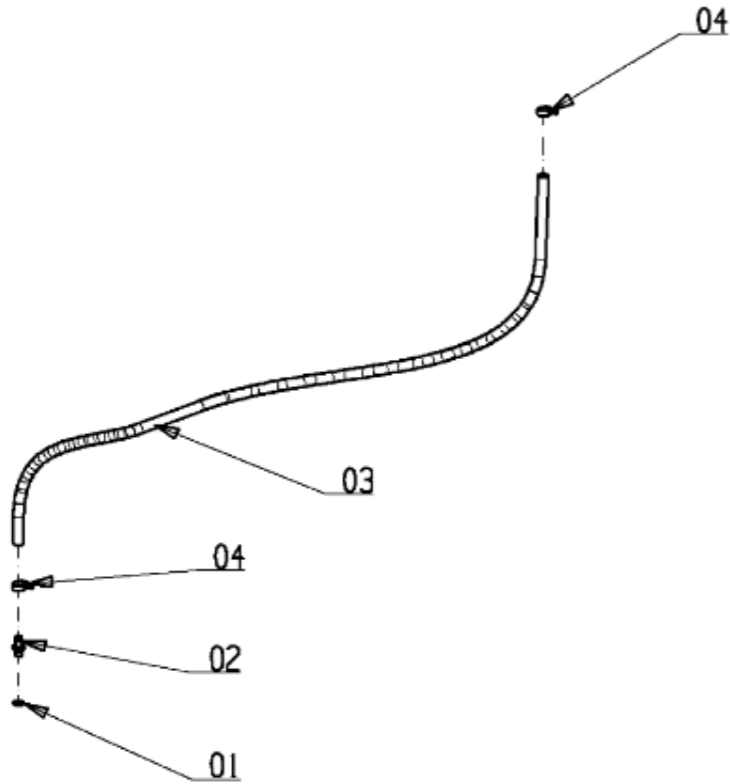
### A23.37.982.4\_4 输入轴总成 (16F+8R 爬行档) INPUT SHAFT ASS.Y(16F+8R crawl gear)

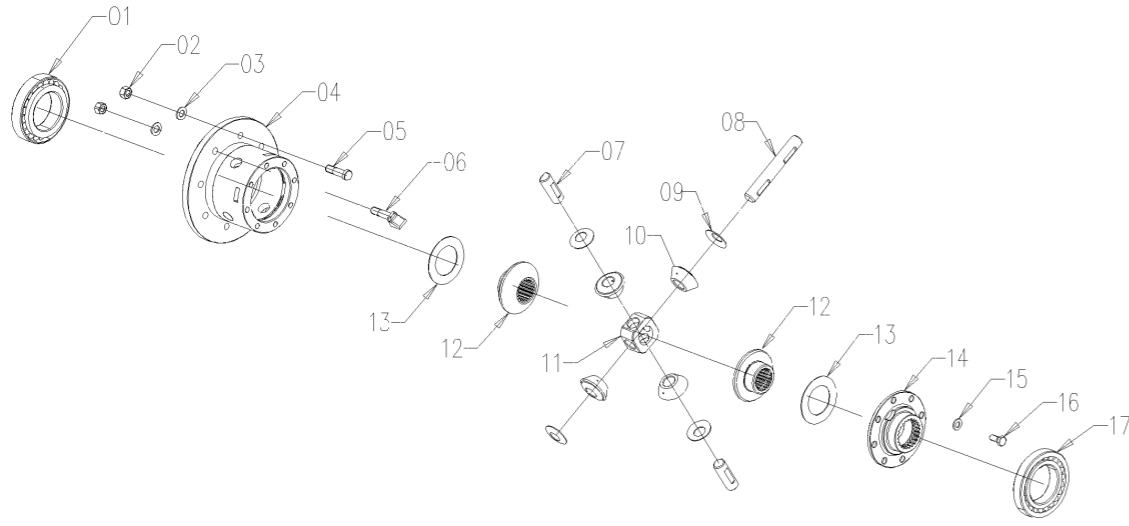
序号	零件编号	零件名称	数量	图号
1	SH900.37.102A	输入轴轴承 INPUT SHAFT BEARING	1	SH900.37.102A
2	GBT13871.1-FB-050072-D	油封 OIL SEAL	2	GBT13871.1-FB-050072-D
3	SH900.37.217	调整垫圈 ADJUSTING WASHER	按需	SH900.37.217
4	GBT276-6310	轴承 BEARING	1	GBT276-6310
5	SH900.37.103A	输入轴 INPUT SHAFT	1	SH900.37.103A
6	GBT894.1-55	轴用弹性挡圈 CIRCLIPS FOR SHAFT	1	GBT894.1-55
7	SH900.37.108	II档主动齿轮 II GEAR DRIVING GEAR	1	SH900.37.108
8	SH900.37.109	滚针内环41.5 41.5 INNER RING	1	SH900.37.109
9	JBT7918-K64X74X41ZW	轴承 BEARING	1	JBT7918-K64X74X41ZW
10	SH900.37.110	III档传动齿轮 III SPEED DRIVE GEAR	1	SH900.37.110
11	SH900.41.121	齿合座 GEAR MESHING GEAR	1	SH900.41.121
12	SH900.37.111	III-IV齿轮啮合套 III-IV GEAR	1	SH900.37.111
13	DF1204.37.101/10	输入轴 PTO INPUT SHAFT	1	DF1204.37.101/10
14	SH900.37.112/10	输入轴座 INPUT SHAFT SEAL	1	SH900.37.112/10
15	SH900.37.113	输入轴轴承座 INPUT SHAFT	1	SH900.37.113
16	SH900.41.105	连接套筒 PTO CONNECTING SLEEVE	1	SH900.41.105
17	GBT893.1-28	弹性挡圈 CIRCLIP	1	GBT893.1-28

YFB-R-2017-011 SH.011

A23.38.902.4\_0 传动呼吸器总成 TRANSMISSION BREATHER ASS.

序号	零件编号	零件名称	数量	图号
1	JBT982-12	组合密封垫圈 SEALING RING	1	JBT982-12
2	SH900.38.159	呼吸接头 BREATHING JOINT	1	SH900.38.159
3	SH900.38.160/10	BREATHING HOSE BREATHING	1	SH900.38.160/10
4	JBT8870-D20	软管夹 HOSE CLAMPS	2	JBT8870-D20





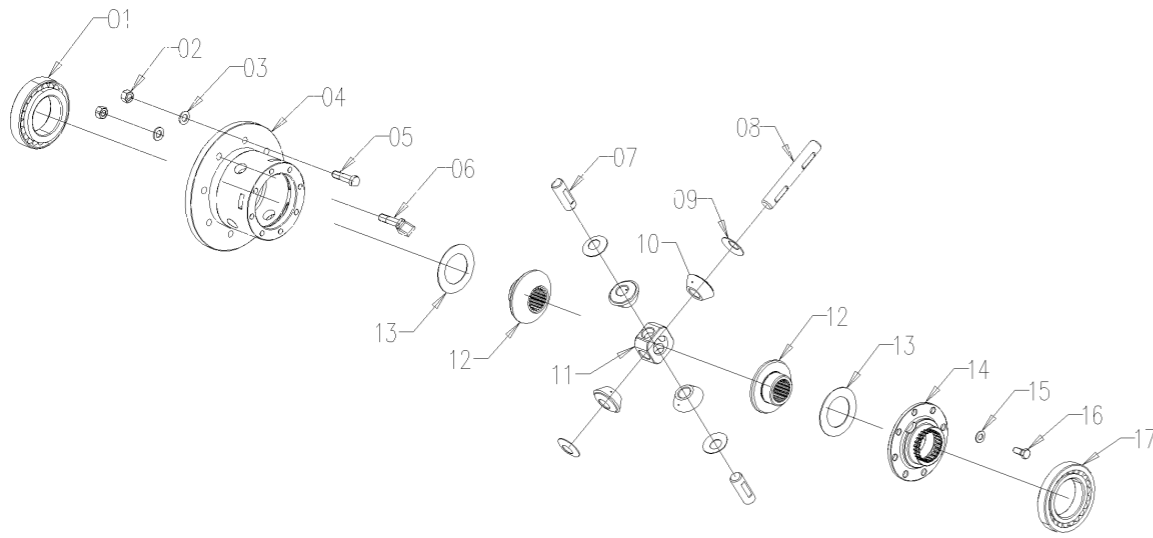
A23.38.903.4 DIFFERENTIAL ASS.Y

### A23.38.903.4\_0 差速器总成 DIFFERENTIAL ASS.Y

序号	零件编号	零件名称	数量	图号
1	GBT297-32216	轴承 BEARING	1	GBT297-32216
2	GBT6171-M14X1.5-10-A3L	螺母 NUT	8	GBT6171-M14X1.5-10-A3L
3	2.1475.005.7	垫圈 CONICAL WASHERS M14	8	2.1475.005.7
4	SH900.38.152	差速齿轮箱 DIFFERENTIAL HOUSING	1	SH900.38.152
5	SH900.38.151	大圆锥齿轮固定螺钉 BIG BEVEL GEAR	4	SH900.38.151
6	SH900.38.150	行星齿轮轴止动螺钉 PLANET GEAR	4	SH900.38.150
7	SH900.38.145/20	短行星齿轮轴 SHORT PLANET GEAR	2	SH900.38.145/20
8	SH900.38.153/10	最终传动行星轮轴 PLANET GEAR	1	SH900.38.153/10
9	A23.38.002.0	行星齿轮垫片 PLANETARY GEAR	4	A23.38.002.0
10	SH900.38.148/10	最终传动行星齿轮 PLANET GEAR	4	SH900.38.148/10
11	SH900.38.154	中心环 CENTER RING	1	SH900.38.154
12	SH900.38.144	半轴齿轮 SEMI SHAFT GEAR	2	SH900.38.144
13	A23.38.001.0	齿轮垫片 DIFF. GEAR SPACER	2	A23.38.001.0
14	SH900.38.142	差速器盖 DIFFERENTIAL COVER	1	SH900.38.142
15	2.1475.004.2	垫圈 CONICAL WASHERS M12	8	2.1475.004.2
16	GBT5783-M12X25-A3L	螺栓 BOLT	8	GBT5783-M12X25-A3L
17	GBT297-30216	轴承 BEARING	1	GBT297-30216

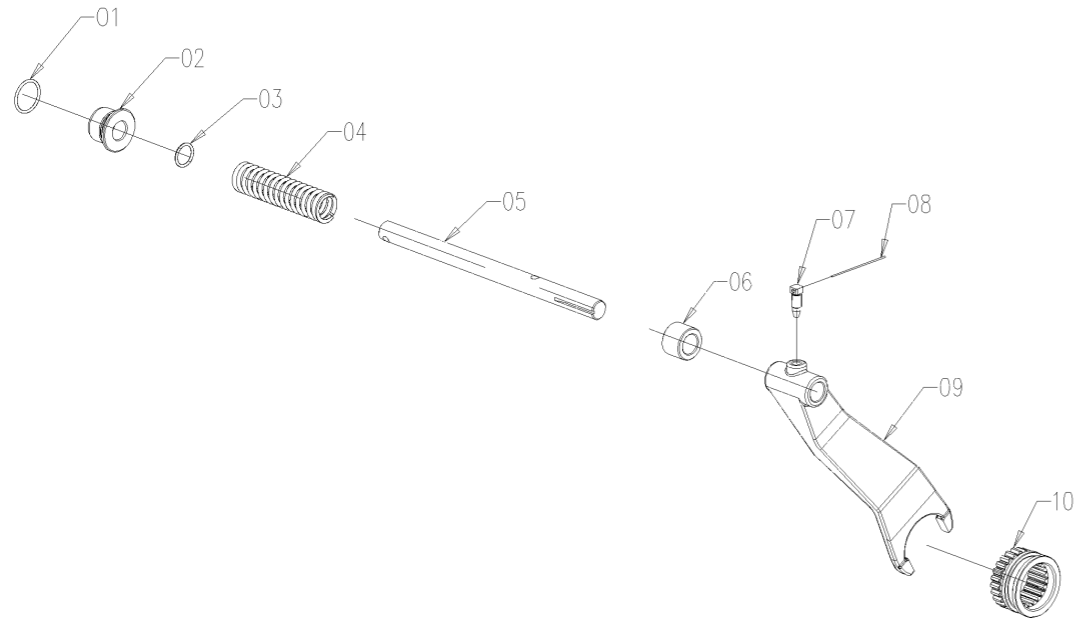
A23.38.903.4 DIFFERENTIAL ASS.Y

A23.38.903.4\_1 差速器总成DIFFERENTIAL ASS.Y



序号	零件编号	零件名称	数量	图号
1	GBT297-32216	轴承 BEARING	1	GBT297-32216
2	GBT6171-M14X1.5-10-A3L	螺母 NUT	8	GBT6171-M14X1.5-10-A3L
3	2.1475.005.7	垫圈 CONICAL WASHERS M14	8	2.1475.005.7
4	SH900.38.152	差速齿轮箱 DIFFERENTIAL HOUSING	1	SH900.38.152
5	SH900.38.151	大圆锥齿轮固定螺钉 BIG BEVEL GEAR	4	SH900.38.151
6	SH900.38.150	行星齿轮轴止动螺钉 PLANET GEAR	4	SH900.38.150
7	SH900.38.145/20	短行星齿轮轴 SHORT PLANET GEAR	2	SH900.38.145/20
8	SH900.38.153/10	最终传动行星轮轴 PLANET GEAR	1	SH900.38.153/10
9	A23.38.002.0	行星齿轮垫片 PLANETARY GEAR	4	A23.38.002.0
10	SH900.38.148/10	最终传动行星齿轮 PLANET GEAR	4	SH900.38.148/10
11	SH900.38.154	中心环 CENTER RING	1	SH900.38.154
12	SH900.38.144	半轴齿轮 SEMI SHAFT GEAR	2	SH900.38.144
13	A23.38.001.0	齿轮垫片 DIFF. GEAR SPACER	2	A23.38.001.0
14	SH900.38.142	差速器盖 DIFFERENTIAL COVER	1	SH900.38.142
15	2.1475.004.2	垫圈 CONICAL WASHERS M12	8	2.1475.004.2
16	GBT5783-M12X25-A3L	螺栓 BOLT	8	GBT5783-M12X25-A3L
17	GBT297-30216	轴承 BEARING	1	GBT297-30216





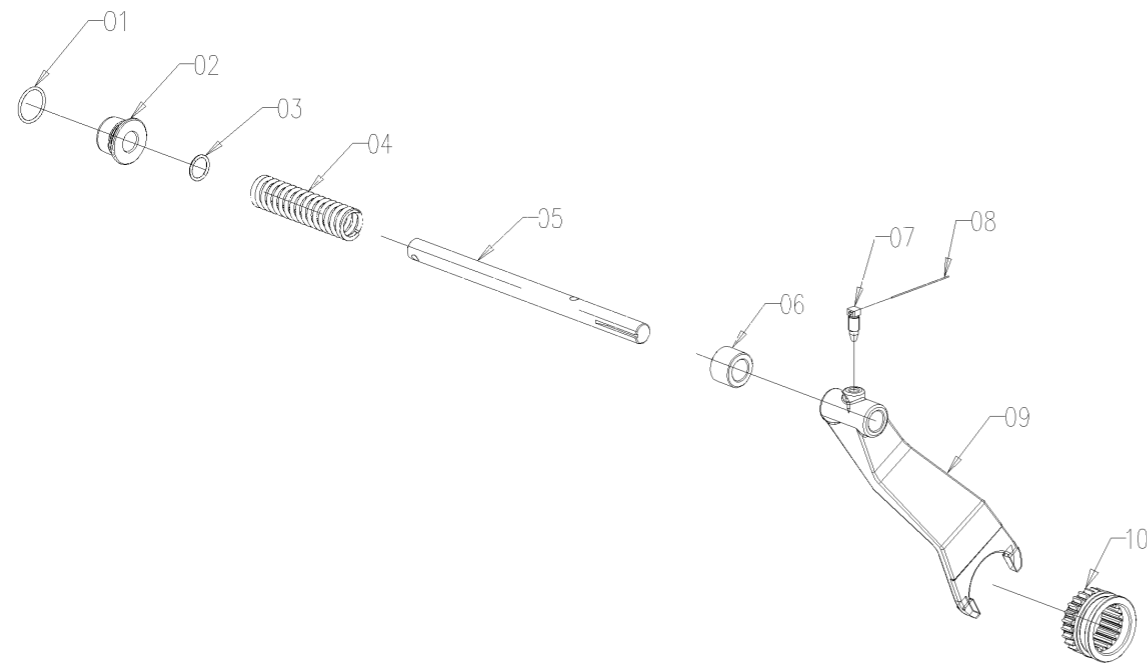
A23.38.904.4 DIFFERENTIAL CONTROL ASS.Y

### A23.38.904.4\_0 差速器操纵总成 DIFFERENTIAL CONTROL ASS.Y

序号	零件编号	零件名称	数量	图号
1	GBT3452.1-30X2.65-G	O形密封圈 O RING	1	GBT3452.1-30X2.65-G
2	SH900.38.114	拨叉轴座 SHIFT FORK SHAFT SEAT	1	SH900.38.114
3	GBT3452.1-20X2.65-G	O形密封圈 O-RING	1	GBT3452.1-20X2.65-G
4	SH900.38.113	差速锁弹簧 DIFFERENTIAL LOCK	1	SH900.38.113
5	SH900.38.109	差速锁叉轴 DIFFERENTIAL LOCK	1	SH900.38.109
6	SH900.38.112	套筒 SLEEVE	1	SH900.38.112
7	SH900.38.110	紧定螺钉 SET SCREW	1	SH900.38.110
8	YBT5294-SZ-F-1.4	低碳钢丝 LOW CARBON STEEL WIRE	0	YBT5294-SZ-F-1.4
9	SH900.38.111	差速锁拨叉 DIFFERENTIAL LOCK	1	SH900.38.111
10	SH900.38.126	差速锁啮合套筒 DIFFERENTIAL LOCK	1	SH900.38.126

# A23.38.904.4 DIFFERENTIAL CONTROL ASS.Y

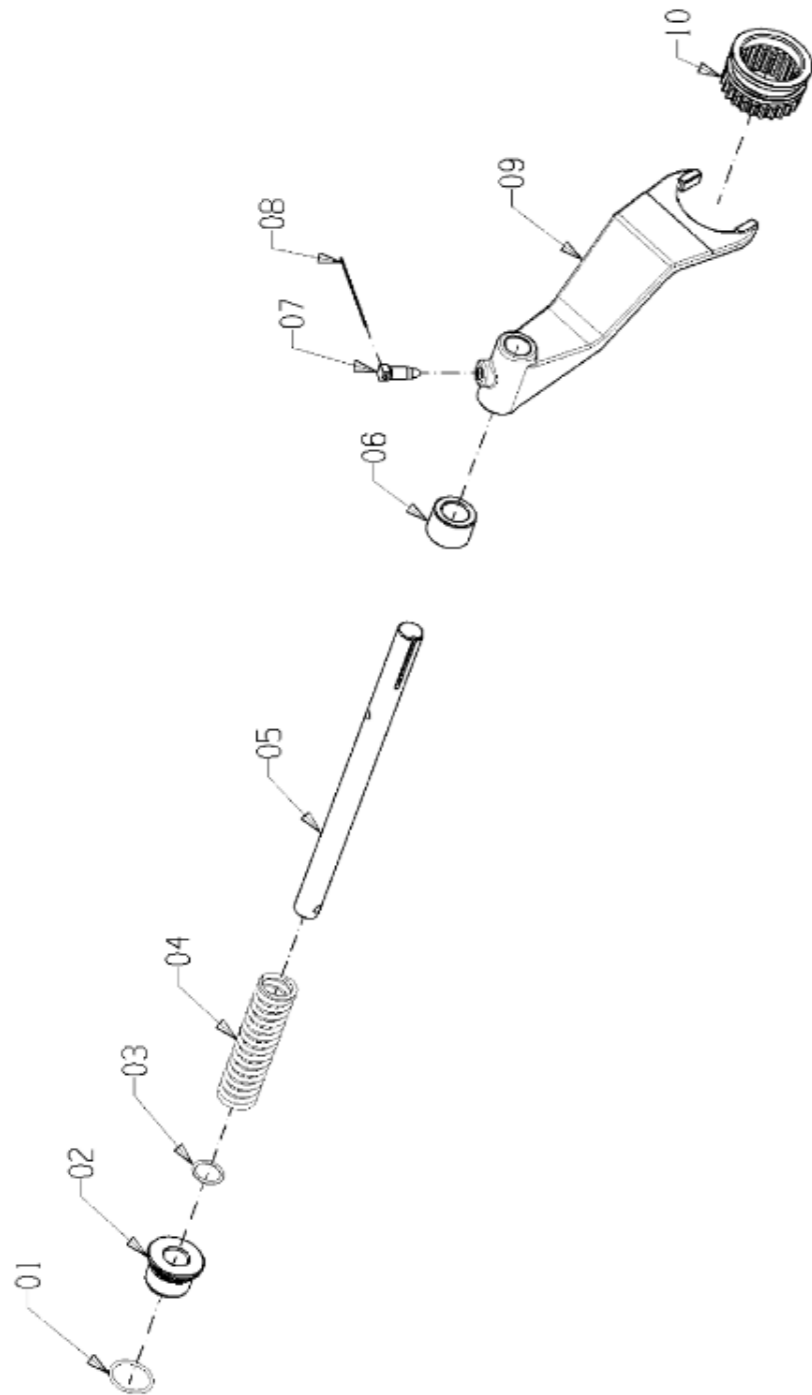
# A23.38.904.4\_1 差速器操纵总成 DIFFERENTIAL CONTROL ASS.Y



序号	零件编号	零件名称	数量	图号
1	GBT3452.1-30X2.65-G	O形密封圈 O-RING	1	GBT3452.1-30X2.65-G
2	SH900.38.114	拨叉轴座 SHIFT FORK SHAFT SEAT	1	SH900.38.114
3	GBT3452.1-20X2.65-G	O形密封圈 O-RING	1	GBT3452.1-20X2.65-G
4	SH900.38.113	差速锁弹簧 DIFFERENTIAL LOCK	1	SH900.38.113
5	SH900.38.109	差速锁叉轴 DIFFERENTIAL LOCK	1	SH900.38.109
6	SH900.38.112	套筒 SLEEVE	1	SH900.38.112
7	SH900.38.110	紧定螺钉 SET SCREW	1	SH900.38.110
8	YBT5294-SZ-F-1.4	低碳钢丝 LOW CARBON STEEL WIRE	0	YBT5294-SZ-F-1.4
9	SH900.38.111	差速锁拨叉 DIFFERENTIAL LOCK	1	SH900.38.111
10	SH900.38.126	差速锁啮合套筒 DIFFERENTIAL LOCK	1	SH900.38.126

 SME DEUTZ-FAHR GROUP S.p.A. Gruppo - Group	CD90 series	N. dis. - P/N A23.38.904.4		
	DIFFERENTIAL CONTROL ASS.Y	Rev	1	di - di'
		23/12/2021		

YFB-R-2018-003 SH.042

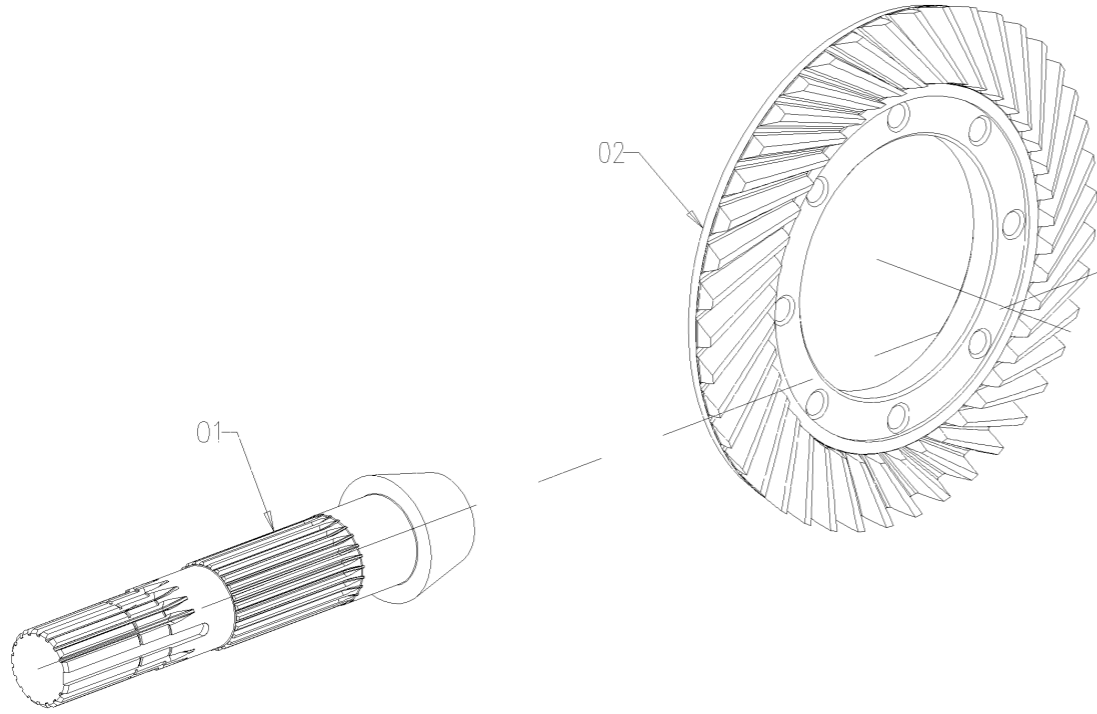


### A23.38.904.4\_3 差速器操纵总成 DIFFERENTIAL CONTROL ASS.Y

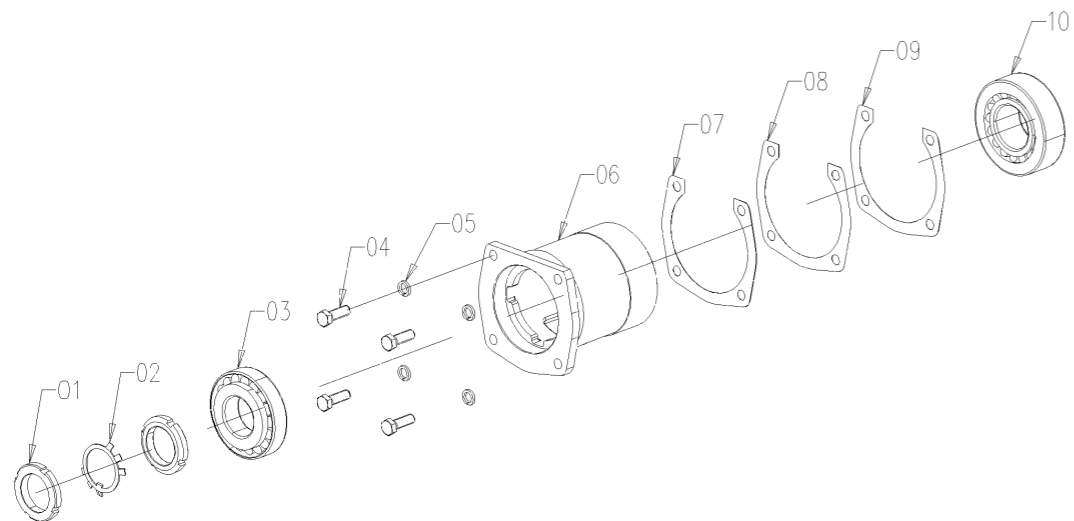
序号	零件编号	零件名称	数量	图号
1	GBT3452.1-30X2.65-G	O型圈 O RING	1	GBT3452.1-30X2.65-G
2	SH900.38.114	呼吸软管 SHIFT FORK SHAFT SEAT	1	SH900.38.114
3	GBT3452.1-20X2.65-G	O型圈 O RING	1	GBT3452.1-20X2.65-G
4	SH900.38.113	差速锁弹簧 DIFFERENTIAL LOCK	1	SH900.38.113
5	SH900.38.109	差速锁叉轴 DIFFERENTIAL LOCK	1	SH900.38.109
6	SH900.38.112	套筒 SLEEVE	1	SH900.38.112
7	SH900.38.110	紧定螺钉 SET SCREW	1	SH900.38.110
8	YBT5294-SZ-F-1.4	低碳钢线 LOW CARBON STEEL WIRE	按需	YBT5294-SZ-F-1.4
9	SH900.38.111	差速锁拨叉 DIFFERENTIAL LOCK	1	SH900.38.111
10	SH900.38.126	差速锁啮合套筒 DIFFERENTIAL LOCK	1	SH900.38.126

### A23.38.905.4\_0 大小锥齿轮总成BEVEL GEAR ASS.Y

序号	零件编号	零件名称	数量	图号
1	SH900.38.131	小圆锥齿轮 BEVEL PINION	1	SH900.38.131
2	SH900.38.146	大圆锥齿轮 LARGE CONICAL GEAR	1	SH900.38.146



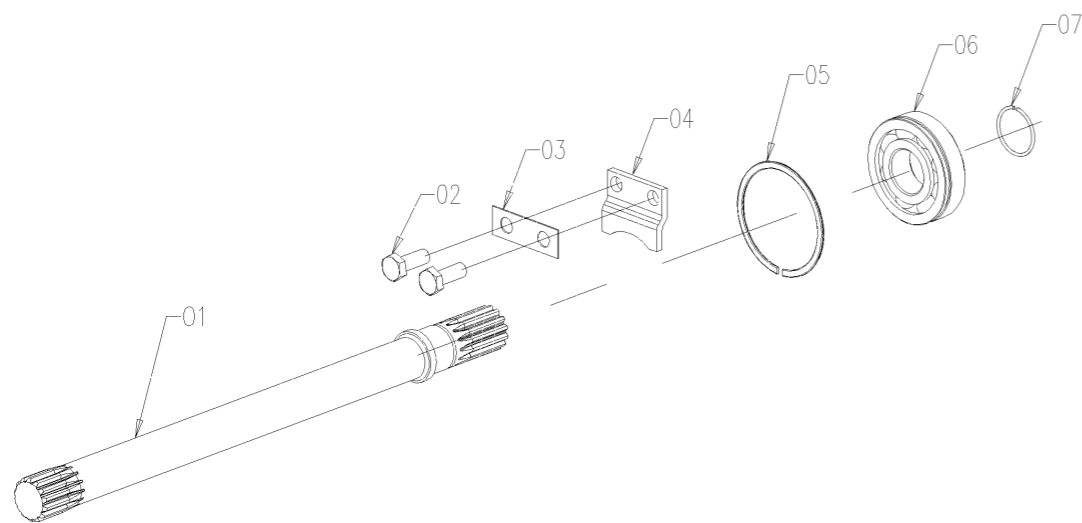
A23.38.905.4 BEVEL GEAR ASS.Y



A23.38.908.4 SMALL BEVEL BEARING ASS.Y

### A23.38.908.4\_1 小圆锥轴承座总成SMALL BEVEL BEARING ASS.Y

序号	零件编号	零件名称	数量	图号
1	GBT812-M50X1.5	圆螺母 ROUND NUT	2	GBT812-M50X1.5
2	GBT858-50	圆螺母用六角垫圈 TAB WASHER FOR	1	GBT858-50
3	GBT297-30310	轴承 BEARING	1	GBT297-30310
4	GBT5783-M12X35-10.9-	螺栓 BOLT	4	GBT5783-M12X35-10.9-A3L
5	GBT93-12-A3L	垫圈 WASHER	4	GBT93-12-A3L
6	SH900.38.130/10	小齿轮轴承座 PINION BEARING SEAT	1	SH900.38.130/10
7	SH900.38.128/10	调整垫 ADJUSTING PAD	0	SH900.38.128/10
8	SH900.38.163/10	调整垫 ADJUSTING PAD	0	SH900.38.163/10
9	SH900.38.164/10	调整垫 ADJUSTING PAD	0	SH900.38.164/10
10	GBT297-32311	轴承 BEARING	1	GBT297-32311



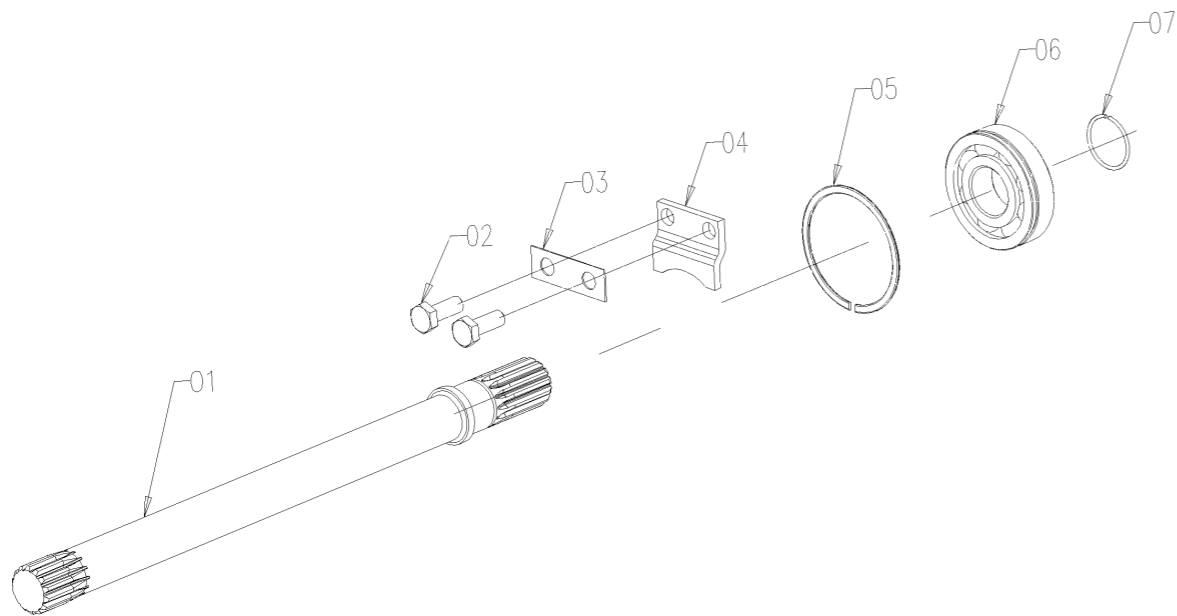
A23.38.909.4 PTO MIDDLE SHAFT ASS.Y

### A23.38.909.4\_0 PTO中间轴总成PTO MIDDLE SHAFT ASS.Y

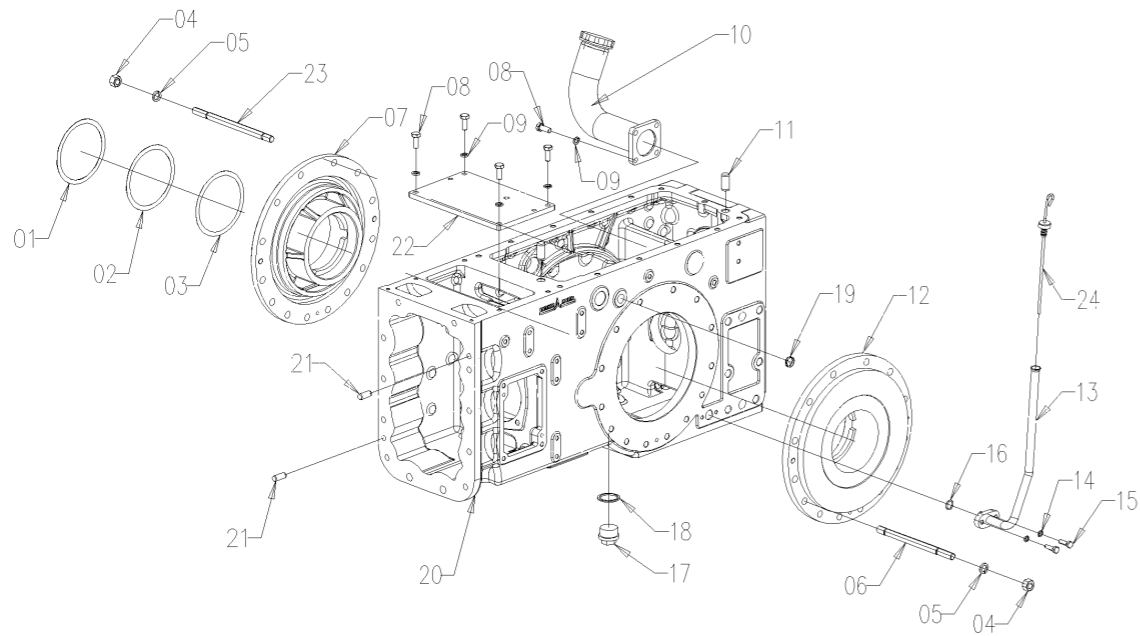
序号	零件编号	零件名称	数量	图号
1	SH900.38.118	中间轴 PTO MIDDLE SHAFT	1	SH900.38.118
2	GBT5783-M10X25-A3L	螺栓 BOLT	2	GBT5783-M10X25-A3L
3	SH900.38.119	压板锁片 CLAMP PLATE	1	SH900.38.119
4	SH900.38.120	板 PLATE	1	SH900.38.120
5	GBT305-72/78.6	止动环 THRUST RING	1	GBT305-72/78.6
6	GBT276-6306N	轴承 BEARING	1	GBT276-6306N
7	GBT895.2-30	弹性挡圈 CIRCLIP	1	GBT895.2-30

# A23.38.909.4 PTO MIDDLE SHAFT ASS.Y

# A23.38.909.4\_1 PTO中间轴总成PTO MIDDLE SHAFT ASS.Y



序号	零件编号	零件名称	数量	图号
1	SH900.38.118	中间轴 PTO MIDDLE SHAFT	1	SH900.38.118
2	GBT5783-M10X25-A3L	螺栓 BOLT	2	GBT5783-M10X25-A3L
3	SH900.38.119	压板锁片 CLAMP PLATE	1	SH900.38.119
4	SH900.38.120	板 PLATE	1	SH900.38.120
5	GBT305-72/78.6	止动环 THRUST RING	1	GBT305-72/78.6
6	GBT276-6306N	轴承 BEARING	1	GBT276-6306N
7	GBT895.2-30	弹性挡圈 CIRCLIP	1	GBT895.2-30



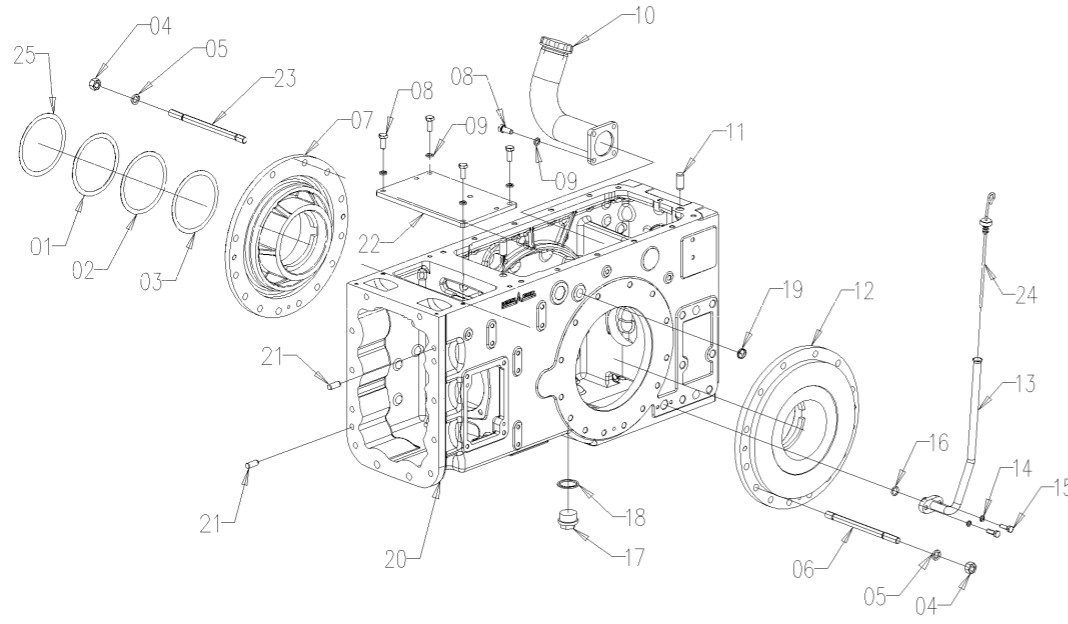
A23.38.910.4 REAR BOX ACCESSORY ASS.Y

### A23.38.910.4\_2 后箱附件总成 REAR BOX ACCESSORY ASS.Y

序号	零件编号	零件名称	数量	图号
1	SH900.38.162	调整垫圈 ADJUSTING WASHER	0	SH900.38.162
2	SH900.38.117	调整垫圈 ADJUSTING WASHER	0	SH900.38.117
3	SH900.38.161	调整垫圈 ADJUSTING WASHER	0	SH900.38.161
4	GBT6171-M14X1.5-10-A3L	螺母 NUT	28	GBT6171-M14X1.5-10-A3L
5	GBT93-14-A3L	垫圈 WASHER	28	GBT93-14-A3L
6	GBT899-AM14X1.5X190-	螺柱 STUD	26	GBT899-AM14X1.5X190-10.9-
7	0.026.3892.0	右轴承座 RIGHT BEARING SEAT	1	0.026.3892.0
8	GBT5783-M10X25-A3L	螺栓 BOLT	8	GBT5783-M10X25-A3L
9	GBT93-10-A3L	垫圈 WASHER	8	GBT93-10-A3L
10	SH900.38.011	加油管组件 FUEL PIPE ASSY	1	SH900.38.011
11	GBT119.1-16m6X35	销 PIN	2	GBT119.1-16m6X35
12	0.026.3891.0	左轴承座 LEFT BEARING SEAT	1	0.026.3891.0
13	DF904.38.013/10	油尺弯头焊件 OIL RULE ELBOW	1	DF904.38.013/10
14	GBT93-8-A3L	垫圈 WASHER	2	GBT93-8-A3L
15	GBT5783-M8X25-A2L	螺栓 BOLT	2	GBT5783-M8X25-A2L
16	GBT3452.1-15X2.65-G	O形圈 O RING	1	GBT3452.1-15X2.65-G
17	SH900.38.018/10	排油螺塞 OIL DRAINAGE SCREW	1	SH900.38.018/10
18	JBT982-36	组合密封垫圈 SEALING RINGS	1	JBT982-36
19	QCT388-20	碗形膨胀塞 BOWL TYPE EXPANSION	1	QCT388-20
20	A23.38.003.0/20	后壳体 REAR HOUSING	1	A23.38.003.0/20
21	GBT119.1-12m6X30	销 PIN	2	GBT119.1-12m6X30
22	SH900.38.105A	后桥箱上盖 REAR AXLE BOX TOP	1	SH900.38.105A
23	GBT899-AM14X1.5X200-	螺柱 STUD	2	GBT899-AM14X1.5X200-10.9-
24	SH900.38.016	油尺组件 DIPSTICK ASSY	1	SH900.38.016



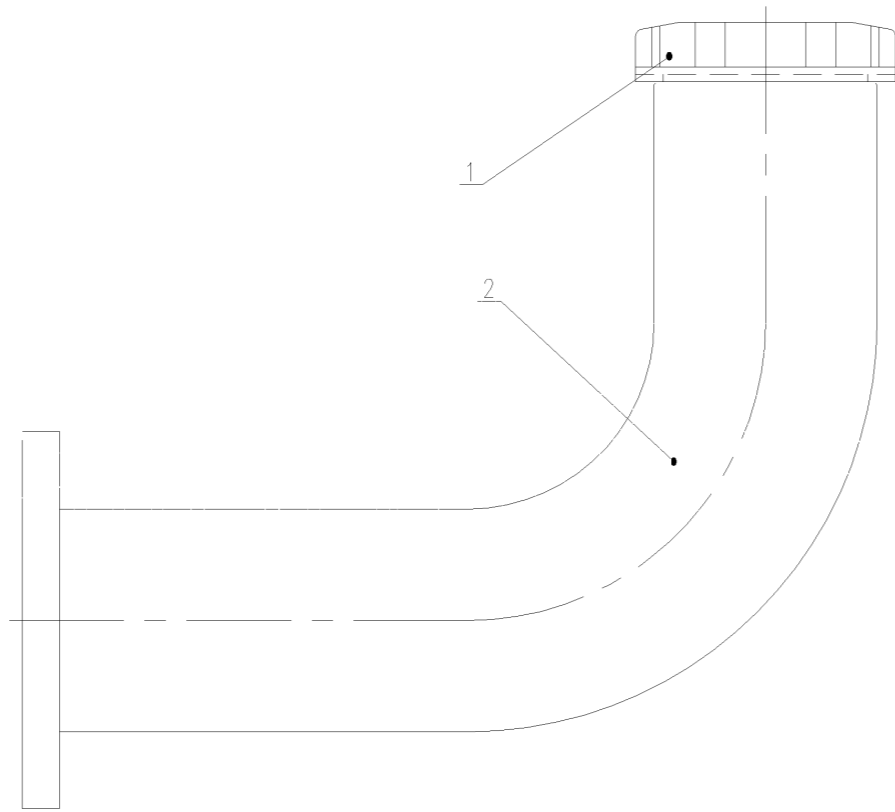
A23.38.910.4 REAR BOX ACCESSORY ASS.Y



A23.38.910.4\_3 后箱附件总成 REAR BOX ACCESSORY ASS.Y

序号	零件编号	零件名称	数量	图号
1	SH900.38.162	调整垫圈 ADJUSTING WASHER	0	SH900.38.162
2	SH900.38.117	调整垫圈 ADJUSTING WASHER	0	SH900.38.117
3	SH900.38.161	调整垫圈 ADJUSTING WASHER	0	SH900.38.161
4	GBT6171-M14X1.5-10-A3L	螺母 NUT	28	GBT6171-M14X1.5-10-A3L
5	GBT93-14-A3L	垫圈 WASHER	28	GBT93-14-A3L
6	GBT899-AM14X1.5X190-	螺柱 STUD	26	GBT899-AM14X1.5X190-10.9-
7	0.026.3892.0	右轴承座 RIGHT BEARING SEAT	1	0.026.3892.0
8	GBT5783-M10X25-A3L	螺栓 BOLT	8	GBT5783-M10X25-A3L
9	GBT93-10-A3L	垫圈 WASHER	8	GBT93-10-A3L
10	SH900.38.011	加油管组件 FUEL PIPE ASSY	1	SH900.38.011
11	GBT119.1-16m6X35	销 PIN	2	GBT119.1-16m6X35
12	0.026.3891.0	左轴承座 LEFT BEARING SEAT	1	0.026.3891.0
13	DF904.38.013/10	油尺弯头焊件 OIL RULE ELBOW	1	DF904.38.013/10
14	GBT93-8-A3L	垫圈 WASHER	2	GBT93-8-A3L
15	GBT5783-M8X25-A2L	螺栓 BOLT	2	GBT5783-M8X25-A2L
16	GBT3452.1-15X2.65-G	O形圈 O RING	1	GBT3452.1-15X2.65-G
17	SH900.38.018/10	排油螺塞 OIL DRAINAGE SCREW	1	SH900.38.018/10
18	JBT982-36	组合密封垫圈 SEALING RINGS	1	JBT982-36
19	QCT388-20	碗形膨胀塞 BOWL TYPE EXPANSION	1	QCT388-20
20	A23.38.003.0/20	后壳体 REAR HOUSING	1	A23.38.003.0/20
21	GBT119.1-12m6X30	销 PIN	2	GBT119.1-12m6X30
22	SH900.38.105A	后桥箱上盖 REAR AXLE BOX TOP	1	SH900.38.105A
23	GBT899-AM14X1.5X200-	螺柱 STUD	2	GBT899-AM14X1.5X200-10.9-
24	SH900.38.016	油尺组件 DIPSTICK ASSY	1	SH900.38.016
25	A26.38.011.0	调整垫圈 ADJUST WASHER	1	A26.38.011.0

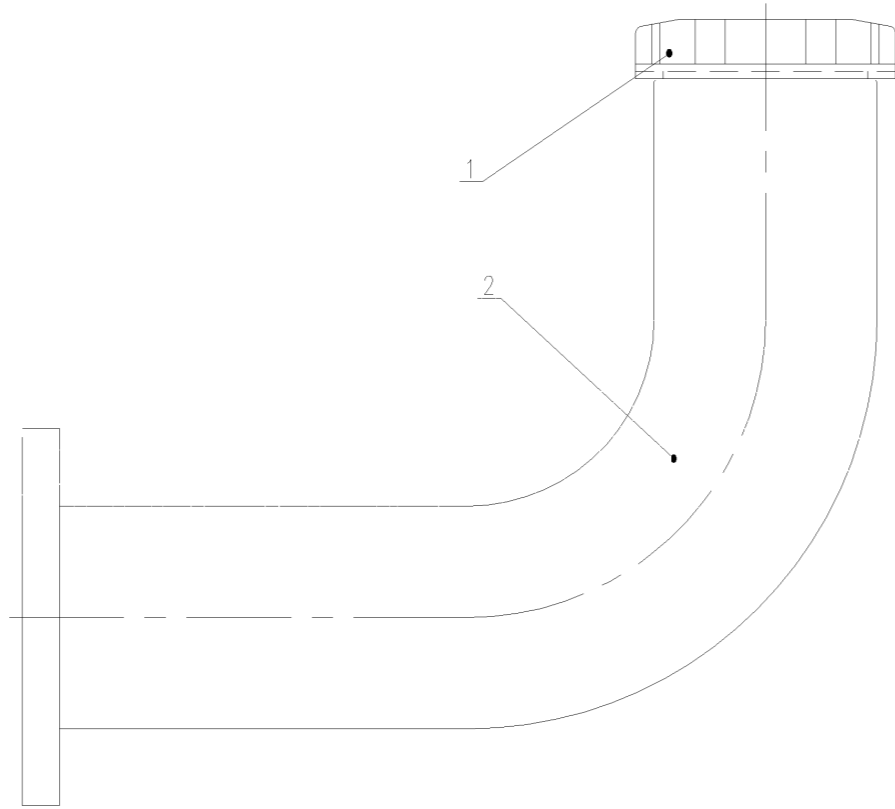
SH900.38.011 加油管组件



SH900.38.011 加油管组件 FUEL PIPE ASSY

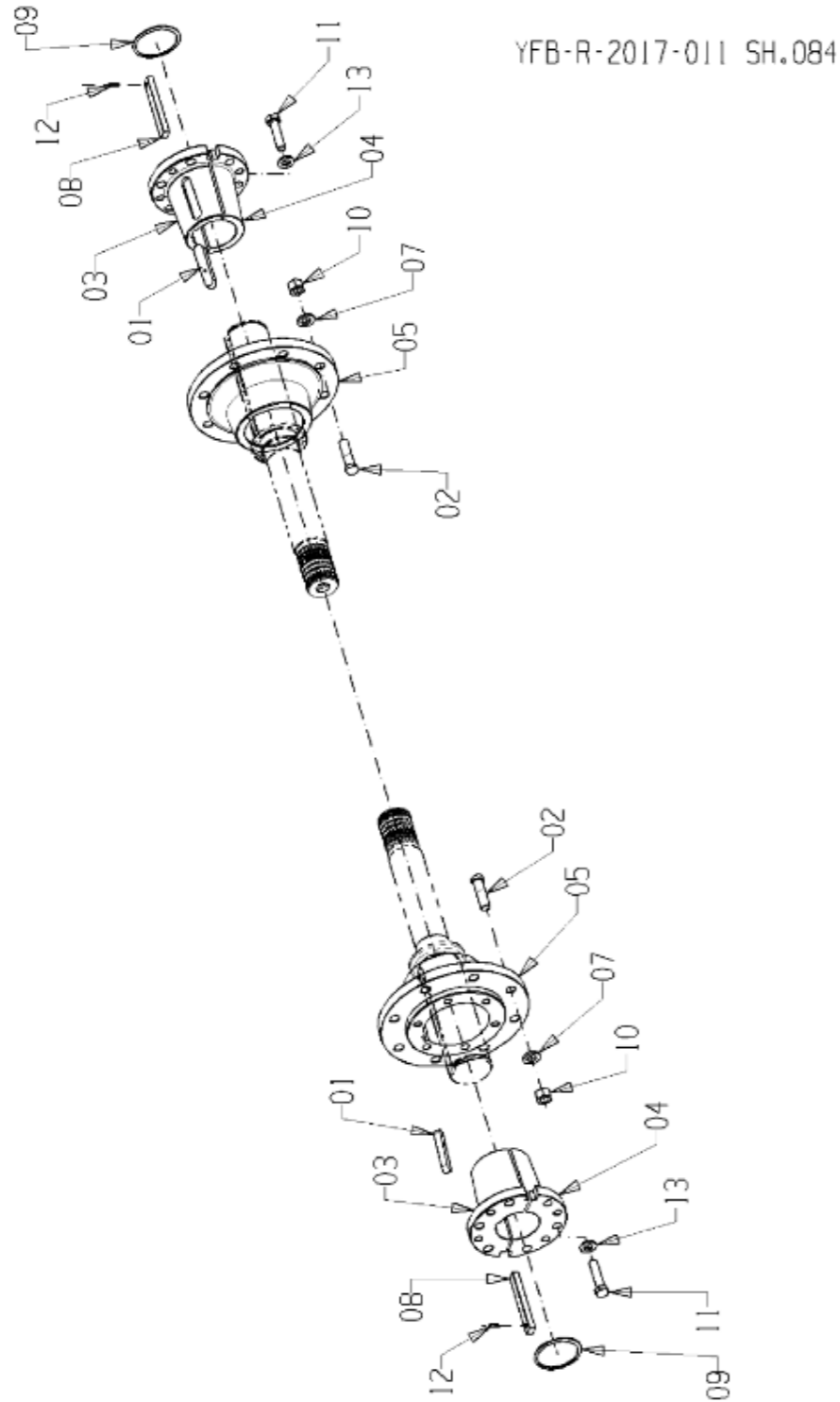
序号	零件编号	零件名称	数量	图号
1	SH900.38.132	加油口盖 FILLER CAP	1	SH900.38.132
2	SH900.38.135	加油管 GAS PIPE	1	SH900.38.135

SH900.38.011 加油管组件



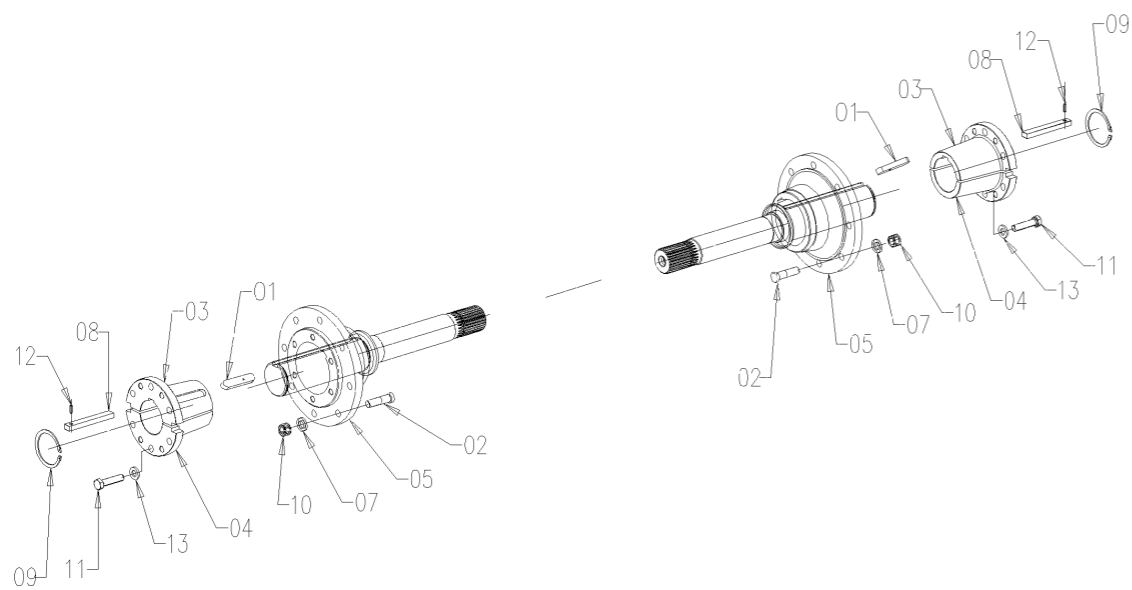
**SH900.38.011 加油管组件 FUEL PIPE ASSY**

序号	零件编号	零件名称	数量	图号
1	SH900.38.132	加油口盖 FILLER CAP	1	SH900.38.132
2	SH900.38.135	加油管 GAS PIPE	1	SH900.38.135



**A23.39.900.4 轮毂总成 (无级调节轮距) HUB ASS.LY(steplessly adjustable wheelbase)**

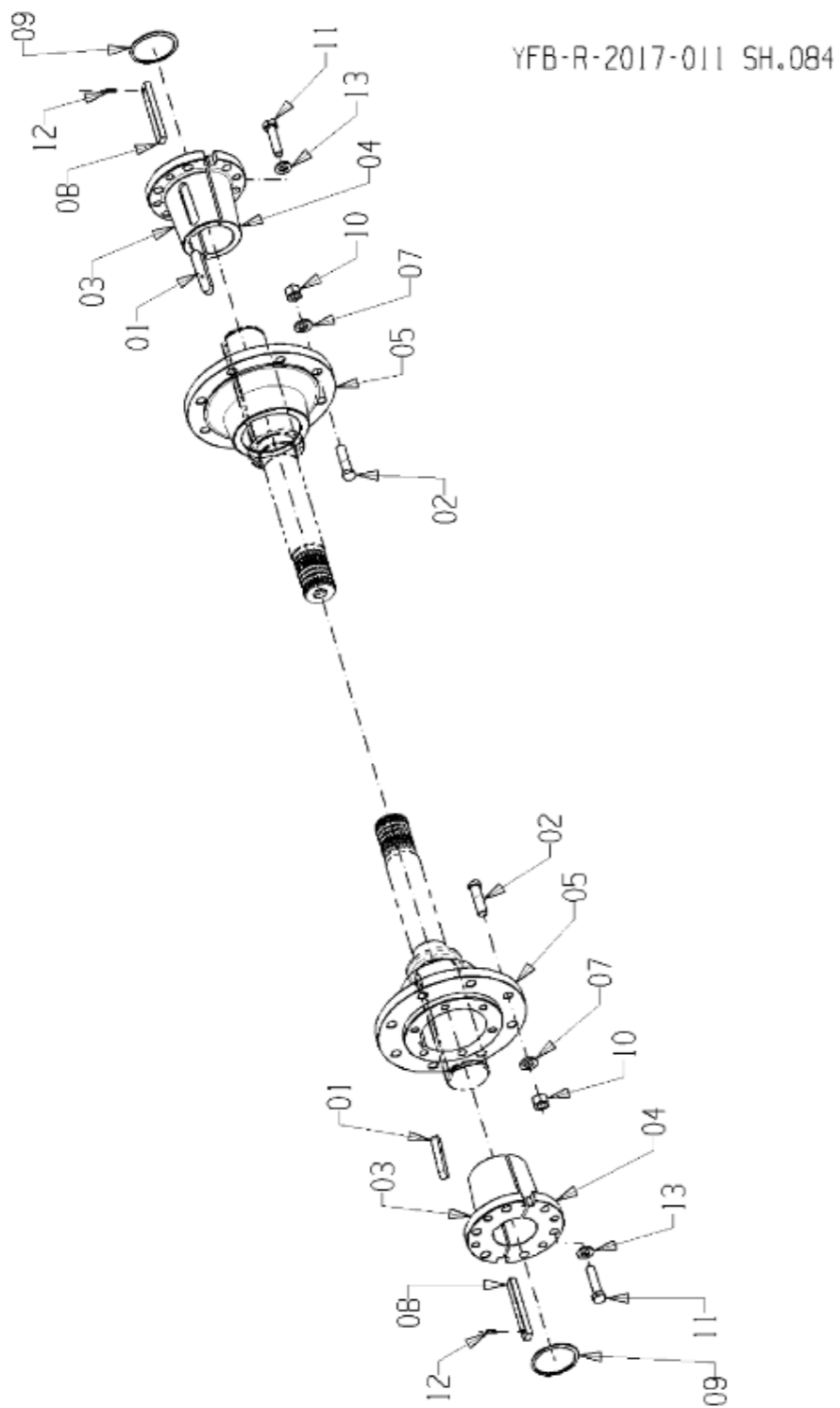
序号	零件编号	零件名称	数量	图号
1	SH954.34.110	平键 FLAT KEY	2	SH954.34.110
2	SH954.34.109/20	固定螺栓 FIX BOLT	16	SH954.34.109/20
3	SH954.34.106	轮辋 RIM	2	SH954.34.106
4	SH954.34.105	轮辋 RIM	2	SH954.34.105
5	SH954.34.104	轮毂盖 RIM COVER	2	SH954.34.104
7	2.1475.108.2	锥形垫圈 CONICAL WASHER M20	16	2.1475.108.2
8	LE1204.34.104	平键 22X155 FLAT KEY 22X155	2	LE1204.34.104
9	2.1414.056.2	轴用挡圈-标准型 D 95 RETAINING	2	2.1414.056.2
10	2.1012.311.2	螺母 NUT	16	2.1012.311.2
11	GBT5786-M18X1.5X75-	螺栓 BOLT	12	GBT5786-M18X1.5X75-12.9-A3L
12	GBT119.1-6m8X22	销 PIN	2	GBT119.1-6m8X22
13	2.1475.107.7	垫圈 CONICAL WASHER M18	12	2.1475.107.7



A23.39.900.4 HUB ASS.LY

### A23.39.900.4\_2 轮毂总成 (无级调节轮距) HUB ASS.LY(steplessly adjustable wheelbase)

序号	零件编号	零件名称	数量	图号
1	SH954.34.110	平键22 × 110 FLAT KEY	2	SH954.34.110
2	SH954.34.109/20	固定螺栓 FIX BOLT	16	SH954.34.109/20
3	SH954.34.106	轮辋 RIM	2	SH954.34.106
4	SH954.34.105	轮辋 RIM	2	SH954.34.105
5	SH954.34.104	轮毂盖 RIM COVER	2	SH954.34.104
7	2.1475.108.2	垫圈 CONICAL WASHER M20	16	2.1475.108.2
8	LE1204.34.104	平键 22X155 FLAT KEY 22X155	2	LE1204.34.104
9	GBT894.1-95	轴用弹性挡圈 CIRCLIP FOR SHAFT	2	GBT894.1-95
10	GBT6176-M20X1.5-10-A3L	螺母 NUT	16	GBT6176-M20X1.5-10-A3L
11	GBT5786-M18X1.5X75-	螺栓 BOLT	12	GBT5786-M18X1.5X75-12.9-A3L
12	GBT119.1-6m8X22	销 PIN	2	GBT119.1-6m8X22
13	2.1475.107.7	垫圈 CONICAL WASHER M18	12	2.1475.107.7

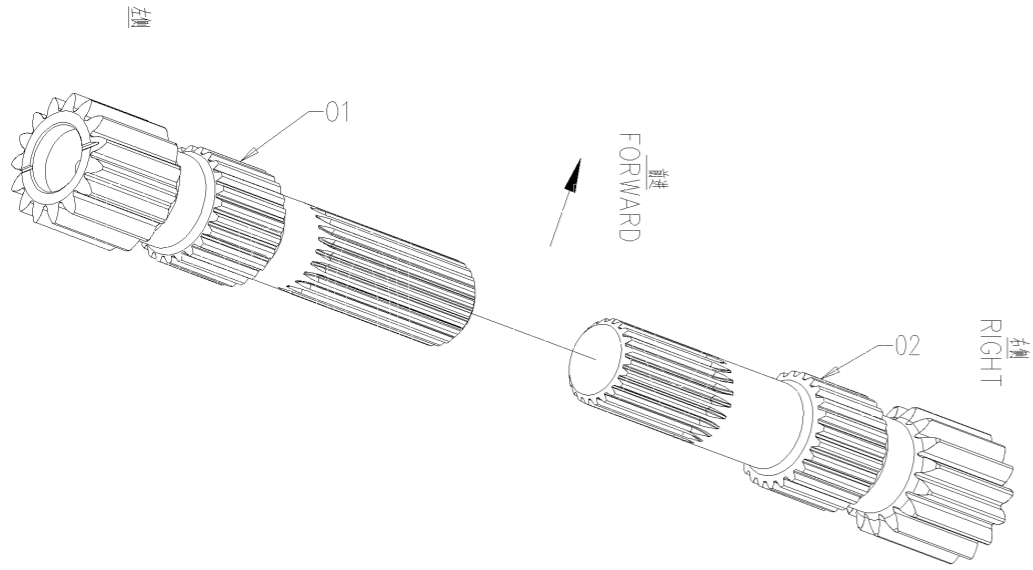


A23.39.900.4\_4 轮毂总成 (无级调节轮距) HUB ASS.LY(steplessly adjustable wheelbase)

序号	零件编号	零件名称	数量	图号
1	SH954.34.110	平键 FLAT KEY	2	SH954.34.110
2	SH954.34.109/20	固定螺栓 FIX BOLT	16	SH954.34.109/20
3	SH954.34.106	轮辋 RIM	2	SH954.34.106
4	SH954.34.105	轮辋 RIM	2	SH954.34.105
5	SH954.34.104	轮毂盖 RIM COVER	2	SH954.34.104
6	2.1475.108.2	锥形垫圈 CONICAL WASHER M20	16	2.1475.108.2
7	LE1204.34.104	平键 22X155 FLAT KEY 22X155	2	LE1204.34.104
8	2.1414.056.2	轴用挡圈-标准型 D 95 RETAINING	2	2.1414.056.2
9	2.1012.311.2	螺母 NUT	16	2.1012.311.2
10	GBT5786-M18X1.5X75-	螺栓 BOLT	12	GBT5786-M18X1.5X75-12.9-A3L
11	GBT119.1-6m8X22	销 PIN	2	GBT119.1-6m8X22
12	2.1475.107.7	垫圈 CONICAL WASHER M18	12	2.1475.107.7

### A23.39.912.4\_0 太阳轮总成Sun Wheel Assemblies

序号	零件编号	零件名称	数量	图号
1	SH904.39.101	左半轴 LEFT HALF SHAFT	1	SH904.39.101
2	SH904.39.118	右半轴 RIGHT HALF SHAFT	1	SH904.39.118

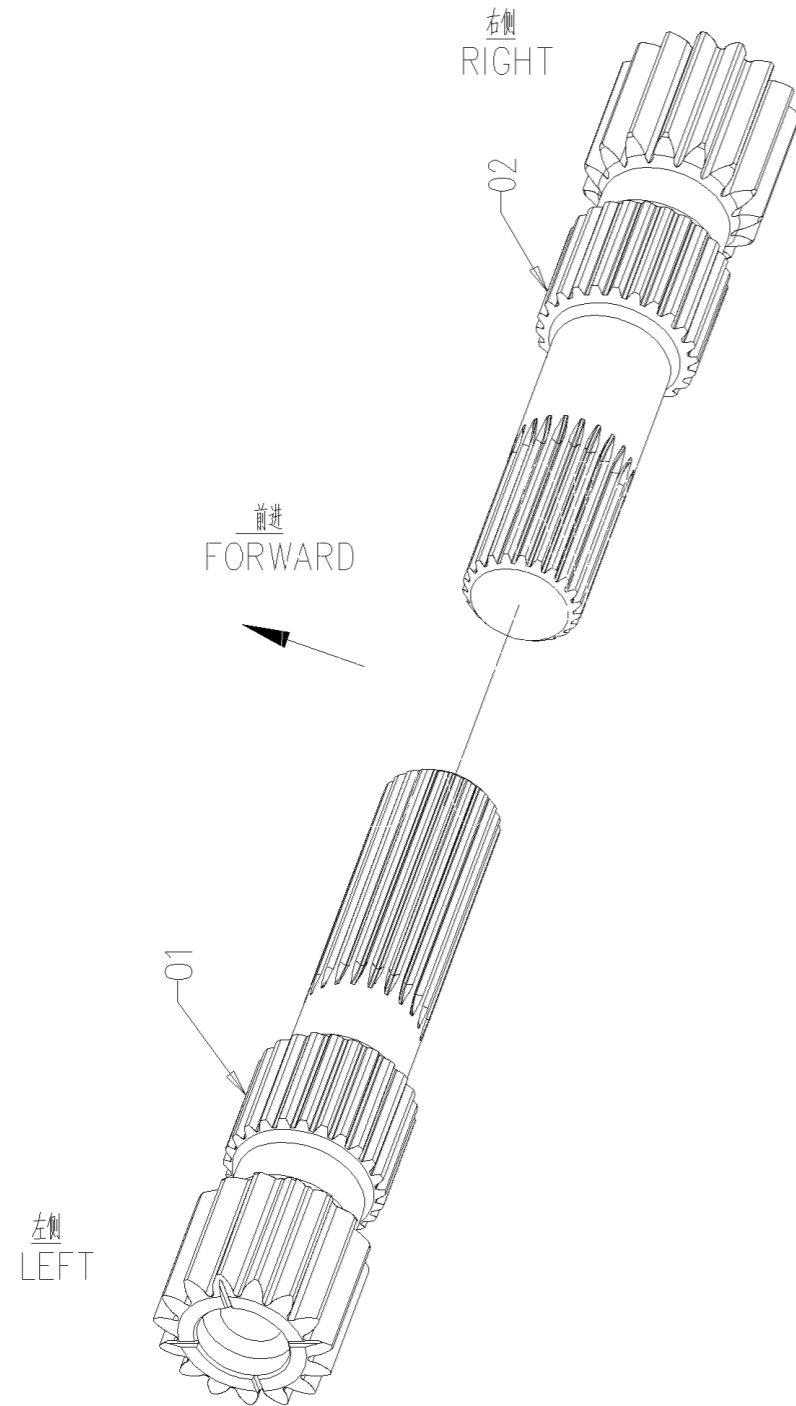


A23.39.912.4 SUN GEARS ASS.Y

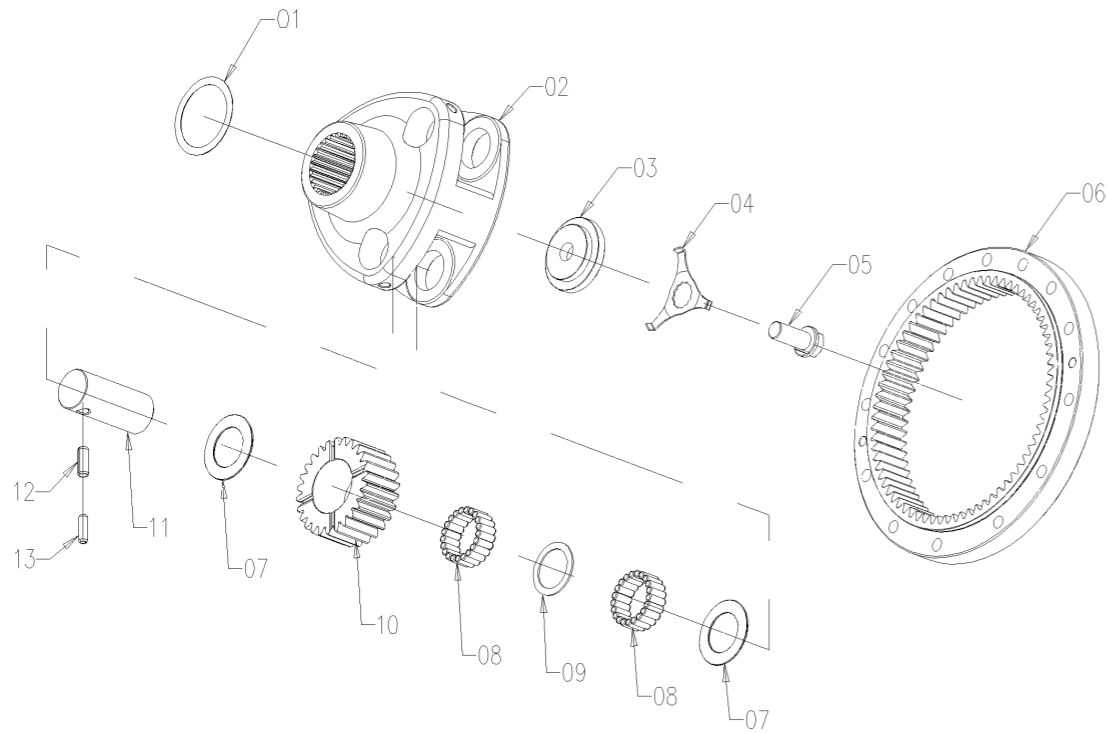
# A23.39.912.4 SUN GEARS ASS.Y

## A23.39.912.4\_1 太阳轮总成Sun Wheel Assemblies

序号	零件编号	零件名称	数量	图号
1	SH904.39.101	左半轴 LEFT HALF SHAFT	1	SH904.39.101
2	SH904.39.118	右半轴 RIGHT HALF SHAFT	1	SH904.39.118





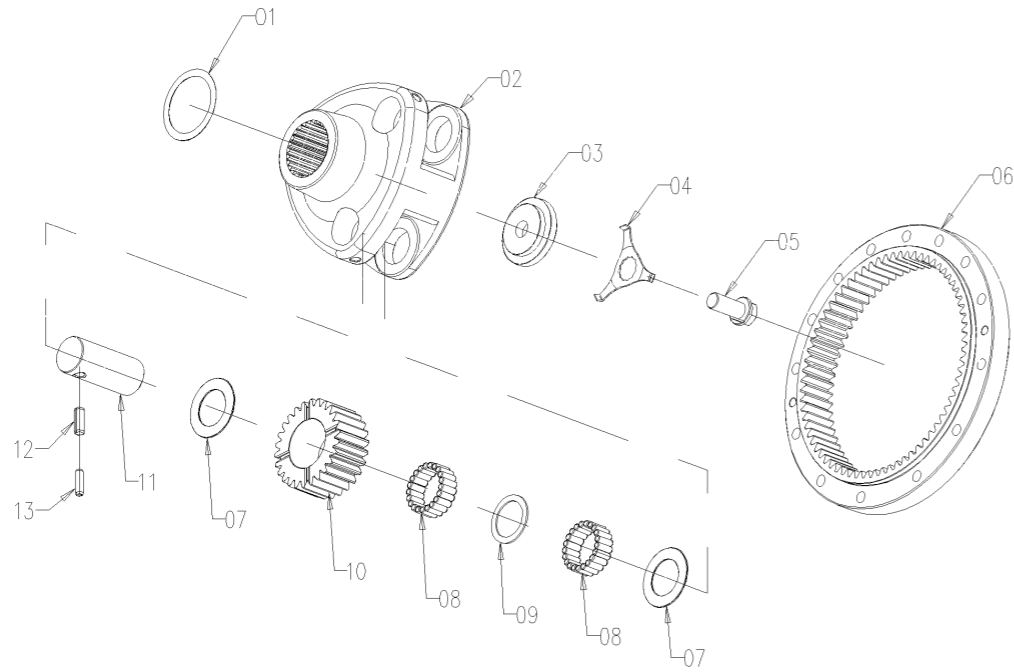


A23.39.913.4 PLANET GEARS ASS.Y

### A23.39.913.4\_0 行星齿轮总成 Planetary gear assemblies

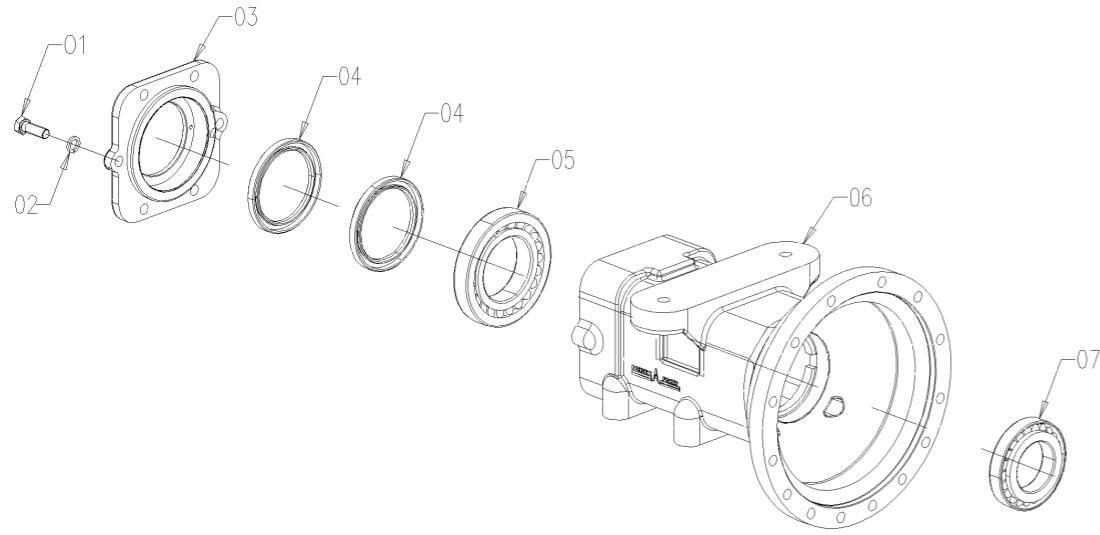
序号	零件编号	零件名称	数量	图号
1	SH900.39.111	调整垫圈 ADJUSTING WASHER	0	SH900.39.111
2	SH900.39.102	行星轮架 PLANET WHEEL FRAME	2	SH900.39.102
3	SH900.39.109	压垫 PRESSURE PAD	2	SH900.39.109
4	SH900.39.110	锁片 LOCK SHEET	2	SH900.39.110
5	SH900.39.107	行星架固定螺栓 PLANET CARRIER	2	SH900.39.107
6	SH904.39.106	最终传动齿圈 FINAL DRIVE GEAR	2	SH904.39.106
7	A23.39.001.0	隔圈 SPACER	12	A23.39.001.0
8	GBT309-P8X23.8-G3-3-6	滚针 NEEDLE ROLLER	252	GBT309-P8X23.8-G3-3-6
9	SH900.39.105	滚针隔套 NEEDLE SLEEVE	6	SH900.39.105
10	SH904.39.103	行星齿轮 PLANETARY GEAR	6	SH904.39.103
11	SH900.39.104	行星齿轮轴 SH900.39.104	6	SH900.39.104
12	GBT879.2-12X32	销 PIN	6	GBT879.2-12X32
13	GBT879.1-10X32	销 PIN	6	GBT879.1-10X32

A23.39.913.4 PLANET GEARS ASS.Y



A23.39.913.4\_1 行星齿轮总成 Planetary gear assemblies

序号	零件编号	零件名称	数量	图号
1	SH900.39.111	调整垫圈 ADJUSTING WASHER	0	SH900.39.111
2	SH900.39.102	行星轮架 PLANET WHEEL FRAME	2	SH900.39.102
3	SH900.39.109	压垫 PRESSURE PAD	2	SH900.39.109
4	SH900.39.110	锁片 LOCK SHEET	2	SH900.39.110
5	SH900.39.107	行星架固定螺栓 PLANET CARRIER	2	SH900.39.107
6	SH904.39.106	最终传动齿圈 FINAL DRIVE GEAR	2	SH904.39.106
7	A23.39.001.0	隔圈 SPACER	12	A23.39.001.0
8	GBT309-P8X23.8-G3-3-6	滚针 NEEDLE ROLLER	252	GBT309-P8X23.8-G3-3-6
9	SH900.39.105	滚针隔套 NEEDLE SLEEVE	6	SH900.39.105
10	SH904.39.103	行星齿轮 PLANETARY GEAR	6	SH904.39.103
11	SH900.39.104	行星齿轮轴 SH900.39.104	6	SH900.39.104
12	GBT879.2-12X32	销 PIN	6	GBT879.2-12X32
13	GBT879.1-10X32	销 PIN	6	GBT879.1-10X32



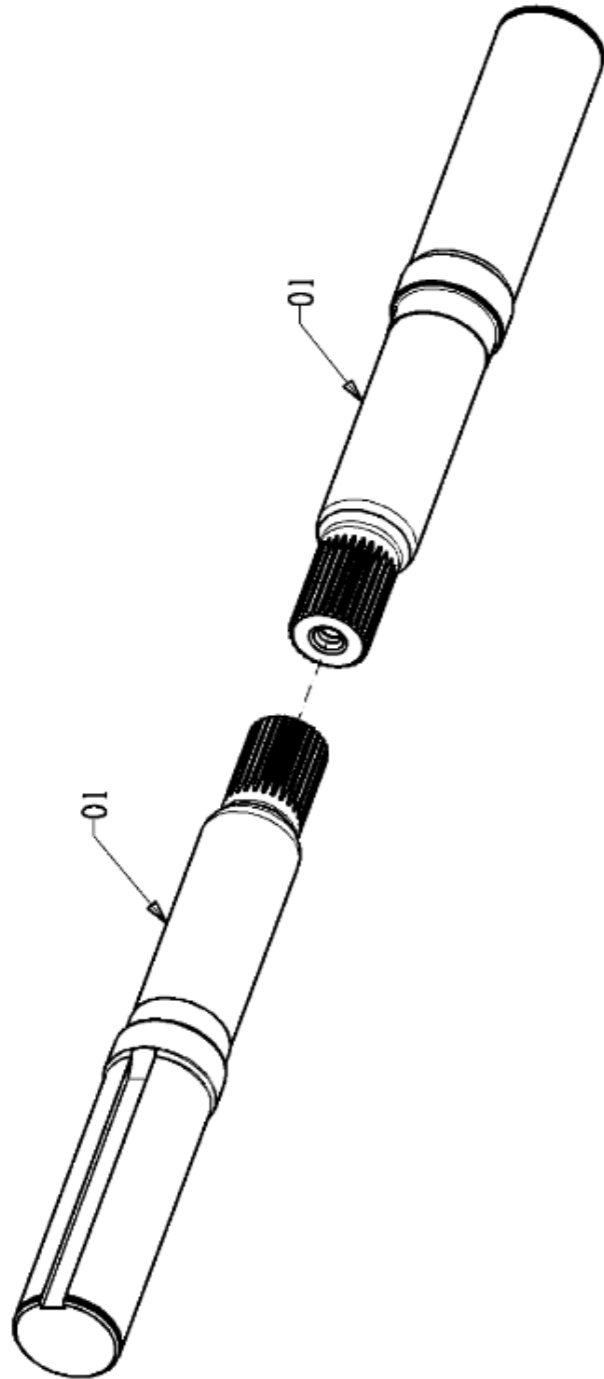
A23.39.920.4 REAR AXLE HOUSING ASS.Y

### A23.39.920.4\_0 最终传动壳体总成 REAR AXLE HOUSING ASS.Y

序号	零件编号	零件名称	数量	图号
1	GBT5783-M14X40-A3L	螺栓 BOLT	12	GBT5783-M14X40-A3L
2	GBT93-14-A3L	垫圈 WASHER	12	GBT93-14-A3L
3	SH950.39.103	端盖 END COVER	2	SH950.39.103
4	GBT13871.1-FB-100130-D	油封 OIL SEAL	4	GBT13871.1-FB-100130-D
5	GBT297-30218	轴承 BEARING	2	GBT297-30218
6	SH950.39.101/20	最终传动壳 FINAL DRIVE HOUSING	2	SH950.39.101/20
7	GBT297-30214	轴承 BEARING	2	GBT297-30214

 SAME DEUTZ-FAHR GROUP S.p.A. SAME + OLYMPIAN + LAMSON + FALCON Gruppo - Group	CD90 series	N. dis. - P/N <b>A23.39.934.4</b>											
	<b>DRIVING SHAFT ASS.Y</b>	<table border="1"> <tr> <td>Rev</td> <td>Foglio - Sheet</td> <td>di - of</td> </tr> <tr> <td>0</td> <td>1</td> <td>1</td> </tr> <tr> <td>Validato il</td> <td>Da</td> <td>F</td> </tr> <tr> <td>08/04/2020</td> <td></td> <td></td> </tr> </table>	Rev	Foglio - Sheet	di - of	0	1	1	Validato il	Da	F	08/04/2020	
Rev	Foglio - Sheet	di - of											
0	1	1											
Validato il	Da	F											
08/04/2020													

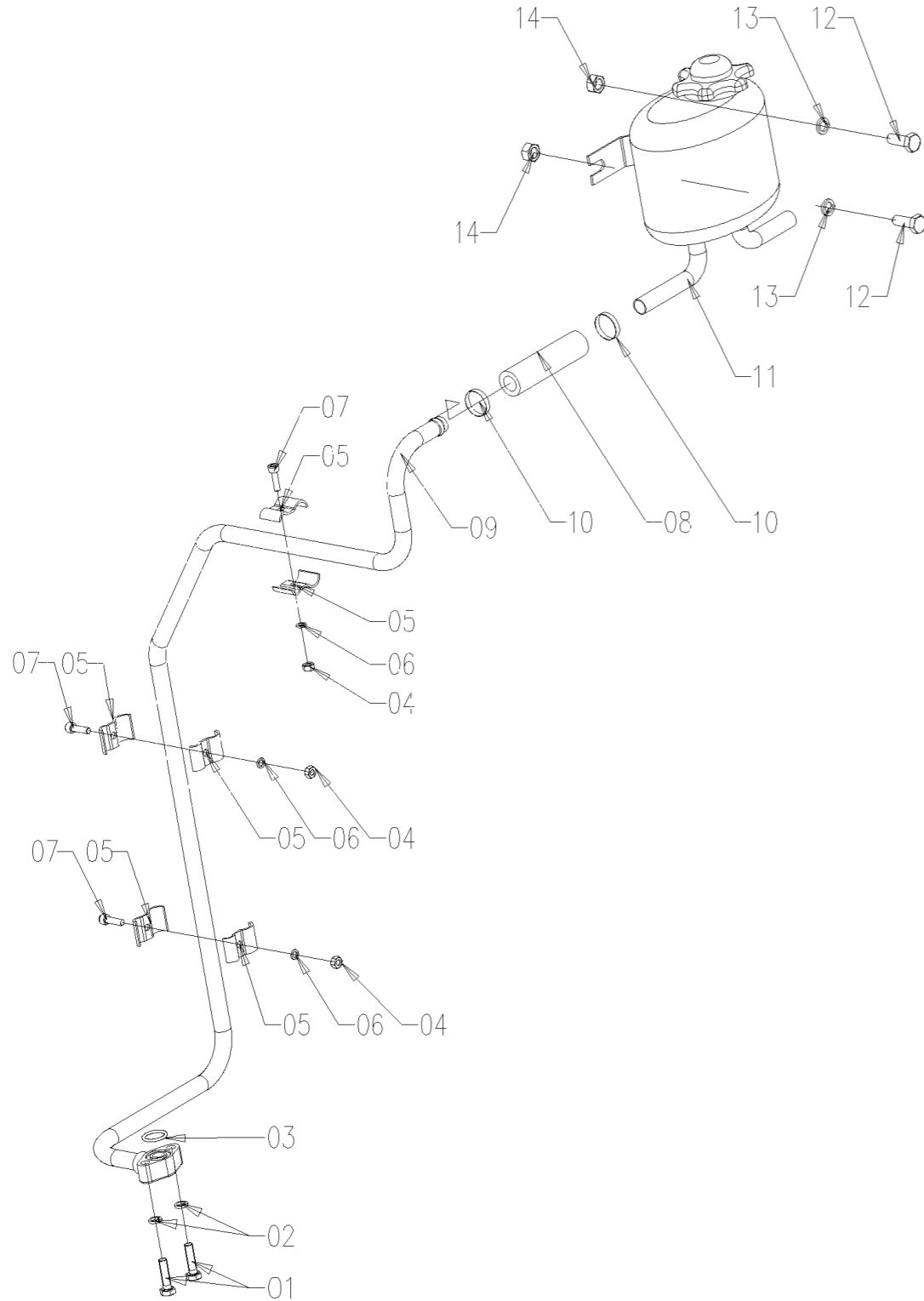
YFB-S-2018-009 SH.003



**A23.39.934.4\_0 驱动轴总成 DRIVING SHAFT ASS.Y**

序号	零件编号	零件名称	数量	图号
1	B36.39.001.0	驱动轴 DRIVE SHAFT	2	B36.39.001.0

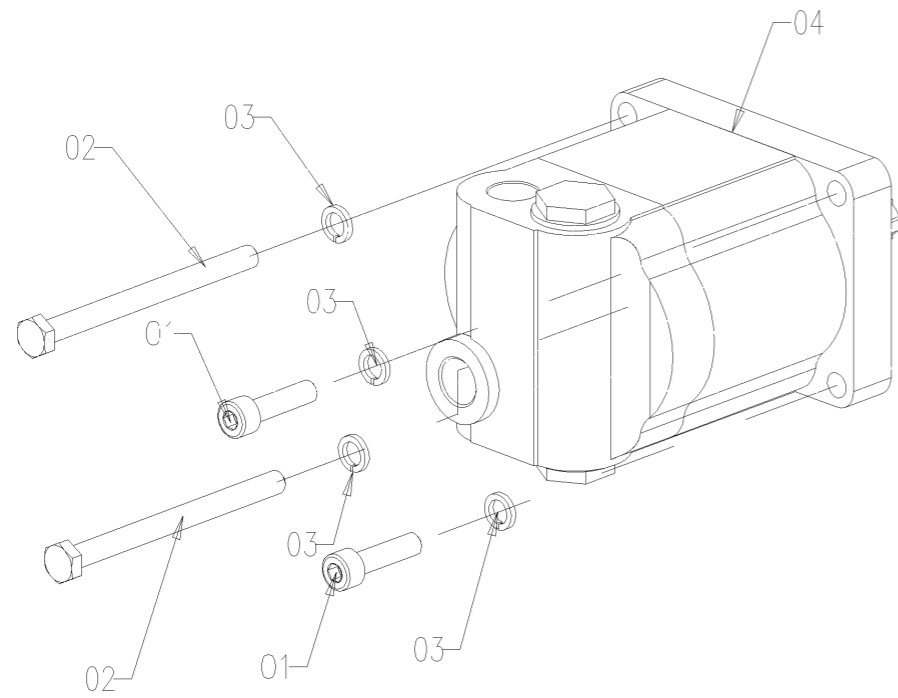
# A23.40.900.4 STEERING SUCTION PIPE ASS.Y



# A23.40.900.4\_2 转向泵吸油管总成 STEERING SUCTION PIPE ASS.Y

序号	零件编号	零件名称	数量	图号
1	GBT5783-M8X30-A2L	螺栓 BOLT	2	GBT5783-M8X30-A2L
2	GBT93-8-A3L	垫圈 WASHER	2	GBT93-8-A3L
3	GBT3452.1-19X2.65-G	O形密封圈 O RING	1	GBT3452.1-19X2.65-G
4	GBT6170-M6-A2L	螺母 NUT	3	GBT6170-M6-A2L
5	LE1204.40.111	油管夹 OIL PIPE CLAMP	6	LE1204.40.111
6	GBT93-6-A3L	垫圈 WASHER	3	GBT93-6-A3L
7	GBT70.1-M6X20-A2L	螺丝钉 SCREW	3	GBT70.1-M6X20-A2L
8	CD704-1B.40.104	回油软管 RETURN HOSE	1	CD704-1B.40.104
9	A23.40.001.3/20	转向泵进油管 INLET PIPE WELDED	1	A23.40.001.3/20
10	JBT8870-D25	软管夹 HOSE CLAMP	2	JBT8870-D25
11	SH900.40.025	转向油箱及呼吸器总成 STEERING	1	SH900.40.025
12	GBT5783-M10X25-A3L	螺栓 BOLT	2	GBT5783-M10X25-A3L
13	GBT93-10-A3L	垫圈 WASHER	2	GBT93-10-A3L
14	GBT6170-M10-A3L	螺母 NUT	2	GBT6170-M10-A3L

# A23.40.901.4 STEERING PUMP INSTALLATION ASS.Y



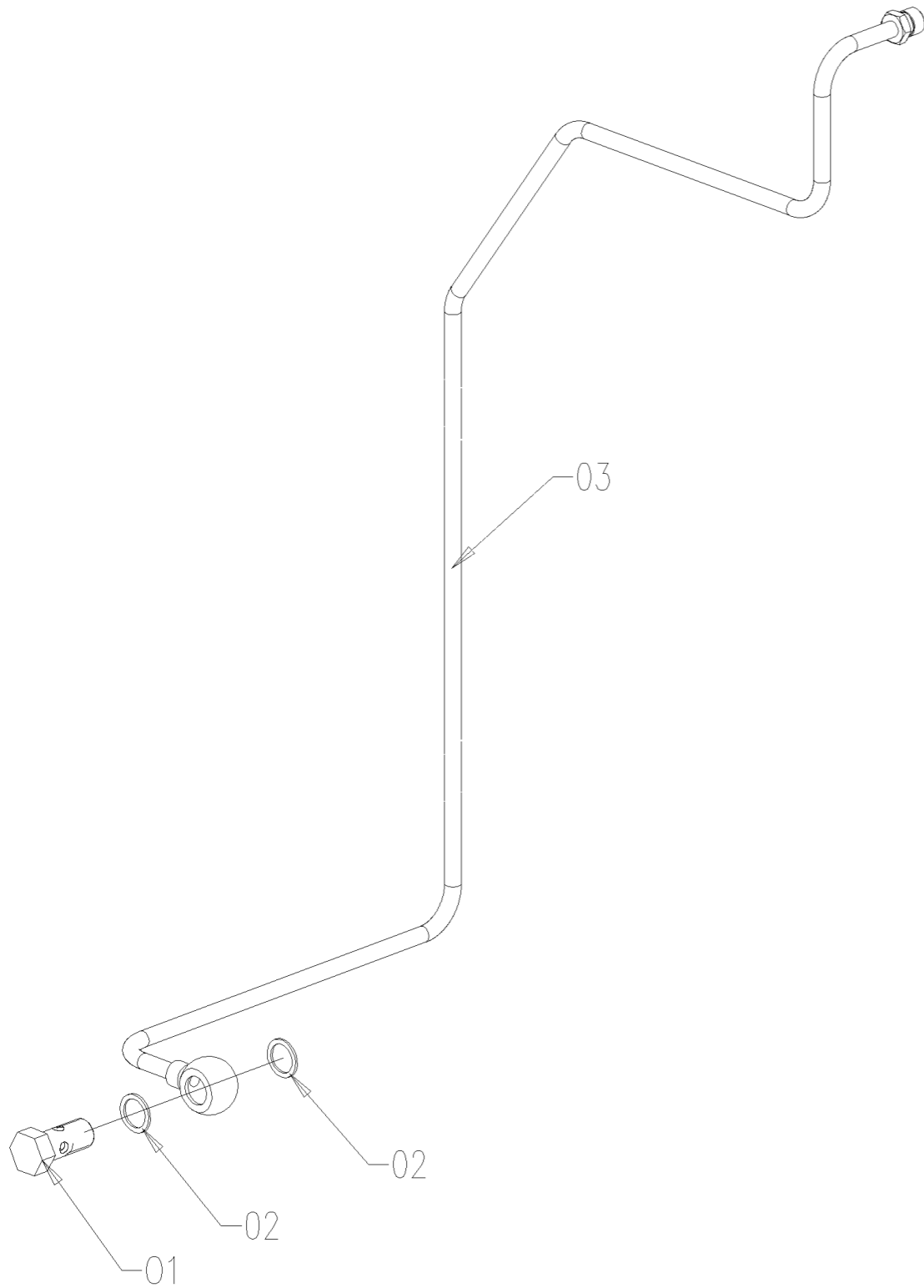
## A23.40.901.4\_1 转向泵安装总成 STEERING PUMP ASS.

序号	零件编号	零件名称	数量	图号
1	GBT70.1-MX30-A2L	螺钉 SCREW	2	GBT70.1-MX30-A2L
2	GBT5782-M8X100-A2L	螺栓 BOLT	2	GBT5782-M8X100-A2L
3	GBT93-8-A3L	垫圈 WASHER	4	GBT93-8-A3L
4	CD904A.40.011	恒流溢流泵 PUMP	1	CD904A.40.011

# A23.40.902.4 OUTLET PIPE ASS.

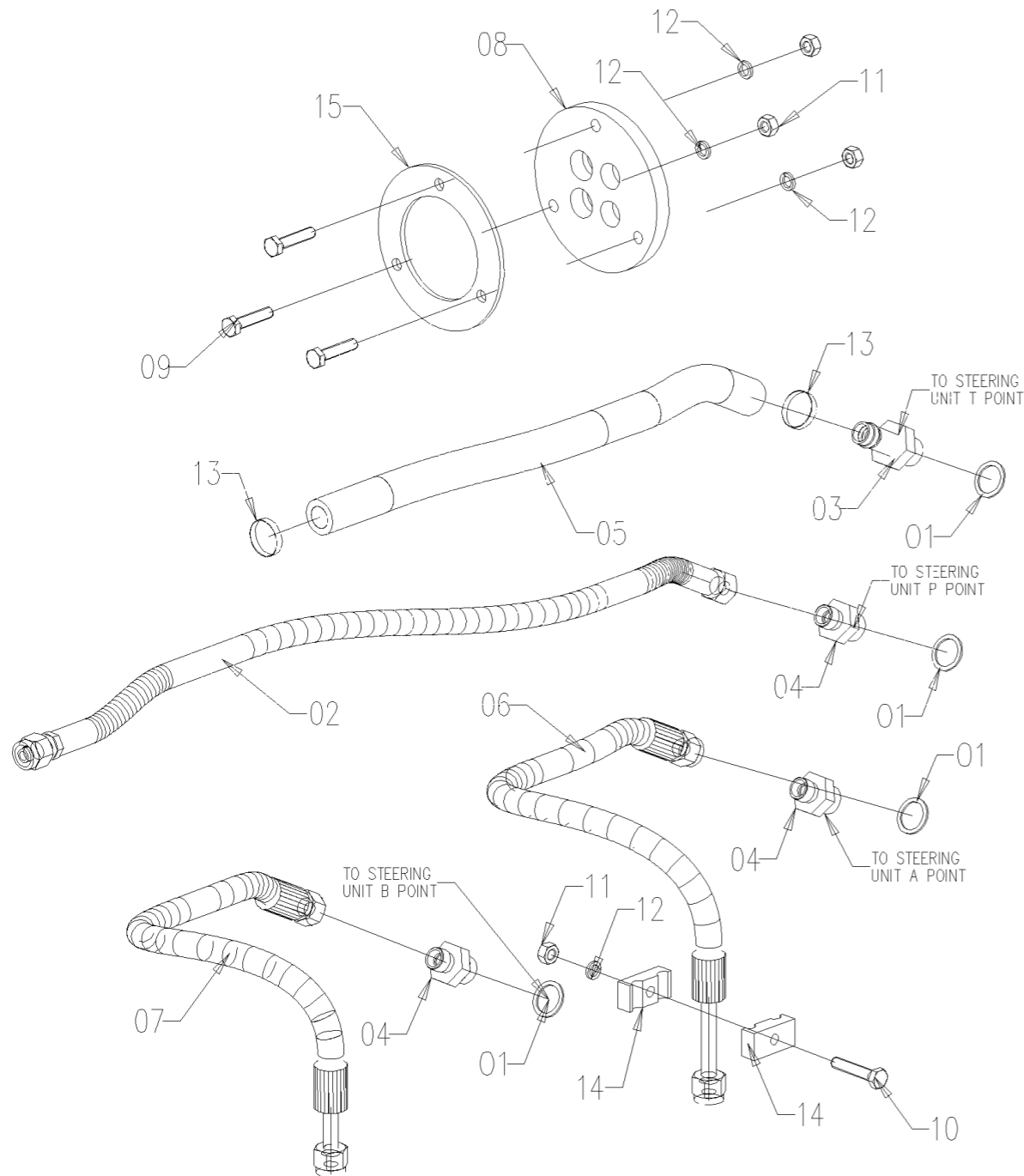
## A23.40.902.4\_0 转向泵出油管总成 STEERING PUMP DEIVERY PIPE ASS.Y

序号	零件编号	零件名称	数量	图号
1	SH900.40.110	空心螺栓 HOLLOW BOLT	1	SH900.40.110
2	2.1560.014.0	密封圈 SEALING RING	2	2.1560.014.0
3	A23.40.002.3	出口管总成 OUTLET PIPE ASS.	1	A23.40.002.3



# A23.40.903.4 STEERING PIPE ASS.

YFB-R-2016-016 SH.009



## A23.40.903.4\_1 转向器进出油管总成 STEERING PIPE ASS.

序号	零件编号	零件名称	数量	图号
1	2.1560.016.0	密封环 SEALING RING	4	2.1560.016.0
2	A23.40.003.3	进气软管总成 INLET HOSE ASS.	1	A23.40.003.3
3	CD1204A.40.019	回油管 OIL RETURN PIPE	1	CD1204A.40.019
4	CD404A.40.102	卡套式直通接头 CLAMP TYPE END	3	CD404A.40.102
5	CD804A.40A.101/10	回油软管 RETURN HOSE	1	CD804A.40A.101/10
6	CD904A.40.021/10	转向齿轮1号左油管 STEERING GEAR	1	CD904A.40.021/10
7	CD904A.40.022/10	转向齿轮1号油管 STEERING GEAR	1	CD904A.40.022/10
8	CD1204A.40B.101	橡胶帽 RUBBER	1	CD1204A.40B.101
9	GBT5783-M8X35-A2L	螺栓 BOLT	3	GBT5783-M8X35-A2L
10	GBT5783-M8X40-A2L	螺栓 BOLT	1	GBT5783-M8X40-A2L
11	GBT6170-M8-A2L	螺母 NUT	4	GBT6170-M8-A2L
12	GBT93-8-A3L	垫圈 WASHER	4	GBT93-8-A3L
13	JBT8870-D25	软管夹 HOSE CLAMP	2	JBT8870-D25
14	SH900.40.112	双孔夹 DOUBLE CLIP	2	SH900.40.112
15	SH900.40.138	转向油管压板 STEERING OIL PIPE	1	SH900.40.138

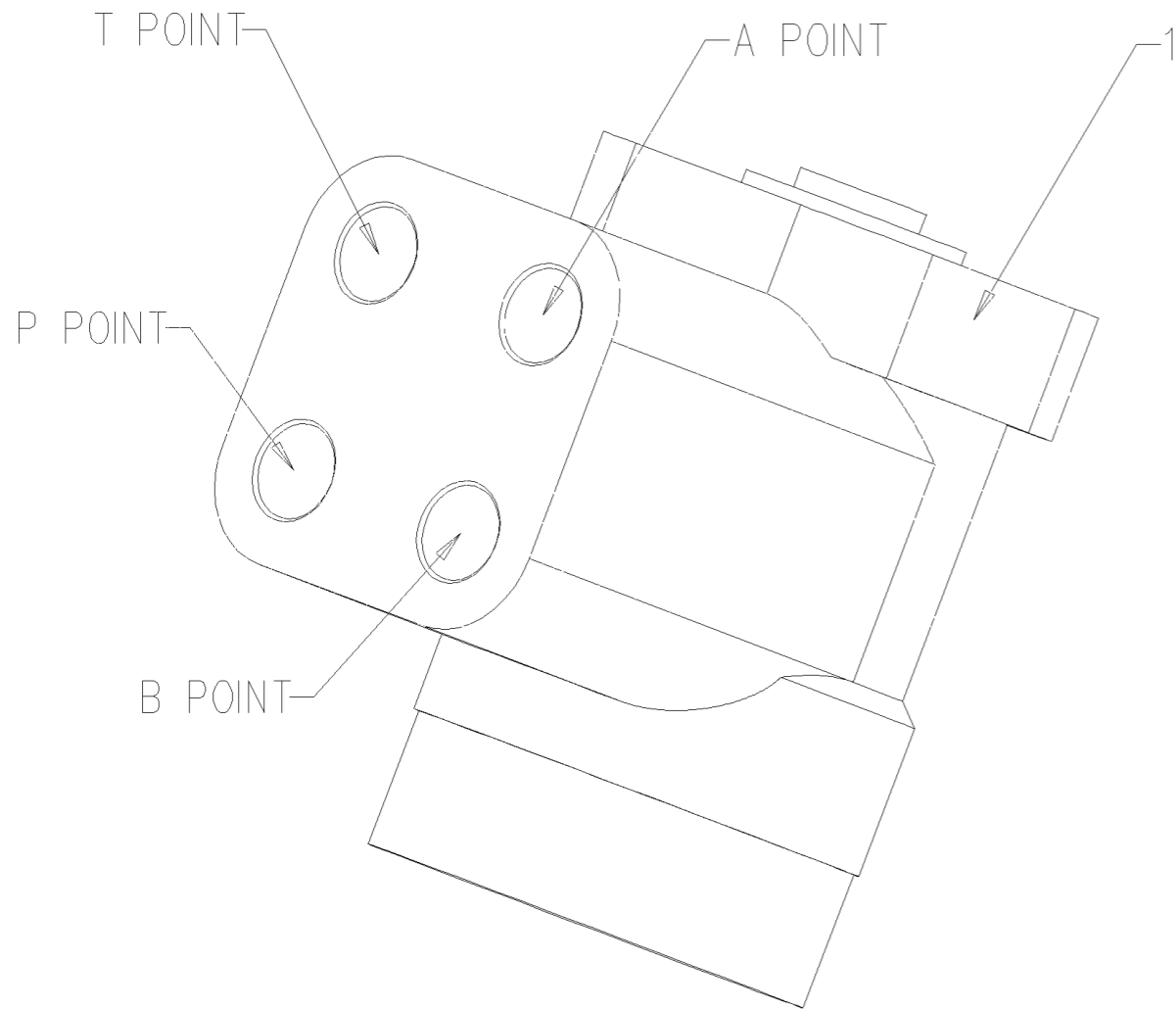


A23.40.904.4\_0 转向器总成STEERING UNIT ASS.

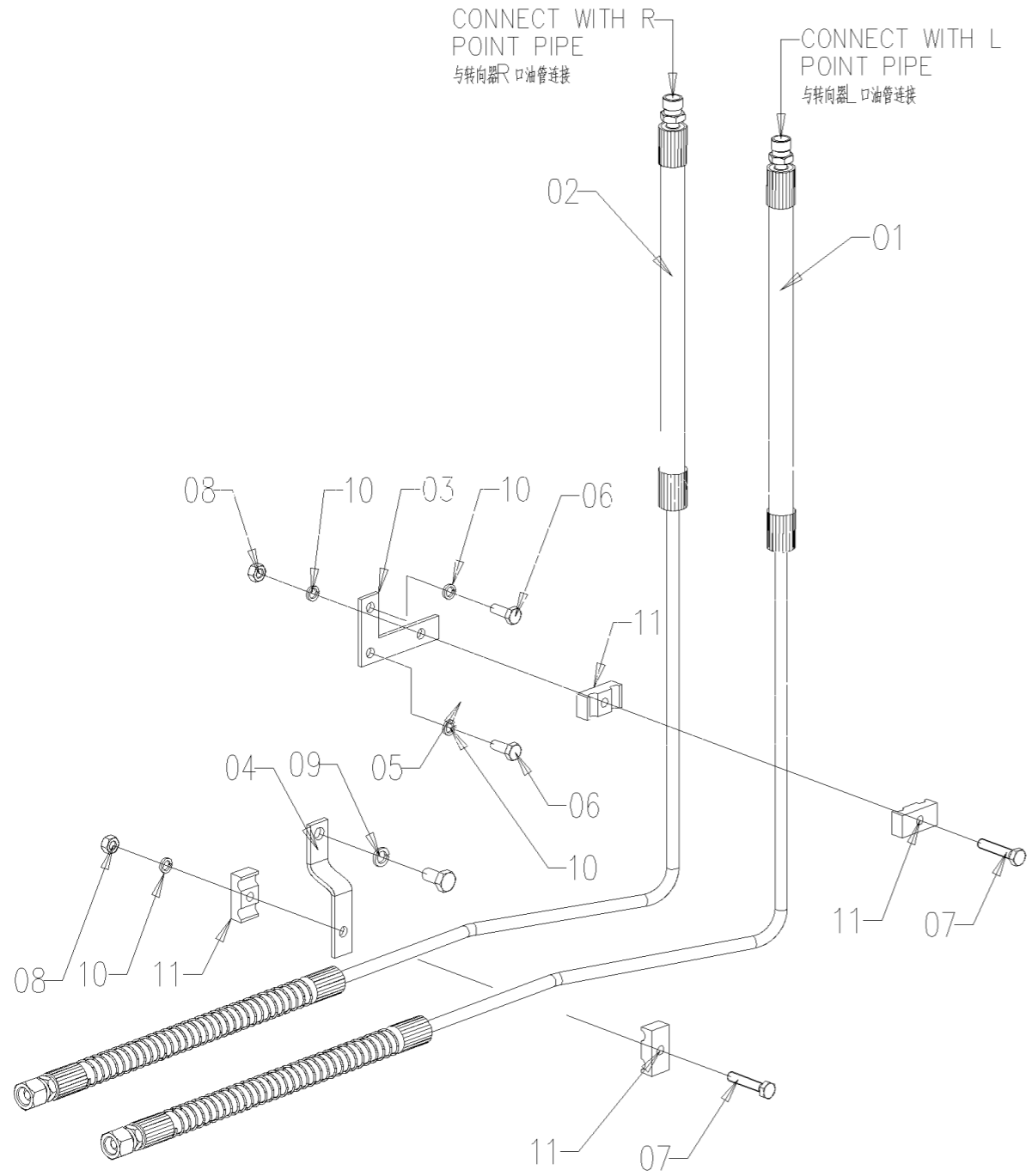
序号	零件编号	零件名称
1	SH900.40.013	转向器 STEERING UNIT

数量	图号
1	SH900.40.013

A23.40.904.4 STEERING UNIT ASS.



# A23.40.905.4 STEERING DELIVERY PIPE ASS.Y



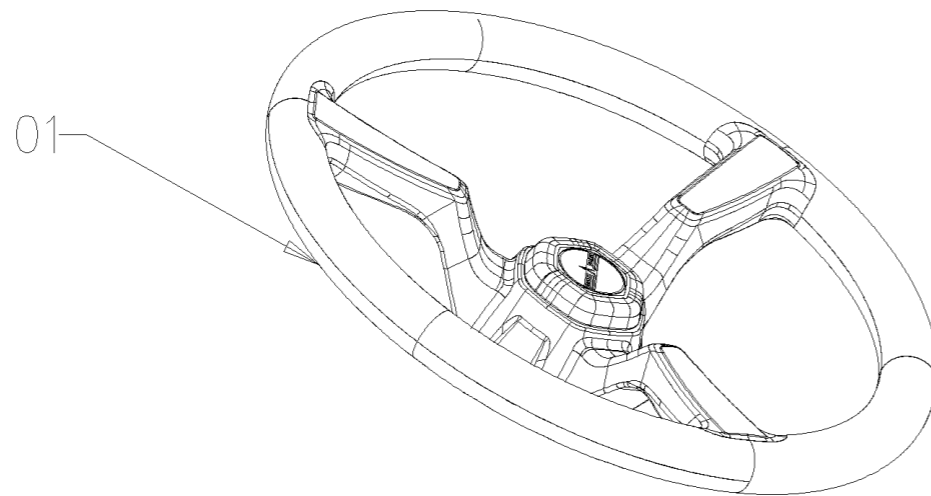
## A23.40.905.4\_2 转向油缸进出油管总成STEERING DELIVERY PIPE ASS.Y

序号	零件编号	零件名称	数量	图号
1	A23.40.005.3/10	出口管总成 OUTLET PIPE ASS.-LH	1	A23.40.005.3/10
2	A23.40.006.3/10	出口管总成 OUTLET PIPE ASS.-RH	1	A23.40.006.3/10
3	CD904A.40.109/10	左油管支架1 CD904A.40.109/10	1	CD904A.40.109/10
4	CD904A.40.110	石油管道支架 OIL PIPE BRACKET	1	CD904A.40.110
5	GBT5783-M10X20-A3L	螺栓 BOLT	1	GBT5783-M10X20-A3L
6	GBT5783-M8X20-A2L	螺栓 BOLT	2	GBT5783-M8X20-A2L
7	GBT5783-M8X40-A2L	螺栓 BOLT	2	GBT5783-M8X40-A2L
8	GBT6170-M8-A2L	螺母 NUT	2	GBT6170-M8-A2L
9	GBT93-10-A3L	垫圈 WASHER	1	GBT93-10-A3L
10	GBT93-8-A3L	垫圈 WASHER	4	GBT93-8-A3L
11	SH900.40.112	双孔夹 DOUBLE CLIP	4	SH900.40.112

# A23.40.916.4 STEERING WHEEL ASS.Y

## A23.40.916.4\_0 转向操纵总成 STEERING COMMAND ASS.Y

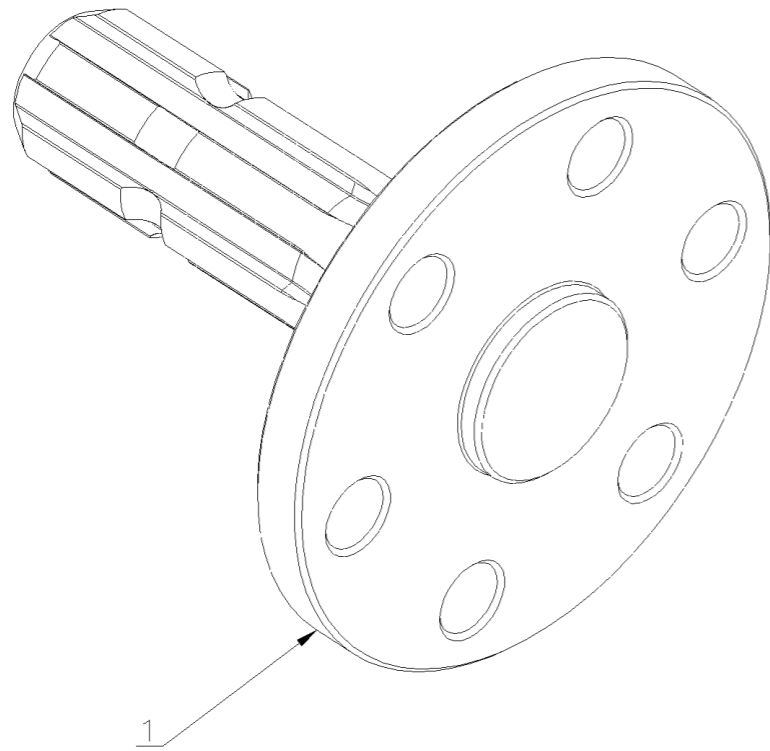
序号	零件编号	零件名称	数量	图号
1	CD554.40.028/10	方向盘 STEERING WHEEL	1	CD554.40.028/10



### A23.41.900.4 PTO SHAFT 6 KEYS

### A23.41.900.4\_0 动力输出轴 6键 D35 (分体式) PTO SHAFT 6 KEYS D35 (split type)

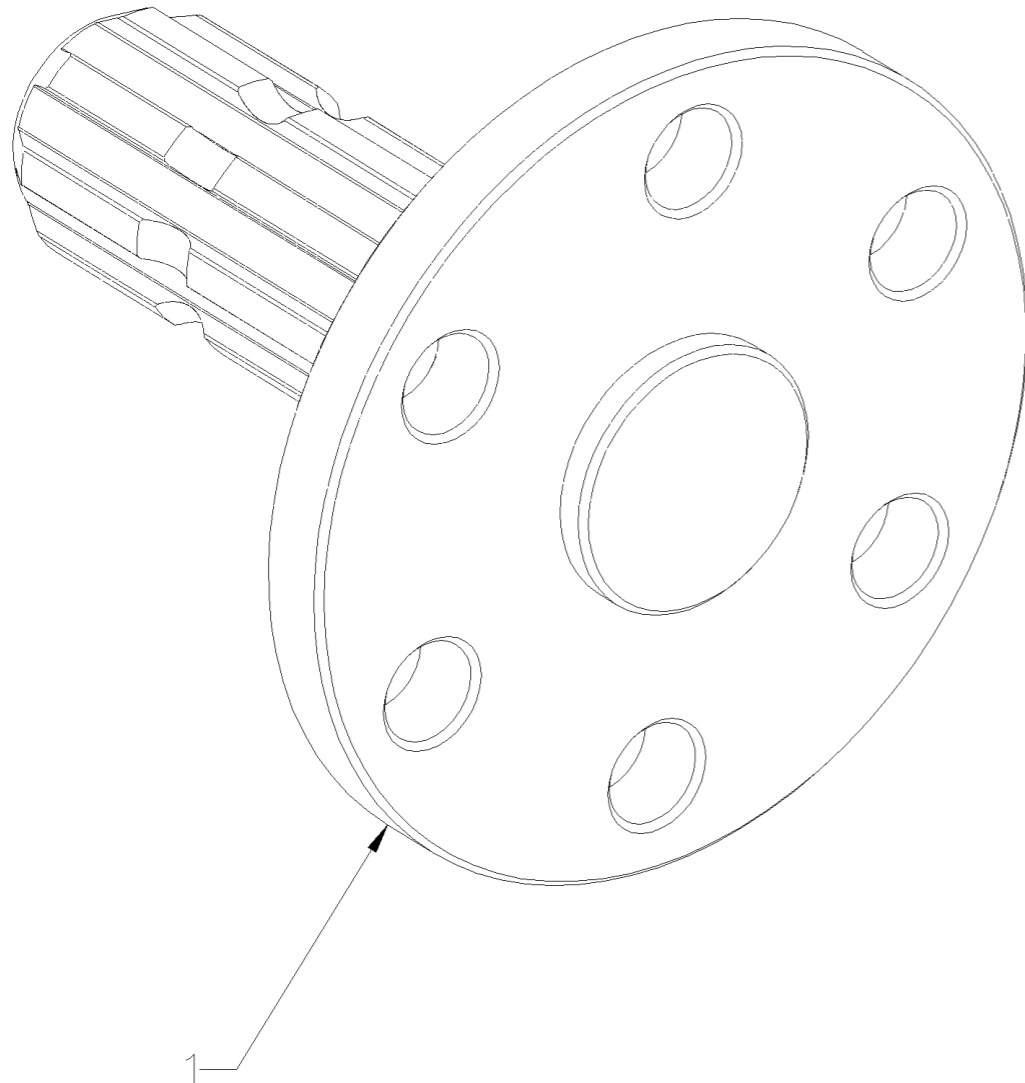
序号	零件编号	零件名称	数量	图号
1	SH900.41.116A/10	动力输出轴 PTO SHAFT	1	SH900.41.116A/10



# A23.41.901.4 PTO SHAFT 8 KEYS

## A23.41.901.4\_0 动力输出轴 8键 D38 (分体式) PTO SHAFT 8 KEYS D38 (split type)

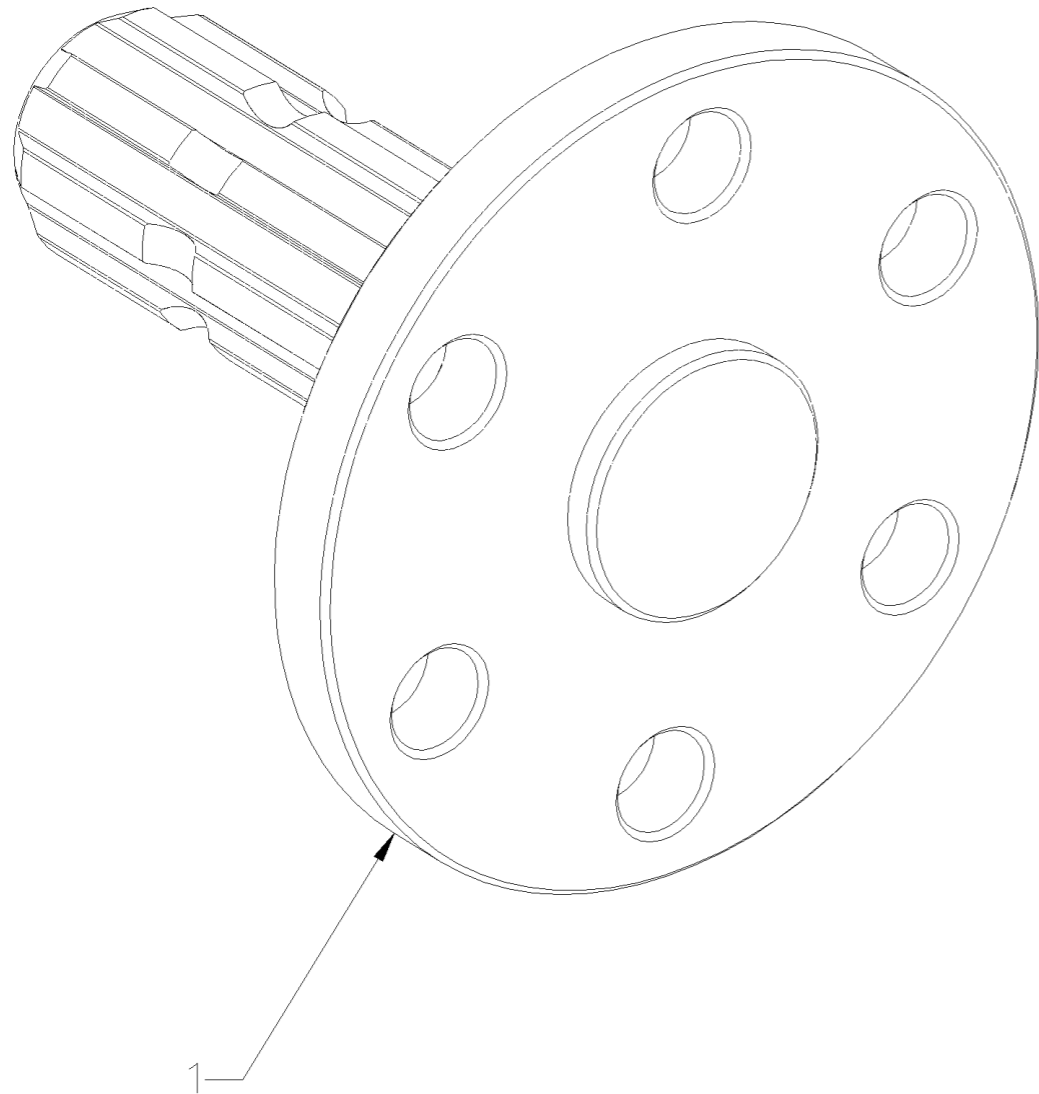
序号	零件编号	零件名称	数量	图号
1	SH900.41.116	动力输出轴 PTO SHAFT	1	SH900.41.116



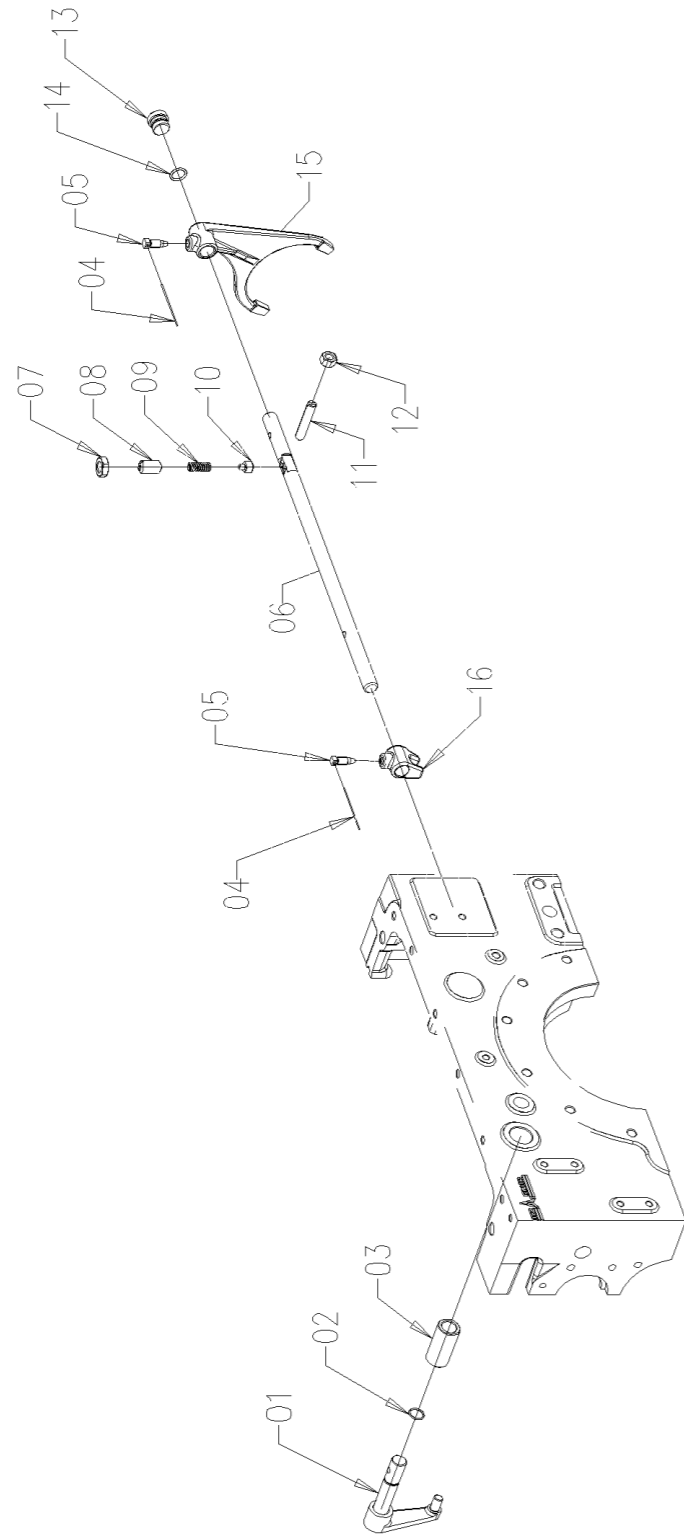
# A23.41.901.4 PTO SHAFT 8 KEYS

## A23.41.901.4\_1 动力输出轴 8键 D38 (分体式) PTO SHAFT 8 KEYS D38 (split type)

序号	零件编号	零件名称	数量	图号
1	SH900.41.116	动力输出轴 PTO SHAFT	1	SH900.41.116



# A23.41.902.4 PTO SHIFT ASS.Y



## A23.41.902.4\_0 拨叉总成 PTO SHIFT ASS.Y

序号	零件编号	零件名称	数量	图号
1	SH900.41.012	摇臂内焊件 PTO INNER ROCKER	1	SH900.41.012
2	GBT3452.1-17X1.8-G	O形密封圈 O RING	1	GBT3452.1-17X1.8-G
3	SH900.41.104	套管 BUSHING	1	SH900.41.104
4	YBT5294-SZ-F-1.4	低碳钢丝 LOW CARBON STEEL WIRE	2	YBT5294-SZ-F-1.4
5	SH900.38.110	紧定螺钉 SET SCREW	2	SH900.38.110
6	SH900.41.128	拨叉轴 SHIFTING FORK SHAFT	1	SH900.41.128
7	GBT6172.1-M16-A3L	螺母 NUT	1	GBT6172.1-M16-A3L
8	GBT71-M16X30-A3L	螺钉 SCREW	1	GBT71-M16X30-A3L
9	SH900.41.133	锁销弹簧 LOCK PIN SPRING	1	SH900.41.133
10	SH900.41.132	锁定销 LOCK PIN	1	SH900.41.132
11	GBT71-M12X65-A3L	螺钉 SCREW	1	GBT71-M12X65-A3L
12	GBT6170-M12-A3L	螺母 NUT	1	GBT6170-M12-A3L
13	SH900.41.131	塞子 PLUG	1	SH900.41.131
14	GBT3452.1-17X2.65-G	O形密封圈 O RING	1	GBT3452.1-17X2.65-G
15	SH900.41.130	高低档拨叉 HIGH AND LOW SHIFT	1	SH900.41.130
16	SH900.41.127	拨头 STRICKER	1	SH900.41.127



SIME DEUTZ-FAHR GROUP S.p.A.  
 Via E. Mattei 11 - 40018 BOLOGNA - ITALIA  
 Gruppo - Group

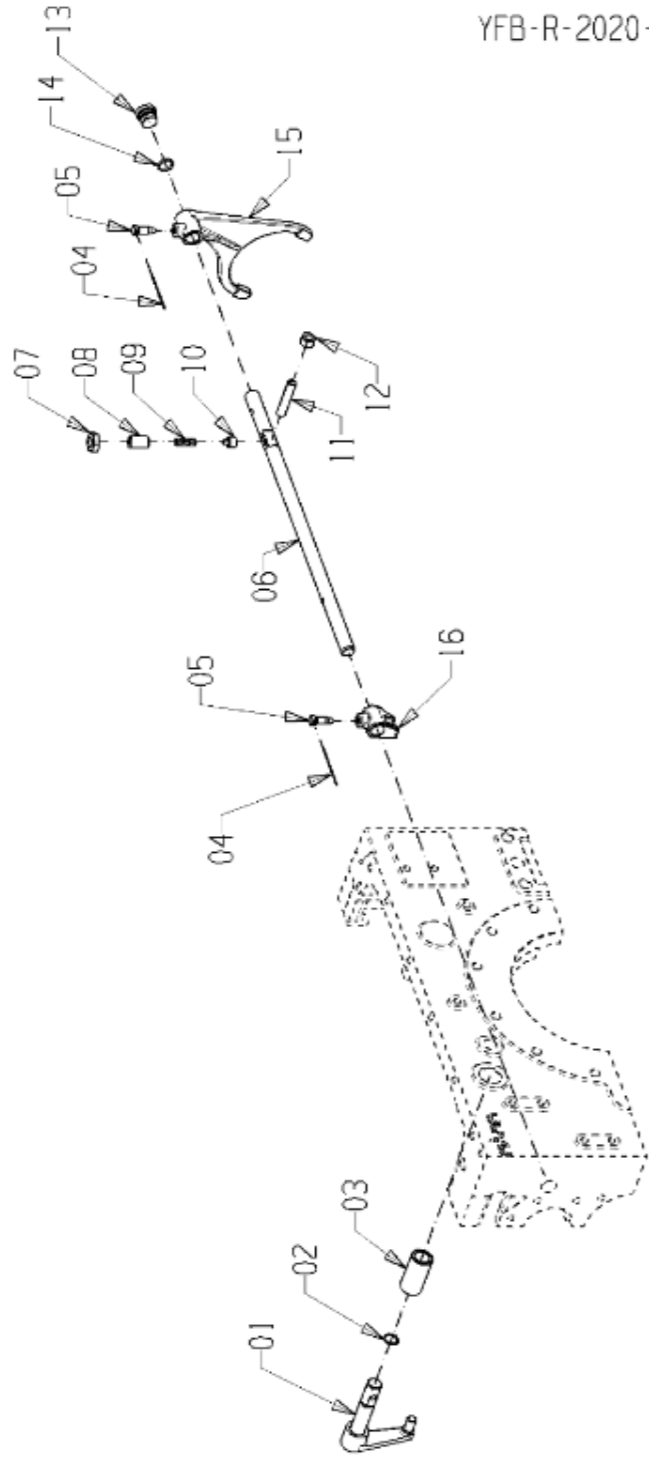
CD90 series

PTO SHIFT ASS.Y

N. dis. - PN  
 A23.41.902.4

Rev	Facile - Sheet	di - di
1	1	1
Val. data al 10/06/2021		

YFB-R-2020-004 SH.035

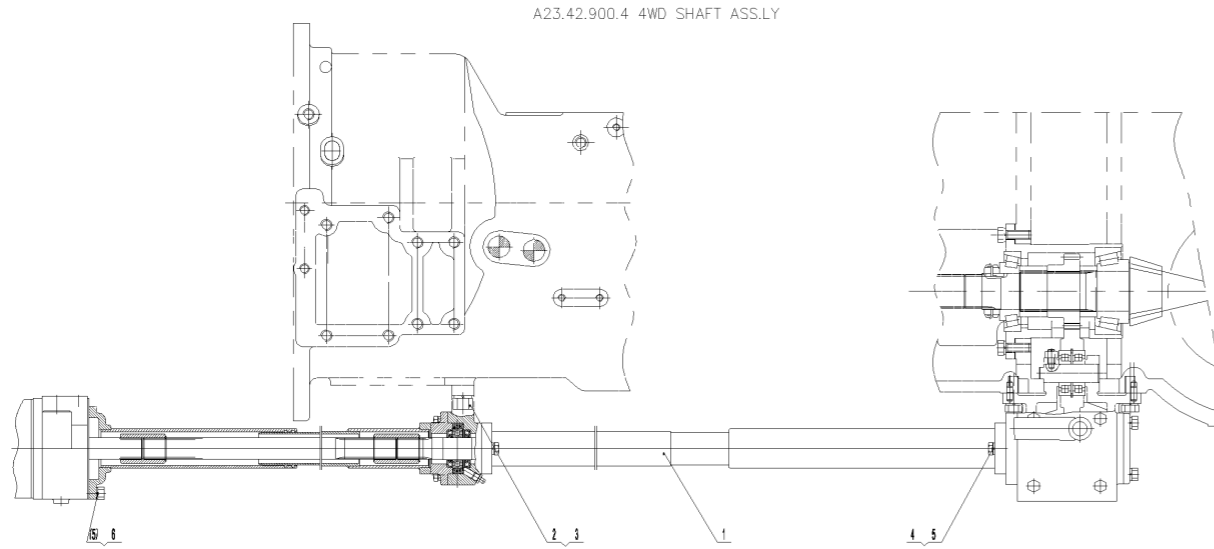


### A23.41.902.4\_1 拨叉总成 PTO SHIFT ASS.Y

序号	零件编号	零件名称	数量	图号
1	SH900.41.012	摇臂内焊件 PTO INNER ROCKER	1	SH900.41.012
2	GBT3452.1-17X1.8-G	O型圈 O-RING	1	GBT3452.1-17X1.8-G
3	SH900.41.104	套管 BUSHING	1	SH900.41.104
4	YBT5294-SZ-F-1.4	低碳钢丝 LOW CARBON STEEL WIRE	按需	YBT5294-SZ-F-1.4
5	SH900.38.110	紧定螺钉 SET SCREW	2	SH900.38.110
6	SH900.41.128	拨叉轴 SHIFTING FORK SHAFT	1	SH900.41.128
7	2.1011.209.2	螺母 NUT M16x2	1	2.1011.209.2
8	GBT71-M16X30-A3L	螺栓 SCREW	1	GBT71-M16X30-A3L
9	SH900.41.133	锁销弹簧 LOCK PIN SPRING	1	SH900.41.133
10	SH900.41.132	锁销 LOCK PIN	1	SH900.41.132
11	GBT71-M12X65-A3L	螺栓 SCREW	1	GBT71-M12X65-A3L
12	2.1011.107.2	螺母 NUT M12x1.75	1	2.1011.107.2
13	SH900.41.131	塞子 PLUG	1	SH900.41.131
14	GBT3452.1-17X2.65-G	O型圈 O-RING	1	GBT3452.1-17X2.65-G
15	SH900.41.130	高低档拨叉 H-L SHIFT FORK	1	SH900.41.130
16	SH900.41.127	贴纸 STRICKER	1	SH900.41.127



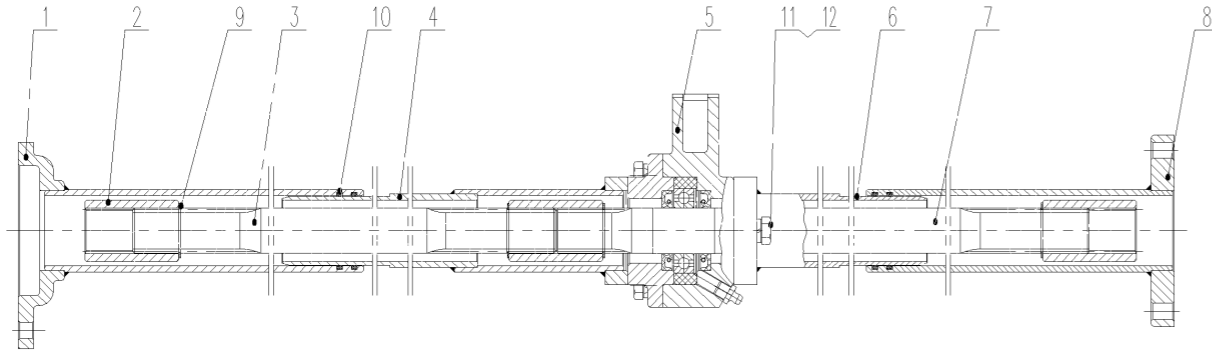
### A23.42.900.4\_0 传动轴总成4WD SHAFT ASS.LY



序号	零件编号	零件名称	数量	图号
1	CD904A.42.012	分动箱防护总成 Transfer box protection	1	CD904A.42.012
2	GBT5783-M16X45-A3L	螺栓 BOLT	2	GBT5783-M16X45-A3L
3	GBT93-10-A3L	垫圈 WASHER	2	GBT93-10-A3L
4	GBT5783-M10X30-A3L	螺栓 BOLT	2	GBT5783-M10X30-A3L
5	GBT93-10-A3L	垫圈 WASHER	6	GBT93-10-A3L
6	GBT5783-M10X25-A3L	螺栓 BOLT	4	GBT5783-M10X25-A3L

### CD904A.42.012 分动箱防护总成 Transfer box protection assembly

CD904A.42.012 分动箱防护总成

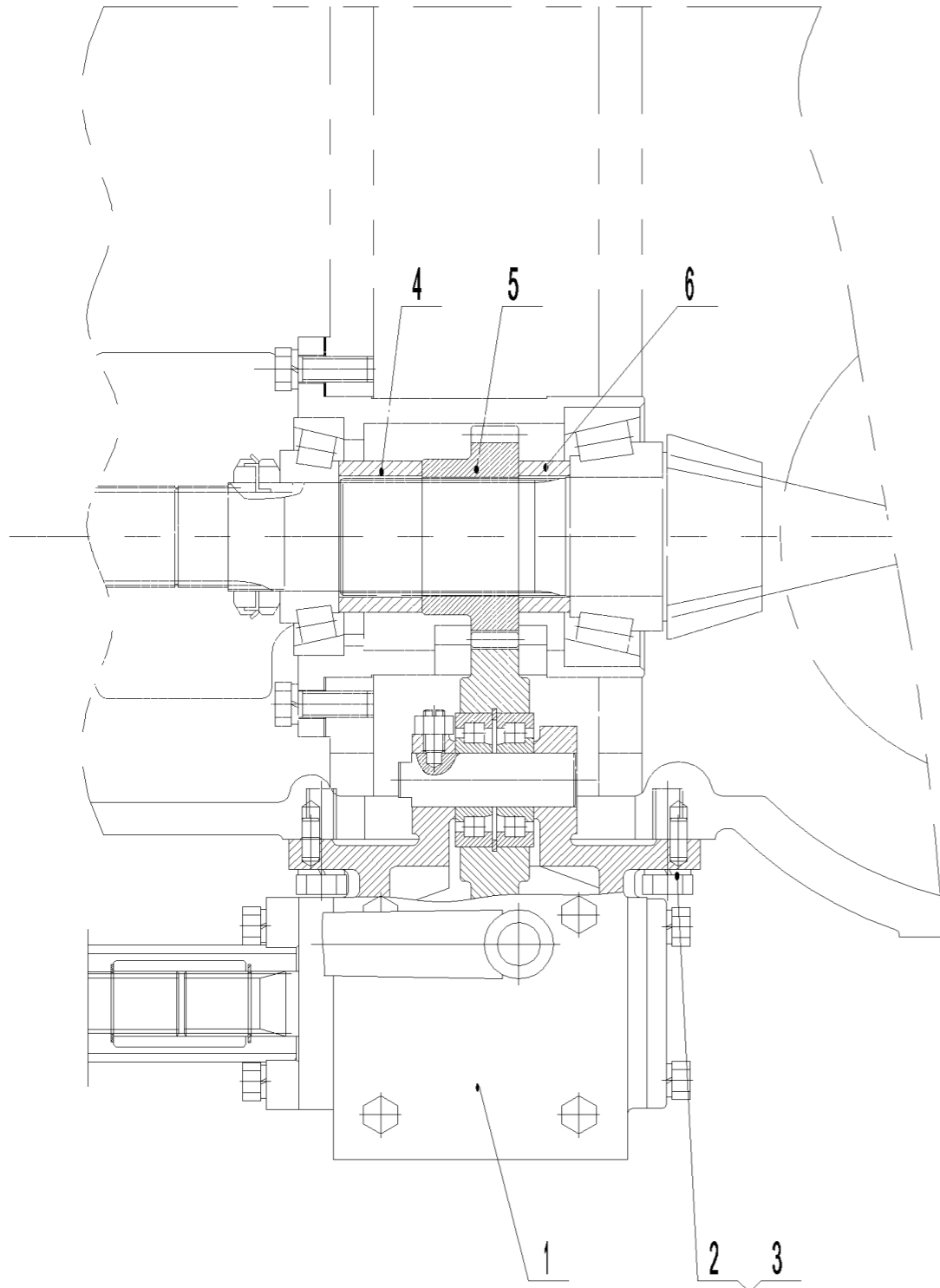


序号	零件编号	零件名称	数量	图号
1	CD904A.42.015	护套焊合 Sheath weldment	1	CD904A.42.015
2	SH904.42.123	连接花键套 Connect the spline sleeve	3	SH904.42.123
3	CD904A.42.130	前传动轴 front propeller shaft	1	CD904A.42.130
4	SH904.42.016	护套焊合 Sheath weldment	1	SH904.42.016
5	SH904.42.017	中间轴承座总成 Intermediate support	1	SH904.42.017
6	SH904.42.018	护套焊合 Sheath weldment	1	SH904.42.018
7	SH904.42.125	中间传动轴 intermediate gear shaft	1	SH904.42.125
8	SH904.42.019	护套焊合 Sheath weldment	1	SH904.42.019
9	GBT894.1-29	挡圈 CIRCLIP	4	GBT894.1-29
10	GBT3452.1-45X3.55-G	O形圈 O RING	4	GBT3452.1-45X3.55-G
11	GBT5783-M10X30-A3L	螺栓 BOLT	4	GBT5783-M10X30-A3L
12	GBT93-10-A3L	垫圈 WASHER	4	GBT93-10-A3L

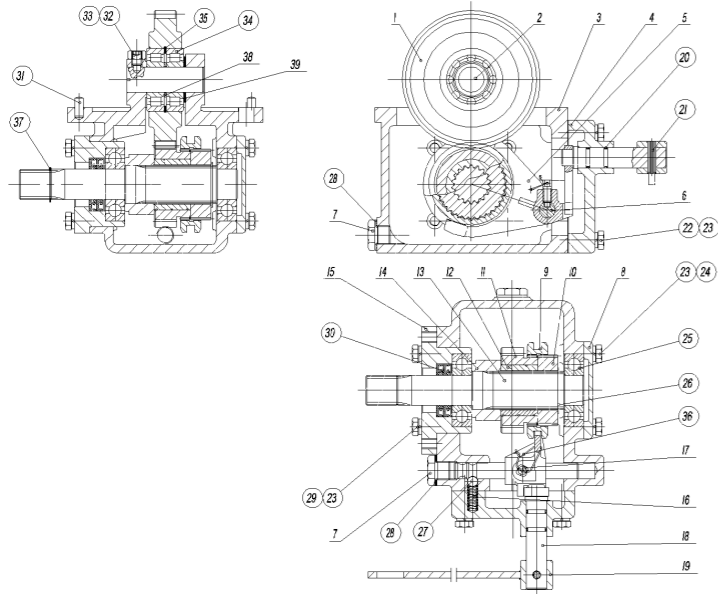
A23.42.901.4 4WD GEARS ASS.LY

A23.42.901.4\_0 分动箱总成 (21/27) 4WD GEARS ASS.LY (21/27)

序号	零件编号	零件名称	数量	图号
1	A23.42.001.4	分动箱箱体总成 Transition box body	1	A23.42.001.4
2	GBT5783-M14X40-A3L	螺栓 BOLT	4	GBT5783-M14X40-A3L
3	GBT93-14-A3L	垫圈 WASHER	4	GBT93-14-A3L
4	SH904.42.101	隔套 spacer bush	1	SH904.42.101
5	SH904.42.102	主动齿轮 ?driving gear	1	SH904.42.102
6	SH904.42.109	隔套 spacer bush	1	SH904.42.109



A23.42.001.4 TRANSFER CASE ASS.LY



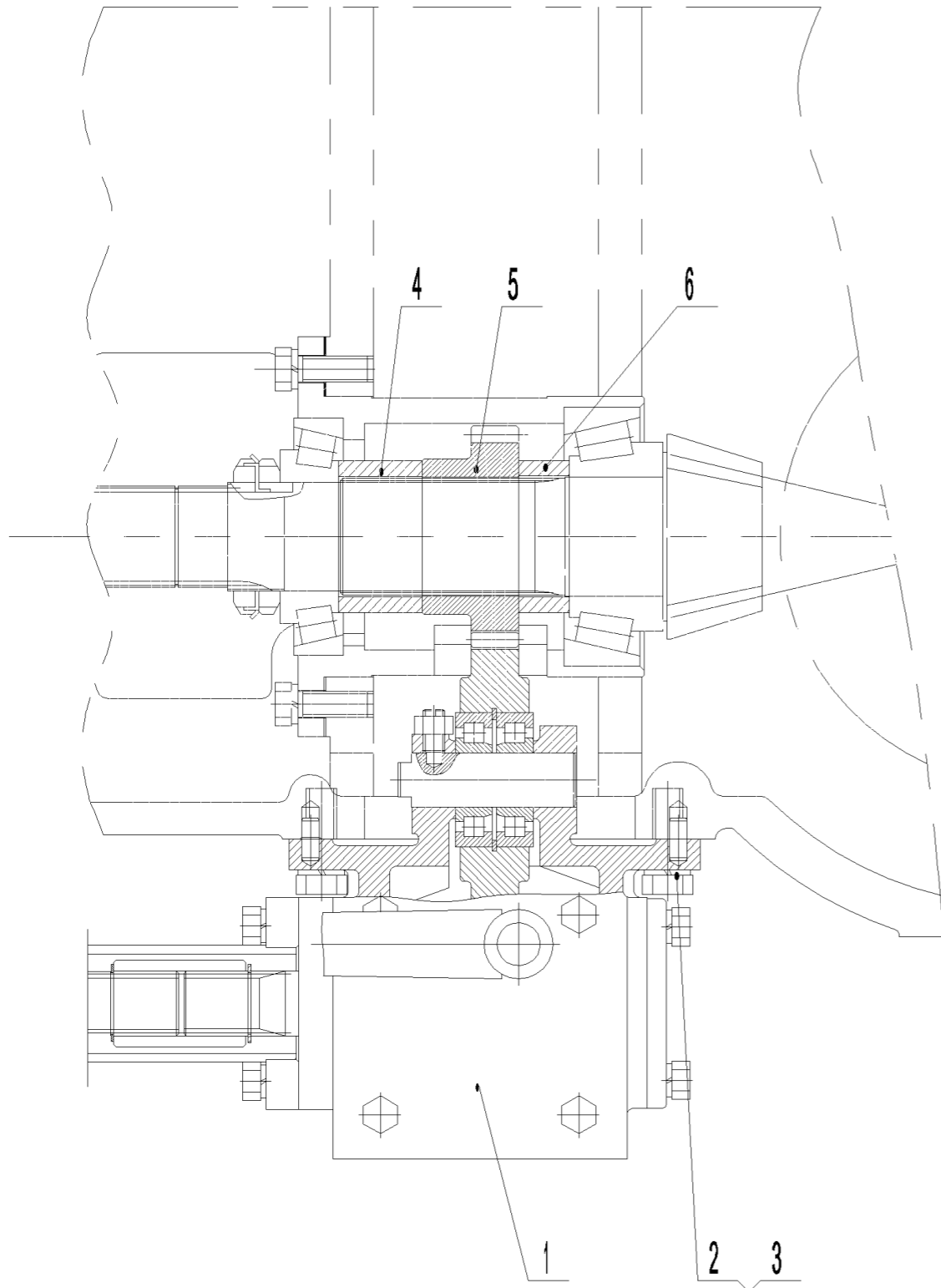
A23.42.001.4 分动箱箱体总成 Distributor box assembly

序号	零件编号	零件名称	数量	图号
1	SH904.42.103	中间齿轮 ?intermediate?gear	1	SH904.42.103
2	SH904.42.104	中间齿轮轴 intermediate?gear?shaft	1	SH904.42.104
3	SH904.42.105	分动箱壳 transfer case housing	1	SH904.42.105
4	SH904.42.106	侧盖 ?Side Cover	1	SH904.42.106
5	SH904.42.107	分离拨叉 Release fork	1	SH904.42.107
6	SH904.42.108	拨叉轴 declutch shift shaft	1	SH904.42.108
7	SH904.42.113	螺堵 plug	3	SH904.42.113
8	SH904.42.112	后盖 rear?cover	1	SH904.42.112
9	SH904.42.114	啮合套 sliding sleeve	1	SH904.42.114
10	SH904.42.115	啮合齿座 Meshing tooth holder	1	SH904.42.115
11	SH904.42.116	被动齿轮 driven gear	1	SH904.42.116
12	SH904.42.117	衬套 bushing	1	SH904.42.117
13	SH904.42.118	分动箱齿轮轴 Transmission box gear	1	SH904.42.118
14	SH904.42.119	隔套 spacer bush	1	SH904.42.119
15	SH904.42.120	前盖 protegulum	1	SH904.42.120
16	SH904.42.124	弹簧 coil spring	1	SH904.42.124
17	SH904.42.121	紧定螺钉 stopper?screw	1	SH904.42.121
18	SH904.42.013	拨杆焊合 FORK SHAFT WELDMENT	1	SH904.42.013
19	SH904.42.014	摇臂焊合 Rocker arm welded	1	SH904.42.014
20	GBT3452.1-15X2.65-G	O形圈 O RING	2	GBT3452.1-15X2.65-G
21	GBT879.1-8X32	销 PIN	1	GBT879.1-8X32
22	GBT5783-M10X40-A3L	螺栓 BOLT	4	GBT5783-M10X40-A3L
23	GBT93-10-A3L	垫圈 WASHER	12	GBT93-10-A3L
24	GBT5783-M10X25-A3L	螺栓 BOLT	4	GBT5783-M10X25-A3L
25	GBT276-6306	轴承 BEARING	2	GBT276-6306
26	GBT894.1-38	弹性挡圈 CIRCLIP	1	GBT894.1-38
27	GBT308-10-G100-b	球 BALL	1	GBT308-10-G100-b
28	JBT982-18	垫圈 WASHER	3	JBT982-18
29	GBT5783-M10X30-A3L	螺栓 BOLT	4	GBT5783-M10X30-A3L
30	GBT13871.1-B-030052-D	油封 OIL SEAL	2	GBT13871.1-B-030052-D
31	GBT119.1-8m6X20	销 PIN	2	GBT119.1-8m6X20
32	GBT6170-M10-A3L	螺母 NUT	1	GBT6170-M10-A3L
33	GBT79-M10X20-A3L	螺丝钉 SCREW	1	GBT79-M10X20-A3L
34	GBT283-NJ305	轴承 BEARING	2	GBT283-NJ305
35	GBT893.1-62	弹性挡圈 CIRCLIP	1	GBT893.1-62
36	YBT5294-SZ-F-1.00	连接销 STEEL WIRE	1	YBT5294-SZ-F-1.00
37	GBT894.1-29	挡圈 CIRCLIP	1	GBT894.1-29
38	SH904.42.142	隔套 spacer bush	1	SH904.42.142
39	SH904.42.143	止推环 ?thrust collar	1	SH904.42.143

# A23.42.902.4 4WD GEARS ASS.LY

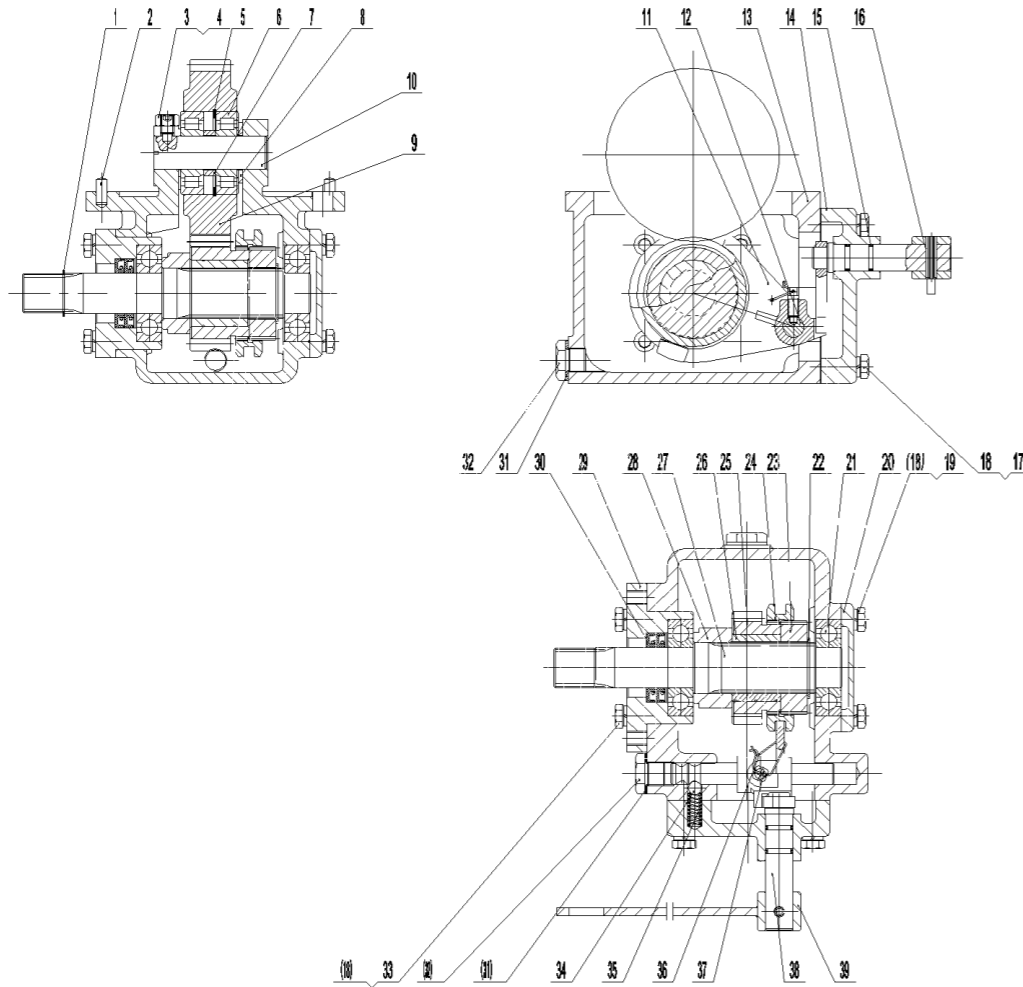
# A23.42.902.4\_0 分动箱总成 (19/22) 4WD GEARS ASS.LY (19/22)

序号	零件编号	零件名称	数量	图号
1	A23.42.002.4	分动箱箱体总成 Transition box body	1	A23.42.002.4
2	GBT5783-M14X40-A3L	螺栓 BOLT	4	GBT5783-M14X40-A3L
3	GBT93-14-A3L	垫圈 WASHER	4	GBT93-14-A3L
4	SH904.42.101	隔套 spacer bush	1	SH904.42.101
5	SH904.42A.101	主动齿轮 ?driving gear	1	SH904.42A.101
6	SH904.42.109	隔套 spacer bush	1	SH904.42.109



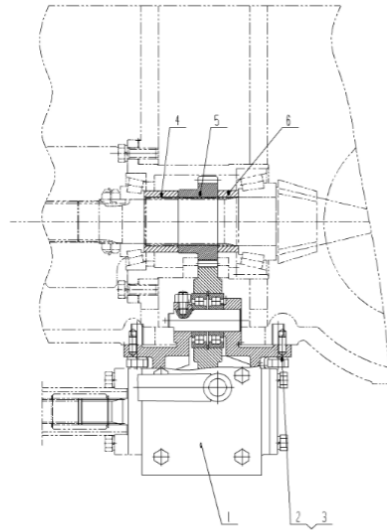
### A23.42.002.4 分动箱箱体总成 Distributor box assembly

A23.42.002.4 TRANSFER CASE ASS.LY



序号	零件编号	零件名称	数量	图号
1	GBT894.1-29	挡圈 CIRCLIP	1	GBT894.1-29
2	GBT119.1-8m6X20	销 PIN	2	GBT119.1-8m6X20
3	GBT6170-M10-A3L	螺母 NUT	1	GBT6170-M10-A3L
4	GBT79-M10X20-A3L	螺丝钉 SCREW	1	GBT79-M10X20-A3L
5	GBT893.1-62	弹性挡圈 CIRCLIP	1	GBT893.1-62
6	GBT283-NJ305	轴承 BEARING	2	GBT283-NJ305
7	SH904.42A.102	隔套 spacer bush	1	SH904.42A.102
8	SH904.42A.103	止推环 ?thrust collar	1	SH904.42A.103
9	SH904.42A.104	中间齿轮 ?intermediate?gear	1	SH904.42A.104
10	SH904.42A.105	中间齿轮轴 intermediate?gear?shaft	1	SH904.42A.105
11	SH904.42.107	分离拨叉 Release fork	1	SH904.42.107
12	SH904.42.108	拨叉轴 declutch shift shaft	1	SH904.42.108
13	SH904.42A.106	分动箱壳 transfer case housing	1	SH904.42A.106
14	SH904.42.106	侧盖 ?Side Cover	1	SH904.42.106
15	GBT3452.1-15X2.65-G	O形圈 O RING	2	GBT3452.1-15X2.65-G
16	GBT879.1-8X32	销 PIN	1	GBT879.1-8X32
17	GBT5783-M10X40-A3L	螺栓 BOLT	4	GBT5783-M10X40-A3L
18	GBT93-10-A3L	垫圈 WASHER	12	GBT93-10-A3L
19	GBT5783-M10X25-A3L	螺栓 BOLT	4	GBT5783-M10X25-A3L
20	SH904.42.112	后盖 rear?cover	1	SH904.42.112
21	GBT276-6306	轴承 BEARING	2	GBT276-6306
22	GBT894.1-38	弹性挡圈 CIRCLIP	1	GBT894.1-38
23	SH904.42.115	啮合齿座 Meshing tooth holder	1	SH904.42.115
24	SH904.42.114	啮合套 sliding sleeve	1	SH904.42.114
25	SH904.42A.107	被动齿轮 driven gear	1	SH904.42A.107
26	SH904.42A.108	衬套 bushing	1	SH904.42A.108
27	SH904.42.118	分动箱齿轮轴 Transmission box gear	1	SH904.42.118
28	SH904.42A.109	隔套 spacer bush	1	SH904.42A.109
29	SH904.42.120	前盖 protegulum	1	SH904.42.120
30	GBT13871.1-B-030052-D	油封 OIL SEAL	2	GBT13871.1-B-030052-D
31	JBT982-18	垫圈 WASHER	3	JBT982-18
32	SH904.42.113	螺堵 plug	3	SH904.42.113
33	GBT5783-M10X30-A3L	螺栓 BOLT	4	GBT5783-M10X30-A3L
34	GBT308-10-G100-b	球 BALL	1	GBT308-10-G100-b
35	SH904.42.124	弹簧 coil spring	1	SH904.42.124
36	YBT5294-SZ-F-1.00	连接销 STEEL WIRE	1	YBT5294-SZ-F-1.00
37	SH904.42.121	紧定螺钉 stopper?screw	1	SH904.42.121
38	SH904.42.013	拨杆焊合 FORK SHAFT WELDMENT	1	SH904.42.013
39	SH904.42.014	摇臂焊合 Rocker arm welded	1	SH904.42.014

# A23.42.903.4\_0 分动箱总成 4WD GEARS ASS.LY



序号	零件编号	零件名称	数量	图号
1	A23.42.003.4	分动箱箱体总成 Transition box body	1	A23.42.003.4
2	GBT5783-M14X40-A3L	BOLT BOLT	4	GBT5783-M14X40-A3L
3	GBT93-14-A3L	WASHER WASHER	4	GBT93-14-A3L
4	SH904.42.101	隔套 spacer bush	1	SH904.42.101
5	SH904.42B.102	主动齿轮 driving gear	1	SH904.42B.102
6	SH904.42.109	隔套 spacer bush	1	SH904.42.109

### 技术要求

1. 装配前各零件清洗干净，无油污、锈迹；
2. 装配后各螺栓的扭力矩应符合标准要求；
3. 各零件连接面及螺纹处涂油并涂防锈油；
4. 试车运转灵活，无异常噪音、无异常温升。

6	SH904.42.109	隔套	1						
5	SH904.42B.102	主动齿轮	1						
4	SH904.42.101	隔套	1						
3	GBT93-14-A3L	垫圈	4						
2	GBT5783-M14X40-A3L	螺栓	4						
1	A23.42.003.4	分动箱箱体总成	1						

MODIFICARE SOLO SU SISTEMA CAD  
HANDLING ON CAD SYSTEM ONLY



4WD GEARS ASS.LY

A23.42.903.4

0

1

2

3

4

5

6

7

8

9

10

11

12

13

14

15

16

17

18

19

20

21

22

23

24

25

26

27

28

29

30

31

32

33

34

35

36

37

38

39

40

41

42

43

44

45

46

47

48

49

50

51

52

53

54

55

56

57

58

59

60

61

62

63

64

65

66

67

68

69

70

71

72

73

74

75

76

77

78

79

80

81

82

83

84

85

86

87

88

89

90

91

92

93

94

95

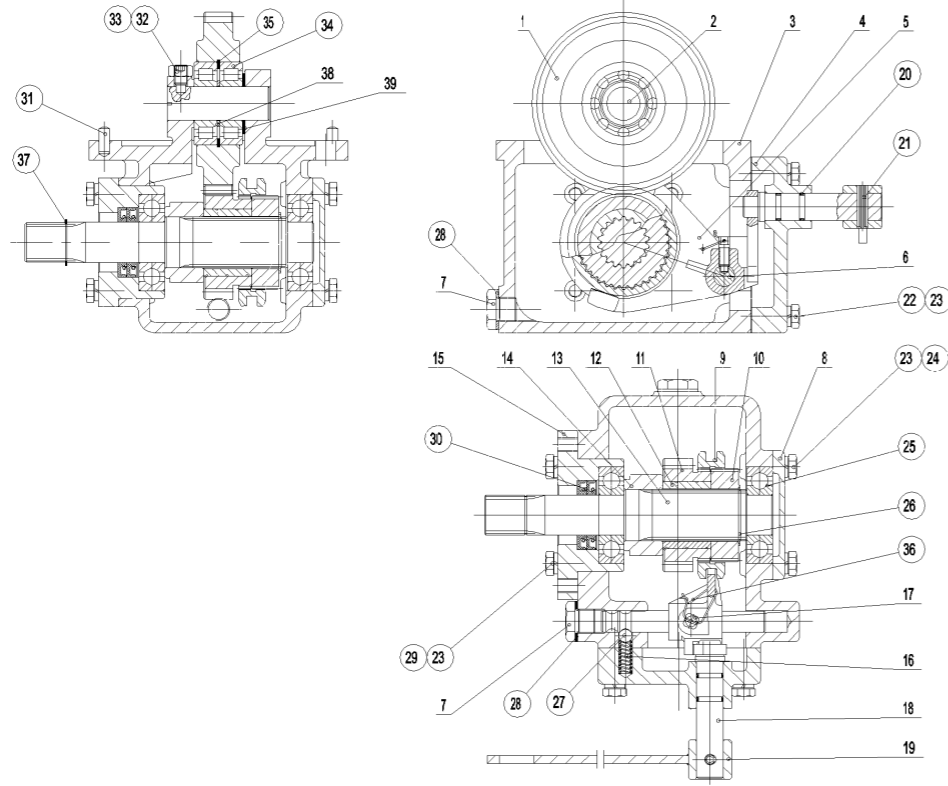
96

97

98

99

100



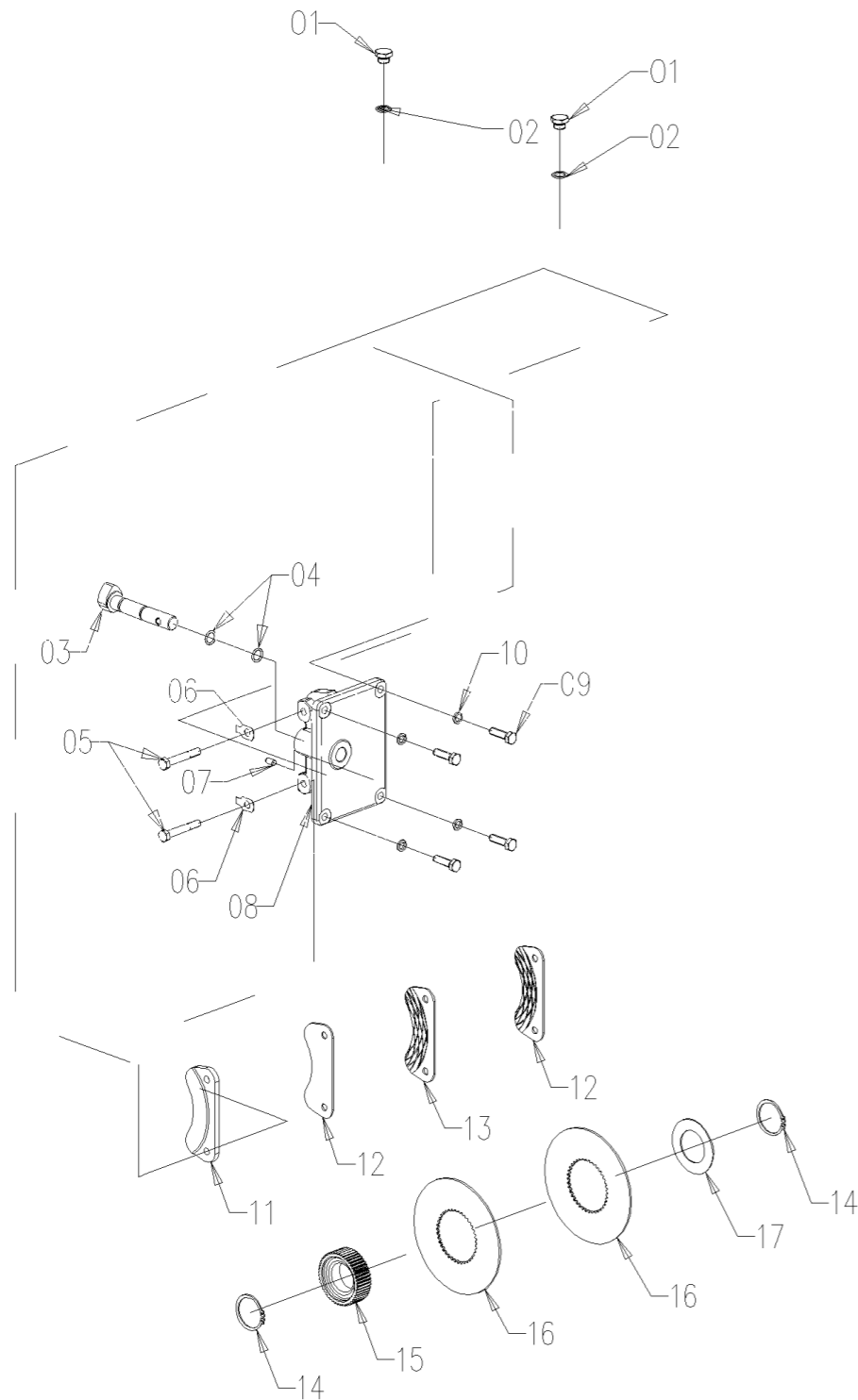
## A23.42.003.4 分动箱箱体总成 Distributor box assembly

序号	零件编号	零件名称	数量	图号
1	SH904.42B.103	中间齿轮 ?intermediate?gear	1	SH904.42B.103
2	SH904.42.104	中间齿轮轴 intermediate?gear?shaft	1	SH904.42.104
3	SH904.42.105	分动箱壳 transfer case housing	1	SH904.42.105
4	SH904.42.106	侧盖 ?Side Cover	1	SH904.42.106
5	SH904.42.107	分离拨叉 Release fork	1	SH904.42.107
6	SH904.42.108	拨叉轴 declutch shift shaft	1	SH904.42.108
7	SH904.42.113	螺堵 plug	3	SH904.42.113
8	SH904.42.112	后盖 rear?cover	1	SH904.42.112
9	SH904.42.114	啮合套 sliding sleeve	1	SH904.42.114
10	SH904.42.115	啮合齿座 Meshing tooth holder	1	SH904.42.115
11	SH904.42B.116	被动齿轮 driven gear	1	SH904.42B.116
12	SH904.42.117	衬套 bushing	1	SH904.42.117
13	SH904.42.118	分动箱齿轮轴 Transmission box gear	1	SH904.42.118
14	SH904.42.119	隔套 spacer bush	1	SH904.42.119
15	SH904.42.120	前盖 protegulum	1	SH904.42.120
16	SH904.42.124	弹簧 coil spring	1	SH904.42.124
17	SH904.42.121	紧定螺钉 stopper?screw	1	SH904.42.121
18	SH904.42.013	拨杆焊合 FORK SHAFT WELDMENT	1	SH904.42.013
19	SH904.42.014	摇臂焊合 Rocker arm welded	1	SH904.42.014
20	GBT3452.1-15X2.65-G	O形圈 O RING	2	GBT3452.1-15X2.65-G
21	GBT879.1-8X32	销 PIN	1	GBT879.1-8X32
22	GBT5783-M10X40-A3L	螺栓 BOLT	4	GBT5783-M10X40-A3L
23	GBT93-10-A3L	垫圈 WASHER	12	GBT93-10-A3L
24	GBT5783-M10X25-A3L	螺栓 BOLT	4	GBT5783-M10X25-A3L
25	GBT276-6306	轴承 BEARING	2	GBT276-6306
26	GBT894.1-38	弹性挡圈 CIRCLIP	1	GBT894.1-38
27	GBT308-10-G100-b	球 BALL	1	GBT308-10-G100-b
28	JBT982-18	垫圈 WASHER	3	JBT982-18
29	GBT5783-M10X30-A3L	螺栓 BOLT	4	GBT5783-M10X30-A3L
30	GBT13871.1-B-030052-D	油封 OIL SEAL	2	GBT13871.1-B-030052-D
31	GBT119.1-8m6X20	销 PIN	2	GBT119.1-8m6X20
32	GBT6170-M10-A3L	螺母 NUT	1	GBT6170-M10-A3L
33	GBT79-M10X20-A3L	螺丝钉 SCREW	1	GBT79-M10X20-A3L
34	GBT283-NJ305	轴承 BEARING	2	GBT283-NJ305
35	GBT893.1-62	弹性挡圈 CIRCLIP	1	GBT893.1-62
36	YBT5294-SZ-F-1.00	连接销 STEEL WIRE	1	YBT5294-SZ-F-1.00
37	GBT894.1-29	挡圈 CIRCLIP	1	GBT894.1-29
38	SH904.42.142	隔套 spacer bush	1	SH904.42.142
39	SH904.42.143	止推环 ?thrust collar	1	SH904.42.143



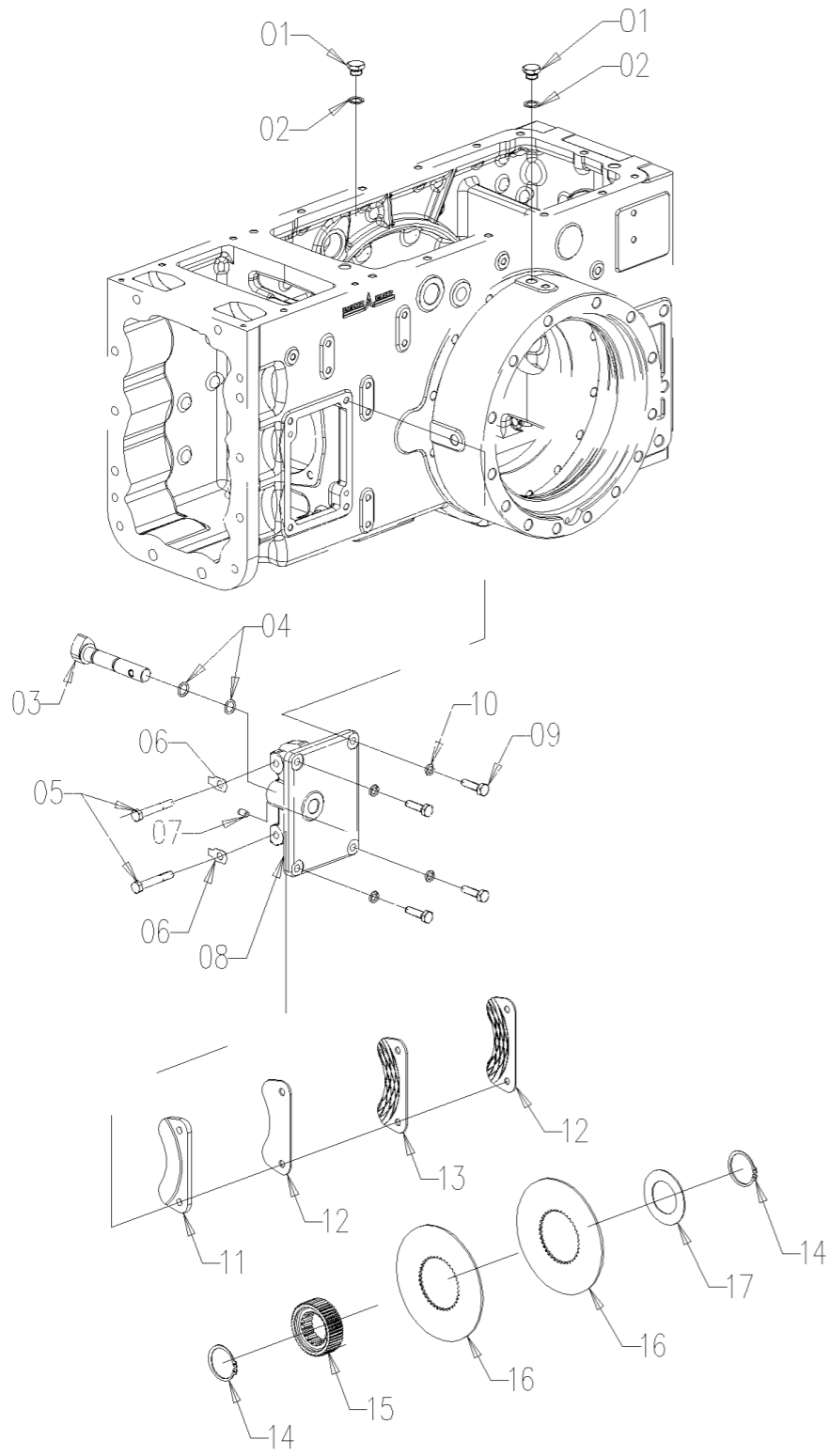
# A23.43.902.4 PARK BRAKE ASS.Y

# A23.43.902.4\_0 驻车制动总成PARK BRAKE ASS.Y



序号	零件编号	零件名称	数量	图号
1	2.3110.404.2	螺塞 TAPPO M16X1.5	2	2.3110.404.2
2	2.1560.012.0	密封圈 SEALING RING	2	2.1560.012.0
3	SH900.43.169	制动凸轮轴 BRAKE CAM SHAFT	1	SH900.43.169
4	GBT3452.1-15X2.65-G	O形圈 O RING	2	GBT3452.1-15X2.65-G
5	SH900.43.194	螺栓 BOLT	2	SH900.43.194
6	GBT854-10	垫圈 WASHER	2	GBT854-10
7	GBT119.1-8m6X15	销 PIN	2	GBT119.1-8m6X15
8	SH900.43.132	盖座 COVER SEAT	1	SH900.43.132
9	GBT5783-M10X35-A3L	螺栓 BOLT	4	GBT5783-M10X35-A3L
10	GBT93-10-A3L	垫圈 WASHER	4	GBT93-10-A3L
11	SH900.43.131	板 PLATE	1	SH900.43.131
12	SH900.43.023	摩擦件 FRICTION PIECE	2	SH900.43.023
13	SH900.43.024	中间摩擦块 INTERMEDIATE	1	SH900.43.024
14	GBT894.1-48	轴用弹性挡圈 CIRCLIPS FOR SHAFT	2	GBT894.1-48
15	SH900.43.136	花键套轮 SPLINE SLEEVE WHEEL	1	SH900.43.136
16	SH900.43.141	花键孔钢薄板 STEEL SHEET	2	SH900.43.141
17	SH900.43.142	调整垫圈 ADJUSTING WASHER	0	SH900.43.142

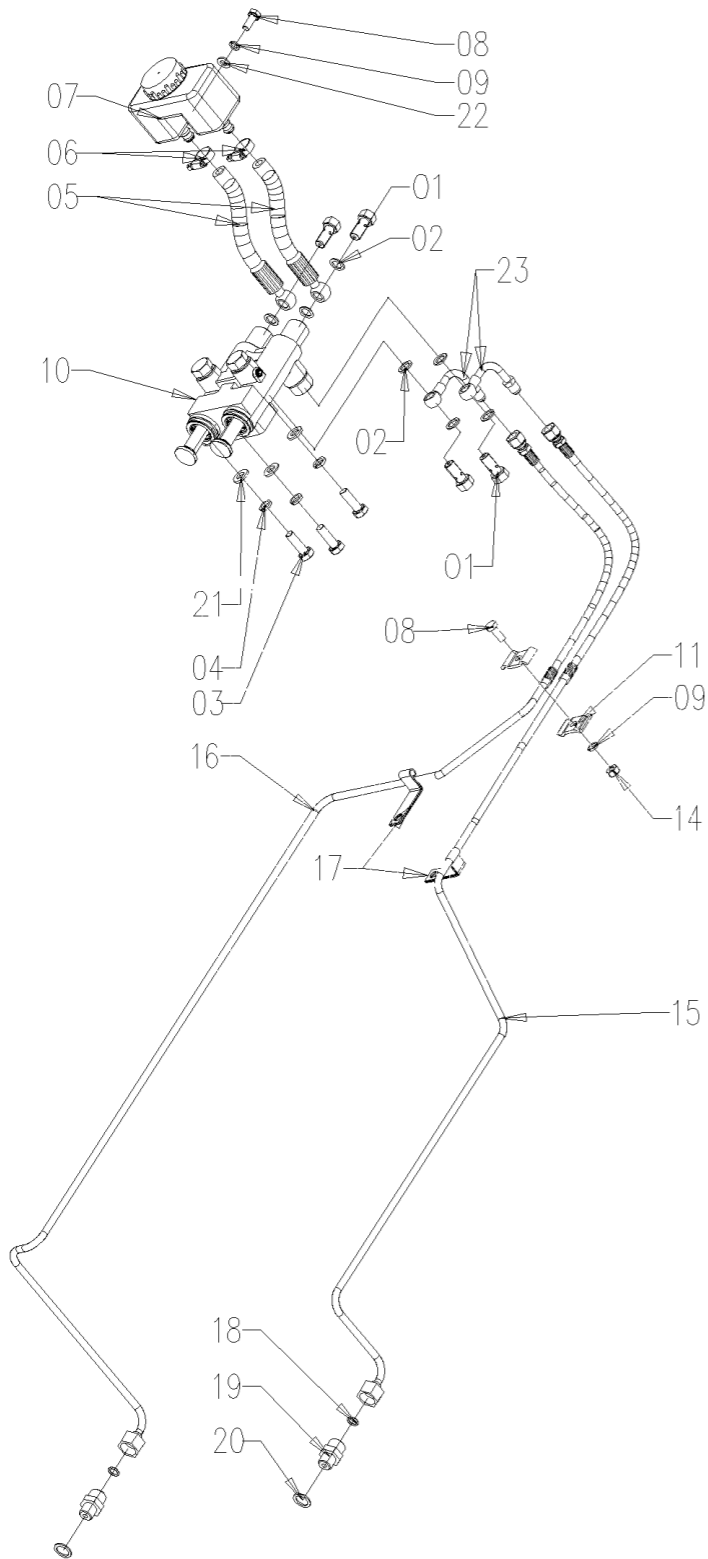
# A23.43.902.4 PARK BRAKE ASS.Y



# A23.43.902.4\_1 驻车制动总成PARK BRAKE ASS.Y

序号	零件编号	零件名称	数量	图号
1	2.3110.404.2	螺塞 TAPPO M16X1.5	2	2.3110.404.2
2	2.1560.012.0	密封圈 SEALING RING	2	2.1560.012.0
3	SH900.43.169	制动凸轮轴 BRAKE CAM SHAFT	1	SH900.43.169
4	GBT3452.1-15X2.65-G	O形圈 O RING	2	GBT3452.1-15X2.65-G
5	SH900.43.194	螺栓 BOLT	2	SH900.43.194
6	GBT854-10	垫圈 WASHER	2	GBT854-10
7	GBT119.1-8m6X15	销 PIN	2	GBT119.1-8m6X15
8	SH900.43.132	盖座 COVER SEAT	1	SH900.43.132
9	GBT5783-M10X35-A3L	螺栓 BOLT	4	GBT5783-M10X35-A3L
10	GBT93-10-A3L	垫圈 WASHER	4	GBT93-10-A3L
11	SH900.43.131	板 PLATE	1	SH900.43.131
12	SH900.43.023	摩擦件 FRICTION PIECE	2	SH900.43.023
13	SH900.43.024	中间摩擦块 INTERMEDIATE	1	SH900.43.024
14	GBT894.1-48	轴用弹性挡圈 CIRCLIPS FOR SHAFT	2	GBT894.1-48
15	SH900.43.136	花键套轮 SPLINE SLEEVE WHEEL	1	SH900.43.136
16	SH900.43.141	花键孔钢薄板 STEEL SHEET	2	SH900.43.141
17	SH900.43.142	调整垫圈 ADJUSTING WASHER	0	SH900.43.142

# A23.43.903.4 BRAKE PIPE ASS.



# A23.43.903.4\_2 制动管路总成 BRAKE PIPE ASS.Y

序号	零件编号	零件名称	数量	图号
1	SH900.43.115	油管接头螺钉 CONNECT SCREW	4	SH900.43.115
2	2.1560.008.0	垫圈 12.2X18 SEALING RING	8	2.1560.008.0
3	GBT5783-M10X30-A3L	螺栓 BOLT	3	GBT5783-M10X30-A3L
4	GBT93-10-A3L	垫圈 WASHER	3	GBT93-10-A3L
5	A23.43.005.3	运油软管总成 OIL HOSE ASSY	2	A23.43.005.3
6	JBT8870-D25	软管夹 HOSE CLAMP	2	JBT8870-D25
7	SH900.43.018	制动油箱 BRAKE OIL TANK	1	SH900.43.018
8	GBT5783-M8X20-A2L	螺栓 BOLT	2	GBT5783-M8X20-A2L
9	GBT93-8-A3L	垫圈 WASHER	2	GBT93-8-A3L
10	A23.43.002.0	制动泵总成 BRAKE PUMP	1	A23.43.002.0
11	DF904.43.053	制动管夹 BRAKE PIPE CLAMP	2	DF904.43.053
14	GBT6170-M8-A2L	螺母 NUT	1	GBT6170-M8-A2L
15	A23.43.006.3	制动管总成 RH BRAKE PIPE ASS.Y	1	A23.43.006.3
16	A23.43.007.3	左刹车管总成 LH BRAKE PIPE ASS.Y	1	A23.43.007.3
17	A11.43.014.0	制动管夹 BRAKE PIPE CLAMP-RH	2	A11.43.014.0
18	GBT3452.1-10X1.8-G	O形圈 O RING	2	GBT3452.1-10X1.8-G
19	SH900.43.130	连接器 CONNECTOR	2	SH900.43.130
20	2.1560.012.0	密封圈 SEALING RING	2	2.1560.012.0
21	GBT97.1-10-A3L	垫圈 WASHER	3	GBT97.1-10-A3L
22	GBT97.1-8-A3L	垫圈 WASHER	1	GBT97.1-8-A3L
23	A23.43.004.3	制动管 BRAKE PIPE ASS.Y	2	A23.43.004.3



SIME DEUTZ-FAHR GROUP S.p.A.  
Via E. Mattei 10 - 40013 BOLOGNA - ITALIA  
Gruppo - Group

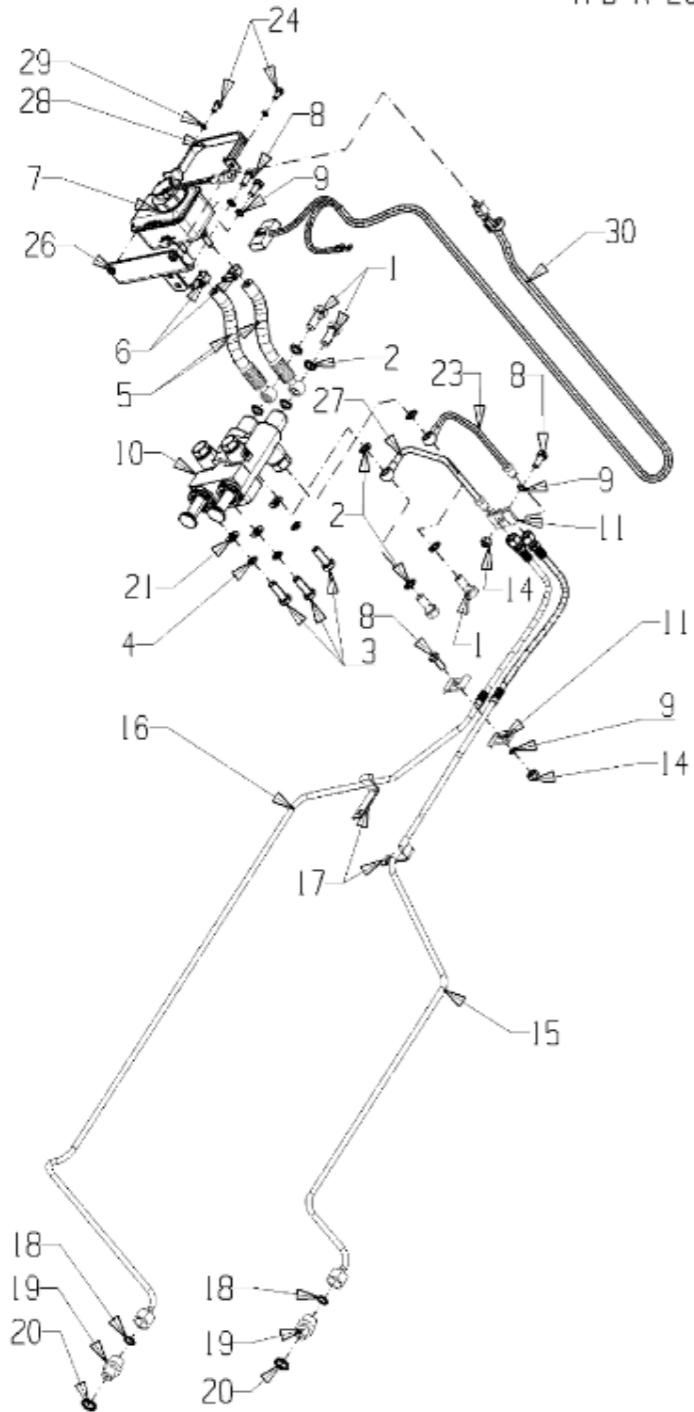
CD90 SERIES

# BRAKE PIPE ASS.Y

№. dis. - P/N  
**A23.43.903.4**

Rev	Facilita - Sheet	di - di
3	1	1
Validato il	IM	P
20/08/2022		

YFB-R-2017-011 SH.090



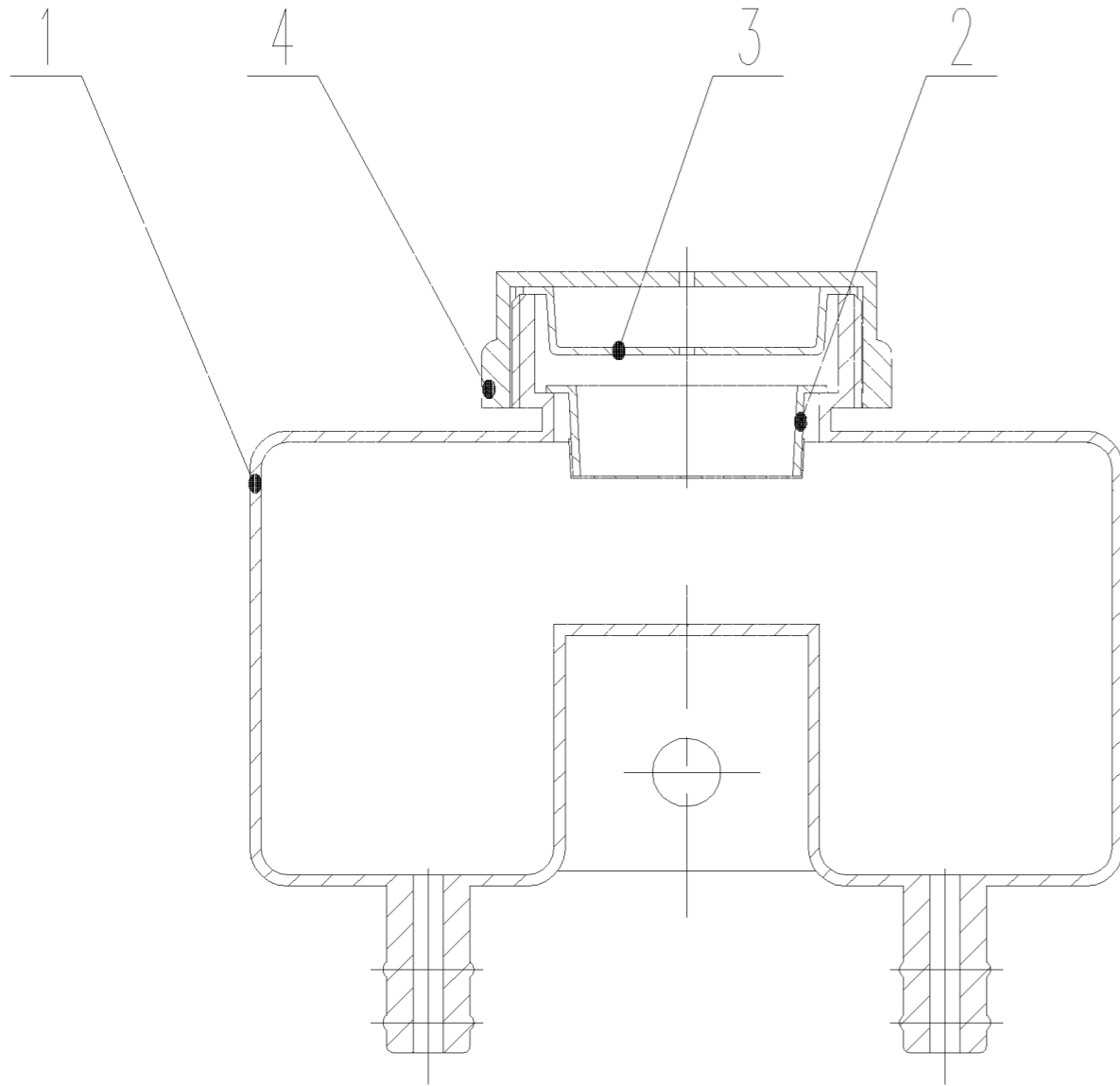
## A23.43.903.4\_3 制动管路总成 BRAKE PIPE ASS.Y

序号	零件编号	零件名称	数量	图号
1	SH900.43.115	油管接头螺钉 CONNECT SCREW	4	SH900.43.115
2	2.1560.008.0	密封圈 SEALING RING	8	2.1560.008.0
3	2.0114.311.2	螺栓 SCREW M10x30	3	2.0114.311.2
4	2.1473.008.2	弹簧垫圈 SPRING WASHER M10	3	2.1473.008.2
5	A23.43.005.3/10	运油软管总成 BRAKE OIL PIPE ASS.Y	2	A23.43.005.3/10
6	2.6851.018.0	软管夹 FASCETTA 11-17	2	2.6851.018.0
7	A11.43.021.4	制动油壶 BRAKE OIL TANK	1	A11.43.021.4
8	2.0114.207.2	螺栓 SCREW M8x20	4	2.0114.207.2
9	2.1473.007.2	弹簧垫圈 SPRING WASHER M8	4	2.1473.007.2
10	A23.43.002.0	制动泵 BRAKE PUMP	1	A23.43.002.0
11	DF904.43.053	制动管夹 DOUBLE CLAMPS	4	DF904.43.053
14	2.1011.105.2	螺母 NUT M8x1.25	2	2.1011.105.2
15	A23.43.006.3/10	右制动管总成 RH BRAKE PIPE ASS.Y	1	A23.43.006.3/10
16	A23.43.007.3/10	左制动管总成 LH BRAKE PIPE ASS.Y	1	A23.43.007.3/10
17	A11.43.014.0	右制动管夹 BRAKE PIPE CLAMP-RH	2	A11.43.014.0
18	GBT3452.1-11.8X1.8-G	O型圈 O RING	2	GBT3452.1-11.8X1.8-G
19	SH900.43.130	连接器 CONNECTOR	2	SH900.43.130
20	2.1560.012.0	组合密封垫圈 SEALING RING	2	2.1560.012.0
21	2.1310.006.2	垫圈 WASHER 10	3	2.1310.006.2
23	A23.43.004.3/10	制动管路总成 BRAKE PIPE ASS.Y	1	A23.43.004.3/10
24	2.0114.003.2	螺栓 SCREW M6x12	2	2.0114.003.2
26	A11.43.031.3	支架焊接 BRACKET WELDED	1	A11.43.031.3
27	A23.43.012.3	制动器出管 LF-BRAKE OUTLET PIPE	1	A23.43.012.3
28	CD554A.13.106/10	膨胀水箱固定绑带 EXPANSION TANK	1	CD554A.13.106/10
29	2.1473.006.2	弹簧垫圈 SPRING WASHER M6	2	2.1473.006.2
30	A23.48.027.4	制动油位线束 BRAKE OIL LEVEL W.H.	1	A23.48.027.4

SH900.43.018 制动油箱

SH900.43.018 制动油箱 BRAKE OIL TANK

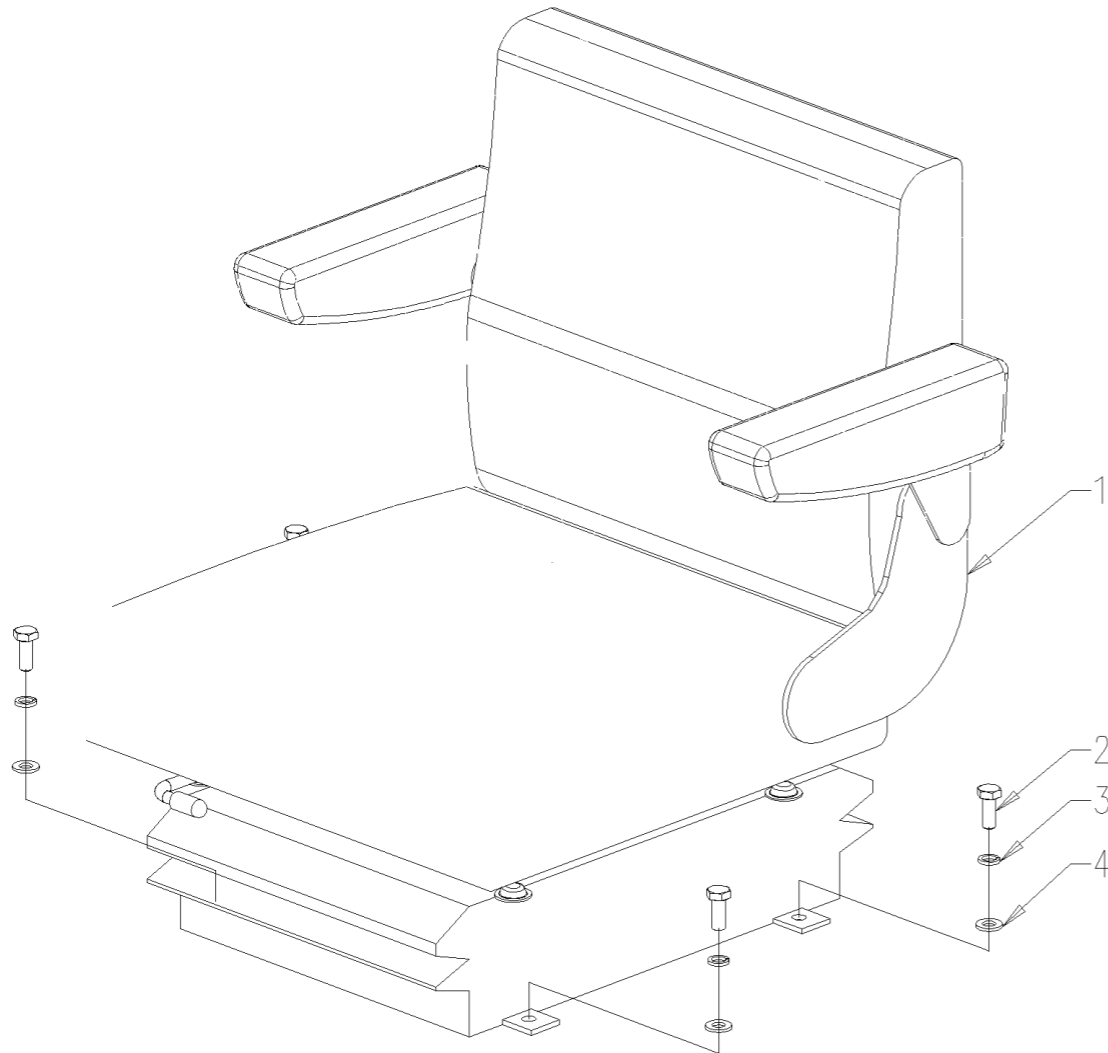
序号	零件编号	零件名称	数量	图号
1	SH900.43.213	制动油箱体 BRAKE OIL TANK BODY	1	SH900.43.213
2	SH900.43.042	滤网总成 STRAINER ASSY	1	SH900.43.042
3	SH900.43.214	盖 COVER	1	SH900.43.214
4	SH900.43.215	制动油杯盖 BRAKE OIL CUP COVER	1	SH900.43.215



# A23.44.900.4 SEAT ASS.Y

## A23.44.900.4\_1 优化黑色PVC悬浮座椅（带安全带/扶手） SEAT ASS.Y

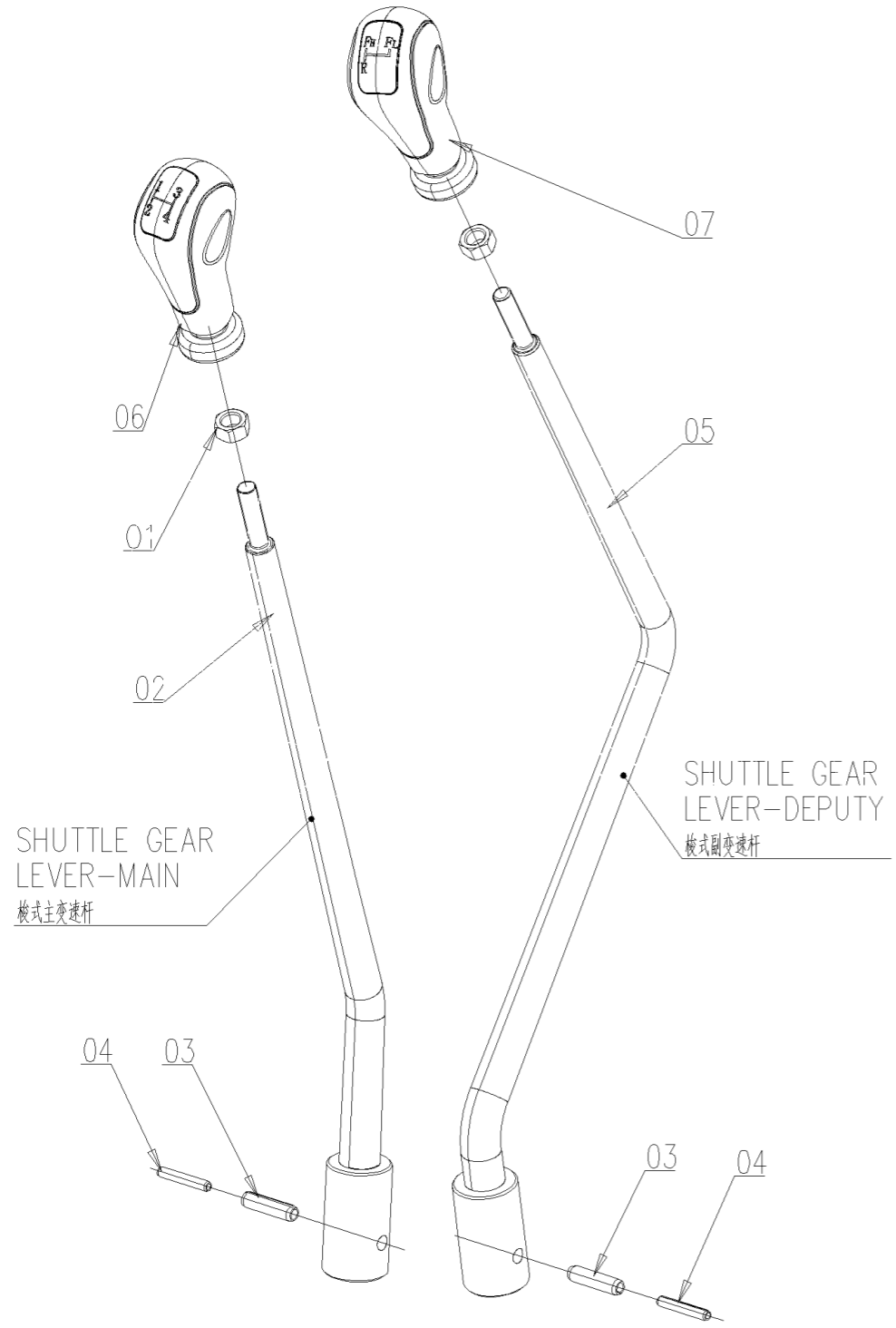
序号	零件编号	零件名称	数量	图号
1	A23.44.001.4/10	PVC 座椅 PVC SEAT	1	A23.44.001.4/10
2	GBT5783-M10X25-A3L	螺栓 BOLT	4	GBT5783-M10X25-A3L
3	GBT93-10-A3L	垫圈 WASHER	4	GBT93-10-A3L
4	GBT97.1-10-A3L	垫圈 WASHER	4	GBT97.1-10-A3L



# A23.45.902.4 SHIFT LEVEL ASS.Y

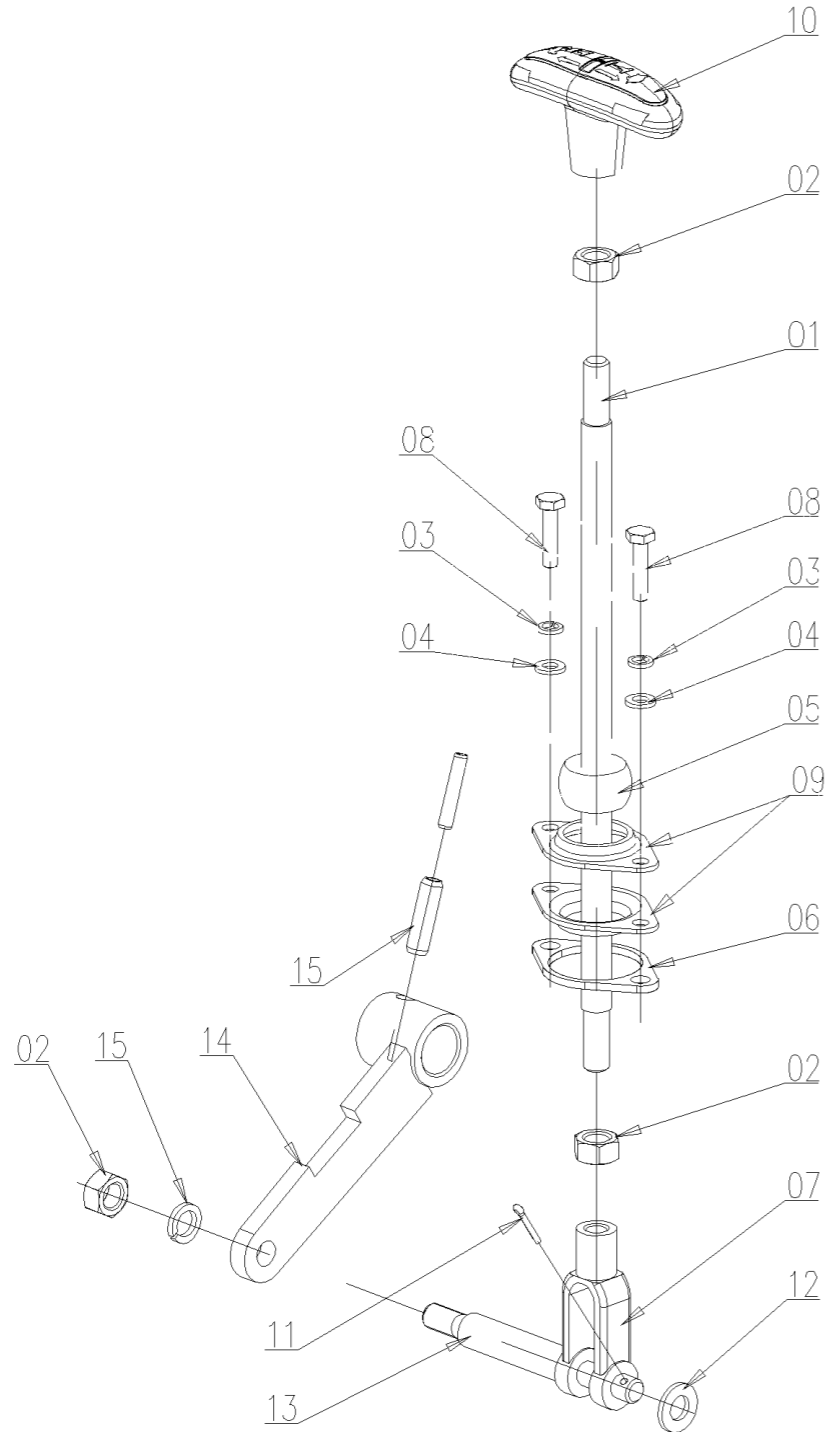
# A23.45.902.4\_2 变速杆操纵总成 (16F+8R 梭式档) SHIFT LEVEL ASS.Y(16F+8R shuttle gear)

序号	零件编号	零件名称	数量	图号
1	GBT6170-M10-A3L	螺母 NUT	2	GBT6170-M10-A3L
2	A23.45.003.3	梭式变速主杆 SHUTTLE GEAR	1	A23.45.003.3
3	GBT879.1-8X32	销 PIN	2	GBT879.1-8X32
4	GBT879.1-5X32	销 PIN	2	GBT879.1-5X32
5	A23.45.004.3	梭式变速副杆 SHUTTLE GEAR	1	A23.45.004.3
6	A23.45.027.4/10	手柄球 KNOB_GEAR SHIFT	1	A23.45.027.4/10
7	A23.45.072.4/10	手柄球 KNOB_RANGE SHIFT	1	A23.45.072.4/10



# A23.45.903.4 CREEPER COMMAND ASS.Y

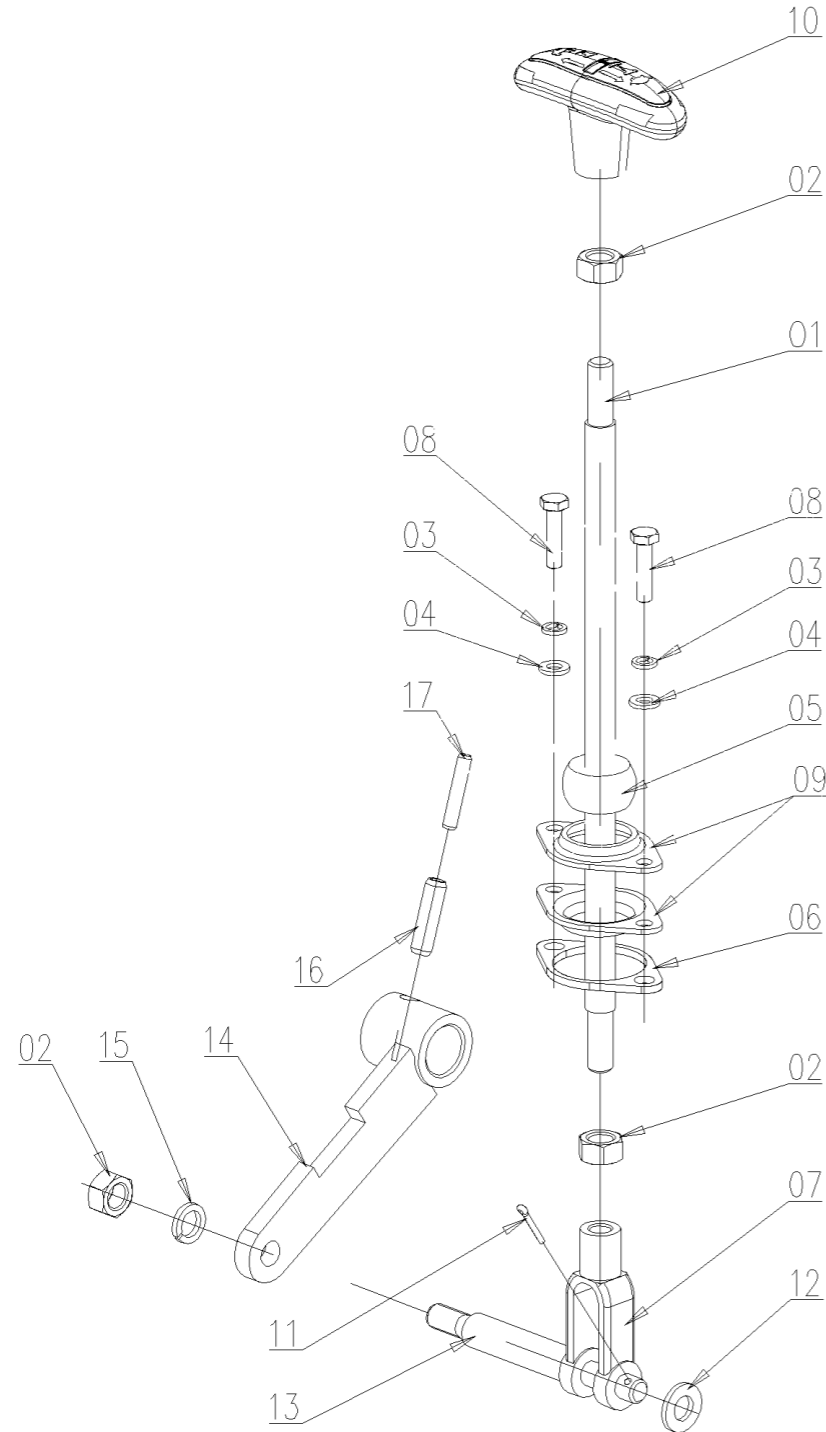
# A23.45.903.4\_1 爬行档操纵总成CREEPER COMMAND ASS.



序号	零件编号	零件名称	数量	图号
1	SH900.37.121	爬行杆 CREEPER LEVER	1	SH900.37.121
2	GBT6170-M10-A3L	螺母 NUT	3	GBT6170-M10-A3L
3	GBT93-6-A3L	垫圈 WASHER	2	GBT93-6-A3L
4	GBT97.1-6-A3L	垫圈 WASHER	2	GBT97.1-6-A3L
5	SH404.42.113	导向套 GUIDER SLEEVE	1	SH404.42.113
6	A23.45.001.0	导向套 GUIDE SLEEVE	1	A23.45.001.0
7	SH900.41.102	连接叉 CLEVIS	1	SH900.41.102
8	GBT5783-M6X25-A3L	螺栓 BOLT	2	GBT5783-M6X25-A2L
9	SH404.42.114	导向套 GUIDE SLEEVE	2	SH404.42.114
10	A23.45.078.4/10	手柄球 KNOB_CREEPER	1	A23.45.078.4/10
11	GBT91-2.5X16-A3L	销 PIN	1	GBT91-2.5X16-A3L
12	GBT97.1-10-A3L	垫圈 WASHER	1	GBT97.1-10-A3L
13	SH900.37.120	杆销 LEVER PIN	1	SH900.37.120
14	SH900.37.011	杆总成 LEVER ASS.LY	1	SH900.37.011
15	GBT93-10-A3L	垫圈 WASHER	1	GBT93-10-A3L
16	GBT879.1-8X30	销 PIN	1	GBT879.1-8X30
17	GBT879.1-5X30	销 PIN	1	GBT879.1-5X30



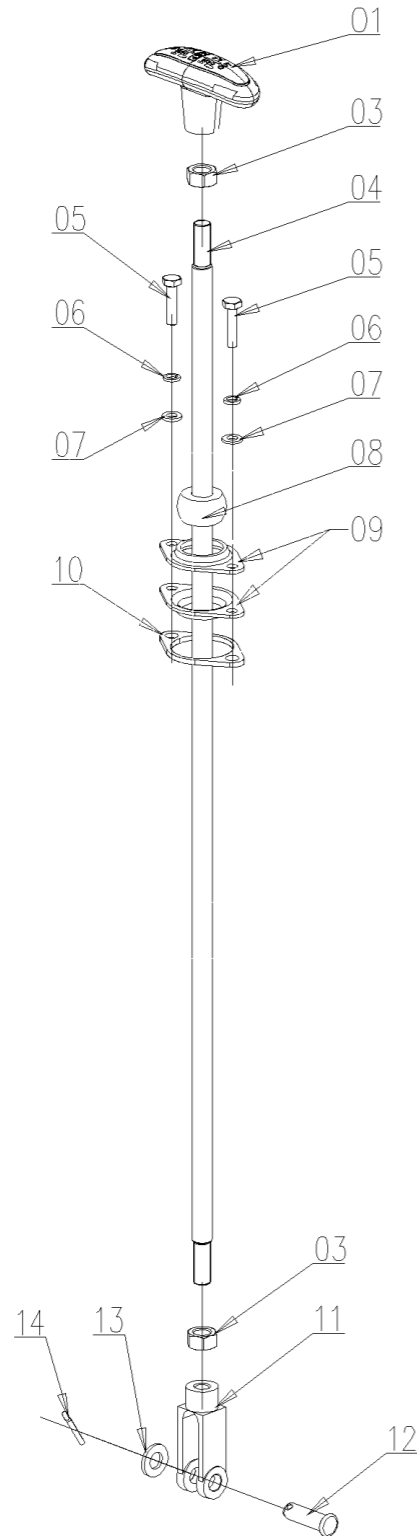
# A23.45.903.4 CREEPER COMMAND ASS.Y



# A23.45.903.4\_2 爬行档操纵总成CREEPER COMMAND ASS.

序号	零件编号	零件名称	数量	图号
1	SH900.37.121	爬行杆 CREEPER LEVER	1	SH900.37.121
2	GBT6170-M10-A3L	螺母 NUT	3	GBT6170-M10-A3L
3	GBT93-6-A3L	垫圈 WASHER	2	GBT93-6-A3L
4	GBT97.1-6-A3L	垫圈 WASHER	2	GBT97.1-6-A3L
5	SH404.42.113	导向套 GUIDER SLEEVE	1	SH404.42.113
6	A23.45.001.0	导向套 GUIDE SLEEVE	1	A23.45.001.0
7	SH900.41.102	连接叉 CLEVIS	1	SH900.41.102
8	GBT5783-M6X25-A2L	螺栓 BOLT	2	GBT5783-M6X25-A2L
9	SH404.42.114	导向套 GUIDE SLEEVE	2	SH404.42.114
10	A23.45.078.4/10	手柄球 KNOB_CREEPER	1	A23.45.078.4/10
11	GBT91-2.5X16-A3L	销 PIN	1	GBT91-2.5X16-A3L
12	GBT97.1-10-A3L	垫圈 WASHER	1	GBT97.1-10-A3L
13	SH900.37.120	杆销 LEVER PIN	1	SH900.37.120
14	SH900.37.011	杆总成 LEVER ASS.LY	1	SH900.37.011
15	GBT93-10-A3L	垫圈 WASHER	1	GBT93-10-A3L
16	GBT879.1-8X30	销 PIN	1	GBT879.1-8X30
17	GBT879.1-5X30	销 PIN	1	GBT879.1-5X30

# A23.45.906.4 4WD ENGAGEMENT CONTROL ASS.Y

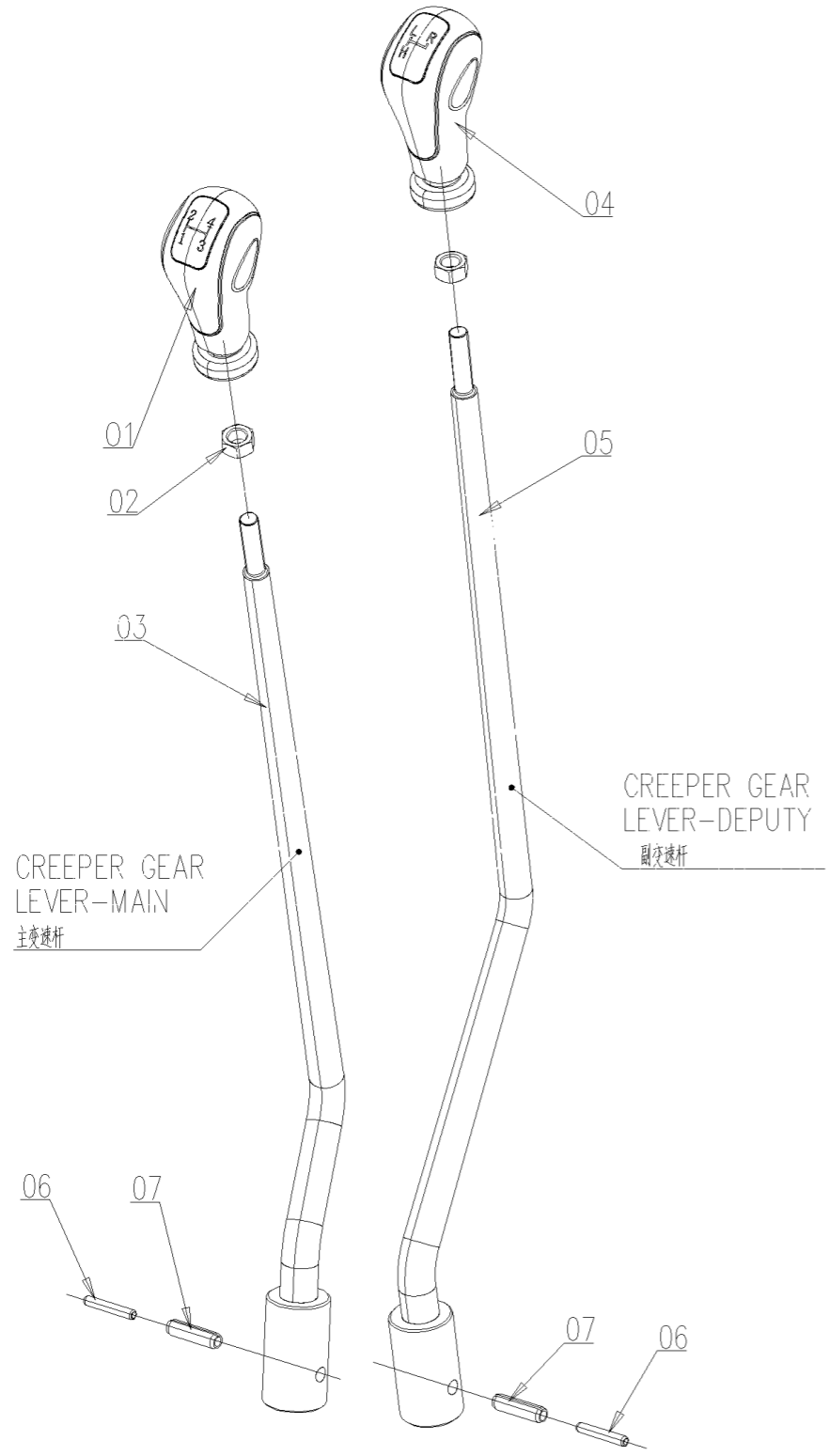


# A23.45.906.4\_2 四驱操纵总成4WD ENGAGEMENT CONTROL ASS.Y

序号	零件编号	零件名称	数量	图号
1	A23.45.076.4/10	手柄套 4.W.D HANDLE COVER	1	A23.45.076.4/10
3	GBT6170-M10-A3L	螺母 NUT	2	GBT6170-M10-A3L
4	A23.45.062.0	杆 4.W.D LEVER	1	A23.45.062.0
5	GBT5783-M6X25-A2L	螺栓 BOLT	2	GBT5783-M6X25-A2L
6	GBT93-6-A3L	垫圈 WASHER	2	GBT93-6-A3L
7	GBT97.1-6-A3L	垫圈 WASHER	2	GBT97.1-6-A3L
8	SH404.42.113	导向套 GUIDER SLEEVE	1	SH404.42.113
9	SH404.42.114	导向套 GUIDE SLEEVE	2	SH404.42.114
10	A23.45.001.0	导向套 GUIDE SLEEVE	1	A23.45.001.0
11	SH904.42.126	连接叉 CLEVIS	1	SH904.42.126
12	GBT882-B10X32-A3L	销 PIN	1	GBT882-B10X32-A3L
13	GBT97.1-10-A3L	垫圈 WASHER	1	GBT97.1-10-A3L
14	GBT91-3.2X20-A3L	销 PIN	1	GBT91-3.2X20-A3L

# A23.45.912.4 SHIFT LEVEL ASS.Y

# A23.45.912.4\_2 变速杆操纵总成 (16F+8R) TRANSMISSION COMMAND ASSY(CREPPER)

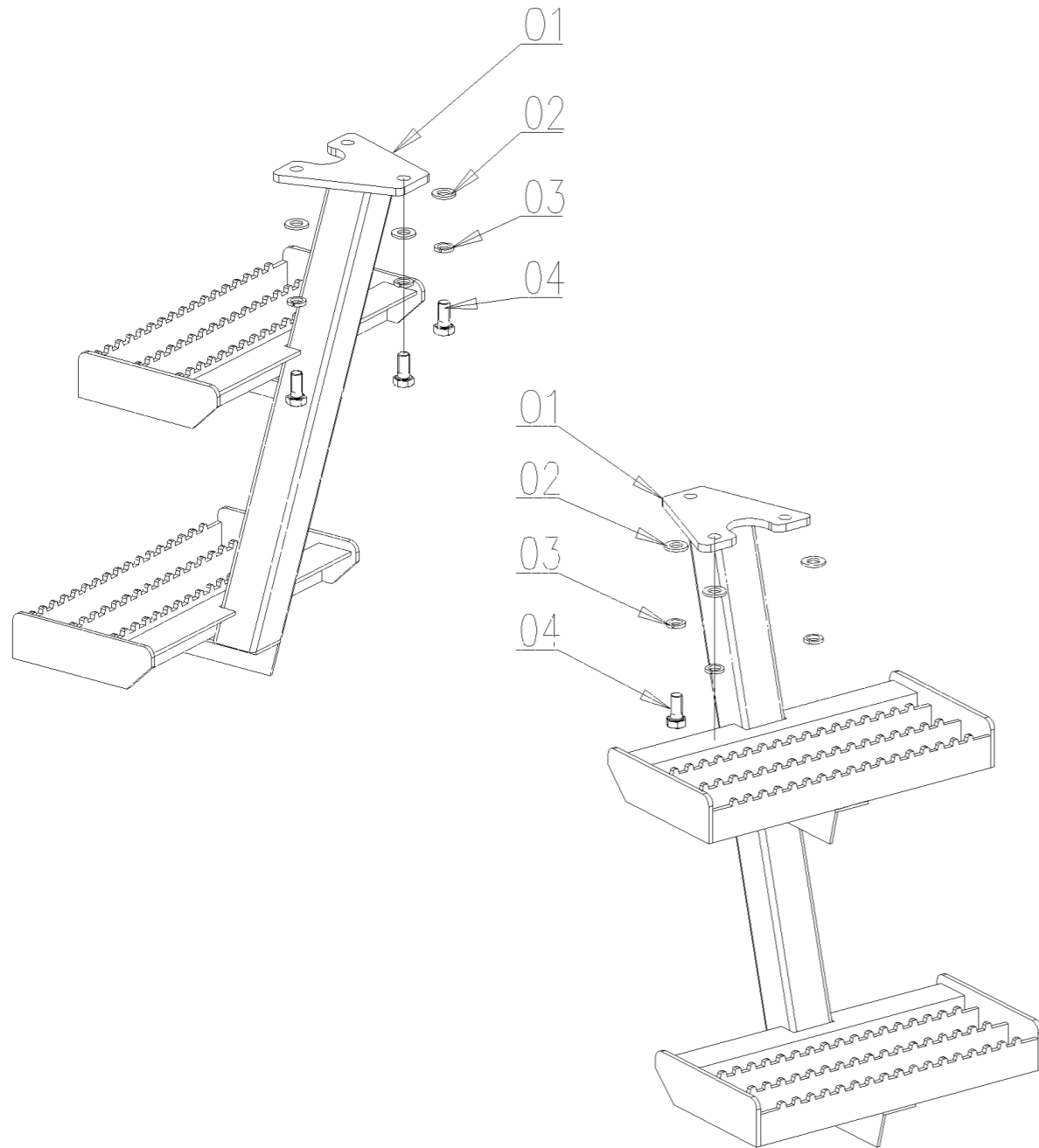


序号	零件编号	零件名称	数量	图号
1	A31.45.009.3/10	手柄球 KNOB_GEAR SHIFT	1	A31.45.009.3/10
2	GBT6170-M10-A3L	螺母 NUT	2	GBT6170-M10-A3L
3	A23.45.005.3	主变速杆 CREEPER GEAR LEVER-	1	A23.45.005.3
4	A46.37.001.4/10	副变速手柄球 RANGE SHIFT KNOB	1	A46.37.001.4/10
5	A23.45.006.3	副变速杆 CREEPER GEAR LEVER-	1	A23.45.006.3
6	GBT879.1-5X32	销 PIN	2	GBT879.1-5X32
7	GBT879.1-8X32	销 PIN	2	GBT879.1-8X32

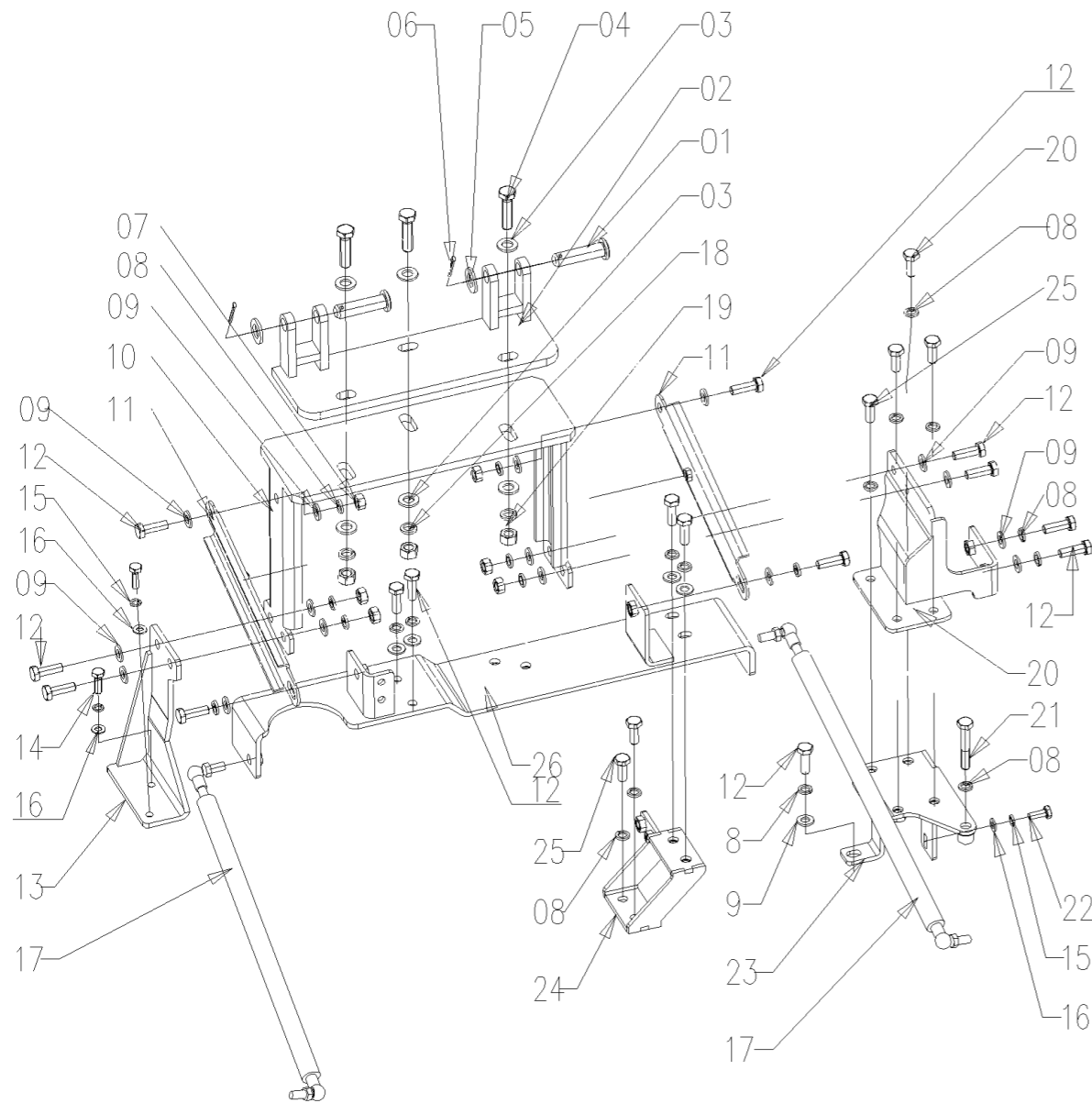
# A23.45.914.4 THE LADDER ASSEMBLY

## A23.45.914.4\_1 上车梯总成 THE LADDER ASSEMBLY

序号	零件编号	零件名称	数量	图号
1	CD904.45.033	脚踏总成 PEDAL ASSY	2	CD904.45.033
2	GBT97.1-12-A3L	垫圈 WASHER	6	GBT97.1-12-A3L
3	GBT93-12-A3L	垫圈 WASHER	6	GBT93-12-A3L
4	GBT5783-M12X25-A3L	螺栓 BOLT	6	GBT5783-M12X25-A3L



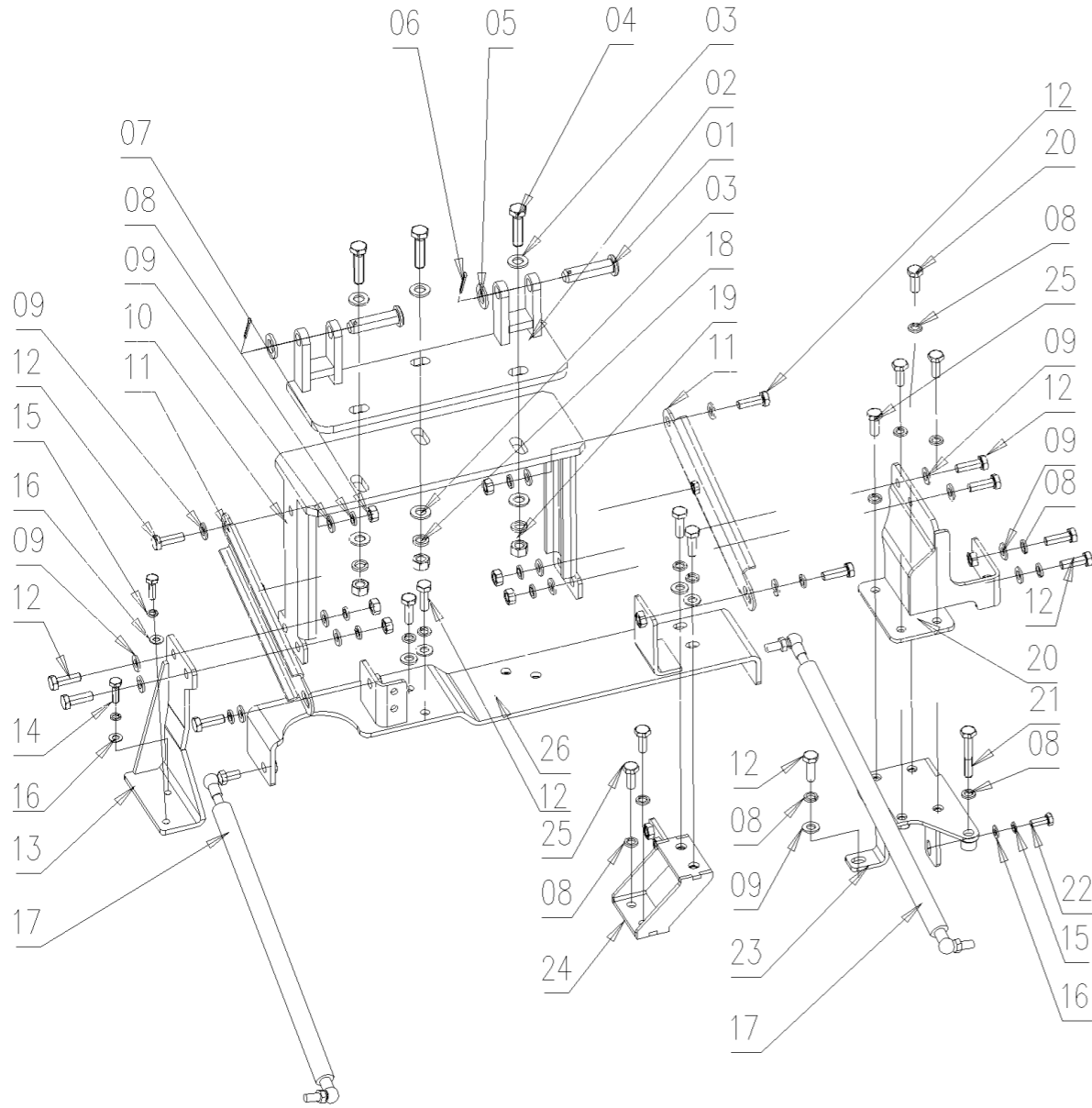
# A23.47.900.4 BONNET SUPPORT ASS.Y



## A23.47.900.4\_1 机罩支架总成 BONNET SUPPORT ASSEMBLY

序号	零件编号	零件名称	数量	图号
1	GBT882-B16X60-A3L	销 PIN	2	GBT882-B16X60-A3L
2	CD904.47.013	铰链座焊合 HINGE SEAT	1	CD904.47.013
3	GBT97.1-12-A3L	垫圈 WASHER	6	GBT97.1-12-A3L
4	GBT5783-M12X45-A3L	螺栓 BOLT	3	GBT5783-M12X45-A3L
5	GBT97.1-16-A3L	垫圈 WASHER	2	GBT97.1-16-A3L
6	GBT91-3.2X32-A3L	销 PIN	2	GBT91-3.2X32-A3L
7	GBT6170-M10-A3L	螺母 NUT	6	GBT6170-M10-A3L
8	GBT93-10-A3L	垫圈 WASHER	22	GBT93-10-A3L
9	GBT97.1-10-A3L	垫圈 WASHER	21	GBT97.1-10-A3L
10	CD904.47.014	铰链座支撑焊合 HINGE SUPPORT	1	CD904.47.014
11	CD904.47.101/20	支撑板 SUPPORT PLATE	2	CD904.47.101/20
12	GBT5783-M10X30-A3L	螺栓 BOLT	15	GBT5783-M10X30-A3L
13	CD904A.47.013	机罩右支撑架 BONNET RIGHT	1	CD904A.47.013
14	GBT5783-M8X25-A2L	螺栓 BOLT	2	GBT5783-M8X25-A2L
15	GBT93-8-A3L	垫圈 WASHER	3	GBT93-8-A3L
16	GBT97.1-8-A3L	垫圈 WASHER	3	GBT97.1-8-A3L
17	CD904.47.211	气弹簧 GAS SPRING	2	CD904.47.211
18	GBT93-12-A3L	垫圈 WASHER	3	GBT93-12-A3L
19	GBT6170-M12-A3L	螺母 NUT	3	GBT6170-M12-A3L
20	A23.47.001.3	连接支架 CONNECT BRACKET	1	A23.47.001.3
21	GBT5782-M10X60-A3L	螺栓 BOLT	1	GBT5782-M10X60-A3L
22	GBT5783-M8X20-A2L	螺栓 BOLT	1	GBT5783-M8X20-A2L
23	0.028.2394.3/10	支架 BRACKET	1	0.028.2394.3/10
24	A23.47.003.3	支架 BRACKET	1	A23.47.003.3
25	GBT5783-M10X25-A3L	螺栓 BOLT	6	GBT5783-M10X25-A3L
26	A23.47.002.3	空气弹簧支架焊接支架 AIR SPRING	1	A23.47.002.3

# A23.47.900.4 BONNET SUPPORT ASS.Y

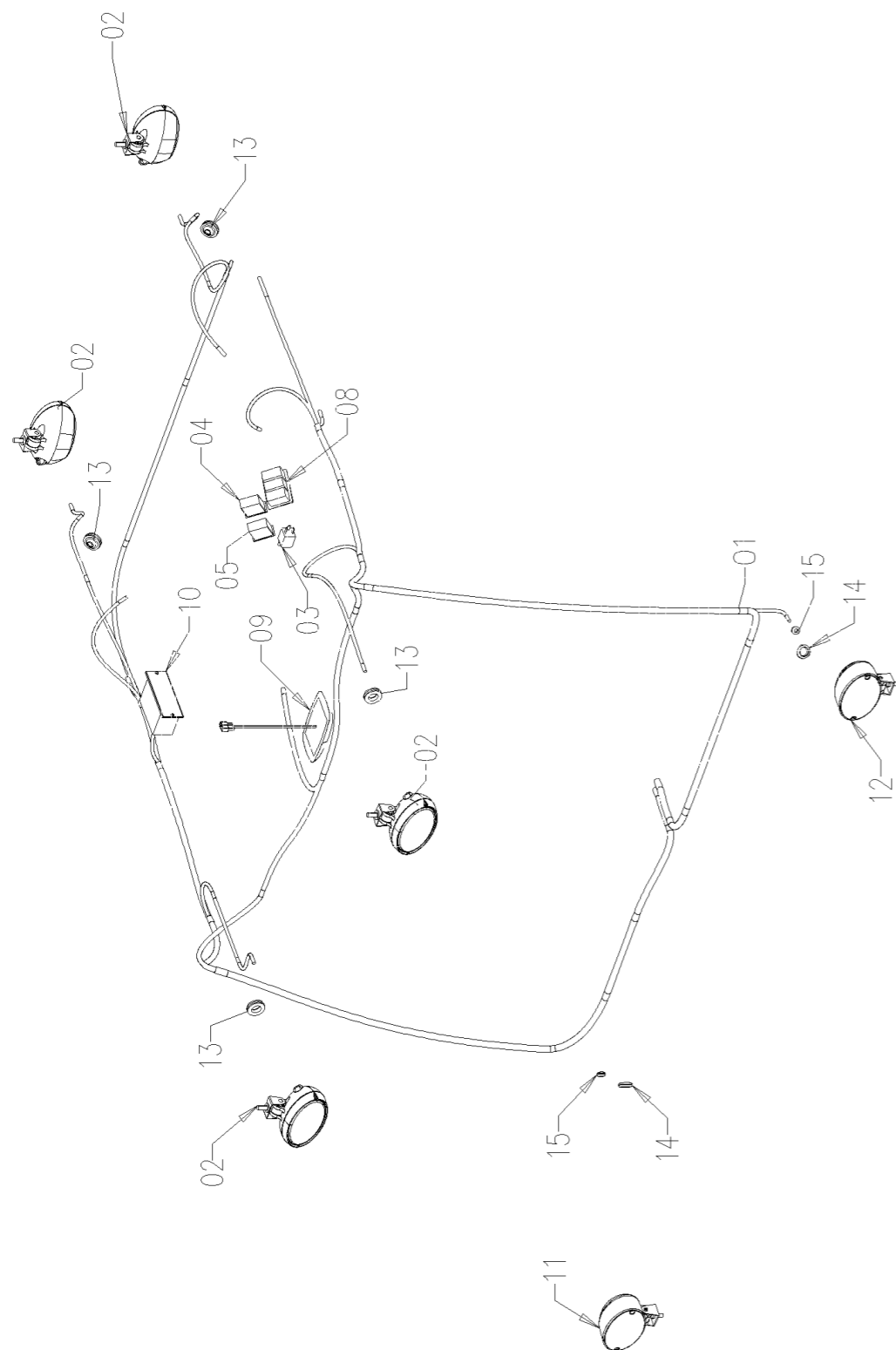


## A23.47.900.4\_2 机罩支架总成 BONNET SUPPORT ASSEMBLY

序号	零件编号	零件名称	数量	图号
1	GBT882-B16X60-A3L	销 PIN	2	GBT882-B16X60-A3L
2	CD904.47.013	铰链座焊合 HINGE SEAT	1	CD904.47.013
3	GBT97.1-12-A3L	垫圈 WASHER	6	GBT97.1-12-A3L
4	GBT5783-M12X45-A3L	螺栓 BOLT	3	GBT5783-M12X45-A3L
5	GBT97.1-16-A3L	垫圈 WASHER	2	GBT97.1-16-A3L
6	GBT91-3.2X32-A3L	销 PIN	2	GBT91-3.2X32-A3L
7	GBT6170-M10-A3L	螺母 NUT	6	GBT6170-M10-A3L
8	GBT93-10-A3L	垫圈 WASHER	22	GBT93-10-A3L
9	GBT97.1-10-A3L	垫圈 WASHER	21	GBT97.1-10-A3L
10	CD904.47.014	铰链座支撑焊合 HINGE SUPPORT	1	CD904.47.014
11	CD904.47.101/20	支撑板 SUPPORT PLATE	2	CD904.47.101/20
12	GBT5783-M10X30-A3L	螺栓 BOLT	15	GBT5783-M10X30-A3L
13	CD904A.47.013	机罩右支撑架 BONNET RIGHT	1	CD904A.47.013
14	GBT5783-M8X25-A2L	螺栓 BOLT	2	GBT5783-M8X25-A2L
15	GBT93-8-A3L	垫圈 WASHER	3	GBT93-8-A3L
16	GBT97.1-8-A3L	垫圈 WASHER	3	GBT97.1-8-A3L
17	CD904.47.211	气弹簧 GAS SPRING	2	CD904.47.211
18	GBT93-12-A3L	垫圈 WASHER	3	GBT93-12-A3L
19	GBT6170-M12-A3L	螺母 NUT	3	GBT6170-M12-A3L
20	A23.47.001.3	连接支架 CONNECT BRACKET	1	A23.47.001.3
21	GBT5782-M10X60-A3L	螺栓 BOLT	1	GBT5782-M10X60-A3L
22	GBT5783-M8X20-A2L	螺栓 BOLT	1	GBT5783-M8X20-A2L
23	0.028.2394.3/10	支架 BRACKET	1	0.028.2394.3/10
24	A23.47.003.3	支架 BRACKET	1	A23.47.003.3
25	GBT5783-M10X25-A3L	螺栓 BOLT	6	GBT5783-M10X25-A3L
26	A23.47.002.3	空气弹簧支架焊接支架 AIR SPRING	1	A23.47.002.3

A23.48.904.4 CABIN W.H. ASS.Y

A23.48.904.4\_3 驾驶室线束安装总成CABIN W.H. ASSEMBLY

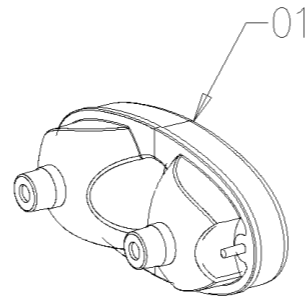
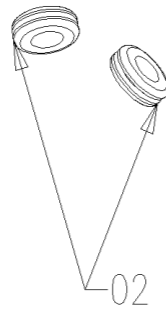
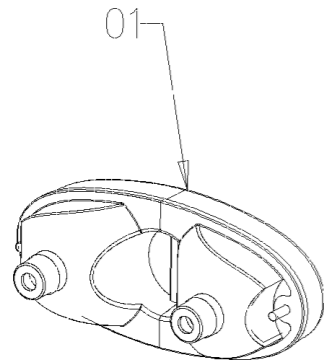


序号	零件编号	零件名称	数量	图号
1	A23.48.004.0/40	驾驶室线束 CABIN W.H. ASS.Y	1	A23.48.004.0/40
2	2.8039.359.0	顶棚工作灯(椭圆) ROOF WORK	4	2.8039.359.0
3	LD700.48.037	灯光继电器 LAMP RELAY	1	LD700.48.037
4	2.7659.481.0	正面工作灯 FRONT WORK LIGHT SW.	1	2.7659.481.0
5	A23.48.008.0	前雨刷 FRONT WIPER SW.	1	A23.48.008.0
8	A23.48.016.0	三摇杆开关边框 THREE ROCKER	1	A23.48.016.0
9	A23.48.017.0	内部照明灯 INTERIOR LIGHT	1	A23.48.017.0
10	SH900.48.059	收音机 RADIO	1	SH900.48.059
11	CD1204.48.041/20	右转向位置灯 RH INDICATOR LIGHT	1	CD1204.48.041/20
12	CD1204.48.032/20	左转向位置灯总成 LEFT TURN AND	1	CD1204.48.032/20
13	2.6569.069.0/10	橡胶垫圈 RUBBER RING	4	2.6569.069.0/10
14	A39.48.035.0	穿线胶圈 RUBBER CIRCLE	2	A39.48.035.0
15	A39.48.036.0	穿线胶圈 RUBBER CIRCLE	2	A39.48.036.0

A23.48.911.4 REAR LIGHT ASS.Y

A23.48.911.4\_0 后尾灯总成 REAR LAMP ASS.Y

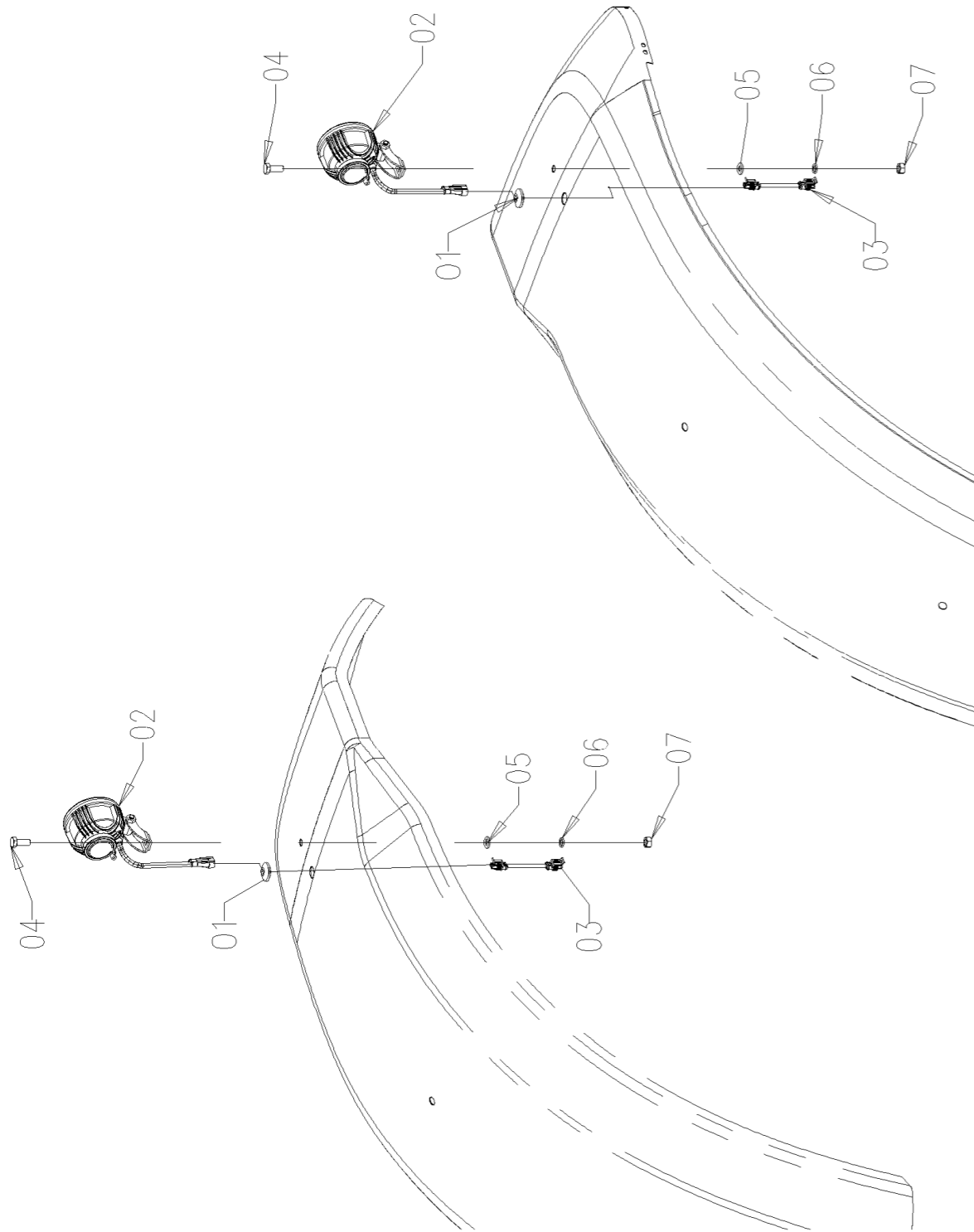
序号	零件编号	零件名称	数量	图号
1	CD1204.48.030	后尾灯总成 Rear light assembly	2	CD1204.48.030
2	SH400.48.118	橡胶圈 THREAD RING	2	SH400.48.118





# A23.48.912.4 WORK LAMP ASS.Y

# A23.48.912.4\_1 挡泥板工作灯安装总成 FENDER WORK LIGHT ASS.Y

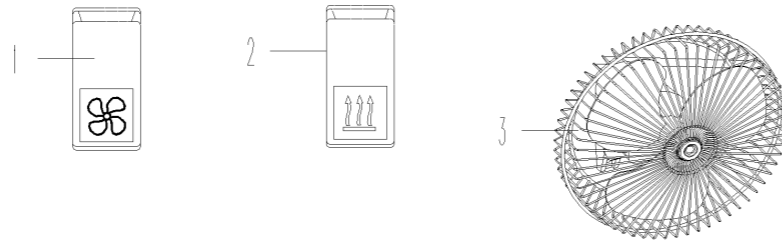


序号	零件编号	零件名称	数量	图号
1	CD554.48.105	橡胶垫圈 RUBBER RING	2	CD554.48.105
2	A39.48.026.0/10	工作灯 WORK LAMP	2	A39.48.026.0/10
3	A39.48.044.0	工作灯线束 WORK LAMP W.H.	2	A39.48.044.0
4	GBT5783-M10X25-A3L	螺栓 BOLT	2	GBT5783-M10X25-A3L
5	GBT97.1-10-A3L	垫圈 WASHER	2	GBT97.1-10-A3L
6	GBT93-10-A3L	垫圈 WASHER	2	GBT93-10-A3L
7	GBT6170-M10-A3L	螺母 NUT	2	GBT6170-M10-A3L

# A23.48.914.4 HEATER CABIN ELECTRICAL PART

## A23.48.914.4\_0 暖风电气系统安装总成HEATER CABIN ELECTRICAL PART

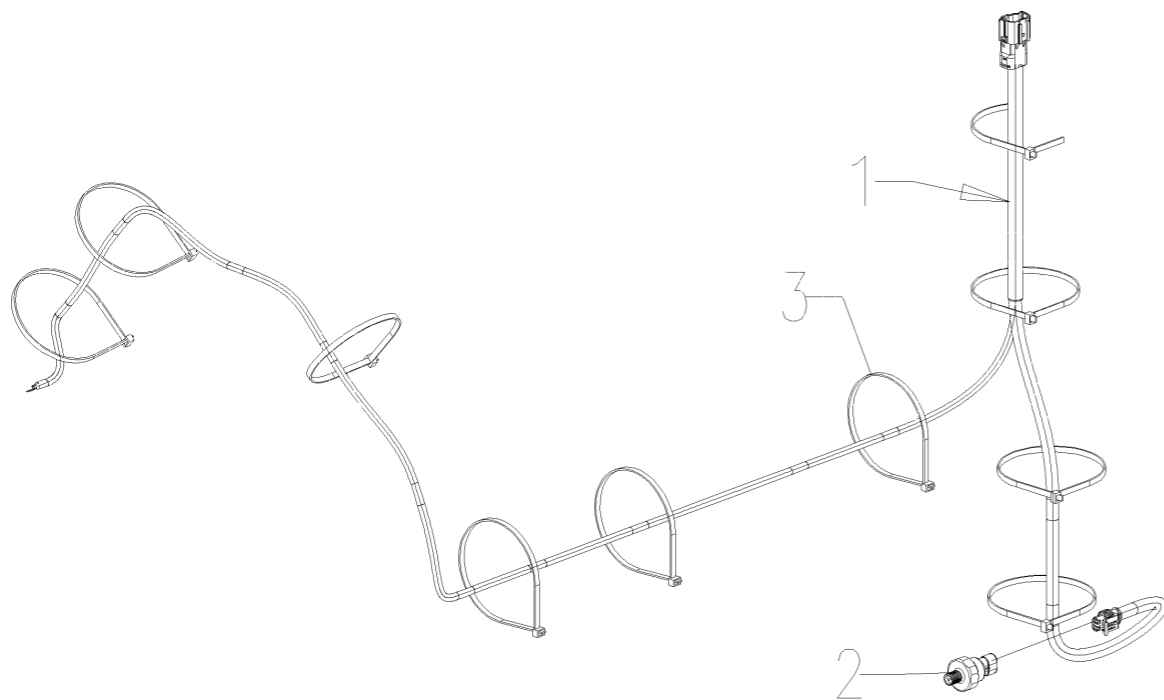
序号	零件编号	零件名称	数量	图号
1	A23.48.014.0	加热控制软件 HEATING CONTROL	1	A23.48.014.0
2	A23.48.015.0	风扇开关 FAN SW.	1	A23.48.015.0
3	SH900.48.057	风扇总成 Fan Assembly	2	SH900.48.057



# A23.48.915.4 ENGINE W.H. ASS.Y

## A23.48.915.4\_0 发动机线束安装总成 FRONT WIRING-ELECTRICAL PARTS

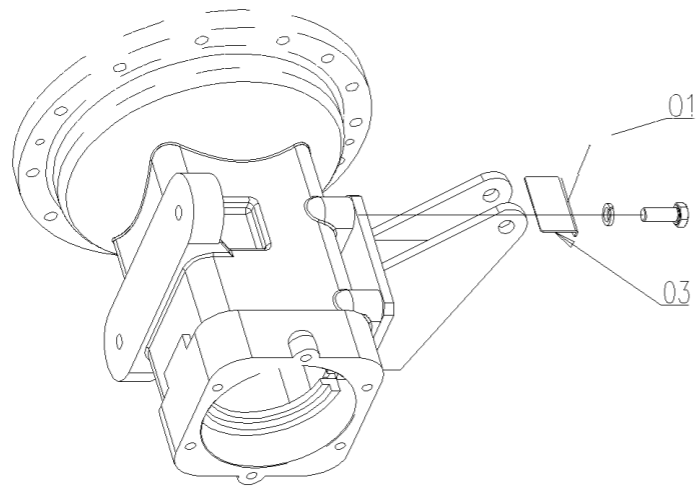
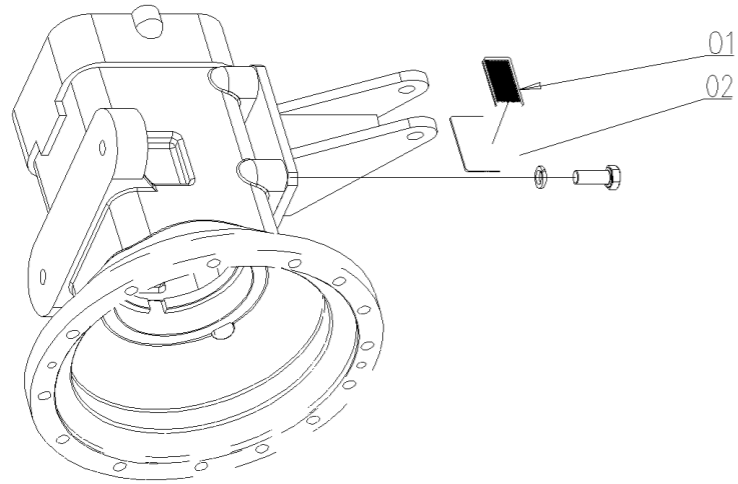
序号	零件编号	零件名称	数量	图号
1	A23.48.019.0	前线束 FRONT W.H.	1	A23.48.019.0
2	A23.48.012.0	空滤堵塞报警开关 AIR FILTER	1	A23.48.012.0
3	2.6852.203.0	自锁扎带 292 SELF LOCKING CABLE	10	2.6852.203.0



### A23.51.909.4 REAR REFLECTOR ASS.Y

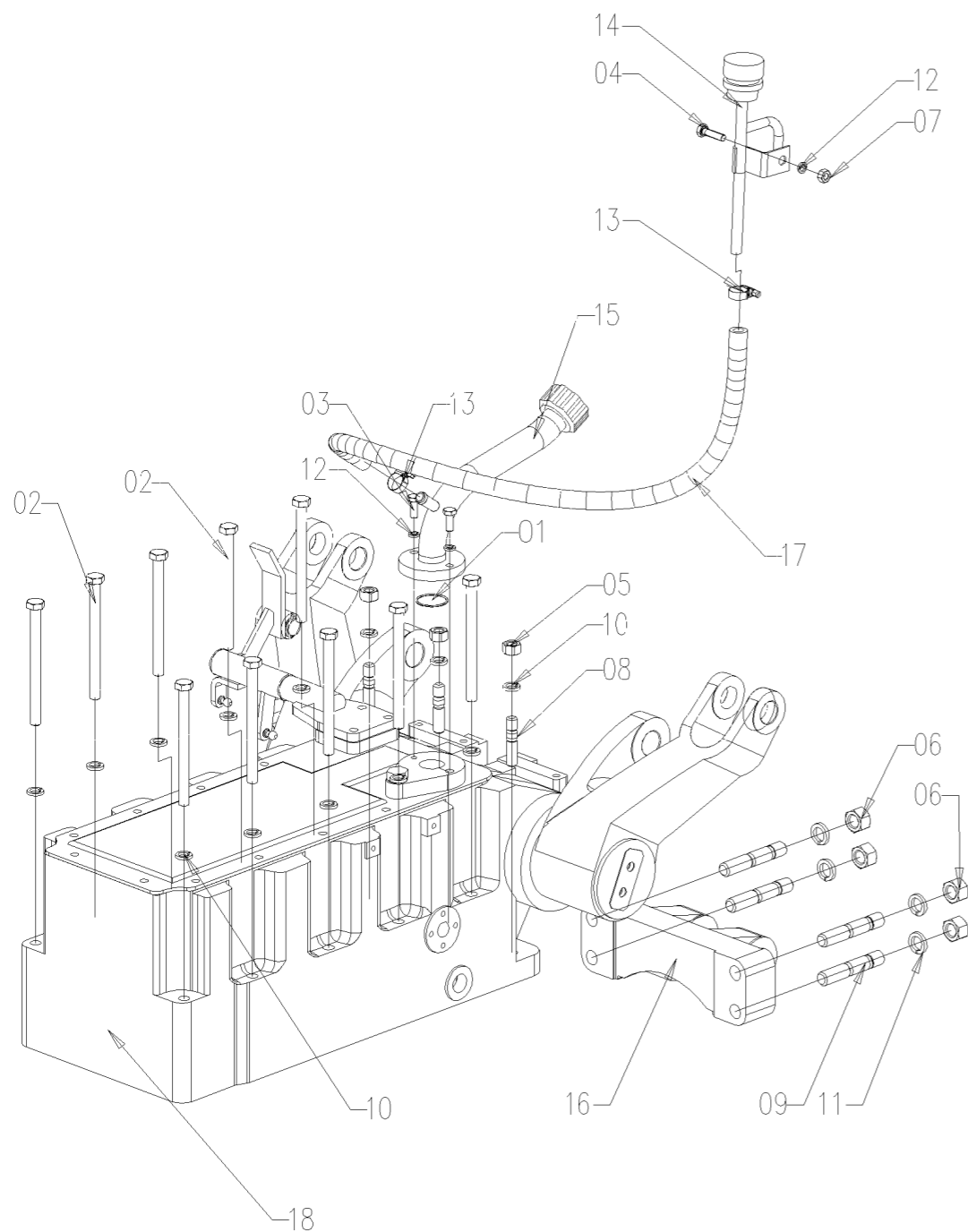
### A23.51.909.4\_0 后反射器Rear reflector

序号	零件编号	零件名称	数量	图号
1	C05.51.002.0/10	XH6-2反射板 REFLECTOR	2	C05.51.002.0/10
2	A23.51.008.0	右支架 RIGHT BRACKET	1	A23.51.008.0
3	A23.51.007.0	左支架 LEFT BRACKET	1	A23.51.007.0



# LIFT ASSY A23.55.900.4

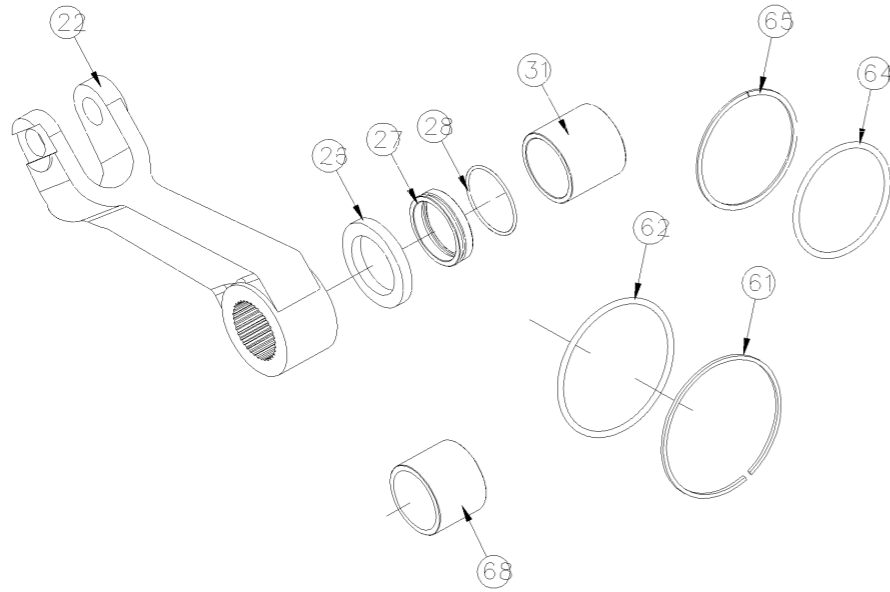
YFB-R-2016-016 SH.012



## A23.55.900.4\_2 提升器总成 REAR LIFT ASS.

序号	零件编号	零件名称	数量	图号
1	GBT3452.1-32.5X1.8-G	O形圈 O RING	1	GBT3452.1-32.5X1.8-G
2	GBT5782-M12X140-10.9-	螺栓 BOLT	10	GBT5782-M12X140-10.9-A3L
3	GBT5783-M8X20-A2L	螺栓 BOLT	2	GBT5783-M8X20-A2L
4	GBT5783-M8X30-A2L	螺栓 BOLT	1	GBT5783-M8X30-A2L
5	GBT6170-M12-10-A3L	螺母 NUT	3	GBT6170-M12-10-A3L
6	GBT6170-M16-10-A3L	螺母 NUT	4	GBT6170-M16-10-A3L
7	GBT6170-M8-A2L	螺母 NUT	1	GBT6170-M8-A2L
8	GBT899-AM12X40-10.9-	双头螺柱 STUD	3	GBT899-AM12X40-10.9-A3L
9	GBT899-AM16X70-10.9-	双头螺柱 STUD	4	GBT899-AM16X70-10.9-A3L
10	GBT93-12-A3L	垫圈 WASHER	13	GBT93-12-A3L
11	GBT93-16-A3L	垫圈 WASHER	4	GBT93-16-A3L
12	GBT93-8-A3L	垫圈 WASHER	3	GBT93-8-A3L
13	JBT8870-D20	喉箍 HOSE CLAMP	2	JBT8870-D20
14	SH704-1.55.015-1	呼吸器组件 RESPIRATOR ASS	1	SH704-1.55.015-1
15	SH900.55.012	呼吸器连接管焊合件 RESPIRATOR	1	SH900.55.012
16	SH900.55.148	上拉杆支座 UPPER LINK SUPPORT	1	SH900.55.148
17	SH900.55.162/10	升降器呼吸软管 BREATHING HOSE	1	SH900.55.162/10
18	A23.55.001.0/10	后提升 REAR LIFT	1	A23.55.001.0/10

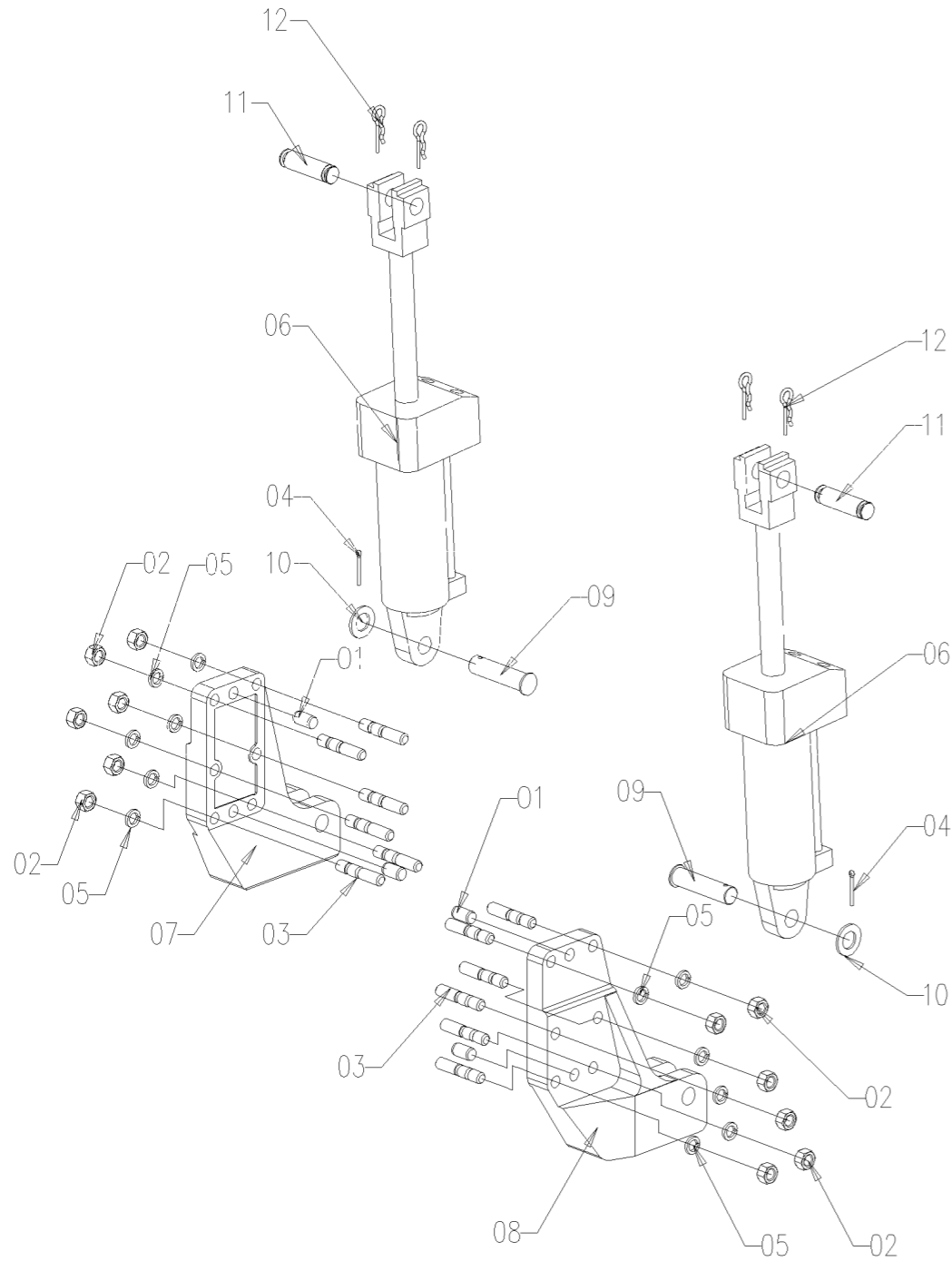
# A23.55.001.0/10 后提升



## A23.55.001.0/10 后提升 REAR LIFT

序号	零件编号	零件名称	数量	图号
22	FT800.55.107A	升降臂 lift arm	2	FT800.55.107A
26	TD904.55.1.109	圆环 ring	2	TD904.55.1.109
27	FT800.55.106B	轴套 bush	2	FT800.55.106B
28	GB3452.1-92	O形圈60X2.65 O ring 60X2.65	2	GB3452.1-92
29	GB3452.1-92	O形圈56X2.65 O ring 56X2.65	2	GB3452.1-92
30	GB3452.1-92	O形圈56X5.7 O ring 56X5.7	2	GB3452.1-92
31	TD904.55.1.105	轴套B shaft sleeve B	1	TD904.55.1.105
61	FT65.55.121	环 ring	1	FT65.55.121
62	GB3452.1-92	O型圈118X3.55 O型圈118X3.55	1	GB3452.1-92
64	GB3452.1-92	O型圈100X5.3 O型圈100X5.3	2	GB3452.1-92
65	FT65.55.165	环 ring	2	FT65.55.165
68	TD904.55.1.107	轴套A shaft sleeve A	1	TD904.55.1.107

A23.55.901.4 OUTER CYLINDER ASS.  
YFB-R-2016-016 SH.012



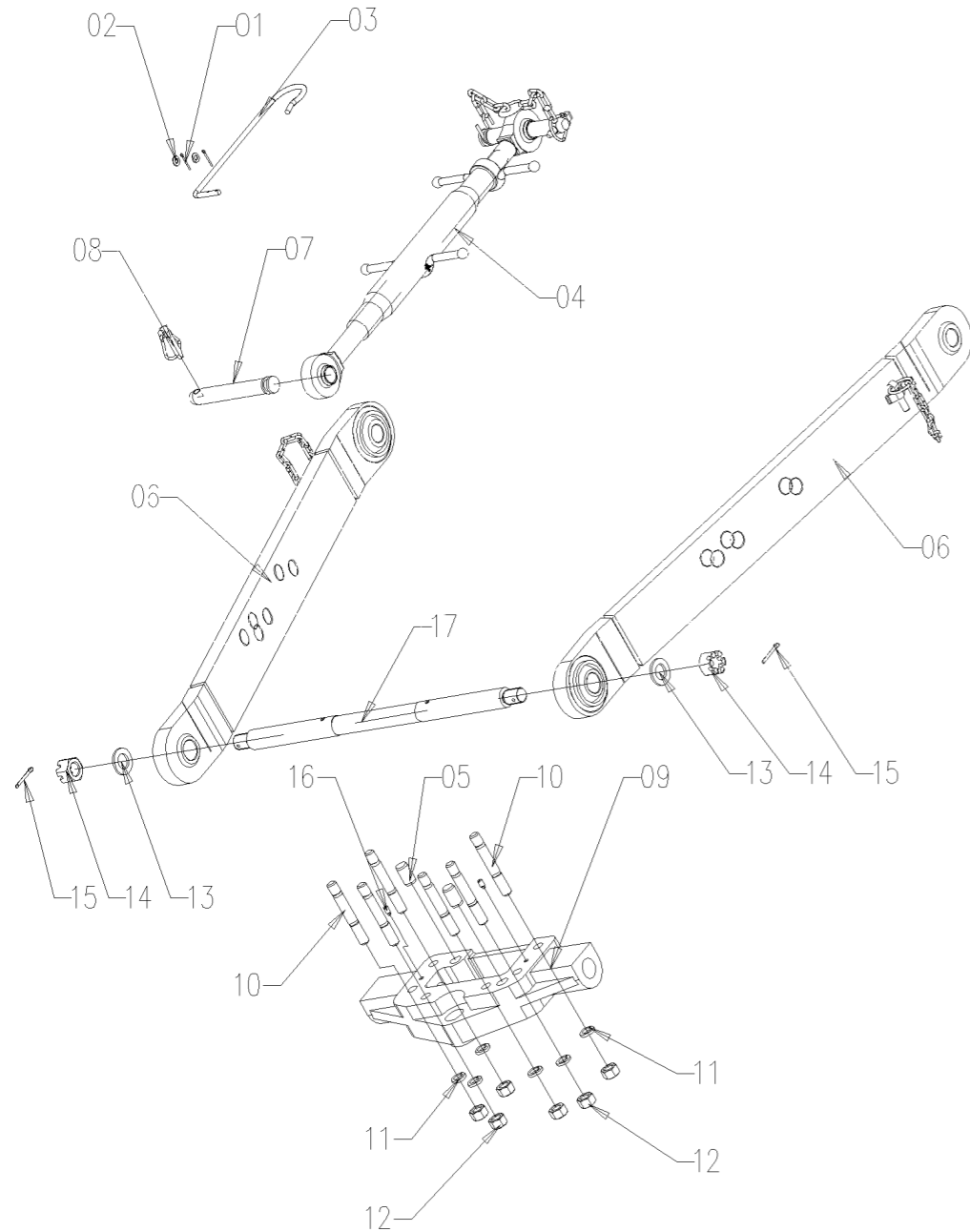
A23.55.901.4\_0 外置油缸安装总成 OUTER CYLINDER ASS.

序号	零件编号	零件名称	数量	图号
1	GBT119.1-20m6X35	销 PIN	4	GBT119.1-20m6X35
2	GBT6170-M18-10-A3L	螺母 NUT	12	GBT6170-M18-10-A3L
3	GBT899-GM18X65-10.9-	双头螺柱 STUD	12	GBT899-GM18X65-10.9-A3L
4	GBT91-5X45-A3L	销 PIN	2	GBT91-5X45-A3L
5	GBT93-18-A3L	垫圈 WASHER	12	GBT93-18-A3L
6	SH900.55.014	油缸组件 LIFT CYL ASS	2	SH900.55.014
7	SH900.55.107	右连接架 RH HYD CYL SUPPORT	1	SH900.55.107
8	SH900.55.108	左连接架 LH HYD CYL SUPPORT	1	SH900.55.108
9	SH900.55.115	销轴 PIN FOR CYL	2	SH900.55.115
10	SH900.55.147	垫圈 WASHER	2	SH900.55.147
11	SH900.55.102	连接销 CONNECTING PIN	2	SH900.55.102
12	SH900.55.103	弹簧销 SPRING PIN	4	SH900.55.103

# A23.56.900.4 3 POINT LINKAGE ASS.

YFB-R-2017-010 SH.015

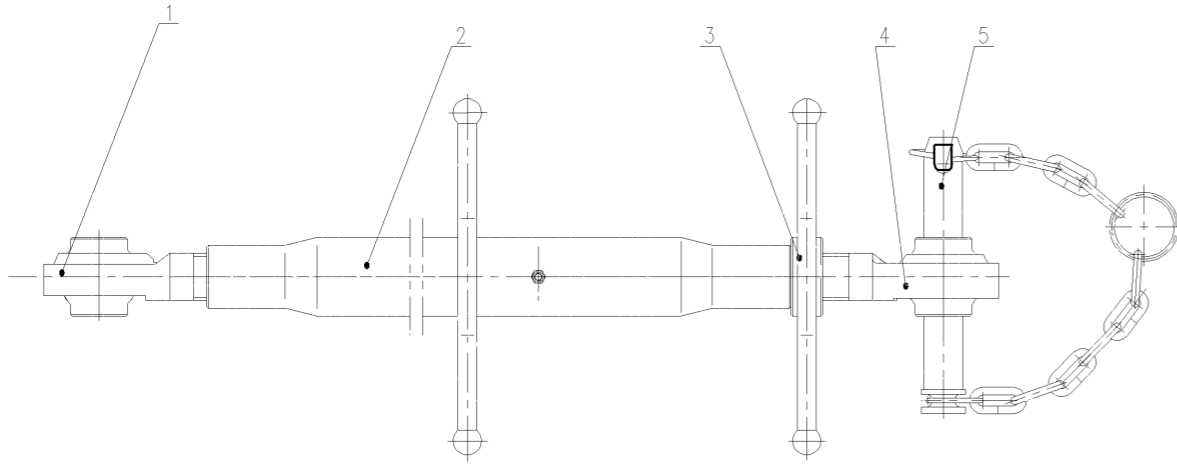
# A23.56.900.4\_0 三点悬挂安装总成 3 POINT LINKAGE ASS.



序号	零件编号	零件名称	数量	图号
1	GBT91-2.5X25-A3L	销 PIN	2	GBT91-2.5X25-A3L
2	GBT97.1-8-A3L	垫圈 WASHER	2	GBT97.1-8-A3L
3	SH900.56.101/10	挂钩 HOOK	1	SH900.56.101/10
4	SH900.56.030-1	上拉杆总成 UPPER LINK ASS.	1	SH900.56.030-1
5	GBT119.1-20m6X35	销 PIN	2	GBT119.1-20m6X35
6	SH900.56.018	下拉杆焊合 LOWER LINK WELDING	2	SH900.56.018
7	SH900.56.106	中间拉杆销 INTERMEDIATE ROD PIN	1	SH900.56.106
8	SH400.56.025	锁销总成 LOCK PIN ASSEMBLY	1	SH400.56.025
9	SH900.56.111	下拉杆支架 LOWER ROD BRACKET	1	SH900.56.111
10	GBT899-AM16X95-10.9-	双头螺栓 STUD	6	GBT899-AM16X95-10.9-A3L
11	GBT93-16-A3L	垫圈 WASHER	6	GBT93-16-A3L
12	GBT6170-M16-10-A3L	螺母 NUT	6	GBT6170-M16-10-A3L
13	GBT95-24-A3L	垫圈 WASHER	2	GBT95-24-A3L
14	GBT9459-M24X2-A3L	螺母 NUT	2	GBT9459-M24X2-A3L
15	GBT91-5X40-A3L	销 PIN	2	GBT91-5X40-A3L
16	GBT72-M8X16-A2L	螺栓 SCREW	2	GBT72-M8X16-A2L
17	SH900.56.103	下拉杆支撑杆 LOWER PULL ROD	1	SH900.56.103



SH900.56.030-1 上拉杆总成



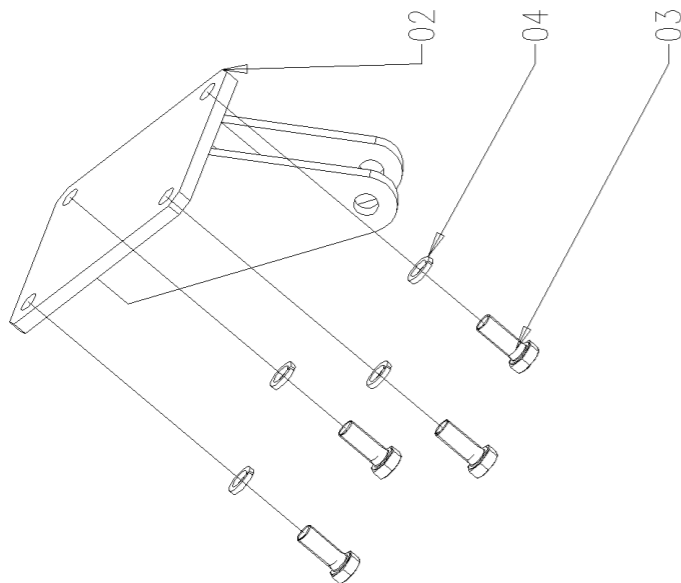
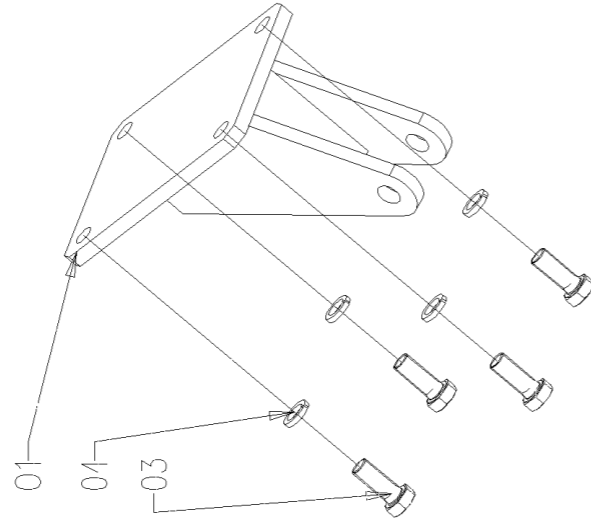
SH900.56.030-1 上拉杆组件 UPPER LINKAGE ASSY

序号	零件编号	零件名称	数量	图号
1	SH900.56.011	上拉杆后调节螺杆挤压总成	1	SH900.56.011
2	SH900.56.014-1	调节螺管手柄焊合 ADJUSTING	1	SH900.56.014-1
3	SH900.56.013-1	上拉杆锁紧螺帽焊合 UPPER PULL	1	SH900.56.013-1
4	SH900.56.015	上拉杆前调节螺杆挤压总成 FRONT	1	SH900.56.015
5	SH900.56.024	上拉杆销及锁销总成 UPPER ROD PIN	1	SH900.56.024

# A23.56.903.4 LIMIT ROD SUPPORT-CABIN

# A23.56.903.4\_0 限位杆支座 (驾驶室) LIMIT ROD SUPPORT (cab)

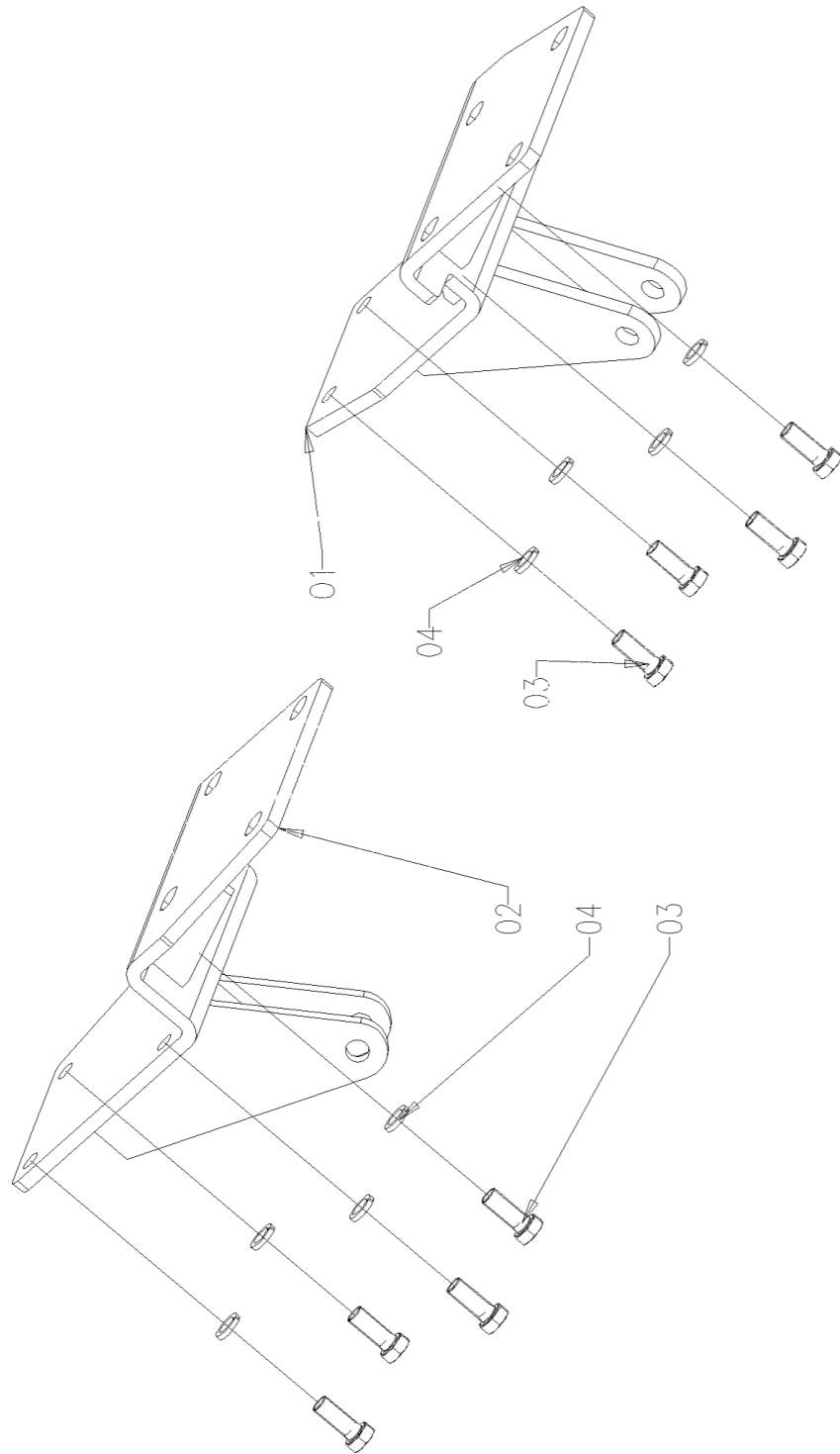
序号	零件编号	零件名称	数量	图号
1	SH900.56.019	右限位座焊合 RIGHT LIMITING ROD	1	SH900.56.019
2	SH900.56.025	左限位座焊合 LEFT LIMIT ROD	1	SH900.56.025
3	GBT5783-M16X40-10.9-	螺栓 BOLT	8	GBT5783-M16X40-10.9-A3L
4	GBT93-16-A3L	垫圈 WASHER	8	GBT93-16-A3L



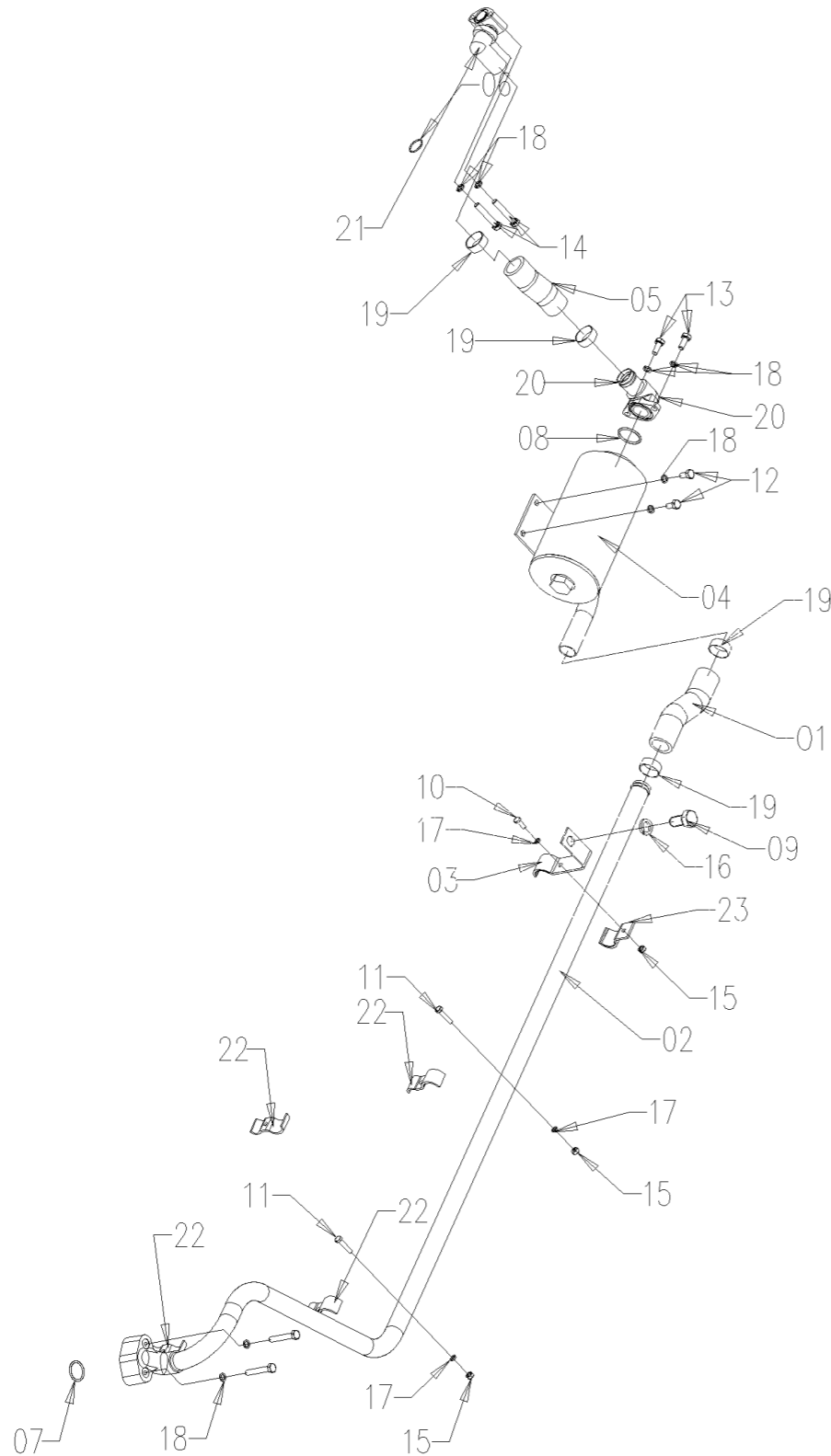
# A23.56.913.4 LIMIT ROD SUPPORT-PLATFORM-EN.

# A23.56.913.4\_0 限位杆支座 LIMIT ROD SUPPORT-PLATFORM-EN

序号	零件编号	零件名称	数量	图号
1	CD1104A.56.011/10	右限位座焊合 RIGHT LIMITING ROD	1	CD1104A.56.011/10
2	CD1104A.56.012/10	左限位座焊合 LEFT LIMIT ROD	1	CD1104A.56.012/10
3	GBT5783-M16X40-10.9-	螺栓 BOLT	8	GBT5783-M16X40-10.9-A3L
4	GBT93-16-A3L	垫圈 WASHER	8	GBT93-16-A3L



# A23.58.900.4 INLET PIPE ASS.

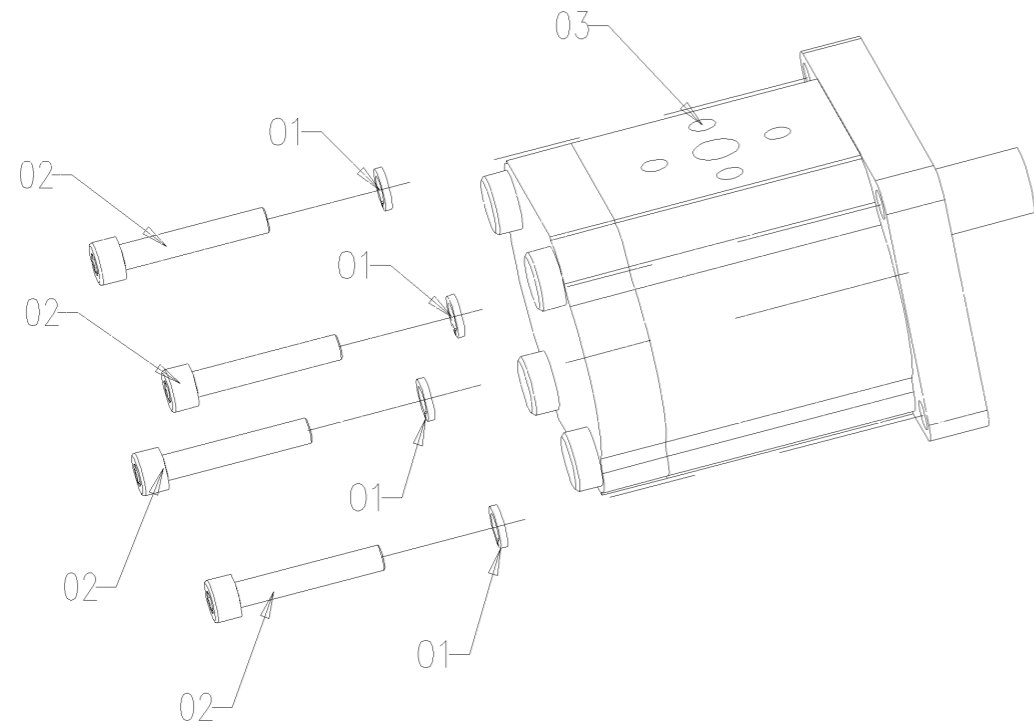


# A23.58.900.4\_1 提升泵吸油管总成INLET PIPE ASS.

序号	零件编号	零件名称	数量	图号
1	A23.58.002.0	吸油管 SUCTION PIPE	1	A23.58.002.0
2	A23.58.014.3	吸油管焊合 SUCTION PIPE WELDED	1	A23.58.014.3
3	A23.58.019.3	油管夹组件 TUBING CLAMP	1	A23.58.019.3
4	CD904A.58.012/10	机油滤清器 OIL FILTER	1	CD904A.58.012/10
5	CD904A.58.103	软管 HOSE	1	CD904A.58.103
6	GBT3452.1-21.2X1.8-G	O形密封圈 O RING	1	GBT3452.1-21.2X1.8-G
7	GBT3452.1-26.5X2.65-G	O形密封圈 O RING	1	GBT3452.1-26.5X2.65-G
8	GBT3452.1-32.5X2.65-G	O形密封圈 O RING	1	GBT3452.1-32.5X2.65-G
9	GBT5783-M16X30-10.9-	螺栓 BOLT	1	GBT5783-M16X30-10.9-A3L
10	GBT5783-M6X16-A2L	螺栓 BOLT	1	GBT5783-M6X16-A2L
11	GBT5783-M6X30-A2L	螺栓 BOLT	2	GBT5783-M6X30-A2L
12	GBT5783-M8X16-A2L	螺栓 BOLT	2	GBT5783-M8X16-A2L
13	GBT5783-M8X20-A2L	螺栓 BOLT	2	GBT5783-M8X20-A2L
14	GBT5783-M8X50-A2L	螺栓 BOLT	4	GBT5783-M8X50-A2L
15	GBT6170-M6-A2L	螺母 NUT	3	GBT6170-M6-A2L
16	GBT93-16-A3L	垫圈 WASHER	1	GBT93-16-A3L
17	GBT93-6-A3L	垫圈 WASHER	3	GBT93-6-A3L
18	GBT93-8-A3L	垫圈 WASHER	8	GBT93-8-A3L
19	JBT8870-D32	软管夹 HOSE CLAMP	4	JBT8870-D32
20	SH900.58.018	吸油管焊合 SUCTION PIPE WELDED	1	SH900.58.018
21	SH900.58.019	吸油管焊合 SUCTION PIPE WELDED 2	1	SH900.58.019
22	SH900.58.034	油管夹组件 TUBING CLAMP	4	SH900.58.034
23	SH900.58.043	油管夹组件 TUBING CLAMP	1	SH900.58.043

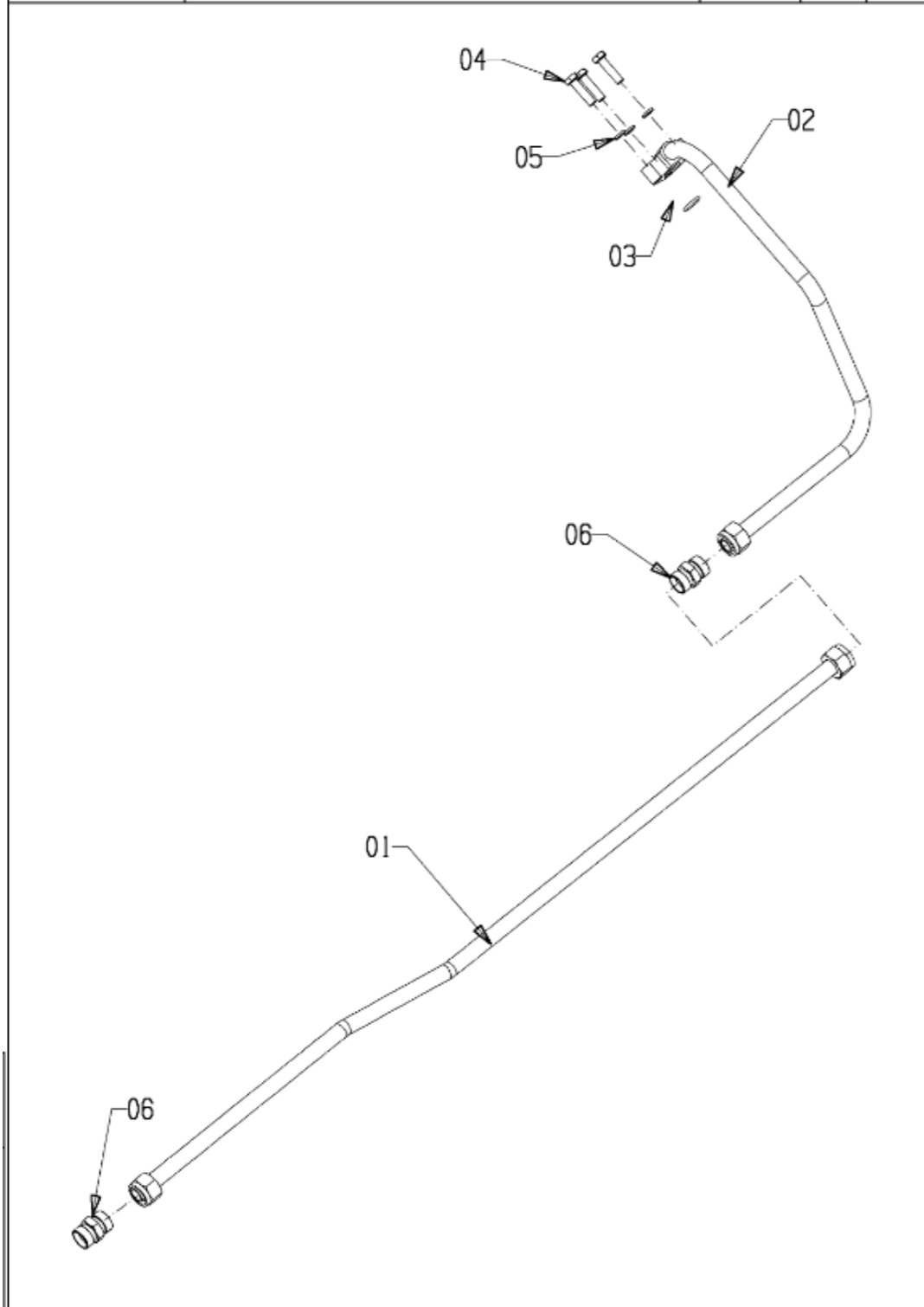
# A23.58.901.4 GEAR PUMP ASS.

# A23.58.901.4\_0 提升泵安装总成GEAR PUMP ASS.



序号	零件编号	零件名称	数量	图号
1	GBT93-8-A3L	垫圈 WASHER	4	GBT93-8-A3L
2	GBT70.1-M8X45-A2L	螺钉 SCREW	4	GBT70.1-M8X45-A2L
3	CD904A.58.013	恒流溢流泵 PUMP	1	CD904A.58.013

 SAME DEUTZ-FAHR GROUP S.p.A. Gruppo - Group CHINA GROUP	A23-A26	N. dis. - P/N	
	OUTLET PIPE ASS.	A23.58.902.4	
	Rev	Foglio - sheet	di - of
	0	1	1
	Validato il	DM	



### A23.58.902.4\_0 提升泵出油管总成 OUTLET PIPE ASS.

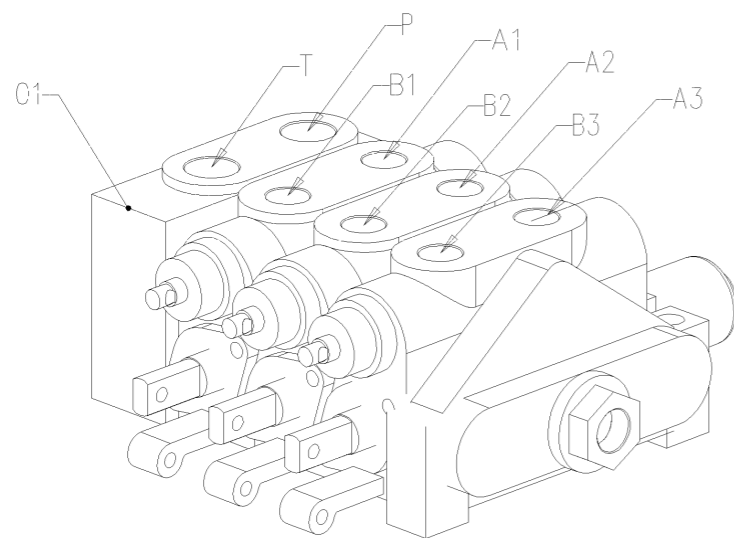
序号	零件编号	零件名称	数量	图号
1	A23.58.003.3	压力油管总成 PRESSURE OIL PIPE ASS.	1	A23.58.003.3
2	CD904A.58.014	出油管 OUTLET PIPE	1	CD904A.58.014
3	GBT3452.1-15X2.65-G	组合密封圈 O RING	1	GBT3452.1-15X2.65-G
4	GBT5783-M8X30-A2L	螺栓 BOLT	3	GBT5783-M8X30-A2L
5	GBT93-8-A3L	垫圈 WASHER	3	GBT93-8-A3L
6	GBT3737.2-83-G16	卡套式端直通接头体 CONNECTOR	2	GBT3737.2-83-G16

A23.58.903.4 VALVE ASS.Y

YFB-R-2016-016 SH.002

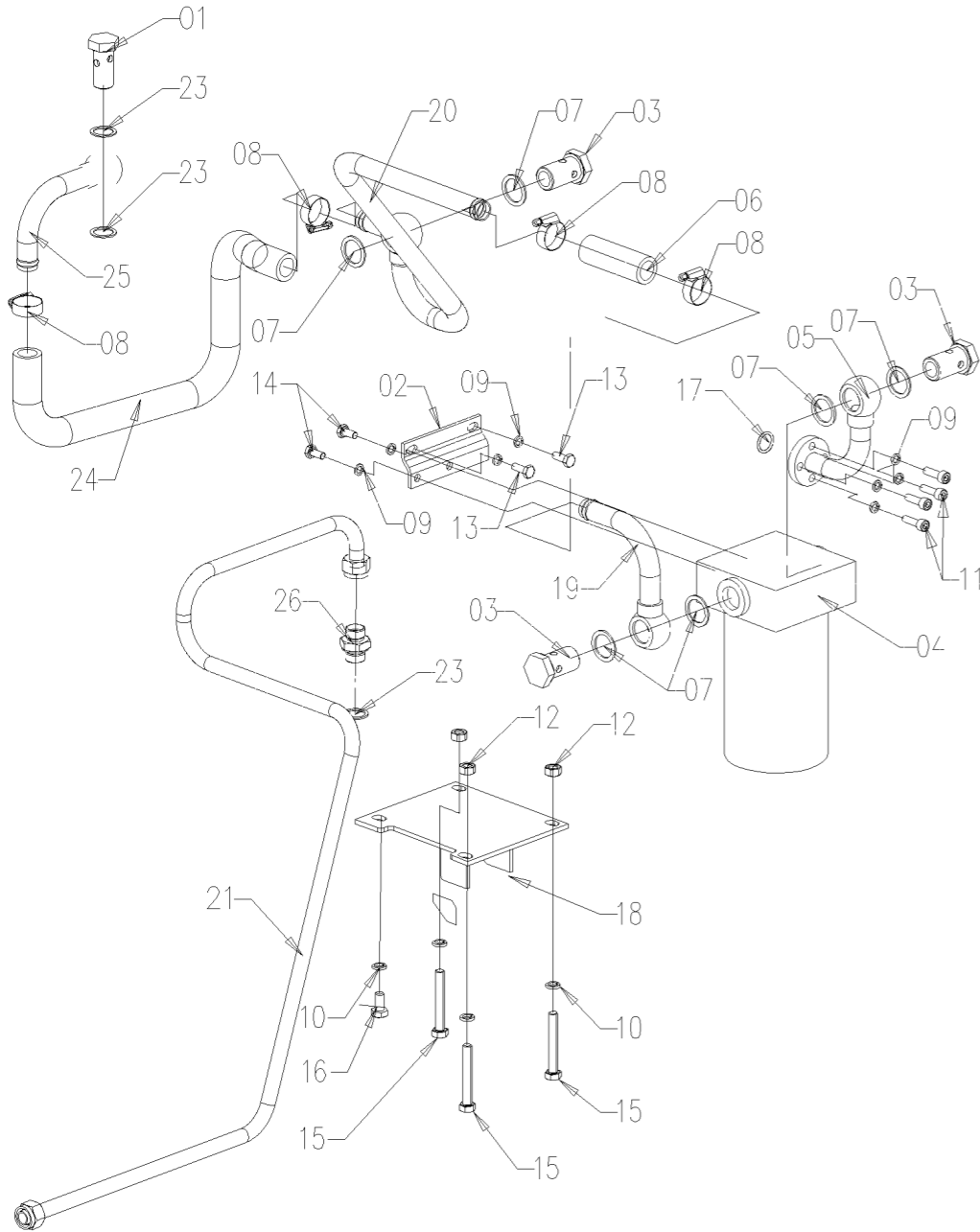
**A23.58.903.4\_1 多路阀总成MULTIWAY VALVE**

序号	零件编号	零件名称	数量	图号
1	A23.58.001.0/10	多路阀 MULTIWAY VALVE	1	A23.58.001.0/10



# A23.58.904.4 VALVE PIPE ASS.Y

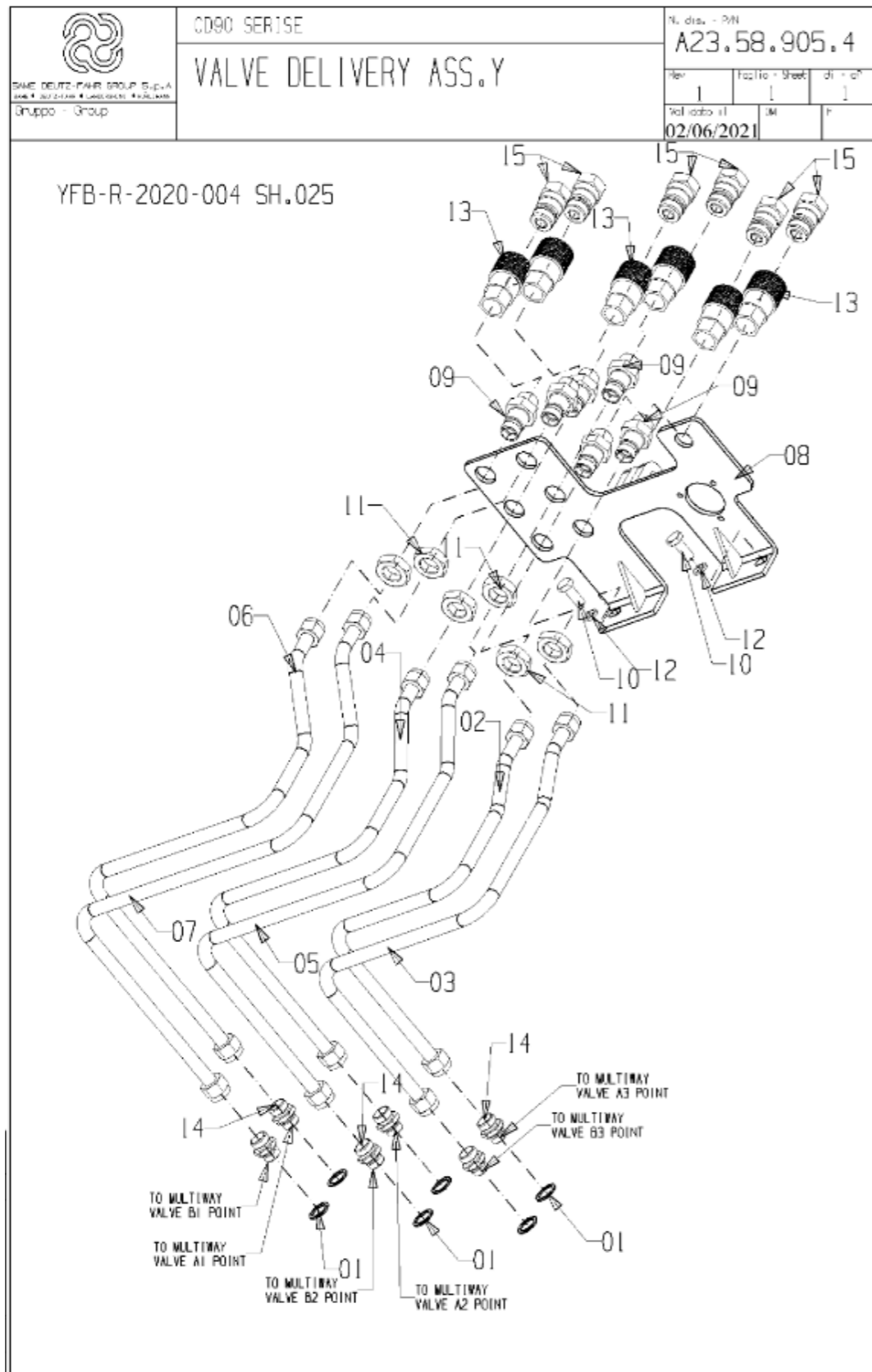
YFB-R-2020-004 SH.029



## A23.58.904.4\_5 多路阀油管总成 VALVE PIPE ASS.Y

序号	零件编号	零件名称	数量	图号
1	SH400.58.112	空心螺栓 HOLLOW BOLT	1	SH400.58.112
2	SH900.58.182	油滤光片夹 OIL FILTER HOLDER	1	SH900.58.182
3	SH900.58.101	空心螺栓 HOLLOW BOLT M27X1.5	3	SH900.58.101
4	SH900.58.025	回油过滤总成 RETURN OIL FILTER	1	SH900.58.025
5	SH900.58.020/20	回油管焊接 OIL RETURN PIPE	1	SH900.58.020/20
6	SH400.58.106	吸油橡胶管 OIL SUCTION RUBBER	1	SH400.58.106
7	A68.58.003.0	组合密封垫圈 SEALING RING 27.3x36	6	A68.58.003.0
8	JBT8870-D32	软管夹H HOSE CLAMPS	4	JBT8870-D32
9	GBT93-8-A3L	垫圈 WASHER	8	GBT93-8-A3L
10	GBT93-10-A3L	垫圈 WASHER	4	GBT93-10-A3L
11	GBT70.1-M8X25-A2L	螺栓 BOLT	4	GBT70.1-M8X25-A2L
12	GBT6170-M10-A3L	螺母 NUT	3	GBT6170-M10-A3L
13	GBT5783-M8X20-A2L	螺栓 BOLT	2	GBT5783-M8X20-A2L
14	GBT5783-M8X16-A2L	螺栓 BOLT	2	GBT5783-M8X16-A2L
15	GBT5783-M10X70-A3L	螺栓 BOLT	3	GBT5783-M10X70-A3L
16	GBT5783-M10X20-A3L	螺栓 BOLT	1	GBT5783-M10X20-A3L
17	GBT3452.1-19X2.65-G	O形圈 O RING	1	GBT3452.1-19X2.65-G
18	A23.58.016.3/10	阀门支架 VALVE BRACKET	1	A23.58.016.3/10
19	A23.58.015.3	回油管焊接 RETURN PIPE WELDED	1	A23.58.015.3
20	A23.58.013.3/10	回油管组件 RETURN PIPE ASS.	1	A23.58.013.3/10
21	A23.58.004.3	出油管 OUTLET PIPE ASS.	1	A23.58.004.3
23	2.1560.018.0	组合密封圈 SEALING RING	3	2.1560.018.0
24	A23.58.021.0/10	喉箍 RETURN HOSE	1	A23.58.021.0/10
25	A23.58.022.3	回油管焊接 RETURN PIPE WELDED	1	A23.58.022.3
26	SH904.58.170	卡套式端直通接头体 CONNECTOR	1	SH904.58.170





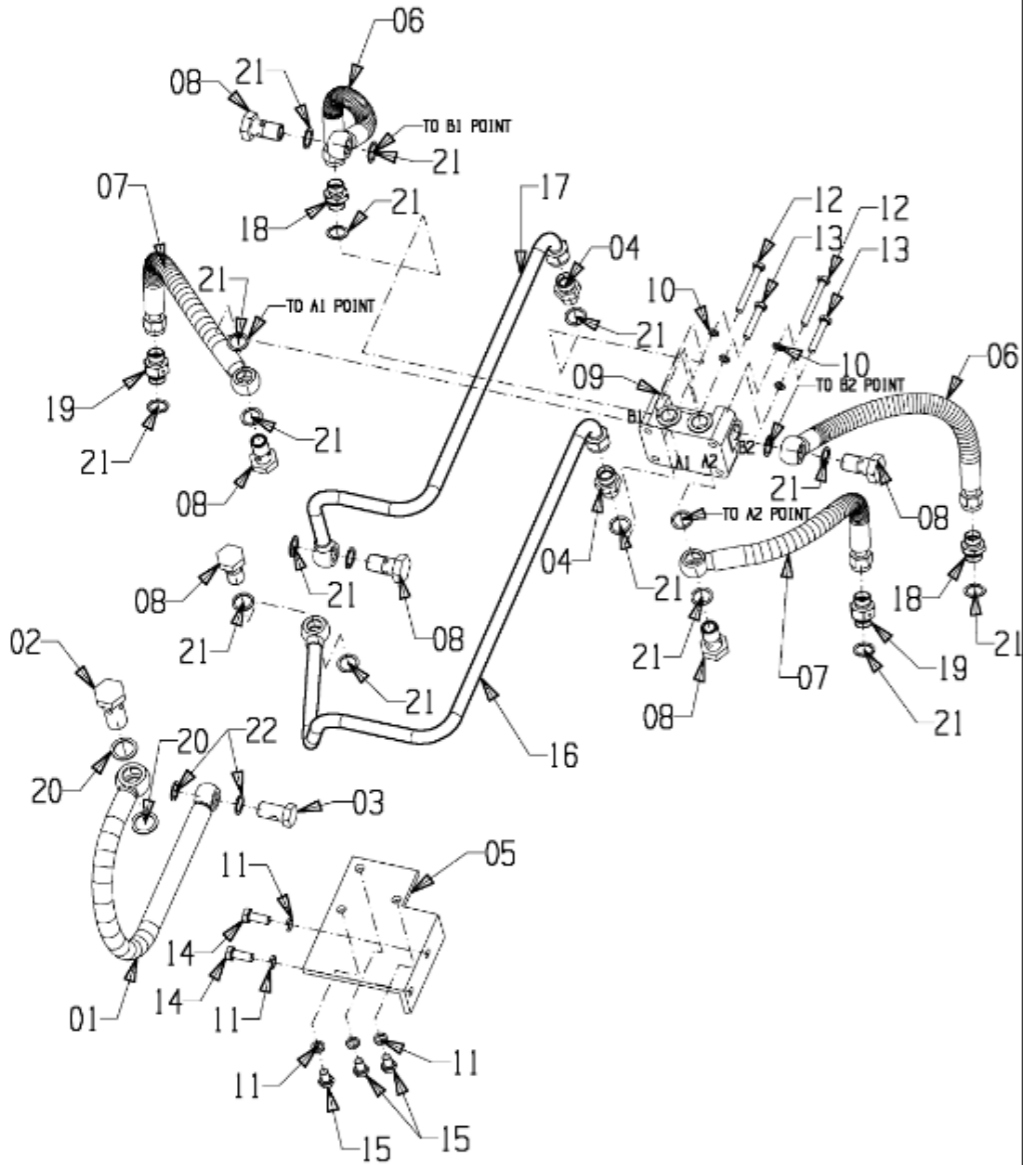
### A23.58.905.4\_1 多路阀输出油管总成 OUTPUT PIPE ASS.

序号	零件编号	零件名称	数量	图号
1	2.1560.014.0	组合密封垫圈 SEALING RING	6	2.1560.014.0
2	A23.58.005.3	输出管总成1 OUTPUT PIPE ASS.1	1	A23.58.005.3
3	A23.58.006.3	输出管总成2 OUTPUT PIPE ASS.2	1	A23.58.006.3
4	A23.58.007.3	输出管总成3 OUTPUT PIPE ASS.3	1	A23.58.007.3
5	A23.58.008.3	输出管总成4 OUTPUT PIPE ASS.4	1	A23.58.008.3
6	A23.58.009.3	输出管总成5 OUTPUT PIPE ASS.5	1	A23.58.009.3
7	A23.58.010.3	输出管总成6 OUTPUT PIPE ASS.6	1	A23.58.010.3
8	A23.58.017.3	快换接头板焊接 QUICK-	1	A23.58.017.3
9	CD554.58.111	排气弯管接头 QUICK CONNECTOR	6	CD554.58.111
10	GBT5783-M10X25-A3L	螺栓 BOLT	2	GBT5783-M10X25-A3L
11	GBT6172-M22X1.5-A3L	螺母 NUT	6	GBT6172-M22X1.5-A3L
12	GBT93-10-A3L	垫圈 WASHER	2	GBT93-10-A3L
13	SH904.58.012	快换接头总成 FEMALE QUICK	6	SH904.58.012
14	SH904.58.171	卡套式端直通接头体 SLEEVE	6	SH904.58.171
15	SH904.58.015	快换阳接头总成 FEMALE JOINT	6	SH904.58.015

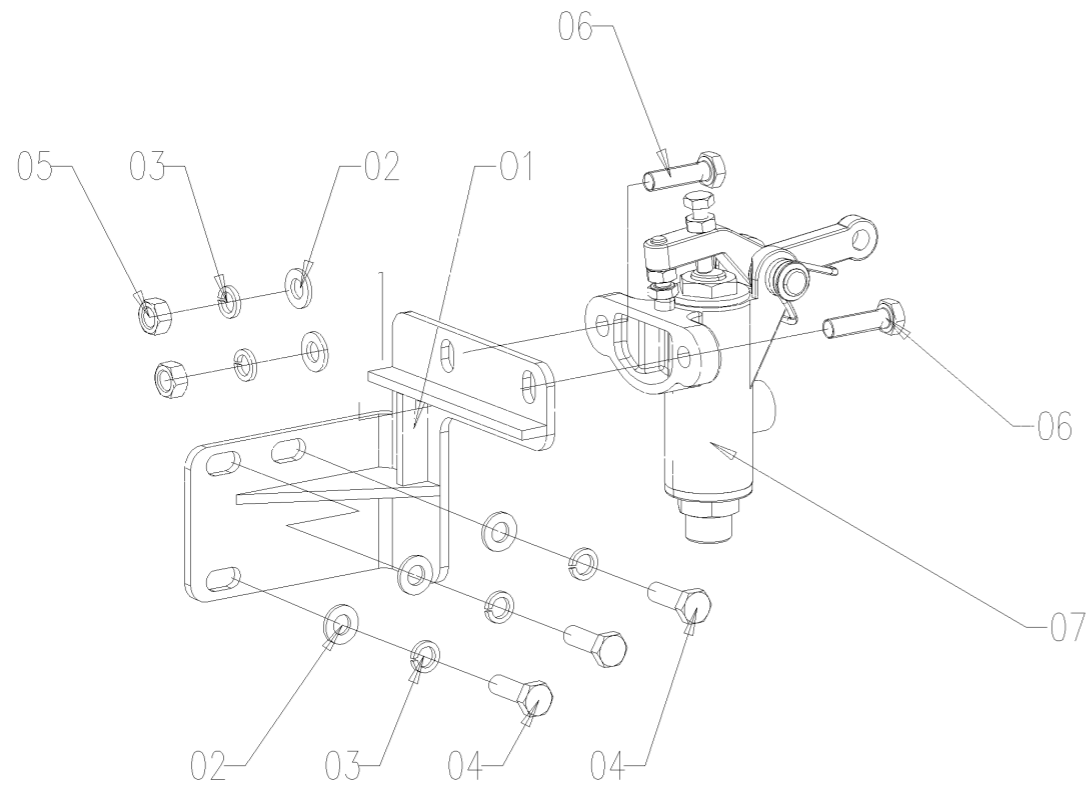
 SAME DEUTZ-FAHR GROUP S.p.A. Gruppo - Group CHINA GROUP	A23-A26	N. dis. - P/N A23.58.909.4
	DISTRIBUTOR PIPE ASS.	Rev. 0 Foglio - Sheet 1 di - of 1 Validato in DM

### A23.58.909.4\_0 分配器油管总成 DISTRIBUTOR PIPE ASS.

序号	零件编号	零件名称	数量	图号
1	SH904.58.026	分配器进油管总成 INLET PIPE	1	SH904.58.026
2	LD700.58.107	空心螺栓-2 HOLLOW BOLT	1	LD700.58.107
3	SH900.58.111	空心螺栓 HOLLOW BOLT	1	SH900.58.111
4	SH900.58.105	卡套式端直通接头体 SLEEVE	2	SH900.58.105
5	SH900.58.038	分配器固定板焊合件 DISTRIBUTOR	1	SH900.58.038
6	SH900.58.022	油缸进油管总成-2 INLET PIPE ASS.	2	SH900.58.022
7	SH900.58.021	油缸进油管总成-1 INLET PIPE ASS.	2	SH900.58.021
8	SH900.40.105	空心螺栓 HOLLOW BOLT	6	SH900.40.105
9	LE1204.58.134-1	油管连接块 DISTRIBUTOR BLOCK	1	LE1204.58.134-1
10	GBT93-8-A3L	垫圈 WASHER	4	GBT93-8-A3L
11	GBT93-10-A3L	垫圈 WASHER	5	GBT93-10-A3L
12	GBT5783-M8X65-A2L	螺栓 BOLT	2	GBT5783-M8X65-A2L
13	GBT5783-M8X45-A2L	螺栓 BOLT	2	GBT5783-M8X45-A2L
14	GBT5783-M10X25-A3L	螺栓 BOLT	2	GBT5783-M10X25-A3L
15	GBT5783-M10X16-A3L	螺栓 BOLT	3	GBT5783-M10X16-A3L
16	DF904.58B.016/10	出油管总成 OUTLET PIPE ASS.	1	DF904.58B.016/10
17	DF904.58B.015/10	出油管总成 OUTLET PIPE ASS.	1	DF904.58B.015/10
18	CD554.581A.112	管接头 FITTING	2	CD554.581A.112
19	CD554.581A.015	减速阀组件 DECELERATION VALVE	2	CD554.581A.015
20	2.1560.020.0	组合密封垫圈 SEALING RING	2	2.1560.020.0
21	2.1560.016.0	组合密封垫圈 SEALING RING	18	2.1560.016.0
22	2.1560.014.0	组合密封垫圈 SEALING RING	2	2.1560.014.0



# A23.80.901.4 BRAKE VALVE INSTALL ASS.



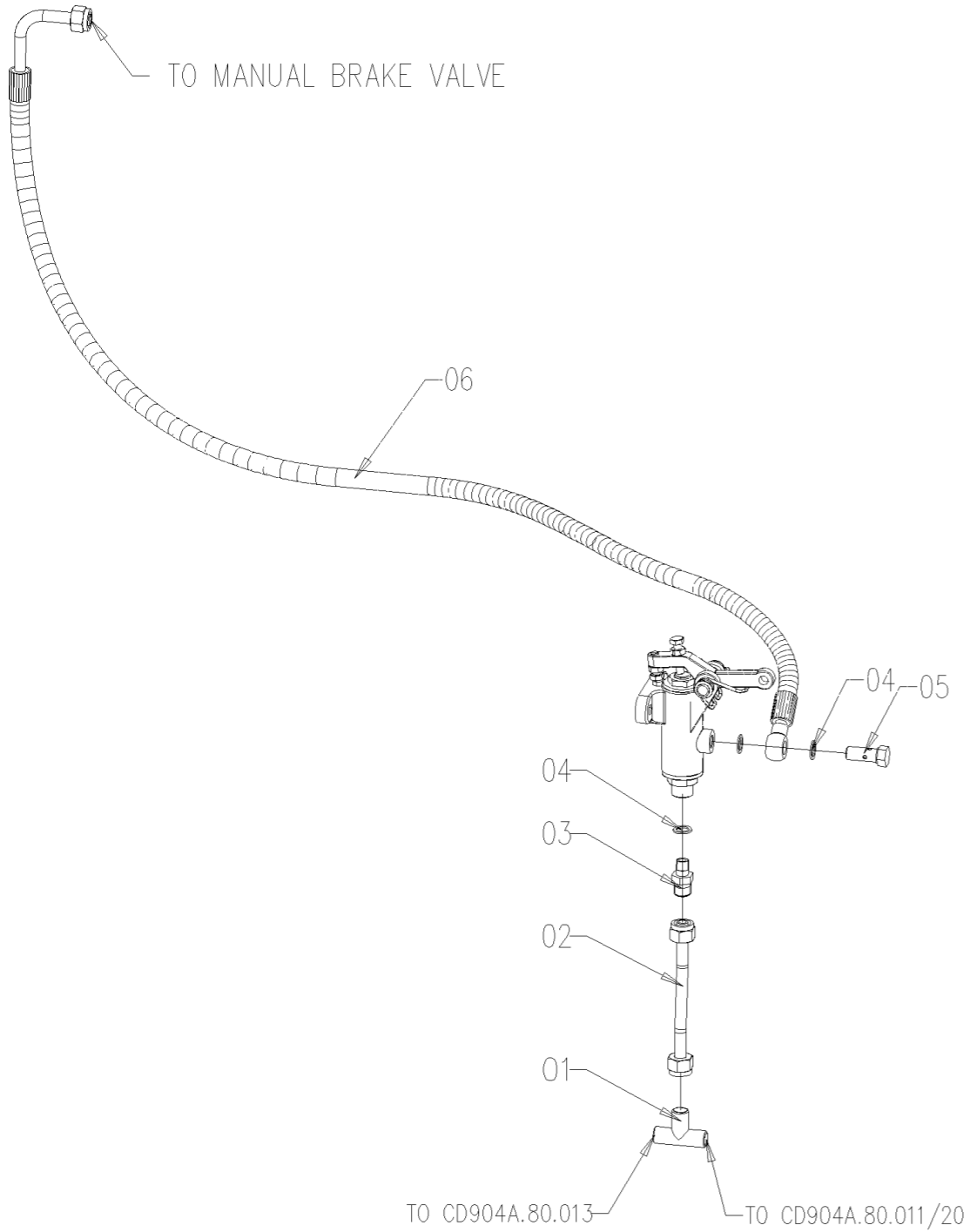
# A23.80.901.4\_1 脚制动阀安装总成 (气刹) BRAKE VALVE INSTALL ASS.

序号	零件编号	零件名称	数量	图号
1	A23.80.003.2	制动阀支架 BRAKE VALVE BRACKET	1	A23.80.003.2
2	GBT97.1-10-A3L	垫圈 WASHER	5	GBT97.1-10-A3L
3	GBT93-10-A3L	垫圈 WASHER	5	GBT93-10-A3L
4	GBT5783-M10X30-A3L	螺栓 BOLT	3	GBT5783-M10X30-A3L
5	GBT6170-M10-A3L	螺母 NUT	2	GBT6170-M10-A3L
6	GBT5783-M10X35-A3L	螺栓 BOLT	2	GBT5783-M10X35-A3L
7	SH900.80.012	驻车制动阀总成 PARKING BRAKE	1	SH900.80.012

# A23.80.902.4 BRAKE VALVE PIPE ASS.

# A23.80.902.4\_1 脚制动阀安装总成 (气刹) BRAKE VALVE INSTALL ASS.

序号	零件编号	零件名称	数量	图号
1	SH900.80.105	三接头体 THREE WAY	1	SH900.80.105
2	CD904A.80.012	空气管连接 CONNECTING AIR PIPE	1	CD904A.80.012
3	CD904A.80.103	排气弯管接头 JOINT	1	CD904A.80.103
4	2.1560.010.0	垫圈 14.2X20 SEALING RING	3	2.1560.010.0
5	SH900.40.133	空心螺栓 HOLLOW BOLT	1	SH900.40.133
6	A23.80.004.3	手动阀进气管 MANUAL VALVE AIR	1	A23.80.004.3

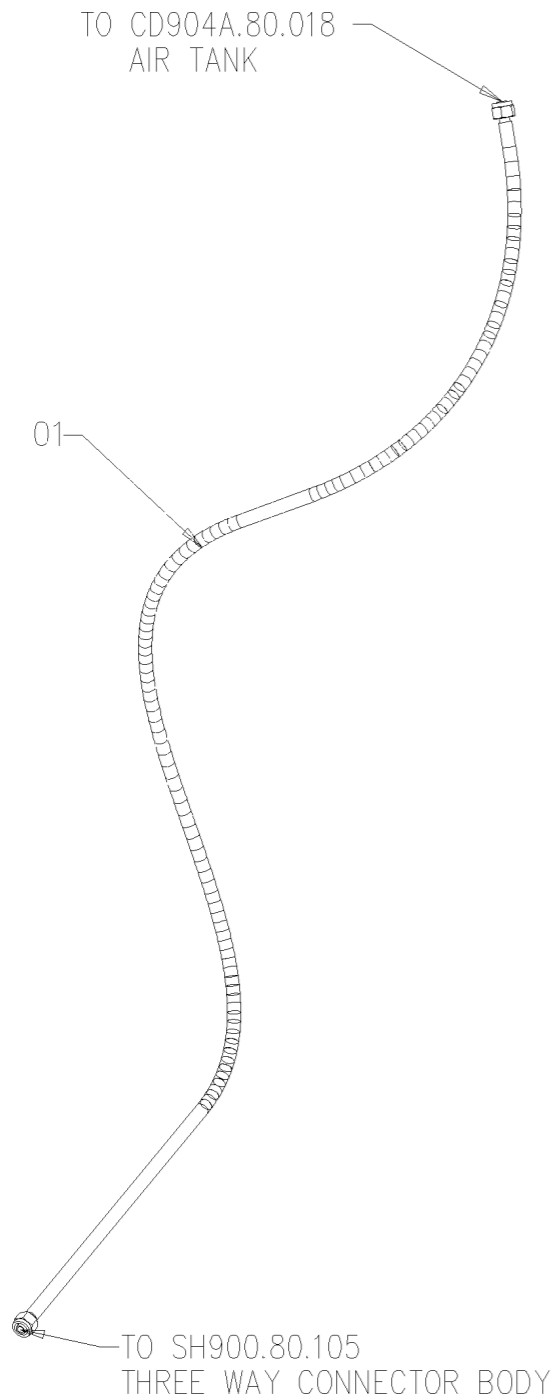


# AIR TANK PIPE ASS. A23.80.904.4

YFB-R-2016-016 SH.009

## A23.80.904.4\_0 储气筒管总成AIR CYLINDER PIPE ASS.

序号	零件编号	零件名称	数量	图号
1	CD904A.80.013	储气筒进气管总成 AIR RESERVIOR	1	CD904A.80.013





CD90 SERIES

AIR TANK INSTALL ASS.

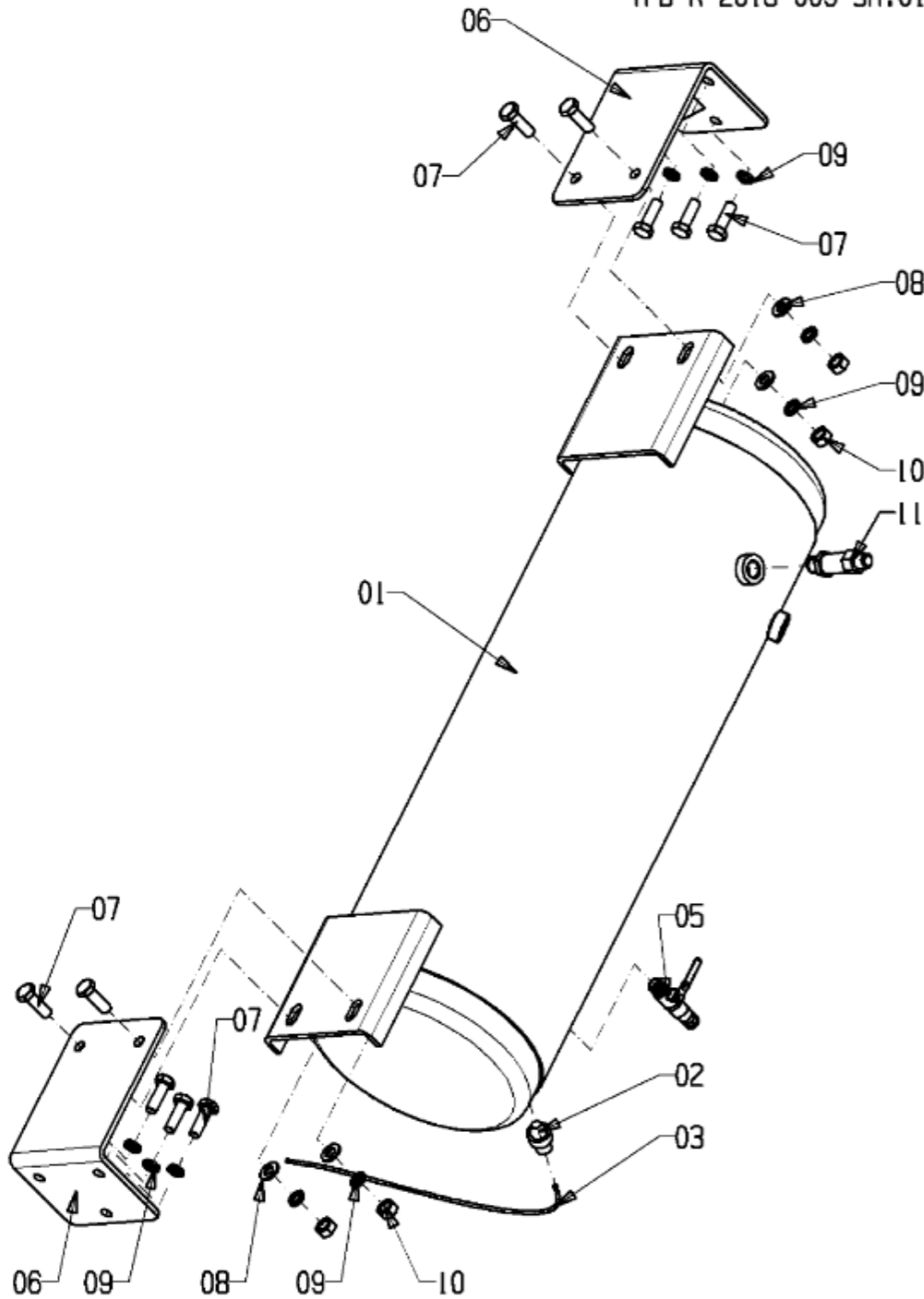
N. dis. - P/N  
A23.80.905.4

Rev 4 Foglio - Sheet di - of 1  
Validato il 03/07/2020

SIEMENS DEUTZ-FAIR GROUP S.p.A.  
S.M.C. - 00147 - ROMA - L. GIOVANNI - 100180001

Gruppo - Group

YFB-R-2018-009 SH.016



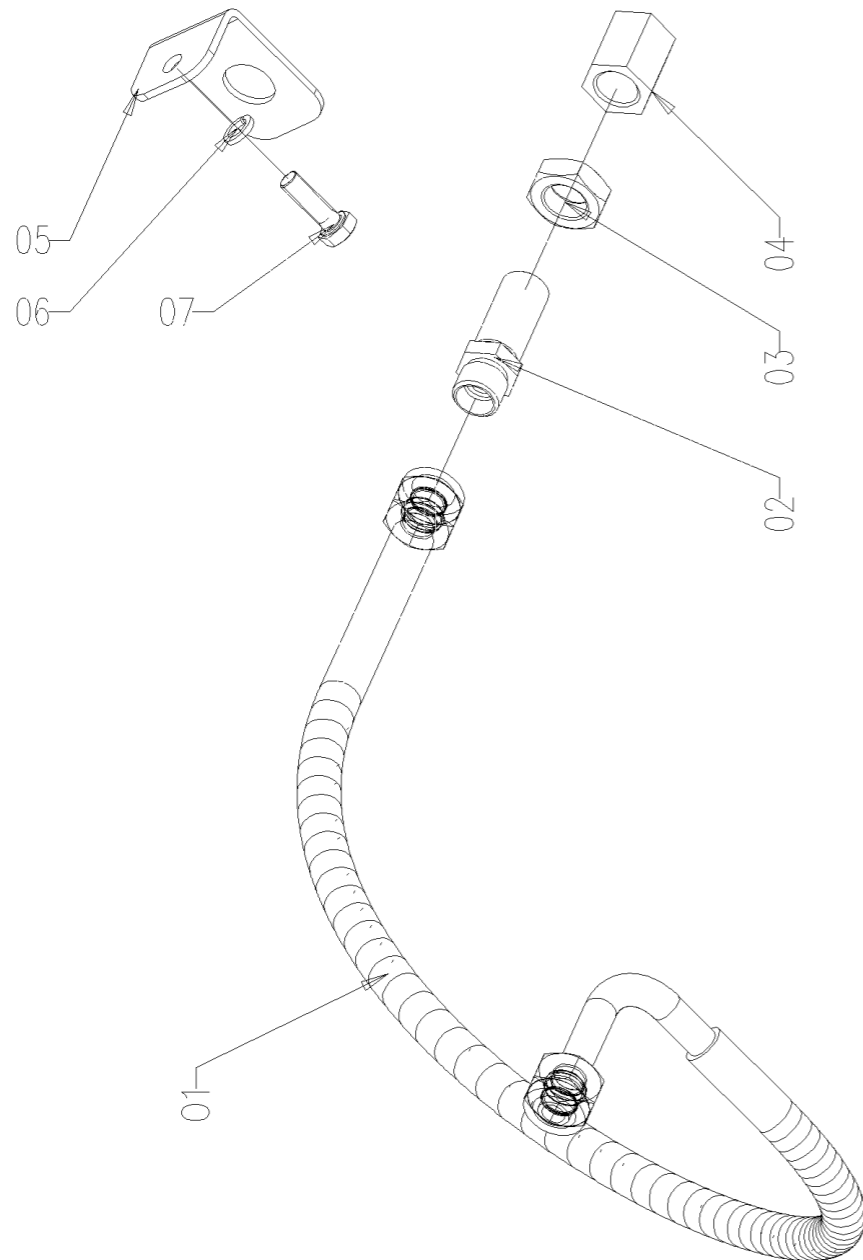
A23.80.905.4\_4 储气筒安装总成 AIR TANK INSTALL ASS.

序号	零件编号	零件名称	数量	图号
1	CD904A.80.018/30	储气罐 AIR RESERVIOR	1	CD904A.80.018/30
2	SH900.48.045	气压传感器 AIR PRESSURE WARNING	1	SH900.48.045
3	SH900.48.028	气压报警线束总成 AIR PRESSURE	1	SH900.48.028
5	SH400.45.010	暖气进水阀总成 WARM AIR WATER	1	SH400.45.010
6	CD904A.80.017/10	储气罐支架 AIR TANK BRACKET	2	CD904A.80.017/10
7	GBT5783-M10X30-A3L	螺栓 BOLT	10	GBT5783-M10X30-A3L
8	GBT97.1-10-A3L	垫圈 WASHER	4	GBT97.1-10-A3L
9	GBT93-10-A3L	垫圈 WASHER	10	GBT93-10-A3L
10	GBT6170-M10-A3L	螺母 NUT	4	GBT6170-M10-A3L
11	B09.80.001.0	泄压阀 RELIEF VALVE	1	B09.80.001.0

# A23.80.907.4 MANUAL VALVE PIPE ASS.

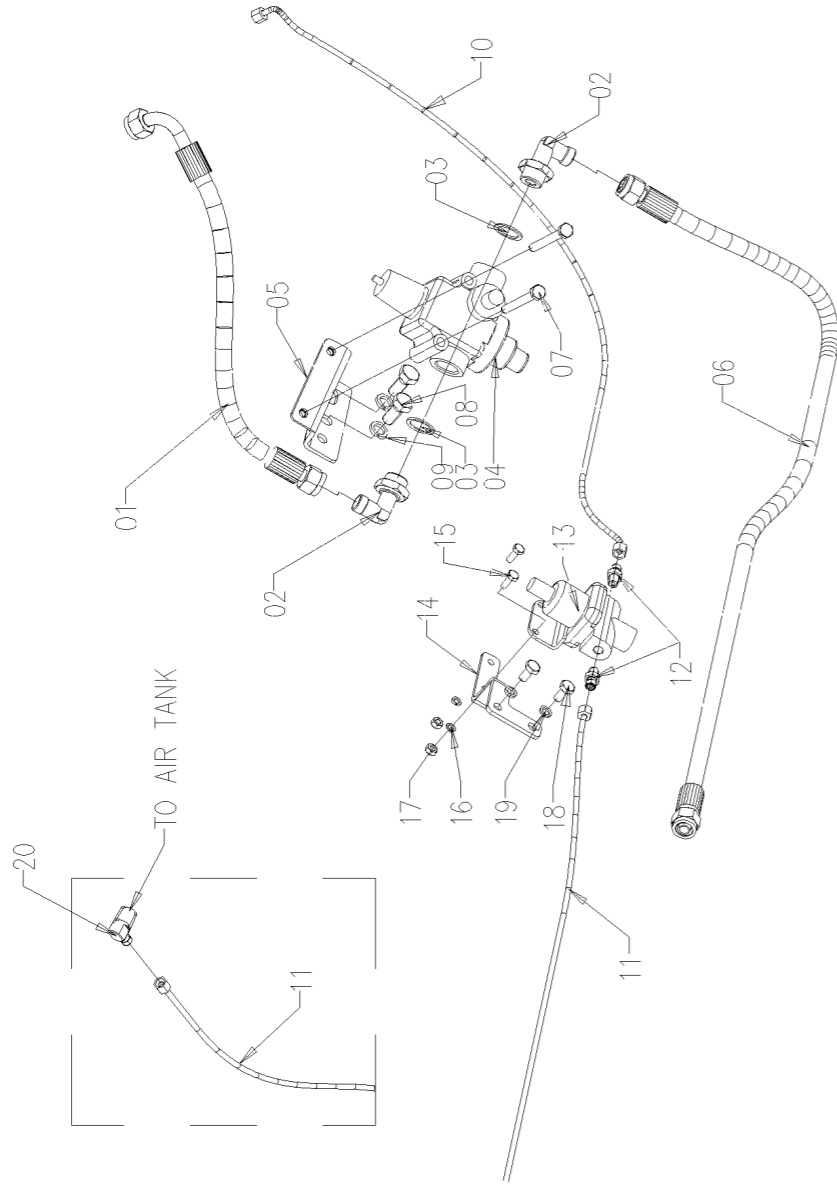
# A23.80.907.4\_3 手制动阀出气管总成 (气刹) MANUAL VALVE PIPE ASS.

序号	零件编号	零件名称	数量	图号
1	A23.80.005.3/10	气闸气管路 AIR BRAKE AIR PIPELINE	1	A23.80.005.3/10
2	SH900.80.104	拖车输气管接头 TRAILER	1	SH900.80.104
3	GBT6173-18X1.5-A3L	螺母 NUT	1	GBT6173-18X1.5-A3L
4	CD554.80.105	套筒 SLEEVE	1	CD554.80.105
5	B80.80.006.0	支架 BRACKET	1	B80.80.006.0
6	GBT5783-M8X25-A2L	螺栓 BOLT	1	GBT5783-M8X25-A2L
7	GBT93-8-A3L	垫圈 WASHER	1	GBT93-8-A3L



# COMPRESSOR DELIVERY PIPE ASS.Y A23.80.910.4

YFB-R-2018-009 SH.016



## A23.80.910.4\_0 气泵出气管总成COMPRESSOR DELIVERY PIPE ASS.Y

序号	零件编号	零件名称	数量	图号
1	A23.80.009.3	气泵出气管 AIR PUMP OUTLET PIPE	1	A23.80.009.3
2	B80.10.007.2	接头组件 JOINT ASS'Y	2	B80.10.007.2
3	2.1560.018.0	组合密封垫圈 SEALING RING	2	2.1560.018.0
4	A23.80.006.0	空气卸荷阀 AIR UNLOADING VALVE	1	A23.80.006.0
5	A23.80.008.3/20	支架 BRACKET	1	A23.80.008.3/20
6	A23.80.010.3	气泵出气管 AIR PUMP OUTLET PIPE	1	A23.80.010.3
7	GBT5783-M8X80-A2L	螺栓 BOLT	2	GBT5783-M8X80-A2L
8	GBT5783-M12X25-A3L	螺栓 BOLT	2	GBT5783-M12X25-A3L
9	GBT93-12-A3L	垫圈 WASHER	2	GBT93-12-A3L
10	A23.80.014.3	减压阀管 RELIEF VALVE PIPE	1	A23.80.014.3
11	A23.80.015.3	减压阀管 RELIEF VALVE PIPE	1	A23.80.015.3
12	A23.80.012.0	螺纹接头 FITTING NPT1/8-M10X1	2	A23.80.012.0
13	A23.80.007.0	减压阀 AIR RELIEF VALVE	1	A23.80.007.0
14	A23.80.011.0	阀门支架 VALVE BRACKET	1	A23.80.011.0
15	GBT5783-M6X16-A2L	螺栓 BOLT	2	GBT5783-M6X16-A2L
16	GBT93-6-A3L	垫圈 WASHER	2	GBT93-6-A3L
17	GBT6170-M6-A2L	螺母 NUT	2	GBT6170-M6-A2L
18	GBT5783-M8X16-A2L	螺栓 BOLT	2	GBT5783-M8X16-A2L
19	GBT93-8-A3L	垫圈 WASHER	2	GBT93-8-A3L
20	A23.80.016.0	接头 FITTING	1	A23.80.016.0

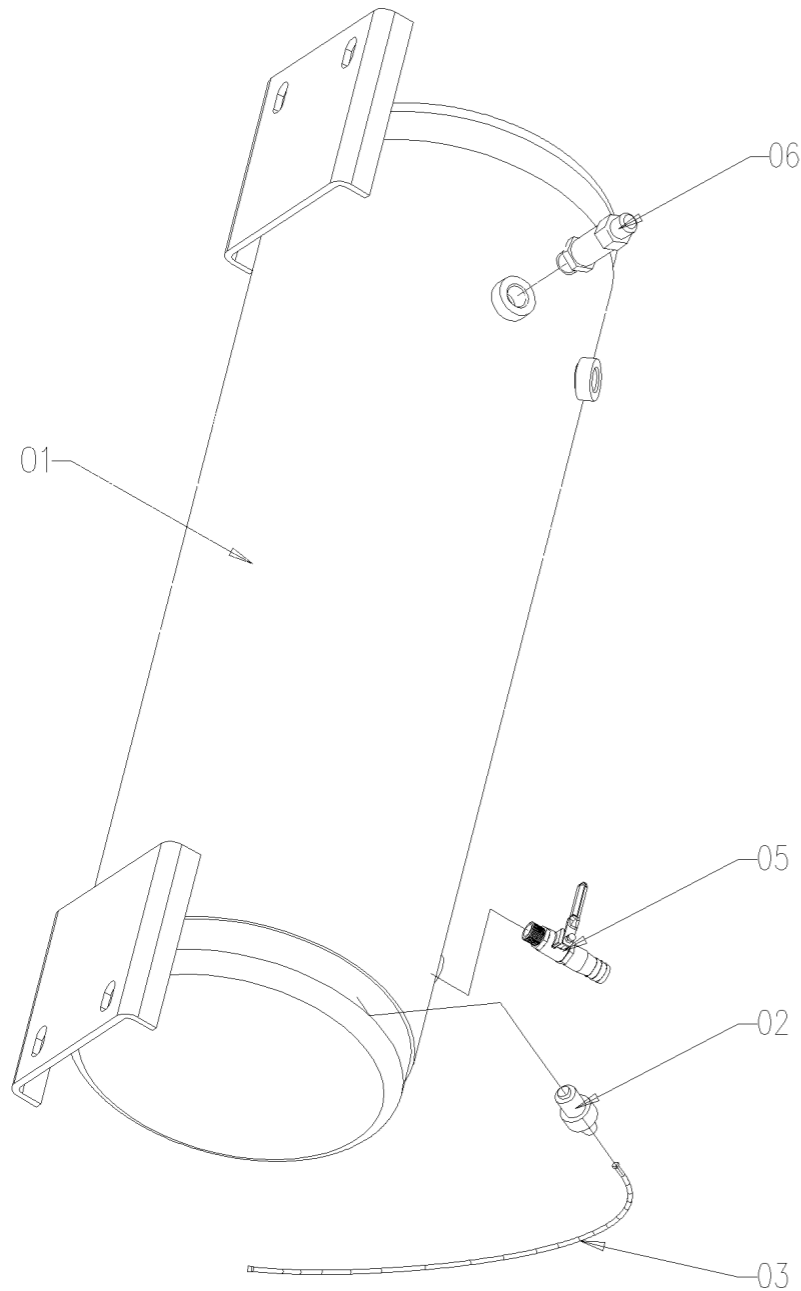


# AIR TANK INSTALL ASS. A23.80.915.4

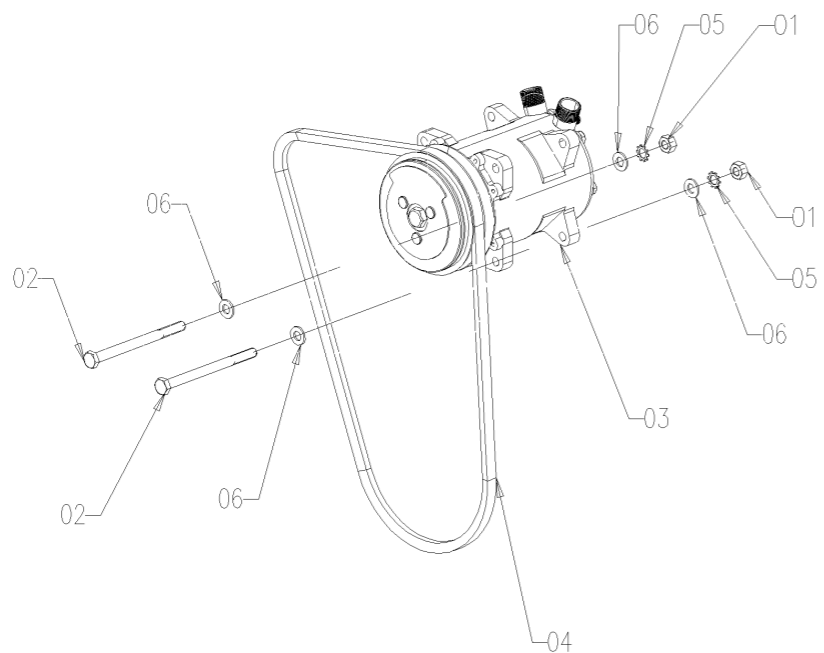
YFB-R-2018-009 SH.016

## A23.80.915.4\_5 储气罐安装总成 AIR TANK INSTALL ASS.

序号	零件编号	零件名称	数量	图号
1	CD904A.80.018/20	储气罐 AIR RESERVIOR	1	CD904A.80.018/20
2	SH900.48.045	气压报警开关 AIR PRESSURE	1	SH900.48.045
3	SH900.48.028	气压报警线束总成 AIR PRESSURE	1	SH900.48.028
5	SH400.45.010	暖风进水阀总成 WARM AIR WATER	1	SH400.45.010
6	B09.80.001.0	泄压阀 RELIEF VALVE	1	B09.80.001.0



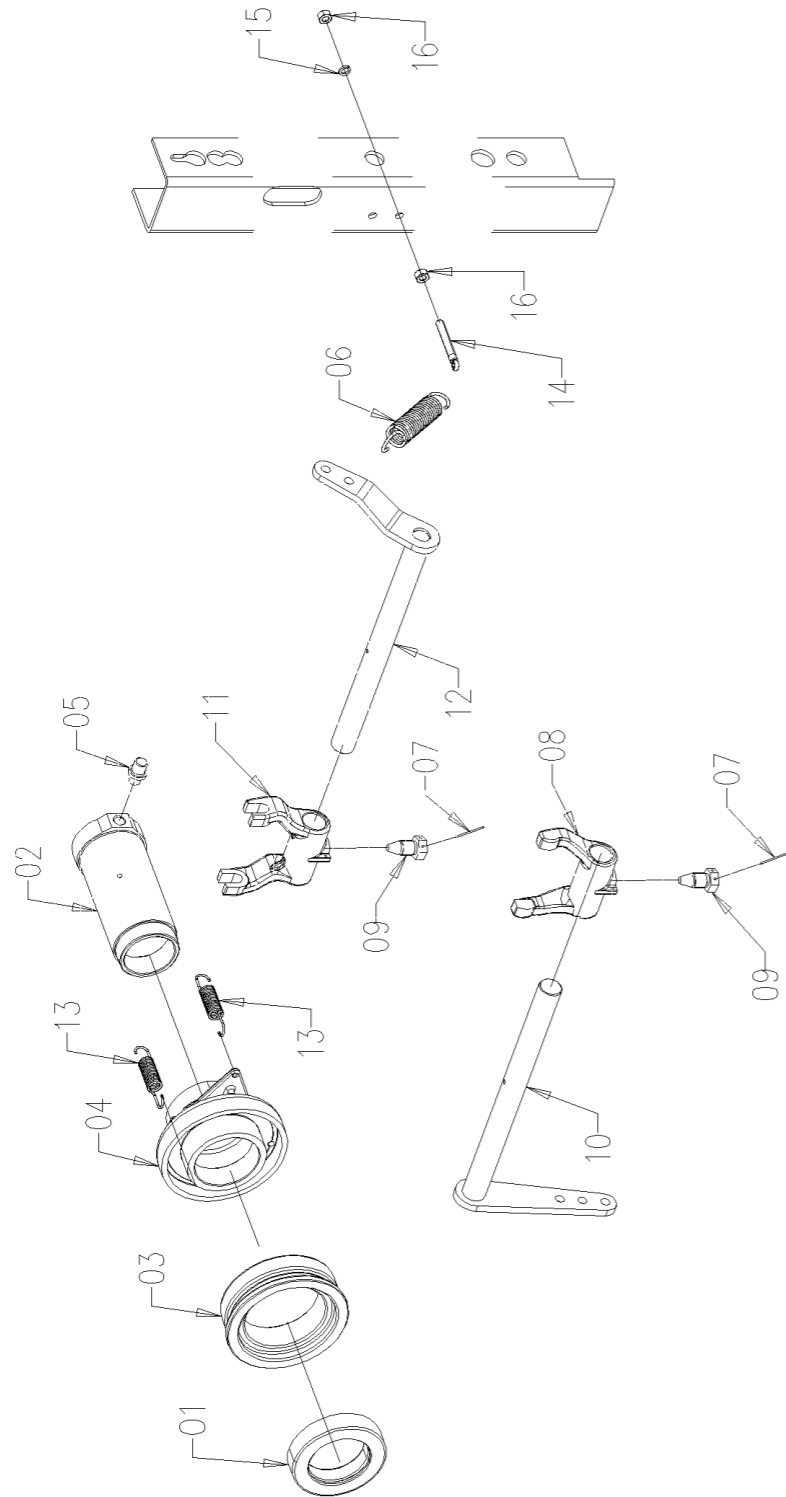
# A23.81.910.4 AC COMPRESSOR ASS.Y



## A23.81.910.4\_0 空调压缩机总成AC COMPRESSOR ASS.Y

序号	零件编号	零件名称	数量	图号
1	2.1011.106.2	螺母 M10x1.5 NUT M10x1.5	2	2.1011.106.2
2	2.0113.335.2	螺栓 M10x130 BOLT M10x130	2	2.0113.335.2
3	CD904.81.012	空气压缩机 AIR COMPRESSOR	1	CD904.81.012
4	2.4119.221.0/10	压缩机皮带 COMPRESSOR BELT	1	2.4119.221.0/10
5	2.1470.006.2	锁紧垫圈 10 LOCK WASHER 10	2	2.1470.006.2
6	2.1310.006.2	垫圈 10 WASHER 10	4	2.1310.006.2

# A25.21.900.4 CLUTCH RELEASING ASS.Y



# A25.21.900.4\_3 离合器分离机构总成 CLUTCH RELEASING ASS.Y

序号	零件编号	零件名称	数量	图号
1	A23.21.001.0/10	离合器分离轴承 BEARING 996713K	1	A23.21.001.0/10
2	SH900.21.103	主离合分离轴承座 MAIN CLUTCH	1	SH900.21.103
3	NTM8842A.00	角接触型离合器分离球轴承 RELEASE	1	NTM8842A.00
4	LE1354.21.101/10	轴承座 PTO BEARING SEAT	1	LE1354.21.101/10
5	SH900.21.109	圆柱销 CYLINDRICAL PIN	2	SH900.21.109
6	SH900.21.110	弹簧 SPRING	1	SH900.21.110
7	YBT5294-SZ-F-1.4	低碳钢丝网 LOW CARBON STEEL	2	YBT5294-SZ-F-1.4
8	SH900.21.111/10	副离合器拨叉 AUXILIARY CLUTCH	1	SH900.21.111/10
9	SH900.21.112	紧定螺钉 SET SCREWS	2	SH900.21.112
10	LE1354.21.011	副离合摇臂轴焊合 VICE CLUCH	1	LE1354.21.011
11	SH900.21.113	主离合器拨叉 MAIN CLUTCH FORK	1	SH900.21.113
12	SH900.21.019	主离合摇臂轴焊合 MAIN CLUTCH	1	SH900.21.019
13	LE1354.21.102	弹簧 SPRING	2	LE1354.21.102
14	SH900.21.124	销 PIN	1	SH900.21.124
15	GBT93-8-A3L	垫圈 WASHER	1	GBT93-8-A3L
16	GBT6170-M8-A2L	螺母 NUT	2	GBT6170-M8-A2L



SIME DEUTZ-FAHR GROUP S.p.A.  
 Via E. Mattei 11 - 37012 VERONA - ITALIA  
 Gruppo - Group

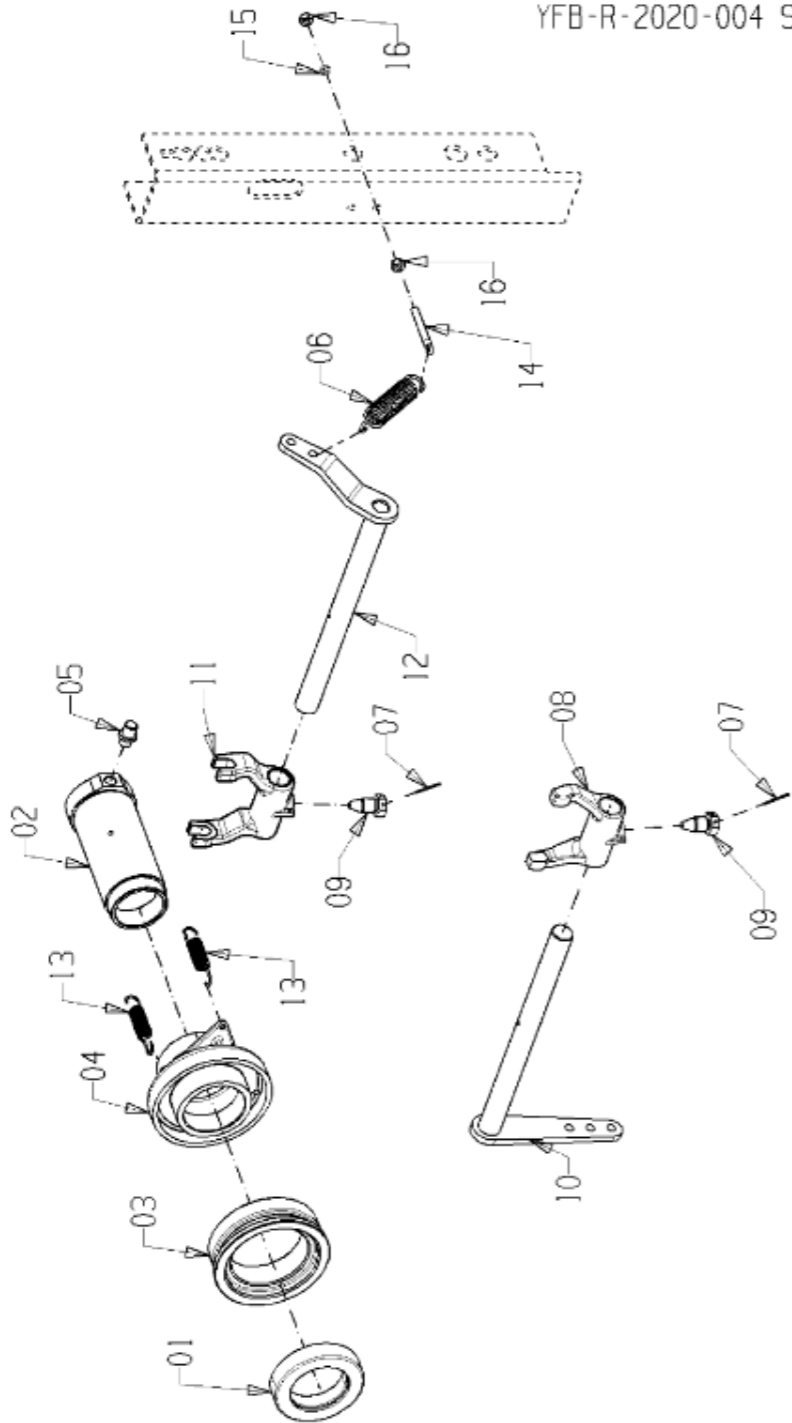
CD90 series

CLUTCH RELEASING ASS.Y

N. dis. - PN  
 A25.21.900.4

Rev	Facile Sheet	di	di
4	1	1	1
Validato il		IM	P
10/06/2021			

YFB-R-2020-004 SH.035



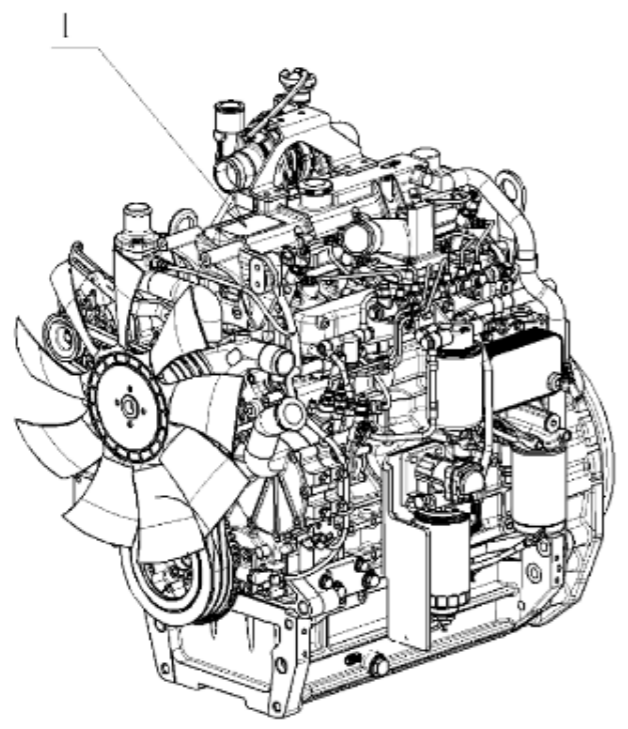
A25.21.900.4\_4 离合器分离机构总成 CLUTCH RELEASING ASS.Y

序号	零件编号	零件名称	数量	图号
1	A23.21.001.0/10	轴承 BEARING 996713K	1	A23.21.001.0/10
2	SH900.21.103	主离合器轴承座 MAIN CLUTCH	1	SH900.21.103
3	NTM8842A.00	角接触型离合器分离球轴承 RELEASE	1	NTM8842A.00
4	LE1354.21.101/10	轴承座 PTO BEARING SEAT	1	LE1354.21.101/10
5	SH900.21.109	圆柱销 CYLINDRICAL PIN	2	SH900.21.109
6	SH900.21.110	拉簧 SPRING	1	SH900.21.110
7	YBT5294-SZ-F-1.4	低碳钢丝 LOW CARBON STEEL WIRE	按需	YBT5294-SZ-F-1.4
8	SH900.21.111/10	副离合器拨叉 AUXILIARY CLUTCH	1	SH900.21.111/10
9	SH900.21.112	紧定螺钉 SET SCREWS	2	SH900.21.112
10	LE1354.21.011	副离合摇臂轴焊合 VICE CLUCH	1	LE1354.21.011
11	SH900.21.113	主离合器拨叉 MAIN CLUTCH FORK	1	SH900.21.113
12	SH900.21.019	主离合摇臂轴焊合 MAIN CLUTCH	1	SH900.21.019
13	LE1354.21.102	弹簧 SPRING	2	LE1354.21.102
14	SH900.21.124	销 PIN	1	SH900.21.124
15	GBT93-8-A3L	垫圈 WASHER	1	GBT93-8-A3L
16	2.1011.105.2	螺母 NUT M8x1.25	2	2.1011.105.2

**A26.10.900.4\_0 共轨发动机 ENGINE ASS.**

序号	零件编号	零件名称	数量	图号
1	A26.10.001.4	发动机 ENGINE CR 130PS(YC6J155-	1	A26.10.001.4

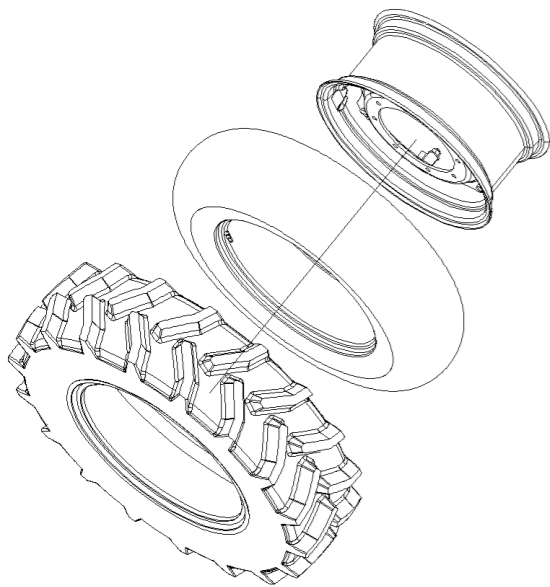
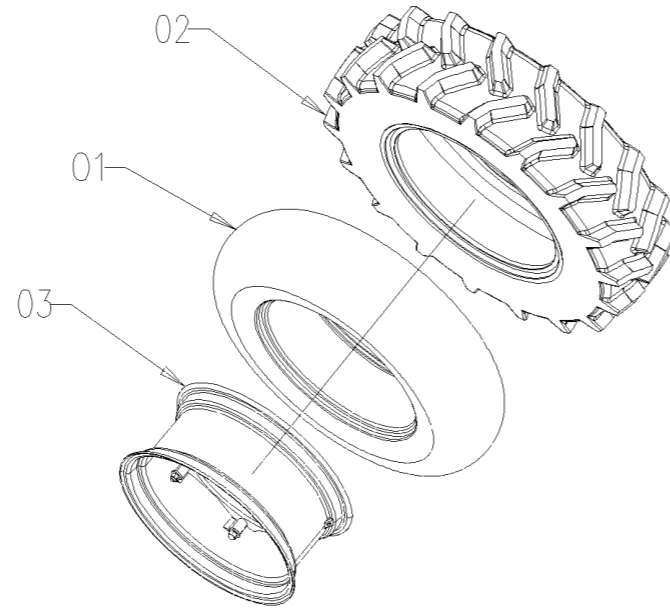
YFB-R-2017-010 SH.021



# A29.32.901.4 FRONT TIRE ASS.Y ( NORMAL TIRE )

## A29.32.901.4\_1 前轮总成 ( 斜交胎 分动箱 21/27 ) FRONT WHEEL 12.4-24"(Bias tyre distributor box 21/27)

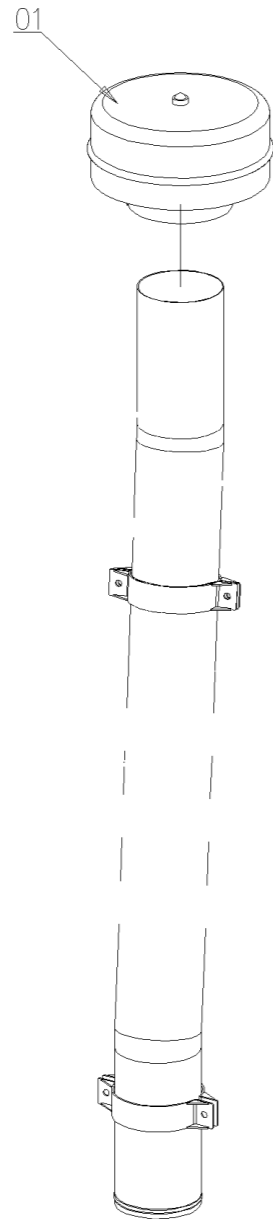
序号	零件编号	零件名称	数量	图号
1	GBT2979-12.4-24-R1	内胎 INNER TYRE	2	GBT2979-12.4-24-R1
2	GBT2979-12.4-24-8PR-R1	外胎 OUTER TYRE	2	GBT2979-12.4-24-8PR-R1
3	SH904.32A.011	轮圈部件 RIM COMPONENT	2	SH904.32A.011



# A31.11.910.4 AIR PRE-FILTER ASS.Y

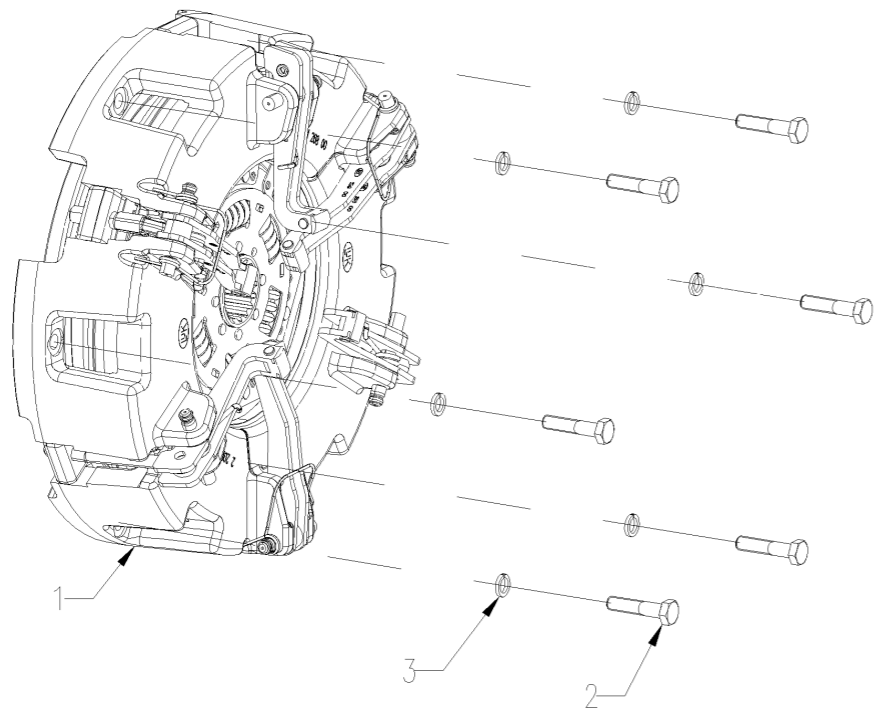
## A31.11.910.4\_0 预滤清器总成 (普通) Pre-filter assembly (plain)

序号	零件编号	零件名称	数量	图号
1	LE1204.11.012	空气预滤器 PRE-CLEANER	1	LE1204.11.012



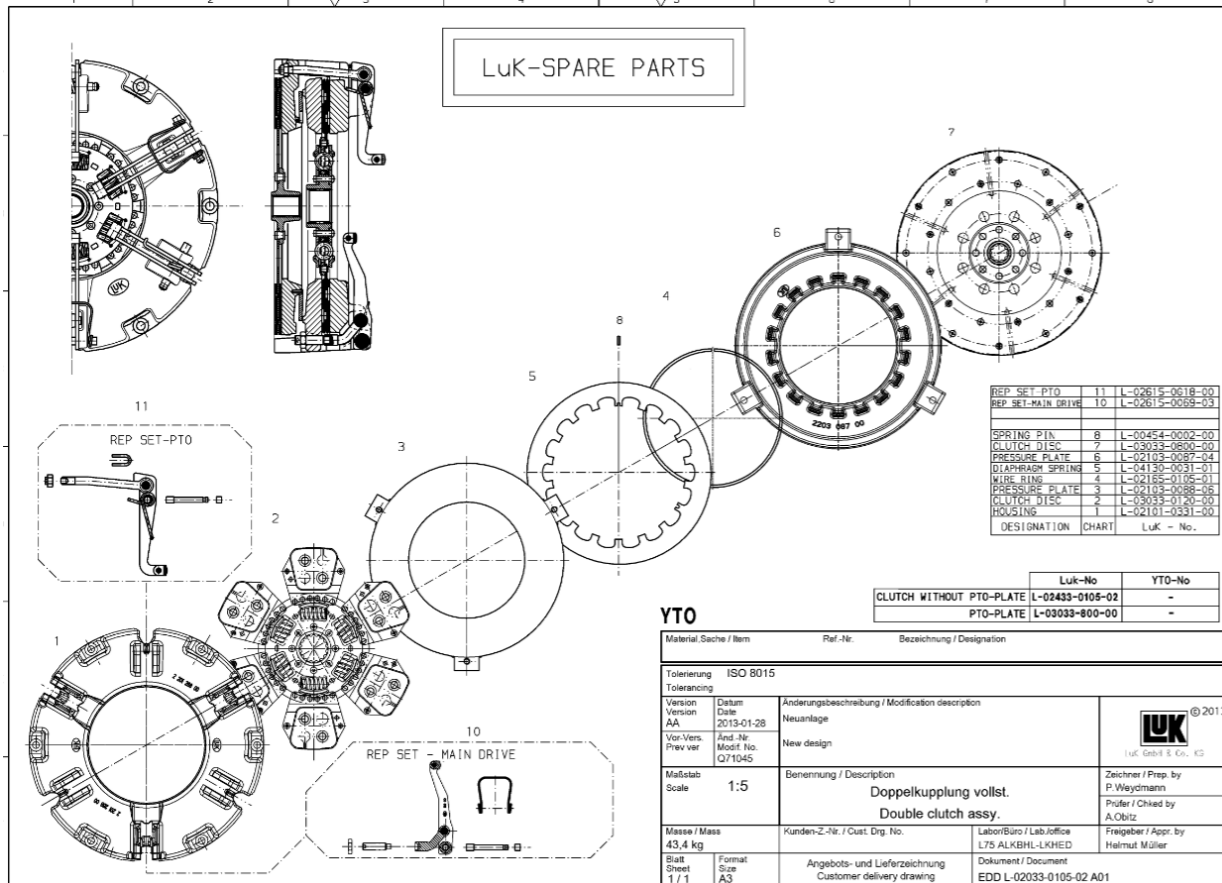
A31.21.902.4 CLUTCH SUB-ASS.LY

A31.21.902.4\_1 离合器总成Clutch Assembly



序号	零件编号	零件名称	数量	图号
1	A26.21.001.4	离合器 CLUTCH	1	A26.21.001.4
2	GBT5782-M10X45-10.9-	螺栓 BOLT	6	GBT5782-M10X45-10.9-A3L
3	GBT93-10-A3L	垫圈 WASHER	6	GBT93-10-A3L





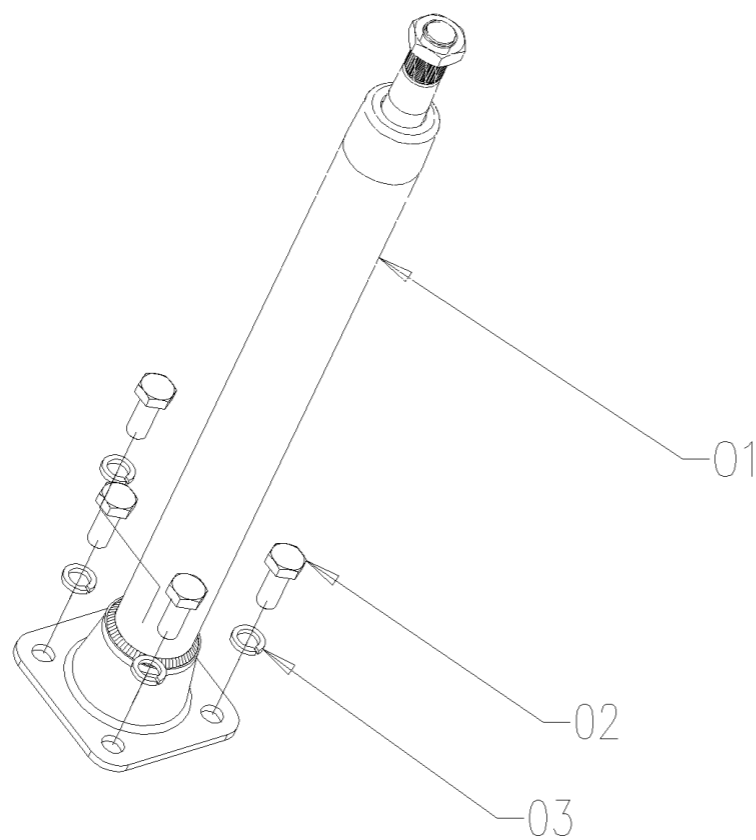
## A26.21.001.4 离合器CLUTCH

序号	零件编号	零件名称	数量	图号
2	L-03033-0120-00	主盘 main disk	1	L-03033-0120-00
7	L-03033-0800-00	辅助盘 auxiliary disk	1	L-03033-0800-00
10	L-02615-0069-03	离合器杆组 clutch lever set	3	L-02615-0069-03
11	L-02615-0G81-00	离合杆组PTO clutch lever set PTO	3	L-02615-0G81-00

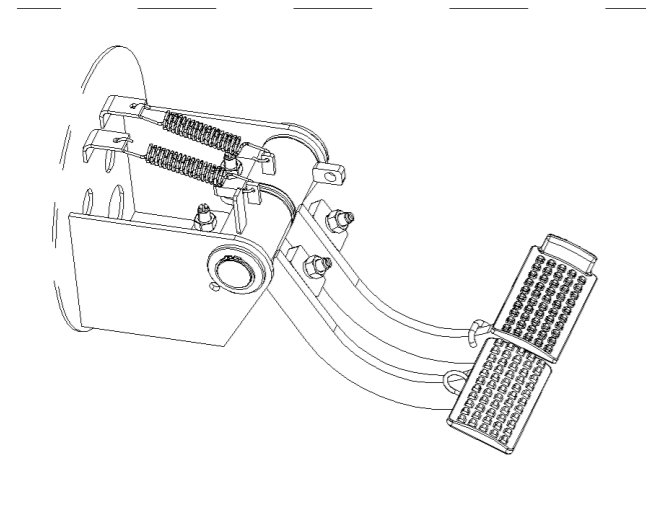
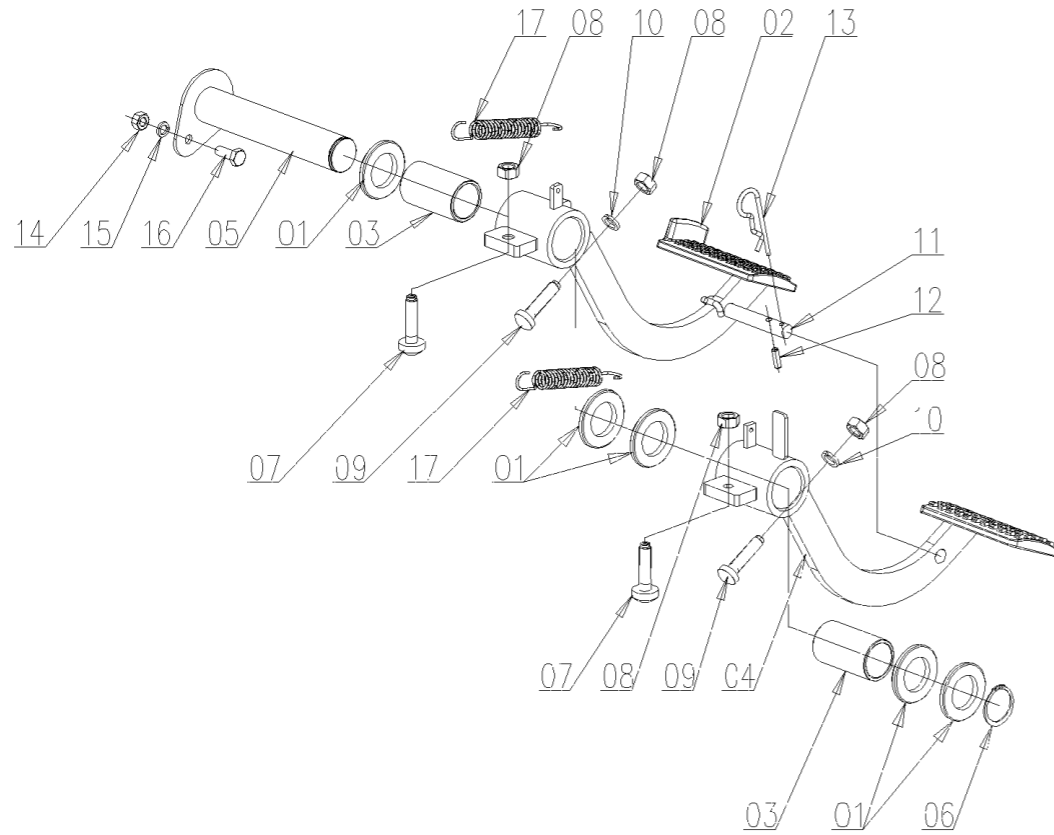
# A31.40.916.4 STEERING COMMAND ASS.Y

## A31.40.916.4\_0 固定转向管柱 STEERING COMMAND ASS.Y

序号	零件编号	零件名称	数量	图号
1	SH900.40.012	操纵杆总成 STEERING COLUMN	1	SH900.40.012
2	GBT5783-M10X25-A3L	螺栓 BOLT	4	GBT5783-M10X25-A3L
3	GBT93-10-A3L	垫圈 WASHER	4	GBT93-10-A3L



# A31.45.909.4 BRAKE COMMAND ASS.Y

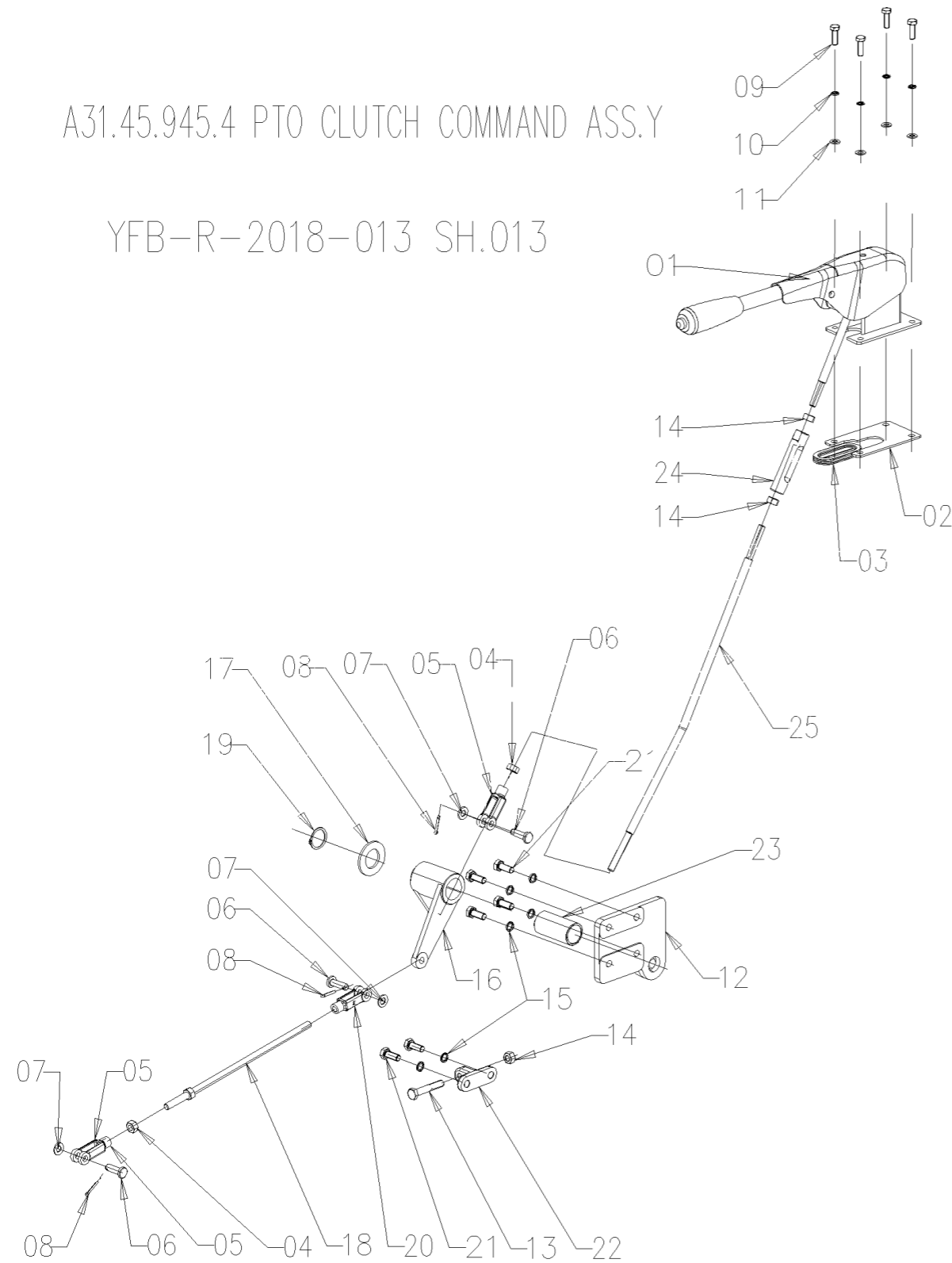


# A31.45.909.4\_2 制动踏板操纵总成 PEDAL ASS.LY FOR BRAKE

序号	零件编号	零件名称	数量	图号
1	SH900.43.181	套筒 SLEEVE	5	SH900.43.181
2	SH900.43.040	右制动踏板焊合件 RIGHT BRAKE	1	SH900.43.040
3	SH900.43.166	套303560 BRAKE PEDAL SHAFT	2	SH900.43.166
4	SH900.43.041	左制动踏板焊合件 LEFT BRAKE	1	SH900.43.041
5	SH900.43.016	制动踏板轴焊合件 BRAKE PEDAL	1	SH900.43.016
6	GBT894.1-30	弹性挡圈 CIRCLIP	1	GBT894.1-30
7	SH900.43.030	调整螺钉合件 ADJUSTING SCREW	2	SH900.43.030
8	GBT6170-M10-A3L	螺母 NUT	4	GBT6170-M10-A3L
9	SH900.43.103	调整螺钉 ADJUSTING SCREW	2	SH900.43.103
10	GBT93-10-A3L	垫圈 WASHER	2	GBT93-10-A3L
11	SH900.43.011	联锁杆焊件 INTERLOCKING ROD	1	SH900.43.011
12	GBT879.1-5X18	销 PIN	1	GBT879.1-5X18
13	SH900.56.105	锁销 SPRING LOCKING PIN	1	SH900.56.105
14	GBT6170-M8-A2L	螺母 NUT	1	GBT6170-M8-A2L
15	GBT93-8-A3L	垫圈 WASHER	1	GBT93-8-A3L
16	GBT5783-M8X20-A2L	螺栓 BOLT	1	GBT5783-M8X20-A2L
17	SH900.21.101	副离合回位弹簧 AUXILIARY CLUTCH	2	SH900.21.101

A31.45.945.4 PTO CLUTCH COMMAND ASS.Y

YFB-R-2018-013 SH.013



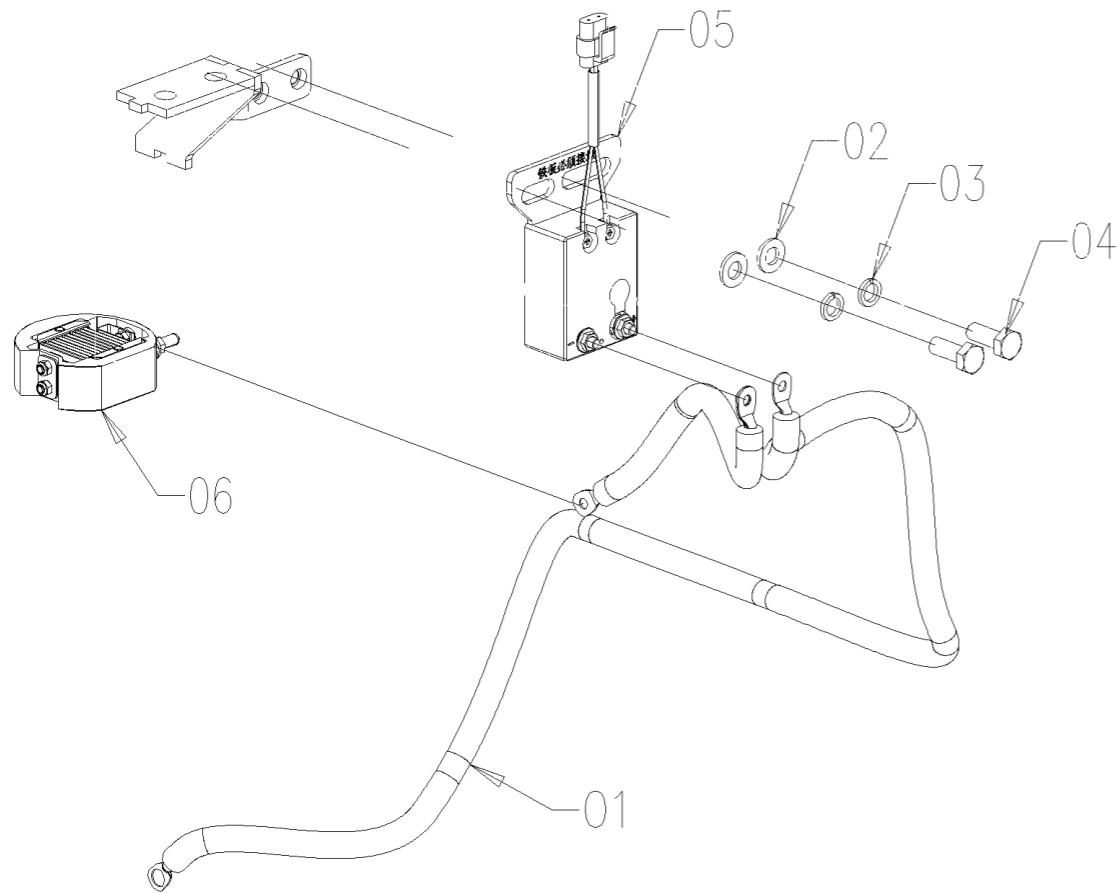
### A31.45.945.4\_2 副离合器操纵总成DEPUTY CLUTCH

序号	零件编号	零件名称	数量	图号
1	A31.45.052.4/20	副离合器 DEPUTY CLUTH	1	A31.45.052.4/20
2	A23.45.002.0	垫圈 GASKET	1	A23.45.002.0
3	A23.45.050.0	垫圈 GASKET	1	A23.45.050.0
4	GBT6171-M10X1-A2L	螺母 NUT	2	GBT6171-M10X1-A2L
5	SH900.21.117	拨叉 FORK	2	SH900.21.117
6	GBT882-B10X32-A3L	销 PIN	3	GBT882-B10X32-A3L
7	GBT97.1-10-A3L	垫圈 WASHER	3	GBT97.1-10-A3L
8	GBT91-3.2X20-A3L	销 PIN	3	GBT91-3.2X20-A3L
9	GBT5783-M8X35-A2L	螺栓 BOLT	4	GBT5783-M8X35-A2L
10	GBT93-8-A3L	垫圈 WASHER	4	GBT93-8-A3L
11	GBT97.1-8-A3L	垫圈 WASHER	4	GBT97.1-8-A3L
12	SH900.21.016	托臂式支架 BRACKET ASS.LY	1	SH900.21.016
13	GBT5782-M10X60-A3L	螺栓 BOLT	1	GBT5782-M10X60-A3L
14	GBT6170-M10-A3L	螺母 NUT	3	GBT6170-M10-A3L
15	GBT93-10-A3L	垫圈 WASHER	6	GBT93-10-A3L
16	SH900.21.119	杆 LEVER	1	SH900.21.119
17	SH900.21.118	摩擦垫圈 FRICTION WASHER	1	SH900.21.118
18	SH900.21.020	横拉杆 TIE ROD	1	SH900.21.020
19	GBT894.1-30	弹性挡圈 CIRCLIP	1	GBT894.1-30
20	SH900.21.115	拨叉 FORK	1	SH900.21.115
21	GBT5783-M10X25-A3L	螺栓 BOLT	6	GBT5783-M10X25-A3L
22	SH900.21.116	限位座 LIMITING SEAT	1	SH900.21.116
23	SH900.21.120	套管 BUSHING	1	SH900.21.120
24	SH900.43.145	手制动调节管 SPECIAL FORK	1	SH900.43.145
25	A31.45.072.0	下拉杆 BELOW LEVER	1	A31.45.072.0

# A31.48.919.4 PREHEATING SYSTEM ASS.Y

## A31.48.919.4\_0 发动机预热系统PREHEATING SYSTEM ASSEMBLY

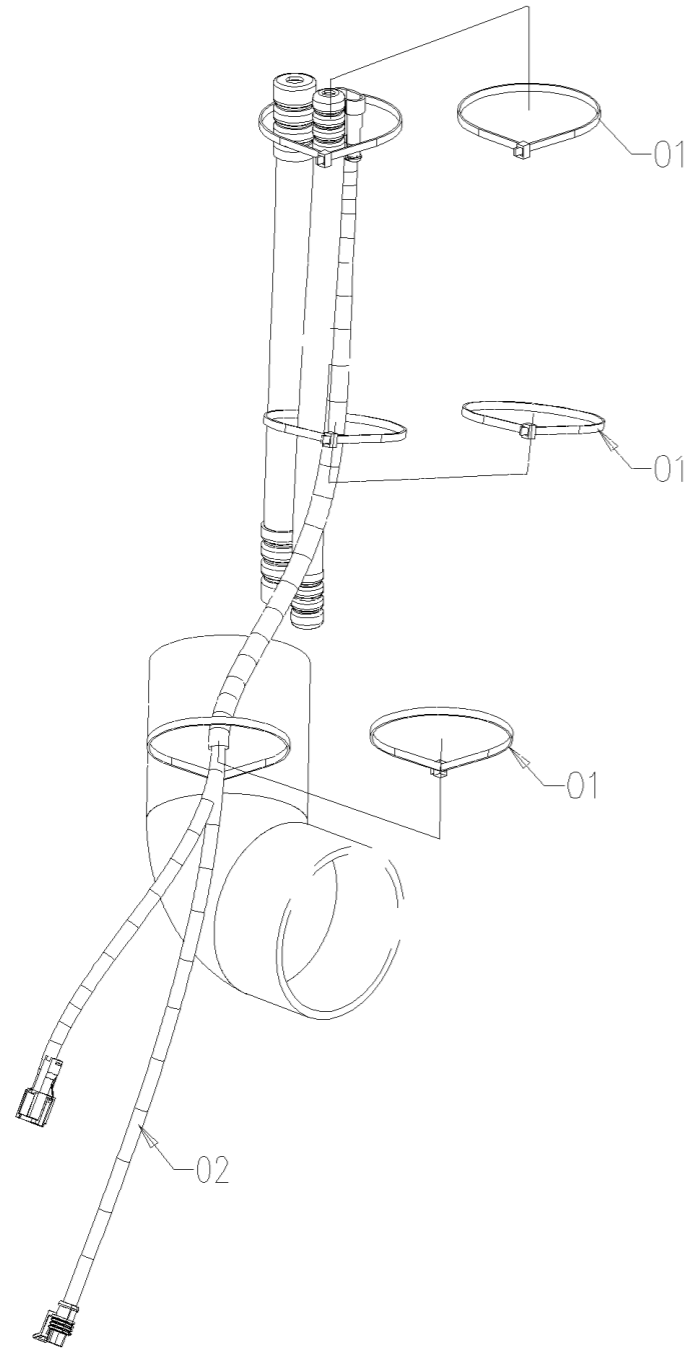
序号	零件编号	零件名称	数量	图号
1	A31.48.010.0	预热线束 PREHEATING W.H.	1	A31.48.010.0
2	GBT97.1-10-A3L	垫圈 WASHER	2	GBT97.1-10-A3L
3	GBT93-10-A3L	垫圈 WASHER	2	GBT93-10-A3L
4	GBT5783-M10X25-A3L	螺栓 BOLT	2	GBT5783-M10X25-A3L
5	A31.48.017.0	预热继电器 PREHEATING RELAY	1	A31.48.017.0
6	A31.48.018.0	加热器 HEATER	1	A31.48.018.0



# A31.48.975.4 ELECTRIC PUMP W.H ASSEMBLY

# A31.48.975.4\_1 电子输油泵线束总成ELECTRIC PUMP W.H ASSEMBLY

序号	零件编号	零件名称	数量	图号
1	2.6852.203.0	自锁扎带 292 SELF LOCKING CABLE	3	2.6852.203.0
2	A31.48.020.0/20	电动泵 ELECTRIC PUMP W.H	1	A31.48.020.0/20



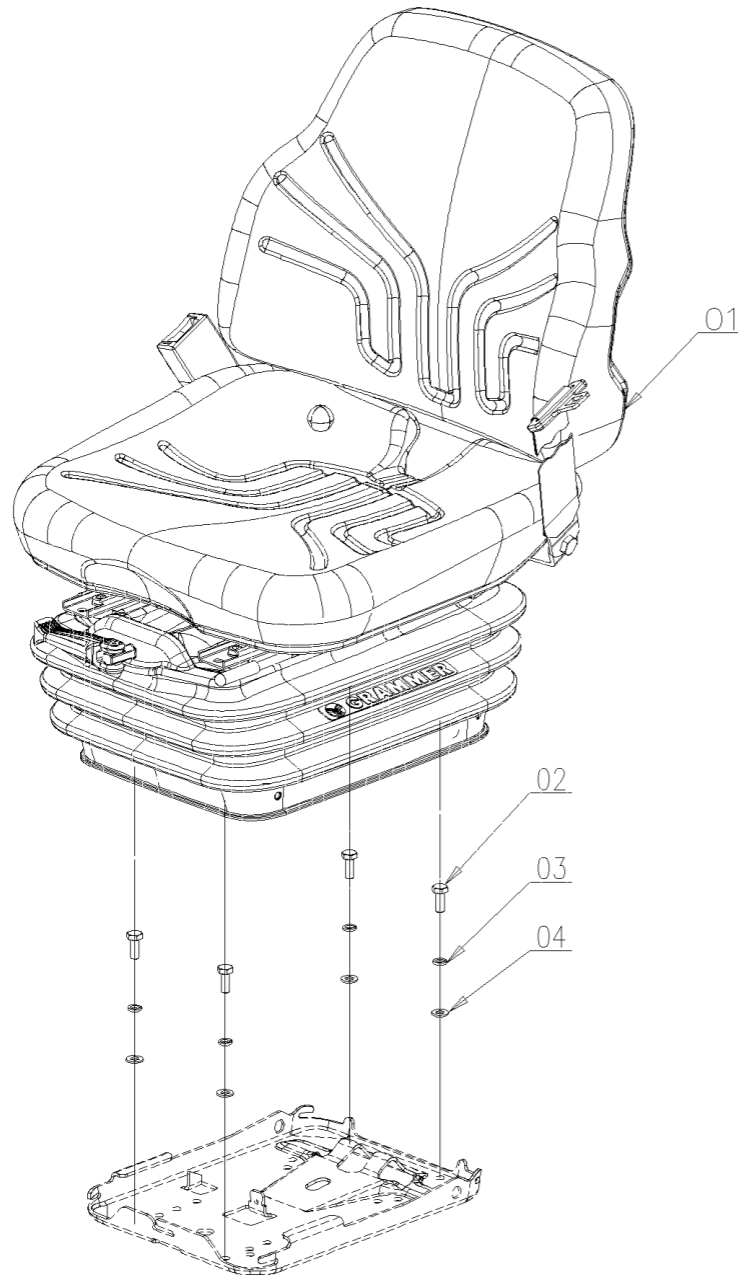
# A31.51.900.4 MAINTENANCE GREASE LABEL

## A31.51.900.4\_0 黄油嘴加注标识 MAINTENANCE GREASE LABEL

序号	零件编号	零件名称	数量	图号
1	0.024.0988.0	黄油加注点标识 MAINTENANCE	1	0.024.0988.0



A68.44.900.4 SEAT ASS.



A68.44.900.4\_1 格拉默座椅 (PVC 坐墊及安全带) GRAMMER (PVC CUSION WITH SAFTY BELT)

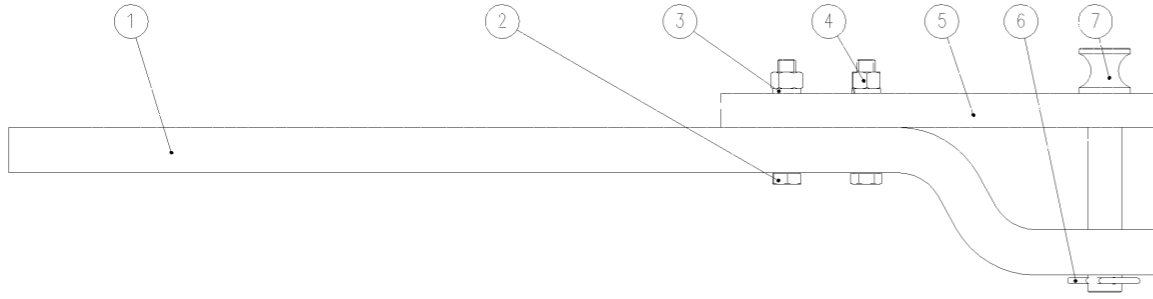
序号	零件编号	零件名称	数量	图号
1	A68.44.001.4	座椅总成 SEAT(GRAMMERPVC)	1	A68.44.001.4
2	GBT5783-M8X20-A2L	螺栓 BOLT	4	GBT5783-M8X20-A2L
3	GBT93-8-A3L	垫圈 WASHER	4	GBT93-8-A3L
4	GBT97.1-8-A3L	垫圈 WASHER	4	GBT97.1-8-A3L



### A73.35.008.4 摆杆组件 SWING BAR ASSY.

A73.35.008.4 SWING BAR ASSY.

序号	零件编号	零件名称	数量	图号
1	A73.35.005.0	摆杆 SWING BAR	1	A73.35.005.0
2	GBT5782-M16X100-A3L	螺栓 BOLT	2	GBT5782-M16X100-A3L
3	GBT93-16-A3L	垫圈 WASHER	2	GBT93-16-A3L
4	GBT6170-M16-A3L	螺母 NUT	2	GBT6170-M16-A3L
5	A73.35.004.0	连接板 CONNECTING PLATE	1	A73.35.004.0
6	SH900.35.102	弹簧锁销 SPRING LOCK PIN	1	SH900.35.102
7	SH900.35.101	牵引销 TRACTION PIN	1	SH900.35.101





GAMBIZ F&R GROUP S.p.A.  
Via S. Maria Maddalena, 100 - 00187 Roma (RM)  
Gruppo - Group

0.047.7286.

SUN BLIND

NON VALIDA I.C.

N. dis. - P/N

A78.45.933.4

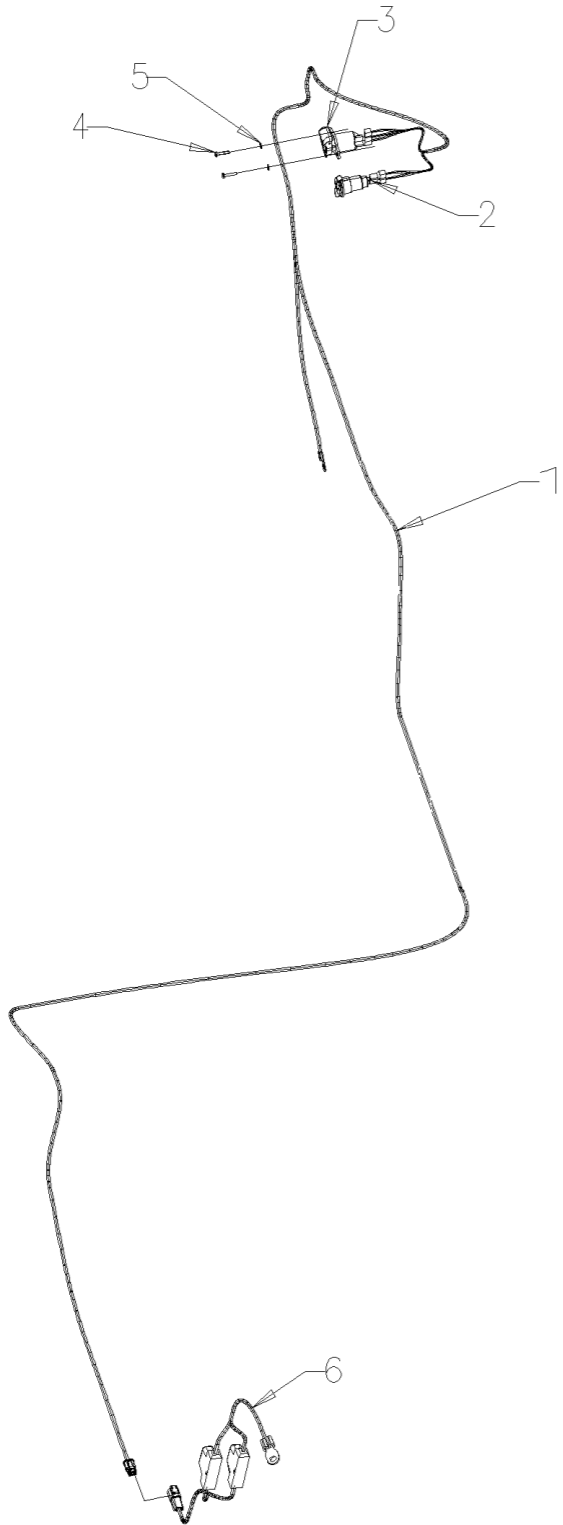
Rev	Figlio - Sheet	di - of
0	1	1
Validato in	00	F

### A78.45.933.4\_0 遮阳帘 SUN BLIND

序号	零件编号	零件名称	数量	图号
1	A78.45.003.4	遮阳帘组件 SUN BLIND - ASS.LY	1	A78.45.003.4
2	2.0332.407.3	螺钉 CROSS SCREW M6x1x20	2	2.0332.407.3
3	2.1312.003.2	垫圈 WASHER 6	2	2.1312.003.2



# A78.48.904.4 POWER SOCKET ASS.Y



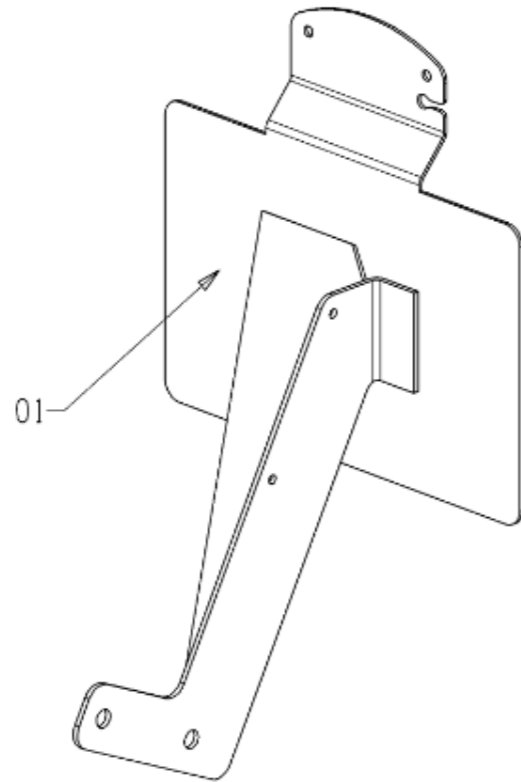
## A78.48.904.4\_0 取电插座总成 POWER SOCKET ASS.Y

序号	零件编号	零件名称	数量	图号
1	B80.48.011.4	电源插座线束 POWER SOCKET W.H.	1	B80.48.011.4
2	0.049.1217.0	驾驶室插座 CABIN SOCKET	1	0.049.1217.0
3	2.6039.020.0	三孔电源插座 PRESA BIPOLARE	1	2.6039.020.0
4	2.0332.207.2	螺钉 CROSS SCREW M4x0.7x20	2	2.0332.207.2
5	2.1310.028.2	垫圈 4 WASHER 4	2	2.1310.028.2
6	B80.48.012.4	电源插座保险丝线束 POWER SOCKET	1	B80.48.012.4

 SAE DEUTZ FA-R GROUP S.p.A. Gruppo - Group CHINA GROUP	FL120 SERIES YTO CN11	N. dis. - P/N A78.74.904.4							
	REAR NO. CARD SEAT ASS.Y	<table border="1"> <tr> <td>Rev</td> <td>0</td> <td>1</td> <td>1</td> </tr> <tr> <td>Validato</td> <td></td> <td>00</td> <td>F</td> </tr> </table>	Rev	0	1	1	Validato		00
Rev	0	1	1						
Validato		00	F						

NON VALIDATO

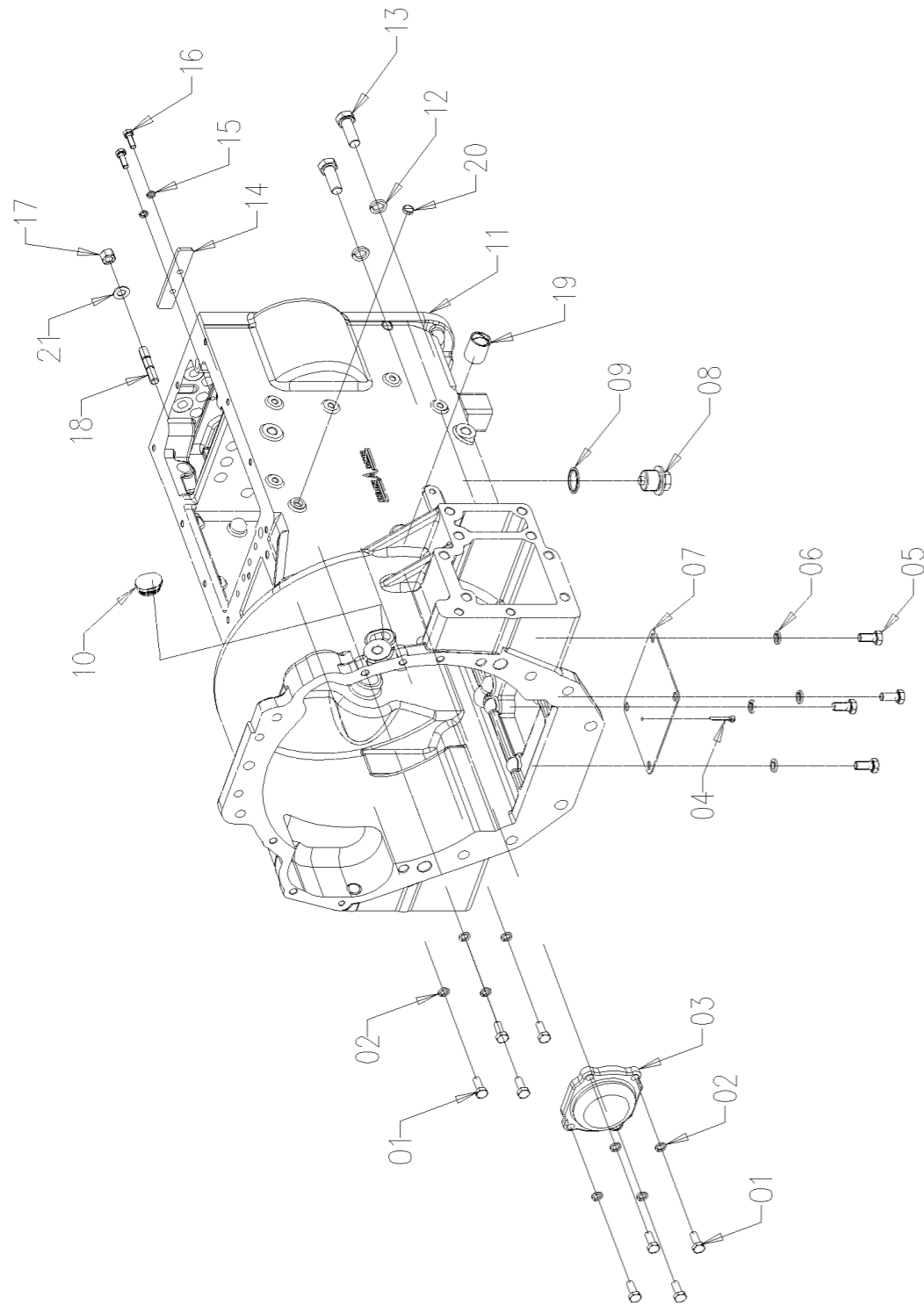
YFB-S-2017-011 SH.023



### A78.74.904.4\_0 后号牌座 REAR NO. CARD SEAT ASS.Y

序号	零件编号	零件名称	数量	图号
1	A78.74.001.2	卡板焊接 CARD PLATE WELDED	1	A78.74.001.2

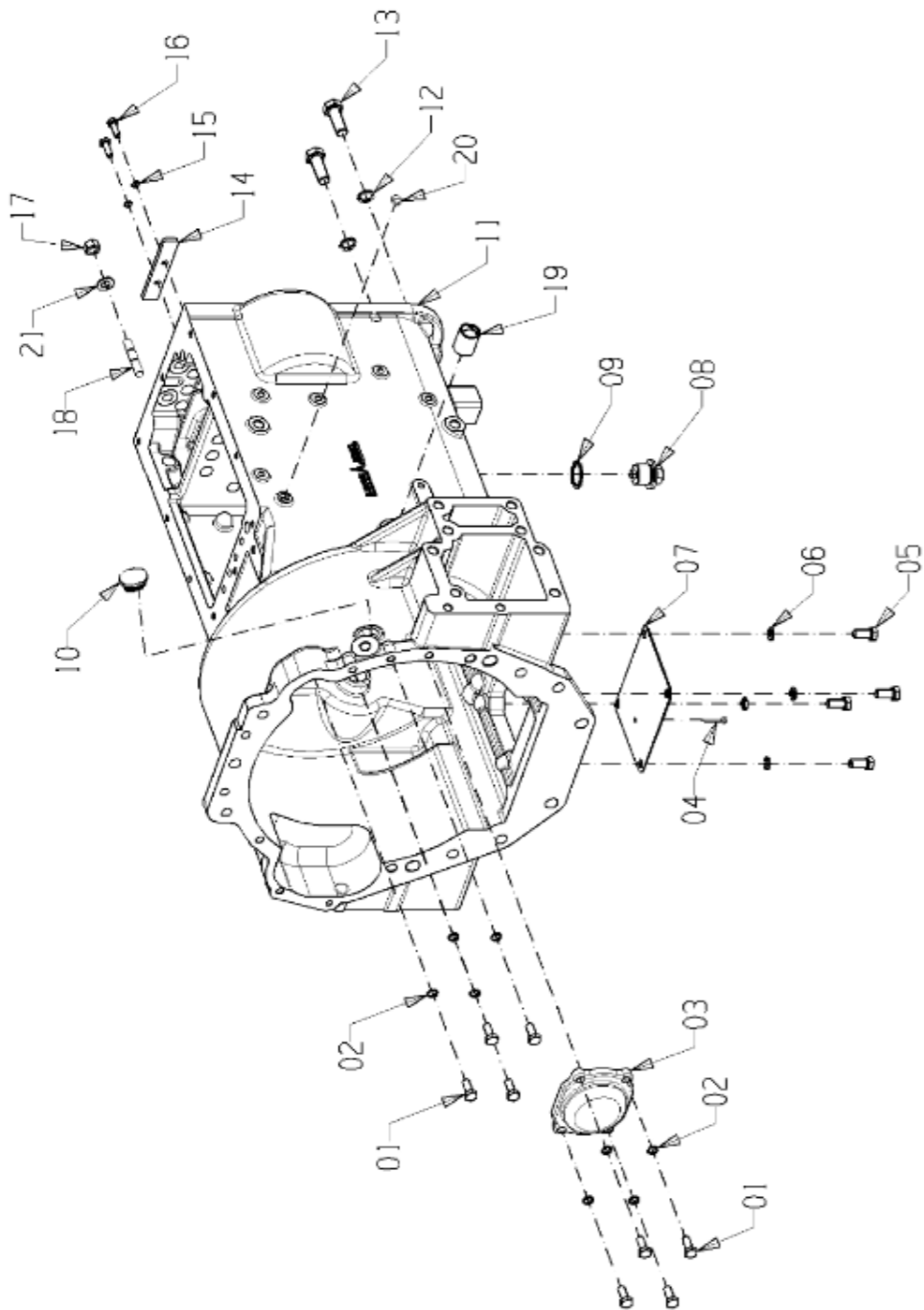
# A80.37.910.4 FRONT BOX ACCESSORY ASS.Y



# A80.37.910.4\_3 前箱附件总成 FRONT BOX ACCESSORY ASS.Y

序号	零件编号	零件名称	数量	图号
1	GBT5783-M10X25-A3L	螺栓 BOLT	8	GBT5783-M10X25-A3L
2	GBT93-10-A3L	垫圈 WASHER	8	GBT93-10-A3L
3	SH900.37.106	从动轴端盖 DRIVEN SHAFT END	1	SH900.37.106
4	GBT91-5X25-A3L	销 PIN	1	GBT91-5X25-A3L
5	GBT5783-M12X25-A3L	螺栓 BOLT	4	GBT5783-M12X25-A3L
6	GBT93-12-A3L	垫圈 WASHER	4	GBT93-12-A3L
7	SH900.37.154	盖 COVER	1	SH900.37.154
8	SH900.37.016/10	排油螺塞 OIL DRAINAGE SCREW	1	SH900.37.016/10
9	JBT982-30	密封环 SEALING RINGS	1	JBT982-30
10	SH900.37.216	橡胶塞 RUBBER STOPPER	1	SH900.37.216
11	A80.37.001.0/20	前板 FRONT BOX	1	A80.37.001.0/20
12	GBT93-16-A3L	垫圈 WASHER	2	GBT93-16-A3L
13	GBT5783-M16X45-10.9-	螺栓 BOLT	2	GBT5783-M16X45-10.9-A3L
14	SH900.37.104	限制板 LIMIT PLATE	1	SH900.37.104
15	GBT93-8-A3L	垫圈 WASHER	2	GBT93-8-A3L
16	GBT5783-M8X25-A2L	螺栓 BOLT	2	GBT5783-M8X25-A2L
17	GBT6176-M12X1.5-10-A3L	螺母 NUT	10	GBT6176-M12X1.5-10-A3L
18	GBT900-AM12X1.5X40-	螺柱 STUD	10	GBT900-AM12X1.5X40-10.9-A3L
19	SH900.37.105	分离叉轴衬套 SEPARATION FORK	4	SH900.37.105
20	QCT388-14	碗形膨胀塞 BOWL TYPE WXPANSION	1	QCT388-14
21	2.1475.004.7	锥形垫圈M12 CONICAL WASHERS	10	2.1475.004.7

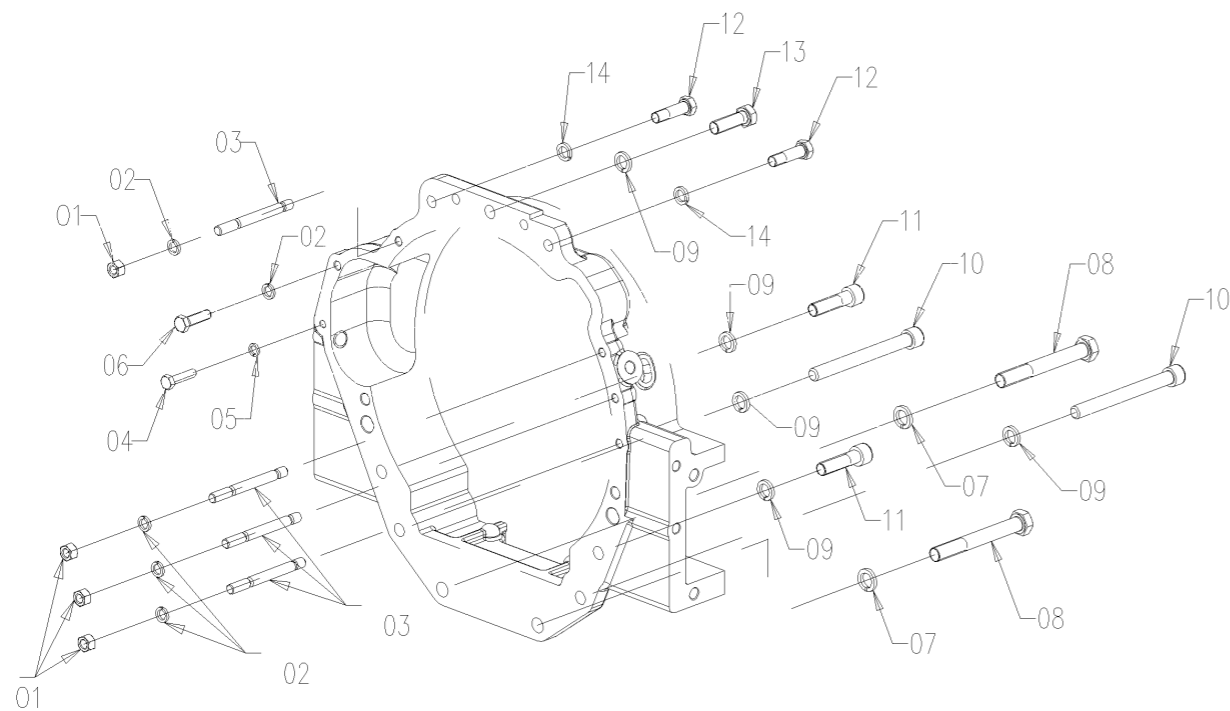
YFB-R-2017-011 SH.084



**A80.37.910.4\_5 前箱附件总成 FRONT BOX ACCESSORY ASS.Y**

序号	零件编号	零件名称	数量	图号
1	2.0114.309.2	螺栓 BOLT	8	2.0114.309.2
2	2.1473.008.2	弹簧垫圈 SPRING WASHER M10	8	2.1473.008.2
3	SH900.37.106	从动轴端盖 DRIVEN SHAFT END	1	SH900.37.106
4	GBT91-5X25-A3L	销 PIN	1	GBT91-5X25-A3L
5	2.0114.409.2	螺栓 BOLT	4	2.0114.409.2
6	2.1473.009.2	弹簧垫圈 SPRING WASHER M12	4	2.1473.009.2
7	SH900.37.154/10	盖 COVER	1	SH900.37.154/10
8	SH900.37.016/10	排油螺塞 OIL DRAINAGE SCREW	1	SH900.37.016/10
9	2.1561.015.0	密封圈 SEALING RINGS	1	2.1561.015.0
10	SH900.37.216	橡胶塞 RUBBER STOPPER	1	SH900.37.216
11	A80.37.001.0/30	前板 FRONT BOX	1	A80.37.001.0/30
12	2.1473.011.2	弹簧垫圈 SPRING WASHER M16	2	2.1473.011.2
13	2.0115.616.2	螺栓 SCREW M16x45	2	2.0115.616.2
14	SH900.37.104	限制板 LIMIT PLATE	1	SH900.37.104
15	2.1473.007.2	弹簧垫圈 SPRING WASHER M8	2	2.1473.007.2
16	2.0114.209.2	螺栓 BOLT	2	2.0114.209.2
17	2.1012.307.2	六角螺母 HEX NUT M12x1.5	10	2.1012.307.2
18	GBT900-AM12X1.5X40-	双头螺栓 STUD	10	GBT900-AM12X1.5X40-10.9-A3L
19	SH900.37.105	分离叉头衬套 SEPARATION FORK	4	SH900.37.105
20	QCT388-14	碗形塞片 BOWL TYPE WXPANSION	1	QCT388-14
21	2.1475.004.7	锥形垫圈M12 CONICAL WASHERS	10	2.1475.004.7

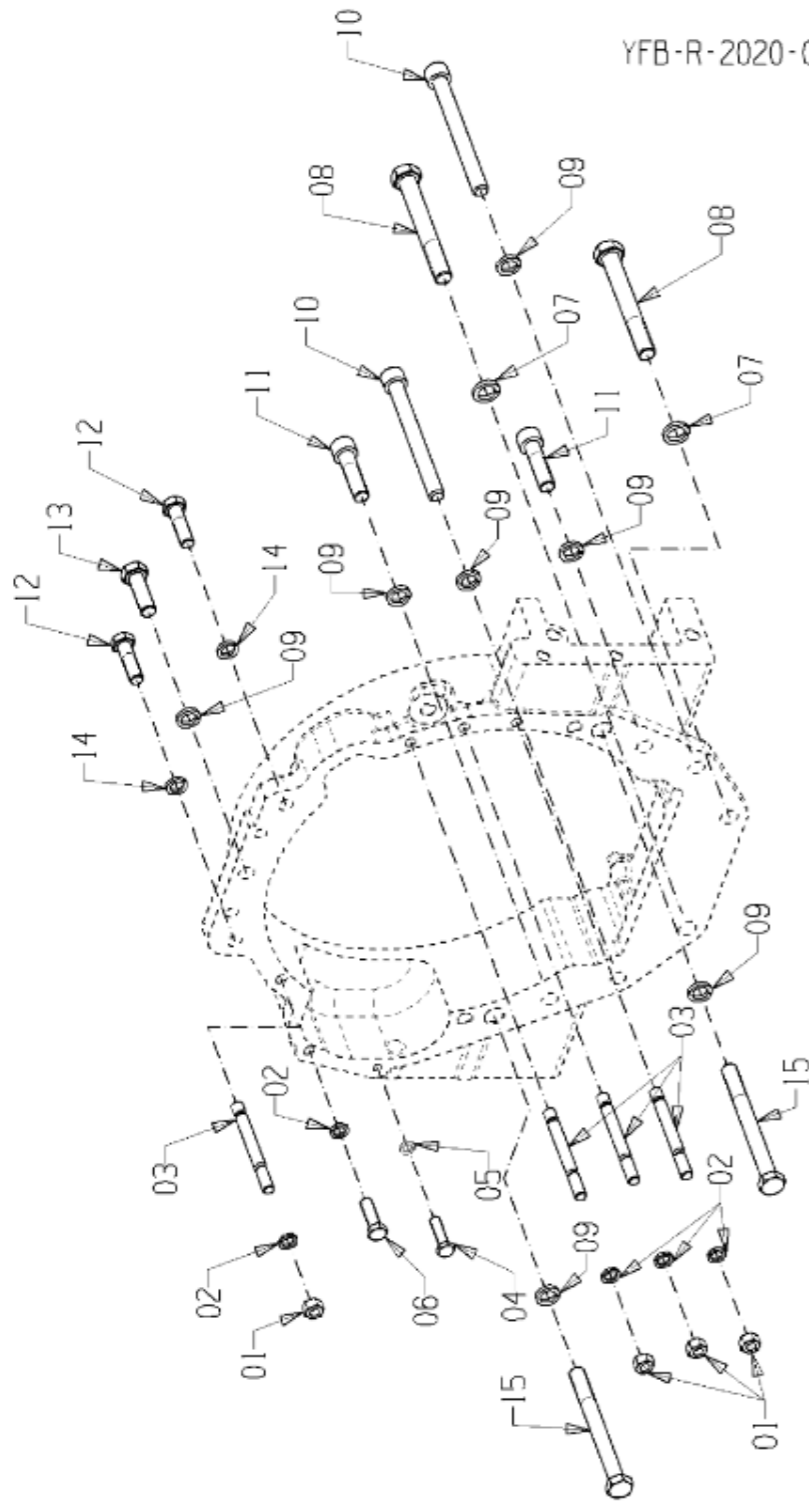
# A80.37.911.4 FRONT GEARBOX FIXED ASS.Y



## A80.37.911.4\_1 前连接螺栓总成 FRONT GEARBOX FIXED ASS.Y

序号	零件编号	零件名称	数量	图号
1	GBT6170-M12-10-A3L	螺母 NUT	4	GBT6170-M12-10-A3L
2	GBT93-12-A3L	垫圈 WASHER	5	GBT93-12-A3L
3	CD904A.37.102	双头螺柱 STUD BOLT	4	CD904A.37.102
4	GBT5783-M10X40-10.9-	螺栓 BOLT	1	GBT5783-M10X40-10.9-A3L
5	GBT93-10-A3L	垫圈 WASHER	1	GBT93-10-A3L
6	GBT5782-M12X40-10.9-	螺栓 BOLT	1	GBT5782-M12X40-10.9-A3L
7	GBT93-18-A3L	垫圈 WASHER	2	GBT93-18-A3L
8	GBT5782-M18X140-10.9-	螺栓 BOLT	2	GBT5782-M18X140-10.9-A3L
9	GBT93-16-A3L	垫圈 WASHER	5	GBT93-16-A3L
10	GBT70.1-M16X140-10.9-	螺栓 BOLT	2	GBT70.1-M16X140-10.9-A3L
11	2.0314.618.2	凹头螺钉M16x2x60 SOCKED SCREW	2	2.0314.618.2
12	GBT5782-M14X50-10.9-	螺栓 BOLT	2	GBT5782-M14X50-10.9-A3L
13	GBT5783-M16X50-10.9-	螺栓 BOLT	1	GBT5783-M16X50-10.9-A3L
14	GBT93-14-A3L	垫圈 WASHER	2	GBT93-14-A3L

YFB-R-2020-004 SH.040



A80.37.911.4\_2 前连接螺栓总成 FRONT GEARBOX FIXED ASS.Y

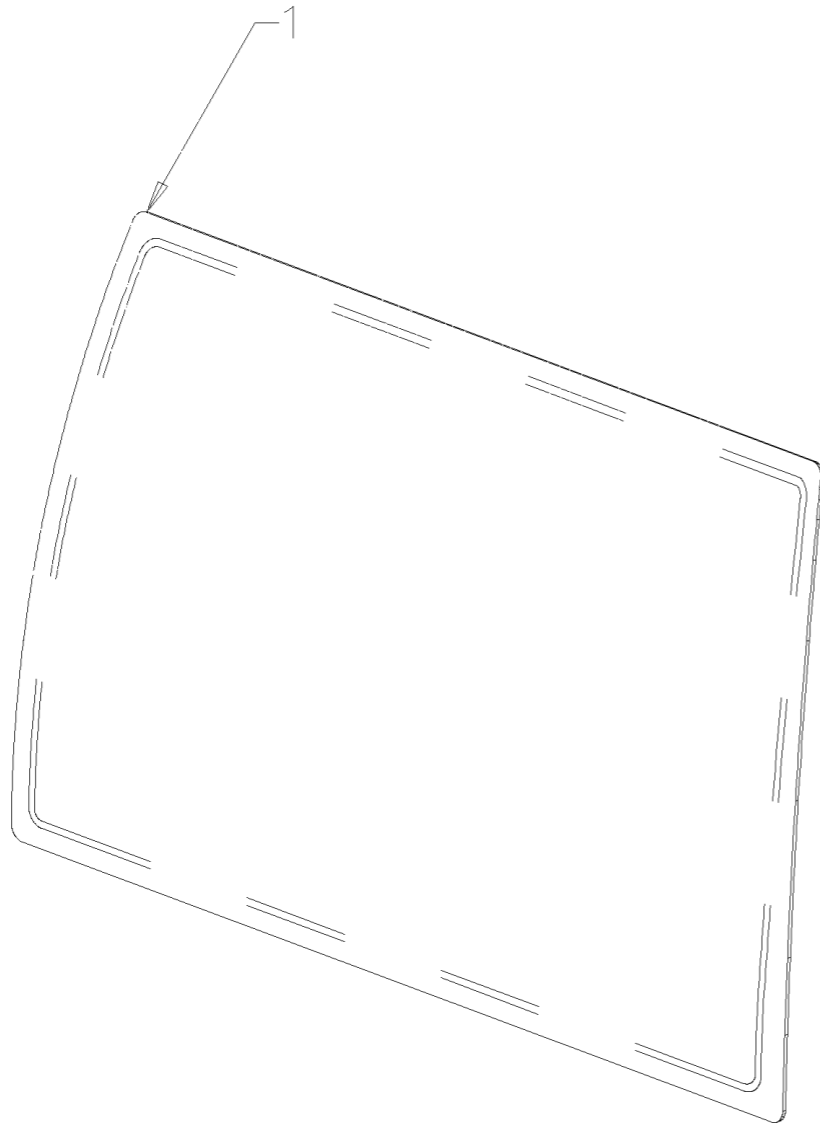
序号	零件编号	零件名称	数量	图号
1	2.1012.107.2	螺母 HEX NUT M12x1.75	4	2.1012.107.2
2	GBT93-12-A3L	垫圈 WASHER	5	GBT93-12-A3L
3	CD904A.37.102	螺柱 STUD BOLT	4	CD904A.37.102
4	2.0115.315.2	螺栓 SCREW M10x40	1	2.0115.315.2
5	GBT93-10-A3L	垫圈 WASHER	1	GBT93-10-A3L
6	2.0115.415.2	螺栓 SCREW M12x40	1	2.0115.415.2
7	GBT93-18-A3L	垫圈 WASHER	2	GBT93-18-A3L
8	2.0113.737.2	螺栓 BOLT M18x140	2	2.0113.737.2
9	GBT93-16-A3L	垫圈 WASHER	7	GBT93-16-A3L
10	2.0314.630.2	螺栓 BOLT	2	2.0314.630.2
11	2.0314.618.2	凹头螺钉 M16x2x60 SOCKED SCREW	2	2.0314.618.2
12	2.0113.519.2	螺栓 BOLT M14x50	2	2.0113.519.2
13	2.0115.617.2	螺栓 SCREW M16x50	1	2.0115.617.2
14	GBT93-14-A3L	垫圈 WASHER	2	GBT93-14-A3L
15	2.0113.641.2	螺栓 BOLT M16x160	2	2.0113.641.2



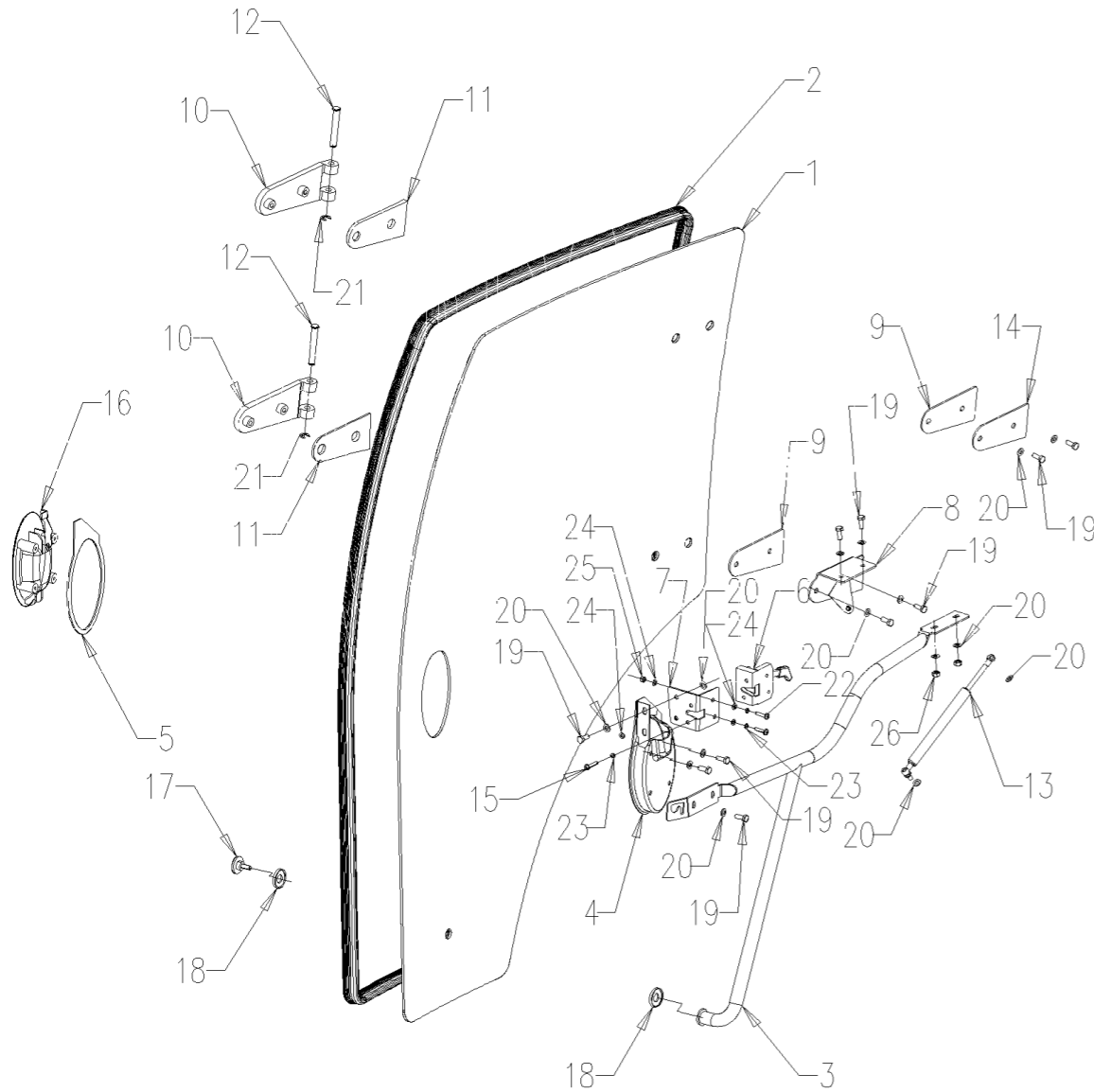
A80.45.901.4 FRONT WINDOW ASS.Y

A80.45.901.4\_0 前窗玻璃 FRONT WINDOW ASS.Y

序号	零件编号	零件名称	数量	图号
1	A80.45.005.0	前窗 FRONT WINDOW	1	A80.45.005.0



# A80.45.902.4 RH DOOR ASS.Y

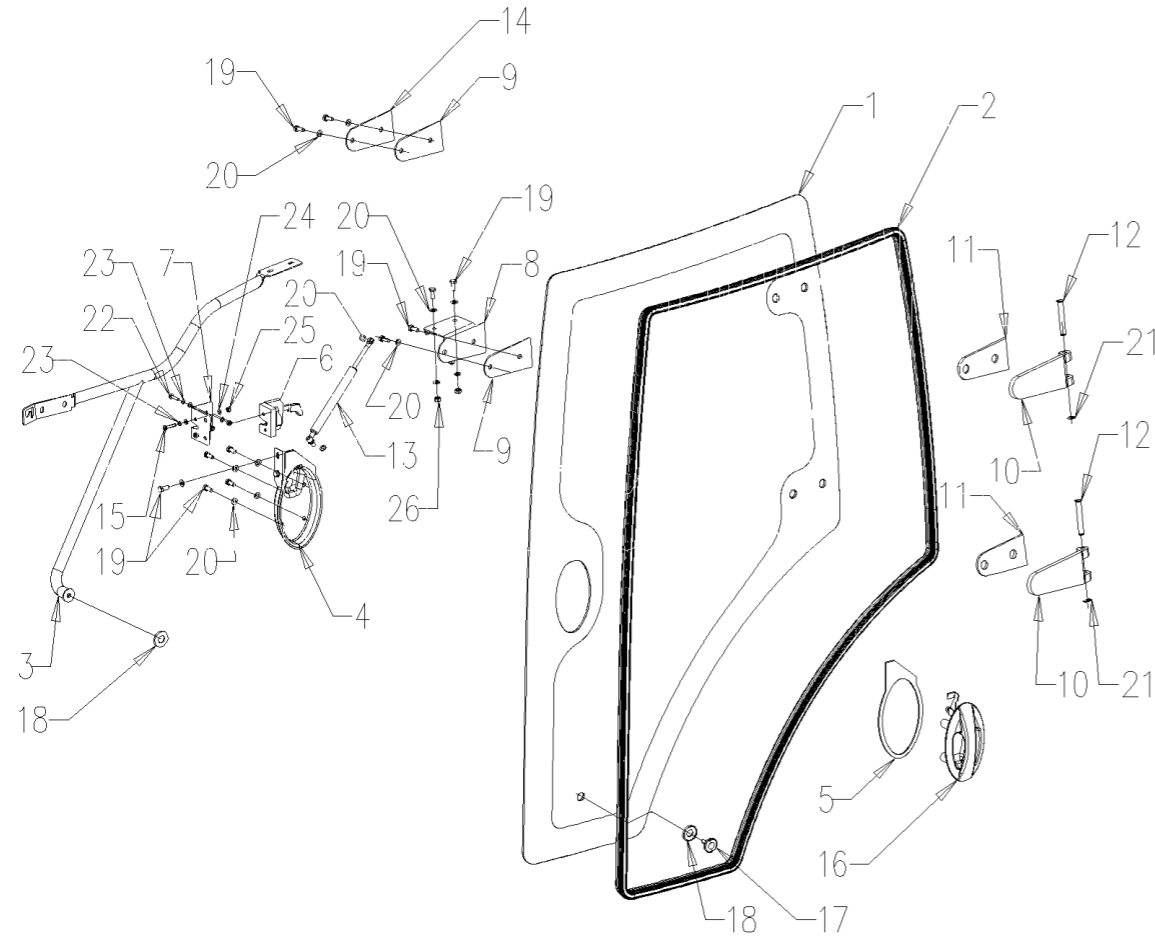


## A80.45.902.4\_0 右门总成 RH DOOR ASS.Y

序号	零件编号	零件名称	数量	图号
1	A80.45.025.0	右门 RH DOOR	1	A80.45.025.0
2	A80.45.026.0	橡胶帽 RUBBER	1	A80.45.026.0
3	A80.45.027.3	右门把手 RH DOOR HANDLE	1	A80.45.027.3
4	A80.45.041.3	门锁固定支架 DOOR LOCK FIXED	1	A80.45.041.3
5	A80.45.044.0	门锁橡胶 DOOR LOCK RUBBER	1	A80.45.044.0
6	A80.45.045.0	门锁 DOOR LOCK	1	A80.45.045.0
7	A80.45.040.0	支架 BRACKET	1	A80.45.040.0
8	A80.45.034.3	气弹簧支承 GAS SPRING BRACKET	1	A80.45.034.3
9	A80.45.037.0	橡胶帽 RUBBER	2	A80.45.037.0
10	A80.45.033.0	? 门锁链 DOOR HINGE	2	A80.45.033.0
11	A80.45.039.0	橡胶帽 RUBBER	2	A80.45.039.0
12	A80.45.047.0	销 PIN	2	A80.45.047.0
13	A80.45.048.0	气弹簧 GAS SPRING	1	A80.45.048.0
14	A80.45.038.0	支架 BRACKET	1	A80.45.038.0
15	2.0332.409.2	螺钉 CROSS SCREW M6x1x30	2	2.0332.409.2
16	A80.45.046.0	门锁把手 DOOR LOCK HANDLE	1	A80.45.046.0
17	A39.45.047.0	塑料头螺栓 M8X20 PLASTIC HEAD	1	A39.45.047.0
18	A39.45.048.0	橡胶垫片 RUBBER GASKET	2	A39.45.048.0
19	GBT5783-M8X20-A2L	螺栓 BOLT	12	GBT5783-M8X20-A2L
20	GBT97.1-8-A3L	垫圈 WASHER	18	GBT97.1-8-A3L
21	2.1430.011.7	挡圈 ANELLO DI SICUR. X ALBERI	2	2.1430.011.7
22	2.0332.408.2	螺钉 CROSS SCREW M6x1x25	2	2.0332.408.2
23	GBT93-6-A3L	垫圈 WASHER	4	GBT93-6-A3L
24	GBT97.1-6-A3L	垫圈 WASHER	8	GBT97.1-6-A3L
25	GBT6170-M6-A2L	螺母 NUT	4	GBT6170-M6-A2L
26	GBT6170-M8-A2L	螺母 NUT	4	GBT6170-M8-A2L

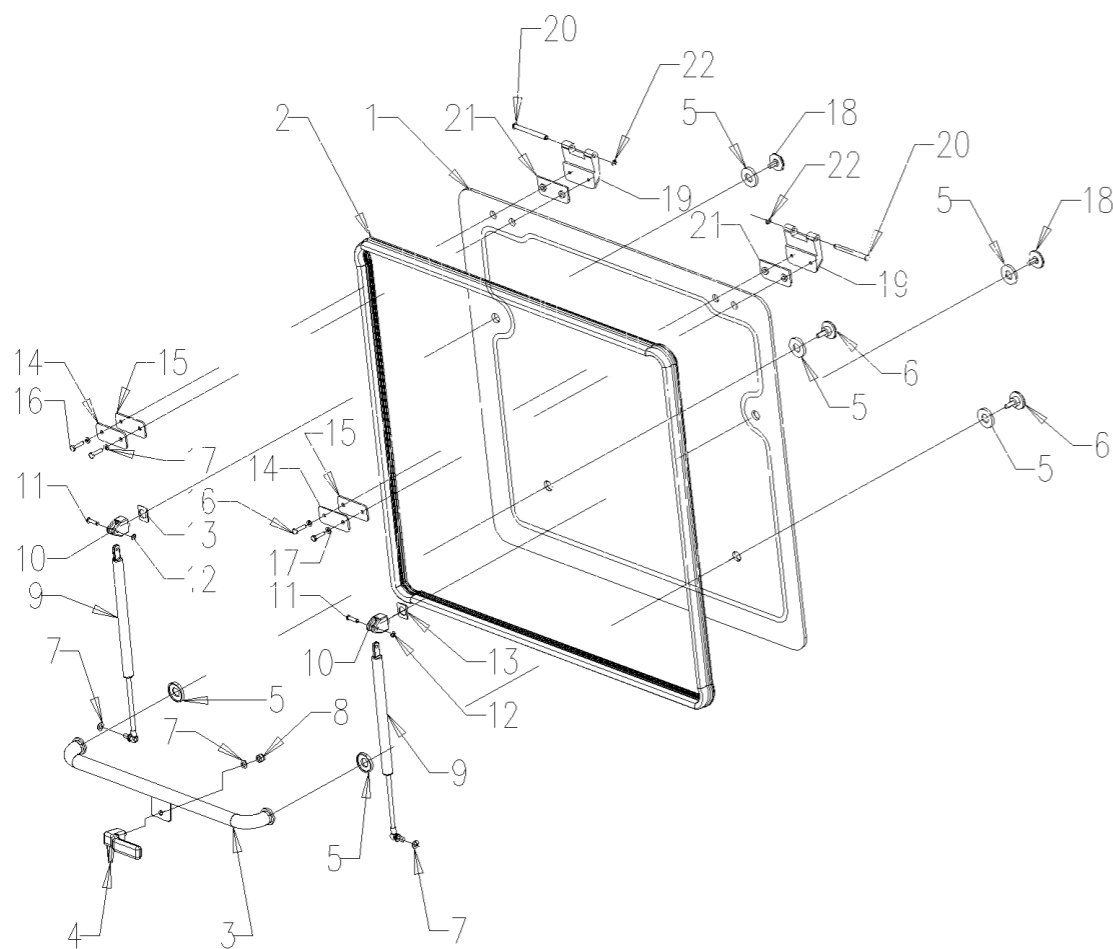
# A80.45.903.4 LH DOOR ASS.Y

## A80.45.903.4\_0 左门总成 LH DOOR ASS.Y



序号	零件编号	零件名称	数量	图号
1	A80.45.049.0	左门 LH DOOR	1	A80.45.049.0
2	A80.45.026.0	橡胶帽 RUBBER	1	A80.45.026.0
3	A80.45.050.3	左门把手 LH DOOR HANDLE	1	A80.45.050.3
4	A80.45.058.3	门锁固定支架 DOOR LOCK FIXED	1	A80.45.058.3
5	A80.45.044.0	门锁橡胶 DOOR LOCK RUBBER	1	A80.45.044.0
6	A80.45.056.0	左门锁 LH DOOR LOCK	1	A80.45.056.0
7	A80.45.057.0	支架 BRACKET	1	A80.45.057.0
8	A80.45.054.3	支架 BRACKET	1	A80.45.054.3
9	A80.45.037.0	橡胶帽 RUBBER	2	A80.45.037.0
10	A80.45.033.0	? 门锁链 DOOR HINGE	2	A80.45.033.0
11	A80.45.039.0	橡胶帽 RUBBER	2	A80.45.039.0
12	A80.45.047.0	销 PIN	2	A80.45.047.0
13	A80.45.048.0	气弹簧 GAS SPRING	1	A80.45.048.0
14	A80.45.038.0	支架 BRACKET	1	A80.45.038.0
15	2.0332.409.2	螺钉 CROSS SCREW M6x1x30	2	2.0332.409.2
16	A80.45.061.0	左门把手 LH DOOR HANDLE	1	A80.45.061.0
17	A39.45.047.0	塑料头螺栓 M8X20 PLASTIC HEAD	1	A39.45.047.0
18	A39.45.048.0	橡胶垫片 RUBBER GASKET	2	A39.45.048.0
19	GBT5783-M8X20-A2L	螺栓 BOLT	12	GBT5783-M8X20-A2L
20	GBT97.1-8-A3L	垫圈 WASHER	18	GBT97.1-8-A3L
21	2.1430.011.7	挡圈 ANELLO DI SICUR. X ALBERI	2	2.1430.011.7
22	2.0332.408.2	螺钉 CROSS SCREW M6x1x25	2	2.0332.408.2
23	GBT93-6-A3L	垫圈 WASHER	4	GBT93-6-A3L
24	GBT97.1-6-A3L	垫圈 WASHER	8	GBT97.1-6-A3L
25	GBT6170-M6-A2L	螺母 NUT	4	GBT6170-M6-A2L
26	GBT6170-M8-A2L	螺母 NUT	4	GBT6170-M8-A2L

# A80.45.904.4 REAR WINDOW ASS.Y

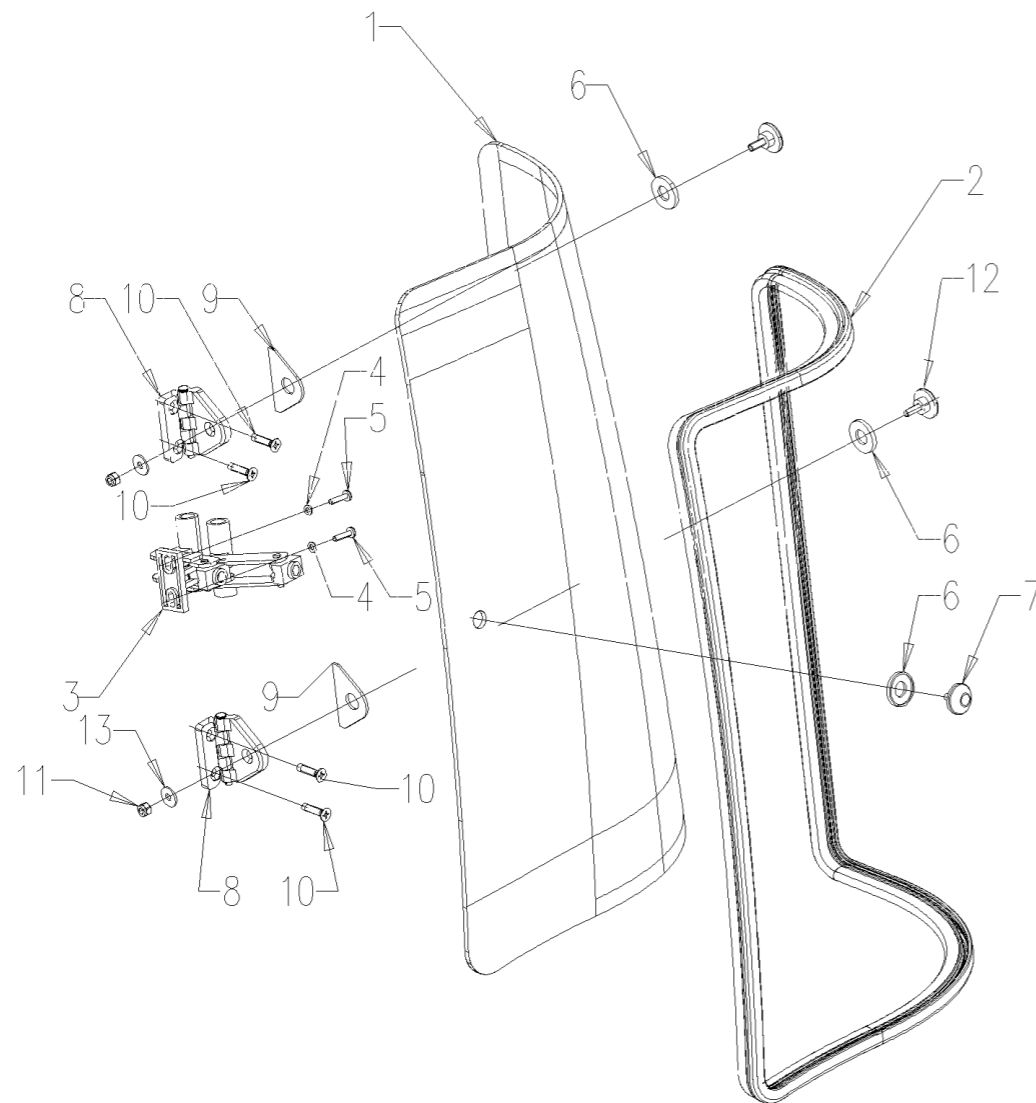


## A80.45.904.4\_0 后窗总成 REAR WINDOW ASS.Y

序号	零件编号	零件名称	数量	图号
1	A80.45.063.0	后挡玻璃 REAR WINDOW GLASS	1	A80.45.063.0
2	A80.45.064.0	后窗橡胶 REAR WINDOW RUBBER	1	A80.45.064.0
3	A80.45.068.3	把手 HANDLE	1	A80.45.068.3
4	A80.45.066.0	后窗把手 REAR WINDOW HANDLE	1	A80.45.066.0
5	A39.45.048.0	橡胶垫片 RUBBER GASKET	6	A39.45.048.0
6	A39.45.047.0	塑料头螺栓 M8X20 PLASTIC HEAD	2	A39.45.047.0
7	GBT97.1-8-A3L	垫圈 WASHER	3	GBT97.1-8-A3L
8	GBT889.1-M8-A2L	螺母 NUT	1	GBT889.1-M8-A2L
9	A80.45.076.0	气弹簧 GAS SPRING	2	A80.45.076.0
10	A80.45.067.0	气弹簧铰链 GAS SPRING HINGE	2	A80.45.067.0
11	A80.45.077.0	销 PIN	2	A80.45.077.0
12	2.1430.006.7	挡圈 ANELLO ELASTICO 5	2	2.1430.006.7
13	A80.45.074.0	垫圈 GASKET	2	A80.45.074.0
14	A80.45.075.0	板 PLATE	2	A80.45.075.0
15	A80.45.070.0	垫圈 GASKET	2	A80.45.070.0
16	GBT5783-M6X25-A2L	螺栓 BOLT	4	GBT5783-M6X25-A2L
17	GBT97.1-6-A3L	垫圈 WASHER	4	GBT97.1-6-A3L
18	A80.45.072.0	手柄球 KNOB	2	A80.45.072.0
19	A80.45.069.0	铰链 HINGE	2	A80.45.069.0
20	A80.45.073.0	销 PIN	2	A80.45.073.0
21	A80.45.071.0	垫圈 GASKET	2	A80.45.071.0
22	2.1430.007.2	挡圈 WASHER	2	2.1430.007.2

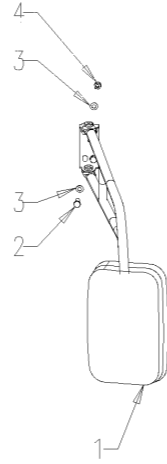
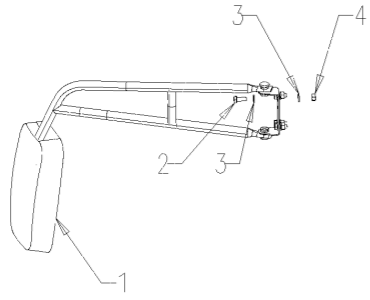
# A80.45.905.4 LH REAR WINDOW ASS.Y

## A80.45.905.4\_0 左后侧窗总成 LH REAR WINDOW ASS.Y



序号	零件编号	零件名称	数量	图号
1	A80.45.078.0	左侧后窗 LH REAR WINDOW	1	A80.45.078.0
2	A80.45.079.0	橡胶帽 RUBBER	1	A80.45.079.0
3	A80.45.080.0	把手 HANDLE	1	A80.45.080.0
4	GBT97.1-6-A3L	垫圈 WASHER	2	GBT97.1-6-A3L
5	2.0332.408.2	螺钉 CROSS SCREW M6x1x25	2	2.0332.408.2
6	A39.45.048.0	橡胶垫片 RUBBER GASKET	3	A39.45.048.0
7	A80.45.072.0	手柄球 KNOB	1	A80.45.072.0
8	A80.45.081.0	铰链 HINGE	2	A80.45.081.0
9	A80.45.082.0	垫圈 GASKET	2	A80.45.082.0
10	GBT819.1-M8X35-A2L	螺钉 SCREW	4	GBT819.1-M8X35-A2L
11	GBT889.1-M8-A2L	螺母 NUT	2	GBT889.1-M8-A2L
12	A39.45.047.0	塑料头螺栓 M8X20 PLASTIC HEAD	2	A39.45.047.0
13	GBT96.1-8-A3L	垫圈 WASHER	2	GBT96.1-8-A3L

A80.45.906.4 REAR MIRROR ASS.Y



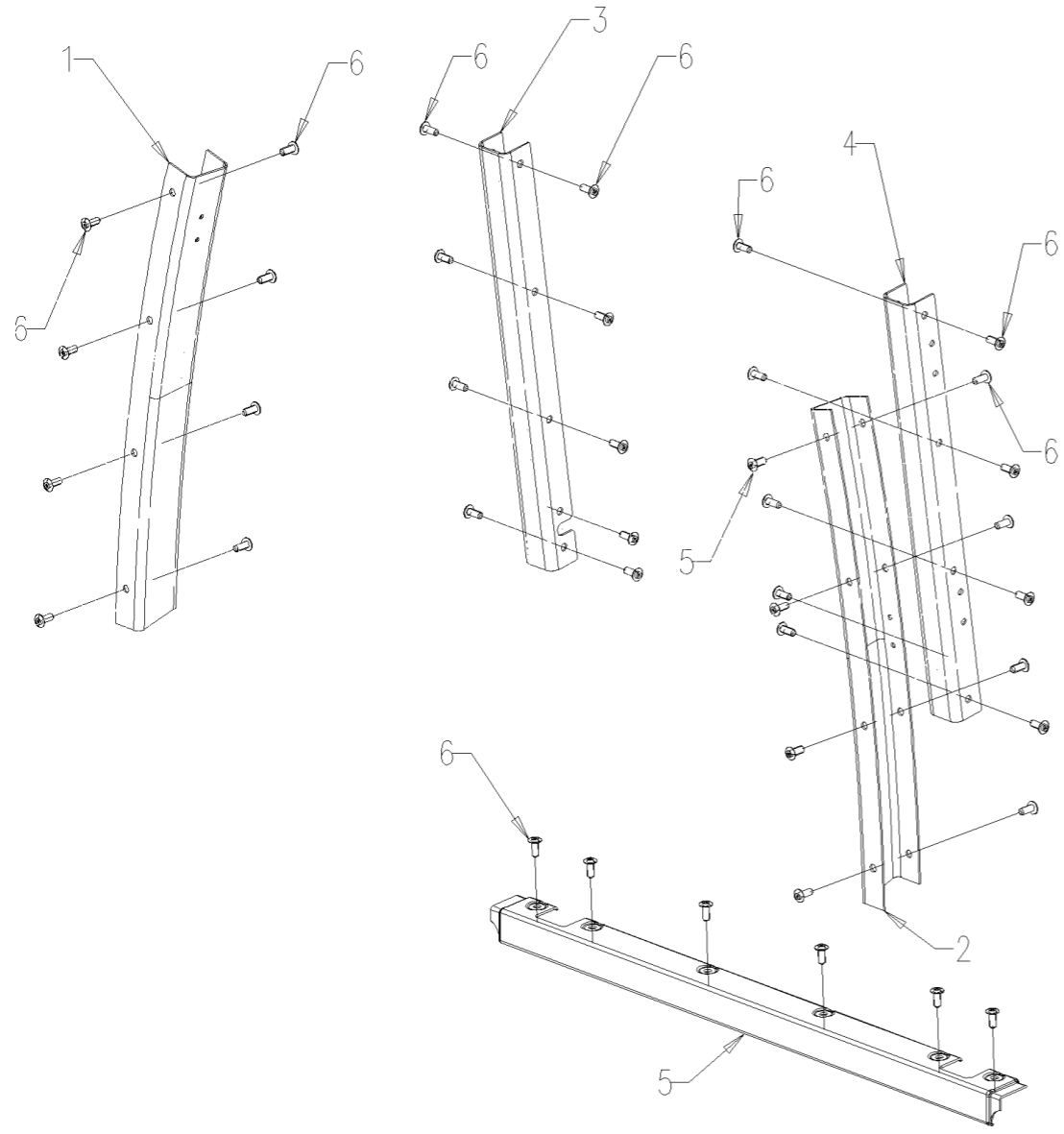
A80.45.906.4\_0 后视镜总成 REAR MIRROR ASS.Y

序号	零件编号	零件名称	数量	图号
1	A80.45.084.4	后视镜 REAR MIRROR	2	A80.45.084.4
2	GBT5783-M8X20-A2L	螺栓 BOLT	8	GBT5783-M8X20-A2L
3	GBT97.1-8-A3L	垫圈 WASHER	16	GBT97.1-8-A3L
4	GBT6170-M8-A2L	螺母 NUT	8	GBT6170-M8-A2L

# A80.45.907.4 COLUMN GUARD ASS.Y

## A80.45.907.4\_0 立柱内饰 COLUMN GUARD ASS.Y

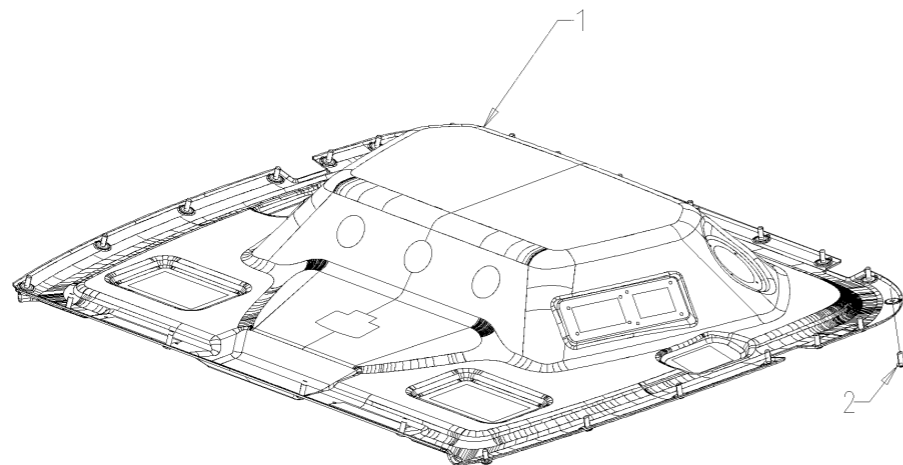
序号	零件编号	零件名称	数量	图号
1	A80.45.012.0	右支柱盖 RH B PILLAR COVER	1	A80.45.012.0
2	A80.45.013.0	左支柱盖 LH B PILLAR COVER	1	A80.45.013.0
3	A80.45.086.0	右支柱盖 RH C PILLAR COVER	1	A80.45.086.0
4	A80.45.087.0	左侧柱盖 LH C PILLAR COVER	1	A80.45.087.0
5	A80.45.089.0	? 后盖 REAR COVER	1	A80.45.089.0
6	A80.45.088.0	塑胶螺钉 PLASTIC SCREW	40	A80.45.088.0



A80.45.908.4 TOP CONSOLE ASS.Y

**A80.45.908.4\_0 顶内饰 TOP CONSOLE ASS.Y**

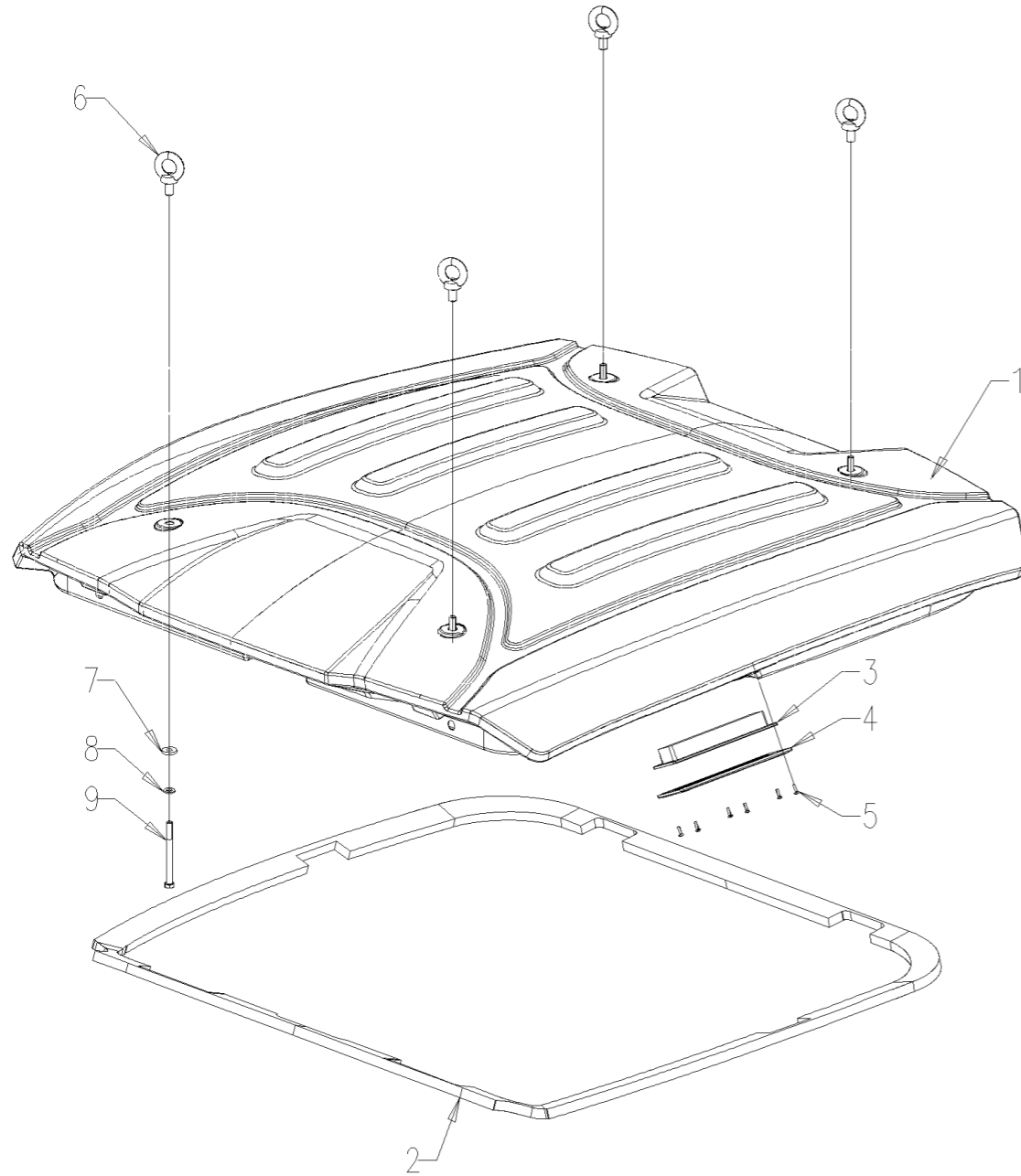
序号	零件编号	零件名称	数量	图号
1	A80.45.014.4	内顶总成 TOP CONSOLE ASS.Y	1	A80.45.014.4
2	A80.45.088.0	塑胶螺钉 PLASTIC SCREW	25	A80.45.088.0





# A80.45.909.4 TOP COVER ASS.Y

## A80.45.909.4\_0 顶棚 TOP COVER ASS.Y

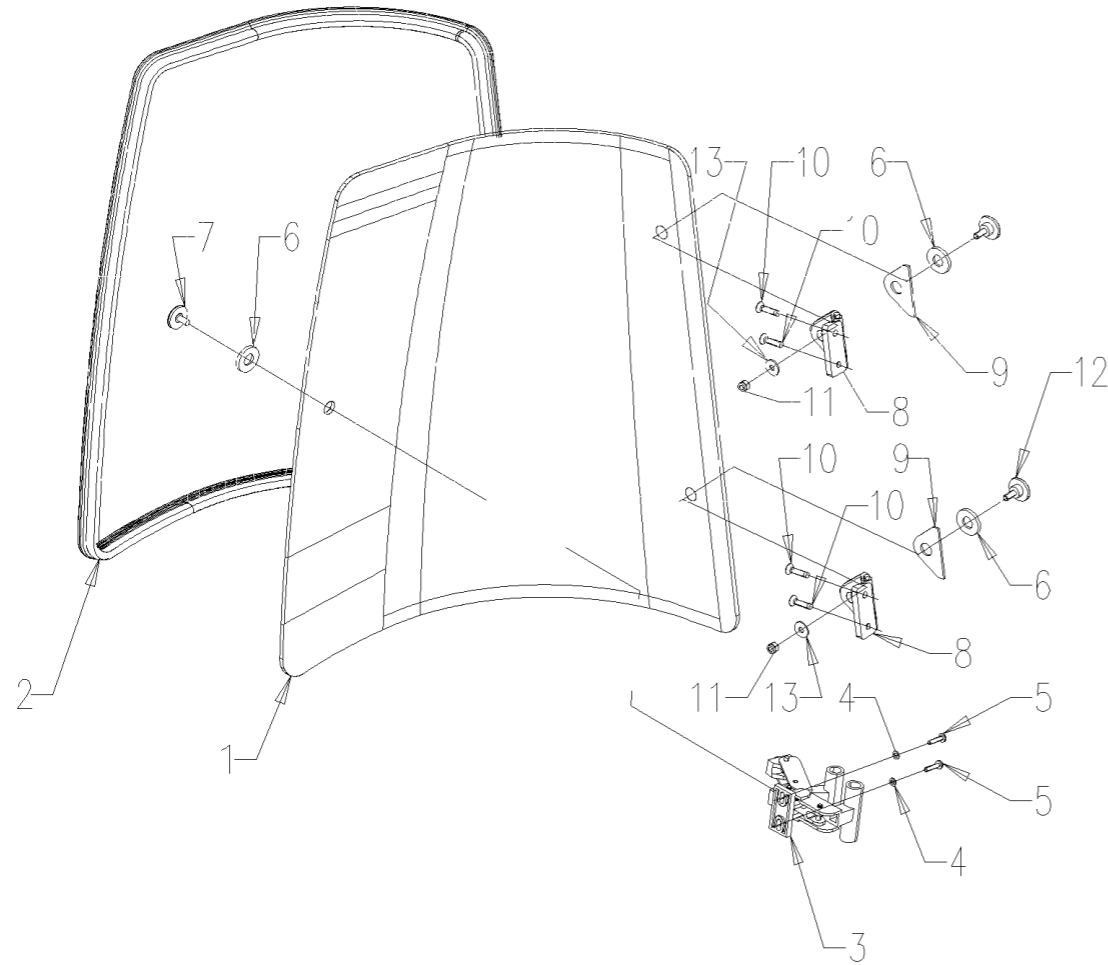


序号	零件编号	零件名称	数量	图号
1	A80.45.015.2	车顶 ROOF	1	A80.45.015.2
2	A80.45.090.0	车顶垫片 ROOF GASKET	1	A80.45.090.0
3	A80.45.091.0	空气过滤器 AIR FILTER	2	A80.45.091.0
4	A39.45.125.0	进气口 FRESH AIR INLET	2	A39.45.125.0
5	GBT818-M5X16-A2L	螺钉 SCREW	12	GBT818-M5X16-A2L
6	GBT825-M16-A3L	螺钉 SCREW	4	GBT825-M16-A3L
7	2.1569.211.0	垫圈 GUARNIZIONE 11.5X30X5	4	2.1569.211.0
8	GBT97.1-12-A3L	垫圈 WASHER	4	GBT97.1-12-A3L
9	2.0112.435.2	螺栓 HEX BOLT M12x1.75x130	4	2.0112.435.2

# A80.45.915.4 RH REAR WINDOW ASS.Y

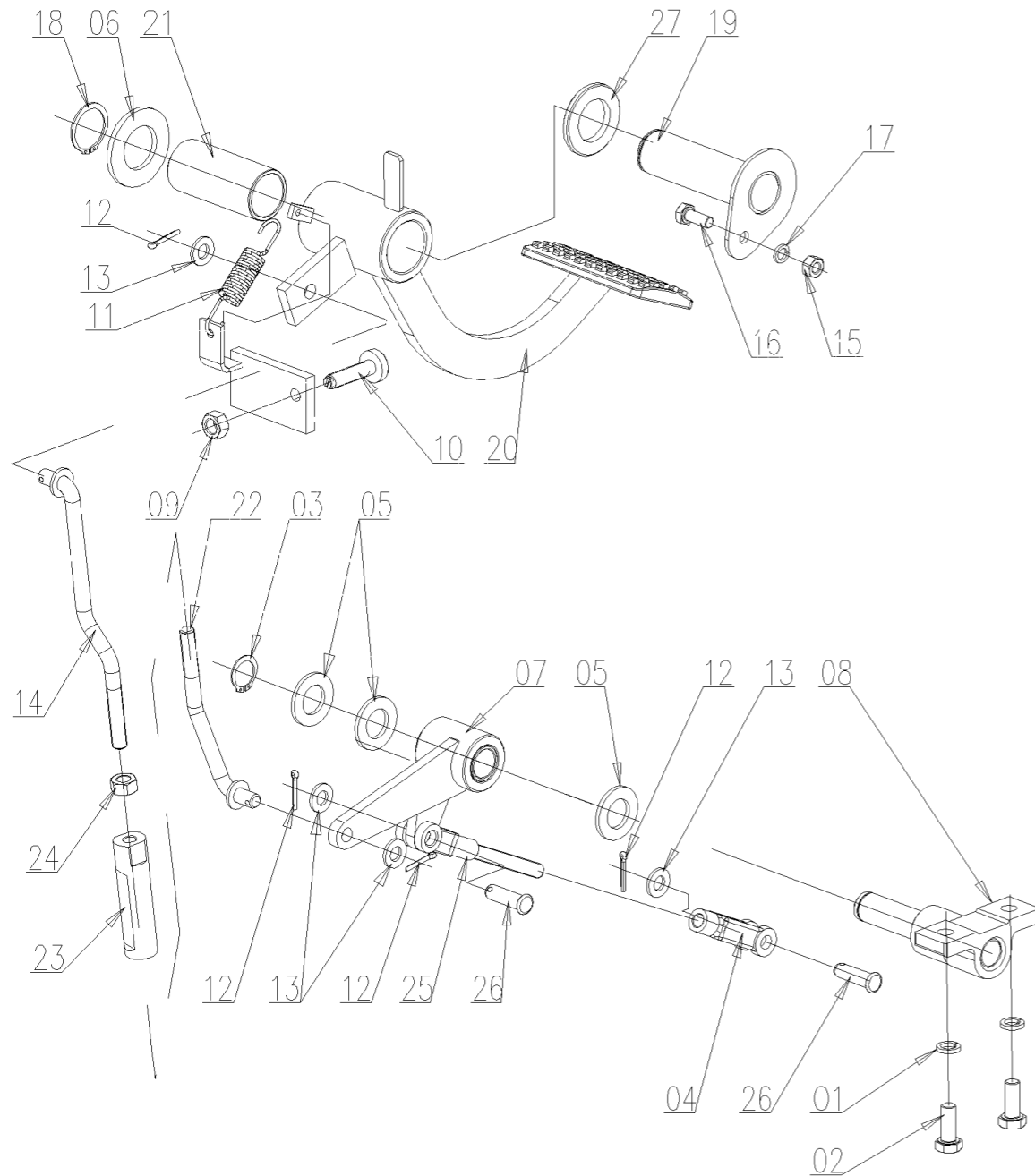
## A80.45.915.4\_0 右后侧窗总成 RH REAR WINDOW ASS.Y

序号	零件编号	零件名称	数量	图号
1	A80.45.083.0	后窗 RH REAR WINDOW	1	A80.45.083.0
2	A80.45.079.0	橡胶帽 RUBBER	1	A80.45.079.0
3	A80.45.080.0	把手 HANDLE	1	A80.45.080.0
4	GBT97.1-6-A3L	垫圈 WASHER	2	GBT97.1-6-A3L
5	2.0332.408.2	螺钉 CROSS SCREW M6x1x25	2	2.0332.408.2
6	A39.45.048.0	橡胶垫片 RUBBER GASKET	3	A39.45.048.0
7	A80.45.072.0	手柄球 KNOB	1	A80.45.072.0
8	A80.45.081.0	铰链 HINGE	2	A80.45.081.0
9	A80.45.082.0	垫圈 GASKET	2	A80.45.082.0
10	GBT819.1-M8X35-A2L	螺钉 SCREW	4	GBT819.1-M8X35-A2L
11	GBT889.1-M8-A2L	螺母 NUT	2	GBT889.1-M8-A2L
12	A39.45.047.0	塑料头螺栓 M8X20 PLASTIC HEAD	2	A39.45.047.0
13	GBT96.1-8-A3L	垫圈 WASHER	2	GBT96.1-8-A3L



# A80.45.919.4 MAIN CLUTCH COMMAND ASS.Y

# A80.45.919.4\_3 主离合操纵总成 MAIN CLUCH CONTROL ASS.Y



序号	零件编号	零件名称	数量	图号
1	GBT93-10-A3L	垫圈 WASHER	2	GBT93-10-A3L
2	GBT5783-M10X25-A3L	螺栓 BOLT	2	GBT5783-M10X25-A3L
3	GBT894.1-20	弹性挡圈 CIRCLIP	1	GBT894.1-20
4	SH900.21.117	拨叉 FORK	1	SH900.21.117
5	GBT97.1-20-A3L	垫圈 WASHER	3	GBT97.1-20-A3L
6	SH900.21.118	摩擦垫圈 FRICTION WASHER	1	SH900.21.118
7	A80.45.004.3	摇臂组件 ROCKER ARM	1	A80.45.004.3
8	SH900.21.022	主离合摇臂座焊合 MAIN CLUTCH	1	SH900.21.022
9	GBT6170-M10-A3L	螺母 NUT	1	GBT6170-M10-A3L
10	SH900.43.030	调整螺钉合件 ADJUSTING SCREW	1	SH900.43.030
11	SH900.21.101	副离合回位弹簧 AUXILIARY CLUTCH	1	SH900.21.101
12	GBT91-3.2X20-A3L	销 PIN	4	GBT91-3.2X20-A3L
13	GBT97.1-10-A3L	垫圈 WASHER	4	GBT97.1-10-A3L
14	SH900.21.011	主离合长拉杆焊合件 MAIN CLUTCH	1	SH900.21.011
15	GBT6170-M8-A2L	螺母 NUT	1	GBT6170-M8-A2L
16	GBT5783-M8X20-A2L	螺栓 BOLT	1	GBT5783-M8X20-A2L
17	GBT93-8-A3L	垫圈 WASHER	1	GBT93-8-A3L
18	GBT894.1-30	弹性挡圈 CIRCLIP	1	GBT894.1-30
19	SH900.21.021	主离合踏板轴焊合 MAIN CLUTCH	1	SH900.21.021
20	SH900.21.012	离合踏板焊合 CLUTCH PEDAL	1	SH900.21.012
21	SH900.21.122	套筒 SLEEVE	1	SH900.21.122
22	A80.45.002.3	拉杆 PULL ROD	1	A80.45.002.3
23	SH900.21.105	调节管 ADJUSTING TUBE	1	SH900.21.105
24	GBT6171-M10X1-A2L	螺母 NUT	1	GBT6171-M10X1-A2L
25	LE1204.21.101	主离合短拉杆 MAIN CLUTCH	1	LE1204.21.101
26	GBT882-B10X32-A3L	销 PIN	2	GBT882-B10X32-A3L
27	SH900.43.181	套筒 SLEEVE	1	SH900.43.181

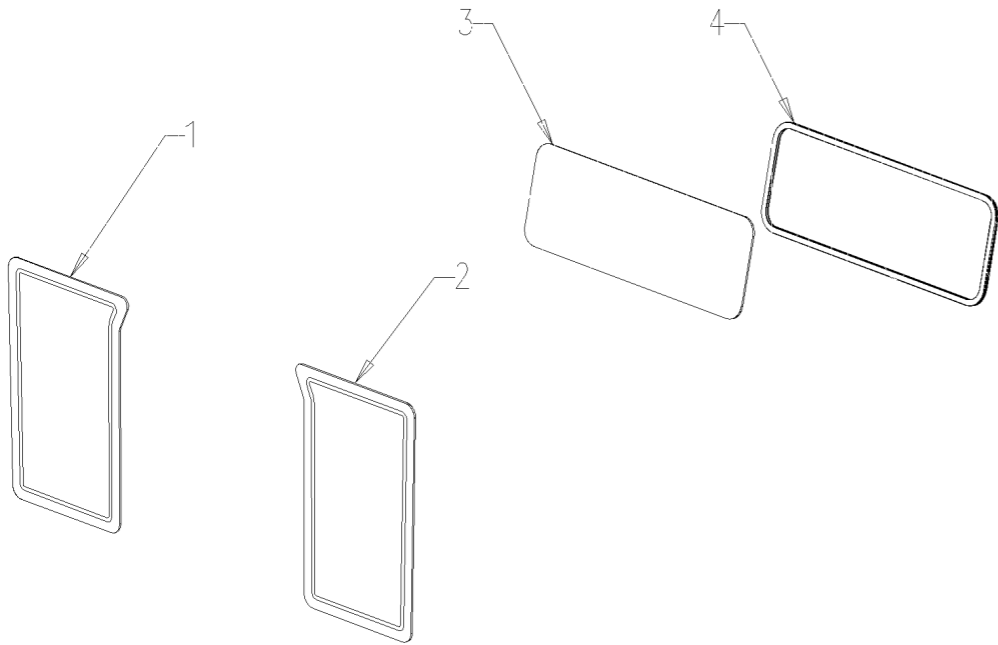


### A80.45.925.4\_0 玻璃总成 GLASSES ASS.Y

序号	零件编号	零件名称	数量	图号
1	A80.45.021.0	右下玻璃 RH BELOW GLASS	1	A80.45.021.0
2	A80.45.022.0	左下玻璃 LH BELOW GLASS	1	A80.45.022.0
3	A80.45.023.0	后下面玻璃 REAR BELOW GLASS	1	A80.45.023.0
4	A80.45.024.0	玻璃胶皮 GLASS RUBBER	1	A80.45.024.0

GLASSES ASS.LY A80.45.925.4

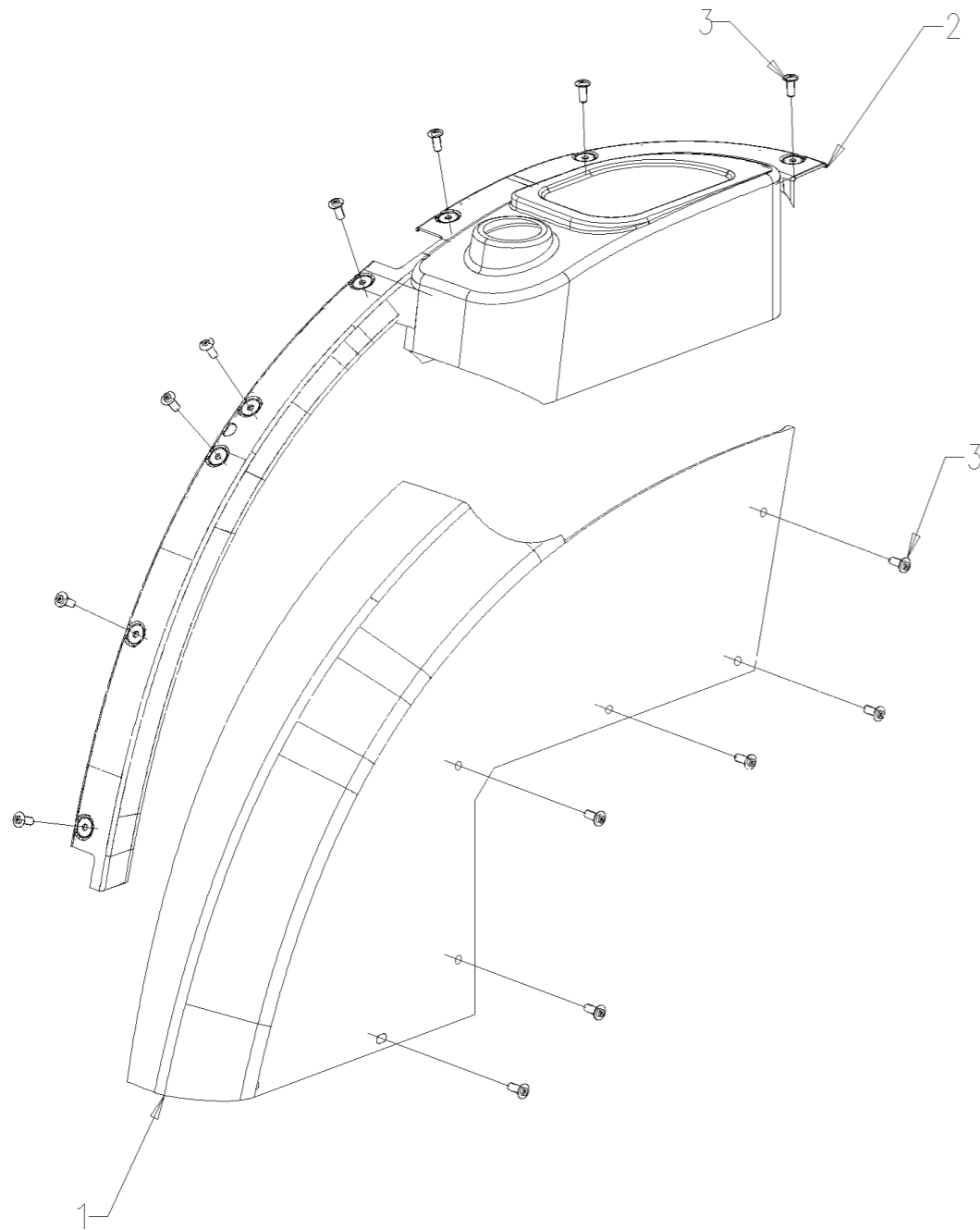
YFB-R-2016-016 SH.016



# A80.45.930.4 RH CONSOLE ASS.Y

## A80.45.930.4\_0 右轮罩内饰总成 RH CONSOLE ASS.Y

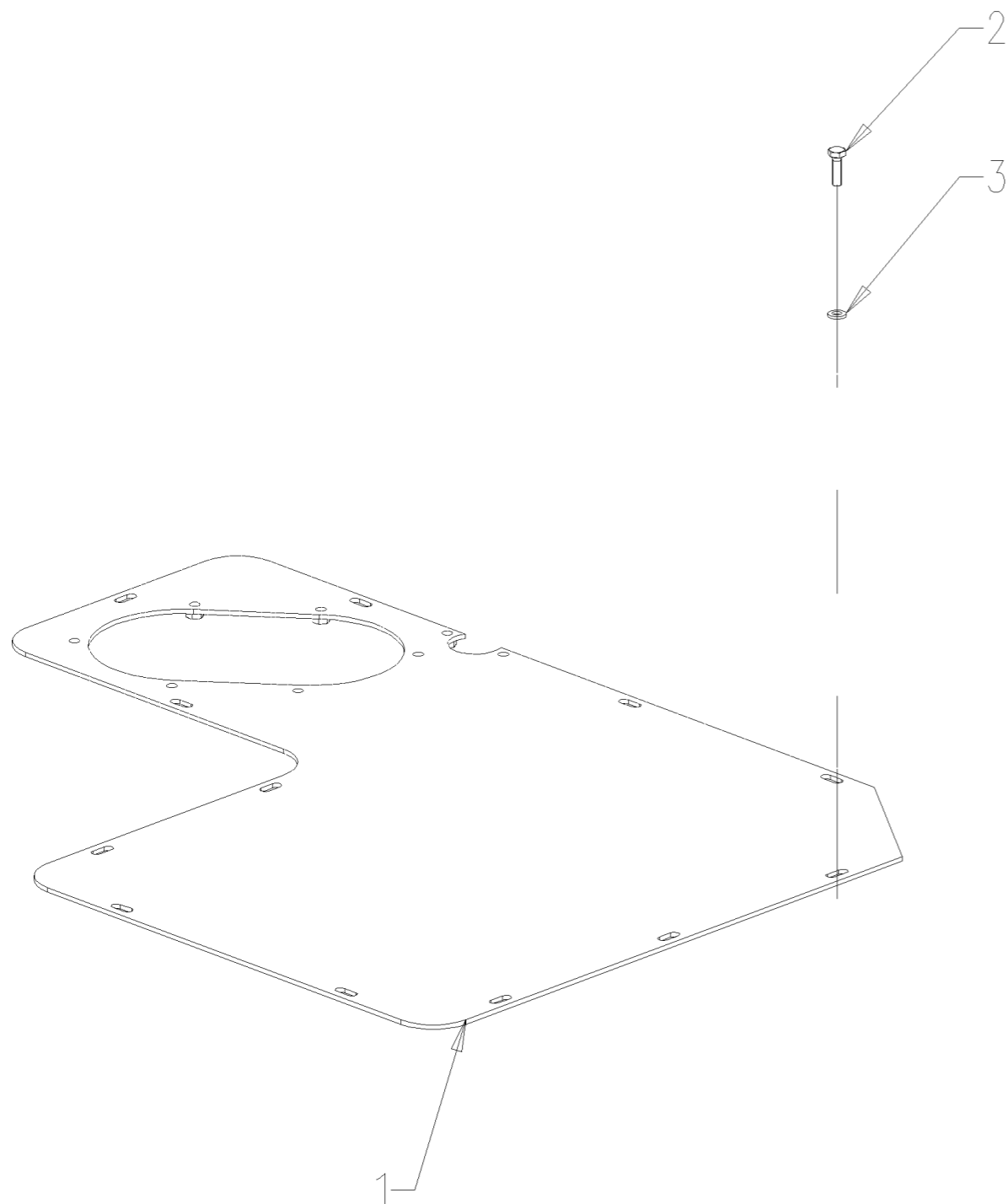
序号	零件编号	零件名称	数量	图号
1	A80.45.092.0	驾驶室盖 RH WHEEL HOUSE COVER	1	A80.45.092.0
2	A80.45.093.0	控制台 RH CONSOLE	1	A80.45.093.0
3	A80.45.088.0	塑胶螺钉 PLASTIC SCREW	14	A80.45.088.0



# A80.45.962.4 FRONT FLOOR COVER

## A80.45.962.4\_0 前地板盖总成 (驾驶室) FRONT FLOOR COVER (Cab)

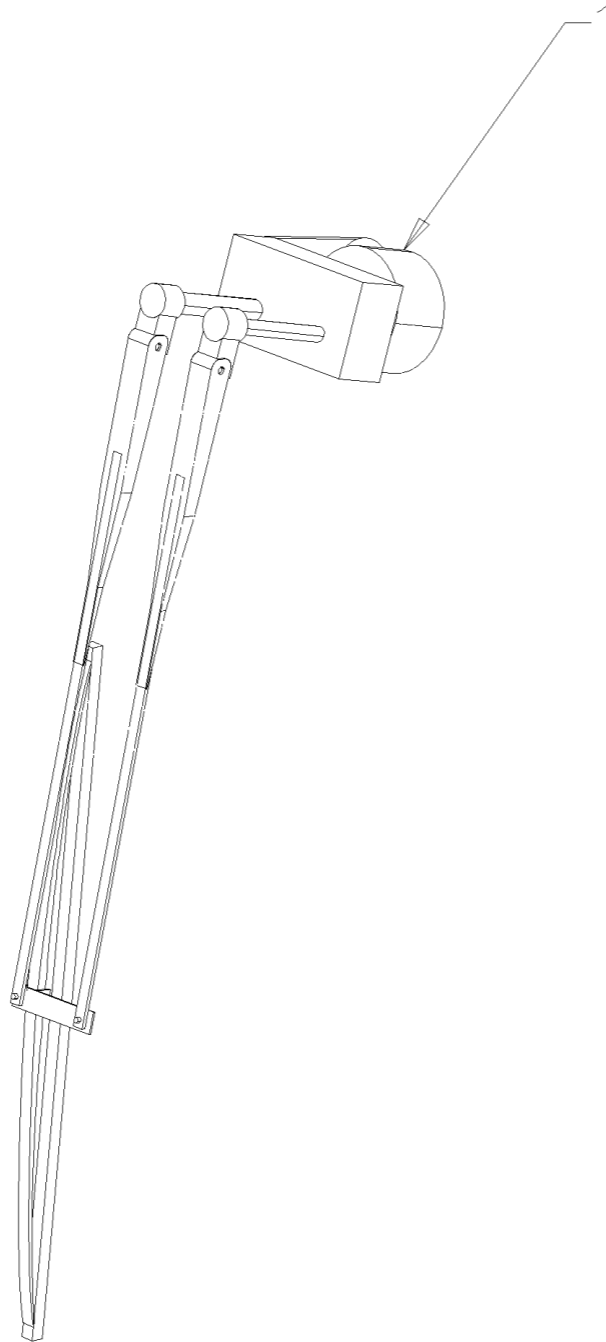
序号	零件编号	零件名称	数量	图号
1	CD904A.45A.025	地板维修盖焊合 PLATFORM	1	CD904A.45A.025
2	GBT5783-M6X20-A2L	螺栓 BOLT	12	GBT5783-M6X20-A2L
3	GBT97.1-6-A3L	垫圈 WASHER	12	GBT97.1-6-A3L



# A80.48.904.4 FRONT WIPER ASS.Y

## A80.48.904.4\_0 前雨刮器 FRONT WIPER ASS.Y

序号	零件编号	零件名称	数量	图号
1	A80.48.001.4	前雨刮器总成 FRONT WIPER ASS.Y	1	A80.48.001.4



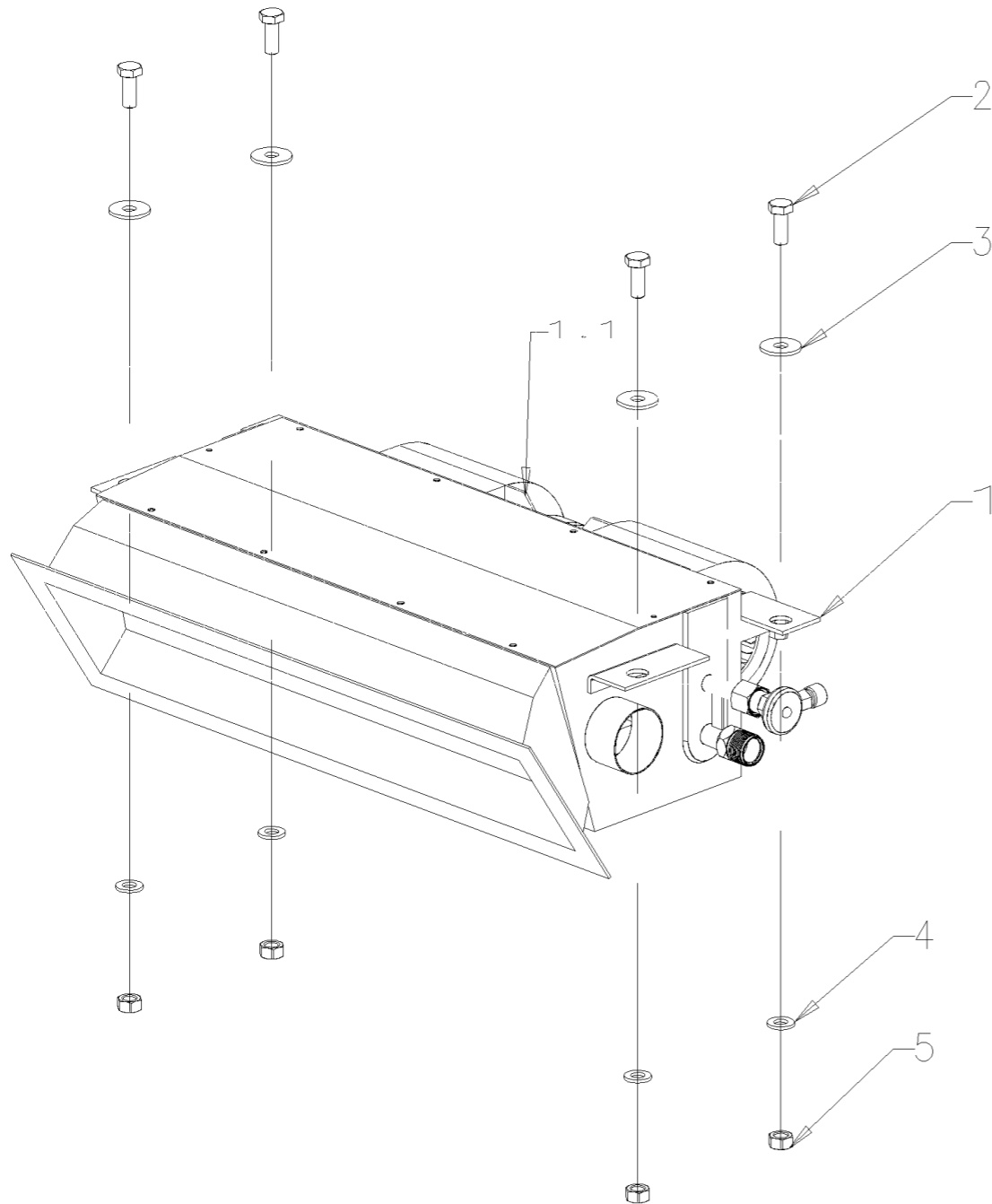


# A80.81.903.4 AC EVAPORATOR ASS.Y

YFB-R-2020-004 SH.008

## A80.81.903.4\_1 蒸发器总成 AC EVAPORATOR ASS.Y

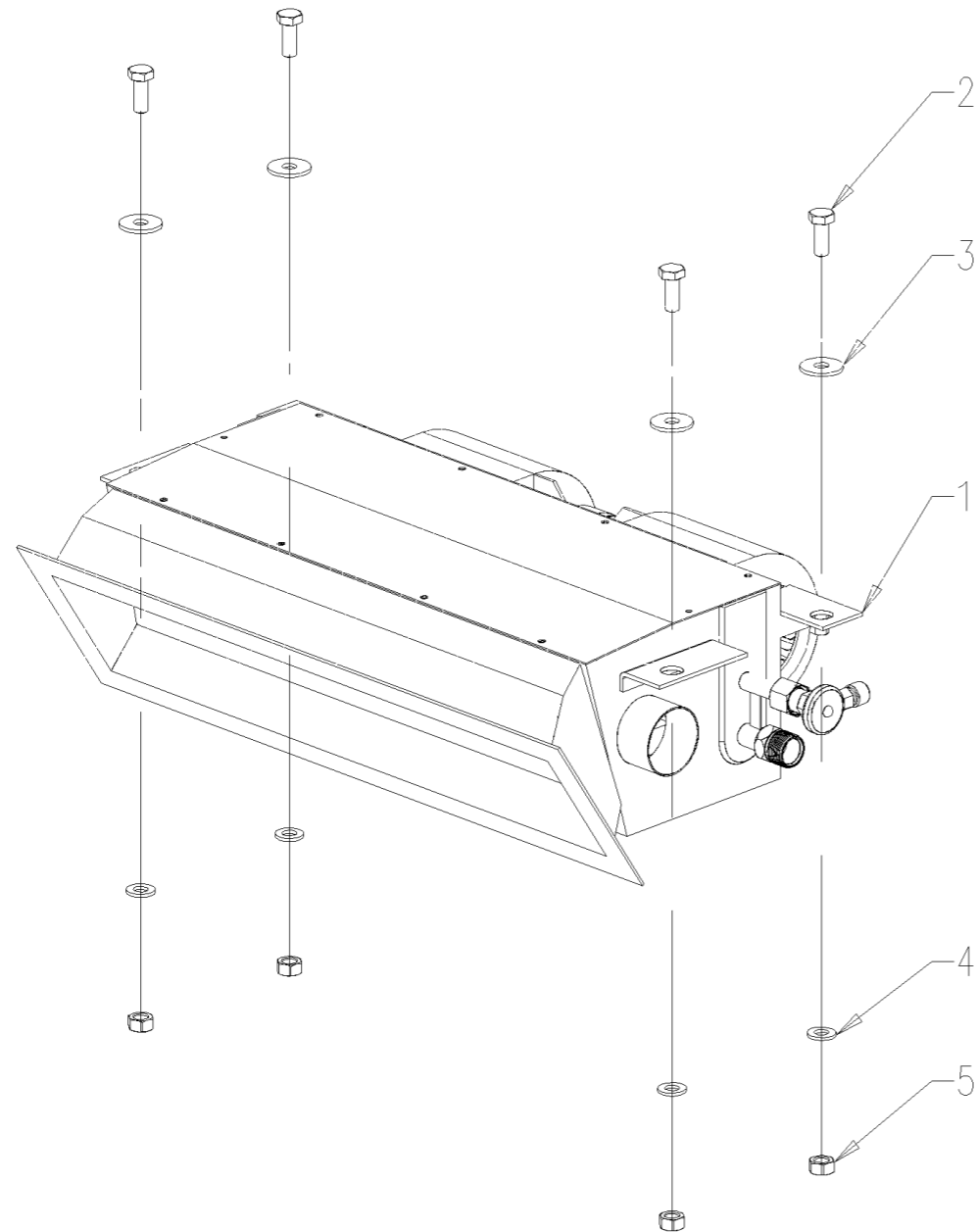
序号	零件编号	零件名称	数量	图号
1	A80.81.001.4	空调蒸发器 AC EVAPORATOR	1	A80.81.001.4
1.1	K81TY2500G-01	蒸发器电机 EVAPORATOR MOTOR	1	K81TY2500G-01
2	GBT5783-M10X25-A3L	螺栓 BOLT	4	GBT5783-M10X25-A3L
3	GBT96.1-10-A3L	垫圈 WASHER	4	GBT96.1-10-A3L
4	GBT97.1-10-A3L	垫圈 WASHER	4	GBT97.1-10-A3L
5	GBT6170-M10-A3L	螺母 NUT	4	GBT6170-M10-A3L

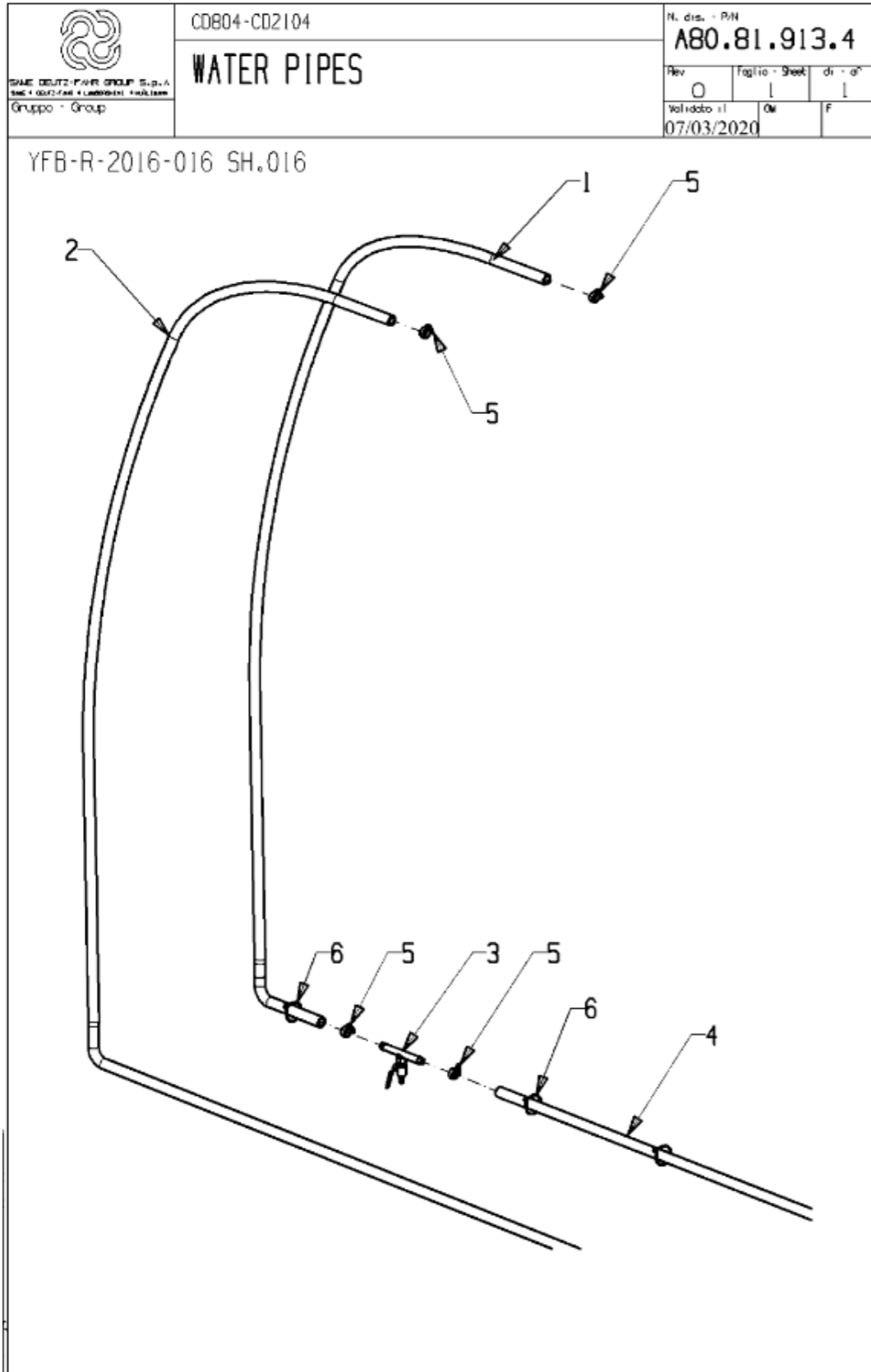


# A80.81.904.4 HTR ASS.Y

## A80.81.904.4\_1 暖风机总成 HTR ASS.Y


序号	零件编号	零件名称	数量	图号
1	A80.81.008.4	暖通空调插件 HTR	1	A80.81.008.4
2	GBT5783-M10X25-A3L	螺栓 BOLT	4	GBT5783-M10X25-A3L
3	GBT96.1-10-A3L	垫圈 WASHER	4	GBT96.1-10-A3L
4	GBT97.1-10-A3L	垫圈 WASHER	4	GBT97.1-10-A3L
5	GBT6170-M10-A3L	螺母 NUT	4	GBT6170-M10-A3L



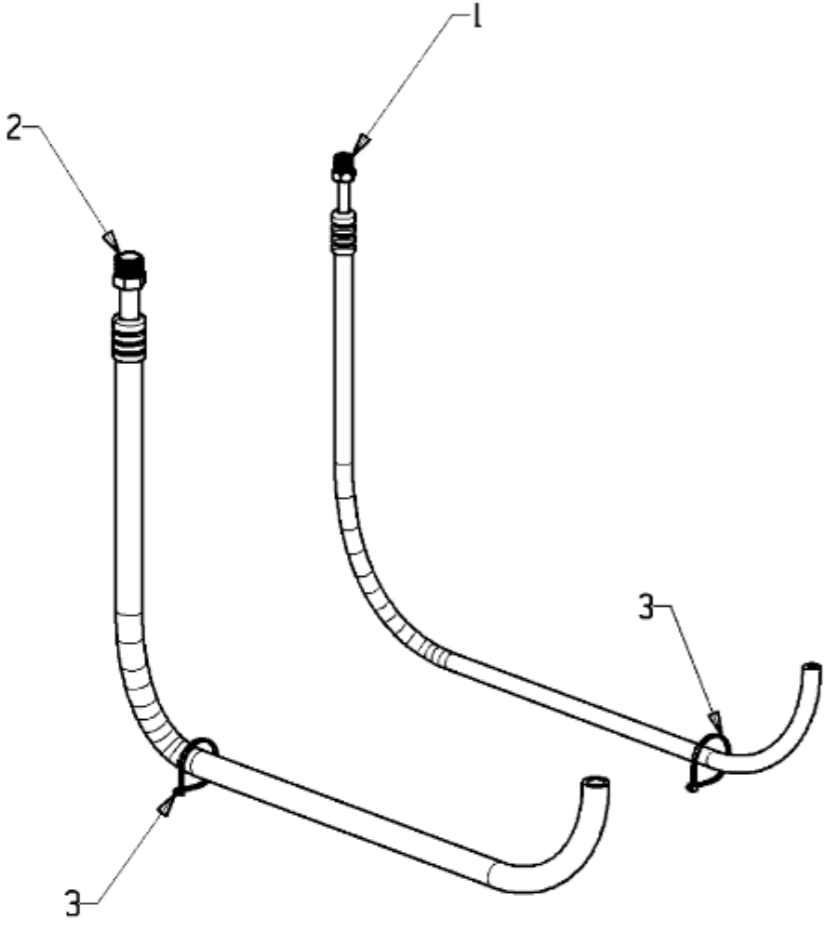


### A80.81.913.4\_0 暖风水管总成 WATER PIPES

序号	零件编号	零件名称	数量	图号
1	A80.81.002.0	水管 WATER PIPE	1	A80.81.002.0
2	A80.81.003.0	水管 WATER PIPE	1	A80.81.003.0
3	A80.81.004.0	水管 WATER VALVE	1	A80.81.004.0
4	A80.81.005.0	水管 WATER PIPE	1	A80.81.005.0
5	2.6851.019.0	软管夹 HOSE CLAMP 13-20	4	2.6851.019.0
6	2.6852.101.0	自锁扎带 142 SELF LOCKING CABLE	6	2.6852.101.0

 SHANGHAI DEUTZ-FAHR GROUP S.p.A. SHAC + 00177-FAH + 1.600000101 + 10011000 Gruppo - Group	CD804-CD2104	N. dis. - P/N <b>A80.81.923.4</b>
	<b>AC PIPES</b>	Rev.      foglio - Sheet      di - of 0            1                              1 Validato il      Om      F 07/03/2020

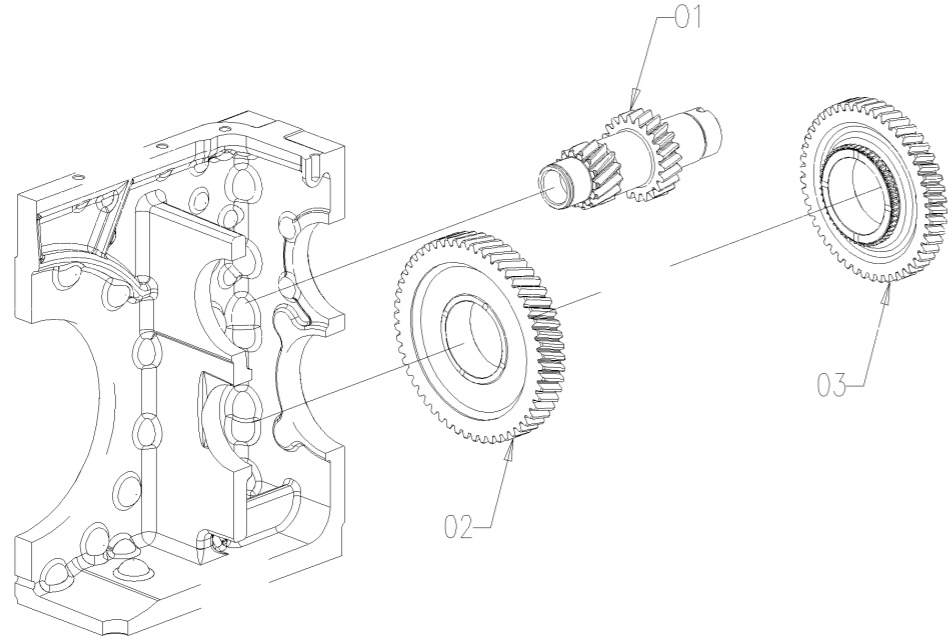
YFB-R-2016-016 SH.016



**A80.81.923.4\_0 空调管路 AC PIPES**

序号	零件编号	零件名称	数量	图号
1	A80.81.006.2	空调管路 (小) AC PIPES (SMALL)	1	A80.81.006.2
2	A80.81.007.2	空调管路 (大) AC PIPES (BIG)	1	A80.81.007.2
3	2.6852.101.0	自锁扎带 142 SELF LOCKING CABLE	2	2.6852.101.0

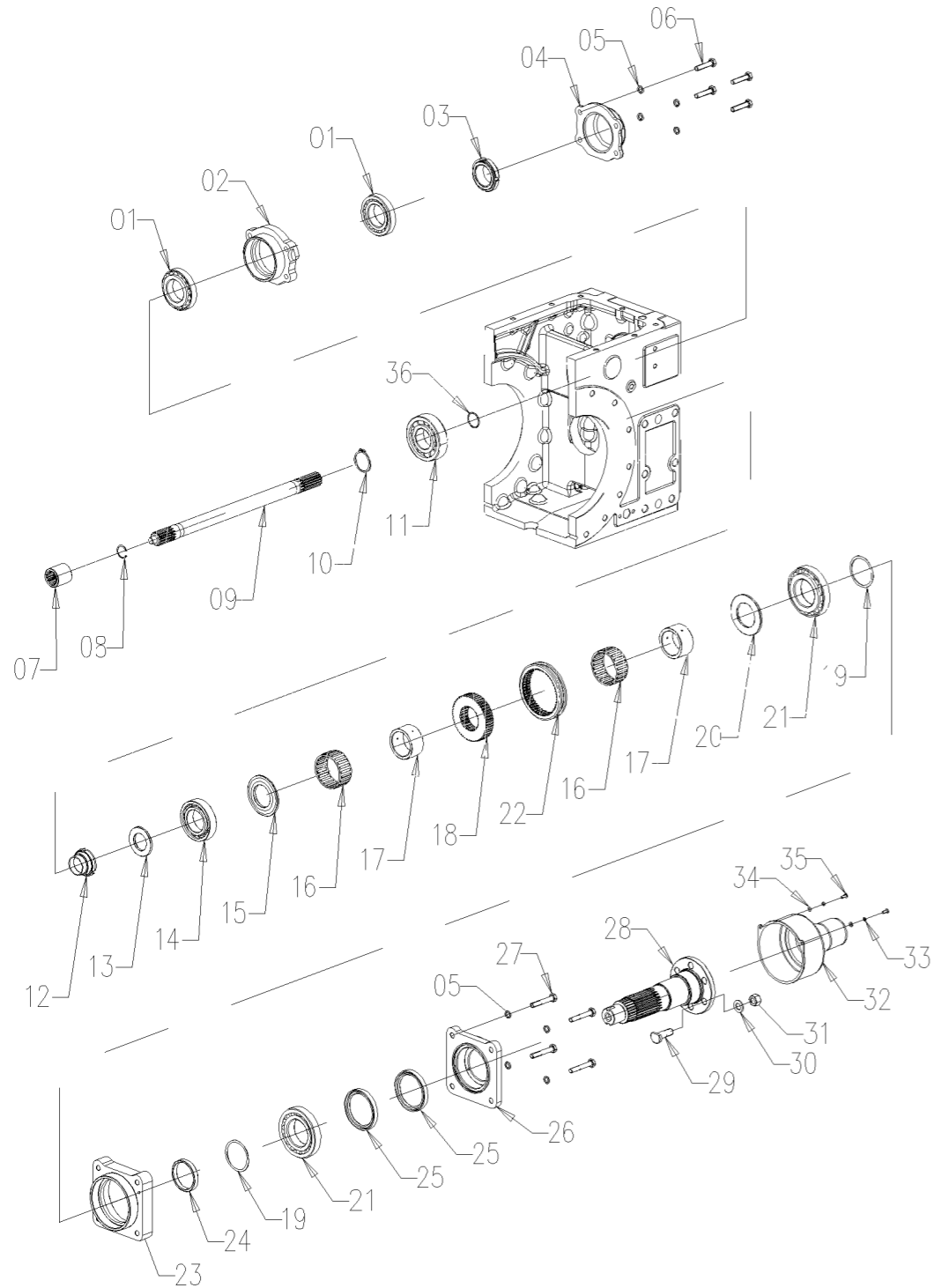
# A88.41.900.4 PTO GEARS ASS.Y



## A88.41.900.4\_2 动力输出齿轮总成 PTO GEARS ASS.Y

序号	零件编号	零件名称	数量	图号
1	SH900.41C.101-10	输出驱动齿轮 OUTPUT DRIVE GEAR	1	SH900.41C.101-10
2	SH900.41C.102	低速从动齿轮 LOW GEAR DRIVEN	1	SH900.41C.102
3	SH900.41.120	高速从动齿轮 HIGH GEAR DRIVEN	1	SH900.41.120

A88.41.905.4 PTO ACCESSORY ASS.Y  
YFB-R-2018-003 SH.042



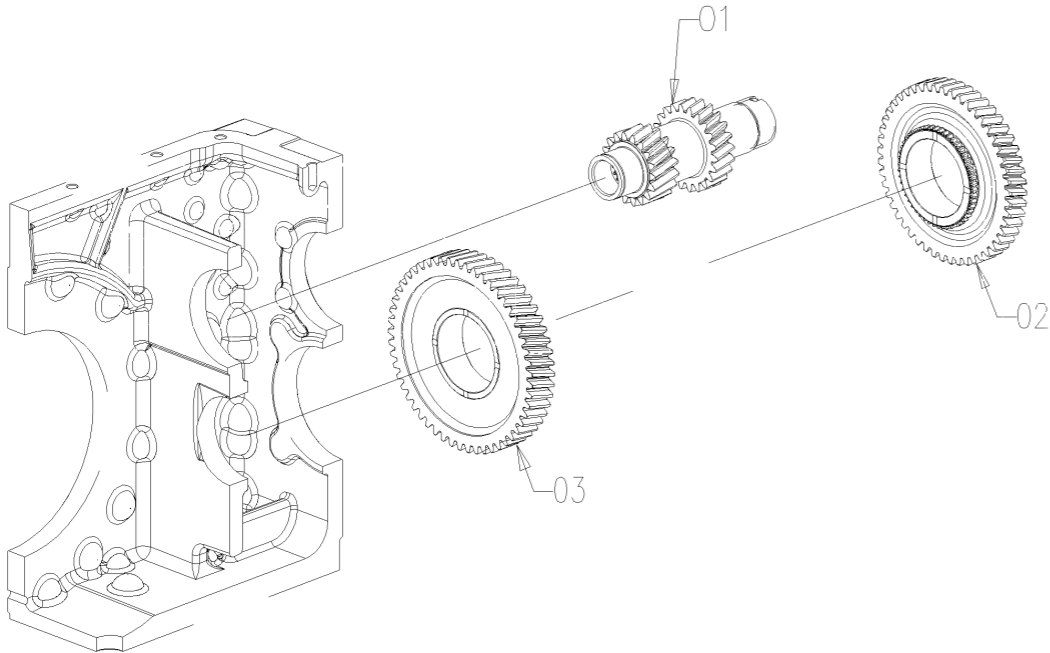
A88.41.905.4\_2 附件总成 PTO SHIFT ASS.Y

序号	零件编号	零件名称	数量	图号
1	GBT297-30210	轴承 BEARING	2	GBT297-30210
2	SH900.41.108	输出主动轴承座 OUTPUT ACTIVE	1	SH900.41.108
3	SH900.41.145	自锁螺母 LOCK ROUND NUT	1	SH900.41.145
4	SH900.41.109	动力输出防护帽 PTO END CAP	1	SH900.41.109
5	GBT93-10-A3L	垫圈 WASHER	8	GBT93-10-A3L
6	2.0114.316.2	螺栓 SCREW M10x45	4	2.0114.316.2
7	SH900.41.105	动力输出连接套 PTO CONNECTING	1	SH900.41.105
8	GBT893.1-28	弹性挡圈 CIRCLIP	1	GBT893.1-28
9	SH900.41.106	动力输出传动轴 PTO DRIVE SHAFT	1	SH900.41.106
10	GBT894.1-45	弹性挡圈 CIRCLIP	1	GBT894.1-45
11	GBT276-6309	轴承 BEARING	1	GBT276-6309
12	SH900.41.126	锁紧螺母 LOCK NUT	1	SH900.41.126
13	SH900.41.125	垫圈 WASHER	1	SH900.41.125
14	GBT276-6210	轴承 BEARING	1	GBT276-6210
15	SH900.41.124	挡圈 RING	1	SH900.41.124
16	JBT7918-K68X78X34	轴承 BEARING	2	JBT7918-K68X78X34
17	SH900.41.122	滚针套 NEEDLE SLEEVE	2	SH900.41.122
18	SH900.41.121	高低档啮合座 GEAR MESHING GEAR	1	SH900.41.121
19	SH900.41.111	调整垫 ADJUSTING PAD	2	SH900.41.111
20	SH900.41.119	挡圈 RING	1	SH900.41.119
21	GBT297-30212	轴承 BEARING	2	GBT297-30212
22	SH900.37.111	、 齿轮啮合套 、 GEAR	1	SH900.37.111
23	A11.41.003.0	轴承座 BEARING SEAT	1	A11.41.003.0
24	SH900.41.118	隔套 SLEEVE	1	SH900.41.118
25	GBT13871.1-FB-070090-D	油封 OIL SEAL	2	GBT13871.1-FB-070090-D
26	A11.41.004.0	输出端盖 OUTPUT END COVER	1	A11.41.004.0
27	2.0112.321.2	六角螺柱 HEX BOLT M10x1.5x60	4	2.0112.321.2
28	SH900.41.115	输出驱动轴 OUTPUT DRIVEN SHAFT	1	SH900.41.115
29	SH900.41.113	半圆头螺栓 BOLTS	6	SH900.41.113
30	2.1475.005.7	锥形垫圈 CONICAL WASHERS M14	6	2.1475.005.7
31	2.1012.408.2	六角螺母 HEX NUT M14x1.5	6	2.1012.408.2
32	SH900.41.117/10	防护罩 PROTECTIVE COVER	1	SH900.41.117/10
33	GBT93-5-A3L	垫圈 WASHER	2	GBT93-5-A3L
34	2.1310.001.2	垫圈 WASHER 5	2	2.1310.001.2
35	2.0332.304.2	十字螺栓 CROSS SCREW M5x0.8x12	2	2.0332.304.2
36	GBT895.2-30	弹性挡圈 CIRCLIP	1	GBT895.2-30

# A88.41.910.4 PTO GEARS ASS.Y

## A88.41.910.4\_1 动力输出齿轮总成 PTO GEARS ASS.Y

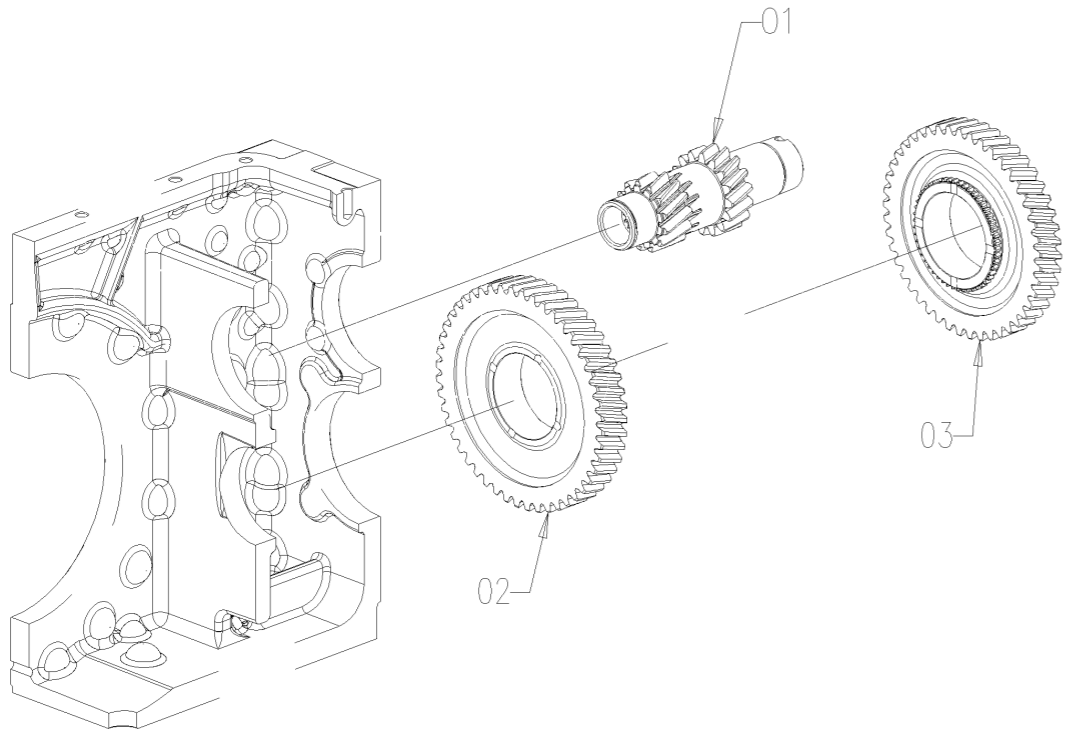
序号	零件编号	零件名称	数量	图号
1	SH900.41.107-10	输出驱动齿轮 OUTPUT DRIVE GEAR	1	SH900.41.107-10
2	SH900.41.120	高速从动齿轮 HIGH GEAR DRIVEN	1	SH900.41.120
3	SH900.41.123	低速齿轮 LOW GEAR	1	SH900.41.123



# A88.41.930.4 PTO GEARS ASS.Y

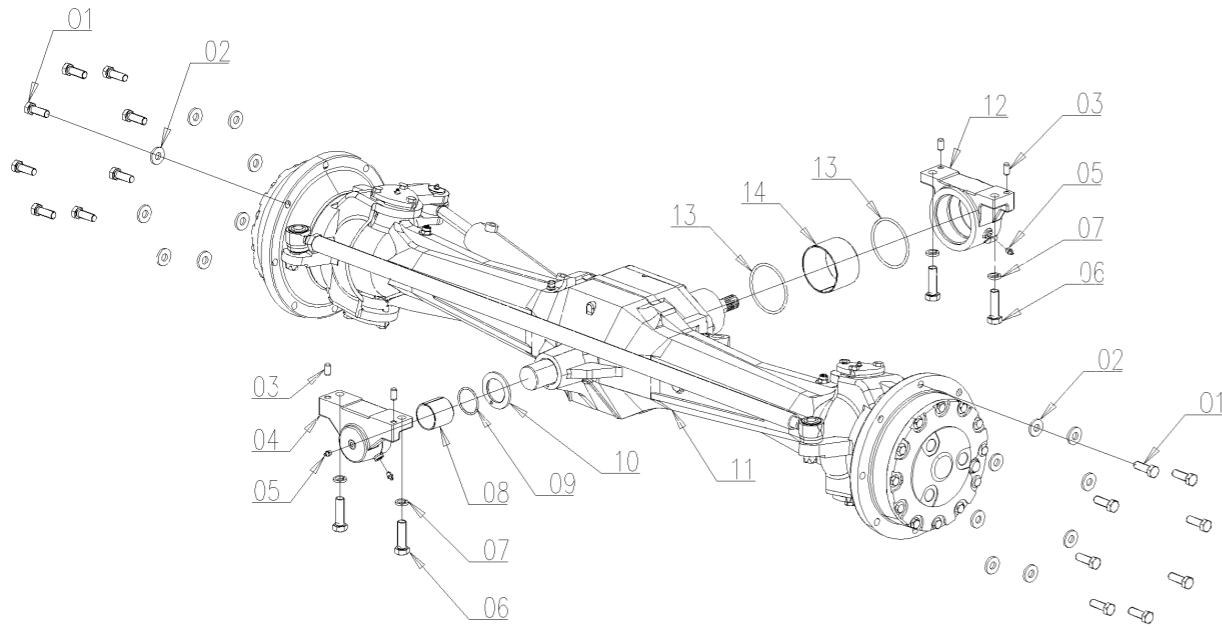
## A88.41.930.4\_1 动力输出齿轮总成 PTO GEARS ASS.Y

序号	零件编号	零件名称	数量	图号
1	SH900.41B.101-10	输出驱动齿轮 OUTPUT DRIVE GEAR	1	SH900.41B.101-10
2	SH900.41B.103	低速从动齿轮 LOW GEAR DRIVEN	1	SH900.41B.103
3	SH900.41B.102	高速从动齿轮 HIGH GEAR DRIVEN	1	SH900.41B.102





B09.31.900.4 FRONT AXLE ASSY

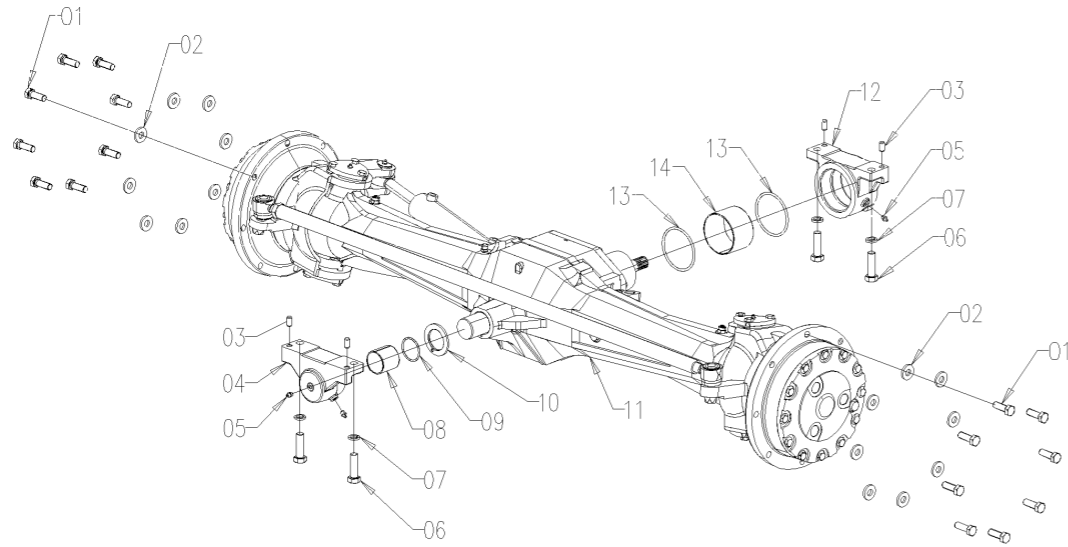


B09.31.900.4\_1 前桥总成 (i=21.125) FRONT AXLE ASS.Y

序号	零件编号	零件名称	数量	图号
1	GBT5786-M16X1.5X45-	螺栓 BOLT	16	GBT5786-M16X1.5X45-A3L
2	SH904.31.193	垫圈 17385 GASKET 17385	16	SH904.31.193
3	GBT119.1-12h8x24	销 PIN	4	GBT119.1-12h8x24
4	SH904.31.187	轴承 BEARING	1	SH904.31.187
5	JBT7940.1-M10X1	油杯 GREASE CUP	3	JBT7940.1-M10X1
6	GBT5785-M18X1.5X60-	螺栓 BOLT	4	GBT5785-M18X1.5X60-8.8-A3L
7	GBT93-18-A3L	垫圈 WASHER	4	GBT93-18-A3L
8	SH904.31.188	套管 BUSHING	1	SH904.31.188
9	GBT3452.1-52.6x3.55-G	O形密封圈 O-RING	1	GBT3452.1-52.6x3.55-G
10	SH904.31.189	前减摩环 ANTI-FRICTION RING	1	SH904.31.189
11	SH904.31.010	前桥 DRIVE AXLE ASSEMBLY	1	SH904.31.010
12	SH904.31.190	轴承 BEARING	1	SH904.31.190
13	GBT3452.1-99.6x5.3-G	O形密封圈 O-RING	2	GBT3452.1-99.6x5.3-G
14	SH904.31.191	套管 BUSHING	1	SH904.31.191

B09.31.900.4 FRONT AXLE ASS.Y

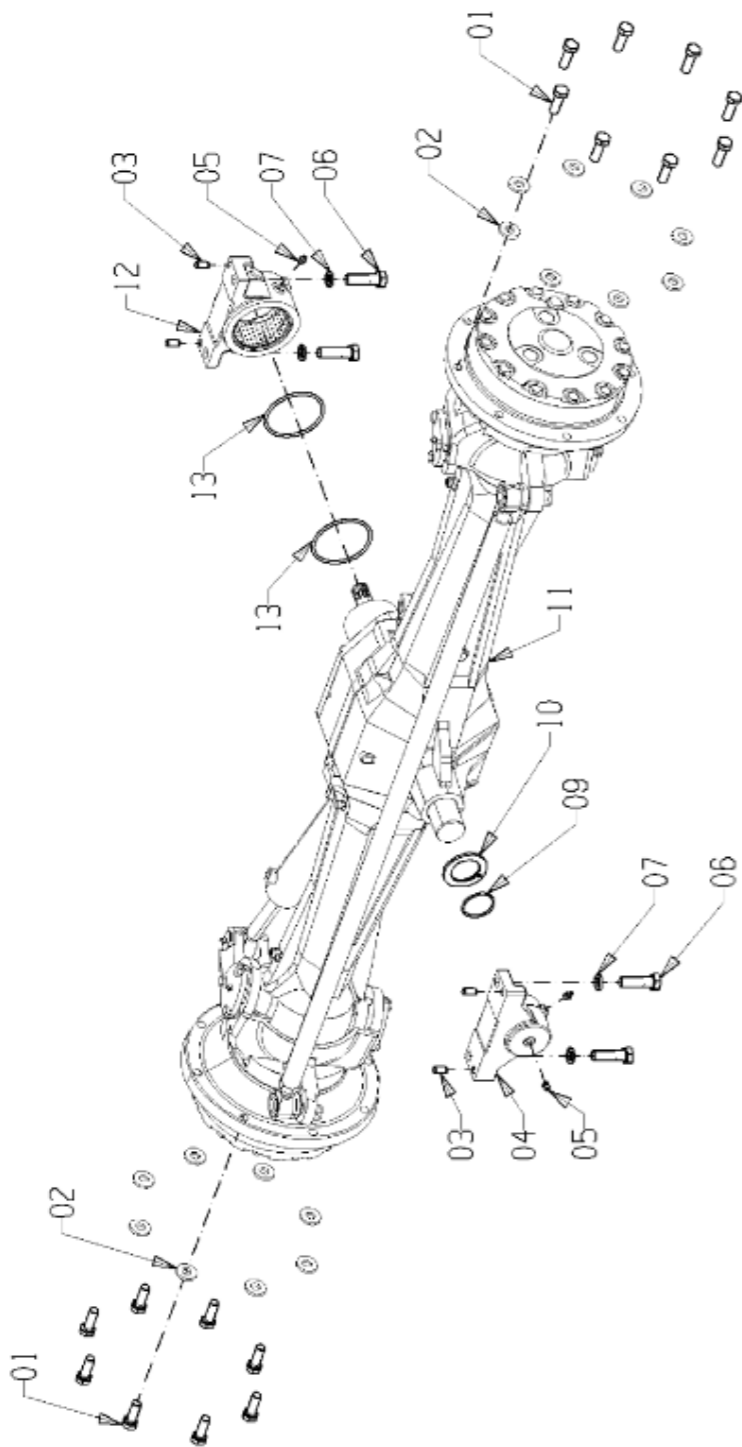
B09.31.900.4\_2 前桥总成 (i=21.125) FRONT AXLE ASS.Y



序号	零件编号	零件名称	数量	图号
1	GBT5786-M16X1.5X45-	螺栓 BOLT	16	GBT5786-M16X1.5X45-A3L
2	SH904.31.193	垫圈 17385 GASKET 17385	16	SH904.31.193
3	GBT119.1-12h8X24	销 PIN	4	GBT119.1-12h8X24
4	SH904.31.187	轴承 BEARING	1	SH904.31.187
5	JBT7940.1-M10X1	油杯 GREASE CUP	3	JBT7940.1-M10X1
6	GBT5785-M18X1.5X60-	螺栓 BOLT	4	GBT5785-M18X1.5X60-10.9-A3L
7	GBT93-18-A3L	垫圈 WASHER	4	GBT93-18-A3L
8	SH904.31.188	套管 BUSHING	1	SH904.31.188
9	GBT3452.1-53X3.55-G	O形密封圈 O RING	1	GBT3452.1-53X3.55-G
10	SH904.31.189	前减摩环 ANTI-FRICTION RING	1	SH904.31.189
11	SH904.31.010	前桥 FRONT AXLE	1	SH904.31.010
12	SH904.31.190	轴承 BEARING	1	SH904.31.190
13	GBT3452.1-100X5.3-G	O形圈 O RING	2	GBT3452.1-100X5.3-G
14	SH904.31.191	套管 BUSHING	1	SH904.31.191

 SAME DEUTZ-FAHR GROUP S.p.A. Gruppo - Group	CD90 SERIES	N. dis. - PN <b>B09.31.900.4</b>
	<b>FRONT AXLE ASS.Y</b>	Rev. 4 09/06/2021

YFB-R-2020-004 SH.035

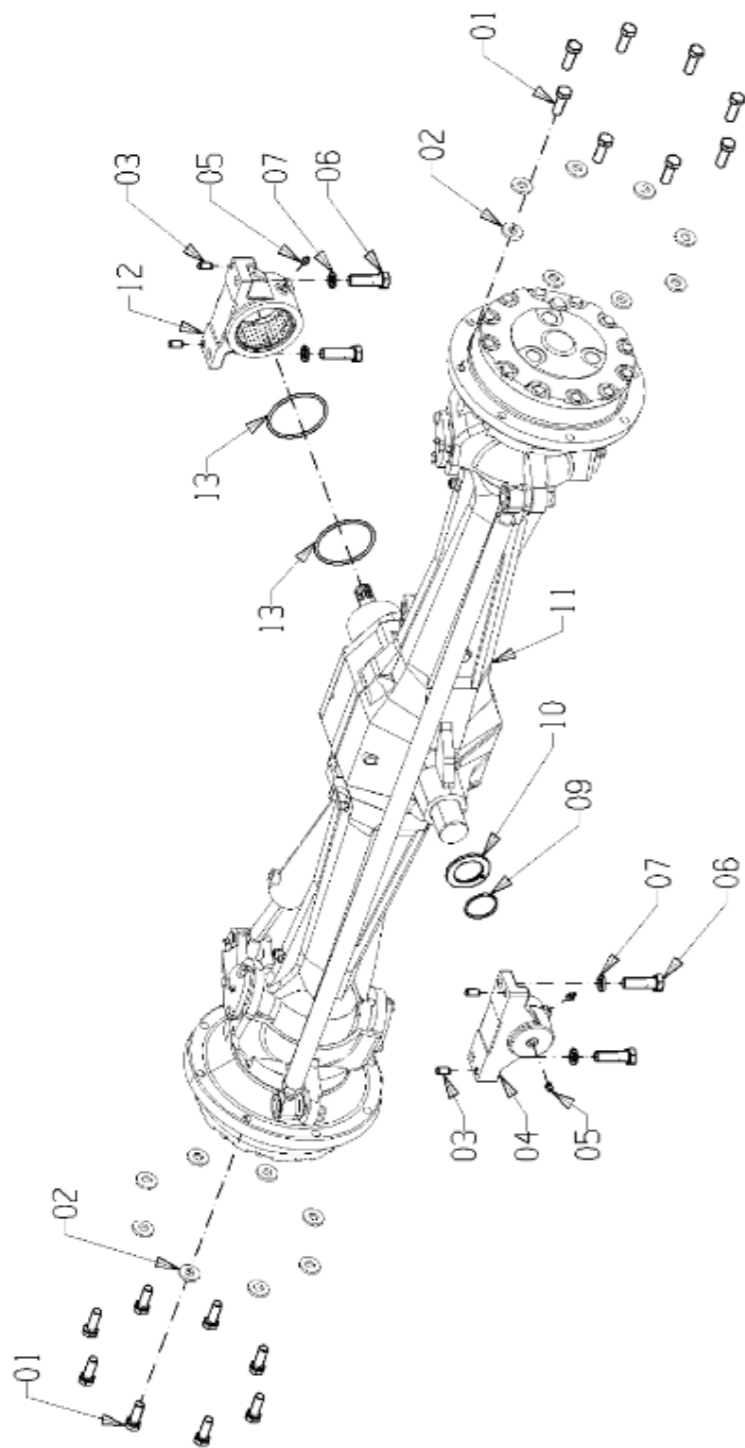


### B09.31.900.4\_3 前桥总成 FRONT AXLE ASS.Y

序号	零件编号	零件名称	数量	图号
1	GBT5786-M16X1.5X45-	螺栓 BOLT	16	GBT5786-M16X1.5X45-10.9-A3L
2	SH904.31.193	垫圈 GASKET 17385	16	SH904.31.193
3	GBT119.1-12h8X24	销 PIN	4	GBT119.1-12h8X24
4	SH904.31.187	轴承 BEARING	1	SH904.31.187
5	2.3820.105.2	油嘴 GREASE NIPPLE	3	2.3820.105.2
6	2.0123.721.2	螺栓 BOLT	4	2.0123.721.2
7	GBT93-18-A3L	垫圈 WASHER	4	GBT93-18-A3L
9	GBT3452.1-53X3.55-G	O形密封圈 O RING	1	GBT3452.1-53X3.55-G
10	SH904.31.189	前减摩环 ANTI-FRICTION RING	1	SH904.31.189

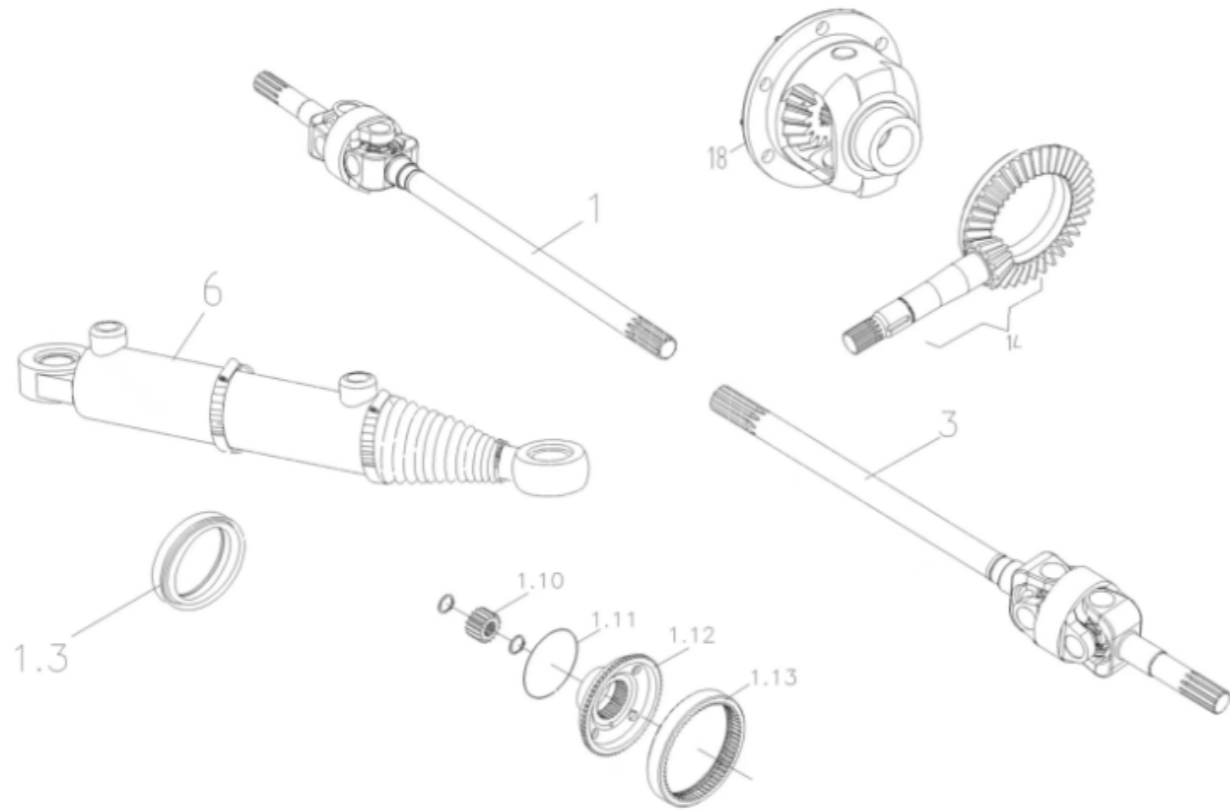
 SAME DEUTZ-FAHR GROUP S.p.A. Gruppo - Group	CD90 SERIES	N. dis. - PN <b>B09.31.900.4</b>
	<b>FRONT AXLE ASS.Y</b>	Rev. 4 09/06/2021

YFB-R-2020-004 SH.035



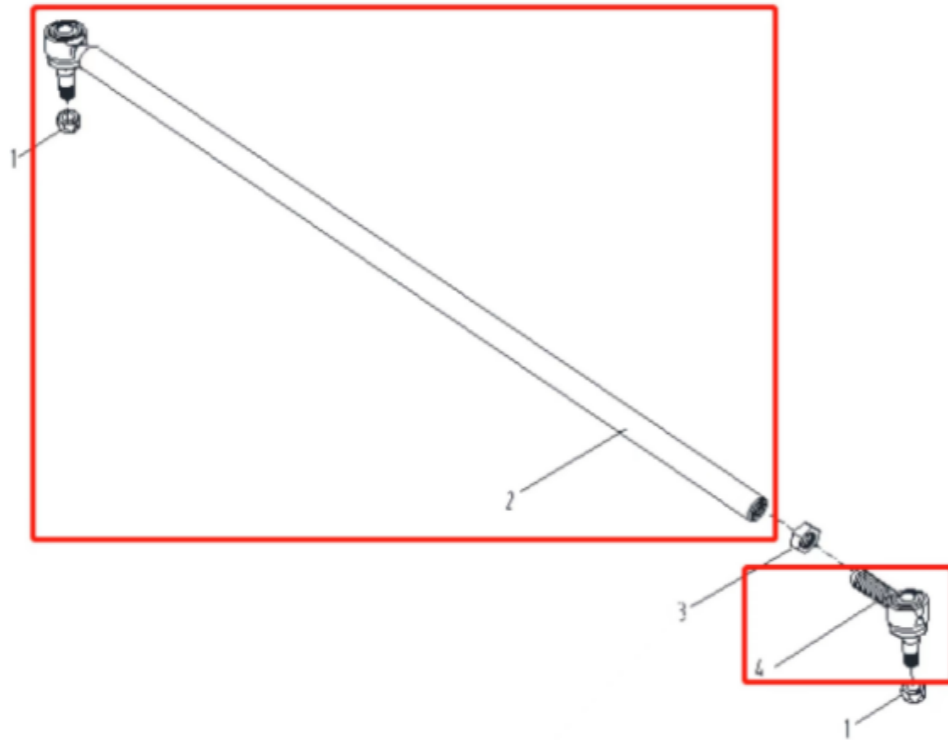
### B09.31.900.4\_4 前桥总成 FRONT AXLE ASS.Y


序号	零件编号	零件名称	数量	图号
1	GBT5786-M16X1.5X45-	螺栓 BOLT	16	GBT5786-M16X1.5X45-10.9-A3L
2	SH904.31.193	垫圈17385 GASKET 17385	16	SH904.31.193
3	GBT119.1-12h8X24	销 PIN	4	GBT119.1-12h8X24
4	SH904.31.187	轴承 BEARING	1	SH904.31.187
5	2.3820.105.2	油嘴 GREASE NIPPLE	3	2.3820.105.2
6	2.0123.721.2	螺栓 BOLT	4	2.0123.721.2
7	GBT93-18-A3L	垫圈 WASHER	4	GBT93-18-A3L
8	GBT3452.1-53X3.55-G	O型圈 O RING	1	GBT3452.1-53X3.55-G
9	SH904.31.189	前减摩环 ANTI-FRICTION RING	1	SH904.31.189
10	SH904.31.010	前桥 FRONT AXLE	1	SH904.31.010
11	SH904.31.010	前桥 FRONT AXLE	1	SH904.31.010
11	SH904.31.190	轴承 BEARING	1	SH904.31.190
12	GBT3452.1-100X5.3-G	O型圈 O RING	2	GBT3452.1-100X5.3-G
12	SH904.31.190	轴承 BEARING	1	SH904.31.190
13	GBT3452.1-100X5.3-G	O形圈 O RING	2	GBT3452.1-100X5.3-G



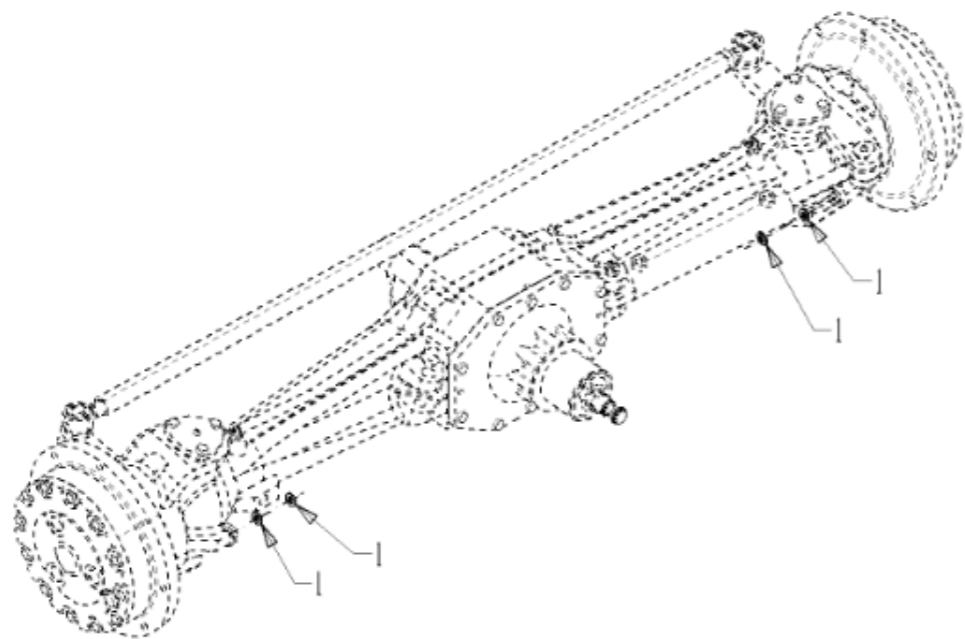
### SH904.31.010 前桥 FRONT AXLE

序号	零件编号	零件名称	数量	图号
1	240100061053	左万向传动轴总成 Left universal drive	1	240100061053
1.1	240100029666	太阳齿轮 Sun gear	2	240100029666
1.11	240100029621	齿轮挡圈 Retaining ring for ring gear	2	240100029621
1.12	240100029667	环形齿轮架 Ring gear carrier	2	240100029667
1.13	240100029618	环形齿轮 Ring gear	2	240100029618
1.3	240100009966	轮毂油封 Oil seal for hub	2	240100009966
2	02011601A011	转向拉杆组件 Steering tie rod assembly	1	02011601A011
3	240100061054	右侧万向传动轴总成 Right universal	1	240100061054
4	020125010046	球节总成 Ball joint assy.	1	020125010046
6	240100010726	转向液压缸 Steering hydraulic cylinder	1	240100010726
14	240100051767	锥齿轮副 Bevel gear pair	1	240100051767
18	240100123679	差速器总成 Differential assy	1	240100123679



 SAME DEUTZ-FAHR GROUP S.p.A. VIA S. GIUSEPPE 11 - 36012 LONIGERA (VI) - ITALIA Gruppo - Group	CD90 series	N. dis. - P/N <b>B09.31.902.4</b>		
	<b>WASHER ASS.Y</b>	Rev	Foglio - Sheet	di - of
		0	1	1
	Validato il	DM	F	

YFB-R-2017-011 SH.090

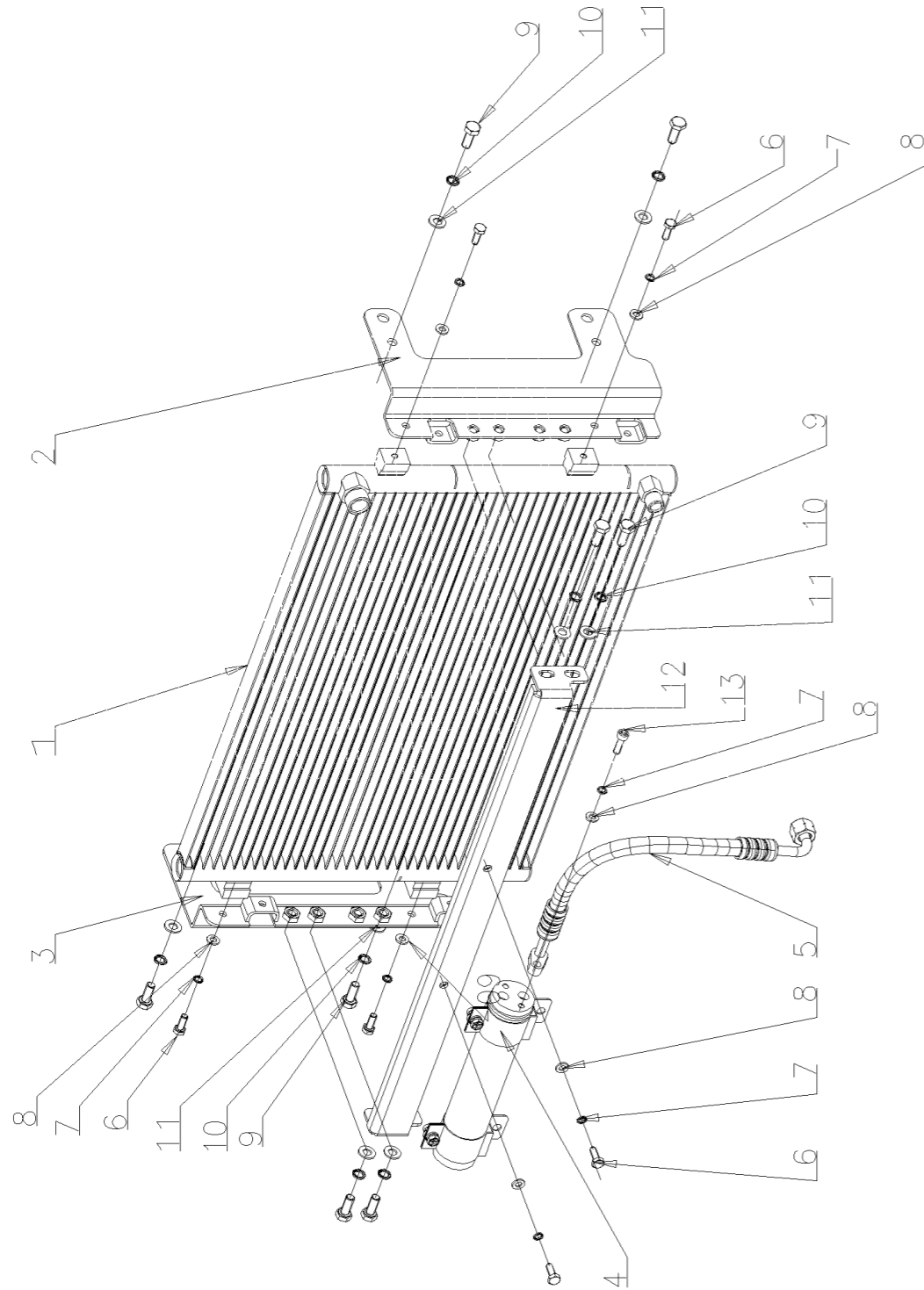


**B09.31.902.4\_0 垫圈总成 WASHER ASS.Y**

序号	零件编号	零件名称	数量	图号
1	2.1310.007.2	垫圈 WASHER 12	4	2.1310.007.2

B09.81.912.4 AC CONDENSER ASS.Y

YFB-R-2017-011 SH.095

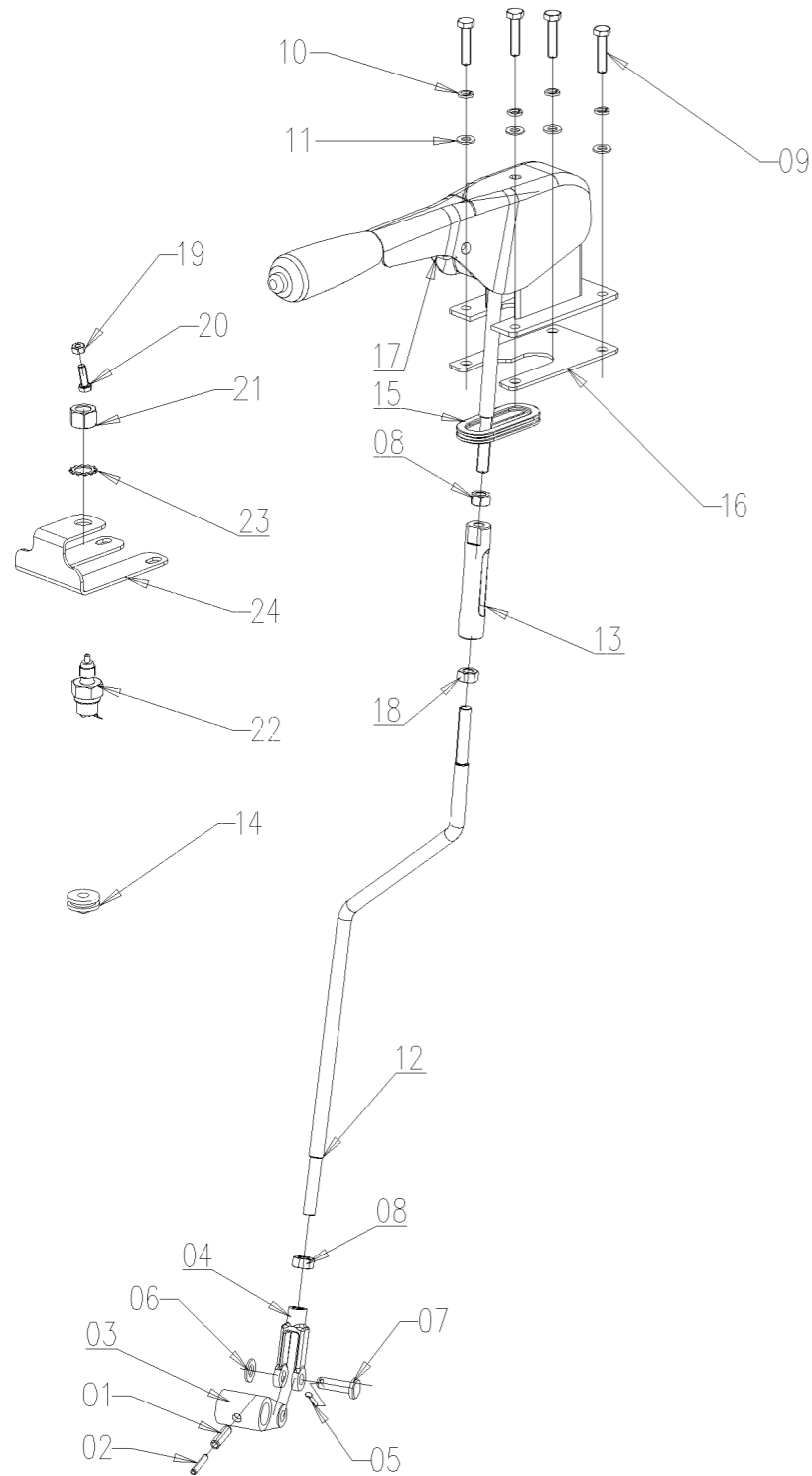


B09.81.912.4\_0 空调冷凝器总成 AC CONDENSER ASS.Y

序号	零件编号	零件名称	数量	图号
1	A23.81.013.0	冷凝器总成 CONDENSOR	1	A23.81.013.0
2	B09.81.012.3	空调冷凝器左支架 AC CONDENSER	1	B09.81.012.3
3	B09.81.013.3	空调冷凝器右支架 AC CONDENSER	1	B09.81.013.3
4	D16.81.012.4	RECEIVER DRIER RECEIVER DRIER	1	D16.81.012.4
5	B09.81.011.2	蓄水池排水管 RESERVOIR DRAIN	1	B09.81.011.2
6	2.0112.005.2	螺栓 HEX BOLT M6x16	6	2.0112.005.2
7	2.1473.006.2	垫圈 SPRING WASHER M6	7	2.1473.006.2
8	2.1310.002.2	垫圈 6 WASHER 6	7	2.1310.002.2
9	2.0112.207.2	螺栓 M8x1.25x20 HEX BOLT	8	2.0112.207.2
10	2.1473.007.2	垫圈 SPRING WASHER M8	8	2.1473.007.2
11	2.1310.004.2	垫圈 WASHER 8	8	2.1310.004.2
12	B09.81.014.3	空调冷凝器中间支架 AC CONDENSER	1	B09.81.014.3
13	2.0312.106.2	螺钉 SOCKET SCREW M6x1x20	1	2.0312.106.2

# PARK BRAKE COMMAND ASS.Y B29.43.905.4

YFB-R-2018-013 SH.010

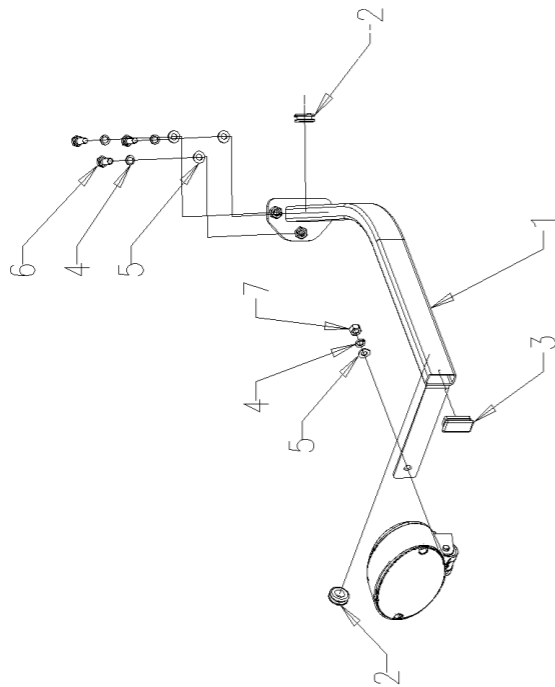
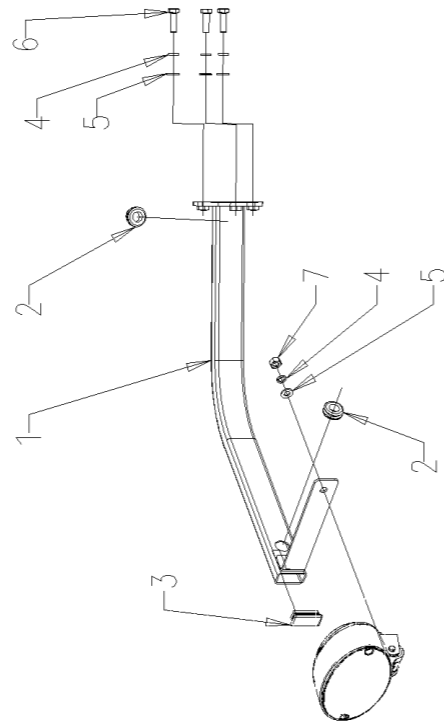


## B29.43.905.4\_2 手刹操纵总成 PARK BRAKE COMMAND ASS.Y

序号	零件编号	零件名称	数量	图号
1	2.1630.752.2	销 SPRING-TYPE STRAIGHT PINS	1	2.1630.752.2
2	2.1630.552.2	销 SPRING-TYPE STRAIGHT PINS	1	2.1630.552.2
3	SH900.43.170	操纵杆 LEVER	1	SH900.43.170
4	SH900.21.117	叉 FORK	1	SH900.21.117
5	2.1690.308.2	开口销 SPLIT PIN 3.2-20	1	2.1690.308.2
6	2.1310.006.2	垫圈 WASHER 10	1	2.1310.006.2
7	2.1671.409.2	销 CLEVIS PINS WITH HEAD 10x32	1	2.1671.409.2
8	GBT6171-M10X1-A2L	螺母 NUT	2	GBT6171-M10X1-A2L
9	2.0114.213.2	螺栓 SCREW M8x35	4	2.0114.213.2
10	GBT93-8-A3L	垫圈 WASHER	4	GBT93-8-A3L
11	2.1310.004.2	垫圈 WASHER 8	4	2.1310.004.2
12	A23.45.010.0/20	手闸低杠杆 HANDBRAKE LOWER	1	A23.45.010.0/20
13	SH900.43.145	手制动调节管 SPECIAL FORK	1	SH900.43.145
14	B06.45.144.0	橡胶圈 RUBBER RING	1	B06.45.144.0
15	A23.45.050.0	垫圈 GASKET	1	A23.45.050.0
16	A23.45.002.0	垫圈 GASKET	1	A23.45.002.0
17	C45.43.001.4	手制动 HAND BRAKE	1	C45.43.001.4
18	GBT6171-M10X1-LH-A2L	螺母 NUT	1	GBT6171-M10X1-LH-A2L
19	2.1011.103.2	螺母 NUT M6x1	1	2.1011.103.2
20	2.0114.007.2	螺栓 SCREW M6x20	1	2.0114.007.2
21	GBT6176-M14X1.5-A3L	螺母 NUT	1	GBT6176-M14X1.5-A3L
22	2.7659.133.0	开关 INTERRUPT.STOP FRENI	1	2.7659.133.0
23	2.1470.008.2	垫圈 LOCK WASHER 14	1	2.1470.008.2
24	B29.45.037.0	支架 BRACKET	1	B29.45.037.0



# B29.45.905.4 DIRECT LAMP ARM ASS.Y



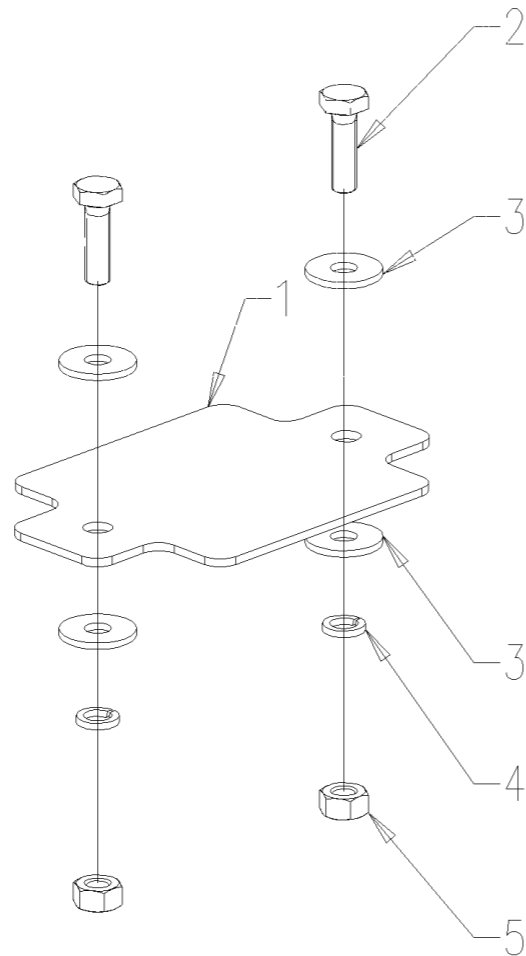
# B29.45.905.4\_2 左右转向灯支架 RH/LH LIGHT SUPPORT ASS.Y

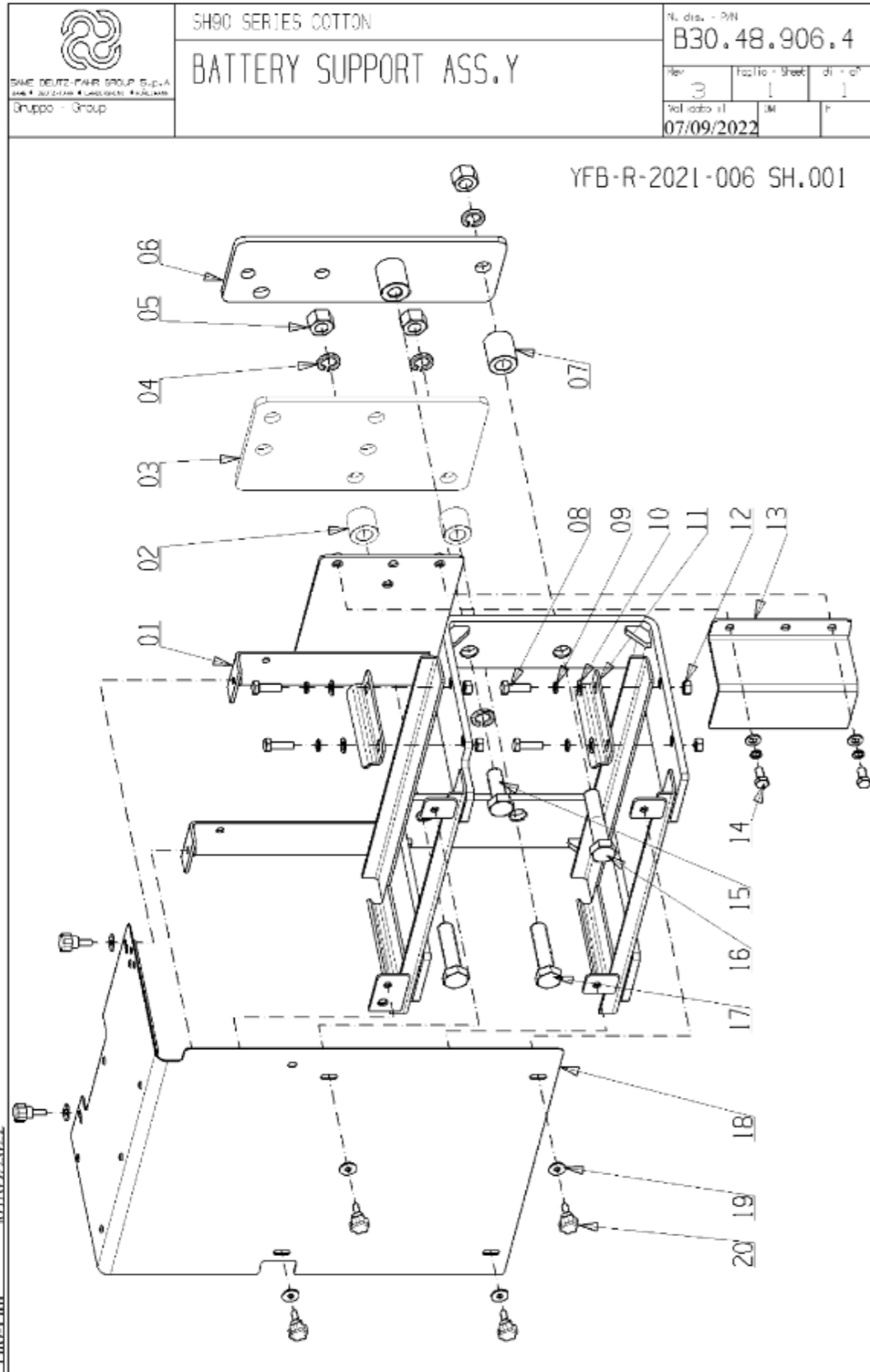
序号	零件编号	零件名称	数量	图号
1	B29.45.023.3/20	直射灯臂 DIRECT LAMP ARM	2	B29.45.023.3/20
2	CD904.45.105	橡胶帽 RUBBER	4	CD904.45.105
3	CD904.45.106	塑料塞 PLASTIC PLUG	2	CD904.45.106
4	GBT93-8-A3L	垫圈 WASHER	8	GBT93-8-A3L
5	GBT97.1-8-A3L	垫圈 WASHER	8	GBT97.1-8-A3L
6	GBT5783-M8X25-A2L	螺栓 BOLT	6	GBT5783-M8X25-A2L
7	GBT6170-M8-A2L	螺母 NUT	2	GBT6170-M8-A2L

# B29.45.965.4 BLOCKING COVER ASS.Y

## B29.45.965.4\_0 手控阀堵盖总成 BLOCKING COVER ASS.Y

序号	零件编号	零件名称	数量	图号
1	B29.45.035.0	屏蔽板 BLOCKING PLATE	1	B29.45.035.0
2	GBT5783-M6X20-A2L	螺栓 BOLT	2	GBT5783-M6X20-A2L
3	GBT96.1-6-A3L	垫圈 WASHER	4	GBT96.1-6-A3L
4	GBT93-6-A3L	垫圈 WASHER	2	GBT93-6-A3L
5	GBT6170-M6-A2L	螺母 NUT	2	GBT6170-M6-A2L





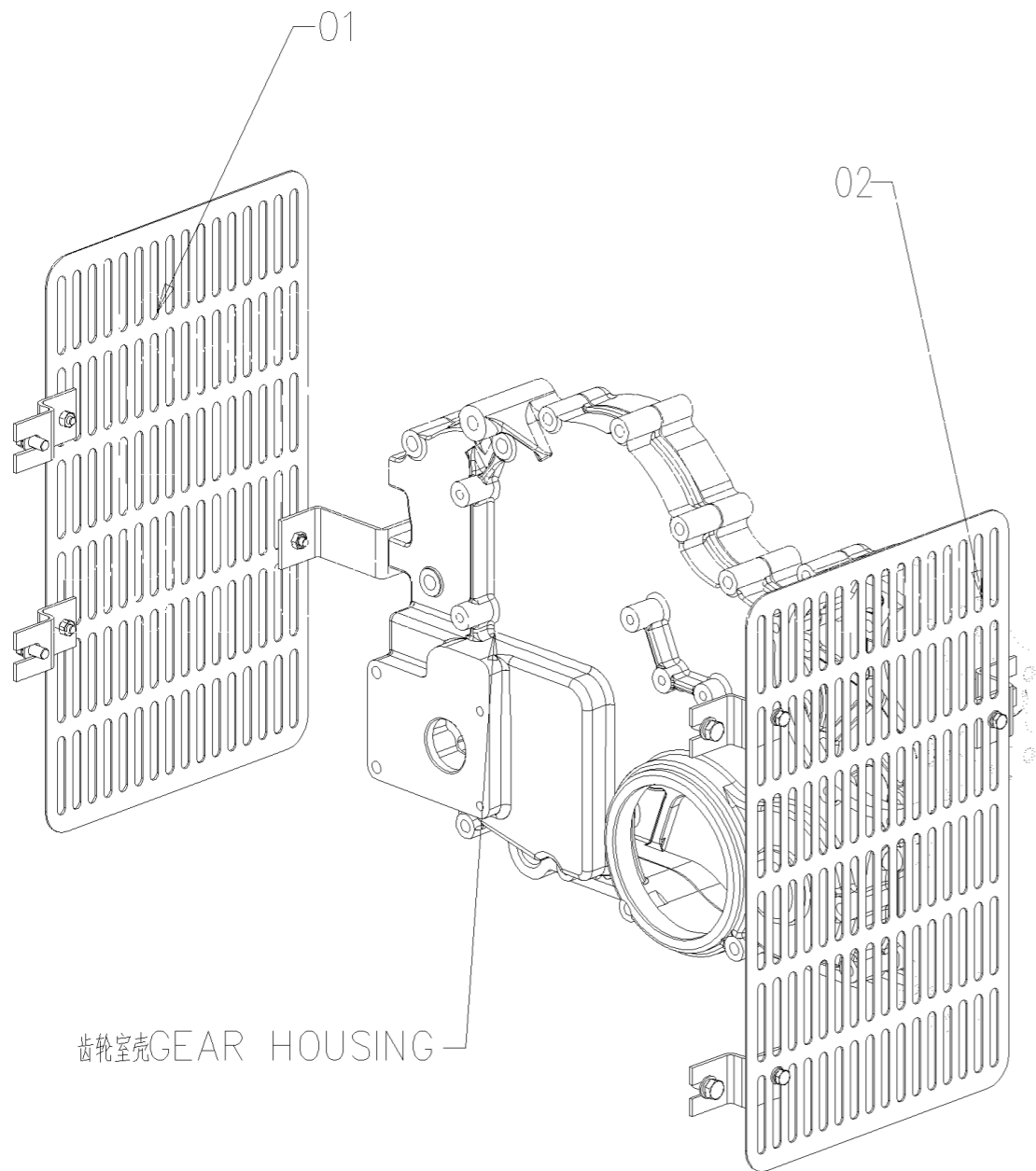
### B30.48.906.4\_3 蓄电池支撑总成 BATTERY SUPPORT ASS.Y

序号	零件编号	零件名称	数量	图号
1	B30.48.005.3/20	蓄电池支架 BATTERY SUPPORT	1	B30.48.005.3/20
2	DF1204.48.206	后定位套 REAR SLEEVE	2	DF1204.48.206
3	B30.48.007.0/10	后支架 REAR BRACKET	1	B30.48.007.0/10
4	2.1473.011.2	弹簧垫圈 SPRING WASHER M16	4	2.1473.011.2
5	2.1011.109.2	螺母 NUT M16x2	3	2.1011.109.2
6	B30.48.006.2	前支架 FRONT BRACKET	1	B30.48.006.2
7	CD904A.48.207	定位套 POSITIONING SLEEVE	1	CD904A.48.207
8	2.0114.209.2	螺栓 SCREW M8x25	4	2.0114.209.2
9	2.1473.007.2	弹簧垫圈 SPRING WASHER M8	6	2.1473.007.2
10	2.1310.004.2	垫圈 WASHER 8	6	2.1310.004.2
11	A02.48.010.0	固定板 FIXED PLATE	2	A02.48.010.0
12	2.1011.105.2	螺母 NUT M8x1.25	4	2.1011.105.2
13	B30.48.009.0	前防护板 FRONT GUARD PLATE	1	B30.48.009.0
14	2.0114.205.2	螺栓 SCREW M8x16	2	2.0114.205.2
15	2.0115.615.2	螺栓 SCREW M16x40	1	2.0115.615.2
16	2.0113.624.2	销 BOLT M16x75	1	2.0113.624.2
17	2.0115.620.2	螺栓 SCREW M16x65	2	2.0115.620.2
18	E04.48.007.4	防护板 GUARD PLATE	1	E04.48.007.4
19	2.1312.003.2	垫圈 WASHER 6	6	2.1312.003.2
20	A39.45.228.2	塑胶螺栓 PLASTIC BOLT	6	A39.45.228.2

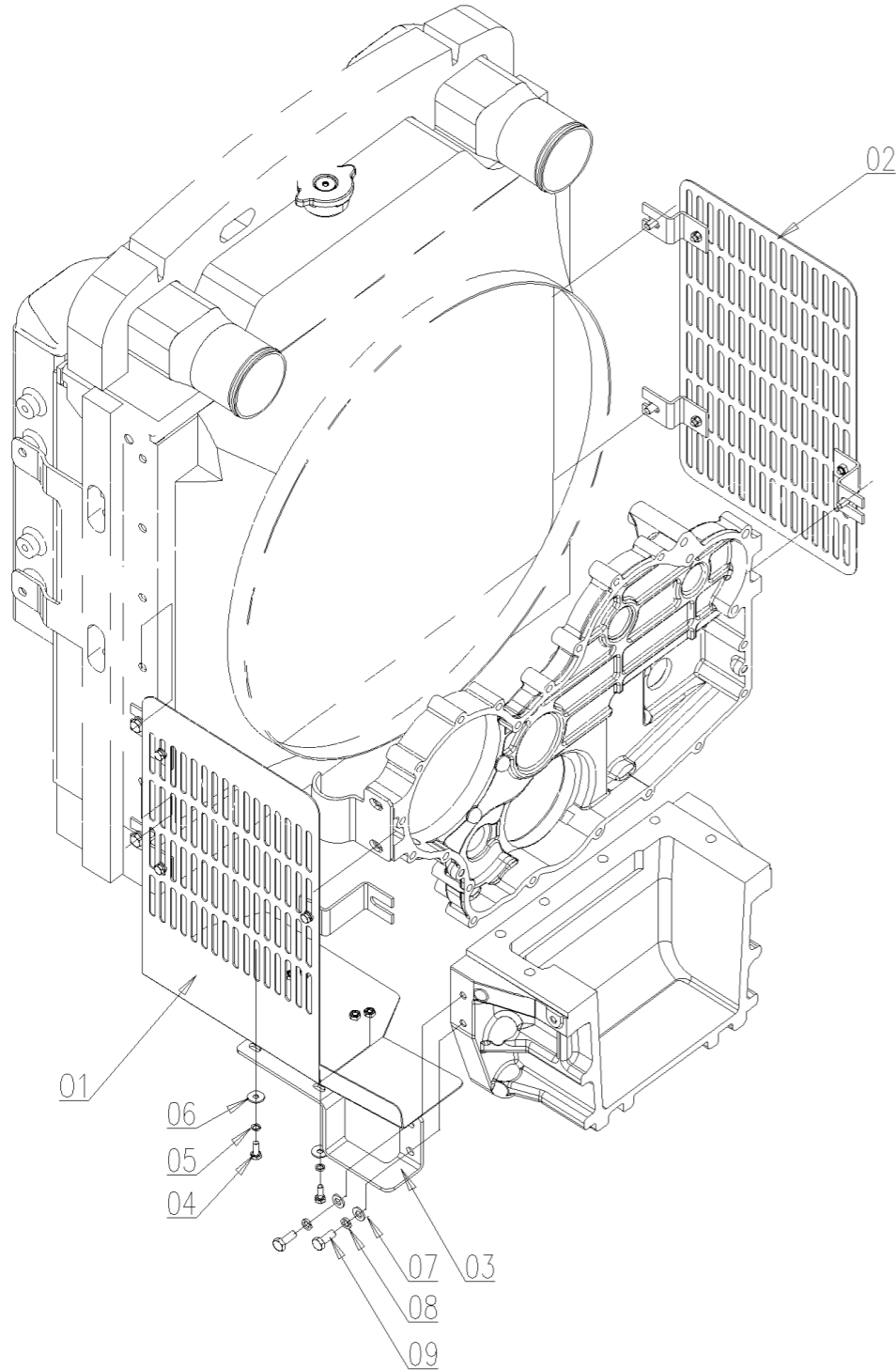
# B34.47.902.4 LH/RH GUARD ASS.Y

## B34.47.902.4\_0 发动机防护总成 LH/RH GUARD ASS.Y

序号	零件编号	零件名称	数量	图号
1	CD904A.47.016	左侧防护板总成 LEFT SHIELD	1	CD904A.47.016
2	CD904A.47.017	右侧防护板总成 RIGHT SHIELD	1	CD904A.47.017



# B34.47.902.4 LH/RH GUARD ASS.Y

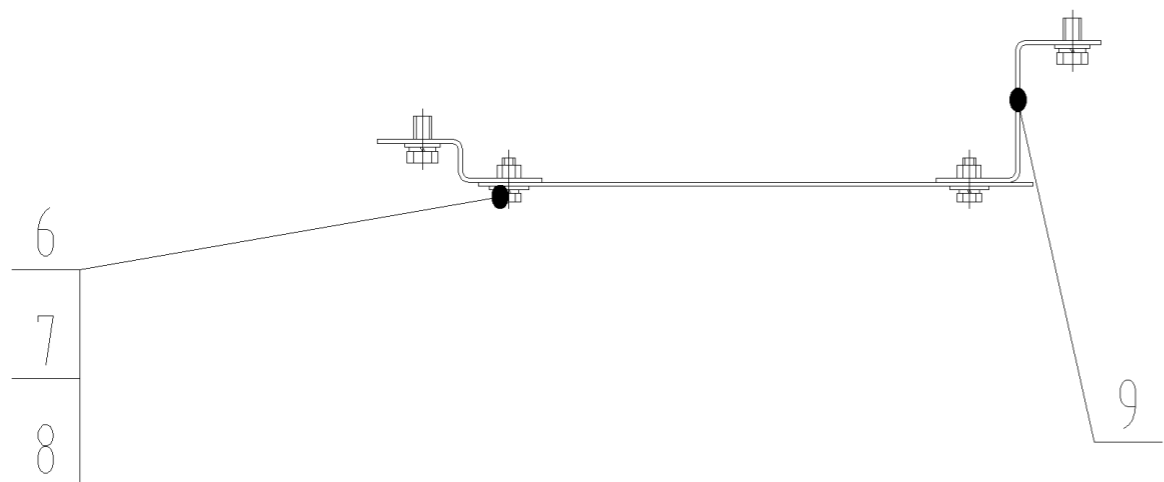
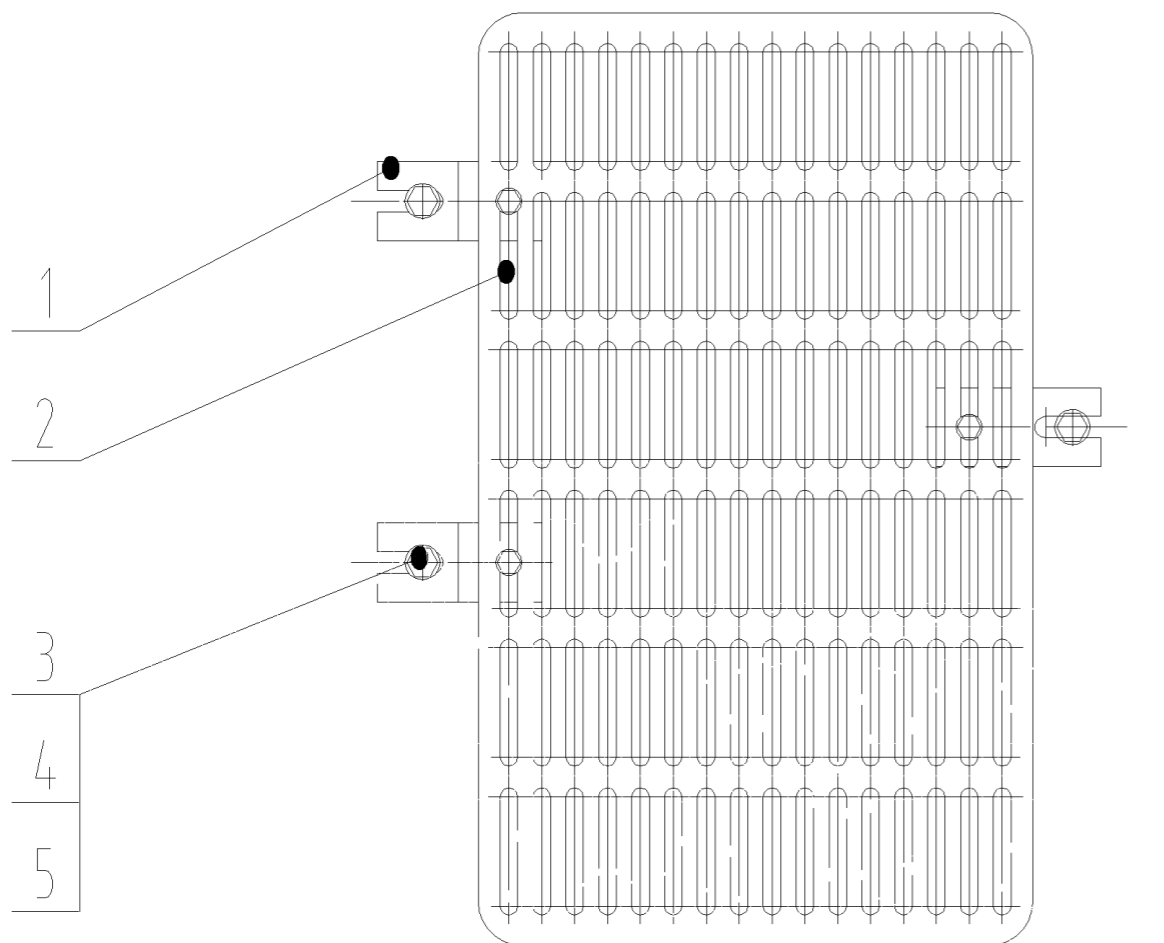


## B34.47.902.4\_1 发动机防护总成 LH/RH GUARD ASS.Y

序号	零件编号	零件名称	数量	图号
1	CD904A.47.016/10	左防护板总成 LEFT SHIELD ASS.Y	1	CD904A.47.016/10
2	CD904A.47.017	右侧防护板总成 RIGHT SHIELD	1	CD904A.47.017
3	A23.47.005.0/10	支架 BRACKET	1	A23.47.005.0/10
4	GBT5783-M6X16-A2L	螺栓 BOLT	2	GBT5783-M6X16-A2L
5	GBT93-6-A3L	垫圈 WASHER	2	GBT93-6-A3L
6	GBT96.1-6-A3L	垫圈 WASHER	2	GBT96.1-6-A3L
7	GBT97.1-8-A3L	垫圈 WASHER	2	GBT97.1-8-A3L
8	GBT93-8-A3L	垫圈 WASHER	2	GBT93-8-A3L
9	GBT5783-M8X20-A2L	螺栓 BOLT	2	GBT5783-M8X20-A2L

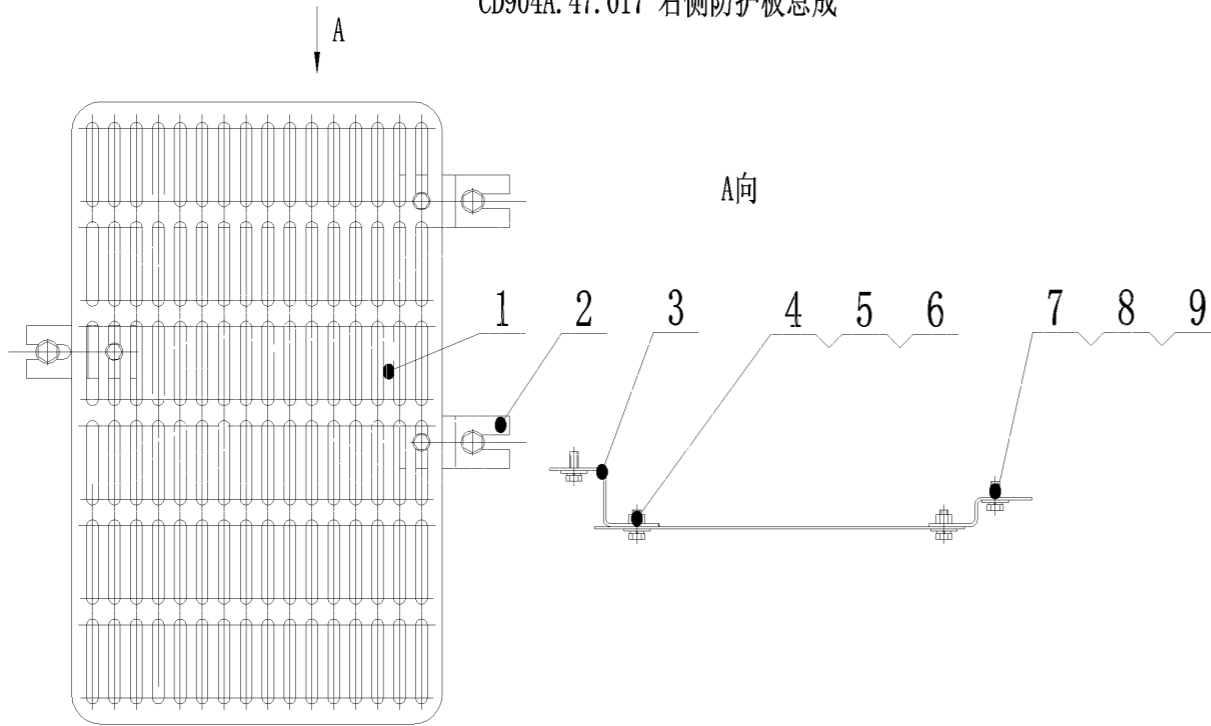
CD904A.47.016 左侧防护板总成

CD904A.47.016 左侧防护板总成 LEFT SHIELD ASSEMBLY



序号	零件编号	零件名称	数量	图号
1	CD904A.47.018	左护板1 LEFT SHIELD BRACKET 1	2	CD904A.47.018
2	CD904A.47.101	防护板 SHIELD	1	CD904A.47.101
3	GBT93-8-A3L	垫圈 WASHER	2	GBT93-8-A3L
4	GBT97.1-8-A3L	垫圈 WASHER	2	GBT97.1-8-A3L
5	GBT5783-M6X16-A2L	螺栓 BOLT	3	GBT5783-M6X16-A2L
6	GBT93-6-A3L	垫圈 WASHER	3	GBT93-6-A3L
7	GBT97.1-6-A3L	垫圈 WASHER	3	GBT97.1-6-A3L
8	GBT5783-M8X16-A2L	螺栓 BOLT	2	GBT5783-M8X16-A2L
9	CD904A.47.019	左护板2 LEFT SHIELD BRACKET 2	1	CD904A.47.019

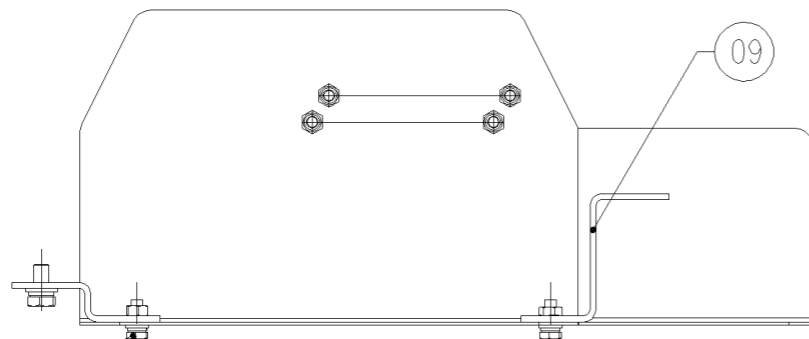
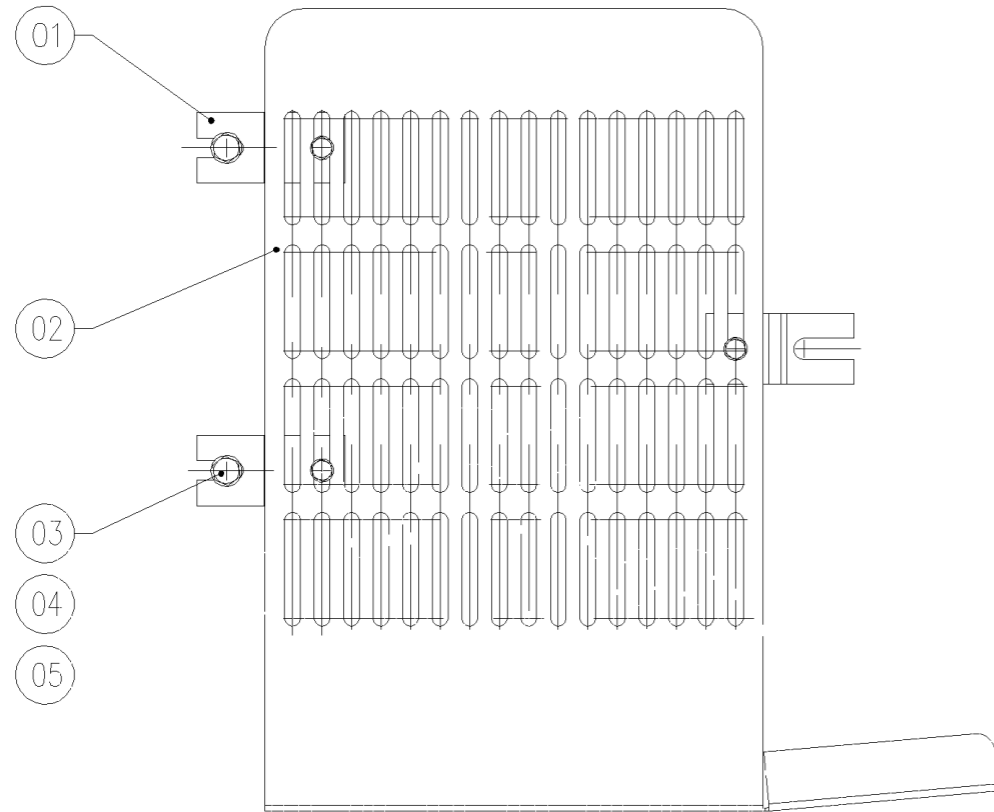
CD904A.47.017 右侧防护板总成



CD904A.47.017 右侧防护板总成 RIGHT SHIELD ASSEMBLY

序号	零件编号	零件名称	数量	图号
1	CD904A.47.101	防护板 SHIELD	1	CD904A.47.101
2	CD904A.47.018	左护板1 LEFT SHIELD BRACKET 1	2	CD904A.47.018
3	CD904A.47.020	右侧防护板支架焊合 RIGHT SHIELD	1	CD904A.47.020
4	GBT93-6-A3L	垫圈 WASHER	3	GBT93-6-A3L
5	GBT97.1-6-A3L	垫圈 WASHER	3	GBT97.1-6-A3L
6	GBT5783-M6X16-A2L	螺栓 BOLT	3	GBT5783-M6X16-A2L
7	GBT93-8-A3L	垫圈 WASHER	3	GBT93-8-A3L
8	GBT97.1-8-A3L	垫圈 WASHER	3	GBT97.1-8-A3L
9	GBT5783-M8X16-A2L	螺栓 BOLT	3	GBT5783-M8X16-A2L

CD904A.47.016/10 LEFT SHIELD ASS.Y

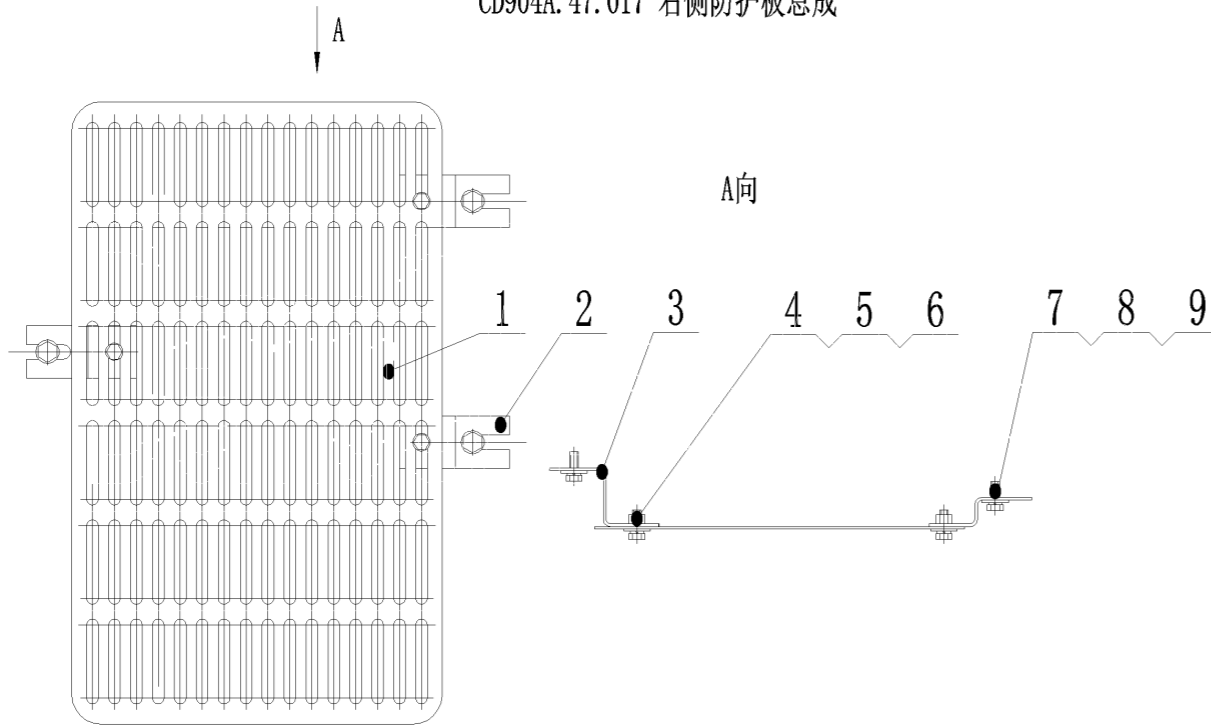


CD904A.47.016/10 左侧防护板总成 LEFT SHIELD ASSEMBLY

序号	零件编号	零件名称	数量	图号
1	CD904A.47.018	左护板1 LEFT SHIELD BRACKET 1	2	CD904A.47.018
2	A23.47.004.3/10	防护板 SHIELD	1	A23.47.004.3/10
3	GBT93-8-A3L	垫圈 WASHER	2	GBT93-8-A3L
4	GBT97.1-8-A3L	垫圈 WASHER	2	GBT97.1-8-A3L
5	GBT5783-M6X16-A2L	螺栓 BOLT	3	GBT5783-M6X16-A2L
6	GBT93-6-A3L	垫圈 WASHER	3	GBT93-6-A3L
7	GBT97.1-6-A3L	垫圈 WASHER	3	GBT97.1-6-A3L
8	GBT5783-M8X16-A2L	螺栓 BOLT	2	GBT5783-M8X16-A2L
9	CD904A.47.019	左护板2 LEFT SHIELD BRACKET 2	1	CD904A.47.019



CD904A.47.017 右侧防护板总成



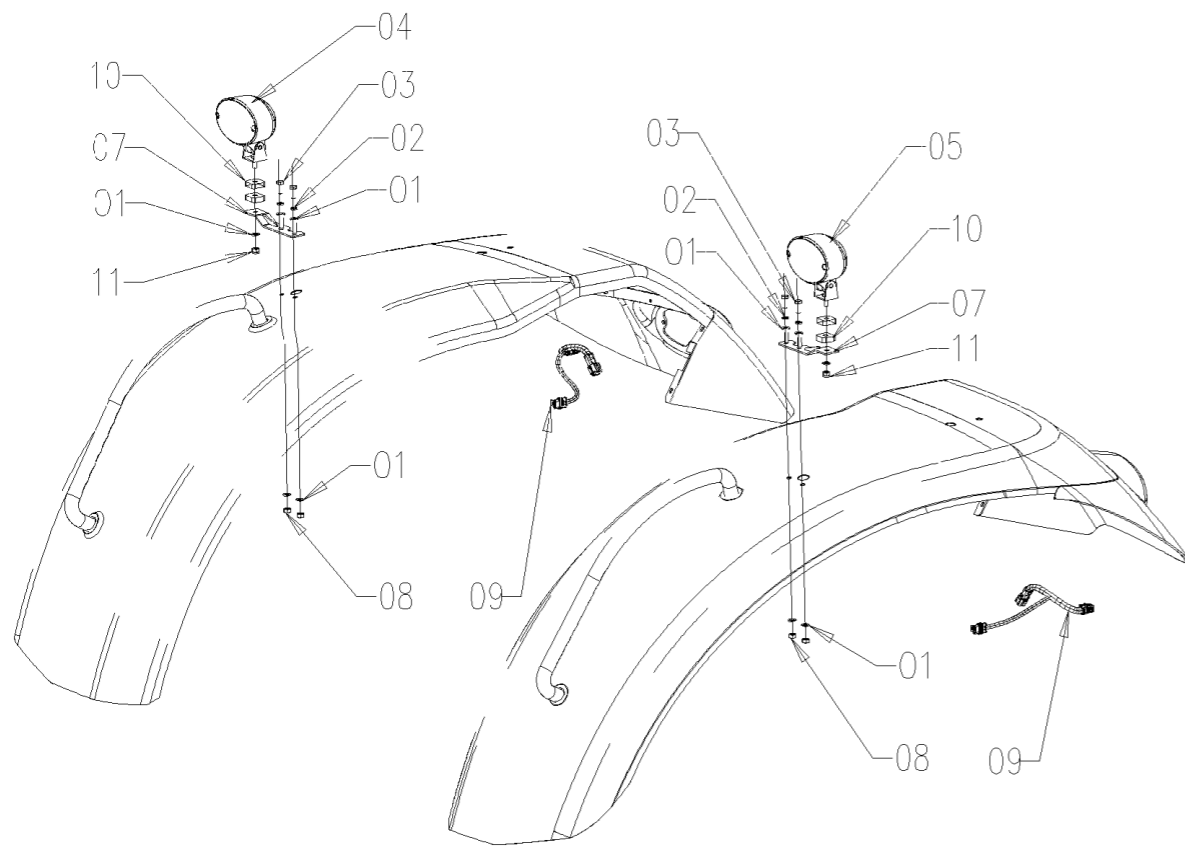
CD904A.47.017 右侧防护板总成 RIGHT SHIELD ASSEMBLY

序号	零件编号	零件名称	数量	图号
1	CD904A.47.101	防护板 SHIELD	1	CD904A.47.101
2	CD904A.47.018	左护板1 LEFT SHIELD BRACKET 1	2	CD904A.47.018
3	CD904A.47.020	右侧防护板支架焊合 RIGHT SHIELD	1	CD904A.47.020
4	GBT93-6-A3L	垫圈 WASHER	3	GBT93-6-A3L
5	GBT97.1-6-A3L	垫圈 WASHER	3	GBT97.1-6-A3L
6	GBT5783-M6X16-A2L	螺栓 BOLT	3	GBT5783-M6X16-A2L
7	GBT93-8-A3L	垫圈 WASHER	3	GBT93-8-A3L
8	GBT97.1-8-A3L	垫圈 WASHER	3	GBT97.1-8-A3L
9	GBT5783-M8X16-A2L	螺栓 BOLT	3	GBT5783-M8X16-A2L

# B34.48.920.4 INDICATOR LIGHT ASSEMBLY

## B34.48.920.4\_1 转向灯线束总成 (地板+安全架) INDICATOR LIGHT ASSEMBLY(floor + safety rack)

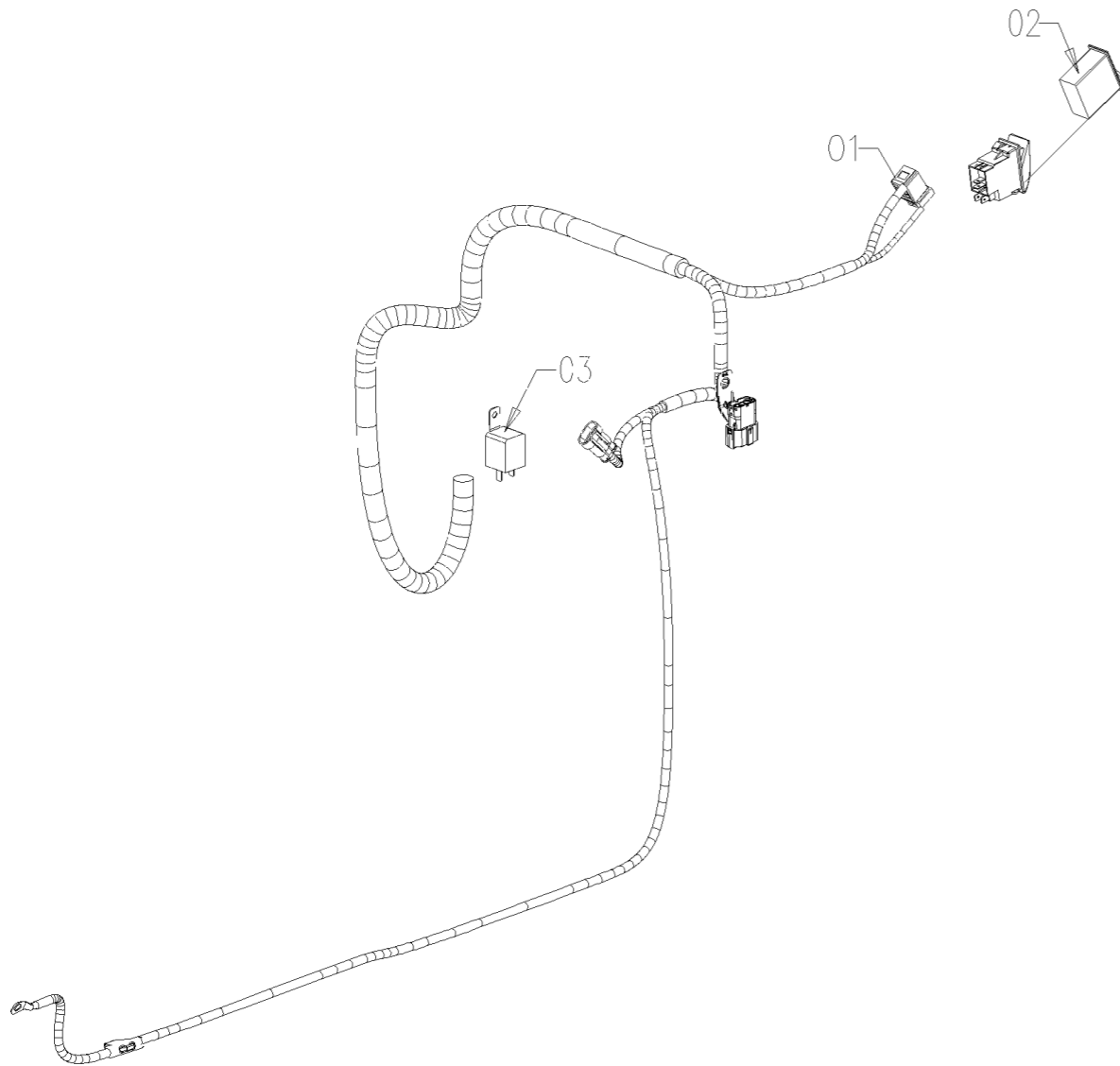
序号	零件编号	零件名称	数量	图号
1	GBT97.1-8-A3L	垫圈 WASHER	8	GBT97.1-8-A3L
2	GBT93-8-A3L	垫圈 WASHER	4	GBT93-8-A3L
3	GBT5783-M8X20-A2L	螺栓 BOLT	4	GBT5783-M8X20-A2L
4	CD1204.48.041/20	右转向位置灯 RH INDICATOR LIGHT	1	CD1204.48.041/20
5	CD1204.48.032/20	左转向位置灯总成 LEFT TURN AND	1	CD1204.48.032/20
6	A79.48.003.2	方向灯灯座 DIRECTION LAMP SEAT-	1	A79.48.003.2
7	A79.48.002.2	方向灯灯座 DIRECTION LAMP SEAT-	1	A79.48.002.2
8	GBT6170-M8-A2L	螺母 NUT	2	GBT6170-M8-A2L
9	B34.48.009.0	左转向灯线束 INDICATOR LT. AD.	2	B34.48.009.0
10	B26.48.008.0	橡胶垫 Rubber Mat	4	B26.48.008.0



# B34.48.942.4 BONNET W.L. W.H ASS.Y

## B34.48.942.4\_1 机罩工作灯安装总成 (地板+安全架) BONNET W.L. W.H. ASSEMBLY(floor + safety rack)

序号	零件编号	零件名称	数量	图号
1	B39.48.005.0	机罩线束 BONNET WL.SW.WH.	1	B39.48.005.0
2	2.7659.475.0	正面工作灯 FRONT WORK LIGHT SW.	1	2.7659.475.0
3	LD700.48.037	灯光继电器 LAMP RELAY	1	LD700.48.037





CD90 Cotton Series

# AIR FILTER INTAKE PIPE ASS.Y

N. dis. - P/N  
**B36.11.902.4**

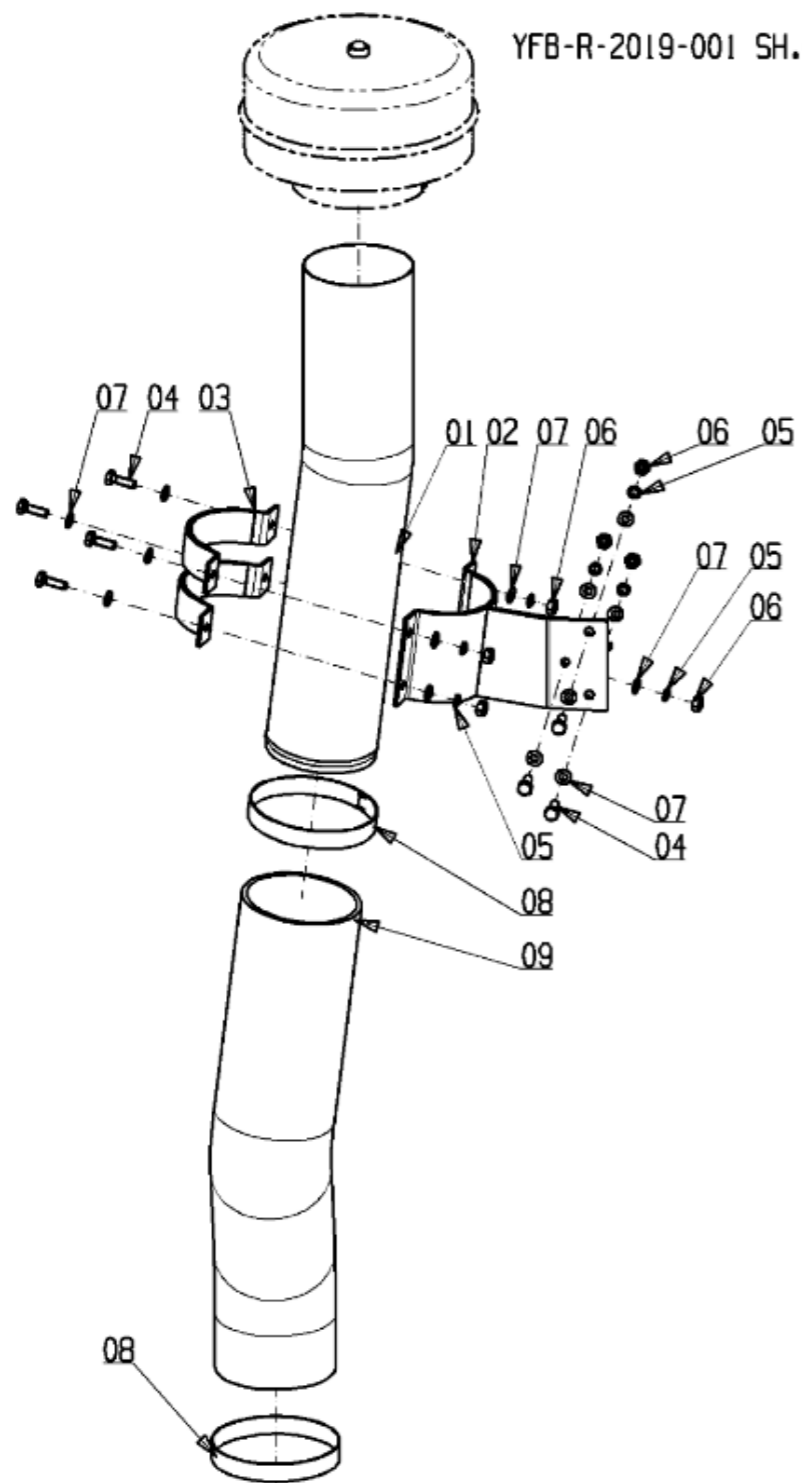
Rev. 0 Foglio 1 Sheet 1 di 1

Validato il 10/09/2019

SAIE DEUTZ-FAHR GROUP S.p.A.  
SME + O&T-FAH + LUBRIFICANTI + AGRICOLTURA

Gruppo - Group

YFB-R-2019-001 SH.026



## B36.11.902.4\_0 空滤器进气管总成 AIR FILTER INTAKE PIPE ASS.Y

序号	零件编号	零件名称	数量	图号
1	B36.11.002.0	进气管 AIR INLET TUBE	1	B36.11.002.0
2	B36.11.006.3	顶部固定支架 TOP FIXING BRACKET	1	B36.11.006.3
3	A23.11.008.2/20	半卡箍 HALF HOOP	2	A23.11.008.2/20
4	GBT5783-M8X25-A2L	螺栓 BOLT	7	GBT5783-M8X25-A2L
5	GBT93-8-A3L	垫圈 WASHER	7	GBT93-8-A3L
6	GBT6170-M8-A2L	螺母 NUT	7	GBT6170-M8-A2L
7	GBT97.1-8-A3L	垫圈 WASHER	14	GBT97.1-8-A3L
8	JBT8870-D130	软管夹 HOSE CLAMPS	2	JBT8870-D130
9	B36.11.003.0	进风软管 AIR INTAKE HOSE	1	B36.11.003.0



CD90 Cotton Series

AIR FITER ASS.Y

N. dis. - P/N

B36.11.911.4

Rev. 0 foglio - Sheet 1 di - of 1

Validato il 10/09/2019

SHINE BELTZ FIVE GROUP S.p.A.  
SHE + 00172.046 + L.000000001 + 001.0000

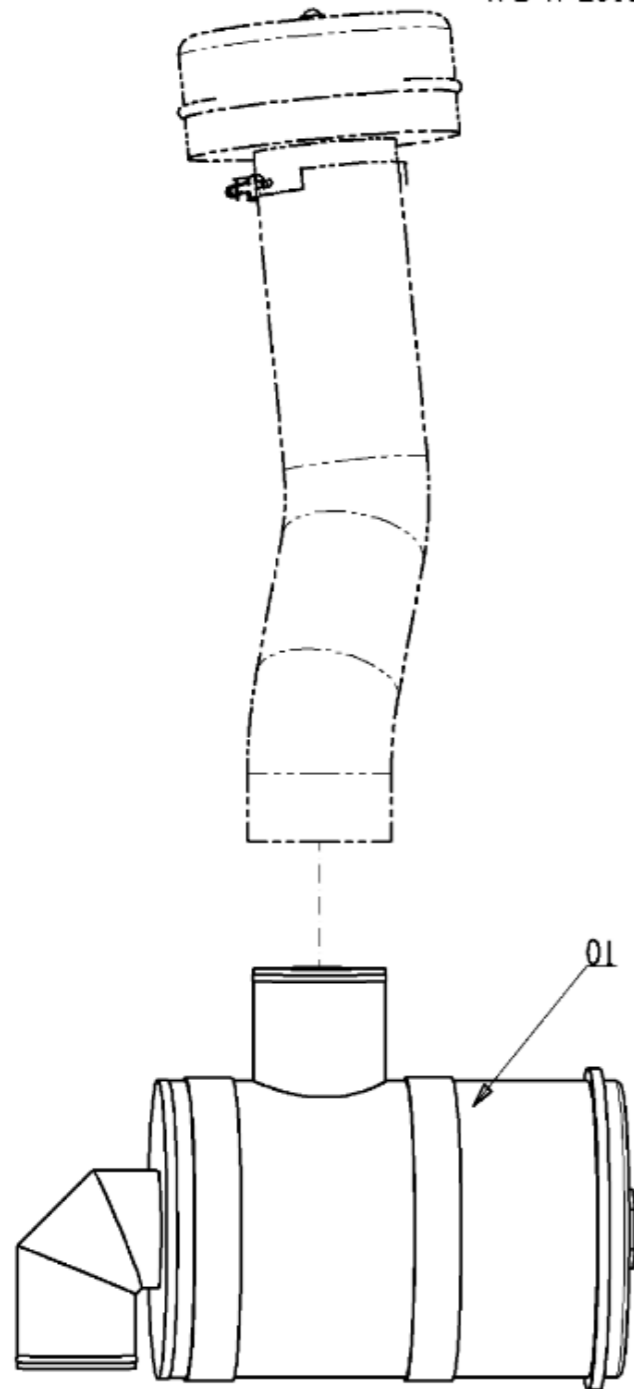
Gruppo - Group

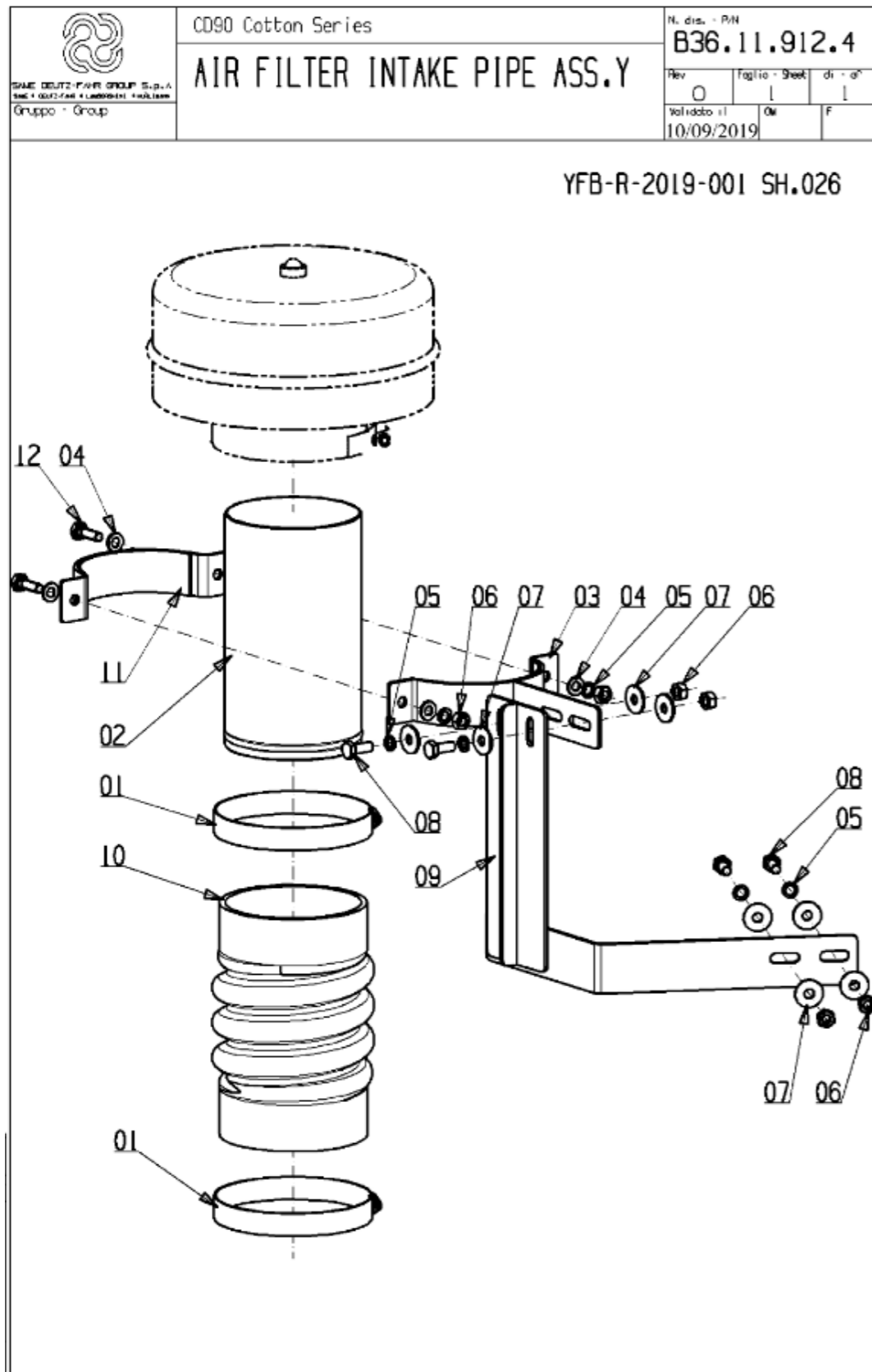
### B36.11.911.4\_0 空滤器总成 AIR FITER ASS.Y

序号	零件编号	零件名称
1	B36.11.004.4/10	空气过滤器 AIR FILTER

数量	图号
1	B36.11.004.4/10

YFB-R-2019-001 SH.026



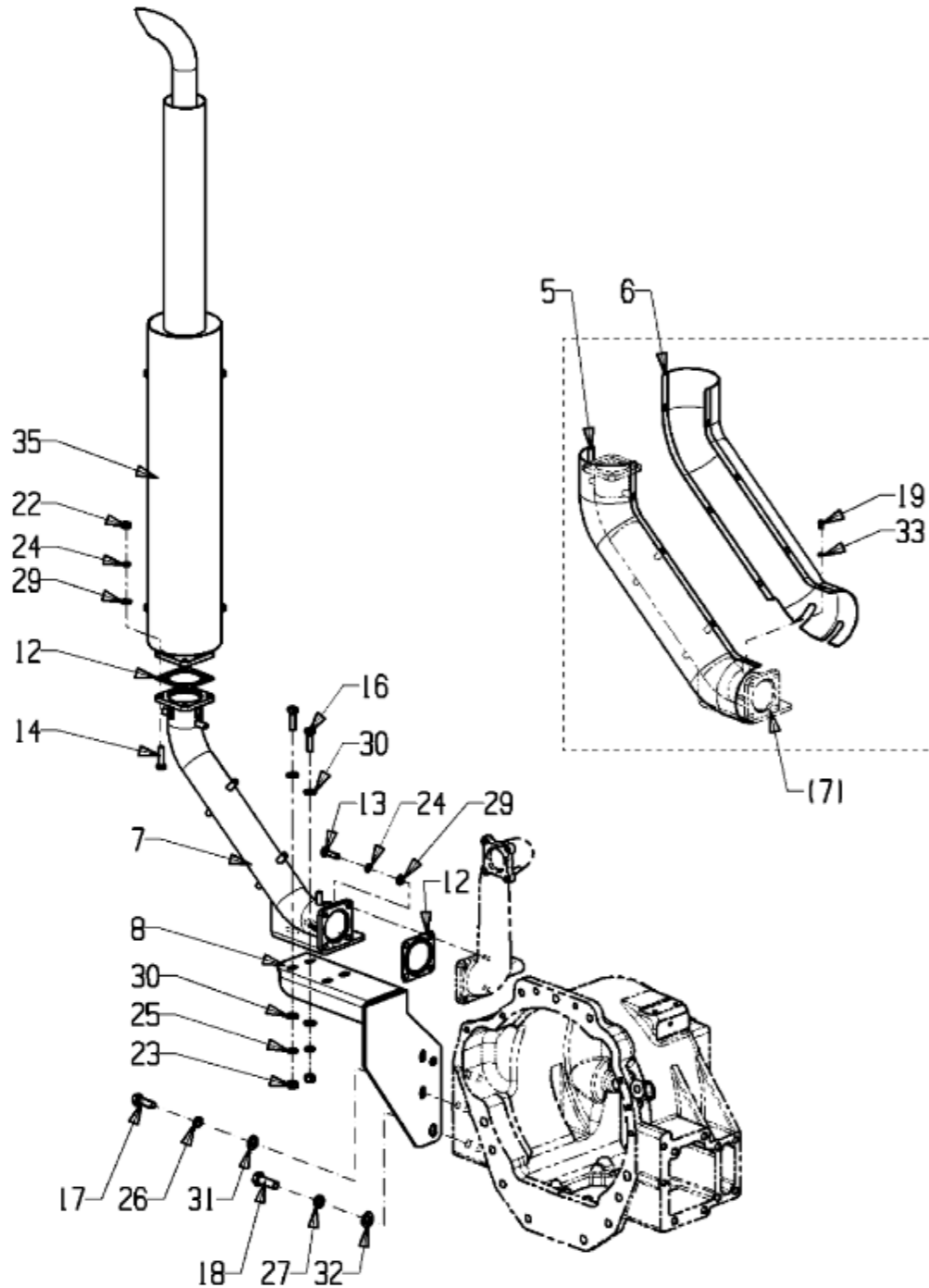


### B36.11.912.4\_0 空滤器进气管总成 AIR FILTER INTAKE PIPE ASS.Y

序号	零件编号	零件名称	数量	图号
1	JBT8870-D130	软管夹 HOSE CLAMPS	2	JBT8870-D130
2	B36.11.010.0	进气管 AIR INLET PIPE	1	B36.11.010.0
3	A23.11.022.3	支架焊件 BRACKET WELDMENT	1	A23.11.022.3
4	GBT97.1-8-A3L	垫圈 WASHER	4	GBT97.1-8-A3L
5	GBT93-8-A3L	垫圈 WASHER	6	GBT93-8-A3L
6	GBT6170-M8-A2L	螺母 NUT	6	GBT6170-M8-A2L
7	GBT96.1-8-A3L	垫圈 WASHER	8	GBT96.1-8-A3L
8	GBT5783-M8X20-A2L	螺栓 BOLT	4	GBT5783-M8X20-A2L
9	B36.11.012.2	安装板焊合 MOUNTING PLATE	1	B36.11.012.2
10	B95.11.002.0	进气软管 AIR INLET HOSE	1	B95.11.002.0
11	A23.11.008.2/20	半卡箍 HALF HOOP	1	A23.11.008.2/20
12	GBT5783-M8X25-A2L	螺栓 BOLT	2	GBT5783-M8X25-A2L


 SHANE CEUTZ PAPER GROUP S.p.A. SMC - 00177/FAH - 4.000000101 - 10011000 Gruppo - Group	SH90 CN111 COTTON	N. dis. - P/N				
	<b>EXHAUST SYSTEM ASSY</b>	<b>B36.22.900.4</b>				
	Rev	1	Foglio - Sheet	1	di - of	1
	Validato il	23/04/2019	Da		F	

YFB-R-2018-009 SH.007



### B36.22.900.4\_1 排气系统总成 EXHAUST SYSTEM ASSY

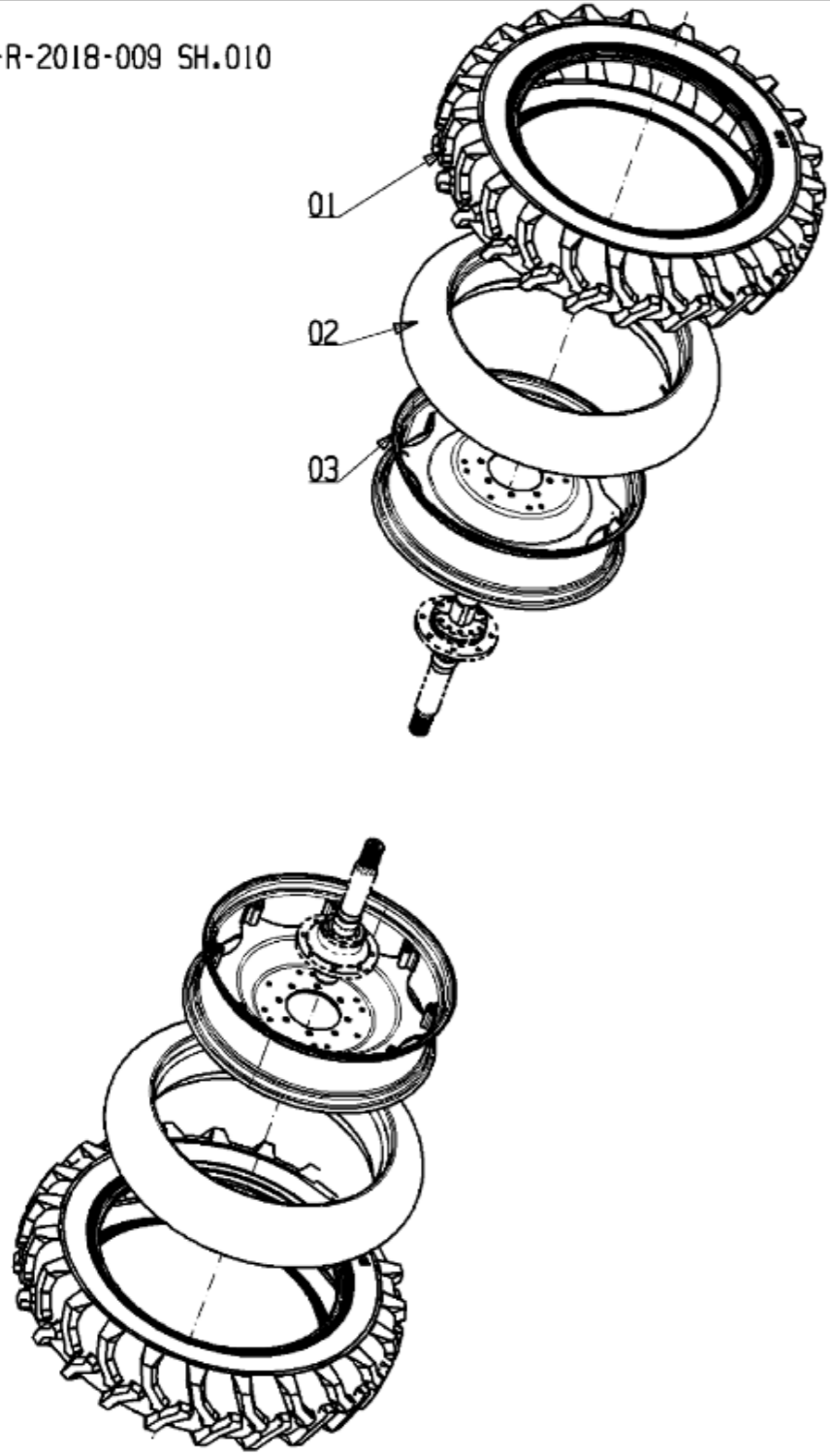
序号	零件编号	零件名称	数量	图号
5	B36.22.001.0	防护板 SHIELD	1	B36.22.001.0
6	B36.22.002.0	防护板 SHIELD	1	B36.22.002.0
7	B36.22.003.2	排气管 EXHAUST TUBE	1	B36.22.003.2
8	B36.22.004.2	排气管支架 EXHAUST TUBE	1	B36.22.004.2
12	CD804A.22.101	密封垫片 SEALING GASKET	2	CD804A.22.101
13	GBT5783-M10X35-A3L	螺栓 BOLT	4	GBT5783-M10X35-A3L
14	GBT5783-M10X40-A3L	螺栓 BOLT	4	GBT5783-M10X40-A3L
16	GBT5783-M12X40-10.9-	螺栓 BOLT	4	GBT5783-M12X40-10.9-A3L
17	GBT5783-M14X40-10.9-	螺栓 BOLT	2	GBT5783-M14X40-10.9-A3L
18	GBT5783-M16X45-10.9-	螺栓 BOLT	2	GBT5783-M16X45-10.9-A3L
19	GBT5783-M6X12-A2L	螺栓 BOLT	7	GBT5783-M6X12-A2L
22	GBT6170-M10-A3L	螺母 NUT	4	GBT6170-M10-A3L
23	GBT6170-M12-A3L	螺母 NUT	4	GBT6170-M12-A3L
24	GBT93-10-A3L	垫圈 WASHER	8	GBT93-10-A3L
25	GBT93-12-A3L	垫圈 WASHER	4	GBT93-12-A3L
26	GBT93-14-A3L	垫圈 WASHER	2	GBT93-14-A3L
27	GBT93-16-A3L	垫圈 WASHER	2	GBT93-16-A3L
29	GBT97.1-10-A3L	垫圈 WASHER	8	GBT97.1-10-A3L
30	GBT97.1-12-A3L	垫圈 WASHER	8	GBT97.1-12-A3L
31	GBT97.1-14-A3L	垫圈 WASHER	2	GBT97.1-14-A3L
32	GBT97.1-16-A3L	垫圈 WASHER	2	GBT97.1-16-A3L
33	GBT97.1-6-A3L	垫圈 WASHER	7	GBT97.1-6-A3L
35	SH950.22.103/10	消声器总成 MUFFLER ASSEMBLY	1	SH950.22.103/10

 <small>YFAME DEUTZ-FAHR GROUP S.p.A.        S.p.A. - 00172-FRANZI L. 00000001011 - 190218000</small> Gruppo - Group	CD90 SERIES COTTON	N. dis. - P/N <b>B36.34.900.4</b>											
	<b>REAR TYRE 12-38 ASS.Y</b>	<table border="1"> <tr> <td>Rev</td> <td>Foglio - Sheet</td> <td>di - of</td> </tr> <tr> <td>1</td> <td>1</td> <td>1</td> </tr> <tr> <td>Validato il</td> <td>Ok</td> <td>F</td> </tr> <tr> <td>18/03/2020</td> <td></td> <td></td> </tr> </table>	Rev	Foglio - Sheet	di - of	1	1	1	Validato il	Ok	F	18/03/2020	
Rev	Foglio - Sheet	di - of											
1	1	1											
Validato il	Ok	F											
18/03/2020													

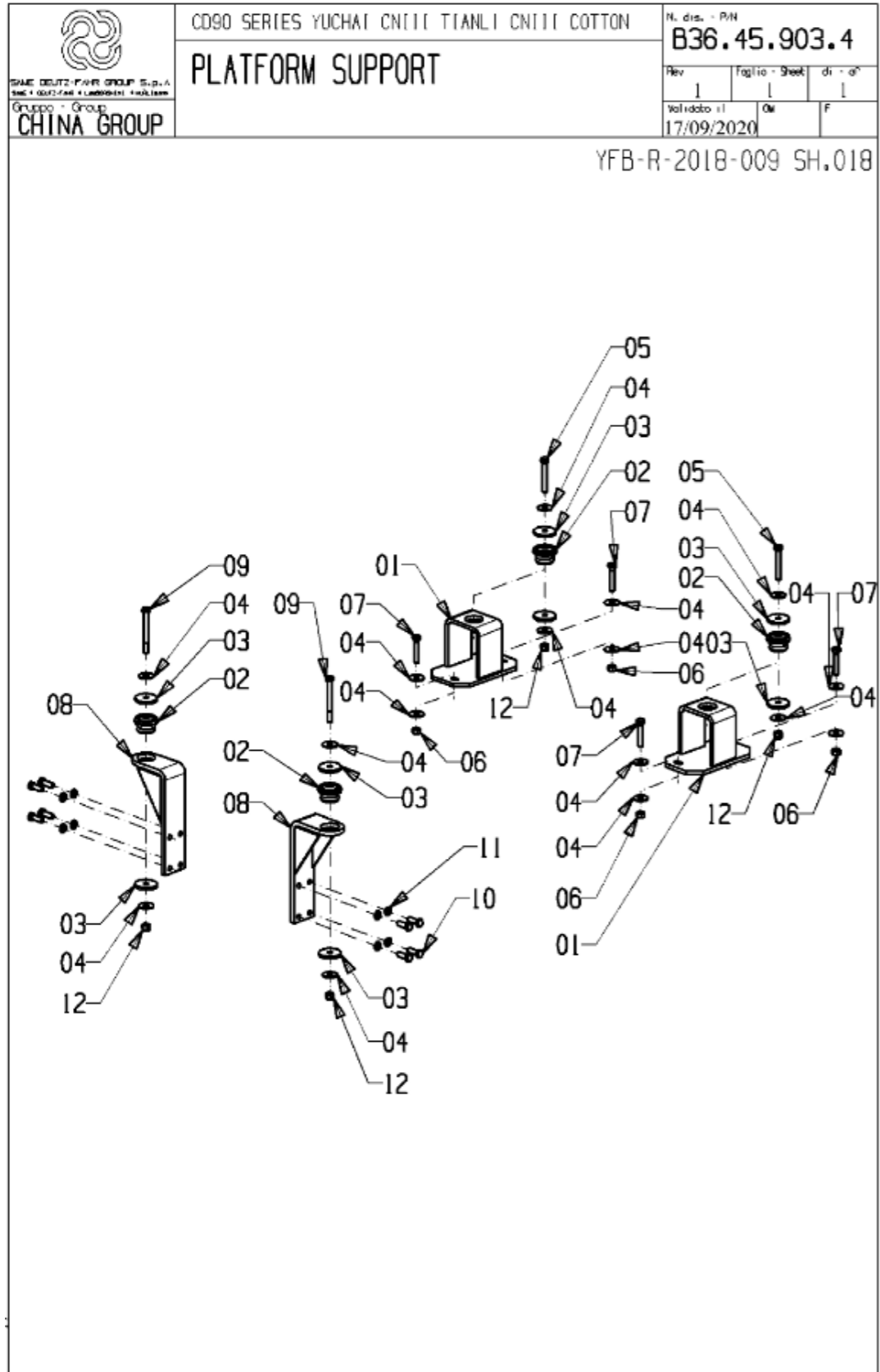
**B36.34.900.4\_1 后轮总成 (斜交胎) REAR TIRE ASS.Y (NORMAL TIRE)**

序号	零件编号	零件名称	数量	图号
1	GBT2979-12-38-10PR-R1	外胎 OUTER TUBE	2	GBT2979-12-38-10PR-R1
2	GBT2979-12-38-R1	内胎 INNER TIRE	2	GBT2979-12-38-R1
3	B36.34.002.4	轮辋 RIM W11X38	2	B36.34.002.4

YFB-R-2018-009 SH.010








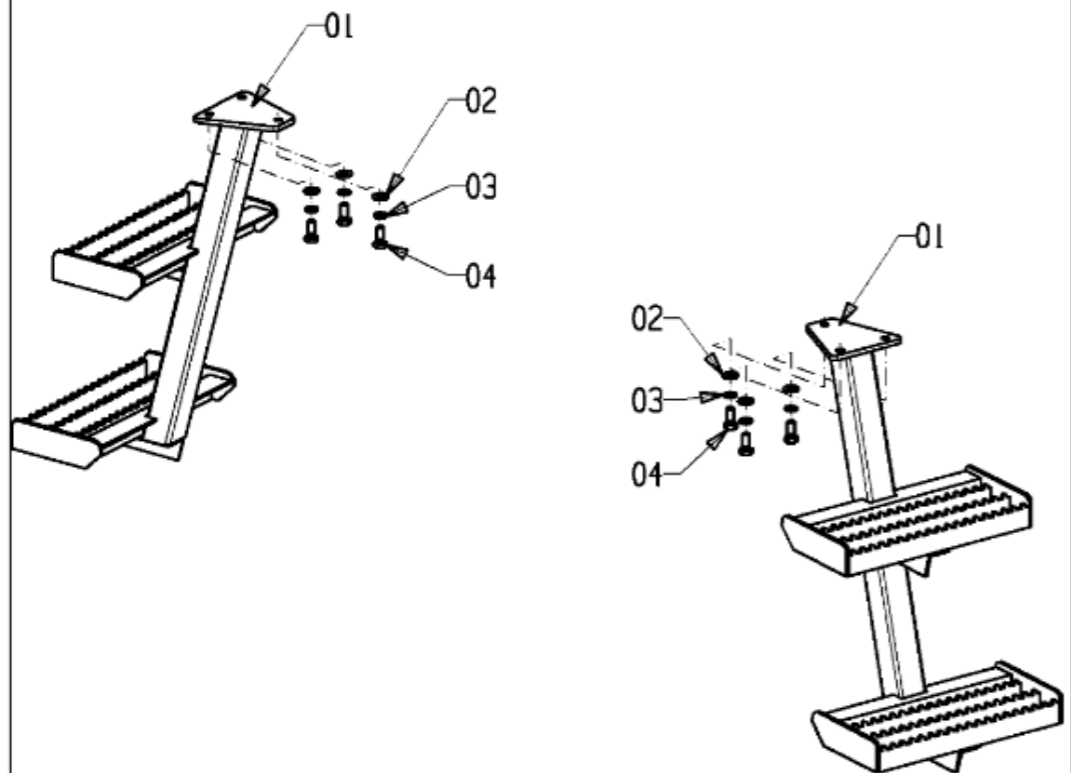
YFB-R-2018-009 SH.018

### B36.45.903.4\_1 地板支撑 PLATFORM SUPPORT

序号	零件编号	零件名称	数量	图号
1	B36.45.015.2	后支撑 REAR SUPPORT	2	B36.45.015.2
2	LD700.47.031	阻尼块 DAMPING BLOCK	4	LD700.47.031
3	CD904A.45.104	坐垫 CUSHION	8	CD904A.45.104
4	GBT96-16-A3L	大垫圈 BIG WASHER	16	GBT96-16-A3L
5	GBT5782-M16X110-A3L	螺栓 BOLT	2	GBT5782-M16X110-A3L
6	GBT6170-M16-A3L	螺母 NUT	4	GBT6170-M16-A3L
7	GBT5783-M16X85-10.9-	螺栓 BOLT	4	GBT5783-M16X85-10.9-A3L
8	B36.45.003.3	前支撑总成 FRONT SUPPORT ASS.	2	B36.45.003.3
9	GBT5782-M16X150-A3L	螺栓 BOLT	2	GBT5782-M16X150-A3L
10	GBT5783-M16X45-10.9-	螺栓 BOLT	8	GBT5783-M16X45-10.9-A3L
11	GBT97.1-16-A3L	垫圈 WASHER	8	GBT97.1-16-A3L
12	GBT889.1-M16-A3L	螺母 NUT	4	GBT889.1-M16-A3L

 SHANGHAI DUTCH-PAPEL GROUP S.p.A. Gruppo - Group <b>CHINA GROUP</b>	SH90 (COTTON)	N. dis. - P/N <b>B36.45.904.4</b>
	<b>LADDER ASSY</b>	Rev. 0 Foglio - Sheet di - of 1 Validato il 12/04/2019

YFB-R-2018-009 SH.007



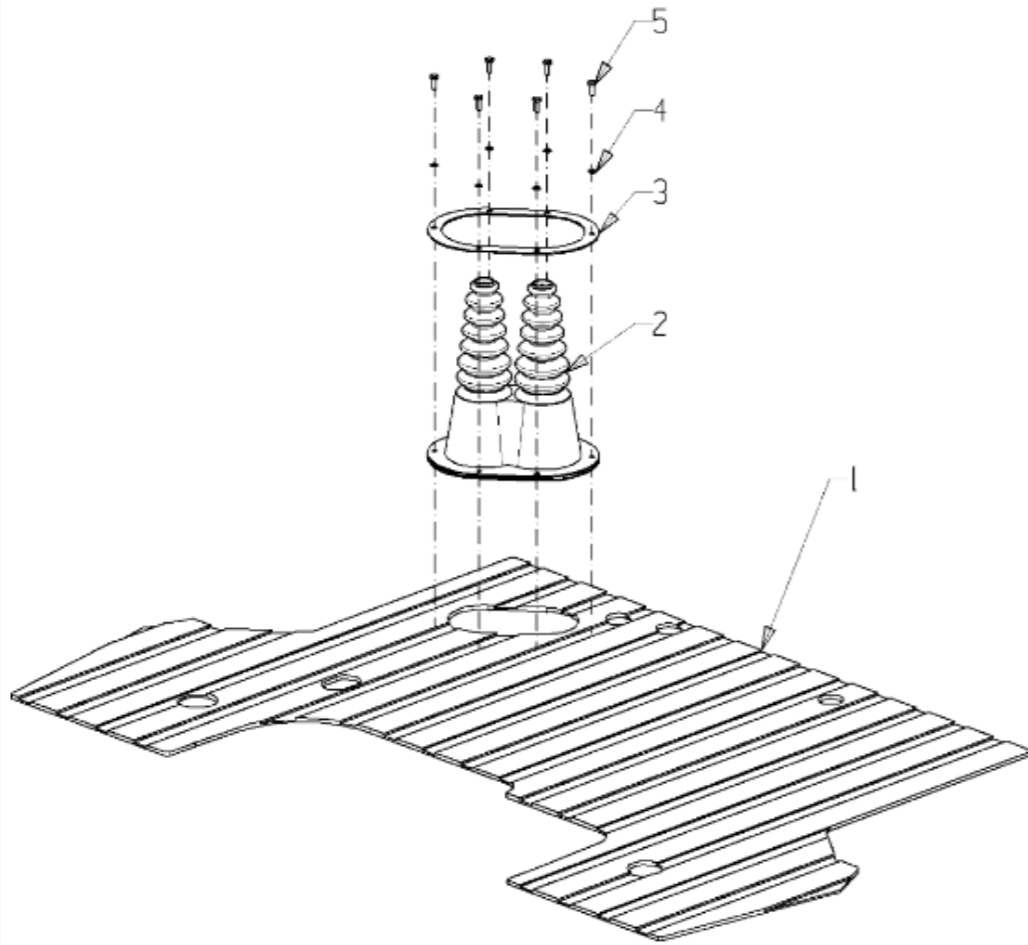
### B36.45.904.4\_0 蹬车梯总成 LADDER ASSY

序号	零件编号	零件名称	数量	图号
1	SH900.45B.023/0 x2	脚踏总成 PEDAL ASSY	2	SH900.45B.023/0 x2
2	GBT97.1-12-A3L/0-	垫圈 WASHER	6	GBT97.1-12-A3L/0-WASHER x 6
3	GBT93-12-A3L/0-	垫圈 WASHER	6	GBT93-12-A3L/0-WASHER x 6
4	GBT5783-M12X25-A3L/0-	螺栓 BOLT	6	GBT5783-M12X25-A3L/0-BOLT x

 SIME DEUTZ-FAHR GROUP S.p.A. Gruppo - Group CHINA GROUP	CD90 SERIES YUCHAI CN111 TIANLI CN111 COTTON <b>FLOORMAT</b>	N. dis. - PN <b>B36.45.905.4</b>
	Rev. 3 Foglio - Sheet di - of 1 01/03/2021	YFB-R-2018-009 SH.023

### B36.45.905.4\_3 前地板垫总成 FLOORMAT

序号	零件编号	零件名称	数量	图号
1	B36.45.069.0	前地板垫 FRONT FLOORMAT	1	B36.45.069.0
2	CD904A.45A.121	防尘罩压板 DUST COVER	1	CD904A.45A.121
3	CD904A.45A.102	压板 PLATE	1	CD904A.45A.102
4	2.1470.002.2	锁紧垫圈 LOCK WASHER 6	6	2.1470.002.2
5	2.0112.005.2	螺栓 HEX BOLT M6x1x16	6	2.0112.005.2





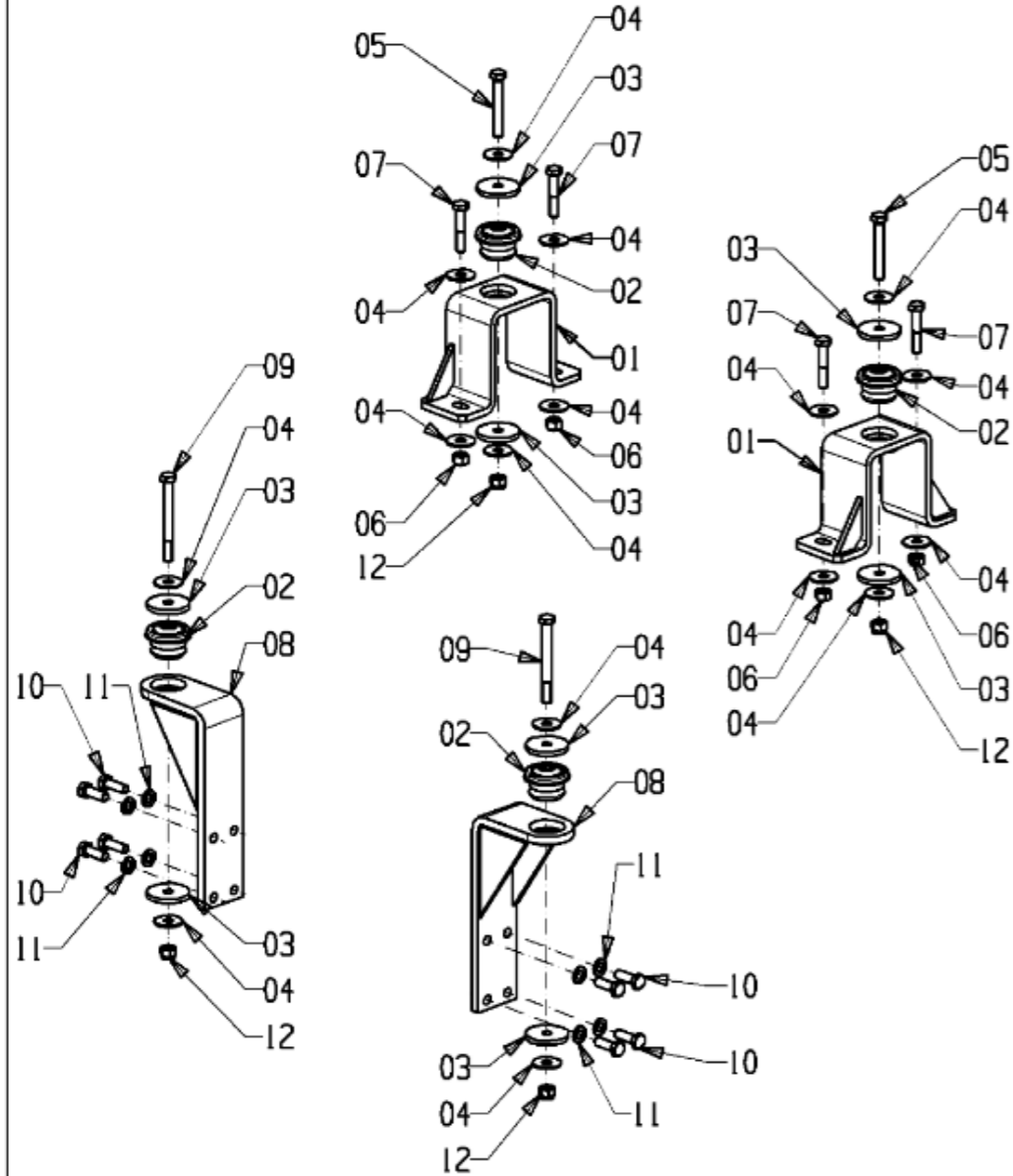
CD90 SERIES YUCHAI CNIII TIANLI CNIII COTTON

CABIN SUPPORT

N. dis. - P/N  
**B36.45.906.4**

Rev	Taglio - Sheet	di - di°
2	1	1
Validato il	Da	F
17/09/2020		

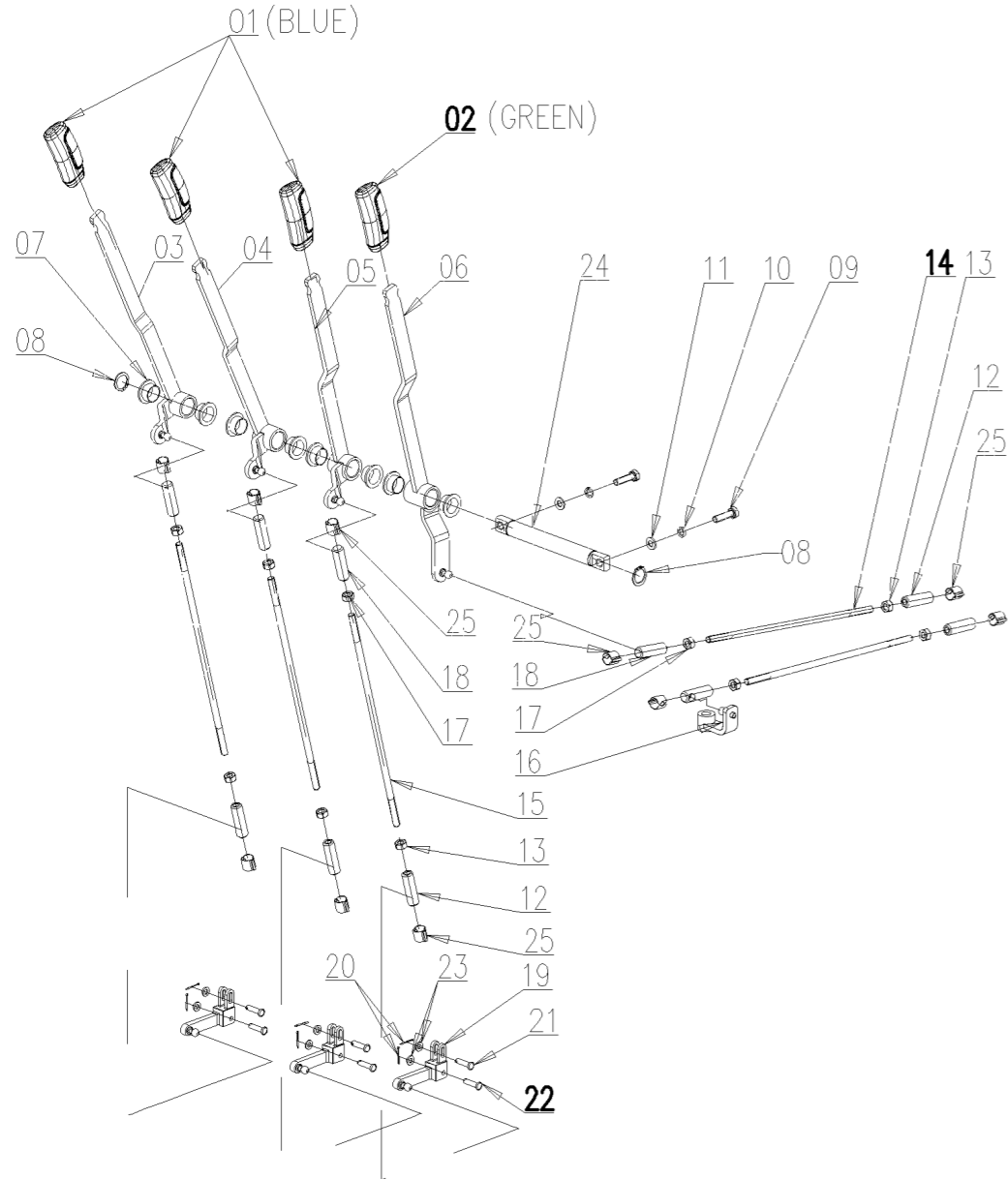
YFB-R-2018-009 SH.018



**B36.45.906.4\_2 驾驶室支撑座总成 CABIN SUPPORT**

序号	零件编号	零件名称	数量	图号
1	LE1204.45.015A	驾驶室后支撑 CABIN REAR SUPPORT	2	LE1204.45.015A
2	LD700.47.031	阻尼块 DAMPING BLOCK	4	LD700.47.031
3	CD904A.45.104	坐垫 CUSHION	8	CD904A.45.104
4	GBT96-16-A3L	大垫圈 BIG WASHER	16	GBT96-16-A3L
5	GBT5782-M16X110-A3L	螺栓 BOLT	2	GBT5782-M16X110-A3L
6	GBT6170-M16-A3L	螺母 NUT	4	GBT6170-M16-A3L
7	GBT5782-M16X80-A3L	螺栓 BOLT	4	GBT5782-M16X80-A3L
8	B36.45.003.3	前支撑总成 FRONT SUPPORT ASS.	2	B36.45.003.3
9	GBT5782-M16X150-A3L	螺栓 BOLT	2	GBT5782-M16X150-A3L
10	GBT5783-M16X45-10.9-	螺栓 BOLT	8	GBT5783-M16X45-10.9-A3L
11	GBT97.1-16-A3L	垫圈 WASHER	8	GBT97.1-16-A3L
12	GBT889.1-M16-A3L	螺母 NUT	4	GBT889.1-M16-A3L

B36.45.908.4 VALVE COMMAND ASS.Y  
YFB-R-2020-004 SH.025

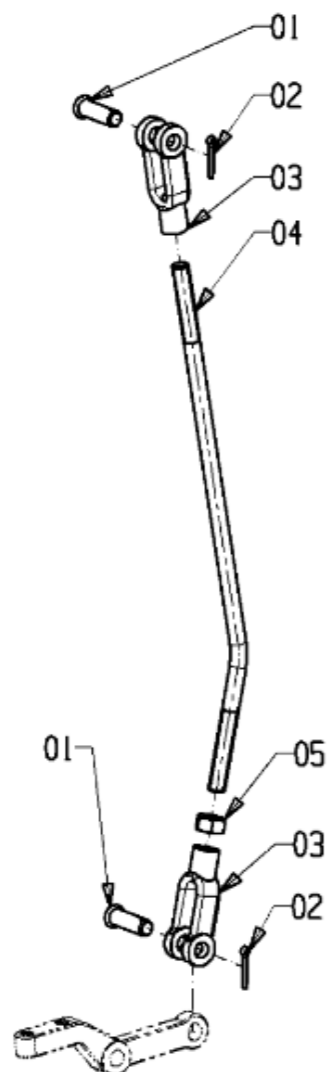


B36.45.908.4\_2 提升和多路阀操纵总成 VALVE COMMAND ASS.Y

序号	零件编号	零件名称	数量	图号
1	0.020.3757.0	球形把手 KNOB	3	0.020.3757.0
2	A08.55.015.0	球形把手 KNOB	1	A08.55.015.0
3	B36.45.016.3/10	焊接支架-1 WELDING BRACKET-1	1	B36.45.016.3/10
4	B36.45.014.3/10	焊接支架-2 WELDING BRACKET-2	1	B36.45.014.3/10
5	B36.45.012.3/10	焊接支架-3 WELDING BRACKET-3	1	B36.45.012.3/10
6	B36.45.010.3/10	焊接支架-4 WELDING BRACKET-4	1	B36.45.010.3/10
7	A23.45.019.0	隔套 SLEEVE	8	A23.45.019.0
8	GBT894.1-20	弹性挡圈 CIRCLIP	2	GBT894.1-20
9	GBT5783-M8X30-A2L	螺栓 BOLT	2	GBT5783-M8X30-A2L
10	GBT93-8-A3L	垫圈 WASHER	2	GBT93-8-A3L
11	GBT97.1-8-A3L	垫圈 WASHER	2	GBT97.1-8-A3L
12	A11.55.018.0	球座 BALL SEAT	5	A11.55.018.0
13	GBT6170-M8-A2L	螺母 NUT	5	GBT6170-M8-A2L
14	A23.45.037.0	操纵杆 LEVER	2	A23.45.037.0
15	B36.45.002.0	操纵杆 LEVER	3	B36.45.002.0
16	A23.45.038.3/10	摇臂 ROCKET ARM	1	A23.45.038.3/10
17	GBT6170-M8-LH-A2L	螺母 NUT	5	GBT6170-M8-LH-A2L
18	A11.55.017.0	左侧球座 BALL SEAT-LEFT	5	A11.55.017.0
19	A23.45.035.3/10	阀铰链 VALVE HINGE	3	A23.45.035.3/10
20	GBT91-1.6X18-A3L	销 PIN	6	GBT91-1.6X18-A3L
21	GBT882-B6X24-A3L	销 PIN	6	GBT882-B6X24-A3L
23	GBT97.1-6-A3L	垫圈 WASHER	6	GBT97.1-6-A3L
24	A23.45.018.0	传动轴 SHAFT	1	A23.45.018.0
25	0.020.5466.0	弹簧 SPRING	10	0.020.5466.0

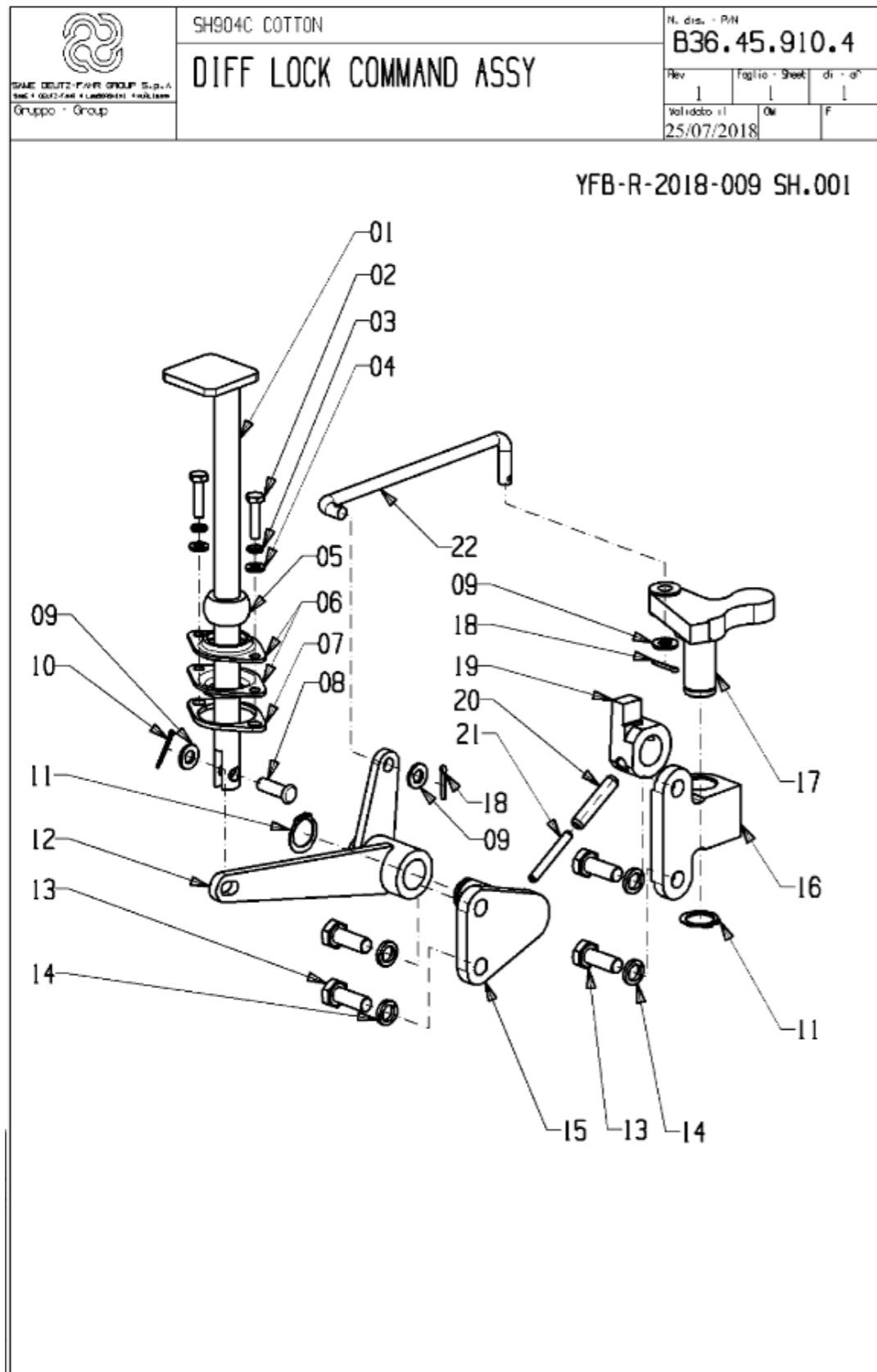
 SHANGHAI DEUTZ FANCI GROUP S.p.A. SHANGHAI DEUTZ FANCI GROUP S.p.A. Gruppo - Group	SH904C COTTON	N. dis. - P/N <b>B36.45.909.4</b>		
	<b>BRAKE PULL ROD ASSY</b>	Rev	0	Foglio - Sheet
		Validato il	02/07/2018	di - di°
				F

YFB-S-2018-009 SH.001




### B36.45.909.4\_0 气制动拉杆总成 PNEUMATIC BRAKE COMMAND ASS.Y

序号	零件编号	零件名称	数量	图号
1	GBT882-B10X32-A3L	销 PIN	2	GBT882-B10X32-A3L
2	GBT91-3.2X18-A3L	销 PIN	2	GBT91-3.2X18-A3L
3	LD700.43.134	右旋连接叉 COUPLEING FOLK	2	LD700.43.134
4	B36.45.023.0	拉杆 PULL ROD	1	B36.45.023.0
5	GBT6170-M10-A3L	螺母 NUT	1	GBT6170-M10-A3L

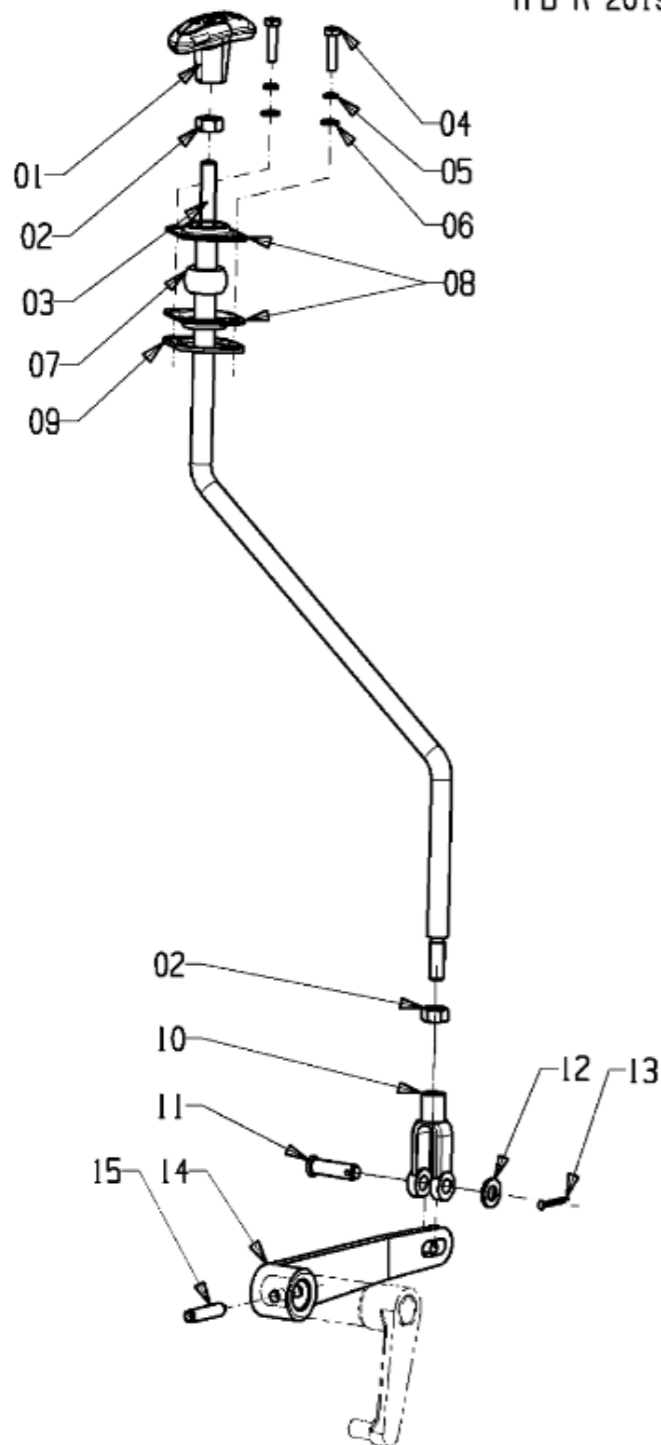


### B36.45.910.4\_1 差速锁操纵总成 DIFFERENTIAL LOCK COMMAND ASSEMBLY

序号	零件编号	零件名称	数量	图号
1	LE1204.38.015	差速锁焊接 DIFFERENTIAL LOCK	1	LE1204.38.015
2	GBT5783-M6X25-A2L	螺栓 BOLT	2	GBT5783-M6X25-A2L
3	GBT93-6-A3L	垫圈 WASHER	2	GBT93-6-A3L
4	GBT97.1-6-A3L	垫圈 WASHER	2	GBT97.1-6-A3L
5	CD1204.45.106	导向套 GUIDE SLEEVE	1	CD1204.45.106
6	SH404.42.114	导向套护腕 GUIDER SLEEVE	2	SH404.42.114
7	A23.45.001.0	导向套 GUIDE SLEEVE	1	A23.45.001.0
8	GBT882-B8X24-A3L	销 PIN	1	GBT882-B8X24-A3L
9	GBT97.1-8-A3L	垫圈 WASHER	3	GBT97.1-8-A3L
10	GBT91-2X20-A3L	销 PIN	1	GBT91-2X20-A3L
11	GBT894.1-20	轴用弹性挡圈 CIRCLIP FOR SHAFT	2	GBT894.1-20
12	SH900.38.012	摇臂焊接 DIFFERENTIAL LOCK	1	SH900.38.012
13	GBT5783-M10X25-A3L	螺栓 BOLT	4	GBT5783-M10X25-A3L
14	GBT93-10-A3L	垫圈 WASHER	4	GBT93-10-A3L
15	SH900.38.106	支架 BRACKET	1	SH900.38.106
16	SH900.38.103	支架 BRACKET	1	SH900.38.103
17	SH900.38.102	旋转杆 ROTATING LEVER	1	SH900.38.102
18	GBT91-2.5X16-A3L	销 PIN	2	GBT91-2.5X16-A3L
19	SH900.38.115	拨快 PLATE	1	SH900.38.115
20	GBT879.1-8X40	销 PIN	1	GBT879.1-8X40
21	GBT879.1-5X40	销 PIN	1	GBT879.1-5X40
22	SH900.38.104	差速锁定摇臂拉杆 DIFFERENTIAL	1	SH900.38.104

 SHANGHAI DEUTZ-FAHR GROUP S.p.A. SHANGHAI DEUTZ-FAHR GROUP S.p.A. Gruppo - Group	SH904C COTTON	N. dis. - P/N
	PTO COMMAND ASSY(760/1000)	B36.45.911.4
	Rev	Foglio - Sheet
	0	1
	Validato il	On
	21/03/2019	F

YFB-R-2019-001 SH.005



### B36.45.911.4\_0 动力输出操纵总成 PTO COMMAND ASS.Y

序号	零件编号	零件名称	数量	图号
1	A23.45.073.4/10	速度标牌 (760/1000) P.T.O SPEED	1	A23.45.073.4/10
2	GBT6170-M10-A3L	螺母 NUT	2	GBT6170-M10-A3L
3	LE1204.41.122	动力输出操纵杆 PTO CONTROL	1	LE1204.41.122
4	GBT5783-M6X25-A2L	螺栓 BOLT	2	GBT5783-M6X25-A2L
5	GBT93-6-A3L	垫圈 WASHER	2	GBT93-6-A3L
6	GBT97.1-6-A3L	垫圈 WASHER	2	GBT97.1-6-A3L
7	LE1204.45.107	导向套 GUIDE SLEEVE	1	LE1204.45.107
8	SH404.42.114	导向套护腕 GUIDER SLEEVE	2	SH404.42.114
9	A23.45.001.0	导向套 GUIDE SLEEVE	1	A23.45.001.0
10	SH900.41.102	连接叉 PULL ROD FRONT FORK	1	SH900.41.102
11	GBT882-B10X35-A3L	销 PIN	1	GBT882-B10X35-A3L
12	GBT97.1-10-A3L	垫圈 WASHER	1	GBT97.1-10-A3L
13	GBT91-3.2X25-A3L	销 PIN	1	GBT91-3.2X25-A3L
14	SH900.41.103	动力输出外摇臂 PTO OUTER ROCKER	1	SH900.41.103
15	GBT879.1-8X40	销 PIN	1	GBT879.1-8X40





SH90 SERIES COTTON

PTO COMMAND ASSY(540/760)

N. dis. - P/N

B36.45.912.4

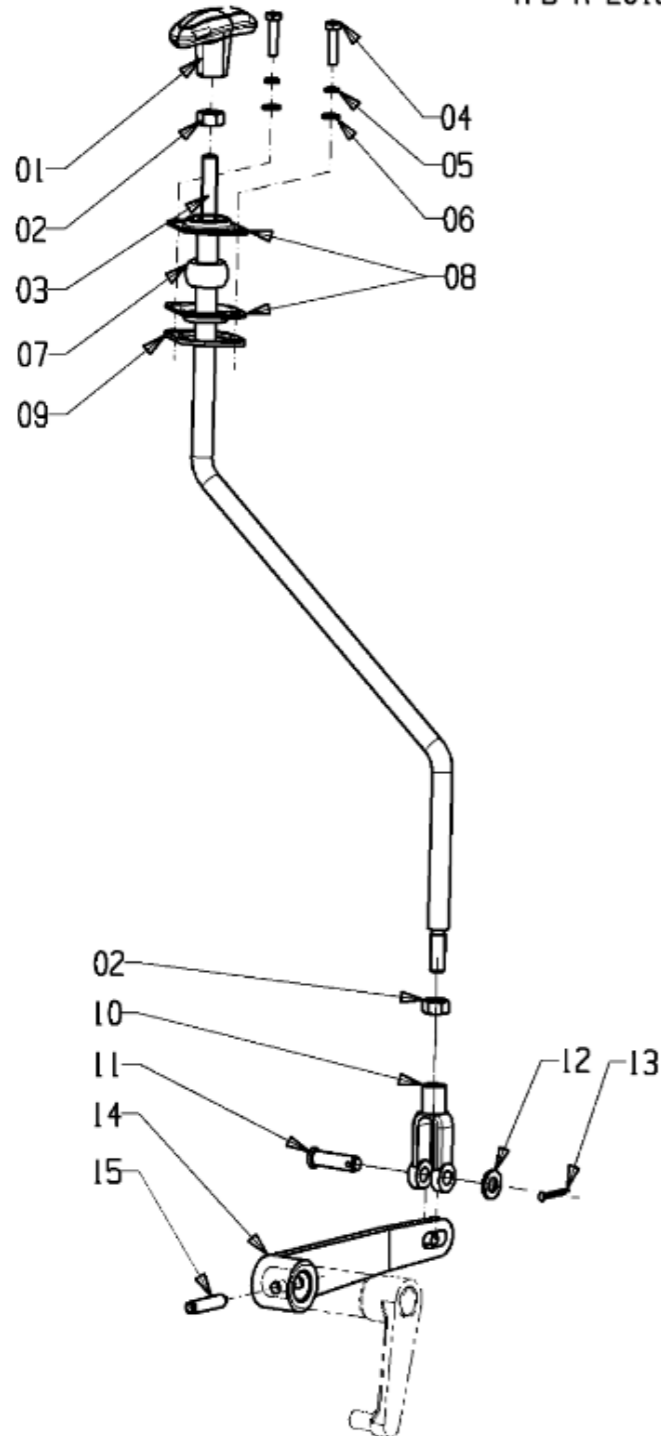
Rev. Foglio - Sheet di - of

Validato il 16/04/2019

SH90 SERIES COTTON  
SH90.4.0012.001 4 LAMINAZIONE 4/2019


Gruppo - Group

YFB-R-2018-009 SH.003

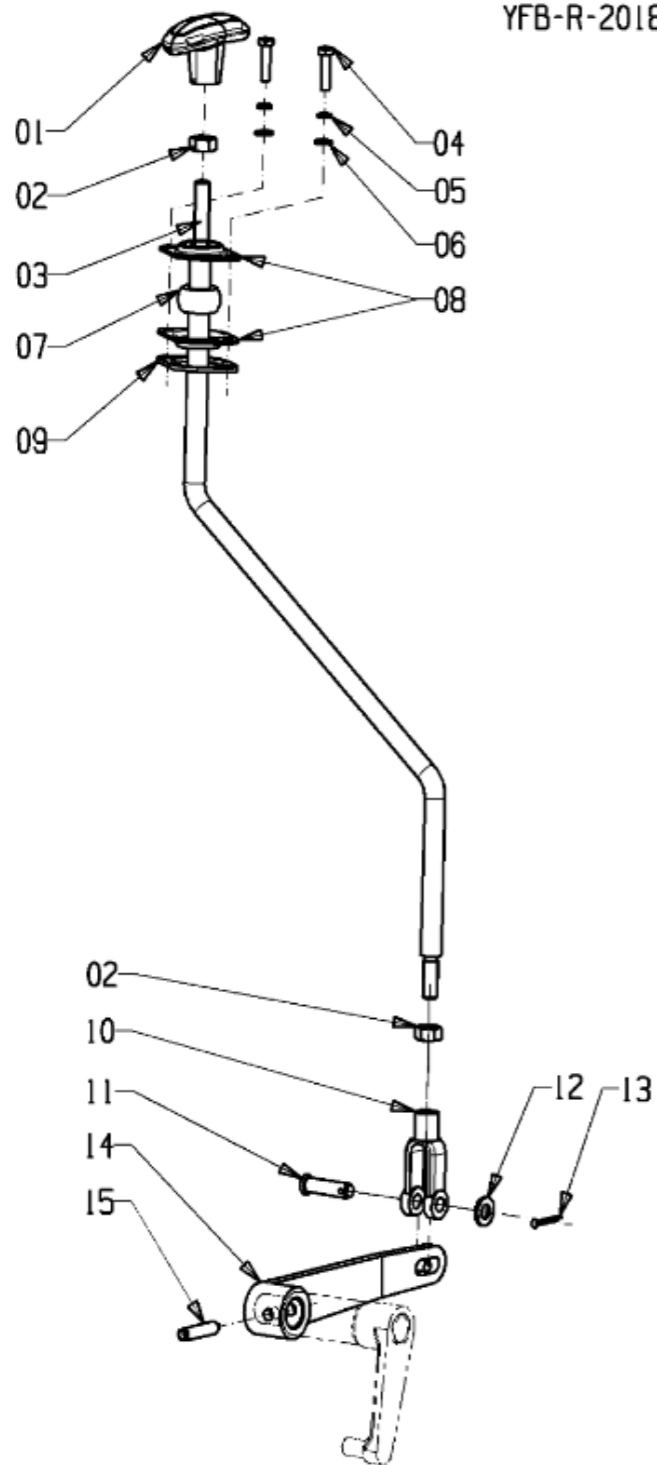


## B36.45.912.4\_0 动力输出操纵总成PTO COMMAND ASS.Y

序号	零件编号	零件名称	数量	图号
1	A23.45.089.4/10	速度标牌 (540/760) P.T.O SPEED	1	A23.45.089.4/10
2	GBT6170-M10-A3L	螺母 NUT	2	GBT6170-M10-A3L
3	LE1204.41.122	动力输出操纵杆 PTO CONTROL	1	LE1204.41.122
4	GBT5783-M6X25-A2L	螺栓 BOLT	2	GBT5783-M6X25-A2L
5	GBT93-6-A3L	垫圈 WASHER	2	GBT93-6-A3L
6	GBT97.1-6-A3L	垫圈 WASHER	2	GBT97.1-6-A3L
7	LE1204.45.107	导向套 GUIDE SLEEVE	1	LE1204.45.107
8	SH404.42.114	导向套护腕 GUIDER SLEEVE	2	SH404.42.114
9	A23.45.001.0	导向套 GUIDE SLEEVE	1	A23.45.001.0
10	SH900.41.102	连接叉 PULL ROD FRONT FORK	1	SH900.41.102
11	GBT882-B10X35-A3L	销 PIN	1	GBT882-B10X35-A3L
12	GBT97.1-10-A3L	垫圈 WASHER	1	GBT97.1-10-A3L
13	GBT91-3.2X25-A3L	销 PIN	1	GBT91-3.2X25-A3L
14	SH900.41.103	动力输出外摇臂 PTO OUTER ROCKER	1	SH900.41.103
15	GBT879.1-8X40	销 PIN	1	GBT879.1-8X40

 SHANGHAI DEUTZ-FAHR GROUP S.p.A. Gruppo - Group	SH90 SERIES COTTON	N. dis. - P/N <b>B36.45.913.4</b>
	<b>PTO COMMAND ASSY(540/1000)</b>	Rev: 0 Foglio - Sheet: 1 di - of: 1 Validato il: 16/04/2019 Om: F

YFB-R-2018-009 SH.007



### B36.45.913.4\_0 动力输出操纵总成 PTO COMMAND ASS.Y

序号	零件编号	零件名称	数量	图号
1	A23.45.092.4/10	速度标牌 (540/1000) P.T.O SPEED	1	A23.45.092.4/10
2	GBT6170-M10-A3L	螺母 NUT	2	GBT6170-M10-A3L
3	LE1204.41.122	动力输出操纵杆 PTO CONTROL	1	LE1204.41.122
4	GBT5783-M6X25-A2L	螺栓 BOLT	2	GBT5783-M6X25-A2L
5	GBT93-6-A3L	垫圈 WASHER	2	GBT93-6-A3L
6	GBT97.1-6-A3L	垫圈 WASHER	2	GBT97.1-6-A3L
7	LE1204.45.107	导向套 GUIDE SLEEVE	1	LE1204.45.107
8	SH404.42.114	导向套护腕 GUIDER SLEEVE	2	SH404.42.114
9	A23.45.001.0	导向套 GUIDE SLEEVE	1	A23.45.001.0
10	SH900.41.102	连接叉 PULL ROD FRONT FORK	1	SH900.41.102
11	GBT882-B10X35-A3L	销 PIN	1	GBT882-B10X35-A3L
12	GBT97.1-10-A3L	螺栓 WASHER	1	GBT97.1-10-A3L
13	GBT91-3.2X25-A3L	销 PIN	1	GBT91-3.2X25-A3L
14	SH900.41.103	动力输出外摇臂 PTO OUTER ROCKER	1	SH900.41.103
15	GBT879.1-8X40	销 PIN	1	GBT879.1-8X40



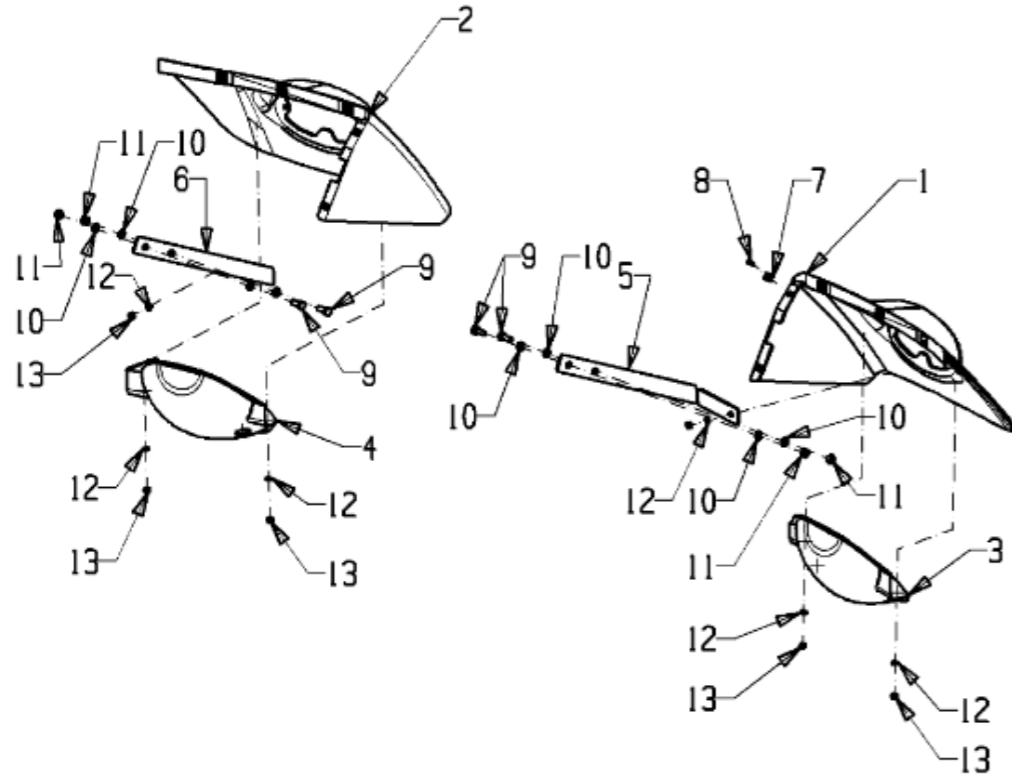
CD90 CNI11 (COTTON)

REAR LAMP COVER

N. dis. - P/N  
B36.45.964.4

Rev. 0 Foglio 1 Sheet 1 di 1  
Validato il 07/03/2020

YFB-R-2016-016 SH.016



B36.45.964.4\_0 后尾灯罩总成 REAR LAMP COVER

序号	零件编号	零件名称	数量	图号
1	B36.45.006.2	左后灯盖 LH REAR LAMP COVER	1	B36.45.006.2
2	B36.45.007.2	右后灯盖 RH REAR LAMP COVER	1	B36.45.007.2
3	A80.45.098.0	左灯盖 LH LAMP COVER	1	A80.45.098.0
4	A80.45.099.0	右灯盖 RH LAMP COVER	1	A80.45.099.0
5	A80.45.100.0	左支架 LH BRACKET	1	A80.45.100.0
6	A80.45.101.0	右支架 RH BRACKET	1	A80.45.101.0
7	A23.45.103.0	夹板 CLIP-SELF-TAPPING SCREW 4.2	10	A23.45.103.0
8	2.0350.455.2	螺钉 SCREW ST4.2x16 - C	10	2.0350.455.2
9	GBT5783-M8X20-A2L	螺栓 BOLT	4	GBT5783-M8X20-A2L
10	GBT97.1-8-A3L	垫圈 WASHER	8	GBT97.1-8-A3L
11	GBT6170-M8-A2L	螺母 NUT	4	GBT6170-M8-A2L
12	GBT97.1-6-A3L	垫圈 WASHER	6	GBT97.1-6-A3L
13	GBT6170-M6-A2L	螺母 NUT	6	GBT6170-M6-A2L



CD90 SERIES YUCHAI CN111 TIANLI CN111 COTTON

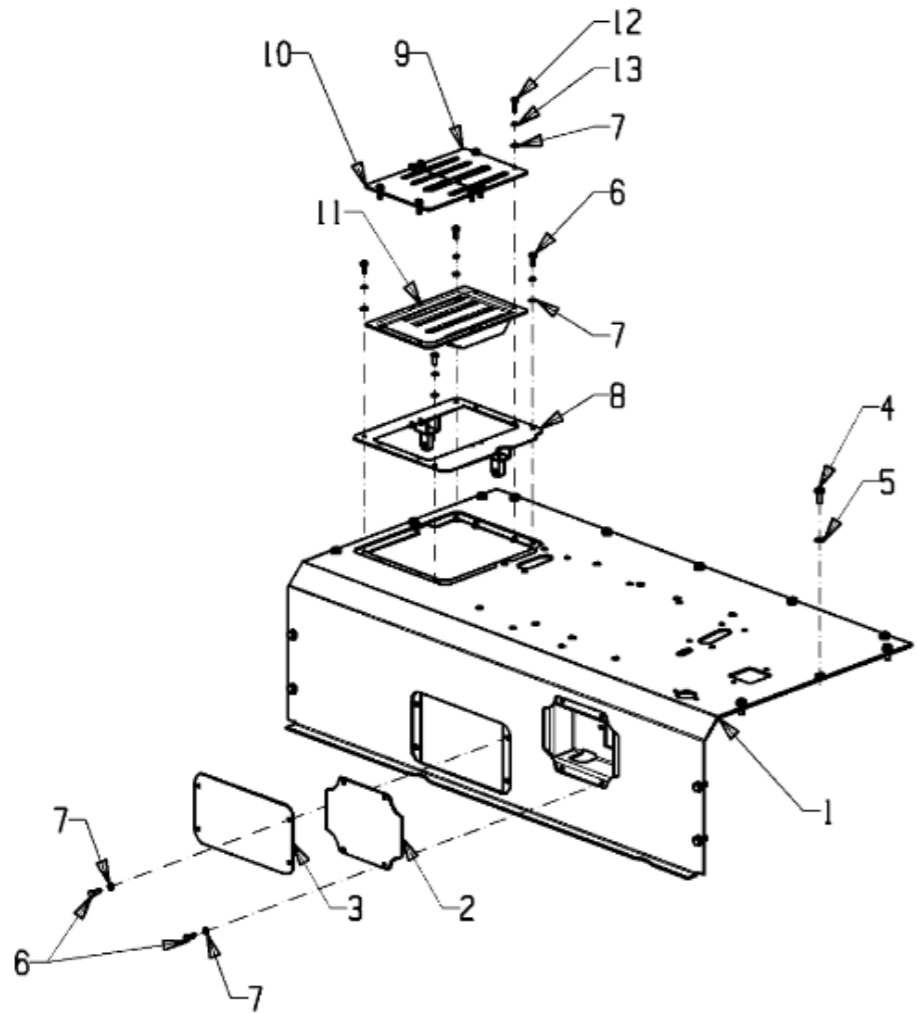
N. dis. - P/N

**B36.45.972.4**

**REAR FLOOR COVER**


Rev	1	1	1	1
Validato il	23/04/2020	06	F	

YFB-R-2018-009 SH.013

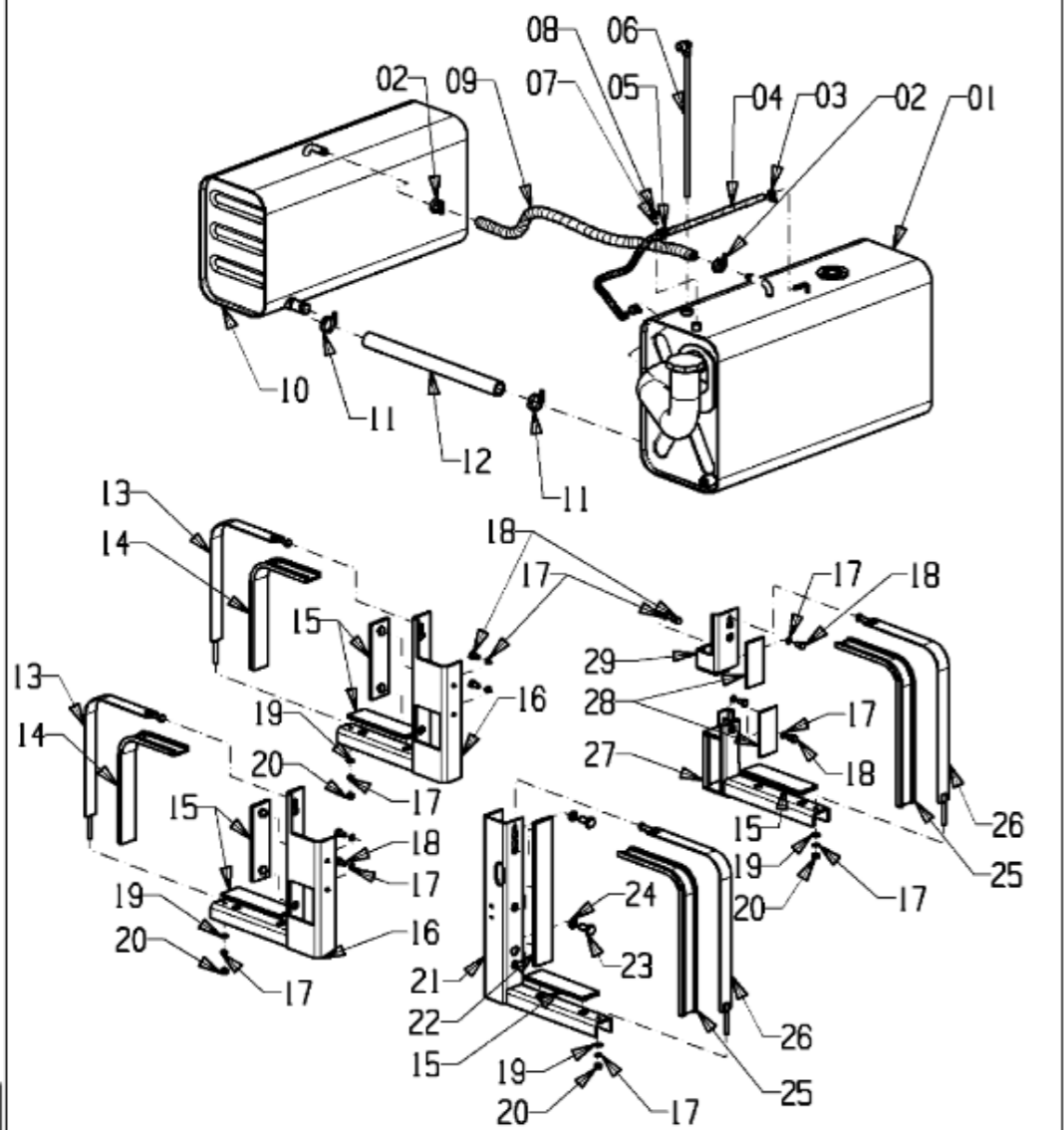


**B36.45.972.4\_1 后地板总成 REAR FLOOR COVER**

序号	零件编号	零件名称	数量	图号
1	B36.45.008.3/20	后地板 REAR FLOOR	1	B36.45.008.3/20
2	A23.45.221.0	盖子 COVER	1	A23.45.221.0
3	CD904A.45A.107	压板 PLATE	1	CD904A.45A.107
4	GBT5783-M8X20-A2L	螺栓 BOLT	15	GBT5783-M8X20-A2L
5	GBT97.1-8-A3L	垫圈 WASHER	15	GBT97.1-8-A3L
6	GBT5783-M6X16-A2L	螺栓 BOLT	12	GBT5783-M6X16-A2L
7	GBT97.1-6-A3L	垫圈 WASHER	20	GBT97.1-6-A3L
8	B80.45.006.3/10	支架 BRACKET	1	B80.45.006.3/10
9	A23.45.053.0	压板 PLATE	1	A23.45.053.0
10	A23.45.052.0	压板 PLATE	1	A23.45.052.0
11	A23.45.011.0	垫圈 GASKET	1	A23.45.011.0
12	GBT5783-M6X20-A2L	螺栓 BOLT	8	GBT5783-M6X20-A2L
13	GBT93-6-A3L	垫圈 WASHER	12	GBT93-6-A3L

 SHANE DEUTZ-FAHR GROUP S.p.A. S.M.E. 4.00027-FAH 4.0000001-1 FUEL TANK Gruppo - Group	SH90 series YC	N. dis. - P/N <b>B36.50.900.4</b>
	<b>FUEL TANK ASSEMBLY</b>	Rev. 0 Validato il 16/09/2020

YFB-R-2018-009 SH.001

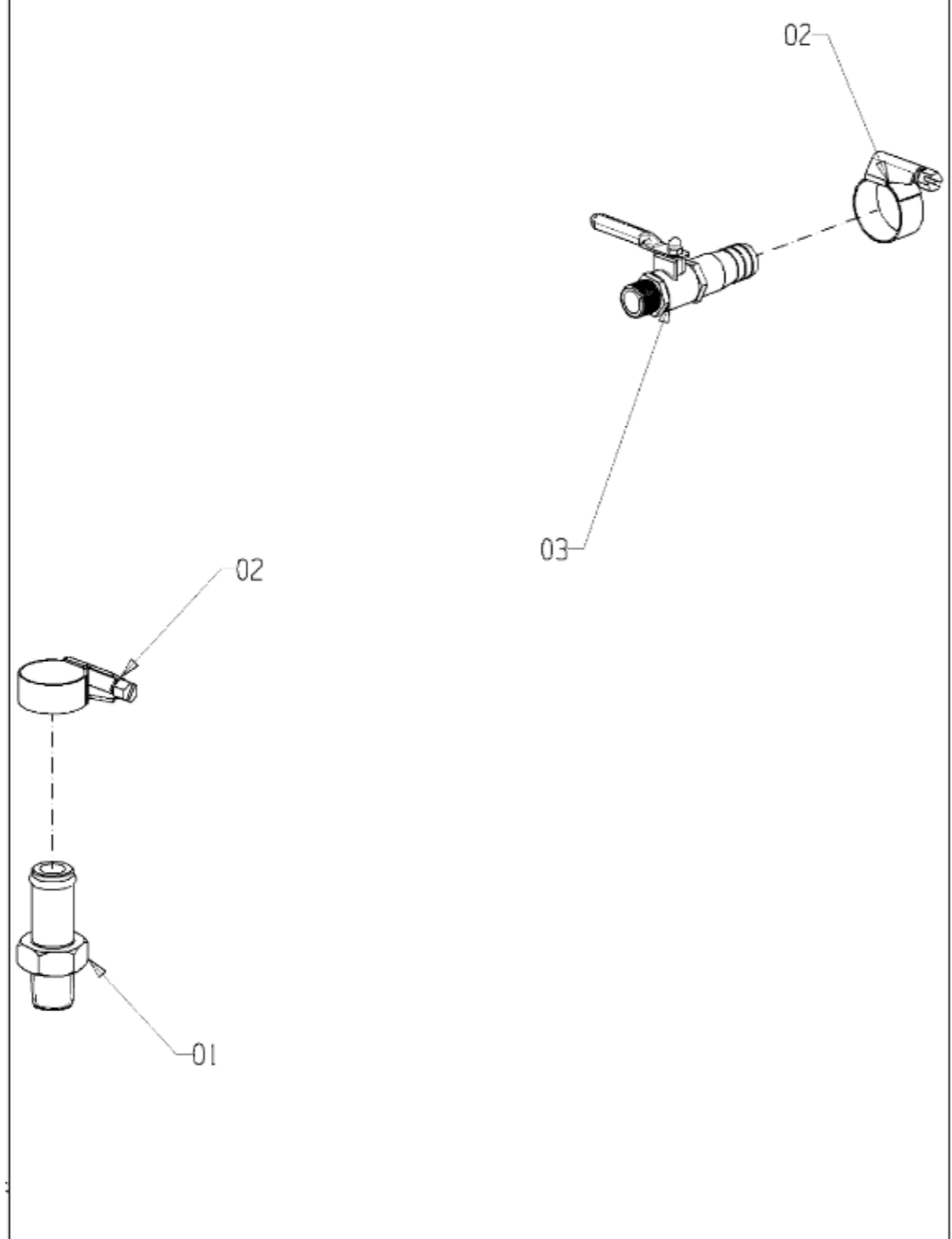


**B36.50.900.4\_0 油箱装配总成 FUEL TANK ASS.Y**

序号	零件编号	零件名称	数量	图号
1	CD904A.50.011/10	主油箱 MAIN FUEL TANK	1	CD904A.50.011/10
2	JBT8870-D32	软管夹 HOSE CLAMPS	2	JBT8870-D32
3	JBT8870-D20	软管夹 HOSE CLAMP	2	JBT8870-D20
4	CD904.50.103	呼吸软管 BREATHING HOSE	1	CD904.50.103
5	2.6839.053.0	线夹 FASCETTA	1	2.6839.053.0
6	CD1204.50.019	回油接头焊合 RETURN PIPE	1	CD1204.50.019
7	GBT93-6-A3L	垫圈 WASHER	1	GBT93-6-A3L
8	GBT5783-M6X12-A2L	销 BOLT	1	GBT5783-M6X12-A2L
9	SH900.50.111	连接胶管 CONNECTING HOSE	1	SH900.50.111
10	DF904.50.016	辅助燃油箱-6缸- AUX FUEL TANK - 6	1	DF904.50.016
11	JBT8870-D40	软管夹 HOSE CLAMP	2	JBT8870-D40
12	SH900.50.110	夹布输油软管 LOWER PIPE	1	SH900.50.110
13	SH900.50.023	固定带焊合 RH METAL BELT	2	SH900.50.023
14	SH900.50.140	固定带胶布 RH RUBBER BELT	2	SH900.50.140
15	SH900.50.138	橡胶垫板 FRONT RUBBER	6	SH900.50.138
16	SH900.50.012	副油箱支架焊合 AUXILIARY FUEL	2	SH900.50.012
17	GBT93-10-A3L	垫圈 WASHER	12	GBT93-10-A3L
18	GBT5783-M10X20-A3L	销 BOLT	8	GBT5783-M10X20-A3L
19	GBT97.1-10-A3L	垫圈 WASHER	4	GBT97.1-10-A3L
20	GBT6170-M10-A3L	螺母 NUT	4	GBT6170-M10-A3L
21	SH900.50.019	主油箱支架焊合 MAIN OIL TANK	1	SH900.50.019
22	SH900.50.141	橡胶帽 RUBBER	1	SH900.50.141
23	GBT5783-M16X30-A3L	销 BOLT	2	GBT5783-M16X30-A3L
24	GBT93-16-A3L	垫圈 WASHER	2	GBT93-16-A3L
25	SH900.50.114	固定带胶布 LH RUBBER BELT	2	SH900.50.114
26	SH900.50.018	固定带焊合 LH METAL BELT	2	SH900.50.018
27	SH900.50.013	主油箱支架焊合件 MAIN OIL TANK	1	SH900.50.013
28	SH900.50.139	橡胶垫板 REAR RUBBER	2	SH900.50.139
29	SH900.50.011	主油箱支架焊合件 MAIN OIL TANK	1	SH900.50.011

	CD90 SERIES YC CN111 COTTON	No. dis. - P/N B36.81.909.4	
	AC PIPE JOINT ASS.Y	Rev.	Facilio - Sheet di - di
		04/07/2022	

YFB-R-2018-009 SH.025



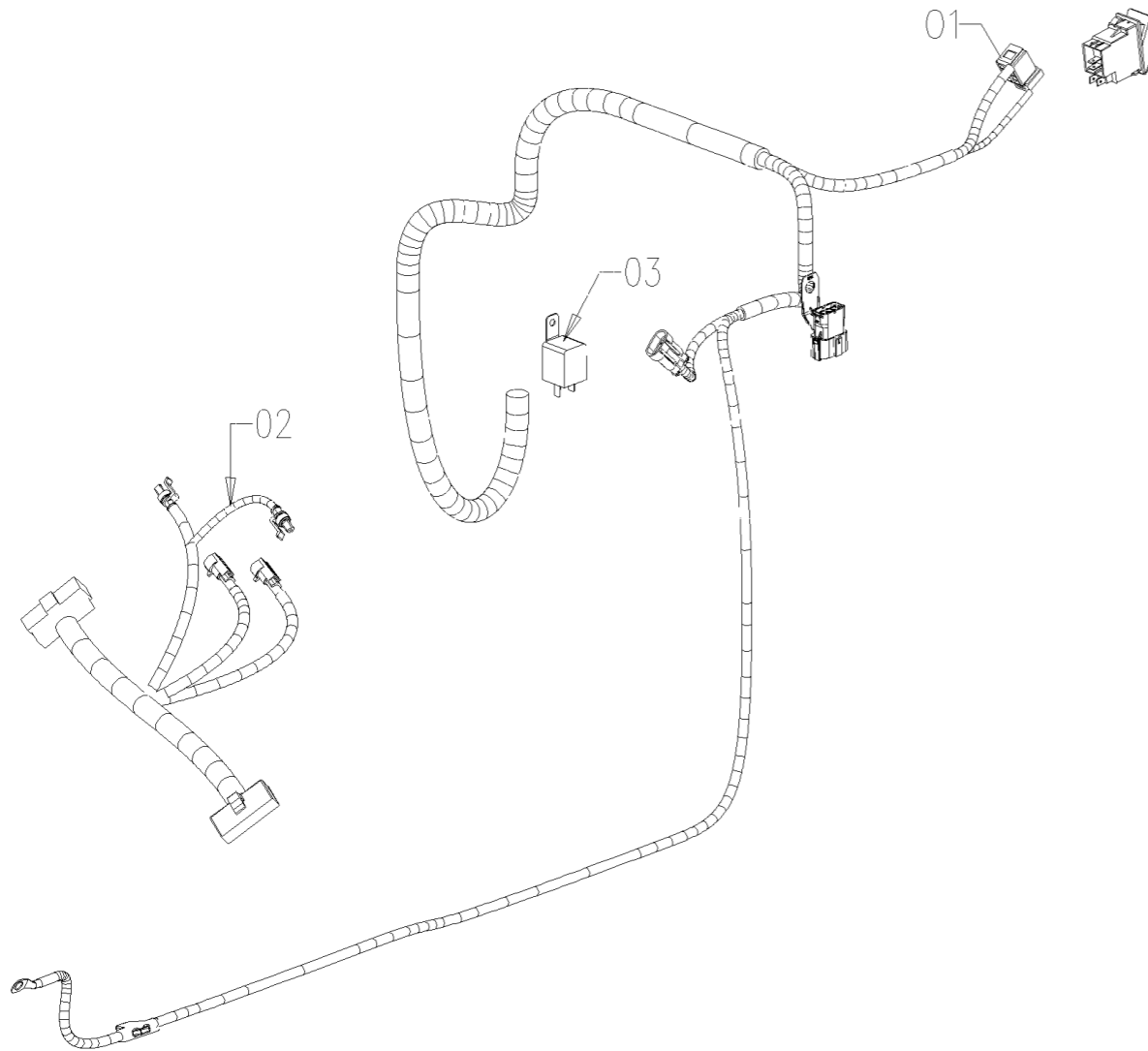
### B36.81.909.4\_0 空调管路接头总成 AC PIPE JOINT ASS.Y

序号	零件编号	零件名称	数量	图号
1	2.3249.853.2	橡胶软管接头 RUBBER HOSE FITTING	1	2.3249.853.2
2	2.6851.001.0	软管夹 HOSE CLAMP 16-25	2	2.6851.001.0
3	SH400.45.010	暖气进水阀总成 WARM AIR WATER	1	SH400.45.010

# B39.48.922.4 BONNET W.L. W.H ASS.Y

## B39.48.922.4\_1 机罩工作灯安装总成 (驾驶室) BONNET W.L. W.H. ASSEMBLY(Cab)

序号	零件编号	零件名称	数量	图号
1	B39.48.005.0	机罩线束 BONNET WL.SW.WH.	1	B39.48.005.0
2	B39.48.007.0	前工作灯线束 FRONT W.L. AD. W.H.	1	B39.48.007.0
3	LD700.48.037	灯光继电器 LAMP RELAY	1	LD700.48.037

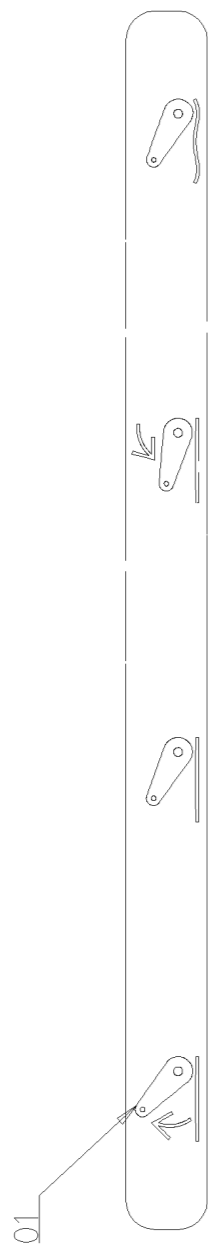


# ENFORCE CONROL LABEL ASS. B47.51.901.4

## B47.51.901.4\_0 强压操纵标识总成 ENFORCED CONROL LABEL ASSY

序号	零件编号	零件名称	数量	图号
1	C48.51.001.0/10	强压操纵标识 ENFORCE LEFT LABEL	1	C48.51.001.0/10

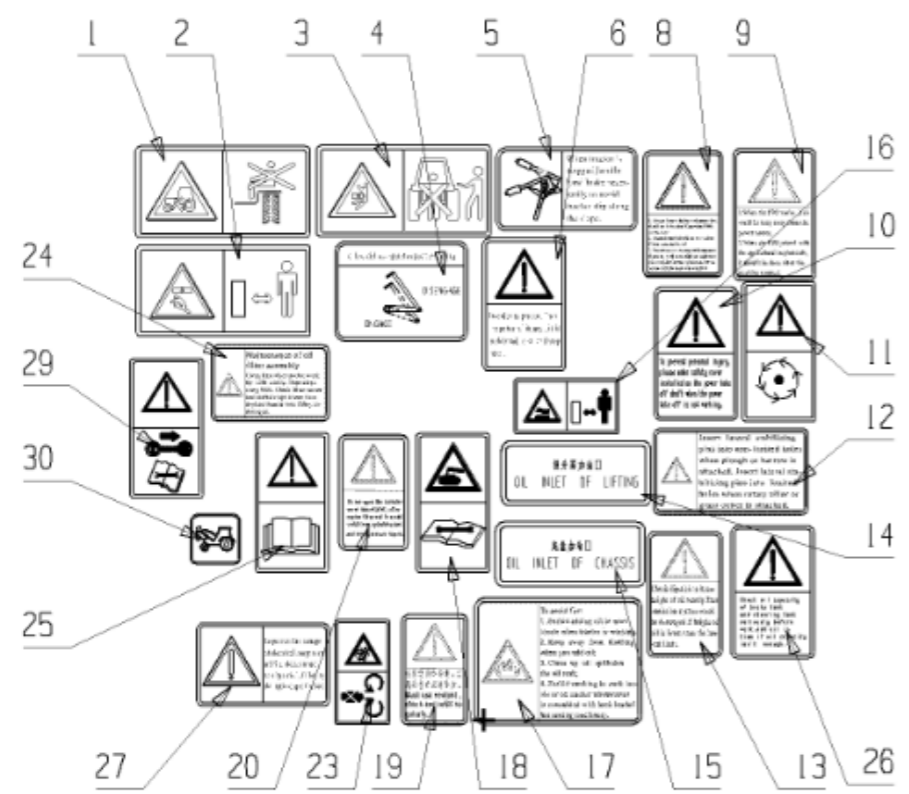
YFB-S-2016-014 SH.096





 SAME DEUTZ-FAHR GROUP S.p.A. SAME • SAME-TAG • LANDINI • HOLLAND Gruppo - Group	FL40/FL55	N. dis. - P/N <b>B61.51.901.4</b>
	<b>UNIVERSAL LABELS ASS.Y</b>	Rev. 4 Foglio - Sheet 1 di 1 Val idato il 01/01/11

YFB-R-2019-001 SH.042



### B61.51.901.4\_4 通用标识 UNIVERSAL LABELS ASS.Y

序号	零件编号	零件名称	数量	图号
1	SH900.51.136	挡泥板禁止乘坐标识	1	SH900.51.136
2	SH900.51.132	安全警告标识	1	SH900.51.132
3	SH900.51.135	安全警告标识	1	SH900.51.135
4	SH900.51B.103	差速锁标识	1	SH900.51B.103
5	SH900.51B.110	驻车制动标识	1	SH900.51B.110
6	SH900.51B.122	后横板安全标识	1	SH900.51B.122
8	B61.51.009.0/10	动力输出安全标识 IV	1	B61.51.009.0/10
9	SH900.51B.117	动力输出 安全标识	1	SH900.51B.117
10	SH900.51B.116	动力输出 安全标识III	1	SH900.51B.116
11	SH900.51.118	动力输出 安全标识II	1	SH900.51.118
12	SH900.51B.119	限位销安全标识	1	SH900.51B.119
13	SH900.51B.125	传动液位检测标识	1	SH900.51B.125
14	SH900.51.153	提升器加油口标识	1	SH900.51.153
15	SH900.51.154	底盘加油口标识	1	SH900.51.154
16	SH900.51.152	高温防烫标识(小)	1	SH900.51.152
17	SH900.51B.112	加油防火标识	1	SH900.51B.112
18	SH900.51.122	蓄电池安全标识	1	SH900.51.122
19	A11.51.004.0	冷却系统标识	1	A11.51.004.0
20	B61.51.010.0	水箱口防烫标识	1	B61.51.010.0
23	SH900.51.125	安全警告标识	1	SH900.51.125
24	SH900.51B.102	吸油滤清器保养标识	1	SH900.51B.102
25	SH900.51.130	阅读说明书	1	SH900.51.130
26	SH900.51B.120	制动转向油箱油位安全标识	1	SH900.51B.120
27	SH900.51B.123	保险丝安全标识	1	SH900.51B.123
29	SH900.51.138	安全警告标识 I	1	SH900.51.138
30	2.9939.835.0/10	机罩标识	1	2.9939.835.0/10



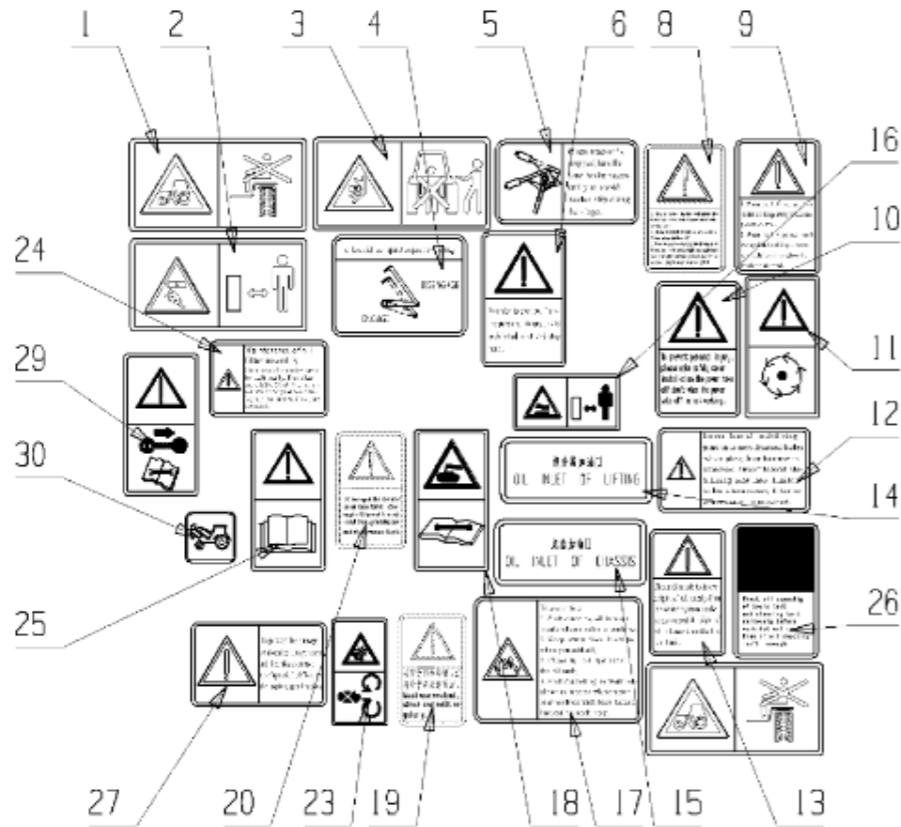
FL40/FL55

UNIVERSAL LABELS ASS.Y

N. dis. - P/N  
B61.51.901.4

Rev	1	Sheet	di	1
1	5	1	1	1
2	23/07/2022			

YFB-R-2017-011 SH.085



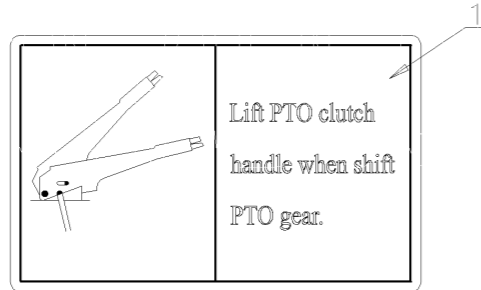
B61.51.901.4\_5 通用标识 UNIVERSAL LABELS ASS.Y

序号	零件编号	零件名称	数量	图号
1	SH900.51.136	挡泥板禁止乘坐标识 WARNING	2	SH900.51.136
2	SH900.51.132	安全警告标识 WARNING PLATE	1	SH900.51.132
3	SH900.51.135	安全警告标 WARNING PLATE	1	SH900.51.135
4	SH900.51B.103	差速锁标识 DIFFERENTIAL LOCK	1	SH900.51B.103
5	SH900.51B.110	驻车制动标识 PARKING BRAKE	1	SH900.51B.110
6	SH900.51B.122	后横板安全标识 REAR TRANSVERSE	1	SH900.51B.122
8	B61.51.009.0/10	动力输出安全标识 PTO SAFTY	1	B61.51.009.0/10
9	SH900.51B.117	动力输出安全标识 SECURITY	1	SH900.51B.117
10	SH900.51B.116	动力输出安全标识 PTO SAFETY	1	SH900.51B.116
11	SH900.51.118	动力输出安全标识 PTO SAFETY	1	SH900.51.118
12	SH900.51B.119	限位销安全标识 SECURITY	1	SH900.51B.119
13	SH900.51B.125	传动液位检测标识 SECURITY	1	SH900.51B.125
14	SH900.51.153	提升器加油口标识 LIFT REFUELING	1	SH900.51.153
15	SH900.51.154	底盘加油口(强压) CHASSIS FUEL	1	SH900.51.154
16	SH900.51.152	高温防烫标识(小) HIGH	1	SH900.51.152
17	SH900.51B.112	加油防火标识 SECURITY	1	SH900.51B.112
18	SH900.51.122	蓄电池标识 BATTERY LOGO	1	SH900.51.122
19	A11.51.004.0	冷却系统标签 COOLING SYSTEM	1	A11.51.004.0
20	B61.51.010.0	水箱口防烫标识 RADIATOR ANTI-	1	B61.51.010.0
23	SH900.51.125	安全警告标识 VII SAFETY LOGO VII	1	SH900.51.125
24	SH900.51B.102	吸油滤清器保养标识 SECURITY	1	SH900.51B.102
25	SH900.51.130	阅读说明书标识 READING	1	SH900.51.130
26	SH900.51B.120	制动转向油箱油位安全标识 OIL TANK	1	SH900.51B.120
27	SH900.51B.123	保险丝安全标识 SECURITY	1	SH900.51B.123
29	SH900.51.138	安全警告标识 SAFETY WARNING	1	SH900.51.138
30	2.9939.835.0/10	机罩开启标识 BONNET	1	2.9939.835.0/10

B61.51.903.4\_1 副离合器控制标签 AUXILIARY CLUTCH COMMAND LABEL

序号	零件编号	零件名称	数量	图号
1	B61.51.012.0	副离合操纵标识 副离合操纵标识	1	B61.51.012.0

B61.51.903.4 AUXILIARY CLUTCH COMMAND LABEL



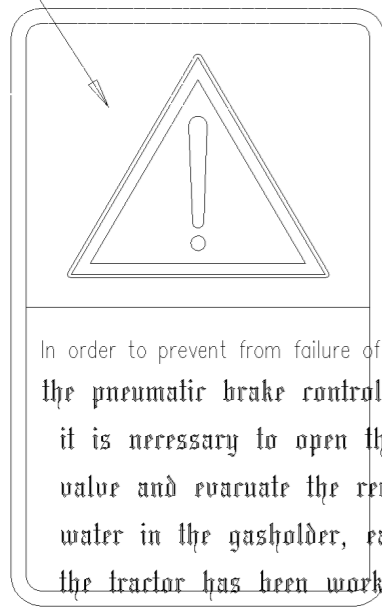
# Air brake label B61.51.906.4

## B61.51.906.4\_0 气刹标识总成 AIR BRAKE LABEL

序号	零件编号	零件名称	数量	图号
1	SH900.51B.129	气刹标识	1	SH900.51B.129

YFB-R-2017-011 SH.002

01



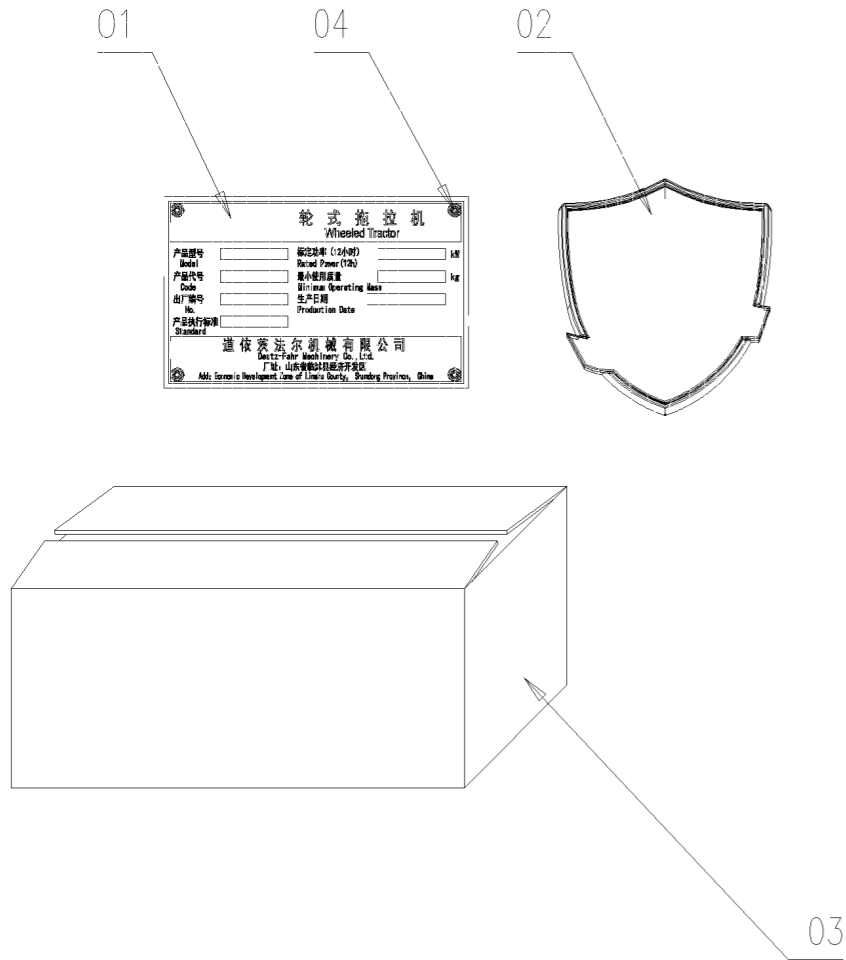
In order to prevent from failure of the pneumatic brake control system, it is necessary to open the drain valve and evacuate the remnant water in the gasholder, each time the tractor has been working for 50hrs.

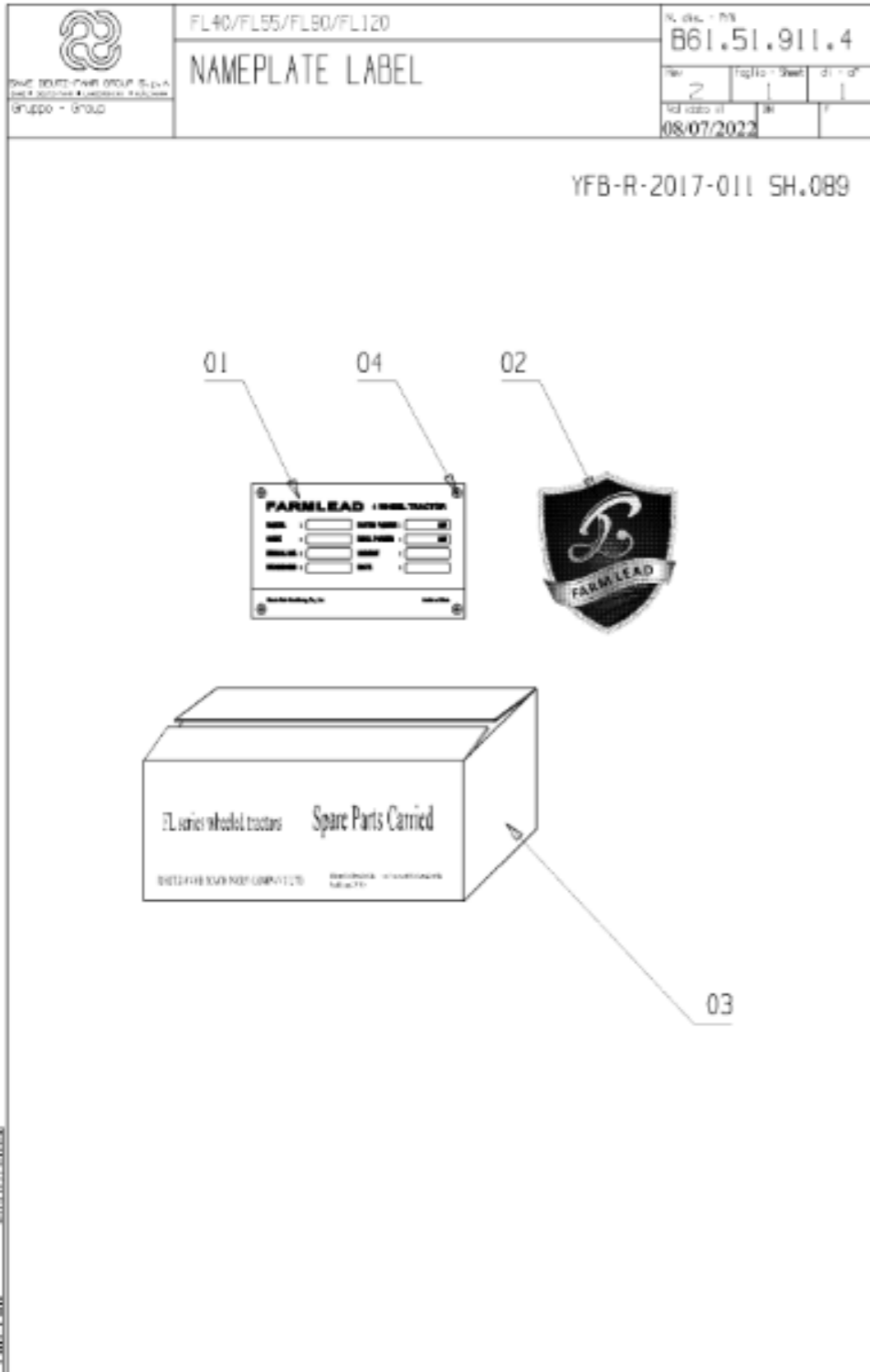
# Nameplate label B61.51.911.4

YFB-R-2017-001 SH.041

## B61.51.911.4\_1 铭牌标识 NAMEPLATE LABEL

序号	零件编号	零件名称	数量	图号
1	B61.51.001.0	铭牌标识	1	B61.51.001.0
2	B61.51.005.3	前标	1	B61.51.005.3
3	B61.51.006.0	包装箱	1	B61.51.006.0
4	GB/T 12618	抽芯铆钉 3X15	4	GB/T 12618

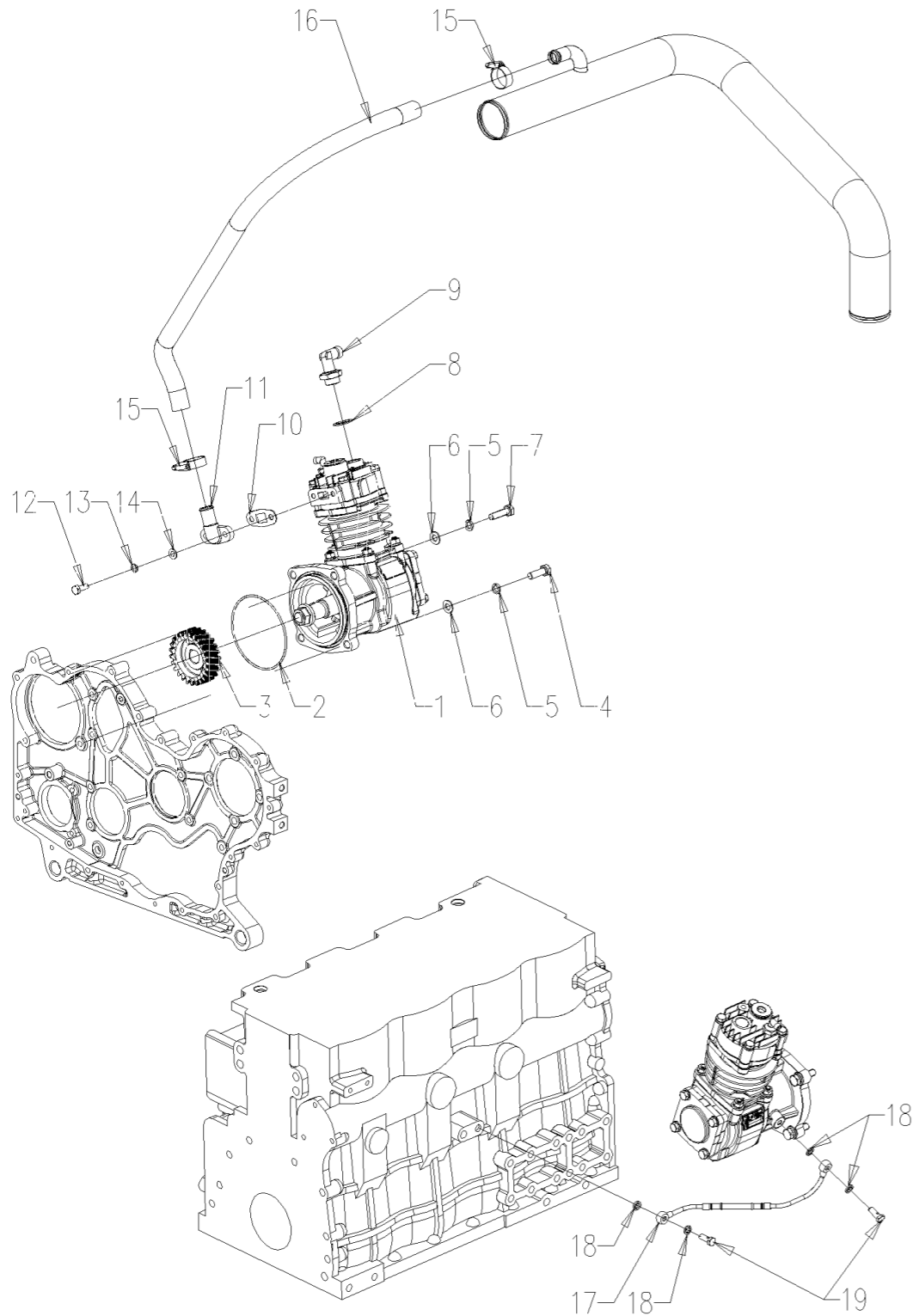




### B61.51.911.4\_2 铭牌标识 NAMEPLATE LABEL

序号	零件编号	零件名称	数量	图号
1	A62.51.002.0/20	铭牌 FARMLEAD NAMEPLATE	1	A62.51.002.0/20
2	B61.51.005.3	前标 FRONT LOGO	1	B61.51.005.3
3	B61.51.006.0	包装箱 PACKAGE BOX	1	B61.51.006.0
4	GBT12618.1-3X15	铆钉 RIVET	4	GBT12618.1-3X15

# B80.10.901.4 AIR BREAK SYSTEM



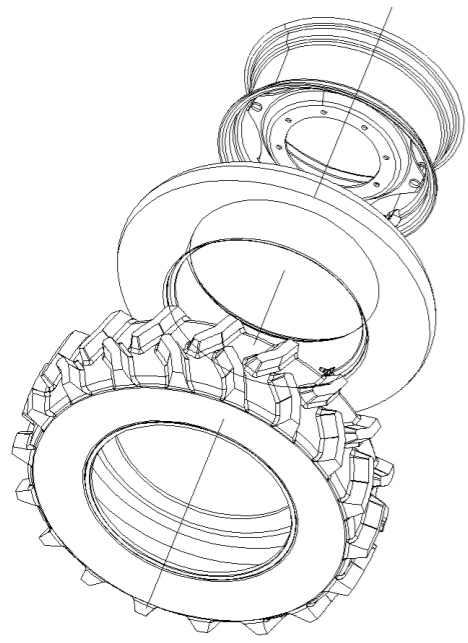
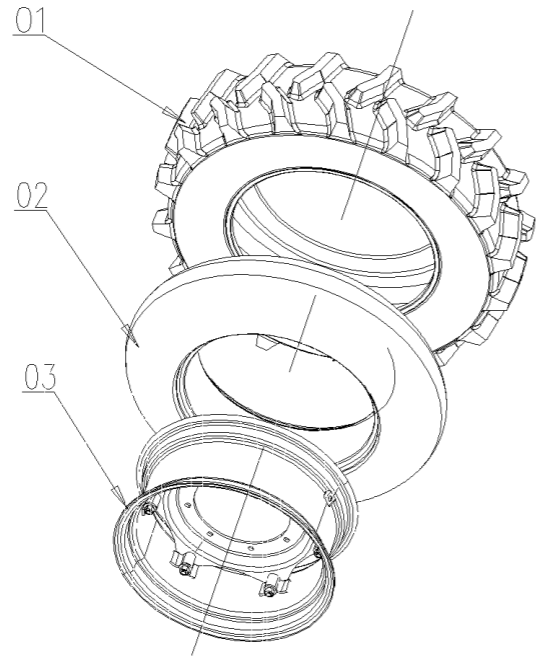
## B80.10.901.4\_0 气泵总成 (气刹) AIR BREAK SYSTEM

序号	零件编号	零件名称	数量	图号
1	B80.10.002.4	气泵外形 AIR PUMP	1	B80.10.002.4
2	GBT3452.1-112X2.65	O形密封圈 O RING	1	GBT3452.1-112X2.65
2	GBT3452.1-112X2.65-G	O形密封圈 O RING	1	GBT3452.1-112X2.65-G
3	B80.10.004.0	空气压缩机齿轮 AIR PUMP GEAR	1	B80.10.004.0
4	GBT5786-M10X1X30-A3L	螺栓 BOLT	1	GBT5786-M10X1X30-A3L
5	GBT93-10-A3L	垫圈 WASHER	4	GBT93-10-A3L
6	GBT97.1-10-A3L	垫圈 WASHER	4	GBT97.1-10-A3L
7	GBT5783-M10X35-A3L	螺栓 BOLT	3	GBT5783-M10X35-A3L
8	B80.10.010.0	垫圈 WASHER	1	B80.10.010.0
9	B80.10.007.2	出气接头组件 JOINT ASS.Y	1	B80.10.007.2
10	B80.10.008.0	垫圈 GASKET	1	B80.10.008.0
11	B80.10.006.0	排气弯管接头 JOINT	1	B80.10.006.0
12	GBT5783-M8X20-A2L	螺栓 BOLT	2	GBT5783-M8X20-A2L
13	GBT93-8-A3L	垫圈 WASHER	2	GBT93-8-A3L
14	GBT97.1-8-A3L	垫圈 WASHER	2	GBT97.1-8-A3L
15	JBT8870-D32	软管夹 HOSE CLAMP	2	JBT8870-D32
16	B80.10.009.0	空压机进气胶管 AIR PUMP HOSE	1	B80.10.009.0
17	B80.10.005.2	油泵 OIL PUMP	1	B80.10.005.2
18	JBT982-8	密封垫圈 SEALING WASHER	4	JBT982-8
19	B80.10.003.0	接头螺栓 EYE BOLT	2	B80.10.003.0

B80.32.900.4 FRONT TIRE ASS.Y ( NORMAL TIRE )

B80.32.900.4\_0 前轮总成 ( 斜交胎 11.2-24 , 分动箱 21/27 ) FRONT TYRE 11.2-24 ASSY

序号	零件编号	零件名称	数量	图号
1	GBT2979-11.2-24-10PR-R1	外胎 OUTER TIRE	2	GBT2979-11.2-24-10PR-R1
2	GBT2979-11.2-24-R1	内胎 INNER TIRE	2	GBT2979-11.2-24-R1
3	SH904.32.010	轮辋 RIM COMPONENT	2	SH904.32.010

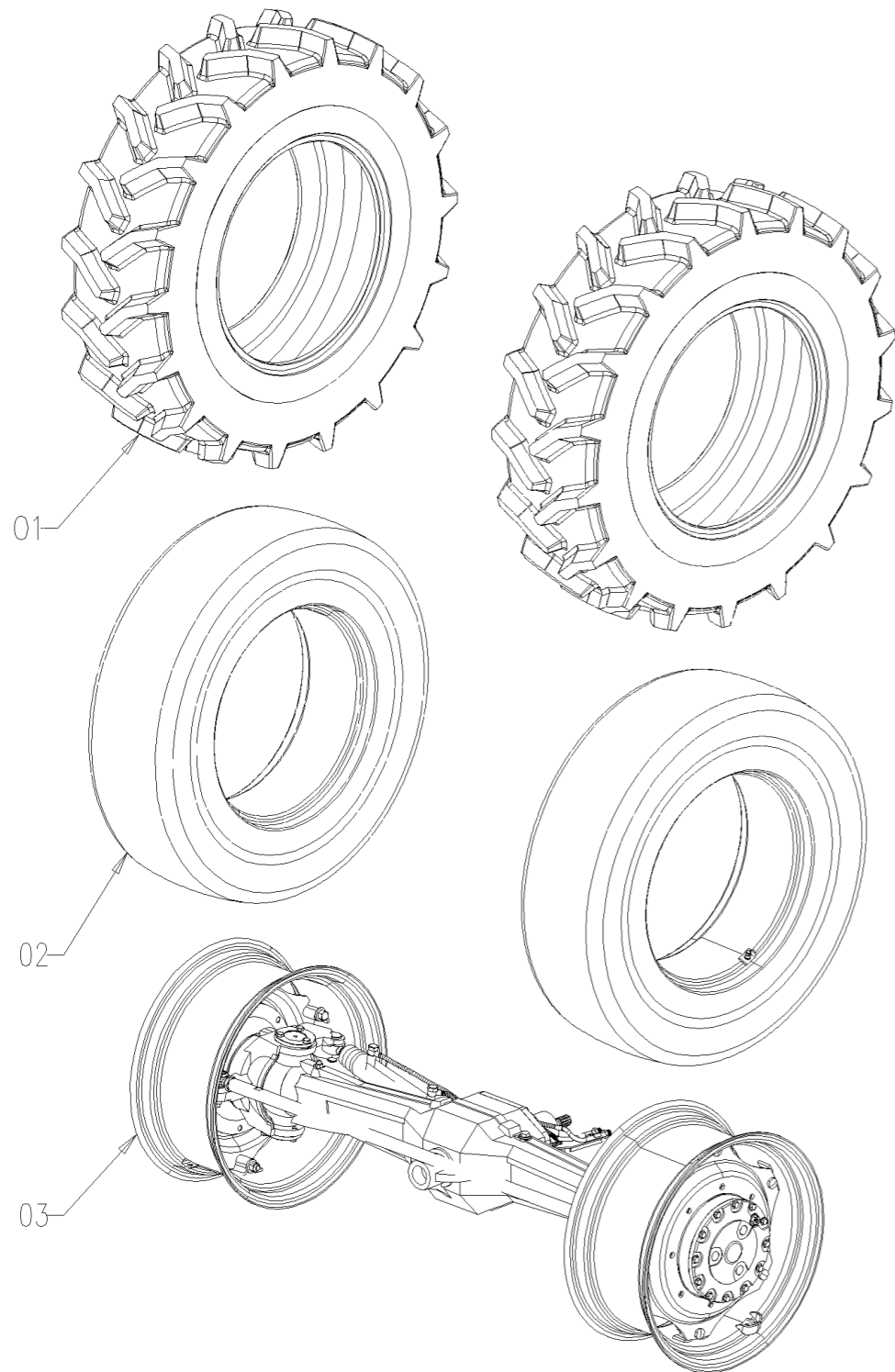




# B80.32.901.4 FRONT TIRE ASS.Y ( NORMAL TIRE )

# B80.32.901.4\_0 前轮总成 (斜交胎 13.6-24) FRONT TYRE 13.6-24 ASSY

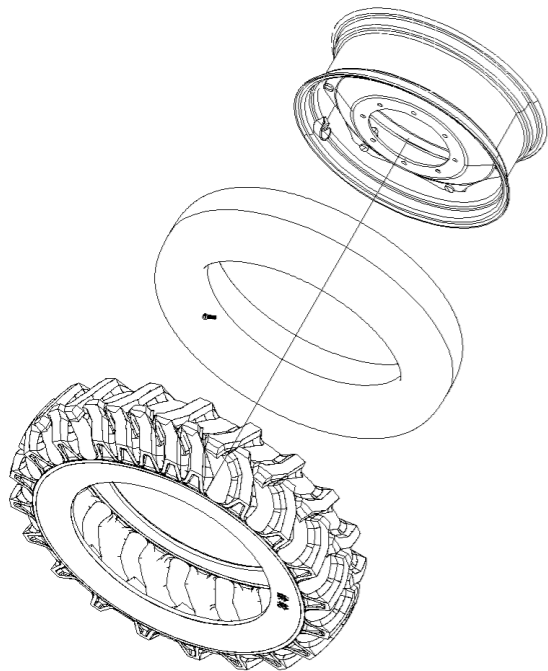
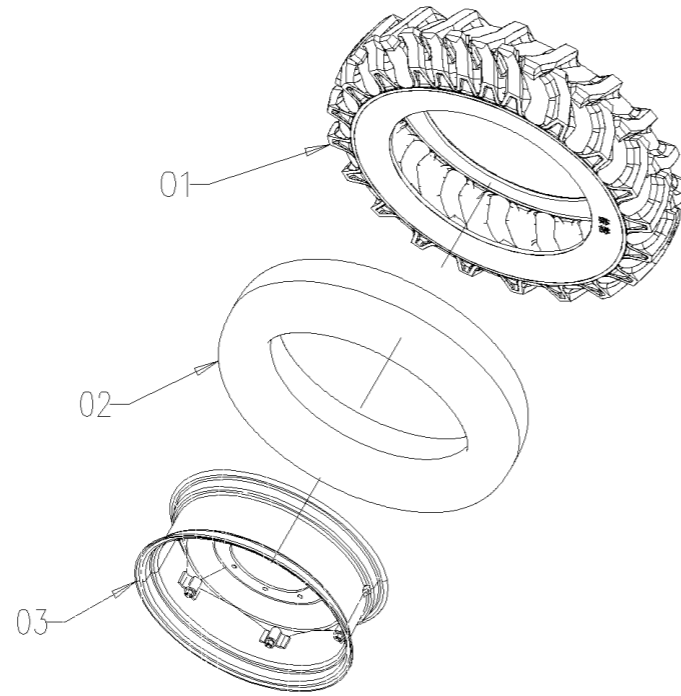
序号	零件编号	零件名称	数量	图号
1	GBT2979-13.6-24-8PR-R1	外胎 OUTER TIRE	2	GBT2979-13.6-24-8PR-R1
2	GBT2979-13.6-24-R1	内胎 INNER TIRE	2	GBT2979-13.6-24-R1
3	SH904.32A.011	轮辋 RIM COMPONENT	2	SH904.32A.011



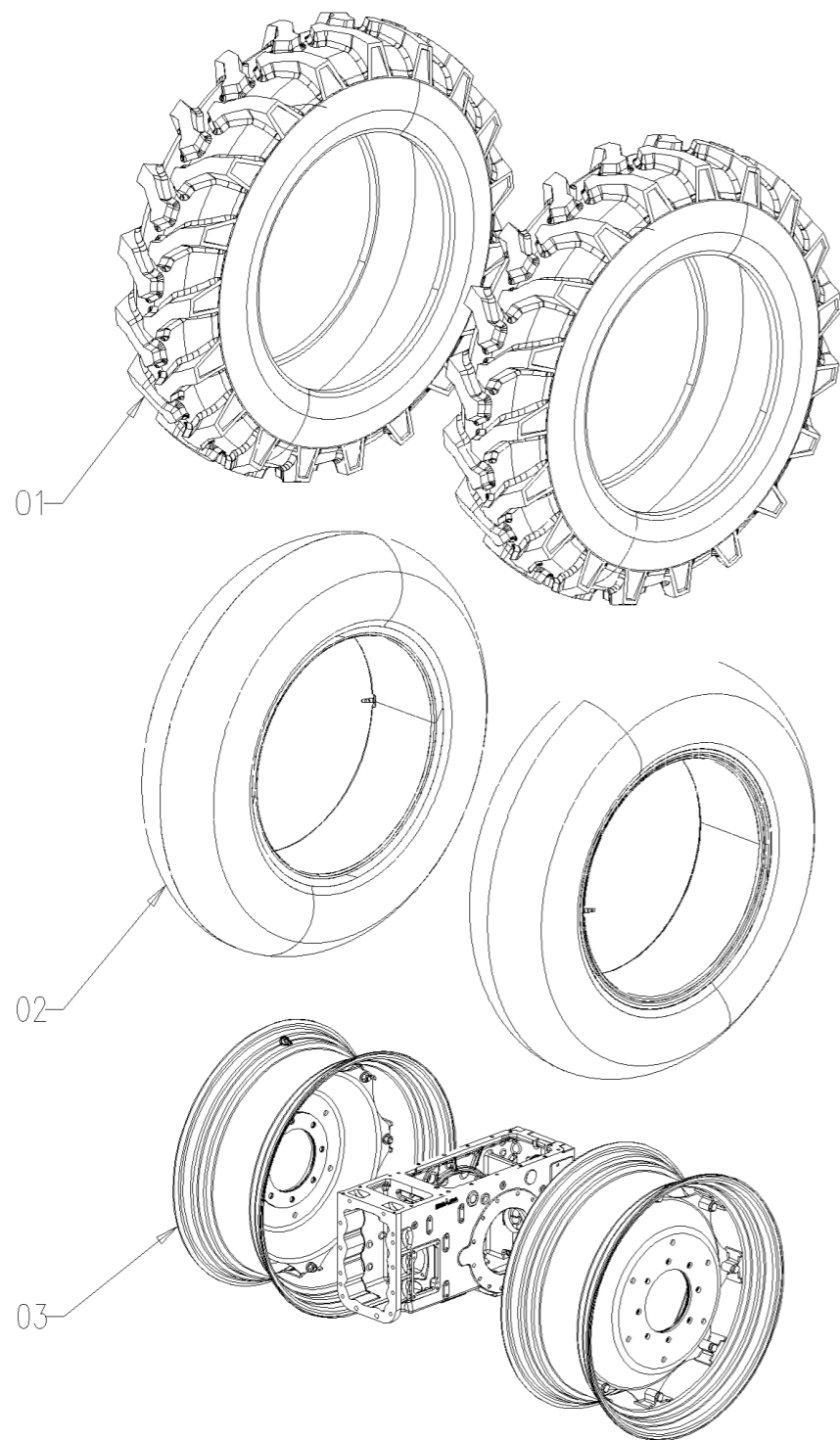
B80.32.902.4 FRONT TIRE ASS.Y ( NORMAL TIRE )

B80.32.902.4\_0 前轮总成 (斜交胎 11.2-28有级调节, 分动箱 21/27) FRONT TIRE ASS.Y (11.2-28-R1)

序号	零件编号	零件名称	数量	图号
1	GBT2979-11.2-28-8PR-R1	外胎 OUTER TIRE	2	GBT2979-11.2-28-8PR-R1
2	GBT2979-11.2-28-R1	内胎 INNER TIRE	2	GBT2979-11.2-28-R1
3	SH904.32.011B	轮辋合件 Rim fitting	2	SH904.32.011B



B80.34.901.4 REAR TIRE ASS.Y ( NORMAL TIRE )



B80.34.901.4\_1 后轮总成 (斜交胎 有级调节) REAR TIRE ASS.Y (16.9-34-R1)

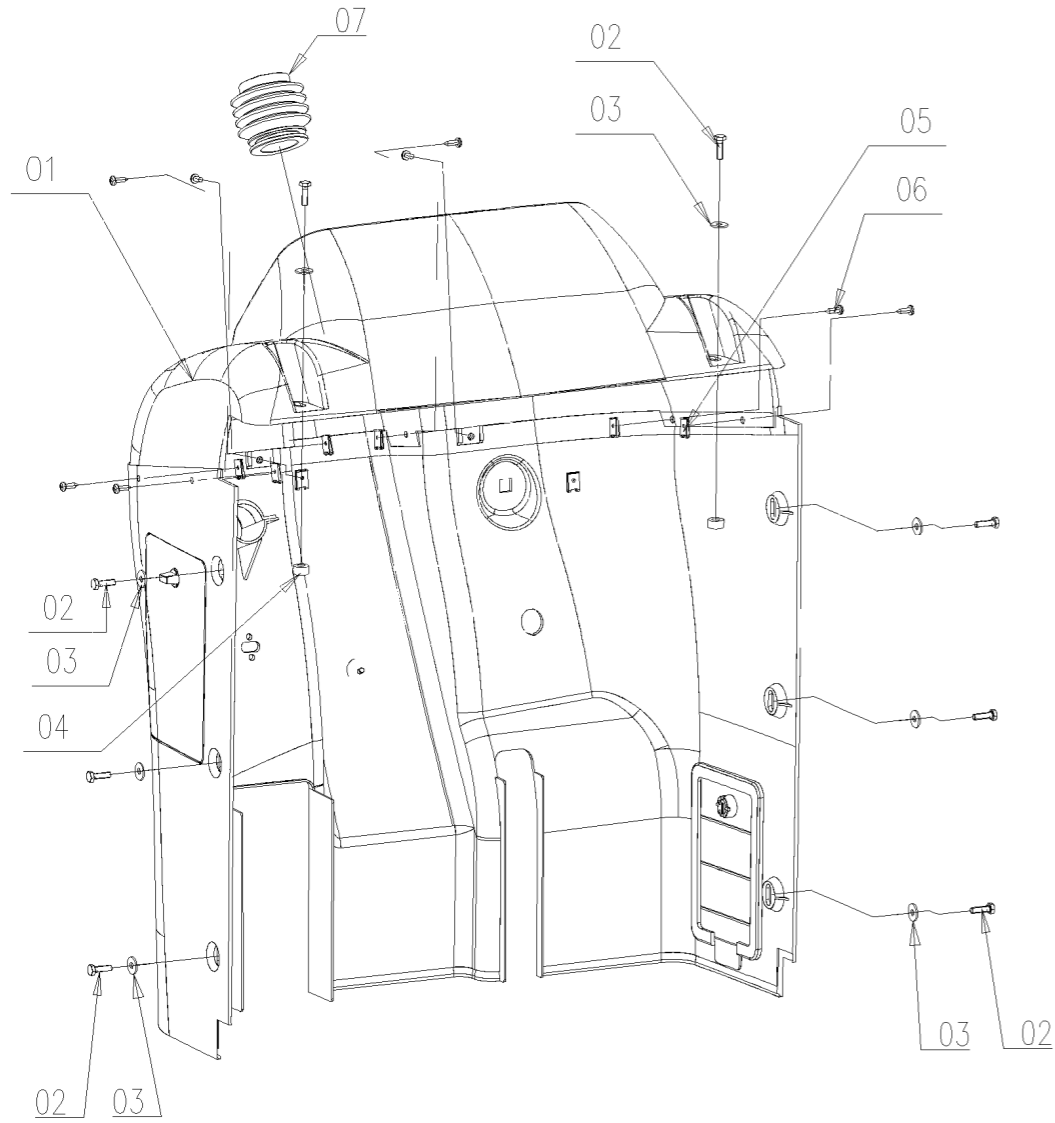
序号	零件编号	零件名称	数量	图号
1	GBT2979-16.9-34-10PR-R1	外胎 OUTER TIRE	2	GBT2979-16.9-34-10PR-R1
2	GBT2979-16.9-34-R1	内胎 INNER TIRE	2	GBT2979-16.9-34-R1
3	SH954.34.010	轮辋 RIM COMPONENT	2	SH954.34.010

# DASHBOARD ASSEMBLY B80.45.904.4

YFB-R-2020-004 SH.020

## B80.45.904.4\_1 仪表台总成 DASHBOARD ASSEMBLY

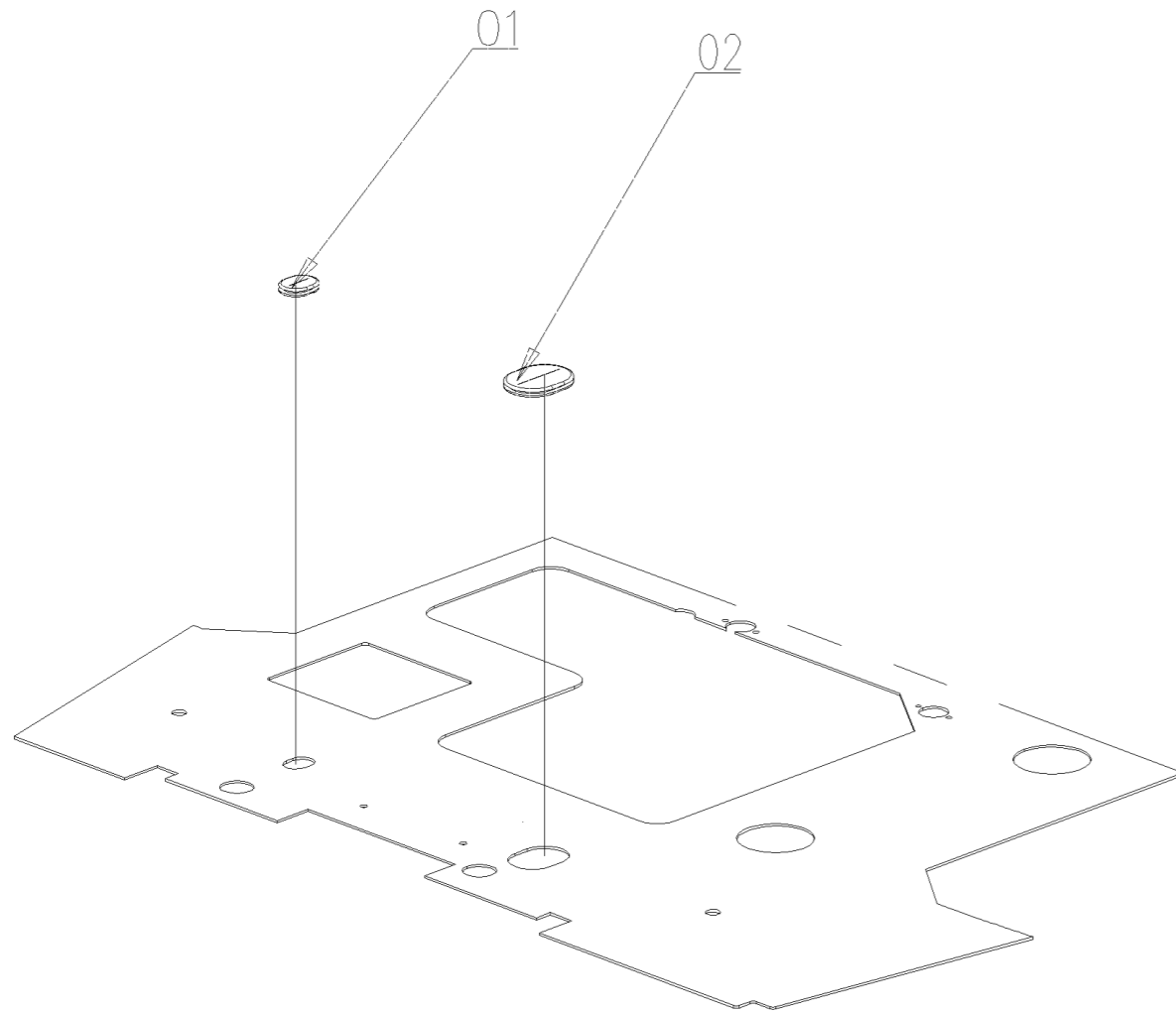
序号	零件编号	零件名称	数量	图号
1	SH900.45.037	仪表台组件 INSTRUMENT PANEL	1	SH900.45.037
2	GBT5783-M6X20-A2L	螺栓 BOLT	8	GBT5783-M6X20-A2L
3	GBT96.1-6-A3L	垫圈 WASHER	8	GBT96.1-6-A3L
4	CD904A.45A.120	垫圈 WASHER	2	CD904A.45A.120
5	ZBT31004-ST4.8x20A-A3L	弹簧螺母 SPRING NUT	8	ZBT31004-ST4.8x20A-A3L
6	GBT845-ST4.8X16	螺钉 TAPPING SCREW	8	GBT845-ST4.8X16
7	SH900.40.151	转向管护套 STEERING TUBE JACKET	1	SH900.40.151



# B80.45.917.4 FLOOR ACCESSORY ASSY.

## B80.45.917.4\_0 地板附件总成 FLOOR ACCESSORY ASSY.

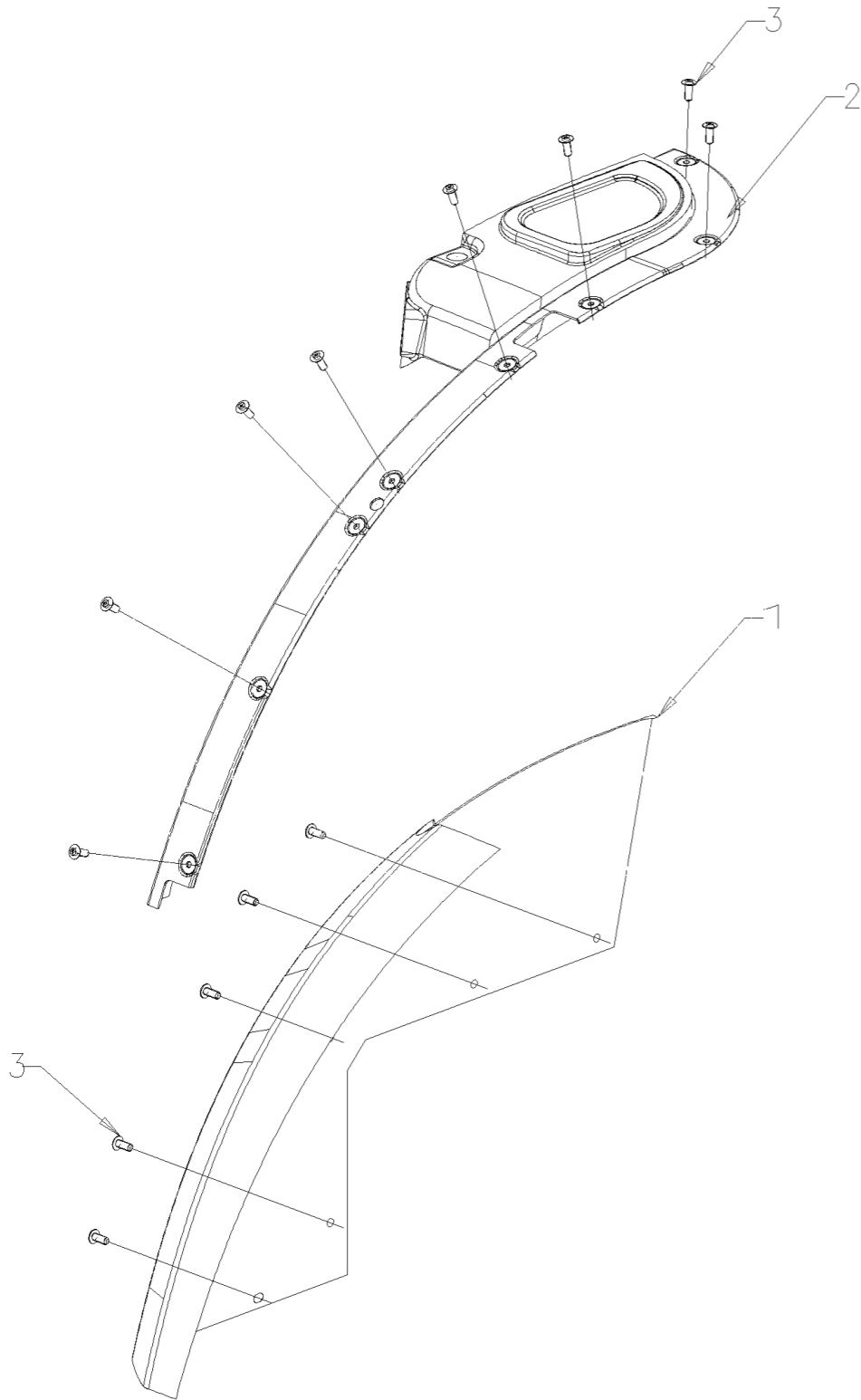
序号	零件编号	零件名称	数量	图号
1	CD904A.45A.105	密封塞 30X40 SEALING SHEATH 30X40	1	CD904A.45A.105
2	CD904A.45A.106	密封塞57X77 SEALING SHEATH 57X77	1	CD904A.45A.106



# B80.45.931.4 LH CONSOLE ASS.Y

## B80.45.931.4\_0 左轮罩内饰总成 LH CONSOLE ASS.Y

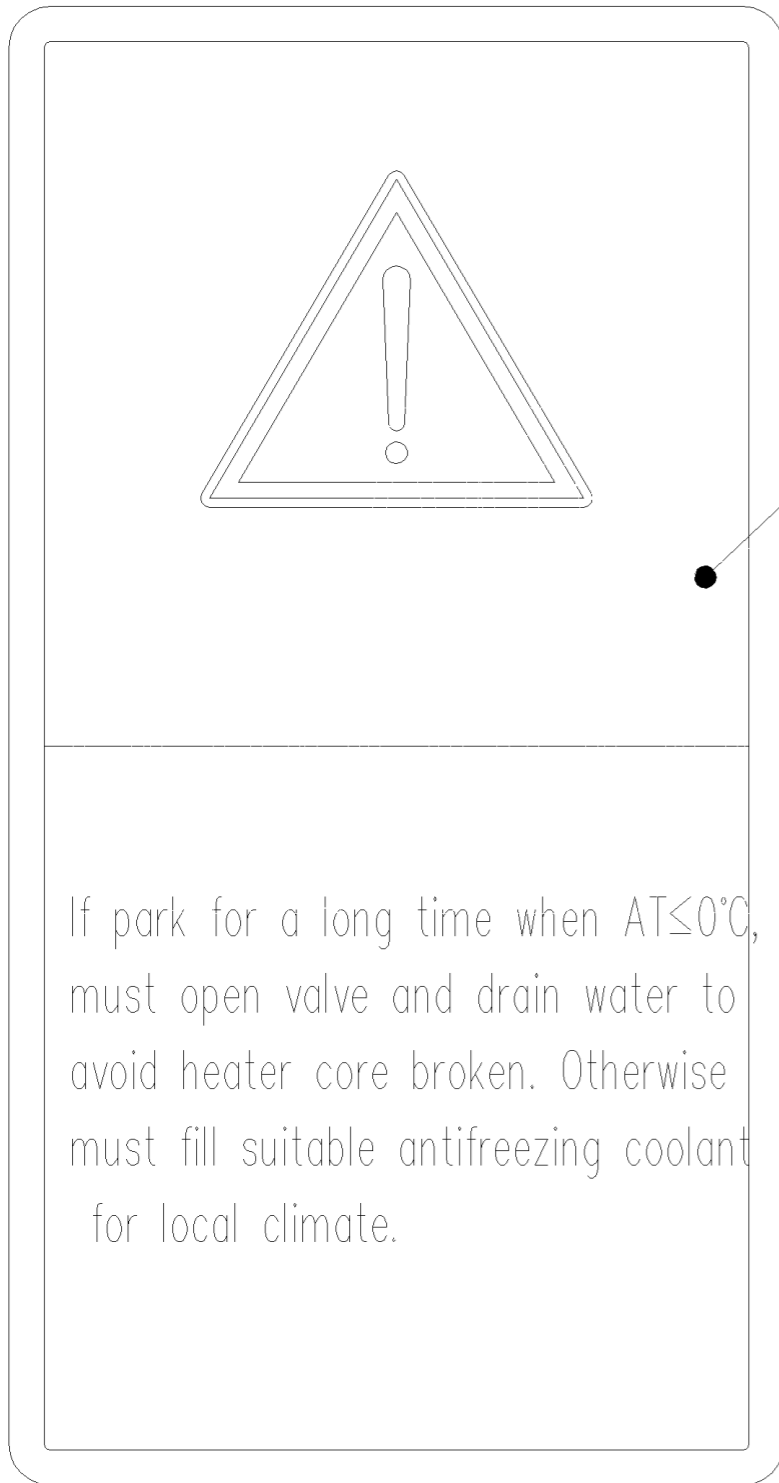
序号	零件编号	零件名称	数量	图号
1	A80.45.094.0	左驾驶室盖 LH WHEEL HOUSE	1	A80.45.094.0
2	B80.45.033.2	左侧控制台 LH CONSOLE	1	B80.45.033.2
3	A80.45.088.0	塑胶螺钉 PLASTIC SCREW	13	A80.45.088.0



# B80.51.904.4 DRAIN WATER LABEL

## B80.51.904.4\_0 放水提醒 WATER RELEASING REMINDER

序号	零件编号	零件名称	数量	图号
1	B80.51.101.0	放水提醒标识 WATER RELEASING	1	B80.51.101.0



1

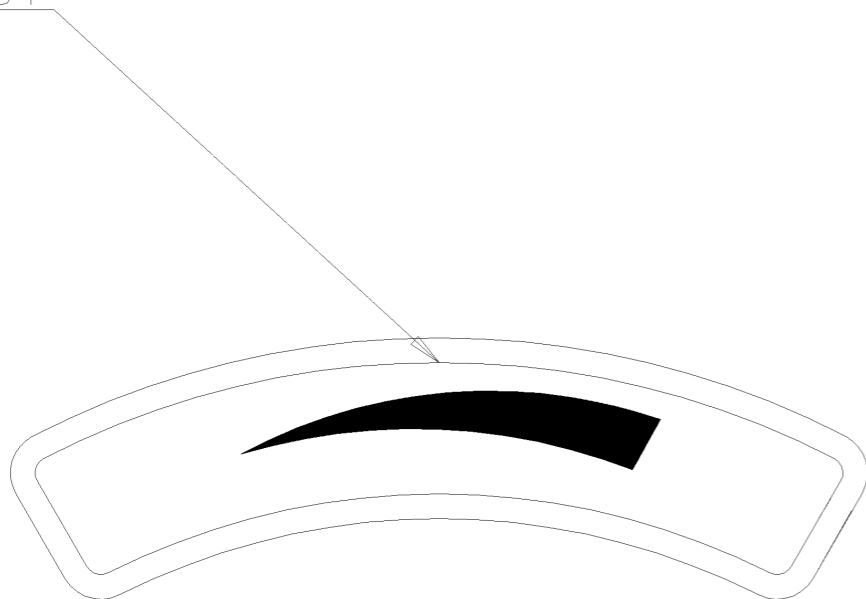
B80.51.918.4 HAND THROTTLE LABEL

YFB-R-2017-011 SH.004

**B80.51.918.4\_0手油门标签 HAND THROTTLE LABEL**

序号	零件编号	零件名称	数量	图号
1	SH900.51B.109	手油门标识HAND THROTTLE	1	SH900.51B.109

01



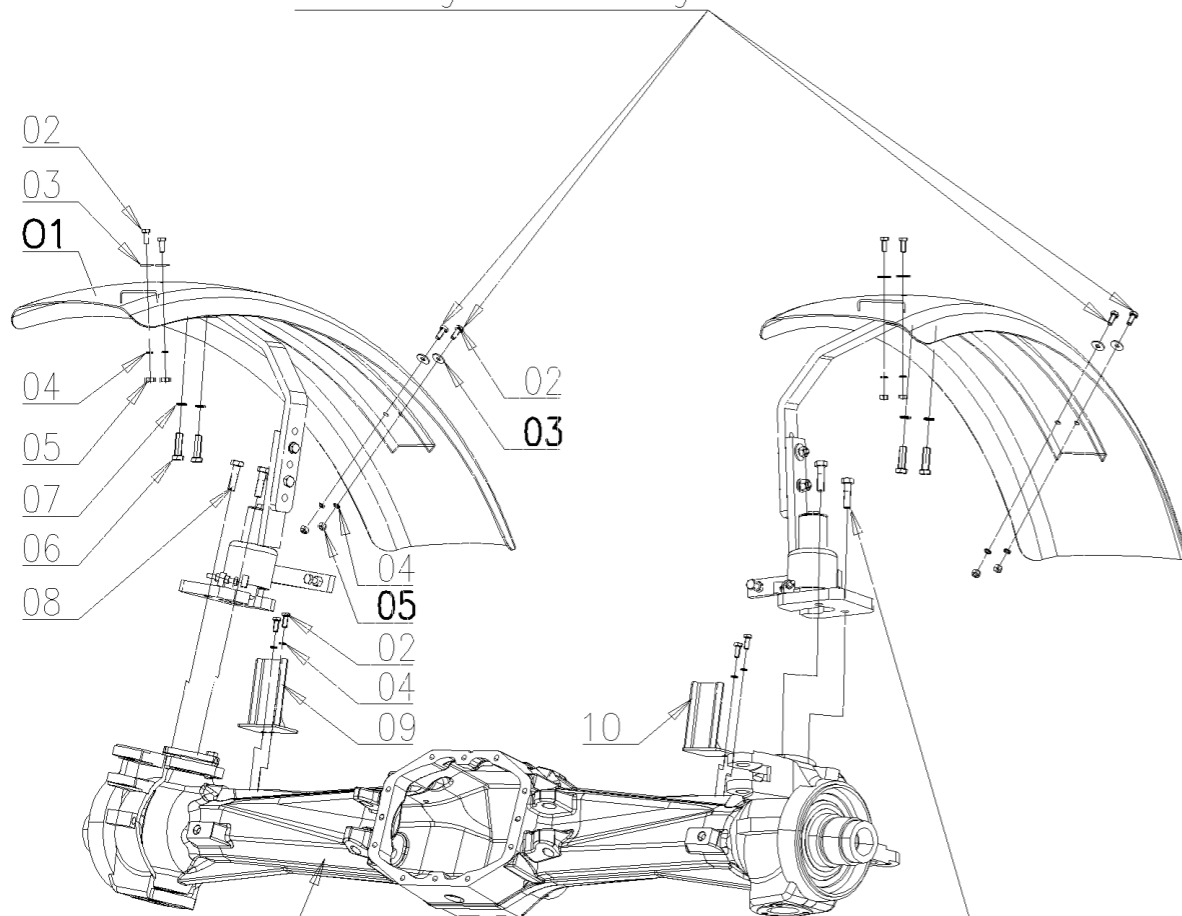


# B80.68.910.4 FRONT FENDER ASS.Y

YFB-R-2017-011 SH.091

挡泥板安装孔装配时配钻

The fender mounting holes should be executing to mounting



FRONT AXLE

件08:  
 安装扭矩: 80±10N.m,  
 中等强度螺纹胶。  
 ITEM 08:  
 Installation torque:  
 80±10N.m  
 thread-locking adhesives

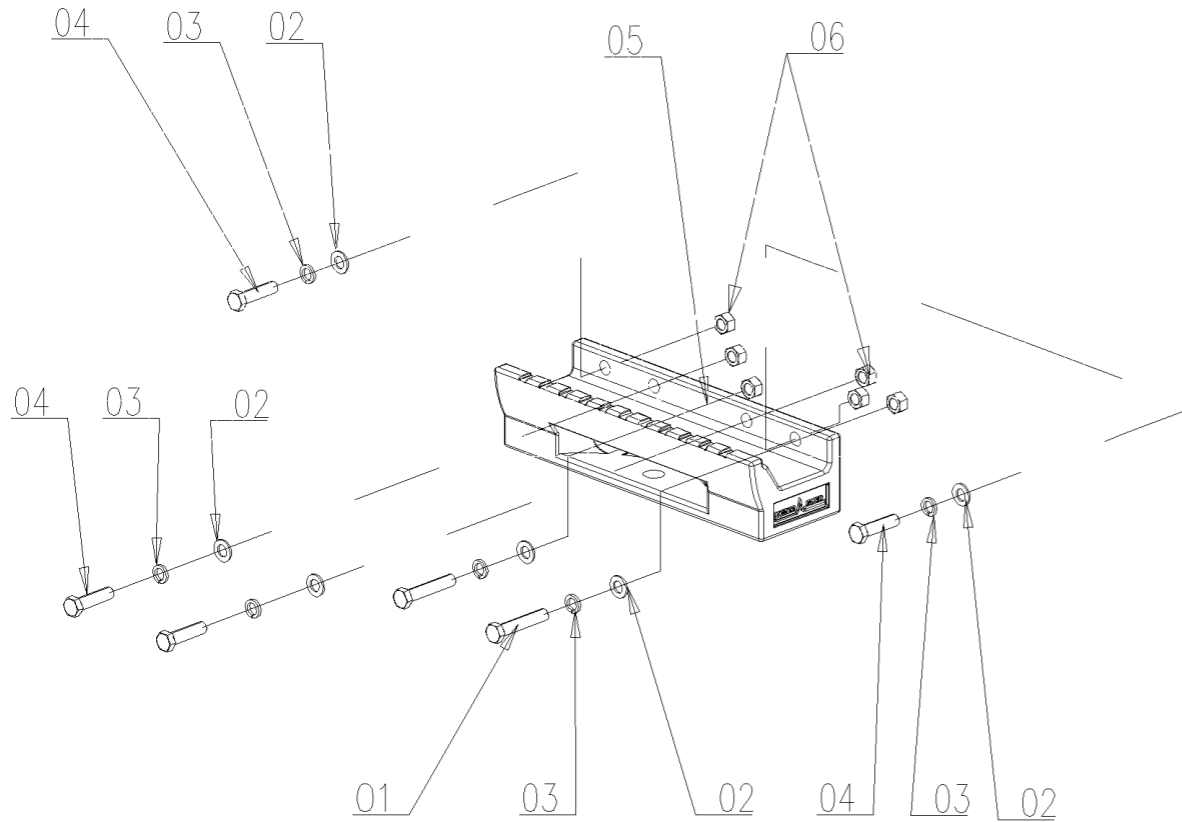
## B80.68.910.4\_0 前轮罩总成 FRONT FENDER ASS.Y

序号	零件编号	零件名称	数量	图号
1	B80.68.020.4	前轮罩支撑总成 FRONT FENDER	1	B80.68.020.4
2	2.0114.207.2	螺丝钉 SCREW M8x20	12	2.0114.207.2
3	2.1312.004.2	垫圈 WASHER 8	8	2.1312.004.2
4	2.1473.007.2	垫圈 SPRING WASHER M8	12	2.1473.007.2
5	2.1011.105.2	螺母 M8x1.25 NUT M8x1.25	8	2.1011.105.2
6	2.0114.415.2	螺栓 M12x40 SCREW M12x40	4	2.0114.415.2
7	2.1473.009.2	垫圈 SPRING WASHER M12	4	2.1473.009.2
8	2.0139.013.1	螺栓 AUTOBL.M12X1.25X45	4	2.0139.013.1
9	B80.68.019.2	右限位支架 RH LIMIT BRACKET	1	B80.68.019.2
10	B80.68.018.2	左限位支架 LH LIMIT BRACKET	1	B80.68.018.2

# B80.74.900.4 FRONT BALLAST SUPPORT ASS.Y

## B80.74.900.4\_1 前配重架总成 FRONT BALLAST SUPPORT ASS.Y

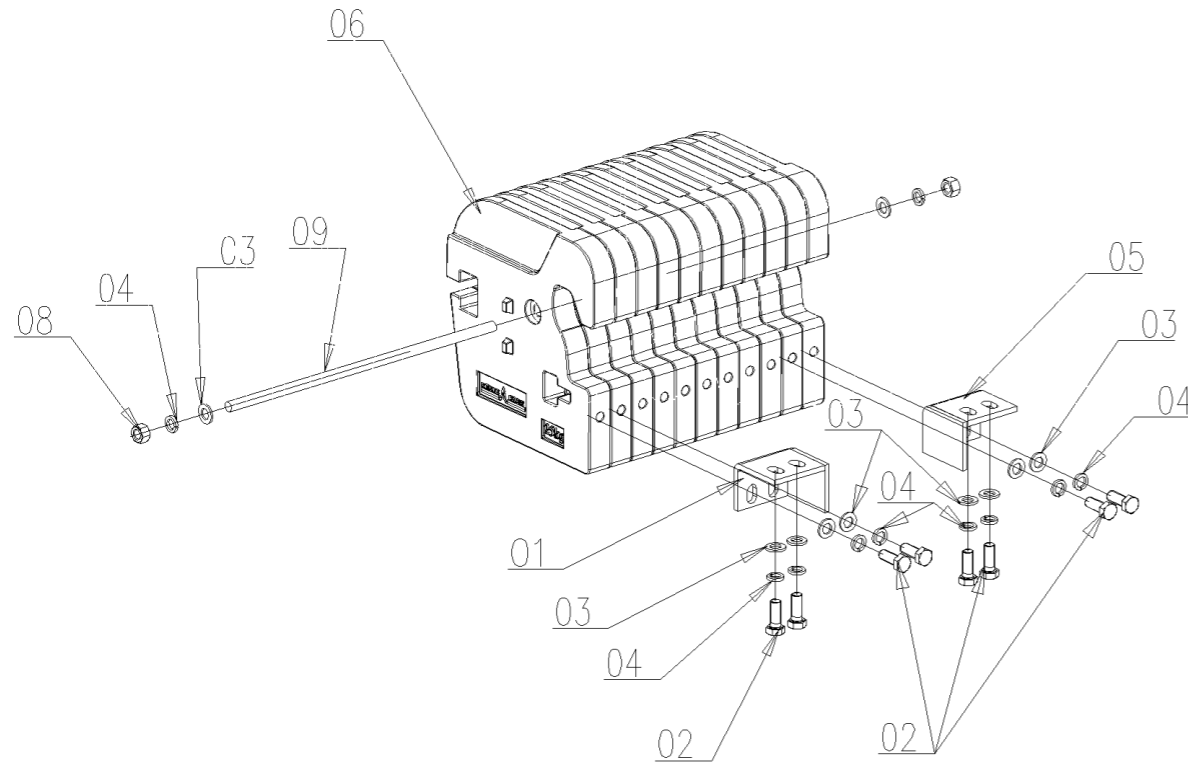
序号	零件编号	零件名称	数量	图号
1	GBT5785-M18X1.5X95-	螺栓 BOLT	2	GBT5785-M18X1.5X95-10.9-A3L
2	GBT97.1-18-A3L	垫圈 WASHER	6	GBT97.1-18-A3L
3	GBT93-18-A3L	垫圈 WASHER	6	GBT93-18-A3L
4	GBT5785-M18X1.5X70-	螺栓 BOLT	4	GBT5785-M18X1.5X70-10.9-A3L
5	SH900.74.102/10	平衡支架 COUNTERWEIGHT	1	SH900.74.102/10
6	GBT5785-M18X1.5X70-	螺栓 BOLT	4	GBT5785-M18X1.5X70-10.9-A3L



# B80.74.903.4 FRONT BALLAST ASS.Y

## B80.74.903.4\_1 前配重总成 (275kg) FRONT BALLAST ASSY.

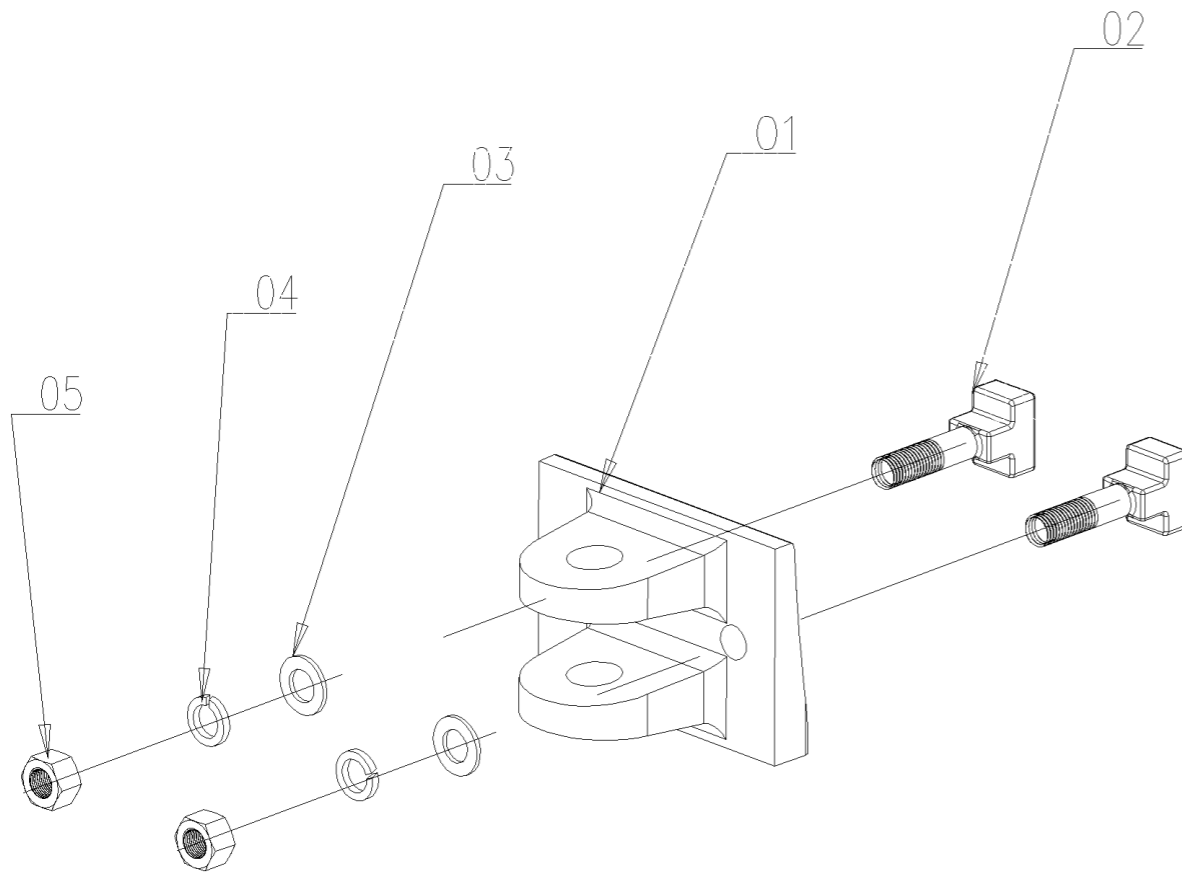
序号	零件编号	零件名称	数量	图号
1	SH900.74.011	前配重左支架焊合件 FRONT BALLAST	1	SH900.74.011
2	GBT5783-M16X40-10.9-	螺栓 BOLT	8	GBT5783-M16X40-10.9-A3L
3	GBT97.1-16-A3L	垫圈 WASHER	10	GBT97.1-16-A3L
4	GBT93-16-A3L	垫圈 WASHER	10	GBT93-16-A3L
5	SH900.74.012	前配重右支架焊合件 FRONT	1	SH900.74.012
6	SH900.74.101/10	配重 COUNTERWEIGHT	11	SH900.74.101/10
8	GBT6170-M16-10-A3L	螺母 NUT	2	GBT6170-M16-10-A3L
9	SH900.74.103-1	连接螺栓 CONNECTING BOLT	1	SH900.74.103-1



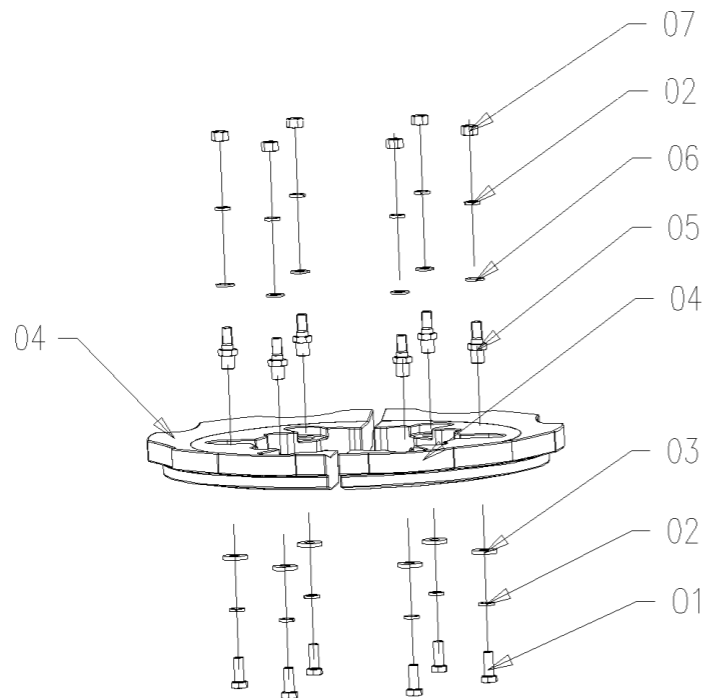
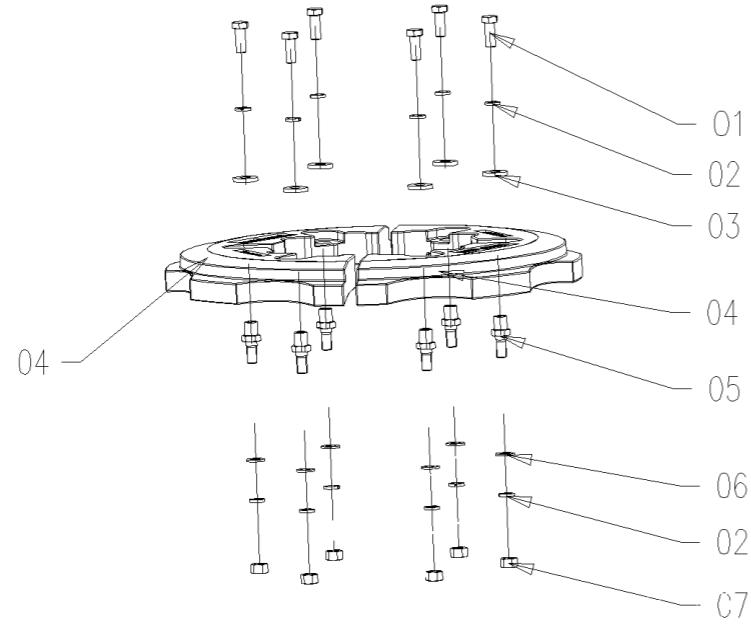
# B80.74.904.4 FRONT TRACTION ASS.Y

## B80.74.904.4\_0 前牵引总成 FRONT TRACTION ASSY.

序号	零件编号	零件名称	数量	图号
1	SH900.74.107	牵引耳 TOWING LUG	1	SH900.74.107
2	SH400.75.102	连接螺栓 JOINT BOLT	2	SH400.75.102
3	GBT97.1-20-A3L	垫圈 WASHER	2	GBT97.1-20-A3L
4	GBT93-20-A3L	垫圈 WASHER	2	GBT93-20-A3L
5	GBT6170-M20-A3L	螺母 NUT	2	GBT6170-M20-A3L



# B80.91.903.4 REAR BALLAST ASS.Y

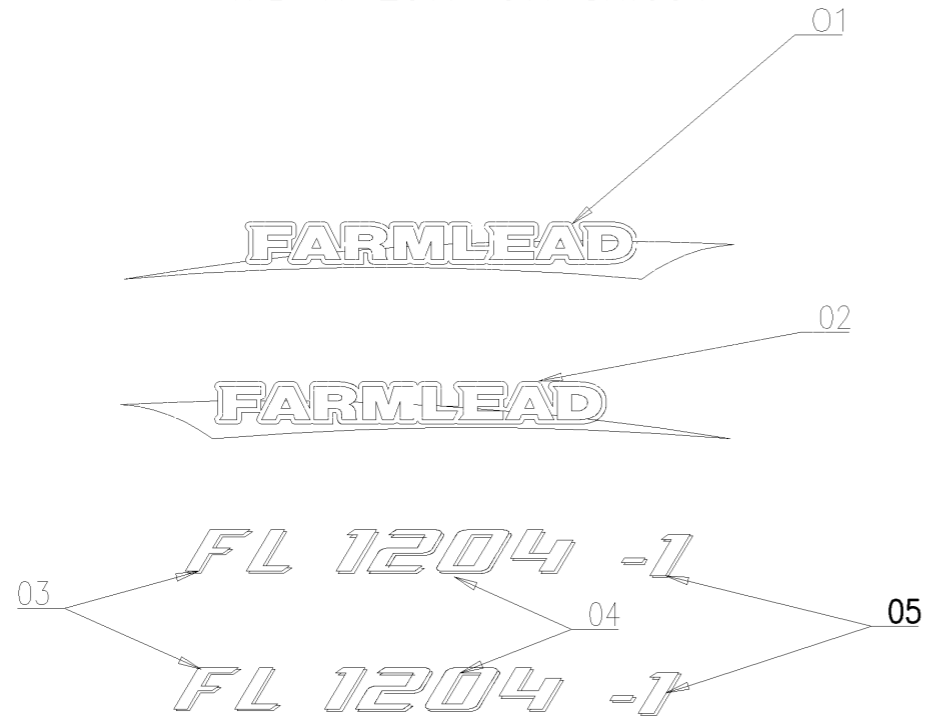


# B80.91.903.4\_0 后配重总成 (1层, 共计160 kg) REAR BALLAST ASS.Y

序号	零件编号	零件名称	数量	图号
1	GBT5783-M16X40-10.9-	螺栓 BOLT	12	GBT5783-M16X40-10.9-A3L
2	GBT93-16-A3L	垫圈 WASHER	24	GBT93-16-A3L
3	SH900.91.105	垫圈 WASHER	12	SH900.91.105
4	CD904A.91.101/10	后配重 REAR BALLAST	4	CD904A.91.101/10
5	SH900.91.104	后配重螺栓 Rear counterweight bolt	12	SH900.91.104
6	GBT97.1-16-A3L	垫圈 WASHER	12	GBT97.1-16-A3L
7	GBT6170-M16-10-A3L	螺母 NUT	12	GBT6170-M16-10-A3L

# B88.51.900.4 MODEL LABELS ASS.Y

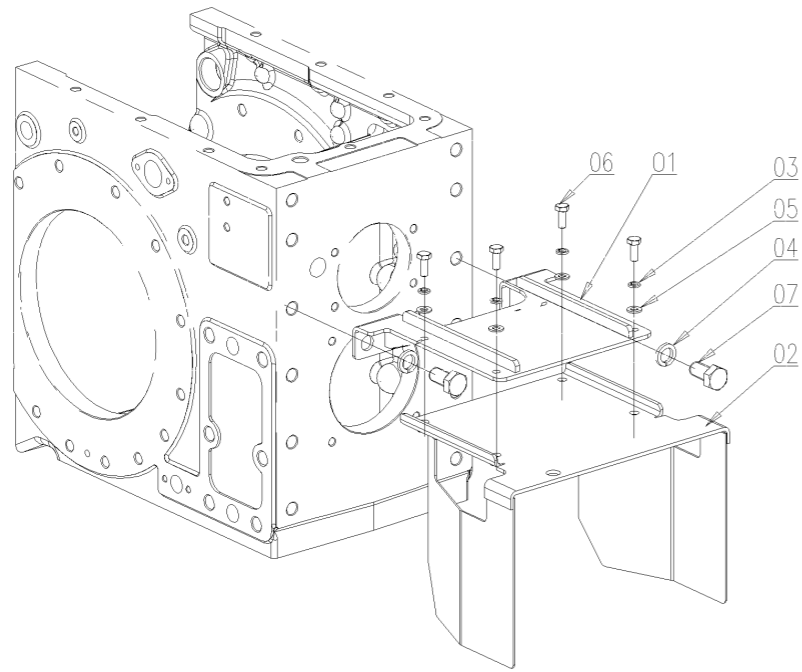
YFB-R-2017-011 SH.004



## B88.51.900.4\_0 车型标识 MODEL LABELS ASSEMBLY

序号	零件编号	零件名称	数量	图号
1	B61.51.003.0	"FARMLEAD" 左侧标识 "FARMLEAD"	1	B61.51.003.0
2	B61.51.002.0	"FARMLEAD" 右侧标识 "FARMLEAD"	1	B61.51.002.0
3	B61.51.004.0	"FL"标识 "FL" Identifier	2	B61.51.004.0
4	B89.51.001.0	标识 1204 LABEL 1204	2	B89.51.001.0
5	B72.51.001.0	标签 -1 LABEL -1	2	B72.51.001.0

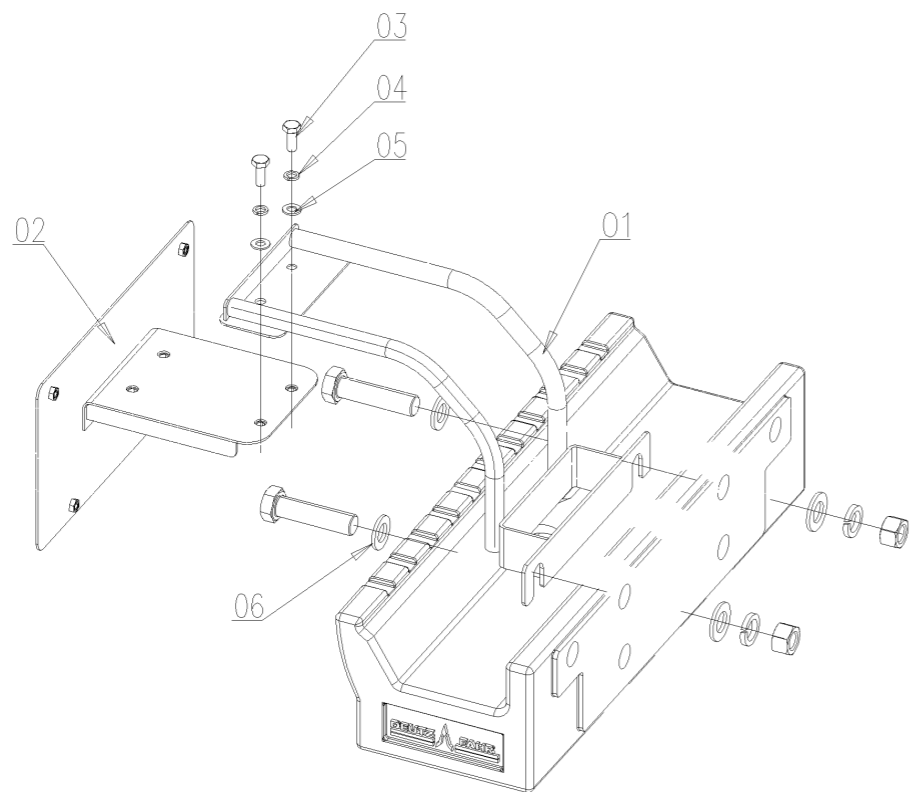
### C45.41.900.4 PTO SAFETY SHIELD ASSY



### C45.41.900.4\_1 动力输出安全屏蔽组件 PTO SAFETY SHIELD ASSEMBLY

序号	零件编号	零件名称	数量	图号
1	C45.41.001.2-10	PTO护罩支架 PTO SHIELD BRACKET	1	C45.41.001.2-10
2	C45.41.002.3	PTO防护罩 PTO SAFETY SHIELD	1	C45.41.002.3
3	GBT93-8-A3L	垫圈 WASHER	4	GBT93-8-A3L
4	GBT93-16-A3L	垫圈 WASHER	2	GBT93-16-A3L
5	GBT97.1-8-A3L	垫圈 WASHER	4	GBT97.1-8-A3L
6	GBT5783-M8X20-A2L	螺栓 BOLT	4	GBT5783-M8X20-A2L
7	GBT5783-M16X30-A3L	螺栓 BOLT	2	GBT5783-M16X30-A3L

# C45.74.900.4 LICENCE PLATE ASS.Y



# C45.74.900.4\_0 号牌座总成 LICENCE PLATE ASS.Y

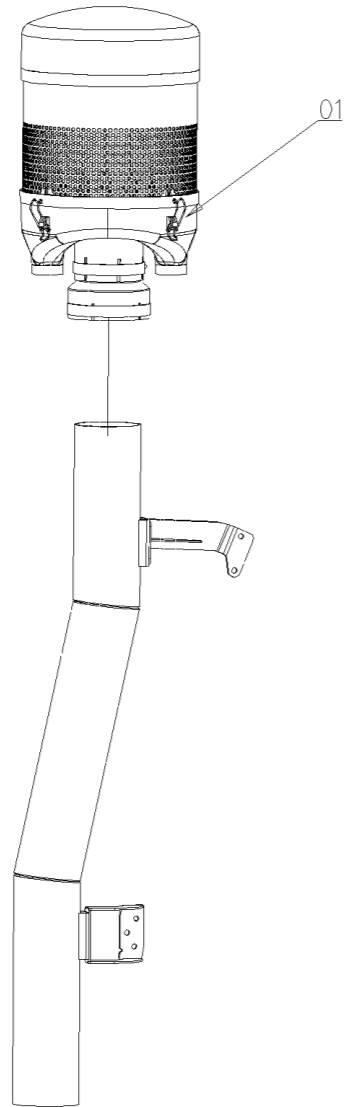
序号	零件编号	零件名称	数量	图号
1	C45.74.001.2/10	车牌焊接 LICENSE PLATE WELDED	1	C45.74.001.2/10
2	C45.74.002.3/10	板 PLATE	1	C45.74.002.3/10
3	GBT5783-M8X20-A2L	螺栓 BOLT	2	GBT5783-M8X20-A2L
4	GBT93-8-A3L	垫圈 WASHER	2	GBT93-8-A3L
5	GBT97.1-8-A3L	垫圈 WASHER	2	GBT97.1-8-A3L
6	GBT97.1-16-A3L	垫圈 WASHER	2	GBT97.1-16-A3L



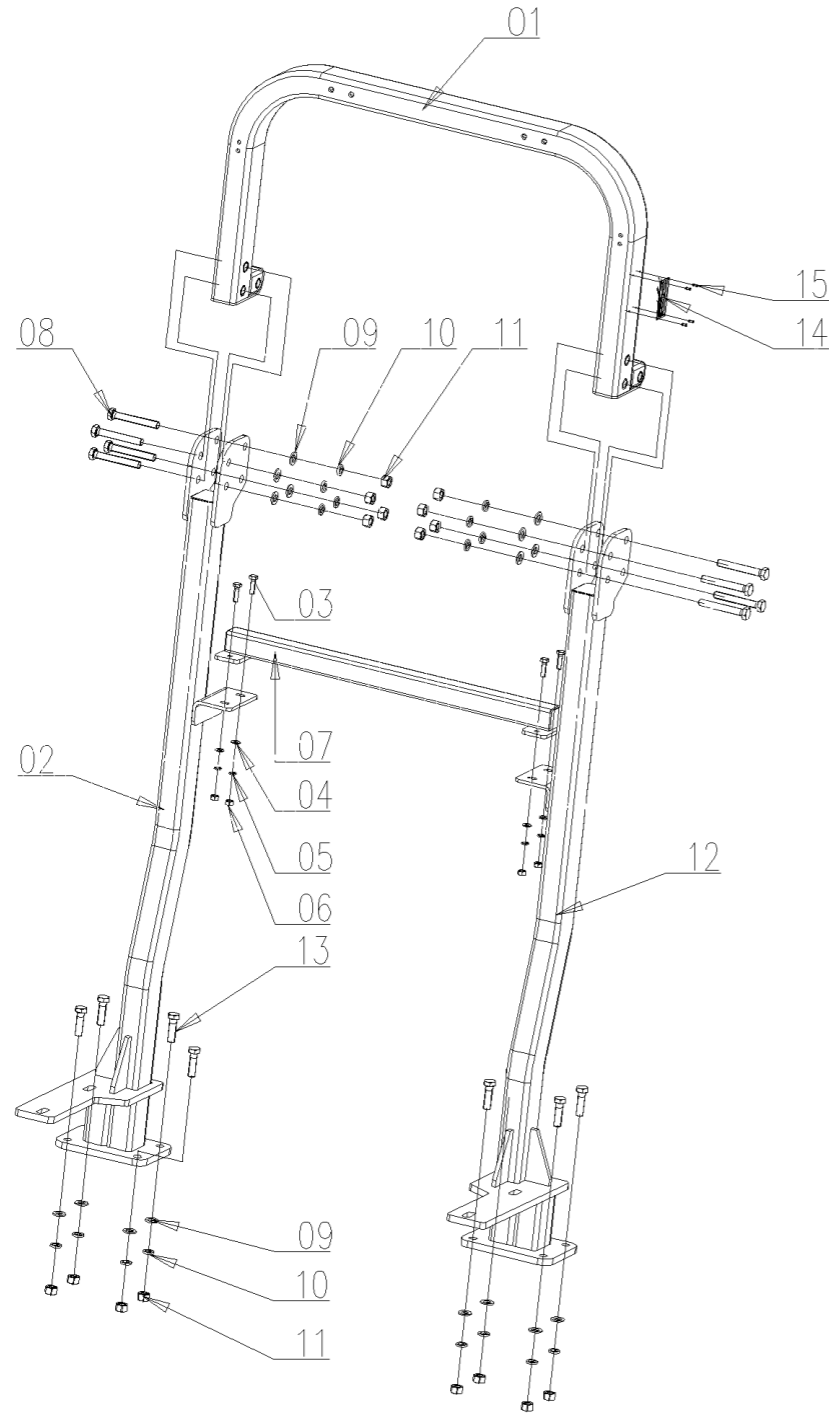
C63.11.910.4 AIR PRE-CLEANER ASS.Y

C63.11.910.4\_0 预滤清器总成 AIR PRE-FILTER ASS.Y

序号	零件编号	零件名称	数量	图号
1	C63.11.003.4	空气粗滤器 AIR PRECLEANER	1	C63.11.003.4



# CD904A.46.001 ROPS ASS.Y

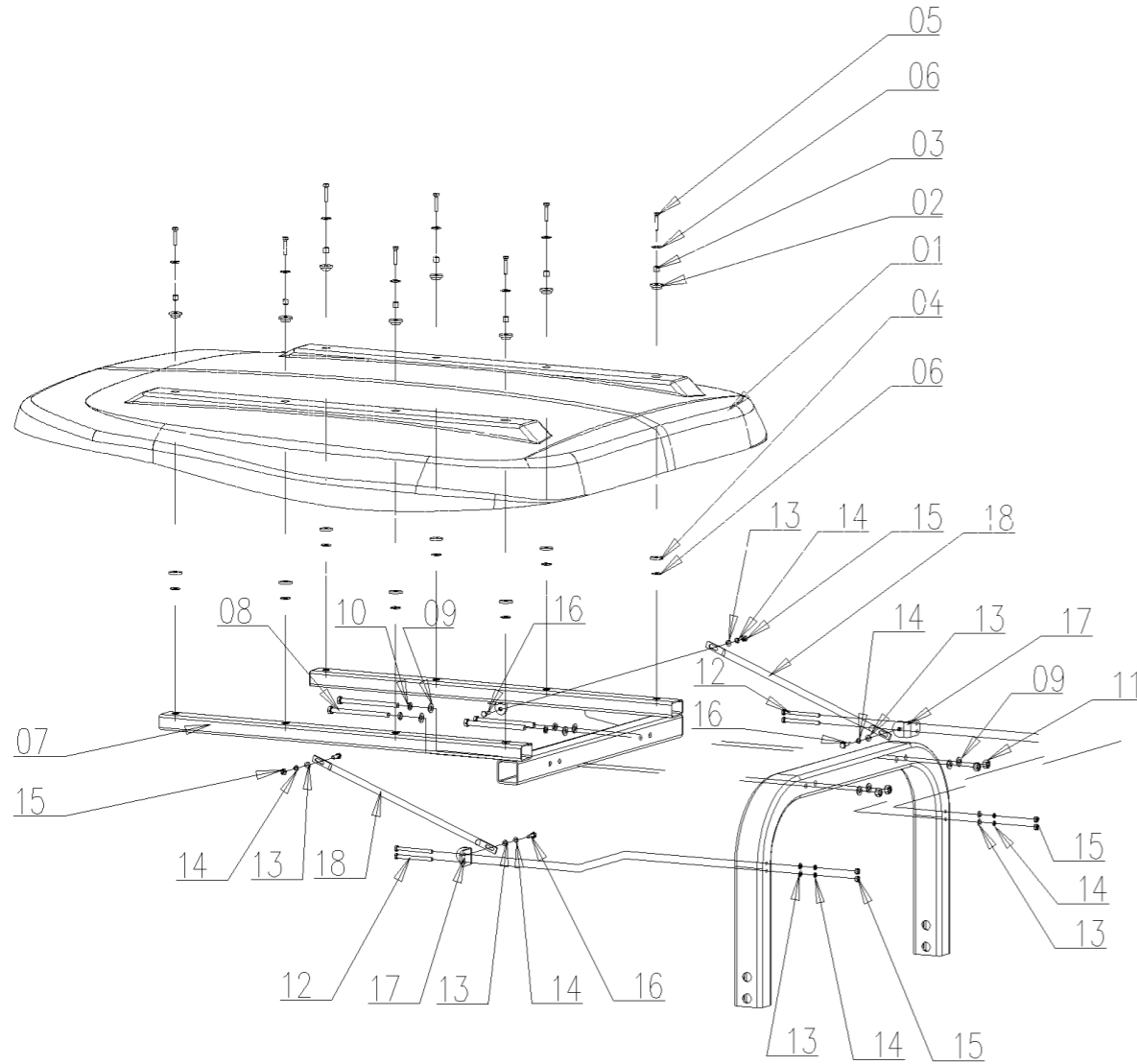


## CD904A.46.001\_3 安全架总成 (地板+安全架)

序号	零件编号	零件名称	数量	图号
1	CD904A.46.011/20	安全架上梁 SAFETY FRAME HEAD	1	CD904A.46.011/20
2	CD904A.46.012/20	右支撑梁 RIGHT SUPPORT BEAM	1	CD904A.46.012/20
3	GBT5783-M10X35-A3L	螺栓 BOLT	4	GBT5783-M10X35-A3L
4	GBT97.1-10-A3L	垫圈 WASHER	4	GBT97.1-10-A3L
5	GBT93-10-A3L	垫圈 WASHER	4	GBT93-10-A3L
6	GBT6170-M10-A3L	螺母 NUT	4	GBT6170-M10-A3L
7	CD904A.46.014	连接板 CONNECTING PLATE	1	CD904A.46.014
8	GBT5782-M16X110-A3L	螺栓 BOLT	8	GBT5782-M16X110-A3L
9	GBT97.1-16-A3L	垫圈 WASHER	16	GBT97.1-16-A3L
10	GBT93-16-A3L	垫圈 WASHER	16	GBT93-16-A3L
11	GBT6170-M16-A3L	螺母 NUT	16	GBT6170-M16-A3L
12	CD904A.46.013/20	左支撑梁 LEFT SUPPORT BEAM	1	CD904A.46.013/20
13	GBT5782-M16X55-A3L	螺栓 BOLT	8	GBT5782-M16X55-A3L
14	GBT12618.1-3X10	空心铆钉 BLIND RIVETS	4	GBT12618.1-3X10
15	0.034.4543.0/10	OECD标识 OECD LABEL	1	0.034.4543.0/10

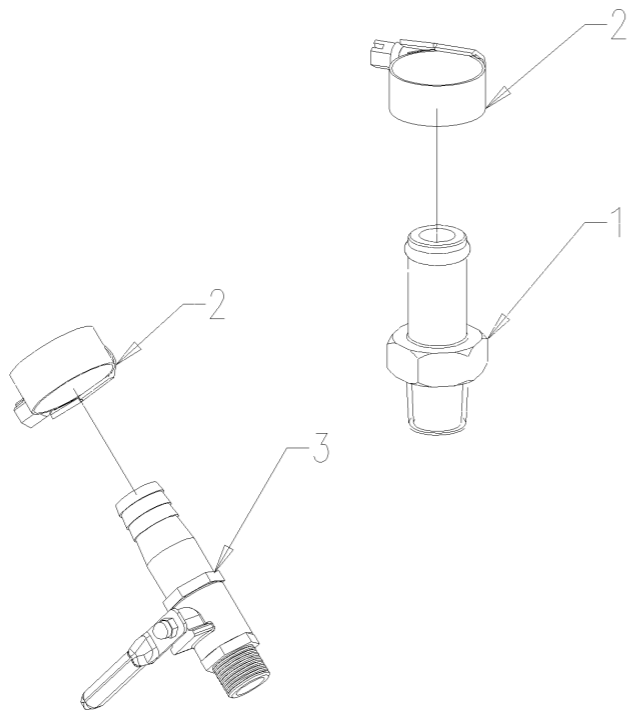
CD904A.46.002 SUNSHADE ASS.Y

CD904A.46.002\_1 遮阳棚总成 FOOT THROTTLE ASSEMBLY



序号	零件编号	零件名称	数量	图号
1	CD904A.46.015/10	遮阳棚 SUNSHADE	1	CD904A.46.015/10
2	CD904A.46.110	前扎带胶垫 RUBBER CUSHION	8	CD904A.46.110
3	CD904A.46.111	套筒 SLEEVE	8	CD904A.46.111
4	CD904A.46.112	橡胶垫圈 RUBBER WASHER	8	CD904A.46.112
5	GBT5783-M8X40-A2L	螺栓 BOLT	8	GBT5783-M8X40-A2L
6	GBT96.1-8-A3L	垫圈 WASHER	16	GBT96.1-8-A3L
7	CD904A.46.016/20	联合框架焊件 JOINT FRAME	1	CD904A.46.016/20
8	GBT5782-M12X165-A3L	螺栓 BOLT	4	GBT5782-M12X165-A3L
9	GBT97.1-12-A3L	垫圈 WASHER	8	GBT97.1-12-A3L
10	GBT93-12-A3L	垫圈 WASHER	4	GBT93-12-A3L
11	GBT6170-M12-A3L	螺母 NUT	4	GBT6170-M12-A3L
12	GBT5782-M8X100-A2L	螺栓 BOLT	4	GBT5782-M8X100-A2L
13	GBT97.1-8-A3L	垫圈 WASHER	8	GBT97.1-8-A3L
14	GBT93-8-A3L	垫圈 WASHER	8	GBT93-8-A3L
15	GBT6170-M8-A2L	螺母 NUT	6	GBT6170-M8-A2L
16	GBT5783-M8X25-A2L	螺栓 BOLT	4	GBT5783-M8X25-A2L
17	DF304.46.015	支架 BRACKET	2	DF304.46.015
18	DF304.46.101/10	支撑 SUPPORT	2	DF304.46.101/10

# CD904A.81.002 HEATING FITTING ASS.Y



## CD904A.81.002\_1 暖风接头总成 (驾驶室) HEATING FITTING ASS.Y(CAB)

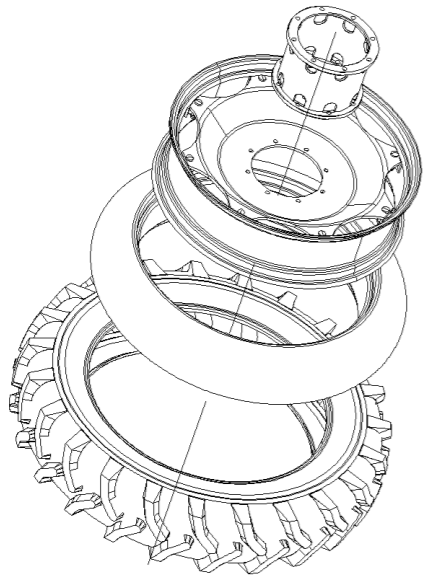
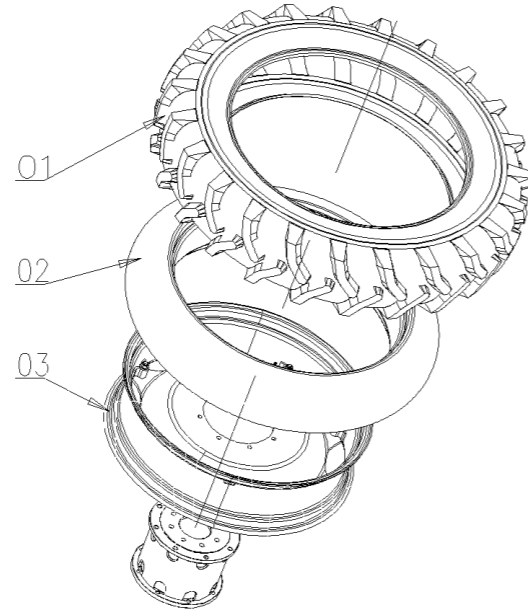
序号	零件编号	零件名称	数量	图号
1	2.3249.853.2	橡胶软管接头 RUBBER HOSE FITTING	1	2.3249.853.2
2	2.6851.001.0	软管夹 HOSE CLAMP 16-25	2	2.6851.001.0
3	CD904A.81.014	水阀 WATER VALVE	1	CD904A.81.014

D02.32.900.4 FRONT TYRE 11-38 ASS.Y

YFB-R-2018-009 SH.010

D02.32.900.4\_1 前轮总成 11-38 FRONT TYRE 11-38 ASS.Y

序号	零件编号	零件名称	数量	图号
1	GBT2979-11-38-8PR-R1	外胎 OUTER TUBE	2	GBT2979-11-38-8PR-R1
2	GBT2979-11-38-R1	内胎 INNER TIRE	2	GBT2979-11-38-R1
3	D02.32.001.4/10	轮辋 RIM COMPONENT	2	D02.32.001.4/10

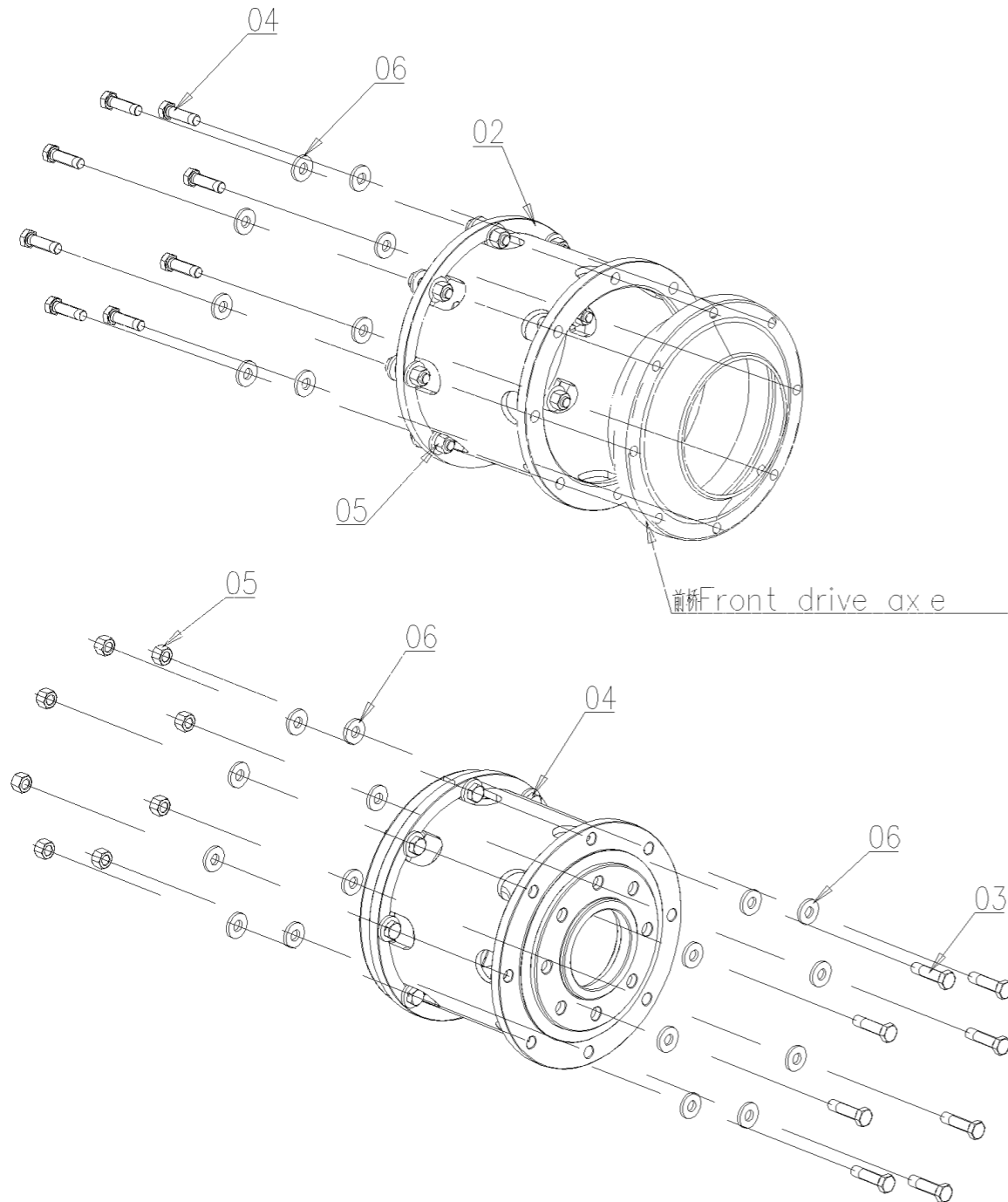


D02.32.905.4 WIDEN FLANGE ASS.Y

YFB-R-2018-009 SH.021

D02.32.905.4\_2 加宽法兰总成 WIDEN FLANGE ASS.Y

序号	零件编号	零件名称	数量	图号
2	D02.32.002.2/10	加宽法兰 WIDEN FLANGE	2	D02.32.002.2/10
3	GBT5786-M16X1.5X60-	螺栓 BOLT	16	GBT5786-M16X1.5X60-10.9-A3L
4	GBT5786-M16X1.5X55-	螺栓 BOLT	16	GBT5786-M16X1.5X55-10.9-A3L
5	GBT6176-M16X1.5-10-A3L	螺母 NUT	16	GBT6176-M16X1.5-10-A3L
6	SH904.31.193	垫圈17385 GASKET 17385	48	SH904.31.193

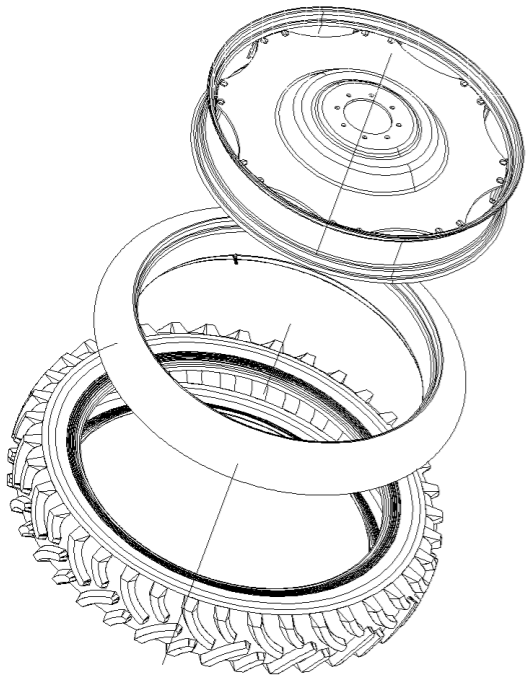
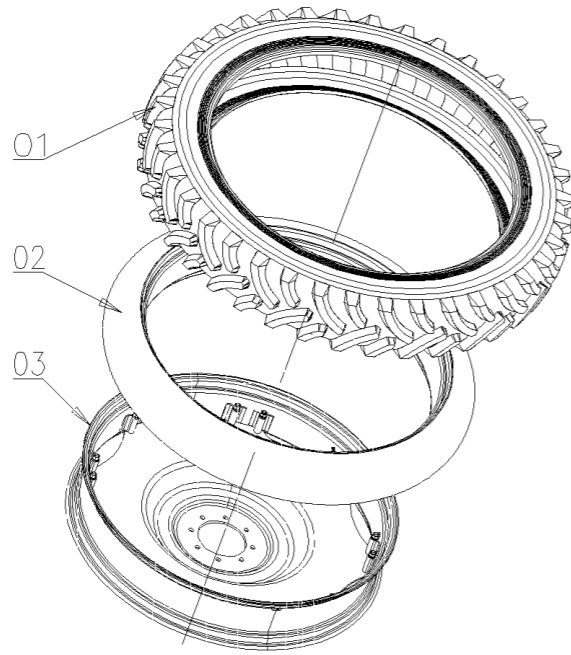


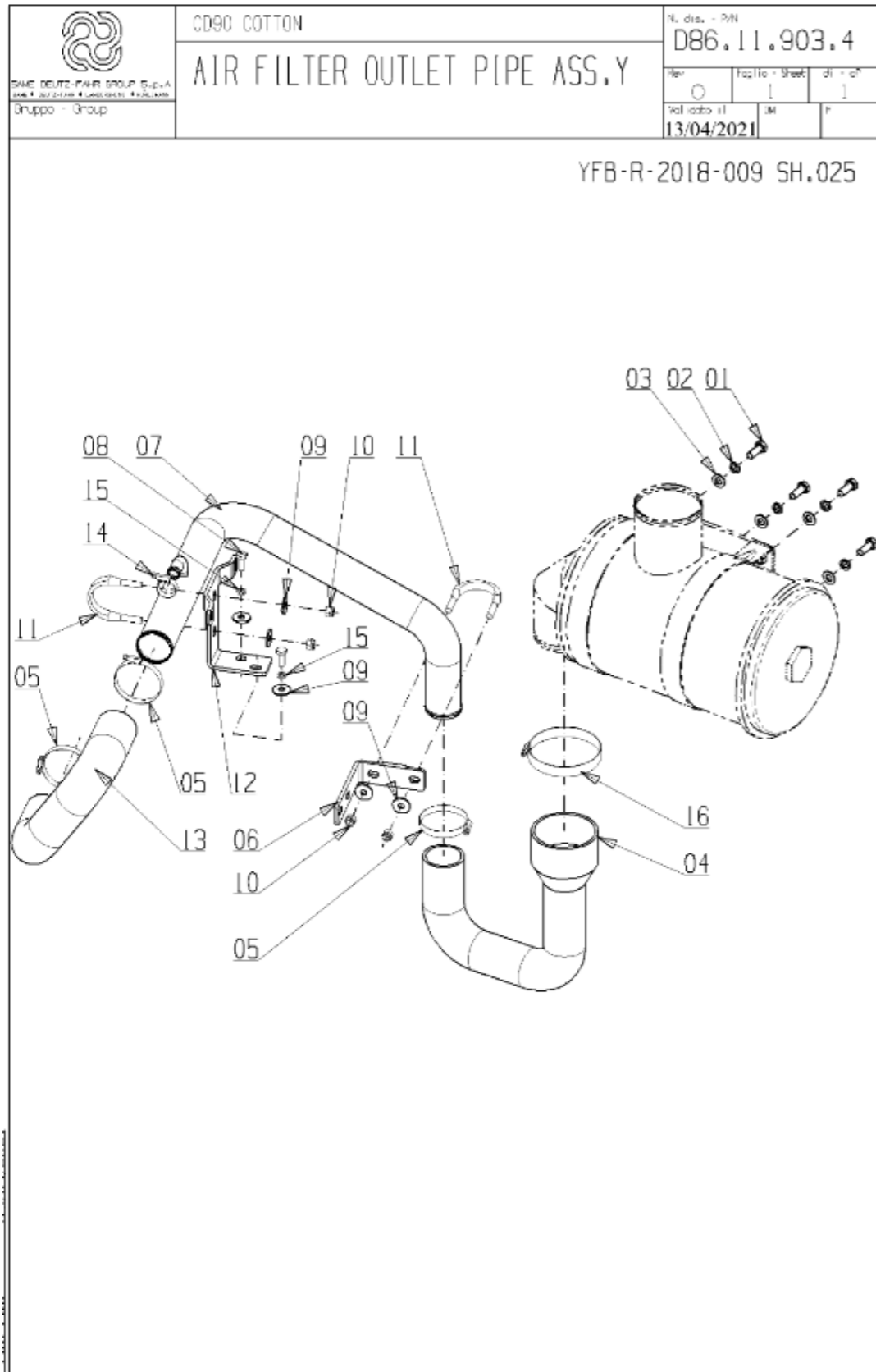
D02.34.900.4 REAR TYRE 12.4-54 ASS.Y(STEPLESS TRACK)

YFB-S-2018-009 SH.002

D02.34.900.4\_0 后轮总成 12.4-54 无级调节 REAR TYRE 12.4-54 ASS.Y(STEPLESS TRACK)

序号	零件编号	零件名称	数量	图号
1	GBT2979-12.4-54-12PR-R1	外胎 OUTER TUBE	2	GBT2979-12.4-54-12PR-R1
2	GBT2979-12.4-54-R1	内胎 INNER TIRE	2	GBT2979-12.4-54-R1
3	D02.34.001.4	轮辋 RIM COMPONENT	2	D02.34.001.4





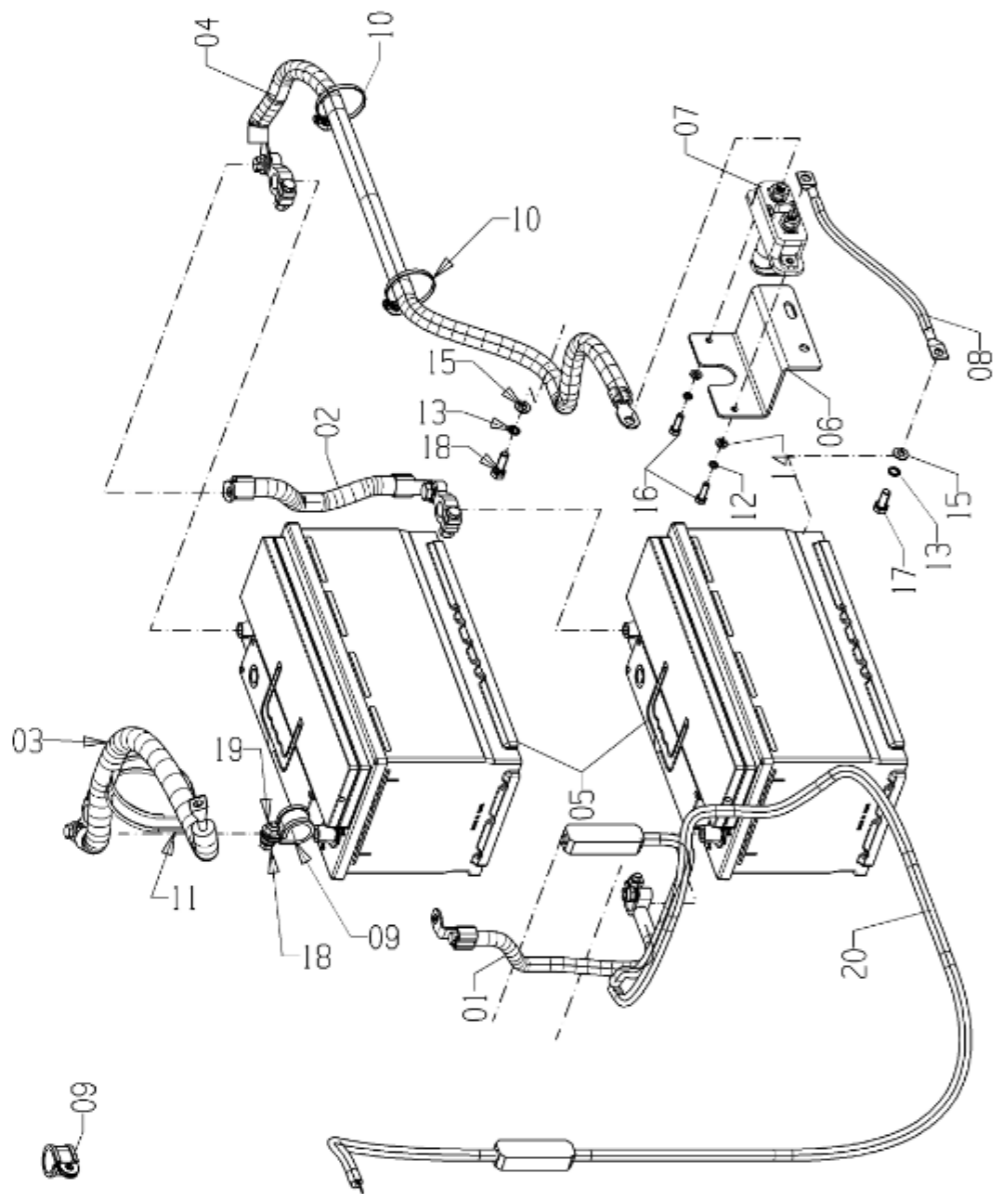
### D86.11.903.4\_0 空滤器出气管总成 AIR FILTER OUTLET PIPE ASS.Y

序号	零件编号	零件名称	数量	图号
1	GBT5783-M12X30-10.9-	螺栓 BOLT	4	GBT5783-M12X30-10.9-A3L
2	GBT93-12-A3L	垫圈 WASHER	4	GBT93-12-A3L
3	GBT97.1-12-A3L	垫圈 WASHER	4	GBT97.1-12-A3L
4	B36.11.001.0	进气软管 AIR INLET HOSE	1	B36.11.001.0
5	JBT8870-D80	软管夹 HOSE CLAMPS	3	JBT8870-D80
6	CD904A.11.012/10	弯板焊合 BENDING PLATE	1	CD904A.11.012/10
7	CD904A.11.012A	进气管 AIR INTAKE PIPE	1	CD904A.11.012A
8	GBT5783-M10X25-A3L	螺栓 BOLT	2	GBT5783-M10X25-A3L
9	GBT96.1-10-A3L	垫圈 WASHER	6	GBT96.1-10-A3L
10	GBT889.1-M10-A3L	螺母 NUT	4	GBT889.1-M10-A3L
11	CD904A.11.105	U型管夹 U SHAPED PIPE CLAMP	2	CD904A.11.105
12	A23.11.004.2	支架焊件 BRACKET WELDMENT 1	1	A23.11.004.2
13	CD904A.11.104/20	进气胶管 AIR INTAKE RUBBER PIPE	1	CD904A.11.104/20
14	JBT8870-D32	软管夹 HOSE CLAMPS	1	JBT8870-D32
15	GBT93-10-A3L	垫圈 WASHER	2	GBT93-10-A3L
16	JBT8870-D120	软管夹 HOSE CLAMPS	1	JBT8870-D120



 SHANGHAI DEUTZ FA-R GROUP S.P.A. S.p.A. - 10042 FAVO - LAMBRUGNA - PAVIA Gruppo Group	CD90 series COTTON CNIII CR	N. dis. - P/N D86.48.900.4
	POWER SUPPLY ASS.Y	Rev. 2 Validato: [ ] [ ]

YFB-R-2021-006 SH.002

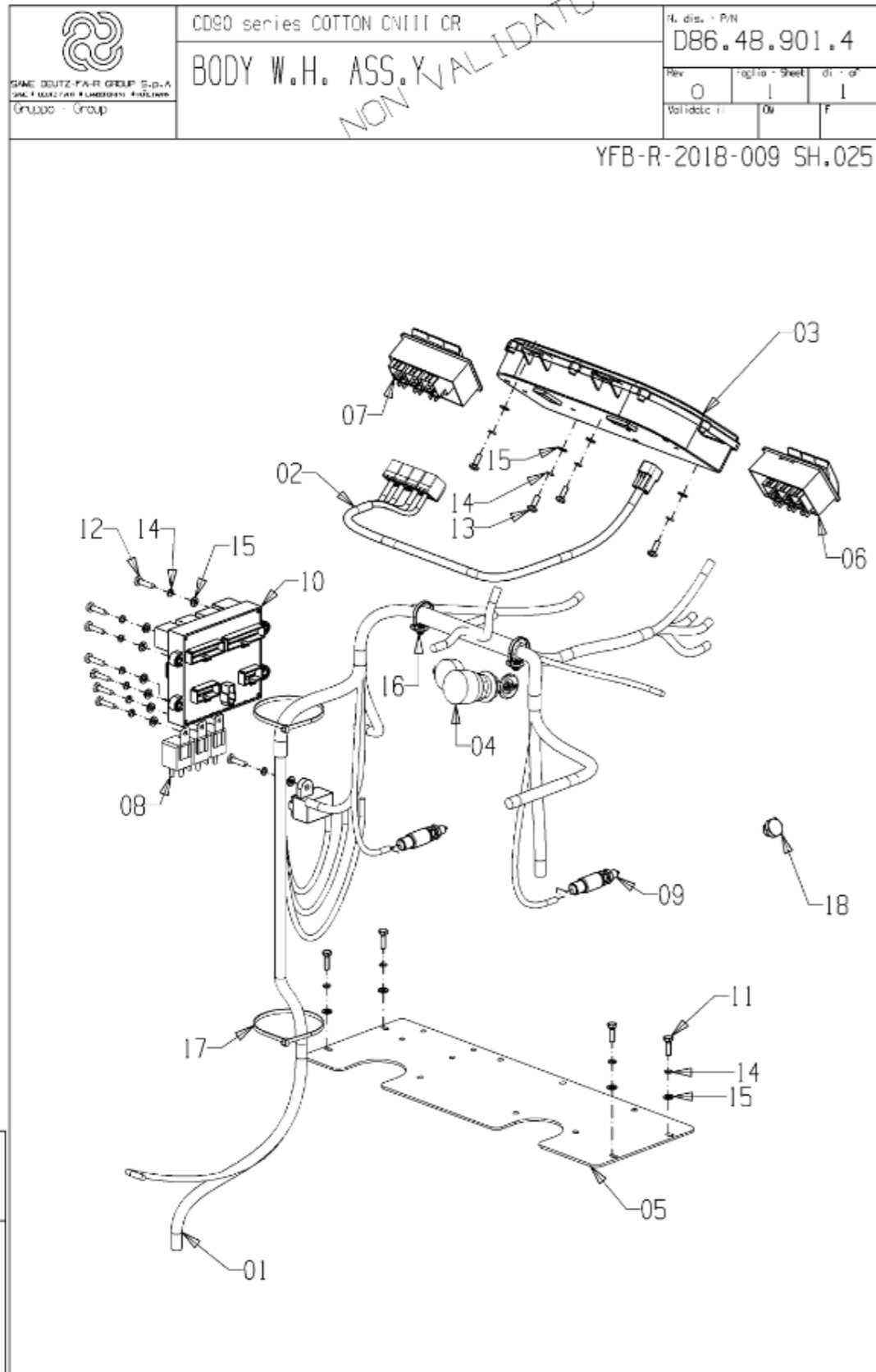


说明 / NOTE:

1. 装配接地线前，充分清除接地丝孔端面及孔内的漆锈。  
BEFORE ASSEMBLING THE GROUNDING WIRE, REMOVE THE PAINT RUST ON THE SURFACE OF THE THREADED HOLE AND THE HOLE.

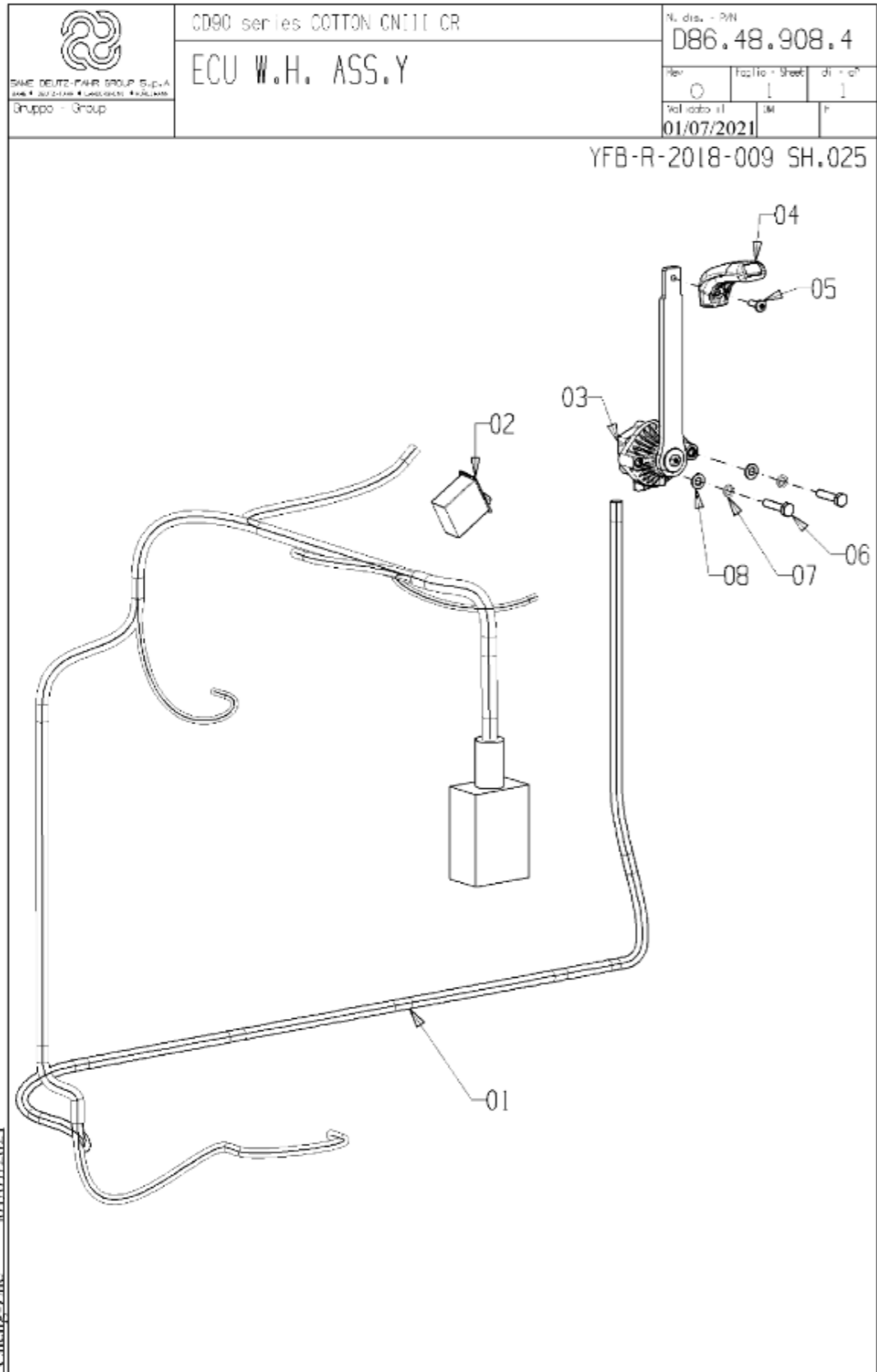
D86.48.900.4\_2 电源线束安装总成 POWER SUPPLY ASS.Y

序号	零件编号	零件名称	数量	图号
1	B30.48.001.4/10	电源线 BATTERY POSITIVE W.H.	1	B30.48.001.4/10
2	B30.48.012.4/10	蓄电池负极线束 BATTERY NEGATIVE	1	B30.48.012.4/10
3	B30.48.003.4	蓄电池启动线束 BATTERY START	1	B30.48.003.4
4	B30.48.004.4	蓄电池负极开关线束 BATTERY	1	B30.48.004.4
5	A11.48.031.0	蓄电池 BATTERY	2	A11.48.031.0
6	CD904.48.101	电源开关安装版 POWER SWITCH	1	CD904.48.101
7	CD554.48.030	总开关 MAINS SWITCH	1	CD554.48.030
8	CD904A.48.021	电池负极线束 BATTERY NEGATIVE	1	CD904A.48.021
9	2.6839.054.0	线夹 FASCETTA	2	2.6839.054.0
10	2.6859.153.0	扎带 FASCETTA-CLIP	2	2.6859.153.0
11	2.6852.203.0	自锁扎带 292 SELF LOCKING CABLE	2	2.6852.203.0
12	2.1473.006.2	垫圈 SPRING WASHER M6	2	2.1473.006.2
13	2.1473.007.2	垫圈 SPRING WASHER M8	3	2.1473.007.2
14	2.1310.002.2	垫圈 WASHER 6	2	2.1310.002.2
15	2.1310.004.2	垫圈 WASHER 8	3	2.1310.004.2
16	2.0114.007.2	螺栓 SCREW M6x20	2	2.0114.007.2
17	2.0114.207.2	螺栓 SCREW M8x20	1	2.0114.207.2
18	2.0114.209.2	螺栓 SCREW M8x25	2	2.0114.209.2
19	2.1011.105.2	螺母 NUT M8x1.25	1	2.1011.105.2
20	A23.48.018.0	电源线束 POWER SUPPLY W.H.	1	A23.48.018.0



### D86.48.901.4\_0 车身线束安装总成 BODY W.H. ASS.Y

序号	零件编号	零件名称	数量	图号
1	A31.48.003.0/30	车身线束 BODY W.H.	1	A31.48.003.0/30
1	2.1051.002.7	焊接螺母 WELD NUT M5x0.8	4	2.1051.002.7
2	2.1051.003.7	焊接螺母 WELD NUT M6x1	2	2.1051.003.7
2	A31.48.013.0	摇臂开关线束 ROCKER SWITCH W.H.	1	A31.48.013.0
3	CD904A.48.022A/10	组合仪表总成 CHECK PANEL	1	CD904A.48.022A/10
4	CD304.48.039	点火锁 IGNITION LOCK	1	CD304.48.039
5	B34.48.001.3/10	线束支架 WIRING HARNESS	1	B34.48.001.3/10
6	LD800.48.030	左侧摇臂开关 LEFT SIDE ROCKER	1	LD800.48.030
7	LD800.48.031	右侧摇臂开关 RIGHT SIDE ROCKER	1	LD800.48.031
8	LD700.48.037	灯光继电器 LIGHT RELAY	3	LD700.48.037
9	SH400.48.047	制动开关 BRAKE SWITCH	2	SH400.48.047
10	A23.48.005.0/40	(中央)电器盒 FUSE BOX	1	A23.48.005.0/40
11	GBT5783-M6X20-A2L	销 BOLT	4	GBT5783-M6X20-A2L
12	GBT818-M6X25-A2L	螺栓 SCREW	8	GBT818-M6X25-A2L
13	GBT818-M6X16-A2L	螺栓 SCREW	4	GBT818-M6X16-A2L
14	GBT93-6-A3L	垫圈 WASHER	16	GBT93-6-A3L
15	GBT97.1-6-A3L	垫圈 WASHER	16	GBT97.1-6-A3L
16	2.6859.153.0	扎带 FASCETTA-CLIP	2	2.6859.153.0
17	2.6852.203.0	自锁扎带 292 SELF LOCKING CABLE	2	2.6852.203.0
18	2.3110.404.2	螺塞 tappo M16x1.5	1	2.3110.404.2

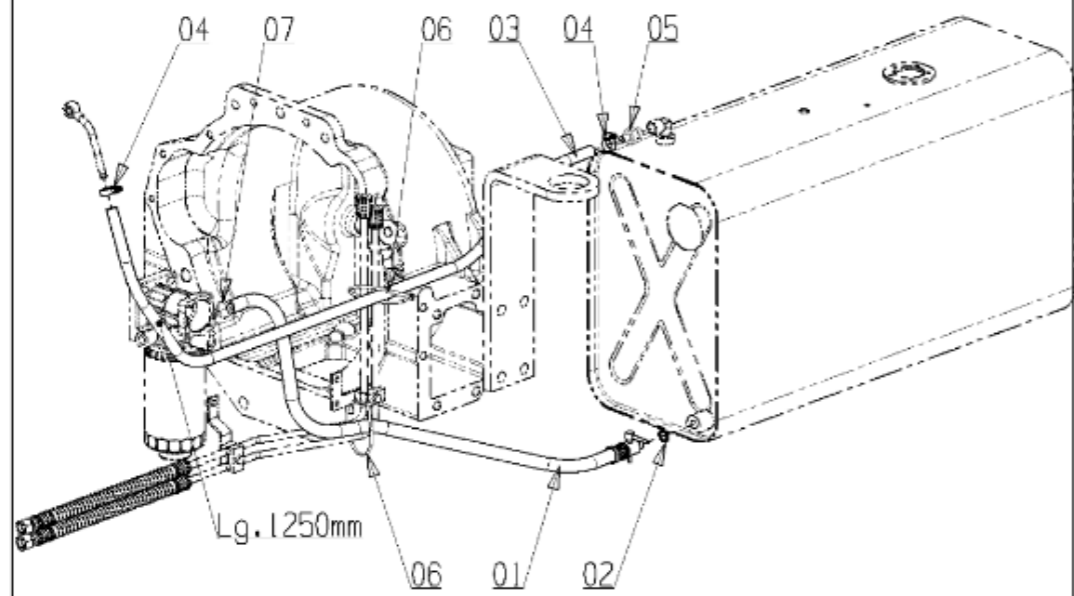


### D86.48.908.4\_0 ECU线束安装总成 ECU W.H. ASS.Y

序号	零件编号	零件名称	数量	图号
1	A31.48.012.0/10	VECHILE ECU W.H. VECHILE ECU	1	A31.48.012.0/10
2	2.7659.561.0	发动机警示器 ENGINE-ALLARM	1	2.7659.561.0
3	CD1204A.48.025	手动节气门总成 MANUAL THROTTLE	1	CD1204A.48.025
4	0.020.3709.0	把手 KNOB	1	0.020.3709.0
5	GBT818-M6X16-A2L	螺栓 SCREW	1	GBT818-M6X16-A2L
6	GBT5783-M8X35-A2L	销 BOLT	2	GBT5783-M8X35-A2L
7	GBT93-8-A3L	垫圈 WASHER	2	GBT93-8-A3L
8	GBT97.1-8-A3L	垫圈 WASHER	2	GBT97.1-8-A3L

 SIME DEUTZ-FAHR GROUP S.p.A. Gruppo - Group	CD90 COTTON	N. dis. - P/N D86.50.901.4
	FUEL PIPE ASS.Y	Rev. 0 Foglio - Sheet 1 di 1 Data di rilascio - Issue Date 13/04/2021

YFB-R-2018-009 SH.025

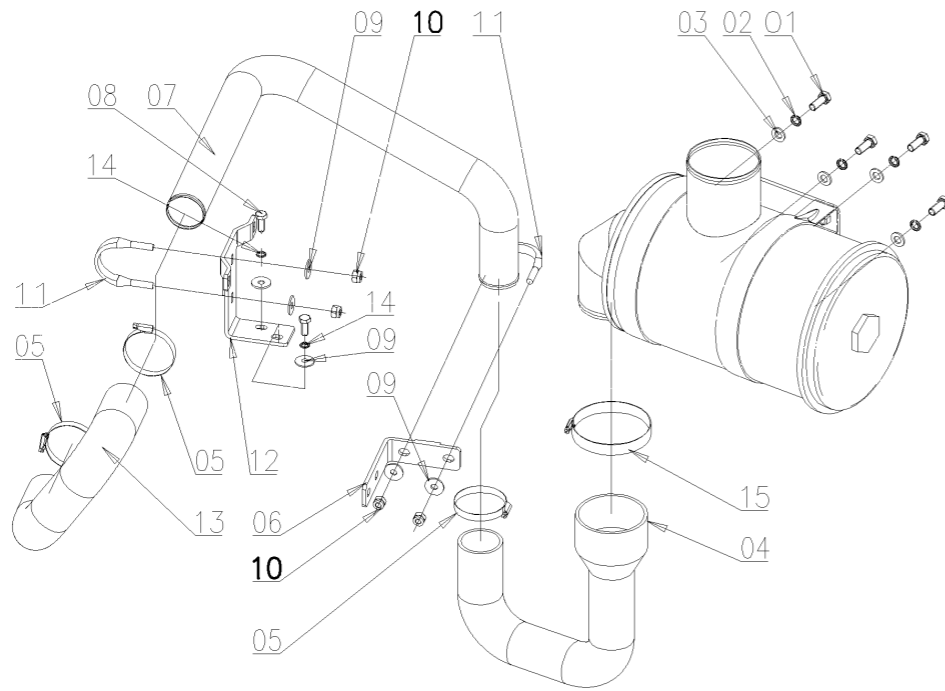


### D86.50.901.4\_0 油箱进回油管总成 FUEL PIPE ASS.Y

序号	零件编号	零件名称	数量	图号
1	D86.50.001.4	进油管 FUEL INLET PIPE	1	D86.50.001.4
2	JBT982-14	组合密封垫圈 SEALING RINGS	1	JBT982-14
3	0.012.6449.0	橡胶软管 FUEL OUTLET PIPE	1	0.012.6449.0
4	JBT8870-D20	软管夹 HOSE CLAMPS	2	JBT8870-D20
5	CD1204.50.105	通气接头 VENT JOINT	1	CD1204.50.105
6	2.6852.203.0	自锁扎带 292 SELF LOCKING CABLE	2	2.6852.203.0
7	JBT8870-D25	软管夹 HOSE CLAMPS	1	JBT8870-D25

E87.11.903.4 AIR FILTER OUTLET PIPE ASS.Y

YFB-R-2017-011 SH.095

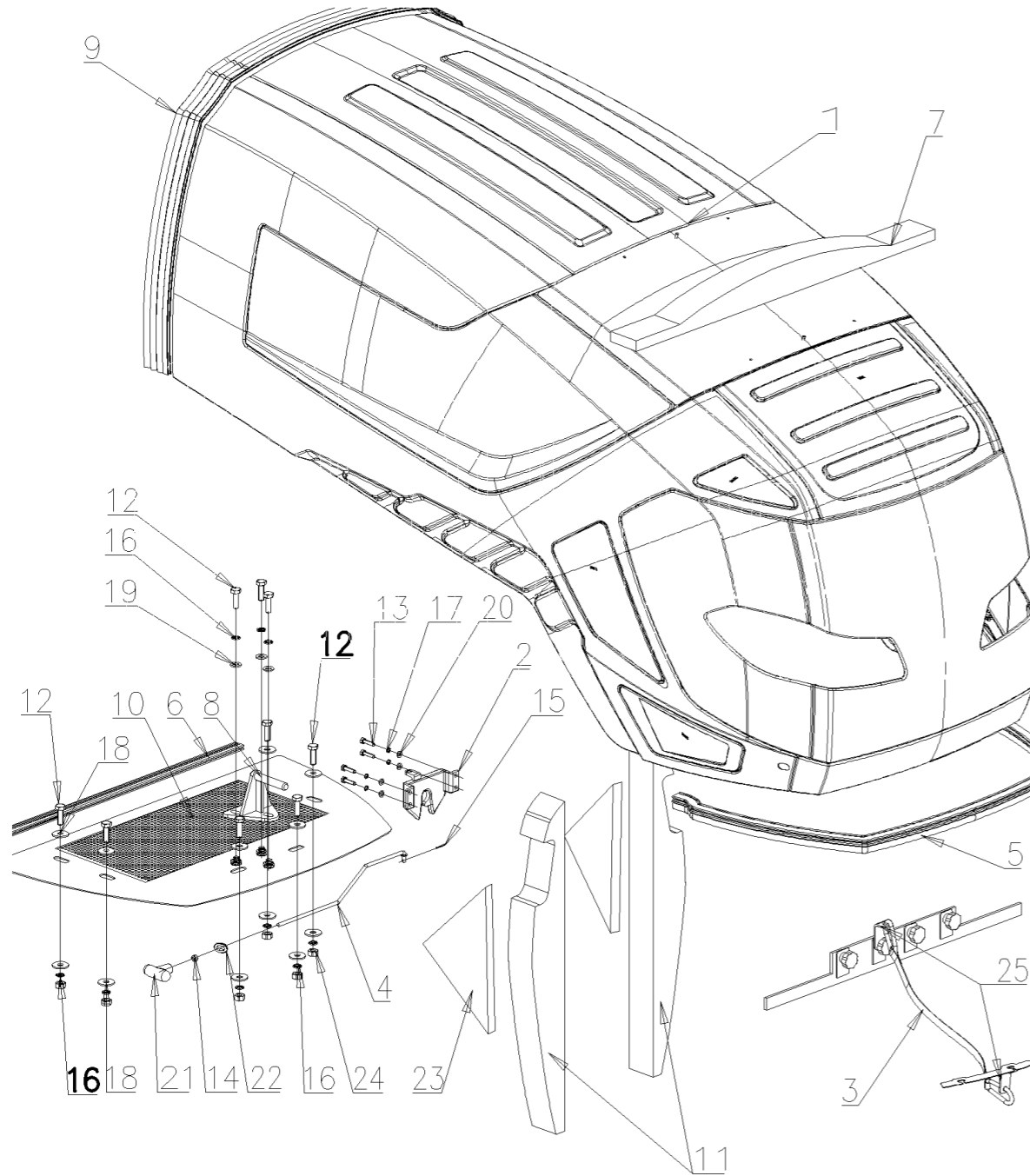


E87.11.903.4\_0 空滤器出气管路总成 AIR FILTER OUTLET PIPE ASS.Y

序号	零件编号	零件名称	数量	图号
1	2.0115.411.2	螺栓 SCREW M12x30	4	2.0115.411.2
2	2.1473.009.2	垫圈 SPRING WASHER M12	4	2.1473.009.2
3	2.1310.007.2	垫圈12 WASHER 12	4	2.1310.007.2
4	B36.11.001.0	进气软管 AIR INLET HOSE	1	B36.11.001.0
5	JBT8870-D80	喉箍 HOSE CLAMPS	3	JBT8870-D80
6	CD904A.11.012/10	弯板焊合 BENDING PLATE	1	CD904A.11.012/10
7	CD904A.11.103/10	进气管 AIR INLET TUBE	1	CD904A.11.103/10
8	2.0114.309.2	螺丝钉 SCREW M10x25	2	2.0114.309.2
9	2.1312.005.2	垫圈 10 WASHER 10	6	2.1312.005.2
10	2.1122.006.2	锁紧螺母M10x1.5 Pa LOCK NUT	4	2.1122.006.2
11	CD904A.11.105	U形管夹 U SHAPED PIPE CLAMP	2	CD904A.11.105
12	A23.11.004.2	支架焊件 BRACKET WELDMENT 1	1	A23.11.004.2
13	CD904A.11.104/20	进气胶管 AIR INTAKE RUBBER PIPE	1	CD904A.11.104/20
14	2.1473.008.2	垫圈 M10 SPRING WASHER M10	2	2.1473.008.2
15	JBT8870-D120	喉箍 HOSE CLAMPS	1	JBT8870-D120

# E87.47.900.4 BONNET ASS.Y

YFB-R-2017-011 SH.095



## E87.47.900.4\_0 机罩总成 BONNET ASS.Y

序号	零件编号	零件名称	数量	图号
1	E87.47.001.4	机罩总成 BONNET ASSEMBLY	1	E87.47.001.4
2	CD1204.47.019	机罩锁 BONNET LOCK	1	CD1204.47.019
3	B09.47.034.4	拉绳 ROPE	1	B09.47.034.4
4	CD1204.47.024/10	机罩锁拉杆 LOCK ROD	1	CD1204.47.024/10
5	CD1204.47.216/10	密封条 SEALING STRIP	1	CD1204.47.216/10
6	CD1204.47.217	密封条 SEALING STRIP	1	CD1204.47.217
7	CD1204.47.271	机罩上密封海绵 Bonnet upper sealing	1	CD1204.47.271
8	CD904.47.015	机罩锁座 BONNET LOCK SEAT	1	CD904.47.015
9	CD904.47.103	机罩后胶条 BONNET SEALING STRIP	1	CD904.47.103
10	CD904A.47.014	机罩上盘 BONNET UNDER PLATE	1	CD904A.47.014
11	CD904A.47.107/10	机罩侧密封海绵 BONNET SIDE	2	CD904A.47.107/10
12	2.0114.311.2	螺栓 M10x30 SCREW M10x30	9	2.0114.311.2
13	2.0114.009.2	螺栓 M6x25 SCREW M6x25	4	2.0114.009.2
14	2.1011.103.2	螺母 M6x1 NUT M6x1	1	2.1011.103.2
15	2.1690.107.2	销 1.6-18 SPLIT PIN 1.6-18	1	2.1690.107.2
16	2.1473.008.2	垫圈 M10 SPRING WASHER M10	9	2.1473.008.2
17	2.1473.006.2	垫圈 SPRING WASHER M6	4	2.1473.006.2
18	2.1312.005.2	垫圈 10 WASHER 10	12	2.1312.005.2
19	2.1310.006.2	垫圈 10 WASHER 10	3	2.1310.006.2
20	2.1310.002.2	垫圈 6 WASHER 6	4	2.1310.002.2
21	SH554A.47.018/10	手柄总成 HANDLE ASSY	1	SH554A.47.018/10
22	SH554A.47.125-1	套筒 SLEEVE	1	SH554A.47.125-1
23	A68.47.015.0	密封海绵 SEALING SPONGE	2	A68.47.015.0
24	2.1011.106.2	螺母 M10x1.5 NUT M10x1.5	6	2.1011.106.2
25	B09.47.035.0	支架 BRACKET	2	B09.47.035.0

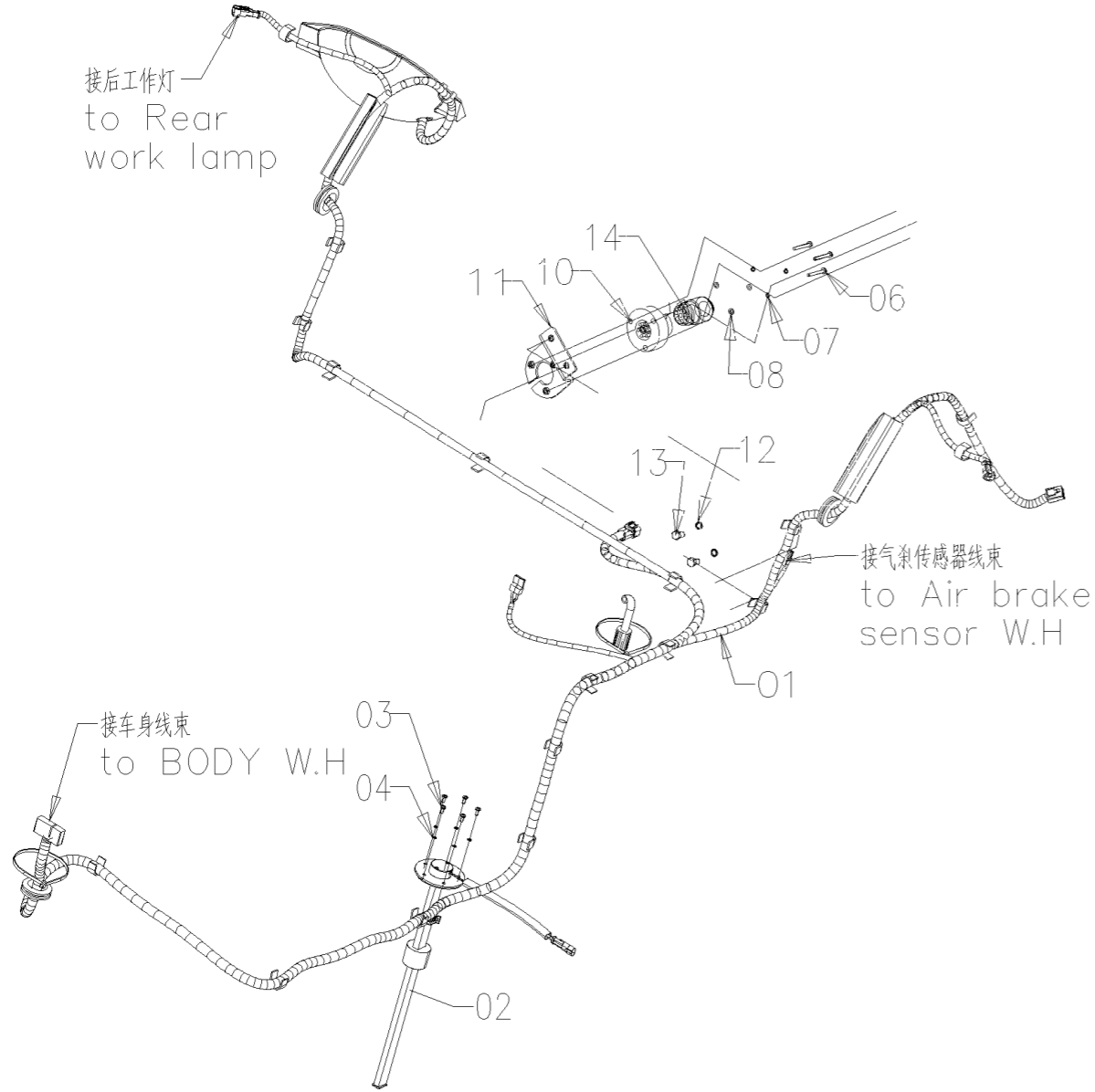
### E87.48.902.4\_0 机罩线束安装总成 BONNET WIRING HARNESS ASS.Y

序号	零件编号	零件名称	数量	图号
1	B29.48.032.0	电喇叭 ELECTRIC HORN	1	B29.48.032.0
2	E87.48.001.4	前灯线束 FRONT LAMP W.H.	1	E87.48.001.4
3	CD1204.48.036	右前照灯总成 RIGHT HEADLIGHT	1	CD1204.48.036
4	2.6852.203.0	自锁扎带292 SELF LOCKING CABLE	7	2.6852.203.0
5	CD1204.48.035	左前照灯总成 LEFT HEADLIGHT	1	CD1204.48.035
6	2.0114.007.2	螺栓M6x20 SCREW M6x20	8	2.0114.007.2
7	2.1473.006.2	垫圈 SPRING WASHER M6	8	2.1473.006.2
8	2.1310.002.2	垫圈 6 WASHER 6	8	2.1310.002.2

↓

# E87.48.903.4 REAR W.H. ASSEMBLY

YFB-R-2023-001 SH.002



## E87.48.903.4\_0 后灯线束安装总成 REAR LAMP WIRING HARNESS ASS.Y

序号	零件编号	零件名称	数量	图号
1	E87.48.003.4	后线束 REAR W.H.	1	E87.48.003.4
2	DF904.48.023	油量传感器 FUEL SENSOR	1	DF904.48.023
3	2.0332.203.2	十字螺钉 M4x0.7x10 CROSS SCREW	5	2.0332.203.2
4	2.1473.004.2	垫圈 M4 SPRING WASHER M4	5	2.1473.004.2
6	2.0332.310.2	十字螺钉 M5x0.8x35 CROSS SCREW	3	2.0332.310.2
7	2.1473.005.2	垫圈 M5 SPRING WASHER M5	3	2.1473.005.2
8	2.1310.001.2	垫圈 5 WASHER 5	3	2.1310.001.2
10	A56.48.010.0	后拖挂插座 REAR TRAILER SOCKET	1	A56.48.010.0
11	B80.48.008.3	拖车插座支架 TAILER SOCKET	1	B80.48.008.3
12	2.1473.007.2	垫圈 M8 SPRING WASHER M8	2	2.1473.007.2
13	2.0114.205.2	螺栓 M8x16 SCREW M8x16	2	2.0114.205.2
14	A56.48.011.0	后拖挂插头 REAR TRAILER PLUG	1	A56.48.011.0

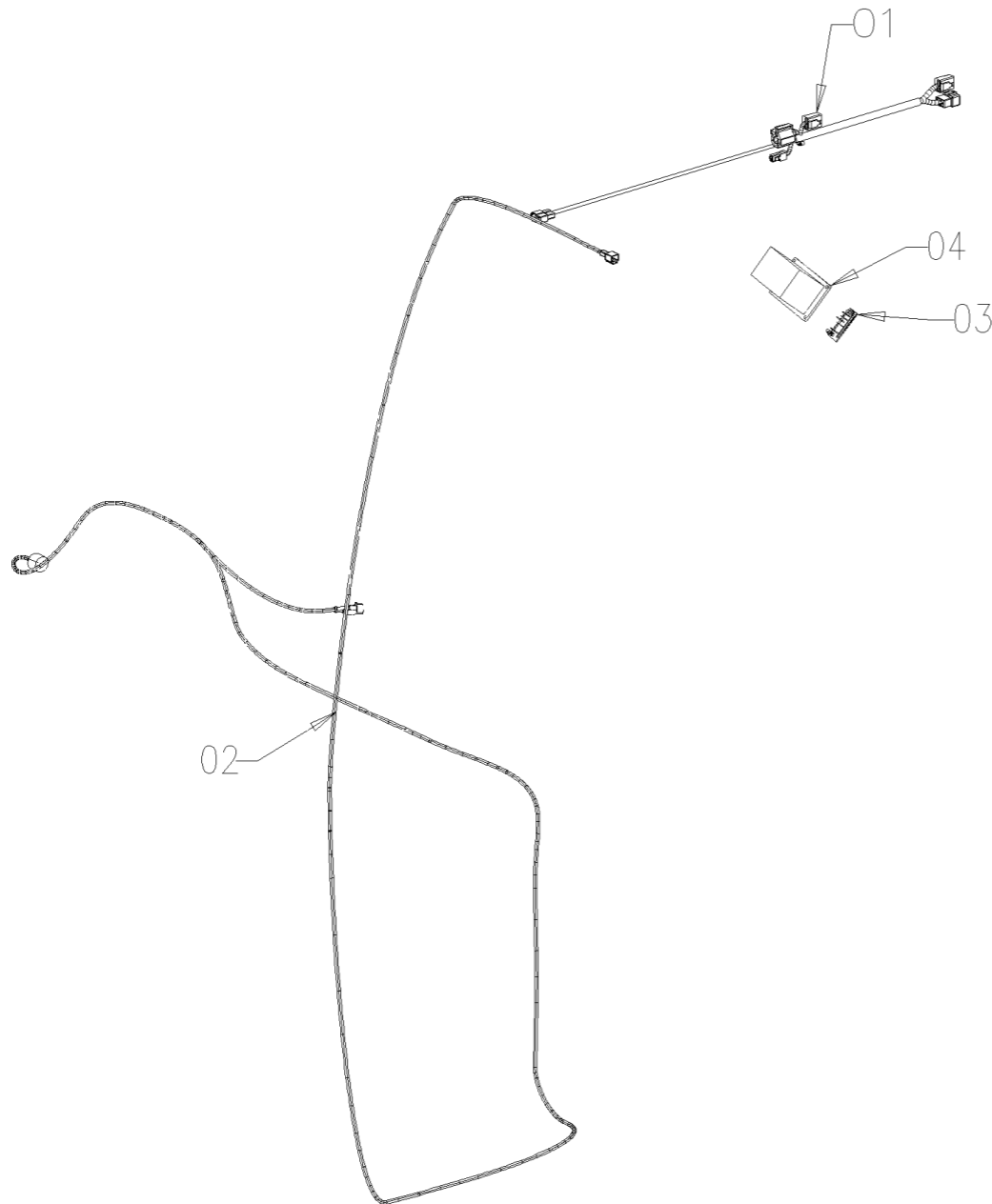


# E87.48.909.4 AIR CONDITION ELECTRICAL PART

YFB-R-2017-011 SH.095

## E87.48.909.4\_0 空调电气系统安装总成 AC CABIN ELECTRICAL ASS.Y

序号	零件编号	零件名称	数量	图号
1	CD1204.48.044	蒸发器线束 EVAPORATOR WIRING	1	CD1204.48.044
2	E87.48.002.4	压力开关线束 PRESSURE SWITCH	1	E87.48.002.4
3	2.3199.383.0	滤盖 BLIND COVER	1	2.3199.383.0
4	A39.48.038.0	空调控制面板 AC CONTROL PANEL	1	A39.48.038.0

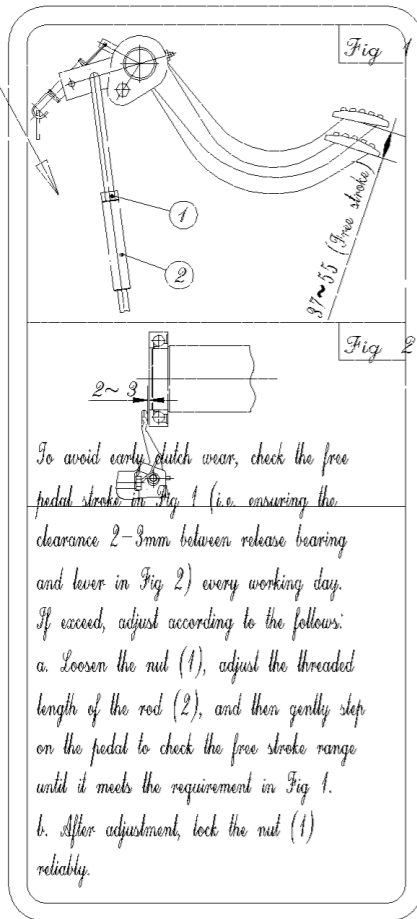


E87.51.901.4\_0 主离合器踏板调整标识 MAIN CLUTCH PEDAL ADJUST LABEL

序号	零件编号	零件名称	数量	图号
1	E87.51.002.0	主离合器踏板调整标志 MAIN	1	E87.51.002.0

E87.51.901.4 CLUTCH COMMAND LABEL ASS.Y

1 YFB-R-2017-011 SH.095

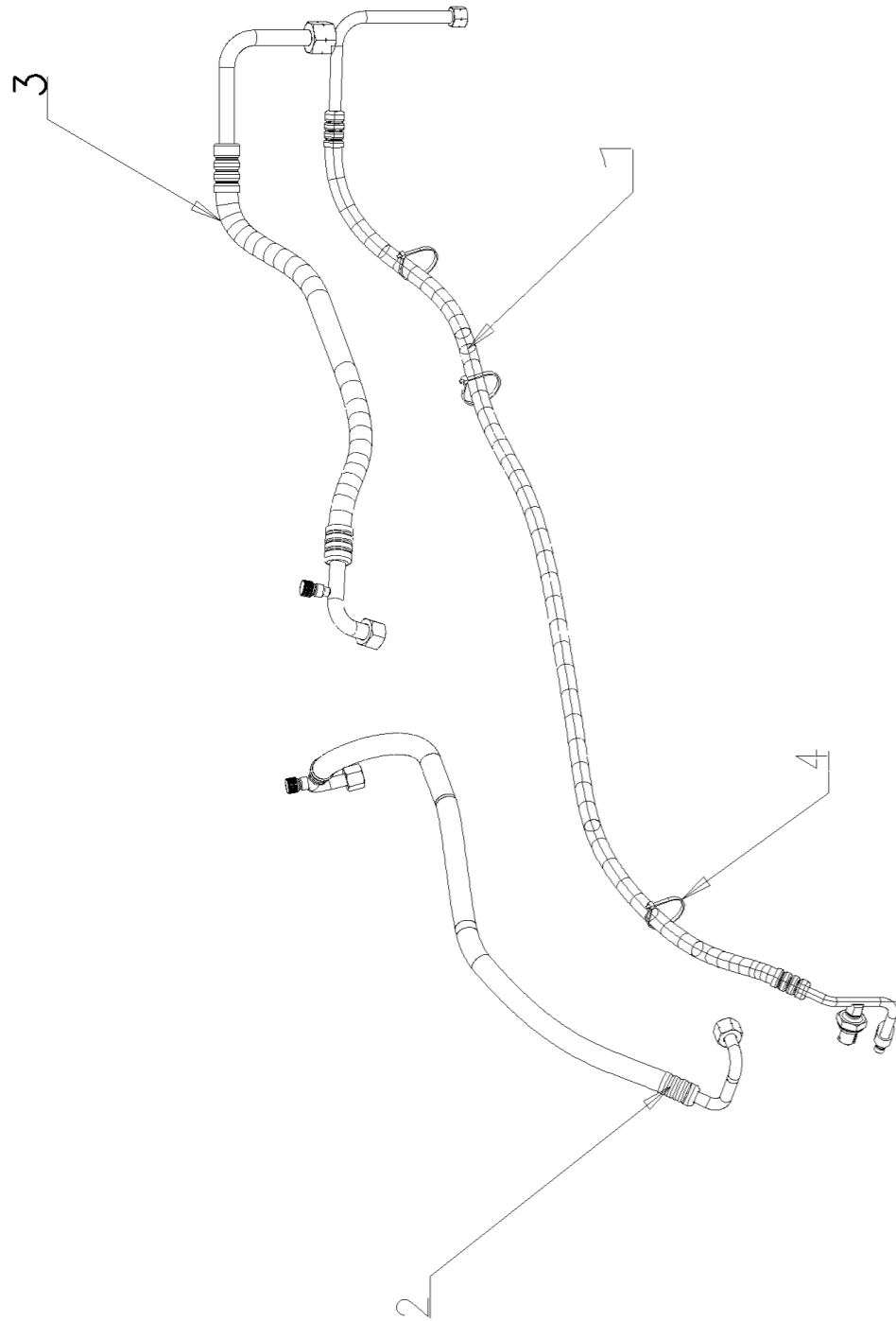


# E87.81.901.4 AC COMPRESSOR PIPE ASS.Y

YFB-R-2017-011 SH.095

## E87.81.901.4\_0 空调压缩机管路总成 AC COMPRESSOR PIPE ASS.Y

序号	零件编号	零件名称	数量	图号
1	E87.81.001.2	冷凝器出口管 CONDENSER OUTLET	1	E87.81.001.2
2	A23.81.003.2	压缩机出口管 COMPRESSOR OUTLET	1	A23.81.003.2
3	CD904A.81.013	压缩机进口管 COMPRESSOR PIPE	1	CD904A.81.013
4	2.6852.101.0	自锁扎带 142 SELF LOCKING CABLE	3	2.6852.101.0





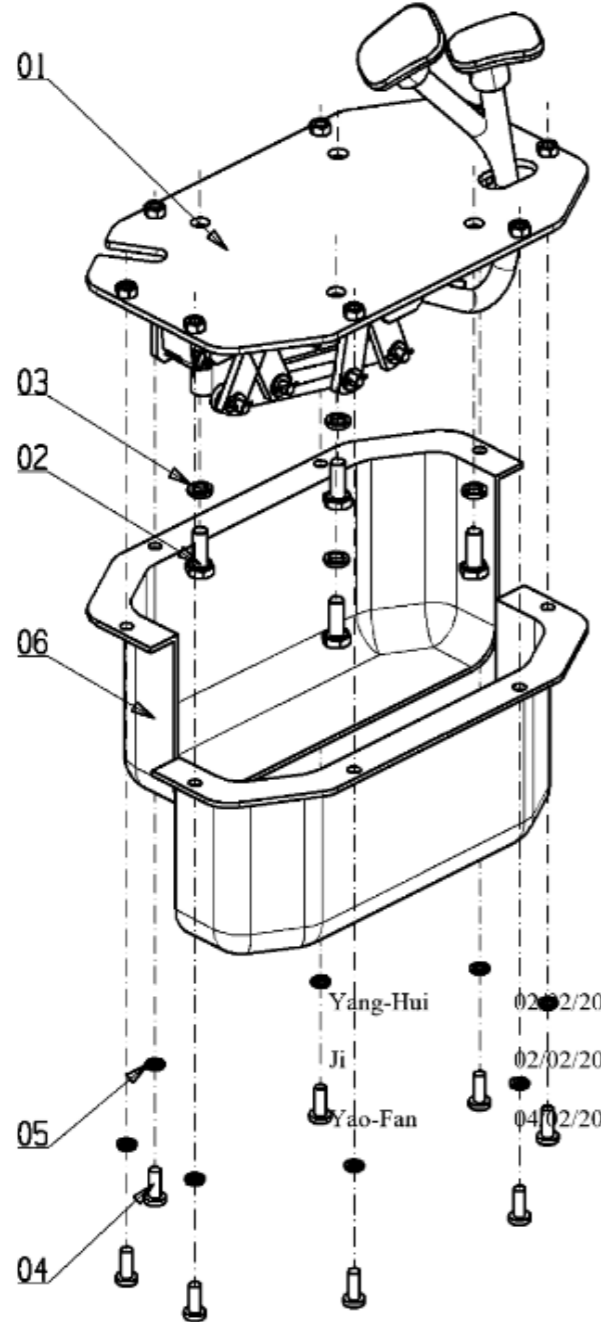
CD90 SERIES COTTON

# ENGINE THROTTLE ASS.Y

N. dis. - P/N  
**CD804A.20.001**

Rev	1	2	3
Validato il			

YFB-R-2020-004 SH.025



04/02/2021

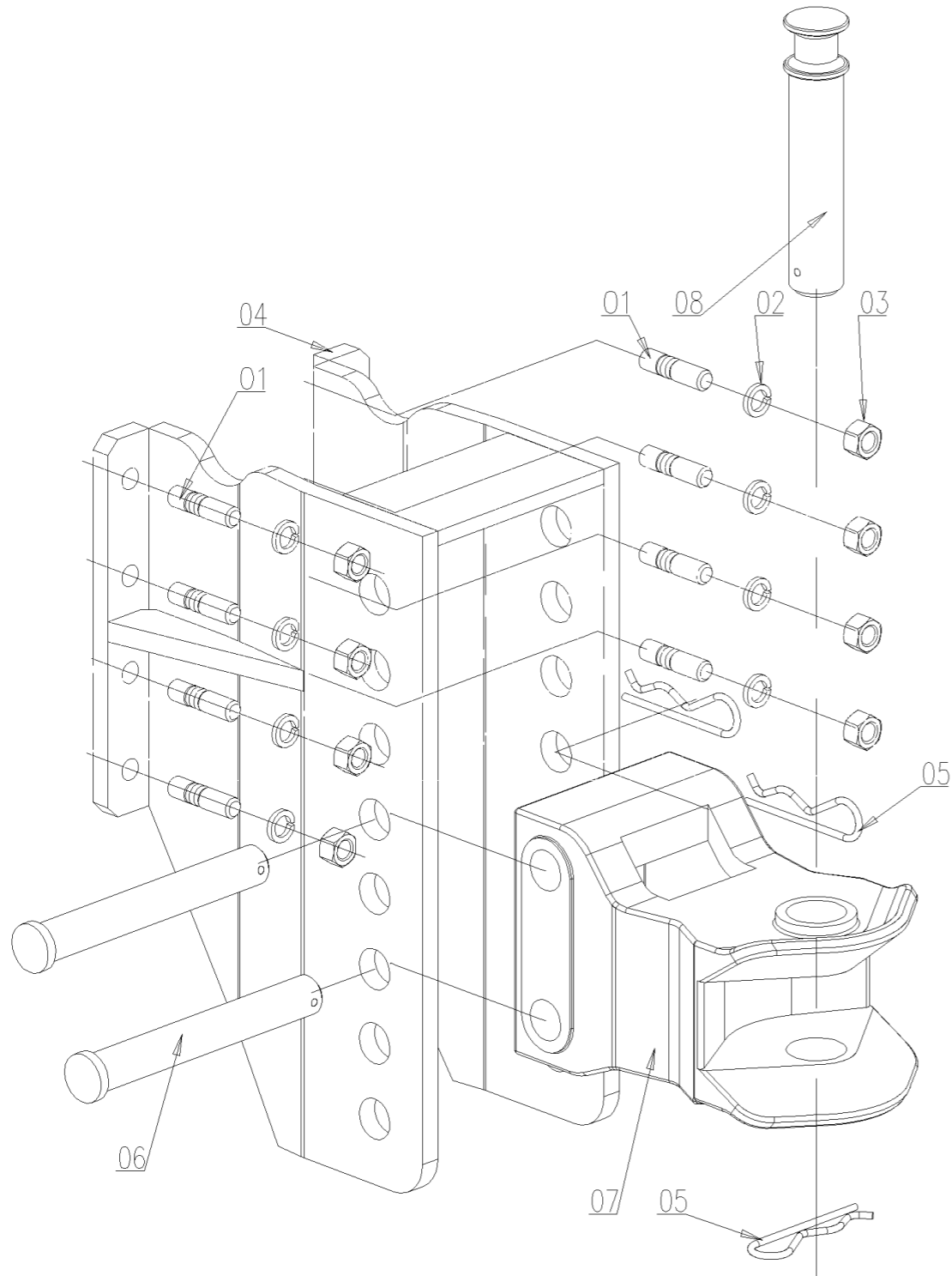
## CD804A.20.001\_3 脚油门总成 ENGINE THROTTLE ASS.Y

序号	零件编号	零件名称	数量	图号
1	CD804A.20.002/30	脚部 EHROTTLER 组合 FOOT	1	CD804A.20.002/30
2	GBT5783-M8X20-A2L	销 BOLT	4	GBT5783-M8X20-A2L
3	GBT93-8-A3L	垫圈 WASHER	4	GBT93-8-A3L
4	GBT823-M6X16-A2L	螺栓 SCREW	8	GBT823-M6X16-A2L
5	GBT93-6-A3L	垫圈 WASHER	8	GBT93-6-A3L
6	CD804A.20.104	护罩 SHIELD	2	CD804A.20.104

SH804.53.001 TRACTION ASSY.

SH804.53.001\_2 拖挂装置总成 (加强型可活动拖挂, 上下可调) TRALER HITCH ASS.Y

序号	零件编号	零件名称	数量	图号
1	GBT899-AM16X40-A3L	螺柱 STUD	8	GBT899-AM16X40-A3L
2	GBT93-16-A3L	垫圈 WASHER	8	GBT93-16-A3L
3	GBT6170-M16-A3L	螺母 NUT	8	GBT6170-M16-A3L
4	SH804.53.011/10	拖挂架焊合 Drag the hanger to weld	1	SH804.53.011/10
5	SH900.53.103	弹性锁销 spring plunger	3	SH900.53.103
6	SH804.53.110	拖挂销 Trailer pin	2	SH804.53.110
7	LE1204.53.102	拖挂架 Drag the rack	1	LE1204.53.102
8	SH900.53.102	挂钩销 hanger pin	1	SH900.53.102



SH900.56.016 上螺杆铆合件

SH900.56.016 螺钉铆接件 SCREW RIVETING PIECES

序号	零件编号	零件名称	数量	图号
1	SH900.56.125	上螺杆 TOP SCREW	1	SH900.56.125
2	SH900.56.126	上螺杆球头 TOP SCREW HEAD	1	SH900.56.126

