

零件编号	结构代码	零件顺序	零件编号	结构代码	零件顺序	零件编号	结构代码	零件顺序
SH900.55.169	0.028.8137.3	5	GBT899-AM14X1.5X190-10.9-A3L	9.DI531.03.0_4	8	2.2770.271.0	9.DI533.01.0_3	7
0.030.4773.0	9.DI066.02.0_0	1	LE1204.38.132	9.DI531.03.0_4	9	DF904.37.113/10	9.DI533.01.0_3	8
2.1560.012.0	9.DI066.02.0_0	2	LE1204.38.133	9.DI531.03.0_4	10	C35.37.001.4	9.DI533.01.0_3	9
GBT3733.2-83-G12	9.DI066.02.0_0	3	GBT5783-M10X25-A3L	9.DI531.03.0_4	11	0.029.4381.0/20	9.DI533.01.0_3	10
GBT93-6-A2L	9.DI066.02.0_0	4	GBT6171-M14X1.5-10-A3L	9.DI531.03.0_4	12	DF904.37.115/10	9.DI533.01.0_3	11
GBT93-6-A3L	9.DI066.02.0_0	4	JBT982-12	9.DI531.03.0_4	13	0.029.4367.0/10	9.DI533.01.0_3	12
GBT5783-M6x12-A2L	9.DI066.02.0_0	5	JBT982-20	9.DI531.03.0_4	14	DF904.37.118	9.DI533.01.0_3	13
0.028.8656.0/30	9.DI531.00.0_5	1	JBT8870-D20	9.DI531.03.0_4	15	DF904.37.119/10	9.DI533.01.0_3	14
A31.21.002.0	9.DI531.00.0_5	2	LE1204.38.012	9.DI531.03.0_4	16	LE1204.37.195	9.DI533.01.0_3	15
JBT7918-K25X31X20	9.DI531.00.0_5	3	LE1204.38.106	9.DI531.03.0_4	17	LE1204.37.211	9.DI533.01.0_3	16
SH900.37.216	9.DI531.00.0_5	4	LE1204.38.111	9.DI531.03.0_4	18	GBT309-P5X23.8-G2-3-5	9.DI533.01.0_3	17
SH900.47A.115-1	9.DI531.00.0_5	5	LE1204.38.128	9.DI531.03.0_4	19	GBT895.1-42	9.DI533.01.0_3	18
SH900.37.016/10	9.DI531.00.0_5	6	SH900.38.105A	9.DI531.03.0_4	20	0.028.6764.0/20	9.DI533.02.0_2	1
JBT982-30	9.DI531.00.0_5	7	SH900.38.159	9.DI531.03.0_4	21	DF904.37.122/10	9.DI533.02.0_2	2
SH900.37.154	9.DI531.00.0_5	9	SH900.38.160/10	9.DI531.03.0_4	22	DF904.37.121/10	9.DI533.02.0_2	3
GBT91-5X25-A3L	9.DI531.00.0_5	10	SH900.38.018/10	9.DI531.03.0_4	23	0.028.8274.0/10	9.DI533.02.0_2	4
GBT5783-M12X25-A3L	9.DI531.00.0_5	11	JBT982-36	9.DI531.03.0_4	24	DF904.37.124	9.DI533.02.0_2	5
GBT93-12-A3L	9.DI531.00.0_5	12	2.3110.405.1	9.DI531.03.0_4	25	2.2770.271.0	9.DI533.02.0_2	6
LE1204.37.123	9.DI531.00.0_5	13	2.1560.014.0	9.DI531.03.0_4	26	0.028.8273.0/10	9.DI533.02.0_2	7
GBT5783-M10X25-A3L	9.DI531.00.0_5	14	0.028.6759.0/10	9.DI532.02.0_3	1	DF904.37.131	9.DI533.02.0_2	8
GBT93-10-A3L	9.DI531.00.0_5	15	GBT297-33109	9.DI532.02.0_3	2	0.029.4455.0	9.DI533.02.0_2	9
A31.21.003.0/10	9.DI531.00.0_5	16	GBT283-NUP1014M	9.DI532.02.0_3	3	LE1204.37.144	9.DI533.02.0_2	10
GBT93-12-A3L	9.DI531.02.0_1	2	GBT894.1-70	9.DI532.02.0_3	4	LE1204.37.205	9.DI533.02.0_2	11
GBT5783-M12X50-10.9-A3L	9.DI531.02.0_1	4	GBT297-30310	9.DI532.02.0_3	5	0.028.6764.0/20	9.DI533.03.0_2	1
GBT5783-M16X55-10.9-A3L	9.DI531.02.0_1	5	0.029.7755.0/10	9.DI532.03.0_4	1	0.029.4455.0	9.DI533.03.0_2	2
2.1475.106.2	9.DI531.02.0_1	6	0.029.7757.0/10	9.DI532.03.0_4	2	0.029.7756.0/10	9.DI533.03.0_2	3
DF904.37.140	9.DI531.02.0_1	7	DF904.37.107/10	9.DI532.03.0_4	3	0.029.7758.0/10	9.DI533.03.0_2	4
GBT5783-M8X35-A2L	9.DI531.02.0_1	8	DF904.37.109	9.DI532.03.0_4	4	2.2770.271.0	9.DI533.03.0_2	5
GBT93-8-A3L	9.DI531.02.0_1	9	DF904.37.111	9.DI532.03.0_4	5	DF904.37.121/10	9.DI533.03.0_2	6
GBT5783-M10X35-A3L	9.DI531.02.0_1	10	GBT283-NUP1014M	9.DI532.03.0_4	6	DF904.37.122/10	9.DI533.03.0_2	7
GBT93-10-A3L	9.DI531.02.0_1	11	GBT297-30310	9.DI532.03.0_4	7	DF904.37.124	9.DI533.03.0_2	8
GBT899-AM14X1.5X50-10.9-A3L	9.DI531.02.0_1	12	GBT297-33109	9.DI532.03.0_4	8	DF904.37.131	9.DI533.03.0_2	9
2.1475.005.7	9.DI531.02.0_1	13	GBT894.1-55	9.DI532.03.0_4	9	LE1204.37.144	9.DI533.03.0_2	10
GBT6171-M14X1.5-10-A3L	9.DI531.02.0_1	15	GBT894.1-70	9.DI532.03.0_4	10	LE1204.37.205	9.DI533.03.0_2	11
0.026.3893.0	9.DI531.03.0_4	1	0.028.6758.0/10	9.DI533.01.0_3	1	C35.37.001.4	9.DI533.07.0_3	1
0.026.3894.0	9.DI531.03.0_4	2	0.029.4452.0	9.DI533.01.0_3	2	2.2770.271.0	9.DI533.07.0_3	2
A26.38.001.0	9.DI531.03.0_4	3	DF904.37.136	9.DI533.01.0_3	3	C35.37.002.0	9.DI533.07.0_3	3
LE1204.38.130	9.DI531.03.0_4	4	DF904.37.137/138/139	9.DI533.01.0_3	4	C35.37.003.0/10	9.DI533.07.0_3	4
LE1204.38.131	9.DI531.03.0_4	5	DF904.37.127/10	9.DI533.01.0_3	5	DF904.37.113/10	9.DI533.07.0_3	5
GBT93-10-A3L	9.DI531.03.0_4	6	0.029.4390.0/20	9.DI533.01.0_3	6	DF904.37.115/10	9.DI533.07.0_3	6

零件编号	结构代码	零件顺序	零件编号	结构代码	零件顺序	零件编号	结构代码	零件顺序
DF904.37.115/10	9.DI533.07.0_3	6	0.028.8691.0/10	9.DI534.03.0_2	1	SH900.38.153/10	9.DI535.01.0_3	17
DF904.37.117/10	9.DI533.07.0_3	7	0.029.7765.0/10	9.DI534.03.0_2	2	SH900.38.154	9.DI535.01.0_3	18
DF904.37.118	9.DI533.07.0_3	8	0.029.7766.0/10	9.DI534.03.0_2	3	SH900.38.120	9.DI535.02.0_1	1
DF904.37.119/10	9.DI533.07.0_3	9	GBT894.1-30	9.DI534.03.0_2	4	SH900.38.119	9.DI535.02.0_1	2
0.028.6758.0/10	9.DI533.07.0_3	10	JBT7918-K30X40X30	9.DI534.03.0_2	5	GBT5783-M10X25-A3L	9.DI535.02.0_1	3
DF904.37.127/10	9.DI533.07.0_3	11	QCT388-14	9.DI534.03.0_2	6	GBT895.2-30	9.DI535.02.0_1	4
0.029.4452.0	9.DI533.07.0_3	12	0.040.9429.0	9.DI534.03.0_3	1	GBT305-72/74.8	9.DI535.02.0_1	5
DF904.37.136	9.DI533.07.0_3	13	0.029.7765.0/20	9.DI534.03.0_3	2	GBT276-6306N	9.DI535.02.0_1	6
DF904.37.137/138/139	9.DI533.07.0_3	14	0.029.7766.0/20	9.DI534.03.0_3	3	DF1204.38.101/10	9.DI535.02.0_1	7
DF904.37.142/143/144	9.DI533.07.0_3	15	GBT894.1-35	9.DI534.03.0_3	4	GBT308-10-G100-b	9.DI536.00.0_1	1
GBT895.1-42	9.DI533.07.0_3	16	JBT7918-K35X45X30	9.DI534.03.0_3	5	GBT3452.1-17X1.8-G	9.DI536.00.0_1	2
GBT309-P5X23.8-G2-3-5	9.DI533.07.0_3	17	QCT388-14	9.DI534.03.0_3	6	GBT3452.1-17X2.65-G	9.DI536.00.0_1	3
LE1204.37.195	9.DI533.07.0_3	18	A26.38.002.0	9.DI535.00.0_1	1	GBT6172.1-M12-A3L	9.DI536.00.0_1	4
LE1204.37.211	9.DI533.07.0_3	19	GBT93-12-A3L	9.DI535.00.0_1	2	GBT6172.1-M16-A3L	9.DI536.00.0_1	5
A26.37.011.0	9.DI533.07.0_3	20	GBT297-30310	9.DI535.00.0_1	3	LE1204.41.011-1	9.DI536.00.0_1	6
A26.37.012.0	9.DI533.07.0_3	21	GBT297-32311	9.DI535.00.0_1	4	LE1204.41.102-1	9.DI536.00.0_1	7
LE1204.37.172/20	9.DI534.00.0_1	1	GBT812-M50X1.5-A3L	9.DI535.00.0_1	5	LE1204.41.103	9.DI536.00.0_1	8
LE1204.37.185	9.DI534.00.0_1	2	GBT858-50	9.DI535.00.0_1	6	LE1204.41.118	9.DI536.00.0_1	9
SH900.37.013	9.DI534.00.0_1	3	GBT5783-M12X35-10.9-A3L	9.DI535.00.0_1	7	LE1204.41.119	9.DI536.00.0_1	10
LE1204.37.186	9.DI534.00.0_1	4	LE1204.38.114	9.DI535.00.0_1	8	LE1204.41.120	9.DI536.00.0_1	11
GBT893.1-170	9.DI534.00.0_1	5	LE1204.38.116	9.DI535.00.0_1	9	SH900.37.135A	9.DI536.00.0_1	12
0.028.2305.0	9.DI534.00.0_1	6	LE1204.38.136	9.DI535.00.0_1	10	SH900.38.110	9.DI536.00.0_1	13
LE1204.37.187	9.DI534.00.0_1	7	LE1204.38.139	9.DI535.00.0_1	11	SH900.41.104	9.DI536.00.0_1	14
GBT309-P4X25.8-G3-3-6	9.DI534.00.0_1	8	LE1204.38.141	9.DI535.00.0_1	12	SH900.41.127	9.DI536.00.0_1	15
A23.37.005.0	9.DI534.00.0_1	9	2.1475.004.2	9.DI535.01.0_3	1	SH900.41.131	9.DI536.00.0_1	16
A23.37.004.0	9.DI534.00.0_1	10	2.1475.005.7	9.DI535.01.0_3	2	YBT5294-SZ-F-1.4	9.DI536.00.0_1	17
SH900.37.131	9.DI534.00.0_1	11	A23.38.001.0	9.DI535.01.0_3	3	0.027.4227.0	9.DI536.01.0_3	1
GBT5783-M10X30-A3L	9.DI534.00.0_1	12	A23.38.002.0	9.DI535.01.0_3	4	2.1475.005.7	9.DI536.01.0_3	2
GBT93-10-A3L	9.DI534.00.0_1	13	GBT297-30216	9.DI535.01.0_3	5	GBT818-M5X12-A2L	9.DI536.01.0_3	3
0.028.8655.0/20	9.DI534.01.0_2	1	GBT297-32217	9.DI535.01.0_3	6	GBT93-5-A3L	9.DI536.01.0_3	4
0.028.8599.0/10	9.DI534.01.0_2	2	GBT5783-M12X30-10.9-A3L	9.DI535.01.0_3	7	GBT93-10-A3L	9.DI536.01.0_3	5
0.028.8691.0/10	9.DI534.01.0_2	3	GBT6171-M14X1.5-10-A3L	9.DI535.01.0_3	8	GBT93-14-A3L	9.DI536.01.0_3	6
0.028.8697.0	9.DI534.01.0_2	4	LE1204.38.119	9.DI535.01.0_3	9	GBT97.1-5-A3L	9.DI536.01.0_3	7
0.029.5092.0	9.DI534.01.0_2	5	LE1204.38.120/10	9.DI535.01.0_3	10	GBT283-NUP309E	9.DI536.01.0_3	8
JBT7918-K30X40X30	9.DI534.01.0_2	6	LE1204.38.121	9.DI535.01.0_3	11	GBT283-NUP310E	9.DI536.01.0_3	9
0.028.8654.0/20	9.DI534.02.0_2	1	LE1204.38.122	9.DI535.01.0_3	12	GBT297-30210	9.DI536.01.0_3	10
0.028.8279.0/10	9.DI534.02.0_2	2	SH900.38.142	9.DI535.01.0_3	13	GBT297-30212	9.DI536.01.0_3	11
0.028.8694.0	9.DI534.02.0_2	3	SH900.38.144	9.DI535.01.0_3	14	GBT812-M48X1.5	9.DI536.01.0_3	12
0.028.8691.0/10	9.DI534.02.0_2	4	SH900.38.145/20	9.DI535.01.0_3	15	GBT858-48	9.DI536.01.0_3	13
JBT7918-K30X40X30	9.DI534.02.0_2	5	SH900.38.148/10	9.DI535.01.0_3	16	GBT893.1-28	9.DI536.01.0_3	14

零件编号	结构代码	零件顺序	零件编号	结构代码	零件顺序	零件编号	结构代码	零件顺序
GBT893.1-28	9.DI536.01.0_3	14	GBT879.1-10X32	9.DI547.00.0_1	4	DF904.37.214/10	9.DI564.00.0_1	3
GBT894.1-45	9.DI536.01.0_3	15	GBT879.2-12X32	9.DI547.00.0_1	5	SH900.37.174	9.DI564.00.0_1	4
GBT895.2-30	9.DI536.01.0_3	16	GBT893.1-90	9.DI547.00.0_1	6	SH900.37.203	9.DI564.00.0_1	5
GBT898-AM14X1.5X65-A3L	9.DI536.01.0_3	17	LE1204.39.105/106/107	9.DI547.00.0_1	7	GBT5783-M10X20-A3L	9.DI564.00.0_1	6
GBT5783-M10X45-A3L	9.DI536.01.0_3	18	LE1204.39.109	9.DI547.00.0_1	8	GBT93-10-A3L	9.DI564.00.0_1	7
GBT6176-M14X1.5-10-A3L	9.DI536.01.0_3	19	LE1204.39.110/10	9.DI547.00.0_1	9	SH900.37.177	9.DI564.00.0_1	8
GBT13871.1-FB-070090-D	9.DI536.01.0_3	20	LE1204.39.111	9.DI547.00.0_1	10	SH900.37.182/10	9.DI564.00.0_1	9
LE1204.41.105/10	9.DI536.01.0_3	21	LE1204.39.113	9.DI547.00.0_1	11	QCT388-24	9.DI564.00.0_1	10
LE1204.41.107/10	9.DI536.01.0_3	22	LE1204.39.114	9.DI547.00.0_1	12	GBT5783-M8X25-A2L	9.DI564.00.0_1	11
LE1204.41.108/10	9.DI536.01.0_3	23	LE1204.39.115/10	9.DI547.00.0_1	13	GBT93-8-A3L	9.DI564.00.0_1	12
LE1204.41.111/10	9.DI536.01.0_3	24	LE1204.39.116	9.DI547.00.0_1	14	SH900.37.183-1	9.DI564.00.0_1	13
LE1204.41.114/10	9.DI536.01.0_3	25	LE1204.39.117	9.DI547.00.0_1	15	SH900.37.184-1	9.DI564.00.0_1	14
SH900.41.105	9.DI536.01.0_3	26	LE1204.39.119	9.DI547.01.0_0	1	SH900.37.181	9.DI564.00.0_1	15
SH900.41.110	9.DI536.01.0_3	27	LE1204.39.118	9.DI547.01.0_0	2	GBT879.1-8X32	9.DI564.00.0_1	16
SH900.41.111	9.DI536.01.0_3	28	LE1204.39.102/10	9.DI547.02.0_1	1	GBT879.1-5X32	9.DI564.00.0_1	17
SH900.41.113	9.DI536.01.0_3	29	GBT93-10-A3L	9.DI554.01.0_0	1	GBT879.1-5X30	9.DI564.00.0_1	18
SH900.37.111	9.DI536.01.0_3	30	GBT119.1-8m6X16	9.DI554.01.0_0	2	GBT879.1-3X30	9.DI564.00.0_1	19
SH900.41.117/10	9.DI536.01.0_3	31	GBT854-10	9.DI554.01.0_0	3	SH900.37.185	9.DI564.00.0_1	20
SH900.41.118	9.DI536.01.0_3	32	GBT894.1-48	9.DI554.01.0_0	4	GBT3452.1-17X2.65-G	9.DI564.00.0_1	21
SH900.41.119	9.DI536.01.0_3	33	GBT3452.1-15X2.65-G	9.DI554.01.0_0	5	SH900.37.180	9.DI564.00.0_1	22
SH900.41.121	9.DI536.01.0_3	34	GBT5783-M10X35-A3L	9.DI554.01.0_0	6	DF904.37.212	9.DI564.00.0_1	23
SH900.41.122	9.DI536.01.0_3	35	LE1204.43.105	9.DI554.01.0_0	7	GBT5783-M10X75-A3L	9.DI564.00.0_1	24
SH900.41.124	9.DI536.01.0_3	36	LE1204.43.112	9.DI554.01.0_0	8	GBT5783-M10X25-A3L	9.DI564.00.0_1	25
SH900.41.125	9.DI536.01.0_3	37	SH900.43.023	9.DI554.01.0_0	9	GBT5783-M10X35-A3L	9.DI564.00.0_1	26
SH900.41.126	9.DI536.01.0_3	38	SH900.43.024	9.DI554.01.0_0	10	GBT119.1-16m6X32	9.DI564.00.0_1	27
JBT7918-K68X78X34	9.DI536.01.0_3	39	SH900.43.141	9.DI554.01.0_0	11	SH900.37.191	9.DI564.00.0_1	28
LE1204.41.115	9.DI536.01.0_3	40	SH900.43.142	9.DI554.01.0_0	12	GBT893.1-40	9.DI564.00.0_1	29
A31.41.002.0	9.DI536.02.0_2	1	SH900.43.169	9.DI554.01.0_0	13	JBT982-30	9.DI564.00.0_1	30
A31.41.003.0	9.DI536.02.0_2	2	SH900.43.194	9.DI554.01.0_0	14	A24.37.003.0	9.DI564.00.0_1	31
LE1204.41D.113	9.DI536.02.0_2	3	SH900.43.131	9.DI554.01.0_0	15	2.1560.012.0	9.DI564.00.0_1	32
LE1204.41.117	9.DI536.03.0_0	1	SH900.43.143	9.DI554.01.0_0	16	2.3110.404.2	9.DI564.00.0_1	33
LE1204.41D.106	9.DI536.03.0_0	2	0.023.9126.0/10	9.DI555.90.0_1	1	C35.37.013.0	9.DI564.01.0_3	1
LE1204.41D.113	9.DI536.03.0_0	3	0.023.9176.0	9.DI555.90.0_1	2	DF904.37.207	9.DI564.01.0_3	2
LE1204.39.101/20	9.DI544.00.0_0	1	0.023.9177.0	9.DI555.90.0_1	3	SH900.37.166	9.DI564.01.0_3	3
GBT93-14-A3L	9.DI545.00.0_1	1	0.023.9179.0	9.DI555.90.0_1	4	SH900.37.167	9.DI564.01.0_3	4
GBT5783-M14X40-A3L	9.DI545.00.0_1	2	2.0113.613.2	9.DI555.90.0_1	5	SH900.38.110	9.DI564.01.0_3	5
GBT13871.1-FB-110140-D	9.DI545.00.0_1	3	2.1012.109.2	9.DI555.90.0_1	6	YBT5294-SZ-F-1.4	9.DI564.01.0_3	6
LE1204.39.103/10	9.DI545.00.0_1	4	2.1475.206.2	9.DI555.90.0_1	7	A31.37.028.0	9.DI564.01.0_3	7
GBT283-NJ308E	9.DI547.00.0_1	1	B29.37.001.0/10	9.DI564.00.0_1	1	SH900.37.160	9.DI564.01.0_3	8
GBT297-30218	9.DI547.00.0_1	2	SH900.37.175	9.DI564.00.0_1	2	C35.37.007.0	9.DI564.01.0_3	9

零件编号	结构代码	零件顺序	零件编号	结构代码	零件顺序	零件编号	结构代码	零件顺序
C35.37.007.0	9.DI564.01.0_3	9	SH900.38.114	9.DI568.05.0_0	2	GBT6170-M10-A3L	A23.48.912.4_1	7
GBT308-10-G100-b	9.DI564.01.0_3	10	SH900.38.113	9.DI568.05.0_0	3	CD904A.48.020A	A23.48.913.4_0	1
SH900.37.135A	9.DI564.01.0_3	11	SH900.38.110	9.DI568.05.0_0	4	CD1204.48.028	A23.48.913.4_0	2
SH900.37.159	9.DI564.01.0_3	12	QCT388-20	9.DI568.05.0_0	5	GBT818-M4X10-A2L	A23.48.913.4_0	3
DF904.37.213	9.DI564.02.0_1	1	LE1204.38.109	9.DI568.05.0_0	6	GBT93-4-A3L	A23.48.913.4_0	4
SH900.37.115	9.DI564.02.0_1	2	LE1204.38.108	9.DI568.05.0_0	7	SH900.48.049	A23.48.913.4_0	5
SH900.38.110	9.DI564.02.0_1	3	LE1204.38.107	9.DI568.05.0_0	8	GBT818-M5X35-A2L	A23.48.913.4_0	6
YBT5294-SZ-F-1.4	9.DI564.02.0_1	4	GBT3452.1-30X2.65-G	9.DI568.05.0_0	9	GBT93-5-A3L	A23.48.913.4_0	7
SH900.37.118-1	9.DI564.02.0_1	5	GBT3452.1-20X2.65-G	9.DI568.05.0_0	10	GBT97.1-5-A3L	A23.48.913.4_0	8
SH900.37.137	9.DI564.02.0_1	6	YBT5294-SZ-F-1.4	9.DI568.05.0_0	11	GBT6170-M5-A2L	A23.48.913.4_0	9
SH900.37.119	9.DI564.02.0_1	7	LE1204.55.104	A11.37.125.4	1	SH400.48.118	A23.48.913.4_0	10
GBT5783-M10X20-A3L	9.DI564.02.0_1	8	A11.37.124.0	A11.37.125.4	2	A56.48.010.0	A23.48.913.4_0	11
GBT93-10-A3L	9.DI564.02.0_1	9	SH900.55.119	A11.37.125.4	3	A56.48.011.0	A23.48.913.4_0	12
GBT308-10-G100-b	9.DI564.02.0_1	10	SH900.55.170	A11.37.125.4	4	A23.45.127.0	A23.48.913.4_0	13
SH900.37.135A	9.DI564.02.0_1	11	SH900.55.169	A11.37.125.4	5	GBT5783-M10X20-A3L	A23.48.913.4_0	14
GBT71-M12X40-A3L	9.DI564.02.0_1	12	A23.51.002.0	A11.51.909.4_0	1	GBT93-10-A3L	A23.48.913.4_0	15
GBT6172.1-M12-A3L	9.DI564.02.0_1	13	CD554.40.028/10	A23.40.916.4_0	1	GBT97.1-10-A3L	A23.48.913.4_0	16
GBT3452.1-17X1.8-G	9.DI564.02.0_1	14	SH900.41.116A/10	A23.41.900.4_0	1	2.6852.203.0	A23.48.935.4_1	1
0.028.8704.0/10	9.DI564.08.0_2	1	SH900.41.116	A23.41.901.4_0	1	A23.48.020.0	A23.48.935.4_1	2
0.029.7686.0	9.DI564.08.0_2	2	SH900.41.116	A23.41.901.4_1	1	GBT93-10-A3L	A23.48.935.4_1	3
DF904.37.204/10	9.DI564.08.0_2	3	A23.44.001.4/10	A23.44.900.4_1	1	GBT5783-M10X16-A3L	A23.48.935.4_1	4
DF904.37.208	9.DI564.08.0_2	4	GBT5783-M10X25-A3L	A23.44.900.4_1	2	GBT93-8-A3L	A23.48.935.4_1	5
DF904.37.209	9.DI564.08.0_2	5	GBT93-10-A3L	A23.44.900.4_1	3	GBT5783-M8X12-A2L	A23.48.935.4_1	6
DF904.37.210/10	9.DI564.08.0_2	6	GBT97.1-10-A3L	A23.44.900.4_1	4	SH900.48.045	A23.48.935.4_1	7
GBT308-10G100b	9.DI564.08.0_2	7	A23.45.009.0	A23.45.060.4/30	1	C05.51.002.0/10	A23.51.909.4_0	1
SH900.37.135A	9.DI564.08.0_2	8	A23.45.075.2/10	A23.45.078.4/10	1	A23.51.008.0	A23.51.909.4_0	2
SH900.37.159	9.DI564.08.0_2	9	A23.45.079.0/10	A23.45.078.4/10	2	A23.51.007.0	A23.51.909.4_0	3
SH900.38.110	9.DI564.08.0_2	10	A23.45.075.2/10	A23.45.089.4/10	1	A23.80.003.2	A23.80.901.4_1	1
YBT5294-SZ-F-1.4	9.DI564.08.0_2	11	A23.45.088.0/10	A23.45.089.4/10	2	GBT97.1-10-A3L	A23.80.901.4_1	2
DF904.37.209	9.DI564.10.0_1	1	A23.45.075.2/10	A23.45.091.4/10	1	GBT93-10-A3L	A23.80.901.4_1	3
0.028.8705.0	9.DI564.10.0_1	2	A23.45.085.0/10	A23.45.091.4/10	2	GBT5783-M10X30-A3L	A23.80.901.4_1	4
0.029.7686.0	9.DI564.10.0_1	3	A23.45.075.2/10	A23.45.092.4/10	1	GBT6170-M10-A3L	A23.80.901.4_1	5
SH900.38.110	9.DI564.10.0_1	4	A23.45.090.0/10	A23.45.092.4/10	2	GBT5783-M10X35-A3L	A23.80.901.4_1	6
YBT5294-SZ-F-1.4	9.DI564.10.0_1	5	GBT6171-M10X1-LH-A2L	A23.45.911.4_2	18	SH900.80.012	A23.80.901.4_1	7
0.028.8704.0/10	9.DI564.10.0_1	6	CD554.48.105	A23.48.912.4_1	1	SH900.80.105	A23.80.902.4_1	1
0.028.8703.0/10	9.DI564.10.0_1	7	A39.48.026.0/10	A23.48.912.4_1	2	CD904A.80.012	A23.80.902.4_1	2
DF904.37.210/10	9.DI564.10.0_1	8	A39.48.044.0	A23.48.912.4_1	3	CD904A.80.103	A23.80.902.4_1	3
SH900.37.159	9.DI564.10.0_1	9	GBT5783-M10X25-A3L	A23.48.912.4_1	4	2.1560.010.0	A23.80.902.4_1	4
GBT308-10-G100-b	9.DI564.10.0_1	10	GBT97.1-10-A3L	A23.48.912.4_1	5	SH900.40.133	A23.80.902.4_1	5
SH900.37.135A	9.DI564.10.0_1	11	GBT93-10-A3L	A23.48.912.4_1	6	A23.80.004.3	A23.80.902.4_1	6



零件编号	结构代码	零件顺序	零件编号	结构代码	零件顺序	零件编号	结构代码	零件顺序
A23.80.004.3	A23.80.902.4_1	6	SH900.21.109	A31.21.900.4_6	10	GBT2979-18.4-38-10PR-R1	A31.34.910.4_1	1
A23.80.005.3/10	A23.80.907.4_3	1	SH900.21.110	A31.21.900.4_6	11	GBT2979-18.4-38-R1	A31.34.910.4_1	2
SH900.80.104	A23.80.907.4_3	2	SH900.21.111/10	A31.21.900.4_6	12	A31.34.001.4	A31.34.910.4_1	3
GBT6173-18X1.5-A3L	A23.80.907.4_3	3	SH400.21.113	A31.21.900.4_6	13	GBT2979-18.4-38-10PR-R1	A31.34.910.4_2	1
CD554.80.105	A23.80.907.4_3	4	SH900.21.113	A31.21.900.4_6	14	GBT2979-18.4-38-R1	A31.34.910.4_2	2
B80.80.006.0	A23.80.907.4_3	5	SH900.21.124	A31.21.900.4_6	15	A31.34.001.4	A31.34.910.4_2	3
GBT5783-M8X25-A2L	A23.80.907.4_3	6	YBT5294-SZ-F-2	A31.21.900.4_6	16	0.029.7755.0/10	A31.37.920.4_2	1
GBT93-8-A3L	A23.80.907.4_3	7	A26.21.001.4	A31.21.902.4_1	1	0.029.7757.0/10	A31.37.920.4_2	2
A68.81.002.0	A23.81.913.4_1	1	GBT5782-M10X45-10.9-A3L	A31.21.902.4_1	2	A31.37.021.0	A31.37.920.4_2	3
A68.81.003.4	A23.81.913.4_1	2	GBT93-10-A3L	A31.21.902.4_1	3	DF904.37.109	A31.37.920.4_2	4
A68.81.004.0	A23.81.913.4_1	3	0.024.6107.2	A31.21.910.4_1	1	DF904.37.111	A31.37.920.4_2	5
A80.81.005.0	A23.81.913.4_1	4	2.3820.105.2	A31.21.910.4_1	2	GBT283-NUP1014M	A31.37.920.4_2	6
2.6851.019.0	A23.81.913.4_1	6	0.011.2973.0	A31.21.910.4_1	3	GBT297-30310	A31.37.920.4_2	7
2.6852.101.0	A23.81.913.4_1	7	0.012.6739.0	A31.21.910.4_1	4	GBT297-33109	A31.37.920.4_2	8
A80.45.104.0	A23.81.913.4_1	8	2.3249.167.2	A31.21.910.4_1	5	GBT894.1-55	A31.37.920.4_2	9
GBT5783-M8X40-A2L	A23.81.913.4_1	9	2.3249.756.2	A31.21.910.4_1	6	GBT894.1-70	A31.37.920.4_2	10
GBT97.1-8-A3L	A23.81.913.4_1	10	A31.21.004.0	A31.21.910.4_1	7	A31.37.022.0	A31.37.921.4_3	1
A68.81.009.4	A23.81.923.4_1	1	GBT5783-M8X25-A2L	A31.21.910.4_1	8	2.2770.271.0	A31.37.921.4_3	2
A68.81.010.4	A23.81.923.4_1	2	GBT93-8-A3L	A31.21.910.4_1	9	A31.37.025.0/10	A31.37.921.4_3	3
A68.81.011.4	A23.81.923.4_1	3	GBT6170-M8-A2L	A31.21.910.4_1	10	A31.37.026.0/10	A31.37.921.4_3	4
A68.81.012.4	A23.81.923.4_1	4	GBT5786-M16X1.5X45-10.9-A3L	A31.31.900.4_0	1	DF904.37.113/10	A31.37.921.4_3	5
A80.45.104.0	A23.81.923.4_1	5	SH904.31.193	A31.31.900.4_0	2	DF904.37.115/10	A31.37.921.4_3	6
2.6852.101.0	A23.81.923.4_1	6	GBT119.1-12m6X30	A31.31.900.4_0	3	DF904.37.117/10	A31.37.921.4_3	7
GBT5783-M8X40-A2L	A23.81.923.4_1	7	SH904.31.187	A31.31.900.4_0	4	DF904.37.118	A31.37.921.4_3	8
GBT97.1-8-A3L	A23.81.923.4_1	8	JBT7940.1-M10X1	A31.31.900.4_0	5	DF904.37.119/10	A31.37.921.4_3	9
L-03033 - 0120-00	A26.21.001.4	2	GBT93-18-A3L	A31.31.900.4_0	6	0.028.6758.0/10	A31.37.921.4_3	10
L-03033 - 0800-00	A26.21.001.4	7	GBT5785-M18X1.5X60-10.9-A3L	A31.31.900.4_0	7	DF904.37.127/10	A31.37.921.4_3	11
L-02615-0069-03	A26.21.001.4	10	SH904.31.188	A31.31.900.4_0	8	0.029.4452.0	A31.37.921.4_3	12
L-02615-0G81-00	A26.21.001.4	11	GBT3452.1-53X3.55-G	A31.31.900.4_0	9	DF904.37.136	A31.37.921.4_3	13
LE1204.11.012	A31.11.910.4_0	1	SH904.31.189	A31.31.900.4_0	10	DF904.37.137/138/139	A31.37.921.4_3	14
CD1204.11.011/10	A31.11.911.4_0	1	GBT3452.1-100X5.3-G	A31.31.900.4_0	11	DF904.37.142/143/144	A31.37.921.4_3	15
K2036	A31.11.911.4_0	1	SH904.31.190	A31.31.900.4_0	12	GBT895.1-42	A31.37.921.4_3	16
A23.21.001.0/10	A31.21.900.4_6	1	SH904.31.191	A31.31.900.4_0	13	GBT309-P5X23.8-G2-3-5	A31.37.921.4_3	17
GBT93-8-A3L	A31.21.900.4_6	2	LE1204.31.011	A31.31.900.4_0	14	LE1204.37.195	A31.37.921.4_3	18
2.1011.105.2	A31.21.900.4_6	3	GBT2979-14.9-26-10PR-R2	A31.32.902.4_1	1	LE1204.37.211	A31.37.921.4_3	19
LE1354.21.011	A31.21.900.4_6	4	GBT2979-14.9-26-R2	A31.32.902.4_1	2	A11.37.196.0/20	A31.37.921.4_3	20
LE1354.21.101/10	A31.21.900.4_6	5	LE1204.32.011	A31.32.902.4_1	3	A31.37.022.0	A31.37.922.4_5	1
LE1354.21.102	A31.21.900.4_6	6	GBT2979-18.4-38-8PR-R2	A31.34.901.4_2	1	2.2770.271.0	A31.37.922.4_5	2
NTM8842A.00	A31.21.900.4_6	7	GBT2979-18.4-38-R2	A31.34.901.4_2	2	A31.37.027.0/10	A31.37.922.4_5	3
SH900.21.019	A31.21.900.4_6	8	A31.34.001.4	A31.34.901.4_2	3	DF904.37.102/20	A31.37.922.4_5	4

零件编号	结构代码	零件顺序	零件编号	结构代码	零件顺序	零件编号	结构代码	零件顺序
DF904.37.102/20	A31.37.922.4_5	4	GBT119.1-8m6X22	A31.39.900.4_3	7	YBT5294-SZ-F-1.5	A31.42.001.4	28
C35.37.006.0	A31.37.922.4_5	5	LE1204.34.103	A31.39.900.4_3	8	LE1204.42.110	A31.42.001.4	29
C35.37.005.0	A31.37.922.4_5	6	LE1204.34.102/10	A31.39.900.4_3	10	LE1204.42.111	A31.42.001.4	30
DF904.37.113/10	A31.37.922.4_5	7	LE1204.34.105/10	A31.39.900.4_3	11	LE1204.42.112	A31.42.001.4	31
A33.37.002.0	A31.37.922.4_5	8	LE1204.34.113	A31.39.900.4_3	13	LE1204.42.113	A31.42.001.4	32
GBT297-30310	A31.37.922.4_5	9	GBT6176-M22X1.5-10-A3L	A31.39.900.4_3	14	JBT982-18	A31.42.001.4	33
GBT893.1-28	A31.37.922.4_5	10	A31.40.005.0	A31.40.904.4_1	1	GBT308-10-G100-b	A31.42.001.4	34
GBT13871.1-FB-050072-D	A31.37.922.4_5	11	SH900.40.012	A31.40.916.4_0	1	LE1204.42.128	A31.42.001.4	35
JBT7940.1-M6	A31.37.922.4_5	12	GBT5783-M10X25-A3L	A31.40.916.4_0	2	GBT879.1-8X32	A31.42.001.4	36
LE1204.37.151	A31.37.922.4_5	13	GBT93-10-A3L	A31.40.916.4_0	3	SH904.42.014	A31.42.001.4	37
LE1204.37.190	A31.37.922.4_5	14	LE1204.41.106	A31.41.903.4_1	1	A31.42.001.4	A31.42.902.4_0	1
LE1204.37.208	A31.37.922.4_5	15	LE1204.41.113	A31.41.903.4_1	2	GBT93-14-A3L	A31.42.902.4_0	2
SH900.41.105	A31.37.922.4_5	16	LE1204.41.117	A31.41.903.4_1	3	GBT5783-M14X35-A3L	A31.42.902.4_0	3
SH900.37.112/10	A31.37.922.4_5	17	LE1204.42.101	A31.42.001.4	1	LE1204.38.140	A31.42.902.4_0	4
SH900.37.113	A31.37.922.4_5	18	GBT893.1-62	A31.42.001.4	2	GBT119.1-8m6X16	A31.42.902.4_0	5
A11.37.196.0/20	A31.37.922.4_5	19	GBT283-NJ2206E	A31.42.001.4	3	A23.43.002.0	A31.43.903.4_4	1
LE1204.37.191	A31.37.922.4_5	20	GBT6172.1-M10-A3L	A31.42.001.4	4	GBT97.1-10-A3L	A31.43.903.4_4	2
LE1204.37.192	A31.37.922.4_5	21	GBT75-M10X20-A3L	A31.42.001.4	5	GBT93-10-A3L	A31.43.903.4_4	3
A26.37.010.0	A31.37.922.4_5	22	LE1204.42.102	A31.42.001.4	6	GBT5783-M10X25-A3L	A31.43.903.4_4	4
DF904.37.206	A31.37.926.4_0	1	LE1204.42.103	A31.42.001.4	7	2.1560.008.0	A31.43.903.4_4	5
DF904.37.207	A31.37.926.4_0	2	GBT5783-M10X25-A3L	A31.42.001.4	8	SH900.43.115	A31.43.903.4_4	6
SH900.37.166	A31.37.926.4_0	3	GBT93-10-A3L	A31.42.001.4	9	A23.43.004.3	A31.43.903.4_4	7
SH900.37.167	A31.37.926.4_0	4	SH904.42.112	A31.42.001.4	10	A31.43.011.3	A31.43.903.4_4	8
SH900.38.110	A31.37.926.4_0	5	GBT276-6306	A31.42.001.4	11	A31.43.013.3/10	A31.43.903.4_4	10
YBT5294-SZ-F-1.4	A31.37.926.4_0	6	GBT894.1-38	A31.42.001.4	12	GBT97.1-6-A3L	A31.43.903.4_4	13
A31.37.028.0	A31.37.926.4_0	7	SH904.42.115	A31.42.001.4	13	GBT93-6-A3L	A31.43.903.4_4	14
SH900.37.160	A31.37.926.4_0	8	LE1204.42.104	A31.42.001.4	14	GBT6170-M6-A2L	A31.43.903.4_4	15
DF904.37.201/10	A31.37.926.4_0	9	LE1204.42.105	A31.42.001.4	15	DF904.43.053	A31.43.903.4_4	16
GBT308-10-G100-b	A31.37.926.4_0	10	SH904.42.117	A31.42.001.4	16	GBT5783-M6X30-A2L	A31.43.903.4_4	17
SH900.37.135A	A31.37.926.4_0	11	LE1204.42.107	A31.42.001.4	17	CD1204A.43.105	A31.43.903.4_4	18
SH900.37.159	A31.37.926.4_0	12	GBT13871.1-B-030052-F	A31.42.001.4	18	GBT3452.1-10X1.8-G	A31.43.903.4_4	22
GBT5783-M8X25-A2L	A31.38.905.4_0	1	SH904.42.120	A31.42.001.4	19	SH900.43.130	A31.43.903.4_4	23
GBT93-8-A3L	A31.38.905.4_0	2	GBT5783-M10X30-A3L	A31.42.001.4	20	2.1560.012.0	A31.43.903.4_4	24
A11.37.125.4	A31.38.905.4_0	3	GBT894.1-30	A31.42.001.4	21	A31.43.012.0/10	A31.43.903.4_4	25
GBT3452.1-32.5X1.8-G	A31.38.905.4_0	4	LE1204.42.108	A31.42.001.4	22	GBT5783-M8X20-A2L	A31.43.903.4_4	26
GBT894.1-105	A31.39.900.4_3	1	LE1204.42.109	A31.42.001.4	23	GBT93-8-A3L	A31.43.903.4_4	27
GBT5783-M20X65-10.9-A3L	A31.39.900.4_3	2	GBT5783-M10X45-A3L	A31.42.001.4	24	GBT6170-M8-A2L	A31.43.903.4_4	28
GBT93-20-A3L	A31.39.900.4_3	3	GBT3452.1-15.5X2.65-G	A31.42.001.4	25	SH900.43.018	A31.43.904.4_0	1
LE1204.34.106/10	A31.39.900.4_3	4	LE1204.42.124	A31.42.001.4	26	GBT97.1-8-A3L	A31.43.904.4_0	2
LE1204.34.107/10	A31.39.900.4_3	5	SH904.42.013	A31.42.001.4	27	GBT93-8-A3L	A31.43.904.4_0	3

零件编号	结构代码	零件顺序	零件编号	结构代码	零件顺序	零件编号	结构代码	零件顺序
GBT93-8-A3L	A31.43.904.4_0	3	GBT97.1-6-A3L	A31.45.904.4_2	13	GBT5783-M6X25-A2L	A31.45.910.4_1	2
GBT5783-M8X25-A3L	A31.43.904.4_0	4	GBT93-6-A3L	A31.45.904.4_2	14	GBT93-6-A3L	A31.45.910.4_1	3
SH900.43.015	A31.43.904.4_0	5	GBT5783-M6X25-A2L	A31.45.904.4_2	15	GBT97.1-6-A3L	A31.45.910.4_1	4
JBT8870-D20	A31.43.904.4_0	6	GBT879.1-8X30	A31.45.906.4_2	1	SH900.41.102	A31.45.910.4_1	6
2.1560.008.0	A31.43.904.4_0	7	GBT879.1-5X30	A31.45.906.4_2	2	SH404.42.114	A31.45.910.4_1	7
SH900.43.115	A31.43.904.4_0	8	SH900.43.170	A31.45.906.4_2	3	A31.45.055.0/10	A31.45.910.4_1	8
GBT91-2.5X16-A3L	A31.45.903.4_2	1	SH900.21.117	A31.45.906.4_2	4	SH404.42.113	A31.45.910.4_1	9
GBT91-2X20-A3L	A31.45.903.4_2	2	GBT91-3.2X20-A3L	A31.45.906.4_2	5	A23.45.001.0	A31.45.910.4_1	10
GBT97.1-8-A3L	A31.45.903.4_2	3	GBT97.1-10-A3L	A31.45.906.4_2	6	A31.45.054.0	A31.45.910.4_1	11
GBT882-B8X24-A3L	A31.45.903.4_2	4	GBT882-B10X32-A3L	A31.45.906.4_2	7	SH900.37.011	A31.45.910.4_1	12
GBT879.1-5X40	A31.45.903.4_2	5	GBT6171-M10X1-A2L	A31.45.906.4_2	8	GBT93-10-A3L	A31.45.910.4_1	13
GBT879.1-8X40	A31.45.903.4_2	6	GBT5783-M8X35-A2L	A31.45.906.4_2	9	GBT6170-M10-A3L	A31.45.910.4_1	14
GBT894.1-20	A31.45.903.4_2	7	GBT93-8-A3L	A31.45.906.4_2	10	GBT97.1-10-A3L	A31.45.910.4_1	15
LE1204.38.015	A31.45.903.4_2	8	GBT97.1-8-A3L	A31.45.906.4_2	11	GBT91-3.2X22-A3L	A31.45.910.4_1	16
SH900.38.104	A31.45.903.4_2	9	A23.45.010.0/20	A31.45.906.4_2	12	GBT879.1-5X30	A31.45.910.4_1	17
A31.45.011.3/10	A31.45.903.4_2	10	SH900.43.145	A31.45.906.4_2	13	GBT879.1-8X30	A31.45.910.4_1	18
SH900.38.115	A31.45.903.4_2	11	2.6560.008.0	A31.45.906.4_2	14	LE1204.41.101-1	A31.45.913.4_2	1
SH900.38.102	A31.45.903.4_2	12	A23.45.050.0	A31.45.906.4_2	15	SH900.41.102	A31.45.913.4_2	2
SH900.38.103	A31.45.903.4_2	13	A23.45.002.0	A31.45.906.4_2	16	LE1204.41.122	A31.45.913.4_2	3
SH900.38.106	A31.45.903.4_2	14	A23.45.060.4/30	A31.45.906.4_2	17	LE1204.45.107	A31.45.913.4_2	4
GBT93-10-A3L	A31.45.903.4_2	16	GBT6171-M10X1-LH-A2L	A31.45.906.4_2	18	GBT879.1-8X40	A31.45.913.4_2	5
GBT5783-M10X25-A3L	A31.45.903.4_2	17	null	A31.45.906.4_2	null	GBT6170-M10-A3L	A31.45.913.4_2	6
A11.38.023.0	A31.45.903.4_2	18	SH900.43.181	A31.45.909.4_2	1	GBT882-B10X35-A3L	A31.45.913.4_2	7
A23.45.001.0	A31.45.903.4_2	19	SH900.43.040	A31.45.909.4_2	2	GBT97.1-10-A3L	A31.45.913.4_2	8
SH404.42.114	A31.45.903.4_2	20	SH900.43.166	A31.45.909.4_2	3	GBT91-3.2X25-A3L	A31.45.913.4_2	9
CD1204.45.106	A31.45.903.4_2	21	SH900.43.041	A31.45.909.4_2	4	A23.45.092.4/10	A31.45.913.4_2	10
GBT97.1-6-A3L	A31.45.903.4_2	22	SH900.43.016	A31.45.909.4_2	5	A23.45.001.0	A31.45.913.4_2	11
GBT93-6-A3L	A31.45.903.4_2	23	GBT894.1-30	A31.45.909.4_2	6	SH404.42.114	A31.45.913.4_2	12
GBT5783-M6X25-A2L	A31.45.903.4_2	24	SH900.43.030	A31.45.909.4_2	7	GBT97.1-6-A3L	A31.45.913.4_2	13
LE1204.41.101-1	A31.45.904.4_2	1	GBT6170-M10-A3L	A31.45.909.4_2	8	GBT93-6-A3L	A31.45.913.4_2	14
SH900.41.102	A31.45.904.4_2	2	SH900.43.103	A31.45.909.4_2	9	GBT5783-M6X25-A2L	A31.45.913.4_2	15
LE1204.41.122	A31.45.904.4_2	3	GBT93-10-A3L	A31.45.909.4_2	10	LE1204.41.101-1	A31.45.914.4_2	1
LE1204.45.107	A31.45.904.4_2	4	SH900.43.011	A31.45.909.4_2	11	SH900.41.102	A31.45.914.4_2	2
GBT879.1-8X40	A31.45.904.4_2	5	GBT879.1-5X18	A31.45.909.4_2	12	LE1204.41.122	A31.45.914.4_2	3
GBT6170-M10-A3L	A31.45.904.4_2	6	SH900.56.105	A31.45.909.4_2	13	LE1204.45.107	A31.45.914.4_2	4
GBT882-B10X35-A3L	A31.45.904.4_2	7	GBT6170-M8-A2L	A31.45.909.4_2	14	GBT879.1-8X40	A31.45.914.4_2	5
GBT97.1-10-A3L	A31.45.904.4_2	8	GBT93-8-A3L	A31.45.909.4_2	15	GBT6170-M10-A3L	A31.45.914.4_2	6
GBT91-3.2X25-A3L	A31.45.904.4_2	9	GBT5783-M8X20-A2L	A31.45.909.4_2	16	GBT882-B10X35-A3L	A31.45.914.4_2	7
A23.45.089.4/10	A31.45.904.4_2	10	SH900.21.101	A31.45.909.4_2	17	GBT97.1-10-A3L	A31.45.914.4_2	8
A23.45.001.0	A31.45.904.4_2	11	A23.45.078.4/10	A31.45.910.4_1	1	GBT91-3.2X25-A3L	A31.45.914.4_2	9

零件编号	结构代码	零件顺序	零件编号	结构代码	零件顺序	零件编号	结构代码	零件顺序
GBT91-3.2X25-A3L	A31.45.914.4_2	9	GBT93-10-A3L	A31.45.945.4_2	15	A31.50.014.3	A31.50.907.4_0	4
A23.45.091.4/10	A31.45.914.4_2	10	SH900.21.119	A31.45.945.4_2	16	A31.50.015.0	A31.50.907.4_0	5
A23.45.001.0	A31.45.914.4_2	11	SH900.21.118	A31.45.945.4_2	17	GBT97.1-8-A3L	A31.50.907.4_0	6
SH404.42.114	A31.45.914.4_2	12	SH900.21.020	A31.45.945.4_2	18	GBT93-8-A3L	A31.50.907.4_0	7
GBT97.1-6-A3L	A31.45.914.4_2	13	GBT894.1-30	A31.45.945.4_2	19	GBT6170-M8-A2L	A31.50.907.4_0	8
GBT93-6-A3L	A31.45.914.4_2	14	SH900.21.115	A31.45.945.4_2	20	SH900.50.138	A31.50.911.4_0	1
GBT5783-M6X25-A2L	A31.45.914.4_2	15	GBT5783-M10X25-A3L	A31.45.945.4_2	21	GBT93-16-A3L	A31.50.911.4_0	2
A31.45.009.3/10	A31.45.917.4_3	1	SH900.21.116	A31.45.945.4_2	22	SH900.50.139	A31.50.911.4_0	3
A31.45.010.3/10	A31.45.917.4_3	2	SH900.21.120	A31.45.945.4_2	23	GBT5783-M10X20-A3L	A31.50.911.4_0	4
GBT6170-M10-A3L	A31.45.917.4_3	3	SH900.43.145	A31.45.945.4_2	24	GBT93-10-A3L	A31.50.911.4_0	5
C35.45.001.2	A31.45.917.4_3	4	A31.45.072.0	A31.45.945.4_2	25	GBT93-8-A3L	A31.50.911.4_0	6
C35.45.002.2	A31.45.917.4_3	5	LE1204.45.015A	A31.45.960.4_1	1	GBT6170-M10-A3L	A31.50.911.4_0	7
GBT97.1-8-A3L	A31.45.917.4_3	6	LD700.47.031	A31.45.960.4_1	2	GBT97.1-10-A3L	A31.50.911.4_0	8
GBT5783-M8X35-A2L	A31.45.917.4_3	7	CD1204.45.120	A31.45.960.4_1	3	CD1204A.50.011	A31.50.911.4_0	9
SH904.42.126	A31.45.918.4_1	1	GBT96-16-A3L	A31.45.960.4_1	4	GBT5783-M12X35-10.9-A3L	A31.50.911.4_0	10
GBT97.1-10-A3L	A31.45.918.4_1	2	GBT5782-M16X110-A3L	A31.45.960.4_1	5	GBT93-12-A3L	A31.50.911.4_0	11
GBT882-B10X30-A3L	A31.45.918.4_1	3	GBT6170-M16-A3L	A31.45.960.4_1	6	LE1204.50.023	A31.50.911.4_0	12
GBT91-3.2X25-A3L	A31.45.918.4_1	4	GBT5782-M16X80-A3L	A31.45.960.4_1	7	A31.50.002.3	A31.50.911.4_0	13
A31.45.020.0	A31.45.918.4_1	5	A31.45.049.0	A31.45.960.4_1	8	GBT5783-M16X55-10.9-A3L	A31.50.911.4_0	14
A23.45.076.4/10	A31.45.918.4_1	6	GBT5782-M16X150-A3L	A31.45.960.4_1	9	LE1204.50.027	A31.50.911.4_0	15
GBT6170-M10-A3L	A31.45.918.4_1	7	GBT5783-M16X45-10.9-A3L	A31.45.960.4_1	10	GBT97.1-8-A3L	A31.50.911.4_0	16
A23.45.001.0	A31.45.918.4_1	8	GBT97.1-16-A3L	A31.45.960.4_1	11	GBT5783-M8X25-A2L	A31.50.911.4_0	17
SH404.42.114	A31.45.918.4_1	10	A31.45.050.0	A31.45.960.4_1	12	LE1204.50.028	A31.50.911.4_0	18
SH404.42.113	A31.45.918.4_1	11	GBT889.1-M16-A3L	A31.45.960.4_1	13	LE1204.50.148	A31.50.911.4_0	19
GBT97.1-6-A3L	A31.45.918.4_1	12	A31.45.051.3/40	A31.45.972.4_2	1	JBT982-14	A31.50.911.4_0	20
GBT93-6-A3L	A31.45.918.4_1	13	CD904A.45A.107	A31.45.972.4_2	2	LE1204.50.149	A31.50.911.4_0	21
GBT5783-M6X25-A2L	A31.45.918.4_1	14	GBT5783-M8X20-A2L	A31.45.972.4_2	3	LD700.37.190	A31.50.911.4_0	22
A31.45.052.4/20	A31.45.945.4_2	1	GBT97.1-8-A3L	A31.45.972.4_2	4	CD1204.50.106	A31.50.911.4_0	23
A23.45.002.0	A31.45.945.4_2	2	GBT5783-M6X16-A2L	A31.45.972.4_2	5	JBT8870-D20	A31.50.911.4_0	24
A23.45.050.0	A31.45.945.4_2	3	GBT97.1-6-A3L	A31.45.972.4_2	6	CD1204.50.105	A31.50.911.4_0	25
GBT6171-M10X1-A2L	A31.45.945.4_2	4	A31.50.001.0	A31.50.900.4_0	1	CD1204.50.103	A31.50.911.4_0	26
SH900.21.117	A31.45.945.4_2	5	A31.50.001.2	A31.50.900.4_0	2	LE1204.50.146	A31.50.911.4_0	27
GBT882-B10X32-A3L	A31.45.945.4_2	6	GBT96.1-8-A3L	A31.50.900.4_0	3	LE1204.50.033	A31.50.911.4_0	28
GBT97.1-10-A3L	A31.45.945.4_2	7	GBT93-8-A3L	A31.50.900.4_0	4	LE1204.50.031	A31.50.911.4_0	29
GBT91-3.2X20-A3L	A31.45.945.4_2	8	GBT5783-M8X20-A2L	A31.50.900.4_0	5	LE1204.50.132	A31.50.911.4_0	30
GBT5783-M8X35-A2L	A31.45.945.4_2	9	GBT93-10-A3L	A31.50.900.4_0	6	LE1204.50.012	A31.50.911.4_0	31
GBT93-8-A3L	A31.45.945.4_2	10	GBT5783-M10X20-A3L	A31.50.900.4_0	7	LE1204.50.131	A31.50.911.4_0	32
GBT97.1-8-A3L	A31.45.945.4_2	11	A31.50.011.3	A31.50.907.4_0	1	JBT8870-D70	A31.50.911.4_0	33
SH900.21.016	A31.45.945.4_2	12	GBT93-10-A3L	A31.50.907.4_0	2	JBT982-20	A31.50.911.4_0	34
GBT5782-M10X60-A3L	A31.45.945.4_2	13	GBT5783-M10X25-A3L	A31.50.907.4_0	3	CD1204.50.124	A31.50.911.4_0	35

零件编号	结构代码	零件顺序	零件编号	结构代码	零件顺序	零件编号	结构代码	零件顺序
CD1204.50.124	A31.50.911.4_0	35	GBT6170-M18-10-A3L	A31.55.921.4_1	6	2.1120.213.2	A31.56.902.4_0	6
0.024.0988.0	A31.51.900.4_0	1	GBT119.1-20m6X35	A31.55.921.4_1	7	SH900.56.150	A31.56.902.4_0	7
WF1004.55.021A	A31.55.001.0	4	SH900.55.147	A31.55.921.4_1	8	LE1204.56.019	A31.56.902.4_0	8
TF1004.55.9-02	A31.55.001.0	6	SH900.55.115	A31.55.921.4_1	9	GBT93-16-A3L	A31.56.902.4_0	9
WF1004.55.022A	A31.55.001.0	15	GBT91-6.3X40-A3L	A31.55.921.4_1	10	GBT5783-M16X40-10.9-A3L	A31.56.902.4_0	10
A31.55.001.0	A31.55.920.4_3	1	B29.55.001.0	A31.55.921.4_2	1	A31.56.005.4	A31.56.910.4_2	2
0.028.8137.3	A31.55.920.4_3	3	LE1204.55.101	A31.55.921.4_2	2	LE1204.56.102/20	A31.56.910.4_2	3
A31.56.008.4	A31.55.920.4_3	4	LE1204.55.102	A31.55.921.4_2	3	GBT119.1-20m6X35	A31.56.910.4_2	4
GBT5782-M12X140-A3L	A31.55.920.4_3	5	2.0424.517.2	A31.55.921.4_2	4	A31.56.003.3	A31.56.910.4_2	5
GBT93-12-A3L	A31.55.920.4_3	6	2.1473.012.2	A31.55.921.4_2	5	0.010.9322.4	A31.56.910.4_2	9
LE1204.55.018	A31.55.920.4_3	7	2.1011.110.2	A31.55.921.4_2	6	LE1204.56A.114	A31.56.910.4_2	10
GBT5783-M8X16-A2L	A31.55.920.4_3	8	GBT119.1-20m6X35	A31.55.921.4_2	7	2.1669.036.2	A31.56.910.4_2	11
GBT93-8-A2L	A31.55.920.4_3	9	SH900.55.147	A31.55.921.4_2	8	A31.56.002.3	A31.56.910.4_2	12
GBT3452.1-32.5X1.8-G	A31.55.920.4_3	10	SH900.55.115	A31.55.921.4_2	9	LE1204.56.108/10	A31.56.910.4_2	15
SH900.55.162/10	A31.55.920.4_3	11	2.1690.614.2	A31.55.921.4_2	10	LE1204.56.109/20	A31.56.910.4_2	16
JBT8870-D20	A31.55.920.4_3	12	A31.56.006.3	A31.56.005.4	1	GBT5783-M12X25-10.9-A3L	A31.56.910.4_2	17
SH704-1.55.015-1	A31.55.920.4_3	13	0.014.1418.3	A31.56.005.4	2	GBT93-12-A3L	A31.56.910.4_2	18
GBT5783-M8X30-A2L	A31.55.920.4_3	14	0.014.4148.3/10	A31.56.005.4	3	GBT899-AM20X110-10.9-A3L	A31.56.910.4_2	19
GBT97.1-8-A2L	A31.55.920.4_3	15	0.96081.16.0	A31.56.005.4	4	GBT93-20-A3L	A31.56.910.4_2	20
GBT6170-M8-A2L	A31.55.920.4_3	16	2.3820.105.2	A31.56.005.4	5	GBT6170-M20-A3L	A31.56.910.4_2	21
GBT899-AM12X40-10.9-A3L	A31.55.920.4_3	17	A68.56.004.0/10	A31.56.008.4	1	0.760.4552.0	A31.56.910.4_2	22
GBT6170-M12-A3L	A31.55.920.4_3	18	0.76038.58.0	A31.56.008.4	2	0.760.3954.0	A31.56.910.4_2	23
GBT5783-M10X20-A3L	A31.55.920.4_3	19	2.4099.042.2	A31.56.008.4	3	0.016.7833.3	A31.56.910.4_2	24
GBT93-10-A3L	A31.55.920.4_3	20	A31.56.010.0	A31.56.008.4	4	0.016.7834.3	A31.56.910.4_2	25
GBT97.1-10-A3L	A31.55.920.4_3	21	LE1204.56.025	A31.56.900.4_1	2	LE1204.56A.113	A31.56.910.4_2	26
2.1560.020.0	A31.55.920.4_3	22	LE1204.56.102/20	A31.56.900.4_1	3	0.009.2300.0	A31.56.910.4_2	27
SH900.55.016	A31.55.920.4_3	23	GBT119.1-20m6X35	A31.56.900.4_1	4	LE1204.56A.014/10	A31.56.911.4_0	1
SH900.55.109	A31.55.920.4_3	24	LE1204.56.011	A31.56.900.4_1	5	A31.56.001.0	A31.56.911.4_0	2
2.1560.014.0	A31.55.920.4_3	25	LE1204.56.108/10	A31.56.900.4_1	9	SH900.56.113	A31.56.911.4_0	3
SH900.55.106	A31.55.920.4_3	26	LE1204.56.109/20	A31.56.900.4_1	10	SH900.56.108	A31.56.911.4_0	4
0.760.2212.0	A31.55.920.4_3	27	GBT5783-M12X25-10.9-A3L	A31.56.900.4_1	11	LE1204.56A.017/20	A31.56.911.4_0	5
0.760.2257.3	A31.55.920.4_3	28	GBT93-12-A3L	A31.56.900.4_1	12	SH900.56.155/10	A31.56.911.4_0	6
LE1204.56A.103/10	A31.55.920.4_3	29	GBT899-AM20X110-10.9-A3L	A31.56.900.4_1	13	SH400.56.025	A31.56.911.4_0	7
GBT93-16-A3L	A31.55.920.4_3	30	GBT93-20-A3L	A31.56.900.4_1	14	0.028.1966.3/30	A31.58.904.4_5	1
GBT6170-M16-A3L	A31.55.920.4_3	31	GBT6170-M20-A3L	A31.56.900.4_1	15	0.028.8080.2/20	A31.58.904.4_5	2
GBT899-AM16X70-10.9-A3L	A31.55.920.4_3	32	LE1204.56.018	A31.56.902.4_0	1	0.028.8081.3	A31.58.904.4_5	3
B29.55.001.0	A31.55.921.4_1	1	SH900.56.104	A31.56.902.4_0	2	2.3139.024.2	A31.58.904.4_5	4
LE1204.55.101	A31.55.921.4_1	2	SH900.56.105	A31.56.902.4_0	3	GBT3452.1-16X1.5-G	A31.58.904.4_5	5
LE1204.55.102	A31.55.921.4_1	3	LE1204.56.014	A31.56.902.4_0	4	DF1204.58B.019	A31.58.904.4_5	6
GBT899-AM18X90-10.9-A3L	A31.55.921.4_1	4	LE1204.56.101/10	A31.56.902.4_0	5	DF1204.58B.020	A31.58.904.4_5	7

零件编号	结构代码	零件顺序	零件编号	结构代码	零件顺序	零件编号	结构代码	零件顺序
DF1204.58B.020	A31.58.904.4_5	7	A68.58.003.0	A31.58.904.4_6	18	GBT3733-08-L18F	A31.58.905.4_4	14
DF1204.58B.102	A31.58.904.4_5	8	2.1473.007.2	A31.58.904.4_6	19	GBT3452.1-19.3X2.2-G	A31.58.905.4_4	20
GBT3452.1-19X2.65-G	A31.58.904.4_5	9	GB3452-19.3X2.2	A31.58.904.4_6	20	GBT3738-08-L18	A31.58.905.4_4	21
GBT5783-M10X20-A3L	A31.58.904.4_5	10	GBT3738-08-L18	A31.58.904.4_6	21	GBT3452.1-16X1.5-G	A31.58.905.4_4	22
GBT5782-M12X70-10.9-A3L	A31.58.904.4_5	11	SH900.58.101	A31.58.904.4_6	22	GBT3452.1-17.3X2.2-G	A31.58.905.4_4	23
GBT5783-M8X16-A2L	A31.58.904.4_5	12	GBT3733-08-L22F	A31.58.904.4_6	24	GBT3452.1-12X1.5-G	A31.58.905.4_4	24
GBT5783-M8X20-A2L	A31.58.904.4_5	13	2.0114.225.2	A31.58.904.4_6	25	B29.58.008.3	A31.58.905.4_4	25
GBT70.1-M8X25-A2L	A31.58.904.4_5	14	2.1310.004.2	A31.58.904.4_6	26	GBT5782-M6X50-A2L	A31.58.905.4_4	26
GBT93-10-A3L	A31.58.904.4_5	15	A11.58.107.0	A31.58.904.4_6	27	GBT93-6-A3L	A31.58.905.4_4	27
GBT93-12-A3L	A31.58.904.4_5	16	2.6839.068.0	A31.58.904.4_6	28	GBT96-6-A3L	A31.58.905.4_4	28
A68.58.003.0	A31.58.904.4_5	18	2.1011.103.2	A31.58.904.4_6	29	2.3320.316.0	A31.58.905.4_4	29
GBT93-8-A3L	A31.58.904.4_5	19	2.0312.106.2	A31.58.904.4_6	30	A31.58.028.0	A31.58.913.4_0	1
GBT3452.1-19.3X2.2-G	A31.58.904.4_5	20	2.1473.006.2	A31.58.904.4_6	31	A31.58.022.3	A31.58.915.4_0	1
GBT3738-08-L18	A31.58.904.4_5	21	A11.58.108.0	A31.58.904.4_6	32	A31.58.021.3	A31.58.915.4_0	2
SH900.58.101	A31.58.904.4_5	22	GB3452-23.6X2.9	A31.58.904.4_6	33	A08.58.101.0	A31.58.915.4_0	6
GBT3733.2-83-G22	A31.58.904.4_5	24	0.028.2006.3/20	A31.58.905.4_3	1	A11.58.103.3	A31.58.915.4_0	8
GBT5783-M8X90-A2L	A31.58.904.4_5	25	0.028.2010.3/10	A31.58.905.4_3	2	A11.58.102.0	A31.58.915.4_0	10
GBT97.1-8-A3L	A31.58.904.4_5	26	A08.58.101.0	A31.58.905.4_3	6	A02.58.093.0	A31.58.915.4_0	11
A11.58.107.0	A31.58.904.4_5	27	A11.58.103.3	A31.58.905.4_3	8	A02.58.094.0	A31.58.915.4_0	12
2.6839.068.0	A31.58.904.4_5	28	A11.58.102.0	A31.58.905.4_3	10	GBT3733-08-L18F	A31.58.915.4_0	14
GBT6170-M6-A2L	A31.58.904.4_5	29	A02.58.093.0	A31.58.905.4_3	11	GBT3452.1-19.3X2.2-G	A31.58.915.4_0	20
GBT70.1-M6X20-A2L	A31.58.904.4_5	30	A02.58.094.0	A31.58.905.4_3	12	GBT3738-08-L18	A31.58.915.4_0	21
GBT93-6-A3L	A31.58.904.4_5	31	GBT3733-08-L18F	A31.58.905.4_3	14	GBT3452.1-16X1.5-G	A31.58.915.4_0	22
A11.58.108.0	A31.58.904.4_5	32	GBT3452.1-19.3X2.2-G	A31.58.905.4_3	20	GBT3452.1-17.3X2.2-G	A31.58.915.4_0	23
0.028.1966.3/30	A31.58.904.4_6	1	GBT3738-08-L18	A31.58.905.4_3	21	GBT3452.1-12X1.5-G	A31.58.915.4_0	24
0.028.8080.2/20	A31.58.904.4_6	2	GBT3452.1-16X1.5-G	A31.58.905.4_3	22	B29.58.008.3	A31.58.915.4_0	25
0.028.8081.3	A31.58.904.4_6	3	GBT3452.1-17.3X2.2-G	A31.58.905.4_3	23	GBT5782-M6X50-A2L	A31.58.915.4_0	26
2.3139.024.2	A31.58.904.4_6	4	GBT3452.1-12X1.5-G	A31.58.905.4_3	24	GBT93-6-A3L	A31.58.915.4_0	27
GB3452-16X1.5	A31.58.904.4_6	5	B29.58.008.3	A31.58.905.4_3	25	GBT97.1-6-A3L	A31.58.915.4_0	28
DF1204.58B.019	A31.58.904.4_6	6	GBT5782-M6X50-A2L	A31.58.905.4_3	26	2.3320.319.0	A31.58.915.4_0	29
DF1204.58B.020	A31.58.904.4_6	7	GBT93-6-A3L	A31.58.905.4_3	27	A31.58.022.3/10	A31.58.915.4_1	1
DF1204.58B.020-5	A31.58.904.4_6	7	GBT97.1-6-A3L	A31.58.905.4_3	28	A31.58.021.3	A31.58.915.4_1	2
DF1204.58B.102	A31.58.904.4_6	8	2.3320.319.0	A31.58.905.4_3	29	A08.58.101.0	A31.58.915.4_1	6
GB3452-19X2.65	A31.58.904.4_6	9	0.028.2006.3/30	A31.58.905.4_4	1	A11.58.103.3	A31.58.915.4_1	8
2.0114.307.2	A31.58.904.4_6	10	0.028.2010.3/10	A31.58.905.4_4	2	A11.58.102.0	A31.58.915.4_1	10
2.0113.423.2	A31.58.904.4_6	11	A08.58.101.0	A31.58.905.4_4	6	A02.58.093.0	A31.58.915.4_1	11
2.0114.205.2	A31.58.904.4_6	12	A11.58.103.3	A31.58.905.4_4	8	A02.58.094.0	A31.58.915.4_1	12
2.0114.207.2	A31.58.904.4_6	13	A11.58.102.0	A31.58.905.4_4	10	GBT3733-08-L18F	A31.58.915.4_1	14
2.0312.208.2	A31.58.904.4_6	14	A02.58.093.0	A31.58.905.4_4	11	GBT3452.1-19.3X2.2-G	A31.58.915.4_1	20
2.1473.008.2	A31.58.904.4_6	15	A02.58.094.0	A31.58.905.4_4	12	GBT3738-08-L18	A31.58.915.4_1	21

零件编号	结构代码	零件顺序	零件编号	结构代码	零件顺序	零件编号	结构代码	零件顺序
GBT3738-08-L18	A31.58.915.4_1	21	JBT7940.1-M6	A33.37.902.4_5	12	A78.10.010.2	A78.10.903.4_0	6
GBT3452.1-16X1.5-G	A31.58.915.4_1	22	LE1204.37.151	A33.37.902.4_5	13	GBT93-8-A3L	A78.10.903.4_0	7
GBT3452.1-17.3X2.2-G	A31.58.915.4_1	23	LE1204.37.190	A33.37.902.4_5	14	JBT8870-D32	A78.10.903.4_0	8
GBT3452.1-12X1.5-G	A31.58.915.4_1	24	LE1204.37.208	A33.37.902.4_5	15	A78.13.011.0	A78.10.903.4_0	9
B29.58.008.3	A31.58.915.4_1	25	SH900.41.105	A33.37.902.4_5	16	2.0114.311.2	A78.11.903.4_1	1
GBT5782-M6X50-A2L	A31.58.915.4_1	26	SH900.37.112/10	A33.37.902.4_5	17	2.0114.329.2	A78.11.903.4_1	2
GBT93-6-A3L	A31.58.915.4_1	27	SH900.37.113	A33.37.902.4_5	18	GBT93-10-A3L	A78.11.903.4_1	3
GBT97.1-6-A3L	A31.58.915.4_1	28	LE1204.37.191	A33.37.902.4_5	19	CD1204.11A.101	A78.11.903.4_1	4
2.3320.319.0	A31.58.915.4_1	29	LE1204.37.192	A33.37.902.4_5	20	JBT8870-D120	A78.11.903.4_1	5
A33.37.002.0	A33.37.901.4_5	1	A26.37.010.0	A33.37.902.4_5	21	A78.11.002.0	A78.11.903.4_1	6
A33.37.001.0/10	A33.37.901.4_5	2	GBT5783-M18X70-10.9-A3L	A37.37.901.4_1	1	2.0114.207.2	A78.11.903.4_1	7
LE1204.37.151	A33.37.901.4_5	3	GBT93-18-A3L	A37.37.901.4_1	2	GBT93-8-A3L	A78.11.903.4_1	8
JBT7940.1-M6	A33.37.901.4_5	4	GBT5783-M16X85-10.9-A3L	A37.37.901.4_1	3	2.1310.004.2	A78.11.903.4_1	9
GBT13871.1-FB-050072-D	A33.37.901.4_5	5	GBT93-16-A3L	A37.37.901.4_1	4	JBT8870-D130	A78.11.903.4_1	10
LE1204.37.208	A33.37.901.4_5	6	GBT5782-M16X100-10.9-A3L	A37.37.901.4_1	5	CD1204.13A.101	A78.13.900.4_0	1
GBT297-30310	A33.37.901.4_5	7	GBT5783-M12X40-10.9-A3L	A37.37.901.4_1	6	CD1204.13A.013	A78.13.900.4_0	2
0.029.4463.0/10	A33.37.901.4_5	8	GBT93-12-A3L	A37.37.901.4_1	7	CD1204.13A.014	A78.13.900.4_0	3
0.029.4380.0/20	A33.37.901.4_5	9	GBT5783-M10X45-10.9-A3L	A37.37.901.4_1	8	LE1204.13.016	A78.13.900.4_0	4
0.029.4319.3/10	A33.37.901.4_5	10	GBT93-10-A3L	A37.37.901.4_1	9	JBT982-22	A78.13.900.4_0	5
2.2770.271.0	A33.37.901.4_5	11	GBT5783-M16X45-10.9-A3L	A37.37.901.4_1	10	LD700.13.102	A78.13.900.4_0	6
DF904.37.113/10	A33.37.901.4_5	12	GBT5783-M14X45-10.9-A3L	A37.37.901.4_1	11	2.0114.005.2	A78.13.900.4_0	7
0.014.0150.4/10	A33.37.901.4_5	13	GBT93-14-A3L	A37.37.901.4_1	12	GBT93-6-A3L	A78.13.900.4_0	8
SH900.37.112/10	A33.37.901.4_5	14	A68.44.001.4	A68.44.900.4_1	1	2.0114.207.2	A78.13.900.4_0	9
SH900.37.113	A33.37.901.4_5	15	GBT5783-M8X20-A2L	A68.44.900.4_1	2	GBT93-8-A3L	A78.13.900.4_0	10
SH900.41.105	A33.37.901.4_5	16	GBT93-8-A3L	A68.44.900.4_1	3	CD1204.13A.015	A78.13.900.4_0	11
GBT893.1-28	A33.37.901.4_5	17	GBT97.1-8-A3L	A68.44.900.4_1	4	A78.13.001.4	A78.13.900.4_0	12
LE1204.37.190	A33.37.901.4_5	18	ROS12L1X	A68.58.021.0/20	1	2.1310.004.2	A78.13.900.4_0	13
LE1204.37.191	A33.37.901.4_5	19	A31.58.001.0	A68.58.903.4_0	1	JBT8870-D70	A78.13.900.4_0	14
LE1204.37.192	A33.37.901.4_5	20	ROS12L1X	A68.58.903.4_0	1	2.1011.105.2	A78.13.900.4_0	15
A26.37.010.0	A33.37.901.4_5	21	A68.58.021.0/10	A68.58.913.4_2	1	LE1204.13.101	A78.13.900.4_0	16
0.014.0150.4/10	A33.37.902.4_5	1	A68.58.021.0/20	A68.58.913.4_3	1	LE1204.13.108	A78.13.900.4_0	17
2.2770.271.0	A33.37.902.4_5	2	A68.58.031.0	A68.58.923.4_0	1	LE1204.13.109	A78.13.900.4_0	18
DF904.37.013/10	A33.37.902.4_5	3	2.0114.207.2	A78.10.903.4_0	1	LD800.13.107	A78.13.900.4_0	19
DF904.37.102/20	A33.37.902.4_5	4	2.0114.211.2	A78.10.903.4_0	2	2.0114.307.2	A78.13.900.4_0	20
C35.37.006.0	A33.37.902.4_5	5	A78.10.004.0	A78.10.903.4_0	3	CD1204.13A.016	A78.13.900.4_0	21
C35.37.005.0	A33.37.902.4_5	6	A78.10.005.4	A78.10.903.4_0	4	CD1204.13A.012	A78.13.900.4_0	22
DF904.37.113/10	A33.37.902.4_5	7	A78.10.006.4	A78.10.903.4_0	4	LE1204.13.015	A78.13.900.4_0	23
A33.37.002.0	A33.37.902.4_5	8	A78.10.007.0	A78.10.903.4_0	4	2.0112.423.2	A78.13.900.4_0	24
GBT297-30310	A33.37.902.4_5	9	A78.10.008.0	A78.10.903.4_0	4	2.1011.107.2	A78.13.900.4_0	25
GBT893.1-28	A33.37.902.4_5	10	A78.10.009.2	A78.10.903.4_0	5	GBT93-12-A3L	A78.13.900.4_0	26

零件编号	结构代码	零件顺序	零件编号	结构代码	零件顺序	零件编号	结构代码	零件顺序
GBT93-12-A3L	A78.13.900.4_0	26	2.0312.212.2	A78.40.901.4_0	4	SH900.40.104	A78.40.912.4_1	3
LE1204.13.110	A78.13.900.4_0	27	B29.40.019.3	A78.40.908.4_1	1	2.0114.216.2	A78.40.912.4_1	4
LE1204.13.111	A78.13.900.4_0	28	GBT3452.1-14X1.5-G	A78.40.908.4_1	2	2.1473.007.2	A78.40.912.4_1	5
2.1011.103.2	A78.13.900.4_0	29	A78.40.013.3	A78.40.908.4_1	3	2.1011.103.2	A78.40.912.4_1	6
LD700.13.103	A78.13.900.4_0	30	GBT3738-08-L16	A78.40.908.4_1	4	SH900.40.110	A78.40.912.4_1	7
2.1310.002.2	A78.13.900.4_0	31	GBT3452.1-17.3X2.2-G	A78.40.908.4_1	5	2.1560.014.0	A78.40.912.4_1	8
2.1310.006.2	A78.13.900.4_0	32	A78.40.012.3	A78.40.908.4_1	6	A78.40.005.0	A78.40.912.4_1	9
A31.13.015.4/10	A78.13.900.4_0	33	A78.40.003.3	A78.40.908.4_1	7	2.0312.108.2	A78.40.912.4_1	10
A78.13.002.3	A78.13.900.4_0	34	2.6852.203.0	A78.40.908.4_1	8	CD304.40.130	A78.40.912.4_1	11
A78.13.003.3	A78.13.900.4_0	35	2.0312.208.2	A78.40.908.4_1	9	2.1473.006.2	A78.40.912.4_1	12
A78.13.004.0	A78.13.900.4_0	36	2.1473.007.2	A78.40.908.4_1	10	2.1310.004.2	A78.40.912.4_1	13
GBT93-10-A3L	A78.13.900.4_0	37	2.3320.216.0	A78.40.908.4_1	11	2.0114.307.2	A78.40.912.4_1	14
C60.13.006.0	A78.13.900.4_0	38	GBT3452.1-20.6X1.8-G	A78.40.908.4_1	12	2.1310.006.2	A78.40.912.4_1	15
C60.13.006.0	A78.13.900.4_0	39	A78.40.001.3	A78.40.908.4_1	13	JBT8870-D32	A78.40.913.4_0	1
A78.20.001.0	A78.20.901.4_0	1	GBT3452.1-20X1.8-G	A78.40.908.4_1	14	CD1204.40.103	A78.40.913.4_0	2
CD1204.31A.101/20	A78.31.901.4_0	1	JBT8870-D32	A78.40.908.4_1	15	B29.40.006.3	A78.40.913.4_0	3
LE1204.31.102	A78.31.901.4_0	2	B29.40.016.0/10	A78.40.908.4_1	16	GBT3452.1-10X1.5-G	A78.40.913.4_0	4
GBT93-20-A3L	A78.31.901.4_0	3	B29.40.015.0/10	A78.40.908.4_1	17	A24.40.005.3	A78.40.913.4_0	5
LE1204.31.103	A78.31.901.4_0	4	2.1310.002.2	A78.40.908.4_1	18	2.0114.211.2	A78.40.913.4_0	6
GBT5782-M20X95-10.9-A3L	A78.31.901.4_0	5	GBT3452.1-30X2.65-G	A78.40.908.4_1	19	GBT93-8-A3L	A78.40.913.4_0	7
SH900.35.101	A78.35.001.4	1	2.0114.007.2	A78.40.908.4_1	20	SH900.40.138	A78.40.913.4_0	8
SH900.35.102	A78.35.001.4	2	2.1011.103.2	A78.40.908.4_1	21	CD1204A.40B.101	A78.40.913.4_0	9
A78.35.004.0	A78.35.001.4	3	A78.40.002.0	A78.40.908.4_1	22	B29.40.007.0	A78.40.913.4_0	10
GBT5782-M24X100-10.9-A3L	A78.35.001.4	4	B29.40.021.3/10	A78.40.908.4_1	23	GBT3452.1-17.3X2.2-G	A78.40.913.4_0	11
GBT6170-M24-A3L	A78.35.001.4	5	B29.40.036.0	A78.40.908.4_1	24	2.0114.216.2	A78.40.913.4_0	12
GBT93-24-A3L	A78.35.001.4	6	0.034.4849.0	A78.40.908.4_1	25	2.1310.004.2	A78.40.913.4_0	13
A78.35.003.0	A78.35.001.4	7	2.0114.016.2	A78.40.908.4_1	26	CD1204A.40.109	A78.40.913.4_0	14
A78.35.002.2	A78.35.001.4	8	2.1473.006.2	A78.40.908.4_1	27	A78.40.011.0	A78.40.913.4_0	15
A73.35.007.0	A78.35.001.4	9	GBT93-10-A3L	A78.40.910.4_0	1	2.1011.105.2	A78.40.913.4_0	16
LE1204.35.012	A78.35.001.4	10	GBT93-8-A3L	A78.40.910.4_0	2	A31.40.004.3/20	A78.40.913.4_0	17
LE1204.35.104	A78.35.001.4	11	JBT8870-D32	A78.40.910.4_0	3	A31.40.006.3/20	A78.40.913.4_0	18
A78.35.001.4	A78.35.900.4_0	1	2.0114.307.2	A78.40.910.4_0	4	A78.40.006.3	A78.40.915.4_1	1
GBT93-20-A3L	A78.35.900.4_0	2	2.1011.106.2	A78.40.910.4_0	5	A78.40.007.3	A78.40.915.4_1	2
GBT899-AM20-M20X130-10.9-A3L	A78.35.900.4_0	3	CD1204.40.014	A78.40.910.4_0	6	2.0114.205.2	A78.40.915.4_1	3
GBT6170-M20-10.9-A3L	A78.35.900.4_0	4	GBT3452.1-19X2.65-G	A78.40.910.4_0	7	2.1310.004.2	A78.40.915.4_1	4
GBT899-AM16X40-10.9-A3L	A78.35.900.4_0	5	SH900.40.108	A78.40.910.4_0	8	A78.40.008.0	A78.40.915.4_1	5
GBT93-16-A3L	A78.35.900.4_0	6	CD1204.40A.011	A78.40.910.4_0	9	2.1011.105.2	A78.40.915.4_1	6
GBT6170-M16-A3L	A78.35.900.4_0	7	2.0312.212.2	A78.40.910.4_0	10	CD1204A.40.109	A78.40.915.4_1	7
DF904.40.011	A78.40.901.4_0	1	A78.40.010.3	A78.40.912.4_1	1	2.0114.216.2	A78.40.915.4_1	8
2.1310.004.2	A78.40.901.4_0	2	2.1011.105.2	A78.40.912.4_1	2	2.1473.007.2	A78.40.915.4_1	9



零件编号	结构代码	零件顺序	零件编号	结构代码	零件顺序	零件编号	结构代码	零件顺序
2.1473.007.2	A78.40.915.4_1	9	A31.45.050.0	A78.45.960.4_0	2	2.1310.007.2	A78.47.901.4_1	29
A78.40.009.0	A78.40.915.4_1	10	A67.45.001.2	A78.45.960.4_0	3	2.1310.010.2	A78.47.901.4_1	30
DF1204.42.011	A78.42.002.4	1	CD1204.45.120	A78.45.960.4_0	4	2.1310.004.2	A78.47.901.4_1	31
A31.42.003.0	A78.42.002.4	2	LD700.47.031	A78.45.960.4_0	5	2.0114.007.2	A78.47.903.4_0	1
LE1204.42.015	A78.42.002.4	3	2.0113.639.2	A78.45.960.4_0	6	GBT93-6-A3L	A78.47.903.4_0	2
GBT93-10-A3L	A78.42.002.4	4	2.1312.008.2	A78.45.960.4_0	7	2.1312.003.2	A78.47.903.4_0	3
2.0114.311.2	A78.42.002.4	5	2.1122.009.2	A78.45.960.4_0	8	A78.47.002.0	A78.47.903.4_0	4
LE1204.42.013	A78.42.002.4	6	2.0114.616.2	A78.45.960.4_0	9	LE1204.47.015	A78.47.903.4_0	5
GBT894.1-30	A78.42.002.4	7	2.1310.010.2	A78.45.960.4_0	10	LE1204.47.016	A78.47.903.4_0	6
LE1204.42.016	A78.42.002.4	8	2.0112.627.2	A78.45.960.4_0	11	LE1204.47.017	A78.47.903.4_0	7
GBT3452.1-45X3.55-G	A78.42.002.4	9	2.0113.631.2	A78.45.960.4_0	12	A78.47.001.0	A78.47.903.4_0	8
LE1204.42.117/10	A78.42.002.4	10	2.1011.109.2	A78.45.960.4_0	13	LE1204.47.018	A78.47.903.4_0	9
GBT894.1-32	A78.42.002.4	11	CD1204.47.018	A78.47.901.4_1	1	A78.48.002.0	A78.48.900.4_1	1
LE1204.42.118	A78.42.002.4	12	CD1204.47.211	A78.47.901.4_1	2	D33.48.012.0	A78.48.900.4_1	2
LE1204.42.017	A78.42.002.4	13	A78.47.003.3	A78.47.901.4_1	3	C05.48.020.4	A78.48.900.4_1	4
SH904.42.123	A78.42.002.4	14	CD1204.47A.017	A78.47.901.4_1	4	CD1204A.48.024/10	A78.48.900.4_1	6
A78.42.002.4	A78.42.901.4_0	1	CD1204.47A.023/10	A78.47.901.4_1	5	CD554.48.030	A78.48.900.4_1	9
GBT93-10-A3L	A78.42.901.4_0	2	CD1204.47A.025	A78.47.901.4_1	6	2.1310.006.2	A78.48.900.4_1	10
GBT93-16-A3L	A78.42.901.4_0	3	CD1204.47A.213	A78.47.901.4_1	7	2.1473.008.2	A78.48.900.4_1	11
2.0114.617.2	A78.42.901.4_0	4	CD1204.47A.214	A78.47.901.4_1	8	2.0114.307.2	A78.48.900.4_1	12
2.0114.309.2	A78.42.901.4_0	5	CD1204.47A.221	A78.47.901.4_1	9	2.1310.002.2	A78.48.900.4_1	13
2.0114.311.2	A78.42.901.4_0	6	CD1204.47A.222/10	A78.47.901.4_1	10	2.1473.006.2	A78.48.900.4_1	14
GBT97.1-16-A3L	A78.42.901.4_0	7	CD1204.47A.224	A78.47.901.4_1	11	2.0114.007.2	A78.48.900.4_1	15
2.0114.005.2	A78.45.930.4_0	1	2.0114.309.2	A78.47.901.4_1	12	0.020.2413.4	A78.48.900.4_1	16
2.1473.006.2	A78.45.930.4_0	2	2.0114.311.2	A78.47.901.4_1	13	2.1011.105.2	A78.48.900.4_1	17
2.1011.003.2	A78.45.930.4_0	3	2.0114.313.2	A78.47.901.4_1	14	2.1473.007.2	A78.48.900.4_1	18
A78.45.002.0	A78.45.930.4_0	4	2.0115.411.2	A78.47.901.4_1	15	2.1310.004.2	A78.48.900.4_1	19
0.020.3200.0	A78.45.940.4_0	1	2.0114.416.2	A78.47.901.4_1	16	2.6852.203.0	A78.48.900.4_1	20
0.020.3149.0	A78.45.940.4_0	2	2.0114.209.2	A78.47.901.4_1	17	A78.48.001.4	A78.48.905.4_0	1
GBT819.1-M6X16-A2L	A78.45.940.4_0	3	2.0114.211.2	A78.47.901.4_1	18	SH900.48.032	A78.48.905.4_0	2
A31.45.021.2/10	A78.45.940.4_0	4	2.1011.106.2	A78.47.901.4_1	19	A23.48.012.0	A78.48.905.4_0	3
2.2841.071.0	A78.45.940.4_0	5	2.1011.107.2	A78.47.901.4_1	20	0.041.5697.0	A78.48.905.4_0	4
2.1410.004.2	A78.45.940.4_0	6	2.1011.105.2	A78.47.901.4_1	21	2.6852.203.0	A78.48.905.4_0	5
A31.45.022.2	A78.45.940.4_0	7	2.1671.716.2	A78.47.901.4_1	22	SH900.48.033	A78.48.905.4_0	6
2.0114.005.2	A78.45.940.4_0	8	2.1690.312.2	A78.47.901.4_1	23	CD554.48.026	A78.48.905.4_0	7
2.1473.006.2	A78.45.940.4_0	9	2.1473.008.2	A78.47.901.4_1	24	B61.48.005.0	A78.48.980.4_0	1
A31.45.019.0	A78.45.940.4_0	10	2.1473.009.2	A78.47.901.4_1	25	A78.48.005.4	A78.48.980.4_0	2
A31.45.020.4	A78.45.940.4_0	11	2.1473.007.2	A78.47.901.4_1	26	2.6852.203.0	A78.48.980.4_0	3
A68.45.066.0/10	A78.45.940.4_0	12	2.1312.004.2	A78.47.901.4_1	27	0.047.4813.0	A78.48.980.4_0	4
2.0312.006.2	A78.45.940.4_0	13	2.1310.006.2	A78.47.901.4_1	28	CD1204.50.011-A/10	A78.50.003.4	1

零件编号	结构代码	零件顺序	零件编号	结构代码	零件顺序	零件编号	结构代码	零件顺序
CD1204.50.011-A/10	A78.50.003.4	1	CD1204.50.105	A78.50.902.4_1	5	GBT93-8-A3L	A78.58.912.4_0	3
DF1204.50.014	A78.50.003.4	2	CD1204.50.103	A78.50.902.4_1	6	2.0114.015.2	A78.58.912.4_0	4
2.3249.224.0	A78.50.003.4	3	LD700.37.190	A78.50.902.4_1	8	2.1310.002.3	A78.58.912.4_0	5
2.3249.373.0	A78.50.003.4	4	2.0114.205.2	A78.50.902.4_1	9	2.1011.103.2	A78.58.912.4_0	6
2.6851.019.0	A78.50.003.4	5	2.1473.007.2	A78.50.902.4_1	10	2.3320.109.0	A78.58.912.4_0	7
0.012.6449.0	A78.50.003.4	6	2.1310.004.2	A78.50.902.4_1	11	B29.58.007.3/10	A78.58.912.4_0	8
CD1204.50A.101	A78.50.003.4	7	CD1204.50.014	A78.50.902.4_1	12	GBT3452.1-16X1.5-G	A78.58.912.4_0	9
2.1560.015.0	A78.50.003.4	8	LE1204.50.013	A78.50.902.4_1	13	2.0312.208.2	A78.58.912.4_0	10
CD1204.50.124	A78.50.003.4	9	2.0115.318.2	A78.50.902.4_1	14	0.020.3757.0	A78.58.927.4_0	1
2.1560.014.0	A78.50.003.4	10	A78.51.001.0	A78.51.900.4_0	1	B80.45.012.4	A78.58.927.4_0	2
A31.50.001.3	A78.50.900.4_0	1	A78.55.002.0	A78.55.910.4_0	1	2.0312.108.2	A78.58.927.4_0	3
SH900.50.138	A78.50.900.4_0	2	SH900.55.106	A78.55.910.4_0	2	2.1473.006.2	A78.58.927.4_0	4
2.0115.615.2	A78.50.900.4_0	3	0.028.8137.3	A78.55.910.4_0	3	A31.45.012.0/10	A78.58.927.4_0	5
GBT93-16-A3L	A78.50.900.4_0	4	2.1560.014.0	A78.55.910.4_0	4	A31.45.013.0/10	A78.58.927.4_0	6
SH900.50.141	A78.50.900.4_0	5	2.0113.437.2	A78.55.910.4_0	5	A68.45.066.0/10	A78.58.927.4_0	7
A78.50.001.3	A78.50.900.4_0	6	2.1473.009.2	A78.55.910.4_0	6	2.0312.006.2	A78.58.927.4_0	8
2.0115.613.2	A78.50.900.4_0	7	LE1204.55.018	A78.55.910.4_0	7	A31.45.011.0	A78.58.927.4_0	9
SH900.50.139	A78.50.900.4_0	8	2.0114.205.2	A78.55.910.4_0	8	2.0114.005.2	A78.58.927.4_0	10
CD1204.50.016	A78.50.900.4_0	9	2.1473.007.2	A78.55.910.4_0	9	GBT3452.1-41.2X1.8-G	A78.58.930.4_0	1
2.0115.307.2	A78.50.900.4_0	10	GBT3452.1-32.5X1.8-G	A78.55.910.4_0	10	A78.58.004.3	A78.58.930.4_0	2
GBT93-10-A3L	A78.50.900.4_0	11	SH900.55.162/10	A78.55.910.4_0	11	GBT93-8-A3L	A78.58.930.4_0	3
LE1204.50.019/10	A78.50.900.4_0	12	JBT8870-D20	A78.55.910.4_0	12	2.0312.208.2	A78.58.930.4_0	4
LE1204.50.029	A78.50.900.4_0	13	SH704-1.55.015-1	A78.55.910.4_0	13	JBT8870-d50	A78.58.930.4_0	5
LE1204.50.147	A78.50.900.4_0	14	2.0114.211.2	A78.55.910.4_0	14	LE1204.58.119	A78.58.930.4_0	6
A78.50.003.4	A78.50.900.4_0	15	2.1310.004.2	A78.55.910.4_0	15	A78.58.006.0	A78.58.930.4_0	7
CD1204.50.012	A78.50.900.4_0	16	2.1011.105.2	A78.55.910.4_0	16	2.0114.311.2	A78.58.930.4_0	8
CD1204.50.101	A78.50.900.4_0	17	2.0424.209.2	A78.55.910.4_0	17	2.0114.307.2	A78.58.930.4_0	9
CD1204.50.102	A78.50.900.4_0	18	2.1011.107.2	A78.55.910.4_0	18	GBT93-10-A3L	A78.58.930.4_0	10
2.1312.004.2	A78.50.900.4_0	19	2.1560.020.0	A78.55.910.4_0	19	LE1204.58.030	A78.58.930.4_0	11
GBT93-8-A3L	A78.50.900.4_0	20	SH900.55.016	A78.55.910.4_0	20	A31.58.018.0	A78.58.930.4_0	12
2.0114.205.2	A78.50.900.4_0	21	SH900.55.109	A78.55.910.4_0	21	B29.58.003.3	A78.58.930.4_0	13
2.0114.207.2	A78.50.900.4_0	22	B89.56.001.3	A78.56.902.4_0	1	2.0112.222.2	A78.58.930.4_0	14
2.1011.105.2	A78.50.900.4_0	23	B89.56.002.3	A78.56.902.4_0	2	2.0114.207.2	A78.58.930.4_0	15
CD1204.50.013	A78.50.900.4_0	24	2.1473.011.2	A78.56.902.4_0	3	2.1011.105.2	A78.58.930.4_0	16
2.1011.106.2	A78.50.900.4_0	25	2.0115.615.2	A78.56.902.4_0	4	B29.58.013.0/10	A78.58.930.4_0	17
2.1310.006.2	A78.50.900.4_0	26	A24.58.009.0	A78.58.911.4_0	1	B29.58.009.3/10	A78.58.930.4_0	18
A31.50.027.0	A78.50.900.4_0	27	GBT93-8-A3L	A78.58.911.4_0	2	GBT3452.1-32.5X1.8-G	A78.58.930.4_0	19
LE1204.50.149	A78.50.902.4_1	1	2.0312.215.2	A78.58.911.4_0	3	2.0112.223.2	A78.58.930.4_0	20
2.1561.107.0	A78.50.902.4_1	2	GBT3452.1-32.5X2.65-G	A78.58.912.4_0	1	2.1310.004.2	A78.58.930.4_0	21
JBT8870-D20	A78.50.902.4_1	3	A78.58.005.3	A78.58.912.4_0	2	A24.80.013.3	A78.80.900.4_0	1

零件编号	结构代码	零件顺序	零件编号	结构代码	零件顺序	零件编号	结构代码	零件顺序
A24.80.013.3	A78.80.900.4_0	1	SH900.13.108	A78.81.909.4_0	3	A80.45.049.0	A80.45.903.4_0	1
B80.10.007.2	A78.80.900.4_0	2	A23.81.013.0	A78.81.912.4_0	1	A80.45.026.0	A80.45.903.4_0	2
2.1560.018.0	A78.80.900.4_0	3	A78.81.002.0	A78.81.912.4_0	2	A80.45.050.3	A80.45.903.4_0	3
A23.80.006.0	A78.80.900.4_0	4	A78.81.005.0	A78.81.912.4_0	3	A80.45.058.3	A80.45.903.4_0	4
2.0112.225.2	A78.80.900.4_0	5	A23.81.011.0	A78.81.912.4_0	4	A80.45.044.0	A80.45.903.4_0	5
GBT93-8-A3L	A78.80.900.4_0	6	A23.81.012.2	A78.81.912.4_0	5	A80.45.056.0	A80.45.903.4_0	6
2.1011.105.2	A78.80.900.4_0	7	2.0112.207.2	A78.81.912.4_0	6	A80.45.057.0	A80.45.903.4_0	7
A78.80.001.0	A78.80.900.4_0	8	2.1310.004.2	A78.81.912.4_0	7	A80.45.054.3	A80.45.903.4_0	8
2.0114.207.2	A78.80.900.4_0	9	2.0112.005.2	A78.81.912.4_0	8	A80.45.037.0	A80.45.903.4_0	9
A23.80.010.3	A78.80.900.4_0	10	2.1310.002.2	A78.81.912.4_0	9	A80.45.033.0	A80.45.903.4_0	10
B09.80.004.3	A78.80.900.4_0	11	A23.81.010.0	A78.81.912.4_0	10	A80.45.039.0	A80.45.903.4_0	11
A23.80.012.0	A78.80.900.4_0	12	GBT93-6-A3L	A78.81.912.4_0	11	A80.45.047.0	A80.45.903.4_0	12
A23.80.007.0	A78.80.900.4_0	13	GBT93-8-A3L	A78.81.912.4_0	12	A80.45.048.0	A80.45.903.4_0	13
A78.80.002.0	A78.80.900.4_0	14	A80.45.005.0	A80.45.901.4_0	1	A80.45.038.0	A80.45.903.4_0	14
2.0114.005.2	A78.80.900.4_0	15	A80.45.025.0	A80.45.902.4_0	1	2.0332.409.2	A80.45.903.4_0	15
GBT93-6-A3L	A78.80.900.4_0	16	A80.45.026.0	A80.45.902.4_0	2	A80.45.061.0	A80.45.903.4_0	16
2.1011.103.2	A78.80.900.4_0	17	A80.45.027.3	A80.45.902.4_0	3	A39.45.047.0	A80.45.903.4_0	17
E04.80.006.3	A78.80.900.4_0	18	A80.45.041.3	A80.45.902.4_0	4	A39.45.048.0	A80.45.903.4_0	18
A23.80.016.0	A78.80.900.4_0	19	A80.45.044.0	A80.45.902.4_0	5	GBT5783-M8X20-A2L	A80.45.903.4_0	19
CD904.81.012	A78.81.900.4_1	1	A80.45.045.0	A80.45.902.4_0	6	GBT97.1-8-A3L	A80.45.903.4_0	20
LE1204.81.013	A78.81.900.4_1	2	A80.45.040.0	A80.45.902.4_0	7	2.1430.011.7	A80.45.903.4_0	21
A78.81.008.0	A78.81.900.4_1	3	A80.45.034.3	A80.45.902.4_0	8	2.0332.408.2	A80.45.903.4_0	22
A78.81.007.2	A78.81.900.4_1	4	A80.45.037.0	A80.45.902.4_0	9	GBT93-6-A3L	A80.45.903.4_0	23
GBT11544-A820LI	A78.81.900.4_1	5	A80.45.033.0	A80.45.902.4_0	10	GBT97.1-6-A3L	A80.45.903.4_0	24
2.0112.335.2	A78.81.900.4_1	6	A80.45.039.0	A80.45.902.4_0	11	GBT6170-M6-A2L	A80.45.903.4_0	25
2.0114.309.2	A78.81.900.4_1	7	A80.45.047.0	A80.45.902.4_0	12	GBT6170-M8-A2L	A80.45.903.4_0	26
2.1473.008.2	A78.81.900.4_1	8	A80.45.048.0	A80.45.902.4_0	13	A80.45.063.0	A80.45.904.4_0	1
2.1310.006.2	A78.81.900.4_1	9	A80.45.038.0	A80.45.902.4_0	14	A80.45.064.0	A80.45.904.4_0	2
2.1011.106.2	A78.81.900.4_1	10	2.0332.409.2	A80.45.902.4_0	15	A80.45.068.3	A80.45.904.4_0	3
2.1473.007.2	A78.81.900.4_1	11	A80.45.046.0	A80.45.902.4_0	16	A80.45.066.0	A80.45.904.4_0	4
2.1310.004.2	A78.81.900.4_1	12	A39.45.047.0	A80.45.902.4_0	17	A39.45.048.0	A80.45.904.4_0	5
2.1011.105.2	A78.81.900.4_1	13	A39.45.048.0	A80.45.902.4_0	18	A39.45.047.0	A80.45.904.4_0	6
2.0114.215.2	A78.81.900.4_1	14	GBT5783-M8X20-A2L	A80.45.902.4_0	19	GBT97.1-8-A3L	A80.45.904.4_0	7
2.0112.220.2	A78.81.900.4_1	15	GBT97.1-8-A3L	A80.45.902.4_0	20	GBT889.1-M8-A2L	A80.45.904.4_0	8
2.0114.313.2	A78.81.900.4_1	16	2.1430.011.7	A80.45.902.4_0	21	A80.45.076.0	A80.45.904.4_0	9
CD1204.81A.015/20	A78.81.901.4_0	1	2.0332.408.2	A80.45.902.4_0	22	A80.45.067.0	A80.45.904.4_0	10
A78.81.003.2	A78.81.901.4_0	2	GBT93-6-A3L	A80.45.902.4_0	23	A80.45.077.0	A80.45.904.4_0	11
A78.81.004.2	A78.81.901.4_0	3	GBT97.1-6-A3L	A80.45.902.4_0	24	2.1430.006.7	A80.45.904.4_0	12
2.6852.101.0	A78.81.901.4_0	4	GBT6170-M6-A2L	A80.45.902.4_0	25	A80.45.074.0	A80.45.904.4_0	13
SH1004.13.108	A78.81.909.4_0	1	GBT6170-M8-A2L	A80.45.902.4_0	26	A80.45.075.0	A80.45.904.4_0	14

零件编号	结构代码	零件顺序	零件编号	结构代码	零件顺序	零件编号	结构代码	零件顺序
A80.45.075.0	A80.45.904.4_0	14	GBT97.1-12-A3L	A80.45.909.4_0	8	A39.45.047.0	A80.45.915.4_0	12
A80.45.070.0	A80.45.904.4_0	15	2.0112.435.2	A80.45.909.4_0	9	GBT96.1-8-A3L	A80.45.915.4_0	13
GBT5783-M6X25-A2L	A80.45.904.4_0	16	B80.45.063.0	A80.45.914.4_0	1	B80.45.014.4	A80.45.918.4_0	1
GBT97.1-6-A3L	A80.45.904.4_0	17	A80.45.064.0	A80.45.914.4_0	2	A80.45.088.0	A80.45.918.4_0	2
A80.45.072.0	A80.45.904.4_0	18	A80.45.068.3	A80.45.914.4_0	3	GBT93-10-A3L	A80.45.919.4_3	1
A80.45.069.0	A80.45.904.4_0	19	A80.45.066.0	A80.45.914.4_0	4	GBT5783-M10X25-A3L	A80.45.919.4_3	2
A80.45.073.0	A80.45.904.4_0	20	A39.45.048.0	A80.45.914.4_0	5	GBT894.1-20	A80.45.919.4_3	3
A80.45.071.0	A80.45.904.4_0	21	A39.45.047.0	A80.45.914.4_0	6	SH900.21.117	A80.45.919.4_3	4
2.1430.007.2	A80.45.904.4_0	22	2.1310.004.2	A80.45.914.4_0	7	GBT97.1-20-A3L	A80.45.919.4_3	5
A80.45.078.0	A80.45.905.4_0	1	2.1122.005.2	A80.45.914.4_0	8	SH900.21.118	A80.45.919.4_3	6
A80.45.079.0	A80.45.905.4_0	2	A80.45.076.0	A80.45.914.4_0	9	A80.45.004.3	A80.45.919.4_3	7
A80.45.080.0	A80.45.905.4_0	3	A80.45.067.0	A80.45.914.4_0	10	SH900.21.022	A80.45.919.4_3	8
GBT97.1-6-A3L	A80.45.905.4_0	4	A80.45.077.0	A80.45.914.4_0	11	GBT6170-M10-A3L	A80.45.919.4_3	9
2.0332.408.2	A80.45.905.4_0	5	2.1430.006.7	A80.45.914.4_0	12	SH900.43.030	A80.45.919.4_3	10
A39.45.048.0	A80.45.905.4_0	6	A80.45.074.0	A80.45.914.4_0	13	SH900.21.101	A80.45.919.4_3	11
A80.45.072.0	A80.45.905.4_0	7	A80.45.075.0	A80.45.914.4_0	14	GBT91-3.2X20-A3L	A80.45.919.4_3	12
A80.45.081.0	A80.45.905.4_0	8	A80.45.070.0	A80.45.914.4_0	15	GBT97.1-10-A3L	A80.45.919.4_3	13
A80.45.082.0	A80.45.905.4_0	9	2.0114.009.2	A80.45.914.4_0	16	SH900.21.011	A80.45.919.4_3	14
GBT819.1-M8X35-A2L	A80.45.905.4_0	10	2.1310.002.2	A80.45.914.4_0	17	GBT6170-M8-A2L	A80.45.919.4_3	15
GBT889.1-M8-A2L	A80.45.905.4_0	11	A80.45.072.0	A80.45.914.4_0	18	GBT5783-M8X20-A2L	A80.45.919.4_3	16
A39.45.047.0	A80.45.905.4_0	12	A80.45.069.0	A80.45.914.4_0	19	GBT93-8-A3L	A80.45.919.4_3	17
GBT96.1-8-A3L	A80.45.905.4_0	13	A80.45.073.0	A80.45.914.4_0	20	GBT894.1-30	A80.45.919.4_3	18
A80.45.084.4	A80.45.906.4_0	1	A80.45.071.0	A80.45.914.4_0	21	SH900.21.021	A80.45.919.4_3	19
GBT5783-M8X20-A2L	A80.45.906.4_0	2	2.1430.007.2	A80.45.914.4_0	22	SH900.21.012	A80.45.919.4_3	20
GBT97.1-8-A3L	A80.45.906.4_0	3	B80.45.071.4	A80.45.914.4_0	23	SH900.21.122	A80.45.919.4_3	21
GBT6170-M8-A2L	A80.45.906.4_0	4	B80.45.066.0	A80.45.914.4_0	24	A80.45.002.3	A80.45.919.4_3	22
A80.45.012.0	A80.45.907.4_0	1	0.9231.559.0	A80.45.914.4_0	25	SH900.21.105	A80.45.919.4_3	23
A80.45.013.0	A80.45.907.4_0	2	0.022.3810.4/10	A80.45.914.4_0	26	GBT6171-M10X1-A2L	A80.45.919.4_3	24
A80.45.086.0	A80.45.907.4_0	3	0.028.1461.0	A80.45.914.4_0	27	LE1204.21.101	A80.45.919.4_3	25
A80.45.087.0	A80.45.907.4_0	4	A80.45.083.0	A80.45.915.4_0	1	GBT882-B10X32-A3L	A80.45.919.4_3	26
A80.45.089.0	A80.45.907.4_0	5	A80.45.079.0	A80.45.915.4_0	2	SH900.43.181	A80.45.919.4_3	27
A80.45.088.0	A80.45.907.4_0	6	A80.45.080.0	A80.45.915.4_0	3	2.1473.008.2	A80.45.919.4_4	1
A80.45.014.4	A80.45.908.4_0	1	GBT97.1-6-A3L	A80.45.915.4_0	4	2.0114.309.2	A80.45.919.4_4	2
A80.45.088.0	A80.45.908.4_0	2	2.0332.408.2	A80.45.915.4_0	5	2.1414.018.2	A80.45.919.4_4	3
A80.45.015.2	A80.45.909.4_0	1	A39.45.048.0	A80.45.915.4_0	6	SH900.21.117	A80.45.919.4_4	4
A80.45.090.0	A80.45.909.4_0	2	A80.45.072.0	A80.45.915.4_0	7	2.1310.013.2	A80.45.919.4_4	5
A80.45.091.0	A80.45.909.4_0	3	A80.45.081.0	A80.45.915.4_0	8	SH900.21.118	A80.45.919.4_4	6
A39.45.125.0	A80.45.909.4_0	4	A80.45.082.0	A80.45.915.4_0	9	A80.45.004.3	A80.45.919.4_4	7
GBT818-M5X16-A2L	A80.45.909.4_0	5	GBT819.1-M8X35-A2L	A80.45.915.4_0	10	SH900.21.022	A80.45.919.4_4	8
GBT825-M16-A3L	A80.45.909.4_0	6	GBT889.1-M8-A2L	A80.45.915.4_0	11	0.020.5363.2/10	A80.45.919.4_4	9

零件编号	结构代码	零件顺序	零件编号	结构代码	零件顺序	零件编号	结构代码	零件顺序
0.020.5363.2/10	A80.45.919.4_4	9	GBT97.1-8-A3L	A80.45.964.4_0	10	B29.40.027.3	B29.40.907.4_1	20
SH900.21.101	A80.45.919.4_4	10	GBT6170-M8-A2L	A80.45.964.4_0	11	GBT3733-08-L12E	B29.40.907.4_1	21
2.1690.308.2	A80.45.919.4_4	11	GBT97.1-6-A3L	A80.45.964.4_0	12	B29.43.001.0	B29.43.001.4-10_1	1
2.1310.006.2	A80.45.919.4_4	12	GBT6170-M6-A2L	A80.45.964.4_0	13	LE1204.43.103	B29.43.001.4-10_1	2
SH900.21.011	A80.45.919.4_4	13	A80.48.001.4	A80.48.904.4_0	1	GBT119.1-10m6X22	B29.43.001.4-10_1	3
2.1012.105.2	A80.45.919.4_4	14	B80.48.013.4	A80.48.914.4_0	1	LE1204.43.102	B29.43.001.4-10_1	4
2.0114.207.2	A80.45.919.4_4	15	A80.81.001.4	A80.81.903.4_1	1	LE1204.43.011	B29.43.001.4-10_1	5
2.1473.007.2	A80.45.919.4_4	16	K81TY2500G-01	A80.81.903.4_1	1	0.026.4203.0	B29.43.001.4-10_1	6
2.1414.026.2	A80.45.919.4_4	17	GBT5783-M10X25-A3L	A80.81.903.4_1	2	SH900.43.173	B29.43.001.4-10_1	7
SH900.21.021	A80.45.919.4_4	18	GBT96.1-10-A3L	A80.81.903.4_1	3	SH900.43.189	B29.43.001.4-10_1	8
A78.21.013.3/10	A80.45.919.4_4	19	GBT97.1-10-A3L	A80.81.903.4_1	4	JBT982-10	B29.43.001.4-10_1	9
SH900.21.122	A80.45.919.4_4	20	GBT6170-M10-A3L	A80.81.903.4_1	5	B29.43.001.0	B29.43.001.4/10	1
A80.45.002.3	A80.45.919.4_4	21	A80.81.008.4	A80.81.904.4_1	1	LE1204.43.103	B29.43.001.4/10	2
SH900.21.105	A80.45.919.4_4	22	GBT5783-M10X25-A3L	A80.81.904.4_1	2	GBT119.1-10m6X22	B29.43.001.4/10	3
2.1011.406.2	A80.45.919.4_4	23	GBT96.1-10-A3L	A80.81.904.4_1	3	LE1204.43.102	B29.43.001.4/10	4
LE1204.21.101	A80.45.919.4_4	24	GBT97.1-10-A3L	A80.81.904.4_1	4	LE1204.43.011	B29.43.001.4/10	5
2.1671.409.2	A80.45.919.4_4	25	GBT6170-M10-A3L	A80.81.904.4_1	5	0.026.4203.0	B29.43.001.4/10	6
SH900.43.181	A80.45.919.4_4	26	CD554A.45.119	A95.45.903.4_0	1	SH900.43.173	B29.43.001.4/10	7
A80.45.021.0	A80.45.925.4_0	1	2.3120.102.0	B09.58.909.4_1	1	SH900.43.189	B29.43.001.4/10	8
A80.45.022.0	A80.45.925.4_0	2	2.1560.018.0	B09.58.909.4_1	2	JBT982-10	B29.43.001.4/10	9
A80.45.023.0	A80.45.925.4_0	3	B29.40.140.0	B29.40.904.4_0	1	B29.43.002.0	B29.43.002.4-10_1	1
A80.45.024.0	A80.45.925.4_0	4	B29.40.020.3/20	B29.40.907.4_1	1	LE1204.43.103	B29.43.002.4-10_1	2
A80.45.092.0	A80.45.930.4_0	1	2.3320.108.0	B29.40.907.4_1	2	GBT119.1-10m6X22	B29.43.002.4-10_1	3
A80.45.093.0	A80.45.930.4_0	2	GBT97.1-6-A3L	B29.40.907.4_1	3	LE1204.43.102	B29.43.002.4-10_1	4
A80.45.088.0	A80.45.930.4_0	3	GBT5783-M8X45-A2L	B29.40.907.4_1	4	LE1204.43.011	B29.43.002.4-10_1	5
A80.45.094.0	A80.45.931.4_0	1	B29.40.032.0	B29.40.907.4_1	5	0.026.4203.0	B29.43.002.4-10_1	6
A80.45.095.2	A80.45.931.4_0	2	GBT6170-M6-A2L	B29.40.907.4_1	6	SH900.43.173	B29.43.002.4-10_1	7
A80.45.088.0	A80.45.931.4_0	3	GBT93-10-A3L	B29.40.907.4_1	7	SH900.43.189	B29.43.002.4-10_1	8
0.026.5183.0	A80.45.934.4_0	1	GBT5783-M10X16-A3L	B29.40.907.4_1	8	JBT982-10	B29.43.002.4-10_1	9
CD904A.45A.025	A80.45.962.4_0	1	GBT3452.1-14X1.5-G	B29.40.907.4_1	9	B29.43.002.0	B29.43.002.4/10	1
GBT5783-M6X20-A2L	A80.45.962.4_0	2	GBT3733.2-83-G16	B29.40.907.4_1	10	LE1204.43.103	B29.43.002.4/10	2
GBT97.1-6-A3L	A80.45.962.4_0	3	2.1560.018.0	B29.40.907.4_1	11	GBT119.1-10m6X22	B29.43.002.4/10	3
A80.45.096.2	A80.45.964.4_0	1	A11.40.075.0	B29.40.907.4_1	12	LE1204.43.102	B29.43.002.4/10	4
A80.45.097.2	A80.45.964.4_0	2	B29.40.033.0	B29.40.907.4_1	13	LE1204.43.011	B29.43.002.4/10	5
A80.45.098.0	A80.45.964.4_0	3	GBT3452.1-17.3X2.2-G	B29.40.907.4_1	14	0.026.4203.0	B29.43.002.4/10	6
A80.45.099.0	A80.45.964.4_0	4	B29.40.022.0	B29.40.907.4_1	15	SH900.43.173	B29.43.002.4/10	7
A80.45.100.0	A80.45.964.4_0	5	GBT3452.1-10X1.5-G	B29.40.907.4_1	16	SH900.43.189	B29.43.002.4/10	8
A80.45.101.0	A80.45.964.4_0	6	B29.40.028.3	B29.40.907.4_1	17	JBT982-10	B29.43.002.4/10	9
A23.45.103.0	A80.45.964.4_0	7	GBT3745-08-L12	B29.40.907.4_1	18	B29.43.001.4/10	B29.43.901.4_2	1
2.0350.455.2	A80.45.964.4_0	8	B29.40.026.3	B29.40.907.4_1	19	B29.43.002.4/10	B29.43.901.4_2	2

零件编号	结构代码	零件顺序	零件编号	结构代码	零件顺序	零件编号	结构代码	零件顺序
B29.43.002.4/10	B29.43.901.4_2	2	SH900.51.136	B61.51.901.4_5	1	SH400.20.111	B80.20.902.4_1	3
2.3199.039.0	B29.43.901.4_2	3	SH900.51.132	B61.51.901.4_5	2	GBT818-M6X12-A2L	B80.20.902.4_1	4
0.170.5455.0	B29.43.901.4_2	4	SH900.51.135	B61.51.901.4_5	3	GBT93-6-A3L	B80.20.902.4_1	5
B29.45.023.3/20	B29.45.905.4_2	1	SH900.51B.103	B61.51.901.4_5	4	CD904.20.019/20	B80.20.902.4_2	1
CD904.45.105	B29.45.905.4_2	2	SH900.51B.110	B61.51.901.4_5	5	GBT68-M8X30-A2L	B80.20.902.4_2	2
CD904.45.106	B29.45.905.4_2	3	SH900.51B.122	B61.51.901.4_5	6	SH400.20.111	B80.20.902.4_2	3
GBT93-8-A3L	B29.45.905.4_2	4	B61.51.009.0/10	B61.51.901.4_5	8	2.0332.404.2	B80.20.902.4_2	4
GBT97.1-8-A3L	B29.45.905.4_2	5	SH900.51B.117	B61.51.901.4_5	9	2.1473.006.2	B80.20.902.4_2	5
GBT5783-M8X25-A2L	B29.45.905.4_2	6	SH900.51B.116	B61.51.901.4_5	10	B80.44.001.4	B80.44.900.4_0	1
GBT6170-M8-A2L	B29.45.905.4_2	7	SH900.51.118	B61.51.901.4_5	11	2.0114.207.2	B80.44.900.4_0	2
B29.45.035.0	B29.45.965.4_0	1	SH900.51B.119	B61.51.901.4_5	12	2.1473.007.2	B80.44.900.4_0	3
GBT5783-M6X20-A2L	B29.45.965.4_0	2	SH900.51B.125	B61.51.901.4_5	13	2.1310.004.2	B80.44.900.4_0	4
GBT96.1-6-A3L	B29.45.965.4_0	3	SH900.51.153	B61.51.901.4_5	14	CD904.45A.011/50	B80.45.010.4/30	1
GBT93-6-A3L	B29.45.965.4_0	4	SH900.51.154	B61.51.901.4_5	15	2.1011.105.2	B80.45.010.4/30	2
GBT6170-M6-A2L	B29.45.965.4_0	5	SH900.51.152	B61.51.901.4_5	16	CD904A.45A.023	B80.45.010.4/30	3
SH900.51.136	B61.51.901.4_4	1	SH900.51B.112	B61.51.901.4_5	17	CD904A.45A.103	B80.45.010.4/30	4
SH900.51.132	B61.51.901.4_4	2	SH900.51.122	B61.51.901.4_5	18	CD904A.45A.024	B80.45.010.4/30	5
SH900.51.135	B61.51.901.4_4	3	A11.51.004.0	B61.51.901.4_5	19	CD904A.45A.025	B80.45.010.4/30	6
SH900.51B.103	B61.51.901.4_4	4	B61.51.010.0	B61.51.901.4_5	20	2.0114.007.2	B80.45.010.4/30	7
SH900.51B.110	B61.51.901.4_4	5	SH900.51.125	B61.51.901.4_5	23	2.1310.002.2	B80.45.010.4/30	8
SH900.51B.122	B61.51.901.4_4	6	SH900.51B.102	B61.51.901.4_5	24	GBT93-6-A3L	B80.45.010.4/30	9
B61.51.009.0/10	B61.51.901.4_4	8	SH900.51.130	B61.51.901.4_5	25	SH900.45A.205	B80.45.010.4/30	10
SH900.51B.117	B61.51.901.4_4	9	SH900.51B.120	B61.51.901.4_5	26	2.0114.207.2	B80.45.010.4/30	11
SH900.51B.116	B61.51.901.4_4	10	SH900.51B.123	B61.51.901.4_5	27	2.1310.004.2	B80.45.010.4/30	12
SH900.51.118	B61.51.901.4_4	11	SH900.51.138	B61.51.901.4_5	29	GBT93-8-A3L	B80.45.010.4/30	13
SH900.51B.119	B61.51.901.4_4	12	2.9939.835.0/10	B61.51.901.4_5	30	A23.45.224.3/20	B80.45.010.4/30	14
SH900.51B.125	B61.51.901.4_4	13	B61.51.012.0	B61.51.903.4_1	1	CD904A.45A.027	B80.45.010.4/30	15
SH900.51.153	B61.51.901.4_4	14	SH904.51.114	B61.51.905.4_0	1	CD904A.45A.028	B80.45.010.4/30	16
SH900.51.154	B61.51.901.4_4	15	SH900.51B.129	B61.51.906.4_0	1	CD904A.45A.029	B80.45.010.4/30	17
SH900.51.152	B61.51.901.4_4	16	SH900.51B.111	B61.51.909.4_0	1	CD904A.45A.107	B80.45.010.4/30	18
SH900.51B.112	B61.51.901.4_4	17	B61.51.001.0	B61.51.911.4_1	1	2.1011.103.2	B80.45.010.4/30	19
SH900.51.122	B61.51.901.4_4	18	B61.51.005.3	B61.51.911.4_1	2	A23.45.232.0	B80.45.010.4/30	23
A11.51.004.0	B61.51.901.4_4	19	B61.51.006.0	B61.51.911.4_1	3	A23.45.231.0	B80.45.010.4/30	24
B61.51.010.0	B61.51.901.4_4	20	GB/T 12618	B61.51.911.4_1	4	2.6569.069.0/10	B80.45.010.4/30	25
SH900.51.125	B61.51.901.4_4	23	A62.51.002.0/20	B61.51.911.4_2	1	SH900.45.037	B80.45.904.4_1	1
SH900.51B.102	B61.51.901.4_4	24	B61.51.005.3	B61.51.911.4_2	2	GBT5783-M6X20-A2L	B80.45.904.4_1	2
SH900.51.130	B61.51.901.4_4	25	B61.51.006.0	B61.51.911.4_2	3	GBT96.1-6-A3L	B80.45.904.4_1	3
SH900.51B.120	B61.51.901.4_4	26	GBT12618.1-3X15	B61.51.911.4_2	4	CD904A.45A.120	B80.45.904.4_1	4
SH900.51B.123	B61.51.901.4_4	27	CD904.20.019/20	B80.20.902.4_1	1	ZBT31004-ST4.8x20A-A3L	B80.45.904.4_1	5
SH900.51.138	B61.51.901.4_4	29	GBT68-M8X30-A2L	B80.20.902.4_1	2	GBT845-ST4.8X16	B80.45.904.4_1	6

零件编号	结构代码	零件顺序	零件编号	结构代码	零件顺序	零件编号	结构代码	零件顺序
GBT845-ST4.8X16	B80.45.904.4_1	6	CD904A.45A.106	B80.45.917.4_0	2	2.1473.006.2	B80.48.901.4_0	11
SH900.40.151	B80.45.904.4_1	7	A80.45.092.0	B80.45.930.4_0	1	GBT93-6-A3L	B80.48.901.4_0	11
SH900.45A.032	B80.45.908.4_3	1	B80.45.093.0	B80.45.930.4_0	2	2.1310.002.2	B80.48.901.4_0	12
CD904A.45A.030	B80.45.908.4_3	2	A80.45.088.0	B80.45.930.4_0	3	GBT97.1-6-A3L	B80.48.901.4_0	12
CD904A.45A.032	B80.45.908.4_3	3	CD1204.45.101/20	B80.45.932.4	1	GBT6170-M6-A2L	B80.48.901.4_0	13
SH300.47.246	B80.45.908.4_3	4	CD904A.45A.121	B80.45.932.4	2	2.1011.103.2	B80.48.901.4_0	13
2.1310.004.2	B80.45.908.4_3	5	CD904A.45A.102	B80.45.932.4	3	CD1204.48.034/10	B80.48.901.4_0	14
GBT93-8-A3L	B80.45.908.4_3	6	2.1473.006.2	B80.45.932.4	4	CD1204.48.034	B80.48.901.4_0	14
2.0114.207.2	B80.45.908.4_3	7	2.0114.005.2	B80.45.932.4	5	SH400.48.047	B80.48.901.4_0	15
CD904A.45A.122	B80.45.908.4_3	8	CD1204.45.101/10	B80.45.932.4_1	1	CD1204.48.020/10	B80.48.901.4_0	16
2.1310.010.2	B80.45.908.4_3	9	CD904A.45A.121	B80.45.932.4_1	2	CD1204.48.020	B80.48.901.4_0	16
GBT889.1-M16-A3L	B80.45.908.4_3	10	CD904A.45A.102	B80.45.932.4_1	3	SH400.48.112	B80.48.901.4_0	17
2.0114.005.2	B80.45.908.4_3	11	GBT93-6-A3L	B80.45.932.4_1	4	CD1204.48.029	B80.48.901.4_0	18
GBT93-6-A3L	B80.45.908.4_3	12	GBT5783-M6X16-A2L	B80.45.932.4_1	5	2.6852.203.0	B80.48.901.4_0	19
CD904A.45A.102	B80.45.908.4_3	13	0.027.5597.4/10	B80.45.936.4_0	1	2.0114.007.2	B80.48.901.4_0	20
CD904A.45A.121	B80.45.908.4_3	14	B80.45.070.0	B80.45.936.4_0	2	2.1312.003.2	B80.48.901.4_0	21
B80.45.010.4/30	B80.45.908.4_3	15	A24.45.111.0	B80.45.936.4_0	3	LD800.48.031	B80.48.901.4_2	1
SH900.45A.188	B80.45.908.4_3	16	2.1310.001.3	B80.45.936.4_0	4	2.0332.406.2	B80.48.901.4_2	3
2.1310.002.2	B80.45.908.4_3	17	2.0332.303.3	B80.45.936.4_0	5	CD304.48.039	B80.48.901.4_2	4
2.0114.007.2	B80.45.908.4_3	18	2.1312.002.3	B80.45.936.4_0	6	2.0114.009.2	B80.48.901.4_2	10
2.3199.114.0	B80.45.908.4_3	19	2.0332.305.3	B80.45.936.4_0	7	2.1473.006.2	B80.48.901.4_2	11
SH900.45A.032	B80.45.908.4_5	1	B80.45.065.0	B80.45.936.4_0	8	2.1310.002.2	B80.48.901.4_2	12
CD904A.45A.030	B80.45.908.4_5	2	0.9231.559.0	B80.45.936.4_0	9	2.1011.103.2	B80.48.901.4_2	13
CD904A.45A.032	B80.45.908.4_5	3	3.1900.010.0	B80.45.936.4_0	10	CD1204.48.034/10	B80.48.901.4_2	14
SH300.47.246	B80.45.908.4_5	4	A23.45.049.0/10	B80.45.940.4_0	1	SH400.48.047	B80.48.901.4_2	15
2.1310.004.2	B80.45.908.4_5	5	2.0332.408.3	B80.45.940.4_0	2	CD1204.48.020/10	B80.48.901.4_2	16
2.1473.007.2	B80.45.908.4_5	6	0.020.3772.0	B80.45.940.4_0	3	SH400.48.112	B80.48.901.4_2	17
2.0114.207.2	B80.45.908.4_5	7	LD800.48.031	B80.48.901.4_0	1	CD1204.48.029	B80.48.901.4_2	18
CD904A.45A.122	B80.45.908.4_5	8	B80.48.033	B80.48.901.4_0	2	2.6852.203.0	B80.48.901.4_2	19
2.1310.010.2	B80.45.908.4_5	9	GB818-M6X16-A3L	B80.48.901.4_0	3	2.0114.007.2	B80.48.901.4_2	20
2.1122.009.2	B80.45.908.4_5	10	2.0332.406.2	B80.48.901.4_0	3	2.1312.003.2	B80.48.901.4_2	21
2.0114.005.2	B80.45.908.4_5	11	SH400.48.039	B80.48.901.4_0	4	CD1204.48.027/30	B80.48.904.4_1	1
2.1473.006.2	B80.45.908.4_5	12	CD304.48.039	B80.48.901.4_0	4	SH900.48.058	B80.48.904.4_1	2
CD904A.45A.102	B80.45.908.4_5	13	SH900.48.048	B80.48.901.4_0	5	SH900.48.059	B80.48.904.4_1	3
CD904A.45A.121	B80.45.908.4_5	14	GBT68-M4X30-A3L	B80.48.901.4_0	6	CD1204.48.044	B80.48.904.4_1	4
B80.45.010.4/50	B80.45.908.4_5	15	GBT93-4-A3L	B80.48.901.4_0	7	CD1204.48.045	B80.48.904.4_1	5
SH900.45A.188	B80.45.908.4_5	16	GBT96-4-A3L	B80.48.901.4_0	8	A39.48.038.0	B80.48.904.4_1	6
2.1310.002.2	B80.45.908.4_5	17	GBT6170-M4-A2L	B80.48.901.4_0	9	CD1204.48.027/40	B80.48.904.4_2	1
2.0114.007.2	B80.45.908.4_5	18	GBT5783-M6X25-A2L	B80.48.901.4_0	10	SH900.48.058	B80.48.904.4_2	2
2.3199.114.0	B80.45.908.4_5	19	2.0114.009.2	B80.48.901.4_0	10	SH900.48.059	B80.48.904.4_2	3

零件编号	结构代码	零件顺序	零件编号	结构代码	零件顺序	零件编号	结构代码	零件顺序
SH900.48.059	B80.48.904.4_2	3	GBT93-8-A3L	B84.45.005.4	6	B36.45.038.0/10	B84.45.900.4_5	4
CD1204.48.044	B80.48.904.4_2	4	GBT6170-M8-A2L	B84.45.005.4	7	2.0112.425.2	B84.45.900.4_5	5
CD1204.48.045	B80.48.904.4_2	5	GBT5783-M10X50-A3L	B84.45.005.4	8	2.1310.007.2	B84.45.900.4_5	6
A39.48.038.0	B80.48.904.4_2	6	GBT97.1-10-A3L	B84.45.005.4	9	2.0112.413.2	B84.45.900.4_5	7
CD1204.48.030	B80.48.909.4_0	1	GBT93-10-A3L	B84.45.005.4	10	2.1011.107.2	B84.45.900.4_5	8
SH400.48.118	B80.48.909.4_0	2	GBT6170-M10-A3L	B84.45.005.4	11	0.034.4543.0/10	B84.45.900.4_5	9
B80.48.033	B80.48.911.4_0	1	B84.45.001.3/10	B84.45.900.4_1	1	2.1855.010.0	B84.45.900.4_5	10
CD1204.48.027/30	B80.48.914.4_1	1	B84.45.005.4	B84.45.900.4_1	2	2.6569.069.0/10	B84.45.900.4_5	11
SH900.48.058	B80.48.914.4_1	2	0.026.5183.0	B84.45.900.4_1	3	CD904A.45A.103	B84.45.900.4_5	12
SH900.48.059	B80.48.914.4_1	3	B36.45.038.0/10	B84.45.900.4_1	4	A23.45.231.0	B84.45.900.4_5	13
A23.48.014.0	B80.48.914.4_1	4	2.0112.425.2	B84.45.900.4_1	5	A23.45.232.0	B84.45.900.4_5	14
A23.48.015.0	B80.48.914.4_1	5	2.1310.007.2	B84.45.900.4_1	6	2.0114.207.2	B84.45.900.4_5	15
SH900.48.057	B80.48.914.4_1	6	2.0112.413.2	B84.45.900.4_1	7	2.1473.007.2	B84.45.900.4_5	16
2.8039.359.0	B80.48.917.4_1	1	2.1011.107.2	B84.45.900.4_1	8	2.1310.004.2	B84.45.900.4_5	17
CD1204.48.041/20	B80.48.919.4_0	1	0.034.4543.0/10	B84.45.900.4_1	9	B84.45.001.3/50	B84.45.900.4_6	1
CD1204.48.032/20	B80.48.919.4_0	2	2.1855.010.0	B84.45.900.4_1	10	B84.45.005.4/30	B84.45.900.4_6	2
SH400.48.118	B80.48.919.4_0	4	2.6569.069.0/10	B84.45.900.4_1	11	0.026.5183.0	B84.45.900.4_6	3
CD1204.48.030	B80.48.919.4_0	4	CD904A.45A.103	B84.45.900.4_1	12	B36.45.038.0/10	B84.45.900.4_6	4
B29.48.012.0/30	B80.48.921.4_0	1	A23.45.231.0	B84.45.900.4_1	13	2.0112.425.2	B84.45.900.4_6	5
A78.48.006.4	B80.48.921.4_0	2	A23.45.232.0	B84.45.900.4_1	14	2.1310.007.2	B84.45.900.4_6	6
D62.48.004.0	B80.48.931.4_0	1	B84.45.001.3/30	B84.45.900.4_3	1	2.0112.413.2	B84.45.900.4_6	7
A78.48.006.4	B80.48.931.4_0	2	B84.45.005.4/10	B84.45.900.4_3	2	2.1011.107.2	B84.45.900.4_6	8
B80.51.101.0	B80.51.904.4_0	1	0.026.5183.0	B84.45.900.4_3	3	0.034.4543.0/10	B84.45.900.4_6	9
SH900.51B.109	B80.51.918.4_0	1	B36.45.038.0/10	B84.45.900.4_3	4	2.1855.010.0	B84.45.900.4_6	10
SH904.58.015	B80.58.908.4_0	1	2.0112.425.2	B84.45.900.4_3	5	2.6569.069.0/10	B84.45.900.4_6	11
0.98309.51.3/10	B80.58.918.4_0	1	2.1310.007.2	B84.45.900.4_3	6	CD904A.45A.103	B84.45.900.4_6	12
A73.58.003.0	B80.58.928.4_0	1	2.0112.413.2	B84.45.900.4_3	7	A23.45.231.0	B84.45.900.4_6	13
B80.80.004.3	B80.80.907.4_1	1	2.1011.107.2	B84.45.900.4_3	8	A23.45.232.0	B84.45.900.4_6	14
GBT6173-M18X1.5-A3L	B80.80.907.4_1	2	0.034.4543.0/10	B84.45.900.4_3	9	2.0114.207.2	B84.45.900.4_6	15
B80.80.003.0/10	B80.80.907.4_1	3	2.1855.010.0	B84.45.900.4_3	10	2.1473.007.2	B84.45.900.4_6	16
2.1560.018.0	B80.80.907.4_1	4	2.6569.069.0/10	B84.45.900.4_3	11	2.1310.004.2	B84.45.900.4_6	17
B80.80.002.0	B80.80.907.4_1	5	CD904A.45A.103	B84.45.900.4_3	12	B95.11.001.0	B89.11.912.4_0	1
B80.80.005.0	B80.80.907.4_1	6	A23.45.231.0	B84.45.900.4_3	13	JBT8870-D130	B89.11.912.4_0	2
B80.80.006.0	B80.80.907.4_1	7	A23.45.232.0	B84.45.900.4_3	14	B89.11.001.0	B89.11.912.4_0	3
GBT93-8-A3L	B80.80.907.4_1	8	2.0114.207.2	B84.45.900.4_3	15	2.0114.207.2	B89.11.912.4_0	4
GBT5783-M8X25-A2L	B80.80.907.4_1	9	2.1473.007.2	B84.45.900.4_3	16	GBT93-8-A3L	B89.11.912.4_0	5
B84.45.006.3	B84.45.005.4	1	2.1310.004.2	B84.45.900.4_3	17	2.1310.004.2	B89.11.912.4_0	6
A23.45.183.3/10	B84.45.005.4	2	B84.45.001.3/40	B84.45.900.4_5	1	B89.11.002.0	B89.11.912.4_0	7
B84.45.010.3	B84.45.005.4	3	B84.45.005.4/20	B84.45.900.4_5	2	2.1011.105.2	B89.11.912.4_0	8
GBT5783-M8X20-A2L	B84.45.005.4	4	0.026.5183.0	B84.45.900.4_5	3	2.1312.004.2	B89.11.912.4_0	9

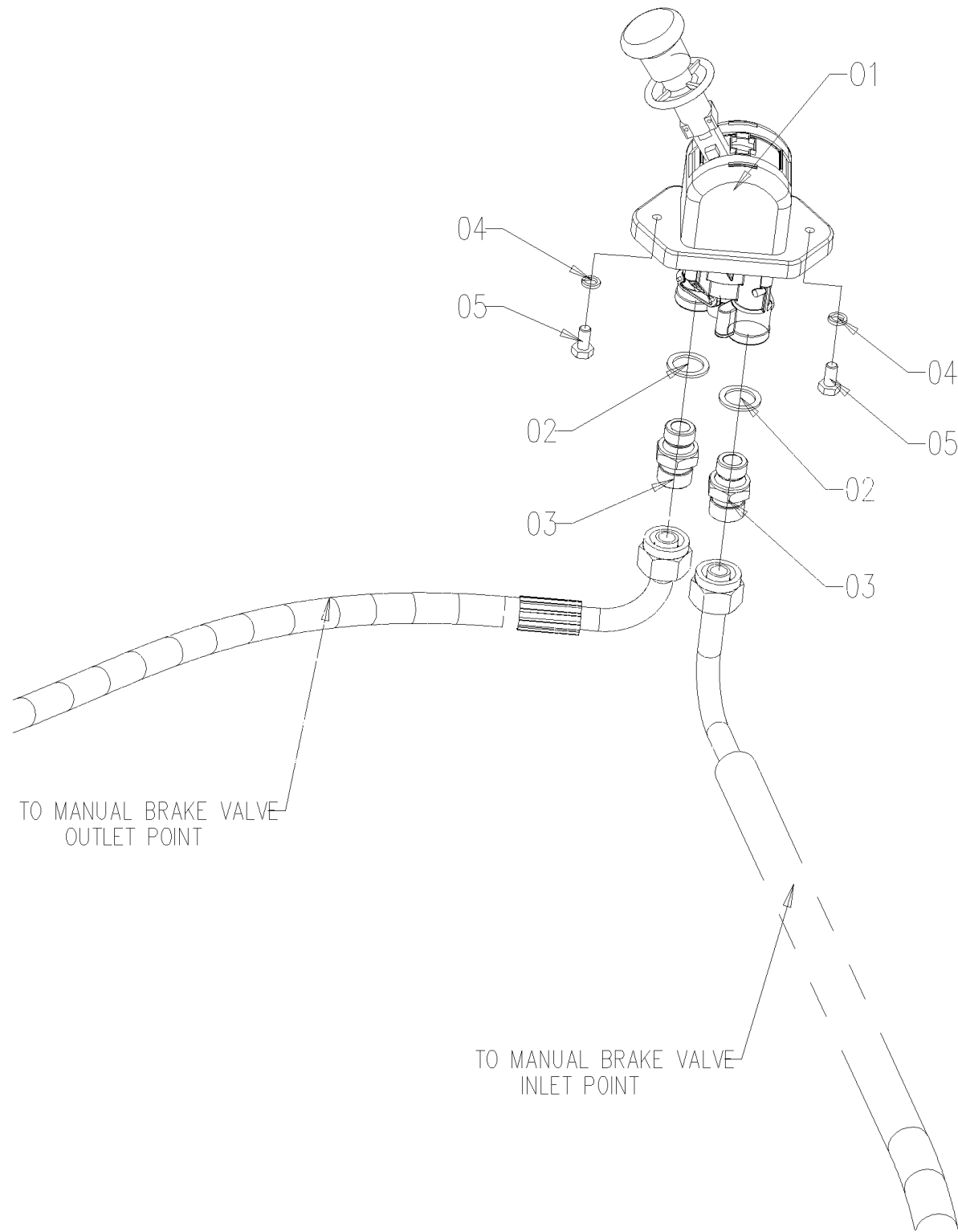


零件编号	结构代码	零件顺序	零件编号	结构代码	零件顺序	零件编号	结构代码	零件顺序
2.1312.004.2	B89.11.912.4_0	9	GBT5783-M12X25-A3L	B89.45.902.4_0	4	GBT6170-M5-A2L	B89.48.903.4_1	9
B89.11.003.3	B89.11.912.4_0	10	LD700.43.134	B89.45.912.4_0	1	GBT5783-M10X20-A3L	B89.48.903.4_1	10
A23.11.008.2/20	B89.11.912.4_0	11	GBT882-B10X30-A3L	B89.45.912.4_0	2	GBT97.1-10-A3L	B89.48.903.4_1	11
A23.11.005.0/10	B89.11.922.4_0	1	GBT91-2.5X16-A3L	B89.45.912.4_0	3	GBT93-10-A3L	B89.48.903.4_1	12
JBT8870-D130	B89.11.922.4_0	2	B89.45.002.0	B89.45.912.4_0	4	A56.48.010.0	B89.48.903.4_1	15
CD1204.11.103/10	B89.11.922.4_0	3	GBT818-M6X16-A3L	B89.48.901.4_0	1	A56.48.011.0	B89.48.903.4_1	16
2.0114.209.2	B89.11.922.4_0	4	GBT97.1-6-A3L	B89.48.901.4_0	2	B89.48.002.0	B89.48.903.4_1	17
2.1310.004.2	B89.11.922.4_0	5	GBT93-6-A3L	B89.48.901.4_0	3	GBT5783-M8X20-A2L	B89.48.906.4_1	1
GBT93-8-A3L	B89.11.922.4_0	6	B80.48.033	B89.48.901.4_0	4	GBT93-8-A3L	B89.48.906.4_1	2
2.1011.105.2	B89.11.922.4_0	7	LD800.48.031	B89.48.901.4_0	5	GBT97.1-8-A3L	B89.48.906.4_1	3
A23.11.006.2/20	B89.11.922.4_0	8	SH400.48.039	B89.48.901.4_0	6	CD1204.48.039	B89.48.906.4_1	4
A23.11.008.2/20	B89.11.922.4_0	9	SH900.48.048	B89.48.901.4_0	7	CD1204.48.111	B89.48.906.4_1	5
A23.11.007.2/20	B89.11.922.4_0	10	GBT818-M4X30-A2L	B89.48.901.4_0	8	CD1204.48.106-1	B89.48.906.4_1	6
GBT5783-M6X20-A2L	B89.20.901.4_0	1	GBT93-4-A3L	B89.48.901.4_0	9	GBT6170-M8-A2L	B89.48.906.4_1	7
GBT93-6-A3L	B89.20.901.4_0	2	GBT97.1-4-A3L	B89.48.901.4_0	10	LE1204.48.030	B89.48.906.4_1	8
SH400.20.117	B89.20.901.4_0	3	GBT6170-M4-A2L	B89.48.901.4_0	11	LE1204.48.029	B89.48.906.4_1	9
SH400.20.116	B89.20.901.4_0	4	GBT5783-M6X25-A2L	B89.48.901.4_0	12	B61.51.003.0	B89.51.900.4_0	1
SH400.20.101	B89.20.901.4_0	5	GBT6170-M6-A2L	B89.48.901.4_0	13	B61.51.002.0	B89.51.900.4_0	2
GBT879.1-5X20	B89.20.901.4_0	6	CD1204.48.034	B89.48.901.4_0	14	B61.51.004.0	B89.51.900.4_0	3
GBT5783-M8X20-A3L	B89.20.901.4_0	7	CD1204.48.020	B89.48.901.4_0	15	B89.51.001.0	B89.51.900.4_0	4
GBT93-8-A3L	B89.20.901.4_0	8	SH400.48.047	B89.48.901.4_0	16	B89.56.001.3	B89.56.902.4_0	1
SH400.20.102	B89.20.901.4_0	9	SH400.48.112	B89.48.901.4_0	17	SH900.56.104	B89.56.902.4_0	2
SH900.20.013	B89.20.901.4_0	10	CD1204.48.029	B89.48.901.4_0	18	SH900.56.105	B89.56.902.4_0	3
GBT6170-M8-A2L	B89.20.901.4_0	11	2.6852.203.0	B89.48.901.4_0	19	LE1204.56.014	B89.56.902.4_0	4
GBT5783-M8X45-A3L	B89.20.901.4_0	12	CD1204.48.037	B89.48.902.4_0	1	LE1204.56.101/10	B89.56.902.4_0	5
SH400.20.115	B89.20.901.4_0	13	CD1204.48.022	B89.48.902.4_0	2	2.1120.213.2	B89.56.902.4_0	6
SH900.20.011	B89.20.901.4_0	14	CD1204.48.036	B89.48.902.4_0	3	SH900.56.150	B89.56.902.4_0	7
GBT91-2x12-A3L	B89.20.901.4_0	15	2.6852.203.0	B89.48.902.4_0	4	B89.56.002.3	B89.56.902.4_0	8
SH900.20.157	B89.20.901.4_0	16	CD1204.48.035	B89.48.902.4_0	5	GBT93-16-A3L	B89.56.902.4_0	9
SH400.20.106	B89.20.901.4_0	17	GBT5783-M6X20-A2L	B89.48.902.4_0	6	GBT5783-M16X40-10.9-A3L	B89.56.902.4_0	10
SH400.20.104	B89.20.901.4_0	18	GBT93-6-A3L	B89.48.902.4_0	7	04432782/40	B89.74.900.4_0	1
LD700.20.012	B89.20.901.4_0	19	GBT97.1-6-A3L	B89.48.902.4_0	8	GBT5782-M16X130-10.9-A3L	B89.74.900.4_0	2
GBT882-B5X22-A3L	B89.20.901.4_0	20	CD1204.48.023	B89.48.903.4_1	1	GBT93-16-A3L	B89.74.900.4_0	3
GBT97.1-6-A3L	B89.20.901.4_0	21	CD1204.48.028	B89.48.903.4_1	2	0.014.9894.4	B89.74.900.4_0	4
LE1204.20.012	B89.20.903.4_0	1	GBT818-M4X10-A2L	B89.48.903.4_1	3	1167310	B89.74.900.4_0	5
GBT2979-14.9-26-8PR-R1	B89.32.900.4_1	1	GBT93-4-A3L	B89.48.903.4_1	4	GBT879.1-8X60	B89.74.900.4_0	6
GBT2979-14.9-26-R1	B89.32.900.4_1	2	SH900.48.049	B89.48.903.4_1	5	2.2680.047.0	B89.74.900.4_0	7
LE1204.32.011	B89.32.900.4_1	3	GBT818-M5X35-A2L	B89.48.903.4_1	6	04413831/40	B89.74.901.4_0	1
CD1204.45.023/10	B89.45.902.4_0	1	GBT93-5-A3L	B89.48.903.4_1	7	GBT6170-M16-A3L	B89.74.901.4_0	2
GBT97.1-12-A3L	B89.45.902.4_0	2	GBT97.1-5-A3L	B89.48.903.4_1	8	GBT93-16-A3L	B89.74.901.4_0	3

零件编号	结构代码	零件顺序	零件编号	结构代码	零件顺序	零件编号	结构代码	零件顺序
GBT93-16-A3L	B89.74.901.4_0	3	B39.47.015.0	C19.47.001.4	32	GBT68-M5X20-A2L	CD904.20.019_20_0	2
LE1204.74.102	B89.74.901.4_0	4	B39.47.016.0	C19.47.001.4	33	CD904.20.016/20	CD904.20.019_20_0	3
LE1204.74.101	B89.74.901.4_0	5	B39.47.017.0	C19.47.001.4	34	GBT819.1-M4X8-A2L	CD904.20.019_20_0	4
LE1204.74.103	B89.74.901.4_0	6	B39.47.018.0	C19.47.001.4	35	SH900.20.015	CD904.20.019_20_0	5
2.0113.613.2	B89.91.900.4_0	1	B39.47.019.0	C19.47.001.4	36	GBT68-M5X8-A3L	CD904.20.019_20_0	6
2.1475.206.2	B89.91.900.4_0	2	B39.47.036.0	C19.47.001.4	37	SH900.20.150	CD904.20.019_20_0	7
0.023.9176.0	B89.91.900.4_0	3	C28.10.001.4	C28.10.900.4_0	1	GBT6172.1-M8-A2L	CD904.20.019_20_0	8
2.1012.109.2	B89.91.900.4_0	4	C19.47.001.4	C28.47.900.4_2	1	GBT95-8-A3L	CD904.20.019_20_0	9
0.023.9179.0	B89.91.900.4_0	5	CD1204.47.020	C28.47.900.4_2	2	SH900.20.151	CD904.20.019_20_0	10
0.023.9126.0/10	B89.91.900.4_0	6	A78.47.004.2	C28.47.900.4_2	3	SH900.20.152	CD904.20.019_20_0	11
CD1204.47.012/20	C19.47.001.4	1	CD1204.47.019	C28.47.900.4_2	4	SH900.20.153	CD904.20.019_20_0	12
2.0114.007.2	C19.47.001.4	2	C45.47.044.4	C28.47.900.4_2	5	SH900.20.012	CD904.20.019_20_0	13
2.1473.006.2	C19.47.001.4	3	CD1204.47.024/10	C28.47.900.4_2	6	SH900.20.156	CD904.20.019_20_0	14
2.1310.002.3	C19.47.001.4	4	CD1204.47.118/10	C28.47.900.4_2	7	SH900.20.154	CD904.20.019_20_0	15
2.1011.103.2	C19.47.001.4	5	CD1204.47.216/10	C28.47.900.4_2	8	GBT6170-M10-A3L	CD904.20.019_20_0	16
CD1204.47.015/10	C19.47.001.4	6	CD1204.47.217	C28.47.900.4_2	9	GBT93-10-A3L	CD904.20.019_20_0	17
GBT823-M5X20-A2L	C19.47.001.4	7	CD1204.47.219	C28.47.900.4_2	10	CD904A.46.011/20	CD904A.46.001_3	1
2.1312.002.2	C19.47.001.4	8	CD1204.47.271	C28.47.900.4_2	11	CD904A.46.012/20	CD904A.46.001_3	2
CD1204.47A.011/20	C19.47.001.4	9	CD1204.47A.218	C28.47.900.4_2	12	GBT5783-M10X35-A3L	CD904A.46.001_3	3
CD1204.47.102	C19.47.001.4	10	CD904A.47.107/10	C28.47.900.4_2	13	GBT97.1-10-A3L	CD904A.46.001_3	4
2.0114.207.2	C19.47.001.4	11	2.0114.307.2	C28.47.900.4_2	14	GBT93-10-A3L	CD904A.46.001_3	5
2.1473.007.2	C19.47.001.4	12	2.0114.309.2	C28.47.900.4_2	15	GBT6170-M10-A3L	CD904A.46.001_3	6
2.1310.004.2	C19.47.001.4	13	2.0114.311.2	C28.47.900.4_2	16	CD904A.46.014	CD904A.46.001_3	7
2.1312.003.2	C19.47.001.4	14	2.0114.009.2	C28.47.900.4_2	17	GBT5782-M16X110-A3L	CD904A.46.001_3	8
CD1204.47.116	C19.47.001.4	15	2.1011.103.2	C28.47.900.4_2	18	GBT97.1-16-A3L	CD904A.46.001_3	9
CD1204.47.117	C19.47.001.4	16	2.1690.107.2	C28.47.900.4_2	19	GBT93-16-A3L	CD904A.46.001_3	10
CD1204.47.104	C19.47.001.4	17	2.1473.008.2	C28.47.900.4_2	20	GBT6170-M16-A3L	CD904A.46.001_3	11
CD1204.47.105	C19.47.001.4	18	2.1473.006.2	C28.47.900.4_2	21	CD904A.46.013/20	CD904A.46.001_3	12
CD1204.47.106	C19.47.001.4	19	2.1312.005.2	C28.47.900.4_2	22	GBT5782-M16X55-A3L	CD904A.46.001_3	13
CD1204.47.107	C19.47.001.4	20	2.1310.002.2	C28.47.900.4_2	23	GBT12618.1-3X10	CD904A.46.001_3	14
CD1204.47.013	C19.47.001.4	21	SH554A.47.018/10	C28.47.900.4_2	24	0.034.4543.0/10	CD904A.46.001_3	15
CD1204.47.108	C19.47.001.4	22	SH554A.47.125-1	C28.47.900.4_2	25	CD904A.46.015/10	CD904A.46.002_1	1
CD1204.47.109	C19.47.001.4	23	C35.37.008.0	C35.37.001.4	1	CD904A.46.110	CD904A.46.002_1	2
CD1204.47.110	C19.47.001.4	24	C35.37.011.0	C35.37.001.4	2	CD904A.46.111	CD904A.46.002_1	3
CD1204.47.111	C19.47.001.4	25	C35.37.012.0	C35.37.001.4	3	CD904A.46.112	CD904A.46.002_1	4
CD1204.47.112	C19.47.001.4	26	C35.37.004.0	C35.37.001.4	4	GBT5783-M8X40-A2L	CD904A.46.002_1	5
CD1204.47.113	C19.47.001.4	27	C35.37.009.0	C35.37.001.4	5	GBT96.1-8-A3L	CD904A.46.002_1	6
CD1204.47.114	C19.47.001.4	28	C35.37.010.0	C35.37.001.4	6	CD904A.46.016/20	CD904A.46.002_1	7
CD1204.47.115	C19.47.001.4	29	C63.11.003.4	C63.11.910.4_0	1	GBT5782-M12X165-A3L	CD904A.46.002_1	8
B39.47.013.0	C19.47.001.4	30	SH900.20.155	CD904.20.019_20_0	1	GBT97.1-12-A3L	CD904A.46.002_1	9

零件编号	结构代码	零件顺序	零件编号	结构代码	零件顺序	零件编号	结构代码	零件顺序
GBT97.1-12-A3L	CD904A.46.002_1	9	GBT5783-M12X50-A3L	LE1204.22.001_7	7	GBT6170-M20-A3L	LE1204.35.010/10	6
GBT93-12-A3L	CD904A.46.002_1	10	GBT97.1-12-A3L	LE1204.22.001_7	8	SH900.35.102	LE1204.35.010/10	7
GBT6170-M12-A3L	CD904A.46.002_1	11	GBT93-12-A3L	LE1204.22.001_7	9	SH900.35.105	LE1204.35.010/10	8
GBT5782-M8X100-A2L	CD904A.46.002_1	12	GBT6170-M12-A3L	LE1204.22.001_7	10	LE1204.35.011	LE1204.35.010/10	9
GBT97.1-8-A3L	CD904A.46.002_1	13	LE1204.22.014/40	LE1204.22.001_7	11	LE1204.35.012	LE1204.35.010/10	10
GBT93-8-A3L	CD904A.46.002_1	14	GBT5783-M10X45-A3L	LE1204.22.001_7	12	LE1204.35.104	LE1204.35.010/10	11
GBT6170-M8-A2L	CD904A.46.002_1	15	LE1204.22.012/10	LE1204.22.001_7	13	LE1204.38.013	LE1204.38.012	1
GBT5783-M8X25-A2L	CD904A.46.002_1	16	0.022.8648.0	LE1204.22.001_7	14	LE1204.38.014	LE1204.38.012	2
DF304.46.015	CD904A.46.002_1	17	GBT5783-M14X40-10.9-A3L	LE1204.22.001_7	15	LE1204.42.114	LE1204.42.013	1
DF304.46.101/10	CD904A.46.002_1	18	GBT93-14-A3L	LE1204.22.001_7	16	LE1204.42.115	LE1204.42.013	2
D62.48.001.0	D62.48.924.4_0	1	GBT5783-M16X45-10.9-A3L	LE1204.22.001_7	17	GBT5783-M10X30-A3L	LE1204.42.013	3
0.022.3810.4/10	D62.48.924.4_0	10	GBT93-16-A3L	LE1204.22.001_7	18	GBT93-10-A3L	LE1204.42.013	4
D62.48.002.0	D62.48.934.4_0	1	GBT5783-M6X12-A2L	LE1204.22.001_7	19	GBT13871.1-B-030052-F	LE1204.42.013	5
D62.48.005.4	D62.48.934.4_0	2	0.023.0614.0	LE1204.22.001_7	21	GBT276-6006	LE1204.42.013	6
2.6569.069.0/10	D62.48.934.4_0	3	CD1204.22.121	LE1204.22.001_7	22	SH904.42.128	LE1204.42.013	7
D62.49.001.4	D62.49.900.4_0	1	GBT96-6-A3L	LE1204.22.001_7	23	JBT7940.1-M10X1	LE1204.42.013	8
GBT3452.1-19.3X2.2-G	D62.58.905.4_0	1	LE1204.22.118/20	LE1204.22.001_7	24	GBT119.1-8h8X20	LE1204.42.013	9
A08.58.101.0	D62.58.905.4_0	2	LE1204.22.016/10	LE1204.22.001_7	25	GBT899-AM16X40-10.9-A3L	LE1204.53.001_1	1
A02.58.093.0	D62.58.905.4_0	3	240100140092	LE1204.31.011	1	GBT93-16-A3L	LE1204.53.001_1	2
E04.80.002.3	E04.80.904.4_0	1	240100013569	LE1204.31.011	1	GBT6170-M16-10-A3L	LE1204.53.001_1	3
2.0114.313.2	E04.80.905.4_1	1	240100220920	LE1204.31.011	1	LE1204.53.101/20	LE1204.53.001_1	4
2.0114.321.2	E04.80.905.4_1	2	240100140442	LE1204.31.011	2	SH900.53.102	LE1204.53.001_1	5
2.1312.005.2	E04.80.905.4_1	4	240100083223	LE1204.31.011	2	LE1204.53.102	LE1204.53.001_1	6
B09.80.001.0	E04.80.905.4_1	5	240100008623	LE1204.31.011	2	LE1204.53.103	LE1204.53.001_1	7
E04.80.001.2/10	E04.80.905.4_1	6	240100010392	LE1204.31.011	3	LE1204.53.104	LE1204.53.001_1	8
E04.80.007.0	E04.80.905.4_1	7	240100053813	LE1204.31.011	3	SH900.53.103	LE1204.53.001_1	9
2.1473.008.2	E04.80.905.4_1	8	240100099507	LE1204.31.011	4	LE1204.56.017	LE1204.56.014	1
SH400.45.010	E04.80.905.4_1	9	210801000425	LE1204.31.011	4	SH900.56.034	LE1204.56.014	2
E93.48.004.4	E93.48.904.4_0	1	240100010725	LE1204.31.011	6	LE1204.56.107	LE1204.56.014	3
0.049.1217.0	E93.48.904.4_0	2	240100226886	LE1204.31.011	6	LE1204.56.115	LE1204.56.014	4
2.6039.020.0	E93.48.904.4_0	3	LE1204.35.010/10	LE1204.35.001_1	1	SH900.56.109	LE1204.56.014	5
2.0332.207.2	E93.48.904.4_0	4	GBT5783-M20X50-A3L	LE1204.35.001_1	2	LE1204.56.017	LE1204.56.014	1
2.1310.028.2	E93.48.904.4_0	5	GBT93-20-A3L	LE1204.35.001_1	3	SH900.56.034	LE1204.56.014	2
B80.48.012.4	E93.48.904.4_0	6	GBT899-AM20X130-A3L	LE1204.35.001_1	4	LE1204.56.107	LE1204.56.014	3
0.041.5708.0	E93.48.904.4_0	7	GBT6170-M20-A3L	LE1204.35.001_1	5	LE1204.56.115	LE1204.56.014	4
LE1204.22.011/10	LE1204.22.001_7	1	SH900.35.101	LE1204.35.010/10	1	SH900.56.109	LE1204.56.014	5
GBT5783-M10X40-A3L	LE1204.22.001_7	2	LE1204.35.101	LE1204.35.010/10	2	0.014.4148.3/10	LE1204.56.025	1
GBT93-10-A3L	LE1204.22.001_7	3	LE1204.35.102	LE1204.35.010/10	3	0.011.3995.3	LE1204.56.025	2
GBT6170-M10-A3L	LE1204.22.001_7	4	GBT5782-M20X110-A3L	LE1204.35.010/10	4	0.96081.16.0	LE1204.56.025	3
CD1204.22.120	LE1204.22.001_7	5	GBT93-20-A3L	LE1204.35.010/10	5	LE1204.56.026	LE1204.56.025	4

# 9.DI066.02.0 PARKING AIR BRAKE VALVE ASS.

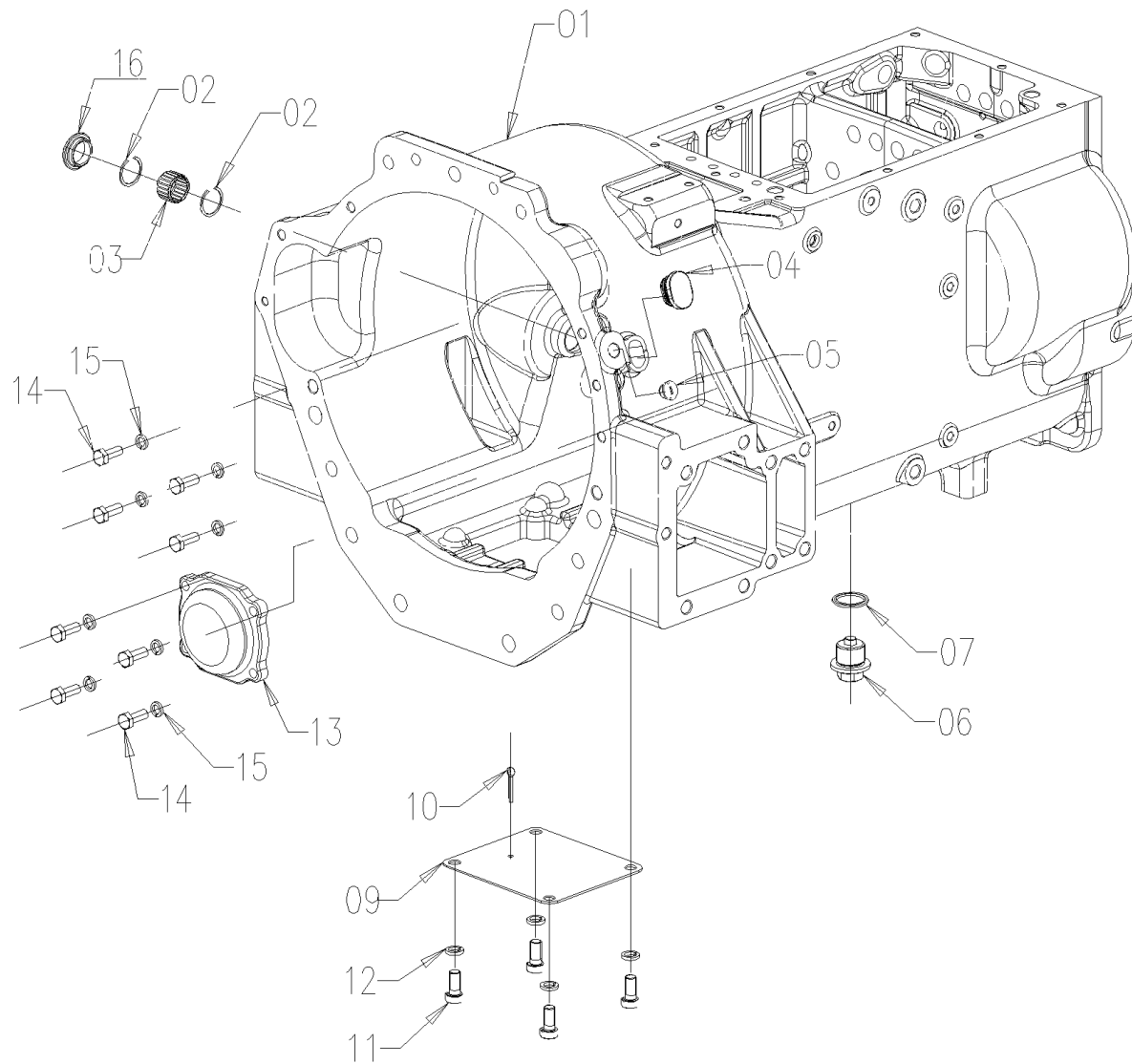


# 9.DI066.02.0\_0 手制动阀总成 (气刹) PARKING AIR BRAKE VALVE ASS. (AIR BRAKES)

序号	零件编号	零件名称	数量	图号
1	0.030.4773.0	气刹制动阀 AIR PARKING BRAKE	1	0.030.4773.0
2	2.1560.012.0	密封圈 SEALING RING	2	2.1560.012.0
3	GBT3733.2-83-G12	管件 FITTING	2	GBT3733.2-83-G12
4	GBT93-6-A2L	垫圈 WASHER	2	GBT93-6-A2L
4	GBT93-6-A3L	垫圈 WASHER	2	GBT93-6-A3L
5	GBT5783-M6x12-A2L	螺栓 BOLT	2	GBT5783-M6x12-A2L

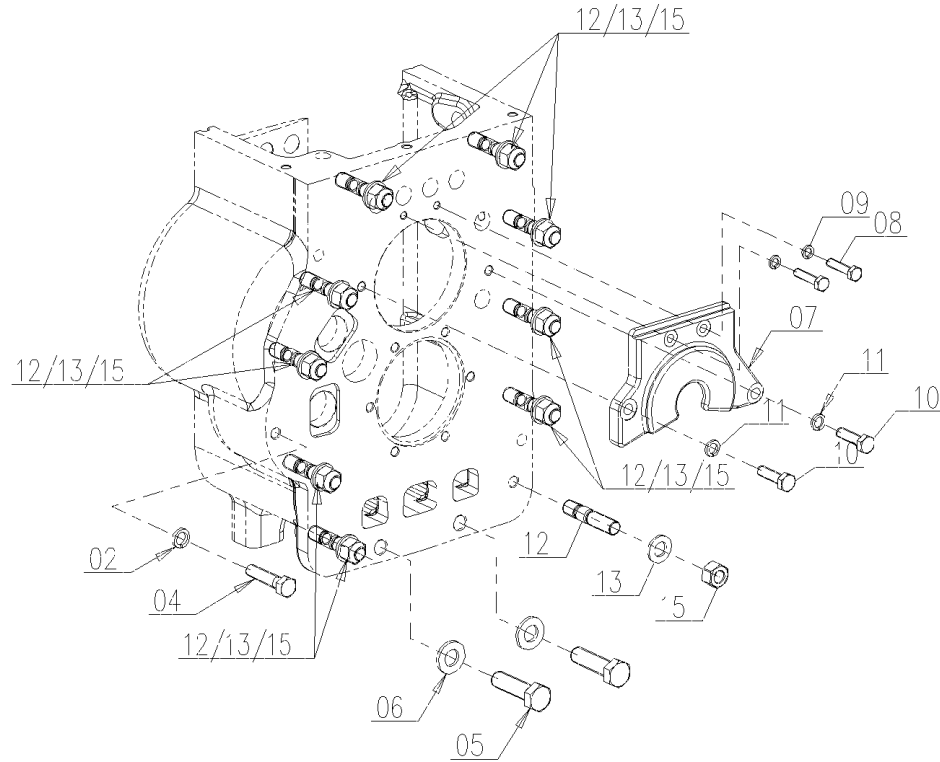
# 9.DI531.00.0 FRONT BOX ACCESSORY ASS.Y

## 9.DI531.00.0\_5 变速箱及配件总成 FRONT BOX ASS.Y



序号	零件编号	零件名称	数量	图号
1	0.028.8656.0/30	前变速器 FRONT GEARBOX	1	0.028.8656.0/30
2	A31.21.002.0	弹性挡圈 CIRCLIP	8	A31.21.002.0
3	JBT7918-K25X31X20	轴承 BEARING	4	JBT7918-K25X31X20
4	SH900.37.216	橡胶塞 RUBBER STOPPER	1	SH900.37.216
5	SH900.47A.115-1	塞子 M16 PLUG M16	1	SH900.47A.115-1
6	SH900.37.016/10	排油螺塞 OIL DRAINAGE SCREW	1	SH900.37.016/10
7	JBT982-30	密封环 SEALING RINGS	1	JBT982-30
9	SH900.37.154	盖 COVER	1	SH900.37.154
10	GBT91-5X25-A3L	销 PIN	1	GBT91-5X25-A3L
11	GBT5783-M12X25-A3L	螺栓 BOLT	4	GBT5783-M12X25-A3L
12	GBT93-12-A3L	垫圈 WASHER	4	GBT93-12-A3L
13	LE1204.37.123	中间轴端盖 CENTER SHAFT COVER	1	LE1204.37.123
14	GBT5783-M10X25-A3L	螺栓 BOLT	8	GBT5783-M10X25-A3L
15	GBT93-10-A3L	垫圈 WASHER	8	GBT93-10-A3L
16	A31.21.003.0/10	套管 BUSHING	4	A31.21.003.0/10

### 9.DI531.02.0 REAR CONNECT BOLTS ASS.LY



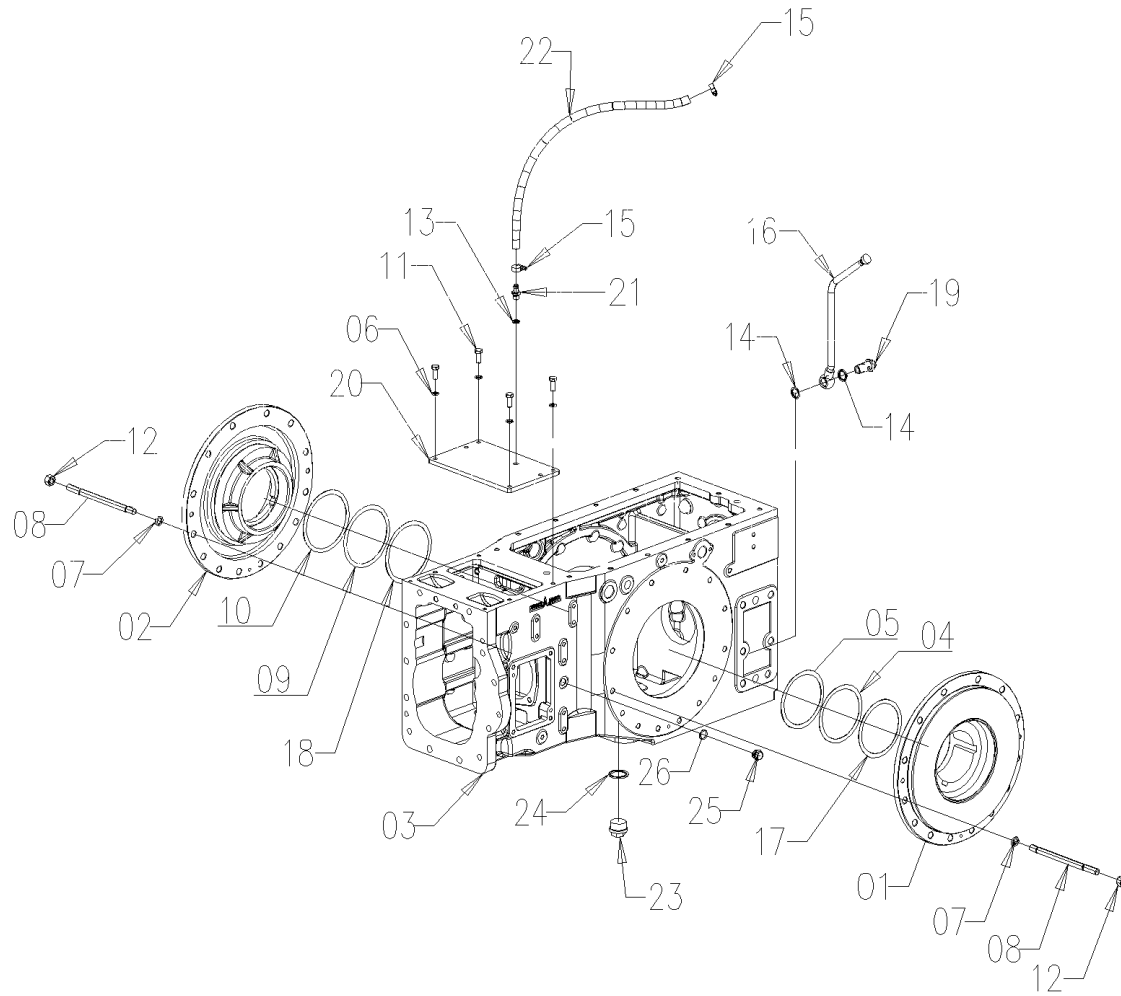
### 9.DI531.02.0\_1 后连接螺栓总成 REAR ONNECT BOLTS

序号	零件编号	零件名称	数量	图号
2	GBT93-12-A3L	垫圈 WASHER	1	GBT93-12-A3L
4	GBT5783-M12X50-10.9-	螺栓 BOLT	1	GBT5783-M12X50-10.9-A3L
5	GBT5783-M16X55-10.9-	螺栓 GBT5783-M16X55-10.9-A3L	2	GBT5783-M16X55-10.9-A3L
6	2.1475.106.2	圆柱垫片 CONICAL WASHER M16	2	2.1475.106.2
7	DF904.37.140	轴承压盖 BEARING COVER	1	DF904.37.140
8	GBT5783-M8X35-A2L	螺栓 BOLT	2	GBT5783-M8X35-A2L
9	GBT93-8-A3L	垫圈 WASHER	2	GBT93-8-A3L
10	GBT5783-M10X35-A3L	螺栓 BOLT	2	GBT5783-M10X35-A3L
11	GBT93-10-A3L	垫圈 WASHER	2	GBT93-10-A3L
12	GBT899-AM14X1.5X50-	螺柱 STUD	10	GBT899-AM14X1.5X50-10.9-A3L
13	2.1475.005.7	圆柱垫片 CONICAL WASHERS M14	10	2.1475.005.7
15	GBT6171-M14X1.5-10-A3L	螺母 NUT	10	GBT6171-M14X1.5-10-A3L

# 9.DI531.03.0 REAR BOX ACCESSORY ASS.LY

## 9.DI531.03.0\_4 后桥箱及配件总成 REAR BOX ASSEMBLY

序号	零件编号	零件名称	数量	图号
1	0.026.3893.0	左轴承座 LEFT BEARING SEAT	1	0.026.3893.0
2	0.026.3894.0	右轴承座 RIGHT BEARING SEAT	1	0.026.3894.0
3	A26.38.001.0	后齿轮箱 REAR GEAR BOX	1	A26.38.001.0
4	LE1204.38.130	调整垫片 (左) LEFT ADJUST	0	LE1204.38.130
5	LE1204.38.131	调整垫片 (左) LEFT ADJUST	0	LE1204.38.131
6	GBT93-10-A3L	垫圈 WASHER	4	GBT93-10-A3L
7	GBT93-14-A3L	垫圈 WASHER	28	GBT93-14-A3L
8	GBT899-AM14X1.5X190-	螺柱 STUD	28	GBT899-AM14X1.5X190-10.9-
9	LE1204.38.132	调整垫片 (右) RIGHT ADJUST	0	LE1204.38.132
10	LE1204.38.133	调整垫片 (右) RIGHT ADJUST	0	LE1204.38.133
11	GBT5783-M10X25-A3L	螺栓 BOLT	4	GBT5783-M10X25-A3L
12	GBT6171-M14X1.5-10-A3L	螺母 NUT	28	GBT6171-M14X1.5-10-A3L
13	JBT982-12	垫圈 WASHER	1	JBT982-12
14	JBT982-20	组合密封垫圈 SEALING RINGS	2	JBT982-20
15	JBT8870-D20	软管夹 HOSE CLAMP	2	JBT8870-D20
16	LE1204.38.012	油尺 OIL RULE	1	LE1204.38.012
17	LE1204.38.106	调整垫片 (左) LEFT ADJUST	0	LE1204.38.106
18	LE1204.38.111	调整垫片 (右) RIGHT ADJUST	0	LE1204.38.111
19	LE1204.38.128	空心螺栓 HOLLOW BOLT	1	LE1204.38.128
20	SH900.38.105A	后桥箱上盖 REAR AXLE BOX TOP	1	SH900.38.105A
21	SH900.38.159	呼吸接头 BREATHING JOINT	1	SH900.38.159
22	SH900.38.160/10	呼吸软管 BREATHING HOSE	1	SH900.38.160/10
23	SH900.38.018/10	排油螺塞 OIL DRAINAGE SCREW	1	SH900.38.018/10
24	JBT982-36	组合密封垫圈 SEALING RINGS	1	JBT982-36
25	2.3110.405.1	螺母保护帽 TAPPO M 18X1.5	1	2.3110.405.1
26	2.1560.014.0	密封圈 SEALING RING	1	2.1560.014.0

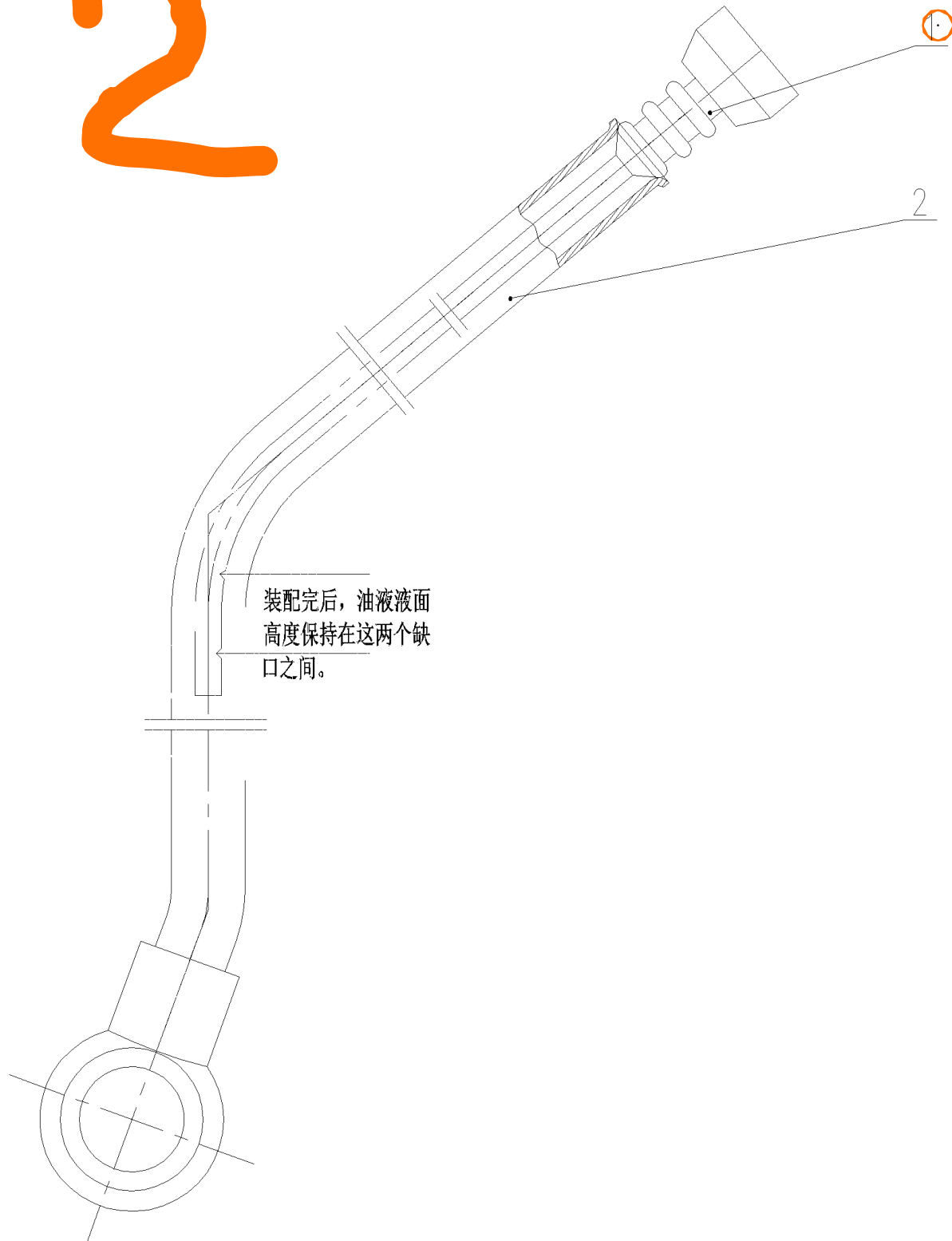


2

LE1204.38.012 OIL RULE

LE1204.38.012 油尺 OIL RULE

序号	零件编号	零件名称	数量	图号
1	LE1204.38.013	油尺管焊接 OIL RULE PIPE WELDING	1	LE1204.38.013
2	LE1204.38.014	机油尺总组件 OIL RULE PART	1	LE1204.38.014

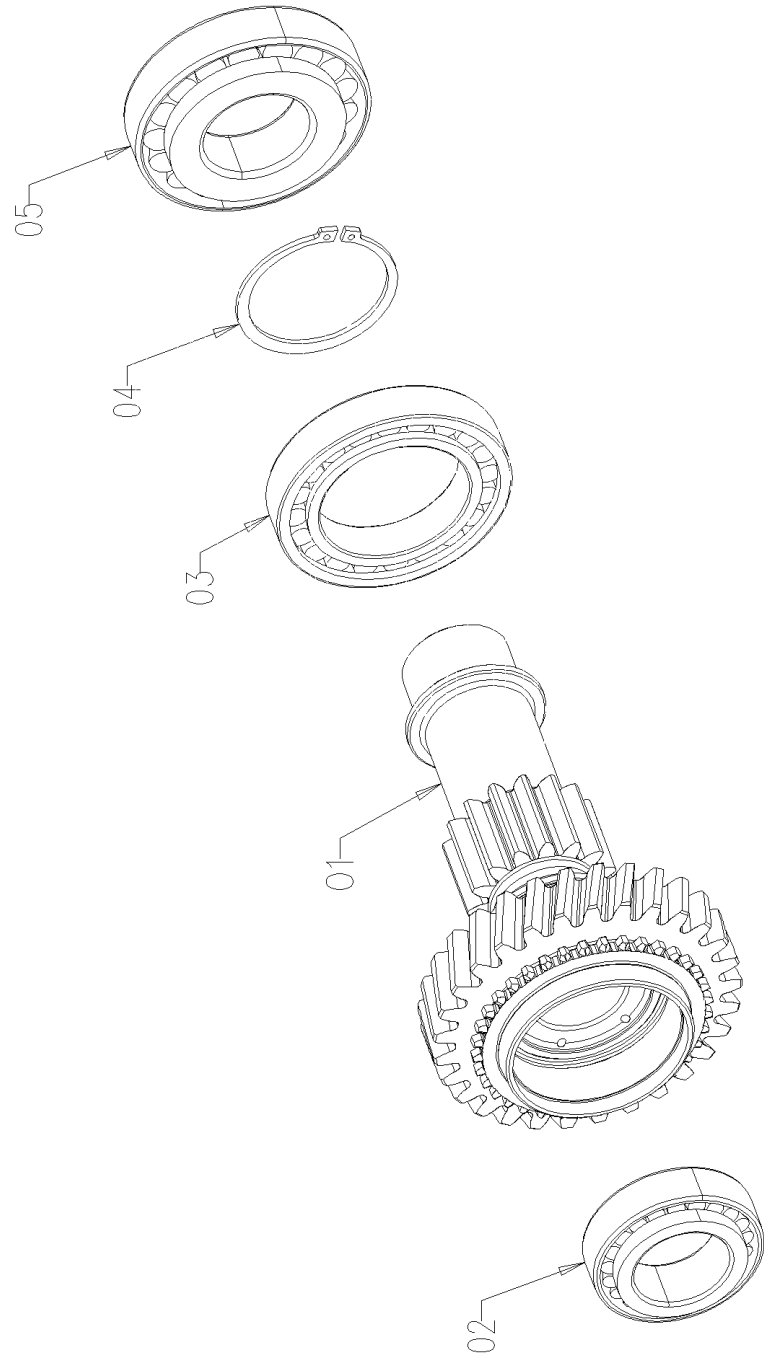




9.DI532.02.0 RANGE COUNTERSHAFT ASS.Y

9.DI532.02.0\_3 副变速齿轮总成 (16F+8R 同步器换挡 微爬档) RANGE COUNTERSHAFT ASS.Y(16F+8R synchro shift micro crawl)

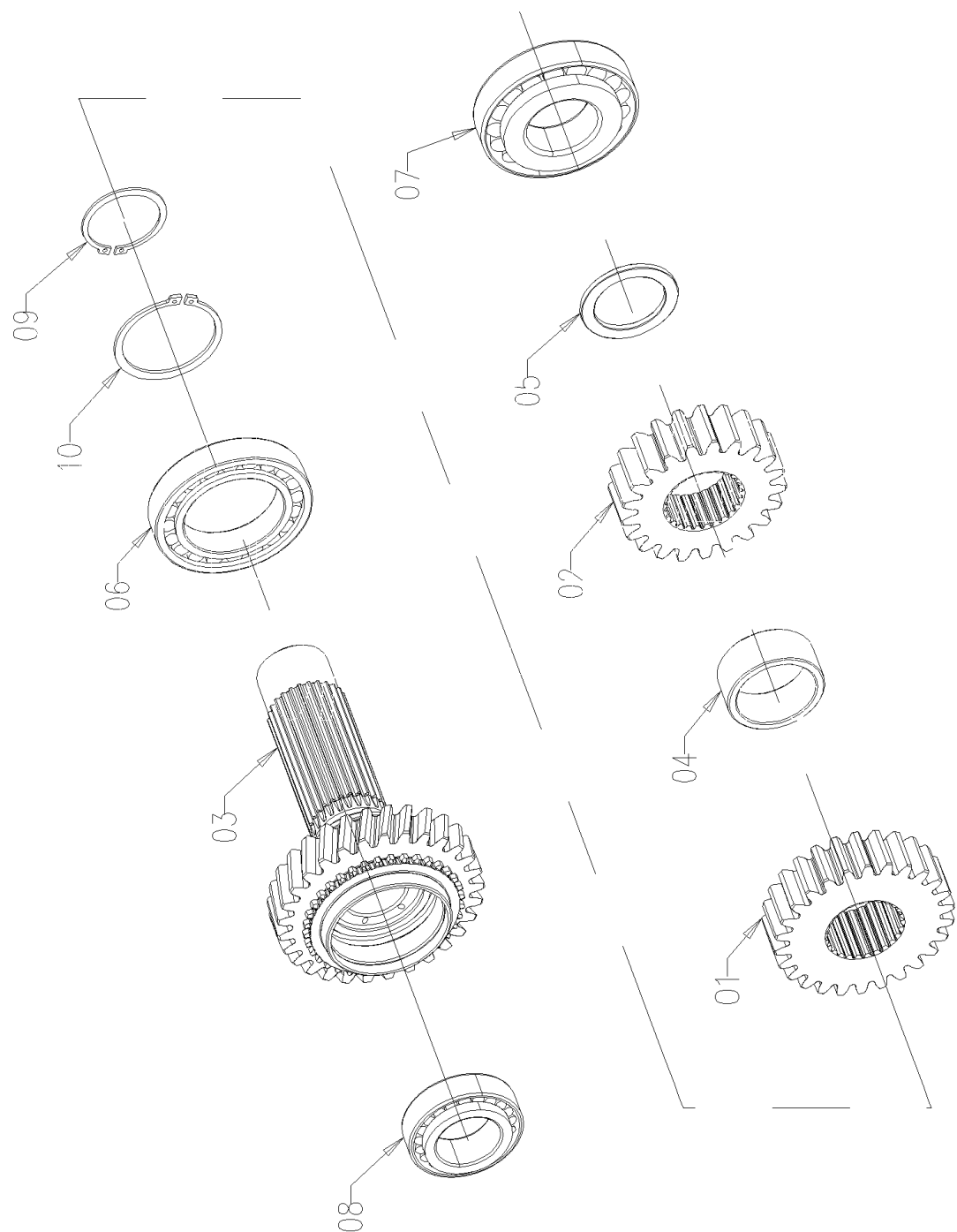
序号	零件编号	零件名称	数量	图号
1	0.028.6759.0/10	副变速换挡对轴 RANGE SHIFT	1	0.028.6759.0/10
2	GBT297-33109	轴承 BEARING	1	GBT297-33109
3	GBT283-NUP1014M	轴承 BEARING	1	GBT283-NUP1014M
4	GBT894.1-70	弹性挡圈 CIRCLIP	1	GBT894.1-70
5	GBT297-30310	轴承 BEARING	1	GBT297-30310



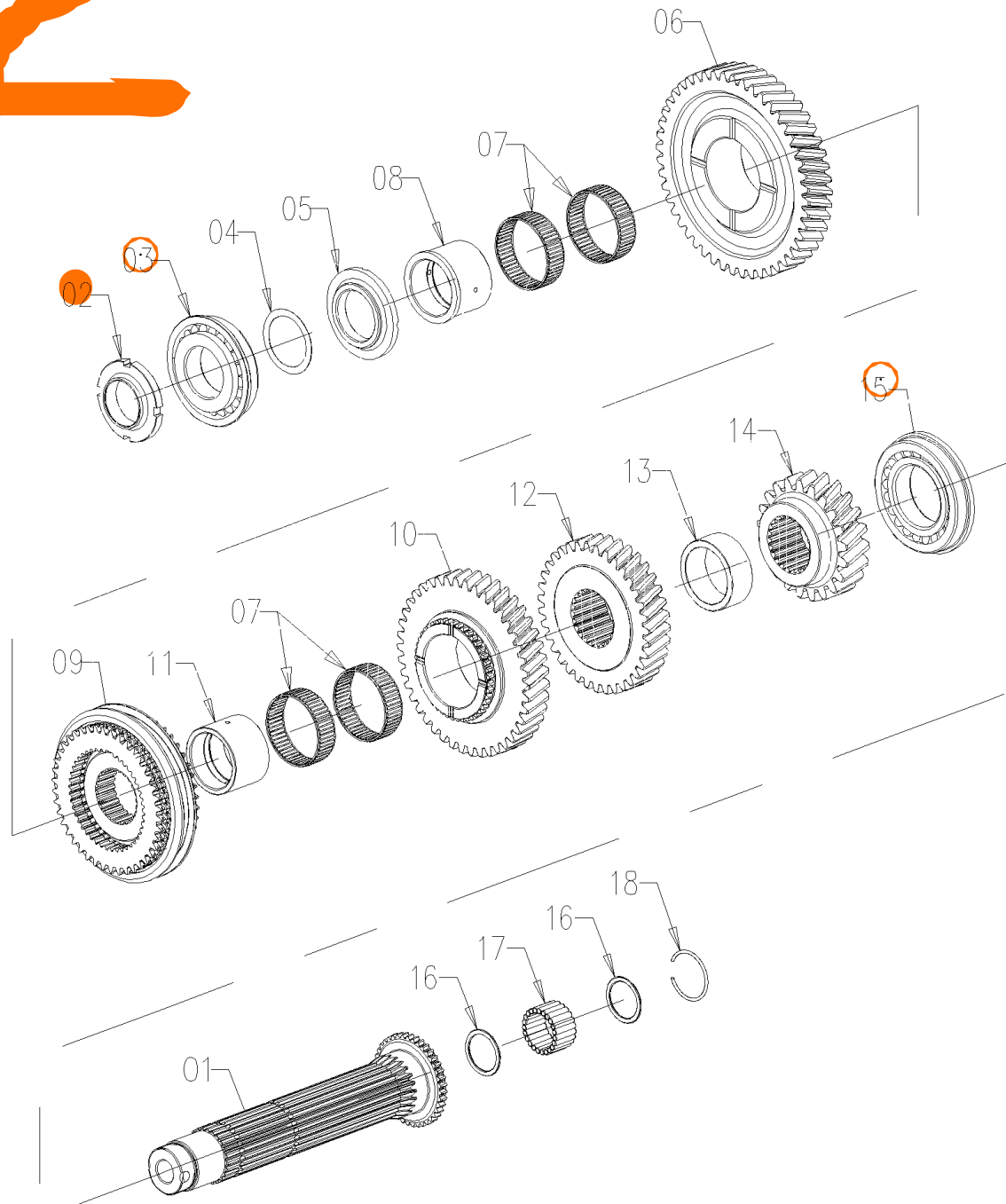
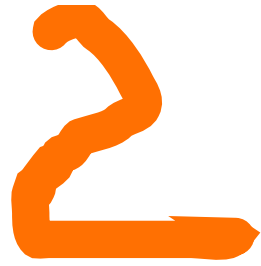
9.DI532.03.0 RANGE GEAR ASS.Y

9.DI532.03.0\_4 副变速齿轮总成 (16F+8R 同步器换挡 普通档) RANGE GEAR ASS.Y(16F+8R synchro shift normal gear)

序号	零件编号	零件名称	数量	图号
1	0.029.7755.0/10	倒挡驱动齿轮 REVERSE DRIVING	1	0.029.7755.0/10
2	0.029.7757.0/10	中档主动齿轮 L-RANGE DRIVING	1	0.029.7757.0/10
3	DF904.37.107/10	对轴 COUNTER SHAFT	1	DF904.37.107/10
4	DF904.37.109	隔圈 SPACER	1	DF904.37.109
5	DF904.37.111	隔圈 SPACER	1	DF904.37.111
6	GBT283-NUP1014M	轴承 BEARING	1	GBT283-NUP1014M
7	GBT297-30310	轴承 BEARING	1	GBT297-30310
8	GBT297-33109	轴承 BEARING	1	GBT297-33109
9	GBT894.1-55	轴用弹性挡圈 CIRCLIPS FOR SHAFT	1	GBT894.1-55
10	GBT894.1-70	弹性挡圈 CIRCLIP	1	GBT894.1-70



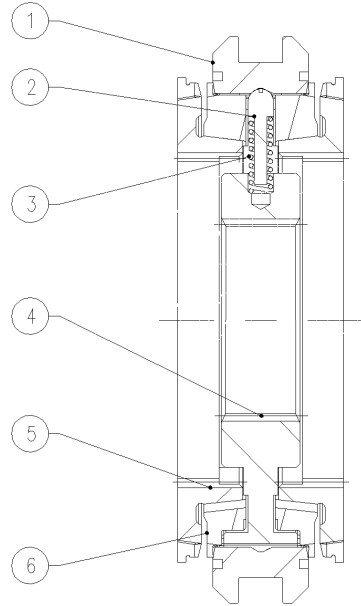
# 9.DI533.01.0 COUNTERSHAFT ASS.Y



## 9.DI533.01.0\_3 主变速从动轴总成 (16F+8R 同步器换挡 微爬档) COUNTERSHAFT ASS.Y(16F+8R synchro shift micro crawl)

序号	零件编号	零件名称	数量	图号
1	0.028.6758.0/10	中心轴 INTERMEDIATE SHAFT	1	0.028.6758.0/10
2	0.029.4452.0	锁紧螺母 LOCK NUT	1	0.029.4452.0
3	DF904.37.136	轴承 BEARING	1	DF904.37.136
4	DF904.37.137/138/139	调整垫片 ADJUSTING SHIM	1	DF904.37.137/138/139
5	DF904.37.127/10	止推环 THRUST RING	1	DF904.37.127/10
6	0.029.4390.0/20	一档被动齿轮 1ST DRIVEN GEAR	1	0.029.4390.0/20
7	2.2770.271.0	滚针轴承 ROLLER CAGE 60x65x20	4	2.2770.271.0
8	DF904.37.113/10	衬套 NEEDLE INNER RING	1	DF904.37.113/10
9	C35.37.001.4	同步装置 SYNCHRONIZER	1	C35.37.001.4
10	0.029.4381.0/20	第二从动齿轮 2ND DRIVEN GEAR	1	0.029.4381.0/20
11	DF904.37.115/10	衬套 NEEDLE INNER RING	1	DF904.37.115/10
12	0.029.4367.0/10	3档从动齿轮 3RD DRIVEN GEAR	1	0.029.4367.0/10
13	DF904.37.118	隔圈 SPACER	1	DF904.37.118
14	DF904.37.119/10	四档从动齿轮 FOURTH DRIVEN	1	DF904.37.119/10
15	LE1204.37.195	圆锥滚子轴承 TAPERED TOLLER	1	LE1204.37.195
16	LE1204.37.211	垫圈 WASHER	2	LE1204.37.211
17	GBT309-P5X23.8-G2-3-5	滚针 NEEDLE ROLLER	23	GBT309-P5X23.8-G2-3-5
18	GBT895.1-42	花键套 RING	1	GBT895.1-42

C35.37.001.4 SYNCHRONIZER



技术要求

1. 总成各零件应无裂纹、磕碰、毛刺、锈迹等制造缺陷；
2. 在不装配滑块时，齿毂套能自由滑动，无卡滞；
3. 同步环与锥环之间的接触面积着色检查不小于70%；
4. 保证摩擦副之间的磨损后变量。

Technical requirement

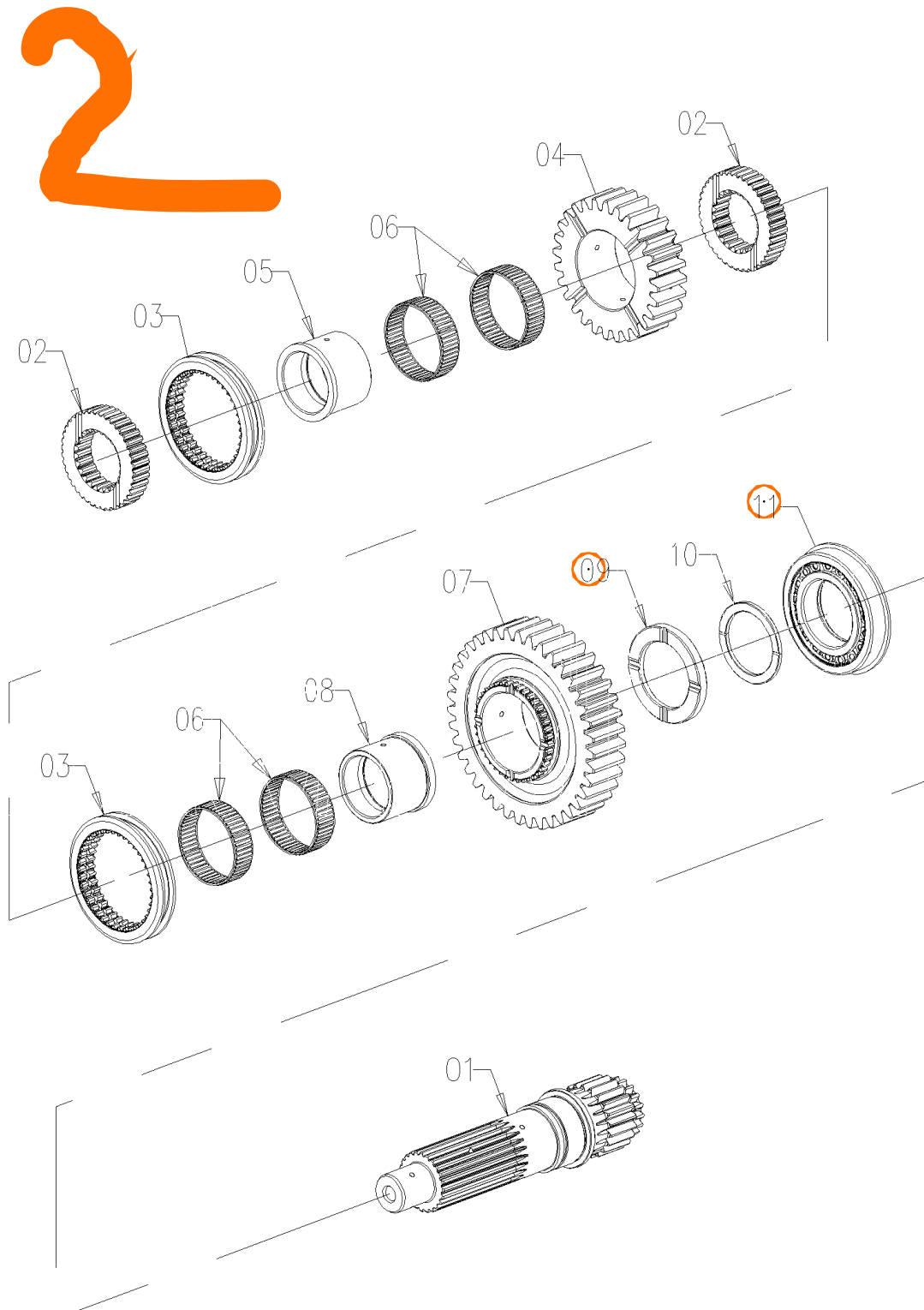
1. All parts of the assembly shall have no manufacturing defects such as cracks, bumps, burrs and rusts;
2. When the slider is not assembled, the tooth hub sleeve can slide freely without clamping;
3. The color inspection of the contact area between the synchronous ring and the cone ring shall not be less than 70%.
4. Ensure the wear reserve between friction pairs..

C35.37.001.4 同步装置 SYNCHRONIZER

序号	零件编号	零件名称	数量	图号
1	C35.37.008.0	齿轮套 GEAR SLEEVE	1	C35.37.008.0
2	C35.37.011.0	滑块 SLIDING BLOCK	3	C35.37.011.0
3	C35.37.012.0	弹簧 SPRING	3	C35.37.012.0
4	C35.37.004.0	花键套轮 SPLINE SEAT	1	C35.37.004.0
5	C35.37.009.0	花键套 RING	2	C35.37.009.0
6	C35.37.010.0	二挡同步器齿环 CONE RING	2	C35.37.010.0

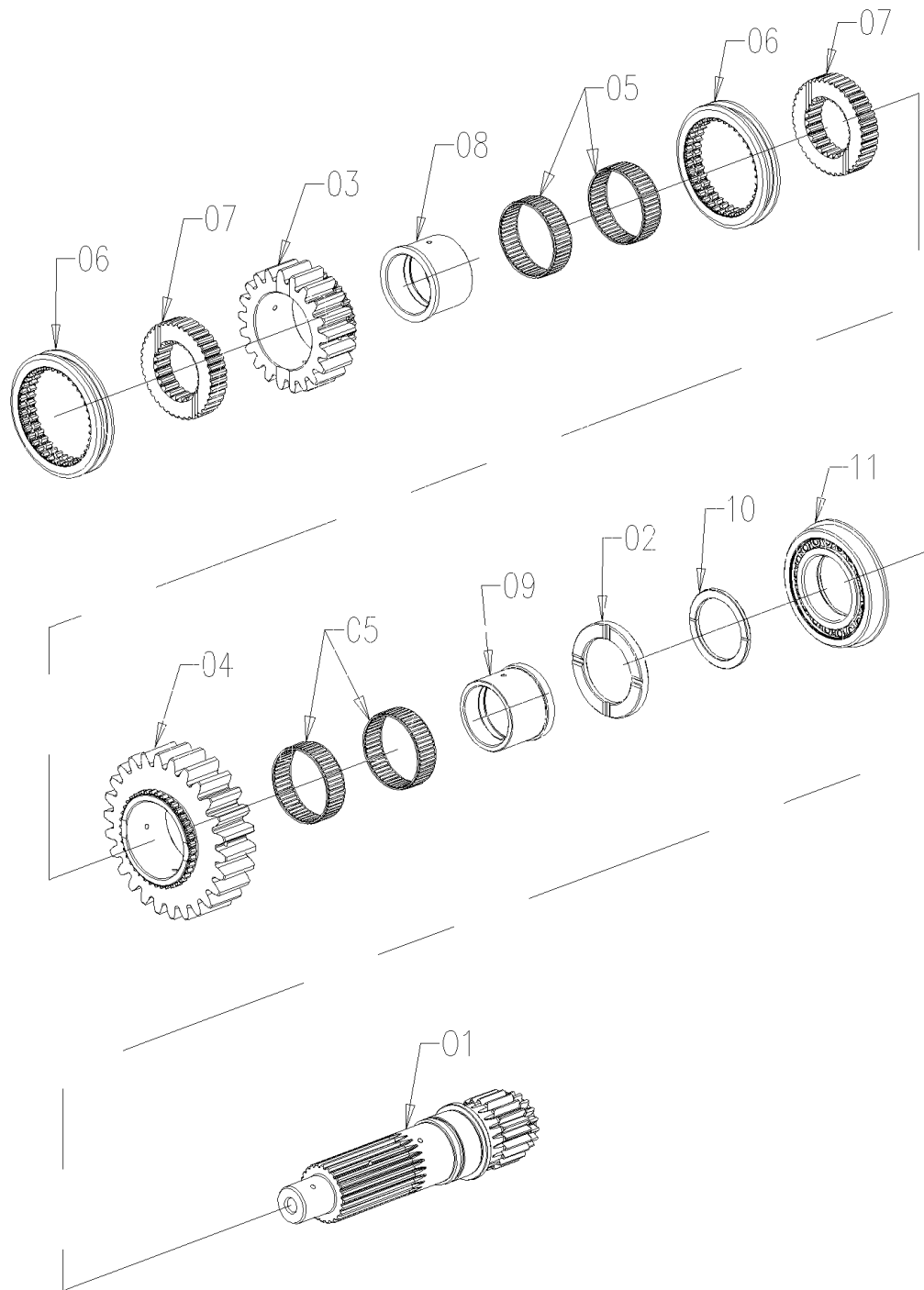
9.DI533.02.0 OUTPUT SHAFT ASS.Y

9.DI533.02.0\_2 副变速输出总成 (16F+8R 同步器换挡 微爬档) OUTPUT SHAFT ASS.Y(16F+8R synchro shift micro crawl)



序号	零件编号	零件名称	数量	图号
1	0.028.6764.0/20	输出轴 OUTPUT SHAFT	1	0.028.6764.0/20
2	DF904.37.122/10	齿座 TOOTHHOLDER	2	DF904.37.122/10
3	DF904.37.121/10	连接套筒 SHIFT SLEEVE	2	DF904.37.121/10
4	0.028.8274.0/10	倒挡从动齿轮 REVERSE DRIVEN	1	0.028.8274.0/10
5	DF904.37.124	衬套 NEEDLE INNER RING	1	DF904.37.124
6	2.2770.271.0	滚针轴承 ROLLER CAGE 60x65x20	4	2.2770.271.0
7	0.028.8273.0/10	齿轮 RANGE SHIFT L-GEAR	1	0.028.8273.0/10
8	DF904.37.131	衬套 NEEDLE INNER RING	1	DF904.37.131
9	0.029.4455.0	止推环 TRUST RING	1	0.029.4455.0
10	LE1204.37.144	止推环 THRUST COLLAR	1	LE1204.37.144
11	LE1204.37.205	圆柱滚子轴承NUP211E CRLINDRICAL	1	LE1204.37.205

# 9.DI533.03.0 OUTPUT SHAFT ASS.Y

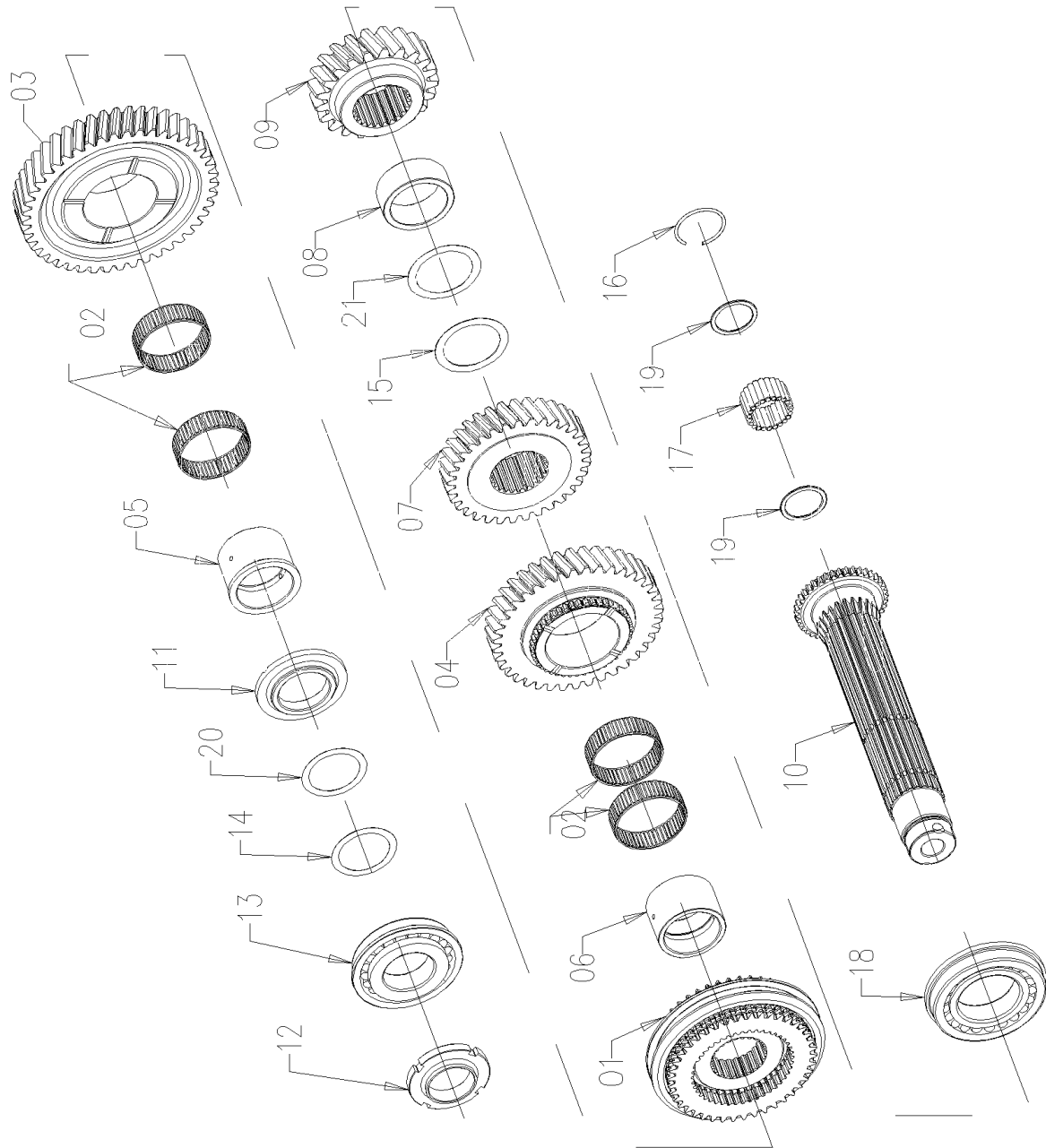


## 9.DI533.03.0\_2 副变速输出总成 (16F+8R 普通档) OUTPUT SHAFT ASS.Y(16F+8R normal gear)

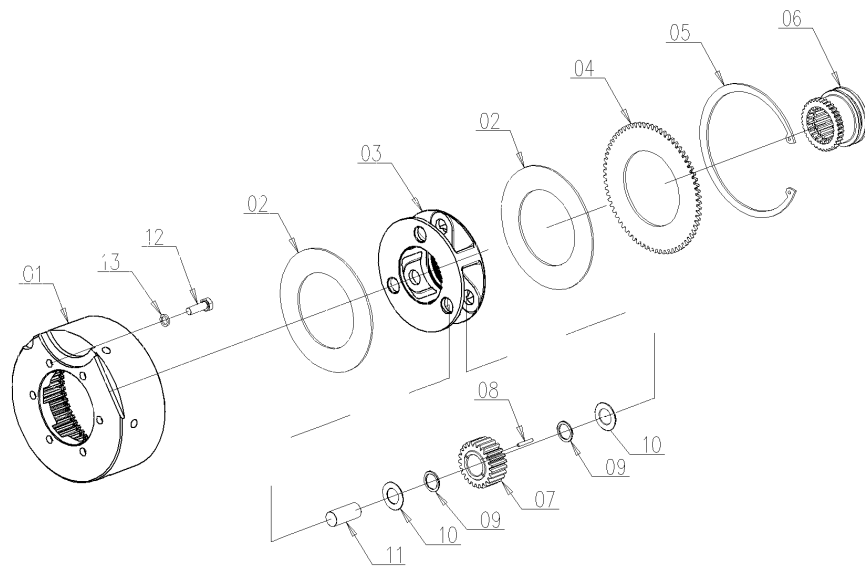
序号	零件编号	零件名称	数量	图号
1	0.028.6764.0/20	输出轴 OUTPUT SHAFT	1	0.028.6764.0/20
2	0.029.4455.0	止推环 TRUST RING	1	0.029.4455.0
3	0.029.7756.0/10	倒挡从动齿轮 REVERSE DRIVEN	1	0.029.7756.0/10
4	0.029.7758.0/10	中档主动齿轮 L-RANGE DRIVN GEAR	1	0.029.7758.0/10
5	2.2770.271.0	滚针轴承 ROLLER CAGE 60x65x20	4	2.2770.271.0
6	DF904.37.121/10	连接套筒 SHIFT SLEEVE	2	DF904.37.121/10
7	DF904.37.122/10	齿座 TOOTHHOLDER	2	DF904.37.122/10
8	DF904.37.124	衬套 NEEDLE INNER RING	1	DF904.37.124
9	DF904.37.131	衬套 NEEDLE INNER RING	1	DF904.37.131
10	LE1204.37.144	止推环 THRUST COLLAR	1	LE1204.37.144
11	LE1204.37.205	圆柱滚子轴承NUP211E CRLINDRICAL	1	LE1204.37.205

9.DI533.07.0 COUNTERSHAFT ASS.Y

9.DI533.07.0\_3 主变速从动轴总成 (16F+8R 同步器换挡 普通档) COUNTERSHAFT ASS.Y(16F+8R synchro shift normal gear)



序号	零件编号	零件名称	数量	图号
1	C35.37.001.4	同步装置 SYNCHRONIZER	1	C35.37.001.4
2	2.2770.271.0	滚针轴承 ROLLER CAGE 60x65x20	4	2.2770.271.0
3	C35.37.002.0	第一从动齿轮 FIRST DRIVEN GEAR	1	C35.37.002.0
4	C35.37.003.0/10	第二从动齿轮 SECOND DRIVEN	1	C35.37.003.0/10
5	DF904.37.113/10	衬套 NEEDLE INNER RING	1	DF904.37.113/10
6	DF904.37.115/10	衬套 NEEDLE INNER RING	1	DF904.37.115/10
7	DF904.37.117/10	三挡从动齿轮 THIRD DRIVEN GEAR	1	DF904.37.117/10
8	DF904.37.118	隔圈 SPACER	1	DF904.37.118
9	DF904.37.119/10	四档从动齿轮 FOURTH DRIVEN	1	DF904.37.119/10
10	0.028.6758.0/10	中心轴 INTERMEDIATE SHAFT	1	0.028.6758.0/10
11	DF904.37.127/10	止推环 THRUST RING	1	DF904.37.127/10
12	0.029.4452.0	锁紧螺母 LOCK NUT	1	0.029.4452.0
13	DF904.37.136	轴承 BEARING	1	DF904.37.136
14	DF904.37.137/138/139	调整垫片 ADJUSTING SHIM	0	DF904.37.137/138/139
15	DF904.37.142/143/144	调整垫片 ADJUSTING SHIM	0	DF904.37.142/143/144
16	GBT895.1-42	花键套 RING	1	GBT895.1-42
17	GBT309-P5X23.8-G2-3-5	滚针 NEEDLE ROLLER	23	GBT309-P5X23.8-G2-3-5
18	LE1204.37.195	圆锥滚子轴承 TAPERED TOLLER	1	LE1204.37.195
19	LE1204.37.211	垫圈 WASHER	2	LE1204.37.211
20	A26.37.011.0	调整垫圈 ADJUST WASHER	0	A26.37.011.0
21	A26.37.012.0	调整垫圈 ADJUST WASHER	0	A26.37.012.0



9.DI534.00.0 PLANETARY REDUCER ASS.LY

### 9.DI534.00.0\_1 行星减速总成 PLANETARY REDUCER

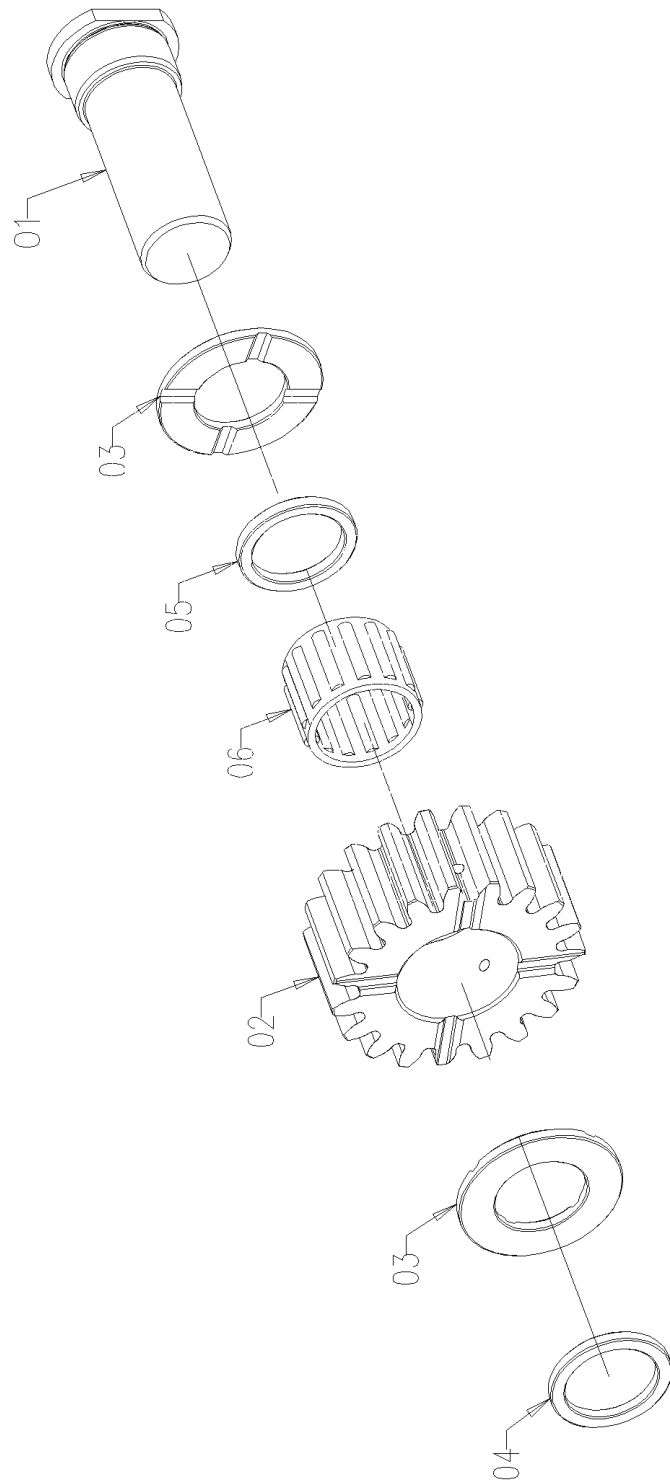
序号	零件编号	零件名称	数量	图号
1	LE1204.37.172/20	内齿圈 INNER GEAR RING	1	LE1204.37.172/20
2	LE1204.37.185	行星架隔垫 PLANET CARRIER	2	LE1204.37.185
3	SH900.37.013	行星架铆合 PLANETARY FRAME	1	SH900.37.013
4	LE1204.37.186	行星载体槽盘 PLANET CARRIER	1	LE1204.37.186
5	GBT893.1-170	弹性挡圈 CIRCLIP	1	GBT893.1-170
6	0.028.2305.0	滑动套筒 SLIDING SLEEVE	1	0.028.2305.0
7	LE1204.37.187	行星齿轮 EPOCYCLIC GEAR	3	LE1204.37.187
8	GBT309-P4X25.8-G3-3-6	滚针 NEEDLE ROLLER	57	GBT309-P4X25.8-G3-3-6
9	A23.37.005.0	滚针隔套 NEEDLE SPACER	6	A23.37.005.0
10	A23.37.004.0	行星齿轮垫片 PLANETARY GEAR	6	A23.37.004.0
11	SH900.37.131	行星齿轮轴 PLANET WHEEL AXLE	3	SH900.37.131
12	GBT5783-M10X30-A3L	螺栓 BOLT	6	GBT5783-M10X30-A3L
13	GBT93-10-A3L	垫圈 WASHER	6	GBT93-10-A3L



9.DI534.01.0 IDLER SHAFT ASS.Y

9.DI534.01.0\_2 惰轮轴组件 (16F+8R 同步器换挡 微爬档) IDLER SHAFT ASS.Y(16F+8R synchro shift micro crawl)

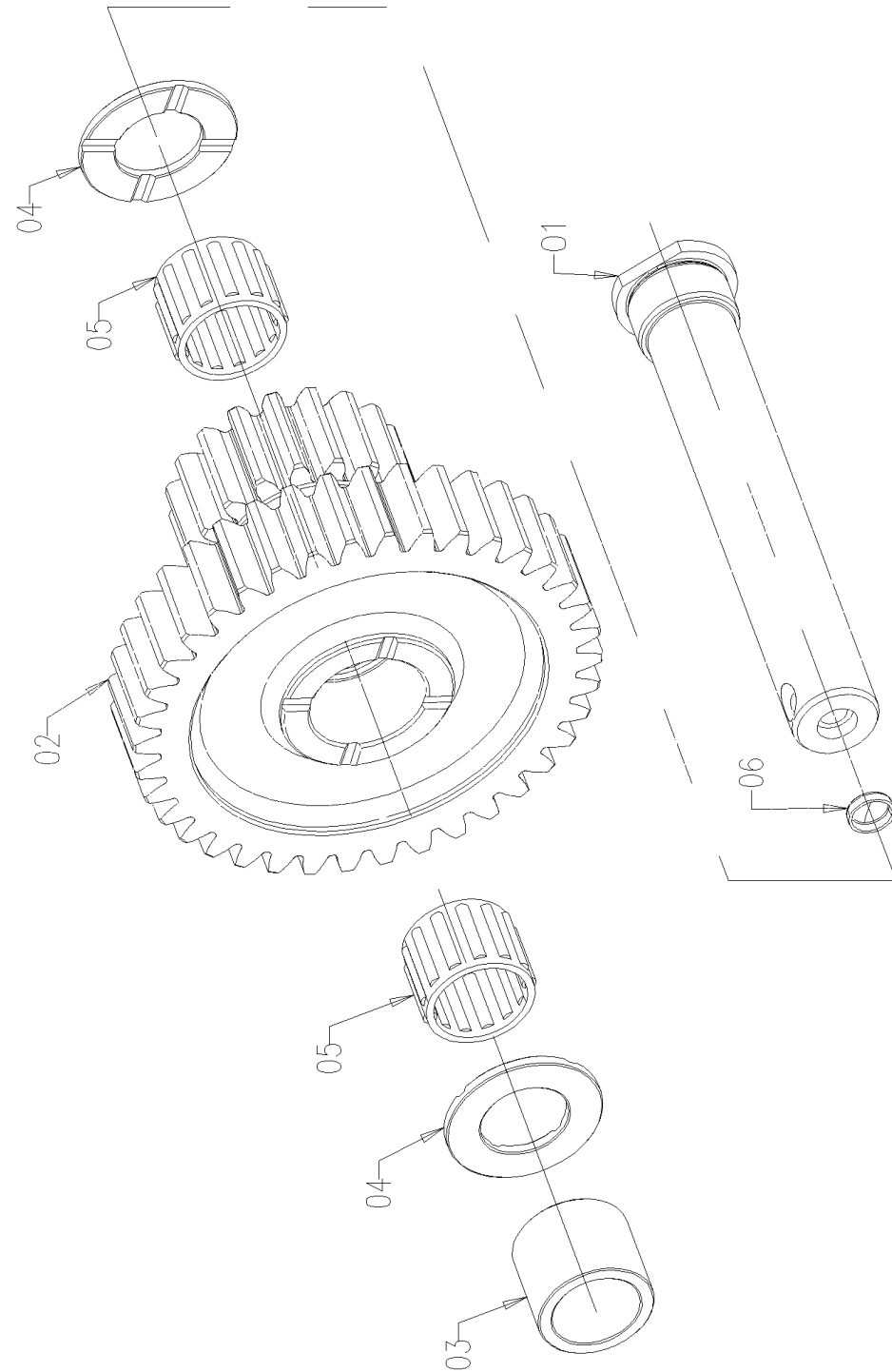
序号	零件编号	零件名称	数量	图号
1	0.028.8655.0/20	空转轮轴 IDLER SHAFT	1	0.028.8655.0/20
2	0.028.8599.0/10	惰轮 IDLER	1	0.028.8599.0/10
3	0.028.8691.0/10	套管 BUSHING	2	0.028.8691.0/10
4	0.028.8697.0	套管 BUSHING	1	0.028.8697.0
5	0.029.5092.0	花键套 RING	1	0.029.5092.0
6	JBT7918-K30X40X30	轴承 BEARING	1	JBT7918-K30X40X30



9.DI534.02.0 REVERSE SHAFT ASS.Y

9.DI534.02.0\_2 倒档轴组件 (16F+8R 同步器换挡 微爬档) REVERSE SHAFT ASS.Y(16F+8R synchro shift micro crawl)

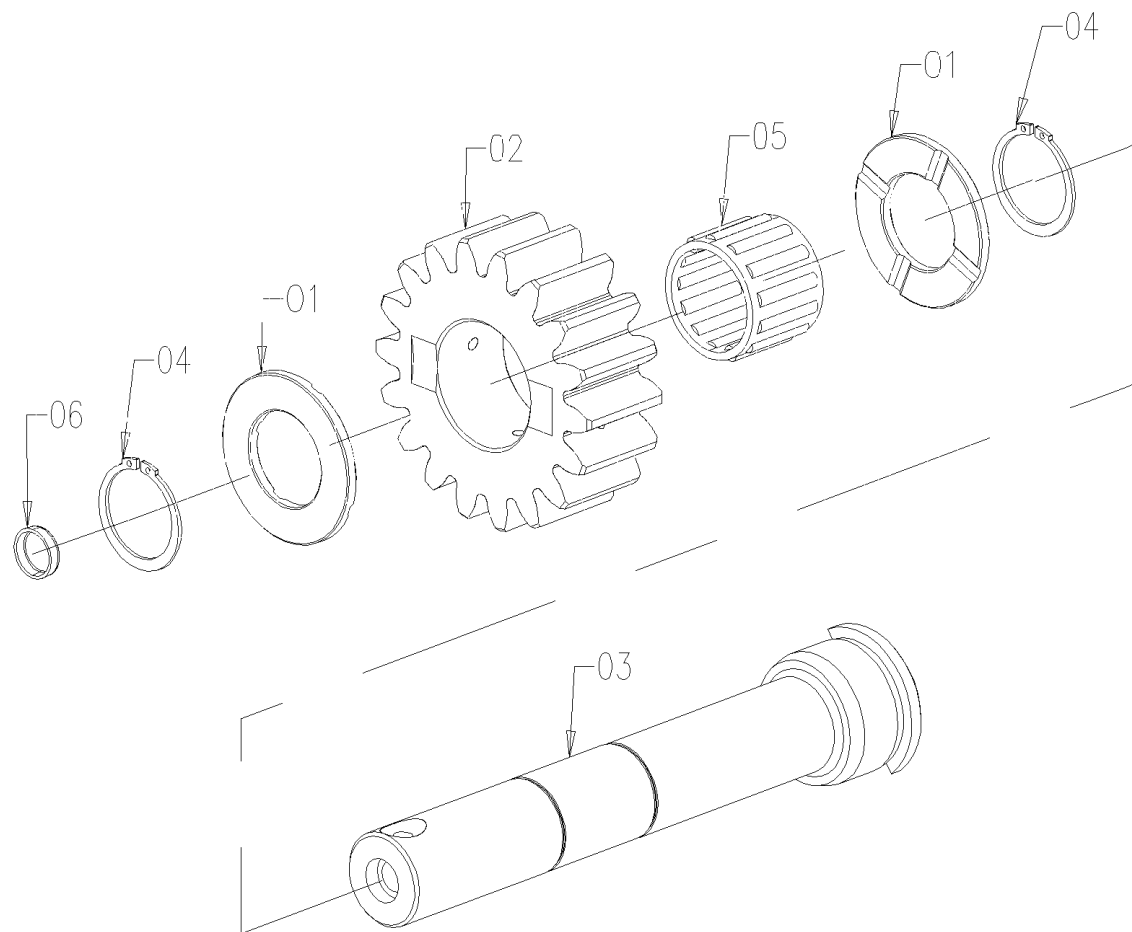
序号	零件编号	零件名称	数量	图号
1	0.028.8654.0/20	空转轮轴 IDLER SHAFT	1	0.028.8654.0/20
2	0.028.8279.0/10	惰轮 IDLER	1	0.028.8279.0/10
3	0.028.8694.0	套管 BUSHING	1	0.028.8694.0
4	0.028.8691.0/10	套管 BUSHING	2	0.028.8691.0/10
5	JBT7918-K30X40X30	轴承 BEARING	2	JBT7918-K30X40X30
6	QCT388-14	碗形膨胀塞 BOWL TYPE WXPANSION	1	QCT388-14



# 9.DI534.03.0 REVERSE SHAFT ASS.Y

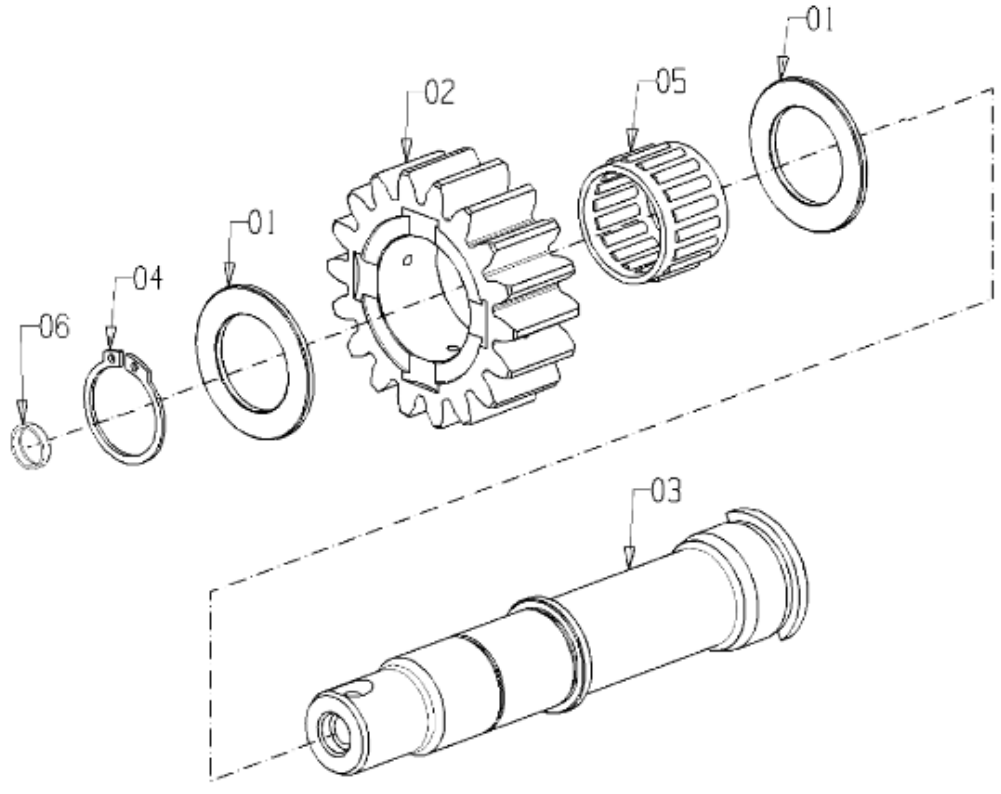
## 9.DI534.03.0\_2 倒档齿轮总成 (16F+8R 普通档) REVERSE SHAFT ASS.Y(16F+8R normal gear)

序号	零件编号	零件名称	数量	图号
1	0.028.8691.0/10	套管 BUSHING	2	0.028.8691.0/10
2	0.029.7765.0/10	惰轮 IDLER	1	0.029.7765.0/10
3	0.029.7766.0/10	空转轮轴 IDLER SHAFT	1	0.029.7766.0/10
4	GBT894.1-30	弹性挡圈 CIRCLIP	2	GBT894.1-30
5	JBT7918-K30X40X30	轴承 BEARING	1	JBT7918-K30X40X30
6	QCT388-14	碗形膨胀塞 BOWL TYPE WXPANSION	1	QCT388-14



 SAME DEUTZ-FAHR GROUP S.p.A. Gruppo - Group	LE120 series	N. dis. - P/N <b>9.DI534.03.0</b>	
	<b>REVERSE SHAFT ASS.Y</b>	Rev. <b>3</b>	Foglio - Sheet <b>1</b> di <b>1</b>
		Validato il <b>16/08/2021</b>	

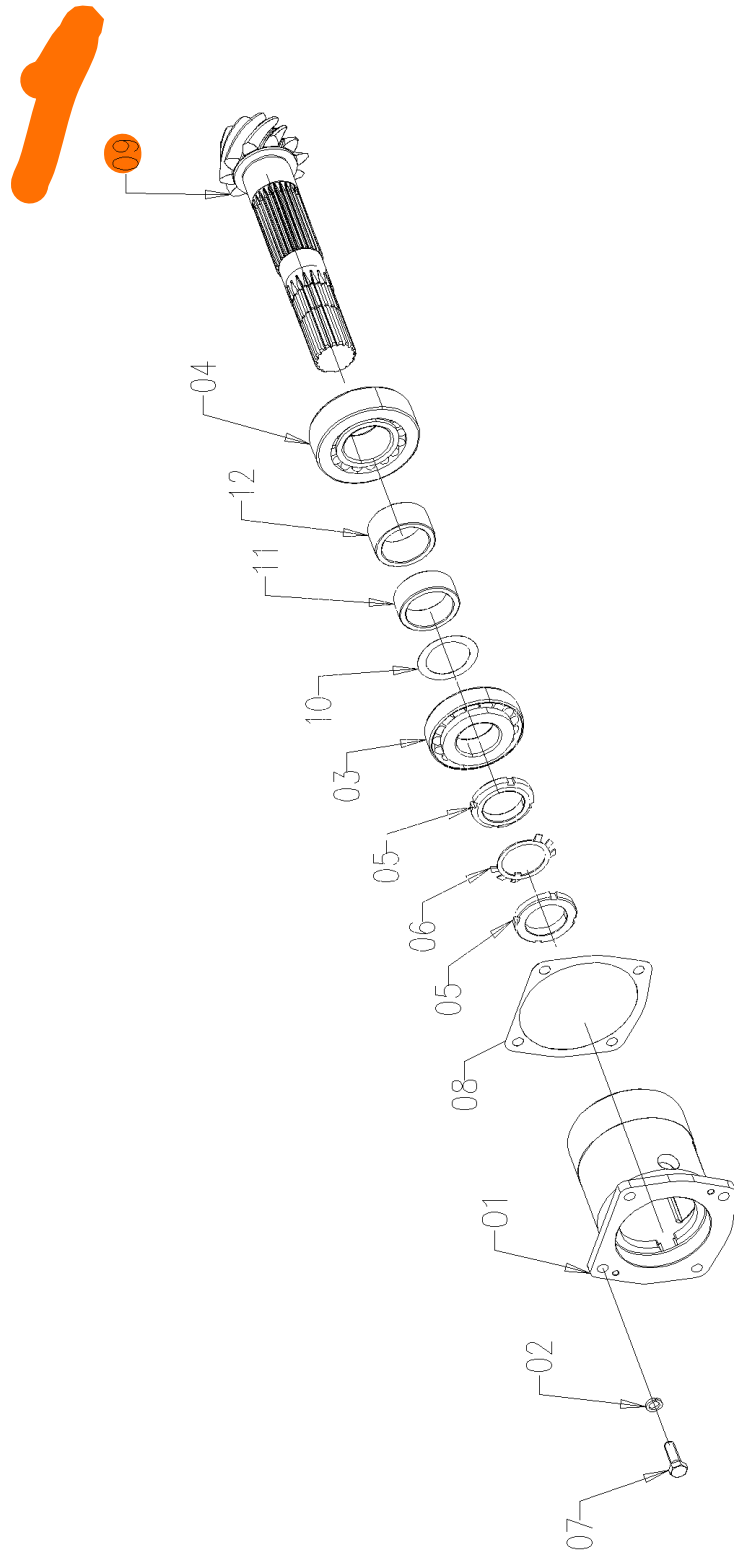
YFB-R-2018-003 SH.040



**9.DI534.03.0\_3 倒档齿轮总成 REVERSE SHAFT ASS.Y**

序号	零件编号	零件名称	数量	图号
1	0.040.9429.0	套筒 BUSHING	2	0.040.9429.0
2	0.029.7765.0/20	惰轮 IDLER	1	0.029.7765.0/20
3	0.029.7766.0/20	空转轮轴 IDLER SHAFT	1	0.029.7766.0/20
4	GBT894.1-35	轴用弹性挡圈 CIRCLIP FOR SHAFT	1	GBT894.1-35
5	JBT7918-K35X45X30	轴承 BEARING	1	JBT7918-K35X45X30
6	QCT388-14	碗形膨胀塞 BOWL TYPE WXPANSION	1	QCT388-14

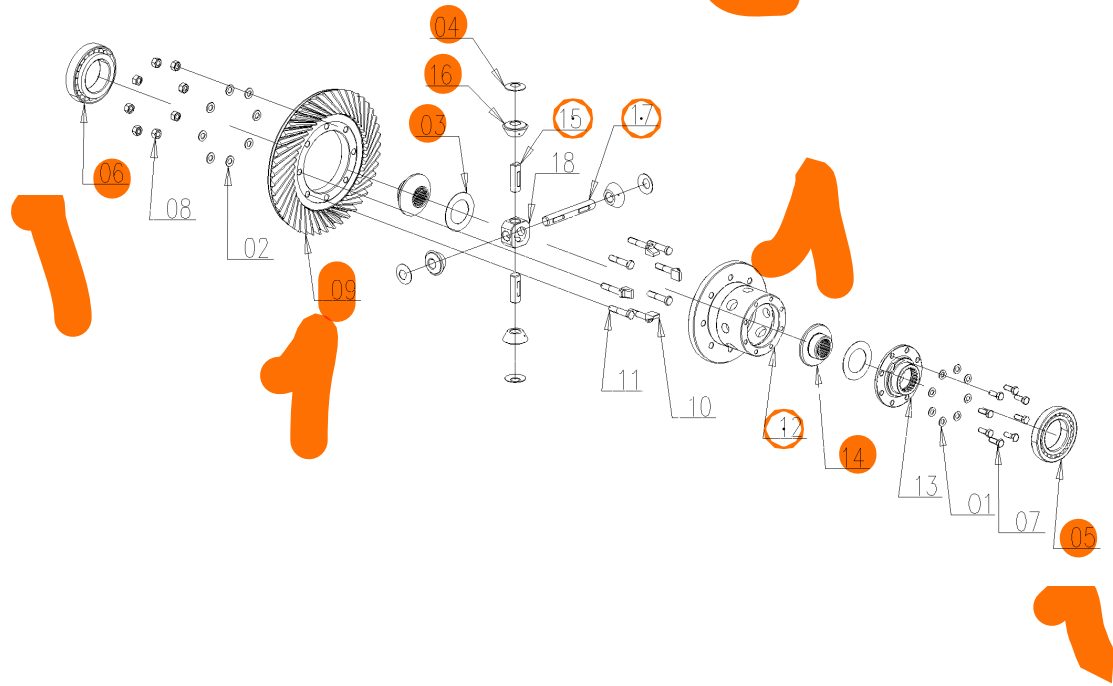
9.DI535.00.0 BEVEL PINION ASS.Y



9.DI535.00.0\_1 小锥总成BEVEL PINION SUBASS.LY

序号	零件编号	零件名称	数量	图号
1	A26.38.002.0	锥齿轮座 BEVEL GEAR SEAT	1	A26.38.002.0
2	GBT93-12-A3L	垫圈 WASHER	4	GBT93-12-A3L
3	GBT297-30310	轴承 BEARING	1	GBT297-30310
4	GBT297-32311	轴承 BEARING	1	GBT297-32311
5	GBT812-M50X1.5-A3L	圆螺母 ROUND NUT	2	GBT812-M50X1.5-A3L
6	GBT858-50	圆螺母用六角垫圈 TAB WASHER FOR	1	GBT858-50
7	GBT5783-M12X35-10.9-	螺栓 BOLT	4	GBT5783-M12X35-10.9-A3L
8	LE1204.38.114	轴承座调整垫片 BEARING SRAT	1	LE1204.38.114
9	LE1204.38.116	小锥齿轮 SMALL BEVEL GEAR	1	LE1204.38.116
10	LE1204.38.136	调整垫圈 ADJUST WASHER	1	LE1204.38.136
11	LE1204.38.139	套筒 SLEEVE I	1	LE1204.38.139
12	LE1204.38.141	套筒 SLEEVE II	1	LE1204.38.141

3ue



9.DI535.01.0 DIFFERENTIAL ASSEMBLY

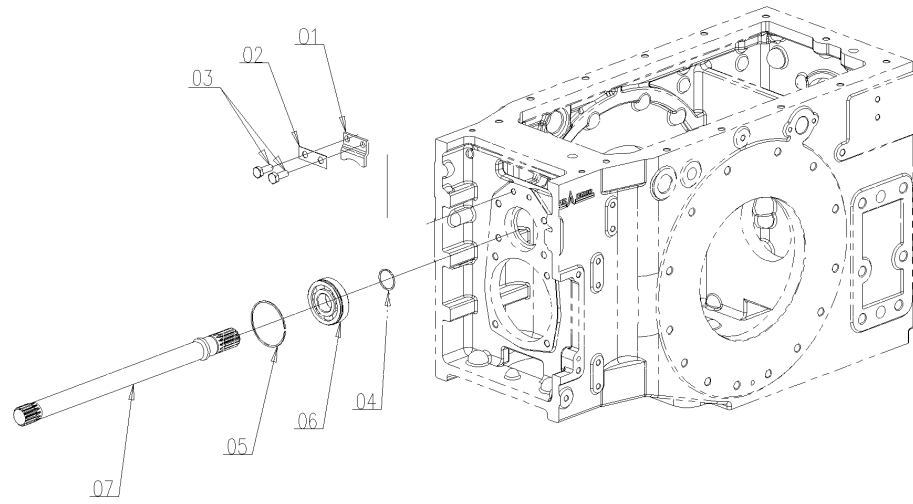
### 9.DI535.01.0\_3 差速器总成DIFFERENTIAL ASS.Y

序号	零件编号	零件名称	数量	图号
1	2.1475.004.2	圆柱垫片 CONICAL WASHERS M12	8	2.1475.004.2
2	2.1475.005.7	圆柱垫片 CONICAL WASHERS M14	8	2.1475.005.7
3	A23.38.001.0	齿轮垫片 DIFF. GEAR SPACER	2	A23.38.001.0
4	A23.38.002.0	行星齿轮垫片 PLANETARY GEAR	4	A23.38.002.0
5	GBT297-30216	轴承 BEARING	1	GBT297-30216
6	GBT297-32217	轴承 BEARING	1	GBT297-32217
7	GBT5783-M12X30-10.9-	螺栓 BOLT	8	GBT5783-M12X30-10.9-A3L
8	GBT6171-M14X1.5-10-A3L	螺母 NUT	8	GBT6171-M14X1.5-10-A3L
9	LE1204.38.119	大行星齿轮 BIG EPICYCLIC GEAR	1	LE1204.38.119
10	LE1204.38.120/10	行星齿轮轴止动螺钉 EPICYCLIC	4	LE1204.38.120/10
11	LE1204.38.121	大锥齿轮固定螺栓 BIG BEVEL GEAR	4	LE1204.38.121
12	LE1204.38.122	差速器壳体 DEFFERENTIAL BOX	1	LE1204.38.122
13	SH900.38.142	差速器盖 DIFFERENTIAL COVER	1	SH900.38.142
14	SH900.38.144	半轴齿轮 SEMI SHAFT GEAR	2	SH900.38.144
15	SH900.38.145/20	短行星齿轮轴 SHORT PLANET GEAR	2	SH900.38.145/20
16	SH900.38.148/10	最终传动行星齿轮 PLANET GEAR	4	SH900.38.148/10
17	SH900.38.153/10	最终传动行星轮轴 PLANET GEAR	1	SH900.38.153/10
18	SH900.38.154	中心环 CENTER RING	1	SH900.38.154

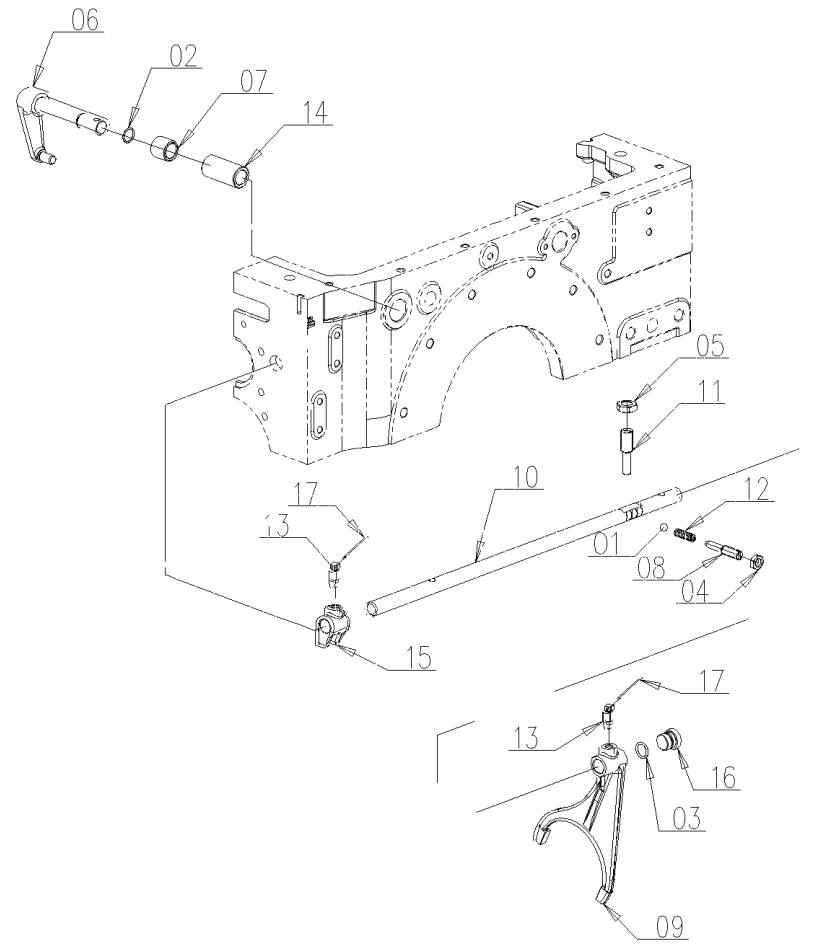
### 9.DI535.02.0\_1 PTO中段轴总成PTO MIDDLE SHAFT SUBASSEMBLY

序号	零件编号	零件名称	数量	图号
1	SH900.38.120	板 PLATE	1	SH900.38.120
2	SH900.38.119	压板锁片 CLAMP PLATE	1	SH900.38.119
3	GBT5783-M10X25-A3L	螺栓 BOLT	2	GBT5783-M10X25-A3L
4	GBT895.2-30	弹性挡圈 CIRCLIP	1	GBT895.2-30
5	GBT305-72/74.8	卡环 SNAP RING	1	GBT305-72/74.8
6	GBT276-6306N	轴承 BEARING	1	GBT276-6306N
7	DF1204.38.101/10	PTO中轴 MIDDLE SHAFT FOR PTO	1	DF1204.38.101/10

9.DI535.02.0 PTO MIDDLE SHAFT SUBASSEMBLY



## 9.DI536.00.0 FORK ASSEMBLY

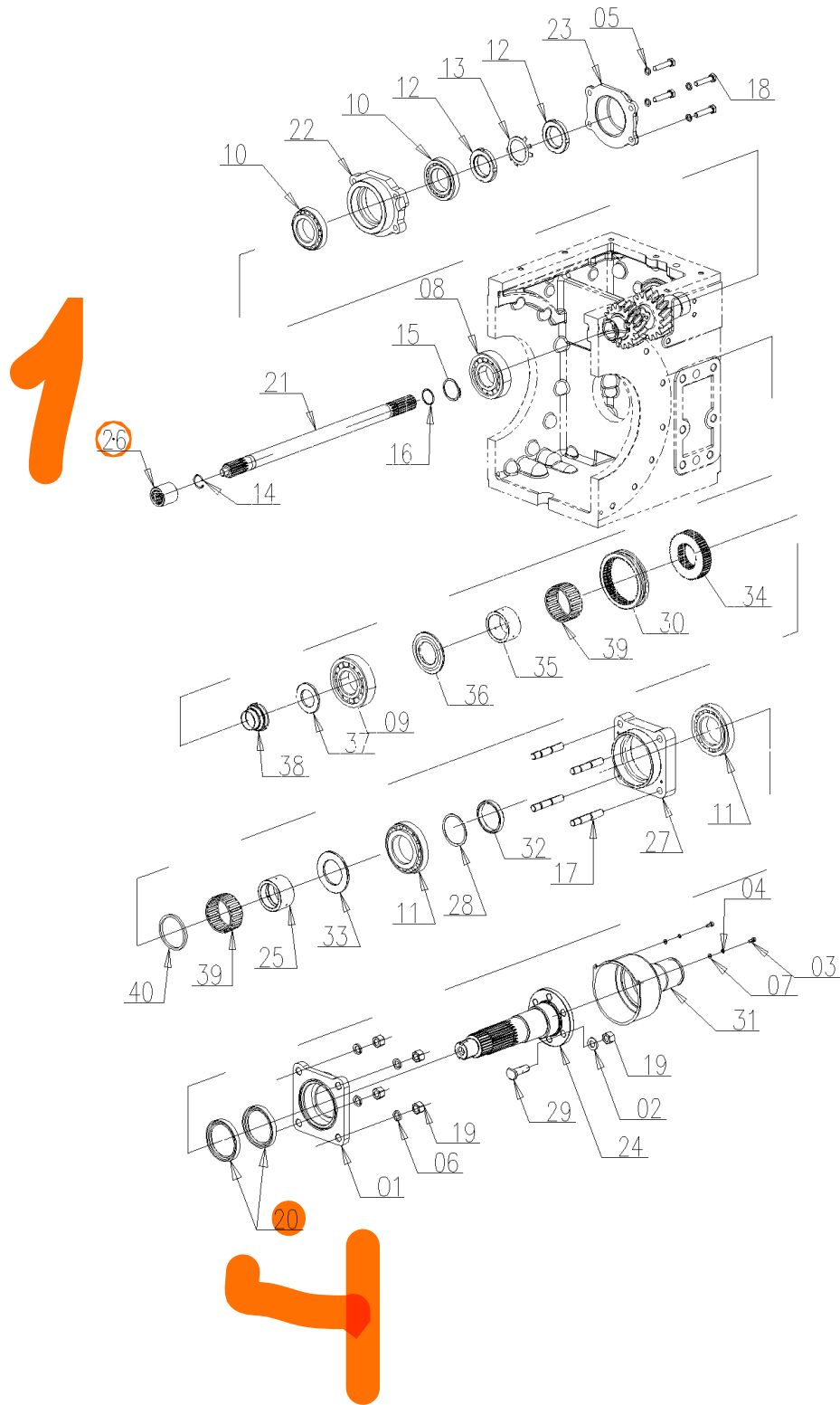


## 9.DI536.00.0\_1 动力输出拨叉总成POWER TAKE-OFF FORK ASS.Y

序号	零件编号	零件名称	数量	图号
1	GBT308-10-G100-b	球 BALL	1	GBT308-10-G100-b
2	GBT3452.1-17X1.8-G	O形密封圈 O RING	1	GBT3452.1-17X1.8-G
3	GBT3452.1-17X2.65-G	O形密封圈 O RING	1	GBT3452.1-17X2.65-G
4	GBT6172.1-M12-A3L	螺母 NUT	1	GBT6172.1-M12-A3L
5	GBT6172.1-M16-A3L	螺母 NUT	1	GBT6172.1-M16-A3L
6	LE1204.41.011-1	内摇臂焊接 PTO INNER ROCKER	1	LE1204.41.011-1
7	LE1204.41.102-1	套筒 SLEEVE	1	LE1204.41.102-1
8	LE1204.41.103	开槽锥端紧定螺钉 SLOTTED FIXED	1	LE1204.41.103
9	LE1204.41.118	高低拨叉 HIGH-LOW SHIFT FORK	1	LE1204.41.118
10	LE1204.41.119	挂档叉轴 SHIFT FORK SHAFT	1	LE1204.41.119
11	LE1204.41.120	拨叉轴限位螺钉 SHIFT FORK SHAFT	1	LE1204.41.120
12	SH900.37.135A	定位弹簧 POSITIONING SPRING	1	SH900.37.135A
13	SH900.38.110	紧定螺钉 SET SCREW	2	SH900.38.110
14	SH900.41.104	套管 BUSHING	1	SH900.41.104
15	SH900.41.127	拨头 STRICKER	1	SH900.41.127
16	SH900.41.131	塞子 PLUG	1	SH900.41.131
17	YBT5294-SZ-F-1.4	低碳钢丝网 LOW CARBON STEEL	2	YBT5294-SZ-F-1.4



### 9.DI536.01.0 ACCESSORY ASS.LY



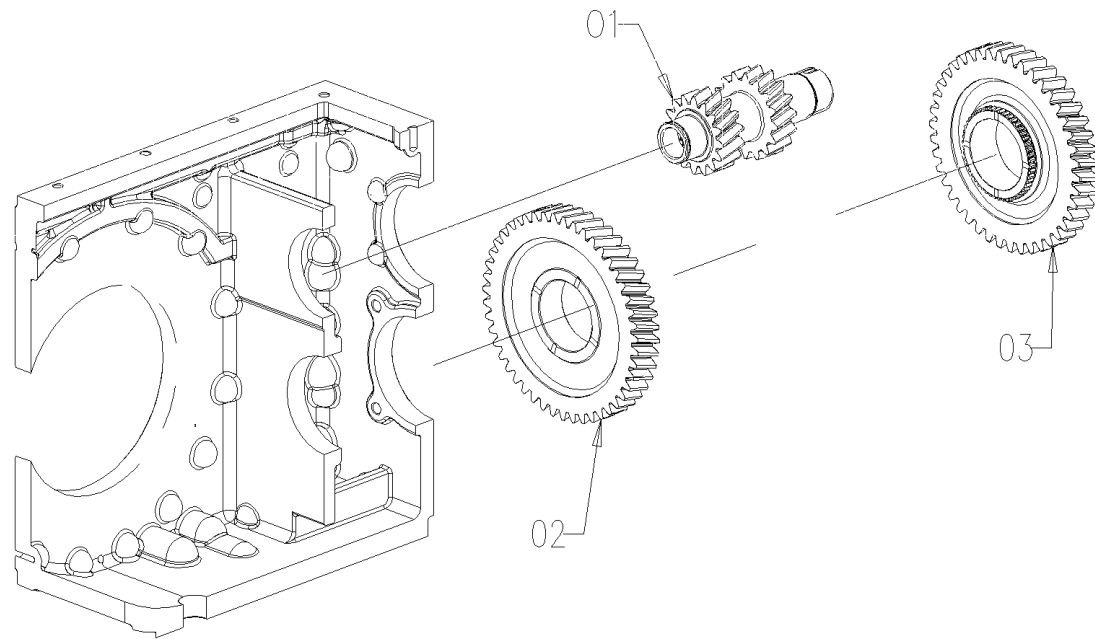
### 9.DI536.01.0\_3 动力输出附件总成POWER TAKE-OFF ATTACHMENT ASS.Y

序号	零件编号	零件名称	数量	图号
1	0.027.4227.0	输出端盖 OUTPUT END COVER	1	0.027.4227.0
2	2.1475.005.7	圆柱垫片 CONICAL WASHERS M14	6	2.1475.005.7
3	GBT818-M5X12-A2L	螺丝钉 SCREW	2	GBT818-M5X12-A2L
4	GBT93-5-A3L	垫圈 WASHER	2	GBT93-5-A3L
5	GBT93-10-A3L	垫圈 WASHER	4	GBT93-10-A3L
6	GBT93-14-A3L	垫圈 WASHER	4	GBT93-14-A3L
7	GBT97.1-5-A3L	垫圈 WASHER	2	GBT97.1-5-A3L
8	GBT283-NUP309E	轴承 BEARING	1	GBT283-NUP309E
9	GBT283-NUP310E	轴承 BEARING	1	GBT283-NUP310E
10	GBT297-30210	轴承 BEARING	2	GBT297-30210
11	GBT297-30212	轴承 BEARING	2	GBT297-30212
12	GBT812-M48X1.5	圆螺母 ROUND NUT	2	GBT812-M48X1.5
13	GBT858-48	圆螺母用六角垫圈 TAB WASHER FOR	1	GBT858-48
14	GBT893.1-28	弹性挡圈 CIRCLIP	1	GBT893.1-28
15	GBT894.1-45	弹性挡圈 CIRCLIP	1	GBT894.1-45
16	GBT895.2-30	弹性挡圈 CIRCLIP	1	GBT895.2-30
17	GBT898-AM14X1.5X65-	螺柱 STUD	4	GBT898-AM14X1.5X65-A3L
18	GBT5783-M10X45-A3L	螺栓 BOLT	4	GBT5783-M10X45-A3L
19	GBT6176-M14X1.5-10-A3L	螺母 NUT	10	GBT6176-M14X1.5-10-A3L
20	GBT13871.1-FB-070090-D	油封 OIL SEAL	2	GBT13871.1-FB-070090-D
21	LE1204.41.105/10	动力输出轴传动轴 PTO DRIVE SHAFT	1	LE1204.41.105/10
22	LE1204.41.107/10	输出主动轴承座 OUT DRIVE	1	LE1204.41.107/10
23	LE1204.41.108/10	输出主动端盖 OUT COVER	1	LE1204.41.108/10
24	LE1204.41.111/10	齿轮轴 GEAR SHAFT	1	LE1204.41.111/10
25	LE1204.41.114/10	套筒 SLEEVE	1	LE1204.41.114/10
26	SH900.41.105	连接套筒 PTO CONNECTING SLEEVE	1	SH900.41.105
27	SH900.41.110	轴承座 BEARING SEAT	1	SH900.41.110
28	SH900.41.111	调整垫 ADJUSTING PAD	1	SH900.41.111
29	SH900.41.113	半圆头螺栓 BOLTS	6	SH900.41.113
30	SH900.37.111	齿轮啮合套 GEAR	1	SH900.37.111
31	SH900.41.117/10	PTO保护套 PTO PROTECTIVE SLEEVE	1	SH900.41.117/10
32	SH900.41.118	套筒 SLEEVE	1	SH900.41.118
33	SH900.41.119	花键套 RING	1	SH900.41.119
34	SH900.41.121	变速啮合齿轮 GEAR MESHING GEAR	1	SH900.41.121
35	SH900.41.122	滚针隔套 NEEDLE SLEEVE	1	SH900.41.122
36	SH900.41.124	花键套 RING	1	SH900.41.124
37	SH900.41.125	垫圈 WASHER	1	SH900.41.125
38	SH900.41.126	锁紧螺母 LOCK NUT	1	SH900.41.126
39	JBT7918-K68X78X34	轴承 BEARING	2	JBT7918-K68X78X34
40	LE1204.41.115	滚针轴承挡圈 NEEDLE BEARING	1	LE1204.41.115

# 9.DI536.02.0 GEAR ASSEMBLY

## 9.DI536.02.0\_2 动力输出齿轮(760/850)Power take-off gear (760/850)

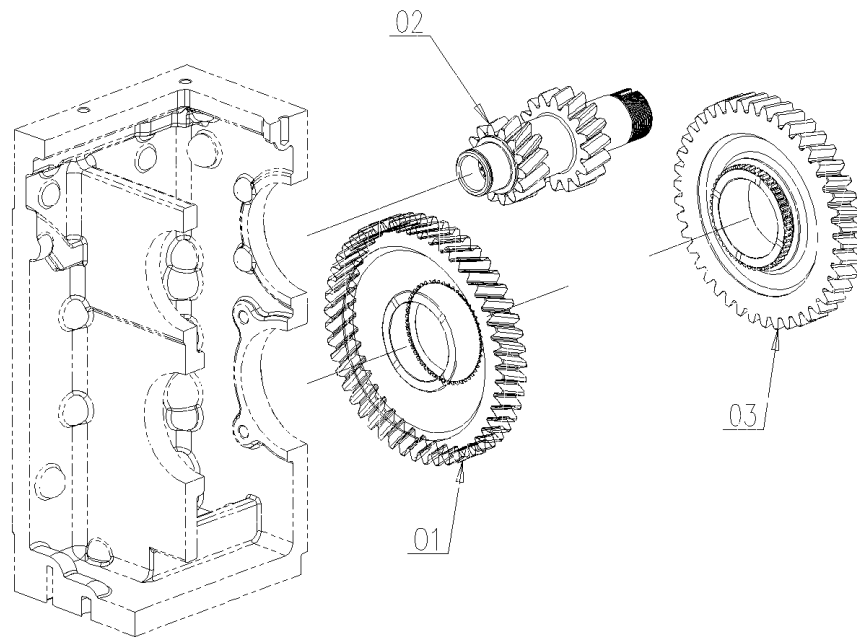
序号	零件编号	零件名称	数量	图号
1	A31.41.002.0	主动齿轮 DRIVING GEAR	1	A31.41.002.0
2	A31.41.003.0	副变速齿轮 LOW SHIFT RANGE GEAR	1	A31.41.003.0
3	LE1204.41D.113	高档被动齿轮 High grade passive gear	1	LE1204.41D.113



## 9.DI536.03.0 GEAR ASSEMBLY

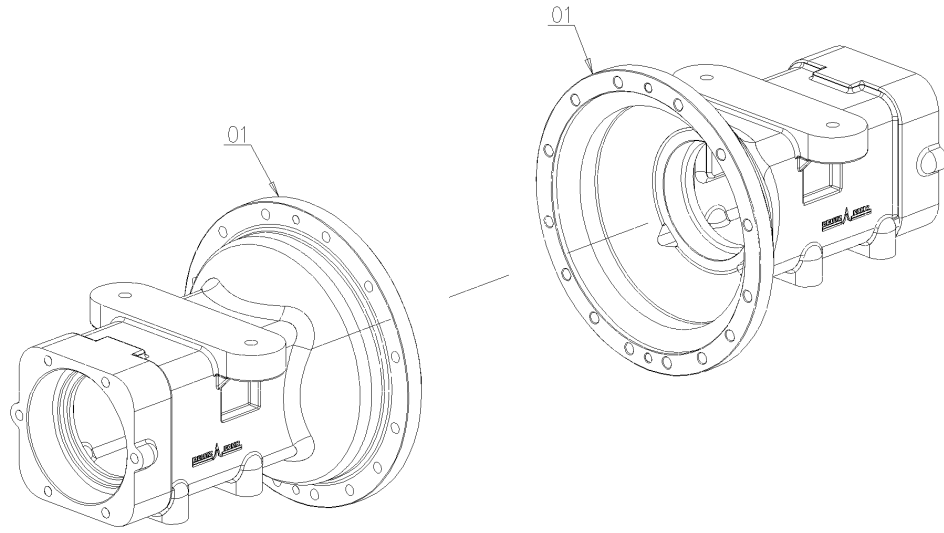
### 9.DI536.03.0\_0 动力输出齿轮(540/760)Power output gear (540/760)

序号	零件编号	零件名称	数量	图号
1	LE1204.41.117	副变速齿轮 LOW SHIFT RANGE GEAR	1	LE1204.41.117
2	LE1204.41D.106	输出主动齿轮 OUT DRIVE GEAR	1	LE1204.41D.106
3	LE1204.41D.113	高档被动齿轮 High grade passive gear	1	LE1204.41D.113

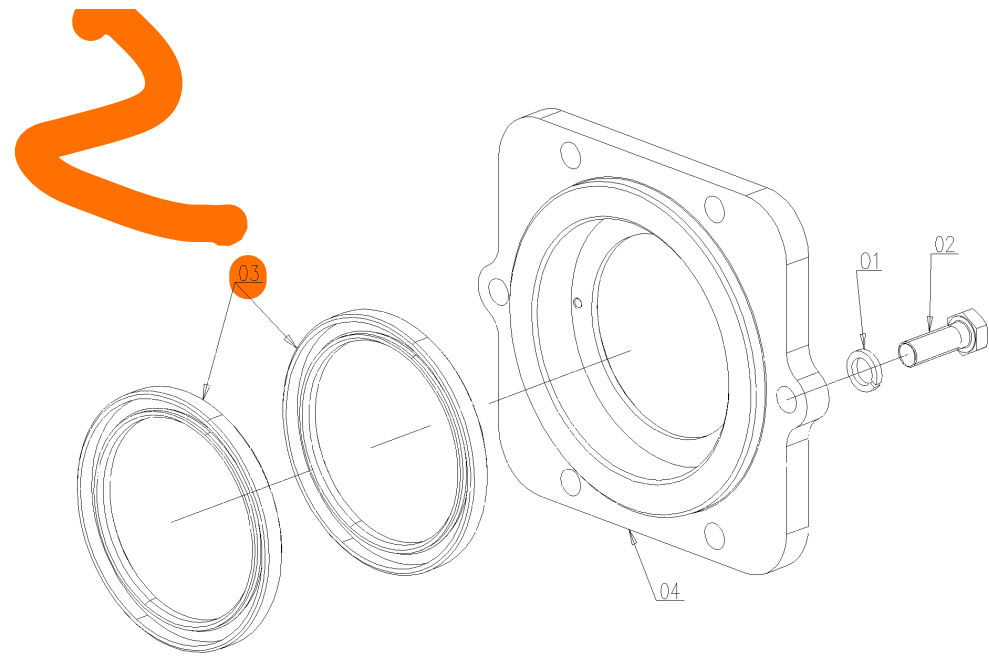


### 9.DI544.00.0\_0 最终传动壳体总成Final drive housing assemblies ASS.Y

序号	零件编号	零件名称	数量	图号
1	LE1204.39.101/20	最终传动壳体 FINAL DRIVE	2	LE1204.39.101/20



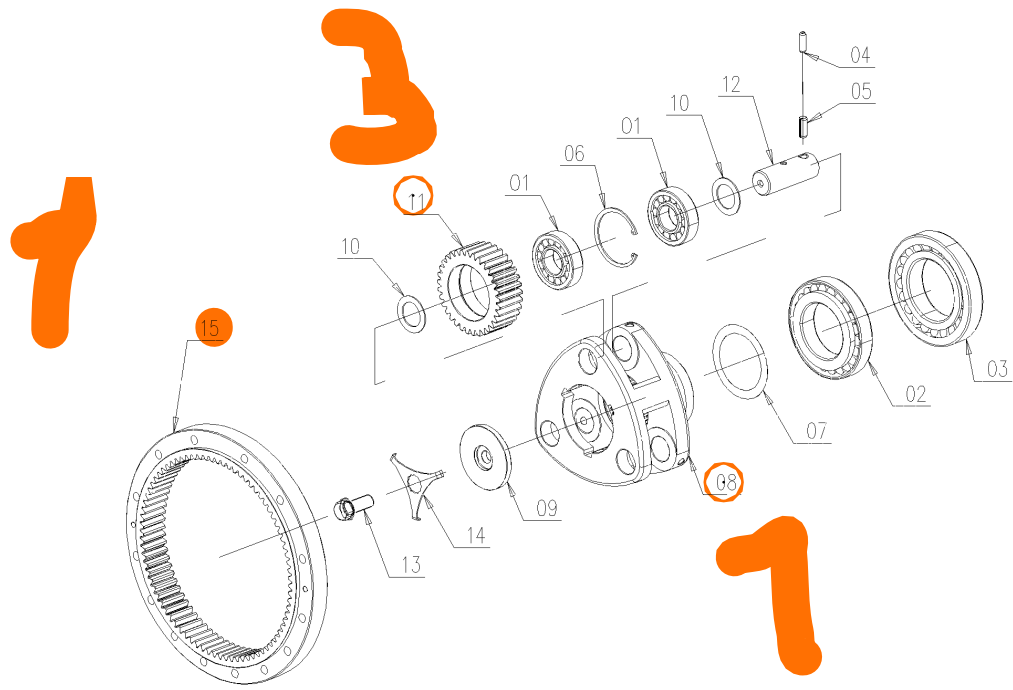
9.DI544.00.0 REAR AXLE HOUSING ASS.LY



### 9.DI545.00.0\_1 端盖总成End cap assembly

序号	零件编号	零件名称	数量	图号
1	GBT93-14-A3L	垫圈 WASHER	12	GBT93-14-A3L
2	GBT5783-M14X40-A3L	螺栓 BOLT	12	GBT5783-M14X40-A3L
3	GBT13871.1-FB-110140-D	油封 OIL SEAL	4	GBT13871.1-FB-110140-D
4	LE1204.39.103/10	油密封阀座 OIL SEALING SEAT	2	LE1204.39.103/10

9.DI545.00.0 COVER ASS.LY



9.DI547.00.0 PLANET GEARS ASS.LY

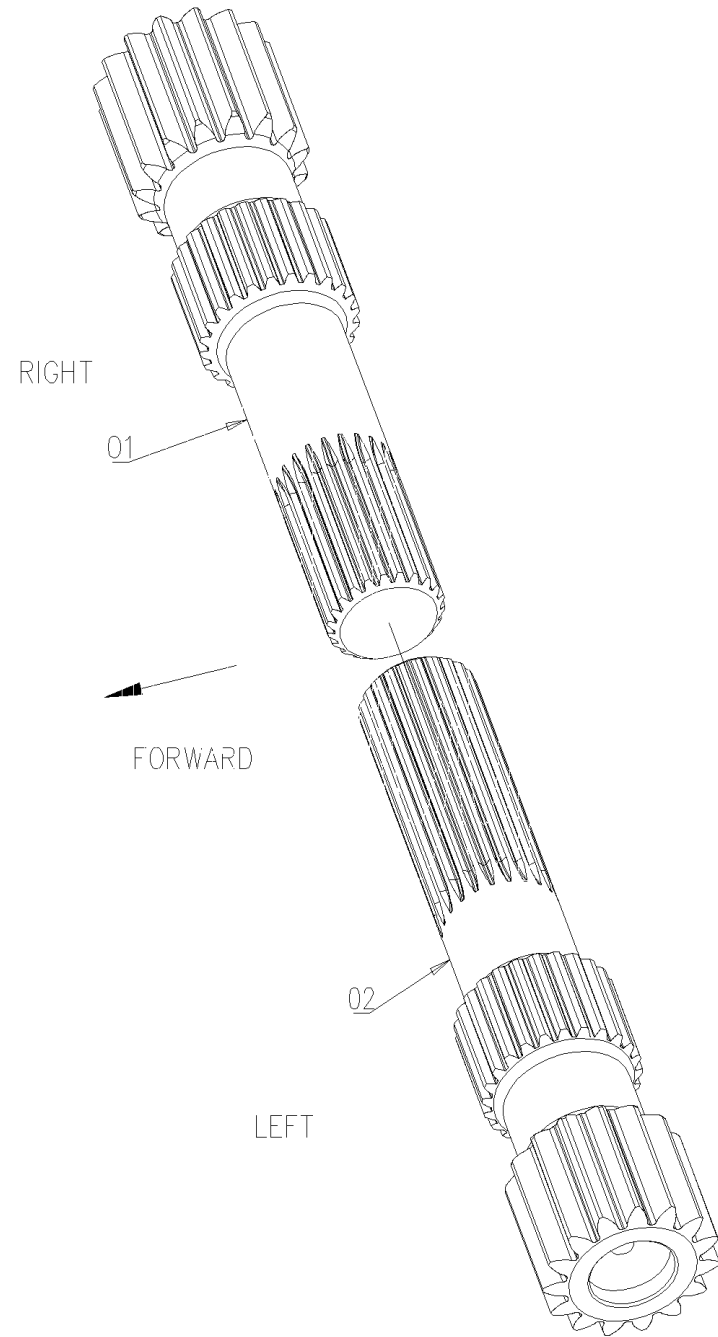
### 9.DI547.00.0\_1 最终传动行星齿轮总成Final drive planetary gear assembly

序号	零件编号	零件名称	数量	图号
1	GBT283-NJ308E	轴承 BEARING	12	GBT283-NJ308E
2	GBT297-30218	轴承 BEARING	2	GBT297-30218
3	GBT297-30220	轴承 BEARING	2	GBT297-30220
4	GBT879.1-10X32	销 PIN	6	GBT879.1-10X32
5	GBT879.2-12X32	销 PIN	6	GBT879.2-12X32
6	GBT893.1-90	孔用弹性挡圈 CIRCLIP FOR HOLE	6	GBT893.1-90
7	LE1204.39.105/106/107	调整垫圈 ADJUST WASHER	0	LE1204.39.105/106/107
8	LE1204.39.109	最终传动行星架 <b>FINAL DRIVE</b>	2	LE1204.39.109
9	LE1204.39.110/10	最终驱动行星支撑 FINAL DRIVE	2	LE1204.39.110/10
10	LE1204.39.111	最终驱动行星齿轮套筒 FINAL DRIVE	12	LE1204.39.111
11	LE1204.39.113	最终驱动行星齿轮 FINAL DRIVE	6	LE1204.39.113
12	LE1204.39.114	最终驱动行星齿轮轴 FINAL DRIVE	6	LE1204.39.114
13	LE1204.39.115/10	固定螺栓 PLANT CARRIER FIXED	2	LE1204.39.115/10
14	LE1204.39.116	传动轴固定螺栓锁板 DRIVE SHAFT	2	LE1204.39.116
15	LE1204.39.117	最终传动齿圈 FINAL DRIVE GEAR	2	LE1204.39.117

### 9.DI547.01.0 SUN GEARS ASS.LY

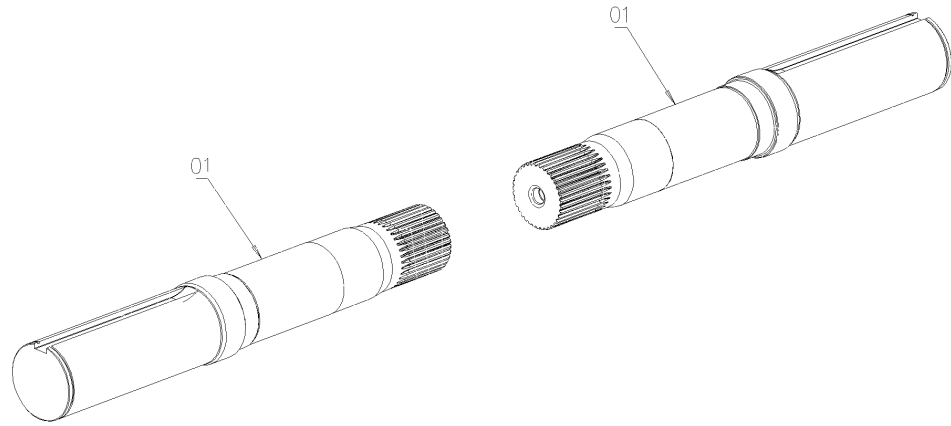
### 9.DI547.01.0\_0 最终传动太阳轮总成Final Drive Sun Wheel Assembly

序号	零件编号	零件名称	数量	图号
1	LE1204.39.119	右最终传动半轴 RIGHT SEMI-SHAFT	1	LE1204.39.119
2	LE1204.39.118	左最终传动半轴 LEFT SEMI-SHAFT	1	LE1204.39.118



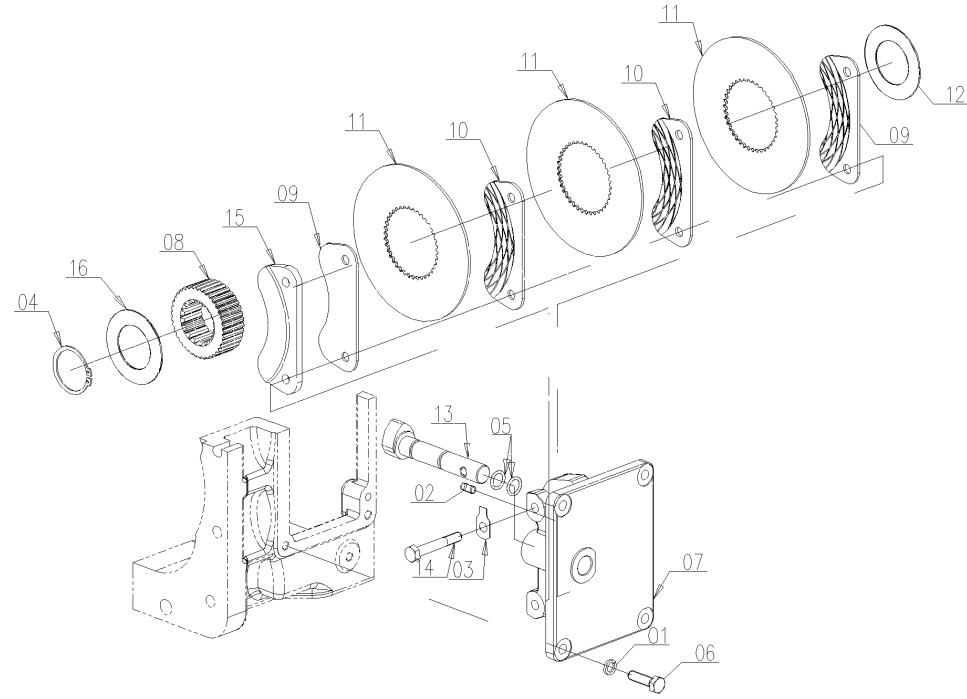
### 9.DI547.02.0\_1 驱动轴总成 Driveshaft assembly

序号	零件编号	零件名称	数量	图号
1	LE1204.39.102/10	驱动轴 DRIVE SHAFT A	2	LE1204.39.102/10



9.DI547.02.0 DRIVING SHAFT ASS.LY



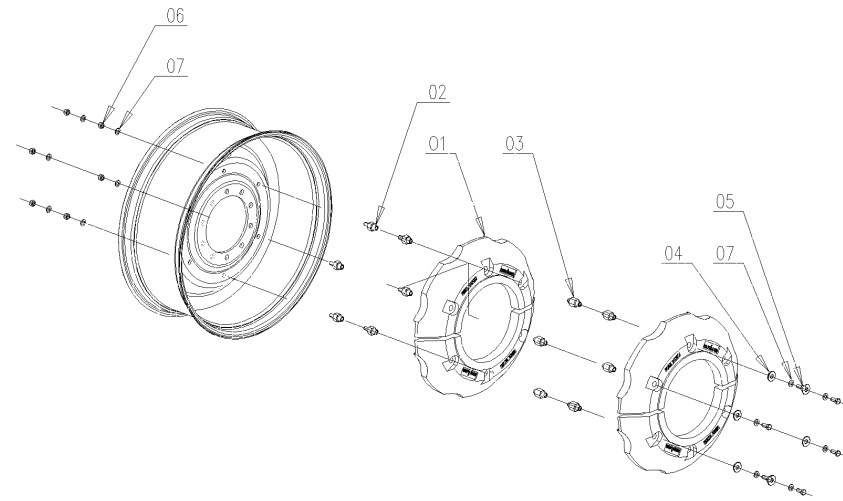


9.DI554.01.0 BRAKE ASS.LY

### 9.DI554.01.0\_0 驻车制动总成 Parking brake assembly

序号	零件编号	零件名称	数量	图号
1	GBT93-10-A3L	垫圈 WASHER	4	GBT93-10-A3L
2	GBT119.1-8m6X16	销 PIN	2	GBT119.1-8m6X16
3	GBT854-10	垫圈 WASHER	2	GBT854-10
4	GBT894.1-48	轴用弹性挡圈 CIRCLIPS FOR SHAFT	1	GBT894.1-48
5	GBT3452.1-15X2.65-G	O形圈 O RING	2	GBT3452.1-15X2.65-G
6	GBT5783-M10X35-A3L	螺栓 BOLT	4	GBT5783-M10X35-A3L
7	LE1204.43.105	手刹盖座 HAND BRAKEING COVER	1	LE1204.43.105
8	LE1204.43.112	花键套轮 SPLINE SLEEVE WHEEL	1	LE1204.43.112
9	SH900.43.023	摩擦件 FRICTION PIECE	2	SH900.43.023
10	SH900.43.024	中间摩擦块 INTERMEDIATE	2	SH900.43.024
11	SH900.43.141	花键孔钢薄片 STEEL SHEET	3	SH900.43.141
12	SH900.43.142	调整垫圈 ADJUSTING WASHER	0	SH900.43.142
13	SH900.43.169	制动凸轮轴 BRAKE CAM SHAFT	1	SH900.43.169
14	SH900.43.194	螺栓 BOLT	2	SH900.43.194
15	SH900.43.131	板 PLATE	1	SH900.43.131
16	SH900.43.143	调整垫圈 ADJUSTING WASHER	0	SH900.43.143

9.DI555.90.0\_1 后配重总成 (2层, 共计480 kg) Rear counterweight assembly (2 layers, total 480 kg)

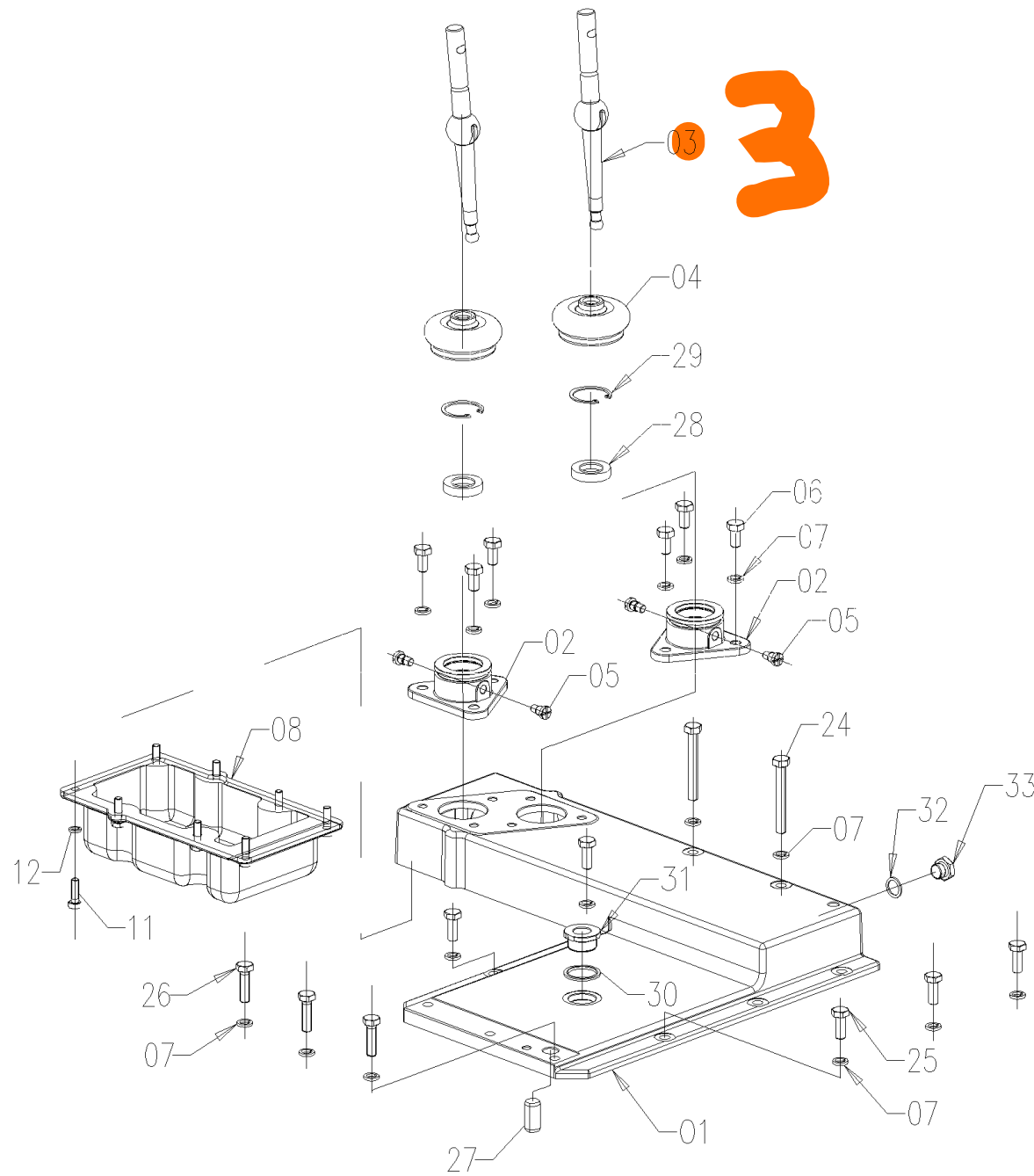


9.DI555.90.0 REAR BALLAST 480 KG - 6 CYL -

序号	零件编号	零件名称	数量	图号
1	0.023.9126.0/10	后配重 REAR BALLAST 60 KG - 6 CYL	8	0.023.9126.0/10
2	0.023.9176.0	立柱隔离器 COLUMN SPACER	12	0.023.9176.0
3	0.023.9177.0	立柱隔离器 COLUMN SPACER	12	0.023.9177.0
4	0.023.9179.0	专用垫圈 SPECIAL WASHER	12	0.023.9179.0
5	2.0113.613.2	螺栓M16x35 BOLT M16x35	12	2.0113.613.2
6	2.1012.109.2	六角螺母 M16x2 HEX NUT M16x2	12	2.1012.109.2
7	2.1475.206.2	垫圈 WASHER	24	2.1475.206.2

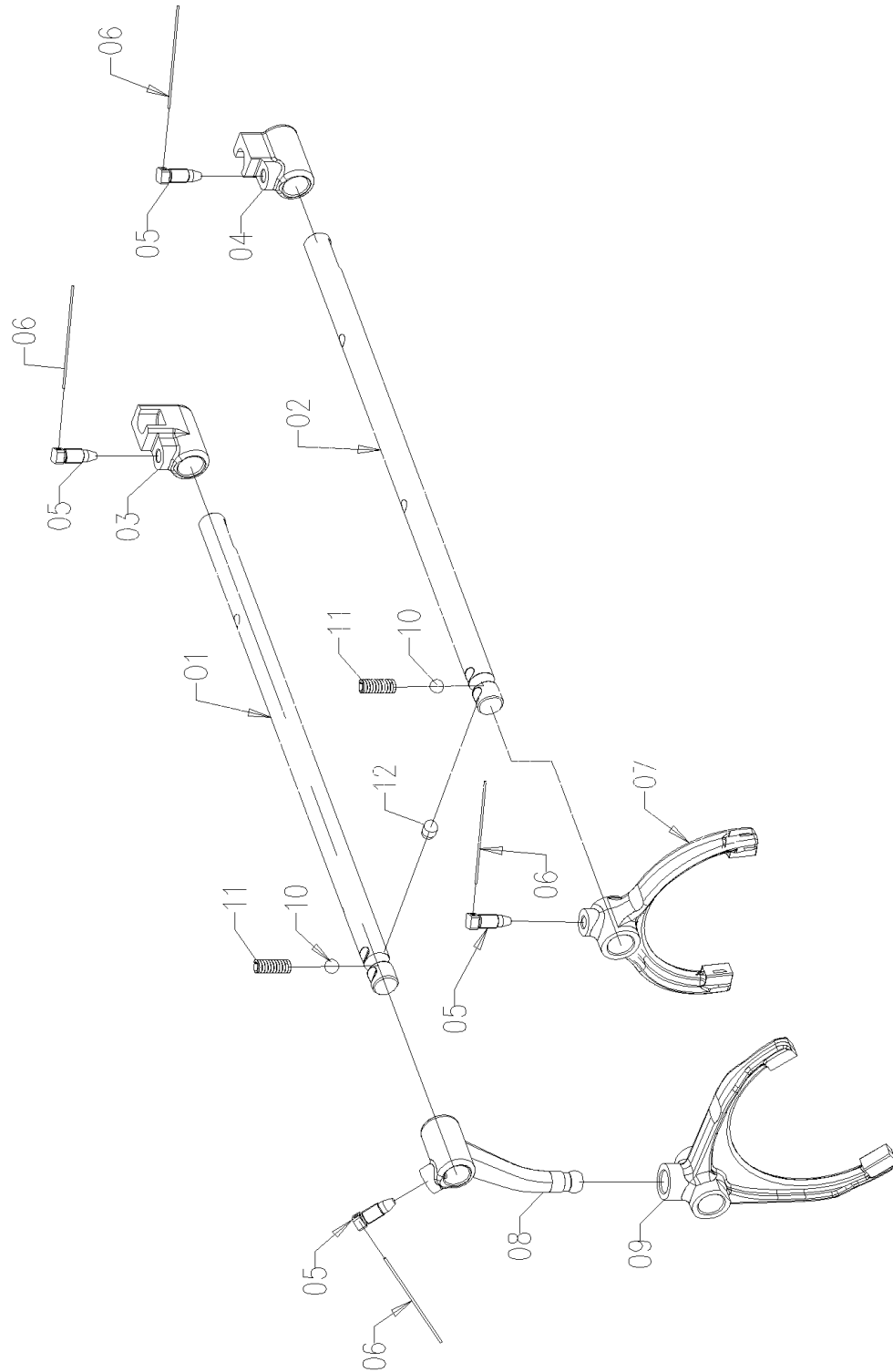
# 9.DI564.00.0 GEAR BOX COVER SUBASS.LY

## 9.DI564.00.0\_1 上盖总成 Upper cover assembly



序号	零件编号	零件名称	数量	图号
1	B29.37.001.0/10	变速箱盖 GEARBOX COVER	1	B29.37.001.0/10
2	SH900.37.175	操纵杆支座 JOYSTICK SUPPORT	2	SH900.37.175
3	DF904.37.214/10	变速杆 SHIFT LEVER	2	DF904.37.214/10
4	SH900.37.174	防尘套 DUST SLEEVE	2	SH900.37.174
5	SH900.37.203	定位螺栓 POSITIONING BOLT	4	SH900.37.203
6	GBT5783-M10X20-A3L	螺栓 BOLT	6	GBT5783-M10X20-A3L
7	GBT93-10-A3L	垫圈 WASHER	16	GBT93-10-A3L
8	SH900.37.177	盖 COVER	1	SH900.37.177
9	SH900.37.182/10	变速杆操纵拨叉 SHIFT LEVER	2	SH900.37.182/10
10	QCT388-24	塞块 PLUG PIECE	2	QCT388-24
11	GBT5783-M8X25-A2L	螺栓 BOLT	8	GBT5783-M8X25-A2L
12	GBT93-8-A3L	垫圈 WASHER	8	GBT93-8-A3L
13	SH900.37.183-1	副变速操纵传递杆 range shift operationg	1	SH900.37.183-1
14	SH900.37.184-1	主变速操纵传递杆 main shift operationg	1	SH900.37.184-1
15	SH900.37.181	压簧 PRESSURE SPRING	2	SH900.37.181
16	GBT879.1-8X32	销 PIN	4	GBT879.1-8X32
17	GBT879.1-5X32	销 PIN	4	GBT879.1-5X32
18	GBT879.1-5X30	销 PIN	3	GBT879.1-5X30
19	GBT879.1-3X30	销 PIN	3	GBT879.1-3X30
20	SH900.37.185	套筒 SLEEVE	1	SH900.37.185
21	GBT3452.1-17X2.65-G	O形密封圈 O RING	2	GBT3452.1-17X2.65-G
22	SH900.37.180	拨叉头 Fork head	1	SH900.37.180
23	DF904.37.212	内操纵拨头 VARIABLE SPEED DIAL	1	DF904.37.212
24	GBT5783-M10X75-A3L	螺栓 BOLT	2	GBT5783-M10X75-A3L
25	GBT5783-M10X25-A3L	螺栓 BOLT	5	GBT5783-M10X25-A3L
26	GBT5783-M10X35-A3L	螺栓 BOLT	3	GBT5783-M10X35-A3L
27	GBT119.1-16m6X32	销 PIN	2	GBT119.1-16m6X32
28	SH900.37.191	盖 COVER	2	SH900.37.191
29	GBT893.1-40	弹性挡圈 CIRCLIP	2	GBT893.1-40
30	JBT982-30	密封环 SEALING RINGS	1	JBT982-30
31	A24.37.003.0	衬套 LINING	1	A24.37.003.0
32	2.1560.012.0	密封圈 SEALING RING	1	2.1560.012.0
33	2.3110.404.2	螺母保护帽 TAPPO M16X1.5	1	2.3110.404.2

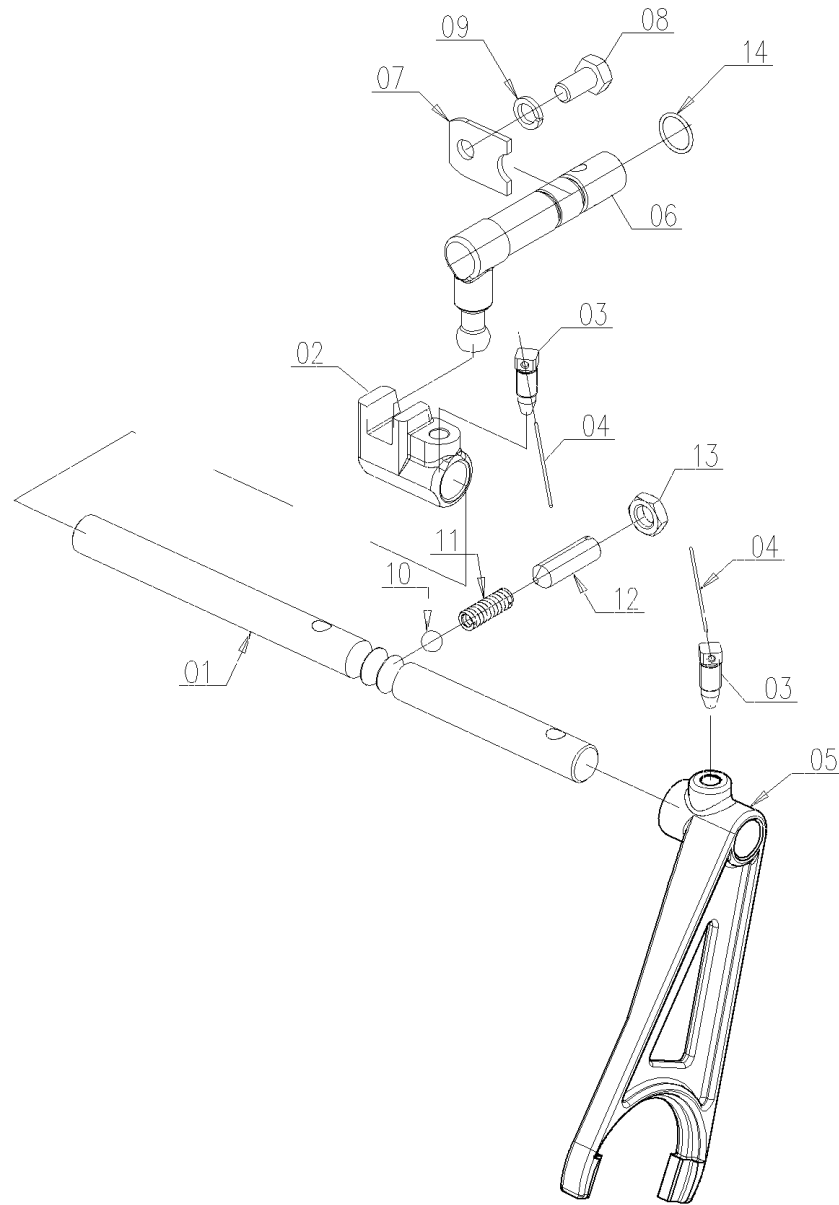
9.DI564.01.0 MAIN SHIFTING SUBASS.LY



9.DI564.01.0\_3 主变速拨叉总成 (16F+8R 同步器换挡) Main gearshift fork assembly (16F+8R synchro shift)

序号	零件编号	零件名称	数量	图号
1	C35.37.013.0	挂档叉轴 SHIFT FORK SHAFT	1	C35.37.013.0
2	DF904.37.207	- 档拨叉轴 THIRD-FOURTH	1	DF904.37.207
3	SH900.37.166	- 档拨头 GEAR SHIFTING HEAD	1	SH900.37.166
4	SH900.37.167	- 档拨头 GEAR SHIFTING HEAD	1	SH900.37.167
5	SH900.38.110	紧定螺钉 SET SCREW	4	SH900.38.110
6	YBT5294-SZ-F-1.4	低碳钢丝网 LOW CARBON STEEL	4	YBT5294-SZ-F-1.4
7	A31.37.028.0	拨叉 FORK	1	A31.37.028.0
8	SH900.37.160	、 档变速杆 、 GEAR LEVER	1	SH900.37.160
9	C35.37.007.0	拨叉 FORK	1	C35.37.007.0
10	GBT308-10-G100-b	球 BALL	2	GBT308-10-G100-b
11	SH900.37.135A	定位弹簧 POSITIONING SPRING	2	SH900.37.135A
12	SH900.37.159	互锁销 INTERLOCK PIN	1	SH900.37.159

### 9.DI564.02.0 H-L SHIFTING ASS.LY



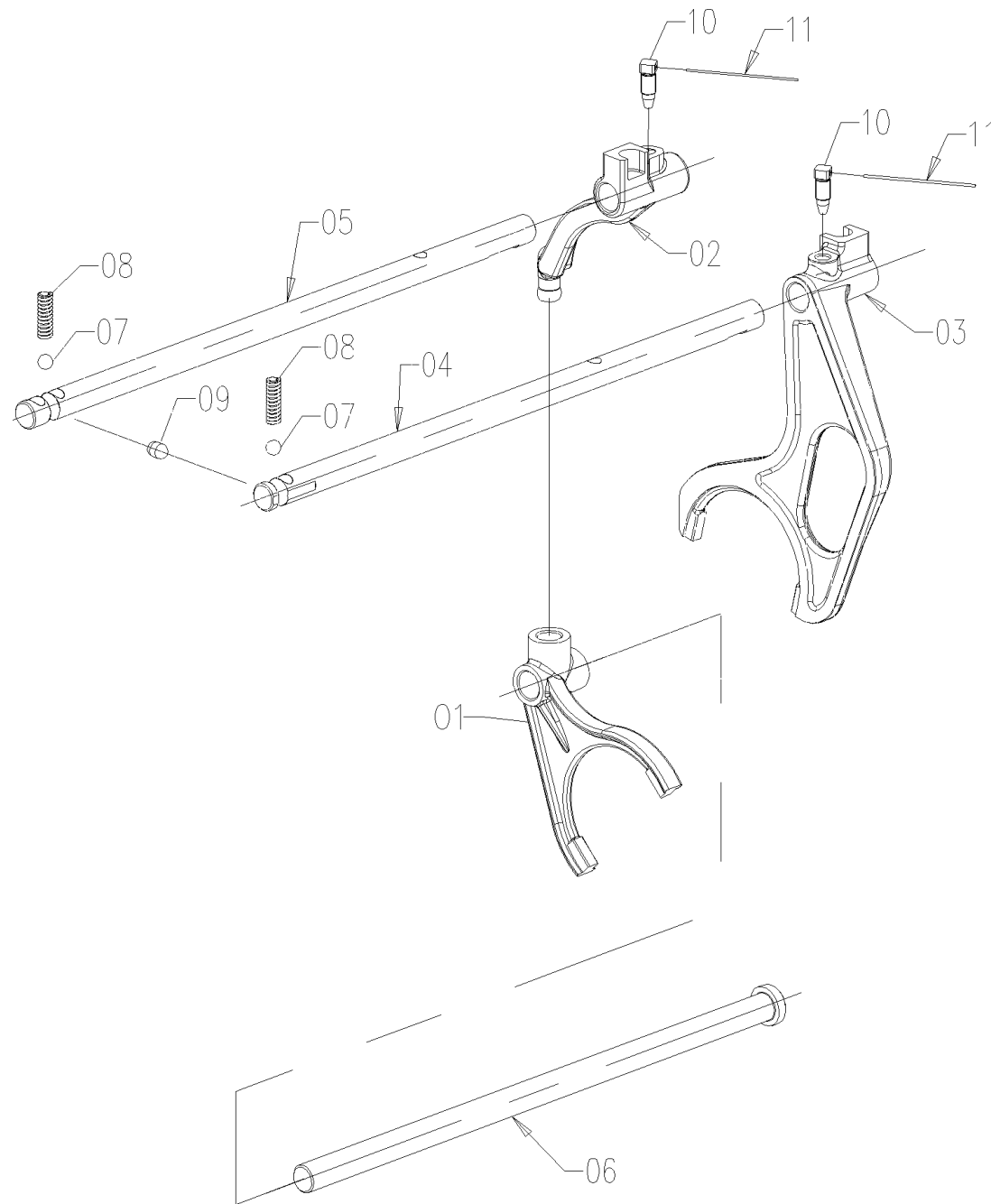
### 9.DI564.02.0\_1 H-L拨叉总成H-L fork assembly

序号	零件编号	零件名称	数量	图号
1	DF904.37.213	爬行档拨叉轴 CRAWL FORK SHAFT	1	DF904.37.213
2	SH900.37.115	爬行档拨头 CRAWLING GEAR	1	SH900.37.115
3	SH900.38.110	紧定螺钉 SET SCREW	2	SH900.38.110
4	YBT5294-SZ-F-1.4	低碳钢丝网 LOW CARBON STEEL	0	YBT5294-SZ-F-1.4
5	SH900.37.118-1	爬行档拨叉 CRAWLING GEAR	1	SH900.37.118-1
6	SH900.37.137	爬行档摇臂 CRAWLING GEAR	1	SH900.37.137
7	SH900.37.119	锁片II LOCK II	1	SH900.37.119
8	GBT5783-M10X20-A3L	螺栓 BOLT	1	GBT5783-M10X20-A3L
9	GBT93-10-A3L	垫圈 WASHER	1	GBT93-10-A3L
10	GBT308-10-G100-b	球 BALL	1	GBT308-10-G100-b
11	SH900.37.135A	定位弹簧 POSITIONING SPRING	1	SH900.37.135A
12	GBT71-M12X40-A3L	螺钉 SCREW	1	GBT71-M12X40-A3L
13	GBT6172.1-M12-A3L	螺母 NUT	1	GBT6172.1-M12-A3L
14	GBT3452.1-17X1.8-G	O形密封圈 O RING	1	GBT3452.1-17X1.8-G

9.DI564.08.0 RANGE GEARS CONTROL ASS.Y

9.DI564.08.0\_2 副变速拨叉总成 (16F+8R 普通档) Sub-shift fork assembly (16F+8R normal gear)

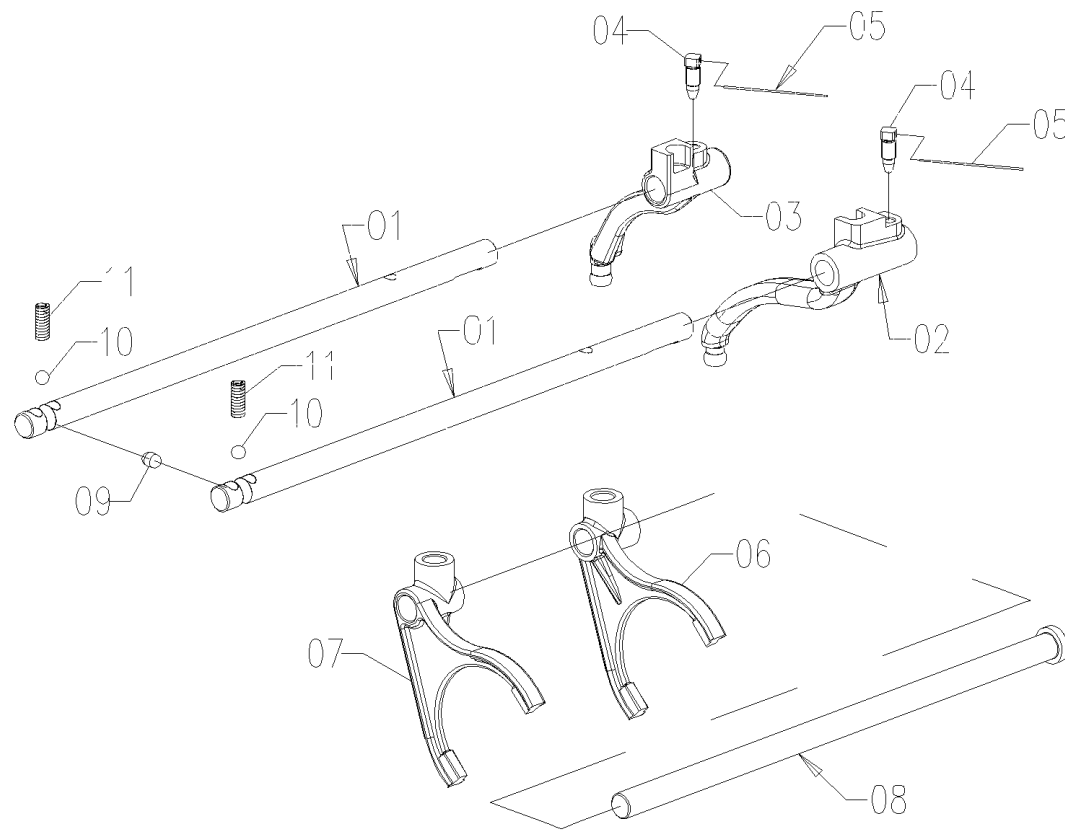
序号	零件编号	零件名称	数量	图号
1	0.028.8704.0/10	L-R档拨叉 L-R FORK	1	0.028.8704.0/10
2	0.029.7686.0	拨头 SHIFING BLOCK	1	0.029.7686.0
3	DF904.37.204/10	速度拨叉 H SPEED SHIFT FORK	1	DF904.37.204/10
4	DF904.37.208	档拨叉轴 H FORK SHAFT	1	DF904.37.208
5	DF904.37.209	L-R档拨叉轴 L-R FORK SHAFT	1	DF904.37.209
6	DF904.37.210/10	叉轴 FORK SHAFT	1	DF904.37.210/10
7	GBT308-10G100b	钢球 STEEL BALL	2	GBT308-10G100b
8	SH900.37.135A	定位弹簧 POSITIONING SPRING	2	SH900.37.135A
9	SH900.37.159	互锁销 INTERLOCK PIN	1	SH900.37.159
10	SH900.38.110	紧定螺钉 SET SCREW	2	SH900.38.110
11	YBT5294-SZ-F-1.4	低碳钢丝网 LOW CARBON STEEL	2	YBT5294-SZ-F-1.4



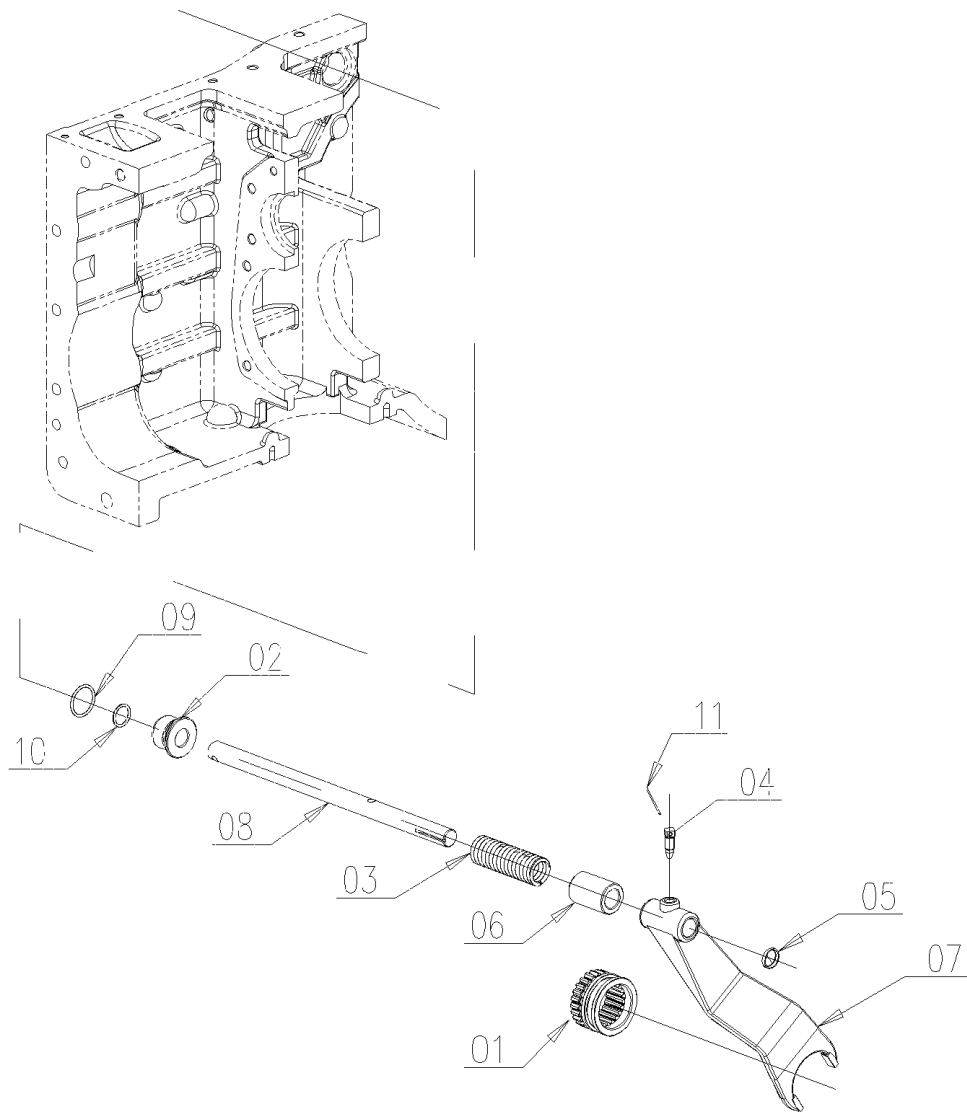
9.DI564.10.0 RANGE SHIFTING SUBASS.LY

9.DI564.10.0\_1 副变速拨叉总成 (16F+8R 同步器换挡 微爬档) Sub-transmission fork assembly (16F+8R synchro shift micro crawl)

序号	零件编号	零件名称	数量	图号
1	DF904.37.209	L-R档拨叉轴 L-R FORK SHAFT	2	DF904.37.209
2	0.028.8705.0	拨头 SHIFTING BLOCK	1	0.028.8705.0
3	0.029.7686.0	拨头 SHIFING BLOCK	1	0.029.7686.0
4	SH900.38.110	紧定螺钉 SET SCREW	2	SH900.38.110
5	YBT5294-SZ-F-1.4	低碳钢丝网 LOW CARBON STEEL	0	YBT5294-SZ-F-1.4
6	0.028.8704.0/10	L-R档拨叉 L-R FORK	1	0.028.8704.0/10
7	0.028.8703.0/10	拨叉 FORK	1	0.028.8703.0/10
8	DF904.37.210/10	叉轴 FORK SHAFT	1	DF904.37.210/10
9	SH900.37.159	互锁销 INTERLOCK PIN	1	SH900.37.159
10	GBT308-10-G100-b	球 BALL	2	GBT308-10-G100-b
11	SH900.37.135A	定位弹簧 POSITIONING SPRING	2	SH900.37.135A



### 9.DI568.05.0 DIFFERENTIAL CONTROL ASSEMBLY



### 9.DI568.05.0\_0 差速锁拨叉总成 Differential lock fork assembly

序号	零件编号	零件名称	数量	图号
1	SH900.38.126	差速锁啮合套筒 DIFFERENTIAL LOCK	1	SH900.38.126
2	SH900.38.114	拨叉轴座 SHIFT FORK SHAFT SEAT	1	SH900.38.114
3	SH900.38.113	差速锁弹簧 DIFFERENTIAL LOCK	1	SH900.38.113
4	SH900.38.110	紧定螺钉 SET SCREW	1	SH900.38.110
5	QCT388-20	碗形膨胀塞 BOWL TYPE EXPANSION	1	QCT388-20
6	LE1204.38.109	套筒 SLEEVE	1	LE1204.38.109
7	LE1204.38.108	差速锁导轨 DIFFERENTIAL LOCK	1	LE1204.38.108
8	LE1204.38.107	差速锁导轨轴 DIFFERENTIAL LOCK	1	LE1204.38.107
9	GBT3452.1-30X2.65-G	O形密封圈 O RING	1	GBT3452.1-30X2.65-G
10	GBT3452.1-20X2.65-G	O型密封圈 O-RING	1	GBT3452.1-20X2.65-G
11	YBT5294-SZ-F-1.4	低碳钢丝网 LOW CARBON STEEL	1	YBT5294-SZ-F-1.4

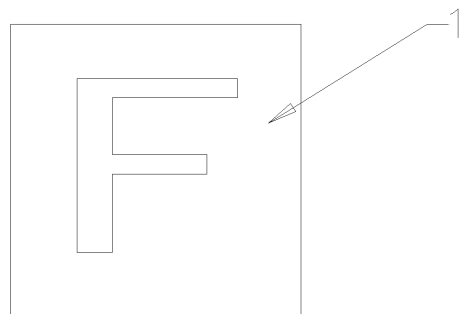


FLOAT LABET A11.51.909.4

YFB-R-2016-014 SH.058

A11.51.909.4\_0 浮动标识总成 FLOAT LABEL ASS.

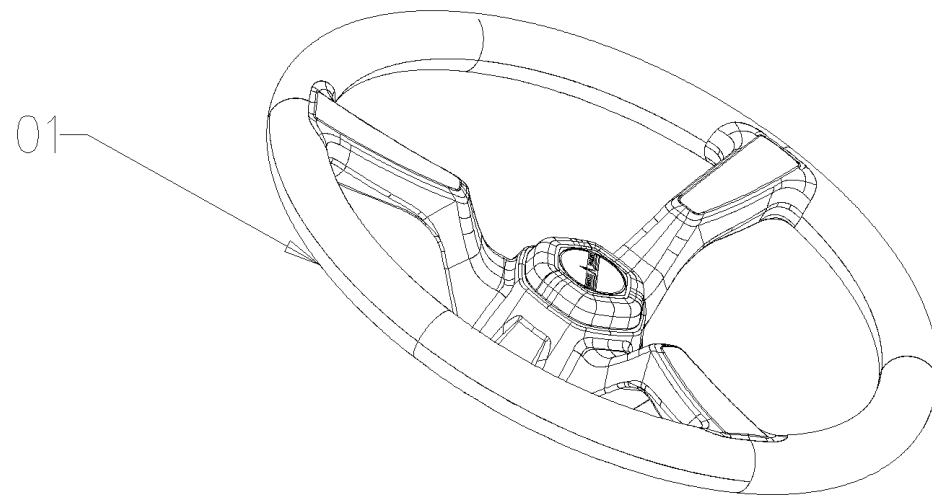
序号	零件编号	零件名称	数量	图号
1	A23.51.002.0	扁平标签 FLOAT LABEL	1	A23.51.002.0



# A23.40.916.4 STEERING WHEEL ASS.Y

## A23.40.916.4\_0 转向操纵总成 STEERING COMMAND ASS.Y

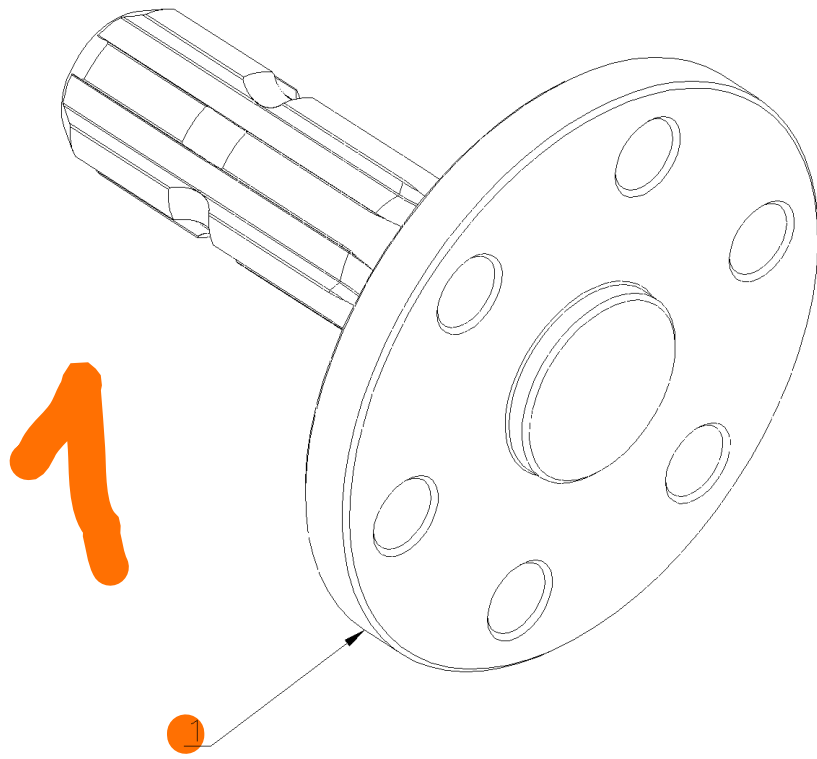
序号	零件编号	零件名称	数量	图号
1	CD554.40.028/10	方向盘 STEERING WHEEL	1	CD554.40.028/10



# A23.41.900.4 PTO SHAFT 6 KEYS

## A23.41.900.4\_0 动力输出轴 6键 D35 (分体式) PTO SHAFT 6 KEYS D35 (split type)

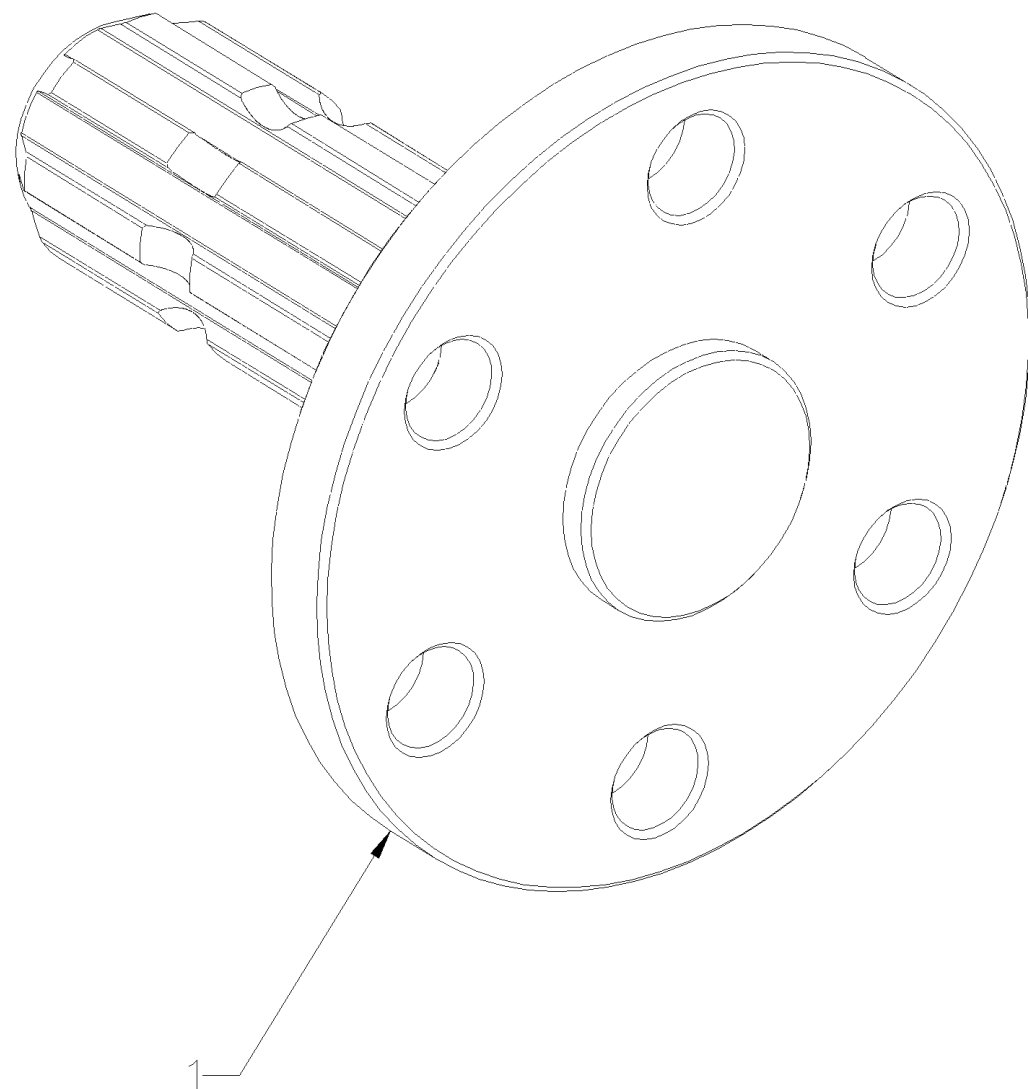
序号	零件编号	零件名称	数量	图号
1	SH900.41.116A/10	动力输出轴 PTO SHAFT	1	SH900.41.116A/10



# A23.41.901.4 PTO SHAFT 8 KEYS

## A23.41.901.4\_0 动力输出轴 8键 D38 (分体式) PTO SHAFT 8 KEYS D38 (split type)

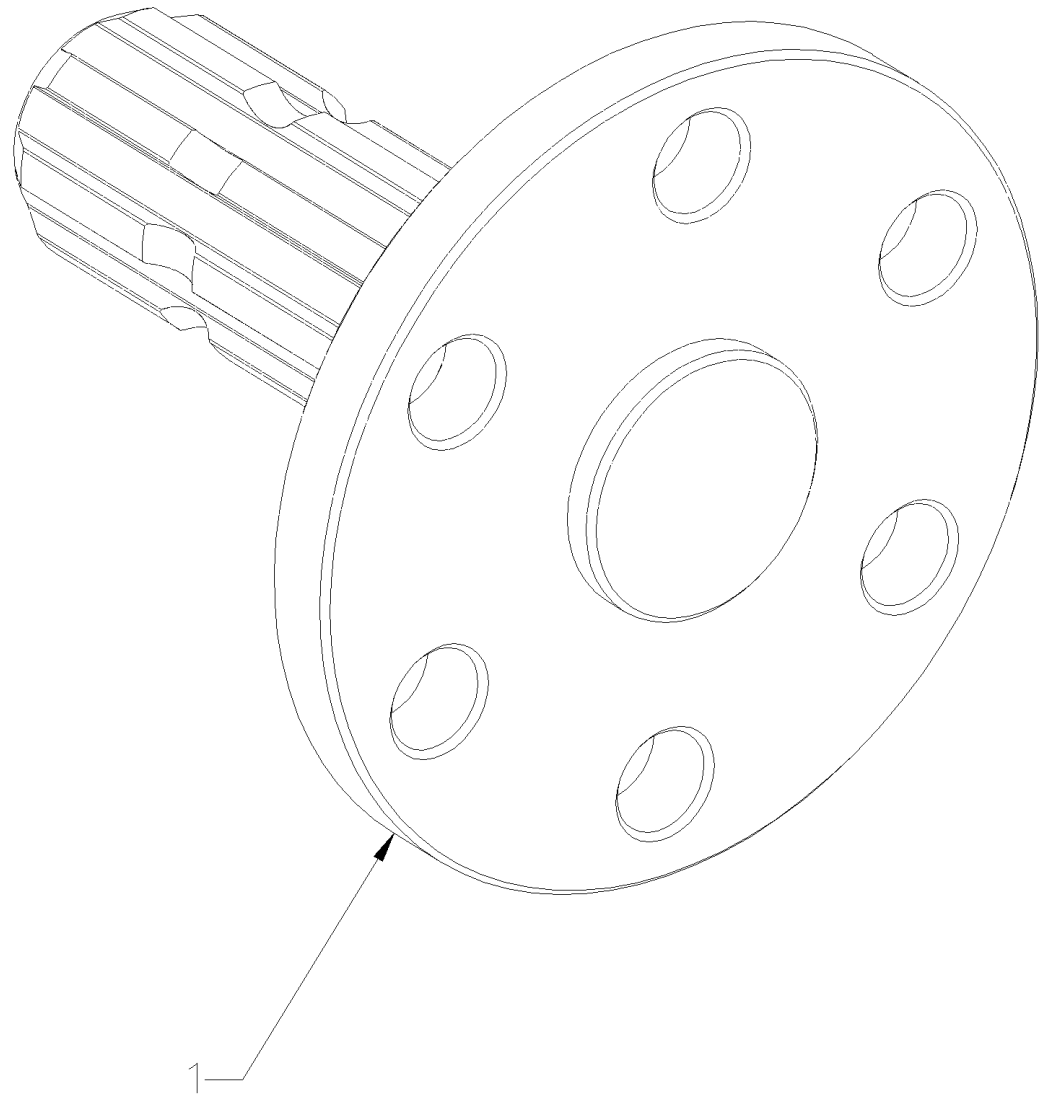
序号	零件编号	零件名称	数量	图号
1	SH900.41.116	动力输出轴 PTO SHAFT	1	SH900.41.116



# A23.41.901.4 PTO SHAFT 8 KEYS

## A23.41.901.4\_1 动力输出轴 8键 D38 (分体式) PTO SHAFT 8 KEYS D38 (split type)

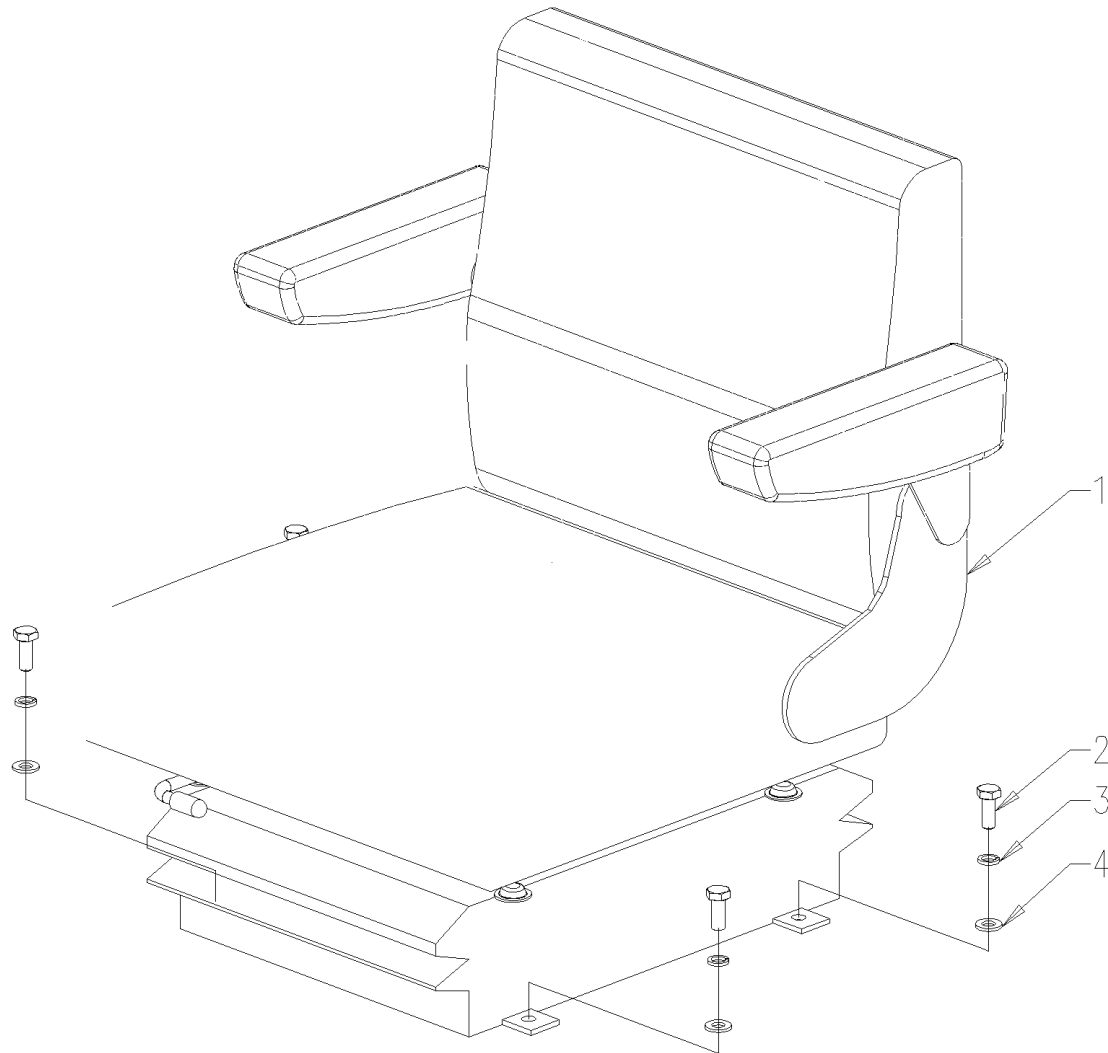
序号	零件编号	零件名称	数量	图号
1	SH900.41.116	动力输出轴 PTO SHAFT	1	SH900.41.116



# A23.44.900.4 SEAT ASS.Y

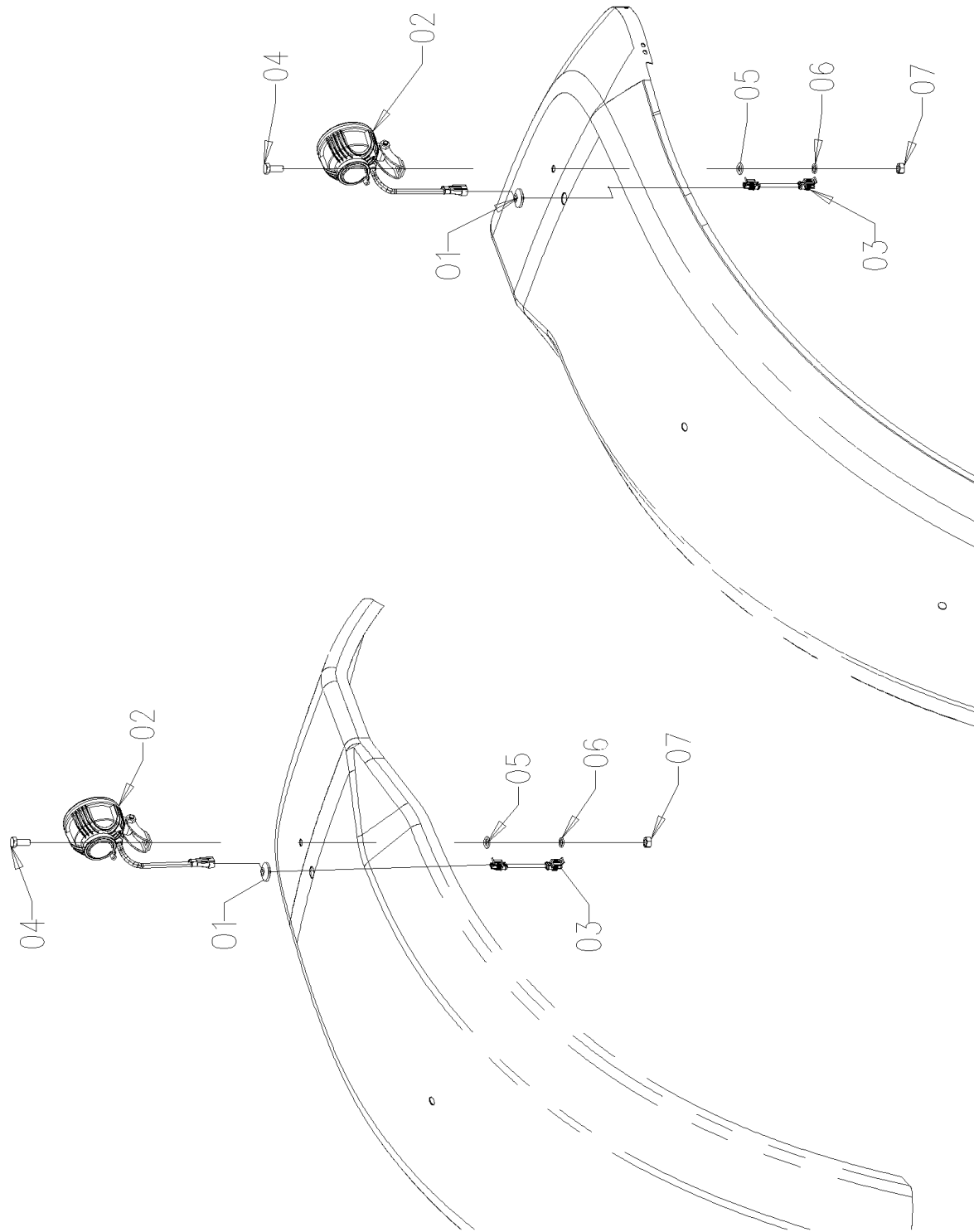
## A23.44.900.4\_1 优化黑色PVC悬浮座椅（带安全带/扶手） SEAT ASS.Y

序号	零件编号	零件名称	数量	图号
1	A23.44.001.4/10	PVC 座椅 PVC SEAT	1	A23.44.001.4/10
2	GBT5783-M10X25-A3L	螺栓 BOLT	4	GBT5783-M10X25-A3L
3	GBT93-10-A3L	垫圈 WASHER	4	GBT93-10-A3L
4	GBT97.1-10-A3L	垫圈 WASHER	4	GBT97.1-10-A3L



# A23.48.912.4 WORK LAMP ASS.Y

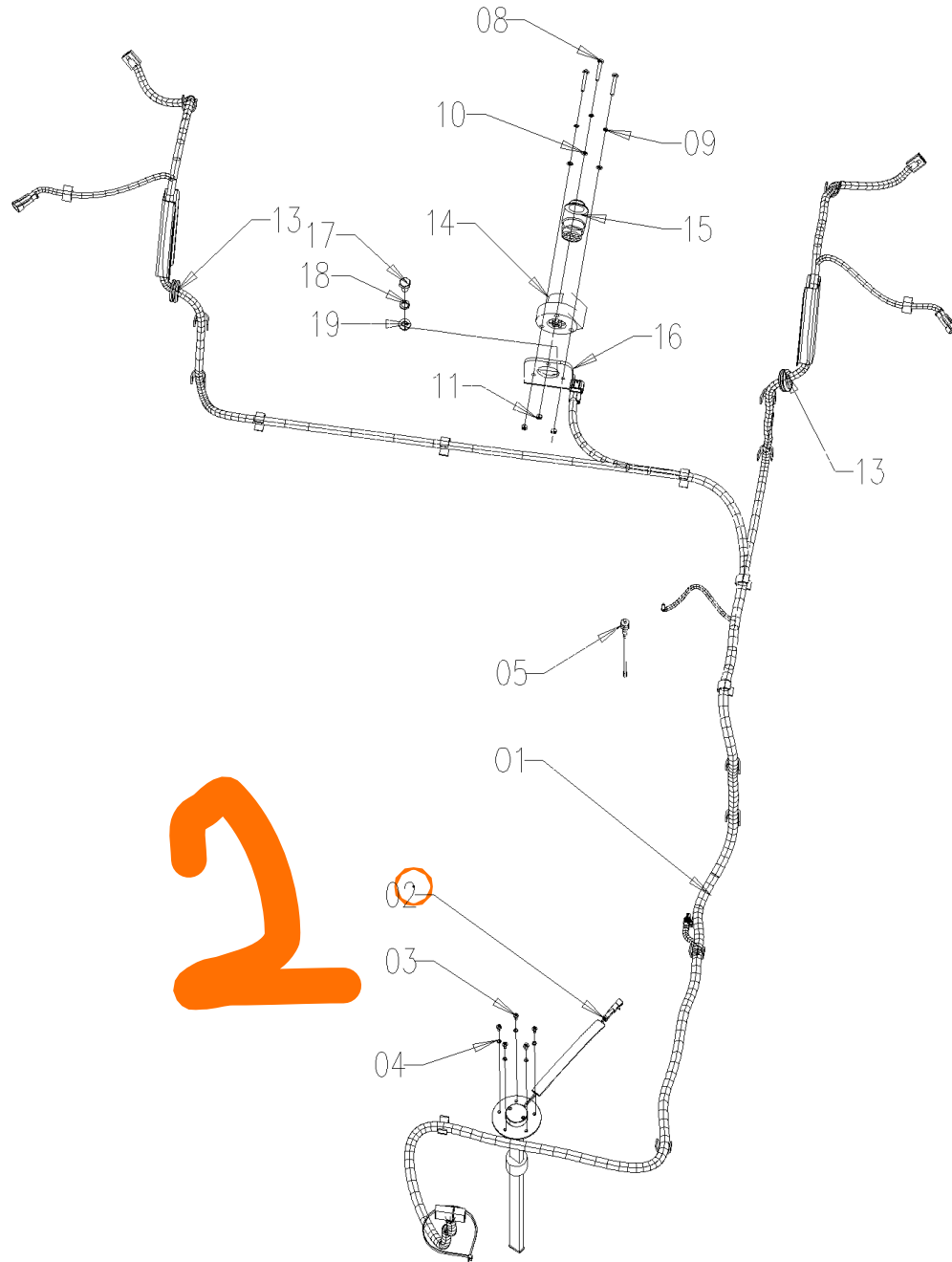
# A23.48.912.4\_1 挡泥板工作灯安装总成 FENDER WORK LIGHT ASS.Y



序号	零件编号	零件名称	数量	图号
1	CD554.48.105	橡胶垫圈 RUBBER RING	2	CD554.48.105
2	A39.48.026.0/10	工作灯 WORK LAMP	2	A39.48.026.0/10
3	A39.48.044.0	工作灯线束 WORK LAMP W.H.	2	A39.48.044.0
4	GBT5783-M10X25-A3L	螺栓 BOLT	2	GBT5783-M10X25-A3L
5	GBT97.1-10-A3L	垫圈 WASHER	2	GBT97.1-10-A3L
6	GBT93-10-A3L	垫圈 WASHER	2	GBT93-10-A3L
7	GBT6170-M10-A3L	螺母 NUT	2	GBT6170-M10-A3L

# A23.48.913.4 REAR LAMP W.H. ASS.Y

# A23.48.913.4\_0 后灯线束安装总成 REAR W.H. ASSEMBLY



序号	零件编号	零件名称	数量	图号
1	CD904A.48.020A	后灯线束总成 BACK LIGHT WIRING	1	CD904A.48.020A
2	CD1204.48.028	油量传感器 FUEL LEVEL SENSOR	1	CD1204.48.028
3	GBT818-M4X10-A2L	螺钉 SCREW	5	GBT818-M4X10-A2L
4	GBT93-4-A3L	垫圈 WASHER	5	GBT93-4-A3L
5	SH900.48.049	手刹开关 PARKING BREAK SWITCH	1	SH900.48.049
6	GBT818-M5X35-A2L	螺钉 SCREW	3	GBT818-M5X35-A2L
7	GBT93-5-A3L	垫圈 WASHER	3	GBT93-5-A3L
8	GBT97.1-5-A3L	垫圈 WASHER	3	GBT97.1-5-A3L
9	GBT6170-M5-A2L	螺母 NUT	3	GBT6170-M5-A2L
10	SH400.48.118	穿线胶圈 THREAD RING	2	SH400.48.118
11	A56.48.010.0	后挂车插座 REAR TRAILER SOCKET	1	A56.48.010.0
12	A56.48.011.0	后挂车插头 REAR TRAILER PLUG	1	A56.48.011.0
13	A23.45.127.0	插座支架 SOCKET BRACKET	1	A23.45.127.0
14	GBT5783-M10X20-A3L	螺栓 BOLT	1	GBT5783-M10X20-A3L
15	GBT93-10-A3L	垫圈 WASHER	1	GBT93-10-A3L
16	GBT97.1-10-A3L	垫圈 WASHER	1	GBT97.1-10-A3L

说明

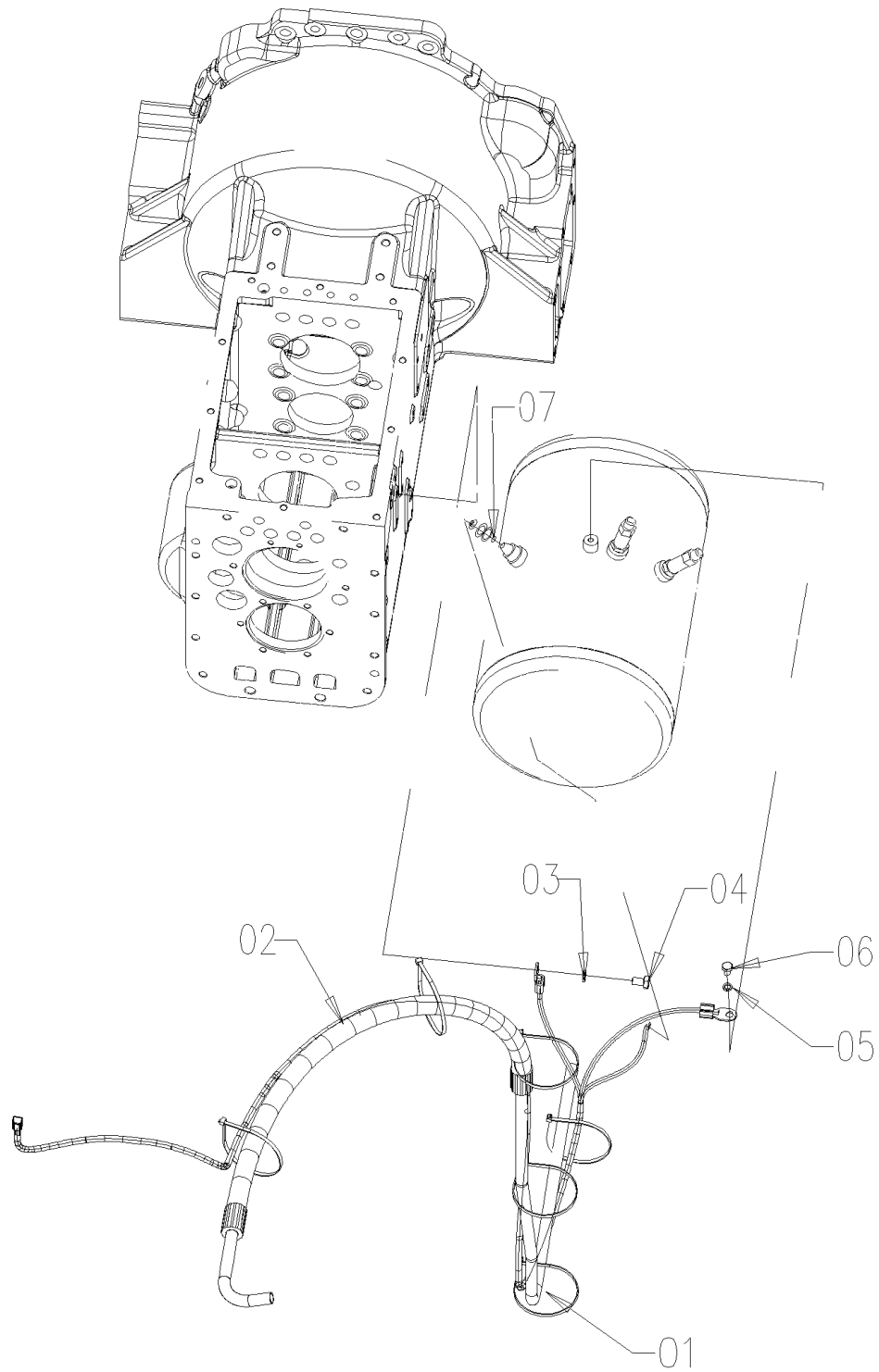
整车发车时序号16 作为随机附件。



# A23.48.935.4 AIR BRAKE W.H. ASS.Y

## A23.48.935.4\_1 气刹线束总成 (气刹) AIR-BRAKE W.H. ASS.Y

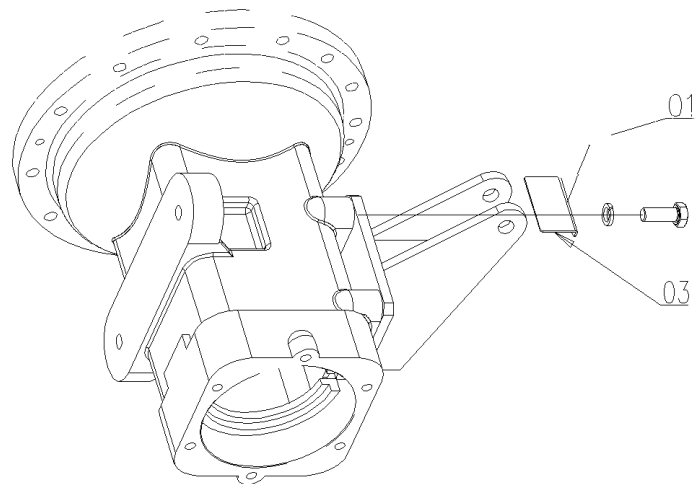
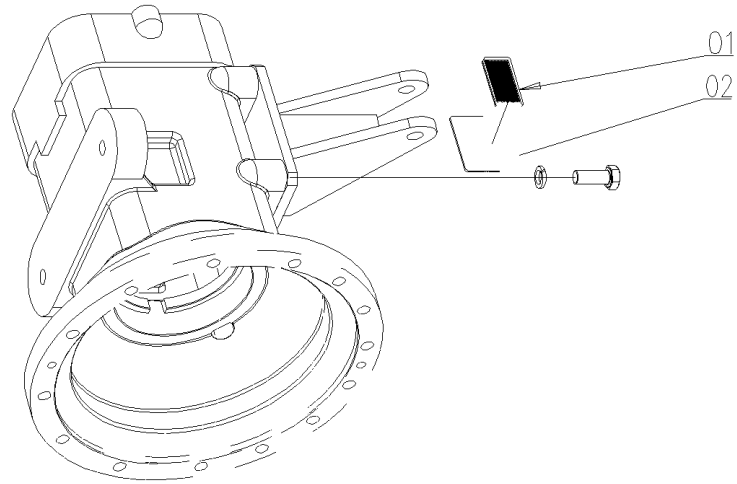
序号	零件编号	零件名称	数量	图号
1	2.6852.203.0	自锁扎带 292 SELF LOCKING CABLE	6	2.6852.203.0
2	A23.48.020.0	空气制动器线束 AIR BRAKE W.H.	1	A23.48.020.0
3	GBT93-10-A3L	垫圈 WASHER	1	GBT93-10-A3L
4	GBT5783-M10X16-A3L	螺栓 BOLT	1	GBT5783-M10X16-A3L
5	GBT93-8-A3L	垫圈 WASHER	1	GBT93-8-A3L
6	GBT5783-M8X12-A2L	螺栓 BOLT	1	GBT5783-M8X12-A2L
7	SH900.48.045	气压传感器 AIR PRESSURE WARNING	1	SH900.48.045



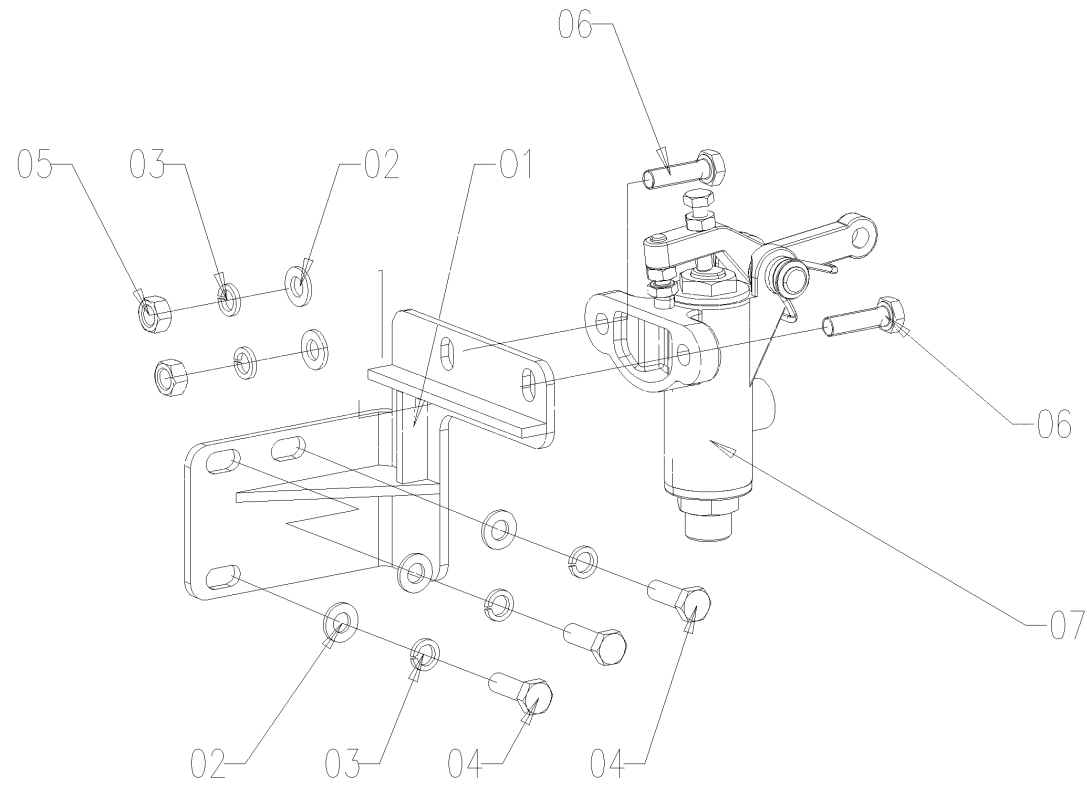
### A23.51.909.4 REAR REFLECTOR ASS.Y

### A23.51.909.4\_0 后反射器Rear reflector

序号	零件编号	零件名称	数量	图号
1	C05.51.002.0/10	XH6-2反射板 REFLECTOR	2	C05.51.002.0/10
2	A23.51.008.0	右支架 RIGHT BRACKET	1	A23.51.008.0
3	A23.51.007.0	左支架 LEFT BRACKET	1	A23.51.007.0



# A23.80.901.4 BRAKE VALVE INSTALL ASS.



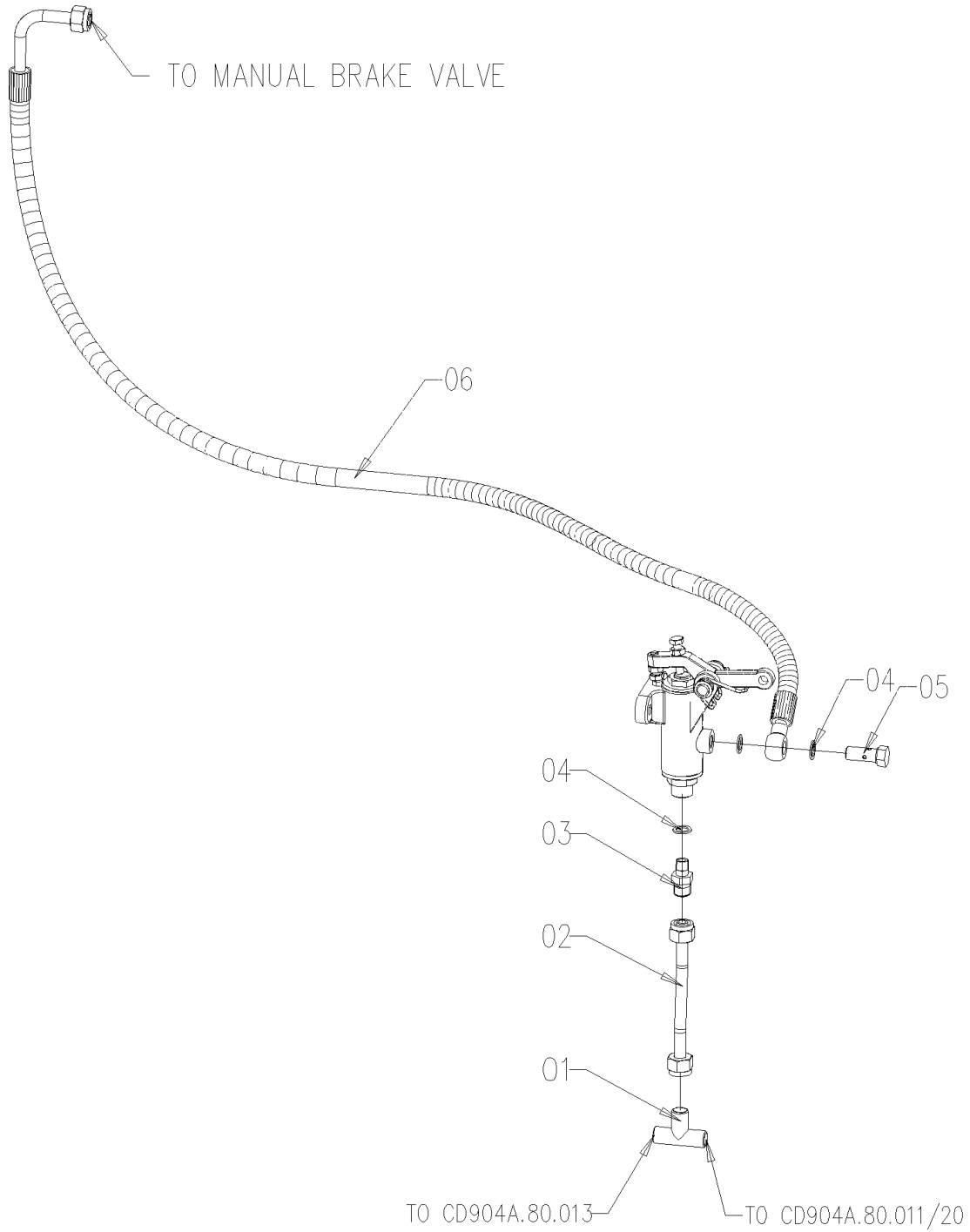
## A23.80.901.4\_1 脚制动阀安装总成 (气刹) BRAKE VALVE INSTALL ASS.

序号	零件编号	零件名称	数量	图号
1	A23.80.003.2	制动阀支架 BRAKE VALVE BRACKET	1	A23.80.003.2
2	GBT97.1-10-A3L	垫圈 WASHER	5	GBT97.1-10-A3L
3	GBT93-10-A3L	垫圈 WASHER	5	GBT93-10-A3L
4	GBT5783-M10X30-A3L	螺栓 BOLT	3	GBT5783-M10X30-A3L
5	GBT6170-M10-A3L	螺母 NUT	2	GBT6170-M10-A3L
6	GBT5783-M10X35-A3L	螺栓 BOLT	2	GBT5783-M10X35-A3L
7	SH900.80.012	驻车制动阀总成 PARKING BRAKE	1	SH900.80.012

# A23.80.902.4 BRAKE VALVE PIPE ASS.

# A23.80.902.4\_1 脚制动阀安装总成 (气刹) BRAKE VALVE INSTALL ASS.

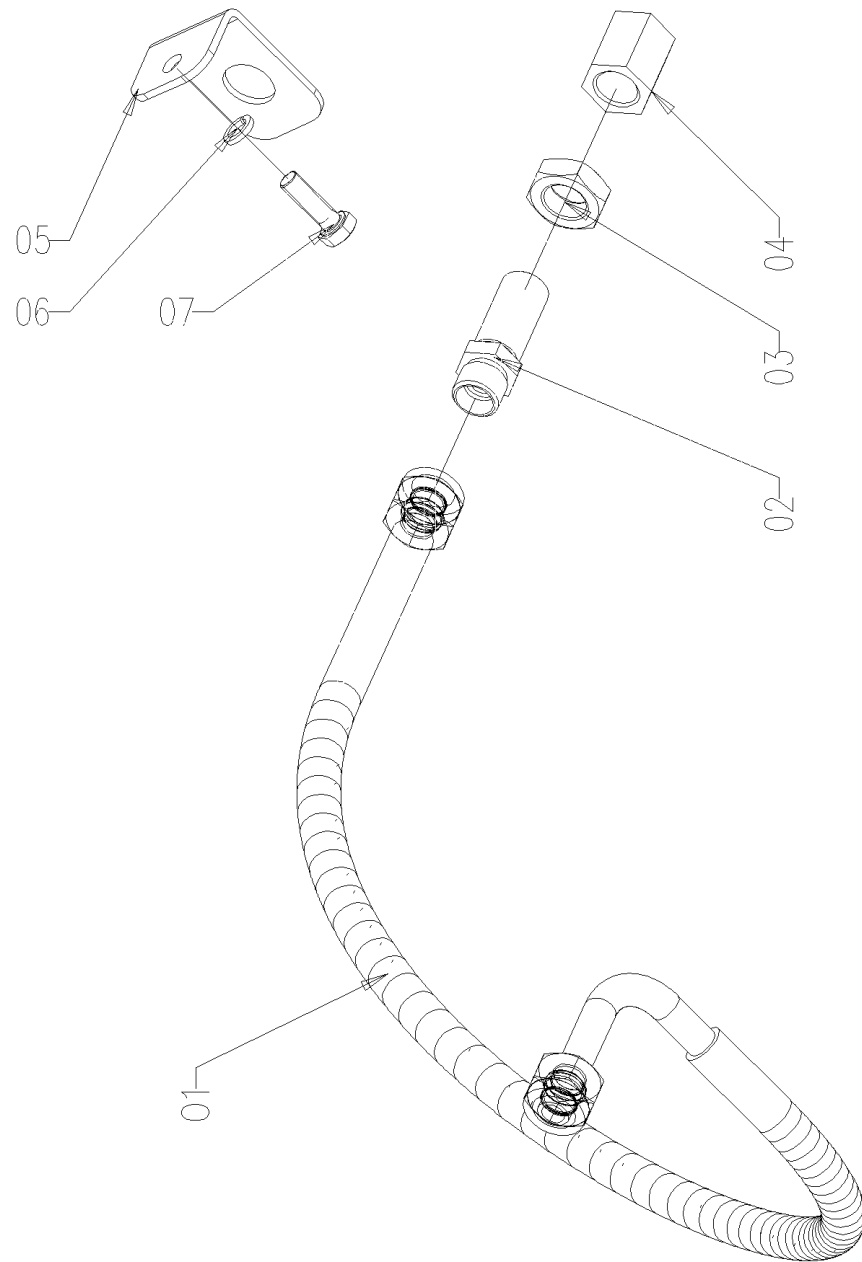
序号	零件编号	零件名称	数量	图号
1	SH900.80.105	三接头头体 THREE WAY	1	SH900.80.105
2	CD904A.80.012	空气管连接 CONNECTING AIR PIPE	1	CD904A.80.012
3	CD904A.80.103	排气弯管接头 JOINT	1	CD904A.80.103
4	2.1560.010.0	垫圈 14.2X20 SEALING RING	3	2.1560.010.0
5	SH900.40.133	空心螺栓 HOLLOW BOLT	1	SH900.40.133
6	A23.80.004.3	手动阀进气管 MANUAL VALVE AIR	1	A23.80.004.3



# A23.80.907.4 MANUAL VALVE PIPE ASS.

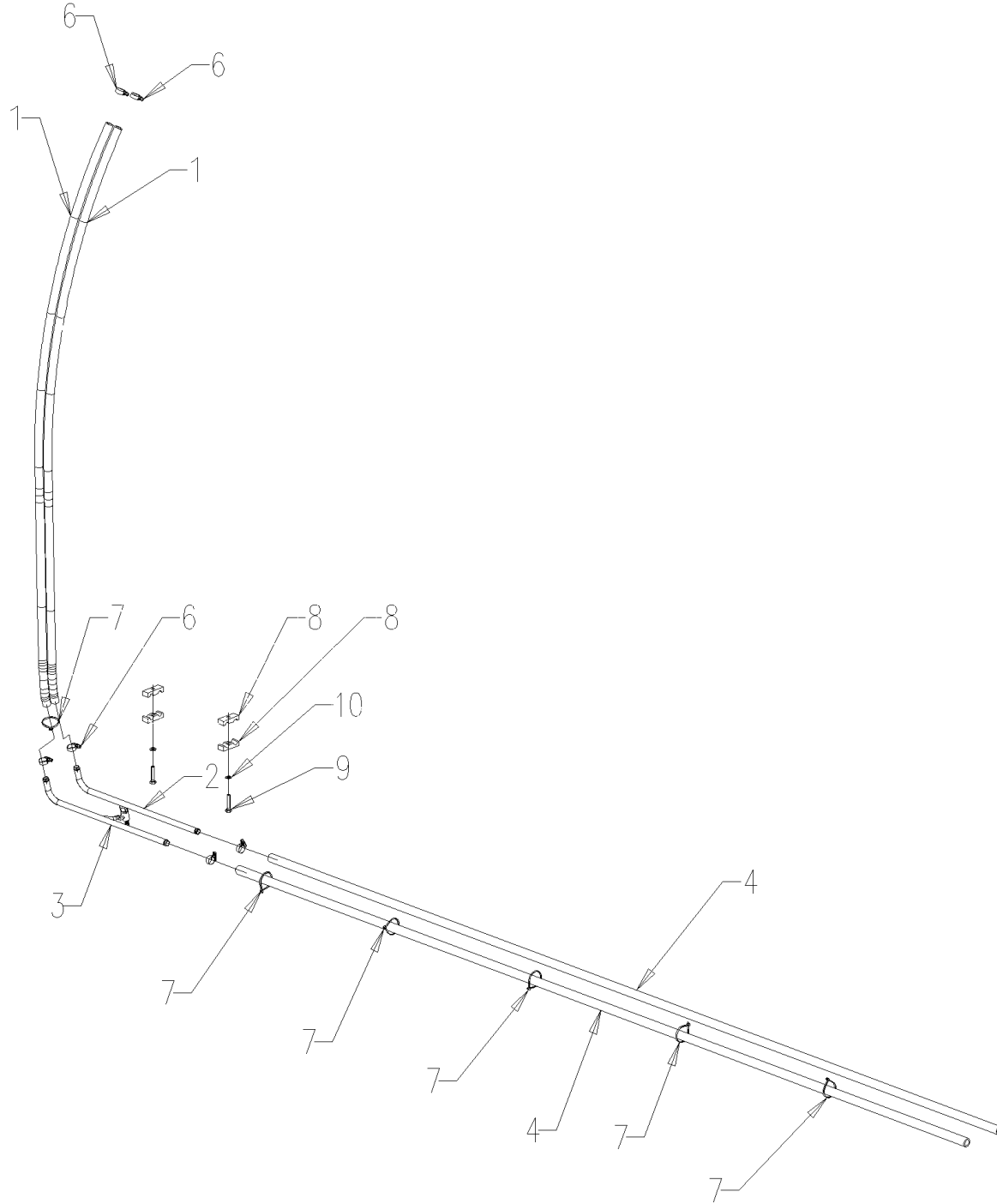
# A23.80.907.4\_3 手制动阀出气管总成 (气刹) MANUAL VALVE PIPE ASS.

序号	零件编号	零件名称	数量	图号
1	A23.80.005.3/10	气闸气管路 AIR BRAKE AIR PIPELINE	1	A23.80.005.3/10
2	SH900.80.104	拖车输气管接头 TRAILER	1	SH900.80.104
3	GBT6173-18X1.5-A3L	螺母 NUT	1	GBT6173-18X1.5-A3L
4	CD554.80.105	套筒 SLEEVE	1	CD554.80.105
5	B80.80.006.0	支架 BRACKEY	1	B80.80.006.0
6	GBT5783-M8X25-A2L	螺栓 BOLT	1	GBT5783-M8X25-A2L
7	GBT93-8-A3L	垫圈 WASHER	1	GBT93-8-A3L



# A23.81.913.4 WATER PIPE ASS.Y

## A23.81.913.4\_1 暖风水管 WATER PIPES

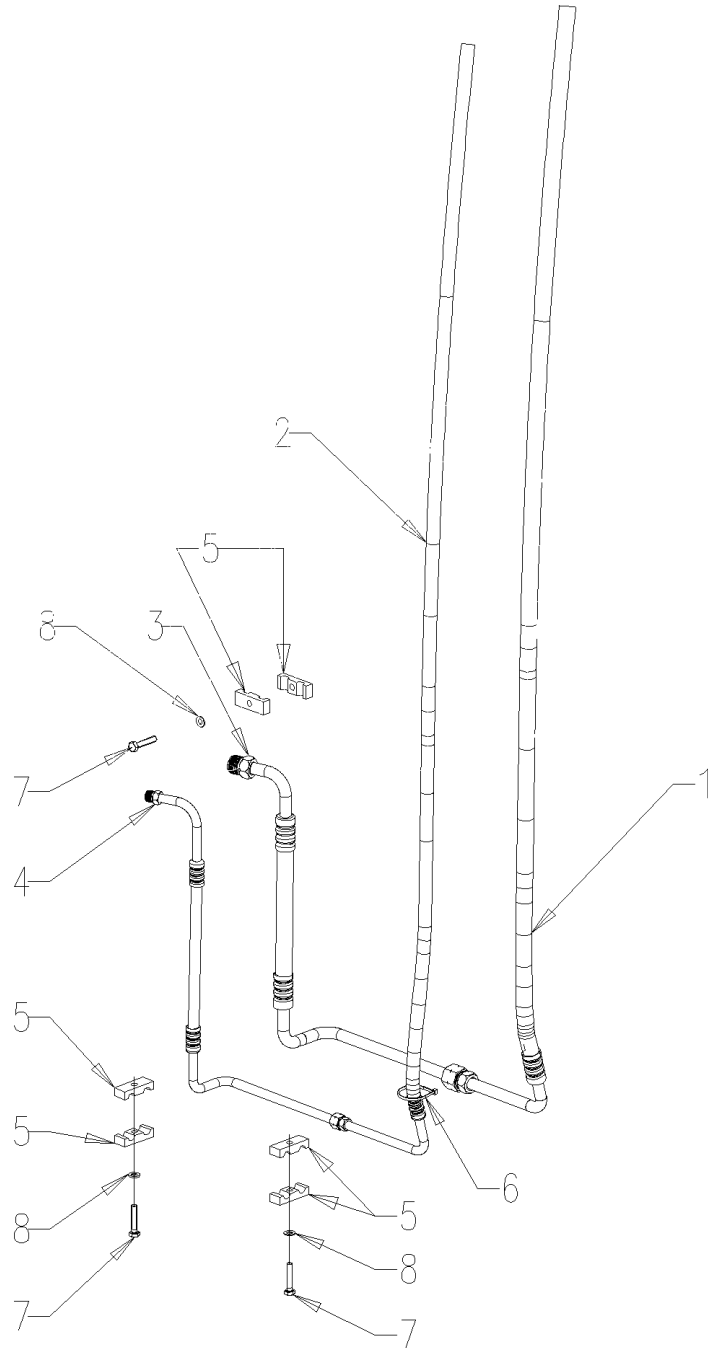


序号	零件编号	零件名称	数量	图号
1	A68.81.002.0	输水管总成 WATER PIPE ASS.	1	A68.81.002.0
2	A68.81.003.4	铝管(阀) ALUMINIUM PIPE(WITH	1	A68.81.003.4
3	A68.81.004.0	铝管(没有阀) ALUMINIUM	1	A68.81.004.0
4	A80.81.005.0	输水管 WATER PIPE	2	A80.81.005.0
6	2.6851.019.0	喉箍 HOSE CLAMP 13-20	6	2.6851.019.0
7	2.6852.101.0	扎带 SELF LOCKING CABLE TIES 142	6	2.6852.101.0
8	A80.45.104.0	块 BLOCK	4	A80.45.104.0
9	GBT5783-M8X40-A2L	螺栓 BOLT	2	GBT5783-M8X40-A2L
10	GBT97.1-8-A3L	垫圈 WASHER	2	GBT97.1-8-A3L

# A23.81.923.4 HVAC PIPE ASS.Y

## A23.81.923.4\_1 空调管路 AC PIPES

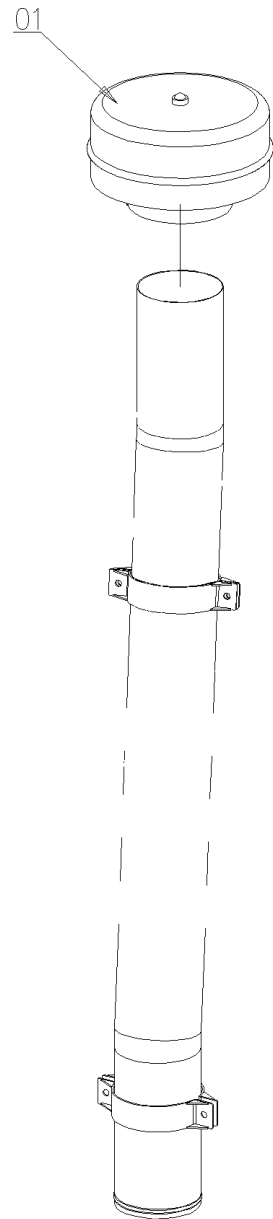
序号	零件编号	零件名称	数量	图号
1	A68.81.009.4	压缩机输液管(蒸发器至外径大) AC	1	A68.81.009.4
2	A68.81.010.4	压缩机输液管(蒸发器至外小直径) AC	1	A68.81.010.4
3	A68.81.011.4	弯曲铝管 BEND ALUMINIUM PIPE-	1	A68.81.011.4
4	A68.81.012.4	小直径铝管 BENG ALUMINIUM PIPE-	1	A68.81.012.4
5	A80.45.104.0	块 BLOCK	6	A80.45.104.0
6	2.6852.101.0	扎带 SELF LOCKING CABLE TIES 142	1	2.6852.101.0
7	GBT5783-M8X40-A2L	螺栓 BOLT	3	GBT5783-M8X40-A2L
8	GBT97.1-8-A3L	垫圈 WASHER	3	GBT97.1-8-A3L



# A31.11.910.4 AIR PRE-FILTER ASS.Y

## A31.11.910.4\_0 预滤清器总成 (普通) Pre-filter assembly (plain)

序号	零件编号	零件名称	数量	图号
1	LE1204.11.012	空气预滤器 PRE-CLEANER	1	LE1204.11.012

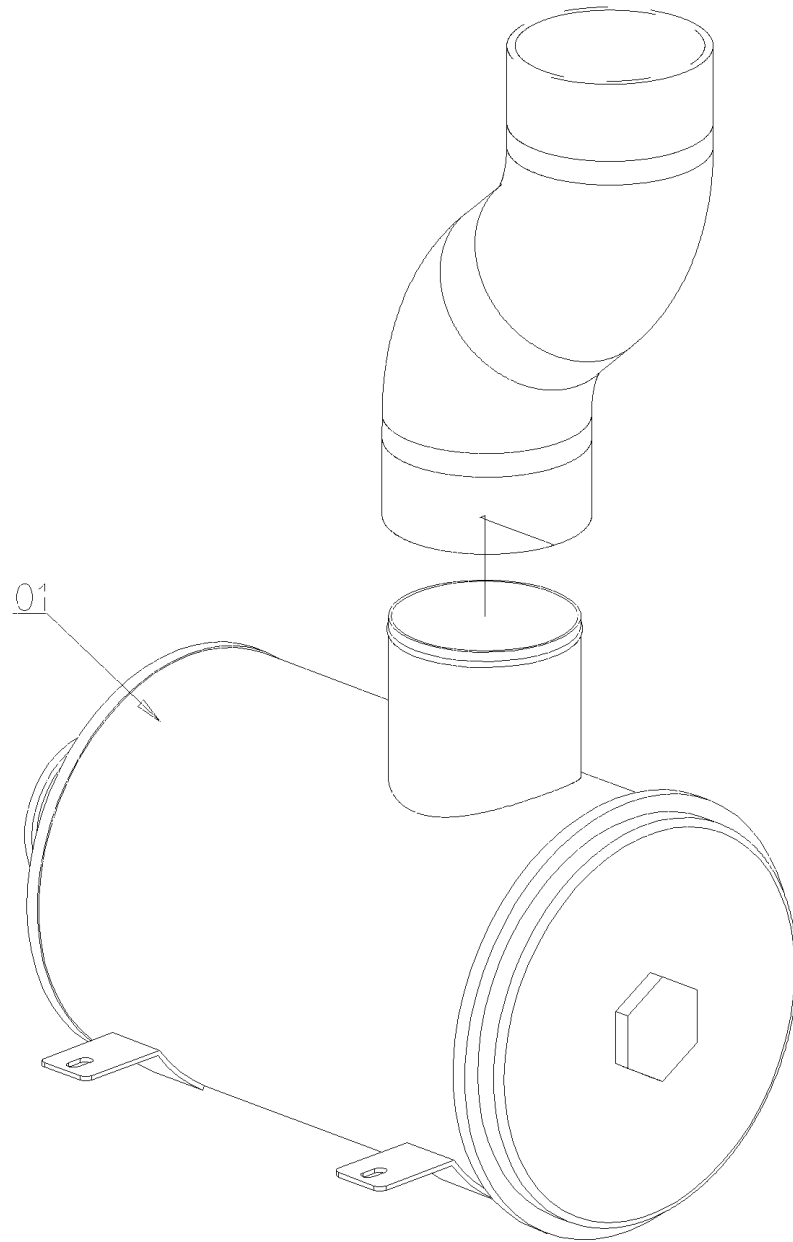




### A31.11.911.4 AIR FILTER ASS.Y

### A31.11.911.4\_0 空滤器总成 Air filter assembly

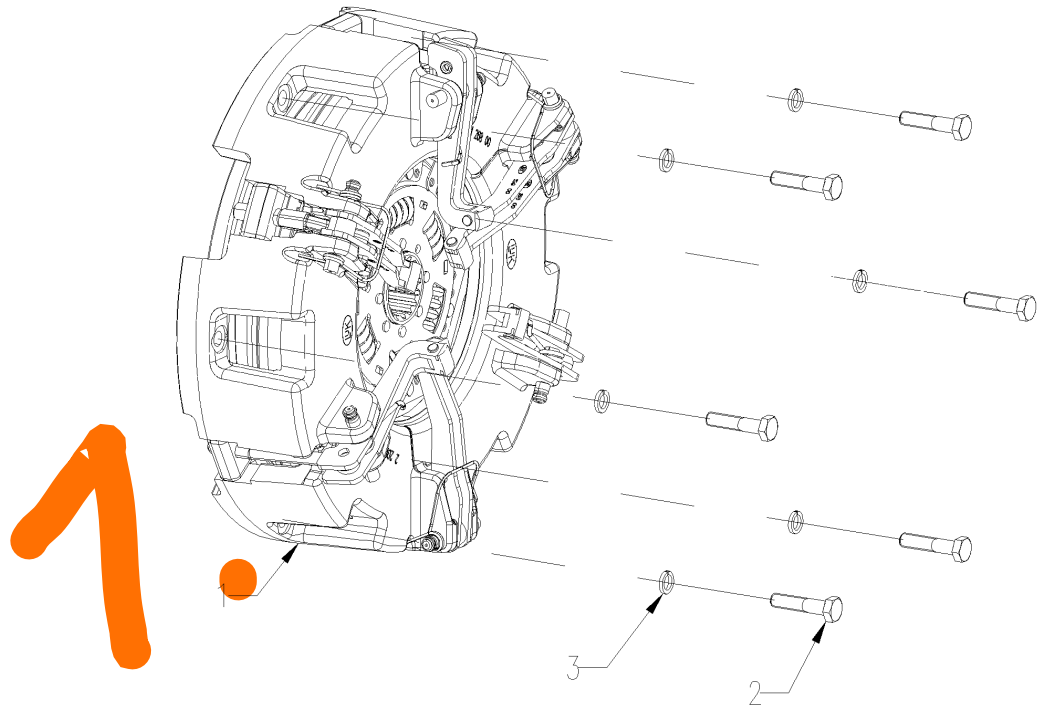
序号	零件编号	零件名称	数量	图号
1	CD1204.11.011/10	空气过滤器 AIR FILTER	1	CD1204.11.011/10
1.1	K2036	滤芯	1	K2036

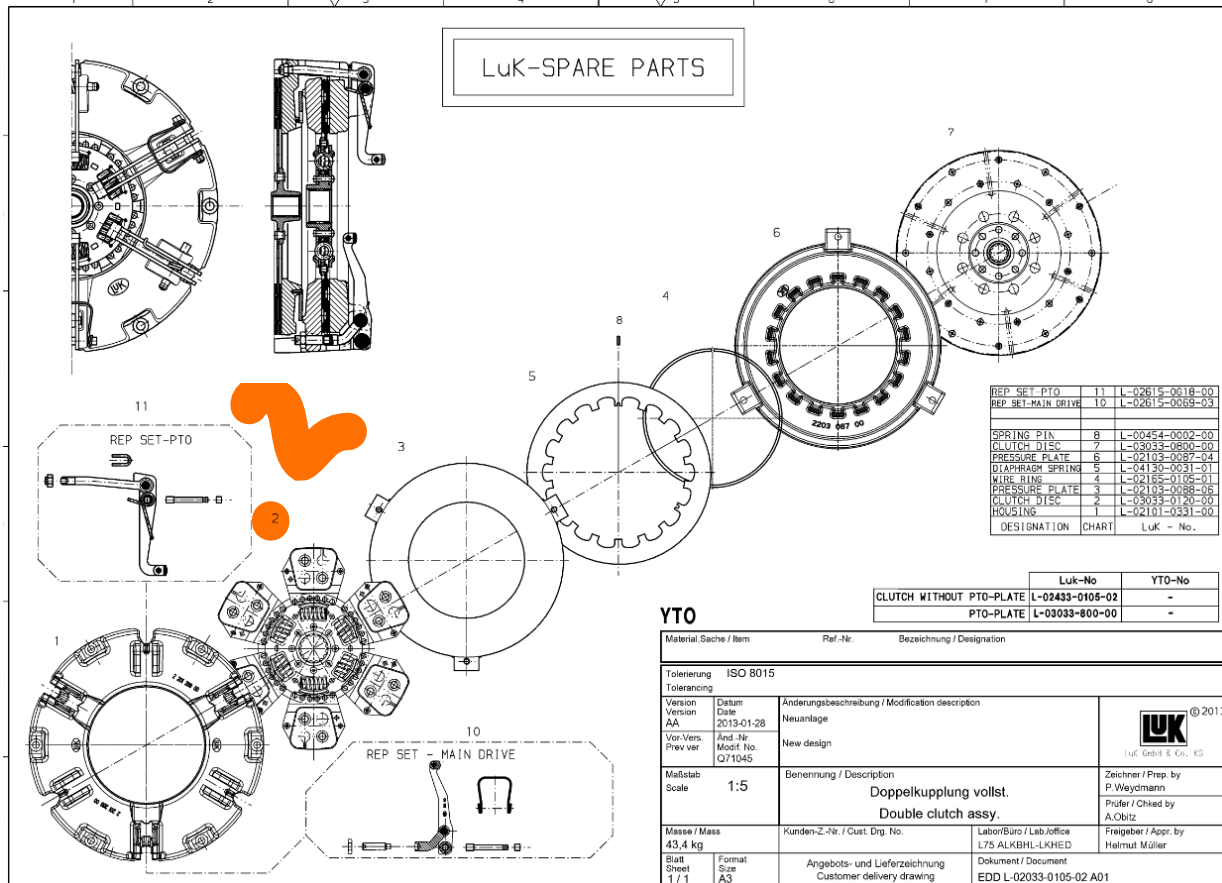


# A31.21.902.4 CLUTCH SUB-ASS.LY

## A31.21.902.4\_1 离合器总成Clutch Assembly

序号	零件编号	零件名称	数量	图号
1	A26.21.001.4	离合器 CLUTCH	1	A26.21.001.4
2	GBT5782-M10X45-10.9-	螺栓 BOLT	6	GBT5782-M10X45-10.9-A3L
3	GBT93-10-A3L	垫圈 WASHER	6	GBT93-10-A3L





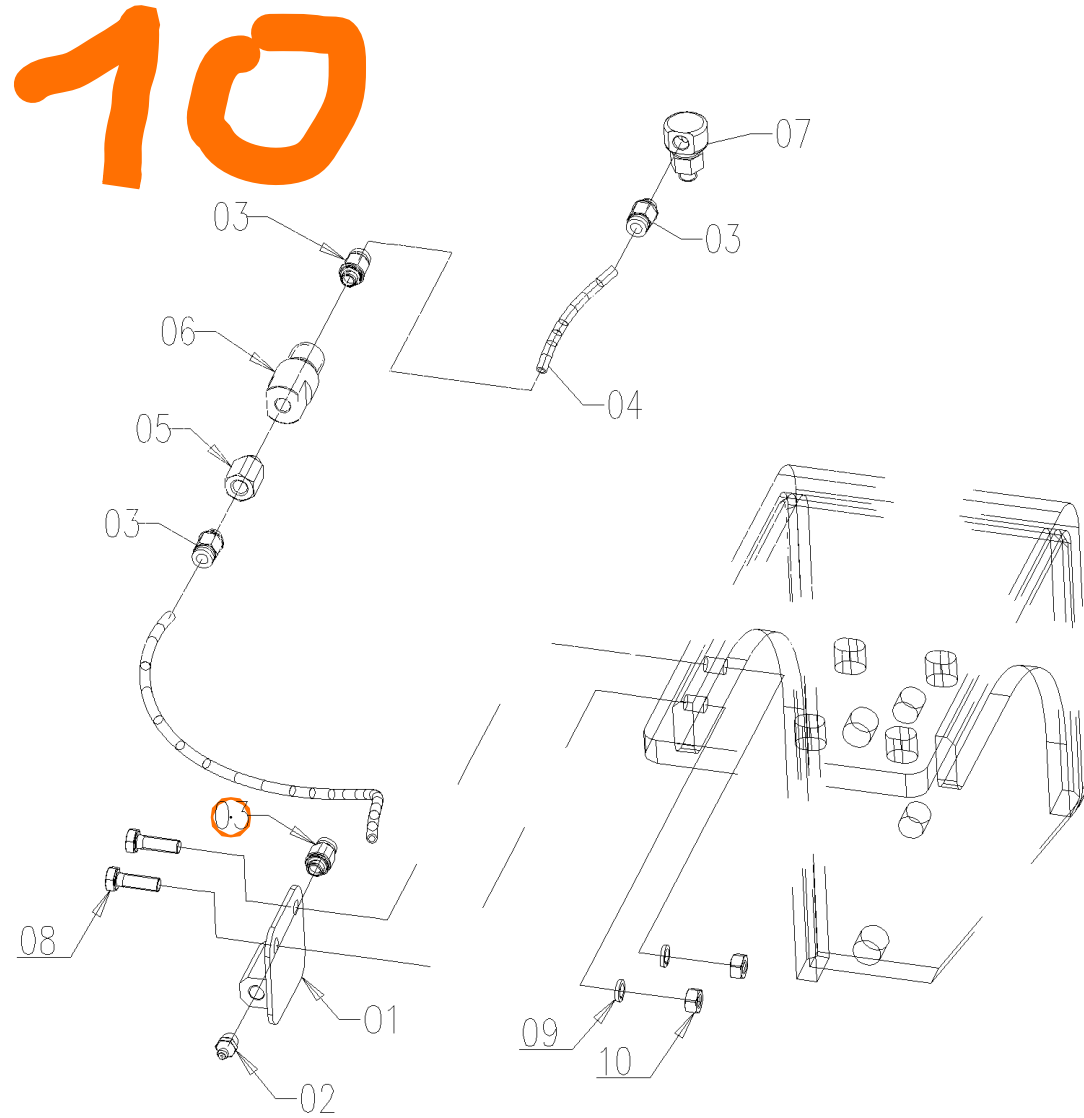
## A26.21.001.4 离合器CLUTCH

序号	零件编号	零件名称	数量	图号
2	L-03033-0120-00	主盘 main disk	1	L-03033-0120-00
7	L-03033-0800-00	辅助盘 auxiliary disk	1	L-03033-0800-00
10	L-02615-0069-03	离合器杆组 clutch lever set	3	L-02615-0069-03
11	L-02615-0G81-00	离合杆组PTO clutch lever set PTO	3	L-02615-0G81-00

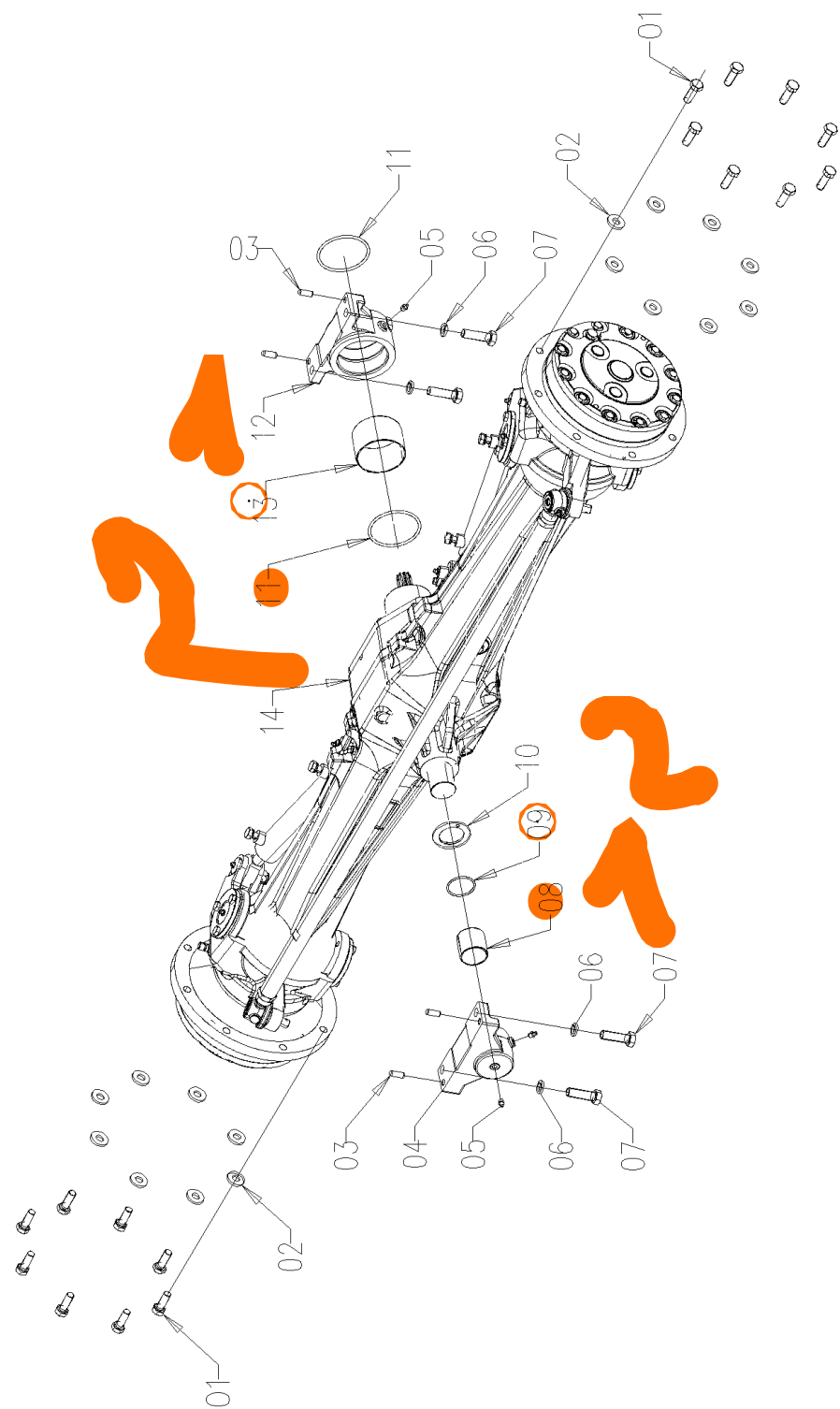
# A31.21.910.4 GRAESE FILLING SYSTEM

## A31.21.910.4\_1 黄油加注系统Grease filling system

序号	零件编号	零件名称	数量	图号
1	0.024.6107.2	支架 BRACKET	1	0.024.6107.2
2	2.3820.105.2	油嘴 NIPPLES M10	1	2.3820.105.2
3	0.011.2973.0	连接件 ATTACCO RAPIDO	4	0.011.2973.0
4	0.012.6739.0	软管 TUBO	2	0.012.6739.0
5	2.3249.167.2	管接头 RACCORDO	1	2.3249.167.2
6	2.3249.756.2	管件 FITTING	1	2.3249.756.2
7	A31.21.004.0	管件 FITTING	1	A31.21.004.0
8	GBT5783-M8X25-A2L	螺栓 BOLT	2	GBT5783-M8X25-A2L
9	GBT93-8-A3L	垫圈 WASHER	2	GBT93-8-A3L
10	GBT6170-M8-A2L	螺母 NUT	2	GBT6170-M8-A2L

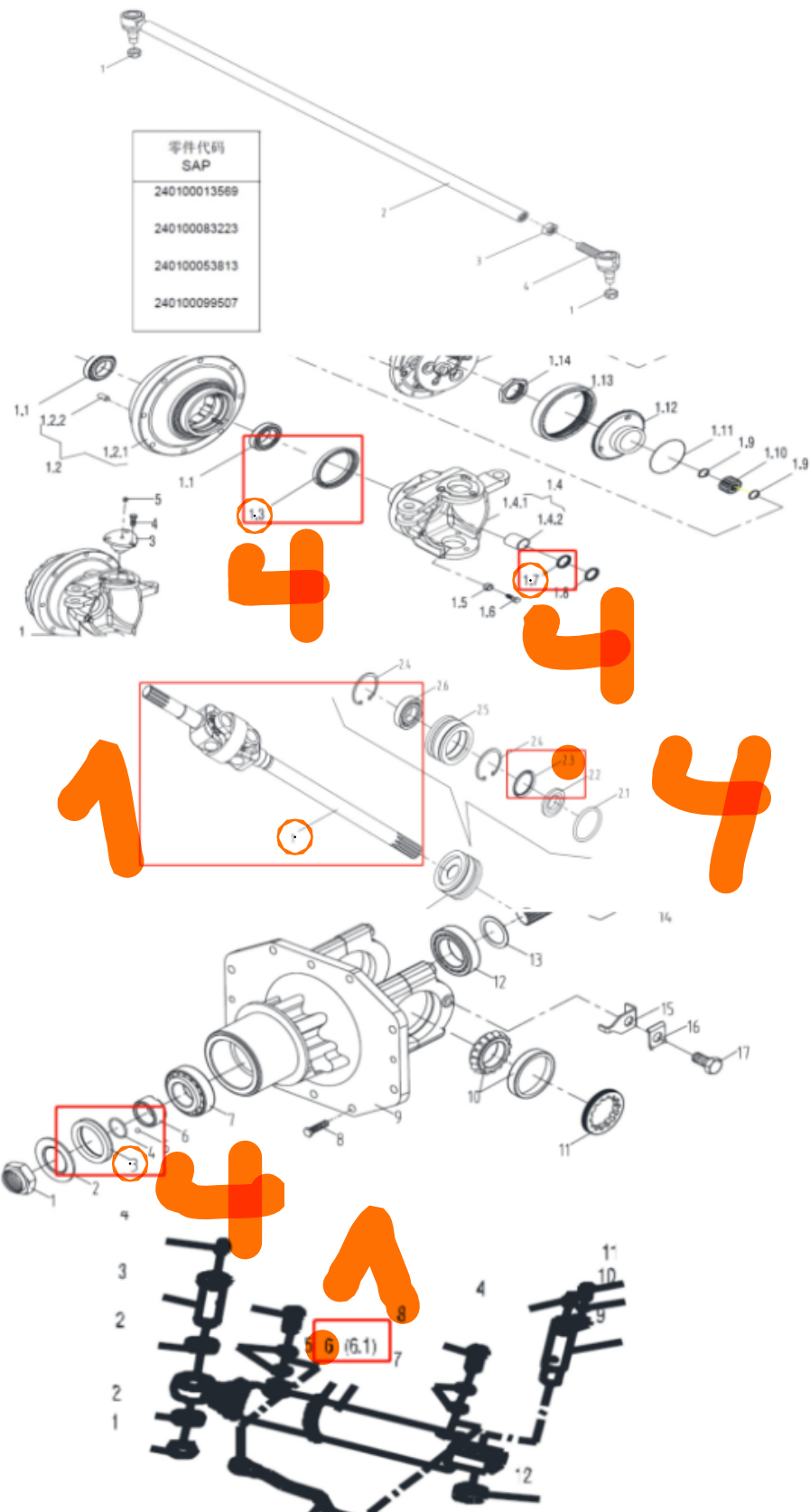


# A31.31.900.4 FRONT AXLE ASS.Y



## A31.31.900.4\_0 前桥总成 FRONT AXLE ASS.Y

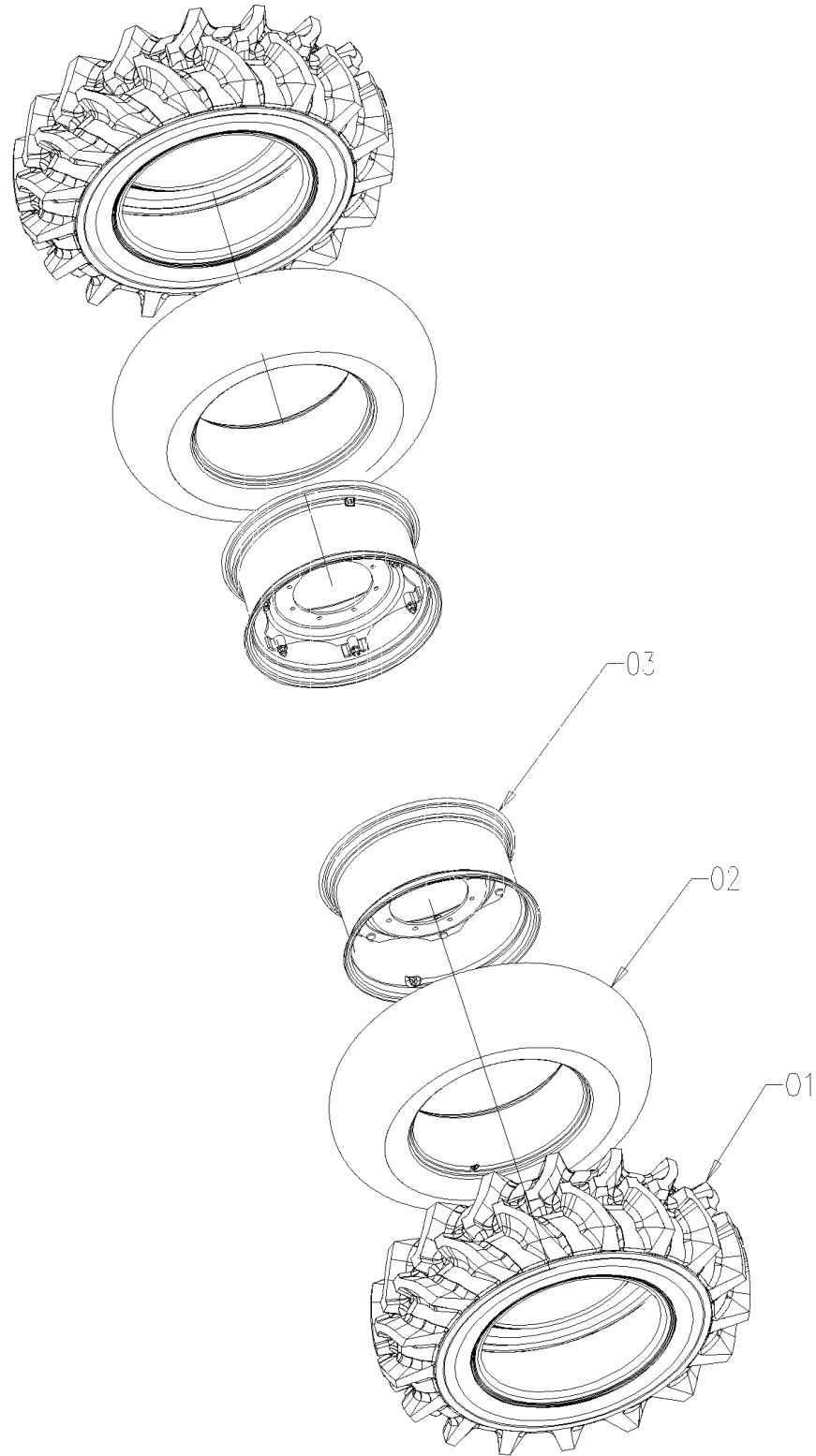
序号	零件编号	零件名称	数量	图号
1	GBT5786-M16X1.5X45-	螺栓 BOLT	16	GBT5786-M16X1.5X45-10.9-A3L
2	SH904.31.193	垫圈17385 GASKET 17385	16	SH904.31.193
3	GBT119.1-12m6X30	销 PIN	4	GBT119.1-12m6X30
4	SH904.31.187	轴承 BEARING	1	SH904.31.187
5	JBT7940.1-M10X1	油嘴 GREASE CUP	3	JBT7940.1-M10X1
6	GBT93-18-A3L	垫圈 WASHER	4	GBT93-18-A3L
7	GBT5785-M18X1.5X60-	螺栓 BOLT	4	GBT5785-M18X1.5X60-10.9-A3L
8	SH904.31.188	套管 BUSHING	1	SH904.31.188
9	GBT3452.1-53X3.55-G	O形密封圈 O RING	1	GBT3452.1-53X3.55-G
10	SH904.31.189	前减摩环 ANTI-FRICTION RING	1	SH904.31.189
11	GBT3452.1-100X5.3-G	O形圈 O RING	2	GBT3452.1-100X5.3-G
12	SH904.31.190	轴承 BEARING	1	SH904.31.190
13	SH904.31.191	套管 BUSHING	1	SH904.31.191
14	LE1204.31.011	前桥装配 FRONT AXLE SUBASSEMBLE	1	LE1204.31.011



### LE1204.31.011 前桥 FRONT AXLE

序号	零件编号	零件名称	数量	图号
1	240100140092	左侧双U形接头轴组件 Left double u-	1	240100140092
1	240100013569	锁紧螺母 Lock nut	2	240100013569
1.3	240100220920	轮毂密封 Hub seal	2	240100220920
1.7	240100140442	前叉轴油封 Fork shaft seal	2	240100140442
2	240100083223	拉杆组件 Tie rod assembly	1	240100083223
2.3	240100008623	半轴油封FB 40x62x10 Half shaft oil seal	2	240100008623
3	240100010392	油封 Oil seal	1	240100010392
3	240100053813	薄型锁紧螺母 Thin lock nut	1	240100053813
4	240100099507	右球节组件 Right ball joint assembly	1	240100099507
4	210801000425	O型圈 O-ring	1	210801000425
6	240100010725	转向油缸 (带护套) Steering cylinder	2	240100010725
6.1	240100226886	转向油缸修理包 Steering cylinder repair	2	240100226886

A31.32.902.4 FRONT TYRE ASS.Y ( MIDDLE TIRE )



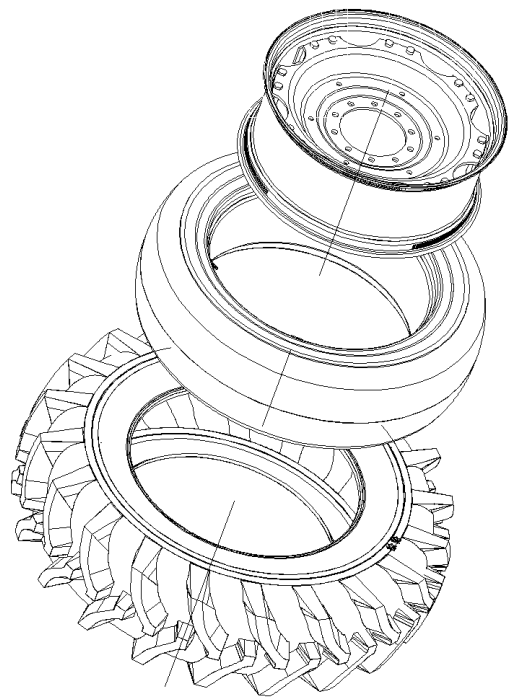
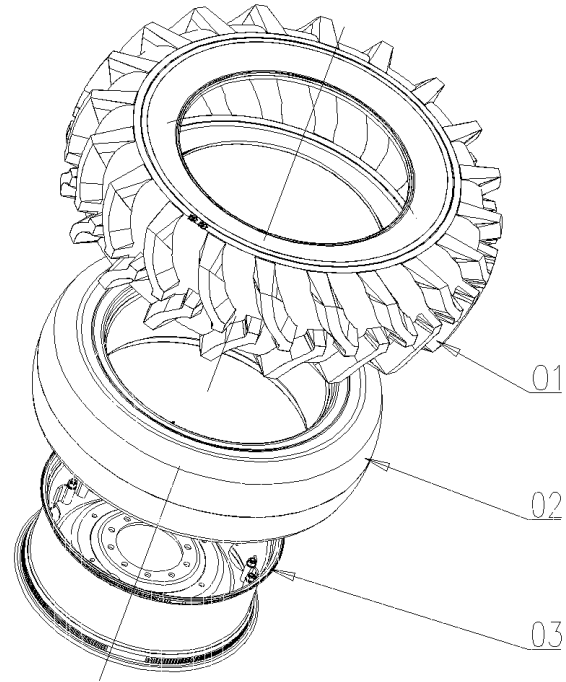
A31.32.902.4\_1 前轮总成 ( 中花胎 14.9-26无级调节 ) Front wheel assembly (medium tread 14.9-26 infinitely adjustable)

序号	零件编号	零件名称	数量	图号
1	GBT2979-14.9-26-10PR-R2	外胎 OUTER TIRE	2	GBT2979-14.9-26-10PR-R2
2	GBT2979-14.9-26-R2	内胎 INNER TIRE	2	GBT2979-14.9-26-R2
3	LE1204.32.011	轮辋 RIM	2	LE1204.32.011

A31.34.901.4 REAR TYRE ASS.Y ( MIDDLE TIRE )

A31.34.901.4\_2 后轮总成 ( 中花胎 18.4-38无级调节 ) Rear wheel assembly (medium tread 18.4-38 infinitely adjustable)

序号	零件编号	零件名称	数量	图号
1	GBT2979-18.4-38-8PR-R2	外胎 OUTER TIRE	2	GBT2979-18.4-38-8PR-R2
2	GBT2979-18.4-38-R2	内胎 INNER TIRE	2	GBT2979-18.4-38-R2
3	A31.34.001.4	车轮总成 RIM SYSTEM	2	A31.34.001.4

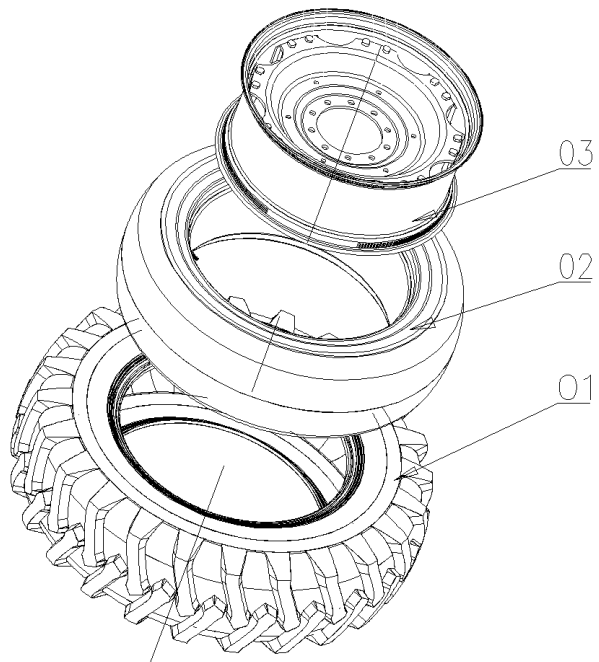
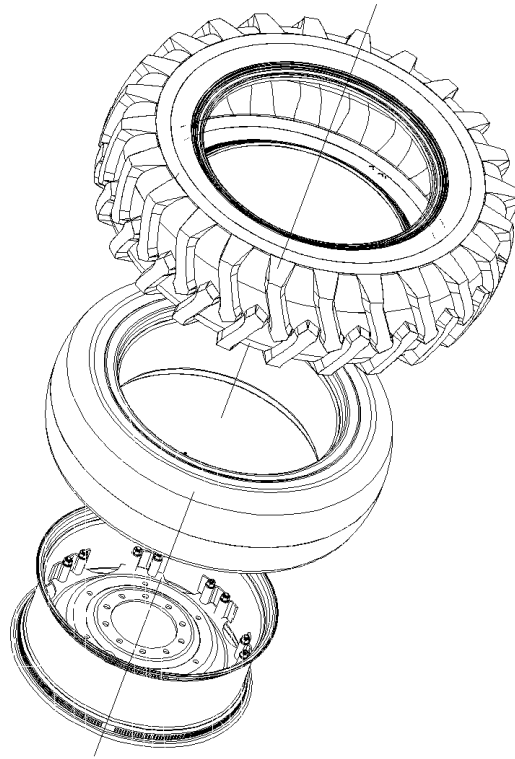




# A31.34.910.4 REAR TIRE ASS.Y(18.4-38-R1)

# A31.34.910.4\_1 后轮总成 (斜交胎 18.4-38无级调节) REAR TIRE ASS.Y(NORMAL TIRE)

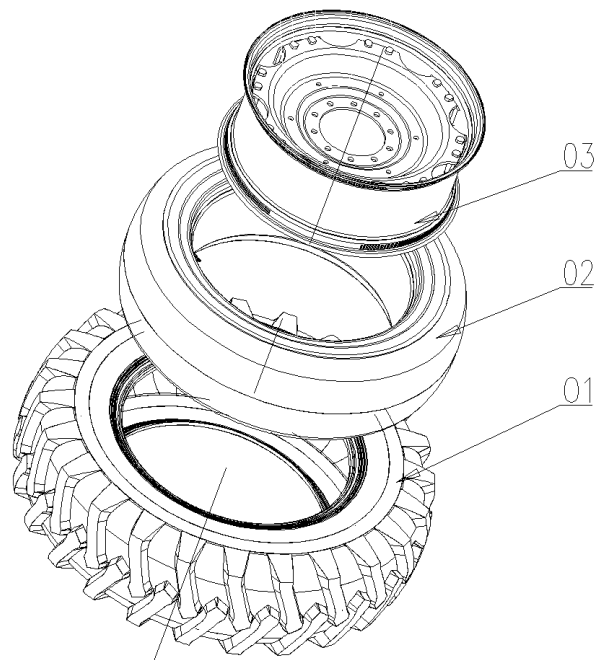
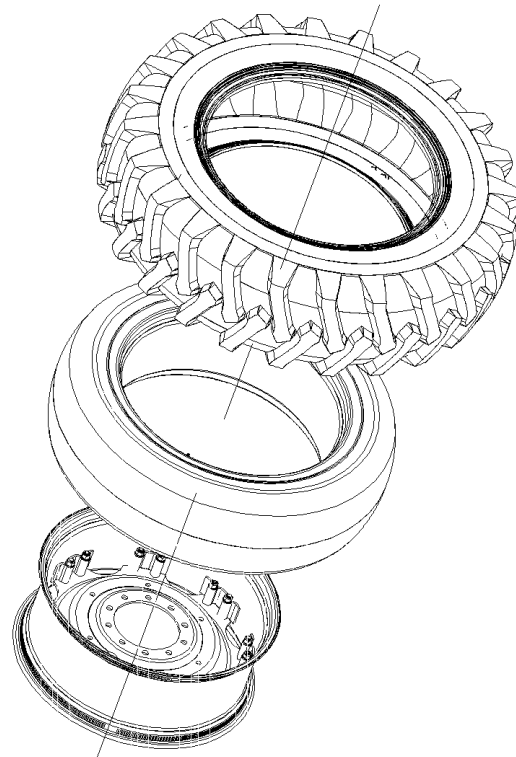
序号	零件编号	零件名称	数量	图号
1	GBT2979-18.4-38-10PR-R1	外胎 OUTER TYRE	2	GBT2979-18.4-38-10PR-R1
2	GBT2979-18.4-38-R1	内胎 INNER TIRE	2	GBT2979-18.4-38-R1
3	A31.34.001.4	车轮总成 RIM SYSTEM	2	A31.34.001.4



A31.34.910.4 REAR TIRE ASS.Y(NORMAL TIRE)

A31.34.910.4\_2 后轮总成 (斜交胎) REAR TIRE ASS.Y(18.4-38-R1)

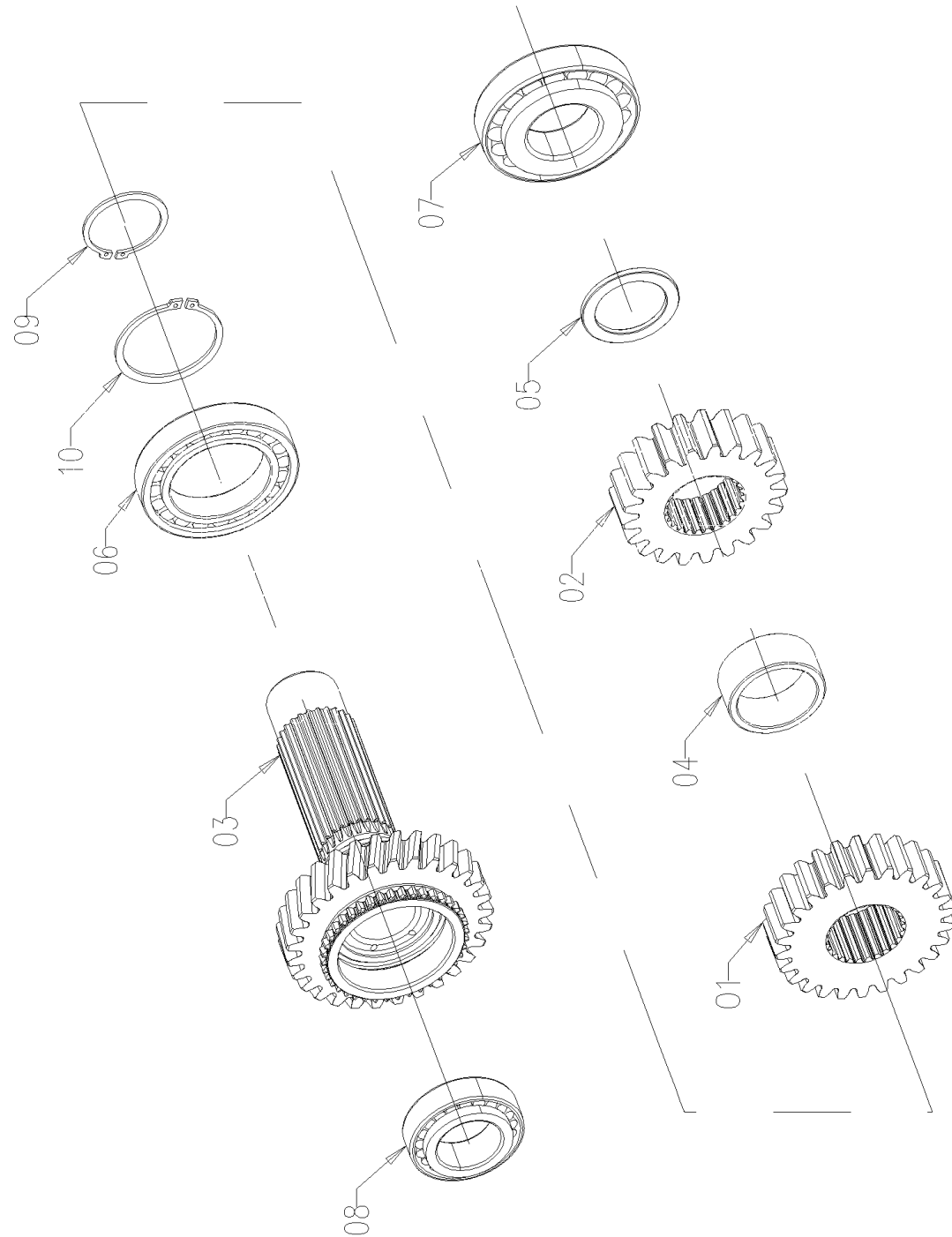
序号	零件编号	零件名称	数量	图号
1	GBT2979-18.4-38-10PR-R1	外胎 OUTER TYRE	2	GBT2979-18.4-38-10PR-R1
2	GBT2979-18.4-38-R1	内胎 INNER TIRE	2	GBT2979-18.4-38-R1
3	A31.34.001.4	RIM W15LX38 RIM W15LX38	2	A31.34.001.4



# A31.37.920.4 RANGE GEAR ASS.Y

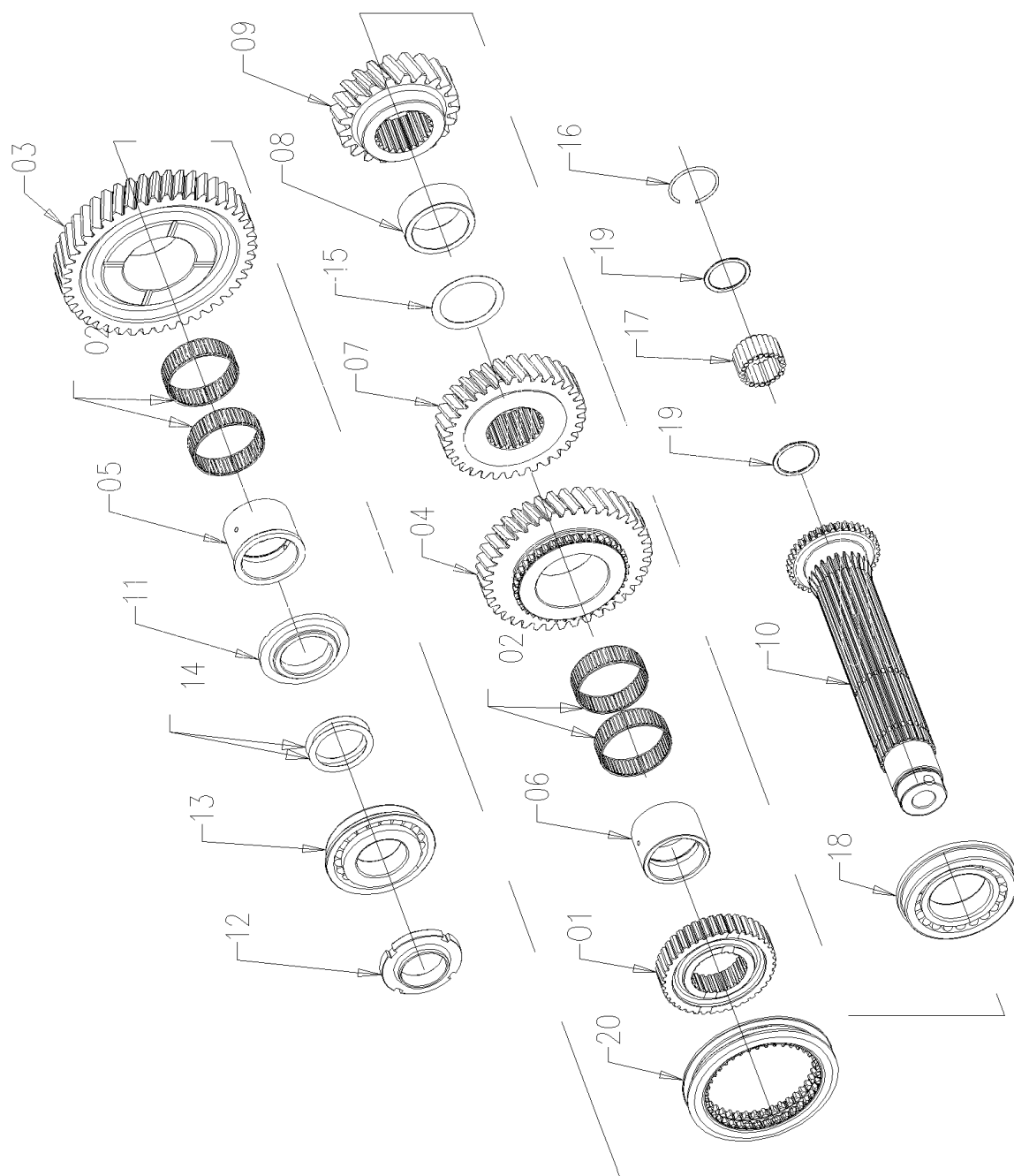
## A31.37.920.4\_2 副变速齿轮总成 (16F+8R 啮合套换挡 普通档) RANGE GEAR ASS.LY(16F+8R Engagement set shift Normal gear)

序号	零件编号	零件名称	数量	图号
1	0.029.7755.0/10	倒挡驱动齿轮 REVERSE DRIVING	1	0.029.7755.0/10
2	0.029.7757.0/10	中档主动齿轮 L-RANGE DRIVING	1	0.029.7757.0/10
3	A31.37.021.0	对轴 COUNTER SHAFT	1	A31.37.021.0
4	DF904.37.109	隔圈 SPACER	1	DF904.37.109
5	DF904.37.111	隔圈 SPACER	1	DF904.37.111
6	GBT283-NUP1014M	轴承 BEARING	1	GBT283-NUP1014M
7	GBT297-30310	轴承 BEARING	1	GBT297-30310
8	GBT297-33109	轴承 BEARING	1	GBT297-33109
9	GBT894.1-55	轴用弹性挡圈 CIRCLIPS FOR SHAFT	1	GBT894.1-55
10	GBT894.1-70	弹性挡圈 CIRCLIP	1	GBT894.1-70



# A31.37.921.4 COUNTERSHAFT ASS.Y

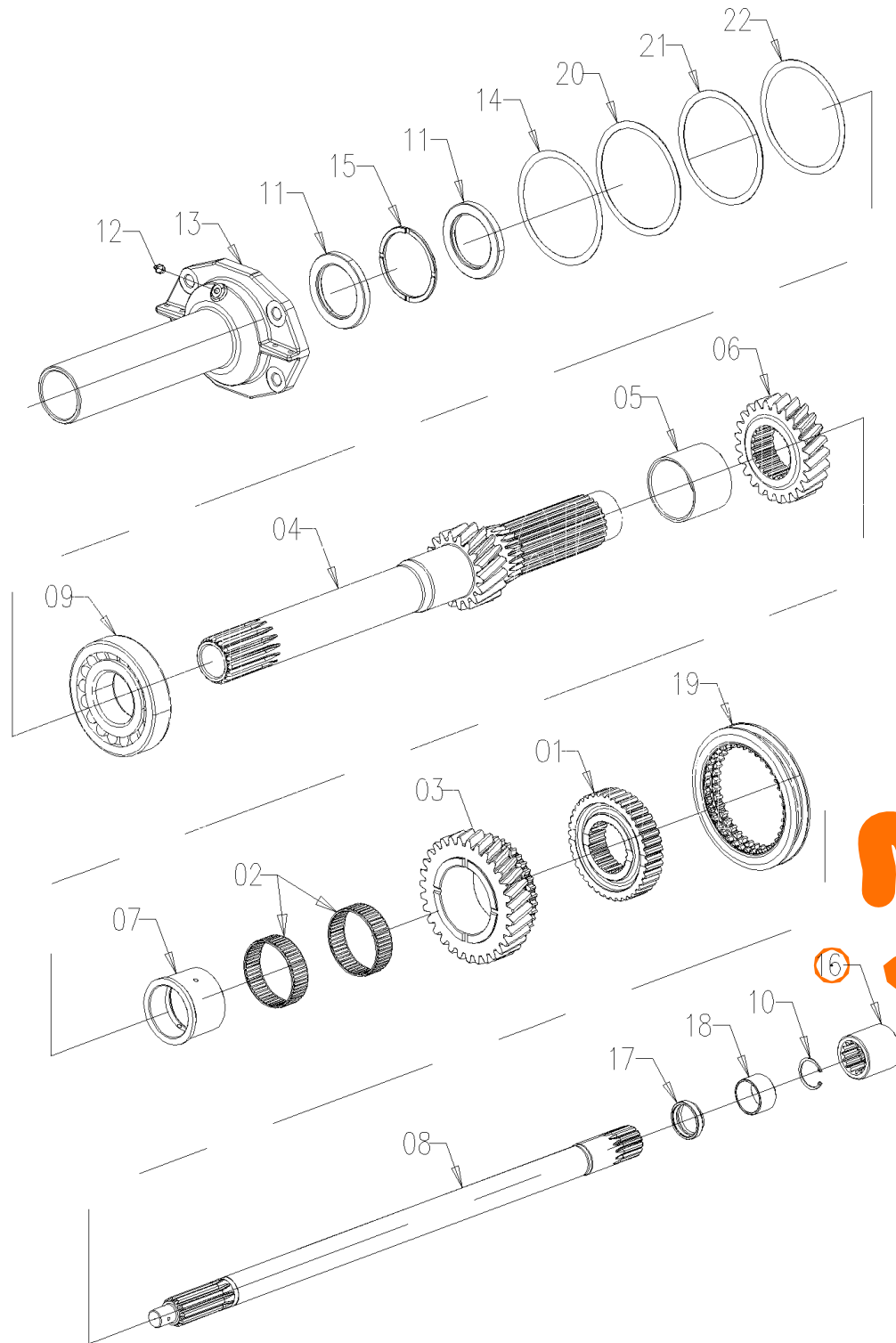
# A31.37.921.4\_3 主变速从动轴总成 (16F+8R 啮合套换挡 普通档) COUNTERSHAFT SUB-ASS.LY(16F+8R Engagement set shift Normal gear)



序号	零件编号	零件名称	数量	图号
1	A31.37.022.0	花键套轮 SPLINE SEAT	1	A31.37.022.0
2	2.2770.271.0	滚针轴承 ROLLER CAGE 60x65x20	4	2.2770.271.0
3	A31.37.025.0/10	第一从动齿轮 FIRST DRIVEN GEAR	1	A31.37.025.0/10
4	A31.37.026.0/10	第二从动齿轮 SECOND DRIVEN	1	A31.37.026.0/10
5	DF904.37.113/10	衬套 NEEDLE INNER RING	1	DF904.37.113/10
6	DF904.37.115/10	衬套 NEEDLE INNER RING	1	DF904.37.115/10
7	DF904.37.117/10	三挡从动齿轮 THIRD DRIVEN GEAR	1	DF904.37.117/10
8	DF904.37.118	隔圈 SPACER	1	DF904.37.118
9	DF904.37.119/10	四挡从动齿轮 FOURTH DRIVEN	1	DF904.37.119/10
10	0.028.6758.0/10	中心轴 INTERMEDIATE SHAFT	1	0.028.6758.0/10
11	DF904.37.127/10	止推环 THRUST RING	1	DF904.37.127/10
12	0.029.4452.0	锁紧螺母 LOCK NUT	1	0.029.4452.0
13	DF904.37.136	轴承 BEARING	1	DF904.37.136
14	DF904.37.137/138/139	调整垫片 ADJUSTING SHIM	2	DF904.37.137/138/139
15	DF904.37.142/143/144	调整垫片 ADJUSTING SHIM	1	DF904.37.142/143/144
16	GBT895.1-42	花键套 RING	1	GBT895.1-42
17	GBT309-P5X23.8-G2-3-5	滚针 NEEDLE ROLLER	23	GBT309-P5X23.8-G2-3-5
18	LE1204.37.195	圆锥滚子轴承 TAPERED TOLLER	1	LE1204.37.195
19	LE1204.37.211	垫圈 WASHER	2	LE1204.37.211
20	A11.37.196.0/20	? 凸联轴器 SHIFTING SLEEVE	1	A11.37.196.0/20

# A31.37.922.4 INPUT SHAFT ASS.Y

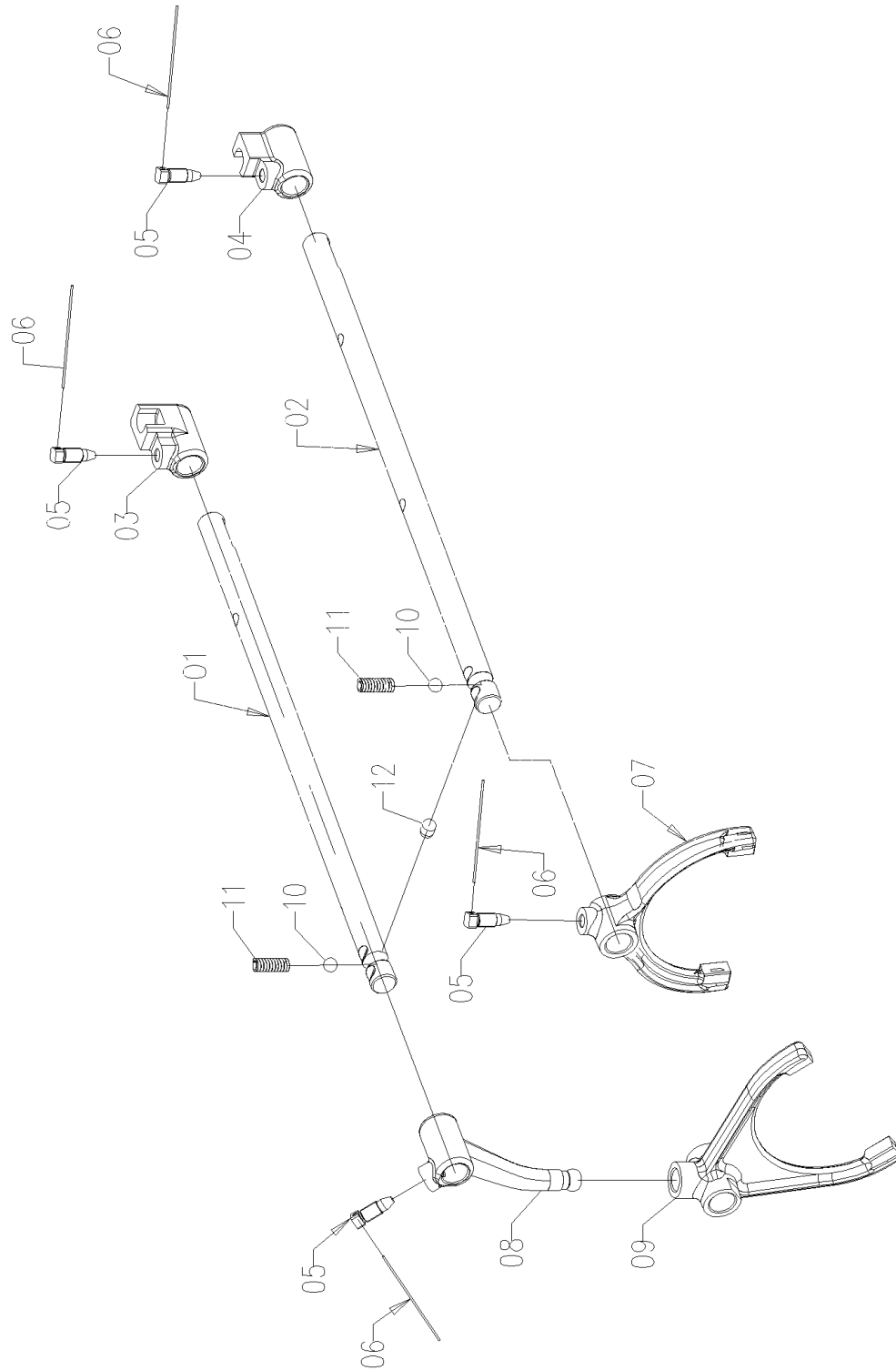
## A31.37.922.4\_5 输入轴总成 (16F+8R 啮合套换挡 普通档) INPUT SHAFT ASSEMBLY(16F+8R Engagement set shift Normal gear)



序号	零件编号	零件名称	数量	图号
1	A31.37.022.0	花键套轮 SPLINE SEAT	1	A31.37.022.0
2	2.2770.271.0	滚针轴承 ROLLER CAGE 60x65x20	2	2.2770.271.0
3	A31.37.027.0/10	第三驱动齿轮 THIRD DRIVING GEAR	1	A31.37.027.0/10
4	DF904.37.102/20	输入轴 INPUT SHAFT	1	DF904.37.102/20
5	C35.37.006.0	隔圈 SPACER	1	C35.37.006.0
6	C35.37.005.0	第二驱动齿轮 SECOND DRIVING	1	C35.37.005.0
7	DF904.37.113/10	衬套 NEEDLE INNER RING	1	DF904.37.113/10
8	A33.37.002.0	前轴 PTO FRONT SHAFT	1	A33.37.002.0
9	GBT297-30310	轴承 BEARING	1	GBT297-30310
10	GBT893.1-28	弹性挡圈 CIRCLIP	1	GBT893.1-28
11	GBT13871.1-FB-050072-D	油封 OIL SEAL	2	GBT13871.1-FB-050072-D
12	JBT7940.1-M6	油杯 GREASE CUP	1	JBT7940.1-M6
13	LE1204.37.151	输入轴承座 INPUT BEARING SEAT	1	LE1204.37.151
14	LE1204.37.190	调整垫圈 ADJUST WASHER	0	LE1204.37.190
15	LE1204.37.208	隔圈 SPACER	1	LE1204.37.208
16	SH900.41.105	连接套筒 PTO CONNECTING SLEEVE	1	SH900.41.105
17	SH900.37.112/10	输入轴座 INPUT SHAFT SEAL	1	SH900.37.112/10
18	SH900.37.113	输入轴轴承 INPUT SHAFT BUSHING	1	SH900.37.113
19	A11.37.196.0/20	? 凸轮联轴器 SHIFTING SLEEVE	1	A11.37.196.0/20
20	LE1204.37.191	调整垫圈 ADJUST WASHER	0	LE1204.37.191
21	LE1204.37.192	调整垫圈 ADJUST WASHER	0	LE1204.37.192
22	A26.37.010.0	调整垫圈 ADJUST WASHER	0	A26.37.010.0

A31.37.926.4 MAIN SHIFT ASS.Y

A31.37.926.4\_0 主变速拨叉总成 (16F+8R 啮合套换挡 普通档) MAIN SHIFT ASS.Y(16F+8R Engagement set shift Normal gear)

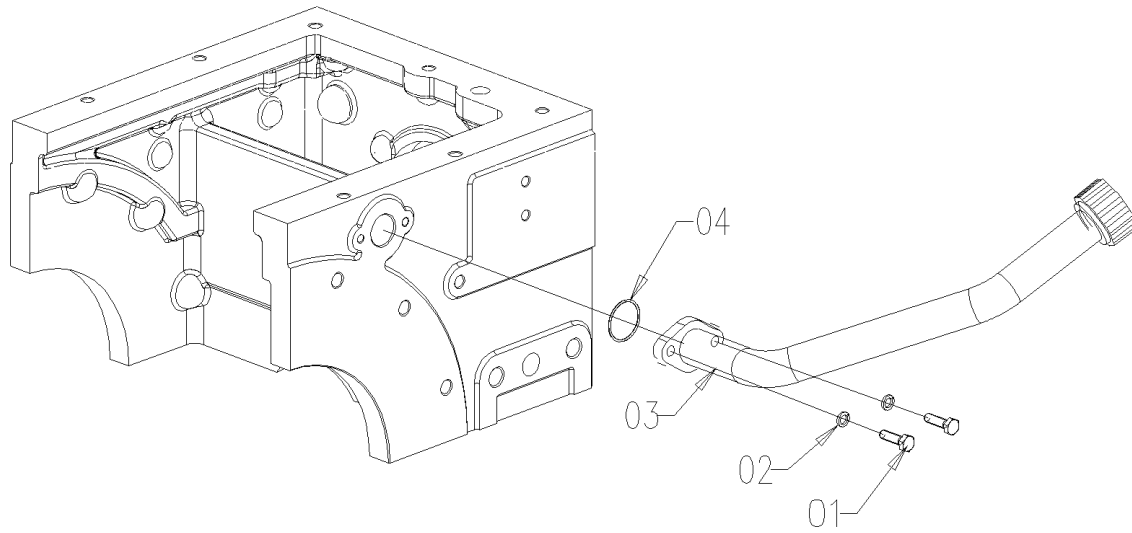


序号	零件编号	零件名称	数量	图号
1	DF904.37.206	- 档拨叉轴 FIRST-SECOND SPEED	1	DF904.37.206
2	DF904.37.207	- 档拨叉轴 THIRD-FOURTH	1	DF904.37.207
3	SH900.37.166	- 档拨头 GEAR SHIFTING HEAD	1	SH900.37.166
4	SH900.37.167	- 档拨头 GEAR SHIFTING HEAD	1	SH900.37.167
5	SH900.38.110	紧定螺钉 SET SCREW	4	SH900.38.110
6	YBT5294-SZ-F-1.4	低碳钢丝网 LOW CARBON STEEL	4	YBT5294-SZ-F-1.4
7	A31.37.028.0	拨叉 FORK	1	A31.37.028.0
8	SH900.37.160	、 档变速杆 、 GEAR LEVER	1	SH900.37.160
9	DF904.37.201/10	拨叉 FORK	1	DF904.37.201/10
10	GBT308-10-G100-b	球 BALL	2	GBT308-10-G100-b
11	SH900.37.135A	定位弹簧 POSITIONING SPRING	2	SH900.37.135A
12	SH900.37.159	互锁销 INTERLOCK PIN	1	SH900.37.159

# A31.38.905.4 OIL FILLER TUBE ASS.LY

## A31.38.905.4\_0 加油管总成 FILLER ASSEMBLY

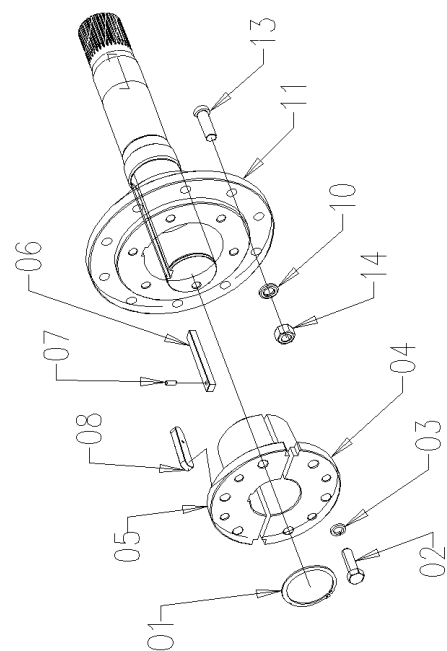
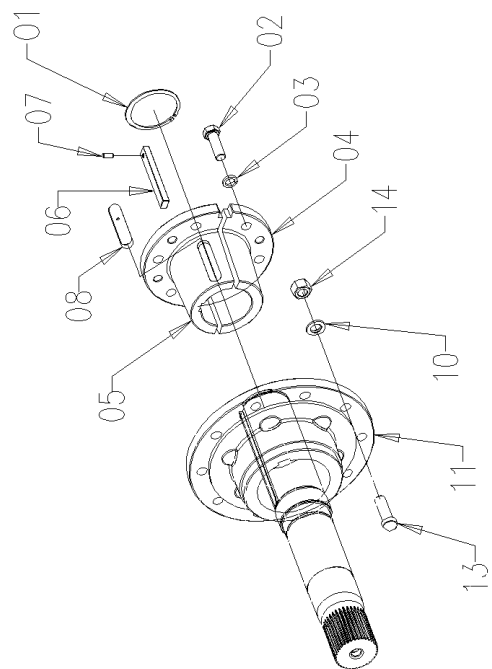
序号	零件编号	零件名称	数量	图号
1	GBT5783-M8X25-A2L	螺栓 BOLT	2	GBT5783-M8X25-A2L
2	GBT93-8-A3L	垫圈 WASHER	2	GBT93-8-A3L
3	A11.37.125.4	加油口总成 FILLER ASSEMBLY FILLER	1	A11.37.125.4
4	GBT3452.1-32.5X1.8-G	O形圈 O RING	1	GBT3452.1-32.5X1.8-G







# A31.39.900.4 HUB ASS.LY



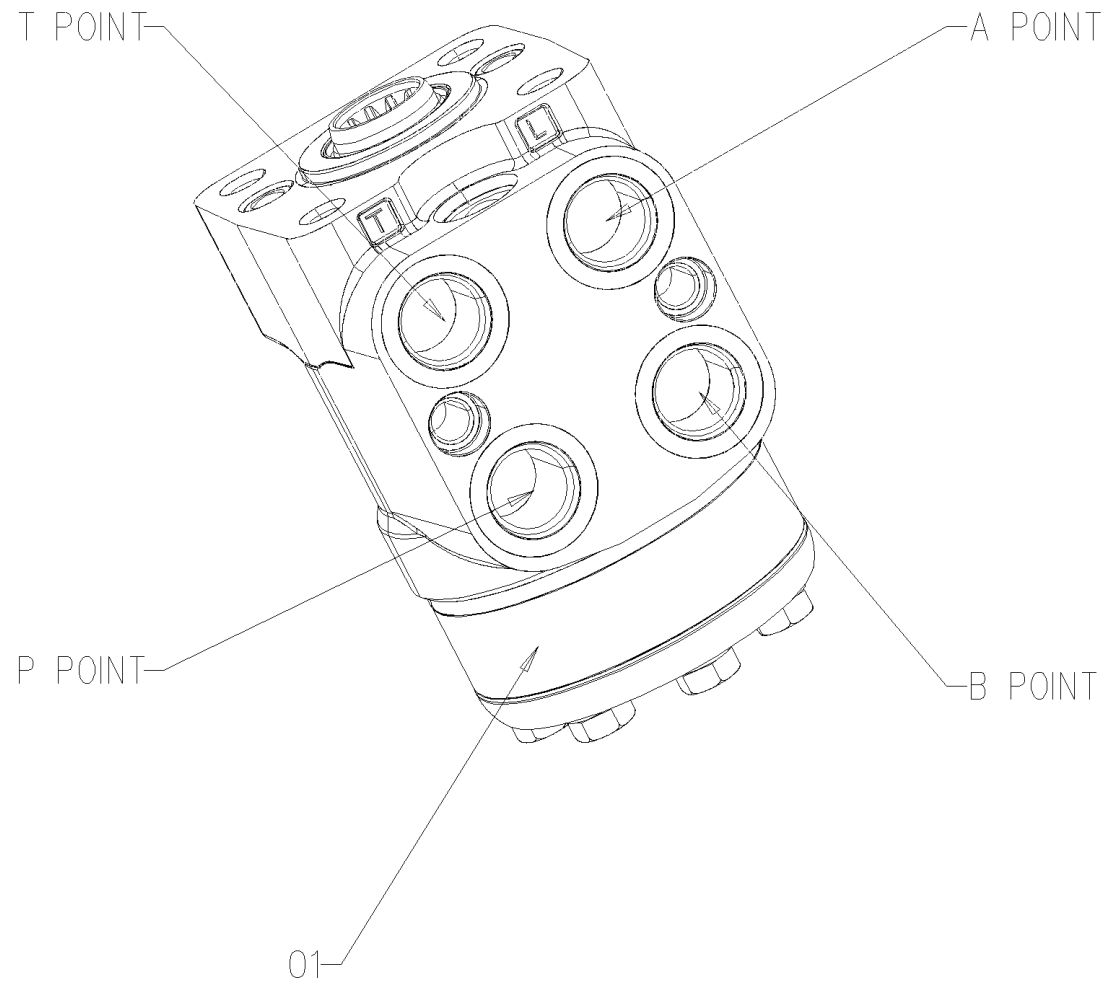
# A31.39.900.4\_3 轮毂总成HUB ASS.

序号	零件编号	零件名称	数量	图号
1	GBT894.1-105	轴用弹性挡圈 CIRCLIP FOR SHAFT	2	GBT894.1-105
2	GBT5783-M20X65-10.9-	螺栓 BOLT	12	GBT5783-M20X65-10.9-A3L
3	GBT93-20-A3L	垫圈 WASHER	12	GBT93-20-A3L
4	LE1204.34.106/10	轮毂 I HUB I	2	LE1204.34.106/10
5	LE1204.34.107/10	轮毂 II HUB II	2	LE1204.34.107/10
6	LE1204.34.104	平键 22X155 FLAT KEY 22X155	2	LE1204.34.104
7	GBT119.1-8m6X22	销 PIN	2	GBT119.1-8m6X22
8	LE1204.34.103	平键 25X110 FLAT KEY 25X110	2	LE1204.34.103
10	LE1204.34.102/10	垫圈 GASKET	20	LE1204.34.102/10
11	LE1204.34.105/10	毂盖 HUB COVER	2	LE1204.34.105/10
13	LE1204.34.113	右驱动轮固定螺栓 RIGHT DRIVE	20	LE1204.34.113
14	GBT6176-M22X1.5-10-A3L	螺母 NUT	20	GBT6176-M22X1.5-10-A3L

A31.40.904.4 STEERING UNIT ASS.

A31.40.904.4\_1 转向器总成STEERING UNIT ASS.

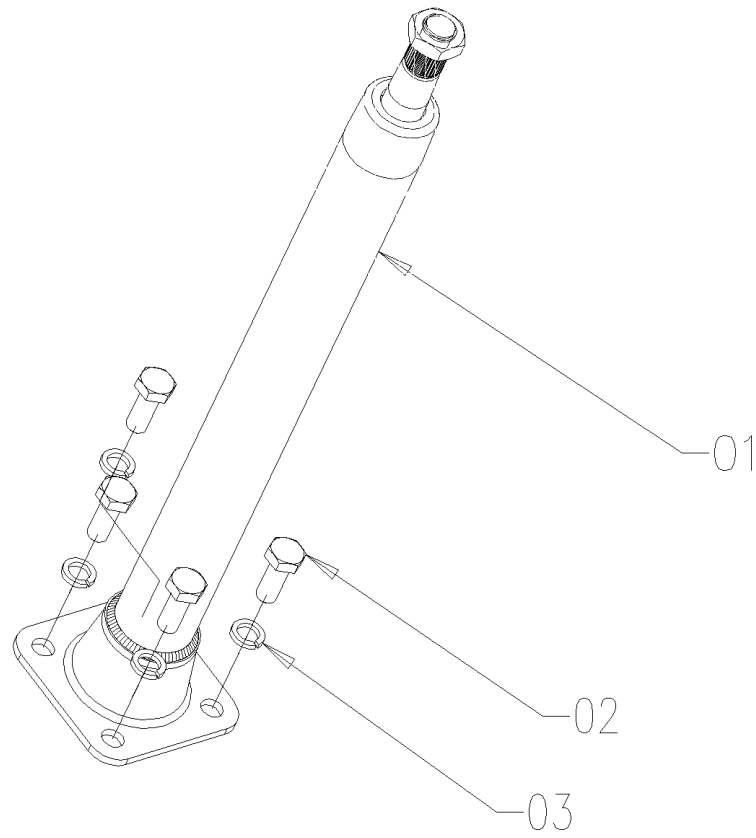
序号	零件编号	零件名称	数量	图号
1	A31.40.005.0	转向器 STEERING UNIT	1	A31.40.005.0



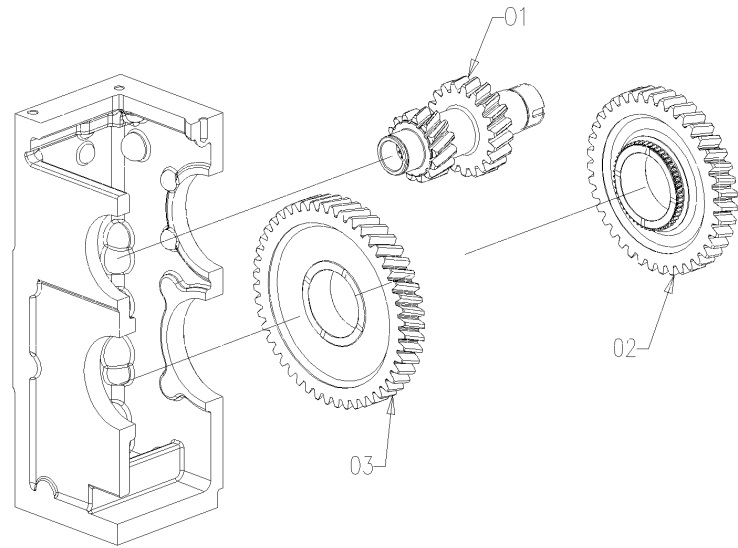
# A31.40.916.4 STEERING COMMAND ASS.Y

## A31.40.916.4\_0 固定转向管柱 STEERING COMMAND ASS.Y

序号	零件编号	零件名称	数量	图号
1	SH900.40.012	操纵杆总成 STEERING COLUMN	1	SH900.40.012
2	GBT5783-M10X25-A3L	螺栓 BOLT	4	GBT5783-M10X25-A3L
3	GBT93-10-A3L	垫圈 WASHER	4	GBT93-10-A3L



# A31.41.903.4 GEAR ASS.LY



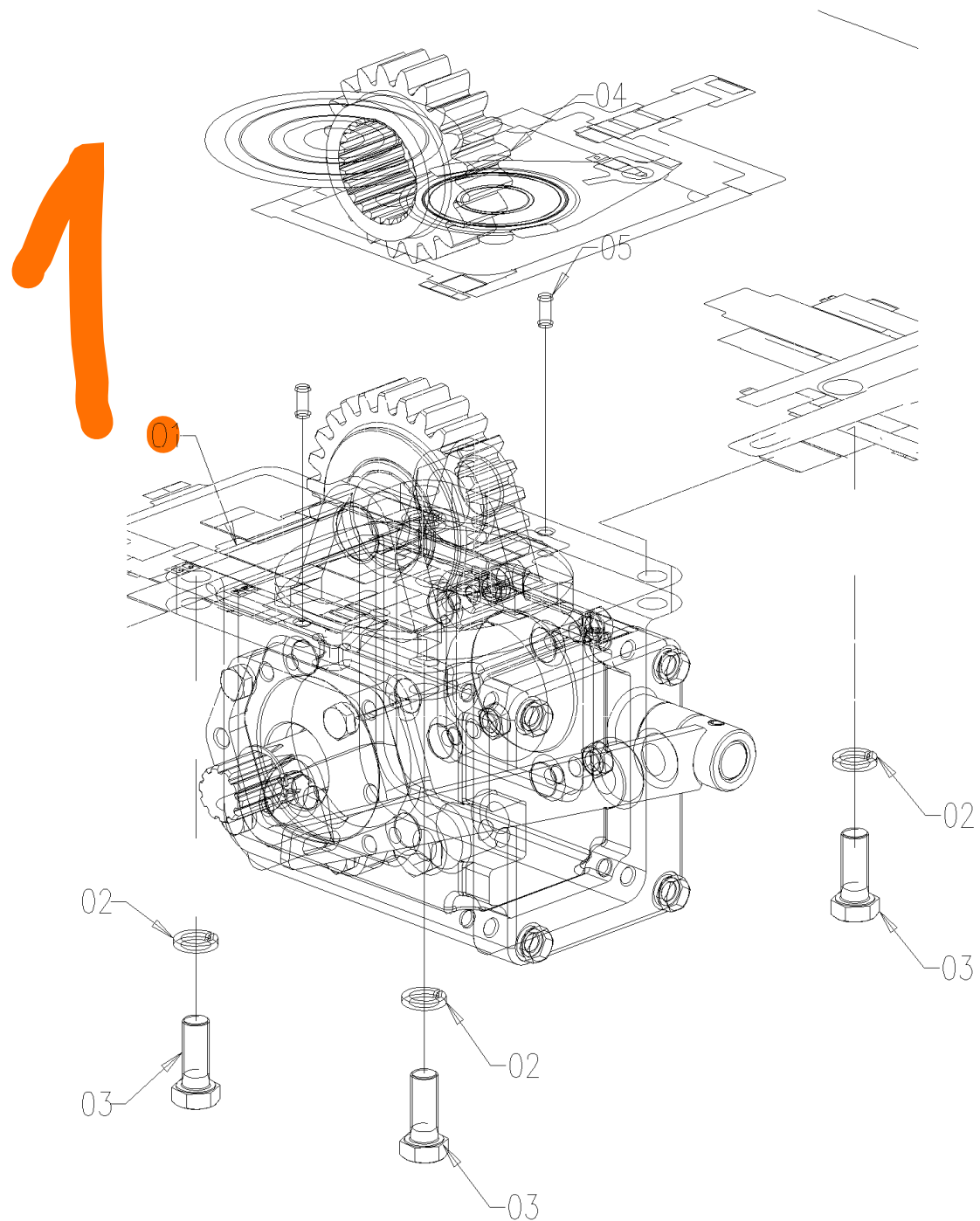
## A31.41.903.4\_1 动力输出齿轮 (540/1000) GEAR ASS.LY (540/1000)

序号	零件编号	零件名称	数量	图号
1	LE1204.41.106	输出主动齿轮 OUT DRIVE GEAR	1	LE1204.41.106
2	LE1204.41.113	电力输出轴 POWER OUT SHAFT	1	LE1204.41.113
3	LE1204.41.117	副变速齿轮 LOW SHIFT RANGE GEAR	1	LE1204.41.117

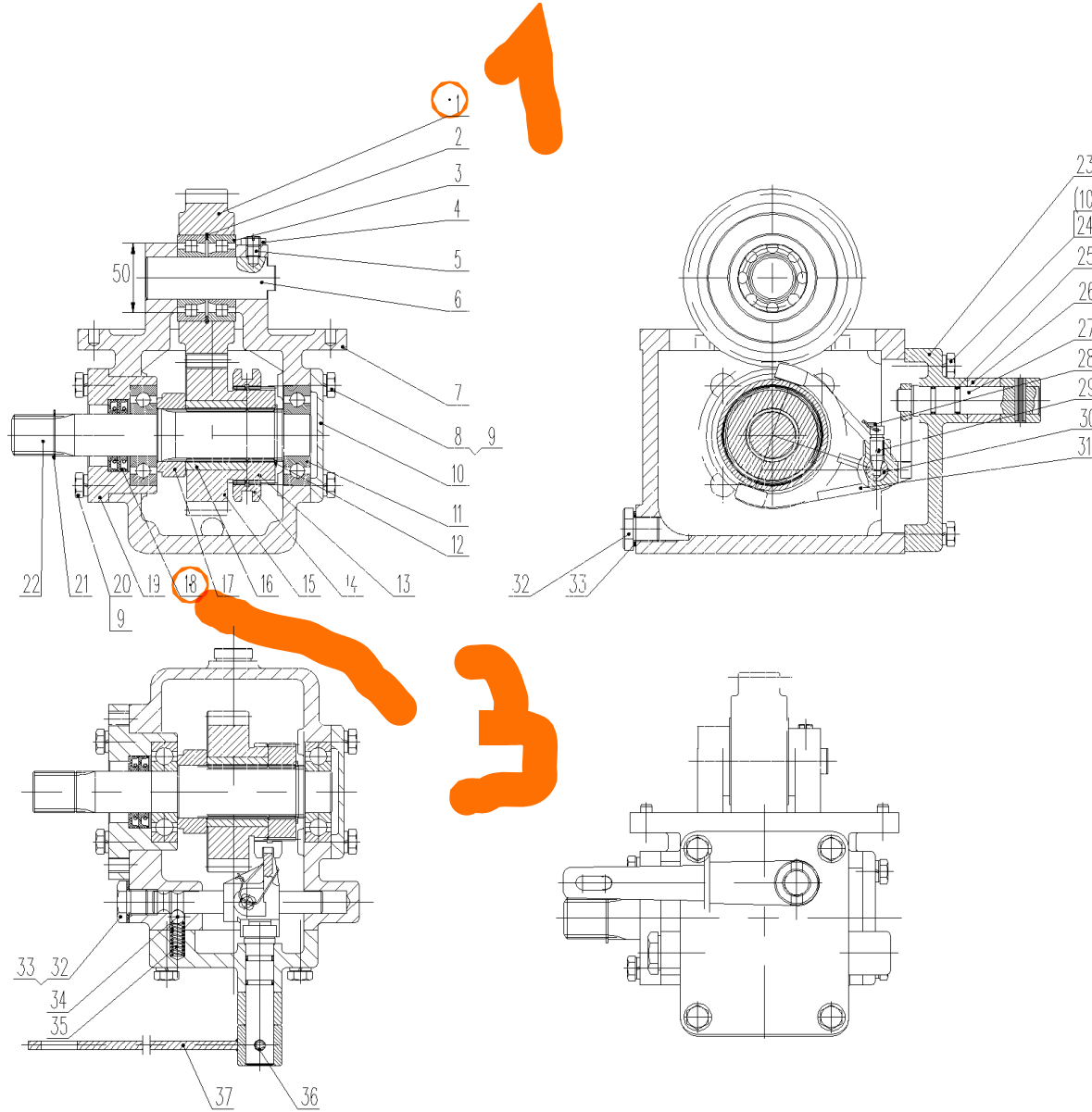
# A31.42.902.4 TRANSFER CASE ASS.LY

## A31.42.902.4\_0 分动箱分总成 DIFFERENTIAL ASSEMBLY

序号	零件编号	零件名称	数量	图号
1	A31.42.001.4	四轮驱动总成 4WD BODY ASS.LY	1	A31.42.001.4
2	GBT93-14-A3L	垫圈 WASHER	4	GBT93-14-A3L
3	GBT5783-M14X35-A3L	螺栓 BOLT	4	GBT5783-M14X35-A3L
4	LE1204.38.140	驱动齿轮 DRIVE GEAR	1	LE1204.38.140
5	GBT119.1-8m6X16	销 PIN	2	GBT119.1-8m6X16



A31.42.001.4 4WD BODY ASS.LY



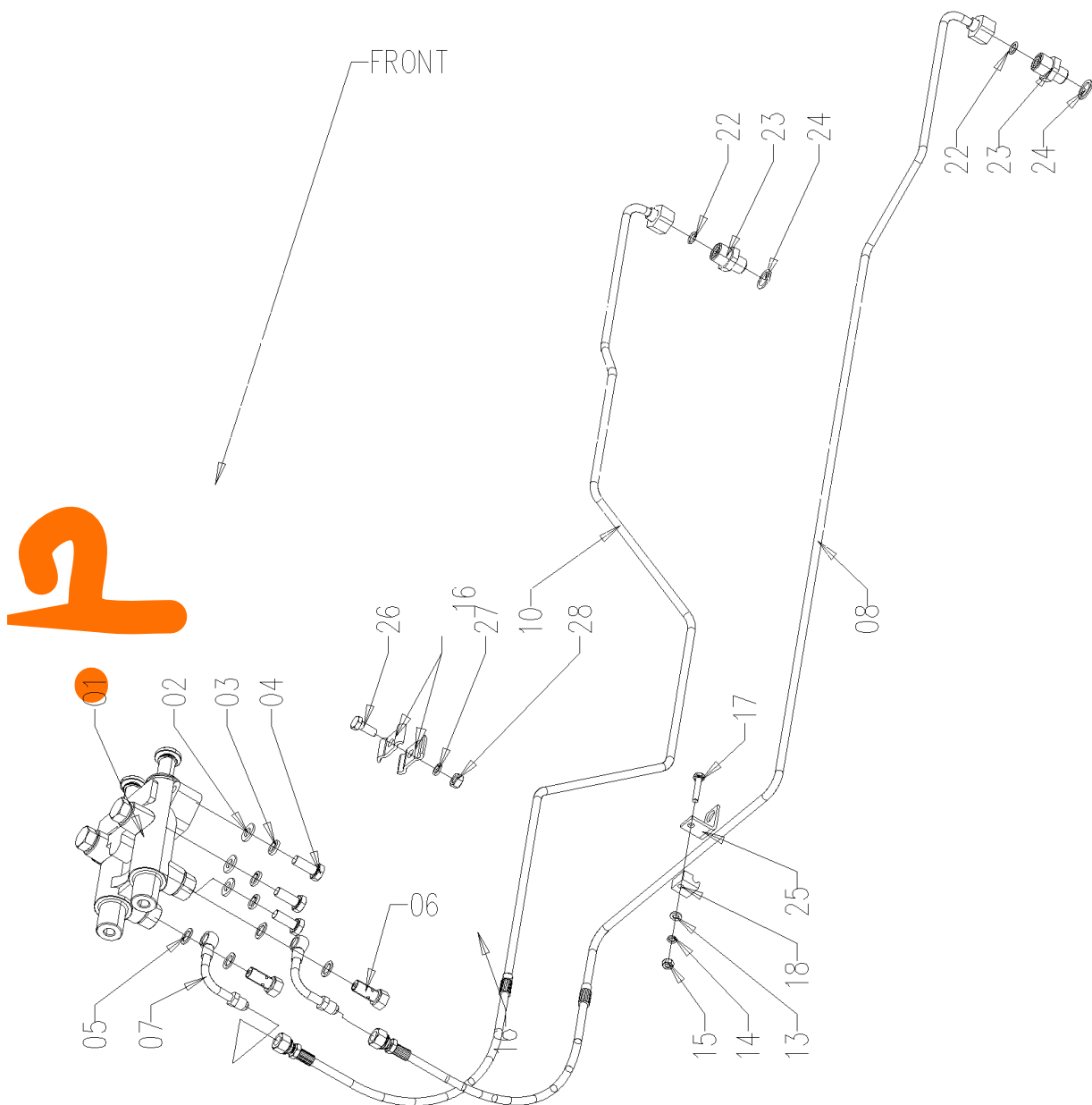
A31.42.001.4 四轮驱动总成4WD SHIELD ASS.LY

序号	零件编号	零件名称	数量	图号
1	LE1204.42.101	中间齿轮 ?intermediate?gear	1	LE1204.42.101
2	GBT893.1-62	弹性挡圈 CIRCLIP	1	GBT893.1-62
3	GBT283-NJ2206E	轴承 BEARING	2	GBT283-NJ2206E
4	GBT6172.1-M10-A3L	螺母 NUT	1	GBT6172.1-M10-A3L
5	GBT75-M10X20-A3L	螺丝钉 SCREW	1	GBT75-M10X20-A3L
6	LE1204.42.102	中间齿轮轴 intermediate?gear?shaft	1	LE1204.42.102
7	LE1204.42.103	分动箱体 transfer case housing	1	LE1204.42.103
8	GBT5783-M10X25-A3L	螺栓 BOLT	4	GBT5783-M10X25-A3L
9	GBT93-10-A3L	垫圈 WASHER	12	GBT93-10-A3L
10	SH904.42.112	后盖 rear?cover	1	SH904.42.112
11	GBT276-6306	轴承 BEARING	2	GBT276-6306
12	GBT894.1-38	弹性挡圈 CIRCLIP	1	GBT894.1-38
13	SH904.42.115	啮合齿座 Meshing tooth holder	1	SH904.42.115
14	LE1204.42.104	啮合套 sliding sleeve	1	LE1204.42.104
15	LE1204.42.105	被动齿轮 driven gear	1	LE1204.42.105
16	SH904.42.117	衬套 bushing	1	SH904.42.117
17	LE1204.42.107	隔套 SPACER	1	LE1204.42.107
18	GBT13871.1-B-030052-F	油封 OIL SEAL	2	GBT13871.1-B-030052-F
19	SH904.42.120	前盖 protegulum	1	SH904.42.120
20	GBT5783-M10X30-A3L	螺栓 BOLT	4	GBT5783-M10X30-A3L
21	GBT894.1-30	弹性挡圈 CIRCLIP	1	GBT894.1-30
22	LE1204.42.108	分动箱齿轮轴 Transmission box gear	1	LE1204.42.108
23	LE1204.42.109	侧盖 ?Side Cover	1	LE1204.42.109
24	GBT5783-M10X45-A3L	螺栓 BOLT	4	GBT5783-M10X45-A3L
25	GBT3452.1-15.5X2.65-G	O形密封圈 O RING	2	GBT3452.1-15.5X2.65-G
26	LE1204.42.124	隔套 SPACER	1	LE1204.42.124
27	SH904.42.013	拨杆焊合 FORK SHAFT WELDMENT	1	SH904.42.013
28	YBT5294-SZ-F-1.5	连接销 STEEL WIRE	1	YBT5294-SZ-F-1.5
29	LE1204.42.110	紧定螺钉 stopper?screw	1	LE1204.42.110
30	LE1204.42.111	拨叉轴 declutch shift shaft	1	LE1204.42.111
31	LE1204.42.112	分离拨叉 Release fork	1	LE1204.42.112
32	LE1204.42.113	螺堵 plug	2	LE1204.42.113
33	JBT982-18	垫圈 WASHER	2	JBT982-18
34	GBT308-10-G100-b	球 BALL	1	GBT308-10-G100-b
35	LE1204.42.128	弹簧 coil spring	1	LE1204.42.128
36	GBT879.1-8X32	销 PIN	1	GBT879.1-8X32
37	SH904.42.014	摇臂焊合 Rocker arm welded	1	SH904.42.014

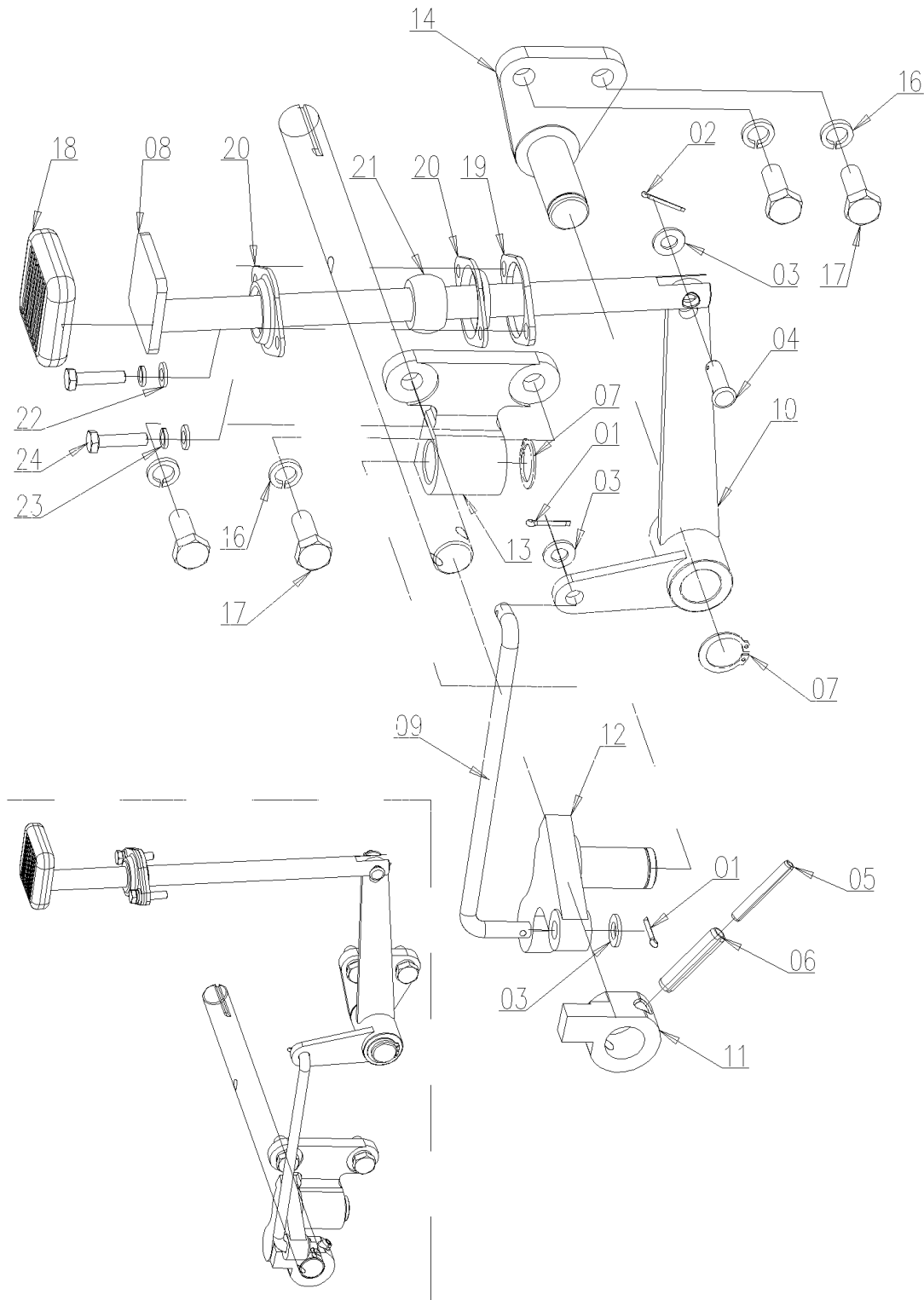
# A31.43.903.4 BRAKE PIPE ASS.

# A31.43.903.4\_4 制动管路总成 BRAKE PIPE ASS.

序号	零件编号	零件名称	数量	图号
1	A23.43.002.0	制动泵总成 BRAKE PUMP	1	A23.43.002.0
2	GBT97.1-10-A3L	垫圈 WASHER	3	GBT97.1-10-A3L
3	GBT93-10-A3L	垫圈 WASHER	3	GBT93-10-A3L
4	GBT5783-M10X25-A3L	螺栓 BOLT	3	GBT5783-M10X25-A3L
5	2.1560.008.0	密封圈 SEALING RING	4	2.1560.008.0
6	SH900.43.115	油管接头螺钉 CONNECT SCREW	2	SH900.43.115
7	A23.43.004.3	制动管 BRAKE PIPE ASS.Y	2	A23.43.004.3
8	A31.43.011.3	左刹车管总成 LEFT BRAKE PIPE ASS.	1	A31.43.011.3
10	A31.43.013.3/10	右制动管总成 RIGHT BRAKE PIPE ASS.	1	A31.43.013.3/10
13	GBT97.1-6-A3L	垫圈 WASHER	1	GBT97.1-6-A3L
14	GBT93-6-A3L	垫圈 WASHER	1	GBT93-6-A3L
15	GBT6170-M6-A2L	螺母 NUT	1	GBT6170-M6-A2L
16	DF904.43.053	制动管夹 BRAKE PIPE CLAMP	2	DF904.43.053
17	GBT5783-M6X30-A2L	螺栓 BOLT	1	GBT5783-M6X30-A2L
18	CD1204A.43.105	单孔管夹 SINGLE HOLE FIXED PLATE	1	CD1204A.43.105
22	GBT3452.1-10X1.8-G	O形圈 O RING	2	GBT3452.1-10X1.8-G
23	SH900.43.130	连接器 CONNECTOR	2	SH900.43.130
24	2.1560.012.0	密封圈 SEALING RING	2	2.1560.012.0
25	A31.43.012.0/10	支架 BRACKET	1	A31.43.012.0/10
26	GBT5783-M8X20-A2L	螺栓 BOLT	1	GBT5783-M8X20-A2L
27	GBT93-8-A3L	垫圈 WASHER	1	GBT93-8-A3L
28	GBT6170-M8-A2L	螺母 NUT	1	GBT6170-M8-A2L



A31.45.903.4 DIFFERENTIAL LOCK COMMAND ASS.Y

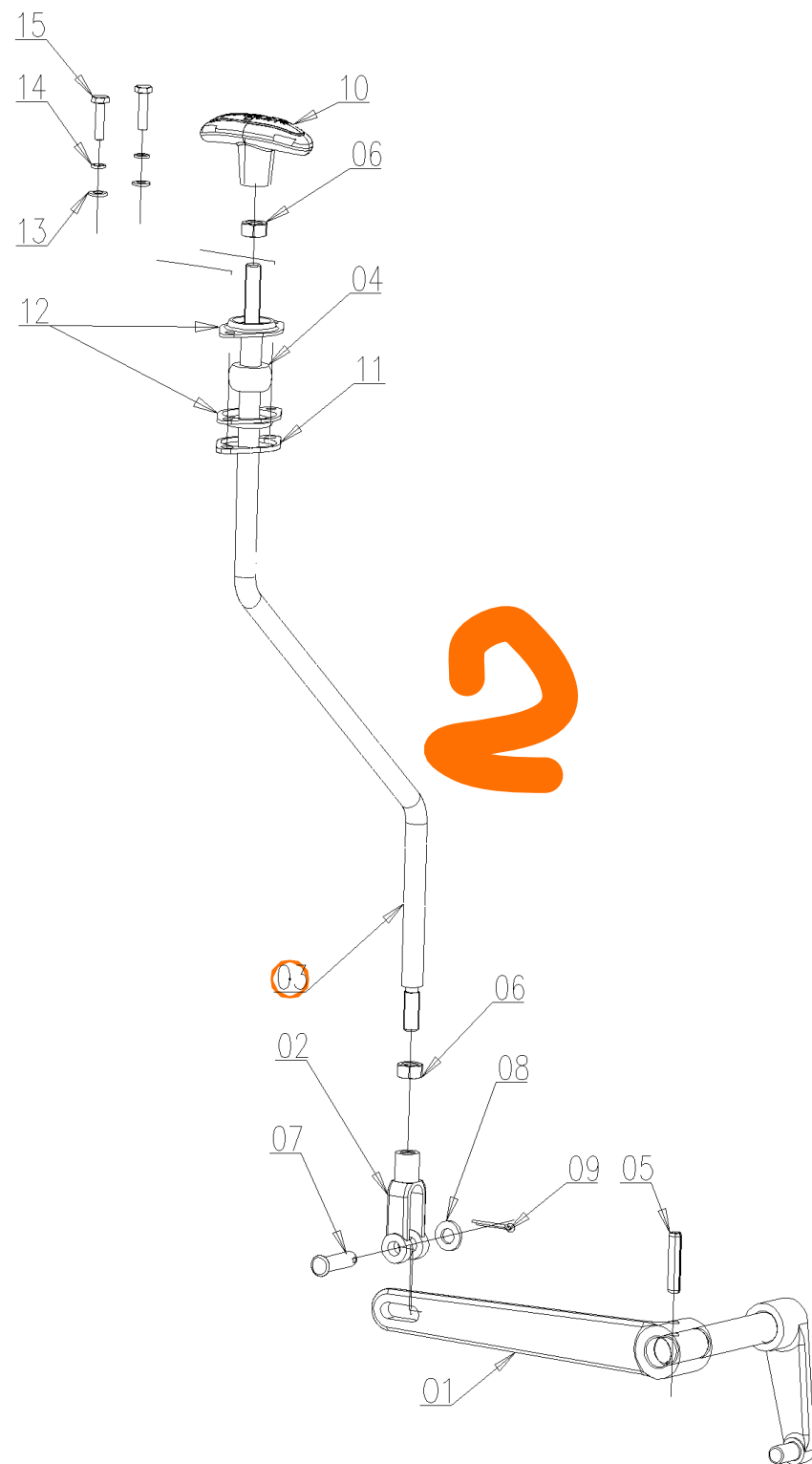


A31.45.903.4\_2 差速锁操纵总成CONTROL FOR DIFFERENTIAL LOCK

序号	零件编号	零件名称	数量	图号
1	GBT91-2.5X16-A3L	销 PIN	2	GBT91-2.5X16-A3L
2	GBT91-2X20-A3L	销 PIN	1	GBT91-2X20-A3L
3	GBT97.1-8-A3L	垫圈 WASHER	3	GBT97.1-8-A3L
4	GBT882-B8X24-A3L	销 PIN	1	GBT882-B8X24-A3L
5	GBT879.1-5X40	销 PIN	1	GBT879.1-5X40
6	GBT879.1-8X40	销 PIN	1	GBT879.1-8X40
7	GBT894.1-20	弹性挡圈 CIRCLIP	2	GBT894.1-20
8	LE1204.38.015	差速锁焊接 DIFFERENTIAL LOCK	1	LE1204.38.015
9	SH900.38.104	差速锁定摇臂拉杆 DIFFERENTIAL	1	SH900.38.104
10	A31.45.011.3/10	差速锁紧摇臂焊合 DIFF. LOCK.	1	A31.45.011.3/10
11	SH900.38.115	板 PLATE	1	SH900.38.115
12	SH900.38.102	旋转杆 ROTATING LEVER	1	SH900.38.102
13	SH900.38.103	支架 BRACKET	1	SH900.38.103
14	SH900.38.106	支架 BRACKET	1	SH900.38.106
16	GBT93-10-A3L	垫圈 WASHER	4	GBT93-10-A3L
17	GBT5783-M10X25-A3L	螺栓 BOLT	4	GBT5783-M10X25-A3L
18	A11.38.023.0	穿线胶圈 RUBBER COVER	1	A11.38.023.0
19	A23.45.001.0	导向套 GUIDE SLEEVE	1	A23.45.001.0
20	SH404.42.114	导向套 GUIDE SLEEVE	2	SH404.42.114
21	CD1204.45.106	导向套 GUIDE SLEEVE	1	CD1204.45.106
22	GBT97.1-6-A3L	垫圈 WASHER	2	GBT97.1-6-A3L
23	GBT93-6-A3L	垫圈 WASHER	2	GBT93-6-A3L
24	GBT5783-M6X25-A2L	螺栓 BOLT	2	GBT5783-M6X25-A2L



# A31.45.904.4 PTO COMMAND ASS.Y



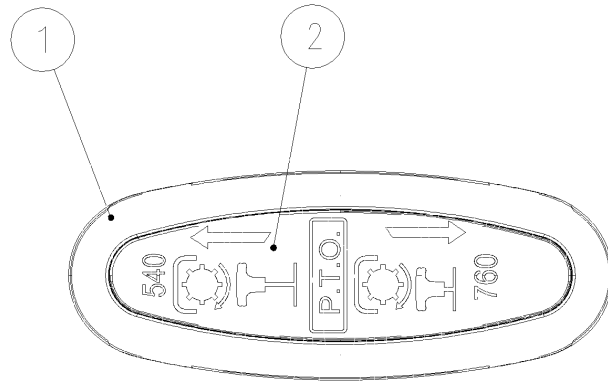
## A31.45.904.4\_2 动力输出操纵总成 (PTO 540/760 rpm) CONTROL FOR PTO

序号	零件编号	零件名称	数量	图号
1	LE1204.41.101-1	动力输出外摇臂 PTO OUTER ROCKER	1	LE1204.41.101-1
2	SH900.41.102	连接叉 CLEVIS	1	SH900.41.102
3	LE1204.41.122	动力输出操纵杆 POWER OUT	1	LE1204.41.122
4	LE1204.45.107	导向套 GUIDE SLEEVE	1	LE1204.45.107
5	GBT879.1-8X40	销 PIN	1	GBT879.1-8X40
6	GBT6170-M10-A3L	螺母 NUT	2	GBT6170-M10-A3L
7	GBT882-B10X35-A3L	销 PIN	1	GBT882-B10X35-A3L
8	GBT97.1-10-A3L	垫圈 WASHER	1	GBT97.1-10-A3L
9	GBT91-3.2X25-A3L	销 PIN	1	GBT91-3.2X25-A3L
10	A23.45.089.4/10	速度标牌 (540/760) P.T.O SPEED	1	A23.45.089.4/10
11	A23.45.001.0	导向套 GUIDE SLEEVE	1	A23.45.001.0
12	SH404.42.114	导向套 GUIDE SLEEVE	2	SH404.42.114
13	GBT97.1-6-A3L	垫圈 WASHER	2	GBT97.1-6-A3L
14	GBT93-6-A3L	垫圈 WASHER	2	GBT93-6-A3L
15	GBT5783-M6X25-A2L	螺栓 BOLT	2	GBT5783-M6X25-A2L

A23.45.089.4/10 P.T.O SPEED (760/540)

A23.45.089.4/10 速度标牌 (540/760)Speed sign (540/760)

序号	零件编号	零件名称	数量	图号
1	A23.45.075.2/10	手柄球 KNOB	1	A23.45.075.2/10
2	A23.45.088.0/10	标识PTO(760/540)	1	A23.45.088.0/10



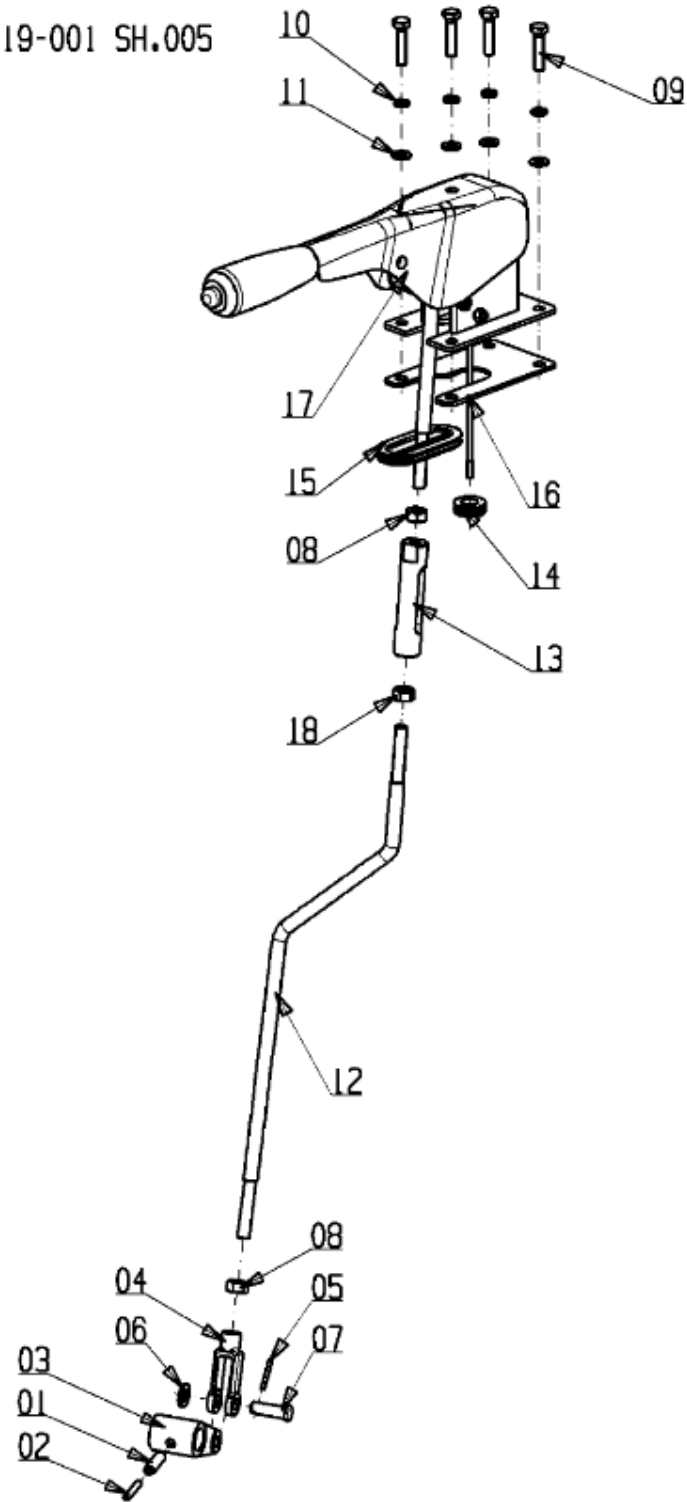
技术要求Note

标牌和手柄粘接牢固，确保无脱落现象。  
Ensure the label stick with knob firmly and will not fall off.

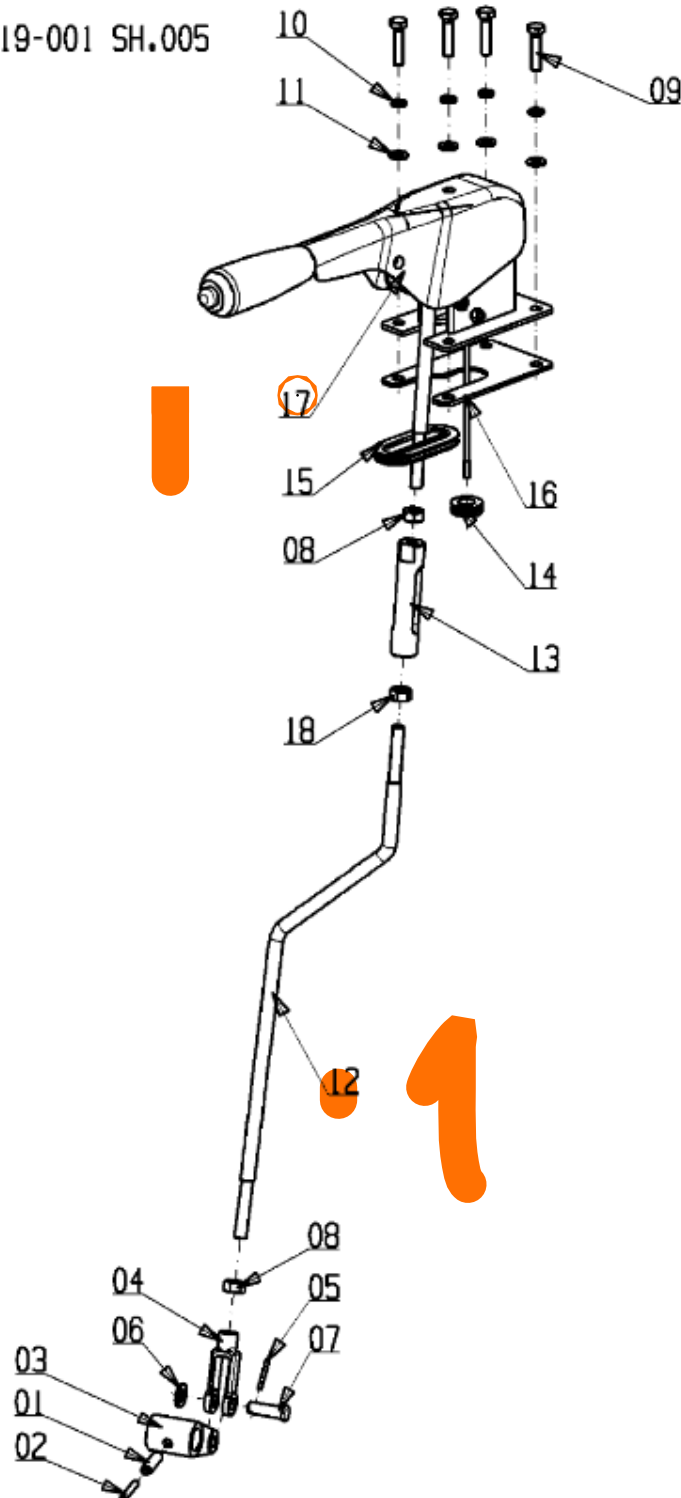
**A23.45.911.4\_2 手刹总成 PARK BRAKE COMMAND ASS.Y**

序号	零件编号	零件名称	数量	图号
18	GBT6171-M10X1-LH-A2L	螺母 NUT	1	GBT6171-M10X1-LH-A2L

YFB-R-2019-001 SH.005



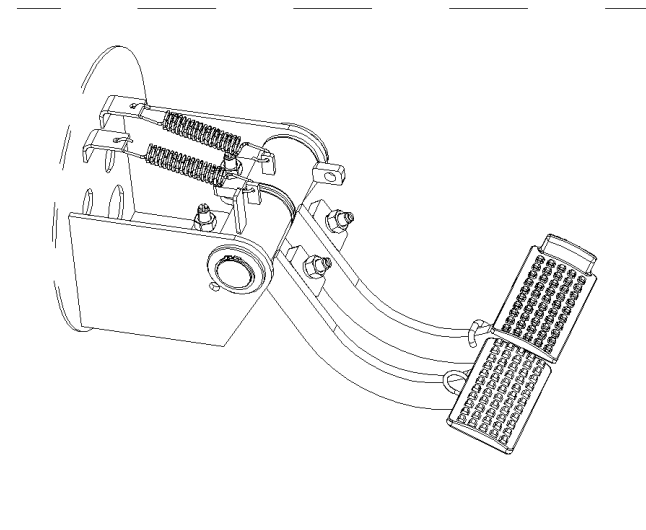
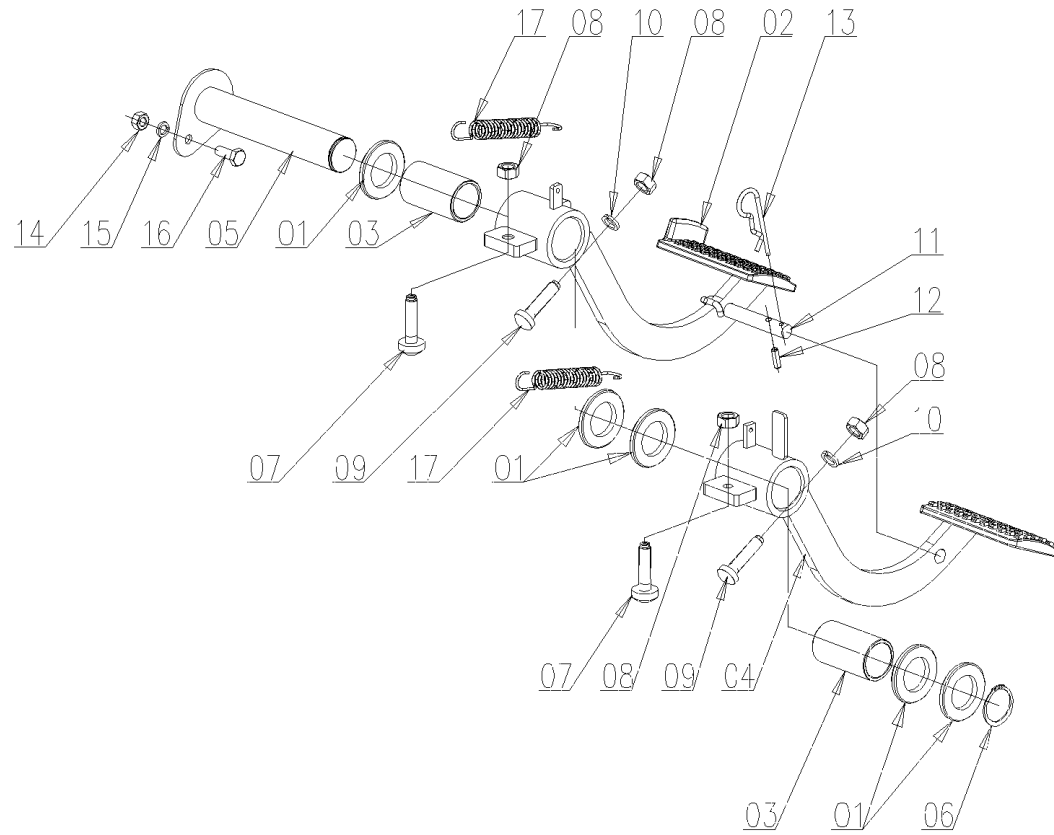
YFB-R-2019-001 SH.005



**A31.45.906.4\_2 手刹总成 PARK BRAKE COMMAND ASS.Y**

序号	零件编号	零件名称	数量	图号
1	GBT879.1-8X30	销 PIN	1	GBT879.1-8X30
2	GBT879.1-5X30	销 PIN	1	GBT879.1-5X30
3	SH900.43.170	杆 LEVER	1	SH900.43.170
4	SH900.21.117	拨叉 FORK	1	SH900.21.117
5	GBT91-3.2X20-A3L	销 PIN	1	GBT91-3.2X20-A3L
6	GBT97.1-10-A3L	垫圈 WASHER	1	GBT97.1-10-A3L
7	GBT882-B10X32-A3L	销 PIN	1	GBT882-B10X32-A3L
8	GBT6171-M10X1-A2L	螺母 NUT	2	GBT6171-M10X1-A2L
9	GBT5783-M8X35-A2L	螺栓 BOLT	4	GBT5783-M8X35-A2L
10	GBT93-8-A3L	垫圈 WASHER	4	GBT93-8-A3L
11	GBT97.1-8-A3L	垫圈 WASHER	4	GBT97.1-8-A3L
12	A23.45.010.0/20	手闸低杠杆 HANDBRAKE LOWER	1	A23.45.010.0/20
13	SH900.43.145	手制动调节管 SPECIAL FORK	1	SH900.43.145
14	2.6560.008.0	导缆器环14x27x2.5 FAIRLEAD RINGS	1	2.6560.008.0
15	A23.45.050.0	垫圈 GASKET	1	A23.45.050.0
16	A23.45.002.0	垫圈 GASKET	1	A23.45.002.0
17	A23.45.060.4/30	手制动 HANDBRAKE	1	A23.45.060.4/30
18	GBT6171-M10X1-LH-A2L	螺母 NUT	1	GBT6171-M10X1-LH-A2L

# A31.45.909.4 BRAKE COMMAND ASS.Y



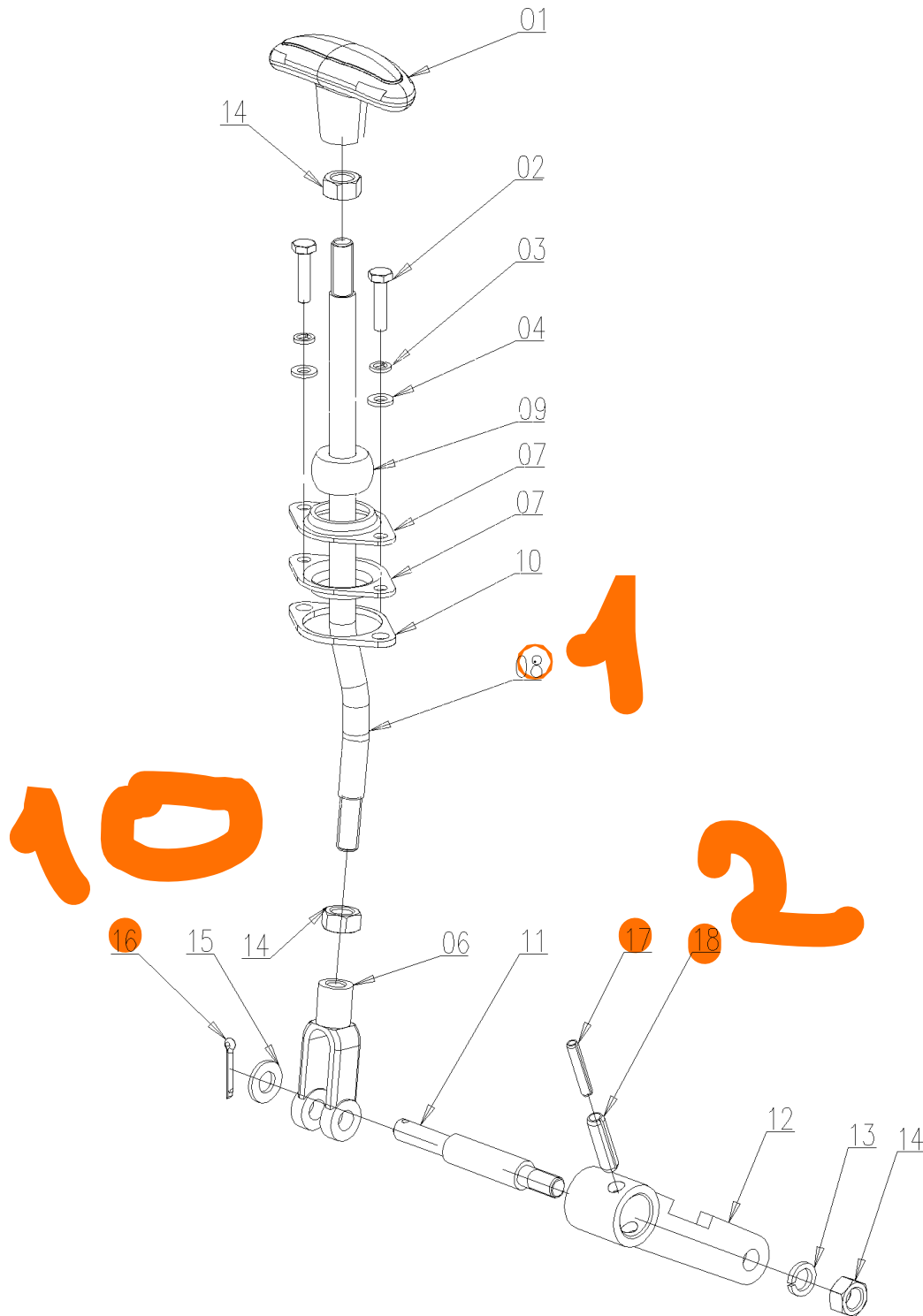
# A31.45.909.4\_2 制动踏板操纵总成 PEDAL ASS.LY FOR BRAKE

序号	零件编号	零件名称	数量	图号
1	SH900.43.181	套筒 SLEEVE	5	SH900.43.181
2	SH900.43.040	右制动踏板焊合件 RIGHT BRAKE	1	SH900.43.040
3	SH900.43.166	套303560 BRAKE PEDAL SHAFT	2	SH900.43.166
4	SH900.43.041	左制动踏板焊合件 LEFT BRAKE	1	SH900.43.041
5	SH900.43.016	制动踏板轴焊合件 BRAKE PEDAL	1	SH900.43.016
6	GBT894.1-30	弹性挡圈 CIRCLIP	1	GBT894.1-30
7	SH900.43.030	调整螺钉合件 ADJUSTING SCREW	2	SH900.43.030
8	GBT6170-M10-A3L	螺母 NUT	4	GBT6170-M10-A3L
9	SH900.43.103	调整螺钉 ADJUSTING SCREW	2	SH900.43.103
10	GBT93-10-A3L	垫圈 WASHER	2	GBT93-10-A3L
11	SH900.43.011	联锁杆焊件 INTERLOCKING ROD	1	SH900.43.011
12	GBT879.1-5X18	销 PIN	1	GBT879.1-5X18
13	SH900.56.105	锁销 SPRING LOCKING PIN	1	SH900.56.105
14	GBT6170-M8-A2L	螺母 NUT	1	GBT6170-M8-A2L
15	GBT93-8-A3L	垫圈 WASHER	1	GBT93-8-A3L
16	GBT5783-M8X20-A2L	螺栓 BOLT	1	GBT5783-M8X20-A2L
17	SH900.21.101	副离合回位弹簧 AUXILIARY CLUTCH	2	SH900.21.101

# A31.45.910.4 CREEPER COMMAND ASS'Y

# A31.45.910.4\_1 爬行档操纵总成CREEPER COMMAND ASS.

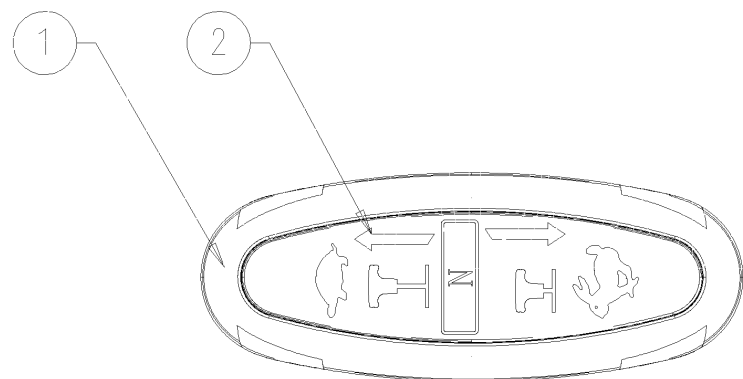
序号	零件编号	零件名称	数量	图号
1	A23.45.078.4/10	手柄球 KNOB_CREEPER	1	A23.45.078.4/10
2	GBT5783-M6X25-A2L	螺栓 BOLT	2	GBT5783-M6X25-A2L
3	GBT93-6-A3L	垫圈 WASHER	2	GBT93-6-A3L
4	GBT97.1-6-A3L	垫圈 WASHER	2	GBT97.1-6-A3L
6	SH900.41.102	连接叉 CLEVIS	1	SH900.41.102
7	SH404.42.114	导向套 GUIDE SLEEVE	2	SH404.42.114
8	A31.45.055.0/10	爬行齿轮杆 CRAWLING GEAR ROD	1	A31.45.055.0/10
9	SH404.42.113	导向套 GUIDER SLEEVE	1	SH404.42.113
10	A23.45.001.0	导向套 GUIDE SLEEVE	1	A23.45.001.0
11	A31.45.054.0	杆销 LEVER PIN	1	A31.45.054.0
12	SH900.37.011	杆总成 LEVER ASS.LY	1	SH900.37.011
13	GBT93-10-A3L	垫圈 WASHER	1	GBT93-10-A3L
14	GBT6170-M10-A3L	螺母 NUT	3	GBT6170-M10-A3L
15	GBT97.1-10-A3L	垫圈 WASHER	1	GBT97.1-10-A3L
16	GBT91-3.2X22-A3L	销 PIN	1	GBT91-3.2X22-A3L
17	GBT879.1-5X30	销 PIN	1	GBT879.1-5X30
18	GBT879.1-8X30	销 PIN	1	GBT879.1-8X30



A23.45.078.4/10 KNOB\_CREEPER

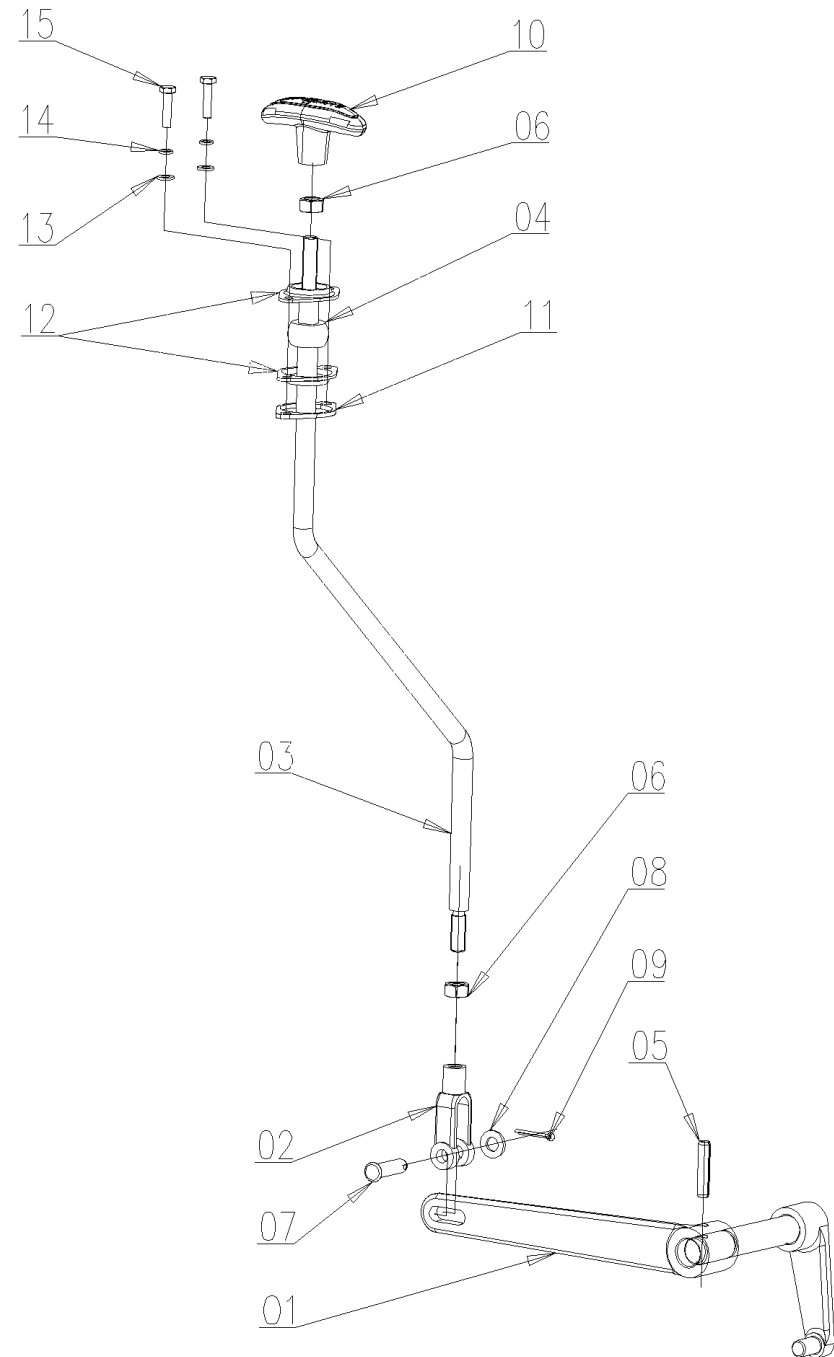
A23.45.078.4/10 手柄球Handle ball

序号	零件编号	零件名称	数量	图号
1	A23.45.075.2/10	手柄球 KNOB	1	A23.45.075.2/10
2	A23.45.079.0/10	爬行档标识 LABEL_CREEPER	1	A23.45.079.0/10



# A31.45.913.4 PTO COMMAND ASS.Y

# A31.45.913.4\_2 动力输出操纵总成 (PTO 540/1000 rpm) PTO COMMAND ASSEMBLY(540/1000)



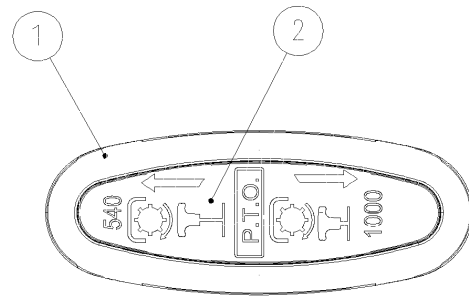
序号	零件编号	零件名称	数量	图号
1	LE1204.41.101-1	动力输出外摇臂 PTO OUTER ROCKER	1	LE1204.41.101-1
2	SH900.41.102	连接叉 CLEVIS	1	SH900.41.102
3	LE1204.41.122	动力输出操纵杆 POWER OUT	1	LE1204.41.122
4	LE1204.45.107	导向套 GUIDE SLEEVE	1	LE1204.45.107
5	GBT879.1-8X40	销 PIN	1	GBT879.1-8X40
6	GBT6170-M10-A3L	螺母 NUT	2	GBT6170-M10-A3L
7	GBT882-B10X35-A3L	销 PIN	1	GBT882-B10X35-A3L
8	GBT97.1-10-A3L	垫圈 WASHER	1	GBT97.1-10-A3L
9	GBT91-3.2X25-A3L	销 PIN	1	GBT91-3.2X25-A3L
10	A23.45.092.4/10	速度标牌(540/1000) P.T.O SPEED	1	A23.45.092.4/10
11	A23.45.001.0	导向套 GUIDE SLEEVE	1	A23.45.001.0
12	SH404.42.114	导向套 GUIDE SLEEVE	2	SH404.42.114
13	GBT97.1-6-A3L	垫圈 WASHER	2	GBT97.1-6-A3L
14	GBT93-6-A3L	垫圈 WASHER	2	GBT93-6-A3L
15	GBT5783-M6X25-A2L	螺栓 BOLT	2	GBT5783-M6X25-A2L



A23.45.092.4/10 速度标牌(540/1000)Speed sign (540/1000)

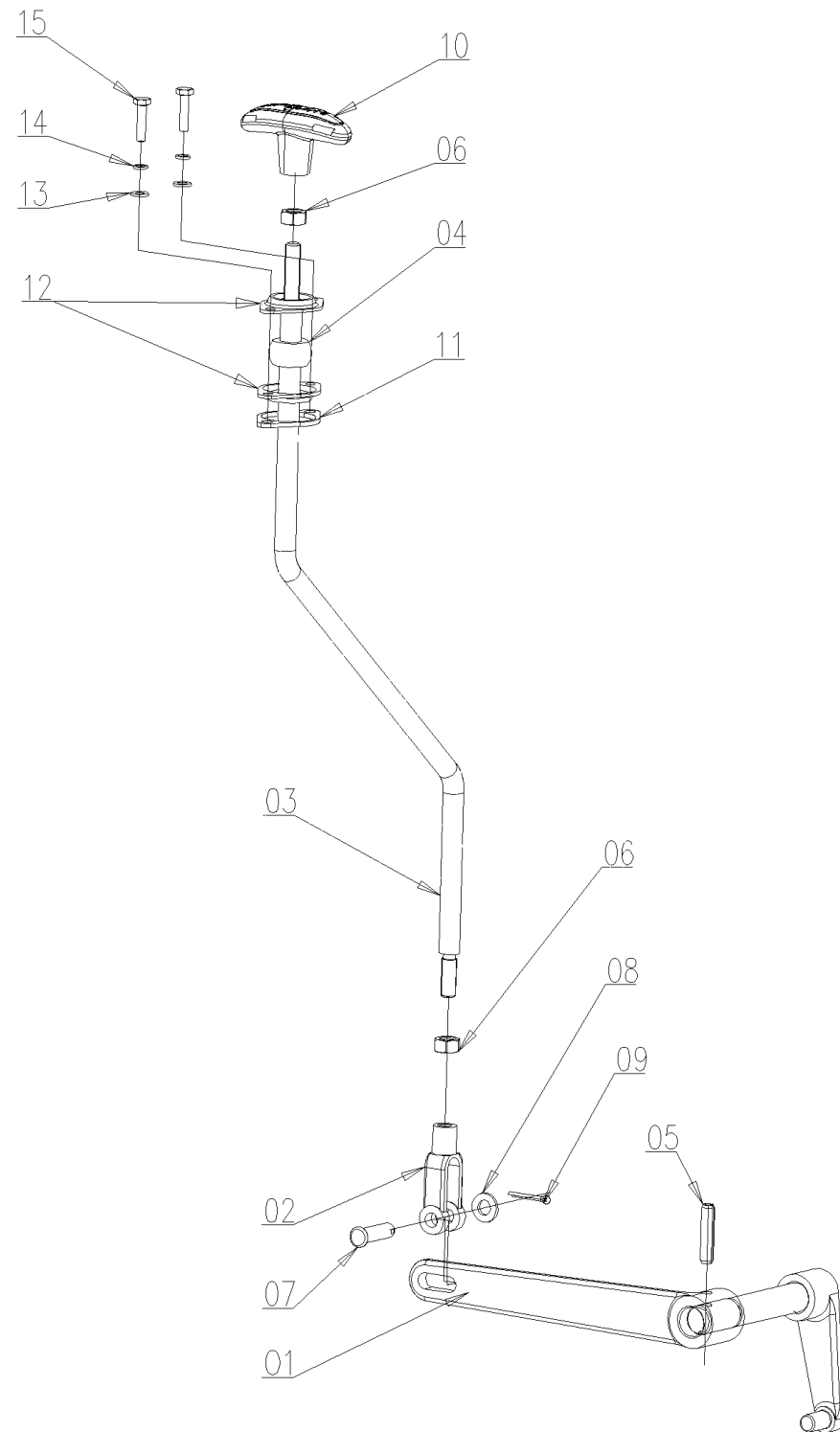
序号	零件编号	零件名称	数量	图号
1	A23.45.075.2/10	手柄球 KNOB	1	A23.45.075.2/10
2	A23.45.090.0/10	标识_PTO(540/1000)	1	A23.45.090.0/10

A23.45.092.4/10 P. T. O SPEED \_540\_1000



A31.45.914.4 PTO COMMAND ASS.Y

A31.45.914.4\_2 动力输出操纵总成 (PTO 760/850 rpm) PTO COMMAND ASSEMBLY(760/850)

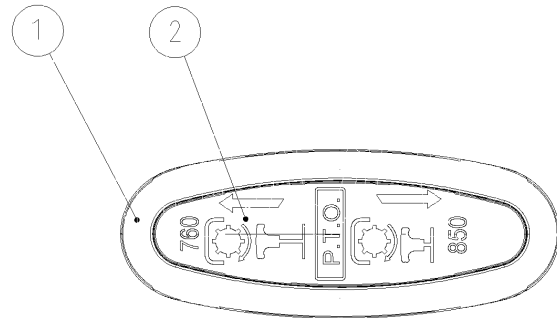


序号	零件编号	零件名称	数量	图号
1	LE1204.41.101-1	动力输出外摇臂 PTO OUTER ROCKER	1	LE1204.41.101-1
2	SH900.41.102	连接叉 CLEVIS	1	SH900.41.102
3	LE1204.41.122	动力输出操纵杆 POWER OUT	1	LE1204.41.122
4	LE1204.45.107	导向套 GUIDE SLEEVE	1	LE1204.45.107
5	GBT879.1-8X40	销 PIN	1	GBT879.1-8X40
6	GBT6170-M10-A3L	螺母 NUT	2	GBT6170-M10-A3L
7	GBT882-B10X35-A3L	销 PIN	1	GBT882-B10X35-A3L
8	GBT97.1-10-A3L	垫圈 WASHER	1	GBT97.1-10-A3L
9	GBT91-3.2X25-A3L	销 PIN	1	GBT91-3.2X25-A3L
10	A23.45.091.4/10	速度标牌 (760/850) P.T.O SPEED	1	A23.45.091.4/10
11	A23.45.001.0	导向套 GUIDE SLEEVE	1	A23.45.001.0
12	SH404.42.114	导向套 GUIDE SLEEVE	2	SH404.42.114
13	GBT97.1-6-A3L	垫圈 WASHER	2	GBT97.1-6-A3L
14	GBT93-6-A3L	垫圈 WASHER	2	GBT93-6-A3L
15	GBT5783-M6X25-A2L	螺栓 BOLT	2	GBT5783-M6X25-A2L

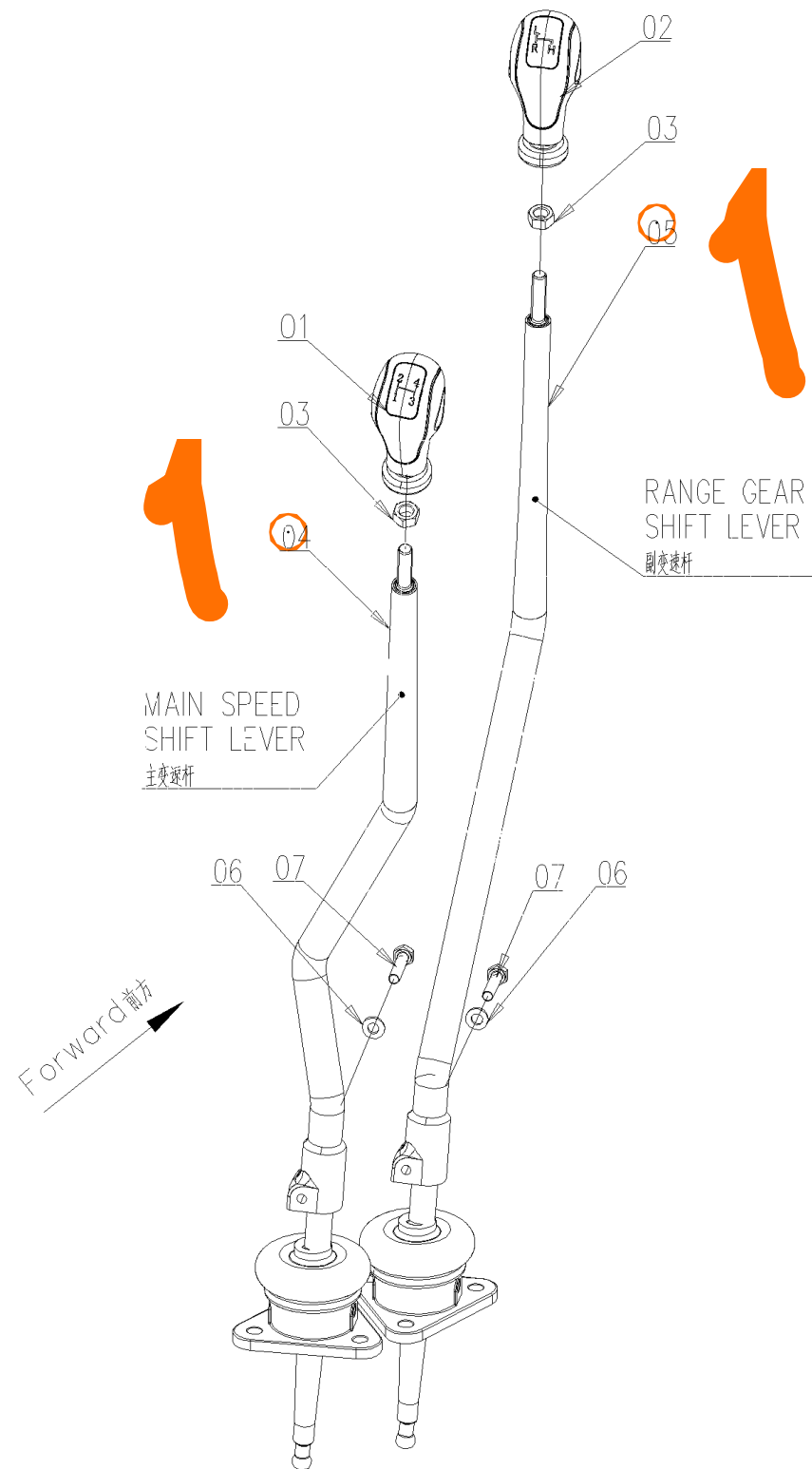
A23.45.091.4/10 P.T.O SPEED \_760\_850

A23.45.091.4/10 速度标牌 (760/850)Speed sign (760/850)

序号	零件编号	零件名称	数量	图号
1	A23.45.075.2/10	手柄球 KNOB	1	A23.45.075.2/10
2	A23.45.085.0/10	标识_PTO(760/850)	1	A23.45.085.0/10



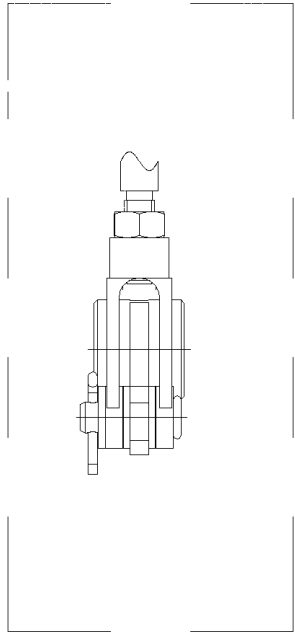
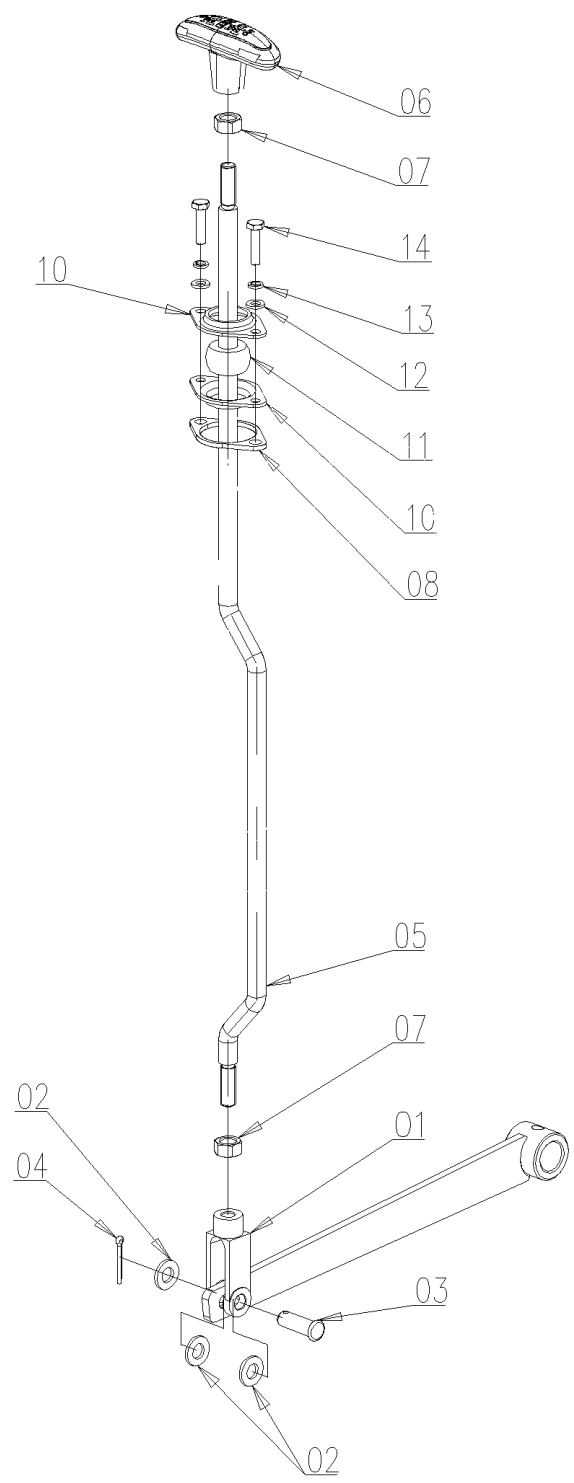
# A31.45.917.4 SHIFT LEVEL ASS.Y



# A31.45.917.4\_3 换挡操纵总成 SPEED SHIFT LEVER ASS.LY

序号	零件编号	零件名称	数量	图号
1	A31.45.009.3/10	手柄球 KNOB_GEAR SHIFT	1	A31.45.009.3/10
2	A31.45.010.3/10	手柄球 KNOB_RANGE SHIFT	1	A31.45.010.3/10
3	GBT6170-M10-A3L	螺母 NUT	2	GBT6170-M10-A3L
4	C35.45.001.2	主变速杆 MAIN SPEED SHIFT LEVER	1	C35.45.001.2
5	C35.45.002.2	副变速杆 RANGE GEAR SHIFT LEVER	1	C35.45.002.2
6	GBT97.1-8-A3L	垫圈 WASHER	2	GBT97.1-8-A3L
7	GBT5783-M8X35-A2L	螺栓 BOLT	2	GBT5783-M8X35-A2L

# A31.45.918.4 4WD ENGAGEMENT CONTROL ASS.Y

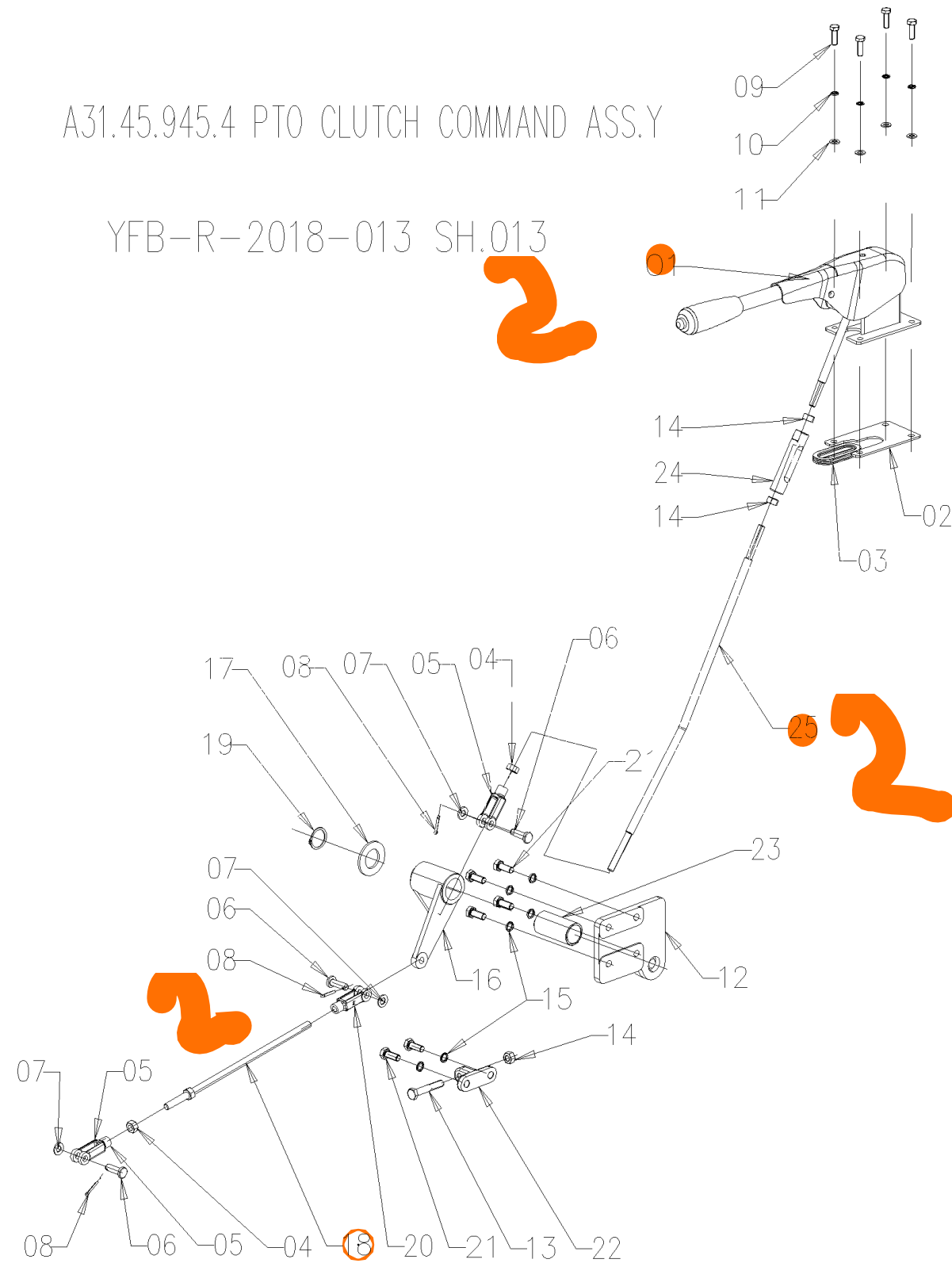


# A31.45.918.4\_1 四驱操纵总成CONTROL FOR 4WD

序号	零件编号	零件名称	数量	图号
1	SH904.42.126	连接叉 CLEVIS	1	SH904.42.126
2	GBT97.1-10-A3L	垫圈 WASHER	3	GBT97.1-10-A3L
3	GBT882-B10X30-A3L	销 PIN	1	GBT882-B10X30-A3L
4	GBT91-3.2X25-A3L	销 PIN	1	GBT91-3.2X25-A3L
5	A31.45.020.0	四轮驱动操作杆 4WD OPERATE ROD	1	A31.45.020.0
6	A23.45.076.4/10	手柄套 4.W.D HANDLE COVER	1	A23.45.076.4/10
7	GBT6170-M10-A3L	螺母 NUT	2	GBT6170-M10-A3L
8	A23.45.001.0	导向套 GUIDE SLEEVE	1	A23.45.001.0
10	SH404.42.114	导向套 GUIDE SLEEVE	2	SH404.42.114
11	SH404.42.113	导向套 GUIDER SLEEVE	1	SH404.42.113
12	GBT97.1-6-A3L	垫圈 WASHER	2	GBT97.1-6-A3L
13	GBT93-6-A3L	垫圈 WASHER	2	GBT93-6-A3L
14	GBT5783-M6X25-A2L	螺栓 BOLT	2	GBT5783-M6X25-A2L

A31.45.945.4 PTO CLUTCH COMMAND ASS.Y

YFB-R-2018-013 SH.013



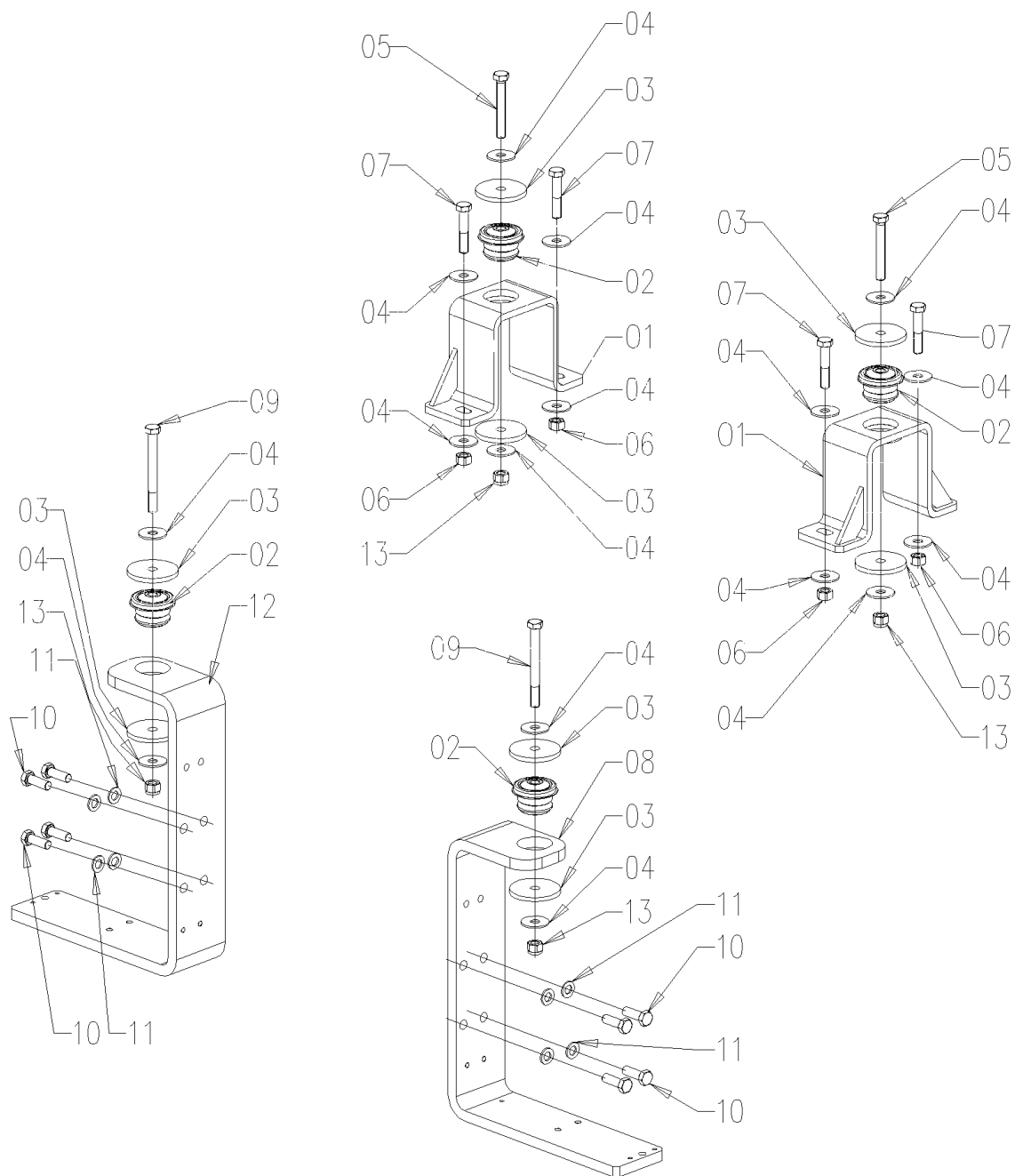
### A31.45.945.4\_2 副离合器操纵总成DEPUTY CLUTCH

序号	零件编号	零件名称	数量	图号
1	A31.45.052.4/20	副离合器 DEPUTY CLUTH	1	A31.45.052.4/20
2	A23.45.002.0	垫圈 GASKET	1	A23.45.002.0
3	A23.45.050.0	垫圈 GASKET	1	A23.45.050.0
4	GBT6171-M10X1-A2L	螺母 NUT	2	GBT6171-M10X1-A2L
5	SH900.21.117	拨叉 FORK	2	SH900.21.117
6	GBT882-B10X32-A3L	销 PIN	3	GBT882-B10X32-A3L
7	GBT97.1-10-A3L	垫圈 WASHER	3	GBT97.1-10-A3L
8	GBT91-3.2X20-A3L	销 PIN	3	GBT91-3.2X20-A3L
9	GBT5783-M8X35-A2L	螺栓 BOLT	4	GBT5783-M8X35-A2L
10	GBT93-8-A3L	垫圈 WASHER	4	GBT93-8-A3L
11	GBT97.1-8-A3L	垫圈 WASHER	4	GBT97.1-8-A3L
12	SH900.21.016	托臂式支架 BRACKET ASS.LY	1	SH900.21.016
13	GBT5782-M10X60-A3L	螺栓 BOLT	1	GBT5782-M10X60-A3L
14	GBT6170-M10-A3L	螺母 NUT	3	GBT6170-M10-A3L
15	GBT93-10-A3L	垫圈 WASHER	6	GBT93-10-A3L
16	SH900.21.119	杆 LEVER	1	SH900.21.119
17	SH900.21.118	摩擦垫圈 FRICTION WASHER	1	SH900.21.118
18	SH900.21.020	横拉杆 TIE ROD	1	SH900.21.020
19	GBT894.1-30	弹性挡圈 CIRCLIP	1	GBT894.1-30
20	SH900.21.115	拨叉 FORK	1	SH900.21.115
21	GBT5783-M10X25-A3L	螺栓 BOLT	6	GBT5783-M10X25-A3L
22	SH900.21.116	限位座 LIMITING SEAT	1	SH900.21.116
23	SH900.21.120	套管 BUSHING	1	SH900.21.120
24	SH900.43.145	手制动调节管 SPECIAL FORK	1	SH900.43.145
25	A31.45.072.0	下拉杆 BELOW LEVER	1	A31.45.072.0

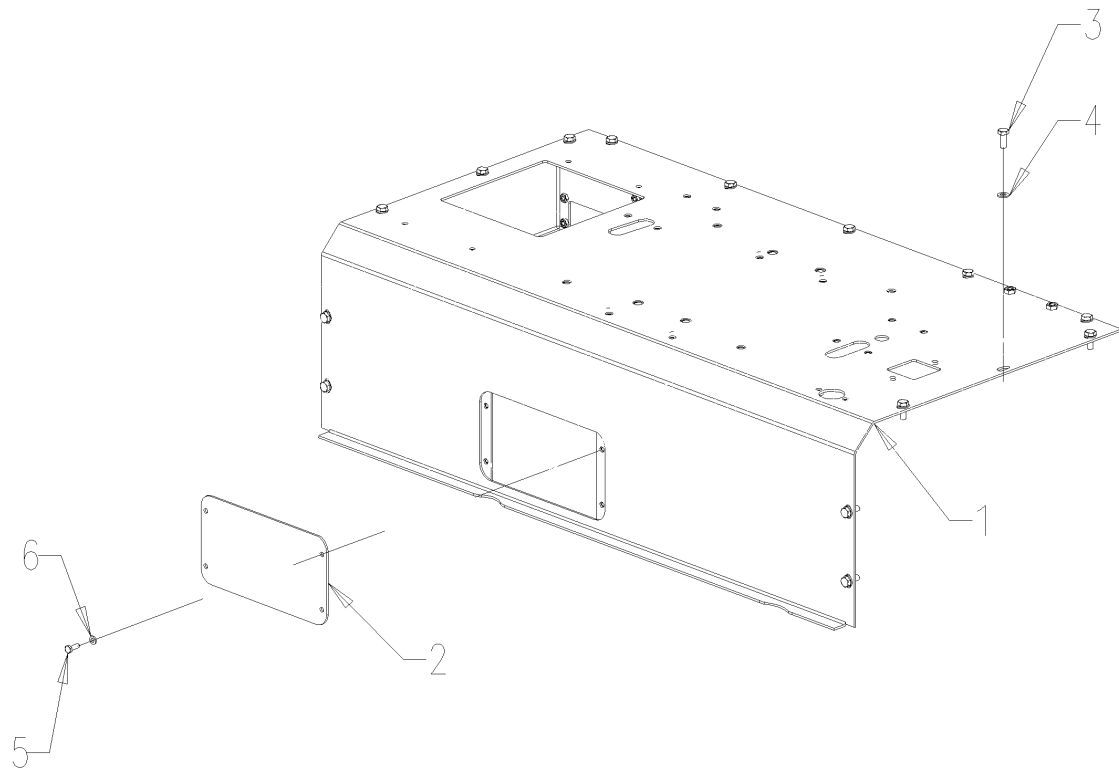
# A31.45.960.4 CABIN SUPPORT

# A31.45.960.4\_1 驾驶室支撑座总成CABIN SUPPORT

序号	零件编号	零件名称	数量	图号
1	LE1204.45.015A	机舱后方支承 CABIN REAR SUPPORT	2	LE1204.45.015A
2	LD700.47.031	阻尼块 DAMPING BLOCK	4	LD700.47.031
3	CD1204.45.120	垫圈 WASHER	8	CD1204.45.120
4	GBT96-16-A3L	大垫圈 BIG WASHER	16	GBT96-16-A3L
5	GBT5782-M16X110-A3L	螺栓 BOLT	2	GBT5782-M16X110-A3L
6	GBT6170-M16-A3L	螺母 NUT	4	GBT6170-M16-A3L
7	GBT5782-M16X80-A3L	螺栓 BOLT	4	GBT5782-M16X80-A3L
8	A31.45.049.0	前支撑 FRONT SUPPORT (LH)	1	A31.45.049.0
9	GBT5782-M16X150-A3L	螺栓 BOLT	2	GBT5782-M16X150-A3L
10	GBT5783-M16X45-10.9-	螺栓 BOLT	8	GBT5783-M16X45-10.9-A3L
11	GBT97.1-16-A3L	垫圈 WASHER	8	GBT97.1-16-A3L
12	A31.45.050.0	前支撑 FRONT SUPPORT (RH)	1	A31.45.050.0
13	GBT889.1-M16-A3L	螺母 NUT	4	GBT889.1-M16-A3L



# A31.45.972.4 REAR FLOOR COVER



## A31.45.972.4\_2 后地板总成 (驾驶室) REAR FLOOR COVER(CAB)

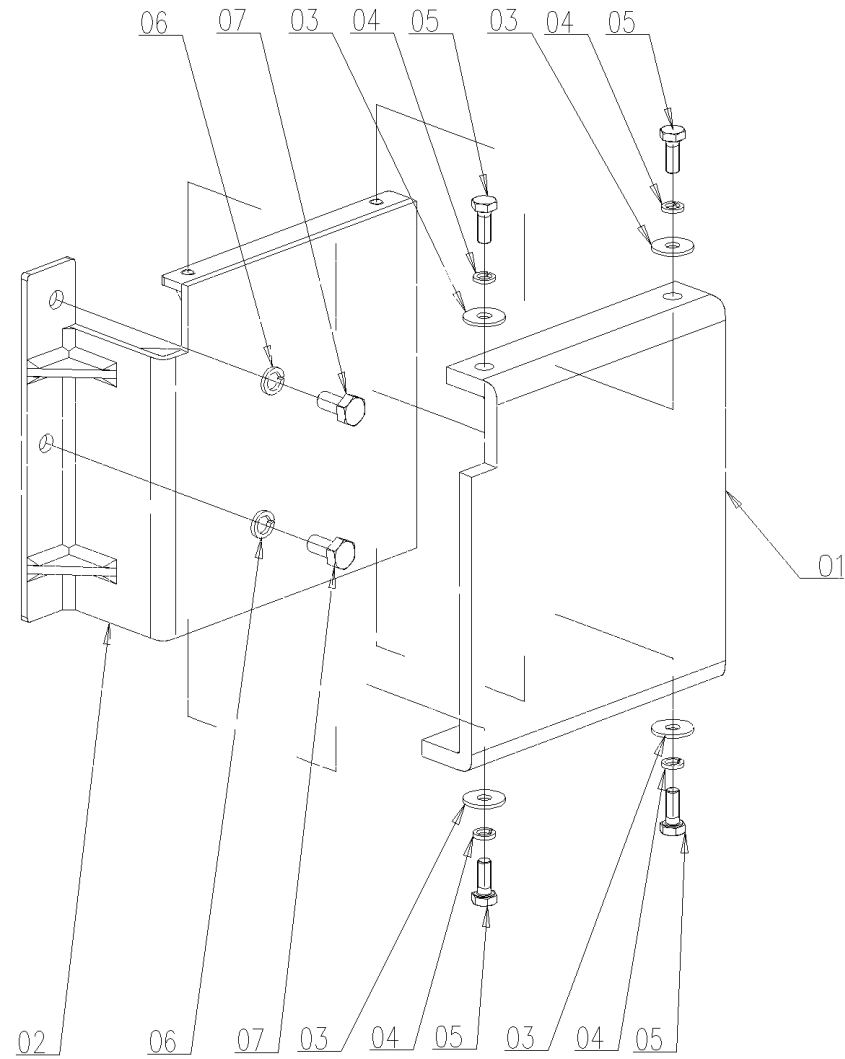
序号	零件编号	零件名称	数量	图号
1	A31.45.051.3/40	后地板 REAR FLOOR	1	A31.45.051.3/40
2	CD904A.45A.107	板 PLATE	1	CD904A.45A.107
3	GBT5783-M8X20-A2L	螺栓 BOLT	15	GBT5783-M8X20-A2L
4	GBT97.1-8-A3L	垫圈 WASHER	15	GBT97.1-8-A3L
5	GBT5783-M6X16-A2L	螺栓 BOLT	4	GBT5783-M6X16-A2L
6	GBT97.1-6-A3L	垫圈 WASHER	4	GBT97.1-6-A3L



### A31.50.900.4 FUEL TANK GUARD ASSEMBLY

### A31.50.900.4\_0 主油箱中部防护总成 FUEL TANK MIDDLE GUARD ASS.Y

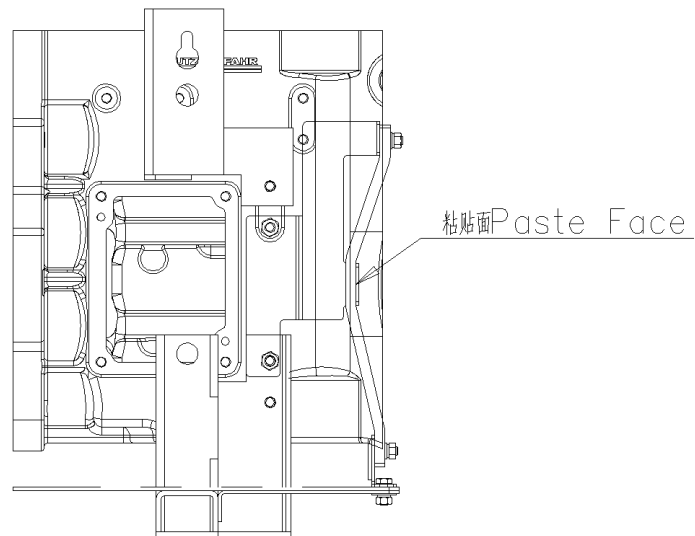
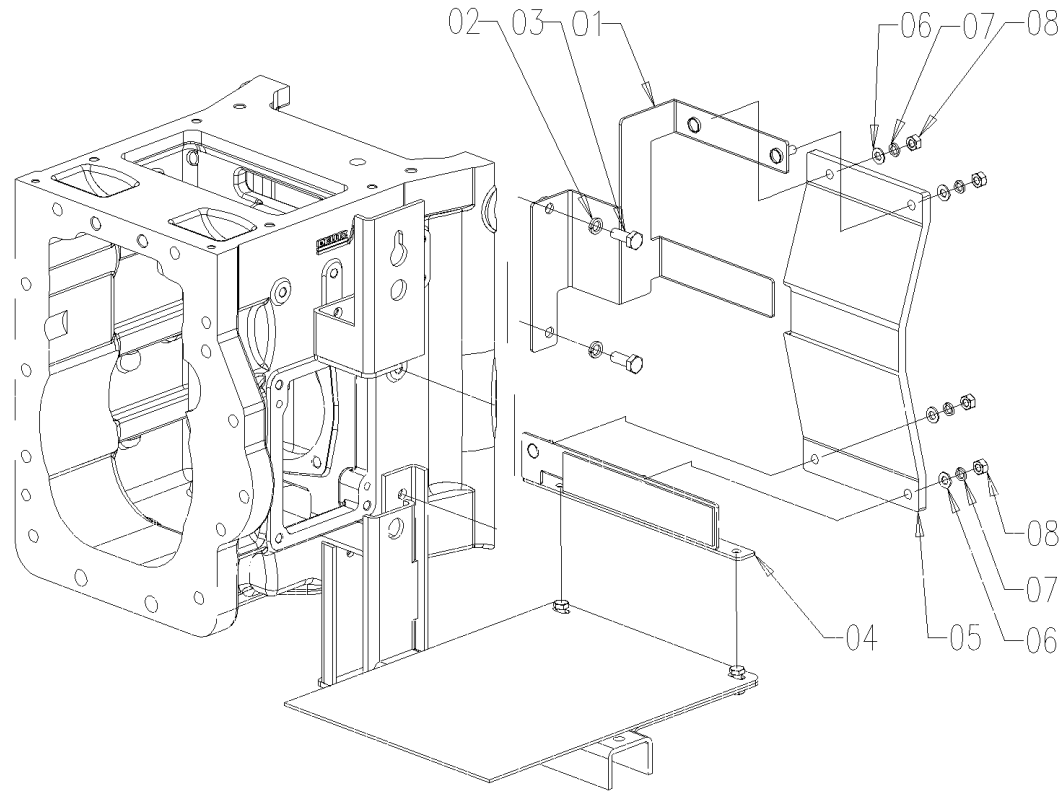
序号	零件编号	零件名称	数量	图号
1	A31.50.001.0	隔热板 THERMAL Baffle	1	A31.50.001.0
2	A31.50.001.2	燃料箱防护板 FUEL TANK GUARD	1	A31.50.001.2
3	GBT96.1-8-A3L	垫圈 WASHER	4	GBT96.1-8-A3L
4	GBT93-8-A3L	垫圈 WASHER	4	GBT93-8-A3L
5	GBT5783-M8X20-A2L	螺栓 BOLT	4	GBT5783-M8X20-A2L
6	GBT93-10-A3L	垫圈 WASHER	2	GBT93-10-A3L
7	GBT5783-M10X20-A3L	螺栓 BOLT	2	GBT5783-M10X20-A3L



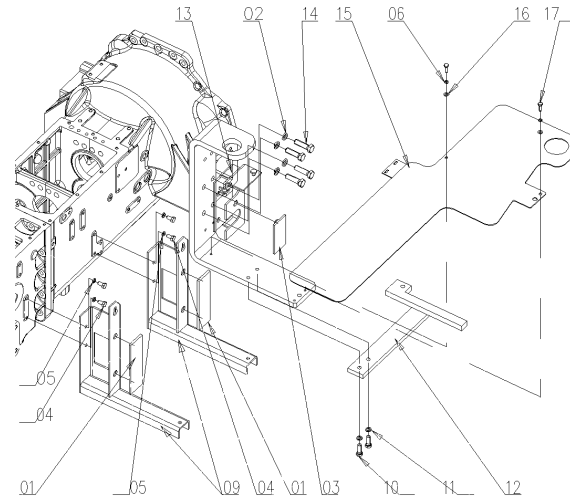
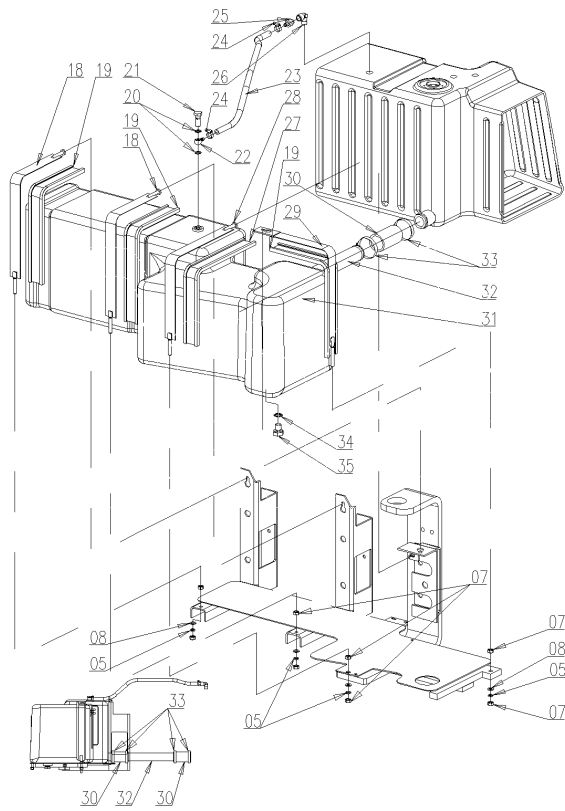
# A31.50.907.4 FUEL TANK REAR GUARD ASS.Y

# A31.50.907.4\_0 主油箱后部防护总成 FUEL TANK REAR GUARD ASS.Y

序号	零件编号	零件名称	数量	图号
1	A31.50.011.3	支架焊接 BRACKET WELDING	1	A31.50.011.3
2	GBT93-10-A3L	垫圈 WASHER	2	GBT93-10-A3L
3	GBT5783-M10X25-A3L	螺栓 BOLT	2	GBT5783-M10X25-A3L
4	A31.50.014.3	燃料箱挡板 FUEL TANK BAFFLE	1	A31.50.014.3
5	A31.50.015.0	隔热板 THERMAL BAFFLE	1	A31.50.015.0
6	GBT97.1-8-A3L	垫圈 WASHER	4	GBT97.1-8-A3L
7	GBT93-8-A3L	垫圈 WASHER	4	GBT93-8-A3L
8	GBT6170-M8-A2L	螺母 NUT	4	GBT6170-M8-A2L



A31.50.911.4 ADDITIONAL FUEL TANK ASS.Y



A31.50.911.4\_0 副油箱总成 ADDITIONAL FUEL TANK ASS.Y

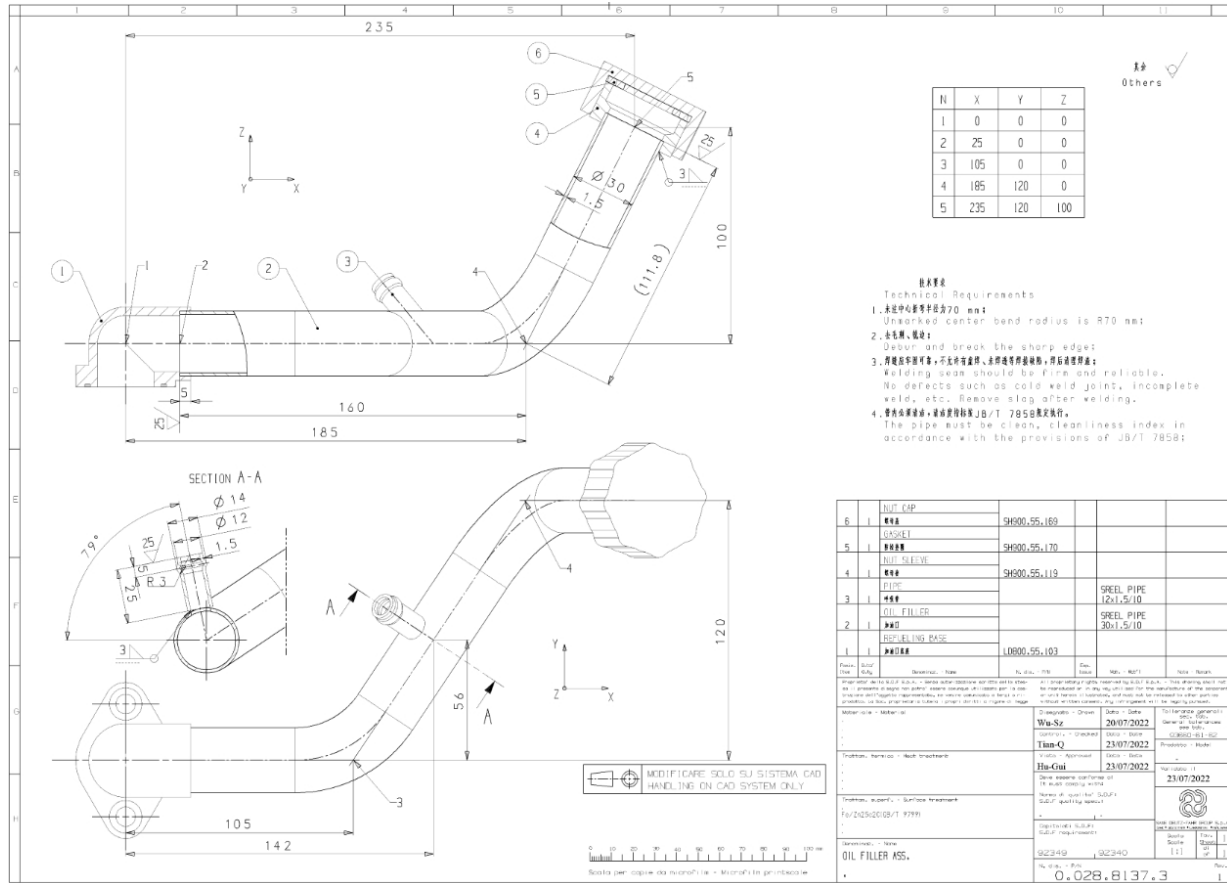
序号	零件编号	零件名称	数量	图号
1	SH900.50.138	橡胶垫板 FRONT RUBBER	2	SH900.50.138
2	GBT93-16-A3L	垫圈 WASHER	4	GBT93-16-A3L
3	SH900.50.139	橡胶垫板 REAR RUBBER	1	SH900.50.139
4	GBT5783-M10X20-A3L	螺栓 BOLT	4	GBT5783-M10X20-A3L
5	GBT93-10-A3L	垫圈 WASHER	8	GBT93-10-A3L
6	GBT93-8-A3L	垫圈 WASHER	2	GBT93-8-A3L
7	GBT6170-M10-A3L	螺母 NUT	8	GBT6170-M10-A3L
8	GBT97.1-10-A3L	垫圈 WASHER	4	GBT97.1-10-A3L
9	CD1204A.50.011	副油箱支架焊合 AUXILIARY FUEL	2	CD1204A.50.011
10	GBT5783-M12X35-10.9-	螺栓 BOLT	2	GBT5783-M12X35-10.9-A3L
11	GBT93-12-A3L	垫圈 WASHER	2	GBT93-12-A3L
12	LE1204.50.023	副油箱前托板焊合 AUXILIARY FUEL	1	LE1204.50.023
13	A31.50.002.3	焊接挡板 WELDING BAFFLE	1	A31.50.002.3
14	GBT5783-M16X55-10.9-	螺栓 GBT5783-M16X55-10.9-A3L	4	GBT5783-M16X55-10.9-A3L
15	LE1204.50.027	副油箱护板焊合 AUXILIARY FUEL	1	LE1204.50.027
16	GBT97.1-8-A3L	垫圈 WASHER	2	GBT97.1-8-A3L
17	GBT5783-M8X25-A2L	螺栓 BOLT	2	GBT5783-M8X25-A2L
18	LE1204.50.028	副油箱后扎带焊合 AUXILIARY FUEL	2	LE1204.50.028
19	LE1204.50.148	副油箱扎带橡胶条 AUXILIARY FUEL	3	LE1204.50.148
20	JBT982-14	密封环 SEALING RINGS	2	JBT982-14
21	LE1204.50.149	空心螺栓 HOLLOW BOLT	1	LE1204.50.149
22	LD700.37.190	接头 CONNECTION	1	LD700.37.190
23	CD1204.50.106	呼吸软管 BREATHING HOSE	1	CD1204.50.106
24	JBT8870-D20	软管夹 HOSE CLAMP	2	JBT8870-D20
25	CD1204.50.105	通气接头 VENT JOINT	1	CD1204.50.105
26	CD1204.50.103	管件 FITTING	1	CD1204.50.103
27	LE1204.50.146	主油箱短扎带橡胶条 MAIN FUEL	1	LE1204.50.146
28	LE1204.50.033	副油箱侧扎带焊合 AUXILIARY FUEL	1	LE1204.50.033
29	LE1204.50.031	副油箱前扎带焊合 AUXILIARY FUEL	1	LE1204.50.031
30	LE1204.50.132	连接管 RUBBER HOSE	2	LE1204.50.132
31	LE1204.50.012	副油箱总成 AUXILIARY FUEL TANK	1	LE1204.50.012
32	LE1204.50.131	主油箱连接软管 MAIN FUEL TANK	1	LE1204.50.131
33	JBT8870-D70	软管夹 HOSE CLAMPS	4	JBT8870-D70
34	JBT982-20	组合密封垫圈 SEALING RINGS	1	JBT982-20
35	CD1204.50.124	螺塞 LOWER PLUG	1	CD1204.50.124

# A31.51.900.4 MAINTENANCE GREASE LABEL

## A31.51.900.4\_0 黄油嘴加注标识 MAINTENANCE GREASE LABEL

序号	零件编号	零件名称	数量	图号
1	0.024.0988.0	黄油加注点标识 MAINTENANCE	1	0.024.0988.0





### 0.028.8137.3 机油滤清器总成 OIL FILLER ASS.

序号	零件编号	零件名称	数量	图号
5	SH900.55.169	加油口管盖 NUT CAP	1	SH900.55.169

6	NUT CAP	SH900.55.169			
5	GASKET	SH900.55.170			
4	NUT SLEEVE	SH900.55.119			
3	PIPE		STEEL PIPE	12x1.5/10	
2	OIL FILLER		STEEL PIPE	30x1.5/10	
1	WELDING PAGE	10000.55.103			

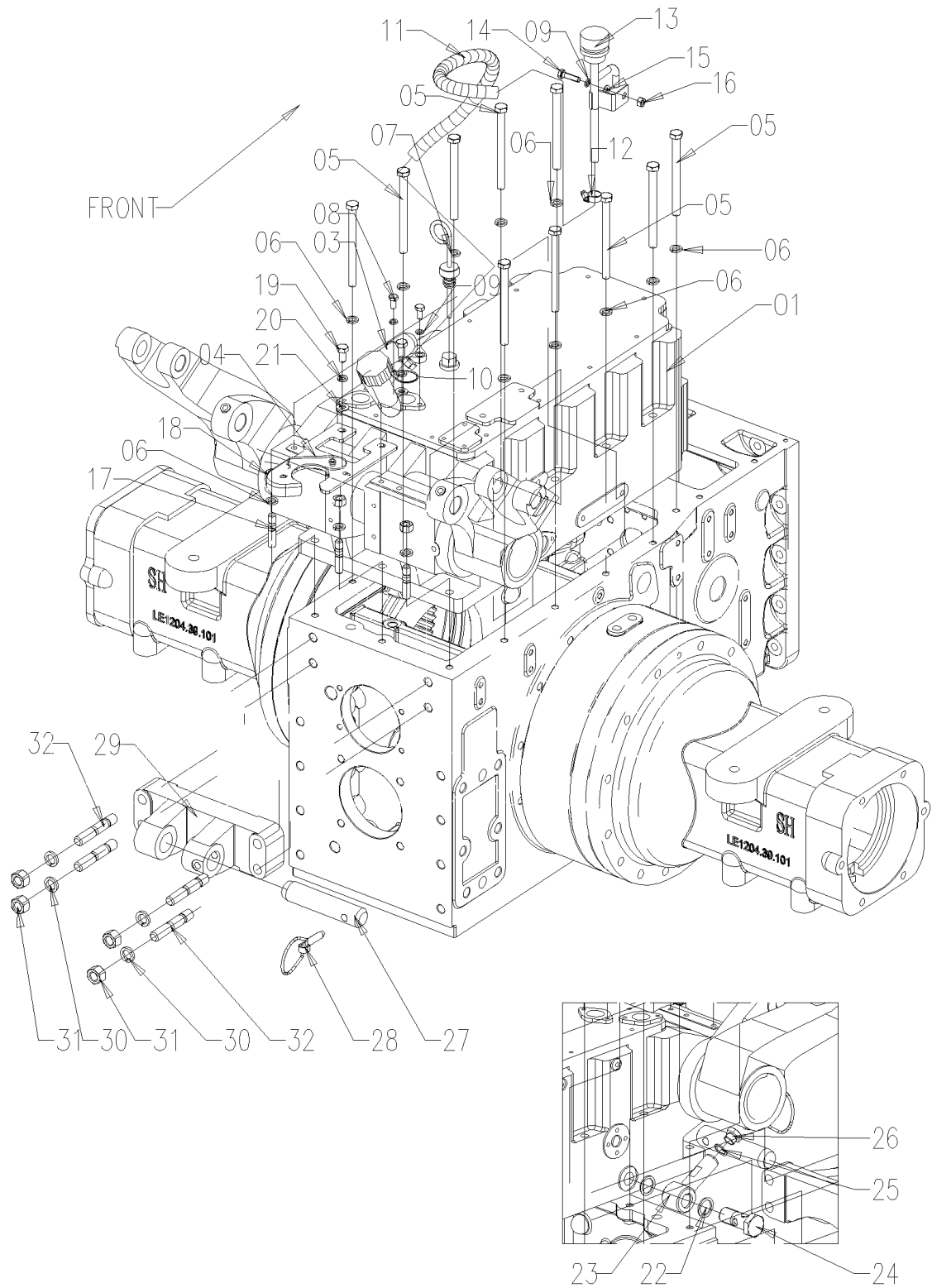
Modificato da: Wu-Sz  
 Data: 20/07/2022  
 Verificato da: Tian-Qi  
 Data: 23/07/2022  
 Modificato da: Han-Chun  
 Data: 23/07/2022  
 Verificato da: Han-Chun  
 Data: 23/07/2022

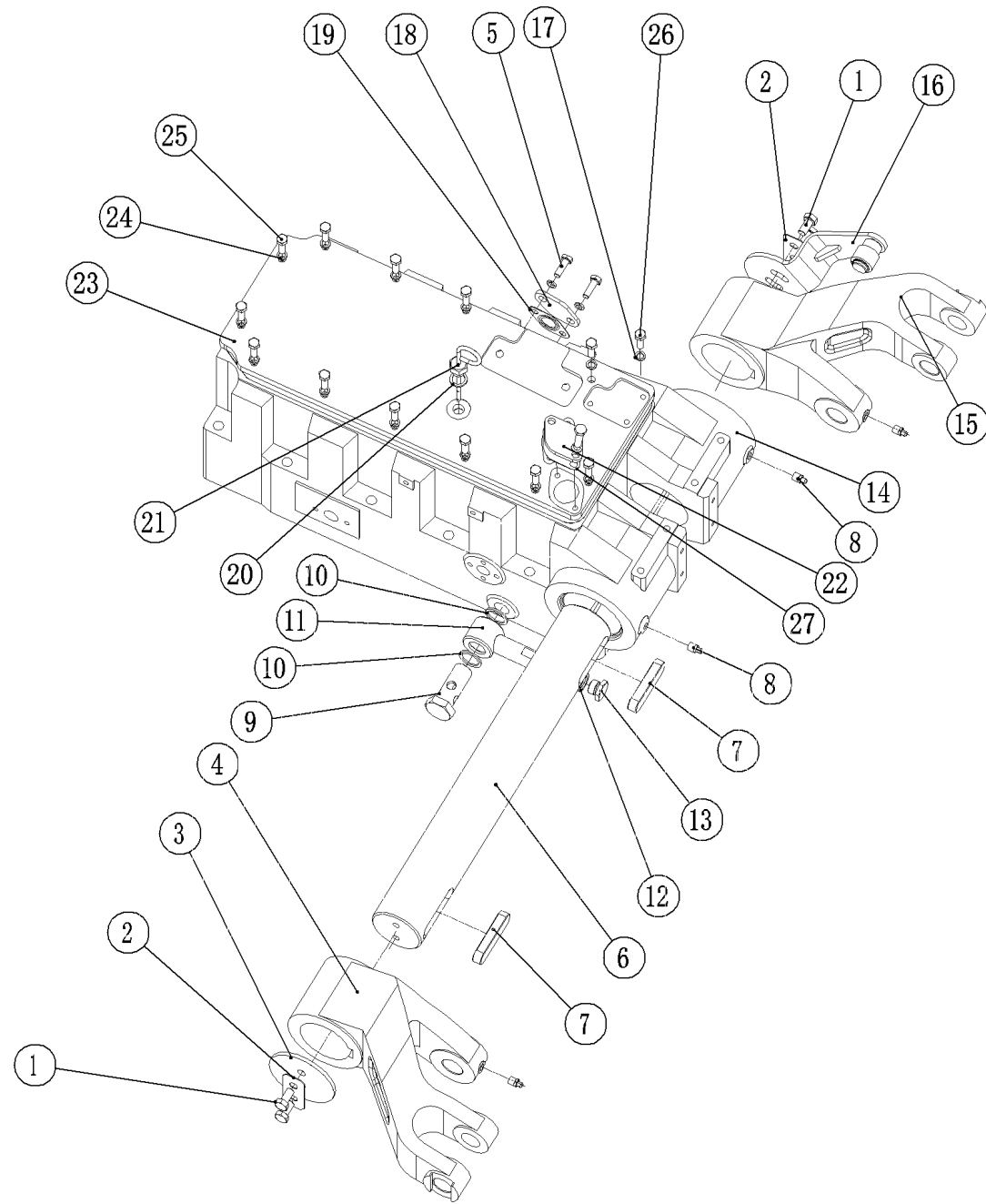
OIL FILLER ASS.  
 0.028.8137.3

# A31.55.920.4 REAR LIFT ASS.

# A31.55.920.4\_3 提升器总成REAR LIFT ASS.

序号	零件编号	零件名称	数量	图号
1	A31.55.001.0	后提升 REAR LIFT	1	A31.55.001.0
3	0.028.8137.3	机油滤清器总成 OIL FILLER ASS. OIL	1	0.028.8137.3
4	A31.56.008.4	支架总成 BRACKET ASS.LY	1	A31.56.008.4
5	GBT5782-M12X140-A3L	螺栓 BOLT	10	GBT5782-M12X140-A3L
6	GBT93-12-A3L	垫圈圈 WASHER	13	GBT93-12-A3L
7	LE1204.55.018	油尺总成 OIL DIPSTICK ASSEMBLY	1	LE1204.55.018
8	GBT5783-M8X16-A2L	螺栓 BOLT	2	GBT5783-M8X16-A2L
9	GBT93-8-A2L	垫圈 WASHER	3	GBT93-8-A2L
10	GBT3452.1-32.5X1.8-G	O形圈 O RING	1	GBT3452.1-32.5X1.8-G
11	SH900.55.162/10	升降器呼吸软管 LIFTER BREATHE	1	SH900.55.162/10
12	JBT8870-D20	喉箍 HOSE CLAMP	2	JBT8870-D20
13	SH704-1.55.015-1	呼吸器组件 BREATHER ASSEMBLY	1	SH704-1.55.015-1
14	GBT5783-M8X30-A2L	螺栓 BOLT	1	GBT5783-M8X30-A2L
15	GBT97.1-8-A2L	垫圈 WASHER	1	GBT97.1-8-A2L
16	GBT6170-M8-A2L	螺母 NUT	1	GBT6170-M8-A2L
17	GBT899-AM12X40-10.9-	双头螺柱 DOUBLE END STUDS	3	GBT899-AM12X40-10.9-A3L
18	GBT6170-M12-A3L	螺母 NUT	3	GBT6170-M12-A3L
19	GBT5783-M10X20-A3L	螺栓 BOLT	2	GBT5783-M10X20-A3L
20	GBT93-10-A3L	弹垫 WASHER	2	GBT93-10-A3L
21	GBT97.1-10-A3L	销 WASHER	2	GBT97.1-10-A3L
22	2.1560.020.0	密封圈 SEALING RING	2	2.1560.020.0
23	SH900.55.016	连接管焊合件 CONNECTING PIPE	1	SH900.55.016
24	SH900.55.109	堵塞 PLUG	1	SH900.55.109
25	2.1560.014.0	密封圈 SEALING RING	1	2.1560.014.0
26	SH900.55.106	堵塞 PLUG	1	SH900.55.106
27	0.760.2212.0	销 PIN	1	0.760.2212.0
28	0.760.2257.3	销 SPINA	1	0.760.2257.3
29	LE1204.56A.103/10	上连杆座 UPPER LINK SEAT	1	LE1204.56A.103/10
30	GBT93-16-A3L	垫圈 WASHER	4	GBT93-16-A3L
31	GBT6170-M16-A3L	螺母 NUT	4	GBT6170-M16-A3L
32	GBT899-AM16X70-10.9-	双头螺柱 STUD	4	GBT899-AM16X70-10.9-A3L





### A31.55.001.0 后支撑 REAR LIFT

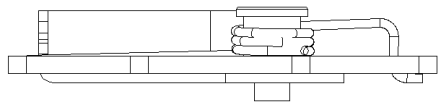
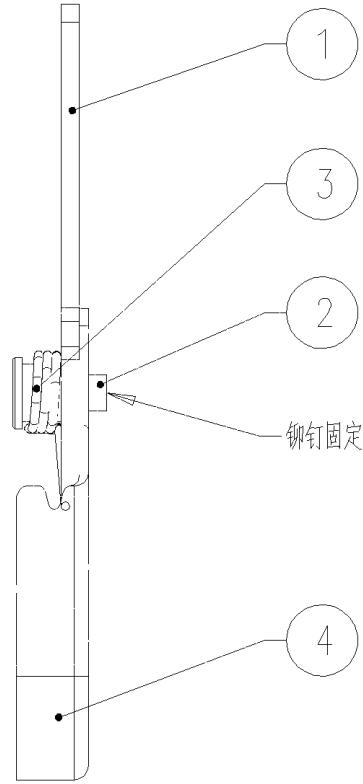
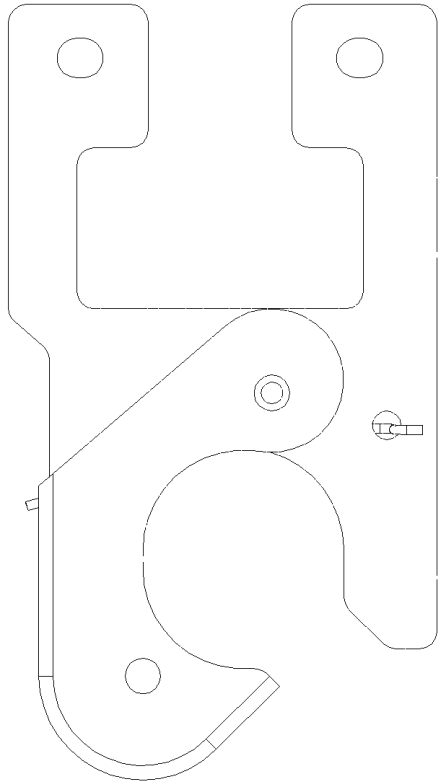
序号	零件编号	零件名称	数量	图号
4	WF1004.55.021A	左提升臂压合 Left lifting arm press fit	1	WF1004.55.021A
6	TF1004.55.9-02	提升轴 Lifting shaft	1	TF1004.55.9-02
15	WF1004.55.022A	右提升臂压合 Right lifting arm press fit	1	WF1004.55.022A

A31.55.001.0提升器总成爆炸图

# A31.56.008.4 BRACKET ASS.Y

## A31.56.008.4 托臂式支架 BRACKET ASS.LY

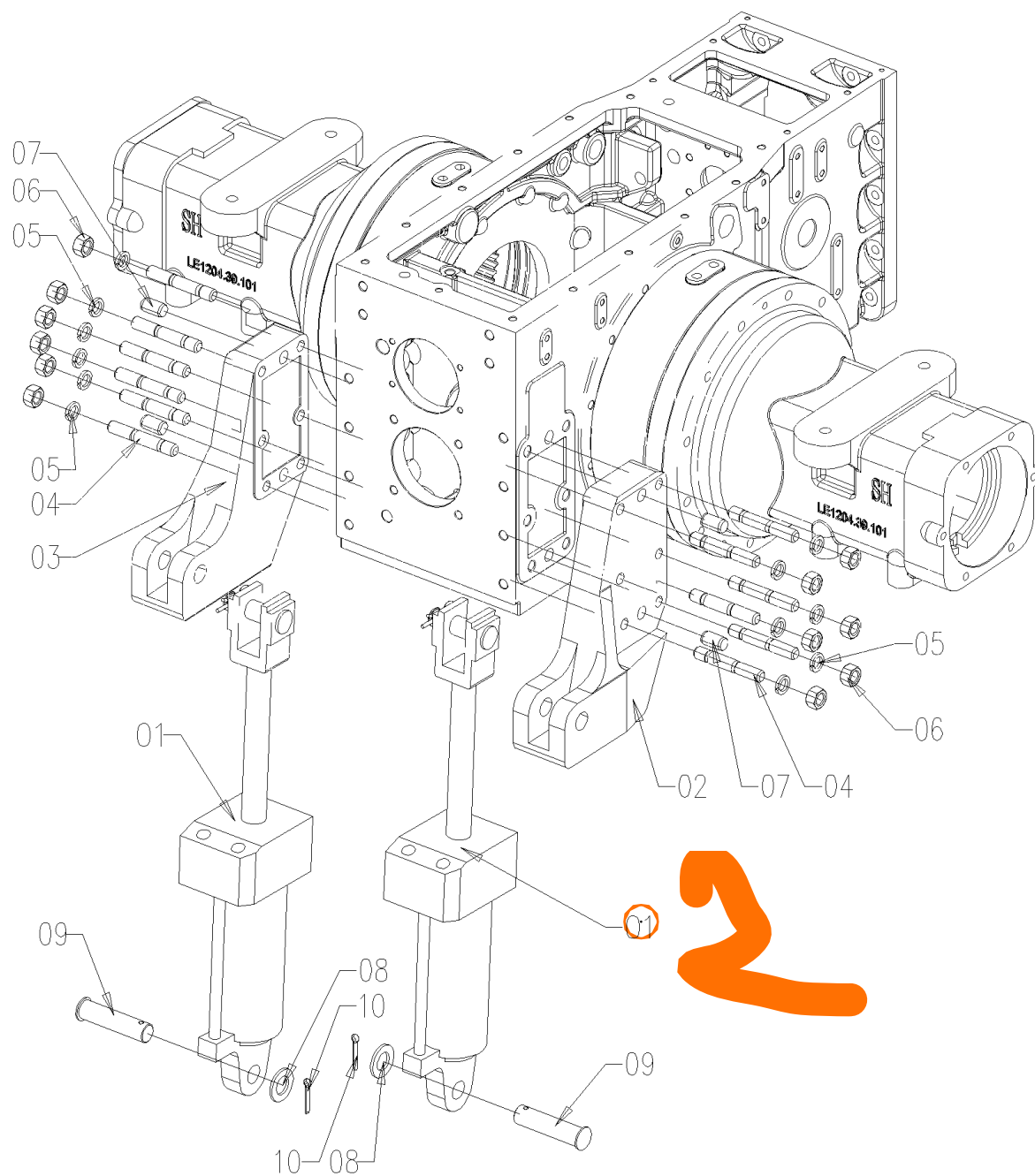
序号	零件编号	零件名称	数量	图号
1	A68.56.004.0/10	支架 BRACKET	1	A68.56.004.0/10
2	0.76038.58.0	销 PIN	1	0.76038.58.0
3	2.4099.042.2	弹簧垫圈 SPRING WASHER	1	2.4099.042.2
4	A31.56.010.0	板 SHEET	1	A31.56.010.0



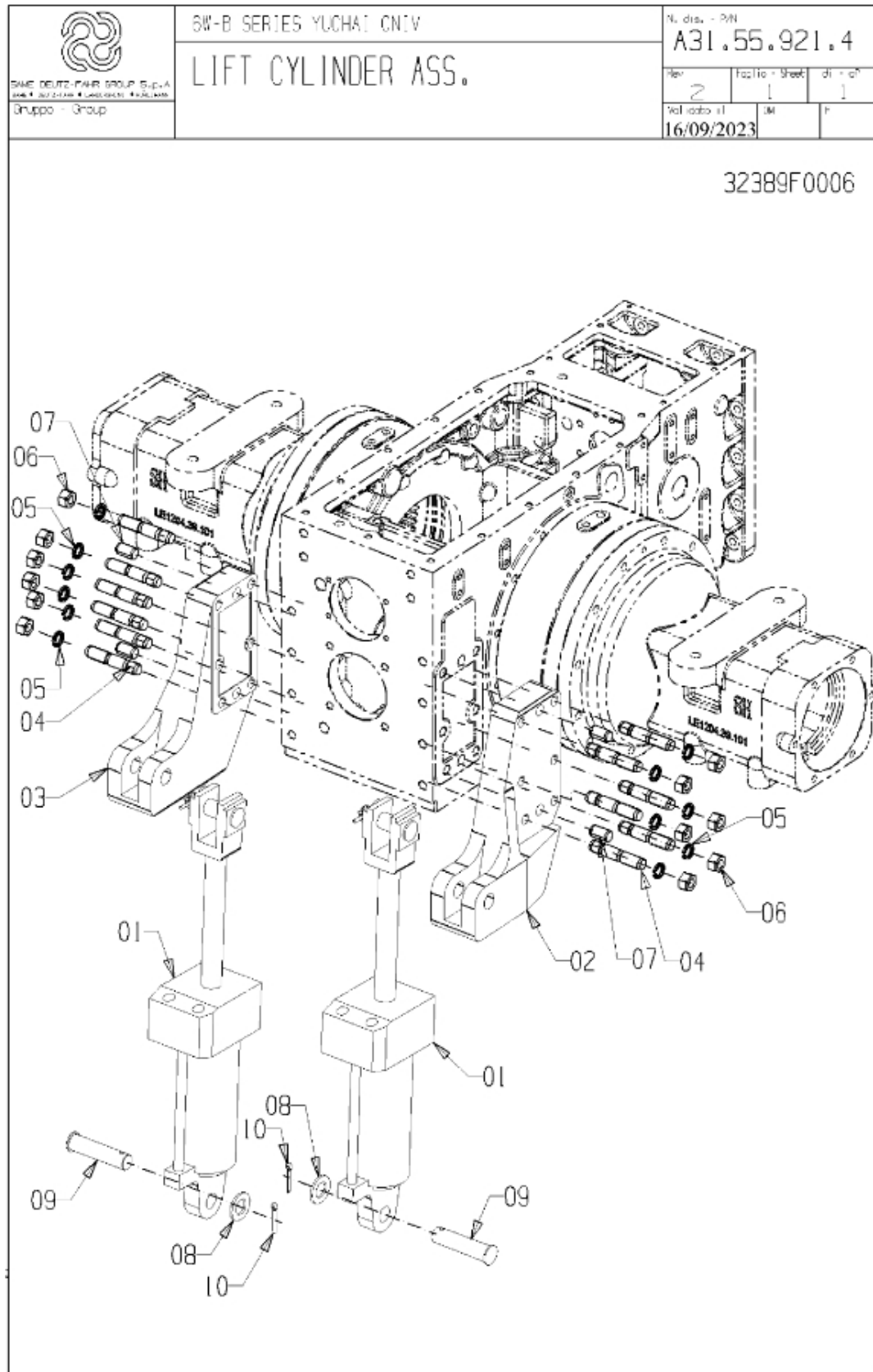


# A31.55.921.4 LIFT CYLINDER ASS.

# A31.55.921.4\_1 提升油缸总成LIFT CYLINDER ASS.



序号	零件编号	零件名称	数量	图号
1	B29.55.001.0	提升油缸总成 LIFT CYLINDER ASS.	2	B29.55.001.0
2	LE1204.55.101	右油缸支架 RIGHT OIL CYLINDER	1	LE1204.55.101
3	LE1204.55.102	左油缸支架 LEFT OIL CYLINDER	1	LE1204.55.102
4	GBT899-AM18X90-10.9-	双头螺柱 DOUBLE END STUDS	12	GBT899-AM18X90-10.9-A3L
5	GBT93-18-A3L	垫圈 WASHER	12	GBT93-18-A3L
6	GBT6170-M18-10-A3L	螺母 NUT	12	GBT6170-M18-10-A3L
7	GBT119.1-20m6X35	销 PIN	4	GBT119.1-20m6X35
8	SH900.55.147	垫圈 WASHER	2	SH900.55.147
9	SH900.55.115	销轴 PIN SHAFT	2	SH900.55.115
10	GBT91-6.3X40-A3L	销 PIN	2	GBT91-6.3X40-A3L



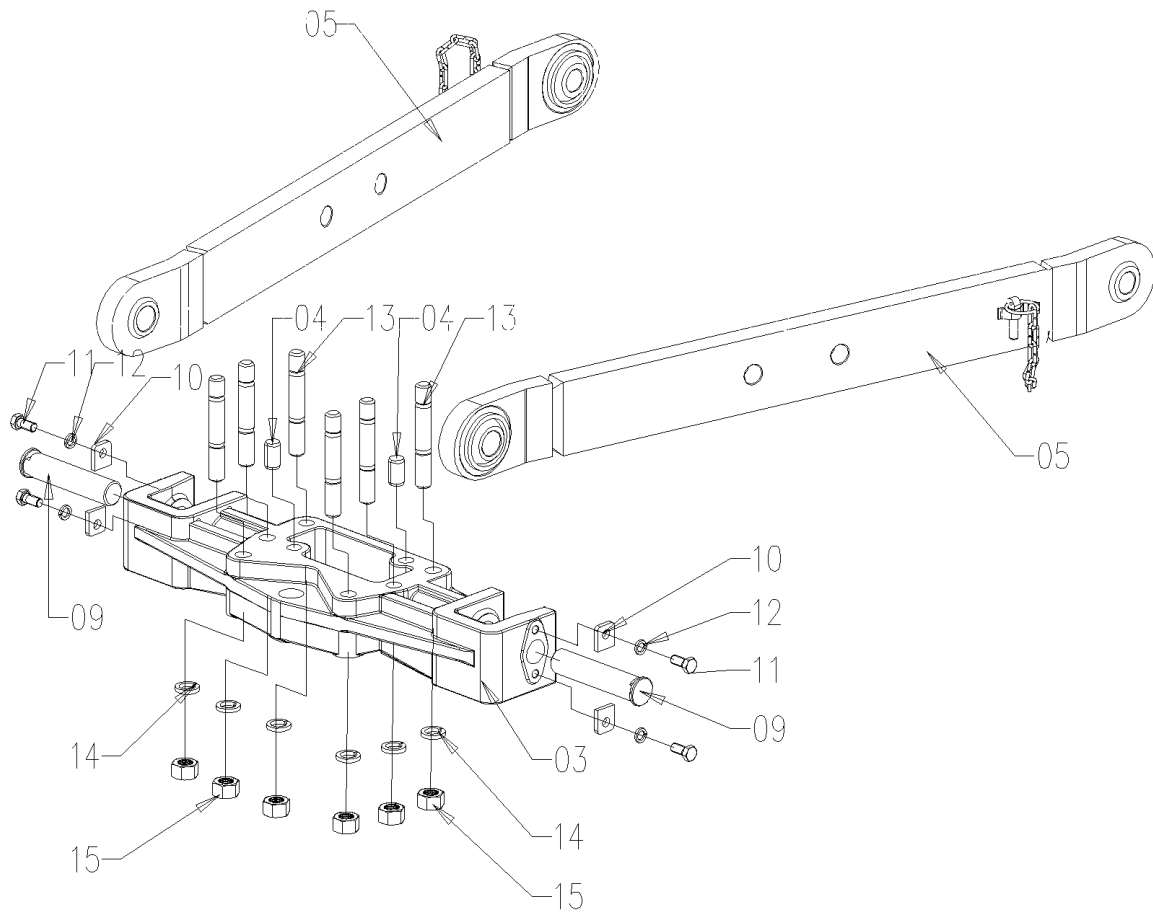
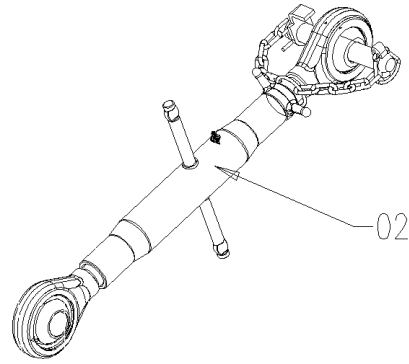
### A31.55.921.4\_2 提升油缸总成 LIFTING CYLINDER ASS.Y

序号	零件编号	零件名称	数量	图号
1	B29.55.001.0	提升油缸总成 LIFT CYLINDER ASS.	2	B29.55.001.0
2	LE1204.55.101	右油缸支架 RIGHT OIL CYLINDER	1	LE1204.55.101
3	LE1204.55.102	左油缸支架 LEFT OIL CYLINDER	1	LE1204.55.102
4	2.0424.517.2	螺柱 M18x2.5x80 STUD M18x2.5x80	12	2.0424.517.2
5	2.1473.012.2	弹垫 M18 SPRING WASHER M18	12	2.1473.012.2
6	2.1011.110.2	螺母 M18X2.5 DADO M18X2.5	12	2.1011.110.2
7	GBT119.1-20m6X35	销 PIN	4	GBT119.1-20m6X35
8	SH900.55.147	垫圈 WASHER	2	SH900.55.147
9	SH900.55.115	销轴 PIN SHAFT	2	SH900.55.115
10	2.1690.614.2	销 6.3X40 COPIGLIA 6.3X40	2	2.1690.614.2

# A31.56.900.4 3 POINT LINKAGE ASS.

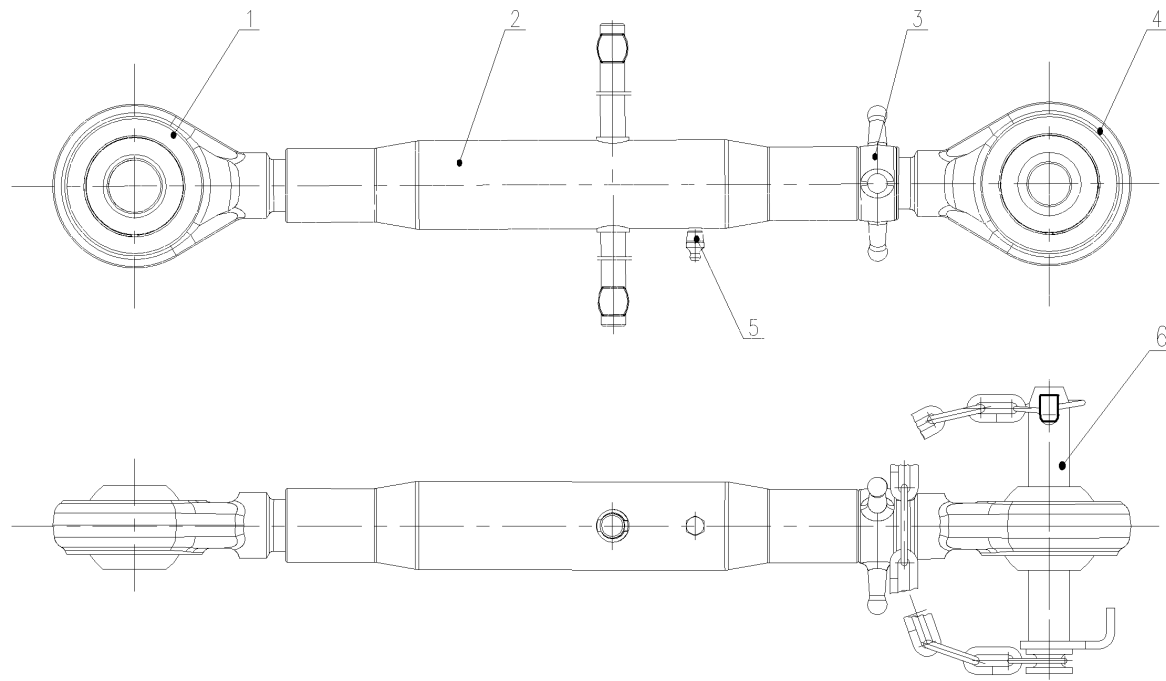
# A31.56.900.4\_1 三点悬挂总成 2类 3 POINT LINKAGE ASS.

序号	零件编号	零件名称	数量	图号
2	LE1204.56.025	后连接总成 UPPER LINK ASS.	1	LE1204.56.025
3	LE1204.56.102/20	下方连接支承 LOWER LINK SUPPORT	1	LE1204.56.102/20
4	GBT119.1-20m6X35	销 PIN	2	GBT119.1-20m6X35
5	LE1204.56.011	下拉杆总成 LOW LINK ASSEMBLY	2	LE1204.56.011
9	LE1204.56.108/10	支撑杆 LOW BAR SUPPORT ROD	2	LE1204.56.108/10
10	LE1204.56.109/20	限位板 LIMITED PLATE	4	LE1204.56.109/20
11	GBT5783-M12X25-10.9-	螺栓 BOLT	4	GBT5783-M12X25-10.9-A3L
12	GBT93-12-A3L	垫圈 WASHER	4	GBT93-12-A3L
13	GBT899-AM20X110-10.9-	双头螺柱 DOUBLE END STUDS	6	GBT899-AM20X110-10.9-A3L
14	GBT93-20-A3L	垫圈 WASHER	6	GBT93-20-A3L
15	GBT6170-M20-A3L	螺母 NUT	6	GBT6170-M20-A3L

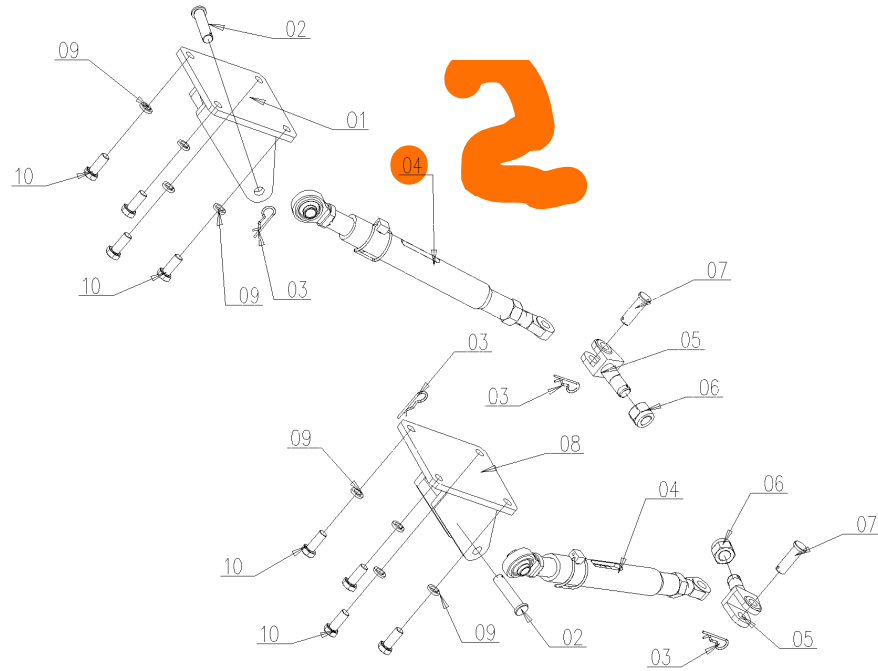


LE1204.56.025 上拉杆总成

LE1204.56.025 后连接总成 UPPER LINK ASSEMBLY



序号	零件编号	零件名称	数量	图号
1	0.014.4148.3/10	连杆球头组件 TIRANTE FILETTATO	1	0.014.4148.3/10
2	0.011.3995.3	接口套筒 MANICOTTO FILETTATO	1	0.011.3995.3
3	0.96081.16.0	螺母 DADO	1	0.96081.16.0
4	LE1204.56.026	上拉杆后调节螺杆总成 REAR	1	LE1204.56.026
5	2.3820.105.2	油嘴 NIPPLES M10	1	2.3820.105.2
6	LE1204.56.022/10	销和锁销总成 PIN AND LOCK PIN ASS	1	LE1204.56.022/10



A31.56.902.4 LIMIT ROD ASS.

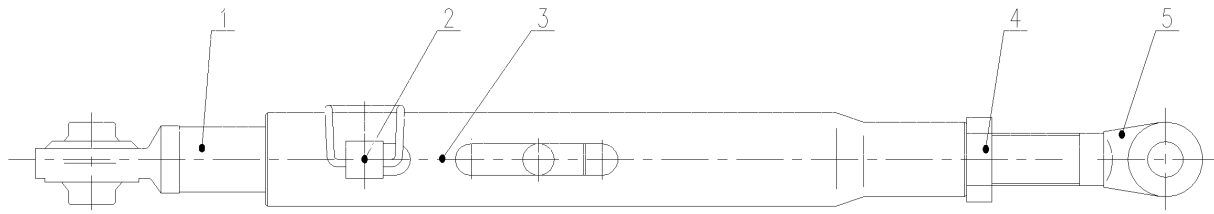
### A31.56.902.4\_0 限位杆总成LIMIT ROD ASS.

序号	零件编号	零件名称	数量	图号
1	LE1204.56.018	右限位杆支座焊合 RIGHT LIMITING	1	LE1204.56.018
2	SH900.56.104	销轴 PIN SHAFT	2	SH900.56.104
3	SH900.56.105	碳素弹簧钢丝\U+22053.5-2/65Mn	4	SH900.56.105
4	LE1204.56.014	限位杆总成 LIMITING ROD	2	LE1204.56.014
5	LE1204.56.101/10	限位杆螺栓 LIMITED ROD SCREW	2	LE1204.56.101/10
6	2.1120.213.2	螺母M24X2 Pa LOCK NUT M24x2	2	2.1120.213.2
7	SH900.56.150	销轴 PIN SHAFT	2	SH900.56.150
8	LE1204.56.019	左限位杆支座焊合 LEFT LIMITING	1	LE1204.56.019
9	GBT93-16-A3L	垫圈 WASHER	8	GBT93-16-A3L
10	GBT5783-M16X40-10.9-	螺栓 BOLT	8	GBT5783-M16X40-10.9-A3L

### LE1204.56.014 限位杆总成 LIMITING ROD ASSEMBLY

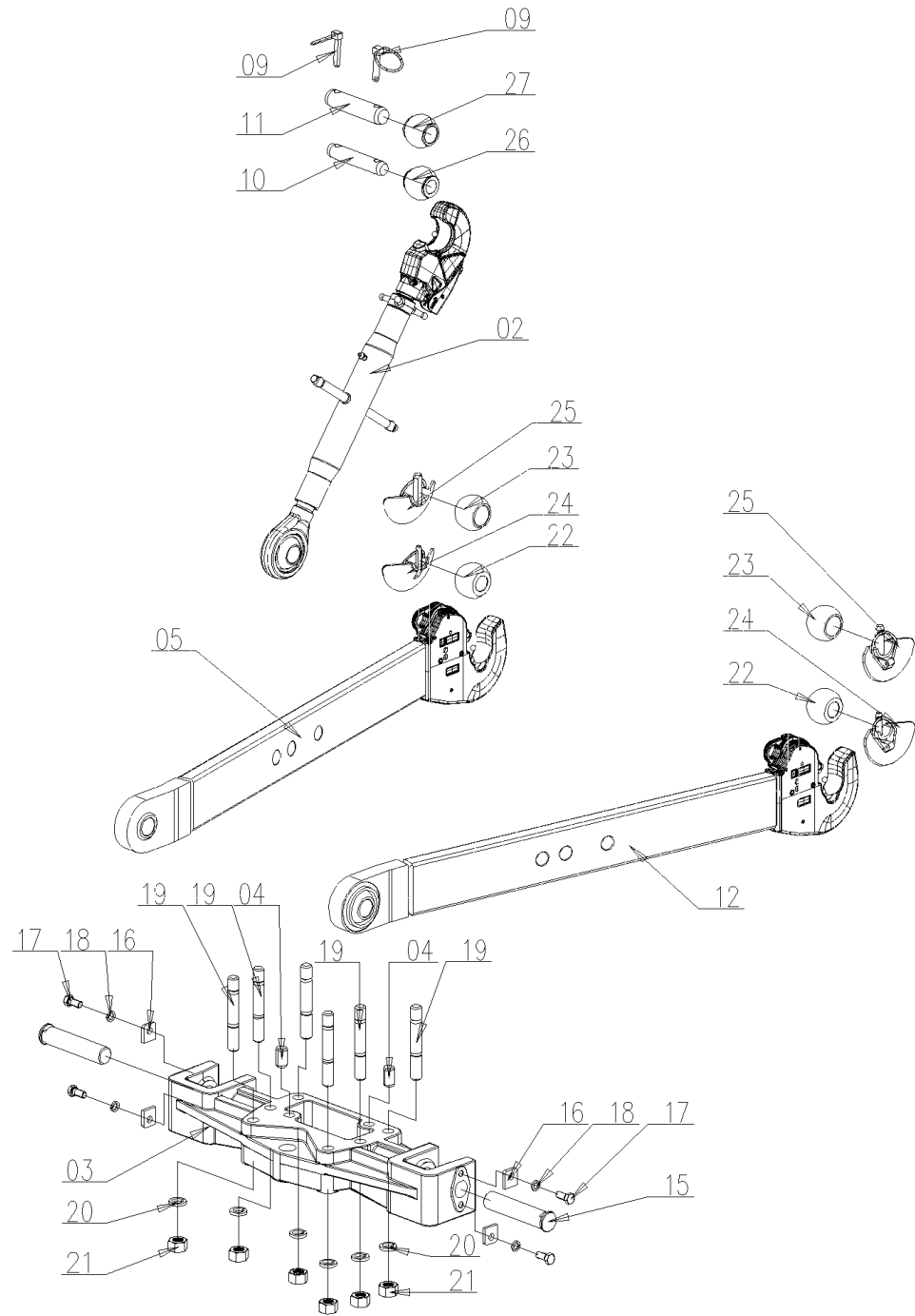
序号	零件编号	零件名称	数量	图号
1	LE1204.56.017	限位杆合件 LIMITING ROD UNIT FIT	1	LE1204.56.017
2	SH900.56.034	限位锁销组合 LIMIT PIN	1	SH900.56.034
3	LE1204.56.107	限位杆导管 LIMITING BAR PIPE	1	LE1204.56.107
4	LE1204.56.115	梯形螺母Tr28x3 LADDER-SHAPED	1	LE1204.56.115
5	SH900.56.109	调整螺钉 ADJUSTING SCREW	1	SH900.56.109

LE1204.56.014 限位杆总成



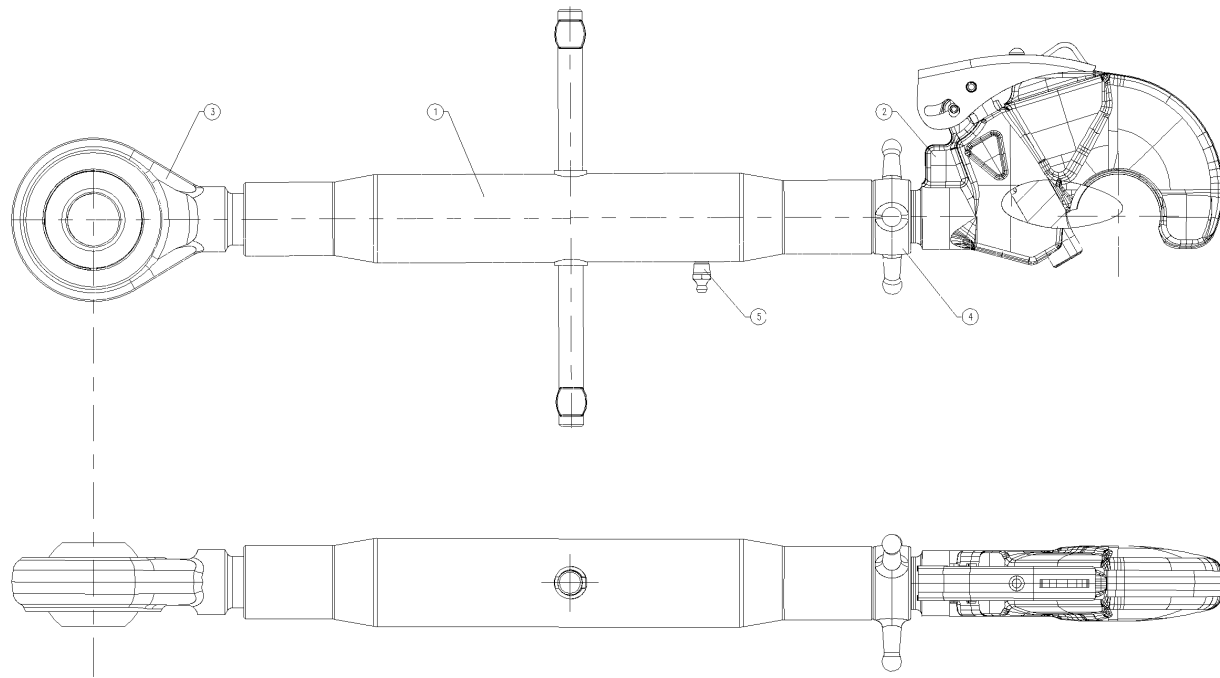
### A31.56.910.4\_2 三点悬挂总成 2类或3类 快速挂接 3 POINT LINKAGE ASS.Class 2 or Class 3 Quick hook-ups

#### A31.56.910.4 3 POINT LINKAGE ASS.



序号	零件编号	零件名称	数量	图号
2	A31.56.005.4	后连接总成 UPPER LINK ASS.	1	A31.56.005.4
3	LE1204.56.102/20	下方连接支承 LOWER LINK SUPPORT	1	LE1204.56.102/20
4	GBT119.1-20m6X35	销 PIN	2	GBT119.1-20m6X35
5	A31.56.003.3	右下装配线 RIGHT-LOWER LINK	1	A31.56.003.3
9	0.010.9322.4	销 SPINA COMPLETA	2	0.010.9322.4
10	LE1204.56A.114	上销轴 UP PIN	1	LE1204.56A.114
11	2.1669.036.2	销 32X133 PERNO 32X133	1	2.1669.036.2
12	A31.56.002.3	左下链接组件 LEFT-LOWER LINK	1	A31.56.002.3
15	LE1204.56.108/10	支撑杆 LOW BAR SUPPORT ROD	2	LE1204.56.108/10
16	LE1204.56.109/20	限位板 LIMITED PLATE	4	LE1204.56.109/20
17	GBT5783-M12X25-10.9-	螺栓 BOLT	4	GBT5783-M12X25-10.9-A3L
18	GBT93-12-A3L	垫圈 WASHER	4	GBT93-12-A3L
19	GBT899-AM20X110-10.9-	双头螺柱 DOUBLE END STUDS	6	GBT899-AM20X110-10.9-A3L
20	GBT93-20-A3L	垫圈 WASHER	6	GBT93-20-A3L
21	GBT6170-M20-A3L	螺母 NUT	6	GBT6170-M20-A3L
22	0.760.4552.0	球铰 BALL JOINT	2	0.760.4552.0
23	0.760.3954.0	圆螺母 ROTULA 3^ CATEG.	2	0.760.3954.0
24	0.016.7833.3	下拉杆球头固定卡 PROFILO CONICO	2	0.016.7833.3
25	0.016.7834.3	下拉杆球头固定卡 PROFILO CONICO	2	0.016.7834.3
26	LE1204.56A.113	上拉杆球头 UP BAR FRONT BALL	1	LE1204.56A.113
27	0.009.2300.0	球铰 BALL JOINT	1	0.009.2300.0

A31.56.005.4 UPPER LINK ASS. STRUT 3 POINT ASS'Y

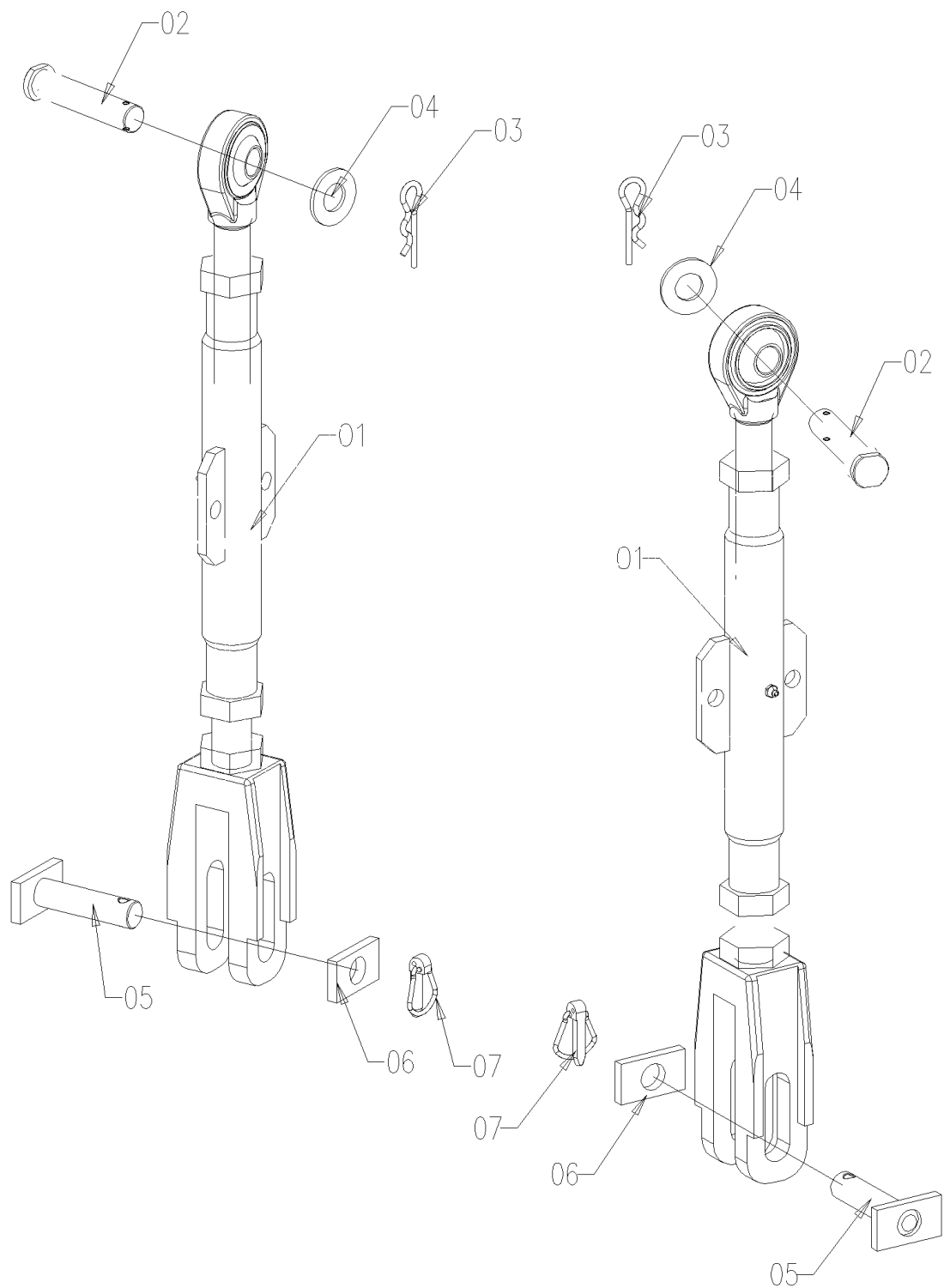


### A31.56.005.4 后连接总成Rear connection assembly

序号	零件编号	零件名称	数量	图号
1	A31.56.006.3	调整螺钉焊接 ADJUSTING SCREW	1	A31.56.006.3
2	0.014.1418.3	连杆 TIRANTE AUTOMATICO	1	0.014.1418.3
3	0.014.4148.3/10	连杆球头组件 TIRANTE FILETTATO	1	0.014.4148.3/10
4	0.96081.16.0	螺母 DADO	1	0.96081.16.0
5	2.3820.105.2	油嘴 NIPPLES M10	1	2.3820.105.2



# A31.56.911.4 LIFTING ROD ASS.

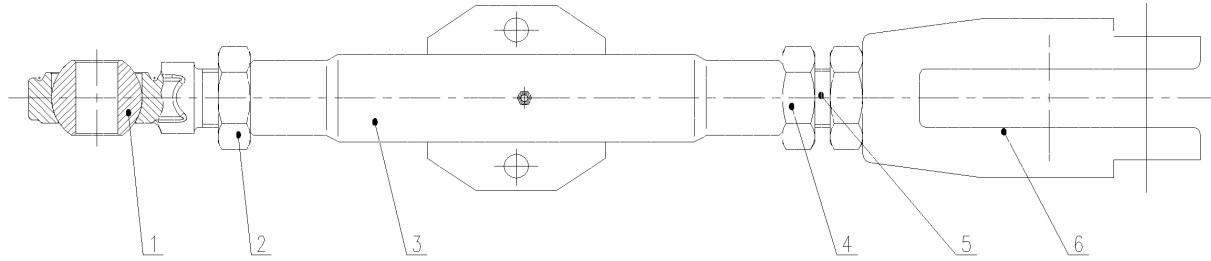


# A31.56.911.4\_0 提升杆总成 LIFTING ROD ASS.

序号	零件编号	零件名称	数量	图号
1	LE1204.56A.014/10	提升杆总成 LIFT LINK ASS.	2	LE1204.56A.014/10
2	A31.56.001.0	销 PIN	2	A31.56.001.0
3	SH900.56.113	弹簧锁销 ( ) spring cotter ( )	2	SH900.56.113
4	SH900.56.108	垫圈 WASHER	2	SH900.56.108
5	LE1204.56A.017/20	销轴合件 PIN WELDED	2	LE1204.56A.017/20
6	SH900.56.155/10	垫片 SHIM	2	SH900.56.155/10
7	SH400.56.025	销 PIN	2	SH400.56.025

### LE1204.56A.014/10 提升杆总成 LIFT LINK ASSEMBLY

LE1204.56A.014/10 提升杆总成

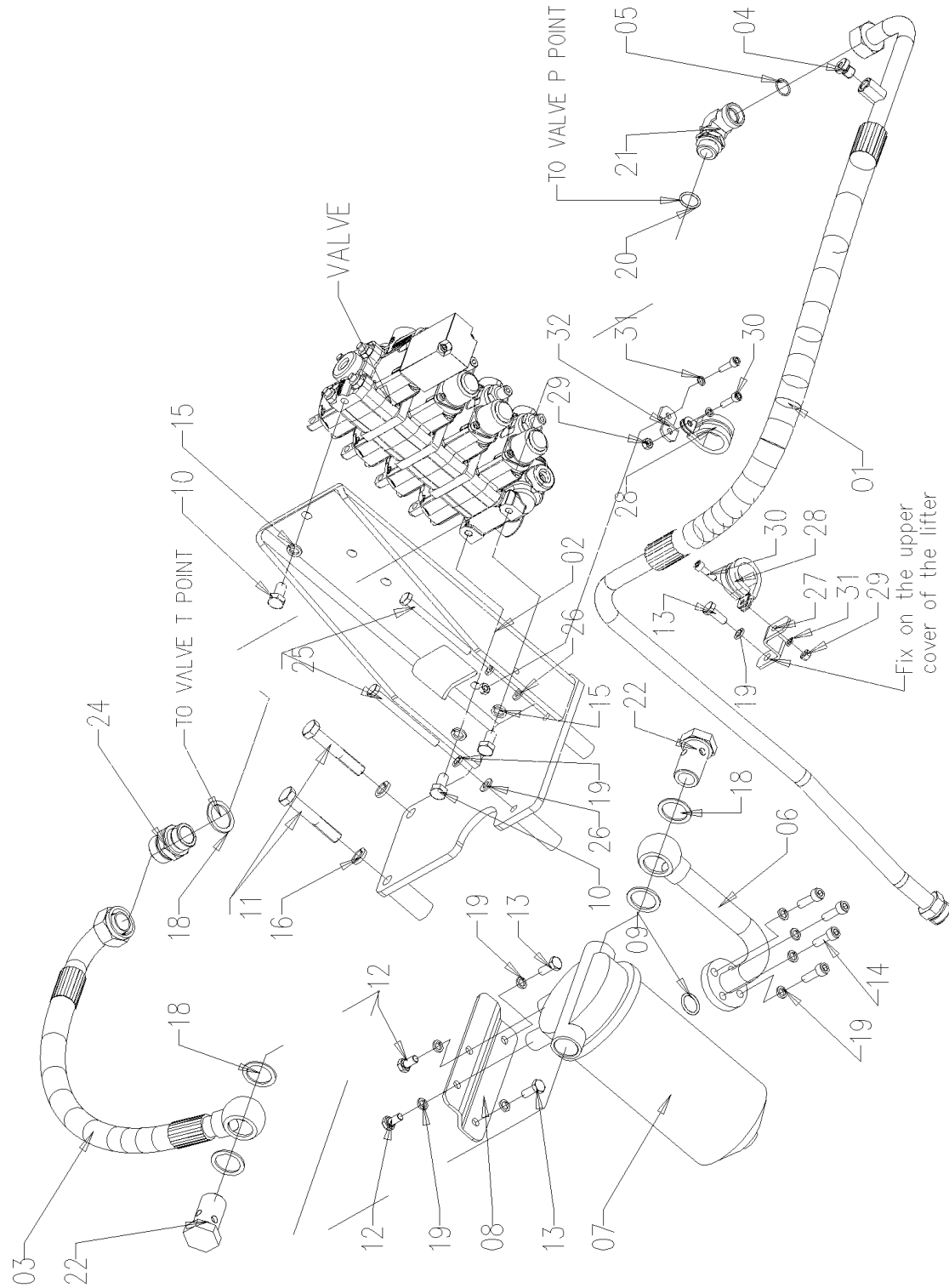


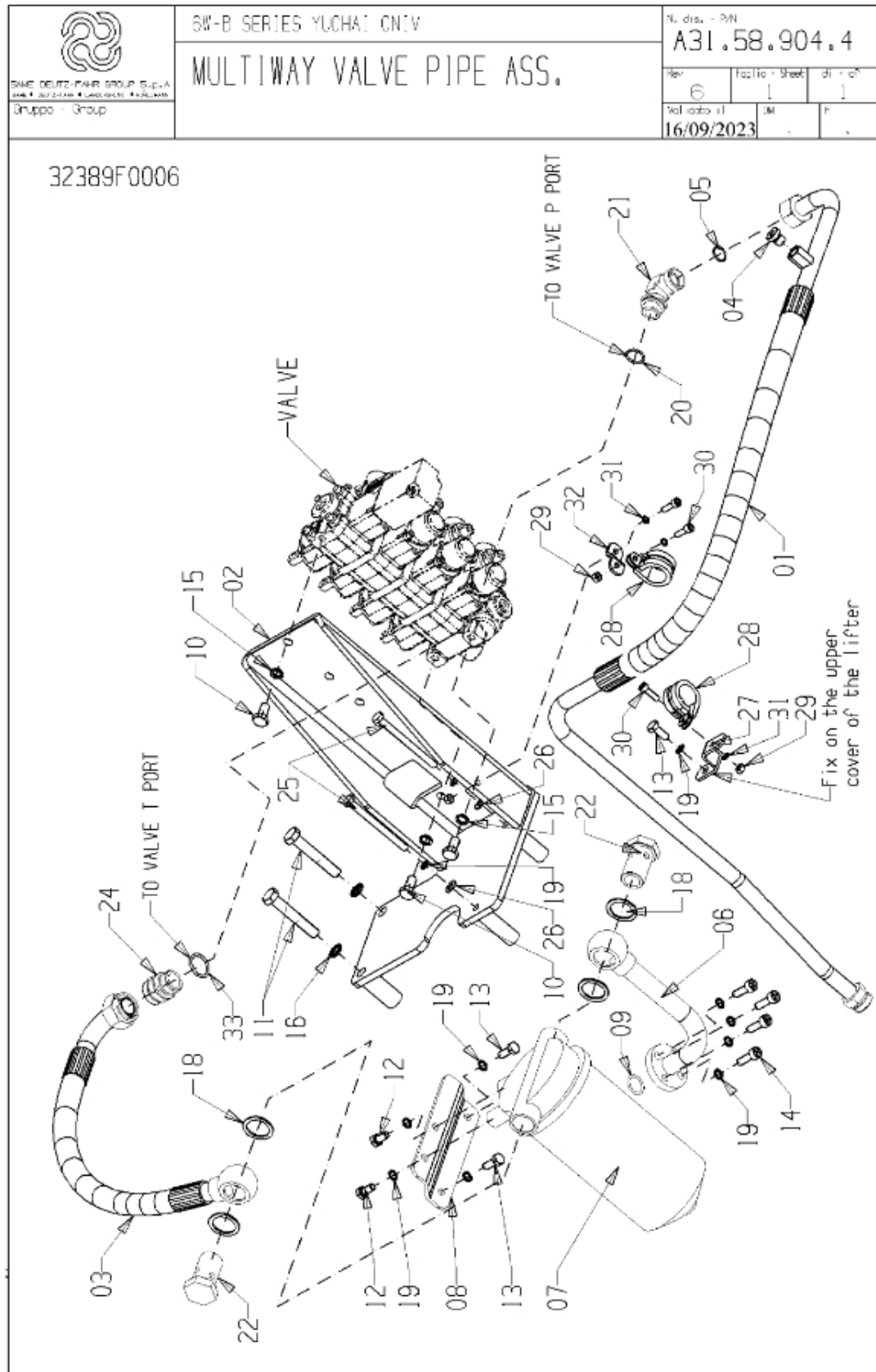
序号	零件编号	零件名称	数量	图号
1	LE1204.56A.015/10	上螺杆铆合总成 FRONGT THREAD	1	LE1204.56A.015/10
2	LE1204.56A.106	梯形螺母Tr36X3 LADDER-SHAPED	1	LE1204.56A.106
3	LE1204.56A.016	提升杆导管焊合 LIFT BAR ASSEMBLY	1	LE1204.56A.016
4	LE1204.56A.107	左旋梯形螺母Tr36 × 3 LEVO LADDER-	2	LE1204.56A.107
5	LE1204.56A.109	螺丝钉 SCREW	1	LE1204.56A.109
6	LE1204.56A.110	提升杆下连接叉 LIFT BAR DOWN	1	LE1204.56A.110

A31.58.904.4 MULTIWAY VALVE PIPE ASS.

A31.58.904.4\_5 多路阀油管总成 VALVE PIPE ASS.Y

序号	零件编号	零件名称	数量	图号
1	0.028.1966.3/30	多路阀进油管 VALVE INLET PIPE ASS.	1	0.028.1966.3/30
2	0.028.8080.2/20	固定支撑销 STAFFA FIX. DISTRIB.	1	0.028.8080.2/20
3	0.028.8081.3	回油管 RETURN PIPE WELDING2	1	0.028.8081.3
4	2.3139.024.2	螺母保护帽 TAPPO T.C.E.I. M12x1.5	1	2.3139.024.2
5	GBT3452.1-16X1.5-G	O形密封圈 O RING	1	GBT3452.1-16X1.5-G
6	DF1204.58B.019	回油管焊合 RETURN PIPE WELDED	1	DF1204.58B.019
7	DF1204.58B.020	管路滤清器总成 RETURN FILTER ASS.	1	DF1204.58B.020
8	DF1204.58B.102	回流过滤器支架 RETURN FILTER	1	DF1204.58B.102
9	GBT3452.1-19X2.65-G	O形密封圈 O RING	1	GBT3452.1-19X2.65-G
10	GBT5783-M10X20-A3L	螺栓 BOLT	3	GBT5783-M10X20-A3L
11	GBT5782-M12X70-10.9-	螺栓 BOLT	2	GBT5782-M12X70-10.9-A3L
12	GBT5783-M8X16-A2L	螺栓 BOLT	2	GBT5783-M8X16-A2L
13	GBT5783-M8X20-A2L	螺栓 BOLT	3	GBT5783-M8X20-A2L
14	GBT70.1-M8X25-A2L	螺钉 SCREW	4	GBT70.1-M8X25-A2L
15	GBT93-10-A3L	垫圈 WASHER	3	GBT93-10-A3L
16	GBT93-12-A3L	垫圈 WASHER	2	GBT93-12-A3L
18	A68.58.003.0	密封环 SEALING RING 27.3x36	5	A68.58.003.0
19	GBT93-8-A3L	垫圈 WASHER	11	GBT93-8-A3L
20	GBT3452.1-19.3X2.2-G	O形密封圈 O RING	1	GBT3452.1-19.3X2.2-G
21	GBT3738-08-L18	管件 FITTING	1	GBT3738-08-L18
22	SH900.58.101	空心螺栓 HOLLOW BOLT M27X1.5	2	SH900.58.101
24	GBT3733.2-83-G22	管件 FITTING	1	GBT3733.2-83-G22
25	GBT5783-M8X90-A2L	螺栓 BOLT	2	GBT5783-M8X90-A2L
26	GBT97.1-8-A3L	垫圈 WASHER	2	GBT97.1-8-A3L
27	A11.58.107.0	管支架 PIPE BRACKET	1	A11.58.107.0
28	2.6839.068.0	夹子 FASCETTA	2	2.6839.068.0
29	GBT6170-M6-A2L	螺母 NUT	3	GBT6170-M6-A2L
30	GBT70.1-M6X20-A2L	螺丝钉 SCREW	3	GBT70.1-M6X20-A2L
31	GBT93-6-A3L	垫圈 WASHER	3	GBT93-6-A3L
32	A11.58.108.0	支架 BRACKET	1	A11.58.108.0



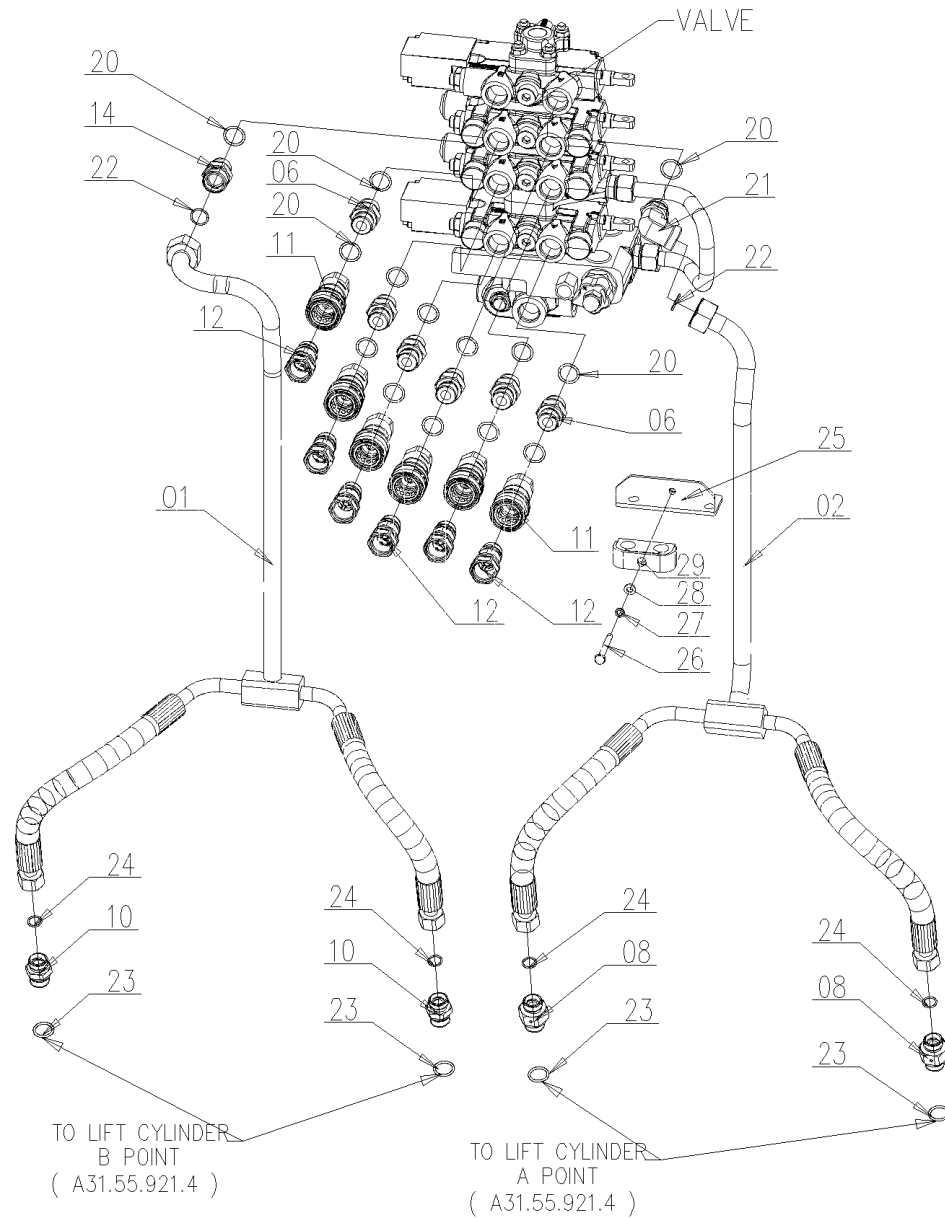


### A31.58.904.4\_6 多路阀油管总成 MULTIWAY VALVE PIPE ASS.Y

序号	零件编号	零件名称	数量	图号
1	0.028.1966.3/30	阀门进口管总成 VALVE INLET PIPE	1	0.028.1966.3/30
2	0.028.8080.2/20	固定支撑销 STAFFA FIX. DISTRIB.	1	0.028.8080.2/20
3	0.028.8081.3	回油管焊合 2 RETURN PIPE	1	0.028.8081.3
4	2.3139.024.2	螺塞 M12X1.5 TAPPO M12X1.5 EOLAT.	1	2.3139.024.2
5	GB3452-16X1.5	O形圈 O RING	1	GB3452-16X1.5
6	DF1204.58B.019	回油管焊合 RETURN PIPE WELDED	1	DF1204.58B.019
7	DF1204.58B.020	回流过滤器组件 RETURN FILTER ASS.	1	DF1204.58B.020
7.1	DF1204.58B.020-5	滤芯	1	DF1204.58B.020-5
8	DF1204.58B.102	回流过滤器支架 RETURN FILTER	1	DF1204.58B.102
9	GB3452-19X2.65	O形圈 O RING	1	GB3452-19X2.65
10	2.0114.307.2	螺栓 M10X20 VITE T.E.IN.F.M10X20	3	2.0114.307.2
11	2.0113.423.2	螺钉 M12x70 DIN 931 SCREW M12x70	2	2.0113.423.2
12	2.0114.205.2	螺栓 M8X16 VITE M8X16	2	2.0114.205.2
13	2.0114.207.2	螺栓 M8X1.25X20 VITE M8X1.25X20	3	2.0114.207.2
14	2.0312.208.2	螺栓 M8X1.25X25 VITE M8X1.25X25	4	2.0312.208.2
15	2.1473.008.2	弹垫 M10 SPRING WASHER M10	3	2.1473.008.2
16	2.1473.009.2	弹垫 M12 SPRING WASHER M12	2	2.1473.009.2
18	A68.58.003.0	密封圈 27.3x36 SEALING RING 27.3x36	4	A68.58.003.0
19	2.1473.007.2	弹垫 M8 SPRING WASHER M8	11	2.1473.007.2
20	GB3452-19.3X2.2	O形圈 O RING	1	GB3452-19.3X2.2
21	GBT3738-08-L18	卡套式可调向端弯通管接头 FITTING	1	GBT3738-08-L18
22	SH900.58.101	空心螺栓 M27X1.5 HOLLOW BOLT	2	SH900.58.101
24	GBT3733-08-L22F	接头 FITTING	1	GBT3733-08-L22F
25	2.0114.225.2	螺钉 M8x90 SCREW M8x90	2	2.0114.225.2
26	2.1310.004.2	垫圈 8 ROSETTA 8	2	2.1310.004.2
27	A11.58.107.0	管支架 PIPE BRACKET	1	A11.58.107.0
28	2.6839.068.0	线束夹 D.27 F6 FASCETTA D.27 F6	2	2.6839.068.0
29	2.1011.103.2	螺母 M6X1 DADO M6X1	3	2.1011.103.2
30	2.0312.106.2	螺栓 M6X1X20 VITE M6X1X20	3	2.0312.106.2
31	2.1473.006.2	弹垫 M6 SPRING WASHER M6	3	2.1473.006.2
32	A11.58.108.0	支架 BRACKET	1	A11.58.108.0
33	GB3452-23.6X2.9	O形圈 O RING	1	GB3452-23.6X2.9

### A31.58.905.4 OUTPUT PIPE ASS.

### A31.58.905.4\_3 多路阀输出油管总成 (3组液压输出, 流量控制) OUTPUT PIPE ASS.Y(3 sets of hydraulic outputs, flow control)

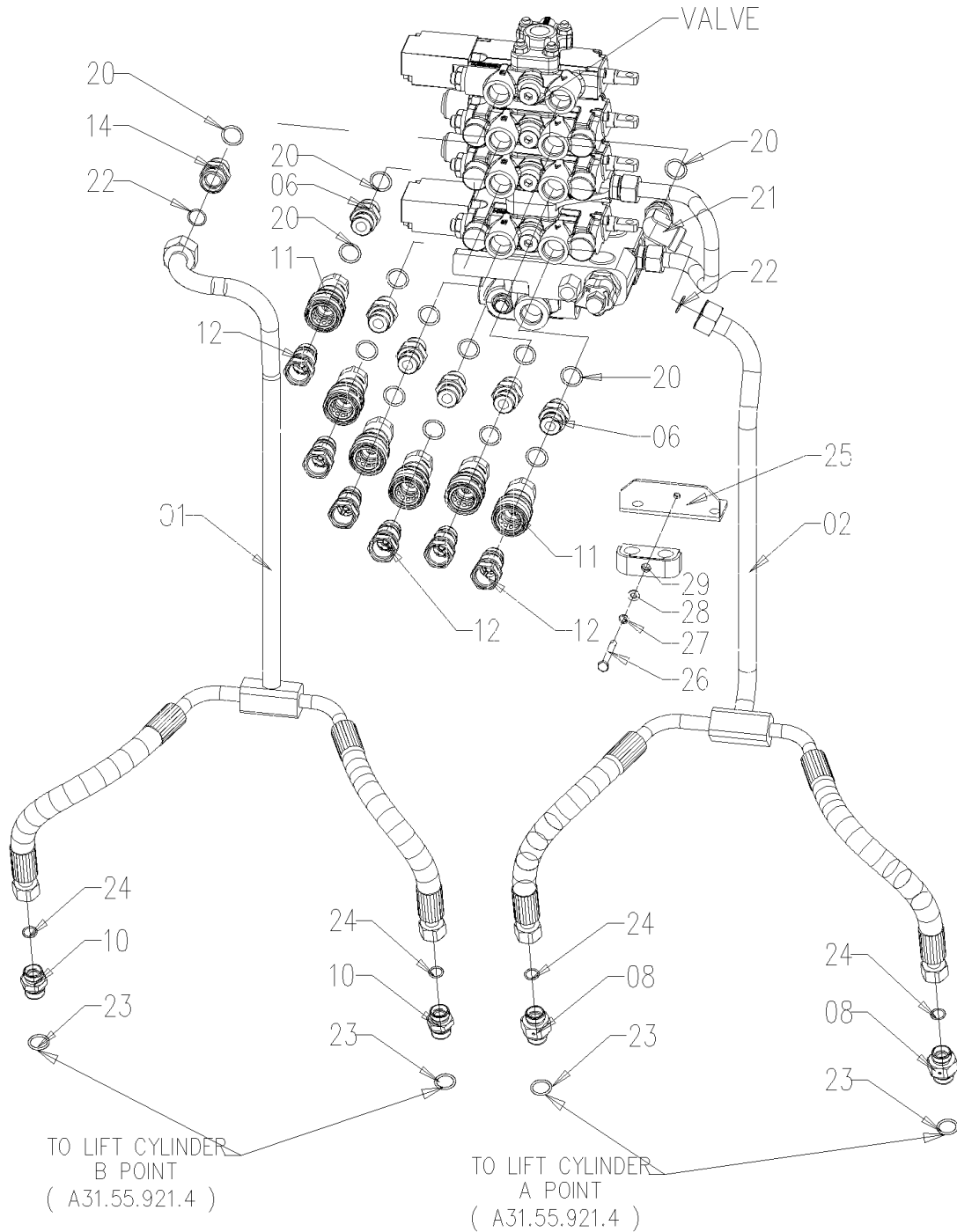


序号	零件编号	零件名称	数量	图号
1	0.028.2006.3/20	出口管总成2 OUTLET PIPE ASS.2	1	0.028.2006.3/20
2	0.028.2010.3/10	出口管总成1 OUTLET PIPE ASS.1	1	0.028.2010.3/10
6	A08.58.101.0	管件 M22X1.5F-M22X1.5F FITTING	6	A08.58.101.0
8	A11.58.103.3	减速阀 SLOW DOWN VALVE	2	A11.58.103.3
10	A11.58.102.0	管件 M20X1.5-M20X1.5 FITTING	2	A11.58.102.0
11	A02.58.093.0	快换接头 F. QUICK COUPLER	6	A02.58.093.0
12	A02.58.094.0	快换接头 M. QUICK COUPLER	6	A02.58.094.0
14	GBT3733-08-L18F	管件 FITTING	1	GBT3733-08-L18F
20	GBT3452.1-19.3X2.2-G	O形密封圈 O RING	14	GBT3452.1-19.3X2.2-G
21	GBT3738-08-L18	管件 FITTING	1	GBT3738-08-L18
22	GBT3452.1-16X1.5-G	O形密封圈 O RING	2	GBT3452.1-16X1.5-G
23	GBT3452.1-17.3X2.2-G	O形密封圈 O RING	4	GBT3452.1-17.3X2.2-G
24	GBT3452.1-12X1.5-G	O形密封圈 O RING	4	GBT3452.1-12X1.5-G
25	B29.58.008.3	管支架 PIPE BRACKET	1	B29.58.008.3
26	GBT5782-M6X50-A2L	螺栓 BOLT	1	GBT5782-M6X50-A2L
27	GBT93-6-A3L	垫圈 WASHER	1	GBT93-6-A3L
28	GBT97.1-6-A3L	垫圈 WASHER	1	GBT97.1-6-A3L
29	2.3320.319.0	管形夹具 TUBE CLAMP 18-18	1	2.3320.319.0

# A31.58.905.4 OUTPUT PIPE ASS.Y

# A31.58.905.4\_4 多路阀输出油管总成 (3组液压输出, 流量控制) OUTPUT PIPE ASS.Y(3 sets of hydraulic outputs, flow control)

序号	零件编号	零件名称	数量	图号
1	0.028.2006.3/30	出口管总成2 OUTLET PIPE ASS.2	1	0.028.2006.3/30
2	0.028.2010.3/10	出口管总成1 OUTLET PIPE ASS.1	1	0.028.2010.3/10
6	A08.58.101.0	管件 M22X1.5F-M22X1.5F FITTING	6	A08.58.101.0
8	A11.58.103.3	减速阀 SLOW DOWN VALVE	2	A11.58.103.3
10	A11.58.102.0	管件 M20X1.5-M20X1.5 FITTING	2	A11.58.102.0
11	A02.58.093.0	快换接头 F. QUICK COUPLER	6	A02.58.093.0
12	A02.58.094.0	快换接头 M. QUICK COUPLER	6	A02.58.094.0
14	GBT3733-08-L18F	管件 FITTING	1	GBT3733-08-L18F
20	GBT3452.1-19.3X2.2-G	O形密封圈 O RING	14	GBT3452.1-19.3X2.2-G
21	GBT3738-08-L18	管件 FITTING	1	GBT3738-08-L18
22	GBT3452.1-16X1.5-G	O形密封圈 O RING	2	GBT3452.1-16X1.5-G
23	GBT3452.1-17.3X2.2-G	O形密封圈 O RING	4	GBT3452.1-17.3X2.2-G
24	GBT3452.1-12X1.5-G	O形密封圈 O RING	4	GBT3452.1-12X1.5-G
25	B29.58.008.3	管支架 PIPE BRACKET	1	B29.58.008.3
26	GBT5782-M6X50-A2L	螺栓 BOLT	1	GBT5782-M6X50-A2L
27	GBT93-6-A3L	垫圈 WASHER	1	GBT93-6-A3L
28	GBT96-6-A3L	垫圈 WASHER	1	GBT96-6-A3L
29	2.3320.316.0	管形夹具 TUBE CLAMP 16-16	1	2.3320.316.0





SIME DEUTZ-FAHR GROUP S.p.A.  
10060 - 30121-1000 - MONTEBELLUNA - TREVISO  
Gruppo - Group

FL120 SERIES YTO CN11

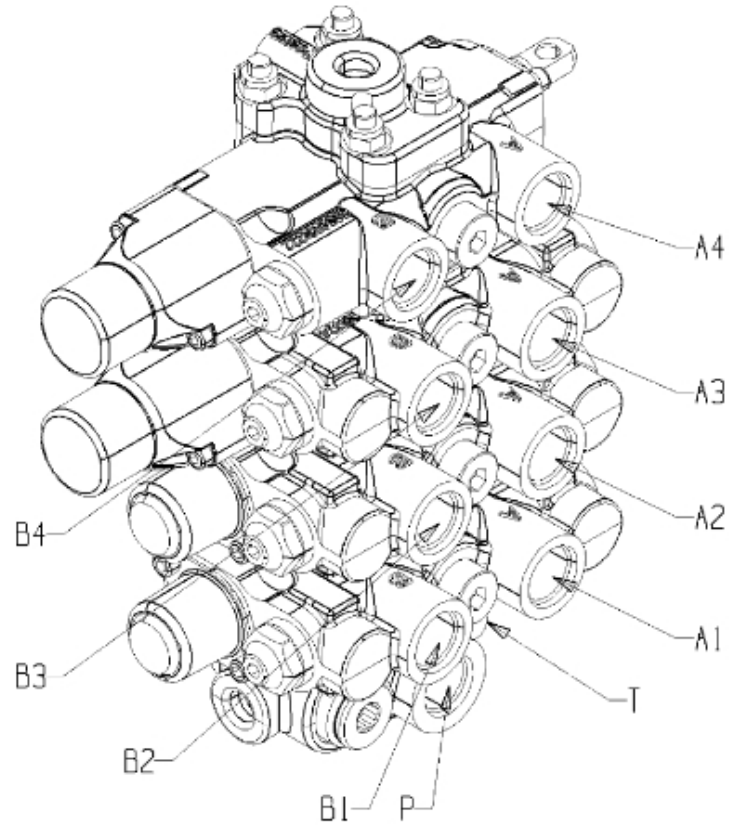
SPOOL VALVE 8 WAYS FLOAT

N. dis. - PN  
A31.58.913.4

Rev.	Foglio - Sheet	di - of
0	1	1

Validato il	IM	P
14/06/2023		

32344F0001

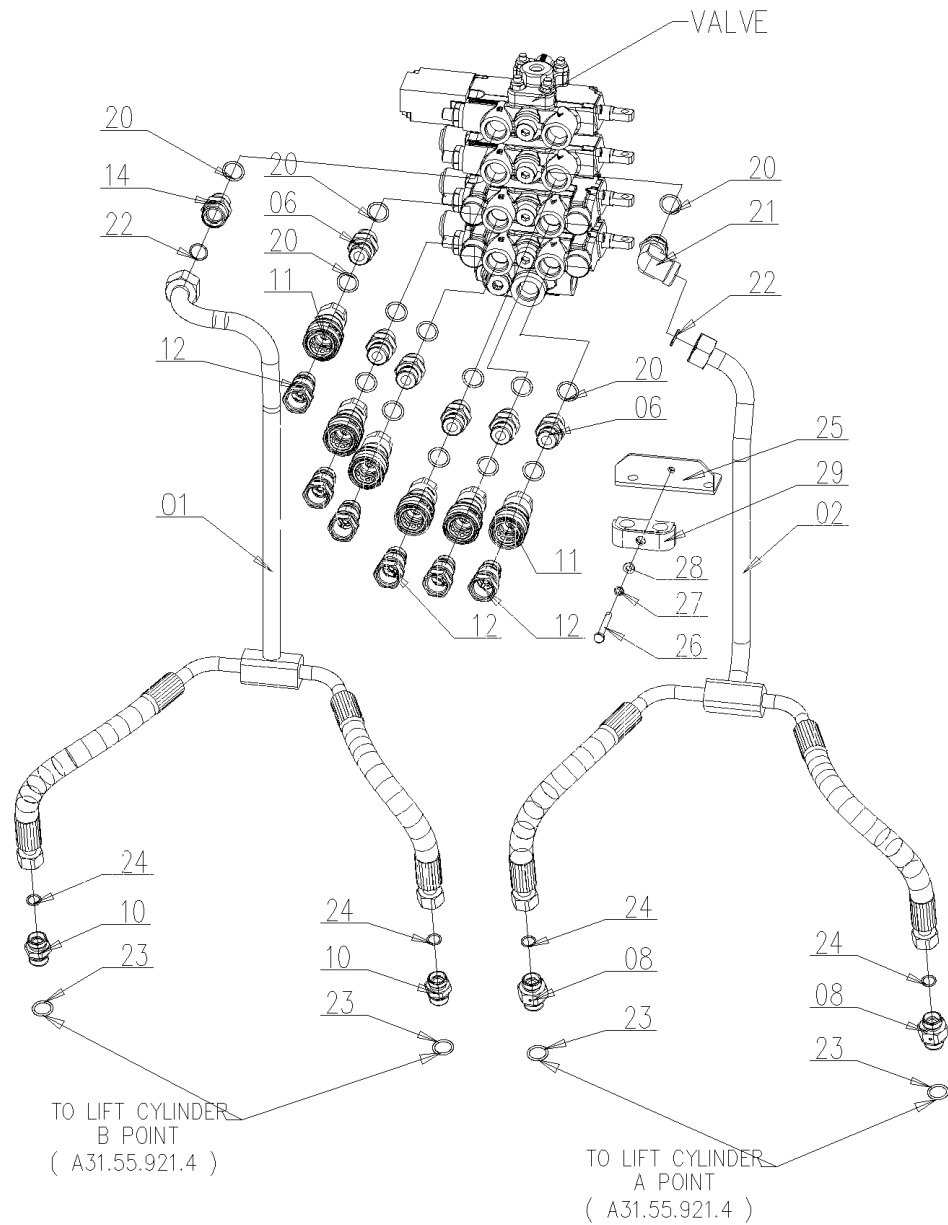


### A31.58.913.4\_0 8路阀总成 (3组液压输出) SPOOL VALVE 8 WAYS FLOAT

序号	零件编号	零件名称	数量	图号
1	A31.58.028.0	8路阀总成 8 WAYS SPOOL VALVE	1	A31.58.028.0

A31.58.915.4\_0 多路阀输出油管总成 (3组液压输出) VALVE DELIVERY ASS.Y (3 sets of hydraulic outputs)

A31.58.915.4 VALVE DELIVERY ASS.Y



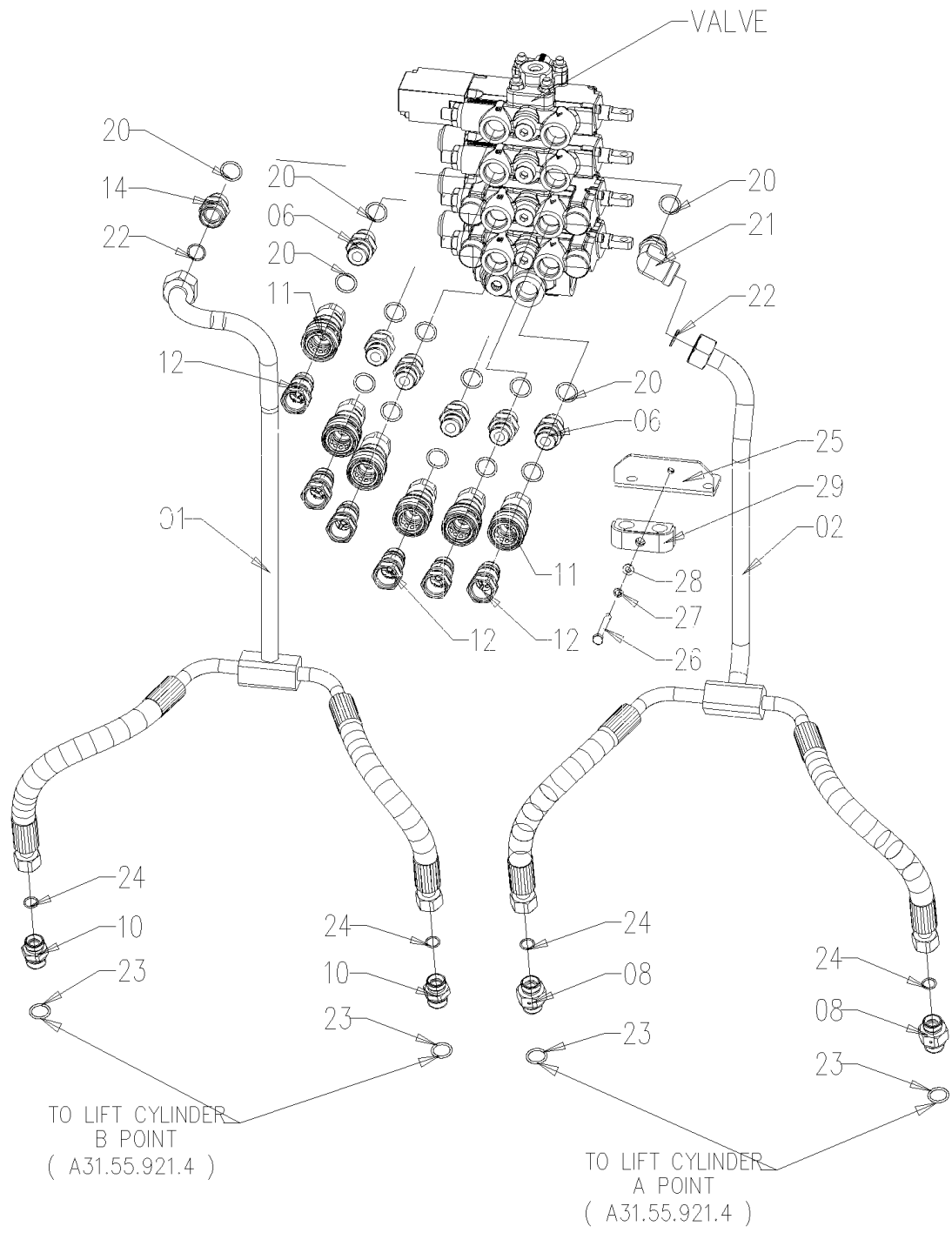
序号	零件编号	零件名称	数量	图号
1	A31.58.022.3	出口管总成2 OUTLET PIPE ASS.2	1	A31.58.022.3
2	A31.58.021.3	出口管总成1 OUTLET PIPE ASS.1	1	A31.58.021.3
6	A08.58.101.0	管件 M22X1.5F-M22X1.5F FITTING	6	A08.58.101.0
8	A11.58.103.3	减速阀 SLOW DOWN VALVE	2	A11.58.103.3
10	A11.58.102.0	管件 M20X1.5-M20X1.5 FITTING	2	A11.58.102.0
11	A02.58.093.0	快换接头 F. QUICK COUPLER	6	A02.58.093.0
12	A02.58.094.0	快换接头 M. QUICK COUPLER	6	A02.58.094.0
14	GBT3733-08-L18F	管件 FITTING	1	GBT3733-08-L18F
20	GBT3452.1-19.3X2.2-G	O形密封圈 O RING	14	GBT3452.1-19.3X2.2-G
21	GBT3738-08-L18	管件 FITTING	1	GBT3738-08-L18
22	GBT3452.1-16X1.5-G	O形密封圈 O RING	2	GBT3452.1-16X1.5-G
23	GBT3452.1-17.3X2.2-G	O形密封圈 O RING	4	GBT3452.1-17.3X2.2-G
24	GBT3452.1-12X1.5-G	O形密封圈 O RING	4	GBT3452.1-12X1.5-G
25	B29.58.008.3	管支架 PIPE BRACKET	1	B29.58.008.3
26	GBT5782-M6X50-A2L	螺栓 BOLT	1	GBT5782-M6X50-A2L
27	GBT93-6-A3L	垫圈 WASHER	1	GBT93-6-A3L
28	GBT97.1-6-A3L	垫圈 WASHER	1	GBT97.1-6-A3L
29	2.3320.319.0	管形夹具 TUBE CLAMP 18-18	1	2.3320.319.0



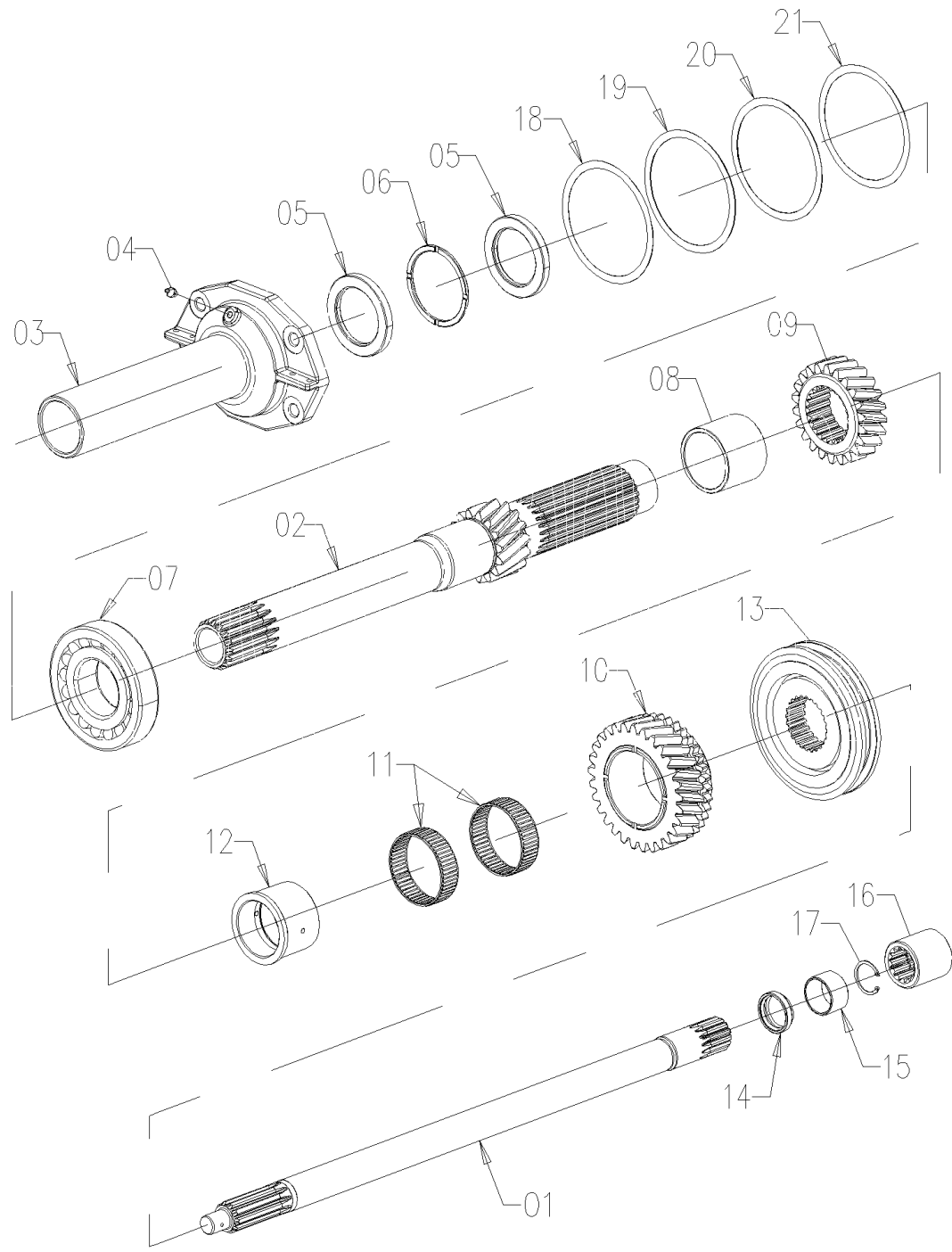
# A31.58.915.4 VALVE DELIVERY ASS.Y

# A31.58.915.4\_1 多路阀输出油管总成 (3组液压输出) VALVE DELIVERY ASS.Y (3 sets of hydraulic outputs)

序号	零件编号	零件名称	数量	图号
1	A31.58.022.3/10	出口管总成2 OUTLET PIPE ASS.2	1	A31.58.022.3/10
2	A31.58.021.3	出口管总成1 OUTLET PIPE ASS.1	1	A31.58.021.3
6	A08.58.101.0	管件 M22X1.5F-M22X1.5F FITTING	6	A08.58.101.0
8	A11.58.103.3	减速阀 SLOW DOWN VALVE	2	A11.58.103.3
10	A11.58.102.0	管件 M20X1.5-M20X1.5 FITTING	2	A11.58.102.0
11	A02.58.093.0	快换接头 F. QUICK COUPLER	6	A02.58.093.0
12	A02.58.094.0	快换接头 M. QUICK COUPLER	6	A02.58.094.0
14	GBT3733-08-L18F	管件 FITTING	1	GBT3733-08-L18F
20	GBT3452.1-19.3X2.2-G	O形密封圈 O RING	14	GBT3452.1-19.3X2.2-G
21	GBT3738-08-L18	管件 FITTING	1	GBT3738-08-L18
22	GBT3452.1-16X1.5-G	O形密封圈 O RING	2	GBT3452.1-16X1.5-G
23	GBT3452.1-17.3X2.2-G	O形密封圈 O RING	4	GBT3452.1-17.3X2.2-G
24	GBT3452.1-12X1.5-G	O形密封圈 O RING	4	GBT3452.1-12X1.5-G
25	B29.58.008.3	管支架 PIPE BRACKET	1	B29.58.008.3
26	GBT5782-M6X50-A2L	螺栓 BOLT	1	GBT5782-M6X50-A2L
27	GBT93-6-A3L	垫圈 WASHER	1	GBT93-6-A3L
28	GBT97.1-6-A3L	垫圈 WASHER	1	GBT97.1-6-A3L
29	2.3320.319.0	管形夹具 TUBE CLAMP 18-18	1	2.3320.319.0



# A33.37.901.4 INPUT SHAFT ASS.Y

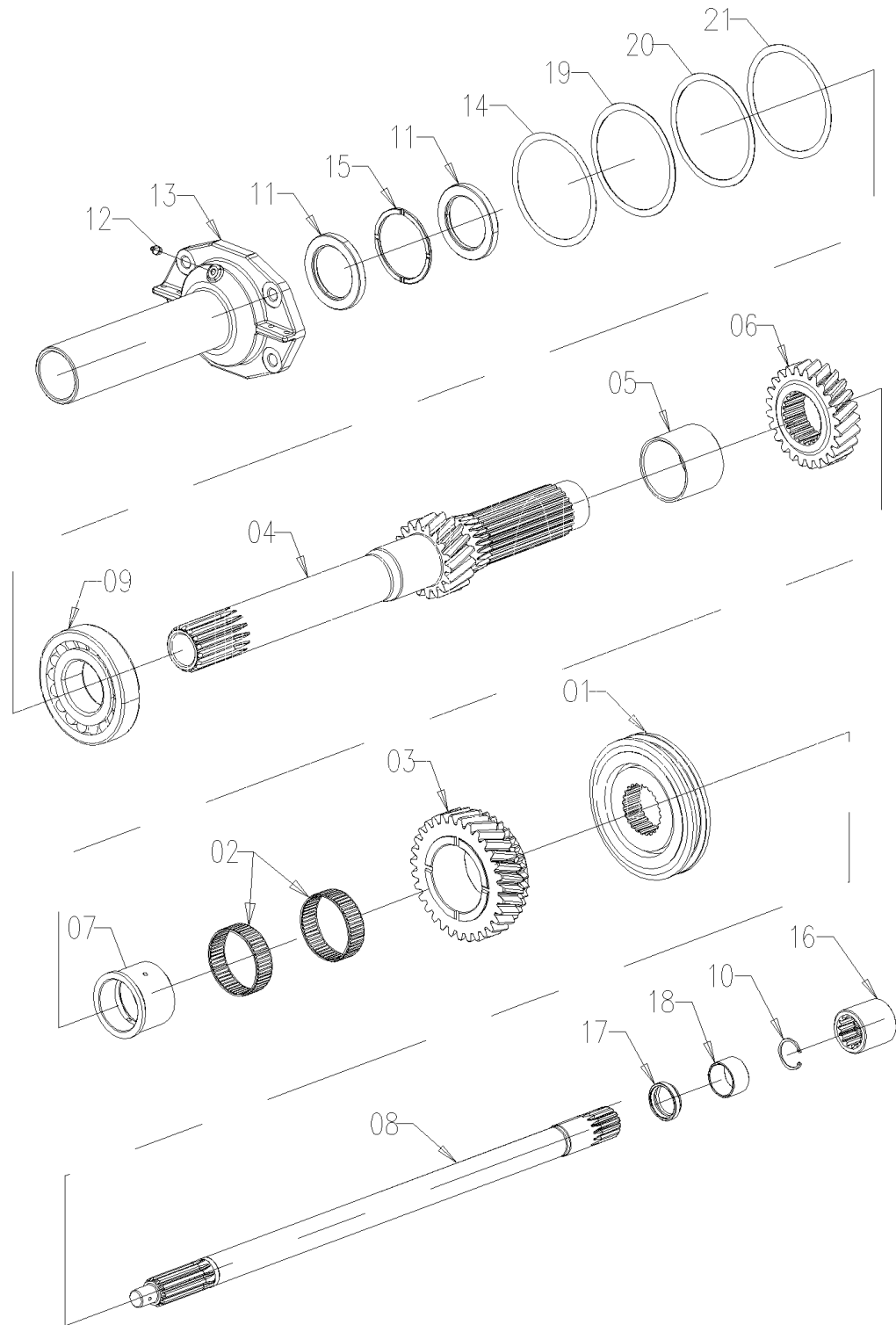


## A33.37.901.4\_5 输入轴总成 (16F+8R 同步器换挡 微爬档) INPUT SHAFT ASS.LY(16F+8R synchro shift micro crawl)

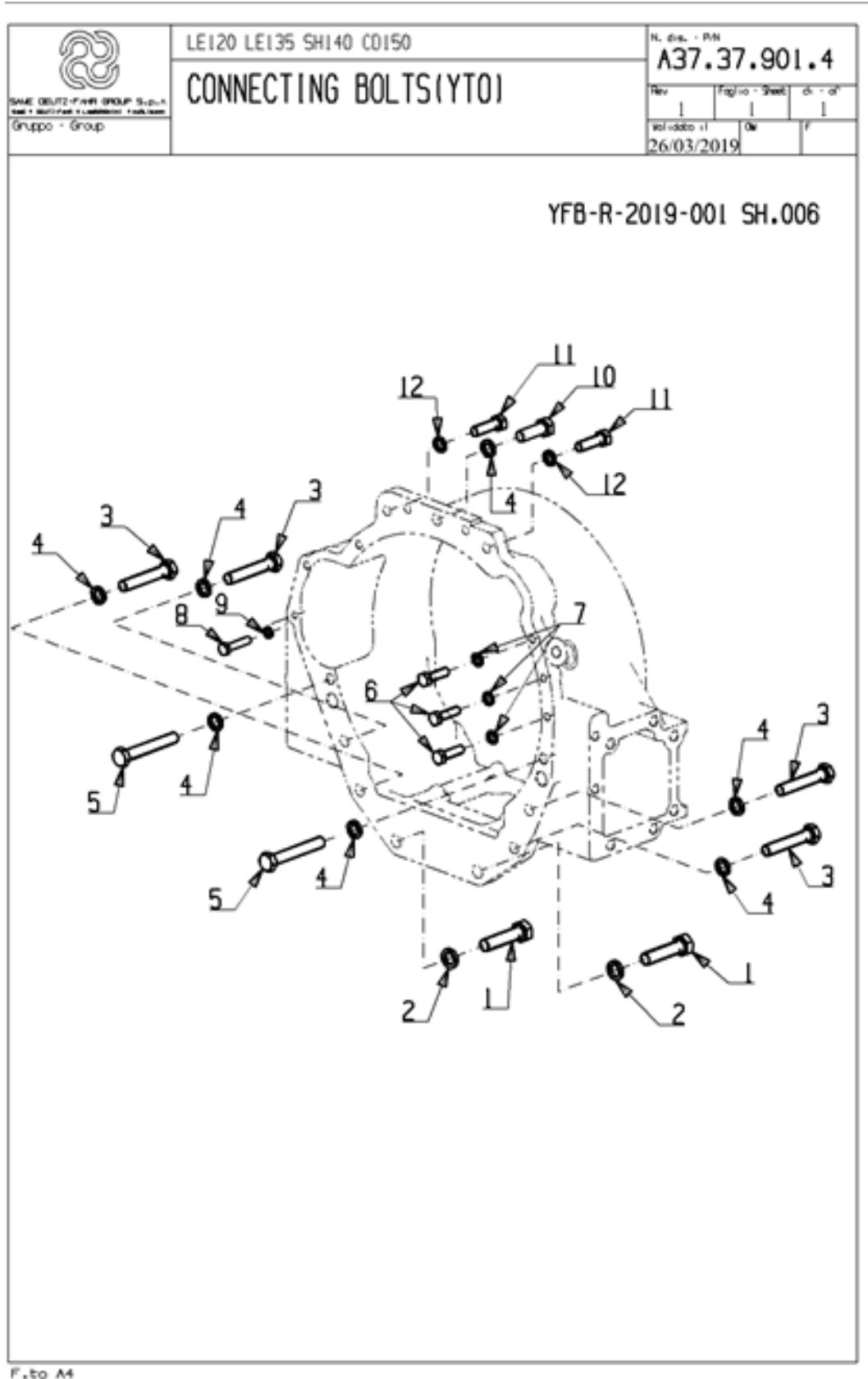
序号	零件编号	零件名称	数量	图号
1	A33.37.002.0	前轴 PTO FRONT SHAFT	1	A33.37.002.0
2	A33.37.001.0/10	输入轴 INPUT SHAFT	1	A33.37.001.0/10
3	LE1204.37.151	输入轴承座 INPUT BEARING SEAT	1	LE1204.37.151
4	JBT7940.1-M6	油杯 GREASE CUP	1	JBT7940.1-M6
5	GBT13871.1-FB-050072-D	油封 OIL SEAL	2	GBT13871.1-FB-050072-D
6	LE1204.37.208	隔圈 SPACER	1	LE1204.37.208
7	GBT297-30310	轴承 BEARING	1	GBT297-30310
8	0.029.4463.0/10	套管 BUSHING	1	0.029.4463.0/10
9	0.029.4380.0/20	第二驱动齿轮 2ND DRIVING GEAR	1	0.029.4380.0/20
10	0.029.4319.3/10	第三传动齿轮铆接 3RD DRIVING	1	0.029.4319.3/10
11	2.2770.271.0	滚针轴承 ROLLER CAGE 60x65x20	2	2.2770.271.0
12	DF904.37.113/10	衬套 NEEDLE INNER RING	1	DF904.37.113/10
13	0.014.0150.4/10	锁止限位 SINCRONIZZATORE	1	0.014.0150.4/10
14	SH900.37.112/10	输入轴座 INPUT SHAFT SEAL	1	SH900.37.112/10
15	SH900.37.113	输入轴轴承 INPUT SHAFT BUSHING	1	SH900.37.113
16	SH900.41.105	连接套筒 PTO CONNECTING SLEEVE	1	SH900.41.105
17	GBT893.1-28	弹性挡圈 CIRCLIP	1	GBT893.1-28
18	LE1204.37.190	调整垫圈 ADJUST WASHER	0	LE1204.37.190
19	LE1204.37.191	调整垫圈 ADJUST WASHER	0	LE1204.37.191
20	LE1204.37.192	调整垫圈 ADJUST WASHER	0	LE1204.37.192
21	A26.37.010.0	调整垫圈 ADJUST WASHER	0	A26.37.010.0

# A33.37.902.4 INPUT SHAFT ASS.Y

# A33.37.902.4\_5 输入轴总成 ( 16F+8R 同步器换挡 普通档 ) INPUT SHAFT ASS.LY(16F+8R synchro shift normal gear)



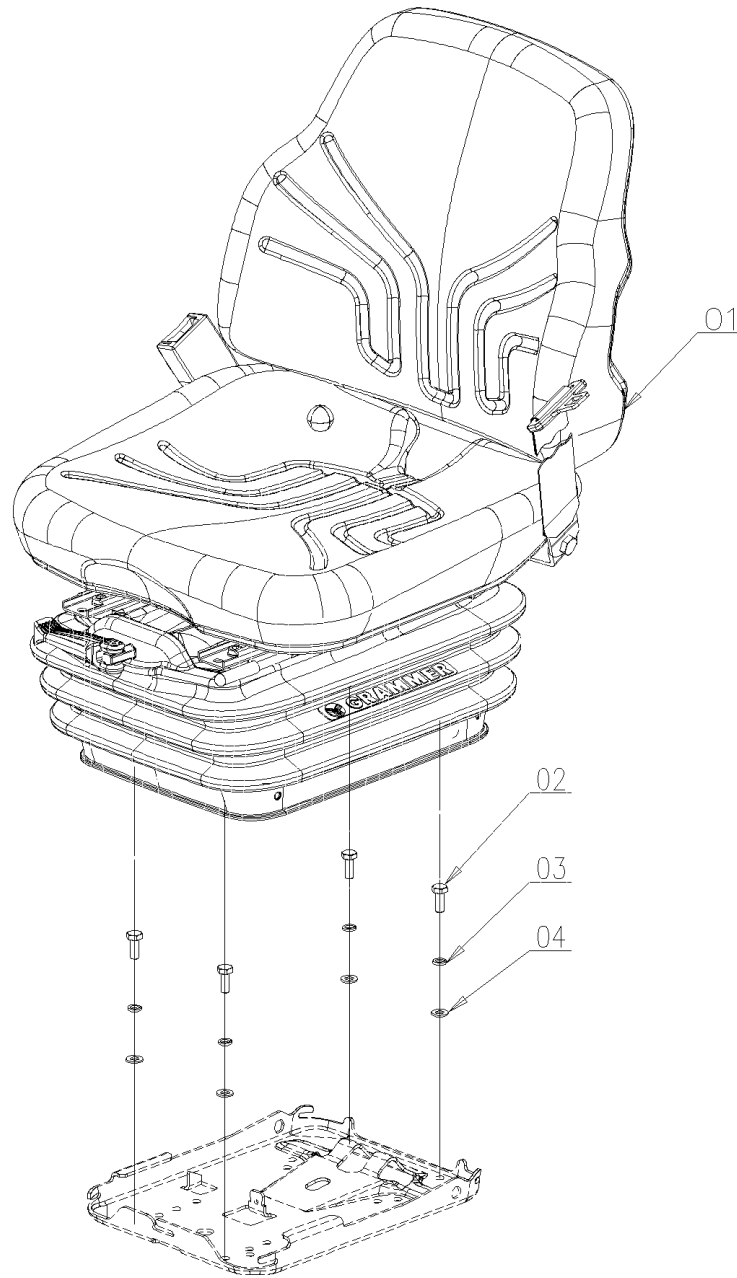
序号	零件编号	零件名称	数量	图号
1	0.014.0150.4/10	锁止限位 SINCRONIZZATORE	1	0.014.0150.4/10
2	2.2770.271.0	滚针轴承 ROLLER CAGE 60x65x20	2	2.2770.271.0
3	DF904.37.013/10	第三齿轮组 THIRD GEAR UNIT	1	DF904.37.013/10
4	DF904.37.102/20	输入轴 INPUT SHAFT	1	DF904.37.102/20
5	C35.37.006.0	隔圈 SPACER	1	C35.37.006.0
6	C35.37.005.0	第二驱动齿轮 SECOND DRIVING	1	C35.37.005.0
7	DF904.37.113/10	衬套 NEEDLE INNER RING	1	DF904.37.113/10
8	A33.37.002.0	前轴 PTO FRONT SHAFT	1	A33.37.002.0
9	GBT297-30310	轴承 BEARING	1	GBT297-30310
10	GBT893.1-28	弹性挡圈 CIRCLIP	1	GBT893.1-28
11	GBT13871.1-FB-050072-D	油封 OIL SEAL	2	GBT13871.1-FB-050072-D
12	JBT7940.1-M6	油杯 GREASE CUP	1	JBT7940.1-M6
13	LE1204.37.151	输入轴承座 INPUT BEARING SEAT	1	LE1204.37.151
14	LE1204.37.190	调整垫圈 ADJUST WASHER	0	LE1204.37.190
15	LE1204.37.208	隔圈 SPACER	1	LE1204.37.208
16	SH900.41.105	连接套筒 PTO CONNECTING SLEEVE	1	SH900.41.105
17	SH900.37.112/10	输入轴座 INPUT SHAFT SEAL	1	SH900.37.112/10
18	SH900.37.113	输入轴轴承 INPUT SHAFT BUSHING	1	SH900.37.113
19	LE1204.37.191	调整垫圈 ADJUST WASHER	0	LE1204.37.191
20	LE1204.37.192	调整垫圈 ADJUST WASHER	0	LE1204.37.192
21	A26.37.010.0	调整垫圈 ADJUST WASHER	0	A26.37.010.0



### A37.37.901.4\_1 前连接螺栓总成 FRONT CONNECTING BOLTS

序号	零件编号	零件名称	数量	图号
1	GBT5783-M18X70-10.9-	螺栓 BOLT	2	GBT5783-M18X70-10.9-A3L
2	GBT93-18-A3L	垫圈 WASHER	2	GBT93-18-A3L
3	GBT5783-M16X85-10.9-	螺栓 BOLT	4	GBT5783-M16X85-10.9-A3L
4	GBT93-16-A3L	垫圈 WASHER	7	GBT93-16-A3L
5	GBT5782-M16X100-10.9-	螺栓 BOLT	2	GBT5782-M16X100-10.9-A3L
6	GBT5783-M12X40-10.9-	螺栓 BOLT	3	GBT5783-M12X40-10.9-A3L
7	GBT93-12-A3L	垫圈 WASHER	3	GBT93-12-A3L
8	GBT5783-M10X45-10.9-	螺栓 BOLT	1	GBT5783-M10X45-10.9-A3L
9	GBT93-10-A3L	垫圈 WASHER	1	GBT93-10-A3L
10	GBT5783-M16X45-10.9-	螺栓 BOLT	1	GBT5783-M16X45-10.9-A3L
11	GBT5783-M14X45-10.9-	螺栓 BOLT	2	GBT5783-M14X45-10.9-A3L
12	GBT93-14-A3L	垫圈 WASHER	2	GBT93-14-A3L

A68.44.900.4 SEAT ASS.



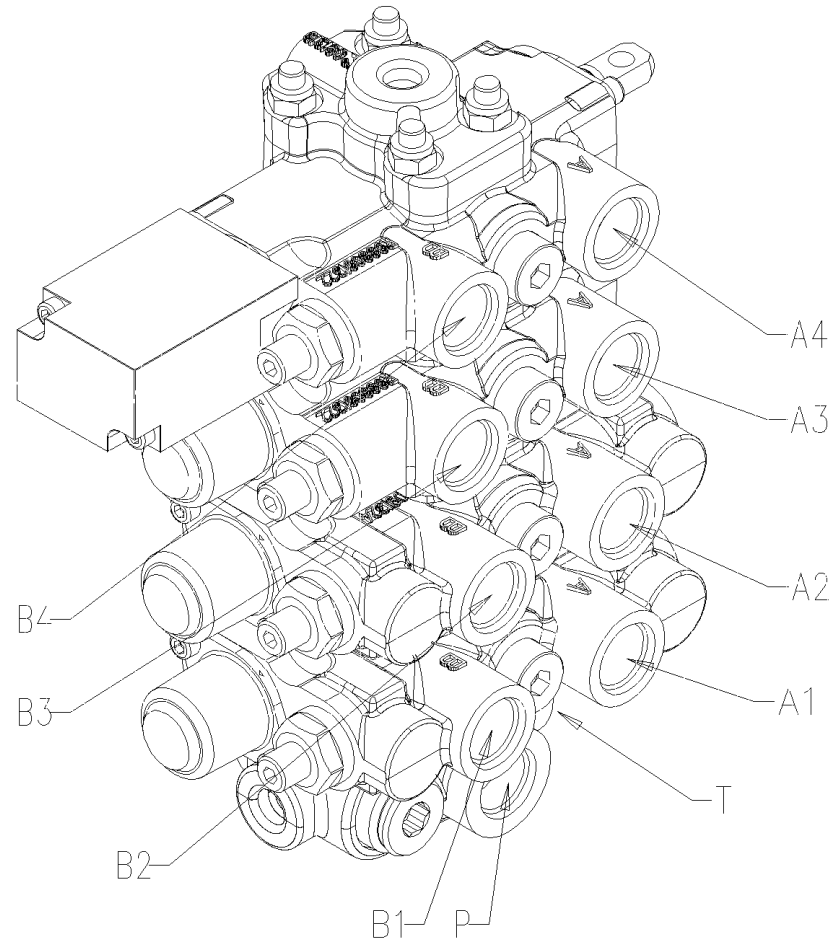
A68.44.900.4\_1 格拉默座椅 (PVC 坐墊及安全带) GRAMMER (PVC CUSION WITH SAFTY BELT)

序号	零件编号	零件名称	数量	图号
1	A68.44.001.4	座椅总成 SEAT(GRAMMERPVC)	1	A68.44.001.4
2	GBT5783-M8X20-A2L	螺栓 BOLT	4	GBT5783-M8X20-A2L
3	GBT93-8-A3L	垫圈 WASHER	4	GBT93-8-A3L
4	GBT97.1-8-A3L	垫圈 WASHER	4	GBT97.1-8-A3L

# A68.58.903.4 SPOOL VALVE 8 WAYS

# A68.58.903.4\_0 8 路阀 SPOOL VALVE 8 WAYS

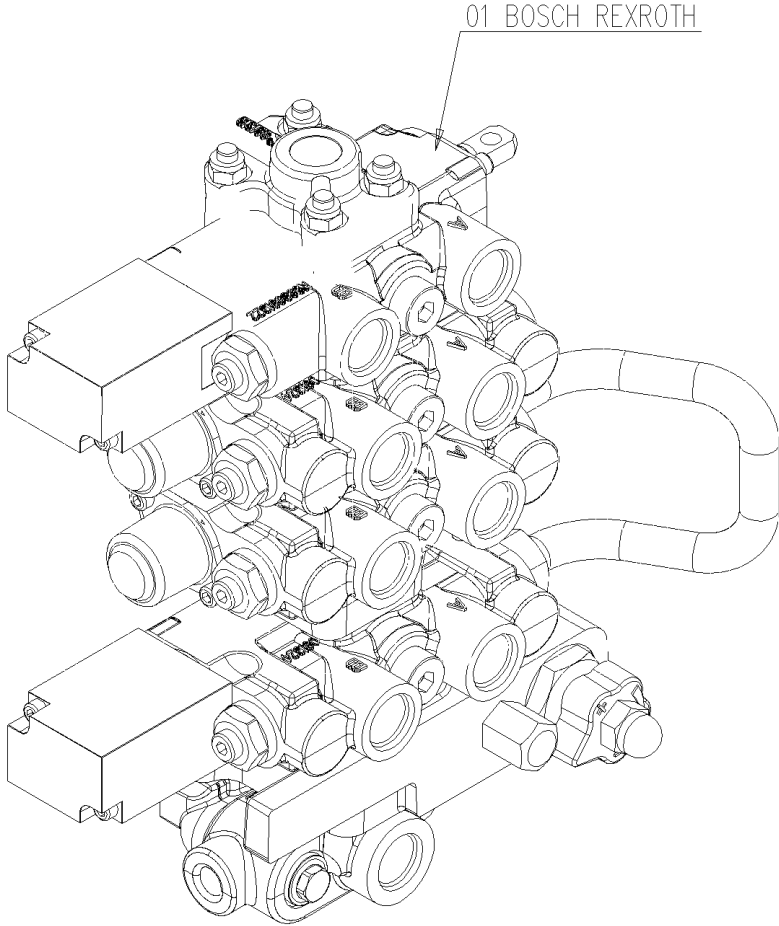
序号	零件编号	零件名称	数量	图号
1	A31.58.001.0	多路阀 MULTIWAY VALVE	1	A31.58.001.0
1.1	ROS12L1X	分配器阀块 分配器阀块	1	ROS12L1X

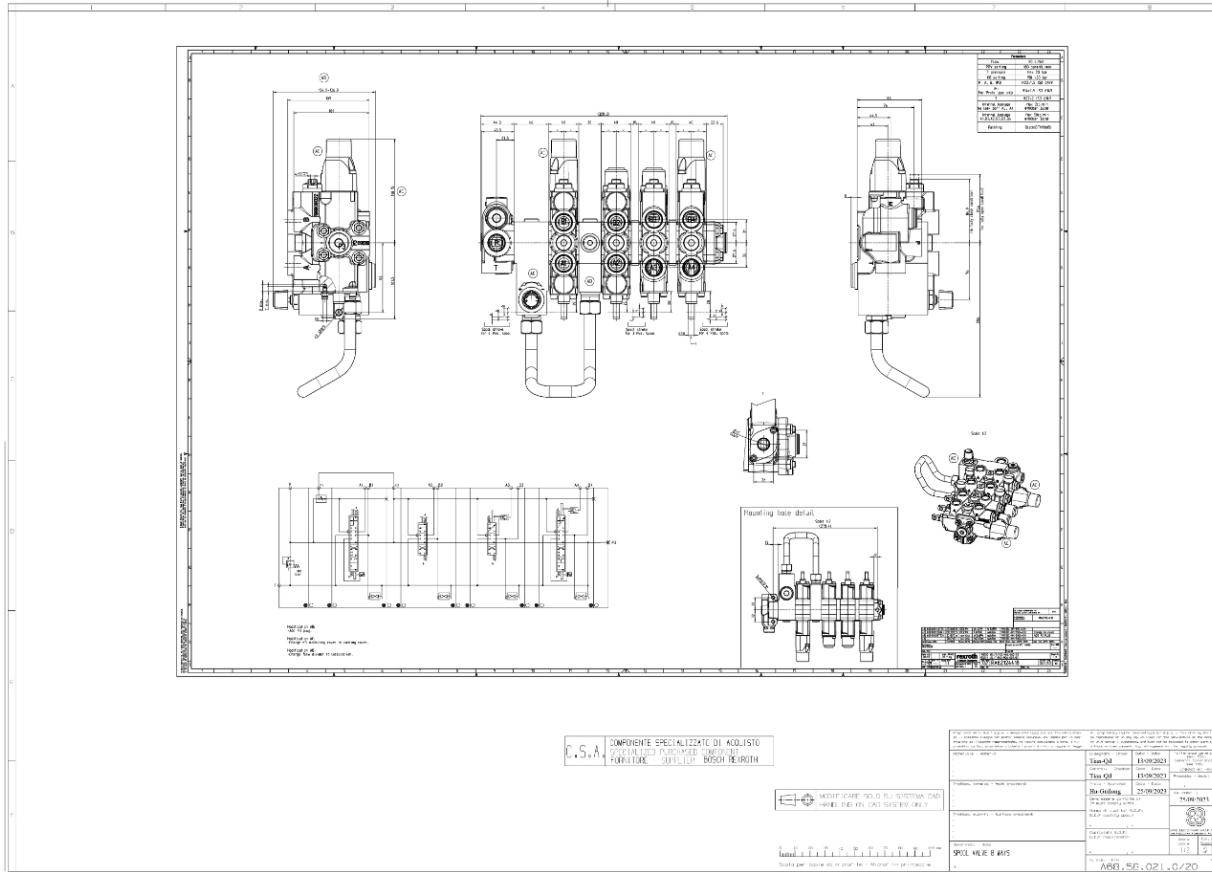


A68.58.913.4 SPOOL VALVE 8 WAYS FR

A68.58.913.4\_2 8路流量控制阀 SPOOL VALVE 8 WAYS FR

序号	零件编号	零件名称	数量	图号
1	A68.58.021.0/10	8路滑阀 8 WAYS SPOOL VALVE	1	A68.58.021.0/10






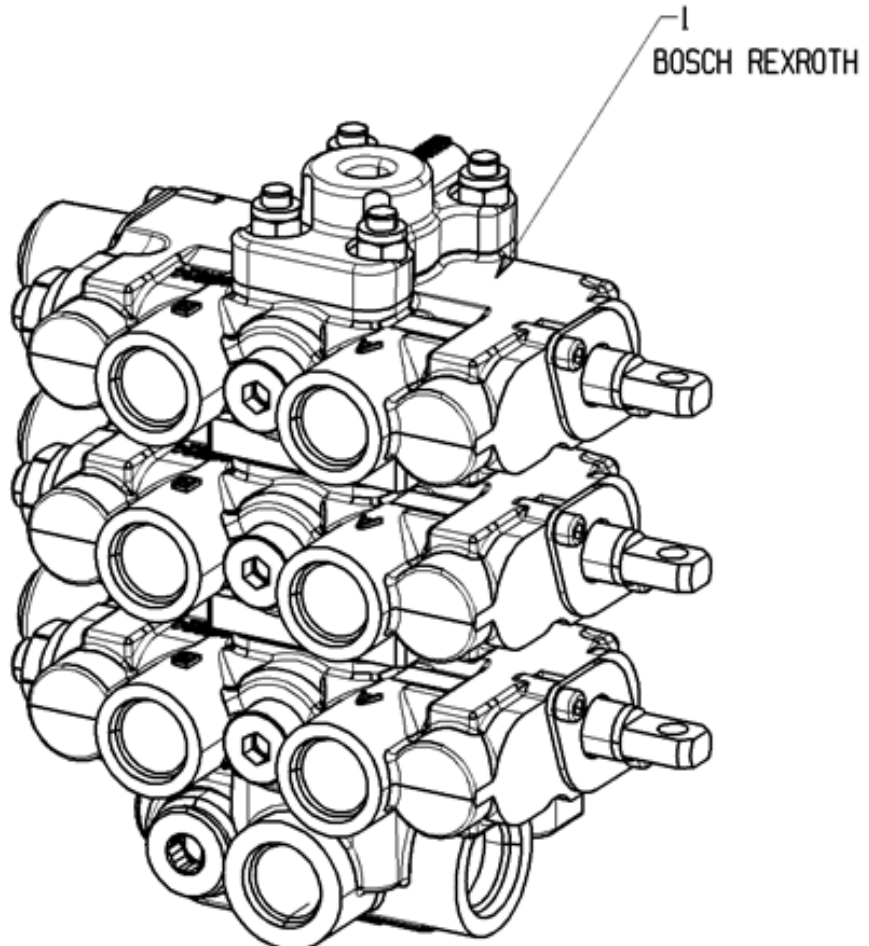
### A68.58.021.0/20 8路滑阀 SPOOL VALVE 8 WAYS

序号	零件编号	零件名称	数量	图号
1	ROS12L1X	分配器阀块	1	ROS12L1X



 SIME DEUTZ-Fahr GROUP S.p.A. Gruppo - Group	CD1604-CD1804	N. dis. - P/N <b>A68.58.923.4</b>
	<b>SPOOL VALVE 6 WAYS</b>	Rev 0 Foglio - Sheet 01 - 01 Validato il 06/12/2017

YFB-S-2016-023 SH.003



1  
BOSCH REXROTH

### A68.58.923.4\_0 6 路阀 SPOOL VALVE 6 WAYS

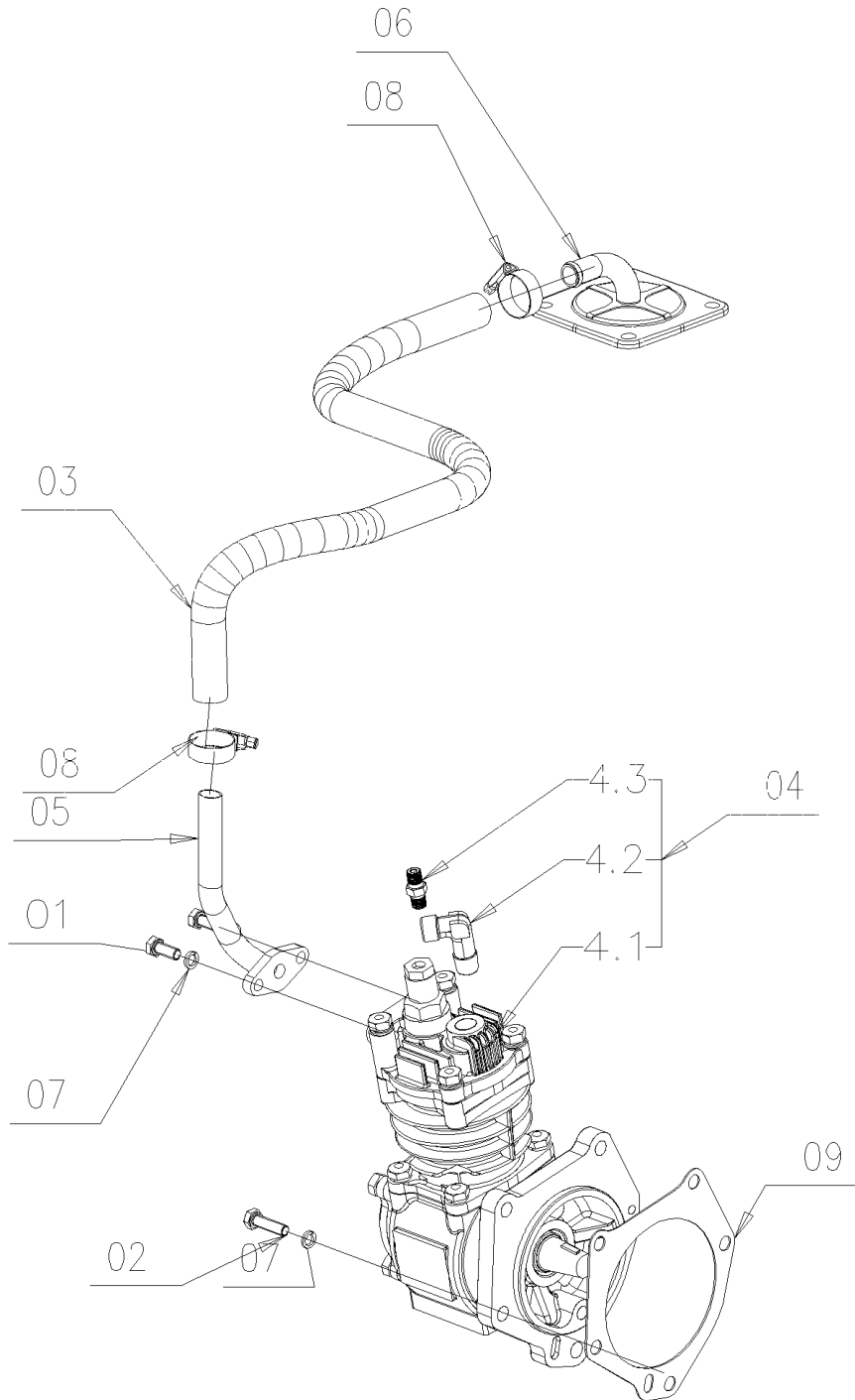
序号	零件编号	零件名称	数量	图号
1	A68.58.031.0	6路阀 SPOOL VALVE 6 WAYS	1	A68.58.031.0

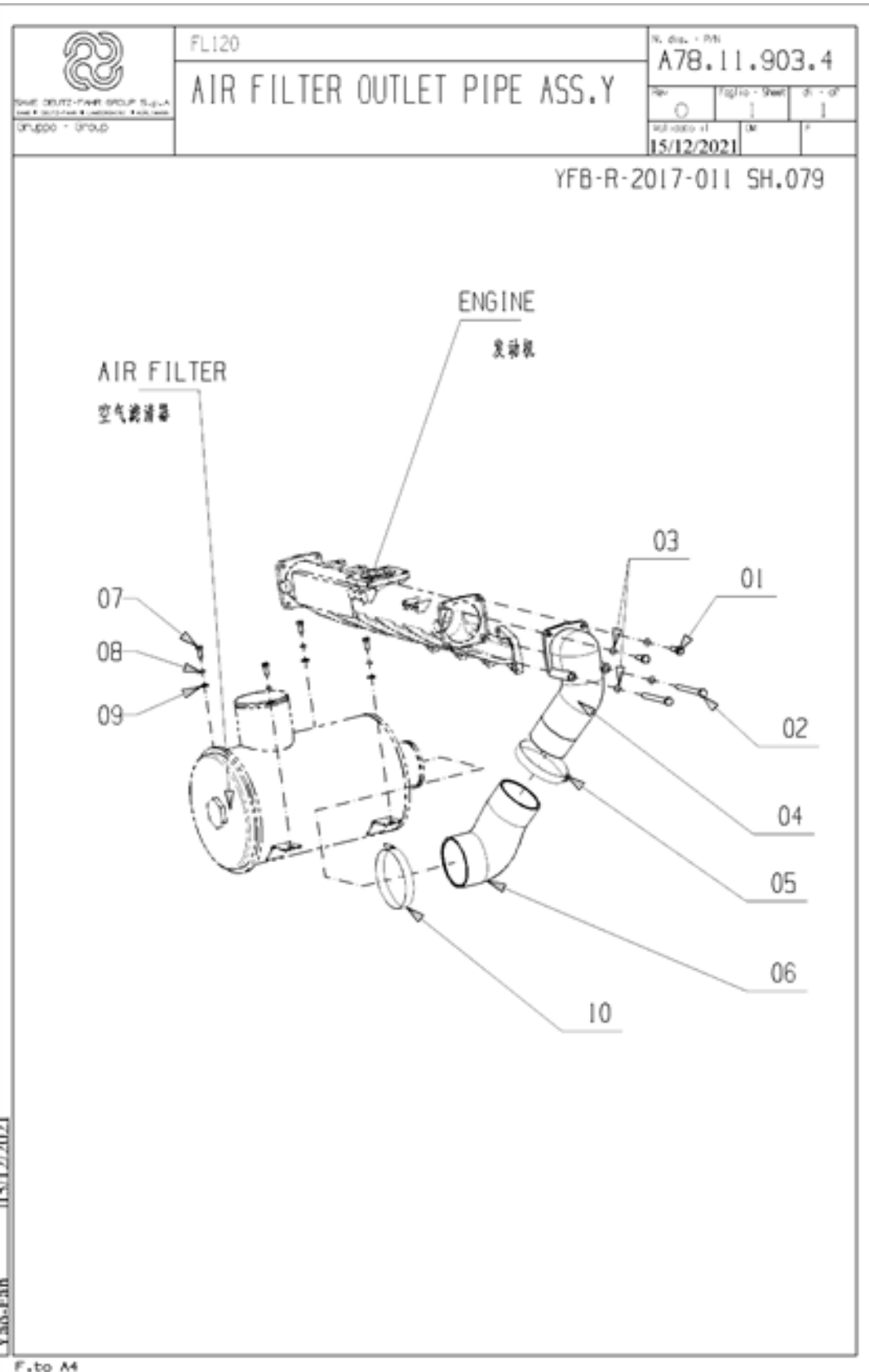
# A78.10.903.4 AIR COMPRESSOR ASS.Y

YFB-R-2017-011 SH.084

## A78.10.903.4\_0 气泵总成 AIR COMPRESSOR ASS.Y

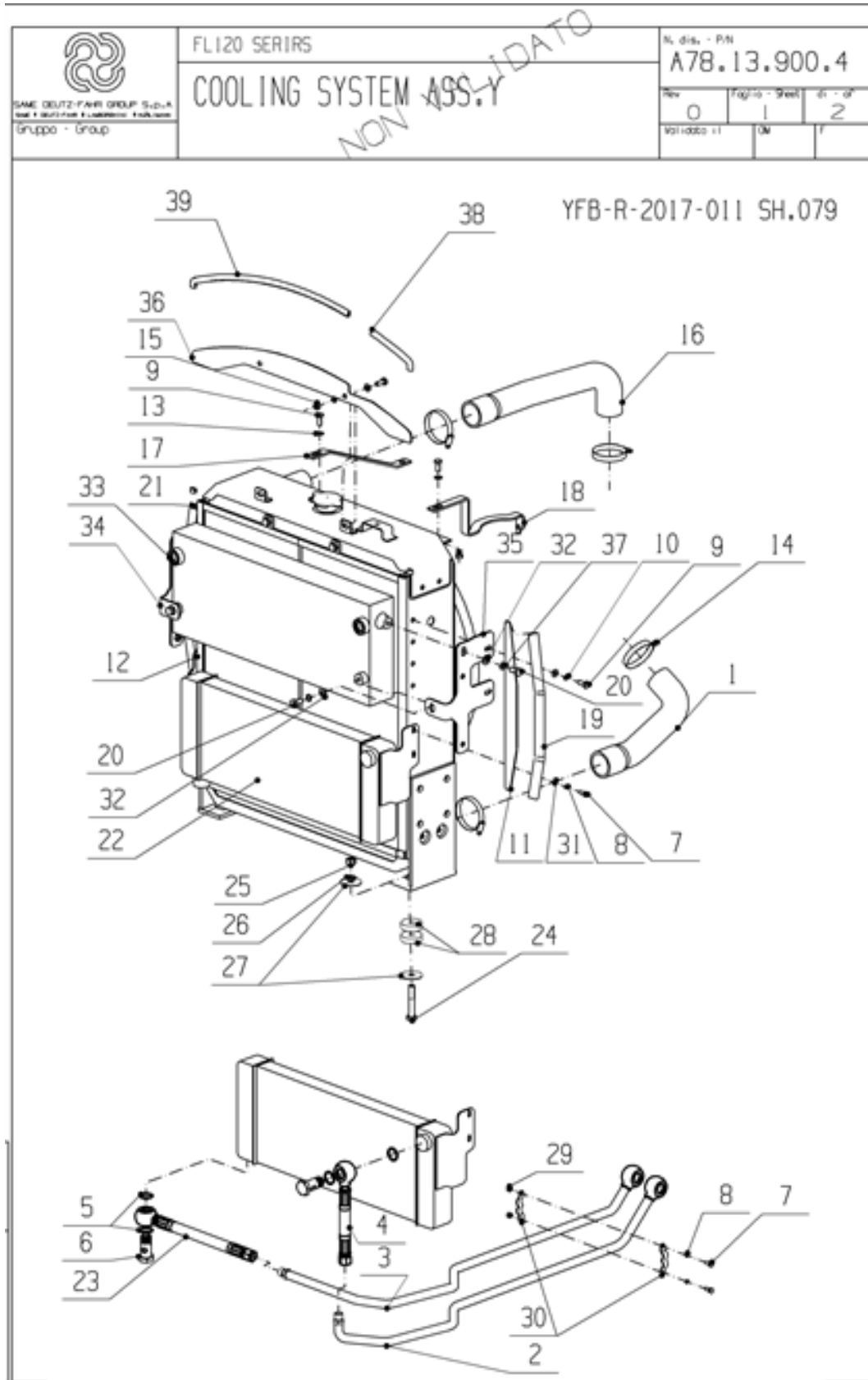
序号	零件编号	零件名称	数量	图号
1	2.0114.207.2	螺栓 SCREW M8x20	2	2.0114.207.2
2	2.0114.211.2	螺栓 SCREW M8x30	5	2.0114.211.2
3	A78.10.004.0	气泵软管 AIR PUMP HOSE	1	A78.10.004.0
4	A78.10.005.4	气泵总成 AIR PUMP ASS.Y	1	A78.10.005.4
4.1	A78.10.006.4	气泵外形 AIR PUMP	1	A78.10.006.4
4.2	A78.10.007.0	排气弯头接头 EXHAUST ELBOW	1	A78.10.007.0
4.3	A78.10.008.0	卸荷阀接头 UNLOADER VALVE	1	A78.10.008.0
5	A78.10.009.2	气泵进气管接头 AIR PUMP INTAKE	1	A78.10.009.2
6	A78.10.010.2	进气管盖板接头 AIR INLET TUBE	1	A78.10.010.2
7	GBT93-8-A3L	垫圈 WASHER	7	GBT93-8-A3L
8	JBT8870-D32	喉箍 HOSE CLAMPS	2	JBT8870-D32
9	A78.13.011.0	胶条 GASKET	1	A78.13.011.0





### A78.11.903.4\_1 空滤出气管总成 AIR FILTER OUTLET PIPE ASS.Y

序号	零件编号	零件名称	数量	图号
1	2.0114.311.2	螺栓 SCREW M10x30	2	2.0114.311.2
2	2.0114.329.2	螺栓 SCREW M10x110	2	2.0114.329.2
3	GBT93-10-A3L	垫圈 WASHER	4	GBT93-10-A3L
4	CD1204.11A.101	进气管 AIR INLET TUBE	1	CD1204.11A.101
5	JBT8870-D120	喉箍 HOSE CLAMPS	1	JBT8870-D120
6	A78.11.002.0	进气管 AIR INLET TUBE	1	A78.11.002.0
7	2.0114.207.2	螺栓 SCREW M8x20	4	2.0114.207.2
8	GBT93-8-A3L	垫圈 WASHER	4	GBT93-8-A3L
9	2.1310.004.2	垫圈 WASHER 8	4	2.1310.004.2
10	JBT8870-D130	喉箍 HOSE CLAMPS	1	JBT8870-D130

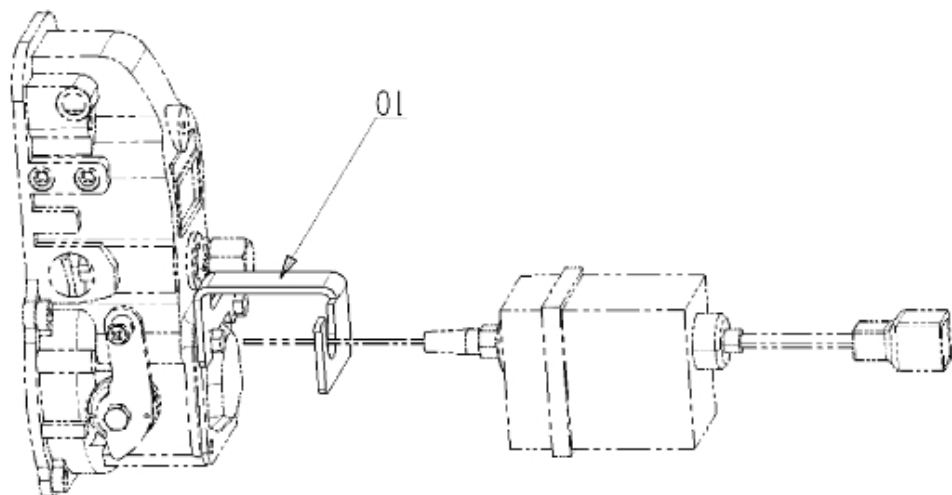


### A78.13.900.4\_0 冷却系总成 COOLING SYSTEM ASS.Y

序号	零件编号	零件名称	数量	图号
1	CD1204.13A.101	软管 HOSE	1	CD1204.13A.101
2	CD1204.13A.013	油管 OIL PIPE	1	CD1204.13A.013
3	CD1204.13A.014	油管 OIL PIPE	1	CD1204.13A.014
4	LE1204.13.016	出油软管总成 OIL OUTLET HOSE	1	LE1204.13.016
5	JBT982-22	密封圈 SEALING RINGS	4	JBT982-22
6	LD700.13.102	空心螺栓 HOLLOW BOLT	2	LD700.13.102
7	2.0114.005.2	螺栓 SCREW M6x16	6	2.0114.005.2
8	GBT93-6-A3L	垫圈 WASHER	6	GBT93-6-A3L
9	2.0114.207.2	螺栓 SCREW M8x20	8	2.0114.207.2
10	GBT93-8-A3L	垫圈 WASHER	8	GBT93-8-A3L
11	CD1204.13A.015	左密封板 LEFT SEALING PLATE	1	CD1204.13A.015
12	A78.13.001.4	散热器 RADIATOR	1	A78.13.001.4
13	2.1310.004.2	垫圈 WASHER 8	8	2.1310.004.2
14	JBT8870-D70	喉箍 HOSE CLAMPS	4	JBT8870-D70
15	2.1011.105.2	螺母 NUT M8x1.25	4	2.1011.105.2
16	LE1204.13.101	散热器进水软管 WATER INLET HOSE	1	LE1204.13.101
17	LE1204.13.108	右支撑板 RIGHT SUPPORT PLATE	1	LE1204.13.108
18	LE1204.13.109	左支撑板 LEFT SUPPORT PLATE	1	LE1204.13.109
19	LD800.13.107	密封胶条 SEALING STRIP	2	LD800.13.107
20	2.0114.307.2	螺栓 SCREW M10x20	4	2.0114.307.2
21	CD1204.13A.016	右密封板 RIGHT SEALING PLATE	1	CD1204.13A.016
22	CD1204.13A.012	机油散热器总成 OIL RADIATOR	1	CD1204.13A.012
23	LE1204.13.015	进油软管总成 OIL INLET HOSE	1	LE1204.13.015
24	2.0112.423.2	螺栓 HEX BOLT M12x1.75x70	4	2.0112.423.2
25	2.1011.107.2	螺母 NUT M12x1.75	4	2.1011.107.2
26	GBT93-12-A3L	垫圈 WASHER	4	GBT93-12-A3L
27	LE1204.13.110	胶条 GASKET	8	LE1204.13.110
28	LE1204.13.111	橡胶垫 RUBBER CUSHION	8	LE1204.13.111
29	2.1011.103.2	螺母 NUT M6x1	2	2.1011.103.2
30	LD700.13.103	管夹 TUBING CLAMP	2	LD700.13.103
31	2.1310.002.2	垫圈 WASHER 6	4	2.1310.002.2
32	2.1310.006.2	垫圈 WASHER 10	4	2.1310.006.2
33	A31.13.015.4/10	机油冷却器 OIL COOLER	1	A31.13.015.4/10
34	A78.13.002.3	右支架 RIGHT BRACKET	1	A78.13.002.3
35	A78.13.003.3	左支架 LEFT BARCKET	1	A78.13.003.3
36	A78.13.004.0	密封板 SEALING PLATE	1	A78.13.004.0
37	GBT93-10-A3L	垫圈 WASHER	4	GBT93-10-A3L
38	C60.13.006.0	密封带 SEAL STRIP	1	C60.13.006.0
39	C60.13.006.0	密封带 SEAL STRIP	1	C60.13.006.0

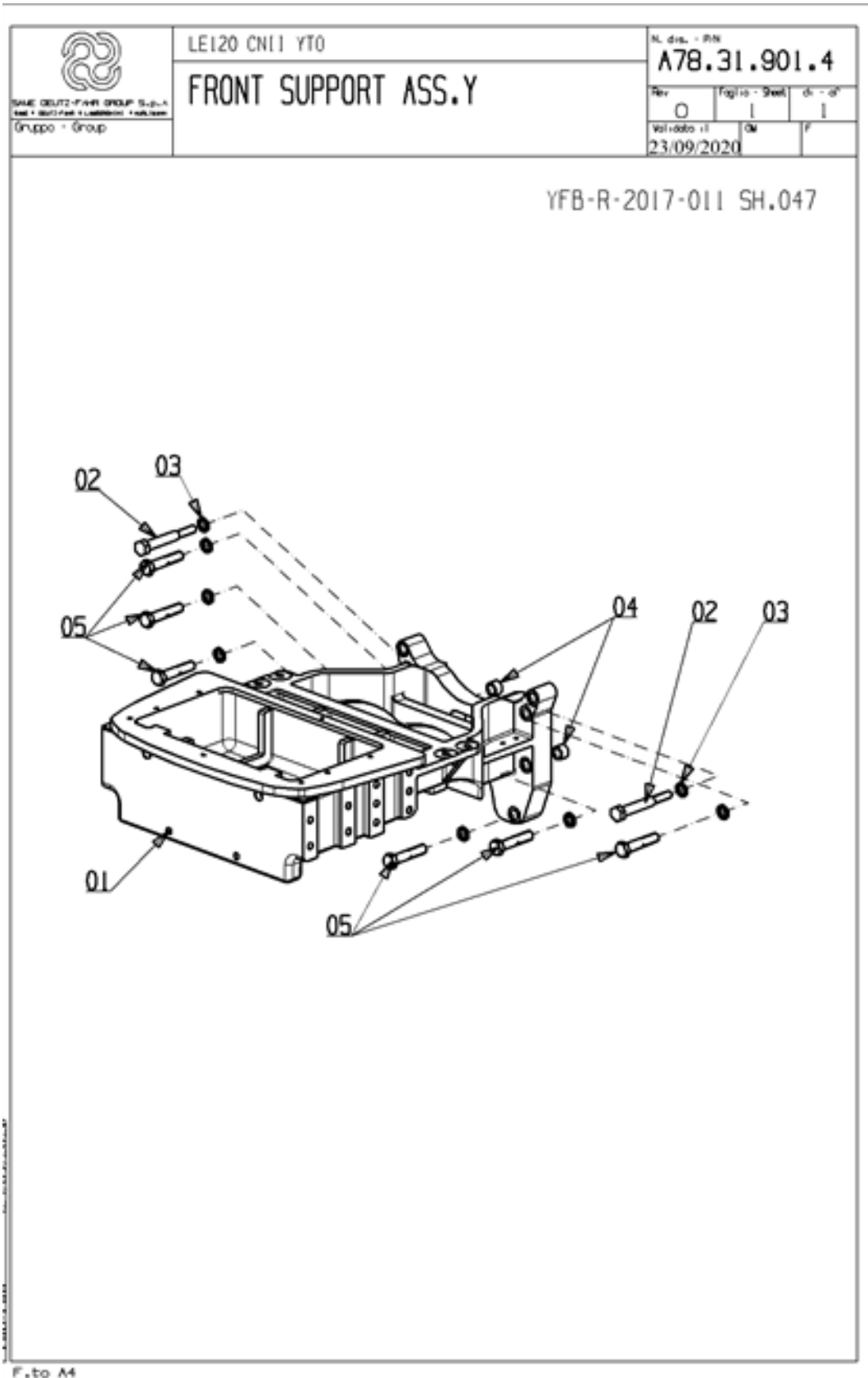
 SIME DEUTZ-FAHR GROUP S.p.A. Gruppo - Group	FL120 YTO DN2	N. dis. - PN <b>A78.20.901.4</b>	
	<b>FLAMEOUT BRACKET ASS.Y</b>	Rev.	Foglio - Sheet di - of
	1	0	1 / 1
		Validato il	IM
		<b>14/09/2023</b>	

32411F0001



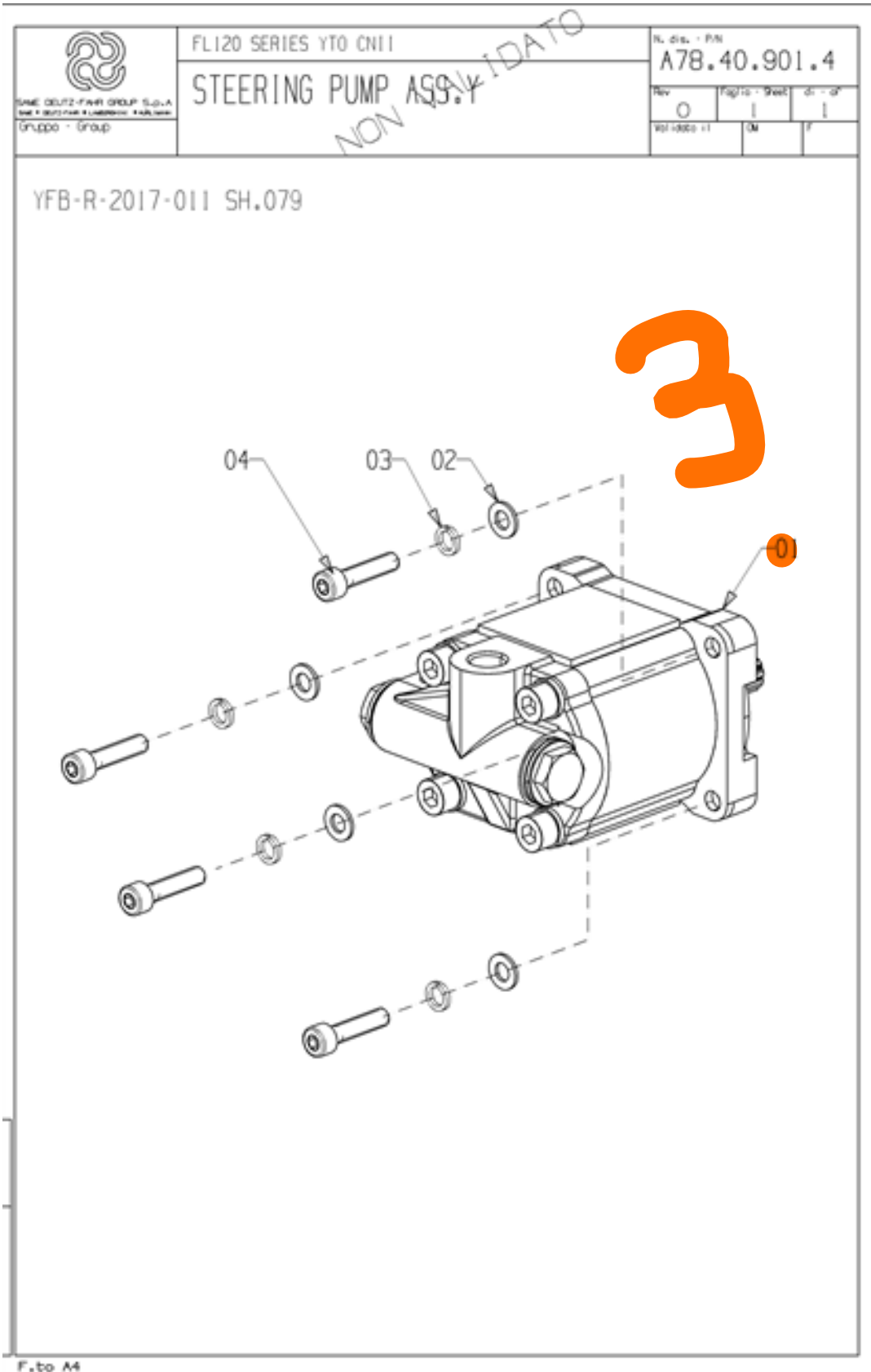
### A78.20.901.4\_0 电熄火支架总成 ELECTRIC FLAMEOUT BRACKET ASS.Y

序号	零件编号	零件名称	数量	图号
1	A78.20.001.0	电熄火支架 ELECTRIC FLAMEOUT	1	A78.20.001.0



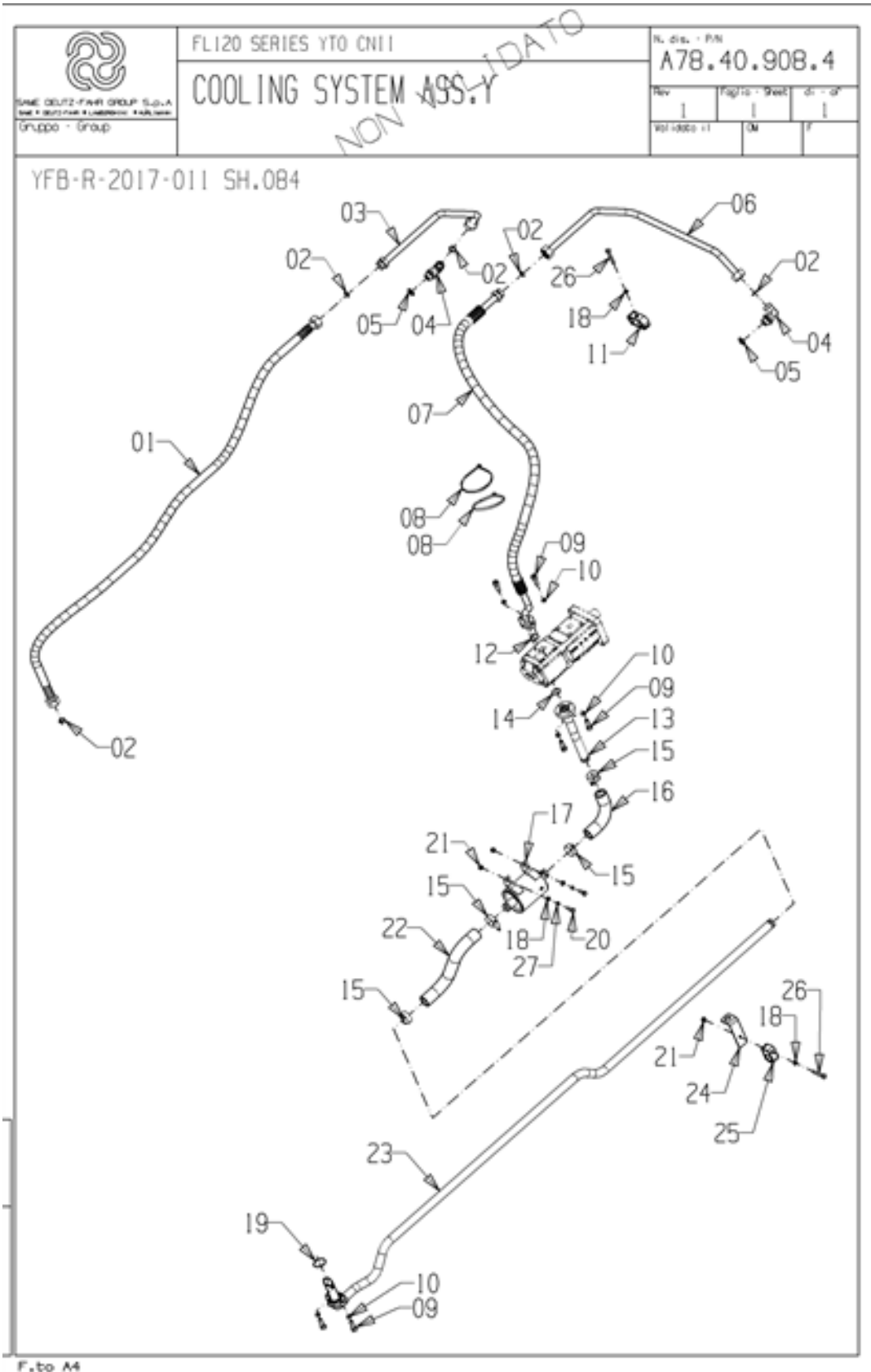
### A78.31.901.4\_0 前桥托架总成 FRONT AXLE BRACKET ASSY.

序号	零件编号	零件名称	数量	图号
1	CD1204.31A.101/20	前托架 FRONT SUPPORT	1	CD1204.31A.101/20
2	LE1204.31.102	定位螺栓 SET BOLT	2	LE1204.31.102
3	GBT93-20-A3L	垫圈 WASHER	8	GBT93-20-A3L
4	LE1204.31.103	套筒 SLEEVE	2	LE1204.31.103
5	GBT5782-M20X95-10.9-	螺栓 BOLT	6	GBT5782-M20X95-10.9-A3L



### A78.40.901.4\_0 转向泵总成 STEERING PUMP ASS.Y

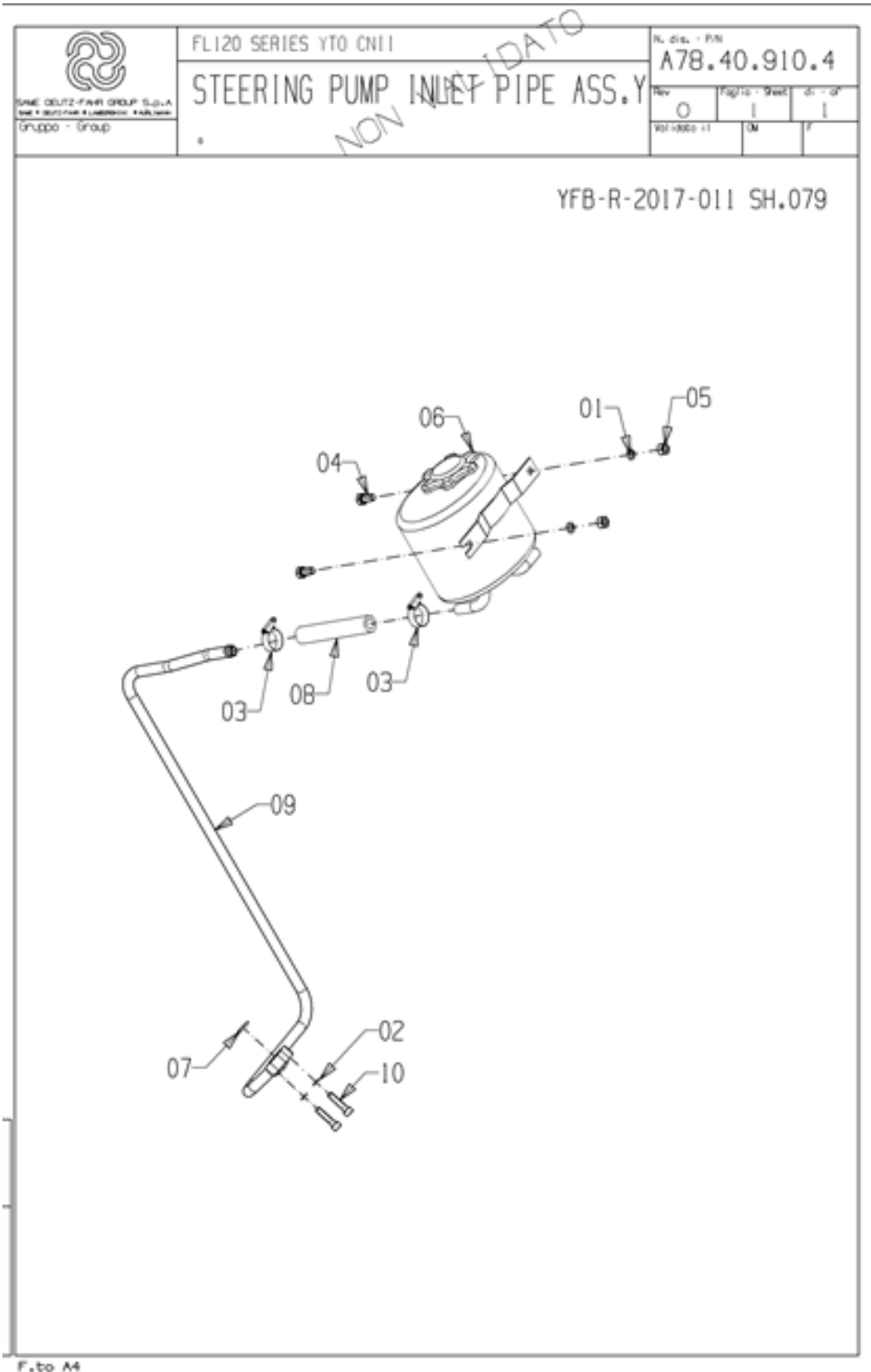
序号	零件编号	零件名称	数量	图号
1	DF904.40.011	齿轮泵 GEAR PUMP	1	DF904.40.011
2	2.1310.004.2	垫圈 WASHER 8	4	2.1310.004.2
3	GBT93-8-A3L	垫圈 WASHER	4	GBT93-8-A3L
4	2.0312.212.2	螺钉 SOCKET SCREW M8x1.25x35	4	2.0312.212.2



### A78.40.908.4\_1 底盘油散系统总成 COOLING SYSTEM ASS.Y

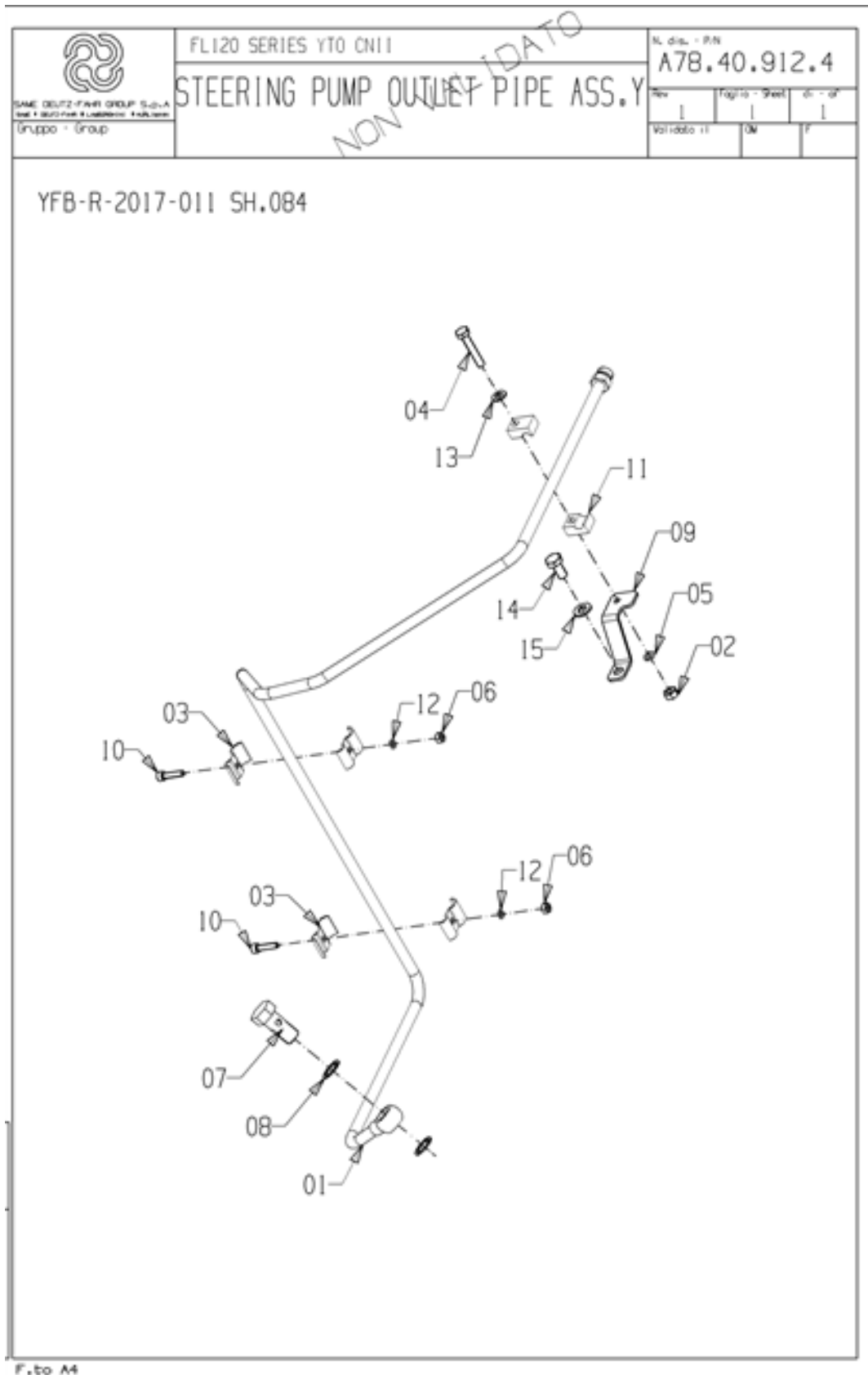
序号	零件编号	零件名称	数量	图号
1	B29.40.019.3	散热器进口管 RADIATOR OUTLET	1	B29.40.019.3
2	GBT3452.1-14X1.5-G	O型圈 O RING	5	GBT3452.1-14X1.5-G
3	A78.40.013.3	油冷却器出油管 OIL COOLER	1	A78.40.013.3
4	GBT3738-08-L16	管接头 FITTING	2	GBT3738-08-L16
5	GBT3452.1-17.3X2.2-G	O型圈 O RING	2	GBT3452.1-17.3X2.2-G
6	A78.40.012.3	油冷却器入口管 OIL COOLER INLET	1	A78.40.012.3
7	A78.40.003.3	散热器进油管组件 RADIATOR INLET	1	A78.40.003.3
8	2.6852.203.0	扎带 SELF LOCKING CABLE TIES 292	2	2.6852.203.0
9	2.0312.208.2	螺钉 SOCKET SCREW M8x1.25x25	6	2.0312.208.2
10	2.1473.007.2	垫圈 SPRING WASHER M8	6	2.1473.007.2
11	2.3320.216.0	管夹 TUBE CLAMP 16-16	1	2.3320.216.0
12	GBT3452.1-20.6X1.8-G	O型圈 O-RING	1	GBT3452.1-20.6X1.8-G
13	A78.40.001.3	润滑泵进油管 LUBRICATION PUMP	1	A78.40.001.3
14	GBT3452.1-20X1.8-G	O型圈 O RING	1	GBT3452.1-20X1.8-G
15	JBT8870-D32	喉箍 HOSE CLAMPS	4	JBT8870-D32
16	B29.40.016.0/10	吸油软管 SUCTION HOSE	1	B29.40.016.0/10
17	B29.40.015.0/10	吸油滤油器 OIL FILTER	1	B29.40.015.0/10
18	2.1310.002.2	垫圈 WASHER 6	4	2.1310.002.2
19	GBT3452.1-30X2.65-G	O型圈 O RING	1	GBT3452.1-30X2.65-G
20	2.0114.007.2	螺栓 SCREW M6x20	2	2.0114.007.2
21	2.1011.103.2	螺母 NUT M6x1	3	2.1011.103.2
22	A78.40.002.0	润滑泵吸油管 LUBRICATION PUMP	1	A78.40.002.0
23	B29.40.021.3/10	冷却管 COOLING PIPE ASS.	1	B29.40.021.3/10
24	B29.40.036.0	支架 BRACKET	1	B29.40.036.0
25	0.034.4849.0	管夹 TUBE CLAMP 22	1	0.034.4849.0
26	2.0114.016.2	螺栓 SCREW M6x45	2	2.0114.016.2
27	2.1473.006.2	垫圈 PRING WASHER M6	2	2.1473.006.2





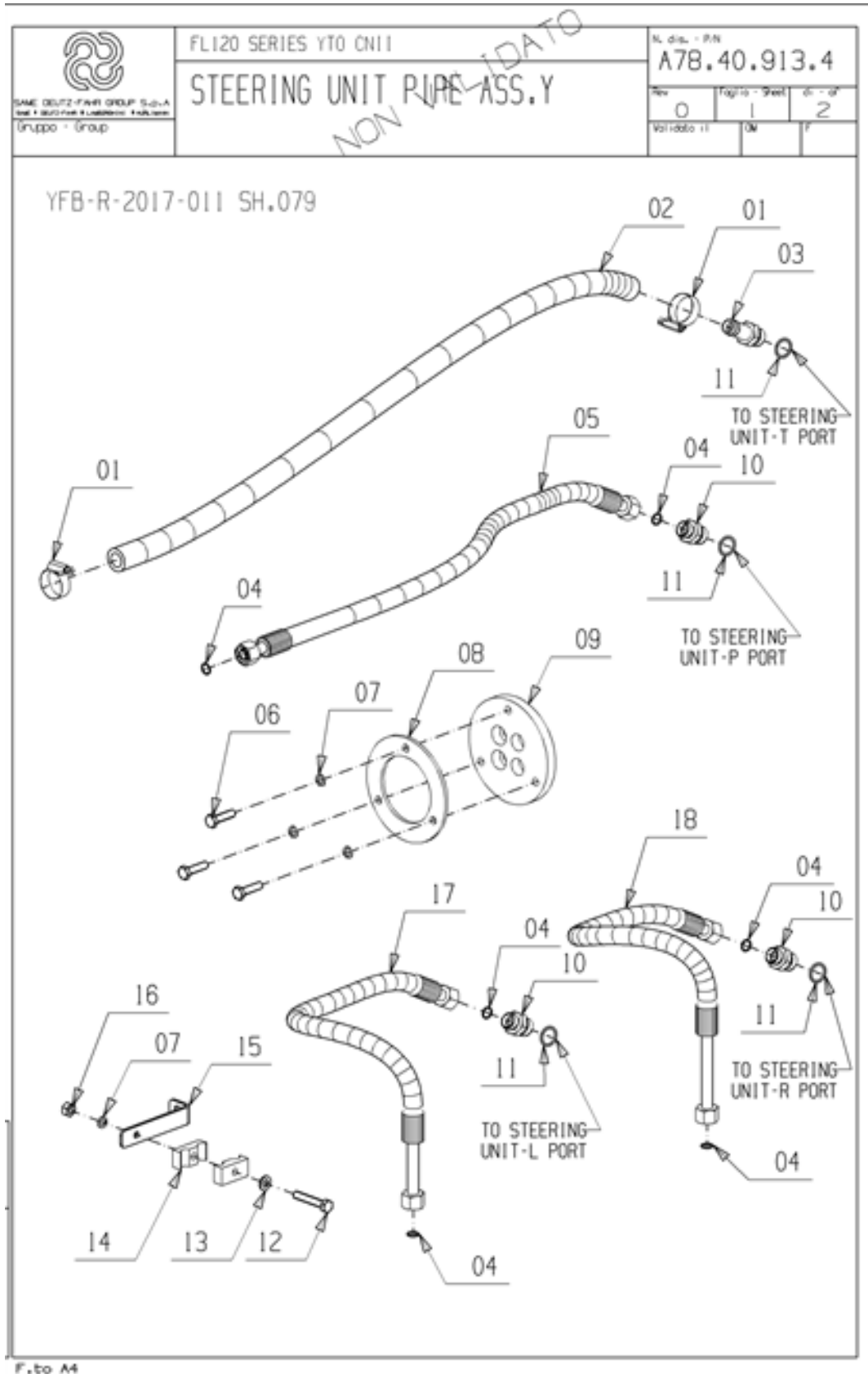
### A78.40.910.4\_0 转向泵吸油管路总成 STEERING PUMP INLET PIPE ASS.Y

序号	零件编号	零件名称	数量	图号
1	GBT93-10-A3L	垫圈 WASHER	2	GBT93-10-A3L
2	GBT93-8-A3L	垫圈 WASHER	2	GBT93-8-A3L
3	JBT8870-D32	喉箍 HOSE CLAMPS	2	JBT8870-D32
4	2.0114.307.2	螺栓 SCREW M10x20	2	2.0114.307.2
5	2.1011.106.2	螺母 NUT M10x1.5	2	2.1011.106.2
6	CD1204.40.014	转向油箱及呼吸器总成 STEERING OIL	1	CD1204.40.014
7	GBT3452.1-19X2.65-G	O型圈 O RING	1	GBT3452.1-19X2.65-G
8	SH900.40.108	夹布输油胶管 STEERING OIL TANK	1	SH900.40.108
9	CD1204.40A.011	油泵管 OIL PUMP PIPE	1	CD1204.40A.011
10	2.0312.212.2	螺钉 SOCKET SCREW M8x1.25x35	2	2.0312.212.2



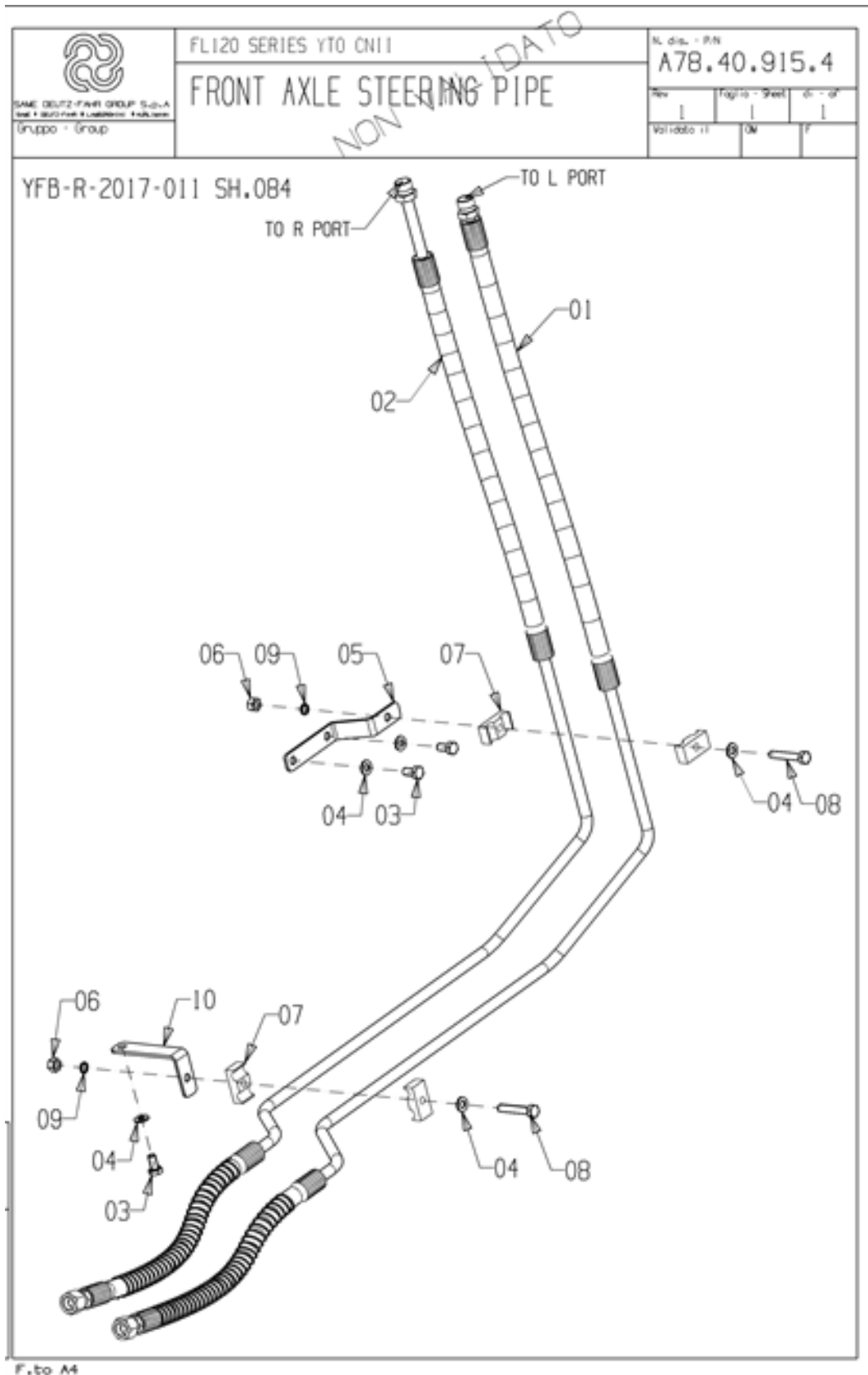
### A78.40.912.4\_1 转向泵出油管路总成 STEERING PUMP OUTLET PIPE ASS.Y

序号	零件编号	零件名称	数量	图号
1	A78.40.010.3	转向泵出油管 STEERING PUMP	1	A78.40.010.3
2	2.1011.105.2	螺母 NUT M8x1.25	1	2.1011.105.2
3	SH900.40.104	油管夹 OIL PIPE CLAMP	4	SH900.40.104
4	2.0114.216.2	螺栓 SCREW M8x45	1	2.0114.216.2
5	2.1473.007.2	垫圈 SPRING WASHER M8	1	2.1473.007.2
6	2.1011.103.2	螺母 NUT M6x1	2	2.1011.103.2
7	SH900.40.110	空心螺栓 HOLLOW BOLT M18X1.5	1	SH900.40.110
8	2.1560.014.0	密封垫圈 SEALING RING	2	2.1560.014.0
9	A78.40.005.0	支架 BRACKET	1	A78.40.005.0
10	2.0312.108.2	螺钉 SOCKET SCREW M6x1x25	2	2.0312.108.2
11	CD304.40.130	单孔夹 CLIP	2	CD304.40.130
12	2.1473.006.2	垫圈 PRING WASHER M6	2	2.1473.006.2
13	2.1310.004.2	垫圈 WASHER 8	1	2.1310.004.2
14	2.0114.307.2	螺栓 SCREW M10x20	1	2.0114.307.2
15	2.1310.006.2	垫圈 WASHER 10	1	2.1310.006.2



### A78.40.913.4\_0 转向器管路总成 STEERING UNIT PIPE ASS.Y

序号	零件编号	零件名称	数量	图号
1	JBT8870-D32	喉箍 HOSE CLAMPS	2	JBT8870-D32
2	CD1204.40.103	转向油管 STEERING OIL PIPE	1	CD1204.40.103
3	B29.40.006.3	回油管焊合 RETURN PIPE ASS.	1	B29.40.006.3
4	GBT3452.1-10X1.5-G	O型圈 O RING	6	GBT3452.1-10X1.5-G
5	A24.40.005.3	转向进油软管 STEERING INLET HOSE	1	A24.40.005.3
6	2.0114.211.2	螺栓 SCREW M8x30	3	2.0114.211.2
7	GBT93-8-A3L	垫圈 WASHER	4	GBT93-8-A3L
8	SH900.40.138	转向油管卡箍 STEERING OIL PIPE	1	SH900.40.138
9	CD1204A.40B.101	橡胶帽 RUBBER	1	CD1204A.40B.101
10	B29.40.007.0	管件 M20X1.5-M18X1.5 FITTING	3	B29.40.007.0
11	GBT3452.1-17.3X2.2-G	O型圈 O RING	4	GBT3452.1-17.3X2.2-G
12	2.0114.216.2	螺栓 SCREW M8x45	1	2.0114.216.2
13	2.1310.004.2	垫圈 WASHER 8	1	2.1310.004.2
14	CD1204A.40.109	双孔夹 DOUBLE HOLE FIXED PLATE	2	CD1204A.40.109
15	A78.40.011.0	支架 BRACKET	1	A78.40.011.0
16	2.1011.105.2	螺母 NUT M8x1.25	1	2.1011.105.2
17	A31.40.004.3/20	左转向管-1 LEFT STEERING PIPE-1	1	A31.40.004.3/20
18	A31.40.006.3/20	右转向管-1 RIGHT STEERING PIPE-1	1	A31.40.006.3/20



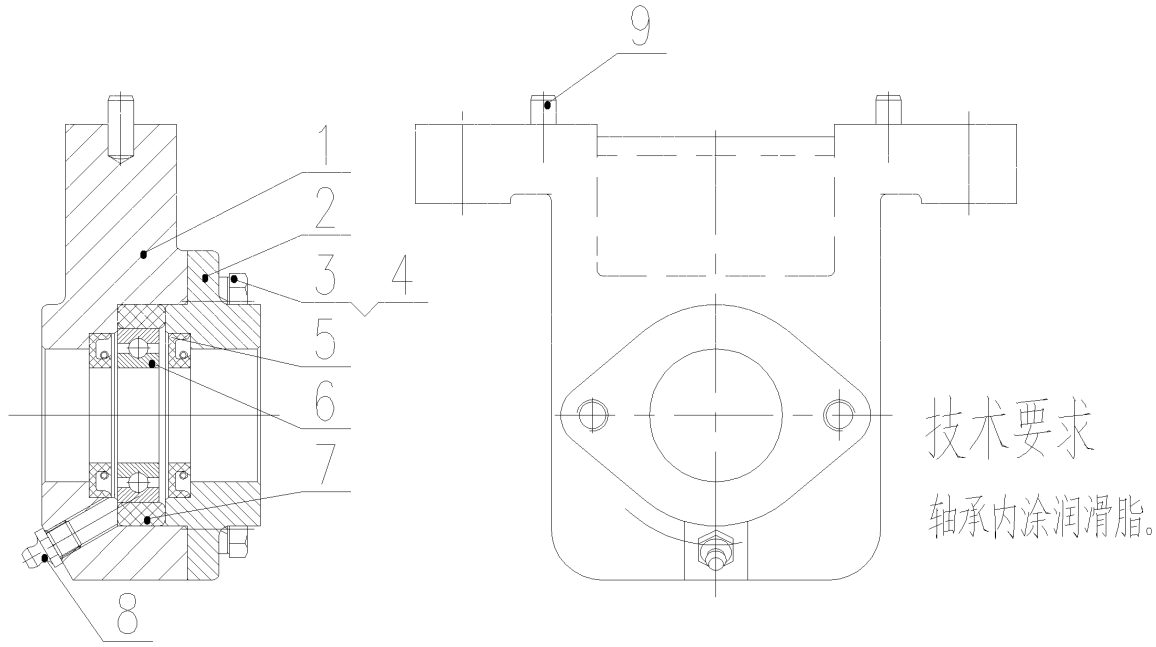
### A78.40.915.4\_1 转向油缸管路总成 FRONT AXLE STEERING PIPE

序号	零件编号	零件名称	数量	图号
1	A78.40.006.3	左转向装置出油管 STEERING UNIT	1	A78.40.006.3
2	A78.40.007.3	右转向装置出油管 STEERING UNIT	1	A78.40.007.3
3	2.0114.205.2	螺栓 SCREW M8x16	3	2.0114.205.2
4	2.1310.004.2	垫圈 WASHER 8	5	2.1310.004.2
5	A78.40.008.0	支架 BRACKET	1	A78.40.008.0
6	2.1011.105.2	螺母 NUT M8x1.25	2	2.1011.105.2
7	CD1204A.40.109	双孔夹 DOUBLE HOLE FIXED PLATE	4	CD1204A.40.109
8	2.0114.216.2	螺栓 SCREW M8x45	2	2.0114.216.2
9	2.1473.007.2	垫圈 SPRING WASHER M8	2	2.1473.007.2
10	A78.40.009.0	支架 BRACKET	1	A78.40.009.0

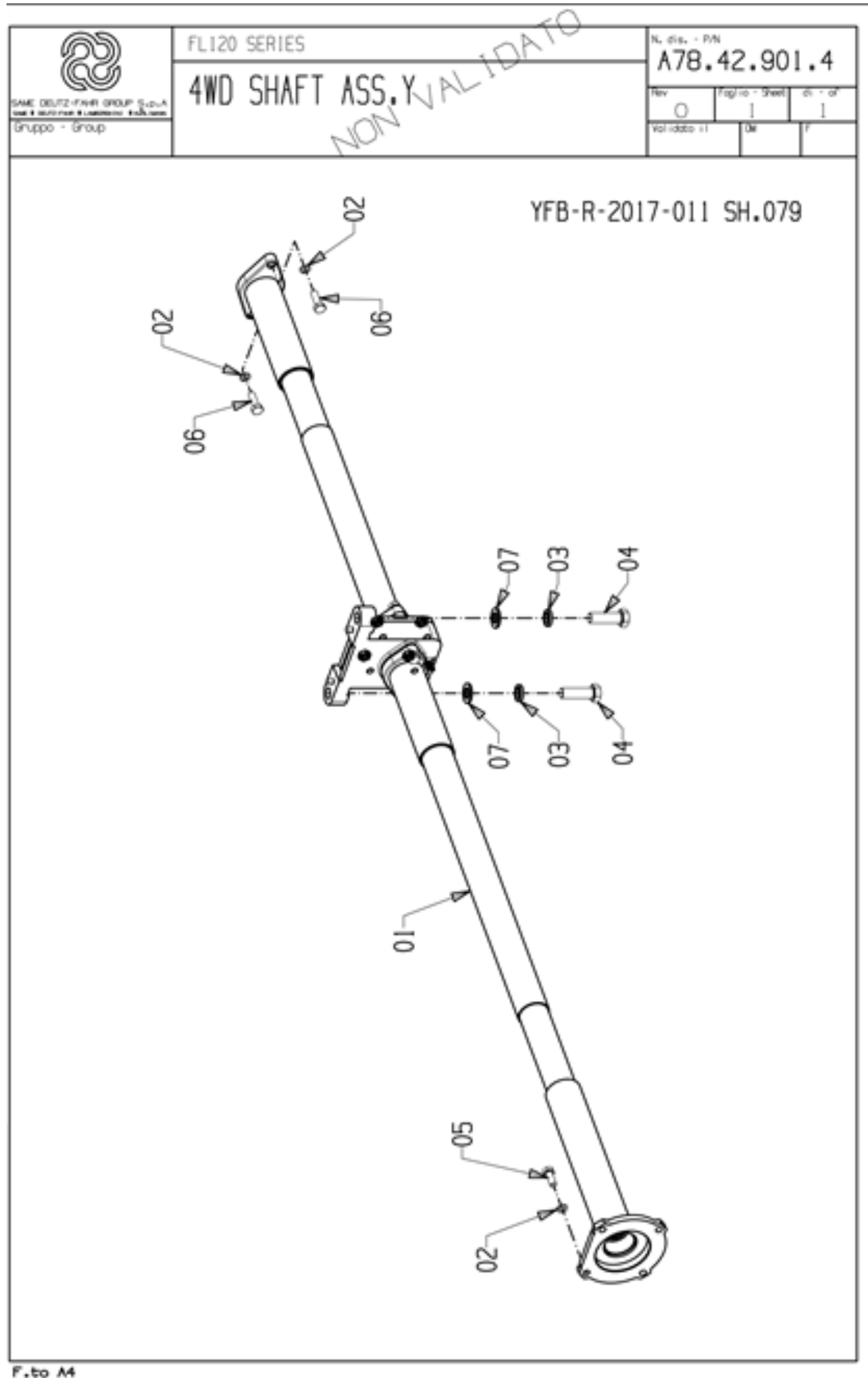
LE1204.42.013 中间支撑座总成

LE1204.42.013 中间支撑座总成 INTERMEDIATE SUPPORT SEAT ASSEMBLY

序号	零件编号	零件名称	数量	图号
1	LE1204.42.114	支撑座 SUPPORT SEAT	1	LE1204.42.114
2	LE1204.42.115	支撑座盖 BRACKETS COVER	1	LE1204.42.115
3	GBT5783-M10X30-A3L	螺栓 BOLT	4	GBT5783-M10X30-A3L
4	GBT93-10-A3L	垫圈 WASHER	4	GBT93-10-A3L
5	GBT13871.1-B-030052-F	油封 OIL SEAL	2	GBT13871.1-B-030052-F
6	GBT276-6006	轴承 BEARING	1	GBT276-6006
7	SH904.42.128	橡胶圈 RUBBER RING	1	SH904.42.128
8	JBT7940.1-M10X1	黄油嘴 GREASE CUP	1	JBT7940.1-M10X1
9	GBT119.1-8h8X20	弹性圆柱销 PIN	2	GBT119.1-8h8X20



技术要求  
轴承内涂润滑脂。

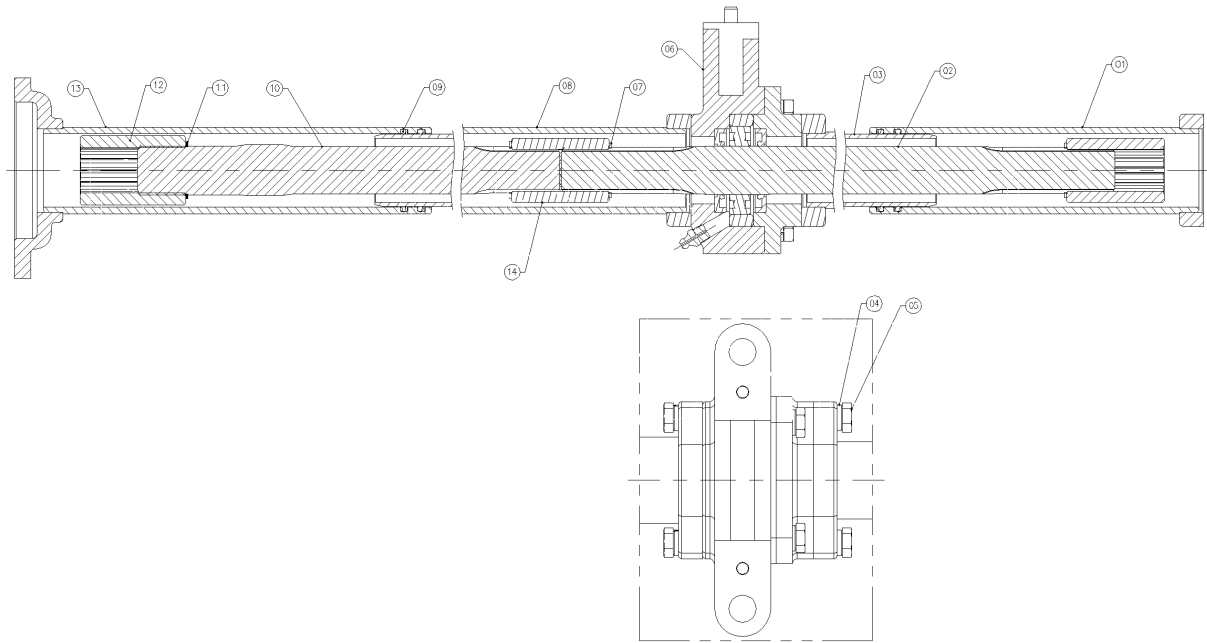


### A78.42.901.4\_0 分动箱传动轴总成 SHAFT ASS.Y

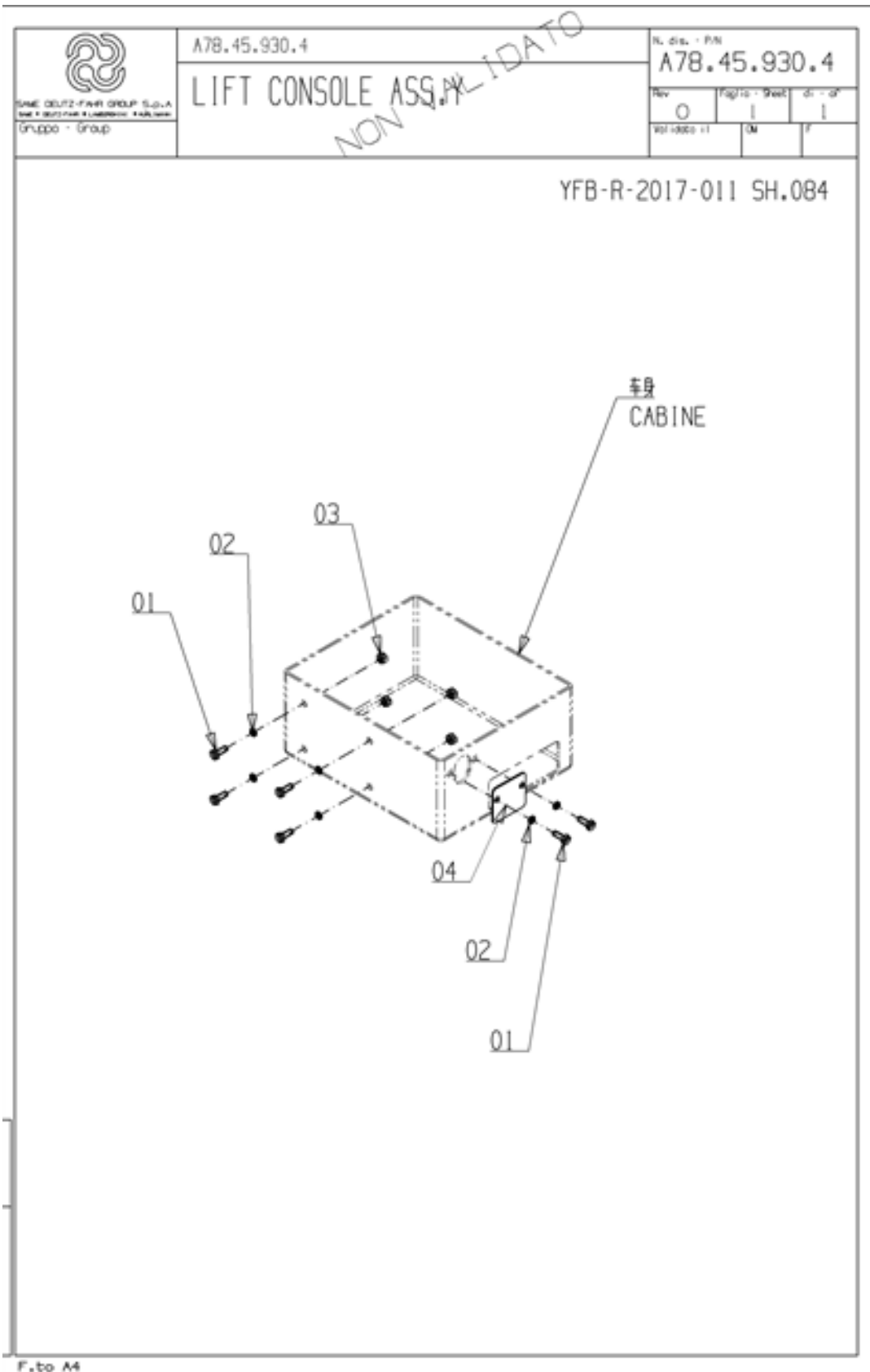
序号	零件编号	零件名称	数量	图号
1	A78.42.002.4	四轮驱动防护板总成 4WD SHIELD	1	A78.42.002.4
2	GBT93-10-A3L	垫圈 WASHER	6	GBT93-10-A3L
3	GBT93-16-A3L	垫圈 WASHER	2	GBT93-16-A3L
4	2.0114.617.2	螺栓 SCREW M16x50	2	2.0114.617.2
5	2.0114.309.2	螺栓 SCREW M10x25	4	2.0114.309.2
6	2.0114.311.2	螺栓 SCREW M10x30	2	2.0114.311.2
7	GBT97.1-16-A3L	垫圈 WASHER	2	GBT97.1-16-A3L

### A78.42.002.4 四轮驱动防护板总成 4WD SHIELD ASS.LY

A78.42.002.44WD SHAFT ASS.Y



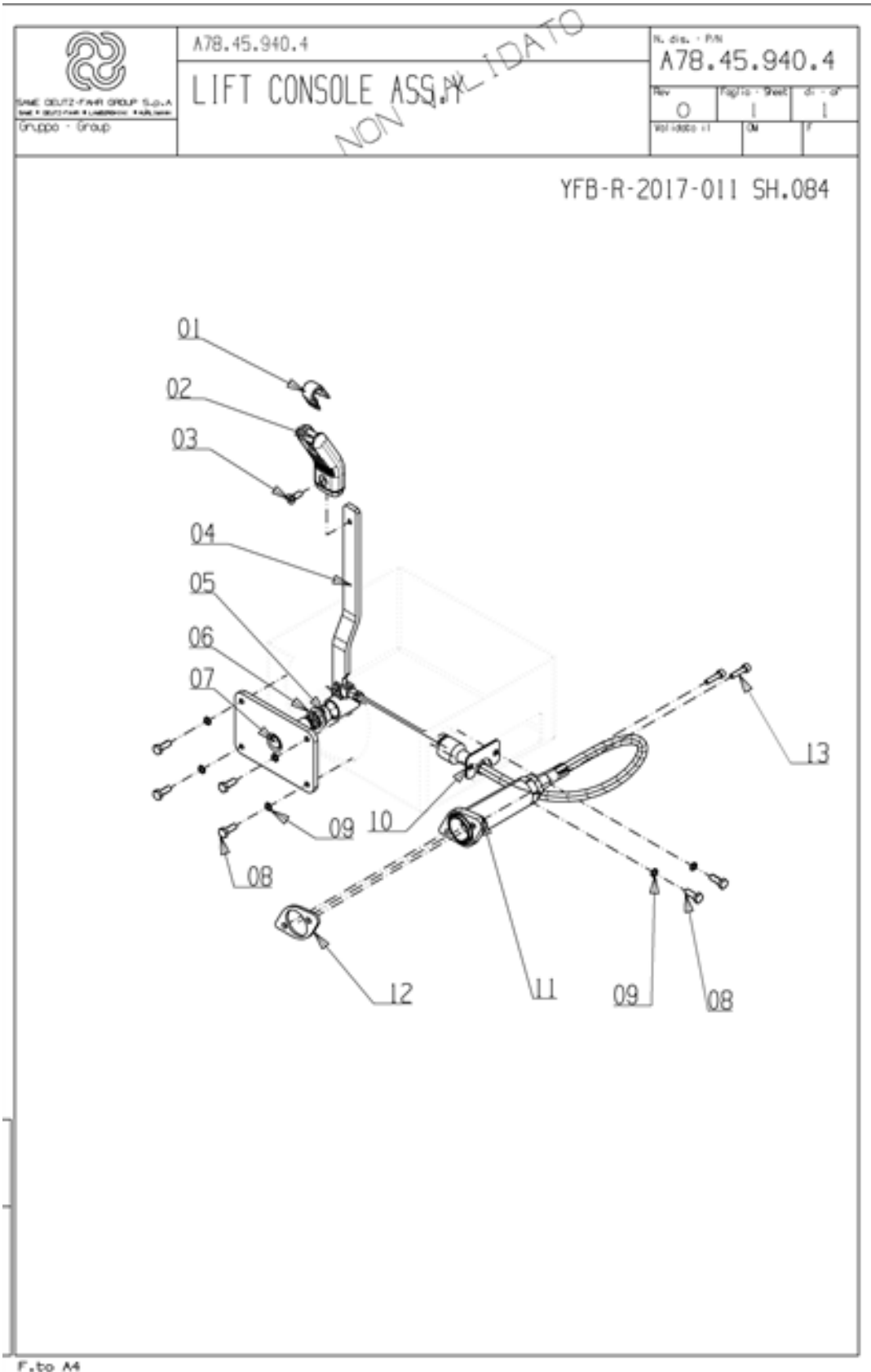
序号	零件编号	零件名称	数量	图号
1	DF1204.42.011	外护套焊合 (一) WELDING OF	1	DF1204.42.011
2	A31.42.003.0	中间传动轴 MIDDLE-DRIVE SHAFT	1	A31.42.003.0
3	LE1204.42.015	内护套焊合 (一) INNER	1	LE1204.42.015
4	GBT93-10-A3L	垫圈 WASHER	4	GBT93-10-A3L
5	2.0114.311.2	螺栓 SCREW M10x30	4	2.0114.311.2
6	LE1204.42.013	中间支撑座总成 INTERMEDIATE	1	LE1204.42.013
7	GBT894.1-30	挡圈 CIRCLIP FOR SHAFT	3	GBT894.1-30
8	LE1204.42.016	内护套焊合 (二) WELDING OF	1	LE1204.42.016
9	GBT3452.1-45X3.55-G	O型圈 O-RING	4	GBT3452.1-45X3.55-G
10	LE1204.42.117/10	前驱动轴 FRONT DRIVESHAFT	1	LE1204.42.117/10
11	GBT894.1-32	弹性挡圈 JUMP RING	1	GBT894.1-32
12	LE1204.42.118	前连接花键套 FRONT CONNECT	1	LE1204.42.118
13	LE1204.42.017	外保护焊接B OUTER PROTECTOR	1	LE1204.42.017
14	SH904.42.123	连接花键套 CONNECT THE SPLINE	2	SH904.42.123



### A78.45.930.4\_0 提升操纵总成 LIFT CONSOLE ASS.Y

序号	零件编号	零件名称	数量	图号
1	2.0114.005.2	螺栓 SCREW M6x16	6	2.0114.005.2
2	2.1473.006.2	垫圈 SPRING WASHER M6	6	2.1473.006.2
3	2.1011.003.2	螺母 NUT M6x1	4	2.1011.003.2
4	A78.45.002.0	板 PLATE	1	A78.45.002.0





### A78.45.940.4\_0 提升操纵总成 LIFT CONSOLE ASS.Y

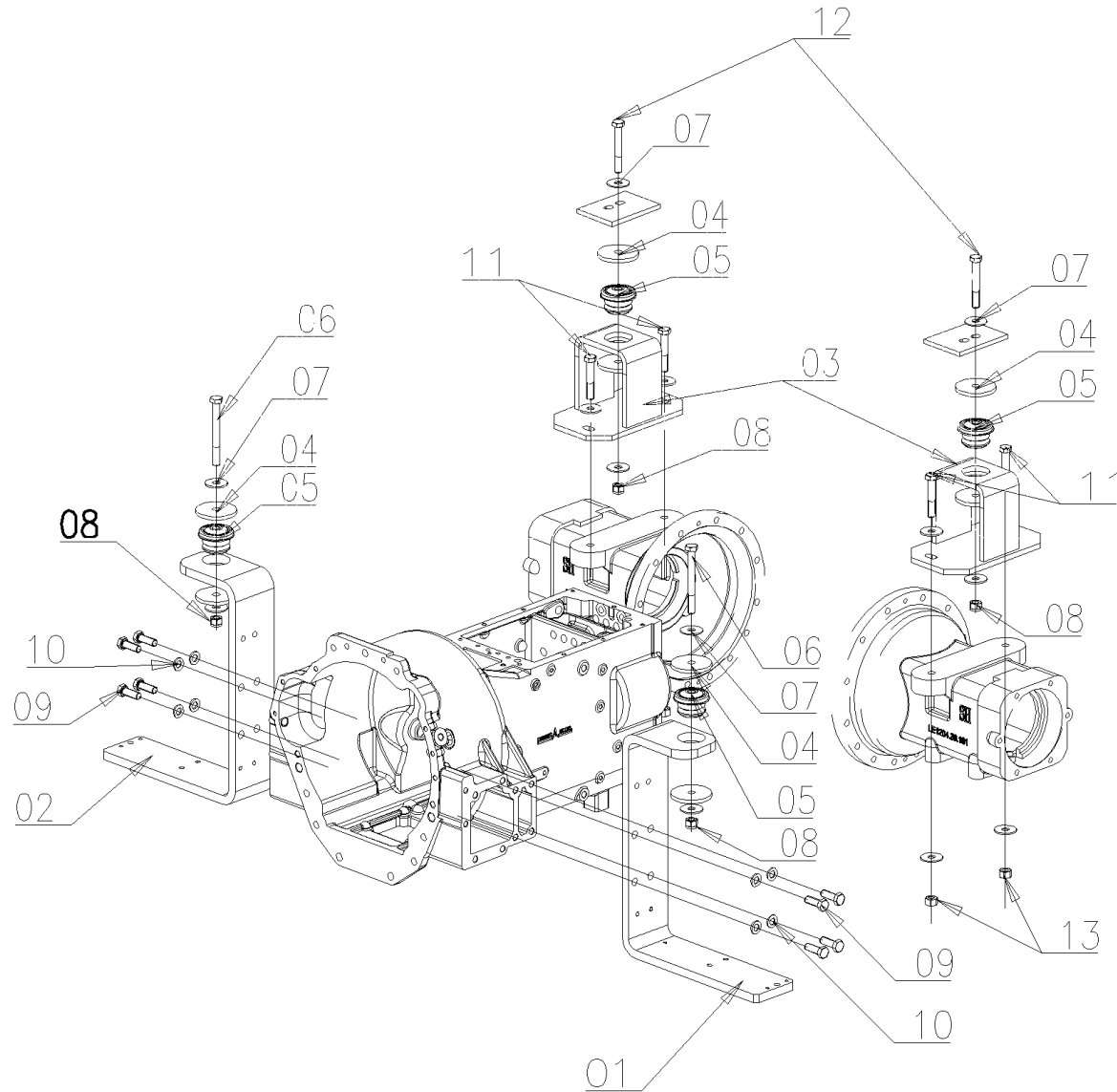
序号	零件编号	零件名称	数量	图号
1	0.020.3200.0	手柄球 COUPLING	1	0.020.3200.0
2	0.020.3149.0	把手 KNOB	1	0.020.3149.0
3	GBT819.1-M6X16-A2L	螺钉 SCREW	1	GBT819.1-M6X16-A2L
4	A31.45.021.2/10	提升器控制杆 LIFT CONTROL ARM	1	A31.45.021.2/10
5	2.2841.071.0	轴承 SLINDING BEARING 16x18x12	2	2.2841.071.0
6	2.1410.004.2	挡圈 ANELLO 16	2	2.1410.004.2
7	A31.45.022.2	提升器控制轴 LIFT CONTROL SHAFT	1	A31.45.022.2
8	2.0114.005.2	螺栓 SCREW M6x16	6	2.0114.005.2
9	2.1473.006.2	垫圈 SPRING WASHER M6	6	2.1473.006.2
10	A31.45.019.0	板 PLATE	1	A31.45.019.0
11	A31.45.020.4	转轴 LIFT CONTROL BOWDEN	1	A31.45.020.4
12	A68.45.066.0/10	板 SPOOL VALVE PLATE	1	A68.45.066.0/10
13	2.0312.006.2	螺钉 SOCKET SCREW M5x0.8x20	2	2.0312.006.2

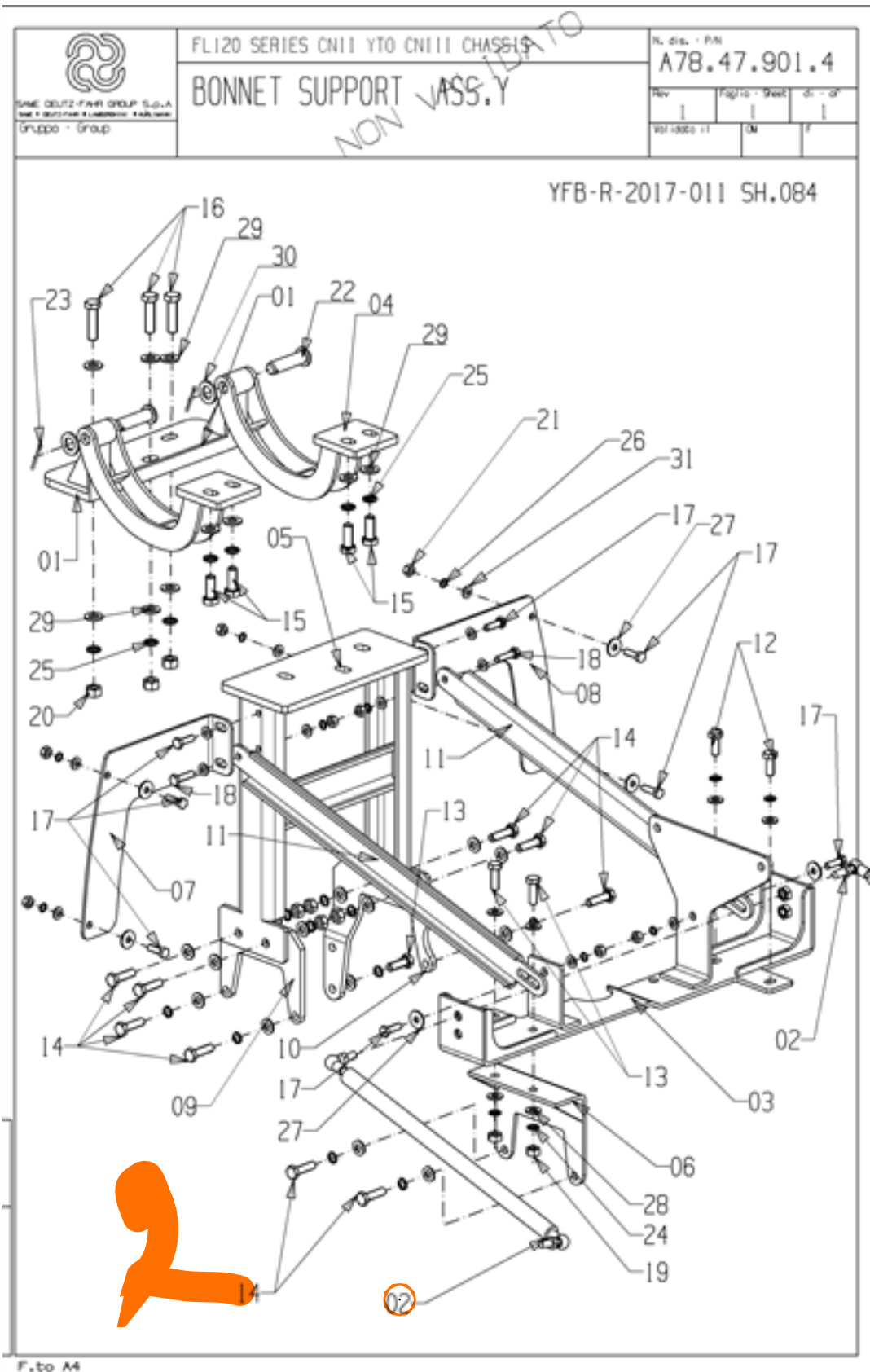
# A78.45.960.4 FLOOR SUPPORT

YFB-R-2017-011 SH.084

## A78.45.960.4\_0 地板支撑 FLOOR SUPPORT

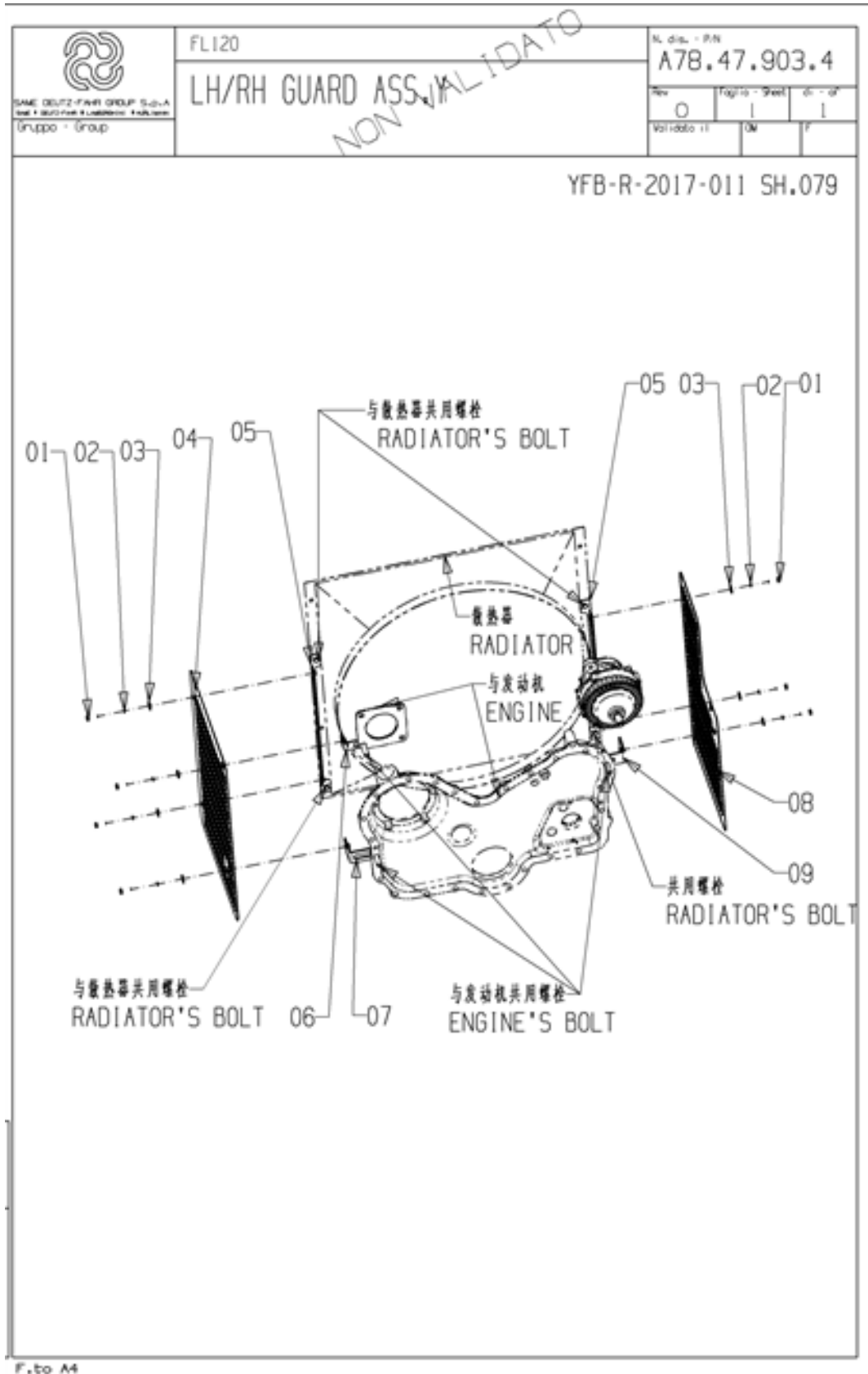
序号	零件编号	零件名称	数量	图号
1	A31.45.049.0	前支撑 FRONT SUPPORT (LH)	1	A31.45.049.0
2	A31.45.050.0	前支撑 FRONT SUPPORT (RH)	1	A31.45.050.0
3	A67.45.001.2	后支撑焊件 REAR SUPPORT	2	A67.45.001.2
4	CD1204.45.120	垫圈 WASHER	8	CD1204.45.120
5	LD700.47.031	阻尼块 DAMPING BLOCK	4	LD700.47.031
6	2.0113.639.2	螺栓 BOLT M16x150	2	2.0113.639.2
7	2.1312.008.2	垫圈 WASHER 16	16	2.1312.008.2
8	2.1122.009.2	螺母 LOCK NUT M16x2	4	2.1122.009.2
9	2.0114.616.2	螺栓 SCREW M16x45	8	2.0114.616.2
10	2.1310.010.2	垫圈 WASHER 16	8	2.1310.010.2
11	2.0112.627.2	螺栓 HEX BOLT M16x2x90	4	2.0112.627.2
12	2.0113.631.2	螺栓 BOLT M16x110	2	2.0113.631.2
13	2.1011.109.2	螺母 NUT M16x2	4	2.1011.109.2





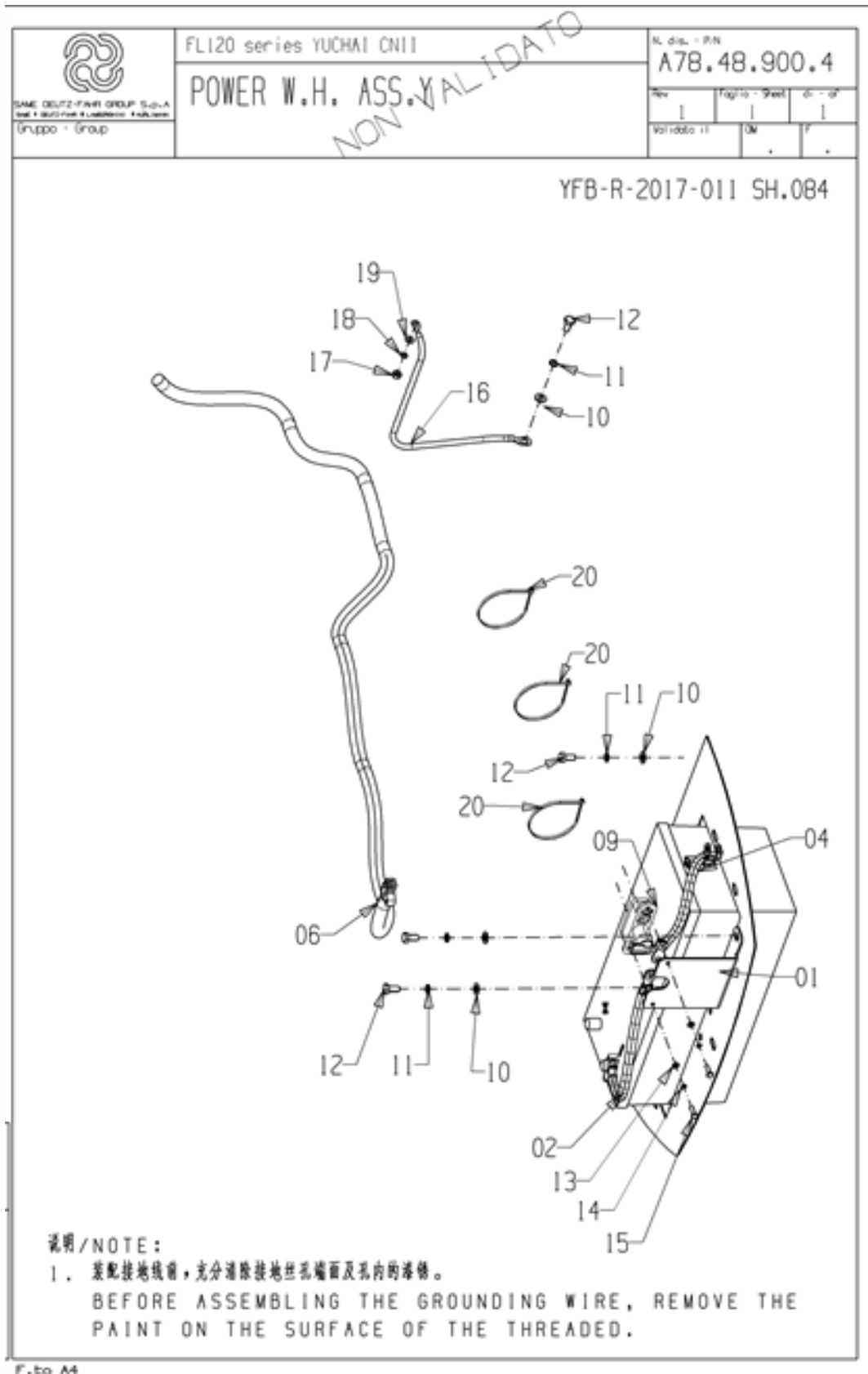
### A78.47.901.4\_1 机罩支撑 BONNET SUPPORT

序号	零件编号	零件名称	数量	图号
1	CD1204.47.018	铰链座 HINGE SEAT	1	CD1204.47.018
2	CD1204.47.211	机罩气弹簧 BONNET GAS SPRING	2	CD1204.47.211
3	A78.47.003.3	气弹簧座 GAS SPRING SEAT	1	A78.47.003.3
4	CD1204.47A.017	铰链板焊合 HINGE PLATE	2	CD1204.47A.017
5	CD1204.47A.023/10	铰链座支架 HINGE SEAT SUPPORT	1	CD1204.47A.023/10
6	CD1204.47A.025	气体弹簧座支架 GAS SPRING SEAT	1	CD1204.47A.025
7	CD1204.47A.213	固定板 FIXED PLATE	1	CD1204.47A.213
8	CD1204.47A.214	固定板 FIXED PLATE	1	CD1204.47A.214
9	CD1204.47A.221	固定板 FIXED PLATE	1	CD1204.47A.221
10	CD1204.47A.222/10	固定板 FIXED PLATE	1	CD1204.47A.222/10
11	CD1204.47A.224	铰链座支架 HINGE SEAT SUPPORT	2	CD1204.47A.224
12	2.0114.309.2	螺栓 SCREW M10x25	2	2.0114.309.2
13	2.0114.311.2	螺栓 SCREW M10x30	3	2.0114.311.2
14	2.0114.313.2	螺栓 SCREW M10x35	9	2.0114.313.2
15	2.0115.411.2	螺栓 SCREW M12x30	4	2.0115.411.2
16	2.0114.416.2	螺栓 SCREW M12x45	3	2.0114.416.2
17	2.0114.209.2	螺栓 SCREW M8x25	8	2.0114.209.2
18	2.0114.211.2	螺栓 SCREW M8x30	2	2.0114.211.2
19	2.1011.106.2	螺母 NUT M10x1.5	6	2.1011.106.2
20	2.1011.107.2	螺母 NUT M12x1.75	3	2.1011.107.2
21	2.1011.105.2	螺母 NUT M8x1.25	10	2.1011.105.2
22	2.1671.716.2	销 CLEVIS PINS WITH HEAD 16x60	2	2.1671.716.2
23	2.1690.312.2	销 SPLIT PIN 3.2-32	2	2.1690.312.2
24	2.1473.008.2	垫圈 SPRING WASHER M10	14	2.1473.008.2
25	2.1473.009.2	弹簧垫圈 SPRING WASHER M12	7	2.1473.009.2
26	2.1473.007.2	垫圈 SPRING WASHER M8	10	2.1473.007.2
27	2.1312.004.2	垫圈 WASHER 8	6	2.1312.004.2
28	2.1310.006.2	垫圈 WASHER 10	20	2.1310.006.2
29	2.1310.007.2	垫圈 WASHER 12	10	2.1310.007.2
30	2.1310.010.2	垫圈 WASHER 16	2	2.1310.010.2
31	2.1310.004.2	垫圈 WASHER 8	14	2.1310.004.2



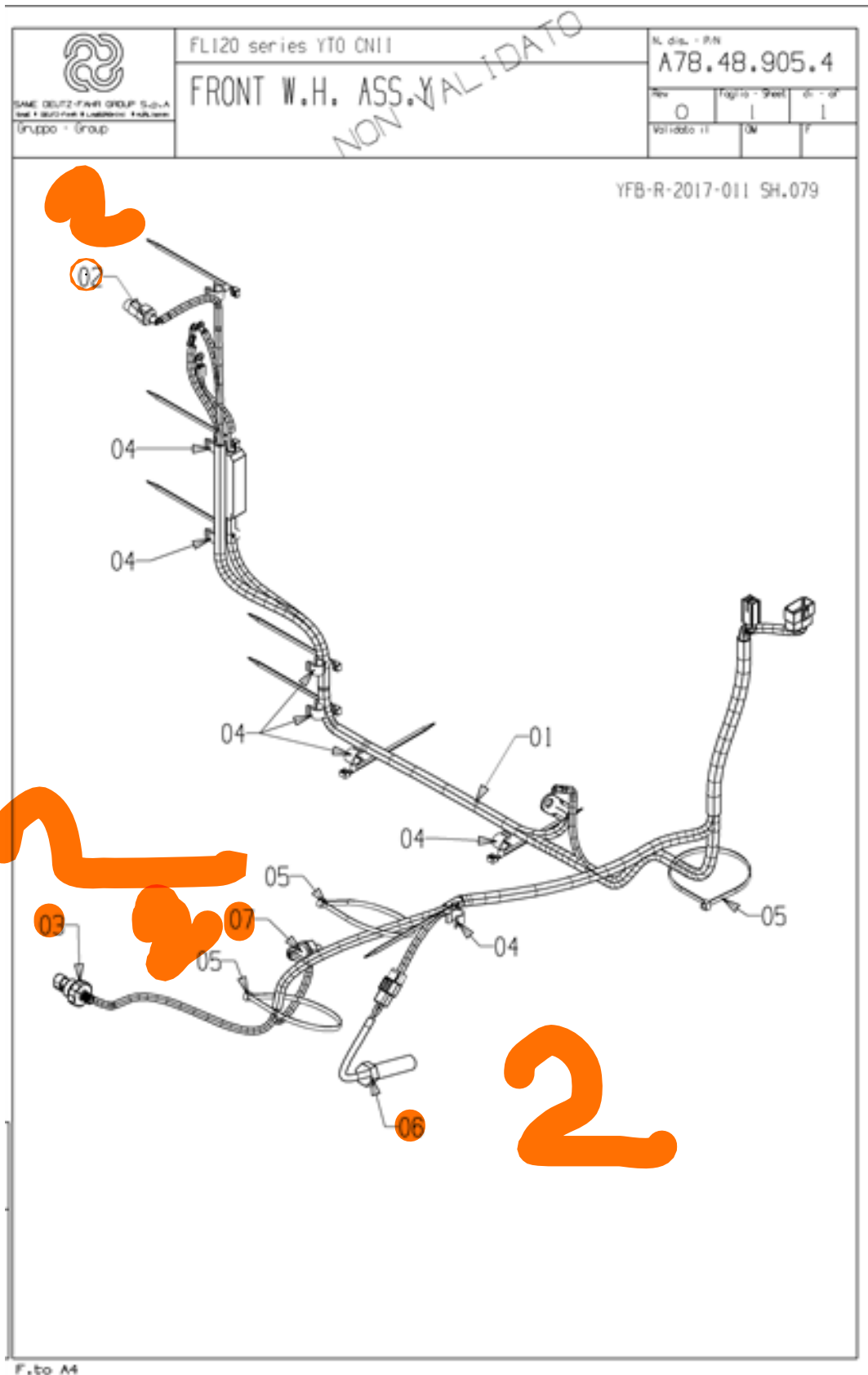
### A78.47.903.4\_0 发动机防护总成 ENGINE FAN PROTECTION ASSEMBLY

序号	零件编号	零件名称	数量	图号
1	2.0114.007.2	螺栓 SCREW M6x20	7	2.0114.007.2
2	GBT93-6-A3L	垫圈 WASHER	7	GBT93-6-A3L
3	2.1312.003.2	垫圈 WASHER 6	7	2.1312.003.2
4	A78.47.002.0	左护板 LH GUARD PLATE	1	A78.47.002.0
5	LE1204.47.015	固定支架焊接 FIX SUPPORT	2	LE1204.47.015
6	LE1204.47.016	左上支架焊接 UP SUPPORT	1	LE1204.47.016
7	LE1204.47.017	下支架焊接-左侧 DOWN SUPPORT	1	LE1204.47.017
8	A78.47.001.0	右侧防护板 RH GUARD PLATE	1	A78.47.001.0
9	LE1204.47.018	右支架焊接 RIGHT SUPPORT	1	LE1204.47.018



### A78.48.900.4\_1 电源线束安装总成 POWER CABLE W.H ASSEMBLY

序号	零件编号	零件名称	数量	图号
1	A78.48.002.0	电源开关支架 POWER SW. BRACKET	1	A78.48.002.0
2	D33.48.012.0	蓄电池负极搭铁线总成 POWER	1	D33.48.012.0
4	C05.48.020.4	蓄电池负极搭铁开关线 SWITCH	1	C05.48.020.4
6	CD1204A.48.024/10	电源线总成 POWER WIRING	1	CD1204A.48.024/10
9	CD554.48.030	电源开关 MAINS SWITCH	1	CD554.48.030
10	2.1310.006.2	垫圈 WASHER 10	4	2.1310.006.2
11	2.1473.008.2	垫圈 WASHER	4	2.1473.008.2
12	2.0114.307.2	螺栓 SCREW M10x20	4	2.0114.307.2
13	2.1310.002.2	垫圈 WASHER 6	2	2.1310.002.2
14	2.1473.006.2	垫圈 WASHER	2	2.1473.006.2
15	2.0114.007.2	螺栓 SCREW M6x20	2	2.0114.007.2
16	0.020.2413.4	接地连接 CABINE GND WIRING	1	0.020.2413.4
17	2.1011.105.2	螺母 NUT M8x1.25	1	2.1011.105.2
18	2.1473.007.2	垫圈 WASHER	1	2.1473.007.2
19	2.1310.004.2	垫圈 WASHER 8	1	2.1310.004.2
20	2.6852.203.0	扎带 SELF LOCKING CABLE TIES 292	3	2.6852.203.0



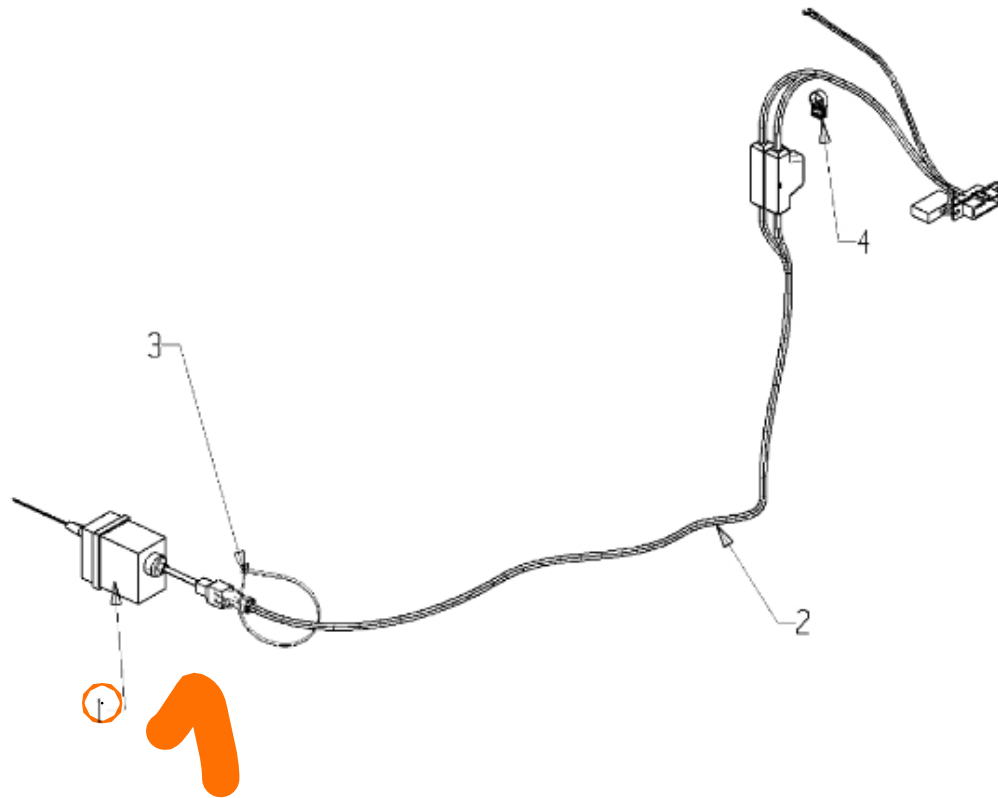
### A78.48.905.4\_0 前线束安装总成 FRONT W.H ASSEMBLY

序号	零件编号	零件名称	数量	图号
1	A78.48.001.4	前线束 FRONT W.H.	1	A78.48.001.4
2	SH900.48.032	水温传感器 WATER TEMPERATURE	1	SH900.48.032
3	A23.48.012.0	空滤堵塞报警开关 AIR FILTER	1	A23.48.012.0
4	0.041.5697.0	扎带 WIRE TIE ( ? 16- ? 22 )	8	0.041.5697.0
5	2.6852.203.0	扎带 SELF LOCKING CABLE TIES 292	3	2.6852.203.0
6	SH900.48.033	速度传感器 SPEED SENSOR	1	SH900.48.033
7	CD554.48.026	机油压力传感器 OIL PRESSURE	1	CD554.48.026

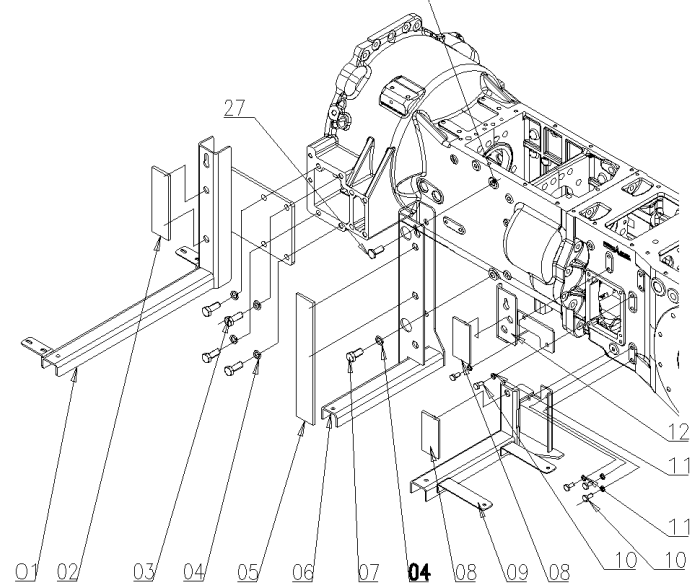
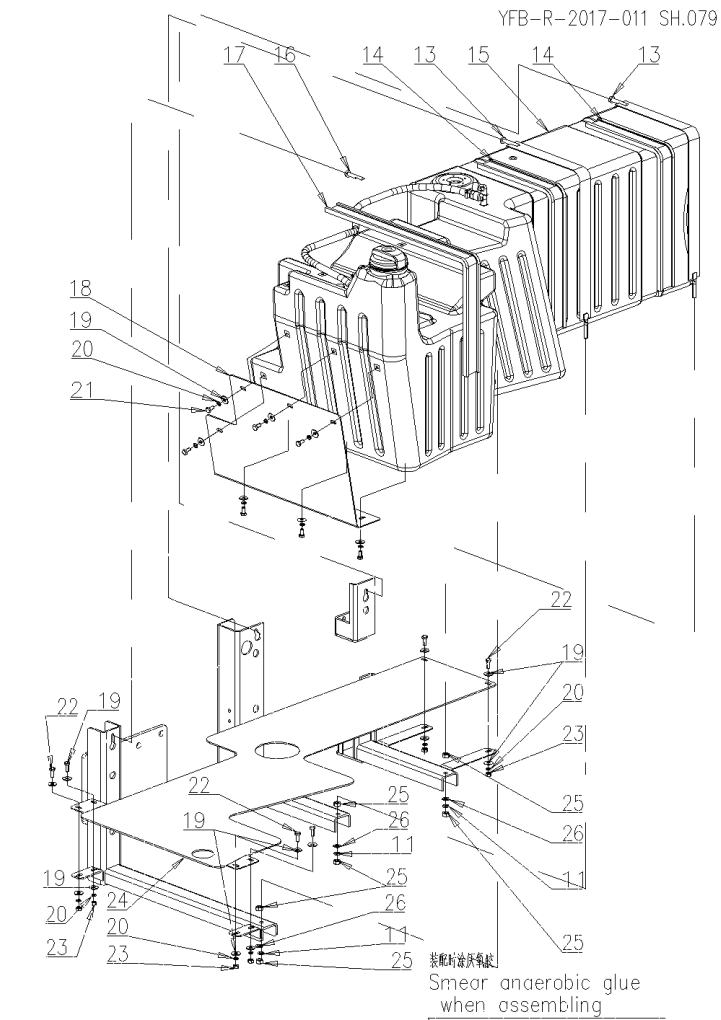
 SIME DEUTZ-FAHR GROUP S.p.A. Gruppo - Group	FL120 SERIES YTO CN11 ELECTRIC FLAMOUT <b>ELECTRIC FLAMOUT ASSEMBLY</b>	N. dis. - P/N <b>A78.48.980.4</b>
	Rev. 1 Foglio - Sheet 1 di 1 Val. data - d. 14/12/2023	32411F0001

### A78.48.980.4\_0 电熄火总成 ELECTRIC FLAMOUT ASS.Y

序号	零件编号	零件名称	数量	图号
1	B61.48.005.0	电熄火 ELECTRIC FLAMEOUT	1	B61.48.005.0
2	A78.48.005.4	电熄火线束 ELECTRIC FLAMOUT	1	A78.48.005.4
3	2.6852.203.0	自锁式扎带 292 x 4.8 FASCETTA	1	2.6852.203.0
4	0.047.4813.0	金属板电缆扎带 1-3mm(180) SHEET	1	0.047.4813.0



A78.50.900.4 MAIN FUEL TANK ASS.Y



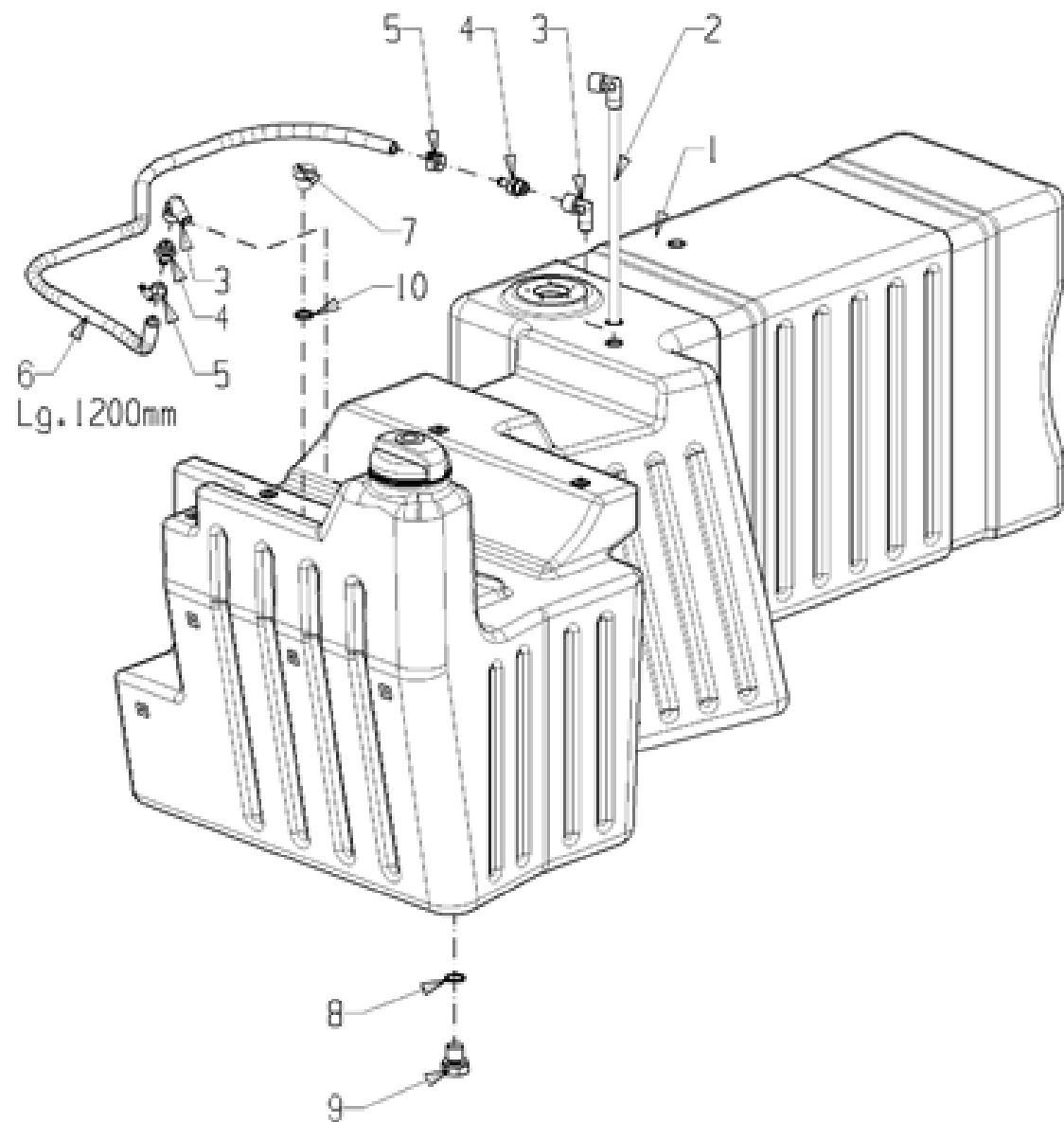
A78.50.900.4\_0 主油箱总成 FUEL TANK ASSY.

序号	零件编号	零件名称	数量	图号
1	A31.50.001.3	左前托架焊合 LEFT FRONT BRACKET	1	A31.50.001.3
2	SH900.50.138	橡胶垫板 FRONT RUBBER	1	SH900.50.138
3	2.0115.615.2	螺栓 SCREW M16x40	4	2.0115.615.2
4	GBT93-16-A3L	垫圈 WASHER	5	GBT93-16-A3L
5	SH900.50.141	长橡胶垫板 RUBBER	1	SH900.50.141
6	A78.50.001.3	中间支架焊合 MIDDLE BRACKET	1	A78.50.001.3
7	2.0115.613.2	螺栓 SCREW M16x35	1	2.0115.613.2
8	SH900.50.139	橡胶垫板2 REAR RUBBER	2	SH900.50.139
9	CD1204.50.016	主油箱支架 MAIN FUEL TANK	1	CD1204.50.016
10	2.0115.307.2	螺栓 SCREW M10x20	5	2.0115.307.2
11	GBT93-10-A3L	垫圈 WASHER	8	GBT93-10-A3L
12	LE1204.50.019/10	油箱上支架 FUEL TANK UPPER	1	LE1204.50.019/10
13	LE1204.50.029	主油箱后扎带焊合 REAR METAL BELT	2	LE1204.50.029
14	LE1204.50.147	主油箱扎带橡胶条 REAR RUBBER	2	LE1204.50.147
15	A78.50.003.4	主油箱 MAIN FUEL TANK ASS'Y 6 CYL	1	A78.50.003.4
16	CD1204.50.012	主油箱前扎带焊合件 FRONT METAL	1	CD1204.50.012
17	CD1204.50.101	主油箱前扎带橡胶垫 FRONT RUBBER	1	CD1204.50.101
18	CD1204.50.102	前保险杠 FRONT GUARD	1	CD1204.50.102
19	2.1312.004.2	垫圈 WASHER 8	19	2.1312.004.2
20	GBT93-8-A3L	垫圈 WASHER	13	GBT93-8-A3L
21	2.0114.205.2	螺栓 SCREW M8x16	7	2.0114.205.2
22	2.0114.207.2	螺栓 SCREW M8x20	6	2.0114.207.2
23	2.1011.105.2	螺母 NUT M8x1.25	6	2.1011.105.2
24	CD1204.50.013	主油箱底板焊合 LOWER GUARD	1	CD1204.50.013
25	2.1011.106.2	螺母 NUT M10x1.5	6	2.1011.106.2
26	2.1310.006.2	垫圈 WASHER 10	3	2.1310.006.2
27	A31.50.027.0	螺栓M16X35 M16X35 BOLT	1	A31.50.027.0

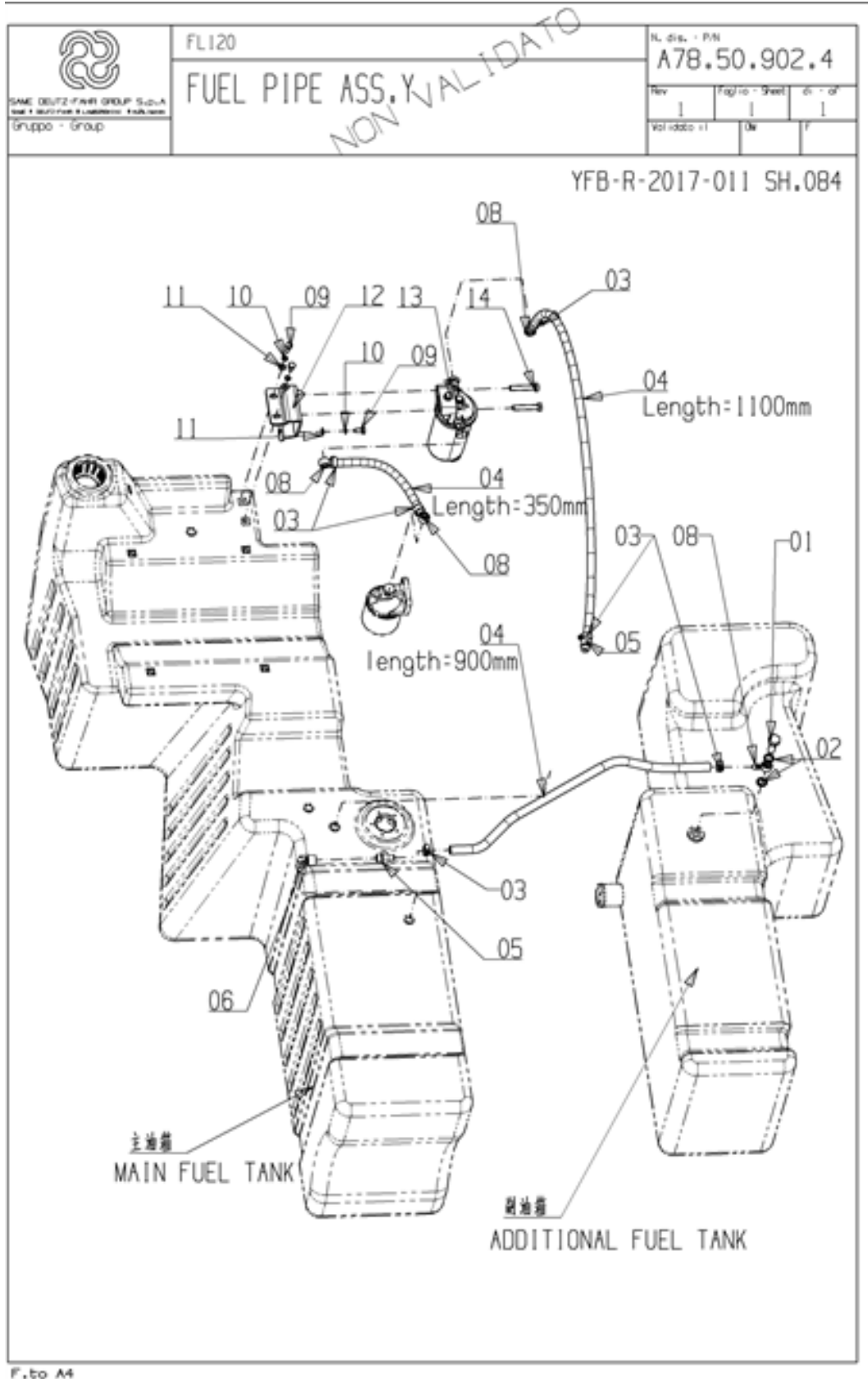


# A78.50.003.4 MAIN FUEL TANK ASS'Y 6 CYL CR

## A78.50.003.4 主油箱MAIN FUEL TANK ASS'Y 6 CYL CR

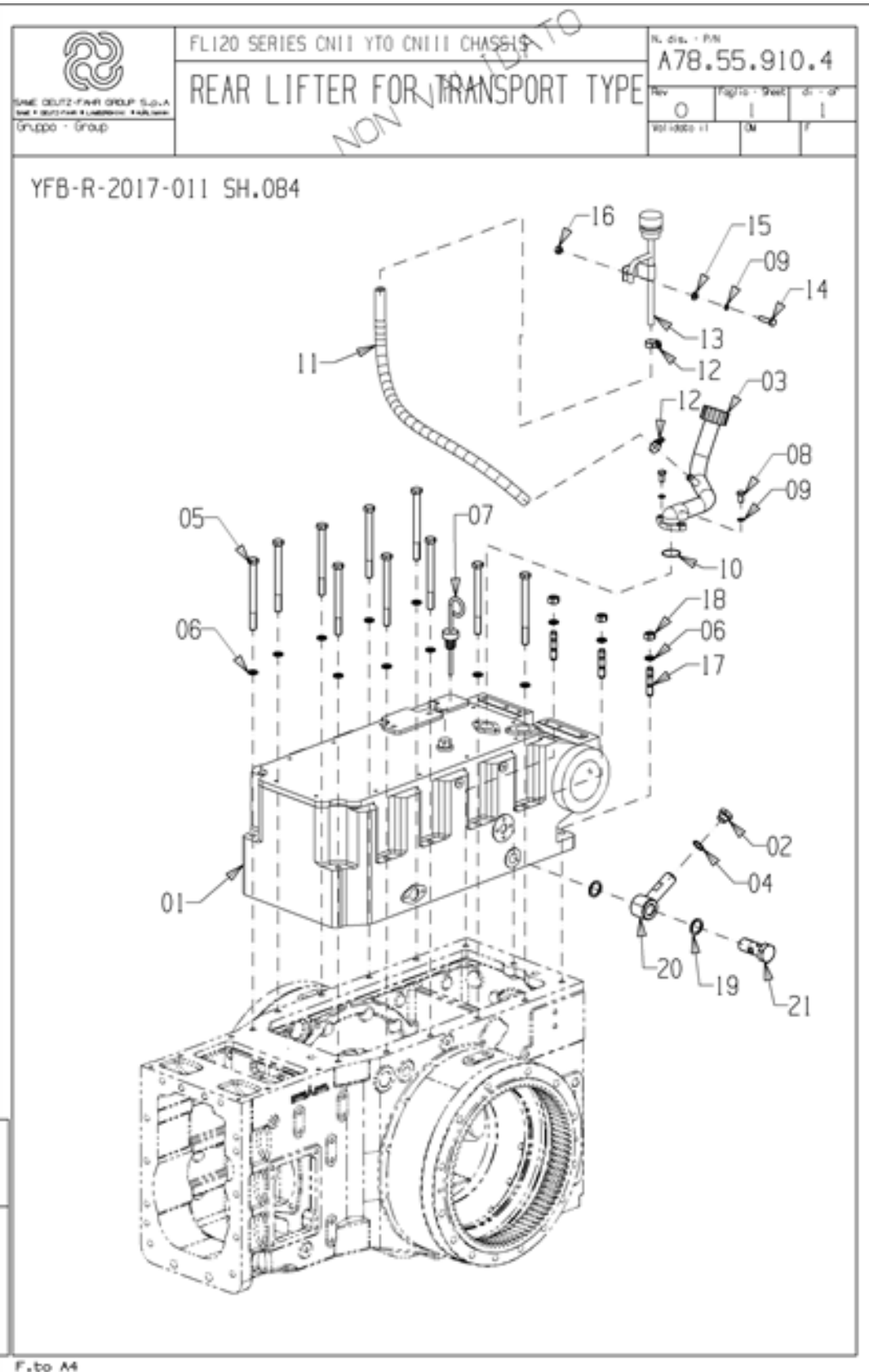


序号	零件编号	零件名称	数量	图号
1	CD1204.50.011-A/10	主油箱 MAIN FUEL TANK	1	CD1204.50.011-A/10
2	DF1204.50.014	吸油管 SUCTION PIPE	1	DF1204.50.014
3	2.3249.224.0	管接头 RACC. 90 G 3/8" M/F	2	2.3249.224.0
4	2.3249.373.0	管接头 G 3/8" RACCORDO G 3/8"	2	2.3249.373.0
5	2.6851.019.0	喉箍 HOSE CLAMP 13-20	2	2.6851.019.0
6	0.012.6449.0	橡胶软管 TUBO IN GOMMA	1	0.012.6449.0
7	CD1204.50A.101	螺栓 PLUG	1	CD1204.50A.101
8	2.1560.015.0	密封垫圈 SEALING RING	1	2.1560.015.0
9	CD1204.50.124	螺塞 LOWER PLUG	1	CD1204.50.124
10	2.1560.014.0	密封圈 SEALING RING	1	CD1204.50.019



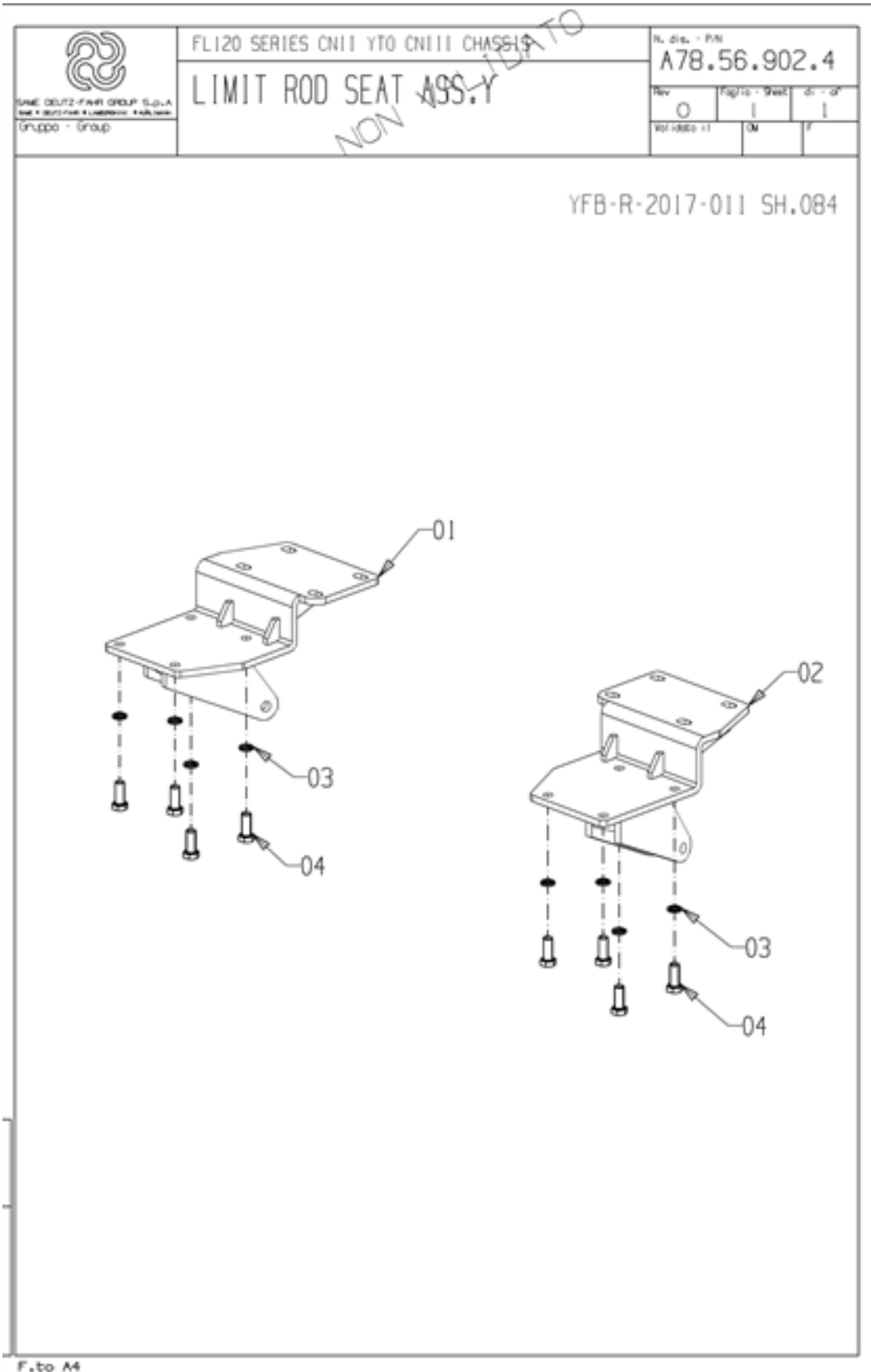
### A78.50.902.4\_1 燃油管总成 FUEL PIPE ASS.Y

序号	零件编号	零件名称	数量	图号
1	LE1204.50.149	空心螺栓 HOLLOW BOLT	1	LE1204.50.149
2	2.1561.107.0	密封圈 SEALING RINGS	2	2.1561.107.0
3	JBT8870-D20	喉箍 HOSE CLAMPS	6	JBT8870-D20
4	CD1204.50.106	呼吸软管 BREATHING HOSE	3	CD1204.50.106
5	CD1204.50.105	通气接头 VENT JOINT	2	CD1204.50.105
6	CD1204.50.103	管接头 FITTING	1	CD1204.50.103
8	LD700.37.190	接头 CONNECTION	4	LD700.37.190
9	2.0114.205.2	螺栓 SCREW M8x16	3	2.0114.205.2
10	2.1473.007.2	垫圈 WASHER	3	2.1473.007.2
11	2.1310.004.2	垫圈 WASHER 8	3	2.1310.004.2
12	CD1204.50.014	油水分离器连接板 WATER	1	CD1204.50.014
13	LE1204.50.013	旋转式柴油过滤器 ROTARY DIESEL	1	LE1204.50.013
14	2.0115.318.2	螺栓 SCREW M10x55	2	2.0115.318.2



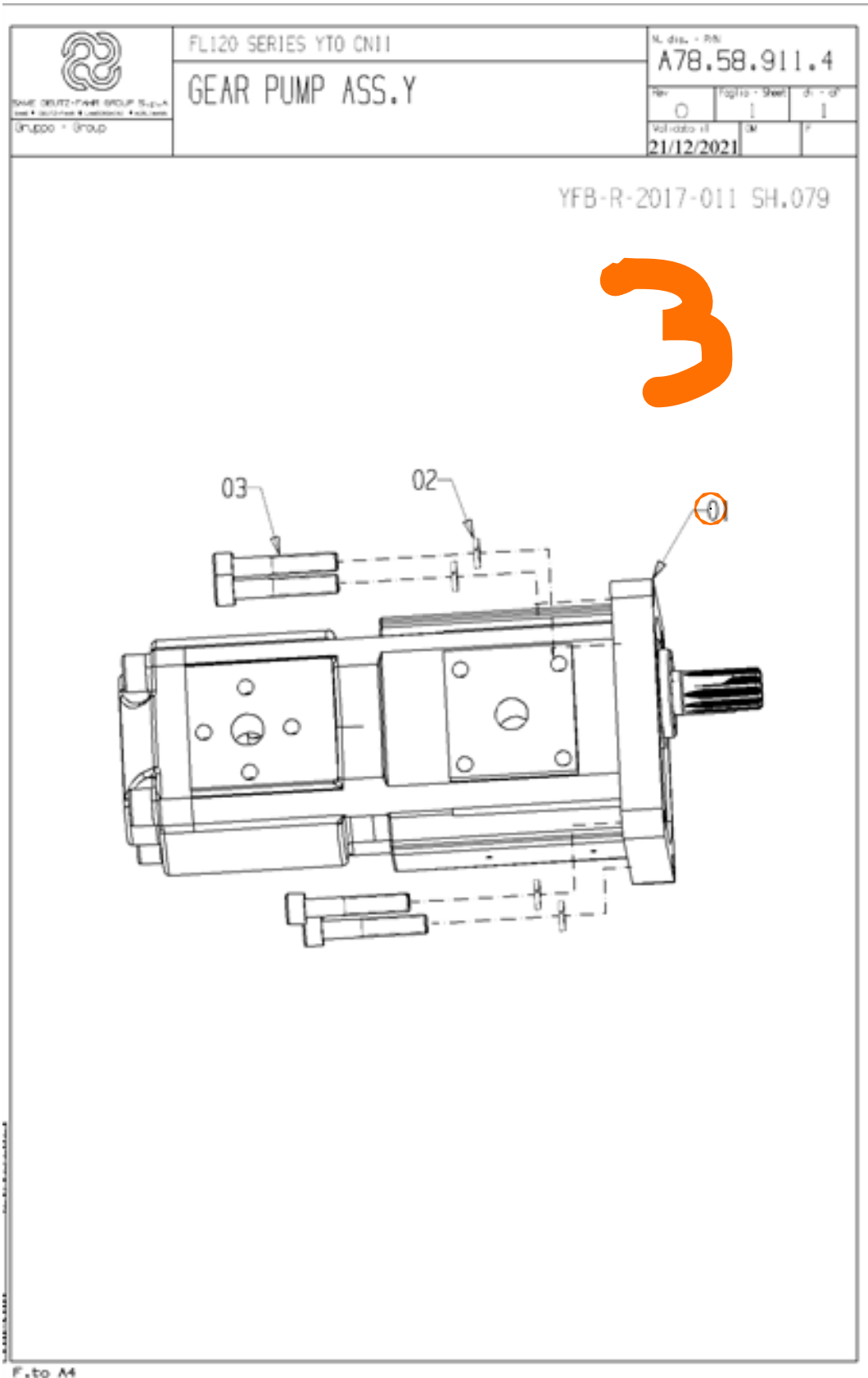
### A78.55.910.4\_0 运输型后提升器 REAR LIFTER FOR TRANSPORT TYPE

序号	零件编号	零件名称	数量	图号
1	A78.55.002.0	运输型后升降器 REAR LIFTER FOR	1	A78.55.002.0
2	SH900.55.106	螺堵 PLUG	1	SH900.55.106
3	0.028.8137.3	机油滤清器总成 OIL FILLER ASS.	1	0.028.8137.3
4	2.1560.014.0	密封垫圈 SEALING RING	1	2.1560.014.0
5	2.0113.437.2	螺栓 BOLT M12x140	10	2.0113.437.2
6	2.1473.009.2	弹簧垫圈 SPRING WASHER M12	13	2.1473.009.2
7	LE1204.55.018	油尺总成 OIL DIPSTICK ASSEMBLY	1	LE1204.55.018
8	2.0114.205.2	螺栓 SCREW M8x16	2	2.0114.205.2
9	2.1473.007.2	垫圈 SPRING WASHER M8	3	2.1473.007.2
10	GBT3452.1-32.5X1.8-G	O型圈 O-RING	1	GBT3452.1-32.5X1.8-G
11	SH900.55.162/10	升降器呼吸软管 LIFT BREATHING	1	SH900.55.162/10
12	JBT8870-D20	喉箍 HOSE CLAMPS	2	JBT8870-D20
13	SH704-1.55.015-1	呼吸器组件 BREATHER ASSEMBLY	1	SH704-1.55.015-1
14	2.0114.211.2	螺栓 SCREW M8x30	1	2.0114.211.2
15	2.1310.004.2	垫圈 WASHER 8	1	2.1310.004.2
16	2.1011.105.2	螺母 NUT M8x1.25	1	2.1011.105.2
17	2.0424.209.2	螺柱 STUD M12x1.75x40	3	2.0424.209.2
18	2.1011.107.2	螺母 NUT M12x1.75	3	2.1011.107.2
19	2.1560.020.0	密封垫圈 SEALING RING	2	2.1560.020.0
20	SH900.55.016	连接管焊合件 CONNECTING PIPE	1	SH900.55.016
21	SH900.55.109	螺堵 PLUG	1	SH900.55.109



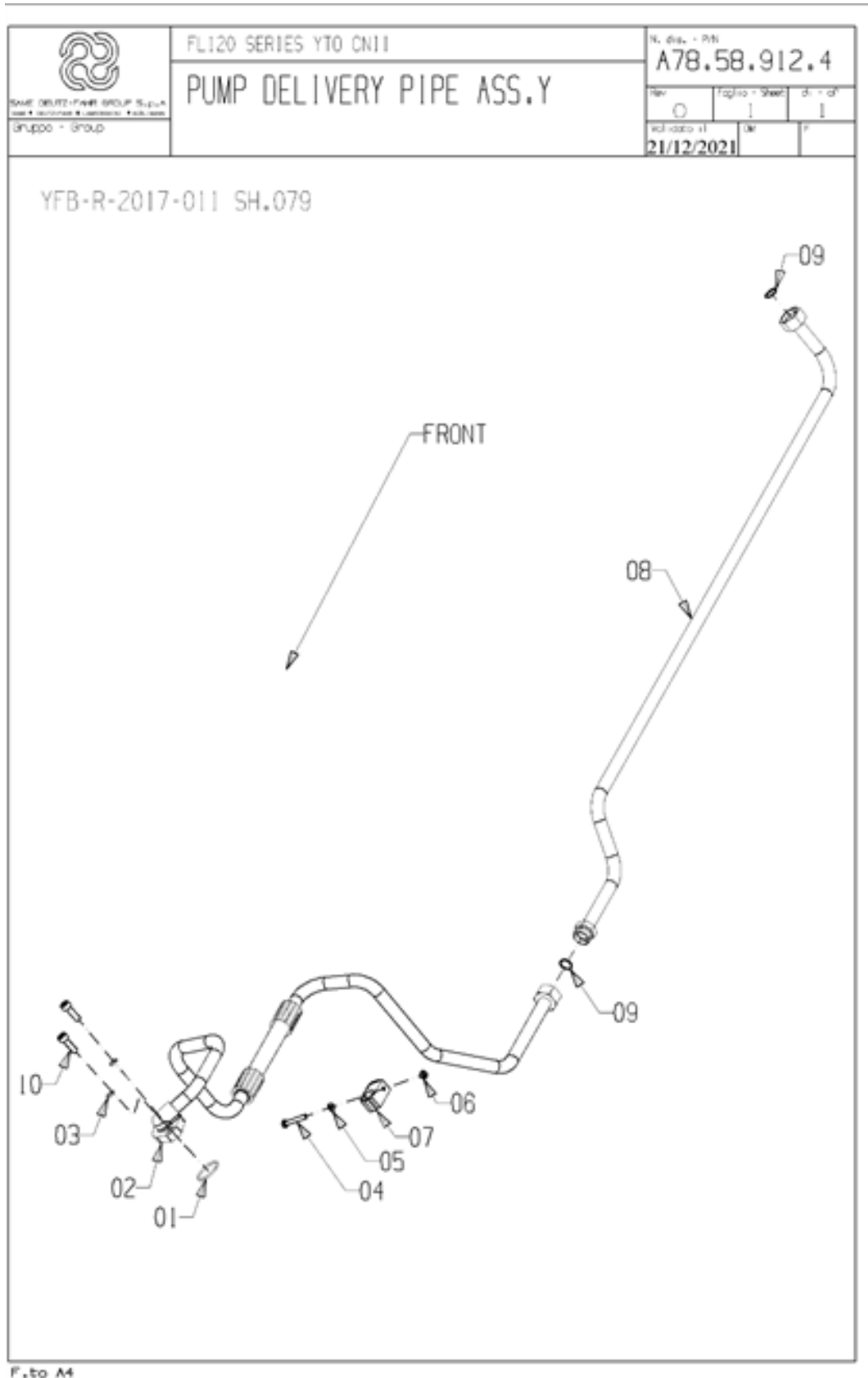
### A78.56.902.4\_0 限位杆安装支架 LIMIT ROD PLATE

序号	零件编号	零件名称	数量	图号
1	B89.56.001.3	右支撑座 RIGHT SUPPORT SEAT	1	B89.56.001.3
2	B89.56.002.3	左支撑座 LEFT SUPPORT SEAT	1	B89.56.002.3
3	2.1473.011.2	垫圈 SPRING WASHER M16	8	2.1473.011.2
4	2.0115.615.2	螺栓 SCREW M16x40	8	2.0115.615.2



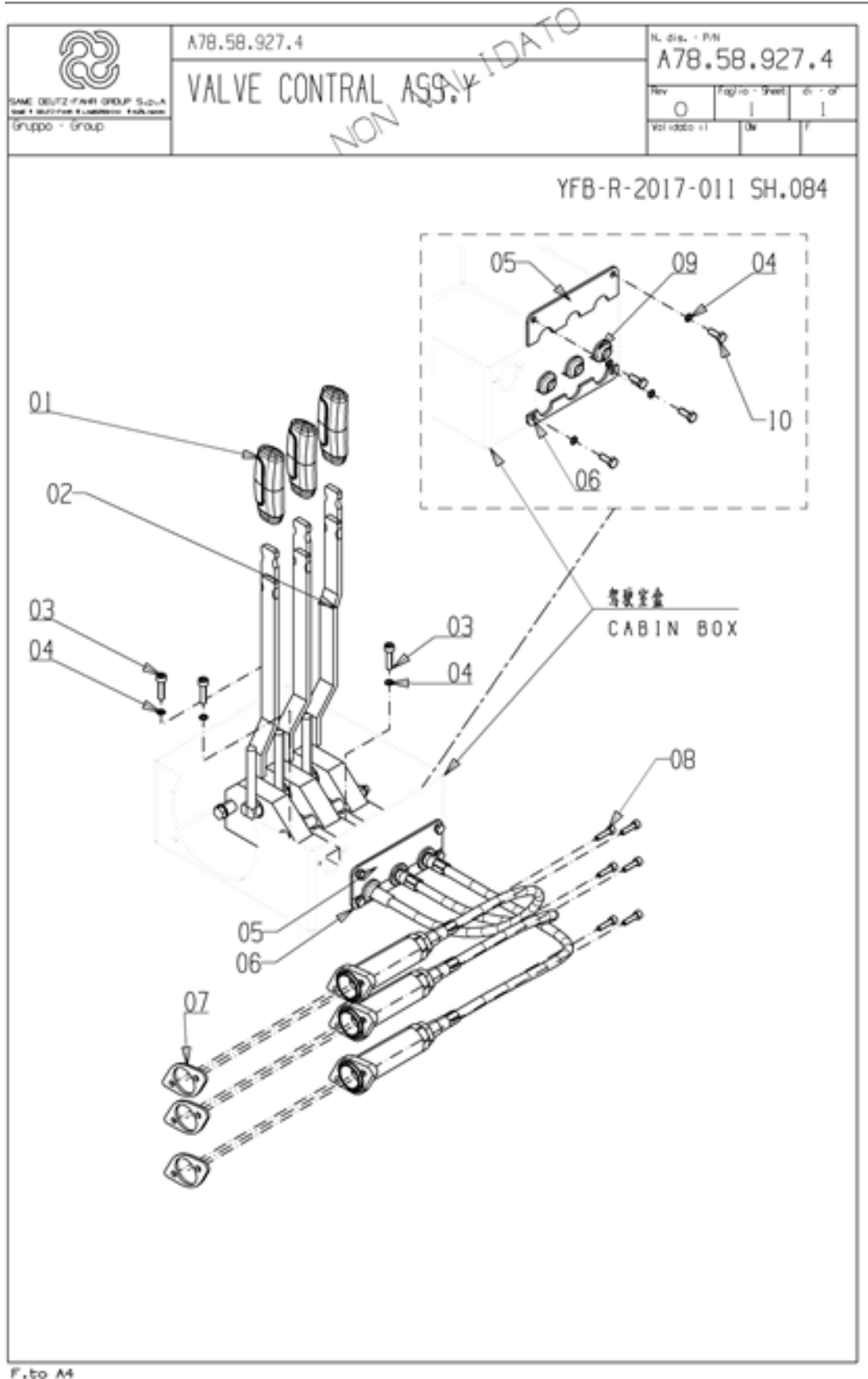
### A78.58.911.4\_0 提升泵总成 GEAR PUMP ASS.Y

序号	零件编号	零件名称	数量	图号
1	A24.58.009.0	双联泵 DOUBLE GEAR PUMP	1	A24.58.009.0
2	GBT93-8-A3L	垫圈 WASHER	4	GBT93-8-A3L
3	2.0312.215.2	螺钉 SOCKET SCREW M8x1.25x45	4	2.0312.215.2



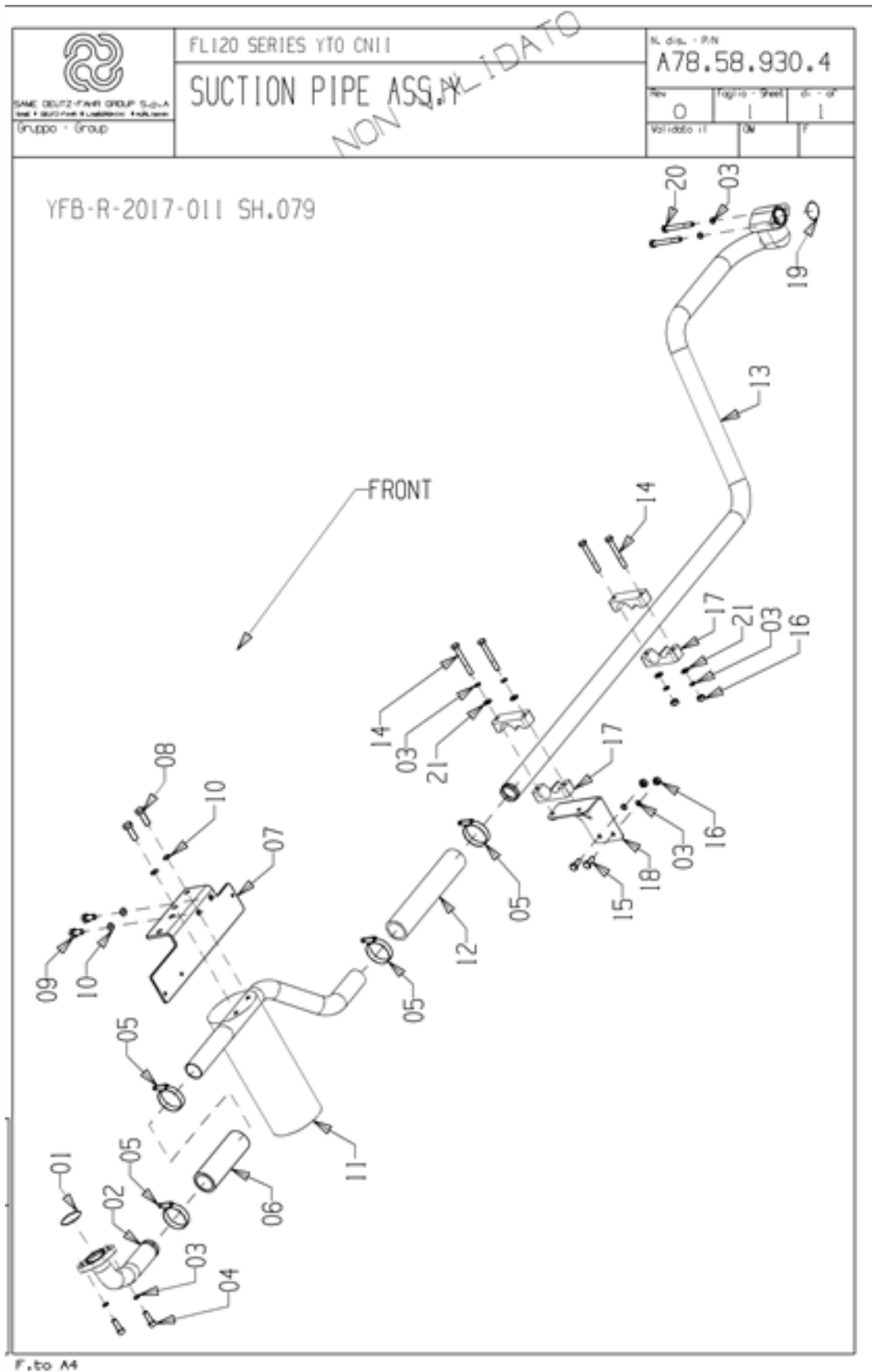
### A78.58.912.4\_0 提升泵出油管路总成 PUMP DELIVERY PIPE ASS.Y

序号	零件编号	零件名称	数量	图号
1	GBT3452.1-32.5X2.65-G	O型圈 O RING	1	GBT3452.1-32.5X2.65-G
2	A78.58.005.3	提升泵出油管 LIFTING PUMP	1	A78.58.005.3
3	GBT93-8-A3L	垫圈 WASHER	2	GBT93-8-A3L
4	2.0114.015.2	螺栓 SCREW M6x40	1	2.0114.015.2
5	2.1310.002.3	垫圈 WASHER 6	1	2.1310.002.3
6	2.1011.103.2	螺母 NUT M6x1	1	2.1011.103.2
7	2.3320.109.0	管夹 TUBE CLAMP 18	1	2.3320.109.0
8	B29.58.007.3/10	压力油管组件 PRESSURE PIPE ASS.	1	B29.58.007.3/10
9	GBT3452.1-16X1.5-G	O型圈 O RING	2	GBT3452.1-16X1.5-G
10	2.0312.208.2	螺钉 SOCKET SCREW M8x1.25x25	2	2.0312.208.2



### A78.58.927.4\_0 多路阀操纵 VALVE COMMAND ASS.Y

序号	零件编号	零件名称	数量	图号
1	0.020.3757.0	手柄球 KNOB	3	0.020.3757.0
2	B80.45.012.4	液压缸控制 CONTROL FOR	1	B80.45.012.4
3	2.0312.108.2	螺钉 SOCKET SCREW M6x1x25	3	2.0312.108.2
4	2.1473.006.2	垫圈 SPRING WASHER M6	7	2.1473.006.2
5	A31.45.012.0/10	固定板 FIXING PLATE	1	A31.45.012.0/10
6	A31.45.013.0/10	固定板 FIXING PLATE	1	A31.45.013.0/10
7	A68.45.066.0/10	板 SPOOL VALVE PLATE	3	A68.45.066.0/10
8	2.0312.006.2	螺钉 SOCKET SCREW M5x0.8x20	6	2.0312.006.2
9	A31.45.011.0	橡胶垫片 RUBBER GASKET	3	A31.45.011.0
10	2.0114.005.2	螺栓 SCREW M6x16	4	2.0114.005.2

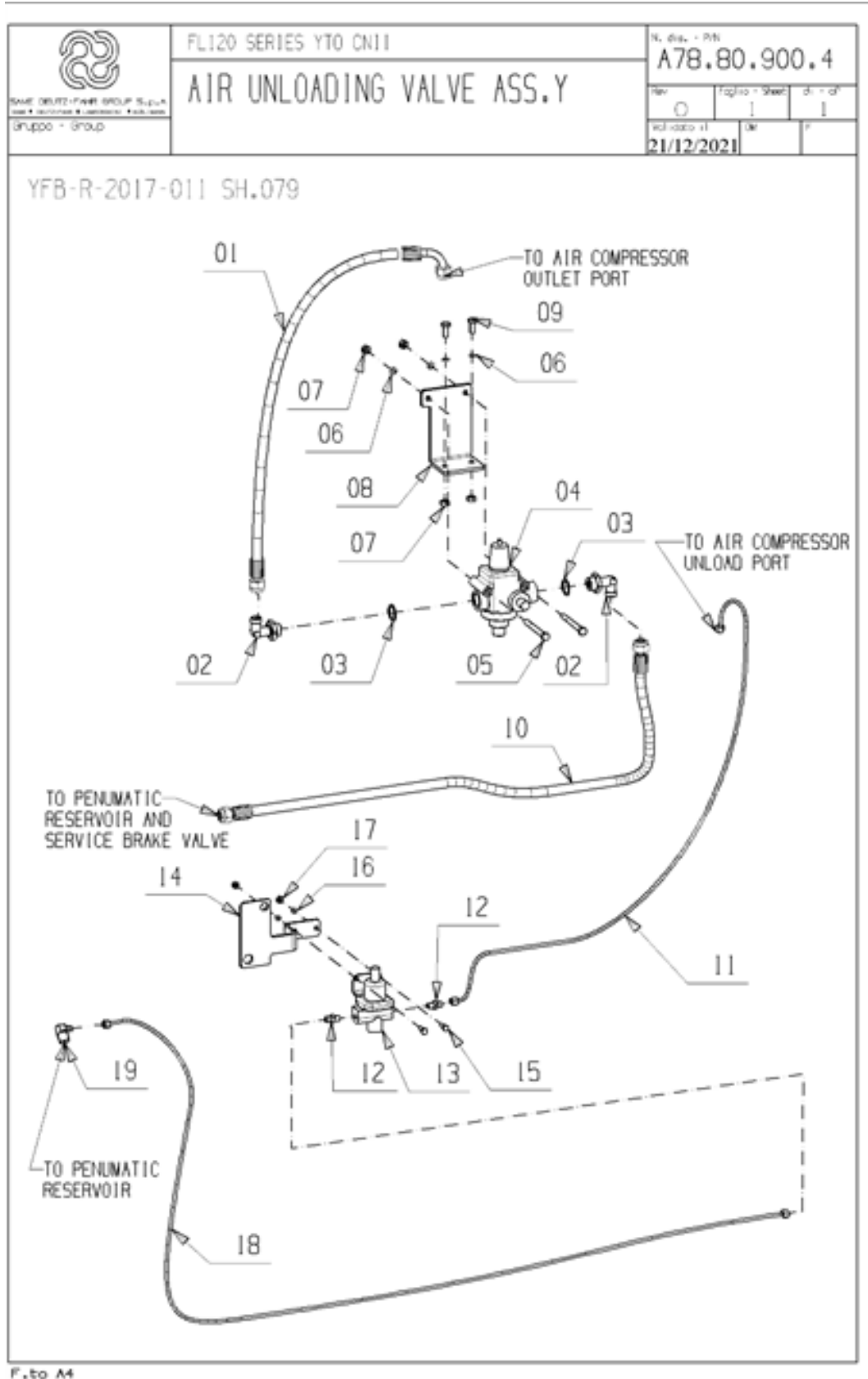


F.to A4

### A78.58.930.4\_0 提升泵吸油管路总成 SUCTION PIPE ASS.Y

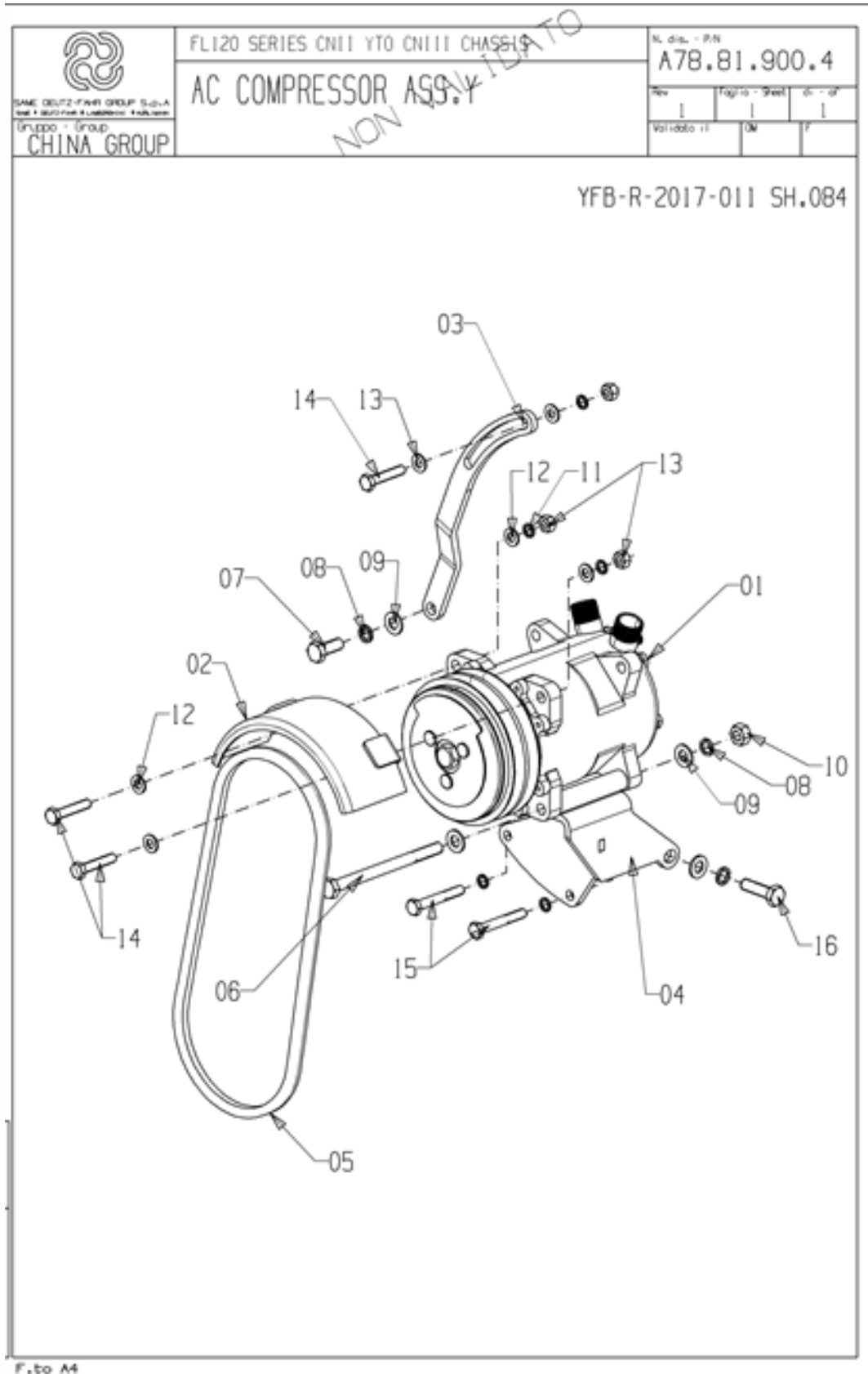
序号	零件编号	零件名称	数量	图号
1	GBT3452.1-41.2X1.8-G	O型圈 O RING	1	GBT3452.1-41.2X1.8-G
2	A78.58.004.3	提升泵进油管 LIFTING PUMP INLET	1	A78.58.004.3
3	GBT93-8-A3L	垫圈 WASHER	10	GBT93-8-A3L
4	2.0312.208.2	螺钉 SOCKET SCREW M8x1.25x25	2	2.0312.208.2
5	JBT8870-d50	喉箍 HOSE CLAMPS	4	JBT8870-d50
6	LE1204.58.119	吸油软管 SUCTION HOSE	1	LE1204.58.119
7	A78.58.006.0	吸滤器支架 SUCTION FILTER	1	A78.58.006.0
8	2.0114.311.2	螺栓 SCREW M10x30	2	2.0114.311.2
9	2.0114.307.2	螺栓 SCREW M10x20	2	2.0114.307.2
10	GBT93-10-A3L	垫圈 WASHER	4	GBT93-10-A3L
11	LE1204.58.030	过滤器 FILTER	1	LE1204.58.030
12	A31.58.018.0	吸油软管 SUCTION HOSE	1	A31.58.018.0
13	B29.58.003.3	吸油管焊合 SUCTION PIPE WELDED	1	B29.58.003.3
14	2.0112.222.2	螺栓 HEX BOLT M8x1.25x65	4	2.0112.222.2
15	2.0114.207.2	螺栓 SCREW M8x20	2	2.0114.207.2
16	2.1011.105.2	螺母 NUT M8x1.25	4	2.1011.105.2
17	B29.58.013.0/10	管夹 CLAMPS	4	B29.58.013.0/10
18	B29.58.009.3/10	管支架焊接 PIPE BRACKET WELDED	1	B29.58.009.3/10
19	GBT3452.1-32.5X1.8-G	O型圈 O-RING	1	GBT3452.1-32.5X1.8-G
20	2.0112.223.2	螺栓 HEX BOLT M8x1.25x70	2	2.0112.223.2
21	2.1310.004.2	垫圈 WASHER 8	4	2.1310.004.2





### A78.80.900.4\_0 泄压阀总成 AIR UNLOADING VALVE ASS.Y

序号	零件编号	零件名称	数量	图号
1	A24.80.013.3	出气管 AIR OUTPUT PIPE	1	A24.80.013.3
2	B80.10.007.2	出气接头组件 JOINT ASS'Y	2	B80.10.007.2
3	2.1560.018.0	密封垫圈 SEALING RING	2	2.1560.018.0
4	A23.80.006.0	空气卸荷阀 AIR UNLOADING VALVE	1	A23.80.006.0
5	2.0112.225.2	螺栓 HEX BOLT M8x1.25x80	2	2.0112.225.2
6	GBT93-8-A3L	垫圈 WASHER	4	GBT93-8-A3L
7	2.1011.105.2	螺母 NUT M8x1.25	4	2.1011.105.2
8	A78.80.001.0	支架 BRACKET	1	A78.80.001.0
9	2.0114.207.2	螺栓 SCREW M8x20	2	2.0114.207.2
10	A23.80.010.3	气泵出气管 AIR PUMP OUTLET PIPE	1	A23.80.010.3
11	B09.80.004.3	安全阀管 RELIEF VALVE PIPE	1	B09.80.004.3
12	A23.80.012.0	螺纹接头 FITTING NPT1/8-M10X1	2	A23.80.012.0
13	A23.80.007.0	排气阀 AIR RELIEF VALVE	1	A23.80.007.0
14	A78.80.002.0	支架 BRACKET	1	A78.80.002.0
15	2.0114.005.2	螺栓 SCREW M6x16	2	2.0114.005.2
16	GBT93-6-A3L	垫圈 WASHER	2	GBT93-6-A3L
17	2.1011.103.2	螺母 NUT M6x1	2	2.1011.103.2
18	E04.80.006.3	安全阀管 RELIEF VALVE PIPE	1	E04.80.006.3
19	A23.80.016.0	管接头 FITTING	1	A23.80.016.0



### A78.81.900.4\_1 空调压缩机总成 AC COMPRESSOR ASS.Y

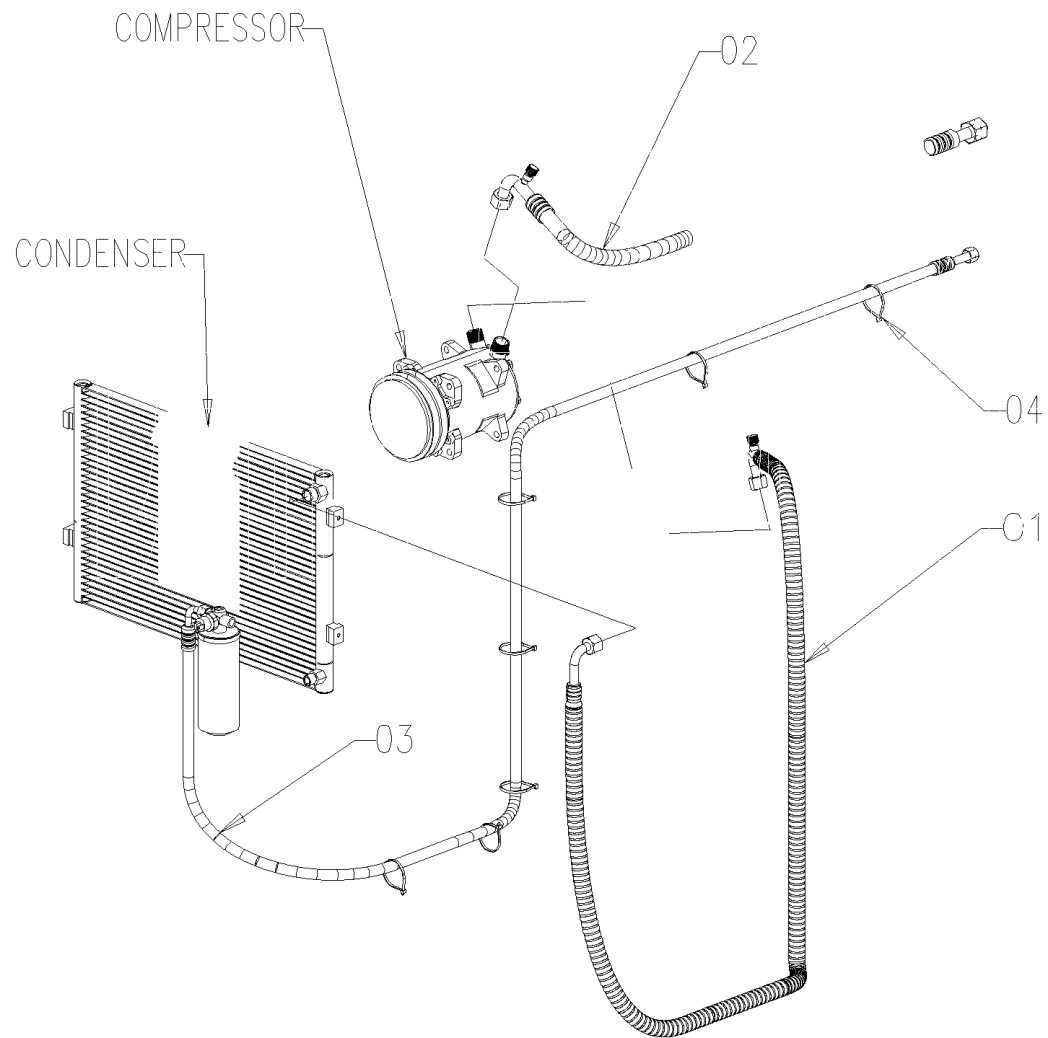
序号	零件编号	零件名称	数量	图号
1	CD904.81.012	空气压缩机 AIR COMPRESSOR	1	CD904.81.012
2	LE1204.81.013	焊接保护器 WELDING PROTECTOR	1	LE1204.81.013
3	A78.81.008.0	摆动连杆 SWING LINK	1	A78.81.008.0
4	A78.81.007.2	压缩机支架 COMPRESSOR BRACKET	1	A78.81.007.2
5	GBT11544-A820LI	压缩机皮带 COMPRESSOR BELT	1	GBT11544-A820LI
6	2.0112.335.2	螺栓 HEX BOLT M10x1.5x130	1	2.0112.335.2
7	2.0114.309.2	螺栓 SCREW M10x25	1	2.0114.309.2
8	2.1473.008.2	垫圈 SPRING WASHER M10	3	2.1473.008.2
9	2.1310.006.2	垫圈 WASHER 10	4	2.1310.006.2
10	2.1011.106.2	螺母 NUT M10x1.5	1	2.1011.106.2
11	2.1473.007.2	垫圈 SPRING WASHER M8	5	2.1473.007.2
12	2.1310.004.2	垫圈 WASHER 8	6	2.1310.004.2
13	2.1011.105.2	螺母 NUT M8x1.25	3	2.1011.105.2
14	2.0114.215.2	螺栓 SCREW M8x40	3	2.0114.215.2
15	2.0112.220.2	螺栓 HEX BOLT M8x1.25x55	2	2.0112.220.2
16	2.0114.313.2	螺栓 SCREW M10x35	1	2.0114.313.2

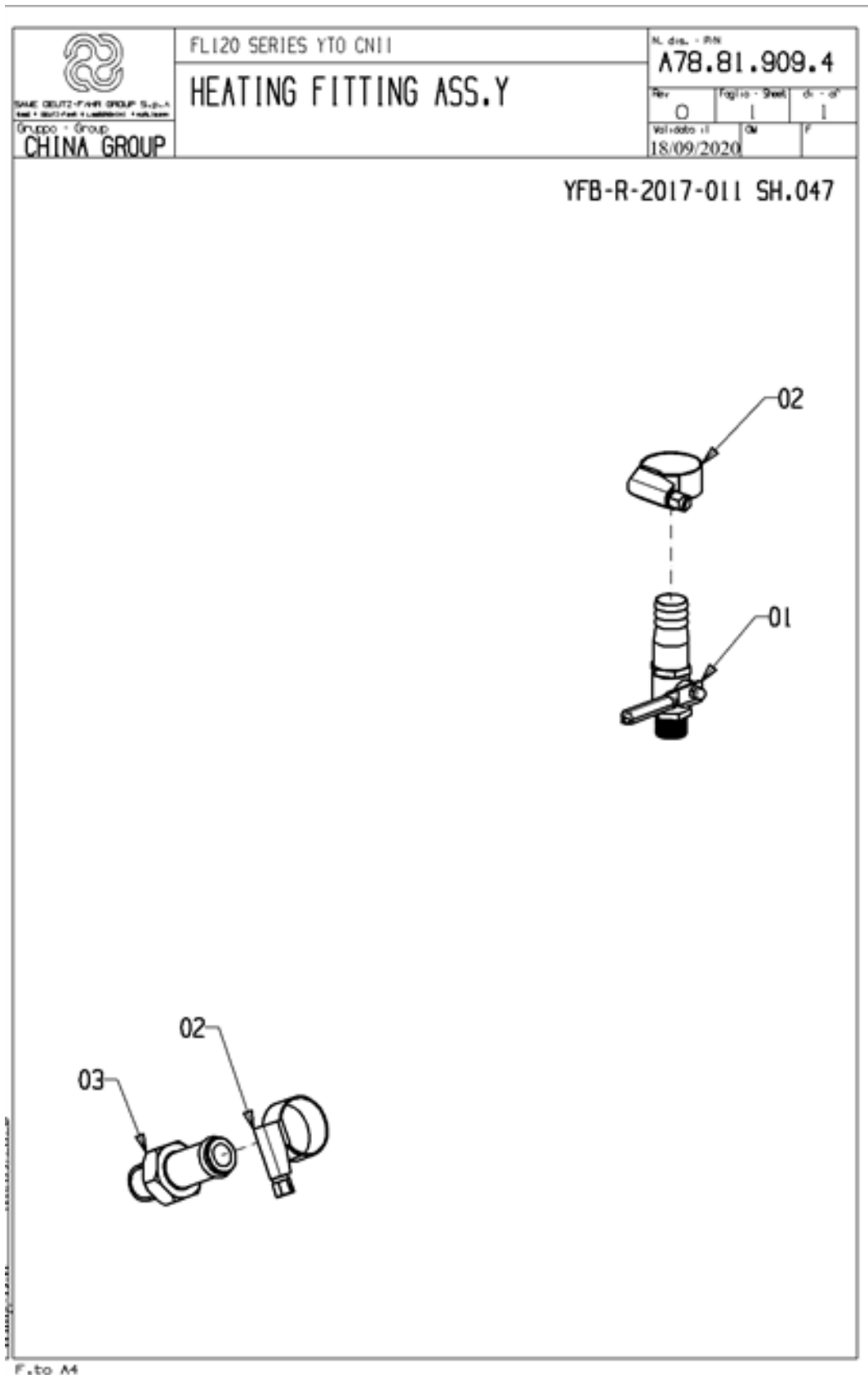
# A78.81.901.4 AC COMPRESSOR PIPE ASS.Y 1

YFB-R-2017-011 SH.079

## A78.81.901.4\_0 空调压缩机管路总成 AC COMPRESSOR PIPE ASS.Y

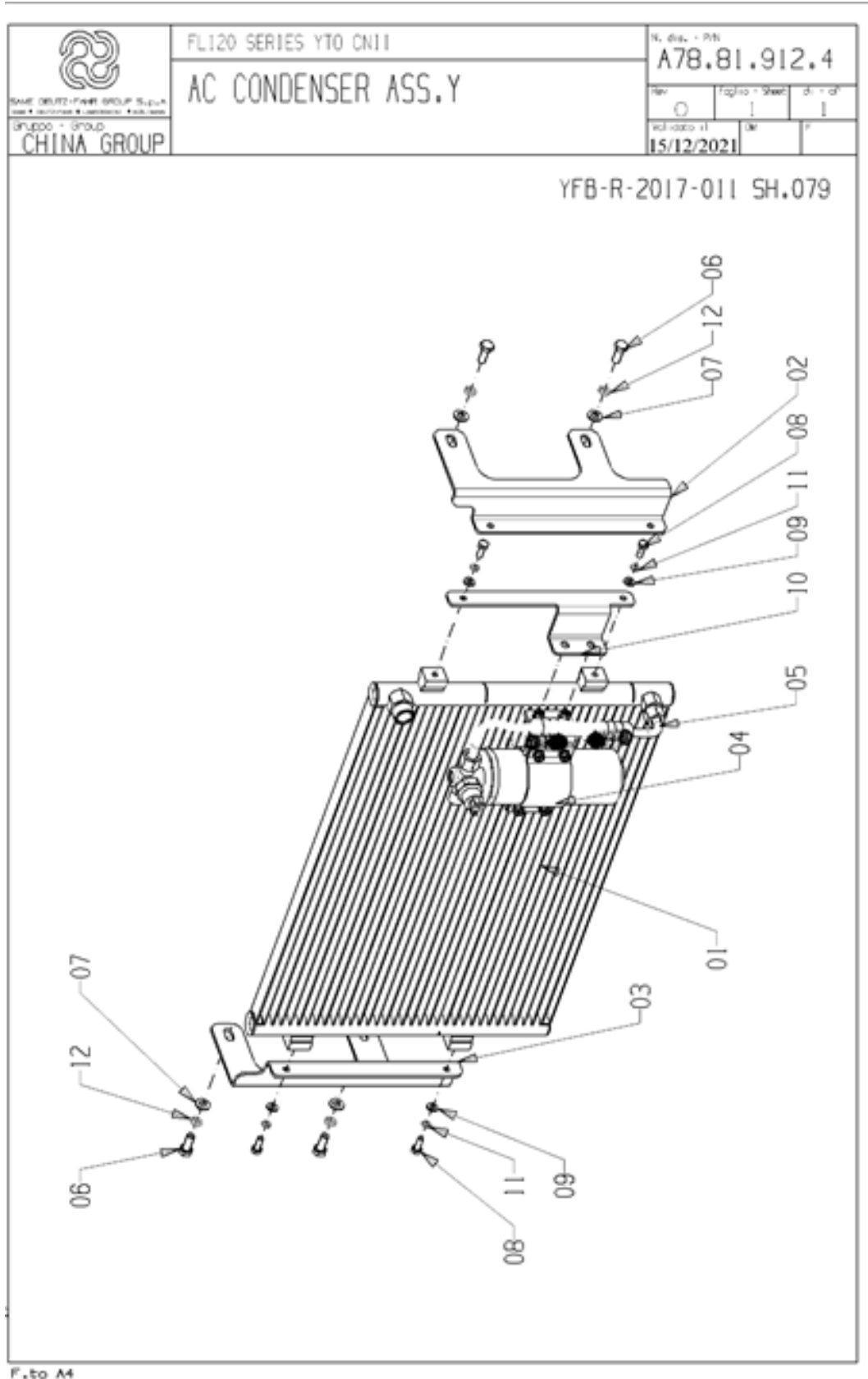
序号	零件编号	零件名称	数量	图号
1	CD1204.81A.015/20	冷凝管 CONDENSOR PIPE	1	CD1204.81A.015/20
2	A78.81.003.2	压缩机进水管 COMPRESSOR INLET	1	A78.81.003.2
3	A78.81.004.2	冷凝器出水管 CONDENSER OUTLET	1	A78.81.004.2
4	2.6852.101.0	扎带 SELF LOCKING CABLE TIES 142	7	2.6852.101.0





### A78.81.909.4\_0 暖风管接头 (发动机部分) HTR PIPE CONNECTOR

序号	零件编号	零件名称	数量	图号
1	SH1004.13.108	暖风进气阀总成 WARM AIR INLET	1	SH1004.13.108
2	2.6851.001.0	喉箍 HOSE CLAMP 16-25	2	2.6851.001.0
3	SH900.13.108	热水器接头 WATER HEATER	1	SH900.13.108



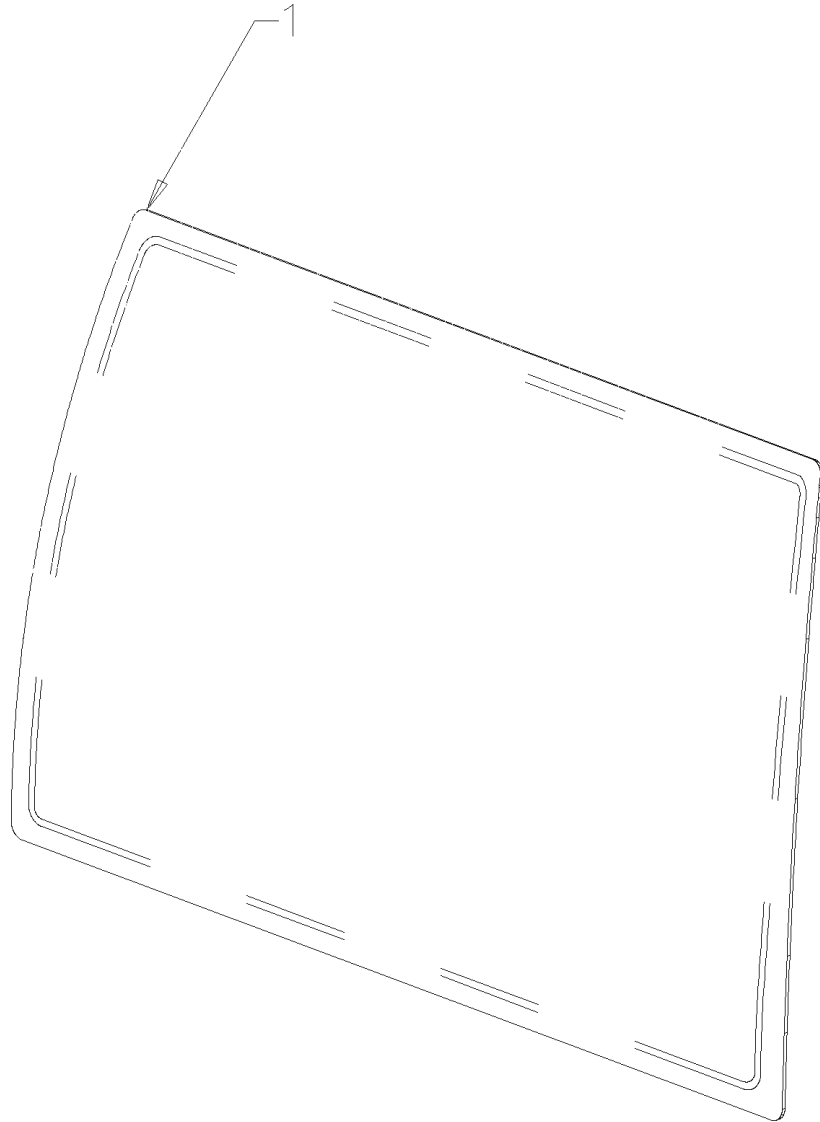
### A78.81.912.4\_0 冷凝器总成 AC CONDENSER ASS.Y

序号	零件编号	零件名称	数量	图号
1	A23.81.013.0	冷凝器 CONDENSOR	1	A23.81.013.0
2	A78.81.002.0	左支架 LEFT BRACKET	1	A78.81.002.0
3	A78.81.005.0	右支架 RIGHT BRACKET	1	A78.81.005.0
4	A23.81.011.0	干燥瓶 RECEIVER DRIER	1	A23.81.011.0
5	A23.81.012.2	冷储管 RESERVOIR DRAIN PIPE	1	A23.81.012.2
6	2.0112.207.2	螺栓 HEX BOLT M8x1.25x20	4	2.0112.207.2
7	2.1310.004.2	垫圈 WASHER 8	4	2.1310.004.2
8	2.0112.005.2	螺栓 HEX BOLT M6x1x16	4	2.0112.005.2
9	2.1310.002.2	垫圈 WASHER 6	4	2.1310.002.2
10	A23.81.010.0	空调冷凝器支架 AC CONDENSER	1	A23.81.010.0
11	GBT93-6-A3L	垫圈 WASHER	4	GBT93-6-A3L
12	GBT93-8-A3L	垫圈 WASHER	4	GBT93-8-A3L

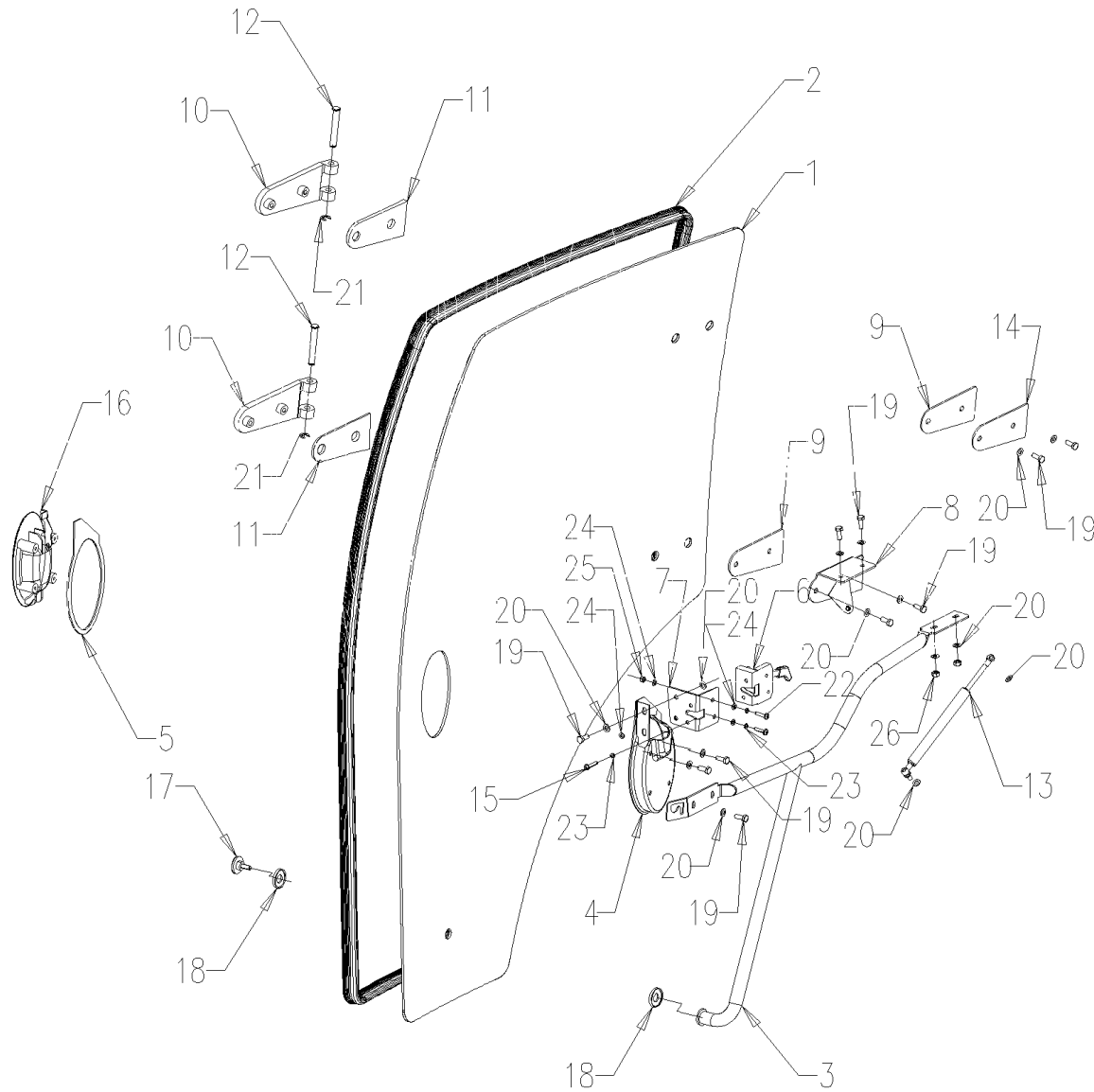
A80.45.901.4 FRONT WINDOW ASS.Y

A80.45.901.4\_0 前窗玻璃 FRONT WINDOW ASS.Y

序号	零件编号	零件名称	数量	图号
1	A80.45.005.0	前窗 FRONT WINDOW	1	A80.45.005.0



# A80.45.902.4 RH DOOR ASS.Y

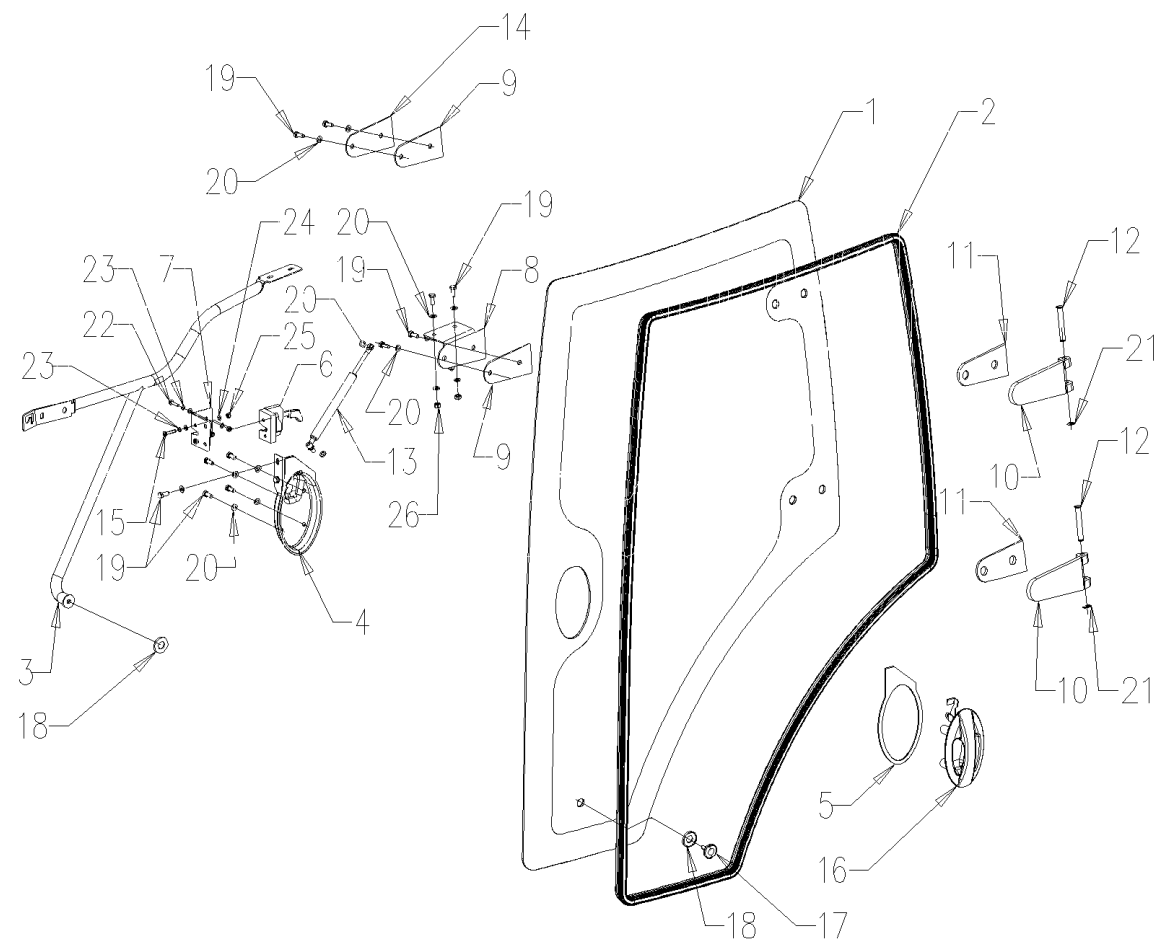


## A80.45.902.4\_0 右门总成 RH DOOR ASS.Y

序号	零件编号	零件名称	数量	图号
1	A80.45.025.0	右门 RH DOOR	1	A80.45.025.0
2	A80.45.026.0	橡胶帽 RUBBER	1	A80.45.026.0
3	A80.45.027.3	右门把手 RH DOOR HANDLE	1	A80.45.027.3
4	A80.45.041.3	门锁固定支架 DOOR LOCK FIXED	1	A80.45.041.3
5	A80.45.044.0	门锁橡胶 DOOR LOCK RUBBER	1	A80.45.044.0
6	A80.45.045.0	门锁 DOOR LOCK	1	A80.45.045.0
7	A80.45.040.0	支架 BRACKET	1	A80.45.040.0
8	A80.45.034.3	气弹簧支承 GAS SPRING BRACKET	1	A80.45.034.3
9	A80.45.037.0	橡胶帽 RUBBER	2	A80.45.037.0
10	A80.45.033.0	? 门锁链 DOOR HINGE	2	A80.45.033.0
11	A80.45.039.0	橡胶帽 RUBBER	2	A80.45.039.0
12	A80.45.047.0	销 PIN	2	A80.45.047.0
13	A80.45.048.0	气弹簧 GAS SPRING	1	A80.45.048.0
14	A80.45.038.0	支架 BRACKET	1	A80.45.038.0
15	2.0332.409.2	螺钉 CROSS SCREW M6x1x30	2	2.0332.409.2
16	A80.45.046.0	门锁把手 DOOR LOCK HANDLE	1	A80.45.046.0
17	A39.45.047.0	塑料头螺栓 M8X20 PLASTIC HEAD	1	A39.45.047.0
18	A39.45.048.0	橡胶垫片 RUBBER GASKET	2	A39.45.048.0
19	GBT5783-M8X20-A2L	螺栓 BOLT	12	GBT5783-M8X20-A2L
20	GBT97.1-8-A3L	垫圈 WASHER	18	GBT97.1-8-A3L
21	2.1430.011.7	挡圈 ANELLO DI SICUR. X ALBERI	2	2.1430.011.7
22	2.0332.408.2	螺钉 CROSS SCREW M6x1x25	2	2.0332.408.2
23	GBT93-6-A3L	垫圈 WASHER	4	GBT93-6-A3L
24	GBT97.1-6-A3L	垫圈 WASHER	8	GBT97.1-6-A3L
25	GBT6170-M6-A2L	螺母 NUT	4	GBT6170-M6-A2L
26	GBT6170-M8-A2L	螺母 NUT	4	GBT6170-M8-A2L

# A80.45.903.4 LH DOOR ASS.Y

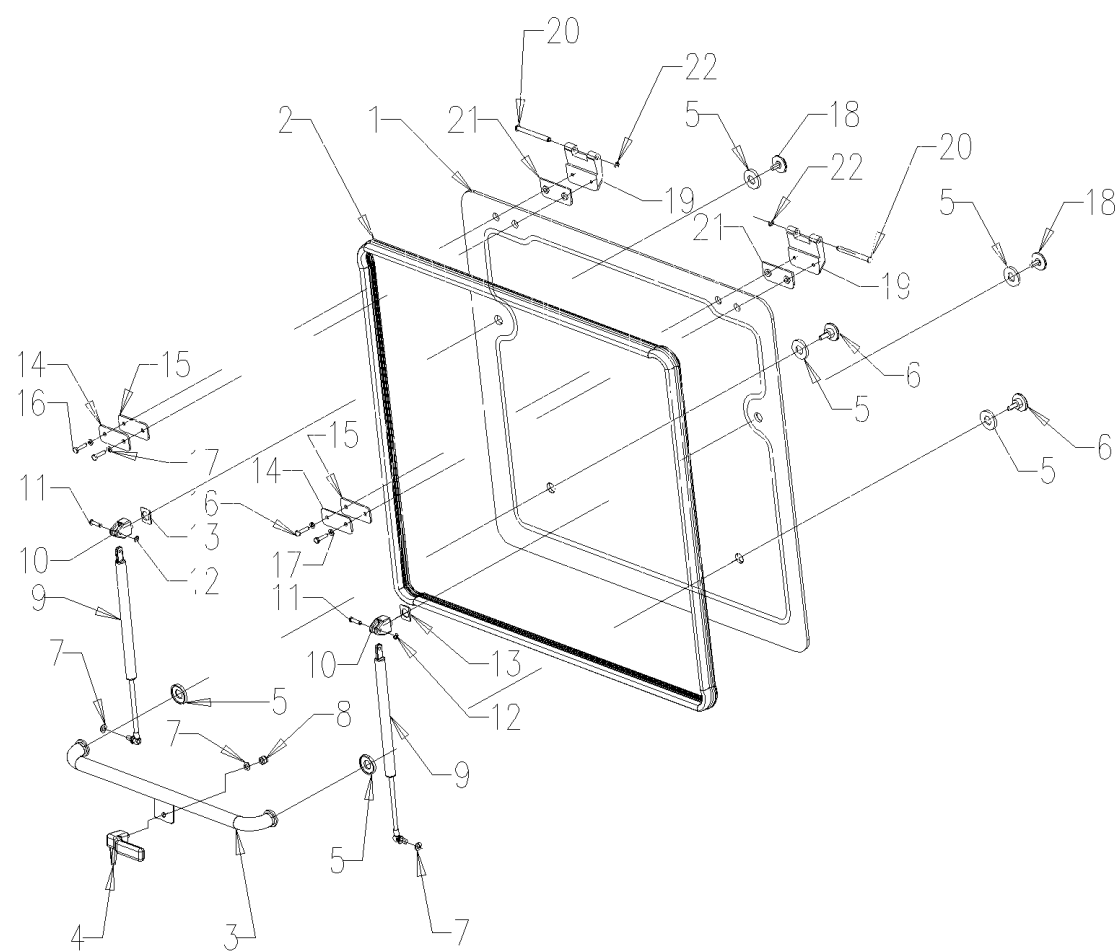
## A80.45.903.4\_0 左门总成 LH DOOR ASS.Y



序号	零件编号	零件名称	数量	图号
1	A80.45.049.0	左门 LH DOOR	1	A80.45.049.0
2	A80.45.026.0	橡胶帽 RUBBER	1	A80.45.026.0
3	A80.45.050.3	左门把手 LH DOOR HANDLE	1	A80.45.050.3
4	A80.45.058.3	门锁固定支架 DOOR LOCK FIXED	1	A80.45.058.3
5	A80.45.044.0	门锁橡胶 DOOR LOCK RUBBER	1	A80.45.044.0
6	A80.45.056.0	左门锁 LH DOOR LOCK	1	A80.45.056.0
7	A80.45.057.0	支架 BRACKET	1	A80.45.057.0
8	A80.45.054.3	支架 BRACKET	1	A80.45.054.3
9	A80.45.037.0	橡胶帽 RUBBER	2	A80.45.037.0
10	A80.45.033.0	? 门锁链 DOOR HINGE	2	A80.45.033.0
11	A80.45.039.0	橡胶帽 RUBBER	2	A80.45.039.0
12	A80.45.047.0	销 PIN	2	A80.45.047.0
13	A80.45.048.0	气弹簧 GAS SPRING	1	A80.45.048.0
14	A80.45.038.0	支架 BRACKET	1	A80.45.038.0
15	2.0332.409.2	螺钉 CROSS SCREW M6x1x30	2	2.0332.409.2
16	A80.45.061.0	左门把手 LH DOOR HANDLE	1	A80.45.061.0
17	A39.45.047.0	塑料头螺栓 M8X20 PLASTIC HEAD	1	A39.45.047.0
18	A39.45.048.0	橡胶垫片 RUBBER GASKET	2	A39.45.048.0
19	GBT5783-M8X20-A2L	螺栓 BOLT	12	GBT5783-M8X20-A2L
20	GBT97.1-8-A3L	垫圈 WASHER	18	GBT97.1-8-A3L
21	2.1430.011.7	挡圈 ANELLO DI SICUR. X ALBERI	2	2.1430.011.7
22	2.0332.408.2	螺钉 CROSS SCREW M6x1x25	2	2.0332.408.2
23	GBT93-6-A3L	垫圈 WASHER	4	GBT93-6-A3L
24	GBT97.1-6-A3L	垫圈 WASHER	8	GBT97.1-6-A3L
25	GBT6170-M6-A2L	螺母 NUT	4	GBT6170-M6-A2L
26	GBT6170-M8-A2L	螺母 NUT	4	GBT6170-M8-A2L



# A80.45.904.4 REAR WINDOW ASS.Y

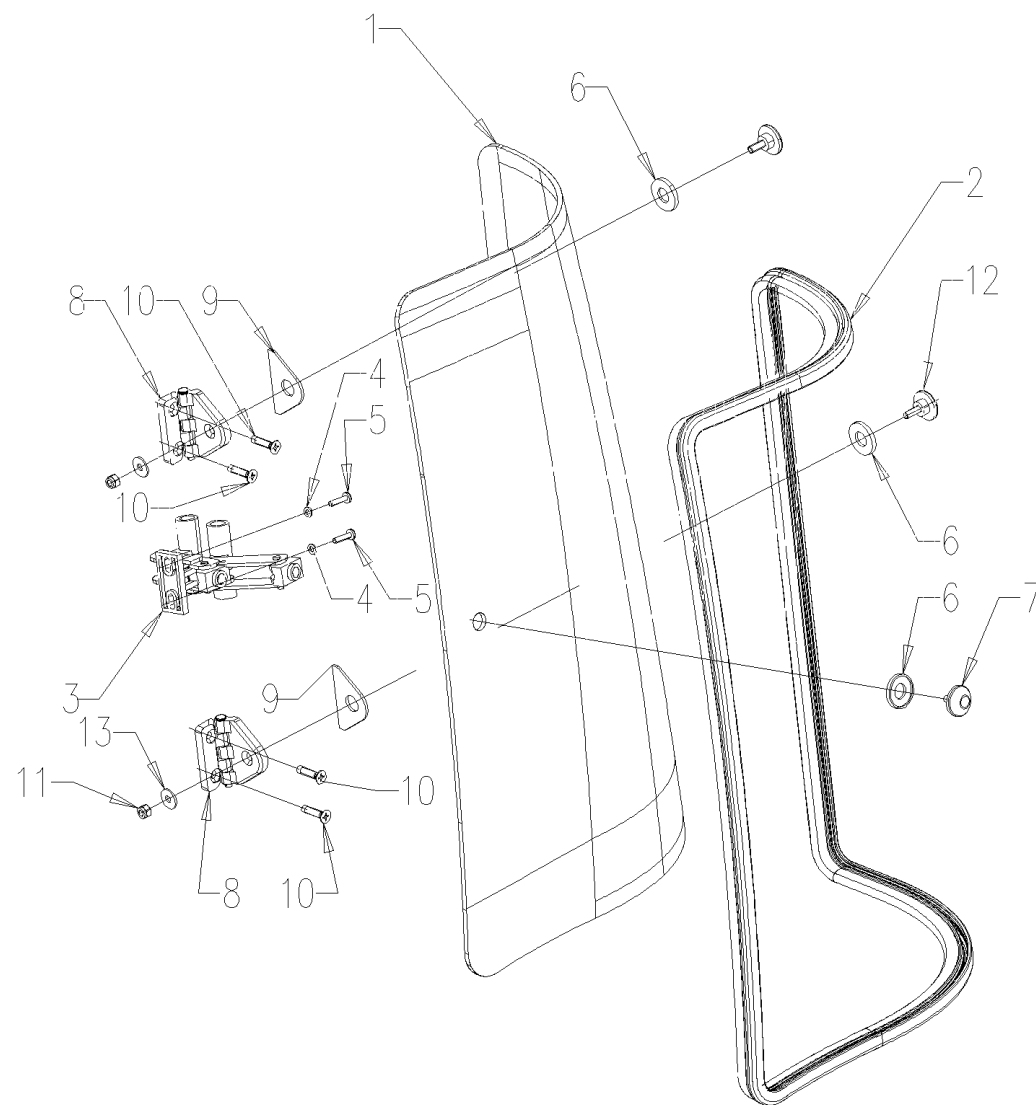


## A80.45.904.4\_0 后窗总成 REAR WINDOW ASS.Y

序号	零件编号	零件名称	数量	图号
1	A80.45.063.0	后挡玻璃 REAR WINDOW GLASS	1	A80.45.063.0
2	A80.45.064.0	后窗橡胶 REAR WINDOW RUBBER	1	A80.45.064.0
3	A80.45.068.3	把手 HANDLE	1	A80.45.068.3
4	A80.45.066.0	后窗把手 REAR WINDOW HANDLE	1	A80.45.066.0
5	A39.45.048.0	橡胶垫片 RUBBER GASKET	6	A39.45.048.0
6	A39.45.047.0	塑料头螺栓 M8X20 PLASTIC HEAD	2	A39.45.047.0
7	GBT97.1-8-A3L	垫圈 WASHER	3	GBT97.1-8-A3L
8	GBT889.1-M8-A2L	螺母 NUT	1	GBT889.1-M8-A2L
9	A80.45.076.0	气弹簧 GAS SPRING	2	A80.45.076.0
10	A80.45.067.0	气弹簧铰链 GAS SPRING HINGE	2	A80.45.067.0
11	A80.45.077.0	销 PIN	2	A80.45.077.0
12	2.1430.006.7	挡圈 ANELLO ELASTICO 5	2	2.1430.006.7
13	A80.45.074.0	垫圈 GASKET	2	A80.45.074.0
14	A80.45.075.0	板 PLATE	2	A80.45.075.0
15	A80.45.070.0	垫圈 GASKET	2	A80.45.070.0
16	GBT5783-M6X25-A2L	螺栓 BOLT	4	GBT5783-M6X25-A2L
17	GBT97.1-6-A3L	垫圈 WASHER	4	GBT97.1-6-A3L
18	A80.45.072.0	手柄球 KNOB	2	A80.45.072.0
19	A80.45.069.0	铰链 HINGE	2	A80.45.069.0
20	A80.45.073.0	销 PIN	2	A80.45.073.0
21	A80.45.071.0	垫圈 GASKET	2	A80.45.071.0
22	2.1430.007.2	挡圈 WASHER	2	2.1430.007.2

# A80.45.905.4 LH REAR WINDOW ASS.Y

## A80.45.905.4\_0 左后侧窗总成 LH REAR WINDOW ASS.Y

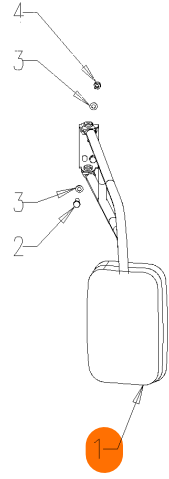
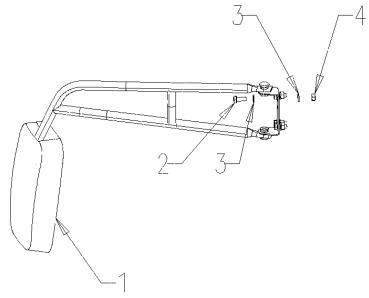


序号	零件编号	零件名称	数量	图号
1	A80.45.078.0	左侧后窗 LH REAR WINDOW	1	A80.45.078.0
2	A80.45.079.0	橡胶帽 RUBBER	1	A80.45.079.0
3	A80.45.080.0	把手 HANDLE	1	A80.45.080.0
4	GBT97.1-6-A3L	垫圈 WASHER	2	GBT97.1-6-A3L
5	2.0332.408.2	螺钉 CROSS SCREW M6x1x25	2	2.0332.408.2
6	A39.45.048.0	橡胶垫片 RUBBER GASKET	3	A39.45.048.0
7	A80.45.072.0	手柄球 KNOB	1	A80.45.072.0
8	A80.45.081.0	铰链 HINGE	2	A80.45.081.0
9	A80.45.082.0	垫圈 GASKET	2	A80.45.082.0
10	GBT819.1-M8X35-A2L	螺钉 SCREW	4	GBT819.1-M8X35-A2L
11	GBT889.1-M8-A2L	螺母 NUT	2	GBT889.1-M8-A2L
12	A39.45.047.0	塑料头螺栓 M8X20 PLASTIC HEAD	2	A39.45.047.0
13	GBT96.1-8-A3L	垫圈 WASHER	2	GBT96.1-8-A3L

A80.45.906.4 REAR MIRROR ASS.Y

A80.45.906.4\_0 后视镜总成 REAR MIRROR ASS.Y

序号	零件编号	零件名称	数量	图号
1	A80.45.084.4	后视镜 REAR MIRROR	2	A80.45.084.4
2	GBT5783-M8X20-A2L	螺栓 BOLT	8	GBT5783-M8X20-A2L
3	GBT97.1-8-A3L	垫圈 WASHER	16	GBT97.1-8-A3L
4	GBT6170-M8-A2L	螺母 NUT	8	GBT6170-M8-A2L

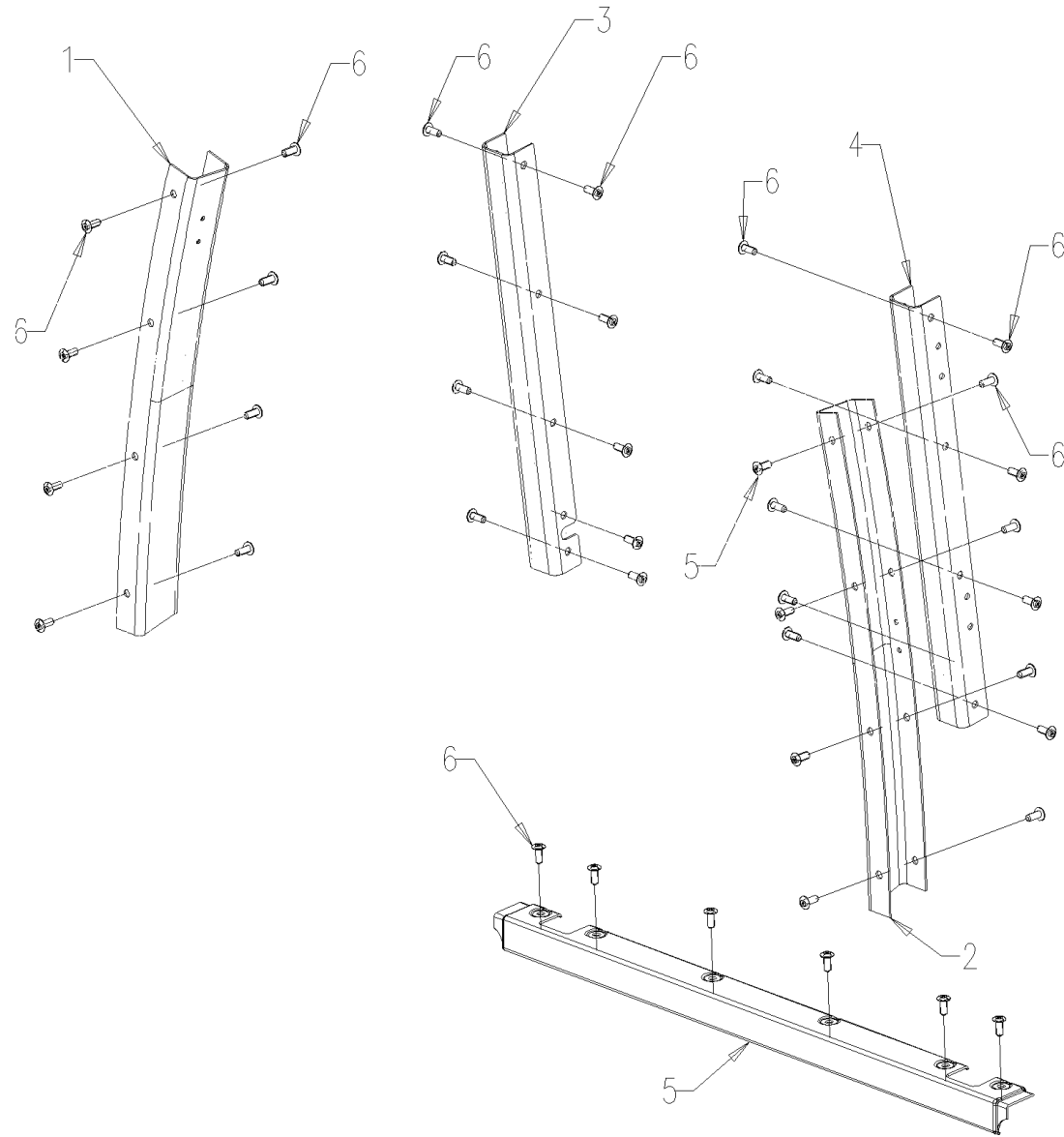


2

# A80.45.907.4 COLUMN GUARD ASS.Y

## A80.45.907.4\_0 立柱内饰 COLUMN GUARD ASS.Y

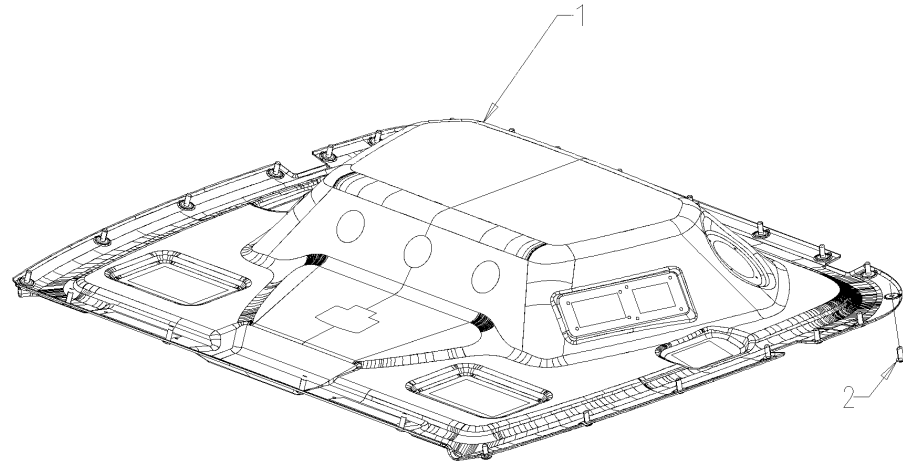
序号	零件编号	零件名称	数量	图号
1	A80.45.012.0	右支柱盖 RH B PILLAR COVER	1	A80.45.012.0
2	A80.45.013.0	左支柱盖 LH B PILLAR COVER	1	A80.45.013.0
3	A80.45.086.0	右支柱盖 RH C PILLAR COVER	1	A80.45.086.0
4	A80.45.087.0	左侧柱盖 LH C PILLAR COVER	1	A80.45.087.0
5	A80.45.089.0	? 后盖 REAR COVER	1	A80.45.089.0
6	A80.45.088.0	塑胶螺钉 PLASTIC SCREW	40	A80.45.088.0



A80.45.908.4 TOP CONSOLE ASS.Y

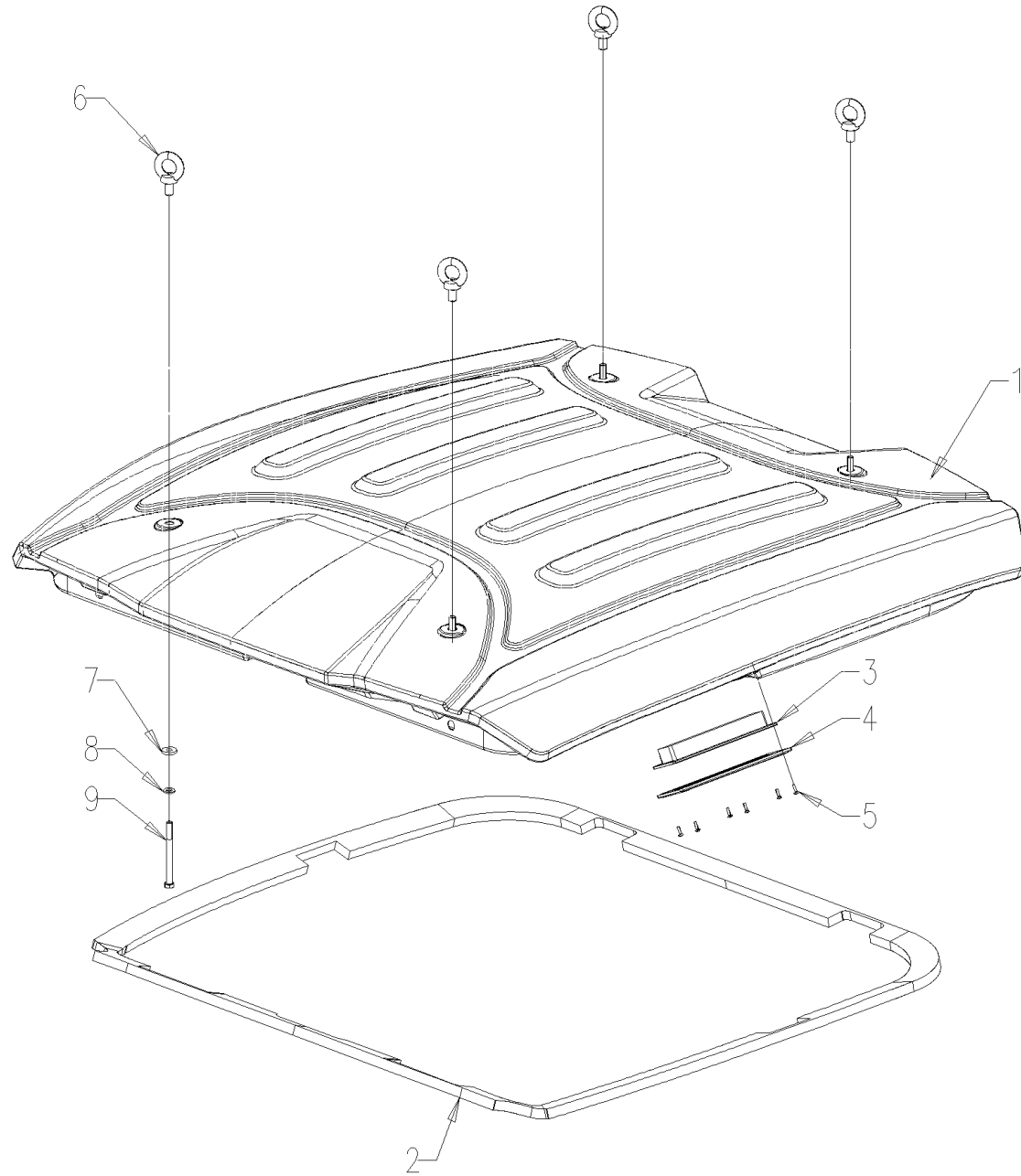
**A80.45.908.4\_0 顶内饰 TOP CONSOLE ASS.Y**

序号	零件编号	零件名称	数量	图号
1	A80.45.014.4	内顶总成 TOP CONSOLE ASS.Y	1	A80.45.014.4
2	A80.45.088.0	塑胶螺钉 PLASTIC SCREW	25	A80.45.088.0

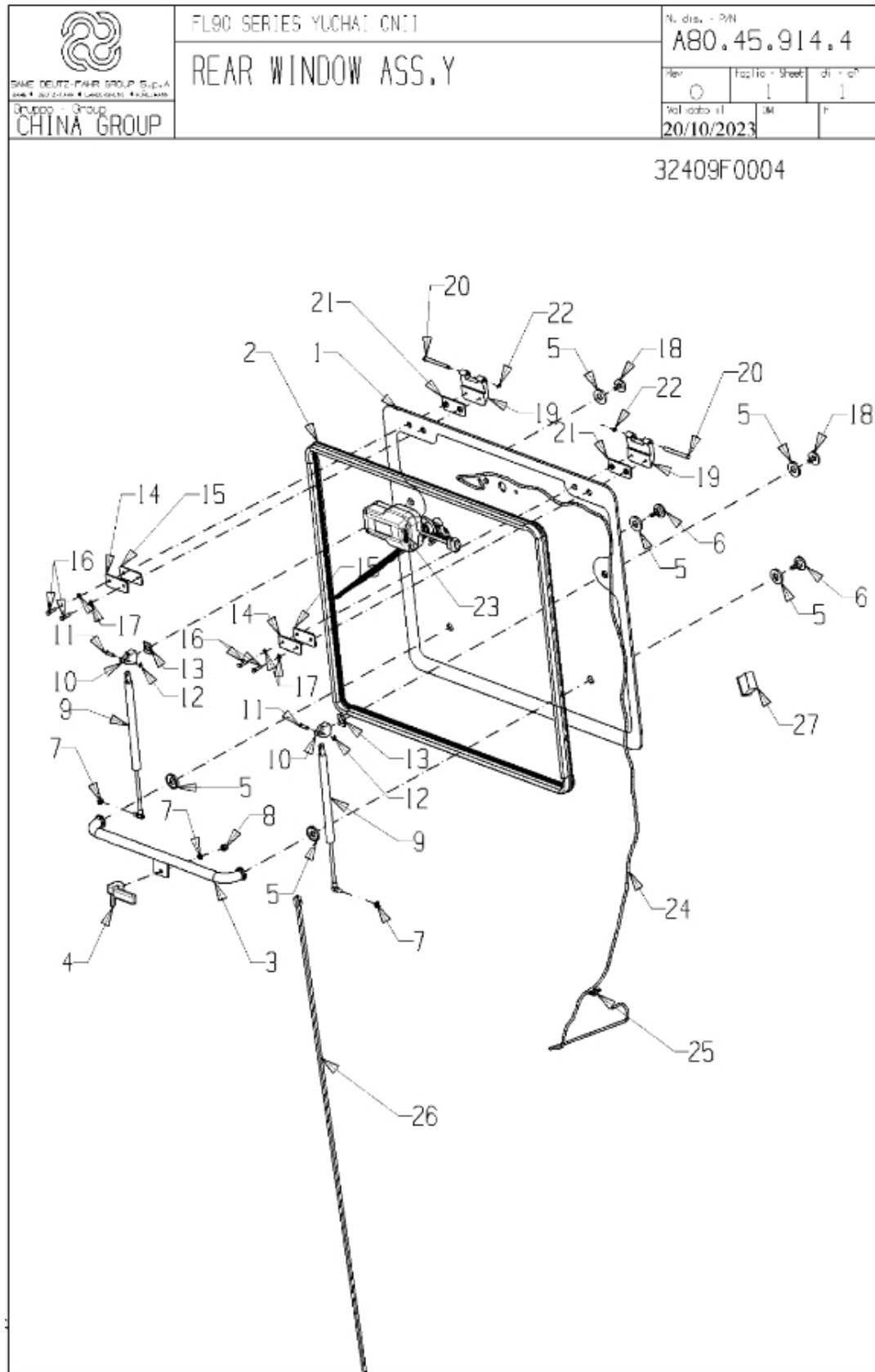


# A80.45.909.4 TOP COVER ASS.Y

## A80.45.909.4\_0 顶棚 TOP COVER ASS.Y



序号	零件编号	零件名称	数量	图号
1	A80.45.015.2	车顶 ROOF	1	A80.45.015.2
2	A80.45.090.0	车顶垫片 ROOF GASKET	1	A80.45.090.0
3	A80.45.091.0	空气过滤器 AIR FILTER	2	A80.45.091.0
4	A39.45.125.0	进气口 FRESH AIR INLET	2	A39.45.125.0
5	GBT818-M5X16-A2L	螺钉 SCREW	12	GBT818-M5X16-A2L
6	GBT825-M16-A3L	螺钉 SCREW	4	GBT825-M16-A3L
7	2.1569.211.0	垫圈 GUARNIZIONE 11.5X30X5	4	2.1569.211.0
8	GBT97.1-12-A3L	垫圈 WASHER	4	GBT97.1-12-A3L
9	2.0112.435.2	螺栓 HEX BOLT M12x1.75x130	4	2.0112.435.2



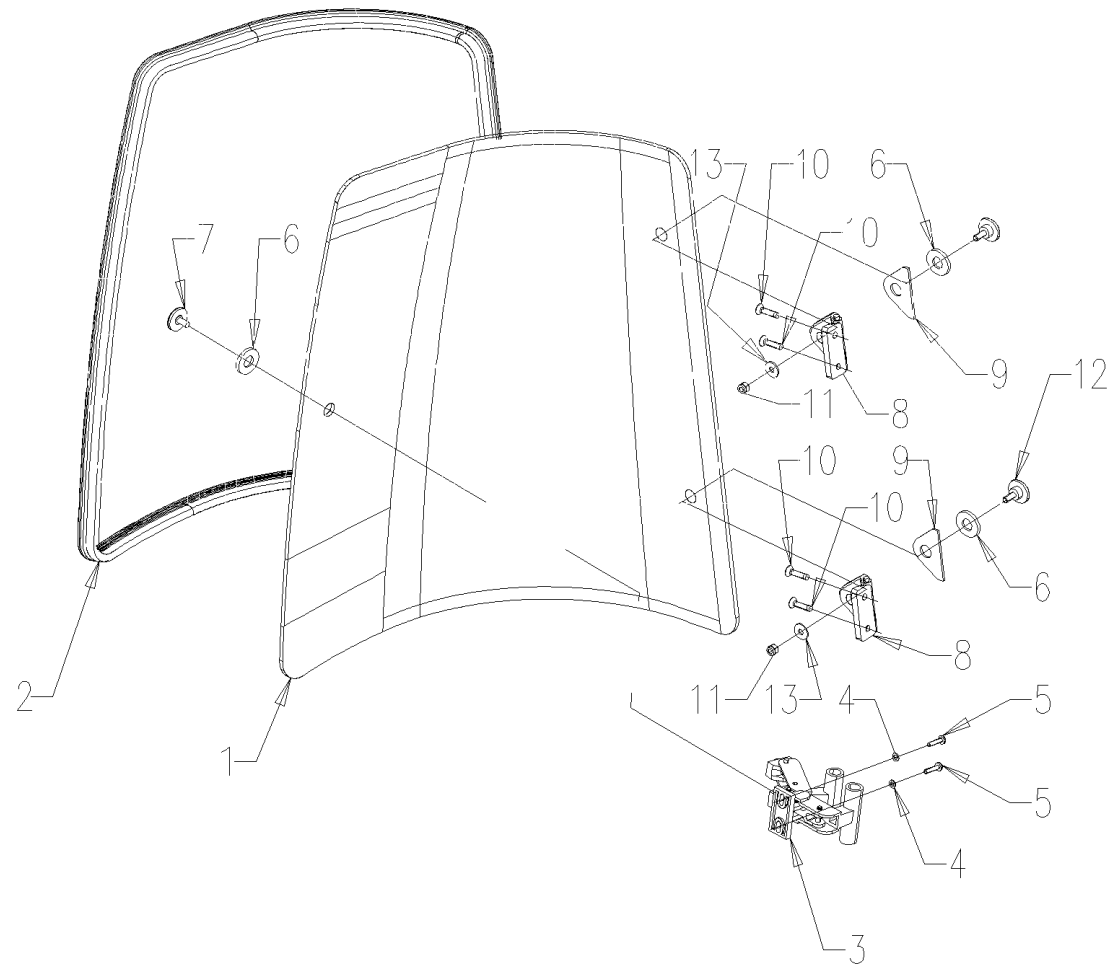
### A80.45.914.4\_0 后窗总成 (带雨刮器) REAR WINDOW ASS.Y

序号	零件编号	零件名称	数量	图号
1	B80.45.063.0	后窗玻璃 REAR WINDOW GLASS	1	B80.45.063.0
2	A80.45.064.0	后窗橡胶 REAR WINDOW RUBBER	1	A80.45.064.0
3	A80.45.068.3	把手 HANDLE	1	A80.45.068.3
4	A80.45.066.0	后窗把手 REAR WINDOW HANDLE	1	A80.45.066.0
5	A39.45.048.0	橡胶垫片 RUBBER GASKET	6	A39.45.048.0
6	A39.45.047.0	塑料头螺栓 M8X20 PLASTIC HEAD	2	A39.45.047.0
7	2.1310.004.2	垫圈 8 ROSETTA 8	3	2.1310.004.2
8	2.1122.005.2	锁紧螺母 M8x1.25 Pa LOCK NUT	1	2.1122.005.2
9	A80.45.076.0	气弹簧 GAS SPRING	2	A80.45.076.0
10	A80.45.067.0	气弹簧铰链 GAS SPRING HINGE	2	A80.45.067.0
11	A80.45.077.0	销 PIN	2	A80.45.077.0
12	2.1430.006.7	挡圈 5 ANELLO 5	2	2.1430.006.7
13	A80.45.074.0	垫片 GASKET	2	A80.45.074.0
14	A80.45.075.0	板 PLATE	2	A80.45.075.0
15	A80.45.070.0	垫片 GASKET	2	A80.45.070.0
16	2.0114.009.2	螺栓 M6X25 VITE T.E.M6X25	4	2.0114.009.2
17	2.1310.002.2	垫圈 6 ROSETTA 6	4	2.1310.002.2
18	A80.45.072.0	手柄 KNOB	2	A80.45.072.0
19	A80.45.069.0	铰链 HINGE	2	A80.45.069.0
20	A80.45.073.0	销 PIN	2	A80.45.073.0
21	A80.45.071.0	垫片 GASKET	2	A80.45.071.0
22	2.1430.007.2	挡圈 6 ANELLO 6	2	2.1430.007.2
23	B80.45.071.4	后雨刮器总成 REAR WIPER ASS.Y	1	B80.45.071.4
24	B80.45.066.0	后雨刷软管 REAR WIPER HOSE	1	B80.45.066.0
25	0.9231.559.0	接头 RACCORDO CON VALVOLA	1	0.9231.559.0
26	0.022.3810.4/10	泵用刮水器电线 PUMP WIPER WIRES	1	0.022.3810.4/10
27	0.028.1461.0	后雨刮器开关 REAR WIPER SW.	1	0.028.1461.0

# A80.45.915.4 RH REAR WINDOW ASS.Y

## A80.45.915.4\_0 右后侧窗总成 RH REAR WINDOW ASS.Y

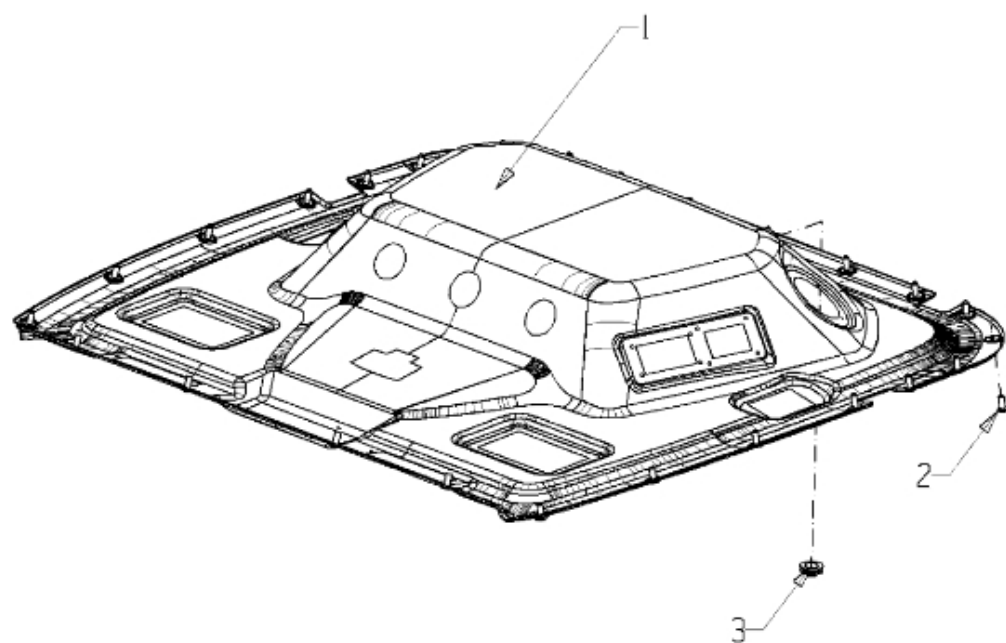
序号	零件编号	零件名称	数量	图号
1	A80.45.083.0	后窗 RH REAR WINDOW	1	A80.45.083.0
2	A80.45.079.0	橡胶帽 RUBBER	1	A80.45.079.0
3	A80.45.080.0	把手 HANDLE	1	A80.45.080.0
4	GBT97.1-6-A3L	垫圈 WASHER	2	GBT97.1-6-A3L
5	2.0332.408.2	螺钉 CROSS SCREW M6x1x25	2	2.0332.408.2
6	A39.45.048.0	橡胶垫片 RUBBER GASKET	3	A39.45.048.0
7	A80.45.072.0	手柄球 KNOB	1	A80.45.072.0
8	A80.45.081.0	铰链 HINGE	2	A80.45.081.0
9	A80.45.082.0	垫圈 GASKET	2	A80.45.082.0
10	GBT819.1-M8X35-A2L	螺钉 SCREW	4	GBT819.1-M8X35-A2L
11	GBT889.1-M8-A2L	螺母 NUT	2	GBT889.1-M8-A2L
12	A39.45.047.0	塑料头螺栓 M8X20 PLASTIC HEAD	2	A39.45.047.0
13	GBT96.1-8-A3L	垫圈 WASHER	2	GBT96.1-8-A3L





 SHANGHAI DEUTZ-FAHR GROUP S.p.A. Gruppo - Group <b>CHINA GROUP</b>	FL90 SERIES YUCHAI CN11	N. dis. - PN <b>A80.45.918.4</b>	
	<b>TOP CONSOLE ASS.Y</b>	Rev	Facile - Sheet di - c°
		1	1
	20/10/2023		

32409F0004

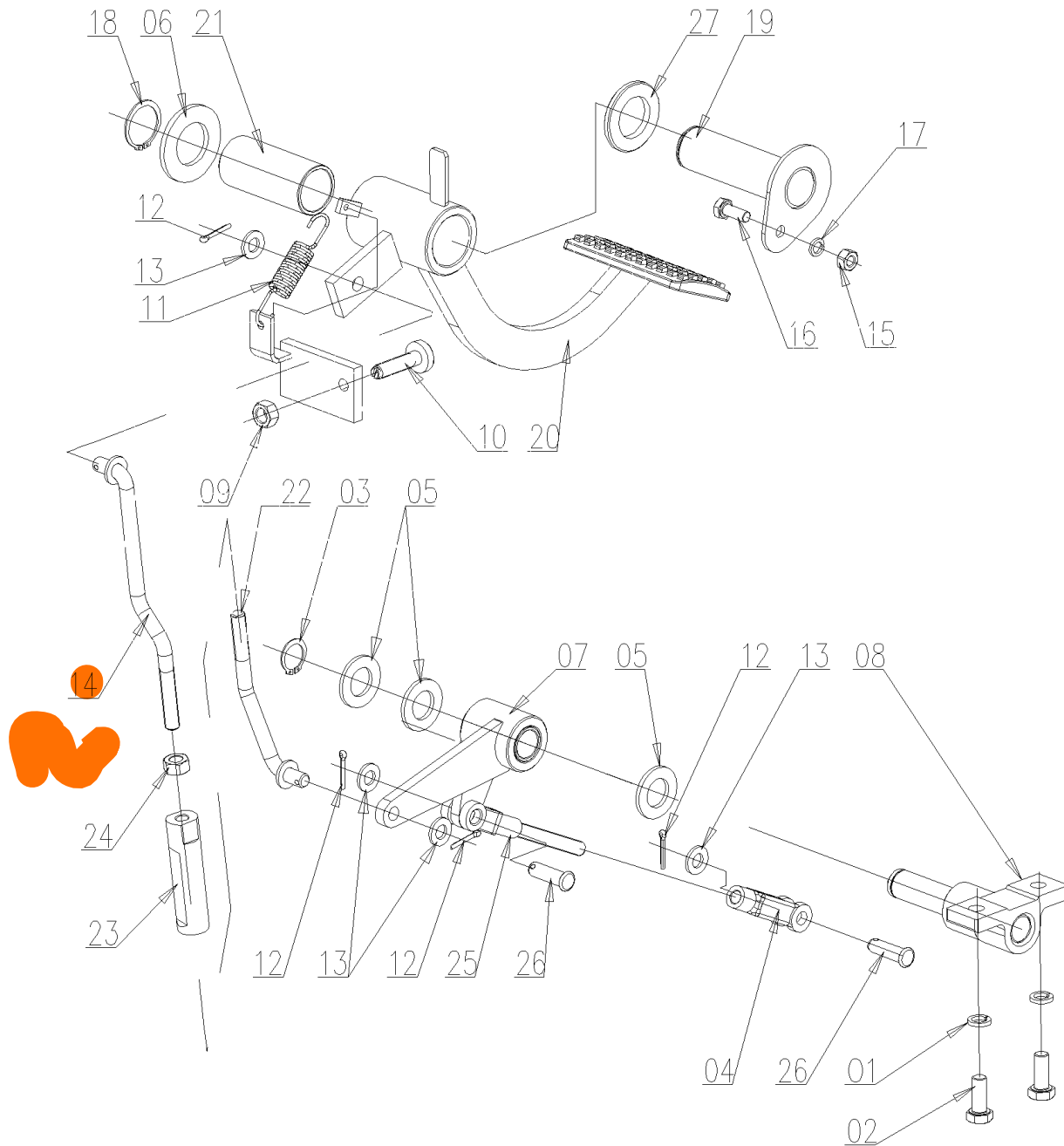


### A80.45.918.4\_0 顶内饰 TOP CONSOLE ASS.Y

序号	零件编号	零件名称	数量	图号
1	B80.45.014.4	顶内饰 TOP CONSOLE ASS.Y	1	B80.45.014.4
2	A80.45.088.0	塑胶螺钉 PLASTIC SCREW	25	A80.45.088.0

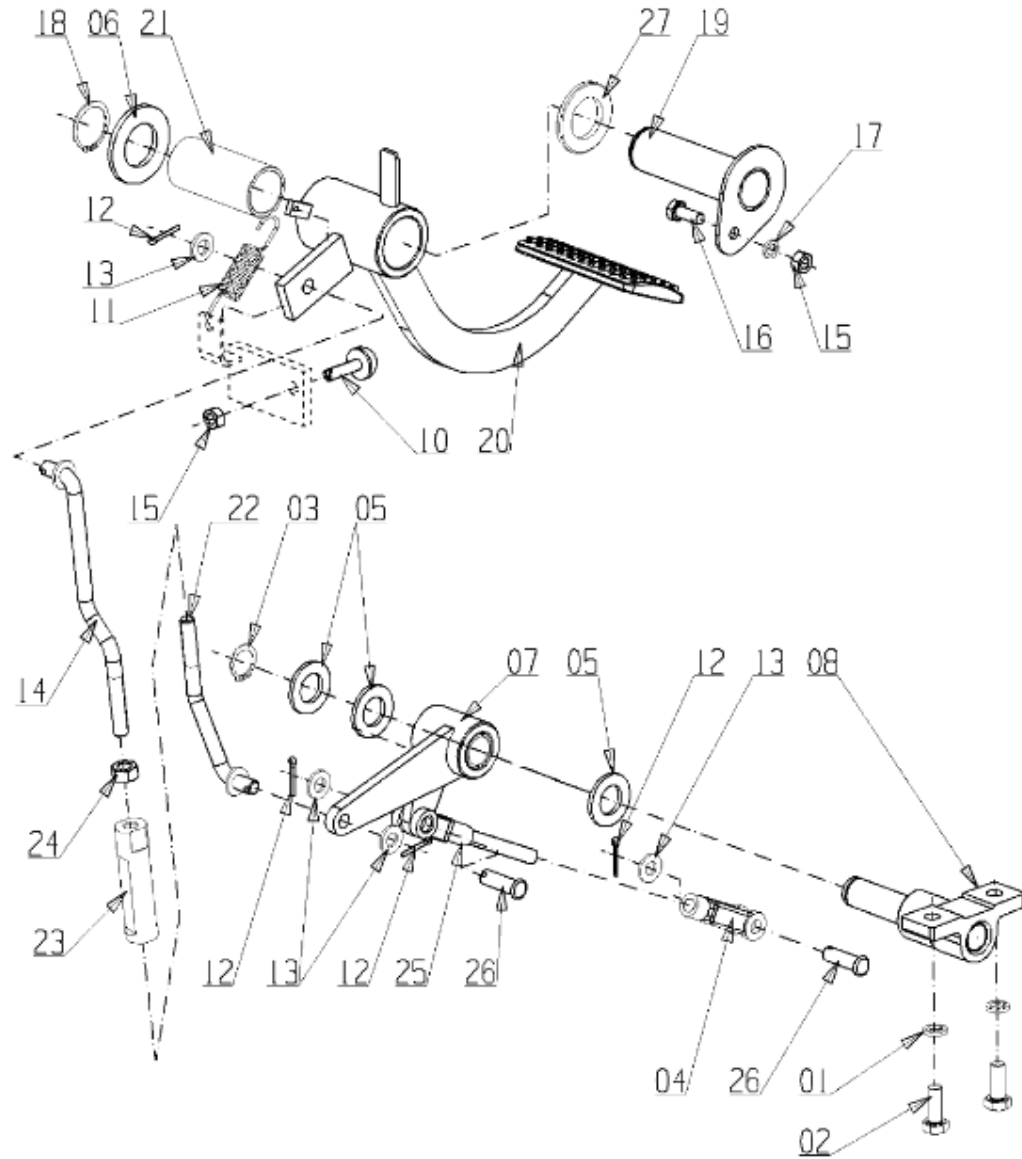
# A80.45.919.4 MAIN CLUTCH COMMAND ASS.Y

# A80.45.919.4\_3 主离合操纵总成 MAIN CLUCH CONTROL ASS.Y



序号	零件编号	零件名称	数量	图号
1	GBT93-10-A3L	垫圈 WASHER	2	GBT93-10-A3L
2	GBT5783-M10X25-A3L	螺栓 BOLT	2	GBT5783-M10X25-A3L
3	GBT894.1-20	弹性挡圈 CIRCLIP	1	GBT894.1-20
4	SH900.21.117	拨叉 FORK	1	SH900.21.117
5	GBT97.1-20-A3L	垫圈 WASHER	3	GBT97.1-20-A3L
6	SH900.21.118	摩擦垫圈 FRICTION WASHER	1	SH900.21.118
7	A80.45.004.3	摇臂组件 ROCKER ARM	1	A80.45.004.3
8	SH900.21.022	主离合摇臂座焊合 MAIN CLUTCH	1	SH900.21.022
9	GBT6170-M10-A3L	螺母 NUT	1	GBT6170-M10-A3L
10	SH900.43.030	调整螺钉合件 ADJUSTING SCREW	1	SH900.43.030
11	SH900.21.101	副离合回位弹簧 AUXILIARY CLUTCH	1	SH900.21.101
12	GBT91-3.2X20-A3L	销 PIN	4	GBT91-3.2X20-A3L
13	GBT97.1-10-A3L	垫圈 WASHER	4	GBT97.1-10-A3L
14	SH900.21.011	主离合长拉杆焊合件 MAIN CLUTCH	1	SH900.21.011
15	GBT6170-M8-A2L	螺母 NUT	1	GBT6170-M8-A2L
16	GBT5783-M8X20-A2L	螺栓 BOLT	1	GBT5783-M8X20-A2L
17	GBT93-8-A3L	垫圈 WASHER	1	GBT93-8-A3L
18	GBT894.1-30	弹性挡圈 CIRCLIP	1	GBT894.1-30
19	SH900.21.021	主离合踏板轴焊合 MAIN CLUTCH	1	SH900.21.021
20	SH900.21.012	离合踏板焊合 CLUTCH PEDAL	1	SH900.21.012
21	SH900.21.122	套筒 SLEEVE	1	SH900.21.122
22	A80.45.002.3	拉杆 PULL ROD	1	A80.45.002.3
23	SH900.21.105	调节管 ADJUSTING TUBE	1	SH900.21.105
24	GBT6171-M10X1-A2L	螺母 NUT	1	GBT6171-M10X1-A2L
25	LE1204.21.101	主离合短拉杆 MAIN CLUTCH	1	LE1204.21.101
26	GBT882-B10X32-A3L	销 PIN	2	GBT882-B10X32-A3L
27	SH900.43.181	套筒 SLEEVE	1	SH900.43.181

YFB-R-2020-004 SH.033



A80.45.919.4\_4 主离合操纵总成 MAIN CLUCH CONTROL ASS.Y

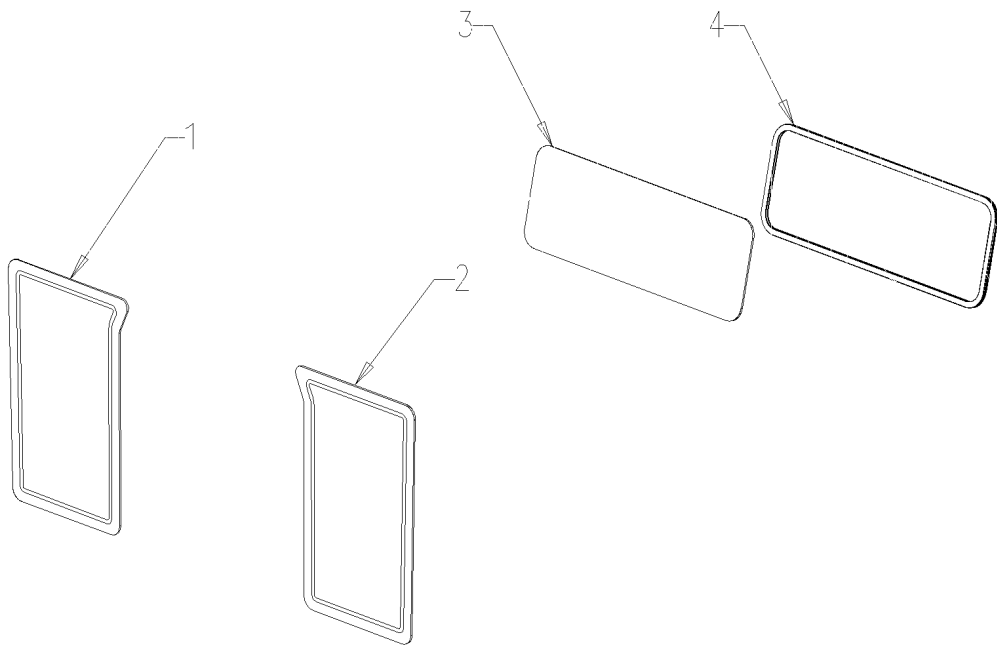
序号	零件编号	零件名称	数量	图号
1	2.1473.008.2	垫圈 WASHER	2	2.1473.008.2
2	2.0114.309.2	螺栓 BOLT	2	2.0114.309.2
3	2.1414.018.2	挡圈 CIRCLIP	1	2.1414.018.2
4	SH900.21.117	前叉 FORK	1	SH900.21.117
5	2.1310.013.2	垫圈 WASHER	3	2.1310.013.2
6	SH900.21.118	摩擦垫圈 FRICTION WASHER	1	SH900.21.118
7	A80.45.004.3	摇臂组件 ROCKER ARM	1	A80.45.004.3
8	SH900.21.022	主离合摇臂座焊合 MAIN CLUTCH	1	SH900.21.022
9	0.020.5363.2/10	限位螺钉 LOCK	1	0.020.5363.2/10
10	SH900.21.101	副离合器复位弹簧 AUXILIARY	1	SH900.21.101
11	2.1690.308.2	销 PIN	4	2.1690.308.2
12	2.1310.006.2	垫圈 WASHER	4	2.1310.006.2
13	SH900.21.011	主离合器长杆焊件 MAIN CLUTCH	1	SH900.21.011
14	2.1012.105.2	螺母 NUT	2	2.1012.105.2
15	2.0114.207.2	螺栓 BOLT	1	2.0114.207.2
16	2.1473.007.2	垫圈 WASHER	1	2.1473.007.2
17	2.1414.026.2	轴用弹性挡圈 CIRCLIP FOR SHAFT	1	2.1414.026.2
18	SH900.21.021	主离合踏板轴焊合 MAIN CLUTCH	1	SH900.21.021
19	A78.21.013.3/10	离合踏板焊合 CLUTCH PEDAL	1	A78.21.013.3/10
20	SH900.21.122	套筒 SLEEVE	1	SH900.21.122
21	A80.45.002.3	拉杆 PULL ROD	1	A80.45.002.3
22	SH900.21.105	调节管 ADJUSTING TUBE	1	SH900.21.105
23	2.1011.406.2	螺母 NUT	1	2.1011.406.2
24	LE1204.21.101	主离合器短管 MAIN CLUTCH SHORT	1	LE1204.21.101
25	2.1671.409.2	销 PIN	2	2.1671.409.2
26	SH900.43.181	套筒 SLEEVE	1	SH900.43.181

A80.45.925.4\_0 玻璃总成 GLASSES ASS.Y

序号	零件编号	零件名称	数量	图号
1	A80.45.021.0	右下玻璃 RH BELOW GLASS	1	A80.45.021.0
2	A80.45.022.0	左下玻璃 LH BELOW GLASS	1	A80.45.022.0
3	A80.45.023.0	后下面玻璃 REAR BELOW GLASS	1	A80.45.023.0
4	A80.45.024.0	玻璃胶皮 GLASS RUBBER	1	A80.45.024.0

GLASSES ASS.LY A80.45.925.4

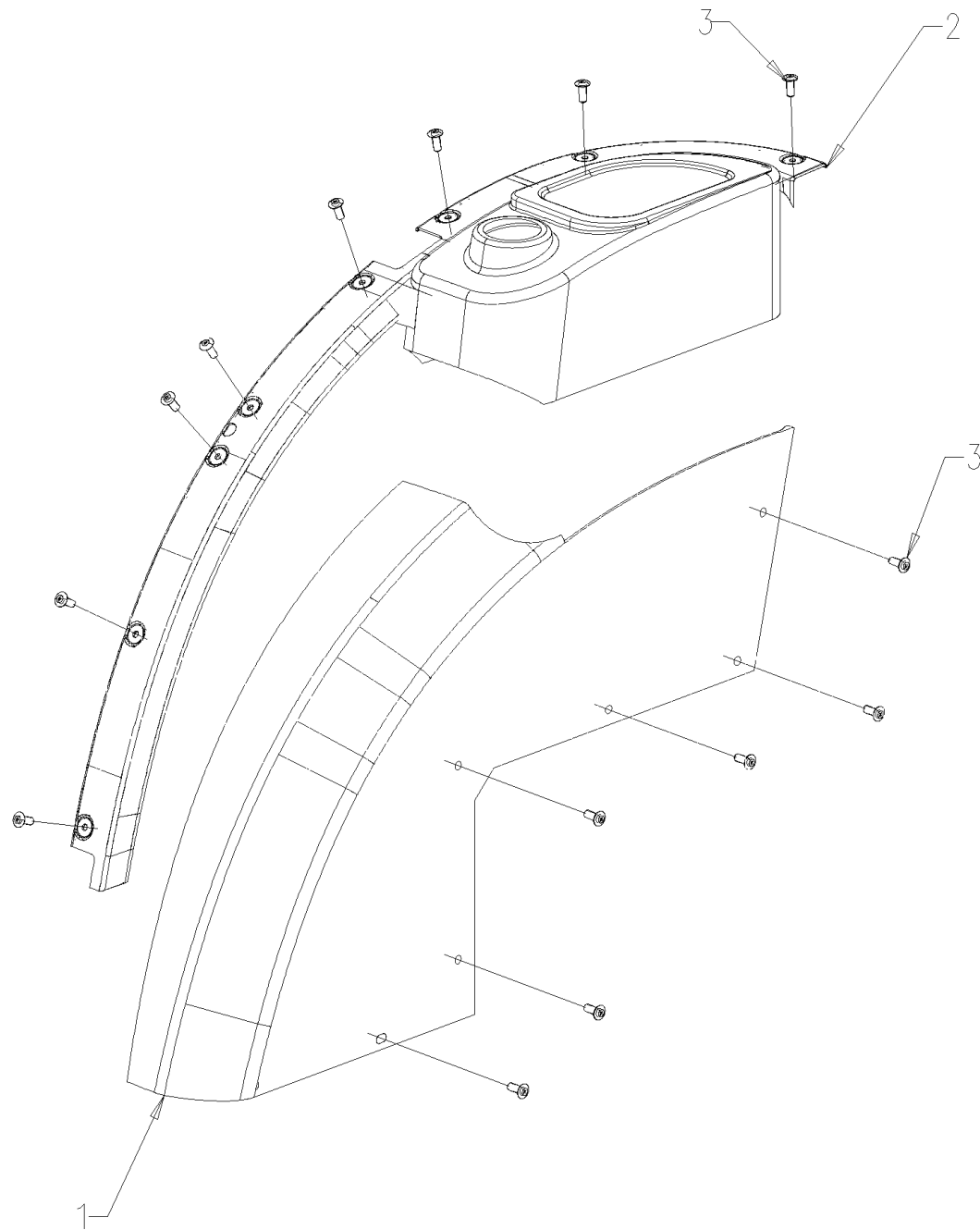
YFB-R-2016-016 SH.016



# A80.45.930.4 RH CONSOLE ASS.Y

## A80.45.930.4\_0 右轮罩内饰总成 RH CONSOLE ASS.Y

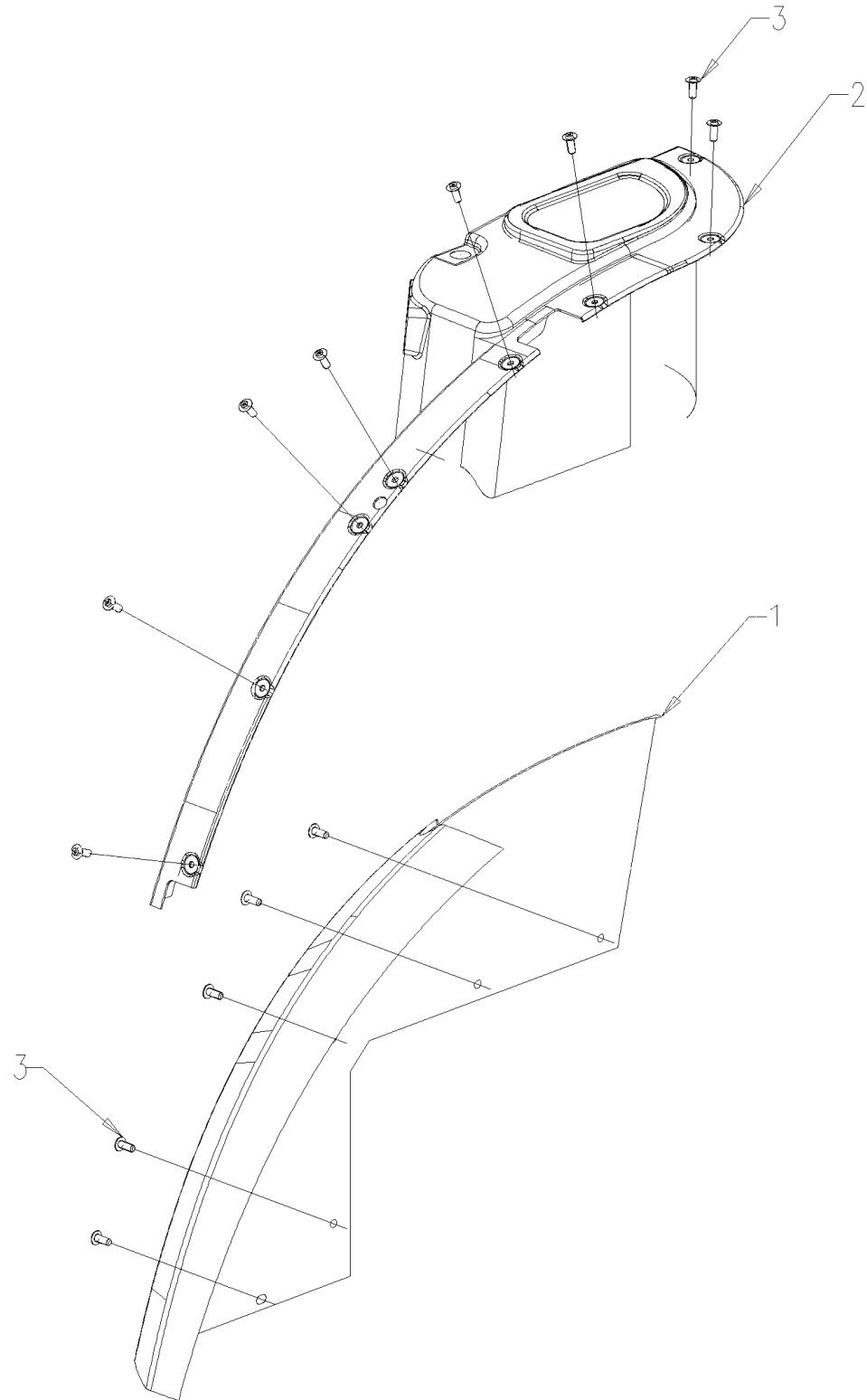
序号	零件编号	零件名称	数量	图号
1	A80.45.092.0	驾驶室盖 RH WHEEL HOUSE COVER	1	A80.45.092.0
2	A80.45.093.0	控制台 RH CONSOLE	1	A80.45.093.0
3	A80.45.088.0	塑胶螺钉 PLASTIC SCREW	14	A80.45.088.0



# A80.45.931.4 LH CONSOLE ASS.Y

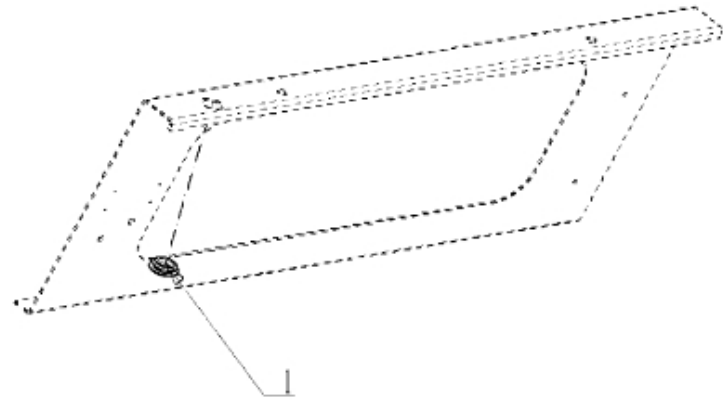
# A80.45.931.4\_0 左轮罩内饰 LH CONSOLE ASS.Y

序号	零件编号	零件名称	数量	图号
1	A80.45.094.0	左驾驶室盖 LH WHEEL HOUSE	1	A80.45.094.0
2	A80.45.095.2	左侧控制台 LH CONSOLE	1	A80.45.095.2
3	A80.45.088.0	塑胶螺钉 PLASTIC SCREW	13	A80.45.088.0



 SHAE DEUTE PAHR GROUP S.p.A. 04044 - 00124 (FROSINONE) - PIAZZA SAN GIUSEPPE - Gruppo - Group	A80.45.934.4	N. dis. - PN A80.45.934.4	
	CAB SEAL	Rev. 	Foglio - Sheet 1 di 1
		Val. data di 20/10/2023	

32409F0004



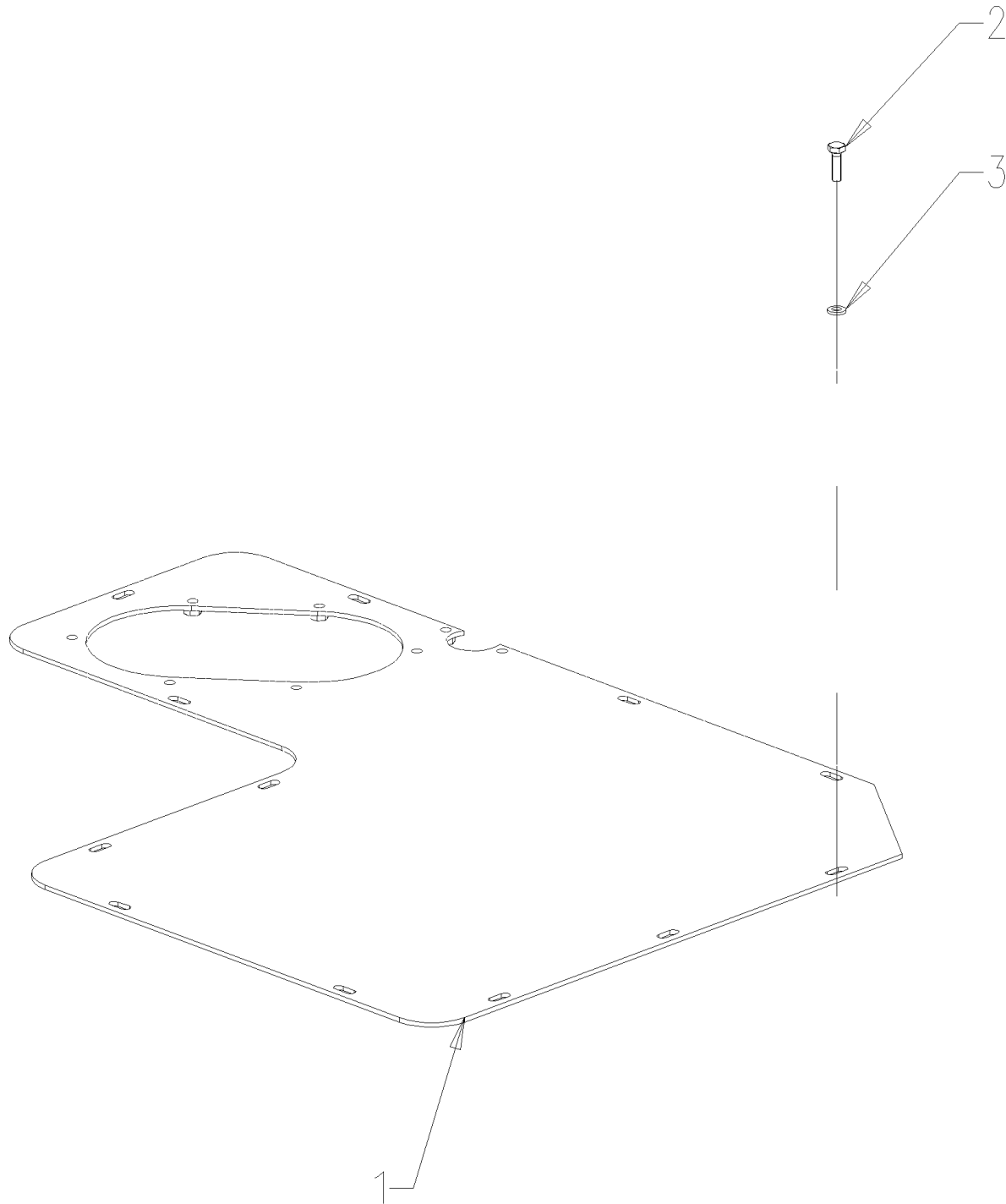
### A80.45.934.4\_0 密封 CAB SEAL

序号	零件编号	零件名称	数量	图号
1	0.026.5183.0	塞堵 D. 30.5 PLUG D. 30.5	1	0.026.5183.0

# A80.45.962.4 FRONT FLOOR COVER

## A80.45.962.4\_0 前地板盖总成 (驾驶室) FRONT FLOOR COVER (Cab)

序号	零件编号	零件名称	数量	图号
1	CD904A.45A.025	地板维修盖焊合 PLATFORM	1	CD904A.45A.025
2	GBT5783-M6X20-A2L	螺栓 BOLT	12	GBT5783-M6X20-A2L
3	GBT97.1-6-A3L	垫圈 WASHER	12	GBT97.1-6-A3L

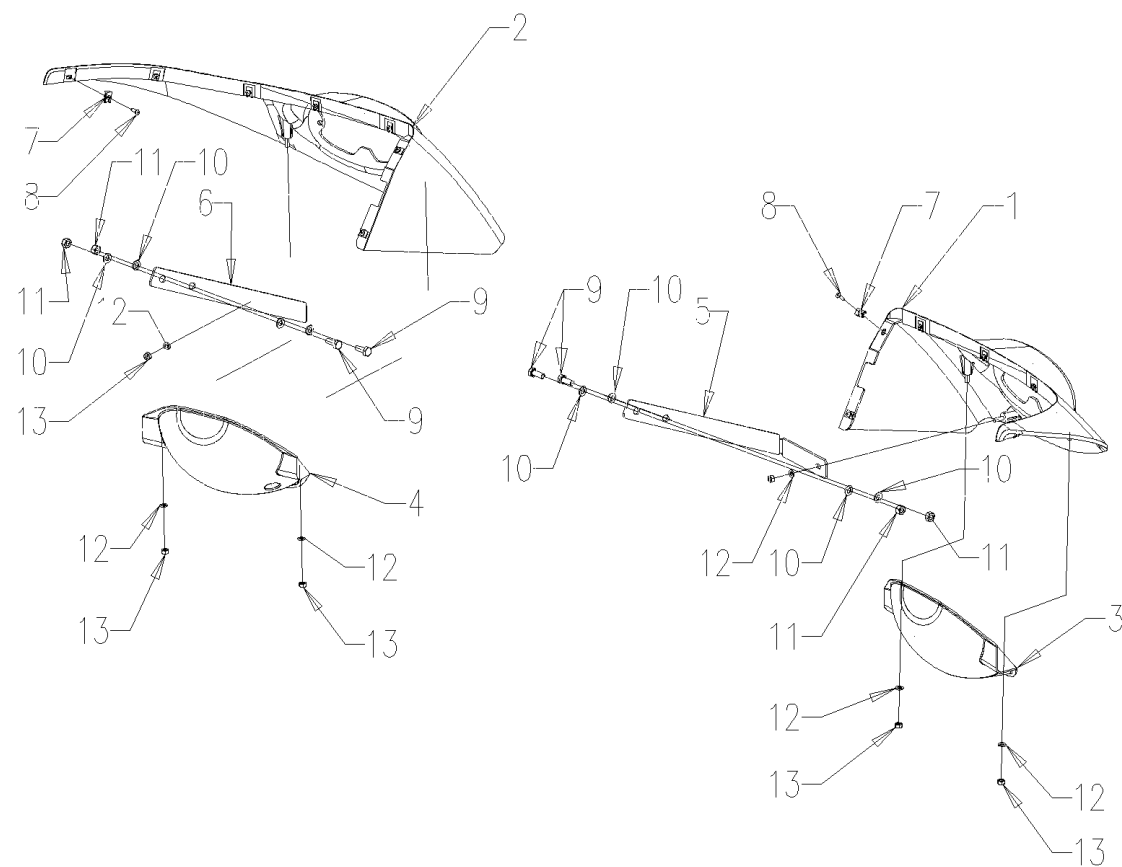




# A80.45.964.4 REAR LAMP COVERS

## A80.45.964.4\_0 后尾灯罩 REAR LAMP COVER

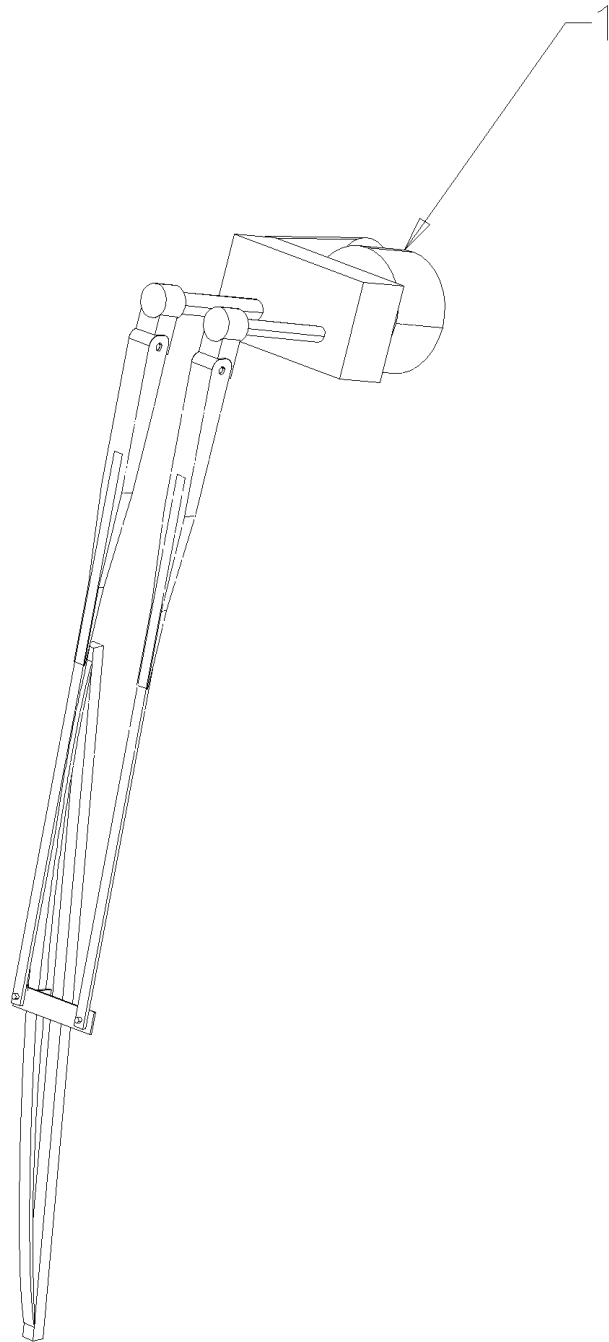
序号	零件编号	零件名称	数量	图号
1	A80.45.096.2	左后灯盖 LH REAR LAMP COVER	1	A80.45.096.2
2	A80.45.097.2	右后灯盖 RH REAR LAMP COVER	1	A80.45.097.2
3	A80.45.098.0	左灯罩 LH LAMP COVER	1	A80.45.098.0
4	A80.45.099.0	右灯罩 RH LAMP COVER	1	A80.45.099.0
5	A80.45.100.0	左支架 LH BRACKET	1	A80.45.100.0
6	A80.45.101.0	右支架 RH BRACKET	1	A80.45.101.0
7	A23.45.103.0	夹板 CLIP-SELF-TAPPING SCREW 4.2	14	A23.45.103.0
8	2.0350.455.2	螺钉 SCREW ST4.2x16 - C	14	2.0350.455.2
9	GBT5783-M8X20-A2L	螺栓 BOLT	4	GBT5783-M8X20-A2L
10	GBT97.1-8-A3L	垫圈 WASHER	8	GBT97.1-8-A3L
11	GBT6170-M8-A2L	螺母 NUT	4	GBT6170-M8-A2L
12	GBT97.1-6-A3L	垫圈 WASHER	6	GBT97.1-6-A3L
13	GBT6170-M6-A2L	螺母 NUT	6	GBT6170-M6-A2L



# A80.48.904.4 FRONT WIPER ASS.Y

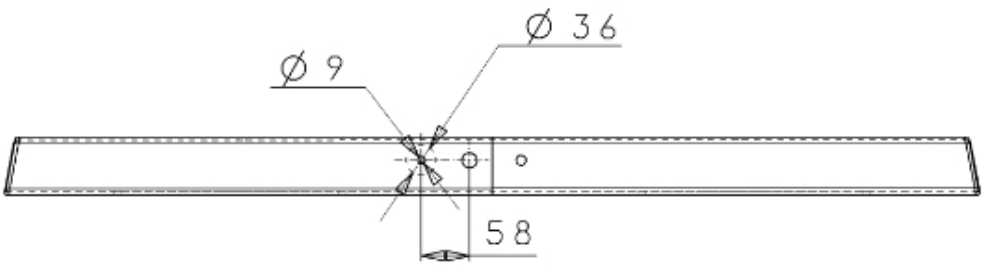
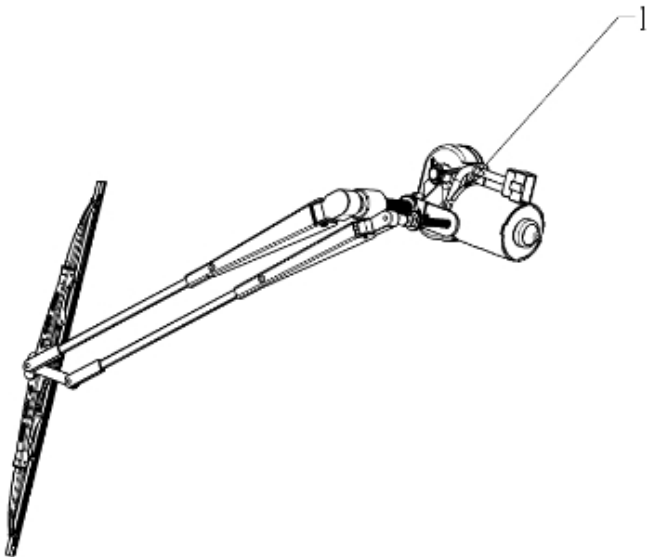
## A80.48.904.4\_0 前雨刮器 FRONT WIPER ASS.Y

序号	零件编号	零件名称	数量	图号
1	A80.48.001.4	前雨刮器总成 FRONT WIPER ASS.Y	1	A80.48.001.4



	FL90 SERIES YUCHAI D111	N. dis. - P/N A80.48.914.4							
	FRONT WIPER WITH NOZZLE	<table border="1"> <tr> <td>Rev</td> <td>0</td> <td>1</td> <td>1</td> </tr> <tr> <td>Validato</td> <td></td> <td></td> <td></td> </tr> </table>	Rev	0	1	1	Validato		
Rev	0	1	1						
Validato									

32409F0004



前雨刮装喷水嘴时，需要在前横梁上开  $\varnothing 9$  和  $\varnothing 36$  两个孔

### A80.48.914.4\_0 前雨刮带喷嘴 FRONT WIPER WITH NOZZLE

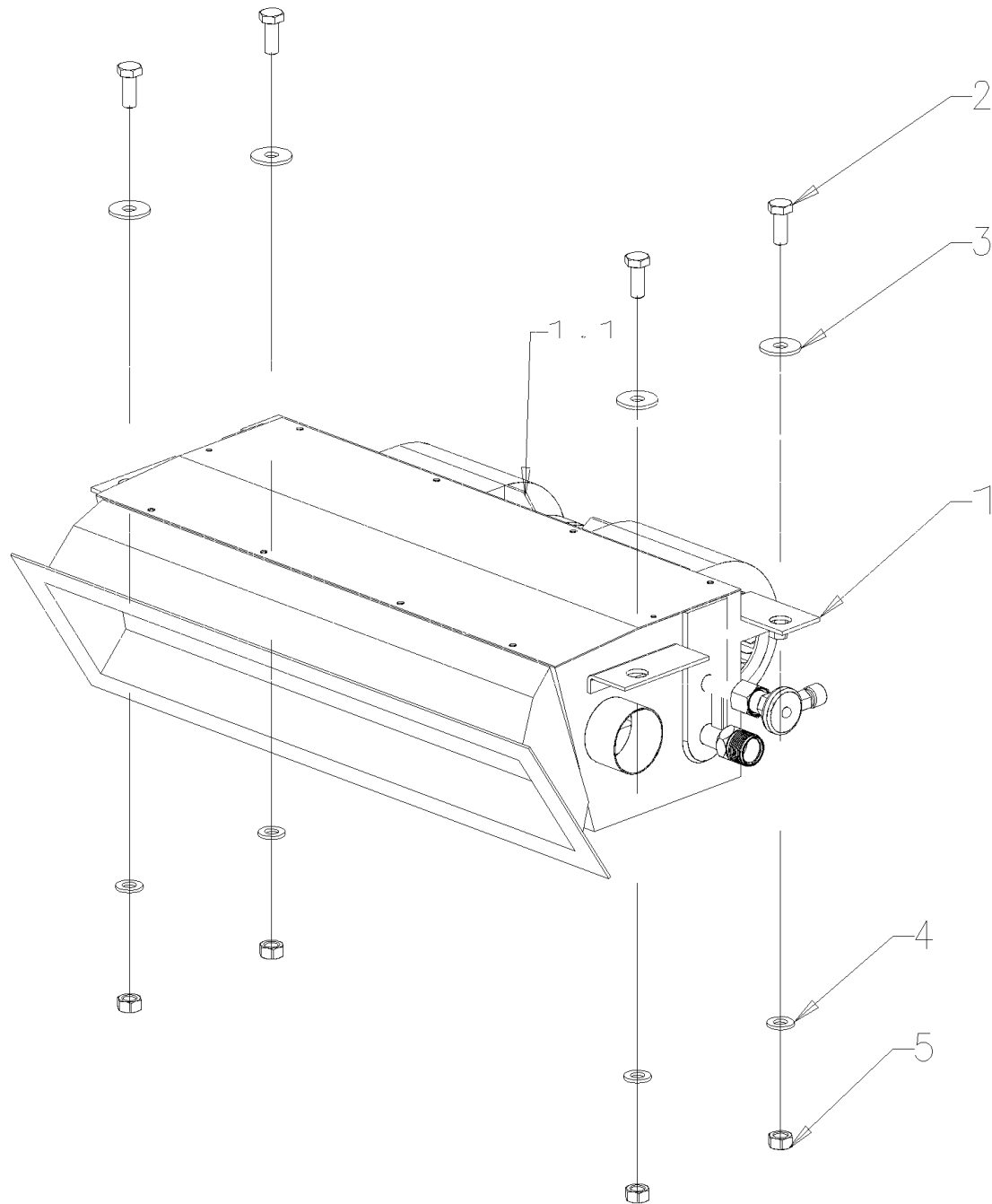
序号	零件编号	零件名称	数量	图号
1	B80.48.013.4	前雨刮带 FRONT WIPER	1	B80.48.013.4

# A80.81.903.4 AC EVAPORATOR ASS.Y

YFB-R-2020-004 SH.008

## A80.81.903.4\_1 蒸发器总成 AC EVAPORATOR ASS.Y

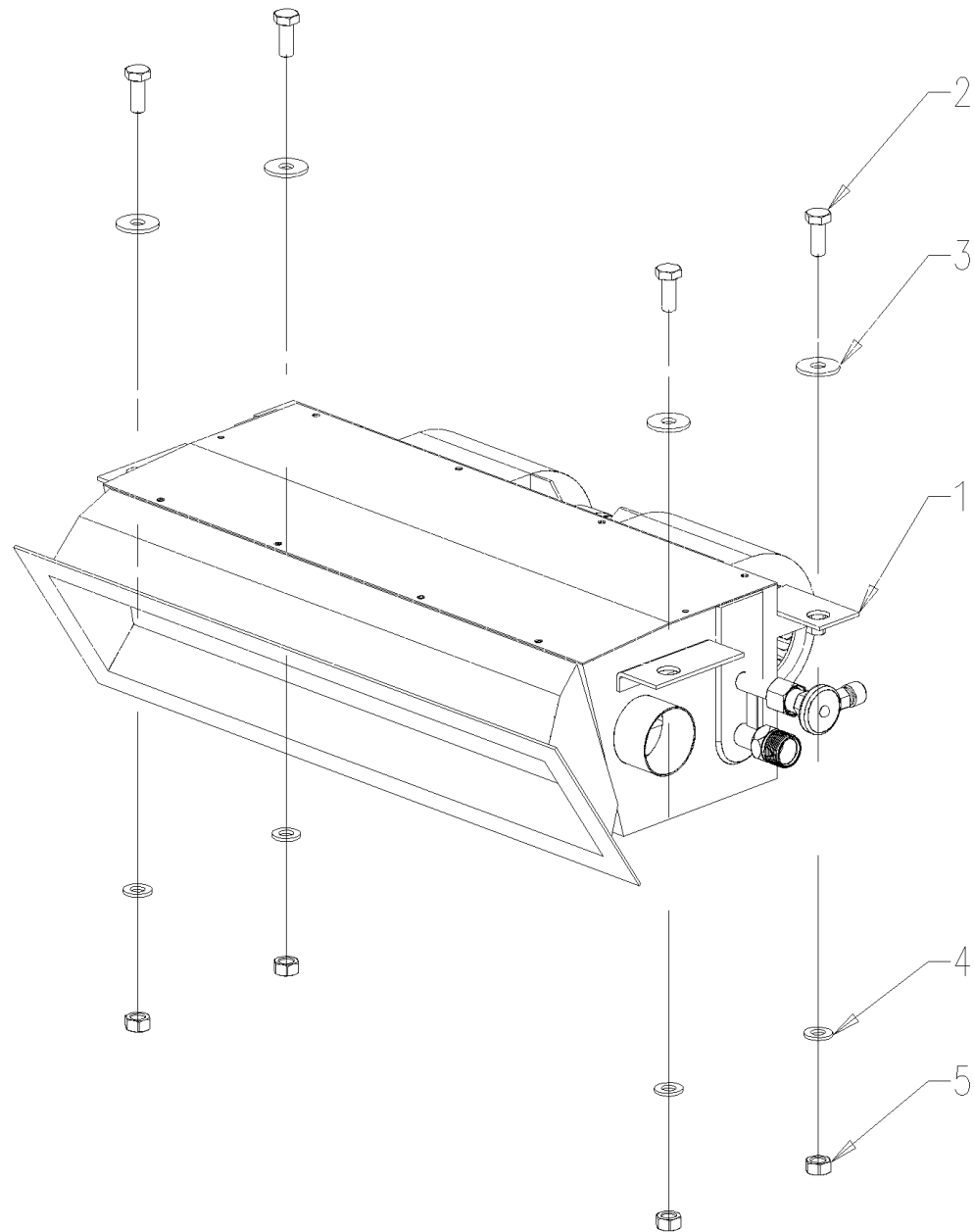
序号	零件编号	零件名称	数量	图号
1	A80.81.001.4	空调蒸发器 AC EVAPORATOR	1	A80.81.001.4
1.1	K81TY2500G-01	蒸发器电机 EVAPORATOR MOTOR	1	K81TY2500G-01
2	GBT5783-M10X25-A3L	螺栓 BOLT	4	GBT5783-M10X25-A3L
3	GBT96.1-10-A3L	垫圈 WASHER	4	GBT96.1-10-A3L
4	GBT97.1-10-A3L	垫圈 WASHER	4	GBT97.1-10-A3L
5	GBT6170-M10-A3L	螺母 NUT	4	GBT6170-M10-A3L



# A80.81.904.4 HTR ASS.Y

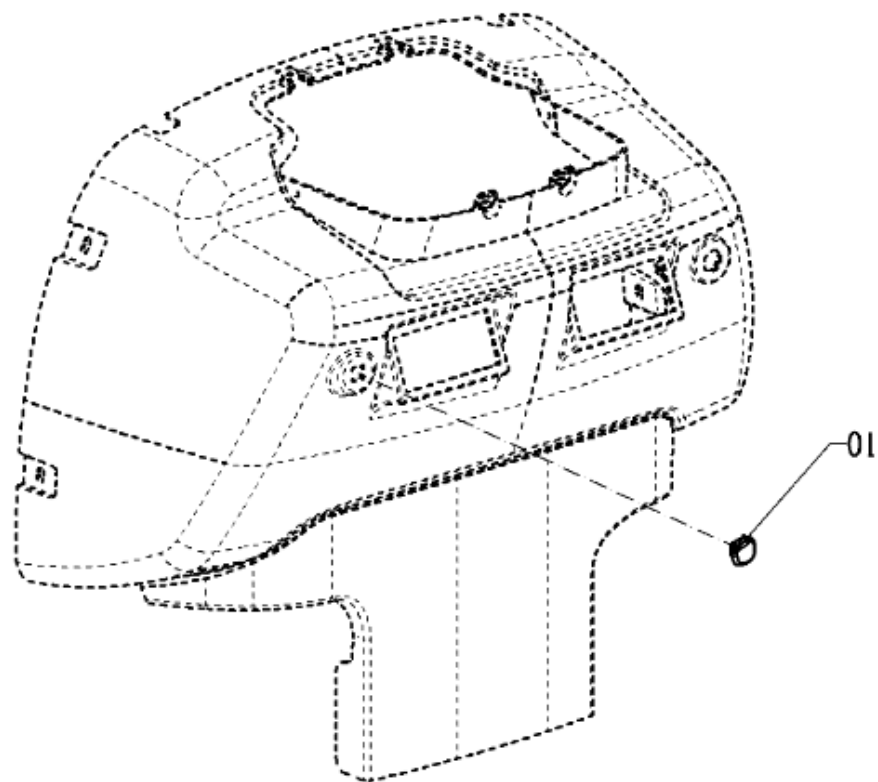
## A80.81.904.4\_1 暖风机总成 HTR ASS.Y

序号	零件编号	零件名称	数量	图号
1	A80.81.008.4	暖通空调插件 HTR	1	A80.81.008.4
2	GBT5783-M10X25-A3L	螺栓 BOLT	4	GBT5783-M10X25-A3L
3	GBT96.1-10-A3L	垫圈 WASHER	4	GBT96.1-10-A3L
4	GBT97.1-10-A3L	垫圈 WASHER	4	GBT97.1-10-A3L
5	GBT6170-M10-A3L	螺母 NUT	4	GBT6170-M10-A3L



 SIME DEUTZ-FAHR GROUP S.p.A. SIME + DEUTZ-FAHR + LANDINI + HILTI Gruppo - Group	CD30 SERIES	N. dis. - P/N	
	FLAMEOUT HOLE COVER	A95.45.903.4	
		Rev	Foglio - Sheet
	0	1	1
	Validato il	Da	F
	30/03/2020		

YFB-R-2016-030 SH.006



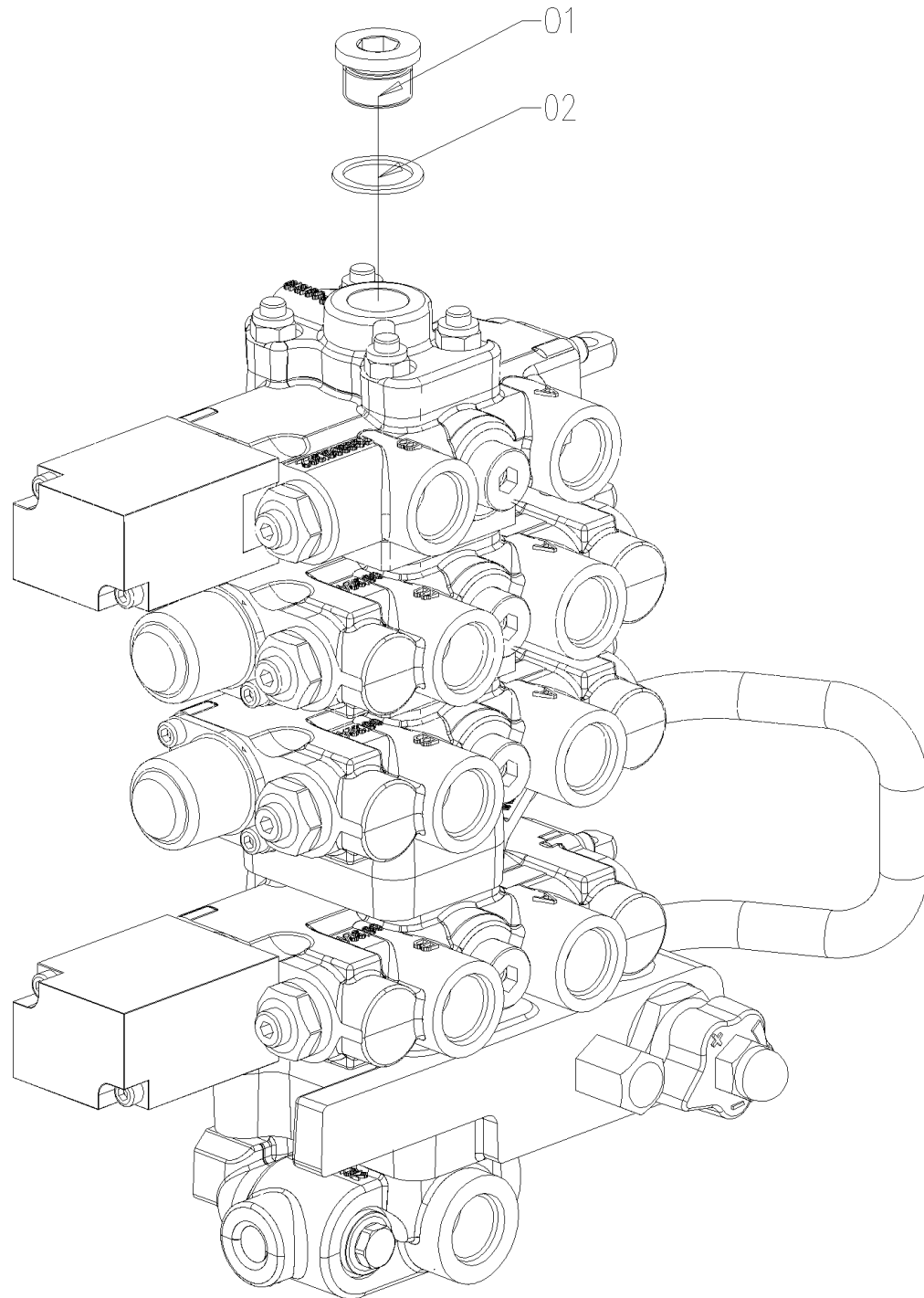
### A95.45.903.4\_0 FLAMEOUT HOLE COVER 熄火拉线堵盖

序号	零件编号	零件名称	数量	图号
1	CD554A.45.119	盖 COVER	1	CD554A.45.119

# B09.58.909.4 VALVE PLUG

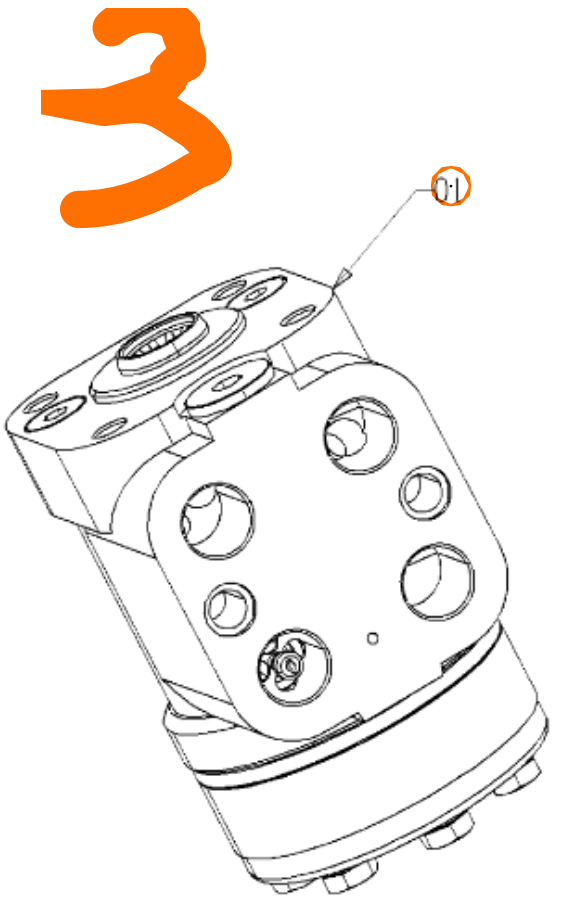
## B09.58.909.4\_1 多路阀塞堵 (3组液压输出 (流量控制)) VALVE PLUG(3 sets of hydraulic outputs (flow control))

序号	零件编号	零件名称	数量	图号
1	2.3120.102.0	塞子 M22x1.5 PLUG M22X1.5	1	2.3120.102.0
2	2.1560.018.0	密封圈 SEALING RING	1	2.1560.018.0



 SWIN DEUTZ-FAHR GROUP S.p.A. Gruppo - Group	6W-B SERIES YUCHAI CNIV	N. dis. - P/N B29.40.904.4											
	STEERING UNIT ASS.Y	<table border="1"> <tr> <td>Rev.</td> <td>Fazio - Sheet</td> <td>di - di</td> </tr> <tr> <td>0</td> <td>1</td> <td>1</td> </tr> <tr> <td>Validato il</td> <td>IM</td> <td>F</td> </tr> <tr> <td>11/08/2023</td> <td></td> <td></td> </tr> </table>	Rev.	Fazio - Sheet	di - di	0	1	1	Validato il	IM	F	11/08/2023	
Rev.	Fazio - Sheet	di - di											
0	1	1											
Validato il	IM	F											
11/08/2023													

32389F0004

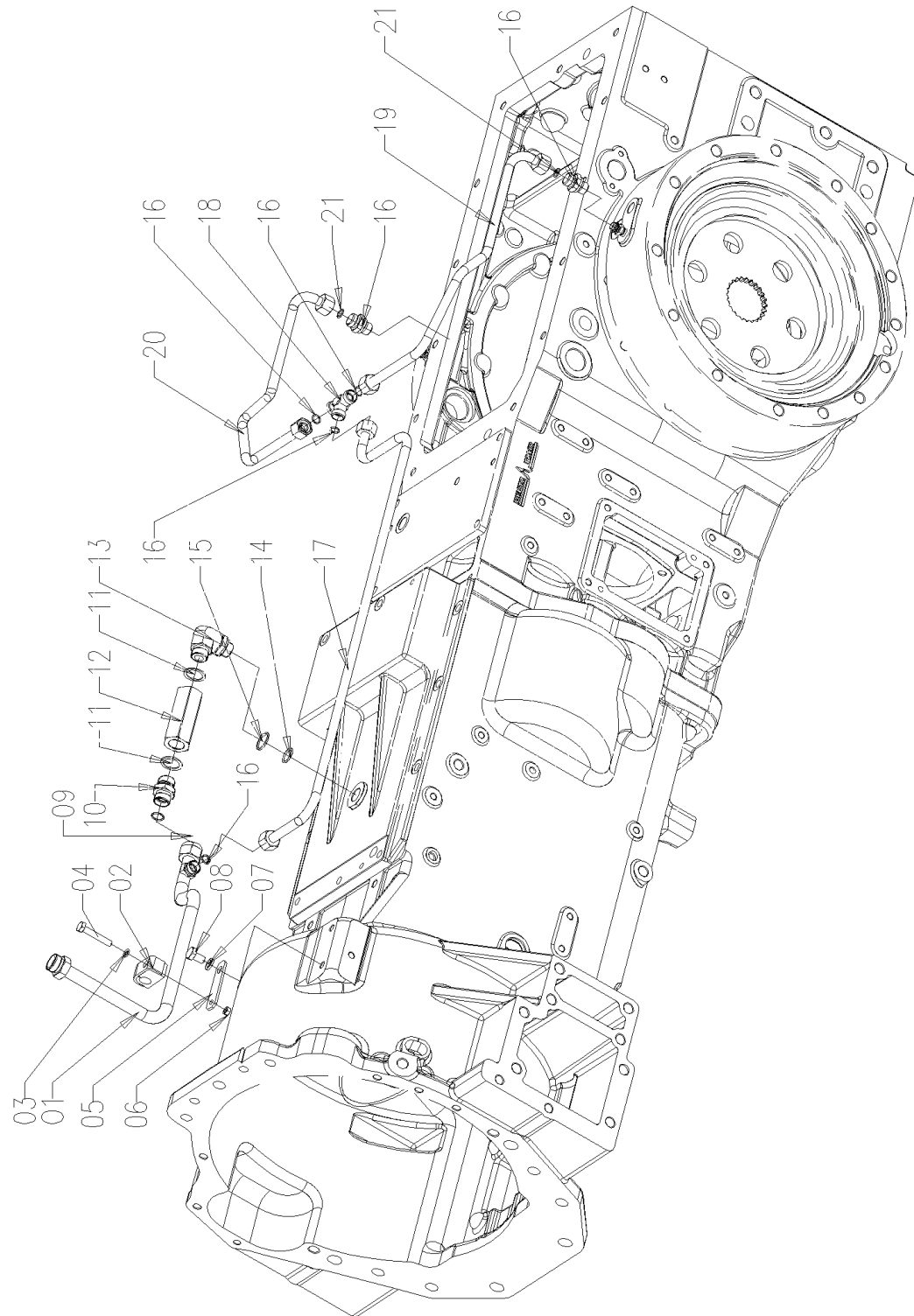


### B29.40.904.4\_0 转向器总成 STEERING UNIT ASS.Y

序号	零件编号	零件名称	数量	图号
1	B29.40.140.0	转向器160CC 100BAR STEERING UNIT	1	B29.40.140.0

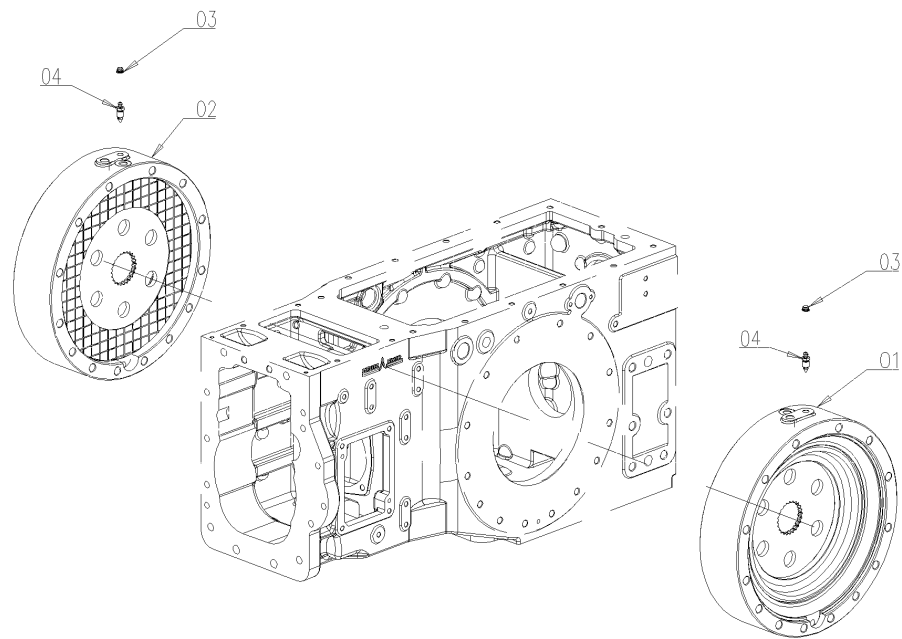


# B29.40.907.4 LUBRICATION PIPE ASS.Y



# B29.40.907.4\_1 制动润滑油管总成 LUBRICATION PIPE ASS.

序号	零件编号	零件名称	数量	图号
1	B29.40.020.3/20	回油接头焊合 RETURN PIPE ASS.	1	B29.40.020.3/20
2	2.3320.108.0	管形夹具 TUBE CLAMP 16	1	2.3320.108.0
3	GBT97.1-6-A3L	垫圈 WASHER	1	GBT97.1-6-A3L
4	GBT5783-M8X45-A2L	螺栓 BOLT	1	GBT5783-M8X45-A2L
5	B29.40.032.0	支架 BRACKET	1	B29.40.032.0
6	GBT6170-M6-A2L	螺母 NUT	1	GBT6170-M6-A2L
7	GBT93-10-A3L	垫圈 WASHER	1	GBT93-10-A3L
8	GBT5783-M10X16-A3L	螺栓 BOLT	1	GBT5783-M10X16-A3L
9	GBT3452.1-14X1.5-G	O形密封圈 O RING	1	GBT3452.1-14X1.5-G
10	GBT3733.2-83-G16	管件 FITTING	1	GBT3733.2-83-G16
11	2.1560.018.0	密封圈 SEALING RING	2	2.1560.018.0
12	A11.40.075.0	直通单向阀总成 NON-RETURN	1	A11.40.075.0
13	B29.40.033.0	管件 FITTING	1	B29.40.033.0
14	GBT3452.1-17.3X2.2-G	O形密封圈 O RING	1	GBT3452.1-17.3X2.2-G
15	B29.40.022.0	垫圈 WASHER	1	B29.40.022.0
16	GBT3452.1-10X1.5-G	O形密封圈 O RING	6	GBT3452.1-10X1.5-G
17	B29.40.028.3	润滑管道总成 LUBRICATION PIPE	1	B29.40.028.3
18	GBT3745-08-L12	管件 FITTING	1	GBT3745-08-L12
19	B29.40.026.3	刹车润滑管 BRAKE LUBRICATION	1	B29.40.026.3
20	B29.40.027.3	刹车润滑管 BRAKE LUBRICATION	1	B29.40.027.3
21	GBT3733-08-L12E	管件 FITTING	2	GBT3733-08-L12E

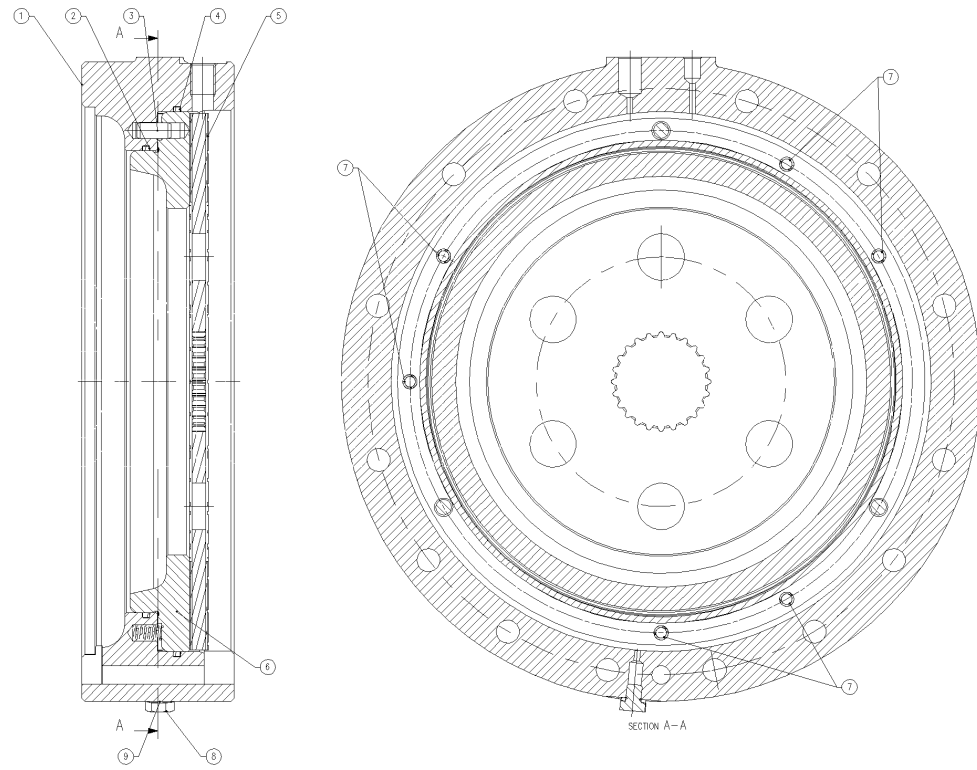


### B29.43.901.4\_2 行车制动器总成 Service parking assembly

序号	零件编号	零件名称	数量	图号
1	B29.43.001.4/10	左制动组 LEFT BRAKE SET	1	B29.43.001.4/10
2	B29.43.002.4/10	右制动组 RIGHT BRAKE SET	1	B29.43.002.4/10
3	2.3199.039.0	螺母保护帽 TAPPO X VITE	2	2.3199.039.0
4	0.170.5455.0	螺栓 VITE DI SPURGO	2	0.170.5455.0

B29.43.901.4 REAR BRAKE ASSY

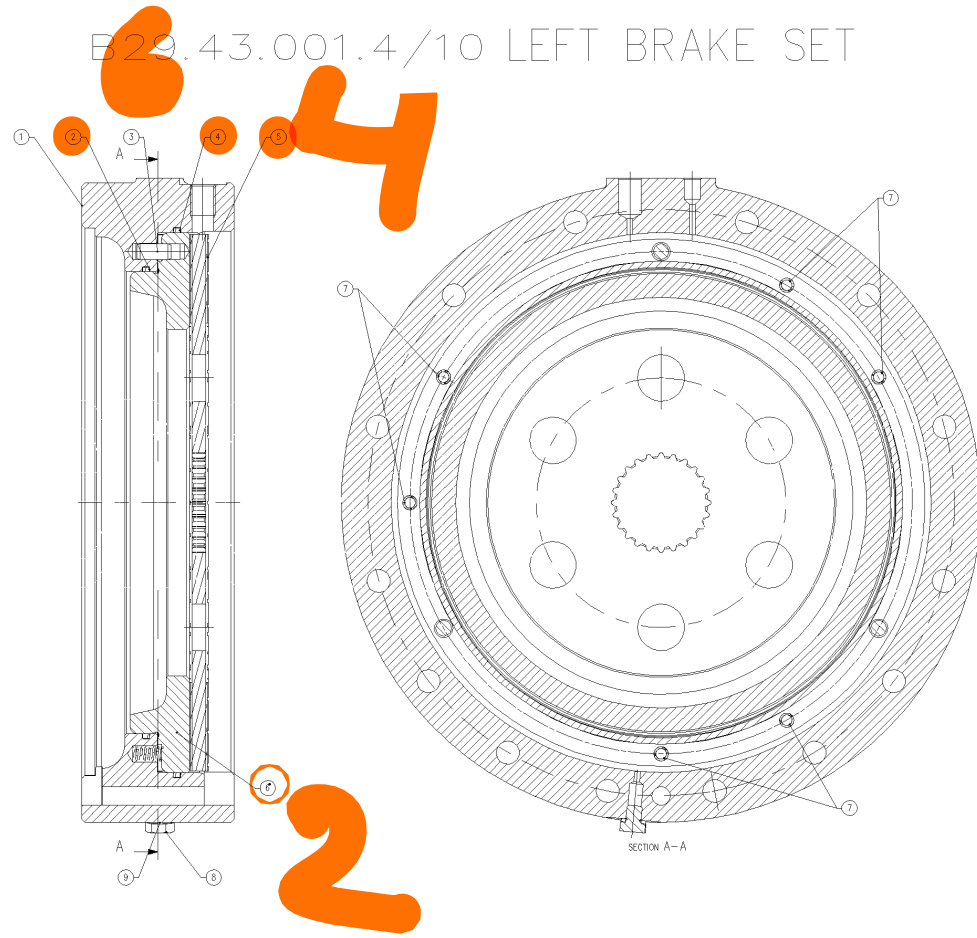
# B29.43.001.4/10 LEFT BRAKE SET



## B29.43.001.4-10\_1 左制动组LEFT BRAKE SET

序号	零件编号	零件名称	数量	图号
1	B29.43.001.0	左制动器壳 LEFT BRAKE HOUSING	1	B29.43.001.0
2	LE1204.43.103	星型密封圈 STAR TYPE SEAL RING 296	1	LE1204.43.103
3	GBT119.1-10m6X22	销 PIN	3	GBT119.1-10m6X22
4	LE1204.43.102	星型密封圈 STAR TYPE SEAL RING 346	1	LE1204.43.102
5	LE1204.43.011	摩擦片 FRICTION PLATE	1	LE1204.43.011
6	0.026.4203.0	制动器汽缸活塞 BRAKE PISTON	1	0.026.4203.0
7	SH900.43.173	弹簧 SPRING	6	SH900.43.173
8	SH900.43.189	塞子 PLUG	1	SH900.43.189
9	JBT982-10	组合密封垫圈 SEALING RINGS	1	JBT982-10

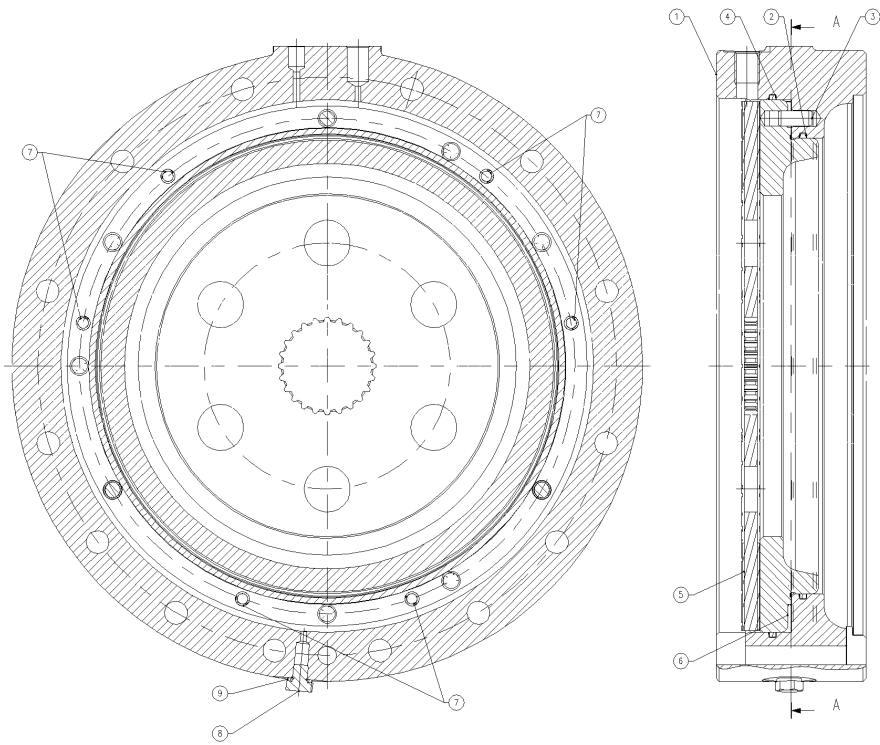
# B29.43.001.4/10 LEFT BRAKE SET



## B29.43.001.4/10 左制动组LEFT BRAKE SET

序号	零件编号	零件名称	数量	图号
1	B29.43.001.0	左制动器壳 LEFT BRAKE HOUSING	1	B29.43.001.0
2	LE1204.43.103	星型密封圈 STAR TYPE SEAL RING 296	1	LE1204.43.103
3	GBT119.1-10m6X22	销 PIN	3	GBT119.1-10m6X22
4	LE1204.43.102	星型密封圈 STAR TYPE SEAL RING 346	1	LE1204.43.102
5	LE1204.43.011	摩擦片 FRICTION PLATE	1	LE1204.43.011
6	0.026.4203.0	制动器汽缸活塞 BRAKE PISTON	1	0.026.4203.0
7	SH900.43.173	弹簧 SPRING	6	SH900.43.173
8	SH900.43.189	塞子 <b>PLUG</b>	1	SH900.43.189
9	JBT982-10	组合密封垫圈 SEALING RINGS	1	JBT982-10

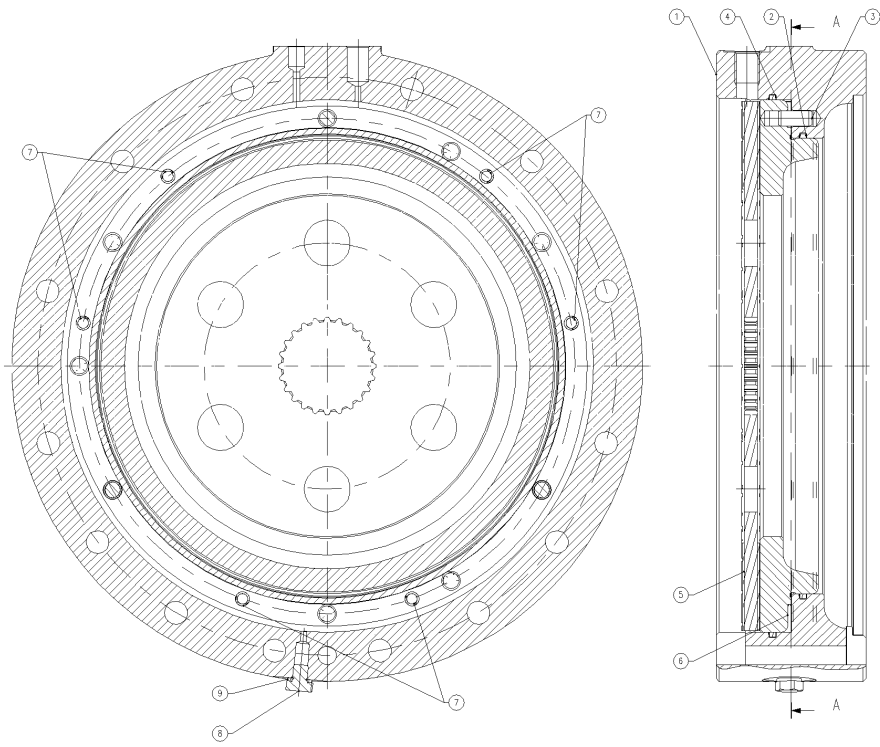
B29.43.002.4/10 RIGHT BRAKE SET



B29.43.002.4-10\_1 右制动组RIGHT BRAKE SET

序号	零件编号	零件名称	数量	图号
1	B29.43.002.0	右制动器盖 RIGHT BRAKE HOUSING	1	B29.43.002.0
2	LE1204.43.103	星型密封圈 STAR TYPE SEAL RING 296	1	LE1204.43.103
3	GBT119.1-10m6X22	销 PIN	3	GBT119.1-10m6X22
4	LE1204.43.102	星型密封圈 STAR TYPE SEAL RING 346	1	LE1204.43.102
5	LE1204.43.011	摩擦片 FRICTION PLATE	1	LE1204.43.011
6	0.026.4203.0	制动器汽缸活塞 BRAKE PISTON	1	0.026.4203.0
7	SH900.43.173	弹簧 SPRING	6	SH900.43.173
8	SH900.43.189	塞子 PLUG	1	SH900.43.189
9	JBT982-10	组合密封垫圈 SEALING RINGS	1	JBT982-10

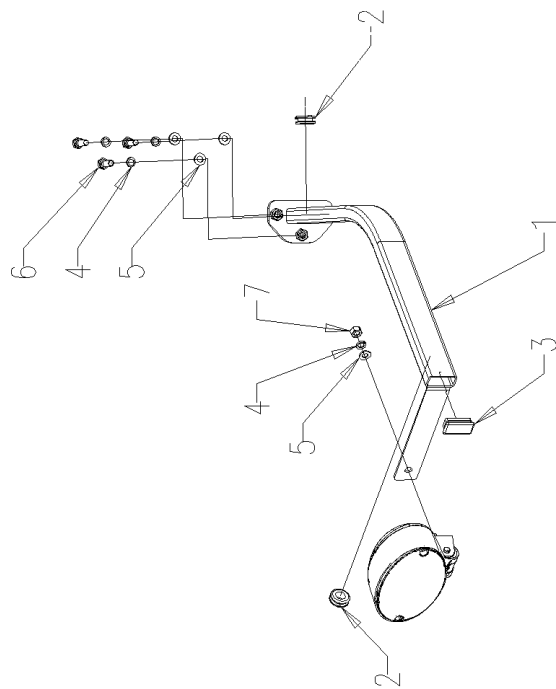
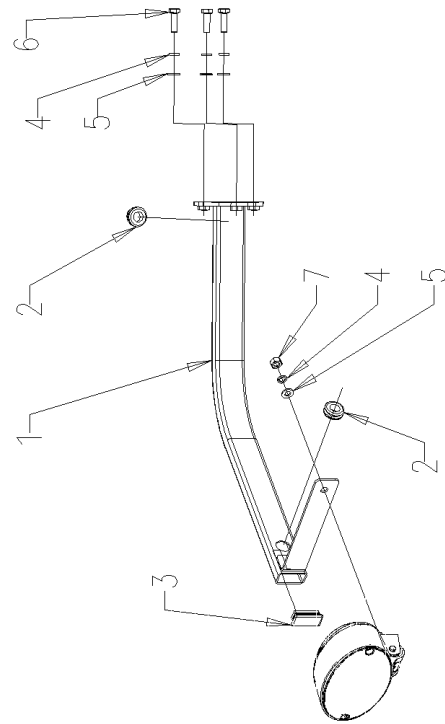
B29.43.002.4/10 RIGHT BRAKE SET



B29.43.002.4/10 右制动组RIGHT BRAKE SET

序号	零件编号	零件名称	数量	图号
1	B29.43.002.0	右制动器盖 RIGHT BRAKE HOUSING	1	B29.43.002.0
2	LE1204.43.103	星型密封圈 STAR TYPE SEAL RING 296	1	LE1204.43.103
3	GBT119.1-10m6X22	销 PIN	3	GBT119.1-10m6X22
4	LE1204.43.102	星型密封圈 STAR TYPE SEAL RING 346	1	LE1204.43.102
5	LE1204.43.011	摩擦片 FRICTION PLATE	1	LE1204.43.011
6	0.026.4203.0	制动器汽缸活塞 BRAKE PISTON	1	0.026.4203.0
7	SH900.43.173	弹簧 SPRING	6	SH900.43.173
8	SH900.43.189	塞子 PLUG	1	SH900.43.189
9	JBT982-10	组合密封垫圈 SEALING RINGS	1	JBT982-10

# B29.45.905.4 DIRECT LAMP ARM ASS.Y



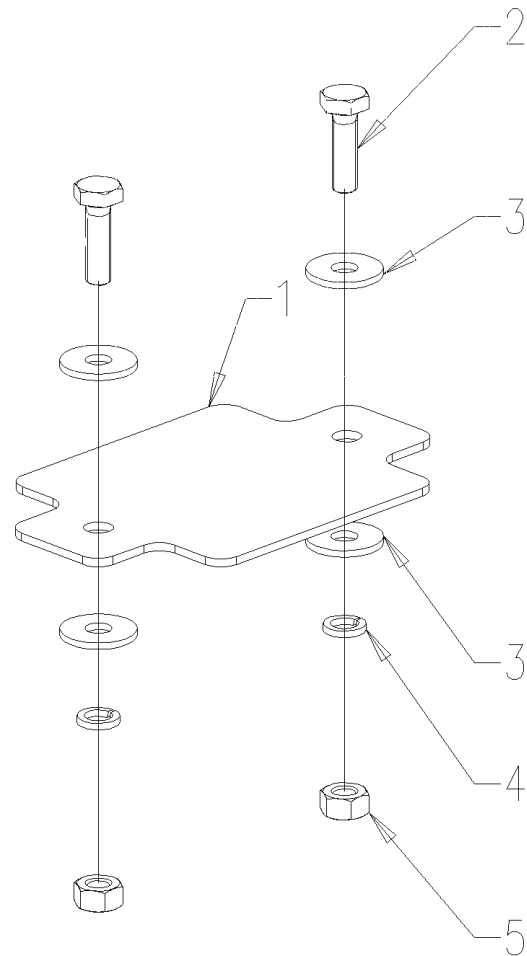
# B29.45.905.4\_2 左右转向灯支架 RH/LH LIGHT SUPPORT ASS.Y

序号	零件编号	零件名称	数量	图号
1	B29.45.023.3/20	直射灯臂 DIRECT LAMP ARM	2	B29.45.023.3/20
2	CD904.45.105	橡胶帽 RUBBER	4	CD904.45.105
3	CD904.45.106	塑料塞 PLASTIC PLUG	2	CD904.45.106
4	GBT93-8-A3L	垫圈 WASHER	8	GBT93-8-A3L
5	GBT97.1-8-A3L	垫圈 WASHER	8	GBT97.1-8-A3L
6	GBT5783-M8X25-A2L	螺栓 BOLT	6	GBT5783-M8X25-A2L
7	GBT6170-M8-A2L	螺母 NUT	2	GBT6170-M8-A2L

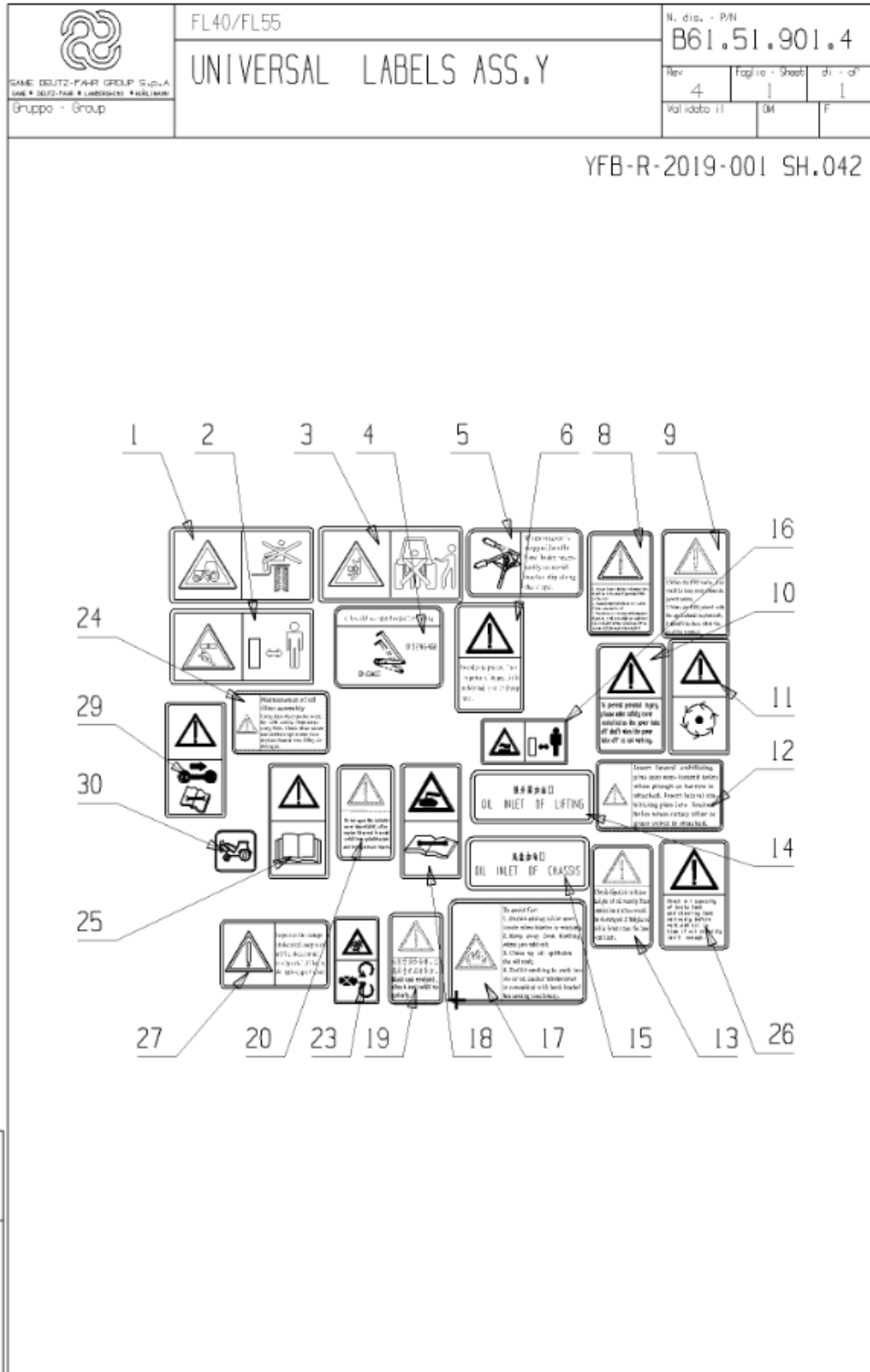
# B29.45.965.4 BLOCKING COVER ASS.Y

## B29.45.965.4\_0 手控阀堵盖总成 BLOCKING COVER ASS.Y

序号	零件编号	零件名称	数量	图号
1	B29.45.035.0	屏蔽板 BLOCKING PLATE	1	B29.45.035.0
2	GBT5783-M6X20-A2L	螺栓 BOLT	2	GBT5783-M6X20-A2L
3	GBT96.1-6-A3L	垫圈 WASHER	4	GBT96.1-6-A3L
4	GBT93-6-A3L	垫圈 WASHER	2	GBT93-6-A3L
5	GBT6170-M6-A2L	螺母 NUT	2	GBT6170-M6-A2L







### B61.51.901.4\_4 通用标识 UNIVERSAL LABELS ASS.Y

序号	零件编号	零件名称	数量	图号
1	SH900.51.136	挡泥板禁止乘坐标识 Safety label on	1	SH900.51.136
2	SH900.51.132	安全警告标识 Safety warning sign	1	SH900.51.132
3	SH900.51.135	安全警告标识 Safety warning sign	1	SH900.51.135
4	SH900.51B.103	差速锁标识 Differential lock logo	1	SH900.51B.103
5	SH900.51B.110	驻车制动标识 Parking brake sign	1	SH900.51B.110
6	SH900.51B.122	后横板安全标识 safety label on rear	1	SH900.51B.122
8	B61.51.009.0/10	动力输出安全标识 IV Power output	1	B61.51.009.0/10
9	SH900.51B.117	动力输出 安全标识 Power output safety	1	SH900.51B.117
10	SH900.51B.116	动力输出 安全标识III Power output	1	SH900.51B.116
11	SH900.51.118	动力输出 安全标识II Power output safety	1	SH900.51.118
12	SH900.51B.119	限位销安全标识 Limit pin safety mark	1	SH900.51B.119
13	SH900.51B.125	传动液位检测标识 Transmission fluid	1	SH900.51B.125
14	SH900.51.153	提升器加油口标识 Lifter oil filler port	1	SH900.51.153
15	SH900.51.154	底盘加油口标识 Chassis oil filler port	1	SH900.51.154
16	SH900.51.152	高温防烫标识(小) High temperature	1	SH900.51.152
17	SH900.51B.112	加油防火标识 Refueling fire prevention	1	SH900.51B.112
18	SH900.51.122	蓄电池安全标识 Battery safety signs	1	SH900.51.122
19	A11.51.004.0	冷却系统标识 Cooling system	1	A11.51.004.0
20	B61.51.010.0	水箱口防烫标识 Water tank mouth anti-	1	B61.51.010.0
23	SH900.51.125	安全警告标识 Safety warning signs	1	SH900.51.125
24	SH900.51B.102	吸油滤清器保养标识 Oil suction filter	1	SH900.51B.102
25	SH900.51.130	阅读说明书 Read the instructions	1	SH900.51.130
26	SH900.51B.120	制动转向油箱油位安全标识 Brake	1	SH900.51B.120
27	SH900.51B.123	保险丝安全标识 Fuse safety sign	1	SH900.51B.123
29	SH900.51.138	安全警告标识 I Safety warning signs I	1	SH900.51.138
30	2.9939.835.0/10	机罩标识 BONNET LOGO	1	2.9939.835.0/10



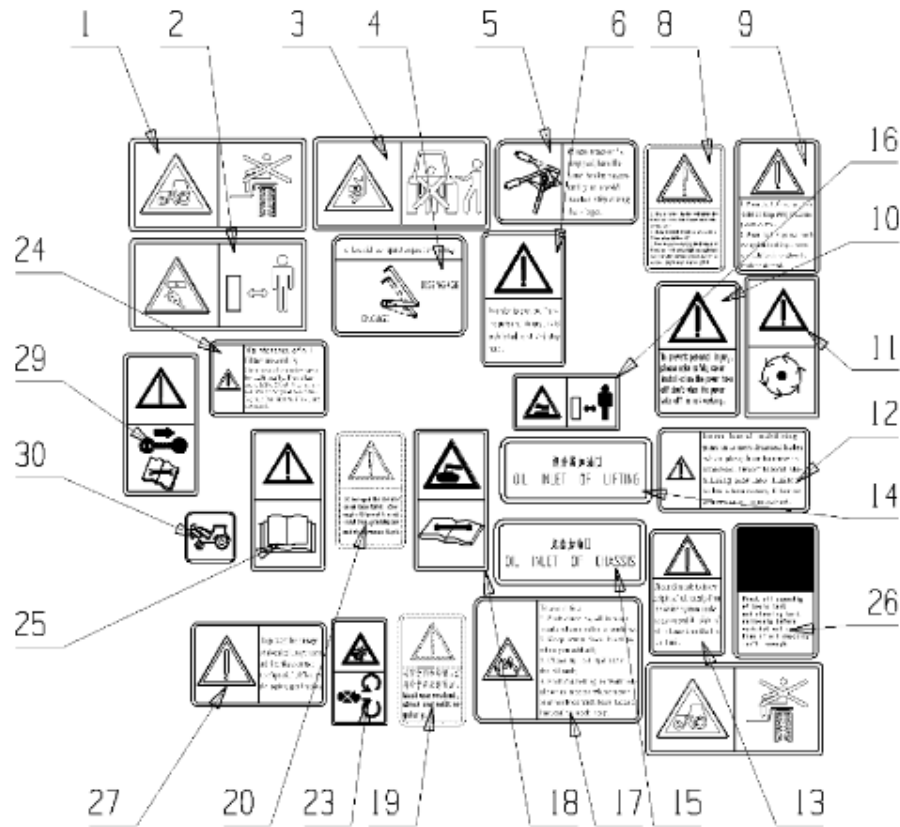
FL40/FL55

UNIVERSAL LABELS ASS.Y

N. dis. - P/N  
B61.51.901.4

Rev	1	Sheet	di	1
1	5	1	1	1
2	23/07/2022			

YFB-R-2017-011 SH.085



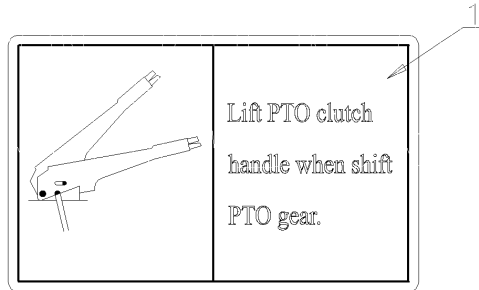
B61.51.901.4\_5 通用标识 UNIVERSAL LABELS ASS.Y

序号	零件编号	零件名称	数量	图号
1	SH900.51.136	挡泥板禁止乘坐标识 WARNING	2	SH900.51.136
2	SH900.51.132	安全警告标识 WARNING PLATE	1	SH900.51.132
3	SH900.51.135	安全警告标 WARNING PLATE	1	SH900.51.135
4	SH900.51B.103	差速锁标识 DIFFERENTIAL LOCK	1	SH900.51B.103
5	SH900.51B.110	驻车制动标识 PARKING BRAKE	1	SH900.51B.110
6	SH900.51B.122	后横板安全标识 REAR TRANSVERSE	1	SH900.51B.122
8	B61.51.009.0/10	动力输出安全标识 PTO SAFTY	1	B61.51.009.0/10
9	SH900.51B.117	动力输出安全标识 SECURITY	1	SH900.51B.117
10	SH900.51B.116	动力输出安全标识 PTO SAFETY	1	SH900.51B.116
11	SH900.51.118	动力输出安全标识 PTO SAFETY	1	SH900.51.118
12	SH900.51B.119	限位销安全标识 SECURITY	1	SH900.51B.119
13	SH900.51B.125	传动液位检测标识 SECURITY	1	SH900.51B.125
14	SH900.51.153	提升器加油口标识 LIFT REFUELING	1	SH900.51.153
15	SH900.51.154	底盘加油口(强压) CHASSIS FUEL	1	SH900.51.154
16	SH900.51.152	高温防烫标识(小) HIGH	1	SH900.51.152
17	SH900.51B.112	加油防火标识 SECURITY	1	SH900.51B.112
18	SH900.51.122	蓄电池标识 BATTERY LOGO	1	SH900.51.122
19	A11.51.004.0	冷却系统标签 COOLING SYSTEM	1	A11.51.004.0
20	B61.51.010.0	水箱口防烫标识 RADIATOR ANTI-	1	B61.51.010.0
23	SH900.51.125	安全警告标识 VII SAFETY LOGO VII	1	SH900.51.125
24	SH900.51B.102	吸油滤清器保养标识 SECURITY	1	SH900.51B.102
25	SH900.51.130	阅读说明书标识 READING	1	SH900.51.130
26	SH900.51B.120	制动转向油箱油位安全标识 OIL TANK	1	SH900.51B.120
27	SH900.51B.123	保险丝安全标识 SECURITY	1	SH900.51B.123
29	SH900.51.138	安全警告标识 SAFETY WARNING	1	SH900.51.138
30	2.9939.835.0/10	机罩开启标识 BONNET	1	2.9939.835.0/10

B61.51.903.4\_1 副离合器控制标签 AUXILIARY CLUTCH COMMAND LABEL

序号	零件编号	零件名称	数量	图号
1	B61.51.012.0	副离合操纵标识 Auxiliary clutch control	1	B61.51.012.0

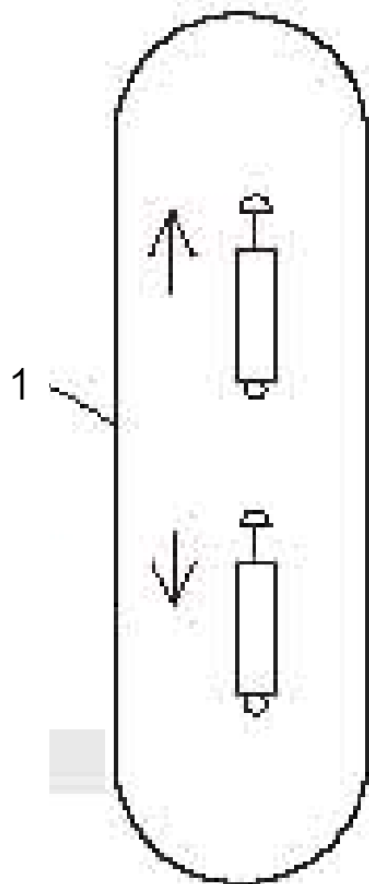
B61.51.903.4 AUXILIARY CLUTCH COMMAND LABEL



B61.51.905.4 MULTI COMMAND LABEL

B61.51.905.4\_0 多路阀操纵标识总成 (2路) MULTI-VALVE COMMAND LABEL

序号	零件编号	零件名称	数量	图号
1	SH904.51.114	多路换向阀操纵标识 Multi-way	1	SH904.51.114



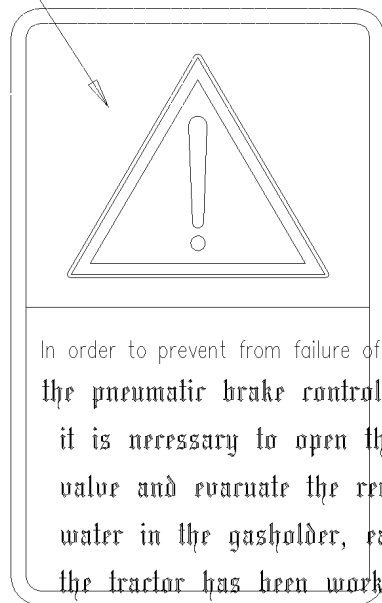
# Air brake label B61.51.906.4

## B61.51.906.4\_0 气刹标识总成 AIR BRAKE LABEL

序号	零件编号	零件名称	数量	图号
1	SH900.51B.129	气刹标识 Air brake logo	1	SH900.51B.129

YFB-R-2017-011 SH.002

01

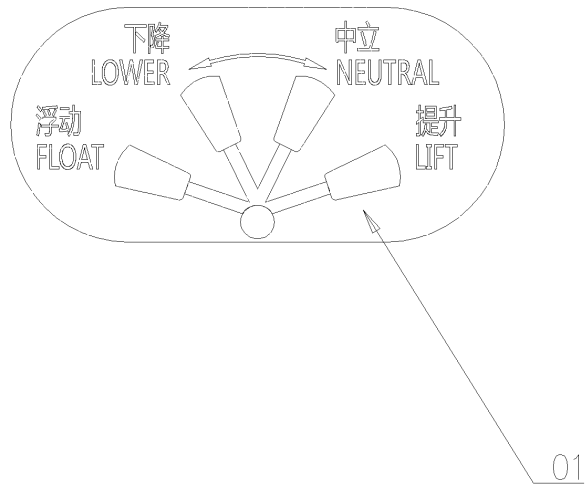


In order to prevent from failure of the pneumatic brake control system, it is necessary to open the drain valve and evacuate the remnant water in the gasholder, each time the tractor has been working for 50hrs.

B61.51.909.4\_0 强压提升操纵标识 (后提升) ENFORCED LIFT C.L. ASS.Y

序号	零件编号	零件名称	数量	图号
1	SH900.51B.111	强压操纵标识 Forced manipulation sign	1	SH900.51B.111

B61.51.909.4 ENFORCED LIFT C.L. ASS.Y

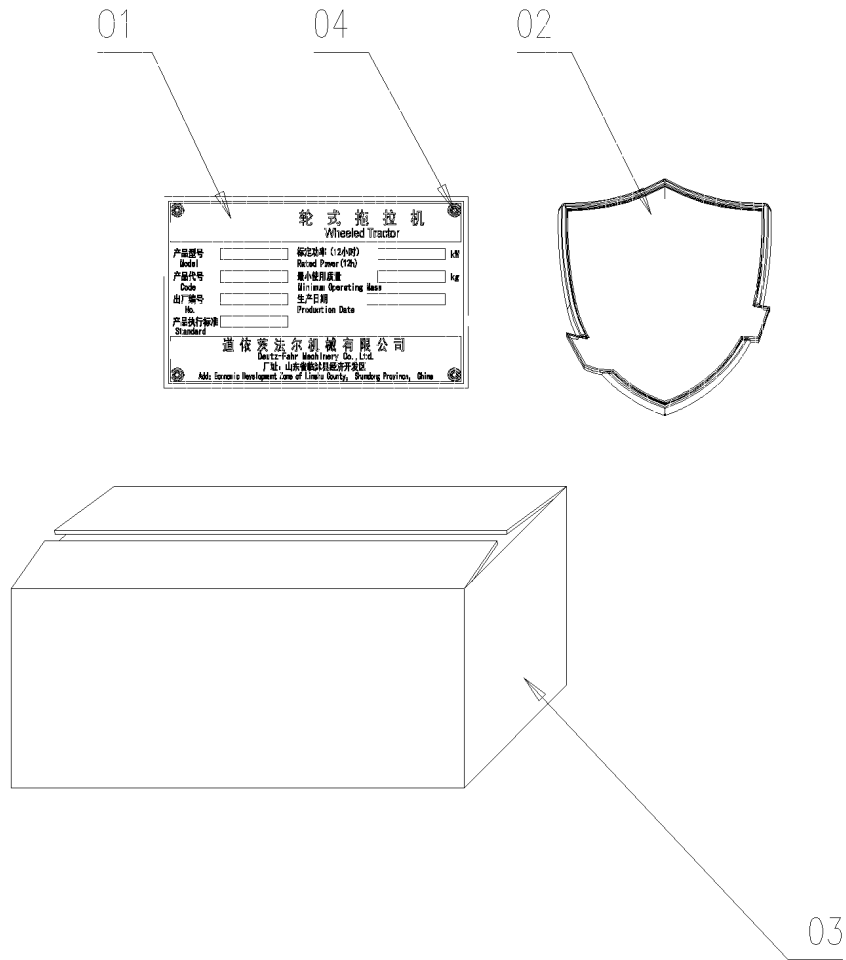


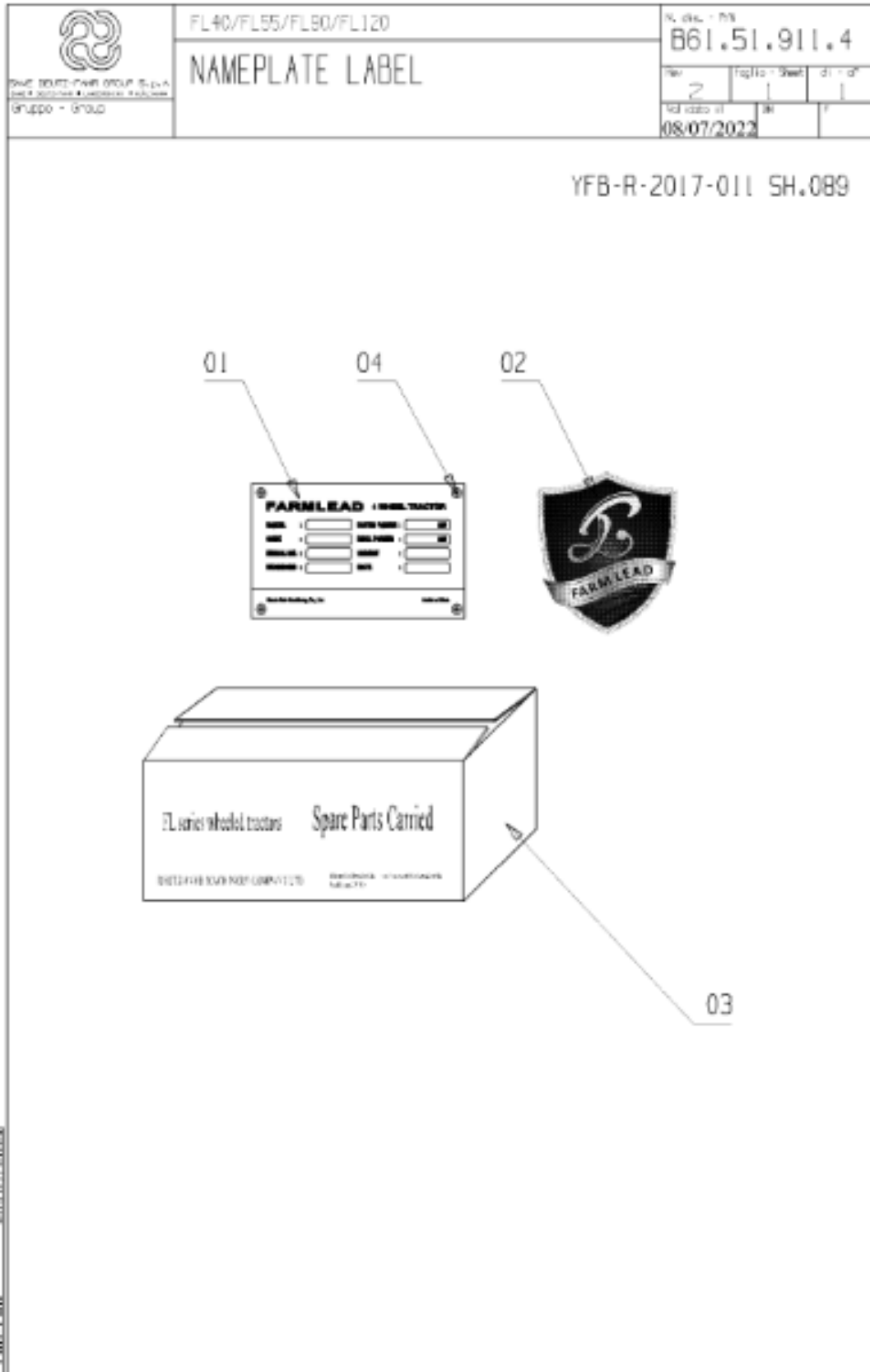
# Nameplate label B61.51.911.4

YFB-R-2017-001 SH.041

## B61.51.911.4\_1 铭牌标识 NAMEPLATE LABEL

序号	零件编号	零件名称	数量	图号
1	B61.51.001.0	铭牌标识 FARMLEAD NAMEPLATE	1	B61.51.001.0
2	B61.51.005.3	前标 FRONT LOGO	1	B61.51.005.3
3	B61.51.006.0	包装箱 PACKAGE BOX	1	B61.51.006.0
4	GB/T 12618	抽芯铆钉 3X15 RIVET 3X15	4	GB/T 12618





### B61.51.911.4\_2 铭牌标识 NAMEPLATE LABEL

序号	零件编号	零件名称	数量	图号
1	A62.51.002.0/20	铭牌 FARMLEAD NAMEPLATE	1	A62.51.002.0/20
2	B61.51.005.3	前标 FRONT LOGO	1	B61.51.005.3
3	B61.51.006.0	包装箱 PACKAGE BOX	1	B61.51.006.0
4	GBT12618.1-3X15	铆钉 RIVET	4	GBT12618.1-3X15

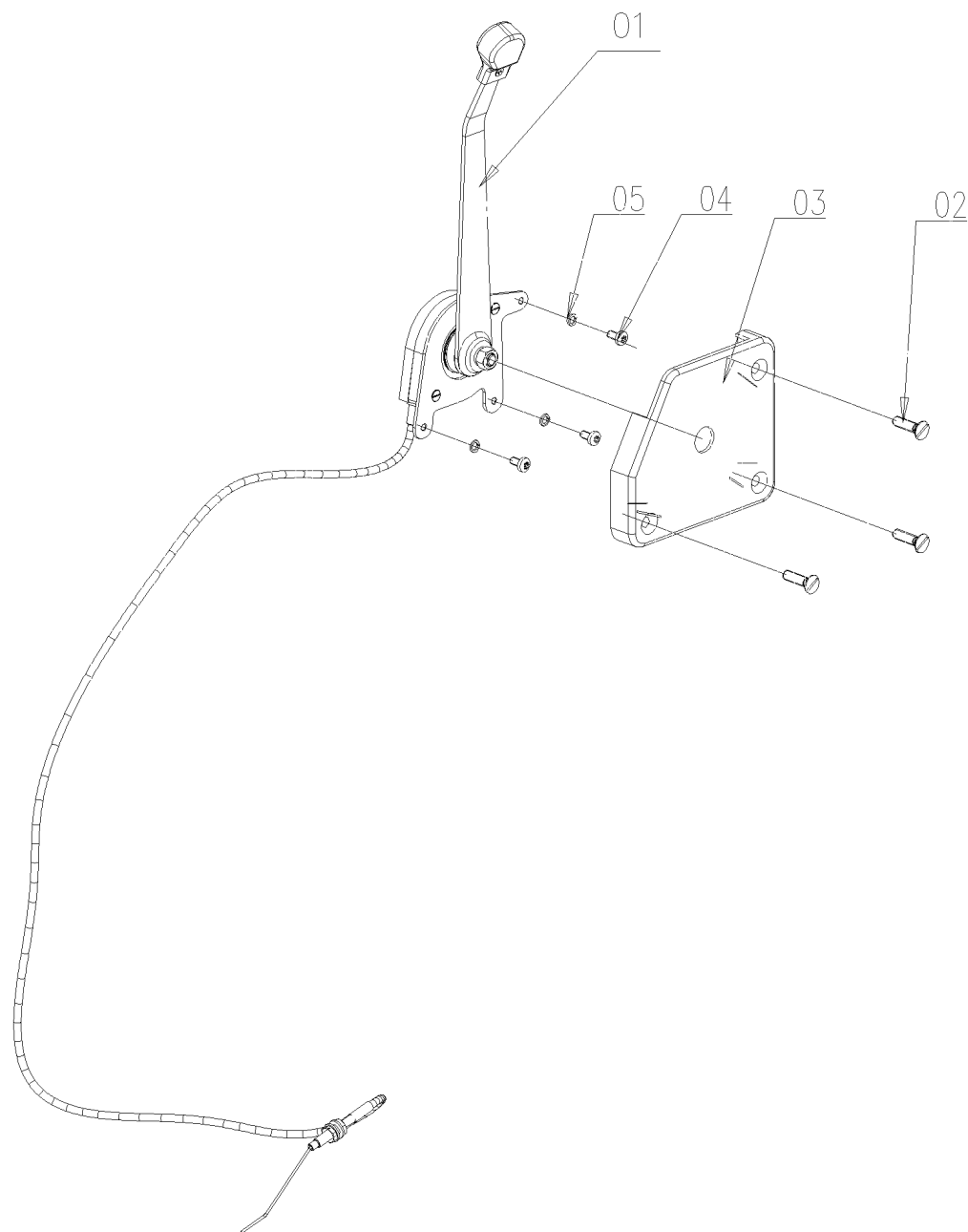


# HAND THROTTLE ASSY. B80.20.902.4

YFB-R-2017-011 SH.011

## B80.20.902.4\_1 手油门操纵总成 HAND THROTTLE ASS.Y

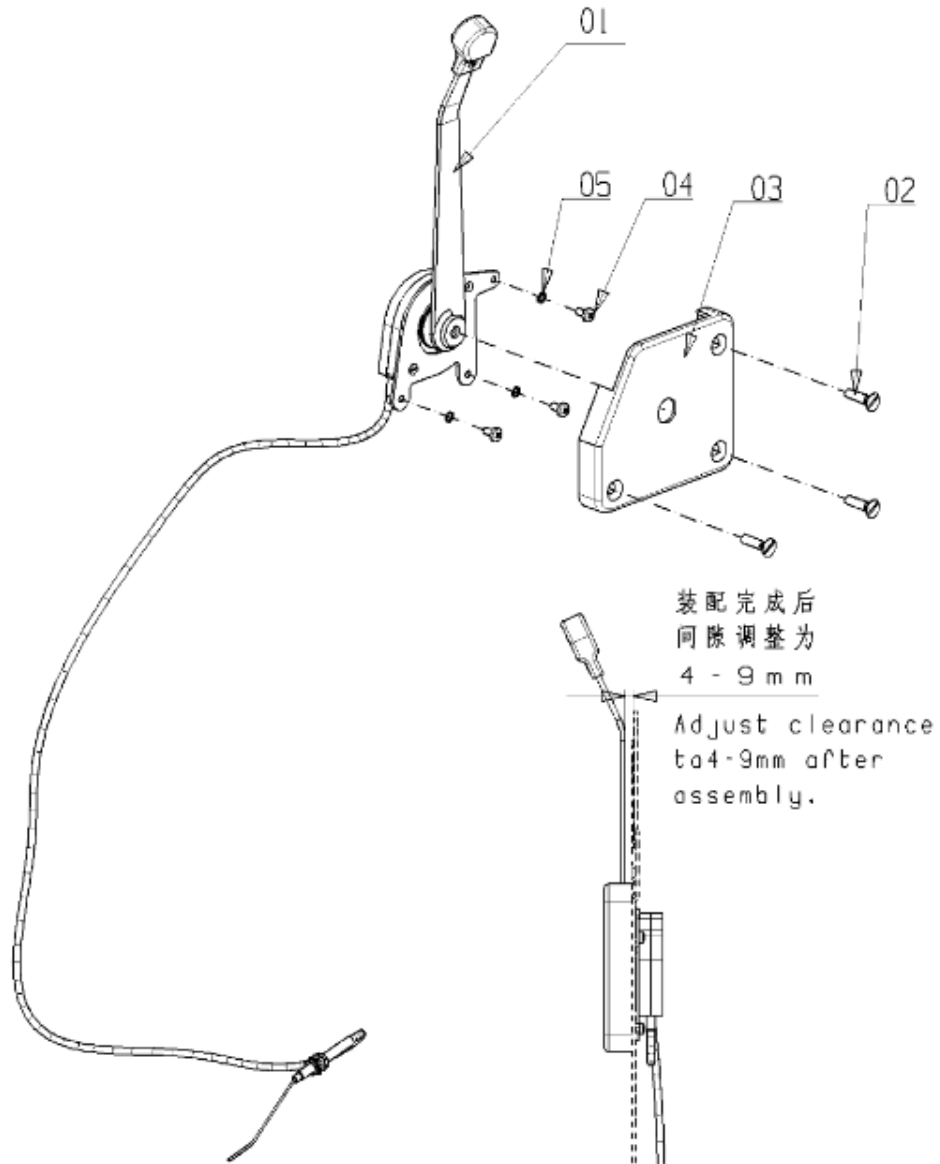
序号	零件编号	零件名称	数量	图号
1	CD904.20.019/20	手油门组件 HAND THROTTLE ASSY.	1	CD904.20.019/20
2	GBT68-M8X30-A2L	螺钉 SCREW	3	GBT68-M8X30-A2L
3	SH400.20.111	手油门盖 HAND THROTTLE COVER	1	SH400.20.111
4	GBT818-M6X12-A2L	螺钉 SCREW	3	GBT818-M6X12-A2L
5	GBT93-6-A3L	弹簧垫圈 SPRING WASHER	3	GBT93-6-A3L




YFB-R-2017-011 SH.085

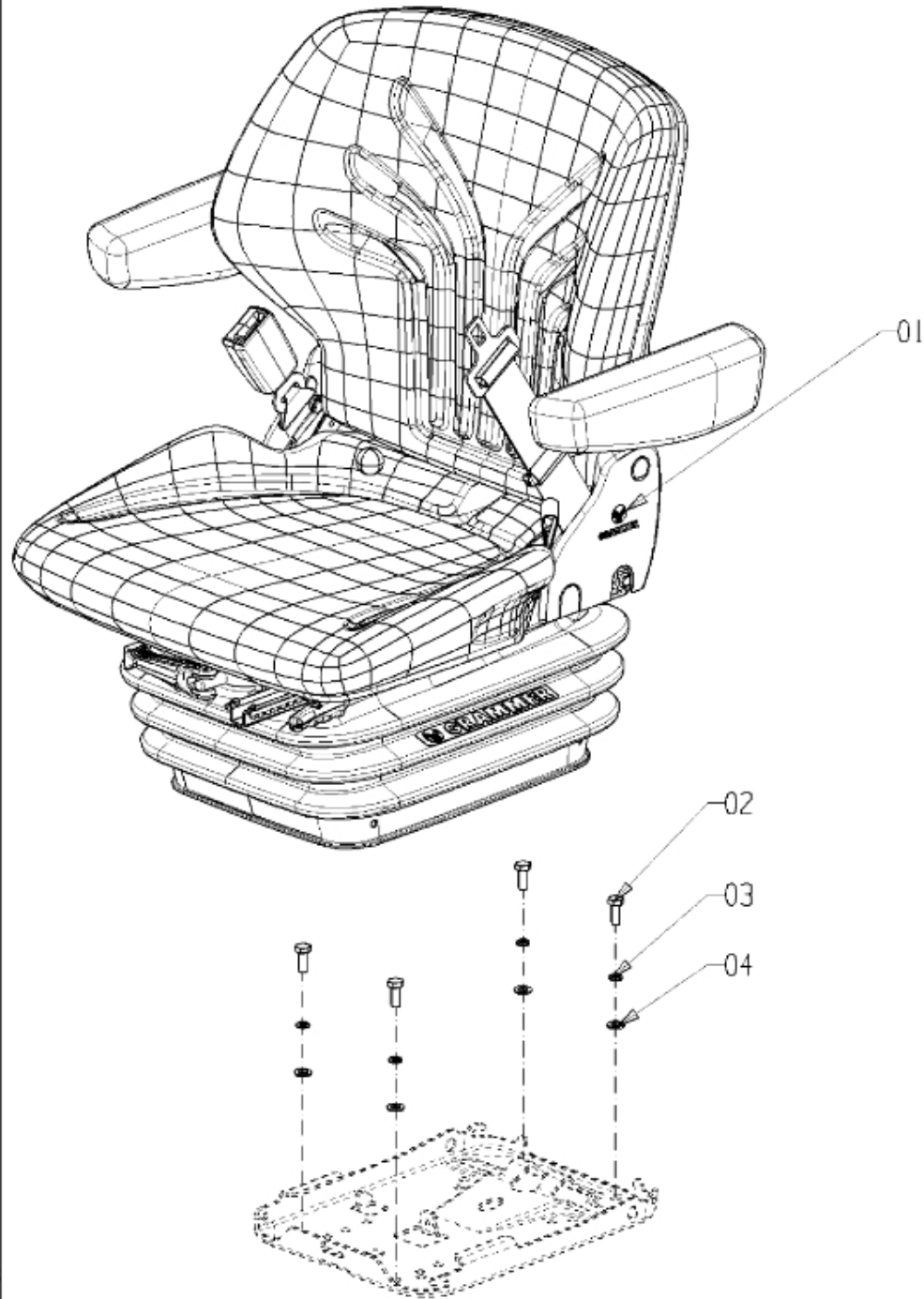
**B80.20.902.4\_2 手油门操纵总成 HAND THROTTLE ASS.Y**

序号	零件编号	零件名称	数量	图号
1	CD904.20.019/20	手油门组件 HAND THROTTLE ASSY.	1	CD904.20.019/20
2	GBT68-M8X30-A2L	螺栓 SCREW	3	GBT68-M8X30-A2L
3	SH400.20.111	手油门盖 HAND THROTTLE COVER	1	SH400.20.111
4	2.0332.404.2	螺栓 CROSS SCREW M6x1x12	3	2.0332.404.2
5	2.1473.006.2	弹簧垫圈 SPRING WASHER M6	3	2.1473.006.2



 SHANGHAI CHINA GROUP S.p.A. Gruppo - Group <b>CHINA GROUP</b>	FL90 SERIES YUCHAI CN1	N. dis. - PN B80.44.900.4
	SEAT ASS.	Rev: 0 Partic. Sheet: 1 di: 1 Data: 09/10/2023

32409F0003



### B80.44.900.4\_0 座椅总成 SEAT ASS.Y ( PVC ADJUSTABLE ARMREST )

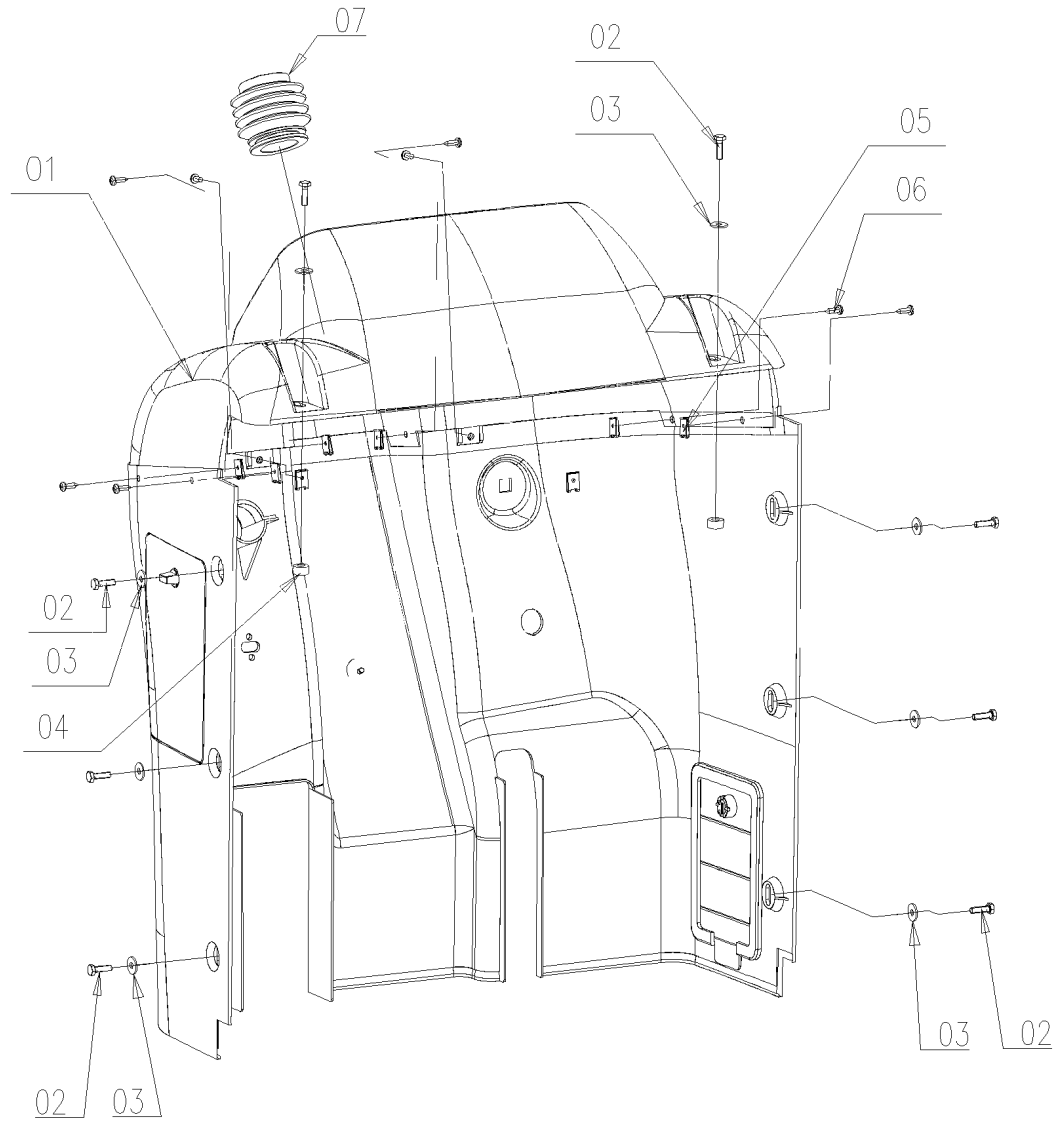
序号	零件编号	零件名称	数量	图号
1	B80.44.001.4	座椅 GARM SEAT	1	B80.44.001.4
2	2.0114.207.2	螺栓 M8X1.25X20 VITE M8X1.25X20	4	2.0114.207.2
3	2.1473.007.2	弹垫 M8 SPRING WASHER M8	4	2.1473.007.2
4	2.1310.004.2	垫圈 8 ROSETTA 8	4	2.1310.004.2

# DASHBOARD ASSEMBLY B80.45.904.4

YFB-R-2020-004 SH.020

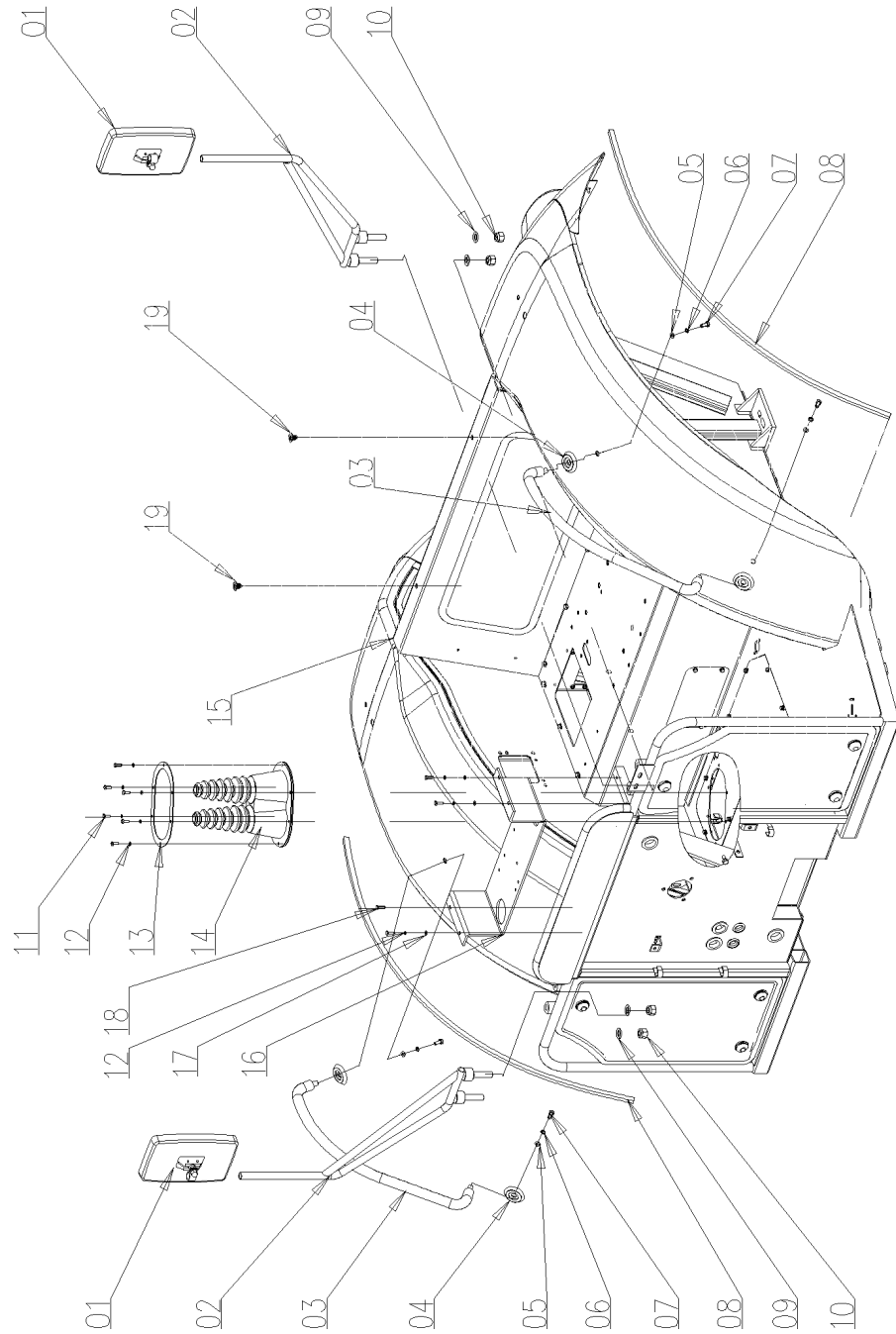
## B80.45.904.4\_1 仪表台总成 DASHBOARD ASSEMBLY

序号	零件编号	零件名称	数量	图号
1	SH900.45.037	仪表台组件 INSTRUMENT PANEL	1	SH900.45.037
2	GBT5783-M6X20-A2L	螺栓 BOLT	8	GBT5783-M6X20-A2L
3	GBT96.1-6-A3L	垫圈 WASHER	8	GBT96.1-6-A3L
4	CD904A.45A.120	垫圈 WASHER	2	CD904A.45A.120
5	ZBT31004-ST4.8x20A-A3L	弹簧螺母 SPRING NUT	8	ZBT31004-ST4.8x20A-A3L
6	GBT845-ST4.8X16	螺钉 TAPPING SCREW	8	GBT845-ST4.8X16
7	SH900.40.151	转向管护套 STEERING TUBE JACKET	1	SH900.40.151



# B80.45.908.4 PLATFORM ASSEMBLY

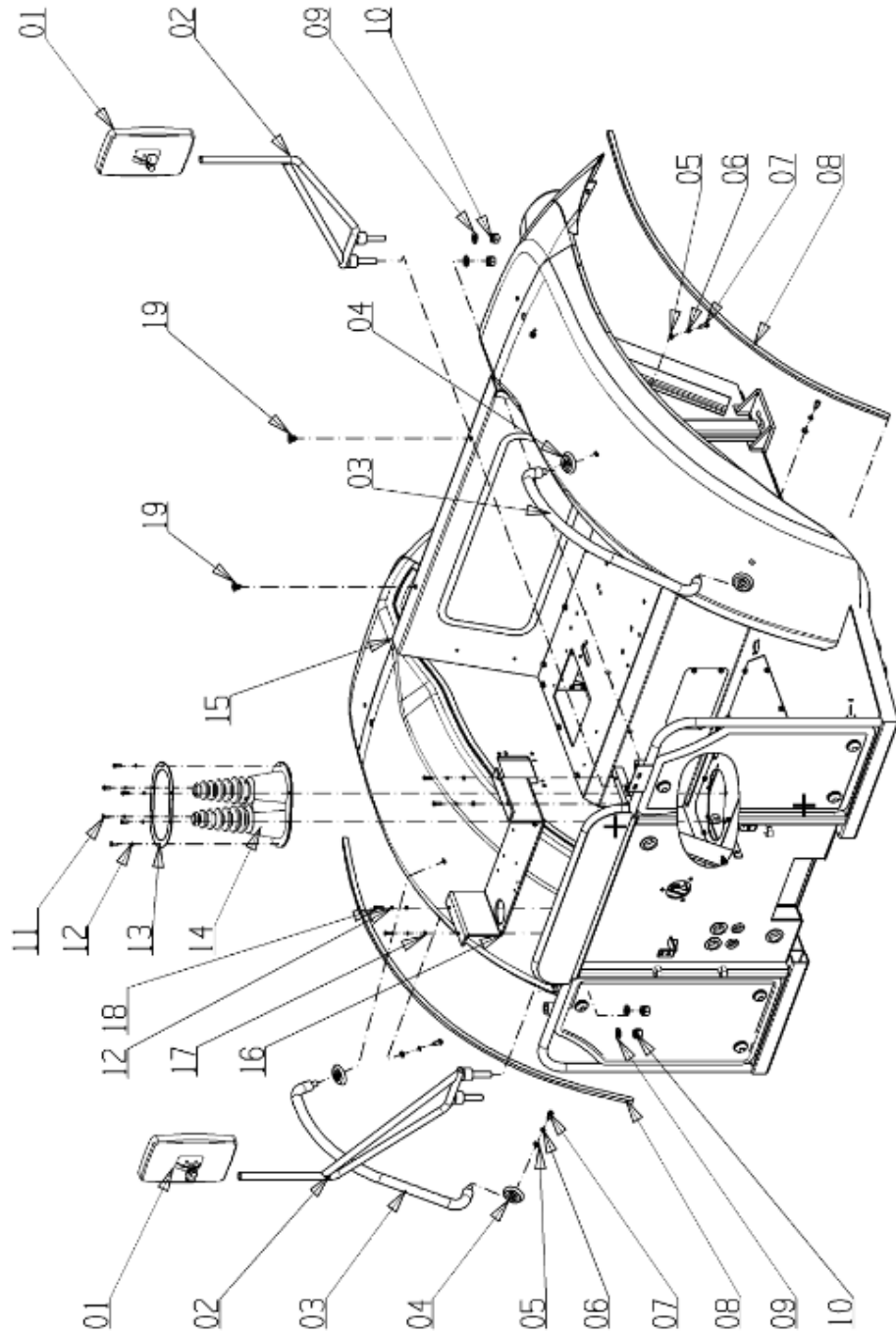
YFB-R-2017-011 SH.078



## B80.45.908.4\_3 地板总成 PLATFORM ASSEMBLY

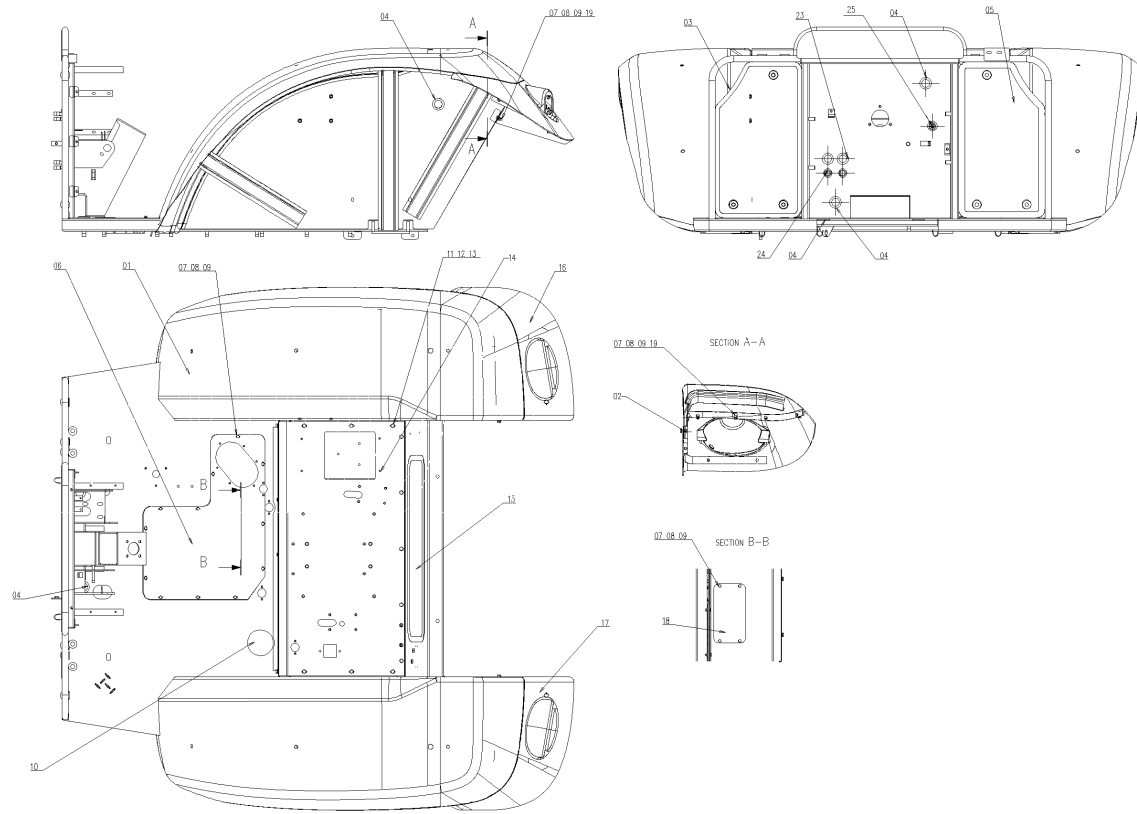
序号	零件编号	零件名称	数量	图号
1	SH900.45A.032	后视镜组件 REAR VIEW MIRROR	2	SH900.45A.032
2	CD904A.45A.030	后视镜支架焊合 REAR VIEW MIRROR	2	CD904A.45A.030
3	CD904A.45A.032	上车扶手 ARMREST	2	CD904A.45A.032
4	SH300.47.246	垫圈 WASHER	4	SH300.47.246
5	2.1310.004.2	垫圈 WASHER 8	4	2.1310.004.2
6	GBT93-8-A3L	垫圈 WASHER	4	GBT93-8-A3L
7	2.0114.207.2	螺栓 SCREW M8x20	4	2.0114.207.2
8	CD904A.45A.122	护板胶条 SHIELD STRIP	2	CD904A.45A.122
9	2.1310.010.2	垫圈 WASHER 16	4	2.1310.010.2
10	GBT889.1-M16-A3L	螺母 NUT	4	GBT889.1-M16-A3L
11	2.0114.005.2	螺栓 SCREW M6x16	6	2.0114.005.2
12	GBT93-6-A3L	垫圈 WASHER	9	GBT93-6-A3L
13	CD904A.45A.102	压板 PLATE	1	CD904A.45A.102
14	CD904A.45A.121	变速杆防尘罩 DUST COVER	1	CD904A.45A.121
15	B80.45.010.4/30	地板 PLATFORM	1	B80.45.010.4/30
16	SH900.45A.188	隔板 BAFFLE	1	SH900.45A.188
17	2.1310.002.2	垫圈 WASHER 6	4	2.1310.002.2
18	2.0114.007.2	螺栓 SCREW M6x20	4	2.0114.007.2
19	2.3199.114.0	螺钉 TAPPO	2	2.3199.114.0

YFB-R-2017-011 SH.092



### B80.45.908.4\_5 地板总成 PLATFORM ASSEMBLY

序号	零件编号	零件名称	数量	图号
1	SH900.45A.032	后视镜组件 REAR VIEW MIRROR	2	SH900.45A.032
2	CD904A.45A.030	后视镜支架焊合 REAR VIEW MIRROR	2	CD904A.45A.030
3	CD904A.45A.032	上车扶手 ARMREST	2	CD904A.45A.032
4	SH300.47.246	垫圈 WASHER	4	SH300.47.246
5	2.1310.004.2	垫圈 WASHER 8	4	2.1310.004.2
6	2.1473.007.2	弹簧垫圈 SPRING WASHER M8	4	2.1473.007.2
7	2.0114.207.2	螺栓 SCREW M8x20	4	2.0114.207.2
8	CD904A.45A.122	护板胶条 SHIELD STRIP	2	CD904A.45A.122
9	2.1310.010.2	垫圈 WASHER 16	4	2.1310.010.2
10	2.1122.009.2	螺母 Pa LOCK NUT M16x2	4	2.1122.009.2
11	2.0114.005.2	螺栓 SCREW M6x16	6	2.0114.005.2
12	2.1473.006.2	弹簧垫圈 SPRING WASHER M6	10	2.1473.006.2
13	CD904A.45A.102	压板 PLATE	1	CD904A.45A.102
14	CD904A.45A.121	防尘罩 DUST COVER	1	CD904A.45A.121
15	B80.45.010.4/50	地板 PLATFORM	1	B80.45.010.4/50
16	SH900.45A.188	隔板 BAFFLE	1	SH900.45A.188
17	2.1310.002.2	垫圈 WASHER 6	4	2.1310.002.2
18	2.0114.007.2	螺栓 SCREW M6x20	4	2.0114.007.2
19	2.3199.114.0	螺纹塞 TAPPO	2	2.3199.114.0



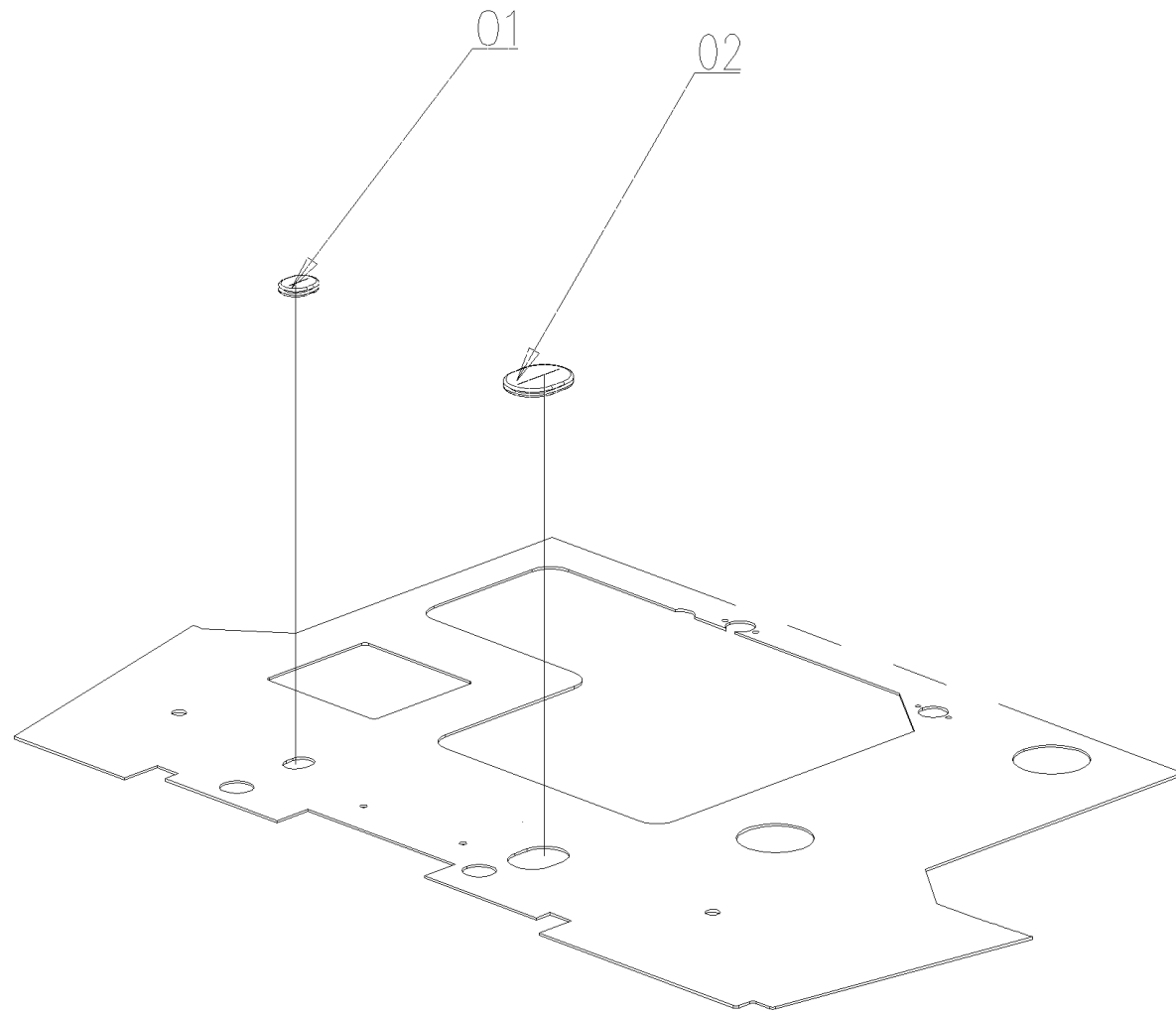
## B80.45.010.4/30 地板 PLATFORM

序号	零件编号	零件名称	数量	图号
1	CD904.45A.011/50	地板焊合 PLATFORM WELDING	1	CD904.45A.011/50
2	2.1011.105.2	螺母 NUT M8x1.25	2	2.1011.105.2
3	CD904A.45A.023	右玻璃组件 RIGHT WINDSHIELD	1	CD904A.45A.023
4	CD904A.45A.103	40线束塞 40 SHEATH	6	CD904A.45A.103
5	CD904A.45A.024	左玻璃组件 LEFT GLASS ASSEMBLY	1	CD904A.45A.024
6	CD904A.45A.025	地板维修盖焊合 PLATFORM	1	CD904A.45A.025
7	2.0114.007.2	螺栓 SCREW M6x20	30	2.0114.007.2
8	2.1310.002.2	垫圈 WASHER 6	44	2.1310.002.2
9	GBT93-6-A3L	垫圈 WASHER	30	GBT93-6-A3L
10	SH900.45A.205	橡胶盖 RUBBER COVER	1	SH900.45A.205
11	2.0114.207.2	螺栓 SCREW M8x20	18	2.0114.207.2
12	2.1310.004.2	垫圈 WASHER 8	18	2.1310.004.2
13	GBT93-8-A3L	垫圈 WASHER	18	GBT93-8-A3L
14	A23.45.224.3/20	后地板 REAR FLOOR	1	A23.45.224.3/20
15	CD904A.45A.027	后玻璃组件 REAR WINDSHIELD	1	CD904A.45A.027
16	CD904A.45A.028	右后尾罩组件 RIGHT REAR COVER	1	CD904A.45A.028
17	CD904A.45A.029	左后尾罩组件 LEFT REAR COVER	1	CD904A.45A.029
18	CD904A.45A.107	盖板 PLATE	1	CD904A.45A.107
19	2.1011.103.2	螺母 NUT M6x1	14	2.1011.103.2
23	A23.45.232.0	胶圈 RUBBER GASKET	2	A23.45.232.0
24	A23.45.231.0	胶圈 RUBBER GASKET	2	A23.45.231.0
25	2.6569.069.0/10	胶圈 Gommino	1	2.6569.069.0/10

# B80.45.917.4 FLOOR ACCESSORY ASSY.

## B80.45.917.4\_0 地板附件总成 FLOOR ACCESSORY ASSY.

序号	零件编号	零件名称	数量	图号
1	CD904A.45A.105	密封塞 30X40 SEALING SHEATH 30X40	1	CD904A.45A.105
2	CD904A.45A.106	密封塞57X77 SEALING SHEATH 57X77	1	CD904A.45A.106

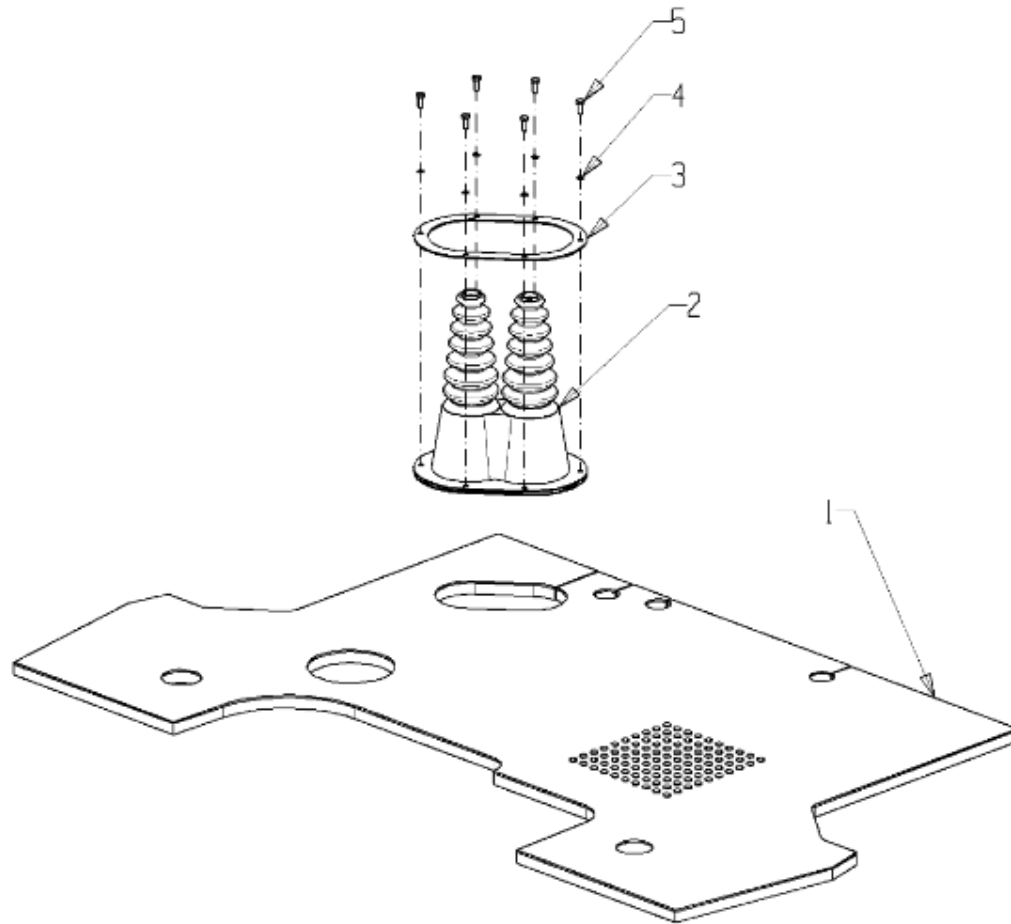






**B80.45.932.4 地板垫 FLOORMAT ASS.Y**

序号	零件编号	零件名称	数量	图号
1	CD1204.45.101/20	地板垫皮 PLATFORM MAT	1	CD1204.45.101/20
2	CD904A.45A.121	防尘罩 DUST COVER	1	CD904A.45A.121
3	CD904A.45A.102	压板 PLATE	1	CD904A.45A.102
4	2.1473.006.2	弹簧垫圈 SPRING WASHER M6	6	2.1473.006.2
5	2.0114.005.2	螺栓 SCREW M6x16	6	2.0114.005.2

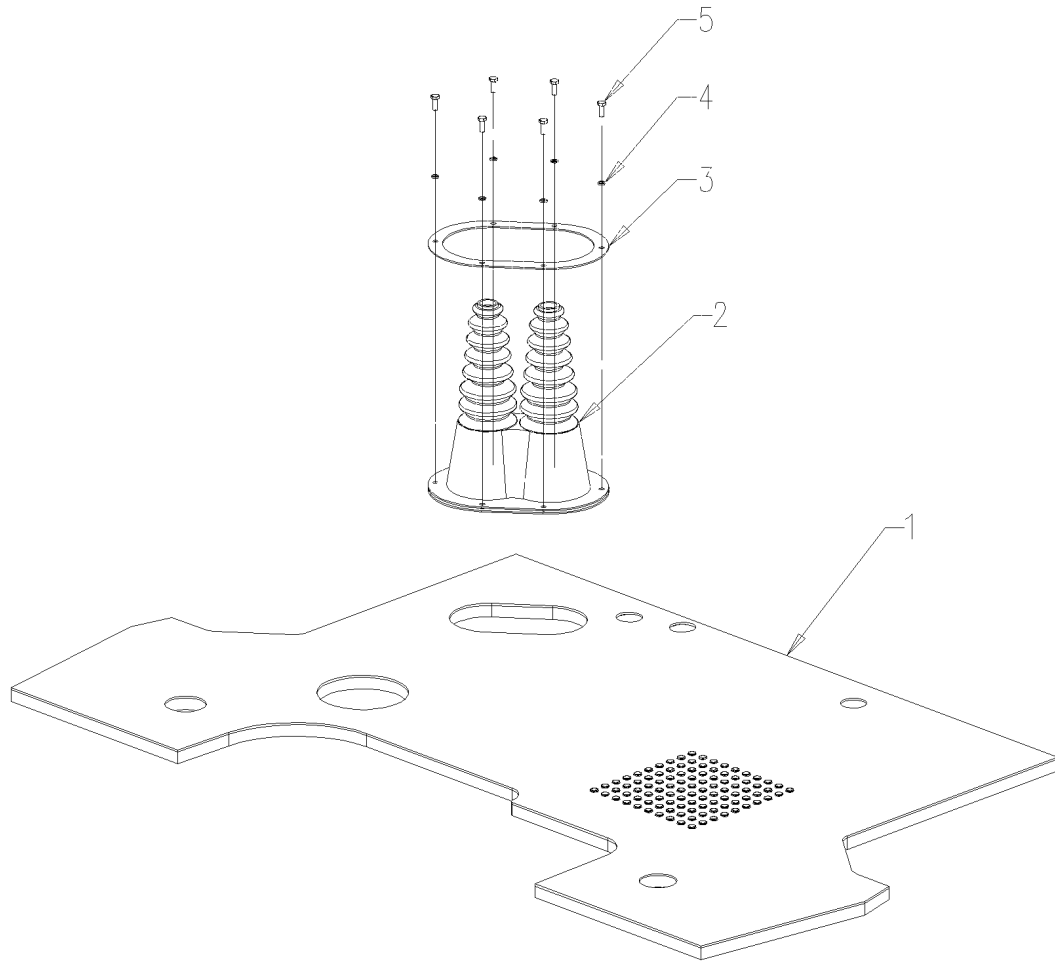



# FLOORMAT ASS.Y B80.45.932.4

YFB-R-2017-011 SH.048

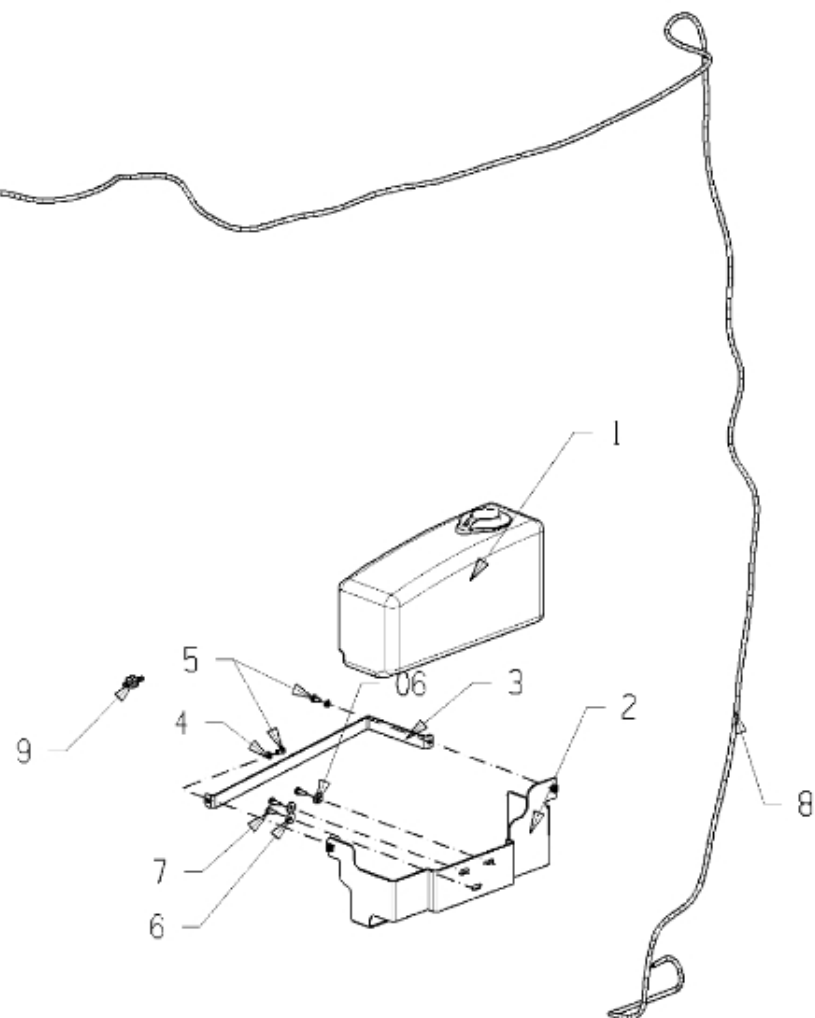
## B80.45.932.4\_1 地板垫总成 FLOOR MAT

序号	零件编号	零件名称	数量	图号
1	CD1204.45.101/10	地板垫皮 PLATFORM MAT	1	CD1204.45.101/10
2	CD904A.45A.121	变速杆防尘罩 DUST COVER	1	CD904A.45A.121
3	CD904A.45A.102	压板 PLATE	1	CD904A.45A.102
4	GBT93-6-A3L	垫圈 WASHER	6	GBT93-6-A3L
5	GBT5783-M6X16-A2L	螺栓 BOLT	6	GBT5783-M6X16-A2L



 SHINE DELTA PUMP GROUP S.p.A. Gruppo - Group CHINA GROUP	FL90 SERIES YUCHAI CN11	N. dis. - P/N B80.45.936.4
	WATER TANK - 2 PUMPS SERBATOIO TERGI - 2 POMPE	Rev. 0 Foglio - Sheet 1 di 1 Val. data il 20/10/2023

32409F0004



### B80.45.936.4\_0 水箱-双泵 WATER TANK - 2 PUMPS

序号	零件编号	零件名称	数量	图号
1	0.027.5597.4/10	水箱-双泵 WATER TANK - 2 PUMPS	1	0.027.5597.4/10
2	B80.45.070.0	水箱支撑 WATER TANK SUPPORT	1	B80.45.070.0
3	A24.45.111.0	夹子 CLAMP	1	A24.45.111.0
4	2.1310.001.3	垫圈 5 ROSETTA 5	2	2.1310.001.3
5	2.0332.303.3	螺栓 M5X0.8X10 VITE M5X0.8X10	2	2.0332.303.3
6	2.1312.002.3	垫圈 D.5 WASHER D.5	3	2.1312.002.3
7	2.0332.305.3	螺栓 M5X0.8X14 VITE M5X0.8X14	3	2.0332.305.3
8	B80.45.065.0	水管 WATER PIPE	1	B80.45.065.0
9	0.9231.559.0	接头 RACCORDO CON VALVOLA	1	0.9231.559.0
10	3.1900.010.0	LIQ. AT-TERGI-GLAS LIQ. AT-TERGI-	1	3.1900.010.0



SIME DEUTZ-FAHR GROUP S.p.A.  
Gruppo - Group  
CHINA GROUP

FL120 SERIES YTO CN11

RH COVER ASS.Y

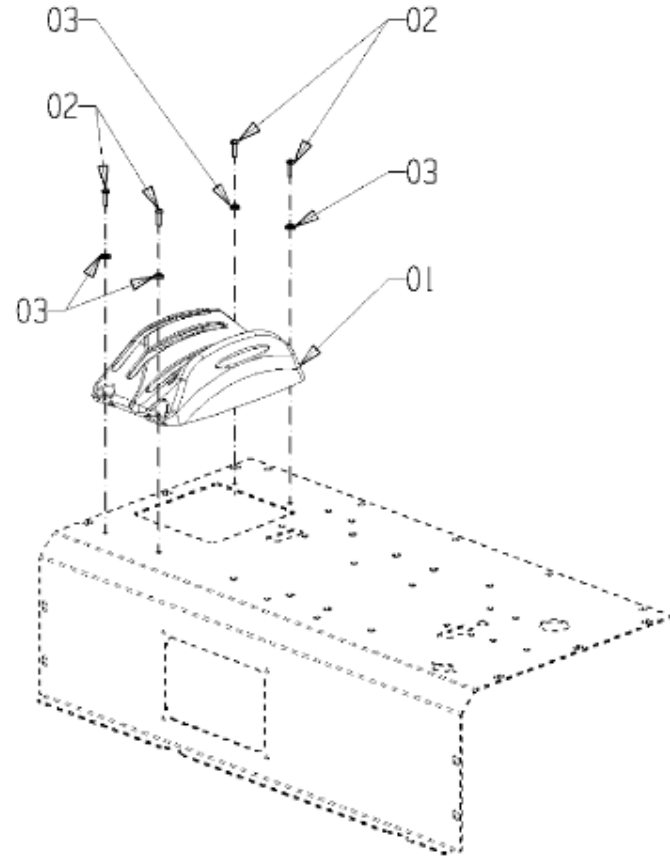
N. dis. - P/N  
B80.45.940.4

Rev	Facilita il check	di - di'
0	1	1
Validato il	IM	P
15/12/2021		

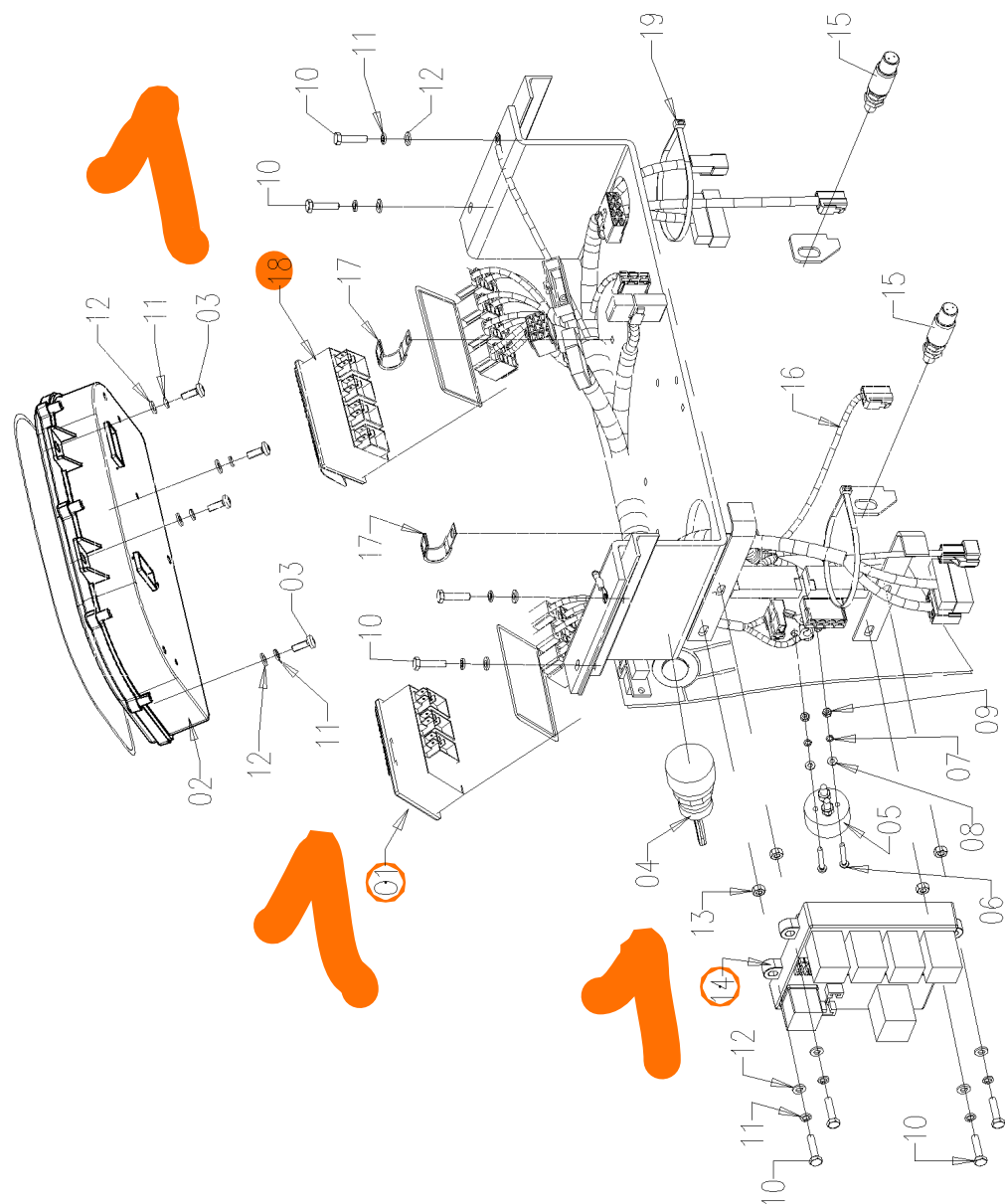
YFB-R-2017-011 SH.079

B80.45.940.4\_0 右侧操纵盖板总成 RH COVER ASS.Y

序号	零件编号	零件名称	数量	图号
1	A23.45.049.0/10	阻燃罩 COVER	1	A23.45.049.0/10
2	2.0332.408.3	螺栓 CROSS SCREW M6x1x25	4	2.0332.408.3
3	0.020.3772.0	螺栓帽 UNDER SCREW	4	0.020.3772.0



B80.48.901.4 BODY W.H ASSEMBLY  
YFB-R-2017-011 SH.006



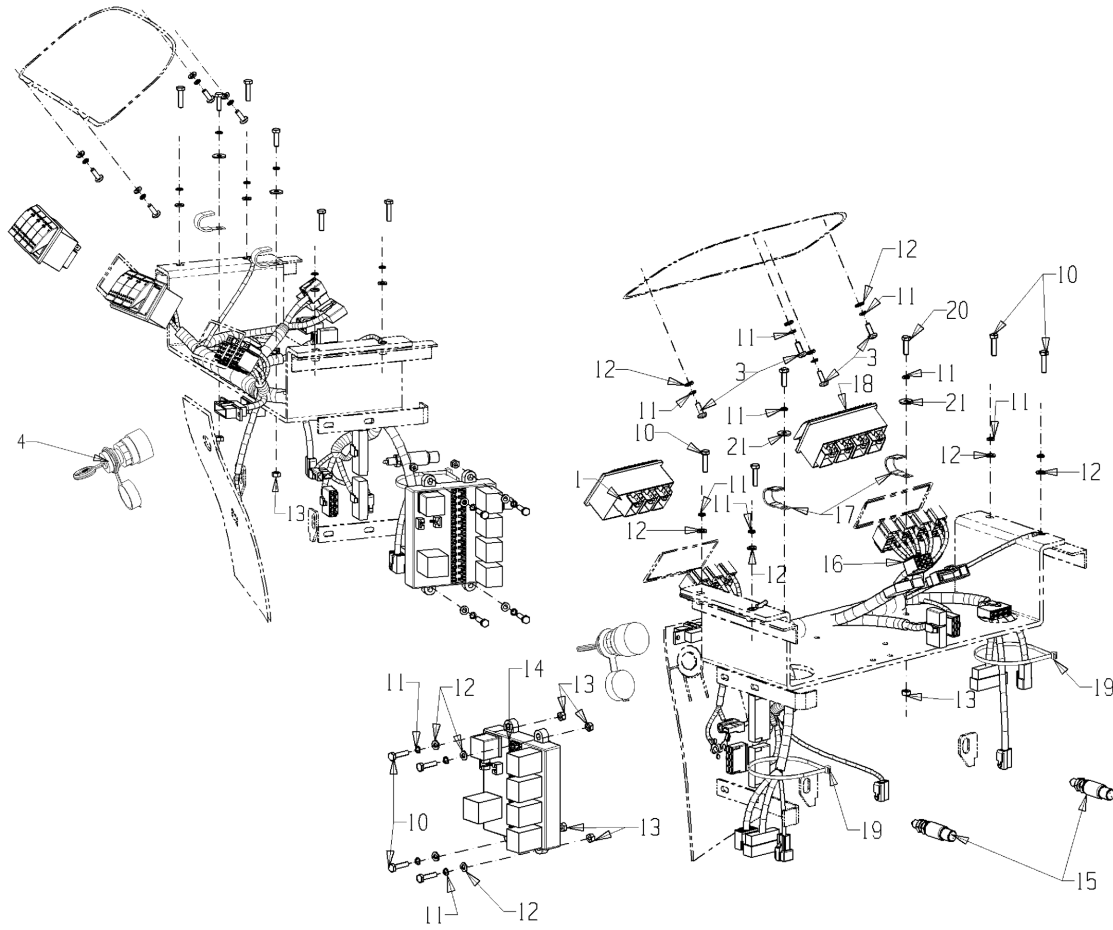
B80.48.901.4\_0 车身线束安装总成 BODY W.H ASSEMBLY

序号	零件编号	零件名称	数量	图号
1	LD800.48.031	右侧摇臂开关 RIGHT QUADRUPLE	1	LD800.48.031
2	B80.48.033	组合式仪表 COMBINATION	1	B80.48.033
3	GB818-M6X16-A3L	螺钉 SCREW	4	GB818-M6X16-A3L
3	2.0332.406.2	螺栓 M6x1x16 VITE M6X1X16	4	2.0332.406.2
4	SH400.48.039	点火锁 IGNITION LOCK	1	SH400.48.039
4	CD304.48.039	点火锁 IGNITION LOCK	1	CD304.48.039
5	SH900.48.048	工作灯插座 PORTABLE LAMP	1	SH900.48.048
6	GBT68-M4X30-A3L	螺栓 BOLT	2	GBT68-M4X30-A3L
7	GBT93-4-A3L	垫圈 WASHER	2	GBT93-4-A3L
8	GBT96-4-A3L	垫圈 WASHER	2	GBT96-4-A3L
9	GBT6170-M4-A2L	螺母 NUT	2	GBT6170-M4-A2L
10	GBT5783-M6X25-A2L	螺栓 BOLT	8	GBT5783-M6X25-A2L
10	2.0114.009.2	螺栓 M6x25 VITE T.E.M6X25	8	2.0114.009.2
11	2.1473.006.2	弹垫 M6 SPRING WASHER M6	14	2.1473.006.2
11	GBT93-6-A3L	垫圈 WASHER	12	GBT93-6-A3L
12	2.1310.002.2	垫圈 6 ROSETTA 6	12	2.1310.002.2
12	GBT97.1-6-A3L	垫圈 WASHER	12	GBT97.1-6-A3L
13	GBT6170-M6-A2L	螺母 NUT	8	GBT6170-M6-A2L
13	2.1011.103.2	螺母 M6X1 DADO M6X1	6	2.1011.103.2
14	CD1204.48.034/10	中央电器盒 CENTRAL ELECTRIC	1	CD1204.48.034/10
14	CD1204.48.034	中央电器盒 CENTRAL ELECTRICAL	1	CD1204.48.034
15	SH400.48.047	制动开关 BRAKE SWITCH	2	SH400.48.047
16	CD1204.48.020/10	车身线束 BODY W.H.	1	CD1204.48.020/10
16	CD1204.48.020	车身线束总成 BODY HARNESS ASSY	1	CD1204.48.020
17	SH400.48.112	线束紧固夹 HARNESS	2	SH400.48.112
18	CD1204.48.029	左侧四联翘板式开关 LIFT	1	CD1204.48.029
19	2.6852.203.0	自锁扎带 292X4.8 SELF LOCKING	2	2.6852.203.0
20	2.0114.007.2	螺栓 M6X20 VITE M6X20	2	2.0114.007.2
21	2.1312.003.2	垫圈 6 ROSETTA 6	2	2.1312.003.2

# B80.48.901.4 BODY W.H ASSEMBLY

## B80.48.901.4\_2 车身线束安装总成 BODY W.H ASSEMBLY

序号	零件编号	零件名称	数量	图号
1	LD800.48.031	右侧摇臂开关 RIGHT SIDE ROCKER	1	LD800.48.031
3	2.0332.406.2	螺栓 M6X1X16 VITE M6X1X16	4	2.0332.406.2
4	CD304.48.039	点火锁 IGNITION LOCK	1	CD304.48.039
10	2.0114.009.2	螺栓 M6X25 VITE T.E.M6X25	8	2.0114.009.2
11	2.1473.006.2	弹垫 M6 SPRING WASHER M6	14	2.1473.006.2
12	2.1310.002.2	垫圈 6 ROSETTA 6	12	2.1310.002.2
13	2.1011.103.2	螺母 M6X1 DADO M6X1	6	2.1011.103.2
14	CD1204.48.034/10	中央电器盒 CENTRAL ELECTRIC	1	CD1204.48.034/10
15	SH400.48.047	制动开关 BRAKE SWITCH	2	SH400.48.047
16	CD1204.48.020/10	车身线束 BODY W.H.	1	CD1204.48.020/10
17	SH400.48.112	线束紧固夹 CLAMP	2	SH400.48.112
18	CD1204.48.029	左侧四联翘板式开关 LIFT	1	CD1204.48.029
19	2.6852.203.0	自锁式扎带 292X4.8 FASCETTA	2	2.6852.203.0
20	2.0114.007.2	螺栓 M6X20 VITE M6X20	2	2.0114.007.2
21	2.1312.003.2	垫圈 6 ROSETTA 6	2	2.1312.003.2

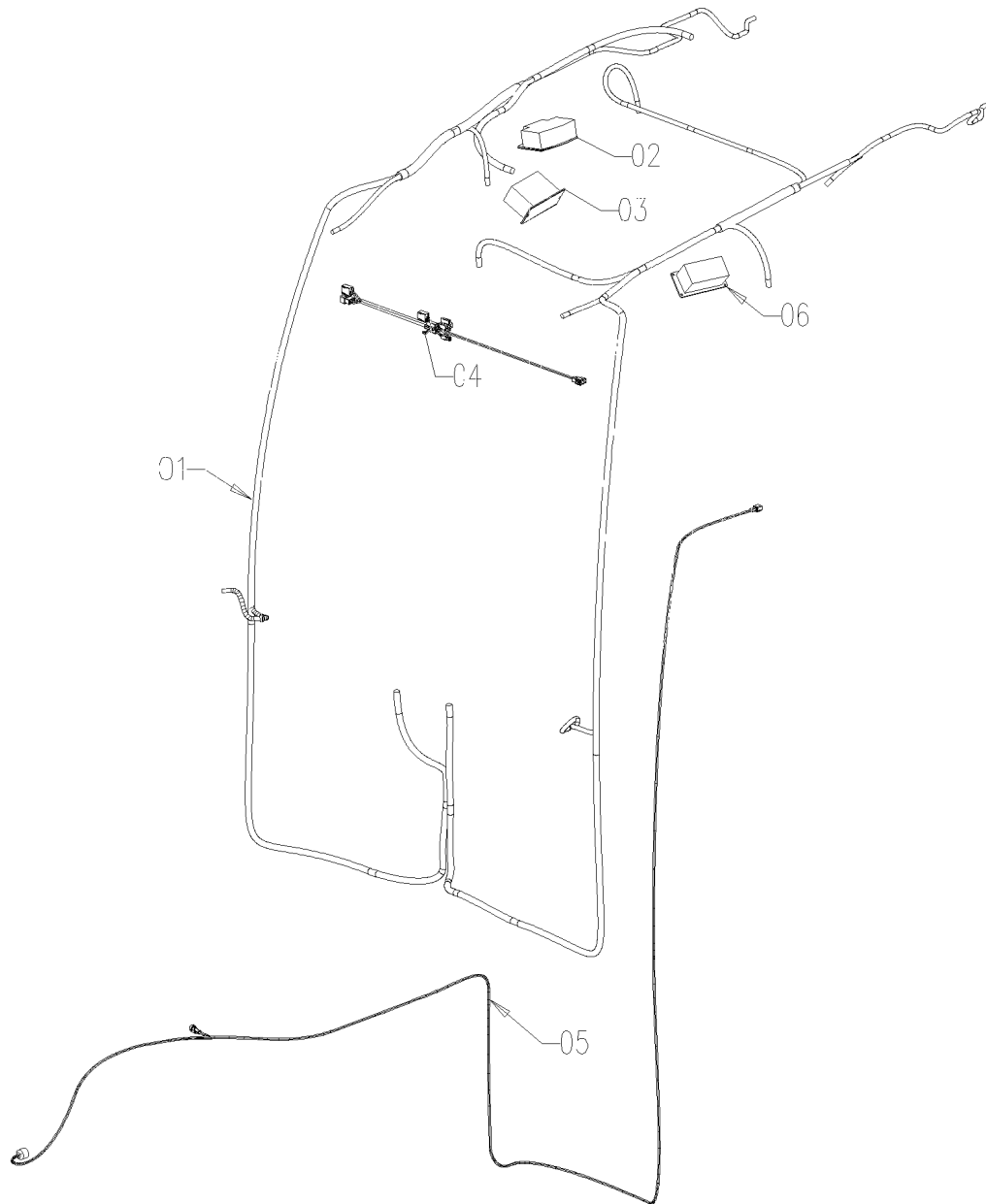


CABIN W.H. ASS.Y B80.48.904.4

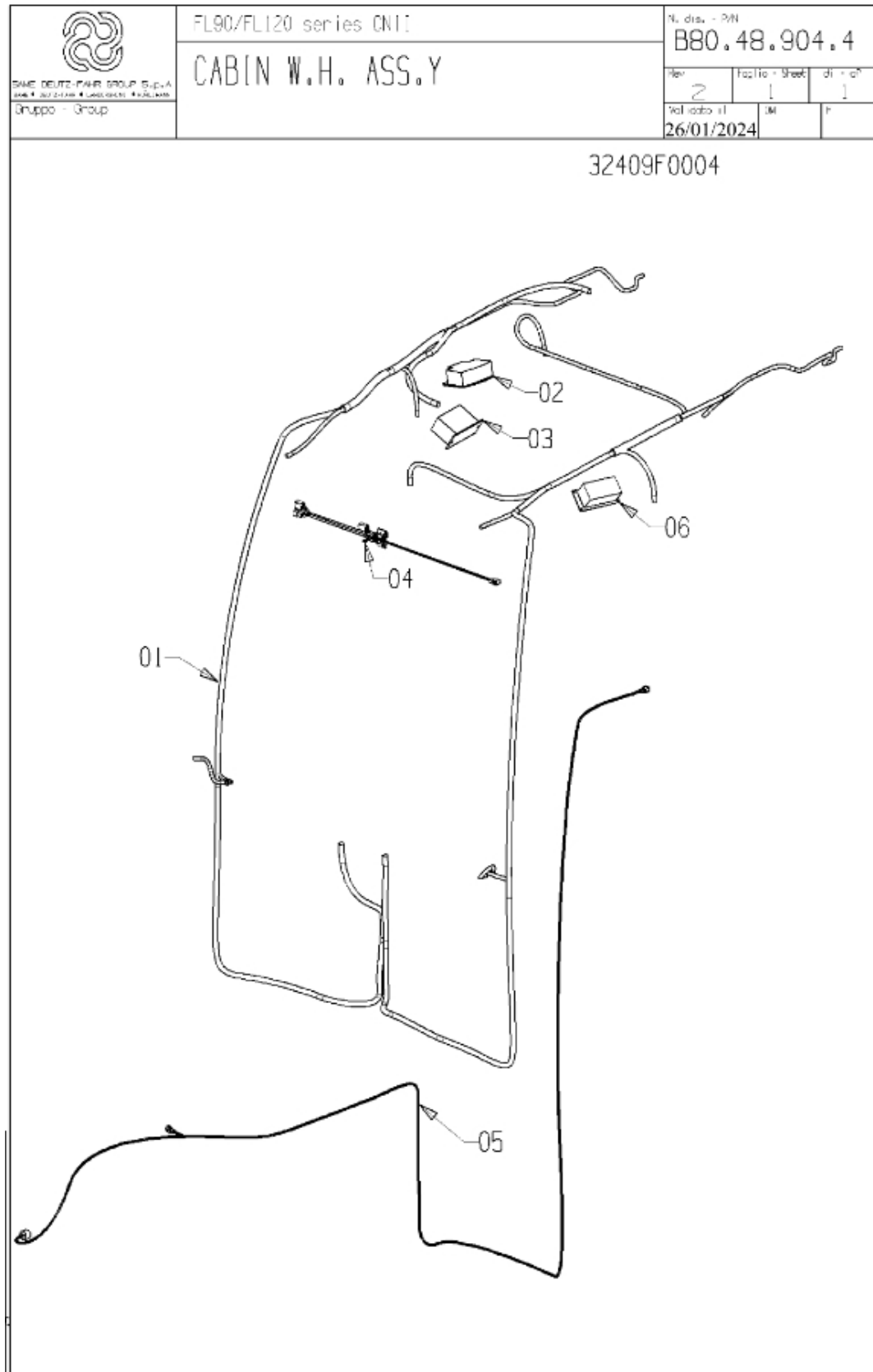
YFB-R-2017-011 SH.055

B80.48.904.4\_1 驾驶室线束总成 Cab wiring harness assembly

序号	零件编号	零件名称	数量	图号
1	CD1204.48.027/30	驾驶室线束 CABIN W.H.	1	CD1204.48.027/30
2	SH900.48.058	驾驶室灯 CAB CEILING LAMP	1	SH900.48.058
3	SH900.48.059	收音机 RADIO	1	SH900.48.059
4	CD1204.48.044	蒸发器线束 EVAPORATOR WIRING	1	CD1204.48.044
5	CD1204.48.045	压力开关线束 PRESSURE SWITCH	1	CD1204.48.045
6	A39.48.038.0	空调控制面板 AC CONTROL	1	A39.48.038.0







### B80.48.904.4\_2 驾驶室线束安装总成 CABIN W.H ASSEMBLY

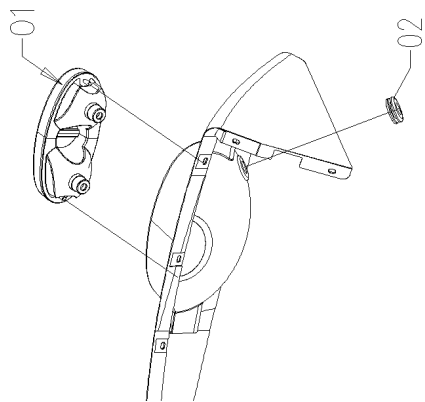
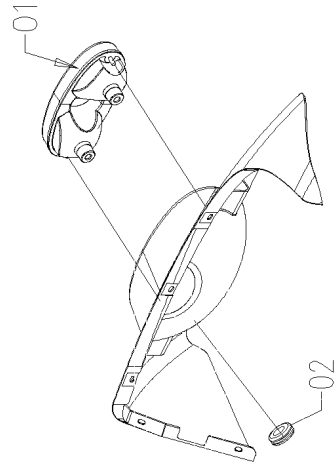
序号	零件编号	零件名称	数量	图号
1	CD1204.48.027/40	驾驶室线束 CABIN W.H.	1	CD1204.48.027/40
2	SH900.48.058	驾驶室灯 CAB CEILING LAMP	1	SH900.48.058
3	SH900.48.059	收音机 RADIO	1	SH900.48.059
4	CD1204.48.044	蒸发器线束 EVAPORATOR W.H.	1	CD1204.48.044
5	CD1204.48.045	压力开关线束 PRESSURE SWITCH	1	CD1204.48.045
6	A39.48.038.0	空调控制面板 AC CONTROL PANEL	1	A39.48.038.0

# INDICATOR ASSEMBLY B80.48.909.4

YFB-R-2017-011 SH.006

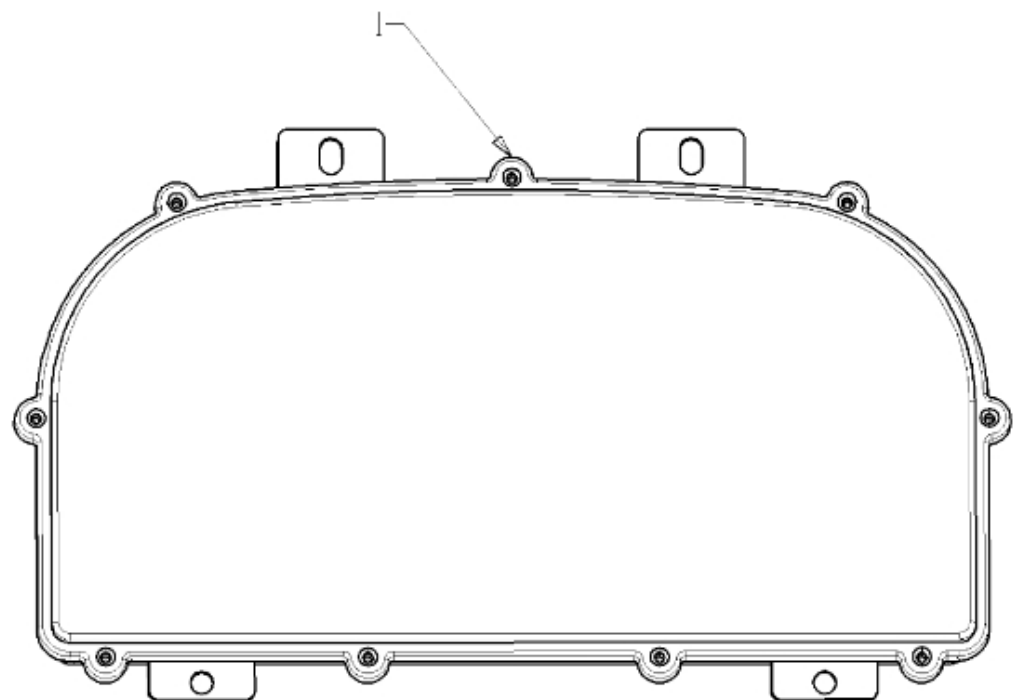
## B80.48.909.4\_0 信号灯安装总成 Signal light mounting assembly

序号	零件编号	零件名称	数量	图号
1	CD1204.48.030	后尾灯总成	2	CD1204.48.030
2	SH400.48.118	穿线胶圈(二)	2	SH400.48.118



 SIME DEUTZ-FAHR GROUP S.p.A. Gruppo - Group	FL90 SERIES YUCHAI CN11 / FL120 YTO CN11	N. dis. - PN <b>B80.48.911.4</b>	
	CHECK PANEL B80 ASS.Y	Rev. 0 26/01/2024	Foglio - Sheet 1 di - of 2

32409F0004



**B80.48.911.4\_0 仪表 B80 安装总成 CHECK PANEL B80 ASS.Y**

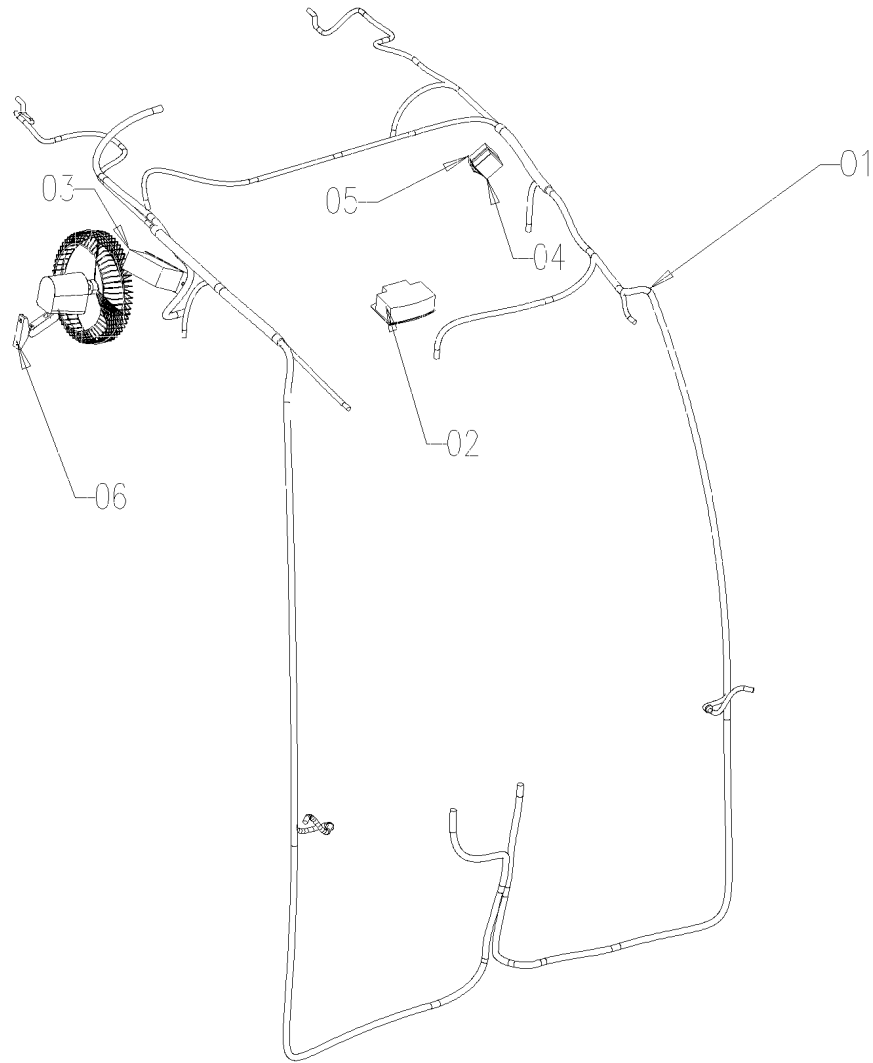
序号	零件编号	零件名称	数量	图号
1	B80.48.033	组合式仪表 COMBINATION	1	B80.48.033

# CABIN-ELECTRICAL PARTS B80.48.914.4

YFB-R-2017-011 SH.055

## B80.48.914.4\_1 驾驶室线束总成 Cab wiring harness assembly

序号	零件编号	零件名称	数量	图号
1	CD1204.48.027/30	驾驶室线束 CABIN W.H.	1	CD1204.48.027/30
2	SH900.48.058	驾驶室灯 CAB CEILING LAMP	1	SH900.48.058
3	SH900.48.059	收音机 RADIO	1	SH900.48.059
4	A23.48.014.0	暖风开关 HEATING CONTROL SW.	1	A23.48.014.0
5	A23.48.015.0	风扇开关 FAN SW.	1	A23.48.015.0
6	SH900.48.057	风扇 FAN	1	SH900.48.057

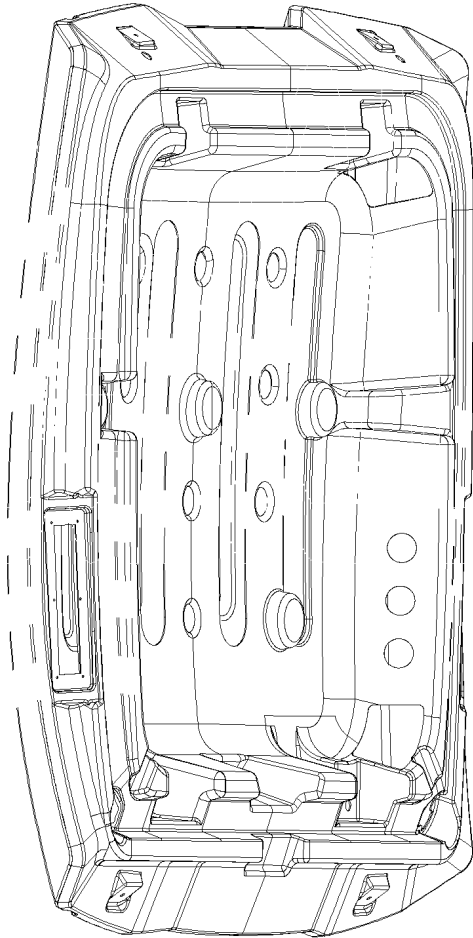
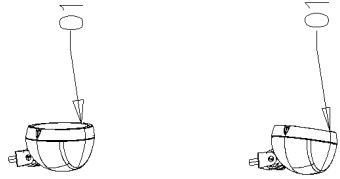


# WORK LAMP ASS.Y B80.48.917.4

YFB-R-2017-011 SH.055

## B80.48.917.4\_1 工作灯总成 WORK LAMP ASS.Y

序号	零件编号	零件名称	数量	图号
1	2.8039.359.0	驾驶室顶工作灯 ROOF WORK LIGHT	4	2.8039.359.0

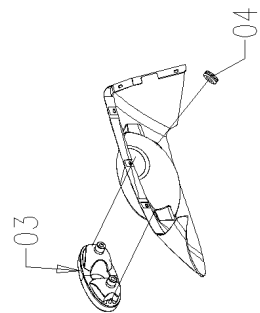
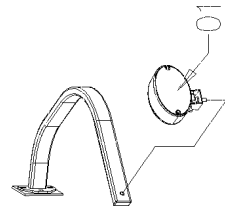
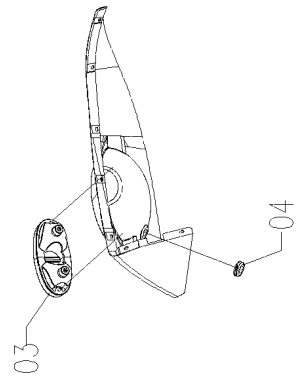
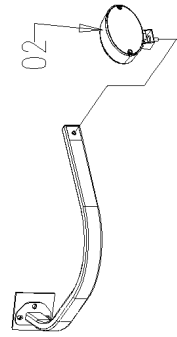


# INDICATOR ASSEMBLY B80.48.919.4

YFB-R-2017-011 SH.006

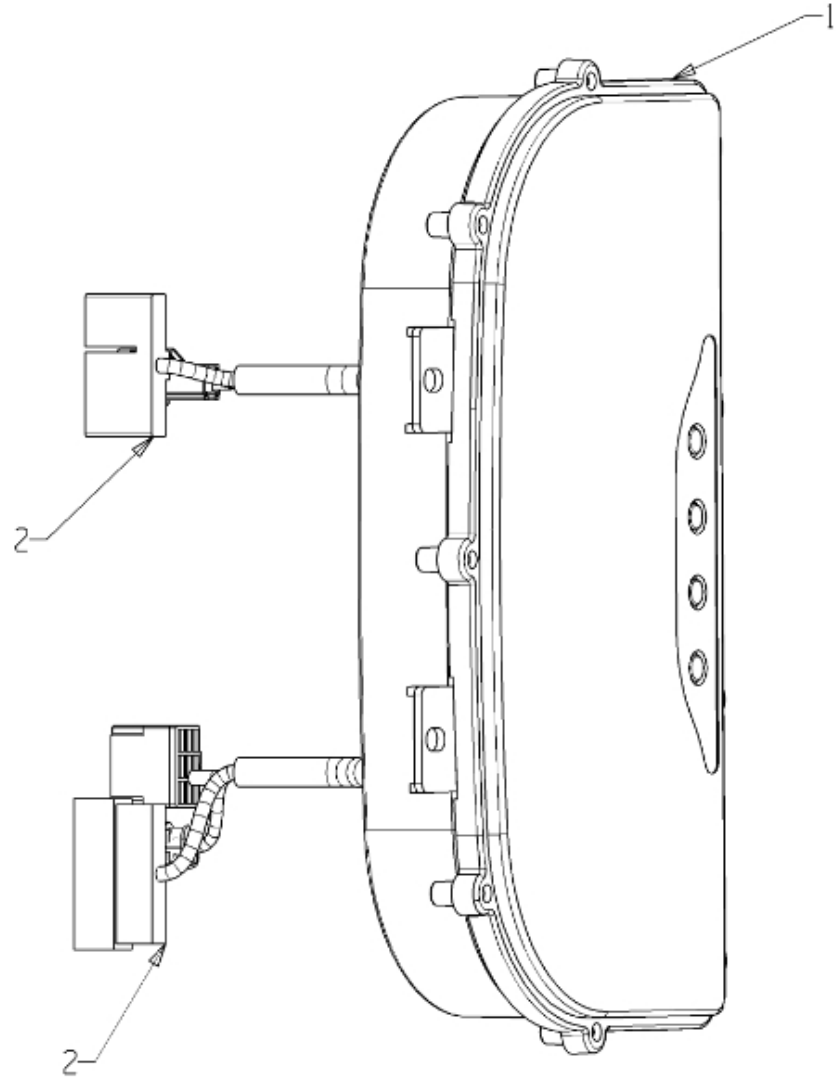
## B80.48.919.4\_0 信号灯安装总成 Signal light mounting assembly

序号	零件编号	零件名称	数量	图号
1	CD1204.48.041/20	右转向位置灯总成	1	CD1204.48.041/20
2	CD1204.48.032/20	左转向位置灯总成	1	CD1204.48.032/20
4	SH400.48.118	穿线胶圈(二)	2	SH400.48.118
4	CD1204.48.030	后尾灯总成	2	CD1204.48.030



 SAME DEUTZ-FAHR GROUP S.p.A. DIV. F. MASCHINE E AGRICOLTURA Gruppo - Group	FL90 SERIES YUCHAI CN11 / FL120 YTO CN11 <b>CHECK PANEL 3.5 ASS.Y</b>	N. dis. - P/N <b>B80.48.921.4</b>					
	Rev. <table border="1"> <tr> <td>0</td> <td>1</td> <td>1</td> </tr> </table>	0	1	1	Validato: <table border="1"> <tr> <td>OU</td> <td>F</td> <td></td> </tr> </table>	OU	F
0	1	1					
OU	F						

32409F0004

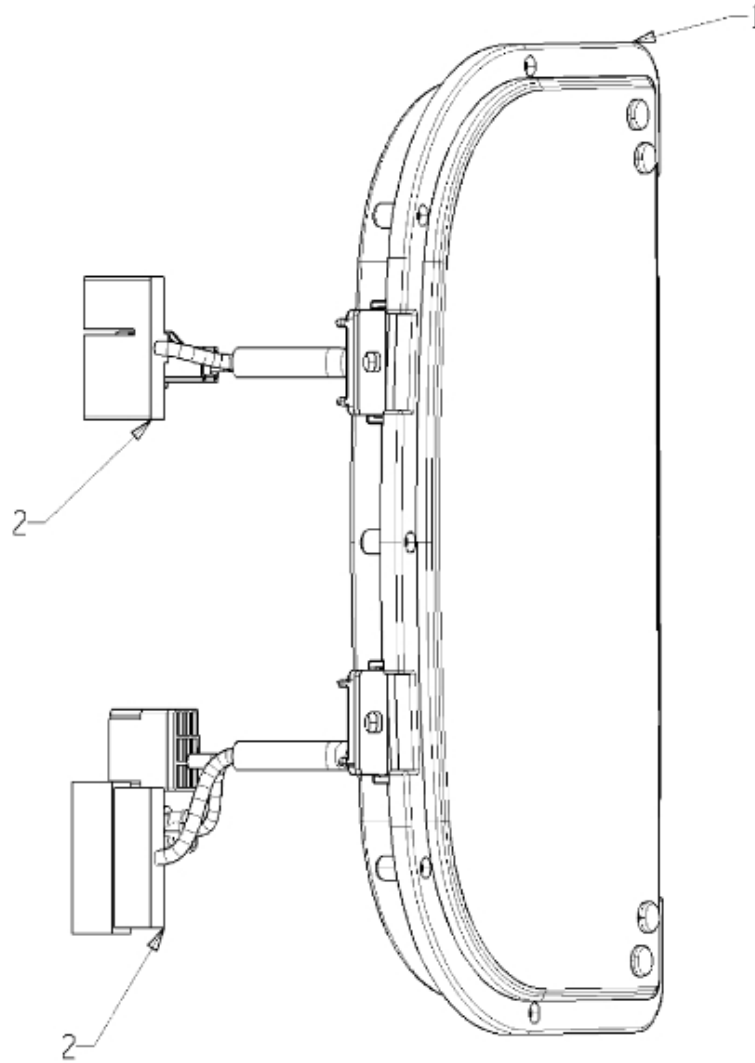


### B80.48.921.4\_0 仪表 3.5安装总成 CHECK PANEL 3.5 ASS.Y

序号	零件编号	零件名称	数量	图号
1	B29.48.012.0/30	仪表 3.5安装总成 CHECK PANEL 3.5	1	B29.48.012.0/30
2	A78.48.006.4	适配器线束1 CLUSTER ADAPTER	1	A78.48.006.4

 SIME DEUTZ-FAHR GROUP S.p.A. Gruppo - Group	FL90 SERIES YUCHAI CN11 / FL120 YTO CN11 <b>CLUSTER 7 INCH ASS.Y</b>	N. dis. - P/N <b>B80.48.931.4</b>
	Rev. 0 Foglio - Sheet 1 di 1 Data di emissione - Issue date 26/01/2024	

32409F0004



### B80.48.931.4\_0 仪表 7 INCH安装总成 CLUSTER 7 INCH ASS.Y

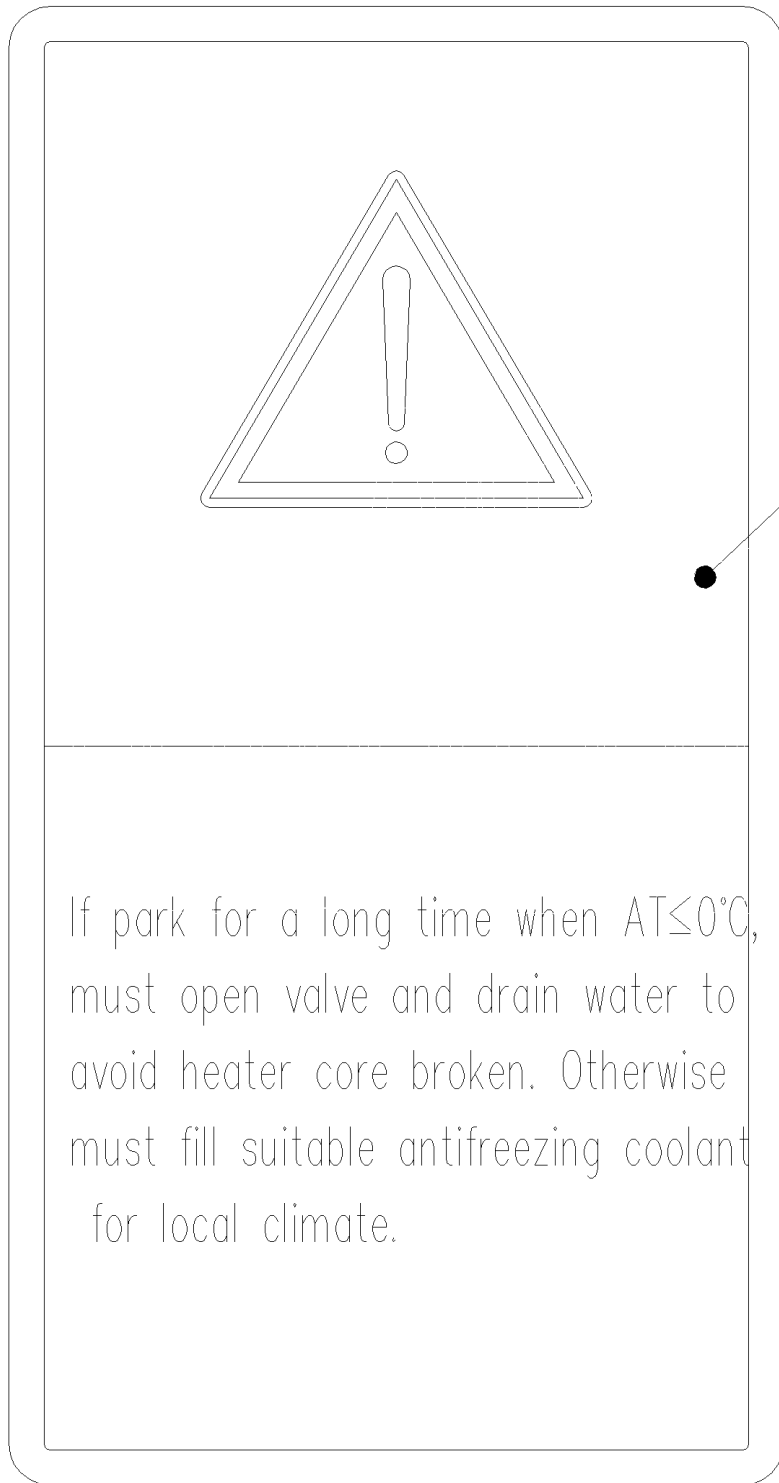
序号	零件编号	零件名称	数量	图号
1	D62.48.004.0	仪表7安装 CLUSTER 7 INCH	1	D62.48.004.0
2	A78.48.006.4	适配器线束1 CLUSTER ADAPTER	1	A78.48.006.4



# B80.51.904.4 DRAIN WATER LABEL

## B80.51.904.4\_0 放水提醒 WATER RELEASING REMINDER

序号	零件编号	零件名称	数量	图号
1	B80.51.101.0	放水提醒标识 WATER RELEASING	1	B80.51.101.0



1

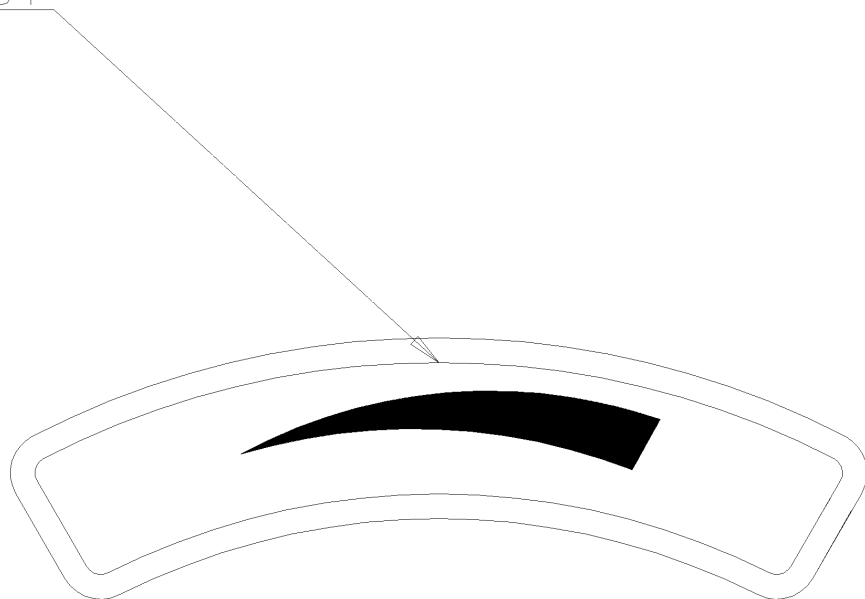
B80.51.918.4 HAND THROTTLE LABEL

YFB-R-2017-011 SH.004

**B80.51.918.4\_0手油门标签 HAND THROTTLE LABEL**

序号	零件编号	零件名称	数量	图号
1	SH900.51B.109	手油门标识HAND THROTTLE	1	SH900.51B.109

01

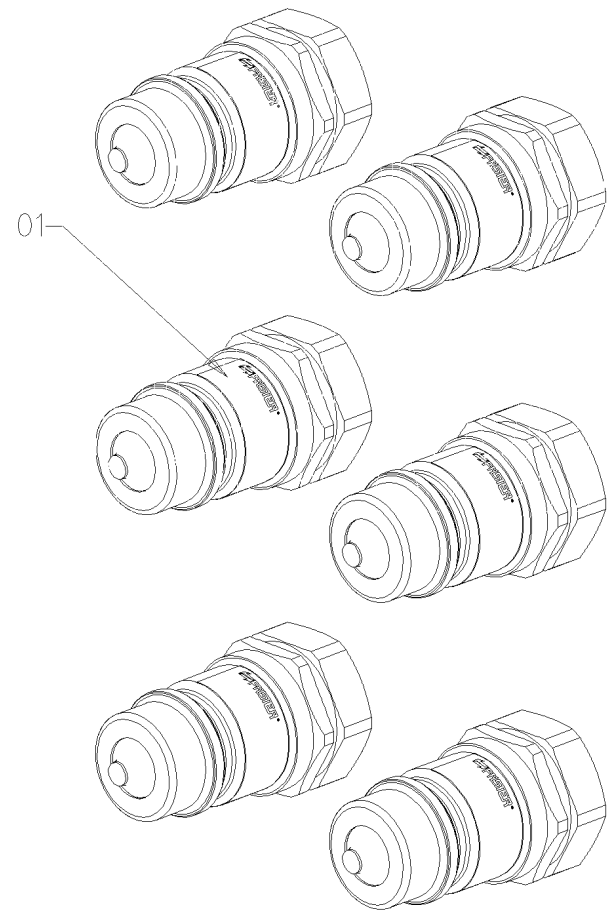


B80.58.908.4\_0 快换接头 QUICK COUPLES ASS.

序号	零件编号	零件名称	数量	图号
1	SH904.58.015	快换阳接头总成 M. QUICK COUPLER	6	SH904.58.015

B80.58.908.4 QUICK COUPLES ASS.Y-M22X1.5

YFB-R-2017-011 SH.064

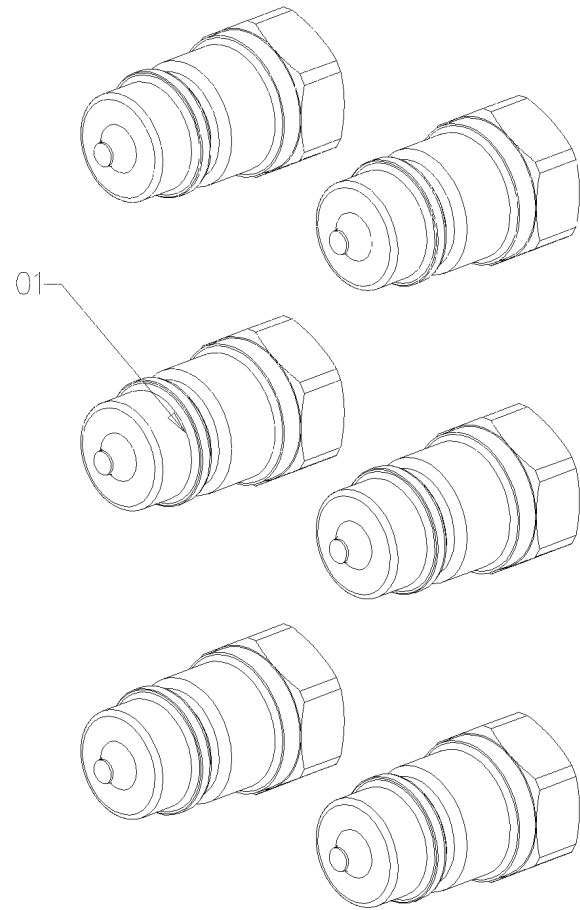


B80.58.918.4\_0 快换接头 QUICK COUPLES ASS.

序号	零件编号	零件名称	数量	图号
1	0.98309.51.3/10	快换阳接头总成 M. QUICK COUPLER	6	0.98309.51.3/10

B80.58.918.4 QUICK COUPLES ASS.Y-G 1/2

YFB-R-2017-011 SH.064

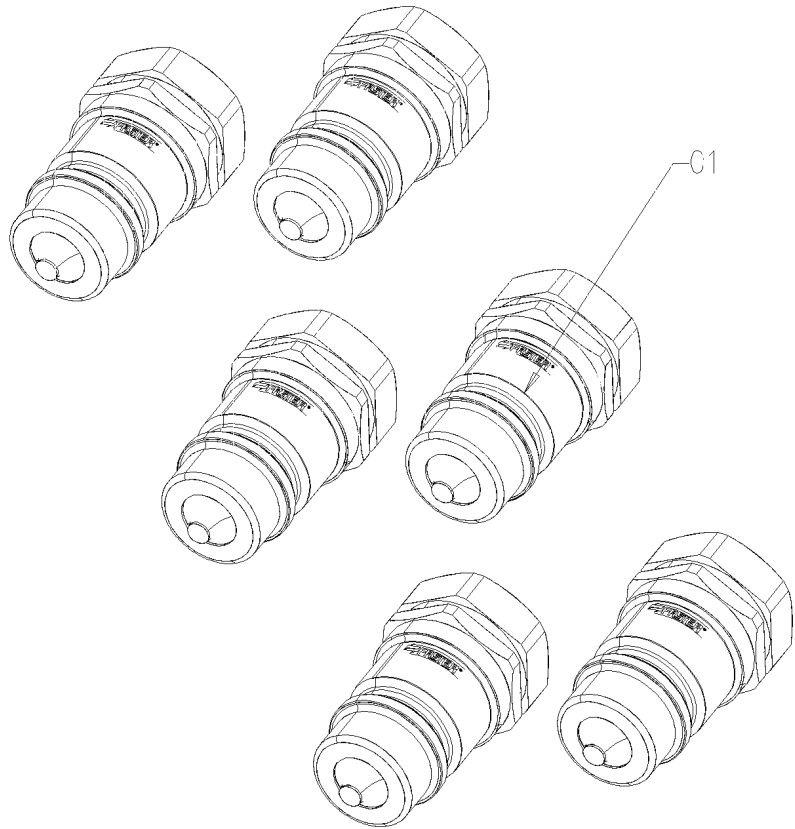


B80.58.928.4\_0 快换接头 QUICK COUPLES ASS.

序号	零件编号	零件名称	数量	图号
1	A73.58.003.0	快换阳接头总成 M. QUICK COUPLER	6	A73.58.003.0

B80.58.928.4 QUICK COUPLES ASS.Y-NPT 1/2

YFB-R-2017-011 SH.064

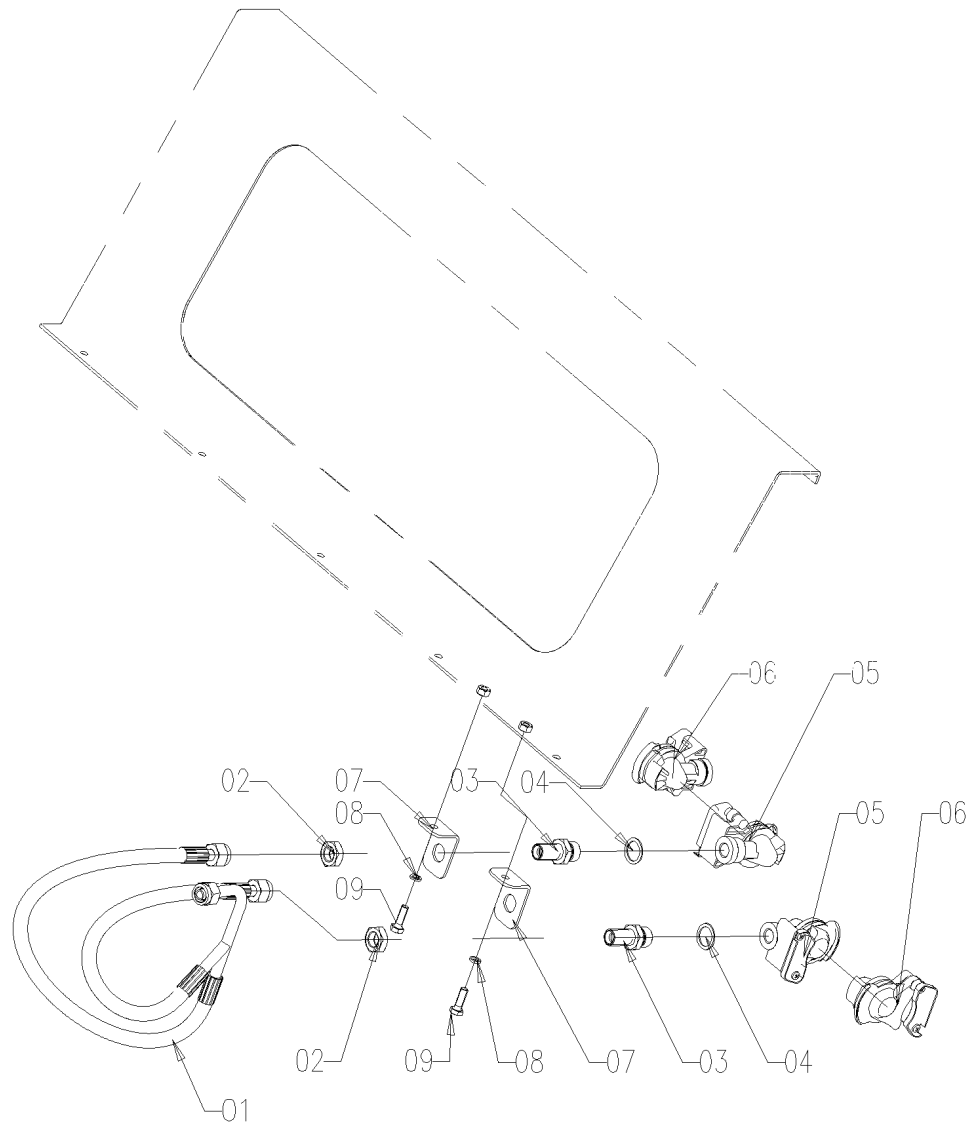


# B80.80.907.4 PARK BRAKE VALVE PIPE ASS.Y

YFB-R-2020-001 SH.017

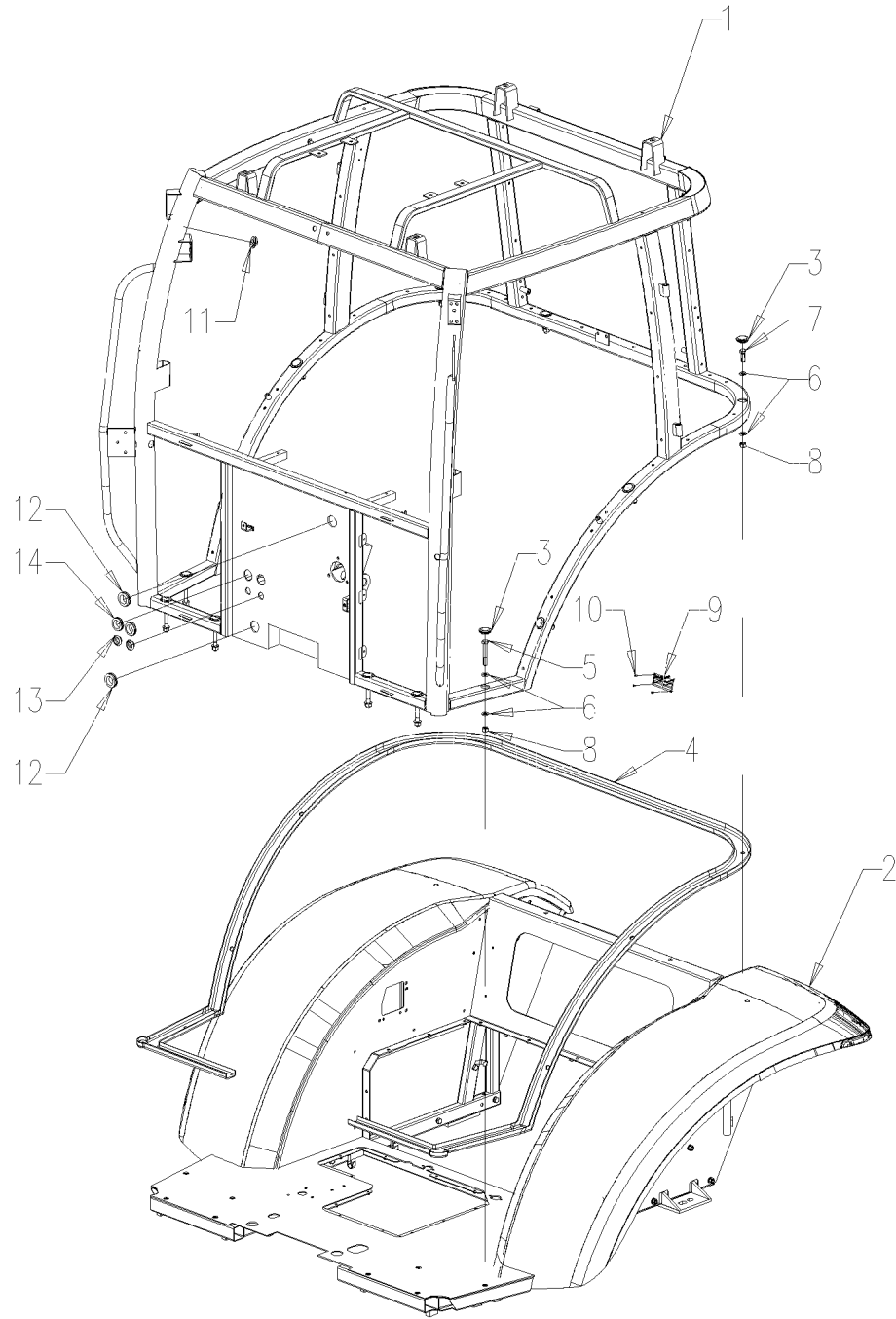
## B80.80.907.4\_1 驻车制动阀管路总成 PARK BRAKE VALVE PIPE ASS.Y

序号	零件编号	零件名称	数量	图号
1	B80.80.004.3	输出管总成 OUTPUT PIPE ASS.	1	B80.80.004.3
2	GBT6173-M18X1.5-A3L	螺母 NUT	2	GBT6173-M18X1.5-A3L
3	B80.80.003.0/10	卡套式端直通接头体 FITTING	2	B80.80.003.0/10
4	2.1560.018.0	组合密封垫圈 SEALING RING	2	2.1560.018.0
5	B80.80.002.0	单回路阴接头 F. QUICK COUPLER	2	B80.80.002.0
6	B80.80.005.0	单回路阳接头 M. QUICK COUPLER	2	B80.80.005.0
7	B80.80.006.0	支架 BRACKET	2	B80.80.006.0
8	GBT93-8-A3L	垫圈 WASHER	2	GBT93-8-A3L
9	GBT5783-M8X25-A2L	螺栓 BOLT	2	GBT5783-M8X25-A2L



# CABIN STRUCTURE ASS.Y B84.45.900.4

YFB-R-2017-011 SH.048



## B84.45.900.4\_1 驾驶室总成 CABIN STRUCTURE ASS.Y

序号	零件编号	零件名称	数量	图号
1	B84.45.001.3/10	上层驾驶室框架 UPPER CABIN	1	B84.45.001.3/10
2	B84.45.005.4	地板焊接总成 FLOOR WELDING	1	B84.45.005.4
3	0.026.5183.0	塞子 PLUG D.30.5	14	0.026.5183.0
4	B36.45.038.0/10	橡胶垫 RUBBER	1	B36.45.038.0/10
5	2.0112.425.2	六角螺栓 HEX BOLT M12x1.75x80	6	2.0112.425.2
6	2.1310.007.2	垫圈 WASHER 12	28	2.1310.007.2
7	2.0112.413.2	六角螺栓 HEX BOLT M12x1.75x35	8	2.0112.413.2
8	2.1011.107.2	螺母 NUT M12x1.75	14	2.1011.107.2
9	0.034.4543.0/10	标签 OECD LABEL	1	0.034.4543.0/10
10	2.1855.010.0	铆钉 BLIND RIVETS 3.4	4	2.1855.010.0
11	2.6569.069.0/10	橡胶塞 Gommino	1	2.6569.069.0/10
12	CD904A.45A.103	线束塞 40 SHEATH	2	CD904A.45A.103
13	A23.45.231.0	橡胶垫 RUBBER GASKET	2	A23.45.231.0
14	A23.45.232.0	橡胶垫 RUBBER GASKET	2	A23.45.232.0



SIME DEUTZ-FAHR GROUP S.p.A.  
Via F.lli. Rossini, 1 - 37030 Sommacampagna (Verona) - Italia  
Gruppo - Group  
CHINA GROUP

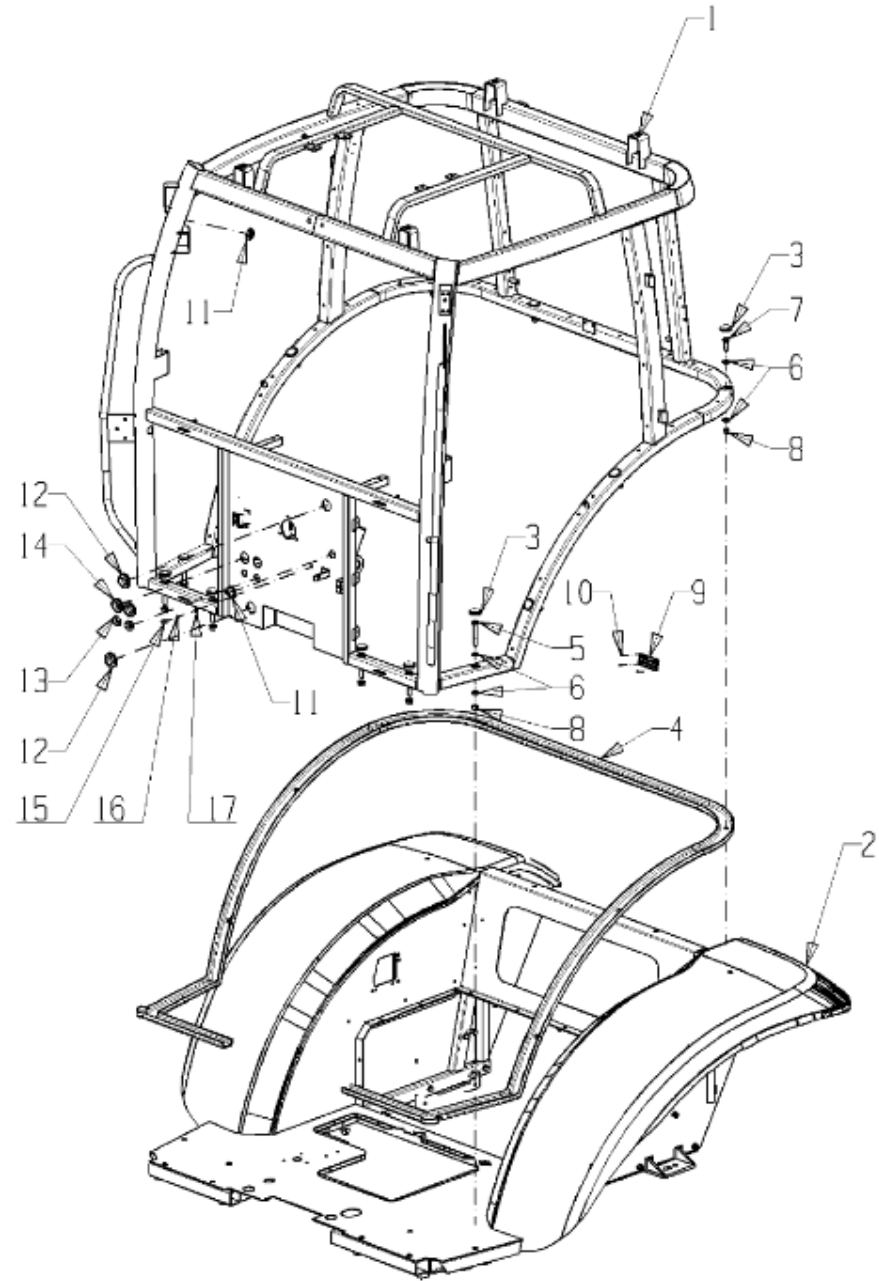
FL90 SERIES YUCHAI CN11

CABIN STRUCTURE ASS.Y

N. dis. - P/N  
B84.45.900.4

Rev	1	1	1
11/07/2022			

YFB-R-2017-011 SH.090



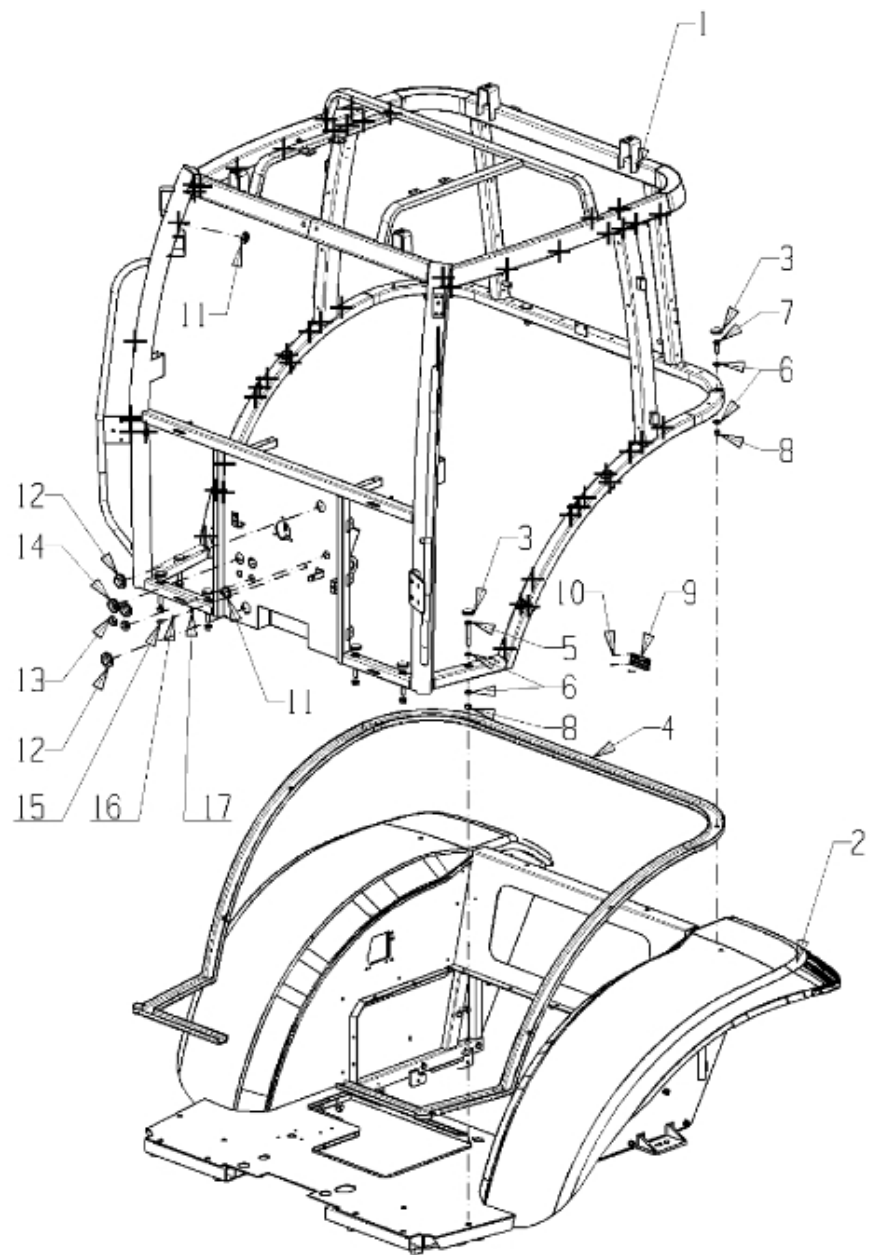
### B84.45.900.4\_3 驾驶室总成 CABIN STRUCTURE ASS.Y

序号	零件编号	零件名称	数量	图号
1	B84.45.001.3/30	上层驾驶室框架 UPPER CABIN	1	B84.45.001.3/30
2	B84.45.005.4/10	地板焊接总成 FLOOR WELDING	1	B84.45.005.4/10
3	0.026.5183.0	塞子 D.30.5 PLUG D.30.5	14	0.026.5183.0
4	B36.45.038.0/10	橡胶条 RUBBER	1	B36.45.038.0/10
5	2.0112.425.2	螺栓 HEX BOLT M12x1.75x80	6	2.0112.425.2
6	2.1310.007.2	垫圈 WASHER 12	28	2.1310.007.2
7	2.0112.413.2	螺栓 HEX BOLT M12x1.75x35	8	2.0112.413.2
8	2.1011.107.2	螺母 NUT M12x1.75	14	2.1011.107.2
9	0.034.4543.0/10	铭牌 OECD LABEL	1	0.034.4543.0/10
10	2.1855.010.0	铆钉 BLIND RIVETS 3.4	4	2.1855.010.0
11	2.6569.069.0/10	橡胶塞 Gommino	2	2.6569.069.0/10
12	CD904A.45A.103	线束塞40 40 SHEATH	2	CD904A.45A.103
13	A23.45.231.0	橡胶垫片 RUBBER GASKET	2	A23.45.231.0
14	A23.45.232.0	橡胶垫片 RUBBER GASKET	2	A23.45.232.0
15	2.0114.207.2	螺栓 SCREW M8x20	1	2.0114.207.2
16	2.1473.007.2	弹簧垫圈 SPRING WASHER M8	1	2.1473.007.2
17	2.1310.004.2	垫圈 WASHER 8	1	2.1310.004.2



	FL90 SERIES YUCHAR ON11	N. dis. - P/N B84.45.900.4
	CABIN STRUCTURE ASS.Y	Rev. 5 Foglio 1 di 1 Data di rilascio 25/04/2023

32344F.1

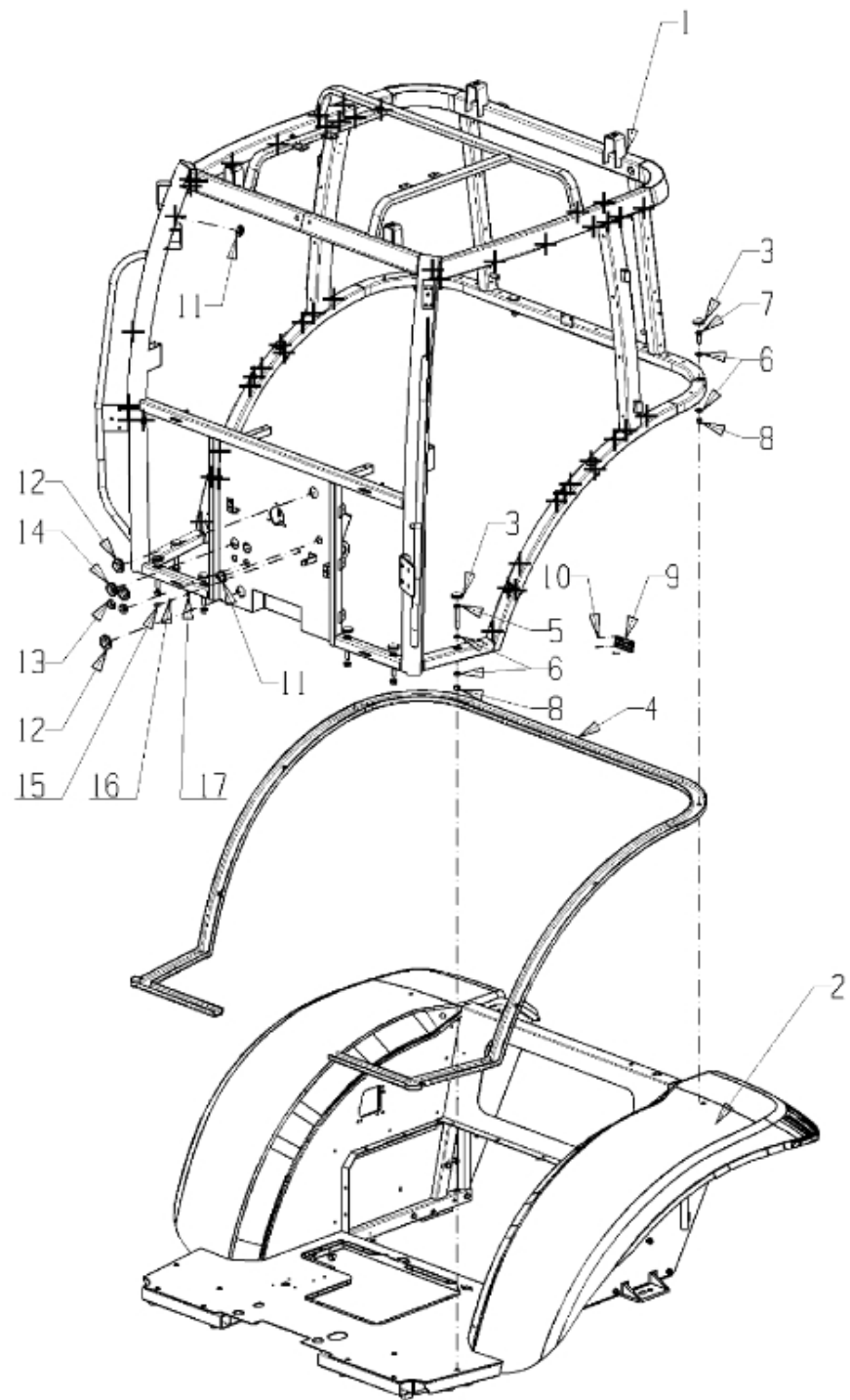


### B84.45.900.4\_5 驾驶室骨架 CABIN STRUCTURE ASS.Y

序号	零件编号	零件名称	数量	图号
1	B84.45.001.3/40	上层驾驶室框架 UPPER CABIN	1	B84.45.001.3/40
2	B84.45.005.4/20	地板焊接总成 FLOOR WELDING	1	B84.45.005.4/20
3	0.026.5183.0	塞子 D. 30.5 PLUG D. 30.5	14	0.026.5183.0
4	B36.45.038.0/10	橡胶条 RUBBER	1	B36.45.038.0/10
5	2.0112.425.2	螺栓 M12X1.75X80 VITE M12X1.75X80	6	2.0112.425.2
6	2.1310.007.2	垫圈 12 ROSETTA 12	28	2.1310.007.2
7	2.0112.413.2	螺栓 M12x1.75x35 VITE M12X1.75X35	8	2.0112.413.2
8	2.1011.107.2	螺母 M12X1.75 DADO M12X1.75	14	2.1011.107.2
9	0.034.4543.0/10	铭牌 OECD LABEL	1	0.034.4543.0/10
10	2.1855.010.0	铆钉 3.4 RIVETTO	4	2.1855.010.0
11	2.6569.069.0/10	橡胶塞 GOMMINO	2	2.6569.069.0/10
12	CD904A.45A.103	线束塞40 SHEATH 40	2	CD904A.45A.103
13	A23.45.231.0	橡胶垫片 RUBBER GASKET	2	A23.45.231.0
14	A23.45.232.0	橡胶垫片 RUBBER GASKET	2	A23.45.232.0
15	2.0114.207.2	螺栓 M8X1.25X20 VITE M8X1.25X20	1	2.0114.207.2
16	2.1473.007.2	弹垫 M8 SPRING WASHER M8	1	2.1473.007.2
17	2.1310.004.2	垫圈 8 ROSETTA 8	1	2.1310.004.2

	FL90 SERIES YUCHAR CN11	N. dis. - PN <b>B84.45.900.4</b>					
	<b>CABIN STRUCTURE ASS.Y</b>	<table border="1"> <tr> <td>6</td> <td>1</td> <td>1</td> </tr> <tr> <td>18/01/2024</td> <td></td> <td></td> </tr> </table>	6	1	1	18/01/2024	
6	1	1					
18/01/2024							

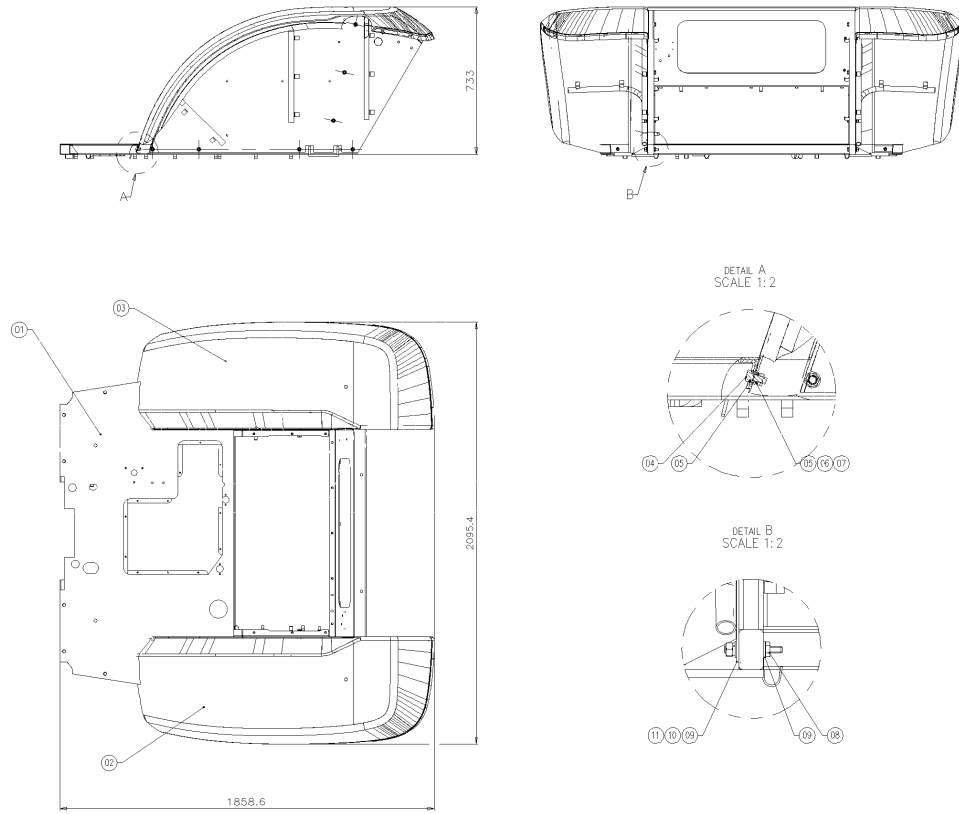
32409F0004



### B84.45.900.4\_6 驾驶室骨架 CABIN STRUCTURE ASS.Y

序号	零件编号	零件名称	数量	图号
1	B84.45.001.3/50	上层驾驶室框架 UPPER CABIN	1	B84.45.001.3/50
2	B84.45.005.4/30	地板焊接总成 FLOOR WELDING	1	B84.45.005.4/30
3	0.026.5183.0	塞子 D. 30.5 PLUG D. 30.5	14	0.026.5183.0
4	B36.45.038.0/10	橡胶条 RUBBER	1	B36.45.038.0/10
5	2.0112.425.2	螺栓 M12X1.75X80 VITE M12X1.75X80	6	2.0112.425.2
6	2.1310.007.2	垫圈 12 ROSETTA 12	28	2.1310.007.2
7	2.0112.413.2	螺栓M12x1.75x35 VITE M12X1.75X35	8	2.0112.413.2
8	2.1011.107.2	螺母 M12X1.75 DADO M12X1.75	14	2.1011.107.2
9	0.034.4543.0/10	铭牌 OECD LABEL	1	0.034.4543.0/10
10	2.1855.010.0	铆钉 3.4 RIVETTO	4	2.1855.010.0
11	2.6569.069.0/10	橡胶塞 GOMMINO	2	2.6569.069.0/10
12	CD904A.45A.103	线束塞40 SHEATH 40	2	CD904A.45A.103
13	A23.45.231.0	橡胶垫片 RUBBER GASKET	2	A23.45.231.0
14	A23.45.232.0	橡胶垫片 RUBBER GASKET	2	A23.45.232.0
15	2.0114.207.2	螺栓 M8X1.25X20 VITE M8X1.25X20	1	2.0114.207.2
16	2.1473.007.2	弹垫 M8 SPRING WASHER M8	1	2.1473.007.2
17	2.1310.004.2	垫圈 8 ROSETTA 8	1	2.1310.004.2

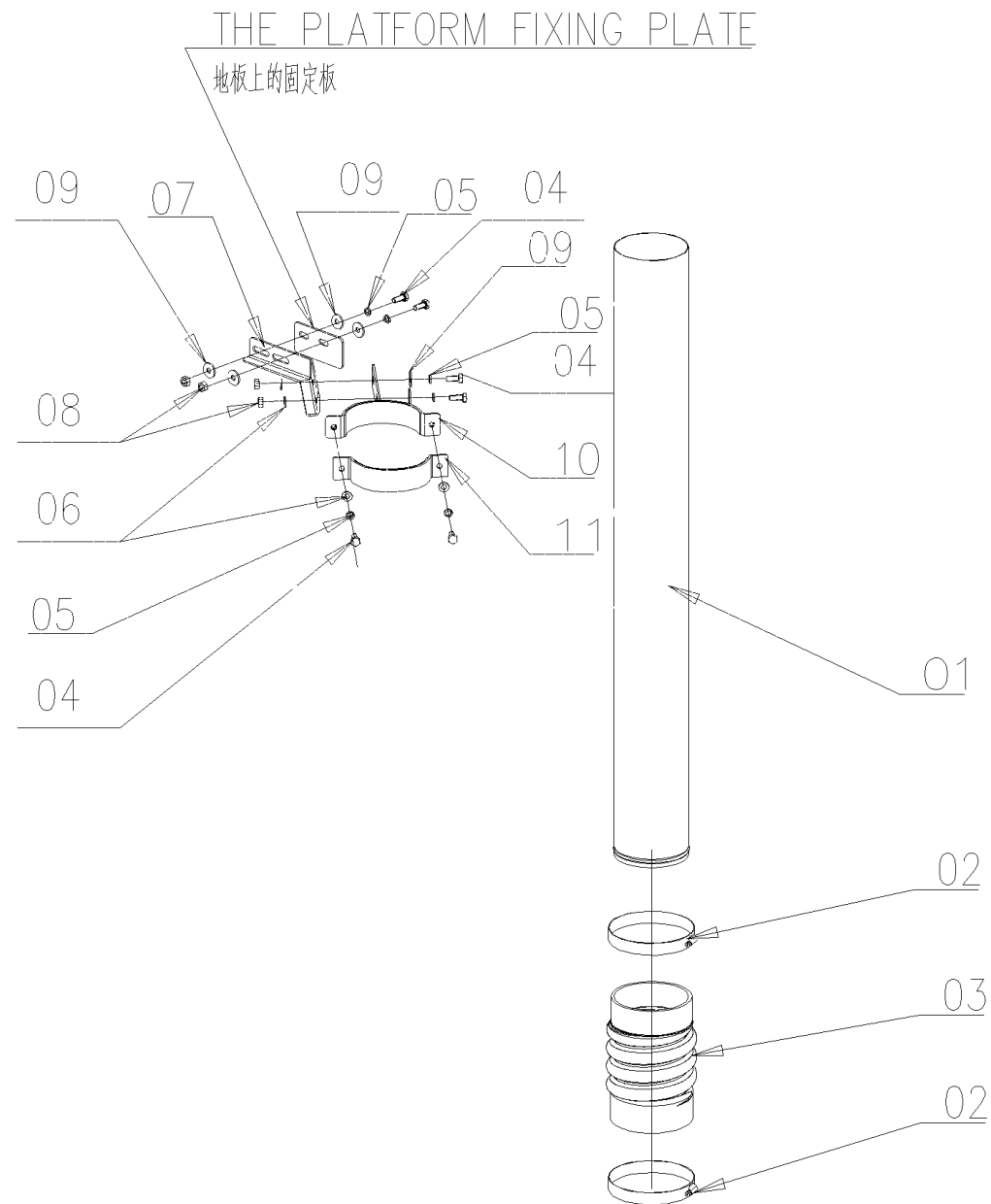
### B84.45.005.4 地板焊接 FLOOR WELDING ASS.Y



序号	零件编号	零件名称	数量	图号
1	B84.45.006.3	驾驶室地板焊合 CABIN FLOOR	1	B84.45.006.3
2	A23.45.183.3/10	左挡泥板焊合件 LEFT FENDER	1	A23.45.183.3/10
3	B84.45.010.3	右挡泥板焊合 RIGHT FENDER	1	B84.45.010.3
4	GBT5783-M8X20-A2L	螺栓 BOLT	2	GBT5783-M8X20-A2L
5	GBT97.1-8-A3L	垫圈 WASHER	4	GBT97.1-8-A3L
6	GBT93-8-A3L	垫圈 WASHER	2	GBT93-8-A3L
7	GBT6170-M8-A2L	螺母 NUT	2	GBT6170-M8-A2L
8	GBT5783-M10X50-A3L	螺栓 BOLT	14	GBT5783-M10X50-A3L
9	GBT97.1-10-A3L	垫圈 WASHER	28	GBT97.1-10-A3L
10	GBT93-10-A3L	垫圈 WASHER	14	GBT93-10-A3L
11	GBT6170-M10-A3L	螺母 NUT	14	GBT6170-M10-A3L

# B89.11.912.4 AIR FILTER INTAKE PIPE ASS.Y

YFB-R-2017-011 SH.073

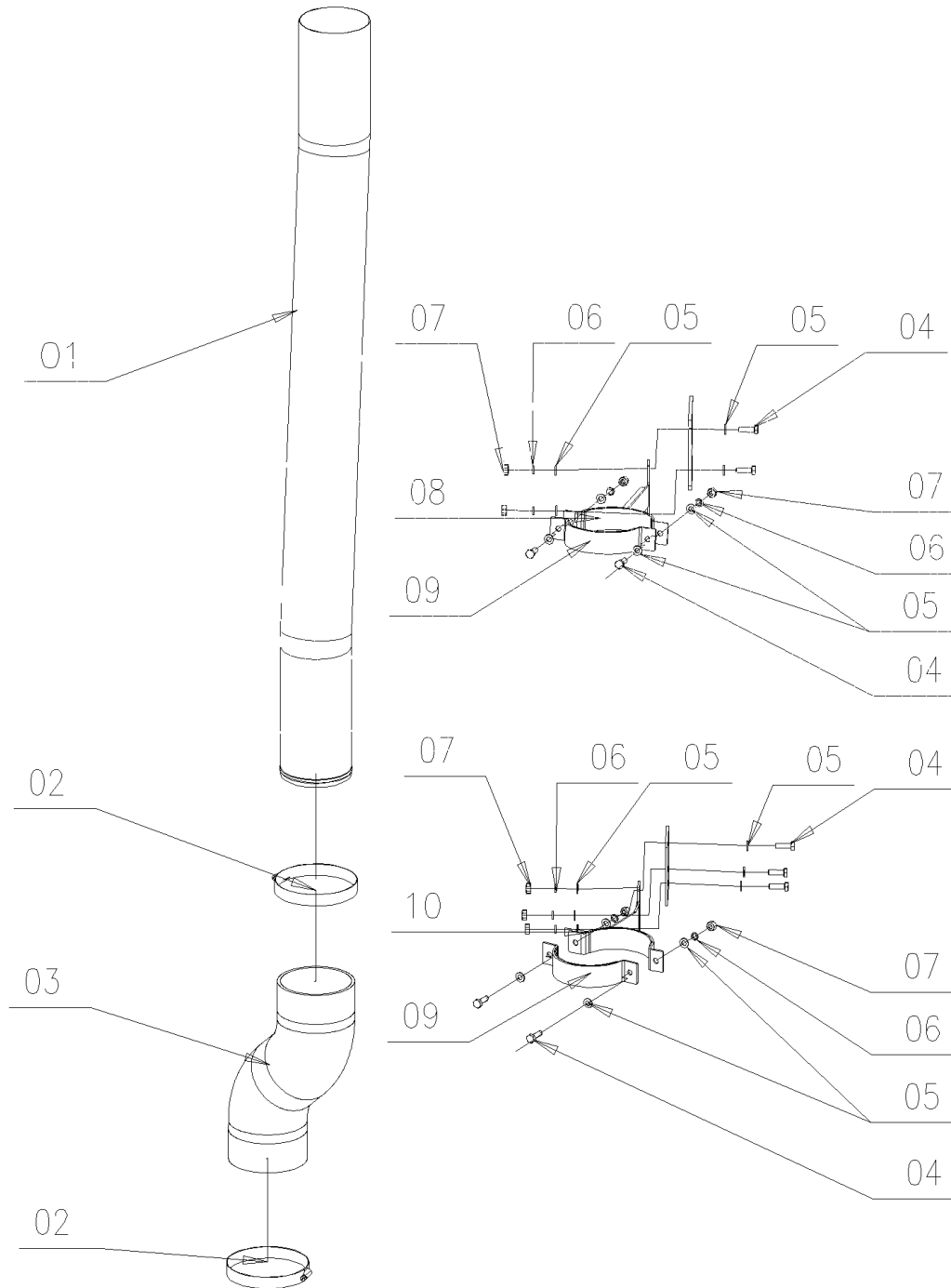


## B89.11.912.4\_0 空气滤清器进气管路总成

序号	零件编号	零件名称	数量	图号
1	B95.11.001.0	进气软管 AIR INLET PIPE	1	B95.11.001.0
2	JBT8870-D130	喉箍 HOSE CLAMPS	2	JBT8870-D130
3	B89.11.001.0	进气软管 AIR INLET HOSE	1	B89.11.001.0
4	2.0114.207.2	螺栓 SCREW M8x20	6	2.0114.207.2
5	GBT93-8-A3L	垫圈 WASHER	6	GBT93-8-A3L
6	2.1310.004.2	垫圈 WASHER 8	4	2.1310.004.2
7	B89.11.002.0	支架 BRACKET	1	B89.11.002.0
8	2.1011.105.2	螺母 NUT M8x1.25	4	2.1011.105.2
9	2.1312.004.2	垫圈 WASHER 8	6	2.1312.004.2
10	B89.11.003.3	连接板 CONNECTING PLATE	1	B89.11.003.3
11	A23.11.008.2/20	半卡箍 HALF HOOP	1	A23.11.008.2/20

# B89.11.922.4 AIR FILTER INTAKE PIPE ASS.Y

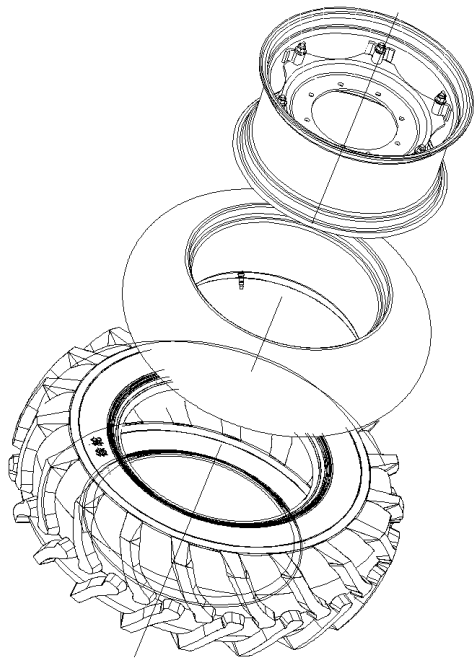
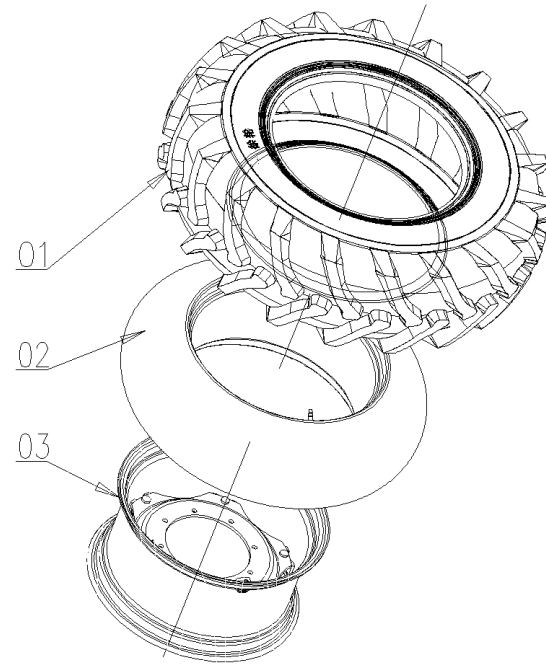
YFB-R-2017-011 SH.073



## B89.11.922.4\_0 空气滤清器进气管路总成

序号	零件编号	零件名称	数量	图号
1	A23.11.005.0/10	进气管 AIR INLET TUBE	1	A23.11.005.0/10
2	JBT8870-D130	喉箍 HOSE CLAMPS	2	JBT8870-D130
3	CD1204.11.103/10	进风软管 AIR INTAKE HOSE	1	CD1204.11.103/10
4	2.0114.209.2	螺栓 SCREW M8x25	9	2.0114.209.2
5	2.1310.004.2	垫圈 WASHER 8	18	2.1310.004.2
6	GBT93-8-A3L	垫圈 WASHER	9	GBT93-8-A3L
7	2.1011.105.2	螺母 NUT M8x1.25	9	2.1011.105.2
8	A23.11.006.2/20	半环连接板组件 TOP FIXING	1	A23.11.006.2/20
9	A23.11.008.2/20	半卡箍 HALF HOOP	2	A23.11.008.2/20
10	A23.11.007.2/20	底部固定支架 BLOW FIXING	1	A23.11.007.2/20

# B89.32.900.4 FRONT TIRE ASS.Y (NORMAL TIRE)



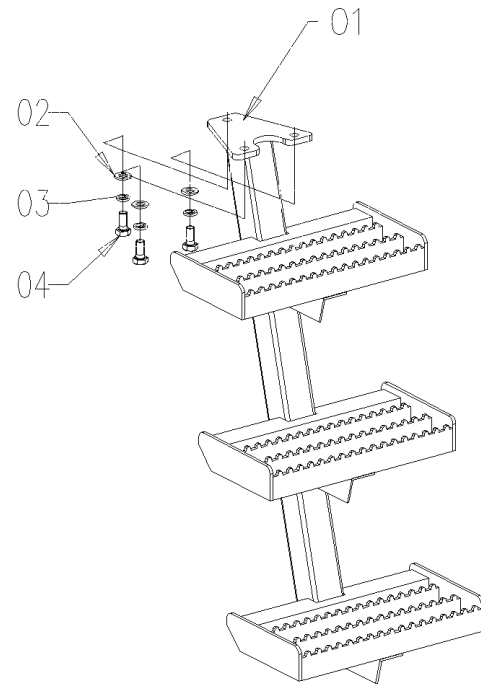
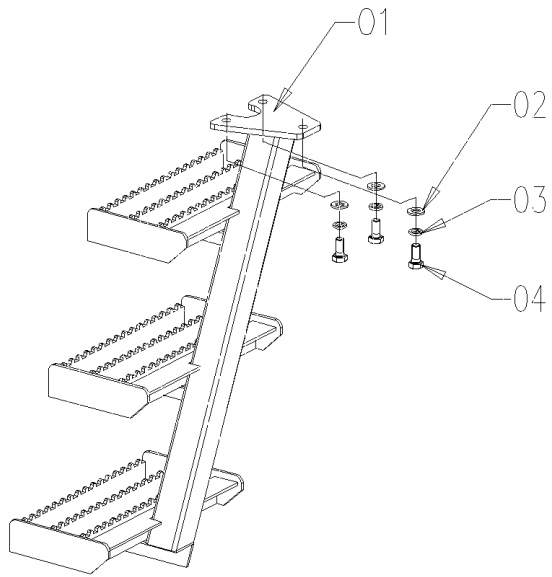
# B89.32.900.4\_1 前轮总成 (斜交胎 14.9-26无级调节) FRONT TIRE ASS.Y (14.9-26-R1)

序号	零件编号	零件名称	数量	图号
1	GBT2979-14.9-26-8PR-R1	外胎 OUTER TIRE	2	GBT2979-14.9-26-8PR-R1
2	GBT2979-14.9-26-R1	内胎 INNER TIRE	2	GBT2979-14.9-26-R1
3	LE1204.32.011	轮辋 RIM	2	LE1204.32.011

# B89.45.902.4 LADDER ASSEMBLY (LE120)

## B89.45.902.4\_0 上车梯总成 LADDER ASSEMBLY (LE120)

序号	零件编号	零件名称	数量	图号
1	CD1204.45.023/10	脚踏总成 PEDAL ASSEMBLY	2	CD1204.45.023/10
2	GBT97.1-12-A3L	垫圈 WASHER	6	GBT97.1-12-A3L
3	GBT93-12-A3L	垫圈 WASHER	6	GBT93-12-A3L
4	GBT5783-M12X25-A3L	螺栓 BOLT	6	GBT5783-M12X25-A3L

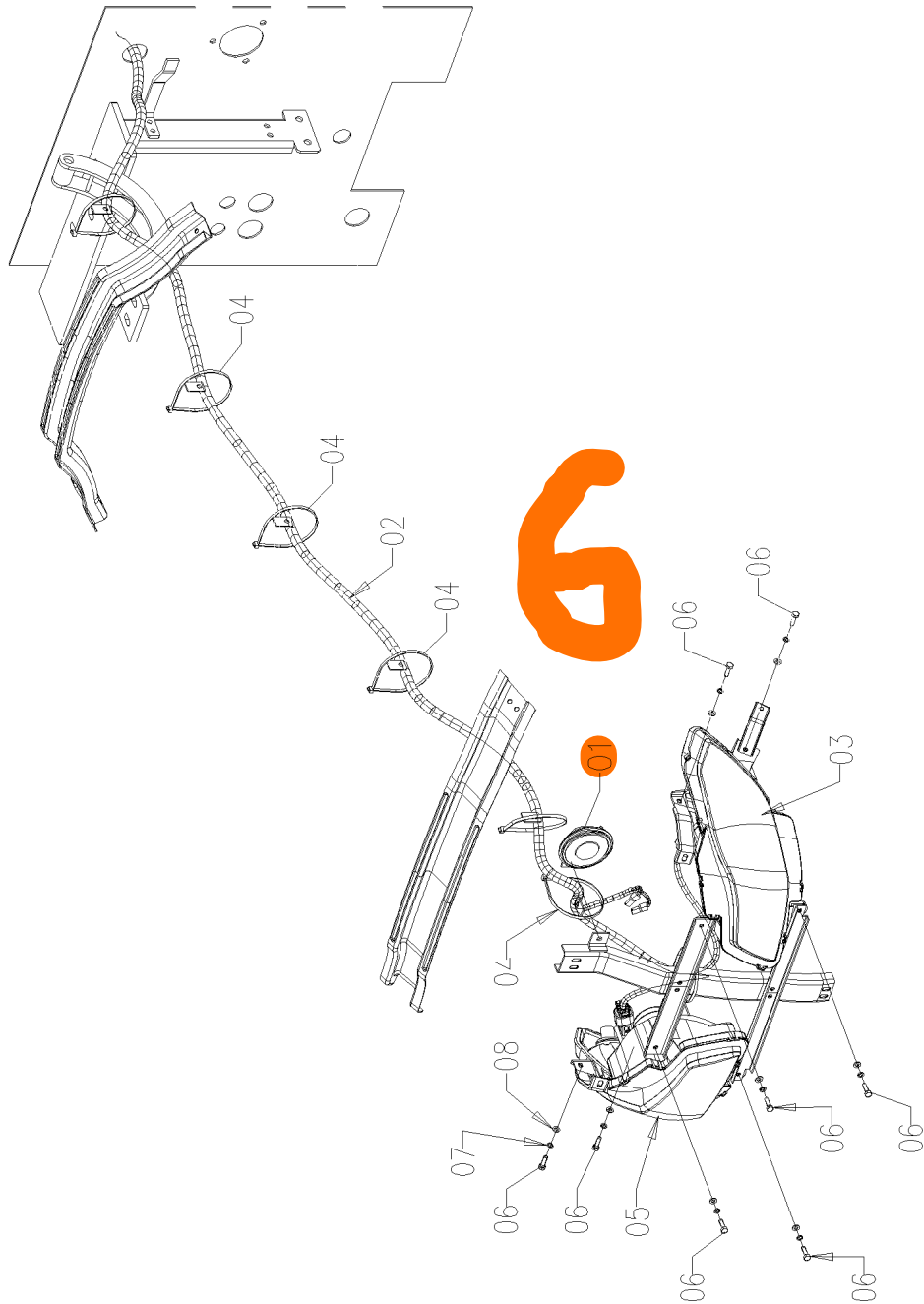


# BONNET W.H ASSEMBLY B89.48.902.4

YFB-R-2017-011 SH.006

## B89.48.902.4\_0 机罩线束总成 BONNET W.H ASSEMBLY

序号	零件编号	零件名称	数量	图号
1	CD1204.48.037	电喇叭 ELECTRIC HORN	1	CD1204.48.037
2	CD1204.48.022	前灯线束总成 FRONT LAMP WIRING	1	CD1204.48.022
3	CD1204.48.036	右前照灯总成 RIGHT HEADLIGHT	1	CD1204.48.036
4	2.6852.203.0	自锁扎带 SELF LOCKING CABLE TIES	3	2.6852.203.0
5	CD1204.48.035	左前照灯总成 LEFT HEADLIGHT	1	CD1204.48.035
6	GBT5783-M6X20-A2L	螺栓 BOLT	8	GBT5783-M6X20-A2L
7	GBT93-6-A3L	垫圈 WASHER	8	GBT93-6-A3L
8	GBT97.1-6-A3L	垫圈 WASHER	8	GBT97.1-6-A3L

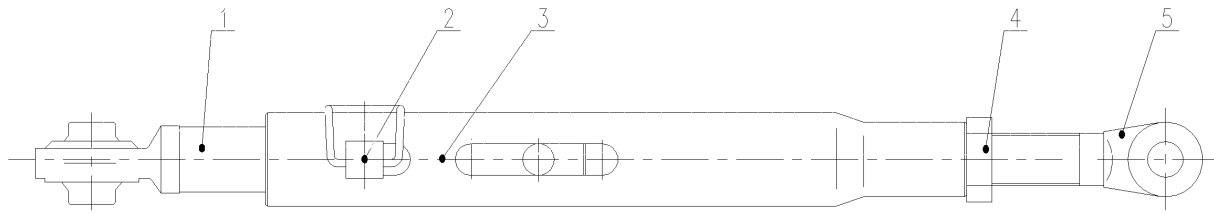




### LE1204.56.014 限位杆总成 LIMITING ROD ASSEMBLY

序号	零件编号	零件名称	数量	图号
1	LE1204.56.017	LIMITING ROD UNIT FIT	1	LE1204.56.017
2	SH900.56.034	LIMIT PIN COMBINATION	1	SH900.56.034
3	LE1204.56.107	LIMITING BAR PIPE	1	LE1204.56.107
4	LE1204.56.115	LADDER-SHAPED NUT Tr28x3	1	LE1204.56.115
5	SH900.56.109	ADJUSTING SCREW	1	SH900.56.109

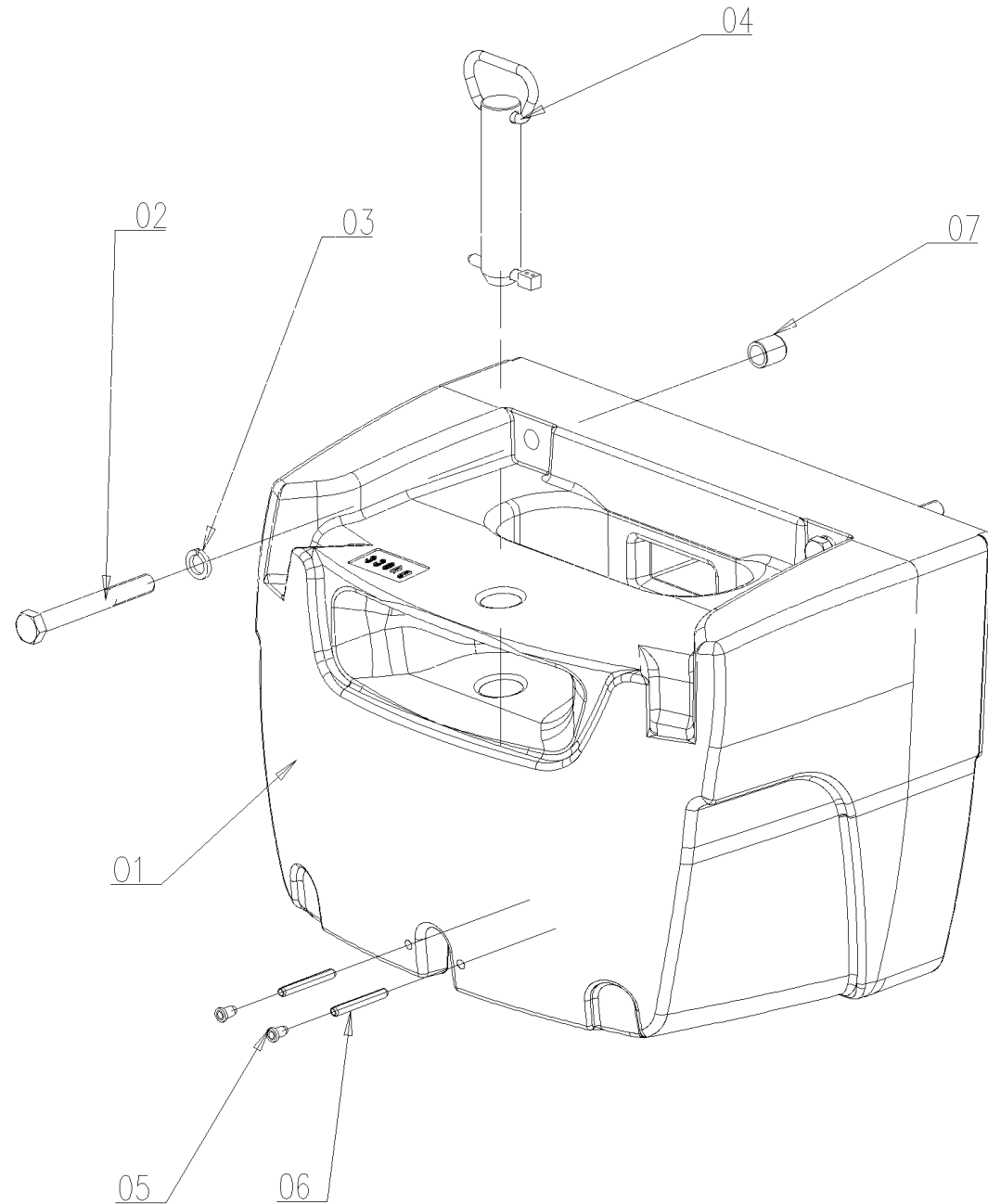
LE1204.56.014 限位杆总成



# B89.74.900.4 FRONT BALLAST SUPPORT ASS.Y

# B89.74.900.4\_0 前配重架总成 FRONT BALLAST BRACKET ASS.

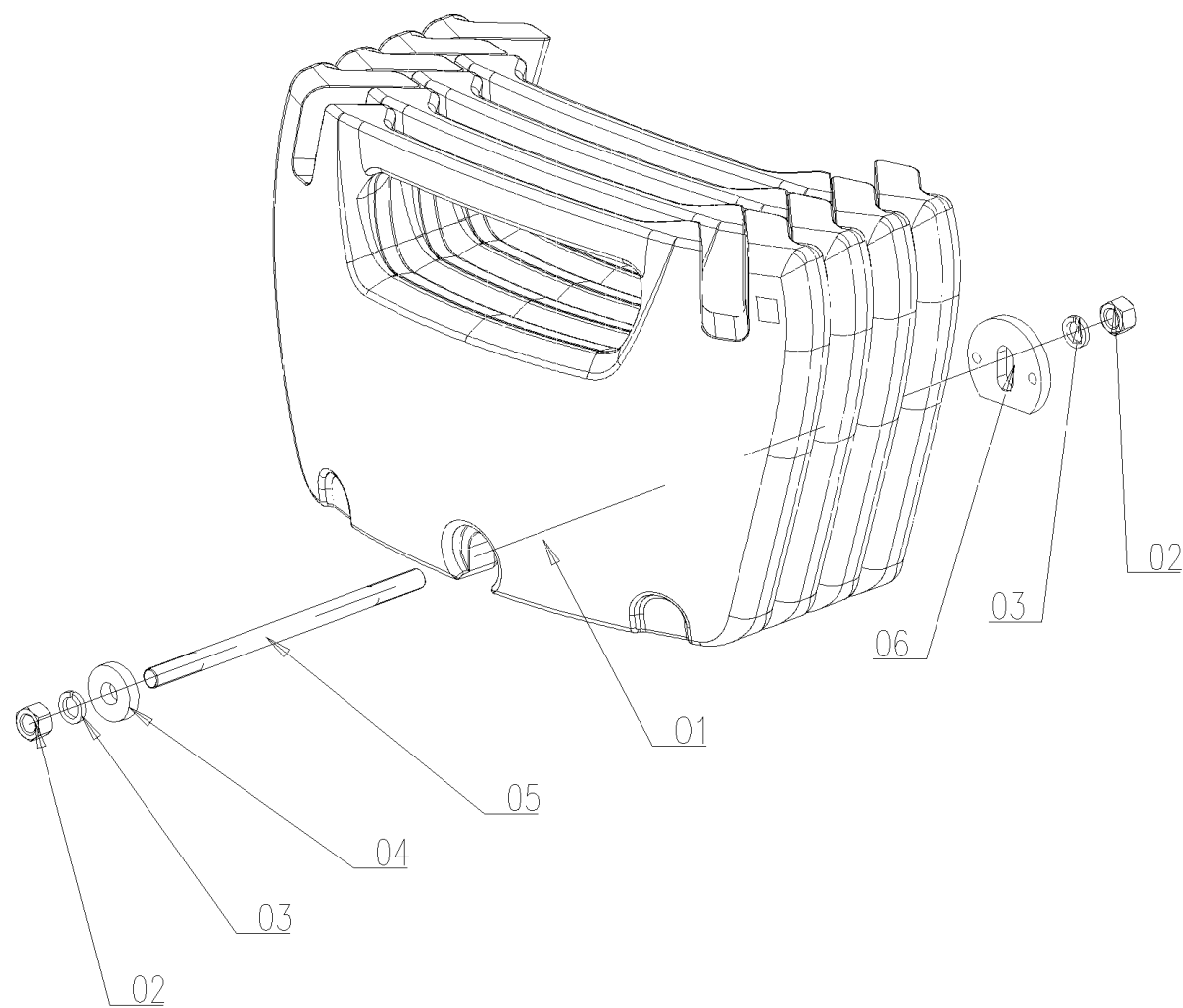
序号	零件编号	零件名称	数量	图号
1	04432782/40	支架 SUPPORTO 330Kg	1	04432782/40
2	GBT5782-M16X130-10.9-	螺栓 BOLT	4	GBT5782-M16X130-10.9-A3L
3	GBT93-16-A3L	垫圈 WASHER	4	GBT93-16-A3L
4	0.014.9894.4	销 PERNO	1	0.014.9894.4
5	1167310	销 pin	2	1167310
6	GBT879.1-8X60	销 PIN	2	GBT879.1-8X60
7	2.2680.047.0	隔套17 x22x23 ANELLO INT. 17-22-23	2	2.2680.047.0



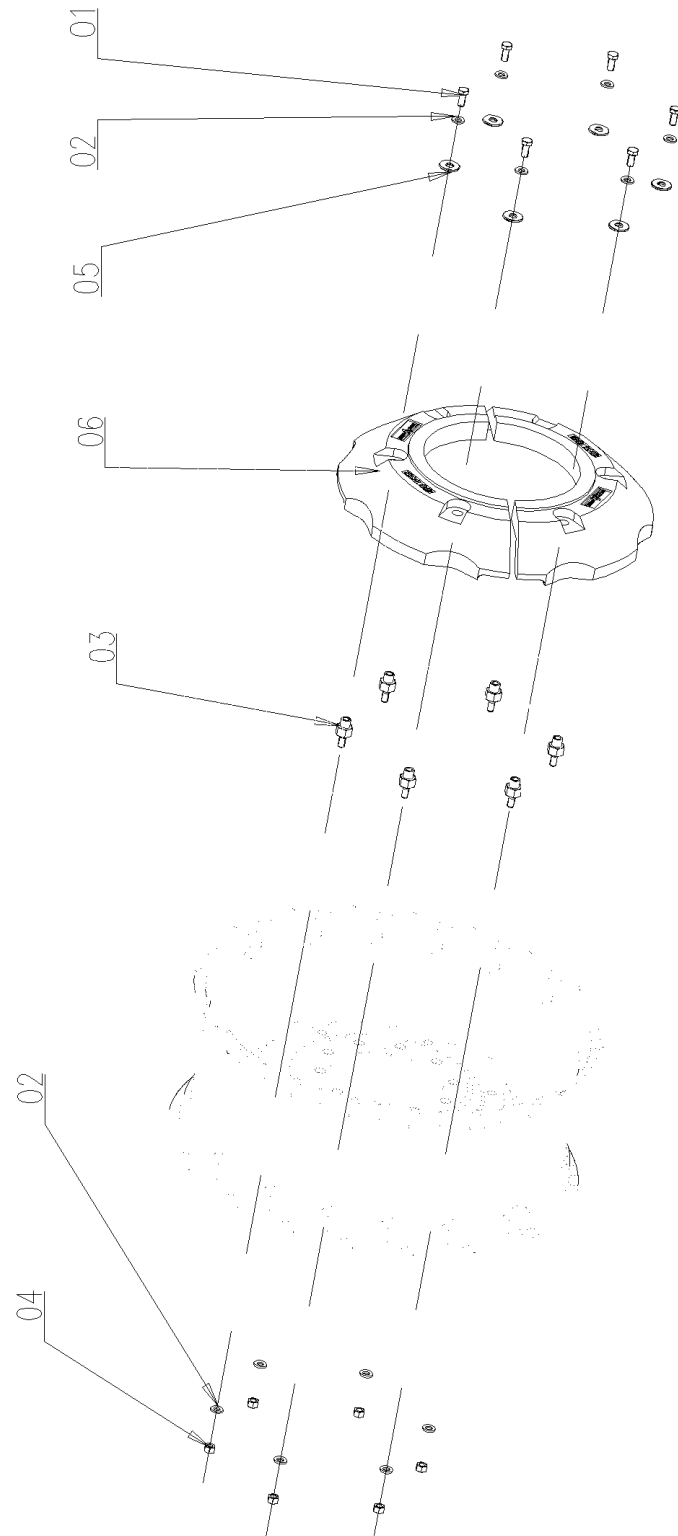
# B89.74.901.4 FRONT BALLAST ASS.Y

## B89.74.901.4\_0 前配重总成 ( 160 kg ) FRONT BALLAST ASS.Y

序号	零件编号	零件名称	数量	图号
1	04413831/40	配重 ZAVORRA 40KG	4	04413831/40
2	GBT6170-M16-A3L	螺母 NUT	2	GBT6170-M16-A3L
3	GBT93-16-A3L	垫圈 WASHER	2	GBT93-16-A3L
4	LE1204.74.102	垫圈 WASHER I	1	LE1204.74.102
5	LE1204.74.101	紧固螺栓 FIXED BOLT	1	LE1204.74.101
6	LE1204.74.103	垫圈 WASHER II	1	LE1204.74.103



# B89.91.900.4 REAR BALLAST ASS.Y



## B89.91.900.4\_0 后配重总成 (1层, 共计240 kg) REAR BALLAST ASSY.

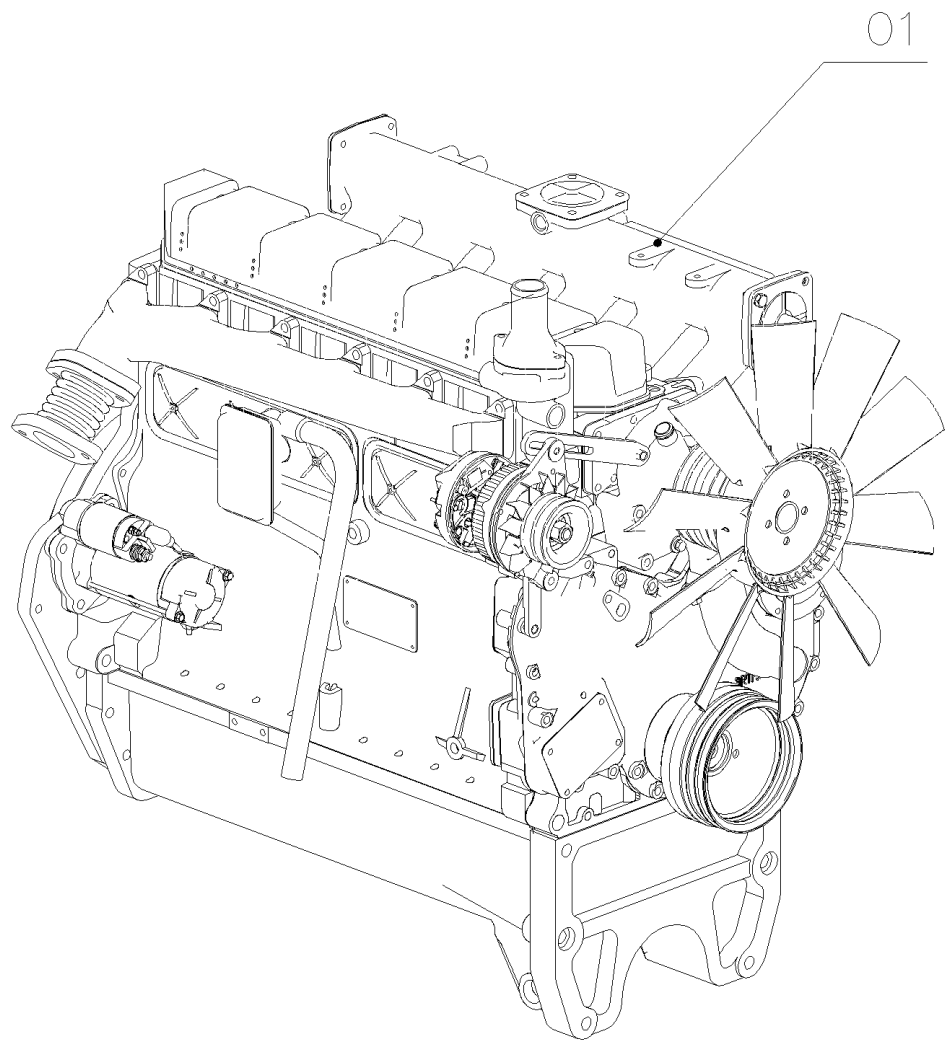
序号	零件编号	零件名称	数量	图号
1	2.0113.613.2	螺栓M16x35 BOLT M16x35	12	2.0113.613.2
2	2.1475.206.2	垫圈 WASHER	24	2.1475.206.2
3	0.023.9176.0	立柱隔离器 COLUMN SPACER	12	0.023.9176.0
4	2.1012.109.2	六角螺母 M16x2 HEX NUT M16x2	12	2.1012.109.2
5	0.023.9179.0	专用垫圈 SPECIAL WASHER	12	0.023.9179.0
6	0.023.9126.0/10	后配重 REAR BALLAST 60 KG - 6 CYL	4	0.023.9126.0/10

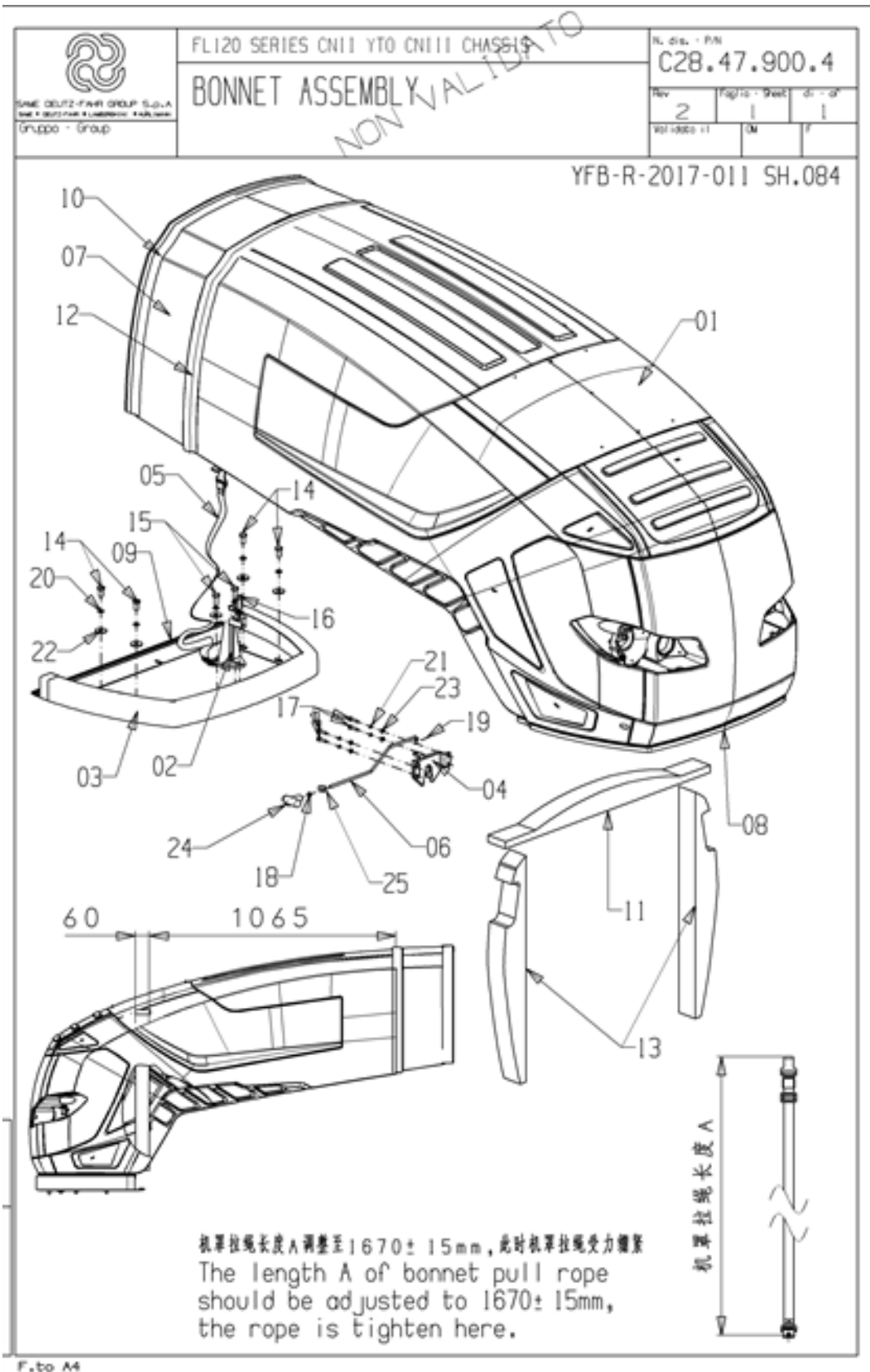
C28.10.900.4\_0 发动机总成 ENGINE ASS.Y LR6B5-23/LR6B5-T90E-U2

序号	零件编号	零件名称	数量	图号
1	C28.10.001.4	发动机 YTO LR6B5-23/LR6B5-T90E-U2	1	C28.10.001.4

C28.10.900.4 ENGINE ASS.Y

YFB-R-2017-011 SH.084

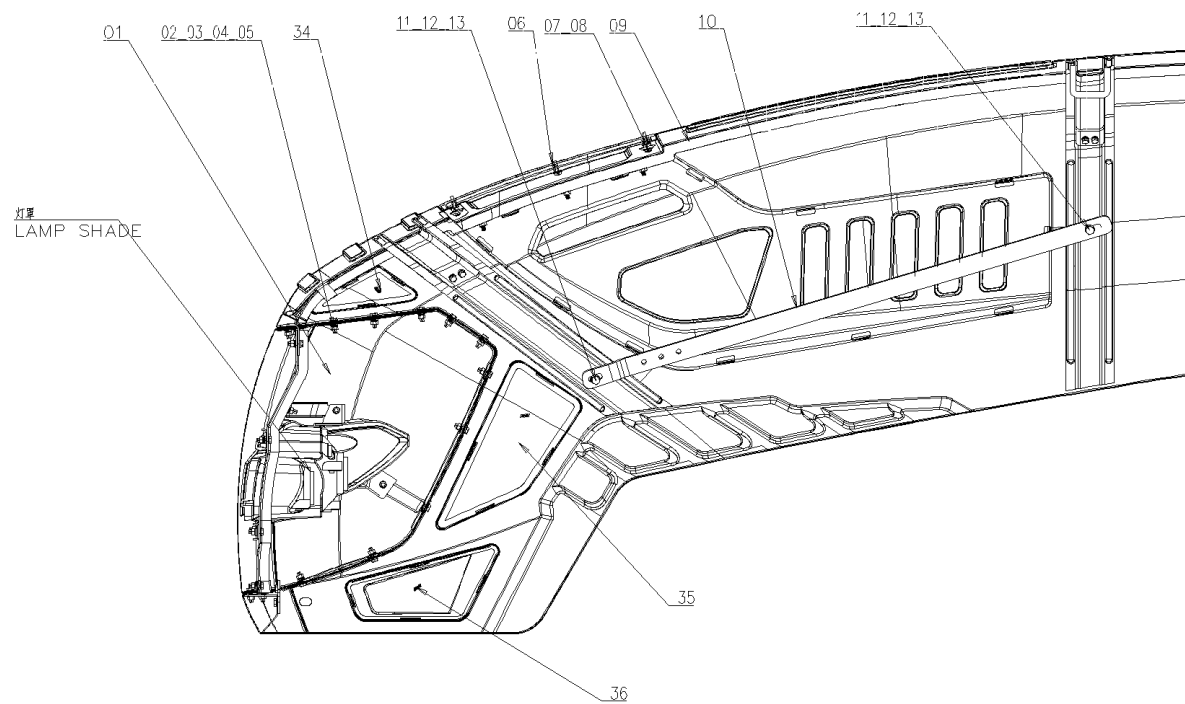
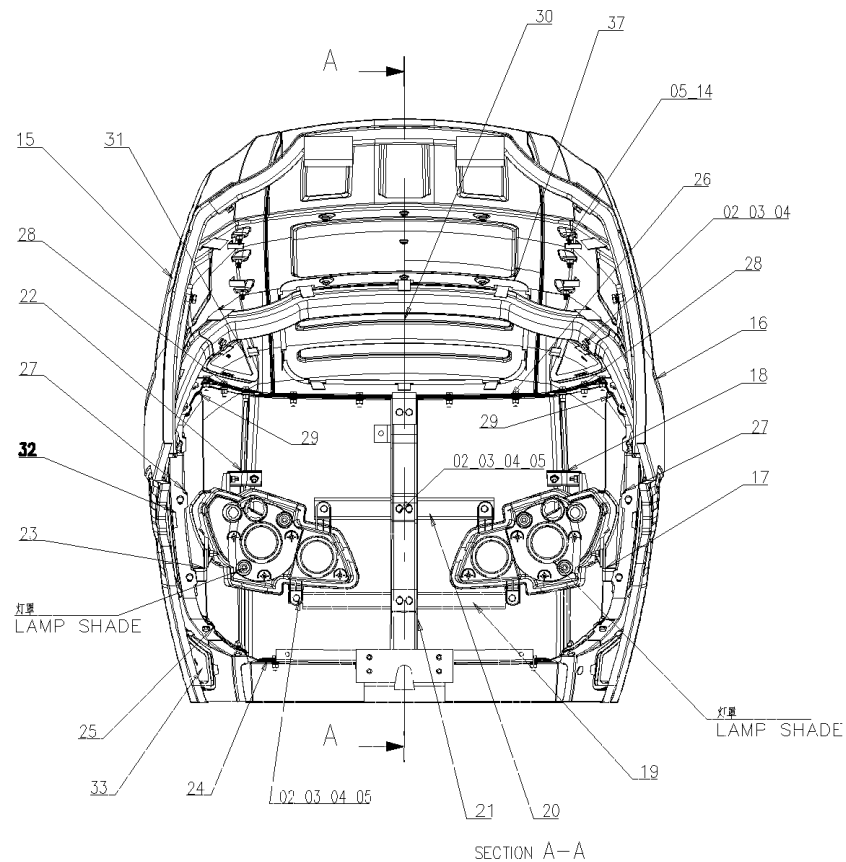




### C28.47.900.4\_2 机罩总成 BONNET ASSEMBLY

序号	零件编号	零件名称	数量	图号
1	C19.47.001.4	机罩组件 BONNET ASS.	1	C19.47.001.4
2	CD1204.47.020	机罩锁座 BONNET LOCK SEAT	1	CD1204.47.020
3	A78.47.004.2	前围板 FRONT COAMING	1	A78.47.004.2
4	CD1204.47.019	机罩锁 BONNET LOCK	1	CD1204.47.019
5	C45.47.044.4	绳组件 ROPE COMPONENT	null	C45.47.044.4
6	CD1204.47.024/10	机罩锁拉杆焊合 LOCK ROD	1	CD1204.47.024/10
7	CD1204.47.118/10	后塑料盖 REAR PLASTIC COVER	1	CD1204.47.118/10
8	CD1204.47.216/10	密封条 SEALING STRIP	1	CD1204.47.216/10
9	CD1204.47.217	密封条 SEALING STRIP	1	CD1204.47.217
10	CD1204.47.219	密封条 SEALING STRIP	1	CD1204.47.219
11	CD1204.47.271	机罩上密封海绵 BONNET UPPER	1	CD1204.47.271
12	CD1204.47A.218	密封条 SEALING STRIP	1	CD1204.47A.218
13	CD904A.47.107/10	机罩侧密封海绵 BONNET SIDE	2	CD904A.47.107/10
14	2.0114.307.2	螺栓 SCREW M10x20	4	2.0114.307.2
15	2.0114.309.2	螺栓 SCREW M10x25	2	2.0114.309.2
16	2.0114.311.2	螺栓 SCREW M10x30	1	2.0114.311.2
17	2.0114.009.2	螺栓 SCREW M6x25	4	2.0114.009.2
18	2.1011.103.2	螺母 NUT M6x1	1	2.1011.103.2
19	2.1690.107.2	销 SPLIT PIN 1.6-18	1	2.1690.107.2
20	2.1473.008.2	垫圈 SPRING WASHER M10	7	2.1473.008.2
21	2.1473.006.2	垫圈 SPRING WASHER M6	4	2.1473.006.2
22	2.1312.005.2	垫圈 WASHER 10	7	2.1312.005.2
23	2.1310.002.2	垫圈 WASHER 6	4	2.1310.002.2
24	SH554A.47.018/10	把手总成 HANDLE ASSY	1	SH554A.47.018/10
25	SH554A.47.125-1	套筒 SLEEVE	1	SH554A.47.125-1

C19.47.001.4 BONNET ASS.



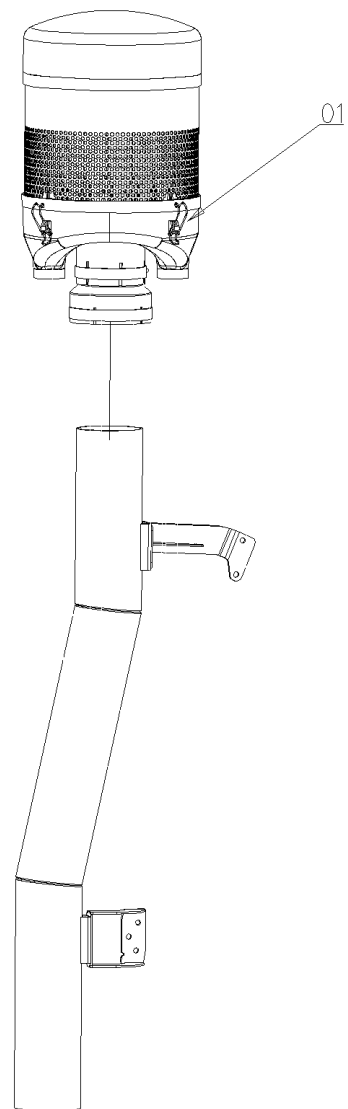
C19.47.001.4 机罩组件BONNET ASS.Y

序号	零件编号	零件名称	数量	图号
1	CD1204.47.012/20	前面罩焊合 FRONT FACE	1	CD1204.47.012/20
2	2.0114.007.2	螺栓 SCREW M6x20	54	2.0114.007.2
3	2.1473.006.2	垫圈 SPRING WASHER M6	54	2.1473.006.2
4	2.1310.002.3	垫圈 WASHER 6	100	2.1310.002.3
5	2.1011.103.2	螺母 NUT M6x1	52	2.1011.103.2
6	CD1204.47.015/10	塑料板 PLASTIC PLATE	1	CD1204.47.015/10
7	GBT823-M5X20-A2L	螺钉 SCREW	7	GBT823-M5X20-A2L
8	2.1312.002.2	垫圈 WASHER 5	7	2.1312.002.2
9	CD1204.47A.011/20	机罩焊件 BONNET WELDING	1	CD1204.47A.011/20
10	CD1204.47.102	气弹簧支架 GAS SPRING SUPPORT	2	CD1204.47.102
11	2.0114.207.2	螺栓 SCREW M8x20	4	2.0114.207.2
12	2.1473.007.2	垫圈 SPRING WASHER M8	4	2.1473.007.2
13	2.1310.004.2	垫圈 WASHER 8	4	2.1310.004.2
14	2.1312.003.2	垫圈 WASHER 6	6	2.1312.003.2
15	CD1204.47.116	网板 NET	1	CD1204.47.116
16	CD1204.47.117	右网板 RIGHT NET	1	CD1204.47.117
17	CD1204.47.104	灯罩连接板 LAMP SHADE	1	CD1204.47.104
18	CD1204.47.105	灯罩连接板 LAMP SHADE	1	CD1204.47.105
19	CD1204.47.106	灯罩连接板 LAMP SHADE	1	CD1204.47.106
20	CD1204.47.107	灯罩连接板 LAMP SHADE	1	CD1204.47.107
21	CD1204.47.013	灯罩连接板 LAMP SHADE	1	CD1204.47.013
22	CD1204.47.108	左灯罩连接板 LEFT LAMP SHADE	1	CD1204.47.108
23	CD1204.47.109	灯罩连接板 LAMP SHADE	1	CD1204.47.109
24	CD1204.47.110	垫圈 WASHER	1	CD1204.47.110
25	CD1204.47.111	垫圈 WASHER	2	CD1204.47.111
26	CD1204.47.112	垫圈 WASHER	1	CD1204.47.112
27	CD1204.47.113	垫圈 WASHER	2	CD1204.47.113
28	CD1204.47.114	垫圈 WASHER	2	CD1204.47.114
29	CD1204.47.115	垫圈 WASHER	2	CD1204.47.115
30	B39.47.013.0	上网板 UP GRID	1	B39.47.013.0
31	B39.47.014.0	左网板1 LEFT GRID 1	1	B39.47.014.0
32	B39.47.015.0	左网板2 LEFT GRID 2	1	B39.47.015.0
33	B39.47.016.0	左网板3 LEFT GRID 3	1	B39.47.016.0
34	B39.47.017.0	右网板1 RH GRID 1	1	B39.47.017.0
35	B39.47.018.0	右网板2 RH GRID 2	1	B39.47.018.0
36	B39.47.019.0	右网板3 RH GRID 3	1	B39.47.019.0
37	B39.47.036.0	垫圈 WASHER	1	B39.47.036.0

# C63.11.910.4 AIR PRE-CLEANER ASS.Y

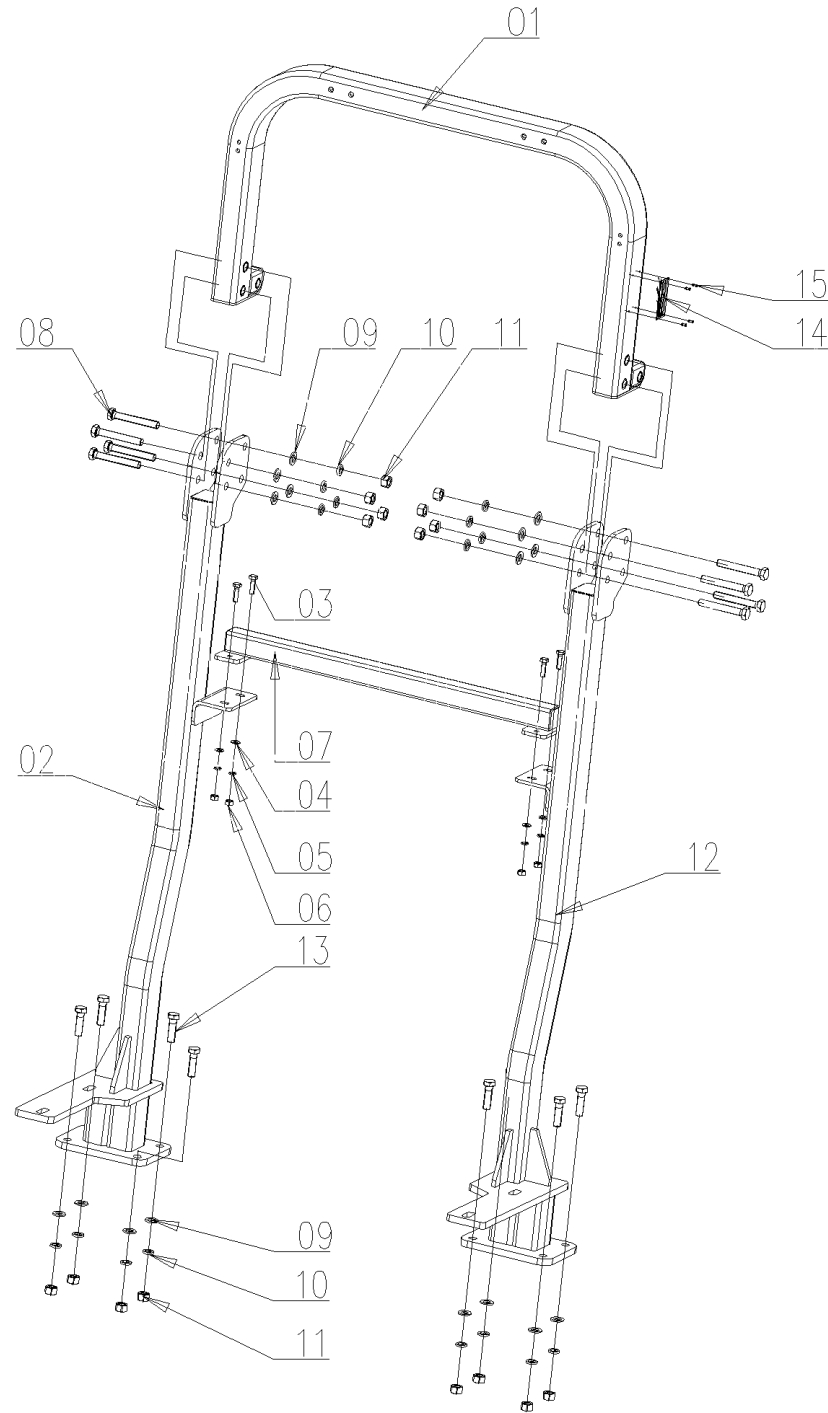
## C63.11.910.4\_0 预滤清器总成 AIR PRE-FILTER ASS.Y

序号	零件编号	零件名称	数量	图号
1	C63.11.003.4	空气粗滤器 AIR PRECLEANER	1	C63.11.003.4





# CD904A.46.001 ROPS ASS.Y

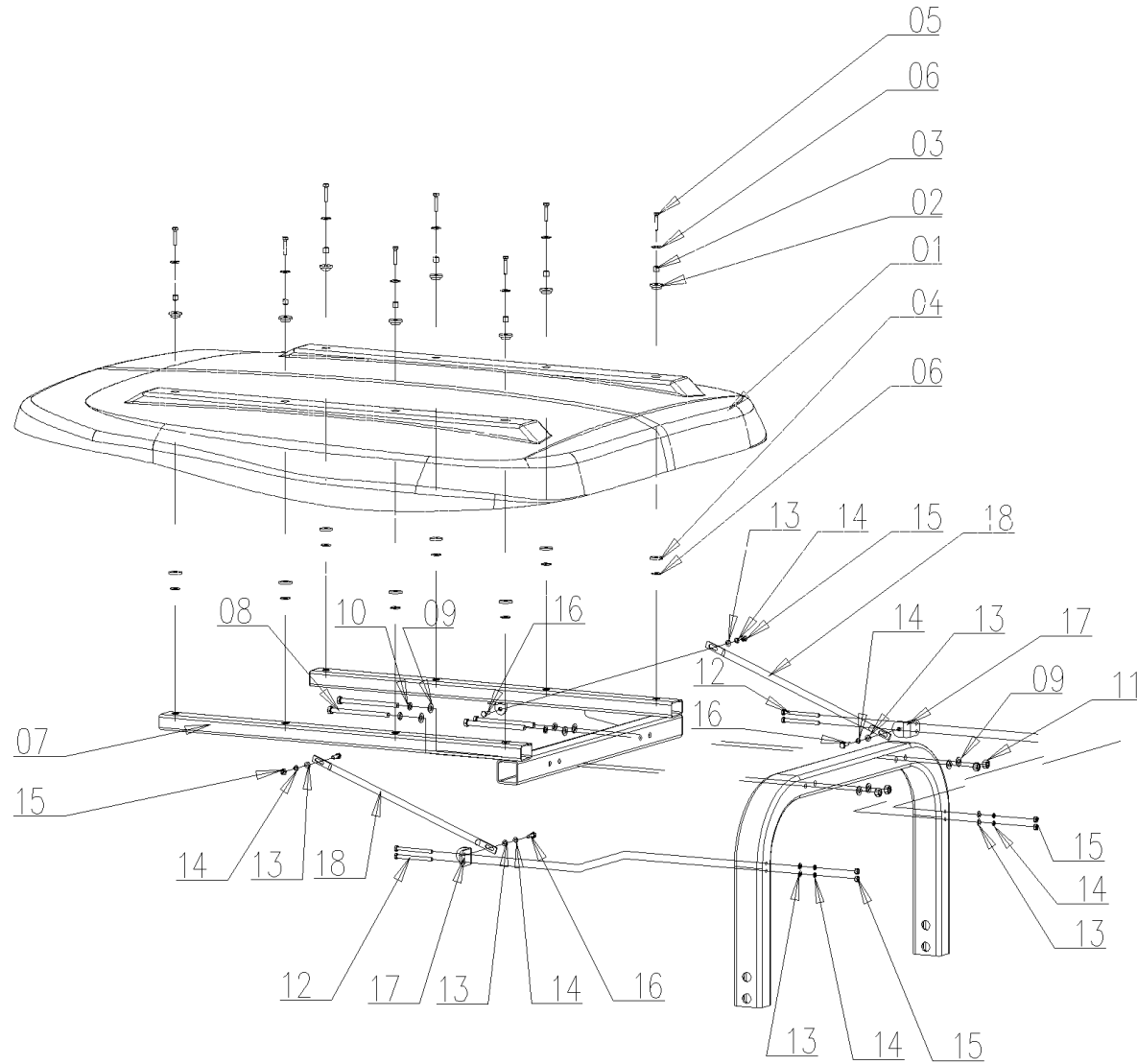


## CD904A.46.001\_3 安全架总成 (地板+安全架)

序号	零件编号	零件名称	数量	图号
1	CD904A.46.011/20	安全架上梁 SAFETY FRAME HEAD	1	CD904A.46.011/20
2	CD904A.46.012/20	右支撑梁 RIGHT SUPPORT BEAM	1	CD904A.46.012/20
3	GBT5783-M10X35-A3L	螺栓 BOLT	4	GBT5783-M10X35-A3L
4	GBT97.1-10-A3L	垫圈 WASHER	4	GBT97.1-10-A3L
5	GBT93-10-A3L	垫圈 WASHER	4	GBT93-10-A3L
6	GBT6170-M10-A3L	螺母 NUT	4	GBT6170-M10-A3L
7	CD904A.46.014	连接板 CONNECTING PLATE	1	CD904A.46.014
8	GBT5782-M16X110-A3L	螺栓 BOLT	8	GBT5782-M16X110-A3L
9	GBT97.1-16-A3L	垫圈 WASHER	16	GBT97.1-16-A3L
10	GBT93-16-A3L	垫圈 WASHER	16	GBT93-16-A3L
11	GBT6170-M16-A3L	螺母 NUT	16	GBT6170-M16-A3L
12	CD904A.46.013/20	左支撑梁 LEFT SUPPORT BEAM	1	CD904A.46.013/20
13	GBT5782-M16X55-A3L	螺栓 BOLT	8	GBT5782-M16X55-A3L
14	GBT12618.1-3X10	空心铆钉 BLIND RIVETS	4	GBT12618.1-3X10
15	0.034.4543.0/10	OECD标识 OECD LABEL	1	0.034.4543.0/10

CD904A.46.002 SUNSHADE ASS.Y

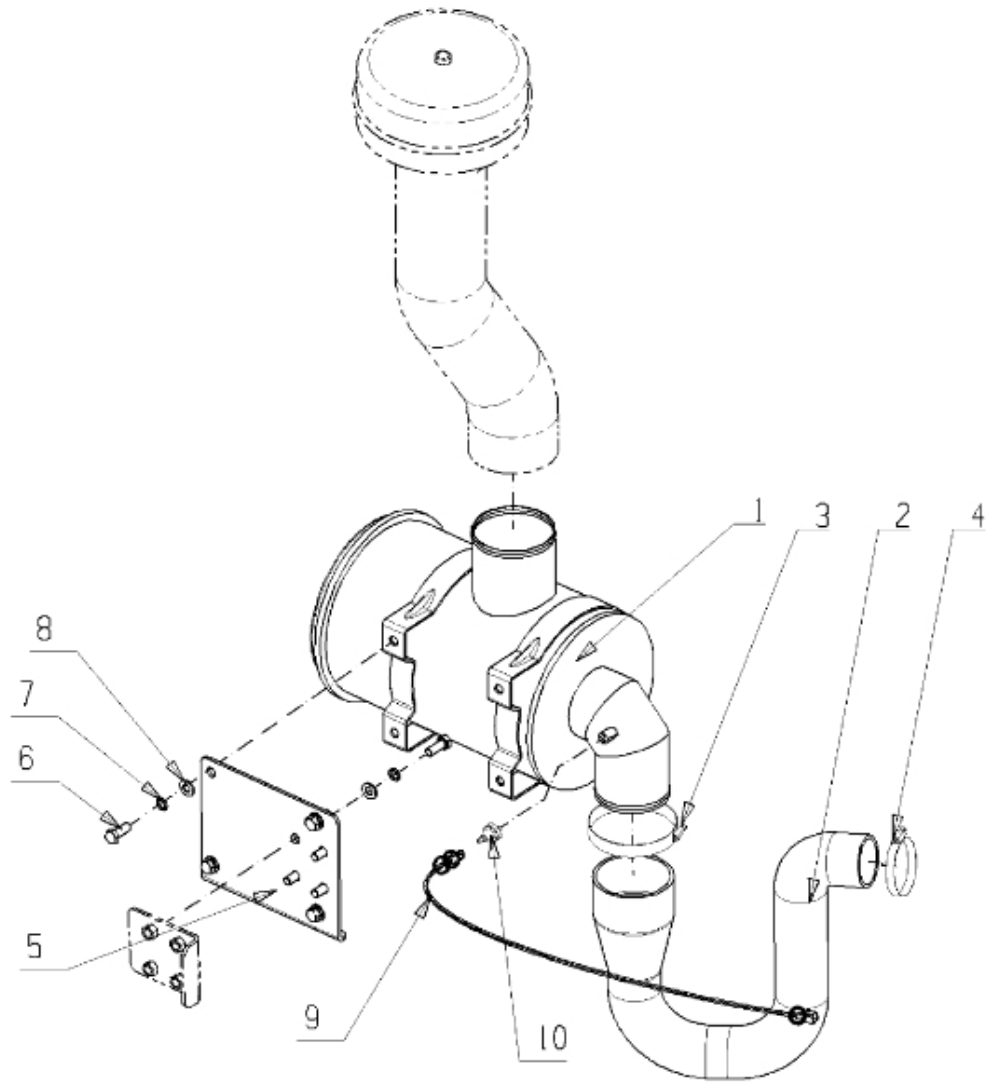
CD904A.46.002\_1 遮阳棚总成 FOOT THROTTLE ASSEMBLY



序号	零件编号	零件名称	数量	图号
1	CD904A.46.015/10	遮阳棚 SUNSHADE	1	CD904A.46.015/10
2	CD904A.46.110	前扎带胶垫 RUBBER CUSHION	8	CD904A.46.110
3	CD904A.46.111	套筒 SLEEVE	8	CD904A.46.111
4	CD904A.46.112	橡胶垫圈 RUBBER WASHER	8	CD904A.46.112
5	GBT5783-M8X40-A2L	螺栓 BOLT	8	GBT5783-M8X40-A2L
6	GBT96.1-8-A3L	垫圈 WASHER	16	GBT96.1-8-A3L
7	CD904A.46.016/20	联合框架焊件 JOINT FRAME	1	CD904A.46.016/20
8	GBT5782-M12X165-A3L	螺栓 BOLT	4	GBT5782-M12X165-A3L
9	GBT97.1-12-A3L	垫圈 WASHER	8	GBT97.1-12-A3L
10	GBT93-12-A3L	垫圈 WASHER	4	GBT93-12-A3L
11	GBT6170-M12-A3L	螺母 NUT	4	GBT6170-M12-A3L
12	GBT5782-M8X100-A2L	螺栓 BOLT	4	GBT5782-M8X100-A2L
13	GBT97.1-8-A3L	垫圈 WASHER	8	GBT97.1-8-A3L
14	GBT93-8-A3L	垫圈 WASHER	8	GBT93-8-A3L
15	GBT6170-M8-A2L	螺母 NUT	6	GBT6170-M8-A2L
16	GBT5783-M8X25-A2L	螺栓 BOLT	4	GBT5783-M8X25-A2L
17	DF304.46.015	支架 BRACKET	2	DF304.46.015
18	DF304.46.101/10	支撑 SUPPORT	2	DF304.46.101/10

 SAME DEUTZ-FAHR GROUP S.p.A. Gruppo - Group	886.11.931.4	N. dis. - PN 886.11.931.4	
	AIR FILTER ASS.Y	Rev.	Facile - Street - di - a°
		22/02/2023	

YFB-R-2017-011 SH.091

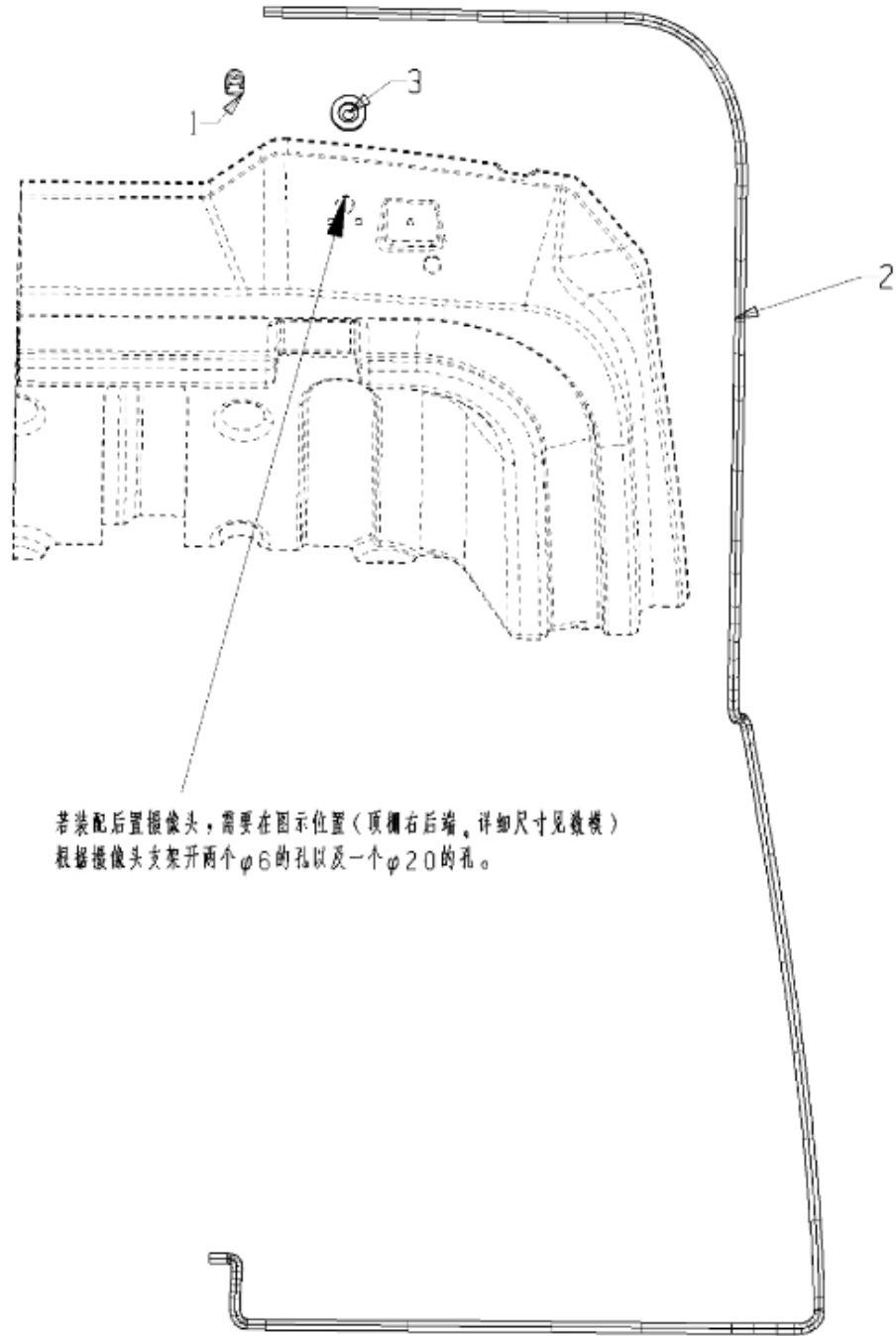


### D62.48.924.4\_0 前雨刮喷水安装总成 FORNT WIPER SPRAY WATER ASS.Y

序号	零件编号	零件名称	数量	图号
1	D62.48.001.0	前雨刮喷水开关 FRONT WIPER SPRAY	1	D62.48.001.0
2+E142:O14	0.022.3810.4/10	泵用刮水器电线 PUMP WIPER WIRES	1	0.022.3810.4/10

 SIME DELTA PARI GROUP S.p.A. Gruppo - Group	FL220 SERIES YUCHAI A07 CN111	N. dis. - PN <b>D62.48.934.4</b>			
	<b>REAR CAMERA ASS.Y</b>	Rev	<table border="1"> <tr> <td>1</td> <td>1</td> <td>1</td> </tr> </table>	1	1
1	1	1			
		Val. auto. v. 26/01/2024			

32409F0004



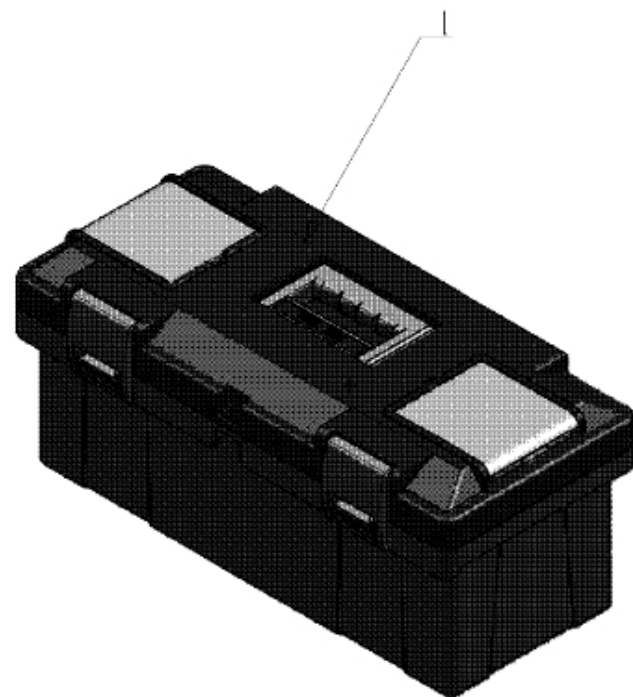
若装配后置摄像头，需要在图示位置（顶棚右后端，详细尺寸见数模）  
根据摄像头支架开两个 $\phi 6$ 的孔以及一个 $\phi 20$ 的孔。

### D62.48.934.4\_0 后置摄像头安装总成 REAR CAMERA ASS.Y

序号	零件编号	零件名称	数量	图号
1	D62.48.002.0	后摄像头 REAR CAMERA	1	D62.48.002.0
2	D62.48.005.4	后摄像头线束 REAR CAMERA W.H.	1	D62.48.005.4
3	2.6569.069.0/10	橡胶塞 GOMMINO	1	2.6569.069.0/10

 SAME DEUTZ-FAHR GROUP S.p.A. 10046 • 37027-FASSA • LONGOLOCCHI • ITALY Gruppo - Group	FL220 SERIES YUCHAI A07 CN111	N. dis. - P/N D62.49.900.4		
	TOOL BOX ASS.Y	Rev.	Foglio - Sheet	di - of
		0	1	1
		09/10/2023		

32409F0003

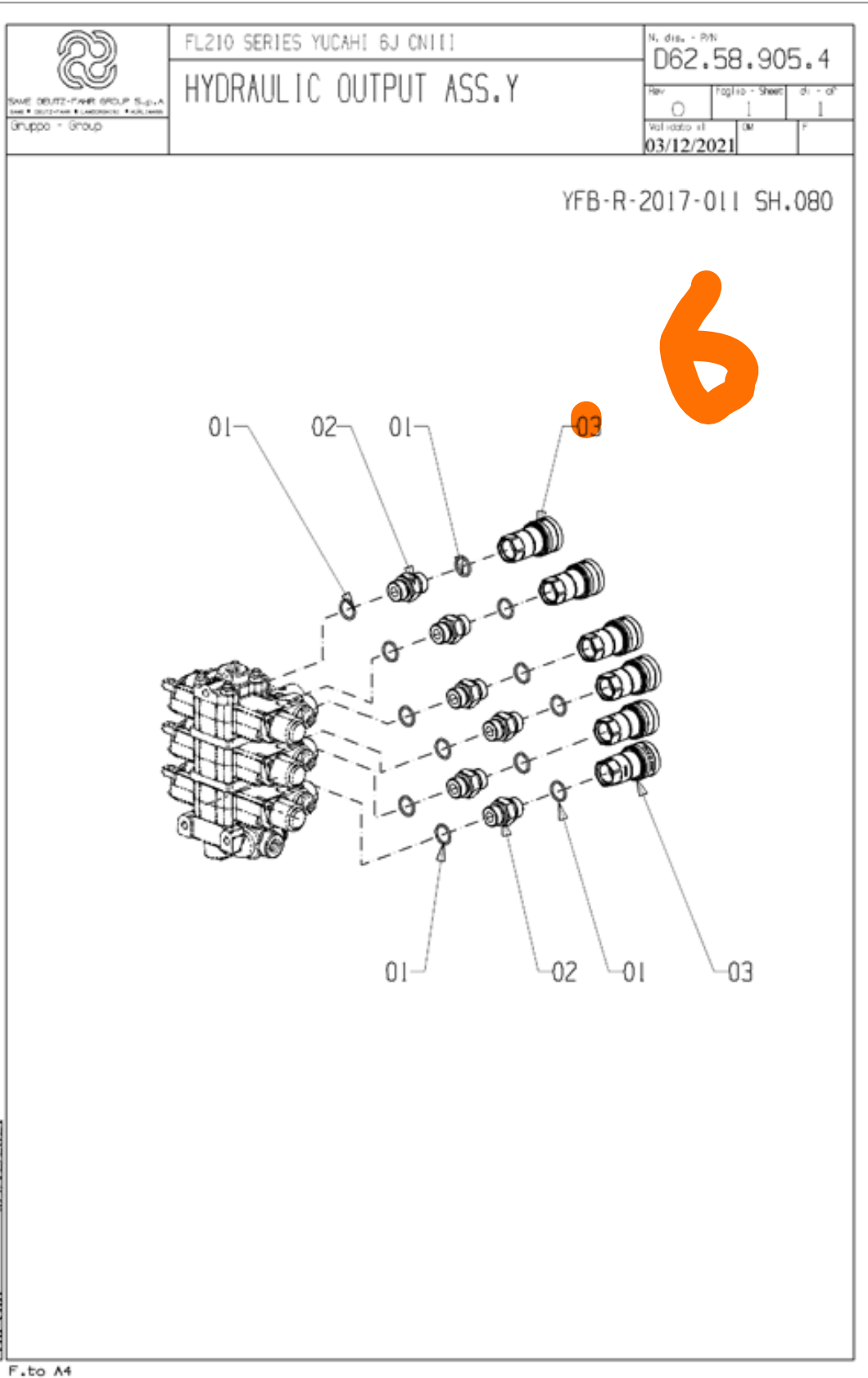


该工具箱不装在车上，单独使用

This tool box is not installed on tractor, be used alone

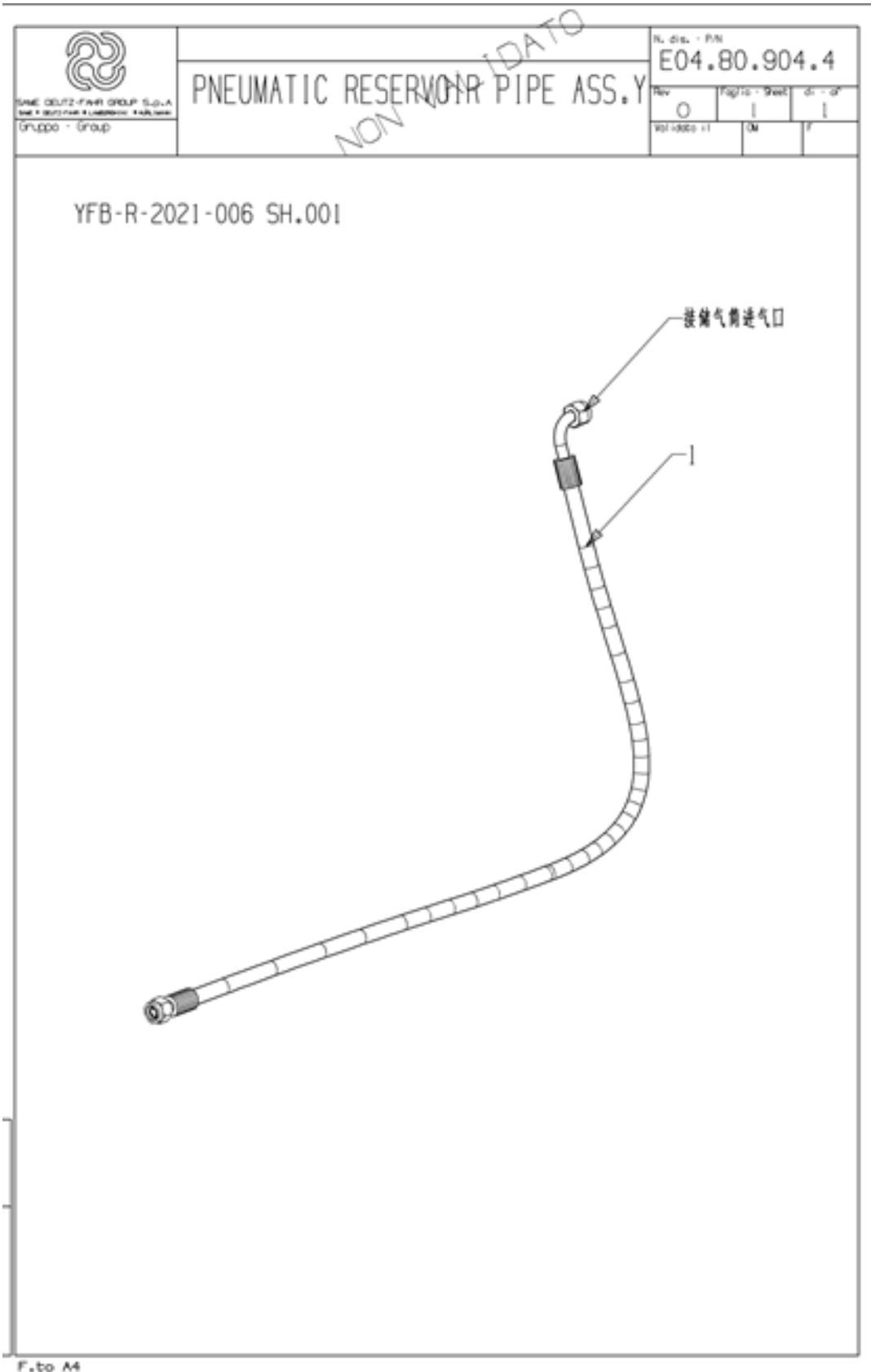
### D62.49.900.4\_0 工具箱 TOOL BOX

序号	零件编号	零件名称	数量	图号
1	D62.49.001.4	工具箱 TOOL BOX	1	D62.49.001.4



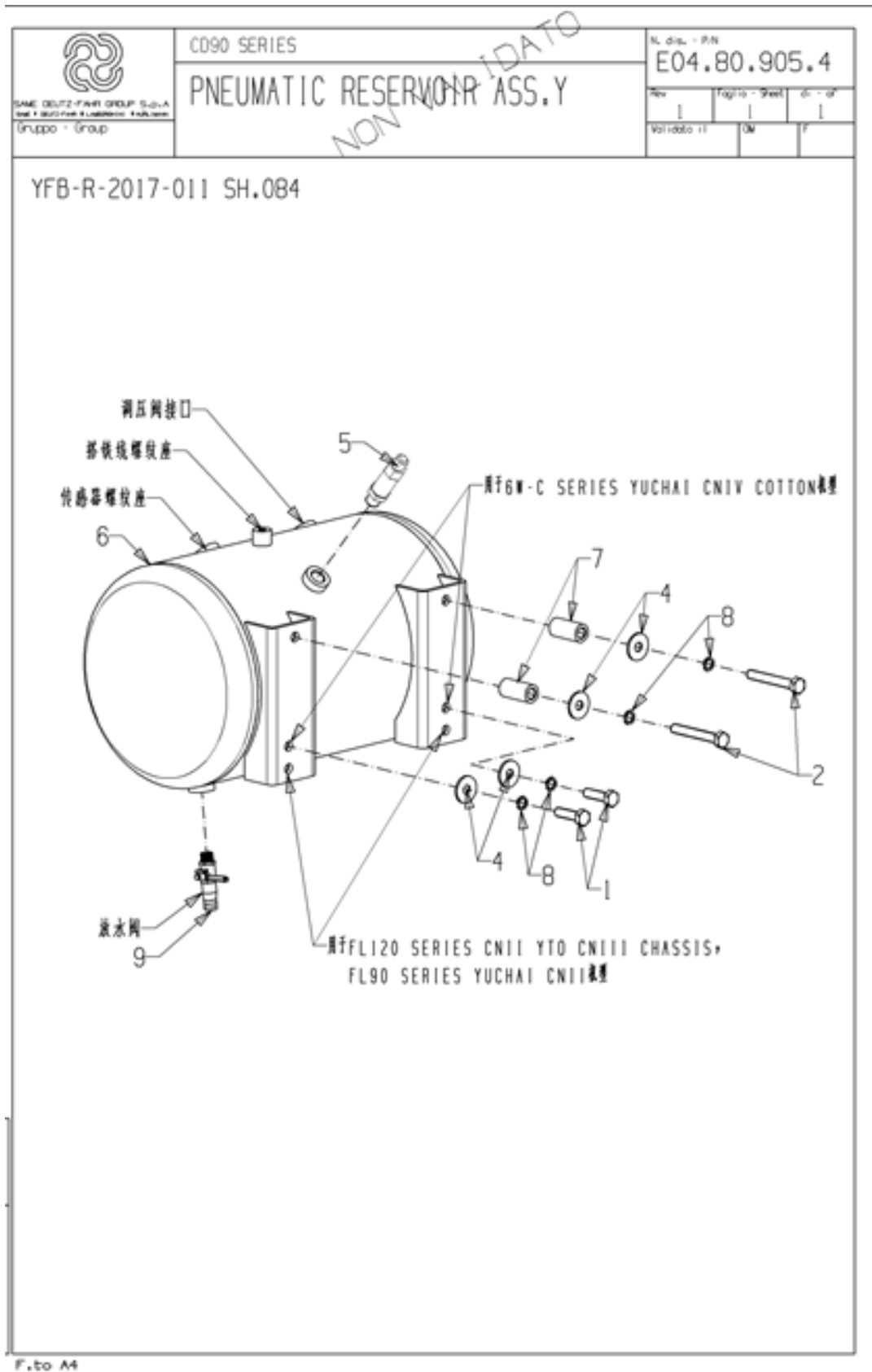
### D62.58.905.4\_0 液压输出总成 HYDRAULIC OUTPUT ASS.Y

序号	零件编号	零件名称	数量	图号
1	GBT3452.1-19.3X2.2-G	O形圈 O RING	12	GBT3452.1-19.3X2.2-G
2	A08.58.101.0	管接头 FITTING	6	A08.58.101.0
3	A02.58.093.0	快换阴接头 F. QUICK COUPLER	6	A02.58.093.0



### E04.80.904.4\_0 储气筒管路总成 PNEUMATIC RESERVOIR PIPE ASS.Y

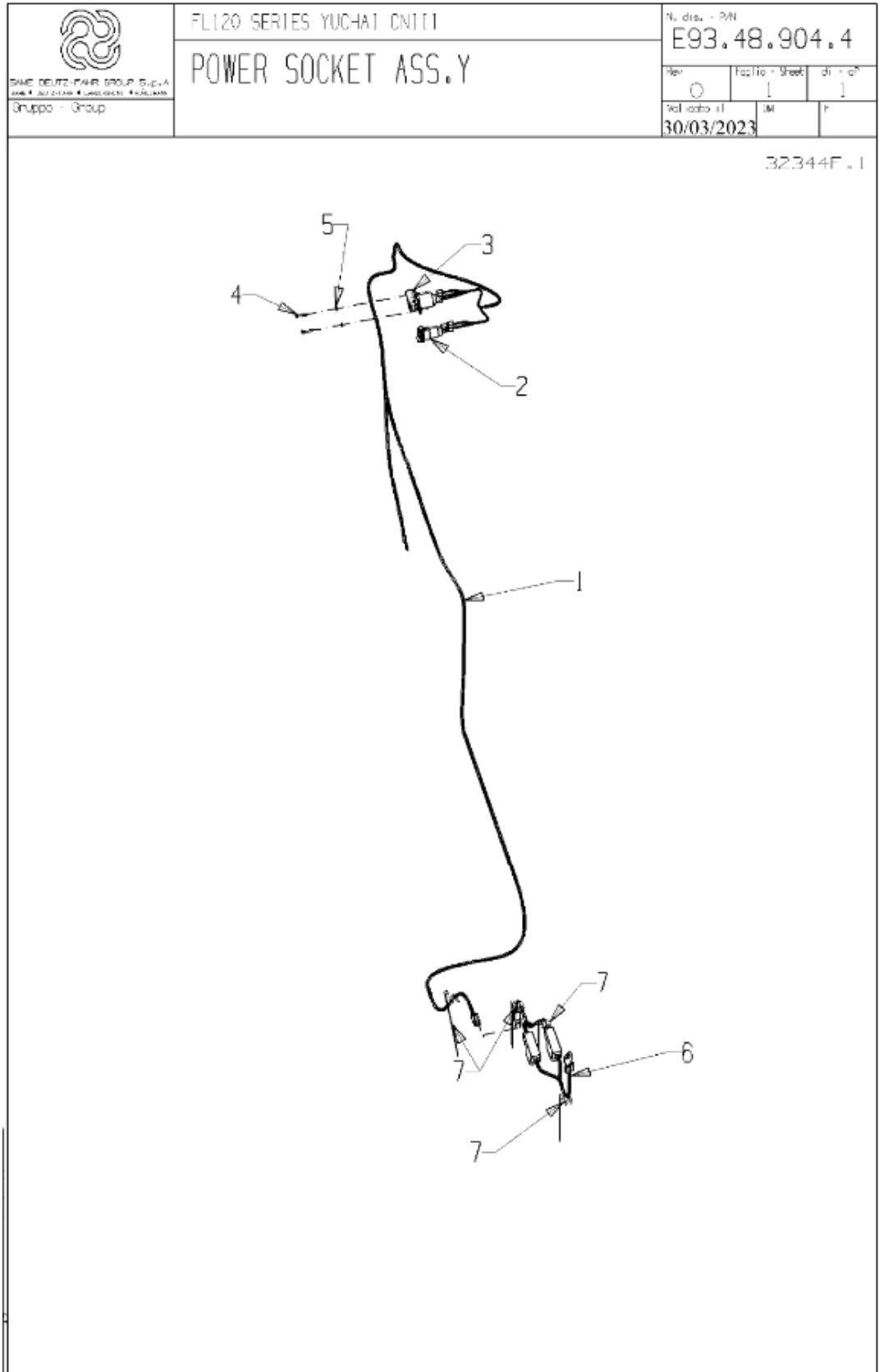
序号	零件编号	零件名称	数量	图号
1	E04.80.002.3	空气管 AIR PIPE	1	E04.80.002.3



### E04.80.905.4\_1 储气筒总成 PNEUMATIC RESERVOIR ASS.Y

序号	零件编号	零件名称	数量	图号
1	2.0114.313.2	螺栓 SCREW M10x35	2	2.0114.313.2
2	2.0114.321.2	螺栓 SCREW M10x70	2	2.0114.321.2
4	2.1312.005.2	垫圈 WASHER 10	4	2.1312.005.2
5	B09.80.001.0	安全阀总成 RELIEF VALVE ASS.Y	1	B09.80.001.0
6	E04.80.001.2/10	储气罐 AIR RESERVOIR	1	E04.80.001.2/10
7	E04.80.007.0	支撑套 SUPPORT SLEEVE	2	E04.80.007.0
8	2.1473.008.2	垫圈 SPRING WASHER M10	4	2.1473.008.2
9	SH400.45.010	暖风进水阀总成 WARM AIR WATER	1	SH400.45.010

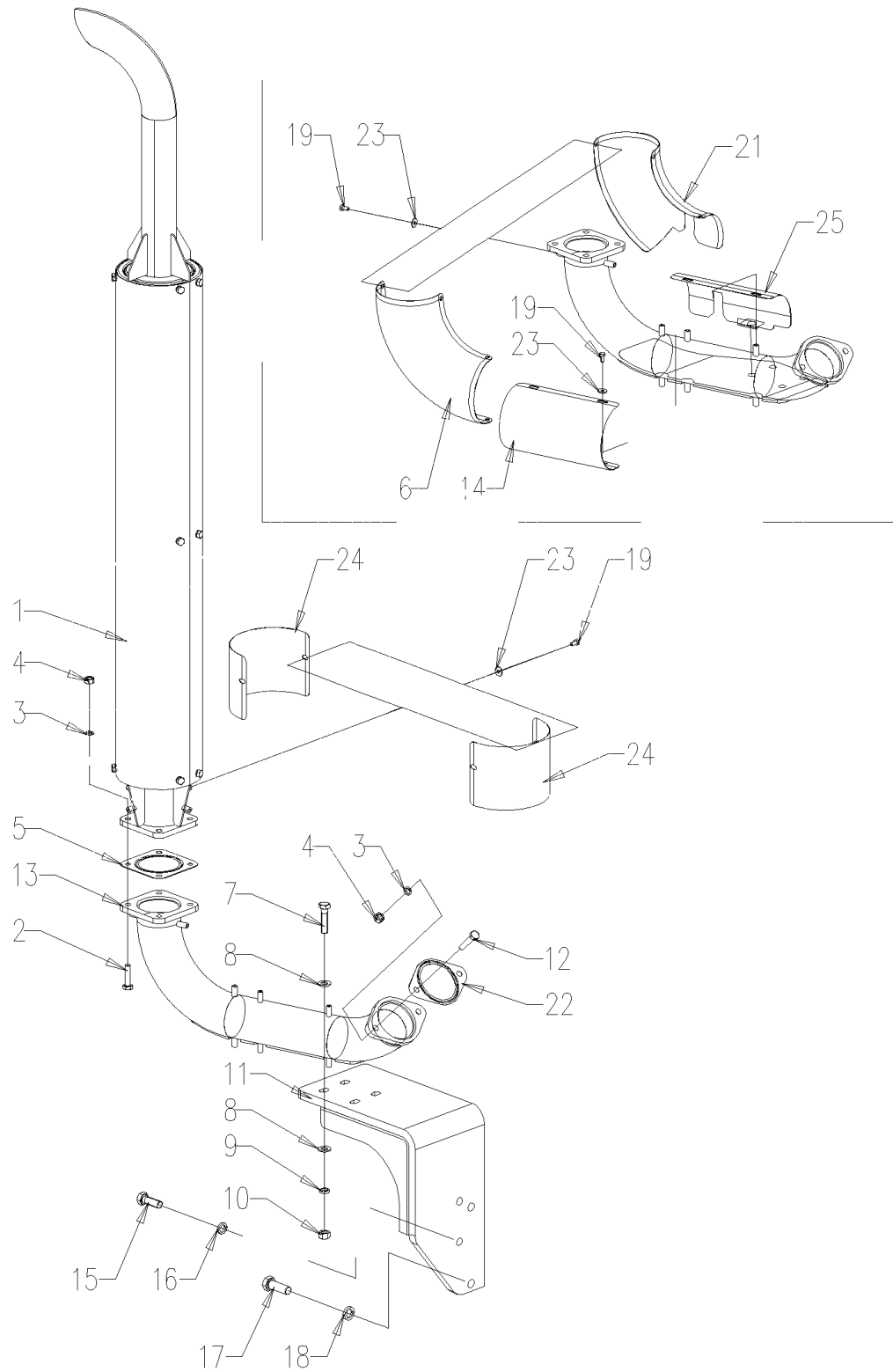




### E93.48.904.4\_0 取点插座总成 POWER SOCKET ASS.Y

序号	零件编号	零件名称	数量	图号
1	E93.48.004.4	电源插座线束 POWER SOCKET W.H.	1	E93.48.004.4
2	0.049.1217.0	驾驶室插座 CABIN SOCKET	1	0.049.1217.0
3	2.6039.020.0	三孔电源插座 PRESA 3 POLI	1	2.6039.020.0
4	2.0332.207.2	螺钉 M4X0.7X20 VITE M4X0.7X20	2	2.0332.207.2
5	2.1310.028.2	垫圈 4 ROSETTA 4	2	2.1310.028.2
6	B80.48.012.4	电源插座保险丝线束 POWER SOCKET	1	B80.48.012.4
7	0.041.5708.0	扎带 ? ? ? ? 9.5-? ? 15 ? ? %	4	0.041.5708.0

# LE1204.22.001 EXHAUST SYSTEM



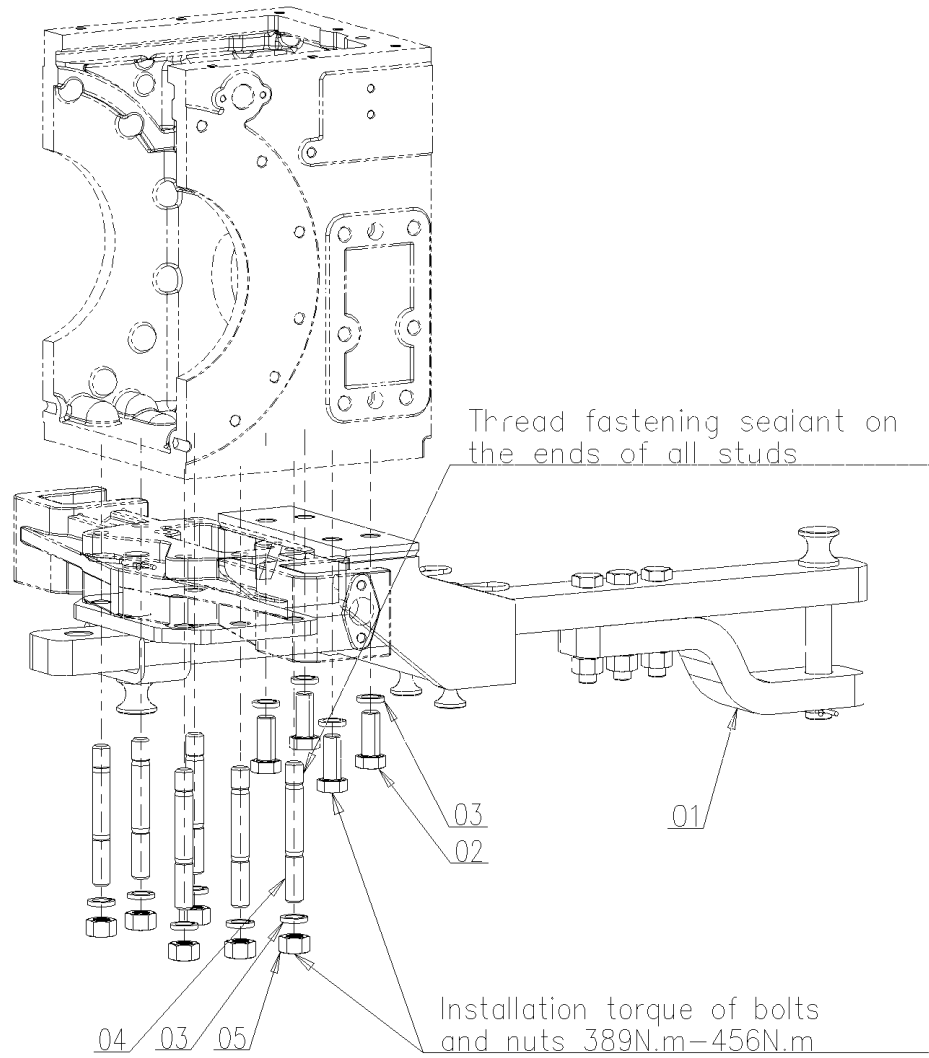
## LE1204.22.001\_7 排气系统总成 (地板+安全架) EXHAUST SYSTEM ASS.Y(floor + safety rack)

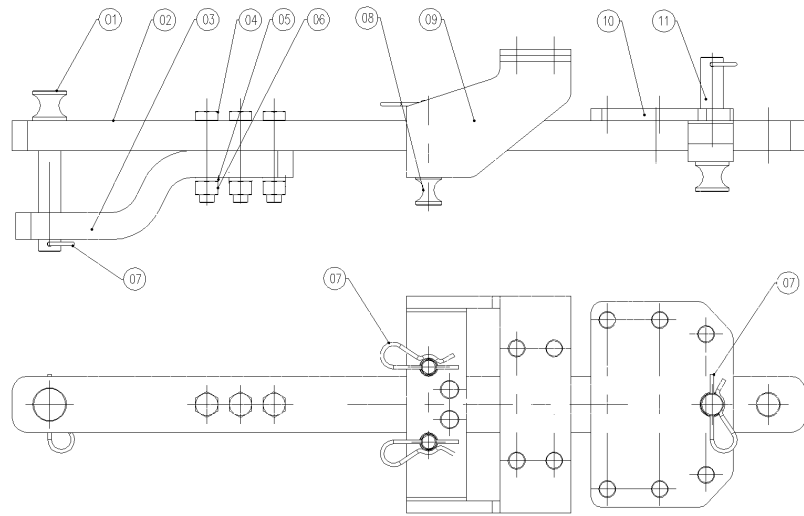
序号	零件编号	零件名称	数量	图号
1	LE1204.22.011/10	消声器 MUFFLER	1	LE1204.22.011/10
2	GBT5783-M10X40-A3L	螺栓 BOLT	4	GBT5783-M10X40-A3L
3	GBT93-10-A3L	垫圈 WASHER	6	GBT93-10-A3L
4	GBT6170-M10-A3L	螺母 NUT	6	GBT6170-M10-A3L
5	CD1204.22.120	垫圈 GASKET	1	CD1204.22.120
6	0.023.0615.0	隔热板 thermal baffle	1	0.023.0615.0
7	GBT5783-M12X50-A3L	螺栓 BOLT	4	GBT5783-M12X50-A3L
8	GBT97.1-12-A3L	垫圈 WASHER	8	GBT97.1-12-A3L
9	GBT93-12-A3L	垫圈 WASHER	4	GBT93-12-A3L
10	GBT6170-M12-A3L	螺母 NUT	4	GBT6170-M12-A3L
11	LE1204.22.014/40	支架 BRACKET	1	LE1204.22.014/40
12	GBT5783-M10X45-A3L	螺栓 BOLT	2	GBT5783-M10X45-A3L
13	LE1204.22.012/10	排气弯管 exhaust elbow	1	LE1204.22.012/10
14	0.022.8648.0	垫圈 GUARD	1	0.022.8648.0
15	GBT5783-M14X40-10.9-	螺栓 BOLT	2	GBT5783-M14X40-10.9-A3L
16	GBT93-14-A3L	垫圈 WASHER	2	GBT93-14-A3L
17	GBT5783-M16X45-10.9-	螺栓 BOLT	2	GBT5783-M16X45-10.9-A3L
18	GBT93-16-A3L	垫圈 WASHER	2	GBT93-16-A3L
19	GBT5783-M6X12-A2L	螺栓 BOLT	10	GBT5783-M6X12-A2L
21	0.023.0614.0	隔热板 thermal baffle	1	0.023.0614.0
22	CD1204.22.121	垫圈 GASKET	1	CD1204.22.121
23	GBT96-6-A3L	垫圈 WASHER	10	GBT96-6-A3L
24	LE1204.22.118/20	隔热板 felt	2	LE1204.22.118/20
25	LE1204.22.016/10	垫圈 GUARD	1	LE1204.22.016/10

LE1204.35.001 SWINGING BAR - 6 CYL -

LE1204.35.001\_1 摆式牵引总成 SWINGING BAR - 6 CYL -

序号	零件编号	零件名称	数量	图号
1	LE1204.35.010/10	牵引装置 draft?gear	1	LE1204.35.010/10
2	GBT5783-M20X50-A3L	螺栓 bolt	4	GBT5783-M20X50-A3L
3	GBT93-20-A3L	垫圈 WASHER	10	GBT93-20-A3L
4	GBT899-AM20X130-A3L	螺柱 stud	6	GBT899-AM20X130-A3L
5	GBT6170-M20-A3L	螺母 NUT	6	GBT6170-M20-A3L





## 技术要求

## Technical requirement

## 1. 各零件连接牢固可靠, 严禁松动和损坏, 防止磨损。

The parts are firmly and reliably connected, and the surface of the parts should not be impacted or scratched.

## 2. 连接螺母 M20 (M6) 扭矩 389N.m-456N.m。

Torque of connecting nut M20 ( part 6 ) is 389N.m-456N.m.

## 注: 本图修改内容, 5、6 页不变, 其余不变。

Note: This modification will only be reversed by parts 4, 5 and 6, and the rest will remain unchanged.

## LE1204.35.010/10 牵引装置 draft gear

序号	零件编号	零件名称	数量	图号
1	SH900.35.101	牵引销 TRACTION PIN	1	SH900.35.101
2	LE1204.35.101	摆杆 oscillating bar	1	LE1204.35.101
3	LE1204.35.102	弯板 ?angle?block	1	LE1204.35.102
4	GBT5782-M20X110-A3L	螺栓 bolt	3	GBT5782-M20X110-A3L
5	GBT93-20-A3L	垫圈 WASHER	3	GBT93-20-A3L
6	GBT6170-M20-A3L	螺母 NUT	3	GBT6170-M20-A3L
7	SH900.35.102	弹簧锁销 spring plunger	4	SH900.35.102
8	SH900.35.105	限位销 spacer pin	2	SH900.35.105
9	LE1204.35.011	后支撑板焊合 Rear support plate welded	1	LE1204.35.011
10	LE1204.35.012	底板焊合 Bottom plate welded	1	LE1204.35.012
11	LE1204.35.104	摆销 balance pin	1	LE1204.35.104

# LE1204.53.001 TRAILER SYSTEM ASSEMBLY

# LE1204.53.001\_1 拖挂装置总成 TRAILER SYSTEM ASSEMBLY

序号	零件编号	零件名称	数量	图号
1	GBT899-AM16X40-10.9-	螺柱 stud	8	GBT899-AM16X40-10.9-A3L
2	GBT93-16-A3L	垫圈 WASHER	8	GBT93-16-A3L
3	GBT6170-M16-10-A3L	螺母 NUT	8	GBT6170-M16-10-A3L
4	LE1204.53.101/20	固定架 supporting?structure	1	LE1204.53.101/20
5	SH900.53.102	挂钩销 hanger pin	1	SH900.53.102
6	LE1204.53.102	拖挂架 Drag the rack	1	LE1204.53.102
7	LE1204.53.103	隔套 SPACER	4	LE1204.53.103
8	LE1204.53.104	拖挂销 Trailer pin	2	LE1204.53.104
9	SH900.53.103	弹性锁销 spring plunger	3	SH900.53.103

