

YC6J155-T302(JY14T7)柴油机

# 零件图册

Parts Catalogue of YC6J155-T302(JY14T7) Diesel Engine

广西玉柴机器股份有限公司

GuangXi Yuchai Machinery Co., Ltd.

2021年5月

May, 2021

## 前 言 Foreword

感谢您选用广西玉柴机器股份有限公司的产品，并感谢您阅读《YC6J155-T302(JY14T7)柴油机零件图册》！  
Thanks for using Yuchai engine and reading the “Parts Catalogue of YC6J155-T302(JY14T7)Diesel Engine”！

玉柴的服务宗旨是：“倾我所有、尽我所能、竭诚用户、诚信天下”，为了更好地履行玉柴的服务宗旨，我们编印了《YC6J155-T302(JY14T7)柴油机零件图册》，希望本图册可以让用户更好地了解玉柴产品的结构与配置，方便用户使用、维修和购置零配件。  
With the aim to fulfill our company service tenet, i. e. “striving all out to serve the customers, spending full sincerity to confidence the world”, we compiled and printed this “Parts Catalogue of YC6J155-T302(JY14T7)Diesel Engine”. We hope this “Parts Catalogue of YC6J155-T302(JY14T7)Diesel Engine” will help you to understand the structure and configuration of Yuchai’s YC6J155-T302(JY14T7) diesel engines, so to operate and maintain them easily for your reference only.

本零件图册是根据 2021 年 5 月相关生产图样、资料编制而成的。图册中列出了 YC6J155-T302(JY14T7)柴油机的全部零部件目录。  
This “Parts Catalogue of YC6J155-T302(JY14T7) Diesel Engine” is compiled by basing on the production samples and technical documents in May 2021, and covers the engine model of YC6J155-T302(JY14T7) diesel engine.

随着产品的不断改进提高和用户不断提出新的要求，《YC6J155-T302(JY14T7)柴油机零件图册》中的有关内容将会有不同程度的变更，玉柴保留在不预先通知的情况下进行修改的权利，具体配置情况应以当时产品技术文件为依据。  
As production improvements and consumer’s requirements are constantly brought up, the content of this “Parts Catalogue of YC6J155-T302(JY14T7) Diesel Engine” must be changed at a certain extent, which Yuchai reserves the right to modify without formal notification beforehand. The engine’s idiographic configuration is according to its technical documents.

本零件图册编写不足之处在所难免，敬请提出批评意见，使之渐臻完善。谢谢！  
Deficiencies may appear in this “Part Catalogue of YC6J155-T302(JY14T7) Diesel Engine”， and your comments and suggestions are appreciated honestly!

广西玉柴机器股份有限公司  
GuangXi Yuchai Machinery Co., Ltd.

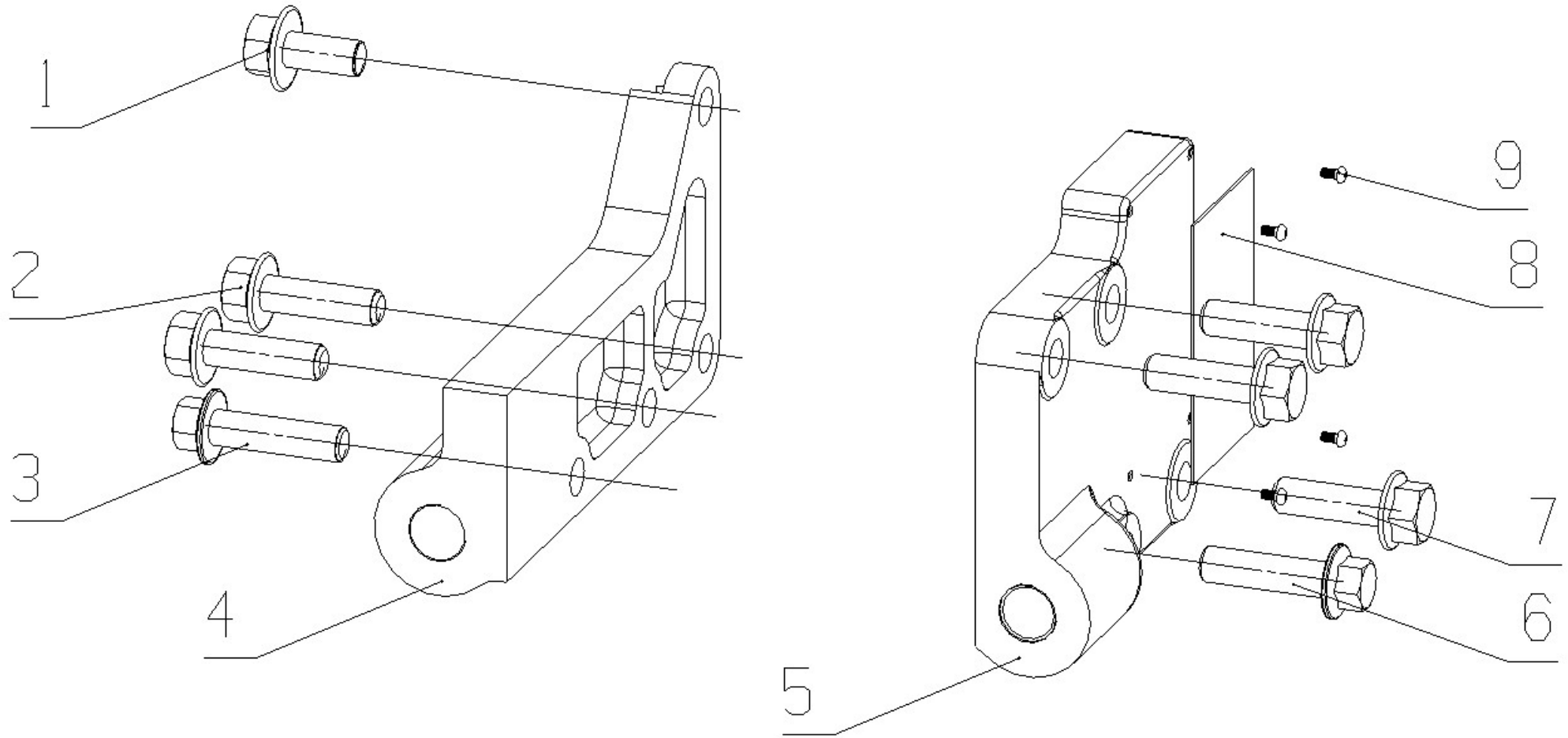
## 目 录 CONTENTS

序号 No.	图号 Part No.	名 称	Part Name	页数 Page	备注 Remark
1	JX9T00-1001000	发动机悬置总成	Engine Suspension Assembly		
2	JY14T7-1002000	气缸体总成	Cylinder Block Assembly		
3	JYA00-1003000A	气缸盖总成	Cylinder Head Assembly		
4	J8R000-A003000	气缸盖罩总成	Cylinder Head Cover Assembly		
5	JXC000-A004000	吊耳总成	Hanger Assembly		
6	JY100-1004000	活塞及连杆总成	Piston Connecting Rod Assembly		
7	JY100-1005000	曲轴减振器总成	Crankshaft Vibration Damper Assembly		
8	630-1006000A	凸轮轴总成	Camshaft Assembly		
9	JY1000-1007000	配气机构总成	Valve Train Assembly		
10	J8TGT3-1008000	进排气管总成	Into The Exhaust Pipe Assembly		
11	JX400-1009000	油底壳总成	Oil Sump Assembly		
12	JY100-1010000	机油集滤器总成	Oil Collector Assembly		
13	J8R000-1011000	机油泵总成	Oil Pump Subassembly		
14	J1AD2-1012000	机油滤清器总成	Oil Filter Part		
15	JX400-1013000	机油冷却器总成	Oil Cooler Assembly		
16	JY100-1014000	曲轴箱通风装置总成	Crankcase ventilation installation Assembly		
17	JX9T00-1015000	发动机起动辅助装置总成	Engine Starter Auxiliary Device Assembly		
18	JY1000-1028000	油标尺总成	Oil Dipstick Assembly		
19	JY1BT5-1104000	供给系管路总成	Fuel Supply Pipeline Assembly		
20	JY14T7-1105000	柴油滤清器总成	Fuel Filter Assembly		
21	JY1000-1111000	喷油泵总成	Injection Pump Assembly		
22	JY1000-1112000	喷油器总成	Injector Assembly		
23	JYAJT1-1118000	增压器总成	Turbocharger Assembly		
24	JXAT1-1201000	消声器总成	Muffler Assembly Atlas		
25	JXC0T0-1303000	散热器水管及软管总成	Radiator Water Pipe And Hose Assembly		

26	B9XTF-1305000	放水开关总成	Water Drain Cock Assembly		
27	JX400-1306000	调温器总成	Thermostat Assembly		
28	JX400-1307000	水泵总成	Water Pump Assembly		
29	JX9T00-1308000	风扇总成	Fan Assembly		
30	JXC000-1600000	动力输出总成	Power Output Assembly		
31	JY60TC-3701000	发电机总成	Alternator Assembly		
32	J7R00-3708000	起动机总成	Starter Assembly		
33	JY14T7-3823000	控制系统总成	Controlling System Assembly		
34	B0000-3904000	铭牌	Data Plate		

EWP=Easy wear part (易损件)

1. JX9T00-1001000/发动机悬置总成 Engine Mounting Assembly

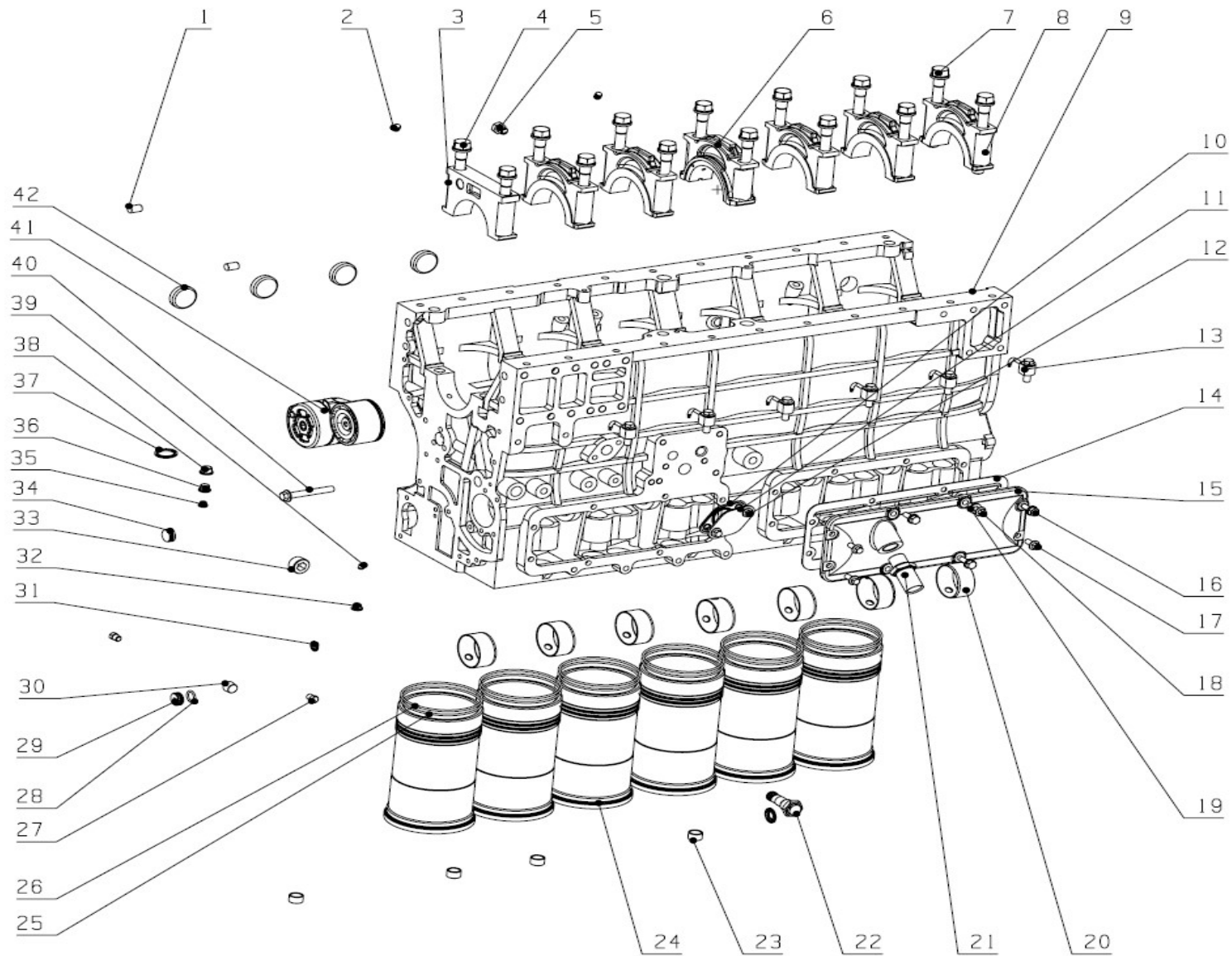


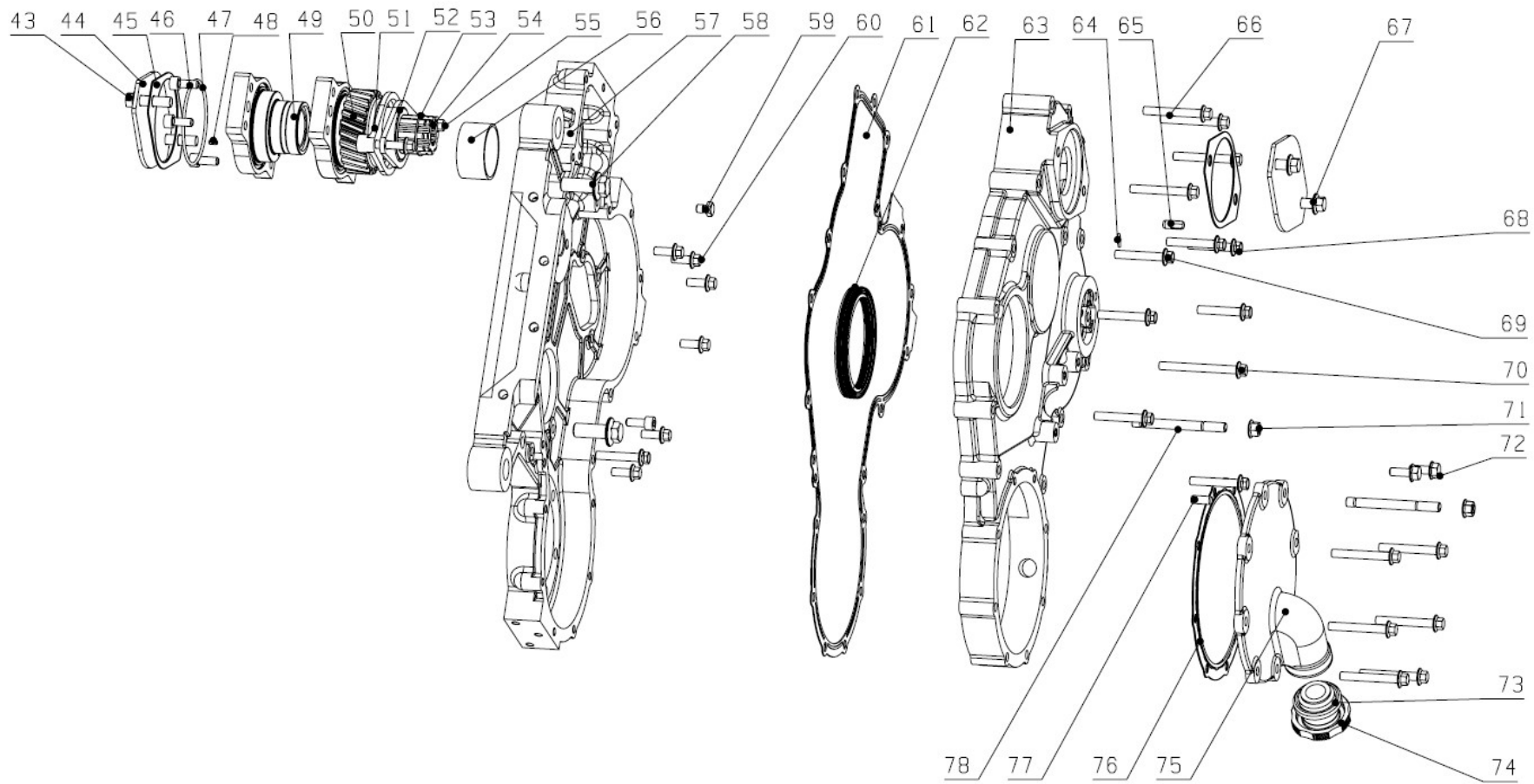
### 1. JX9T00-1001000/发动机悬置总成 Engine Mounting Assembly

序号 NO.	图号 Part No.	名 称	Part Name	数量 Qty	备注 Remark
1	Q1841225TF2	螺栓 M12×25	Bolt M12×25	1	
2	Q1841240TF2	螺栓 M12×40	Bolt M12×40	2	
3	Q1841245TF2	螺栓 M12×45	Bolt M12×45	1	
4	B7A00-1001501C	左支架	Left bracket	1	
5	JX9T00-1001601A	右支架	Right bracket	1	
6	Q1841245TF2	螺栓 M12×45	Bolt M12×45	1	
7	Q1841240TF2	螺栓 M12×40	Bolt M12×40	3	
8	YC394-B000GK	标牌	Plate	1	
9	YC5-0306	铆钉 3×6	Rivet 3×6	4	

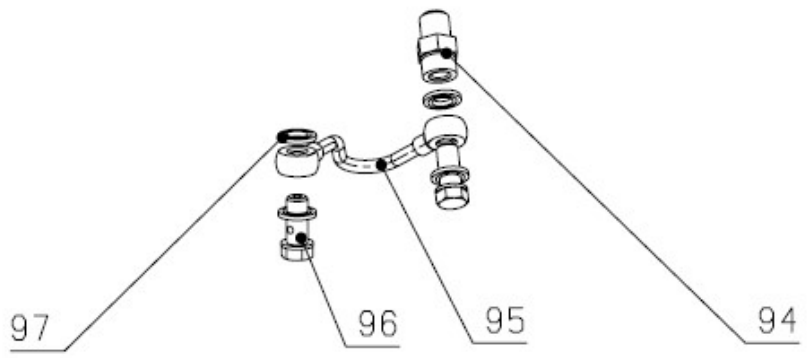
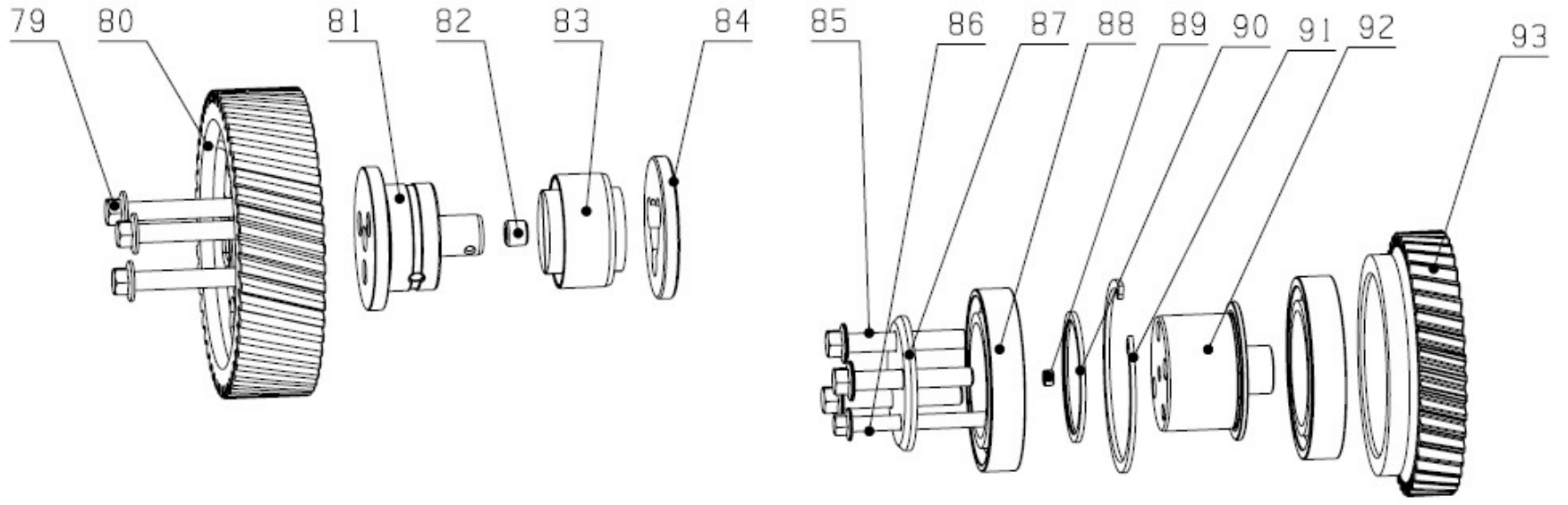
EWP=Easy wear part (易损件)

## 2. JY14T7-1002000/气缸体总成 Cylinder Block Assembly









## 2. JY14T7-1002000/气缸体总成 Cylinder Block Assembly

序号 NO.	图号 Part No.	名 称	Part Name	数量 Qty	备注 Remark
1	YC24-B1218	圆柱销 12X18	Cylindrical pin 12 x18	2	
2	B0100-1002104	铝堵	Aluminum wall	2	
3	3430-1002115	前主轴承盖	Front main bearing cover	1	
4	330-1002021B	主轴承盖螺栓	Main bearing cover bolts	12	
5	Q/YC198-12	螺塞 M12X1.5	Plug M12X1. 5	1	
6	J1000-1002013	中间主轴承盖	Intermediate main bearing cover	1	
7	330-1002018B	主轴承盖长螺栓	Long bolts for main bearing cover	2	
8	330-1002014	主轴承盖	The main bearing cover	5	
9	JX400-1002114A	气缸体	Cylinder block	1	
10	6105Q-1014001A	呼吸器垫片	Breathing apparatus gasket	1	
11	A7100-1319K-0	盖板	Cover plate	1	
12	Q1840816	螺栓 M8X16	Bolt M8X16	2	
13	A3100-1002160	喷嘴部件	The nozzle parts	6	
14	B7503-1002109	挺杆室盖板垫片	Tappet chamber cover gasket	1	
15	475D-1002065	后挺杆室盖板	Rear tappet chamber cover plate	1	
16	Q1840822	螺栓 M8X22	Bolt M8X22	4	
17	Q1840818TF2	螺栓 M8X18	Bolt M8X18	3	
18	Q1840828TF2	螺栓 M8X28	Bolt M8X28	1	
19	6105Q-3509013	垫圈	Washer	1	
20	6105QA-1002011	凸轮轴衬套	Cam shaft bushing	7	
21	475D-1002071B	回油接头	The oil return joint	1	
22	430-1002150	调压阀部件	Pressure regulating valve components	1	

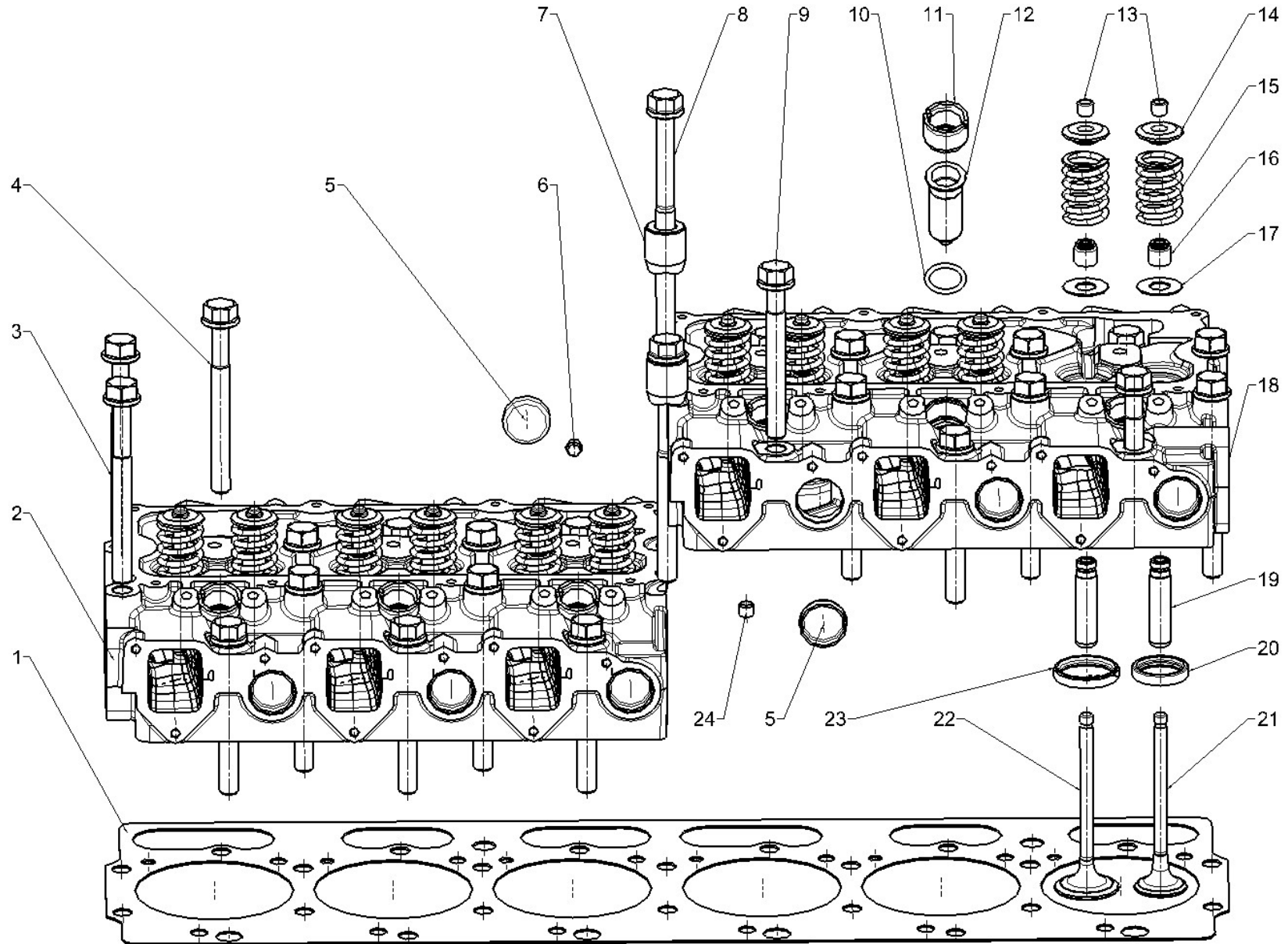
23	6105QA-1003088	气缸盖定位销套	Cylinder head locating pin sleeve	4	
24	J3300-1002064A	气缸套	Cylinder liner	6	
25	A3000-1002063B	气缸套封水圈	The cylinder liner seals the water ring	6	
26	A3000-1002063	气缸套封水圈	The cylinder liner seals the water ring	6	
27	Q618B01	螺塞 NPT 1/8	Plug the NPT 1/8	2	
28	YC208-B01600F	O 形圈 2.65X16	O-ring 2.65X16	1	
29	6105Q-1002067	主油道密封塞	Main oil line seal plug	1	
30	Q61903	螺塞 NPT 3/8	Plug the NPT 3/8	1	
31	Q/YC149-12	复合式密封垫圈 12	Compound sealing gasket 12	1	
32	YC8-12109	塑料堵塞 M12	Plastic clogs M12	12	
33	Q61906	螺塞 NPT 3/4	Plug 3/4 NPT	1	
34	6105Q-1002110	主油道密封塞	Main oil line seal plug	1	
35	Q72510090	塑料堵塞 M10	Plastic clogs M10	1	
36	Q72514128	塑料堵塞 M14	Plastic clogs M14	1	
37	Q/YC149-24	复合式密封垫圈 24	Compound sealing gasket 24	1	
38	Q72516148	塑料堵塞 M16	Plastic clogs M16	1	
39	YC8-08072	塑料堵塞 M8	Plastic clogs M8	13	
40	Q1841075TF2	螺栓 M10X75	Bolt M10X75	1	
41	A7J9T2-1002450A	张紧皮带轮组件	Tighten pulley assembly	1	
42	YC7-40	碗形塞片 40	Bowl plug 40	4	
43	Q1841035	螺栓 M10X35	Bolt M10X35	2	
44	J7900-1002223	液压泵齿轮盖	Gear cover for hydraulic pump	2	
45	A9AJ0-1002227	液压泵齿轮盖垫片	Hydraulic pump gear cover gasket	4	
46	Q218B0820	螺钉 M8X20	Screw M8X20	5	
47	YC208-B08000F	O 形圈 2.65X80	O-ring 2.65 X80	1	

48	B8800-1002611	小油道堵塞	Small oil passage clogged	1	不单独采购
49	J7900-1002233C	液压泵齿轮轴	Hydraulic pump gear shaft	1	含 48
50	J7900-1002261	液压泵齿轮	Hydraulic pump gear	1	含 56
51	J7900-1002264	垫块	Heel block	1	
52	J7900-1002263	液压泵齿轮压板	Hydraulic pump gear press plate	1	
53	Q43138	挡圈 38	Retaining ring 38	1	
54	B7C00-1002262	液压泵传动花键	Hydraulic pump transmission spline	1	
55	Q1840835TF2	螺栓 M8X35	Bolt M8X35	2	
56	J7900-1002266	液压泵齿轮衬套	Hydraulic pump gear bushing	1	不单独采购
57	JX400-1002201D	齿轮室	Gear chamber	1	
58	Q1841435	螺栓 M14X35	Bolt M14X35	2	
59	Q/YC198-8	螺塞 M8X1	Plug M8X1	1	
60	Q1840820TF2	螺栓 M8X20	Bolt M8X20	6	
61	JX400-1002204B	齿轮室盖板垫片	Gasket for cover plate of gear chamber	1	
62	YC209-C090110PR	油封 90X110	Oil seal 90 x110	1	
63	JX400-1002203SF1	齿轮室盖	Gear chamber cover	1	
64	Q/YC149-8	复合式密封垫圈 8	Compound sealing gasket 8	1	
65	C3000-1006067	菱形销	The diamond pin	1	
66	Q1840860	螺栓 M8X60	Bolt M8X60	10	
67	Q1841020	螺栓 M10X20	Bolt M10X20	2	
68	Q1840845	螺栓 M8X45	Bolt M8X45	3	
69	Q1840850	螺栓 M8X50	Bolt M8X50	5	
70	Q1840880	螺栓 M8X80	Bolt M8X80	1	
71	Q32008	螺母 M8	Nut M8	2	
72	Q1840822	螺栓 M8X22	Bolt M8X22	2	

73	150-1003043C	密封圈	Seal ring	1	
74	150-1003041F	加机油口盖	Oil filling cap	1	
75	J7R00-1002205	喷油泵齿轮盖	Gear cover for fuel injection pump	1	
76	J3200-1002206A	喷油泵齿轮盖垫片	Fuel injection pump gear cover gasket	1	
77	YC24-B0820	圆柱销 8X20	The cylindrical pin 8 x20	1	
78	Q1200885	螺柱 M8X85	Stud M8X85	2	
79	Q1841060TF2	螺栓 M10X60	Bolt M10X60	3	
80	JX400-1002301SF2	惰齿轮	Idle gear	1	含 83
81	JX400-1002306A	惰齿轮轴	Idler gear shaft	1	
82	Q61902	螺塞 NPT 1/4	Plug the NPT 1/4	1	
83	B8800-1002302A	惰齿轮衬套	Idler gear bushing	1	不单独采购
84	JX400-1002311SF2	惰齿轮耐磨板	Idler gear anti-wear plate	1	
85	JY1000-1002236	螺栓	Bolt	3	
86	JY1000-1002235	螺栓	Bolt	1	
87	JY1000-1002D03	液压泵惰齿轮压板	Hydraulic pump idler gear press plate	1	
88	GB/T292-7012C	滚动轴承 7012C	Rolling bearing 7012C	2	
89	Q61508	螺塞 M8X1	Plug M8X1	1	
90	JY1000-1002D42	隔环	Every ring	1	
91	Q43095	挡圈 95	Retaining ring 95	1	
92	JY1000-1002D02	液压泵惰齿轮轴	Hydraulic pump idler gear shaft	1	
93	JY1000-1002D01	液压泵惰齿轮	Idler gear for hydraulic pump	1	
94	150-3509021	进油接头	The oil inlet joint	1	
95	J7900-1002E40SF3	齿轮室润滑油管焊接件	Welded parts for lubricating oil pipe of gear	1	
96	Q/YC901-1C1010	铰接螺栓 M10X1	Hinged bolt M10x1	2	
97	Q/YC149-10	复合式密封垫圈 10	Compound sealing gasket 10	4	

EWP=Easy wear part (易损件)

### 3. JYA00-1003000A/气缸盖总成 Cylinder Head Assembly



### 3. JYA00-1003000A/气缸盖总成 Cylinder Head Assembly

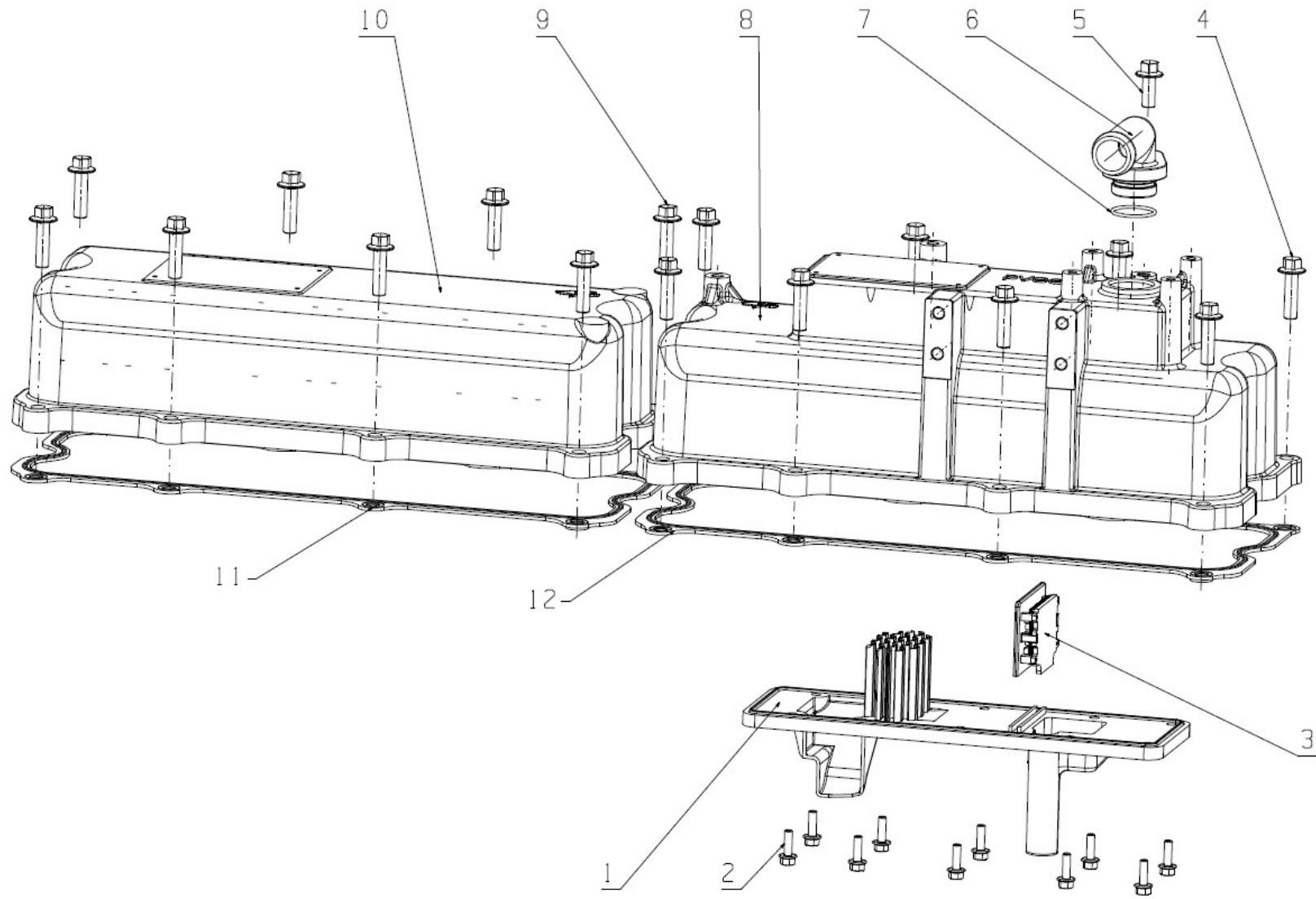
序号 NO.	图号 Part No.	名 称	Part Name	数量 Qty	备注 Remark
1	J2000-1003001A-C64	气缸盖垫片	Cylinder head gasket	1	易损件 EWP
2	JY100-1003180B	前气缸盖组件	Front Cylinder head assembly	1	含 5、6、10、11、12、19、20、23、24
3	J2000-1003003A	气缸盖短螺栓	Cylinder head short bolt	12	
4	J2000-1003014	气缸盖短螺栓 (II)	Cylinder head short bolt (II)	6	
5	630-1003081	水套堵塞	Bowl-type plug	12	不单独采购
6	6105QA-1003087	铝堵(≡)	Aluminum plug (≡)	6	不单独采购
7	A3100-1003037	夹紧块	Gland component	2	
8	J2000-1003019	气缸盖长螺栓 II	Cylinder head short bolt	2	
9	J2000-1003018	气缸盖短螺栓 III	Cylinder head short bolt III	6	
10	YC208-C02360S	O 形圈 3.55X23.6	o-ring 3.55X23.6	6	易损件 EWP 不单独采购
11	J2100-100317A	螺套	Swivel nut	6	不单独采购
12	J2000-1003176A	喷油器火花塞护套	Injector sparking plug sleeve	6	不单独采购
13	150-1007021E	气门锁夹	Valve lock clamp	24	易损件 EWP
14	D30-1003116	气门弹簧上座	Valve spring seat	12	易损件 EWP
15	A3000-1003106	气门弹簧	Valve spring	12	易损件 EWP
16	M6600-1003105	气门杆油封	Seal valve stem	12	易损件 EWP
17	D30-1003161	气门弹簧下座	Valve spring base table	12	
18	J2000-1003190D	后气缸盖组件	Rear Cylinder head assembly	1	含 5、6、10、11、12、19、20、23、24

19	J2000-1003172	气门导管	Valve guide	12	易损件 EWP 不单独采购
20	J4000-1003174	排气门座圈	Air exhaust seat ring	6	易损件 EWP 不单独采购
21	J3000-1003103A	排气门	Air exhaust valve	6	易损件 EWP
22	D30-1003111B	进气门	Air intake valve	6	易损件 EWP
23	J4200-1003173	进气门座圈	Air intake seat ring	6	易损件 EWP 不单独采购
24	6105QA-1003086	铝堵(-)	Aluminum plug (-)	6	不单独采购

EWP=Easy wear part (易损件)



#### 4. J8R000-A003000/气缸盖罩总成 Cylinder Head Cover Assembly

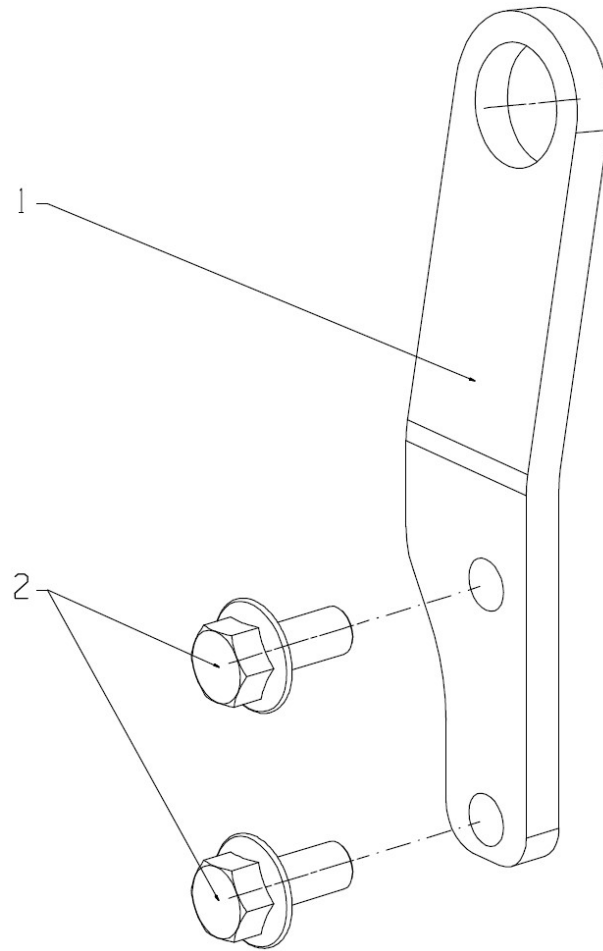


#### 4. J8R000-A003000/气缸盖罩总成 Cylinder Head Cover Assembly

序号 NO.	图号 Part No.	名 称	Part Name	数量 Qty	备注 Remark
1	JY1000-1003270A	盖板组件	Cover board subassembly	1	
2	Q1840516	螺栓 M5×16	Bolt M5×16	10	
3	JY1000-1003266A	限位板	Baffle	1	
4	Q1840830	螺栓 M8×30	Bolt M8×30	8	
5	Q1840820	螺栓 M8×20	Bolt M8×20	1	
6	J8R1P1-1003244	通气管	Breather pipe	1	
7	YC208-A02500F	O 形圈 1.8×25	O-ring1.8×25	1	易损件 EWP
8	J7N00-1003207C	后气缸盖罩	Rear cylinder head cover	1	
9	Q1840830	螺栓 M8×30	Bolt M8×30	8	
10	J8D00-1003206	前气缸盖罩	Front cylinder head cover	1	
11	J2000-1003201	气缸盖罩垫片	Cylinder head cover gasket	1	易损件 EWP
12	J2000-1003201	气缸盖罩垫片	Cylinder head cover gasket	1	易损件 EWP

EWP=Easy wear part (易损件)

5. JXC000-A004000/吊耳总成 Hanger Assembly

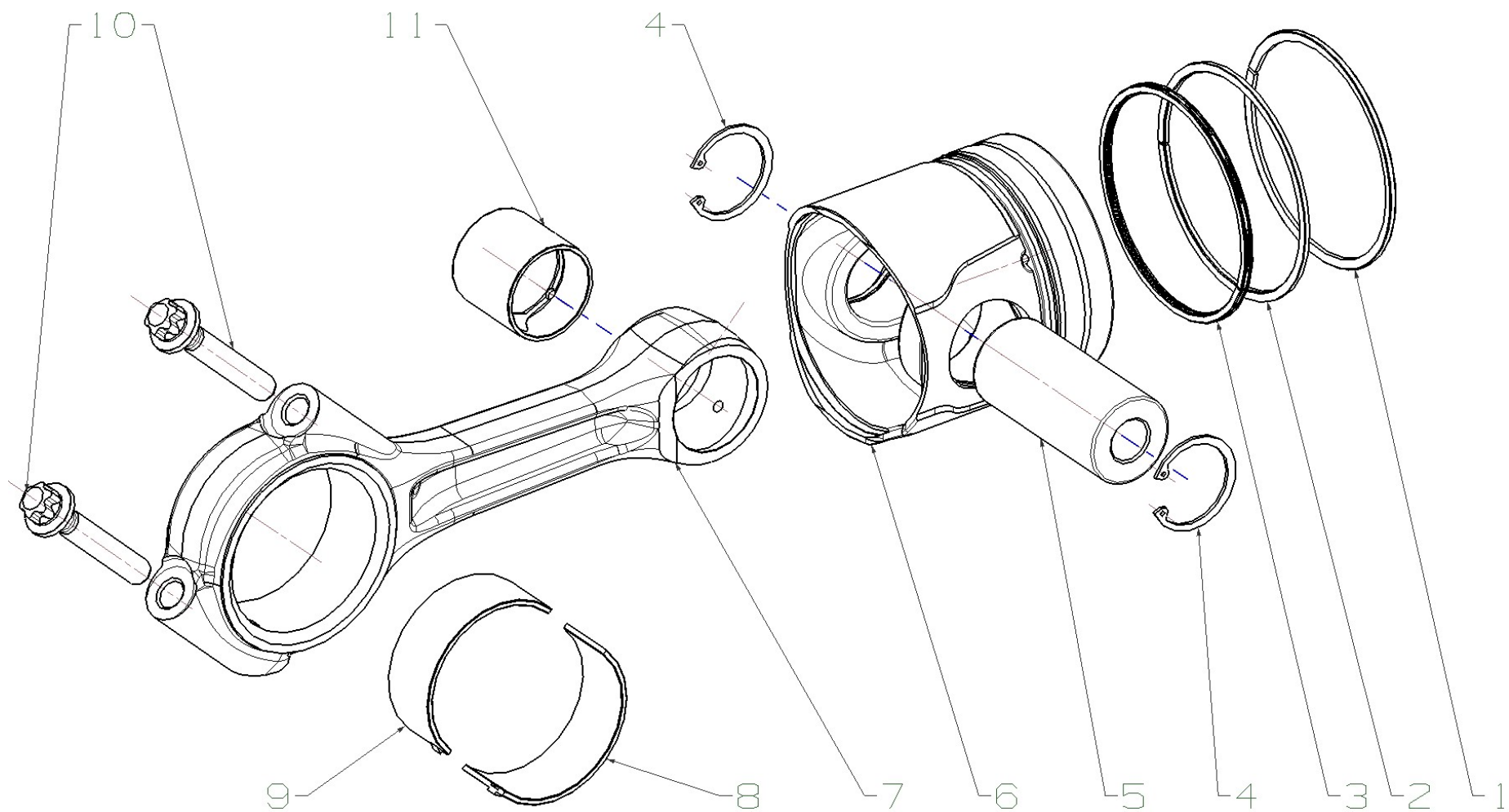


### 5. JXC000-A004000/吊耳总成 Hanger Assembly

序号 NO.	图号 Part No.	名 称	Part Name	数量 Qty	备注 Remark
1	B3200-1003037	后吊耳	Rear hanger	1	
2	Q1841225TF2	螺栓 M12X25	Bolt M12 X25	2	

EWP=Easy wear part (易损件)

## 6. JY100-1004000/活塞连杆总成 Piston & Con-rod Assembly

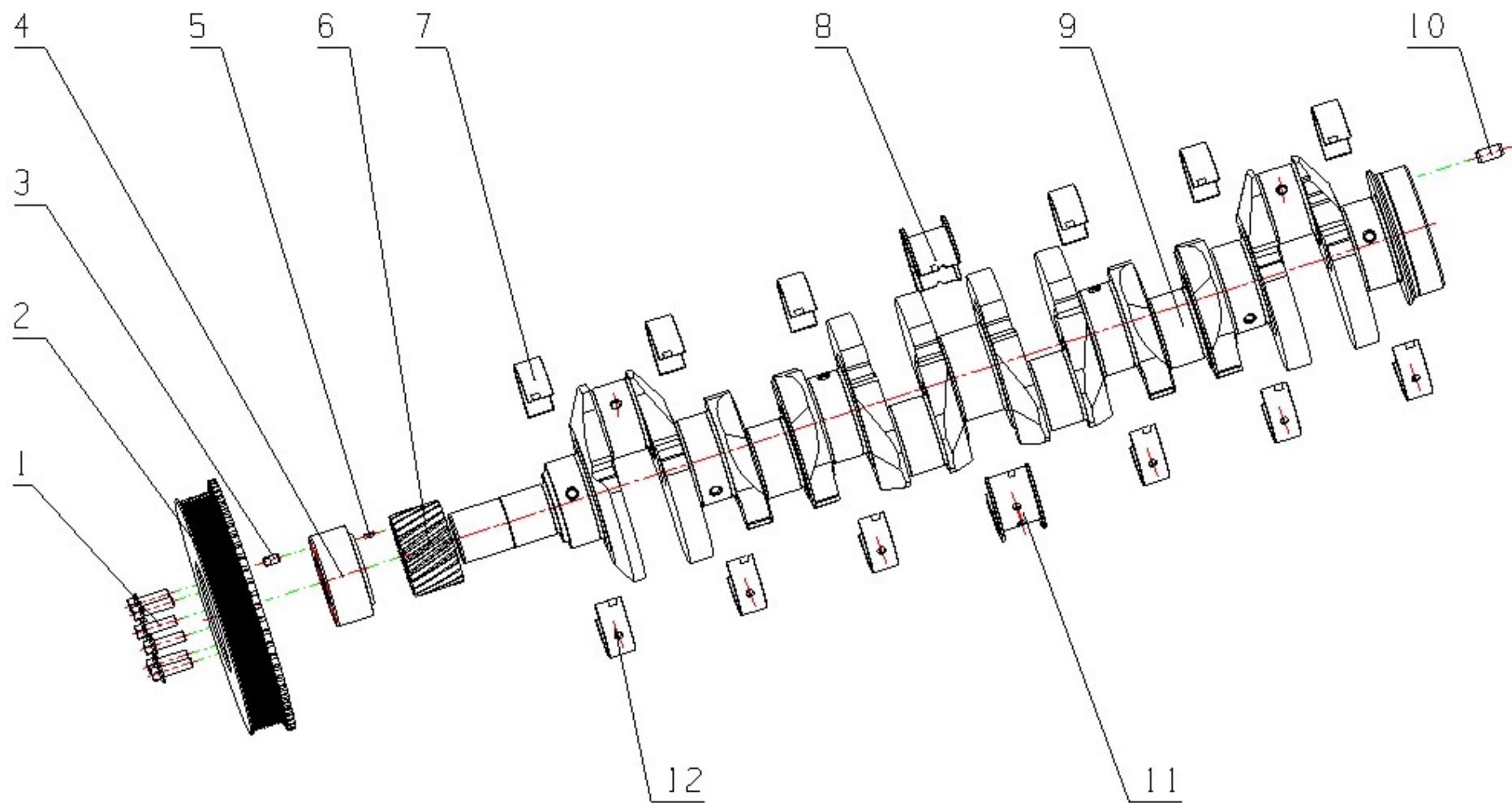


## 6. JY100-1004000/活塞连杆总成 Piston & Con-rod Assembly

序号 NO.	图号 Part No.	名 称	Part Name	数量 Qty	备注 Remark
1	JY1000-1004002	气环	1st ring	6	易损件 EWP
2	J3600-1004003	刮油环	2nd ring	6	易损件 EWP
3	JY1000-1004100	油环部件	Oil ring assembly	6	易损件 EWP
4	Q43040	挡圈 40	Block ring 40	12	
5	A30-1004004A	活塞销	Piston pin	6	
6	J1000-1004001B	活塞	Piston	6	
	A1A00-1004200C	连杆部件	Con-rod parts	6	含 7、10、11
7	A1A00-1004201C	连杆体	Con-rod body	6	不单独采购
8	A0A00-1004006B	上连杆轴瓦	Upper connecting rod bearing shell	6	易损件 EWP
9	A0A00-1004007A	下连杆轴瓦	Lower connecting rod bearing shell	6	易损件 EWP
10	801000-1004204A	连杆螺栓	Con-rod bolt	12	不单独采购
11	A1A00-1004202	连杆衬套	Con-rod sleeve	6	易损件 EWP 不单独采购

EWP=Easy wear part (易损件)

7. JY100-1005000/曲轴减振器总成 Crankshaft Vibration Damper Assembly



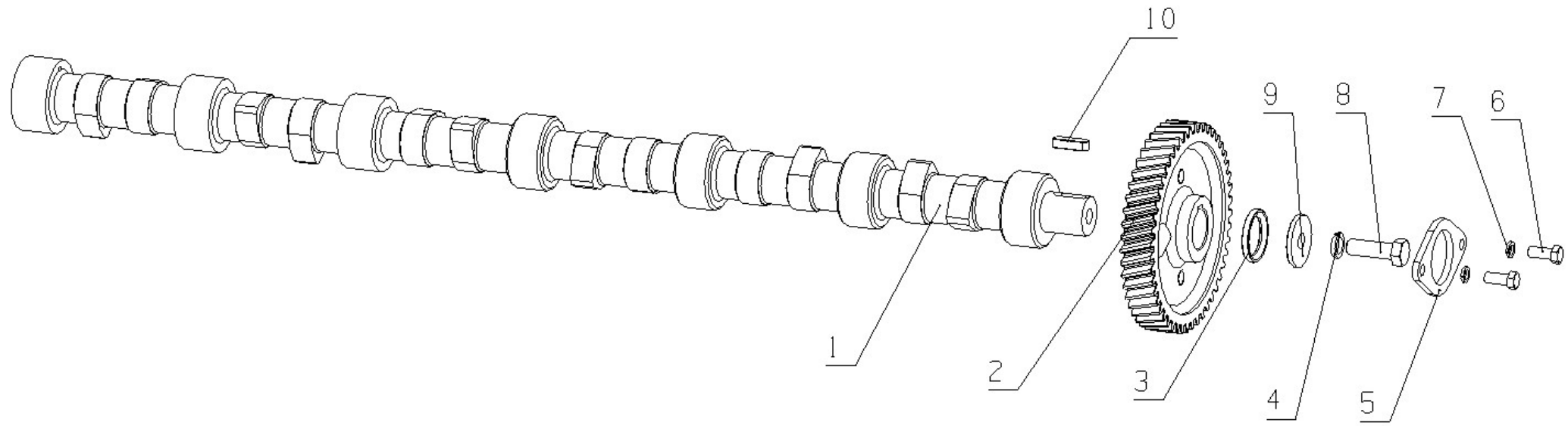
## 7. JY100-1005000/曲轴减振器总成 Crankshaft Vibration Damper Assembly

序号 NO.	图号 Part No.	名 称	Part Name	数量 Qty	备注 Remark
1	Q1841030TF2	螺栓 M10×30	Bolt M10×30	6	
2	JX400-1005240A	硅油减振器组件	Vibration damper subassembly	1	
3	J4RY4-1002127	扁销	Flat pin	1	
4	JX400-100500AA	连接轴	Shaft	1	
5	C3000-1002704	扁销	Flat pin	1	
6	JX400-1005002	曲轴正时齿轮	Crankshaft timing gear	1	
7	6105Q-1005055C	下主轴瓦	Lower Main bearing	4	易损件 EWP
8	J6000-1005004	曲轴下止推轴瓦	Lower Main bearing	1	易损件 EWP
9	JX400-1005001	曲轴	Crankshaft	1	
10	YC24-B1226	圆柱销 12×26	Pin 12×26	1	
11	J6000-1005003	曲轴上止推轴瓦	Upper Main bearing	1	易损件 EWP
12	6105Q-1005054A	上主轴瓦	Upper Main bearing	4	易损件 EWP

EWP=Easy wear part (易损件)



## 8. 630-1006000A/凸轮轴总成 Camshaft Assembly

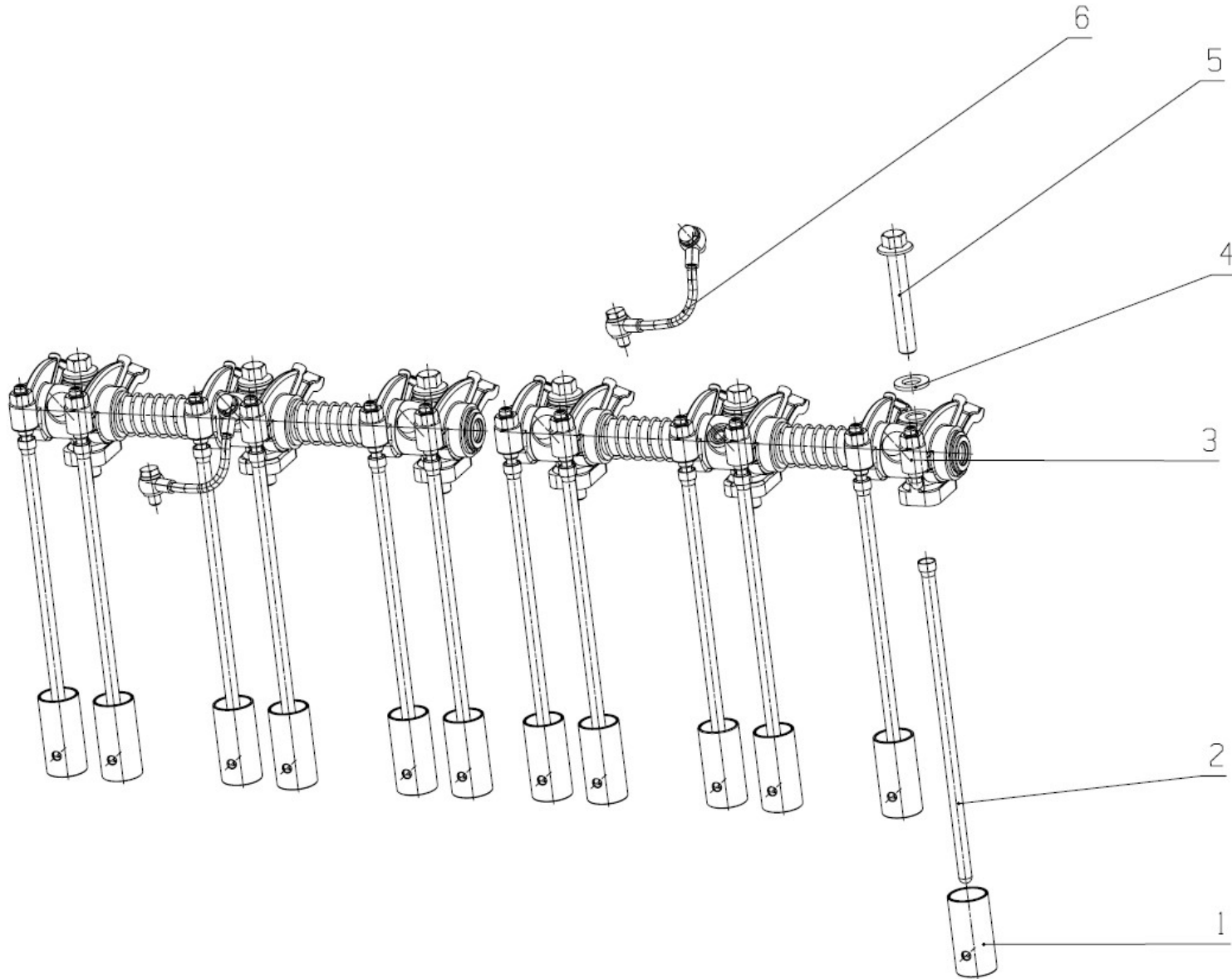


### 8. 630-1006000A/凸轮轴总成 Camshaft Assembly

序号 NO.	图号 Part No.	名 称	Part Name	数量 Qty	备注 Remark
1	630-1006015A	凸轮轴	Camshaft thrust	1	
2	6105Q-1006021	凸轮轴正时齿轮	Camshaft timing gear	1	
3	6105Q-1006005	隔圈	Spacer ring	1	
4	Q40312	垫圈 12	Washer 12	1	
5	6105Q-1006016	凸轮轴止推片	Camshaft thrust plate	1	
6	Q/YC1820820TF2	螺栓 M8×20	Bolt M8×20	2	
7	Q40308	垫圈 8	Washer 8	2	
8	Q150B1238TF2	螺栓 M12×38	Bolt M12×38	1	
9	630-1006019	垫圈	Washer	1	
10	GB/T1096-C0828	键 C8×28	Key C8×28	1	易损件 EWP

EWP=Easy wear part (易损件)

9. JY1000-1007000/配气机构总成 Allot Air Organization Assembly

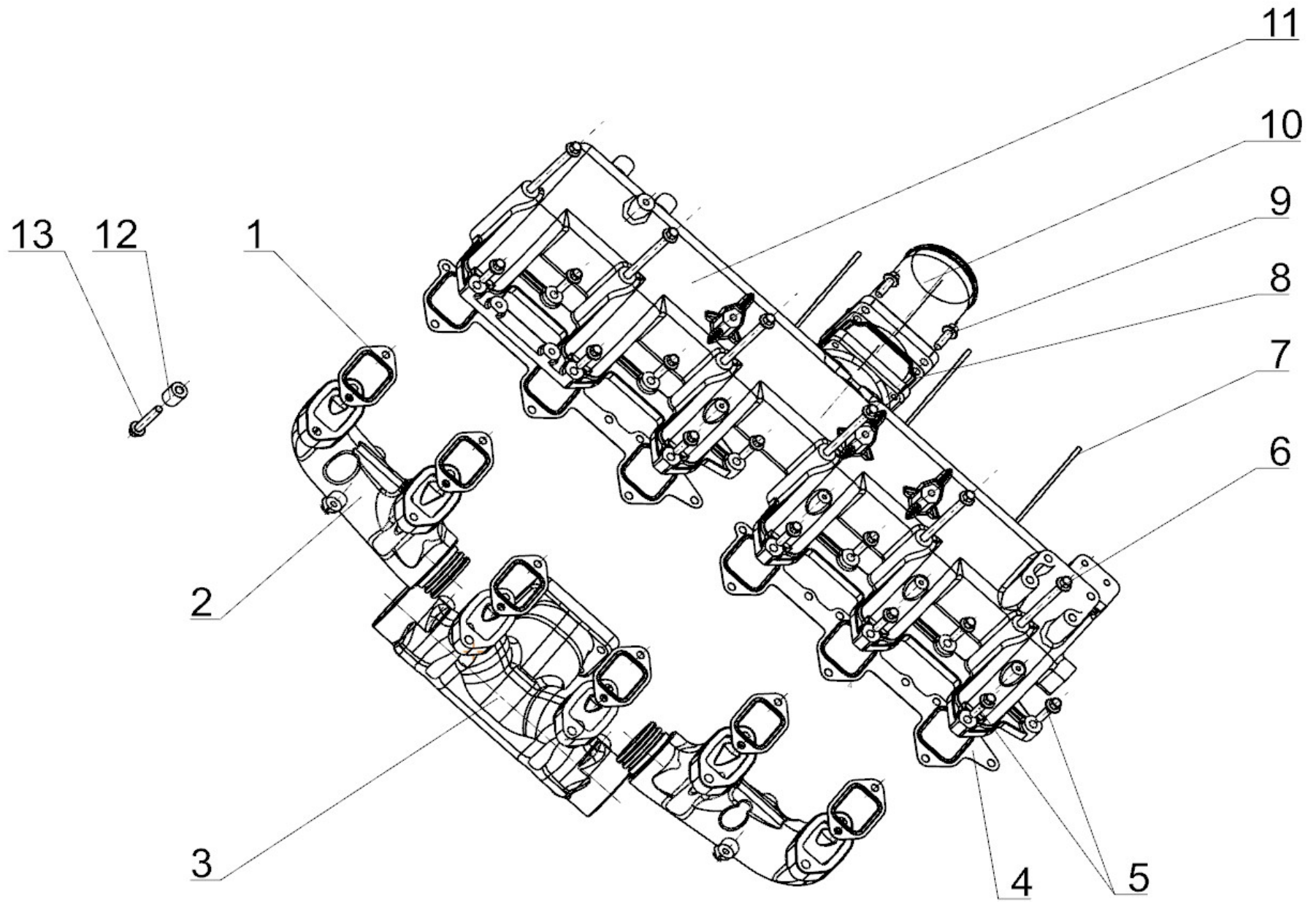


### 9. JY1000-1007000/配气机构总成 Allot Air Organization Assembly

序号 NO.	图号 Part No.	名 称	Part Name	数量 Qty	备注 Remark
1	6105Q-1007091A	挺杆	Tappet rod	12	
2	6105QA-1007081B	推杆	Push rod	12	
3	J3100-1007100C	摇臂轴部件	Rocker arm shaft part	2	
4	A30-1007092	垫圈	Washer	6	易损件 EWP
5	Q1841275TF2	螺栓 M12×75	Bolt M12×75	6	
6	A3000-1007070	通油管组件	Oil pipe components	2	

EWP=Easy wear part (易损件)

10. J8TGT3-1008000/进排气管总成 Intake and Exhaust Manifold Parts Assembly

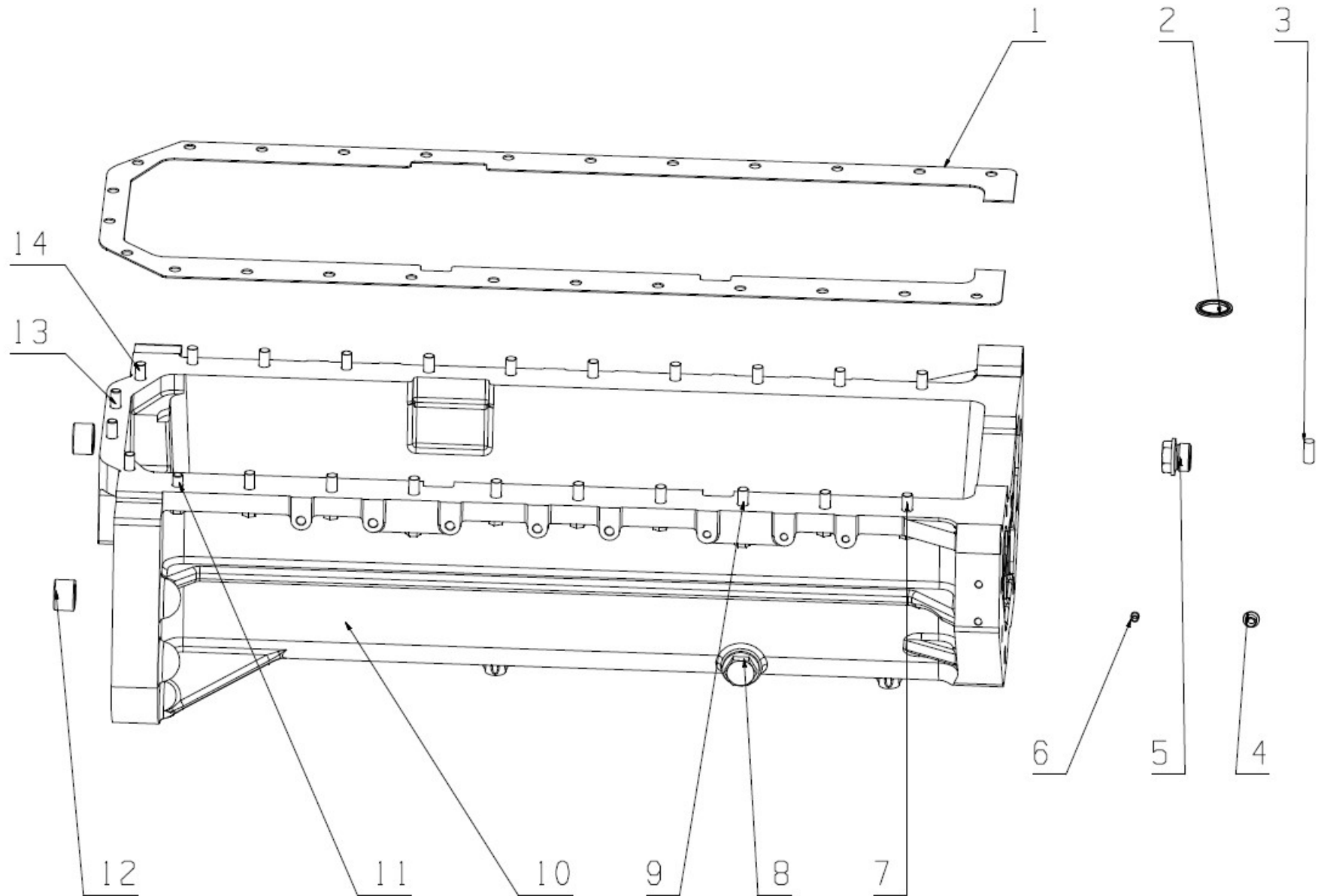


## 10. J8TGT3-1008000/进排气管总成 Intake and Exhaust Manifold Parts Assembly

序号 NO.	图号 Part No.	名 称	Part Name	数量 Qty	备注 Remark
1	D2000-1008250B	排气垫片组件	haust manifold gasket	6	易损件 EWP
2	J3F00-10082L0	全包覆排气支管组件	Fully-coated exhaust branch pipe assembly	2	
3	J7R00-10082G0	全包覆排气管组件	Fully coated exhaust pipe assembly	1	
4	J5700-1008104B	进气管垫片	Intake manifold spacer	2	易损件 EWP
5	Q1840830TF2	螺栓 M8×30	Bolt M8×30	12	
6	Q18408120	螺栓 M8×120	Bolt M8×120	6	
7	J5600-1008236B	密封绳	Sealing rope	4	易损件 EWP
8	E4000-1008105	进气接管垫片	Gasket for intake nozzle	1	易损件 EWP
9	Q1840825	螺栓 M8×25	Bolt M8×25	4	
10	JX5T00-1008102	进气接管	Air intake pipe	1	
11	JY00TA-1008101	进气管	Intake manifold	1	
12	G2100-1008226	螺套	Threaded sleeve	12	
13	YC3-0845TF2	螺栓 M8×45	Bolt M8×45	12	

EWP=Easy wear part (易损件)

# 11. JX400-1009000/油底壳总成 Oil Sump Assembly



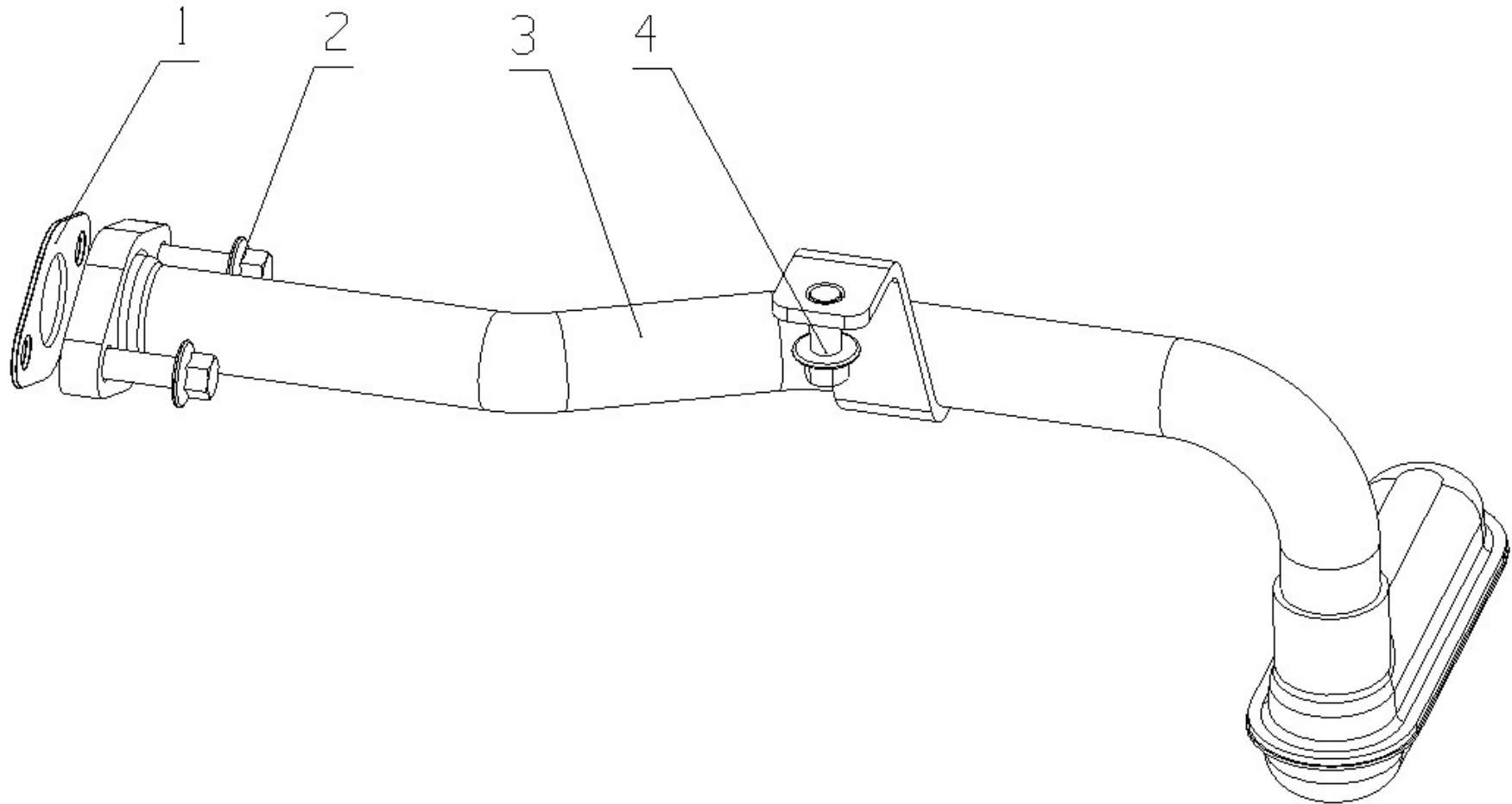
## 11. JX400-1009000/油底壳总成 Oil Sump Assembly

序号 NO.	图号 Part No.	名 称	Part Name	数量 Qty	备注 Remark
1	J7900-1009001A	油底壳垫片	Oil pan gasket	1	易损件 EWP
2	Q/YC149-27	复合式密封垫圈 27	Compound sealing gasket 27	2	易损件 EWP
3	6105Q-1009032A	放油塞磁铁	Drain plug magnet	2	
4	YC8-12109	塑料堵塞 M12	Plastic clogs M12	10	
5	6105Q-1009031C	放油塞	Drain plug	1	
6	YC8-08072	塑料堵塞 M8	Plastic clogs M8	10	
7	Q1841035TF2	螺栓 M10X35	Bolt M10X35	15	
8	6105Q-1009031C	放油塞	Drain plug	1	
9	Q1841050TF2	螺栓 M10X50	Bolt M10X50	4	
10	JX400-1009006A	油底壳	The oil pan	1	
11	Q1841030TF2	螺栓 M10X30	Bolt M10X30	1	
12	B7A00-1009302	定位销套	Locating pin sets	2	
13	Q18410110TF2	螺栓 M10X110	Bolt M10X110	2	
14	Q1841045TF2	螺栓 M10X45	Bolt M10X45	2	
15	YC51-2102	加机油量标签	Fuel oil quantity label	1	

EWP=Easy wear part (易损件)



12. JY100-1010000/机油集滤器总成 Oil Strainer Assembly

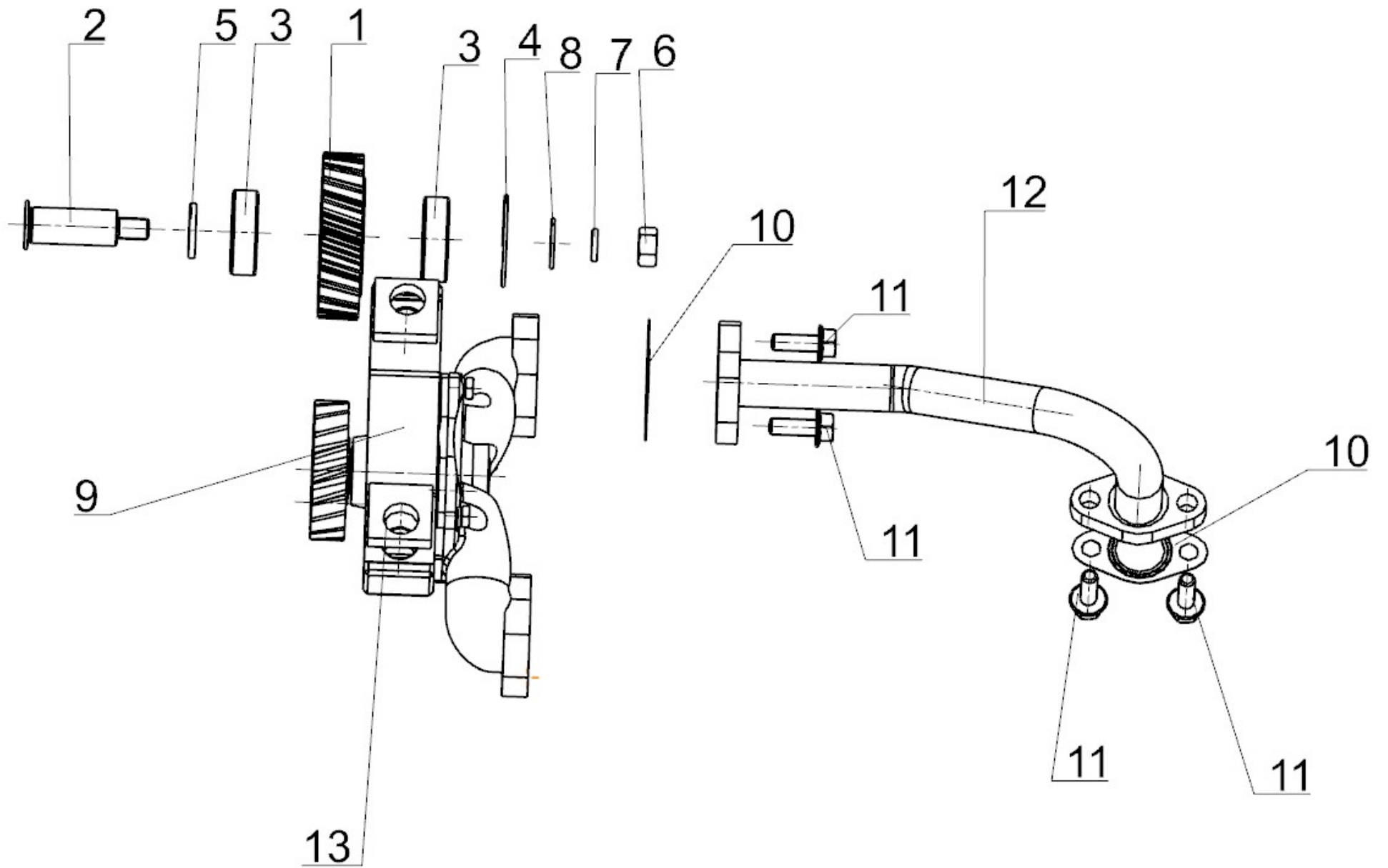


## 12. JY100-1010000/机油集滤器总成 Oil Strainer Assembly

序号 NO.	图号 Part No.	名 称	Part Name	数量 Qty	备注 Remark
1	B7503-1010150	垫片组件	Assembled washer	1	易损件 EWP
2	Q1840820TF2	螺栓 M8×20	Bolt M8×20	2	
3	JY100-1010100A	吸油管部件	Oil suction pipe subassembly	1	
4	Q1840816TF2	螺栓 M8×16	Bolt M8×16	1	

EWP=Easy wear part (易损件)

13、J8R000-1011000/机油泵总成 Oil Pump Assembly

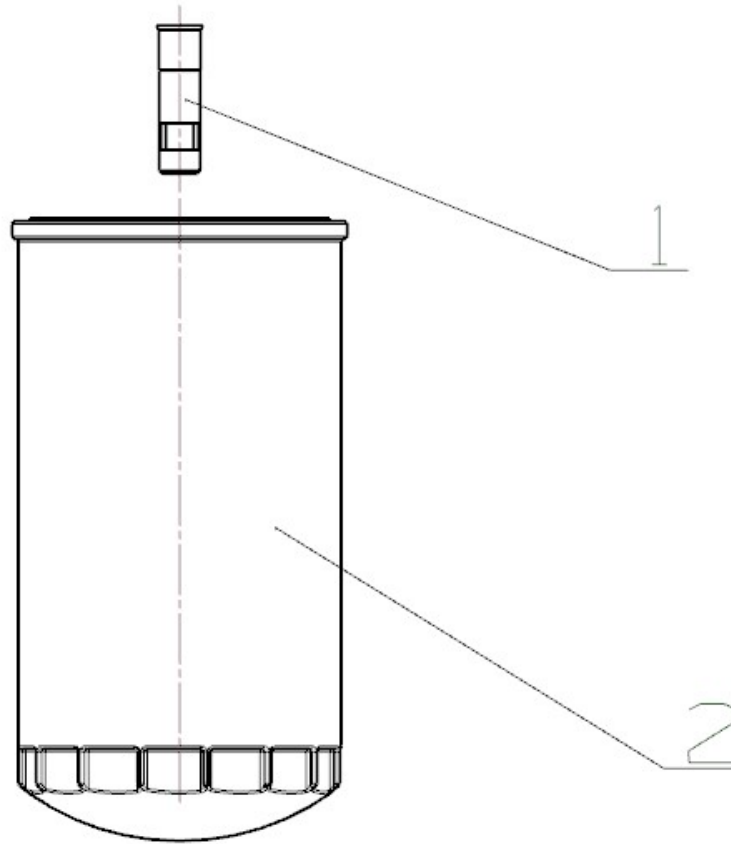


### 13、J8R000-1011000/机油泵总成 Oil Pump Assembly

序号 NO.	图号 Part No.	名 称	Part Name	数量 Qty	备注 Remark
1	430-1011011	中间齿轮	Oil pump middle gear	1	
2	430-1011013	中间齿轮轴	Oil pump driven gear shaft	1	
3	GB/T276-6203	滚动轴承 6203	Antifriction bearing 6203	2	
4	Q43040	挡圈 40	Retaining ring 40	1	
5	A70000-1011006	垫圈	Washer	1	
6	Q341B10	螺母 M10X1	Nut M10X1	1	
7	Q40310	垫圈 10	Washer 10	1	
8	430-1011012	间隔垫	Spacer	1	
9	B3000-1011020A	机油泵部件	Oil pump	1	
10	6105QA-1010150	垫片组件	Assembled washer	2	易损件 EWP
11	Q1840822TF2	螺栓 M8×22	Bolt M8×22	4	
12	430-1011200	出油管部件	Oil outlet pipe weldment	1	
13	6105Q-1011015A	机油泵调整垫片	Oil pump adjusting washer	2	

EWP=Easy wear part (易损件)

14、J1AD2-1012000/机油滤清器总成 Oil Filter Assembly

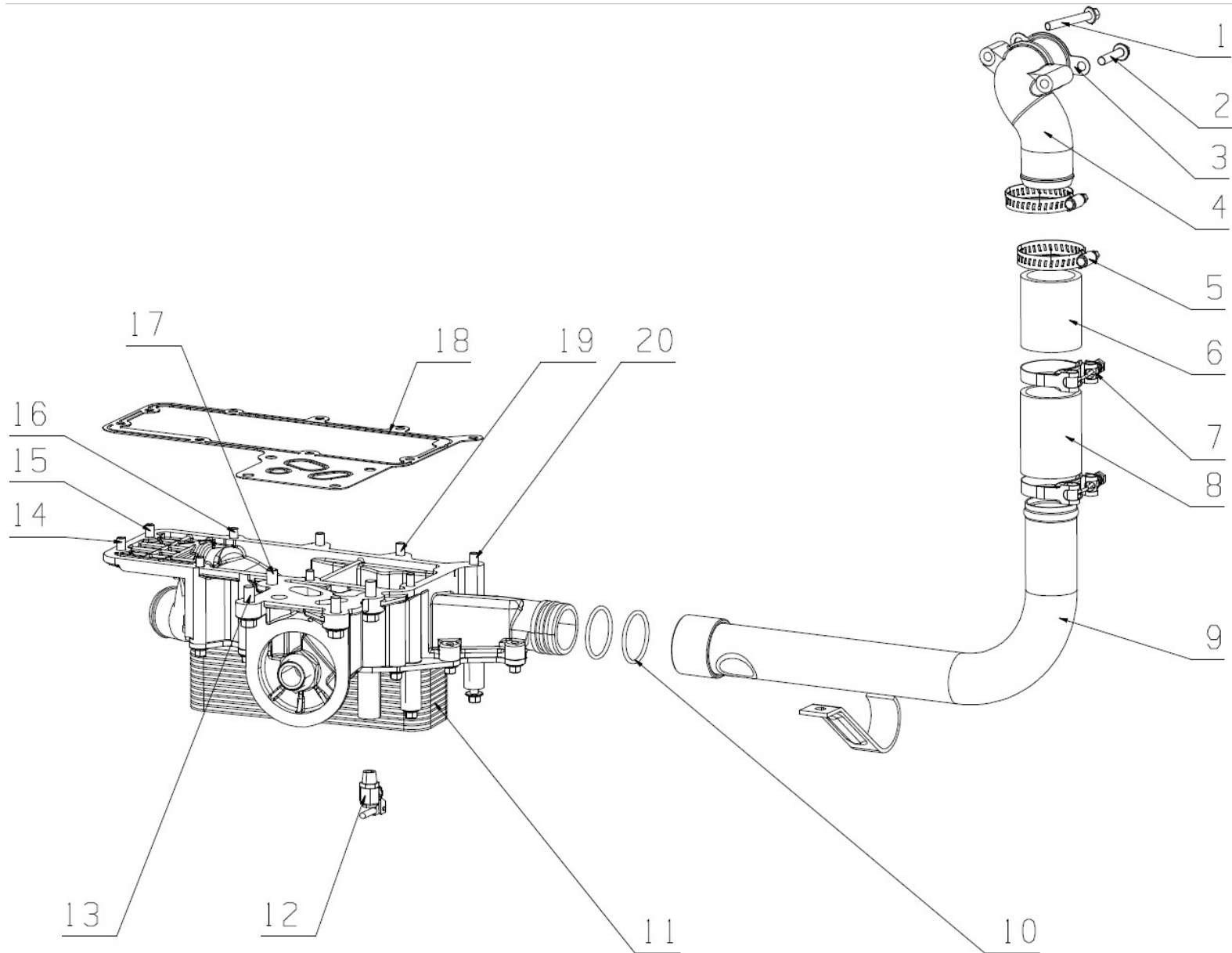


### 14、J1AD2-1012000/机油滤清器总成 Oil Filter Assembly

序号 NO.	图号 Part No.	名 称	Part Name	数量 Qty	备注 Remark
1	6105Q-1012001	纸滤卸油导管	oil discharge tube	1	
2	J65F1-1012240	机油滤清器	Oil filter	1	

EWP=Easy wear part (易损件)

# 15. JX400-1013000/机油冷却器总成 Oil Cooler Assembly



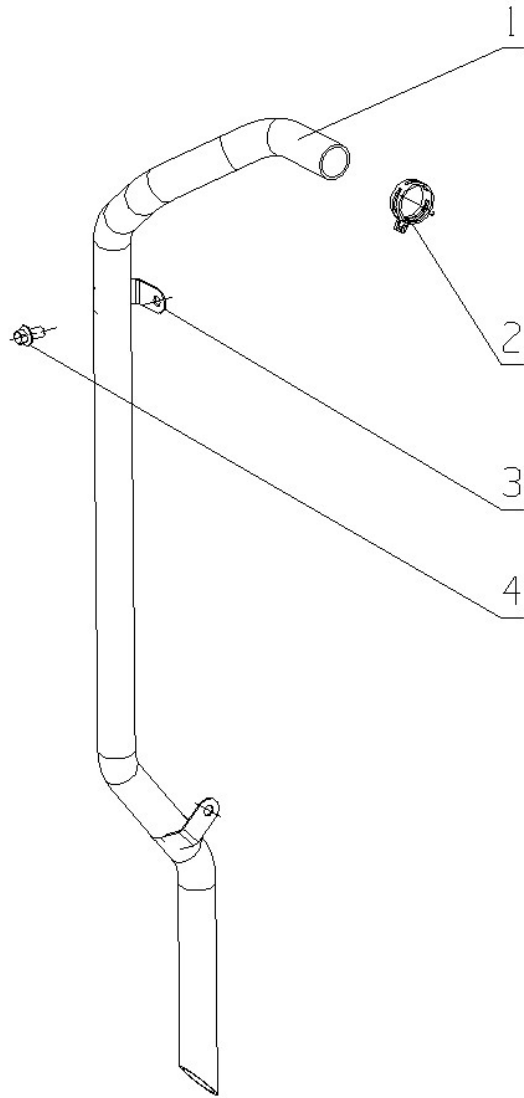
### 15. JX400-1013000/机油冷却器总成 Oil Cooler Assembly

序号 NO.	图号 Part No.	名 称	Part Name	数量 Qty	备注 Remark
1	Q1840855	螺栓 M8×55	Bolt M8×55	1	
2	Q1840840	螺栓 M8×40	Bolt M8×40	1	
3	JYBFF1-1013008	进水接头垫片	Inlet joint gasket	1	易损件 EWP
4	3430-1013011	水管接头	Water connection	1	
5	Q67664	环箍 64	Hoop 64	2	
6	JX5T00-1013002A	胶管	Soft pipe	1	
7	Q/YC147.1-61	环箍 61	Hoop 61	2	
8	3430-1013017C	胶管	Soft pipe	1	
9	JX400-1013040	出水管焊接组件 I	Exhalent siphon pipe parts I	1	
10	YC208-C04500S	O 形圈 3.55×45	3.55 ×45 o-ring	2	易损件 EWP
11	JX400-1013100	机油冷却器	Oil cooler cover	1	
12	F3000-1305040	放水阀组件	Drain valve assembly	1	
13	Q1841030	螺栓 M10×30	Bolt M10×30	3	
14	Q1840820	螺栓 M8×20	Bolt M8×20	1	
15	JX400-3823213	线束螺栓	The wiring harness bolt	1	
16	Q1840890	螺栓 M8×90	Bolt M8×90	3	
17	Q1841095TF2	螺栓 M10×95	Bolt M10×95	1	
18	J1000-1013106	冷却器盖垫片	Cooler cover gasket	1	易损件 EWP
19	Q18408135	螺栓 M8×135	Bolt M8×135	3	
20	Q18408140TF2	螺栓 M8×140	Bolt M8×140	1	

EWP=Easy wear part (易损件)



16. JY100-1014000/曲轴箱通风装置总成 Crankcase Ventilation Installation Assembly

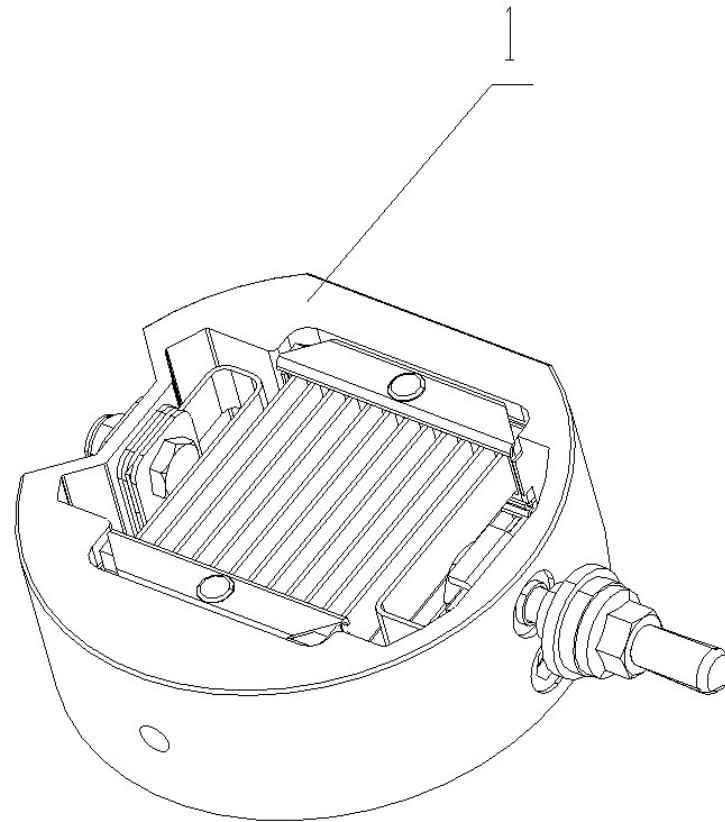


## 16. JY100-1014000/曲轴箱通风装置总成 Crankcase Ventilation Installation Assembly

序号 NO.	图号 Part No.	名 称	Part Name	数量 Qty	备注 Remark
1	JY100-1014003	通气软管	Breathing hose	1	
2	YC49-30	环箍 30	Loop hoop 30	1	
3	J8D00-1014005	管夹	Pipe clamp	2	
4	Q1840815	螺栓 M8×15	Bolt M8×15	1	

EWP=Easy wear part (易损件)

17. JX9T00-1015000/发动机起动辅助装置总成 Engine Start Auxiliary Device Assembly

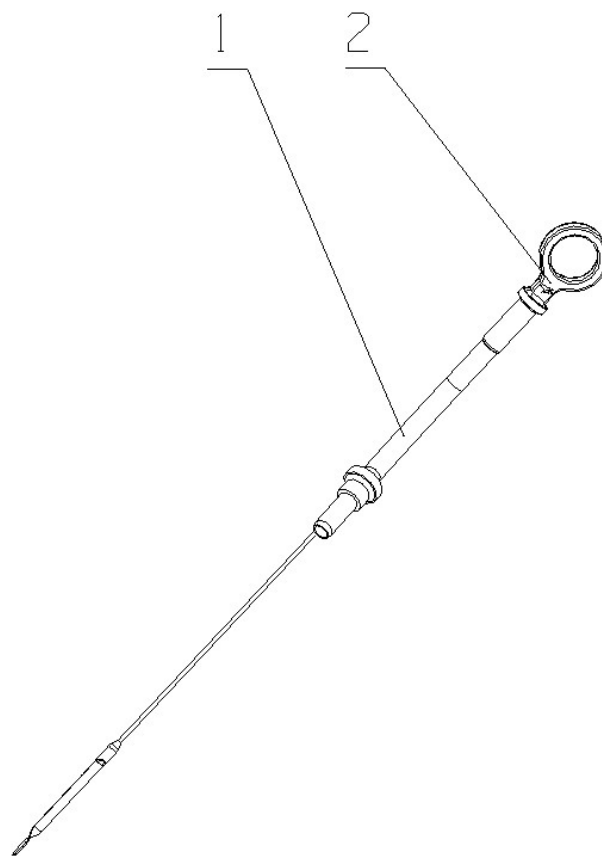


17. JX9T00-1015000/发动机起动辅助装置总成 Engine Start Auxiliary Device Assembly

序号 NO.	图号 Part No.	名 称	Part Name	数量 Qty	备注 Remark
1	JX9T00-1015050A	加热器	Pre-heating part	1	

EWP=Easy wear part (易损件)

18. JY1000-1028000/油标尺总成 Oil Dipstick Assembly

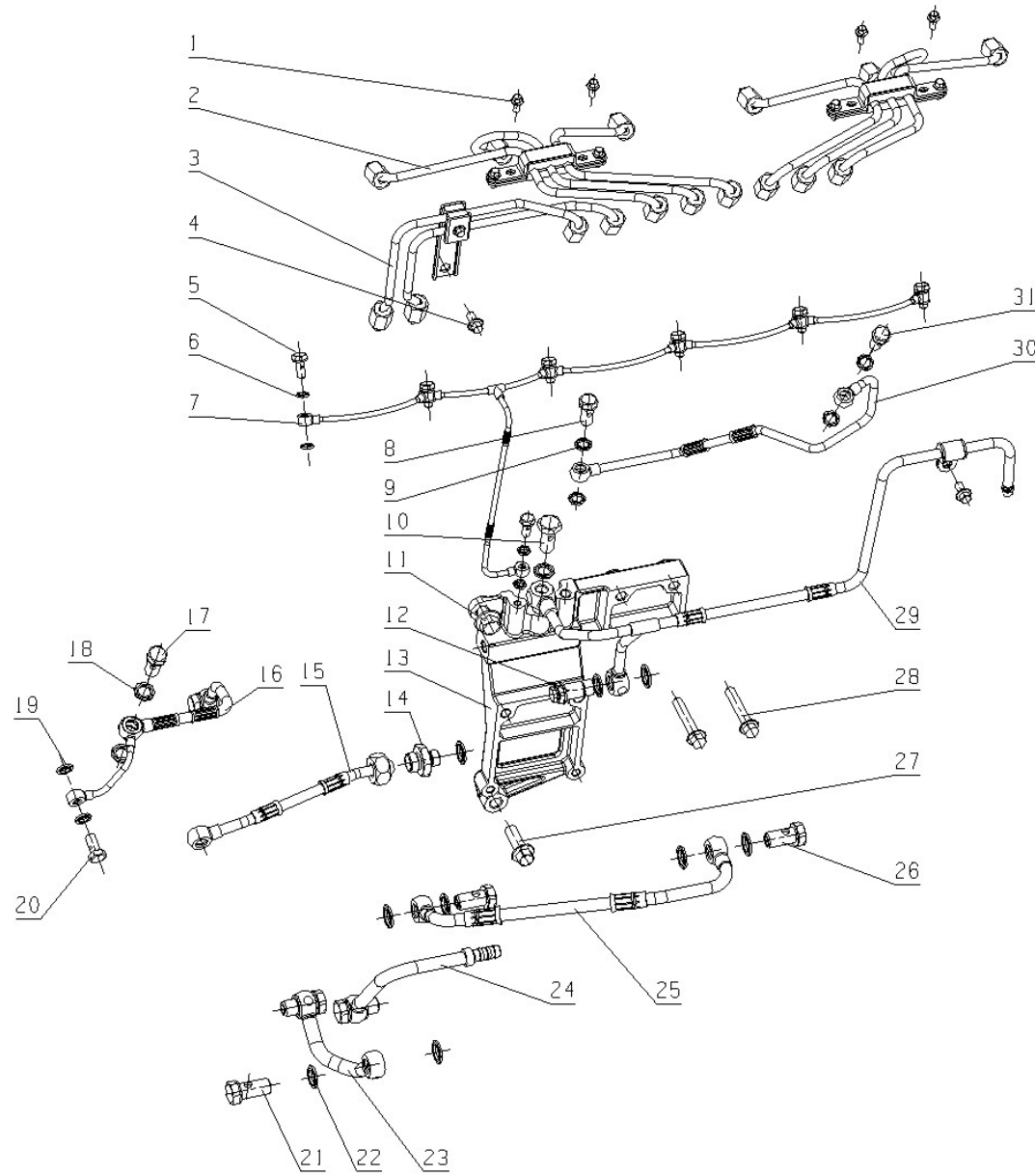


### 18. JY1000-1028000/油标尺总成 Oil Dipstick Assembly

序号 NO.	图号 Part No.	名 称	Part Name	数量 Qty	备注 Remark
1	JY1000-1028090	油标尺套管组件	Oil dipstick sleeve pipe subassembly	1	
2	JY1000-1028140	油标尺组件	Oil dipstick subassembly	1	

EWP=Easy wear part (易损件)

# 19. JY1BT5-1104000/供给系管路总成 Fuel Supply lines Assembly



## 19. JY1BT5-1104000/供给系管路总成 Fuel Supply lines Assembly

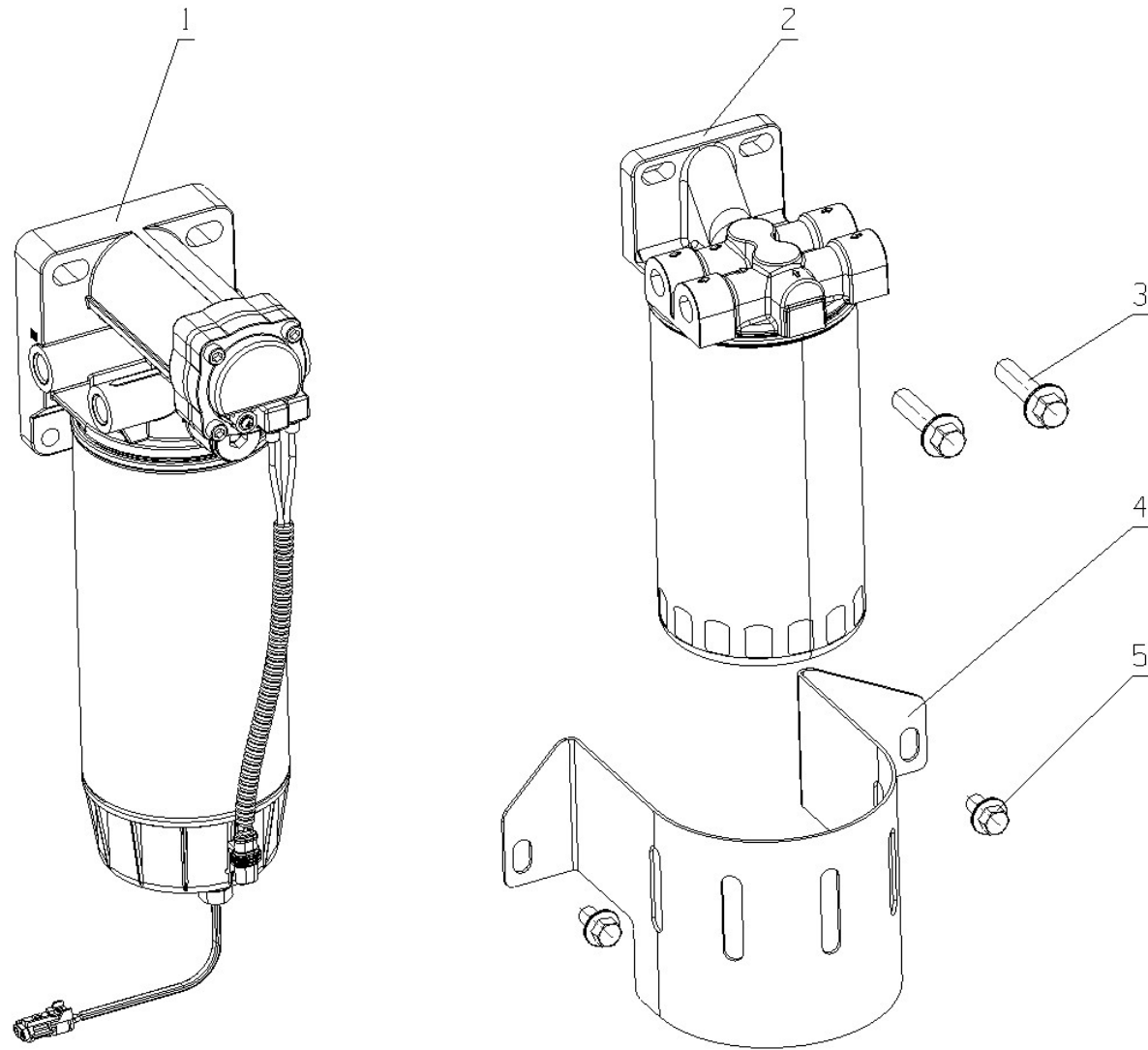
序号 NO.	图号 Part	名 称	Part Name	数量 Qty	备 注
1	Q1840614	螺栓 M6×14	Bolt M6×14	4	
2	AYJ400-1104100	高压油管部件	High pressure fuel pipe	1	
3	JX5T00-1104L00	油泵至油轨油管部件	Oil pump to rail tubing components	1	
4	Q1840816	螺栓 M8X16	Bolt M8×16	2	
5	Q/YC901-1C0810	铰接螺栓 M8×1	Swing bolt M8X1	7	
6	Q/YC149-8	复合式密封垫圈 8	Seal washer 8	14	易损件 EWP
7	JY100-1104200A	回油管部件	Fuel return pipe	1	
8	Q/YC901-1C12125	铰接螺栓 M12×1.25	Swing bolt M12×1.25	1	
9	Q/YC149-12	复合式密封垫圈 12	Seal washer 12	4	易损件 EWP
10	6QA6-1307017	管接螺栓	Pipe joint bolt	1	
11	Q1841220	螺栓 M12×20	Bolt M12×20	1	
12	AYA000-11042A0	溢流阀组件	Overflow valve assembly	1	
13	JY20T7-1104541	燃油分配器	Fuel distributor	1	
14	Q/YC901-3A12	接头	Joint	1	
15	JY100-1104400	柴滤器至喷油泵油管部件	Fuel pipe from filter to feed pump	1	
16	JY100-1104700A	喷油泵至燃油分配器油管部件	Fuel pipe from injection pump to distributor	1	
17	Q/YC901-1C1415	铰接螺栓 M14×1.5	Swing bolt M14×1.5	2	
18	Q/YC149-14	复合式密封垫圈 14	Seal washer 14	6	易损件 EWP



19	Q/YC149-10	复合式密封垫圈 10	Seal washer 10	2	易损件 EWP
20	JB/T6013-M10X1	铰接螺栓	Swing bolt	1	
21	Q/YC901-1C1615	铰接螺栓 M16×1.5	Swing bolt M16×1.5	3	
22	Q/YC149-16	复合式密封垫圈 16	Seal washer 16	13	易损件 EWP
23	JY1000-1104R00	预滤器至输油泵油管 部件	Oil pipe components from prefilter to oil transfer pump	1	
24	JY13T2-1104950	进油管组件	Oil inlet pipe assembly	1	
25	JY100-1104300	输油泵至柴滤器油管 部件	Pipe parts from fuel delivery pump to fuel filter	1	
26	G1B00-1104003	过油螺栓	Oil passing bolt	2	
27	Q1841235	螺栓 M12×35	Bolt M12×35	1	
28	Q1841055	螺栓 M10×55	Bolt M10×55	2	
29	JYAJT1-1104240A	回油管组件	Fuel return pipe	1	
30	JYAJT1-1104C00	共轨管回油管部件	Common rail pipe oil return pipe components	1	
31	S5500-1104003	过油螺栓	Oil passing bolt	1	

EWP=Easy wear part (易损件)

20. JY14T7-1105000/柴油滤清器总成 Fuel Filter Assembly

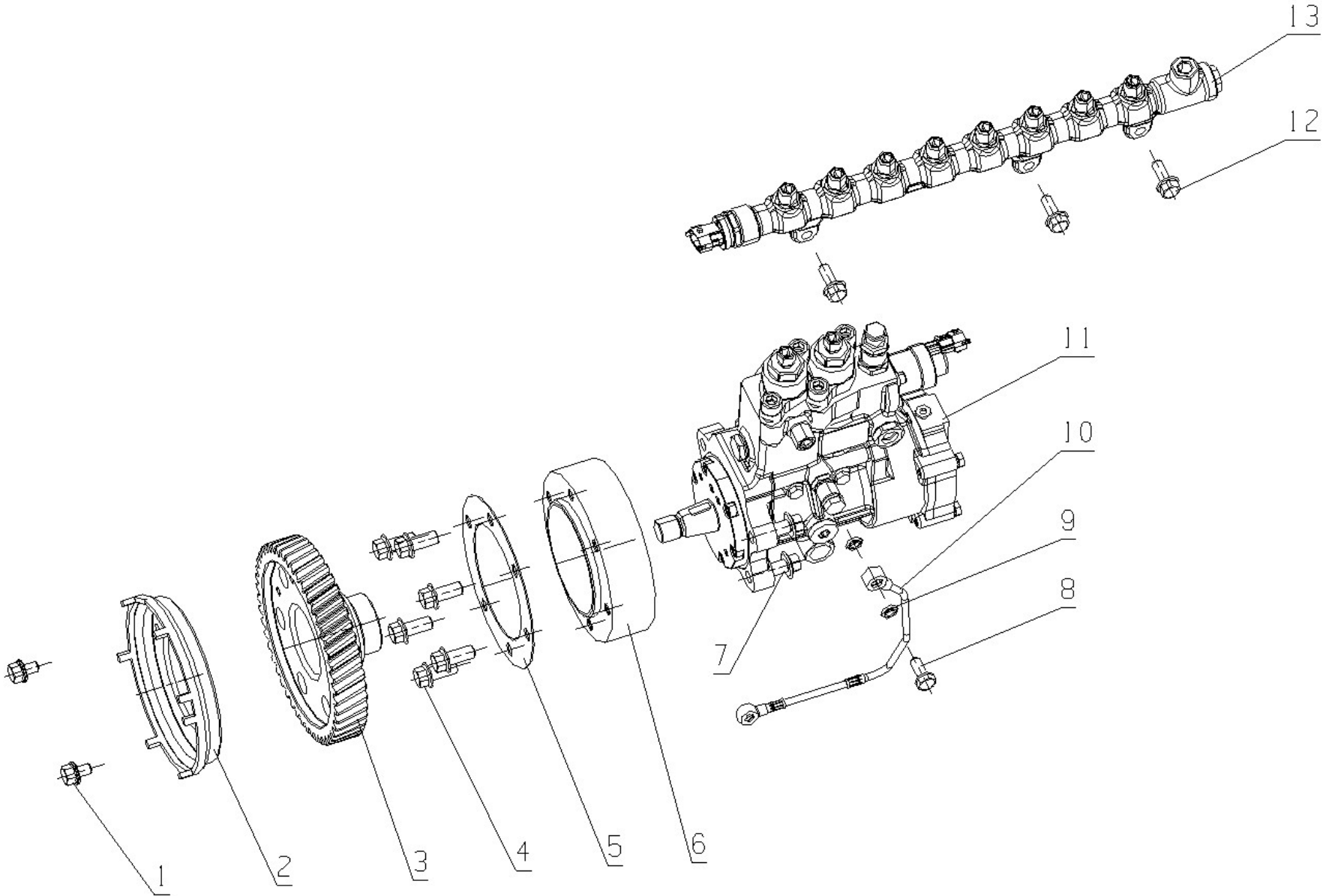


## 20. JY14T7-1105000/柴油滤清器总成 Fuel Filter Assembly

序号 NO.	图号 Part No.	名 称	Part Name	数量 Qty	备注 Remark
1	JY2000-1105300	预滤器部件	Pre-filter component	1	滤芯图号 K2000-1105350
2	L6500-1105100	柴油滤清器	Fuel filter	1	滤芯图号 L6500-1105140
3	Q1841245TF2	螺栓 M12×45	Bolt M12×45	2	
4	JY20T7-1105006A	柴滤器挡板	Baffle of wood filter	1	
5	Q1841016	螺栓 M10×16	Bolt M10×16	2	

EWP=Easy wear part (易损件)

21. JY1000-1111000/喷油泵总成 Fuel Injection Pump Assembly

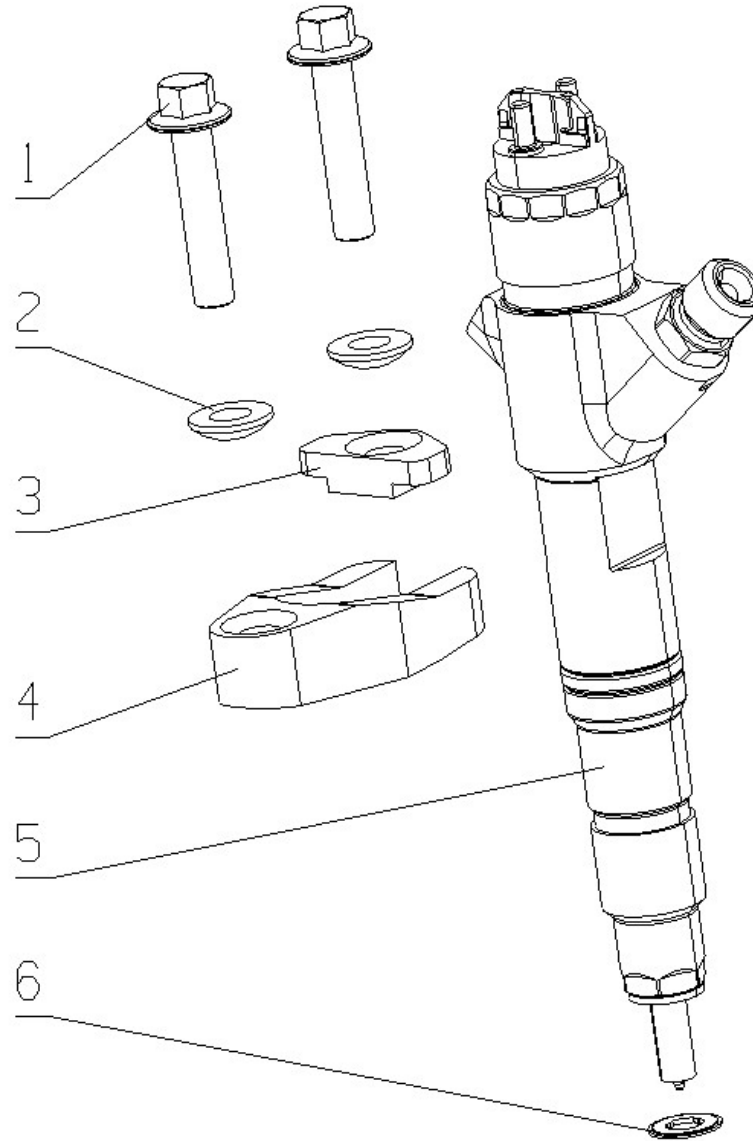


## 21. JY1000-1111000/喷油泵总成 Fuel Injection Pump Assembly

序号 NO.	图号 Part No.	名 称	Part Name	数量 Qty	备注 Remark
1	Q1840812TF2	螺栓 M8X12	Bolt M8×12	2	
2	JY100-1111035A	正时信号盘	Timing signal disc	1	
3	AYC00-1111003	喷油泵齿轮	Fuel injection pump gear	1	
4	Q1841022TF2	螺栓 M10×22	Bolt M10×22	6	
5	AYA00-1111002	连接板垫片	Connecting plate gasket	1	易损件 EWP
6	JY100-1111001A	喷油泵连接盘	Connecting plate of fuel injection pump	1	
7	Q1841028TF2	螺栓 M10×28	Bolt M10×28	4	
8	Q/YC901-1C0810	铰接螺栓 M8×1	Swing bolt M8×1	1	
9	Q/YC149-8	复合式密封垫圈 8	Seal washer 8	2	易损件 EWP
10	JY100-1111350	机油进油管组件	Oil inlet pipe assembly	1	
11	J2000-1111100A-A38	喷油泵	Fuel injection pump	1	
12	Q1840822TF2	螺栓 M8×22	Bolt M8×22	3	
13	JY1000-1111A00	共轨管部件	common rail	1	

EWP=Easy wear part (易损件)

## 22. JY1000-1112000/喷油器总成 Fuel Injector Assembly

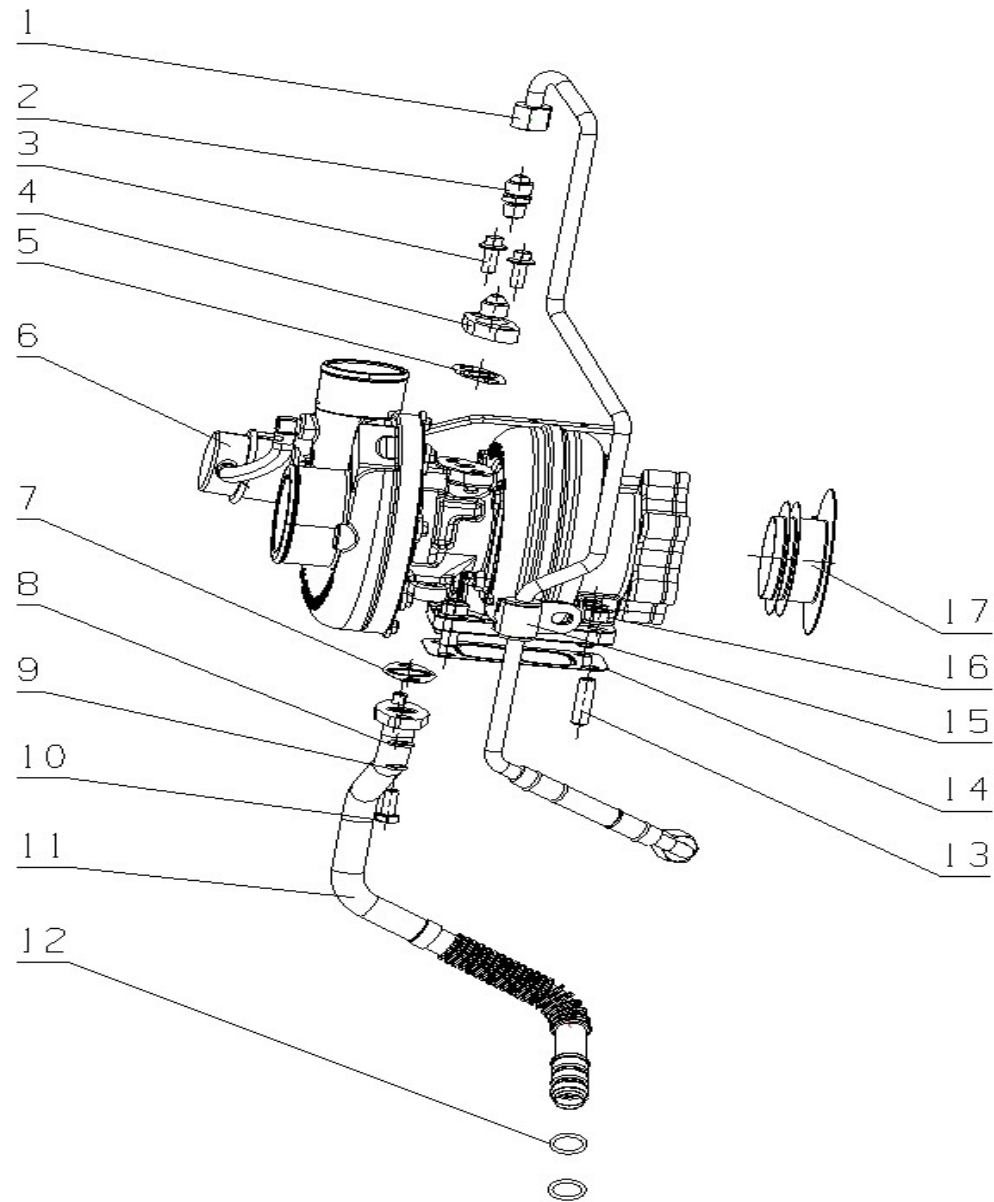


## 22. JY1000-1112000/喷油器总成 Fuel Injector Assembly

序号 NO.	图号 Part No.	名 称	Part Name	数量 Qty	备注 Remark
1	Q1840838TF2	螺栓 M8X38	Bolt M8X38	12	
2	GB/T849-8	垫圈 8	Washer 8	12	易损件 EWP
3	G5A00-1112006BSF1	密封垫	Pressure plate screw sleeve	6	
4	A2000-1112005C	固定板	Locking plate	6	
5	JY1000-1112100-A38	喷油器部件	Fuel injector components	6	
6	J5600-1112001D	喷油器垫片	Injector parts	6	易损件

EWP=Easy wear part (易损件)

### 23. JYAJT1-1118000/增压器总成 Turbocharger Assembly



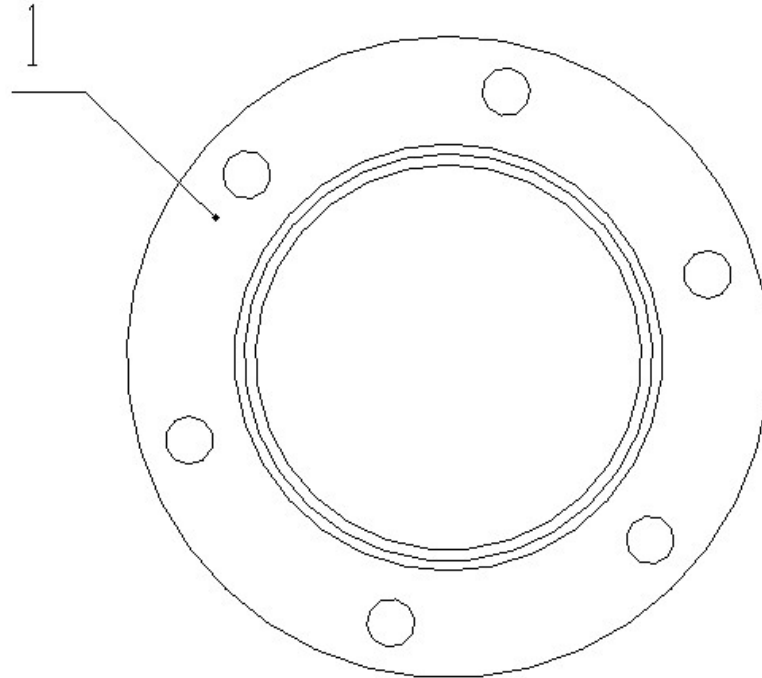


### 23. JYAJT1-1118000/增压器总成 Turbocharger Assembly

序号 NO.	图号 Part No.	名 称	Part Name	数量 Qty	备注 Remark
1	JYAJT1-1118240	进油管焊接组件	Oil inlet pipe assembly	1	
2	L3000-1118202	进油接头	Oil inlet joint	1	
3	Q1840820TF2	螺栓 M8X20	Bolt M8×20	2	
4	475D-1118202	进油接头	Oil inlet joint	1	
5	G3D00-1118201	垫片	Gasket	1	易损件 EWP
6	J7R00-1118100B-752	增压器	Turbocharger	1	选装
	J7R00-1118100C-502	增压器	Turbocharger	1	选装
7	M3600-1118301A	增压器回油管垫片	Oil return pipe Gasket	1	易损件 EWP
8	Q40108	垫圈 8	Washer 8	2	易损件 EWP
9	Q40308	垫圈 8	Washer 8	2	易损件 EWP
10	Q150B0820	螺栓 M8×20	Bolt M8×20	2	
11	J7R00-1118340A	回油管焊接组件	oil return pipe welded part	1	
12	YC208-B01700F	O 形圈 2.65×17	O-ring 2.65×17	2	易损件 EWP
13	150-1118001	双头螺柱	Double stud	4	
14	475D-1118001B	增压器垫片	Turbocharger Gasket	1	易损件 EWP
15	JX400-1118270	管夹组件	Tube clamp assembly	1	
16	K6000-1008206	螺母	Nut	4	
17	G3228-1000092	排气管封口盖	The exhaust pipe sealing cap	1	

EWP=Easy wear part (易损件)

24. JXAT1-1201000/消声器总成 Muffler lines Assembly

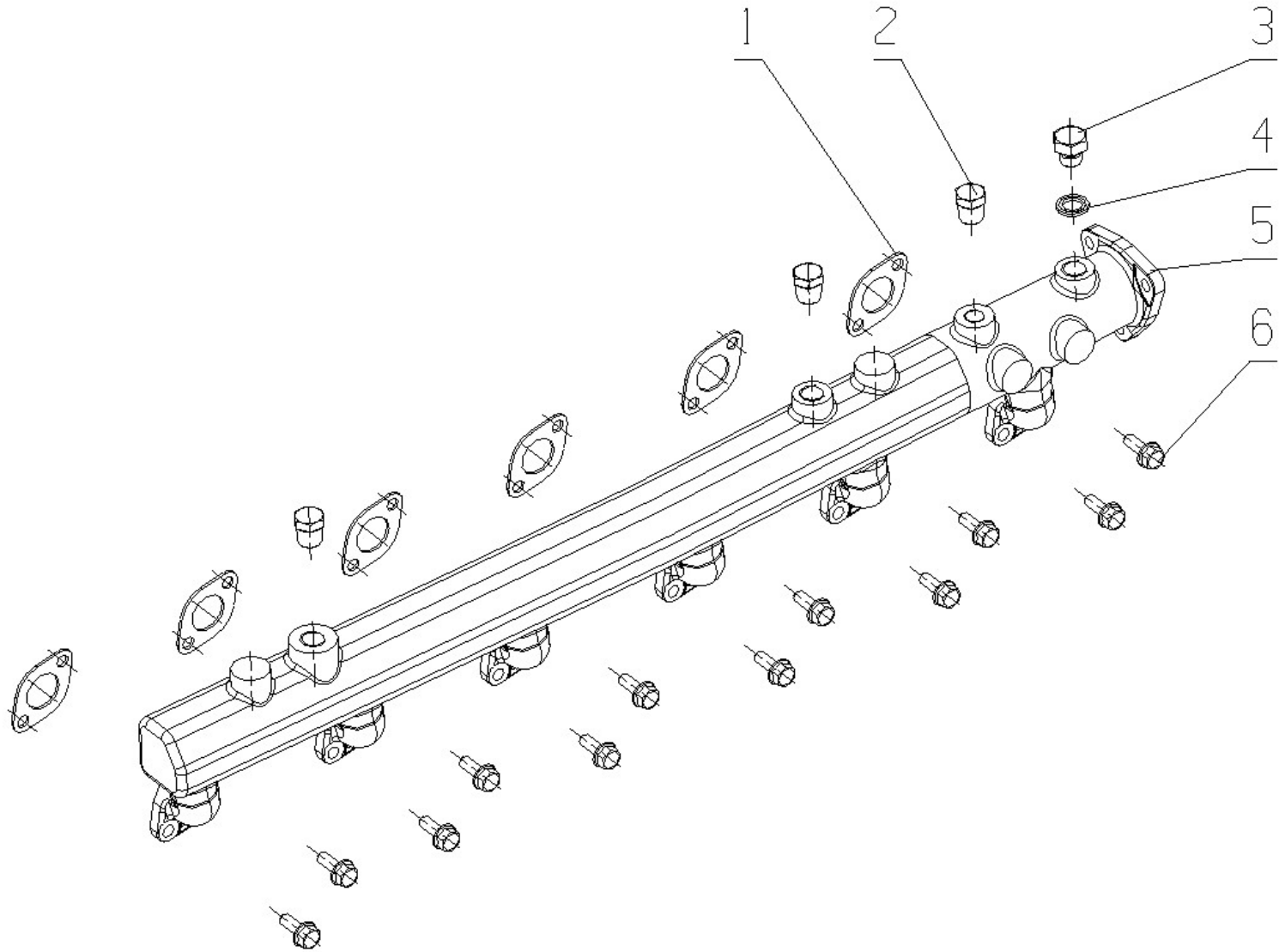


## 24. JXAT1-1201000/消声器总成 Muffler lines Assembly

序号 Item	图号 Part No.	名称	Name	数量 Qty.	备注 Remark
1	475D-1008026A	垫片	Muffler gasket	2	易损件 EWP

EWP=Easy wear part (易损件)

25. JXC0T0-1303000/散热器水管及软管总成 Radiator Water Pipe & Hose Assembly

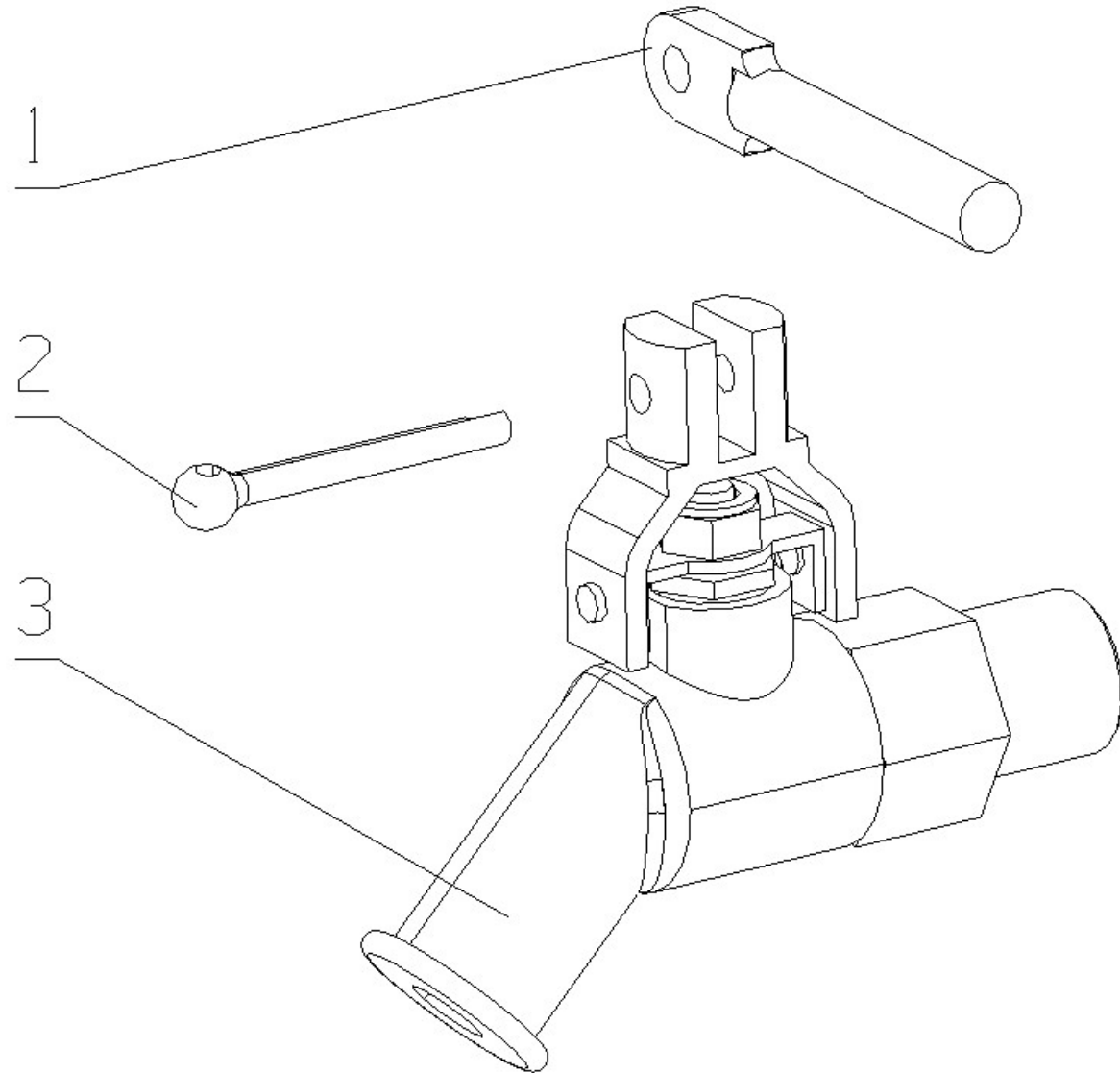


## 25. JXC0T0-1303000/散热器水管及软管总成 Radiator Water Pipe & Hose Assembly

序号 NO.	图号 Part No.	名 称	Part Name	数量 Qty	备注 Remark
1	B8701-1303042	出水管垫片	Gasket of outlet pipe	6	易损件 EWP
2	Q618B03	螺塞 NPT 3/8	Screw plug NPT 3/8	3	
3	Q/YC198-14	螺塞	Screw plug	1	
4	Q/YC149-14	复合式密封垫圈	Compound seal washer	1	易损件 EWP
5	JX400-1303041B	出水管	Outlet pipe	1	
6	Q1840822	螺栓 M8×22	Bolt M8×22	12	

EWP=Easy wear part (易损件)

26. B9XTF-1305000/放水开关总成 Water Drain Assembly

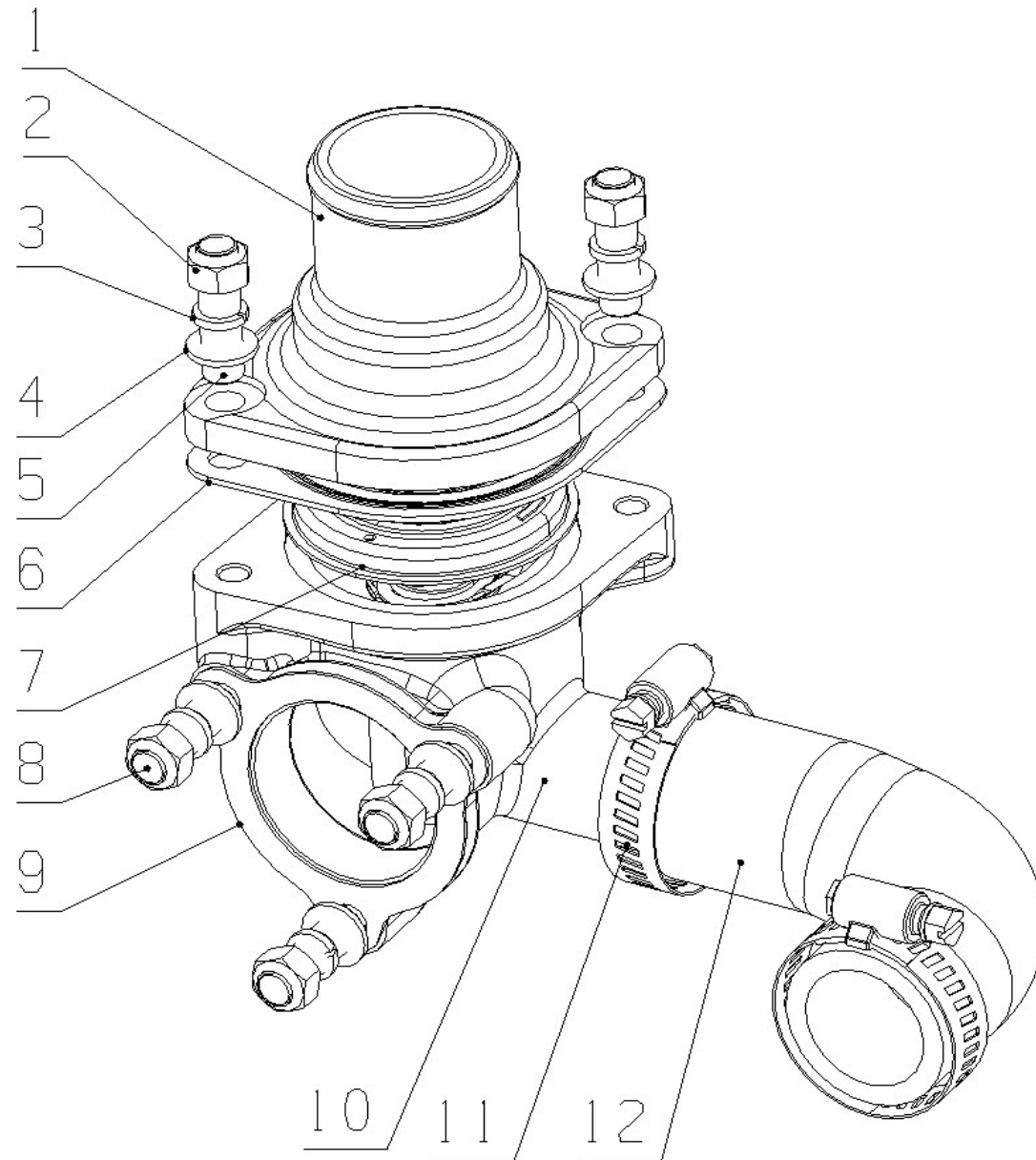


## 26. B9XTF-1305000/放水开关总成 Water Drain Assembly

序号 NO.	图号 Part No.	名 称	Part Name	数量 Qty	备注 Remark
1	231-1305015A	操纵杆	Holding rod	1	
2	Q5003220	销 3.2×20	Pin 3.2×20	1	
3	J1000-1305040	放水阀组件	Water Drain valve assembly	1	

EWP=Easy wear part (易损件)

27. JX400-1306000/调温器总成 Thermostat Assembly



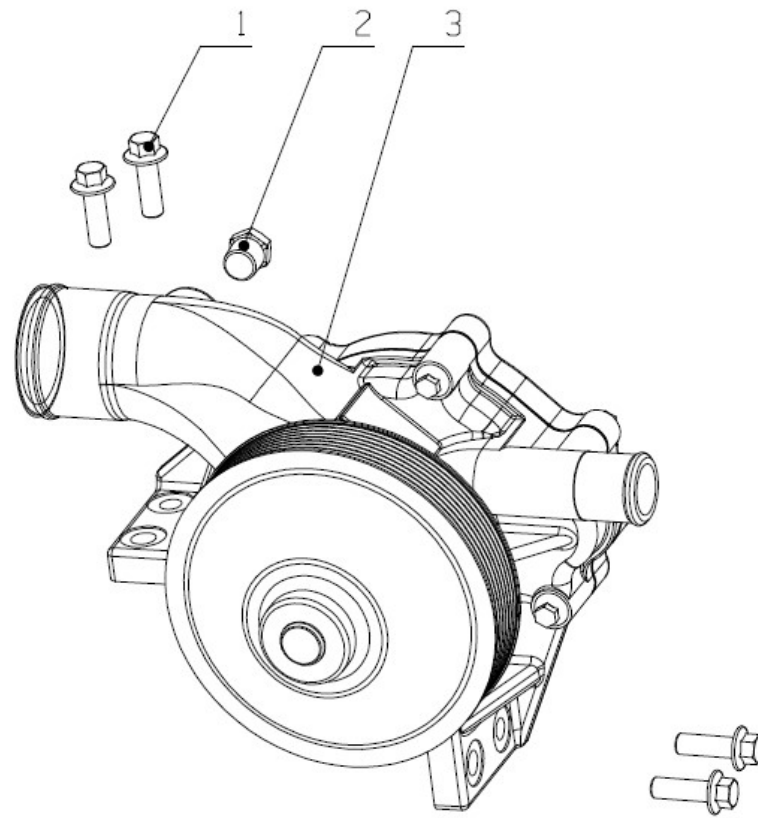


## 27. JX400-1306000/调温器总成 Thermostat Assembly

序号 NO.	图号 Part No.	名 称	Part Name	数量 Qty	备注 Remark
1	377A-1303011	调温器盖	Thermostat cover	1	
2	Q340B08	螺母 M8	Nut M8	5	
3	Q40308	垫圈 8	Washer 8	5	易损件 EWP
4	Q40108	垫圈 8	Washer 8	5	易损件 EWP
5	Q1200825	螺柱 M8×25	Stud M8×25	2	
6	6105Q-1306006	调温器座垫片	Thermostat seat gasket	1	易损件 EWP
7	A9L00-1306004ASF1	调温器	Thermostat	1	
8	Q1200822	螺柱 M8×22	Stud M8×22	3	
9	B8701-1306006	调温器座垫片	Thermostat seat gasket	1	易损件 EWP
10	J8L00-1306003	调温器座	Thermostat seat	1	
11	Q67645	环箍 45	Hoop 45	2	
12	JX400-1306005A	回水胶管	Water return plastic pipe	1	

EWP=Easy wear part (易损件)

28. JX400-307000/水泵总成 Water Pump Assembly

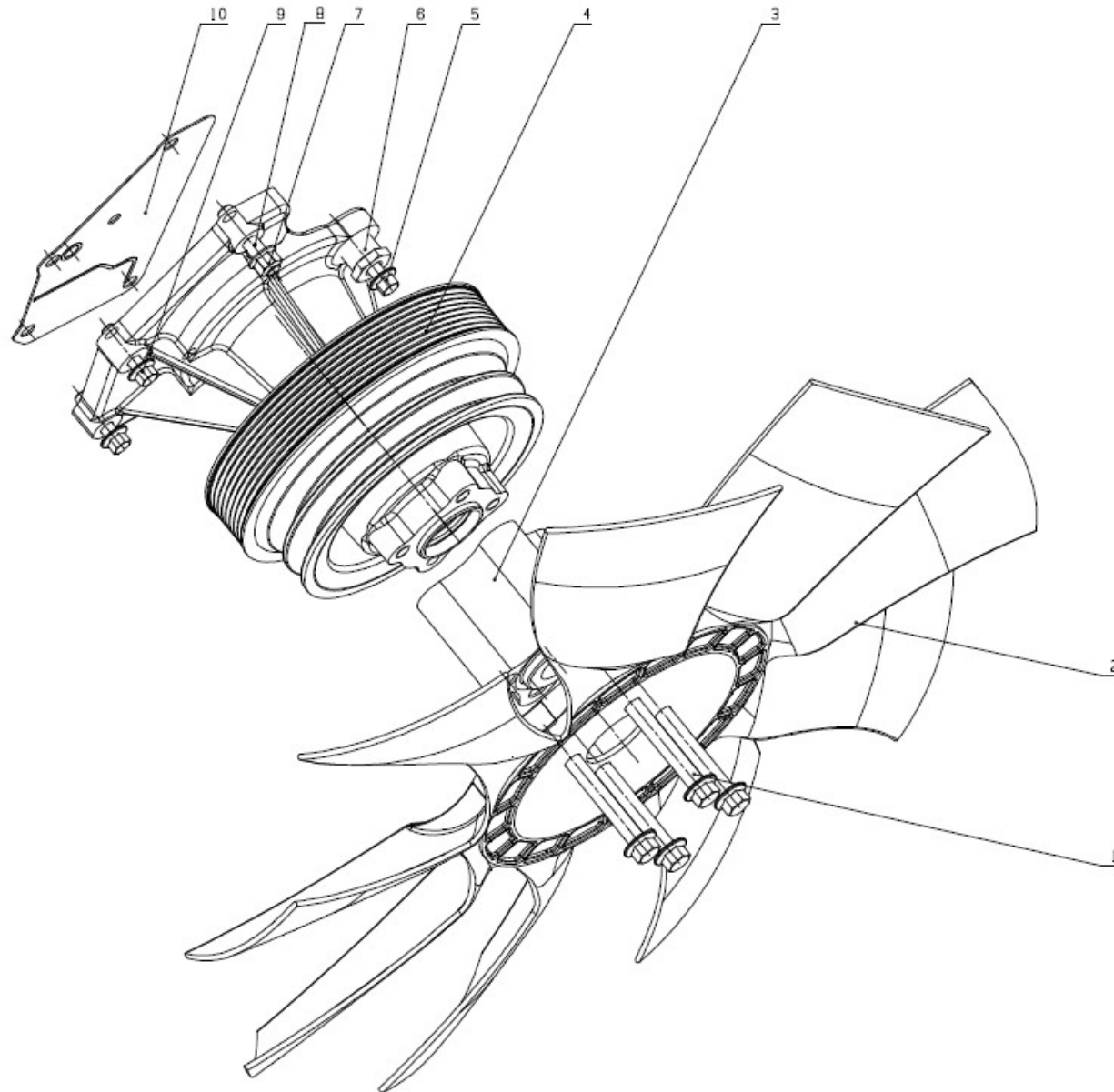


## 28. JX400-307000/水泵总成 Water Pump Assembly

序号 NO.	图号 Part No.	名 称	Part Name	数量 Qty	备注 Remark
1	Q1841030TF2	螺栓 M10X30	Bolt M10X30	4	
2	Q618B03	螺塞 NPT 3/8	Plug the NPT 3/8	1	
3	JX400-1307100B	水泵	Water Pump	1	
4	YC80-8PK-1645BG	多楔带	Wedge belt	1	

EWP=Easy wear part (易损件)

29. JX9T00-1308000/风扇总成 Fan Assembly

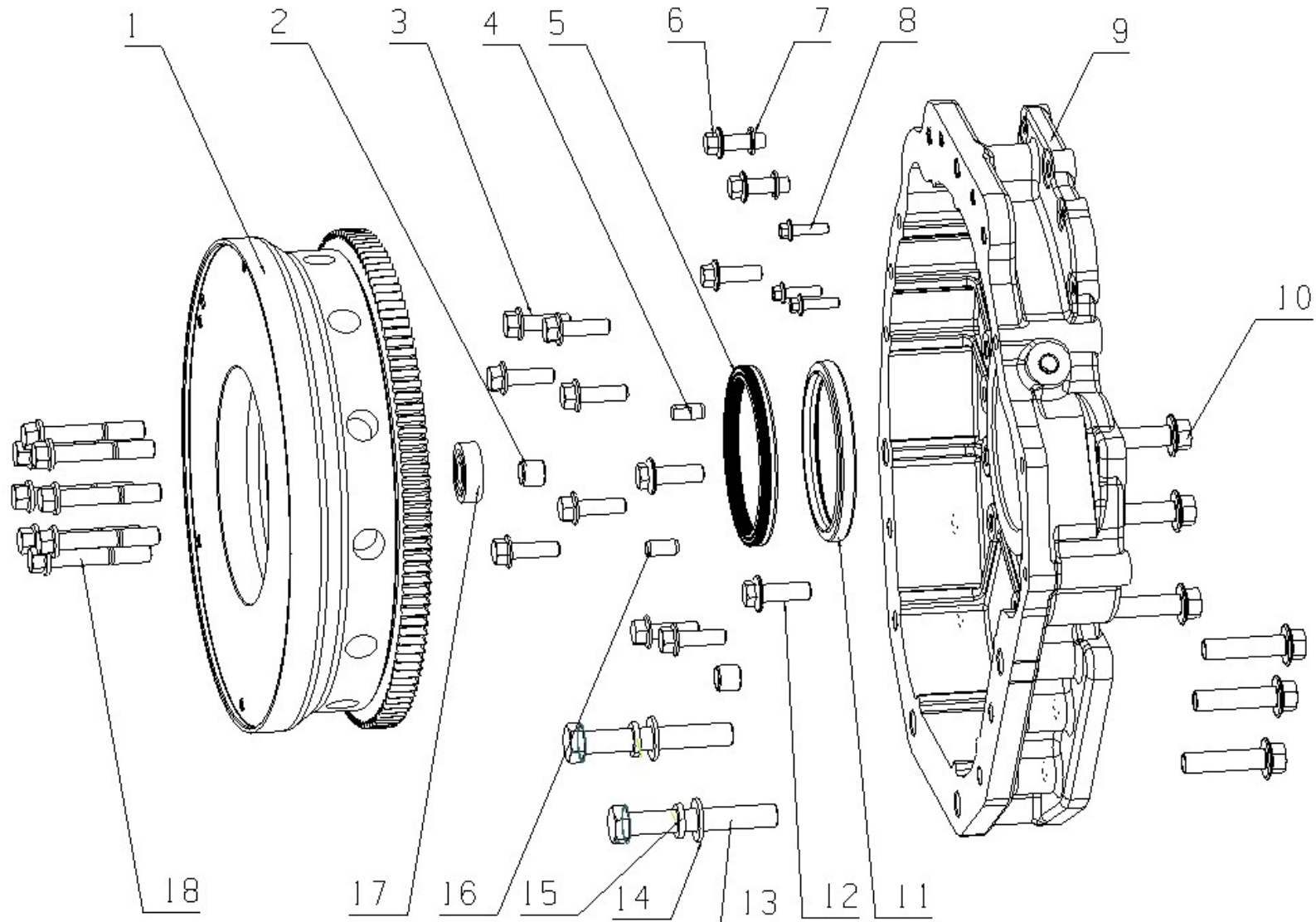


## 29. JX9T00-1308000/风扇总成 Fan Assembly

序号 NO.	图号 Part No.	名 称	Part Name	数量 Qty	备注 Remark
1	Q1841080TF2	螺栓 M10×80	Bolt M10×80	4	
2	JX400-1308150	风扇组件	Fan components	1	
3	JY1000-1308102	垫块	Heel	1	易损件 EWP
4	JXCT0-1308300	风扇轴部件	Fan shaft component	1	
5	Q1840840TF2	螺栓 M8×40	Bolt M8×80	2	
6	J80GD-1308341	锁紧块	Locking block	2	
7	Q32008	螺母 M8	Nut M8	2	
8	Q1200835TF2	螺柱 M8×35	Stud M8×35	2	
9	Q1840830TF2	螺栓 M8×30	Bolt M8×30	2	
10	JX400-1307001	水泵垫片	Water pump gasket	1	易损件 EWP

EWP=Easy wear part (易损件)

### 30. JXC000-1600000/动力输出总成 Power Output Assembly

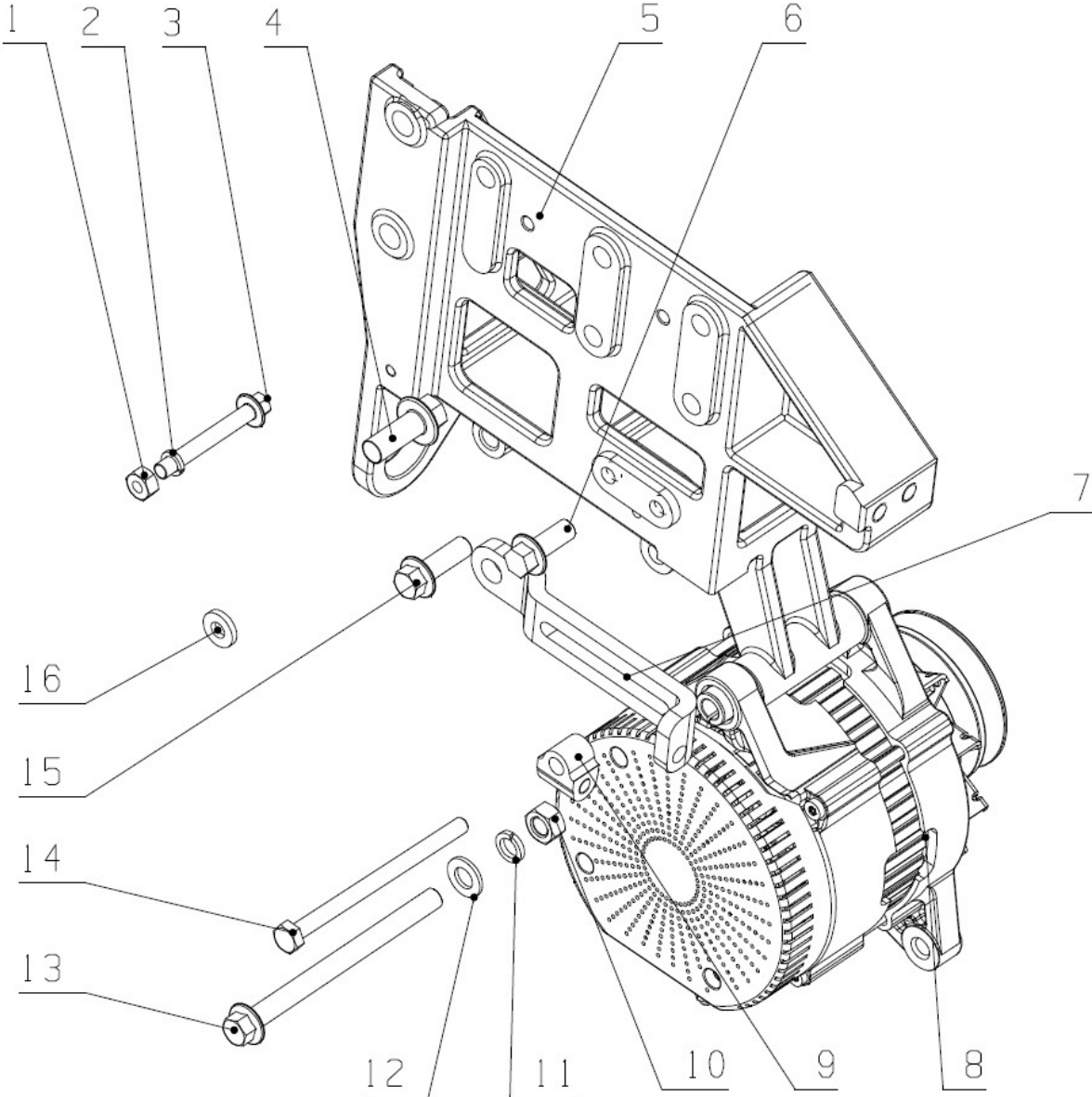


### 30. JXC000-1600000/动力输出总成 Power Output Assembly

序号 NO.	图号 Part No.	名 称	Part Name	数量 Qty	备注 Remark
1	JXC000-1005360	飞轮及齿圈组件	Flywheel & gear ring subassembly	1	
2	B8805-1002121	定位套	positioning bushing	2	
3	Q1841240TF2	螺栓 M12×40	Bolt M12×40	8	
4	6105Q-1600011	扁销	Flat pin	1	
5	YC209-B122141PL	油封 122×141	Oil seal 122 ×141	1	选装
6	Q1841235TF2	螺栓 M12×35	Bolt M12×35	3	
7	W8800-1003004	垫圈	washer	2	
8	Q1840830TF2	螺栓 M8×30	Bolt M8×30	3	
9	JX400-1600401A	飞轮壳	The flywheel shell	1	
10	Q1841665TF2	螺栓 M16×65	Bolt M16×65	6	
11	YC209-122141FL	油封 122×141	Oil seal 122 ×141	1	选装
12	Q1841440TF2	螺栓 M14×40	Bolt M14×40	2	
13	Q150B18120	螺栓 M18×120	Bolt M18×120	2	
14	Q40118	垫圈 18	Gasket 18	2	
15	Q40318	垫圈 18	Gasket 18	2	
16	YC24-B1226	圆柱销 12×26	cylindrical pin 12 ×26	1	
17	GB/T276-6303-2RS1	滚动轴承 6303-2RS1	Rolling bearings 6303-2RS1	1	
18	JX400-1005303	飞轮螺栓	The flywheel bolt	8	

EWP=Easy wear part (易损件)

31. JY60TC-3701000/发电机总成 Alternator Assembly



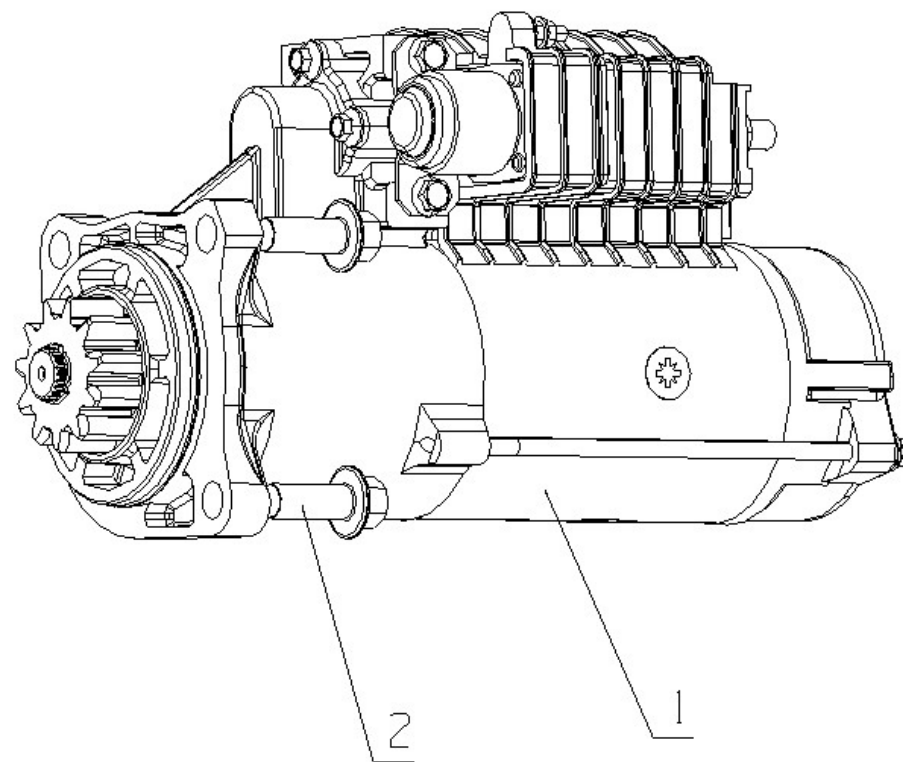


### 31. JY60TC-3701000/发电机总成 Alternator Assembly

序号 NO.	图号 Part No.	名 称	Part Name	数量 Qty	备注 Remark
1	Q340B08	螺母 M8	Nut M8	1	
2	Q40308	垫圈 8	Gasket 8	1	
3	Q1840860TF2	螺栓 M8X60	Bolt M8X60	1	
4	Q1841230	螺栓 M12X30	Bolt M12X30	2	
5	JY20T2-8104007A	空调机支架	Air conditioner bracket	1	
6	Q1841025	螺栓 M10X25	Bolt M10X25	4	
7	F6000-3701052A	调节板	Adjustment plate	1	
8	JX400-3701100C	发电机	Alternator	1	
9	F32LA-3407103	垫块	cushion block	1	
10	Q340B10	螺母 M10	Nut M10	1	
11	Q40310	垫圈 10	Gasket 10	1	
12	Q40110	垫圈 10	Gasket 10	1	
13	Q18410125TF2	螺栓 M10X125	Bolt M10X125	1	
14	F3100-3701203	张紧螺栓	A bolt	1	
15	Q1841030	螺栓 M10X30	Bolt M10X30	1	
16	6105Q-3509013	垫圈	washer	2	
17	YC80-SPA-915B	V 带	V belt	1	

EWP=Easy wear part (易损件)

## 32. J7R00-3708000/起动机总成 Starter Assembly

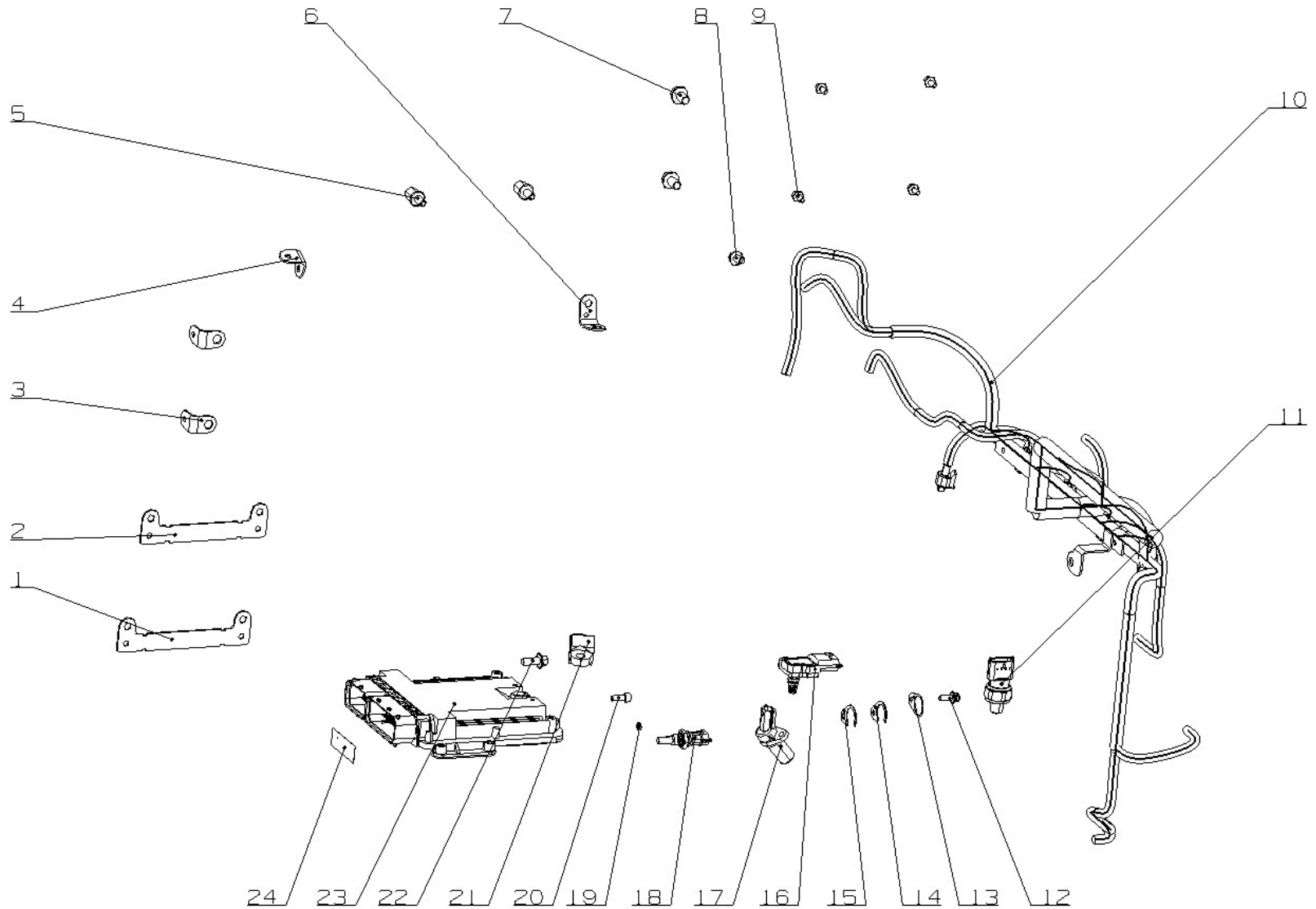


### 32. J7R00-3708000/起动机总成 Starter Assembly

序号 NO.	图号 Part No.	名 称	Part Name	数量 Qty	备注 Remark
1	A708T1-3708100A	起动机	Starter	1	
2	Q1841230	螺栓 M12×30	Bolt M12×30	3	

EWP=Easy wear part (易损件)

### 33. JY14T7-3823000/控制系统总成 Controlling System Assembly

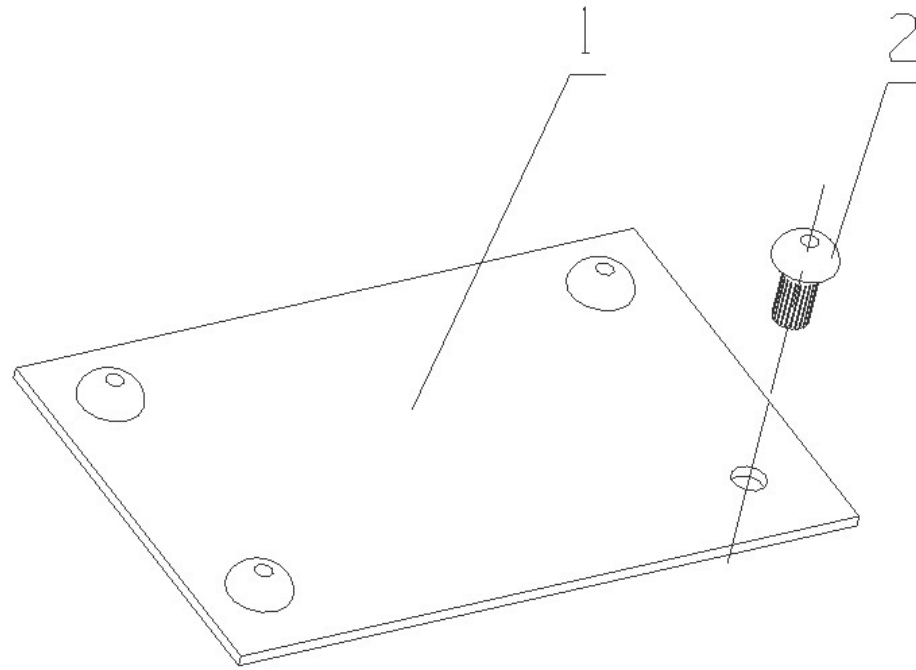


### 33. JY14T7-3823000/控制系统总成 Controlling System Assembly

序号 No.	图号 Part No.	名 称	Part Name	数量 Qty	备注 Remark
1	J2000-3823202	线束卡 II	Wiring harness fastener II	1	
2	J2000-3823201	线束卡 I	Wiring harness fastener I	1	
3	J5600-3823031B	支线束支架 I	Branch bundle support I	2	
4	E2100-3823204	线束卡 IV	Wiring harness fastener IV	1	
5	JY100-3823213	线束螺栓	The wiring harness bolt	2	
6	J5600-3823031	支线束支架 (I)	Branch bundle support (I)	1	
7	Q1841016	螺栓 M10×16	Bolt M10×16	2	
8	Q1840815	螺栓 M8×15	Bolt M8×15	1	
9	Q1840612	螺栓 M6×12	Bolt M6×12	4	
10	JX5T00-3823250	发动机线束组件	Engine wiring harness	1	
11	J3D00-38231G0	机油压力温度传感器	Oil pressure and temperature sensor	1	
12	Q1840615	螺栓 M6X15	Bolt M6X15	3	
13	G5800-3823035	传感器调整垫片	Sensor adjusting gasket	1	易损件 EWP
14	J5600-3800311	转速传感器支架调整垫片 I	Speed sensor adjust pad I	1	易损件 EWP
15	J5600-3800312	转速传感器支架调整垫片 II	Speed sensor adjust pad II	1	易损件 EWP
16	L4700-3823140A	增压压力传感器	Intake manifold pressure sensor	1	
17	L4700-3823170	曲轴转速传感器	Crankshaft Rotate Speed Sensor	2	
18	L4700-3823180A	水温传感器	Water temperature sensor	1	
19	Q40306	垫圈 6	Washer 6	1	易损件 EWP
20	Q218B0616	螺钉 M6×16	Screw M6×16	1	
21	J1000-3823178	曲轴转速传感器支架	Crankshaft speed sensor adjust	1	
22	Q1840820	螺栓 M8×20	Bolt M8×20	2	
23	A50000-3823351-01	控制器	ECU	1	
24	G6000-3823353	机型软件标签	Model label	1	

EWP=Easy wear part (易损件)

34. B0000-3904000/铭牌 Plate Assembly



### 34. B0000-3904000/铭牌 Plate Assembly

序号 NO.	图号 Part No.	名 称	Part Name	数量 Qty	备注 Remark
1	YC394-B000GK	标牌	Plate	1	
2	YC5-0306	铆钉 3×6	Rivet 3×6	4	

EWP=Easy wear part (易损件)