

零件编号	结构代码	零件顺序	零件编号	结构代码	零件顺序	零件编号	结构代码	零件顺序
CD1204.50.011-A/10	0.029.1739.4	1	A26.38.001.0	9.DI531.03.0_4	3	0.029.4452.0	9.DI533.01.0_3	2
DF1204.50.014	0.029.1739.4	2	LE1204.38.130	9.DI531.03.0_4	4	DF904.37.136	9.DI533.01.0_3	3
2.3249.224.0	0.029.1739.4	3	LE1204.38.131	9.DI531.03.0_4	5	DF904.37.137/138/139	9.DI533.01.0_3	4
2.3249.373.0	0.029.1739.4	4	GBT93-10-A3L	9.DI531.03.0_4	6	DF904.37.127/10	9.DI533.01.0_3	5
2.6851.019.0	0.029.1739.4	5	GBT93-14-A3L	9.DI531.03.0_4	7	0.029.4390.0/20	9.DI533.01.0_3	6
0.012.6449.0	0.029.1739.4	6	GBT899-AM14X1.5X190-10.9-A3L	9.DI531.03.0_4	8	2.2770.271.0	9.DI533.01.0_3	7
CD1204.50.019	0.029.1739.4	7	LE1204.38.132	9.DI531.03.0_4	9	DF904.37.113/10	9.DI533.01.0_3	8
2.1560.015.0	0.029.1739.4	8	LE1204.38.133	9.DI531.03.0_4	10	C35.37.001.4	9.DI533.01.0_3	9
CD1204.50.124	0.029.1739.4	9	GBT5783-M10X25-A3L	9.DI531.03.0_4	11	0.029.4381.0/20	9.DI533.01.0_3	10
2.3729.065.0	9.AG865.00.0_0	1	GBT6171-M14X1.5-10-A3L	9.DI531.03.0_4	12	DF904.37.115/10	9.DI533.01.0_3	11
2.1560.008.0	9.AG865.00.0_0	2	JBT982-12	9.DI531.03.0_4	13	0.029.4367.0/10	9.DI533.01.0_3	12
2.3110.422.2	9.AG865.00.0_0	3	JBT982-20	9.DI531.03.0_4	14	DF904.37.118	9.DI533.01.0_3	13
0.028.8656.0/30	9.DI531.00.0_5	1	JBT8870-D20	9.DI531.03.0_4	15	DF904.37.119/10	9.DI533.01.0_3	14
A31.21.002.0	9.DI531.00.0_5	2	LE1204.38.012	9.DI531.03.0_4	16	LE1204.37.195	9.DI533.01.0_3	15
JBT7918-K25X31X20	9.DI531.00.0_5	3	LE1204.38.106	9.DI531.03.0_4	17	LE1204.37.211	9.DI533.01.0_3	16
SH900.37.216	9.DI531.00.0_5	4	LE1204.38.111	9.DI531.03.0_4	18	GBT309-P5X23.8-G2-3-5	9.DI533.01.0_3	17
SH900.47A.115-1	9.DI531.00.0_5	5	LE1204.38.128	9.DI531.03.0_4	19	GBT895.1-42	9.DI533.01.0_3	18
SH900.37.016/10	9.DI531.00.0_5	6	SH900.38.105A	9.DI531.03.0_4	20	0.028.6764.0/20	9.DI533.02.0_2	1
JBT982-30	9.DI531.00.0_5	7	SH900.38.159	9.DI531.03.0_4	21	DF904.37.122/10	9.DI533.02.0_2	2
SH900.37.154	9.DI531.00.0_5	9	SH900.38.160/10	9.DI531.03.0_4	22	DF904.37.121/10	9.DI533.02.0_2	3
GBT91-5X25-A3L	9.DI531.00.0_5	10	SH900.38.018/10	9.DI531.03.0_4	23	0.028.8274.0/10	9.DI533.02.0_2	4
GBT5783-M12X25-A3L	9.DI531.00.0_5	11	JBT982-36	9.DI531.03.0_4	24	DF904.37.124	9.DI533.02.0_2	5
GBT93-12-A3L	9.DI531.00.0_5	12	2.3110.405.1	9.DI531.03.0_4	25	2.2770.271.0	9.DI533.02.0_2	6
LE1204.37.123	9.DI531.00.0_5	13	2.1560.014.0	9.DI531.03.0_4	26	0.028.8273.0/10	9.DI533.02.0_2	7
GBT5783-M10X25-A3L	9.DI531.00.0_5	14	0.028.6759.0/10	9.DI532.02.0_3	1	DF904.37.131	9.DI533.02.0_2	8
GBT93-10-A3L	9.DI531.00.0_5	15	GBT297-33109	9.DI532.02.0_3	2	0.029.4455.0	9.DI533.02.0_2	9
A31.21.003.0/10	9.DI531.00.0_5	16	GBT283-NUP1014M	9.DI532.02.0_3	3	LE1204.37.144	9.DI533.02.0_2	10
GBT93-12-A3L	9.DI531.02.0_1	2	GBT894.1-70	9.DI532.02.0_3	4	LE1204.37.205	9.DI533.02.0_2	11
GBT5783-M12X50-10.9-A3L	9.DI531.02.0_1	4	GBT297-30310	9.DI532.02.0_3	5	0.028.6764.0/20	9.DI533.03.0_2	1
GBT5783-M16X55-10.9-A3L	9.DI531.02.0_1	5	0.029.7755.0/10	9.DI532.03.0_4	1	0.029.4455.0	9.DI533.03.0_2	2
2.1475.106.2	9.DI531.02.0_1	6	0.029.7757.0/10	9.DI532.03.0_4	2	0.029.7756.0/10	9.DI533.03.0_2	3
DF904.37.140	9.DI531.02.0_1	7	DF904.37.107/10	9.DI532.03.0_4	3	0.029.7758.0/10	9.DI533.03.0_2	4
GBT5783-M8X35-A2L	9.DI531.02.0_1	8	DF904.37.109	9.DI532.03.0_4	4	2.2770.271.0	9.DI533.03.0_2	5
GBT93-8-A3L	9.DI531.02.0_1	9	DF904.37.111	9.DI532.03.0_4	5	DF904.37.121/10	9.DI533.03.0_2	6
GBT5783-M10X35-A3L	9.DI531.02.0_1	10	GBT283-NUP1014M	9.DI532.03.0_4	6	DF904.37.122/10	9.DI533.03.0_2	7
GBT93-10-A3L	9.DI531.02.0_1	11	GBT297-30310	9.DI532.03.0_4	7	DF904.37.124	9.DI533.03.0_2	8
GBT899-AM14X1.5X50-10.9-A3L	9.DI531.02.0_1	12	GBT297-33109	9.DI532.03.0_4	8	DF904.37.131	9.DI533.03.0_2	9
2.1475.005.7	9.DI531.02.0_1	13	GBT894.1-55	9.DI532.03.0_4	9	LE1204.37.144	9.DI533.03.0_2	10
GBT6171-M14X1.5-10-A3L	9.DI531.02.0_1	15	GBT894.1-70	9.DI532.03.0_4	10	LE1204.37.205	9.DI533.03.0_2	11
0.026.3893.0	9.DI531.03.0_4	1	0.028.6758.0/10	9.DI533.01.0_3	1	C35.37.001.4	9.DI533.07.0_3	1

零件编号	结构代码	零件顺序	零件编号	结构代码	零件顺序	零件编号	结构代码	零件顺序
C35.37.001.4	9.DI533.07.0_3	1	0.028.8279.0/10	9.DI534.02.0_2	2	LE1204.38.122	9.DI535.01.0_3	12
2.2770.271.0	9.DI533.07.0_3	2	0.028.8694.0	9.DI534.02.0_2	3	SH900.38.142	9.DI535.01.0_3	13
C35.37.002.0	9.DI533.07.0_3	3	0.028.8691.0/10	9.DI534.02.0_2	4	SH900.38.144	9.DI535.01.0_3	14
C35.37.003.0/10	9.DI533.07.0_3	4	JBT7918-K30X40X30	9.DI534.02.0_2	5	SH900.38.145/20	9.DI535.01.0_3	15
DF904.37.113/10	9.DI533.07.0_3	5	QCT388-14	9.DI534.02.0_2	6	SH900.38.148/10	9.DI535.01.0_3	16
DF904.37.115/10	9.DI533.07.0_3	6	0.028.8691.0/10	9.DI534.03.0_2	1	SH900.38.153/10	9.DI535.01.0_3	17
DF904.37.117/10	9.DI533.07.0_3	7	0.029.7765.0/10	9.DI534.03.0_2	2	SH900.38.154	9.DI535.01.0_3	18
DF904.37.118	9.DI533.07.0_3	8	0.029.7766.0/10	9.DI534.03.0_2	3	SH900.38.120	9.DI535.02.0_1	1
DF904.37.119/10	9.DI533.07.0_3	9	GBT894.1-30	9.DI534.03.0_2	4	SH900.38.119	9.DI535.02.0_1	2
0.028.6758.0/10	9.DI533.07.0_3	10	JBT7918-K30X40X30	9.DI534.03.0_2	5	GBT5783-M10X25-A3L	9.DI535.02.0_1	3
DF904.37.127/10	9.DI533.07.0_3	11	QCT388-14	9.DI534.03.0_2	6	GBT895.2-30	9.DI535.02.0_1	4
0.029.4452.0	9.DI533.07.0_3	12	0.040.9429.0	9.DI534.03.0_3	1	GBT305-72/74.8	9.DI535.02.0_1	5
DF904.37.136	9.DI533.07.0_3	13	0.029.7765.0/20	9.DI534.03.0_3	2	GBT276-6306N	9.DI535.02.0_1	6
DF904.37.137/138/139	9.DI533.07.0_3	14	0.029.7766.0/20	9.DI534.03.0_3	3	DF1204.38.101/10	9.DI535.02.0_1	7
DF904.37.142/143/144	9.DI533.07.0_3	15	GBT894.1-35	9.DI534.03.0_3	4	GBT308-10-G100-b	9.DI536.00.0_1	1
GBT895.1-42	9.DI533.07.0_3	16	JBT7918-K35X45X30	9.DI534.03.0_3	5	GBT3452.1-17X1.8-G	9.DI536.00.0_1	2
GBT309-P5X23.8-G2-3-5	9.DI533.07.0_3	17	QCT388-14	9.DI534.03.0_3	6	GBT3452.1-17X2.65-G	9.DI536.00.0_1	3
LE1204.37.195	9.DI533.07.0_3	18	A26.38.002.0	9.DI535.00.0_1	1	GBT6172.1-M12-A3L	9.DI536.00.0_1	4
LE1204.37.211	9.DI533.07.0_3	19	GBT93-12-A3L	9.DI535.00.0_1	2	GBT6172.1-M16-A3L	9.DI536.00.0_1	5
A26.37.011.0	9.DI533.07.0_3	20	GBT297-30310	9.DI535.00.0_1	3	LE1204.41.011-1	9.DI536.00.0_1	6
A26.37.012.0	9.DI533.07.0_3	21	GBT297-32311	9.DI535.00.0_1	4	LE1204.41.102-1	9.DI536.00.0_1	7
LE1204.37.172/20	9.DI534.00.0_1	1	GBT812-M50X1.5-A3L	9.DI535.00.0_1	5	LE1204.41.103	9.DI536.00.0_1	8
LE1204.37.185	9.DI534.00.0_1	2	GBT858-50	9.DI535.00.0_1	6	LE1204.41.118	9.DI536.00.0_1	9
SH900.37.013	9.DI534.00.0_1	3	GBT5783-M12X35-10.9-A3L	9.DI535.00.0_1	7	LE1204.41.119	9.DI536.00.0_1	10
LE1204.37.186	9.DI534.00.0_1	4	LE1204.38.114	9.DI535.00.0_1	8	LE1204.41.120	9.DI536.00.0_1	11
GBT893.1-170	9.DI534.00.0_1	5	LE1204.38.116	9.DI535.00.0_1	9	SH900.37.135A	9.DI536.00.0_1	12
0.028.2305.0	9.DI534.00.0_1	6	LE1204.38.136	9.DI535.00.0_1	10	SH900.38.110	9.DI536.00.0_1	13
LE1204.37.187	9.DI534.00.0_1	7	LE1204.38.139	9.DI535.00.0_1	11	SH900.41.104	9.DI536.00.0_1	14
GBT309-P4X25.8-G3-3-6	9.DI534.00.0_1	8	LE1204.38.141	9.DI535.00.0_1	12	SH900.41.127	9.DI536.00.0_1	15
A23.37.005.0	9.DI534.00.0_1	9	2.1475.004.2	9.DI535.01.0_3	1	SH900.41.131	9.DI536.00.0_1	16
A23.37.004.0	9.DI534.00.0_1	10	2.1475.005.7	9.DI535.01.0_3	2	YBT5294-SZ-F-1.4	9.DI536.00.0_1	17
SH900.37.131	9.DI534.00.0_1	11	A23.38.001.0	9.DI535.01.0_3	3	0.027.4227.0	9.DI536.01.0_3	1
GBT5783-M10X30-A3L	9.DI534.00.0_1	12	A23.38.002.0	9.DI535.01.0_3	4	2.1475.005.7	9.DI536.01.0_3	2
GBT93-10-A3L	9.DI534.00.0_1	13	GBT297-30216	9.DI535.01.0_3	5	GBT818-M5X12-A2L	9.DI536.01.0_3	3
0.028.8655.0/20	9.DI534.01.0_2	1	GBT297-32217	9.DI535.01.0_3	6	GBT93-5-A3L	9.DI536.01.0_3	4
0.028.8599.0/10	9.DI534.01.0_2	2	GBT5783-M12X30-10.9-A3L	9.DI535.01.0_3	7	GBT93-10-A3L	9.DI536.01.0_3	5
0.028.8691.0/10	9.DI534.01.0_2	3	GBT6171-M14X1.5-10-A3L	9.DI535.01.0_3	8	GBT93-14-A3L	9.DI536.01.0_3	6
0.028.8697.0	9.DI534.01.0_2	4	LE1204.38.119	9.DI535.01.0_3	9	GBT97.1-5-A3L	9.DI536.01.0_3	7
0.029.5092.0	9.DI534.01.0_2	5	LE1204.38.120/10	9.DI535.01.0_3	10	GBT283-NUP309E	9.DI536.01.0_3	8
JBT7918-K30X40X30	9.DI534.01.0_2	6	LE1204.38.121	9.DI535.01.0_3	11	GBT283-NUP310E	9.DI536.01.0_3	9

零件编号	结构代码	零件顺序	零件编号	结构代码	零件顺序	零件编号	结构代码	零件顺序
GBT283-NUP310E	9.DI536.01.0_3	9	GBT13871.1-FB-110140-D	9.DI545.00.0_1	3	2.0113.613.2	9.DI555.90.0_1	5
GBT297-30210	9.DI536.01.0_3	10	LE1204.39.103/10	9.DI545.00.0_1	4	2.1012.109.2	9.DI555.90.0_1	6
GBT297-30212	9.DI536.01.0_3	11	GBT283-NJ308E	9.DI547.00.0_1	1	2.1475.206.2	9.DI555.90.0_1	7
GBT812-M48X1.5	9.DI536.01.0_3	12	GBT297-30218	9.DI547.00.0_1	2	B29.37.001.0/10	9.DI564.00.0_1	1
GBT858-48	9.DI536.01.0_3	13	GBT297-30220	9.DI547.00.0_1	3	SH900.37.175	9.DI564.00.0_1	2
GBT893.1-28	9.DI536.01.0_3	14	GBT879.1-10X32	9.DI547.00.0_1	4	DF904.37.214/10	9.DI564.00.0_1	3
GBT894.1-45	9.DI536.01.0_3	15	GBT879.2-12X32	9.DI547.00.0_1	5	SH900.37.174	9.DI564.00.0_1	4
GBT895.2-30	9.DI536.01.0_3	16	GBT893.1-90	9.DI547.00.0_1	6	SH900.37.203	9.DI564.00.0_1	5
GBT898-AM14X1.5X65-A3L	9.DI536.01.0_3	17	LE1204.39.105/106/107	9.DI547.00.0_1	7	GBT5783-M10X20-A3L	9.DI564.00.0_1	6
GBT5783-M10X45-A3L	9.DI536.01.0_3	18	LE1204.39.109	9.DI547.00.0_1	8	GBT93-10-A3L	9.DI564.00.0_1	7
GBT6176-M14X1.5-10-A3L	9.DI536.01.0_3	19	LE1204.39.110/10	9.DI547.00.0_1	9	SH900.37.177	9.DI564.00.0_1	8
GBT13871.1-FB-070090-D	9.DI536.01.0_3	20	LE1204.39.111	9.DI547.00.0_1	10	SH900.37.182/10	9.DI564.00.0_1	9
LE1204.41.105/10	9.DI536.01.0_3	21	LE1204.39.113	9.DI547.00.0_1	11	QCT388-24	9.DI564.00.0_1	10
LE1204.41.107/10	9.DI536.01.0_3	22	LE1204.39.114	9.DI547.00.0_1	12	GBT5783-M8X25-A2L	9.DI564.00.0_1	11
LE1204.41.108/10	9.DI536.01.0_3	23	LE1204.39.115/10	9.DI547.00.0_1	13	GBT93-8-A3L	9.DI564.00.0_1	12
LE1204.41.111/10	9.DI536.01.0_3	24	LE1204.39.116	9.DI547.00.0_1	14	SH900.37.183-1	9.DI564.00.0_1	13
LE1204.41.114/10	9.DI536.01.0_3	25	LE1204.39.117	9.DI547.00.0_1	15	SH900.37.184-1	9.DI564.00.0_1	14
SH900.41.105	9.DI536.01.0_3	26	LE1204.39.119	9.DI547.01.0_0	1	SH900.37.181	9.DI564.00.0_1	15
SH900.41.110	9.DI536.01.0_3	27	LE1204.39.118	9.DI547.01.0_0	2	GBT879.1-8X32	9.DI564.00.0_1	16
SH900.41.111	9.DI536.01.0_3	28	LE1204.39.102/10	9.DI547.02.0_1	1	GBT879.1-5X32	9.DI564.00.0_1	17
SH900.41.113	9.DI536.01.0_3	29	GBT93-10-A3L	9.DI554.01.0_0	1	GBT879.1-5X30	9.DI564.00.0_1	18
SH900.37.111	9.DI536.01.0_3	30	GBT119.1-8m6X16	9.DI554.01.0_0	2	GBT879.1-3X30	9.DI564.00.0_1	19
SH900.41.117/10	9.DI536.01.0_3	31	GBT854-10	9.DI554.01.0_0	3	SH900.37.185	9.DI564.00.0_1	20
SH900.41.118	9.DI536.01.0_3	32	GBT894.1-48	9.DI554.01.0_0	4	GBT3452.1-17X2.65-G	9.DI564.00.0_1	21
SH900.41.119	9.DI536.01.0_3	33	GBT3452.1-15X2.65-G	9.DI554.01.0_0	5	SH900.37.180	9.DI564.00.0_1	22
SH900.41.121	9.DI536.01.0_3	34	GBT5783-M10X35-A3L	9.DI554.01.0_0	6	DF904.37.212	9.DI564.00.0_1	23
SH900.41.122	9.DI536.01.0_3	35	LE1204.43.105	9.DI554.01.0_0	7	GBT5783-M10X75-A3L	9.DI564.00.0_1	24
SH900.41.124	9.DI536.01.0_3	36	LE1204.43.112	9.DI554.01.0_0	8	GBT5783-M10X25-A3L	9.DI564.00.0_1	25
SH900.41.125	9.DI536.01.0_3	37	SH900.43.023	9.DI554.01.0_0	9	GBT5783-M10X35-A3L	9.DI564.00.0_1	26
SH900.41.126	9.DI536.01.0_3	38	SH900.43.024	9.DI554.01.0_0	10	GBT119.1-16m6X32	9.DI564.00.0_1	27
JBT7918-K68X78X34	9.DI536.01.0_3	39	SH900.43.141	9.DI554.01.0_0	11	SH900.37.191	9.DI564.00.0_1	28
LE1204.41.115	9.DI536.01.0_3	40	SH900.43.142	9.DI554.01.0_0	12	GBT893.1-40	9.DI564.00.0_1	29
A31.41.002.0	9.DI536.02.0_2	1	SH900.43.169	9.DI554.01.0_0	13	JBT982-30	9.DI564.00.0_1	30
A31.41.003.0	9.DI536.02.0_2	2	SH900.43.194	9.DI554.01.0_0	14	A24.37.003.0	9.DI564.00.0_1	31
LE1204.41D.113	9.DI536.02.0_2	3	SH900.43.131	9.DI554.01.0_0	15	2.1560.012.0	9.DI564.00.0_1	32
LE1204.41.117	9.DI536.03.0_0	1	SH900.43.143	9.DI554.01.0_0	16	2.3110.404.2	9.DI564.00.0_1	33
LE1204.41D.106	9.DI536.03.0_0	2	0.023.9126.0/10	9.DI555.90.0_1	1	C35.37.013.0	9.DI564.01.0_3	1
LE1204.41D.113	9.DI536.03.0_0	3	0.023.9176.0	9.DI555.90.0_1	2	DF904.37.207	9.DI564.01.0_3	2
LE1204.39.101/20	9.DI544.00.0_0	1	0.023.9177.0	9.DI555.90.0_1	3	SH900.37.166	9.DI564.01.0_3	3
GBT93-14-A3L	9.DI545.00.0_1	1	0.023.9179.0	9.DI555.90.0_1	4	SH900.37.167	9.DI564.01.0_3	4

零件编号	结构代码	零件顺序	零件编号	结构代码	零件顺序	零件编号	结构代码	零件顺序
SH900.37.167	9.DI564.01.0_3	4	DF904.37.210/10	9.DI564.10.0_1	8	A23.40.005.2/20	A23.40.926.4_0	1
SH900.38.110	9.DI564.01.0_3	5	SH900.37.159	9.DI564.10.0_1	9	GBT93-10-A3L	A23.40.926.4_0	2
YBT5294-SZ-F-1.4	9.DI564.01.0_3	6	GBT308-10-G100-b	9.DI564.10.0_1	10	GBT5783-M10X25-A3L	A23.40.926.4_0	3
A31.37.028.0	9.DI564.01.0_3	7	SH900.37.135A	9.DI564.10.0_1	11	0.020.5342.3	A23.40.926.4_0	4
SH900.37.160	9.DI564.01.0_3	8	SH900.38.126	9.DI568.05.0_0	1	SH900.41.116A/10	A23.41.900.4_0	1
C35.37.007.0	9.DI564.01.0_3	9	SH900.38.114	9.DI568.05.0_0	2	SH900.41.116	A23.41.901.4_0	1
GBT308-10-G100-b	9.DI564.01.0_3	10	SH900.38.113	9.DI568.05.0_0	3	SH900.41.116	A23.41.901.4_1	1
SH900.37.135A	9.DI564.01.0_3	11	SH900.38.110	9.DI568.05.0_0	4	A23.44.001.4/10	A23.44.900.4_1	1
SH900.37.159	9.DI564.01.0_3	12	QCT388-20	9.DI568.05.0_0	5	GBT5783-M10X25-A3L	A23.44.900.4_1	2
DF904.37.213	9.DI564.02.0_1	1	LE1204.38.109	9.DI568.05.0_0	6	GBT93-10-A3L	A23.44.900.4_1	3
SH900.37.115	9.DI564.02.0_1	2	LE1204.38.108	9.DI568.05.0_0	7	GBT97.1-10-A3L	A23.44.900.4_1	4
SH900.38.110	9.DI564.02.0_1	3	LE1204.38.107	9.DI568.05.0_0	8	A23.45.021.3/10	A23.45.020.4/10	1
YBT5294-SZ-F-1.4	9.DI564.02.0_1	4	GBT3452.1-30X2.65-G	9.DI568.05.0_0	9	A23.45.022.3	A23.45.020.4/10	2
SH900.37.118-1	9.DI564.02.0_1	5	GBT3452.1-20X2.65-G	9.DI568.05.0_0	10	A23.45.023.0	A23.45.020.4/10	3
SH900.37.137	9.DI564.02.0_1	6	YBT5294-SZ-F-1.4	9.DI568.05.0_0	11	A23.45.024.0	A23.45.020.4/10	4
SH900.37.119	9.DI564.02.0_1	7	A11.20.004.2/10	A11.20.010.4	1	A23.45.025.0	A23.45.020.4/10	5
GBT5783-M10X20-A3L	9.DI564.02.0_1	8	SH400.20.104	A11.20.010.4	2	A23.45.026.0	A23.45.020.4/10	6
GBT93-10-A3L	9.DI564.02.0_1	9	GBT879.1-6X26	A11.20.010.4	3	A23.45.009.0	A23.45.060.4/30	1
GBT308-10-G100-b	9.DI564.02.0_1	10	A11.20.011.2	A11.20.010.4	4	A23.45.075.2/10	A23.45.078.4/10	1
SH900.37.135A	9.DI564.02.0_1	11	A11.20.007.3/10	A11.20.010.4	5	A23.45.079.0/10	A23.45.078.4/10	2
GBT71-M12X40-A3L	9.DI564.02.0_1	12	A11.20.005.0	A11.20.010.4	6	A23.45.075.2/10	A23.45.089.4/10	1
GBT6172.1-M12-A3L	9.DI564.02.0_1	13	0.020.3844.0	A11.20.010.4	7	A23.45.088.0/10	A23.45.089.4/10	2
GBT3452.1-17X1.8-G	9.DI564.02.0_1	14	GBT97.1-5-A3L	A11.20.010.4	8	A23.45.075.2/10	A23.45.091.4/10	1
0.028.8704.0/10	9.DI564.08.0_2	1	GBT93-5-A3L	A11.20.010.4	9	A23.45.085.0/10	A23.45.091.4/10	2
0.029.7686.0	9.DI564.08.0_2	2	GBT5782-M5X40-A2L	A11.20.010.4	10	A23.45.075.2/10	A23.45.092.4/10	1
DF904.37.204/10	9.DI564.08.0_2	3	A68.20.004.0	A11.20.010.4	11	A23.45.090.0/10	A23.45.092.4/10	2
DF904.37.208	9.DI564.08.0_2	4	A68.20.006.3	A11.20.010.4	12	GBT6171-M10X1-LH-A2L	A23.45.911.4_2	18
DF904.37.209	9.DI564.08.0_2	5	A68.20.005.0	A11.20.010.4	13	A23.45.020.4/10	A23.45.921.4_2	1
DF904.37.210/10	9.DI564.08.0_2	6	GBT819.1-M6X16-A3L	A11.20.010.4	14	A39.45.228.2	A23.45.921.4_2	2
GBT308-10G100b	9.DI564.08.0_2	7	GBT819.1-M6X16-A2L	A11.20.010.4	14	A23.45.082.0	A23.45.921.4_2	3
SH900.37.135A	9.DI564.08.0_2	8	A11.20.010.4	A11.20.900.4_3	1	A23.45.081.0	A23.45.921.4_2	4
SH900.37.159	9.DI564.08.0_2	9	GBT819.1-M6X16-A3L	A11.20.900.4_3	2	2.1310.028.3	A23.45.921.4_2	5
SH900.38.110	9.DI564.08.0_2	10	SH900.47A.115-1	A11.20.900.4_3	4	2.0332.203.3	A23.45.921.4_2	6
YBT5294-SZ-F-1.4	9.DI564.08.0_2	11	0.010.8696.2/20	A11.20.900.4_3	5	2.1310.002.3	A23.45.921.4_2	7
DF904.37.209	9.DI564.10.0_1	1	2.0512.202.7	A11.20.900.4_3	6	2.0332.406.3	A23.45.921.4_2	8
0.028.8705.0	9.DI564.10.0_1	2	A11.41.010.0	A11.41.941.4_0	1	A39.45.143.2	A23.45.921.4_2	9
0.029.7686.0	9.DI564.10.0_1	3	A23.51.001.0	A11.51.907.4_0	1	2.0342.107.3	A23.45.921.4_2	10
SH900.38.110	9.DI564.10.0_1	4	A23.51.002.0	A11.51.909.4_0	1	A23.45.103.0	A23.45.921.4_2	11
YBT5294-SZ-F-1.4	9.DI564.10.0_1	5	A23.51.003.0	A11.51.910.4_0	1	A23.48.011.0	A23.48.903.4_2	1
0.028.8704.0/10	9.DI564.10.0_1	6	CD554.40.028/10	A23.40.916.4_0	1	CD1204.48.028	A23.48.903.4_2	2

零件编号	结构代码	零件顺序	零件编号	结构代码	零件顺序	零件编号	结构代码	零件顺序
CD1204.48.028	A23.48.903.4_2	2	A23.48.021.4/10	A23.48.944.4_2	7	2.6852.101.0	A23.81.923.4_1	6
GBT818-M4X10-A2L	A23.48.903.4_2	3	B05.48.048.0/10	A23.48.944.4_2	8	GBT5783-M8X40-A2L	A23.81.923.4_1	7
GBT93-4-A3L	A23.48.903.4_2	4	0.037.2091.4/10	A23.48.944.4_2	9	GBT97.1-8-A3L	A23.81.923.4_1	8
SH900.48.049	A23.48.903.4_2	5	A23.48.024.0	A23.48.948.4_0	1	A31.45.077.3/10	A30.45.900.4_1	1
GBT818-M5X35-A2L	A23.48.903.4_2	8	B05.48.042.0	A23.48.948.4_0	2	A23.45.055.4/10	A30.45.900.4_1	2
GB93-5-A3L	A23.48.903.4_2	9	GBT818-M6X20-A2L	A23.48.948.4_0	3	0.026.5183.0	A30.45.900.4_1	3
GB97.1-5-A3L	A23.48.903.4_2	10	GBT93-6-A3L	A23.48.948.4_0	4	B36.45.038.0/10	A30.45.900.4_1	4
GBT6170-M5-A2L	A23.48.903.4_2	11	GBT97.1-6-A3L	A23.48.948.4_0	5	2.0112.425.2	A30.45.900.4_1	5
SH400.48.118	A23.48.903.4_2	13	0.034.8809.4/10	A23.48.954.4_0	1	2.1310.007.2	A30.45.900.4_1	6
A56.48.010.0	A23.48.903.4_2	14	A23.48.022.4	A23.48.954.4_0	2	2.0112.413.2	A30.45.900.4_1	7
A56.48.011.0	A23.48.903.4_2	15	B05.48.042.0	A23.48.954.4_0	3	2.1011.107.2	A30.45.900.4_1	8
B89.48.002.0	A23.48.903.4_2	16	C05.51.002.0/10	A23.51.909.4_0	1	A31.45.045.3/10	A30.45.900.4_1	9
GBT5783-M10X20-A2L	A23.48.903.4_2	17	A23.51.008.0	A23.51.909.4_0	2	GBT5783-M8X20-A2L	A30.45.900.4_1	10
GBT93-10-A3L	A23.48.903.4_2	18	A23.51.007.0	A23.51.909.4_0	3	GBT97.1-8-A3L	A30.45.900.4_1	11
GBT97.1-10-A3L	A23.48.903.4_2	19	2.1470.004.2	A23.81.902.4_0	1	GBT93-8-A3L	A30.45.900.4_1	12
A23.48.004.0/40	A23.48.904.4_3	1	2.1310.004.2	A23.81.902.4_0	2	0.034.4543.0/10	A30.45.900.4_1	13
2.8039.359.0	A23.48.904.4_3	2	A23.81.006.2	A23.81.902.4_0	3	2.1855.010.0	A30.45.900.4_1	14
LD700.48.037	A23.48.904.4_3	3	A23.81.013.0	A23.81.902.4_0	4	A11.45.002.0	A30.45.900.4_1	15
2.7659.481.0	A23.48.904.4_3	4	A23.81.007.2	A23.81.902.4_0	5	2.6569.069.0/10	A30.45.900.4_1	16
A23.48.008.0	A23.48.904.4_3	5	2.0112.005.2	A23.81.902.4_0	6	C63.45.114.0	A30.45.900.4_1	17
A23.48.016.0	A23.48.904.4_3	8	2.1470.002.2	A23.81.902.4_0	7	A23.45.231.0	A30.45.900.4_1	18
A23.48.017.0	A23.48.904.4_3	9	2.0112.207.2	A23.81.902.4_0	8	A23.45.232.0	A30.45.900.4_1	19
SH900.48.059	A23.48.904.4_3	10	2.1310.002.2	A23.81.902.4_0	9	A23.45.225.0	A30.45.905.4_0	1
CD1204.48.041/20	A23.48.904.4_3	11	A23.81.011.0	A23.81.902.4_0	10	A23.45.226.0	A30.45.905.4_0	2
CD1204.48.032/20	A23.48.904.4_3	12	A23.81.012.2	A23.81.902.4_0	11	A80.45.023.0	A30.45.905.4_0	3
2.6569.069.0/10	A23.48.904.4_3	13	A23.81.010.0	A23.81.902.4_0	12	A80.45.024.0	A30.45.905.4_0	4
A39.48.035.0	A23.48.904.4_3	14	A68.81.002.0	A23.81.913.4_1	1	A31.45.077.3/10	A30.45.910.4_1	1
A39.48.036.0	A23.48.904.4_3	15	A68.81.003.4	A23.81.913.4_1	2	A31.45.079.4/10	A30.45.910.4_1	2
CD1204.48.044	A23.48.909.4_0	1	A68.81.004.0	A23.81.913.4_1	3	0.026.5183.0	A30.45.910.4_1	3
CD1204.48.045	A23.48.909.4_0	2	A80.81.005.0	A23.81.913.4_1	4	B36.45.038.0/10	A30.45.910.4_1	4
2.3199.383.0	A23.48.909.4_0	3	2.6851.019.0	A23.81.913.4_1	6	2.0112.425.2	A30.45.910.4_1	5
A39.48.038.0	A23.48.909.4_0	4	2.6852.101.0	A23.81.913.4_1	7	2.1310.007.2	A30.45.910.4_1	6
CD1204.48.030	A23.48.911.4_0	1	A80.45.104.0	A23.81.913.4_1	8	2.0112.413.2	A30.45.910.4_1	7
SH400.48.118	A23.48.911.4_0	2	GBT5783-M8X40-A2L	A23.81.913.4_1	9	2.1011.107.2	A30.45.910.4_1	8
A23.48.014.0	A23.48.914.4_0	1	GBT97.1-8-A3L	A23.81.913.4_1	10	A31.45.045.3/10	A30.45.910.4_1	9
A23.48.015.0	A23.48.914.4_0	2	A68.81.009.4	A23.81.923.4_1	1	GBT5783-M8X20-A2L	A30.45.910.4_1	10
SH900.48.057	A23.48.914.4_0	3	A68.81.010.4	A23.81.923.4_1	2	GBT97.1-8-A3L	A30.45.910.4_1	11
B05.48.044.0/10	A23.48.944.4_1	6	A68.81.011.4	A23.81.923.4_1	3	GBT93-8-A3L	A30.45.910.4_1	12
A23.48.021.4	A23.48.944.4_1	7	A68.81.012.4	A23.81.923.4_1	4	0.034.4543.0/10	A30.45.910.4_1	13
B05.48.048.0/10	A23.48.944.4_1	8	A80.45.104.0	A23.81.923.4_1	5	2.1855.010.0	A30.45.910.4_1	14

零件编号	结构代码	零件顺序	零件编号	结构代码	零件顺序	零件编号	结构代码	零件顺序
2.1855.010.0	A30.45.910.4_1	14	JBT8870-d60	A31.13.900.4_6	11	2.1011.103.2	A31.21.904.4_3	16
A11.45.002.0	A30.45.910.4_1	15	JBT8870-d16	A31.13.900.4_6	12	A31.21.012.0	A31.21.904.4_3	17
2.6569.069.0/10	A30.45.910.4_1	16	LE1204.13.111	A31.13.900.4_6	13	GBT5783-M12X45-10.9-A3L	A31.21.904.4_3	18
C63.45.114.0	A30.45.910.4_1	17	LE1204.13.110	A31.13.900.4_6	14	GBT93-12-A3L	A31.21.904.4_3	19
A23.45.231.0	A30.45.910.4_1	18	GBT5782-M10X60-A3L	A31.13.900.4_6	15	GBT6170-M12-10-A3L	A31.21.904.4_3	20
A23.45.232.0	A30.45.910.4_1	19	CD1204.13.012	A31.13.900.4_6	16	2.6852.203.0	A31.21.904.4_3	21
GBT96.1-10-A3L	A31.11.903.4_0	1	GBT5783-M4X12-A2L	A31.13.900.4_6	17	0.024.6107.2	A31.21.910.4_1	1
GBT93-10-A3L	A31.11.903.4_0	2	GBT97.1-4-A3L	A31.13.900.4_6	18	2.3820.105.2	A31.21.910.4_1	2
GBT96.1-8-A3L	A31.11.903.4_0	3	SH900.13.107	A31.13.900.4_6	20	0.011.2973.0	A31.21.910.4_1	3
GBT93-8-A3L	A31.11.903.4_0	4	0.026.5598.0	A31.13.900.4_6	21	0.012.6739.0	A31.21.910.4_1	4
JBT8870-D90	A31.11.903.4_0	5	0.026.5598.0	A31.13.900.4_6	22	2.3249.167.2	A31.21.910.4_1	5
CD1204A.11.101/20	A31.11.903.4_0	6	GBT5783-M10X20-A3L	A31.13.900.4_6	23	2.3249.756.2	A31.21.910.4_1	6
A31.11.003.2	A31.11.903.4_0	7	GBT97.1-10-A3L	A31.13.900.4_6	24	A31.21.004.0	A31.21.910.4_1	7
CD1204.11.102	A31.11.903.4_0	8	CD1204.47.270	A31.13.900.4_6	25	GBT5783-M8X25-A2L	A31.21.910.4_1	8
JBT8870-D120	A31.11.903.4_0	9	GBT5783-M8X25-A2L	A31.13.900.4_6	26	GBT93-8-A3L	A31.21.910.4_1	9
GBT5783-M10X30-A3L	A31.11.903.4_0	10	GBT6170-M8-A2L	A31.13.900.4_6	27	GBT6170-M8-A2L	A31.21.910.4_1	10
GBT5783-M8X16-A2L	A31.11.903.4_0	11	GBT97.1-8-A3L	A31.13.900.4_6	28	A31.22.002.2	A31.22.900.4_1	1
LE1204.11.012	A31.11.910.4_0	1	GBT5783-M8X16-A2L	A31.13.900.4_6	30	A31.22.003.3	A31.22.900.4_1	2
CD1204.11.011/10	A31.11.911.4_0	1	0.023.2676.2	A31.13.900.4_6	31	0.023.0614.0	A31.22.900.4_1	3
K2036	A31.11.911.4_0	1	A31.13.005.0/20	A31.13.900.4_6	32	0.023.0615.0	A31.22.900.4_1	4
GBT96.1-8-A3L	A31.11.912.4_0	1	A31.13.002.0	A31.13.900.4_6	33	GBT97.1-6-A3L	A31.22.900.4_1	5
A23.11.005.0/10	A31.11.912.4_0	2	JBT8870-D80	A31.13.900.4_6	34	GBT5783-M6X12-A2L	A31.22.900.4_1	6
A23.11.008.2/20	A31.11.912.4_0	3	CD1104A.13.108	A31.13.900.4_6	35	GBT93-8-A3L	A31.22.900.4_1	7
CD1204.11.103/10	A31.11.912.4_0	4	A31.13.004.2	A31.13.900.4_6	36	GBT5783-M8X25-A2L	A31.22.900.4_1	8
A23.11.006.2/20	A31.11.912.4_0	5	GBT5783-M10X25-A3L	A31.13.900.4_6	37	CD1204A.22.011/10	A31.22.900.4_1	9
GBT5783-M8X25-A2L	A31.11.912.4_0	6	GBT93-10-A3L	A31.13.900.4_6	38	GBT6170-M10-A3L	A31.22.900.4_1	10
GBT6170-M8-A2L	A31.11.912.4_0	7	A31.13.017.0/10	A31.13.900.4_6	39	GBT93-10-A3L	A31.22.900.4_1	11
GBT97.1-8-A3L	A31.11.912.4_0	8	A31.13.015.4/10	A31.13.900.4_6	40	CD1204.22.121	A31.22.900.4_1	12
GBT93-8-A3L	A31.11.912.4_0	9	A31.13.019.0	A31.13.900.4_6	41	GBT5783-M10X35-A3L	A31.22.900.4_1	13
A23.11.007.2/20	A31.11.912.4_0	10	2.3339.431.2/10	A31.21.904.4_3	1	GBT5783-M12X40-10.9-A3L	A31.22.900.4_1	14
JBT8870-D130	A31.11.912.4_0	11	2.1560.008.0	A31.21.904.4_3	2	GBT93-12-A3L	A31.22.900.4_1	15
CD1204A.13.010/50	A31.13.900.4_6	1	A31.21.005.3/10	A31.21.904.4_3	3	GBT97.1-12-A3L	A31.22.900.4_1	16
CD1204A.13.107	A31.13.900.4_6	2	A31.21.006.3/10	A31.21.904.4_3	4	A31.22.001.2/10	A31.22.900.4_1	17
CD1204A.13.102/20	A31.13.900.4_6	3	0.257.6537.4/40	A31.21.904.4_3	5	GBT97.1-16-A3L	A31.22.900.4_1	18
A31.13.001.2	A31.13.900.4_6	4	GBT93-8-A3L	A31.21.904.4_3	6	GBT93-16-A3L	A31.22.900.4_1	19
CD1204A.13.014/10	A31.13.900.4_6	5	GBT70.1-M8X40-A2L	A31.21.904.4_3	7	GBT5783-M16X40-10.9-A3L	A31.22.900.4_1	20
A31.13.003.3	A31.13.900.4_6	6	A31.21.010.3	A31.21.904.4_3	9	GBT5783-M14X35-10.9-A3L	A31.22.900.4_1	21
CD1204A.13A.104/10	A31.13.900.4_6	7	2.0112.009.2	A31.21.904.4_3	13	GBT93-14-A3L	A31.22.900.4_1	22
CD1204A.13.105	A31.13.900.4_6	8	2.1470.002.2	A31.21.904.4_3	14	GBT97.1-14-A3L	A31.22.900.4_1	23
A31.13.006.0	A31.13.900.4_6	9	0.002.8816.0	A31.21.904.4_3	15	GBT6170-M12-10-A3L	A31.22.900.4_1	24

零件编号	结构代码	零件顺序	零件编号	结构代码	零件顺序	零件编号	结构代码	零件顺序
GBT6170-M12-10-A3L	A31.22.900.4_1	24	GBT2979-18.4-34-8PR-PR1	A31.34.900.4_1	2	A31.37.026.0/10	A31.37.921.4_3	4
LE1204.22.012/10	A31.22.900.4_1	25	GBT2979-18.4-34-PR1	A31.34.900.4_1	3	DF904.37.113/10	A31.37.921.4_3	5
CD1204.22.120	A31.22.900.4_1	26	GBT2979-18.4-38-8PR-R2	A31.34.901.4_2	1	DF904.37.115/10	A31.37.921.4_3	6
LE1204.22.118/20	A31.22.900.4_1	27	GBT2979-18.4-38-R2	A31.34.901.4_2	2	DF904.37.117/10	A31.37.921.4_3	7
A23.22.001.4/30	A31.22.900.4_1	28	A31.34.001.4	A31.34.901.4_2	3	DF904.37.118	A31.37.921.4_3	8
GBT5786-M16X1.5X45-10.9-A3L	A31.31.900.4_0	1	GBT2979-18.4-38-10PR-R1	A31.34.910.4_1	1	DF904.37.119/10	A31.37.921.4_3	9
SH904.31.193	A31.31.900.4_0	2	GBT2979-18.4-38-R1	A31.34.910.4_1	2	0.028.6758.0/10	A31.37.921.4_3	10
GBT119.1-12m6X30	A31.31.900.4_0	3	A31.34.001.4	A31.34.910.4_1	3	DF904.37.127/10	A31.37.921.4_3	11
SH904.31.187	A31.31.900.4_0	4	GBT2979-18.4-38-10PR-R1	A31.34.910.4_2	1	0.029.4452.0	A31.37.921.4_3	12
JBT7940.1-M10X1	A31.31.900.4_0	5	GBT2979-18.4-38-R1	A31.34.910.4_2	2	DF904.37.136	A31.37.921.4_3	13
GBT93-18-A3L	A31.31.900.4_0	6	A31.34.001.4	A31.34.910.4_2	3	DF904.37.137/138/139	A31.37.921.4_3	14
GBT5785-M18X1.5X60-10.9-A3L	A31.31.900.4_0	7	GBT2979-18.4-38-10PR-R1	A31.34.920.4_0	1	DF904.37.142/143/144	A31.37.921.4_3	15
SH904.31.188	A31.31.900.4_0	8	GBT2979-18.4-38-R1	A31.34.920.4_0	2	GBT895.1-42	A31.37.921.4_3	16
GBT3452.1-53X3.55-G	A31.31.900.4_0	9	A31.34.002.4	A31.34.920.4_0	3	GBT309-P5X23.8-G2-3-5	A31.37.921.4_3	17
SH904.31.189	A31.31.900.4_0	10	GBT5783-M16X50-10.9-A3L	A31.37.901.4_1	1	LE1204.37.195	A31.37.921.4_3	18
GBT3452.1-100X5.3-G	A31.31.900.4_0	11	GBT93-16-A3L	A31.37.901.4_1	2	LE1204.37.211	A31.37.921.4_3	19
SH904.31.190	A31.31.900.4_0	12	GBT5783-M14X45-10.9-A3L	A31.37.901.4_1	3	A11.37.196.0/20	A31.37.921.4_3	20
SH904.31.191	A31.31.900.4_0	13	GBT93-14-A3L	A31.37.901.4_1	4	A31.37.022.0	A31.37.922.4_5	1
LE1204.31.011	A31.31.900.4_0	14	GBT5783-M12X55-10.9-A3L	A31.37.901.4_1	5	2.2770.271.0	A31.37.922.4_5	2
CD1204A.31.101/30	A31.31.910.4_1	1	GBT93-12-A3L	A31.37.901.4_1	6	A31.37.027.0/10	A31.37.922.4_5	3
LE1204.31.103	A31.31.910.4_1	2	GBT5782-M16X120-10.9-A3L	A31.37.901.4_1	7	DF904.37.102/20	A31.37.922.4_5	4
GBT5782-M18X140-10.9-A3L	A31.31.910.4_1	3	GBT5782-M16X130-10.9-A3L	A31.37.901.4_1	8	C35.37.006.0	A31.37.922.4_5	5
GBT93-18-A3L	A31.31.910.4_1	4	GBT5782-M18X90-10.9-A3L	A31.37.901.4_1	9	C35.37.005.0	A31.37.922.4_5	6
GBT5782-M20X100-10.9-A3L	A31.31.910.4_1	5	GBT93-18-A3L	A31.37.901.4_1	10	DF904.37.113/10	A31.37.922.4_5	7
2.0433.630.7	A31.31.910.4_1	6	GBT6170-M16-10-A3L	A31.37.901.4_1	11	A33.37.002.0	A31.37.922.4_5	8
GBT93-20-A3L	A31.31.910.4_1	7	GBT5783-M10X55-10.9-A3L	A31.37.901.4_1	12	GBT297-30310	A31.37.922.4_5	9
2.1011.411.2	A31.31.910.4_1	8	GBT93-10-A3L	A31.37.901.4_1	13	GBT893.1-28	A31.37.922.4_5	10
GBT2979-12.4-28-6PR-PR1	A31.32.900.4_1	1	0.029.7755.0/10	A31.37.920.4_2	1	GBT13871.1-FB-050072-D	A31.37.922.4_5	11
GBT2979-12.4-28-PR1	A31.32.900.4_1	2	0.029.7757.0/10	A31.37.920.4_2	2	JBT7940.1-M6	A31.37.922.4_5	12
CD1204.32.011	A31.32.900.4_1	3	A31.37.021.0	A31.37.920.4_2	3	LE1204.37.151	A31.37.922.4_5	13
GBT2979-14.9-26-10PR-R2	A31.32.902.4_1	1	DF904.37.109	A31.37.920.4_2	4	LE1204.37.190	A31.37.922.4_5	14
GBT2979-14.9-26-R2	A31.32.902.4_1	2	DF904.37.111	A31.37.920.4_2	5	LE1204.37.208	A31.37.922.4_5	15
LE1204.32.011	A31.32.902.4_1	3	GBT283-NUP1014M	A31.37.920.4_2	6	SH900.41.105	A31.37.922.4_5	16
GBT2979-14.9-26-8PR-R1-FCZ	A31.32.910.4_0	1	GBT297-30310	A31.37.920.4_2	7	SH900.37.112/10	A31.37.922.4_5	17
GBT2979-14.9-26-R1	A31.32.910.4_0	2	GBT297-33109	A31.37.920.4_2	8	SH900.37.113	A31.37.922.4_5	18
LE1204.32.011	A31.32.910.4_0	3	GBT894.1-55	A31.37.920.4_2	9	A11.37.196.0/20	A31.37.922.4_5	19
GBT2979-14.9-26-8PR-R1	A31.32.920.4_0	1	GBT894.1-70	A31.37.920.4_2	10	LE1204.37.191	A31.37.922.4_5	20
GBT2979-14.9-26-R1	A31.32.920.4_0	2	A31.37.022.0	A31.37.921.4_3	1	LE1204.37.192	A31.37.922.4_5	21
A31.32.001.4	A31.32.920.4_0	3	2.2770.271.0	A31.37.921.4_3	2	A26.37.010.0	A31.37.922.4_5	22
GBT97.1-12-A3L	A31.32.920.4_0	4	A31.37.025.0/10	A31.37.921.4_3	3	DF904.37.206	A31.37.926.4_0	1

零件编号	结构代码	零件顺序	零件编号	结构代码	零件顺序	零件编号	结构代码	零件顺序
DF904.37.206	A31.37.926.4_0	1	GBT93-6-A2L	A31.40.900.4_2	14	GBT93-10-A3L	A31.40.908.4_2	17
DF904.37.207	A31.37.926.4_0	2	GBT93-8-A2L	A31.40.900.4_2	15	B29.40.016.0/10	A31.40.908.4_2	18
SH900.37.166	A31.37.926.4_0	3	JBT8870-D32	A31.40.900.4_2	16	B29.40.011.3/10	A31.40.908.4_2	19
SH900.37.167	A31.37.926.4_0	4	CD1204.40.012/20	A31.40.901.4_1	1	GBT3452.1-21.2X1.8-G	A31.40.908.4_2	20
SH900.38.110	A31.37.926.4_0	5	GBT70.1-M10X35-A3L	A31.40.901.4_1	2	GBT3452.1-17.3X2.2-G	A31.40.908.4_2	21
YBT5294-SZ-F-1.4	A31.37.926.4_0	6	GBT93-10-A3L	A31.40.901.4_1	3	GBT3738-08-L16	A31.40.908.4_2	22
A31.37.028.0	A31.37.926.4_0	7	A31.40.010.3	A31.40.902.4_1	1	GBT3452.1-14X1.5-G	A31.40.908.4_2	23
SH900.37.160	A31.37.926.4_0	8	B29.40.003.0	A31.40.902.4_1	2	B29.40.018.3	A31.40.908.4_2	24
DF904.37.201/10	A31.37.926.4_0	9	GBT3452.1-15.3X2.2-G	A31.40.902.4_1	3	A31.40.008.3/20	A31.40.908.4_2	25
GBT308-10-G100-b	A31.37.926.4_0	10	GBT3452.1-10X1.5-G	A31.40.902.4_1	4	A31.40.009.3/20	A31.40.908.4_2	26
SH900.37.135A	A31.37.926.4_0	11	2.3139.024.2	A31.40.902.4_1	5	B29.40.019.3	A31.40.908.4_2	27
SH900.37.159	A31.37.926.4_0	12	A31.40.005.0	A31.40.904.4_1	1	2.6852.203.0	A31.40.908.4_2	29
GBT5783-M8X25-A2L	A31.38.905.4_0	1	A31.40.001.3	A31.40.905.4_2	1	GBT5783-M8X16-A2L	A31.40.908.4_2	30
GBT93-8-A3L	A31.38.905.4_0	2	A31.40.002.3/10	A31.40.905.4_2	2	GBT3733-08-L16F	A31.40.908.4_2	31
A11.37.125.4	A31.38.905.4_0	3	CD1204.40.110	A31.40.905.4_2	3	2.6839.056.0	A31.40.908.4_2	32
GBT3452.1-32.5X1.8-G	A31.38.905.4_0	4	B29.40.025.0	A31.40.905.4_2	4	SH900.40.012	A31.40.916.4_0	1
GBT894.1-105	A31.39.900.4_3	1	CD1204A.40.109	A31.40.905.4_2	5	GBT5783-M10X25-A3L	A31.40.916.4_0	2
GBT5783-M20X65-10.9-A3L	A31.39.900.4_3	2	GBT5783-M8X40-A2L	A31.40.905.4_2	6	GBT93-10-A3L	A31.40.916.4_0	3
GBT93-20-A3L	A31.39.900.4_3	3	GBT5783-M8X45-A2L	A31.40.905.4_2	7	LE1204.41.106	A31.41.903.4_1	1
LE1204.34.106/10	A31.39.900.4_3	4	GBT5783-M10X20-A3L	A31.40.905.4_2	8	LE1204.41.113	A31.41.903.4_1	2
LE1204.34.107/10	A31.39.900.4_3	5	GBT6170-M8-A2L	A31.40.905.4_2	9	LE1204.41.117	A31.41.903.4_1	3
LE1204.34.104	A31.39.900.4_3	6	GBT93-10-A3L	A31.40.905.4_2	10	LE1204.42.101	A31.42.001.4	1
GBT119.1-8m6X22	A31.39.900.4_3	7	GBT93-8-A3L	A31.40.905.4_2	11	GBT893.1-62	A31.42.001.4	2
LE1204.34.103	A31.39.900.4_3	8	GBT97.1-8-A3L	A31.40.905.4_2	12	GBT283-NJ2206E	A31.42.001.4	3
LE1204.34.102/10	A31.39.900.4_3	10	B29.40.021.3/10	A31.40.908.4_2	1	GBT6172.1-M10-A3L	A31.42.001.4	4
LE1204.34.105/10	A31.39.900.4_3	11	GBT3452.1-30X2.65-G	A31.40.908.4_2	2	GBT75-M10X20-A3L	A31.42.001.4	5
LE1204.34.113	A31.39.900.4_3	13	GBT93-8-A3L	A31.40.908.4_2	3	LE1204.42.102	A31.42.001.4	6
GBT6176-M22X1.5-10-A3L	A31.39.900.4_3	14	GBT70.1-M8X25-A2L	A31.40.908.4_2	4	LE1204.42.103	A31.42.001.4	7
A31.40.007.3	A31.40.900.4_2	1	B29.40.036.0	A31.40.908.4_2	5	GBT5783-M10X25-A3L	A31.42.001.4	8
A31.40.003.3/20	A31.40.900.4_2	2	0.034.4849.0	A31.40.908.4_2	6	GBT93-10-A3L	A31.42.001.4	9
DF1204.40.013	A31.40.900.4_2	3	GBT5783-M6X45-A2L	A31.40.908.4_2	7	SH904.42.112	A31.42.001.4	10
SH900.40.108	A31.40.900.4_2	4	GBT97.1-6-A3L	A31.40.908.4_2	8	GBT276-6306	A31.42.001.4	11
LE1204.40.111	A31.40.900.4_2	5	GBT6170-M6-A2L	A31.40.908.4_2	9	GBT894.1-38	A31.42.001.4	12
GBT3452.1-19x2.65	A31.40.900.4_2	6	A31.40.013.0	A31.40.908.4_2	10	SH904.42.115	A31.42.001.4	13
GBT5783-M8x20-A2L	A31.40.900.4_2	7	JBT8870-D40	A31.40.908.4_2	11	LE1204.42.104	A31.42.001.4	14
GBT5783-M8x35-A2L	A31.40.900.4_2	8	B29.40.015.0/10	A31.40.908.4_2	12	LE1204.42.105	A31.42.001.4	15
GBT5783-M10X20-A3L	A31.40.900.4_2	9	GBT5783-M6X16-A2L	A31.40.908.4_2	13	SH904.42.117	A31.42.001.4	16
GBT6170-M10-A3L	A31.40.900.4_2	10	GBT93-6-A3L	A31.40.908.4_2	14	LE1204.42.107	A31.42.001.4	17
GBT6170-M6-A2L	A31.40.900.4_2	11	A31.40.015.0	A31.40.908.4_2	15	GBT13871.1-B-030052-F	A31.42.001.4	18
GBT70.1-M6X25-A2L	A31.40.900.4_2	12	GBT5783-M10X20-A3L	A31.40.908.4_2	16	SH904.42.120	A31.42.001.4	19

零件编号	结构代码	零件顺序	零件编号	结构代码	零件顺序	零件编号	结构代码	零件顺序
SH904.42.120	A31.42.001.4	19	GBT5786-M16X1.5X45-A3L	A31.42.904.4_0	4	GBT97.1-8-A3L	A31.45.903.4_2	3
GBT5783-M10X30-A3L	A31.42.001.4	20	GBT5783-M10X25-A3L	A31.42.904.4_0	5	GBT882-B8X24-A3L	A31.45.903.4_2	4
GBT894.1-30	A31.42.001.4	21	GBT5783-M10X30-A3L	A31.42.904.4_0	6	GBT879.1-5X40	A31.45.903.4_2	5
LE1204.42.108	A31.42.001.4	22	A23.43.002.0	A31.43.903.4_4	1	GBT879.1-8X40	A31.45.903.4_2	6
LE1204.42.109	A31.42.001.4	23	GBT97.1-10-A3L	A31.43.903.4_4	2	GBT894.1-20	A31.45.903.4_2	7
GBT5783-M10X45-A3L	A31.42.001.4	24	GBT93-10-A3L	A31.43.903.4_4	3	LE1204.38.015	A31.45.903.4_2	8
GBT3452.1-15.5X2.65-G	A31.42.001.4	25	GBT5783-M10X25-A3L	A31.43.903.4_4	4	SH900.38.104	A31.45.903.4_2	9
LE1204.42.124	A31.42.001.4	26	2.1560.008.0	A31.43.903.4_4	5	A31.45.011.3/10	A31.45.903.4_2	10
SH904.42.013	A31.42.001.4	27	SH900.43.115	A31.43.903.4_4	6	SH900.38.115	A31.45.903.4_2	11
YBT5294-SZ-F-1.5	A31.42.001.4	28	A23.43.004.3	A31.43.903.4_4	7	SH900.38.102	A31.45.903.4_2	12
LE1204.42.110	A31.42.001.4	29	A31.43.011.3	A31.43.903.4_4	8	SH900.38.103	A31.45.903.4_2	13
LE1204.42.111	A31.42.001.4	30	A31.43.013.3/10	A31.43.903.4_4	10	SH900.38.106	A31.45.903.4_2	14
LE1204.42.112	A31.42.001.4	31	GBT97.1-6-A3L	A31.43.903.4_4	13	GBT93-10-A3L	A31.45.903.4_2	16
LE1204.42.113	A31.42.001.4	32	GBT93-6-A3L	A31.43.903.4_4	14	GBT5783-M10X25-A3L	A31.45.903.4_2	17
JBT982-18	A31.42.001.4	33	GBT6170-M6-A2L	A31.43.903.4_4	15	A11.38.023.0	A31.45.903.4_2	18
GBT308-10-G100-b	A31.42.001.4	34	DF904.43.053	A31.43.903.4_4	16	A23.45.001.0	A31.45.903.4_2	19
LE1204.42.128	A31.42.001.4	35	GBT5783-M6X30-A2L	A31.43.903.4_4	17	SH404.42.114	A31.45.903.4_2	20
GBT879.1-8X32	A31.42.001.4	36	CD1204A.43.105	A31.43.903.4_4	18	CD1204.45.106	A31.45.903.4_2	21
SH904.42.014	A31.42.001.4	37	GBT3452.1-10X1.8-G	A31.43.903.4_4	22	GBT97.1-6-A3L	A31.45.903.4_2	22
DF1204.42.011	A31.42.004.4	1	SH900.43.130	A31.43.903.4_4	23	GBT93-6-A3L	A31.45.903.4_2	23
SH904.42.123	A31.42.004.4	2	2.1560.012.0	A31.43.903.4_4	24	GBT5783-M6X25-A2L	A31.45.903.4_2	24
GBT894.1-30	A31.42.004.4	3	A31.43.012.0/10	A31.43.903.4_4	25	LE1204.41.101-1	A31.45.904.4_2	1
GBT3452.1-45X3.5-G	A31.42.004.4	4	GBT5783-M8X20-A2L	A31.43.903.4_4	26	SH900.41.102	A31.45.904.4_2	2
LE1204.42.015	A31.42.004.4	5	GBT93-8-A3L	A31.43.903.4_4	27	LE1204.41.122	A31.45.904.4_2	3
A31.42.003.0	A31.42.004.4	6	GBT6170-M8-A2L	A31.43.903.4_4	28	LE1204.45.107	A31.45.904.4_2	4
GBT5783-M10X30-A3L	A31.42.004.4	7	0.257.6654.4/20	A31.43.914.4_1	1	GBT879.1-8X40	A31.45.904.4_2	5
GBT93-10-A3L	A31.42.004.4	8	0.023.9347.3	A31.43.914.4_1	2	GBT6170-M10-A3L	A31.45.904.4_2	6
LE1204.42.013	A31.42.004.4	9	2.0112.005.2	A31.43.914.4_1	3	GBT882-B10X35-A3L	A31.45.904.4_2	7
LE1204.42.016	A31.42.004.4	10	2.1475.201.2	A31.43.914.4_1	4	GBT97.1-10-A3L	A31.45.904.4_2	8
CD1204.42.117	A31.42.004.4	11	2.1011.103.2	A31.43.914.4_1	5	GBT91-3.2X25-A3L	A31.45.904.4_2	9
CD1204.42.017	A31.42.004.4	12	A23.43.005.3	A31.43.914.4_1	6	A23.45.089.4/10	A31.45.904.4_2	10
GBT894.1-32	A31.42.004.4	13	JBT8870-D20	A31.43.914.4_1	7	A23.45.001.0	A31.45.904.4_2	11
LE1204.42.118	A31.42.004.4	14	2.1560.008.0	A31.43.914.4_1	8	SH404.42.114	A31.45.904.4_2	12
A31.42.001.4	A31.42.902.4_0	1	SH900.43.115	A31.43.914.4_1	9	GBT97.1-6-A3L	A31.45.904.4_2	13
GBT93-14-A3L	A31.42.902.4_0	2	0.012.6343.0	A31.43.914.4_1	10	GBT93-6-A3L	A31.45.904.4_2	14
GBT5783-M14X35-A3L	A31.42.902.4_0	3	2.6851.019.0	A31.43.914.4_1	11	GBT5783-M6X25-A2L	A31.45.904.4_2	15
LE1204.38.140	A31.42.902.4_0	4	2.1559.117.0/20	A31.45.028.4/10	1	GBT879.1-8X30	A31.45.906.4_2	1
GBT119.1-8m6X16	A31.42.902.4_0	5	A31.45.029.3/10	A31.45.028.4/10	2	GBT879.1-5X30	A31.45.906.4_2	2
A31.42.004.4	A31.42.904.4_0	1	GBT91-2.5X16-A3L	A31.45.903.4_2	1	SH900.43.170	A31.45.906.4_2	3
GBT93-10-A3L	A31.42.904.4_0	2	GBT91-2X20-A3L	A31.45.903.4_2	2	SH900.21.117	A31.45.906.4_2	4

零件编号	结构代码	零件顺序	零件编号	结构代码	零件顺序	零件编号	结构代码	零件顺序
SH900.21.117	A31.45.906.4_2	4	SH900.43.030	A31.45.909.4_2	7	A31.45.028.4/10	A31.45.912.4_2	13
GBT91-3.2X20-A3L	A31.45.906.4_2	5	GBT6170-M10-A3L	A31.45.909.4_2	8	A31.45.031.3	A31.45.912.4_2	14
GBT97.1-10-A3L	A31.45.906.4_2	6	SH900.43.103	A31.45.909.4_2	9	GBT5783-M8X25-A2L	A31.45.912.4_2	15
GBT882-B10X32-A3L	A31.45.906.4_2	7	GBT93-10-A3L	A31.45.909.4_2	10	GBT6170-M8-A2L	A31.45.912.4_2	16
GBT6171-M10X1-A2L	A31.45.906.4_2	8	SH900.43.011	A31.45.909.4_2	11	GBT894.1-30	A31.45.912.4_2	17
GBT5783-M8X35-A2L	A31.45.906.4_2	9	GBT879.1-5X18	A31.45.909.4_2	12	GBT93-8-A3L	A31.45.912.4_2	18
GBT93-8-A3L	A31.45.906.4_2	10	SH900.56.105	A31.45.909.4_2	13	GBT97.1-8-A3L	A31.45.912.4_2	19
GBT97.1-8-A3L	A31.45.906.4_2	11	GBT6170-M8-A2L	A31.45.909.4_2	14	LE1204.41.101-1	A31.45.913.4_2	1
A23.45.010.0/20	A31.45.906.4_2	12	GBT93-8-A3L	A31.45.909.4_2	15	SH900.41.102	A31.45.913.4_2	2
SH900.43.145	A31.45.906.4_2	13	GBT5783-M8X20-A2L	A31.45.909.4_2	16	LE1204.41.122	A31.45.913.4_2	3
2.6560.008.0	A31.45.906.4_2	14	SH900.21.101	A31.45.909.4_2	17	LE1204.45.107	A31.45.913.4_2	4
A23.45.050.0	A31.45.906.4_2	15	A23.45.078.4/10	A31.45.910.4_1	1	GBT879.1-8X40	A31.45.913.4_2	5
A23.45.002.0	A31.45.906.4_2	16	GBT5783-M6X25-A2L	A31.45.910.4_1	2	GBT6170-M10-A3L	A31.45.913.4_2	6
A23.45.060.4/30	A31.45.906.4_2	17	GBT93-6-A3L	A31.45.910.4_1	3	GBT882-B10X35-A3L	A31.45.913.4_2	7
GBT6171-M10X1-LH-A2L	A31.45.906.4_2	18	GBT97.1-6-A3L	A31.45.910.4_1	4	GBT97.1-10-A3L	A31.45.913.4_2	8
null	A31.45.906.4_2	null	SH900.41.102	A31.45.910.4_1	6	GBT91-3.2X25-A3L	A31.45.913.4_2	9
A31.45.011.0	A31.45.907.4_6	1	SH404.42.114	A31.45.910.4_1	7	A23.45.092.4/10	A31.45.913.4_2	10
A31.45.013.0/10	A31.45.907.4_6	2	A31.45.055.0/10	A31.45.910.4_1	8	A23.45.001.0	A31.45.913.4_2	11
A31.45.012.0/10	A31.45.907.4_6	3	SH404.42.113	A31.45.910.4_1	9	SH404.42.114	A31.45.913.4_2	12
GBT93-6-A3L	A31.45.907.4_6	4	A23.45.001.0	A31.45.910.4_1	10	GBT97.1-6-A3L	A31.45.913.4_2	13
GBT70.1-M6X25-A2L	A31.45.907.4_6	5	A31.45.054.0	A31.45.910.4_1	11	GBT93-6-A3L	A31.45.913.4_2	14
GBT819.1-M6X16-A2L	A31.45.907.4_6	6	SH900.37.011	A31.45.910.4_1	12	GBT5783-M6X25-A2L	A31.45.913.4_2	15
0.020.3200.0	A31.45.907.4_6	7	GBT93-10-A3L	A31.45.910.4_1	13	LE1204.41.101-1	A31.45.914.4_2	1
0.020.3149.0	A31.45.907.4_6	8	GBT6170-M10-A3L	A31.45.910.4_1	14	SH900.41.102	A31.45.914.4_2	2
0.020.3757.0	A31.45.907.4_6	9	GBT97.1-10-A3L	A31.45.910.4_1	15	LE1204.41.122	A31.45.914.4_2	3
A31.45.010.4/20	A31.45.907.4_6	10	GBT91-3.2X22-A3L	A31.45.910.4_1	16	LE1204.45.107	A31.45.914.4_2	4
GBT5783-M6X16-A2L	A31.45.907.4_6	11	GBT879.1-5X30	A31.45.910.4_1	17	GBT879.1-8X40	A31.45.914.4_2	5
A68.45.066.0/10	A31.45.907.4_6	12	GBT879.1-8X30	A31.45.910.4_1	18	GBT6170-M10-A3L	A31.45.914.4_2	6
GBT70.1-M5X20-A2L	A31.45.907.4_6	13	0.020.5363.2	A31.45.912.4_2	1	GBT882-B10X35-A3L	A31.45.914.4_2	7
2.1410.004.2	A31.45.907.4_6	14	0.020.5400.0	A31.45.912.4_2	2	GBT97.1-10-A3L	A31.45.914.4_2	8
2.2841.071.0	A31.45.907.4_6	15	2.0114.207.2	A31.45.912.4_2	3	GBT91-3.2X25-A3L	A31.45.914.4_2	9
A31.45.019.0	A31.45.907.4_6	16	2.1011.205.2	A31.45.912.4_2	4	A23.45.091.4/10	A31.45.914.4_2	10
A31.45.020.4	A31.45.907.4_6	17	2.1310.002.2	A31.45.912.4_2	5	A23.45.001.0	A31.45.914.4_2	11
A31.45.021.2/10	A31.45.907.4_6	18	2.1310.004.2	A31.45.912.4_2	6	SH404.42.114	A31.45.914.4_2	12
A31.45.022.2	A31.45.907.4_6	19	2.1310.006.3	A31.45.912.4_2	7	GBT97.1-6-A3L	A31.45.914.4_2	13
SH900.43.181	A31.45.909.4_2	1	2.1599.268.0	A31.45.912.4_2	8	GBT93-6-A3L	A31.45.914.4_2	14
SH900.43.040	A31.45.909.4_2	2	2.1671.408.2	A31.45.912.4_2	9	GBT5783-M6X25-A2L	A31.45.914.4_2	15
SH900.43.166	A31.45.909.4_2	3	2.1690.205.2	A31.45.912.4_2	10	A31.45.009.3/10	A31.45.917.4_3	1
SH900.43.041	A31.45.909.4_2	4	2.1690.308.2	A31.45.912.4_2	11	A31.45.010.3/10	A31.45.917.4_3	2
SH900.43.016	A31.45.909.4_2	5	2.4049.093.2	A31.45.912.4_2	12	GBT6170-M10-A3L	A31.45.917.4_3	3

零件编号	结构代码	零件顺序	零件编号	结构代码	零件顺序	零件编号	结构代码	零件顺序
GBT6170-M10-A3L	A31.45.917.4_3	3	SH900.43.145	A31.45.945.4_2	24	CD554.48.030	A31.48.900.4_3	9
C35.45.001.2	A31.45.917.4_3	4	A31.45.072.0	A31.45.945.4_2	25	GBT97.1-10-A3L	A31.48.900.4_3	10
C35.45.002.2	A31.45.917.4_3	5	LE1204.45.015A	A31.45.960.4_1	1	GBT93-10-A3L	A31.48.900.4_3	11
GBT97.1-8-A3L	A31.45.917.4_3	6	LD700.47.031	A31.45.960.4_1	2	GBT5783-M10X20-A3L	A31.48.900.4_3	12
GBT5783-M8X35-A2L	A31.45.917.4_3	7	CD1204.45.120	A31.45.960.4_1	3	GBT97.1-6-A3L	A31.48.900.4_3	13
SH904.42.126	A31.45.918.4_1	1	GBT96-16-A3L	A31.45.960.4_1	4	GBT93-6-A3L	A31.48.900.4_3	14
GBT97.1-10-A3L	A31.45.918.4_1	2	GBT5782-M16X110-A3L	A31.45.960.4_1	5	GBT5783-M6X20-A2L	A31.48.900.4_3	15
GBT882-B10X30-A3L	A31.45.918.4_1	3	GBT6170-M16-A3L	A31.45.960.4_1	6	0.020.2413.4	A31.48.900.4_3	16
GBT91-3.2X25-A3L	A31.45.918.4_1	4	GBT5782-M16X80-A3L	A31.45.960.4_1	7	GBT6170-M8-A2L	A31.48.900.4_3	17
A31.45.020.0	A31.45.918.4_1	5	A31.45.049.0	A31.45.960.4_1	8	GBT93-8-A3L	A31.48.900.4_3	18
A23.45.076.4/10	A31.45.918.4_1	6	GBT5782-M16X150-A3L	A31.45.960.4_1	9	GBT97.1-8-A3L	A31.48.900.4_3	19
GBT6170-M10-A3L	A31.45.918.4_1	7	GBT5783-M16X45-10.9-A3L	A31.45.960.4_1	10	SH400.48.112	A31.48.905.4_1	2
A23.45.001.0	A31.45.918.4_1	8	GBT97.1-16-A3L	A31.45.960.4_1	11	A23.48.012.0	A31.48.905.4_1	3
SH404.42.114	A31.45.918.4_1	10	A31.45.050.0	A31.45.960.4_1	12	A31.48.011.0/10	A31.48.905.4_1	4
SH404.42.113	A31.45.918.4_1	11	GBT889.1-M16-A3L	A31.45.960.4_1	13	A31.48.014.0/10	A31.48.905.4_1	5
GBT97.1-6-A3L	A31.45.918.4_1	12	A31.45.051.3/40	A31.45.972.4_2	1	GBT93-10-A3L	A31.48.905.4_1	6
GBT93-6-A3L	A31.45.918.4_1	13	CD904A.45A.107	A31.45.972.4_2	2	GBT97.1-10-A3L	A31.48.905.4_1	7
GBT5783-M6X25-A2L	A31.45.918.4_1	14	GBT5783-M8X20-A2L	A31.45.972.4_2	3	GBT5783-M10X20-A3L	A31.48.905.4_1	8
A31.45.052.4/20	A31.45.945.4_2	1	GBT97.1-8-A3L	A31.45.972.4_2	4	A31.48.025.0	A31.48.906.4_3	1
A23.45.002.0	A31.45.945.4_2	2	GBT5783-M6X16-A2L	A31.45.972.4_2	5	CD1204.48.039	A31.48.906.4_3	2
A23.45.050.0	A31.45.945.4_2	3	GBT97.1-6-A3L	A31.45.972.4_2	6	CD1204.48.106-1	A31.48.906.4_3	3
GBT6171-M10X1-A2L	A31.45.945.4_2	4	A31.47.002.2/10	A31.47.901.4_0	1	LE1204.48.029	A31.48.906.4_3	5
SH900.21.117	A31.45.945.4_2	5	A31.47.003.3	A31.47.901.4_0	2	A31.48.024.0	A31.48.906.4_3	6
GBT882-B10X32-A3L	A31.45.945.4_2	6	A31.47.005.0/10	A31.47.901.4_0	3	CD1204.48.111	A31.48.906.4_3	7
GBT97.1-10-A3L	A31.45.945.4_2	7	A31.47.001.2/10	A31.47.901.4_0	4	GBT97.1-8-A3L	A31.48.906.4_3	8
GBT91-3.2X20-A3L	A31.45.945.4_2	8	A31.47.004.0/10	A31.47.901.4_0	5	GBT93-8-A3L	A31.48.906.4_3	9
GBT5783-M8X35-A2L	A31.45.945.4_2	9	GB/T5783-M8X16-A2L	A31.47.901.4_0	6	GBT6170-M8-A2L	A31.48.906.4_3	10
GBT93-8-A3L	A31.45.945.4_2	10	GBT97.1-8-A3L	A31.47.901.4_0	7	A31.48.010.0	A31.48.919.4_0	1
GBT97.1-8-A3L	A31.45.945.4_2	11	GBT93-8-A3L	A31.47.901.4_0	8	GBT97.1-10-A3L	A31.48.919.4_0	2
SH900.21.016	A31.45.945.4_2	12	GBT5783-M10X20-A3L	A31.47.901.4_0	9	GBT93-10-A3L	A31.48.919.4_0	3
GBT5782-M10X60-A3L	A31.45.945.4_2	13	GBT93-10-A3L	A31.47.901.4_0	10	GBT5783-M10X25-A3L	A31.48.919.4_0	4
GBT6170-M10-A3L	A31.45.945.4_2	14	GBT97.1-10-A3L	A31.47.901.4_0	11	A31.48.017.0	A31.48.919.4_0	5
GBT93-10-A3L	A31.45.945.4_2	15	A31.48.026.0	A31.48.900.4_3	1	A31.48.018.0	A31.48.919.4_0	6
SH900.21.119	A31.45.945.4_2	16	A31.48.027.0	A31.48.900.4_3	2	0.023.9062.4/10	A31.48.928.4_2	1
SH900.21.118	A31.45.945.4_2	17	2.6839.057.0	A31.48.900.4_3	3	2.6852.203.0	A31.48.928.4_2	2
SH900.21.020	A31.45.945.4_2	18	B29.48.022.4	A31.48.900.4_3	4	2.7659.561.0	A31.48.928.4_2	3
GBT894.1-30	A31.45.945.4_2	19	A31.48.006.0/10	A31.48.900.4_3	5	A31.48.021.0/10	A31.48.928.4_2	4
SH900.21.115	A31.45.945.4_2	20	CD1204A.48.024/10	A31.48.900.4_3	6	A68.48.001.0/10	A31.48.928.4_2	5
GBT5783-M10X25-A3L	A31.45.945.4_2	21	2.6839.060.0	A31.48.900.4_3	7	GBT93-5-A3L	A31.48.928.4_2	6
SH900.21.116	A31.45.945.4_2	22	A31.48.005.3/10	A31.48.900.4_3	8	GBT93-6-A3L	A31.48.928.4_2	7

零件编号	结构代码	零件顺序	零件编号	结构代码	零件顺序	零件编号	结构代码	零件顺序
GBT93-6-A3L	A31.48.928.4_2	7	GBT5783-M10X20-A3L	A31.50.900.4_0	7	GBT5783-M12X30-A3L	A31.50.910.4_0	27
GBT97.1-5-A3L	A31.48.928.4_2	8	JBT8870-D20	A31.50.906.4_0	1	A31.50.027.0	A31.50.910.4_0	28
GBT97.1-6-A3L	A31.48.928.4_2	9	0.029.1451.0	A31.50.906.4_0	2	GBT93-12-A3L	A31.50.910.4_0	29
GBT818-M5X20-A2L	A31.48.928.4_2	10	A23.50.014.0	A31.50.906.4_0	3	SH900.50.138	A31.50.911.4_0	1
GBT818-M6X25-A2L	A31.48.928.4_2	11	CD1204.50.106	A31.50.906.4_0	4	GBT93-16-A3L	A31.50.911.4_0	2
GBT5783-M6X25-A2L	A31.48.928.4_2	12	CD1204.50.105	A31.50.906.4_0	5	SH900.50.139	A31.50.911.4_0	3
CD554A.20.113/10	A31.48.928.4_2	13	A31.50.011.3	A31.50.907.4_0	1	GBT5783-M10X20-A3L	A31.50.911.4_0	4
A23.48.013.0	A31.48.931.4_2	1	GBT93-10-A3L	A31.50.907.4_0	2	GBT93-10-A3L	A31.50.911.4_0	5
A23.48.006.0	A31.48.931.4_2	2	GBT5783-M10X25-A3L	A31.50.907.4_0	3	GBT93-8-A3L	A31.50.911.4_0	6
A23.48.009.0/10	A31.48.931.4_2	3	A31.50.014.3	A31.50.907.4_0	4	GBT6170-M10-A3L	A31.50.911.4_0	7
GBT818-M6X16-A2L	A31.48.931.4_2	4	A31.50.015.0	A31.50.907.4_0	5	GBT97.1-10-A3L	A31.50.911.4_0	8
GBT93-6-A3L	A31.48.931.4_2	5	GBT97.1-8-A3L	A31.50.907.4_0	6	CD1204A.50.011	A31.50.911.4_0	9
GBT97.1-6-A3L	A31.48.931.4_2	6	GBT93-8-A3L	A31.50.907.4_0	7	GBT5783-M12X35-10.9-A3L	A31.50.911.4_0	10
CD304.48.039	A31.48.931.4_2	7	GBT6170-M8-A2L	A31.50.907.4_0	8	GBT93-12-A3L	A31.50.911.4_0	11
A23.48.005.0/40	A31.48.931.4_2	8	A31.50.001.3	A31.50.910.4_0	1	LE1204.50.023	A31.50.911.4_0	12
GBT818-M6X25-A2L	A31.48.931.4_2	9	SH900.50.138	A31.50.910.4_0	2	A31.50.002.3	A31.50.911.4_0	13
A31.48.003.0/30	A31.48.931.4_2	10	GBT5783-M16X40-10.9-A3L	A31.50.910.4_0	3	GBT5783-M16X55-10.9-A3L	A31.50.911.4_0	14
GBT5783-M6X20-A2L	A31.48.931.4_2	11	GBT93-16-A3L	A31.50.910.4_0	4	LE1204.50.027	A31.50.911.4_0	15
GBT6170-M6-A2L	A31.48.931.4_2	12	SH900.50.141	A31.50.910.4_0	5	GBT97.1-8-A3L	A31.50.911.4_0	16
SH400.48.112	A31.48.931.4_2	13	A31.50.024.3	A31.50.910.4_0	6	GBT5783-M8X25-A2L	A31.50.911.4_0	17
CD1204A.48.101/20	A31.48.931.4_2	14	GBT5783-M16X35-A3L	A31.50.910.4_0	7	LE1204.50.028	A31.50.911.4_0	18
SH400.48.047	A31.48.931.4_2	15	SH900.50.139	A31.50.910.4_0	8	LE1204.50.148	A31.50.911.4_0	19
LD700.48.037	A31.48.931.4_2	17	CD1204.50.016	A31.50.910.4_0	9	JBT982-14	A31.50.911.4_0	20
A23.48.007.0	A31.48.931.4_2	19	GBT5783-M10X20-A3L	A31.50.910.4_0	10	LE1204.50.149	A31.50.911.4_0	21
2.7659.474.0	A31.48.931.4_2	21	GBT93-10-A3L	A31.50.910.4_0	11	LD700.37.190	A31.50.911.4_0	22
2.6852.203.0	A31.48.931.4_2	22	LE1204.50.019	A31.50.910.4_0	12	CD1204.50.106	A31.50.911.4_0	23
2.3110.404.2	A31.48.931.4_2	23	LE1204.50.029	A31.50.910.4_0	13	JBT8870-D20	A31.50.911.4_0	24
A31.48.029.0	A31.48.948.4_1	1	LE1204.50.147	A31.50.910.4_0	14	CD1204.50.105	A31.50.911.4_0	25
B29.48.023.4/10	A31.48.948.4_1	2	0.029.1739.4	A31.50.910.4_0	15	CD1204.50.103	A31.50.911.4_0	26
GBT5783-M6X30-A2L	A31.48.948.4_1	3	CD1204.50.012	A31.50.910.4_0	16	LE1204.50.146	A31.50.911.4_0	27
GBT93-6-A3L	A31.48.948.4_1	4	CD1204.50.101	A31.50.910.4_0	17	LE1204.50.033	A31.50.911.4_0	28
GBT97.1-6-A3L	A31.48.948.4_1	5	CD1204.50.102	A31.50.910.4_0	18	LE1204.50.031	A31.50.911.4_0	29
B05.48.042.0	A31.48.948.4_1	6	GBT96.1-8-A3L	A31.50.910.4_0	19	LE1204.50.132	A31.50.911.4_0	30
2.6852.203.0	A31.48.975.4_1	1	GBT93-8-A3L	A31.50.910.4_0	20	LE1204.50.012	A31.50.911.4_0	31
A31.48.020.0/20	A31.48.975.4_1	2	GBT5783-M8X16-A2L	A31.50.910.4_0	21	LE1204.50.131	A31.50.911.4_0	32
A31.50.001.0	A31.50.900.4_0	1	GBT5783-M8X20-A2L	A31.50.910.4_0	22	JBT8870-D70	A31.50.911.4_0	33
A31.50.001.2	A31.50.900.4_0	2	GBT6170-M8-A2L	A31.50.910.4_0	23	JBT982-20	A31.50.911.4_0	34
GBT96.1-8-A3L	A31.50.900.4_0	3	CD1204.50.013	A31.50.910.4_0	24	CD1204.50.124	A31.50.911.4_0	35
GBT93-8-A3L	A31.50.900.4_0	4	GBT6170-M10-A3L	A31.50.910.4_0	25	0.024.0988.0	A31.51.900.4_0	1
GBT5783-M8X20-A2L	A31.50.900.4_0	5	GBT97.1-10-A3L	A31.50.910.4_0	26	WF1004.55.021A	A31.55.001.0	4

零件编号	结构代码	零件顺序	零件编号	结构代码	零件顺序	零件编号	结构代码	零件顺序
WF1004.55.021A	A31.55.001.0	4	SH900.55.147	A31.55.921.4_1	8	A31.56.002.3	A31.56.910.4_2	12
TF1004.55.9-02	A31.55.001.0	6	SH900.55.115	A31.55.921.4_1	9	LE1204.56.108/10	A31.56.910.4_2	15
WF1004.55.022A	A31.55.001.0	15	GBT91-6.3X40-A3L	A31.55.921.4_1	10	LE1204.56.109/20	A31.56.910.4_2	16
A31.55.001.0	A31.55.920.4_3	1	A31.56.006.3	A31.56.005.4	1	GBT5783-M12X25-10.9-A3L	A31.56.910.4_2	17
0.028.8137.3	A31.55.920.4_3	3	0.014.1418.3	A31.56.005.4	2	GBT93-12-A3L	A31.56.910.4_2	18
A31.56.008.4	A31.55.920.4_3	4	0.014.4148.3/10	A31.56.005.4	3	GBT899-AM20X110-10.9-A3L	A31.56.910.4_2	19
GBT5782-M12X140-A3L	A31.55.920.4_3	5	0.96081.16.0	A31.56.005.4	4	GBT93-20-A3L	A31.56.910.4_2	20
GBT93-12-A3L	A31.55.920.4_3	6	2.3820.105.2	A31.56.005.4	5	GBT6170-M20-A3L	A31.56.910.4_2	21
LE1204.55.018	A31.55.920.4_3	7	A68.56.004.0/10	A31.56.008.4	1	0.760.4552.0	A31.56.910.4_2	22
GBT5783-M8X16-A2L	A31.55.920.4_3	8	0.76038.58.0	A31.56.008.4	2	0.760.3954.0	A31.56.910.4_2	23
GBT93-8-A2L	A31.55.920.4_3	9	2.4099.042.2	A31.56.008.4	3	0.016.7833.3	A31.56.910.4_2	24
GBT3452.1-32.5X1.8-G	A31.55.920.4_3	10	A31.56.010.0	A31.56.008.4	4	0.016.7834.3	A31.56.910.4_2	25
SH900.55.162/10	A31.55.920.4_3	11	LE1204.56.025	A31.56.900.4_1	2	LE1204.56A.113	A31.56.910.4_2	26
JBT8870-D20	A31.55.920.4_3	12	LE1204.56.102/20	A31.56.900.4_1	3	0.009.2300.0	A31.56.910.4_2	27
SH704-1.55.015-1	A31.55.920.4_3	13	GBT119.1-20m6X35	A31.56.900.4_1	4	LE1204.56A.014/10	A31.56.911.4_0	1
GBT5783-M8X30-A2L	A31.55.920.4_3	14	LE1204.56.011	A31.56.900.4_1	5	A31.56.001.0	A31.56.911.4_0	2
GBT97.1-8-A2L	A31.55.920.4_3	15	LE1204.56.108/10	A31.56.900.4_1	9	SH900.56.113	A31.56.911.4_0	3
GBT6170-M8-A2L	A31.55.920.4_3	16	LE1204.56.109/20	A31.56.900.4_1	10	SH900.56.108	A31.56.911.4_0	4
GBT899-AM12X40-10.9-A3L	A31.55.920.4_3	17	GBT5783-M12X25-10.9-A3L	A31.56.900.4_1	11	LE1204.56A.017/20	A31.56.911.4_0	5
GBT6170-M12-A3L	A31.55.920.4_3	18	GBT93-12-A3L	A31.56.900.4_1	12	SH900.56.155/10	A31.56.911.4_0	6
GBT5783-M10X20-A3L	A31.55.920.4_3	19	GBT899-AM20X110-10.9-A3L	A31.56.900.4_1	13	SH400.56.025	A31.56.911.4_0	7
GBT93-10-A3L	A31.55.920.4_3	20	GBT93-20-A3L	A31.56.900.4_1	14	A31.58.017.4	A31.58.900.4_3	1
GBT97.1-10-A3L	A31.55.920.4_3	21	GBT6170-M20-A3L	A31.56.900.4_1	15	LE1204.58.030-1	A31.58.900.4_3	1
2.1560.020.0	A31.55.920.4_3	22	LE1204.56.018	A31.56.902.4_0	1	CD1204.58.012	A31.58.900.4_3	2
SH900.55.016	A31.55.920.4_3	23	SH900.56.104	A31.56.902.4_0	2	A31.58.026.0	A31.58.900.4_3	3
SH900.55.109	A31.55.920.4_3	24	SH900.56.105	A31.56.902.4_0	3	A31.58.015.3	A31.58.900.4_3	4
2.1560.014.0	A31.55.920.4_3	25	LE1204.56.014	A31.56.902.4_0	4	CD1204A.58.102	A31.58.900.4_3	5
SH900.55.106	A31.55.920.4_3	26	LE1204.56.101/10	A31.56.902.4_0	5	DF1204.58.122	A31.58.900.4_3	6
0.760.2212.0	A31.55.920.4_3	27	2.1120.213.2	A31.56.902.4_0	6	GBT3452.1-22.4X1.8-G	A31.58.900.4_3	7
0.760.2257.3	A31.55.920.4_3	28	SH900.56.150	A31.56.902.4_0	7	GBT3452.1-32.5X1.8-G	A31.58.900.4_3	8
LE1204.56A.103/10	A31.55.920.4_3	29	LE1204.56.019	A31.56.902.4_0	8	GBT5782-M8X65-A2L	A31.58.900.4_3	9
GBT93-16-A3L	A31.55.920.4_3	30	GBT93-16-A3L	A31.56.902.4_0	9	GBT5783-M10X30-A3L	A31.58.900.4_3	10
GBT6170-M16-A3L	A31.55.920.4_3	31	GBT5783-M16X40-10.9-A3L	A31.56.902.4_0	10	GBT5783-M6X20-A2L	A31.58.900.4_3	11
GBT899-AM16X70-10.9-A3L	A31.55.920.4_3	32	A31.56.005.4	A31.56.910.4_2	2	GBT5783-M10X20-A2L	A31.58.900.4_3	12
B29.55.001.0	A31.55.921.4_1	1	LE1204.56.102/20	A31.56.910.4_2	3	GBT5782-M8X70-A2L	A31.58.900.4_3	13
LE1204.55.101	A31.55.921.4_1	2	GBT119.1-20m6X35	A31.56.910.4_2	4	GBT6170-M6-A2L	A31.58.900.4_3	14
LE1204.55.102	A31.55.921.4_1	3	A31.56.003.3	A31.56.910.4_2	5	GBT6170-M8-A2L	A31.58.900.4_3	15
GBT899-AM18X90-10.9-A3L	A31.55.921.4_1	4	0.010.9322.4	A31.56.910.4_2	9	GBT70.1-M8X65-A2L	A31.58.900.4_3	16
GBT93-18-A3L	A31.55.921.4_1	5	LE1204.56A.114	A31.56.910.4_2	10	GBT93-10-A3L	A31.58.900.4_3	17
GBT6170-M18-10-A3L	A31.55.921.4_1	6	2.1669.036.2	A31.56.910.4_2	11	GBT93-6-A2L	A31.58.900.4_3	18

零件编号	结构代码	零件顺序	零件编号	结构代码	零件顺序	零件编号	结构代码	零件顺序
GBT93-6-A2L	A31.58.900.4_3	18	A11.58.103.3	A31.58.905.4_3	8	GBT5783-M6X40-A2L	A31.58.912.4_2	9
GBT93-8-A2L	A31.58.900.4_3	19	A11.58.102.0	A31.58.905.4_3	10	GBT97.1-6-A3L	A31.58.912.4_2	10
GBT97.1-6-A3L	A31.58.900.4_3	20	A02.58.093.0	A31.58.905.4_3	11	2.3320.109.0	A31.58.912.4_2	11
GBT97.1-8-A3L	A31.58.900.4_3	21	A02.58.094.0	A31.58.905.4_3	12	GBT6170-M6-A2L	A31.58.912.4_2	12
JBT8870-D50	A31.58.900.4_3	22	GBT3733-08-L18F	A31.58.905.4_3	14	A31.58.022.3	A31.58.915.4_0	1
LE1204.58.038	A31.58.900.4_3	23	GBT3452.1-19.3X2.2-G	A31.58.905.4_3	20	A31.58.021.3	A31.58.915.4_0	2
A31.58.018.0	A31.58.900.4_3	24	GBT3738-08-L18	A31.58.905.4_3	21	A08.58.101.0	A31.58.915.4_0	6
LE1204.58.165	A31.58.900.4_3	25	GBT3452.1-16X1.5-G	A31.58.905.4_3	22	A11.58.103.3	A31.58.915.4_0	8
0.028.1966.3/30	A31.58.904.4_5	1	GBT3452.1-17.3X2.2-G	A31.58.905.4_3	23	A11.58.102.0	A31.58.915.4_0	10
0.028.8080.2/20	A31.58.904.4_5	2	GBT3452.1-12X1.5-G	A31.58.905.4_3	24	A02.58.093.0	A31.58.915.4_0	11
0.028.8081.3	A31.58.904.4_5	3	B29.58.008.3	A31.58.905.4_3	25	A02.58.094.0	A31.58.915.4_0	12
2.3139.024.2	A31.58.904.4_5	4	GBT5782-M6X50-A2L	A31.58.905.4_3	26	GBT3733-08-L18F	A31.58.915.4_0	14
GBT3452.1-16X1.5-G	A31.58.904.4_5	5	GBT93-6-A3L	A31.58.905.4_3	27	GBT3452.1-19.3X2.2-G	A31.58.915.4_0	20
DF1204.58B.019	A31.58.904.4_5	6	GBT97.1-6-A3L	A31.58.905.4_3	28	GBT3738-08-L18	A31.58.915.4_0	21
DF1204.58B.020	A31.58.904.4_5	7	2.3320.319.0	A31.58.905.4_3	29	GBT3452.1-16X1.5-G	A31.58.915.4_0	22
DF1204.58B.102	A31.58.904.4_5	8	0.028.2006.3/30	A31.58.905.4_4	1	GBT3452.1-17.3X2.2-G	A31.58.915.4_0	23
GBT3452.1-19X2.65-G	A31.58.904.4_5	9	0.028.2010.3/10	A31.58.905.4_4	2	GBT3452.1-12X1.5-G	A31.58.915.4_0	24
GBT5783-M10X20-A3L	A31.58.904.4_5	10	A08.58.101.0	A31.58.905.4_4	6	B29.58.008.3	A31.58.915.4_0	25
GBT5782-M12X70-10.9-A3L	A31.58.904.4_5	11	A11.58.103.3	A31.58.905.4_4	8	GBT5782-M6X50-A2L	A31.58.915.4_0	26
GBT5783-M8X16-A2L	A31.58.904.4_5	12	A11.58.102.0	A31.58.905.4_4	10	GBT93-6-A3L	A31.58.915.4_0	27
GBT5783-M8X20-A2L	A31.58.904.4_5	13	A02.58.093.0	A31.58.905.4_4	11	GBT97.1-6-A3L	A31.58.915.4_0	28
GBT70.1-M8X25-A2L	A31.58.904.4_5	14	A02.58.094.0	A31.58.905.4_4	12	2.3320.319.0	A31.58.915.4_0	29
GBT93-10-A3L	A31.58.904.4_5	15	GBT3733-08-L18F	A31.58.905.4_4	14	A31.58.022.3/10	A31.58.915.4_1	1
GBT93-12-A3L	A31.58.904.4_5	16	GBT3452.1-19.3X2.2-G	A31.58.905.4_4	20	A31.58.021.3	A31.58.915.4_1	2
A68.58.003.0	A31.58.904.4_5	18	GBT3738-08-L18	A31.58.905.4_4	21	A08.58.101.0	A31.58.915.4_1	6
GBT93-8-A3L	A31.58.904.4_5	19	GBT3452.1-16X1.5-G	A31.58.905.4_4	22	A11.58.103.3	A31.58.915.4_1	8
GBT3452.1-19.3X2.2-G	A31.58.904.4_5	20	GBT3452.1-17.3X2.2-G	A31.58.905.4_4	23	A11.58.102.0	A31.58.915.4_1	10
GBT3738-08-L18	A31.58.904.4_5	21	GBT3452.1-12X1.5-G	A31.58.905.4_4	24	A02.58.093.0	A31.58.915.4_1	11
SH900.58.101	A31.58.904.4_5	22	B29.58.008.3	A31.58.905.4_4	25	A02.58.094.0	A31.58.915.4_1	12
GBT3733.2-83-G22	A31.58.904.4_5	24	GBT5782-M6X50-A2L	A31.58.905.4_4	26	GBT3733-08-L18F	A31.58.915.4_1	14
GBT5783-M8X90-A2L	A31.58.904.4_5	25	GBT93-6-A3L	A31.58.905.4_4	27	GBT3452.1-19.3X2.2-G	A31.58.915.4_1	20
GBT97.1-8-A3L	A31.58.904.4_5	26	GBT96-6-A3L	A31.58.905.4_4	28	GBT3738-08-L18	A31.58.915.4_1	21
A11.58.107.0	A31.58.904.4_5	27	2.3320.316.0	A31.58.905.4_4	29	GBT3452.1-16X1.5-G	A31.58.915.4_1	22
2.6839.068.0	A31.58.904.4_5	28	A31.58.024.3/10	A31.58.912.4_2	1	GBT3452.1-17.3X2.2-G	A31.58.915.4_1	23
GBT6170-M6-A2L	A31.58.904.4_5	29	A31.58.025.3	A31.58.912.4_2	2	GBT3452.1-12X1.5-G	A31.58.915.4_1	24
GBT70.1-M6X20-A2L	A31.58.904.4_5	30	B29.58.015.0	A31.58.912.4_2	3	B29.58.008.3	A31.58.915.4_1	25
GBT93-6-A3L	A31.58.904.4_5	31	GBT3452.1-19X2.65-G	A31.58.912.4_2	4	GBT5782-M6X50-A2L	A31.58.915.4_1	26
A11.58.108.0	A31.58.904.4_5	32	GBT70.1-M8X25-A2L	A31.58.912.4_2	6	GBT93-6-A3L	A31.58.915.4_1	27
0.028.2006.3/20	A31.58.905.4_3	1	GBT93-8-A3L	A31.58.912.4_2	7	GBT97.1-6-A3L	A31.58.915.4_1	28
0.028.2010.3/10	A31.58.905.4_3	2	GBT3452.1-16X1.5-G	A31.58.912.4_2	8	2.3320.319.0	A31.58.915.4_1	29

零件编号	结构代码	零件顺序	零件编号	结构代码	零件顺序	零件编号	结构代码	零件顺序
2.3320.319.0	A31.58.915.4_1	29	LE1204.37.191	A33.37.901.4_5	19	A80.45.033.0	A80.45.902.4_0	10
LE1204.74.011	A31.74.900.4_0	1	LE1204.37.192	A33.37.901.4_5	20	A80.45.039.0	A80.45.902.4_0	11
A31.81.001.2	A31.81.901.4_0	1	A26.37.010.0	A33.37.901.4_5	21	A80.45.047.0	A80.45.902.4_0	12
A31.81.002.2	A31.81.901.4_0	2	0.014.0150.4/10	A33.37.902.4_5	1	A80.45.048.0	A80.45.902.4_0	13
A31.81.003.2	A31.81.901.4_0	3	2.2770.271.0	A33.37.902.4_5	2	A80.45.038.0	A80.45.902.4_0	14
A31.81.004.2/10	A31.81.901.4_0	4	DF904.37.013/10	A33.37.902.4_5	3	2.0332.409.2	A80.45.902.4_0	15
A33.10.001.4	A33.10.900.4_0	1	DF904.37.102/20	A33.37.902.4_5	4	A80.45.046.0	A80.45.902.4_0	16
A31.10.003.4	A33.10.900.4_0	2	C35.37.006.0	A33.37.902.4_5	5	A39.45.047.0	A80.45.902.4_0	17
CD1404.21A.010	A33.21.901.4_0	1	C35.37.005.0	A33.37.902.4_5	6	A39.45.048.0	A80.45.902.4_0	18
GBT93-8-A3L	A33.21.901.4_0	2	DF904.37.113/10	A33.37.902.4_5	7	GBT5783-M8X20-A2L	A80.45.902.4_0	19
CD1404.21.105	A33.21.901.4_0	3	A33.37.002.0	A33.37.902.4_5	8	GBT97.1-8-A3L	A80.45.902.4_0	20
A23.21.001.0/10	A33.21.905.4_4	1	GBT297-30310	A33.37.902.4_5	9	2.1430.011.7	A80.45.902.4_0	21
NTM8842A.00	A33.21.905.4_4	2	GBT893.1-28	A33.37.902.4_5	10	2.0332.408.2	A80.45.902.4_0	22
CD1404.21.102/10	A33.21.905.4_4	3	GBT13871.1-FB-050072-D	A33.37.902.4_5	11	GBT93-6-A3L	A80.45.902.4_0	23
CD1404.21.104	A33.21.905.4_4	4	JBT7940.1-M6	A33.37.902.4_5	12	GBT97.1-6-A3L	A80.45.902.4_0	24
LE1354.21.011	A33.21.905.4_4	5	LE1204.37.151	A33.37.902.4_5	13	GBT6170-M6-A2L	A80.45.902.4_0	25
SH900.21.109	A33.21.905.4_4	6	LE1204.37.190	A33.37.902.4_5	14	GBT6170-M8-A2L	A80.45.902.4_0	26
CD1404.21.103/10	A33.21.905.4_4	7	LE1204.37.208	A33.37.902.4_5	15	A80.45.049.0	A80.45.903.4_0	1
SH900.21.111/10	A33.21.905.4_4	8	SH900.41.105	A33.37.902.4_5	16	A80.45.026.0	A80.45.903.4_0	2
A11.21.009.0/10	A33.21.905.4_4	9	SH900.37.112/10	A33.37.902.4_5	17	A80.45.050.3	A80.45.903.4_0	3
YBT5294-SZ-F-2	A33.21.905.4_4	10	SH900.37.113	A33.37.902.4_5	18	A80.45.058.3	A80.45.903.4_0	4
B29.21.001.3	A33.21.905.4_4	11	LE1204.37.191	A33.37.902.4_5	19	A80.45.044.0	A80.45.903.4_0	5
SH900.21.113	A33.21.905.4_4	12	LE1204.37.192	A33.37.902.4_5	20	A80.45.056.0	A80.45.903.4_0	6
A33.37.002.0	A33.37.901.4_5	1	A26.37.010.0	A33.37.902.4_5	21	A80.45.057.0	A80.45.903.4_0	7
A33.37.001.0/10	A33.37.901.4_5	2	A68.44.001.4	A68.44.900.4_1	1	A80.45.054.3	A80.45.903.4_0	8
LE1204.37.151	A33.37.901.4_5	3	GBT5783-M8X20-A2L	A68.44.900.4_1	2	A80.45.037.0	A80.45.903.4_0	9
JBT7940.1-M6	A33.37.901.4_5	4	GBT93-8-A3L	A68.44.900.4_1	3	A80.45.033.0	A80.45.903.4_0	10
GBT13871.1-FB-050072-D	A33.37.901.4_5	5	GBT97.1-8-A3L	A68.44.900.4_1	4	A80.45.039.0	A80.45.903.4_0	11
LE1204.37.208	A33.37.901.4_5	6	A31.58.001.0	A68.58.903.4_0	1	A80.45.047.0	A80.45.903.4_0	12
GBT297-30310	A33.37.901.4_5	7	A68.58.021.0/10	A68.58.913.4_2	1	A80.45.048.0	A80.45.903.4_0	13
0.029.4463.0/10	A33.37.901.4_5	8	A80.45.005.0	A80.45.901.4_0	1	A80.45.038.0	A80.45.903.4_0	14
0.029.4380.0/20	A33.37.901.4_5	9	A80.45.025.0	A80.45.902.4_0	1	2.0332.409.2	A80.45.903.4_0	15
0.029.4319.3/10	A33.37.901.4_5	10	A80.45.026.0	A80.45.902.4_0	2	A80.45.061.0	A80.45.903.4_0	16
2.2770.271.0	A33.37.901.4_5	11	A80.45.027.3	A80.45.902.4_0	3	A39.45.047.0	A80.45.903.4_0	17
DF904.37.113/10	A33.37.901.4_5	12	A80.45.041.3	A80.45.902.4_0	4	A39.45.048.0	A80.45.903.4_0	18
0.014.0150.4/10	A33.37.901.4_5	13	A80.45.044.0	A80.45.902.4_0	5	GBT5783-M8X20-A2L	A80.45.903.4_0	19
SH900.37.112/10	A33.37.901.4_5	14	A80.45.045.0	A80.45.902.4_0	6	GBT97.1-8-A3L	A80.45.903.4_0	20
SH900.37.113	A33.37.901.4_5	15	A80.45.040.0	A80.45.902.4_0	7	2.1430.011.7	A80.45.903.4_0	21
SH900.41.105	A33.37.901.4_5	16	A80.45.034.3	A80.45.902.4_0	8	2.0332.408.2	A80.45.903.4_0	22
GBT893.1-28	A33.37.901.4_5	17	A80.45.037.0	A80.45.902.4_0	9	GBT93-6-A3L	A80.45.903.4_0	23

零件编号	结构代码	零件顺序	零件编号	结构代码	零件顺序	零件编号	结构代码	零件顺序
GBT93-6-A3L	A80.45.903.4_0	23	GBT97.1-8-A3L	A80.45.906.4_0	3	A23.45.235.0	A80.45.932.4_0	3
GBT97.1-6-A3L	A80.45.903.4_0	24	GBT6170-M8-A2L	A80.45.906.4_0	4	2.0332.408.3	A80.45.932.4_0	4
GBT6170-M6-A2L	A80.45.903.4_0	25	A80.45.012.0	A80.45.907.4_0	1	0.020.3772.0	A80.45.932.4_0	5
GBT6170-M8-A2L	A80.45.903.4_0	26	A80.45.013.0	A80.45.907.4_0	2	CD904A.45A.102	A80.45.932.4_0	6
A80.45.063.0	A80.45.904.4_0	1	A80.45.086.0	A80.45.907.4_0	3	2.1470.002.2	A80.45.932.4_0	7
A80.45.064.0	A80.45.904.4_0	2	A80.45.087.0	A80.45.907.4_0	4	2.0112.005.2	A80.45.932.4_0	8
A80.45.068.3	A80.45.904.4_0	3	A80.45.089.0	A80.45.907.4_0	5	CD904A.45A.025	A80.45.962.4_0	1
A80.45.066.0	A80.45.904.4_0	4	A80.45.088.0	A80.45.907.4_0	6	GBT5783-M6X20-A2L	A80.45.962.4_0	2
A39.45.048.0	A80.45.904.4_0	5	A80.45.014.4	A80.45.908.4_0	1	GBT97.1-6-A3L	A80.45.962.4_0	3
A39.45.047.0	A80.45.904.4_0	6	A80.45.088.0	A80.45.908.4_0	2	A80.45.096.2	A80.45.964.4_0	1
GBT97.1-8-A3L	A80.45.904.4_0	7	A80.45.015.2	A80.45.909.4_0	1	A80.45.097.2	A80.45.964.4_0	2
GBT889.1-M8-A2L	A80.45.904.4_0	8	A80.45.090.0	A80.45.909.4_0	2	A80.45.098.0	A80.45.964.4_0	3
A80.45.076.0	A80.45.904.4_0	9	A80.45.091.0	A80.45.909.4_0	3	A80.45.099.0	A80.45.964.4_0	4
A80.45.067.0	A80.45.904.4_0	10	A39.45.125.0	A80.45.909.4_0	4	A80.45.100.0	A80.45.964.4_0	5
A80.45.077.0	A80.45.904.4_0	11	GBT818-M5X16-A2L	A80.45.909.4_0	5	A80.45.101.0	A80.45.964.4_0	6
2.1430.006.7	A80.45.904.4_0	12	GBT825-M16-A3L	A80.45.909.4_0	6	A23.45.103.0	A80.45.964.4_0	7
A80.45.074.0	A80.45.904.4_0	13	2.1569.211.0	A80.45.909.4_0	7	2.0350.455.2	A80.45.964.4_0	8
A80.45.075.0	A80.45.904.4_0	14	GBT97.1-12-A3L	A80.45.909.4_0	8	GBT5783-M8X20-A2L	A80.45.964.4_0	9
A80.45.070.0	A80.45.904.4_0	15	2.0112.435.2	A80.45.909.4_0	9	GBT97.1-8-A3L	A80.45.964.4_0	10
GBT5783-M6X25-A2L	A80.45.904.4_0	16	A80.45.083.0	A80.45.915.4_0	1	GBT6170-M8-A2L	A80.45.964.4_0	11
GBT97.1-6-A3L	A80.45.904.4_0	17	A80.45.079.0	A80.45.915.4_0	2	GBT97.1-6-A3L	A80.45.964.4_0	12
A80.45.072.0	A80.45.904.4_0	18	A80.45.080.0	A80.45.915.4_0	3	GBT6170-M6-A2L	A80.45.964.4_0	13
A80.45.069.0	A80.45.904.4_0	19	GBT97.1-6-A3L	A80.45.915.4_0	4	A80.48.001.4	A80.48.904.4_0	1
A80.45.073.0	A80.45.904.4_0	20	2.0332.408.2	A80.45.915.4_0	5	A80.81.001.4	A80.81.903.4_1	1
A80.45.071.0	A80.45.904.4_0	21	A39.45.048.0	A80.45.915.4_0	6	K81TY2500G-01	A80.81.903.4_1	1
2.1430.007.2	A80.45.904.4_0	22	A80.45.072.0	A80.45.915.4_0	7	GBT5783-M10X25-A3L	A80.81.903.4_1	2
A80.45.078.0	A80.45.905.4_0	1	A80.45.081.0	A80.45.915.4_0	8	GBT96.1-10-A3L	A80.81.903.4_1	3
A80.45.079.0	A80.45.905.4_0	2	A80.45.082.0	A80.45.915.4_0	9	GBT97.1-10-A3L	A80.81.903.4_1	4
A80.45.080.0	A80.45.905.4_0	3	GBT819.1-M8X35-A2L	A80.45.915.4_0	10	GBT6170-M10-A3L	A80.81.903.4_1	5
GBT97.1-6-A3L	A80.45.905.4_0	4	GBT889.1-M8-A2L	A80.45.915.4_0	11	A80.81.008.4	A80.81.904.4_1	1
2.0332.408.2	A80.45.905.4_0	5	A39.45.047.0	A80.45.915.4_0	12	GBT5783-M10X25-A3L	A80.81.904.4_1	2
A39.45.048.0	A80.45.905.4_0	6	GBT96.1-8-A3L	A80.45.915.4_0	13	GBT96.1-10-A3L	A80.81.904.4_1	3
A80.45.072.0	A80.45.905.4_0	7	A80.45.092.0	A80.45.930.4_0	1	GBT97.1-10-A3L	A80.81.904.4_1	4
A80.45.081.0	A80.45.905.4_0	8	A80.45.093.0	A80.45.930.4_0	2	GBT6170-M10-A3L	A80.81.904.4_1	5
A80.45.082.0	A80.45.905.4_0	9	A80.45.088.0	A80.45.930.4_0	3	B05.48.044.0/10	B05.48.944.4_1	4
GBT819.1-M8X35-A2L	A80.45.905.4_0	10	A80.45.094.0	A80.45.931.4_0	1	B05.48.043.0	B05.48.944.4_1	5
GBT889.1-M8-A2L	A80.45.905.4_0	11	A80.45.095.2	A80.45.931.4_0	2	B05.48.048.0/10	B05.48.944.4_1	6
A39.45.047.0	A80.45.905.4_0	12	A80.45.088.0	A80.45.931.4_0	3	0.037.1835.4	B05.48.944.4_1	8
GBT96.1-8-A3L	A80.45.905.4_0	13	A23.45.049.0/10	A80.45.932.4_0	1	0.034.5272.4/10	B05.48.954.4_0	1
A80.45.084.4	A80.45.906.4_0	1	CD904A.45A.121	A80.45.932.4_0	2	B05.48.041.0	B05.48.954.4_0	2

零件编号	结构代码	零件顺序	零件编号	结构代码	零件顺序	零件编号	结构代码	零件顺序
B05.48.041.0	B05.48.954.4_0	2	B29.40.027.3	B29.40.907.4_1	20	2.3199.039.0	B29.43.901.4_2	3
B05.48.042.0	B05.48.954.4_0	3	GBT3733-08-L12E	B29.40.907.4_1	21	0.170.5455.0	B29.43.901.4_2	4
0.030.6684.0	B05.48.954.4_0	4	B29.43.001.0	B29.43.001.4-10_1	1	B29.45.023.3/20	B29.45.905.4_2	1
2.3120.102.0	B09.58.909.4_1	1	LE1204.43.103	B29.43.001.4-10_1	2	CD904.45.105	B29.45.905.4_2	2
2.1560.018.0	B09.58.909.4_1	2	GBT119.1-10m6X22	B29.43.001.4-10_1	3	CD904.45.106	B29.45.905.4_2	3
CD1204A.40.014/20	B29.40.903.4_1	1	LE1204.43.102	B29.43.001.4-10_1	4	GBT93-8-A3L	B29.45.905.4_2	4
GBT3452.1-10X1.5-G	B29.40.903.4_1	2	LE1204.43.011	B29.43.001.4-10_1	5	GBT97.1-8-A3L	B29.45.905.4_2	5
B29.40.007.0	B29.40.903.4_1	3	0.026.4203.0	B29.43.001.4-10_1	6	GBT5783-M8X25-A2L	B29.45.905.4_2	6
GBT3452.1-17.3X2.2-G	B29.40.903.4_1	4	SH900.43.173	B29.43.001.4-10_1	7	GBT6170-M8-A2L	B29.45.905.4_2	7
B29.40.006.3	B29.40.903.4_1	5	SH900.43.189	B29.43.001.4-10_1	8	B29.45.035.0	B29.45.965.4_0	1
JBT8870-D32	B29.40.903.4_1	6	JBT982-10	B29.43.001.4-10_1	9	GBT5783-M6X20-A2L	B29.45.965.4_0	2
CD804A.40.105/10	B29.40.903.4_1	7	B29.43.001.0	B29.43.001.4/10	1	GBT96.1-6-A3L	B29.45.965.4_0	3
A31.40.004.3/20	B29.40.903.4_1	8	LE1204.43.103	B29.43.001.4/10	2	GBT93-6-A3L	B29.45.965.4_0	4
A31.40.006.3/20	B29.40.903.4_1	9	GBT119.1-10m6X22	B29.43.001.4/10	3	GBT6170-M6-A2L	B29.45.965.4_0	5
CD1204A.40.109	B29.40.903.4_1	10	LE1204.43.102	B29.43.001.4/10	4	0.037.2098.4	B29.48.944.4_0	1
GBT5783-M8X40-A2L	B29.40.903.4_1	11	LE1204.43.011	B29.43.001.4/10	5	B29.48.028.4	B29.48.944.4_0	2
GBT97.1-8-A3L	B29.40.903.4_1	12	0.026.4203.0	B29.43.001.4/10	6	B05.48.044.0/10	B29.48.944.4_0	3
GBT93-8-A3L	B29.40.903.4_1	13	SH900.43.173	B29.43.001.4/10	7	B05.48.043.0	B29.48.944.4_0	4
GBT6170-M8-A2L	B29.40.903.4_1	14	SH900.43.189	B29.43.001.4/10	8	B05.48.048.0/10	B29.48.944.4_0	5
CD1204A.40B.101	B29.40.903.4_1	15	JBT982-10	B29.43.001.4/10	9	0.037.2202.4	B29.48.954.4_0	1
SH900.40.138	B29.40.903.4_1	16	B29.43.002.0	B29.43.002.4-10_1	1	B29.48.029.4	B29.48.954.4_0	2
GBT5783-M8X30-A2L	B29.40.903.4_1	17	LE1204.43.103	B29.43.002.4-10_1	2	B05.48.042.0	B29.48.954.4_0	3
B29.40.020.3/20	B29.40.907.4_1	1	GBT119.1-10m6X22	B29.43.002.4-10_1	3	0.030.6684.0	B29.48.954.4_0	4
2.3320.108.0	B29.40.907.4_1	2	LE1204.43.102	B29.43.002.4-10_1	4	A31.51.003.0	B29.51.900.4_0	1
GBT97.1-6-A3L	B29.40.907.4_1	3	LE1204.43.011	B29.43.002.4-10_1	5	B29.58.001.0	B29.58.901.4_0	1
GBT5783-M8X45-A2L	B29.40.907.4_1	4	0.026.4203.0	B29.43.002.4-10_1	6	GBT70.1-M10X40-A3L	B29.58.901.4_0	2
B29.40.032.0	B29.40.907.4_1	5	SH900.43.173	B29.43.002.4-10_1	7	GBT93-10-A3L	B29.58.901.4_0	3
GBT6170-M6-A2L	B29.40.907.4_1	6	SH900.43.189	B29.43.002.4-10_1	8	CD904.81.012	B29.81.910.4_0	1
GBT93-10-A3L	B29.40.907.4_1	7	JBT982-10	B29.43.002.4-10_1	9	2.4119.235.0/30	B29.81.910.4_0	2
GBT5783-M10X16-A3L	B29.40.907.4_1	8	B29.43.002.0	B29.43.002.4/10	1	2.0112.335.2	B29.81.910.4_0	3
GBT3452.1-14X1.5-G	B29.40.907.4_1	9	LE1204.43.103	B29.43.002.4/10	2	2.1310.006.2	B29.81.910.4_0	4
GBT3733.2-83-G16	B29.40.907.4_1	10	GBT119.1-10m6X22	B29.43.002.4/10	3	2.1011.106.2	B29.81.910.4_0	5
2.1560.018.0	B29.40.907.4_1	11	LE1204.43.102	B29.43.002.4/10	4	A23.51.006.0	B34.51.903.4_2	1
A11.40.075.0	B29.40.907.4_1	12	LE1204.43.011	B29.43.002.4/10	5	B39.48.005.0	B39.48.922.4_1	1
B29.40.033.0	B29.40.907.4_1	13	0.026.4203.0	B29.43.002.4/10	6	B39.48.007.0	B39.48.922.4_1	2
GBT3452.1-17.3X2.2-G	B29.40.907.4_1	14	SH900.43.173	B29.43.002.4/10	7	LD700.48.037	B39.48.922.4_1	3
B29.40.022.0	B29.40.907.4_1	15	SH900.43.189	B29.43.002.4/10	8	A31.47.006.3	B40.47.901.4_0	1
GBT3452.1-10X1.5-G	B29.40.907.4_1	16	JBT982-10	B29.43.002.4/10	9	A31.47.007.2	B40.47.901.4_0	2
B29.40.028.3	B29.40.907.4_1	17	B29.43.001.4/10	B29.43.901.4_2	1	A31.47.008.2	B40.47.901.4_0	3
GBT3745-08-L12	B29.40.907.4_1	18	B29.43.002.4/10	B29.43.901.4_2	2	A31.47.009.2	B40.47.901.4_0	4

零件编号	结构代码	零件顺序	零件编号	结构代码	零件顺序	零件编号	结构代码	零件顺序
A31.47.009.2	B40.47.901.4_0	4	SH900.51.153	B61.51.901.4_4	14	B61.51.001.0	B61.51.911.4_1	1
CD1204.47.017	B40.47.901.4_0	5	SH900.51.154	B61.51.901.4_4	15	B61.51.005.3	B61.51.911.4_1	2
CD1204.47.018	B40.47.901.4_0	6	SH900.51.152	B61.51.901.4_4	16	B61.51.006.0	B61.51.911.4_1	3
CD1204.47.032	B40.47.901.4_0	7	SH900.51B.112	B61.51.901.4_4	17	GB/T 12618	B61.51.911.4_1	4
CD1204.47.050	B40.47.901.4_0	8	SH900.51.122	B61.51.901.4_4	18	A62.51.002.0/20	B61.51.911.4_2	1
CD1204.47.051	B40.47.901.4_0	9	A11.51.004.0	B61.51.901.4_4	19	B61.51.005.3	B61.51.911.4_2	2
CD1204.47.211	B40.47.901.4_0	10	B61.51.010.0	B61.51.901.4_4	20	B61.51.006.0	B61.51.911.4_2	3
CD1204A.47.011/10	B40.47.901.4_0	11	SH900.51.125	B61.51.901.4_4	23	GBT12618.1-3X15	B61.51.911.4_2	4
CD1204A.47.012	B40.47.901.4_0	12	SH900.51B.102	B61.51.901.4_4	24	CD904A.45A.105	B80.45.917.4_0	1
GBT5783-M10X25-A3L	B40.47.901.4_0	13	SH900.51.130	B61.51.901.4_4	25	CD904A.45A.106	B80.45.917.4_0	2
GBT5783-M10X30-A3L	B40.47.901.4_0	14	SH900.51B.120	B61.51.901.4_4	26	B80.51.101.0	B80.51.904.4_0	1
GBT5783-M12X30-10.9-A3L	B40.47.901.4_0	15	SH900.51B.123	B61.51.901.4_4	27	GBT2979-14.9-26-8PR-R1	B89.32.900.4_1	1
GBT5783-M12X45-A3L	B40.47.901.4_0	16	SH900.51.138	B61.51.901.4_4	29	GBT2979-14.9-26-R1	B89.32.900.4_1	2
GBT5783-M8X25-A2L	B40.47.901.4_0	17	2.9939.835.0/10	B61.51.901.4_4	30	LE1204.32.011	B89.32.900.4_1	3
GBT5783-M8X30-A2L	B40.47.901.4_0	18	SH900.51.136	B61.51.901.4_5	1	GBT2979-12.4-26-8PR-PR1	B89.32.901.4_1	1
GBT5783-M8X45-A2L	B40.47.901.4_0	19	SH900.51.132	B61.51.901.4_5	2	GBT2979-12.4-26-PR1	B89.32.901.4_1	2
GBT6170-M10-A3L	B40.47.901.4_0	20	SH900.51.135	B61.51.901.4_5	3	LE1204.32.011A	B89.32.901.4_1	3
GBT6170-M12-A3L	B40.47.901.4_0	21	SH900.51B.103	B61.51.901.4_5	4	GBT2979-18.4-34-10PR-R2	B89.34.901.4_1	1
GBT6170-M8-A2L	B40.47.901.4_0	22	SH900.51B.110	B61.51.901.4_5	5	GBT2979-18.4-34-R2	B89.34.901.4_1	2
GBT882-B16X60-A3L	B40.47.901.4_0	23	SH900.51B.122	B61.51.901.4_5	6	LE1204.34.011A	B89.34.901.4_1	3
GBT91-3.2X32-A3L	B40.47.901.4_0	24	B61.51.009.0/10	B61.51.901.4_5	8	CD1204.45.023/10	B89.45.902.4_0	1
GBT93-10-A3L	B40.47.901.4_0	25	SH900.51B.117	B61.51.901.4_5	9	GBT97.1-12-A3L	B89.45.902.4_0	2
GBT93-12-A3L	B40.47.901.4_0	26	SH900.51B.116	B61.51.901.4_5	10	GBT93-12-A3L	B89.45.902.4_0	3
GBT93-8-A3L	B40.47.901.4_0	27	SH900.51.118	B61.51.901.4_5	11	GBT5783-M12X25-A3L	B89.45.902.4_0	4
GBT96.1-8-A3L	B40.47.901.4_0	28	SH900.51B.119	B61.51.901.4_5	12	04432782/40	B89.74.900.4_0	1
GBT97.1-10-A3L	B40.47.901.4_0	29	SH900.51B.125	B61.51.901.4_5	13	GBT5782-M16X130-10.9-A3L	B89.74.900.4_0	2
GBT97.1-12-A3L	B40.47.901.4_0	30	SH900.51.153	B61.51.901.4_5	14	GBT93-16-A3L	B89.74.900.4_0	3
GBT97.1-16-A3L	B40.47.901.4_0	31	SH900.51.154	B61.51.901.4_5	15	0.014.9894.4	B89.74.900.4_0	4
GBT97.1-8-A3L	B40.47.901.4_0	32	SH900.51.152	B61.51.901.4_5	16	1167310	B89.74.900.4_0	5
SH900.51.136	B61.51.901.4_4	1	SH900.51B.112	B61.51.901.4_5	17	GBT879.1-8X60	B89.74.900.4_0	6
SH900.51.132	B61.51.901.4_4	2	SH900.51.122	B61.51.901.4_5	18	2.2680.047.0	B89.74.900.4_0	7
SH900.51.135	B61.51.901.4_4	3	A11.51.004.0	B61.51.901.4_5	19	04413831/40	B89.74.901.4_0	1
SH900.51B.103	B61.51.901.4_4	4	B61.51.010.0	B61.51.901.4_5	20	GBT6170-M16-A3L	B89.74.901.4_0	2
SH900.51B.110	B61.51.901.4_4	5	SH900.51.125	B61.51.901.4_5	23	GBT93-16-A3L	B89.74.901.4_0	3
SH900.51B.122	B61.51.901.4_4	6	SH900.51B.102	B61.51.901.4_5	24	LE1204.74.102	B89.74.901.4_0	4
B61.51.009.0/10	B61.51.901.4_4	8	SH900.51.130	B61.51.901.4_5	25	LE1204.74.101	B89.74.901.4_0	5
SH900.51B.117	B61.51.901.4_4	9	SH900.51B.120	B61.51.901.4_5	26	LE1204.74.103	B89.74.901.4_0	6
SH900.51B.116	B61.51.901.4_4	10	SH900.51B.123	B61.51.901.4_5	27	2.0113.613.2	B89.91.900.4_0	1
SH900.51.118	B61.51.901.4_4	11	SH900.51.138	B61.51.901.4_5	29	2.1475.206.2	B89.91.900.4_0	2
SH900.51B.119	B61.51.901.4_4	12	2.9939.835.0/10	B61.51.901.4_5	30	0.023.9176.0	B89.91.900.4_0	3

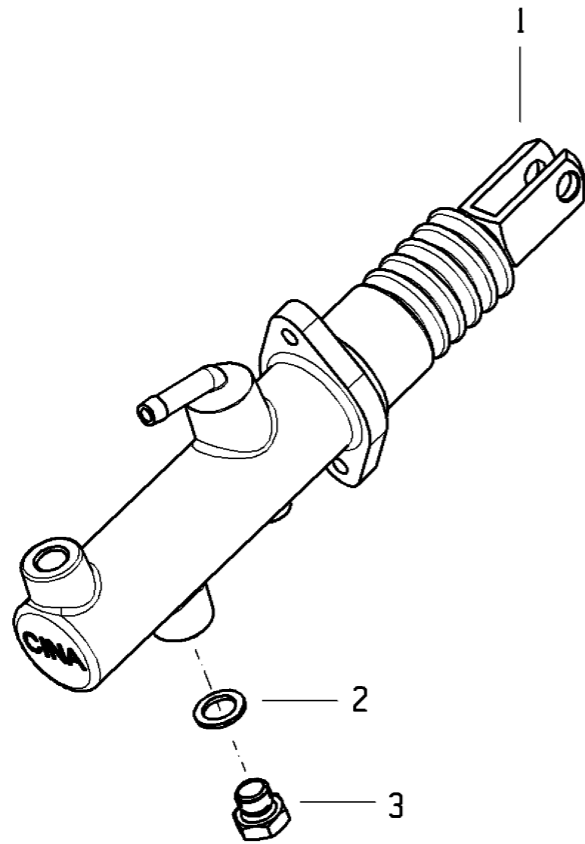
零件编号	结构代码	零件顺序	零件编号	结构代码	零件顺序	零件编号	结构代码	零件顺序
0.023.9176.0	B89.91.900.4_0	3	GBT96.1-6-A3L	C20.47.001.4	14	2.0112.617.2	C63.45.965.4_0	10
2.1012.109.2	B89.91.900.4_0	4	CD1204.47.116	C20.47.001.4	15	2.1310.010.2	C63.45.965.4_0	11
0.023.9179.0	B89.91.900.4_0	5	CD1204.47.117	C20.47.001.4	16	0.036.4045.3	C63.45.975.4_0	1
0.023.9126.0/10	B89.91.900.4_0	6	CD1204.47.104	C20.47.001.4	17	0.036.4004.0	C63.45.975.4_0	2
GBT5783-M16X40-A3L	B89.91.901.4_0	1	CD1204.47.105	C20.47.001.4	18	0.036.4003.3	C63.45.975.4_0	3
GBT93-16-A3L	B89.91.901.4_0	2	CD1204.47.106	C20.47.001.4	19	2.3199.382.0	C63.45.975.4_0	4
SH900.91.105	B89.91.901.4_0	3	CD1204.47.107	C20.47.001.4	20	2.6569.069.0/10	C63.45.975.4_0	5
LE1204.91A.101/10	B89.91.901.4_0	4	CD1204.47.013	C20.47.001.4	21	2.6859.153.0	C63.45.975.4_0	6
SH900.91.104	B89.91.901.4_0	5	CD1204.47.108	C20.47.001.4	22	2.1312.006.2	C63.45.975.4_0	7
GBT97.1-16-A3L	B89.91.901.4_0	6	CD1204.47.109	C20.47.001.4	23	2.1011.107.2	C63.45.975.4_0	8
GBT6170-M16-A3L	B89.91.901.4_0	7	CD1204.47.110	C20.47.001.4	24	2.0112.215.2	C63.45.975.4_0	9
GBT5783-M16X40-A3L	B89.91.902.4_0	1	CD1204.47.111	C20.47.001.4	25	2.1310.004.2	C63.45.975.4_0	10
GBT93-16-A3L	B89.91.902.4_0	2	CD1204.47.112	C20.47.001.4	26	2.1011.105.2	C63.45.975.4_0	11
SH900.91.105	B89.91.902.4_0	3	CD1204.47.113	C20.47.001.4	27	0.036.4045.3	C63.45.985.4_0	1
LE1204.91A.101/10	B89.91.902.4_0	4	CD1204.47.114	C20.47.001.4	28	0.036.4044.0	C63.45.985.4_0	2
SH900.91.103	B89.91.902.4_0	5	CD1204.47.115	C20.47.001.4	29	0.036.4004.0	C63.45.985.4_0	3
SH900.91.104	B89.91.902.4_0	6	B39.47.013.0	C20.47.001.4	30	2.3199.382.0	C63.45.985.4_0	4
GBT97.1-16-A3L	B89.91.902.4_0	7	B39.47.014.0	C20.47.001.4	31	2.6859.153.0	C63.45.985.4_0	5
GBT6170-M16-A3L	B89.91.902.4_0	8	B39.47.015.0	C20.47.001.4	32	2.1312.006.2	C63.45.985.4_0	6
GBT5783-M16X40-A3L	B89.91.903.4_0	1	B39.47.016.0	C20.47.001.4	33	2.1011.107.2	C63.45.985.4_0	7
GBT93-16-A3L	B89.91.903.4_0	2	B39.47.017.0	C20.47.001.4	34	2.0112.215.2	C63.45.985.4_0	8
SH900.91.105	B89.91.903.4_0	3	B39.47.018.0	C20.47.001.4	35	2.1310.004.2	C63.45.985.4_0	9
SH900.91.102	B89.91.903.4_0	4	B39.47.019.0	C20.47.001.4	36	2.1011.105.2	C63.45.985.4_0	10
LE1204.91A.101/10	B89.91.903.4_0	5	B39.47.036.0	C20.47.001.4	37	CD1204A.13.012/40	CD1204A.13.010/50	1
SH900.91.103	B89.91.903.4_0	6	C35.37.008.0	C35.37.001.4	1	CD1104A.13.012/40	CD1204A.13.010/50	2
SH900.91.104	B89.91.903.4_0	7	C35.37.011.0	C35.37.001.4	2	CD1104A.13.107	CD1204A.13.010/50	3
GBT97.1-16-A3L	B89.91.903.4_0	8	C35.37.012.0	C35.37.001.4	3	2.3249.853.2	CD1204A.81.002_2	1
GBT6170-M16-A3L	B89.91.903.4_0	9	C35.37.004.0	C35.37.001.4	4	2.6851.001.0	CD1204A.81.002_2	2
CD1204.47.012/20	C20.47.001.4	1	C35.37.009.0	C35.37.001.4	5	A31.45.070.0	CD1204A.81.002_2	3
GBT5783-M6X20-A2L	C20.47.001.4	2	C35.37.010.0	C35.37.001.4	6	L-03035 - 0105-01	CD1404.21A.010	14
GBT93-6-A3L	C20.47.001.4	3	C63.11.003.4	C63.11.910.4_0	1	L-03035 - 0776-00	CD1404.21A.010	22
GBT97.1-6-A3L	C20.47.001.4	4	0.036.4045.3	C63.45.965.4_0	1	L-02615-0035-02	CD1404.21A.010	40
GBT6170-M6-A2L	C20.47.001.4	5	0.036.4020.0	C63.45.965.4_0	2	L-02615-0034-02	CD1404.21A.010	41
CD1204.47.015/10	C20.47.001.4	6	2.3199.382.0	C63.45.965.4_0	3	B29.48.032.0	D62.48.902.4_0	1
GBT823-M5X20-A2L	C20.47.001.4	7	2.6859.153.0	C63.45.965.4_0	4	A68.48.004.0/10	D62.48.902.4_0	2
GBT96.1-5-A3L	C20.47.001.4	8	2.1312.006.2	C63.45.965.4_0	5	2.0114.207.2	D62.48.902.4_0	5
CD1204.47.011/20	C20.47.001.4	9	2.1011.107.2	C63.45.965.4_0	6	GBT93-8-A3L	D62.48.902.4_0	6
CD1204.47.102	C20.47.001.4	10	2.0112.215.2	C63.45.965.4_0	7	2.1310.004.2	D62.48.902.4_0	7
GBT5783-M8X20-A2L	C20.47.001.4	11	2.1310.004.2	C63.45.965.4_0	8	2.1011.105.2	D62.48.902.4_0	10
GBT93-8-A3L	C20.47.001.4	12	2.1011.105.2	C63.45.965.4_0	9	GBT93-10-A3L	D62.48.902.4_0	11

零件编号	结构代码	零件顺序	零件编号	结构代码	零件顺序	零件编号	结构代码	零件顺序
GBT93-10-A3L	D62.48.902.4_0	11	210801000425	LE1204.31.011	4	LE1204.56.017	LE1204.56.014	1
2.1310.006.2	D62.48.902.4_0	12	240100099507	LE1204.31.011	4	SH900.56.034	LE1204.56.014	2
2.0114.307.2	D62.48.902.4_0	13	240100010725	LE1204.31.011	6	LE1204.56.107	LE1204.56.014	3
CD1204.48.035	D62.48.902.4_0	14	240100226886	LE1204.31.011	6	LE1204.56.115	LE1204.56.014	4
CD1204.48.036	D62.48.902.4_0	15	LE1204.35.010/10	LE1204.35.001_1	1	SH900.56.109	LE1204.56.014	5
D62.48.003.0	D62.48.902.4_0	16	GBT5783-M20X50-A3L	LE1204.35.001_1	2	0.014.4148.3/10	LE1204.56.025	1
A31.47.010.3/20	E02.47.900.4_0	1	GBT93-20-A3L	LE1204.35.001_1	3	0.011.3995.3	LE1204.56.025	2
C20.47.001.4	E02.47.900.4_0	2	GBT899-AM20X130-A3L	LE1204.35.001_1	4	0.96081.16.0	LE1204.56.025	3
CD1204.47.019	E02.47.900.4_0	3	GBT6170-M20-A3L	LE1204.35.001_1	5	LE1204.56.026	LE1204.56.025	4
CD1204.47.020	E02.47.900.4_0	4	SH900.35.101	LE1204.35.010/10	1	2.3820.105.2	LE1204.56.025	5
C45.47.044.4	E02.47.900.4_0	5	LE1204.35.101	LE1204.35.010/10	2	LE1204.56.022/10	LE1204.56.025	6
CD1204.47.024/10	E02.47.900.4_0	6	LE1204.35.102	LE1204.35.010/10	3	LE1204.56A.015/10	LE1204.56A.014/10	1
CD1204.47.118/10	E02.47.900.4_0	7	GBT5782-M20X110-A3L	LE1204.35.010/10	4	LE1204.56A.106	LE1204.56A.014/10	2
CD1204.47.216/10	E02.47.900.4_0	8	GBT93-20-A3L	LE1204.35.010/10	5	LE1204.56A.016	LE1204.56A.014/10	3
CD1204.47.217	E02.47.900.4_0	9	GBT6170-M20-A3L	LE1204.35.010/10	6	LE1204.56A.107	LE1204.56A.014/10	4
CD1204.47.218	E02.47.900.4_0	10	SH900.35.102	LE1204.35.010/10	7	LE1204.56A.109	LE1204.56A.014/10	5
A31.47.001.0	E02.47.900.4_0	11	SH900.35.105	LE1204.35.010/10	8	LE1204.56A.110	LE1204.56A.014/10	6
CD1204.47.271	E02.47.900.4_0	12	LE1204.35.011	LE1204.35.010/10	9			
CD904A.47.107/10	E02.47.900.4_0	13	LE1204.35.012	LE1204.35.010/10	10			
GBT5783-M10X20-A3L	E02.47.900.4_0	14	LE1204.35.104	LE1204.35.010/10	11			
GBT5783-M10X25-A3L	E02.47.900.4_0	15	LE1204.38.013	LE1204.38.012	1			
GBT5783-M10X30-A3L	E02.47.900.4_0	16	LE1204.38.014	LE1204.38.012	2			
GBT5783-M6X25-A2L	E02.47.900.4_0	17	LE1204.42.114	LE1204.42.013	1			
GBT6170-M6-A2L	E02.47.900.4_0	18	LE1204.42.115	LE1204.42.013	2			
GBT91-1.6X18-A3L	E02.47.900.4_0	19	GBT5783-M10X30-A3L	LE1204.42.013	3			
GBT93-10-A3L	E02.47.900.4_0	20	GBT93-10-A3L	LE1204.42.013	4			
GBT93-6-A3L	E02.47.900.4_0	21	GBT13871.1-B-030052-F	LE1204.42.013	5			
GBT96-10-A3L	E02.47.900.4_0	22	GBT276-6006	LE1204.42.013	6			
GBT97.1-10-A3L	E02.47.900.4_0	23	SH904.42.128	LE1204.42.013	7			
GBT97.1-6-A3L	E02.47.900.4_0	24	JBT7940.1-M10X1	LE1204.42.013	8			
SH554A.47.018/10	E02.47.900.4_0	25	GBT119.1-8h8X20	LE1204.42.013	9			
SH554A.47.125-1	E02.47.900.4_0	26	GBT899-AM16X40-10.9-A3L	LE1204.53.001_1	1			
CD1204.47.270	E02.47.900.4_0	27	GBT93-16-A3L	LE1204.53.001_1	2			
240100140092	LE1204.31.011	1	GBT6170-M16-10-A3L	LE1204.53.001_1	3			
240100013569	LE1204.31.011	1	LE1204.53.101/20	LE1204.53.001_1	4			
240100220920	LE1204.31.011	1	SH900.53.102	LE1204.53.001_1	5			
240100140442	LE1204.31.011	2	LE1204.53.102	LE1204.53.001_1	6			
240100083223	LE1204.31.011	2	LE1204.53.103	LE1204.53.001_1	7			
240100008623	LE1204.31.011	2	LE1204.53.104	LE1204.53.001_1	8			
240100053813	LE1204.31.011	3	SH900.53.103	LE1204.53.001_1	9			

 SAME DEUTZ-FAHR GROUP S.p.A. SAME • DEUTZ-FAHR • LANDORF/ITALY • MERLINOVA Gruppo - Group IDRAULICA	P2H "DF 1404 - DF 1554 - DF 1704"	N. dis. - P/N 9.AG865.00.0
	CLUTCH PUMP GROUP	Rev 0 foglio - Sheet 1 di - of 1
	GR. POMPA FRIZIONE	Validato il 11/06/2014 CM 17462 F 47

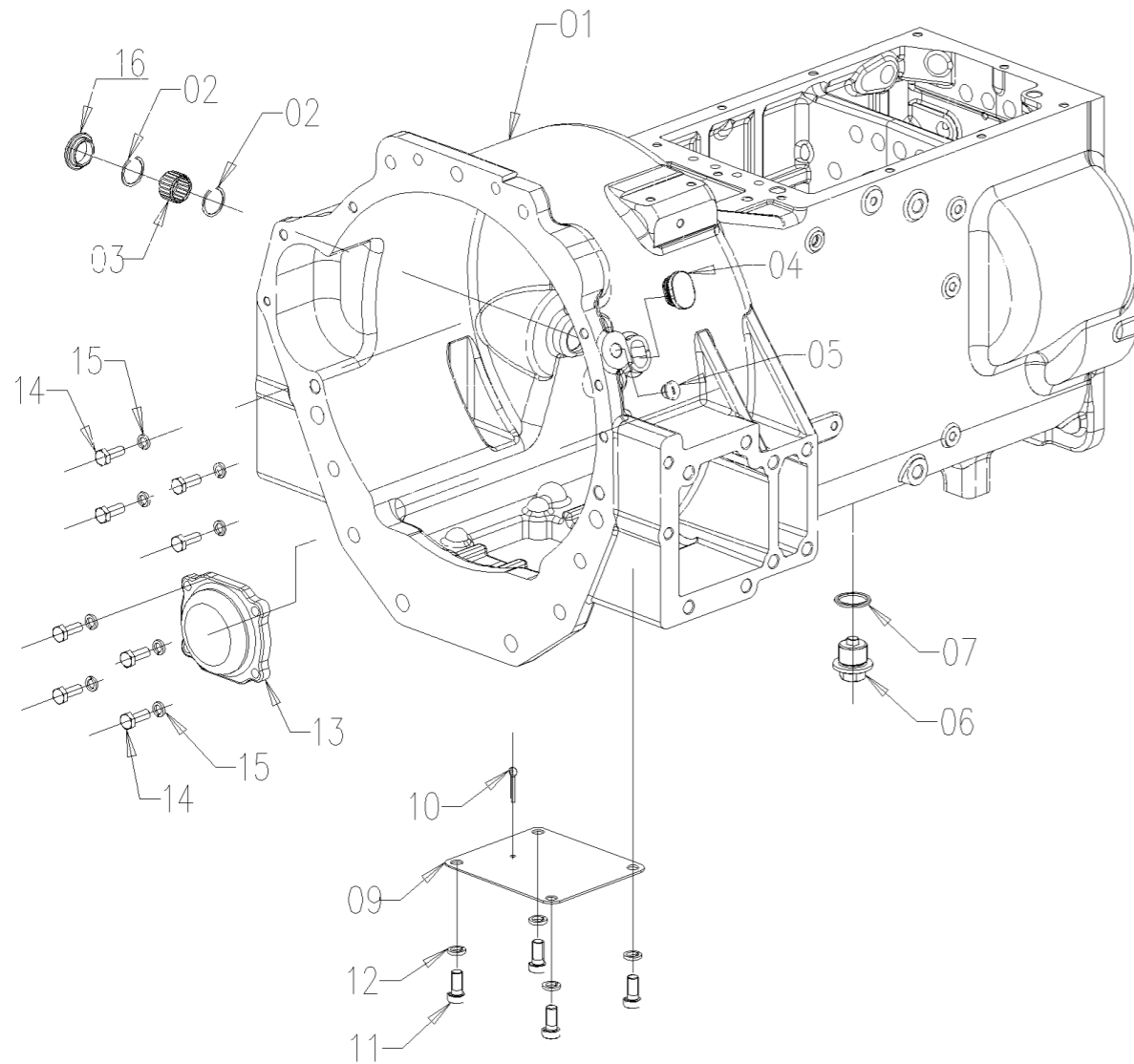
9.AG865.00.0_0 离合主泵总成 CLUTCH PUMP GROUP

序号	零件编号	零件名称	数量	图号
1	2.3729.065.0	制动总泵 MASTER CYLINDER	1	2.3729.065.0
2	2.1560.008.0	密封垫圈 GUARN 12.2X18	1	2.1560.008.0
3	2.3110.422.2	螺塞 TAPPO M12X1.25	1	2.3110.422.2



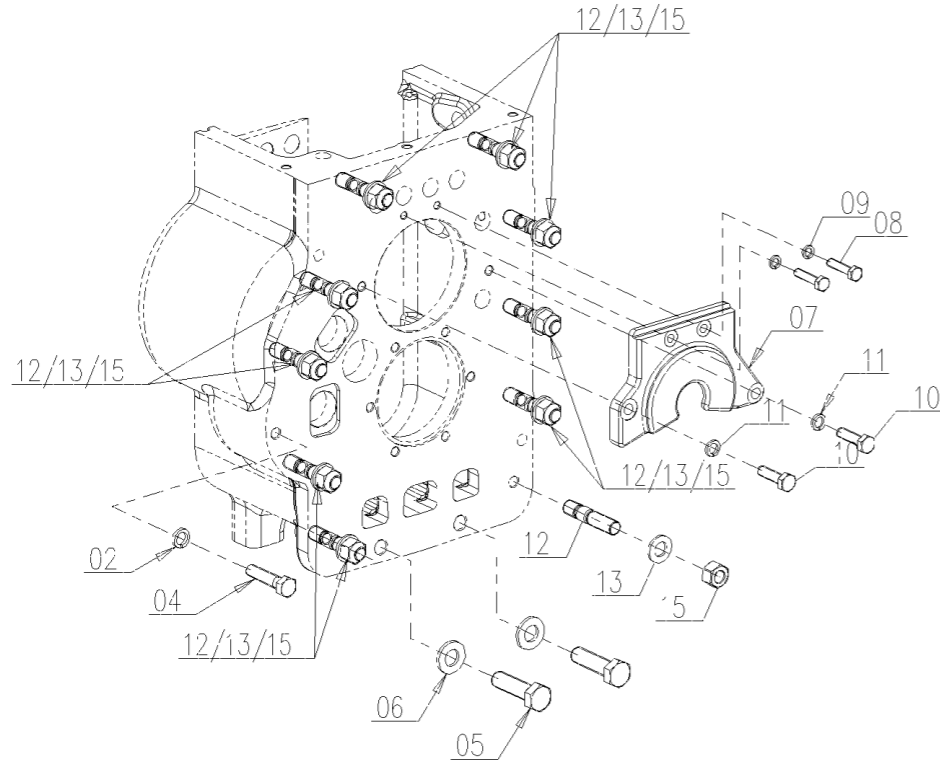
9.DI531.00.0 FRONT BOX ACCESSORY ASS.Y

9.DI531.00.0_5 变速箱及附件总成 FRONT BOX ASS.Y



序号	零件编号	零件名称	数量	图号
1	0.028.8656.0/30	前变速器 FRONT GEARBOX	1	0.028.8656.0/30
2	A31.21.002.0	弹性挡圈 CIRCLIP	8	A31.21.002.0
3	JBT7918-K25X31X20	轴承 BEARING	4	JBT7918-K25X31X20
4	SH900.37.216	橡胶塞 RUBBER STOPPER	1	SH900.37.216
5	SH900.47A.115-1	塞子 M16 PLUG M16	1	SH900.47A.115-1
6	SH900.37.016/10	排油螺塞 OIL DRAINAGE SCREW	1	SH900.37.016/10
7	JBT982-30	密封环 SEALING RINGS	1	JBT982-30
9	SH900.37.154	盖 COVER	1	SH900.37.154
10	GBT91-5X25-A3L	销 PIN	1	GBT91-5X25-A3L
11	GBT5783-M12X25-A3L	螺栓 BOLT	4	GBT5783-M12X25-A3L
12	GBT93-12-A3L	垫圈 WASHER	4	GBT93-12-A3L
13	LE1204.37.123	中间轴端盖 CENTER SHAFT COVER	1	LE1204.37.123
14	GBT5783-M10X25-A3L	螺栓 BOLT	8	GBT5783-M10X25-A3L
15	GBT93-10-A3L	垫圈 WASHER	8	GBT93-10-A3L
16	A31.21.003.0/10	套管 BUSHING	4	A31.21.003.0/10

9.DI531.02.0 REAR CONNECT BOLTS ASS.LY



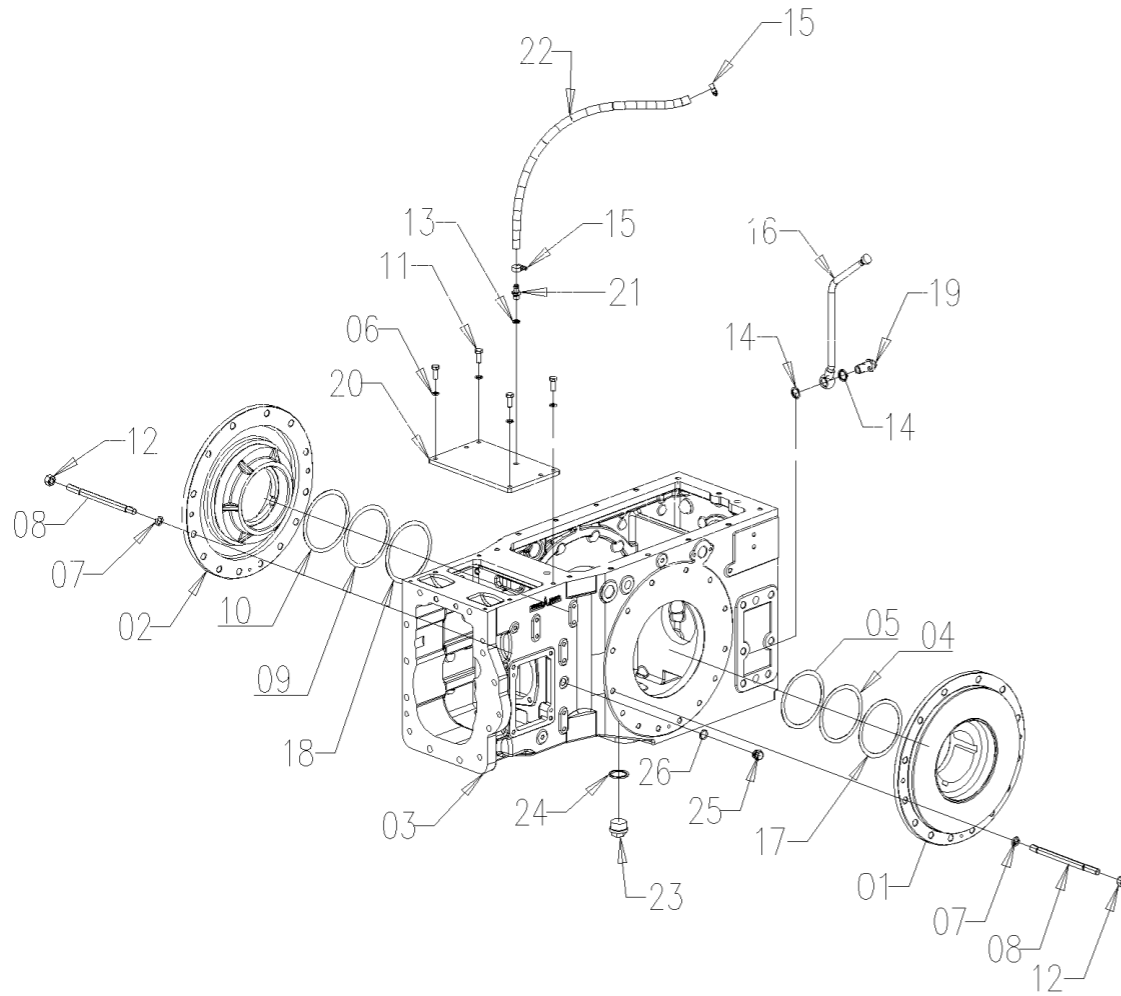
9.DI531.02.0_1 后连接螺栓总成 REAR ONNECT BOLTS

序号	零件编号	零件名称	数量	图号
2	GBT93-12-A3L	垫圈 WASHER	1	GBT93-12-A3L
4	GBT5783-M12X50-10.9-	螺栓 BOLT	1	GBT5783-M12X50-10.9-A3L
5	GBT5783-M16X55-10.9-	螺栓 GBT5783-M16X55-10.9-A3L	2	GBT5783-M16X55-10.9-A3L
6	2.1475.106.2	圆柱垫片 CONICAL WASHER M16	2	2.1475.106.2
7	DF904.37.140	轴承压盖 BEARING COVER	1	DF904.37.140
8	GBT5783-M8X35-A2L	螺栓 BOLT	2	GBT5783-M8X35-A2L
9	GBT93-8-A3L	垫圈 WASHER	2	GBT93-8-A3L
10	GBT5783-M10X35-A3L	螺栓 BOLT	2	GBT5783-M10X35-A3L
11	GBT93-10-A3L	垫圈 WASHER	2	GBT93-10-A3L
12	GBT899-AM14X1.5X50-	螺柱 STUD	10	GBT899-AM14X1.5X50-10.9-A3L
13	2.1475.005.7	圆柱垫片 CONICAL WASHERS M14	10	2.1475.005.7
15	GBT6171-M14X1.5-10-A3L	螺母 NUT	10	GBT6171-M14X1.5-10-A3L

9.DI531.03.0 REAR BOX ACCESSORY ASS.LY

9.DI531.03.0_4 后桥箱及配件总成 REAR BOX ASSEMBLY

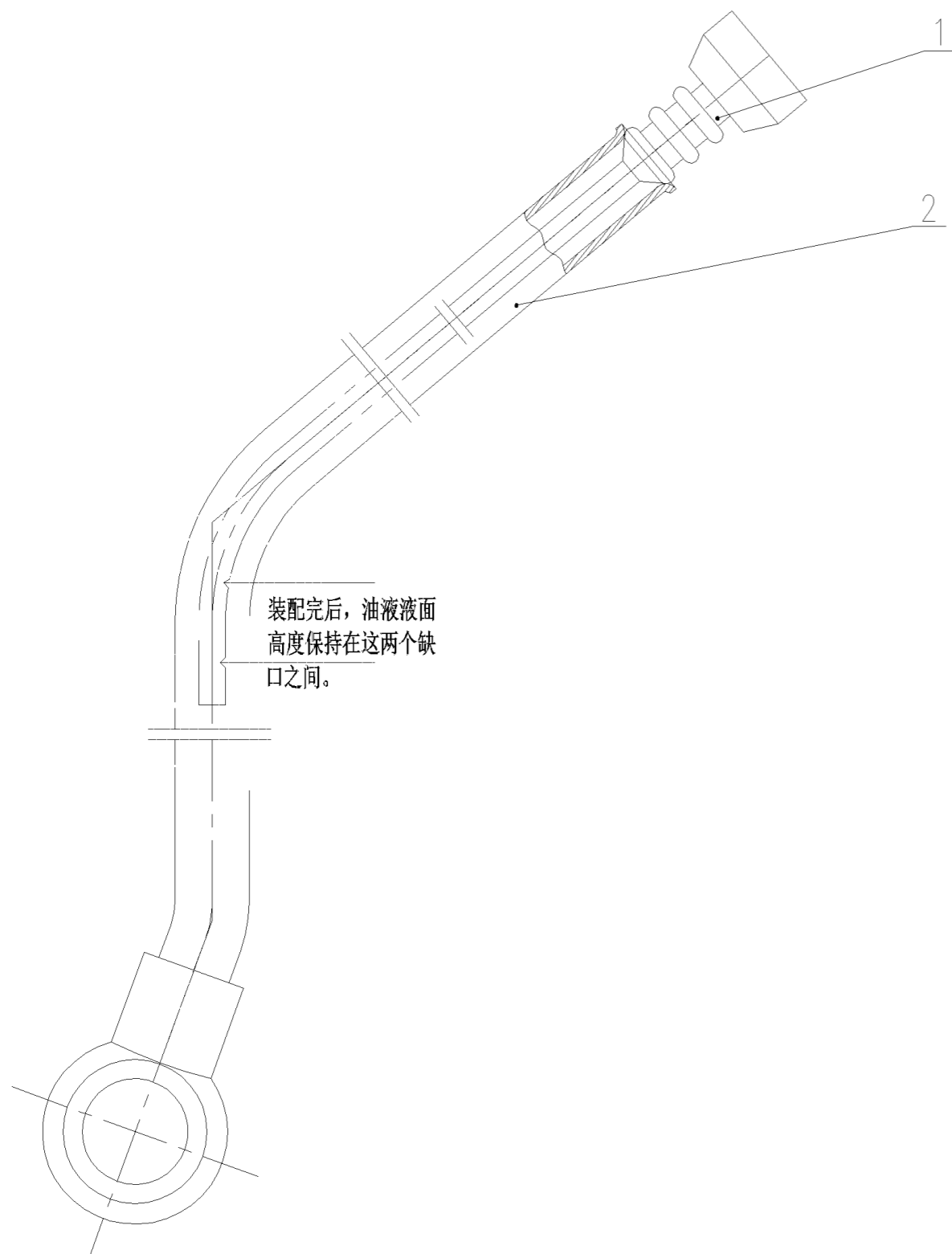
序号	零件编号	零件名称	数量	图号
1	0.026.3893.0	左轴承座 LEFT BEARING SEAT	1	0.026.3893.0
2	0.026.3894.0	右轴承座 RIGHT BEARING SEAT	1	0.026.3894.0
3	A26.38.001.0	后齿轮箱 REAR GEAR BOX	1	A26.38.001.0
4	LE1204.38.130	调整垫片 (左) LEFT ADJUST	0	LE1204.38.130
5	LE1204.38.131	调整垫片 (左) LEFT ADJUST	0	LE1204.38.131
6	GBT93-10-A3L	垫圈 WASHER	4	GBT93-10-A3L
7	GBT93-14-A3L	垫圈 WASHER	28	GBT93-14-A3L
8	GBT899-AM14X1.5X190-	螺柱 STUD	28	GBT899-AM14X1.5X190-10.9-
9	LE1204.38.132	调整垫片 (右) RIGHT ADJUST	0	LE1204.38.132
10	LE1204.38.133	调整垫片 (右) RIGHT ADJUST	0	LE1204.38.133
11	GBT5783-M10X25-A3L	螺栓 BOLT	4	GBT5783-M10X25-A3L
12	GBT6171-M14X1.5-10-A3L	螺母 NUT	28	GBT6171-M14X1.5-10-A3L
13	JBT982-12	垫圈 WASHER	1	JBT982-12
14	JBT982-20	组合密封垫圈 SEALING RINGS	2	JBT982-20
15	JBT8870-D20	软管夹 HOSE CLAMP	2	JBT8870-D20
16	LE1204.38.012	油尺 OIL RULE	1	LE1204.38.012
17	LE1204.38.106	调整垫片 (左) LEFT ADJUST	0	LE1204.38.106
18	LE1204.38.111	调整垫片 (右) RIGHT ADJUST	0	LE1204.38.111
19	LE1204.38.128	空心螺栓 HOLLOW BOLT	1	LE1204.38.128
20	SH900.38.105A	后桥箱上盖 REAR AXLE BOX TOP	1	SH900.38.105A
21	SH900.38.159	呼吸接头 BREATHING JOINT	1	SH900.38.159
22	SH900.38.160/10	呼吸软管 BREATHING HOSE	1	SH900.38.160/10
23	SH900.38.018/10	排油螺塞 OIL DRAINAGE SCREW	1	SH900.38.018/10
24	JBT982-36	组合密封垫圈 SEALING RINGS	1	JBT982-36
25	2.3110.405.1	螺母保护帽 TAPPO M 18X1.5	1	2.3110.405.1
26	2.1560.014.0	密封圈 SEALING RING	1	2.1560.014.0



LE1204.38.012 OIL RULE

LE1204.38.012 油尺 OIL RULE

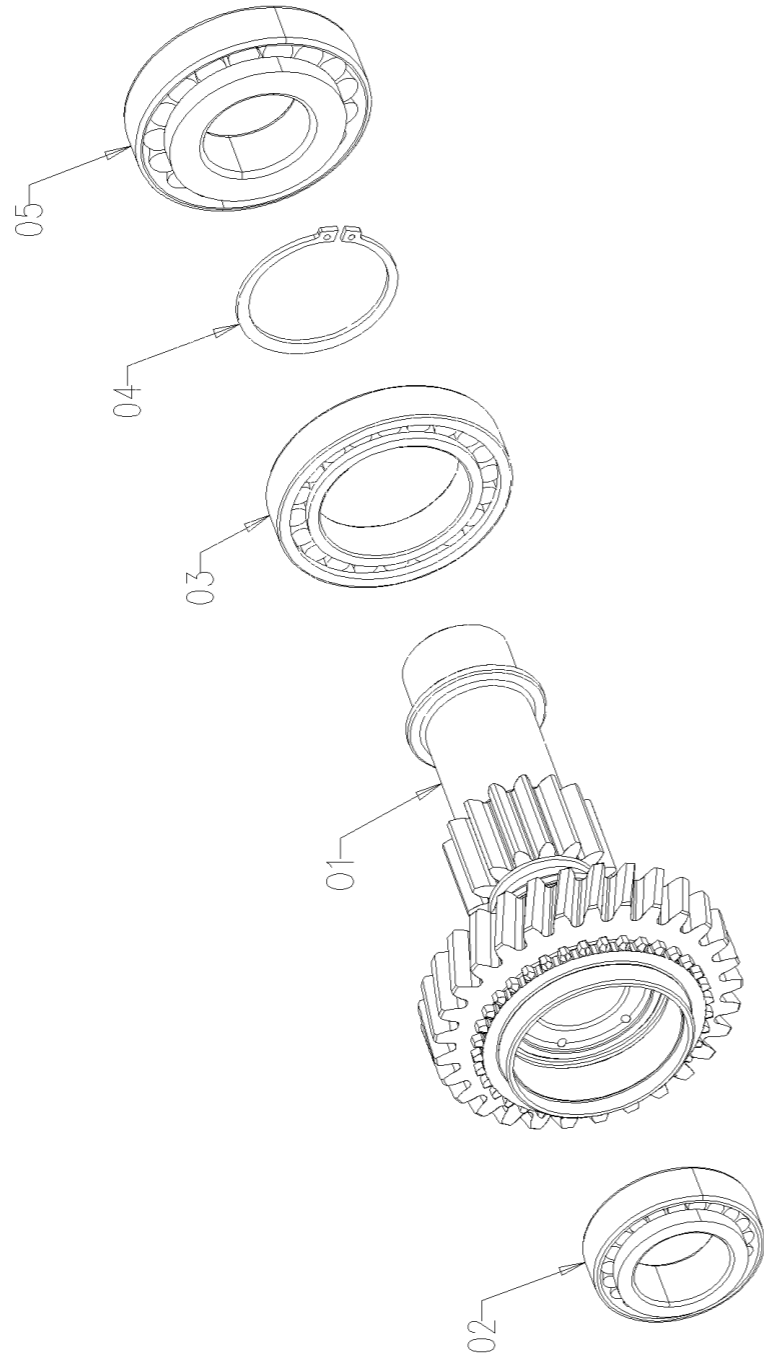
序号	零件编号	零件名称	数量	图号
1	LE1204.38.013	油尺管焊接 OIL RULE PIPE WELDING	1	LE1204.38.013
2	LE1204.38.014	机油尺总组件 OIL RULE PART	1	LE1204.38.014



9.DI532.02.0 RANGE COUNTERSHAFT ASS.Y

9.DI532.02.0_3 副变速齿轮总成 (16F+8R 同步器换挡 微爬档) RANGE COUNTERSHAFT ASS.Y(16F+8R synchro shift micro crawl)

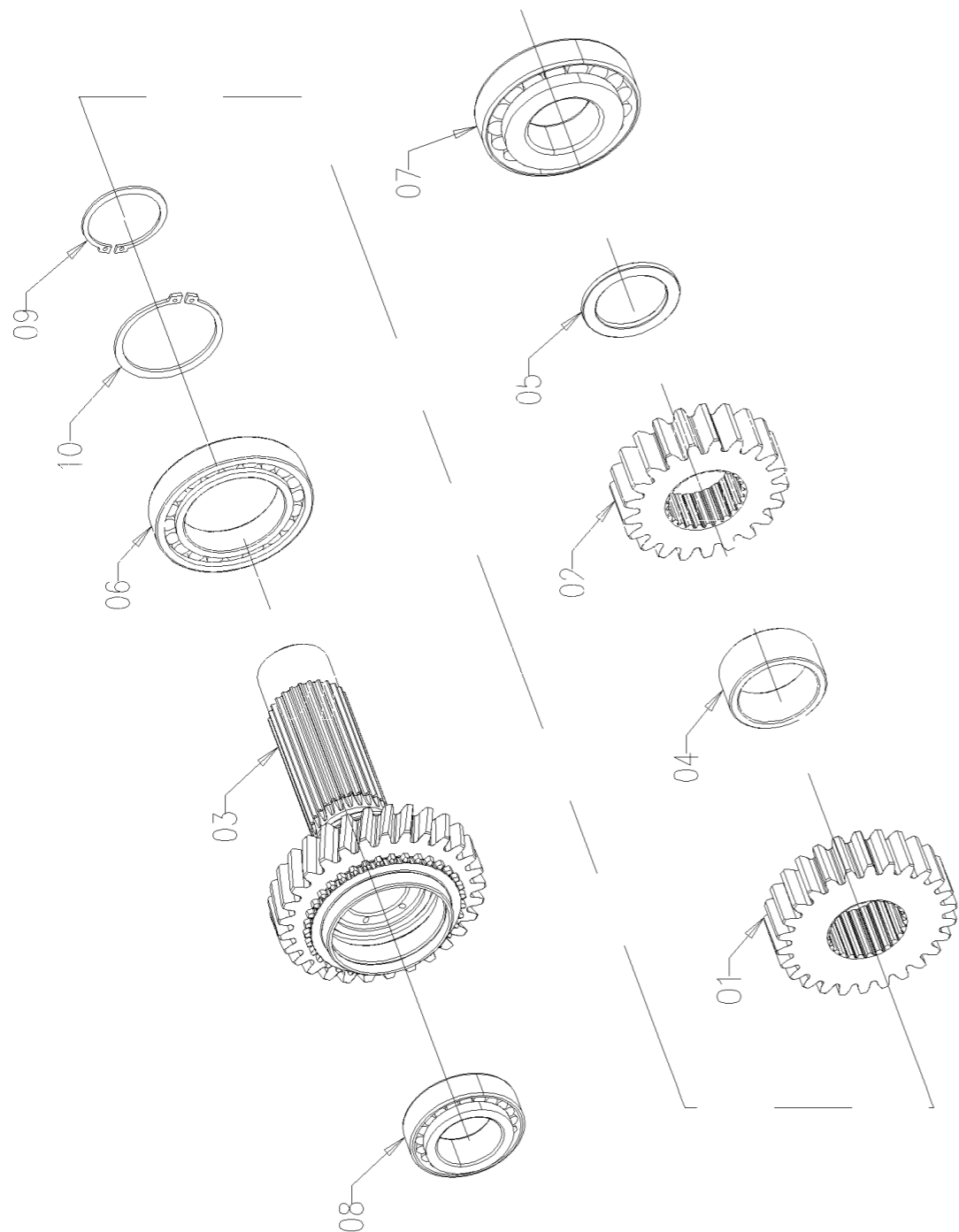
序号	零件编号	零件名称	数量	图号
1	0.028.6759.0/10	副变速换挡对轴 RANGE SHIFT	1	0.028.6759.0/10
2	GBT297-33109	轴承 BEARING	1	GBT297-33109
3	GBT283-NUP1014M	轴承 BEARING	1	GBT283-NUP1014M
4	GBT894.1-70	弹性挡圈 CIRCLIP	1	GBT894.1-70
5	GBT297-30310	轴承 BEARING	1	GBT297-30310



9.DI532.03.0 RANGE GEAR ASS.Y

9.DI532.03.0_4 副变速齿轮总成 (16F+8R 同步器换挡 普通档) RANGE GEAR ASS.Y(16F+8R synchro shift normal gear)

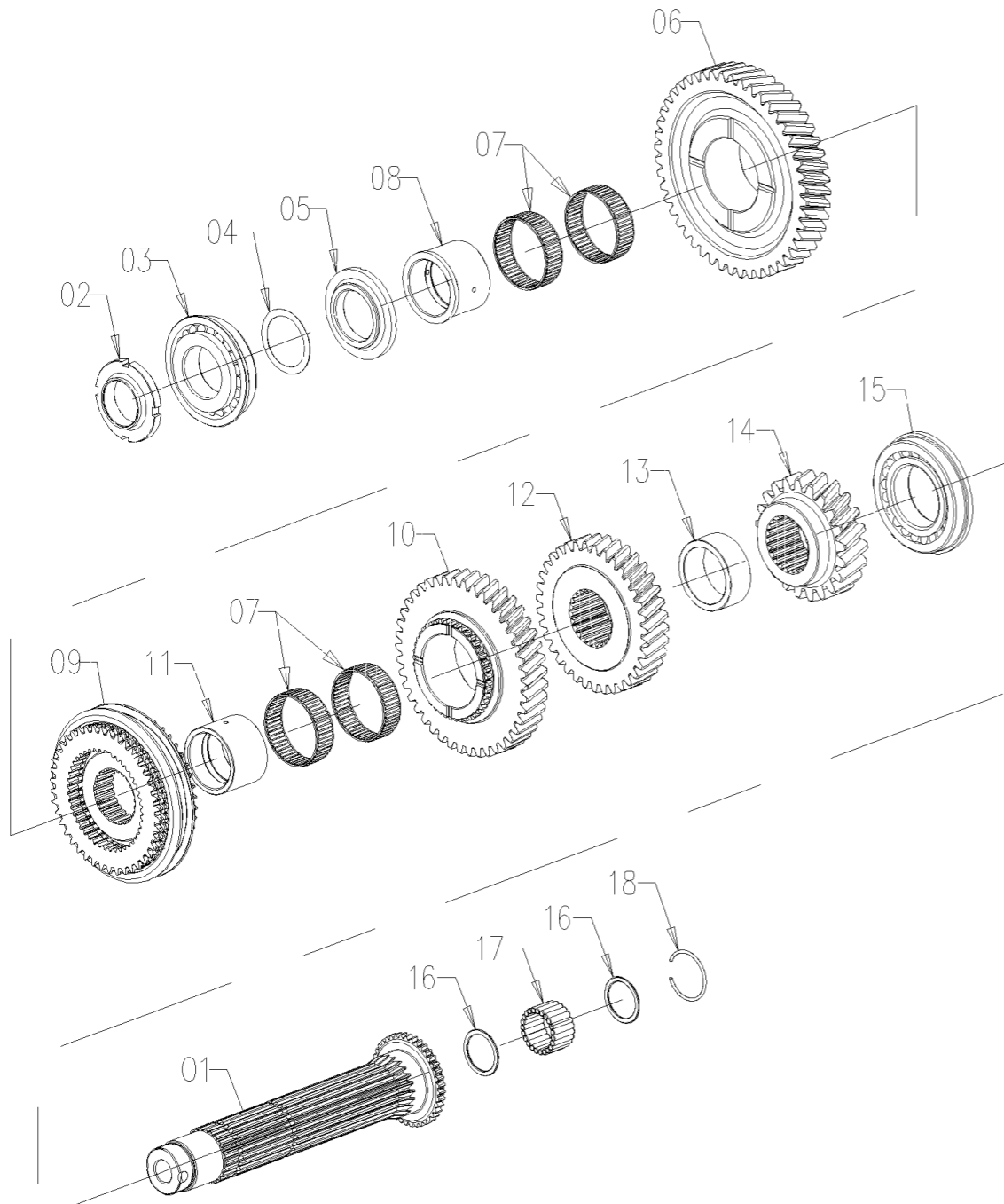
序号	零件编号	零件名称	数量	图号
1	0.029.7755.0/10	倒挡驱动齿轮 REVERSE DRIVING	1	0.029.7755.0/10
2	0.029.7757.0/10	中档主动齿轮 L-RANGE DRIVING	1	0.029.7757.0/10
3	DF904.37.107/10	对轴 COUNTER SHAFT	1	DF904.37.107/10
4	DF904.37.109	隔圈 SPACER	1	DF904.37.109
5	DF904.37.111	隔圈 SPACER	1	DF904.37.111
6	GBT283-NUP1014M	轴承 BEARING	1	GBT283-NUP1014M
7	GBT297-30310	轴承 BEARING	1	GBT297-30310
8	GBT297-33109	轴承 BEARING	1	GBT297-33109
9	GBT894.1-55	轴用弹性挡圈 CIRCLIPS FOR SHAFT	1	GBT894.1-55
10	GBT894.1-70	弹性挡圈 CIRCLIP	1	GBT894.1-70



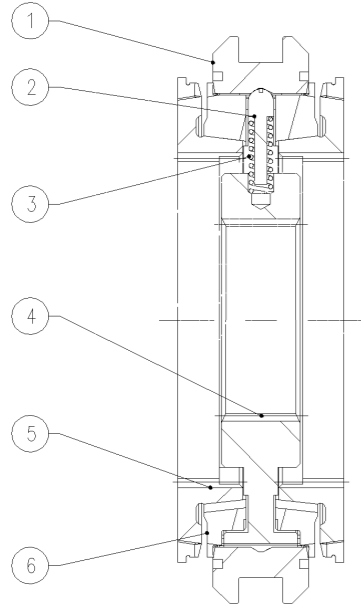
9.DI533.01.0 COUNTERSHAFT ASS.Y

9.DI533.01.0_3 主变速从动轴总成 (16F+8R 同步器换挡 微爬档) COUNTERSHAFT ASS.Y(16F+8R synchro shift micro crawl)

序号	零件编号	零件名称	数量	图号
1	0.028.6758.0/10	中心轴 INTERMEDIATE SHAFT	1	0.028.6758.0/10
2	0.029.4452.0	锁紧螺母 LOCK NUT	1	0.029.4452.0
3	DF904.37.136	轴承 BEARING	1	DF904.37.136
4	DF904.37.137/138/139	调整垫片 ADJUSTING SHIM	1	DF904.37.137/138/139
5	DF904.37.127/10	止推环 THRUST RING	1	DF904.37.127/10
6	0.029.4390.0/20	一档被动齿轮 1ST DRIVEN GEAR	1	0.029.4390.0/20
7	2.2770.271.0	滚针轴承 ROLLER CAGE 60x65x20	4	2.2770.271.0
8	DF904.37.113/10	衬套 NEEDLE INNER RING	1	DF904.37.113/10
9	C35.37.001.4	同步装置 SYNCHRONIZER	1	C35.37.001.4
10	0.029.4381.0/20	第二从动齿轮 2ND DRIVEN GEAR	1	0.029.4381.0/20
11	DF904.37.115/10	衬套 NEEDLE INNER RING	1	DF904.37.115/10
12	0.029.4367.0/10	3档从动齿轮 3RD DRIVEN GEAR	1	0.029.4367.0/10
13	DF904.37.118	隔圈 SPACER	1	DF904.37.118
14	DF904.37.119/10	四档从动齿轮 FOURTH DRIVEN	1	DF904.37.119/10
15	LE1204.37.195	圆锥滚子轴承 TAPERED TOLLER	1	LE1204.37.195
16	LE1204.37.211	垫圈 WASHER	2	LE1204.37.211
17	GBT309-P5X23.8-G2-3-5	滚针 NEEDLE ROLLER	23	GBT309-P5X23.8-G2-3-5
18	GBT895.1-42	花键套 RING	1	GBT895.1-42



C35.37.001.4 SYNCHRONIZER



技术要求

1. 总成各零件应无裂纹、磕碰、毛刺、锈迹等制造缺陷；
2. 在不装配滑块时，齿毂套能自由滑动，无卡滞；
3. 同步环与锥环之间的接触面积着色检查不小于70%；
4. 保证摩擦副之间的磨损后变量。

Technical requirement

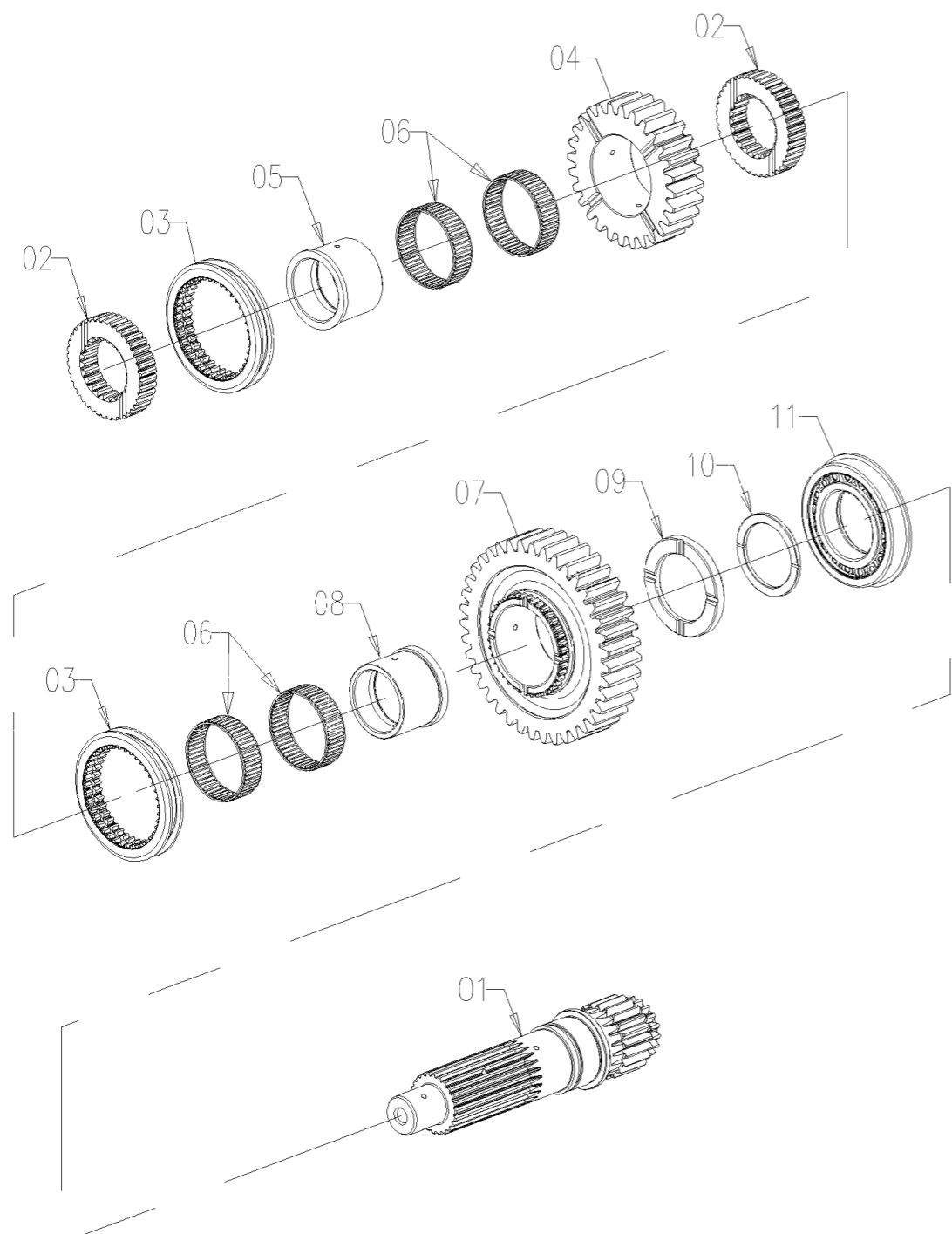
1. All parts of the assembly shall have no manufacturing defects such as cracks, bumps, burrs and rusts;
2. When the slider is not assembled, the tooth hub sleeve can slide freely without clamping;
3. The color inspection of the contact area between the synchronous ring and the cone ring shall not be less than 70%.
4. Ensure the wear reserve between friction pairs..

C35.37.001.4 同步装置 SYNCHRONIZER

序号	零件编号	零件名称	数量	图号
1	C35.37.008.0	齿轮套 GEAR SLEEVE	1	C35.37.008.0
2	C35.37.011.0	滑块 SLIDING BLOCK	3	C35.37.011.0
3	C35.37.012.0	弹簧 SPRING	3	C35.37.012.0
4	C35.37.004.0	花键套轮 SPLINE SEAT	1	C35.37.004.0
5	C35.37.009.0	花键套 RING	2	C35.37.009.0
6	C35.37.010.0	二挡同步器齿环 CONE RING	2	C35.37.010.0

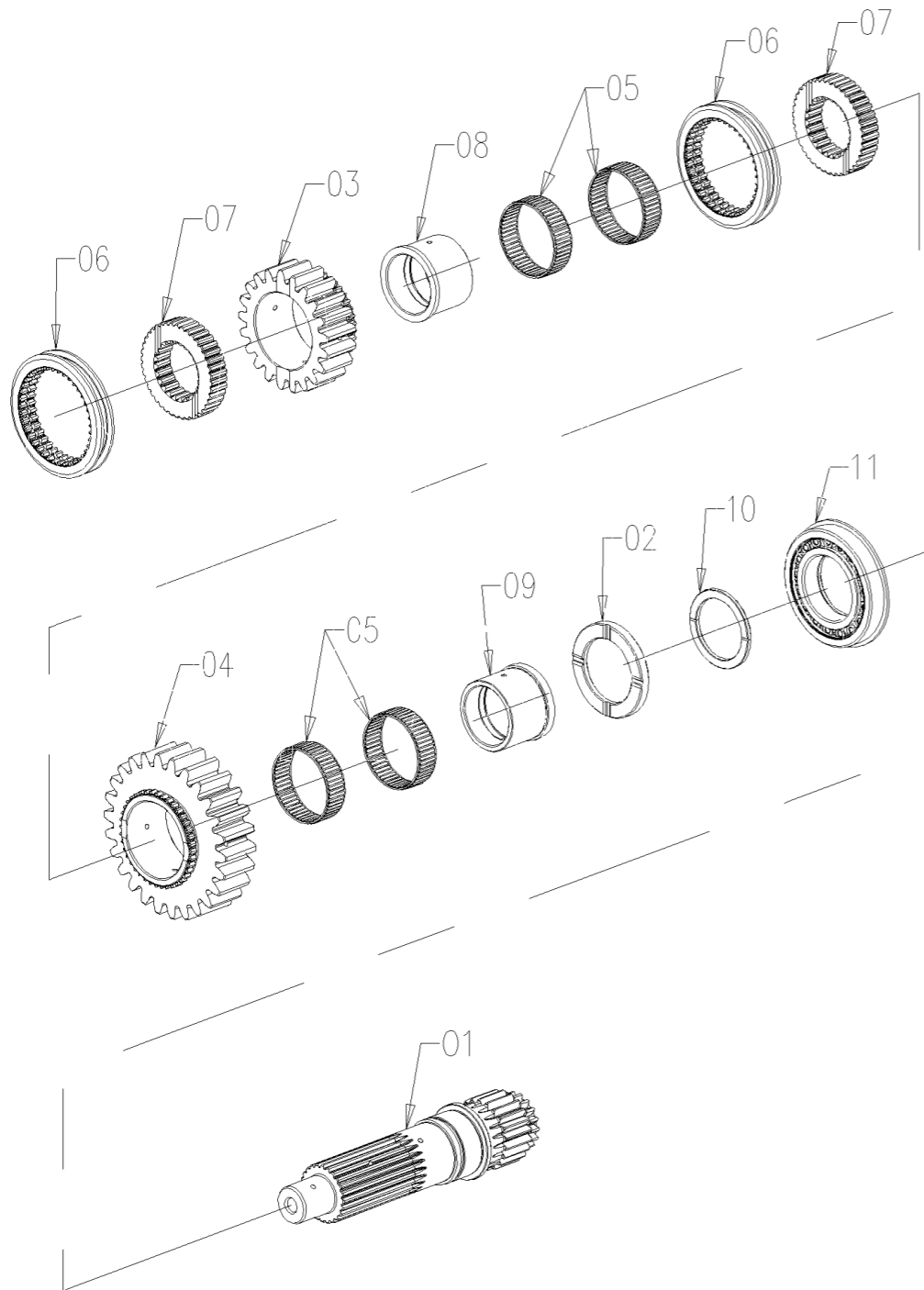
9.DI533.02.0 OUTPUT SHAFT ASS.Y

9.DI533.02.0_2 副变速输出总成 (16F+8R 同步器换挡 微爬档) OUTPUT SHAFT ASS.Y(16F+8R synchro shift micro crawl)



序号	零件编号	零件名称	数量	图号
1	0.028.6764.0/20	输出轴 OUTPUT SHAFT	1	0.028.6764.0/20
2	DF904.37.122/10	齿座 TOOTHHOLDER	2	DF904.37.122/10
3	DF904.37.121/10	连接套筒 SHIFT SLEEVE	2	DF904.37.121/10
4	0.028.8274.0/10	倒挡从动齿轮 REVERSE DRIVEN	1	0.028.8274.0/10
5	DF904.37.124	衬套 NEEDLE INNER RING	1	DF904.37.124
6	2.2770.271.0	滚针轴承 ROLLER CAGE 60x65x20	4	2.2770.271.0
7	0.028.8273.0/10	齿轮 RANGE SHIFT L-GEAR	1	0.028.8273.0/10
8	DF904.37.131	衬套 NEEDLE INNER RING	1	DF904.37.131
9	0.029.4455.0	止推环 TRUST RING	1	0.029.4455.0
10	LE1204.37.144	止推环 THRUST COLLAR	1	LE1204.37.144
11	LE1204.37.205	圆柱滚子轴承NUP211E CRLINDRICAL	1	LE1204.37.205

9.DI533.03.0 OUTPUT SHAFT ASS.Y

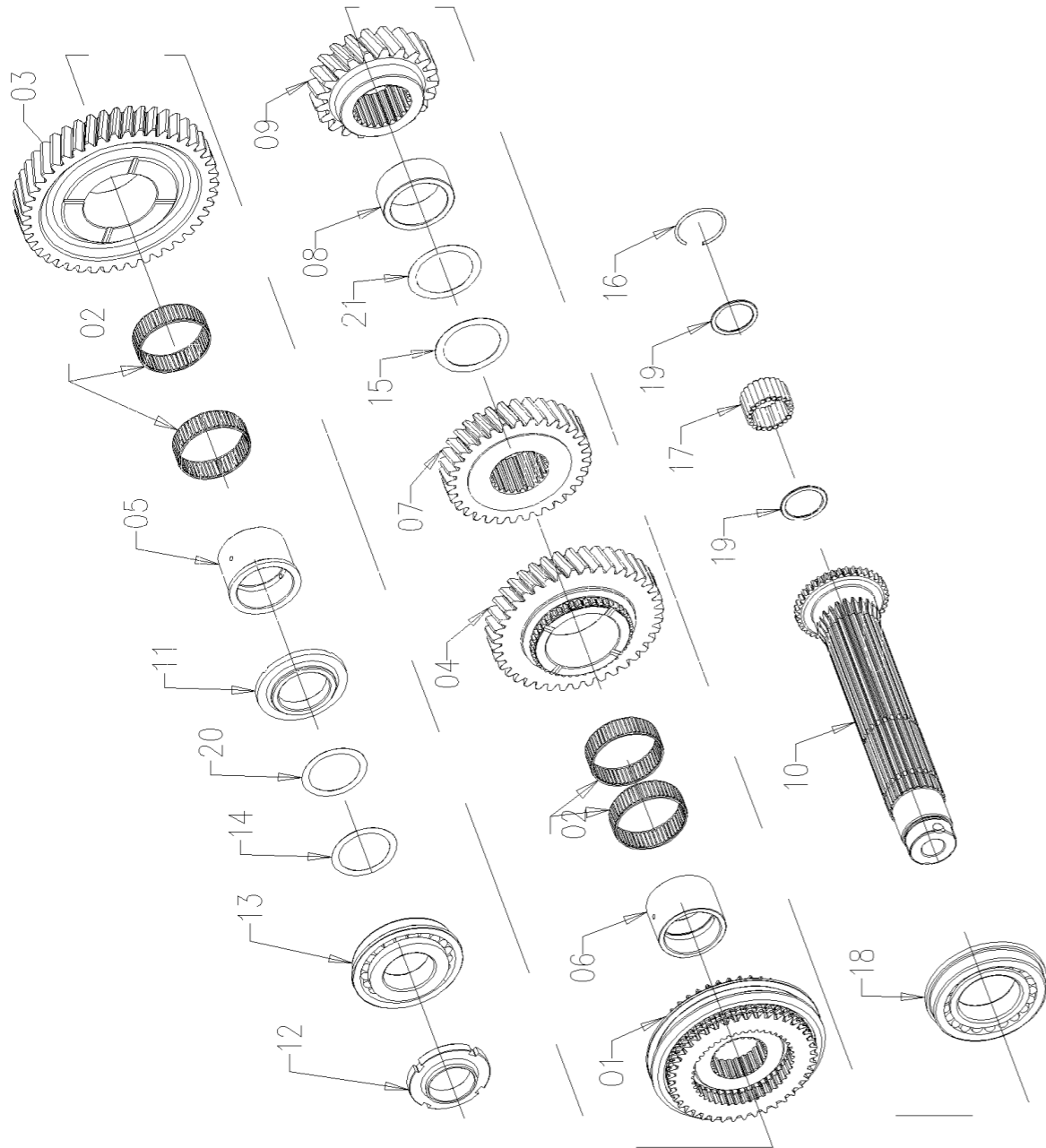


9.DI533.03.0_2 副变速输出总成 (16F+8R 普通档) OUTPUT SHAFT ASS.Y(16F+8R normal gear)

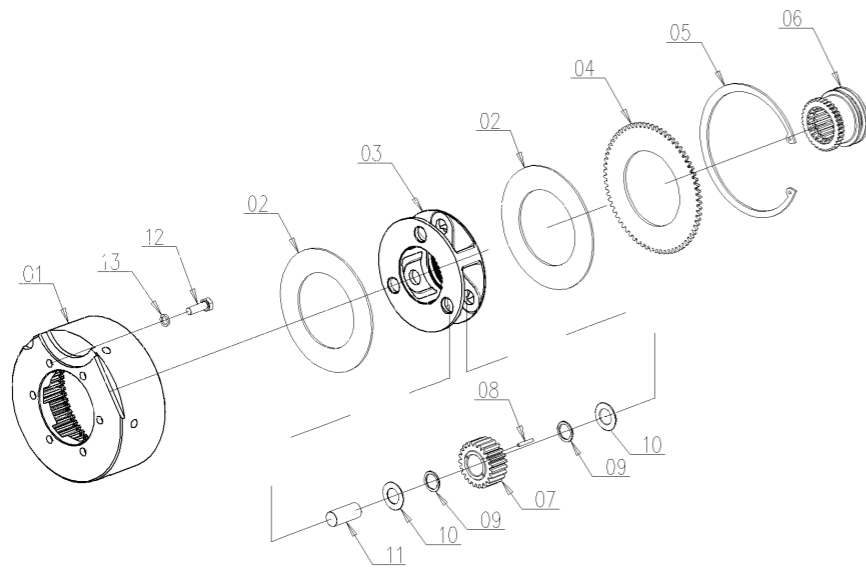
序号	零件编号	零件名称	数量	图号
1	0.028.6764.0/20	输出轴 OUTPUT SHAFT	1	0.028.6764.0/20
2	0.029.4455.0	止推环 TRUST RING	1	0.029.4455.0
3	0.029.7756.0/10	倒挡从动齿轮 REVERSE DRIVEN	1	0.029.7756.0/10
4	0.029.7758.0/10	中档主动齿轮 L-RANGE DRIVN GEAR	1	0.029.7758.0/10
5	2.2770.271.0	滚针轴承 ROLLER CAGE 60x65x20	4	2.2770.271.0
6	DF904.37.121/10	连接套筒 SHIFT SLEEVE	2	DF904.37.121/10
7	DF904.37.122/10	齿座 TOOTHHOLDER	2	DF904.37.122/10
8	DF904.37.124	衬套 NEEDLE INNER RING	1	DF904.37.124
9	DF904.37.131	衬套 NEEDLE INNER RING	1	DF904.37.131
10	LE1204.37.144	止推环 THRUST COLLAR	1	LE1204.37.144
11	LE1204.37.205	圆柱滚子轴承NUP211E CRLINDRICAL	1	LE1204.37.205

9.DI533.07.0 COUNTERSHAFT ASS.Y

9.DI533.07.0_3 主变速从动轴总成 (16F+8R 同步器换挡 普通档) COUNTERSHAFT ASS.Y(16F+8R synchro shift normal gear)



序号	零件编号	零件名称	数量	图号
1	C35.37.001.4	同步装置 SYNCHRONIZER	1	C35.37.001.4
2	2.2770.271.0	滚针轴承 ROLLER CAGE 60x65x20	4	2.2770.271.0
3	C35.37.002.0	第一从动齿轮 FIRST DRIVEN GEAR	1	C35.37.002.0
4	C35.37.003.0/10	第二从动齿轮 SECOND DRIVEN	1	C35.37.003.0/10
5	DF904.37.113/10	衬套 NEEDLE INNER RING	1	DF904.37.113/10
6	DF904.37.115/10	衬套 NEEDLE INNER RING	1	DF904.37.115/10
7	DF904.37.117/10	三挡从动齿轮 THIRD DRIVEN GEAR	1	DF904.37.117/10
8	DF904.37.118	隔圈 SPACER	1	DF904.37.118
9	DF904.37.119/10	四档从动齿轮 FOURTH DRIVEN	1	DF904.37.119/10
10	0.028.6758.0/10	中心轴 INTERMEDIATE SHAFT	1	0.028.6758.0/10
11	DF904.37.127/10	止推环 THRUST RING	1	DF904.37.127/10
12	0.029.4452.0	锁紧螺母 LOCK NUT	1	0.029.4452.0
13	DF904.37.136	轴承 BEARING	1	DF904.37.136
14	DF904.37.137/138/139	调整垫片 ADJUSTING SHIM	0	DF904.37.137/138/139
15	DF904.37.142/143/144	调整垫片 ADJUSTING SHIM	0	DF904.37.142/143/144
16	GBT895.1-42	花键套 RING	1	GBT895.1-42
17	GBT309-P5X23.8-G2-3-5	滚针 NEEDLE ROLLER	23	GBT309-P5X23.8-G2-3-5
18	LE1204.37.195	圆锥滚子轴承 TAPERED TOLLER	1	LE1204.37.195
19	LE1204.37.211	垫圈 WASHER	2	LE1204.37.211
20	A26.37.011.0	调整垫圈 ADJUST WASHER	0	A26.37.011.0
21	A26.37.012.0	调整垫圈 ADJUST WASHER	0	A26.37.012.0



9.DI534.00.0 PLANETARY REDUCER ASS.LY

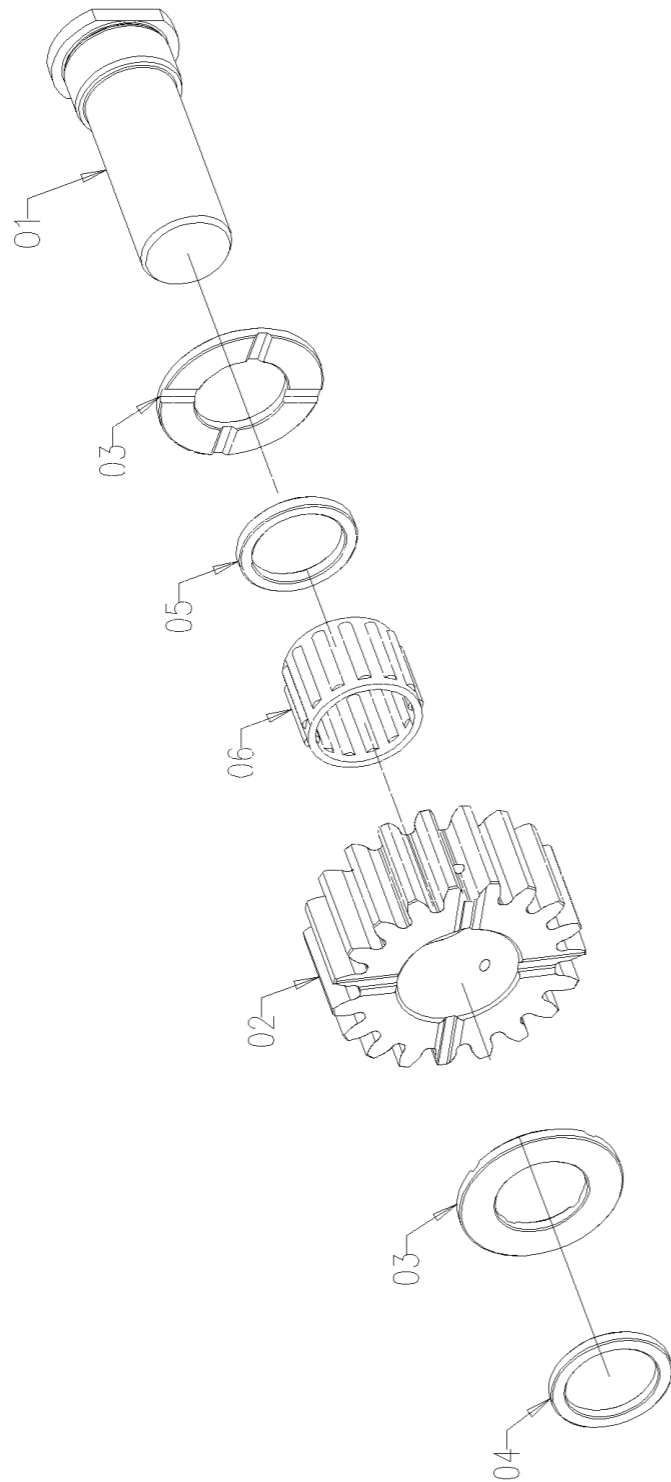
9.DI534.00.0_1 行星减速总成 PLANETARY REDUCER

序号	零件编号	零件名称	数量	图号
1	LE1204.37.172/20	内齿圈 INNER GEAR RING	1	LE1204.37.172/20
2	LE1204.37.185	行星架隔垫 PLANET CARRIER	2	LE1204.37.185
3	SH900.37.013	行星架铆合 PLANETARY FRAME	1	SH900.37.013
4	LE1204.37.186	行星载体槽盘 PLANET CARRIER	1	LE1204.37.186
5	GBT893.1-170	弹性挡圈 CIRCLIP	1	GBT893.1-170
6	0.028.2305.0	滑动套筒 SLIDING SLEEVE	1	0.028.2305.0
7	LE1204.37.187	行星齿轮 EPOCYCLIC GEAR	3	LE1204.37.187
8	GBT309-P4X25.8-G3-3-6	滚针 NEEDLE ROLLER	57	GBT309-P4X25.8-G3-3-6
9	A23.37.005.0	滚针隔套 NEEDLE SPACER	6	A23.37.005.0
10	A23.37.004.0	行星齿轮垫片 PLANETARY GEAR	6	A23.37.004.0
11	SH900.37.131	行星齿轮轴 PLANET WHEEL AXLE	3	SH900.37.131
12	GBT5783-M10X30-A3L	螺栓 BOLT	6	GBT5783-M10X30-A3L
13	GBT93-10-A3L	垫圈 WASHER	6	GBT93-10-A3L

9.DI534.01.0 IDLER SHAFT ASS.Y

9.DI534.01.0_2 惰轮轴组件 (16F+8R 同步器换挡 微爬档) IDLER SHAFT ASS.Y(16F+8R synchro shift micro crawl)

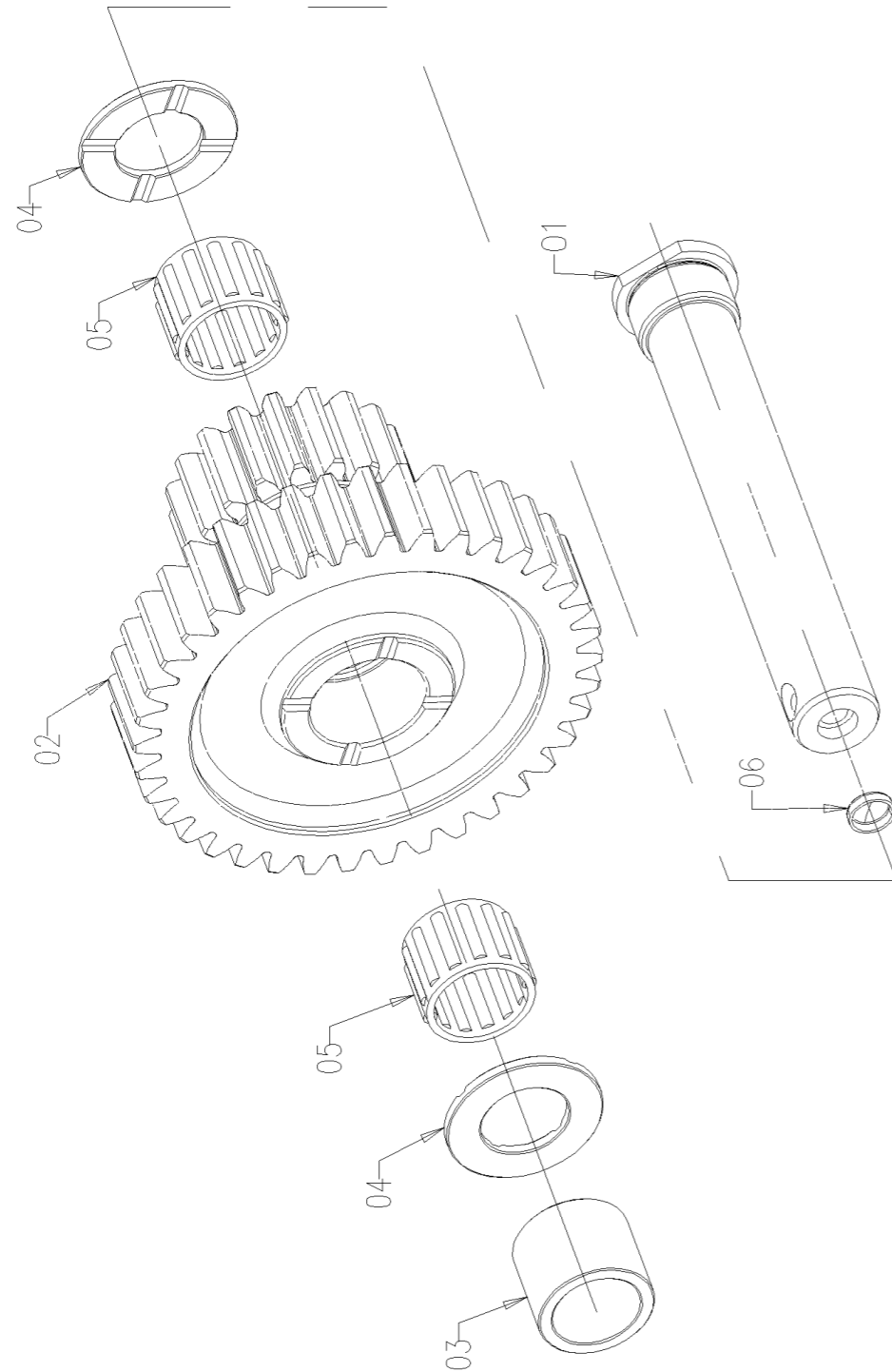
序号	零件编号	零件名称	数量	图号
1	0.028.8655.0/20	空转轮轴 IDLER SHAFT	1	0.028.8655.0/20
2	0.028.8599.0/10	惰轮 IDLER	1	0.028.8599.0/10
3	0.028.8691.0/10	套管 BUSHING	2	0.028.8691.0/10
4	0.028.8697.0	套管 BUSHING	1	0.028.8697.0
5	0.029.5092.0	花键套 RING	1	0.029.5092.0
6	JBT7918-K30X40X30	轴承 BEARING	1	JBT7918-K30X40X30



9.DI534.02.0 REVERSE SHAFT ASS.Y

9.DI534.02.0_2 倒档轴组件 (16F+8R 同步器换挡 微爬档) REVERSE SHAFT ASS.Y(16F+8R synchro shift micro crawl)

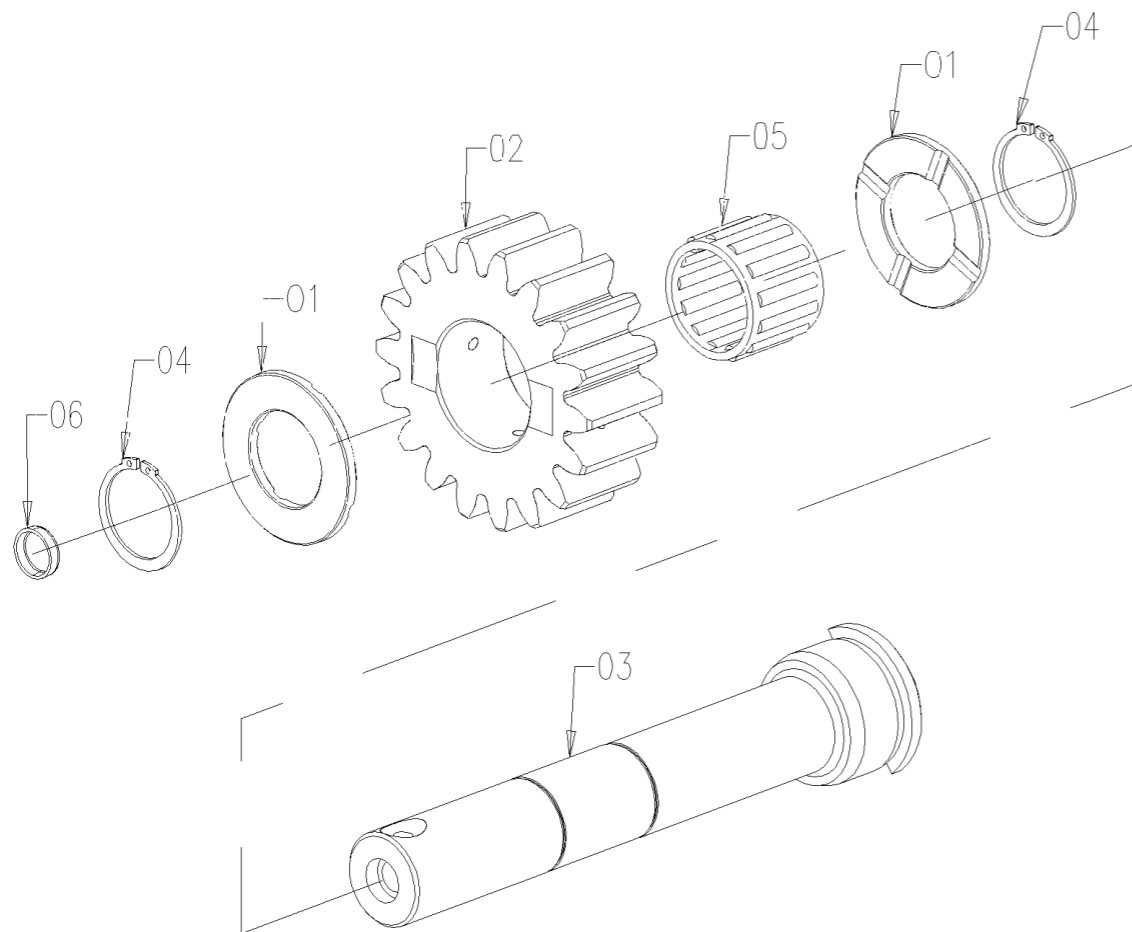
序号	零件编号	零件名称	数量	图号
1	0.028.8654.0/20	空转轮轴 IDLER SHAFT	1	0.028.8654.0/20
2	0.028.8279.0/10	惰轮 IDLER	1	0.028.8279.0/10
3	0.028.8694.0	套管 BUSHING	1	0.028.8694.0
4	0.028.8691.0/10	套管 BUSHING	2	0.028.8691.0/10
5	JBT7918-K30X40X30	轴承 BEARING	2	JBT7918-K30X40X30
6	QCT388-14	碗形膨胀塞 BOWL TYPE WXPANSION	1	QCT388-14



9.DI534.03.0 REVERSE SHAFT ASS.Y

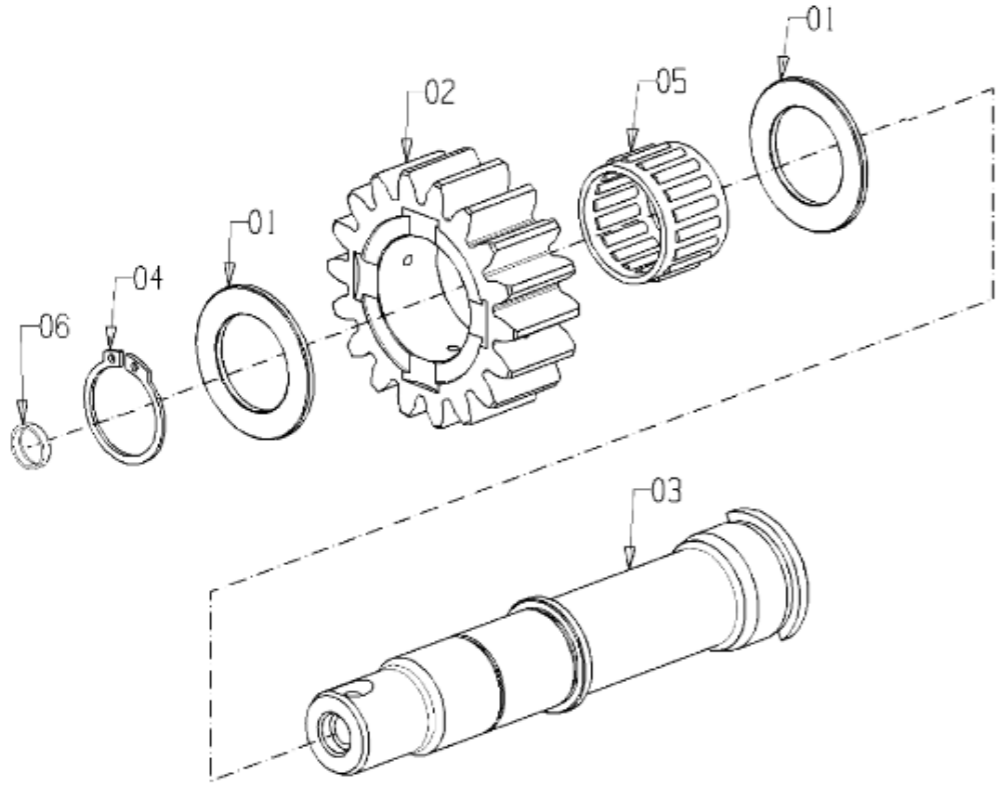
9.DI534.03.0_2 倒档齿轮总成 (16F+8R 普通档) REVERSE SHAFT ASS.Y(16F+8R normal gear)

序号	零件编号	零件名称	数量	图号
1	0.028.8691.0/10	套管 BUSHING	2	0.028.8691.0/10
2	0.029.7765.0/10	惰轮 IDLER	1	0.029.7765.0/10
3	0.029.7766.0/10	空转轮轴 IDLER SHAFT	1	0.029.7766.0/10
4	GBT894.1-30	弹性挡圈 CIRCLIP	2	GBT894.1-30
5	JBT7918-K30X40X30	轴承 BEARING	1	JBT7918-K30X40X30
6	QCT388-14	碗形膨胀塞 BOWL TYPE WXPANSION	1	QCT388-14



 SAME DEUTZ-FAHR GROUP S.p.A. Gruppo - Group	LE120 series	N. dis. - P/N 9.DI534.03.0	
	REVERSE SHAFT ASS.Y	Rev. 3	Foglio - Sheet 1 di 1
		Validato il 16/08/2021	

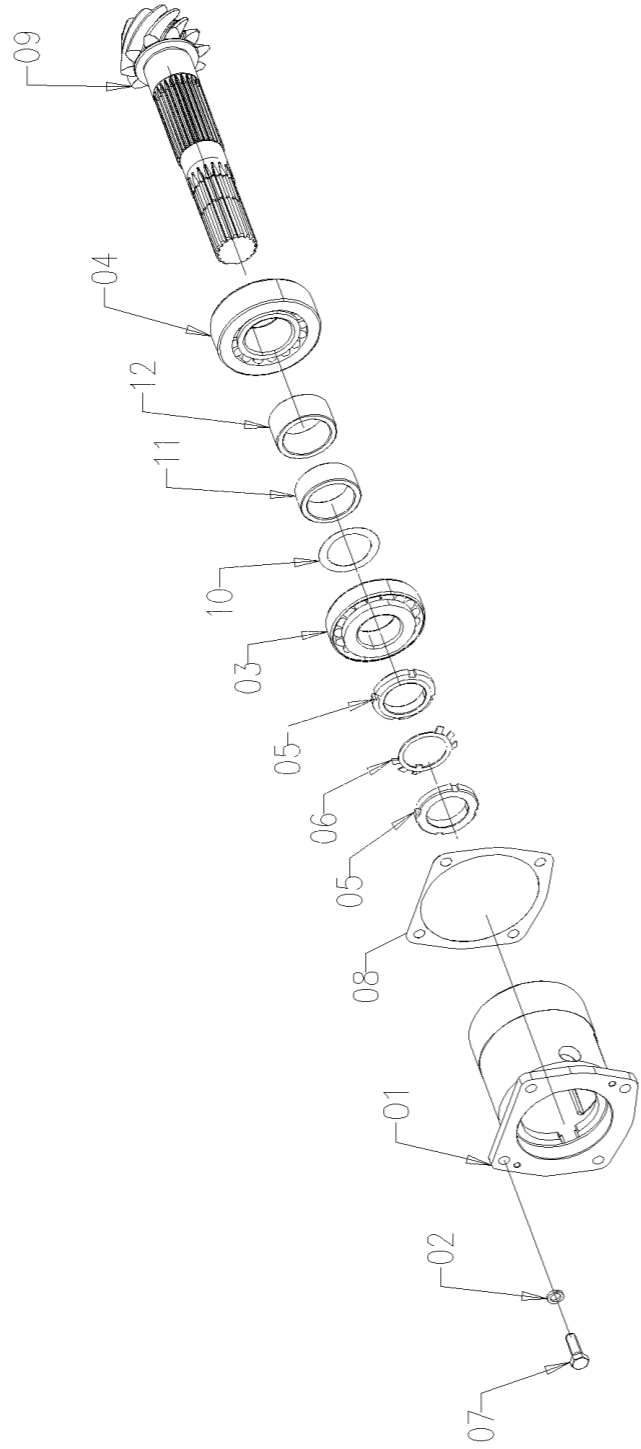
YFB-R-2018-003 SH.040



9.DI534.03.0_3 倒档齿轮总成 REVERSE SHAFT ASS.Y

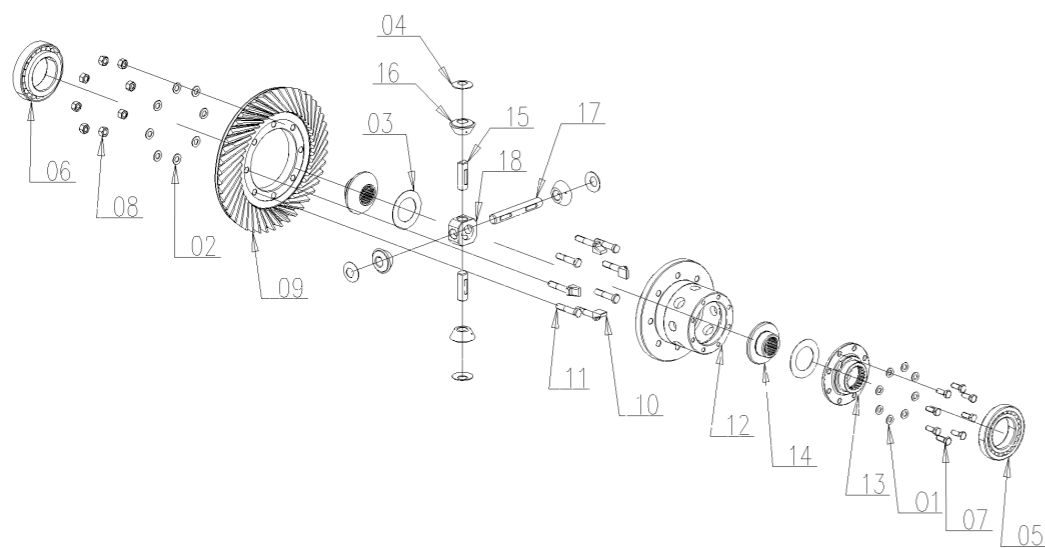
序号	零件编号	零件名称	数量	图号
1	0.040.9429.0	套筒 BUSHING	2	0.040.9429.0
2	0.029.7765.0/20	惰轮 IDLER	1	0.029.7765.0/20
3	0.029.7766.0/20	空转轮轴 IDLER SHAFT	1	0.029.7766.0/20
4	GBT894.1-35	轴用弹性挡圈 CIRCLIP FOR SHAFT	1	GBT894.1-35
5	JBT7918-K35X45X30	轴承 BEARING	1	JBT7918-K35X45X30
6	QCT388-14	碗形膨胀塞 BOWL TYPE WXPANSION	1	QCT388-14

9.DI535.00.0 BEVEL PINION ASS.Y



9.DI535.00.0_1 小锥总成BEVEL PINION SUBASS.LY

序号	零件编号	零件名称	数量	图号
1	A26.38.002.0	锥齿轮座 BEVEL GEAR SEAT	1	A26.38.002.0
2	GBT93-12-A3L	垫圈 WASHER	4	GBT93-12-A3L
3	GBT297-30310	轴承 BEARING	1	GBT297-30310
4	GBT297-32311	轴承 BEARING	1	GBT297-32311
5	GBT812-M50X1.5-A3L	圆螺母 ROUND NUT	2	GBT812-M50X1.5-A3L
6	GBT858-50	圆螺母用六角垫圈 TAB WASHER FOR	1	GBT858-50
7	GBT5783-M12X35-10.9-	螺栓 BOLT	4	GBT5783-M12X35-10.9-A3L
8	LE1204.38.114	轴承座调整垫片 BEARING SRAT	1	LE1204.38.114
9	LE1204.38.116	小锥齿轮 SMALL BEVEL GEAR	1	LE1204.38.116
10	LE1204.38.136	调整垫圈 ADJUST WASHER	1	LE1204.38.136
11	LE1204.38.139	套筒 SLEEVE I	1	LE1204.38.139
12	LE1204.38.141	套筒 SLEEVE II	1	LE1204.38.141



9.DI535.01.0 DIFFERENTIAL ASSEMBLY

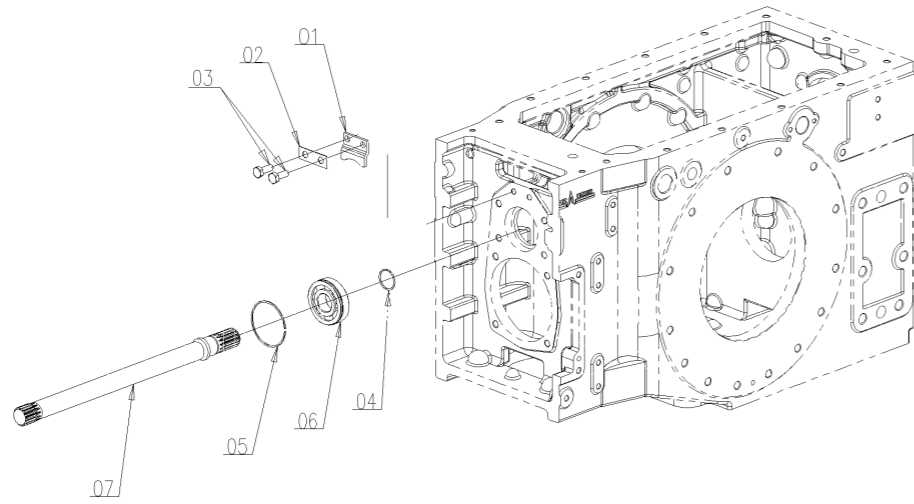
9.DI535.01.0_3 差速器总成DIFFERENTIAL ASS.Y

序号	零件编号	零件名称	数量	图号
1	2.1475.004.2	圆柱垫片 CONICAL WASHERS M12	8	2.1475.004.2
2	2.1475.005.7	圆柱垫片 CONICAL WASHERS M14	8	2.1475.005.7
3	A23.38.001.0	齿轮垫片 DIFF. GEAR SPACER	2	A23.38.001.0
4	A23.38.002.0	行星齿轮垫片 PLANETARY GEAR	4	A23.38.002.0
5	GBT297-30216	轴承 BEARING	1	GBT297-30216
6	GBT297-32217	轴承 BEARING	1	GBT297-32217
7	GBT5783-M12X30-10.9-	螺栓 BOLT	8	GBT5783-M12X30-10.9-A3L
8	GBT6171-M14X1.5-10-A3L	螺母 NUT	8	GBT6171-M14X1.5-10-A3L
9	LE1204.38.119	大行星齿轮 BIG EPICYCLIC GEAR	1	LE1204.38.119
10	LE1204.38.120/10	行星齿轮轴止动螺钉 EPICYCLIC	4	LE1204.38.120/10
11	LE1204.38.121	大锥齿轮固定螺栓 BIG BEVEL GEAR	4	LE1204.38.121
12	LE1204.38.122	差速器壳体 DEFFERENTIAL BOX	1	LE1204.38.122
13	SH900.38.142	差速器盖 DIFFERENTIAL COVER	1	SH900.38.142
14	SH900.38.144	半轴齿轮 SEMI SHAFT GEAR	2	SH900.38.144
15	SH900.38.145/20	短行星齿轮轴 SHORT PLANET GEAR	2	SH900.38.145/20
16	SH900.38.148/10	最终传动行星齿轮 PLANET GEAR	4	SH900.38.148/10
17	SH900.38.153/10	最终传动行星轮轴 PLANET GEAR	1	SH900.38.153/10
18	SH900.38.154	中心环 CENTER RING	1	SH900.38.154

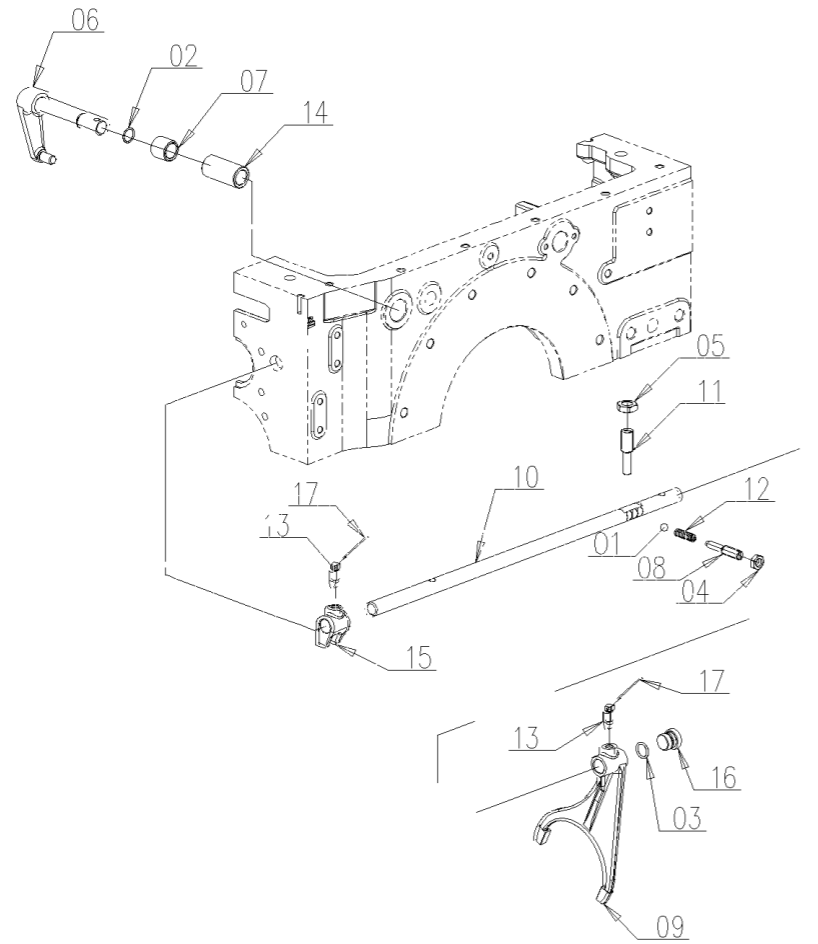
9.DI535.02.0_1 PTO中段轴总成PTO MIDDLE SHAFT SUBASSEMBLY

序号	零件编号	零件名称	数量	图号
1	SH900.38.120	板 PLATE	1	SH900.38.120
2	SH900.38.119	压板锁片 CLAMP PLATE	1	SH900.38.119
3	GBT5783-M10X25-A3L	螺栓 BOLT	2	GBT5783-M10X25-A3L
4	GBT895.2-30	弹性挡圈 CIRCLIP	1	GBT895.2-30
5	GBT305-72/74.8	卡环 SNAP RING	1	GBT305-72/74.8
6	GBT276-6306N	轴承 BEARING	1	GBT276-6306N
7	DF1204.38.101/10	PTO中轴 MIDDLE SHAFT FOR PTO	1	DF1204.38.101/10

9.DI535.02.0 PTO MIDDLE SHAFT SUBASSEMBLY



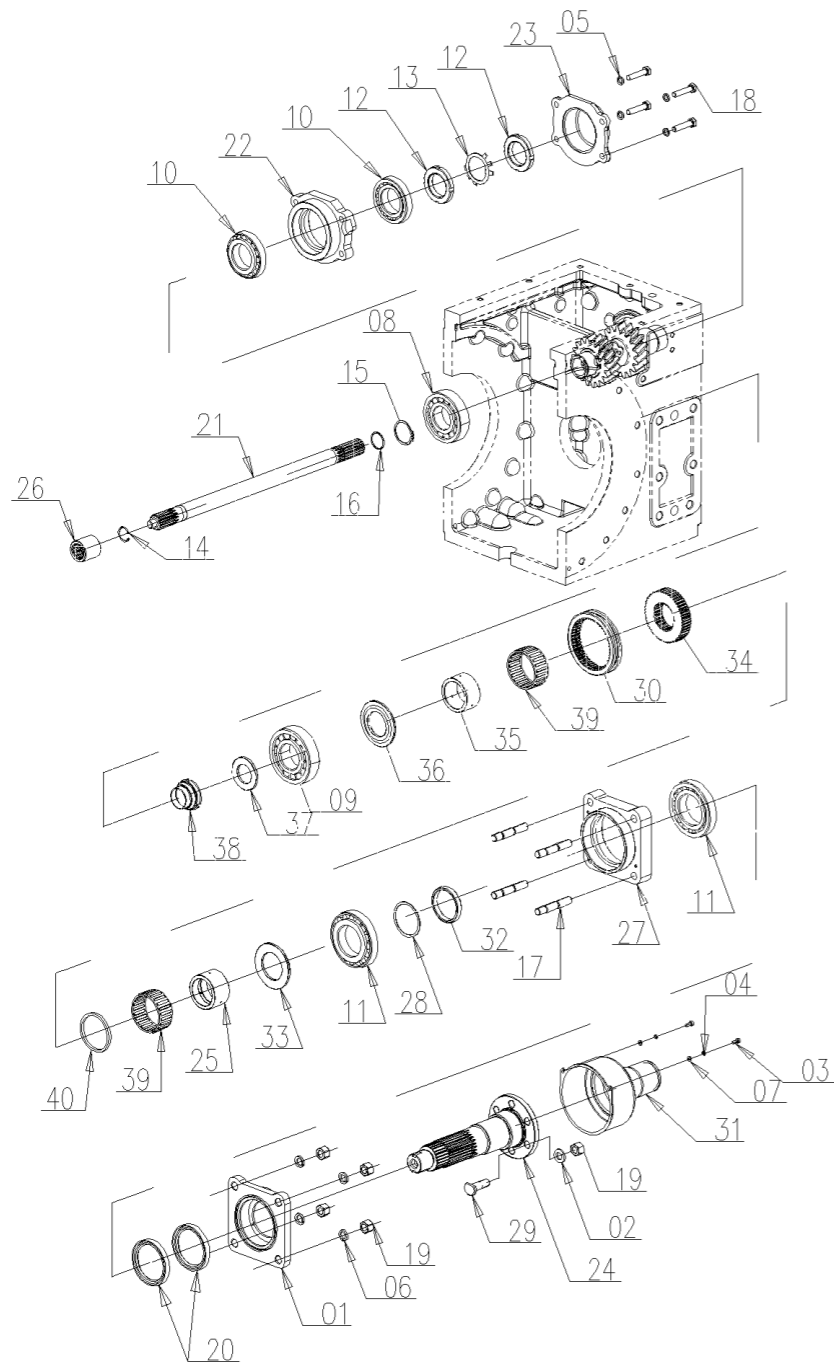
9.DI536.00.0 FORK ASSEMBLY



9.DI536.00.0_1 动力输出拨叉总成POWER TAKE-OFF FORK ASS.Y

序号	零件编号	零件名称	数量	图号
1	GBT308-10-G100-b	球 BALL	1	GBT308-10-G100-b
2	GBT3452.1-17X1.8-G	O形密封圈 O RING	1	GBT3452.1-17X1.8-G
3	GBT3452.1-17X2.65-G	O形密封圈 O RING	1	GBT3452.1-17X2.65-G
4	GBT6172.1-M12-A3L	螺母 NUT	1	GBT6172.1-M12-A3L
5	GBT6172.1-M16-A3L	螺母 NUT	1	GBT6172.1-M16-A3L
6	LE1204.41.011-1	内摇臂焊接 PTO INNER ROCKER	1	LE1204.41.011-1
7	LE1204.41.102-1	套筒 SLEEVE	1	LE1204.41.102-1
8	LE1204.41.103	开槽锥端紧定螺钉 SLOTTED FIXED	1	LE1204.41.103
9	LE1204.41.118	高低拨叉 HIGH-LOW SHIFT FORK	1	LE1204.41.118
10	LE1204.41.119	挂档叉轴 SHIFT FORK SHAFT	1	LE1204.41.119
11	LE1204.41.120	拨叉轴限位螺钉 SHIFT FORK SHAFT	1	LE1204.41.120
12	SH900.37.135A	定位弹簧 POSITIONING SPRING	1	SH900.37.135A
13	SH900.38.110	紧定螺钉 SET SCREW	2	SH900.38.110
14	SH900.41.104	套管 BUSHING	1	SH900.41.104
15	SH900.41.127	拨头 STRICKER	1	SH900.41.127
16	SH900.41.131	塞子 PLUG	1	SH900.41.131
17	YBT5294-SZ-F-1.4	低碳钢丝网 LOW CARBON STEEL	2	YBT5294-SZ-F-1.4

9.DI536.01.0 ACCESSORY ASS.LY



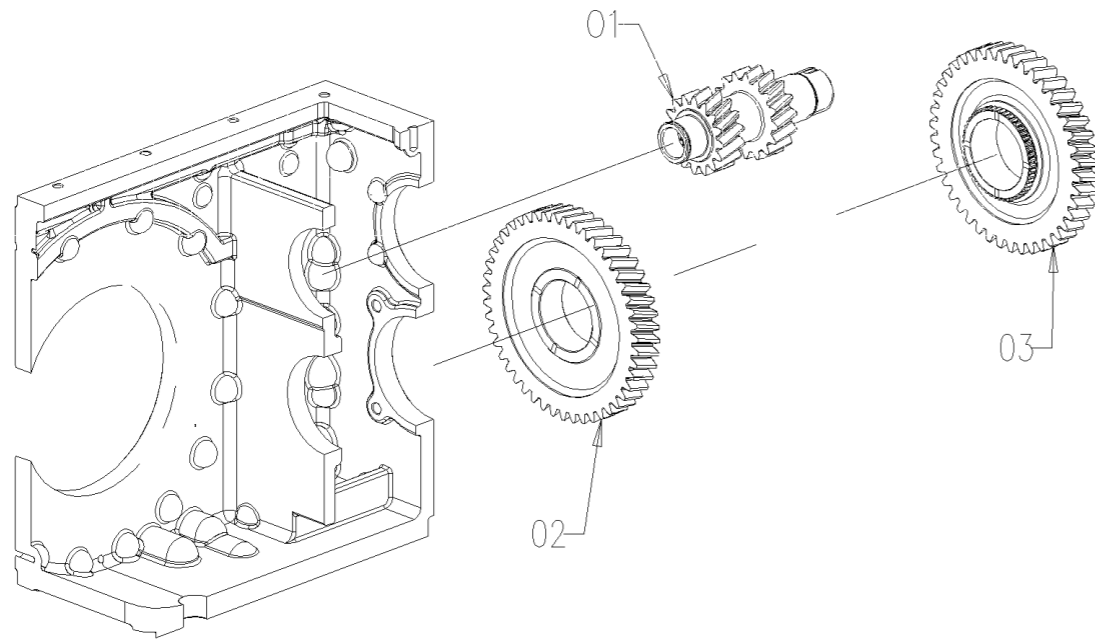
9.DI536.01.0_3 动力输出附件总成POWER TAKE-OFF ATTACHMENT ASS.Y

序号	零件编号	零件名称	数量	图号
1	0.027.4227.0	输出端盖 OUTPUT END COVER	1	0.027.4227.0
2	2.1475.005.7	圆柱垫片 CONICAL WASHERS M14	6	2.1475.005.7
3	GBT818-M5X12-A2L	螺丝钉 SCREW	2	GBT818-M5X12-A2L
4	GBT93-5-A3L	垫圈 WASHER	2	GBT93-5-A3L
5	GBT93-10-A3L	垫圈 WASHER	4	GBT93-10-A3L
6	GBT93-14-A3L	垫圈 WASHER	4	GBT93-14-A3L
7	GBT97.1-5-A3L	垫圈 WASHER	2	GBT97.1-5-A3L
8	GBT283-NUP309E	轴承 BEARING	1	GBT283-NUP309E
9	GBT283-NUP310E	轴承 BEARING	1	GBT283-NUP310E
10	GBT297-30210	轴承 BEARING	2	GBT297-30210
11	GBT297-30212	轴承 BEARING	2	GBT297-30212
12	GBT812-M48X1.5	圆螺母 ROUND NUT	2	GBT812-M48X1.5
13	GBT858-48	圆螺母用六角垫圈 TAB WASHER FOR	1	GBT858-48
14	GBT893.1-28	弹性挡圈 CIRCLIP	1	GBT893.1-28
15	GBT894.1-45	弹性挡圈 CIRCLIP	1	GBT894.1-45
16	GBT895.2-30	弹性挡圈 CIRCLIP	1	GBT895.2-30
17	GBT898-AM14X1.5X65-	螺柱 STUD	4	GBT898-AM14X1.5X65-A3L
18	GBT5783-M10X45-A3L	螺栓 BOLT	4	GBT5783-M10X45-A3L
19	GBT6176-M14X1.5-10-A3L	螺母 NUT	10	GBT6176-M14X1.5-10-A3L
20	GBT13871.1-FB-070090-D	油封 OIL SEAL	2	GBT13871.1-FB-070090-D
21	LE1204.41.105/10	动力输出轴传动轴 PTO DRIVE SHAFT	1	LE1204.41.105/10
22	LE1204.41.107/10	输出主动轴承座 OUT DRIVE	1	LE1204.41.107/10
23	LE1204.41.108/10	输出主动端盖 OUT COVER	1	LE1204.41.108/10
24	LE1204.41.111/10	齿轮轴 GEAR SHAFT	1	LE1204.41.111/10
25	LE1204.41.114/10	套筒 SLEEVE	1	LE1204.41.114/10
26	SH900.41.105	连接套筒 PTO CONNECTING SLEEVE	1	SH900.41.105
27	SH900.41.110	轴承座 BEARING SEAT	1	SH900.41.110
28	SH900.41.111	调整垫 ADJUSTING PAD	1	SH900.41.111
29	SH900.41.113	半圆头螺栓 BOLTS	6	SH900.41.113
30	SH900.37.111	齿轮啮合套 GEAR	1	SH900.37.111
31	SH900.41.117/10	PTO保护套 PTO PROTECTIVE SLEEVE	1	SH900.41.117/10
32	SH900.41.118	套筒 SLEEVE	1	SH900.41.118
33	SH900.41.119	花键套 RING	1	SH900.41.119
34	SH900.41.121	变速啮合齿轮 GEAR MESHING GEAR	1	SH900.41.121
35	SH900.41.122	滚针隔套 NEEDLE SLEEVE	1	SH900.41.122
36	SH900.41.124	花键套 RING	1	SH900.41.124
37	SH900.41.125	垫圈 WASHER	1	SH900.41.125
38	SH900.41.126	锁紧螺母 LOCK NUT	1	SH900.41.126
39	JBT7918-K68X78X34	轴承 BEARING	2	JBT7918-K68X78X34
40	LE1204.41.115	滚针轴承挡圈 NEEDLE BEARING	1	LE1204.41.115

9.DI536.02.0 GEAR ASSEMBLY

9.DI536.02.0_2 动力输出齿轮(760/850)Power take-off gear (760/850)

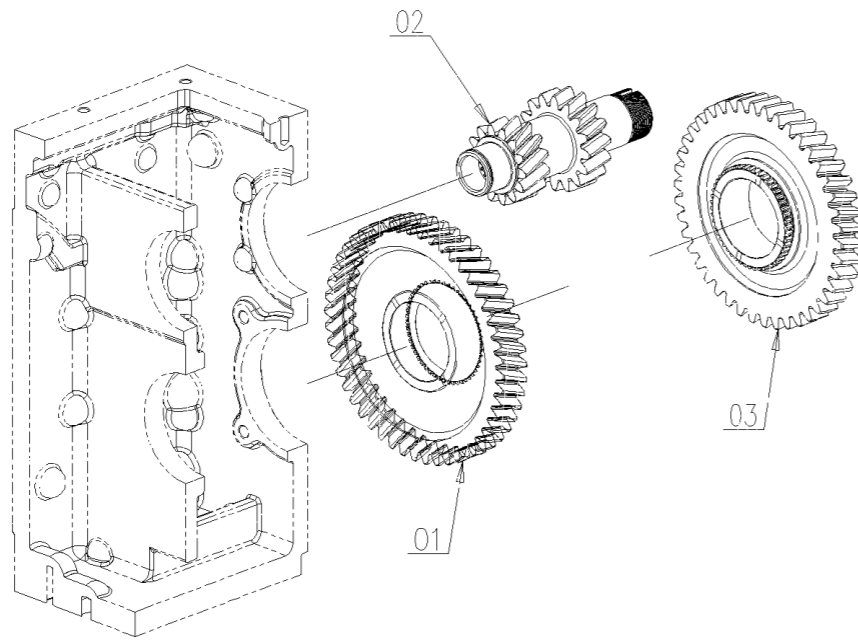
序号	零件编号	零件名称	数量	图号
1	A31.41.002.0	主动齿轮 DRIVING GEAR	1	A31.41.002.0
2	A31.41.003.0	副变速齿轮 LOW SHIFT RANGE GEAR	1	A31.41.003.0
3	LE1204.41D.113	高档被动齿轮 High grade passive gear	1	LE1204.41D.113



9.DI536.03.0 GEAR ASSEMBLY

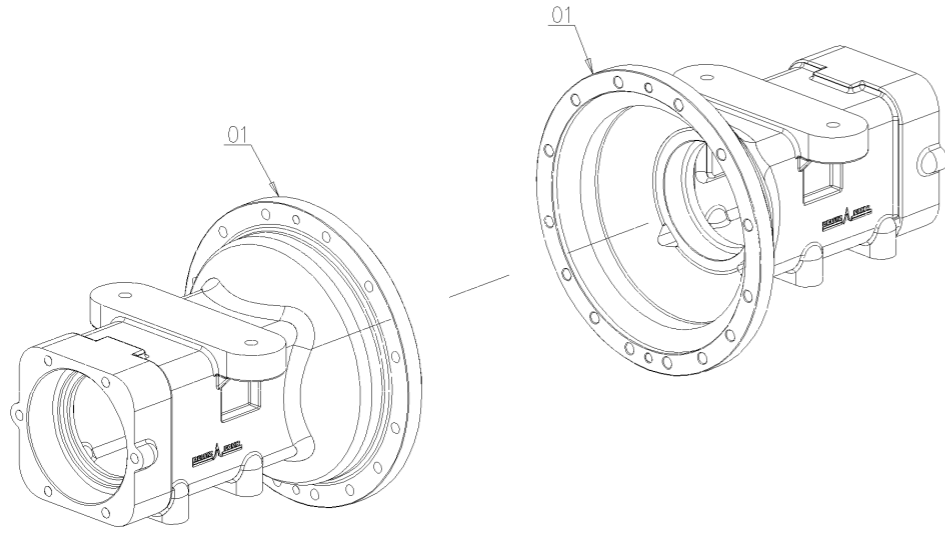
9.DI536.03.0_0 动力输出齿轮(540/760)Power output gear (540/760)

序号	零件编号	零件名称	数量	图号
1	LE1204.41.117	副变速齿轮 LOW SHIFT RANGE GEAR	1	LE1204.41.117
2	LE1204.41D.106	输出主动齿轮 OUT DRIVE GEAR	1	LE1204.41D.106
3	LE1204.41D.113	高档被动齿轮 High grade passive gear	1	LE1204.41D.113

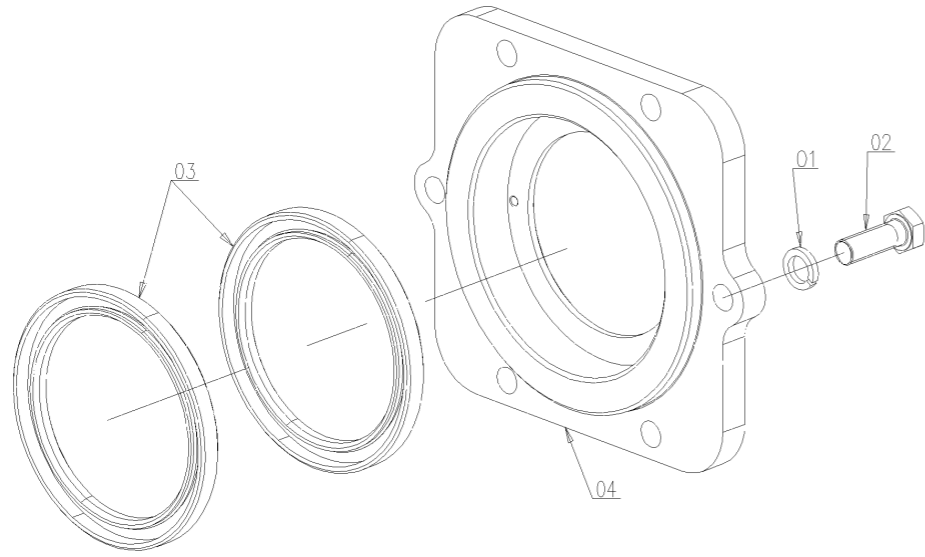


9.DI544.00.0_0 最终传动壳体总成Final drive housing assemblies ASS.Y

序号	零件编号	零件名称	数量	图号
1	LE1204.39.101/20	最终传动壳体 FINAL DRIVE	2	LE1204.39.101/20



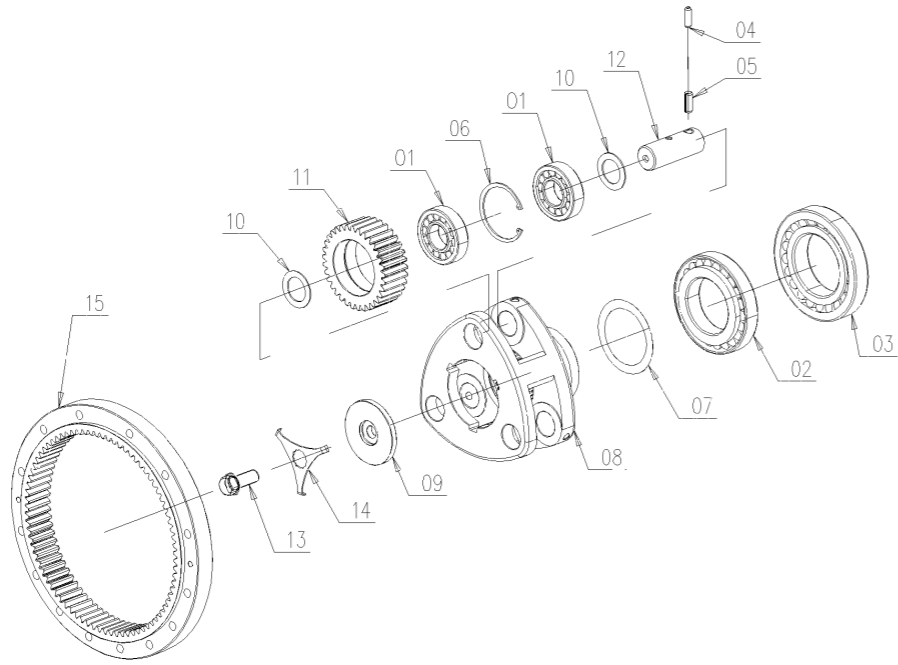
9.DI544.00.0 REAR AXLE HOUSING ASS.LY



9.DI545.00.0 COVER ASS.LY

9.DI545.00.0_1 端盖总成End cap assembly

序号	零件编号	零件名称	数量	图号
1	GBT93-14-A3L	垫圈 WASHER	12	GBT93-14-A3L
2	GBT5783-M14X40-A3L	螺栓 BOLT	12	GBT5783-M14X40-A3L
3	GBT13871.1-FB-110140-D	油封 OIL SEAL	4	GBT13871.1-FB-110140-D
4	LE1204.39.103/10	油密封阀座 OIL SEALING SEAT	2	LE1204.39.103/10



9.DI547.00.0 PLANET GEARS ASS.LY

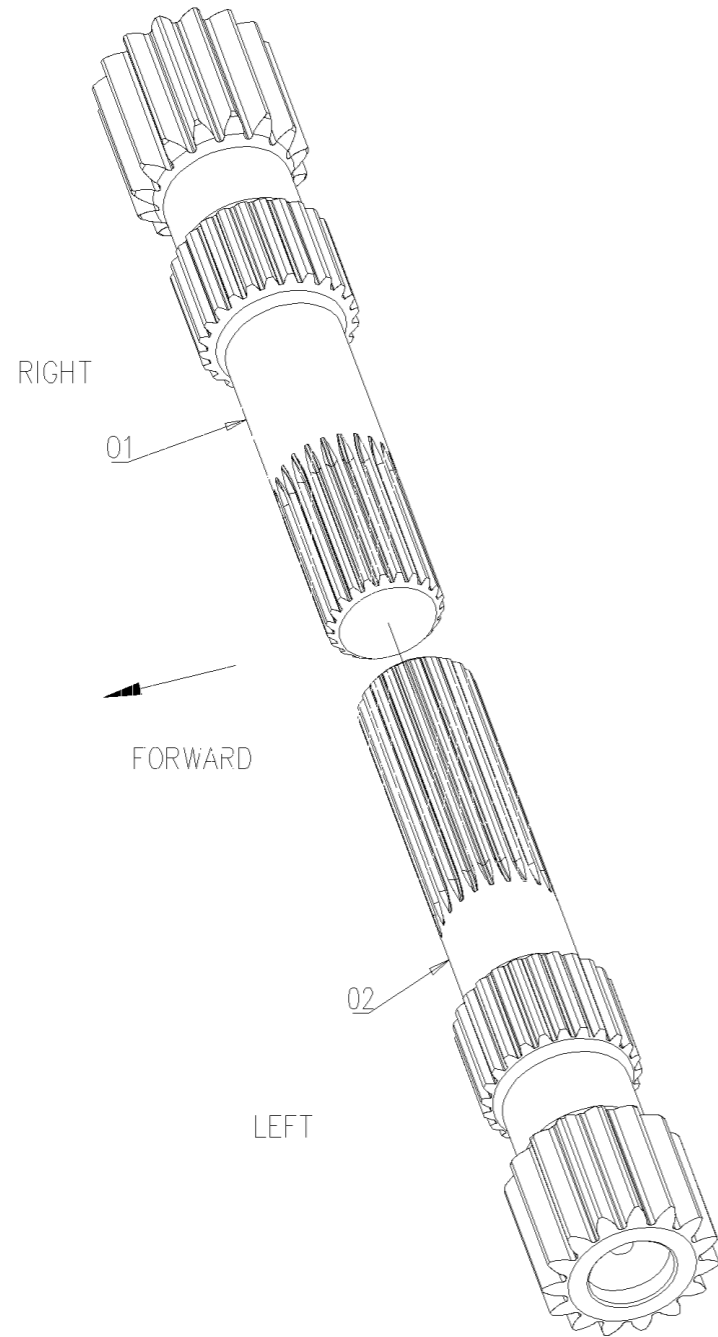
9.DI547.00.0_1 最终传动行星齿轮总成Final drive planetary gear assembly

序号	零件编号	零件名称	数量	图号
1	GBT283-NJ308E	轴承 BEARING	12	GBT283-NJ308E
2	GBT297-30218	轴承 BEARING	2	GBT297-30218
3	GBT297-30220	轴承 BEARING	2	GBT297-30220
4	GBT879.1-10X32	销 PIN	6	GBT879.1-10X32
5	GBT879.2-12X32	销 PIN	6	GBT879.2-12X32
6	GBT893.1-90	孔用弹性挡圈 CIRCLIP FOR HOLE	6	GBT893.1-90
7	LE1204.39.105/106/107	调整垫圈 ADJUST WASHER	0	LE1204.39.105/106/107
8	LE1204.39.109	最终传动行星架 FINAL DRIVE	2	LE1204.39.109
9	LE1204.39.110/10	最终驱动行星支撑 FINAL DRIVE	2	LE1204.39.110/10
10	LE1204.39.111	最终驱动行星齿轮套筒 FINAL DRIVE	12	LE1204.39.111
11	LE1204.39.113	最终驱动行星齿轮 FINAL DRIVE	6	LE1204.39.113
12	LE1204.39.114	最终驱动行星齿轮轴 FINAL DRIVE	6	LE1204.39.114
13	LE1204.39.115/10	固定螺栓 PLANT CARRIER FIXED	2	LE1204.39.115/10
14	LE1204.39.116	传动轴固定螺栓锁板 DRIVE SHAFT	2	LE1204.39.116
15	LE1204.39.117	最终传动齿圈 FINAL DRIVE GEAR	2	LE1204.39.117

9.DI547.01.0 SUN GEARS ASS.LY

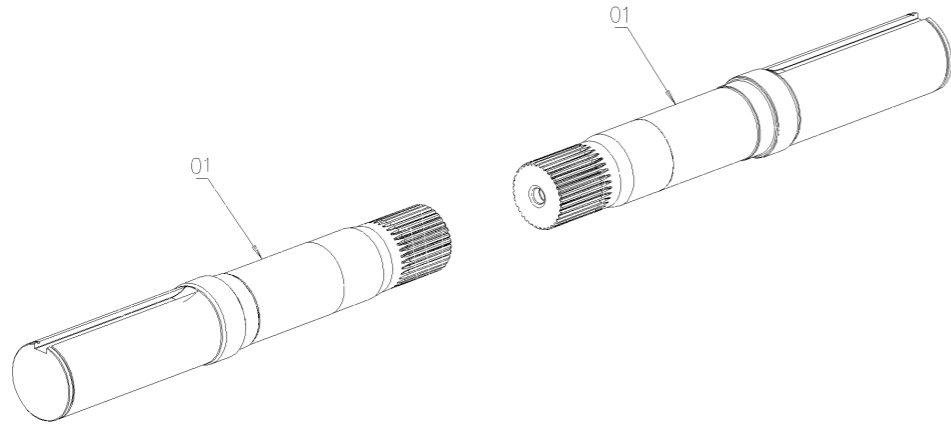
9.DI547.01.0_0 最终传动太阳轮总成Final Drive Sun Wheel Assembly

序号	零件编号	零件名称	数量	图号
1	LE1204.39.119	右最终传动半轴 RIGHT SEMI-SHAFT	1	LE1204.39.119
2	LE1204.39.118	左最终传动半轴 LEFT SEMI-SHAFT	1	LE1204.39.118

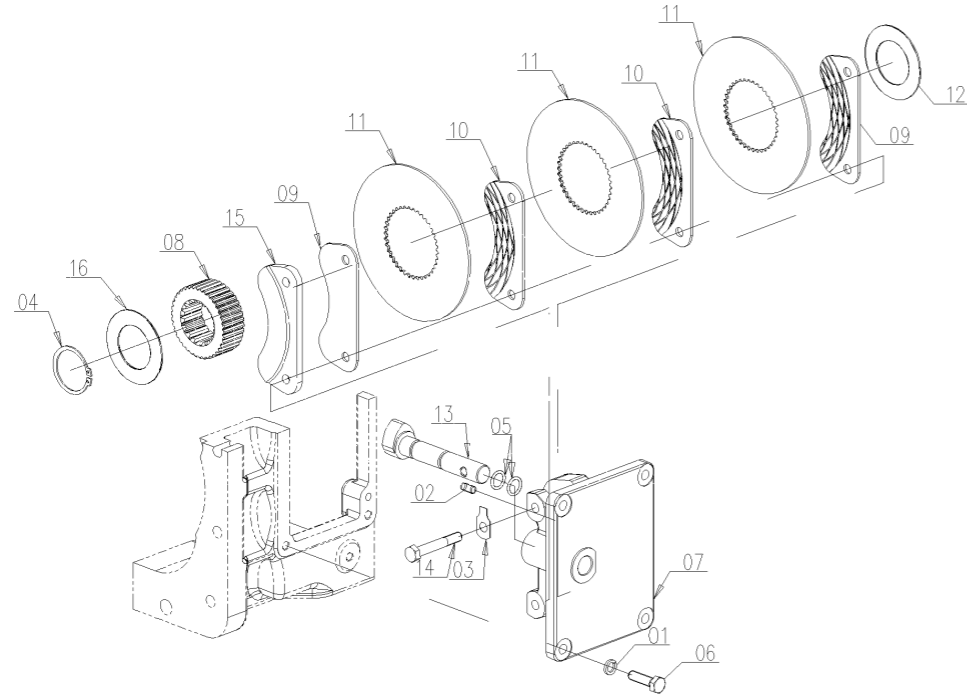


9.DI547.02.0_1 驱动轴总成 Driveshaft assembly

序号	零件编号	零件名称	数量	图号
1	LE1204.39.102/10	驱动轴 DRIVE SHAFT A	2	LE1204.39.102/10



9.DI547.02.0 DRIVING SHAFT ASS.LY

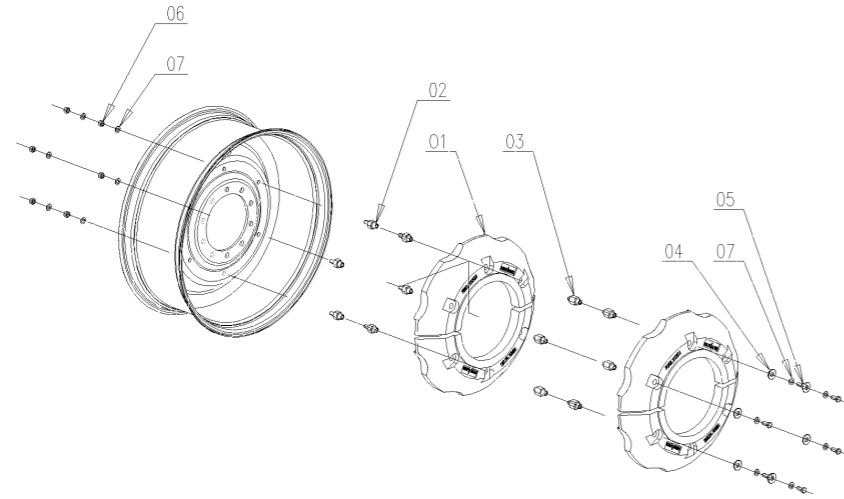


9.DI554.01.0 BRAKE ASS.LY

9.DI554.01.0_0 驻车制动总成 Parking brake assembly

序号	零件编号	零件名称	数量	图号
1	GBT93-10-A3L	垫圈 WASHER	4	GBT93-10-A3L
2	GBT119.1-8m6X16	销 PIN	2	GBT119.1-8m6X16
3	GBT854-10	垫圈 WASHER	2	GBT854-10
4	GBT894.1-48	轴用弹性挡圈 CIRCLIPS FOR SHAFT	1	GBT894.1-48
5	GBT3452.1-15X2.65-G	O形圈 O RING	2	GBT3452.1-15X2.65-G
6	GBT5783-M10X35-A3L	螺栓 BOLT	4	GBT5783-M10X35-A3L
7	LE1204.43.105	手刹盖座 HAND BRAKEING COVER	1	LE1204.43.105
8	LE1204.43.112	花键套轮 SPLINE SLEEVE WHEEL	1	LE1204.43.112
9	SH900.43.023	摩擦件 FRICTION PIECE	2	SH900.43.023
10	SH900.43.024	中间摩擦块 INTERMEDIATE	2	SH900.43.024
11	SH900.43.141	花键孔钢薄片 STEEL SHEET	3	SH900.43.141
12	SH900.43.142	调整垫圈 ADJUSTING WASHER	0	SH900.43.142
13	SH900.43.169	制动凸轮轴 BRAKE CAM SHAFT	1	SH900.43.169
14	SH900.43.194	螺栓 BOLT	2	SH900.43.194
15	SH900.43.131	板 PLATE	1	SH900.43.131
16	SH900.43.143	调整垫圈 ADJUSTING WASHER	0	SH900.43.143

9.DI555.90.0_1 后配重总成 (2层, 共计480 kg) Rear counterweight assembly (2 layers, total 480 kg)

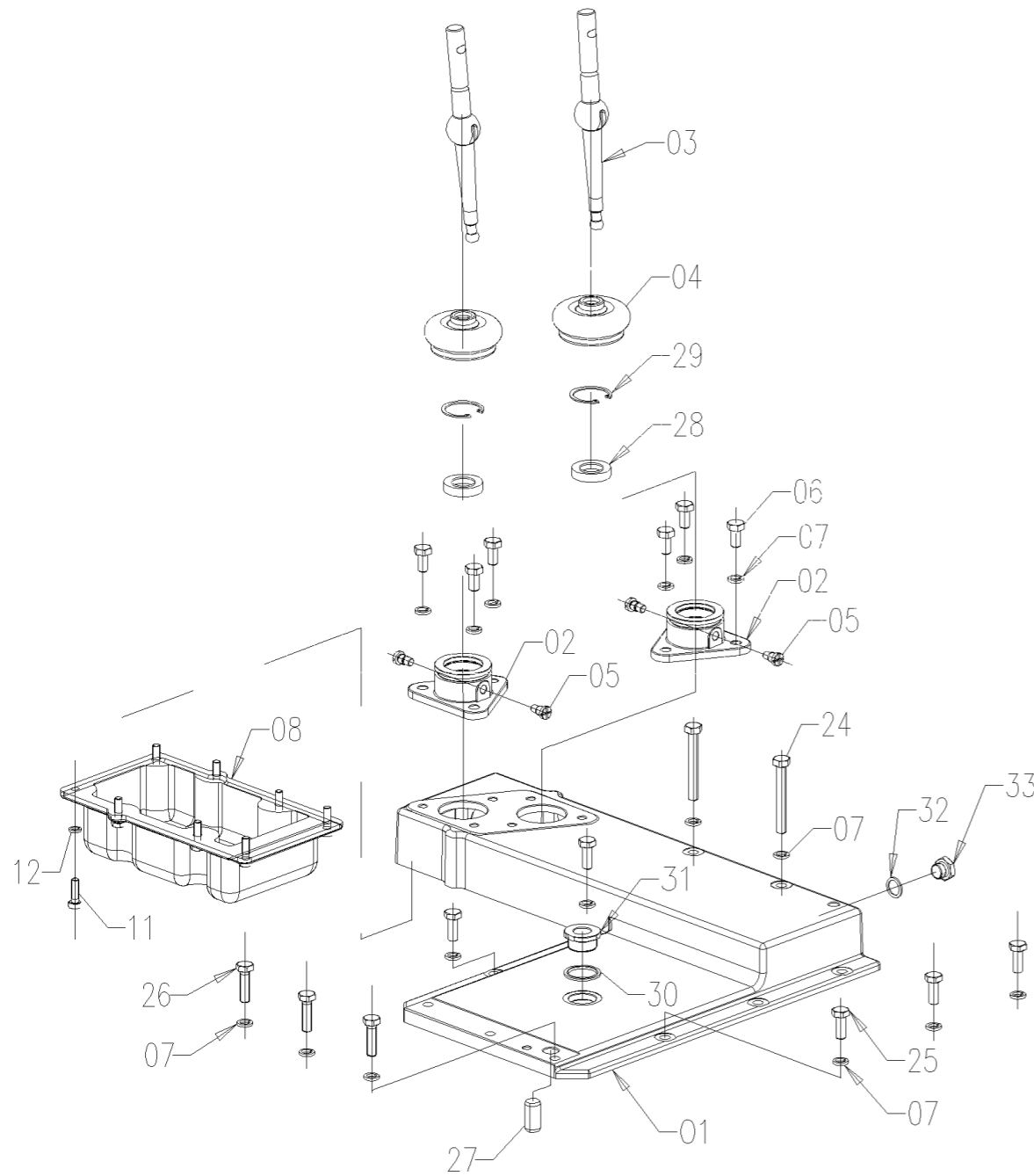


9.DI555.90.0 REAR BALLAST 480 KG - 6 CYL -

序号	零件编号	零件名称	数量	图号
1	0.023.9126.0/10	后配重 REAR BALLAST 60 KG - 6 CYL	8	0.023.9126.0/10
2	0.023.9176.0	立柱隔离器 COLUMN SPACER	12	0.023.9176.0
3	0.023.9177.0	立柱隔离器 COLUMN SPACER	12	0.023.9177.0
4	0.023.9179.0	专用垫圈 SPECIAL WASHER	12	0.023.9179.0
5	2.0113.613.2	螺栓M16x35 BOLT M16x35	12	2.0113.613.2
6	2.1012.109.2	六角螺母 M16x2 HEX NUT M16x2	12	2.1012.109.2
7	2.1475.206.2	垫圈 WASHER	24	2.1475.206.2

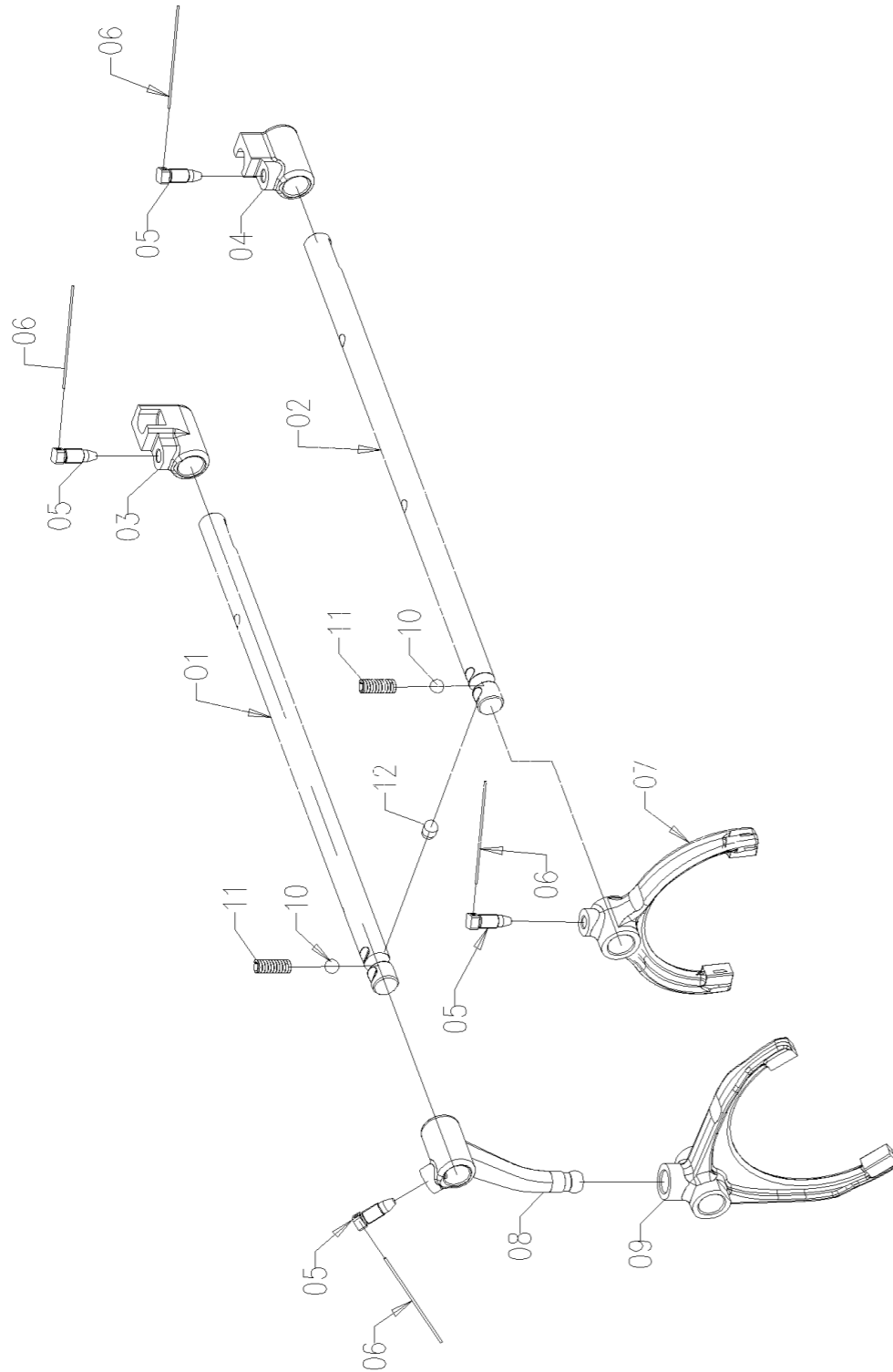
9.DI564.00.0 GEAR BOX COVER SUBASS.LY

9.DI564.00.0_1 上盖总成 Upper cover assembly



序号	零件编号	零件名称	数量	图号
1	B29.37.001.0/10	变速箱盖 GEARBOX COVER	1	B29.37.001.0/10
2	SH900.37.175	操纵杆支座 JOYSTICK SUPPORT	2	SH900.37.175
3	DF904.37.214/10	变速杆 SHIFT LEVER	2	DF904.37.214/10
4	SH900.37.174	防尘套 DUST SLEEVE	2	SH900.37.174
5	SH900.37.203	定位螺栓 POSITIONING BOLT	4	SH900.37.203
6	GBT5783-M10X20-A3L	螺栓 BOLT	6	GBT5783-M10X20-A3L
7	GBT93-10-A3L	垫圈 WASHER	16	GBT93-10-A3L
8	SH900.37.177	盖 COVER	1	SH900.37.177
9	SH900.37.182/10	变速杆操纵拨叉 SHIFT LEVER	2	SH900.37.182/10
10	QCT388-24	塞块 PLUG PIECE	2	QCT388-24
11	GBT5783-M8X25-A2L	螺栓 BOLT	8	GBT5783-M8X25-A2L
12	GBT93-8-A3L	垫圈 WASHER	8	GBT93-8-A3L
13	SH900.37.183-1	副变速操纵传递杆 range shift operationg	1	SH900.37.183-1
14	SH900.37.184-1	主变速操纵传递杆 main shift operationg	1	SH900.37.184-1
15	SH900.37.181	压簧 PRESSURE SPRING	2	SH900.37.181
16	GBT879.1-8X32	销 PIN	4	GBT879.1-8X32
17	GBT879.1-5X32	销 PIN	4	GBT879.1-5X32
18	GBT879.1-5X30	销 PIN	3	GBT879.1-5X30
19	GBT879.1-3X30	销 PIN	3	GBT879.1-3X30
20	SH900.37.185	套筒 SLEEVE	1	SH900.37.185
21	GBT3452.1-17X2.65-G	O形密封圈 O RING	2	GBT3452.1-17X2.65-G
22	SH900.37.180	拨叉头 Fork head	1	SH900.37.180
23	DF904.37.212	内操纵拨头 VARIABLE SPEED DIAL	1	DF904.37.212
24	GBT5783-M10X75-A3L	螺栓 BOLT	2	GBT5783-M10X75-A3L
25	GBT5783-M10X25-A3L	螺栓 BOLT	5	GBT5783-M10X25-A3L
26	GBT5783-M10X35-A3L	螺栓 BOLT	3	GBT5783-M10X35-A3L
27	GBT119.1-16m6X32	销 PIN	2	GBT119.1-16m6X32
28	SH900.37.191	盖 COVER	2	SH900.37.191
29	GBT893.1-40	弹性挡圈 CIRCLIP	2	GBT893.1-40
30	JBT982-30	密封环 SEALING RINGS	1	JBT982-30
31	A24.37.003.0	衬套 LINING	1	A24.37.003.0
32	2.1560.012.0	密封圈 SEALING RING	1	2.1560.012.0
33	2.3110.404.2	螺母保护帽 TAPPO M16X1.5	1	2.3110.404.2

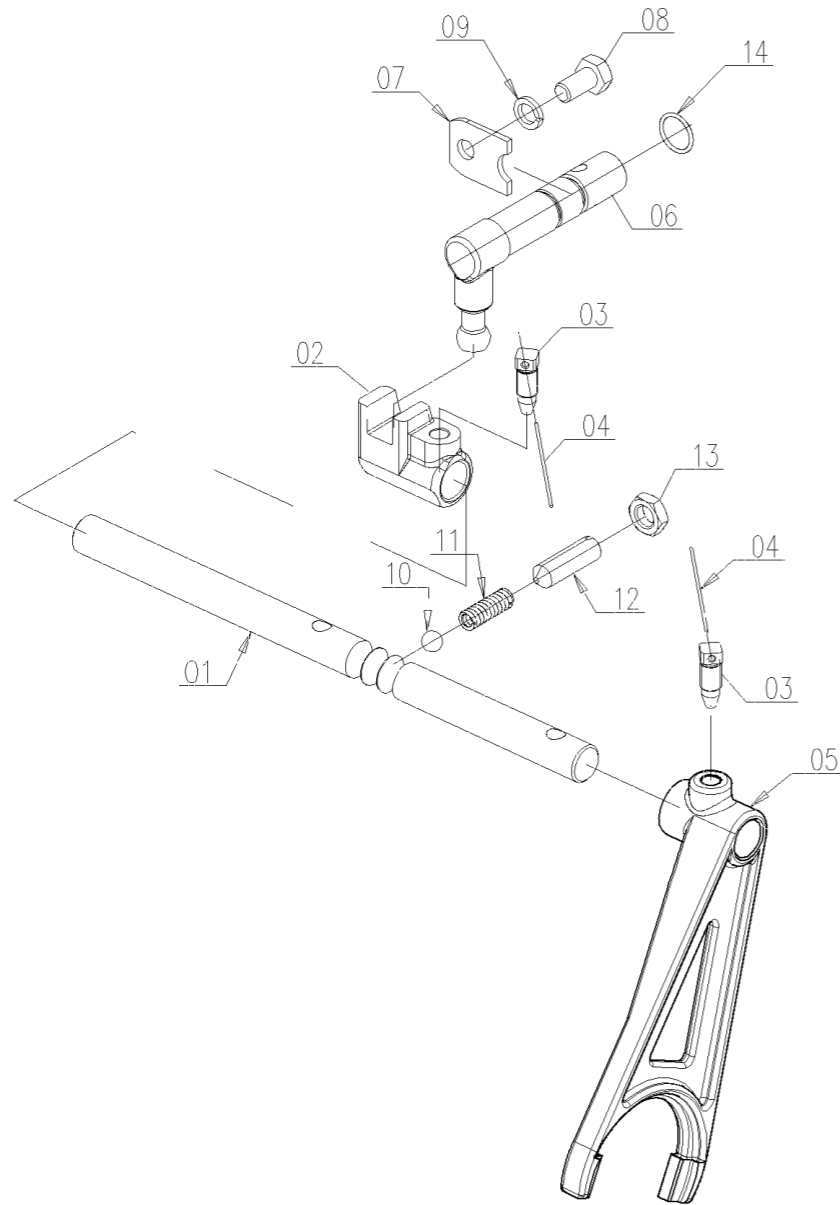
9.DI564.01.0 MAIN SHIFTING SUBASS.LY



9.DI564.01.0_3 主变速拨叉总成 (16F+8R 同步器换挡) Main gearshift fork assembly (16F+8R synchro shift)

序号	零件编号	零件名称	数量	图号
1	C35.37.013.0	挂档叉轴 SHIFT FORK SHAFT	1	C35.37.013.0
2	DF904.37.207	- 档拨叉轴 THIRD-FOURTH	1	DF904.37.207
3	SH900.37.166	- 档拨头 GEAR SHIFTING HEAD	1	SH900.37.166
4	SH900.37.167	- 档拨头 GEAR SHIFTING HEAD	1	SH900.37.167
5	SH900.38.110	紧定螺钉 SET SCREW	4	SH900.38.110
6	YBT5294-SZ-F-1.4	低碳钢丝网 LOW CARBON STEEL	4	YBT5294-SZ-F-1.4
7	A31.37.028.0	拨叉 FORK	1	A31.37.028.0
8	SH900.37.160	、 档变速杆 、 GEAR LEVER	1	SH900.37.160
9	C35.37.007.0	拨叉 FORK	1	C35.37.007.0
10	GBT308-10-G100-b	球 BALL	2	GBT308-10-G100-b
11	SH900.37.135A	定位弹簧 POSITIONING SPRING	2	SH900.37.135A
12	SH900.37.159	互锁销 INTERLOCK PIN	1	SH900.37.159

9.DI564.02.0 H-L SHIFTING ASS.LY



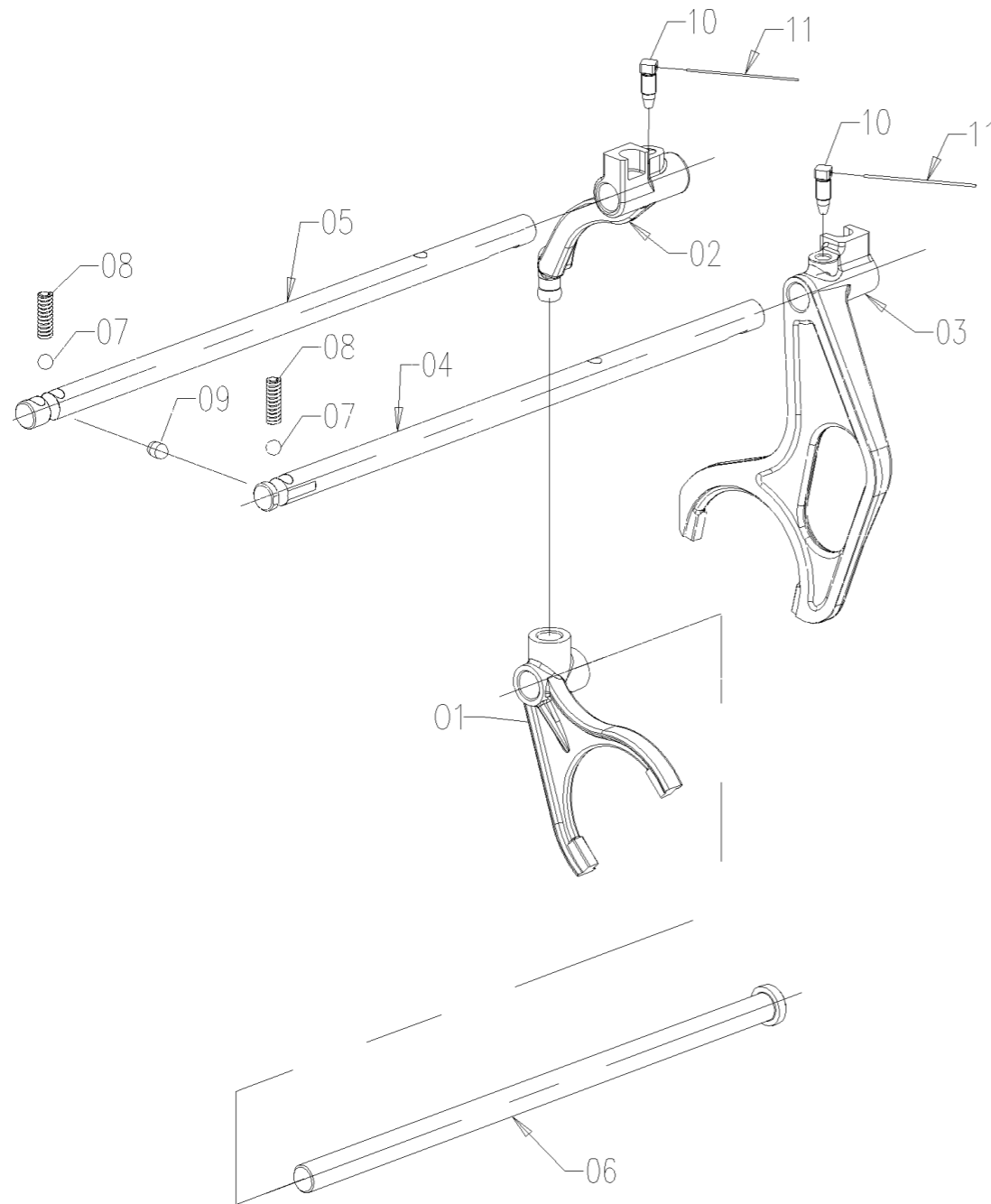
9.DI564.02.0_1 H-L拨叉总成H-L fork assembly

序号	零件编号	零件名称	数量	图号
1	DF904.37.213	爬行档拨叉轴 CRAWL FORK SHAFT	1	DF904.37.213
2	SH900.37.115	爬行档拨头 CRAWLING GEAR	1	SH900.37.115
3	SH900.38.110	紧定螺钉 SET SCREW	2	SH900.38.110
4	YBT5294-SZ-F-1.4	低碳钢丝网 LOW CARBON STEEL	0	YBT5294-SZ-F-1.4
5	SH900.37.118-1	爬行档拨叉 CRAWLING GEAR	1	SH900.37.118-1
6	SH900.37.137	爬行档摇臂 CRAWLING GEAR	1	SH900.37.137
7	SH900.37.119	锁片II LOCK II	1	SH900.37.119
8	GBT5783-M10X20-A3L	螺栓 BOLT	1	GBT5783-M10X20-A3L
9	GBT93-10-A3L	垫圈 WASHER	1	GBT93-10-A3L
10	GBT308-10-G100-b	球 BALL	1	GBT308-10-G100-b
11	SH900.37.135A	定位弹簧 POSITIONING SPRING	1	SH900.37.135A
12	GBT71-M12X40-A3L	螺钉 SCREW	1	GBT71-M12X40-A3L
13	GBT6172.1-M12-A3L	螺母 NUT	1	GBT6172.1-M12-A3L
14	GBT3452.1-17X1.8-G	O形密封圈 O RING	1	GBT3452.1-17X1.8-G

9.DI564.08.0 RANGE GEARS CONTROL ASS.Y

9.DI564.08.0_2 副变速拨叉总成 (16F+8R 普通档) Sub-shift fork assembly (16F+8R normal gear)

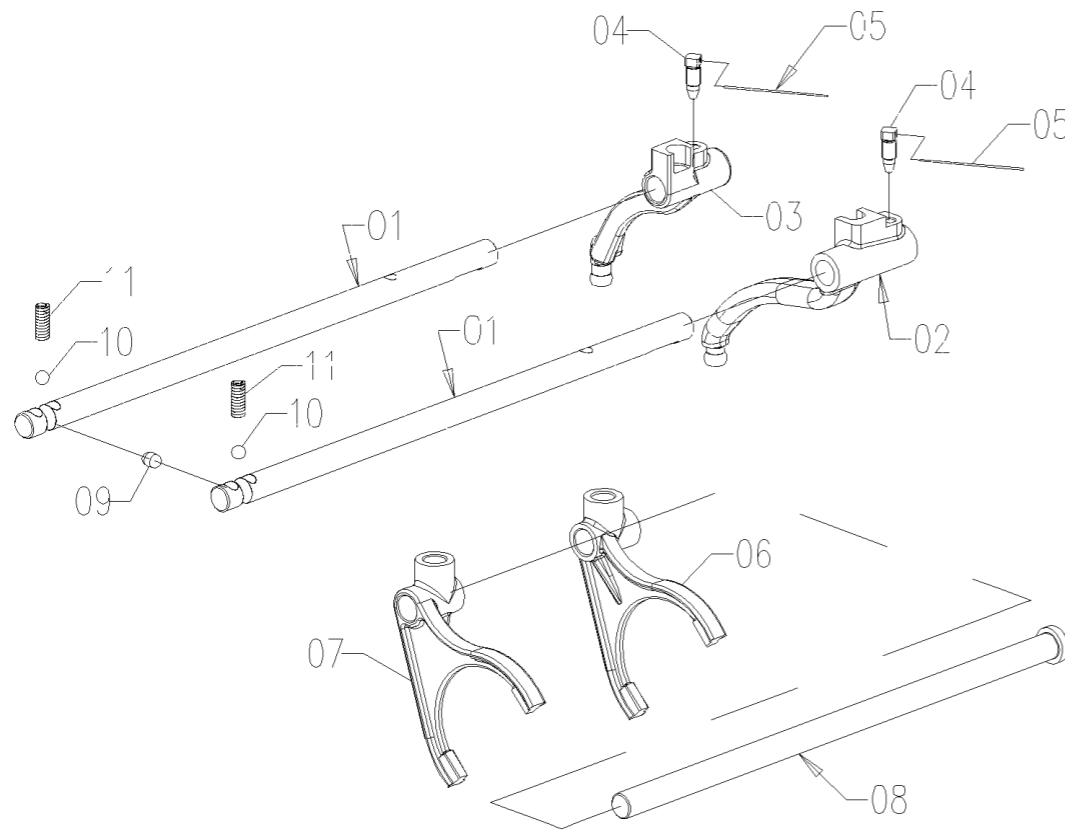
序号	零件编号	零件名称	数量	图号
1	0.028.8704.0/10	L-R档拨叉 L-R FORK	1	0.028.8704.0/10
2	0.029.7686.0	拨头 SHIFING BLOCK	1	0.029.7686.0
3	DF904.37.204/10	速度拨叉 H SPEED SHIFT FORK	1	DF904.37.204/10
4	DF904.37.208	档拨叉轴 H FORK SHAFT	1	DF904.37.208
5	DF904.37.209	L-R档拨叉轴 L-R FORK SHAFT	1	DF904.37.209
6	DF904.37.210/10	叉轴 FORK SHAFT	1	DF904.37.210/10
7	GBT308-10G100b	钢球 STEEL BALL	2	GBT308-10G100b
8	SH900.37.135A	定位弹簧 POSITIONING SPRING	2	SH900.37.135A
9	SH900.37.159	互锁销 INTERLOCK PIN	1	SH900.37.159
10	SH900.38.110	紧定螺钉 SET SCREW	2	SH900.38.110
11	YBT5294-SZ-F-1.4	低碳钢丝网 LOW CARBON STEEL	2	YBT5294-SZ-F-1.4



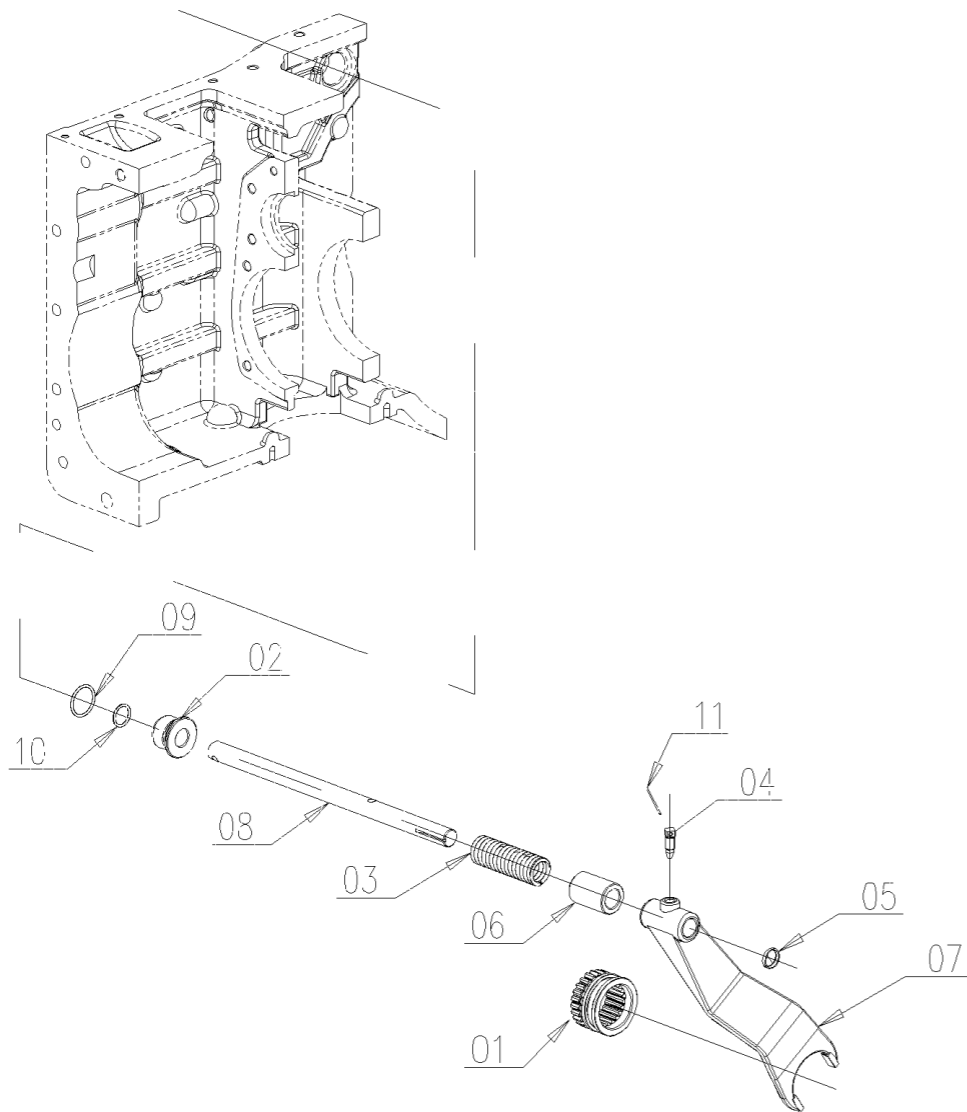
9.DI564.10.0 RANGE SHIFTING SUBASS.LY

9.DI564.10.0_1 副变速拨叉总成 (16F+8R 同步器换挡 微爬档) Sub-transmission fork assembly (16F+8R synchro shift micro crawl)

序号	零件编号	零件名称	数量	图号
1	DF904.37.209	L-R档拨叉轴 L-R FORK SHAFT	2	DF904.37.209
2	0.028.8705.0	拨头 SHIFTING BLOCK	1	0.028.8705.0
3	0.029.7686.0	拨头 SHIFING BLOCK	1	0.029.7686.0
4	SH900.38.110	紧定螺钉 SET SCREW	2	SH900.38.110
5	YBT5294-SZ-F-1.4	低碳钢丝网 LOW CARBON STEEL	0	YBT5294-SZ-F-1.4
6	0.028.8704.0/10	L-R档拨叉 L-R FORK	1	0.028.8704.0/10
7	0.028.8703.0/10	拨叉 FORK	1	0.028.8703.0/10
8	DF904.37.210/10	叉轴 FORK SHAFT	1	DF904.37.210/10
9	SH900.37.159	互锁销 INTERLOCK PIN	1	SH900.37.159
10	GBT308-10-G100-b	球 BALL	2	GBT308-10-G100-b
11	SH900.37.135A	定位弹簧 POSITIONING SPRING	2	SH900.37.135A



9.DI568.05.0 DIFFERENTIAL CONTROL ASSEMBLY



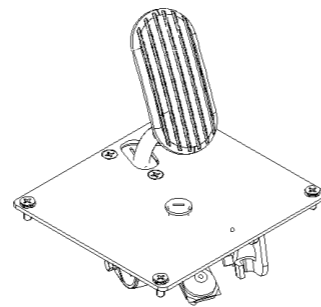
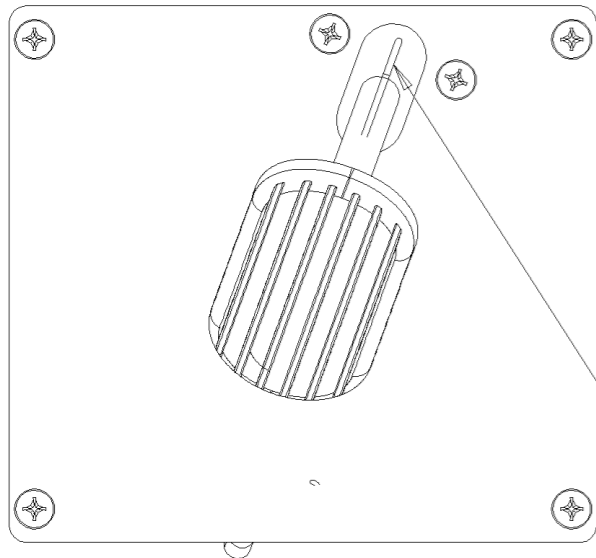
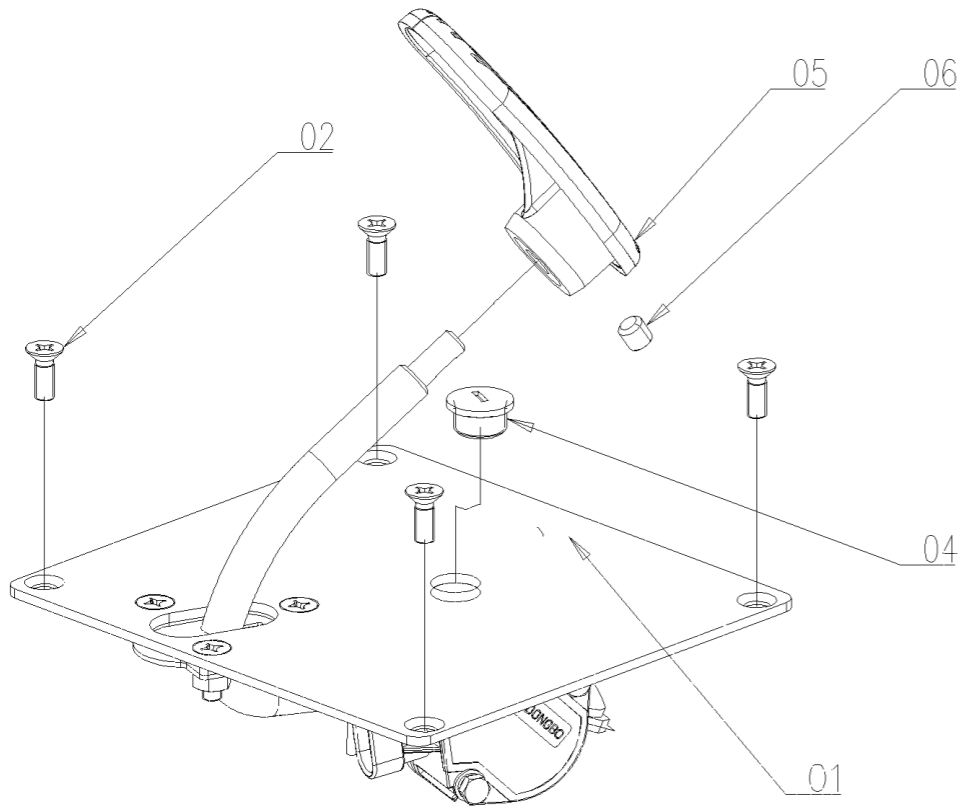
9.DI568.05.0_0 差速锁拨叉总成 Differential lock fork assembly

序号	零件编号	零件名称	数量	图号
1	SH900.38.126	差速锁啮合套筒 DIFFERENTIAL LOCK	1	SH900.38.126
2	SH900.38.114	拨叉轴座 SHIFT FORK SHAFT SEAT	1	SH900.38.114
3	SH900.38.113	差速锁弹簧 DIFFERENTIAL LOCK	1	SH900.38.113
4	SH900.38.110	紧定螺钉 SET SCREW	1	SH900.38.110
5	QCT388-20	碗形膨胀塞 BOWL TYPE EXPANSION	1	QCT388-20
6	LE1204.38.109	套筒 SLEEVE	1	LE1204.38.109
7	LE1204.38.108	差速锁导轨 DIFFERENTIAL LOCK	1	LE1204.38.108
8	LE1204.38.107	差速锁导轨轴 DIFFERENTIAL LOCK	1	LE1204.38.107
9	GBT3452.1-30X2.65-G	O形密封圈 O RING	1	GBT3452.1-30X2.65-G
10	GBT3452.1-20X2.65-G	O型密封圈 O-RING	1	GBT3452.1-20X2.65-G
11	YBT5294-SZ-F-1.4	低碳钢丝网 LOW CARBON STEEL	1	YBT5294-SZ-F-1.4

A11.20.900.4 ENGINE THROTTLE ASS.Y

A11.20.900.4_3 发动机操纵机构总成 Engine control mechanism assembly

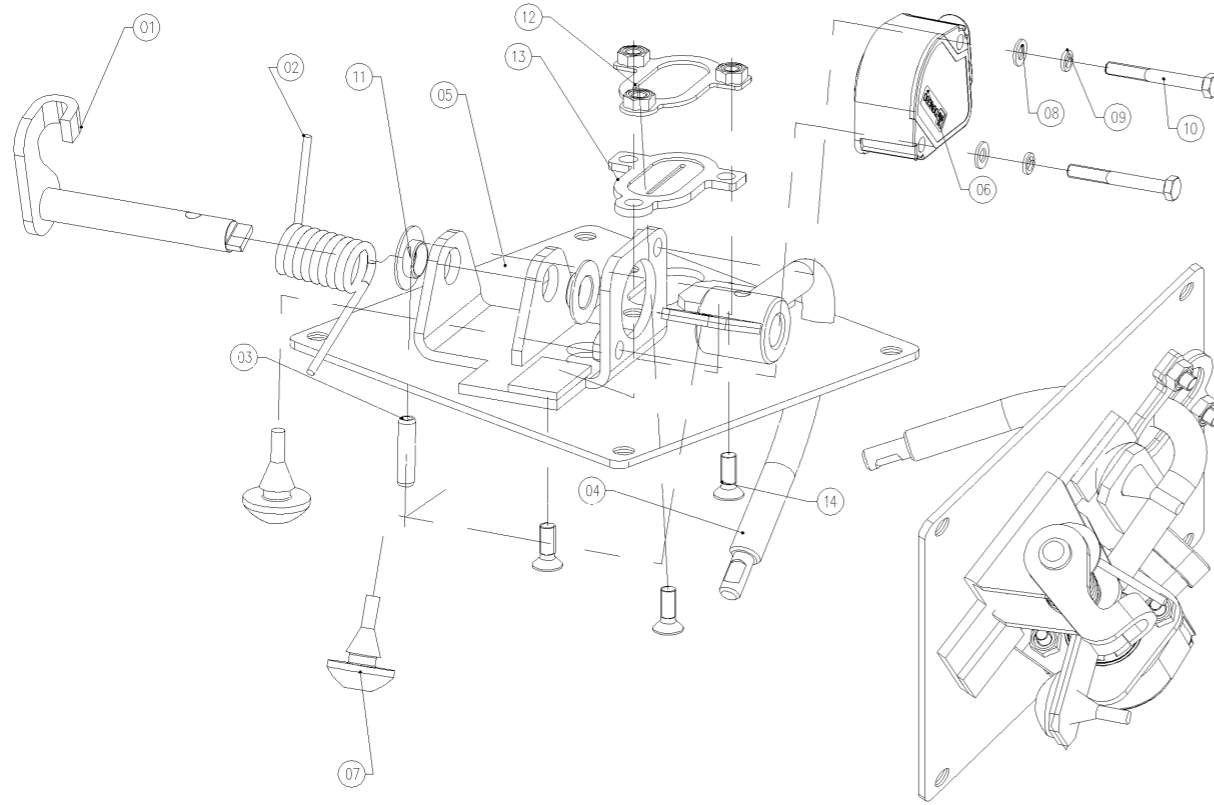
序号	零件编号	零件名称	数量	图号
1	A11.20.010.4	油门踏板 PEDAL ACCELERATOR	1	A11.20.010.4
2	GBT819.1-M6X16-A3L	螺丝钉 SCREW	4	GBT819.1-M6X16-A2L
4	SH900.47A.115-1	塞子 M16 PLUG M16	1	SH900.47A.115-1
5	0.010.8696.2/20	油门踏板 PEDALE ACCELERATORE	1	0.010.8696.2/20
6	2.0512.202.7	紧定螺钉 M8x1.25x8 SET SCREW	1	2.0512.202.7



安装时油门踏板中心与摇臂中心尽量保证在一个平面上，
并且与前进方向成20度夹角

Guarantee the accelerator pedal center and the rocker center on same plane,
and be 20 degrees with the forward direction

A11.20.010.4 PEDAL ACCELERATOR



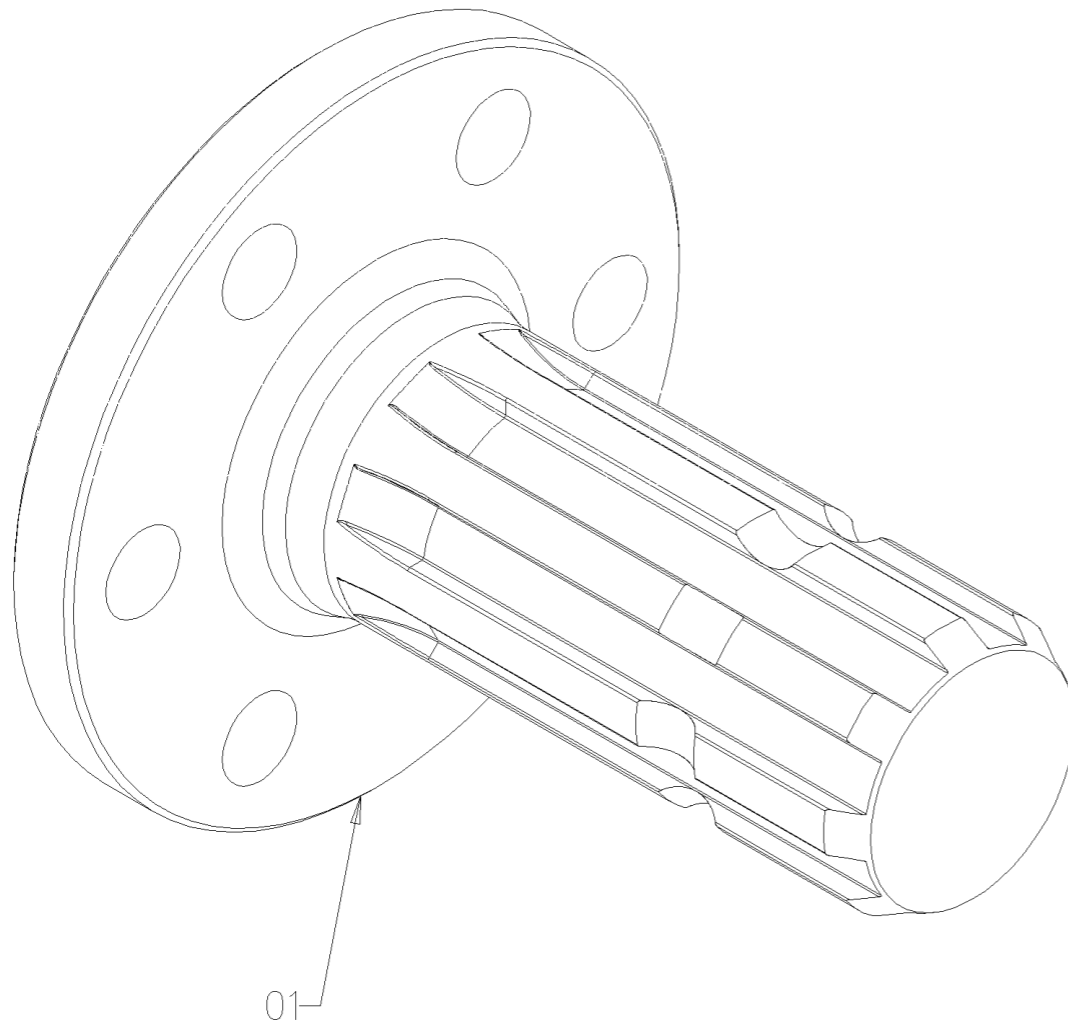
A11.20.010.4 油门踏板Accelerator

序号	零件编号	零件名称	数量	图号
1	A11.20.004.2/10	轴焊接 SHAFT WELDING	1	A11.20.004.2/10
2	SH400.20.104	扭簧 TORSIONAL SPRING	1	SH400.20.104
3	GBT879.1-6X26	销 PIN	1	GBT879.1-6X26
4	A11.20.011.2	节气门摇臂 THROTTLE ROCKER ARM	1	A11.20.011.2
5	A11.20.007.3/10	底板焊接 BASEPLATE WELDING	1	A11.20.007.3/10
6	A11.20.005.0	传感器 SENSOR	1	A11.20.005.0
7	0.020.3844.0	块 BLOCK	2	0.020.3844.0
8	GBT97.1-5-A3L	垫圈 WASHER	2	GBT97.1-5-A3L
9	GBT93-5-A3L	垫圈 WASHER	2	GBT93-5-A3L
10	GBT5782-M5X40-A2L	螺栓 BOLT	2	GBT5782-M5X40-A2L
11	A68.20.004.0	尼龙套筒 NYLON SLEEVE	2	A68.20.004.0
12	A68.20.006.3	固定板焊接 FIXED PLATE WELDING	1	A68.20.006.3
13	A68.20.005.0	橡胶垫圈 RUBBER SEAL	1	A68.20.005.0
14	GBT819.1-M6X16-A3L	螺丝钉 SCREW	3	GBT819.1-M6X16-A2L
14	GBT819.1-M6X16-A2L	螺丝钉 SCREW	3	GBT819.1-M6X16-A2L

A11.41.941.4 PTO SHAFT 8 KEYS

A11.41.941.4_0 动力输出轴 8键 D48 (分体式) PTO SHAFT 8 KEYS D48 (split)

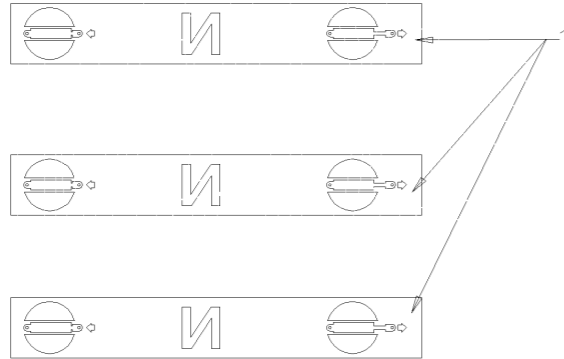
序号	零件编号	零件名称	数量	图号
1	A11.41.010.0	动力输出轴-8KEYS PTO SHAFT-8KEYS	1	A11.41.010.0



A11.51.907.4_0 3组液压输出标识总成GROUPS HYDRAULIC OUTPUT LABEL

A11.51.907.4 3 GROUPS HYDRAULIC OUTPUT LABEL ASS. Y

序号	零件编号	零件名称	数量	图号
1	A23.51.001.0	滑阀标识 SPOOL VALVE LABEL	3	A23.51.001.0

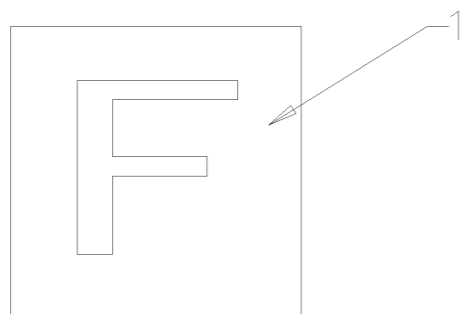


FLOAT LABEL A11.51.909.4

YFB-R-2016-014 SH.058

A11.51.909.4_0 浮动标识总成 FLOAT LABEL ASS.

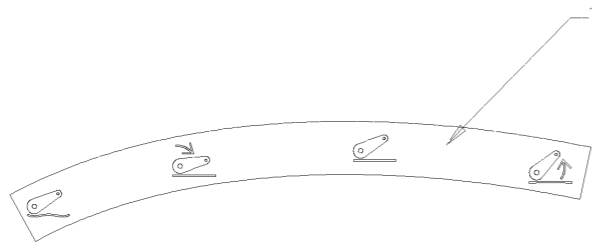
序号	零件编号	零件名称	数量	图号
1	A23.51.002.0	扁平标签 FLOAT LABEL	1	A23.51.002.0



A11.51.910.4_0 强压提升操纵标识总成ENFORCED LIFT LABEL ASS.

序号	零件编号	零件名称	数量	图号
1	A23.51.003.0	提升标签 LIFT LABEL	1	A23.51.003.0

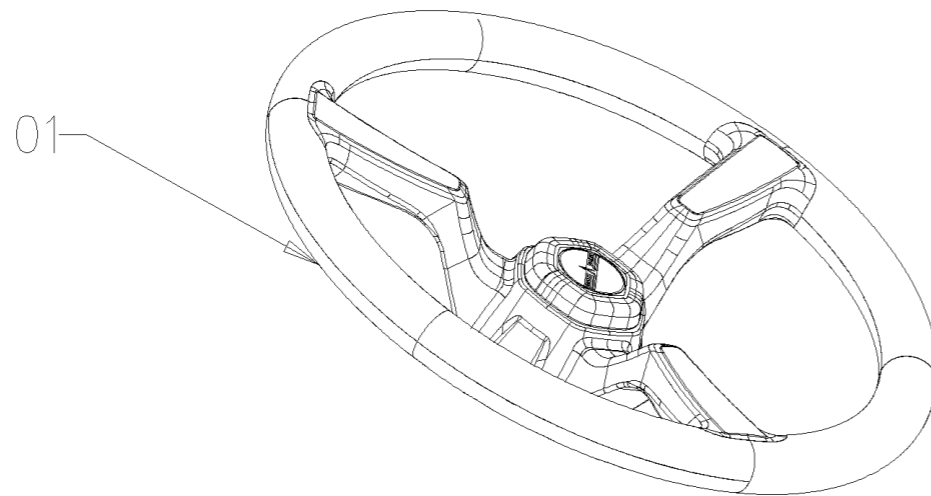
A11.51.910.4 ENFORCED LIFT LABEL ASS.Y



A23.40.916.4 STEERING WHEEL ASS.Y

A23.40.916.4_0 转向操纵总成 STEERING COMMAND ASS.Y

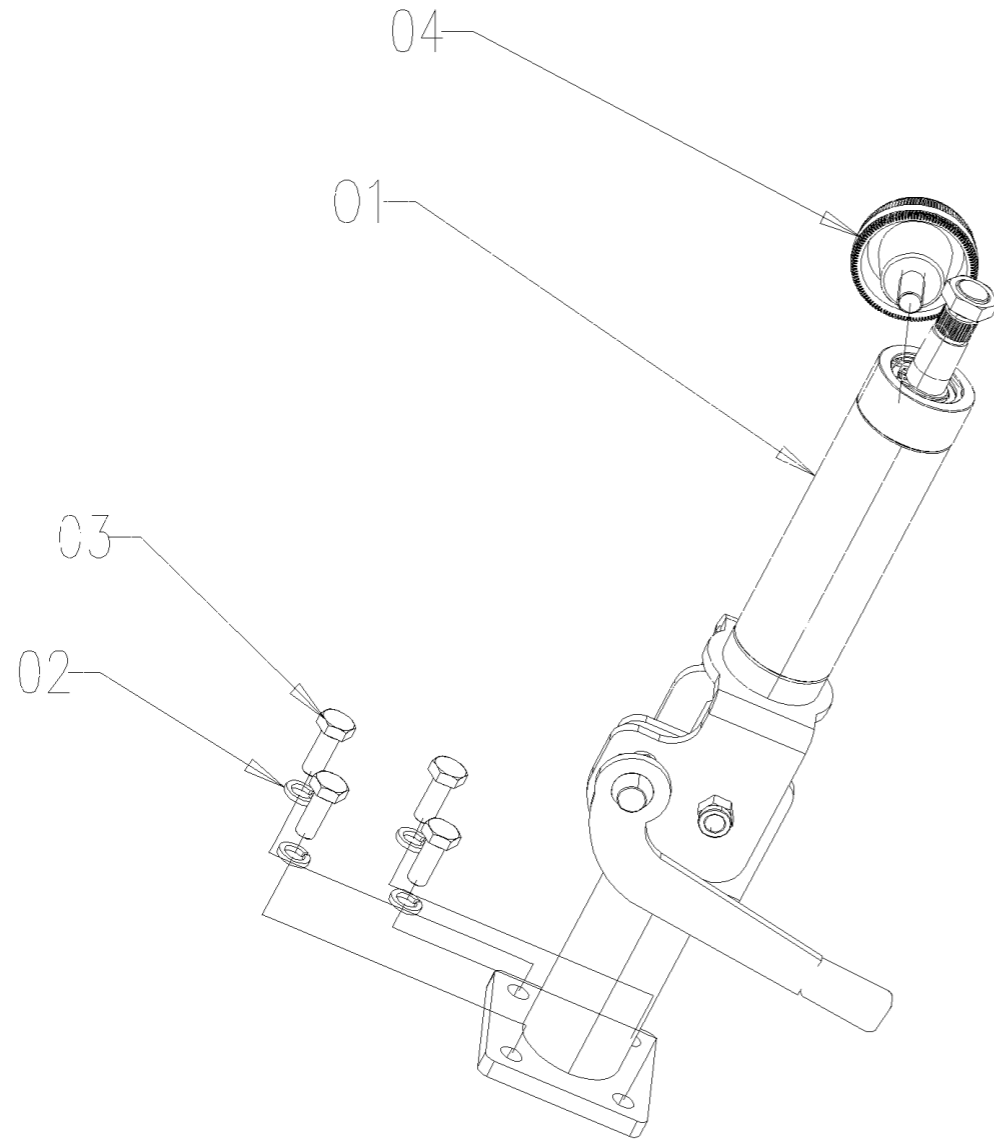
序号	零件编号	零件名称	数量	图号
1	CD554.40.028/10	方向盘 STEERING WHEEL	1	CD554.40.028/10



A23.40.926.4 STEERING COMMAND ASS.Y

A23.40.926.4_0 可调转向管柱 (前后、上下四向) STEERING COMMAND ASS.Y(front to back, top to bottom)

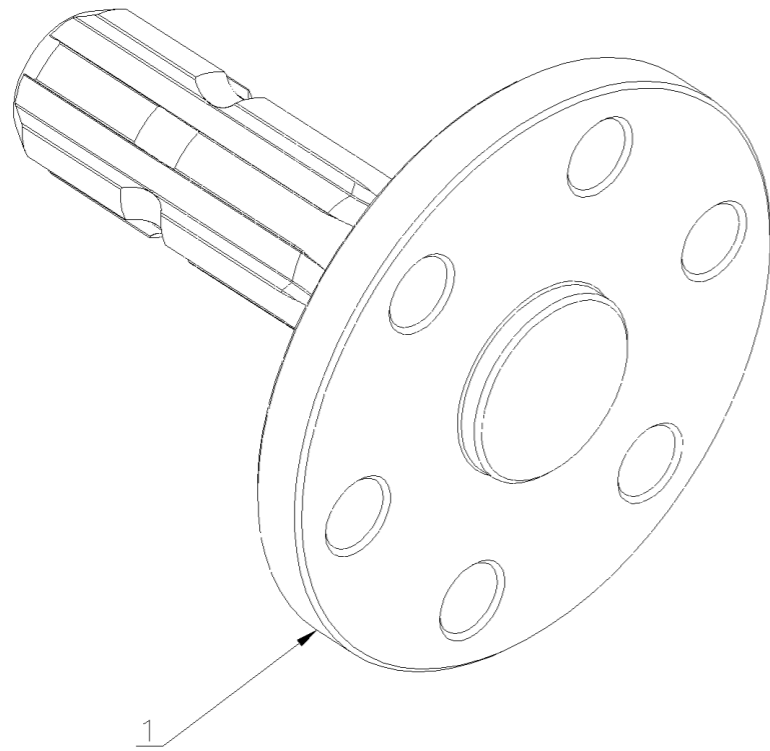
序号	零件编号	零件名称	数量	图号
1	A23.40.005.2/20	转向柱组件 ADJUSTABLE STEERING	1	A23.40.005.2/20
2	GBT93-10-A3L	垫圈 WASHER	4	GBT93-10-A3L
3	GBT5783-M10X25-A3L	螺栓 BOLT	4	GBT5783-M10X25-A3L
4	0.020.5342.3	锁紧螺母 LOCKNUT	1	0.020.5342.3



A23.41.900.4 PTO SHAFT 6 KEYS

A23.41.900.4_0 动力输出轴 6键 D35 (分体式) PTO SHAFT 6 KEYS D35 (split type)

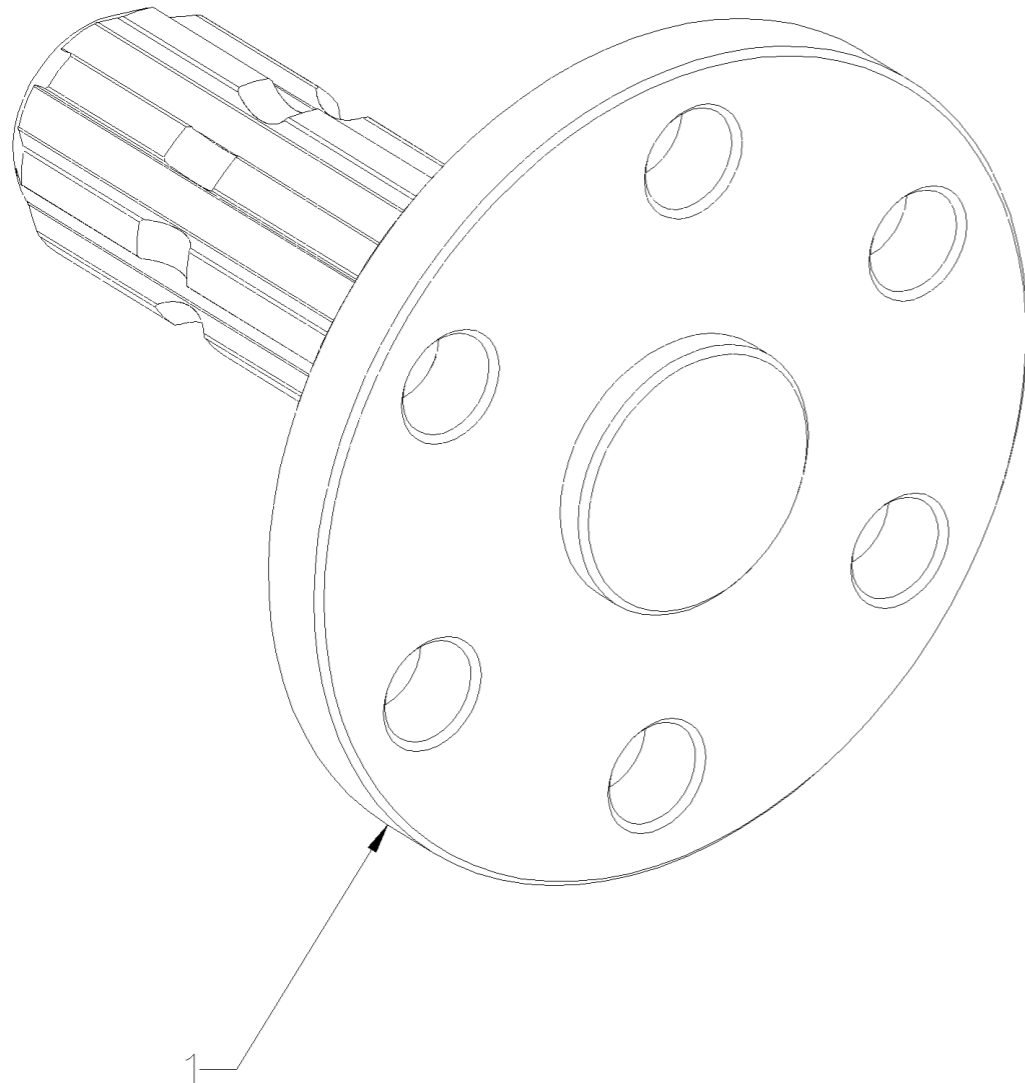
序号	零件编号	零件名称	数量	图号
1	SH900.41.116A/10	动力输出轴 PTO SHAFT	1	SH900.41.116A/10



A23.41.901.4 PTO SHAFT 8 KEYS

A23.41.901.4_0 动力输出轴 8键 D38 (分体式) PTO SHAFT 8 KEYS D38 (split type)

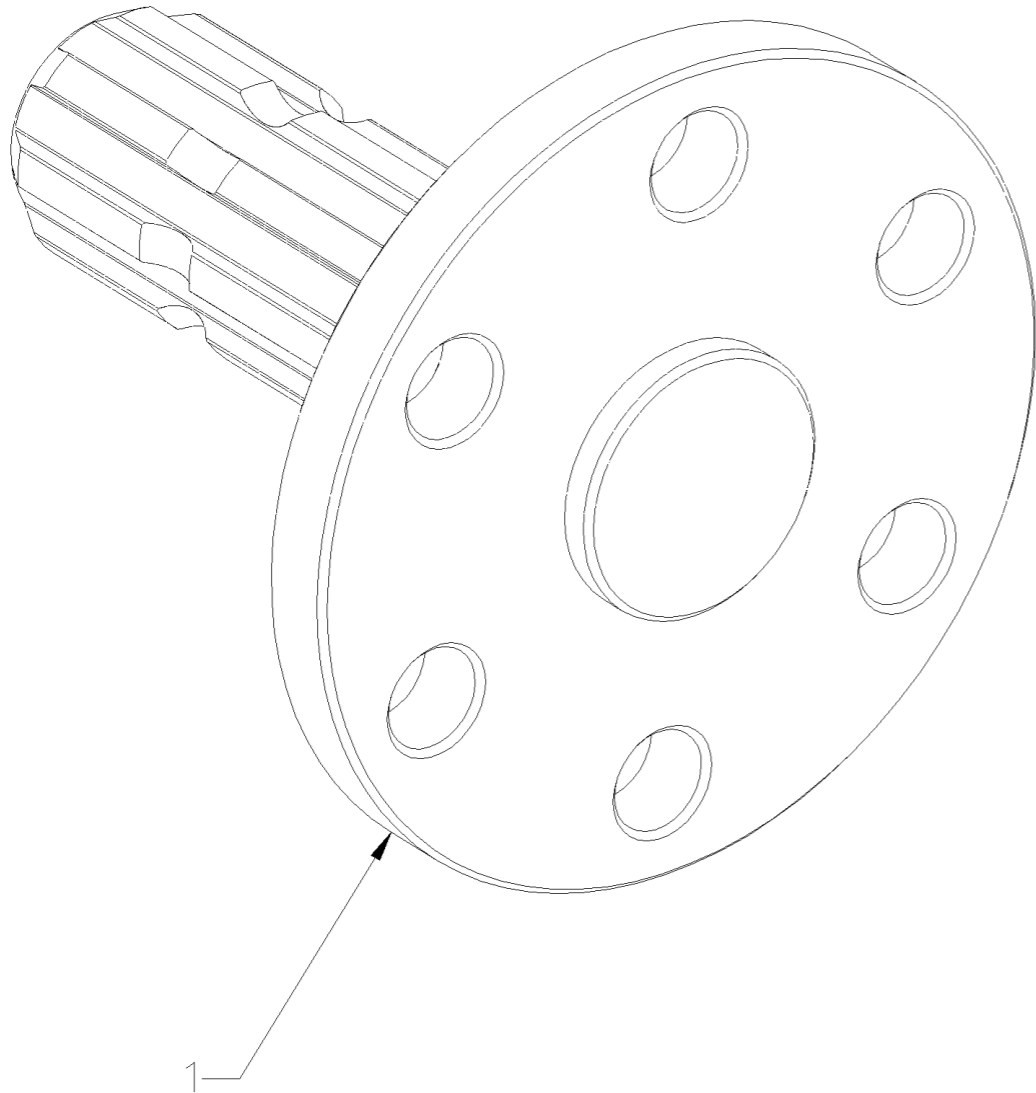
序号	零件编号	零件名称	数量	图号
1	SH900.41.116	动力输出轴 PTO SHAFT	1	SH900.41.116



A23.41.901.4 PTO SHAFT 8 KEYS

A23.41.901.4_1 动力输出轴 8键 D38 (分体式) PTO SHAFT 8 KEYS D38 (split type)

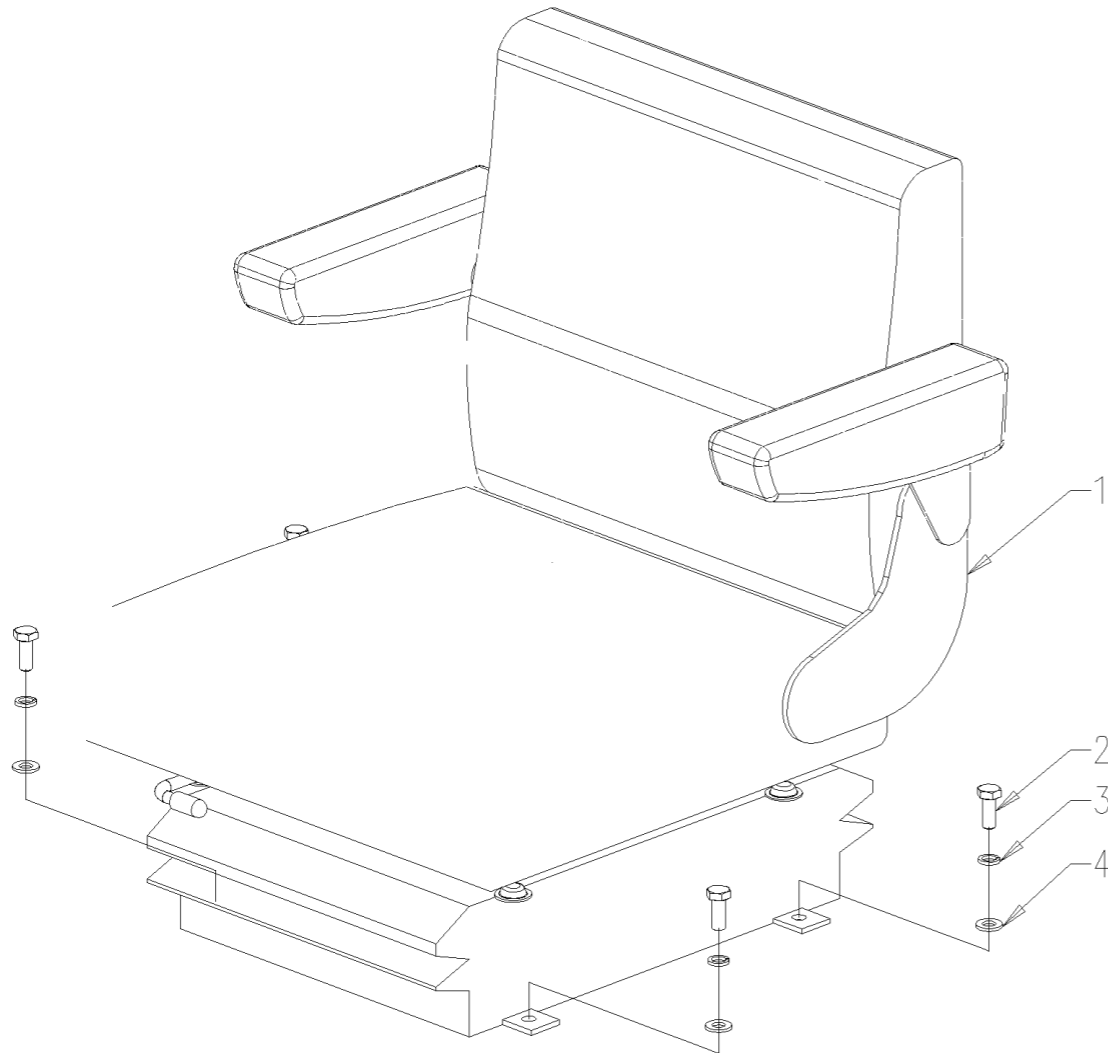
序号	零件编号	零件名称	数量	图号
1	SH900.41.116	动力输出轴 PTO SHAFT	1	SH900.41.116



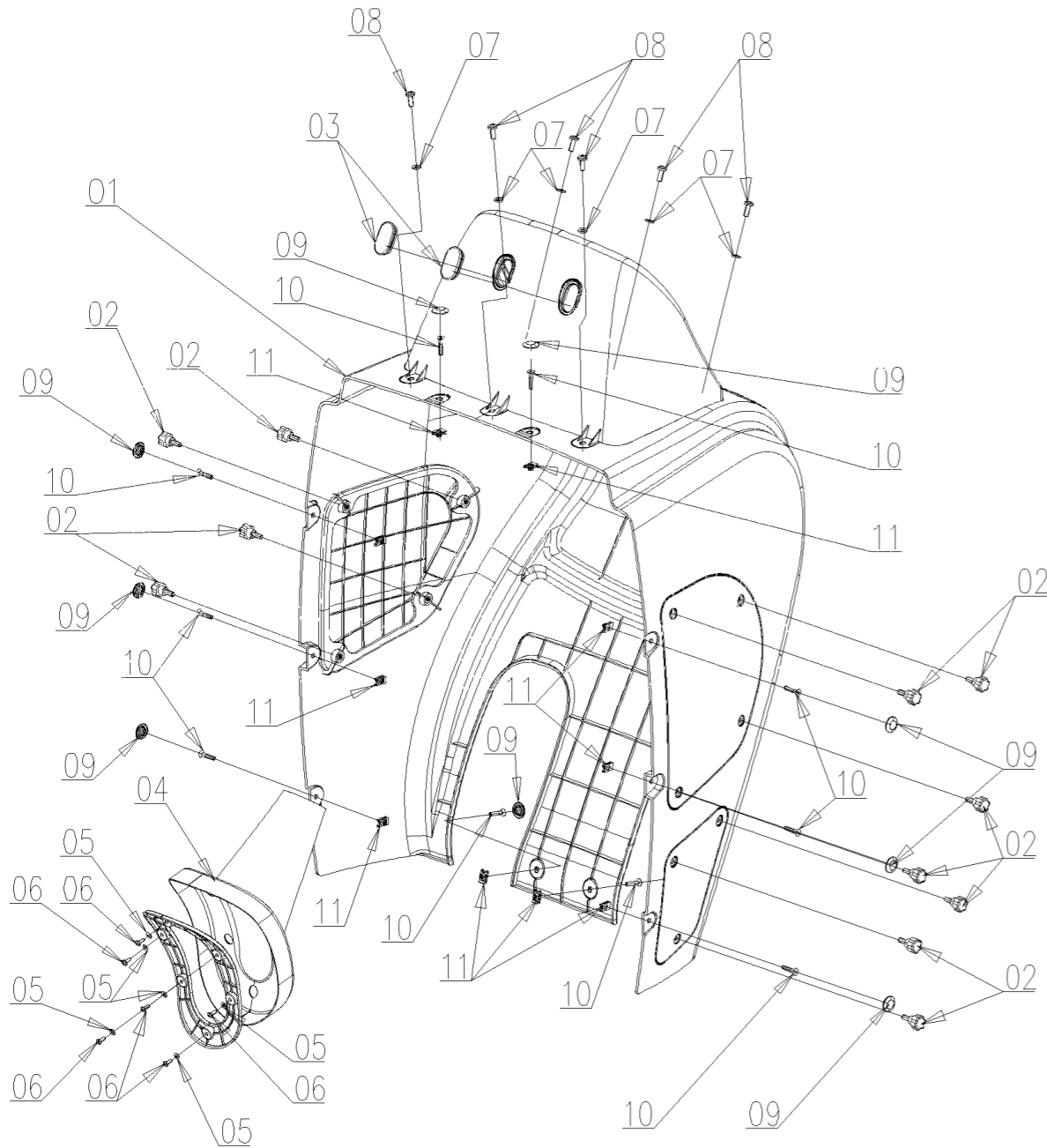
A23.44.900.4 SEAT ASS.Y

A23.44.900.4_1 优化黑色PVC悬浮座椅（带安全带/扶手） SEAT ASS.Y

序号	零件编号	零件名称	数量	图号
1	A23.44.001.4/10	PVC 座椅 PVC SEAT	1	A23.44.001.4/10
2	GBT5783-M10X25-A3L	螺栓 BOLT	4	GBT5783-M10X25-A3L
3	GBT93-10-A3L	垫圈 WASHER	4	GBT93-10-A3L
4	GBT97.1-10-A3L	垫圈 WASHER	4	GBT97.1-10-A3L



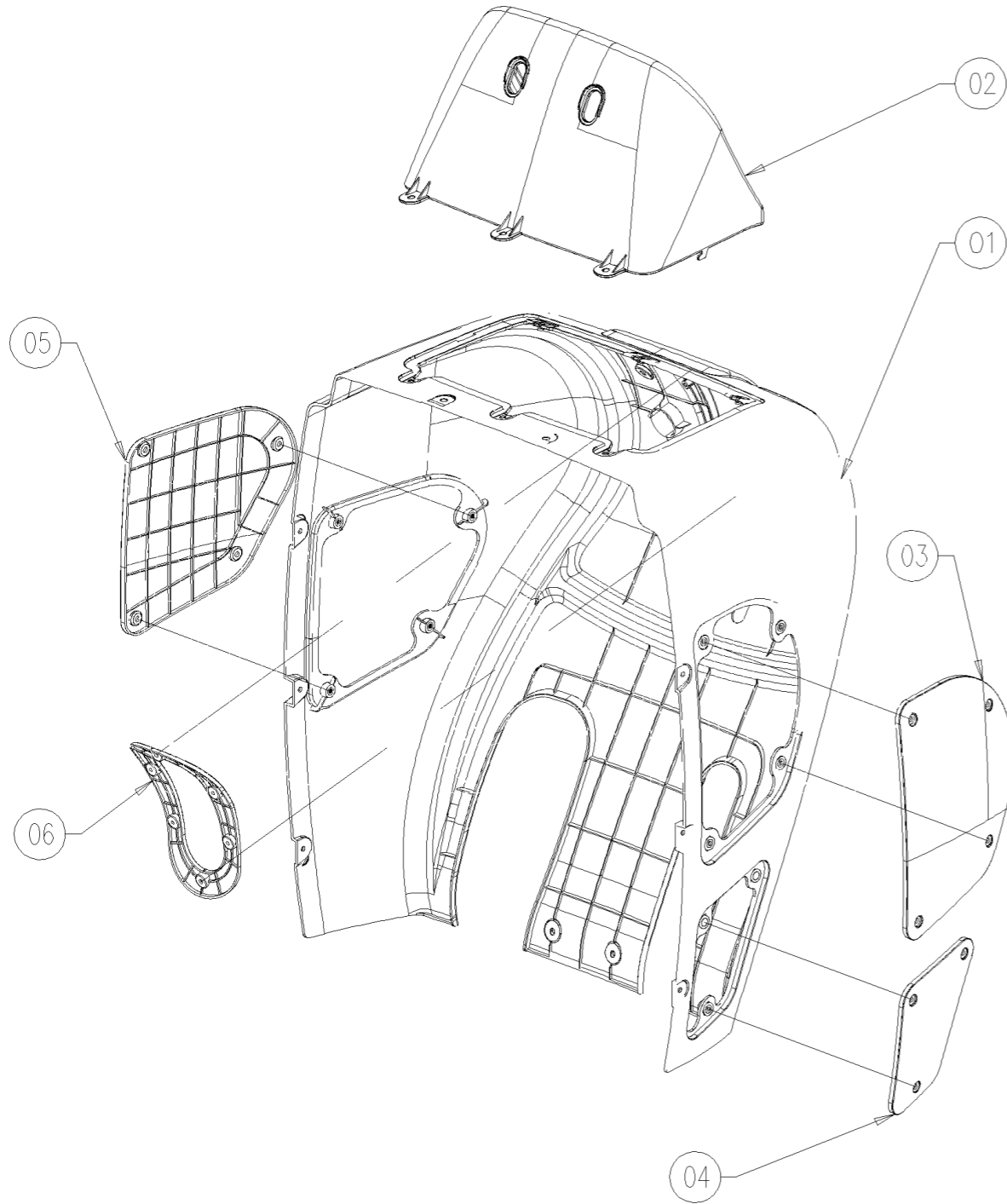
A23.45.921.4 DASHBOARD ASS.Y



A23.45.921.4_2 仪表台总成INSTRUMENT PANEL ASS.Y

序号	零件编号	零件名称	数量	图号
1	A23.45.020.4/10	仪表盘 DASHBOARD ASS.	1	A23.45.020.4/10
2	A39.45.228.2	塑胶螺栓 PLASTIC BOLT	11	A39.45.228.2
3	A23.45.082.0	橡胶盖 RUBBER CAP	2	A23.45.082.0
4	A23.45.081.0	防尘罩 STEERING COLUMN COVER	1	A23.45.081.0
5	2.1310.028.3	垫圈 WASHER 4	6	2.1310.028.3
6	2.0332.203.3	螺钉 M4x0.7x10 CROSS SCREW	6	2.0332.203.3
7	2.1310.002.3	垫圈 WASHER 6	6	2.1310.002.3
8	2.0332.406.3	螺钉 M6x1x16 CROSS SCREW M6x1x16	6	2.0332.406.3
9	A39.45.143.2	手柄套 PLASTIC COVER	10	A39.45.143.2
10	2.0342.107.3	螺丝钉 SCREW M5x25	10	2.0342.107.3
11	A23.45.103.0	夹板 CLIP-SELF-TAPPING SCREW 4.2	10	A23.45.103.0

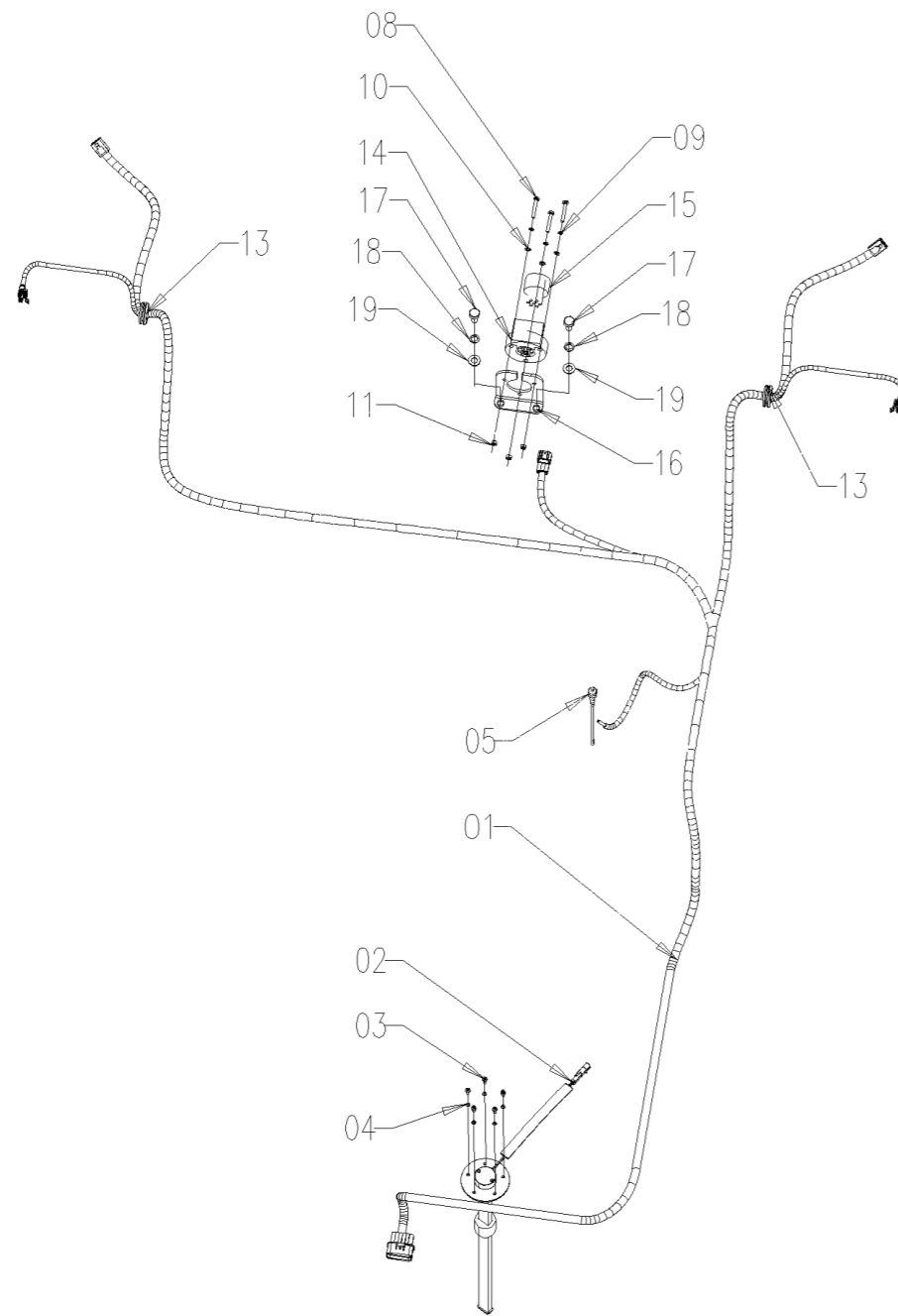
A23.45.020.4/10 DASHBOARD



A23.45.020.4/10 仪表盘 DASHBOARD

序号	零件编号	零件名称	数量	图号
1	A23.45.021.3/10	仪表盘 DASHBOARD	1	A23.45.021.3/10
2	A23.45.022.3	仪表罩 INSTRUMENT MASK	1	A23.45.022.3
3	A23.45.023.0	ECU控制罩 MAITANCE COVER FOR	1	A23.45.023.0
4	A23.45.024.0	离合器维修盖 MAINTANCE COVER	1	A23.45.024.0
5	A23.45.025.0	保险丝盒维护盖 MAINTANCE COVER	1	A23.45.025.0
6	A23.45.026.0	防尘罩固定装置 FIXATION FOR DUST	1	A23.45.026.0

A23.48.903.4 REAR W.H. ASSEMBLY



A23.48.903.4_2 后灯线束安装总成 REAR W.H. ASSEMBLY

序号	零件编号	零件名称	数量	图号
1	A23.48.011.0	后线束 REAR LAMP W.H.	1	A23.48.011.0
2	CD1204.48.028	油量传感器 FUEL LEVEL SENSOR	1	CD1204.48.028
3	GBT818-M4X10-A2L	螺钉 SCREW	5	GBT818-M4X10-A2L
4	GBT93-4-A3L	垫圈 WASHER	5	GBT93-4-A3L
5	SH900.48.049	手刹开关 PARKING BREAK SWITCH	1	SH900.48.049
8	GBT818-M5X35-A2L	螺钉 SCREW	3	GBT818-M5X35-A2L
9	GB93-5-A3L	垫圈 WASHER	3	GB93-5-A3L
10	GB97.1-5-A3L	垫圈 WASHER	3	GB97.1-5-A3L
11	GBT6170-M5-A2L	螺母 NUT	3	GBT6170-M5-A2L
13	SH400.48.118	穿线胶圈 THREAD RING	2	SH400.48.118
14	A56.48.010.0	后挂车插座 REAR TRAILER SOCKET	1	A56.48.010.0
15	A56.48.011.0	后挂车插头 REAR TRAILER PLUG	1	A56.48.011.0
16	B89.48.002.0	支架 BRACKET	1	B89.48.002.0
17	GBT5783-M10X20-A2L	螺栓 BOLT	2	GBT5783-M10X20-A2L
18	GBT93-10-A3L	垫圈 WASHER	2	GBT93-10-A3L
19	GBT97.1-10-A3L	垫圈 WASHER	2	GBT97.1-10-A3L

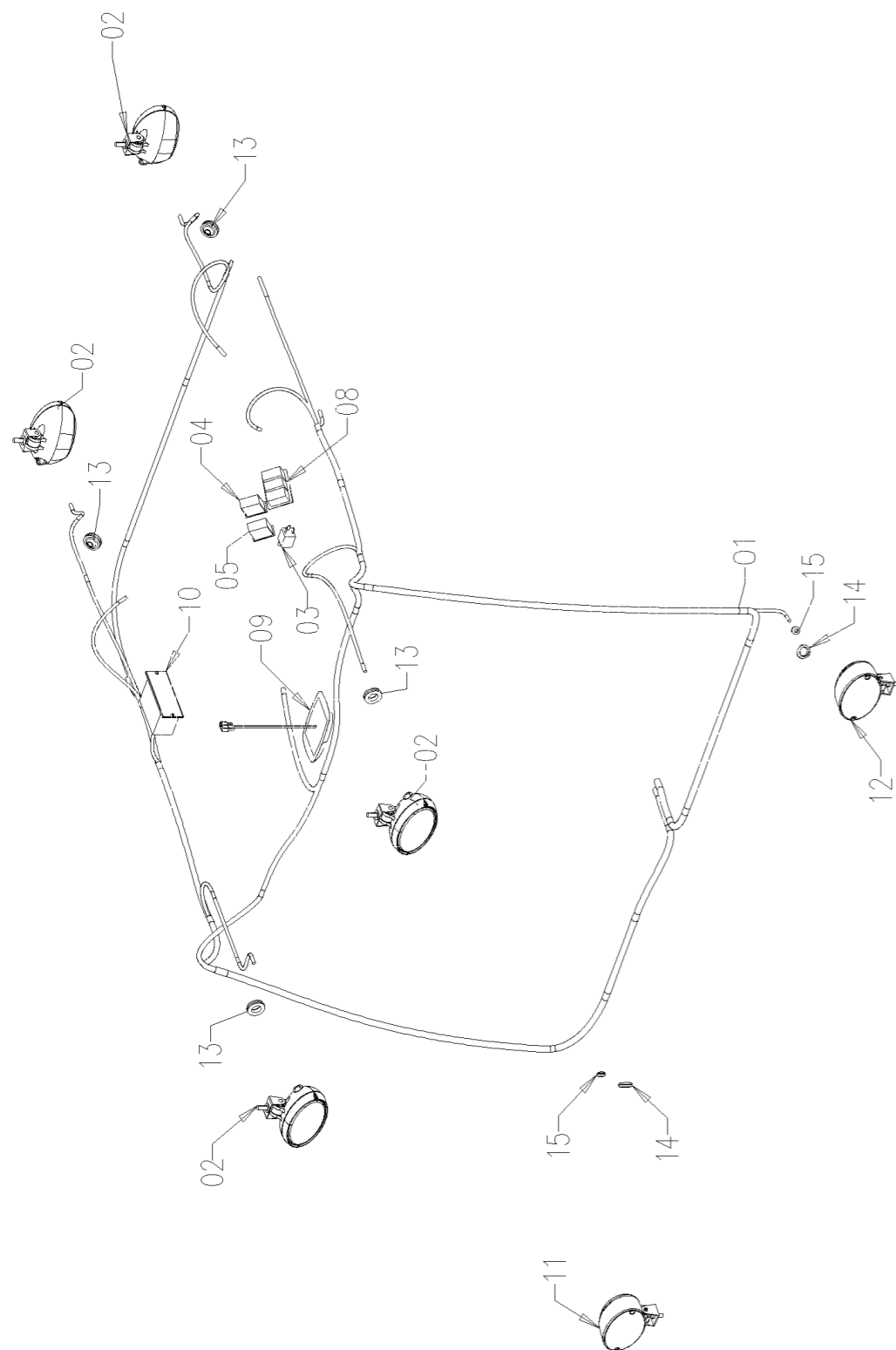
说明/NOTE:

整车发车时序号16 作为随机附件。

When the whole vehicle departs, the serial number 16 is used as the attached accessories.

A23.48.904.4 CABIN W.H. ASS.Y

A23.48.904.4_3 驾驶室线束安装总成CABIN W.H. ASSEMBLY

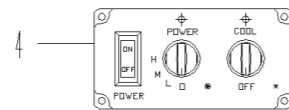
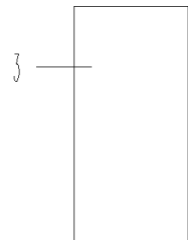
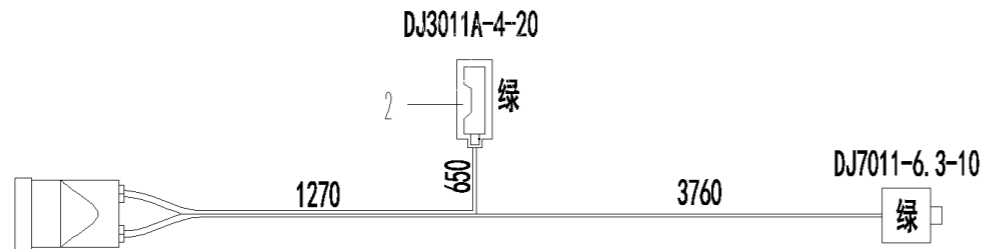
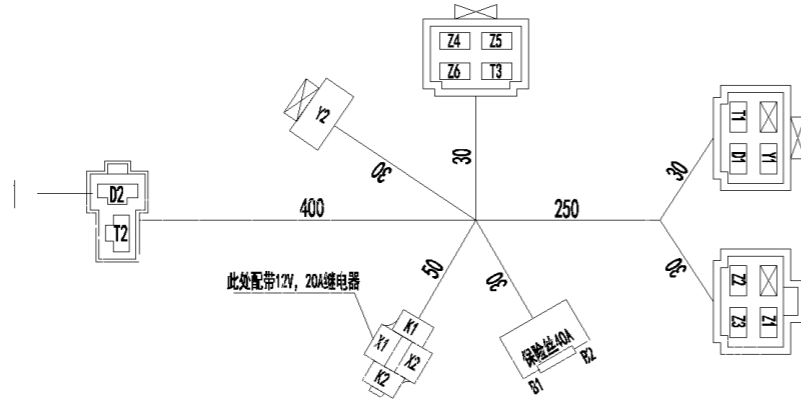


序号	零件编号	零件名称	数量	图号
1	A23.48.004.0/40	驾驶室线束 CABIN W.H. ASS.Y	1	A23.48.004.0/40
2	2.8039.359.0	顶棚工作灯(椭圆) ROOF WORK	4	2.8039.359.0
3	LD700.48.037	灯光继电器 LAMP RELAY	1	LD700.48.037
4	2.7659.481.0	正面工作灯 FRONT WORK LIGHT SW.	1	2.7659.481.0
5	A23.48.008.0	前雨刷 FRONT WIPER SW.	1	A23.48.008.0
8	A23.48.016.0	三摇杆开关边框 THREE ROCKER	1	A23.48.016.0
9	A23.48.017.0	内部照明灯 INTERIOR LIGHT	1	A23.48.017.0
10	SH900.48.059	收音机 RADIO	1	SH900.48.059
11	CD1204.48.041/20	右转向位置灯 RH INDICATOR LIGHT	1	CD1204.48.041/20
12	CD1204.48.032/20	左转向位置灯总成 LEFT TURN AND	1	CD1204.48.032/20
13	2.6569.069.0/10	橡胶垫圈 RUBBER RING	4	2.6569.069.0/10
14	A39.48.035.0	穿线胶圈 RUBBER CIRCLE	2	A39.48.035.0
15	A39.48.036.0	穿线胶圈 RUBBER CIRCLE	2	A39.48.036.0

A23.48.909.4 AIR CONDITION ELECTRICAL PART

A23.48.909.4_0 空调电气系统安装总成 AIR CONDITION ELECTRICAL PART

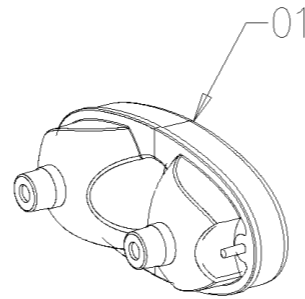
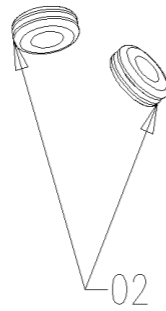
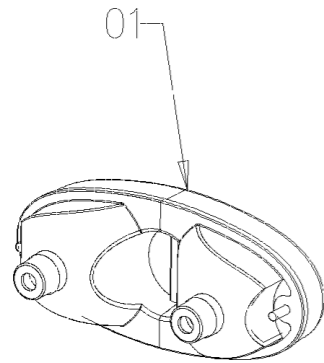
序号	零件编号	零件名称	数量	图号
1	CD1204.48.044	蒸发器线束 EVAPORATOR W.H.	1	CD1204.48.044
2	CD1204.48.045	压力开关线束 PRESSURE SWITCH	1	CD1204.48.045
3	2.3199.383.0	滤盖 BLIND COVER	2	2.3199.383.0
4	A39.48.038.0	空调控制面板 0	1	A39.48.038.0



A23.48.911.4 REAR LIGHT ASS.Y

A23.48.911.4_0 后尾灯总成 REAR LAMP ASS.Y

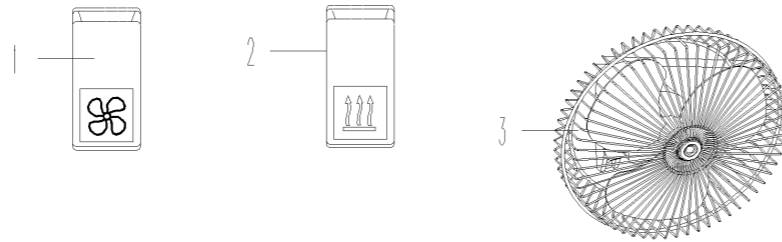
序号	零件编号	零件名称	数量	图号
1	CD1204.48.030	后尾灯总成 Rear light assembly	2	CD1204.48.030
2	SH400.48.118	橡胶圈 THREAD RING	2	SH400.48.118



A23.48.914.4 HEATER CABIN ELECTRICAL PART

A23.48.914.4_0 暖风电气系统安装总成HEATER CABIN ELECTRICAL PART

序号	零件编号	零件名称	数量	图号
1	A23.48.014.0	加热控制软件 HEATING CONTROL	1	A23.48.014.0
2	A23.48.015.0	风扇开关 FAN SW.	1	A23.48.015.0
3	SH900.48.057	风扇总成 Fan Assembly	2	SH900.48.057



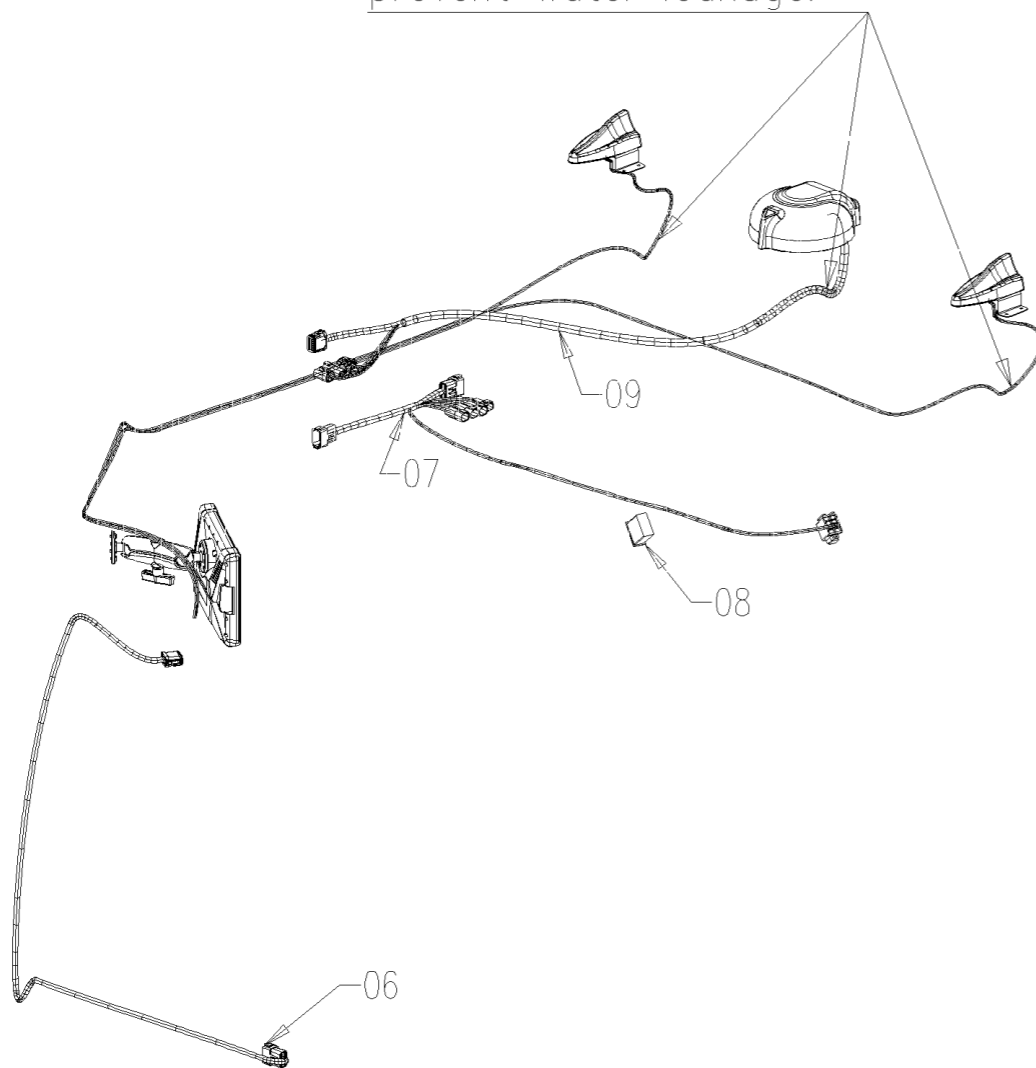
A23.48.944.4 HD AUTO-STEERING CABIN PARTS ASS.Y (HD308BD-2.5GD)

A23.48.944.4_1 2 惠达自动驾驶-驾驶室组件 (HD308BD-2.5GD) Autonomous driving - Cab Assembly (HD308BD-2.5GD)

序号	零件编号	零件名称	数量	图号
6	B05.48.044.0/10	线束 SCREEN ADPT. WH	1	B05.48.044.0/10
7	A23.48.021.4	高清适配器线束 HD AS ADAPTER	1	A23.48.021.4
8	B05.48.048.0/10	汽车转向电源开关 AUTO STEERING	1	B05.48.048.0/10
9	0.037.2091.4	308系统元件图 HD308BD-2.5GD	1	0.037.2091.4

顶棚过孔处须密封处理，防止漏水。

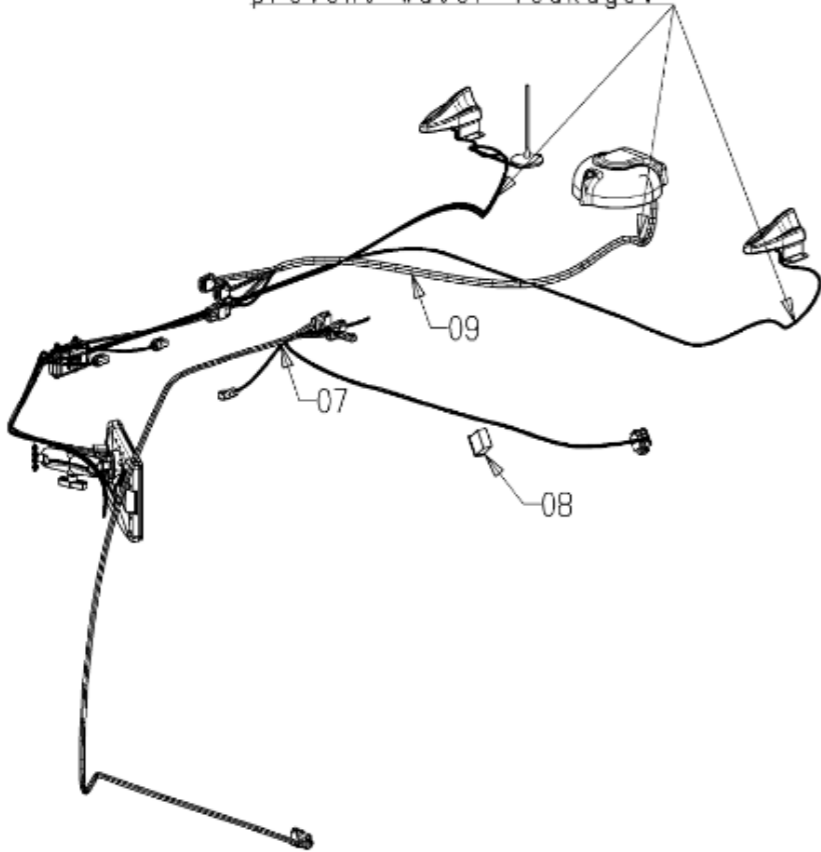
The holes of the roof must be sealed to prevent water leakage.



 SCANIA DEUTZ FA-R GROUP S.p.A. Gruppo - Group	CD90/LE120/CD210 series CN111	N. dis. - P/N A23.48.944.4
	HD AUTO-STEERING CABIN PARTS ASS.Y (HD308BD-2.5GD)	Rev. 2 Validato: 00

YFB-R-2021-001 SH.002

顶棚过孔处须密封处理，防止漏水。
 The holes of the roof
 must be sealed to
 prevent water leakage.



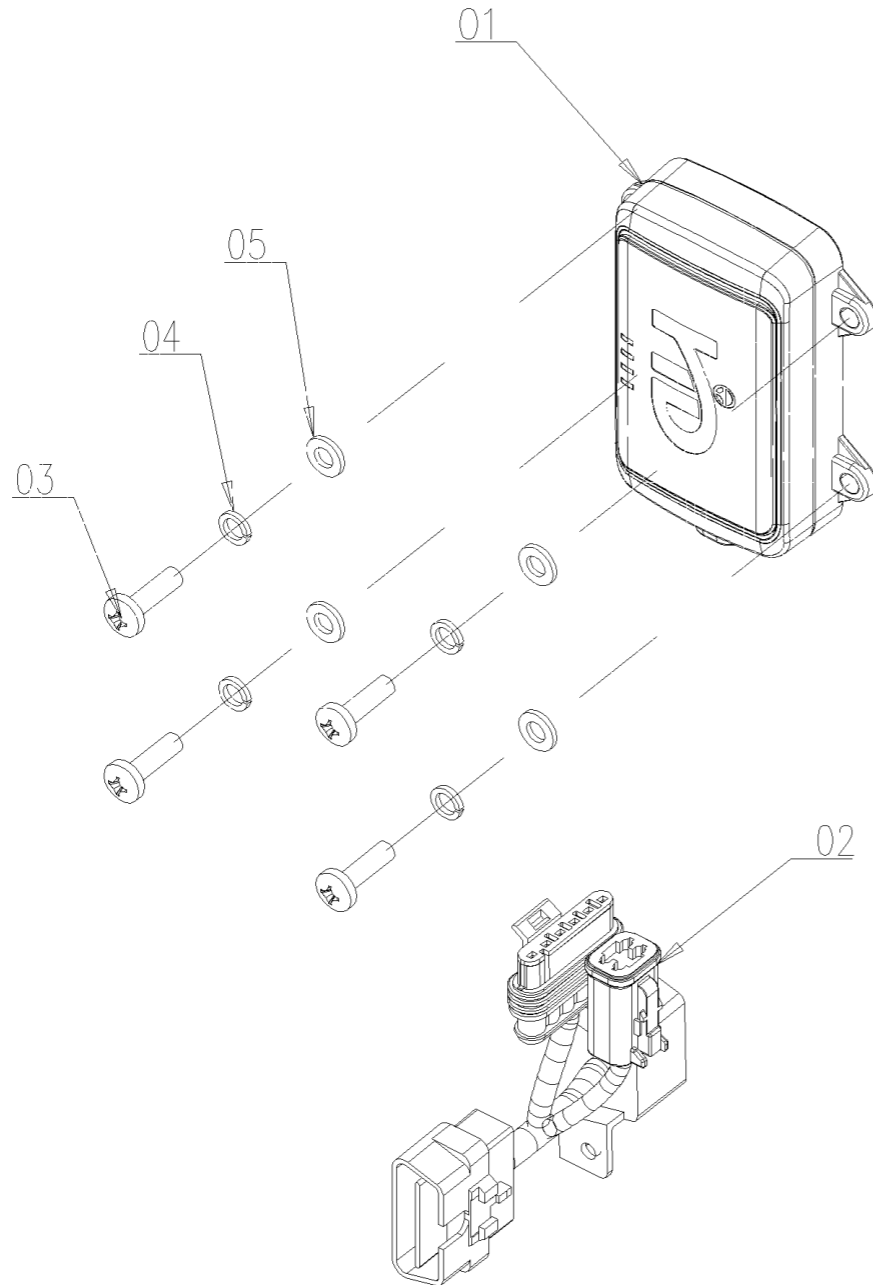
A23.48.944.4_2.2 惠达自动驾驶-驾驶室组件 (HD308BD-2.5GD) Autonomous driving - Cab Assembly (HD308BD-2.5GD)

序号	零件编号	零件名称	数量	图号
7	A23.48.021.4/10	高清适配器线束 HD AS ADAPTER	1	A23.48.021.4/10
8	B05.48.048.0/10	自动驾驶电源开关 AUTO STEERING	1	B05.48.048.0/10
9	0.037.2091.4/10	308系统元件图 HD308BD-2.5GD	1	0.037.2091.4/10

A23.48.948.4 GNSS HD 4G ASS.Y

A23.48.948.4_0 智能农机数据监控系统 惠达4G Intelligent Agricultural Machinery Data Monitoring System Huida 4G

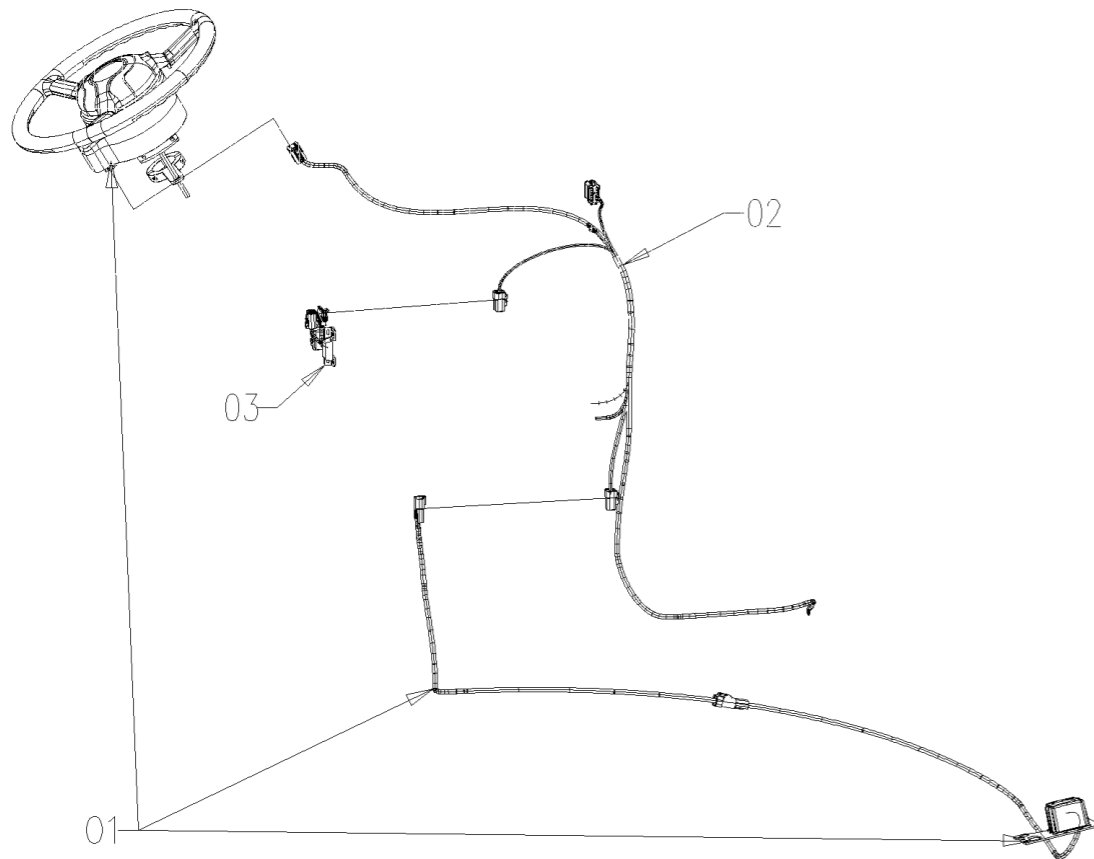
序号	零件编号	零件名称	数量	图号
1	A23.48.024.0	GPS HD GPS 4G CNIII	1	A23.48.024.0
2	B05.48.042.0	OBD适配器 OBD ADAPTER W.H.	1	B05.48.042.0
3	GBT818-M6X20-A2L	螺钉 SCREW	4	GBT818-M6X20-A2L
4	GBT93-6-A3L	垫圈 WASHER	4	GBT93-6-A3L
5	GBT97.1-6-A3L	垫圈 WASHER	4	GBT97.1-6-A3L



A23.48.954.4 HD AUTO-STEERING ASS.Y
(HD308BD-2.5GD)

A23.48.954.4_0 惠达自动驾驶系统 (HD308BD-2.5GD) Autonomous driving systems (HD308BD-2.5GD)

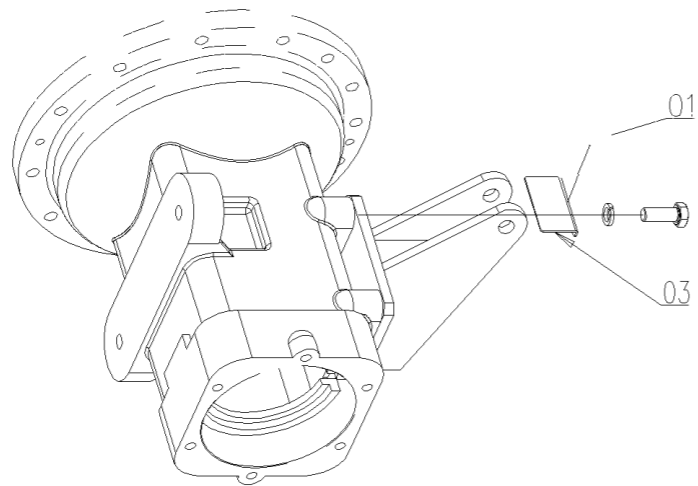
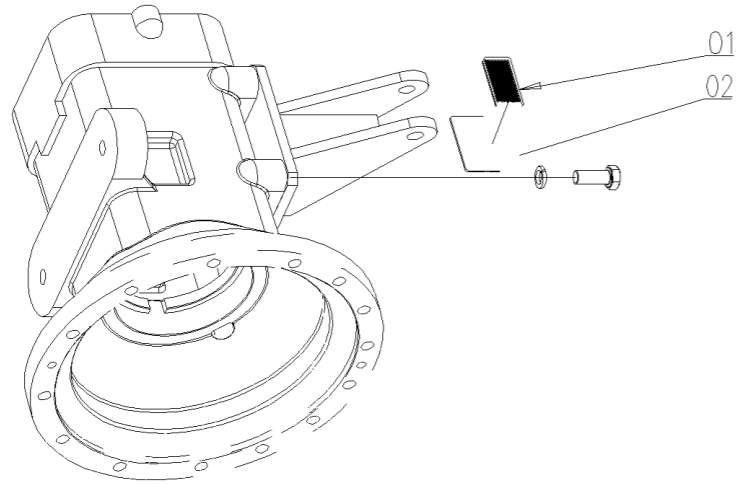
序号	零件编号	零件名称	数量	图号
1	0.034.8809.4/10	308系统元件图 HD AUTO STEERING-	1	0.034.8809.4/10
2	A23.48.022.4	自动转向功率线束 HD AUTO-	1	A23.48.022.4
3	B05.48.042.0	OBD适配器 OBD ADAPTER W.H.	1	B05.48.042.0



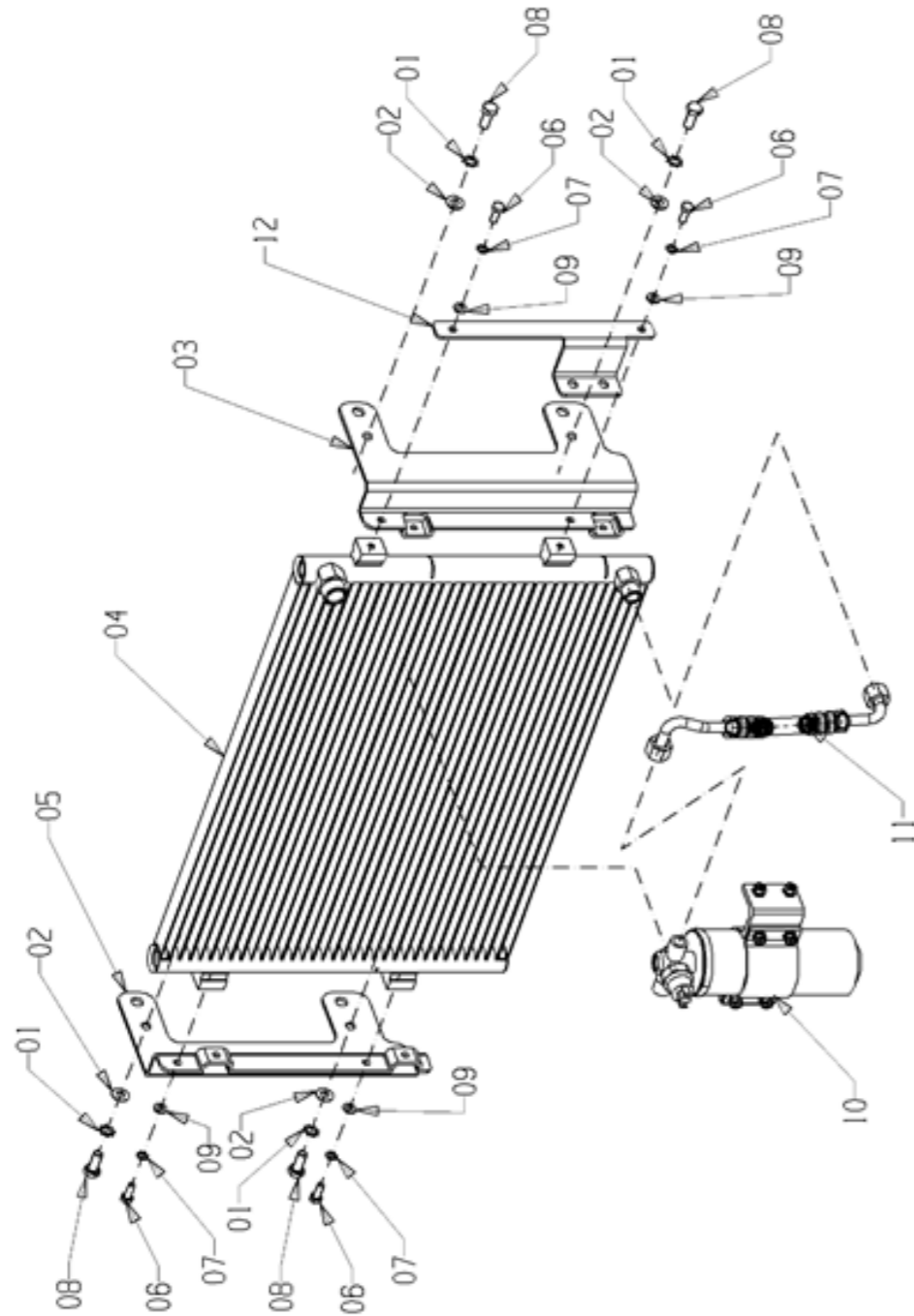
A23.51.909.4 REAR REFLECTOR ASS.Y

A23.51.909.4_0 后反射器Rear reflector

序号	零件编号	零件名称	数量	图号
1	C05.51.002.0/10	XH6-2反射板 REFLECTOR	2	C05.51.002.0/10
2	A23.51.008.0	右支架 RIGHT BRACKET	1	A23.51.008.0
3	A23.51.007.0	左支架 LEFT BRACKET	1	A23.51.007.0



A23.81.902.4 AC CONDENSER ASS.Y

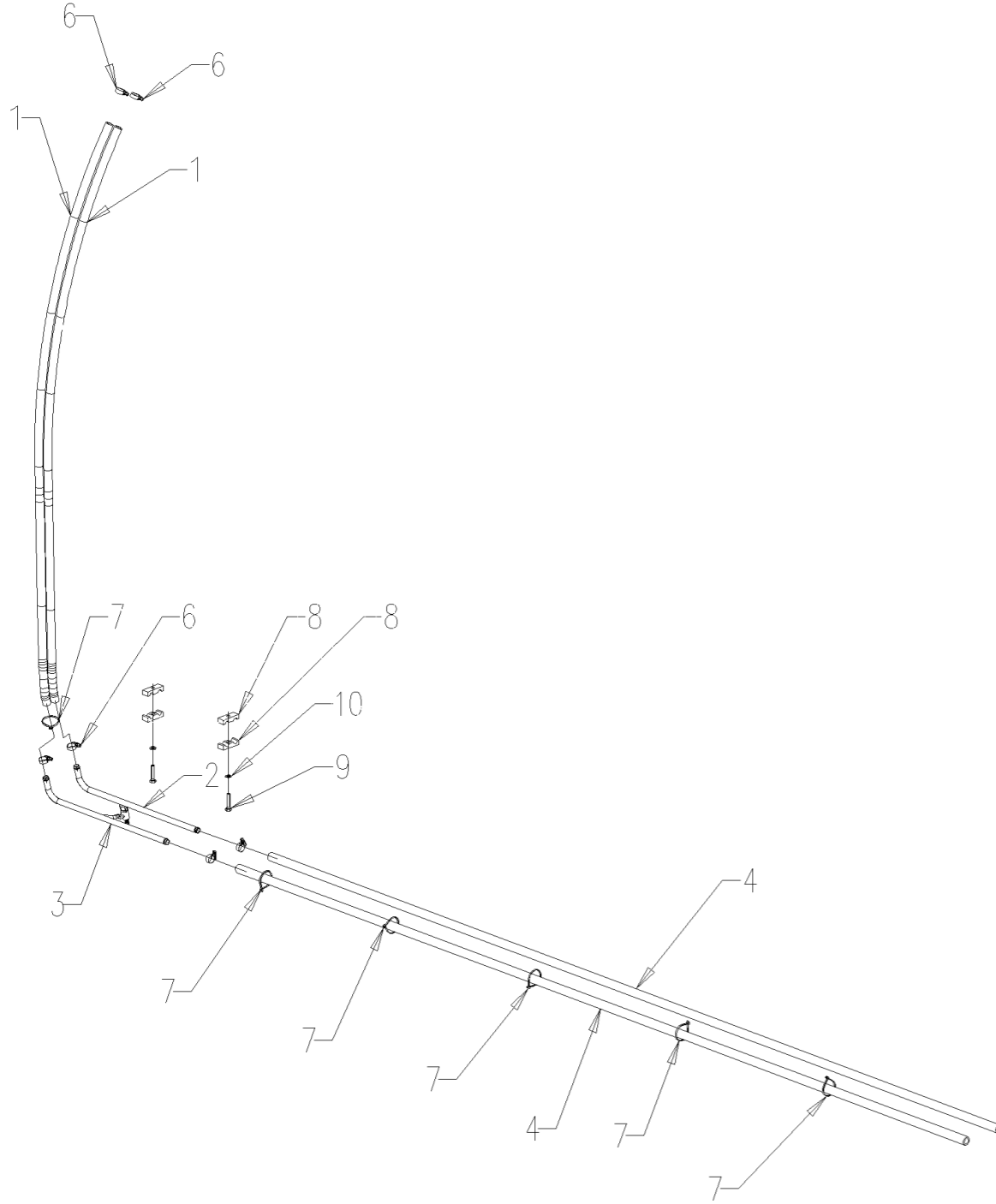


A23.81.902.4_0 空调冷凝器总成 AC CONDENSER ASS.Y

序号	零件编号	零件名称	数量	图号
1	2.1470.004.2	垫圈 LOCK WASHER 8	4	2.1470.004.2
2	2.1310.004.2	垫圈 WASHER 8	4	2.1310.004.2
3	A23.81.006.2	空调冷凝器左支架 AC CONDENSER	1	A23.81.006.2
4	A23.81.013.0	冷凝器总成 CONDENSOR	1	A23.81.013.0
5	A23.81.007.2	空调冷凝器右支架 AC CONDENSER	1	A23.81.007.2
6	2.0112.005.2	六角头螺栓 M6x1x16 HEX BOLT	4	2.0112.005.2
7	2.1470.002.2	垫圈 LOCK WASHER 6	4	2.1470.002.2
8	2.0112.207.2	螺栓 M8x1.25x20 HEX BOLT	4	2.0112.207.2
9	2.1310.002.2	垫圈 WASHER 6	4	2.1310.002.2
10	A23.81.011.0	干燥瓶总成 RECEIVER DRIER	1	A23.81.011.0
11	A23.81.012.2	冷储管 RESERVOIR DRAIN PIPE	1	A23.81.012.2
12	A23.81.010.0	空调冷凝器支架 AC CONDENSER	1	A23.81.010.0

A23.81.913.4 WATER PIPE ASS.Y

A23.81.913.4_1 暖风水管 WATER PIPES

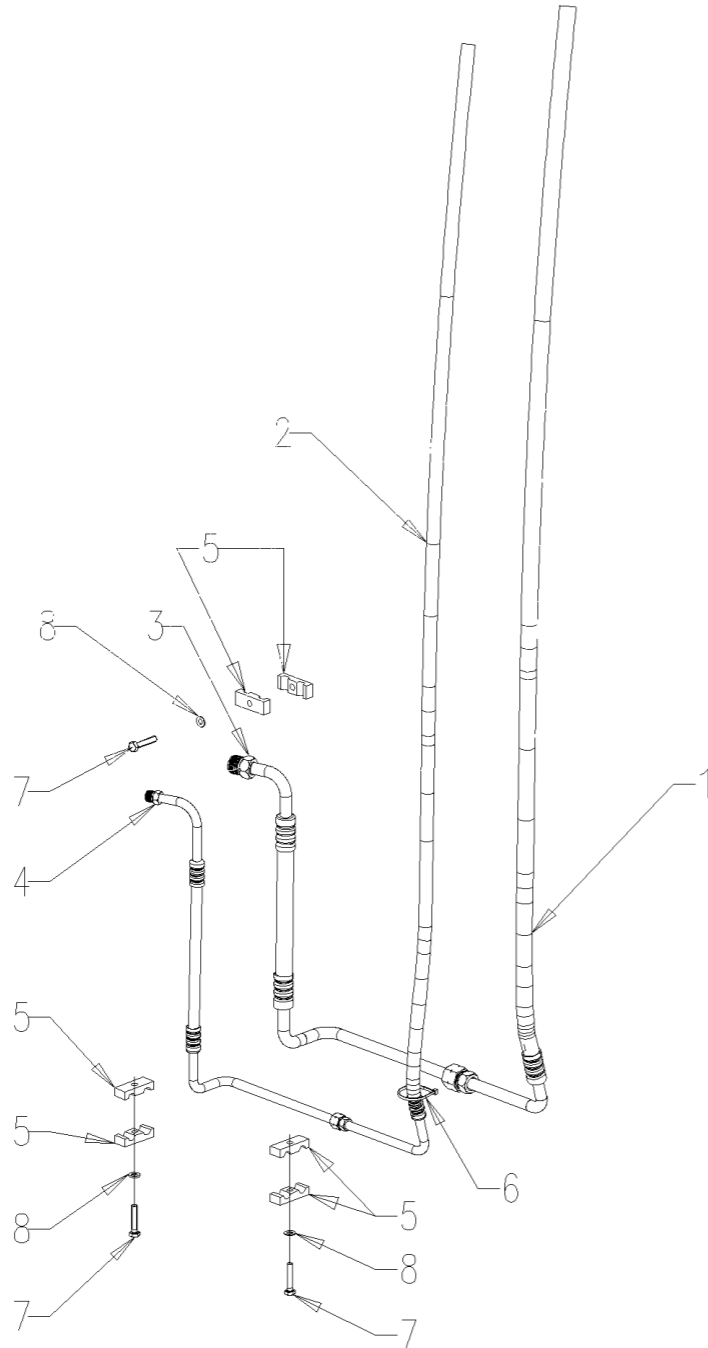


序号	零件编号	零件名称	数量	图号
1	A68.81.002.0	输水管总成 WATER PIPE ASS.	1	A68.81.002.0
2	A68.81.003.4	铝管(阀) ALUMINIUM PIPE(WITH	1	A68.81.003.4
3	A68.81.004.0	铝管(没有阀) ALUMINIUM	1	A68.81.004.0
4	A80.81.005.0	输水管 WATER PIPE	2	A80.81.005.0
6	2.6851.019.0	喉箍 HOSE CLAMP 13-20	6	2.6851.019.0
7	2.6852.101.0	扎带 SELF LOCKING CABLE TIES 142	6	2.6852.101.0
8	A80.45.104.0	块 BLOCK	4	A80.45.104.0
9	GBT5783-M8X40-A2L	螺栓 BOLT	2	GBT5783-M8X40-A2L
10	GBT97.1-8-A3L	垫圈 WASHER	2	GBT97.1-8-A3L

A23.81.923.4 HVAC PIPE ASS.Y

A23.81.923.4_1 空调管路 AC PIPES

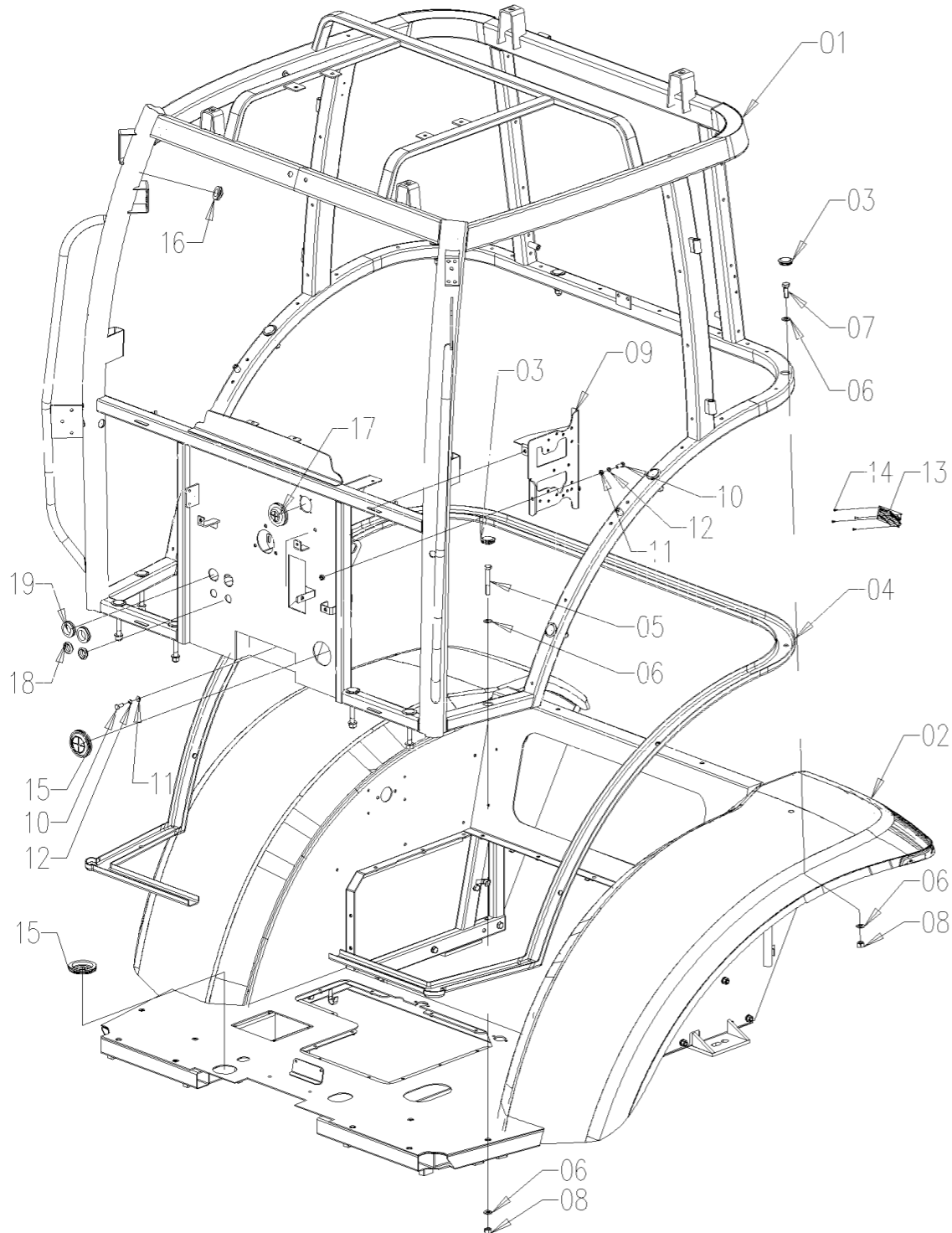
序号	零件编号	零件名称	数量	图号
1	A68.81.009.4	压缩机输液管(蒸发器至外径大) AC	1	A68.81.009.4
2	A68.81.010.4	压缩机输液管(蒸发器至外小直径) AC	1	A68.81.010.4
3	A68.81.011.4	弯曲铝管 BEND ALUMINIUM PIPE-	1	A68.81.011.4
4	A68.81.012.4	小直径铝管 BENG ALUMINIUM PIPE-	1	A68.81.012.4
5	A80.45.104.0	块 BLOCK	6	A80.45.104.0
6	2.6852.101.0	扎带 SELF LOCKING CABLE TIES 142	1	2.6852.101.0
7	GBT5783-M8X40-A2L	螺栓 BOLT	3	GBT5783-M8X40-A2L
8	GBT97.1-8-A3L	垫圈 WASHER	3	GBT97.1-8-A3L



A30.45.900.4 CABIN STRUCTURE ASS.Y

A30.45.900.4_1 驾驶室骨架CABIN STRUCTURE ASS.Y

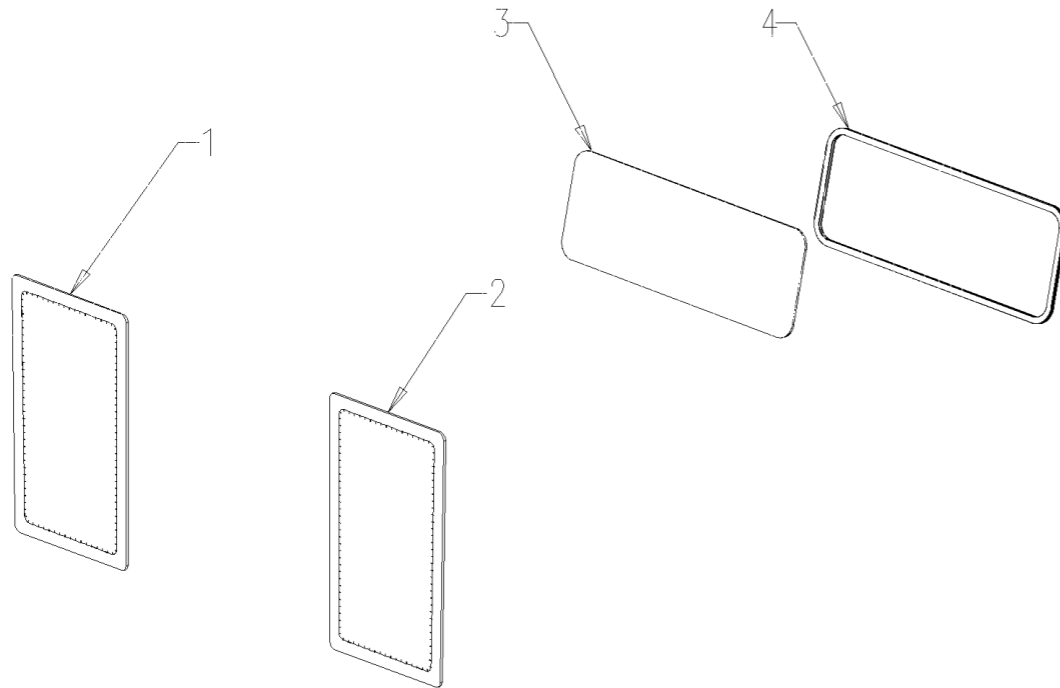
序号	零件编号	零件名称	数量	图号
1	A31.45.077.3/10	上层机舱框架 UPPER CABIN FRAME	1	A31.45.077.3/10
2	A23.45.055.4/10	地板焊接总成 FLOOR WELDING	1	A23.45.055.4/10
3	0.026.5183.0	塞子 D.30.5 PLUG D.30.5	14	0.026.5183.0
4	B36.45.038.0/10	橡胶帽 RUBBER	1	B36.45.038.0/10
5	2.0112.425.2	六角头螺栓 M12x1.75x80 HEX BOLT	6	2.0112.425.2
6	2.1310.007.2	垫圈 WASHER 12	28	2.1310.007.2
7	2.0112.413.2	六角头螺栓 M12x1.75x35 HEX BOLT	8	2.0112.413.2
8	2.1011.107.2	螺母 M12x1.75 NUT M12x1.75	14	2.1011.107.2
9	A31.45.045.3/10	ECU支架 ECU BRACKET	1	A31.45.045.3/10
10	GBT5783-M8X20-A2L	螺栓 BOLT	2	GBT5783-M8X20-A2L
11	GBT97.1-8-A3L	垫圈 WASHER	2	GBT97.1-8-A3L
12	GBT93-8-A3L	垫圈 WASHER	2	GBT93-8-A3L
13	0.034.4543.0/10	OECD标识 OECD LABEL	1	0.034.4543.0/10
14	2.1855.010.0	空心铆钉 3.4 BLIND RIVETS 3.4	4	2.1855.010.0
15	A11.45.002.0	垫圈 GASKET	2	A11.45.002.0
16	2.6569.069.0/10	橡胶垫圈 RUBBER RING	1	2.6569.069.0/10
17	C63.45.114.0	垫圈 GASKET	1	C63.45.114.0
18	A23.45.231.0	橡胶垫片 RUBBER GASKET	2	A23.45.231.0
19	A23.45.232.0	橡胶垫片 RUBBER GASKET	2	A23.45.232.0



A30.45.905.4 GLASSES ASS.Y

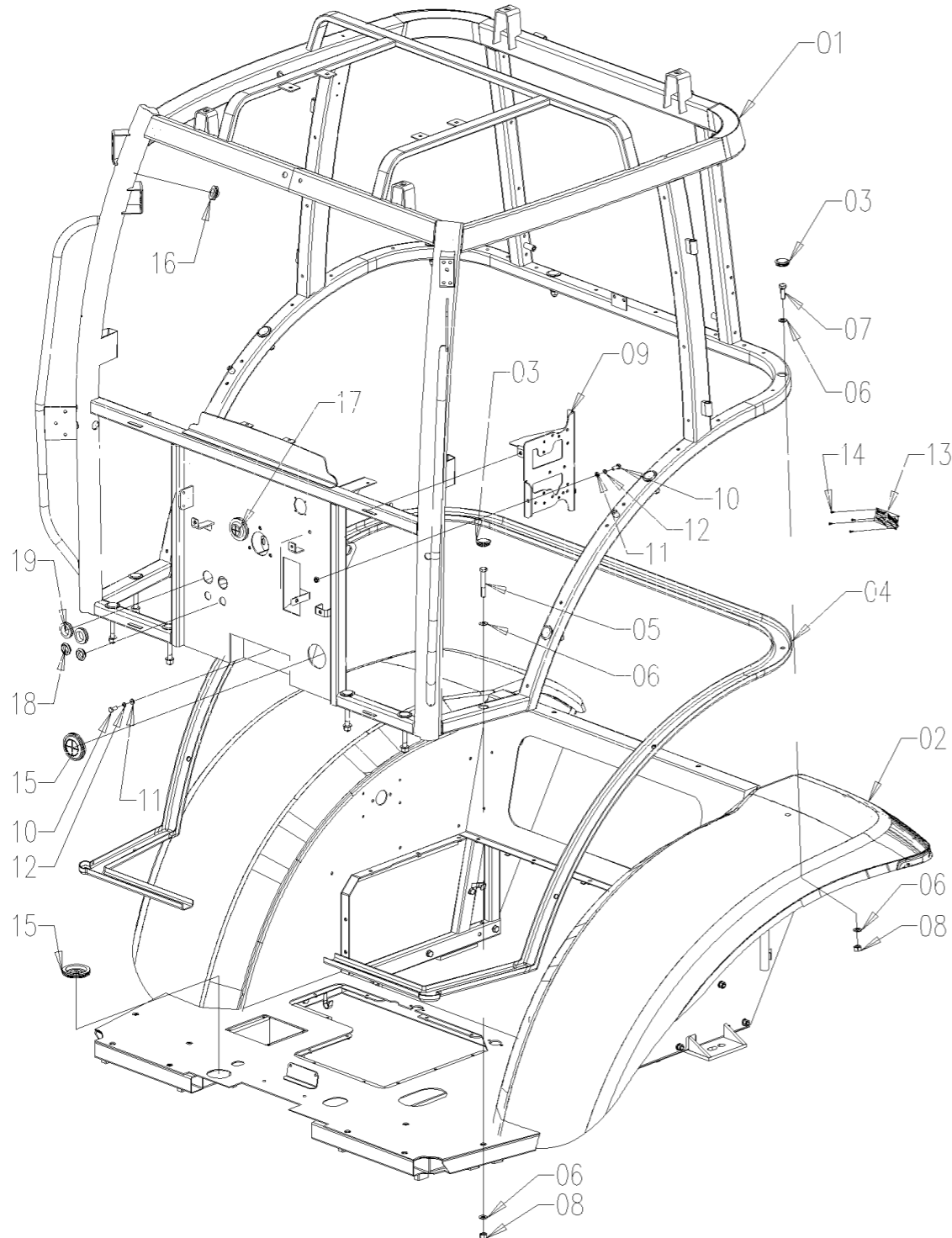
A30.45.905.4_0 玻璃总成 GLASSES ASS.Y

序号	零件编号	零件名称	数量	图号
1	A23.45.225.0	下玻璃 RH BELOW GLASS	1	A23.45.225.0
2	A23.45.226.0	左侧玻璃 LH BELOW GLASS	1	A23.45.226.0
3	A80.45.023.0	后方玻璃 REAR BELOW GLASS	1	A80.45.023.0
4	A80.45.024.0	玻璃胶 GLASS RUBBER	1	A80.45.024.0



A30.45.910.4 CABIN STRUCTURE ASS.Y

A30.45.910.4_1 驾驶室骨架 (18.4-38中花胎) CABIN STRUCTURE ASS.Y (MEDIUM FLOWER TIRE)

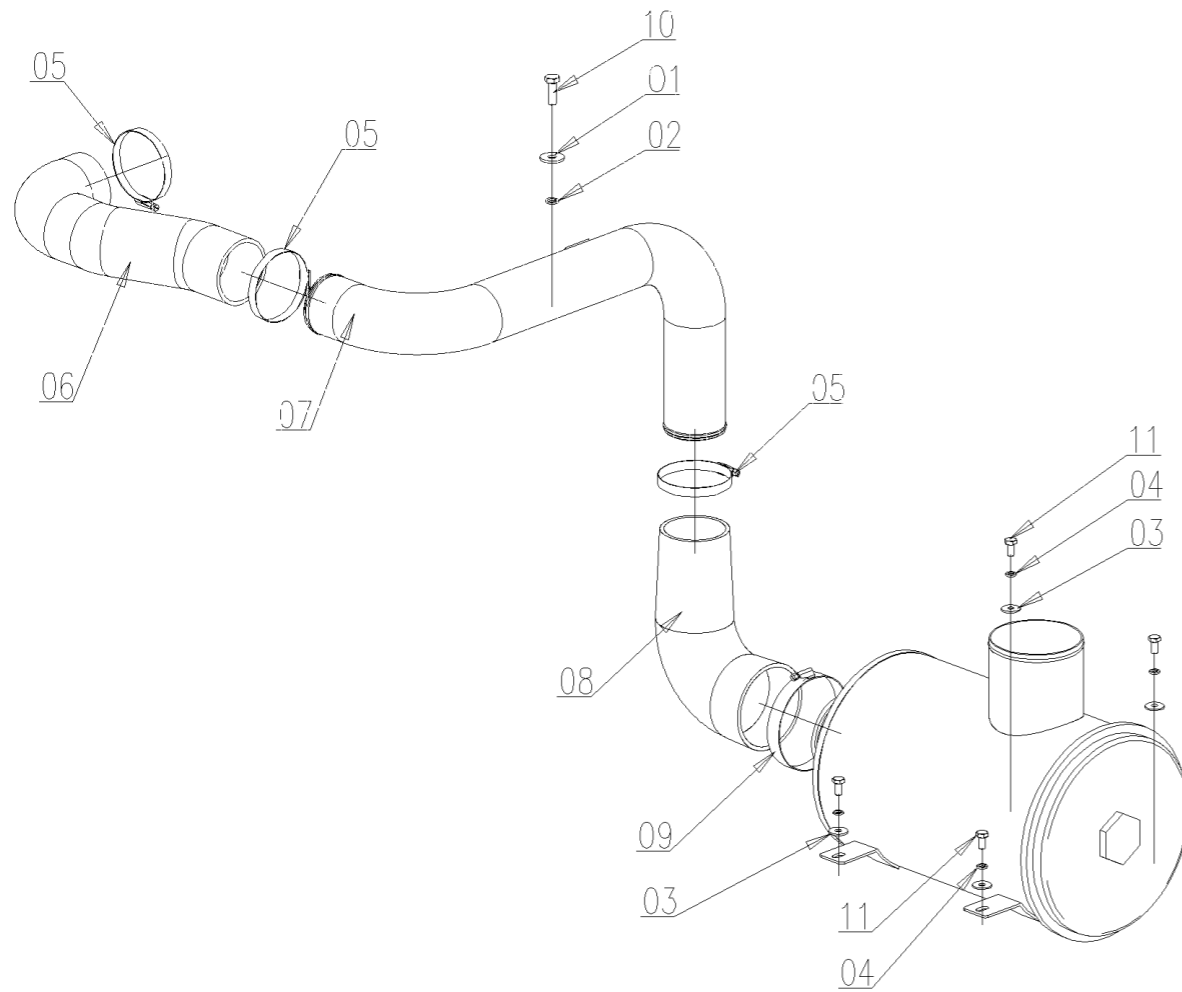


序号	零件编号	零件名称	数量	图号
1	A31.45.077.3/10	上层机舱框架 UPPER CABIN FRAME	1	A31.45.077.3/10
2	A31.45.079.4/10	地板焊接总成 FLOOR WELDING	1	A31.45.079.4/10
3	0.026.5183.0	塞子 D.30.5 PLUG D.30.5	14	0.026.5183.0
4	B36.45.038.0/10	橡胶帽 RUBBER	1	B36.45.038.0/10
5	2.0112.425.2	六角头螺栓 M12x1.75x80 HEX BOLT	6	2.0112.425.2
6	2.1310.007.2	垫圈 WASHER 12	28	2.1310.007.2
7	2.0112.413.2	六角头螺栓 M12x1.75x35 HEX BOLT	8	2.0112.413.2
8	2.1011.107.2	螺母 M12x1.75 NUT M12x1.75	14	2.1011.107.2
9	A31.45.045.3/10	ECU支架 ECU BRACKET	1	A31.45.045.3/10
10	GBT5783-M8X20-A2L	螺栓 BOLT	2	GBT5783-M8X20-A2L
11	GBT97.1-8-A3L	垫圈 WASHER	2	GBT97.1-8-A3L
12	GBT93-8-A3L	垫圈 WASHER	2	GBT93-8-A3L
13	0.034.4543.0/10	OECD标识 OECD LABEL	1	0.034.4543.0/10
14	2.1855.010.0	空心铆钉 3.4 BLIND RIVETS 3.4	4	2.1855.010.0
15	A11.45.002.0	垫圈 GASKET	2	A11.45.002.0
16	2.6569.069.0/10	橡胶垫圈 RUBBER RING	1	2.6569.069.0/10
17	C63.45.114.0	垫圈 GASKET	1	C63.45.114.0
18	A23.45.231.0	橡胶垫片 RUBBER GASKET	2	A23.45.231.0
19	A23.45.232.0	橡胶垫片 RUBBER GASKET	2	A23.45.232.0

A31.11.903.4 AIR FILTER OUTLET PIPE ASS.Y

A31.11.903.4_0 空滤器出气管总成 AIR FILTER OUTLET PIPE ASS.Y

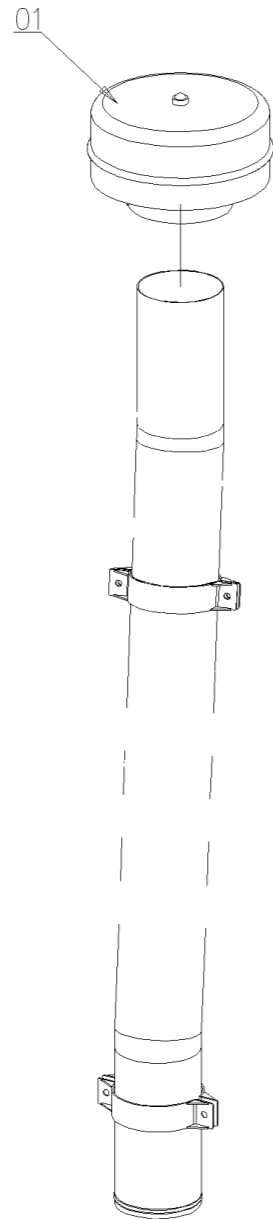
序号	零件编号	零件名称	数量	图号
1	GBT96.1-10-A3L	垫圈 WASHER	1	GBT96.1-10-A3L
2	GBT93-10-A3L	垫圈 WASHER	1	GBT93-10-A3L
3	GBT96.1-8-A3L	垫圈 WASHER	4	GBT96.1-8-A3L
4	GBT93-8-A3L	垫圈 WASHER	4	GBT93-8-A3L
5	JBT8870-D90	软管夹 HOSE CLAMPS	3	JBT8870-D90
6	CD1204A.11.101/20	进风软管 AIR INTAKE HOSE	1	CD1204A.11.101/20
7	A31.11.003.2	进油管焊合 INLET PIPE WELD	1	A31.11.003.2
8	CD1204.11.102	进气软管 AIR INLET HOSE	1	CD1204.11.102
9	JBT8870-D120	软管夹 HOSE CLAMPS	1	JBT8870-D120
10	GBT5783-M10X30-A3L	螺栓 BOLT	1	GBT5783-M10X30-A3L
11	GBT5783-M8X16-A2L	螺栓 BOLT	4	GBT5783-M8X16-A2L



A31.11.910.4 AIR PRE-FILTER ASS.Y

A31.11.910.4_0 预滤清器总成 (普通) Pre-filter assembly (plain)

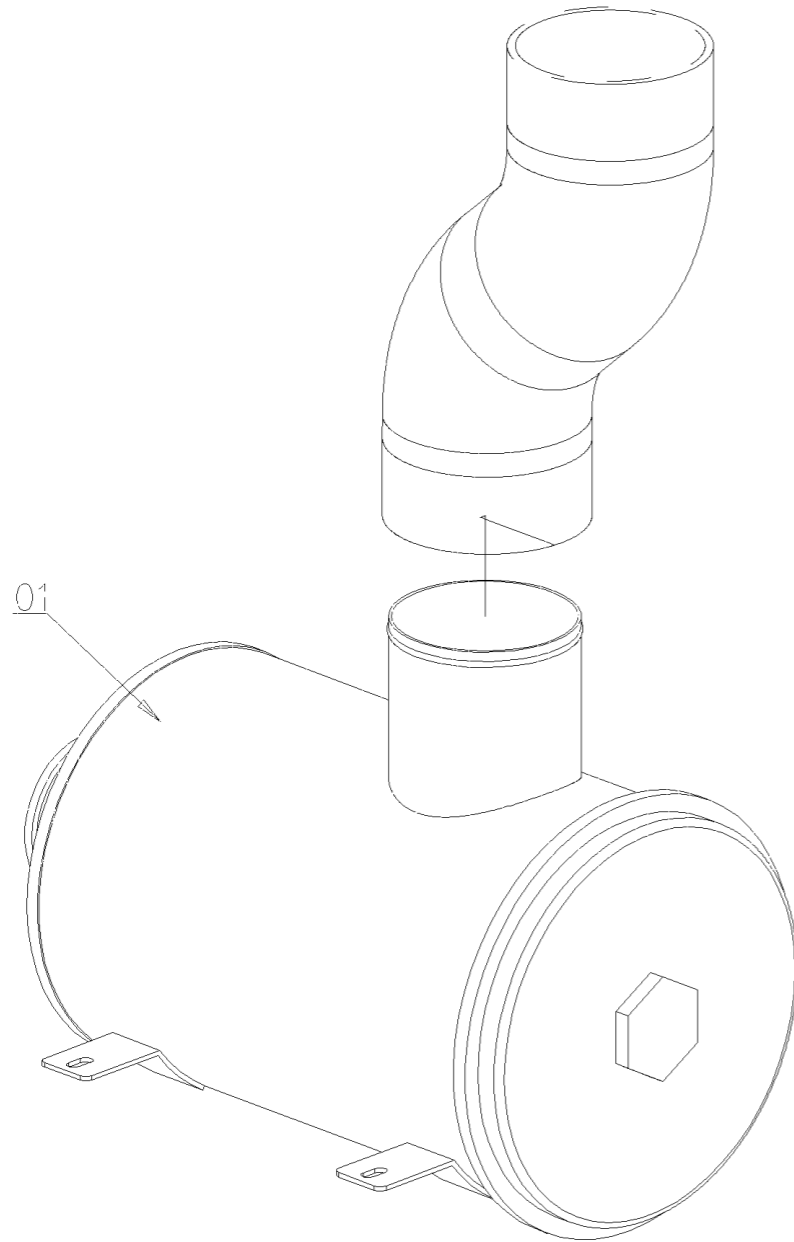
序号	零件编号	零件名称	数量	图号
1	LE1204.11.012	空气预滤器 PRE-CLEANER	1	LE1204.11.012



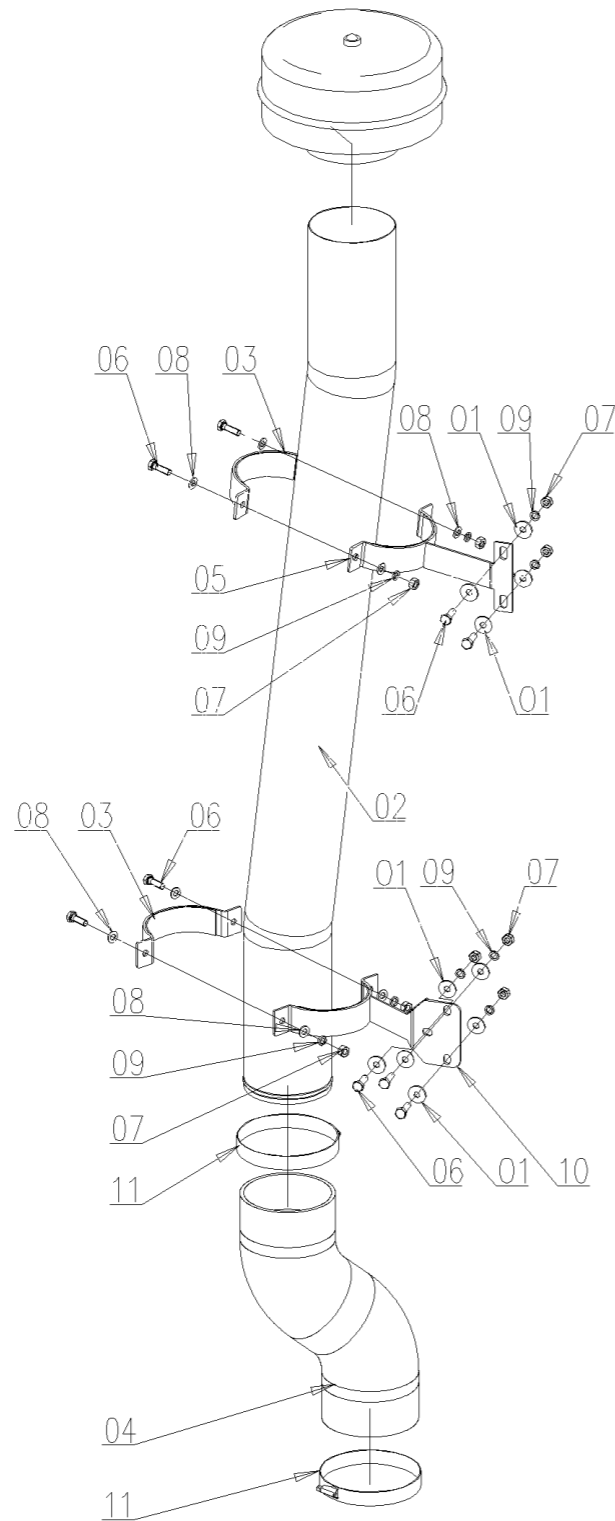
A31.11.911.4 AIR FILTER ASS.Y

A31.11.911.4_0 空滤器总成 Air filter assembly

序号	零件编号	零件名称	数量	图号
1	CD1204.11.011/10	空气过滤器 AIR FILTER	1	CD1204.11.011/10
1.1	K2036	滤芯	1	K2036



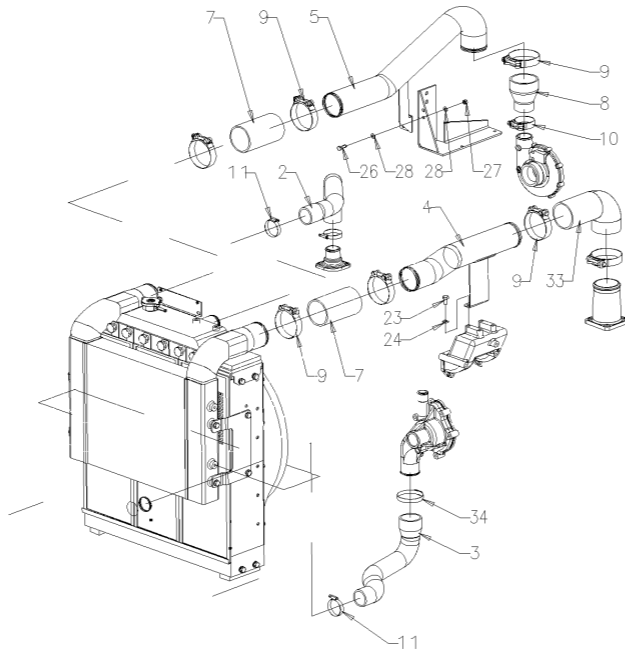
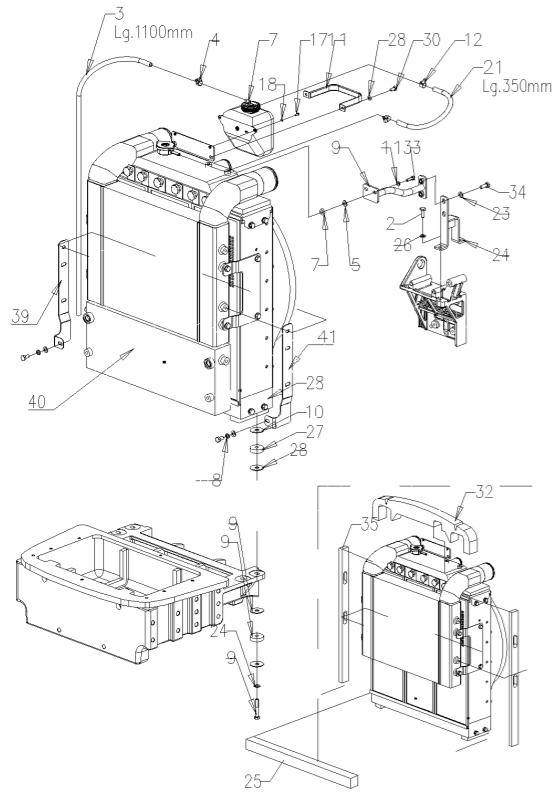
A31.11.912.4 AIR FILTER INTAKE PIPE ASS.Y



A31.11.912.4_0 空滤器进气管总成 AIR FILTER INTAKE PIPE ASS.Y

序号	零件编号	零件名称	数量	图号
1	GBT96.1-8-A3L	垫圈 WASHER	10	GBT96.1-8-A3L
2	A23.11.005.0/10	进气管 AIR INLET TUBE	1	A23.11.005.0/10
3	A23.11.008.2/20	半卡箍 HALF HOOP	2	A23.11.008.2/20
4	CD1204.11.103/10	进风软管 AIR INTAKE HOSE	1	CD1204.11.103/10
5	A23.11.006.2/20	半环连接板组件 TOP FIXING	1	A23.11.006.2/20
6	GBT5783-M8X25-A2L	螺栓 BOLT	9	GBT5783-M8X25-A2L
7	GBT6170-M8-A2L	螺母 NUT	9	GBT6170-M8-A2L
8	GBT97.1-8-A3L	垫圈 WASHER	8	GBT97.1-8-A3L
9	GBT93-8-A3L	垫圈 WASHER	9	GBT93-8-A3L
10	A23.11.007.2/20	底部固定支架 BLOW FIXING	1	A23.11.007.2/20
11	JBT8870-D130	软管夹 HOSE CLAMPS	2	JBT8870-D130

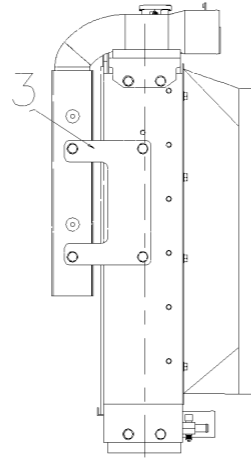
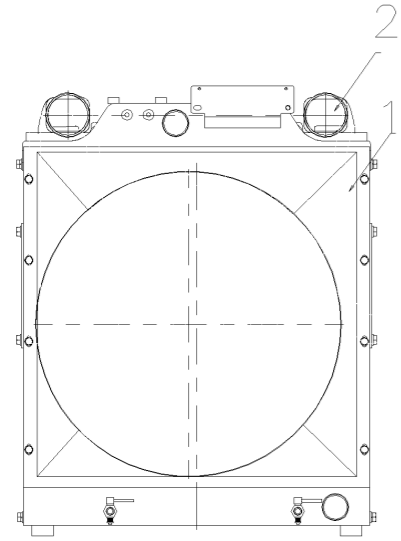
A31.13.900.4 COOLING SYSTEM



A31.13.900.4_6 冷却系总成 COOLING SYSTEM

序号	零件编号	零件名称	数量	图号
1	CD1204A.13.010/50	水散热器总成 RADIATOR ASS'Y	1	CD1204A.13.010/50
2	CD1204A.13.107	冷却液软管 COOLANT HOSE	1	CD1204A.13.107
3	CD1204A.13.102/20	冷却液软管 COOLANT HOSE	1	CD1204A.13.102/20
4	A31.13.001.2	中冷器管 CAC PIPE	1	A31.13.001.2
5	CD1204A.13.014/10	中冷器管 CAC PIPE	1	CD1204A.13.014/10
6	A31.13.003.3	散热器支架 RADIATOR SUPPORT	1	A31.13.003.3
7	CD1204A.13A.104/10	硅胶管 SILICONE HOSE	2	CD1204A.13A.104/10
8	CD1204A.13.105	中冷器软管 CAC HOSE	1	CD1204A.13.105
9	A31.13.006.0	重型卡箍 86-94 HEAVY CLAMP 86-94	7	A31.13.006.0
10	2.6859.155.0	夹子59-63 FASCETTA 59-63	1	2.6859.155.0
11	JBT8870-d60	软管夹 HOSE CLAMP	3	JBT8870-d60
12	JBT8870-d16	软管夹 HOSE CLAMP	3	JBT8870-d16
13	LE1204.13.111	前扎带胶垫 RUBBER CUSHION	8	LE1204.13.111
14	LE1204.13.110	垫圈 GASKET	16	LE1204.13.110
15	GBT5782-M10X60-A3L	螺栓 BOLT	4	GBT5782-M10X60-A3L
16	CD1204.13.012	膨胀水箱 EXPANSION TANK	1	CD1204.13.012
17	GBT5783-M4X12-A2L	螺栓 BOLT	2	GBT5783-M4X12-A2L
18	GBT97.1-4-A3L	垫圈 WASHER	2	GBT97.1-4-A3L
20	SH900.13.107	橡胶垫圈 RUBBER RING	2	SH900.13.107
21	0.026.5598.0	水箱水管 WATER RADIATOR HOSE	1	0.026.5598.0
22	0.026.5598.0	水箱水管 WATER RADIATOR HOSE	1	0.026.5598.0
23	GBT5783-M10X20-A3L	螺栓 BOLT	8	GBT5783-M10X20-A3L
24	GBT97.1-10-A3L	垫圈 WASHER	16	GBT97.1-10-A3L
25	CD1204.47.270	密封海绵 SEALING SPONGE	1	CD1204.47.270
26	GBT5783-M8X25-A2L	螺栓 BOLT	4	GBT5783-M8X25-A2L
27	GBT6170-M8-A2L	螺母 NUT	2	GBT6170-M8-A2L
28	GBT97.1-8-A3L	垫圈 WASHER	8	GBT97.1-8-A3L
30	GBT5783-M8X16-A2L	螺栓 BOLT	2	GBT5783-M8X16-A2L
31	0.023.2676.2	副水箱固定 EXPANSION TANK	1	0.023.2676.2
32	A31.13.005.0/20	海绵 SPONGE	1	A31.13.005.0/20
33	A31.13.002.0	硅胶网纹管 SILICON HOSE	1	A31.13.002.0
34	JBT8870-D80	软管夹 HOSE CLAMPS	1	JBT8870-D80
35	CD1104A.13.108	海绵 SPONGE	2	CD1104A.13.108
36	A31.13.004.2	支架 BRACKET	1	A31.13.004.2
37	GBT5783-M10X25-A3L	螺栓 BOLT	4	GBT5783-M10X25-A3L
38	GBT93-10-A3L	垫圈 WASHER	4	GBT93-10-A3L
39	A31.13.017.0/10	支架 BRACKET	1	A31.13.017.0/10
40	A31.13.015.4/10	机油冷却器 OIL COOLER	1	A31.13.015.4/10
41	A31.13.019.0	支架 BRACKET	1	A31.13.019.0

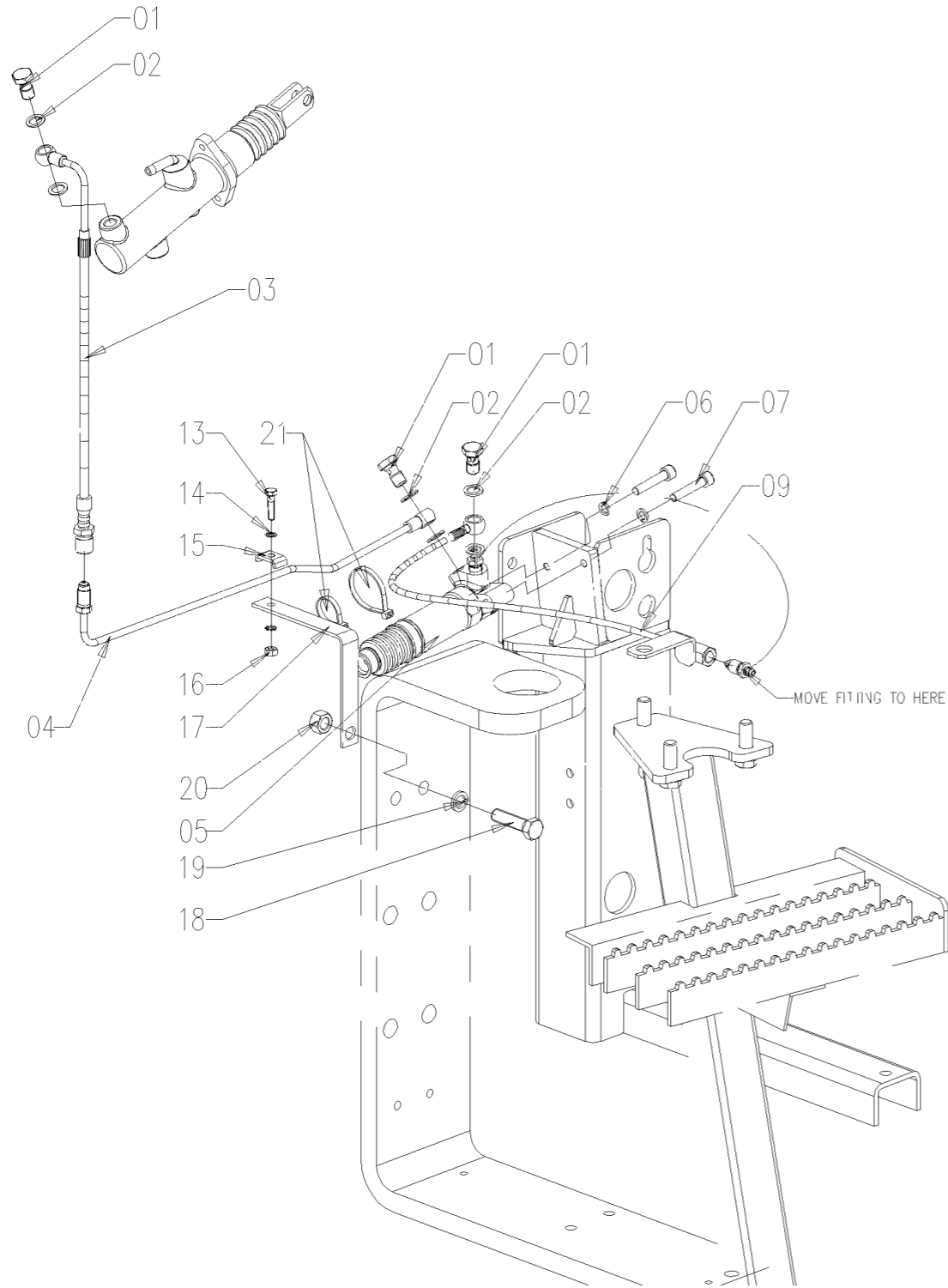
CD1204A.13.010/50 RADIATOR ASS'Y



CD1204A.13.010/50 水散热器总成 RADIATOR ASSEMBLY

序号	零件编号	零件名称	数量	图号
1	CD1204A.13.012/40	水散热器 WATER RADIATOR	1	CD1204A.13.012/40
2	CD1104A.13.012/40	中间冷却器 INTERCOOLER	1	CD1104A.13.012/40
3	CD1104A.13.107	钢板 STEEL PLATE	2	CD1104A.13.107

A31.21.904.4 CLUTCH CONTROL



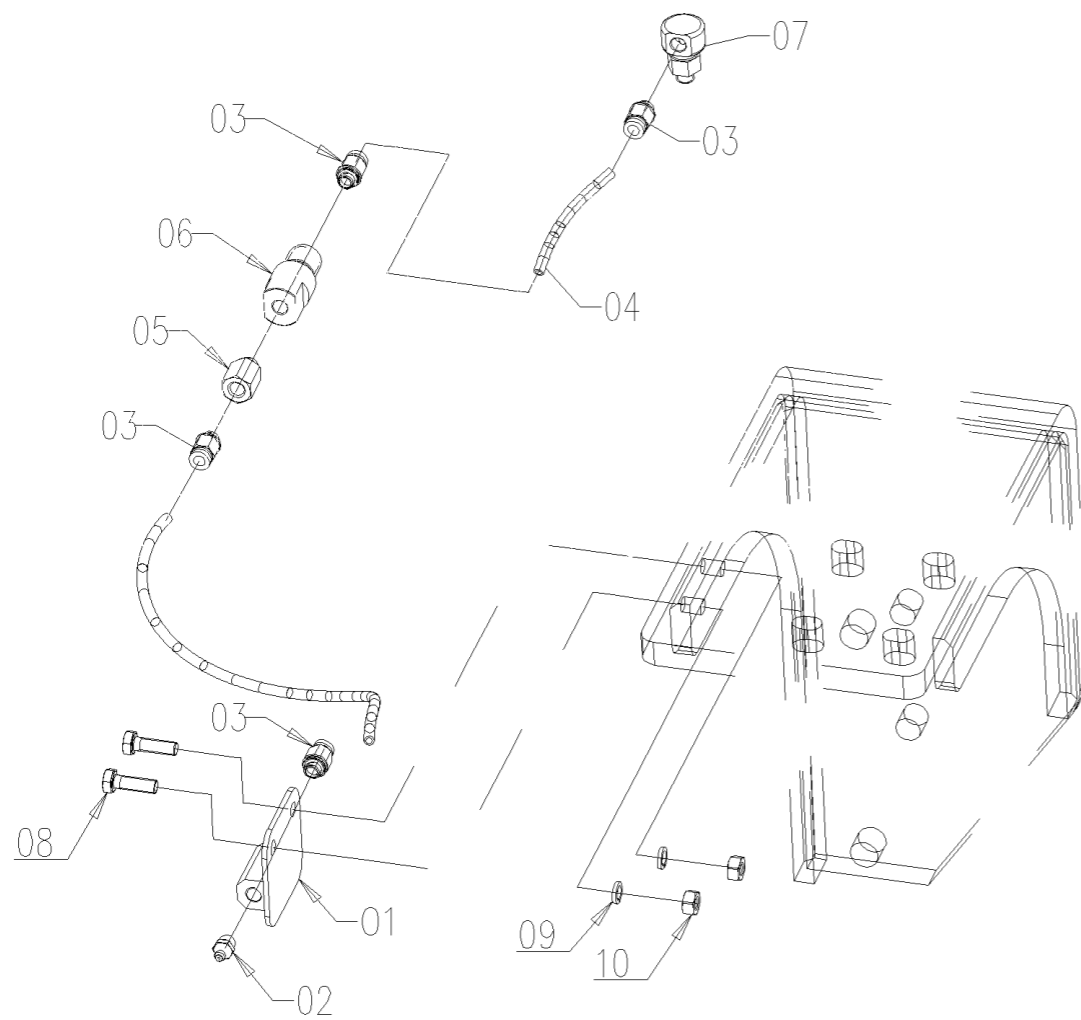
A31.21.904.4_3 离合液压管路CLUTCH CONTROL

序号	零件编号	零件名称	数量	图号
1	2.3339.431.2/10	螺栓 BOCCHETT M12x1.25	3	2.3339.431.2/10
2	2.1560.008.0	垫圈 12.2X18 SEALING RING	6	2.1560.008.0
3	A31.21.005.3/10	管总成 PIPE ASS.	1	A31.21.005.3/10
4	A31.21.006.3/10	离合器管道 CLUTCH PIPE ASS.	1	A31.21.006.3/10
5	0.257.6537.4/40	汽缸 CYLINDER CON.FRITZ	1	0.257.6537.4/40
6	GBT93-8-A3L	垫圈 WASHER	2	GBT93-8-A3L
7	GBT70.1-M8X40-A2L	螺钉 SCREW	2	GBT70.1-M8X40-A2L
9	A31.21.010.3	排气管总成 EXHAUST PIPE ASS.	1	A31.21.010.3
13	2.0112.009.2	六角头螺栓 M6X1X25 HEX BOLT	1	2.0112.009.2
14	2.1470.002.2	垫圈 WASHER	2	2.1470.002.2
15	0.002.8816.0	连接板 PIASTRINA	1	0.002.8816.0
16	2.1011.103.2	螺母 NUT	1	2.1011.103.2
17	A31.21.012.0	支架 BRACKET	1	A31.21.012.0
18	GBT5783-M12X45-10.9-	螺栓 BOLT	1	GBT5783-M12X45-10.9-A3L
19	GBT93-12-A3L	垫圈 WASHER	1	GBT93-12-A3L
20	GBT6170-M12-10-A3L	螺母 NUT	1	GBT6170-M12-10-A3L
21	2.6852.203.0	自锁扎带 292 SELF LOCKING CABLE	2	2.6852.203.0

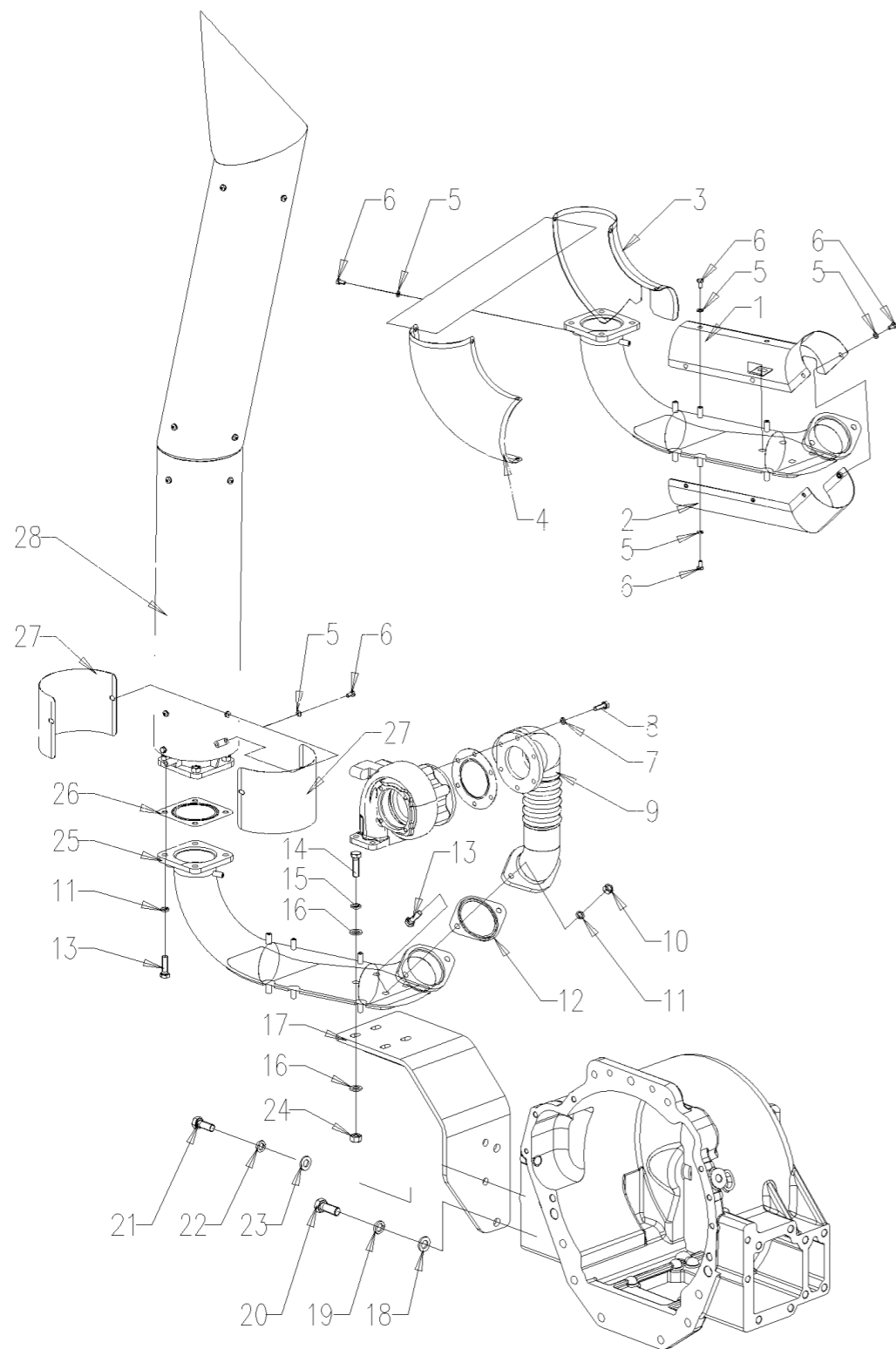
A31.21.910.4 GRAESE FILLING SYSTEM

A31.21.910.4_1 黄油加注系统Grease filling system

序号	零件编号	零件名称	数量	图号
1	0.024.6107.2	支架 BRACKET	1	0.024.6107.2
2	2.3820.105.2	油嘴 NIPPLES M10	1	2.3820.105.2
3	0.011.2973.0	连接件 ATTACCO RAPIDO	4	0.011.2973.0
4	0.012.6739.0	软管 TUBO	2	0.012.6739.0
5	2.3249.167.2	管接头 RACCORDO	1	2.3249.167.2
6	2.3249.756.2	管件 FITTING	1	2.3249.756.2
7	A31.21.004.0	管件 FITTING	1	A31.21.004.0
8	GBT5783-M8X25-A2L	螺栓 BOLT	2	GBT5783-M8X25-A2L
9	GBT93-8-A3L	垫圈 WASHER	2	GBT93-8-A3L
10	GBT6170-M8-A2L	螺母 NUT	2	GBT6170-M8-A2L



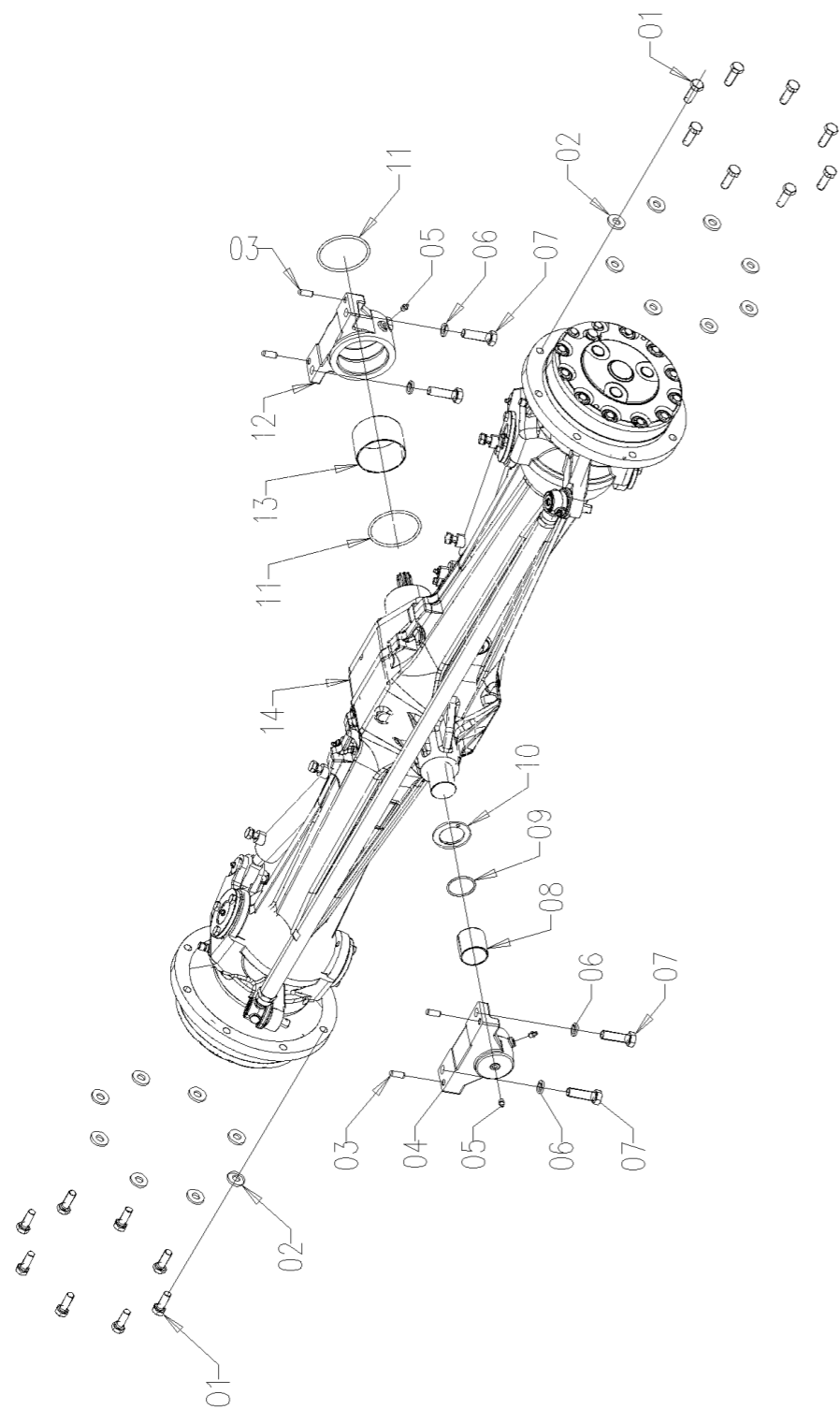
A31.22.900.4 EXHAUST SYSTEM ASSEMBLY



A31.22.900.4_1 排气系统总成 Exhaust system assembly

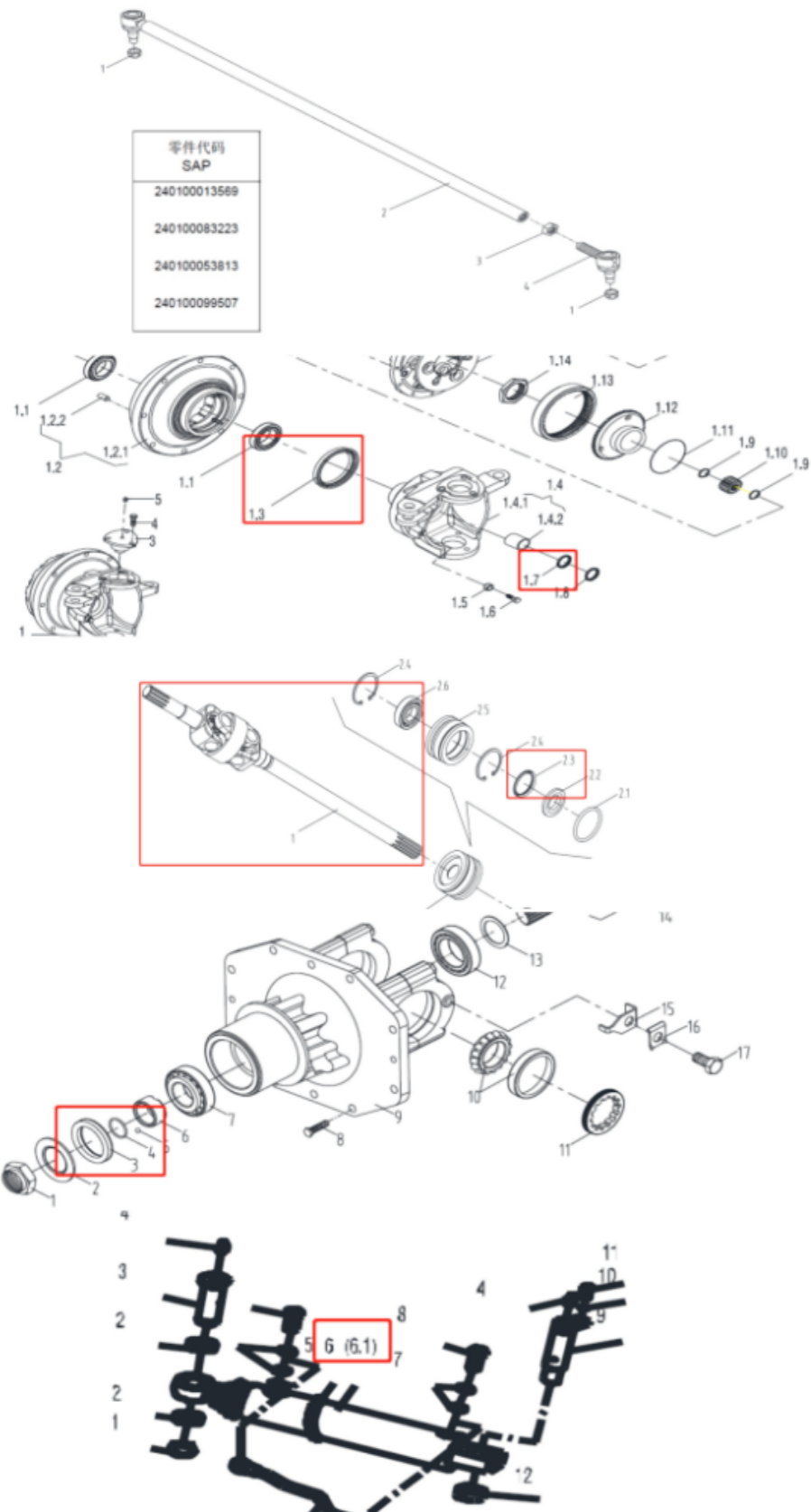
序号	零件编号	零件名称	数量	图号
1	A31.22.002.2	垫圈 GUARD	1	A31.22.002.2
2	A31.22.003.3	隔热板 felt	1	A31.22.003.3
3	0.023.0614.0	隔热板 thermal baffle	1	0.023.0614.0
4	0.023.0615.0	隔热板 thermal baffle	1	0.023.0615.0
5	GBT97.1-6-A3L	垫圈 WASHER	14	GBT97.1-6-A3L
6	GBT5783-M6X12-A2L	螺栓 BOLT	14	GBT5783-M6X12-A2L
7	GBT93-8-A3L	垫圈 WASHER	6	GBT93-8-A3L
8	GBT5783-M8X25-A2L	螺栓 BOLT	6	GBT5783-M8X25-A2L
9	CD1204A.22.011/10	排气弯管 exhaust elbow	1	CD1204A.22.011/10
10	GBT6170-M10-A3L	螺母 NUT	2	GBT6170-M10-A3L
11	GBT93-10-A3L	垫圈 WASHER	6	GBT93-10-A3L
12	CD1204.22.121	垫圈 GASKET	1	CD1204.22.121
13	GBT5783-M10X35-A3L	螺栓 BOLT	6	GBT5783-M10X35-A3L
14	GBT5783-M12X40-10.9-	螺栓 BOLT	4	GBT5783-M12X40-10.9-A3L
15	GBT93-12-A3L	垫圈 WASHER	4	GBT93-12-A3L
16	GBT97.1-12-A3L	垫圈 WASHER	8	GBT97.1-12-A3L
17	A31.22.001.2/10	消声器支架 Silencer holder	1	A31.22.001.2/10
18	GBT97.1-16-A3L	垫圈 WASHER	2	GBT97.1-16-A3L
19	GBT93-16-A3L	垫圈 WASHER	2	GBT93-16-A3L
20	GBT5783-M16X40-10.9-	螺栓 BOLT	2	GBT5783-M16X40-10.9-A3L
21	GBT5783-M14X35-10.9-	螺栓 BOLT	2	GBT5783-M14X35-10.9-A3L
22	GBT93-14-A3L	垫圈 WASHER	2	GBT93-14-A3L
23	GBT97.1-14-A3L	垫圈 WASHER	2	GBT97.1-14-A3L
24	GBT6170-M12-10-A3L	螺母 NUT	4	GBT6170-M12-10-A3L
25	LE1204.22.012/10	排气弯管 exhaust elbow	1	LE1204.22.012/10
26	CD1204.22.120	垫圈 GASKET	1	CD1204.22.120
27	LE1204.22.118/20	隔热板 felt	2	LE1204.22.118/20
28	A23.22.001.4/30	消声器 MUFFLER	1	A23.22.001.4/30

A31.31.900.4 FRONT AXLE ASS.Y



A31.31.900.4_0 前桥总成 FRONT AXLE ASS.Y

序号	零件编号	零件名称	数量	图号
1	GBT5786-M16X1.5X45-	螺栓 BOLT	16	GBT5786-M16X1.5X45-10.9-A3L
2	SH904.31.193	垫圈17385 GASKET 17385	16	SH904.31.193
3	GBT119.1-12m6X30	销 PIN	4	GBT119.1-12m6X30
4	SH904.31.187	轴承 BEARING	1	SH904.31.187
5	JBT7940.1-M10X1	油嘴 GREASE CUP	3	JBT7940.1-M10X1
6	GBT93-18-A3L	垫圈 WASHER	4	GBT93-18-A3L
7	GBT5785-M18X1.5X60-	螺栓 BOLT	4	GBT5785-M18X1.5X60-10.9-A3L
8	SH904.31.188	套管 BUSHING	1	SH904.31.188
9	GBT3452.1-53X3.55-G	O形密封圈 O RING	1	GBT3452.1-53X3.55-G
10	SH904.31.189	前减摩环 ANTI-FRICTION RING	1	SH904.31.189
11	GBT3452.1-100X5.3-G	O形圈 O RING	2	GBT3452.1-100X5.3-G
12	SH904.31.190	轴承 BEARING	1	SH904.31.190
13	SH904.31.191	套管 BUSHING	1	SH904.31.191
14	LE1204.31.011	前桥装配 FRONT AXLE SUBASSEMBLE	1	LE1204.31.011

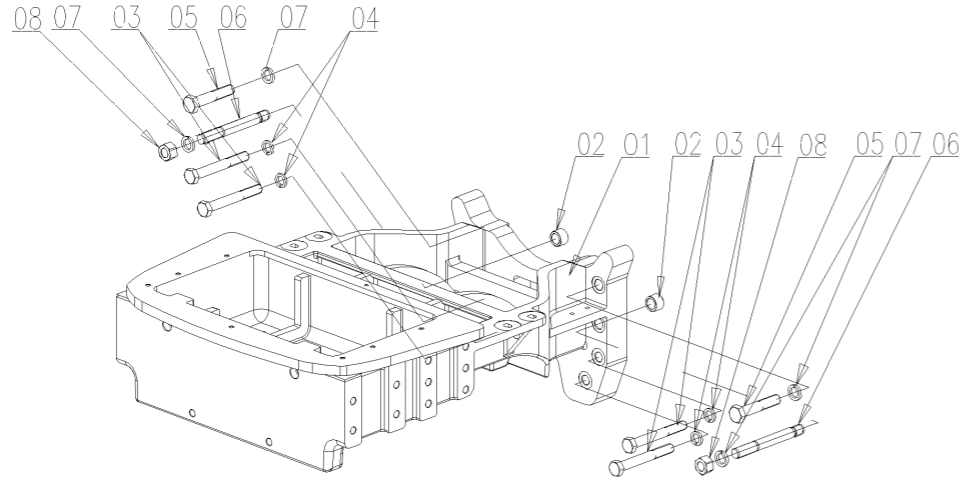


LE1204.31.011 前桥 FRONT AXLE

序号	零件编号	零件名称	数量	图号
1	240100140092	左侧双U形接头轴组件 Left double u-	1	240100140092
1	240100013569	锁紧螺母 Lock nut	2	240100013569
1.3	240100220920	轮毂密封 Hub seal	2	240100220920
1.7	240100140442	前叉轴油封 Fork shaft seal	2	240100140442
2	240100083223	拉杆组件 Tie rod assembly	1	240100083223
2.3	240100008623	半轴油封FB 40x62x10 Half shaft oil seal	2	240100008623
3	240100053813	薄型锁紧螺母 Thin lock nut	1	240100053813
3	240100010392	油封 Oil seal	1	240100010392
4	210801000425	O型圈 O-ring	1	210801000425
4	240100099507	右球节组件 Right ball joint assembly	1	240100099507
6	240100010725	转向油缸 (带护套) Steering cylinder	2	240100010725
6.1	240100226886	转向油缸修理包 Steering cylinder repair	2	240100226886

A31.31.910.4 FRONT SUPPORT ASS.Y

A31.31.910.4_1 托架总成 FRONT SUPPORT

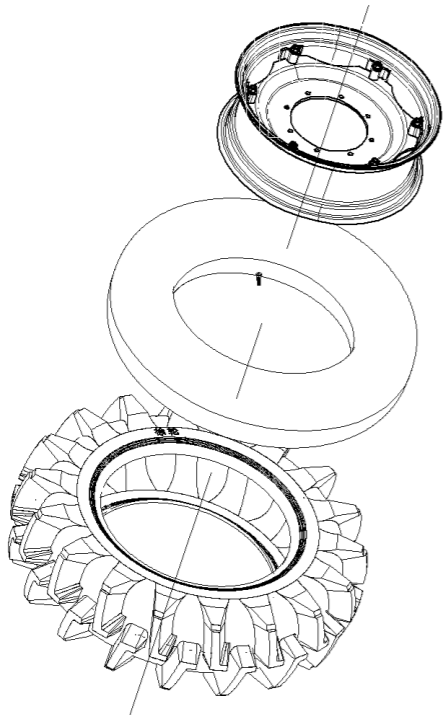
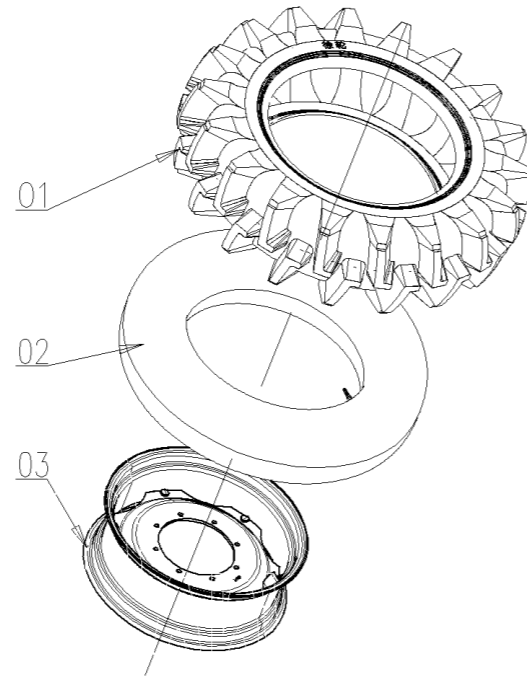


序号	零件编号	零件名称	数量	图号
1	CD1204A.31.101/30	前支撑 FRONT SUPPORT	1	CD1204A.31.101/30
2	LE1204.31.103	套筒 SLEEVE	2	LE1204.31.103
3	GBT5782-M18X140-10.9-	螺栓 BOLT	4	GBT5782-M18X140-10.9-A3L
4	GBT93-18-A3L	垫圈 WASHER	4	GBT93-18-A3L
5	GBT5782-M20X100-10.9-	螺栓 BOLT	2	GBT5782-M20X100-10.9-A3L
6	2.0433.630.7	螺柱 STUD M20x1.5x150	2	2.0433.630.7
7	GBT93-20-A3L	垫圈 WASHER	4	GBT93-20-A3L
8	2.1011.411.2	螺母 M20X1.5 NUT M20x1.5	2	2.1011.411.2

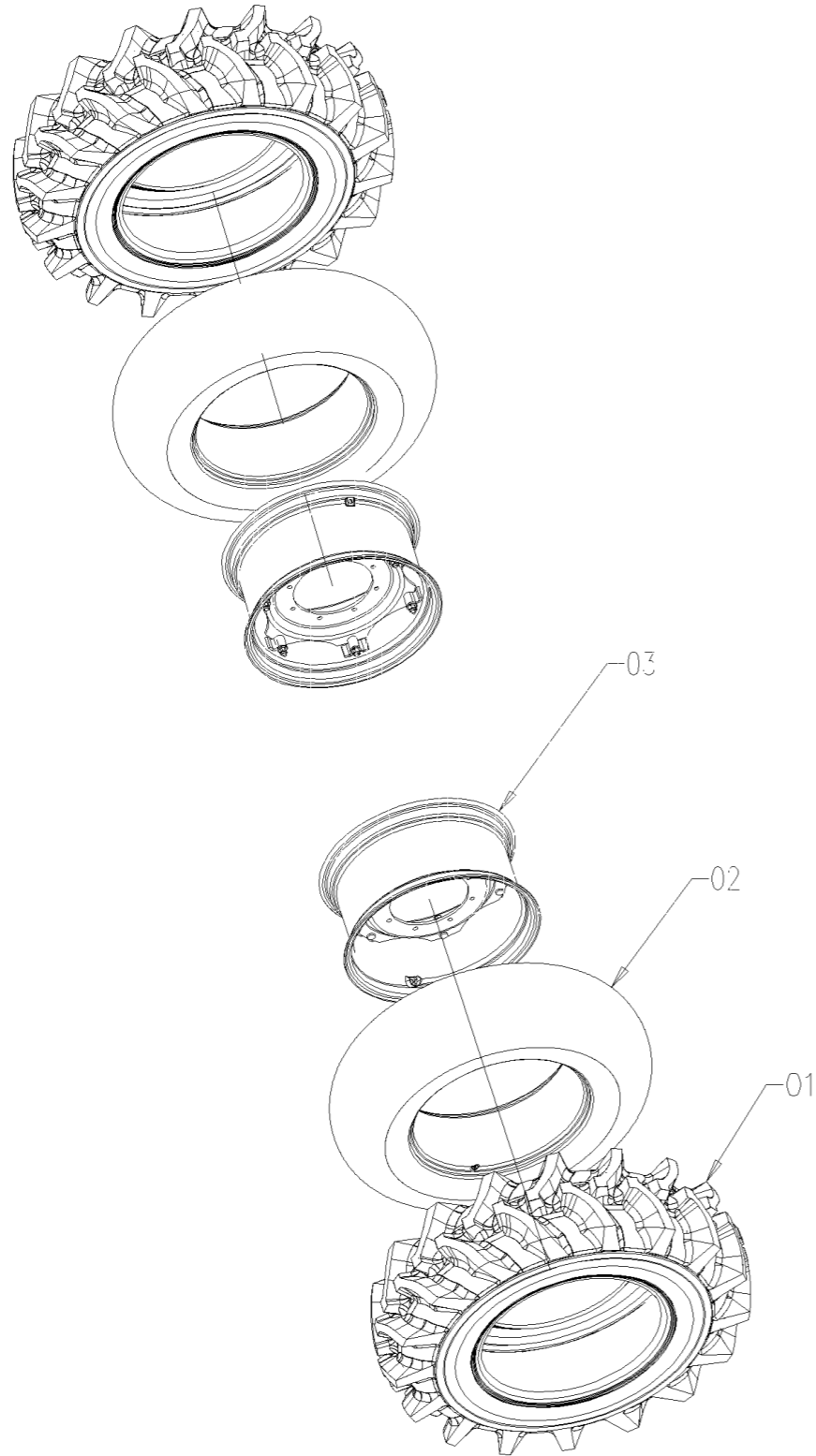
A31.32.900.4 FRONT TYRE ASS.Y (PADDY TIRE)

A31.32.900.4_1 前轮总成 (高花胎 12.4-28无级调节) FRONT TYRE ASS.Y (PADDY TIRE)

序号	零件编号	零件名称	数量	图号
1	GBT2979-12.4-28-6PR-PR1	外胎 OUTER TIRE	2	GBT2979-12.4-28-6PR-PR1
2	GBT2979-12.4-28-PR1	内胎 INNER TIRE	2	GBT2979-12.4-28-PR1
3	CD1204.32.011	轮辋 RIM	2	CD1204.32.011



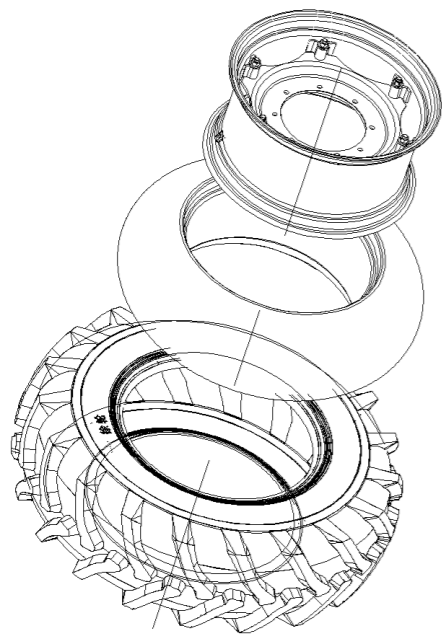
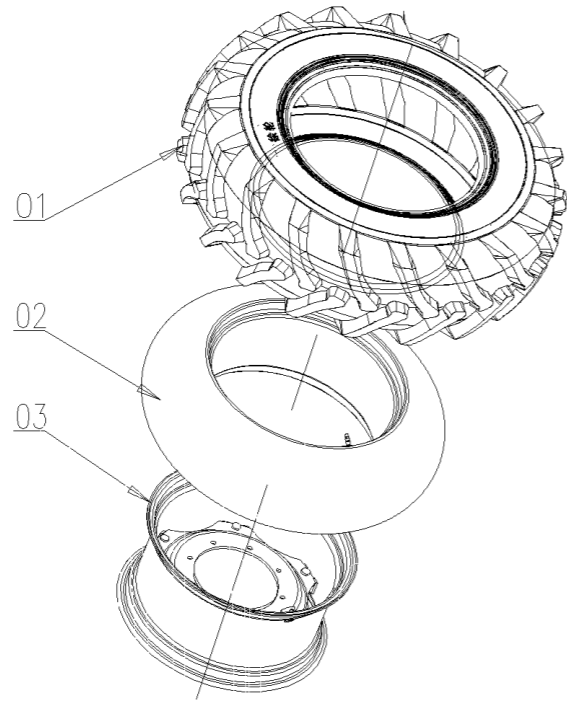
A31.32.902.4 FRONT TYRE ASS.Y (MIDDLE TIRE)



A31.32.902.4_1 前轮总成 (中花胎 14.9-26无级调节) Front wheel assembly (medium tread 14.9-26 infinitely adjustable)

序号	零件编号	零件名称	数量	图号
1	GBT2979-14.9-26-10PR-R2	外胎 OUTER TIRE	2	GBT2979-14.9-26-10PR-R2
2	GBT2979-14.9-26-R2	内胎 INNER TIRE	2	GBT2979-14.9-26-R2
3	LE1204.32.011	轮辋 RIM	2	LE1204.32.011

A31.32.910.4FRONT TIRE ASS.Y (ANTI-PUNCTURE TYRE)



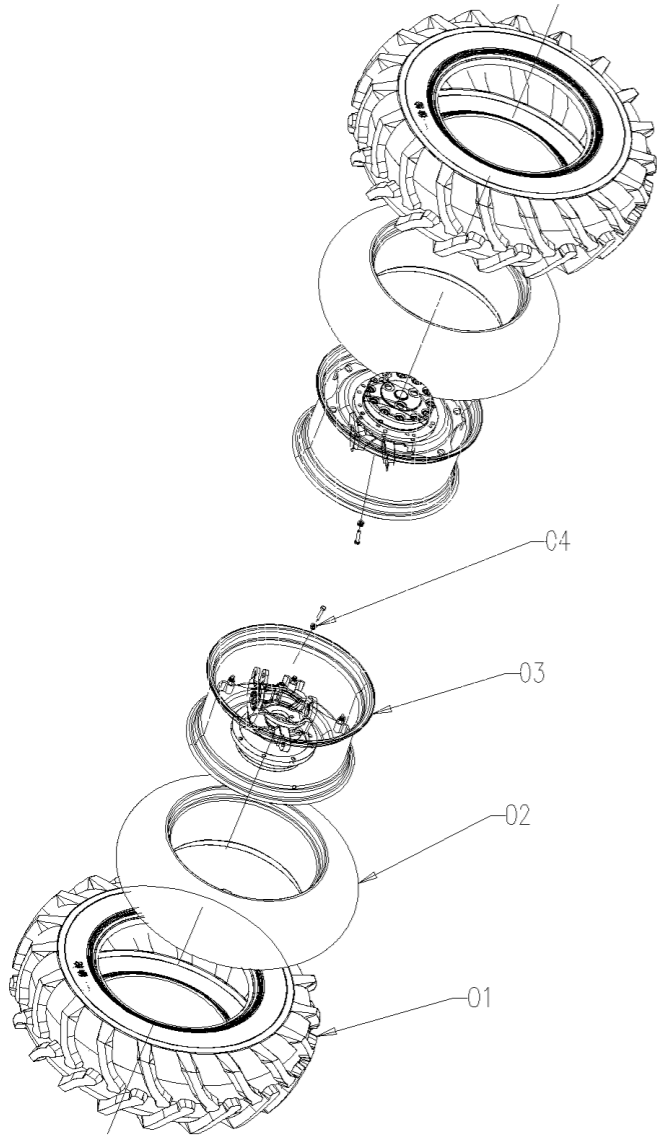
A31.32.910.4_0 前轮总成 (防扎斜交胎 14.9-26无级调节) FRONT TIRE ASS.Y (ANTI-PUNCTURE TYRE)

序号	零件编号	零件名称	数量	图号
1	GBT2979-14.9-26-8PR-R1-	外胎 OUTER TIRE	2	GBT2979-14.9-26-8PR-R1-FCZ
2	GBT2979-14.9-26-R1	内胎 INNER TIRE	2	GBT2979-14.9-26-R1
3	LE1204.32.011	轮辋 RIM	2	LE1204.32.011

A31.32.920.4 FRONT TIRE ASS.Y

A31.32.920.4_0 前轮总成 (斜交胎) FRONT TIRE ASS.Y (NORMAL TIRE)

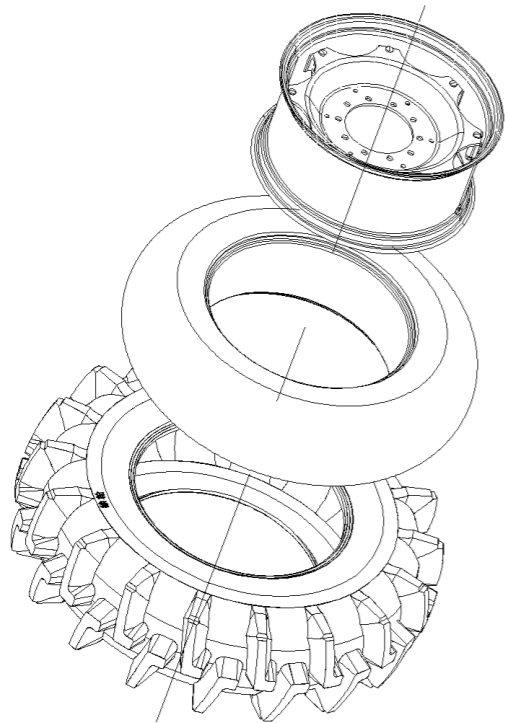
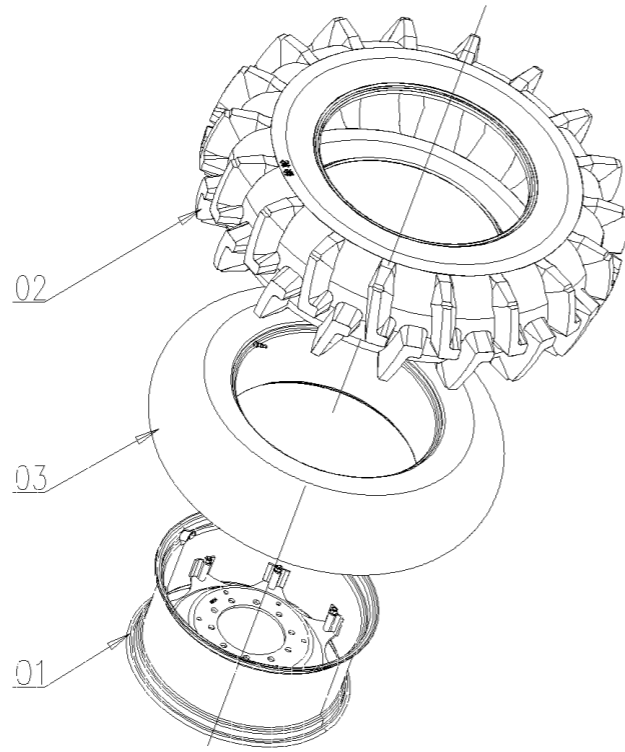
序号	零件编号	零件名称	数量	图号
1	GBT2979-14.9-26-8PR-R1	外胎 OUTER TIRE	2	GBT2979-14.9-26-8PR-R1
2	GBT2979-14.9-26-R1	内胎 INNER TIRE	2	GBT2979-14.9-26-R1
3	A31.32.001.4	轮辋 RIM	2	A31.32.001.4
4	GBT97.1-12-A3L	垫圈 RIM	10	GBT97.1-12-A3L



A31.34.900.4 REAR TYRE ASS.Y (PADDY TIRE)

A31.34.900.4_1 后轮总成 (高花胎 18.4-34无级调节) REAR TYRE ASS.Y (PADDY TIRE)

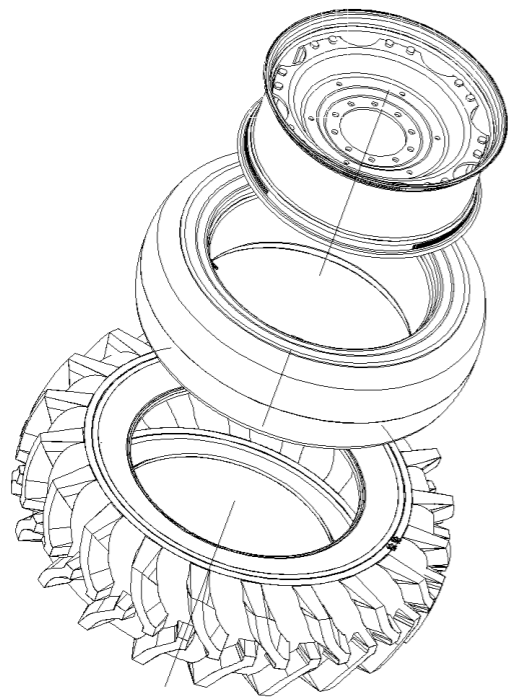
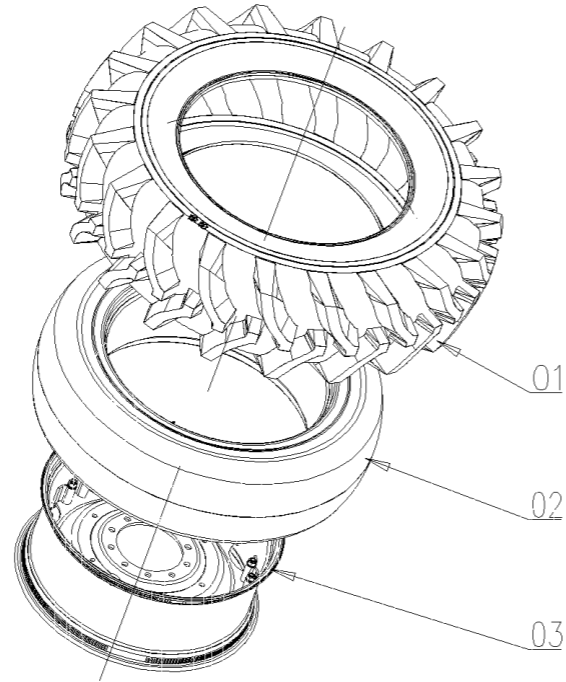
序号	零件编号	零件名称	数量	图号
1	CD1204.34.011	轮辋 RIM	2	CD1204.34.011
2	GBT2979-18.4-34-8PR-PR1	外胎 OUTER TIRE	2	GBT2979-18.4-34-8PR-PR1
3	GBT2979-18.4-34-PR1	内胎 INNER TIRE	2	GBT2979-18.4-34-PR1



A31.34.901.4 REAR TYRE ASS.Y (MIDDLE TIRE)

A31.34.901.4_2 后轮总成 (中花胎 18.4-38无级调节) Rear wheel assembly (medium tread 18.4-38 infinitely adjustable)

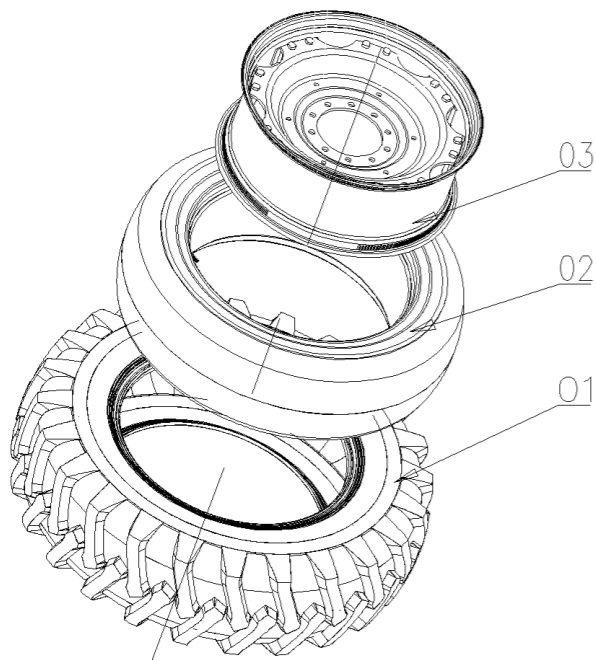
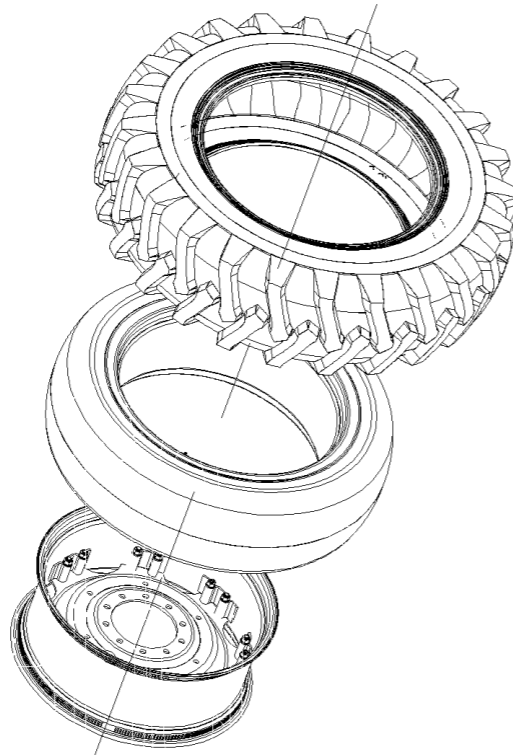
序号	零件编号	零件名称	数量	图号
1	GBT2979-18.4-38-8PR-R2	外胎 OUTER TIRE	2	GBT2979-18.4-38-8PR-R2
2	GBT2979-18.4-38-R2	内胎 INNER TIRE	2	GBT2979-18.4-38-R2
3	A31.34.001.4	车轮总成 RIM SYSTEM	2	A31.34.001.4



A31.34.910.4 REAR TIRE ASS.Y(18.4-38-R1)

A31.34.910.4_1 后轮总成 (斜交胎 18.4-38无级调节) REAR TIRE ASS.Y(NORMAL TIRE)

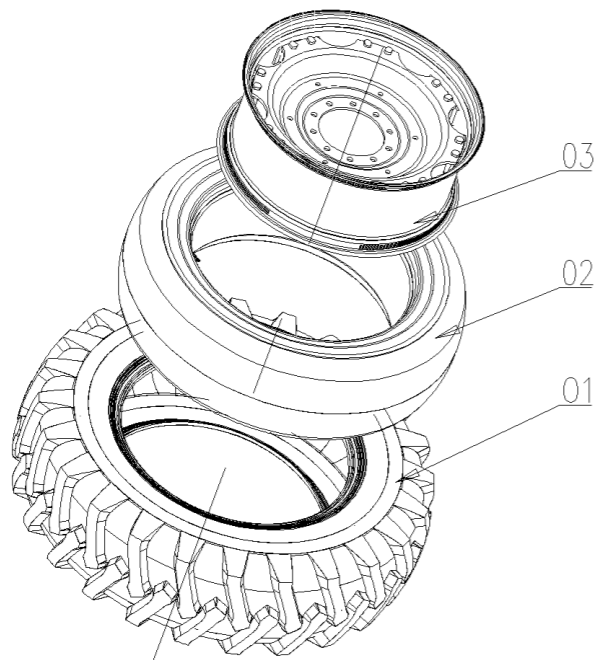
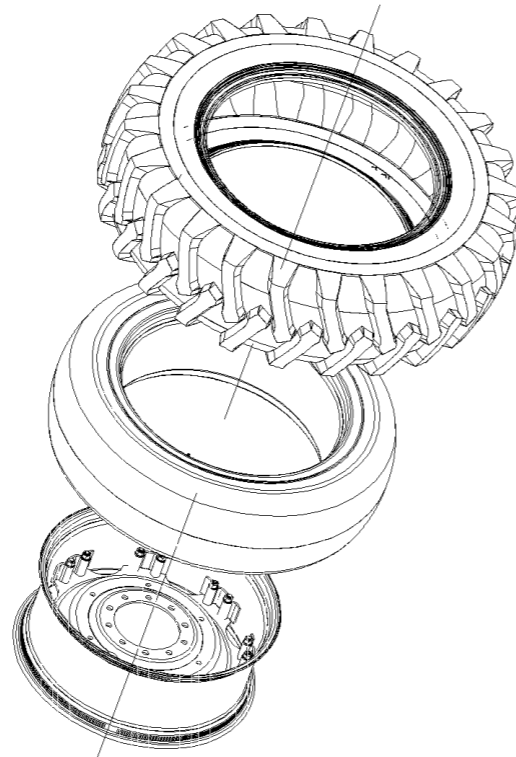
序号	零件编号	零件名称	数量	图号
1	GBT2979-18.4-38-10PR-R1	外胎 OUTER TYRE	2	GBT2979-18.4-38-10PR-R1
2	GBT2979-18.4-38-R1	内胎 INNER TIRE	2	GBT2979-18.4-38-R1
3	A31.34.001.4	车轮总成 RIM SYSTEM	2	A31.34.001.4



A31.34.910.4 REAR TIRE ASS.Y(NORMAL TIRE)

A31.34.910.4_2 后轮总成 (斜交胎) REAR TIRE ASS.Y(18.4-38-R1)

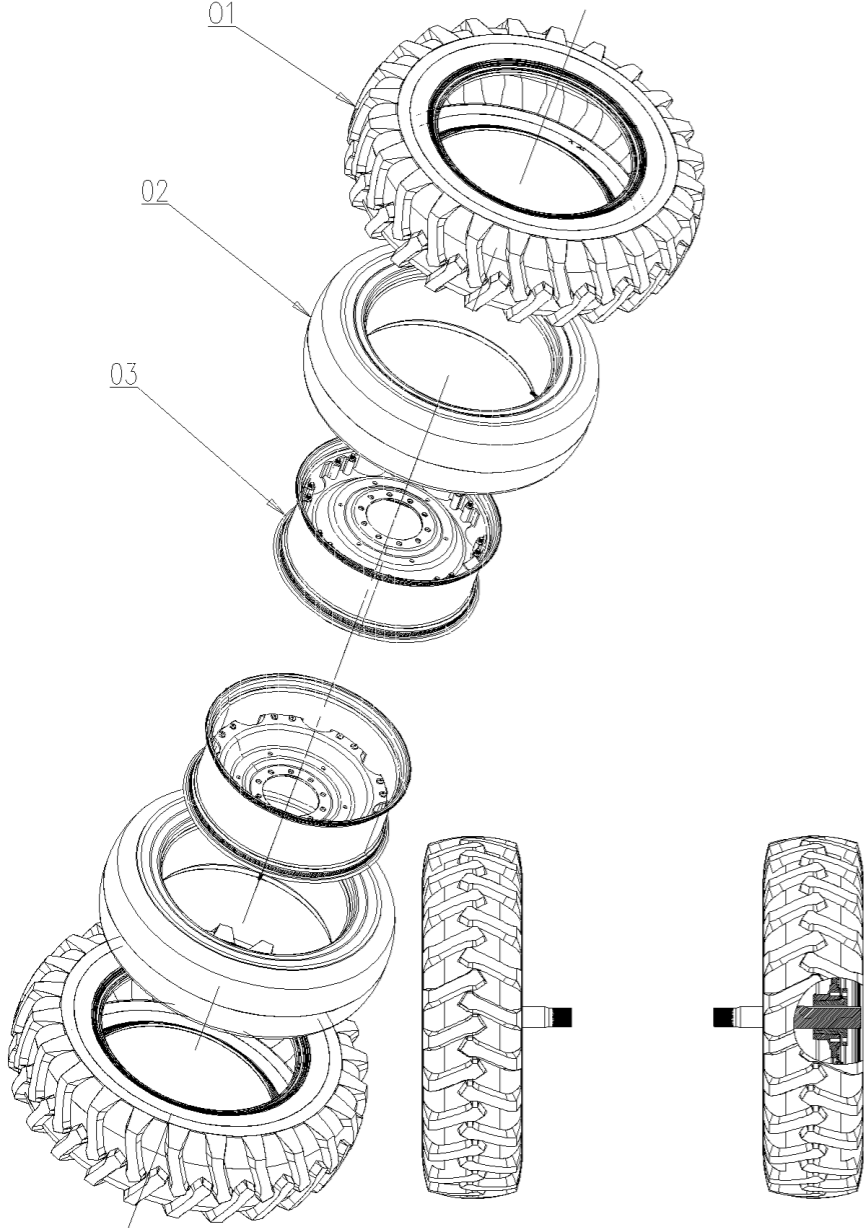
序号	零件编号	零件名称	数量	图号
1	GBT2979-18.4-38-10PR-R1	外胎 OUTER TYRE	2	GBT2979-18.4-38-10PR-R1
2	GBT2979-18.4-38-R1	内胎 INNER TIRE	2	GBT2979-18.4-38-R1
3	A31.34.001.4	RIM W15LX38 RIM W15LX38	2	A31.34.001.4



A31.34.920.4 REAR TIRE ASS.Y_NORMAL TIRE

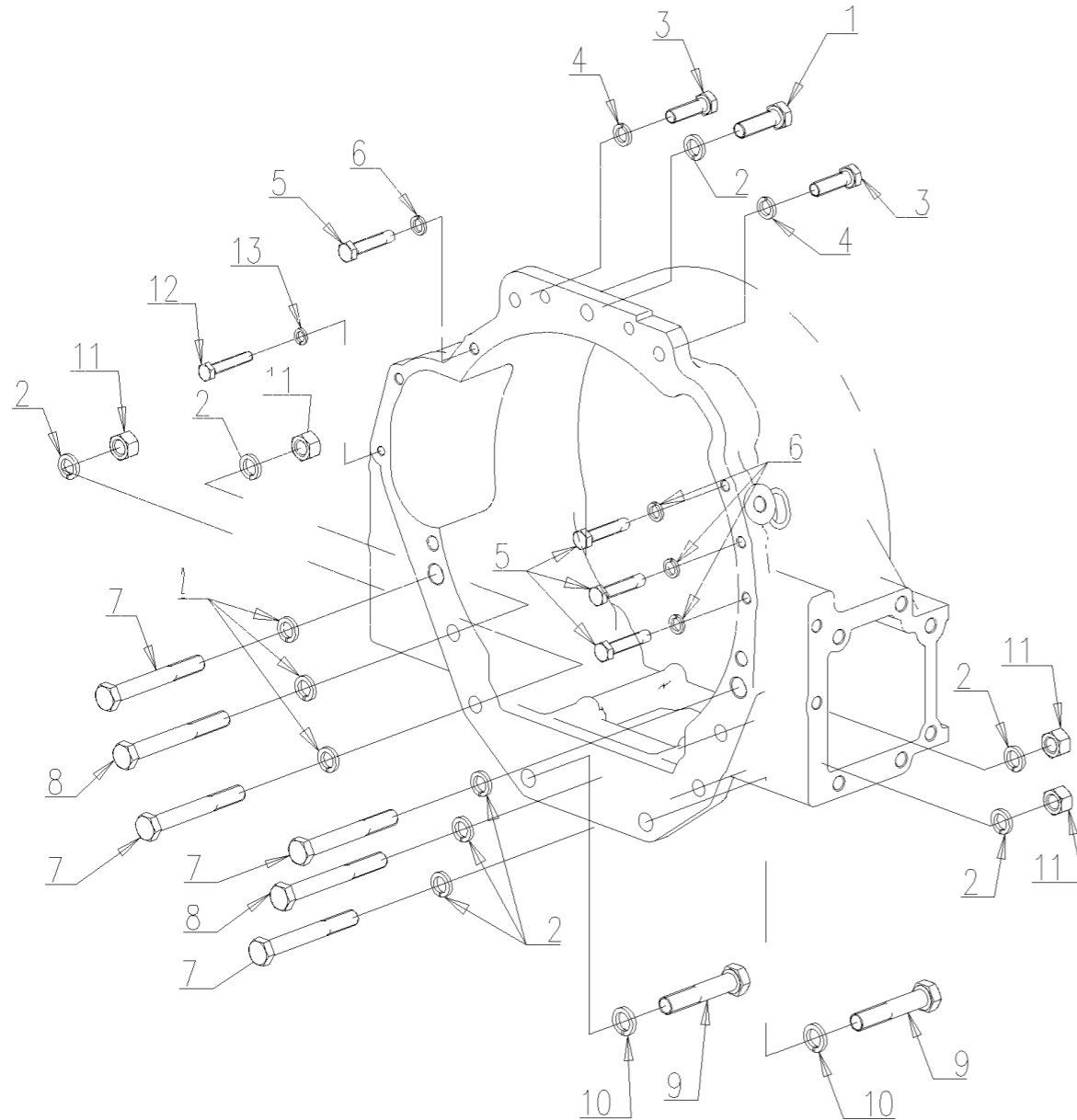
A31.34.920.4_0 后轮总成 (斜交胎) REAR TIRE ASS.Y(18.4-38-R1)

序号	零件编号	零件名称	数量	图号
1	GBT2979-18.4-38-10PR-R1	外胎 OUTER TYRE	2	GBT2979-18.4-38-10PR-R1
2	GBT2979-18.4-38-R1	内胎 INNER TIRE	2	GBT2979-18.4-38-R1
3	A31.34.002.4	轮辋 RIM	2	A31.34.002.4



A31.37.901.4 FRONT CONNECT BOLTS ASS.LY

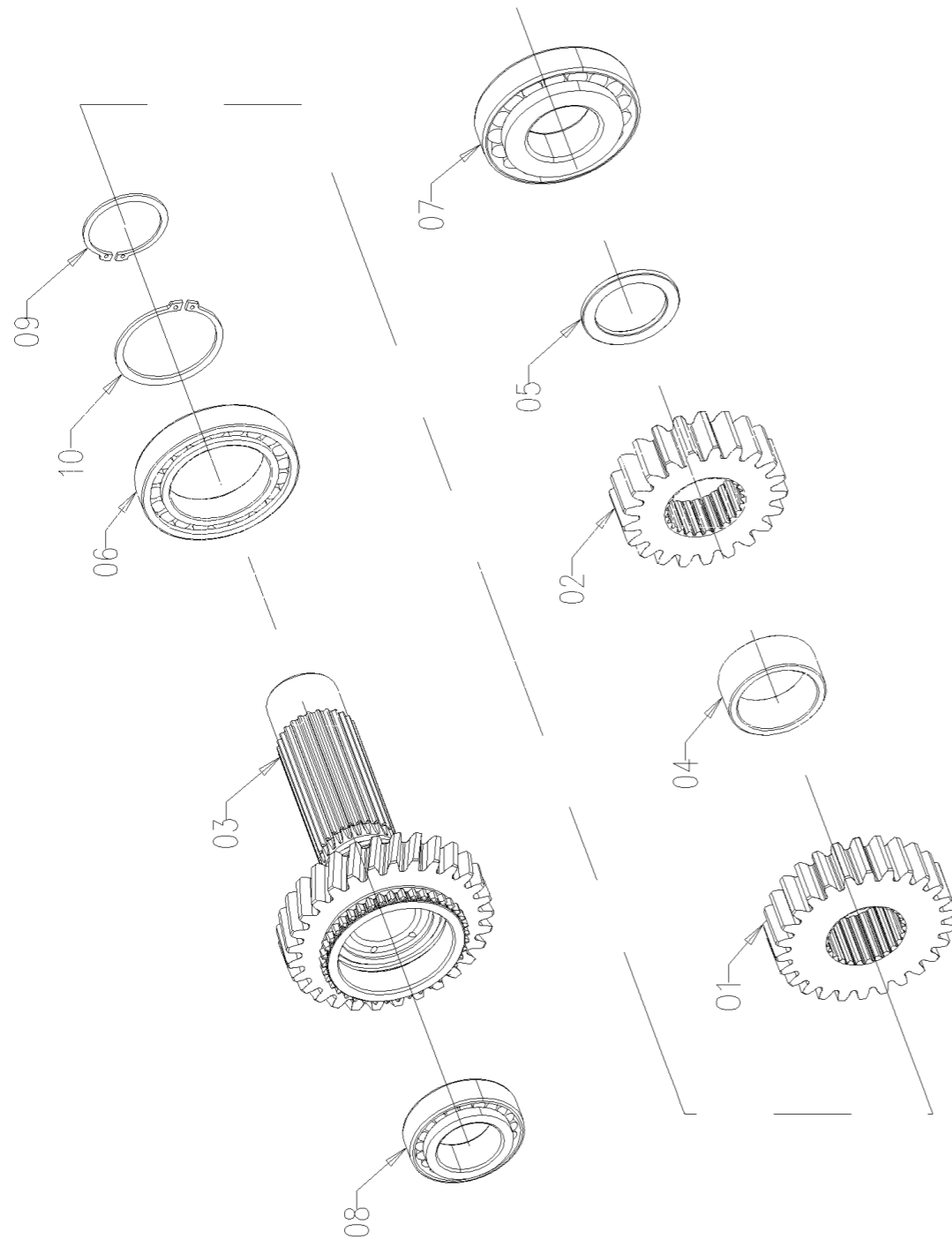
A31.37.901.4_1 前连接螺栓总成 Connecting bolts Assembly



序号	零件编号	零件名称	数量	图号
1	GBT5783-M16X50-10.9-	螺栓 BOLT	1	GBT5783-M16X50-10.9-A3L
2	GBT93-16-A3L	垫圈 WASHER	11	GBT93-16-A3L
3	GBT5783-M14X45-10.9-	螺栓 BOLT	2	GBT5783-M14X45-10.9-A3L
4	GBT93-14-A3L	垫圈 WASHER	2	GBT93-14-A3L
5	GBT5783-M12X55-10.9-	螺栓 BOLT	4	GBT5783-M12X55-10.9-A3L
6	GBT93-12-A3L	垫圈 WASHER	4	GBT93-12-A3L
7	GBT5782-M16X120-10.9-	螺栓 BOLT	4	GBT5782-M16X120-10.9-A3L
8	GBT5782-M16X130-10.9-	螺栓 BOLT	2	GBT5782-M16X130-10.9-A3L
9	GBT5782-M18X90-10.9-	螺栓 BOLT	2	GBT5782-M18X90-10.9-A3L
10	GBT93-18-A3L	垫圈 WASHER	2	GBT93-18-A3L
11	GBT6170-M16-10-A3L	螺母 NUT	4	GBT6170-M16-10-A3L
12	GBT5783-M10X55-10.9-	螺栓 BOLT	1	GBT5783-M10X55-10.9-A3L
13	GBT93-10-A3L	垫圈 WASHER	1	GBT93-10-A3L

A31.37.920.4 RANGE GEAR ASS.Y

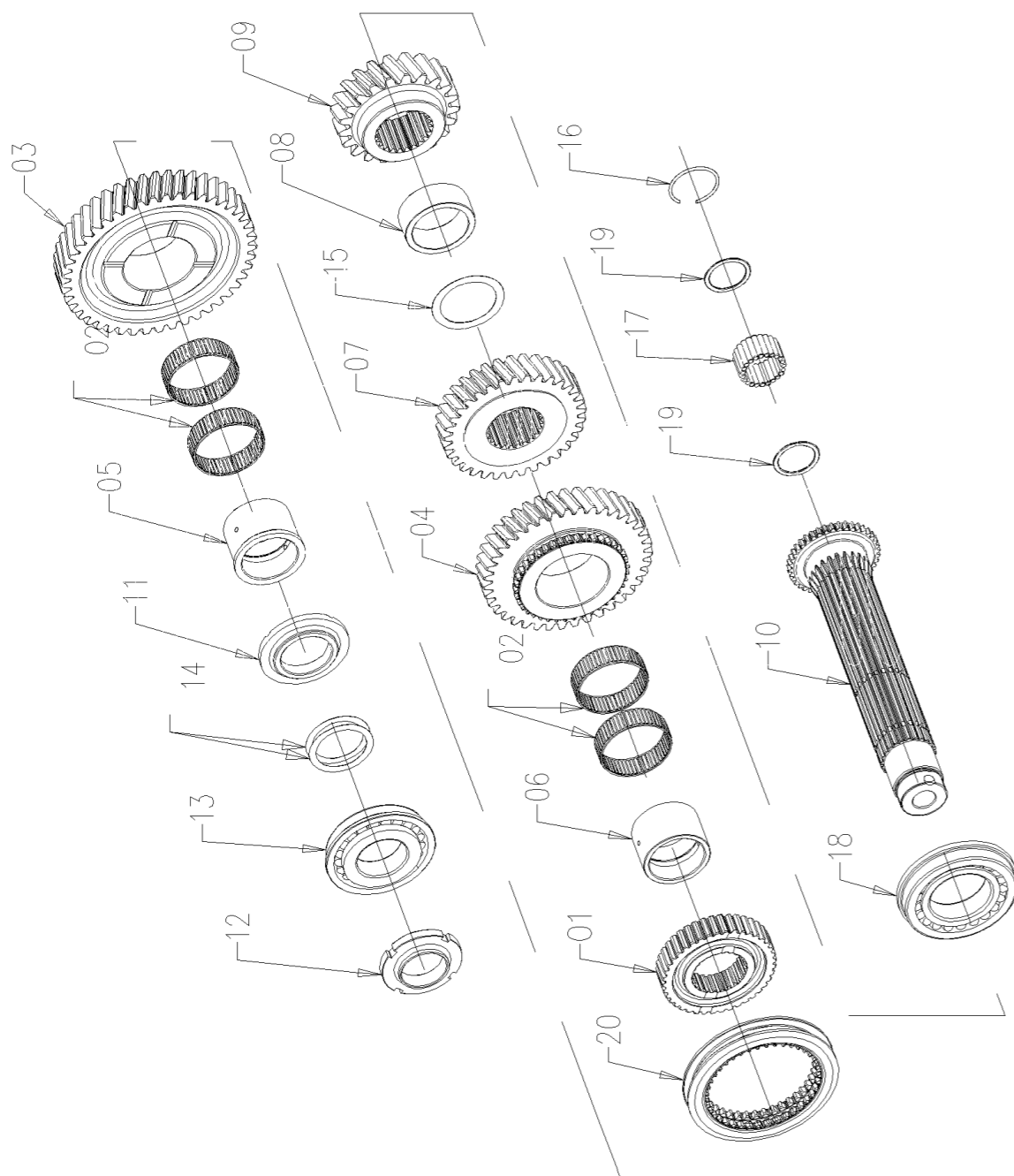
A31.37.920.4_2 副变速齿轮总成 (16F+8R 啮合套换挡 普通档) RANGE GEAR ASS.LY(16F+8R Engagement set shift Normal gear)



序号	零件编号	零件名称	数量	图号
1	0.029.7755.0/10	倒挡驱动齿轮 REVERSE DRIVING	1	0.029.7755.0/10
2	0.029.7757.0/10	中档主动齿轮 L-RANGE DRIVING	1	0.029.7757.0/10
3	A31.37.021.0	对轴 COUNTER SHAFT	1	A31.37.021.0
4	DF904.37.109	隔圈 SPACER	1	DF904.37.109
5	DF904.37.111	隔圈 SPACER	1	DF904.37.111
6	GBT283-NUP1014M	轴承 BEARING	1	GBT283-NUP1014M
7	GBT297-30310	轴承 BEARING	1	GBT297-30310
8	GBT297-33109	轴承 BEARING	1	GBT297-33109
9	GBT894.1-55	轴用弹性挡圈 CIRCLIPS FOR SHAFT	1	GBT894.1-55
10	GBT894.1-70	弹性挡圈 CIRCLIP	1	GBT894.1-70

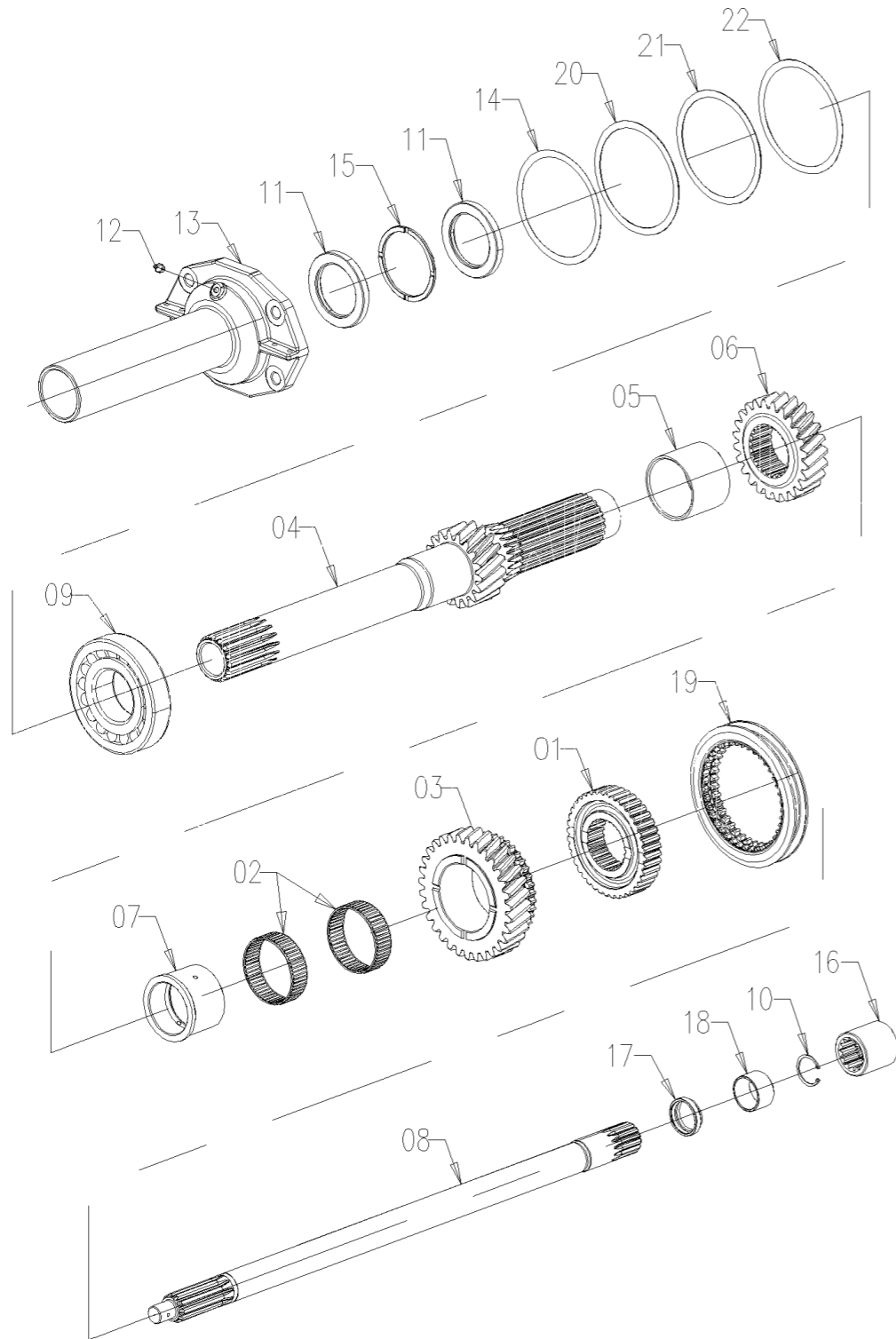
A31.37.921.4 COUNTERSHAFT ASS.Y

A31.37.921.4_3 主变速从动轴总成 (16F+8R 啮合套换挡 普通档) COUNTERSHAFT SUB-ASS.LY(16F+8R Engagement set shift Normal gear)



序号	零件编号	零件名称	数量	图号
1	A31.37.022.0	花键套轮 SPLINE SEAT	1	A31.37.022.0
2	2.2770.271.0	滚针轴承 ROLLER CAGE 60x65x20	4	2.2770.271.0
3	A31.37.025.0/10	第一从动齿轮 FIRST DRIVEN GEAR	1	A31.37.025.0/10
4	A31.37.026.0/10	第二从动齿轮 SECOND DRIVEN	1	A31.37.026.0/10
5	DF904.37.113/10	衬套 NEEDLE INNER RING	1	DF904.37.113/10
6	DF904.37.115/10	衬套 NEEDLE INNER RING	1	DF904.37.115/10
7	DF904.37.117/10	三挡从动齿轮 THIRD DRIVEN GEAR	1	DF904.37.117/10
8	DF904.37.118	隔圈 SPACER	1	DF904.37.118
9	DF904.37.119/10	四挡从动齿轮 FOURTH DRIVEN	1	DF904.37.119/10
10	0.028.6758.0/10	中心轴 INTERMEDIATE SHAFT	1	0.028.6758.0/10
11	DF904.37.127/10	止推环 THRUST RING	1	DF904.37.127/10
12	0.029.4452.0	锁紧螺母 LOCK NUT	1	0.029.4452.0
13	DF904.37.136	轴承 BEARING	1	DF904.37.136
14	DF904.37.137/138/139	调整垫片 ADJUSTING SHIM	2	DF904.37.137/138/139
15	DF904.37.142/143/144	调整垫片 ADJUSTING SHIM	1	DF904.37.142/143/144
16	GBT895.1-42	花键套 RING	1	GBT895.1-42
17	GBT309-P5X23.8-G2-3-5	滚针 NEEDLE ROLLER	23	GBT309-P5X23.8-G2-3-5
18	LE1204.37.195	圆锥滚子轴承 TAPERED TOLLER	1	LE1204.37.195
19	LE1204.37.211	垫圈 WASHER	2	LE1204.37.211
20	A11.37.196.0/20	? 凸联轴器 SHIFTING SLEEVE	1	A11.37.196.0/20

A31.37.922.4 INPUT SHAFT ASS.Y

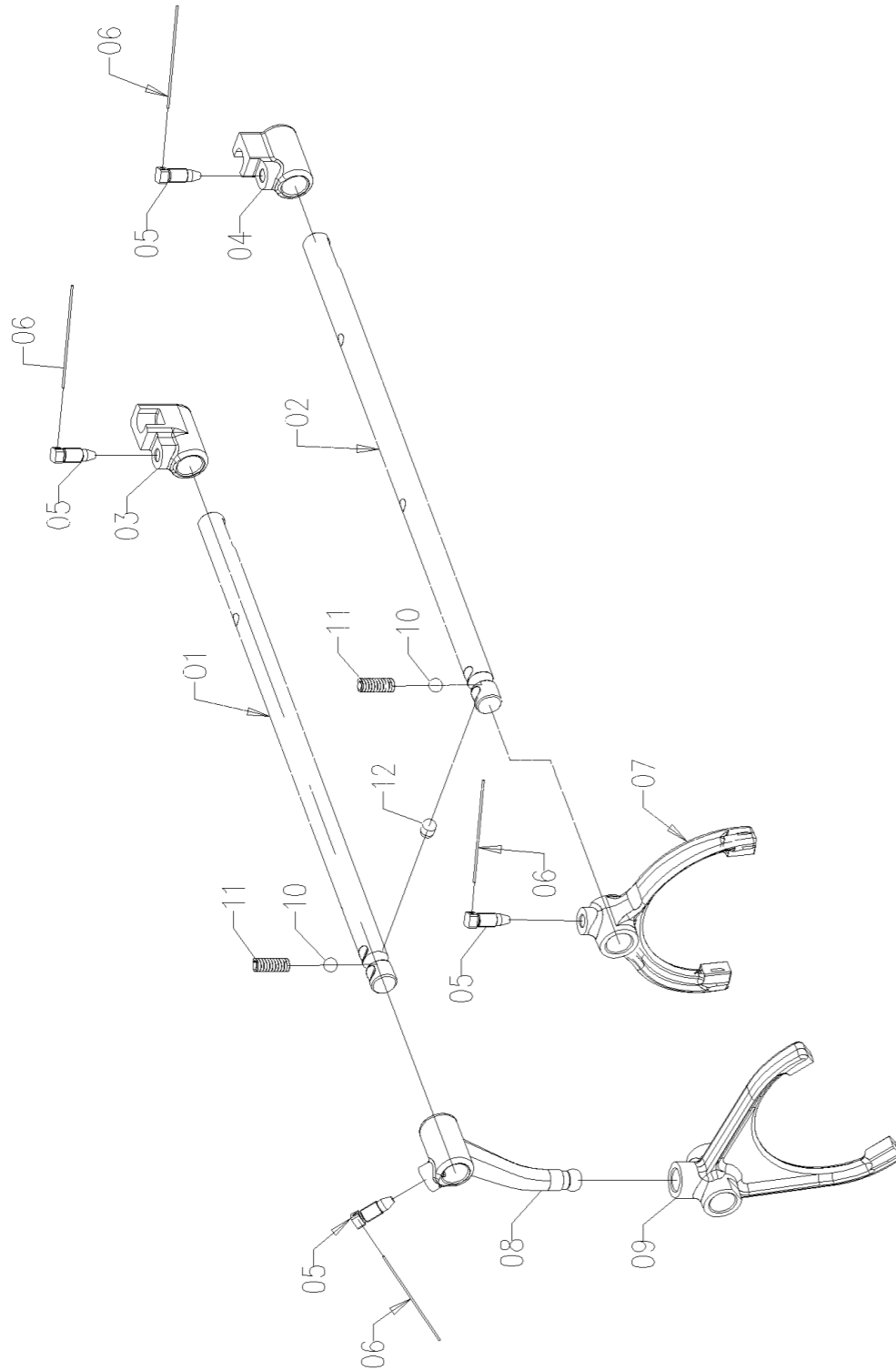


A31.37.922.4_5 输入轴总成 (16F+8R 啮合套换挡 普通档) INPUT SHAFT ASSEMBLY(16F+8R Engagement set shift Normal gear)

序号	零件编号	零件名称	数量	图号
1	A31.37.022.0	花键套轮 SPLINE SEAT	1	A31.37.022.0
2	2.2770.271.0	滚针轴承 ROLLER CAGE 60x65x20	2	2.2770.271.0
3	A31.37.027.0/10	第三驱动齿轮 THIRD DRIVING GEAR	1	A31.37.027.0/10
4	DF904.37.102/20	输入轴 INPUT SHAFT	1	DF904.37.102/20
5	C35.37.006.0	隔圈 SPACER	1	C35.37.006.0
6	C35.37.005.0	第二驱动齿轮 SECOND DRIVING	1	C35.37.005.0
7	DF904.37.113/10	衬套 NEEDLE INNER RING	1	DF904.37.113/10
8	A33.37.002.0	前轴 PTO FRONT SHAFT	1	A33.37.002.0
9	GBT297-30310	轴承 BEARING	1	GBT297-30310
10	GBT893.1-28	弹性挡圈 CIRCLIP	1	GBT893.1-28
11	GBT13871.1-FB-050072-D	油封 OIL SEAL	2	GBT13871.1-FB-050072-D
12	JBT7940.1-M6	油杯 GREASE CUP	1	JBT7940.1-M6
13	LE1204.37.151	输入轴承座 INPUT BEARING SEAT	1	LE1204.37.151
14	LE1204.37.190	调整垫圈 ADJUST WASHER	0	LE1204.37.190
15	LE1204.37.208	隔圈 SPACER	1	LE1204.37.208
16	SH900.41.105	连接套筒 PTO CONNECTING SLEEVE	1	SH900.41.105
17	SH900.37.112/10	输入轴座 INPUT SHAFT SEAL	1	SH900.37.112/10
18	SH900.37.113	输入轴轴承 INPUT SHAFT BUSHING	1	SH900.37.113
19	A11.37.196.0/20	? 凸轮联轴器 SHIFTING SLEEVE	1	A11.37.196.0/20
20	LE1204.37.191	调整垫圈 ADJUST WASHER	0	LE1204.37.191
21	LE1204.37.192	调整垫圈 ADJUST WASHER	0	LE1204.37.192
22	A26.37.010.0	调整垫圈 ADJUST WASHER	0	A26.37.010.0

A31.37.926.4 MAIN SHIFT ASS.Y

A31.37.926.4_0 主变速拨叉总成 (16F+8R 啮合套换挡 普通档) MAIN SHIFT ASS.Y(16F+8R Engagement set shift Normal gear)

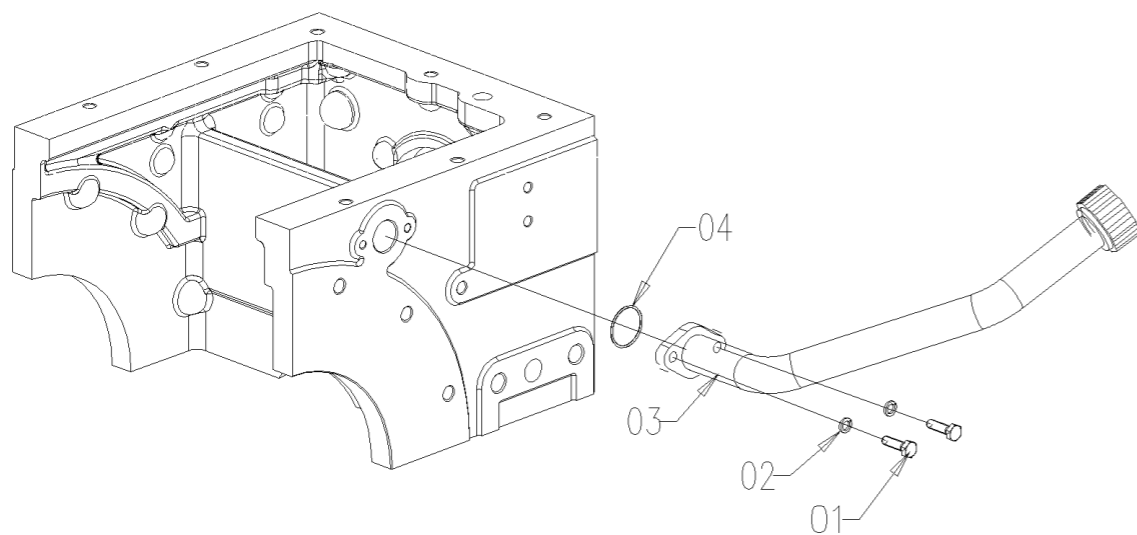


序号	零件编号	零件名称	数量	图号
1	DF904.37.206	- 档拨叉轴 FIRST-SECOND SPEED	1	DF904.37.206
2	DF904.37.207	- 档拨叉轴 THIRD-FOURTH	1	DF904.37.207
3	SH900.37.166	- 档拨头 GEAR SHIFTING HEAD	1	SH900.37.166
4	SH900.37.167	- 档拨头 GEAR SHIFTING HEAD	1	SH900.37.167
5	SH900.38.110	紧定螺钉 SET SCREW	4	SH900.38.110
6	YBT5294-SZ-F-1.4	低碳钢丝网 LOW CARBON STEEL	4	YBT5294-SZ-F-1.4
7	A31.37.028.0	拨叉 FORK	1	A31.37.028.0
8	SH900.37.160	、 档变速杆 、 GEAR LEVER	1	SH900.37.160
9	DF904.37.201/10	拨叉 FORK	1	DF904.37.201/10
10	GBT308-10-G100-b	球 BALL	2	GBT308-10-G100-b
11	SH900.37.135A	定位弹簧 POSITIONING SPRING	2	SH900.37.135A
12	SH900.37.159	互锁销 INTERLOCK PIN	1	SH900.37.159

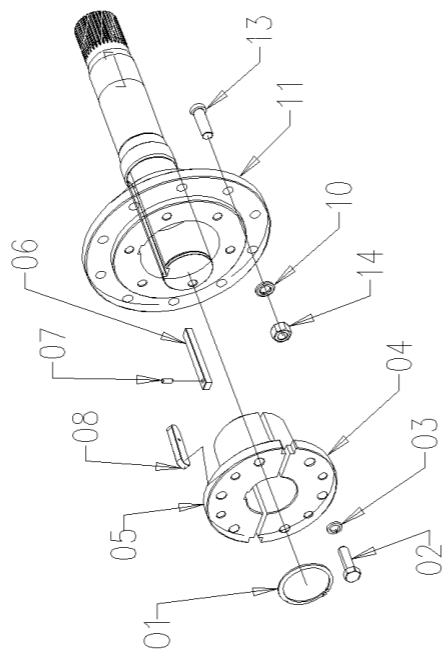
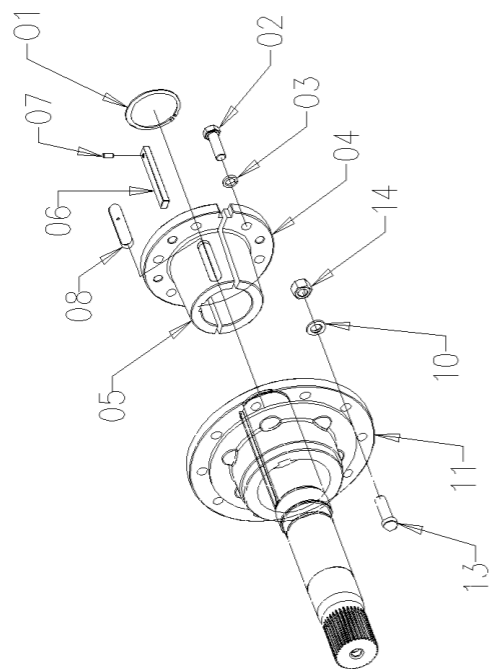
A31.38.905.4 OIL FILLER TUBE ASS.LY

A31.38.905.4_0 加油管总成 FILLER ASSEMBLY

序号	零件编号	零件名称	数量	图号
1	GBT5783-M8X25-A2L	螺栓 BOLT	2	GBT5783-M8X25-A2L
2	GBT93-8-A3L	垫圈 WASHER	2	GBT93-8-A3L
3	A11.37.125.4	填料总成 FILLER ASSEMBLY	1	A11.37.125.4
4	GBT3452.1-32.5X1.8-G	O形密封圈 O RING	1	GBT3452.1-32.5X1.8-G



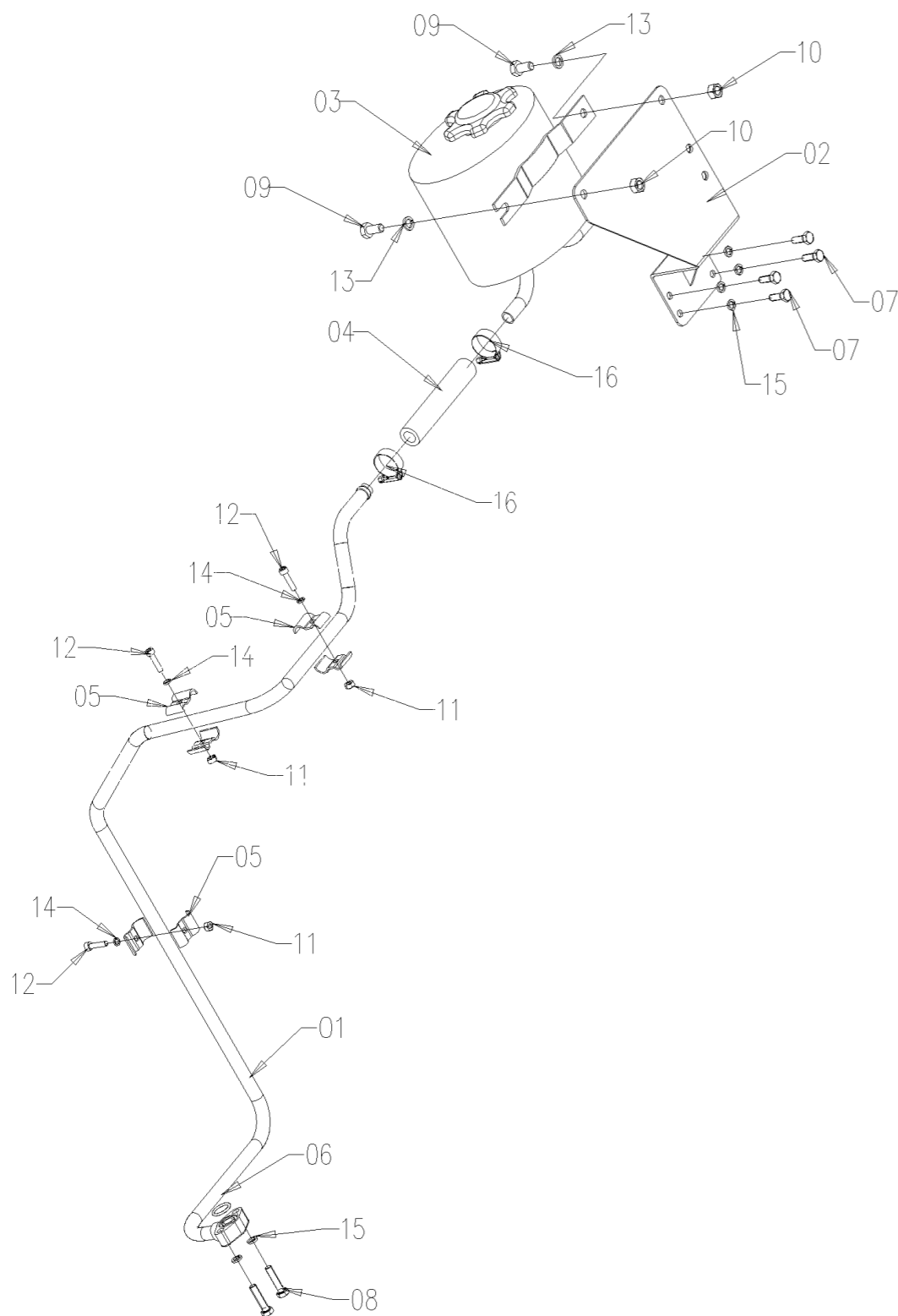
A31.39.900.4 HUB ASS.LY



A31.39.900.4_3 轮毂总成HUB ASS.

序号	零件编号	零件名称	数量	图号
1	GBT894.1-105	轴用弹性挡圈 CIRCLIP FOR SHAFT	2	GBT894.1-105
2	GBT5783-M20X65-10.9-	螺栓 BOLT	12	GBT5783-M20X65-10.9-A3L
3	GBT93-20-A3L	垫圈 WASHER	12	GBT93-20-A3L
4	LE1204.34.106/10	轮毂 I HUB I	2	LE1204.34.106/10
5	LE1204.34.107/10	轮毂 II HUB II	2	LE1204.34.107/10
6	LE1204.34.104	平键 22X155 FLAT KEY 22X155	2	LE1204.34.104
7	GBT119.1-8m6X22	销 PIN	2	GBT119.1-8m6X22
8	LE1204.34.103	平键 25X110 FLAT KEY 25X110	2	LE1204.34.103
10	LE1204.34.102/10	垫圈 GASKET	20	LE1204.34.102/10
11	LE1204.34.105/10	毂盖 HUB COVER	2	LE1204.34.105/10
13	LE1204.34.113	右驱动轮固定螺栓 RIGHT DRIVE	20	LE1204.34.113
14	GBT6176-M22X1.5-10-A3L	螺母 NUT	20	GBT6176-M22X1.5-10-A3L

A31.40.900.4 SUCTION PIPE ASS.



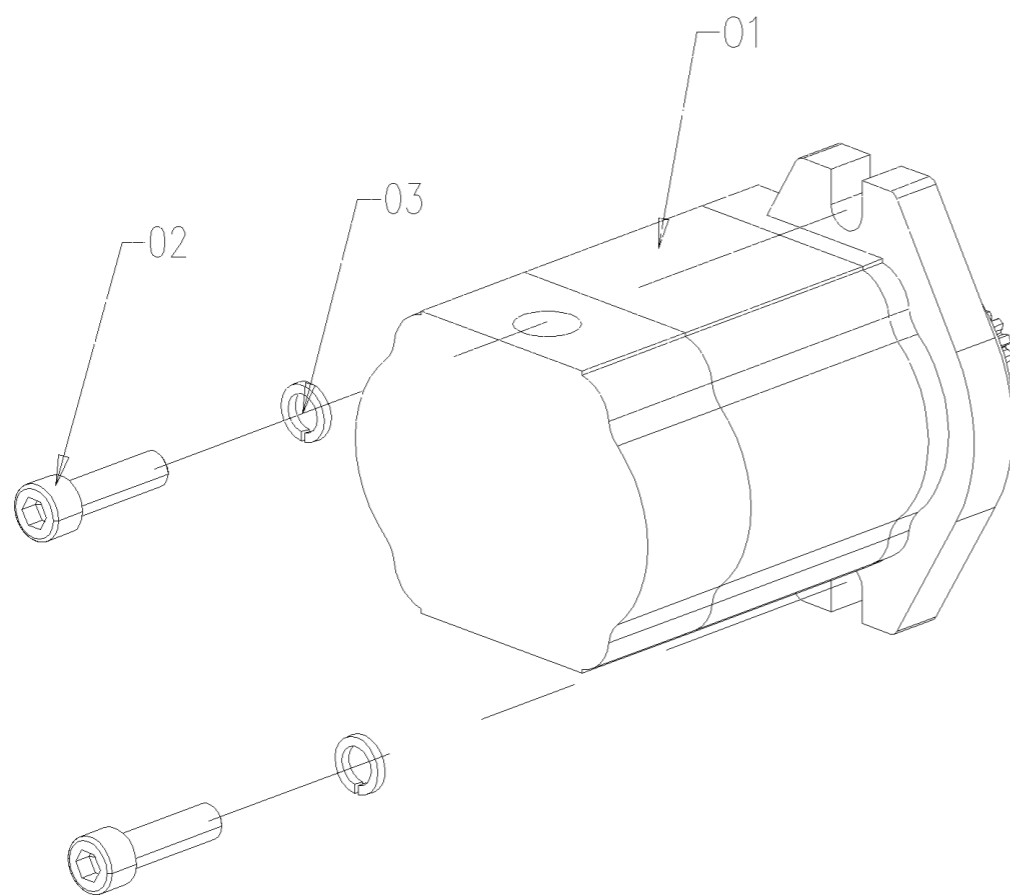
A31.40.900.4_2 转向泵吸油管总成 INLET PIPE ASS.

序号	零件编号	零件名称	数量	图号
1	A31.40.007.3	吸油管焊合 SUCTION PIPE WELDED	1	A31.40.007.3
2	A31.40.003.3/20	支架焊接 BRACKET WELDED	1	A31.40.003.3/20
3	DF1204.40.013	油箱总成 OIL TANK ASS	1	DF1204.40.013
4	SH900.40.108	夹布输油胶管 STEERING OIL TANK	1	SH900.40.108
5	LE1204.40.111	油管夹 OIL PIPE CLAMP	6	LE1204.40.111
6	GBT3452.1-19x2.65	O形密封圈 O RING	1	GBT3452.1-19x2.65
7	GBT5783-M8x20-A2L	螺栓 BOLT	4	GBT5783-M8x20-A2L
8	GBT5783-M8x35-A2L	螺栓 BOLT	2	GBT5783-M8x35-A2L
9	GBT5783-M10X20-A3L	螺栓 BOLT	2	GBT5783-M10X20-A3L
10	GBT6170-M10-A3L	螺母 NUT	2	GBT6170-M10-A3L
11	GBT6170-M6-A2L	螺母 NUT	3	GBT6170-M6-A2L
12	GBT70.1-M6X25-A2L	螺钉 SCREW	3	GBT70.1-M6X25-A2L
13	GBT93-10-A3L	垫圈 WASHER	2	GBT93-10-A3L
14	GBT93-6-A2L	垫圈 WASHER	3	GBT93-6-A2L
15	GBT93-8-A2L	垫圈 WASHER	6	GBT93-8-A2L
16	JBT8870-D32	软管夹 HOSE CLAMP	2	JBT8870-D32

A31.40.901.4 STEERING PUMP ASS.

A31.40.901.4_1 转向泵安装总成STEERING PUMP ASS.

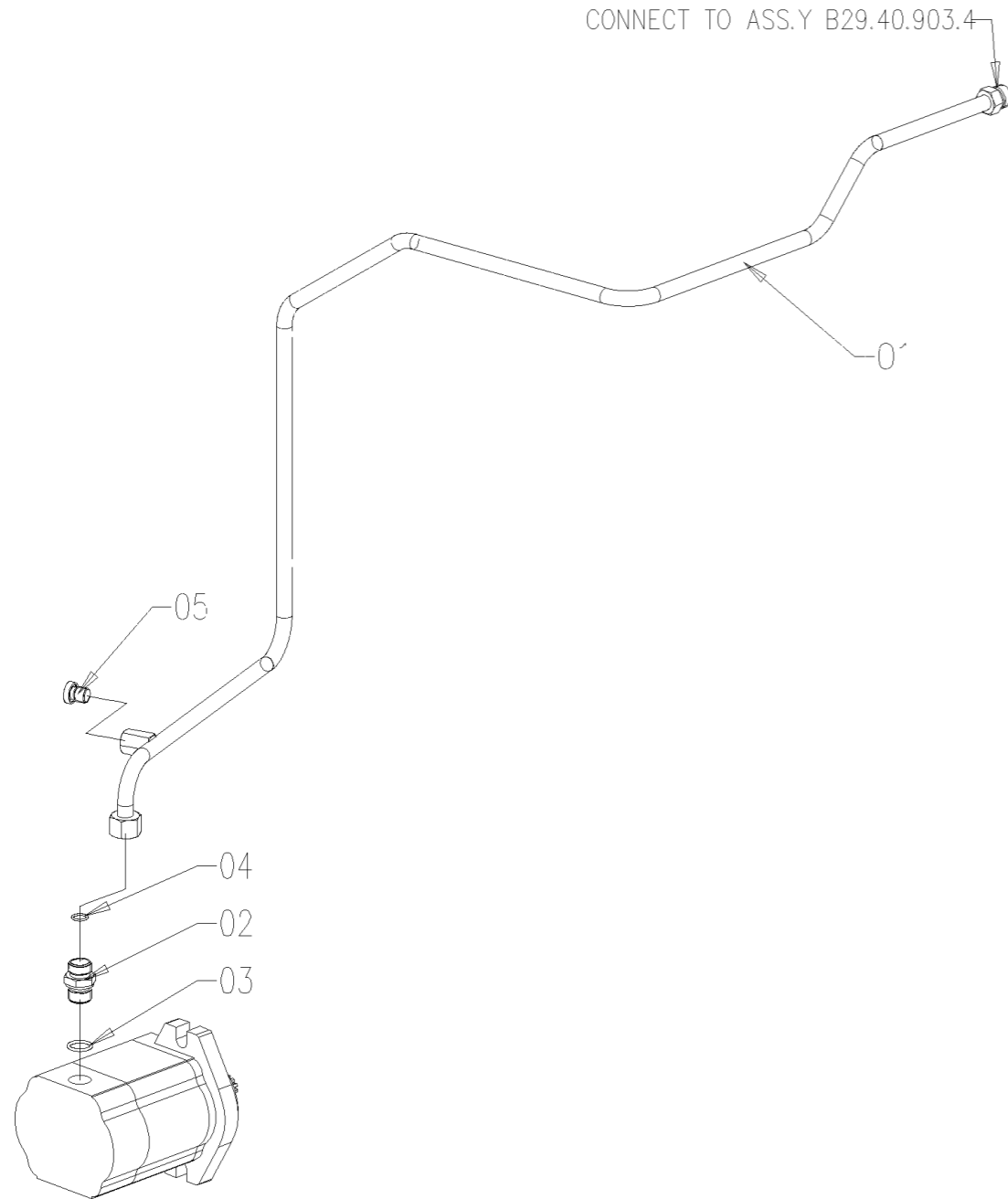
序号	零件编号	零件名称	数量	图号
1	CD1204.40.012/20	转向泵 STEERING PUMP	1	CD1204.40.012/20
2	GBT70.1-M10X35-A3L	螺丝钉 SCREW	2	GBT70.1-M10X35-A3L
3	GBT93-10-A3L	垫圈 WASHER	2	GBT93-10-A3L



A31.40.902.4 OUTLET PIPE ASS.

A31.40.902.4_1 转向泵出油管总成OUTLET PIPE ASS.

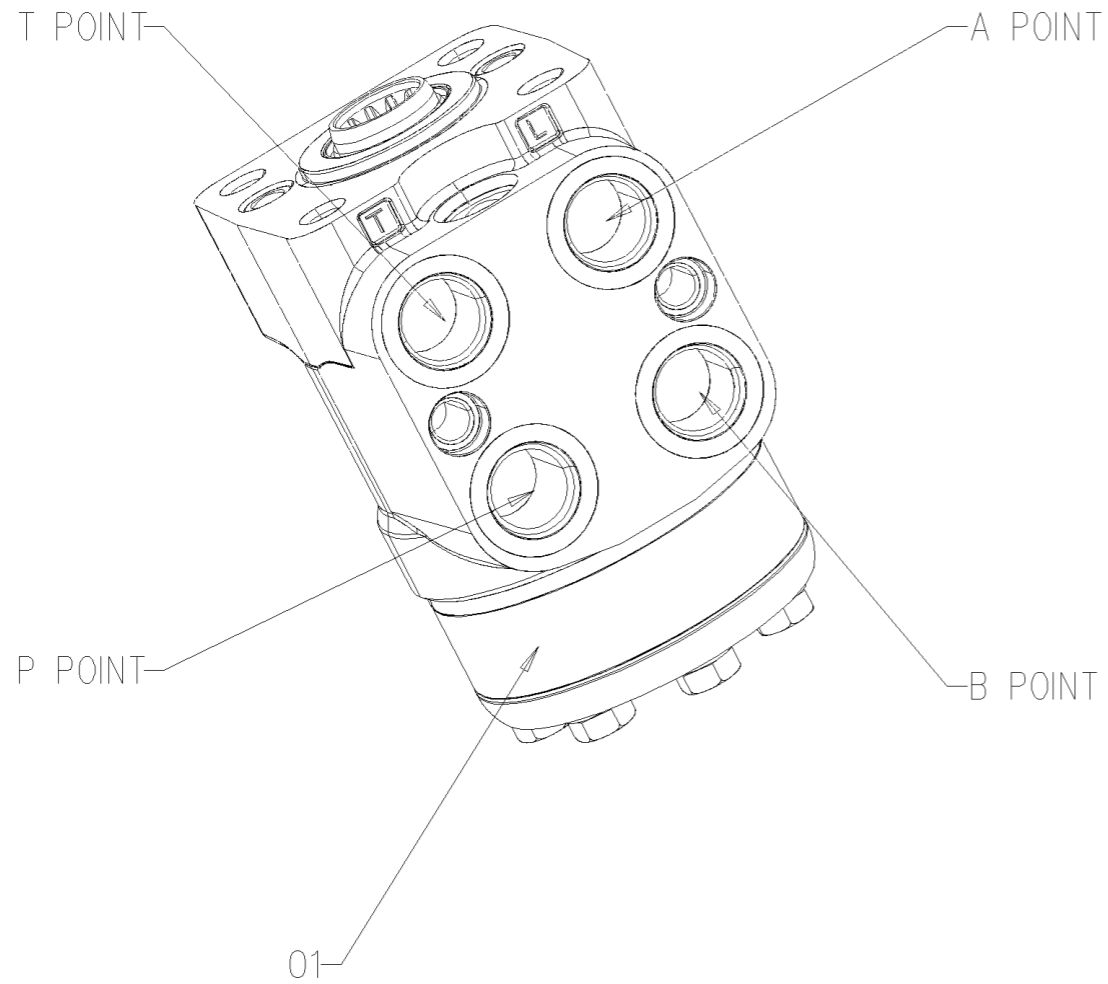
序号	零件编号	零件名称	数量	图号
1	A31.40.010.3	出口管总成 OUTLET PIPE ASSY.	1	A31.40.010.3
2	B29.40.003.0	管件 M18X1.5-M18X1.5 FITTING	1	B29.40.003.0
3	GBT3452.1-15.3X2.2-G	O形密封圈 O RING	1	GBT3452.1-15.3X2.2-G
4	GBT3452.1-10X1.5-G	O形密封圈 O RING	1	GBT3452.1-10X1.5-G
5	2.3139.024.2	螺母保护帽 TAPPOT.T.C.E.I. M12x1.5	1	2.3139.024.2



A31.40.904.4 STEERING UNIT ASS.

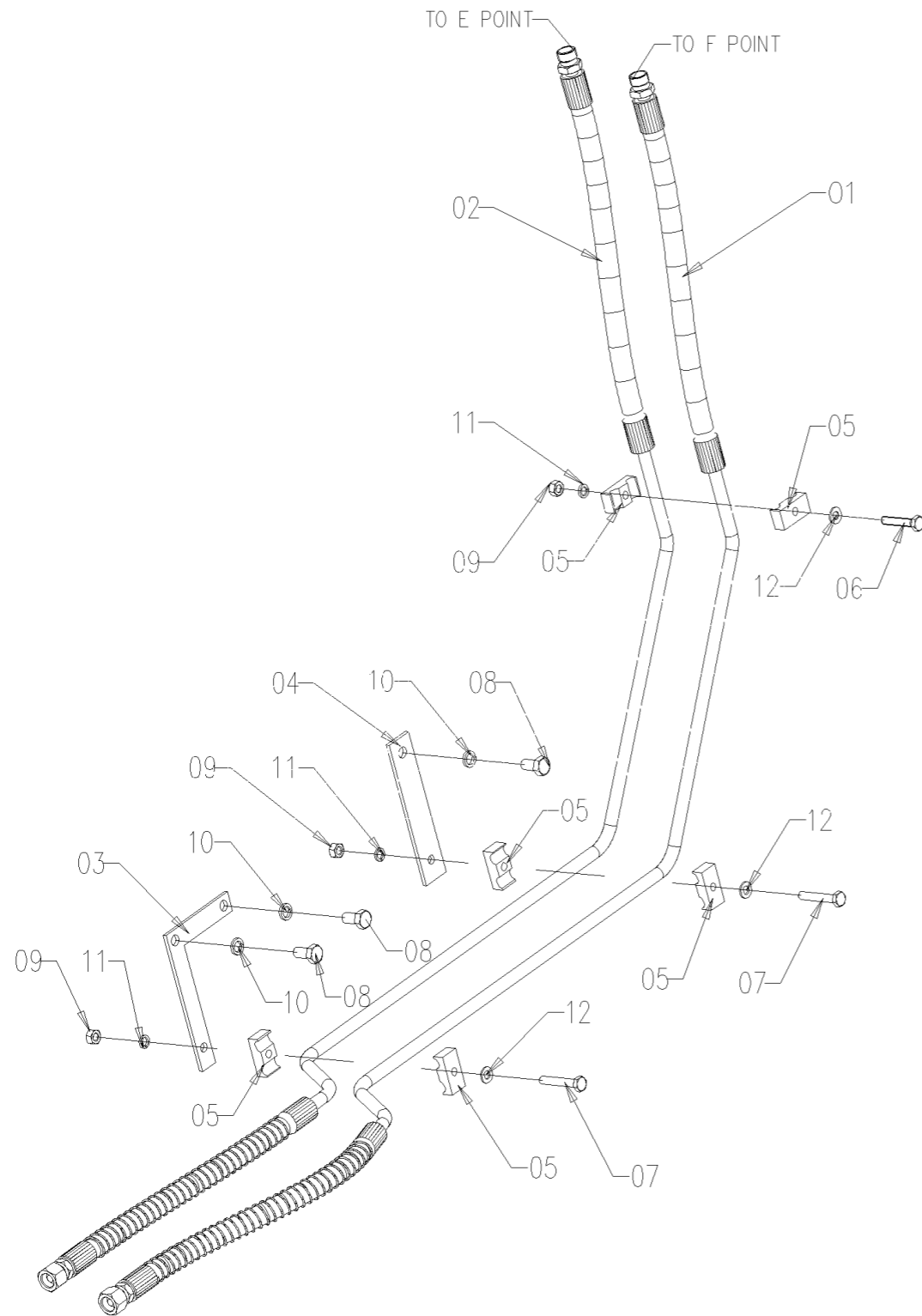
A31.40.904.4_1 转向器总成STEERING UNIT ASS.

序号	零件编号	零件名称	数量	图号
1	A31.40.005.0	转向器 STEERING UNIT	1	A31.40.005.0



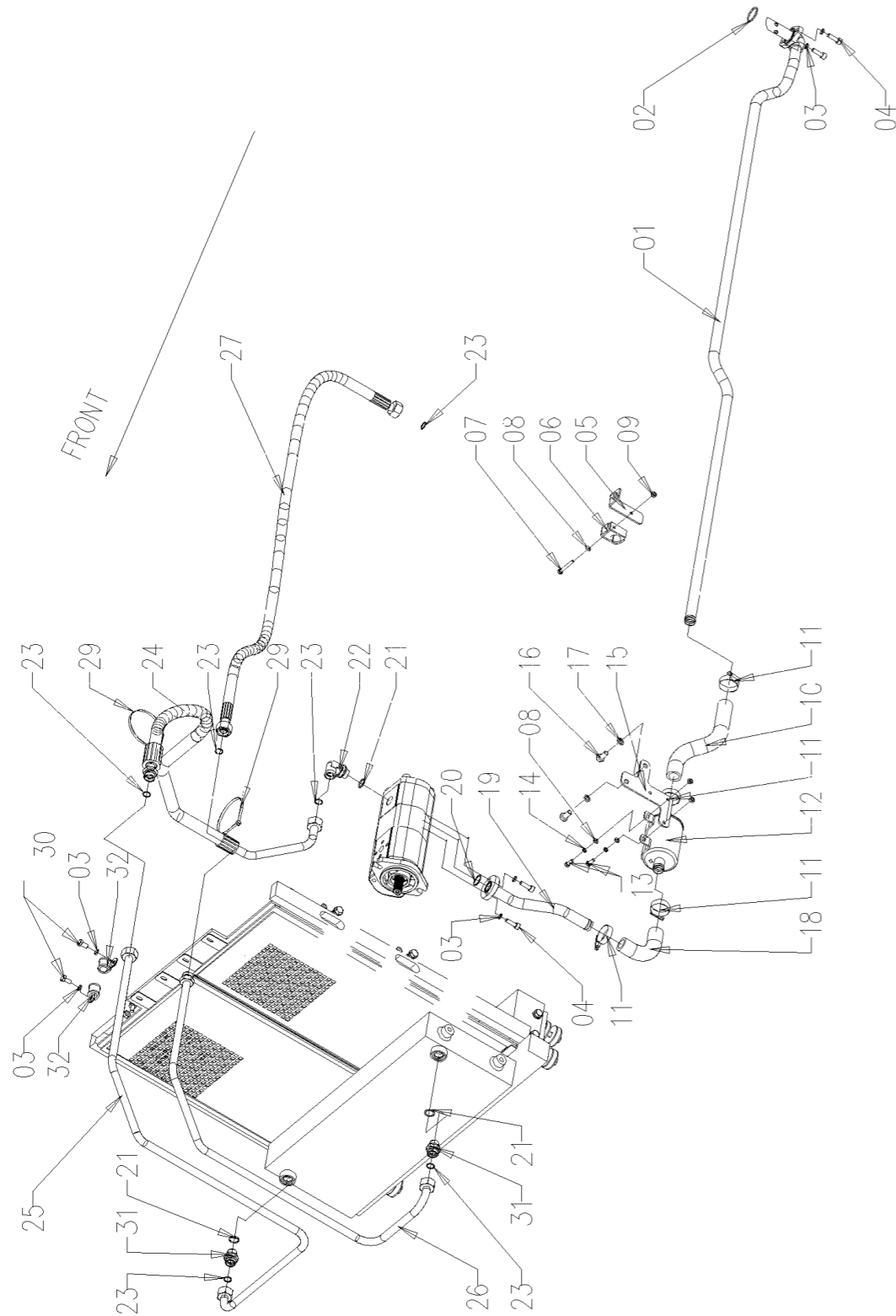
A31.40.905.4 STEERING PIPE ASS.

A31.40.905.4_2 转向油缸进出油管总成STEERING PIPE ASS.



序号	零件编号	零件名称	数量	图号
1	A31.40.001.3	出口管总成 OUTPUT PIPE ASS.-LH	1	A31.40.001.3
2	A31.40.002.3/10	出口管总成 OUTPUT PIPE ASS.-RH	1	A31.40.002.3/10
3	CD1204.40.110	支架 BRACKET	1	CD1204.40.110
4	B29.40.025.0	支架 BRACKET	1	B29.40.025.0
5	CD1204A.40.109	双孔夹 DOUBLE HOLE FIXED PLATE	6	CD1204A.40.109
6	GBT5783-M8X40-A2L	螺栓 BOLT	1	GBT5783-M8X40-A2L
7	GBT5783-M8X45-A2L	螺栓 BOLT	2	GBT5783-M8X45-A2L
8	GBT5783-M10X20-A3L	螺栓 BOLT	3	GBT5783-M10X20-A3L
9	GBT6170-M8-A2L	螺母 NUT	3	GBT6170-M8-A2L
10	GBT93-10-A3L	垫圈 WASHER	3	GBT93-10-A3L
11	GBT93-8-A3L	垫圈 WASHER	3	GBT93-8-A3L
12	GBT97.1-8-A3L	垫圈 WASHER	3	GBT97.1-8-A3L

A31.40.908.4 COOLING SYSTEM



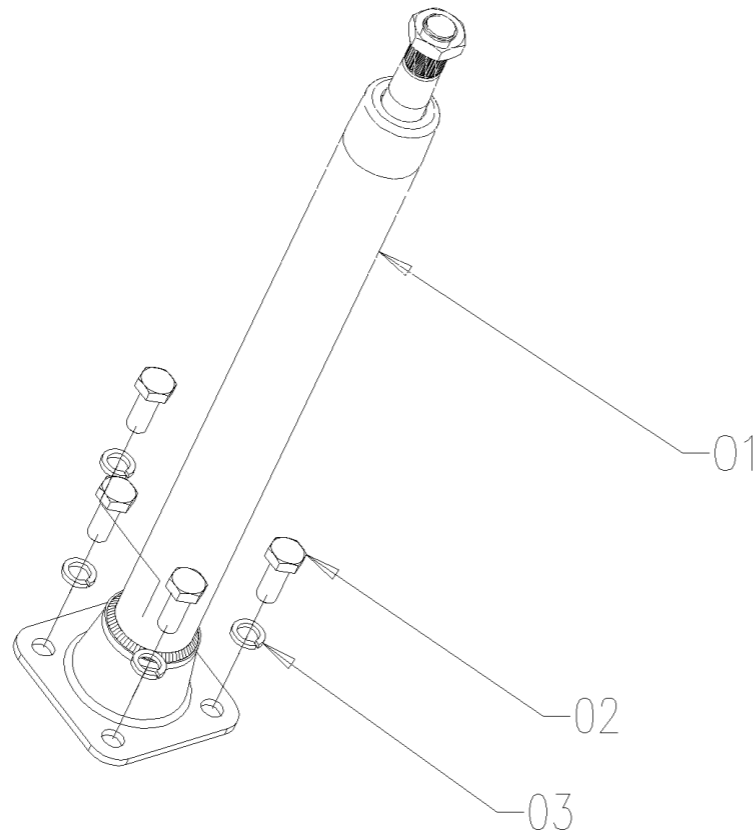
A31.40.908.4_2 底盘油散总成 Chassis oil distribution assembly

序号	零件编号	零件名称	数量	图号
1	B29.40.021.3/10	冷却管 COOLING PIPE ASS.	1	B29.40.021.3/10
2	GBT3452.1-30X2.65-G	O形密封圈 O RING	1	GBT3452.1-30X2.65-G
3	GBT93-8-A3L	垫圈 WASHER	6	GBT93-8-A3L
4	GBT70.1-M8X25-A2L	螺钉 SCREW	4	GBT70.1-M8X25-A2L
5	B29.40.036.0	支架 BRACKET	1	B29.40.036.0
6	0.034.4849.0	管形夹具 TUBE CLAMP 22	1	0.034.4849.0
7	GBT5783-M6X45-A2L	螺栓 BOLT	1	GBT5783-M6X45-A2L
8	GBT97.1-6-A3L	垫圈 WASHER	3	GBT97.1-6-A3L
9	GBT6170-M6-A2L	螺母 NUT	3	GBT6170-M6-A2L
10	A31.40.013.0	软管 SUCTION HOSE	1	A31.40.013.0
11	JBT8870-D40	软管夹 HOSE CLAMP	4	JBT8870-D40
12	B29.40.015.0/10	机油滤清器 OIL FILTER	1	B29.40.015.0/10
13	GBT5783-M6X16-A2L	螺栓 BOLT	2	GBT5783-M6X16-A2L
14	GBT93-6-A3L	垫圈 WASHER	2	GBT93-6-A3L
15	A31.40.015.0	管支架 PIPE BRACKET	1	A31.40.015.0
16	GBT5783-M10X20-A3L	螺栓 BOLT	2	GBT5783-M10X20-A3L
17	GBT93-10-A3L	垫圈 WASHER	2	GBT93-10-A3L
18	B29.40.016.0/10	软管 SUCTION HOSE	1	B29.40.016.0/10
19	B29.40.011.3/10	进气管总成 INLET PIPE ASS.	1	B29.40.011.3/10
20	GBT3452.1-21.2X1.8-G	O形密封圈 O RING	1	GBT3452.1-21.2X1.8-G
21	GBT3452.1-17.3X2.2-G	O形密封圈 O RING	3	GBT3452.1-17.3X2.2-G
22	GBT3738-08-L16	管件 FITTING	1	GBT3738-08-L16
23	GBT3452.1-14X1.5-G	O形密封圈 O RING	6	GBT3452.1-14X1.5-G
24	B29.40.018.3	散热器入口管 RADIATOR INLET PIPE	1	B29.40.018.3
25	A31.40.008.3/20	冷却器入口管 COOLER INLET PIPE	1	A31.40.008.3/20
26	A31.40.009.3/20	冷却器出口管 COOLER OUTLET PIPE	1	A31.40.009.3/20
27	B29.40.019.3	散热器进口管 RADIATOR OUTLET	1	B29.40.019.3
29	2.6852.203.0	自锁扎带 292 SELF LOCKING CABLE	2	2.6852.203.0
30	GBT5783-M8X16-A2L	螺栓 BOLT	2	GBT5783-M8X16-A2L
31	GBT3733-08-L16F	管件 FITTING	2	GBT3733-08-L16F
32	2.6839.056.0	夹 FASCIA RSGU1 17/20	2	2.6839.056.0

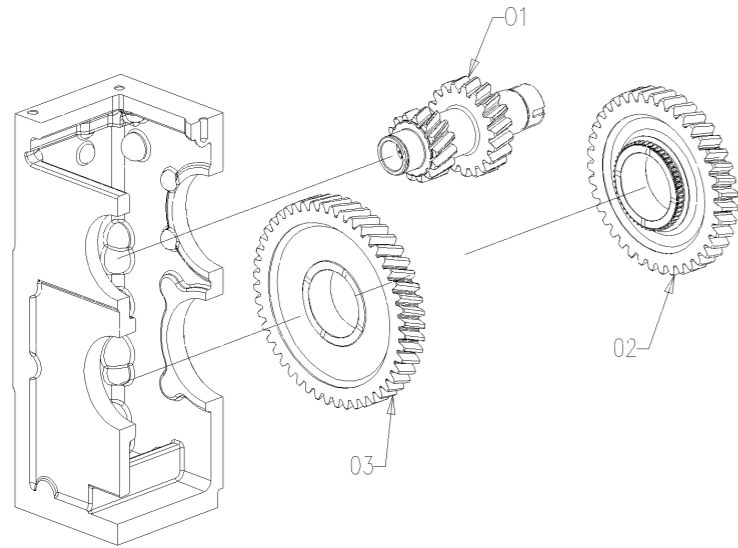
A31.40.916.4 STEERING COMMAND ASS.Y

A31.40.916.4_0 固定转向管柱 STEERING COMMAND ASS.Y

序号	零件编号	零件名称	数量	图号
1	SH900.40.012	操纵杆总成 STEERING COLUMN	1	SH900.40.012
2	GBT5783-M10X25-A3L	螺栓 BOLT	4	GBT5783-M10X25-A3L
3	GBT93-10-A3L	垫圈 WASHER	4	GBT93-10-A3L



A31.41.903.4 GEAR ASS.LY



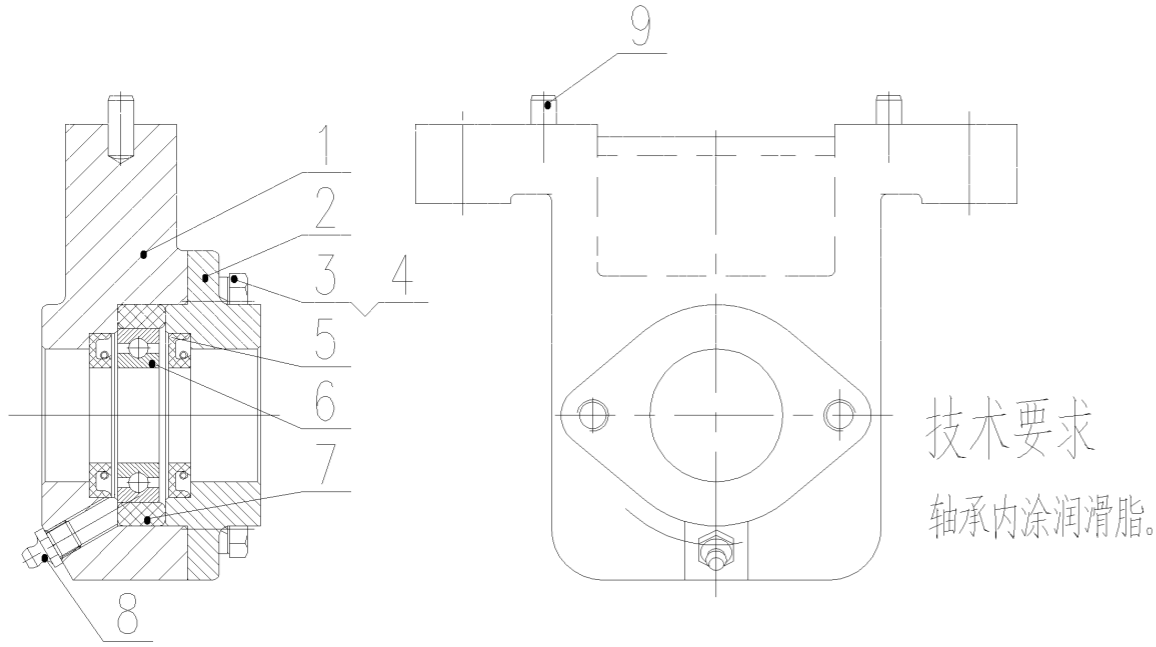
A31.41.903.4_1 动力输出齿轮 (540/1000) GEAR ASS.LY (540/1000)

序号	零件编号	零件名称	数量	图号
1	LE1204.41.106	输出主动齿轮 OUT DRIVE GEAR	1	LE1204.41.106
2	LE1204.41.113	电力输出轴 POWER OUT SHAFT	1	LE1204.41.113
3	LE1204.41.117	副变速齿轮 LOW SHIFT RANGE GEAR	1	LE1204.41.117

LE1204.42.013 中间支撑座总成

LE1204.42.013 中间支撑座总成 INTERMEDIATE SUPPORT SEAT ASSEMBLY

序号	零件编号	零件名称	数量	图号
1	LE1204.42.114	支撑座 supporting?seat	1	LE1204.42.114
2	LE1204.42.115	支撑座盖 Brackets cover	1	LE1204.42.115
3	GBT5783-M10X30-A3L	螺栓 BOLT	4	GBT5783-M10X30-A3L
4	GBT93-10-A3L	垫圈 WASHER	4	GBT93-10-A3L
5	GBT13871.1-B-030052-F	油封 OIL SEAL	2	GBT13871.1-B-030052-F
6	GBT276-6006	轴承 BEARING	1	GBT276-6006
7	SH904.42.128	橡胶圈 rubber?ring	1	SH904.42.128
8	JBT7940.1-M10X1	油杯 GREASE CUP	1	JBT7940.1-M10X1
9	GBT119.1-8h8X20	销 PIN	2	GBT119.1-8h8X20

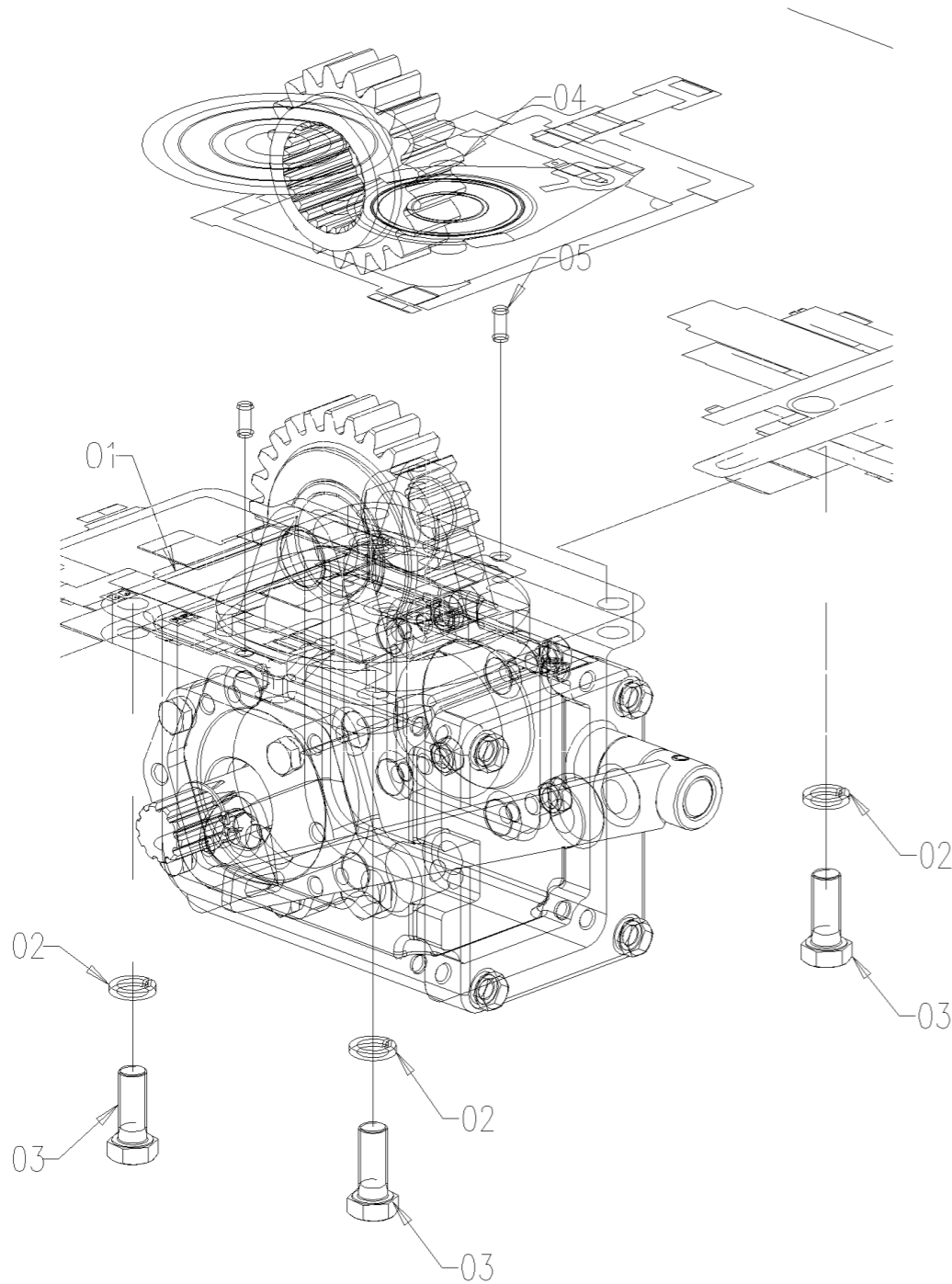


技术要求
轴承内涂润滑脂。

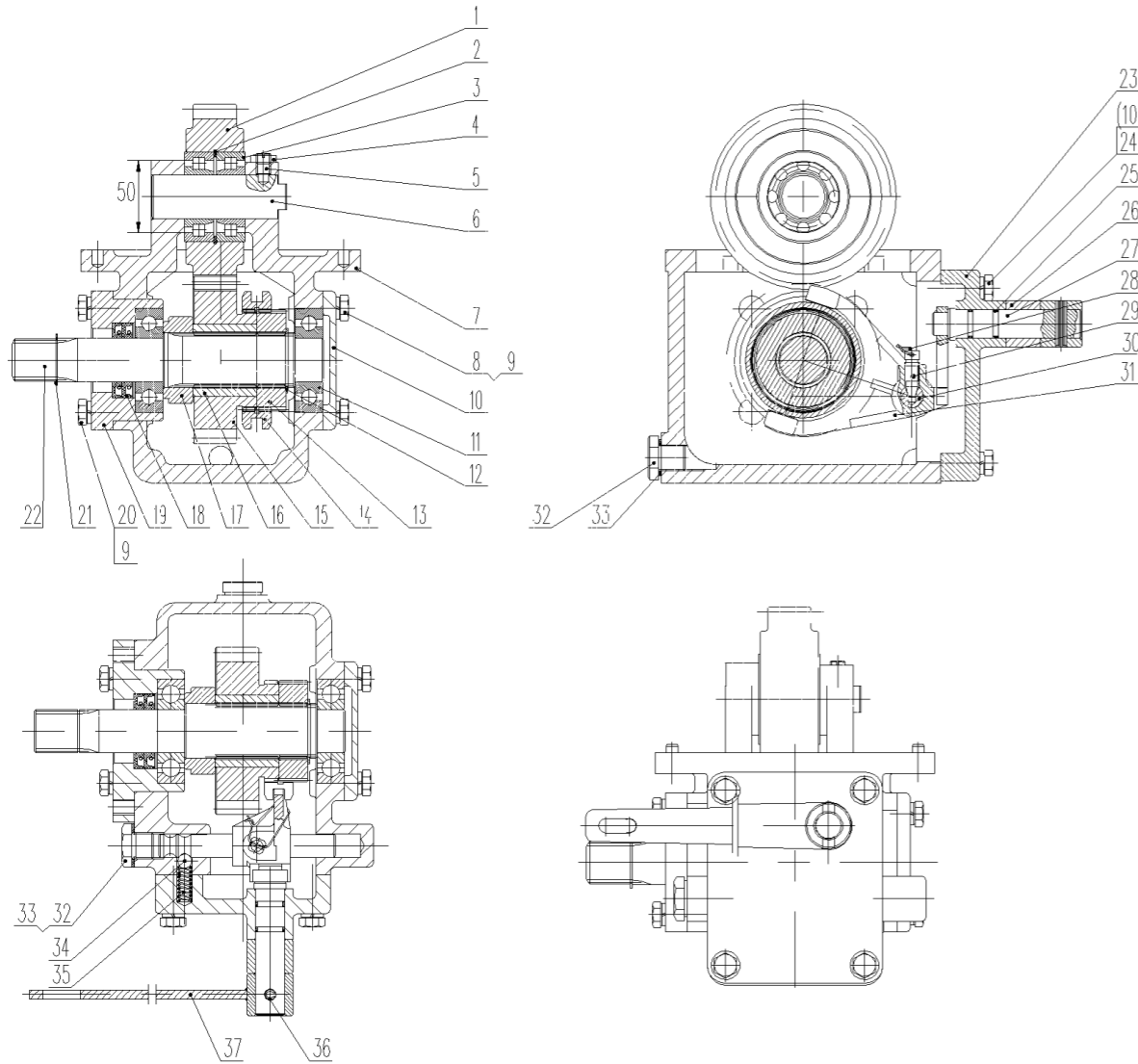
A31.42.902.4 TRANSFER CASE ASS.LY

A31.42.902.4_0 分动箱分总成 DIFFERENTIAL ASSEMBLY

序号	零件编号	零件名称	数量	图号
1	A31.42.001.4	四轮驱动总成 4WD BODY ASS.LY	1	A31.42.001.4
2	GBT93-14-A3L	垫圈 WASHER	4	GBT93-14-A3L
3	GBT5783-M14X35-A3L	螺栓 BOLT	4	GBT5783-M14X35-A3L
4	LE1204.38.140	驱动齿轮 DRIVE GEAR	1	LE1204.38.140
5	GBT119.1-8m6X16	销 PIN	2	GBT119.1-8m6X16



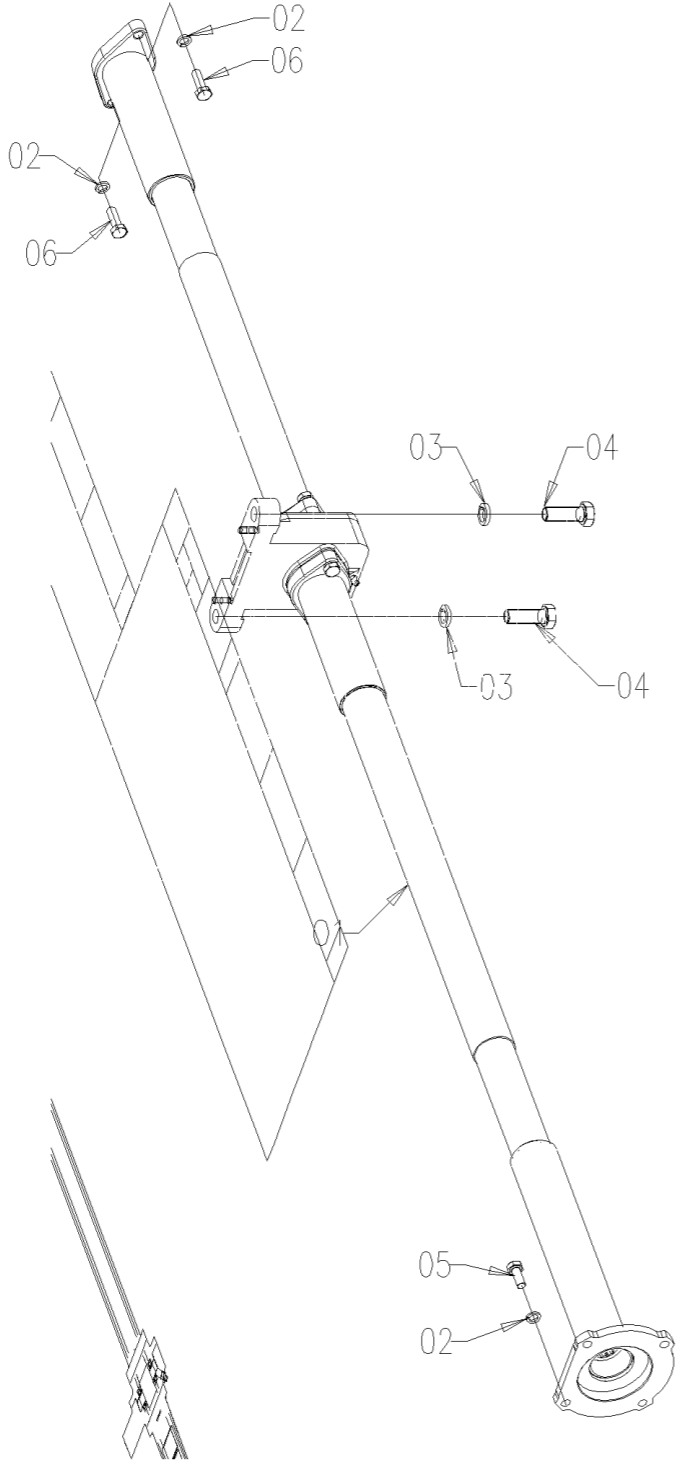
A31.42.001.4 4WD BODY ASS.LY



A31.42.001.4 四轮驱动总成4WD SHIELD ASS.LY

序号	零件编号	零件名称	数量	图号
1	LE1204.42.101	中间齿轮 ?intermediate?gear	1	LE1204.42.101
2	GBT893.1-62	弹性挡圈 CIRCLIP	1	GBT893.1-62
3	GBT283-NJ2206E	轴承 BEARING	2	GBT283-NJ2206E
4	GBT6172.1-M10-A3L	螺母 NUT	1	GBT6172.1-M10-A3L
5	GBT75-M10X20-A3L	螺丝钉 SCREW	1	GBT75-M10X20-A3L
6	LE1204.42.102	中间齿轮轴 intermediate?gear?shaft	1	LE1204.42.102
7	LE1204.42.103	分动箱体 transfer case housing	1	LE1204.42.103
8	GBT5783-M10X25-A3L	螺栓 BOLT	4	GBT5783-M10X25-A3L
9	GBT93-10-A3L	垫圈 WASHER	12	GBT93-10-A3L
10	SH904.42.112	后盖 rear?cover	1	SH904.42.112
11	GBT276-6306	轴承 BEARING	2	GBT276-6306
12	GBT894.1-38	弹性挡圈 CIRCLIP	1	GBT894.1-38
13	SH904.42.115	啮合齿座 Meshing tooth holder	1	SH904.42.115
14	LE1204.42.104	啮合套 sliding sleeve	1	LE1204.42.104
15	LE1204.42.105	被动齿轮 driven gear	1	LE1204.42.105
16	SH904.42.117	衬套 bushing	1	SH904.42.117
17	LE1204.42.107	隔套 SPACER	1	LE1204.42.107
18	GBT13871.1-B-030052-F	油封 OIL SEAL	2	GBT13871.1-B-030052-F
19	SH904.42.120	前盖 protegulum	1	SH904.42.120
20	GBT5783-M10X30-A3L	螺栓 BOLT	4	GBT5783-M10X30-A3L
21	GBT894.1-30	弹性挡圈 CIRCLIP	1	GBT894.1-30
22	LE1204.42.108	分动箱齿轮轴 Transmission box gear	1	LE1204.42.108
23	LE1204.42.109	侧盖 ?Side Cover	1	LE1204.42.109
24	GBT5783-M10X45-A3L	螺栓 BOLT	4	GBT5783-M10X45-A3L
25	GBT3452.1-15.5X2.65-G	O形密封圈 O RING	2	GBT3452.1-15.5X2.65-G
26	LE1204.42.124	隔套 SPACER	1	LE1204.42.124
27	SH904.42.013	拨杆焊合 FORK SHAFT WELDMENT	1	SH904.42.013
28	YBT5294-SZ-F-1.5	连接销 STEEL WIRE	1	YBT5294-SZ-F-1.5
29	LE1204.42.110	紧定螺钉 stopper?screw	1	LE1204.42.110
30	LE1204.42.111	拨叉轴 declutch shift shaft	1	LE1204.42.111
31	LE1204.42.112	分离拨叉 Release fork	1	LE1204.42.112
32	LE1204.42.113	螺堵 plug	2	LE1204.42.113
33	JBT982-18	垫圈 WASHER	2	JBT982-18
34	GBT308-10-G100-b	球 BALL	1	GBT308-10-G100-b
35	LE1204.42.128	弹簧 coil spring	1	LE1204.42.128
36	GBT879.1-8X32	销 PIN	1	GBT879.1-8X32
37	SH904.42.014	摇臂焊合 Rocker arm welded	1	SH904.42.014

A31.42.904.4 SHAFT ASS.LY

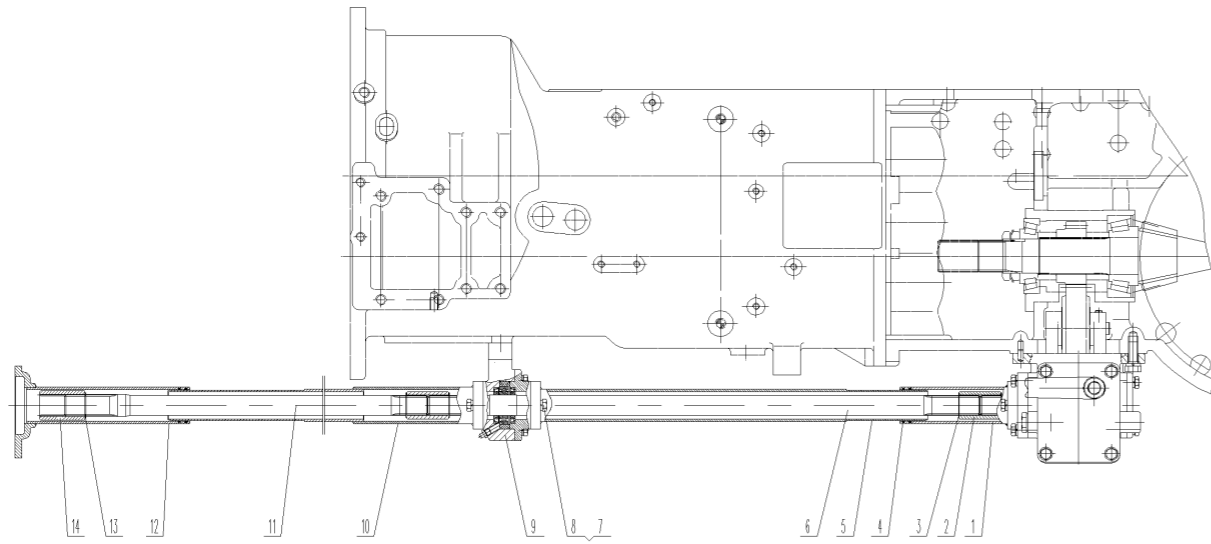


A31.42.904.4_0 分动箱传动轴总成 DIFFERENTIAL ASSEMBLY

序号	零件编号	零件名称	数量	图号
1	A31.42.004.4	四轮驱动防护板总成 4WD SHIELD	1	A31.42.004.4
2	GBT93-10-A3L	垫圈 WASHER	6	GBT93-10-A3L
3	GBT93-16-A3L	垫圈 WASHER	2	GBT93-16-A3L
4	GBT5786-M16X1.5X45-	螺栓 BOLT	2	GBT5786-M16X1.5X45-A3L
5	GBT5783-M10X25-A3L	螺栓 BOLT	4	GBT5783-M10X25-A3L
6	GBT5783-M10X30-A3L	螺栓 BOLT	2	GBT5783-M10X30-A3L

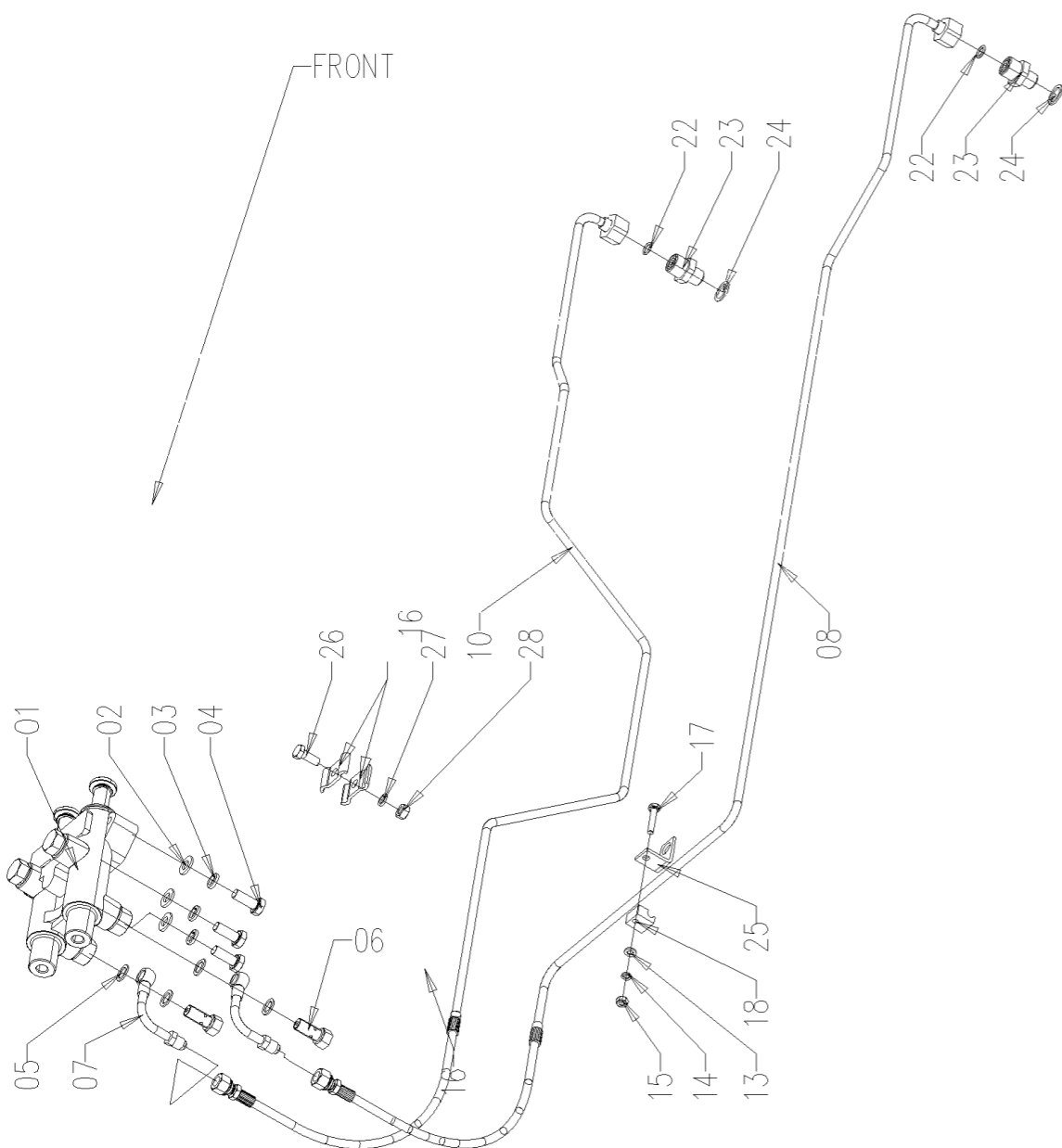
A31.42.004.4 四轮驱动总成4WD SHIELD ASS.LY

A31.42.004.4 4WD SHIELD ASS.LY



序号	零件编号	零件名称	数量	图号
1	DF1204.42.011	外护套焊合 (一) Welding of outer	1	DF1204.42.011
2	SH904.42.123	连接花键套 Connect the spline sleeve	2	SH904.42.123
3	GBT894.1-30	弹性挡圈 CIRCLIP	3	GBT894.1-30
4	GBT3452.1-45X3.5-G	O形密封圈 O RING	4	GBT3452.1-45X3.5-G
5	LE1204.42.015	内护套焊合 (一) Welding of inner	1	LE1204.42.015
6	A31.42.003.0	中间传动轴 intermediate gear shaft	1	A31.42.003.0
7	GBT5783-M10X30-A3L	螺栓 BOLT	4	GBT5783-M10X30-A3L
8	GBT93-10-A3L	垫圈 WASHER	4	GBT93-10-A3L
9	LE1204.42.013	中间支撑座总成 Intermediate support	1	LE1204.42.013
10	LE1204.42.016	内护套焊合 (二) Welding of inner	1	LE1204.42.016
11	CD1204.42.117	前传动轴 front propeller shaft	1	CD1204.42.117
12	CD1204.42.017	外护套焊合 (二) Welding of outer	1	CD1204.42.017
13	GBT894.1-32	弹性挡圈 CIRCLIP	1	GBT894.1-32
14	LE1204.42.118	前连接花键套 Front connection spline	1	LE1204.42.118

A31.43.903.4 BRAKE PIPE ASS.

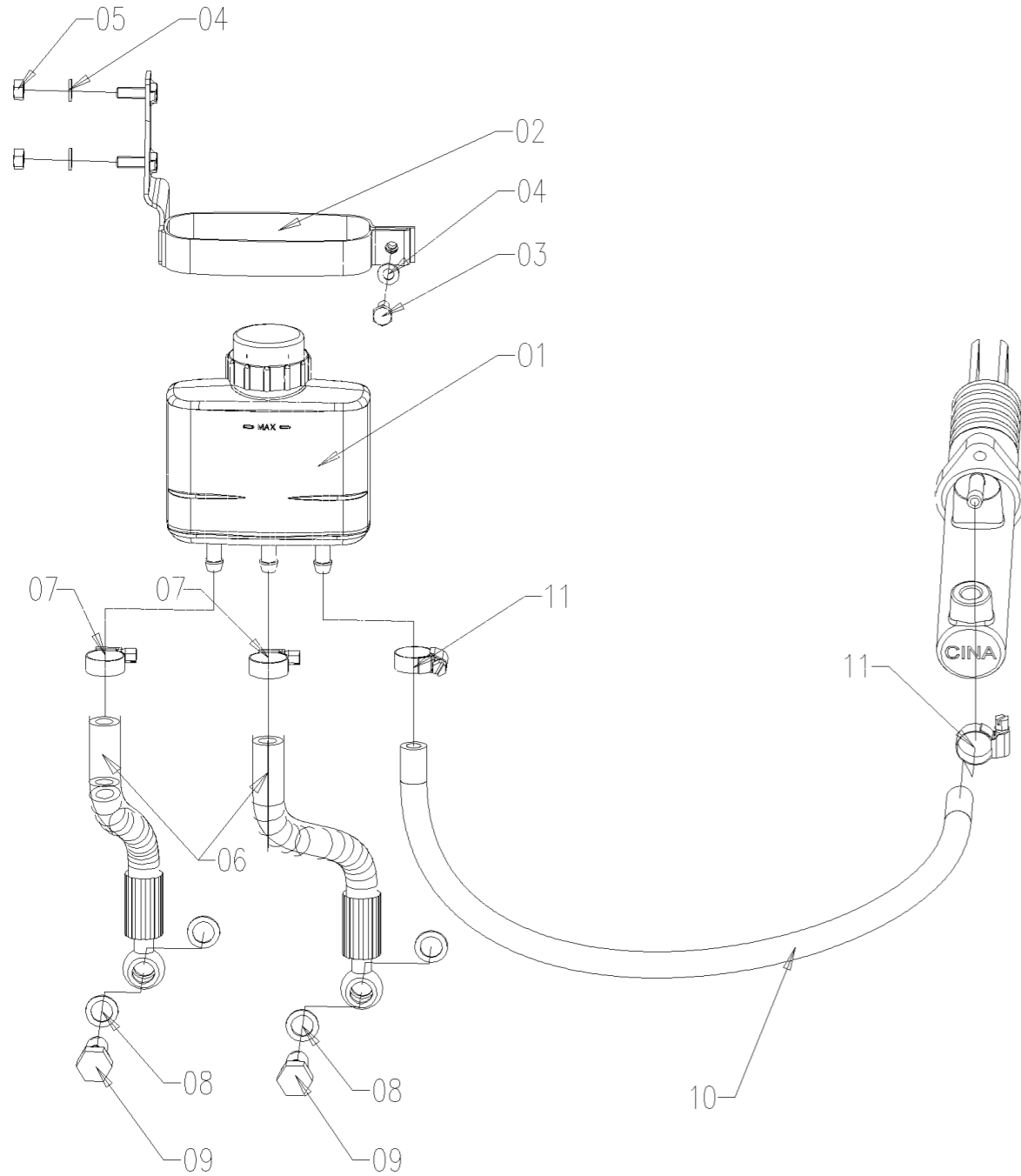


A31.43.903.4_4 制动管路总成 BRAKE PIPE ASS.

序号	零件编号	零件名称	数量	图号
1	A23.43.002.0	制动泵总成 BRAKE PUMP	1	A23.43.002.0
2	GBT97.1-10-A3L	垫圈 WASHER	3	GBT97.1-10-A3L
3	GBT93-10-A3L	垫圈 WASHER	3	GBT93-10-A3L
4	GBT5783-M10X25-A3L	螺栓 BOLT	3	GBT5783-M10X25-A3L
5	2.1560.008.0	密封圈 SEALING RING	4	2.1560.008.0
6	SH900.43.115	油管接头螺钉 CONNECT SCREW	2	SH900.43.115
7	A23.43.004.3	制动管 BRAKE PIPE ASS.Y	2	A23.43.004.3
8	A31.43.011.3	左刹车管总成 LEFT BRAKE PIPE ASS.	1	A31.43.011.3
10	A31.43.013.3/10	右制动管总成 RIGHT BRAKE PIPE ASS.	1	A31.43.013.3/10
13	GBT97.1-6-A3L	垫圈 WASHER	1	GBT97.1-6-A3L
14	GBT93-6-A3L	垫圈 WASHER	1	GBT93-6-A3L
15	GBT6170-M6-A2L	螺母 NUT	1	GBT6170-M6-A2L
16	DF904.43.053	制动管夹 BRAKE PIPE CLAMP	2	DF904.43.053
17	GBT5783-M6X30-A2L	螺栓 BOLT	1	GBT5783-M6X30-A2L
18	CD1204A.43.105	单孔管夹 SINGLE HOLE FIXED PLATE	1	CD1204A.43.105
22	GBT3452.1-10X1.8-G	O形圈 O RING	2	GBT3452.1-10X1.8-G
23	SH900.43.130	连接器 CONNECTOR	2	SH900.43.130
24	2.1560.012.0	密封圈 SEALING RING	2	2.1560.012.0
25	A31.43.012.0/10	支架 BRACKET	1	A31.43.012.0/10
26	GBT5783-M8X20-A2L	螺栓 BOLT	1	GBT5783-M8X20-A2L
27	GBT93-8-A3L	垫圈 WASHER	1	GBT93-8-A3L
28	GBT6170-M8-A2L	螺母 NUT	1	GBT6170-M8-A2L

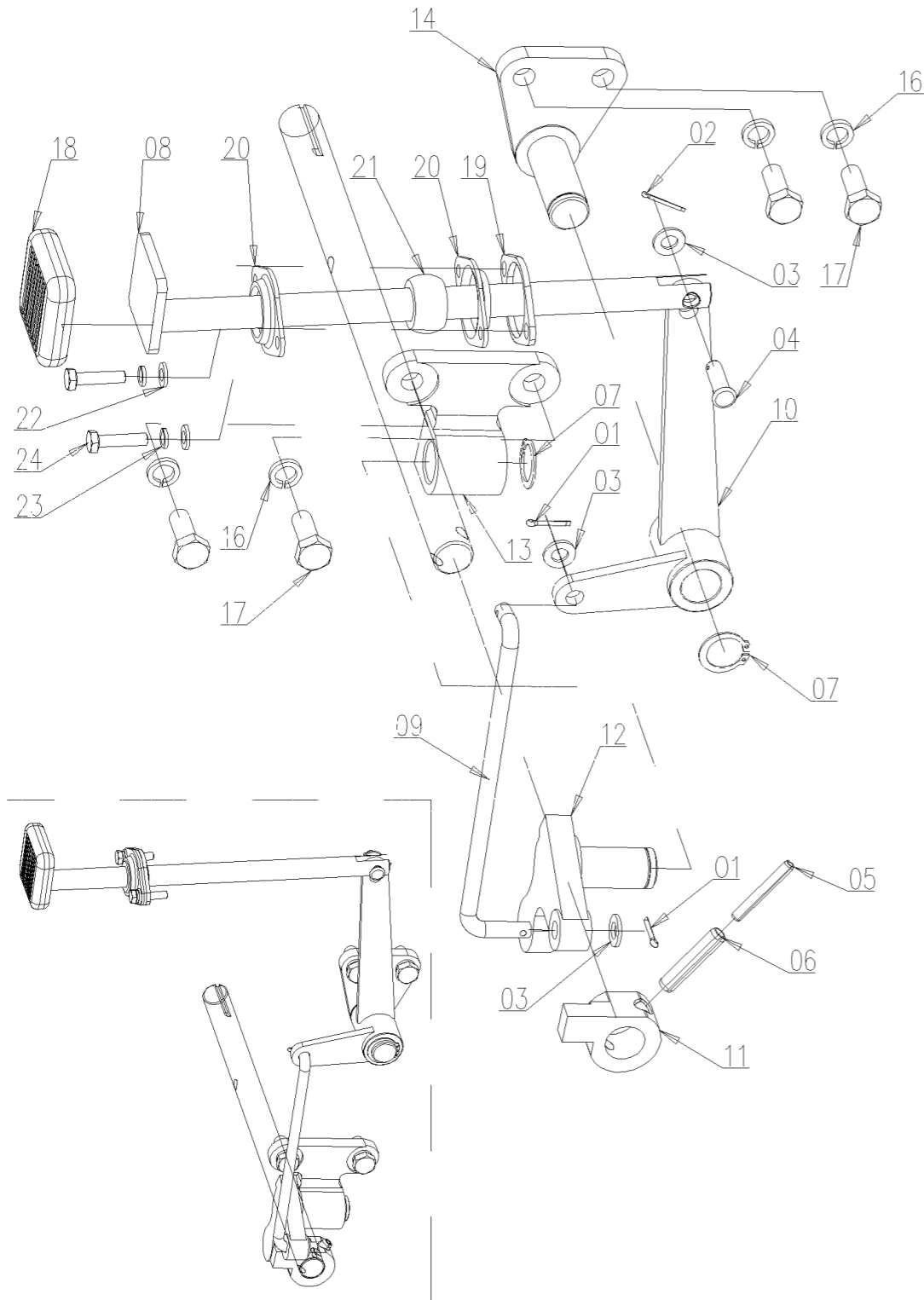
A31.43.914.4 OIL TANK ASS.

A31.43.914.4_1 制动油壶总成OIL TANK ASS.



序号	零件编号	零件名称	数量	图号
1	0.257.6654.4/20	油箱 SERBATOIO LIQUIDO	1	0.257.6654.4/20
2	0.023.9347.3	油刹车支架 OIL BRAKE BRACKET	1	0.023.9347.3
3	2.0112.005.2	六角头螺栓 M6x16 HEX BOLT	1	2.0112.005.2
4	2.1475.201.2	圆柱垫片 CONICAL WASHER M6	3	2.1475.201.2
5	2.1011.103.2	螺母 NUT	2	2.1011.103.2
6	A23.43.005.3	运油软管总成 OIL HOSE ASSY	2	A23.43.005.3
7	JBT8870-D20	软管夹 HOSE CLAMP	2	JBT8870-D20
8	2.1560.008.0	垫圈12.2X18 SEALING RING	4	2.1560.008.0
9	SH900.43.115	油管接头螺钉 CONNECT SCREW	2	SH900.43.115
10	0.012.6343.0	橡胶管 RUBBER TUBE	1	0.012.6343.0
11	2.6851.019.0	夹子 HOSE CLAMP 13-20	2	2.6851.019.0

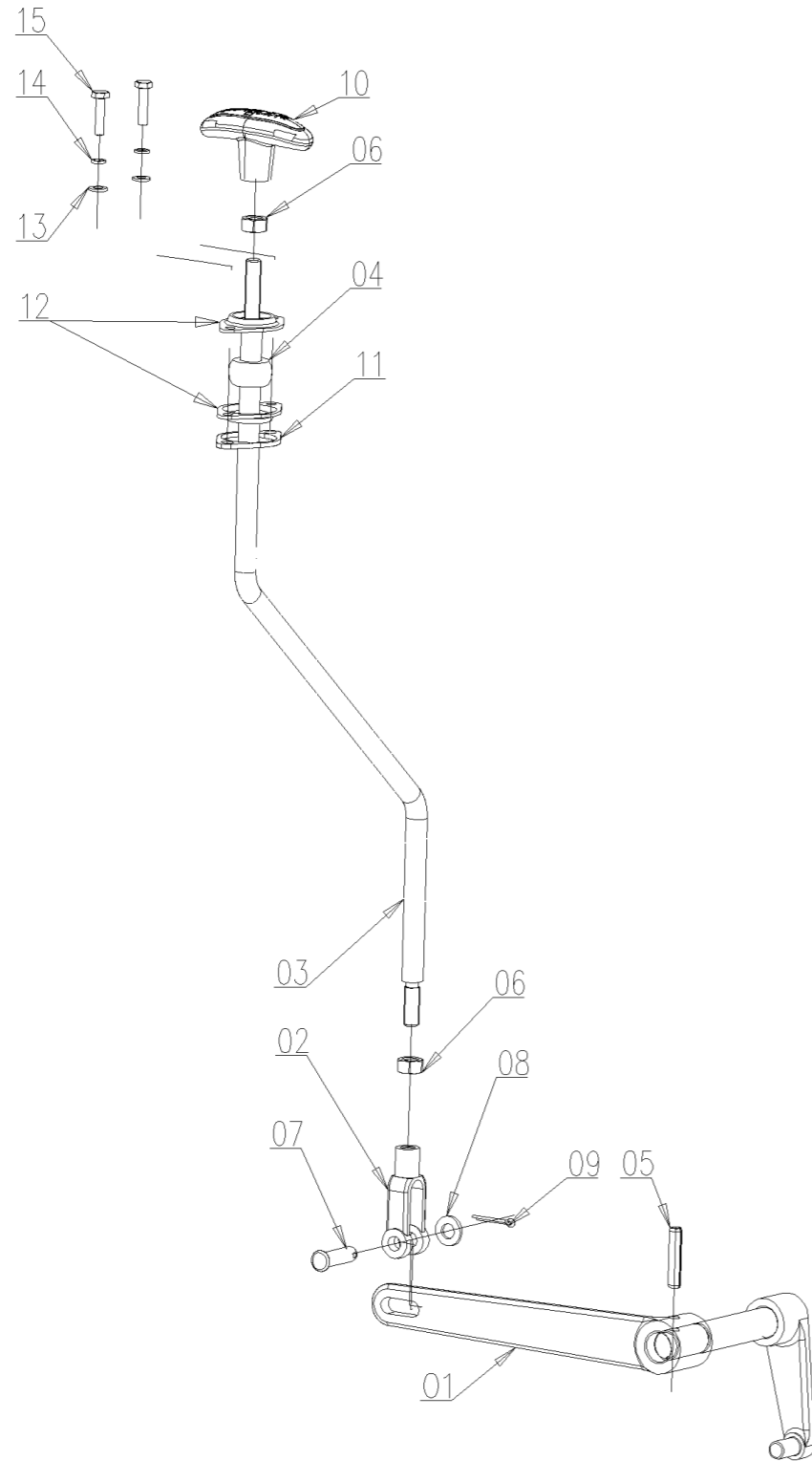
A31.45.903.4 DIFFERENTIAL LOCK COMMAND ASS.Y



A31.45.903.4_2 差速锁操纵总成CONTROL FOR DIFFERENTIAL LOCK

序号	零件编号	零件名称	数量	图号
1	GBT91-2.5X16-A3L	销 PIN	2	GBT91-2.5X16-A3L
2	GBT91-2X20-A3L	销 PIN	1	GBT91-2X20-A3L
3	GBT97.1-8-A3L	垫圈 WASHER	3	GBT97.1-8-A3L
4	GBT882-B8X24-A3L	销 PIN	1	GBT882-B8X24-A3L
5	GBT879.1-5X40	销 PIN	1	GBT879.1-5X40
6	GBT879.1-8X40	销 PIN	1	GBT879.1-8X40
7	GBT894.1-20	弹性挡圈 CIRCLIP	2	GBT894.1-20
8	LE1204.38.015	差速锁焊接 DIFFERENTIAL LOCK	1	LE1204.38.015
9	SH900.38.104	差速锁定摇臂拉杆 DIFFERENTIAL	1	SH900.38.104
10	A31.45.011.3/10	差速锁紧摇臂焊合 DIFF. LOCK.	1	A31.45.011.3/10
11	SH900.38.115	板 PLATE	1	SH900.38.115
12	SH900.38.102	旋转杆 ROTATING LEVER	1	SH900.38.102
13	SH900.38.103	支架 BRACKET	1	SH900.38.103
14	SH900.38.106	支架 BRACKET	1	SH900.38.106
16	GBT93-10-A3L	垫圈 WASHER	4	GBT93-10-A3L
17	GBT5783-M10X25-A3L	螺栓 BOLT	4	GBT5783-M10X25-A3L
18	A11.38.023.0	穿线胶圈 RUBBER COVER	1	A11.38.023.0
19	A23.45.001.0	导向套 GUIDE SLEEVE	1	A23.45.001.0
20	SH404.42.114	导向套 GUIDE SLEEVE	2	SH404.42.114
21	CD1204.45.106	导向套 GUIDE SLEEVE	1	CD1204.45.106
22	GBT97.1-6-A3L	垫圈 WASHER	2	GBT97.1-6-A3L
23	GBT93-6-A3L	垫圈 WASHER	2	GBT93-6-A3L
24	GBT5783-M6X25-A2L	螺栓 BOLT	2	GBT5783-M6X25-A2L

A31.45.904.4 PTO COMMAND ASS.Y



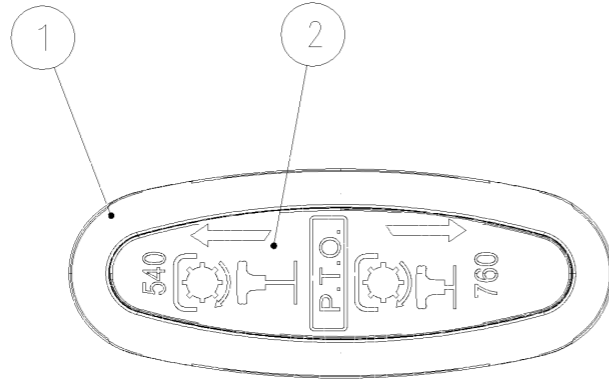
A31.45.904.4_2 动力输出操纵总成 (PTO 540/760 rpm) CONTROL FOR PTO

序号	零件编号	零件名称	数量	图号
1	LE1204.41.101-1	动力输出外摇臂 PTO OUTER ROCKER	1	LE1204.41.101-1
2	SH900.41.102	连接叉 CLEVIS	1	SH900.41.102
3	LE1204.41.122	动力输出操纵杆 POWER OUT	1	LE1204.41.122
4	LE1204.45.107	导向套 GUIDE SLEEVE	1	LE1204.45.107
5	GBT879.1-8X40	销 PIN	1	GBT879.1-8X40
6	GBT6170-M10-A3L	螺母 NUT	2	GBT6170-M10-A3L
7	GBT882-B10X35-A3L	销 PIN	1	GBT882-B10X35-A3L
8	GBT97.1-10-A3L	垫圈 WASHER	1	GBT97.1-10-A3L
9	GBT91-3.2X25-A3L	销 PIN	1	GBT91-3.2X25-A3L
10	A23.45.089.4/10	速度标牌 (540/760) P.T.O SPEED	1	A23.45.089.4/10
11	A23.45.001.0	导向套 GUIDE SLEEVE	1	A23.45.001.0
12	SH404.42.114	导向套 GUIDE SLEEVE	2	SH404.42.114
13	GBT97.1-6-A3L	垫圈 WASHER	2	GBT97.1-6-A3L
14	GBT93-6-A3L	垫圈 WASHER	2	GBT93-6-A3L
15	GBT5783-M6X25-A2L	螺栓 BOLT	2	GBT5783-M6X25-A2L

A23.45.089.4/10 P.T.O SPEED (760/540)

A23.45.089.4/10 速度标牌 (540/760)Speed sign (540/760)

序号	零件编号	零件名称	数量	图号
1	A23.45.075.2/10	手柄球 KNOB	1	A23.45.075.2/10
2	A23.45.088.0/10	标识PTO(760/540)	1	A23.45.088.0/10



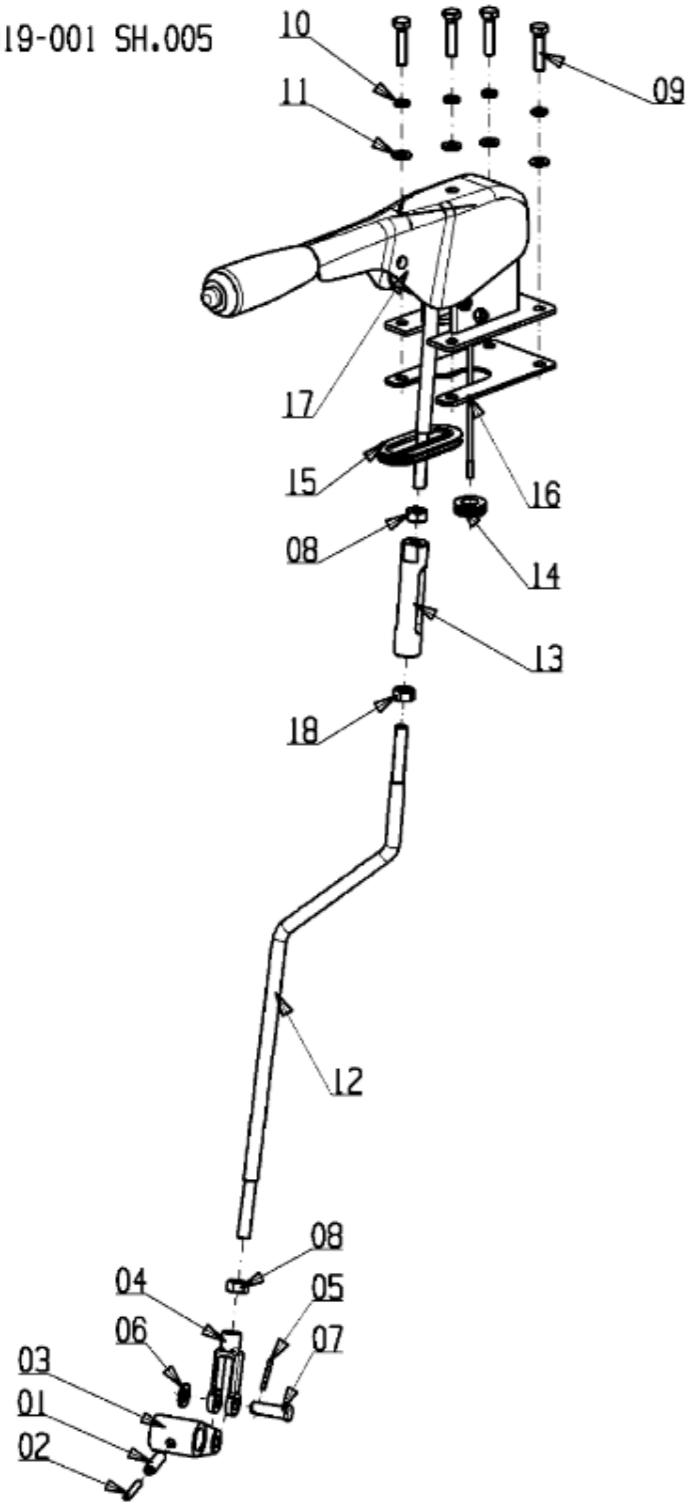
技术要求Note

标牌和手柄粘接牢固，确保无脱落现象。
Ensure the label stick with knob firmly and will not fall off.

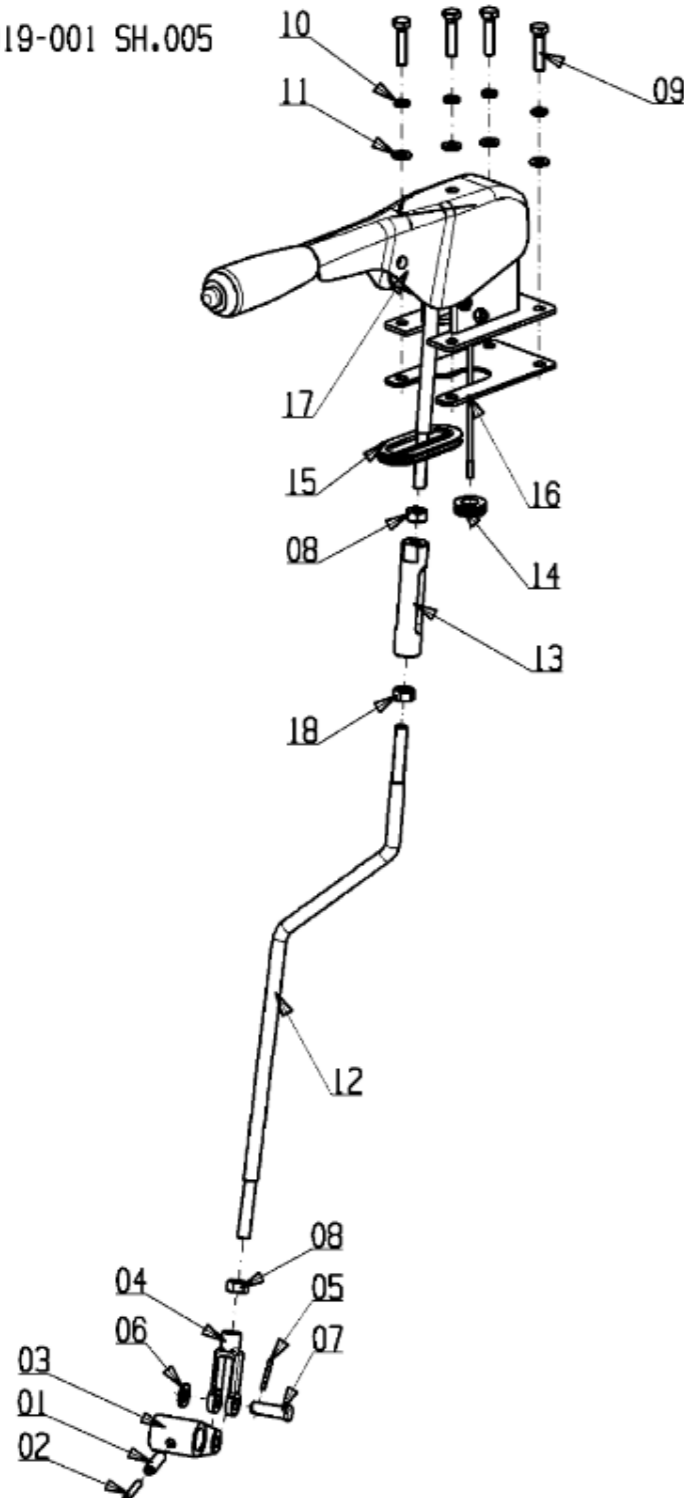
A23.45.911.4_2 手刹总成 PARK BRAKE COMMAND ASS.Y

序号	零件编号	零件名称	数量	图号
18	GBT6171-M10X1-LH-A2L	螺母 NUT	1	GBT6171-M10X1-LH-A2L

YFB-R-2019-001 SH.005



YFB-R-2019-001 SH.005



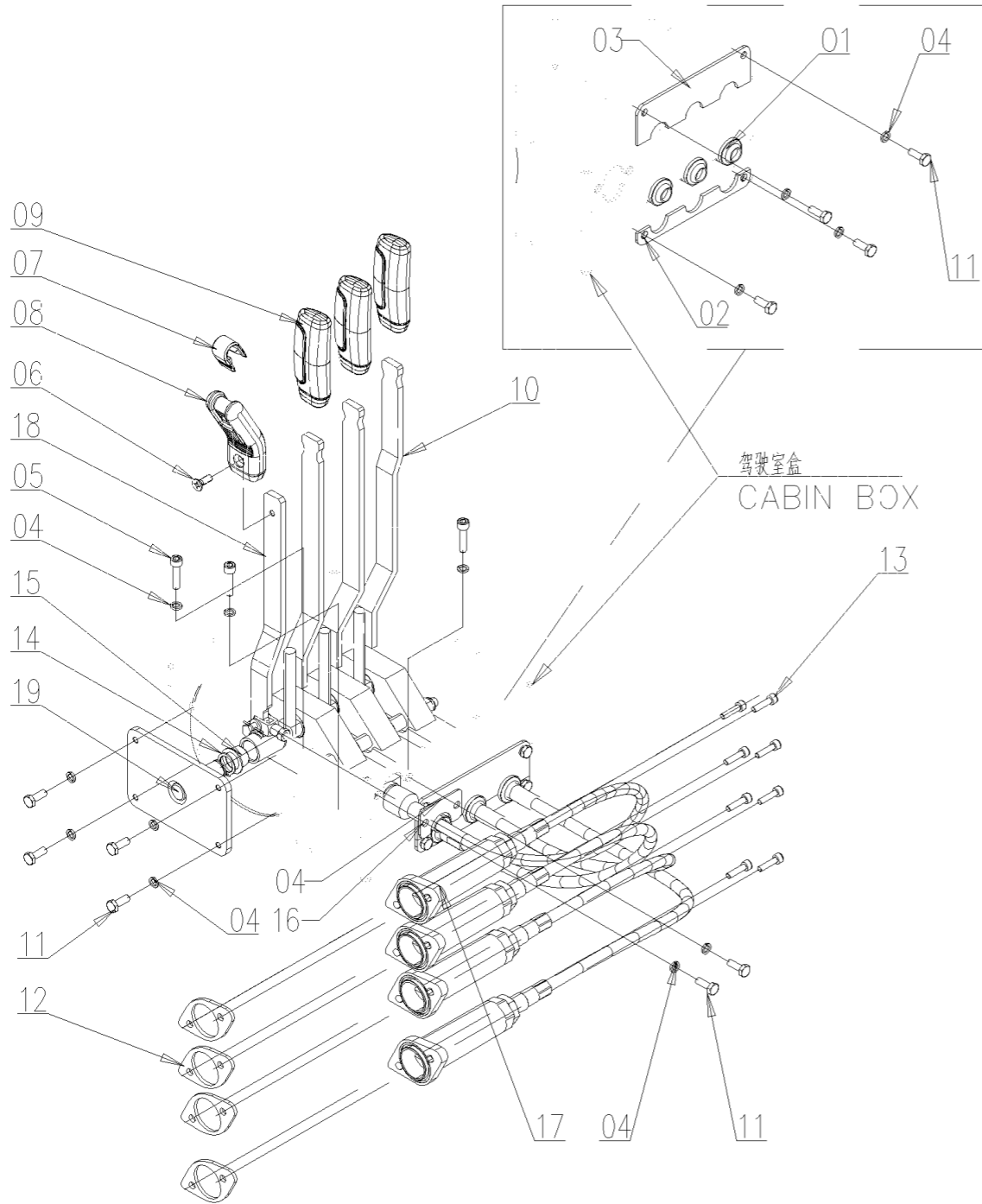
A31.45.906.4_2 手刹总成 PARK BRAKE COMMAND ASS.Y

序号	零件编号	零件名称	数量	图号
1	GBT879.1-8X30	销 PIN	1	GBT879.1-8X30
2	GBT879.1-5X30	销 PIN	1	GBT879.1-5X30
3	SH900.43.170	杆 LEVER	1	SH900.43.170
4	SH900.21.117	拨叉 FORK	1	SH900.21.117
5	GBT91-3.2X20-A3L	销 PIN	1	GBT91-3.2X20-A3L
6	GBT97.1-10-A3L	垫圈 WASHER	1	GBT97.1-10-A3L
7	GBT882-B10X32-A3L	销 PIN	1	GBT882-B10X32-A3L
8	GBT6171-M10X1-A2L	螺母 NUT	2	GBT6171-M10X1-A2L
9	GBT5783-M8X35-A2L	螺栓 BOLT	4	GBT5783-M8X35-A2L
10	GBT93-8-A3L	垫圈 WASHER	4	GBT93-8-A3L
11	GBT97.1-8-A3L	垫圈 WASHER	4	GBT97.1-8-A3L
12	A23.45.010.0/20	手闸低杠杆 HANDBRAKE LOWER	1	A23.45.010.0/20
13	SH900.43.145	手制动调节管 SPECIAL FORK	1	SH900.43.145
14	2.6560.008.0	导缆器环14x27x2.5 FAIRLEAD RINGS	1	2.6560.008.0
15	A23.45.050.0	垫圈 GASKET	1	A23.45.050.0
16	A23.45.002.0	垫圈 GASKET	1	A23.45.002.0
17	A23.45.060.4/30	手制动 HANDBRAKE	1	A23.45.060.4/30
18	GBT6171-M10X1-LH-A2L	螺母 NUT	1	GBT6171-M10X1-LH-A2L

A31.45.907.4 VALVE COMMAND ASS.Y

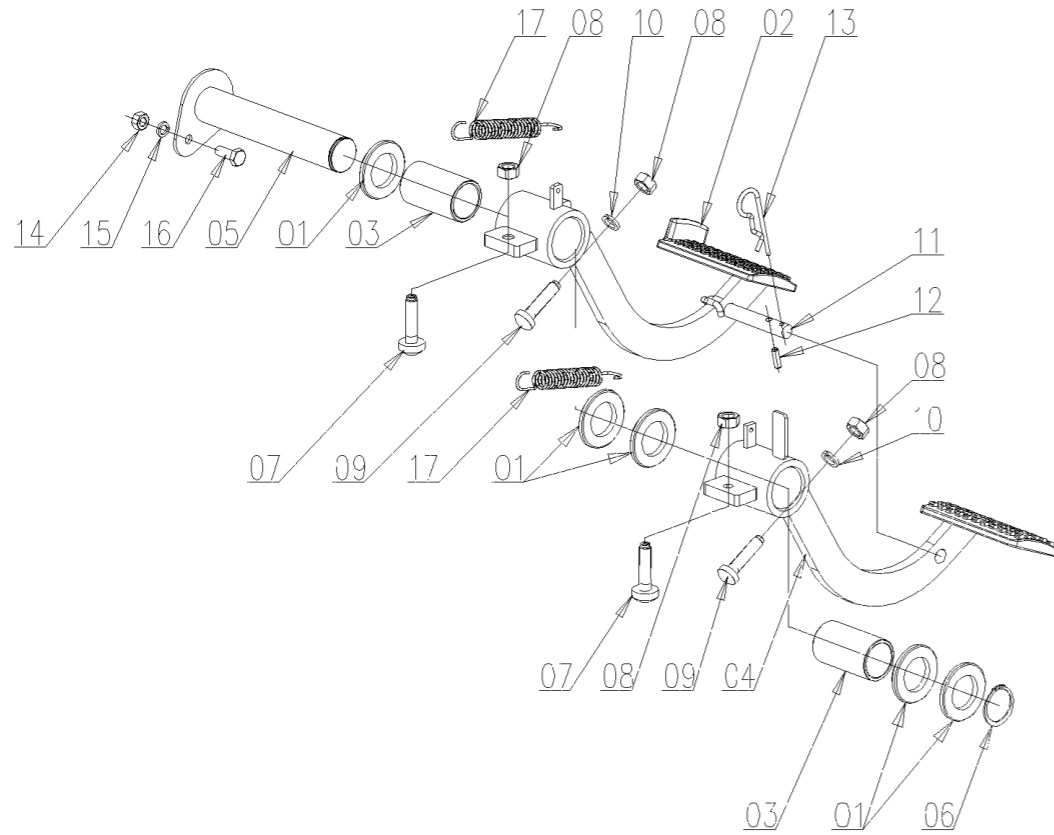
A31.45.907.4_6 液压操纵总成 (3组液压输出) CONTROL SYSTEM FOR HYDRAULIC ASS.LY(3 sets of hydraulic outputs)

序号	零件编号	零件名称	数量	图号
1	A31.45.011.0	橡胶垫片 RUBBER GASKET	3	A31.45.011.0
2	A31.45.013.0/10	固定板 FIXING PLATE	1	A31.45.013.0/10
3	A31.45.012.0/10	固定板 FIXING PLATE	1	A31.45.012.0/10
4	GBT93-6-A3L	垫圈 WASHER	13	GBT93-6-A3L
5	GBT70.1-M6X25-A2L	螺钉 SCREW	3	GBT70.1-M6X25-A2L
6	GBT819.1-M6X16-A2L	螺丝钉 SCREW	1	GBT819.1-M6X16-A2L
7	0.020.3200.0	手柄球 KNOB	1	0.020.3200.0
8	0.020.3149.0	把手 HANDLE	1	0.020.3149.0
9	0.020.3757.0	手柄球 KNOB	3	0.020.3757.0
10	A31.45.010.4/20	液压缸控制 CONTROL FOR	1	A31.45.010.4/20
11	GBT5783-M6X16-A2L	螺栓 BOLT	10	GBT5783-M6X16-A2L
12	A68.45.066.0/10	板 SPOOL VALVE PLATE	4	A68.45.066.0/10
13	GBT70.1-M5X20-A2L	螺栓 BOLT	8	GBT70.1-M5X20-A2L
14	2.1410.004.2	挡圈 CIRCLIP	2	2.1410.004.2
15	2.2841.071.0	滑动轴承16x18x12 SLINDING	2	2.2841.071.0
16	A31.45.019.0	板 PLATE	1	A31.45.019.0
17	A31.45.020.4	转轴 LIFT CONTROL BOWDEN	1	A31.45.020.4
18	A31.45.021.2/10	提升器控制杆 LIFT CONTROL ARM	1	A31.45.021.2/10
19	A31.45.022.2	提升器控制轴 LIFT CONTROL SHAFT	1	A31.45.022.2

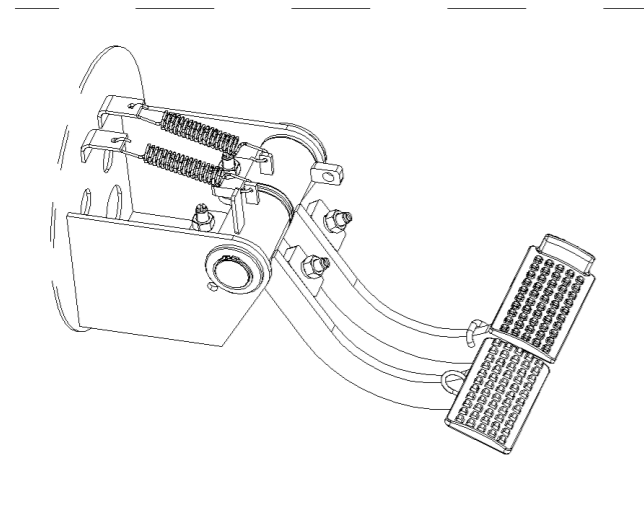


A31.45.909.4 BRAKE COMMAND ASS.Y

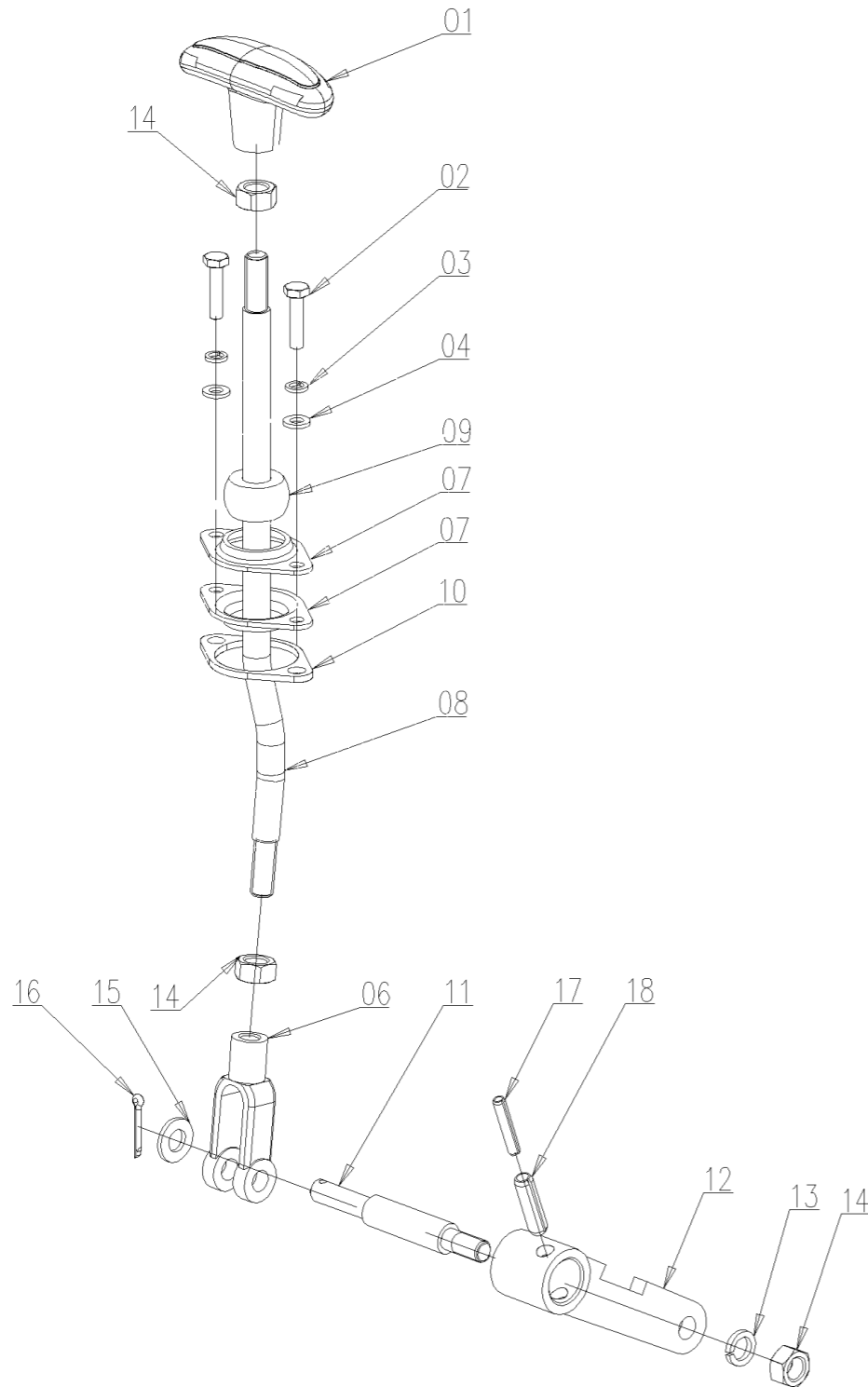
A31.45.909.4_2 制动踏板操纵总成 PEDAL ASS.LY FOR BRAKE



序号	零件编号	零件名称	数量	图号
1	SH900.43.181	套筒 SLEEVE	5	SH900.43.181
2	SH900.43.040	右制动踏板焊合件 RIGHT BRAKE	1	SH900.43.040
3	SH900.43.166	套303560 BRAKE PEDAL SHAFT	2	SH900.43.166
4	SH900.43.041	左制动踏板焊合件 LEFT BRAKE	1	SH900.43.041
5	SH900.43.016	制动踏板轴焊合件 BRAKE PEDAL	1	SH900.43.016
6	GBT894.1-30	弹性挡圈 CIRCLIP	1	GBT894.1-30
7	SH900.43.030	调整螺钉合件 ADJUSTING SCREW	2	SH900.43.030
8	GBT6170-M10-A3L	螺母 NUT	4	GBT6170-M10-A3L
9	SH900.43.103	调整螺钉 ADJUSTING SCREW	2	SH900.43.103
10	GBT93-10-A3L	垫圈 WASHER	2	GBT93-10-A3L
11	SH900.43.011	联锁杆焊件 INTERLOCKING ROD	1	SH900.43.011
12	GBT879.1-5X18	销 PIN	1	GBT879.1-5X18
13	SH900.56.105	锁销 SPRING LOCKING PIN	1	SH900.56.105
14	GBT6170-M8-A2L	螺母 NUT	1	GBT6170-M8-A2L
15	GBT93-8-A3L	垫圈 WASHER	1	GBT93-8-A3L
16	GBT5783-M8X20-A2L	螺栓 BOLT	1	GBT5783-M8X20-A2L
17	SH900.21.101	副离合回位弹簧 AUXILIARY CLUTCH	2	SH900.21.101



A31.45.910.4 CREEPER COMMAND ASS'Y



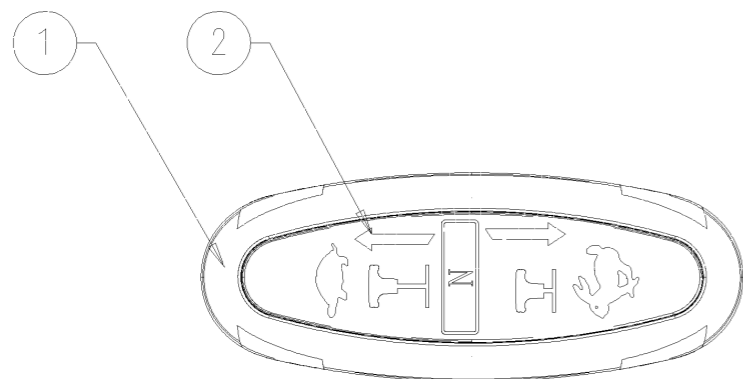
A31.45.910.4_1 爬行档操纵总成CREEPER COMMAND ASS.

序号	零件编号	零件名称	数量	图号
1	A23.45.078.4/10	手柄球 KNOB_CREEPER	1	A23.45.078.4/10
2	GBT5783-M6X25-A2L	螺栓 BOLT	2	GBT5783-M6X25-A2L
3	GBT93-6-A3L	垫圈 WASHER	2	GBT93-6-A3L
4	GBT97.1-6-A3L	垫圈 WASHER	2	GBT97.1-6-A3L
6	SH900.41.102	连接叉 CLEVIS	1	SH900.41.102
7	SH404.42.114	导向套 GUIDE SLEEVE	2	SH404.42.114
8	A31.45.055.0/10	爬行齿轮杆 CRAWLING GEAR ROD	1	A31.45.055.0/10
9	SH404.42.113	导向套 GUIDER SLEEVE	1	SH404.42.113
10	A23.45.001.0	导向套 GUIDE SLEEVE	1	A23.45.001.0
11	A31.45.054.0	杆销 LEVER PIN	1	A31.45.054.0
12	SH900.37.011	杆总成 LEVER ASS.LY	1	SH900.37.011
13	GBT93-10-A3L	垫圈 WASHER	1	GBT93-10-A3L
14	GBT6170-M10-A3L	螺母 NUT	3	GBT6170-M10-A3L
15	GBT97.1-10-A3L	垫圈 WASHER	1	GBT97.1-10-A3L
16	GBT91-3.2X22-A3L	销 PIN	1	GBT91-3.2X22-A3L
17	GBT879.1-5X30	销 PIN	1	GBT879.1-5X30
18	GBT879.1-8X30	销 PIN	1	GBT879.1-8X30

A23.45.078.4/10 KNOB_CREEPER

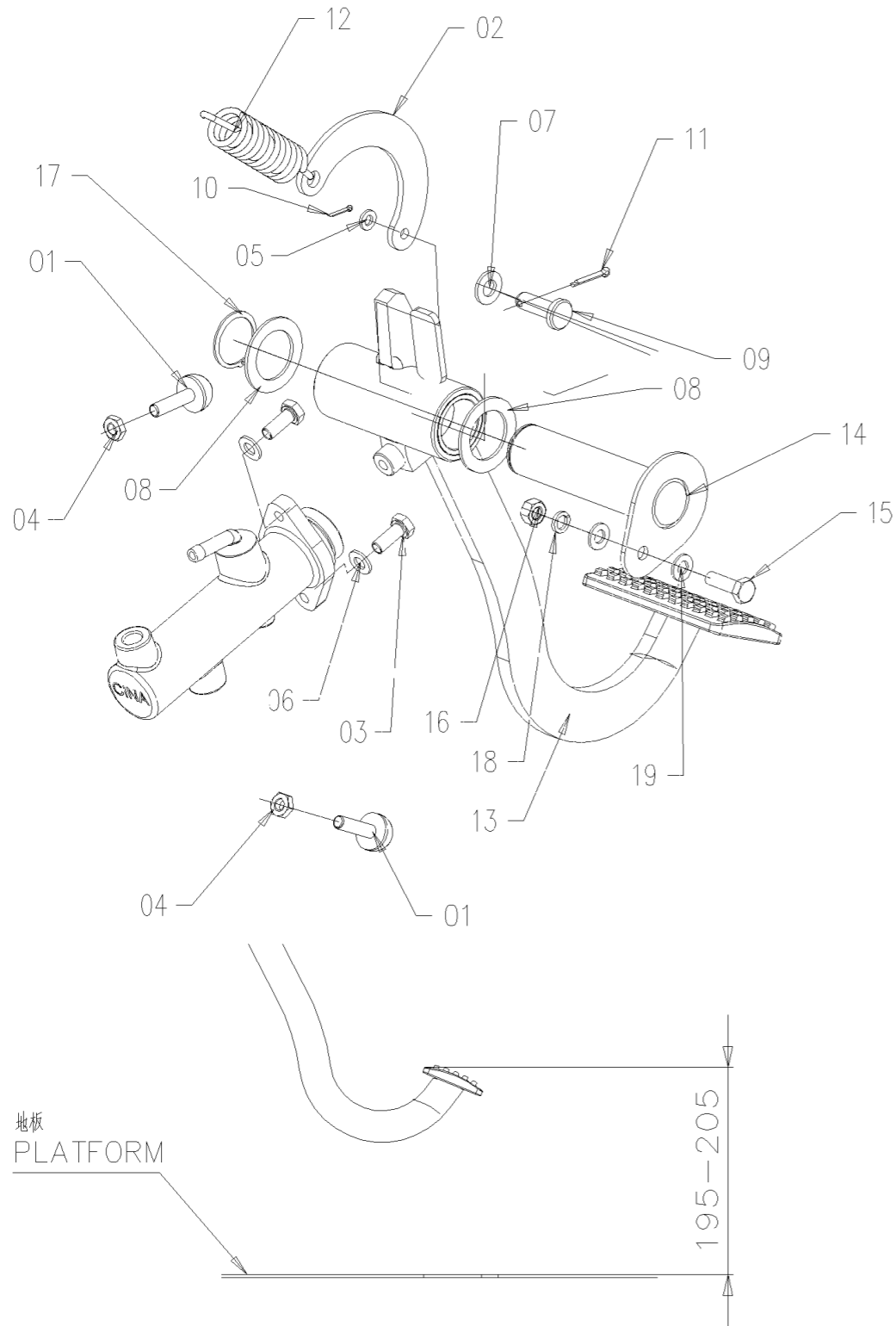
A23.45.078.4/10 手柄球Handle ball

序号	零件编号	零件名称	数量	图号
1	A23.45.075.2/10	手柄球 KNOB	1	A23.45.075.2/10
2	A23.45.079.0/10	爬行档标识 LABEL_CREEPER	1	A23.45.079.0/10



A31.45.912.4 MAIN CLUTCH COMMAND ASS.Y

A31.45.912.4_2 主离合操纵总成 CLUTCH COMMAND REFERENCE P2H



序号	零件编号	零件名称	数量	图号
1	0.020.5363.2	锁紧螺栓 LOCK	2	0.020.5363.2
2	0.020.5400.0	板 PLATE	1	0.020.5400.0
3	2.0114.207.2	螺丝钉 SCREW M8x20	2	2.0114.207.2
4	2.1011.205.2	螺母 M8X1.25 NUT M8x1.25	2	2.1011.205.2
5	2.1310.002.2	垫圈 WASHER	1	2.1310.002.2
6	2.1310.004.2	垫圈 WASHER	2	2.1310.004.2
7	2.1310.006.3	垫圈 WASHER	1	2.1310.006.3
8	2.1599.268.0	垫圈 WASHER(PA)	2	2.1599.268.0
9	2.1671.408.2	销轴 10x30 CLEVIS PINS WITH HEAD	1	2.1671.408.2
10	2.1690.205.2	销 PIN	1	2.1690.205.2
11	2.1690.308.2	销 PIN	1	2.1690.308.2
12	2.4049.093.2	弹簧 SPRING	1	2.4049.093.2
13	A31.45.028.4/10	离合踏板 CLUTCH PEDAL ASS.Y	1	A31.45.028.4/10
14	A31.45.031.3	离合器踏板轴 CLUTCH PEDAL SHAFT	1	A31.45.031.3
15	GBT5783-M8X25-A2L	螺栓 BOLT	1	GBT5783-M8X25-A2L
16	GBT6170-M8-A2L	螺母 NUT	1	GBT6170-M8-A2L
17	GBT894.1-30	弹性挡圈 CIRCLIP	1	GBT894.1-30
18	GBT93-8-A3L	垫圈 WASHER	1	GBT93-8-A3L
19	GBT97.1-8-A3L	垫圈 WASHER	2	GBT97.1-8-A3L

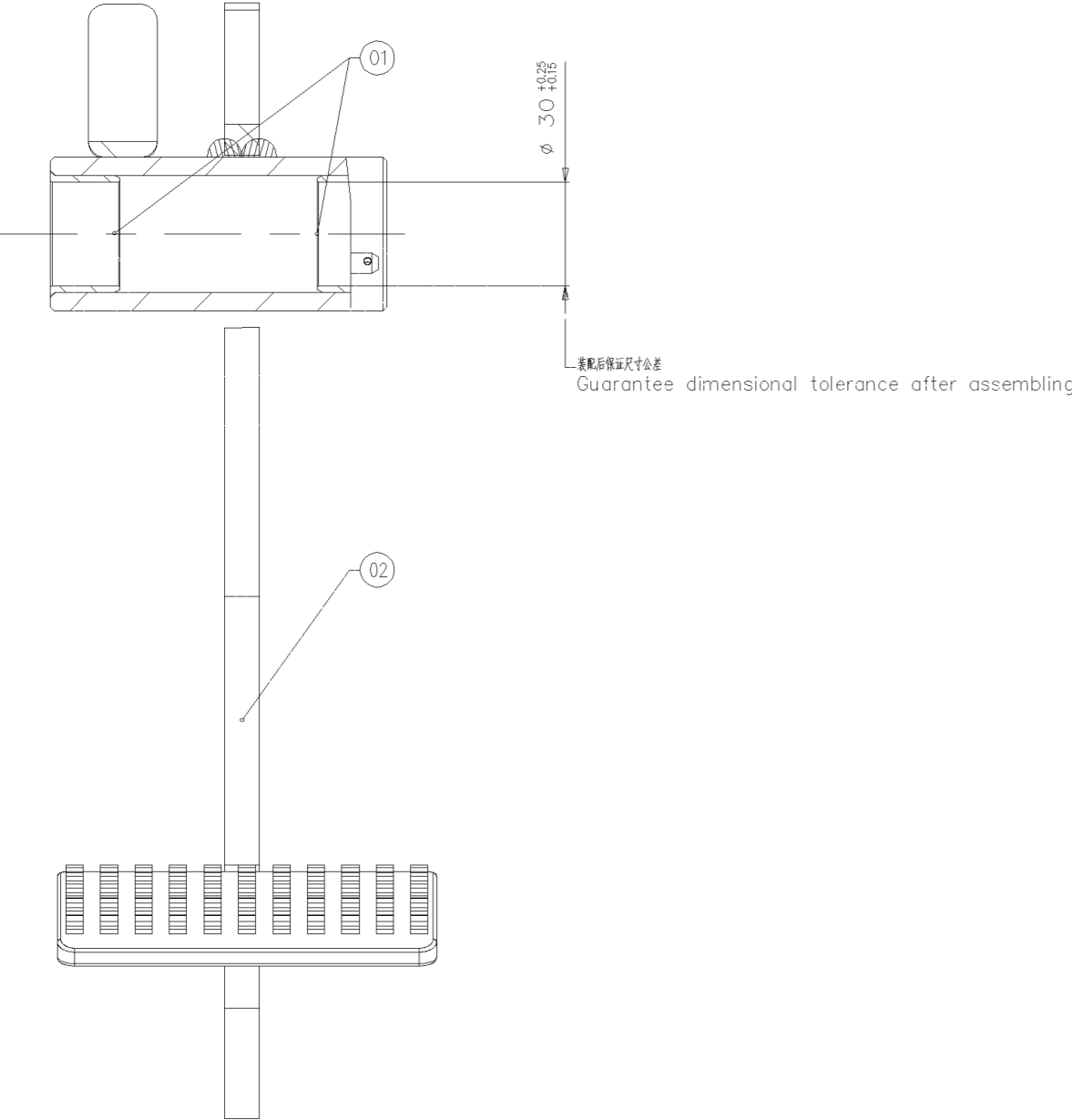
地板
PLATFORM

195-205

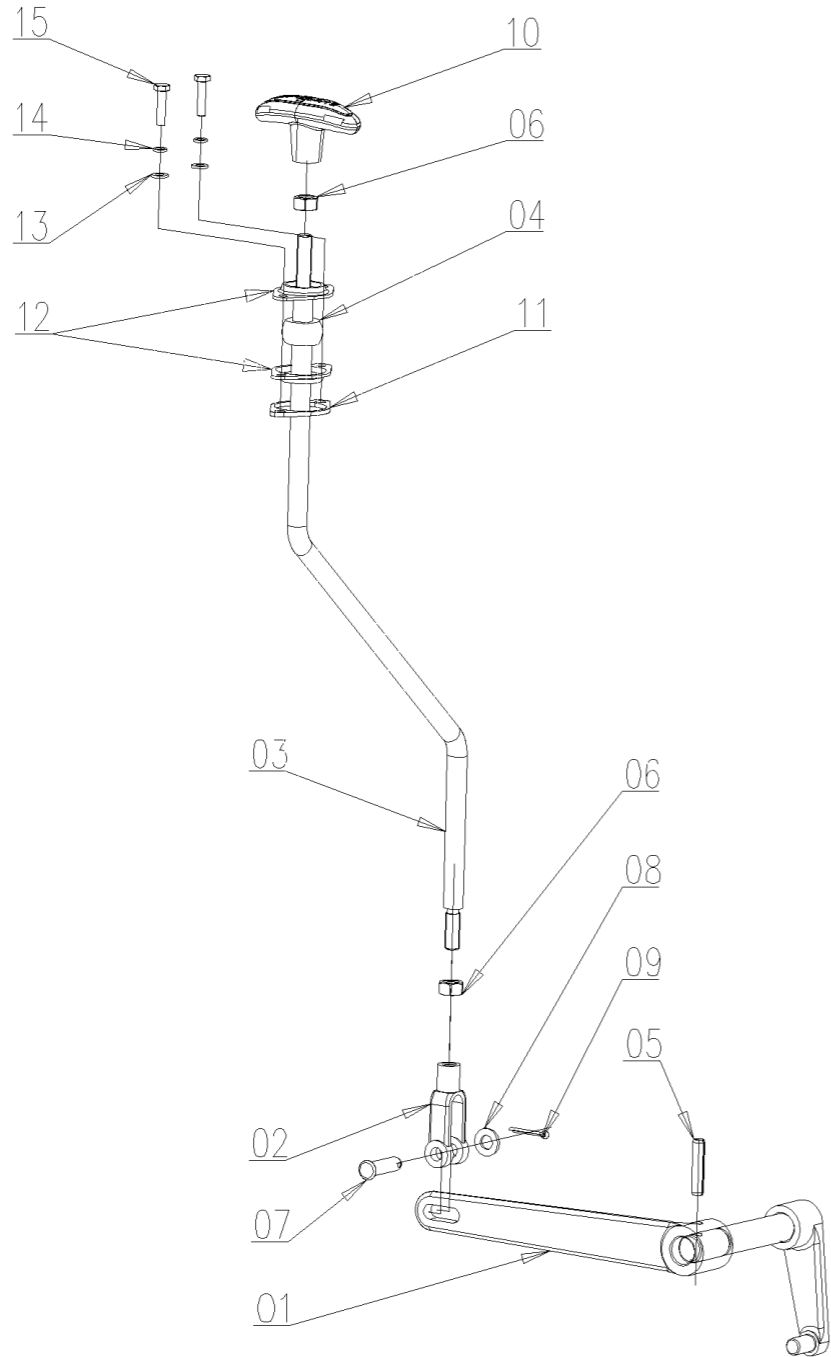
A31.45.028.4/10 离合踏板Clutch pedal

序号	零件编号	零件名称	数量	图号
1	2.1559.117.0/20	衬套 bushing	2	2.1559.117.0/20
2	A31.45.029.3/10	离合踏板 CLUTCH PEDAL	1	A31.45.029.3/10

A31.45.028.4/10 CLUTCH PEDAL ASS.Y



A31.45.913.4 PTO COMMAND ASS.Y



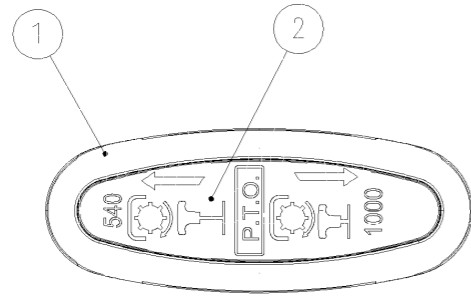
A31.45.913.4_2 动力输出操纵总成 (PTO 540/1000 rpm) PTO COMMAND ASSEMBLY(540/1000)

序号	零件编号	零件名称	数量	图号
1	LE1204.41.101-1	动力输出外摇臂 PTO OUTER ROCKER	1	LE1204.41.101-1
2	SH900.41.102	连接叉 CLEVIS	1	SH900.41.102
3	LE1204.41.122	动力输出操纵杆 POWER OUT	1	LE1204.41.122
4	LE1204.45.107	导向套 GUIDE SLEEVE	1	LE1204.45.107
5	GBT879.1-8X40	销 PIN	1	GBT879.1-8X40
6	GBT6170-M10-A3L	螺母 NUT	2	GBT6170-M10-A3L
7	GBT882-B10X35-A3L	销 PIN	1	GBT882-B10X35-A3L
8	GBT97.1-10-A3L	垫圈 WASHER	1	GBT97.1-10-A3L
9	GBT91-3.2X25-A3L	销 PIN	1	GBT91-3.2X25-A3L
10	A23.45.092.4/10	速度标牌(540/1000) P.T.O SPEED	1	A23.45.092.4/10
11	A23.45.001.0	导向套 GUIDE SLEEVE	1	A23.45.001.0
12	SH404.42.114	导向套 GUIDE SLEEVE	2	SH404.42.114
13	GBT97.1-6-A3L	垫圈 WASHER	2	GBT97.1-6-A3L
14	GBT93-6-A3L	垫圈 WASHER	2	GBT93-6-A3L
15	GBT5783-M6X25-A2L	螺栓 BOLT	2	GBT5783-M6X25-A2L

A23.45.092.4/10 P.T.O SPEED _540_1000

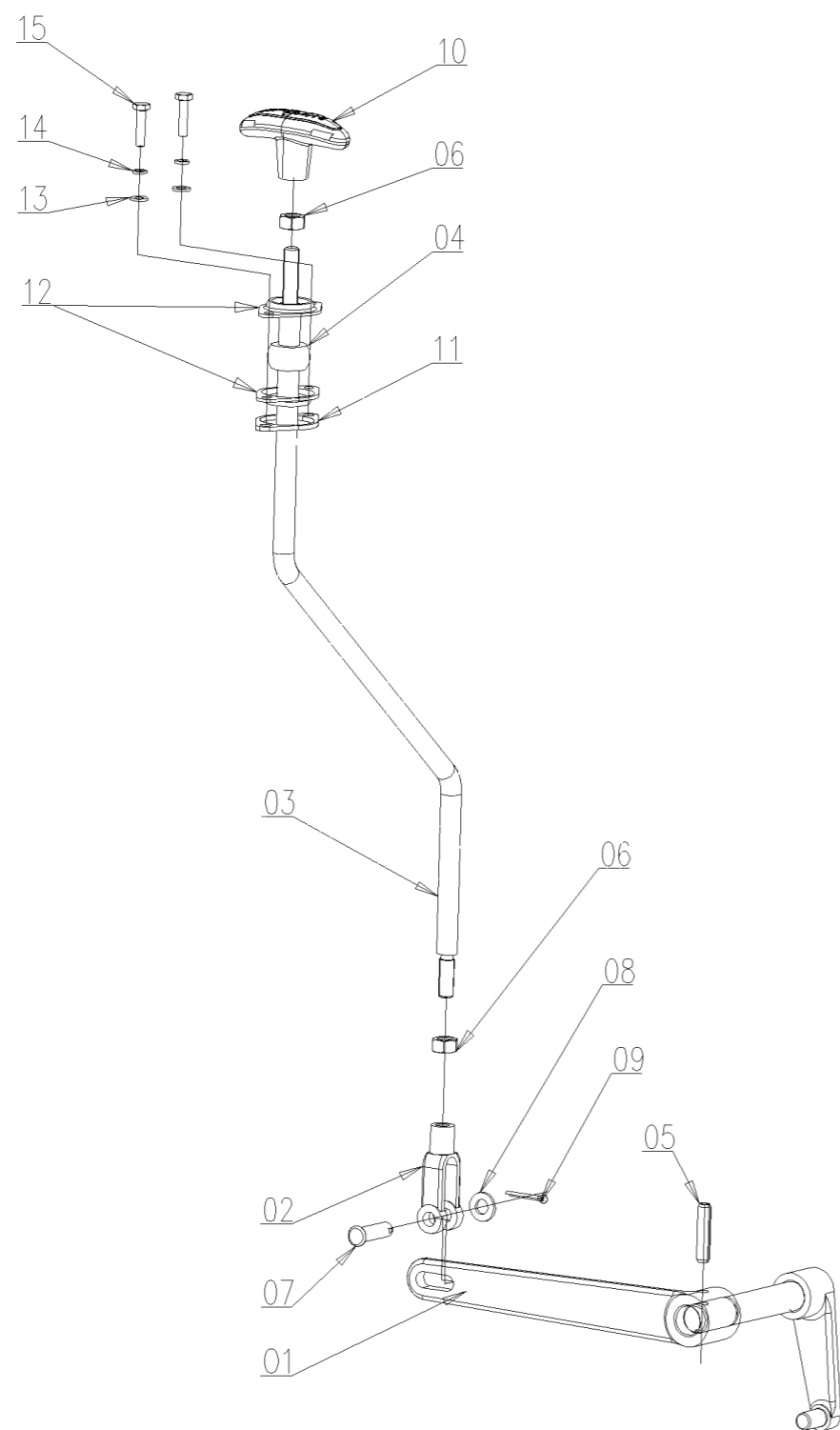
A23.45.092.4/10 速度标牌(540/1000)Speed sign (540/1000)

序号	零件编号	零件名称	数量	图号
1	A23.45.075.2/10	手柄球 KNOB	1	A23.45.075.2/10
2	A23.45.090.0/10	标识_PTO(540/1000)	1	A23.45.090.0/10



A31.45.914.4 PTO COMMAND ASS.Y

A31.45.914.4_2 动力输出操纵总成 (PTO 760/850 rpm) PTO COMMAND ASSEMBLY(760/850)

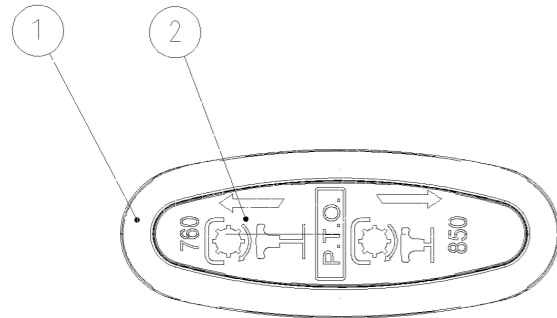


序号	零件编号	零件名称	数量	图号
1	LE1204.41.101-1	动力输出外摇臂 PTO OUTER ROCKER	1	LE1204.41.101-1
2	SH900.41.102	连接叉 CLEVIS	1	SH900.41.102
3	LE1204.41.122	动力输出操纵杆 POWER OUT	1	LE1204.41.122
4	LE1204.45.107	导向套 GUIDE SLEEVE	1	LE1204.45.107
5	GBT879.1-8X40	销 PIN	1	GBT879.1-8X40
6	GBT6170-M10-A3L	螺母 NUT	2	GBT6170-M10-A3L
7	GBT882-B10X35-A3L	销 PIN	1	GBT882-B10X35-A3L
8	GBT97.1-10-A3L	垫圈 WASHER	1	GBT97.1-10-A3L
9	GBT91-3.2X25-A3L	销 PIN	1	GBT91-3.2X25-A3L
10	A23.45.091.4/10	速度标牌 (760/850) P.T.O SPEED	1	A23.45.091.4/10
11	A23.45.001.0	导向套 GUIDE SLEEVE	1	A23.45.001.0
12	SH404.42.114	导向套 GUIDE SLEEVE	2	SH404.42.114
13	GBT97.1-6-A3L	垫圈 WASHER	2	GBT97.1-6-A3L
14	GBT93-6-A3L	垫圈 WASHER	2	GBT93-6-A3L
15	GBT5783-M6X25-A2L	螺栓 BOLT	2	GBT5783-M6X25-A2L

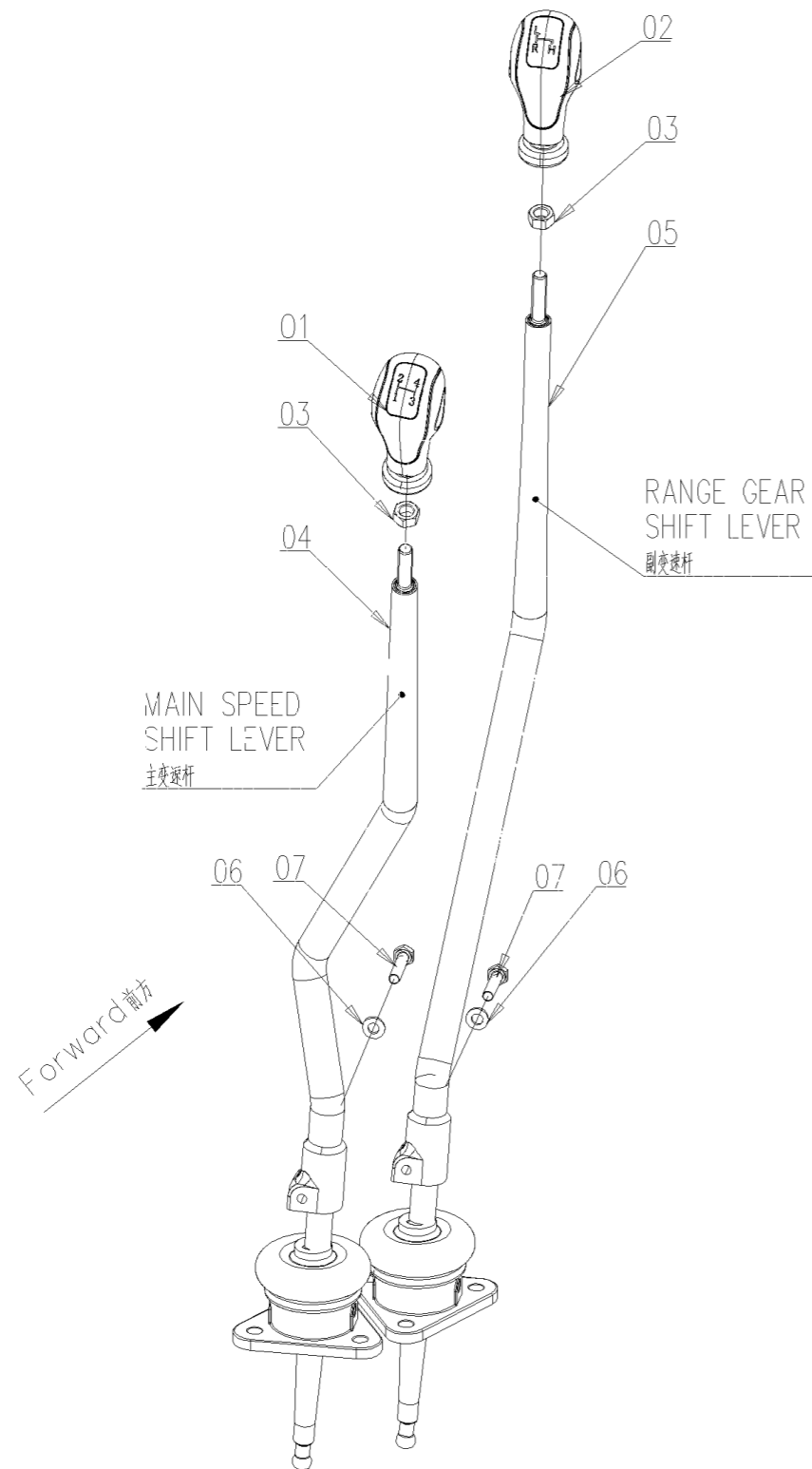
A23. 45. 091. 4/10 P. T. O SPEED _760_850

A23.45.091.4/10 速度标牌 (760/850)Speed sign (760/850)

序号	零件编号	零件名称	数量	图号
1	A23.45.075.2/10	手柄球 KNOB	1	A23.45.075.2/10
2	A23.45.085.0/10	标识_PTO(760/850)	1	A23.45.085.0/10



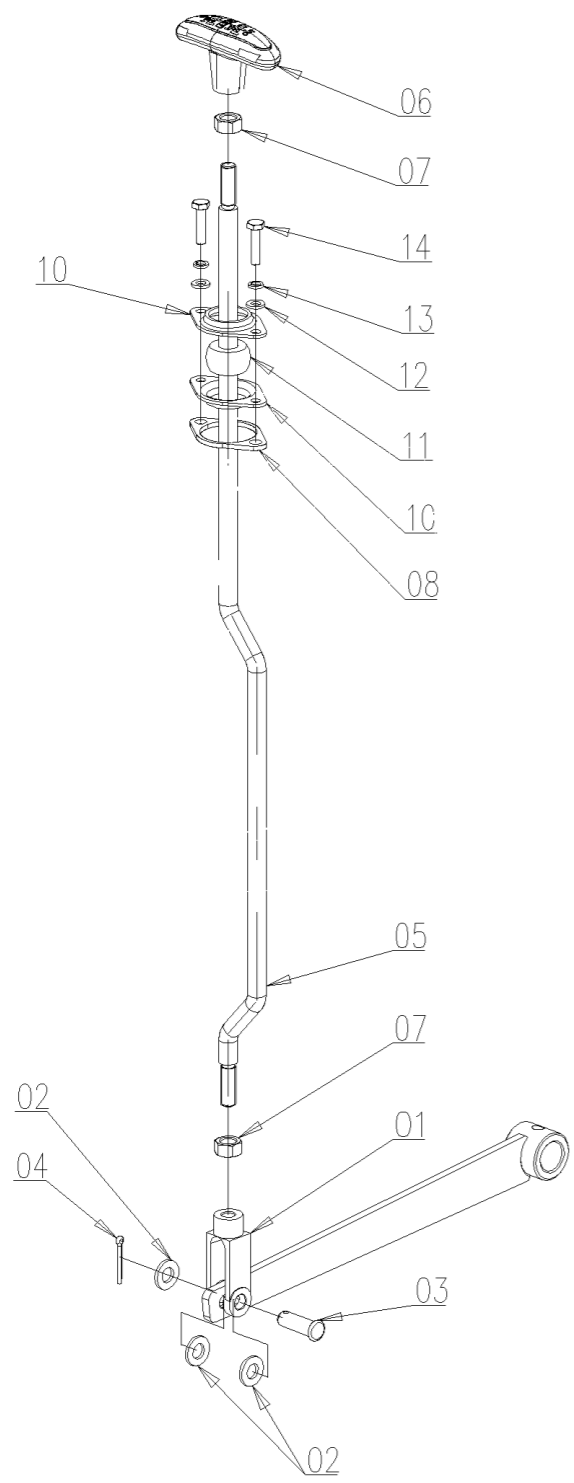
A31.45.917.4 SHIFT LEVEL ASS.Y



A31.45.917.4_3 换挡操纵总成 SPEED SHIFT LEVER ASS.LY

序号	零件编号	零件名称	数量	图号
1	A31.45.009.3/10	手柄球 KNOB_GEAR SHIFT	1	A31.45.009.3/10
2	A31.45.010.3/10	手柄球 KNOB_RANGE SHIFT	1	A31.45.010.3/10
3	GBT6170-M10-A3L	螺母 NUT	2	GBT6170-M10-A3L
4	C35.45.001.2	主变速杆 MAIN SPEED SHIFT LEVER	1	C35.45.001.2
5	C35.45.002.2	副变速杆 RANGE GEAR SHIFT LEVER	1	C35.45.002.2
6	GBT97.1-8-A3L	垫圈 WASHER	2	GBT97.1-8-A3L
7	GBT5783-M8X35-A2L	螺栓 BOLT	2	GBT5783-M8X35-A2L

A31.45.918.4 4WD ENGAGEMENT CONTROL ASS.Y

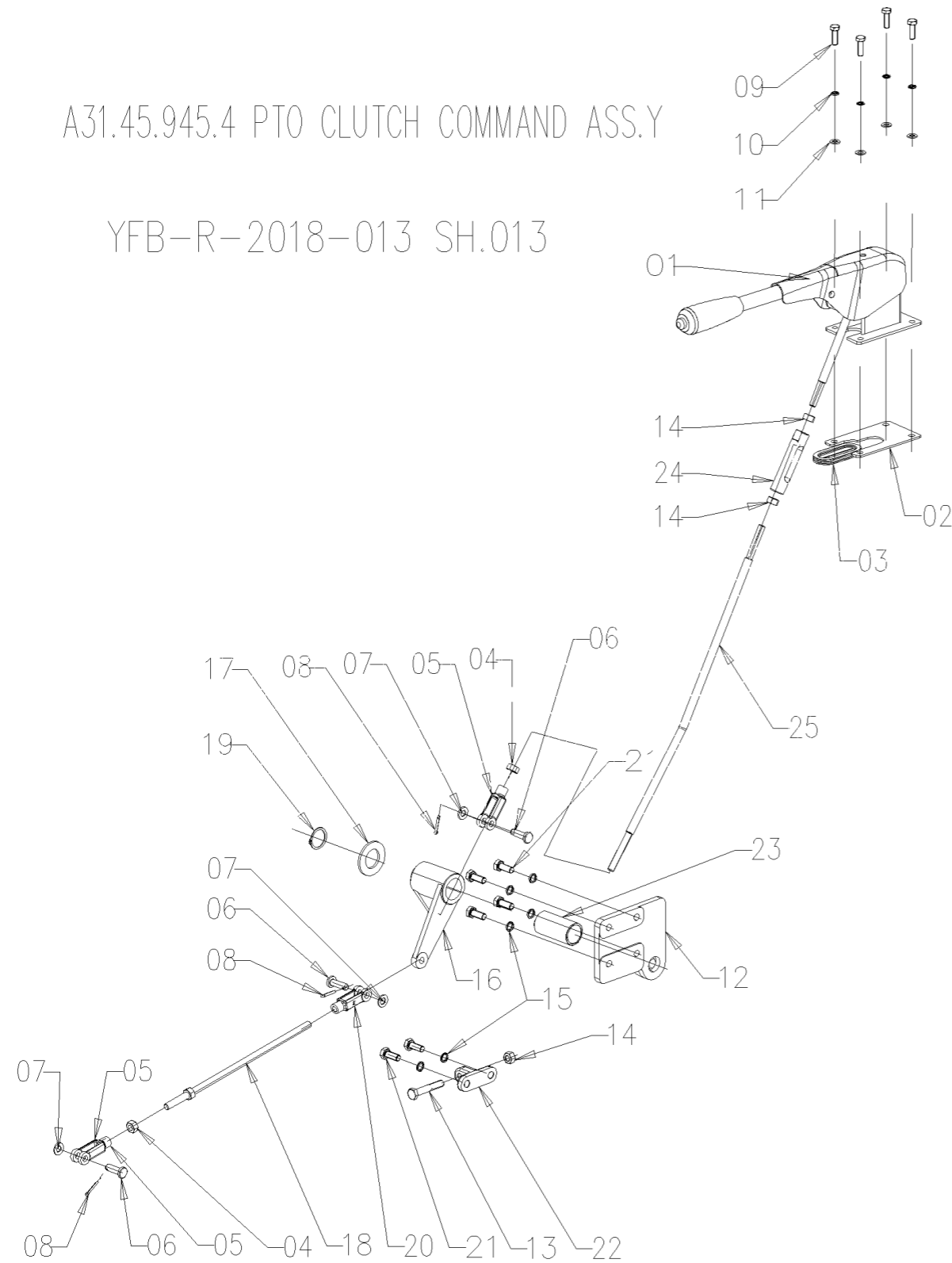


A31.45.918.4_1 四驱操纵总成CONTROL FOR 4WD

序号	零件编号	零件名称	数量	图号
1	SH904.42.126	连接叉 CLEVIS	1	SH904.42.126
2	GBT97.1-10-A3L	垫圈 WASHER	3	GBT97.1-10-A3L
3	GBT882-B10X30-A3L	销 PIN	1	GBT882-B10X30-A3L
4	GBT91-3.2X25-A3L	销 PIN	1	GBT91-3.2X25-A3L
5	A31.45.020.0	四轮驱动操作杆 4WD OPERATE ROD	1	A31.45.020.0
6	A23.45.076.4/10	手柄套 4.W.D HANDLE COVER	1	A23.45.076.4/10
7	GBT6170-M10-A3L	螺母 NUT	2	GBT6170-M10-A3L
8	A23.45.001.0	导向套 GUIDE SLEEVE	1	A23.45.001.0
10	SH404.42.114	导向套 GUIDE SLEEVE	2	SH404.42.114
11	SH404.42.113	导向套 GUIDER SLEEVE	1	SH404.42.113
12	GBT97.1-6-A3L	垫圈 WASHER	2	GBT97.1-6-A3L
13	GBT93-6-A3L	垫圈 WASHER	2	GBT93-6-A3L
14	GBT5783-M6X25-A2L	螺栓 BOLT	2	GBT5783-M6X25-A2L

A31.45.945.4 PTO CLUTCH COMMAND ASS.Y

YFB-R-2018-013 SH.013



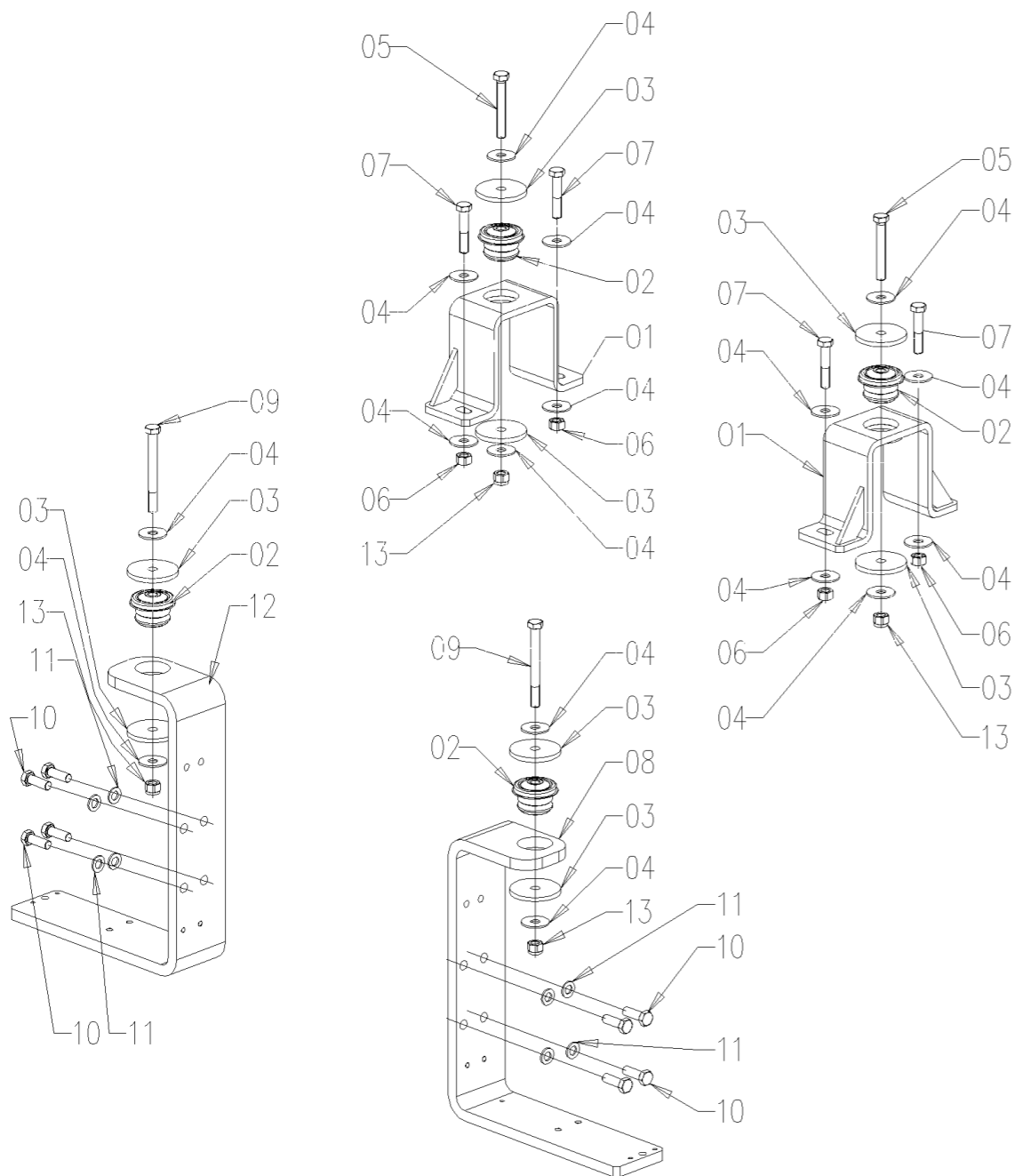
A31.45.945.4_2 副离合器操纵总成DEPUTY CLUTCH

序号	零件编号	零件名称	数量	图号
1	A31.45.052.4/20	副离合器 DEPUTY CLUTH	1	A31.45.052.4/20
2	A23.45.002.0	垫圈 GASKET	1	A23.45.002.0
3	A23.45.050.0	垫圈 GASKET	1	A23.45.050.0
4	GBT6171-M10X1-A2L	螺母 NUT	2	GBT6171-M10X1-A2L
5	SH900.21.117	拨叉 FORK	2	SH900.21.117
6	GBT882-B10X32-A3L	销 PIN	3	GBT882-B10X32-A3L
7	GBT97.1-10-A3L	垫圈 WASHER	3	GBT97.1-10-A3L
8	GBT91-3.2X20-A3L	销 PIN	3	GBT91-3.2X20-A3L
9	GBT5783-M8X35-A2L	螺栓 BOLT	4	GBT5783-M8X35-A2L
10	GBT93-8-A3L	垫圈 WASHER	4	GBT93-8-A3L
11	GBT97.1-8-A3L	垫圈 WASHER	4	GBT97.1-8-A3L
12	SH900.21.016	托臂式支架 BRACKET ASS.LY	1	SH900.21.016
13	GBT5782-M10X60-A3L	螺栓 BOLT	1	GBT5782-M10X60-A3L
14	GBT6170-M10-A3L	螺母 NUT	3	GBT6170-M10-A3L
15	GBT93-10-A3L	垫圈 WASHER	6	GBT93-10-A3L
16	SH900.21.119	杆 LEVER	1	SH900.21.119
17	SH900.21.118	摩擦垫圈 FRICTION WASHER	1	SH900.21.118
18	SH900.21.020	横拉杆 TIE ROD	1	SH900.21.020
19	GBT894.1-30	弹性挡圈 CIRCLIP	1	GBT894.1-30
20	SH900.21.115	拨叉 FORK	1	SH900.21.115
21	GBT5783-M10X25-A3L	螺栓 BOLT	6	GBT5783-M10X25-A3L
22	SH900.21.116	限位座 LIMITING SEAT	1	SH900.21.116
23	SH900.21.120	套管 BUSHING	1	SH900.21.120
24	SH900.43.145	手制动调节管 SPECIAL FORK	1	SH900.43.145
25	A31.45.072.0	下拉杆 BELOW LEVER	1	A31.45.072.0

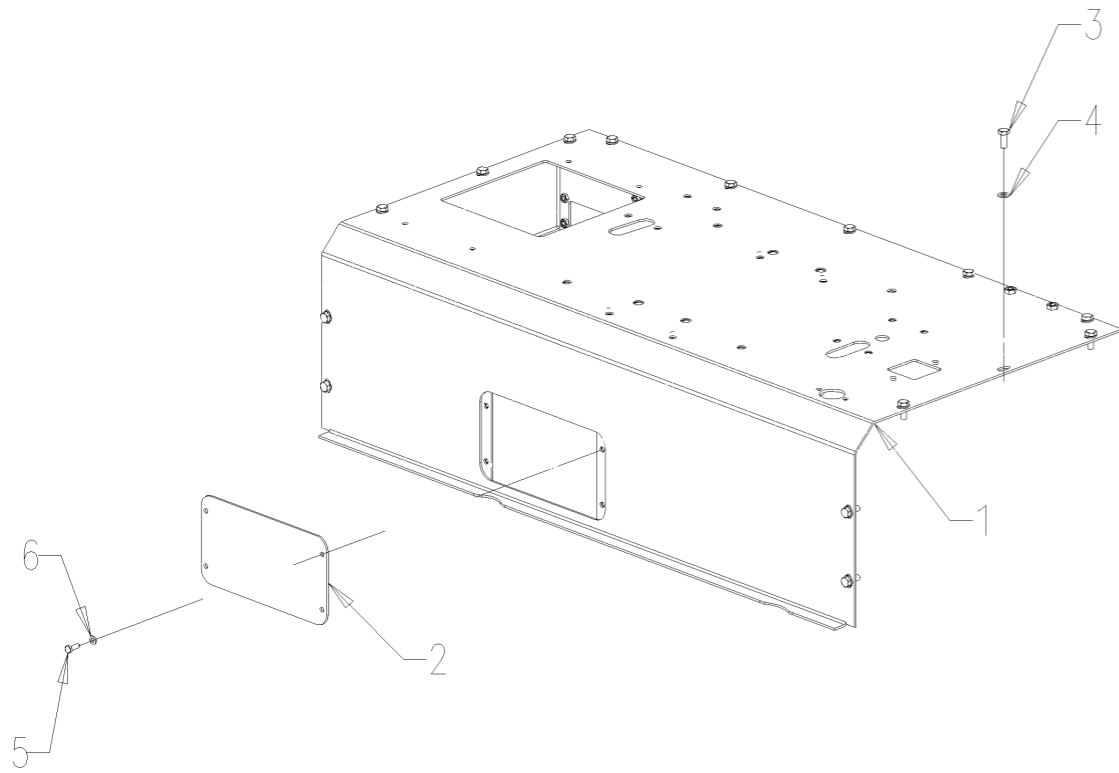
A31.45.960.4 CABIN SUPPORT

A31.45.960.4_1 驾驶室支撑座总成CABIN SUPPORT

序号	零件编号	零件名称	数量	图号
1	LE1204.45.015A	机舱后方支承 CABIN REAR SUPPORT	2	LE1204.45.015A
2	LD700.47.031	阻尼块 DAMPING BLOCK	4	LD700.47.031
3	CD1204.45.120	垫圈 WASHER	8	CD1204.45.120
4	GBT96-16-A3L	大垫圈 BIG WASHER	16	GBT96-16-A3L
5	GBT5782-M16X110-A3L	螺栓 BOLT	2	GBT5782-M16X110-A3L
6	GBT6170-M16-A3L	螺母 NUT	4	GBT6170-M16-A3L
7	GBT5782-M16X80-A3L	螺栓 BOLT	4	GBT5782-M16X80-A3L
8	A31.45.049.0	前支撑 FRONT SUPPORT (LH)	1	A31.45.049.0
9	GBT5782-M16X150-A3L	螺栓 BOLT	2	GBT5782-M16X150-A3L
10	GBT5783-M16X45-10.9-	螺栓 BOLT	8	GBT5783-M16X45-10.9-A3L
11	GBT97.1-16-A3L	垫圈 WASHER	8	GBT97.1-16-A3L
12	A31.45.050.0	前支撑 FRONT SUPPORT (RH)	1	A31.45.050.0
13	GBT889.1-M16-A3L	螺母 NUT	4	GBT889.1-M16-A3L



A31.45.972.4 REAR FLOOR COVER



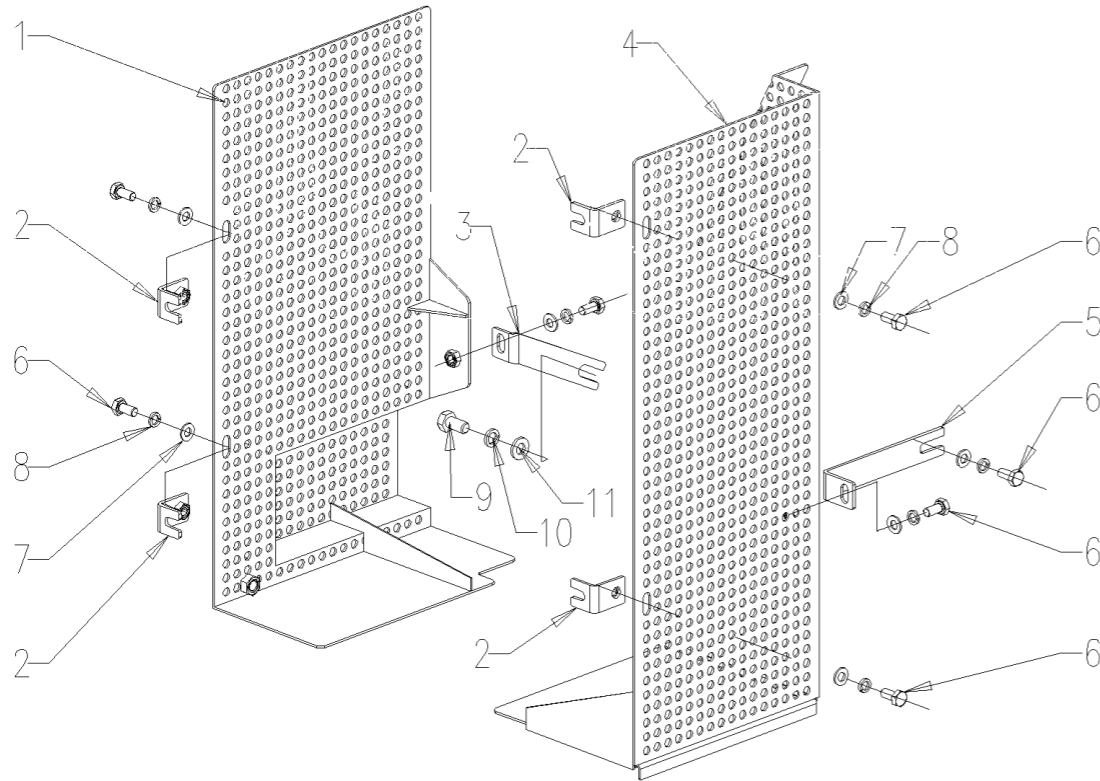
A31.45.972.4_2 后地板总成 (驾驶室) REAR FLOOR COVER(CAB)

序号	零件编号	零件名称	数量	图号
1	A31.45.051.3/40	后地板 REAR FLOOR	1	A31.45.051.3/40
2	CD904A.45A.107	板 PLATE	1	CD904A.45A.107
3	GBT5783-M8X20-A2L	螺栓 BOLT	15	GBT5783-M8X20-A2L
4	GBT97.1-8-A3L	垫圈 WASHER	15	GBT97.1-8-A3L
5	GBT5783-M6X16-A2L	螺栓 BOLT	4	GBT5783-M6X16-A2L
6	GBT97.1-6-A3L	垫圈 WASHER	4	GBT97.1-6-A3L

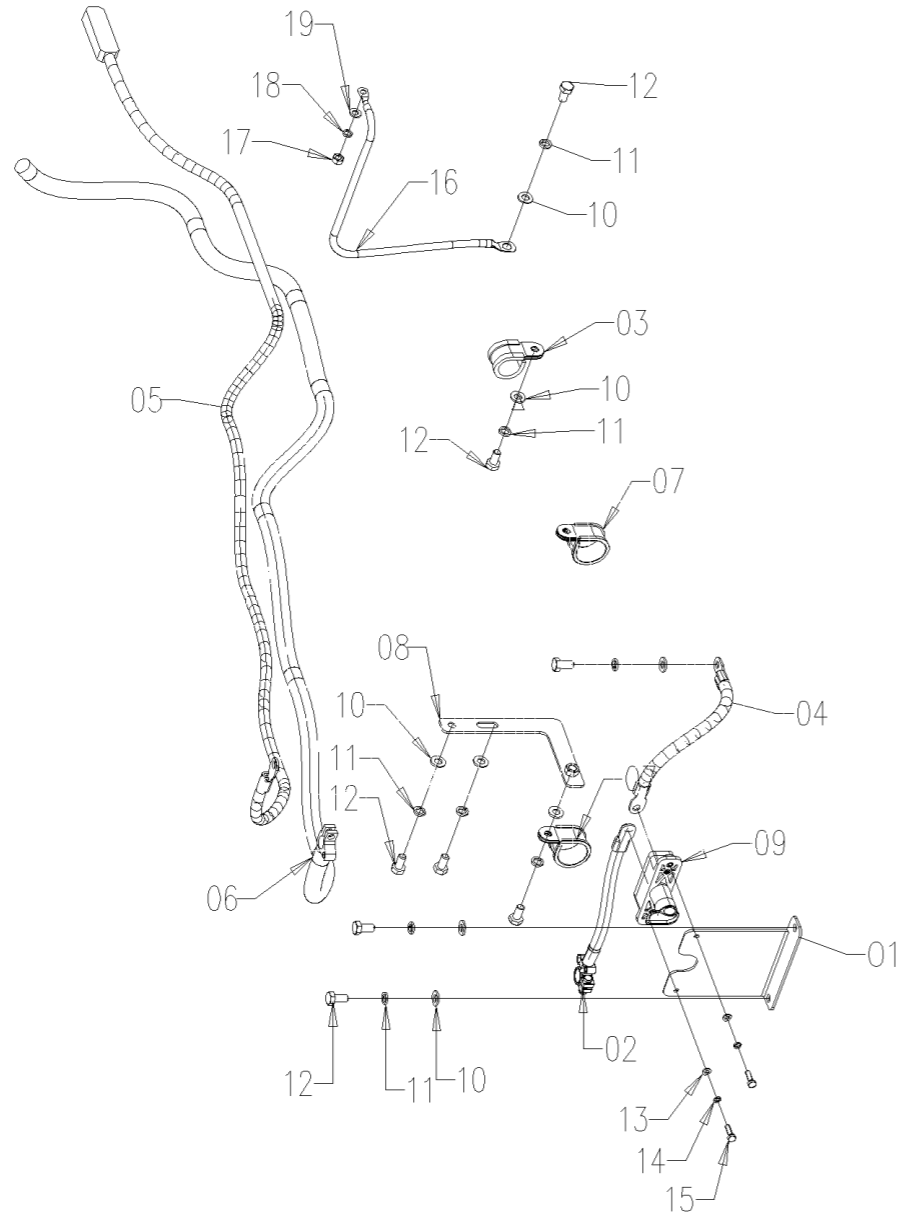
A31.47.901.4 FAN GUARD ASSEMBLY

A31.47.901.4_0 风扇防护总成 FAN GUARD ASSEMBLY

序号	零件编号	零件名称	数量	图号
1	A31.47.002.2/10	风扇右护板 FAN RIGHT GUARD	1	A31.47.002.2/10
2	A31.47.003.3	前支架 FRONT BRACKET	4	A31.47.003.3
3	A31.47.005.0/10	右后支架 RIGHT REAR BRACKET	1	A31.47.005.0/10
4	A31.47.001.2/10	风扇左护板 FAN LEFT GUARD PLATE	1	A31.47.001.2/10
5	A31.47.004.0/10	左后支架 LEFT REAR BRACKET	1	A31.47.004.0/10
6	GB/T5783-M8X16-A2L	螺栓 BOLT	7	GB/T5783-M8X16-A2L
7	GBT97.1-8-A3L	垫圈 WASHER	7	GBT97.1-8-A3L
8	GBT93-8-A3L	垫圈 WASHER	7	GBT93-8-A3L
9	GBT5783-M10X20-A3L	螺栓 BOLT	1	GBT5783-M10X20-A3L
10	GBT93-10-A3L	垫圈 WASHER	1	GBT93-10-A3L
11	GBT97.1-10-A3L	垫圈 WASHER	1	GBT97.1-10-A3L



A31.48.900.4 POWER W.H. ASS.Y



A31.48.900.4_3 电源线束安装总成 POWER W.H. ASSEMBLY

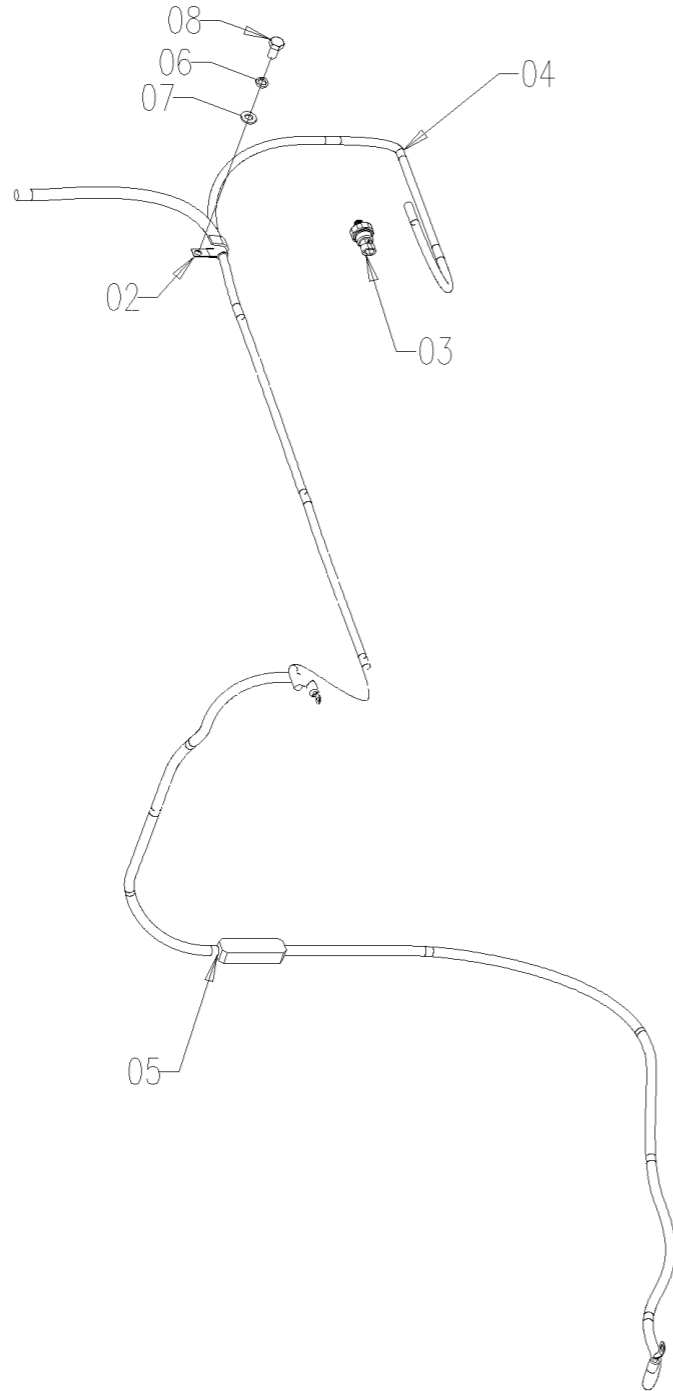
序号	零件编号	零件名称	数量	图号
1	A31.48.026.0	电源支架 POWER SW. BRACKET	1	A31.48.026.0
2	A31.48.027.0	负电源线束 POWER NEGATIVE SW.	1	A31.48.027.0
3	2.6839.057.0	夹子 FASCETTA	1	2.6839.057.0
4	B29.48.022.4	开关 SWITCH NEGATIVE W.H.	1	B29.48.022.4
5	A31.48.006.0/10	波纹管 BODY POWER WIRING	1	A31.48.006.0/10
6	CD1204A.48.024/10	电源线束总成 POWER WIRING	1	CD1204A.48.024/10
7	2.6839.060.0	夹子 FASCETTA	2	2.6839.060.0
8	A31.48.005.3/10	支架 W.H. BRACKET	1	A31.48.005.3/10
9	CD554.48.030	电源开关 MAINS SWITCH	1	CD554.48.030
10	GBT97.1-10-A3L	垫圈 WASHER	8	GBT97.1-10-A3L
11	GBT93-10-A3L	垫圈 WASHER	8	GBT93-10-A3L
12	GBT5783-M10X20-A3L	螺栓 BOLT	8	GBT5783-M10X20-A3L
13	GBT97.1-6-A3L	垫圈 WASHER	2	GBT97.1-6-A3L
14	GBT93-6-A3L	垫圈 WASHER	2	GBT93-6-A3L
15	GBT5783-M6X20-A2L	螺栓 BOLT	2	GBT5783-M6X20-A2L
16	0.020.2413.4	接地连接 CABINE GND WIRING	1	0.020.2413.4
17	GBT6170-M8-A2L	螺母 NUT	1	GBT6170-M8-A2L
18	GBT93-8-A3L	垫圈 WASHER	1	GBT93-8-A3L
19	GBT97.1-8-A3L	垫圈 WASHER	1	GBT97.1-8-A3L

说明/NOTE:

1. 装配接地线前,充分清除接地丝孔端面及孔内的漆锈。

BEFORE ASSEMBLING THE GROUNDING WIRE, REMOVE THE PAINT ON THE SURFACE OF THE THREADED.

A31.48.905.4 ENGINE W.H. ASSE.Y



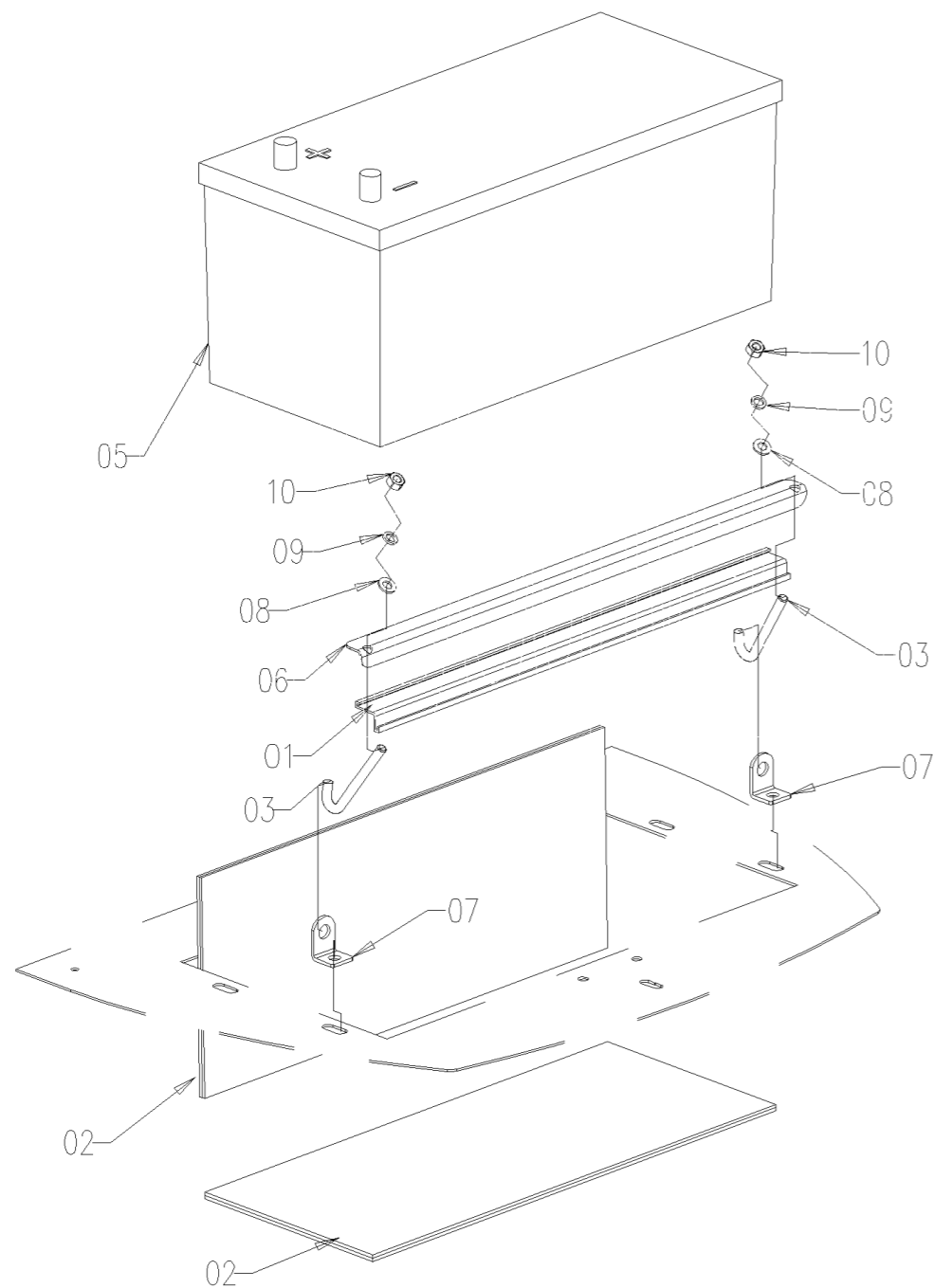
A31.48.905.4_1 发动机线束安装总成ENGINE W.H. ASSEMBLY

序号	零件编号	零件名称	数量	图号
2	SH400.48.112	线卡 CLAMP	1	SH400.48.112
3	A23.48.012.0	空滤堵塞报警开关 AIR FILTER	1	A23.48.012.0
4	A31.48.011.0/10	发动机线束 ENGINE W.H.	1	A31.48.011.0/10
5	A31.48.014.0/10	蓄电池充电线束 BATTERY	1	A31.48.014.0/10
6	GBT93-10-A3L	垫圈 WASHER	1	GBT93-10-A3L
7	GBT97.1-10-A3L	垫圈 WASHER	1	GBT97.1-10-A3L
8	GBT5783-M10X20-A3L	螺栓 BOLT	1	GBT5783-M10X20-A3L

A31.48.906.4 BATTERY ASS.Y

A31.48.906.4_3 蓄电池安装总成 BATTERY ASSEMBLY

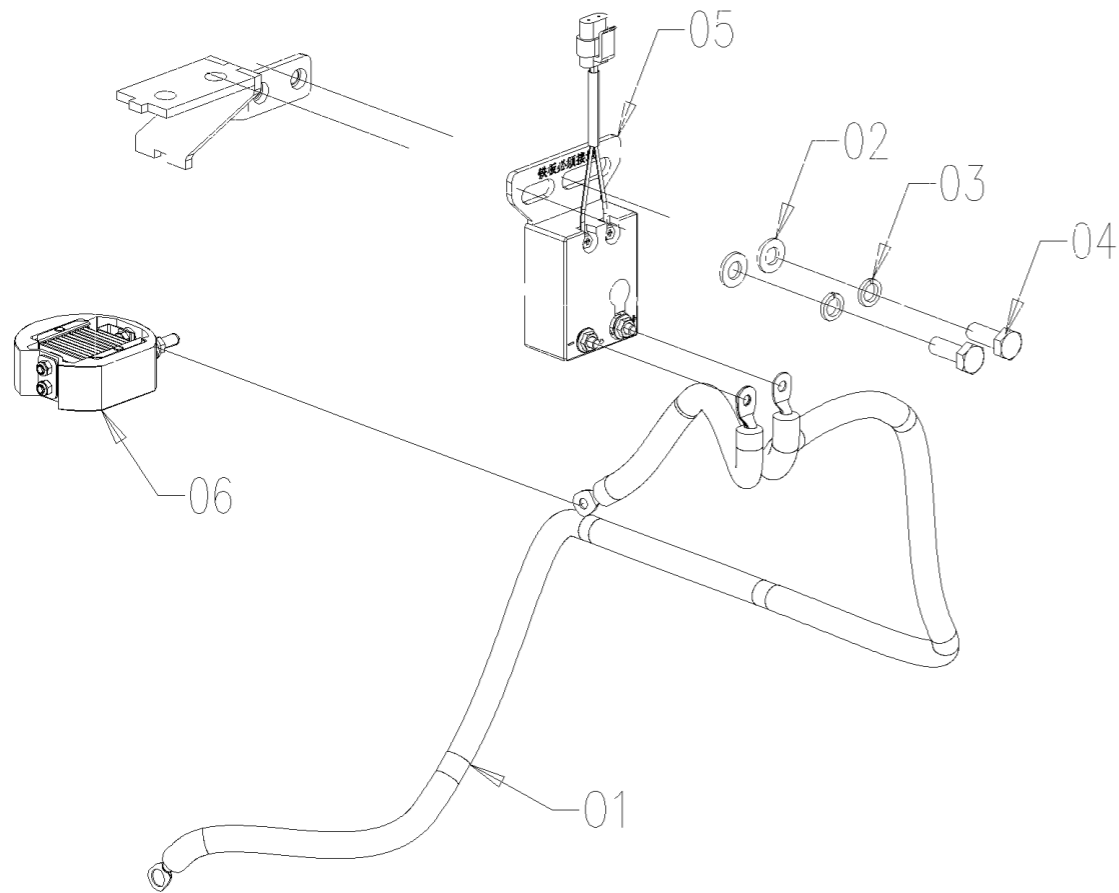
序号	零件编号	零件名称	数量	图号
1	A31.48.025.0	橡胶垫片 RUBBER PAD	1	A31.48.025.0
2	CD1204.48.039	电池垫圈 BATTERY WASHER	2	CD1204.48.039
3	CD1204.48.106-1	电池固定板 BATTERY FIXED PALTE	2	CD1204.48.106-1
5	LE1204.48.029	蓄电池6-QW-150 (巨江鸿雁)	1	LE1204.48.029
6	A31.48.024.0	电池固定板 BATTERY FIXED PLATE	1	A31.48.024.0
7	CD1204.48.111	电瓶拉杆支架 BATTERY BRACKET	2	CD1204.48.111
8	GBT97.1-8-A3L	垫圈 WASHER	2	GBT97.1-8-A3L
9	GBT93-8-A3L	垫圈 WASHER	2	GBT93-8-A3L
10	GBT6170-M8-A2L	螺母 NUT	2	GBT6170-M8-A2L



A31.48.919.4 PREHEATING SYSTEM ASS.Y

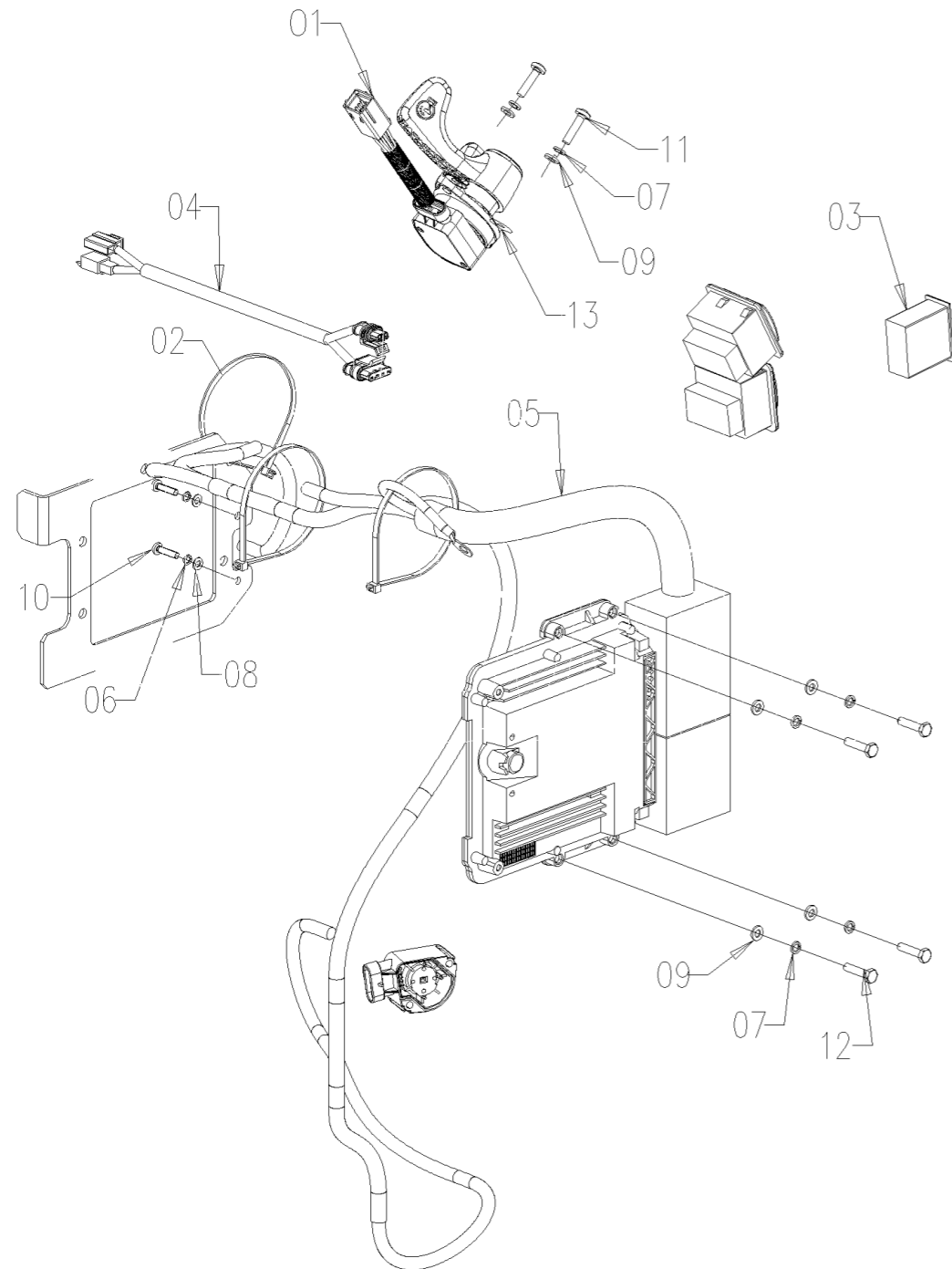
A31.48.919.4_0 发动机预热系统PREHEATING SYSTEM ASSEMBLY

序号	零件编号	零件名称	数量	图号
1	A31.48.010.0	预热线束 PREHEATING W.H.	1	A31.48.010.0
2	GBT97.1-10-A3L	垫圈 WASHER	2	GBT97.1-10-A3L
3	GBT93-10-A3L	垫圈 WASHER	2	GBT93-10-A3L
4	GBT5783-M10X25-A3L	螺栓 BOLT	2	GBT5783-M10X25-A3L
5	A31.48.017.0	预热继电器 PREHEATING RELAY	1	A31.48.017.0
6	A31.48.018.0	加热器 HEATER	1	A31.48.018.0



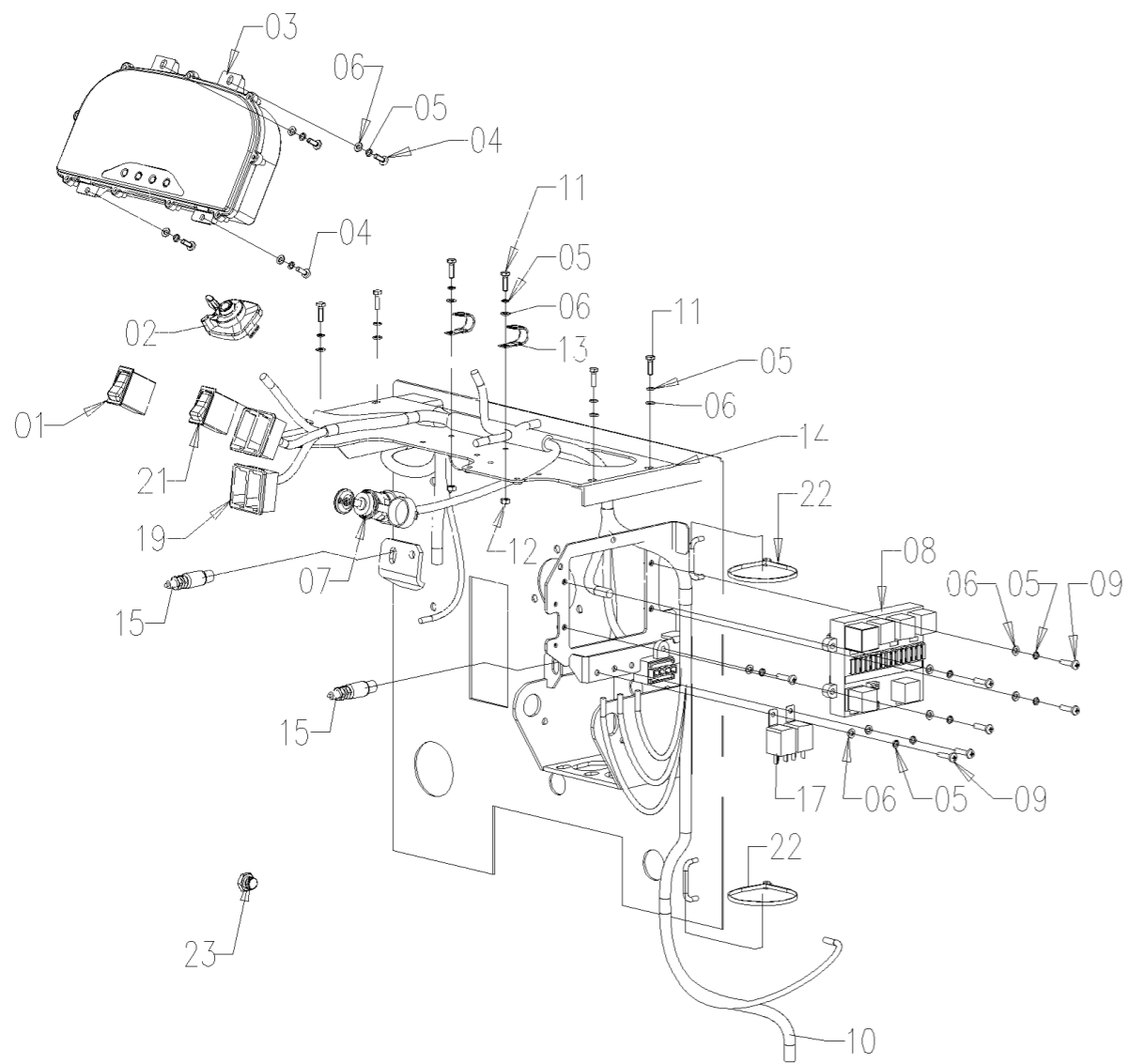
A31.48.928.4 ECU W.H. ASS.Y

A31.48.928.4_2 ECU线束安装总成ECU WIRE HARNESS ASS.Y



序号	零件编号	零件名称	数量	图号
1	0.023.9062.4/10	手油门 HAND THROTTLE	1	0.023.9062.4/10
2	2.6852.203.0	自锁扎带 292 SELF LOCKING CABLE	3	2.6852.203.0
3	2.7659.561.0	发动机警示器 ENGINE-ALLARM	1	2.7659.561.0
4	A31.48.021.0/10	ECU 适配器线束 ECU ADAPTER W.H.	1	A31.48.021.0/10
5	A68.48.001.0/10	ECU线束 VECHILE ECU W.H.	1	A68.48.001.0/10
6	GBT93-5-A3L	垫圈 WASHER	2	GBT93-5-A3L
7	GBT93-6-A3L	垫圈 WASHER	6	GBT93-6-A3L
8	GBT97.1-5-A3L	垫圈 WASHER	2	GBT97.1-5-A3L
9	GBT97.1-6-A3L	垫圈 WASHER	6	GBT97.1-6-A3L
10	GBT818-M5X20-A2L	螺丝钉 SCREW	2	GBT818-M5X20-A2L
11	GBT818-M6X25-A2L	螺丝钉 SCREW	2	GBT818-M6X25-A2L
12	GBT5783-M6X25-A2L	螺栓 BOLT	4	GBT5783-M6X25-A2L
13	CD554A.20.113/10	橡胶垫片 RUBBER GASKET	2	CD554A.20.113/10

A31.48.931.4 BODY W.H. ASS.Y

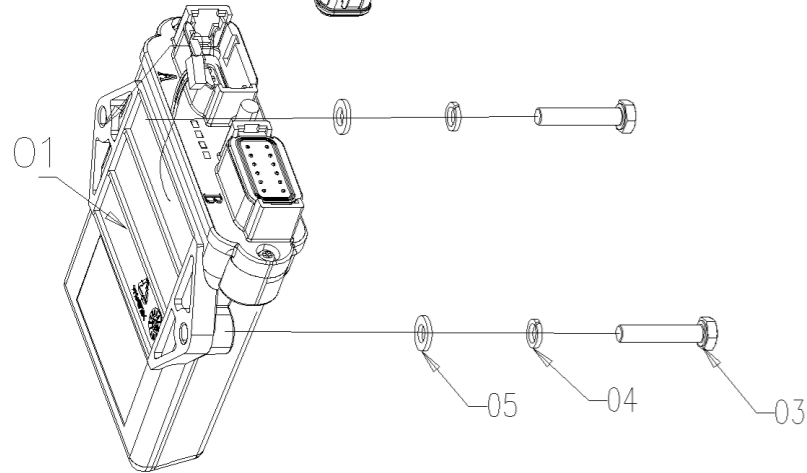
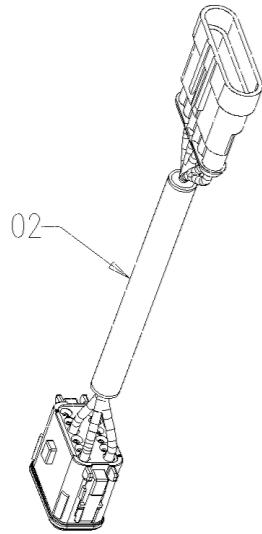
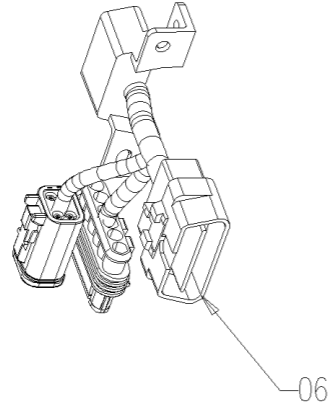


A31.48.931.4_2 车身线束安装总成 BODY WIRE HARNESS ASSEMBLY

序号	零件编号	零件名称	数量	图号
1	A23.48.013.0	车尾灯开关 PASS. REAR LAMP SW.	1	A23.48.013.0
2	A23.48.006.0	多功能组合开关 COMBINED LIGHT	1	A23.48.006.0
3	A23.48.009.0/10	组合仪表总成 CHECK PANEL	1	A23.48.009.0/10
4	GBT818-M6X16-A2L	螺丝钉 SCREW	4	GBT818-M6X16-A2L
5	GBT93-6-A3L	垫圈 WASHER	17	GBT93-6-A3L
6	GBT97.1-6-A3L	垫圈 WASHER	17	GBT97.1-6-A3L
7	CD304.48.039	点火锁 IGNITION LOCK	1	CD304.48.039
8	A23.48.005.0/40	(中央) 电器盒 FUSE BOX	1	A23.48.005.0/40
9	GBT818-M6X25-A2L	螺丝钉 SCREW	7	GBT818-M6X25-A2L
10	A31.48.003.0/30	车身线束 BODY W.H.	1	A31.48.003.0/30
11	GBT5783-M6X20-A2L	螺栓 BOLT	6	GBT5783-M6X20-A2L
12	GBT6170-M6-A2L	螺母 NUT	2	GBT6170-M6-A2L
13	SH400.48.112	线卡 CLAMP	2	SH400.48.112
14	CD1204A.48.101/20	线束支撑 WIRING HARNESS	1	CD1204A.48.101/20
15	SH400.48.047	制动开关 BRAKE SWITCH	2	SH400.48.047
17	LD700.48.037	灯光继电器 LAMP RELAY	2	LD700.48.037
19	A23.48.007.0	摇臂开关框 ROCKER SWITCH	2	A23.48.007.0
21	2.7659.474.0	危险开关 HAZARD SWITCH	1	2.7659.474.0
22	2.6852.203.0	自锁扎带 292 SELF LOCKING CABLE	2	2.6852.203.0
23	2.3110.404.2	螺母保护帽 TAPPO M16X1.5	1	2.3110.404.2

A31.48.948.4_1 智能农机数据监控系统 博创4G GNSS BC 4G ASS.Y

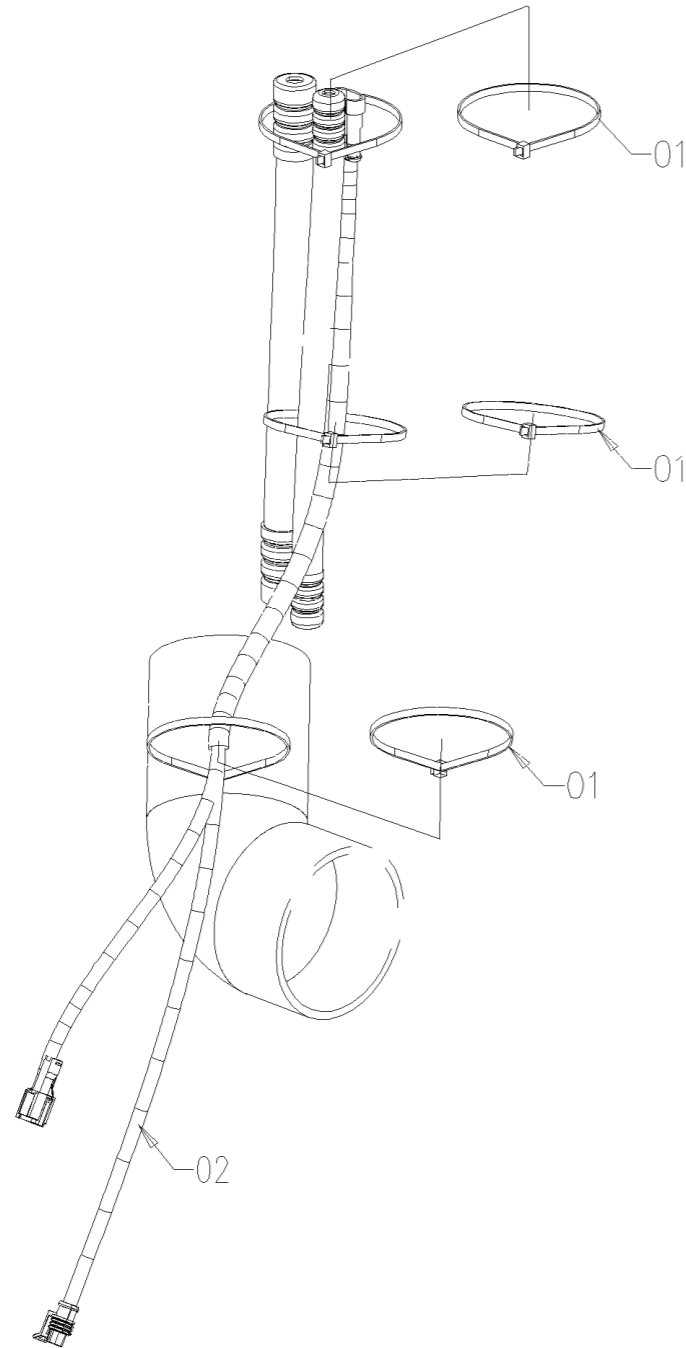
序号	零件编号	零件名称	数量	图号
1	A31.48.029.0	GPS BC GPS 4G CNIII	1	A31.48.029.0
2	B29.48.023.4/10	GPS线束 GPS W.H.	1	B29.48.023.4/10
3	GBT5783-M6X30-A2L	螺栓 BOLT	2	GBT5783-M6X30-A2L
4	GBT93-6-A3L	垫圈 WASHER	2	GBT93-6-A3L
5	GBT97.1-6-A3L	垫圈 WASHER	2	GBT97.1-6-A3L
6	B05.48.042.0	OBD适配器 OBD ADAPTER W.H.	1	B05.48.042.0



A31.48.975.4 ELECTRIC PUMP W.H ASSEMBLY

A31.48.975.4_1 电子输油泵线束总成ELECTRIC PUMP W.H ASSEMBLY

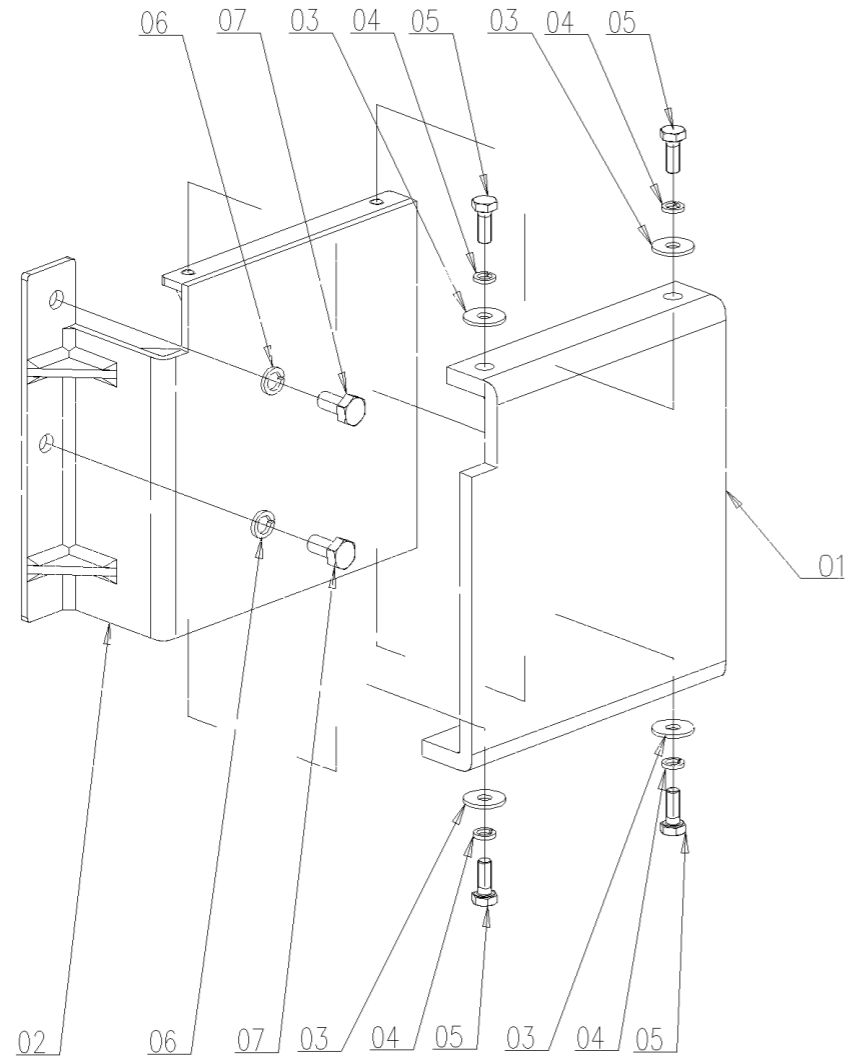
序号	零件编号	零件名称	数量	图号
1	2.6852.203.0	自锁扎带 292 SELF LOCKING CABLE	3	2.6852.203.0
2	A31.48.020.0/20	电动泵 ELECTRIC PUMP W.H	1	A31.48.020.0/20



A31.50.900.4 FUEL TANK GUARD ASSEMBLY

A31.50.900.4_0 主油箱中部防护总成 FUEL TANK MIDDLE GUARD ASS.Y

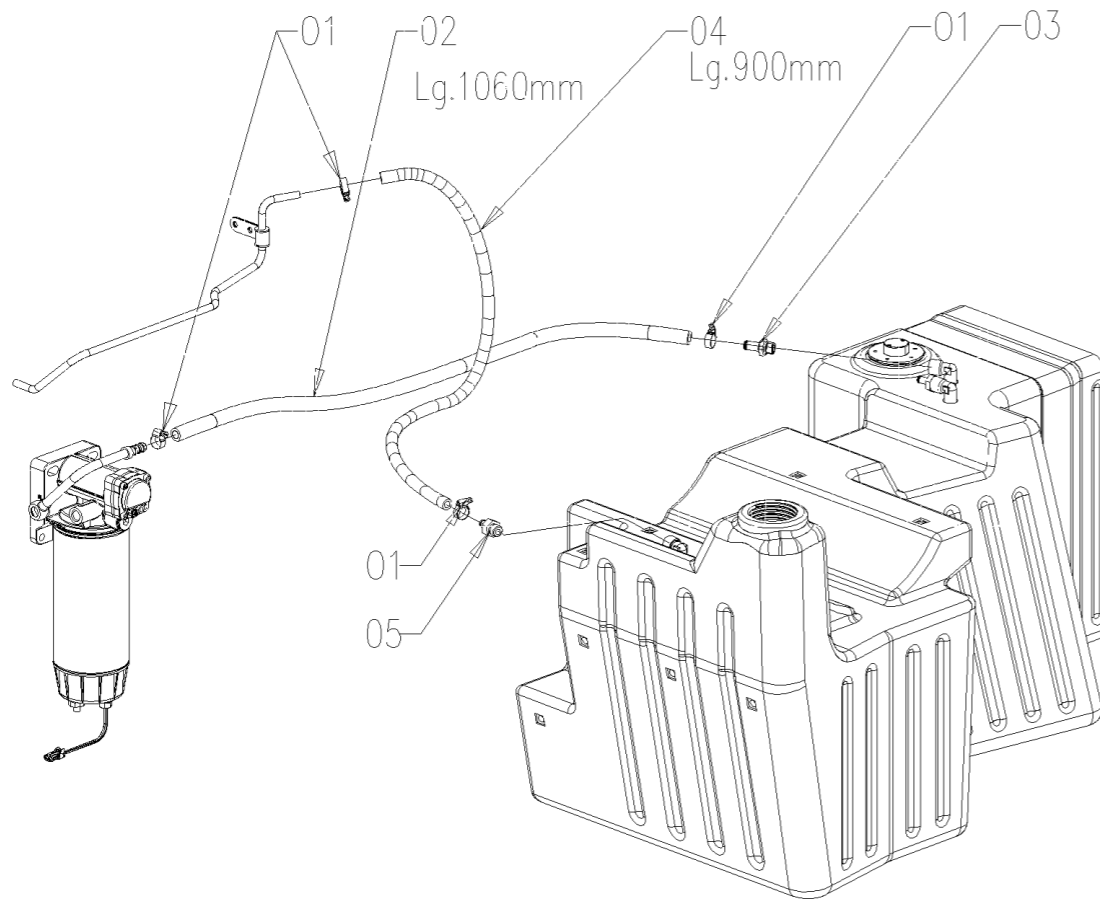
序号	零件编号	零件名称	数量	图号
1	A31.50.001.0	隔热板 THERMAL Baffle	1	A31.50.001.0
2	A31.50.001.2	燃料箱防护板 FUEL TANK GUARD	1	A31.50.001.2
3	GBT96.1-8-A3L	垫圈 WASHER	4	GBT96.1-8-A3L
4	GBT93-8-A3L	垫圈 WASHER	4	GBT93-8-A3L
5	GBT5783-M8X20-A2L	螺栓 BOLT	4	GBT5783-M8X20-A2L
6	GBT93-10-A3L	垫圈 WASHER	2	GBT93-10-A3L
7	GBT5783-M10X20-A3L	螺栓 BOLT	2	GBT5783-M10X20-A3L



A31.50.906.4 FUEL PIPE ASS.Y

A31.50.906.4_0 油箱管路总成 FUEL PREFILTER CONNECTION

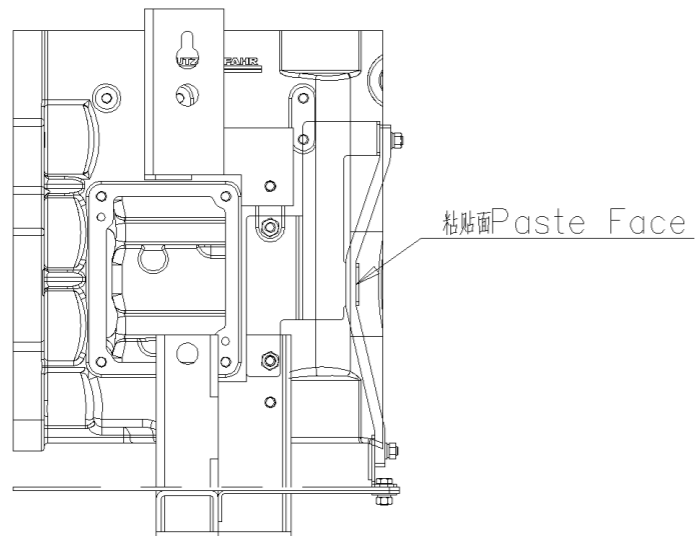
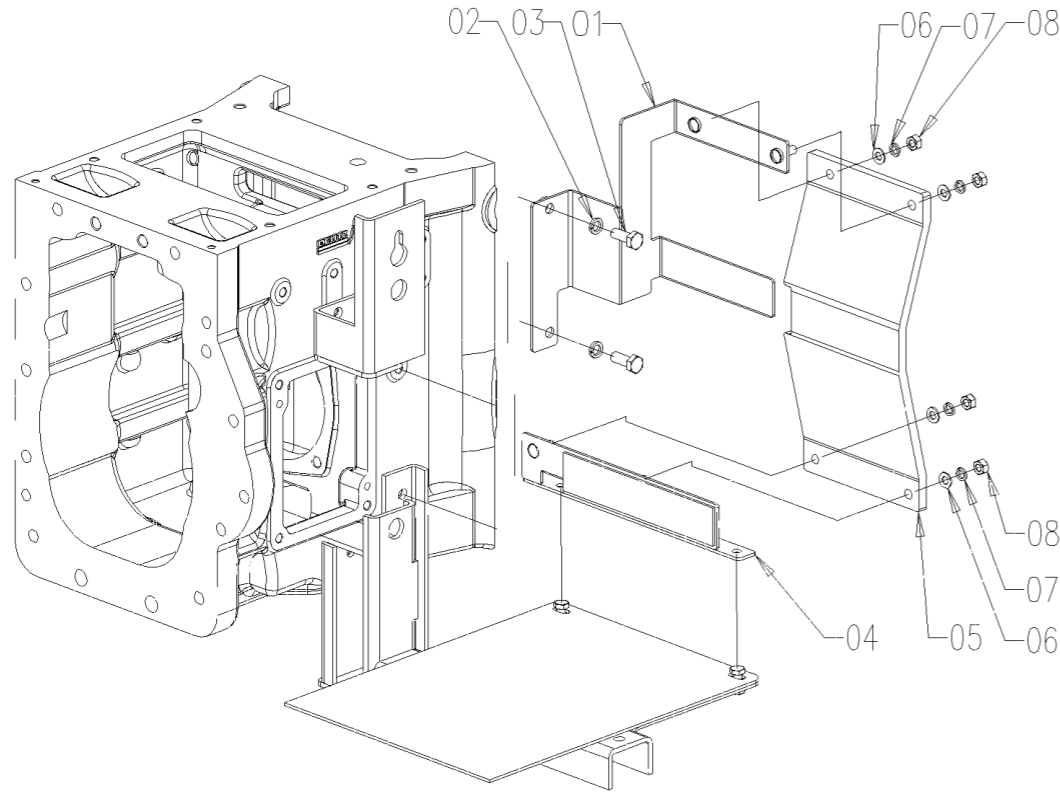
序号	零件编号	零件名称	数量	图号
1	JBT8870-D20	软管夹 HOSE CLAMP	4	JBT8870-D20
2	0.029.1451.0	燃油软管 FUEL HOSE	1	0.029.1451.0
3	A23.50.014.0	连接器 CONNECTOR	1	A23.50.014.0
4	CD1204.50.106	呼吸软管 BREATHING HOSE	1	CD1204.50.106
5	CD1204.50.105	通气接头 VENT JOINT	1	CD1204.50.105



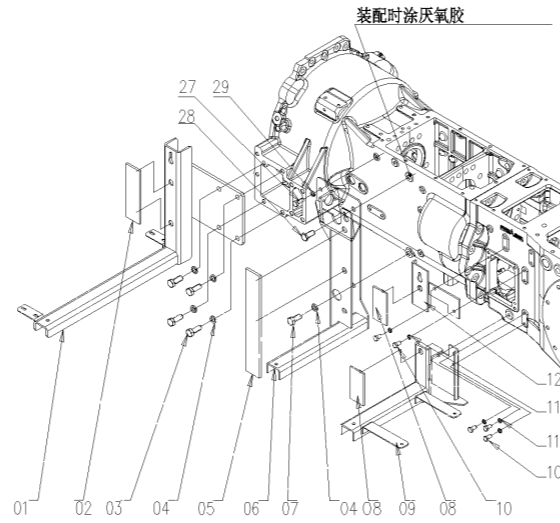
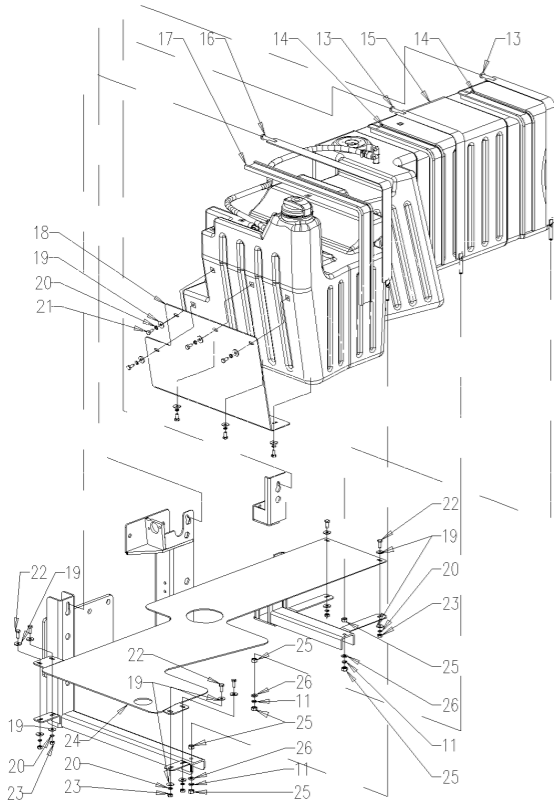
A31.50.907.4 FUEL TANK REAR GUARD ASS.Y

A31.50.907.4_0 主油箱后部防护总成 FUEL TANK REAR GUARD ASS.Y

序号	零件编号	零件名称	数量	图号
1	A31.50.011.3	支架焊接 BRACKET WELDING	1	A31.50.011.3
2	GBT93-10-A3L	垫圈 WASHER	2	GBT93-10-A3L
3	GBT5783-M10X25-A3L	螺栓 BOLT	2	GBT5783-M10X25-A3L
4	A31.50.014.3	燃料箱挡板 FUEL TANK BAFFLE	1	A31.50.014.3
5	A31.50.015.0	隔热板 THERMAL BAFFLE	1	A31.50.015.0
6	GBT97.1-8-A3L	垫圈 WASHER	4	GBT97.1-8-A3L
7	GBT93-8-A3L	垫圈 WASHER	4	GBT93-8-A3L
8	GBT6170-M8-A2L	螺母 NUT	4	GBT6170-M8-A2L



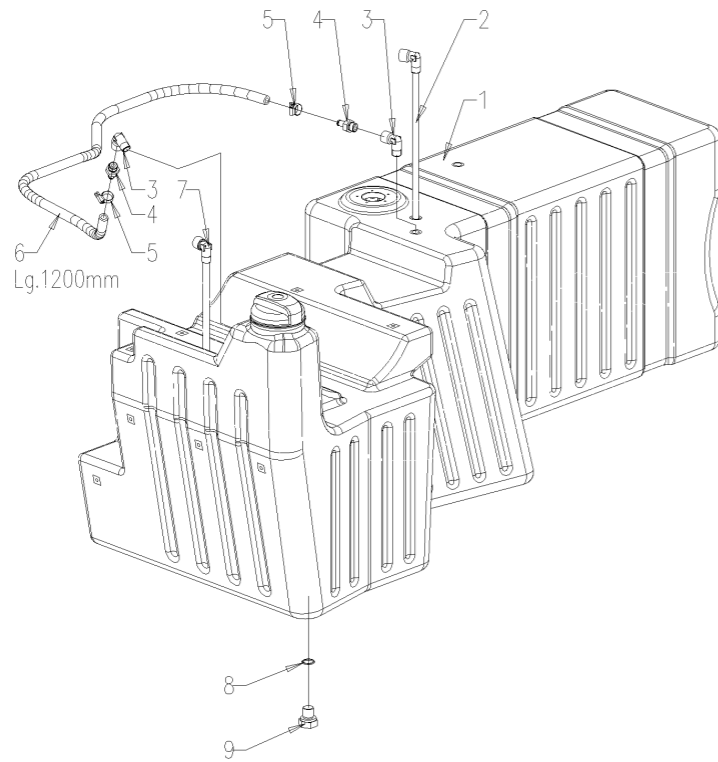
A31.50.910.4 MAIN FUEL TANK ASS.Y



A31.50.910.4_0 主油箱总成MAIN FUEL TANK ASS.Y

序号	零件编号	零件名称	数量	图号
1	A31.50.001.3	左前托架焊合 LEFT FRONT BRACKET	1	A31.50.001.3
2	SH900.50.138	橡胶垫板 FRONT RUBBER	1	SH900.50.138
3	GBT5783-M16X40-10.9-	螺栓 BOLT	4	GBT5783-M16X40-10.9-A3L
4	GBT93-16-A3L	垫圈 WASHER	5	GBT93-16-A3L
5	SH900.50.141	橡胶帽 RUBBER	1	SH900.50.141
6	A31.50.024.3	中间支架焊合 MIDDLE BRACKET	1	A31.50.024.3
7	GBT5783-M16X35-A3L	螺栓 BOLT	1	GBT5783-M16X35-A3L
8	SH900.50.139	橡胶垫板 REAR RUBBER	2	SH900.50.139
9	CD1204.50.016	主油箱支架 MAIN FUEL TANK	1	CD1204.50.016
10	GBT5783-M10X20-A3L	螺栓 BOLT	5	GBT5783-M10X20-A3L
11	GBT93-10-A3L	垫圈 WASHER	8	GBT93-10-A3L
12	LE1204.50.019	主油箱上支架焊合 MAIN FUEL TANK	1	LE1204.50.019
13	LE1204.50.029	主油箱后扎带焊合 REAR METAL BELT	2	LE1204.50.029
14	LE1204.50.147	主油箱扎带橡胶条 REAR RUBBER	2	LE1204.50.147
15	0.029.1739.4	主油箱 MAIN FUEL TANK ASS'Y 6 CYL	1	0.029.1739.4
16	CD1204.50.012	主油箱前扎带焊合件 FRONT METAL	1	CD1204.50.012
17	CD1204.50.101	主油箱前扎带橡胶垫 FRONT RUBBER	1	CD1204.50.101
18	CD1204.50.102	前保险杠 FRONT GUARD	1	CD1204.50.102
19	GBT96.1-8-A3L	垫圈 WASHER	19	GBT96.1-8-A3L
20	GBT93-8-A3L	垫圈 WASHER	13	GBT93-8-A3L
21	GBT5783-M8X16-A2L	螺栓 BOLT	7	GBT5783-M8X16-A2L
22	GBT5783-M8X20-A2L	螺栓 BOLT	6	GBT5783-M8X20-A2L
23	GBT6170-M8-A2L	螺母 NUT	6	GBT6170-M8-A2L
24	CD1204.50.013	主油箱底板焊合 LOWER GUARD	1	CD1204.50.013
25	GBT6170-M10-A3L	螺母 NUT	6	GBT6170-M10-A3L
26	GBT97.1-10-A3L	垫圈 WASHER	3	GBT97.1-10-A3L
27	GBT5783-M12X30-A3L	螺栓 BOLT	1	GBT5783-M12X30-A3L
28	A31.50.027.0	螺栓M16X35 M16X35 BOLT	1	A31.50.027.0
29	GBT93-12-A3L	垫圈 WASHER	1	GBT93-12-A3L

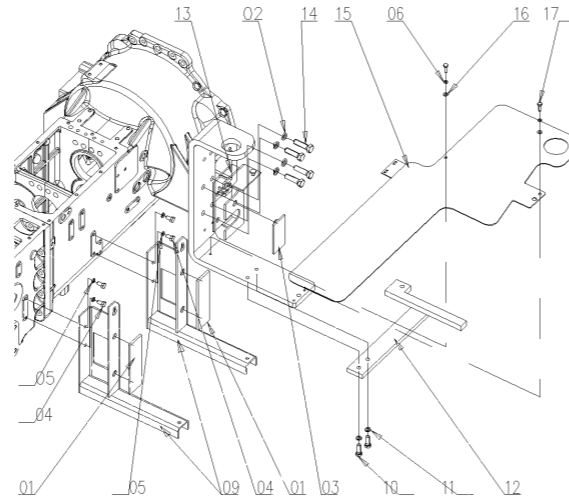
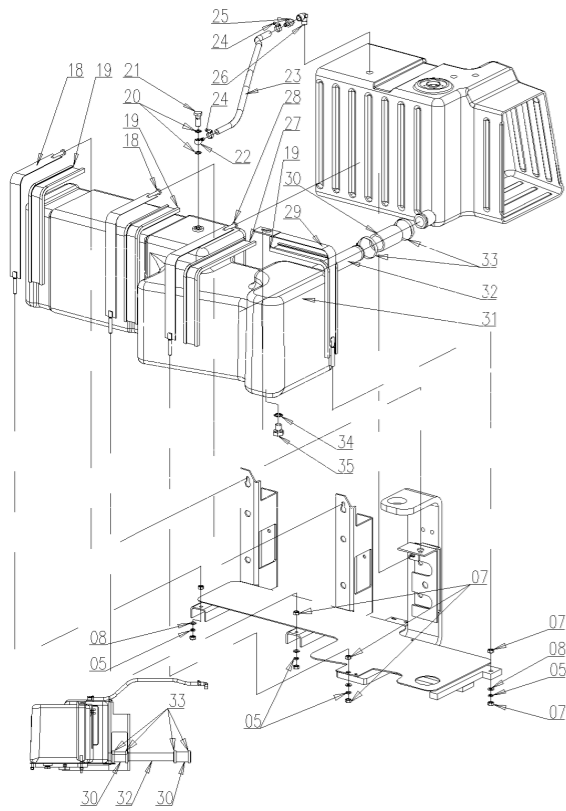
0.029.1739.4 MAIN FUEL TANK ASS'Y 6 CYL CR



0.029.1739.4 主油箱 MAIN FUEL TANK

序号	零件编号	零件名称	数量	图号
1	CD1204.50.011-A/10	主油箱 MAIN FUEL TANK	1	CD1204.50.011-A/10
2	DF1204.50.014	吸油管 SUCTION PIPE	1	DF1204.50.014
3	2.3249.224.0	管接头90 G 3/8" M/F RACC. 90 G 3/8"	2	2.3249.224.0
4	2.3249.373.0	管接头G 3/8" RACCORDO G 3/8"	2	2.3249.373.0
5	2.6851.019.0	夹子 HOSE CLAMP 13-20	2	2.6851.019.0
6	0.012.6449.0	胶管 TUBO IN GOMMA	1	0.012.6449.0
7	CD1204.50.019	回油接头焊合 RETURN PIPE	1	CD1204.50.019
8	2.1560.015.0	垫圈20.2X24 SEALING RING	1	2.1560.015.0
9	CD1204.50.124	螺塞 LOWER PLUG	1	CD1204.50.124

A31.50.911.4 ADDITIONAL FUEL TANK ASS.Y



A31.50.911.4_0 副油箱总成 ADDITIONAL FUEL TANK ASS.Y

序号	零件编号	零件名称	数量	图号
1	SH900.50.138	橡胶垫板 FRONT RUBBER	2	SH900.50.138
2	GBT93-16-A3L	垫圈 WASHER	4	GBT93-16-A3L
3	SH900.50.139	橡胶垫板 REAR RUBBER	1	SH900.50.139
4	GBT5783-M10X20-A3L	螺栓 BOLT	4	GBT5783-M10X20-A3L
5	GBT93-10-A3L	垫圈 WASHER	8	GBT93-10-A3L
6	GBT93-8-A3L	垫圈 WASHER	2	GBT93-8-A3L
7	GBT6170-M10-A3L	螺母 NUT	8	GBT6170-M10-A3L
8	GBT97.1-10-A3L	垫圈 WASHER	4	GBT97.1-10-A3L
9	CD1204A.50.011	副油箱支架焊合 AUXILIARY FUEL	2	CD1204A.50.011
10	GBT5783-M12X35-10.9-	螺栓 BOLT	2	GBT5783-M12X35-10.9-A3L
11	GBT93-12-A3L	垫圈 WASHER	2	GBT93-12-A3L
12	LE1204.50.023	副油箱前托板焊合 AUXILIARY FUEL	1	LE1204.50.023
13	A31.50.002.3	焊接挡板 WELDING BAFFLE	1	A31.50.002.3
14	GBT5783-M16X55-10.9-	螺栓 GBT5783-M16X55-10.9-A3L	4	GBT5783-M16X55-10.9-A3L
15	LE1204.50.027	副油箱护板焊合 AUXILIARY FUEL	1	LE1204.50.027
16	GBT97.1-8-A3L	垫圈 WASHER	2	GBT97.1-8-A3L
17	GBT5783-M8X25-A2L	螺栓 BOLT	2	GBT5783-M8X25-A2L
18	LE1204.50.028	副油箱后扎带焊合 AUXILIARY FUEL	2	LE1204.50.028
19	LE1204.50.148	副油箱扎带橡胶条 AUXILIARY FUEL	3	LE1204.50.148
20	JBT982-14	密封环 SEALING RINGS	2	JBT982-14
21	LE1204.50.149	空心螺栓 HOLLOW BOLT	1	LE1204.50.149
22	LD700.37.190	接头 CONNECTION	1	LD700.37.190
23	CD1204.50.106	呼吸软管 BREATHING HOSE	1	CD1204.50.106
24	JBT8870-D20	软管夹 HOSE CLAMP	2	JBT8870-D20
25	CD1204.50.105	通气接头 VENT JOINT	1	CD1204.50.105
26	CD1204.50.103	管件 FITTING	1	CD1204.50.103
27	LE1204.50.146	主油箱短扎带橡胶条 MAIN FUEL	1	LE1204.50.146
28	LE1204.50.033	副油箱侧扎带焊合 AUXILIARY FUEL	1	LE1204.50.033
29	LE1204.50.031	副油箱前扎带焊合 AUXILIARY FUEL	1	LE1204.50.031
30	LE1204.50.132	连接管 RUBBER HOSE	2	LE1204.50.132
31	LE1204.50.012	副油箱总成 AUXILIARY FUEL TANK	1	LE1204.50.012
32	LE1204.50.131	主油箱连接软管 MAIN FUEL TANK	1	LE1204.50.131
33	JBT8870-D70	软管夹 HOSE CLAMPS	4	JBT8870-D70
34	JBT982-20	组合密封垫圈 SEALING RINGS	1	JBT982-20
35	CD1204.50.124	螺塞 LOWER PLUG	1	CD1204.50.124

A31.51.900.4 MAINTENANCE GREASE LABEL

A31.51.900.4_0 黄油嘴加注标识 MAINTENANCE GREASE LABEL

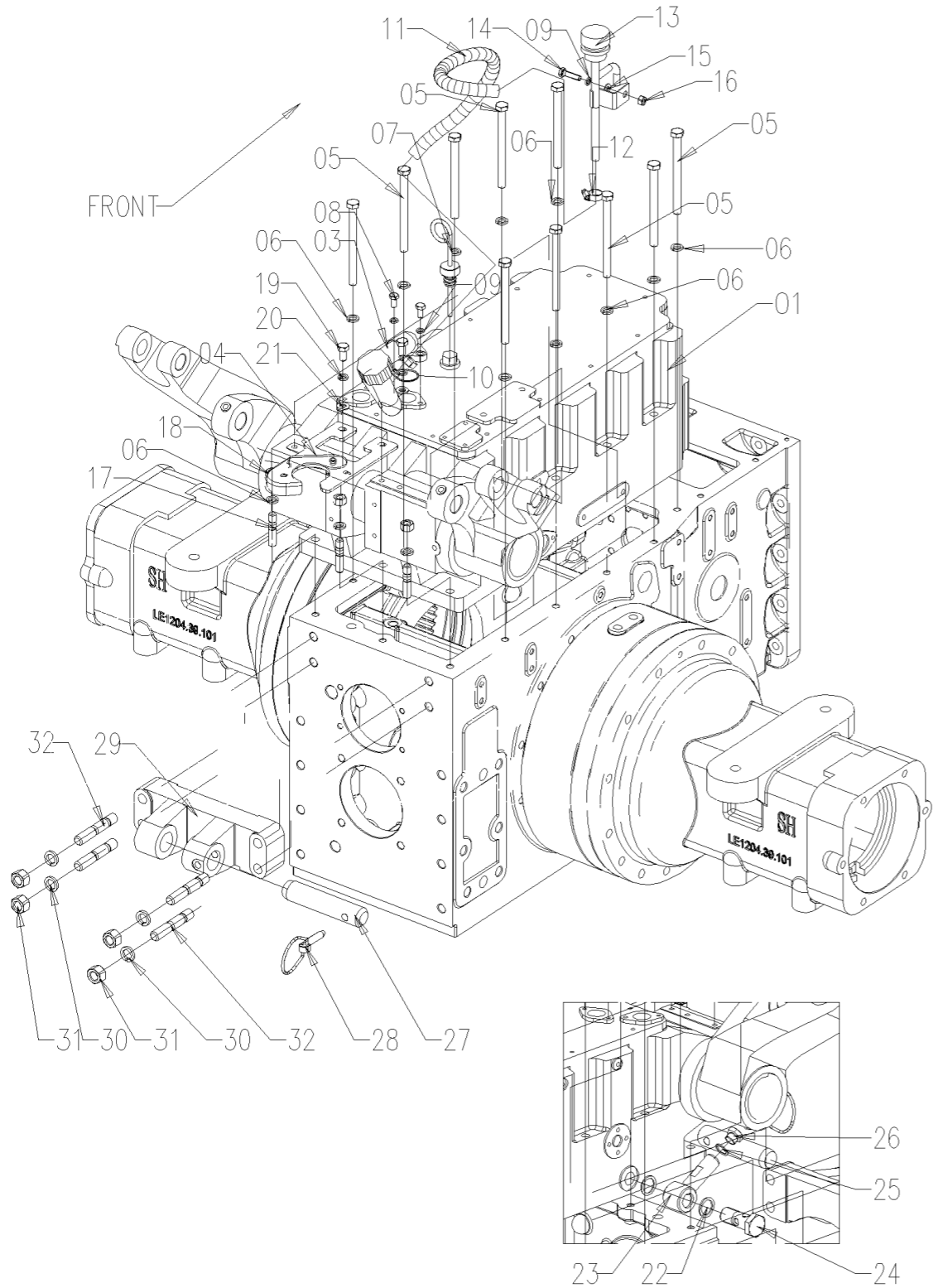
序号	零件编号	零件名称	数量	图号
1	0.024.0988.0	黄油加注点标识 MAINTENANCE	1	0.024.0988.0

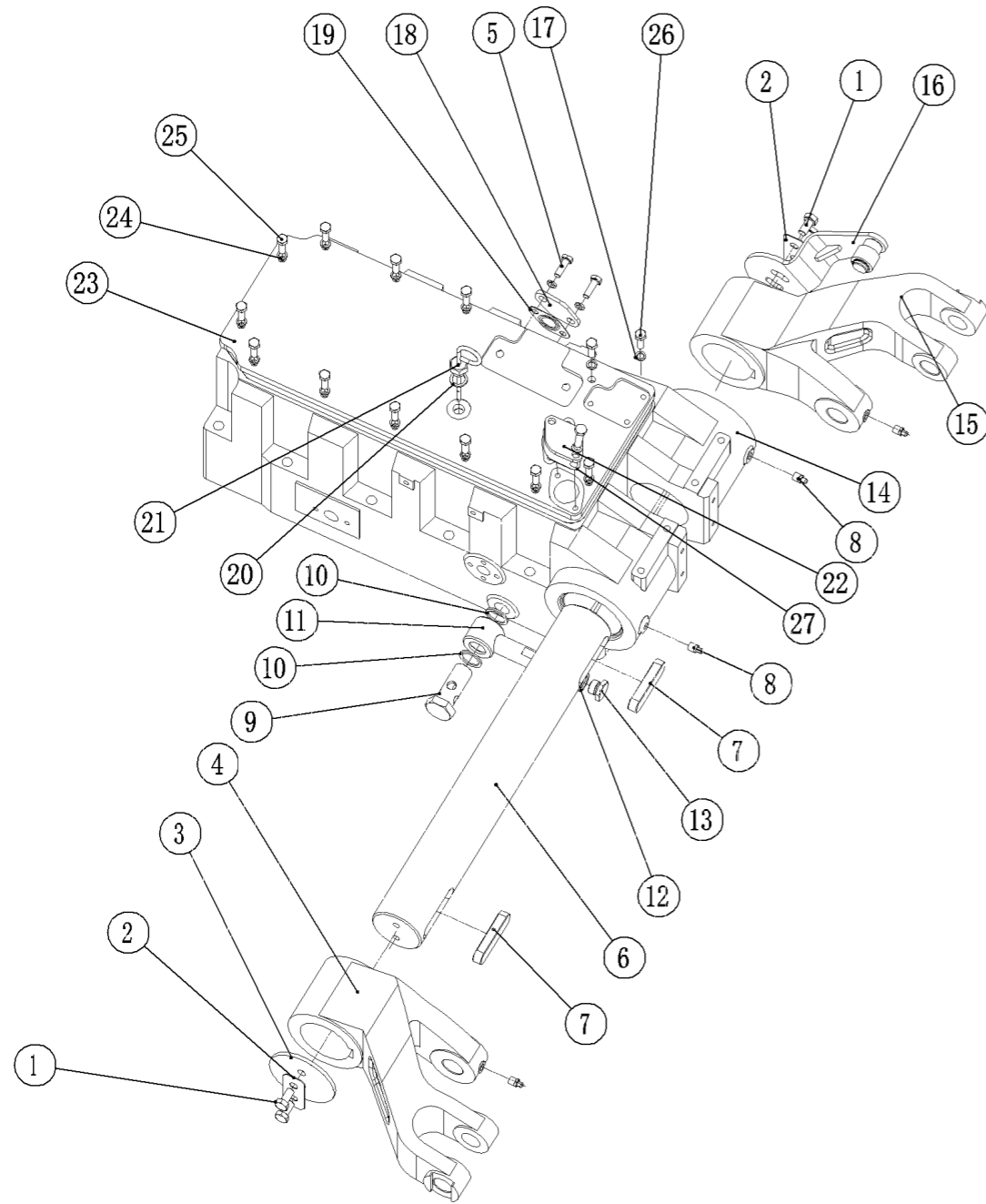


A31.55.920.4 REAR LIFT ASS.

A31.55.920.4_3 提升器总成REAR LIFT ASS.

序号	零件编号	零件名称	数量	图号
1	A31.55.001.0	后支撑 REAR LIFT	1	A31.55.001.0
3	0.028.8137.3	机油滤清器总成 OIL FILLER ASS.	1	0.028.8137.3
4	A31.56.008.4	托臂式支架 BRACKET ASS.LY	1	A31.56.008.4
5	GBT5782-M12X140-A3L	螺栓 BOLT	10	GBT5782-M12X140-A3L
6	GBT93-12-A3L	垫圈 WASHER	13	GBT93-12-A3L
7	LE1204.55.018	油尺总成 OIL DIPSTICK ASSEMBLY	1	LE1204.55.018
8	GBT5783-M8X16-A2L	螺栓 BOLT	2	GBT5783-M8X16-A2L
9	GBT93-8-A2L	垫圈 WASHER	3	GBT93-8-A2L
10	GBT3452.1-32.5X1.8-G	O形圈 O RING	1	GBT3452.1-32.5X1.8-G
11	SH900.55.162/10	升降器呼吸软管 LIFTER BREATHE	1	SH900.55.162/10
12	JBT8870-D20	软管夹 HOSE CLAMP	2	JBT8870-D20
13	SH704-1.55.015-1	呼吸器组件 BREATHER ASSEMBLY	1	SH704-1.55.015-1
14	GBT5783-M8X30-A2L	螺栓 BOLT	1	GBT5783-M8X30-A2L
15	GBT97.1-8-A2L	垫圈 WASHER	1	GBT97.1-8-A2L
16	GBT6170-M8-A2L	螺母 NUT	1	GBT6170-M8-A2L
17	GBT899-AM12X40-10.9-	双头螺柱 DOUBLE END STUDS	3	GBT899-AM12X40-10.9-A3L
18	GBT6170-M12-A3L	螺母 NUT	3	GBT6170-M12-A3L
19	GBT5783-M10X20-A3L	螺栓 BOLT	2	GBT5783-M10X20-A3L
20	GBT93-10-A3L	弹簧垫圈 WASHER	2	GBT93-10-A3L
21	GBT97.1-10-A3L	平垫圈 WASHER	2	GBT97.1-10-A3L
22	2.1560.020.0	组合密封圈 SEALING RING	2	2.1560.020.0
23	SH900.55.016	连接管焊合件 CONNECTING PIPE	1	SH900.55.016
24	SH900.55.109	塞子 PLUG	1	SH900.55.109
25	2.1560.014.0	组合密封圈 SEALING RING	1	2.1560.014.0
26	SH900.55.106	塞子 PLUG	1	SH900.55.106
27	0.760.2212.0	销 PIN	1	0.760.2212.0
28	0.760.2257.3	销 SPINA	1	0.760.2257.3
29	LE1204.56A.103/10	上拉杆座 UPPER LINK SEAT	1	LE1204.56A.103/10
30	GBT93-16-A3L	垫圈 WASHER	4	GBT93-16-A3L
31	GBT6170-M16-A3L	螺母 NUT	4	GBT6170-M16-A3L
32	GBT899-AM16X70-10.9-	双头螺柱 STUD	4	GBT899-AM16X70-10.9-A3L





A31.55.001.0 后支撑 REAR LIFT

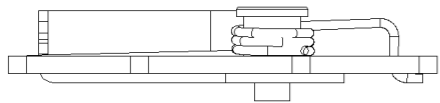
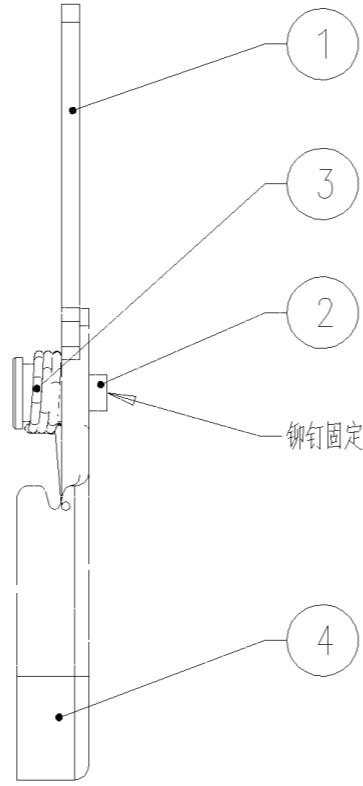
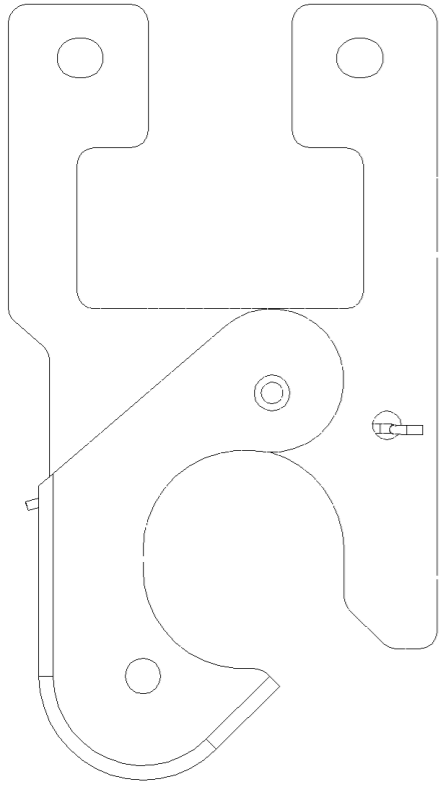
序号	零件编号	零件名称	数量	图号
4	WF1004.55.021A	左提升臂压合 Left lifting arm press fit	1	WF1004.55.021A
6	TF1004.55.9-02	提升轴 Lifting shaft	1	TF1004.55.9-02
15	WF1004.55.022A	右提升臂压合 Right lifting arm press fit	1	WF1004.55.022A

A31.55.001.0提升器总成爆炸图

A31.56.008.4 BRACKET ASS.Y

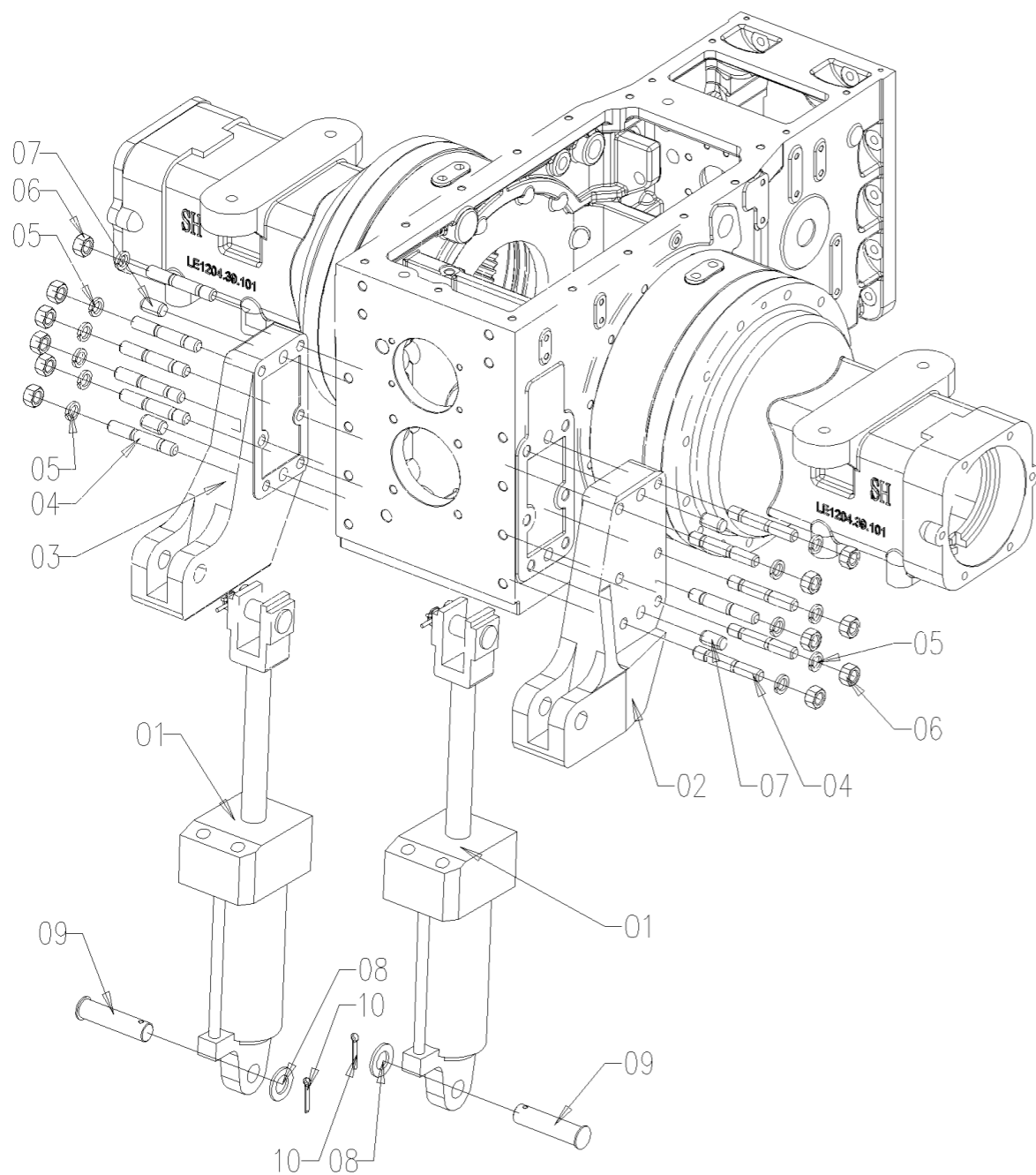
A31.56.008.4 托臂式支架 BRACKET ASS.LY

序号	零件编号	零件名称	数量	图号
1	A68.56.004.0/10	支架 BRACKET	1	A68.56.004.0/10
2	0.76038.58.0	销 PIN	1	0.76038.58.0
3	2.4099.042.2	弹簧垫圈 SPRING WASHER	1	2.4099.042.2
4	A31.56.010.0	板 SHEET	1	A31.56.010.0



A31.55.921.4 LIFT CYLINDER ASS.

A31.55.921.4_1 提升油缸总成LIFT CYLINDER ASS.

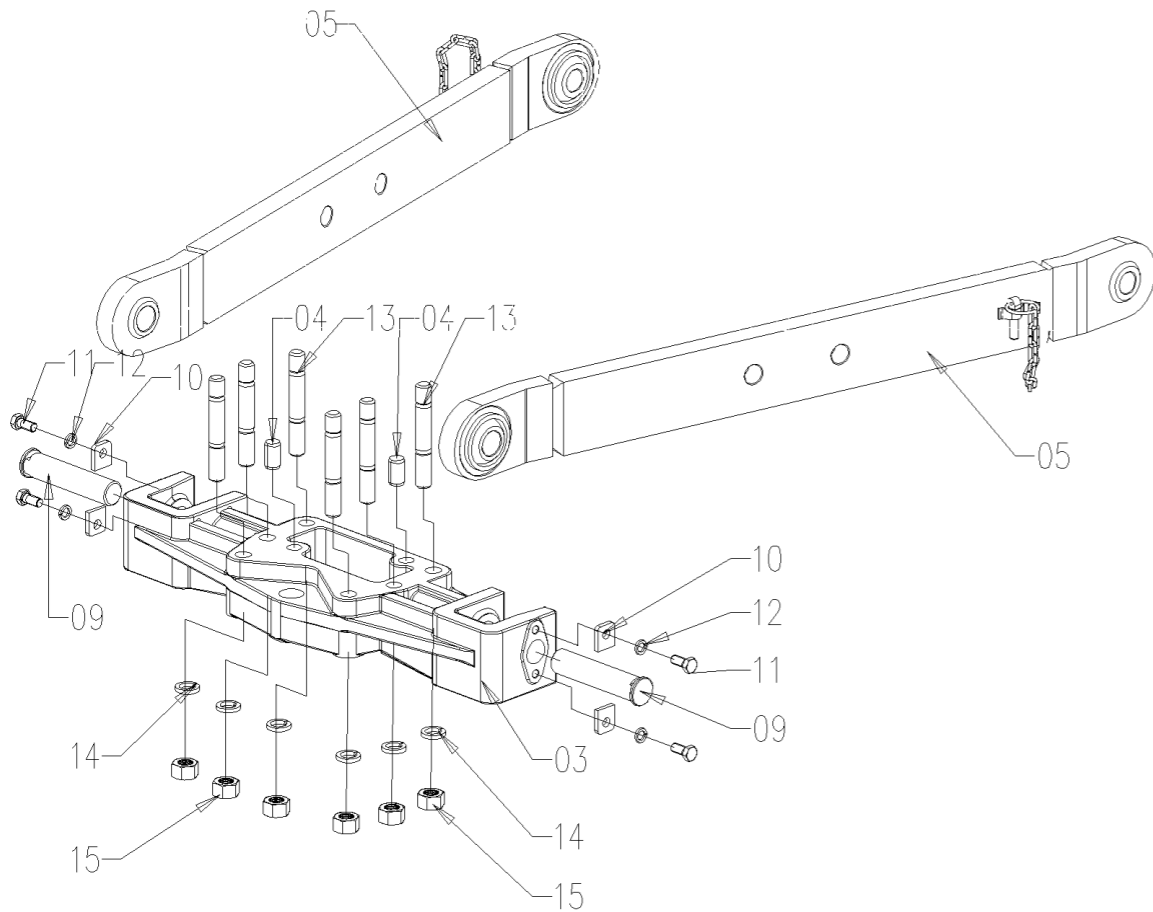
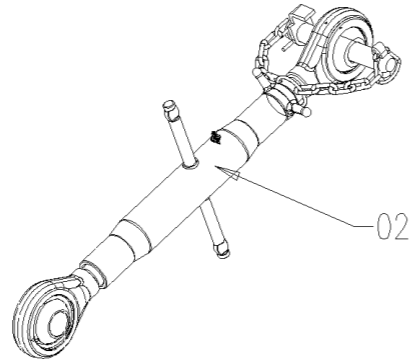


序号	零件编号	零件名称	数量	图号
1	B29.55.001.0	提升油缸总成 LIFT CYLINDER ASS.	2	B29.55.001.0
2	LE1204.55.101	右油缸支架 RIGHT OIL CYLINDER	1	LE1204.55.101
3	LE1204.55.102	左油缸支架 LEFT OIL CYLINDER	1	LE1204.55.102
4	GBT899-AM18X90-10.9-	双头螺柱 DOUBLE END STUDS	12	GBT899-AM18X90-10.9-A3L
5	GBT93-18-A3L	垫圈 WASHER	12	GBT93-18-A3L
6	GBT6170-M18-10-A3L	螺母 NUT	12	GBT6170-M18-10-A3L
7	GBT119.1-20m6X35	销 PIN	4	GBT119.1-20m6X35
8	SH900.55.147	垫圈 WASHER	2	SH900.55.147
9	SH900.55.115	销轴 PIN SHAFT	2	SH900.55.115
10	GBT91-6.3X40-A3L	销 PIN	2	GBT91-6.3X40-A3L

A31.56.900.4 3 POINT LINKAGE ASS.

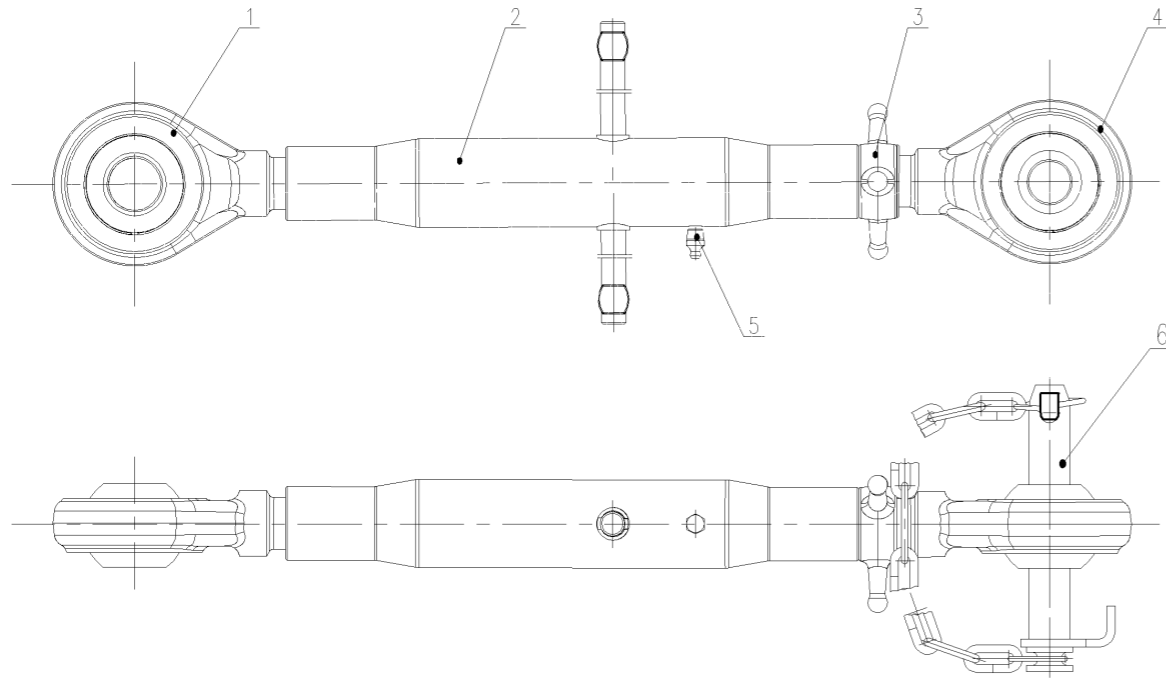
A31.56.900.4_1 三点悬挂总成 2类 3 POINT LINKAGE ASS.

序号	零件编号	零件名称	数量	图号
2	LE1204.56.025	后连接总成 UPPER LINK ASS.	1	LE1204.56.025
3	LE1204.56.102/20	下方连接支承 LOWER LINK SUPPORT	1	LE1204.56.102/20
4	GBT119.1-20m6X35	销 PIN	2	GBT119.1-20m6X35
5	LE1204.56.011	下拉杆总成 LOW LINK ASSEMBLY	2	LE1204.56.011
9	LE1204.56.108/10	支撑杆 LOW BAR SUPPORT ROD	2	LE1204.56.108/10
10	LE1204.56.109/20	限位板 LIMITED PLATE	4	LE1204.56.109/20
11	GBT5783-M12X25-10.9-	螺栓 BOLT	4	GBT5783-M12X25-10.9-A3L
12	GBT93-12-A3L	垫圈 WASHER	4	GBT93-12-A3L
13	GBT899-AM20X110-10.9-	双头螺柱 DOUBLE END STUDS	6	GBT899-AM20X110-10.9-A3L
14	GBT93-20-A3L	垫圈 WASHER	6	GBT93-20-A3L
15	GBT6170-M20-A3L	螺母 NUT	6	GBT6170-M20-A3L

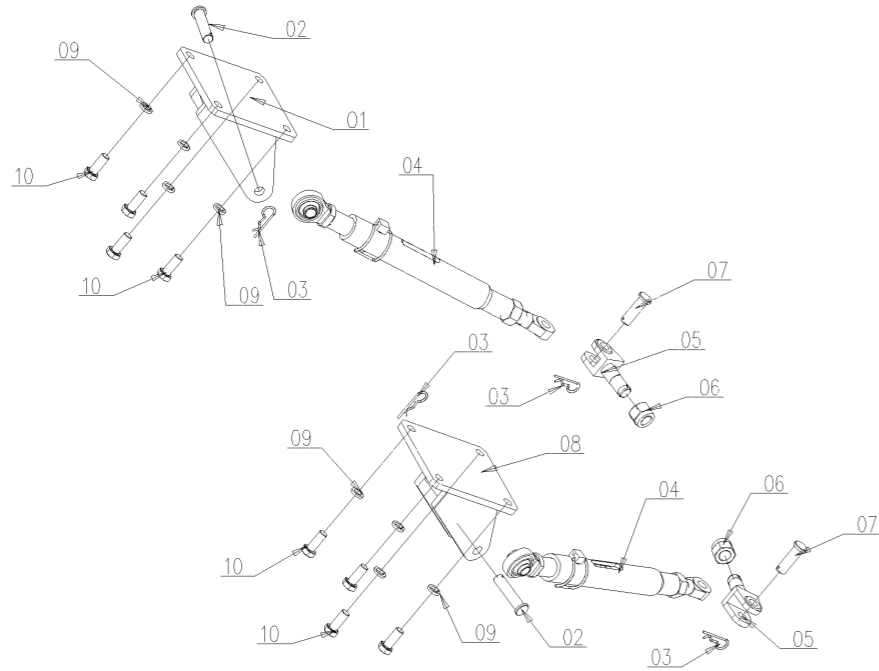


LE1204.56.025 上拉杆总成

LE1204.56.025 后连接总成 UPPER LINK ASSEMBLY



序号	零件编号	零件名称	数量	图号
1	0.014.4148.3/10	连杆球头组件 TIRANTE FILETTATO	1	0.014.4148.3/10
2	0.011.3995.3	接口套筒 MANICOTTO FILETTATO	1	0.011.3995.3
3	0.96081.16.0	螺母 DADO	1	0.96081.16.0
4	LE1204.56.026	上拉杆后调节螺杆总成 REAR	1	LE1204.56.026
5	2.3820.105.2	油嘴 NIPPLES M10	1	2.3820.105.2
6	LE1204.56.022/10	销和锁销总成 PIN AND LOCK PIN ASS	1	LE1204.56.022/10



A31.56.902.4 LIMIT ROD ASS.

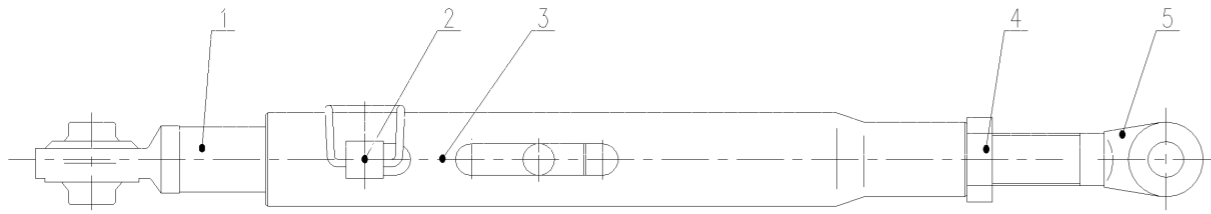
A31.56.902.4_0 限位杆总成LIMIT ROD ASS.

序号	零件编号	零件名称	数量	图号
1	LE1204.56.018	右限位杆支座焊合 RIGHT LIMITING	1	LE1204.56.018
2	SH900.56.104	销轴 PIN SHAFT	2	SH900.56.104
3	SH900.56.105	碳素弹簧钢丝\U+22053.5-2/65Mn	4	SH900.56.105
4	LE1204.56.014	限位杆总成 LIMITING ROD	2	LE1204.56.014
5	LE1204.56.101/10	限位杆螺栓 LIMITED ROD SCREW	2	LE1204.56.101/10
6	2.1120.213.2	螺母M24X2 Pa LOCK NUT M24x2	2	2.1120.213.2
7	SH900.56.150	销轴 PIN SHAFT	2	SH900.56.150
8	LE1204.56.019	左限位杆支座焊合 LEFT LIMITING	1	LE1204.56.019
9	GBT93-16-A3L	垫圈 WASHER	8	GBT93-16-A3L
10	GBT5783-M16X40-10.9-	螺栓 BOLT	8	GBT5783-M16X40-10.9-A3L

LE1204.56.014 限位杆总成 LIMITING ROD ASSEMBLY

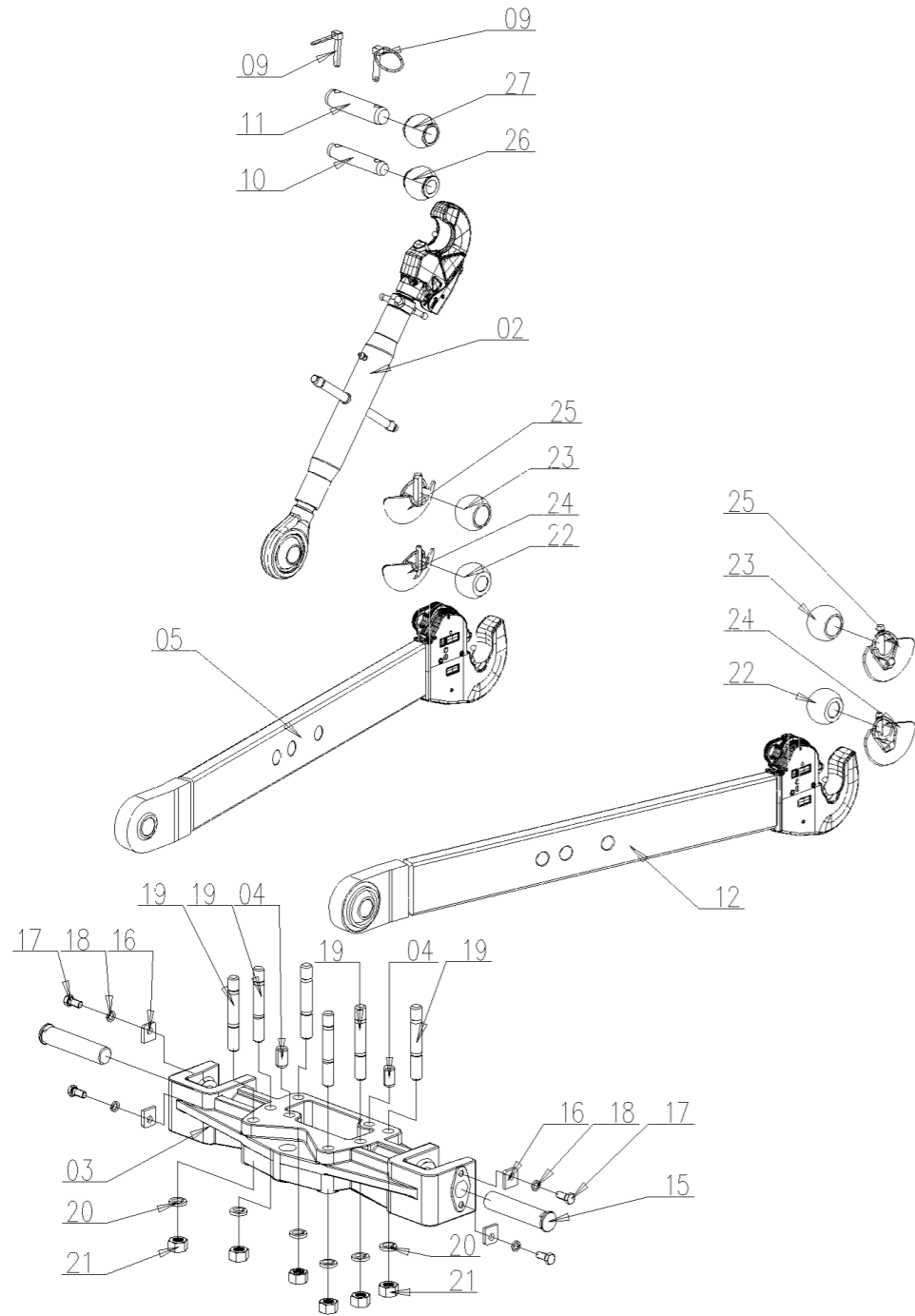
序号	零件编号	零件名称	数量	图号
1	LE1204.56.017	限位杆合件 LIMITING ROD UNIT FIT	1	LE1204.56.017
2	SH900.56.034	限位锁销组合 LIMIT PIN	1	SH900.56.034
3	LE1204.56.107	限位杆导管 LIMITING BAR PIPE	1	LE1204.56.107
4	LE1204.56.115	梯形螺母Tr28x3 LADDER-SHAPED	1	LE1204.56.115
5	SH900.56.109	调整螺钉 ADJUSTING SCREW	1	SH900.56.109

LE1204.56.014 限位杆总成



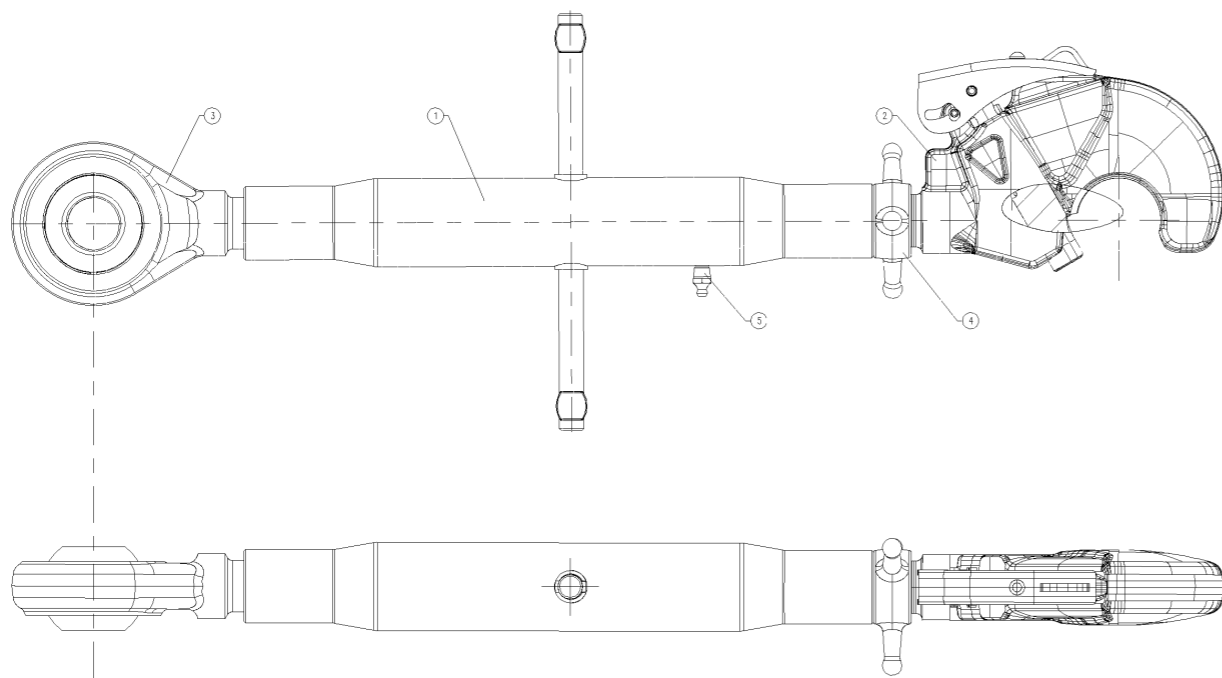
A31.56.910.4_2 三点悬挂总成 2类或3类 快速挂接 3 POINT LINKAGE ASS.Class 2 or Class 3 Quick hook-ups

A31.56.910.4 3 POINT LINKAGE ASS.



序号	零件编号	零件名称	数量	图号
2	A31.56.005.4	后连接总成 UPPER LINK ASS.	1	A31.56.005.4
3	LE1204.56.102/20	下方连接支承 LOWER LINK SUPPORT	1	LE1204.56.102/20
4	GBT119.1-20m6X35	销 PIN	2	GBT119.1-20m6X35
5	A31.56.003.3	右下装配线 RIGHT-LOWER LINK	1	A31.56.003.3
9	0.010.9322.4	销 SPINA COMPLETA	2	0.010.9322.4
10	LE1204.56A.114	上销轴 UP PIN	1	LE1204.56A.114
11	2.1669.036.2	销 32X133 PERNO 32X133	1	2.1669.036.2
12	A31.56.002.3	左下链接组件 LEFT-LOWER LINK	1	A31.56.002.3
15	LE1204.56.108/10	支撑杆 LOW BAR SUPPORT ROD	2	LE1204.56.108/10
16	LE1204.56.109/20	限位板 LIMITED PLATE	4	LE1204.56.109/20
17	GBT5783-M12X25-10.9-	螺栓 BOLT	4	GBT5783-M12X25-10.9-A3L
18	GBT93-12-A3L	垫圈 WASHER	4	GBT93-12-A3L
19	GBT899-AM20X110-10.9-	双头螺柱 DOUBLE END STUDS	6	GBT899-AM20X110-10.9-A3L
20	GBT93-20-A3L	垫圈 WASHER	6	GBT93-20-A3L
21	GBT6170-M20-A3L	螺母 NUT	6	GBT6170-M20-A3L
22	0.760.4552.0	球铰 BALL JOINT	2	0.760.4552.0
23	0.760.3954.0	圆螺母 ROTULA 3^ CATEG.	2	0.760.3954.0
24	0.016.7833.3	下拉杆球头固定卡 PROFILO CONICO	2	0.016.7833.3
25	0.016.7834.3	下拉杆球头固定卡 PROFILO CONICO	2	0.016.7834.3
26	LE1204.56A.113	上拉杆球头 UP BAR FRONT BALL	1	LE1204.56A.113
27	0.009.2300.0	球铰 BALL JOINT	1	0.009.2300.0

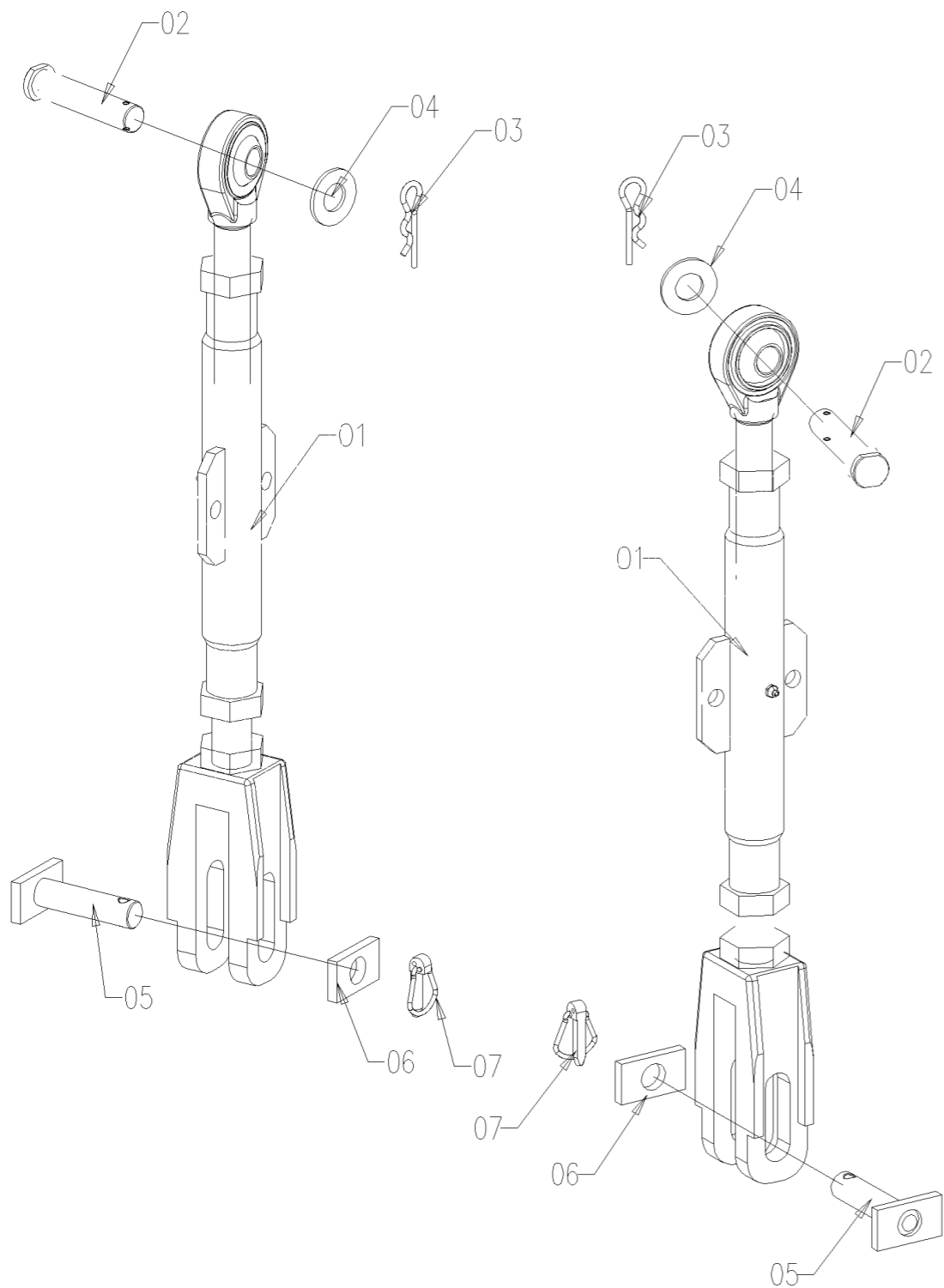
A31.56.005.4 UPPER LINK ASS. STRUT 3 POINT ASS'Y



A31.56.005.4 后连接总成Rear connection assembly

序号	零件编号	零件名称	数量	图号
1	A31.56.006.3	调整螺钉焊接 ADJUSTING SCREW	1	A31.56.006.3
2	0.014.1418.3	连杆 TIRANTE AUTOMATICO	1	0.014.1418.3
3	0.014.4148.3/10	连杆球头组件 TIRANTE FILETTATO	1	0.014.4148.3/10
4	0.96081.16.0	螺母 DADO	1	0.96081.16.0
5	2.3820.105.2	油嘴 NIPPLES M10	1	2.3820.105.2

A31.56.911.4 LIFTING ROD ASS.

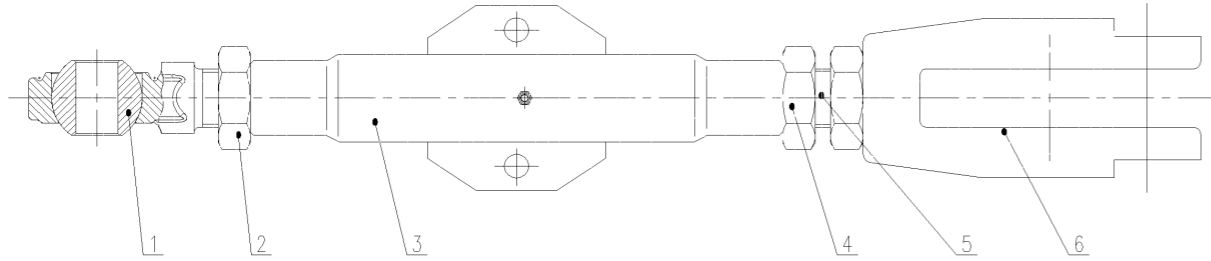


A31.56.911.4_0 提升杆总成 LIFTING ROD ASS.

序号	零件编号	零件名称	数量	图号
1	LE1204.56A.014/10	提升杆总成 LIFT LINK ASS.	2	LE1204.56A.014/10
2	A31.56.001.0	销 PIN	2	A31.56.001.0
3	SH900.56.113	弹簧锁销 () spring cotter ()	2	SH900.56.113
4	SH900.56.108	垫圈 WASHER	2	SH900.56.108
5	LE1204.56A.017/20	销轴合件 PIN WELDED	2	LE1204.56A.017/20
6	SH900.56.155/10	垫片 SHIM	2	SH900.56.155/10
7	SH400.56.025	销 PIN	2	SH400.56.025

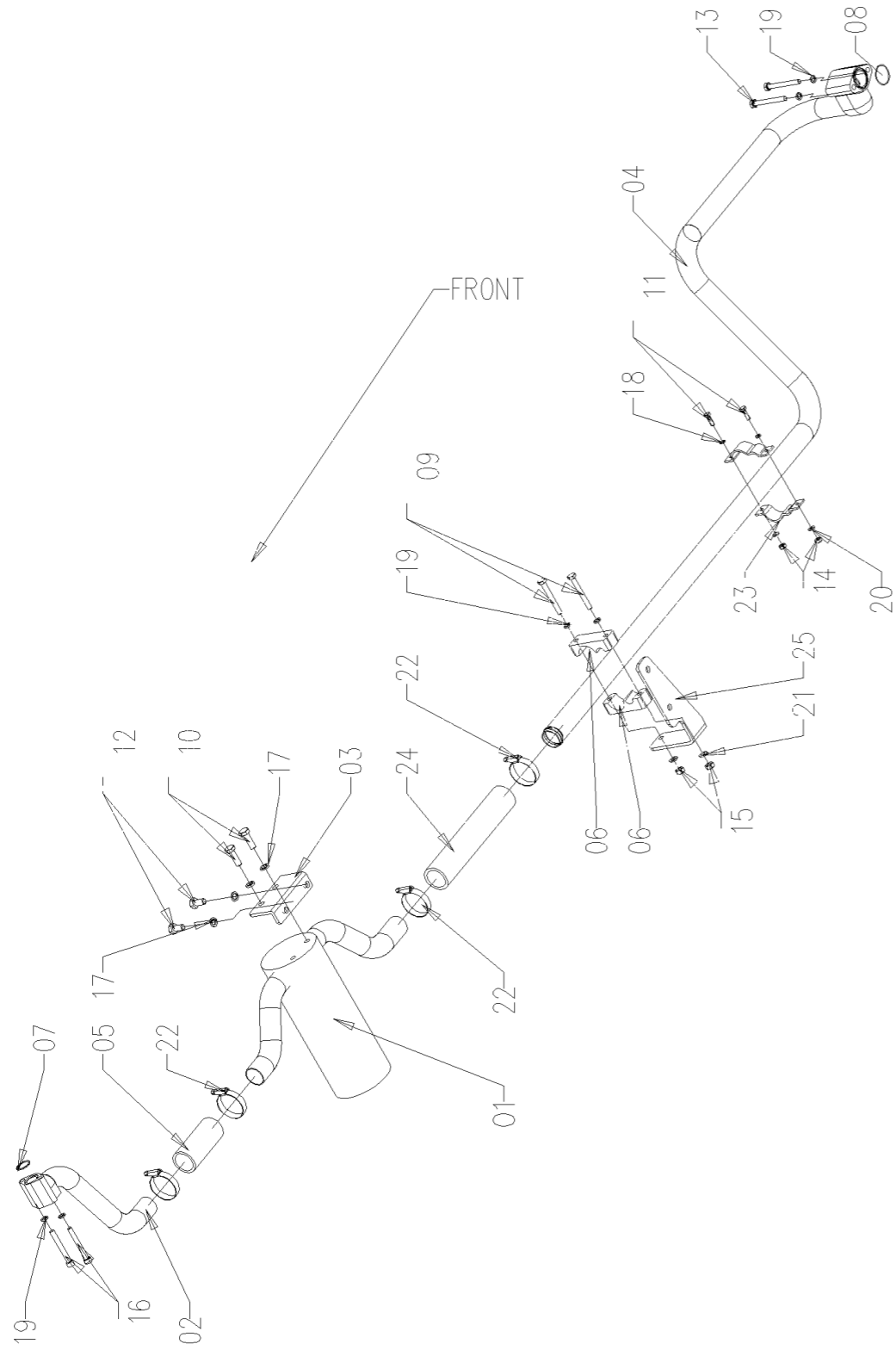
LE1204.56A.014/10 提升杆总成 LIFT LINK ASSEMBLY

LE1204.56A.014/10 提升杆总成



序号	零件编号	零件名称	数量	图号
1	LE1204.56A.015/10	上螺杆铆合总成 FRONGT THREAD	1	LE1204.56A.015/10
2	LE1204.56A.106	梯形螺母Tr36X3 LADDER-SHAPED	1	LE1204.56A.106
3	LE1204.56A.016	提升杆导管焊合 LIFT BAR ASSEMBLY	1	LE1204.56A.016
4	LE1204.56A.107	左旋梯形螺母Tr36 × 3 LEVO LADDER-	2	LE1204.56A.107
5	LE1204.56A.109	螺丝钉 SCREW	1	LE1204.56A.109
6	LE1204.56A.110	提升杆下连接叉 LIFT BAR DOWN	1	LE1204.56A.110

A31.58.900.4 SUCTION PIPE ASS.Y



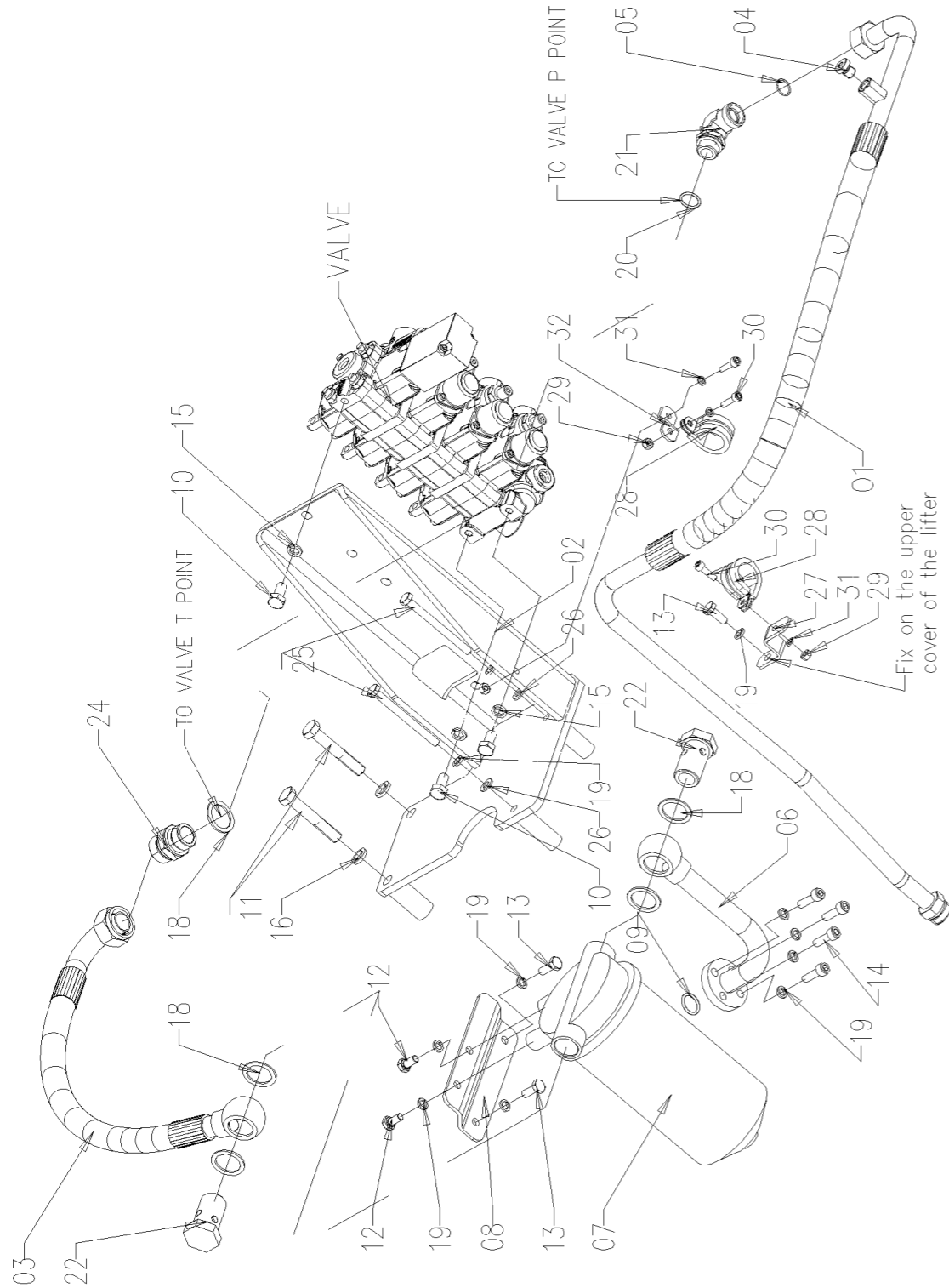
A31.58.900.4_3 吸油管路总成INLET PIPE ASS.

序号	零件编号	零件名称	数量	图号
1	A31.58.017.4	机油滤清器总成 OIL FILTER ASS.	1	A31.58.017.4
1.1	LE1204.58.030-1	滤芯	1	LE1204.58.030-1
2	CD1204.58.012	吸油管焊合 SUCTION PIPE WELDED	1	CD1204.58.012
3	A31.58.026.0	机油滤清器支撑 OIL FILTER BRACKET	1	A31.58.026.0
4	A31.58.015.3	出口管总成 OUTLET PIPE ASS.	1	A31.58.015.3
5	CD1204A.58.102	软管 SUCTION HOSE	1	CD1204A.58.102
6	DF1204.58.122	双孔夹36-18 BRACKET	2	DF1204.58.122
7	GBT3452.1-22.4X1.8-G	O形密封圈 O RING	1	GBT3452.1-22.4X1.8-G
8	GBT3452.1-32.5X1.8-G	O形密封圈 O RING	1	GBT3452.1-32.5X1.8-G
9	GBT5782-M8X65-A2L	螺栓 BOLT	2	GBT5782-M8X65-A2L
10	GBT5783-M10X30-A3L	螺栓 BOLT	2	GBT5783-M10X30-A3L
11	GBT5783-M6X20-A2L	螺栓 BOLT	2	GBT5783-M6X20-A2L
12	GBT5783-M10X20-A2L	螺栓 BOLT	2	GBT5783-M10X20-A2L
13	GBT5782-M8X70-A2L	螺栓 BOLT	2	GBT5782-M8X70-A2L
14	GBT6170-M6-A2L	螺母 NUT	2	GBT6170-M6-A2L
15	GBT6170-M8-A2L	螺母 NUT	2	GBT6170-M8-A2L
16	GBT70.1-M8X65-A2L	螺钉 SCREW	2	GBT70.1-M8X65-A2L
17	GBT93-10-A3L	垫圈 WASHER	4	GBT93-10-A3L
18	GBT93-6-A2L	垫圈 WASHER	2	GBT93-6-A2L
19	GBT93-8-A2L	垫圈 WASHER	6	GBT93-8-A2L
20	GBT97.1-6-A3L	垫圈 WASHER	2	GBT97.1-6-A3L
21	GBT97.1-8-A3L	垫圈 WASHER	2	GBT97.1-8-A3L
22	JBT8870-D50	软管夹 HOSE CLAMPS	4	JBT8870-D50
23	LE1204.58.038	双孔夹36-18 BRACKET	2	LE1204.58.038
24	A31.58.018.0	软管 SUCTION HOSE	1	A31.58.018.0
25	LE1204.58.165	双孔夹36-18 BRACKET	1	LE1204.58.165

A31.58.904.4 MULTIWAY VALVE PIPE ASS.

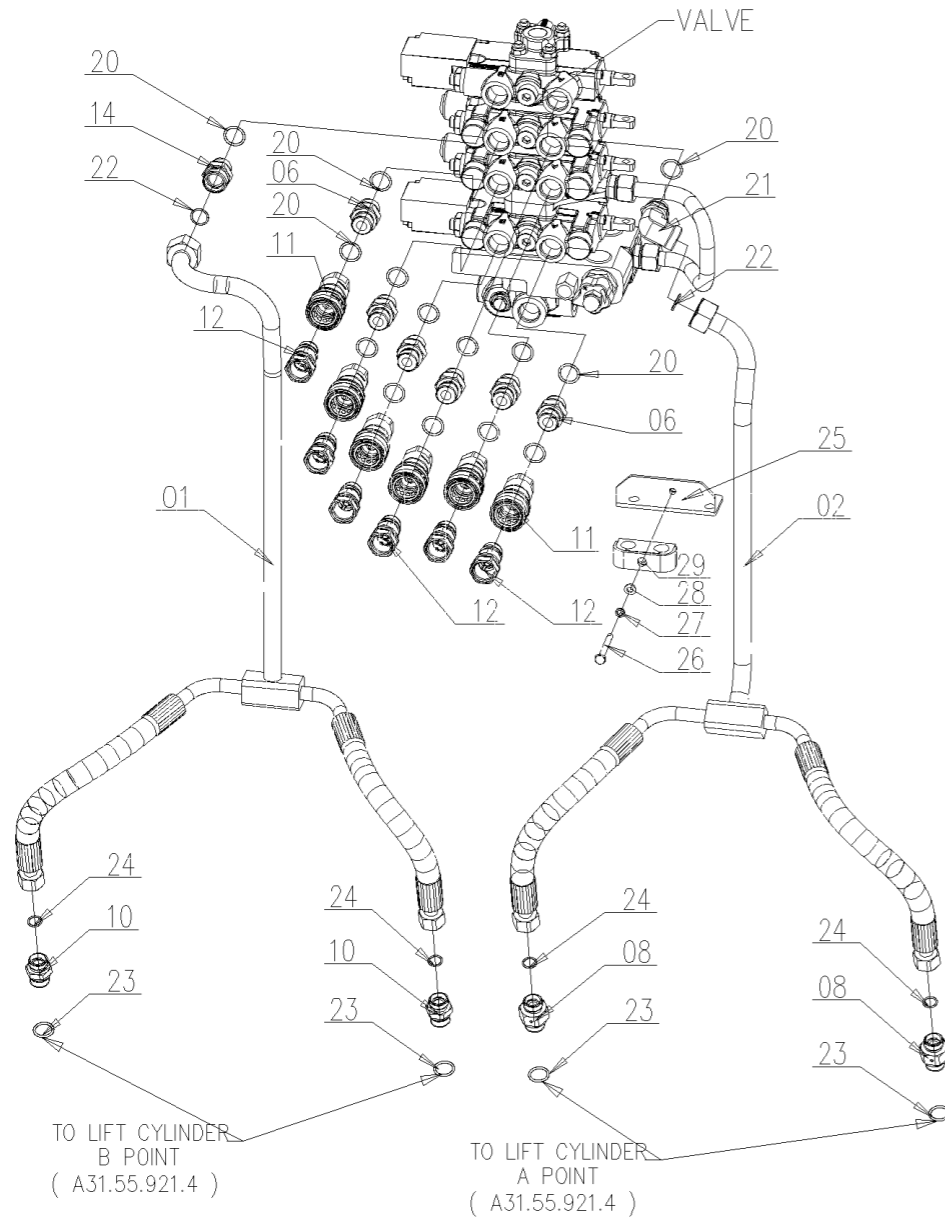
A31.58.904.4_5 多路阀油管总成 VALVE PIPE ASS.Y

序号	零件编号	零件名称	数量	图号
1	0.028.1966.3/30	多路阀进油管 VALVE INLET PIPE ASS.	1	0.028.1966.3/30
2	0.028.8080.2/20	固定支撑销 STAFFA FIX. DISTRIB.	1	0.028.8080.2/20
3	0.028.8081.3	回油管 RETURN PIPE WELDING2	1	0.028.8081.3
4	2.3139.024.2	螺母保护帽 TAPPO T.C.E.I. M12x1.5	1	2.3139.024.2
5	GBT3452.1-16X1.5-G	O形密封圈 O RING	1	GBT3452.1-16X1.5-G
6	DF1204.58B.019	回油管焊合 RETURN PIPE WELDED	1	DF1204.58B.019
7	DF1204.58B.020	管路滤清器总成 RETURN FILTER ASS.	1	DF1204.58B.020
8	DF1204.58B.102	回流过滤器支架 RETURN FILTER	1	DF1204.58B.102
9	GBT3452.1-19X2.65-G	O形密封圈 O RING	1	GBT3452.1-19X2.65-G
10	GBT5783-M10X20-A3L	螺栓 BOLT	3	GBT5783-M10X20-A3L
11	GBT5782-M12X70-10.9-	螺栓 BOLT	2	GBT5782-M12X70-10.9-A3L
12	GBT5783-M8X16-A2L	螺栓 BOLT	2	GBT5783-M8X16-A2L
13	GBT5783-M8X20-A2L	螺栓 BOLT	3	GBT5783-M8X20-A2L
14	GBT70.1-M8X25-A2L	螺钉 SCREW	4	GBT70.1-M8X25-A2L
15	GBT93-10-A3L	垫圈 WASHER	3	GBT93-10-A3L
16	GBT93-12-A3L	垫圈 WASHER	2	GBT93-12-A3L
18	A68.58.003.0	密封环 SEALING RING 27.3x36	5	A68.58.003.0
19	GBT93-8-A3L	垫圈 WASHER	11	GBT93-8-A3L
20	GBT3452.1-19.3X2.2-G	O形密封圈 O RING	1	GBT3452.1-19.3X2.2-G
21	GBT3738-08-L18	管件 FITTING	1	GBT3738-08-L18
22	SH900.58.101	空心螺栓 HOLLOW BOLT M27X1.5	2	SH900.58.101
24	GBT3733.2-83-G22	管件 FITTING	1	GBT3733.2-83-G22
25	GBT5783-M8X90-A2L	螺栓 BOLT	2	GBT5783-M8X90-A2L
26	GBT97.1-8-A3L	垫圈 WASHER	2	GBT97.1-8-A3L
27	A11.58.107.0	管支架 PIPE BRACKET	1	A11.58.107.0
28	2.6839.068.0	夹子 FASCETTA	2	2.6839.068.0
29	GBT6170-M6-A2L	螺母 NUT	3	GBT6170-M6-A2L
30	GBT70.1-M6X20-A2L	螺丝钉 SCREW	3	GBT70.1-M6X20-A2L
31	GBT93-6-A3L	垫圈 WASHER	3	GBT93-6-A3L
32	A11.58.108.0	支架 BRACKET	1	A11.58.108.0



A31.58.905.4 OUTPUT PIPE ASS.

A31.58.905.4_3 多路阀输出油管总成 (3组液压输出, 流量控制) OUTPUT PIPE ASS.Y(3 sets of hydraulic outputs, flow control)

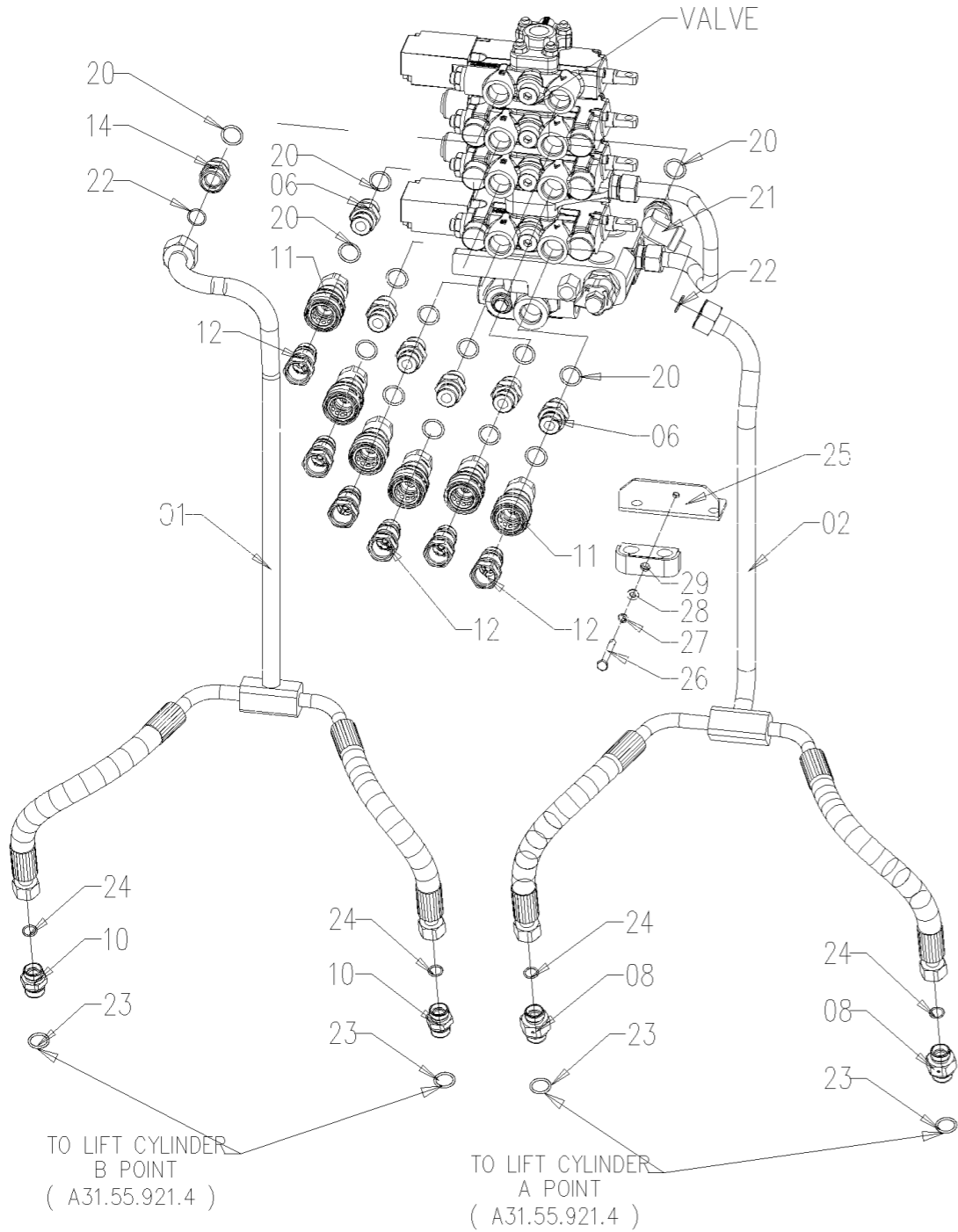


序号	零件编号	零件名称	数量	图号
1	0.028.2006.3/20	出口管总成2 OUTLET PIPE ASS.2	1	0.028.2006.3/20
2	0.028.2010.3/10	出口管总成1 OUTLET PIPE ASS.1	1	0.028.2010.3/10
6	A08.58.101.0	管件 M22X1.5F-M22X1.5F FITTING	6	A08.58.101.0
8	A11.58.103.3	减速阀 SLOW DOWN VALVE	2	A11.58.103.3
10	A11.58.102.0	管件 M20X1.5-M20X1.5 FITTING	2	A11.58.102.0
11	A02.58.093.0	快换接头 F. QUICK COUPLER	6	A02.58.093.0
12	A02.58.094.0	快换接头 M. QUICK COUPLER	6	A02.58.094.0
14	GBT3733-08-L18F	管件 FITTING	1	GBT3733-08-L18F
20	GBT3452.1-19.3X2.2-G	O形密封圈 O RING	14	GBT3452.1-19.3X2.2-G
21	GBT3738-08-L18	管件 FITTING	1	GBT3738-08-L18
22	GBT3452.1-16X1.5-G	O形密封圈 O RING	2	GBT3452.1-16X1.5-G
23	GBT3452.1-17.3X2.2-G	O形密封圈 O RING	4	GBT3452.1-17.3X2.2-G
24	GBT3452.1-12X1.5-G	O形密封圈 O RING	4	GBT3452.1-12X1.5-G
25	B29.58.008.3	管支架 PIPE BRACKET	1	B29.58.008.3
26	GBT5782-M6X50-A2L	螺栓 BOLT	1	GBT5782-M6X50-A2L
27	GBT93-6-A3L	垫圈 WASHER	1	GBT93-6-A3L
28	GBT97.1-6-A3L	垫圈 WASHER	1	GBT97.1-6-A3L
29	2.3320.319.0	管形夹具 TUBE CLAMP 18-18	1	2.3320.319.0

A31.58.905.4 OUTPUT PIPE ASS.Y

A31.58.905.4_4 多路阀输出油管总成 (3组液压输出, 流量控制) OUTPUT PIPE ASS.Y(3 sets of hydraulic outputs, flow control)

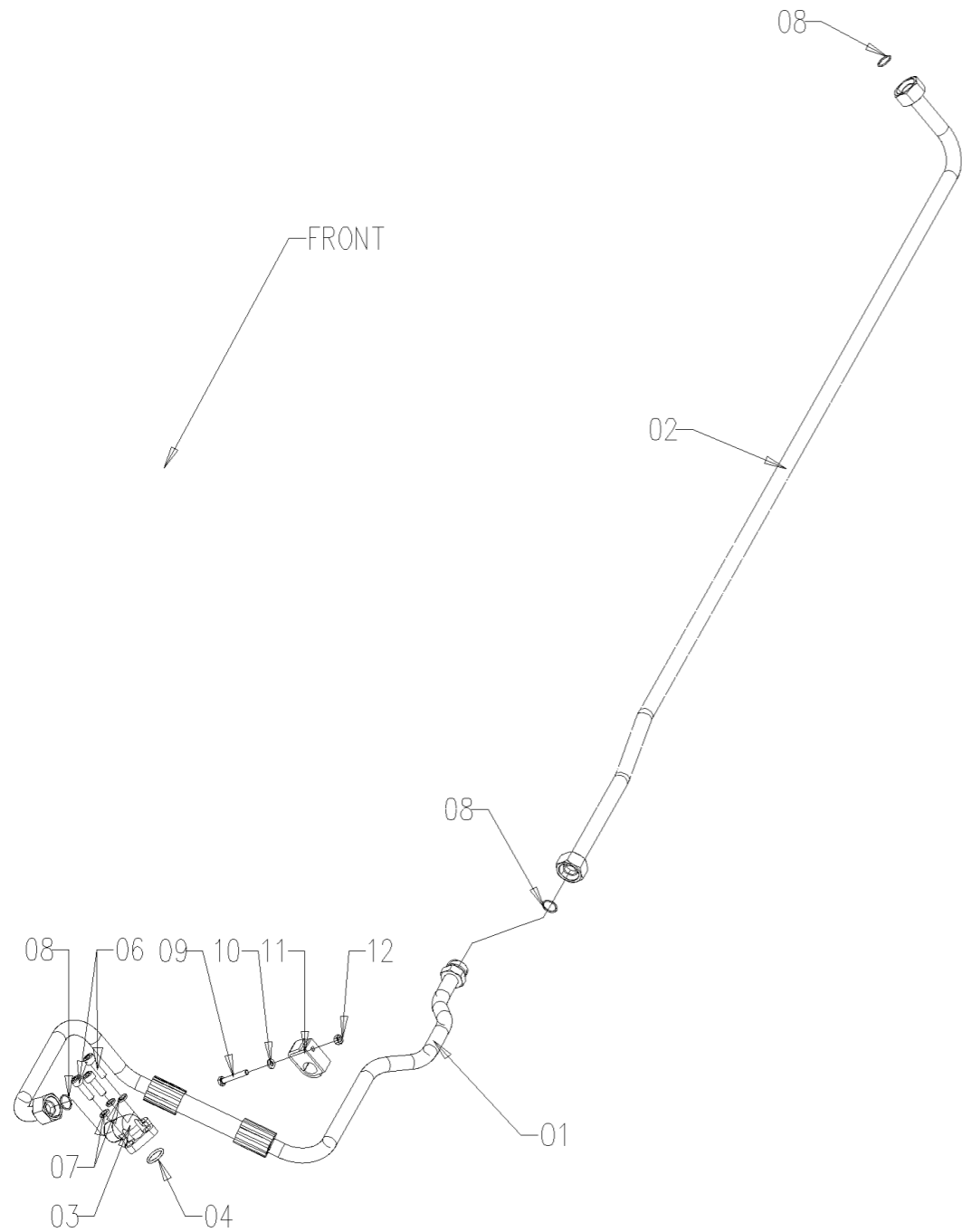
序号	零件编号	零件名称	数量	图号
1	0.028.2006.3/30	出口管总成2 OUTLET PIPE ASS.2	1	0.028.2006.3/30
2	0.028.2010.3/10	出口管总成1 OUTLET PIPE ASS.1	1	0.028.2010.3/10
6	A08.58.101.0	管件 M22X1.5F-M22X1.5F FITTING	6	A08.58.101.0
8	A11.58.103.3	减速阀 SLOW DOWN VALVE	2	A11.58.103.3
10	A11.58.102.0	管件 M20X1.5-M20X1.5 FITTING	2	A11.58.102.0
11	A02.58.093.0	快换接头 F. QUICK COUPLER	6	A02.58.093.0
12	A02.58.094.0	快换接头 M. QUICK COUPLER	6	A02.58.094.0
14	GBT3733-08-L18F	管件 FITTING	1	GBT3733-08-L18F
20	GBT3452.1-19.3X2.2-G	O形密封圈 O RING	14	GBT3452.1-19.3X2.2-G
21	GBT3738-08-L18	管件 FITTING	1	GBT3738-08-L18
22	GBT3452.1-16X1.5-G	O形密封圈 O RING	2	GBT3452.1-16X1.5-G
23	GBT3452.1-17.3X2.2-G	O形密封圈 O RING	4	GBT3452.1-17.3X2.2-G
24	GBT3452.1-12X1.5-G	O形密封圈 O RING	4	GBT3452.1-12X1.5-G
25	B29.58.008.3	管支架 PIPE BRACKET	1	B29.58.008.3
26	GBT5782-M6X50-A2L	螺栓 BOLT	1	GBT5782-M6X50-A2L
27	GBT93-6-A3L	垫圈 WASHER	1	GBT93-6-A3L
28	GBT96-6-A3L	垫圈 WASHER	1	GBT96-6-A3L
29	2.3320.316.0	管形夹具 TUBE CLAMP 16-16	1	2.3320.316.0



A31.58.912.4 PUMP DELIVERY PIPE ASS.Y

A31.58.912.4_2 提升泵出油管总成PUMP DELIVERY PIPE ASS.Y

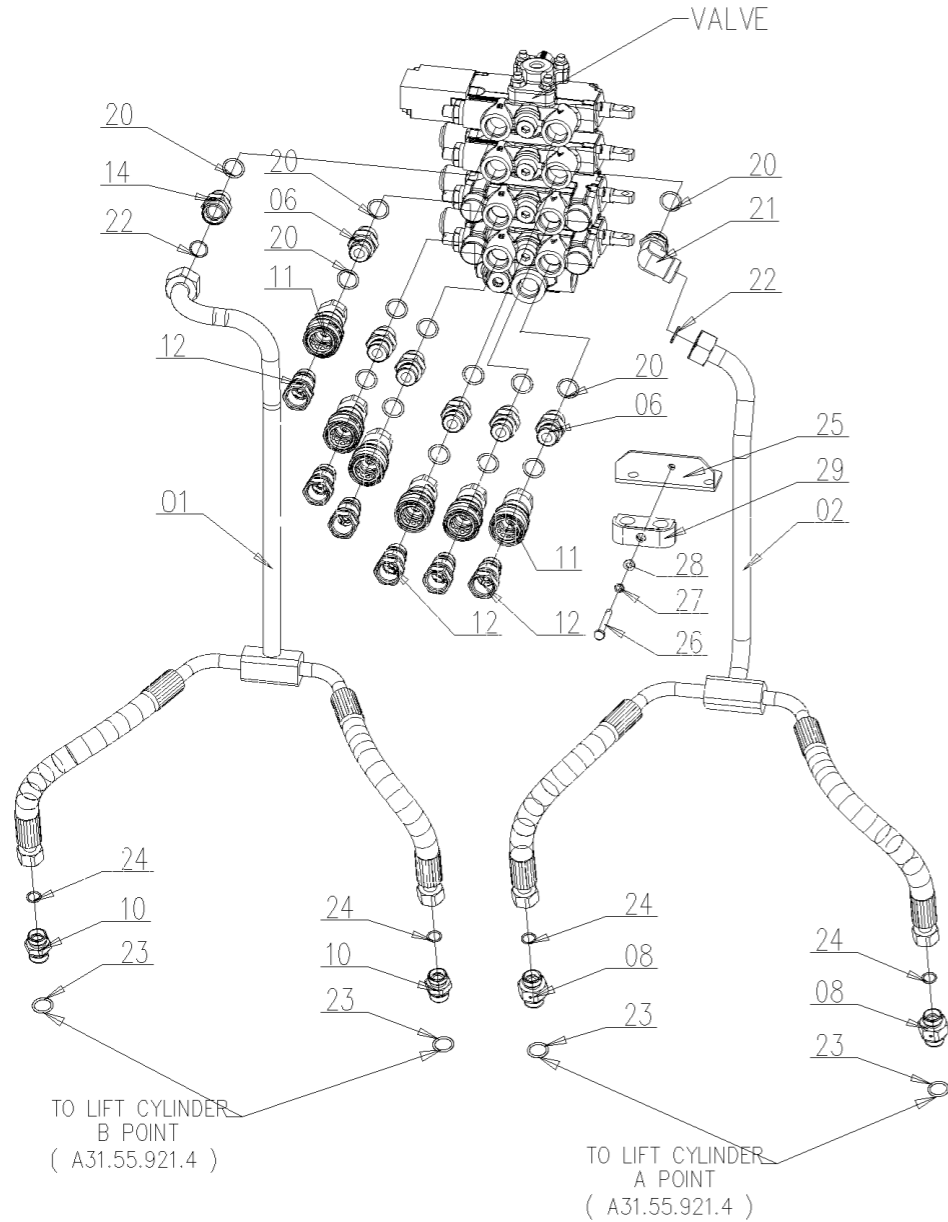
序号	零件编号	零件名称	数量	图号
1	A31.58.024.3/10	出口管总成 OUTLET PIPE ASS.	1	A31.58.024.3/10
2	A31.58.025.3	输入管总成 INTER PIPE ASS.	1	A31.58.025.3
3	B29.58.015.0	管件 FITTING	1	B29.58.015.0
4	GBT3452.1-19X2.65-G	O形密封圈 O RING	1	GBT3452.1-19X2.65-G
6	GBT70.1-M8X25-A2L	螺钉 SCREW	3	GBT70.1-M8X25-A2L
7	GBT93-8-A3L	垫圈 WASHER	3	GBT93-8-A3L
8	GBT3452.1-16X1.5-G	O形密封圈 O RING	3	GBT3452.1-16X1.5-G
9	GBT5783-M6X40-A2L	螺栓 BOLT	1	GBT5783-M6X40-A2L
10	GBT97.1-6-A3L	垫圈 WASHER	1	GBT97.1-6-A3L
11	2.3320.109.0	管形夹具 TUBE CLAMP 18	1	2.3320.109.0
12	GBT6170-M6-A2L	螺母 NUT	1	GBT6170-M6-A2L



NOTE: Part 3 is installed in the gear pump;
Part 2 is connected to the multi-way valve inlet pipe

A31.58.915.4_0 多路阀输出油管总成 (3组液压输出) VALVE DELIVERY ASS.Y (3 sets of hydraulic outputs)

A31.58.915.4 VALVE DELIVERY ASS.Y

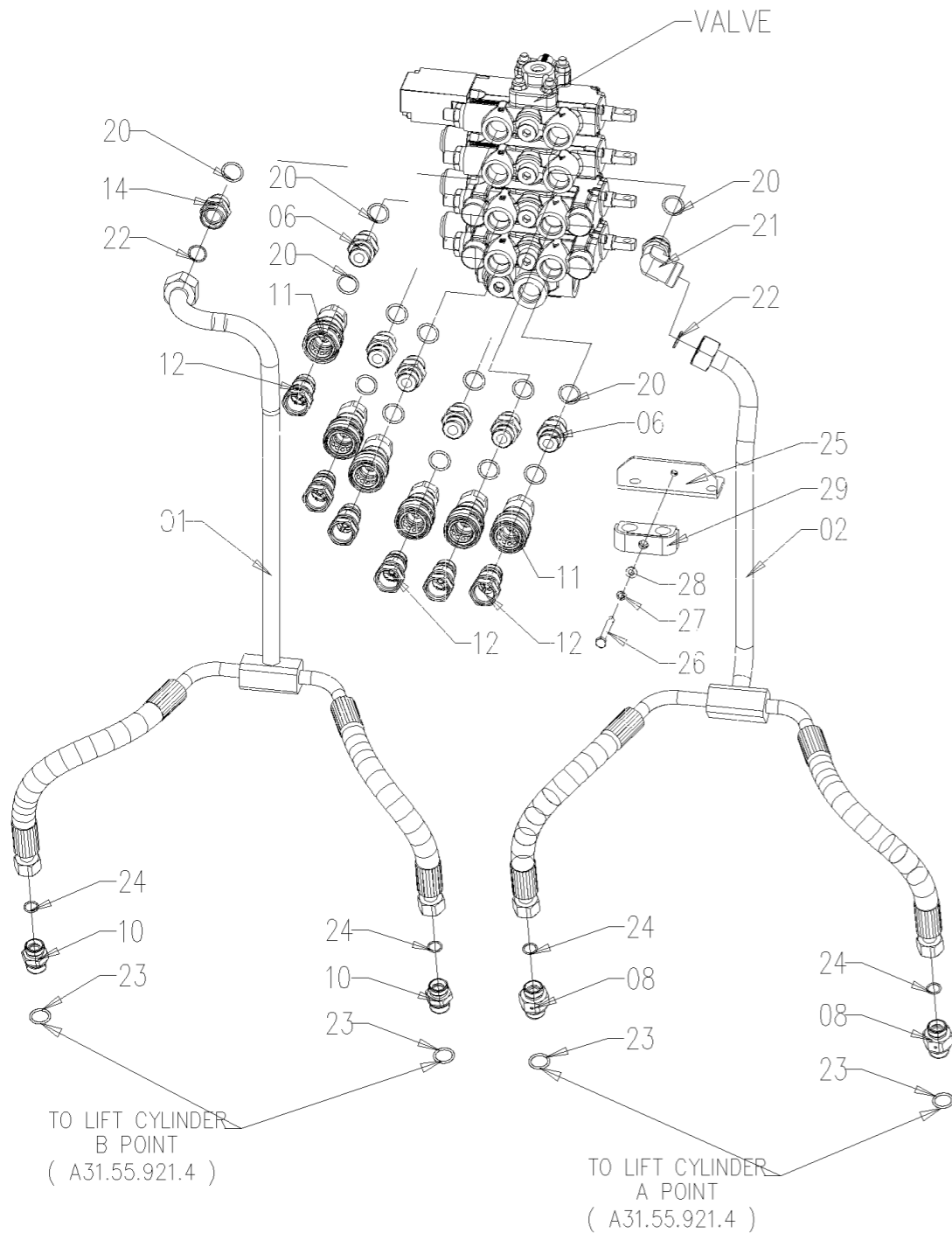


序号	零件编号	零件名称	数量	图号
1	A31.58.022.3	出口管总成2 OUTLET PIPE ASS.2	1	A31.58.022.3
2	A31.58.021.3	出口管总成1 OUTLET PIPE ASS.1	1	A31.58.021.3
6	A08.58.101.0	管件 M22X1.5F-M22X1.5F FITTING	6	A08.58.101.0
8	A11.58.103.3	减速阀 SLOW DOWN VALVE	2	A11.58.103.3
10	A11.58.102.0	管件 M20X1.5-M20X1.5 FITTING	2	A11.58.102.0
11	A02.58.093.0	快换接头 F. QUICK COUPLER	6	A02.58.093.0
12	A02.58.094.0	快换接头 M. QUICK COUPLER	6	A02.58.094.0
14	GBT3733-08-L18F	管件 FITTING	1	GBT3733-08-L18F
20	GBT3452.1-19.3X2.2-G	O形密封圈 O RING	14	GBT3452.1-19.3X2.2-G
21	GBT3738-08-L18	管件 FITTING	1	GBT3738-08-L18
22	GBT3452.1-16X1.5-G	O形密封圈 O RING	2	GBT3452.1-16X1.5-G
23	GBT3452.1-17.3X2.2-G	O形密封圈 O RING	4	GBT3452.1-17.3X2.2-G
24	GBT3452.1-12X1.5-G	O形密封圈 O RING	4	GBT3452.1-12X1.5-G
25	B29.58.008.3	管支架 PIPE BRACKET	1	B29.58.008.3
26	GBT5782-M6X50-A2L	螺栓 BOLT	1	GBT5782-M6X50-A2L
27	GBT93-6-A3L	垫圈 WASHER	1	GBT93-6-A3L
28	GBT97.1-6-A3L	垫圈 WASHER	1	GBT97.1-6-A3L
29	2.3320.319.0	管形夹具 TUBE CLAMP 18-18	1	2.3320.319.0

A31.58.915.4 VALVE DELIVERY ASS.Y

A31.58.915.4_1 多路阀输出油管总成 (3组液压输出) VALVE DELIVERY ASS.Y (3 sets of hydraulic outputs)

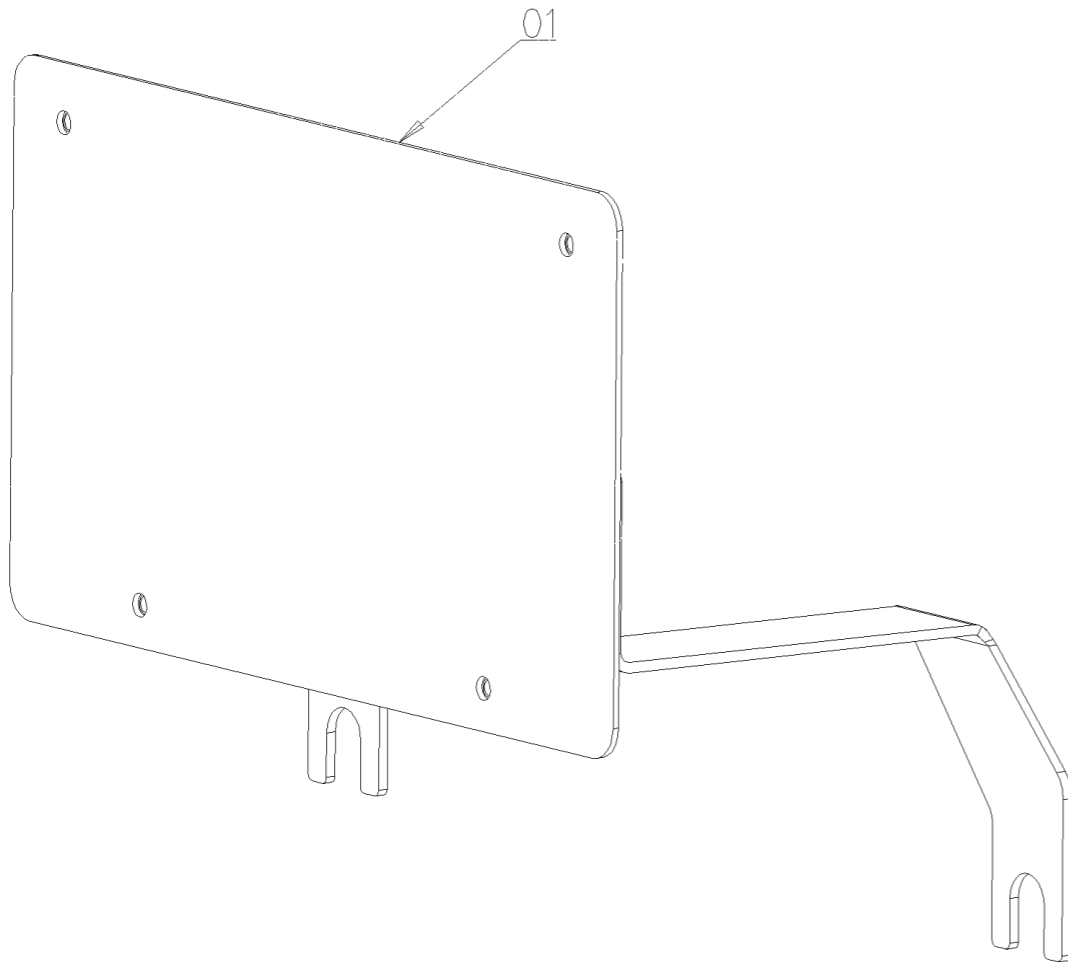
序号	零件编号	零件名称	数量	图号
1	A31.58.022.3/10	出口管总成2 OUTLET PIPE ASS.2	1	A31.58.022.3/10
2	A31.58.021.3	出口管总成1 OUTLET PIPE ASS.1	1	A31.58.021.3
6	A08.58.101.0	管件 M22X1.5F-M22X1.5F FITTING	6	A08.58.101.0
8	A11.58.103.3	减速阀 SLOW DOWN VALVE	2	A11.58.103.3
10	A11.58.102.0	管件 M20X1.5-M20X1.5 FITTING	2	A11.58.102.0
11	A02.58.093.0	快换接头 F. QUICK COUPLER	6	A02.58.093.0
12	A02.58.094.0	快换接头 M. QUICK COUPLER	6	A02.58.094.0
14	GBT3733-08-L18F	管件 FITTING	1	GBT3733-08-L18F
20	GBT3452.1-19.3X2.2-G	O形密封圈 O RING	14	GBT3452.1-19.3X2.2-G
21	GBT3738-08-L18	管件 FITTING	1	GBT3738-08-L18
22	GBT3452.1-16X1.5-G	O形密封圈 O RING	2	GBT3452.1-16X1.5-G
23	GBT3452.1-17.3X2.2-G	O形密封圈 O RING	4	GBT3452.1-17.3X2.2-G
24	GBT3452.1-12X1.5-G	O形密封圈 O RING	4	GBT3452.1-12X1.5-G
25	B29.58.008.3	管支架 PIPE BRACKET	1	B29.58.008.3
26	GBT5782-M6X50-A2L	螺栓 BOLT	1	GBT5782-M6X50-A2L
27	GBT93-6-A3L	垫圈 WASHER	1	GBT93-6-A3L
28	GBT97.1-6-A3L	垫圈 WASHER	1	GBT97.1-6-A3L
29	2.3320.319.0	管形夹具 TUBE CLAMP 18-18	1	2.3320.319.0



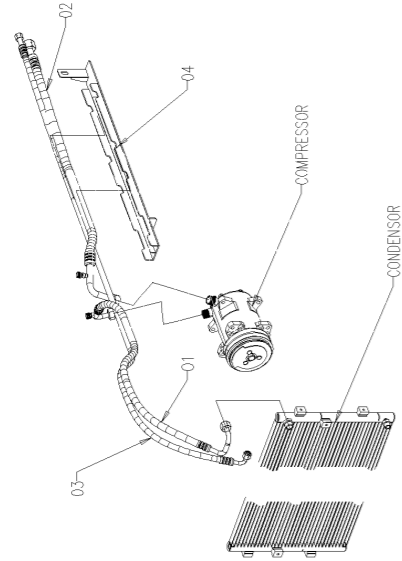
A31.74.900.4_0 号牌座总成 NO. CARD SEAT ASS.Y

序号	零件编号	零件名称	数量	图号
1	LE1204.74.011	号牌座总成 WELDING SEAT PLATE	1	LE1204.74.011

A31.74.900.4 NO. CARD SEAT ASS.Y



A31.81.901.4 AC COMPRESSOR PIPE ASS.Y



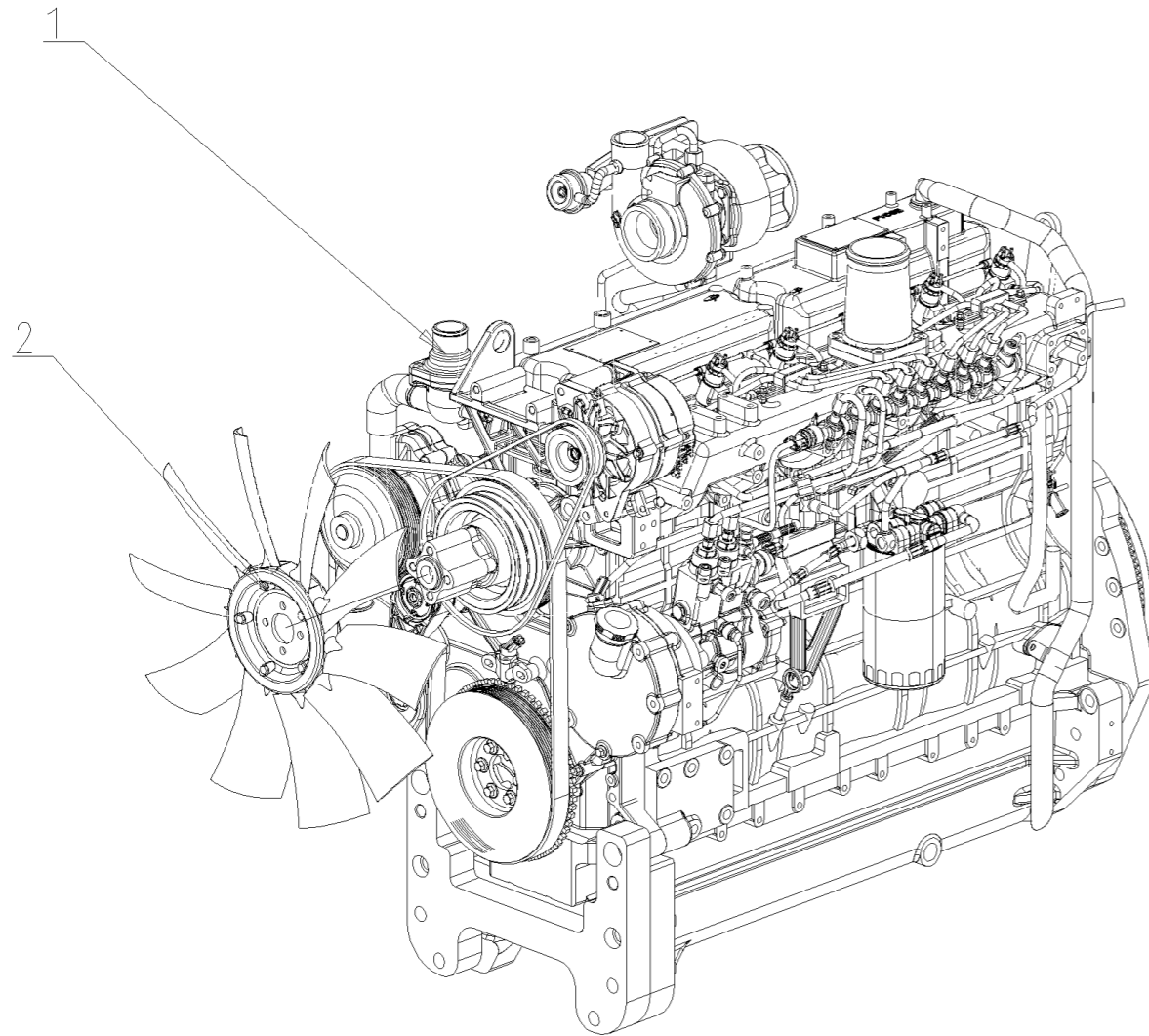
A31.81.901.4_0 空调压缩机管路总成 AC COMPRESSOR PIPE ASS.Y

序号	零件编号	零件名称	数量	图号
1	A31.81.001.2	压缩机出口管 COMPRESSOR OUTLET	1	A31.81.001.2
2	A31.81.002.2	压缩机入口管 COMPRESSOR INLET	1	A31.81.002.2
3	A31.81.003.2	冷凝器出口管 CONDENSER OUTLET	1	A31.81.003.2
4	A31.81.004.2/10	对管道支架 BRACKET FOR PIPE	1	A31.81.004.2/10

A33.10.900.4LE ENGINE YC CR 140PS

A33.10.900.4_0 共轨发动机(型号: YC6J165-T301 供货代号: JY60TE)LE ENGINE YC CR 140PS

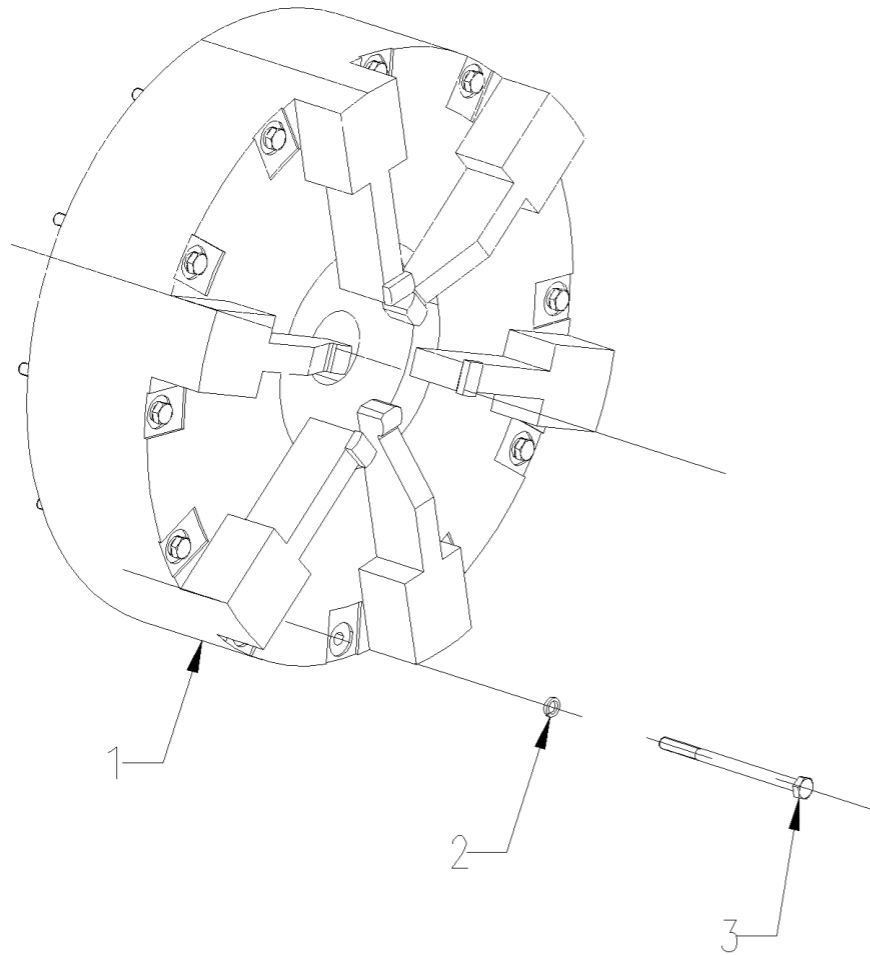
序号	零件编号	零件名称	数量	图号
1	A33.10.001.4	发动机 LE ENGINE YC CR 140PS	1	A33.10.001.4
2	A31.10.003.4	FAN.D540-40X10	1	A31.10.003.4

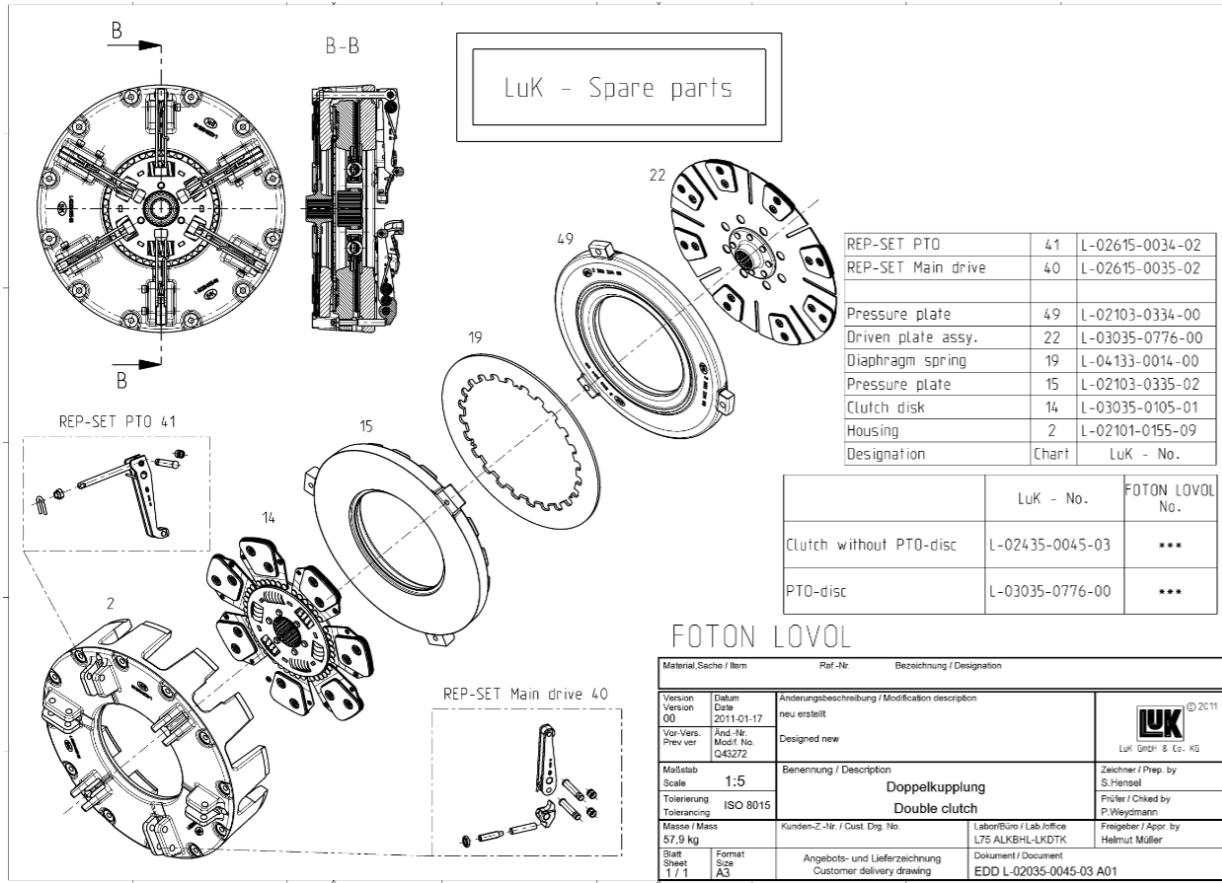


A33.21.901.4 CLUTCH SUB-ASS.LY

A33.21.901.4_0 离合器总成Clutch Assembly

序号	零件编号	零件名称	数量	图号
1	CD1404.21A.010	离合器 CLUTCH	1	CD1404.21A.010
2	GBT93-8-A3L	弹簧垫圈 SPRING WASHER	12	GBT93-8-A3L
3	CD1404.21.105	螺栓 BOLT	12	CD1404.21.105

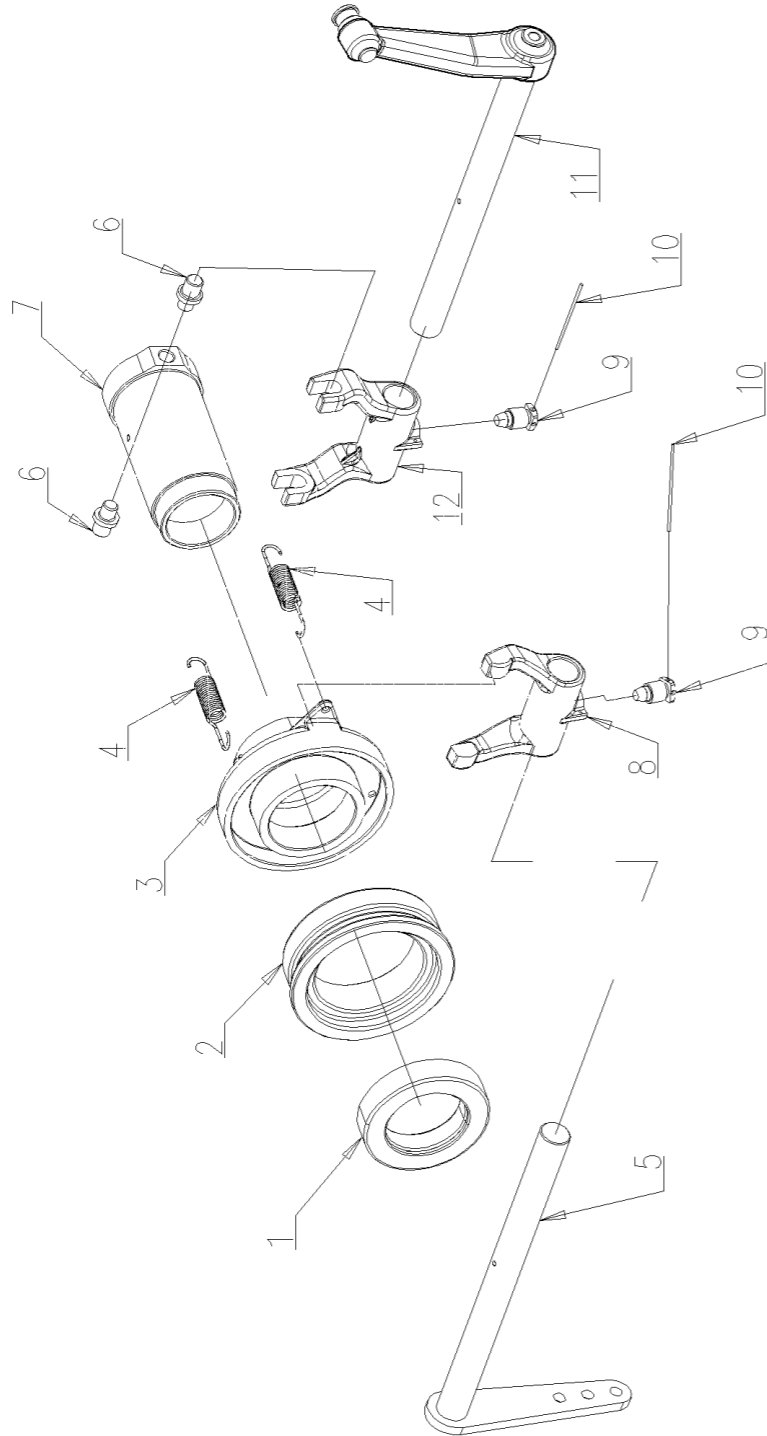




CD1404.21A.010 离合器 CLUTCH

序号	零件编号	零件名称	数量	图号
14	L-03035-0105-01	主盘 main disk	1	L-03035-0105-01
22	L-03035-0776-00	辅助盘 auxiliary disk	1	L-03035-0776-00
40	L-02615-0035-02	离合器杆组 clutch lever set	3	L-02615-0035-02
41	L-02615-0034-02	离合杆组PTO clutch lever set PTO	3	L-02615-0034-02

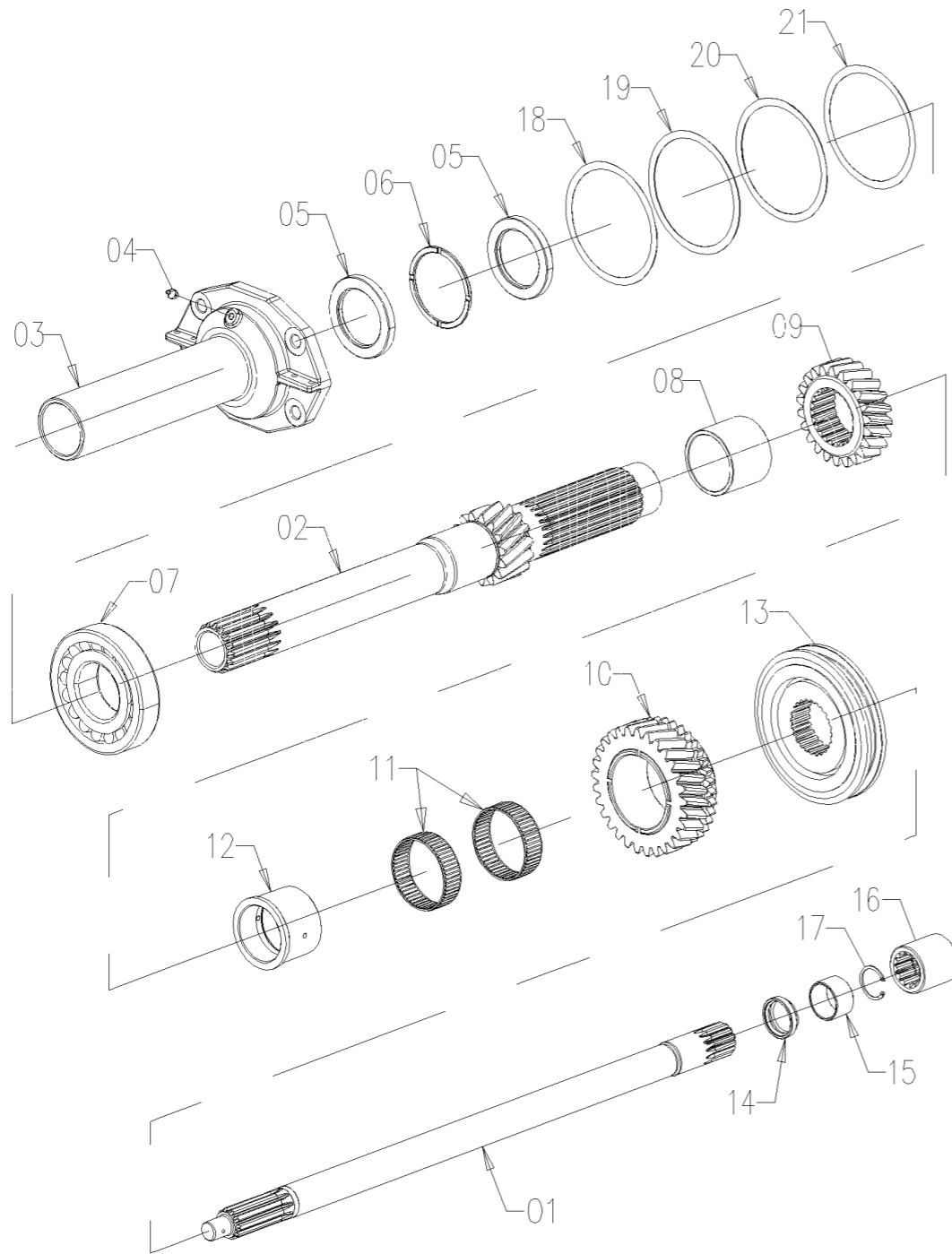
A33.21.905.4 CLUTCH RELEASING ASSEMBLY



A33.21.905.4_4 离合器分离总成 CLUTCH RELEASING ASS.Y

序号	零件编号	零件名称	数量	图号
1	A23.21.001.0/10	离合器分离轴承 BEARING 996713K	1	A23.21.001.0/10
2	NTM8842A.00	角接触型离合器分离球轴承 RELEASE	1	NTM8842A.00
3	CD1404.21.102/10	轴承座 PTO BEARING SEAT	1	CD1404.21.102/10
4	CD1404.21.104	离合器回程弹簧 PTO CLUTCH	2	CD1404.21.104
5	LE1354.21.011	副离合摇臂轴焊合 VICE CLUCH	1	LE1354.21.011
6	SH900.21.109	圆柱销 CYLINDRICAL PIN	2	SH900.21.109
7	CD1404.21.103/10	主离合器轴承座 MAIN CLUTCH	1	CD1404.21.103/10
8	SH900.21.111/10	副离合器拨叉 AUXILIARY CLUTCH	1	SH900.21.111/10
9	A11.21.009.0/10	紧固螺丝 HOLDING SCREW	2	A11.21.009.0/10
10	YBT5294-SZ-F-2	低碳钢丝 LOW CARBON STEEL WIRE	0	YBT5294-SZ-F-2
11	B29.21.001.3	摇杆轴焊件 ROCKER SHAFT	1	B29.21.001.3
12	SH900.21.113	主离合器拨叉 MAIN CLUTCH FORK	1	SH900.21.113

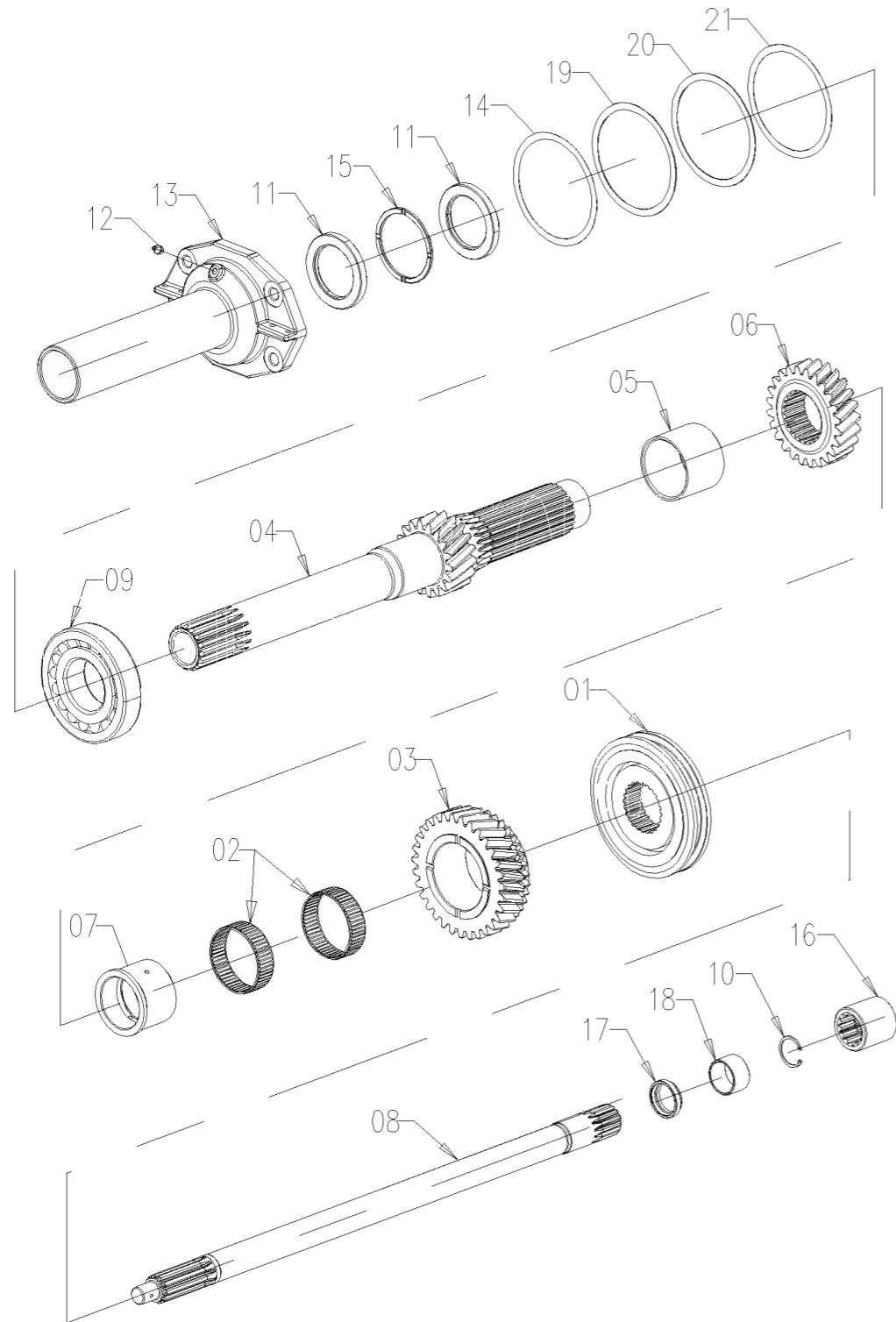
A33.37.901.4 INPUT SHAFT ASS.Y



A33.37.901.4_5 输入轴总成 (16F+8R 同步器换挡 微爬档) INPUT SHAFT ASS.LY(16F+8R synchro shift micro crawl)

序号	零件编号	零件名称	数量	图号
1	A33.37.002.0	前轴 PTO FRONT SHAFT	1	A33.37.002.0
2	A33.37.001.0/10	输入轴 INPUT SHAFT	1	A33.37.001.0/10
3	LE1204.37.151	输入轴承座 INPUT BEARING SEAT	1	LE1204.37.151
4	JBT7940.1-M6	油杯 GREASE CUP	1	JBT7940.1-M6
5	GBT13871.1-FB-050072-D	油封 OIL SEAL	2	GBT13871.1-FB-050072-D
6	LE1204.37.208	隔圈 SPACER	1	LE1204.37.208
7	GBT297-30310	轴承 BEARING	1	GBT297-30310
8	0.029.4463.0/10	套管 BUSHING	1	0.029.4463.0/10
9	0.029.4380.0/20	第二驱动齿轮 2ND DRIVING GEAR	1	0.029.4380.0/20
10	0.029.4319.3/10	第三传动齿轮铆接 3RD DRIVING	1	0.029.4319.3/10
11	2.2770.271.0	滚针轴承 ROLLER CAGE 60x65x20	2	2.2770.271.0
12	DF904.37.113/10	衬套 NEEDLE INNER RING	1	DF904.37.113/10
13	0.014.0150.4/10	锁止限位 SINCRONIZZATORE	1	0.014.0150.4/10
14	SH900.37.112/10	输入轴座 INPUT SHAFT SEAL	1	SH900.37.112/10
15	SH900.37.113	输入轴轴承 INPUT SHAFT BUSHING	1	SH900.37.113
16	SH900.41.105	连接套筒 PTO CONNECTING SLEEVE	1	SH900.41.105
17	GBT893.1-28	弹性挡圈 CIRCLIP	1	GBT893.1-28
18	LE1204.37.190	调整垫圈 ADJUST WASHER	0	LE1204.37.190
19	LE1204.37.191	调整垫圈 ADJUST WASHER	0	LE1204.37.191
20	LE1204.37.192	调整垫圈 ADJUST WASHER	0	LE1204.37.192
21	A26.37.010.0	调整垫圈 ADJUST WASHER	0	A26.37.010.0

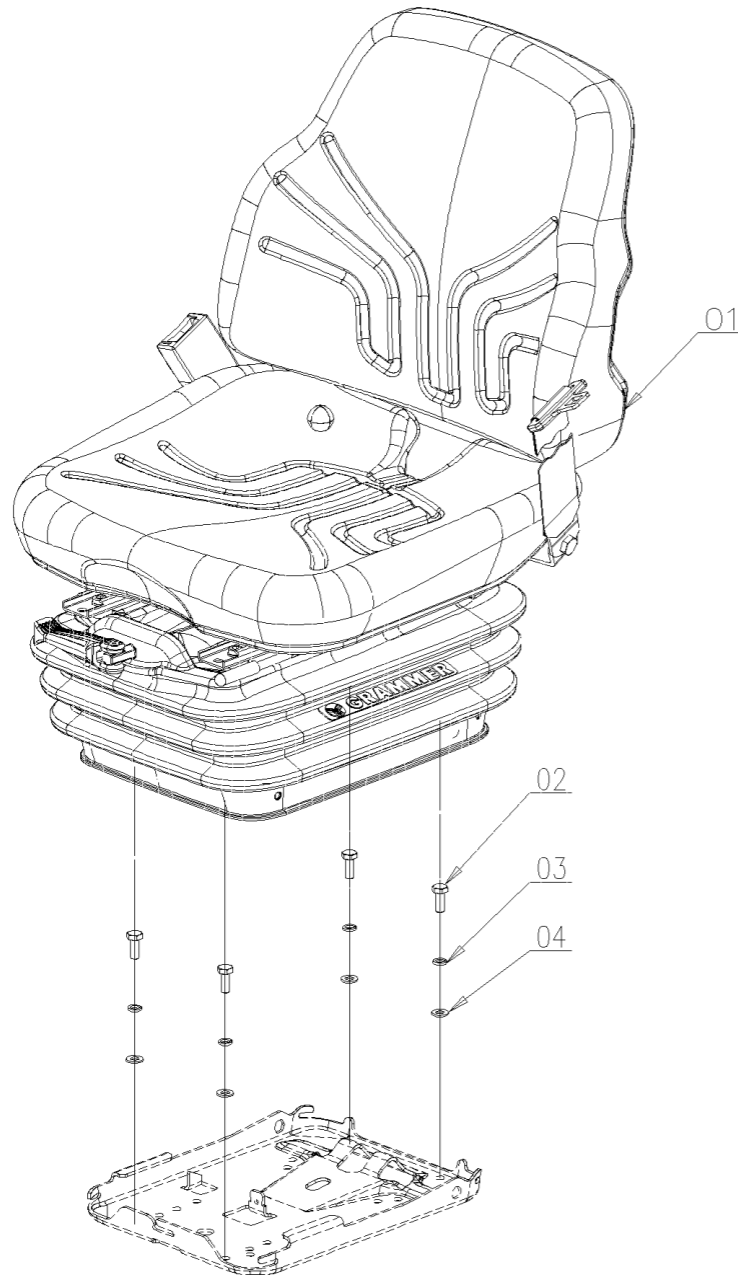
A33.37.902.4 INPUT SHAFT ASS.Y



A33.37.902.4_5 输入轴总成 (16F+8R 同步器换挡 普通档) INPUT SHAFT ASS.LY(16F+8R synchro shift normal gear)

序号	零件编号	零件名称	数量	图号
1	0.014.0150.4/10	锁止限位 SINCRONIZZATORE	1	0.014.0150.4/10
2	2.2770.271.0	滚针轴承 ROLLER CAGE 60x65x20	2	2.2770.271.0
3	DF904.37.013/10	第三齿轮组 THIRD GEAR UNIT	1	DF904.37.013/10
4	DF904.37.102/20	输入轴 INPUT SHAFT	1	DF904.37.102/20
5	C35.37.006.0	隔圈 SPACER	1	C35.37.006.0
6	C35.37.005.0	第二驱动齿轮 SECOND DRIVING	1	C35.37.005.0
7	DF904.37.113/10	衬套 NEEDLE INNER RING	1	DF904.37.113/10
8	A33.37.002.0	前轴 PTO FRONT SHAFT	1	A33.37.002.0
9	GBT297-30310	轴承 BEARING	1	GBT297-30310
10	GBT893.1-28	弹性挡圈 CIRCLIP	1	GBT893.1-28
11	GBT13871.1-FB-050072-D	油封 OIL SEAL	2	GBT13871.1-FB-050072-D
12	JBT7940.1-M6	油杯 GREASE CUP	1	JBT7940.1-M6
13	LE1204.37.151	输入轴承座 INPUT BEARING SEAT	1	LE1204.37.151
14	LE1204.37.190	调整垫圈 ADJUST WASHER	0	LE1204.37.190
15	LE1204.37.208	隔圈 SPACER	1	LE1204.37.208
16	SH900.41.105	连接套筒 PTO CONNECTING SLEEVE	1	SH900.41.105
17	SH900.37.112/10	输入轴座 INPUT SHAFT SEAL	1	SH900.37.112/10
18	SH900.37.113	输入轴轴承 INPUT SHAFT BUSHING	1	SH900.37.113
19	LE1204.37.191	调整垫圈 ADJUST WASHER	0	LE1204.37.191
20	LE1204.37.192	调整垫圈 ADJUST WASHER	0	LE1204.37.192
21	A26.37.010.0	调整垫圈 ADJUST WASHER	0	A26.37.010.0

A68.44.900.4 SEAT ASS.



A68.44.900.4_1 格拉默座椅 (PVC 坐垫及安全带) GRAMMER (PVC CUSION WITH SAFTY BELT)

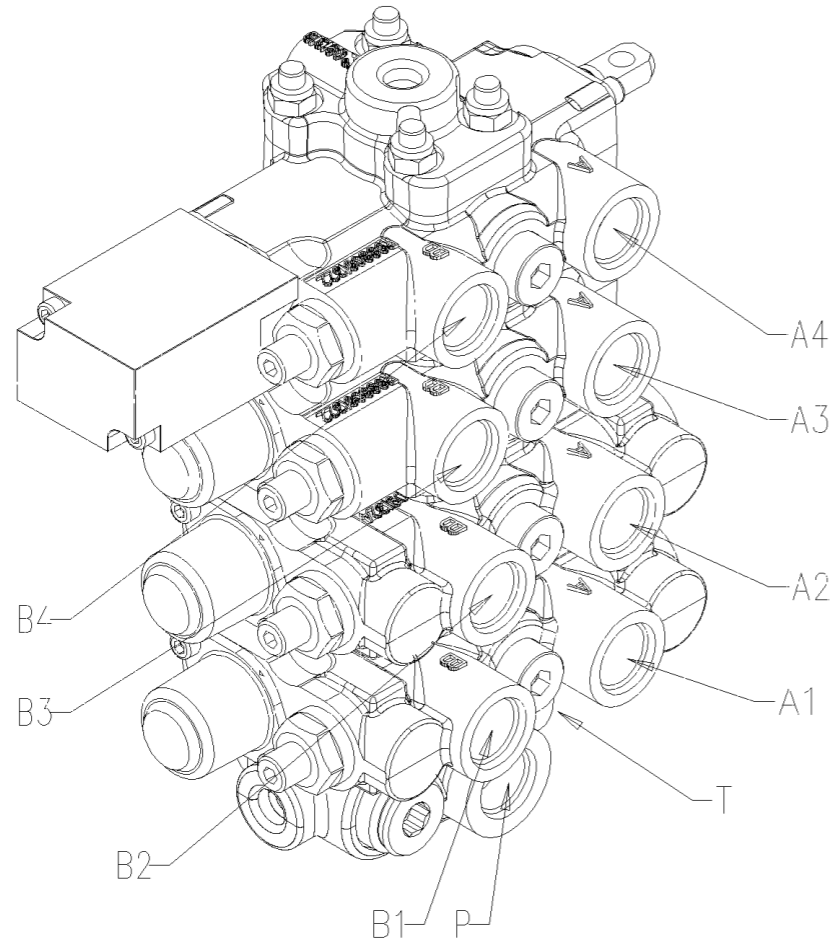
序号	零件编号	零件名称	数量	图号
1	A68.44.001.4	座椅总成 SEAT(GRAMMERPVC)	1	A68.44.001.4
2	GBT5783-M8X20-A2L	螺栓 BOLT	4	GBT5783-M8X20-A2L
3	GBT93-8-A3L	垫圈 WASHER	4	GBT93-8-A3L
4	GBT97.1-8-A3L	垫圈 WASHER	4	GBT97.1-8-A3L

A68.58.903.4 SPOOL VALVE 8 WAYS

A68.58.903.4_0 8 路阀 SPOOL VALVE 8 WAYS

序号	零件编号	零件名称
1	A31.58.001.0	多路阀 MULTIWAY VALVE

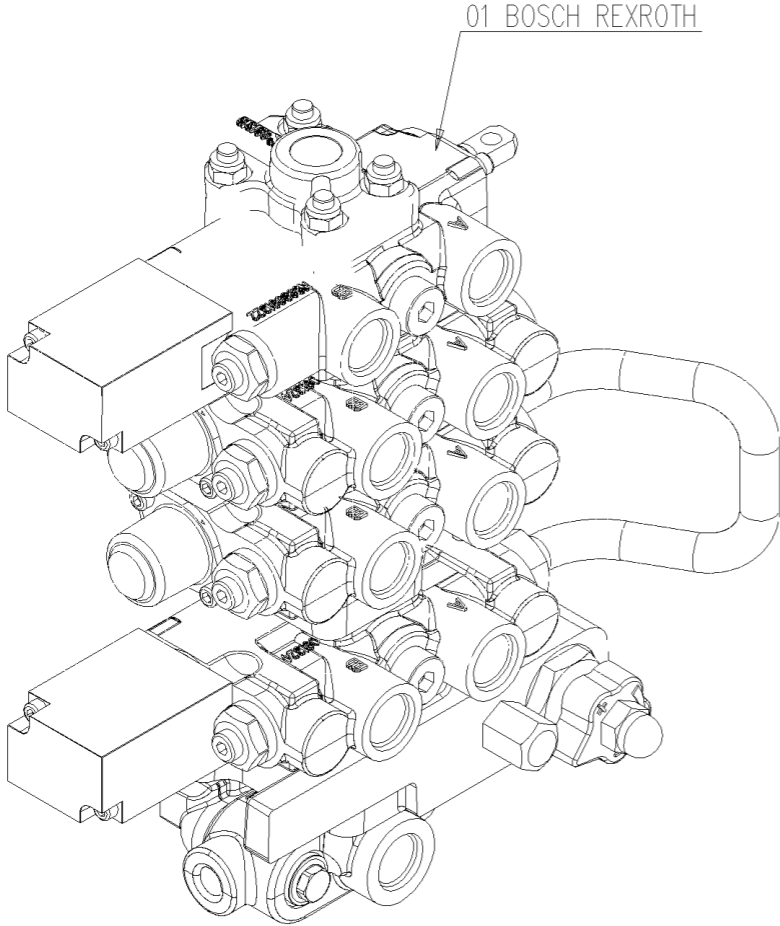
数量	图号
1	A31.58.001.0



A68.58.913.4 SPOOL VALVE 8 WAYS FR

A68.58.913.4_2 8路流量控制阀 SPOOL VALVE 8 WAYS FR

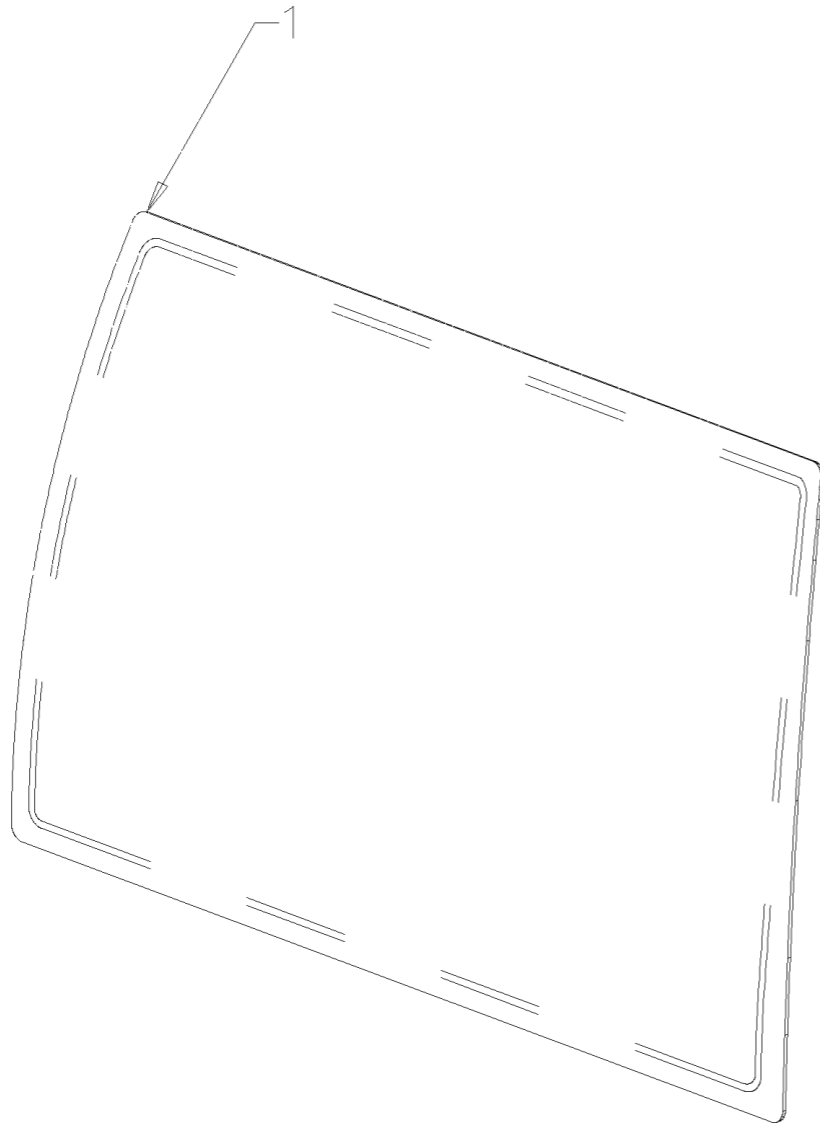
序号	零件编号	零件名称	数量	图号
1	A68.58.021.0/10	8路滑阀 8 WAYS SPOOL VALVE	1	A68.58.021.0/10



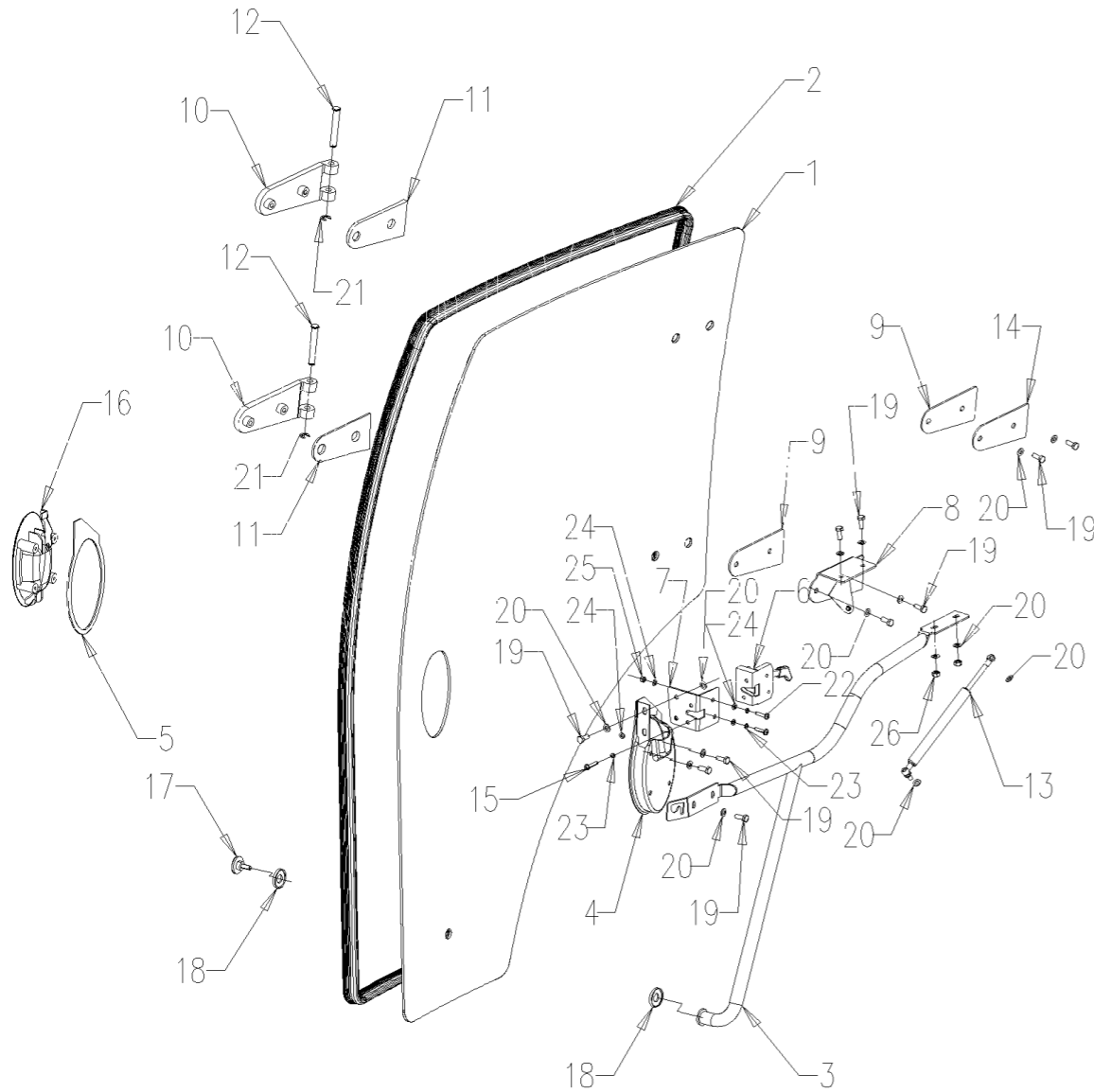
A80.45.901.4 FRONT WINDOW ASS.Y

A80.45.901.4_0 前窗玻璃 FRONT WINDOW ASS.Y

序号	零件编号	零件名称	数量	图号
1	A80.45.005.0	前窗 FRONT WINDOW	1	A80.45.005.0



A80.45.902.4 RH DOOR ASS.Y

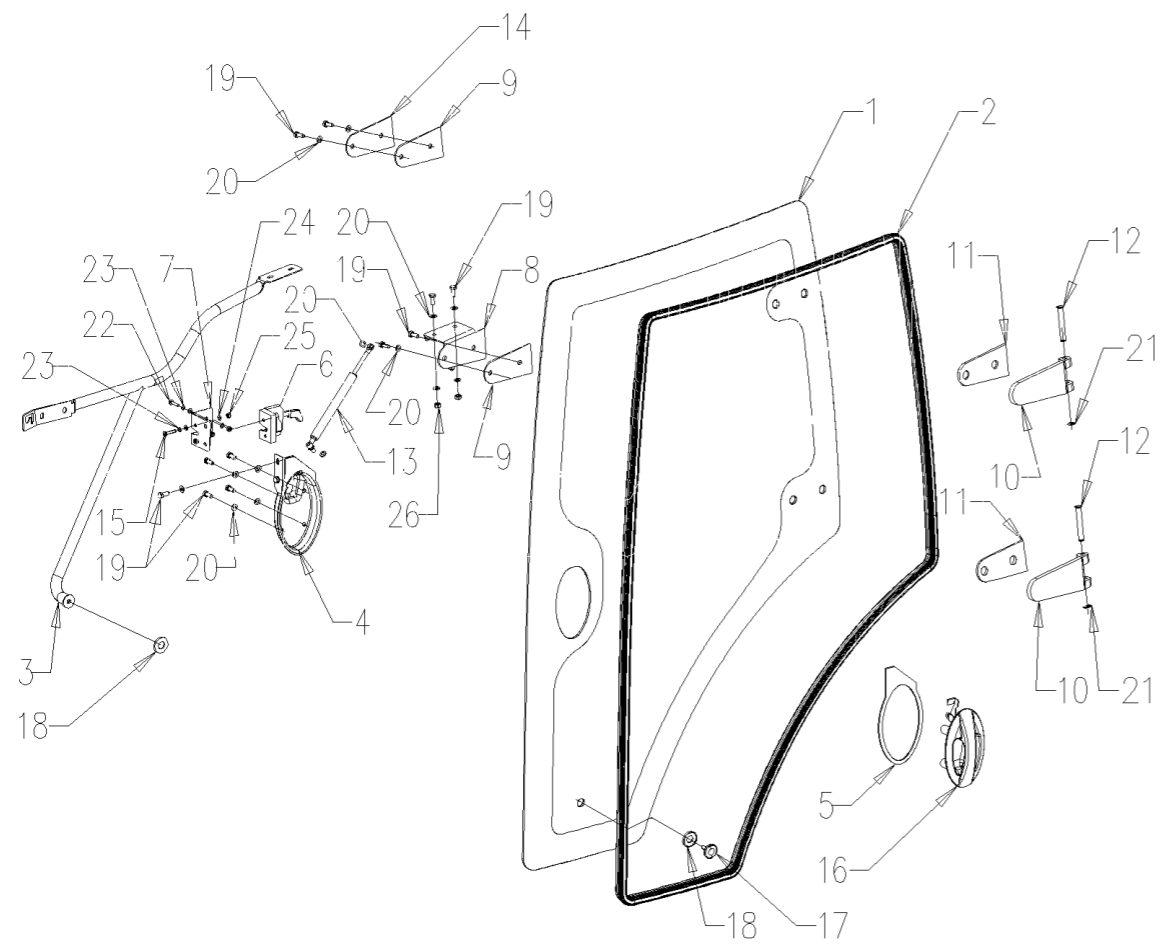


A80.45.902.4_0 右门总成 RH DOOR ASS.Y

序号	零件编号	零件名称	数量	图号
1	A80.45.025.0	右门 RH DOOR	1	A80.45.025.0
2	A80.45.026.0	橡胶帽 RUBBER	1	A80.45.026.0
3	A80.45.027.3	右门把手 RH DOOR HANDLE	1	A80.45.027.3
4	A80.45.041.3	门锁固定支架 DOOR LOCK FIXED	1	A80.45.041.3
5	A80.45.044.0	门锁橡胶 DOOR LOCK RUBBER	1	A80.45.044.0
6	A80.45.045.0	门锁 DOOR LOCK	1	A80.45.045.0
7	A80.45.040.0	支架 BRACKET	1	A80.45.040.0
8	A80.45.034.3	气弹簧支承 GAS SPRING BRACKET	1	A80.45.034.3
9	A80.45.037.0	橡胶帽 RUBBER	2	A80.45.037.0
10	A80.45.033.0	? 门锁链 DOOR HINGE	2	A80.45.033.0
11	A80.45.039.0	橡胶帽 RUBBER	2	A80.45.039.0
12	A80.45.047.0	销 PIN	2	A80.45.047.0
13	A80.45.048.0	气弹簧 GAS SPRING	1	A80.45.048.0
14	A80.45.038.0	支架 BRACKET	1	A80.45.038.0
15	2.0332.409.2	螺钉 CROSS SCREW M6x1x30	2	2.0332.409.2
16	A80.45.046.0	门锁把手 DOOR LOCK HANDLE	1	A80.45.046.0
17	A39.45.047.0	塑料头螺栓 M8X20 PLASTIC HEAD	1	A39.45.047.0
18	A39.45.048.0	橡胶垫片 RUBBER GASKET	2	A39.45.048.0
19	GBT5783-M8X20-A2L	螺栓 BOLT	12	GBT5783-M8X20-A2L
20	GBT97.1-8-A3L	垫圈 WASHER	18	GBT97.1-8-A3L
21	2.1430.011.7	挡圈 ANELLO DI SICUR. X ALBERI	2	2.1430.011.7
22	2.0332.408.2	螺钉 CROSS SCREW M6x1x25	2	2.0332.408.2
23	GBT93-6-A3L	垫圈 WASHER	4	GBT93-6-A3L
24	GBT97.1-6-A3L	垫圈 WASHER	8	GBT97.1-6-A3L
25	GBT6170-M6-A2L	螺母 NUT	4	GBT6170-M6-A2L
26	GBT6170-M8-A2L	螺母 NUT	4	GBT6170-M8-A2L

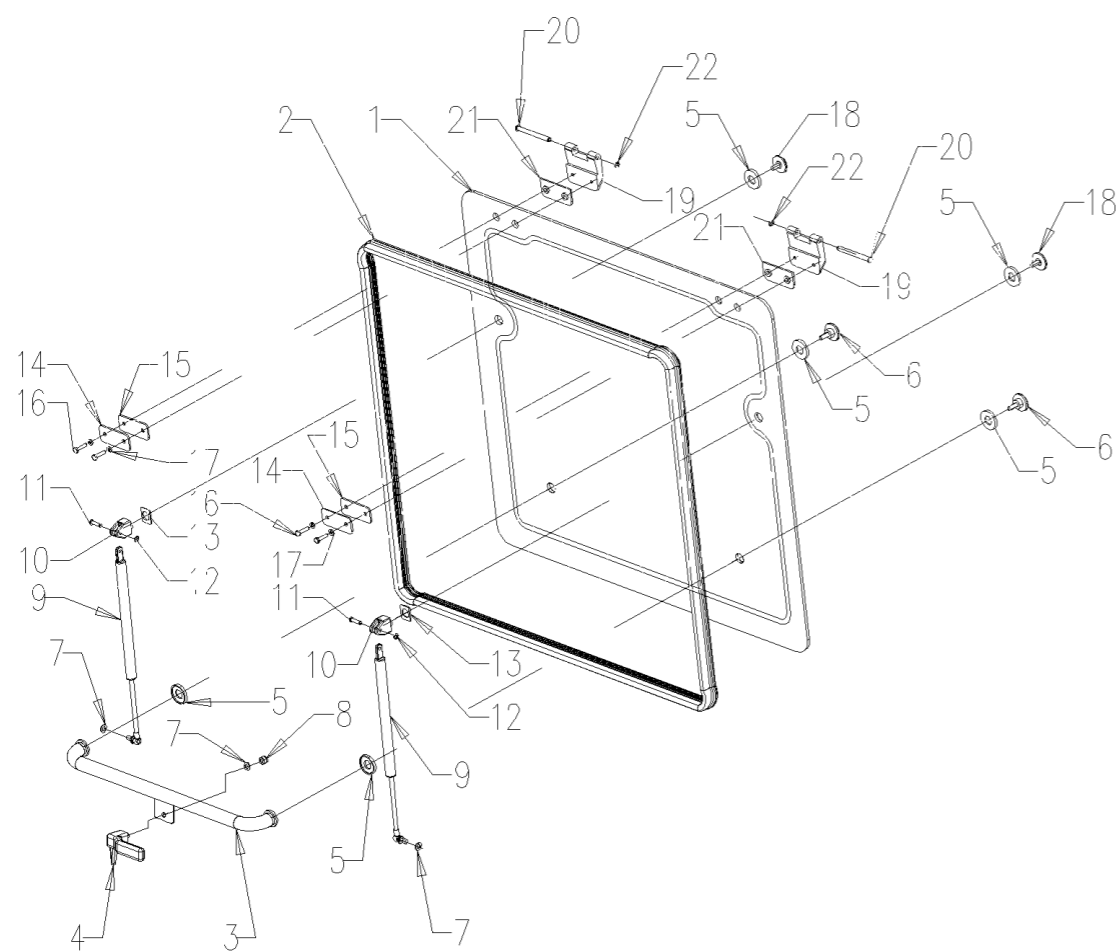
A80.45.903.4 LH DOOR ASS.Y

A80.45.903.4_0 左门总成 LH DOOR ASS.Y



序号	零件编号	零件名称	数量	图号
1	A80.45.049.0	左门 LH DOOR	1	A80.45.049.0
2	A80.45.026.0	橡胶帽 RUBBER	1	A80.45.026.0
3	A80.45.050.3	左门把手 LH DOOR HANDLE	1	A80.45.050.3
4	A80.45.058.3	门锁固定支架 DOOR LOCK FIXED	1	A80.45.058.3
5	A80.45.044.0	门锁橡胶 DOOR LOCK RUBBER	1	A80.45.044.0
6	A80.45.056.0	左门锁 LH DOOR LOCK	1	A80.45.056.0
7	A80.45.057.0	支架 BRACKET	1	A80.45.057.0
8	A80.45.054.3	支架 BRACKET	1	A80.45.054.3
9	A80.45.037.0	橡胶帽 RUBBER	2	A80.45.037.0
10	A80.45.033.0	? 门锁链 DOOR HINGE	2	A80.45.033.0
11	A80.45.039.0	橡胶帽 RUBBER	2	A80.45.039.0
12	A80.45.047.0	销 PIN	2	A80.45.047.0
13	A80.45.048.0	气弹簧 GAS SPRING	1	A80.45.048.0
14	A80.45.038.0	支架 BRACKET	1	A80.45.038.0
15	2.0332.409.2	螺钉 CROSS SCREW M6x1x30	2	2.0332.409.2
16	A80.45.061.0	左门把手 LH DOOR HANDLE	1	A80.45.061.0
17	A39.45.047.0	塑料头螺栓 M8X20 PLASTIC HEAD	1	A39.45.047.0
18	A39.45.048.0	橡胶垫片 RUBBER GASKET	2	A39.45.048.0
19	GBT5783-M8X20-A2L	螺栓 BOLT	12	GBT5783-M8X20-A2L
20	GBT97.1-8-A3L	垫圈 WASHER	18	GBT97.1-8-A3L
21	2.1430.011.7	挡圈 ANELLO DI SICUR. X ALBERI	2	2.1430.011.7
22	2.0332.408.2	螺钉 CROSS SCREW M6x1x25	2	2.0332.408.2
23	GBT93-6-A3L	垫圈 WASHER	4	GBT93-6-A3L
24	GBT97.1-6-A3L	垫圈 WASHER	8	GBT97.1-6-A3L
25	GBT6170-M6-A2L	螺母 NUT	4	GBT6170-M6-A2L
26	GBT6170-M8-A2L	螺母 NUT	4	GBT6170-M8-A2L

A80.45.904.4 REAR WINDOW ASS.Y

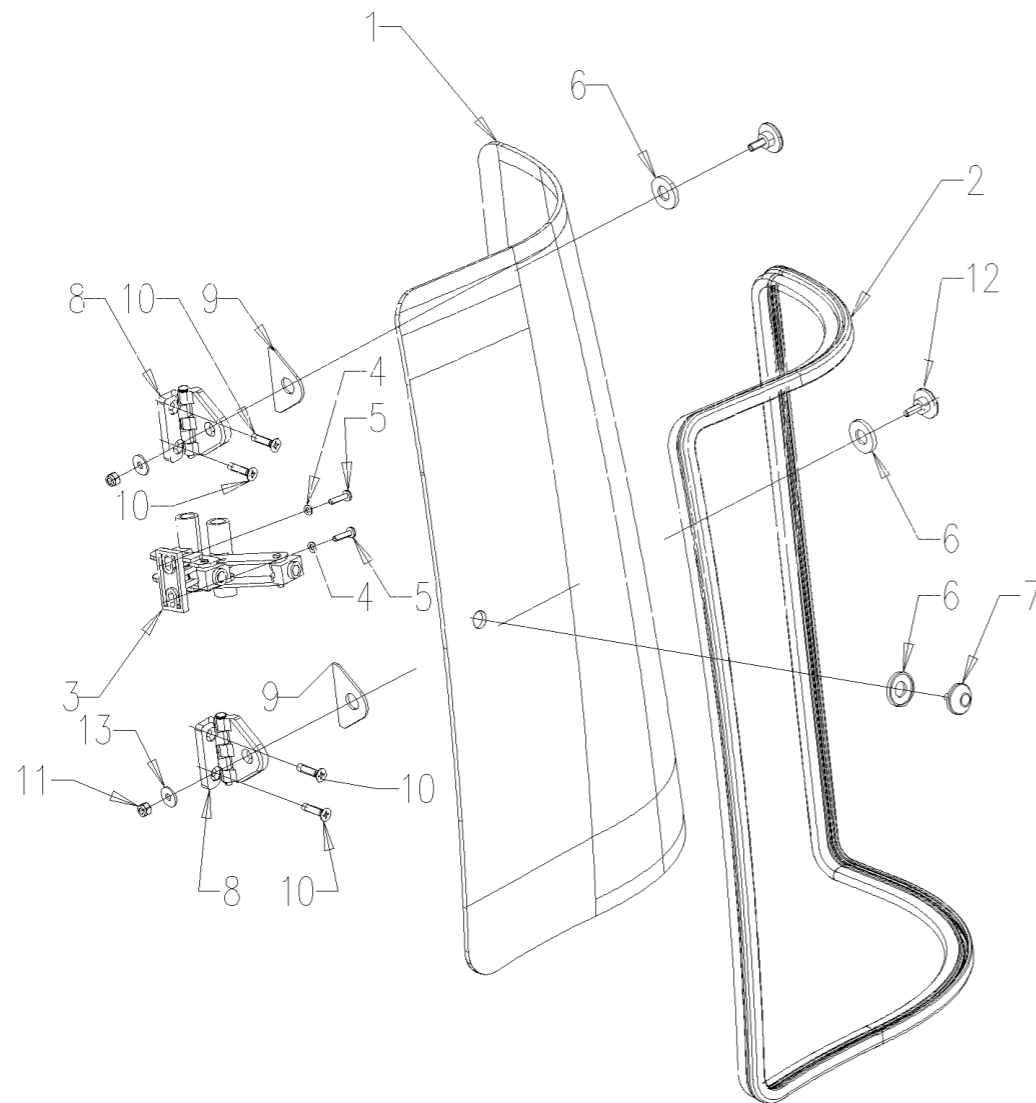


A80.45.904.4_0 后窗总成 REAR WINDOW ASS.Y

序号	零件编号	零件名称	数量	图号
1	A80.45.063.0	后挡玻璃 REAR WINDOW GLASS	1	A80.45.063.0
2	A80.45.064.0	后窗橡胶 REAR WINDOW RUBBER	1	A80.45.064.0
3	A80.45.068.3	把手 HANDLE	1	A80.45.068.3
4	A80.45.066.0	后窗把手 REAR WINDOW HANDLE	1	A80.45.066.0
5	A39.45.048.0	橡胶垫片 RUBBER GASKET	6	A39.45.048.0
6	A39.45.047.0	塑料头螺栓 M8X20 PLASTIC HEAD	2	A39.45.047.0
7	GBT97.1-8-A3L	垫圈 WASHER	3	GBT97.1-8-A3L
8	GBT889.1-M8-A2L	螺母 NUT	1	GBT889.1-M8-A2L
9	A80.45.076.0	气弹簧 GAS SPRING	2	A80.45.076.0
10	A80.45.067.0	气弹簧铰链 GAS SPRING HINGE	2	A80.45.067.0
11	A80.45.077.0	销 PIN	2	A80.45.077.0
12	2.1430.006.7	挡圈 ANELLO ELASTICO 5	2	2.1430.006.7
13	A80.45.074.0	垫圈 GASKET	2	A80.45.074.0
14	A80.45.075.0	板 PLATE	2	A80.45.075.0
15	A80.45.070.0	垫圈 GASKET	2	A80.45.070.0
16	GBT5783-M6X25-A2L	螺栓 BOLT	4	GBT5783-M6X25-A2L
17	GBT97.1-6-A3L	垫圈 WASHER	4	GBT97.1-6-A3L
18	A80.45.072.0	手柄球 KNOB	2	A80.45.072.0
19	A80.45.069.0	铰链 HINGE	2	A80.45.069.0
20	A80.45.073.0	销 PIN	2	A80.45.073.0
21	A80.45.071.0	垫圈 GASKET	2	A80.45.071.0
22	2.1430.007.2	挡圈 WASHER	2	2.1430.007.2

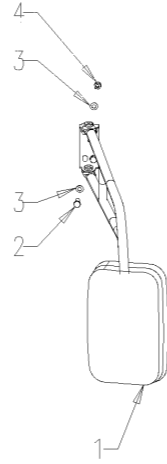
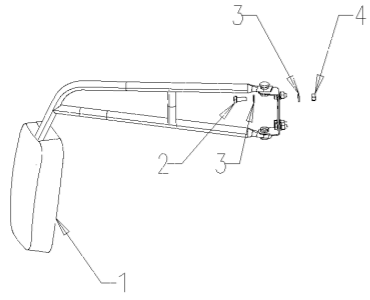
A80.45.905.4 LH REAR WINDOW ASS.Y

A80.45.905.4_0 左后侧窗总成 LH REAR WINDOW ASS.Y



序号	零件编号	零件名称	数量	图号
1	A80.45.078.0	左侧后窗 LH REAR WINDOW	1	A80.45.078.0
2	A80.45.079.0	橡胶帽 RUBBER	1	A80.45.079.0
3	A80.45.080.0	把手 HANDLE	1	A80.45.080.0
4	GBT97.1-6-A3L	垫圈 WASHER	2	GBT97.1-6-A3L
5	2.0332.408.2	螺钉 CROSS SCREW M6x1x25	2	2.0332.408.2
6	A39.45.048.0	橡胶垫片 RUBBER GASKET	3	A39.45.048.0
7	A80.45.072.0	手柄球 KNOB	1	A80.45.072.0
8	A80.45.081.0	铰链 HINGE	2	A80.45.081.0
9	A80.45.082.0	垫圈 GASKET	2	A80.45.082.0
10	GBT819.1-M8X35-A2L	螺钉 SCREW	4	GBT819.1-M8X35-A2L
11	GBT889.1-M8-A2L	螺母 NUT	2	GBT889.1-M8-A2L
12	A39.45.047.0	塑料头螺栓 M8X20 PLASTIC HEAD	2	A39.45.047.0
13	GBT96.1-8-A3L	垫圈 WASHER	2	GBT96.1-8-A3L

A80.45.906.4 REAR MIRROR ASS.Y



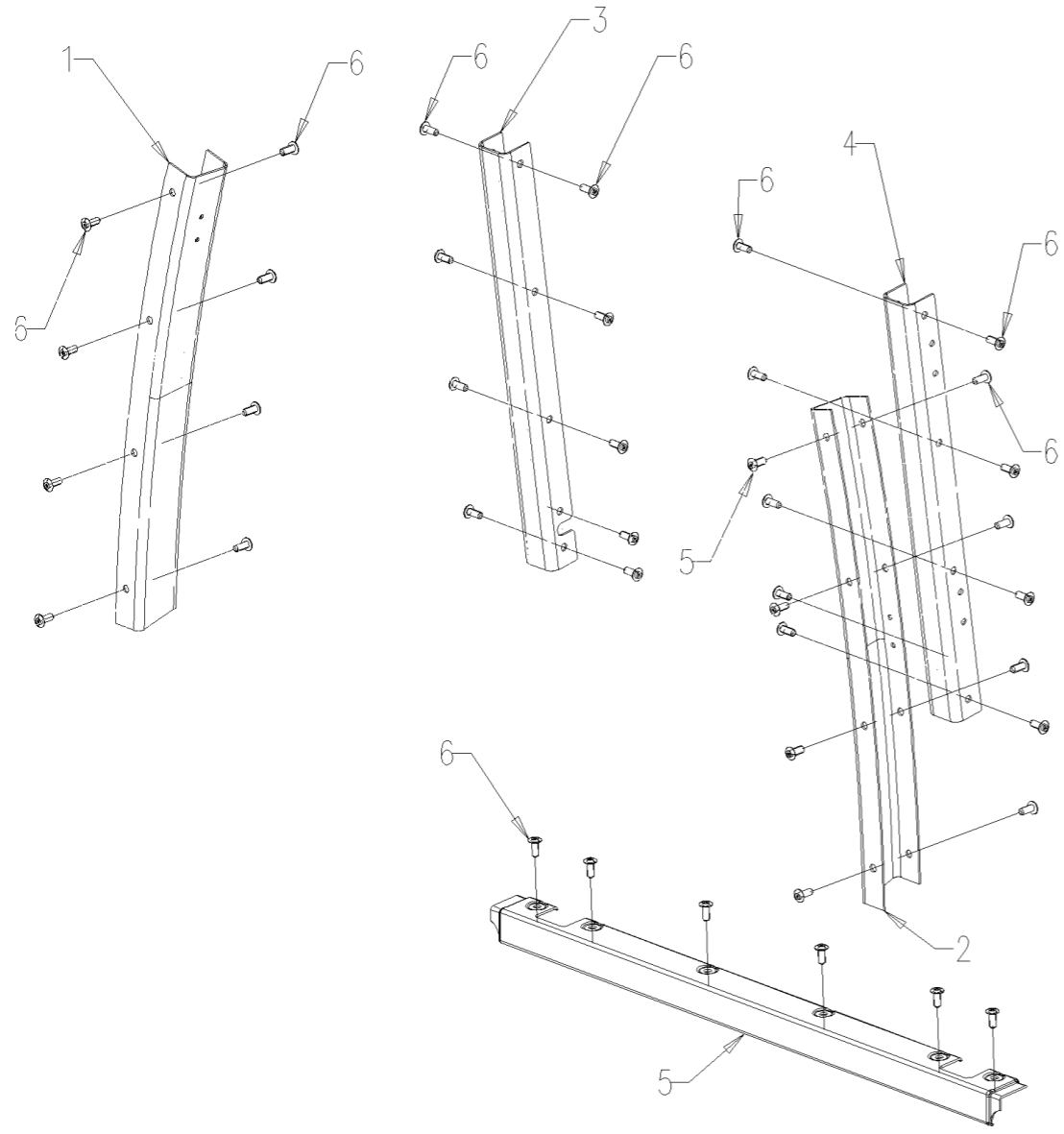
A80.45.906.4_0 后视镜总成 REAR MIRROR ASS.Y

序号	零件编号	零件名称	数量	图号
1	A80.45.084.4	后视镜 REAR MIRROR	2	A80.45.084.4
2	GBT5783-M8X20-A2L	螺栓 BOLT	8	GBT5783-M8X20-A2L
3	GBT97.1-8-A3L	垫圈 WASHER	16	GBT97.1-8-A3L
4	GBT6170-M8-A2L	螺母 NUT	8	GBT6170-M8-A2L

A80.45.907.4 COLUMN GUARD ASS.Y

A80.45.907.4_0 立柱内饰 COLUMN GUARD ASS.Y

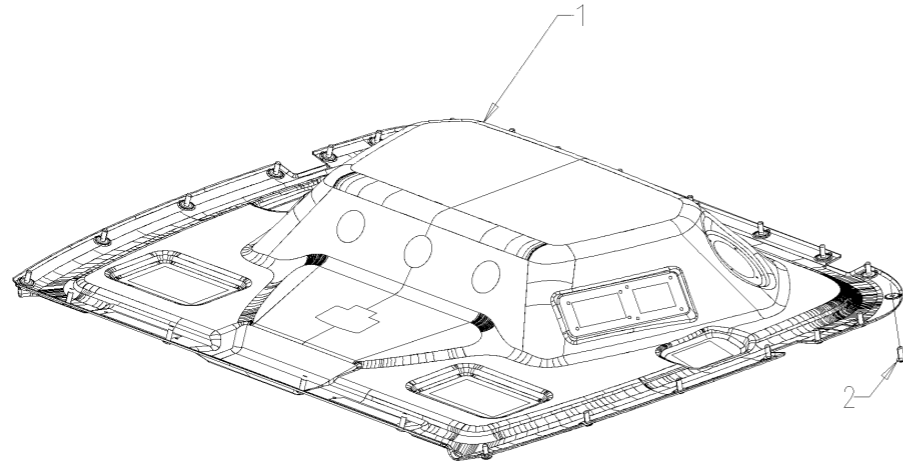
序号	零件编号	零件名称	数量	图号
1	A80.45.012.0	右支柱盖 RH B PILLAR COVER	1	A80.45.012.0
2	A80.45.013.0	左支柱盖 LH B PILLAR COVER	1	A80.45.013.0
3	A80.45.086.0	右支柱盖 RH C PILLAR COVER	1	A80.45.086.0
4	A80.45.087.0	左侧柱盖 LH C PILLAR COVER	1	A80.45.087.0
5	A80.45.089.0	? 后盖 REAR COVER	1	A80.45.089.0
6	A80.45.088.0	塑胶螺钉 PLASTIC SCREW	40	A80.45.088.0



A80.45.908.4 TOP CONSOLE ASS.Y

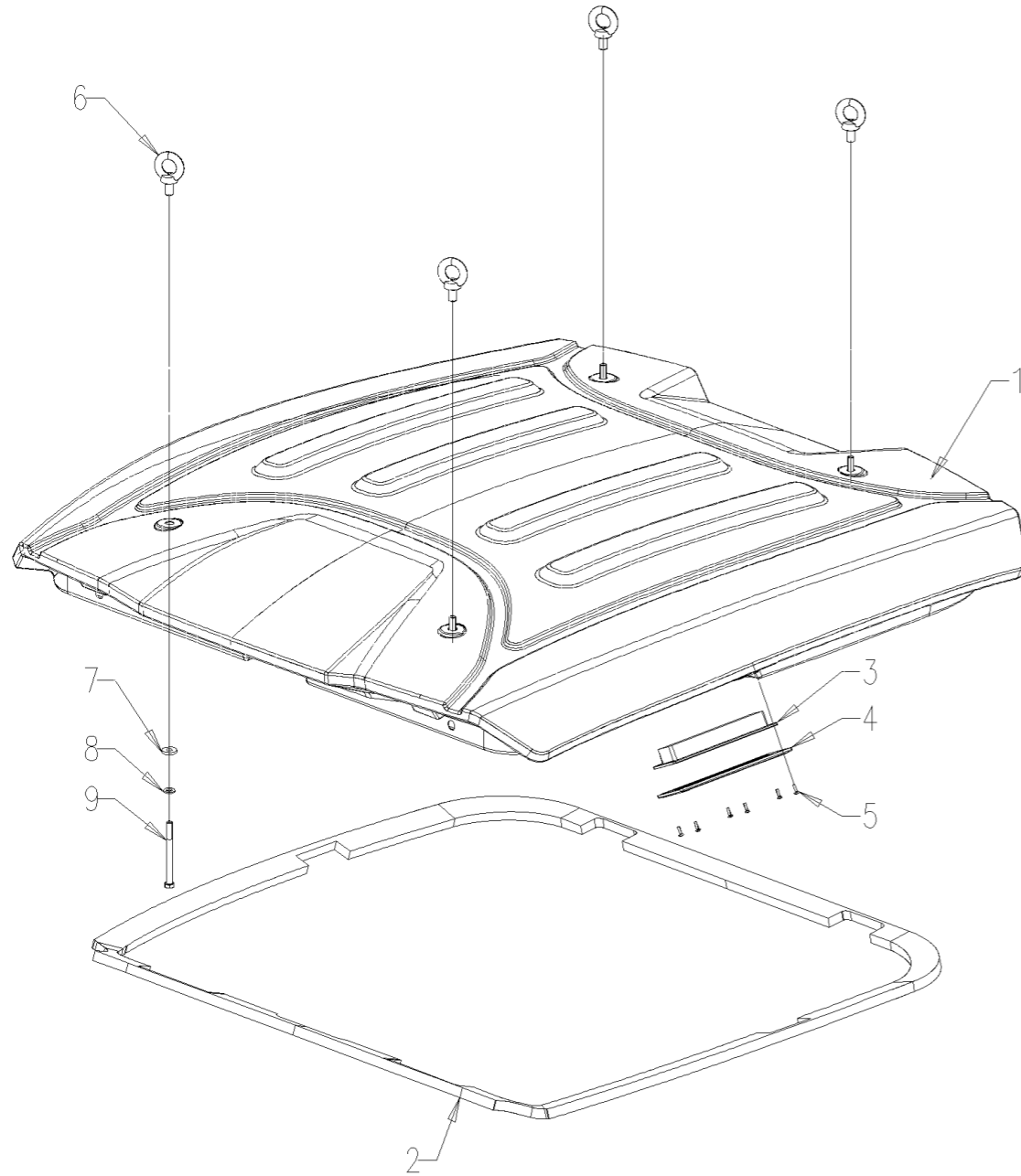
A80.45.908.4_0 顶内饰 TOP CONSOLE ASS.Y

序号	零件编号	零件名称	数量	图号
1	A80.45.014.4	内顶总成 TOP CONSOLE ASS.Y	1	A80.45.014.4
2	A80.45.088.0	塑胶螺钉 PLASTIC SCREW	25	A80.45.088.0



A80.45.909.4 TOP COVER ASS.Y

A80.45.909.4_0 顶棚 TOP COVER ASS.Y

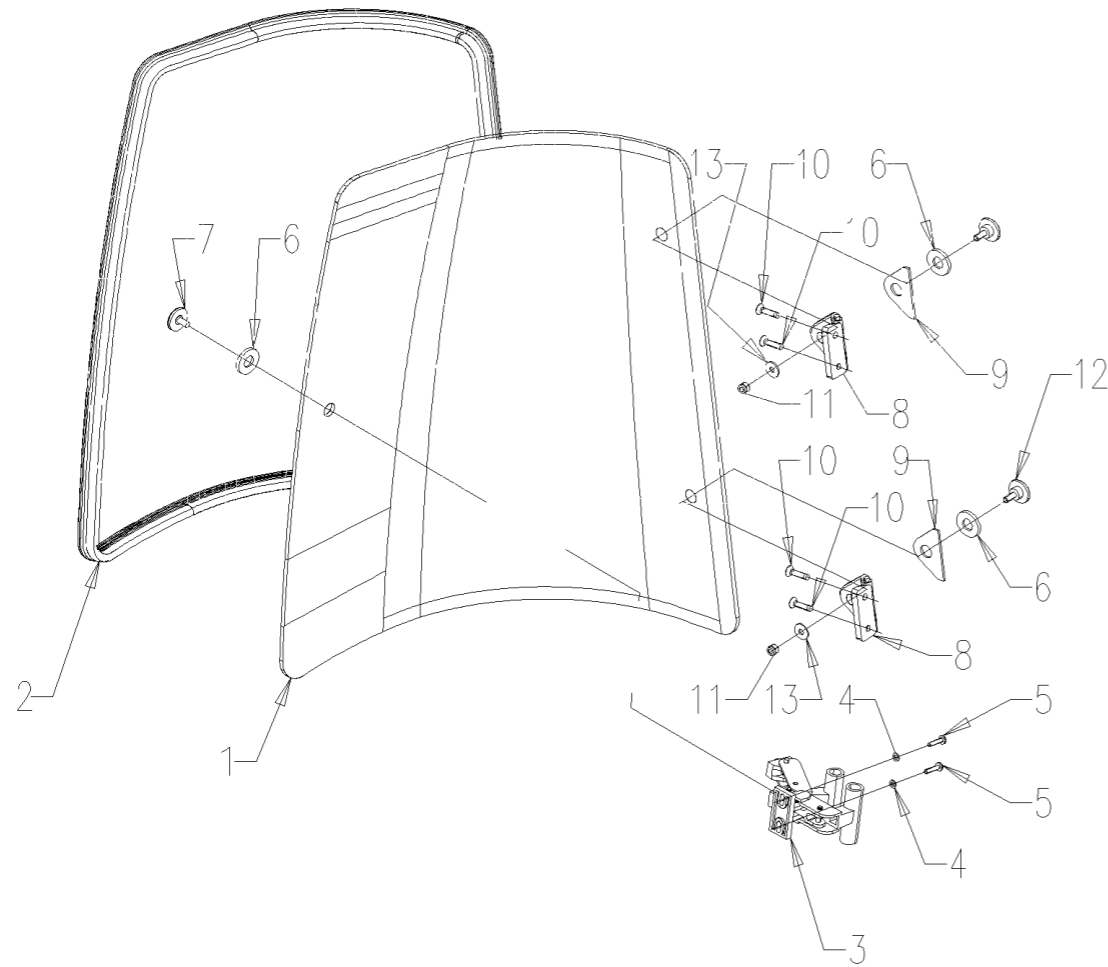


序号	零件编号	零件名称	数量	图号
1	A80.45.015.2	车顶 ROOF	1	A80.45.015.2
2	A80.45.090.0	车顶垫片 ROOF GASKET	1	A80.45.090.0
3	A80.45.091.0	空气过滤器 AIR FILTER	2	A80.45.091.0
4	A39.45.125.0	进气口 FRESH AIR INLET	2	A39.45.125.0
5	GBT818-M5X16-A2L	螺钉 SCREW	12	GBT818-M5X16-A2L
6	GBT825-M16-A3L	螺钉 SCREW	4	GBT825-M16-A3L
7	2.1569.211.0	垫圈 GUARNIZIONE 11.5X30X5	4	2.1569.211.0
8	GBT97.1-12-A3L	垫圈 WASHER	4	GBT97.1-12-A3L
9	2.0112.435.2	螺栓 HEX BOLT M12x1.75x130	4	2.0112.435.2

A80.45.915.4 RH REAR WINDOW ASS.Y

A80.45.915.4_0 右后侧窗总成 RH REAR WINDOW ASS.Y

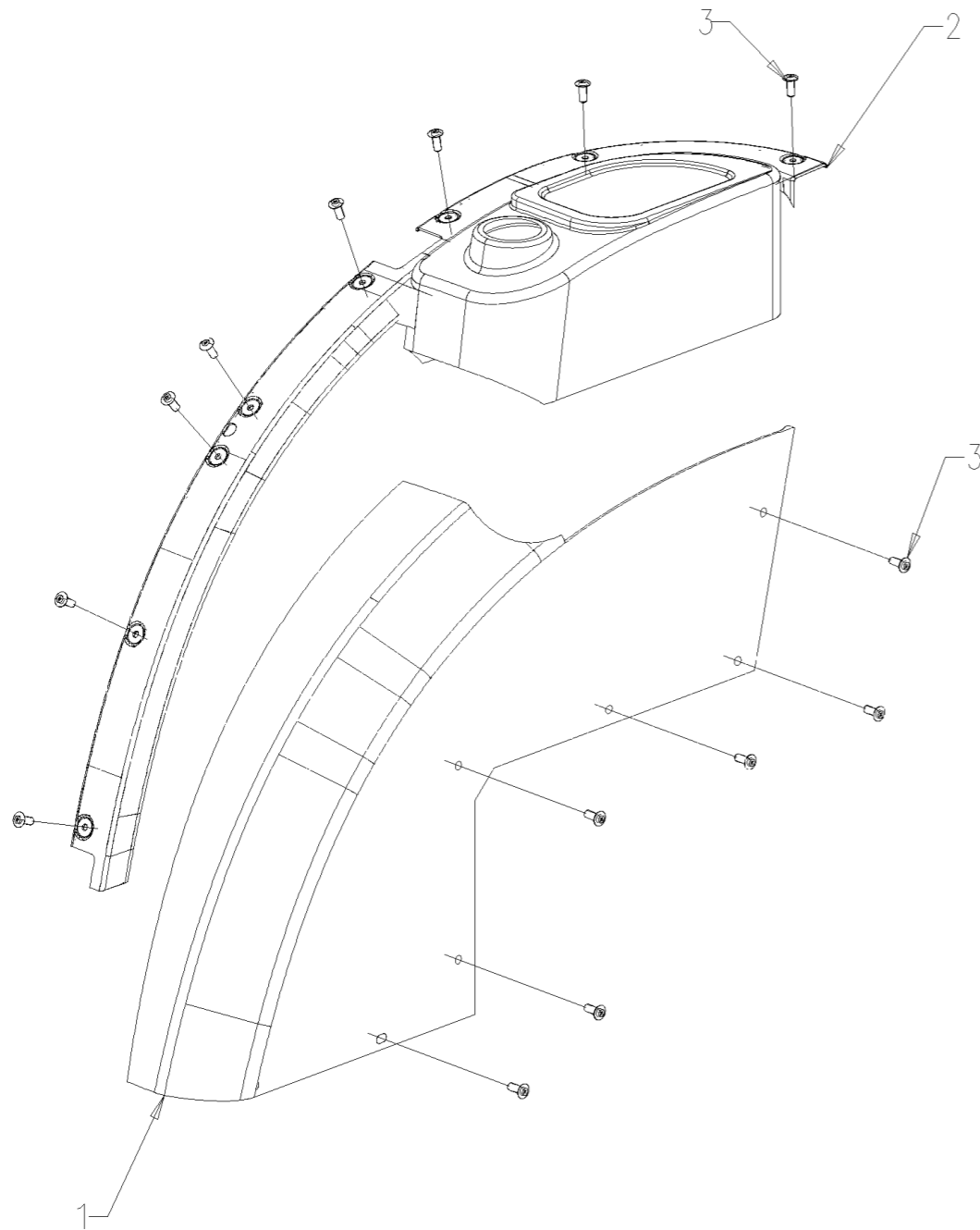
序号	零件编号	零件名称	数量	图号
1	A80.45.083.0	后窗 RH REAR WINDOW	1	A80.45.083.0
2	A80.45.079.0	橡胶帽 RUBBER	1	A80.45.079.0
3	A80.45.080.0	把手 HANDLE	1	A80.45.080.0
4	GBT97.1-6-A3L	垫圈 WASHER	2	GBT97.1-6-A3L
5	2.0332.408.2	螺钉 CROSS SCREW M6x1x25	2	2.0332.408.2
6	A39.45.048.0	橡胶垫片 RUBBER GASKET	3	A39.45.048.0
7	A80.45.072.0	手柄球 KNOB	1	A80.45.072.0
8	A80.45.081.0	铰链 HINGE	2	A80.45.081.0
9	A80.45.082.0	垫圈 GASKET	2	A80.45.082.0
10	GBT819.1-M8X35-A2L	螺钉 SCREW	4	GBT819.1-M8X35-A2L
11	GBT889.1-M8-A2L	螺母 NUT	2	GBT889.1-M8-A2L
12	A39.45.047.0	塑料头螺栓 M8X20 PLASTIC HEAD	2	A39.45.047.0
13	GBT96.1-8-A3L	垫圈 WASHER	2	GBT96.1-8-A3L



A80.45.930.4 RH CONSOLE ASS.Y

A80.45.930.4_0 右轮罩内饰总成 RH CONSOLE ASS.Y

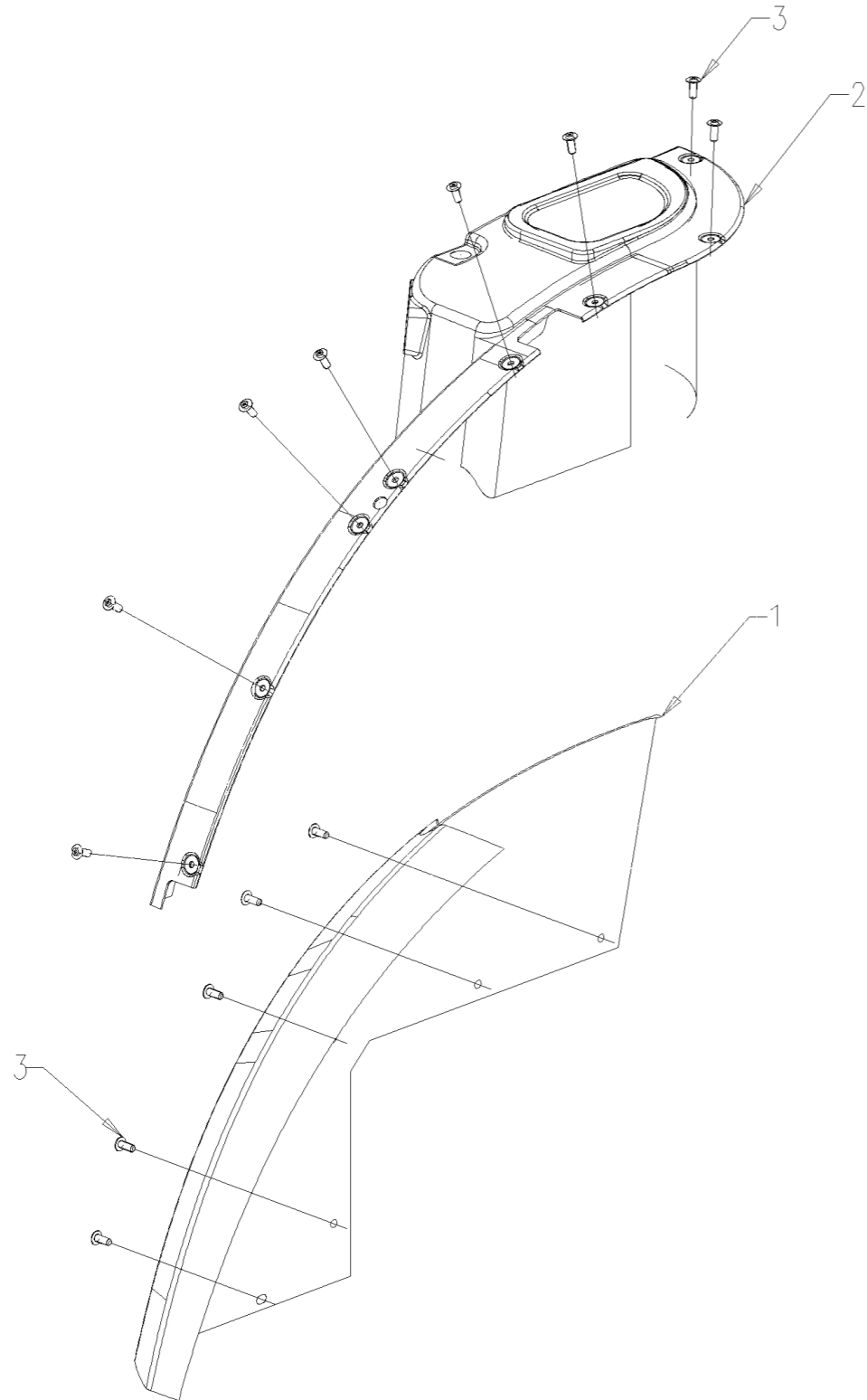
序号	零件编号	零件名称	数量	图号
1	A80.45.092.0	驾驶室盖 RH WHEEL HOUSE COVER	1	A80.45.092.0
2	A80.45.093.0	控制台 RH CONSOLE	1	A80.45.093.0
3	A80.45.088.0	塑胶螺钉 PLASTIC SCREW	14	A80.45.088.0



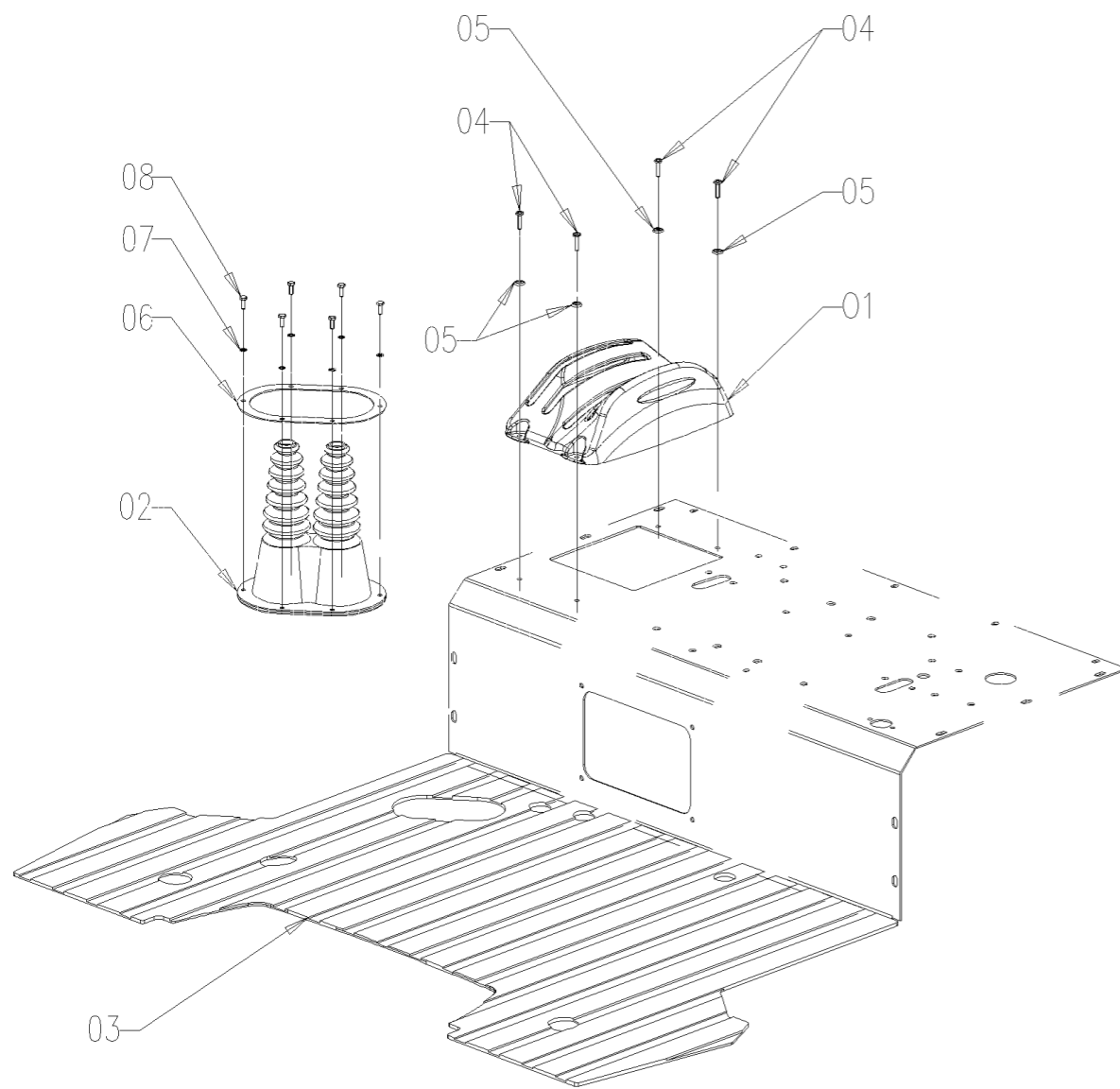
A80.45.931.4 LH CONSOLE ASS.Y

A80.45.931.4_0 左轮罩内饰 LH CONSOLE ASS.Y

序号	零件编号	零件名称	数量	图号
1	A80.45.094.0	左驾驶室盖 LH WHEEL HOUSE	1	A80.45.094.0
2	A80.45.095.2	左侧控制台 LH CONSOLE	1	A80.45.095.2
3	A80.45.088.0	塑胶螺钉 PLASTIC SCREW	13	A80.45.088.0



A80.45.932.4 FLOOR ASS. Y



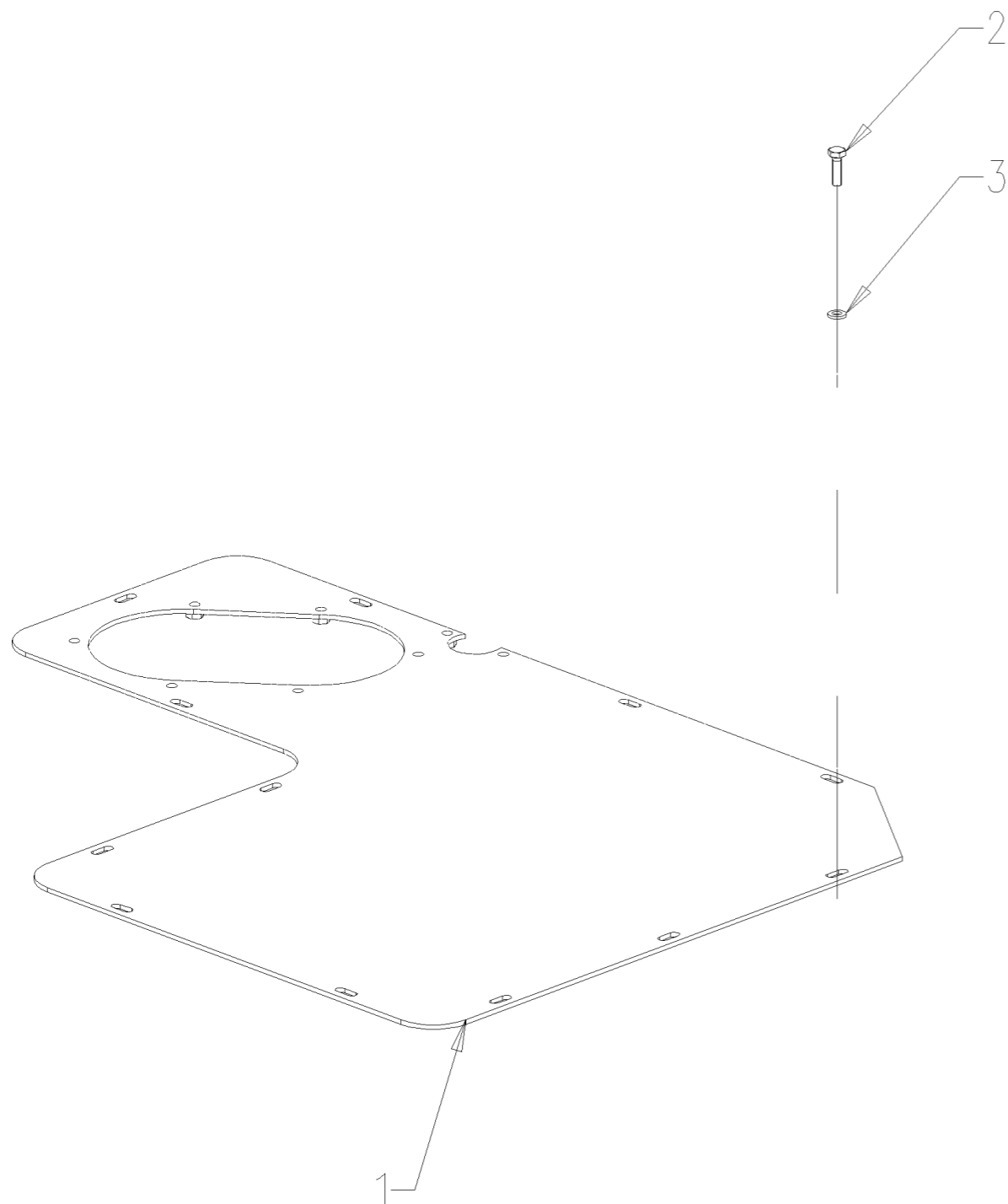
A80.45.932.4_0 驾驶室附件总成 CABIN ACCESSORY

序号	零件编号	零件名称	数量	图号
1	A23.45.049.0/10	盖 COVER	1	A23.45.049.0/10
2	CD904A.45A.121	防尘罩 DUST COVER	1	CD904A.45A.121
3	A23.45.235.0	驾驶室垫 FRONT FLOORMAT	1	A23.45.235.0
4	2.0332.408.3	螺钉 M6x1x25 CROSS SCREW M6x1x25	4	2.0332.408.3
5	0.020.3772.0	螺栓帽 UNDER SCREW	4	0.020.3772.0
6	CD904A.45A.102	板 PLATE	1	CD904A.45A.102
7	2.1470.002.2	垫圈 LOCK WASHER 6	6	2.1470.002.2
8	2.0112.005.2	六角头螺栓 M6x1x16 HEX BOLT	6	2.0112.005.2

A80.45.962.4 FRONT FLOOR COVER

A80.45.962.4_0 前地板盖总成 (驾驶室) FRONT FLOOR COVER (Cab)

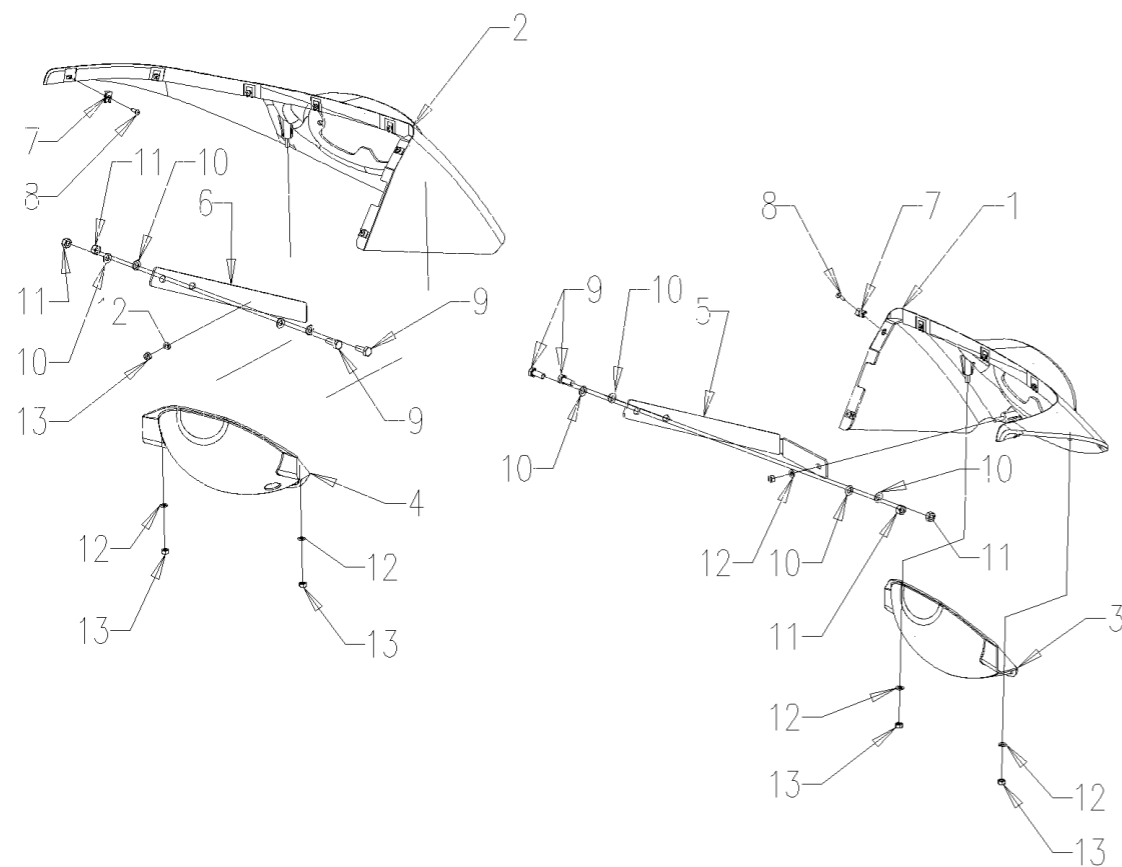
序号	零件编号	零件名称	数量	图号
1	CD904A.45A.025	地板维修盖焊合 PLATFORM	1	CD904A.45A.025
2	GBT5783-M6X20-A2L	螺栓 BOLT	12	GBT5783-M6X20-A2L
3	GBT97.1-6-A3L	垫圈 WASHER	12	GBT97.1-6-A3L



A80.45.964.4 REAR LAMP COVERS

A80.45.964.4_0 后尾灯罩 REAR LAMP COVER

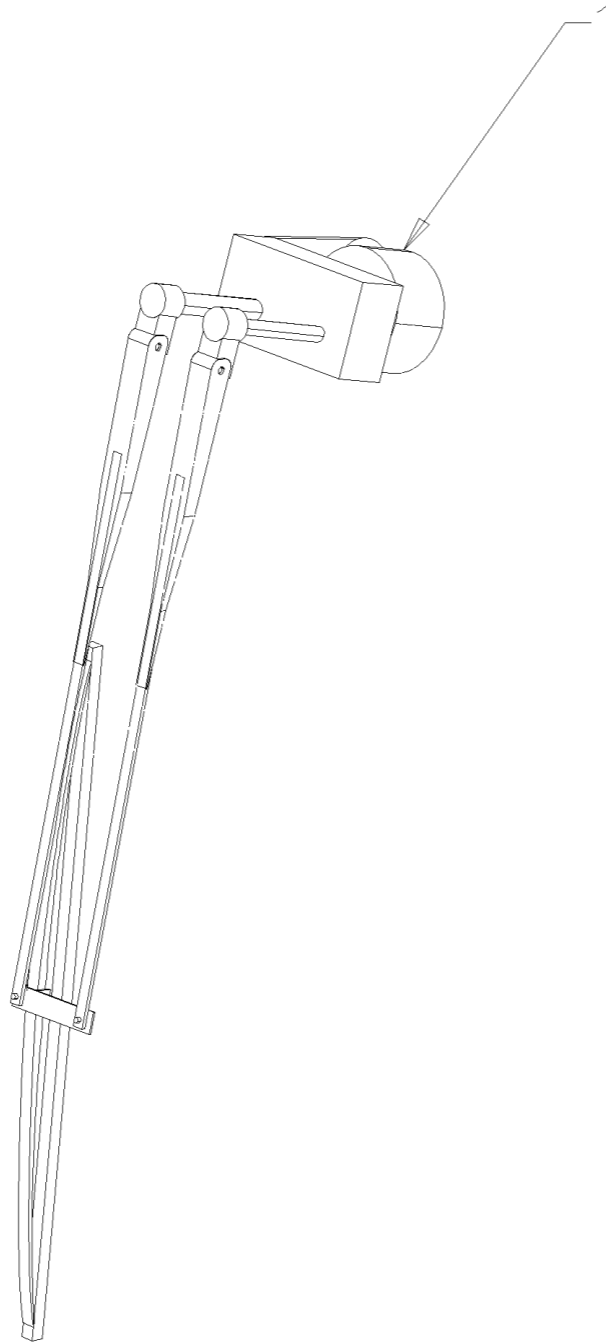
序号	零件编号	零件名称	数量	图号
1	A80.45.096.2	左后灯盖 LH REAR LAMP COVER	1	A80.45.096.2
2	A80.45.097.2	右后灯盖 RH REAR LAMP COVER	1	A80.45.097.2
3	A80.45.098.0	左灯罩 LH LAMP COVER	1	A80.45.098.0
4	A80.45.099.0	右灯罩 RH LAMP COVER	1	A80.45.099.0
5	A80.45.100.0	左支架 LH BRACKET	1	A80.45.100.0
6	A80.45.101.0	右支架 RH BRACKET	1	A80.45.101.0
7	A23.45.103.0	夹板 CLIP-SELF-TAPPING SCREW 4.2	14	A23.45.103.0
8	2.0350.455.2	螺钉 SCREW ST4.2x16 - C	14	2.0350.455.2
9	GBT5783-M8X20-A2L	螺栓 BOLT	4	GBT5783-M8X20-A2L
10	GBT97.1-8-A3L	垫圈 WASHER	8	GBT97.1-8-A3L
11	GBT6170-M8-A2L	螺母 NUT	4	GBT6170-M8-A2L
12	GBT97.1-6-A3L	垫圈 WASHER	6	GBT97.1-6-A3L
13	GBT6170-M6-A2L	螺母 NUT	6	GBT6170-M6-A2L



A80.48.904.4 FRONT WIPER ASS.Y

A80.48.904.4_0 前雨刮器 FRONT WIPER ASS.Y

序号	零件编号	零件名称	数量	图号
1	A80.48.001.4	前雨刮器总成 FRONT WIPER ASS.Y	1	A80.48.001.4

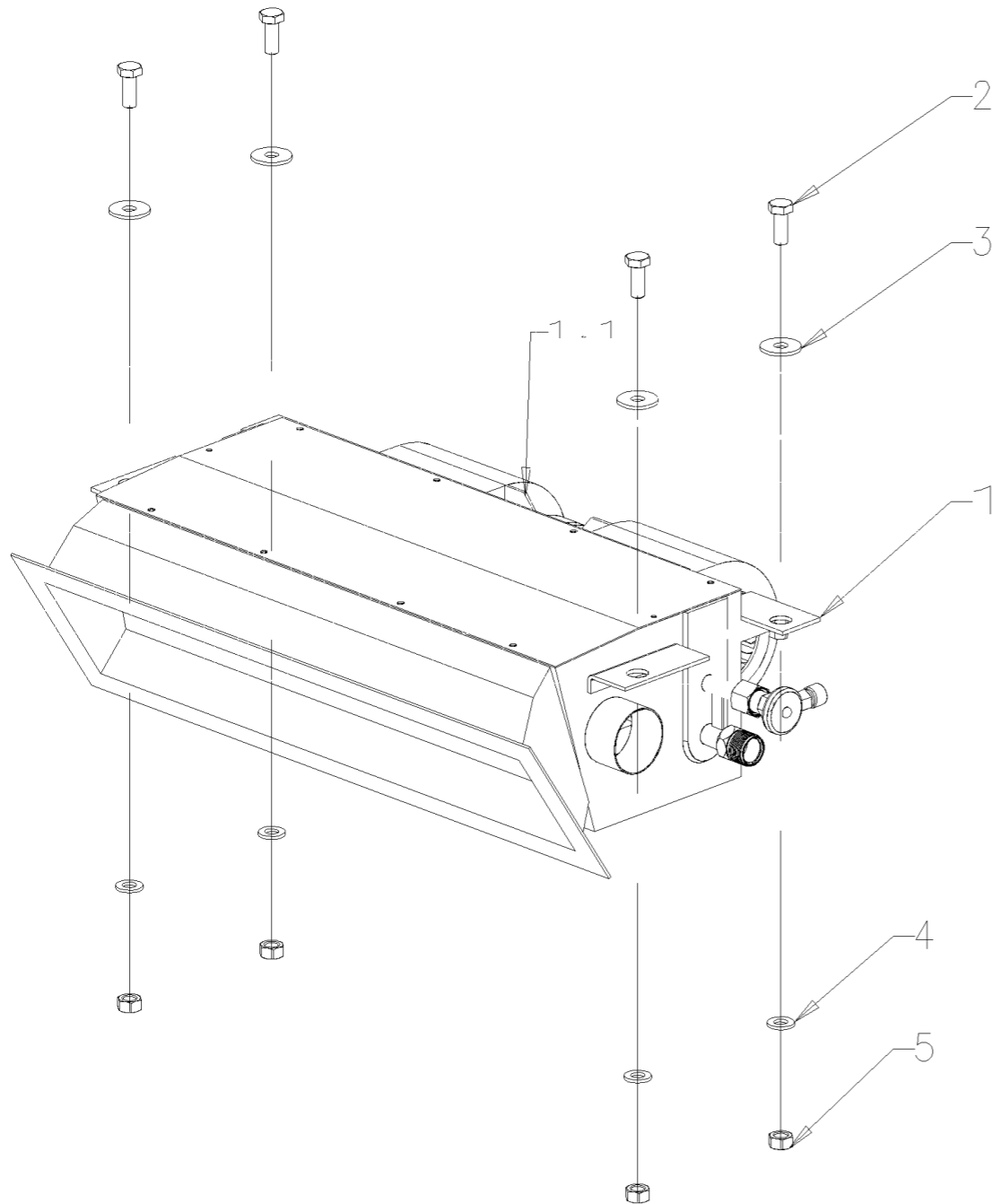


A80.81.903.4 AC EVAPORATOR ASS.Y

YFB-R-2020-004 SH.008

A80.81.903.4_1 蒸发器总成 AC EVAPORATOR ASS.Y

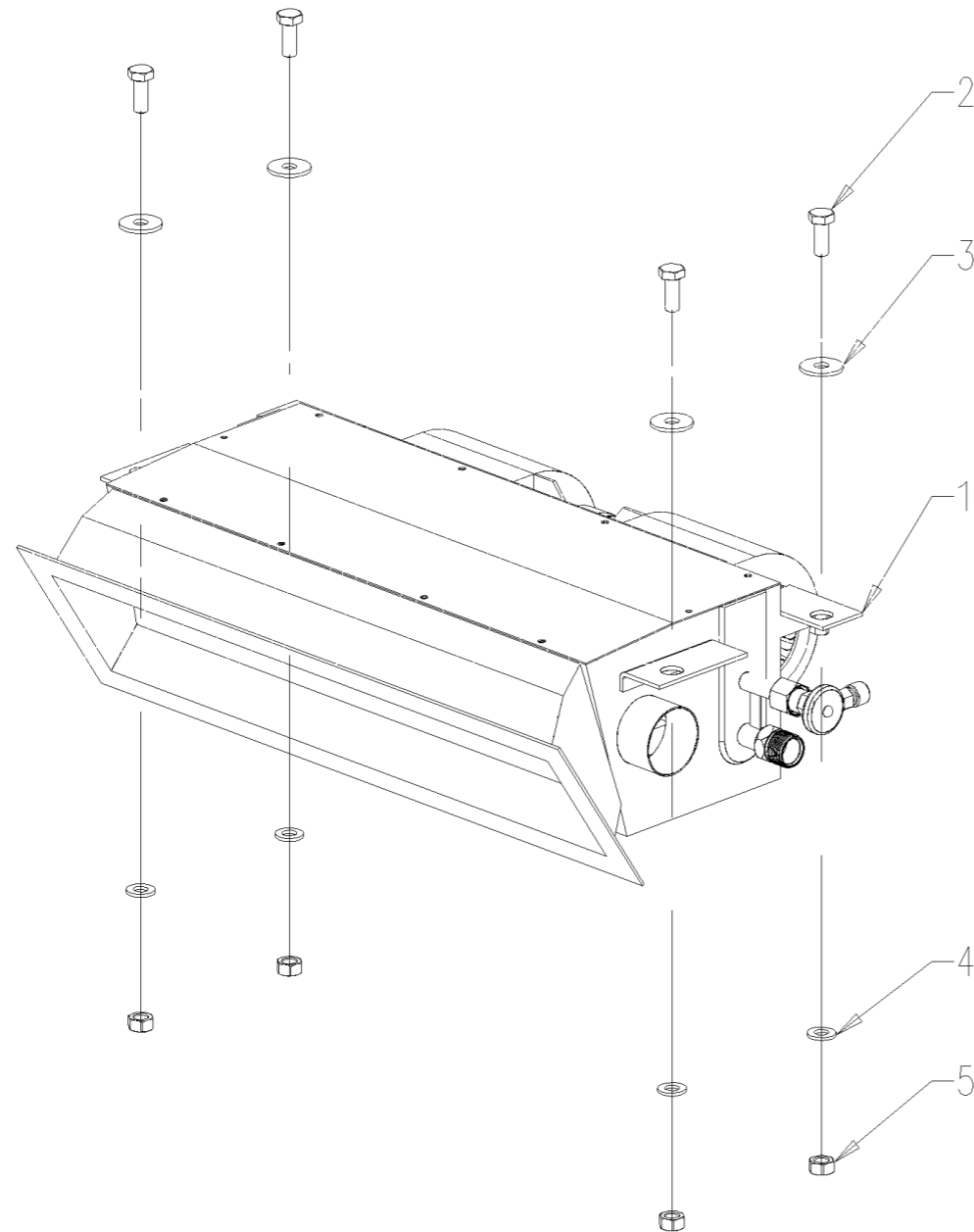
序号	零件编号	零件名称	数量	图号
1	A80.81.001.4	空调蒸发器 AC EVAPORATOR	1	A80.81.001.4
1.1	K81TY2500G-01	蒸发器电机 EVAPORATOR MOTOR	1	K81TY2500G-01
2	GBT5783-M10X25-A3L	螺栓 BOLT	4	GBT5783-M10X25-A3L
3	GBT96.1-10-A3L	垫圈 WASHER	4	GBT96.1-10-A3L
4	GBT97.1-10-A3L	垫圈 WASHER	4	GBT97.1-10-A3L
5	GBT6170-M10-A3L	螺母 NUT	4	GBT6170-M10-A3L



A80.81.904.4 HTR ASS.Y

A80.81.904.4_1 暖风机总成 HTR ASS.Y

序号	零件编号	零件名称	数量	图号
1	A80.81.008.4	暖通空调插件 HTR	1	A80.81.008.4
2	GBT5783-M10X25-A3L	螺栓 BOLT	4	GBT5783-M10X25-A3L
3	GBT96.1-10-A3L	垫圈 WASHER	4	GBT96.1-10-A3L
4	GBT97.1-10-A3L	垫圈 WASHER	4	GBT97.1-10-A3L
5	GBT6170-M10-A3L	螺母 NUT	4	GBT6170-M10-A3L

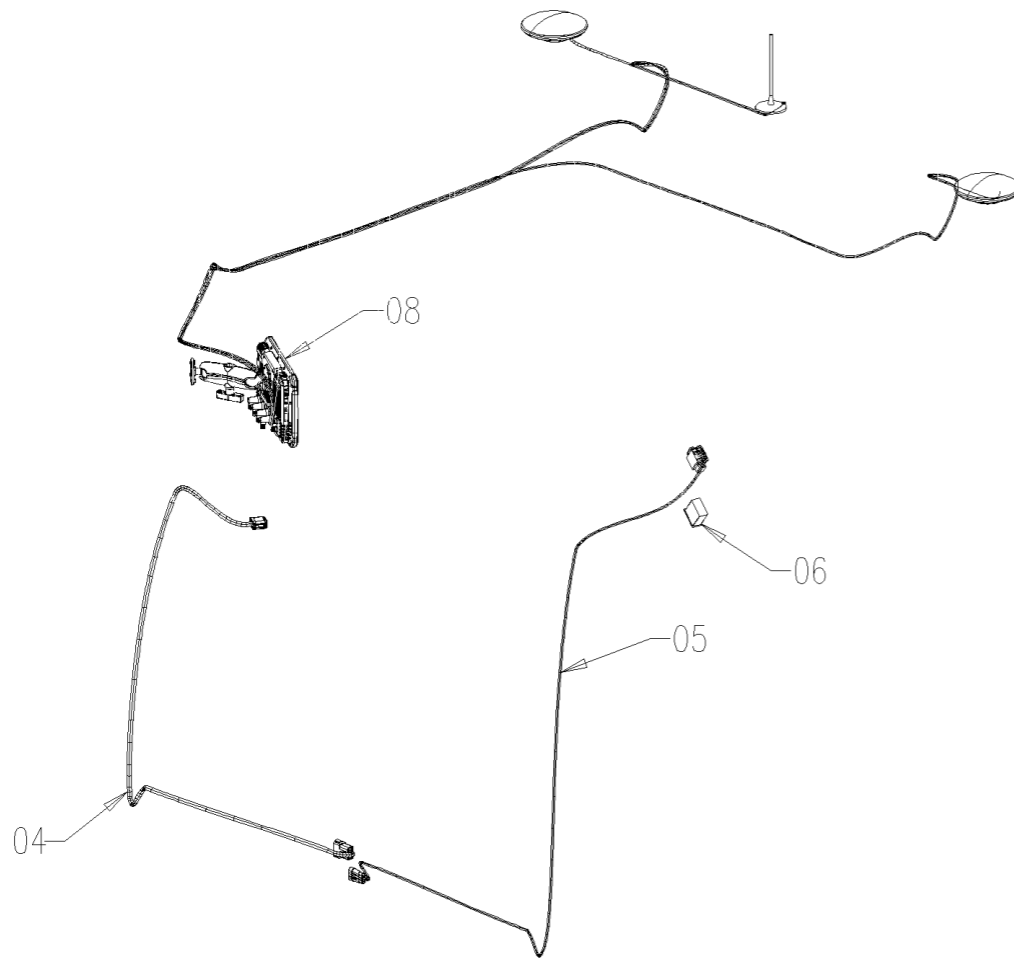


B05.48.944.4

LS AUTO-STEERING CABIN PARTS
ASS.Y (AF302BD-2.5RD)

B05.48.944.4_1 联适自动驾驶-驾驶室组件 (AF302BD-2.5RD) LIANSHI AUTOPILOT - Cab
Assembly (AF302BD-2.5RD)

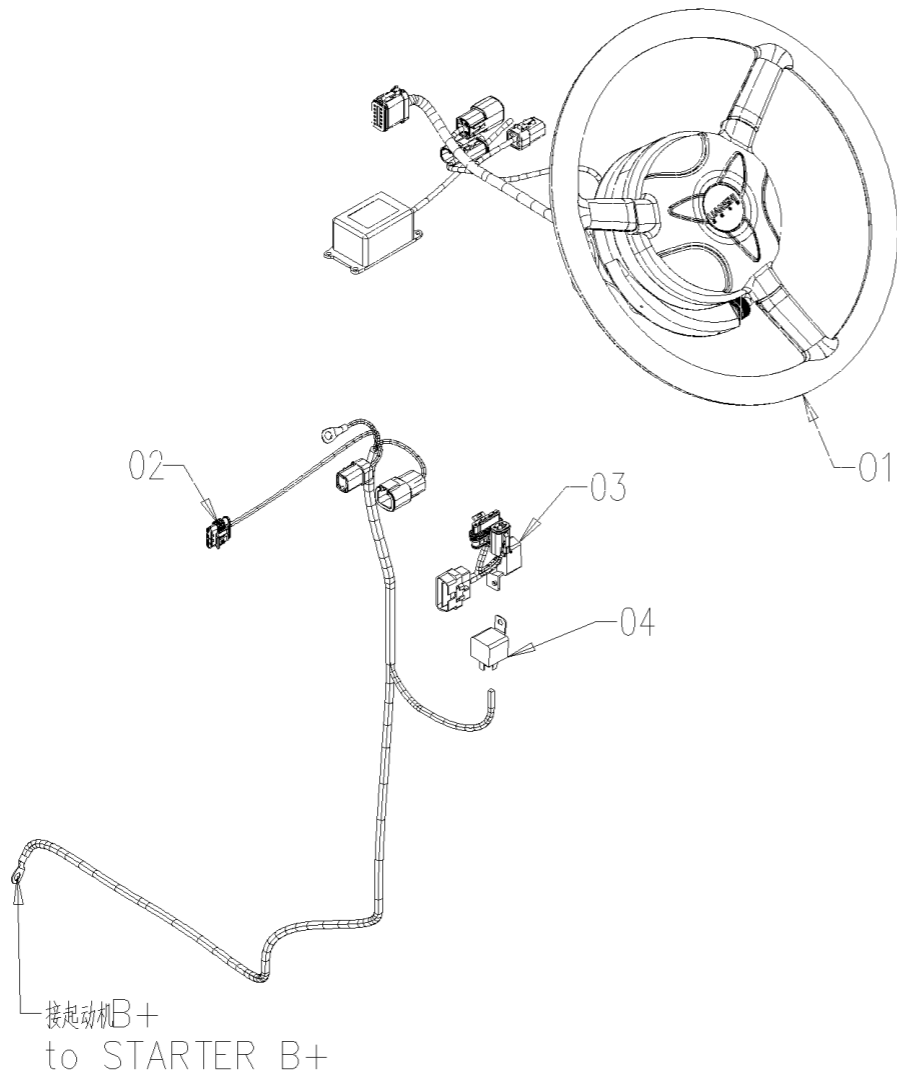
序号	零件编号	零件名称	数量	图号
4	B05.48.044.0/10	屏幕线束 SCREEN ADPT. WH	1	B05.48.044.0/10
5	B05.48.043.0	自动驾驶开关线束 AUTO PILOT	1	B05.48.043.0
6	B05.48.048.0/10	自动驾驶电源开关 AUTO STEERING	1	B05.48.048.0/10
8	0.037.1835.4	北斗/自动驾驶系统AF302	1	0.037.1835.4



B05.48.954.4 LS AUTO-STEERING ASS.Y
(AF302BD-2.5RD)

B05.48.954.4_0 联适自动驾驶系统 (AF302BD-2.5RD) LIANSHI AUTOPILOT System
(AF302BD-2.5RD)

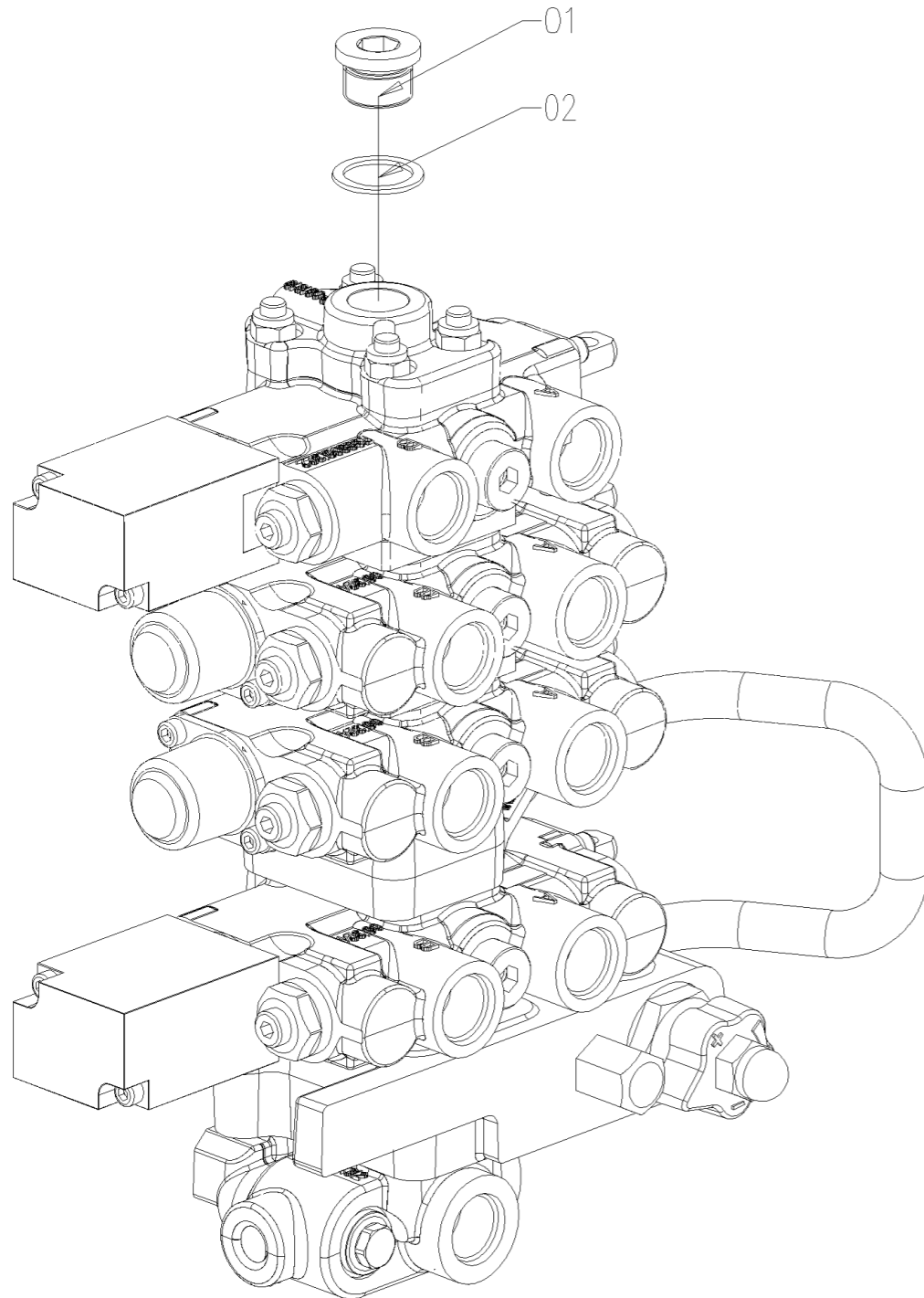
序号	零件编号	零件名称	数量	图号
1	0.034.5272.4/10	自动导航驾驶系统AF302 LS AUTO-	1	0.034.5272.4/10
2	B05.48.041.0	自动驾驶电源线束 AUTO PILOT	1	B05.48.041.0
3	B05.48.042.0	OBD适配器 OBD ADAPTER W.H.	1	B05.48.042.0
4	0.030.6684.0	继电器 RELAY-12V-40A	1	0.030.6684.0



B09.58.909.4 VALVE PLUG

B09.58.909.4_1 多路阀塞堵 (3组液压输出 (流量控制)) VALVE PLUG(3 sets of hydraulic outputs (flow control))

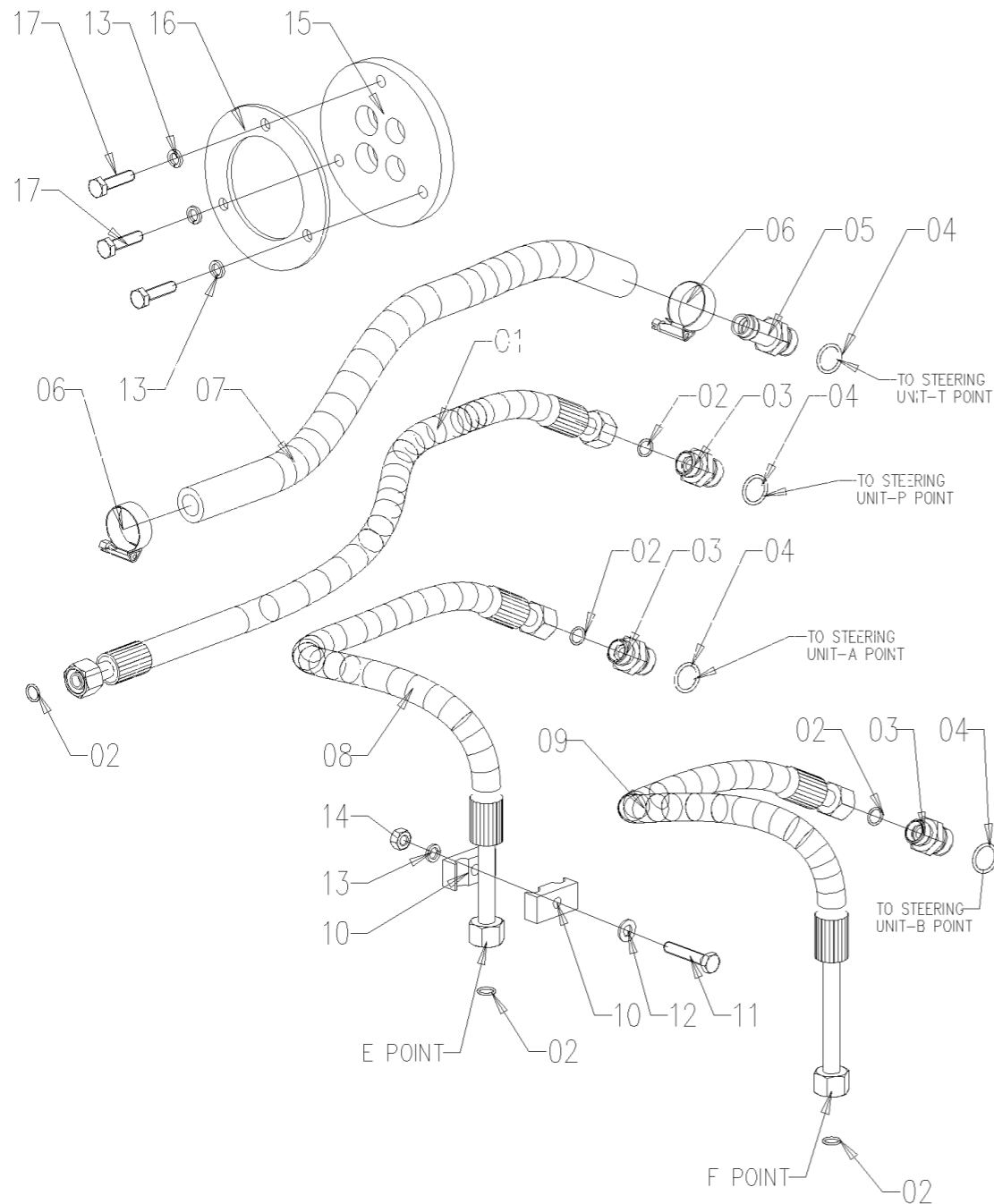
序号	零件编号	零件名称	数量	图号
1	2.3120.102.0	塞子 M22x1.5 PLUG M22X1.5	1	2.3120.102.0
2	2.1560.018.0	密封圈 SEALING RING	1	2.1560.018.0



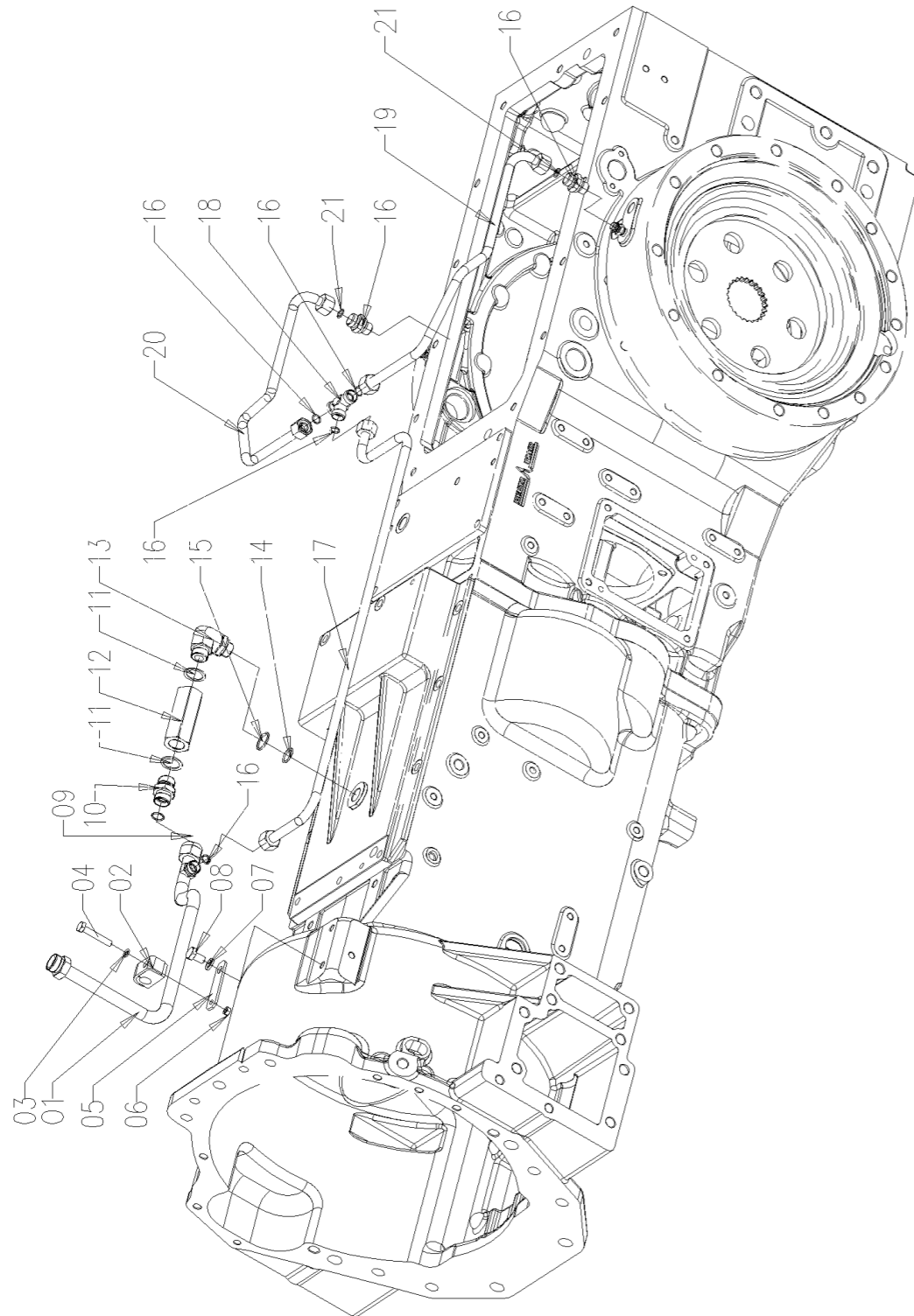
B29.40.903.4 STEERING PIPE ASS.

B29.40.903.4_1 转向器进出油管总成 STEERING PIPE ASS.

序号	零件编号	零件名称	数量	图号
1	CD1204A.40.014/20	转向泵进口软管 STEERING PUMP	1	CD1204A.40.014/20
2	GBT3452.1-10X1.5-G	O形密封圈 O RING	6	GBT3452.1-10X1.5-G
3	B29.40.007.0	管件 M20X1.5-M18X1.5 FITTING	3	B29.40.007.0
4	GBT3452.1-17.3X2.2-G	O形密封圈 O RING	4	GBT3452.1-17.3X2.2-G
5	B29.40.006.3	回油管焊合 RETURN PIPE WELDED	1	B29.40.006.3
6	JBT8870-D32	软管夹 HOSE CLAMP	2	JBT8870-D32
7	CD804A.40.105/10	回油软管 RETURN HOSE	1	CD804A.40.105/10
8	A31.40.004.3/20	左转向管1 LEFT STEERING PIPE-1	1	A31.40.004.3/20
9	A31.40.006.3/20	右转向管-1 RIGHT STEERING PIPE-1	1	A31.40.006.3/20
10	CD1204A.40.109	双孔夹 DOUBLE HOLE FIXED PLATE	2	CD1204A.40.109
11	GBT5783-M8X40-A2L	螺栓 BOLT	1	GBT5783-M8X40-A2L
12	GBT97.1-8-A3L	垫圈 WASHER	1	GBT97.1-8-A3L
13	GBT93-8-A3L	垫圈 WASHER	4	GBT93-8-A3L
14	GBT6170-M8-A2L	螺母 NUT	1	GBT6170-M8-A2L
15	CD1204A.40B.101	橡胶帽 RUBBER	1	CD1204A.40B.101
16	SH900.40.138	转向油管压板 STEERING OIL PIPE	1	SH900.40.138
17	GBT5783-M8X30-A2L	螺栓 BOLT	3	GBT5783-M8X30-A2L

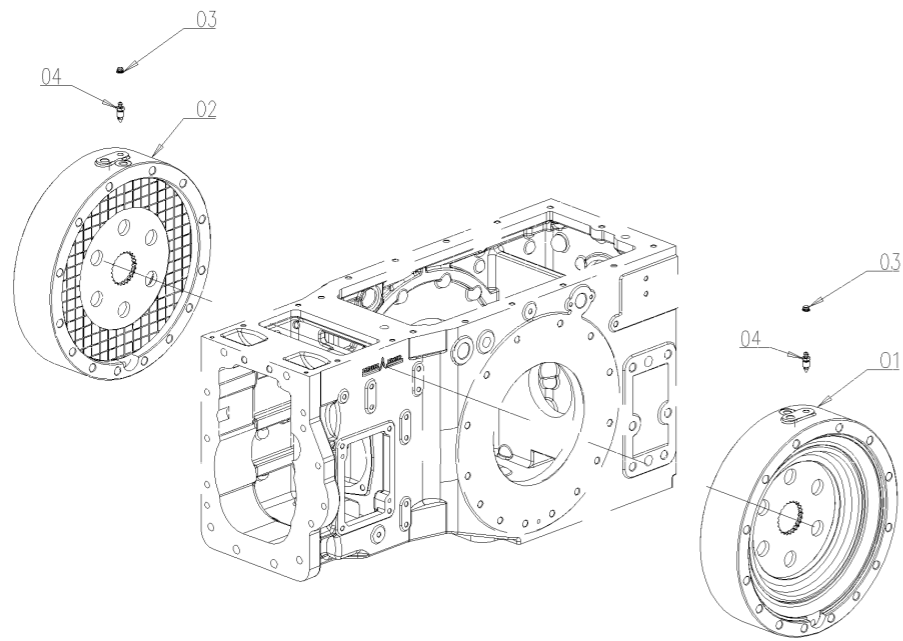


B29.40.907.4 LUBRICATION PIPE ASS.Y



B29.40.907.4_1 制动润滑油管总成 LUBRICATION PIPE ASS.

序号	零件编号	零件名称	数量	图号
1	B29.40.020.3/20	回油接头焊合 RETURN PIPE ASS.	1	B29.40.020.3/20
2	2.3320.108.0	管形夹具 TUBE CLAMP 16	1	2.3320.108.0
3	GBT97.1-6-A3L	垫圈 WASHER	1	GBT97.1-6-A3L
4	GBT5783-M8X45-A2L	螺栓 BOLT	1	GBT5783-M8X45-A2L
5	B29.40.032.0	支架 BRACKET	1	B29.40.032.0
6	GBT6170-M6-A2L	螺母 NUT	1	GBT6170-M6-A2L
7	GBT93-10-A3L	垫圈 WASHER	1	GBT93-10-A3L
8	GBT5783-M10X16-A3L	螺栓 BOLT	1	GBT5783-M10X16-A3L
9	GBT3452.1-14X1.5-G	O形密封圈 O RING	1	GBT3452.1-14X1.5-G
10	GBT3733.2-83-G16	管件 FITTING	1	GBT3733.2-83-G16
11	2.1560.018.0	密封圈 SEALING RING	2	2.1560.018.0
12	A11.40.075.0	直通单向阀总成 NON-RETURN	1	A11.40.075.0
13	B29.40.033.0	管件 FITTING	1	B29.40.033.0
14	GBT3452.1-17.3X2.2-G	O形密封圈 O RING	1	GBT3452.1-17.3X2.2-G
15	B29.40.022.0	垫圈 WASHER	1	B29.40.022.0
16	GBT3452.1-10X1.5-G	O形密封圈 O RING	6	GBT3452.1-10X1.5-G
17	B29.40.028.3	润滑管道总成 LUBRICATION PIPE	1	B29.40.028.3
18	GBT3745-08-L12	管件 FITTING	1	GBT3745-08-L12
19	B29.40.026.3	刹车润滑管 BRAKE LUBRICATION	1	B29.40.026.3
20	B29.40.027.3	刹车润滑管 BRAKE LUBRICATION	1	B29.40.027.3
21	GBT3733-08-L12E	管件 FITTING	2	GBT3733-08-L12E

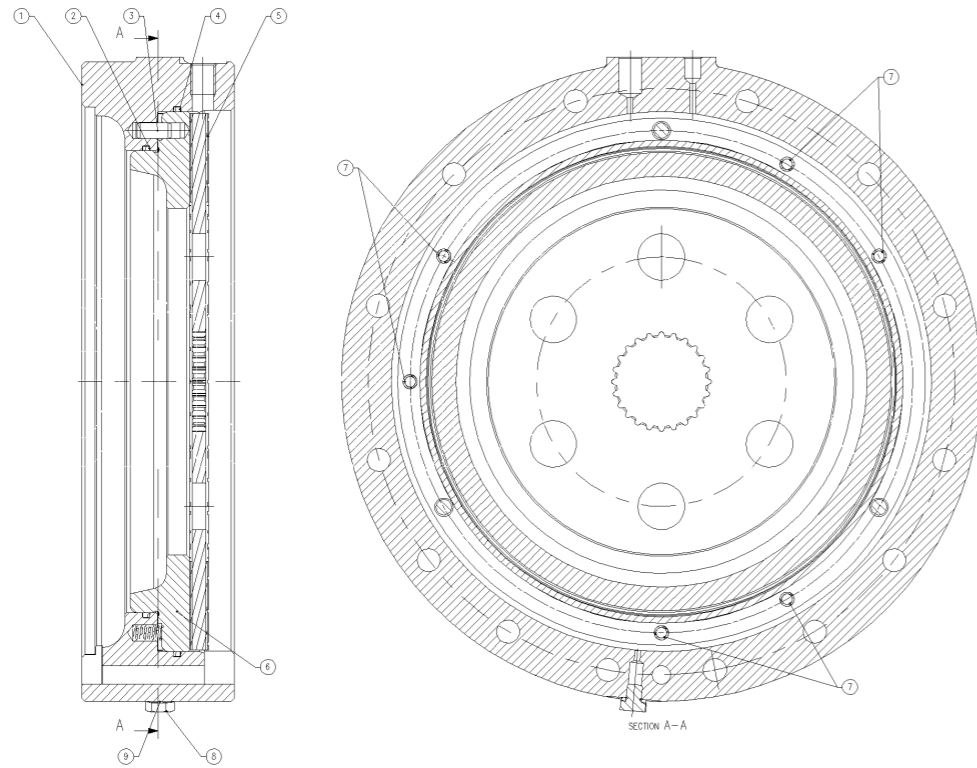


B29.43.901.4_2 行车制动器总成 Service parking assembly

序号	零件编号	零件名称	数量	图号
1	B29.43.001.4/10	左制动组 LEFT BRAKE SET	1	B29.43.001.4/10
2	B29.43.002.4/10	右制动组 RIGHT BRAKE SET	1	B29.43.002.4/10
3	2.3199.039.0	螺母保护帽 TAPPO X VITE	2	2.3199.039.0
4	0.170.5455.0	螺栓 VITE DI SPURGO	2	0.170.5455.0

B29.43.901.4 REAR BRAKE ASSY

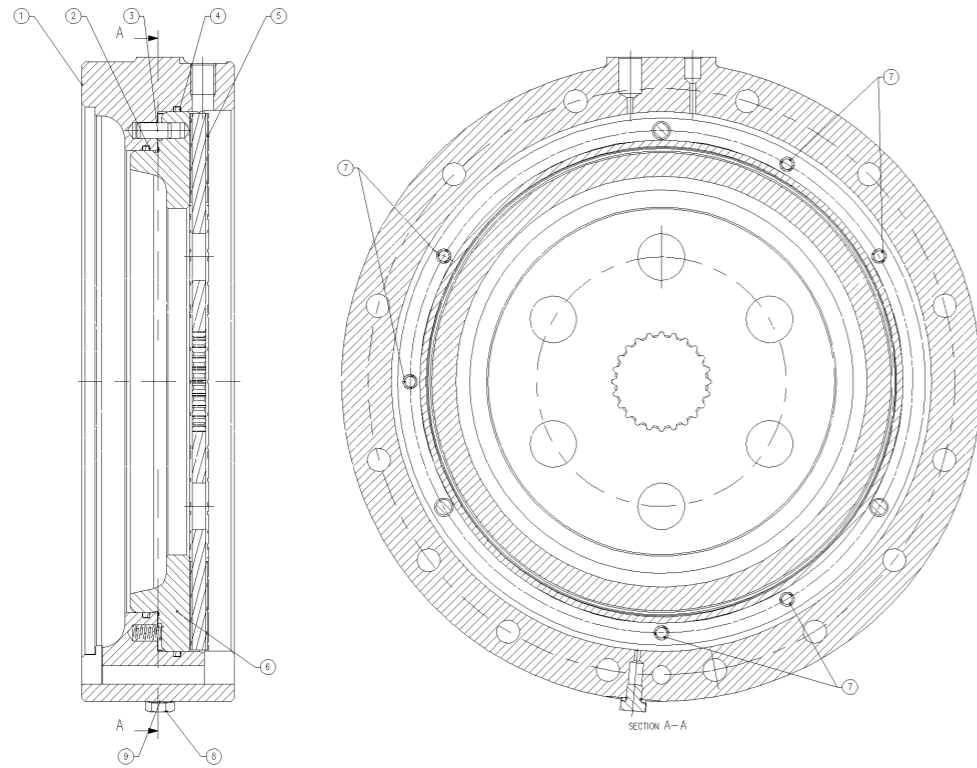
B29.43.001.4/10 LEFT BRAKE SET



B29.43.001.4-10_1 左制动组LEFT BRAKE SET

序号	零件编号	零件名称	数量	图号
1	B29.43.001.0	左制动器壳 LEFT BRAKE HOUSING	1	B29.43.001.0
2	LE1204.43.103	星型密封圈 STAR TYPE SEAL RING 296	1	LE1204.43.103
3	GBT119.1-10m6X22	销 PIN	3	GBT119.1-10m6X22
4	LE1204.43.102	星型密封圈 STAR TYPE SEAL RING 346	1	LE1204.43.102
5	LE1204.43.011	摩擦片 FRICTION PLATE	1	LE1204.43.011
6	0.026.4203.0	制动器汽缸活塞 BRAKE PISTON	1	0.026.4203.0
7	SH900.43.173	弹簧 SPRING	6	SH900.43.173
8	SH900.43.189	塞子 PLUG	1	SH900.43.189
9	JBT982-10	组合密封垫圈 SEALING RINGS	1	JBT982-10

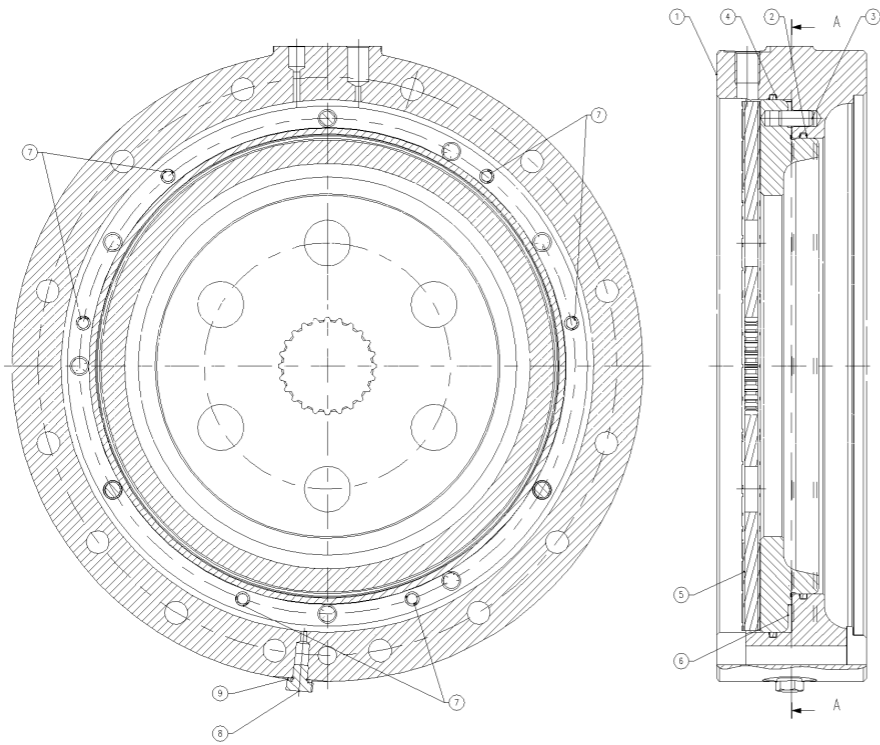
B29.43.001.4/10 LEFT BRAKE SET



B29.43.001.4/10 左制动组LEFT BRAKE SET

序号	零件编号	零件名称	数量	图号
1	B29.43.001.0	左制动器壳 LEFT BRAKE HOUSING	1	B29.43.001.0
2	LE1204.43.103	星型密封圈 STAR TYPE SEAL RING 296	1	LE1204.43.103
3	GBT119.1-10m6X22	销 PIN	3	GBT119.1-10m6X22
4	LE1204.43.102	星型密封圈 STAR TYPE SEAL RING 346	1	LE1204.43.102
5	LE1204.43.011	摩擦片 FRICTION PLATE	1	LE1204.43.011
6	0.026.4203.0	制动器汽缸活塞 BRAKE PISTON	1	0.026.4203.0
7	SH900.43.173	弹簧 SPRING	6	SH900.43.173
8	SH900.43.189	塞子 PLUG	1	SH900.43.189
9	JBT982-10	组合密封垫圈 SEALING RINGS	1	JBT982-10

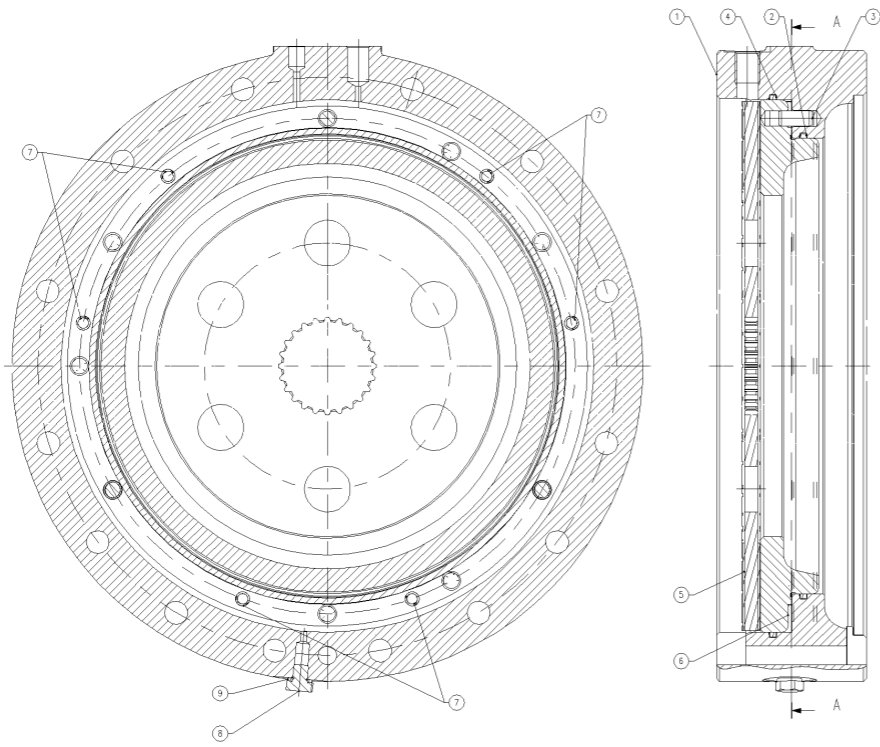
B29.43.002.4/10 RIGHT BRAKE SET



B29.43.002.4-10_1 右制动组RIGHT BRAKE SET

序号	零件编号	零件名称	数量	图号
1	B29.43.002.0	右制动器盖 RIGHT BRAKE HOUSING	1	B29.43.002.0
2	LE1204.43.103	星型密封圈 STAR TYPE SEAL RING 296	1	LE1204.43.103
3	GBT119.1-10m6X22	销 PIN	3	GBT119.1-10m6X22
4	LE1204.43.102	星型密封圈 STAR TYPE SEAL RING 346	1	LE1204.43.102
5	LE1204.43.011	摩擦片 FRICTION PLATE	1	LE1204.43.011
6	0.026.4203.0	制动器汽缸活塞 BRAKE PISTON	1	0.026.4203.0
7	SH900.43.173	弹簧 SPRING	6	SH900.43.173
8	SH900.43.189	塞子 PLUG	1	SH900.43.189
9	JBT982-10	组合密封垫圈 SEALING RINGS	1	JBT982-10

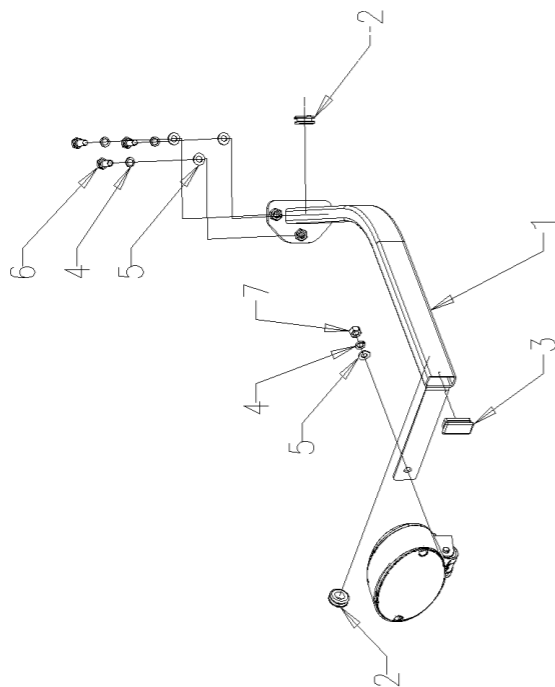
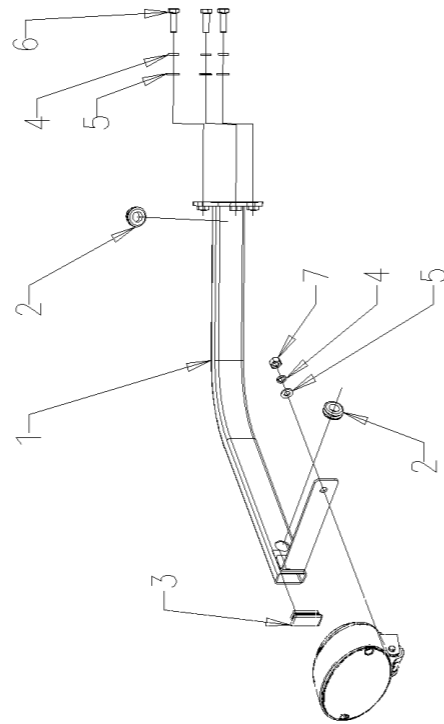
B29.43.002.4/10 RIGHT BRAKE SET



B29.43.002.4/10 右制动组RIGHT BRAKE SET

序号	零件编号	零件名称	数量	图号
1	B29.43.002.0	右制动器盖 RIGHT BRAKE HOUSING	1	B29.43.002.0
2	LE1204.43.103	星型密封圈 STAR TYPE SEAL RING 296	1	LE1204.43.103
3	GBT119.1-10m6X22	销 PIN	3	GBT119.1-10m6X22
4	LE1204.43.102	星型密封圈 STAR TYPE SEAL RING 346	1	LE1204.43.102
5	LE1204.43.011	摩擦片 FRICTION PLATE	1	LE1204.43.011
6	0.026.4203.0	制动器汽缸活塞 BRAKE PISTON	1	0.026.4203.0
7	SH900.43.173	弹簧 SPRING	6	SH900.43.173
8	SH900.43.189	塞子 PLUG	1	SH900.43.189
9	JBT982-10	组合密封垫圈 SEALING RINGS	1	JBT982-10

B29.45.905.4 DIRECT LAMP ARM ASS.Y



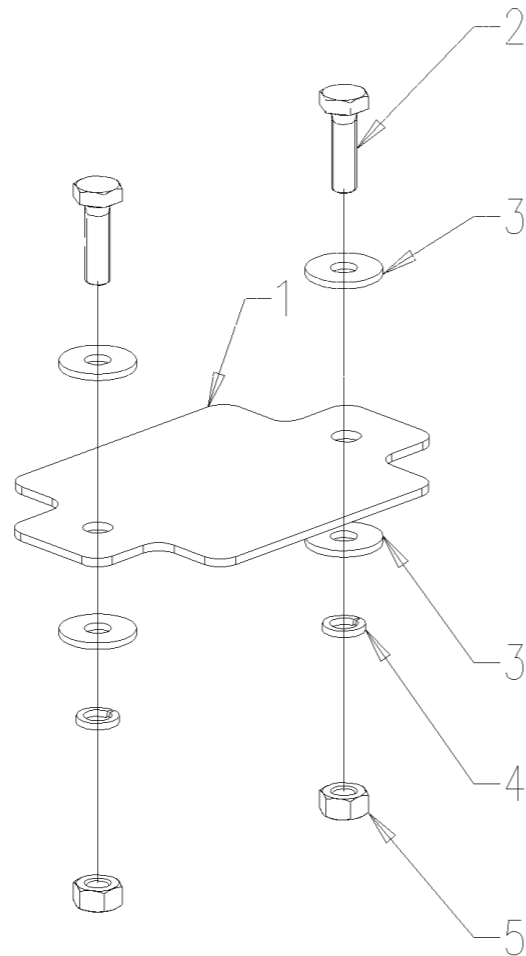
B29.45.905.4_2 左右转向灯支架 RH/LH LIGHT SUPPORT ASS.Y

序号	零件编号	零件名称	数量	图号
1	B29.45.023.3/20	直射灯臂 DIRECT LAMP ARM	2	B29.45.023.3/20
2	CD904.45.105	橡胶帽 RUBBER	4	CD904.45.105
3	CD904.45.106	塑料塞 PLASTIC PLUG	2	CD904.45.106
4	GBT93-8-A3L	垫圈 WASHER	8	GBT93-8-A3L
5	GBT97.1-8-A3L	垫圈 WASHER	8	GBT97.1-8-A3L
6	GBT5783-M8X25-A2L	螺栓 BOLT	6	GBT5783-M8X25-A2L
7	GBT6170-M8-A2L	螺母 NUT	2	GBT6170-M8-A2L

B29.45.965.4 BLOCKING COVER ASS.Y

B29.45.965.4_0 手控阀堵盖总成 BLOCKING COVER ASS.Y

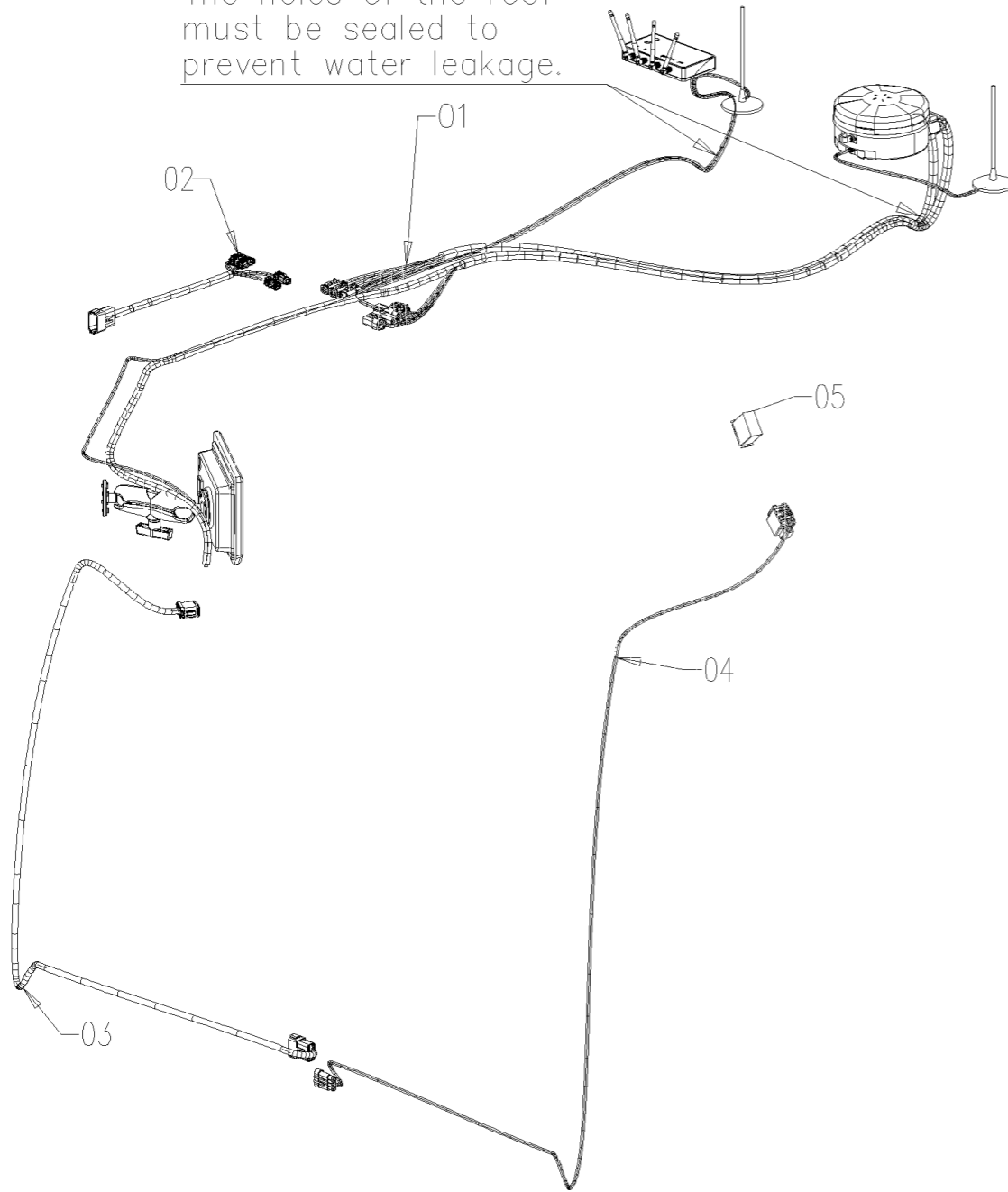
序号	零件编号	零件名称	数量	图号
1	B29.45.035.0	屏蔽板 BLOCKING PLATE	1	B29.45.035.0
2	GBT5783-M6X20-A2L	螺栓 BOLT	2	GBT5783-M6X20-A2L
3	GBT96.1-6-A3L	垫圈 WASHER	4	GBT96.1-6-A3L
4	GBT93-6-A3L	垫圈 WASHER	2	GBT93-6-A3L
5	GBT6170-M6-A2L	螺母 NUT	2	GBT6170-M6-A2L



B29.48.944.4

BC AUTO-STEERING CABIN PARTS ASS.Y (FARMSTARF2BD-2.5RD)

顶棚过孔处须密封处理，防止漏水。
The holes of the roof
must be sealed to
prevent water leakage.

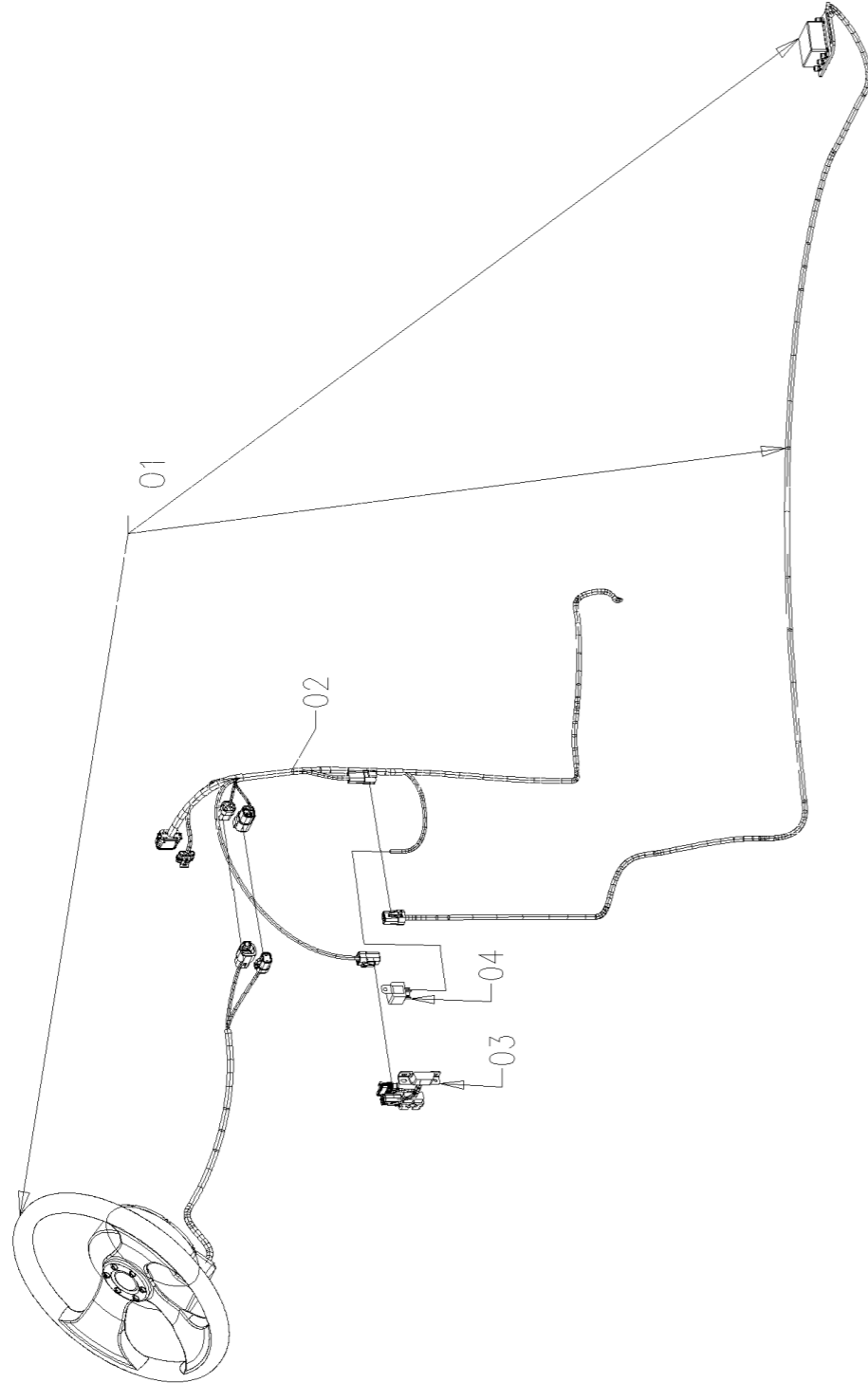


B29.48.944.4_0 博创自动驾驶系统-驾驶室部分 (FARMSTARF2BD-2.5RD) BOCHUANG Autopilot - Cab section (FARMSTARF2BD-2.5RD)

序号	零件编号	零件名称	数量	图号
1	0.037.2098.4	FarmSLar-F2/BD-2.5RD	1	0.037.2098.4
2	B29.48.028.4	连接器线束 BC AS ADPT. WH	1	B29.48.028.4
3	B05.48.044.0/10	线束 SCREEN ADPT. WH	1	B05.48.044.0/10
4	B05.48.043.0	自动驾驶电源开关线束 AUTO PILOT	1	B05.48.043.0
5	B05.48.048.0/10	汽车转向电源开关 AUTO STEERING	1	B05.48.048.0/10

B29.48.954.4

BC AUTO-STEERING ASS.Y (FARMSTARF2BD-2.5RD)



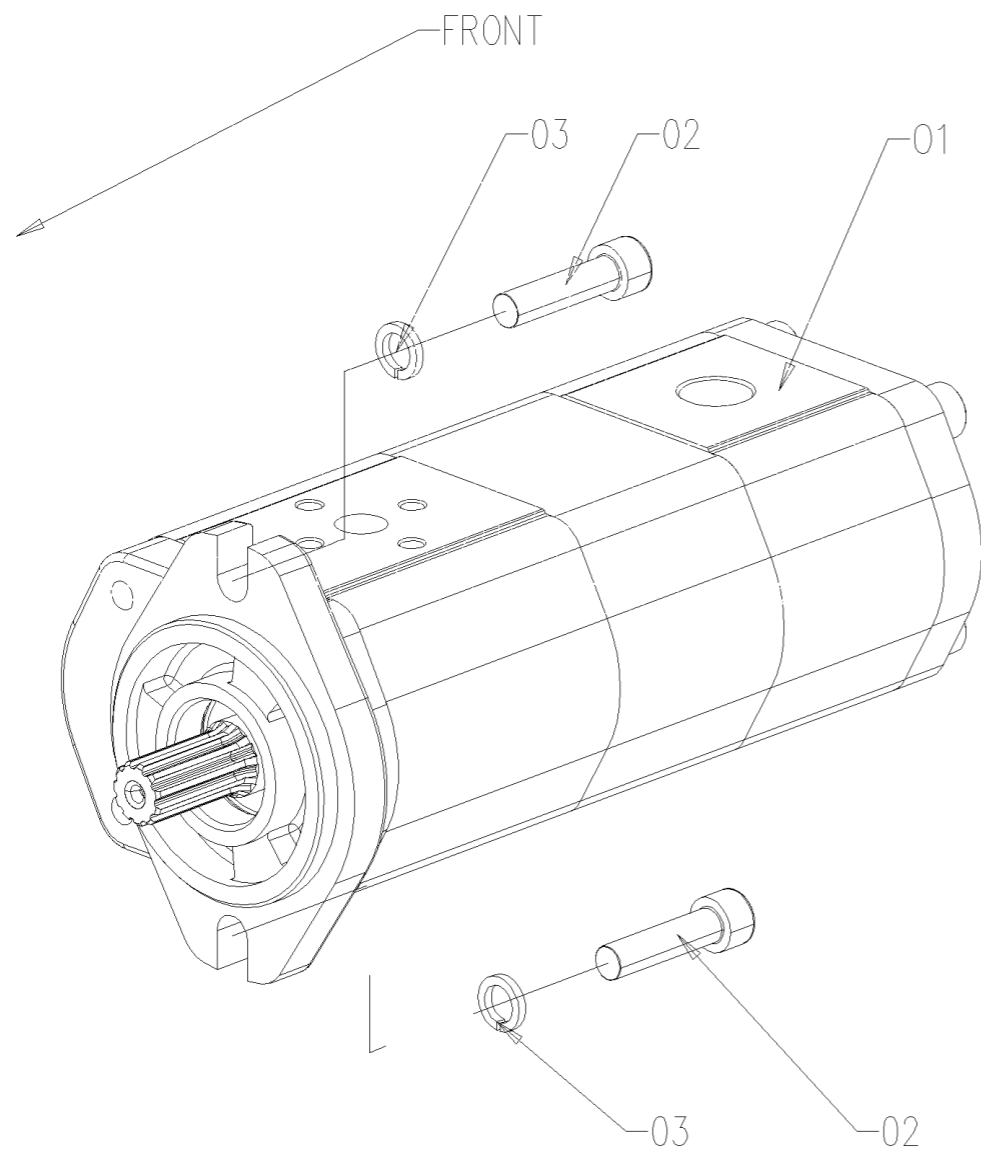
B29.48.954.4_0 博创自动驾驶系统 (FARMSTARF2BD-2.5RD) BOCHUANG Autopilot System (FARMSTARF2BD-2.5RD)

序号	零件编号	零件名称	数量	图号
1	0.037.2202.4	自动转向 BC AUTO-STEERING	1	0.037.2202.4
2	B29.48.029.4	电器线束 BC AS POWER WH	1	B29.48.029.4
3	B05.48.042.0	OBD适配器 OBD ADAPTER W.H.	1	B05.48.042.0
4	0.030.6684.0	继电器 RELAY-12V-40A	1	0.030.6684.0

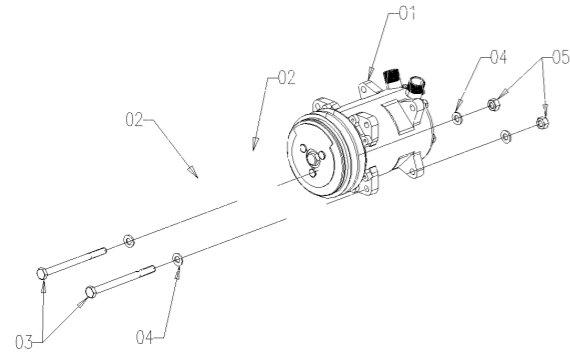
B29.58.901.4 GEAR PUMP ASS.

B29.58.901.4_0 提升泵安装总成 GEAR PUMP ASS.

序号	零件编号	零件名称	数量	图号
1	B29.58.001.0	双联泵 DOUBLE GEAR PUMP	1	B29.58.001.0
2	GBT70.1-M10X40-A3L	螺丝钉 SCREW	2	GBT70.1-M10X40-A3L
3	GBT93-10-A3L	垫圈 WASHER	2	GBT93-10-A3L



B29.81.910.4 AC COMPRESSOR ASS.Y



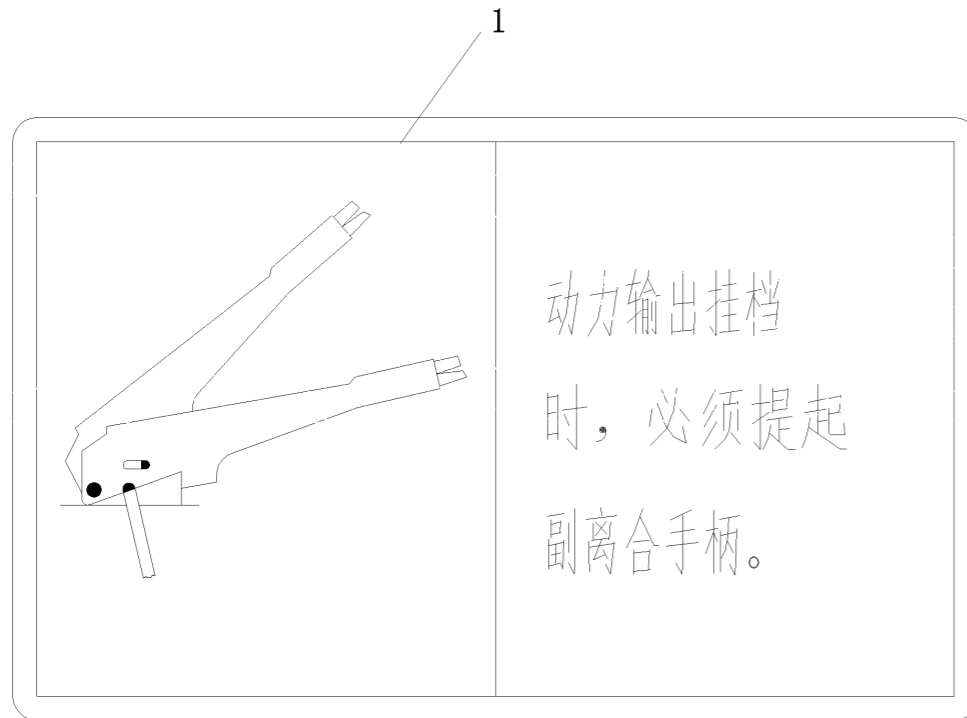
B29.81.910.4_0 空调压缩机总成 AIR CONDITIONING COMPRESSOR ASS.Y

序号	零件编号	零件名称	数量	图号
1	CD904.81.012	空气压缩机 AIR COMPRESSOR	1	CD904.81.012
2	2.4119.235.0/30	空调机皮带 - 6 CYL - A/C BELT - 6 CYL	2	2.4119.235.0/30
3	2.0112.335.2	六角头螺栓 M10x1.5x130 HEX BOLT	2	2.0112.335.2
4	2.1310.006.2	垫圈 WASHER 10	4	2.1310.006.2
5	2.1011.106.2	螺母 NUT M10x1.5	2	2.1011.106.2

B34.51.903.4 AUXILIARY CLUTCH COMMAND LABEL

B34.51.903.4_2 副离合操纵标识 AUXILIARY CLUTCH COMMAND LABEL

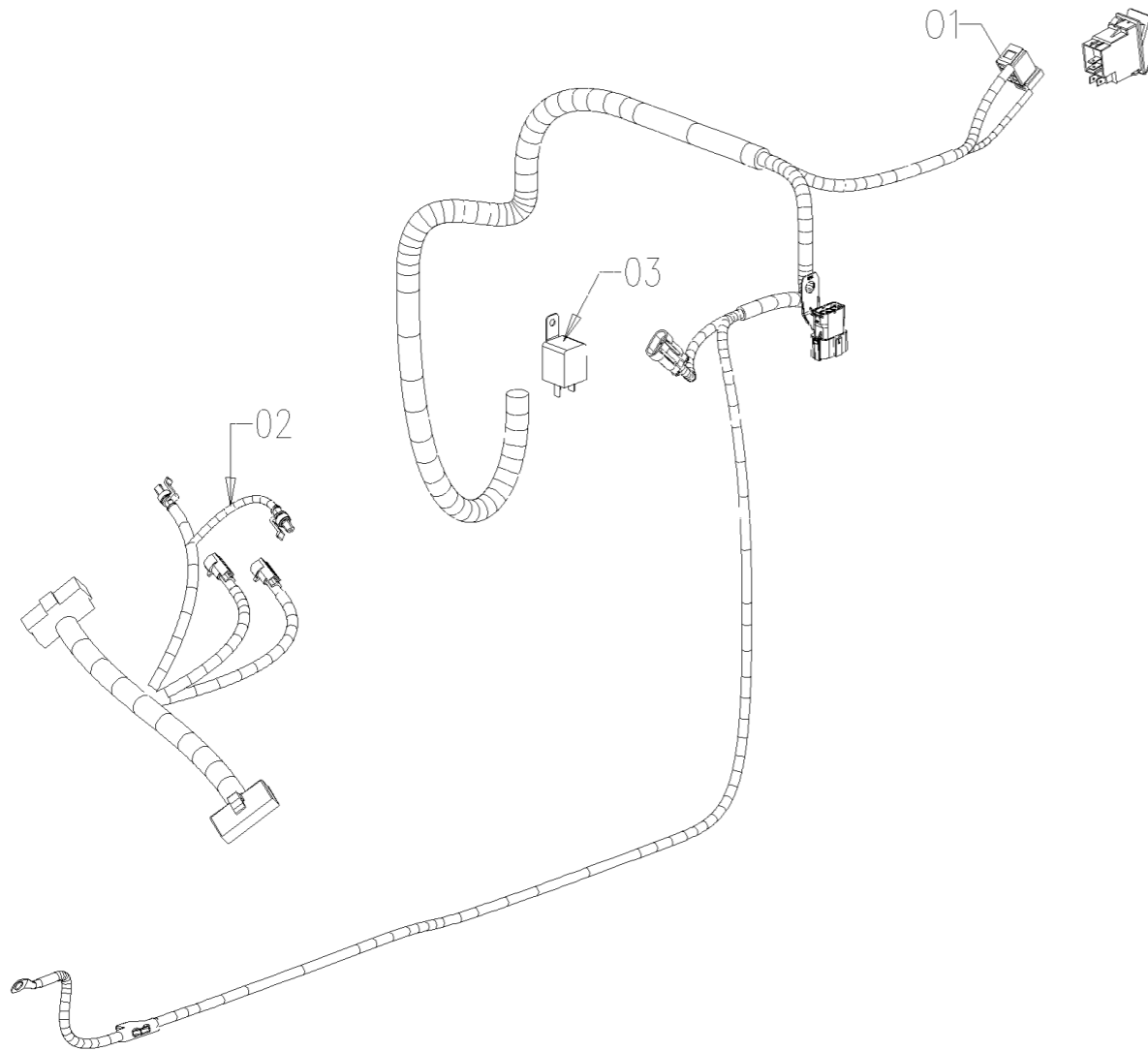
序号	零件编号	零件名称	数量	图号
1	A23.51.006.0	副离合操纵标识 ACCESSORY	1	A23.51.006.0



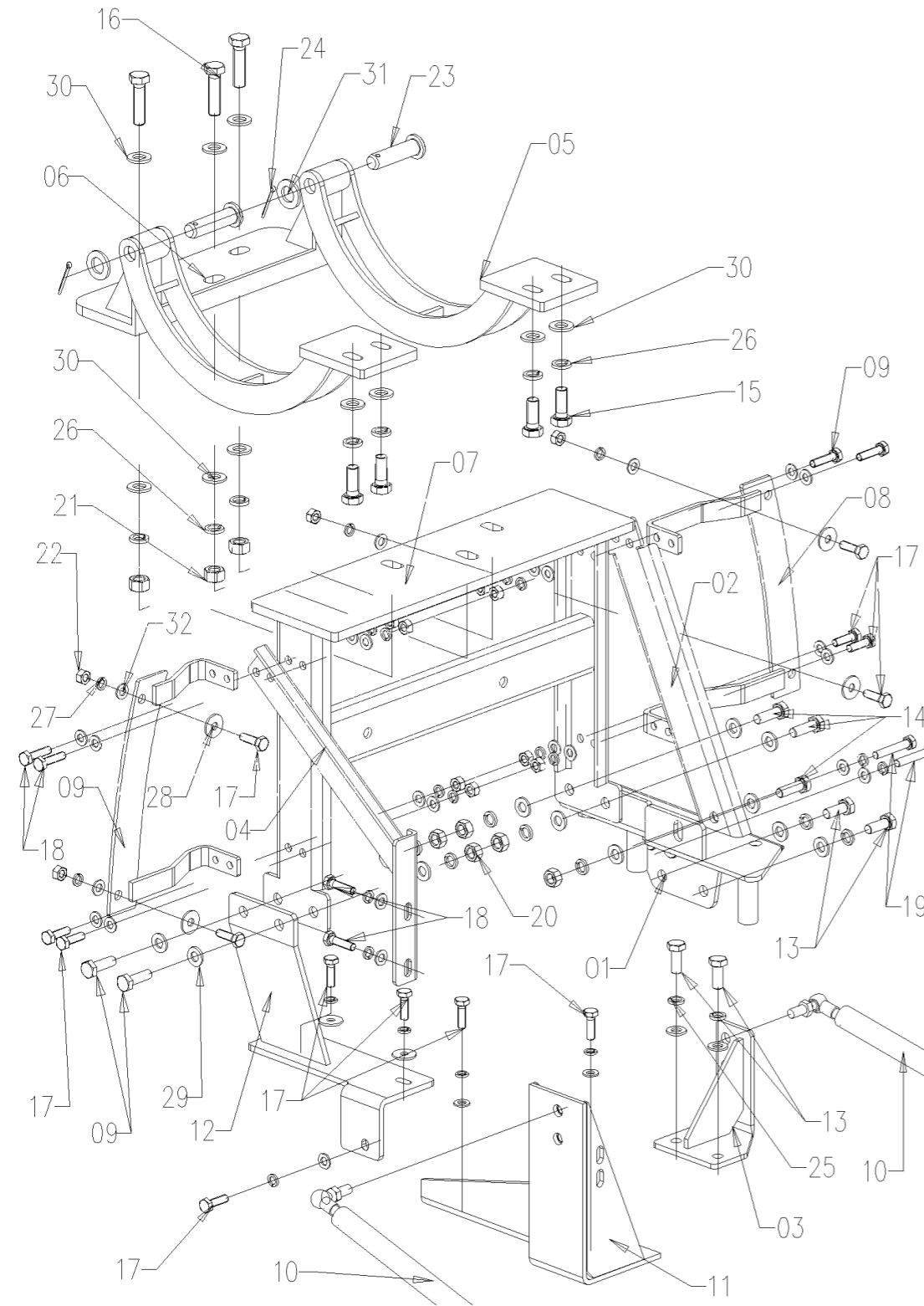
B39.48.922.4 BONNET W.L. W.H ASS.Y

B39.48.922.4_1 机罩工作灯安装总成 (驾驶室) BONNET W.L. W.H. ASSEMBLY(Cab)

序号	零件编号	零件名称	数量	图号
1	B39.48.005.0	机罩线束 BONNET WL.SW.WH.	1	B39.48.005.0
2	B39.48.007.0	前工作灯线束 FRONT W.L. AD. W.H.	1	B39.48.007.0
3	LD700.48.037	灯光继电器 LAMP RELAY	1	LD700.48.037



B40.47.901.4 BONNET SUPPORT ASS.Y

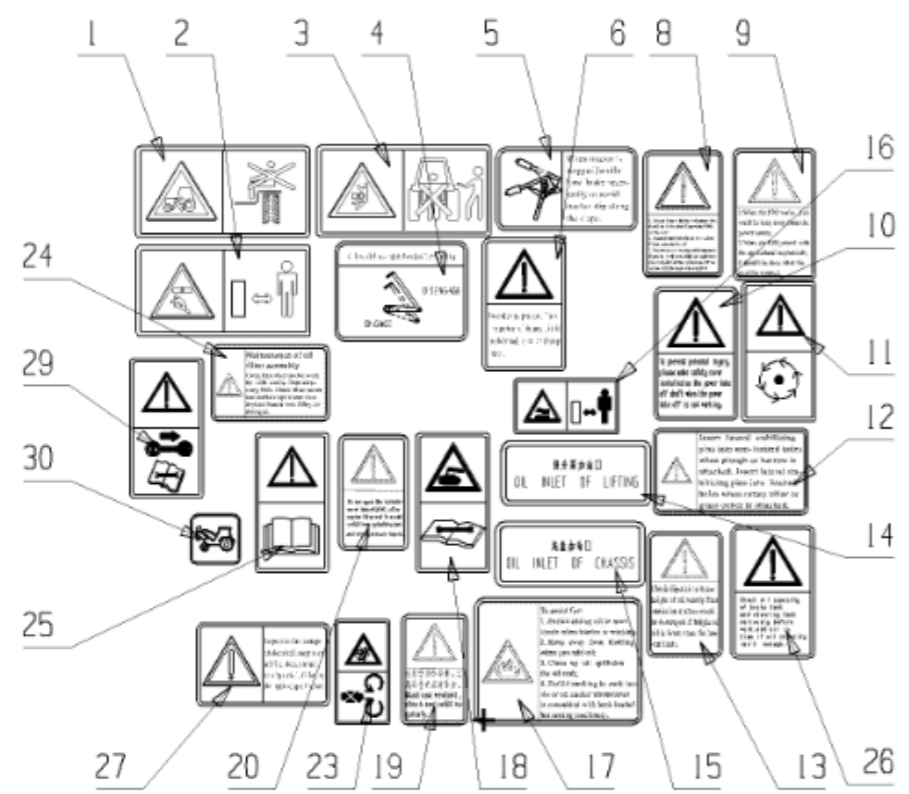


B40.47.901.4_0 机罩支架总成 BONNET SUPPORT ASS.Y

序号	零件编号	零件名称	数量	图号
1	A31.47.006.3	左支架焊接 LEFT BRACKET WELD	1	A31.47.006.3
2	A31.47.007.2	焊合支撑板 SUPPORT PLATE WELD	1	A31.47.007.2
3	A31.47.008.2	空气弹簧托架 BRACKET FOR AIR	1	A31.47.008.2
4	A31.47.009.2	支架焊接 BRACKET WELD	1	A31.47.009.2
5	CD1204.47.017	铰链板焊合 HINGE PLATE	2	CD1204.47.017
6	CD1204.47.018	铰链座焊合 HINGE SEAT	1	CD1204.47.018
7	CD1204.47.032	机罩托架 BONNET BRACKET	1	CD1204.47.032
8	CD1204.47.050	左支架 LEFT BRACKET	1	CD1204.47.050
9	CD1204.47.051	右支架 RIGHT BRACKET	1	CD1204.47.051
10	CD1204.47.211	机罩气弹簧 BONNET GAS SPRING	2	CD1204.47.211
11	CD1204A.47.011/10	右气弹簧支架焊合 RIGHT GAS	1	CD1204A.47.011/10
12	CD1204A.47.012	机罩右支撑架焊合 BONNET RIGHT	1	CD1204A.47.012
13	GBT5783-M10X25-A3L	螺栓 BOLT	4	GBT5783-M10X25-A3L
14	GBT5783-M10X30-A3L	螺栓 BOLT	5	GBT5783-M10X30-A3L
15	GBT5783-M12X30-10.9-	螺栓 BOLT	4	GBT5783-M12X30-10.9-A3L
16	GBT5783-M12X45-A3L	螺栓 BOLT	3	GBT5783-M12X45-A3L
17	GBT5783-M8X25-A2L	螺栓 BOLT	13	GBT5783-M8X25-A2L
18	GBT5783-M8X30-A2L	螺栓 BOLT	6	GBT5783-M8X30-A2L
19	GBT5783-M8X45-A2L	螺栓 BOLT	2	GBT5783-M8X45-A2L
20	GBT6170-M10-A3L	螺母 NUT	5	GBT6170-M10-A3L
21	GBT6170-M12-A3L	螺母 NUT	3	GBT6170-M12-A3L
22	GBT6170-M8-A2L	螺母 NUT	12	GBT6170-M8-A2L
23	GBT882-B16X60-A3L	销 PIN	2	GBT882-B16X60-A3L
24	GBT91-3.2X32-A3L	销 PIN	2	GBT91-3.2X32-A3L
25	GBT93-10-A3L	垫圈 WASHER	9	GBT93-10-A3L
26	GBT93-12-A3L	垫圈 WASHER	7	GBT93-12-A3L
27	GBT93-8-A3L	垫圈 WASHER	21	GBT93-8-A3L
28	GBT96.1-8-A3L	垫圈 WASHER	6	GBT96.1-8-A3L
29	GBT97.1-10-A3L	垫圈 WASHER	14	GBT97.1-10-A3L
30	GBT97.1-12-A3L	垫圈 WASHER	10	GBT97.1-12-A3L
31	GBT97.1-16-A3L	垫圈 WASHER	2	GBT97.1-16-A3L
32	GBT97.1-8-A3L	垫圈 WASHER	27	GBT97.1-8-A3L

 SAME DEUTZ-FAHR GROUP S.p.A. SAME • SAME-TAG • LANDSCHAFT • WÄLLENBERG Gruppo - Group	FL40/FL55	N. dis. - P/N B61.51.901.4
	UNIVERSAL LABELS ASS.Y	Rev. 4 Foglio - Sheet: 1 di - of: 1 Val idato il: 01 F

YFB-R-2019-001 SH.042



B61.51.901.4_4 通用标识 UNIVERSAL LABELS ASS.Y

序号	零件编号	零件名称	数量	图号
1	SH900.51.136	挡泥板禁止乘坐标识	1	SH900.51.136
2	SH900.51.132	安全警告标识	1	SH900.51.132
3	SH900.51.135	安全警告标识	1	SH900.51.135
4	SH900.51B.103	差速锁标识	1	SH900.51B.103
5	SH900.51B.110	驻车制动标识	1	SH900.51B.110
6	SH900.51B.122	后横板安全标识	1	SH900.51B.122
8	B61.51.009.0/10	动力输出安全标识 IV	1	B61.51.009.0/10
9	SH900.51B.117	动力输出 安全标识	1	SH900.51B.117
10	SH900.51B.116	动力输出 安全标识III	1	SH900.51B.116
11	SH900.51.118	动力输出 安全标识II	1	SH900.51.118
12	SH900.51B.119	限位销安全标识	1	SH900.51B.119
13	SH900.51B.125	传动液位检测标识	1	SH900.51B.125
14	SH900.51.153	提升器加油口标识	1	SH900.51.153
15	SH900.51.154	底盘加油口标识	1	SH900.51.154
16	SH900.51.152	高温防烫标识(小)	1	SH900.51.152
17	SH900.51B.112	加油防火标识	1	SH900.51B.112
18	SH900.51.122	蓄电池安全标识	1	SH900.51.122
19	A11.51.004.0	冷却系统标识	1	A11.51.004.0
20	B61.51.010.0	水箱口防烫标识	1	B61.51.010.0
23	SH900.51.125	安全警告标识	1	SH900.51.125
24	SH900.51B.102	吸油滤清器保养标识	1	SH900.51B.102
25	SH900.51.130	阅读说明书	1	SH900.51.130
26	SH900.51B.120	制动转向油箱油位安全标识	1	SH900.51B.120
27	SH900.51B.123	保险丝安全标识	1	SH900.51B.123
29	SH900.51.138	安全警告标识 I	1	SH900.51.138
30	2.9939.835.0/10	机罩标识	1	2.9939.835.0/10



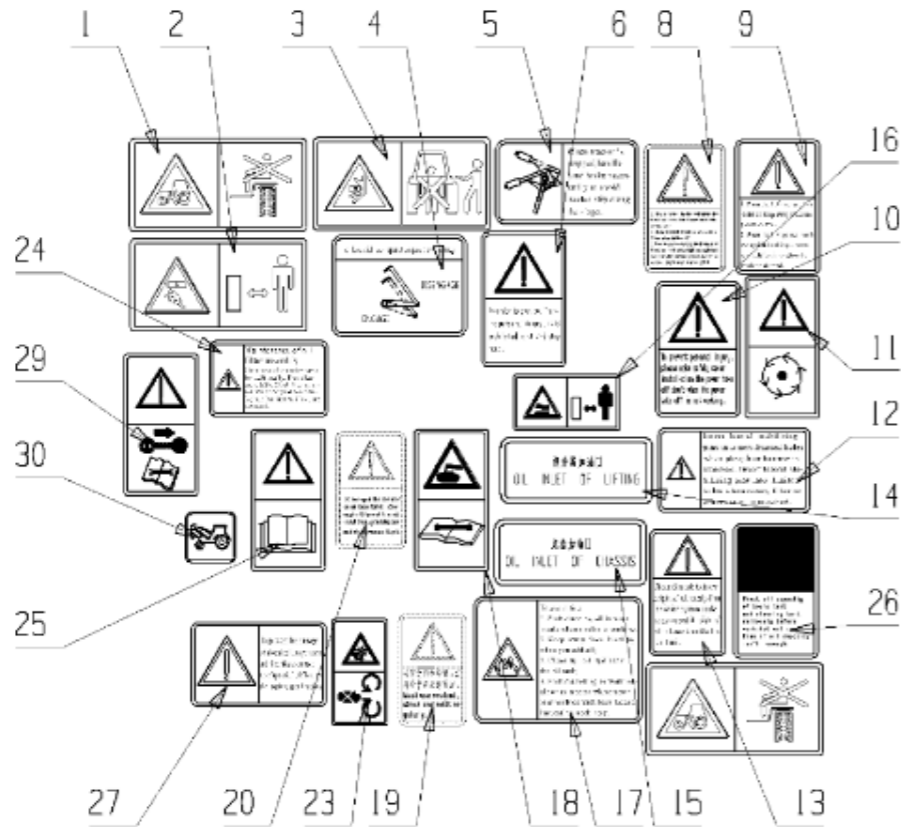
FL40/FL55

UNIVERSAL LABELS ASS.Y

N. dis. - P/N
B61.51.901.4

Rev	1	Sheet	1
1	5	1	1
2	23/07/2022		

YFB-R-2017-011 SH.085



B61.51.901.4_5 通用标识 UNIVERSAL LABELS ASS.Y

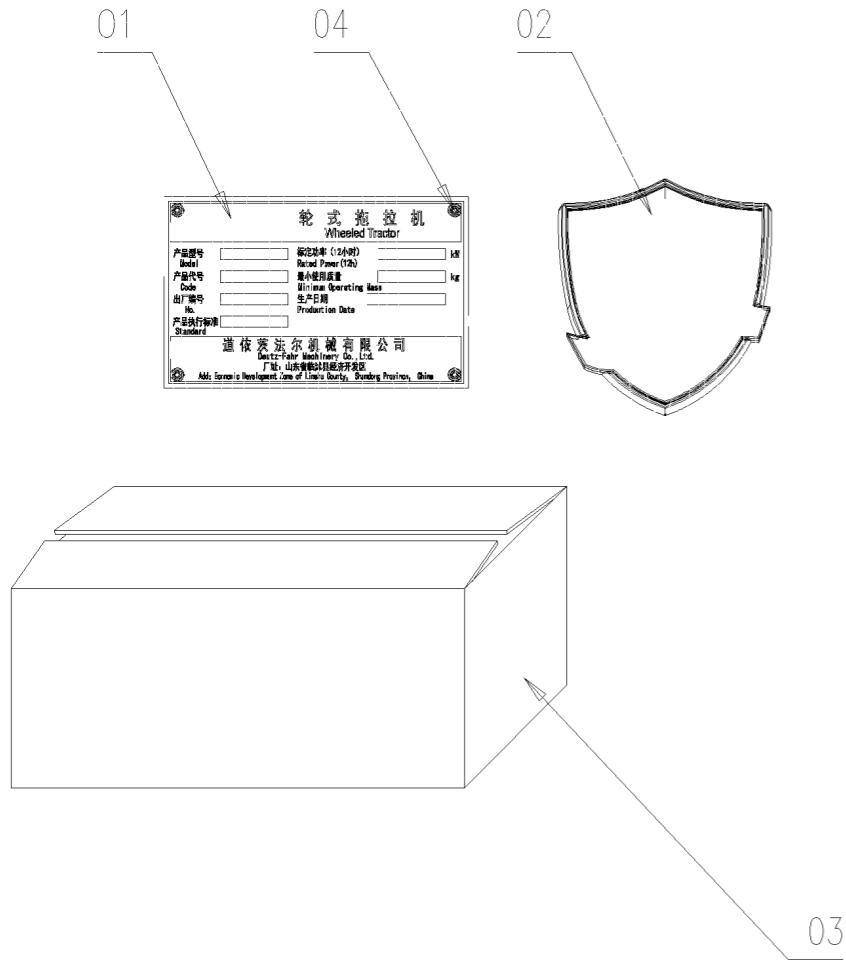
序号	零件编号	零件名称	数量	图号
1	SH900.51.136	挡泥板禁止乘坐标识 WARNING	2	SH900.51.136
2	SH900.51.132	安全警告标识 WARNING PLATE	1	SH900.51.132
3	SH900.51.135	安全警告标 WARNING PLATE	1	SH900.51.135
4	SH900.51B.103	差速锁标识 DIFFERENTIAL LOCK	1	SH900.51B.103
5	SH900.51B.110	驻车制动标识 PARKING BRAKE	1	SH900.51B.110
6	SH900.51B.122	后横板安全标识 REAR TRANSVERSE	1	SH900.51B.122
8	B61.51.009.0/10	动力输出安全标识 PTO SAFTY	1	B61.51.009.0/10
9	SH900.51B.117	动力输出安全标识 SECURITY	1	SH900.51B.117
10	SH900.51B.116	动力输出安全标识 PTO SAFETY	1	SH900.51B.116
11	SH900.51.118	动力输出安全标识 PTO SAFETY	1	SH900.51.118
12	SH900.51B.119	限位销安全标识 SECURITY	1	SH900.51B.119
13	SH900.51B.125	传动液位检测标识 SECURITY	1	SH900.51B.125
14	SH900.51.153	提升器加油口标识 LIFT REFUELING	1	SH900.51.153
15	SH900.51.154	底盘加油口(强压) CHASSIS FUEL	1	SH900.51.154
16	SH900.51.152	高温防烫标识(小) HIGH	1	SH900.51.152
17	SH900.51B.112	加油防火标识 SECURITY	1	SH900.51B.112
18	SH900.51.122	蓄电池标识 BATTERY LOGO	1	SH900.51.122
19	A11.51.004.0	冷却系统标签 COOLING SYSTEM	1	A11.51.004.0
20	B61.51.010.0	水箱口防烫标识 RADIATOR ANTI-	1	B61.51.010.0
23	SH900.51.125	安全警告标识 VII SAFETY LOGO VII	1	SH900.51.125
24	SH900.51B.102	吸油滤清器保养标识 SECURITY	1	SH900.51B.102
25	SH900.51.130	阅读说明书标识 READING	1	SH900.51.130
26	SH900.51B.120	制动转向油箱油位安全标识 OIL TANK	1	SH900.51B.120
27	SH900.51B.123	保险丝安全标识 SECURITY	1	SH900.51B.123
29	SH900.51.138	安全警告标识 SAFETY WARNING	1	SH900.51.138
30	2.9939.835.0/10	机罩开启标识 BONNET	1	2.9939.835.0/10

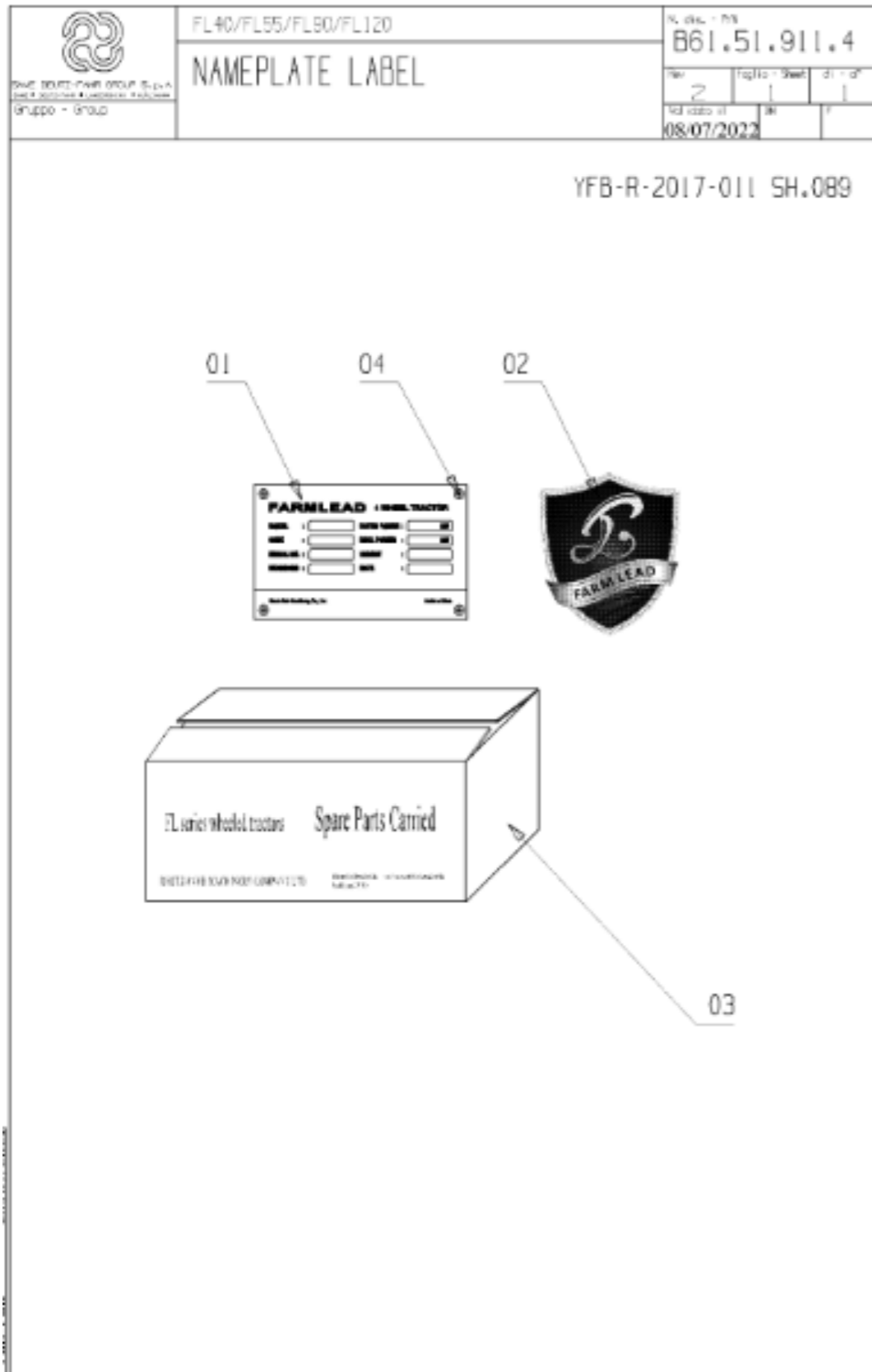
Nameplate label B61.51.911.4

YFB-R-2017-001 SH.041

B61.51.911.4_1 铭牌标识 NAMEPLATE LABEL

序号	零件编号	零件名称	数量	图号
1	B61.51.001.0	铭牌标识	1	B61.51.001.0
2	B61.51.005.3	前标	1	B61.51.005.3
3	B61.51.006.0	包装箱	1	B61.51.006.0
4	GB/T 12618	抽芯铆钉 3X15	4	GB/T 12618





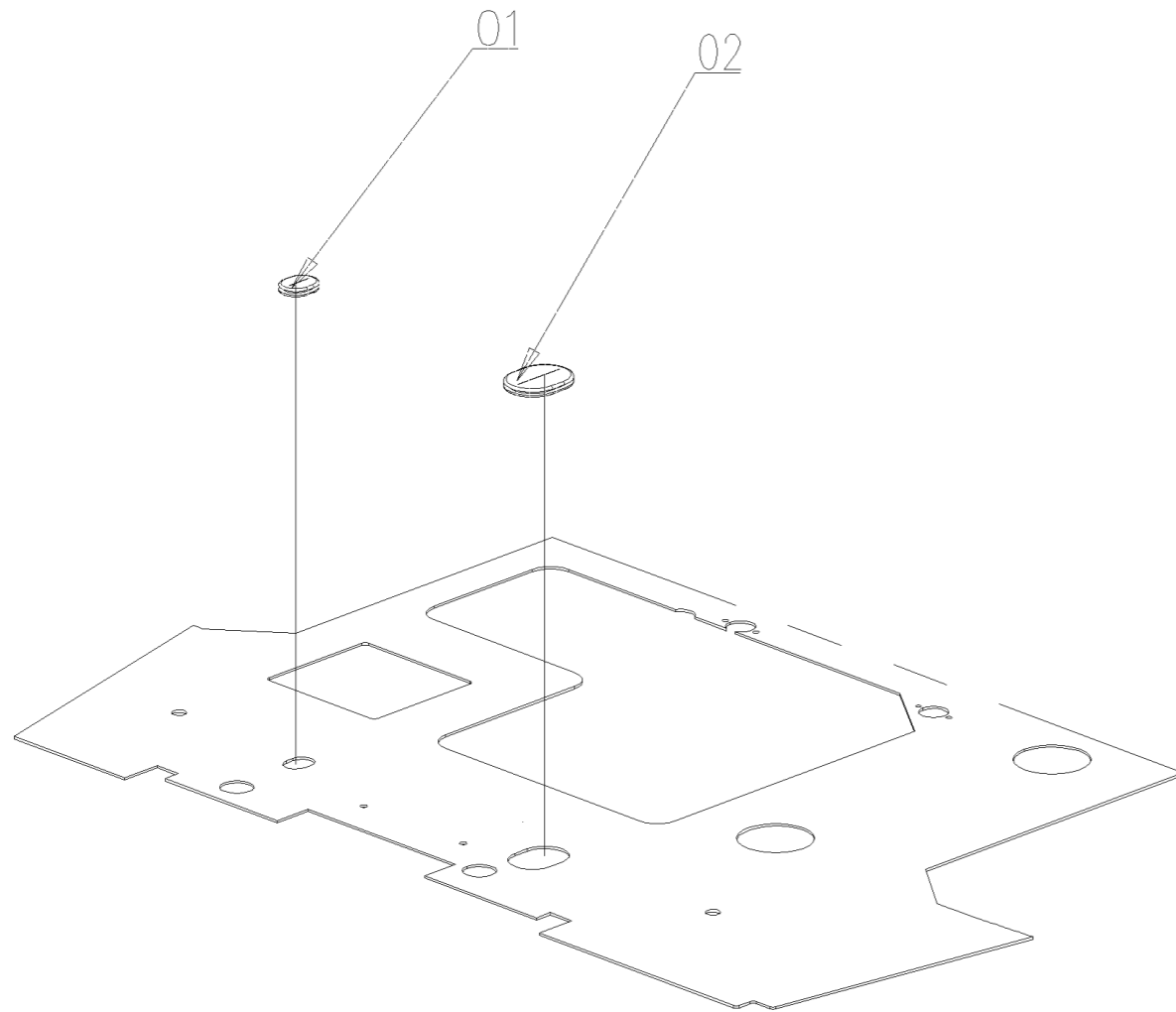
B61.51.911.4_2 铭牌标识 NAMEPLATE LABEL

序号	零件编号	零件名称	数量	图号
1	A62.51.002.0/20	铭牌 FARMLEAD NAMEPLATE	1	A62.51.002.0/20
2	B61.51.005.3	前标 FRONT LOGO	1	B61.51.005.3
3	B61.51.006.0	包装箱 PACKAGE BOX	1	B61.51.006.0
4	GBT12618.1-3X15	铆钉 RIVET	4	GBT12618.1-3X15

B80.45.917.4 FLOOR ACCESSORY ASSY.

B80.45.917.4_0 地板附件总成 FLOOR ACCESSORY ASSY.

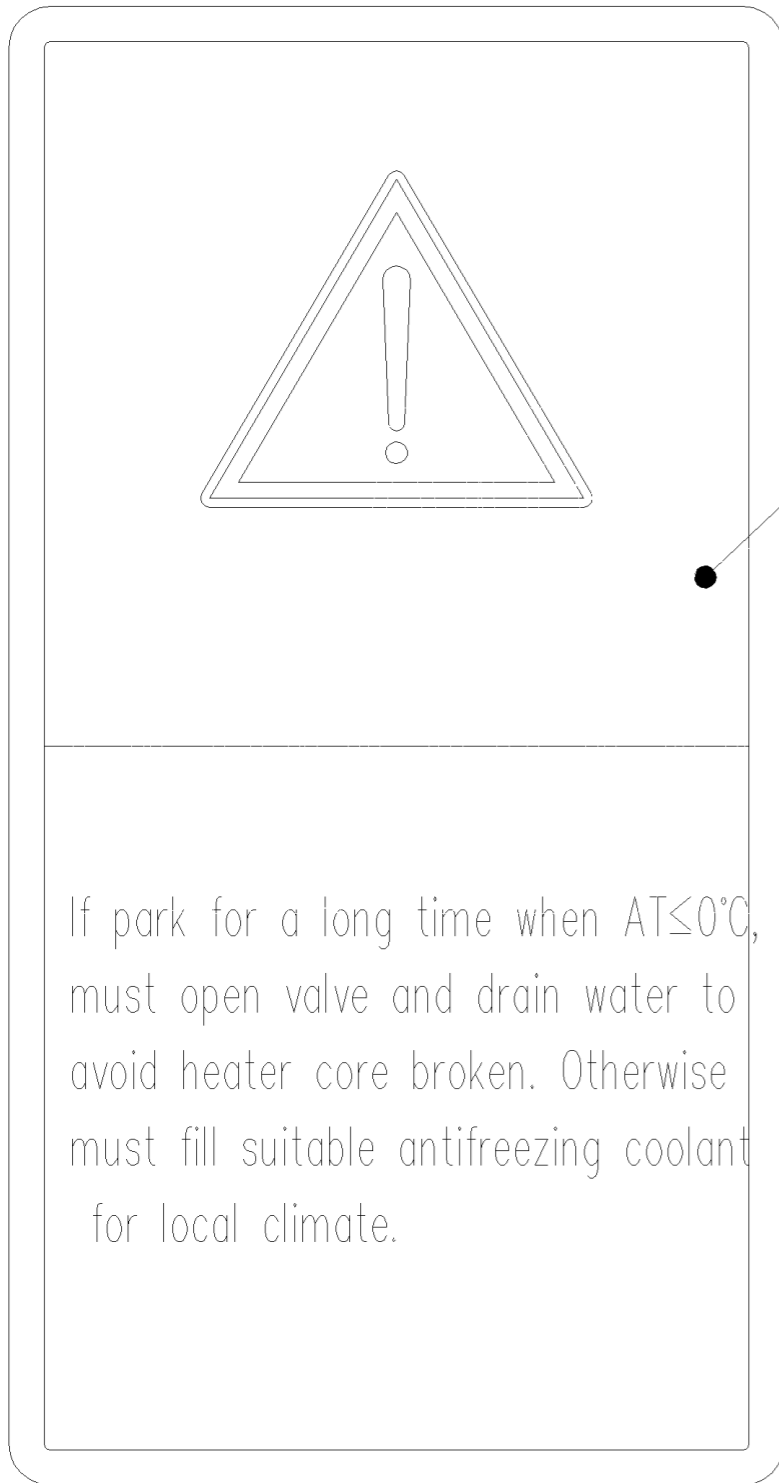
序号	零件编号	零件名称	数量	图号
1	CD904A.45A.105	密封塞 30X40 SEALING SHEATH 30X40	1	CD904A.45A.105
2	CD904A.45A.106	密封塞57X77 SEALING SHEATH 57X77	1	CD904A.45A.106



B80.51.904.4 DRAIN WATER LABEL

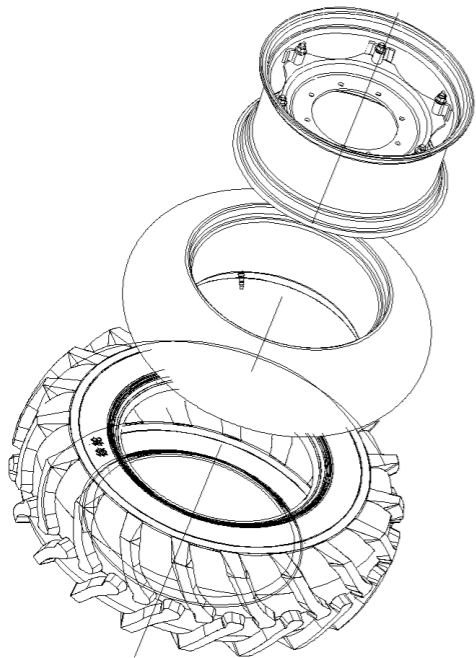
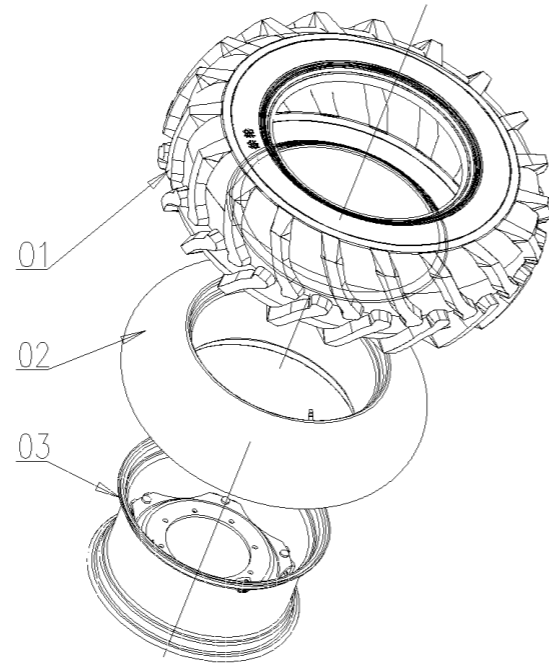
B80.51.904.4_0 放水提醒 WATER RELEASING REMINDER

序号	零件编号	零件名称	数量	图号
1	B80.51.101.0	放水提醒标识 WATER RELEASING	1	B80.51.101.0



1

B89.32.900.4 FRONT TIRE ASS.Y (NORMAL TIRE)



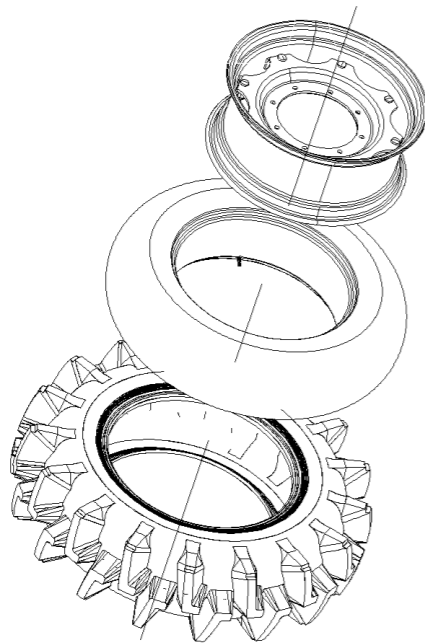
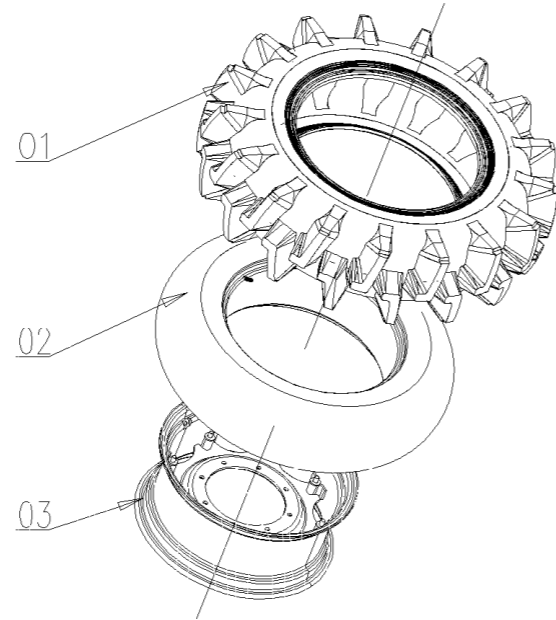
B89.32.900.4_1 前轮总成 (斜交胎 14.9-26无级调节) FRONT TIRE ASS.Y (14.9-26-R1)

序号	零件编号	零件名称	数量	图号
1	GBT2979-14.9-26-8PR-R1	外胎 OUTER TIRE	2	GBT2979-14.9-26-8PR-R1
2	GBT2979-14.9-26-R1	内胎 INNER TIRE	2	GBT2979-14.9-26-R1
3	LE1204.32.011	轮辋 RIM	2	LE1204.32.011

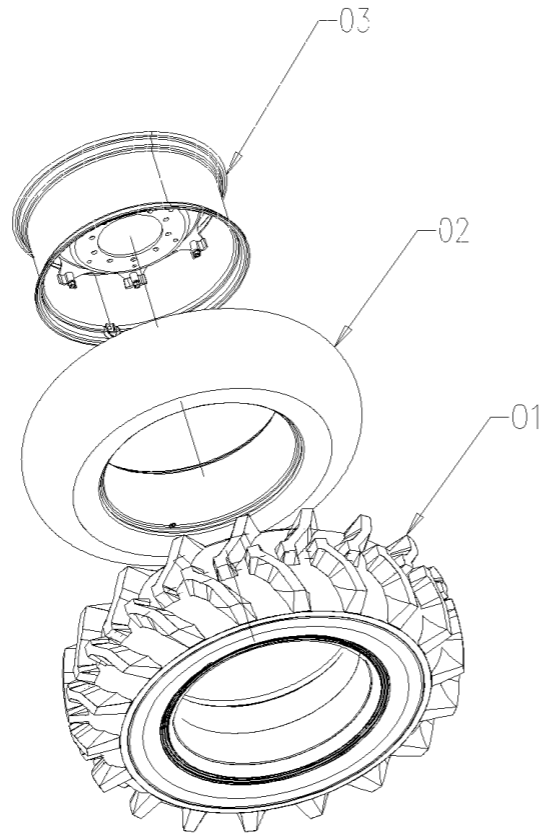
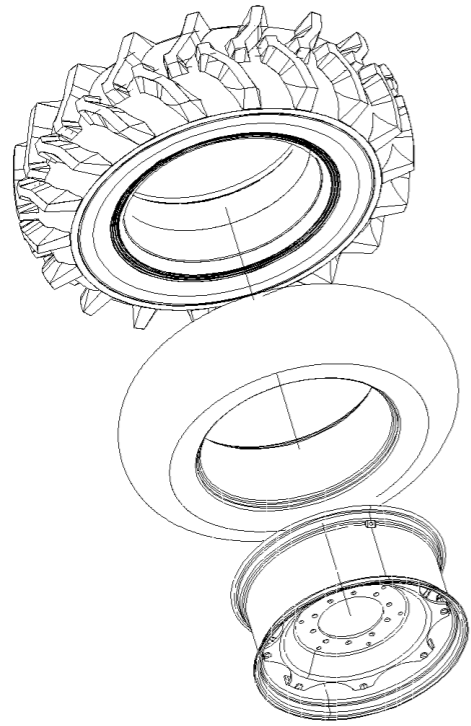
B89.32.901.4 FRONT TYRE ASS.Y (PADDY TIRE)

B89.32.901.4_1 前轮总成 (高花胎 12.4-26无级调节) FRONT TYRE ASS.Y (12.4-26-PR1)

序号	零件编号	零件名称	数量	图号
1	GBT2979-12.4-26-8PR-PR1	外胎 OUTER TIRE	2	GBT2979-12.4-26-8PR-PR1
2	GBT2979-12.4-26-PR1	内胎 INNER TIRE	2	GBT2979-12.4-26-PR1
3	LE1204.32.011A	轮辋 RIM	2	LE1204.32.011A



B89.34.901.4 REAR TYRE ASS.Y (MIDDLE TIRE)



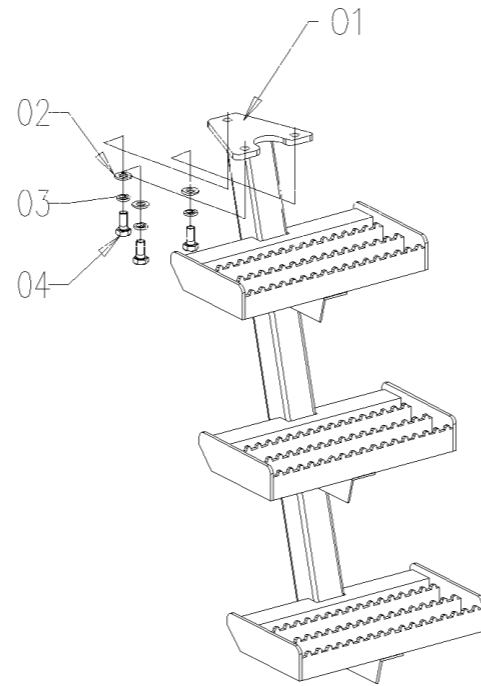
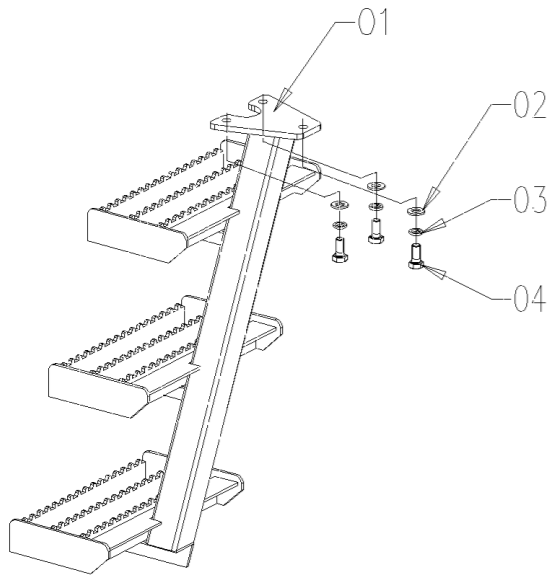
B89.34.901.4_1 后轮总成 (中花胎 18.4-34无级调节) REAR DRIVING WHEEL ASS.

序号	零件编号	零件名称	数量	图号
1	GBT2979-18.4-34-10PR-R2	外胎 OUTER TIRE	2	GBT2979-18.4-34-10PR-R2
2	GBT2979-18.4-34-R2	内胎 INNER TIRE	2	GBT2979-18.4-34-R2
3	LE1204.34.011A	轮辋 RIM	2	LE1204.34.011A

B89.45.902.4 LADDER ASSEMBLY (LE120)

B89.45.902.4_0 上车梯总成 LADDER ASSEMBLY (LE120)

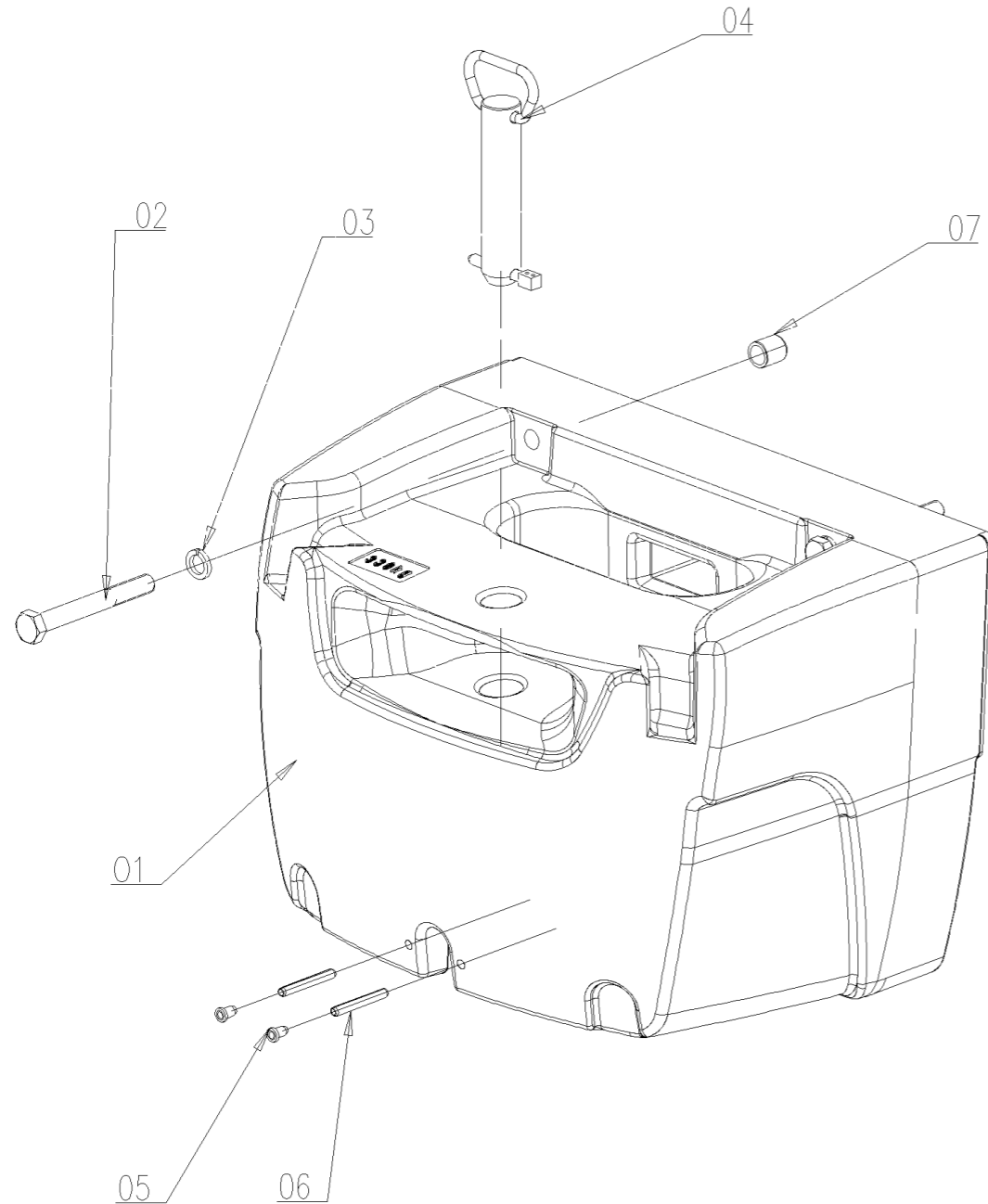
序号	零件编号	零件名称	数量	图号
1	CD1204.45.023/10	脚踏总成 PEDAL ASSEMBLY	2	CD1204.45.023/10
2	GBT97.1-12-A3L	垫圈 WASHER	6	GBT97.1-12-A3L
3	GBT93-12-A3L	垫圈 WASHER	6	GBT93-12-A3L
4	GBT5783-M12X25-A3L	螺栓 BOLT	6	GBT5783-M12X25-A3L



B89.74.900.4 FRONT BALLAST SUPPORT ASS.Y

B89.74.900.4_0 前配重架总成 FRONT BALLAST BRACKET ASS.

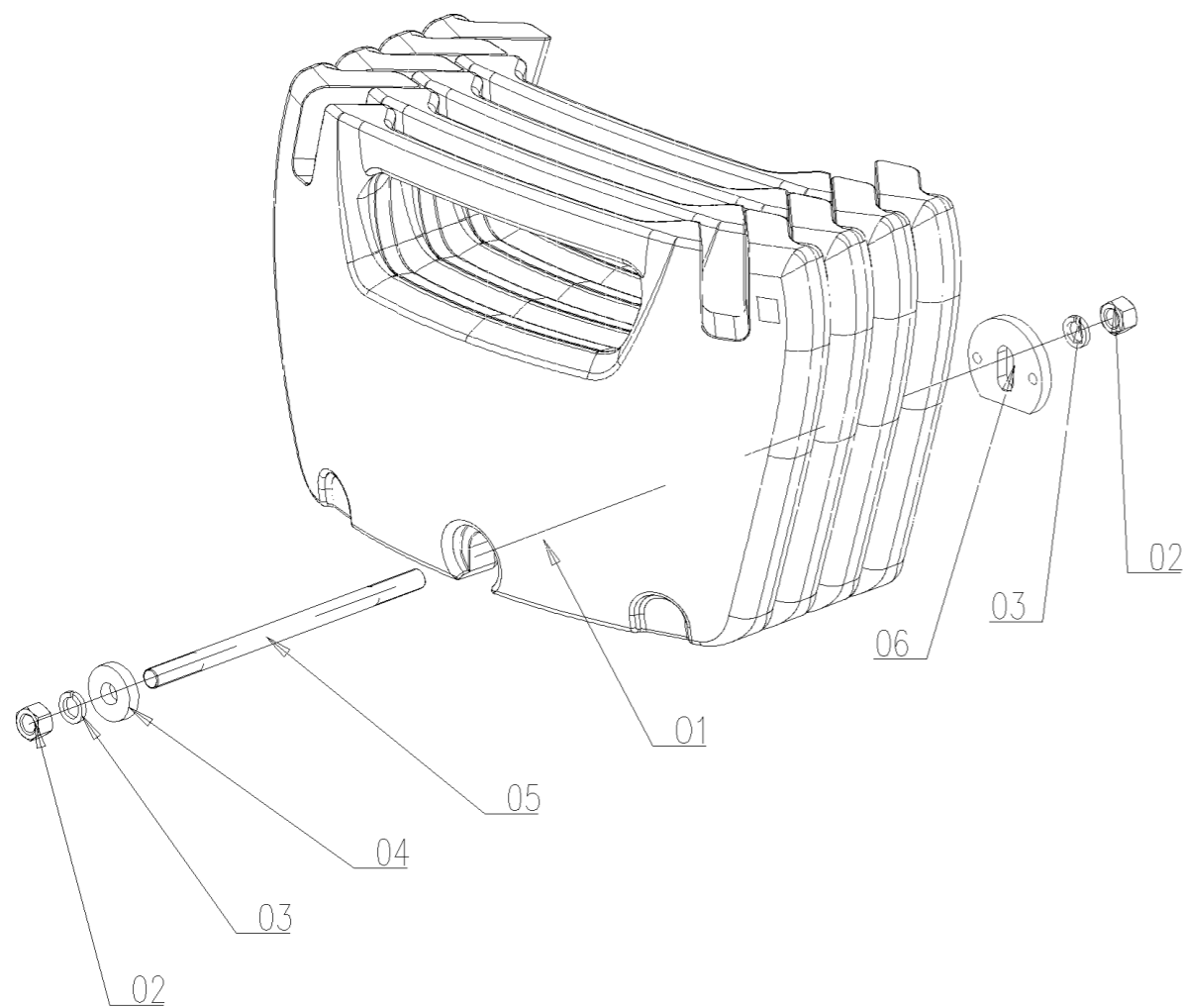
序号	零件编号	零件名称	数量	图号
1	04432782/40	支架 SUPPORTO 330Kg	1	04432782/40
2	GBT5782-M16X130-10.9-	螺栓 BOLT	4	GBT5782-M16X130-10.9-A3L
3	GBT93-16-A3L	垫圈 WASHER	4	GBT93-16-A3L
4	0.014.9894.4	销 PERNO	1	0.014.9894.4
5	1167310	销 pin	2	1167310
6	GBT879.1-8X60	销 PIN	2	GBT879.1-8X60
7	2.2680.047.0	隔套17 x22x23 ANELLO INT. 17-22-23	2	2.2680.047.0



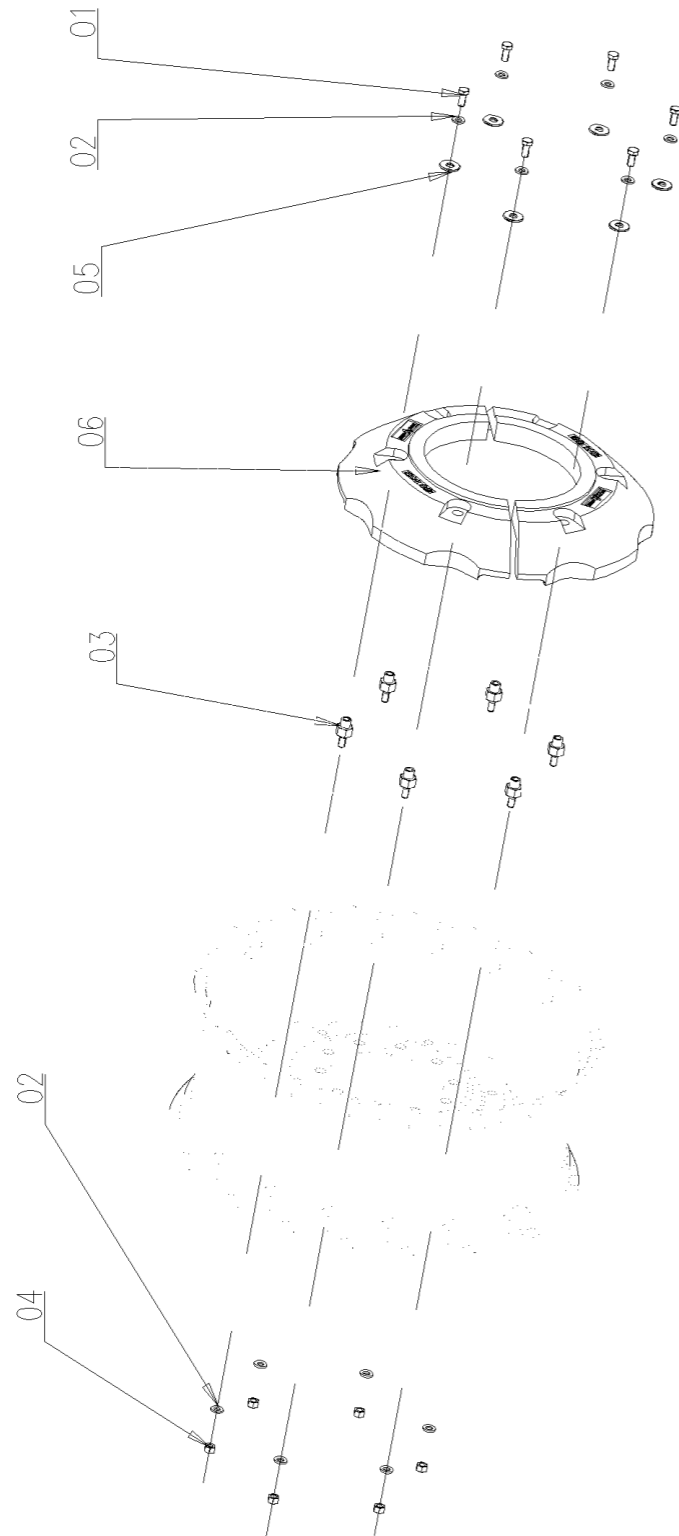
B89.74.901.4 FRONT BALLAST ASS.Y

B89.74.901.4_0 前配重总成 (160 kg) FRONT BALLAST ASS.Y

序号	零件编号	零件名称	数量	图号
1	04413831/40	配重 ZAVORRA 40KG	4	04413831/40
2	GBT6170-M16-A3L	螺母 NUT	2	GBT6170-M16-A3L
3	GBT93-16-A3L	垫圈 WASHER	2	GBT93-16-A3L
4	LE1204.74.102	垫圈 WASHER I	1	LE1204.74.102
5	LE1204.74.101	紧固螺栓 FIXED BOLT	1	LE1204.74.101
6	LE1204.74.103	垫圈 WASHER II	1	LE1204.74.103



B89.91.900.4 REAR BALLAST ASS.Y



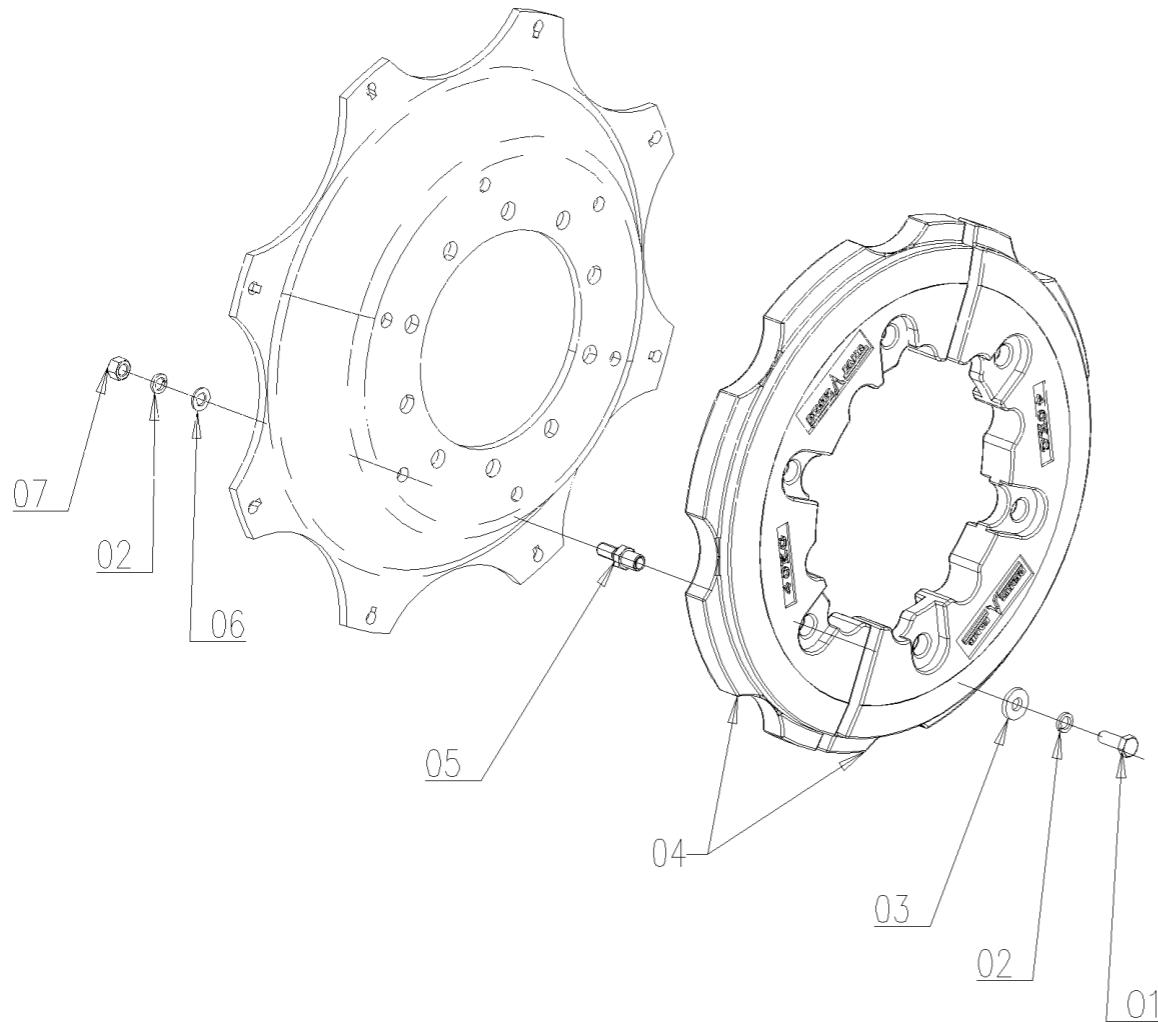
B89.91.900.4_0 后配重总成 (1层, 共计240 kg) REAR BALLAST ASSY.

序号	零件编号	零件名称	数量	图号
1	2.0113.613.2	螺栓M16x35 BOLT M16x35	12	2.0113.613.2
2	2.1475.206.2	垫圈 WASHER	24	2.1475.206.2
3	0.023.9176.0	立柱隔离器 COLUMN SPACER	12	0.023.9176.0
4	2.1012.109.2	六角螺母 M16x2 HEX NUT M16x2	12	2.1012.109.2
5	0.023.9179.0	专用垫圈 SPECIAL WASHER	12	0.023.9179.0
6	0.023.9126.0/10	后配重 REAR BALLAST 60 KG - 6 CYL	4	0.023.9126.0/10

B89.91.901.4 REAR BALLAST(ONE LAYER)

B89.91.901.4_0 后配重总成 (1层, 共计160 kg) REAR BALLAST ASSY.

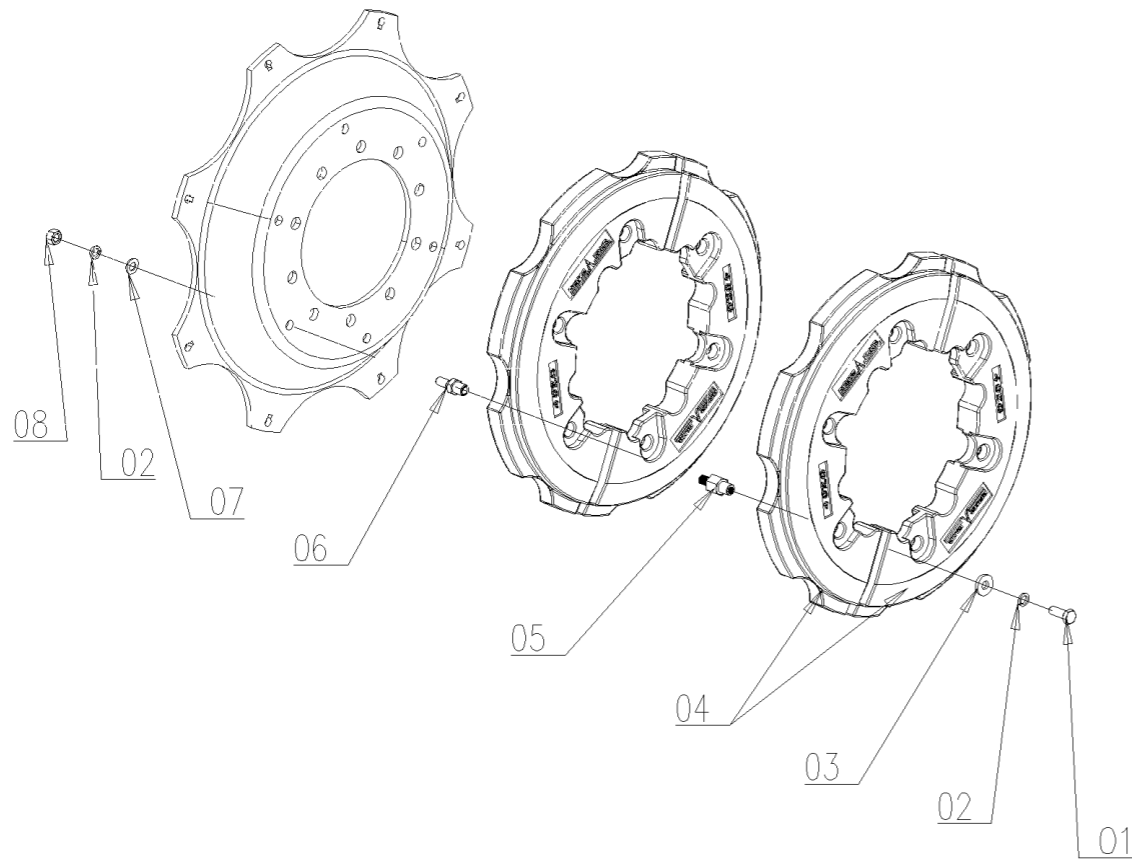
序号	零件编号	零件名称	数量	图号
1	GBT5783-M16X40-A3L	螺栓 BOLT	12	GBT5783-M16X40-A3L
2	GBT93-16-A3L	垫圈 WASHER	24	GBT93-16-A3L
3	SH900.91.105	垫圈 WASHER	12	SH900.91.105
4	LE1204.91A.101/10	后配重块 After the counter weight	4	LE1204.91A.101/10
5	SH900.91.104	后配重螺栓 Rear counterweight bolt	12	SH900.91.104
6	GBT97.1-16-A3L	垫圈 WASHER	12	GBT97.1-16-A3L
7	GBT6170-M16-A3L	螺母 NUT	12	GBT6170-M16-A3L



B89.91.902.4 REAR BALLAST(TWO LAYOUERS,320 KG)

B89.91.902.4_0 后配重总成 (2层, 共计320 kg) REAR BALLAST ASSY.

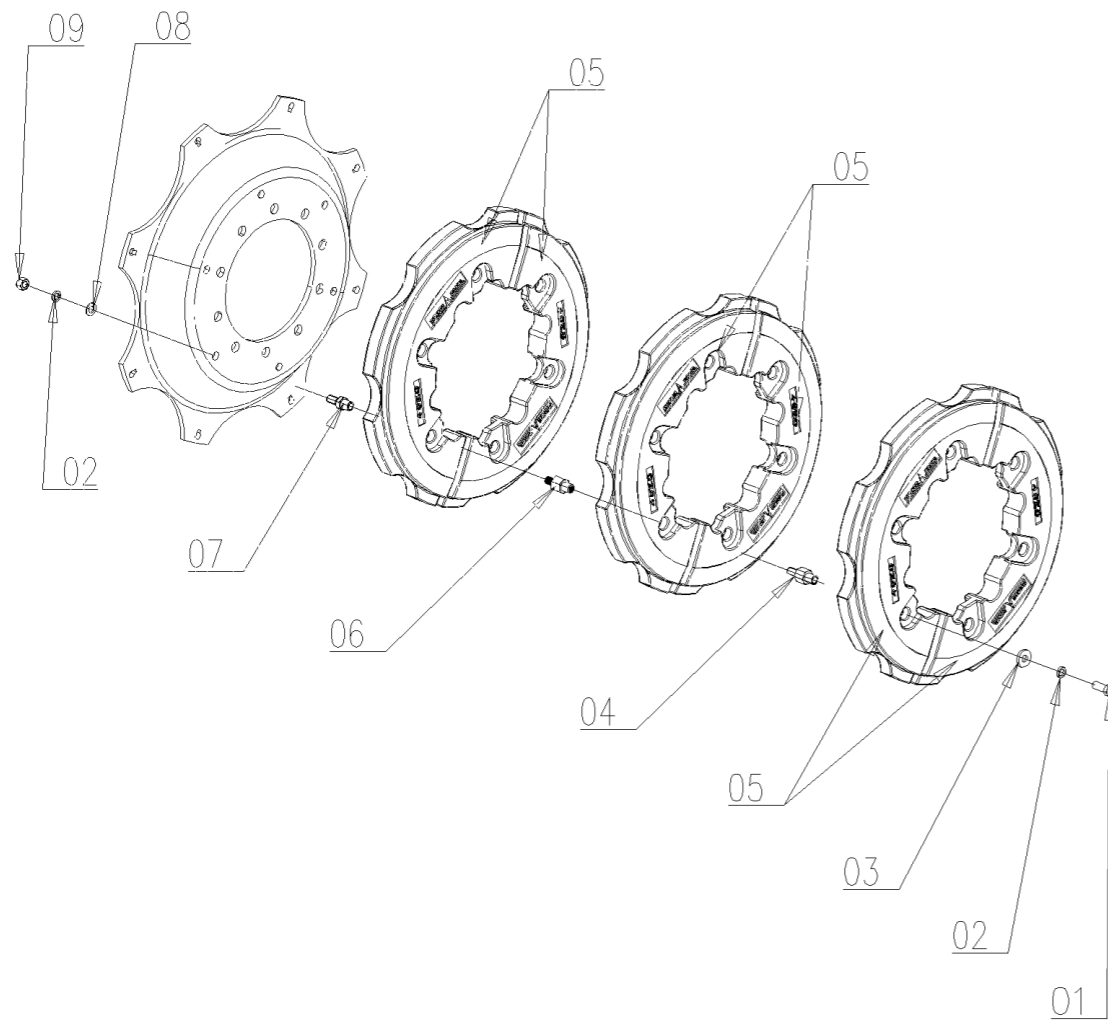
序号	零件编号	零件名称	数量	图号
1	GBT5783-M16X40-A3L	螺栓 BOLT	12	GBT5783-M16X40-A3L
2	GBT93-16-A3L	垫圈 WASHER	24	GBT93-16-A3L
3	SH900.91.105	垫圈 WASHER	12	SH900.91.105
4	LE1204.91A.101/10	后配重块 After the counter weight	8	LE1204.91A.101/10
5	SH900.91.103	后配重螺栓 Rear counterweight bolt	12	SH900.91.103
6	SH900.91.104	后配重螺栓 Rear counterweight bolt	12	SH900.91.104
7	GBT97.1-16-A3L	垫圈 WASHER	12	GBT97.1-16-A3L
8	GBT6170-M16-A3L	螺母 NUT	12	GBT6170-M16-A3L



B89.91.903.4 REAR BALLAST(THREE LAYERS,480KG)

B89.91.903.4_0 后配重总成 (3层, 共计480 kg) REAR BALLAST ASSY.

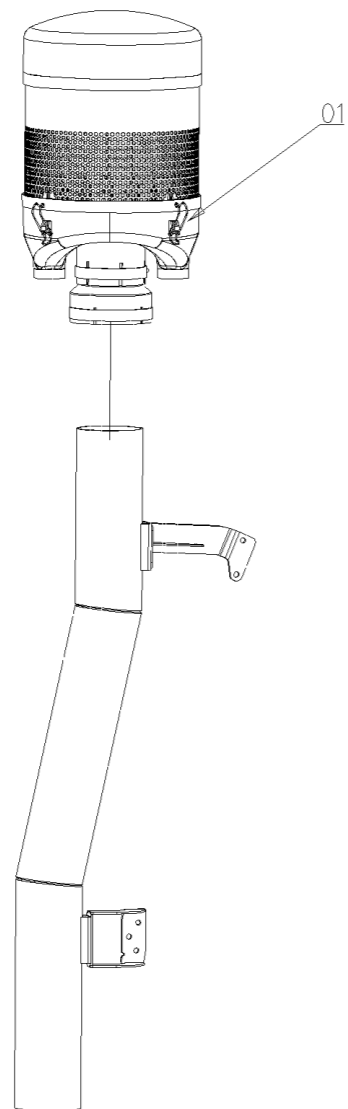
序号	零件编号	零件名称	数量	图号
1	GBT5783-M16X40-A3L	螺栓 BOLT	12	GBT5783-M16X40-A3L
2	GBT93-16-A3L	垫圈 WASHER	24	GBT93-16-A3L
3	SH900.91.105	垫圈 WASHER	12	SH900.91.105
4	SH900.91.102	后配重螺栓 Rear counterweight bolt	12	SH900.91.102
5	LE1204.91A.101/10	后配重块 After the counter weight	12	LE1204.91A.101/10
6	SH900.91.103	后配重螺栓 Rear counterweight bolt	12	SH900.91.103
7	SH900.91.104	后配重螺栓 Rear counterweight bolt	12	SH900.91.104
8	GBT97.1-16-A3L	垫圈 WASHER	12	GBT97.1-16-A3L
9	GBT6170-M16-A3L	螺母 NUT	12	GBT6170-M16-A3L



C63.11.910.4 AIR PRE-CLEANER ASS.Y

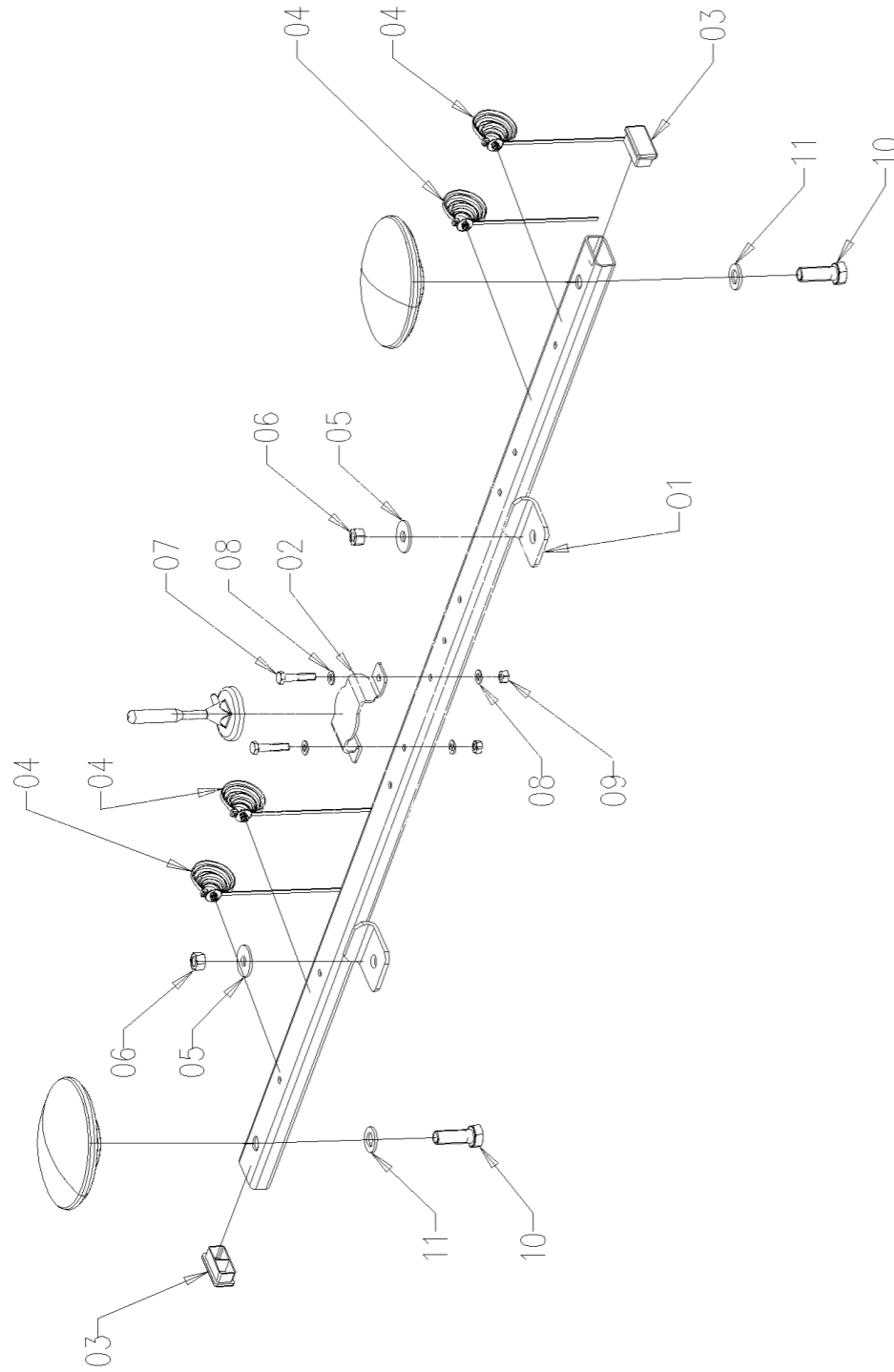
C63.11.910.4_0 预滤清器总成 AIR PRE-FILTER ASS.Y

序号	零件编号	零件名称	数量	图号
1	C63.11.003.4	空气粗滤器 AIR PRECLEANER	1	C63.11.003.4



C63.45.965.4 NAVIGATION ANTENNA BRACKET(LS)

C63.45.965.4_0 导航天线支架 (联适AF302BD-2.5RD)



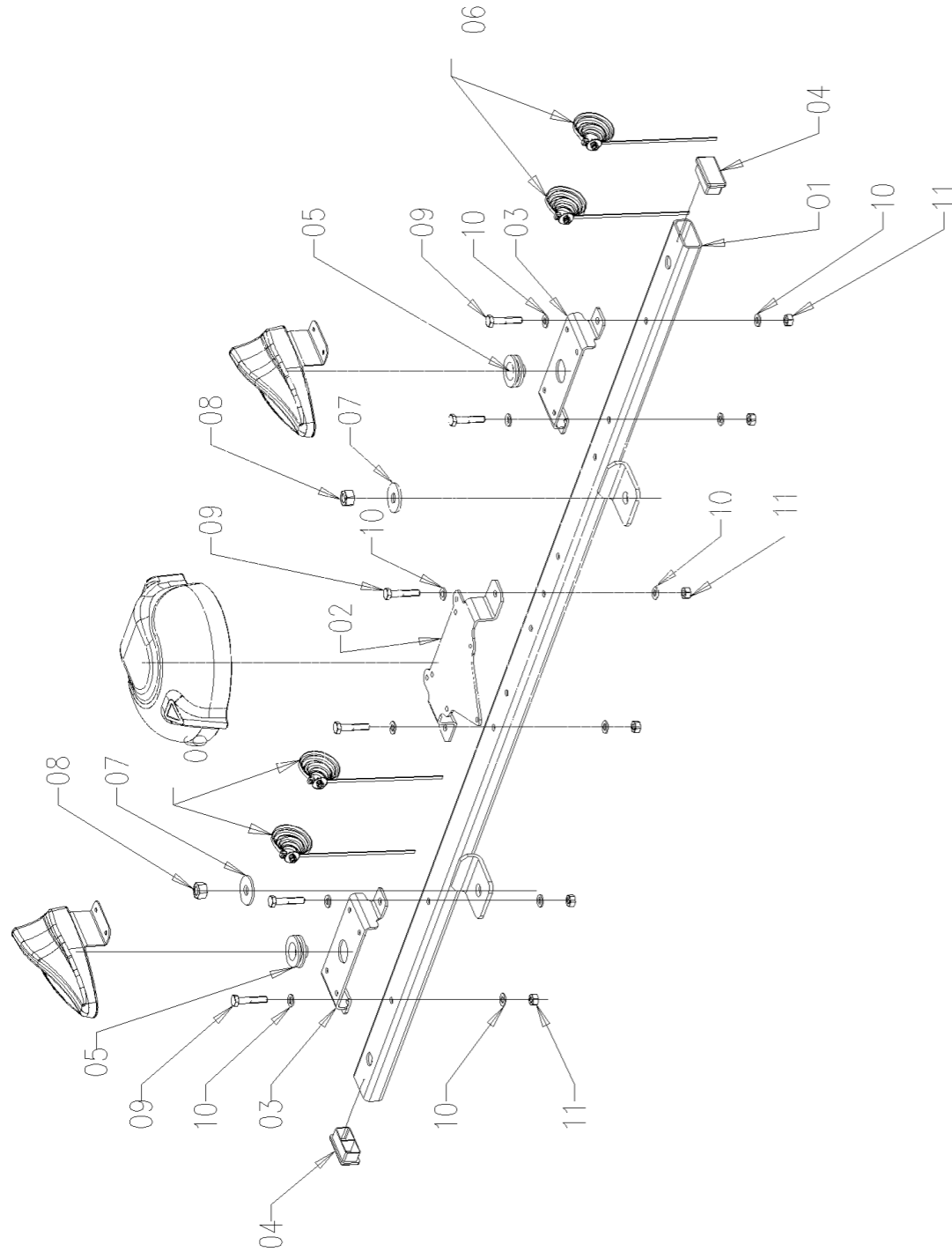
序号	零件编号	零件名称	数量	图号
1	0.036.4045.3	天线托架 ANTENNA BRACKET	1	0.036.4045.3
2	0.036.4020.0	支架 BRACKET	1	0.036.4020.0
3	2.3199.382.0	塑料塞 PLASTIC PLUG	2	2.3199.382.0
4	2.6859.153.0	夹片 CLIP	4	2.6859.153.0
5	2.1312.006.2	垫圈 WASHER 12	2	2.1312.006.2
6	2.1011.107.2	螺母 M12x1.75 NUT M12x1.75	2	2.1011.107.2
7	2.0112.215.2	螺栓 BOLT	2	2.0112.215.2
8	2.1310.004.2	垫圈 WASHER	4	2.1310.004.2
9	2.1011.105.2	螺母 NUT	2	2.1011.105.2
10	2.0112.617.2	六角头螺栓M16x2x45 HEX BOLT	2	2.0112.617.2
11	2.1310.010.2	垫圈 WASHER 16	2	2.1310.010.2

C63.45.975.4

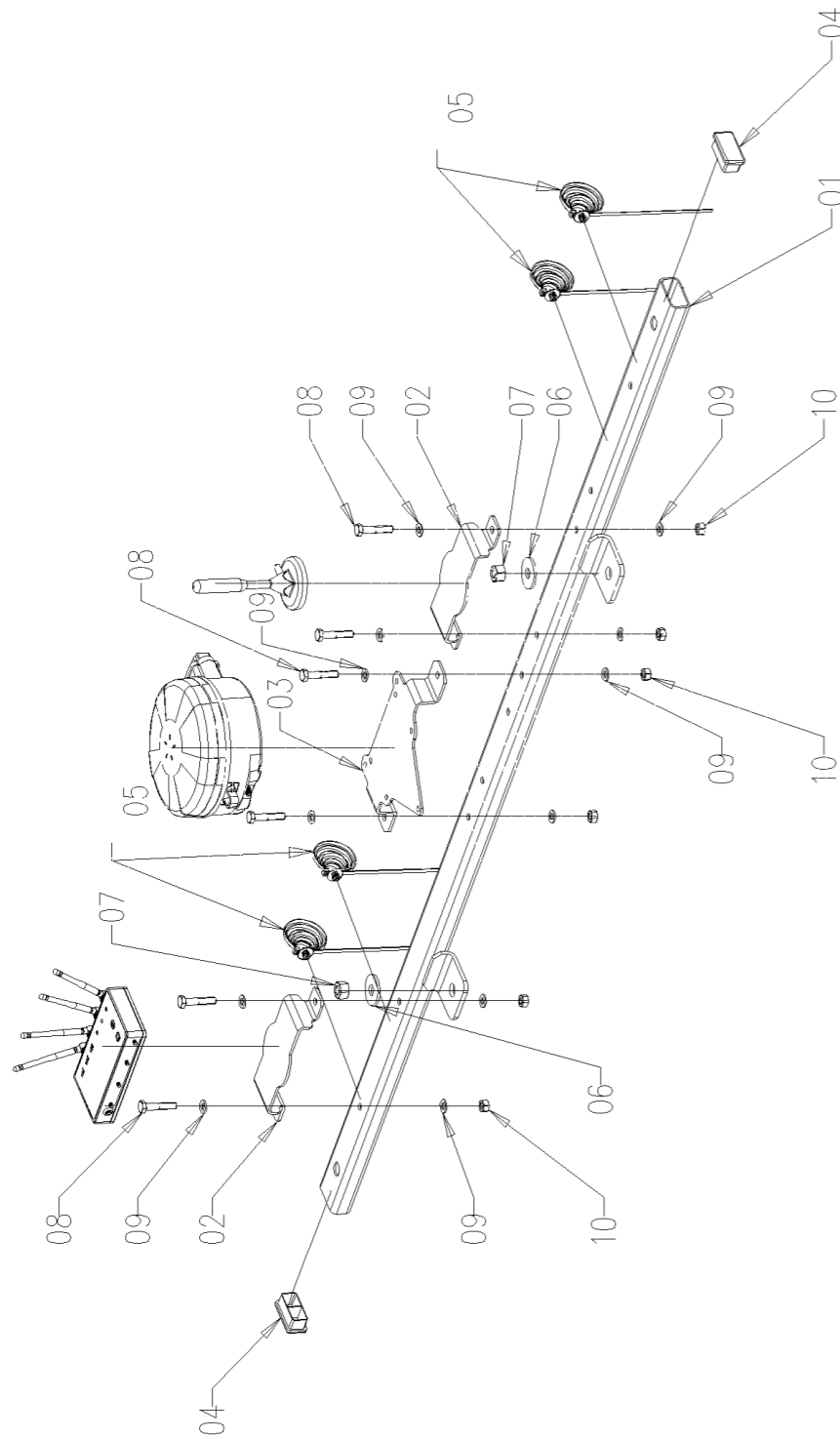
NAVIGATION ANTENNA BRACKET(HD)

C63.45.975.4_0 导航天线支架 (惠达HD308BD-2.5GD)

序号	零件编号	零件名称	数量	图号
1	0.036.4045.3	天线托架 ANTENNA BRACKET	1	0.036.4045.3
2	0.036.4004.0	支架 BRACKET	1	0.036.4004.0
3	0.036.4003.3	支架 BRACKET	2	0.036.4003.3
4	2.3199.382.0	塑料塞 PLASTIC PLUG	2	2.3199.382.0
5	2.6569.069.0/10	橡胶垫圈 RUBBER RING	2	2.6569.069.0/10
6	2.6859.153.0	夹片 CLIP	4	2.6859.153.0
7	2.1312.006.2	垫圈 WASHER 12	2	2.1312.006.2
8	2.1011.107.2	螺母 M12x1.75 NUT M12x1.75	2	2.1011.107.2
9	2.0112.215.2	螺栓 BOLT	6	2.0112.215.2
10	2.1310.004.2	垫圈 WASHER	12	2.1310.004.2
11	2.1011.105.2	螺母 NUT	6	2.1011.105.2



C63.45.985.4 NAVIGATION ANTENNA BRACKET(BC)



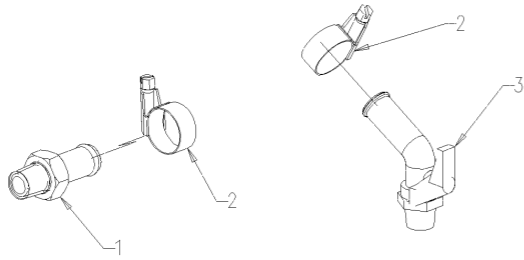
C63.45.985.4_0 导航天线支架 (博创FARMSTARF2BD-2.5RD)

序号	零件编号	零件名称	数量	图号
1	0.036.4045.3	天线托架 ANTENNA BRACKET	1	0.036.4045.3
2	0.036.4044.0	支架 BRACKET	2	0.036.4044.0
3	0.036.4004.0	支架 BRACKET	1	0.036.4004.0
4	2.3199.382.0	塑料塞 PLASTIC PLUG	2	2.3199.382.0
5	2.6859.153.0	夹片 CLIP	4	2.6859.153.0
6	2.1312.006.2	垫圈 WASHER 12	2	2.1312.006.2
7	2.1011.107.2	螺母 M12x1.75 NUT M12x1.75	2	2.1011.107.2
8	2.0112.215.2	螺栓 BOLT	6	2.0112.215.2
9	2.1310.004.2	垫圈 WASHER	12	2.1310.004.2
10	2.1011.105.2	螺母 NUT	6	2.1011.105.2

CD1204A.81.002_2 暖风系统 HEATING SYSTEM

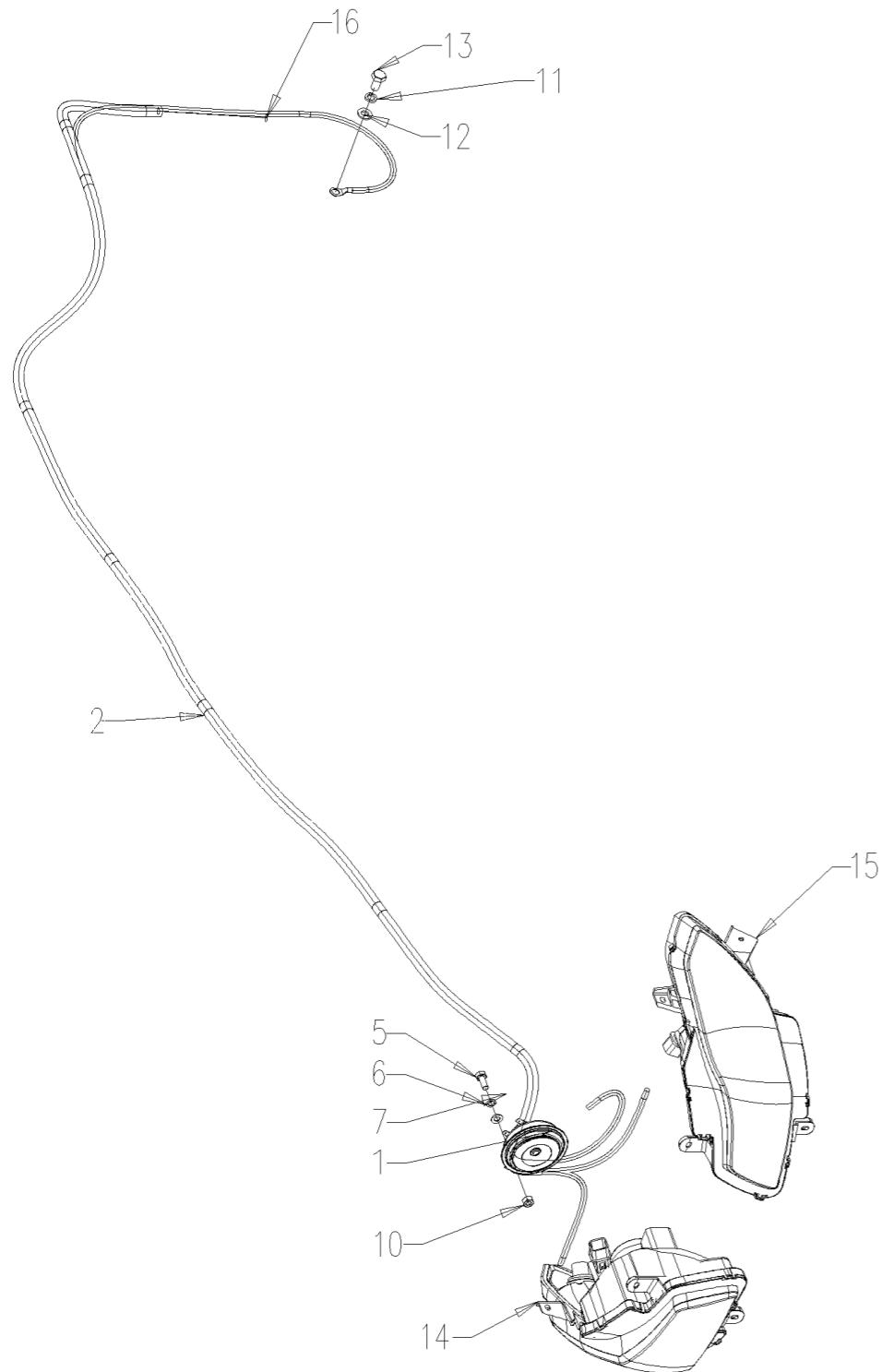
序号	零件编号	零件名称	数量	图号
1	2.3249.853.2	橡胶软管接头 RUBBER HOSE FITTING	1	2.3249.853.2
2	2.6851.001.0	软管夹 HOSE CLAMP 16-25	2	2.6851.001.0
3	A31.45.070.0	水阀 WATER VALVE	1	A31.45.070.0

CD1204A.81.002 HEATING SYSTEM



D62.48.902.4 BONNET W.H. ASS.Y

YFB-S-2017-011 SH.015



D62.48.902.4_0 机罩线束安装总成 BONNET W.H. ASS.Y

序号	零件编号	零件名称	数量	图号
1	B29.48.032.0	电喇叭 ELECTRIC HORN	1	B29.48.032.0
2	A68.48.004.0/10	机罩线束 BONNET W.H.	1	A68.48.004.0/10
5	2.0114.207.2	螺栓 BOLT	1	2.0114.207.2
6	GBT93-8-A3L	垫圈 WASHER	1	GBT93-8-A3L
7	2.1310.004.2	垫圈 WASHER	1	2.1310.004.2
10	2.1011.105.2	螺母 NUT	1	2.1011.105.2
11	GBT93-10-A3L	垫圈 WASHER	1	GBT93-10-A3L
12	2.1310.006.2	垫圈 WASHER	1	2.1310.006.2
13	2.0114.307.2	螺栓 BOLT	1	2.0114.307.2
14	CD1204.48.035	左前照灯 LEFT HEADLIGHT	1	CD1204.48.035
15	CD1204.48.036	右前照灯 RIGHT HEADLIGHT	1	CD1204.48.036
16	D62.48.003.0	适配器电缆 ADPTER CABLE	1	D62.48.003.0



SAME DEUTZ-FAHR GROUP S.p.A.
 SAME DEUTZ-FAHR LANDROVER HILTI
 Gruppo - Group

E02.47.900.4

BONNET ASS.Y

NON VALIDATO

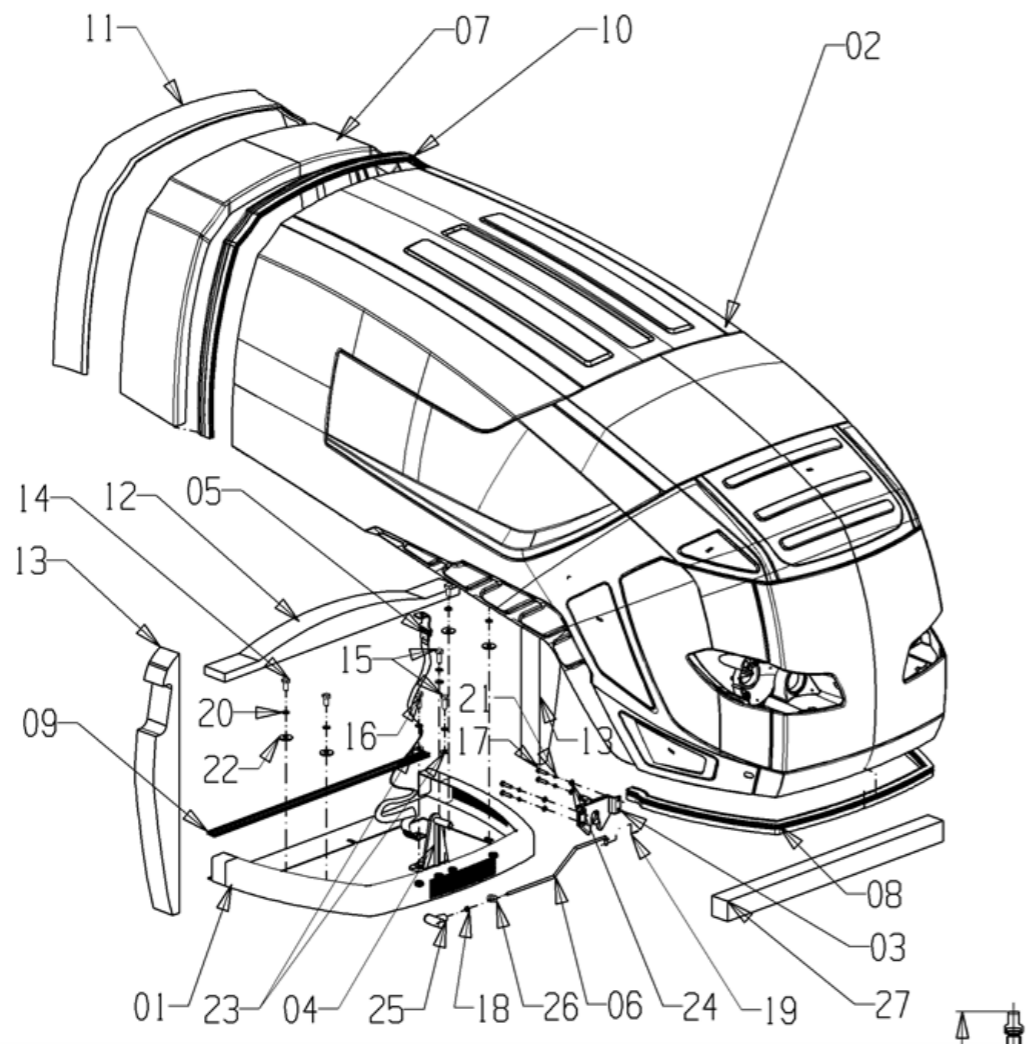
N. dis. - P/N

E02.47.900.4

Rev 0 Foglio - Sheet 1 di 1

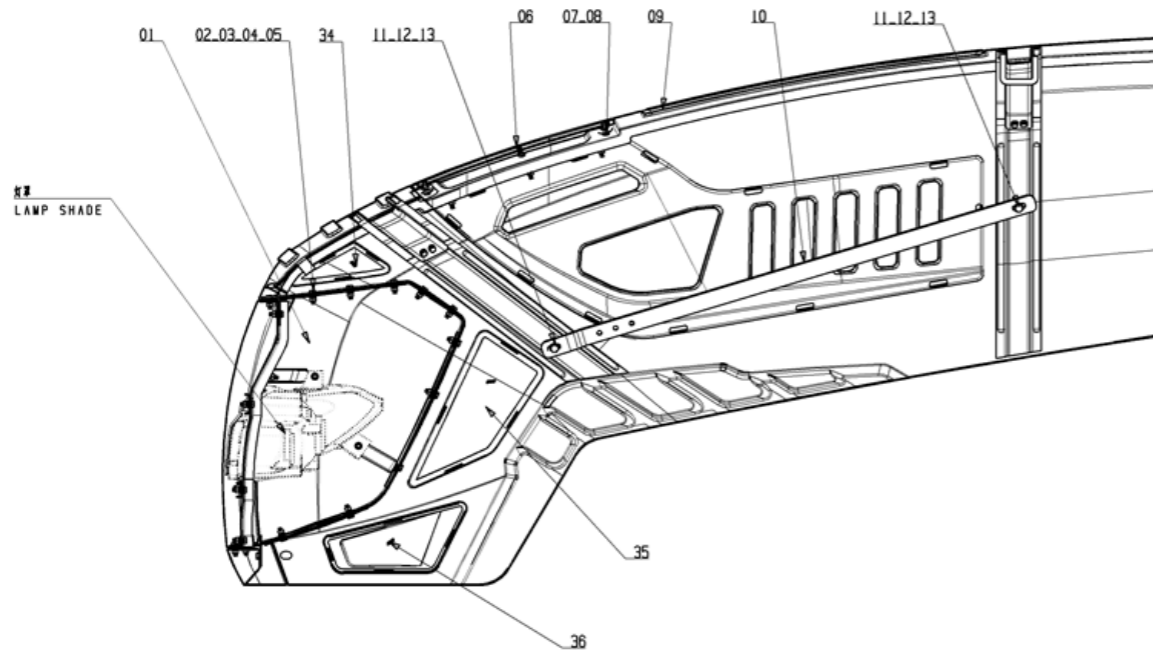
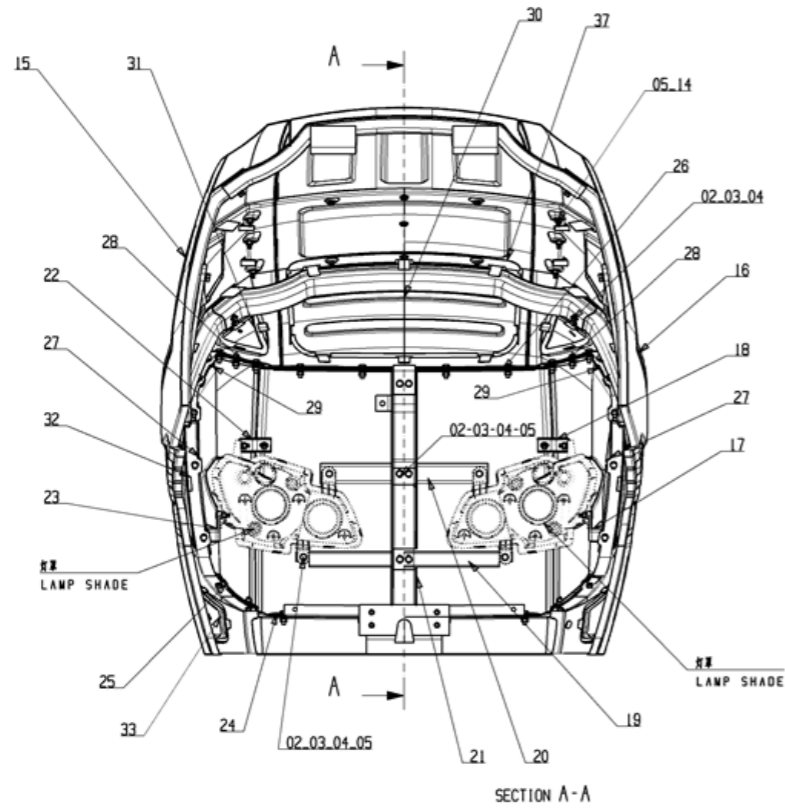
Validato il 01/01/11

E02.47.900.4_0 机罩总成BONNET ASS.Y



序号	零件编号	零件名称	数量	图号
1	A31.47.010.3/20	围板焊合 PLATE WELD UNDER	1	A31.47.010.3/20
2	C20.47.001.4	机罩组件 BONNET ASS.	1	C20.47.001.4
3	CD1204.47.019	机罩锁 BONNET LOCK	1	CD1204.47.019
4	CD1204.47.020	机罩锁底座 BONNET LOCK SEAT	1	CD1204.47.020
5	C45.47.044.4	绳组件 ROPE COMPONENT	1	C45.47.044.4
6	CD1204.47.024/10	机罩锁 LOCK ROD	1	CD1204.47.024/10
7	CD1204.47.118/10	前塑料罩 REAR PLASTIC COVER	1	CD1204.47.118/10
8	CD1204.47.216/10	密封条 SEALING STRIP	1	CD1204.47.216/10
9	CD1204.47.217	密封条 SEALING STRIP	1	CD1204.47.217
10	CD1204.47.218	密封条 SEALING STRIP	1	CD1204.47.218
11	A31.47.001.0	密封条 SEALING STRIP	1	A31.47.001.0
12	CD1204.47.271	机罩上密封海绵 BONNET UPPER	1	CD1204.47.271
13	CD904A.47.107/10	机罩侧密封海绵 BONNET SIDE	2	CD904A.47.107/10
14	GBT5783-M10X20-A3L	螺栓 BOLT	4	GBT5783-M10X20-A3L
15	GBT5783-M10X25-A3L	螺栓 BOLT	2	GBT5783-M10X25-A3L
16	GBT5783-M10X30-A3L	螺栓 BOLT	1	GBT5783-M10X30-A3L
17	GBT5783-M6X25-A2L	螺栓 BOLT	4	GBT5783-M6X25-A2L
18	GBT6170-M6-A2L	螺母 NUT	1	GBT6170-M6-A2L
19	GBT91-1.6X18-A3L	销 PIN	1	GBT91-1.6X18-A3L
20	GBT93-10-A3L	垫圈 WASHER	7	GBT93-10-A3L
21	GBT93-6-A3L	垫圈 WASHER	4	GBT93-6-A3L
22	GBT96-10-A3L	垫圈 WASHER	4	GBT96-10-A3L
23	GBT97.1-10-A3L	垫圈 WASHER	3	GBT97.1-10-A3L
24	GBT97.1-6-A3L	垫圈 WASHER	4	GBT97.1-6-A3L
25	SH554A.47.018/10	操纵手柄合件 HANDLE ASSY	1	SH554A.47.018/10
26	SH554A.47.125-1	胶套 SLEEVE	1	SH554A.47.125-1
27	CD1204.47.270	密封海绵 SEALING SPONGE	1	CD1204.47.270

C20.47.001.4 BONNET ASS.



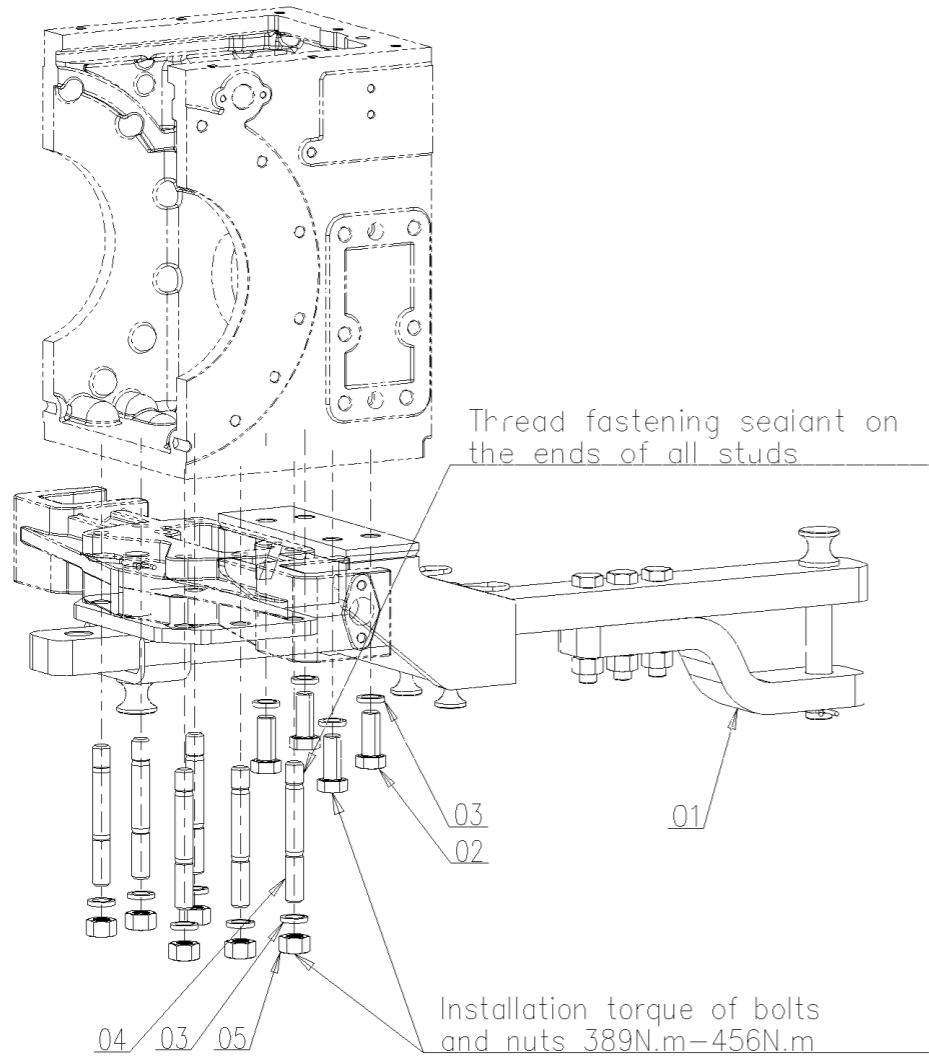
C20.47.001.4 机罩组件BONNET ASS.Y

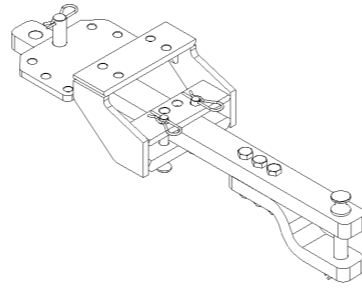
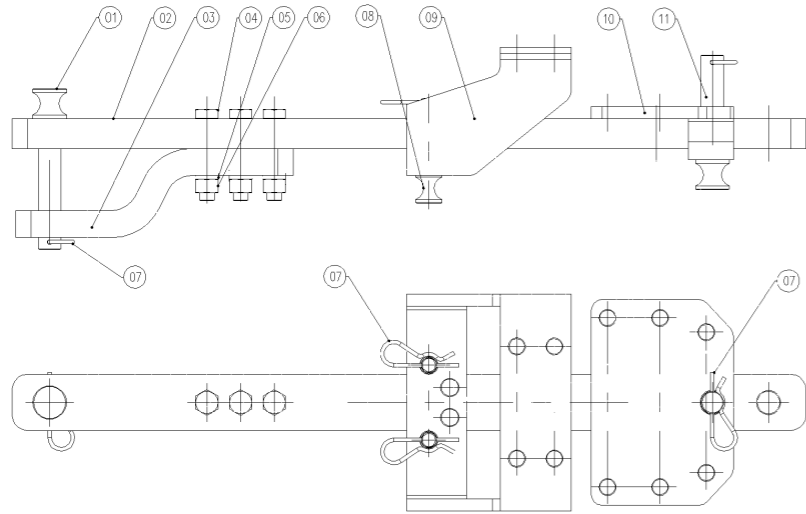
序号	零件编号	零件名称	数量	图号
1	CD1204.47.012/20	前面罩焊合 FRONT FACE	1	CD1204.47.012/20
2	GBT5783-M6X20-A2L	螺栓 BOLT	54	GBT5783-M6X20-A2L
3	GBT93-6-A3L	垫圈 WASHER	54	GBT93-6-A3L
4	GBT97.1-6-A3L	垫圈 WASHER	100	GBT97.1-6-A3L
5	GBT6170-M6-A2L	螺母 NUT	52	GBT6170-M6-A2L
6	CD1204.47.015/10	塑料板 PLASTIC PLATE	1	CD1204.47.015/10
7	GBT823-M5X20-A2L	螺钉 SCREW	7	GBT823-M5X20-A2L
8	GBT96.1-5-A3L	垫圈 WASHER	7	GBT96.1-5-A3L
9	CD1204.47.011/20	机罩焊合 BONNET WELDING	1	CD1204.47.011/20
10	CD1204.47.102	气弹簧支撑 GAS SPRING SUPPORT	2	CD1204.47.102
11	GBT5783-M8X20-A2L	螺栓 BOLT	4	GBT5783-M8X20-A2L
12	GBT93-8-A3L	垫圈 WASHER	4	GBT93-8-A3L
13	GBT97.1-8-A3L	垫圈 WASHER	4	GBT97.1-8-A3L
14	GBT96.1-6-A3L	垫圈 WASHER	6	GBT96.1-6-A3L
15	CD1204.47.116	网板 NET	1	CD1204.47.116
16	CD1204.47.117	右网板 RIGHT NET	1	CD1204.47.117
17	CD1204.47.104	灯罩连接板 LAMP SHADE	1	CD1204.47.104
18	CD1204.47.105	灯罩连接板 LAMP SHADE	1	CD1204.47.105
19	CD1204.47.106	灯罩连接板 LAMP SHADE	1	CD1204.47.106
20	CD1204.47.107	灯罩连接板 LAMP SHADE	1	CD1204.47.107
21	CD1204.47.013	灯罩连接板 LAMP SHADE	1	CD1204.47.013
22	CD1204.47.108	灯罩连接板 LEFT LAMP SHADE	1	CD1204.47.108
23	CD1204.47.109	灯罩连接板 LAMP SHADE	1	CD1204.47.109
24	CD1204.47.110	垫板 WASHER	1	CD1204.47.110
25	CD1204.47.111	垫板 WASHER	2	CD1204.47.111
26	CD1204.47.112	垫板 WASHER	1	CD1204.47.112
27	CD1204.47.113	垫板 WASHER	2	CD1204.47.113
28	CD1204.47.114	垫板 WASHER	2	CD1204.47.114
29	CD1204.47.115	垫板 WASHER	2	CD1204.47.115
30	B39.47.013.0	上网板 UP GRID	1	B39.47.013.0
31	B39.47.014.0	左侧网板1 LEFT GRID 1	1	B39.47.014.0
32	B39.47.015.0	左侧网板2 LEFT GRID 2	1	B39.47.015.0
33	B39.47.016.0	左侧网板3 LEFT GRID 3	1	B39.47.016.0
34	B39.47.017.0	右侧网板1 RH GRID 1	1	B39.47.017.0
35	B39.47.018.0	右侧网板2 RH GRID 2	1	B39.47.018.0
36	B39.47.019.0	右侧网板3 RH GRID 3	1	B39.47.019.0
37	B39.47.036.0	垫子 WASHER	1	B39.47.036.0

LE1204.35.001 SWINGING BAR - 6 CYL -

LE1204.35.001_1 摆式牵引总成 SWINGING BAR - 6 CYL -

序号	零件编号	零件名称	数量	图号
1	LE1204.35.010/10	牵引装置 draft?gear	1	LE1204.35.010/10
2	GBT5783-M20X50-A3L	螺栓 bolt	4	GBT5783-M20X50-A3L
3	GBT93-20-A3L	垫圈 WASHER	10	GBT93-20-A3L
4	GBT899-AM20X130-A3L	螺柱 stud	6	GBT899-AM20X130-A3L
5	GBT6170-M20-A3L	螺母 NUT	6	GBT6170-M20-A3L





技术要求

Technical requirement

1. 各零件连接牢固可靠, 零件表面不得有磕碰、划伤等缺陷。

The parts are firmly and reliably connected, and the surface of the parts should not be impacted or scratched.

2. 连接螺母M20 (M6) 扭矩389N.m-456N.m。

Torque of connecting nut M20 (part 6) is 389N.m-456N.m.

注: 本次修改仅影响零件4、5、6的连接, 其余不变。

Note: This modification will only be reversed by parts 4, 5 and 6, and the rest will remain unchanged.

LE1204.35.010/10 牵引装置 draft gear

序号	零件编号	零件名称	数量	图号
1	SH900.35.101	牵引销 TRACTION PIN	1	SH900.35.101
2	LE1204.35.101	摆杆 oscillating bar	1	LE1204.35.101
3	LE1204.35.102	弯板 ?angle?block	1	LE1204.35.102
4	GBT5782-M20X110-A3L	螺栓 bolt	3	GBT5782-M20X110-A3L
5	GBT93-20-A3L	垫圈 WASHER	3	GBT93-20-A3L
6	GBT6170-M20-A3L	螺母 NUT	3	GBT6170-M20-A3L
7	SH900.35.102	弹簧锁销 spring plunger	4	SH900.35.102
8	SH900.35.105	限位销 spacer pin	2	SH900.35.105
9	LE1204.35.011	后支撑板焊合 Rear support plate welded	1	LE1204.35.011
10	LE1204.35.012	底板焊合 Bottom plate welded	1	LE1204.35.012
11	LE1204.35.104	摆销 balance pin	1	LE1204.35.104

LE1204.53.001 TRAILER SYSTEM ASSEMBLY

LE1204.53.001_1 拖挂装置总成 TRAILER SYSTEM ASSEMBLY

序号	零件编号	零件名称	数量	图号
1	GBT899-AM16X40-10.9-	螺柱 stud	8	GBT899-AM16X40-10.9-A3L
2	GBT93-16-A3L	垫圈 WASHER	8	GBT93-16-A3L
3	GBT6170-M16-10-A3L	螺母 NUT	8	GBT6170-M16-10-A3L
4	LE1204.53.101/20	固定架 supporting?structure	1	LE1204.53.101/20
5	SH900.53.102	挂钩销 hanger pin	1	SH900.53.102
6	LE1204.53.102	拖挂架 Drag the rack	1	LE1204.53.102
7	LE1204.53.103	隔套 SPACER	4	LE1204.53.103
8	LE1204.53.104	拖挂销 Trailer pin	2	LE1204.53.104
9	SH900.53.103	弹性锁销 spring plunger	3	SH900.53.103

