

零件编号	结构代码	零件顺序	零件编号	结构代码	零件顺序	零件编号	结构代码	零件顺序
2.1120.213.2	0.010.5222.4/80	1	2.1530.076.0	0.020.6378.4/10	6	0.164.3646.0	0.020.6378.4/10	26
0.012.4092/10	0.010.5222.4/80	2	0.241.8253.0	0.020.6378.4/10	7	2.1410.024.7	0.020.6378.4/10	27
2.1679.085.2	0.010.5222.4/80	3	0.014.3015.3	0.020.6378.4/10	7	2.1530.076.0	0.020.6378.4/10	27
0.010.5217.3/10	0.010.5222.4/80	4	0.021.9345.0	0.020.6378.4/10	8	2.1539.149.0	0.020.6378.4/10	28
0.012.4364.4	0.010.5222.4/80	5	0.269.8253.3	0.020.6378.4/10	8	2.0112.215.2	0.020.6378.4/10	28
0.010.5228.2/10	0.010.5222.4/80	6	2.0512.202.2	0.020.6378.4/10	9	2.1560.010.0	0.020.6378.4/10	29
2.1690.513.2	0.010.5222.4/80	7	0.163.3653.0/10	0.020.6378.4/10	9	0.163.8260.0	0.020.6378.4/10	29
0.010.5226.3	0.010.5222.4/80	8	0.012.5765.4	0.020.6378.4/10	10	2.1569.180.0/10	0.020.6378.4/10	30
2.1311.014.2	0.010.5222.4/80	9	0.163.3658.0	0.020.6378.4/10	10	2.1475.002.2	0.020.6378.4/10	30
2.3820.105.2	0.010.5222.4/80	10	0.163.8260.0	0.020.6378.4/10	11	0.269.8250.0/30	0.020.6378.4/10	31
0.164.8274.0/10	0.012.5765.4	1	2.1560.010.0	0.020.6378.4/10	11	2.1599.843.0	0.020.6378.4/10	31
0.164.8274.0/10	0.012.5765.4	1	0.164.3646.0	0.020.6378.4/10	12	0.021.9345.0	0.020.6378.4/10	32
0.164.8275.0/10	0.012.5765.4	2	2.0512.102.7	0.020.6378.4/10	12	2.1650.316.0	0.020.6378.4/10	32
0.164.8275.0/10	0.012.5765.4	2	0.012.6161.3/10	0.020.6378.4/10	13	2.4019.156.1/10	0.020.6378.4/10	33
2.1411.013.1	0.012.5765.4	3	0.241.8252.0	0.020.6378.4/10	13	2.4019.321.0	0.020.6378.4/10	33
2.1411.013.1	0.012.5765.4	3	0.241.8253.0	0.020.6378.4/10	14	2.1650.316.0	0.020.6378.4/10	34
2.1532.072.0	0.012.5765.4	3	0.012.6172.0	0.020.6378.4/10	14	2.4019.321.0	0.020.6378.4/10	34
2.4019.174.1	0.012.5765.4	4	2.1599.843.0	0.020.6378.4/10	15	0.013.9950.0/10	0.020.6378.4/10	37
2.1532.072.0	0.012.5765.4	4	0.241.8257.0	0.020.6378.4/10	15	0.010.9523.0/10	0.020.6378.4/10	1
2.1532.072.0	0.012.5765.4	4	0.269.8250.0/30	0.020.6378.4/10	16	0.012.5765.4	0.020.6378.4/10	2
2.1599.241.0	0.012.5765.4	5	2.1422.035.7	0.020.6378.4/10	16	0.012.6160.3/10	0.020.6378.4/10	3
2.1599.241.0	0.012.5765.4	5	0.269.8253.3	0.020.6378.4/10	17	0.012.6161.3/10	0.020.6378.4/10	4
2.4019.174.1	0.012.5765.4	6	0.010.9523.0/10	0.020.6378.4/10	17	0.012.6172.0	0.020.6378.4/10	5
2.4019.174.1	0.012.5765.4	6	2.4019.156.1/10	0.020.6378.4/10	18	0.013.9950.0/10	0.020.6378.4/10	6
2.1411.013.1	0.012.5765.4	6	2.0112.005.2	0.020.6378.4/10	18	0.014.3015.3	0.020.6378.4/10	7
0.014.9895.0	0.014.9894.4	1	0.163.3653.0/10	0.020.6378.4/10	19	0.021.9345.0	0.020.6378.4/10	8
04414156	0.014.9894.4	2	2.0112.215.2	0.020.6378.4/10	19	0.163.3653.0/10	0.020.6378.4/10	9
01401340	0.014.9894.4	3	2.0512.102.7	0.020.6378.4/10	20	0.163.3658.0	0.020.6378.4/10	10
04322508	0.014.9894.4	4	2.1429.018.0	0.020.6378.4/10	20	0.163.8260.0	0.020.6378.4/10	11
01101147	0.014.9894.4	5	0.014.3015.3	0.020.6378.4/10	21	0.164.3646.0	0.020.6378.4/10	12
0.010.9523.0/10	0.020.6378.4/10	1	2.0512.202.2	0.020.6378.4/10	21	0.241.8252.0	0.020.6378.4/10	13
2.0112.005.2	0.020.6378.4/10	1	2.1379.040.0	0.020.6378.4/10	22	0.241.8253.0	0.020.6378.4/10	14
0.012.5765.4	0.020.6378.4/10	2	0.163.3658.0	0.020.6378.4/10	22	0.241.8257.0	0.020.6378.4/10	15
2.1379.040.0	0.020.6378.4/10	2	2.1539.149.0	0.020.6378.4/10	23	0.269.8250.0/30	0.020.6378.4/10	16
0.241.8257.0	0.020.6378.4/10	3	2.1410.024.7	0.020.6378.4/10	23	0.269.8253.3	0.020.6378.4/10	17
0.012.6160.3/10	0.020.6378.4/10	3	2.1569.180.0/10	0.020.6378.4/10	24	2.0112.005.2	0.020.6378.4/10	18
2.1530.076.0	0.020.6378.4/10	4	2.1422.035.7	0.020.6378.4/10	24	2.0112.215.2	0.020.6378.4/10	19
0.012.6161.3/10	0.020.6378.4/10	4	0.012.6160.3/10	0.020.6378.4/10	25	2.0512.102.7	0.020.6378.4/10	20
0.012.6172.0	0.020.6378.4/10	5	2.1429.018.0	0.020.6378.4/10	25	2.0512.202.2	0.020.6378.4/10	21
0.241.8252.0	0.020.6378.4/10	5	2.1475.002.2	0.020.6378.4/10	26	2.1379.040.0	0.020.6378.4/10	22

零件编号	结构代码	零件顺序	零件编号	结构代码	零件顺序	零件编号	结构代码	零件顺序
2.1379.040.0	0.020.6378.4/10	22	2.1560.010.0	0.020.6378.4/10	29	04431848	04429298.4	1
2.1410.024.7	0.020.6378.4/10	23	2.1569.180.0/10	0.020.6378.4/10	30	01112886	04429298.4	2
2.1422.035.7	0.020.6378.4/10	24	2.1599.843.0	0.020.6378.4/10	31	04431849	04429298.4	3
2.1429.018.0	0.020.6378.4/10	25	2.1650.316.0	0.020.6378.4/10	32	2.1589.420.0	9.26454.10.0_2	32
2.1475.002.2	0.020.6378.4/10	26	2.4019.156.1/10	0.020.6378.4/10	33	2.1589.161.0	9.26454.10.0_2	33
2.1530.076.0	0.020.6378.4/10	27	2.4019.321.0	0.020.6378.4/10	34	2.1589.160.0	9.26454.10.0_2	34
2.1539.149.0	0.020.6378.4/10	28	0.020.7399.3/10	0.020.7399.4/10	1	2.1699.110.0	9.26454.10.0_2	35
2.1560.010.0	0.020.6378.4/10	29	2.3249.373.0	0.020.7399.4/10	2	2.3130.004.1	9.26454.10.0_2	36
2.1569.180.0/10	0.020.6378.4/10	30	2.1530.056.0	0.020.7399.4/10	3	0.005.5456.0/20	9.26454.10.0_2	49
2.1599.843.0	0.020.6378.4/10	31	0.011.5133.0	0.020.7399.4/10	4	2.1569.149.0	9.26454.10.0_2	50
2.1650.316.0	0.020.6378.4/10	32	0.021.0651.3	0.021.0651.4	1	2.1569.150.0	9.26454.10.0_2	51
2.4019.156.1/10	0.020.6378.4/10	33	0.015.0236.0	0.021.0651.4	2	0.008.0327.0/20	9.26454.10.0_2	53
2.4019.321.0	0.020.6378.4/10	34	2.4019.770.1	0.021.0651.4	3	0.008.0326.0/20	9.26454.10.0_2	54
0.010.9523.0/10	0.020.6378.4/10	1	2.1539.272.0	0.021.0651.4	4	2.3139.013.7	9.26454.10.0_2	55
0.012.5765.4	0.020.6378.4/10	2	2.3199.395.2	0.021.0651.4	5	927817	9.26454.10.0_2	100
0.012.6160.3/10	0.020.6378.4/10	3	2.1531.016.0	0.021.0651.4	6	930179	9.26454.10.0_2	101
0.012.6161.3/10	0.020.6378.4/10	4	0.015.0028.0	0.021.0651.4	7	930066	9.26454.10.0_2	102
0.012.6172.0	0.020.6378.4/10	5	2.1560.012.0	0.021.0651.4	8	2.1099.085.0/30	9.48855.03.0_2	1
0.013.9950.0/10	0.020.6378.4/10	6	2.3120.010.4	0.021.0651.4	9	0.96133.20.2/10	9.49231.30.0_0	1
0.014.3015.3	0.020.6378.4/10	7	0.008.3371.0	0.021.0651.4	10	0.96112.30.3/10	9.49231.30.0_0	2
0.021.9345.0	0.020.6378.4/10	8	2.1539.251.0	0.021.0651.4	11	04414121	9.95052.30.0_4	1
0.163.3653.0/10	0.020.6378.4/10	9	2.3199.387.2	0.021.0651.4	12	04432786/30	9.95052.30.0_4	2
0.163.3658.0	0.020.6378.4/10	10	2.2810.002.0	0.021.0651.4	13	04388687/20	9.95052.30.0_4	3
0.163.8260.0	0.020.6378.4/10	11	2.1560.006.0	0.021.0651.4	14	0.014.9894.4	9.95052.30.0_4	4
0.164.3646.0	0.020.6378.4/10	12	2.3199.390.2	0.021.0651.4	15	0.014.9895.0	9.95052.30.0_4	4
0.241.8252.0	0.020.6378.4/10	13	928158	0.021.0651.4	100	04414156	9.95052.30.0_4	4
0.241.8253.0	0.020.6378.4/10	14	0.018.6487.0	0.022.2028.4	1	01401340	9.95052.30.0_4	4
0.241.8257.0	0.020.6378.4/10	15	0.018.6488.0	0.022.2028.4	2	04322508	9.95052.30.0_4	4
0.269.8250.0/30	0.020.6378.4/10	16	2.0312.208.2	0.022.2028.4	3	01101147	9.95052.30.0_4	5
0.269.8253.3	0.020.6378.4/10	17	2.1589.585.0	0.022.2028.4	4	2.0112.621.2	9.95052.30.0_4	5
2.0112.005.2	0.020.6378.4/10	18	2.1589.586.0	0.022.2028.4	5	2.0312.512.2	9.95052.30.0_4	6
2.0112.215.2	0.020.6378.4/10	19	2.1589.587.0	0.022.2028.4	6	04413831/40	9.95052.44.0_6	1
2.0512.102.7	0.020.6378.4/10	20	2.2560.007.0	0.022.2028.4	7	04411027/20	9.95052.44.0_6	2
2.0512.202.2	0.020.6378.4/10	21	0.016.8142.0	0.022.2028.4	8	04411029	9.95052.44.0_6	3
2.1379.040.0	0.020.6378.4/10	22	2.1549.246.0	0.022.2028.4	9	2.0113.615.2	9.95052.44.0_6	4
2.1410.024.7	0.020.6378.4/10	23	A23.45.028.2	0.029.4909.4	1	01143779	9.95052.44.0_6	9
2.1422.035.7	0.020.6378.4/10	24	0.029.3878.0	0.029.4909.4	2	0.024.2988.0	9.95052.44.0_6	10
2.1429.018.0	0.020.6378.4/10	25	0.034.2041.3	0.034.2076.4	1	2.1630.753.2	9.95052.44.0_6	11
2.1475.002.2	0.020.6378.4/10	26	0.257.6654.2/10	0.257.6654.4/20	1	04432782/40	9.95052.45.0_6	1
2.1530.076.0	0.020.6378.4/10	27	0.257.6654.3/10	0.257.6654.4/20	2	2.0119.282.6	9.95052.45.0_6	2

零件编号	结构代码	零件顺序	零件编号	结构代码	零件顺序	零件编号	结构代码	零件顺序
2.0119.282.6	9.95052.45.0_6	2	0.014.0262.0	9.AG734.00.0_1	20	0.020.1539.0/10	9.AG752.00.0_0	2
2.2680.047.0	9.95052.45.0_6	3	2.2999.091.0	9.AG734.00.0_1	21	2.0433.519.7	9.AG752.00.0_0	3
0.014.9894.4	9.95052.45.0_6	4	2.0133.507.7	9.AG734.00.0_1	22	2.0433.622.7	9.AG752.00.0_0	4
2.1630.719.2	9.95052.45.0_6	5	0.019.1618.0	9.AG734.00.0_1	23	2.1011.410.2	9.AG752.00.0_0	5
01167310	9.95052.45.0_6	8	0.019.1617.0	9.AG734.00.0_1	24	2.1011.411.2	9.AG752.00.0_0	6
04413291/10	9.95052.46.0_2	1	0.014.0062.0	9.AG734.00.0_1	25	2.1475.107.2	9.AG752.00.0_0	7
2.0119.281.6	9.95052.46.0_2	2	2.1219.039.0/20	9.AG734.00.0_1	26	2.1475.108.2	9.AG752.00.0_0	8
01143351	9.95052.46.0_2	2	2.1410.022.1	9.AG734.00.0_1	30	0.020.2092.4	9.AG755.21.0_1	1
2.2680.047.0	9.95052.46.0_2	3	2.1579.467.0	9.AG734.00.0_1	31	9.AG755.21.0	9.AG755.21.0_1	1
04413291/20	9.95052.46.0_3	1	2.1589.586.0	9.AG734.00.0_1	32	2.4811.329.0	9.AG755.21.0_1	2
2.0119.281.6	9.95052.46.0_3	2	2.1589.587.0	9.AG734.00.0_1	33	2.4820.039.0	9.AG755.21.0_1	3
2.2680.047.0	9.95052.46.0_3	3	0.022.2028.4	9.AG734.00.0_1	36	0.022.1389.4	9.AG755.21.0_1	4
2.1099.085.0/30	9.95055.01.0_4	1	0.018.6487.0	9.AG734.00.0_1	36	0.019.1815.0/30	9.AG755.90.0_0	1
0.020.4668.0	9.AG726.00.0_3	1	0.018.6488.0	9.AG734.00.0_1	36	0.019.5876.0/10	9.AG755.90.0_0	2
2.1631.819.0	9.AG726.00.0_3	2	2.0312.208.2	9.AG734.00.0_1	36	0.024.6107.2	9.AG765.03.0_1	1
0.020.2055.0	9.AG726.00.0_3	3	2.1589.585.0	9.AG734.00.0_1	36	2.3249.167.2	9.AG765.03.0_1	2
2.1520.217.0	9.AG726.00.0_3	4	2.1589.586.0	9.AG734.00.0_1	37	0.011.2973.0	9.AG765.03.0_1	3
2.1420.022.0	9.AG726.00.0_3	5	2.1589.587.0	9.AG734.00.0_1	37	0.012.6739.0	9.AG765.03.0_1	4
2.3820.105.2	9.AG726.00.0_3	6	2.2560.007.0	9.AG734.00.0_1	37	2.3820.105.2	9.AG765.03.0_1	5
2.2030.008.0	9.AG726.00.0_3	7	0.016.8142.0	9.AG734.00.0_1	37	2.1310.006.2	9.AG765.03.0_1	6
0.163.2630.0	9.AG726.00.0_3	8	2.1549.246.0	9.AG734.00.0_1	37	2.0112.308.2	9.AG765.03.0_1	7
0.020.7185.0	9.AG726.00.0_3	9	2.1599.541.0	9.AG734.00.0_1	37	0.024.0988.0	9.AG765.03.0_1	8
2.0432.161.7	9.AG726.00.0_3	10	0.021.0938.3/10	9.AG736.01.0_1	1	0.020.3784.4/10	9.AG766.00.0_2	1
2.1475.103.2	9.AG726.00.0_3	11	2.1560.008.0	9.AG736.01.0_1	2	0.020.3785.4/10	9.AG766.00.0_2	2
2.1012.421.7	9.AG726.00.0_3	12	2.3335.005.2	9.AG736.01.0_1	3	0.020.3813.0/10	9.AG766.00.0_2	3
0.014.0091.0	9.AG734.00.0_1	1	0.021.0937.3/10	9.AG736.01.0_1	4	2.4019.586.2	9.AG766.00.0_2	4
2.2999.178.0	9.AG734.00.0_1	2	2.3332.003.2	9.AG736.01.0_1	5	0.020.3812.2	9.AG766.00.0_2	5
0.170.3451.0/10	9.AG734.00.0_1	3	0.021.0935.0	9.AG736.01.0_1	6	2.1630.515.0	9.AG766.00.0_2	6
0.264.3444.0	9.AG734.00.0_1	4	2.1019.171.0	9.AG736.01.0_1	7	2.1855.010.0	9.AG766.00.0_2	7
0.014.0049.0	9.AG734.00.0_1	5	2.1532.016.0	9.AG736.01.0_1	8	0.020.3816.0	9.AG766.00.0_2	9
0.233.3451.0/10	9.AG734.00.0_1	6	2.0112.008.2	9.AG736.01.0_1	9	0.020.3811.0	9.AG766.00.0_2	10
2.2999.092.0	9.AG734.00.0_1	7	0.200.8152.0	9.AG736.01.0_1	10	2.1690.308.2	9.AG766.00.0_2	11
0.233.3446.0	9.AG734.00.0_1	8	2.1470.002.2	9.AG736.01.0_1	11	2.1671.407.2	9.AG766.00.0_2	12
0.014.0058.0	9.AG734.00.0_1	9	2.1011.103.2	9.AG736.01.0_1	12	2.1410.012.1	9.AG766.00.0_2	13
2.1599.261.0/30	9.AG734.00.0_1	10	2.0432.326.7	9.AG744.00.0_0	1	2.1599.268.0	9.AG766.00.0_2	14
2.1699.596.0	9.AG734.00.0_1	11	2.1475.205.2	9.AG744.00.0_0	2	2.1599.546.0	9.AG766.00.0_2	15
0.019.1612.0	9.AG734.00.0_1	12	2.1011.308.2	9.AG744.00.0_0	3	2.1310.006.3	9.AG766.00.0_2	16
2.0112.419.2	9.AG734.00.0_1	13	2.3820.105.2	9.AG744.00.0_0	4	2.0114.207.2	9.AG766.00.0_2	17
2.1475.204.2	9.AG734.00.0_1	14	2.0432.515.7	9.AG744.00.0_0	5	2.1310.004.2	9.AG766.00.0_2	18
2.1589.585.0	9.AG734.00.0_1	16	0.020.1524.0/10	9.AG752.00.0_0	1	2.0332.206.2	9.AG766.00.0_2	22

零件编号	结构代码	零件顺序	零件编号	结构代码	零件顺序	零件编号	结构代码	零件顺序
2.0332.206.2	9.AG766.00.0_2	22	0.154.6854.0	9.AG768.05.0_1	2	0.020.2072.0	9.AG776.00.0_0	6
2.1310.028.2	9.AG766.00.0_2	23	2.0399.002.1	9.AG768.05.0_1	4	4450233	9.AG776.00.0_0	7
0.020.9199.3	9.AG766.01.0_0	1	0.154.6833.0	9.AG768.05.0_1	5	2.0113.635.2	9.AG776.00.0_0	8
0.020.9197.3	9.AG766.01.0_0	2	0.163.6816.0	9.AG768.05.0_1	6	1139580	9.AG776.00.0_0	9
2.3339.431.2/10	9.AG766.01.0_0	3	2.4019.157.1	9.AG768.05.0_1	7	2.1121.011.2	9.AG776.00.0_0	10
2.1560.008.0	9.AG766.01.0_0	4	2.1599.222.0	9.AG768.05.0_1	8	2.0422.815.2	9.AG776.00.0_0	11
0.021.1668.0	9.AG766.01.0_0	5	0.163.6850.0	9.AG768.05.0_1	9	2.1475.108.2	9.AG776.00.0_0	12
2.1470.002.2	9.AG766.01.0_0	6	0.235.6811.0/10	9.AG768.05.0_1	10	2.1011.111.2	9.AG776.00.0_0	13
2.0112.009.2	9.AG766.01.0_0	7	2.1630.614.0	9.AG768.05.0_1	11	2.1475.006.2	9.AG776.00.0_0	14
0.002.8816.0	9.AG766.01.0_0	8	2.1530.037.0	9.AG768.05.0_1	12	2.0112.613.2	9.AG776.00.0_0	15
2.1011.103.2	9.AG766.01.0_0	9	2.1011.106.2	9.AG768.05.0_1	13	2.0114.311.2	9.AG776.00.0_0	16
0.021.6230.3	9.AG766.01.0_0	10	2.0119.533.1	9.AG768.05.0_1	14	2.1011.106.2	9.AG776.00.0_0	17
0.202.6650.0	9.AG766.06.0_0	1	0.264.6857.2	9.AG768.05.0_1	15	0.022.3104.3	9.AG781.04.0_0	1
2.1470.011.2	9.AG766.06.0_0	2	0.264.6862.0	9.AG768.05.0_1	16	2.1475.203.2	9.AG781.04.0_0	2
2.1311.012.2	9.AG766.06.0_0	3	2.1475.003.2	9.AG768.05.0_1	17	2.0112.309.2	9.AG781.04.0_0	3
2.0119.079.2	9.AG766.06.0_0	4	2.0112.309.2	9.AG768.05.0_1	18	2.0112.619.2	9.AG781.04.0_0	4
2.1011.207.2	9.AG766.06.0_0	5	0.016.7207.2	9.AG768.05.0_1	19	2.1310.010.2	9.AG781.04.0_0	5
2.1311.008.2	9.AG766.06.0_0	6	2.1631.515.9	9.AG768.05.0_1	20	2.1475.206.2	9.AG781.04.0_0	6
2.1671.508.2	9.AG766.06.0_0	7	2.1690.206.2	9.AG768.05.0_1	21	2.1011.109.2	9.AG781.04.0_0	7
2.1690.307.2	9.AG766.06.0_0	8	2.1310.004.2	9.AG768.05.0_1	22	0.020.7399.4/10	9.AG781.04.0_0	8
0.020.5424.3/10	9.AG768.02.0_2	1	0.427.6812.3	9.AG768.05.0_1	23	4429298.4	9.AG781.04.0_0	9
0.020.5428.2	9.AG768.02.0_2	2	2.1671.407.2	9.AG768.05.0_1	30	4413213	9.AG781.04.0_0	10
0.020.5434.2/20	9.AG768.02.0_2	3	0.021.9077.2	9.AG768.05.0_1	31	2.0112.413.2	9.AG781.04.0_0	11
0.020.5437.2/10	9.AG768.02.0_2	4	2.1559.126.0	9.AG768.05.0_1	32	2.0112.417.2	9.AG781.04.0_0	12
0.020.5460.3	9.AG768.02.0_2	5	2.1579.166.2	9.AG768.05.0_1	33	0.020.7401.0	9.AG781.04.0_0	13
0.020.5435.0	9.AG768.02.0_2	6	2.1599.450.0	9.AG768.05.0_1	34	2.6859.155.0	9.AG781.04.0_0	14
2.1555.309.0	9.AG768.02.0_2	7	2.0112.519.2	9.AG768.05.0_1	35	0.021.1793.0	9.AG781.04.0_0	15
2.4049.139.1/10	9.AG768.02.0_2	8	2.1690.307.2	9.AG768.05.0_1	36	0.020.9096.0	9.AG781.04.0_0	16
0.009.9885.0/10	9.AG768.02.0_2	9	0.264.6852.2	9.AG768.05.0_1	39	0.021.2457.0	9.AG781.04.0_0	17
0.014.2031.0	9.AG768.02.0_2	10	0.264.6871.2/10	9.AG768.05.0_1	40	0.020.9490.2	9.AG781.04.0_0	18
2.0112.205.2	9.AG768.02.0_2	11	2.0112.409.2	9.AG768.05.0_1	41	2.6851.019.0	9.AG781.04.0_0	19
2.1310.004.2	9.AG768.02.0_2	12	2.1475.004.2	9.AG768.05.0_1	42	2.6839.058.0	9.AG781.04.0_0	20
2.1630.511.0	9.AG768.02.0_2	13	0.020.7404.3	9.AG773.04.0_0	1	2.0332.504.2	9.AG781.04.0_0	21
2.1310.006.3	9.AG768.02.0_2	15	0.020.7406.0	9.AG773.04.0_0	2	2.6852.201.0	9.AG781.04.0_0	22
2.1631.412.0	9.AG768.02.0_2	16	2.0112.207.2	9.AG773.04.0_0	3	0.022.3101.3	9.AG781.04.0_0	23
2.1410.004.2	9.AG768.02.0_2	17	0.021.5752.0	9.AG776.00.0_0	1	2.1312.004.2	9.AG781.04.0_0	24
2.1011.105.2	9.AG768.02.0_2	18	0.020.1548.2	9.AG776.00.0_0	2	2.0112.207.2	9.AG781.04.0_0	25
2.0332.204.2	9.AG768.02.0_2	20	0.020.2071.0	9.AG776.00.0_0	3	0.022.3100.0	9.AG781.04.0_0	26
2.1310.028.2	9.AG768.02.0_2	21	0.020.2056.0	9.AG776.00.0_0	4	0.021.1312.3	9.AG782.00.0_0	1
2.1690.308.2	9.AG768.02.0_2	22	0.013.6204.0/10	9.AG776.00.0_0	5	2.1532.087.0	9.AG782.00.0_0	2



零件编号	结构代码	零件顺序	零件编号	结构代码	零件顺序	零件编号	结构代码	零件顺序
2.1532.087.0	9.AG782.00.0_0	2	2.1560.008.0	9.AG782.12.0_2	2	0.021.3340.0	9.CI631.04.0_1	8
0.020.9465.3	9.AG782.00.0_0	3	2.3120.008.4	9.AG782.12.0_2	3	0.257.6654.4/20	9.CI666.04.0_0	1
2.1480.014.2	9.AG782.00.0_0	4	2.1480.014.2	9.AG782.12.0_2	4	0.023.9347.3	9.CI666.04.0_0	2
2.0312.208.2	9.AG782.00.0_0	5	2.0312.221.2	9.AG782.12.0_2	5	2.1475.201.2	9.CI666.04.0_0	3
2.1531.091.0	9.AG782.00.0_0	6	2.7099.044.0/10	9.AG782.12.0_2	6	2.0112.005.2	9.CI666.04.0_0	4
2.4419.350.1/40	9.AG782.00.0_0	7	2.1560.010.0	9.AG782.14.0_1	1	2.6851.019.0	9.CI666.04.0_0	5
2.4419.280.0/10	9.AG782.00.0_0	8	2.3261.006.2	9.AG782.14.0_1	2	0.012.6343.0	9.CI666.04.0_0	6
2.0422.209.2	9.AG782.00.0_0	9	0.020.9239.3/10	9.AG782.14.0_1	3	0.012.6343.0	9.CI666.04.0_0	7
0.020.9463.3	9.AG782.00.0_0	10	0.020.9240.3	9.AG782.14.0_1	4	0.012.6343.0	9.CI666.04.0_0	8
2.1310.004.2	9.AG782.00.0_0	11	0.020.9238.3	9.AG782.14.0_1	5	2.1011.103.2	9.CI666.04.0_0	9
2.1011.105.2	9.AG782.00.0_0	12	2.1560.008.0	9.AG782.14.0_1	6	2.0112.209.2	9.CI823.00.0_0	1
2.6851.004.0	9.AG782.00.0_0	13	2.3120.008.4	9.AG782.14.0_1	7	2.1470.004.2	9.CI823.00.0_0	2
2.3213.234.0	9.AG782.00.0_0	14	0.020.9235.0/10	9.AG782.15.0_1	1	0.025.9966.4	9.CI823.00.0_0	3
0.020.9464.3	9.AG782.00.0_0	15	2.1532.150.0	9.AG782.15.0_1	2	0.025.9967.3	9.CI823.00.0_0	4
2.1531.503.0	9.AG782.00.0_0	16	2.1310.004.2	9.AG782.15.0_1	3	2.1651.709.0	9.CI823.00.0_0	5
2.0312.215.2	9.AG782.00.0_0	17	2.0112.219.2	9.AG782.15.0_1	4	0.026.1521.0/20	9.DT931.02.0_3	1
0.020.9254.0	9.AG782.00.0_0	18	2.9559.067.0	9.AG784.08.0_0	1	2.0432.172.7	9.DT931.02.0_3	2
2.1011.421.2	9.AG782.00.0_0	19	2.3729.065.0	9.AG865.00.0_0	1	2.1011.421.2	9.DT931.02.0_3	4
0.163.6350.0	9.AG782.00.0_0	20	2.1560.008.0	9.AG865.00.0_0	2	2.1651.707.0	9.DT931.02.0_3	5
2.1310.006.2	9.AG782.00.0_0	21	2.3110.422.2	9.AG865.00.0_0	3	2.1560.056.0	9.DT931.02.0_3	6
2.7099.660.0/10	9.AG782.00.0_0	22	2.3729.065.0	9.AG866.00.0_0	1	2.3199.002.2	9.DT931.02.0_3	7
0.020.9210.3	9.AG782.05.0_0	1	0.033.0750.0	9.CI631.02.0_0	1	2.0112.313.2	9.DT931.02.0_3	8
2.6560.017.0	9.AG782.05.0_0	2	0.020.8513.0	9.CI631.02.0_0	2	0.026.2388.0	9.DT931.02.0_3	9
2.1560.014.0	9.AG782.09.0_0	1	0.030.8768.0	9.CI631.02.0_0	3	0.026.2040.0	9.DT931.02.0_3	10
2.3261.010.2	9.AG782.09.0_0	2	2.0112.920.2	9.CI631.02.0_0	4	0.026.3418.0	9.DT931.02.0_3	11
0.021.2088.3/10	9.AG782.09.0_0	3	04453371/10	9.CI631.04.0_0	1	2.1475.101.2	9.DT931.02.0_3	12
0.020.9211.3/10	9.AG782.09.0_0	4	2.1799.020.2	9.CI631.04.0_0	2	2.0112.004.2	9.DT931.02.0_3	13
0.021.1141.3	9.AG782.09.0_0	5	2.1630.211.0	9.CI631.04.0_0	3	2.0112.311.2	9.DT931.02.0_3	14
2.1310.007.2	9.AG782.09.0_0	6	2.1475.008.2	9.CI631.04.0_0	4	2.1475.103.2	9.DT931.02.0_3	15
2.0112.409.2	9.AG782.09.0_0	7	2.1099.085.0/30	9.CI631.04.0_0	5	2.0432.163.7	9.DT931.02.0_3	16
0.011.0326.0	9.AG782.09.0_0	8	2.0119.080.2	9.CI631.04.0_0	6	2.0432.173.7	9.DT931.02.0_3	17
2.1470.002.2	9.AG782.09.0_0	9	0.009.3540.3/10	9.CI631.04.0_0	7	939961	9.DT931.02.0_3	100
2.0112.011.2	9.AG782.09.0_0	10	0.021.3340.0	9.CI631.04.0_0	8	2.3110.404.2	9.DT931.03.0_0	1
2.1011.103.2	9.AG782.09.0_0	11	04453371/10	9.CI631.04.0_1	1	2.1560.012.0	9.DT931.03.0_0	2
0.021.0651.4	9.AG782.12.0_0	1	2.1799.020.2	9.CI631.04.0_1	2	0.026.1316.0	9.DT932.02.0_3	1
2.1560.008.0	9.AG782.12.0_0	2	2.1630.211.0	9.CI631.04.0_1	3	2.2999.562.0	9.DT932.02.0_3	2
2.3120.008.4	9.AG782.12.0_0	3	2.1475.008.2	9.CI631.04.0_1	4	2.1549.891.0/10	9.DT932.02.0_3	3
2.1480.014.2	9.AG782.12.0_0	4	2.1099.085.0/30	9.CI631.04.0_1	5	0.026.1342.0	9.DT932.02.0_3	4
2.0312.221.2	9.AG782.12.0_0	5	2.0119.080.2	9.CI631.04.0_1	6	0.027.4298.4	9.DT932.02.0_3	5
2.7099.044.0/10	9.AG782.12.0_0	6	0.009.3540.3/10	9.CI631.04.0_1	7	0.026.1330.0	9.DT932.02.0_3	6

零件编号	结构代码	零件顺序	零件编号	结构代码	零件顺序	零件编号	结构代码	零件顺序
0.026.1330.0	9.DT932.02.0_3	6	2.1549.894.0	9.DT932.04.0_3	18	2.1219.072.0	9.DT932.06.0_0	1
0.026.1392.0	9.DT932.02.0_3	7	0.026.2052.0	9.DT932.04.0_3	19	2.2999.115.0/10	9.DT932.06.0_0	2
0.026.1434.0	9.DT932.02.0_3	8	0.026.2111.0	9.DT932.04.0_3	20	2.2999.116.0	9.DT932.06.0_0	3
2.1599.941.0	9.DT932.02.0_3	9	0.027.2490.0	9.DT932.04.0_3	21	2.1589.529.0	9.DT932.06.0_0	4
2.1410.020.7	9.DT932.02.0_3	10	2.1699.636.0	9.DT932.04.0_3	22	2.1589.263.0	9.DT932.06.0_0	5
2.0112.309.2	9.DT932.02.0_3	11	2.1410.042.1	9.DT932.04.0_3	23	2.1589.229.0	9.DT932.06.0_0	6
2.1475.003.7	9.DT932.02.0_3	12	939958	9.DT932.04.0_3	100	2.1589.230.0	9.DT932.06.0_0	7
0.027.2933.0	9.DT932.02.0_3	13	0.026.1311.0	9.DT932.05.0_0	1	2.1589.231.0	9.DT932.06.0_0	8
2.1532.112.0	9.DT932.02.0_3	14	2.2999.115.0/10	9.DT932.05.0_0	2	2.1589.530.0	9.DT932.06.0_0	9
0.026.1316.0	9.DT932.03.0_2	1	2.1411.009.1	9.DT932.05.0_0	3	2.1589.531.0	9.DT932.06.0_0	10
2.2999.562.0	9.DT932.03.0_2	2	2.1579.458.0	9.DT932.05.0_0	4	2.1589.532.0	9.DT932.06.0_0	11
2.1549.891.0/10	9.DT932.03.0_2	3	2.1519.069.0	9.DT932.05.0_0	5	2.1589.533.0	9.DT932.06.0_0	12
0.027.3696.0	9.DT932.03.0_2	4	0.233.3253.0	9.DT932.05.0_0	6	2.1589.534.0	9.DT932.06.0_0	13
0.027.3690.0	9.DT932.03.0_2	5	0.233.3254.0	9.DT932.05.0_0	7	2.1589.535.0	9.DT932.06.0_0	14
0.027.3689.0	9.DT932.03.0_2	6	0.027.1897.0	9.DT932.05.0_0	8	2.1589.536.0	9.DT932.06.0_0	15
0.026.1392.0	9.DT932.03.0_2	7	2.2770.271.0	9.DT932.05.0_0	9	0.016.8072.0	9.DT932.06.0_0	16
0.026.2043.0	9.DT932.03.0_2	8	0.013.9985.0	9.DT932.05.0_0	10	0.233.3352.0	9.DT932.06.0_0	17
2.1599.941.0	9.DT932.03.0_2	9	0.027.4299.4	9.DT932.05.0_0	11	0.233.3353.0	9.DT932.06.0_0	18
2.1410.020.7	9.DT932.03.0_2	10	0.027.1911.0	9.DT932.05.0_0	12	2.1530.114.0	9.DT932.06.0_0	19
2.0112.309.2	9.DT932.03.0_2	11	2.2999.492.0	9.DT932.05.0_0	13	0.016.7998.0	9.DT932.06.0_0	20
2.1475.003.7	9.DT932.03.0_2	12	0.013.9993.0	9.DT932.05.0_0	14	2.1579.722.0	9.DT932.06.0_0	21
0.027.2933.0	9.DT932.03.0_2	13	0.013.9761.0	9.DT932.05.0_0	15	0.015.5702.0	9.DT932.06.0_0	22
2.1532.112.0	9.DT932.03.0_2	14	2.1579.722.0	9.DT932.05.0_0	16	0.027.1757.0	9.DT932.06.0_0	23
2.1410.042.1	9.DT932.03.0_2	15	0.013.9835.0	9.DT932.05.0_0	17	2.2770.271.0	9.DT932.06.0_0	24
0.026.1316.0	9.DT932.04.0_3	1	2.1579.462.0	9.DT932.05.0_0	18	0.013.9985.0	9.DT932.06.0_0	25
2.2999.562.0	9.DT932.04.0_3	2	2.1589.263.0	9.DT932.05.0_0	19	0.027.4299.4	9.DT932.06.0_0	26
2.1549.891.0/10	9.DT932.04.0_3	3	2.1589.229.0	9.DT932.05.0_0	20	0.027.1765.0	9.DT932.06.0_0	27
0.027.3696.0	9.DT932.04.0_3	4	2.1589.230.0	9.DT932.05.0_0	21	0.233.3350.0	9.DT932.06.0_0	28
0.027.3690.0	9.DT932.04.0_3	5	2.1589.231.0	9.DT932.05.0_0	22	0.016.8010.3/10	9.DT932.06.0_0	29
0.027.3689.0	9.DT932.04.0_3	6	2.1589.530.0	9.DT932.05.0_0	23	0.016.8073.0	9.DT932.06.0_0	30
0.026.2129.0	9.DT932.04.0_3	7	2.1589.531.0	9.DT932.05.0_0	24	927245	9.DT932.06.0_0	100
2.1410.022.7	9.DT932.04.0_3	8	2.1589.532.0	9.DT932.05.0_0	25	0.016.8150.3/10	9.DT935.00.0_0	1
2.0112.309.2	9.DT932.04.0_3	9	2.1589.533.0	9.DT932.05.0_0	26	2.1410.016.1	9.DT935.02.0_1	1
2.1475.003.7	9.DT932.04.0_3	10	2.1589.534.0	9.DT932.05.0_0	27	0.233.3551.0	9.DT935.02.0_1	2
0.026.2108.3/10	9.DT932.04.0_3	11	2.1589.535.0	9.DT932.05.0_0	28	0.264.3550.0/20	9.DT935.02.0_1	3
0.026.2051.3/10	9.DT932.04.0_3	12	2.1589.536.0	9.DT932.05.0_0	29	2.1599.889.0	9.DT935.02.0_1	4
2.1532.112.0	9.DT932.04.0_3	13	2.1589.529.0	9.DT932.05.0_0	30	0.012.6823.3	9.DT935.02.0_1	5
2.1650.404.0	9.DT932.04.0_3	14	2.2999.116.0	9.DT932.05.0_0	31	0.233.3557.3/10	9.DT935.02.0_1	6
2.1599.969.0	9.DT932.04.0_3	15	2.1219.072.0	9.DT932.05.0_0	32	2.1580.421.0	9.DT935.02.0_1	7
2.2999.026.0	9.DT932.04.0_3	16	927245	9.DT932.05.0_0	100	2.1580.420.0	9.DT935.02.0_1	8

零件编号	结构代码	零件顺序	零件编号	结构代码	零件顺序	零件编号	结构代码	零件顺序
2.1580.420.0	9.DT935.02.0_1	8	0.257.4724.0/20	9.DT947.10.0_0	17	2.1560.012.0	9.DT964.00.0_3	40
2.1580.419.0	9.DT935.02.0_1	9	930114	9.DT947.10.0_0	100	939963	9.DT964.00.0_3	100
2.2520.015.0	9.DT935.02.0_1	10	0.009.9957.0	9.DT964.00.0_3	1	939962	9.DT964.00.0_3	101
0.233.3511.0/30	9.DT935.02.0_1	11	0.013.9745.0/10	9.DT964.00.0_3	2	0.009.9957.0	9.DT964.01.0_3	1
0.233.3510.0/20	9.DT935.02.0_1	12	0.014.0133.0/10	9.DT964.00.0_3	3	0.020.0899.0	9.DT964.01.0_3	2
2.0139.013.1	9.DT935.02.0_1	13	0.020.0899.0	9.DT964.00.0_3	4	0.026.0170.0/10	9.DT964.01.0_3	3
2.0112.209.7	9.DT935.02.0_1	14	0.026.0720.0	9.DT964.00.0_3	5	0.026.0171.3/10	9.DT964.01.0_3	4
2.1475.002.7	9.DT935.02.0_1	15	0.026.0775.0	9.DT964.00.0_3	6	0.026.0239.0	9.DT964.01.0_3	5
2.2520.018.0	9.DT935.02.0_1	16	0.026.0845.0	9.DT964.00.0_3	7	0.026.0240.0/10	9.DT964.01.0_3	6
2.1589.091.0	9.DT935.02.0_1	17	0.026.2189.0	9.DT964.00.0_3	8	0.026.0413.0/20	9.DT964.01.0_3	7
2.1589.090.0	9.DT935.02.0_1	18	0.026.2190.0	9.DT964.00.0_3	9	0.026.2190.0	9.DT964.01.0_3	8
2.1589.089.0	9.DT935.02.0_1	19	0.026.2267.3/10	9.DT964.00.0_3	10	0.255.3351.0	9.DT964.01.0_3	9
0.212.4410.0/60	9.DT944.10.0_0	1	0.255.3351.0	9.DT964.00.0_3	11	0.264.6484.0	9.DT964.01.0_3	10
0.020.5596.0	9.DT944.10.0_0	2	0.027.8566.0	9.DT964.00.0_3	12	2.0112.213.2	9.DT964.01.0_3	11
0.020.1550.0	9.DT947.00.0_0	1	0.027.8469.0/10	9.DT964.00.0_3	13	2.1011.106.2	9.DT964.01.0_3	12
0.020.9212.3	9.DT947.01.0_0	1	0.027.6674.0	9.DT964.00.0_3	14	2.1423.023.7	9.DT964.01.0_3	14
0.016.7208.0	9.DT947.01.0_0	2	0.264.6478.0	9.DT964.00.0_3	15	2.1474.009.2	9.DT964.01.0_3	15
0.016.7495.0	9.DT947.03.0_0	1	0.427.6425.0	9.DT964.00.0_3	16	2.1475.103.2	9.DT964.01.0_3	16
2.1519.149.0	9.DT947.03.0_0	2	2.0112.211.2	9.DT964.00.0_3	17	2.1520.010.0	9.DT964.01.0_3	17
0.026.5528.0	9.DT947.03.0_0	3	2.0399.062.2	9.DT964.00.0_3	18	2.1549.679.0	9.DT964.01.0_3	18
2.1530.187.0	9.DT947.03.0_0	4	2.1011.106.2	9.DT964.00.0_3	19	2.1549.898.0	9.DT964.01.0_3	19
0.016.7495.0	9.DT947.03.0_1	1	2.1120.007.2	9.DT964.00.0_3	20	2.1555.107.0	9.DT964.01.0_3	20
2.1519.149.0	9.DT947.03.0_1	2	2.1423.023.7	9.DT964.00.0_3	22	2.1555.509.0	9.DT964.01.0_3	21
0.026.5528.0	9.DT947.03.0_1	3	2.1475.102.7	9.DT964.00.0_3	23	2.1579.520.2	9.DT964.01.0_3	22
2.1530.187.0	9.DT947.03.0_1	4	2.1475.103.2	9.DT964.00.0_3	24	2.1630.714.0	9.DT964.01.0_3	23
2.2520.018.0	9.DT947.10.0_0	1	2.1520.010.0	9.DT964.00.0_3	25	2.1631.516.0	9.DT964.01.0_3	24
2.1529.056.0/10	9.DT947.10.0_0	2	2.1549.679.0	9.DT964.00.0_3	26	2.2725.032.0	9.DT964.01.0_3	25
2.2511.020.0	9.DT947.10.0_0	3	2.1555.107.0	9.DT964.00.0_3	27	2.2725.057.0	9.DT964.01.0_3	26
0.257.4741.0/40	9.DT947.10.0_0	4	2.1555.509.0	9.DT964.00.0_3	28	2.2810.007.0	9.DT964.01.0_3	27
2.1532.171.0	9.DT947.10.0_0	5	2.1560.008.0	9.DT964.00.0_3	29	2.3171.008.4	9.DT964.01.0_3	28
0.212.4765.0	9.DT947.10.0_0	6	2.1579.520.2	9.DT964.00.0_3	30	2.4019.277.1	9.DT964.01.0_3	29
0.212.4755.0	9.DT947.10.0_0	7	2.2725.032.0	9.DT964.00.0_3	31	2.4019.310.0	9.DT964.01.0_3	30
0.212.4753.0	9.DT947.10.0_0	8	2.2725.057.0	9.DT964.00.0_3	32	2.6859.190.2	9.DT964.01.0_3	31
0.212.4752.0/20	9.DT947.10.0_0	9	2.2810.007.0	9.DT964.00.0_3	33	2.3110.404.2	9.DT964.01.0_3	32
0.212.4751.0	9.DT947.10.0_0	10	2.4019.277.1	9.DT964.00.0_3	34	2.1560.012.0	9.DT964.01.0_3	33
2.0139.031.7	9.DT947.10.0_0	11	2.4019.310.0	9.DT964.00.0_3	35	2.2810.007.0	9.DT964.02.0_0	1
2.1599.338.0	9.DT947.10.0_0	12	2.6859.190.2	9.DT964.00.0_3	36	2.4019.277.1	9.DT964.02.0_0	2
0.257.4725.3/10	9.DT947.10.0_0	13	2.0399.050.2	9.DT964.00.0_3	37	0.427.6425.0	9.DT964.02.0_0	3
2.1630.722.0	9.DT947.10.0_0	14	2.1011.506.2	9.DT964.00.0_3	38	2.1630.714.0	9.DT964.02.0_0	4
2.2999.192.0	9.DT947.10.0_0	15	0.027.8559.0	9.DT964.00.0_3	39	0.026.0499.0	9.DT964.02.0_0	5

零件编号	结构代码	零件顺序	零件编号	结构代码	零件顺序	零件编号	结构代码	零件顺序
0.026.0499.0	9.DT964.02.0_0	5	2.1480.014.2	9.T0282.02.0_1	2	CD1204.48.030	A23.48.911.4_0	1
0.026.0222.0	9.DT964.02.0_0	6	2.0312.210.2	9.T0282.02.0_1	3	SH400.48.118	A23.48.911.4_0	2
2.1310.006.2	9.DT964.03.0_0	1	2.4539.005.0	9.T0282.02.0_1	4	A68.81.002.0	A23.81.913.4_1	1
0.026.0943.0	9.DT964.03.0_0	3	927938	9.T0282.02.0_1	100	A68.81.003.4	A23.81.913.4_1	2
0.026.0772.0	9.DT964.03.0_0	4	0.019.1815.0/30	9.U1555.90.0_0	1	A68.81.004.0	A23.81.913.4_1	3
0.427.6425.0	9.DT964.03.0_0	5	2.0439.330.7/20	9.U1555.90.0_0	2	A80.81.005.0	A23.81.913.4_1	4
2.1630.714.0	9.DT964.03.0_0	6	0.018.7584.0/20	9.U1555.90.0_0	3	2.6851.019.0	A23.81.913.4_1	6
2.1011.106.2	9.DT964.03.0_0	11	2.1099.177.6	9.U1555.90.0_0	4	2.6852.101.0	A23.81.913.4_1	7
939965	9.DT964.03.0_0	100	0.019.5876.0/10	9.U1555.90.0_0	5	A80.45.104.0	A23.81.913.4_1	8
0.029.4909.4	9.DT964.08.0_0	1	2.9939.516.0/10	9.U1555.90.0_0	6	GBT5783-M8X40-A2L	A23.81.913.4_1	9
0.014.1279.3	9.E6066.02.0_0	1	0.019.1815.0/30	9.U1555.90.0_5	1	GBT97.1-8-A3L	A23.81.913.4_1	10
2.0112.003.2	9.E6066.02.0_0	2	2.0439.330.7/20	9.U1555.90.0_5	2	A68.81.009.4	A23.81.923.4_1	1
2.1310.002.2	9.E6066.02.0_0	3	0.018.7584.0/20	9.U1555.90.0_5	3	A68.81.010.4	A23.81.923.4_1	2
2.1411.025.1	9.P0238.00.0_2	2	2.1099.177.6	9.U1555.90.0_5	4	A68.81.011.4	A23.81.923.4_1	3
2.2510.005.0	9.P0238.00.0_2	3	0.019.5876.0/10	9.U1555.90.0_5	5	A68.81.012.4	A23.81.923.4_1	4
2.1589.075.0	9.P0238.00.0_2	4	2.9939.516.0/10	9.U1555.90.0_5	6	A80.45.104.0	A23.81.923.4_1	5
0.233.3822.0	9.P0238.00.0_2	5	0.019.1815.0/30	9.U1555.91.0_0	1	2.6852.101.0	A23.81.923.4_1	6
2.2520.006.0	9.P0238.00.0_2	6	2.0439.331.7/30	9.U1555.91.0_0	2	GBT5783-M8X40-A2L	A23.81.923.4_1	7
2.1599.319.0	9.P0238.00.0_2	7	0.018.7584.0/20	9.U1555.91.0_0	3	GBT97.1-8-A3L	A23.81.923.4_1	8
0.202.3844.2	9.P0238.00.0_2	8	2.1099.177.6	9.U1555.91.0_0	4	A23.45.225.0	A30.45.905.4_0	1
0.188.3821.0/10	9.P0238.00.0_2	9	0.019.5876.0/10	9.U1555.91.0_0	5	A23.45.226.0	A30.45.905.4_0	2
0.028.5101.0	9.P0238.00.0_2	10	2.9939.516.0/10	9.U1555.91.0_0	6	A80.45.023.0	A30.45.905.4_0	3
2.1599.250.0	9.P0238.00.0_2	11	0.019.1815.0/30	9.U1555.91.0_5	1	A80.45.024.0	A30.45.905.4_0	4
2.1579.383.0	9.P0238.00.0_2	12	2.0439.331.7/30	9.U1555.91.0_5	2	LE1204.74.011	A31.74.900.4_0	1
0.171.3845.0	9.P0238.00.0_2	13	0.018.7584.0/20	9.U1555.91.0_5	3	C63.11.001.4/10	A68.11.901.4_0	1
2.1530.034.0	9.P0238.00.0_2	14	2.1099.177.6	9.U1555.91.0_5	4	C63.11.011.4.1	A68.11.901.4_0	1
2.1630.713.0	9.P0238.00.0_2	15	0.019.5876.0/10	9.U1555.91.0_5	5	0.020.3844.0	A68.20.002.4/20	2
0.264.3842.3	9.P0238.00.0_2	17	2.9939.516.0/10	9.U1555.91.0_5	6	A11.20.004.2/10	A68.20.002.4/20	3
0.154.3853.0	9.P0238.00.0_2	20	0.019.3082.0/10	9.W1047.02.0_0	1	GBT97.1-5-A3L	A68.20.002.4/20	4
2.0112.207.2	9.P0238.00.0_2	21	CD554.40.028/10	A23.40.916.4_0	1	GBT5782-M5X40-A2L	A68.20.002.4/20	5
2.1470.004.2	9.P0238.00.0_2	22	A23.44.001.4/10	A23.44.900.4_1	1	A68.20.003.2/10	A68.20.002.4/20	6
0.202.3854.0	9.P0238.00.0_2	23	GBT5783-M10X25-A3L	A23.44.900.4_1	2	SH400.20.104	A68.20.002.4/20	7
2.0439.002.1	9.P0238.00.0_2	24	GBT93-10-A3L	A23.44.900.4_1	3	A11.20.005.0	A68.20.002.4/20	8
2.1470.010.2	9.P0238.00.0_2	25	GBT97.1-10-A3L	A23.44.900.4_1	4	GBT879.1-6X26	A68.20.002.4/20	9
2.1011.510.2	9.P0238.00.0_2	26	A23.45.021.3	A23.45.020.4	1	GBT93-5-A3L	A68.20.002.4/20	10
2.1529.162.0	9.P0238.00.0_2	41	A23.45.022.3	A23.45.020.4	2	A11.20.002.3/10	A68.20.002.4/20	12
0.135.4363.3/10	9.P0238.00.0_2	42	A23.45.023.0	A23.45.020.4	3	A68.20.004.0	A68.20.002.4/20	13
2.0332.205.2	9.P0238.00.0_2	45	A23.45.024.0	A23.45.020.4	4	A68.20.006.3	A68.20.002.4/20	14
2.1589.076.0	9.P0238.00.0_2	51	A23.45.025.0	A23.45.020.4	5	A68.20.005.0	A68.20.002.4/20	15
939595	9.P0238.00.0_2	100	A23.45.026.0	A23.45.020.4	6	GBT819.1-M6X16-A2L	A68.20.002.4/20	16

零件编号	结构代码	零件顺序	零件编号	结构代码	零件顺序	零件编号	结构代码	零件顺序
GBT819.1-M6X16-A2L	A68.20.002.4/20	16	0.019.1031.0	A68.34.903.4_2	3	2.1411.019.1	A68.38.900.4_1	3
A68.20.002.4/20	A68.20.900.4_2	2	B06.34.001.4	A68.34.903.4_3	1	0.020.9213.3/10	A68.40.903.4_1	1
GBT819.1-M6X16-A2L	A68.20.900.4_2	3	2.4811.386.0	A68.34.903.4_3	2	0.020.9216.3/10	A68.40.903.4_1	3
SH900.47A.115-1	A68.20.900.4_2	4	0.019.1031.0	A68.34.903.4_3	3	0.020.9214.3	A68.40.903.4_1	4
0.010.8696.2/20	A68.20.900.4_2	5	0.019.1031.0	A68.34.907.4_0	1	A68.40.003.3/10	A68.40.903.4_1	5
2.0512.204.7	A68.20.900.4_2	6	0.031.4047.4	A68.34.907.4_0	2	2.1560.014.0	A68.40.903.4_1	6
GBT2979-18.4-26-12PR-R1	A68.32.900.4_1	1	2.4811.067.0	A68.34.907.4_0	3	2.3339.295.2/10	A68.40.903.4_1	7
GBT2979-18.4-26-R1	A68.32.900.4_1	1	A68.34.004.4	A68.34.907.4_0	4	2.3261.010.2	A68.40.903.4_1	8
A68.32.001.4/10	A68.32.900.4_1	2	2.4820.140.0	A68.34.908.4_0	1	0.020.5342.3	A68.40.926.4_0	1
A68.32.001.4	A68.32.900.4_1	2	0.031.4047.4	A68.34.908.4_0	2	A23.45.081.0	A68.40.926.4_0	2
GBT2979-18.4-26-R1	A68.32.900.4_1	3	2.4811.330.0	A68.34.908.4_0	3	A68.40.005.2/10	A68.40.926.4_0	3
0.019.1031.0	A68.32.901.4_0	1	A68.34.004.4	A68.34.908.4_0	4	2.0114.311.2	A68.40.926.4_0	4
0.022.1389.4	A68.32.901.4_0	1	0.008.0769.2/10	A68.35.900.4_0	1	2.1470.006.2	A68.40.926.4_0	5
2.4811.054.0	A68.32.901.4_0	2	0.010.9322.4	A68.35.900.4_0	2	2.1310.006.2	A68.40.926.4_0	6
0.019.1031.0	A68.32.901.4_0	3	0.97308.20.4/40	A68.35.900.4_0	3	0.264.3610.0/10	A68.41.900.4_0	1
0.022.1389.4	A68.32.901.4_1	1	2.0112.621.2	A68.35.900.4_0	4	0.016.9687.3/20	A68.41.900.4_0	2
2.4811.054.0	A68.32.901.4_1	2	2.0432.411.7	A68.35.900.4_0	5	2.1549.680.2	A68.41.900.4_0	3
0.019.1031.0	A68.32.901.4_1	3	2.1011.409.2	A68.35.900.4_0	6	2.1549.681.2	A68.41.900.4_0	4
0.022.1389.4	A68.32.902.4_0	1	2.1475.006.2	A68.35.900.4_0	7	2.1549.682.2	A68.41.900.4_0	5
2.4811.387.0	A68.32.902.4_0	2	2.1669.031.2	A68.35.900.4_0	8	2.3249.457.2	A68.41.900.4_0	6
0.019.1031.0	A68.32.902.4_0	3	2.1679.090.2	A68.35.900.4_0	9	2.1560.014.0	A68.41.900.4_0	7
0.022.1390.4/10	A68.34.900.4_0	1	2.1699.072.2	A68.35.900.4_0	10	2.4019.093.1	A68.41.900.4_0	8
2.4811.067.0	A68.34.900.4_0	2	2.9939.051.0	A68.35.900.4_0	11	2.1530.038.0	A68.41.900.4_0	9
0.019.1031.0	A68.34.900.4_0	3	930686	A68.35.900.4_0	12	0.018.9236.0	A68.41.900.4_0	10
0.022.1390.4/10	A68.34.900.4_1	1	A68.53.002.2/10	A68.35.900.4_0	13	2.1011.105.2	A68.41.900.4_0	11
2.4811.067.0	A68.34.900.4_1	2	0.008.0769.2/10	A68.35.900.4_1	1	2.1475.202.2	A68.41.900.4_0	12
0.019.1031.0	A68.34.900.4_1	3	0.010.9322.4	A68.35.900.4_1	2	0.018.8990.0	A68.41.900.4_0	13
B06.34.001.4	A68.34.900.4_2	1	0.97308.20.4/40	A68.35.900.4_1	3	2.1699.167.0/10	A68.41.900.4_0	14
2.4811.067.0	A68.34.900.4_2	2	2.0112.620.2	A68.35.900.4_1	4	2.1631.512.9	A68.41.900.4_0	15
0.019.1031.0	A68.34.900.4_2	3	2.0432.411.7	A68.35.900.4_1	5	0.264.8268.0	A68.41.900.4_0	16
B06.34.001.4	A68.34.900.4_3	1	2.1011.409.2	A68.35.900.4_1	6	2.1631.517.0	A68.41.900.4_0	17
2.4811.067.0	A68.34.900.4_3	2	2.1475.006.2	A68.35.900.4_1	7	0.020.3942.0	A68.41.900.4_0	18
0.019.1031.0	A68.34.900.4_3	3	2.1669.031.2	A68.35.900.4_1	8	2.2040.012.0	A68.41.900.4_0	19
0.022.1390.4/10	A68.34.903.4_0	1	2.1679.090.2	A68.35.900.4_1	9	2.1549.793.0	A68.41.900.4_0	20
2.4811.386.0	A68.34.903.4_0	2	2.1699.072.2	A68.35.900.4_1	10	2.2030.009.0	A68.41.900.4_0	21
0.019.1031.0	A68.34.903.4_0	3	2.9939.051.0	A68.35.900.4_1	11	2.1420.016.0	A68.41.900.4_0	22
0.022.1390.4/10	A68.34.903.4_1	1	930686	A68.35.900.4_1	12	0.020.4014.0/10	A68.41.900.4_0	23
2.4811.386.0	A68.34.903.4_1	2	A68.53.002.2/10	A68.35.900.4_1	13	0.264.3650.0/40	A68.41.900.4_0	24
0.019.1031.0	A68.34.903.4_1	3	2.1422.016.0	A68.38.900.4_1	1	0.020.6378.4/10	A68.41.900.4_0	25
B06.34.001.4	A68.34.903.4_2	1	2.2420.003.0	A68.38.900.4_1	2	0.012.6169.0	A68.41.900.4_0	26

零件编号	结构代码	零件顺序	零件编号	结构代码	零件顺序	零件编号	结构代码	零件顺序
0.012.6169.0	A68.41.900.4_0	26	2.1011.421.2	A68.41.900.4_0	67	0.233.3654.0	A68.41.900.4_1	31
2.1475.002.7	A68.41.900.4_0	27	0.163.3664.0/10	A68.41.900.4_0	68	2.1410.014.1	A68.41.900.4_1	32
2.0432.011.7	A68.41.900.4_0	28	2.1011.405.2	A68.41.900.4_0	69	2.1410.016.1	A68.41.900.4_1	33
2.1410.020.1	A68.41.900.4_0	29	2.1532.521.0	A68.41.900.4_0	70	2.2999.174.0/10	A68.41.900.4_1	34
2.2030.011.0	A68.41.900.4_0	30	0.022.8625.0	A68.41.900.4_0	71	0.264.3652.0	A68.41.900.4_1	35
0.233.3654.0	A68.41.900.4_0	31	2.0112.209.2	A68.41.900.4_0	72	2.1579.897.0	A68.41.900.4_1	36
2.1410.014.1	A68.41.900.4_0	32	2.1475.002.2	A68.41.900.4_0	73	2.2725.015.0	A68.41.900.4_1	37
2.1410.016.1	A68.41.900.4_0	33	939688	A68.41.900.4_0	100	0.264.3611.0/20	A68.41.900.4_1	38
2.2999.174.0/10	A68.41.900.4_0	34	939027	A68.41.900.4_0	101	2.1411.032.1	A68.41.900.4_1	39
0.264.3652.0	A68.41.900.4_0	35	939960	A68.41.900.4_0	102	2.2472.005.0	A68.41.900.4_1	40
2.1579.897.0	A68.41.900.4_0	36	0.264.3610.0/10	A68.41.900.4_1	1	2.1499.229.7	A68.41.900.4_1	41
2.2725.015.0	A68.41.900.4_0	37	0.016.9687.3/20	A68.41.900.4_1	2	2.1214.008.7	A68.41.900.4_1	42
0.264.3611.0/20	A68.41.900.4_0	38	2.1549.680.2	A68.41.900.4_1	3	0.188.3653.0	A68.41.900.4_1	43
2.1411.032.1	A68.41.900.4_0	39	2.1549.681.2	A68.41.900.4_1	4	0.264.3653.0/10	A68.41.900.4_1	44
2.2472.005.0	A68.41.900.4_0	40	2.1549.682.2	A68.41.900.4_1	5	0.188.3655.0/20	A68.41.900.4_1	45
2.1499.229.7	A68.41.900.4_0	41	2.3249.457.2	A68.41.900.4_1	6	0.188.3656.0/30	A68.41.900.4_1	46
2.1214.008.7	A68.41.900.4_0	42	2.1560.014.0	A68.41.900.4_1	7	0.188.3654.0	A68.41.900.4_1	47
0.188.3653.0	A68.41.900.4_0	43	2.4019.093.1	A68.41.900.4_1	8	0.233.3621.0/10	A68.41.900.4_1	48
0.264.3653.0/10	A68.41.900.4_0	44	2.1530.038.0	A68.41.900.4_1	9	0.022.8620.0	A68.41.900.4_1	49
0.188.3655.0/20	A68.41.900.4_0	45	0.018.9236.0	A68.41.900.4_1	10	2.0432.261.7	A68.41.900.4_1	50
0.188.3656.0/30	A68.41.900.4_0	46	2.1011.105.2	A68.41.900.4_1	11	2.1475.004.2	A68.41.900.4_1	51
0.188.3654.0	A68.41.900.4_0	47	2.1475.202.2	A68.41.900.4_1	12	2.1011.422.2	A68.41.900.4_1	52
0.233.3621.0/10	A68.41.900.4_0	48	0.018.8990.0	A68.41.900.4_1	13	2.2064.013.0	A68.41.900.4_1	53
0.022.8620.0	A68.41.900.4_0	49	2.1699.167.0/10	A68.41.900.4_1	14	2.1011.522.2	A68.41.900.4_1	54
2.0432.261.7	A68.41.900.4_0	50	2.1631.512.9	A68.41.900.4_1	15	2.1529.183.0	A68.41.900.4_1	55
2.1475.004.2	A68.41.900.4_0	51	0.264.8268.0	A68.41.900.4_1	16	C63.41.006.0	A68.41.900.4_1	56
2.1011.422.2	A68.41.900.4_0	52	2.1631.517.0	A68.41.900.4_1	17	0.427.6833.0	A68.41.900.4_1	57
2.2064.013.0	A68.41.900.4_0	53	0.020.3942.0	A68.41.900.4_1	18	0.188.3659.0/20	A68.41.900.4_1	58
2.1011.522.2	A68.41.900.4_0	54	2.2040.012.0	A68.41.900.4_1	19	2.4019.222.1	A68.41.900.4_1	59
2.1529.183.0	A68.41.900.4_0	55	2.1549.793.0	A68.41.900.4_1	20	2.1539.026.0	A68.41.900.4_1	60
0.264.3612.0/10	A68.41.900.4_0	56	2.2030.009.0	A68.41.900.4_1	21	2.1630.615.0	A68.41.900.4_1	61
0.427.6833.0	A68.41.900.4_0	57	2.1420.016.0	A68.41.900.4_1	22	0.018.0119.2	A68.41.900.4_1	62
0.188.3659.0/20	A68.41.900.4_0	58	0.020.4014.0/10	A68.41.900.4_1	23	2.1720.006.0	A68.41.900.4_1	63
2.4019.222.1	A68.41.900.4_0	59	0.264.3650.0/40	A68.41.900.4_1	24	GBT119.2-12h8X24	A68.41.900.4_1	64
2.1539.026.0	A68.41.900.4_0	60	0.020.6378.4/10	A68.41.900.4_1	25	2.0432.155.7	A68.41.900.4_1	65
2.1630.615.0	A68.41.900.4_0	61	0.012.6169.0	A68.41.900.4_1	26	2.1475.003.2	A68.41.900.4_1	66
0.018.0119.2	A68.41.900.4_0	62	2.1475.002.7	A68.41.900.4_1	27	2.1011.421.2	A68.41.900.4_1	67
2.1720.006.0	A68.41.900.4_0	63	2.0432.011.7	A68.41.900.4_1	28	0.163.3664.0/10	A68.41.900.4_1	68
2.1651.811.0	A68.41.900.4_0	64	2.1410.020.1	A68.41.900.4_1	29	2.1011.405.2	A68.41.900.4_1	69
2.0432.155.7	A68.41.900.4_0	65	2.2030.011.0	A68.41.900.4_1	30	2.1532.521.0	A68.41.900.4_1	70

零件编号	结构代码	零件顺序	零件编号	结构代码	零件顺序	零件编号	结构代码	零件顺序
2.1532.521.0	A68.41.900.4_1	70	0.264.3652.0	A68.41.900.4_2	35	939027	A68.41.900.4_2	101
0.022.8625.0	A68.41.900.4_1	71	2.1579.897.0	A68.41.900.4_2	36	939960	A68.41.900.4_2	102
2.0112.209.2	A68.41.900.4_1	72	2.2725.015.0	A68.41.900.4_2	37	A68.44.001.4	A68.44.900.4_1	1
2.1475.002.2	A68.41.900.4_1	73	0.264.3611.0/20	A68.41.900.4_2	38	GBT5783-M8X20-A2L	A68.44.900.4_1	2
939688	A68.41.900.4_1	100	2.1411.032.1	A68.41.900.4_2	39	GBT93-8-A3L	A68.44.900.4_1	3
939027	A68.41.900.4_1	101	2.2472.005.0	A68.41.900.4_2	40	GBT97.1-8-A3L	A68.44.900.4_1	4
939960	A68.41.900.4_1	102	2.1499.229.7	A68.41.900.4_2	41	0.020.5414.4	A68.45.081.4	1
0.264.3610.0/10	A68.41.900.4_2	1	2.1214.008.7	A68.41.900.4_2	42	0.020.3842.2	A68.45.081.4	2
0.016.9687.3/20	A68.41.900.4_2	2	0.188.3653.0	A68.41.900.4_2	43	2.1470.002.2	A68.45.081.4	3
2.1549.680.2	A68.41.900.4_2	3	0.264.3653.0/10	A68.41.900.4_2	44	2.1011.103.2	A68.45.081.4	4
2.1549.681.2	A68.41.900.4_2	4	0.188.3655.0/20	A68.41.900.4_2	45	2.1699.265.2	A68.45.081.4	5
2.1549.682.2	A68.41.900.4_2	5	0.188.3656.0/30	A68.41.900.4_2	46	2.1579.972.2	A68.45.081.4	6
2.3249.457.2	A68.41.900.4_2	6	0.188.3654.0	A68.41.900.4_2	47	2.0112.011.2	A68.45.081.4	7
2.1560.014.0	A68.41.900.4_2	7	0.233.3621.0/10	A68.41.900.4_2	48	0.020.5450.0	A68.45.081.4	8
2.4019.093.1	A68.41.900.4_2	8	0.022.8620.0	A68.41.900.4_2	49	2.1671.406.2	A68.45.081.4	9
2.1530.038.0	A68.41.900.4_2	9	2.0432.261.7	A68.41.900.4_2	50	2.1690.307.2	A68.45.081.4	10
0.018.9236.0	A68.41.900.4_2	10	2.1475.004.2	A68.41.900.4_2	51	A68.45.080.4	A68.45.081.4	11
2.1011.105.2	A68.41.900.4_2	11	2.1011.422.2	A68.41.900.4_2	52	2.1579.973.2	A68.45.081.4	12
2.1475.202.2	A68.41.900.4_2	12	2.2064.013.0	A68.41.900.4_2	53	2.1410.003.1	A68.45.081.4	13
0.018.8990.0	A68.41.900.4_2	13	2.1011.522.2	A68.41.900.4_2	54	0.020.5431.0	A68.45.081.4	14
2.1699.167.0/10	A68.41.900.4_2	14	2.1529.183.0	A68.41.900.4_2	55	2.0351.454.6	A68.45.081.4	15
2.1631.512.9	A68.41.900.4_2	15	C63.41.006.0	A68.41.900.4_2	56	0.020.5432.0	A68.45.081.4	16
0.264.8268.0	A68.41.900.4_2	16	0.427.6833.0	A68.41.900.4_2	57	0.007.6148.0/10	A68.45.901.4_1	1
2.1631.517.0	A68.41.900.4_2	17	0.188.3659.0/20	A68.41.900.4_2	58	0.009.9885.0/10	A68.45.901.4_1	2
0.020.3942.0	A68.41.900.4_2	18	2.4019.222.1	A68.41.900.4_2	59	2.1630.511.0	A68.45.901.4_1	3
2.2040.012.0	A68.41.900.4_2	19	2.1539.026.0	A68.41.900.4_2	60	2.0112.207.2	A68.45.901.4_1	4
2.1549.793.0	A68.41.900.4_2	20	2.1630.615.0	A68.41.900.4_2	61	2.1470.004.2	A68.45.901.4_1	5
2.2030.009.0	A68.41.900.4_2	21	0.018.0119.2	A68.41.900.4_2	62	0.020.5354.0	A68.45.901.4_1	6
2.1420.016.0	A68.41.900.4_2	22	2.1720.006.0	A68.41.900.4_2	63	2.1559.326.0	A68.45.901.4_1	7
0.020.4014.0/10	A68.41.900.4_2	23	2.1659.545.0	A68.41.900.4_2	64	2.1559.325.0	A68.45.901.4_1	8
0.264.3650.0/40	A68.41.900.4_2	24	2.0433.157.7	A68.41.900.4_2	65	0.020.5433.0	A68.45.901.4_1	9
0.020.6378.4/10	A68.41.900.4_2	25	2.1475.103.2	A68.41.900.4_2	66	A68.45.050.2	A68.45.901.4_1	10
0.012.6169.0	A68.41.900.4_2	26	2.1012.421.7	A68.41.900.4_2	67	0.020.5423.0	A68.45.901.4_1	11
2.1475.002.7	A68.41.900.4_2	27	0.163.3664.0/10	A68.41.900.4_2	68	2.1011.106.2	A68.45.901.4_1	12
2.0432.011.7	A68.41.900.4_2	28	2.1011.405.2	A68.41.900.4_2	69	0.169.6557.0	A68.45.902.4_1	1
2.1410.020.1	A68.41.900.4_2	29	2.1532.521.0	A68.41.900.4_2	70	0.020.5443.4	A68.45.902.4_1	2
2.2030.011.0	A68.41.900.4_2	30	0.022.8625.0	A68.41.900.4_2	71	A68.45.013.0	A68.45.902.4_1	3
0.233.3654.0	A68.41.900.4_2	31	2.0112.209.2	A68.41.900.4_2	72	2.1631.409.0	A68.45.902.4_1	4
2.1410.014.1	A68.41.900.4_2	32	2.1475.002.2	A68.41.900.4_2	73	2.0112.207.2	A68.45.902.4_1	5
2.1410.016.1	A68.41.900.4_2	33	939688	A68.41.900.4_2	100	2.1470.004.2	A68.45.902.4_1	6

零件编号	结构代码	零件顺序	零件编号	结构代码	零件顺序	零件编号	结构代码	零件顺序
2.1470.004.2	A68.45.902.4_1	6	2.1310.004.2	A68.45.909.4_0	3	2.0312.006.2	A68.45.913.4_3	19
0.020.5462.0	A68.45.902.4_1	7	2.0114.207.2	A68.45.909.4_0	4	A68.45.066.0/10	A68.45.913.4_3	20
0.020.5461.0	A68.45.902.4_1	8	C63.45.001.0	A68.45.910.4_3	1	A68.45.048.0	A68.45.913.4_3	21
2.0112.215.2	A68.45.902.4_1	9	0.021.2182.0	A68.45.910.4_3	2	A68.45.046.3	A68.45.921.4_2	1
0.020.5440.0	A68.45.902.4_1	10	A68.45.104.0	A68.45.910.4_3	3	0.018.0062.0	A68.45.921.4_2	2
A68.45.012.0	A68.45.902.4_1	11	2.0112.207.2	A68.45.910.4_3	4	A68.45.054.3/10	A68.45.921.4_2	3
2.0112.209.2	A68.45.902.4_1	12	2.1310.004.2	A68.45.910.4_3	5	0.021.5749.3	A68.45.921.4_2	4
0.020.5444.0	A68.45.902.4_1	13	0.020.3757.0	A68.45.910.4_3	6	0.018.0024.3	A68.45.921.4_2	5
2.0332.207.2	A68.45.902.4_1	14	0.020.3752.0	A68.45.910.4_3	7	2.4049.139.1/10	A68.45.921.4_2	6
2.1310.028.2	A68.45.902.4_1	15	0.027.8055.4	A68.45.910.4_3	8	2.1631.412.0	A68.45.921.4_2	7
2.7659.281.0	A68.45.902.4_1	16	0.027.8054.4	A68.45.910.4_3	9	2.1311.010.2	A68.45.921.4_2	8
0.020.5441.0	A68.45.902.4_1	17	0.027.8082.4	A68.45.910.4_3	10	2.1410.004.2	A68.45.921.4_2	9
0.009.9885.0/10	A68.45.904.4_2	2	2.4049.160.2	A68.45.910.4_3	11	2.1671.407.2	A68.45.921.4_2	10
2.1630.511.0	A68.45.904.4_2	3	C63.45.003.3	A68.45.910.4_3	12	2.1310.006.2	A68.45.921.4_2	11
2.0112.207.2	A68.45.904.4_2	4	2.0112.205.2	A68.45.910.4_3	13	2.1690.307.2	A68.45.921.4_2	12
2.1470.004.2	A68.45.904.4_2	5	A68.45.076.4/10	A68.45.910.4_3	14	2.0112.213.2	A68.45.921.4_2	13
0.020.5355.0	A68.45.904.4_2	6	A68.45.065.4/10	A68.45.910.4_3	15	2.1011.105.2	A68.45.921.4_2	14
2.1559.516.0/10	A68.45.904.4_2	7	2.0312.006.2	A68.45.910.4_3	16	2.3510.014.2	A68.45.921.4_2	15
2.1559.515.0/10	A68.45.904.4_2	8	A68.45.066.0/10	A68.45.910.4_3	17	2.1673.007.2	A68.45.921.4_2	16
0.020.5433.0	A68.45.904.4_2	9	2.1475.002.2	A68.45.910.4_3	18	2.0112.209.2	A68.45.921.4_2	17
A68.45.051.2	A68.45.904.4_2	10	0.028.1451.0	A68.45.910.4_3	19	A68.45.030.3/10	A68.45.922.4_1	1
2.1430.007.2	A68.45.904.4_2	11	0.030.1870.0	A68.45.910.4_3	20	2.0122.361.2	A68.45.922.4_1	2
2.1310.004.2	A68.45.904.4_2	12	0.020.3200.0	A68.45.913.4_3	1	2.1475.203.2	A68.45.922.4_1	3
0.020.5423.0	A68.45.904.4_2	13	0.020.3146.0	A68.45.913.4_3	2	2.1011.106.2	A68.45.922.4_1	4
A68.45.014.0/10	A68.45.904.4_2	14	2.0322.405.6	A68.45.913.4_3	3	2.0112.309.2	A68.45.922.4_1	5
2.1690.308.2	A68.45.905.4_1	1	A68.45.034.3/30	A68.45.913.4_3	4	0.020.7403.0	A68.45.922.4_1	6
2.1671.406.2	A68.45.905.4_1	2	0.020.3752.0	A68.45.913.4_3	5	A68.45.094.4	A68.45.924.4_0	1
A68.45.016.2/10	A68.45.905.4_1	3	A68.45.091.0	A68.45.913.4_3	6	2.4049.093.2	A68.45.924.4_0	2
2.1310.006.2	A68.45.905.4_1	4	0.020.3760.0	A68.45.913.4_3	7	0.020.3829.3	A68.45.924.4_0	3
2.1671.408.2	A68.45.905.4_1	5	2.0112.207.2	A68.45.913.4_3	8	2.1310.004.2	A68.45.924.4_0	4
A68.45.081.4	A68.45.906.4_1	1	2.1310.004.2	A68.45.913.4_3	9	2.0114.209.2	A68.45.924.4_0	5
2.0112.215.2	A68.45.906.4_1	2	0.020.5376.2	A68.45.913.4_3	10	2.0114.207.2	A68.45.924.4_0	6
2.1470.004.2	A68.45.906.4_1	3	A68.45.031.0	A68.45.913.4_3	11	2.1599.546.0	A68.45.924.4_0	7
2.1011.108.2	A68.45.906.4_1	4	A68.45.036.3/20	A68.45.913.4_3	12	0.020.5363.2	A68.45.924.4_0	8
2.1470.008.2	A68.45.906.4_1	5	2.1011.105.2	A68.45.913.4_3	13	2.1011.205.2	A68.45.924.4_0	9
2.7659.133.0	A68.45.906.4_1	6	2.1470.004.2	A68.45.913.4_3	14	0.020.3094.3	A68.45.924.4_0	10
0.022.8767.0	A68.45.906.4_1	7	2.0112.209.2	A68.45.913.4_3	15	2.1410.012.1	A68.45.924.4_0	11
A68.45.043.0/20	A68.45.907.4_4	1	2.1470.002.2	A68.45.913.4_3	16	2.1599.268.0	A68.45.924.4_0	12
A68.45.047.0/40	A68.45.907.4_4	2	2.0112.007.2	A68.45.913.4_3	17	2.1310.028.2	A68.45.924.4_0	13
A68.45.003.3	A68.45.909.4_0	1	A68.45.049.4/40	A68.45.913.4_3	18	2.0332.206.2	A68.45.924.4_0	14



零件编号	结构代码	零件顺序	零件编号	结构代码	零件顺序	零件编号	结构代码	零件顺序
2.0332.206.2	A68.45.924.4_0	14	2.7659.281.0	A68.48.953.4_0	3	2.3335.006.2	A68.55.903.4_1	6
2.1310.006.3	A68.45.924.4_0	15	0.010.9322.4	A68.53.901.4_0	1	2.1560.010.0	A68.55.903.4_1	7
2.1690.308.2	A68.45.924.4_0	16	2.1475.006.2	A68.53.901.4_0	2	2.3249.847.2	A68.55.903.4_1	8
2.1671.408.2	A68.45.924.4_0	17	A68.53.001.2/10	A68.53.901.4_0	3	GBT5783-M6X35-A2L	A68.55.903.4_1	12
0.020.5400.0	A68.45.924.4_0	18	A68.53.003.0	A68.53.901.4_0	4	GBT93-6-A3L	A68.55.903.4_1	13
2.1310.002.2	A68.45.924.4_0	19	A68.53.004.0	A68.53.901.4_0	5	GBT6170-M6-A2L	A68.55.903.4_1	14
2.1690.205.2	A68.45.924.4_0	20	GBT6170-M16-10-A3L	A68.53.901.4_0	6	A68.55.020.3	A68.55.903.4_1	15
A23.45.020.4	A68.45.925.4_0	1	GBT899-AM16X80-10.9-A3L	A68.53.901.4_0	7	A68.55.019.3	A68.55.903.4_1	16
CD554.45.227	A68.45.925.4_0	2	930686	A68.53.901.4_0	8	2.1560.056.0	A68.55.903.4_1	17
A23.45.082.0	A68.45.925.4_0	3	A68.55.031.0	A68.55.001.0/70	1	2.0433.267.7	A68.55.910.4_0	1
2.1310.028.3	A68.45.925.4_0	4	A68.55.032.0	A68.55.001.0/70	1	2.1012.422.2	A68.55.910.4_0	2
2.0332.203.3	A68.45.925.4_0	5	A68.55.031.0	A68.55.001.0/70	2	2.1475.104.7	A68.55.910.4_0	3
2.1310.002.3	A68.45.925.4_0	6	A68.55.032.0	A68.55.001.0/70	2	2.1651.911.0	A68.55.910.4_0	4
2.0332.406.3	A68.45.925.4_0	7	A68.55.032.0	A68.55.001.0/70	5	A68.55.006.0	A68.55.910.4_0	5
A39.45.143.2	A68.45.925.4_0	8	A68.55.031.0	A68.55.001.0/70	5	2.0114.411.2	A68.55.910.4_0	6
2.0342.107.3	A68.45.925.4_0	9	2.0433.269.7	A68.55.900.4_2	1	A68.56.003.4/10	A68.56.900.4_2	1
Q31205	A68.45.925.4_0	10	2.1012.422.2	A68.55.900.4_2	2	0.760.2212.0	A68.56.900.4_2	2
0.017.7033.2	A68.45.927.4_0	1	2.1475.104.7	A68.55.900.4_2	3	A68.56.008.0/10	A68.56.900.4_2	3
0.016.9109.2	A68.45.927.4_0	2	2.1651.911.0	A68.55.900.4_2	4	0.96081.53.0	A68.56.900.4_2	4
A68.45.102.4	A68.45.927.4_0	3	A68.55.001.0/20	A68.55.900.4_2	5	0.760.2257.3	A68.56.900.4_2	5
2.4049.149.2	A68.45.927.4_0	4	2.0114.411.2	A68.55.900.4_2	6	2.0112.308.2	A68.56.900.4_2	6
2.1310.006.3	A68.45.927.4_0	5	2.0433.268.7	A68.55.900.4_2	7	0.010.5222.4/80	A68.56.900.4_2	7
2.0114.309.2	A68.45.927.4_0	6	2.0433.269.7	A68.55.900.4_5	1	2.0112.613.2	A68.56.900.4_2	8
2.1310.006.2	A68.45.927.4_0	7	2.1012.422.2	A68.55.900.4_5	2	2.0112.617.2	A68.56.900.4_2	9
2.1011.106.2	A68.45.927.4_0	8	2.1475.104.7	A68.55.900.4_5	3	2.1475.103.2	A68.56.900.4_2	10
2.1310.004.2	A68.45.927.4_0	9	2.1651.911.0	A68.55.900.4_5	4	2.1011.310.2	A68.56.900.4_2	11
2.1690.205.2	A68.45.927.4_0	10	A68.55.001.0/70	A68.55.900.4_5	5	GB/T6172-M10-A3L	A68.56.900.4_2	12
2.1671.305.2	A68.45.927.4_0	11	2.0114.411.2	A68.55.900.4_5	6	GBT6172-M10-A3L	A68.56.900.4_2	12
A68.48.003.0/10	A68.48.903.4_3	1	2.0433.268.7	A68.55.900.4_5	7	2.1470.009.2	A68.56.900.4_2	13
B80.48.008.3	A68.48.903.4_3	2	A68.55.002.0	A68.55.901.4_2	1	0.010.6427.0	A68.56.900.4_2	14
GBT5783-M8X20-A2L	A68.48.903.4_3	3	A68.55.003.0	A68.55.901.4_2	2	0.010.6426.0	A68.56.900.4_2	15
GBT93-8-A3L	A68.48.903.4_3	4	A68.55.004.0/20	A68.55.901.4_2	3	0.760.3810.0/50	A68.56.900.4_2	16
GBT97.1-8-A3L	A68.48.903.4_3	5	A68.55.005.2	A68.55.901.4_2	4	A68.56.002.0	A68.56.900.4_2	17
GBT818-M5X35-A2L	A68.48.903.4_3	6	GBT5783-M12X25-A3L	A68.55.901.4_2	5	A68.56.001.0/10	A68.56.900.4_2	19
GBT93-5-A3L	A68.48.903.4_3	7	GBT93-12-A3L	A68.55.901.4_2	6	A68.56.006.3/10	A68.56.900.4_2	20
GBT97.1-5-A3L	A68.48.903.4_3	8	A68.55.017.0/10	A68.55.903.4_1	1	0.010.4798.4/20	A68.56.900.4_2	21
GBT6170-M8-A2L	A68.48.903.4_3	12	2.1560.006.0	A68.55.903.4_1	2	0.014.1419.4/10	A68.56.900.4_2	23
A56.48.010.0	A68.48.903.4_3	13	0.445.3150.4/20	A68.55.903.4_1	3	0.009.3144.2/20	A68.56.900.4_2	24
A56.48.011.0	A68.48.903.4_3	14	2.3320.103.0	A68.55.903.4_1	4	GB/T93-10-A3L	A68.56.900.4_2	28
0.020.2412.4/20	A68.48.953.4_0	1	A68.55.016.3/10	A68.55.903.4_1	5	GBT93-10-A3L	A68.56.900.4_2	28

零件编号	结构代码	零件顺序	零件编号	结构代码	零件顺序	零件编号	结构代码	零件顺序
GBT93-10-A3L	A68.56.900.4_2	28	A68.58.027.3	A68.58.900.4_0	23	A68.58.026.0	A68.58.901.4_0	1
0.010.9322.4	A68.56.900.4_2	29	2.1532.087.0	A68.58.900.4_0	24	2.1475.004.2	A68.58.901.4_0	2
0.760.3954.0	A68.56.900.4_2	31	2.0312.205.2	A68.58.900.4_0	25	2.0312.412.2	A68.58.901.4_0	3
0.016.7834.3	A68.56.900.4_2	32	2.7099.660.0/10	A68.58.900.4_0	26	2.1531.091.0	A68.58.902.4_1	1
A68.56.005.3/10	A68.56.900.4_2	33	0.021.6252.3	A68.58.900.4_0	28	0.020.9230.3	A68.58.902.4_1	2
2.1679.082.2/10	A68.56.900.4_2	34	2.0422.207.2	A68.58.900.4_0	29	2.1480.014.2	A68.58.902.4_1	3
2.1311.015.2	A68.56.900.4_2	35	2.1475.102.2	A68.58.900.4_0	30	2.0312.206.2	A68.58.902.4_1	4
0.760.4552.0	A68.56.900.4_2	37	0.021.7508.3	A68.58.900.4_0	31	A68.58.001.3/10	A68.58.902.4_1	5
0.016.7833.3	A68.56.900.4_2	38	2.3213.340.0	A68.58.900.4_0	32	A68.58.023.0	A68.58.902.4_1	6
GBT5783-M10X65-A3L	A68.56.900.4_2	39	2.1530.112.0	A68.58.900.4_1	1	2.1560.018.0	A68.58.902.4_1	7
GB/T5783-M10X65-A3L	A68.56.900.4_2	39	0.020.9218.3/20	A68.58.900.4_1	2	2.6839.054.0	A68.58.902.4_1	8
A68.56.011.0	A68.56.900.4_2	40	2.1480.014.2	A68.58.900.4_1	3	2.1310.004.2	A68.58.902.4_1	9
2.1669.036.2	A68.56.900.4_2	70	2.0312.206.2	A68.58.900.4_1	4	2.0112.207.2	A68.58.902.4_1	10
2.1679.031.2/10	A68.56.900.4_2	100	2.6851.004.0	A68.58.900.4_1	5	2.1531.091.0	A68.58.902.4_3	1
2.0112.409.2	A68.56.900.4_2	106	2.3213.234.0	A68.58.900.4_1	6	0.020.9230.3	A68.58.902.4_3	2
2.1470.007.2	A68.56.900.4_2	107	0.020.9221.3	A68.58.900.4_1	7	2.1480.014.2	A68.58.902.4_3	3
2.1470.010.2	A68.56.900.4_2	108	2.1531.091.0	A68.58.900.4_1	8	2.0312.206.2	A68.58.902.4_3	4
0.009.2300.0	A68.56.900.4_2	110	2.4419.350.1/40	A68.58.900.4_1	9	A68.58.001.3/30	A68.58.902.4_3	5
ROS12L1X	A68.58.021.0/20	1	2.4419.280.0/10	A68.58.900.4_1	10	2.6839.054.0	A68.58.902.4_3	8
2.1530.112.0	A68.58.900.4_0	1	2.3139.007.1	A68.58.900.4_1	11	2.1310.004.2	A68.58.902.4_3	9
0.020.9218.3/20	A68.58.900.4_0	2	2.0422.209.2	A68.58.900.4_1	12	2.0112.207.2	A68.58.902.4_3	10
2.1480.014.2	A68.58.900.4_0	3	0.020.9225.3	A68.58.900.4_1	13	C63.58.030.3/10	A68.58.902.4_3	11
2.0312.206.2	A68.58.900.4_0	4	0.020.9226.3	A68.58.900.4_1	14	GBT3452.1-19.3X2.2-G	A68.58.902.4_3	12
2.6851.004.0	A68.58.900.4_0	5	2.1310.004.2	A68.58.900.4_1	15	A31.58.001.0	A68.58.903.4_0	1
2.3213.234.0	A68.58.900.4_0	6	2.1011.105.2	A68.58.900.4_1	16	ROS12L1X	A68.58.903.4_0	1
0.020.9221.3	A68.58.900.4_0	7	0.020.9255.3/10	A68.58.900.4_1	17	A68.58.030.0	A68.58.904.4_2	1
2.1531.091.0	A68.58.900.4_0	8	2.0114.411.2	A68.58.900.4_1	18	A68.58.003.0	A68.58.904.4_2	2
2.4419.350.1/40	A68.58.900.4_0	9	2.1310.007.2	A68.58.900.4_1	19	A68.58.002.3/20	A68.58.904.4_2	3
2.4419.280.0/10	A68.58.900.4_0	10	2.1310.006.2	A68.58.900.4_1	20	SH900.58.101	A68.58.904.4_2	4
2.3139.007.1	A68.58.900.4_0	11	2.1011.421.2	A68.58.900.4_1	21	A68.58.005.2/10	A68.58.904.4_2	5
2.0422.209.2	A68.58.900.4_0	12	2.3213.240.0	A68.58.900.4_1	22	2.0112.308.2	A68.58.904.4_2	6
0.020.9225.3	A68.58.900.4_0	13	A68.58.027.3	A68.58.900.4_1	23	2.1475.103.2	A68.58.904.4_2	7
0.020.9226.3	A68.58.900.4_0	14	2.1532.087.0	A68.58.900.4_1	24	A02.58.094.0	A68.58.905.4_2	1
2.1310.004.2	A68.58.900.4_0	15	2.0312.205.2	A68.58.900.4_1	25	A02.58.093.0	A68.58.905.4_2	2
2.1011.105.2	A68.58.900.4_0	16	2.7099.660.0/10	A68.58.900.4_1	26	2.1560.018.0	A68.58.905.4_2	3
0.020.9255.3/10	A68.58.900.4_0	17	0.021.6252.3	A68.58.900.4_1	28	A08.58.101.0	A68.58.905.4_2	5
2.0114.411.2	A68.58.900.4_0	18	2.0422.207.2	A68.58.900.4_1	29	A68.58.008.3/20	A68.58.905.4_2	6
2.1310.007.2	A68.58.900.4_0	19	2.1475.102.2	A68.58.900.4_1	30	A68.58.009.3/30	A68.58.905.4_2	7
2.1310.006.2	A68.58.900.4_0	20	0.021.7508.3	A68.58.900.4_1	31	A68.58.010.0/10	A68.58.905.4_2	8
2.1011.421.2	A68.58.900.4_0	21	2.3213.340.0	A68.58.900.4_1	32	A68.58.011.3	A68.58.905.4_2	9

零件编号	结构代码	零件顺序	零件编号	结构代码	零件顺序	零件编号	结构代码	零件顺序
A68.58.011.3	A68.58.905.4_2	9	2.1560.018.0	A68.58.915.4_2	3	A80.45.005.0	A80.45.901.4_0	1
A68.58.012.3	A68.58.905.4_2	10	A08.58.101.0	A68.58.915.4_2	5	A80.45.025.0	A80.45.902.4_0	1
GBT5625-08-A18/M22X1.5	A68.58.905.4_2	11	A68.58.024.3/20	A68.58.915.4_2	6	A80.45.026.0	A80.45.902.4_0	2
GBT5631-08-A16F	A68.58.905.4_2	12	A68.58.025.3/20	A68.58.915.4_2	7	A80.45.027.3	A80.45.902.4_0	3
GBT3452.1-19.3X2.2-G	A68.58.905.4_2	13	A68.58.010.0/10	A68.58.915.4_2	8	A80.45.041.3	A80.45.902.4_0	4
GBT5783-M8X45-A2L	A68.58.905.4_2	14	A68.58.011.3	A68.58.915.4_2	9	A80.45.044.0	A80.45.902.4_0	5
GBT5783-M8X65-A2L	A68.58.905.4_2	15	A68.58.012.3	A68.58.915.4_2	10	A80.45.045.0	A80.45.902.4_0	6
GBT93-8-A3L	A68.58.905.4_2	16	GBT5625-08-A18/M22X1.5	A68.58.915.4_2	11	A80.45.040.0	A80.45.902.4_0	7
SH904.58.168	A68.58.905.4_2	17	GBT5631-08-A16F	A68.58.915.4_2	12	A80.45.034.3	A80.45.902.4_0	8
A68.58.020.4	A68.58.905.4_2	18	GBT3452.1-19.3X2.2-G	A68.58.915.4_2	13	A80.45.037.0	A80.45.902.4_0	9
GBT5625-08-A18/M22X1.5F	A68.58.905.4_2	19	GBT5783-M8X45-A2L	A68.58.915.4_2	14	A80.45.033.0	A80.45.902.4_0	10
A02.58.094.0	A68.58.905.4_4	1	GBT5783-M8X65-A2L	A68.58.915.4_2	15	A80.45.039.0	A80.45.902.4_0	11
A02.58.093.0	A68.58.905.4_4	2	GBT93-8-A3L	A68.58.915.4_2	16	A80.45.047.0	A80.45.902.4_0	12
A08.58.101.0	A68.58.905.4_4	5	SH904.58.168	A68.58.915.4_2	17	A80.45.048.0	A80.45.902.4_0	13
A68.58.041.3/10	A68.58.905.4_4	6	A68.58.020.4	A68.58.915.4_2	18	A80.45.038.0	A80.45.902.4_0	14
A68.58.042.3	A68.58.905.4_4	7	GBT5625-08-A18/M22X1.5F	A68.58.915.4_2	19	2.0332.409.2	A80.45.902.4_0	15
GBT5625-08-A16/M22x1.5F	A68.58.905.4_4	12	A02.58.094.0	A68.58.915.4_4	1	A80.45.046.0	A80.45.902.4_0	16
GBT3452.1-19.3X2.2-G	A68.58.905.4_4	13	A02.58.093.0	A68.58.915.4_4	2	A39.45.047.0	A80.45.902.4_0	17
B06.58.024.4	A68.58.905.4_4	18	A08.58.101.0	A68.58.915.4_4	5	A39.45.048.0	A80.45.902.4_0	18
GBT5625-08-A18/M22X1.5F	A68.58.905.4_4	19	A68.58.043.3/10	A68.58.915.4_4	6	GBT5783-M8X20-A2L	A80.45.902.4_0	19
C63.58.011.3/10	A68.58.905.4_4	20	A68.58.044.3	A68.58.915.4_4	7	GBT97.1-8-A3L	A80.45.902.4_0	20
2.3320.319.0	A68.58.905.4_4	21	GBT5625-08-A16/M22x1.5F	A68.58.915.4_4	12	2.1430.011.7	A80.45.902.4_0	21
2.1310.002.2	A68.58.905.4_4	22	GBT3452.1-19.3X2.2-G	A68.58.915.4_4	13	2.0332.408.2	A80.45.902.4_0	22
2.0112.017.2	A68.58.905.4_4	23	B06.58.024.4	A68.58.915.4_4	18	GBT93-6-A3L	A80.45.902.4_0	23
A68.58.040.0	A68.58.911.4_0	1	GBT5625-08-A18/M22X1.5F	A68.58.915.4_4	19	GBT97.1-6-A3L	A80.45.902.4_0	24
2.1475.004.2	A68.58.911.4_0	2	C63.58.011.3/10	A68.58.915.4_4	20	GBT6170-M6-A2L	A80.45.902.4_0	25
2.0312.412.2	A68.58.911.4_0	3	2.3320.319.0	A68.58.915.4_4	21	GBT6170-M8-A2L	A80.45.902.4_0	26
A68.58.021.0/10	A68.58.913.4_2	1	2.1310.002.2	A68.58.915.4_4	22	A80.45.049.0	A80.45.903.4_0	1
A68.58.021.0/20	A68.58.913.4_3	1	2.0112.017.2	A68.58.915.4_4	23	A80.45.026.0	A80.45.903.4_0	2
A68.58.030.0	A68.58.914.4_0	1	A68.58.031.0	A68.58.923.4_0	1	A80.45.050.3	A80.45.903.4_0	3
A68.58.003.0	A68.58.914.4_0	2	A78.45.003.4	A78.45.933.4_0	1	A80.45.058.3	A80.45.903.4_0	4
A68.58.002.3/20	A68.58.914.4_0	3	2.0332.407.3	A78.45.933.4_0	2	A80.45.044.0	A80.45.903.4_0	5
A68.58.029.0	A68.58.914.4_0	4	2.1312.003.2	A78.45.933.4_0	3	A80.45.056.0	A80.45.903.4_0	6
A68.58.005.2/10	A68.58.914.4_0	5	A24.48.002.0	A78.48.964.4_0	1	A80.45.057.0	A80.45.903.4_0	7
2.0112.308.2	A68.58.914.4_0	6	A78.48.003.0	A78.48.964.4_0	2	A80.45.054.3	A80.45.903.4_0	8
2.1475.103.2	A68.58.914.4_0	7	2.6852.203.0	A78.48.964.4_0	3	A80.45.037.0	A80.45.903.4_0	9
A68.58.028.3	A68.58.914.4_0	8	2.1310.028.2	A78.48.964.4_0	4	A80.45.033.0	A80.45.903.4_0	10
A68.58.023.0	A68.58.914.4_0	9	2.1473.004.2	A78.48.964.4_0	5	A80.45.039.0	A80.45.903.4_0	11
2.1560.018.0	A68.58.914.4_0	10	2.0332.203.2	A78.48.964.4_0	6	A80.45.047.0	A80.45.903.4_0	12
A02.58.094.0	A68.58.915.4_2	1	A78.74.001.2	A78.74.904.4_0	1	A80.45.048.0	A80.45.903.4_0	13

零件编号	结构代码	零件顺序	零件编号	结构代码	零件顺序	零件编号	结构代码	零件顺序
A80.45.048.0	A80.45.903.4_0	13	A39.45.048.0	A80.45.905.4_0	6	A39.45.047.0	A80.45.915.4_0	12
A80.45.038.0	A80.45.903.4_0	14	A80.45.072.0	A80.45.905.4_0	7	GBT96.1-8-A3L	A80.45.915.4_0	13
2.0332.409.2	A80.45.903.4_0	15	A80.45.081.0	A80.45.905.4_0	8	A80.45.094.0	A80.45.931.4_0	1
A80.45.061.0	A80.45.903.4_0	16	A80.45.082.0	A80.45.905.4_0	9	A80.45.095.2	A80.45.931.4_0	2
A39.45.047.0	A80.45.903.4_0	17	GBT819.1-M8X35-A2L	A80.45.905.4_0	10	A80.45.088.0	A80.45.931.4_0	3
A39.45.048.0	A80.45.903.4_0	18	GBT889.1-M8-A2L	A80.45.905.4_0	11	A80.45.096.2	A80.45.964.4_0	1
GBT5783-M8X20-A2L	A80.45.903.4_0	19	A39.45.047.0	A80.45.905.4_0	12	A80.45.097.2	A80.45.964.4_0	2
GBT97.1-8-A3L	A80.45.903.4_0	20	GBT96.1-8-A3L	A80.45.905.4_0	13	A80.45.098.0	A80.45.964.4_0	3
2.1430.011.7	A80.45.903.4_0	21	A80.45.084.4	A80.45.906.4_0	1	A80.45.099.0	A80.45.964.4_0	4
2.0332.408.2	A80.45.903.4_0	22	GBT5783-M8X20-A2L	A80.45.906.4_0	2	A80.45.100.0	A80.45.964.4_0	5
GBT93-6-A3L	A80.45.903.4_0	23	GBT97.1-8-A3L	A80.45.906.4_0	3	A80.45.101.0	A80.45.964.4_0	6
GBT97.1-6-A3L	A80.45.903.4_0	24	GBT6170-M8-A2L	A80.45.906.4_0	4	A23.45.103.0	A80.45.964.4_0	7
GBT6170-M6-A2L	A80.45.903.4_0	25	A80.45.012.0	A80.45.907.4_0	1	2.0350.455.2	A80.45.964.4_0	8
GBT6170-M8-A2L	A80.45.903.4_0	26	A80.45.013.0	A80.45.907.4_0	2	GBT5783-M8X20-A2L	A80.45.964.4_0	9
A80.45.063.0	A80.45.904.4_0	1	A80.45.086.0	A80.45.907.4_0	3	GBT97.1-8-A3L	A80.45.964.4_0	10
A80.45.064.0	A80.45.904.4_0	2	A80.45.087.0	A80.45.907.4_0	4	GBT6170-M8-A2L	A80.45.964.4_0	11
A80.45.068.3	A80.45.904.4_0	3	A80.45.089.0	A80.45.907.4_0	5	GBT97.1-6-A3L	A80.45.964.4_0	12
A80.45.066.0	A80.45.904.4_0	4	A80.45.088.0	A80.45.907.4_0	6	GBT6170-M6-A2L	A80.45.964.4_0	13
A39.45.048.0	A80.45.904.4_0	5	A80.45.014.4	A80.45.908.4_0	1	A80.48.001.4	A80.48.904.4_0	1
A39.45.047.0	A80.45.904.4_0	6	A80.45.088.0	A80.45.908.4_0	2	A80.81.001.4	A80.81.903.4_1	1
GBT97.1-8-A3L	A80.45.904.4_0	7	A80.45.015.2	A80.45.909.4_0	1	K81TY2500G-01	A80.81.903.4_1	1
GBT889.1-M8-A2L	A80.45.904.4_0	8	A80.45.090.0	A80.45.909.4_0	2	GBT5783-M10X25-A3L	A80.81.903.4_1	2
A80.45.076.0	A80.45.904.4_0	9	A80.45.091.0	A80.45.909.4_0	3	GBT96.1-10-A3L	A80.81.903.4_1	3
A80.45.067.0	A80.45.904.4_0	10	A39.45.125.0	A80.45.909.4_0	4	GBT97.1-10-A3L	A80.81.903.4_1	4
A80.45.077.0	A80.45.904.4_0	11	GBT818-M5X16-A2L	A80.45.909.4_0	5	GBT6170-M10-A3L	A80.81.903.4_1	5
2.1430.006.7	A80.45.904.4_0	12	GBT825-M16-A3L	A80.45.909.4_0	6	0.020.7148.0	B05.40.905.4_0	1
A80.45.074.0	A80.45.904.4_0	13	2.1569.211.0	A80.45.909.4_0	7	0.020.7149.3	B05.40.905.4_0	2
A80.45.075.0	A80.45.904.4_0	14	GBT97.1-12-A3L	A80.45.909.4_0	8	0.020.7150.0	B05.40.905.4_0	3
A80.45.070.0	A80.45.904.4_0	15	2.0112.435.2	A80.45.909.4_0	9	C63.40.014.3	B05.40.905.4_0	4
GBT5783-M6X25-A2L	A80.45.904.4_0	16	A80.45.083.0	A80.45.915.4_0	1	0.021.2046.3	B05.40.905.4_0	5
GBT97.1-6-A3L	A80.45.904.4_0	17	A80.45.079.0	A80.45.915.4_0	2	0.176.6359.0	B05.40.905.4_0	6
A80.45.072.0	A80.45.904.4_0	18	A80.45.080.0	A80.45.915.4_0	3	2.0112.011.2	B05.40.905.4_0	7
A80.45.069.0	A80.45.904.4_0	19	GBT97.1-6-A3L	A80.45.915.4_0	4	2.0112.205.2	B05.40.905.4_0	8
A80.45.073.0	A80.45.904.4_0	20	2.0332.408.2	A80.45.915.4_0	5	2.0112.307.2	B05.40.905.4_0	9
A80.45.071.0	A80.45.904.4_0	21	A39.45.048.0	A80.45.915.4_0	6	2.0312.206.2	B05.40.905.4_0	10
2.1430.007.2	A80.45.904.4_0	22	A80.45.072.0	A80.45.915.4_0	7	2.1011.103.2	B05.40.905.4_0	11
A80.45.078.0	A80.45.905.4_0	1	A80.45.081.0	A80.45.915.4_0	8	2.1310.004.2	B05.40.905.4_0	12
A80.45.079.0	A80.45.905.4_0	2	A80.45.082.0	A80.45.915.4_0	9	2.1310.006.2	B05.40.905.4_0	13
A80.45.080.0	A80.45.905.4_0	3	GBT819.1-M8X35-A2L	A80.45.915.4_0	10	2.1470.002.2	B05.40.905.4_0	14
GBT97.1-6-A3L	A80.45.905.4_0	4	GBT889.1-M8-A2L	A80.45.915.4_0	11	B05.40.001.0	B05.40.905.4_0	15

零件编号	结构代码	零件顺序	零件编号	结构代码	零件顺序	零件编号	结构代码	零件顺序
B05.40.001.0	B05.40.905.4_0	15	B05.48.038.4	B05.48.955.4_0	3	0.020.6162.0	B05.50.900.4_1	15
2.6839.051.0	B05.40.905.4_0	16	2.6852.203.0	B05.48.955.4_0	4	2.1011.109.2	B05.50.900.4_1	16
C63.40.017.3	B05.40.905.4_0	17	GBT5783-M10X25-A3L	B05.48.955.4_0	5	2.1475.205.2	B05.50.900.4_1	17
C63.40.007.3/10	B05.40.905.4_0	18	GBT93-10-A3L	B05.48.955.4_0	6	2.0112.511.2	B05.50.900.4_1	18
GBT3452.1-15.3X2.2-G	B05.40.905.4_0	19	GBT97.1-10-A3L	B05.48.955.4_0	7	0.029.1451.0	B05.50.900.4_1	19
0.020.9480.3/10	B05.42.900.4_0	1	GBT6170-M6-A2L	B05.48.955.4_0	8	2.6851.019.0	B05.50.900.4_1	20
B05.42.001.2	B05.42.900.4_0	2	GBT93-6-A3L	B05.48.955.4_0	9	2.1475.204.2	B05.50.900.4_1	21
2.0112.004.2	B05.42.900.4_0	3	GBT97.1-6-A3L	B05.48.955.4_0	10	2.1011.107.2	B05.50.900.4_1	22
2.0112.205.2	B05.42.900.4_0	4	0.020.7390.3/30	B05.50.001.4	1	A23.50.014.0	B05.50.900.4_1	23
2.0112.208.2	B05.42.900.4_0	5	0.020.7396.3	B05.50.001.4	5	2.7059.013.0	B05.50.900.4_1	24
2.0112.307.2	B05.42.900.4_0	6	B05.50.002.3	B05.50.001.4	11	2.1480.010.2	B05.50.900.4_1	25
2.1012.421.7	B05.42.900.4_0	7	2.3249.224.0	B05.50.001.4	12	2.0312.702.2	B05.50.900.4_1	26
2.1312.003.2	B05.42.900.4_0	8	2.3249.373.0	B05.50.001.4	13	B05.51.001.0	B05.51.900.4_0	1
2.1312.004.2	B05.42.900.4_0	9	2.1530.056.0	B05.50.001.4	14	C05.51.002.0/10	B05.51.900.4_0	2
2.1475.102.2	B05.42.900.4_0	10	0.011.5133.0	B05.50.001.4	15	0.021.5746.0	B05.51.900.4_0	3
2.1475.103.2	B05.42.900.4_0	11	0.021.0847.0	B05.50.001.4	16	2.0112.005.2	B05.51.900.4_0	4
B05.48.039.4	B05.48.904.4_1	1	0.020.7390.3/30	B05.50.001.4/10	1	2.0112.311.2	B05.51.900.4_0	5
2.7659.481.0	B05.48.904.4_1	4	0.020.7396.3	B05.50.001.4/10	5	2.1011.103.2	B05.51.900.4_0	6
A23.48.008.0	B05.48.904.4_1	5	B05.50.002.3	B05.50.001.4/10	11	2.1011.106.2	B05.51.900.4_0	7
A23.48.016.0	B05.48.904.4_1	8	2.3249.224.0	B05.50.001.4/10	12	2.1475.003.2	B05.51.900.4_0	8
A23.48.017.0	B05.48.904.4_1	9	2.3249.373.0	B05.50.001.4/10	13	2.1475.201.2	B05.51.900.4_0	9
SH900.48.059	B05.48.904.4_1	10	2.1530.056.0	B05.50.001.4/10	14	B05.81.001.3/10	B05.81.900.4_1	1
CD1204.48.041/20	B05.48.904.4_1	11	0.011.5133.0	B05.50.001.4/10	15	B05.81.002.3	B05.81.900.4_1	2
CD1204.48.032/20	B05.48.904.4_1	12	0.021.0847.0	B05.50.001.4/10	16	B05.81.003.0	B05.81.900.4_1	3
2.6569.069.0/10	B05.48.904.4_1	13	B05.50.001.4/10	B05.50.900.4_1	1	GBT5783-M6X16-A2L	B05.81.900.4_1	4
A39.48.035.0	B05.48.904.4_1	14	B05.50.001.4	B05.50.900.4_1	1	GBT5783-M6X20-A2L	B05.81.900.4_1	5
A39.48.036.0	B05.48.904.4_1	15	0.020.7391.2/10	B05.50.900.4_1	2	GBT93-6-A3L	B05.81.900.4_1	6
B05.48.012.4/20	B05.48.905.4_2	1	2.1312.004.2	B05.50.900.4_1	3	GBT97.1-6-A3L	B05.81.900.4_1	7
B29.48.017.0	B05.48.905.4_2	2	2.0112.205.2	B05.50.900.4_1	4	CD904.81.012	B05.81.901.4_1	1
2.6852.203.0	B05.48.905.4_2	3	2.0112.207.2	B05.50.900.4_1	5	GBT11544-A970LI	B05.81.901.4_1	2
2.6859.153.0	B05.48.905.4_2	4	0.022.3103.3	B05.50.900.4_1	6	2.0112.234.2	B05.81.901.4_1	3
GBT5783-M8X20-A2L	B05.48.905.4_2	5	0.022.3103.3/10	B05.50.900.4_1	6	2.1475.002.2	B05.81.901.4_1	4
GBT93-8-A3L	B05.48.905.4_2	6	04429298.4	B05.50.900.4_1	7	2.1011.105.2	B05.81.901.4_1	5
GBT97.1-8-A3L	B05.48.905.4_2	7	2.0422.413.2	B05.50.900.4_1	8	CD904.81.012	B05.81.901.4_2	1
2.6839.055.0	B05.48.905.4_2	8	04413213	B05.50.900.4_1	9	GBT11544-A980LI	B05.81.901.4_2	2
CD1204.48.044	B05.48.914.4_0	1	2.0112.413.2	B05.50.900.4_1	10	2.0112.234.2	B05.81.901.4_2	3
A39.48.038.0	B05.48.914.4_0	2	C63.50.001.2	B05.50.900.4_1	11	2.1475.002.2	B05.81.901.4_2	4
2.3199.383.0	B05.48.914.4_0	3	2.1475.206.2	B05.50.900.4_1	12	2.1011.105.2	B05.81.901.4_2	5
2.8039.359.0	B05.48.917.4_0	1	2.0112.617.2	B05.50.900.4_1	13	B05.11.001.0	B06.11.901.4_0	1
A31.48.017.0	B05.48.955.4_0	1	2.0422.617.2	B05.50.900.4_1	14	B05.11.002.2	B06.11.901.4_0	2

零件编号	结构代码	零件顺序	零件编号	结构代码	零件顺序	零件编号	结构代码	零件顺序
B05.11.002.2	B06.11.901.4_0	2	B06.13.016.0	B06.13.900.4_1	24	B06.56.007.2	B06.56.001.4	4
B05.11.003.0	B06.11.901.4_0	3	B29.13.015.0	B06.13.900.4_1	25	B06.56.010.3	B06.56.001.4	5
JBT8870-D120	B06.11.901.4_0	4	B29.13.012.0	B06.13.900.4_1	26	0.009.3144.2/20	B06.56.001.4	6
GBT5783-M8X25-A2L	B06.11.901.4_0	5	B06.13.010.0	B06.13.900.4_1	27	2.0112.413.2	B06.56.001.4	7
GBT93-8-A3L	B06.11.901.4_0	6	B29.13.011.0	B06.13.900.4_1	28	2.1470.007.2	B06.56.001.4	8
GBT96.1-8-A3L	B06.11.901.4_0	7	A29.13.007.0	B06.13.900.4_1	29	2.3820.101.2	B06.56.001.4	9
GBT97.1-8-A3L	B06.11.901.4_0	8	B29.13.006.0	B06.13.900.4_1	30	B06.56.013.2	B06.56.001.4	10
JBT8870-D110	B06.11.901.4_0	9	A31.13.006.0	B06.13.900.4_1	31	B06.56.014.0	B06.56.001.4	11
B05.11.001.0	B06.11.901.4_1	1	B29.13.007.0	B06.13.900.4_1	32	0.010.9322.4	B06.56.001.4	12
B05.11.002.2	B06.11.901.4_1	2	B29.13.008.0	B06.13.900.4_1	33	2.1412.008.7	B06.56.021.4	1
B05.11.003.0	B06.11.901.4_1	3	B06.13.007.2	B06.13.900.4_1	34	B06.56.026.0	B06.56.021.4	2
JBT8870-D120	B06.11.901.4_1	4	B06.13.008.0	B06.13.900.4_1	35	0.011.8086.0	B06.56.021.4	3
GBT5783-M8X20-A2L	B06.11.901.4_1	5	B06.13.012.2	B06.13.900.4_1	36	0.011.8088.0	B06.56.021.4	4
GBT93-8-A3L	B06.11.901.4_1	6	B06.13.009.3/10	B06.13.900.4_1	37	B06.56.025.0	B06.56.021.4	5
GBT96.1-8-A3L	B06.11.901.4_1	7	B06.13.011.2	B06.13.900.4_1	38	B06.56.022.3	B06.56.021.4	6
GBT97.1-8-A3L	B06.11.901.4_1	8	A02.13.010.0	B06.13.900.4_1	39	B06.56.024.0	B06.56.021.4	7
JBT8870-D110	B06.11.901.4_1	9	A68.13.005.0	B06.13.900.4_1	40	0.011.8087.0	B06.56.021.4	8
GBT5783-M8X16-A2L	B06.11.901.4_1	10	B29.13.024.0	B06.13.900.4_1	41	2.1412.008.7	B06.56.021.4/10	1
B06.13.001.4/10	B06.13.900.4_1	1	CD1204.13.012	B06.13.900.4_1	42	B06.56.026.0/10	B06.56.021.4/10	2
2.1011.106.2	B06.13.900.4_1	2	GBT97.1-4-A3L	B06.13.900.4_1	43	0.011.8086.0	B06.56.021.4/10	3
GBT93-10-A3L	B06.13.900.4_1	3	GBT5783-M4X12-A2L	B06.13.900.4_1	44	0.011.8088.0	B06.56.021.4/10	4
GBT97.1-10-A3L	B06.13.900.4_1	4	0.023.2676.2	B06.13.900.4_1	45	B06.56.025.0	B06.56.021.4/10	5
2.0422.311.7	B06.13.900.4_1	5	0.026.5598.0	B06.13.900.4_1	46	B06.56.022.3	B06.56.021.4/10	6
B06.13.013.0	B06.13.900.4_1	6	JBT8870-d16	B06.13.900.4_1	47	B06.56.024.0	B06.56.021.4/10	7
B29.13.019.0	B06.13.900.4_1	7	0.026.5598.0	B06.13.900.4_1	48	0.011.8087.0	B06.56.021.4/10	8
A68.13.013.0	B06.13.900.4_1	8	SH400.48.118	B06.13.900.4_1	49	B06.56.001.4	B06.56.901.4_0	1
GBT5783-M10X40-A3L	B06.13.900.4_1	9	SH400.48.112	B06.13.900.4_1	50	0.009.3144.2/20	B06.56.901.4_0	2
GBT5783-M8X20-A2L	B06.13.900.4_1	10	B06.34.001.4	B06.34.900.4_0	1	2.1470.007.2	B06.56.901.4_0	3
GBT97.1-8-A3L	B06.13.900.4_1	11	2.4811.330.0	B06.34.900.4_0	2	2.0112.415.2	B06.56.901.4_0	4
A68.13.006.0/10	B06.13.900.4_1	12	2.4820.140.0	B06.34.900.4_0	3	B06.56.021.4	B06.56.920.4_0	1
A68.13.007.0	B06.13.900.4_1	13	B06.34.001.4	B06.34.900.4_1	1	0.009.2300.0	B06.56.920.4_0	2
B29.13.021.0	B06.13.900.4_1	14	2.4811.330.0	B06.34.900.4_1	2	2.1669.036.2	B06.56.920.4_0	3
B29.13.022.3	B06.13.900.4_1	15	2.4820.140.0	B06.34.900.4_1	3	0.010.9322.4	B06.56.920.4_0	4
B06.13.015.2	B06.13.900.4_1	16	B06.48.015.0	B06.48.907.4_0	1	B06.56.028.3	B06.56.920.4_0	5
GBT5783-M10X20-A3L	B06.13.900.4_1	17	B06.48.032.0	B06.48.907.4_0	2	0.009.3492.4/50	B06.56.920.4_0	6
GBT96.1-8-A3L	B06.13.900.4_1	18	GBT5783-M10X20-A3L	B06.48.907.4_0	3	2.1310.004.2	B06.56.920.4_0	7
A68.13.004.3/10	B06.13.900.4_1	19	GBT93-10-A3L	B06.48.907.4_0	4	2.0112.206.2	B06.56.920.4_0	8
GBT5783-M8X16-A2L	B06.13.900.4_1	20	B06.56.009.2	B06.56.001.4	1	2.1475.103.2	B06.56.920.4_0	9
JBT8870-D70	B06.13.900.4_1	21	0.009.2816.0/30	B06.56.001.4	2	2.0112.308.2	B06.56.920.4_0	10
B06.13.014.0	B06.13.900.4_1	22	B06.56.002.3	B06.56.001.4	3	B05.55.001.0	B06.56.920.4_0	11

零件编号	结构代码	零件顺序	零件编号	结构代码	零件顺序	零件编号	结构代码	零件顺序
B05.55.001.0	B06.56.920.4_0	11	B06.56.042.3	B06.56.920.4_3	23	GBT96.1-5-A3L	B39.47.028.4/10	20
0.760.3810.0/50	B06.56.920.4_0	12	0.760.3954.0	B06.56.920.4_3	29	GBT96.1-6-A3L	B39.47.028.4/10	21
2.1470.009.2	B06.56.920.4_0	13	0.016.7834.3	B06.56.920.4_3	30	GBT97.1-6-A3L	B39.47.028.4/10	22
2.0112.621.2	B06.56.920.4_0	14	0.760.4552.0	B06.56.920.4_3	31	SH900.51.136	B61.51.901.4_4	1
2.0112.619.2	B06.56.920.4_0	15	0.016.7833.3	B06.56.920.4_3	32	SH900.51.132	B61.51.901.4_4	2
2.0112.617.2	B06.56.920.4_0	16	B06.56.031.0	B06.56.920.4_3	33	SH900.51.135	B61.51.901.4_4	3
0.76022.12.0	B06.56.920.4_0	17	B06.56.035.0	B06.56.920.4_3	34	SH900.51B.103	B61.51.901.4_4	4
0.760.2257.3	B06.56.920.4_0	18	B06.56.036.0	B06.56.920.4_3	35	SH900.51B.110	B61.51.901.4_4	5
A68.56.001.0/10	B06.56.920.4_0	19	C63.56.005.0/10	B06.56.920.4_3	36	SH900.51B.122	B61.51.901.4_4	6
A68.56.002.0	B06.56.920.4_0	20	0.008.2420.0/10	B06.56.920.4_3	37	B61.51.009.0/10	B61.51.901.4_4	8
A68.56.011.0	B06.56.920.4_0	21	2.1312.005.2	B06.56.920.4_3	38	SH900.51B.117	B61.51.901.4_4	9
A68.56.005.3/20	B06.56.920.4_0	22	2.0114.313.2	B06.56.920.4_3	39	SH900.51B.116	B61.51.901.4_4	10
A68.56.006.3/20	B06.56.920.4_0	23	2.1473.012.2	B06.56.920.4_3	40	SH900.51.118	B61.51.901.4_4	11
0.96081.53.0	B06.56.920.4_0	24	B09.58.007.0	B09.58.903.4_0	1	SH900.51B.119	B61.51.901.4_4	12
A68.56.008.0/10	B06.56.920.4_0	25	B29.45.023.3/20	B29.45.905.4_2	1	SH900.51B.125	B61.51.901.4_4	13
2.0114.320.2	B06.56.920.4_0	26	CD904.45.105	B29.45.905.4_2	2	SH900.51.153	B61.51.901.4_4	14
2.1473.008.2	B06.56.920.4_0	27	CD904.45.106	B29.45.905.4_2	3	SH900.51.154	B61.51.901.4_4	15
2.1011.106.2	B06.56.920.4_0	28	GBT93-8-A3L	B29.45.905.4_2	4	SH900.51.152	B61.51.901.4_4	16
0.760.3954.0	B06.56.920.4_0	29	GBT97.1-8-A3L	B29.45.905.4_2	5	SH900.51B.112	B61.51.901.4_4	17
0.016.7834.3	B06.56.920.4_0	30	GBT5783-M8X25-A2L	B29.45.905.4_2	6	SH900.51.122	B61.51.901.4_4	18
0.760.4552.0	B06.56.920.4_0	31	GBT6170-M8-A2L	B29.45.905.4_2	7	A11.51.004.0	B61.51.901.4_4	19
0.016.7833.3	B06.56.920.4_0	32	B39.47.013.0	B39.47.028.4/10	1	B61.51.010.0	B61.51.901.4_4	20
B06.56.021.4/10	B06.56.920.4_3	1	B39.47.014.0	B39.47.028.4/10	2	SH900.51.125	B61.51.901.4_4	23
0.009.2300.0	B06.56.920.4_3	2	B39.47.015.0	B39.47.028.4/10	3	SH900.51B.102	B61.51.901.4_4	24
2.1669.036.2	B06.56.920.4_3	3	B39.47.016.0	B39.47.028.4/10	4	SH900.51.130	B61.51.901.4_4	25
0.010.9322.4	B06.56.920.4_3	4	B39.47.017.0	B39.47.028.4/10	5	SH900.51B.120	B61.51.901.4_4	26
B06.56.028.3/10	B06.56.920.4_3	5	B39.47.018.0	B39.47.028.4/10	6	SH900.51B.123	B61.51.901.4_4	27
0.009.3492.4/50	B06.56.920.4_3	6	B39.47.019.0	B39.47.028.4/10	7	SH900.51.138	B61.51.901.4_4	29
2.1310.004.2	B06.56.920.4_3	7	B39.47.037.2	B39.47.028.4/10	8	2.9939.835.0/10	B61.51.901.4_4	30
2.0112.206.2	B06.56.920.4_3	8	CD1204.47.102	B39.47.028.4/10	9	SH900.51.136	B61.51.901.4_5	1
2.1475.103.2	B06.56.920.4_3	9	CD1204.47.116	B39.47.028.4/10	10	SH900.51.132	B61.51.901.4_5	2
2.0112.308.2	B06.56.920.4_3	10	CD1204.47.117	B39.47.028.4/10	11	SH900.51.135	B61.51.901.4_5	3
B05.55.001.0	B06.56.920.4_3	11	GBT5783-M6X20-A2L	B39.47.028.4/10	12	SH900.51B.103	B61.51.901.4_5	4
0.760.3810.0/60	B06.56.920.4_3	12	B39.47.036.0	B39.47.028.4/10	13	SH900.51B.110	B61.51.901.4_5	5
2.1470.009.2	B06.56.920.4_3	13	GBT5783-M8X20-A2L	B39.47.028.4/10	14	SH900.51B.122	B61.51.901.4_5	6
2.0112.621.2	B06.56.920.4_3	14	GBT6170-M6-A2L	B39.47.028.4/10	15	B61.51.009.0/10	B61.51.901.4_5	8
2.0112.619.2	B06.56.920.4_3	15	GBT97.1-8-A3L	B39.47.028.4/10	16	SH900.51B.117	B61.51.901.4_5	9
2.0112.617.2	B06.56.920.4_3	16	GBT818-M5X20-A2L	B39.47.028.4/10	17	SH900.51B.116	B61.51.901.4_5	10
0.76022.12.0	B06.56.920.4_3	17	GBT93-6-A3L	B39.47.028.4/10	18	SH900.51.118	B61.51.901.4_5	11
0.760.2257.3	B06.56.920.4_3	18	GBT93-8-A3L	B39.47.028.4/10	19	SH900.51B.119	B61.51.901.4_5	12

零件编号	结构代码	零件顺序	零件编号	结构代码	零件顺序	零件编号	结构代码	零件顺序
SH900.51B.119	B61.51.901.4_5	12	2.3339.431.2/10	C63.21.904.4_1	3	2.1011.305.2	C63.37.900.4_0	20
SH900.51B.125	B61.51.901.4_5	13	2.1560.008.0	C63.21.904.4_1	4	2.0432.007.2	C63.37.900.4_0	21
SH900.51.153	B61.51.901.4_5	14	2.1475.202.2	C63.21.904.4_1	5	2.1475.202.2	C63.37.900.4_0	22
SH900.51.154	B61.51.901.4_5	15	2.0112.219.2	C63.21.904.4_1	6	0.026.1441.0	C63.37.900.4_0	23
SH900.51.152	B61.51.901.4_5	16	0.257.6537.4/40	C63.21.904.4_1	7	2.1532.525.0	C63.37.900.4_0	24
SH900.51B.112	B61.51.901.4_5	17	0.020.9090.3	C63.21.904.4_1	8	2.1410.016.7	C63.37.900.4_0	25
SH900.51.122	B61.51.901.4_5	18	2.1579.018.2	C63.21.904.4_1	9	2.1599.965.0	C63.37.900.4_0	26
A11.51.004.0	B61.51.901.4_5	19	null	C63.31.001	null	2.2060.012.0	C63.37.900.4_0	27
B61.51.010.0	B61.51.901.4_5	20	451661	C63.31.001.4	1	2.1411.036.7	C63.37.900.4_0	28
SH900.51.125	B61.51.901.4_5	23	149703	C63.31.001.4	3	2.1599.964.0	C63.37.900.4_0	29
SH900.51B.102	B61.51.901.4_5	24	40837	C63.31.001.4	4	0.026.1510.0	C63.37.900.4_0	30
SH900.51.130	B61.51.901.4_5	25	210390	C63.31.001.4	5	2.2999.111.0	C63.37.900.4_0	31
SH900.51B.120	B61.51.901.4_5	26	28579	C63.31.001.4	5	2.0112.309.2	C63.37.900.4_0	32
SH900.51B.123	B61.51.901.4_5	27	134339	C63.31.001.4	6	2.1475.003.7	C63.37.900.4_0	33
SH900.51.138	B61.51.901.4_5	29	149436	C63.31.001.4	9	0.026.1531.3/10	C63.37.900.4_0	34
2.9939.835.0/10	B61.51.901.4_5	30	351504	C63.31.001.4	10	2.1532.112.0	C63.37.900.4_0	35
B61.51.001.0	B61.51.911.4_1	1	70787	C63.31.001.4	11	2.2030.008.0	C63.37.900.4_0	36
B61.51.005.3	B61.51.911.4_1	2	352563	C63.31.001.4	12	0.026.1533.0	C63.37.900.4_0	37
B61.51.006.0	B61.51.911.4_1	3	381523	C63.31.001.4	14	0.026.1533.0 ?	C63.37.900.4_0	37
GB/T 12618	B61.51.911.4_1	4	C63.31.001.4	C63.31.900.4_0	1	2.1411.025.7	C63.37.900.4_0	38
A62.51.002.0/20	B61.51.911.4_2	1	C63.37.003.0	C63.37.900.4_0	1	2.1599.966.0	C63.37.900.4_0	39
B61.51.005.3	B61.51.911.4_2	2	0.264.3112.0/20	C63.37.900.4_0	2	2.1410.014.7	C63.37.900.4_0	40
B61.51.006.0	B61.51.911.4_2	3	2.1125.003.7	C63.37.900.4_0	3	939952	C63.37.900.4_0	100
GBT12618.1-3X15	B61.51.911.4_2	4	2.0432.009.7	C63.37.900.4_0	4	0.026.0028.0/10	C63.37.901.4_0	1
B80.51.101.0	B80.51.904.4_0	1	0.233.3152.0	C63.37.900.4_0	5	2.0112.407.2	C63.37.901.4_0	2
C63.11.003.4	C63.11.910.4_0	1	0.233.3265.0	C63.37.900.4_0	6	2.0433.265.7	C63.37.901.4_0	3
0.021.8936.4/10	C63.11.920.4_0	1	0.233.3266.0	C63.37.900.4_0	7	2.0433.268.7	C63.37.901.4_0	4
C63.21.001.0	C63.21.901.4_0	1	0.264.3259.0	C63.37.900.4_0	8	2.0433.270.7	C63.37.901.4_0	5
0.264.6532.0/10	C63.21.901.4_0	2	2.1529.028.0	C63.37.900.4_0	9	2.0433.283.7	C63.37.901.4_0	6
2.2999.443.0	C63.21.901.4_0	3	2.1410.024.1	C63.37.900.4_0	10	2.0433.332.7	C63.37.901.4_0	7
0.016.9136.3/20	C63.21.901.4_0	4	2.2999.138.0	C63.37.900.4_0	11	2.0433.333.7	C63.37.901.4_0	8
2.3821.303.2	C63.21.901.4_0	5	2.1529.061.0	C63.37.900.4_0	12	2.0433.413.7	C63.37.901.4_0	9
2.1690.518.2	C63.21.901.4_0	6	C63.37.002.3	C63.37.900.4_0	13	2.0433.418.7	C63.37.901.4_0	10
2.1710.206.0	C63.21.901.4_0	7	2.2999.130.0	C63.37.900.4_0	14	2.0433.420.7	C63.37.901.4_0	11
2.3249.167.2	C63.21.901.4_0	8	2.1411.024.1	C63.37.900.4_0	15	2.1011.308.2	C63.37.901.4_0	12
0.011.2973.0	C63.21.901.4_0	9	0.026.1329.0	C63.37.900.4_0	16	2.1011.322.2	C63.37.901.4_0	13
0.012.6739.0	C63.21.901.4_0	10	0.026.1329.0 ?	C63.37.900.4_0	16	2.1011.422.2	C63.37.901.4_0	14
2.3249.756.2	C63.21.901.4_0	11	0.027.4297.4	C63.37.900.4_0	17	2.1012.309.7	C63.37.901.4_0	15
2.1560.005.0	C63.21.901.4_0	12	2.2999.562.0	C63.37.900.4_0	18	2.1423.027.7	C63.37.901.4_0	16
C63.21.001.3	C63.21.904.4_1	1	0.026.1332.0	C63.37.900.4_0	19	2.1475.006.2	C63.37.901.4_0	17



零件编号	结构代码	零件顺序	零件编号	结构代码	零件顺序	零件编号	结构代码	零件顺序
2.1475.006.2	C63.37.901.4_0	17	2.0112.211.2	C63.38.903.4_0	4	2.1560.018.0	C63.40.907.4_2	13
2.1475.204.2	C63.37.901.4_0	18	GBT73-M12X16-A3L	C63.38.903.4_0	5	2.1560.054.0	C63.40.907.4_2	14
2.1475.205.2	C63.37.901.4_0	19	2.3199.001.2	C63.38.903.4_0	6	C63.40.008.0	C63.40.907.4_2	15
2.1560.008.0	C63.37.901.4_0	20	2.1560.017.0	C63.38.903.4_0	7	SH404.40.120	C63.40.907.4_2	16
2.1560.017.0	C63.37.901.4_0	21	2.3120.002.4	C63.38.903.4_0	8	2.3261.010.2	C63.40.907.4_2	17
2.1651.911.0	C63.37.901.4_0	22	2.3820.105.2	C63.38.903.4_0	9	2.3264.009.2	C63.40.907.4_2	18
2.1699.448.0/10	C63.37.901.4_0	23	2.4019.308.0/10	C63.38.903.4_0	10	2.3335.008.2	C63.40.907.4_2	19
2.2999.520.0	C63.37.901.4_0	24	0.264.3153.3/20	C63.38.903.4_0	11	2.3339.257.0/20	C63.40.907.4_2	20
2.3199.001.2	C63.37.901.4_0	25	2.1475.003.7	C63.38.903.4_0	12	2.6839.066.0/10	C63.40.907.4_2	21
939946	C63.37.901.4_0	26	2.0112.305.2	C63.38.903.4_0	13	C63.40.001.3/10	C63.40.907.4_2	22
0.026.3265.2	C63.38.902.4_0	1	2.3170.011.2	C63.38.903.4_0	14	C63.40.002.3/10	C63.40.907.4_2	23
2.0112.207.2	C63.38.902.4_0	2	939948	C63.38.903.4_0	100	C63.40.003.3/10	C63.40.907.4_2	24
2.1475.102.2	C63.38.902.4_0	3	R92704F90	C63.38.903.4_0	101	C63.40.004.3/10	C63.40.907.4_2	25
2.0112.307.2	C63.38.902.4_0	4	939949	C63.38.903.4_0	102	0.020.9236.3	C63.40.927.4_2	1
2.1475.103.2	C63.38.902.4_0	5	2.1532.040.0	C63.40.902.4_1	1	0.021.0907.3	C63.40.927.4_2	2
0.026.2253.2	C63.38.902.4_0	6	C63.40.015.3	C63.40.902.4_1	2	0.021.0929.0	C63.40.927.4_2	3
0.269.6460.0	C63.38.902.4_0	7	2.1480.012.2	C63.40.902.4_1	3	0.021.0931.3	C63.40.927.4_2	4
0.026.3252.0	C63.38.902.4_0	8	2.0312.110.2	C63.40.902.4_1	4	0.021.1834.3	C63.40.927.4_2	5
2.6859.190.2	C63.38.902.4_0	9	2.3261.012.2	C63.40.902.4_1	5	2.0112.004.2	C63.40.927.4_2	6
0.020.0899.0	C63.38.902.4_0	10	2.1560.018.0	C63.40.902.4_1	6	2.0112.307.2	C63.40.927.4_2	7
0.026.2357.3/10	C63.38.902.4_0	11	0.264.6378.4/30	C63.40.902.4_1	7	2.1011.103.2	C63.40.927.4_2	8
2.0532.208.7	C63.38.902.4_0	12	2.3261.013.2	C63.40.902.4_1	8	2.1310.006.2	C63.40.927.4_2	9
2.4019.188.1	C63.38.902.4_0	13	2.6839.066.0/10	C63.40.902.4_1	9	2.1470.002.2	C63.40.927.4_2	10
2.1520.010.0	C63.38.902.4_0	14	C63.40.011.3	C63.40.902.4_1	10	2.1560.012.0	C63.40.927.4_2	11
2.1423.023.7	C63.38.902.4_0	15	2.1310.006.2	C63.40.902.4_1	11	2.1560.014.0	C63.40.927.4_2	12
2.2725.032.0	C63.38.902.4_0	16	2.1011.406.2	C63.40.902.4_1	12	2.1560.018.0	C63.40.927.4_2	13
0.269.6452.0	C63.38.902.4_0	17	2.1470.002.2	C63.40.902.4_1	13	2.1560.054.0	C63.40.927.4_2	14
2.1474.009.2	C63.38.902.4_0	18	2.0112.005.2	C63.40.902.4_1	14	2.3249.764.2	C63.40.927.4_2	15
2.0112.213.2	C63.38.902.4_0	19	0.020.9236.3	C63.40.907.4_2	1	SH404.40.120	C63.40.927.4_2	16
2.1630.615.0	C63.38.902.4_0	20	0.021.0907.3	C63.40.907.4_2	2	2.3261.010.2	C63.40.927.4_2	17
2.0112.404.2	C63.38.902.4_0	21	0.021.0929.0	C63.40.907.4_2	3	C63.40.002.3/10	C63.40.927.4_2	18
2.1560.008.0	C63.38.902.4_0	22	0.021.0931.3	C63.40.907.4_2	4	2.3335.008.2	C63.40.927.4_2	19
2.4019.334.1	C63.38.902.4_0	23	0.021.1834.3	C63.40.907.4_2	5	2.3339.257.0/20	C63.40.927.4_2	20
2.2810.007.0	C63.38.902.4_0	24	2.0112.004.2	C63.40.907.4_2	6	2.6839.066.0/10	C63.40.927.4_2	21
C63.38.002.0	C63.38.902.4_0	25	2.0112.307.2	C63.40.907.4_2	7	C63.40.012.3	C63.40.927.4_2	22
2.2725.057.0	C63.38.902.4_0	26	2.1011.103.2	C63.40.907.4_2	8	C63.40.013.4	C63.40.937.4_0	1
0.427.6433.0	C63.38.902.4_0	27	2.1310.006.2	C63.40.907.4_2	9	2.1560.008.0	C63.40.937.4_0	2
0.269.6461.0	C63.38.902.4_0	28	2.1470.002.2	C63.40.907.4_2	10	2.3120.008.4	C63.40.937.4_0	3
0.031.6129.0	C63.38.903.4_0	1	2.1560.012.0	C63.40.907.4_2	11	2.1480.014.2	C63.40.937.4_0	4
0.264.3161.0	C63.38.903.4_0	2	2.1560.014.0	C63.40.907.4_2	12	2.0312.221.2	C63.40.937.4_0	5

零件编号	结构代码	零件顺序	零件编号	结构代码	零件顺序	零件编号	结构代码	零件顺序
2.0312.221.2	C63.40.937.4_0	5	2.1411.032.1	C63.41.902.4_3	39	939960	C63.41.902.4_3	102
2.7099.044.0	C63.40.937.4_0	6	2.2472.005.0	C63.41.902.4_3	40	C63.41.008.0	C63.41.911.4_0	1
C63.41.007.0	C63.41.901.4_0	1	2.1499.229.7	C63.41.902.4_3	41	C63.41.009.0	C63.41.921.4_0	1
0.264.3610.0/10	C63.41.902.4_3	1	2.1214.008.7	C63.41.902.4_3	42	0.029.2704.0	C63.43.903.4_1	1
0.016.9687.3/20	C63.41.902.4_3	2	0.188.3653.0	C63.41.902.4_3	43	C63.43.001.3	C63.43.903.4_1	2
2.1549.680.2	C63.41.902.4_3	3	C63.41.004.0/10	C63.41.902.4_3	44	0.029.2701.3	C63.43.903.4_1	3
2.1549.681.2	C63.41.902.4_3	4	0.188.3655.0/20	C63.41.902.4_3	45	2.0112.411.2	C63.43.903.4_1	4
2.1549.682.2	C63.41.902.4_3	5	0.188.3656.0/30	C63.41.902.4_3	46	2.1310.007.2	C63.43.903.4_1	5
2.3249.457.2	C63.41.902.4_3	6	0.188.3654.0	C63.41.902.4_3	47	2.1560.008.0	C63.43.903.4_1	6
2.1560.014.0	C63.41.902.4_3	7	C63.41.002.0/10	C63.41.902.4_3	48	2.3339.447.2/10	C63.43.903.4_1	7
2.4019.093.1	C63.41.902.4_3	8	0.022.8620.0	C63.41.902.4_3	49	C63.45.092.3	C63.45.091.4	1
2.1530.038.0	C63.41.902.4_3	9	2.0432.261.7	C63.41.902.4_3	50	C63.45.100.3	C63.45.091.4	2
0.018.9236.0	C63.41.902.4_3	10	2.1475.004.2	C63.41.902.4_3	51	C63.45.099.3	C63.45.091.4	3
2.1011.105.2	C63.41.902.4_3	11	2.1011.422.2	C63.41.902.4_3	52	GBT5783-M8X20-A2L	C63.45.091.4	4
2.1475.202.2	C63.41.902.4_3	12	2.2064.013.0	C63.41.902.4_3	53	GBT97.1-8-A3L	C63.45.091.4	5
0.018.8990.0	C63.41.902.4_3	13	2.1011.522.2	C63.41.902.4_3	54	GBT93-8-A3L	C63.45.091.4	6
2.1699.167.0/10	C63.41.902.4_3	14	2.1529.183.0	C63.41.902.4_3	55	GBT6170-M8-A2L	C63.45.091.4	7
2.1631.512.9	C63.41.902.4_3	15	C63.41.006.0	C63.41.902.4_3	56	GBT5783-M10X50-A3L	C63.45.091.4	8
0.264.8268.0	C63.41.902.4_3	16	0.427.6833.0	C63.41.902.4_3	57	GBT97.1-10-A3L	C63.45.091.4	9
2.1631.517.0	C63.41.902.4_3	17	0.188.3659.0/20	C63.41.902.4_3	58	GBT93-10-A3L	C63.45.091.4	10
0.020.3942.0	C63.41.902.4_3	18	2.4019.222.1	C63.41.902.4_3	59	GBT6170-M10-A3L	C63.45.091.4	11
2.2040.012.0	C63.41.902.4_3	19	2.1539.026.0	C63.41.902.4_3	60	0.029.1220.4	C63.45.903.4_0	1
2.1549.793.0	C63.41.902.4_3	20	2.1630.615.0	C63.41.902.4_3	61	0.029.3874.4	C63.45.903.4_0	2
2.2030.009.0	C63.41.902.4_3	21	0.018.0119.2	C63.41.902.4_3	62	2.1011.106.2	C63.45.903.4_0	3
2.1420.016.0	C63.41.902.4_3	22	2.1720.006.0	C63.41.902.4_3	63	C63.45.005.0	C63.45.903.4_0	4
0.020.4014.0/10	C63.41.902.4_3	23	2.1659.545.0	C63.41.902.4_3	64	C63.45.004.0	C63.45.903.4_0	5
0.264.3650.0/40	C63.41.902.4_3	24	2.0433.157.7	C63.41.902.4_3	65	C63.45.006.0	C63.45.903.4_0	6
0.020.6378.4/10	C63.41.902.4_3	25	2.1475.103.2	C63.41.902.4_3	66	0.020.3700.0	C63.45.903.4_0	7
0.012.6169.0	C63.41.902.4_3	26	2.1012.421.7	C63.41.902.4_3	67	A68.45.083.0	C63.45.903.4_0	8
2.1475.002.7	C63.41.902.4_3	27	0.163.3664.0/10	C63.41.902.4_3	68	2.0332.407.3	C63.45.903.4_0	9
2.0432.011.7	C63.41.902.4_3	28	2.1011.405.2	C63.41.902.4_3	69	2.1310.002.2	C63.45.903.4_0	10
2.1410.020.1	C63.41.902.4_3	29	2.1532.521.0	C63.41.902.4_3	70	2.0112.211.2	C63.45.903.4_0	11
2.2030.011.0	C63.41.902.4_3	30	0.022.8625.0	C63.41.902.4_3	71	2.1474.009.2	C63.45.903.4_0	12
0.233.3654.0	C63.41.902.4_3	31	2.0112.209.2	C63.41.902.4_3	72	0.018.0662.0	C63.45.906.4_0	1
2.1410.014.1	C63.41.902.4_3	32	2.1475.002.2	C63.41.902.4_3	73	C63.45.020.0	C63.45.907.4_0	1
2.1410.016.1	C63.41.902.4_3	33	C63.41.005.0	C63.41.902.4_3	74	C63.45.090.3/10	C63.45.910.4_0	1
2.2999.174.0/10	C63.41.902.4_3	34	2.1475.002.2	C63.41.902.4_3	75	C63.45.091.4	C63.45.910.4_0	2
C63.41.003.0/10	C63.41.902.4_3	35	C63.41.005.0	C63.41.902.4_3	76	0.026.5183.0	C63.45.910.4_0	3
2.1579.897.0	C63.41.902.4_3	36	939688	C63.41.902.4_3	100	B36.45.038.0/10	C63.45.910.4_0	4
2.2725.015.0	C63.41.902.4_3	37	939027	C63.41.902.4_3	101	2.0112.425.2	C63.45.910.4_0	5

零件编号	结构代码	零件顺序	零件编号	结构代码	零件顺序	零件编号	结构代码	零件顺序
2.0112.425.2	C63.45.910.4_0	5	C63.74.001.3	C63.74.900.4_0	1	2.1019.192.0	D14.22.900.4_0	20
2.1310.007.2	C63.45.910.4_0	6	C05.74.001.3	C63.74.900.4_0	2	0.020.1563.4/10	D14.22.900.4_1	1
2.0112.413.2	C63.45.910.4_0	7	GBT5783-M6X16-A2L	C63.74.900.4_0	3	0.020.1561.3/10	D14.22.900.4_1	2
2.1011.107.2	C63.45.910.4_0	8	GBT5783-M8X20-A2L	C63.74.900.4_0	4	0.020.1569.3/30	D14.22.900.4_1	3
0.034.4543.0/10	C63.45.910.4_0	9	GBT93-6-A3L	C63.74.900.4_0	5	0.020.2067.2/10	D14.22.900.4_1	4
2.1855.010.0	C63.45.910.4_0	10	GBT93-8-A3L	C63.74.900.4_0	6	0.020.2068.0/10	D14.22.900.4_1	5
2.6569.069.0/10	C63.45.910.4_0	11	A68.45.101.4/20	C63.81.903.4_1	1	0.020.2066.0/10	D14.22.900.4_1	6
A11.45.002.0	C63.45.910.4_0	12	2.6851.001.0	C63.81.903.4_1	2	0.020.2069.2/20	D14.22.900.4_1	7
C63.45.114.0	C63.45.910.4_0	13	2.1560.010.0	C63.81.903.4_1	3	2.1475.106.2	D14.22.900.4_1	8
GBT97.1-10-A3L	C63.45.910.4_0	14	0.034.2076.4	D14.11.902.4_0	1	2.0422.611.2	D14.22.900.4_1	9
GBT93-10-A3L	C63.45.910.4_0	15	D14.11.001.2	D14.11.902.4_0	2	2.1011.109.2	D14.22.900.4_1	10
GBT5783-M10X30-A3L	C63.45.910.4_0	16	GBT5783-M8X20-A2L	D14.11.902.4_0	3	2.0112.429.2	D14.22.900.4_1	11
C63.45.088.2	C63.45.930.4_0	1	GBT93-8-A3L	D14.11.902.4_0	4	2.1040.107.7	D14.22.900.4_1	12
C63.45.089.0	C63.45.930.4_0	2	GBT97.1-8-A3L	D14.11.902.4_0	5	2.1475.202.2	D14.22.900.4_1	13
A80.45.088.0	C63.45.930.4_0	3	GBT5783-M8X25-A2L	D14.11.902.4_0	6	2.1475.204.2	D14.22.900.4_1	14
0.020.3772.0	C63.45.930.4_0	4	GBT96.1-8-A3L	D14.11.902.4_0	7	2.0112.413.2	D14.22.900.4_1	15
2.0332.407.2	C63.45.930.4_0	5	GBT6170-M8-A3L	D14.11.902.4_0	8	2.1470.004.2	D14.22.900.4_1	16
C63.45.115.2	C63.45.940.4_0	1	D14.11.002.2	D14.11.902.4_0	9	2.0112.205.2	D14.22.900.4_1	17
C63.45.089.0	C63.45.940.4_0	2	2.6851.016.0	D14.11.902.4_0	10	2.0422.411.2	D14.22.900.4_1	18
A80.45.088.0	C63.45.940.4_0	3	D14.11.003.0	D14.11.902.4_0	11	2.1011.107.2	D14.22.900.4_1	19
0.020.3772.0	C63.45.940.4_0	4	JBT8870-D130	D14.11.902.4_0	12	2.1019.192.0	D14.22.900.4_1	20
2.0332.407.2	C63.45.940.4_0	5	0.020.1563.4/10	D14.22.900.4_0	1	D14.22.001.4	D14.22.900.4_1	21
C63.45.098.3	C63.45.962.4_0	1	0.020.1561.3/10	D14.22.900.4_0	2	0.034.1891.4/10	D14.32.900.4_0	1
GBT5783-M6X20-A2L	C63.45.962.4_0	2	0.020.1569.3/30	D14.22.900.4_0	3	D14.32.001.0	D14.32.900.4_0	2
GBT97.1-6-A3L	C63.45.962.4_0	3	0.020.2067.2/10	D14.22.900.4_0	4	0.019.1031.0	D14.32.900.4_0	3
A68.45.044.3/30	C63.45.963.4_0	1	0.020.2068.0/10	D14.22.900.4_0	5	0.034.1891.4/10	D14.32.900.4_1	1
A68.45.072.3	C63.45.963.4_0	2	0.020.2066.0/10	D14.22.900.4_0	6	2.4811.235.0	D14.32.900.4_1	2
B06.45.005.3/10	C63.45.963.4_0	3	0.020.2069.2/20	D14.22.900.4_0	7	0.019.1031.0	D14.32.900.4_1	3
GBT5783-M8X20-A2L	C63.45.963.4_0	4	2.1475.106.2	D14.22.900.4_0	8	D14.34.002.4/10	D14.34.901.4_1	1
GBT93-8-A3L	C63.45.963.4_0	5	2.0422.611.2	D14.22.900.4_0	9	D14.34.001.0	D14.34.901.4_1	2
GBT97.1-8-A3L	C63.45.963.4_0	6	2.1011.109.2	D14.22.900.4_0	10	0.019.1031.0	D14.34.901.4_1	3
A68.45.079.3/70	C63.45.972.4_1	1	2.0112.429.2	D14.22.900.4_0	11	D14.34.002.4/10	D14.34.901.4_2	1
A68.45.075.3/30	C63.45.972.4_1	2	2.1040.107.7	D14.22.900.4_0	12	2.4811.128.0	D14.34.901.4_2	2
GBT5783-M8X20-A2L	C63.45.972.4_1	3	2.1475.202.2	D14.22.900.4_0	13	0.019.1031.0	D14.34.901.4_2	3
GBT97.1-8-A3L	C63.45.972.4_1	4	2.1475.204.2	D14.22.900.4_0	14	D14.40.006.0	D14.40.904.4_0	1
C63.45.114.0	C63.45.972.4_1	5	2.0112.413.2	D14.22.900.4_0	15	GBT6170-M8-A2L	D14.47.901.4_0	1
0.026.5183.0	C63.45.972.4_1	6	2.1470.004.2	D14.22.900.4_0	16	2.0422.323.2	D14.47.901.4_0	2
0.034.5646.0	C63.58.909.4_0	1	2.0112.205.2	D14.22.900.4_0	17	2.0422.325.2	D14.47.901.4_0	3
0.034.5647.0	C63.58.909.4_0	2	2.0422.411.2	D14.22.900.4_0	18	2.0532.003.7	D14.47.901.4_0	4
0.034.5646.0	C63.58.919.4_0	1	2.1011.107.2	D14.22.900.4_0	19	2.1559.147.0	D14.47.901.4_0	5

零件编号	结构代码	零件顺序	零件编号	结构代码	零件顺序	零件编号	结构代码	零件顺序
2.1559.147.0	D14.47.901.4_0	5	B29.47.059.3	D14.47.902.4_0	15	A68.55.003.0	D14.55.901.4_0	2
2.1699.563.0	D14.47.901.4_0	6	GBT5783-M10X20-A3L	D14.47.902.4_0	16	D14.55.008.0	D14.55.901.4_0	3
A68.47.003.3	D14.47.901.4_0	7	GBT5783-M8X16-A2L	D14.47.902.4_0	17	A68.55.005.2	D14.55.901.4_0	4
A68.47.005.3	D14.47.901.4_0	8	GBT5783-M8X35-A2L	D14.47.902.4_0	18	GBT5783-M12X25-A3L	D14.55.901.4_0	5
A68.47.006.3	D14.47.901.4_0	9	GBT5783-M8X40-A2L	D14.47.902.4_0	19	GBT93-12-A3L	D14.55.901.4_0	6
B05.47.001.3/20	D14.47.901.4_0	10	GBT93-8-A3L	D14.47.902.4_0	20	A68.55.002.0/20	D14.55.901.4_1	1
B05.47.003.3/20	D14.47.901.4_0	11	D14.48.013.0	D14.48.900.4_0	1	A68.55.003.0/20	D14.55.901.4_1	2
B05.47.004.3	D14.47.901.4_0	12	D14.48.014.0	D14.48.900.4_0	2	D14.55.008.0	D14.55.901.4_1	3
B05.47.016.2/10	D14.47.901.4_0	13	GBT97.1-10-A3L	D14.48.900.4_0	3	A68.55.005.2	D14.55.901.4_1	4
B05.47.017.2/10	D14.47.901.4_0	14	GBT93-10-A3L	D14.48.900.4_0	4	2.0114.409.2	D14.55.901.4_1	5
GBT93-8-A3L	D14.47.901.4_0	15	GBT5783-M10X16-A3L	D14.48.900.4_0	5	2.1473.009.2	D14.55.901.4_1	6
GBT93-10-A3L	D14.47.901.4_0	16	B09.48.013.0	D14.48.900.4_0	6	B05.81.003.0	D14.81.901.4_0	1
GBT93-12-A3L	D14.47.901.4_0	17	B05.48.017.4/30	D14.48.900.4_0	7	B06.81.002.4	D14.81.901.4_0	2
GBT5783-M8X50-A2L	D14.47.901.4_0	18	D14.48.015.4	D14.48.900.4_0	8	A68.81.007.4/10	D14.81.901.4_0	3
GBT97.1-8-A3L	D14.47.901.4_0	19	2.6852.203.0	D14.48.900.4_0	9	2.6852.101.0	D14.81.901.4_0	4
GBT97.1-10-A3L	D14.47.901.4_0	20	CD554.48.030	D14.48.900.4_0	10	B05.81.003.0	D14.81.901.4_2	1
GBT97.1-12-A3L	D14.47.901.4_0	21	GBT93-8-A3L	D14.48.900.4_0	11	B06.81.002.4/20	D14.81.901.4_2	2
GBT5783-M10X50-A3L	D14.47.901.4_0	22	GBT5783-M6X20-A2L	D14.48.900.4_0	12	A68.81.007.4/10	D14.81.901.4_2	3
GBT5783-M8X20-A2L	D14.47.901.4_0	23	GBT97.1-6-A3L	D14.48.900.4_0	13	2.6852.101.0	D14.81.901.4_2	4
GBT5783-M8X25-A2L	D14.47.901.4_0	24	GBT93-6-A3L	D14.48.900.4_0	14	B06.81.008.4	D14.81.902.4_0	1
GBT5782-M8X55-A2L	D14.47.901.4_0	25	GBT97.1-8-A3L	D14.48.900.4_0	15	B06.81.007.4	D14.81.902.4_0	2
GBT5783-M12X30-10.9-A3L	D14.47.901.4_0	26	GBT5783-M8X12-A2L	D14.48.900.4_0	16	B06.81.005.3	D14.81.902.4_0	3
GBT5783-M12X40-10.9-A3L	D14.47.901.4_0	27	0.020.9489.0	D14.48.906.4_1	1	B06.81.006.3	D14.81.902.4_0	4
GBT6170-M10-A3L	D14.47.901.4_0	28	2.1475.206.2	D14.48.906.4_1	2	GBT5783-M8X20-A2L	D14.81.902.4_0	5
GBT6170-M12-A3L	D14.47.901.4_0	29	2.0112.617.2	D14.48.906.4_1	3	GBT93-8-A3L	D14.81.902.4_0	6
B05.47.018.2	D14.47.901.4_0	30	2.0422.617.2	D14.48.906.4_1	4	GBT97.1-8-A3L	D14.81.902.4_0	7
GBT5782-M10X80-A3L	D14.47.901.4_0	31	0.020.6162.0	D14.48.906.4_1	5	GBT5783-M6X16-A2L	D14.81.902.4_0	8
C12.47.040.4	D14.47.902.4_0	1	0.020.7407.3/40	D14.48.906.4_1	6	GBT5783-M6X20-A2L	D14.81.902.4_0	9
C12.47.041.2	D14.47.902.4_0	2	2.1310.010.2	D14.48.906.4_1	7	GBT93-6-A3L	D14.81.902.4_0	10
0.015.5537.0/10	D14.47.902.4_0	3	2.1011.109.2	D14.48.906.4_1	8	GBT97.1-6-A3L	D14.81.902.4_0	11
0.021.9353.0	D14.47.902.4_0	4	2.1475.205.2	D14.48.906.4_1	9	B06.81.008.4	D14.81.902.4_2	1
GBT6170-M8-A2L	D14.47.902.4_0	5	2.0112.511.2	D14.48.906.4_1	10	B06.81.007.4	D14.81.902.4_2	2
GBT97.1-8-A3L	D14.47.902.4_0	6	0.020.7409.3	D14.48.906.4_1	11	B06.81.005.3/20	D14.81.902.4_2	3
GBT91-2x16-A3L	D14.47.902.4_0	7	2.1312.004.2	D14.48.906.4_1	12	B06.81.006.3/10	D14.81.902.4_2	4
2.1430.011.7	D14.47.902.4_0	8	2.1011.105.2	D14.48.906.4_1	13	2.0114.207.2	D14.81.902.4_2	5
C12.47.042.0	D14.47.902.4_0	9	0.020.7408.0	D14.48.906.4_1	14	GBT93-8-A3L	D14.81.902.4_2	6
GBT97.1-10-A3L	D14.47.902.4_0	10	2.0112.205.2	D14.48.906.4_1	15	2.1310.004.2	D14.81.902.4_2	7
B05.47.022.3	D14.47.902.4_0	11	0.020.8969.0	D14.48.906.4_1	16	2.0114.005.2	D14.81.902.4_2	8
B05.47.006.3	D14.47.902.4_0	12	0.021.5737.2	D14.48.906.4_1	17	2.0114.007.2	D14.81.902.4_2	9
B05.47.014.3	D14.47.902.4_0	13	A68.55.002.0	D14.55.901.4_0	1	GBT93-6-A3L	D14.81.902.4_2	10

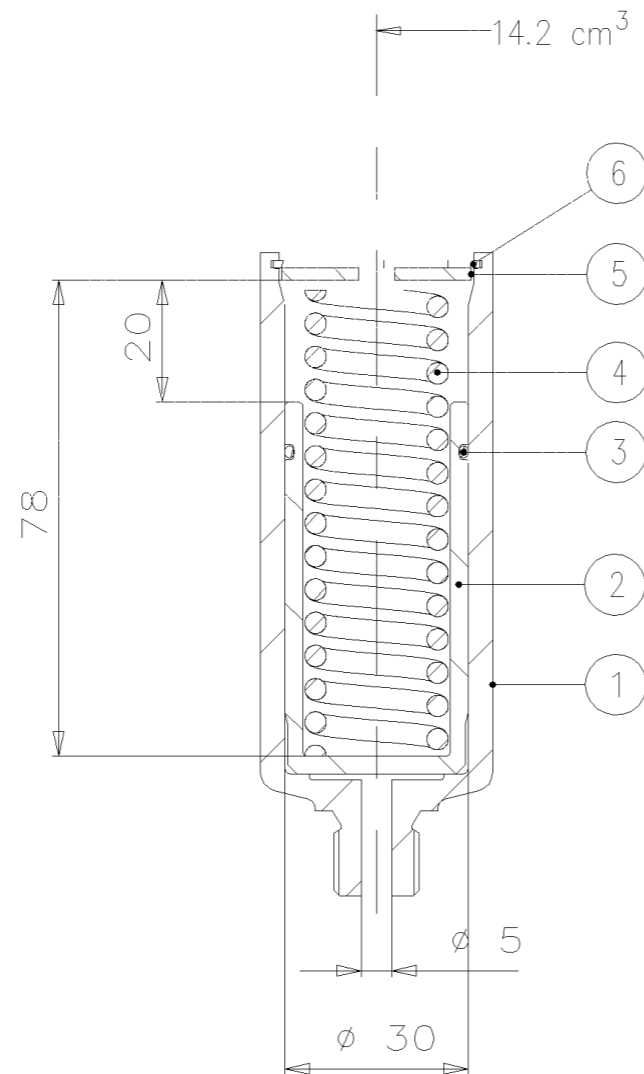
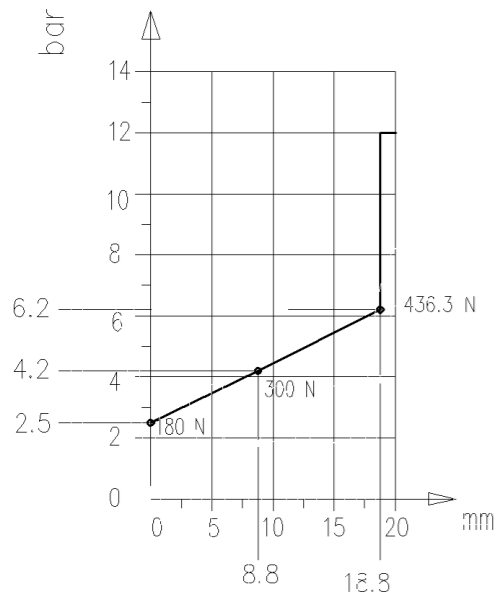
零件编号	结构代码	零件顺序	零件编号	结构代码	零件顺序	零件编号	结构代码	零件顺序
GBT93-6-A3L	D14.81.902.4_2	10	CD1204.47.112	D62.47.002.4	10	2.1310.006.2	D62.50.910.4	10
2.1310.002.2	D14.81.902.4_2	11	CD1204.47.113	D62.47.002.4	11	2.3332.005.2	D62.50.910.4	11
A23.48.013.0	D43.48.901.4_0	1	CD1204.47.114	D62.47.002.4	12	2.1560.011.0	D62.50.910.4	12
A23.48.006.0	D43.48.901.4_0	2	CD1204.47.115	D62.47.002.4	13	D62.10.001.4	D62.50.910.4_0	1
A23.48.007.0	D43.48.901.4_0	3	GBT93-6-A3L	D62.47.002.4	14	D62.10.002.0	D62.50.910.4_0	2
2.7659.474.0	D43.48.901.4_0	4	GBT97.1-6-A3L	D62.47.002.4	15	D62.50.001.3	D62.50.910.4_0	3
B29.48.012.0/10	D43.48.901.4_0	5	GBT5783-M6X20-A2L	D62.47.002.4	16	0.029.1451.0	D62.50.910.4_0	4
GBT818-M6X16-A2L	D43.48.901.4_0	6	GBT6170-M6-A2L	D62.47.002.4	17	2.6851.019.0	D62.50.910.4_0	5
GBT93-6-A3L	D43.48.901.4_0	7	A68.47.007.0	D62.47.900.4_0	1	2.0114.205.2	D62.50.910.4_0	6
GBT97.1-6-A3L	D43.48.901.4_0	8	D62.47.001.4	D62.47.900.4_0	2	2.1473.007.2	D62.50.910.4_0	7
CD304.48.039	D43.48.901.4_0	9	B05.47.010.0	D62.47.900.4_0	3	2.0114.311.2	D62.50.910.4_0	8
B09.48.010.4	D43.48.901.4_0	10	CD1204.47.118/10	D62.47.900.4_0	4	2.1473.008.2	D62.50.910.4_0	9
2.6852.101.0	D43.48.901.4_0	11	CD1204.47.211	D62.47.900.4_0	5	2.1310.006.2	D62.50.910.4_0	10
D43.48.001.4	D43.48.901.4_0	12	CD1204.47.216/10	D62.47.900.4_0	6	2.3332.005.2	D62.50.910.4_0	11
0.030.6684.0	D43.48.901.4_0	13	CD1204.47.219	D62.47.900.4_0	7	2.1560.011.0	D62.50.910.4_0	12
GBT6170-M8-A2L	D43.48.901.4_0	14	GBT5783-M8X25-A2L	D62.47.900.4_0	8	B61.51.002.0	D62.51.900.4_0	1
GBT93-8-A3L	D43.48.901.4_0	15	GBT93-8-A3L	D62.47.900.4_0	9	B61.51.003.0	D62.51.900.4_0	2
GBT97.1-8-A3L	D43.48.901.4_0	16	GBT97.1-8-A3L	D62.47.900.4_0	10	B61.51.004.0	D62.51.900.4_0	3
2.6839.059.0	D43.48.901.4_0	17	C45.47.044.4	D62.47.900.4_0	11	D14.51.001.0	D62.51.900.4_0	4
2.3199.383.0	D43.48.901.4_0	18	B29.48.032.0	D62.48.902.4_0	1	GBT3452.1-19.3X2.2-G	D62.58.905.4_0	1
2.7659.281.0	D43.48.901.4_0	19	A68.48.004.0/10	D62.48.902.4_0	2	A08.58.101.0	D62.58.905.4_0	2
GBT70.1-M4X12-A2L	D43.48.901.4_0	21	2.0114.207.2	D62.48.902.4_0	5	A02.58.093.0	D62.58.905.4_0	3
GBT93-4-A3L	D43.48.901.4_0	22	GBT93-8-A3L	D62.48.902.4_0	6	A02.58.094.0	D62.58.908.4_0	1
GBT97.1-4-A3L	D43.48.901.4_0	23	2.1310.004.2	D62.48.902.4_0	7	D63.10.001.4/10	D63.10.900.4_1	1
GBT6170-M4-A2L	D43.48.901.4_0	24	2.1011.105.2	D62.48.902.4_0	10	B05.47.007.3/10	D63.47.903.4_0	1
0.023.9062.4/10	D43.48.901.4_0	25	GBT93-10-A3L	D62.48.902.4_0	11	B05.47.008.0/20	D63.47.903.4_0	2
GBT818-M6X20-A2L	D43.48.901.4_0	26	2.1310.006.2	D62.48.902.4_0	12	B06.47.024.3	D63.47.903.4_0	3
GBT818-M4X10-A2L	D43.48.901.4_0	27	2.0114.307.2	D62.48.902.4_0	13	2.0114.205.2	D63.47.903.4_0	4
D62.47.002.4	D62.47.001.4	1	CD1204.48.035	D62.48.902.4_0	14	2.1310.004.2	D63.47.903.4_0	5
CD1204.47.012/20	D62.47.001.4	2	CD1204.48.036	D62.48.902.4_0	15	GBT93-8-A3L	D63.47.903.4_0	6
B39.47.028.4/10	D62.47.001.4	3	D62.48.003.0	D62.48.902.4_0	16	2.0114.105.2	D63.47.903.4_0	7
B05.47.009.3/20	D62.47.001.4	4	D62.10.001.4	D62.50.910.4	1	GBT93-5-A3L	D63.47.903.4_0	8
CD1204.47.013	D62.47.002.4	1	D62.10.002.0	D62.50.910.4	2	2.1312.002.2	D63.47.903.4_0	9
CD1204.47.104	D62.47.002.4	2	D62.50.001.3	D62.50.910.4	3	B05.47.024.3	D63.47.903.4_0	10
CD1204.47.105	D62.47.002.4	3	0.029.1451.0	D62.50.910.4	4	2.0114.207.2	D63.47.903.4_0	11
CD1204.47.106	D62.47.002.4	4	2.6851.019.0	D62.50.910.4	5	2.1312.004.2	D63.47.903.4_0	12
CD1204.47.107	D62.47.002.4	5	2.0114.205.2	D62.50.910.4	6	B06.47.037.0	D63.47.903.4_0	13
CD1204.47.108	D62.47.002.4	6	2.1473.007.2	D62.50.910.4	7	2.1312.005.2	D63.47.903.4_0	14
CD1204.47.109	D62.47.002.4	7	2.0114.311.2	D62.50.910.4	8	2.0114.307.2	D63.47.903.4_0	15
CD1204.47.110	D62.47.002.4	8	2.1473.008.2	D62.50.910.4	9	B05.47.025.3	D63.47.903.4_0	16

零件编号	结构代码	零件顺序	零件编号	结构代码	零件顺序	零件编号	结构代码	零件顺序
B05.47.025.3	D63.47.903.4_0	16	2.1539.518.0	D71.43.912.4_0	7			
GBT93-10-A3L	D63.47.903.4_0	17	2.1011.308.2	D71.43.912.4_0	8			
0.020.4911.3/20	D71.38.908.4_0	1	0.008.4612.0/60	D71.43.912.4_0	9			
2.0112.315.2	D71.38.908.4_0	2	2.1470.008.2	D71.43.912.4_0	12			
2.1475.003.2	D71.38.908.4_0	3	2.0432.333.7	D71.43.912.4_0	13			
2.0112.311.2	D71.38.908.4_0	4	0.170.5455.0	D71.43.912.4_0	14			
2.1011.421.2	D71.38.908.4_0	5	2.3199.039.0	D71.43.912.4_0	15			
2.0439.407.7	D71.38.908.4_0	6	0.264.5453.2/10	D71.43.912.4_0	18			
2.0112.319.2	D71.38.908.4_0	7	2.1560.056.0	D71.43.912.4_0	19			
0.020.3956.0	D71.38.908.4_0	10	2.0432.321.7	D71.43.912.4_0	20			
2.1411.055.7	D71.38.908.4_0	11	2.0169.003.1/10	D71.43.912.4_0	21			
2.2030.010.0	D71.38.908.4_0	12	0.188.5459.0/20	D71.43.912.4_0	22			
0.020.3537.4	D71.38.908.4_0	13	0.020.6043.0	D71.43.912.4_0	23			
2.1411.003.7	D71.38.908.4_0	14	2.1560.054.0	D71.43.912.4_0	24			
0.020.3955.0	D71.38.908.4_0	15	0.188.5458.0	D71.43.912.4_0	26			
0.008.4664.0	D71.38.908.4_0	16	0.171.5459.2	D71.43.912.4_0	27			
2.1599.398.0	D71.38.908.4_0	17	2.0129.052.1	D71.43.912.4_0	28			
2.2060.005.0	D71.38.908.4_0	18	2.1011.005.2	D71.43.912.4_0	29			
2.1411.021.1	D71.38.908.4_0	19	0.202.5454.2	D71.43.912.4_0	30			
0.9090.251.0	D71.38.908.4_0	20	2.1410.006.1	D71.43.912.4_0	31			
2.1630.617.0	D71.38.908.4_0	21	0.171.5453.0/10	D71.43.912.4_0	32			
2.1651.911.0	D71.38.908.4_0	22	0.264.5450.0/10	D71.43.912.4_0	33			
2.0432.155.7	D71.38.908.4_0	23	2.1539.086.0	D71.43.912.4_0	34			
939947	D71.38.908.4_0	100	2.1579.295.0	D71.43.912.4_0	35			
2.1532.040.0	D71.40.902.4_1	1	0.188.5460.2/30	D71.43.912.4_0	36			
D71.40.006.3	D71.40.902.4_1	2	2.0422.209.2	D71.43.912.4_0	37			
2.1480.012.2	D71.40.902.4_1	3	2.1470.004.2	D71.43.912.4_0	38			
2.0312.110.2	D71.40.902.4_1	4	2.0112.215.2	D71.43.912.4_0	39			
2.3261.012.2	D71.40.902.4_1	5	2.3519.045.2	D71.43.912.4_0	40			
2.1560.018.0	D71.40.902.4_1	6	2.1599.195.2	D71.43.912.4_0	41			
0.264.6378.4/40	D71.40.902.4_1	7	2.1530.018.0	D71.43.912.4_0	42			
2.3261.013.2	D71.40.902.4_1	8	2.3199.001.2	D71.43.912.4_0	43			
2.3320.108.0	D71.40.902.4_1	9	2.1561.006.0	D71.43.912.4_0	45			
C63.40.011.3	D71.40.902.4_1	10	2.3110.422.2	D71.43.912.4_0	46			
2.1310.006.2	D71.40.902.4_1	11	2.1560.030.0	D71.43.912.4_0	47			
2.1011.406.2	D71.40.902.4_1	12	2.3120.113.4	D71.43.912.4_0	48			
2.1470.002.2	D71.40.902.4_1	13	2.3130.001.7	D71.43.912.4_0	49			
2.0112.015.2	D71.40.902.4_1	14	0.171.5451.2	D71.43.912.4_0	50			
0.233.5431.0/40	D71.43.912.4_0	1	939967	D71.43.912.4_0	100			
0.016.3654.2/20	D71.43.912.4_0	2						

0.012.5765.4 ACCUMULATORE COML.

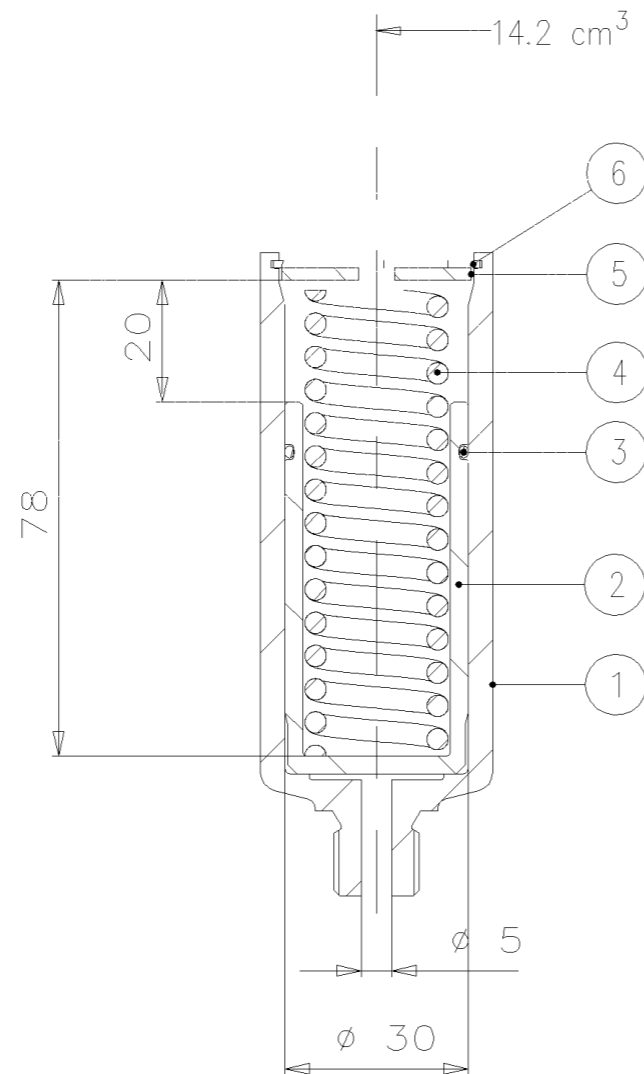
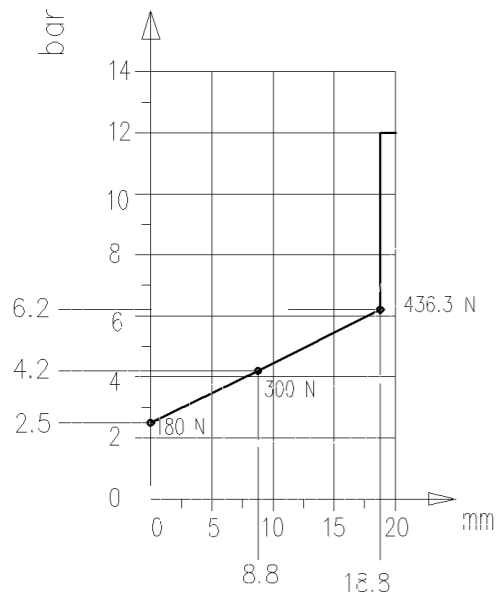
0.012.5765.4 储能器 ACCUMULATORE COML.

序号	零件编号	零件名称	数量	图号
1	0.164.8274.0/10	缸体 CILINDRO PER ACCUMUL.	1	0.164.8274.0/10
2	0.164.8275.0/10	活塞 PISTONE ACCUMULATORE	1	0.164.8275.0/10
3	2.1411.013.1	挡圈 circlip	1	2.1411.013.1
4	2.1532.072.0	O形圈 Anello OR 26.7x1.78	1	2.1532.072.0
5	2.1599.241.0	垫圈 DISCHETTO DI RASAM.	1	2.1599.241.0
6	2.4019.174.1	弹簧 MOLLA	1	2.4019.174.1



0.012.5765.4 ACCUMULATORE COML.

0.012.5765.4 储能器 ACCUMULATORE COML.

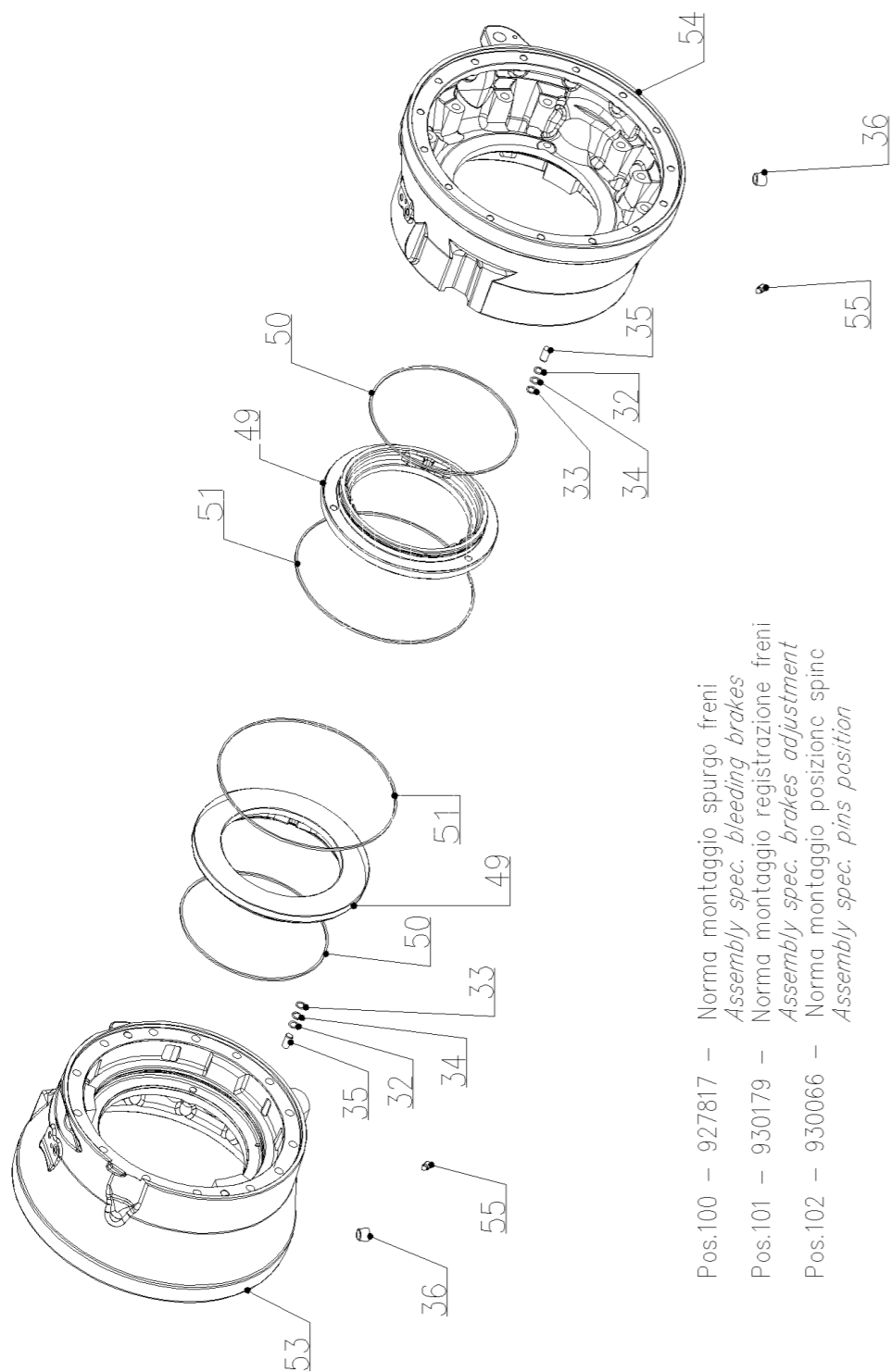


序号	零件编号	零件名称	数量	图号
1	0.164.8274.0/10	缸体 CILINDRO PER ACCUMUL.	1	0.164.8274.0/10
2	0.164.8275.0/10	活塞 PISTONE ACCUMULATORE	1	0.164.8275.0/10
3	2.1411.013.1	挡圈 circlip	1	2.1411.013.1
3	2.1532.072.0	O形圈 Anello OR 26.7x1.78	1	2.1532.072.0
4	2.4019.174.1	弹簧 MOLLA	1	2.4019.174.1
4	2.1532.072.0	挡圈 Anello OR 26.7x1.78	1	2.1532.072.0
5	2.1599.241.0	垫圈 DISCHETTO DI RASAM.	1	2.1599.241.0
6	2.4019.174.1	弹簧 MOLLA	1	2.4019.174.1
6	2.1411.013.1	挡圈 circlip	1	2.1411.013.1



# 9.26454.10.0 SCATOLA FRENO

# 9.26454.10.0\_2 制动壳体 BRAKES HOUSINGS



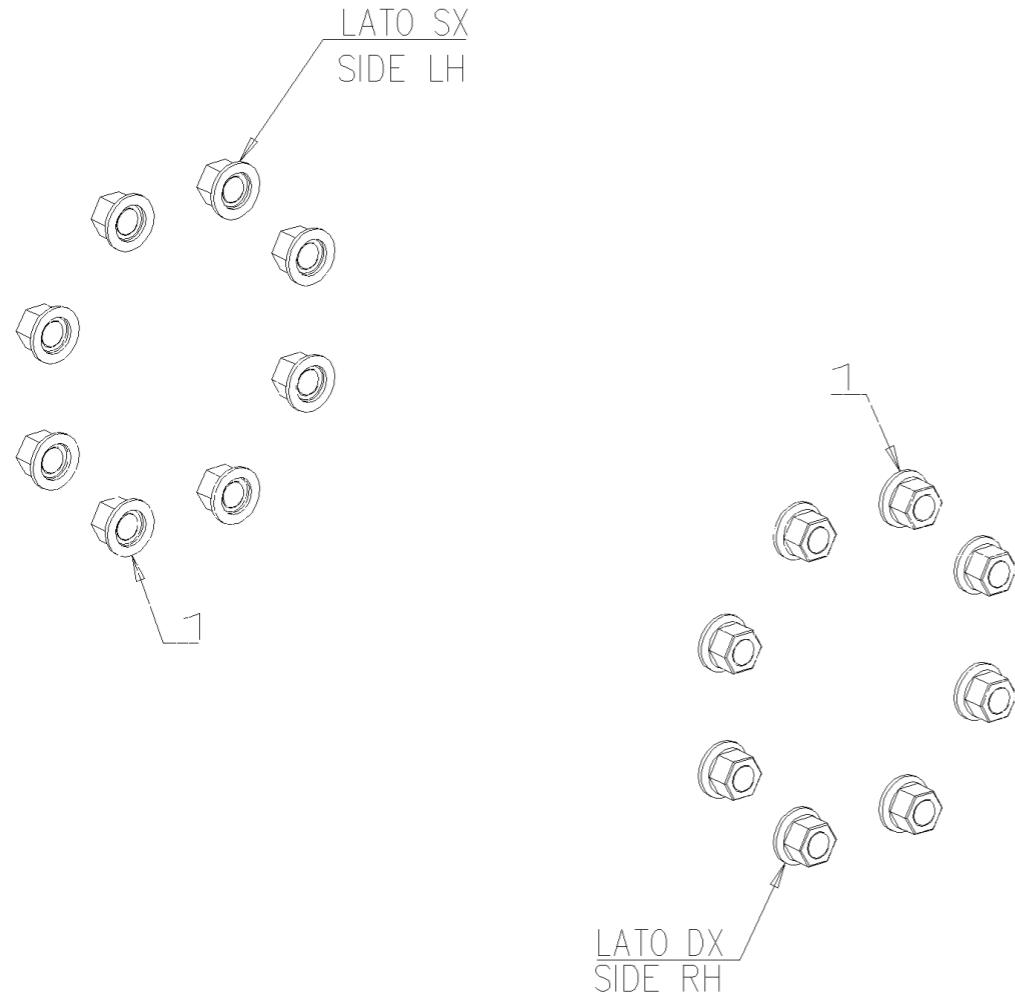
Pos.100 - 927817 - Norma montaggio spurgo freni  
*Assembly spec. bleeding brakes*  
 Pos.101 - 930179 - Norma montaggio registrazione freni  
*Assembly spec. brakes adjustment*  
 Pos.102 - 930066 - Norma montaggio posizione spinc  
*Assembly spec. pins position*

序号	零件编号	零件名称	数量	图号
32	2.1589.420.0	垫圈 RASAM. 12.5X18X0.3	10	2.1589.420.0
33	2.1589.161.0	垫圈 RASAM. 12.5X18X0.2	10	2.1589.161.0
34	2.1589.160.0	垫圈 RASAM 12.5X18X0.5	10	2.1589.160.0
35	2.1699.110.0	销 SPINA 12X28	6	2.1699.110.0
36	2.3130.004.1	管子塞堵 TAPPO 1/2" GAS CONIC	2	2.3130.004.1
49	0.005.5456.0/20	活塞 PISTONE	2	0.005.5456.0/20
50	2.1569.149.0	密封圈 GUARN 252.6	2	2.1569.149.0
51	2.1569.150.0	密封圈 GUARN 306.6	2	2.1569.150.0
53	0.008.0327.0/20	制动器外壳 SCATOLA FRENO	1	0.008.0327.0/20
54	0.008.0326.0/20	制动器外壳 SCATOLA FRENO SINIST	1	0.008.0326.0/20
55	2.3139.013.7	塞堵 TAPPO M12X1.25	2	2.3139.013.7
100	927817	螺母保护帽 TAPPO SPURGO FRENI	1	927817
101	930179	装配指导 SPESSORAZIONE FRENI	1	930179
102	930066	制动器立柱 NOR.FRENO POST.TITAN	1	930066

# 9.48855.03.0 REAR WHEEL NUTS

## 9.48855.03.0\_2 后轮螺母 REAR WHEEL NUTS

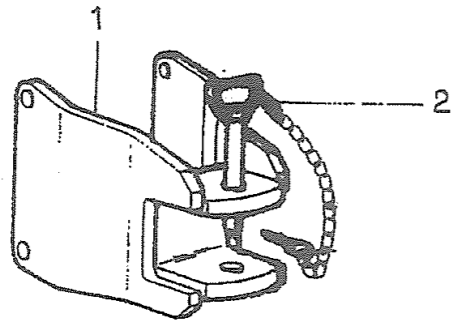
序号	零件编号	零件名称	数量	图号
1	2.1099.085.0/30	螺母 M22X1.5X27 DADO M22X1.5X27	16	2.1099.085.0/30



ISTRUZIONE DI MONTAGGIO NUM. 939066 ITEM 100  
ASSEMBLY INSTRUCTION NUM. 939066 ITEM 100

S.L.H. Sp.A.	G.A. 150-180 CV. S-L-H	9/4/92/3/1/30	
	GANCIO DI TRAINO POSTERIORE FISSO	Foglio n. 1	Segno n. /
Ente	Ved. n. /		

110-160



1

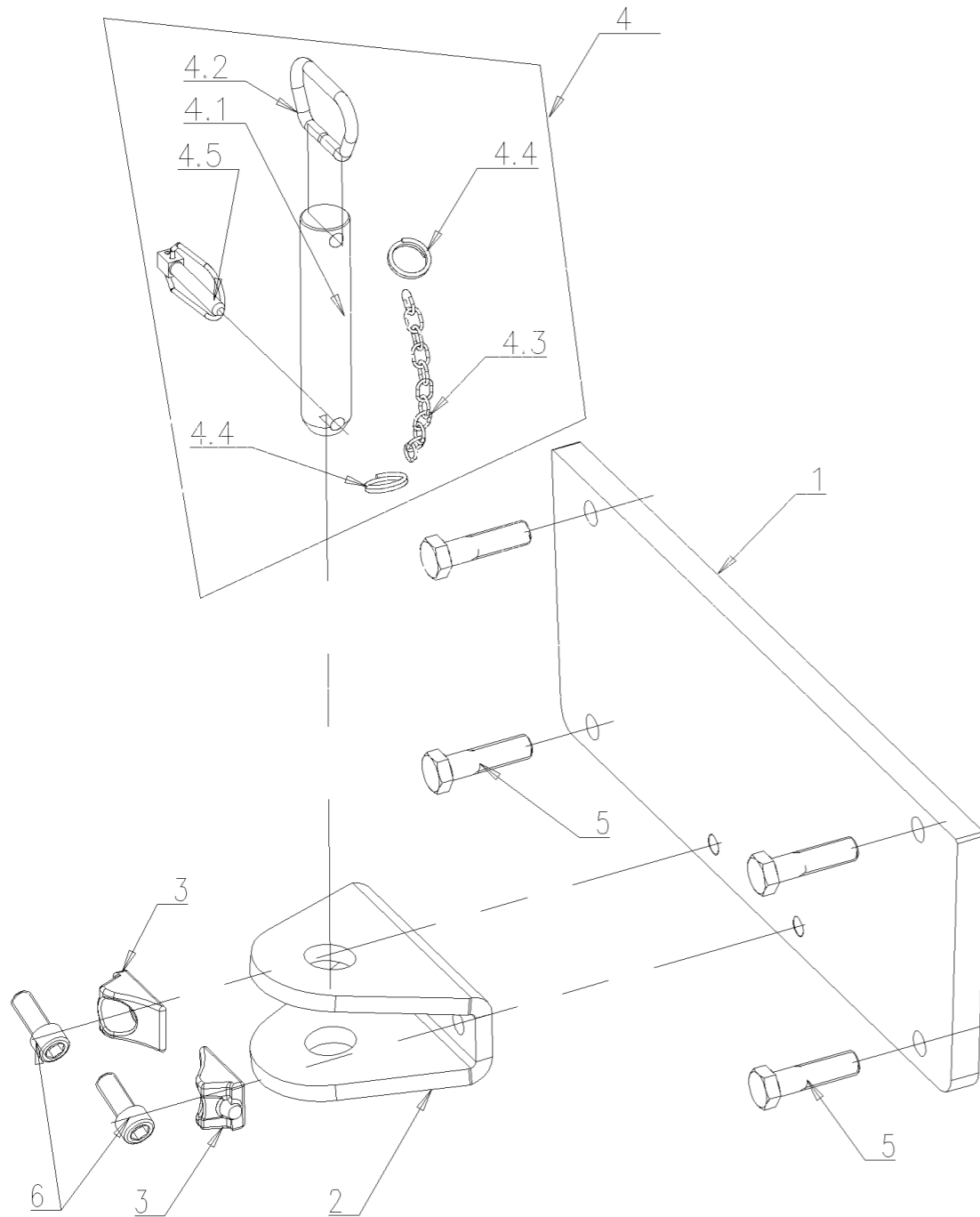
### 9.49231.30.0 后拖挂 REAR HITCH

序号	零件编号	零件名称	数量	图号
1	0.96133.20.2/10	托挂架 gancio post.cat."C"	1	0.96133.20.2/10
2	0.96112.30.3/10	销 SPINA PER GANCIO	1	0.96112.30.3/10

# 9.95052.30.0 GANCIO TRAINO ANTERIORE

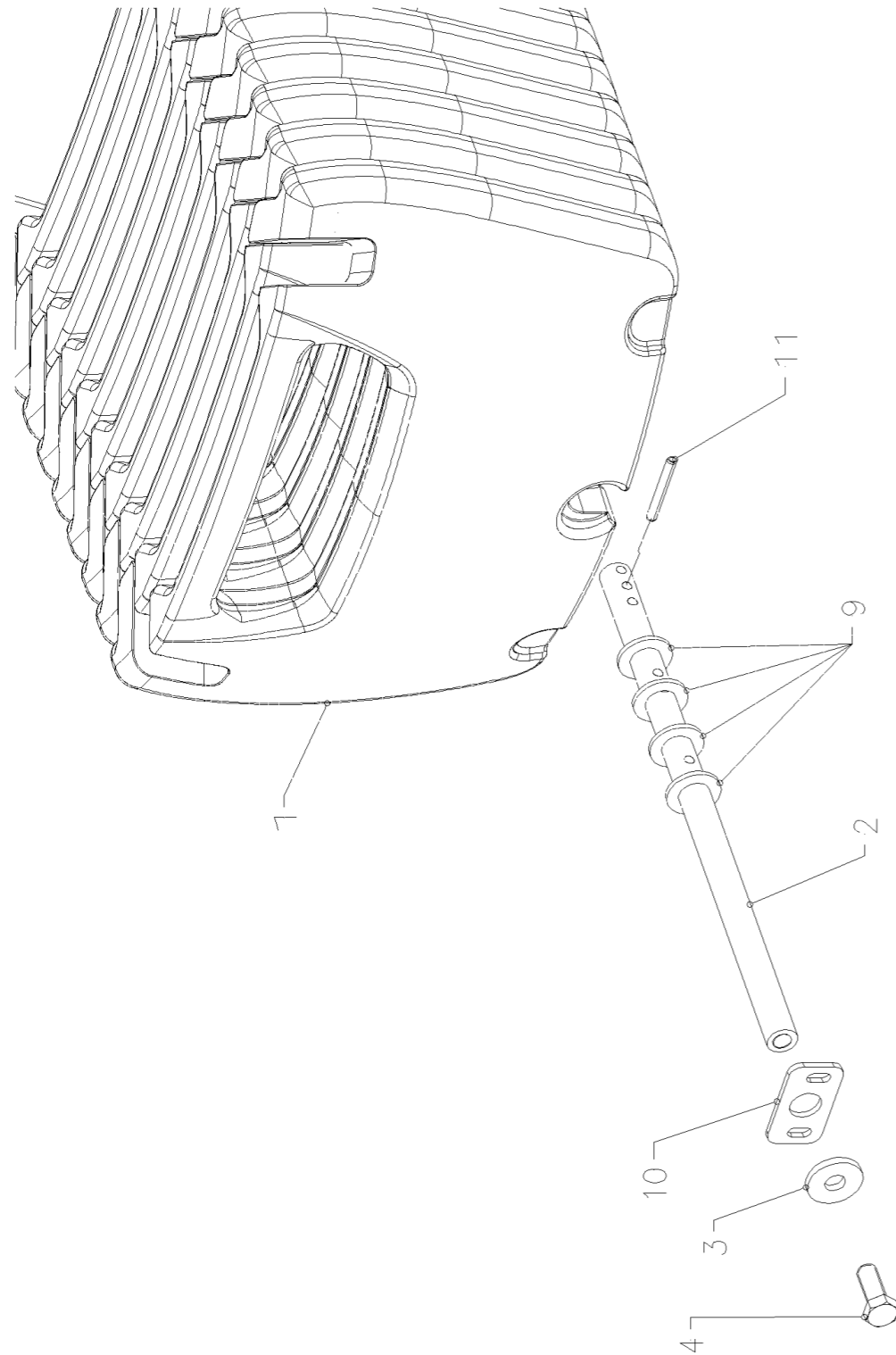
# 9.95052.30.0\_4 前拖挂+销 FRONT HITHC + PIN

序号	零件编号	零件名称	数量	图号
1	04414121	板 VITE M16X60	1	04414121
2	04432786/30	钩 VITE M14X35	1	04432786/30
3	04388687/20	栓 SPINA PIEGHEVOLE	2	04388687/20
4	0.014.9894.4	销 PIASTRA	1	0.014.9894.4
4.1	0.014.9895.0	销 GANCIO ANTERIORE	1	0.014.9895.0
4.2	04414156	环 ANELLO	1	04414156
4.3	01401340	链条 GANCIO COMPLETO	1	01401340
4.4	04322508	环 PERNO	2	04322508
4.5	01101147	接头 SUPP.FIX GANCIO	1	01101147
5	2.0112.621.2	螺栓 CATENA	4	2.0112.621.2
6	2.0312.512.2	螺栓 ANELLO	2	2.0312.512.2



# 9.95052.44.0 ZAVORRA ANTERIORE 400 KG

# 9.95052.44.0\_6 前配重400KG ZAVORRA ANTER.400KG



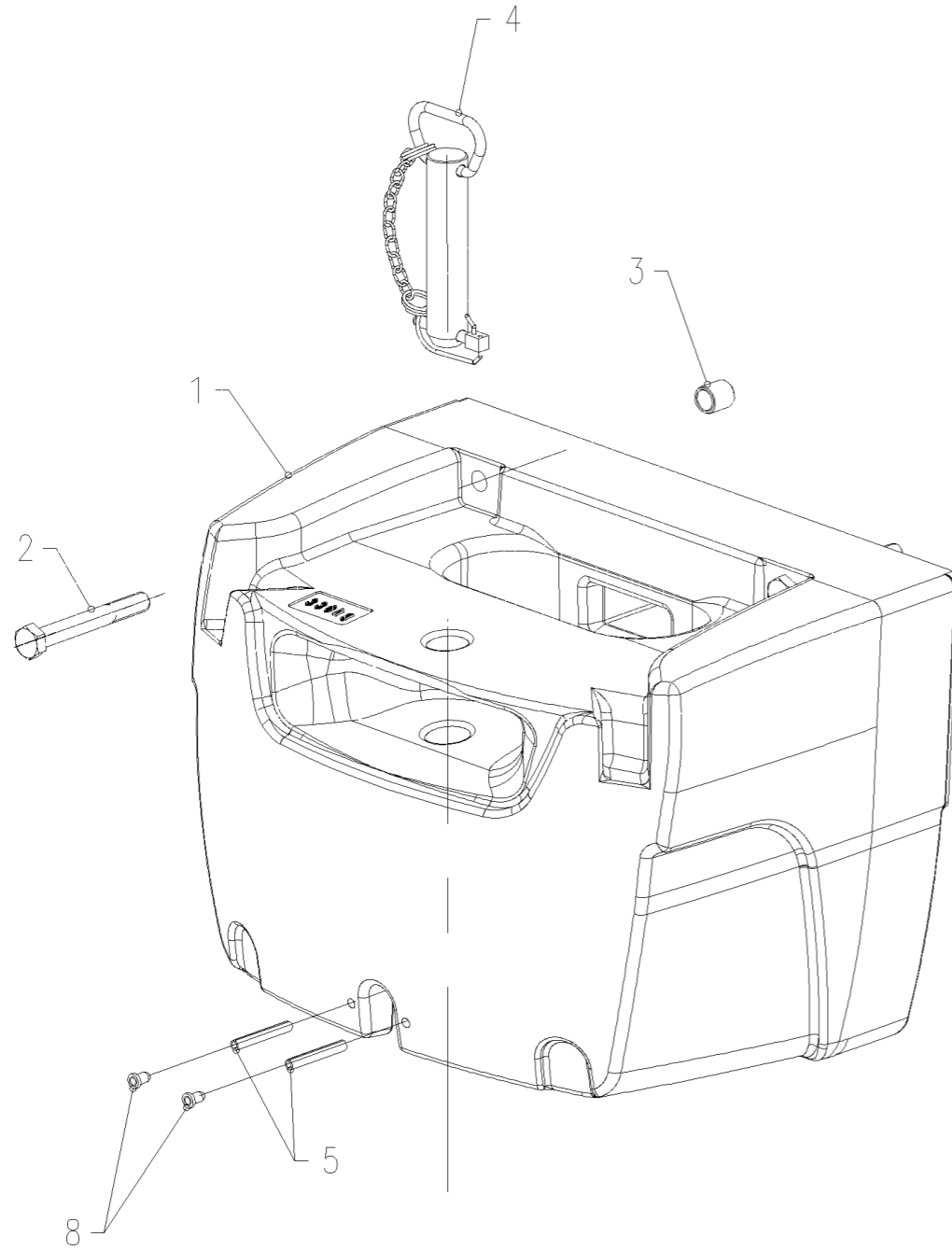
序号	零件编号	零件名称	数量	图号
1	04413831/40	配重 ZAVORRA 40KG	10	04413831/40
2	04411027/20	轴 STANGA	1	04411027/20
3	04411029	垫片 SCHEIBE	1	04411029
4	2.0113.615.2	螺栓 M16x40 BOLT M16x40	1	2.0113.615.2
9	01143779	垫圈 26 WASHER 26	4	01143779
10	0.024.2988.0	固定板 Fixing plate	1	0.024.2988.0
11	2.1630.753.2	销 8x65 SPRING-TYPE STRAIGHT PINS	1	2.1630.753.2

K9.95052.45.0

SUPP.ZAVORRA CON PERNO 330 KG  
BALLAST SUPPORT

9.95052.45.0\_6 前配重托架 330千克 BALLAST SUPP. 330 KG

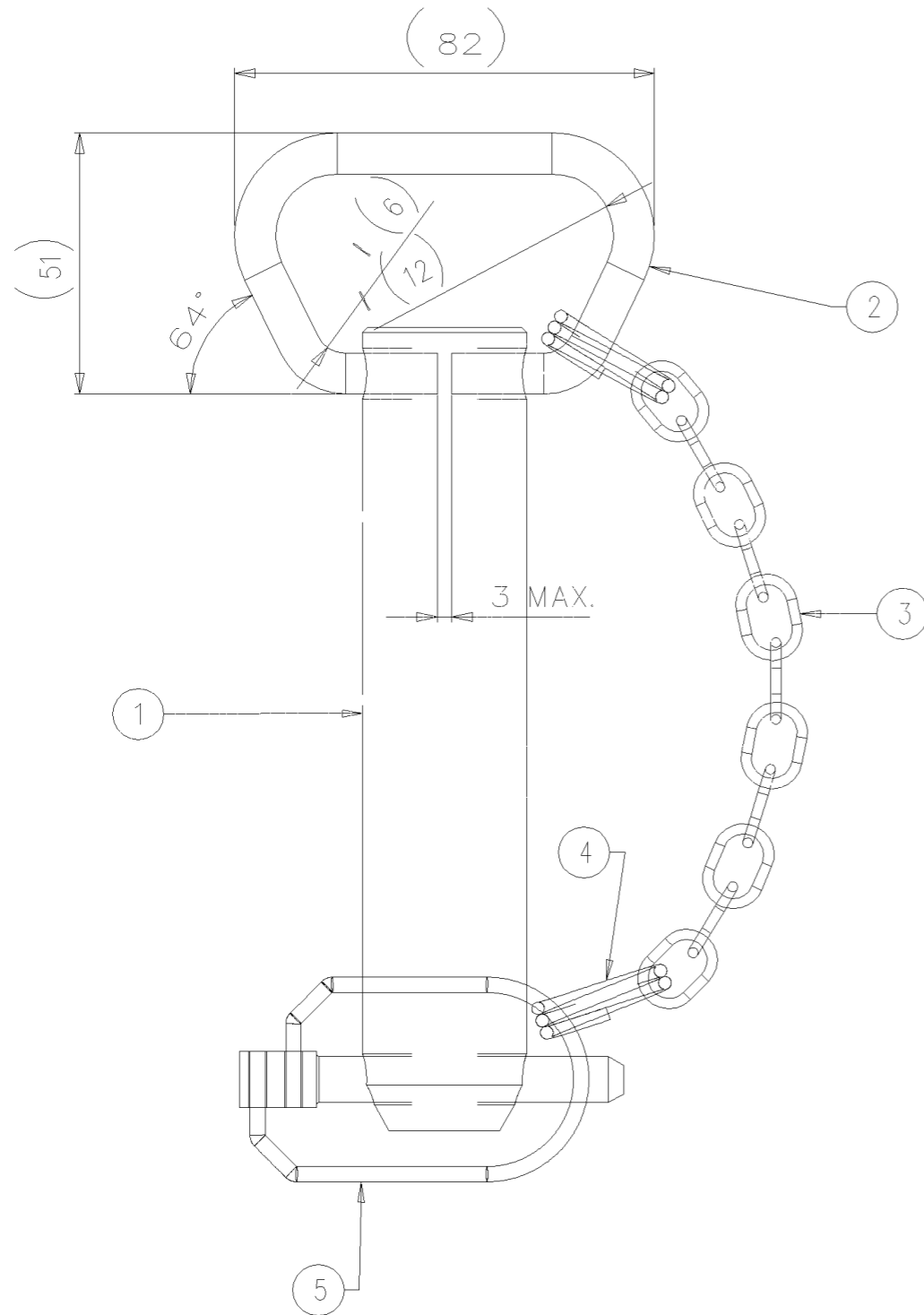
序号	零件编号	零件名称	数量	图号
1	04432782/40	支架 SUPPORTO 330Kg	1	04432782/40
2	2.0119.282.6	螺栓 VITE M16X120	4	2.0119.282.6
3	2.2680.047.0	滚针轴承内圈 ANELLO INT. 17-22-23	2	2.2680.047.0
4	0.014.9894.4	销 PERNO	1	0.014.9894.4
5	2.1630.719.2	销 SPINA 8X60	2	2.1630.719.2
8	01167310	销 TAPPO	2	01167310



0.014.9894.4 COMPLETE HOOK

0.014.9894.4 销 PERNO

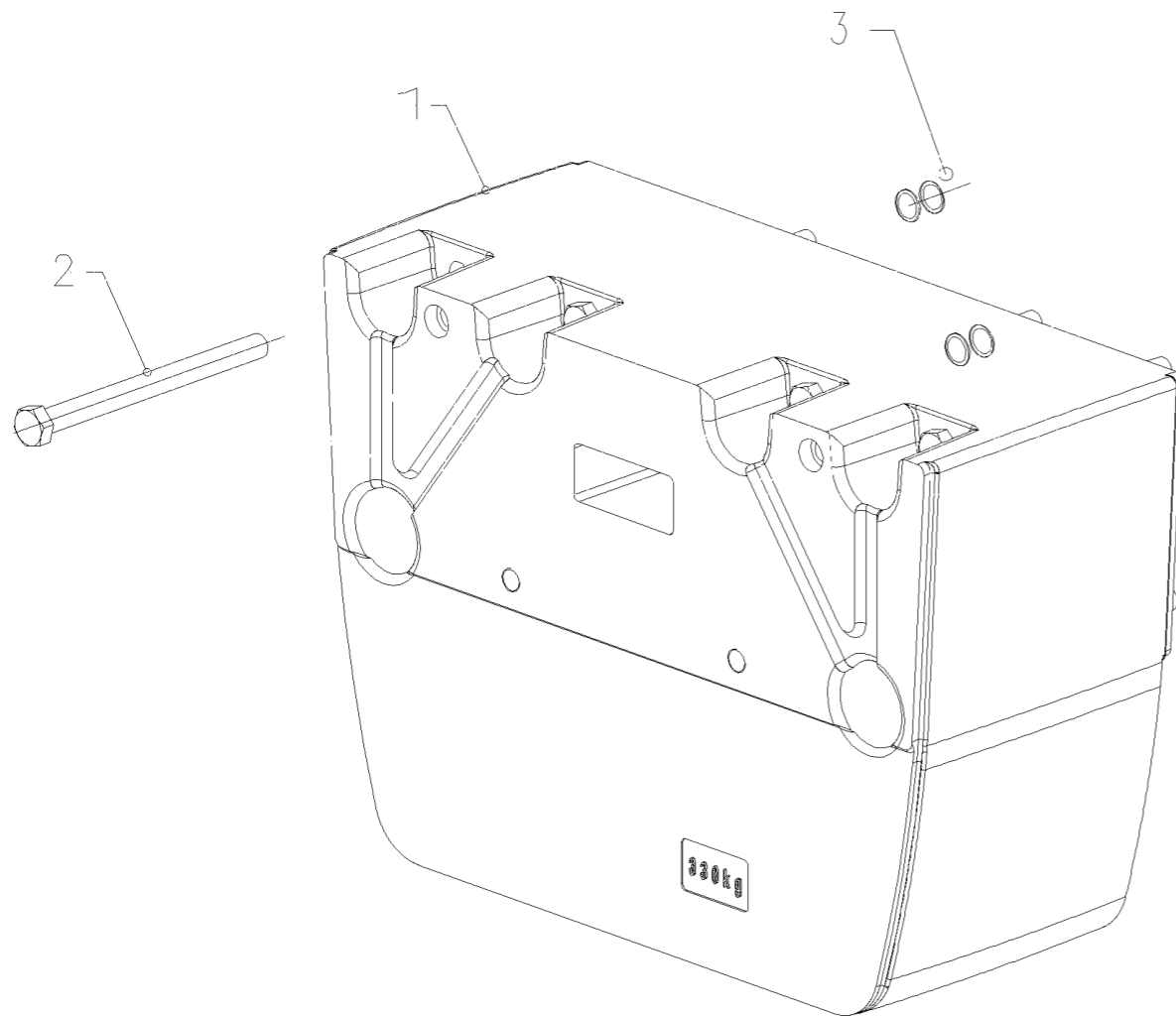
序号	零件编号	零件名称	数量	图号
1	0.014.9895.0	销 PERNO	1	0.014.9895.0
2	04414156	垫圈 ANELLO	1	04414156
3	01401340	链环 CATENA	1	01401340
4	04322508	垫圈 ANELLO	2	04322508
5	01101147	销 SPINA PIEGHEVOLE	1	01101147




# 9.95052.46.0 PIASTRA INTERMEDIA 330 Kg

## 9.95052.46.0\_2 前配重 330kg INTERMEDIATE FRONT BALLAST 330 kg

序号	零件编号	零件名称	数量	图号
1	04413291/10	板 PIASTRA	1	04413291/10
2	2.0119.281.6	螺栓 VITE M16X200	6	2.0119.281.6
2	01143351	螺栓 VITE M16X200	6	01143351
3	2.2680.047.0	滚针轴承内圈 ANELLO INT. 17-22-23	2	2.2680.047.0

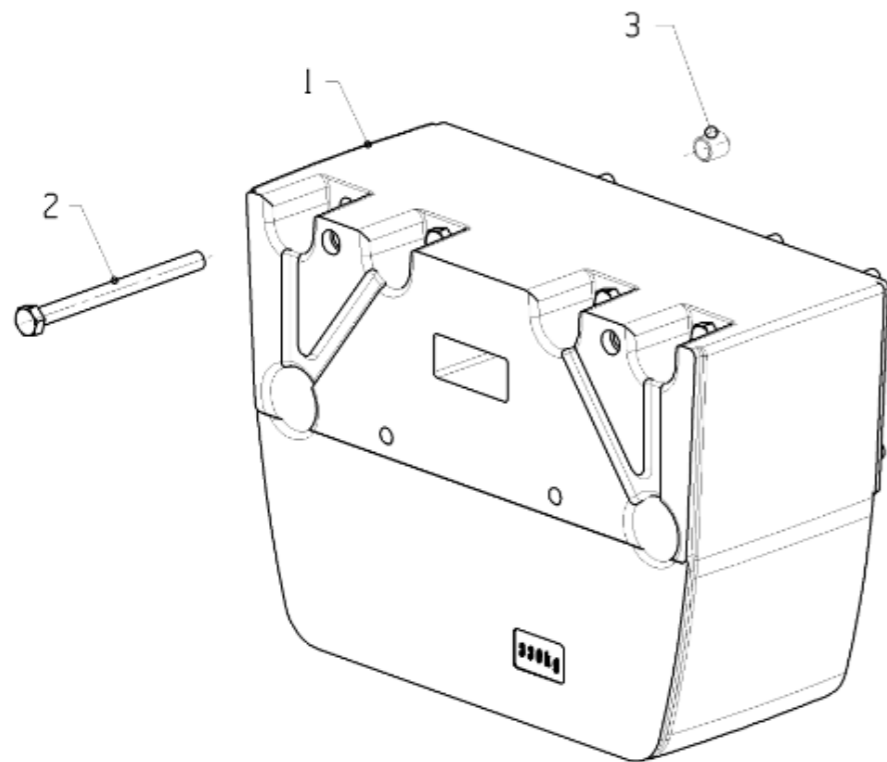




 SAME DEUTZ-FAH GROUP S.p.A. SAME - LUBILOSA - LAMBERTINI - ZETOR Group Group <b>MANT. PRODOTTO</b>	AGROTRON M600-M610-M620-M640-M650/X710-X720	N. d. s. - P/N <b>K9.95052.46.0</b>
	<b>PIASTRA INTERMEDIA 330 Kg</b>	Rev: 2   Fogli: 1   Sheet: 1 of 1
	<b>BALLAST</b>	Validato il: 22/04/2009   Da: 1668   P: 1

### 9.95052.46.0\_3 配重330KG ZWISCHENPLATTE-330KG

序号	零件编号	零件名称	数量	图号
1	04413291/20	配重330kg BALLAST 330kg	1	04413291/20
2	2.0119.281.6	螺栓 VITE M16X200	6	2.0119.281.6
3	2.2680.047.0	滚针轴承内圈 ANELLO INT. 17-22-23	2	2.2680.047.0





SAE DEUTZ-FAIR GROUP S.p.A.  
Sede e stabilimento: Lombardini - Follonica  
Gruppo - Group  
Aff. Prodotto

# FRONTWHEEL NUTS RADMUTTERN VORNE

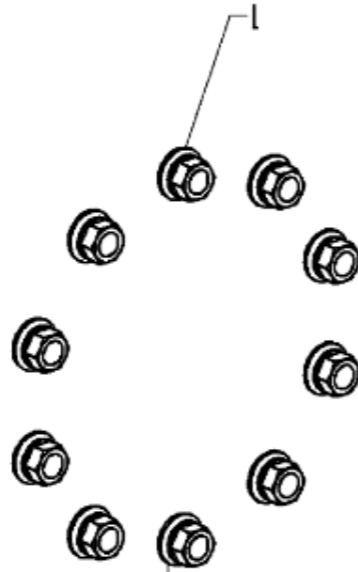
N. dis. - P/N  
**9.95055.01.0**

Rev	Foglio - Sheet	di - of
4	1	1
Validato il 10/10/2019	Da 30413	F 400

## 9.95055.01.0\_4 前轮螺母 FRONT WHEEL ASS.L

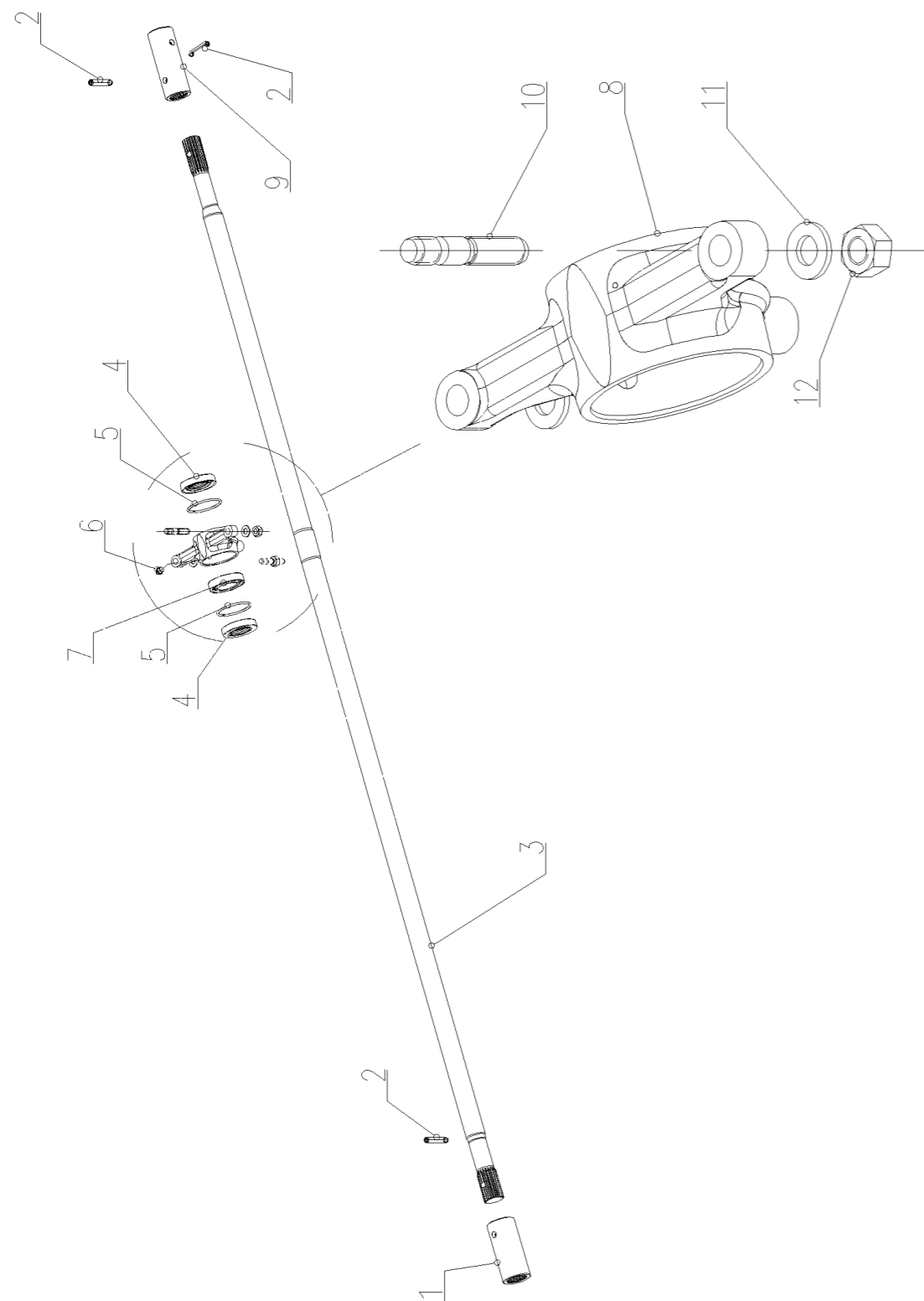
序号	零件编号	零件名称	数量	图号
1	2.1099.085.0/30	螺母 M22X1.5X27 DADO M22X1.5X27	20	2.1099.085.0/30

COPPIA DI SERRAGGIO SPECIFICA PER PONTE CARRARO  
Tightening specific for Carraro axle



Pre-Tightening =  $300 \pm 30\%$  Nm  
Final-Tightening =  $550 \leq 7,5\%$  Nm

# 9.AG726.00.0 4WD SHAFT

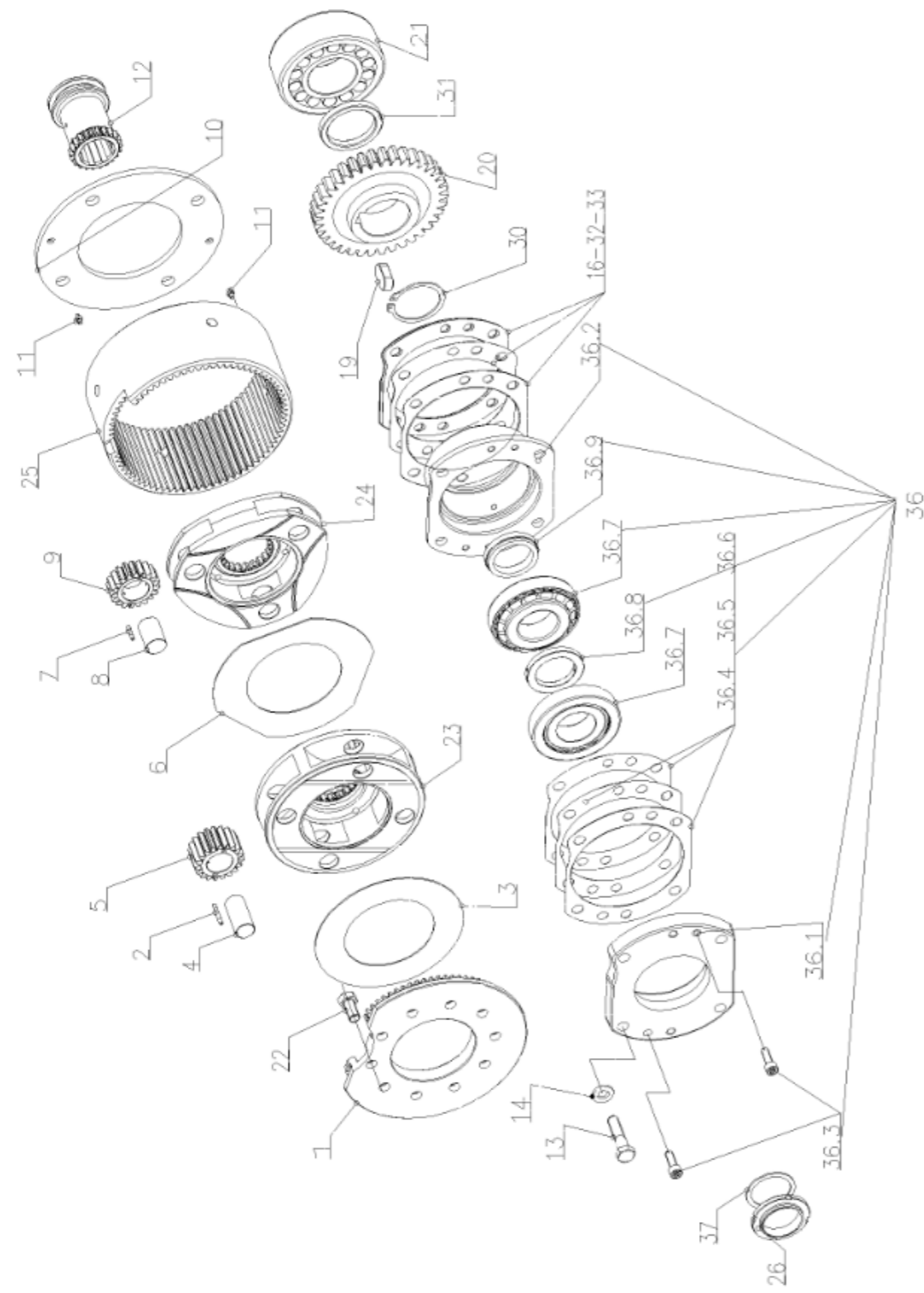


# 9.AG726.00.0\_3 四轮驱动轴 4WD SHAFT

序号	零件编号	零件名称	数量	图号
1	0.020.4668.0	花键套 SLEEVE	1	0.020.4668.0
2	2.1631.819.0	销 SPINA 10X50	3	2.1631.819.0
3	0.020.2055.0	四轮驱动轴 4WD SHAFT	1	0.020.2055.0
4	2.1520.217.0	密封圈 ANELLO 35X62X12	2	2.1520.217.0
5	2.1420.022.0	挡圈 ANELLO 60	2	2.1420.022.0
6	2.3820.105.2	黄油嘴 INGRASSATORE M10X1	1	2.3820.105.2
7	2.2030.008.0	轴承 CUSCINETTO 6007	1	2.2030.008.0
8	0.163.2630.0	轴承座 SUPPORTINO	1	0.163.2630.0
9	0.020.7185.0	连接套 SLEEVE	1	0.020.7185.0
10	2.0432.161.7	螺柱 PRIG M10X1.25X40	2	2.0432.161.7
11	2.1475.103.2	垫圈 ROSET.E.10.5X20X2.38	2	2.1475.103.2
12	2.1012.421.7	螺母 DADO M10X1.25	2	2.1012.421.7

9.AG734.00.0 RIDUTTORE

9.AG734.00.0\_1 155 马力副变速 RANGES FOR 155 HP

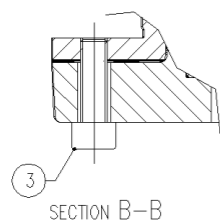
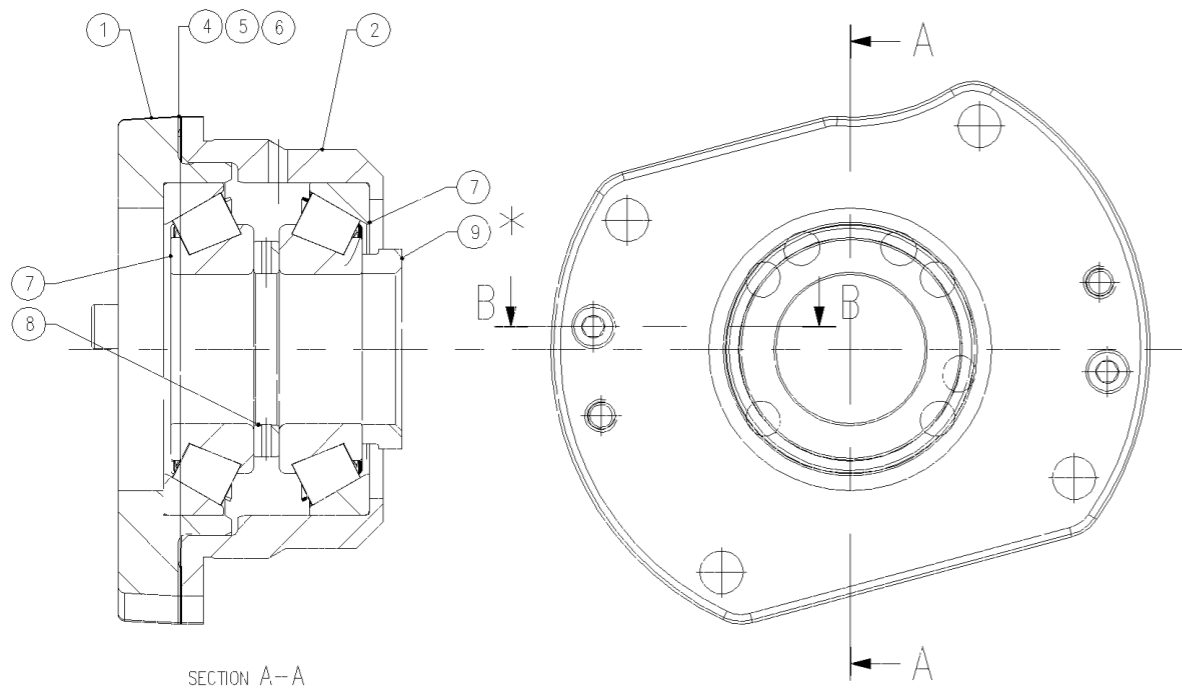


序号	零件编号	零件名称	数量	图号
1	0.014.0091.0	法兰盘 FLANGIA	1	0.014.0091.0
2	2.2999.178.0	滚针 RULLINO 4X29.8	80	2.2999.178.0
3	0.170.3451.0/10	垫片 DISCO	1	0.170.3451.0/10
4	0.264.3444.0	行星轮轴 PERNO	4	0.264.3444.0
5	0.014.0049.0	行星齿轮 SATELLITE	4	0.014.0049.0
6	0.233.3451.0/10	密封垫 DISCO	1	0.233.3451.0/10
7	2.2999.092.0	滚针 RULLINO 19.8X4	63	2.2999.092.0
8	0.233.3446.0	销 PERNO	3	0.233.3446.0
9	0.014.0058.0	行星轮 SATELLITE	3	0.014.0058.0
10	2.1599.261.0/30	垫圈 ANELLO SPALLAMENTO	1	2.1599.261.0/30
11	2.1699.596.0	塞堵 SPINACON COLLARINO	2	2.1699.596.0
12	0.019.1612.0	啮合套 SLEEVE	1	0.019.1612.0
13	2.0112.419.2	螺栓 VITE M12X1.75X50	4	2.0112.419.2
14	2.1475.204.2	垫圈 RONDELLA 12	4	2.1475.204.2
16	2.1589.585.0	垫圈 RASAMENTO SP.0.5	3	2.1589.585.0
19	2.1719.511.0	键 LINGUETTA	1	2.1719.511.0
20	0.014.0262.0	齿轮 INGRANAGGIO DT	1	0.014.0262.0
21	2.2999.091.0	轴承 CUSCINETTO 22311 CC	1	2.2999.091.0
22	2.0133.507.7	螺栓 VITE M12X1.5X25	10	2.0133.507.7
23	0.019.1618.0	行星架 PLANETARIES CARRIER	1	0.019.1618.0
24	0.019.1617.0	行星架 PLANETARIES CARRIER	1	0.019.1617.0
25	0.014.0062.0	齿圈 CORONA	1	0.014.0062.0
26	2.1219.039.0/20	螺母 GHIERA M45X1.5	1	2.1219.039.0/20
30	2.1410.022.1	挡圈 ANELLO 55	1	2.1410.022.1
31	2.1579.467.0	隔套 DIST 55X70X9	1	2.1579.467.0
32	2.1589.586.0	垫圈 RASAMENTO SP.0.2	2	2.1589.586.0
33	2.1589.587.0	垫圈 RASAMENTO SP.0.15	3	2.1589.587.0
36	0.022.2028.4	圆锥轴承组件 CONICAL BEARING	1	0.022.2028.4
36.1	0.018.6487.0	法兰座 FLANGIA CUSCINETTO	1	0.018.6487.0
36.2	0.018.6488.0	轴承座 BUSSOLA CUSCINETTO	1	0.018.6488.0
36.3	2.0312.208.2	螺钉 SOCKET SCREW M8x1.25x25	2	2.0312.208.2
36.4	2.1589.585.0	垫圈 RASAMENTO SP.0.5	2	2.1589.585.0
36.5	2.1589.586.0	垫圈 RASAMENTO SP.0.2	2	2.1589.586.0
36.6	2.1589.587.0	垫圈 RASAMENTO SP.0.15	2	2.1589.587.0
36.7	2.2560.007.0	轴承 CUSC. 31309	2	2.2560.007.0
36.8	0.016.8142.0	隔套 DISTANZIALE	1	0.016.8142.0
36.9	2.1549.246.0	间管 DIST.45.2X57X60X12	1	2.1549.246.0
37	2.1599.541.0	垫圈 ANELLO 45X55X2	1	2.1599.541.0

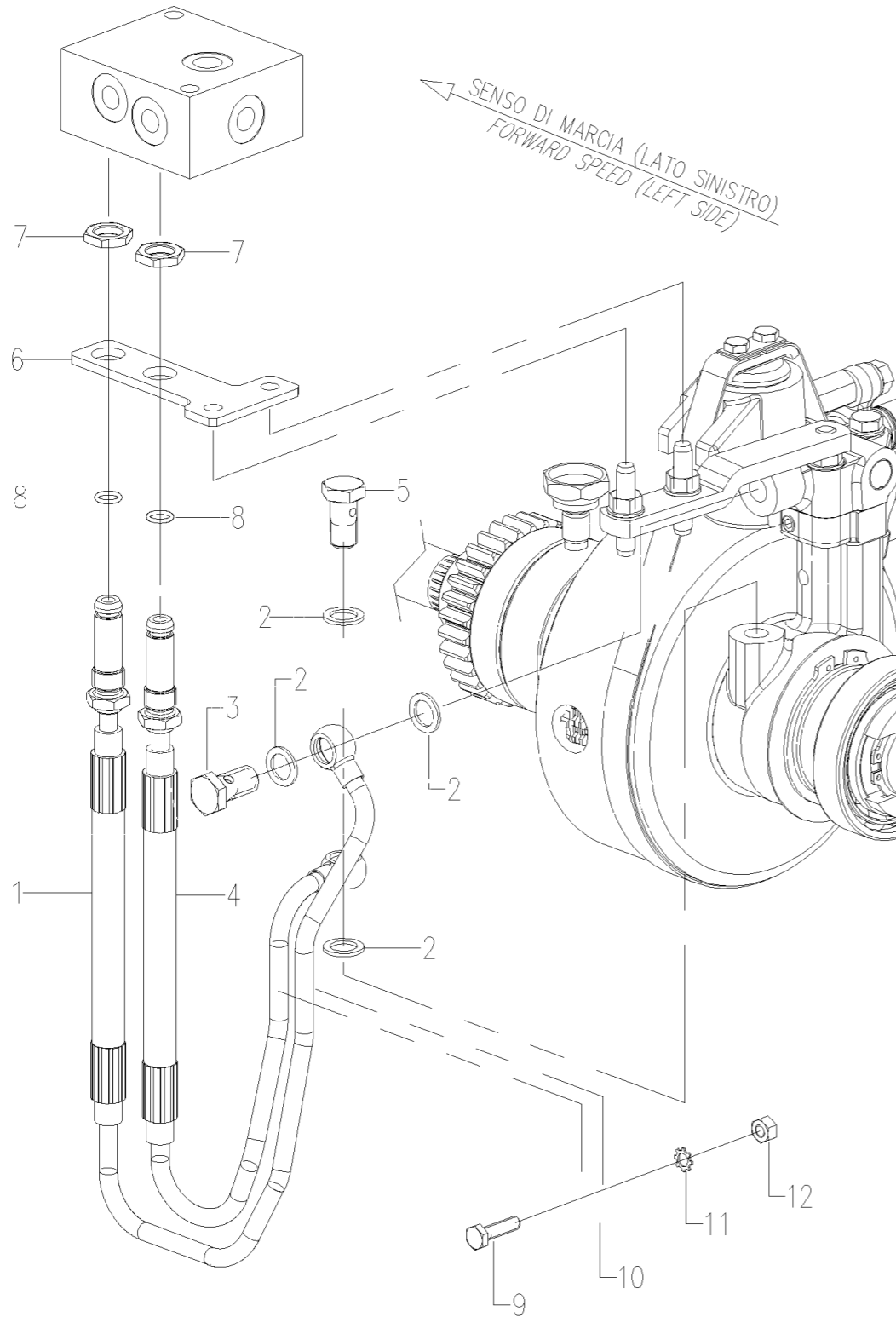
0.022.2028.4 CONICAL BEARING ASS.Y

### 0.022.2028.4 圆锥轴承CONICAL BEARING ASS.Y

序号	零件编号	零件名称	数量	图号
1	0.018.6487.0	法兰座 FLANGIA CUSCINETTO	1	0.018.6487.0
2	0.018.6488.0	安装板 BUSSOLA CUSCINETTO	1	0.018.6488.0
3	2.0312.208.2	螺栓 VITE M8X1.25X25	2	2.0312.208.2
4	2.1589.585.0	垫圈 RASAMENTO SP.0.5	2	2.1589.585.0
5	2.1589.586.0	垫圈 RASAMENTO SP.0.2	2	2.1589.586.0
6	2.1589.587.0	垫圈 RASAMENTO SP.0.15	2	2.1589.587.0
7	2.2560.007.0	圆柱滚子轴承 CUSC. 31309	2	2.2560.007.0
8	0.016.8142.0	隔圈 DISTANZIALE	1	0.016.8142.0
9	2.1549.246.0	垫圈 DIST.45.2X57X60X12	1	2.1549.246.0



# 9.AG736.01.0 PIPING REAR PTO



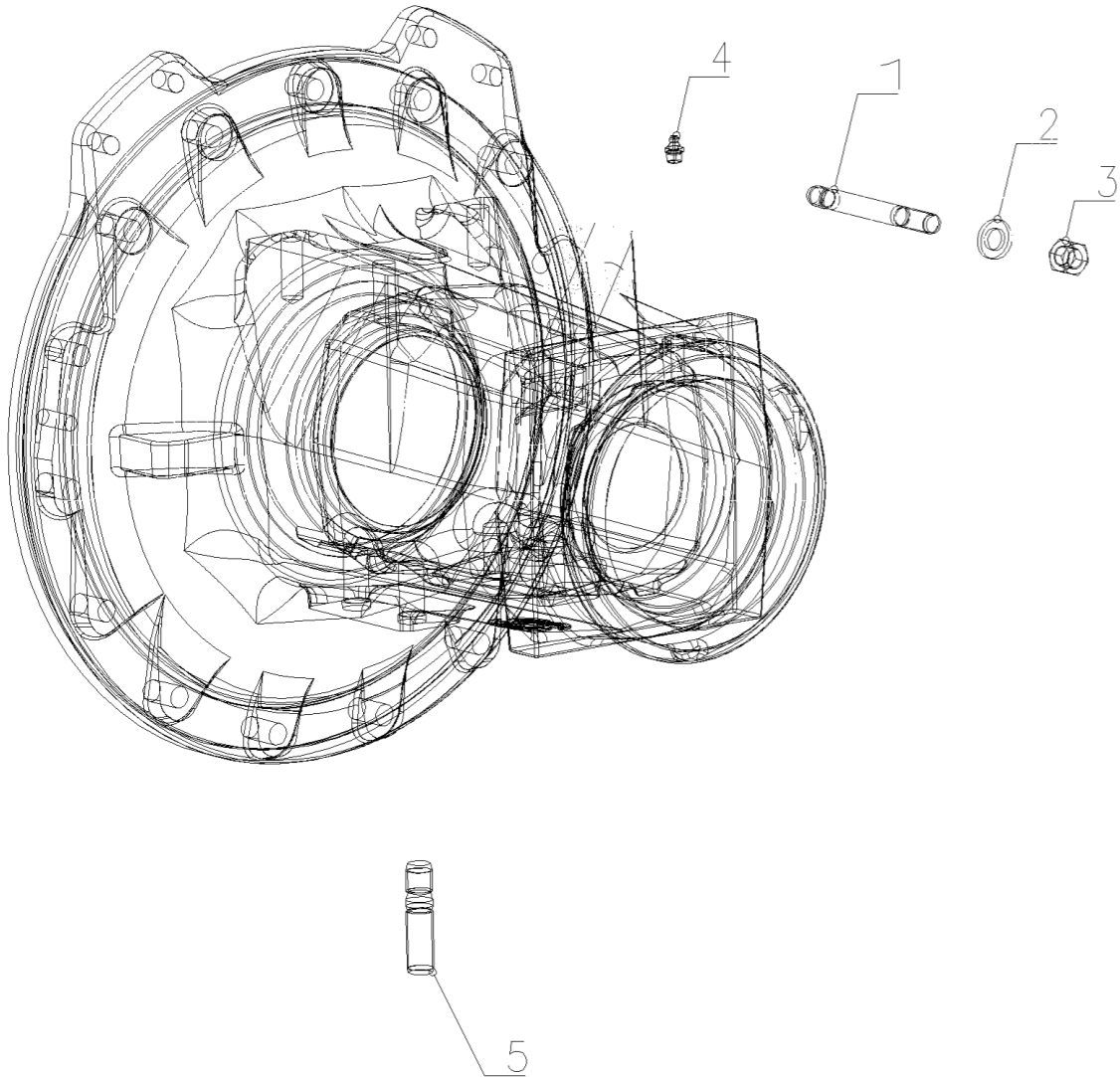
## 9.AG736.01.0\_1 PTO 润滑管路 PTO LUBRICATION PIPES

序号	零件编号	零件名称	数量	图号
1	0.021.0938.3/10	油管 TUBO 8 MANDATA PTO	1	0.021.0938.3/10
2	2.1560.008.0	密封垫圈 GUARN 12.2X18	4	2.1560.008.0
3	2.3335.005.2	空心螺栓 BOCCHETT 6	1	2.3335.005.2
4	0.021.0937.3/10	油管 TUBO 8 LUBRIFICAZIONE	1	0.021.0937.3/10
5	2.3332.003.2	空心螺栓 BOCCHETT 8	1	2.3332.003.2
6	0.021.0935.0	支架固定管 BRACKET FIX PIPE	1	0.021.0935.0
7	2.1019.171.0	垫圈 CONTRODADO	2	2.1019.171.0
8	2.1532.016.0	O形圈 ANELLO 8.74X1.78	2	2.1532.016.0
9	2.0112.008.2	螺栓 VITE M6X1X22	1	2.0112.008.2
10	0.200.8152.0	管接头 MORSETTO FISS.TUBI	2	0.200.8152.0
11	2.1470.002.2	垫圈 WASHER	1	2.1470.002.2
12	2.1011.103.2	螺母 NUT	1	2.1011.103.2

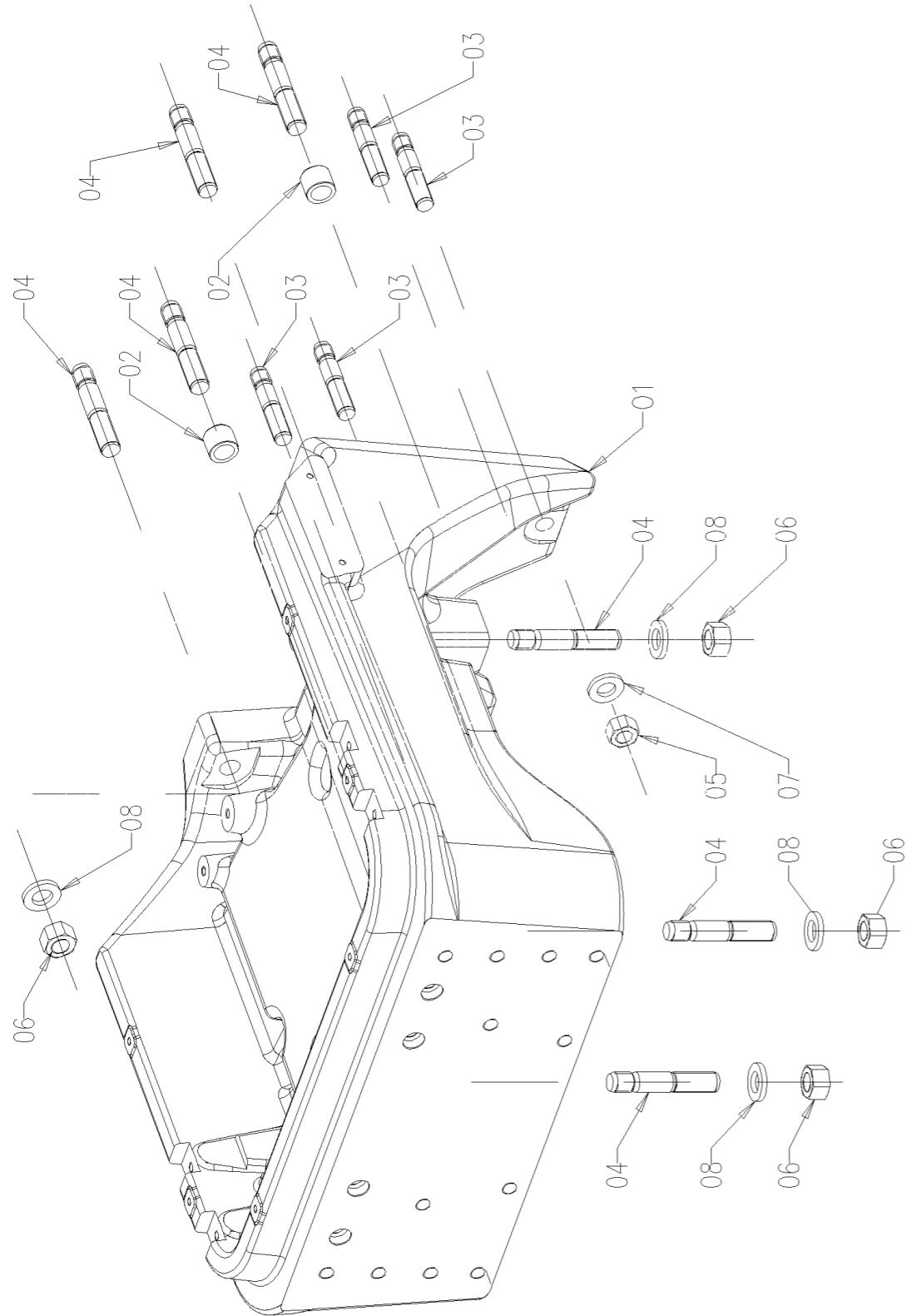
# 9.AG744.00.0 FISSAGGI PONTE POST.

## 9.AG744.00.0\_0 固定式后桥 REAR AXLE FIXATIONS

序号	零件编号	零件名称	数量	图号
1	2.0432.326.7	螺柱 PRIG.M14X1.5X110	32	2.0432.326.7
2	2.1475.205.2	垫圈 ROSETTA ELASTICA 14	32	2.1475.205.2
3	2.1011.308.2	螺母 DADO M14X1.5	32	2.1011.308.2
4	2.3820.105.2	油嘴 INGRASSATORE M10X1	2	2.3820.105.2
5	2.0432.515.7	螺柱 PRIG M18X1.5X50	8	2.0432.515.7



# 9.AG752.00.0 FRONT SUPPORT



# 9.AG752.00.0\_0 前托架 FRONT SUPPORT

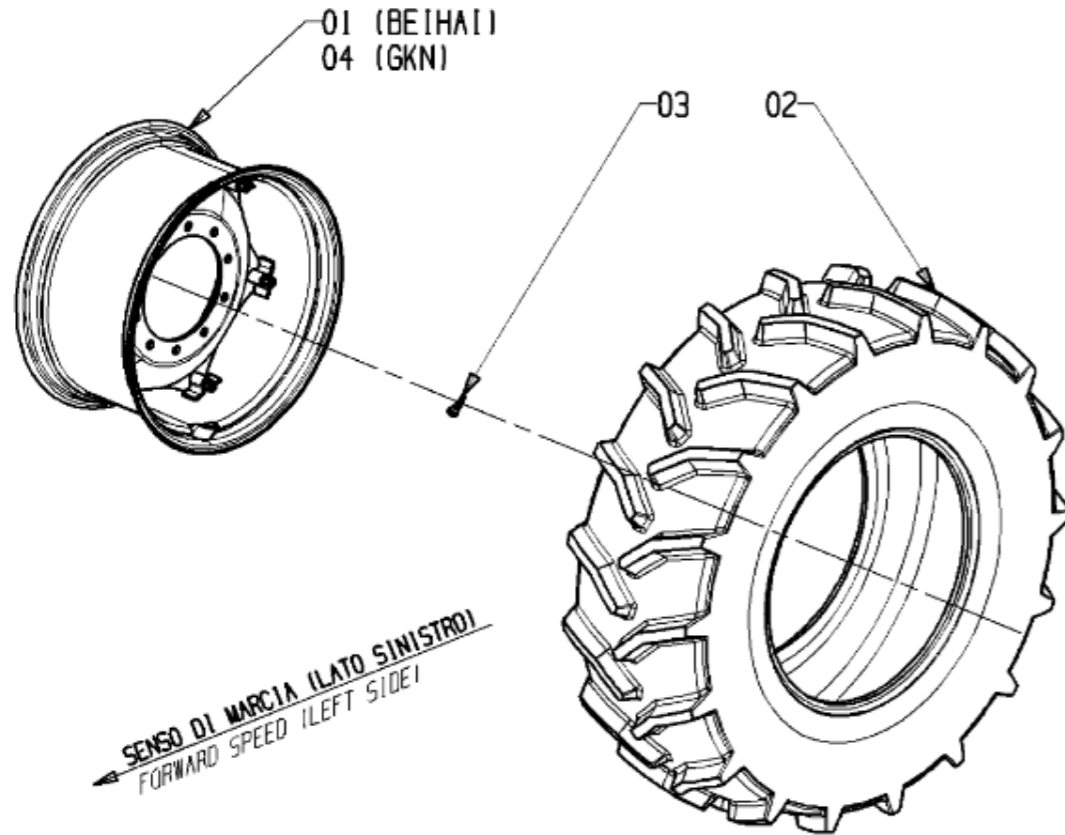
序号	零件编号	零件名称	数量	图号
1	0.020.1524.0/10	前托架 FRONT SUPPORT	1	0.020.1524.0/10
2	0.020.1539.0/10	定位套 PIN	2	0.020.1539.0/10
3	2.0433.519.7	螺柱 PRIG. M18X1.5X70	4	2.0433.519.7
4	2.0433.622.7	螺柱 STUD M20X1.5X85	8	2.0433.622.7
5	2.1011.410.2	螺母 DADO M18X1.5	4	2.1011.410.2
6	2.1011.411.2	螺母 DADO M20X1.5	8	2.1011.411.2
7	2.1475.107.2	垫圈 RONDELLA 18	4	2.1475.107.2
8	2.1475.108.2	垫圈 ROSETTA 20	8	2.1475.108.2



Rev	Foglio - Sheet	di - of
1	1	1
Validato il	Om	F
05/02/2016	30068	3

**9.AG755.21.0\_1 前轮 16.9-28FRONT 16.9-28**

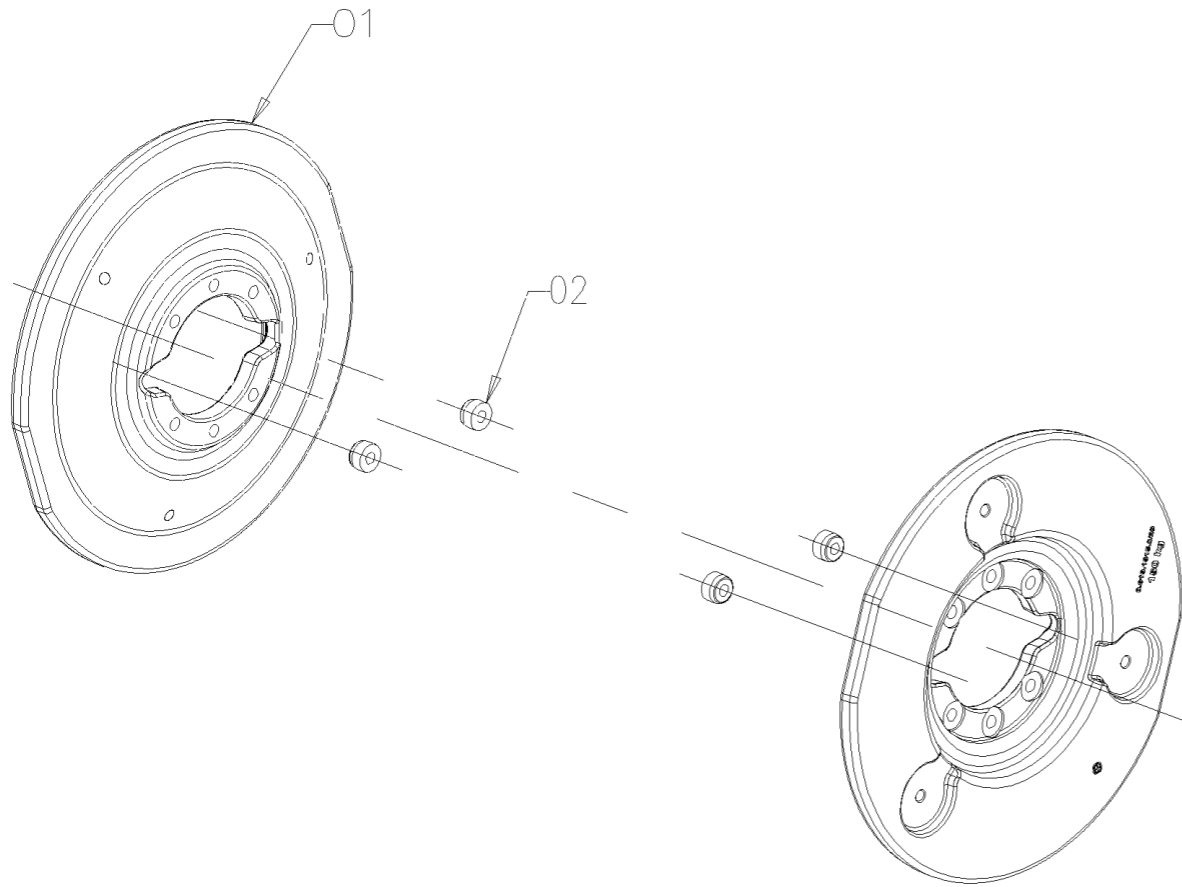
序号	零件编号	零件名称	数量	图号
1	0.020.2092.4	轮辋 RIM W15LX28"	2	0.020.2092.4
1	9.AG755.21.0	前轮 16.9-28" FRONT WHEEL 16.9-28"	1	9.AG755.21.0
2	2.4811.329.0	轮胎 WHEEL 16.9-28" 10PR	2	2.4811.329.0
3	2.4820.039.0	气门嘴 CAM ARIA 16.9-28"	2	2.4820.039.0
4	0.022.1389.4	轮辋 RIM W15Lx28"	2	0.022.1389.4



9.AG755.90.0\_0 后配重, 一层, 共计 320kg REAR BALLAST 1 LAYER TOTAL 320 kg

序号	零件编号	零件名称	数量	图号
1	0.019.1815.0/30	后轮配重 REAR WHEEL WEIGHT	2	0.019.1815.0/30
2	0.019.5876.0/10	隔圈 SPACER	4	0.019.5876.0/10

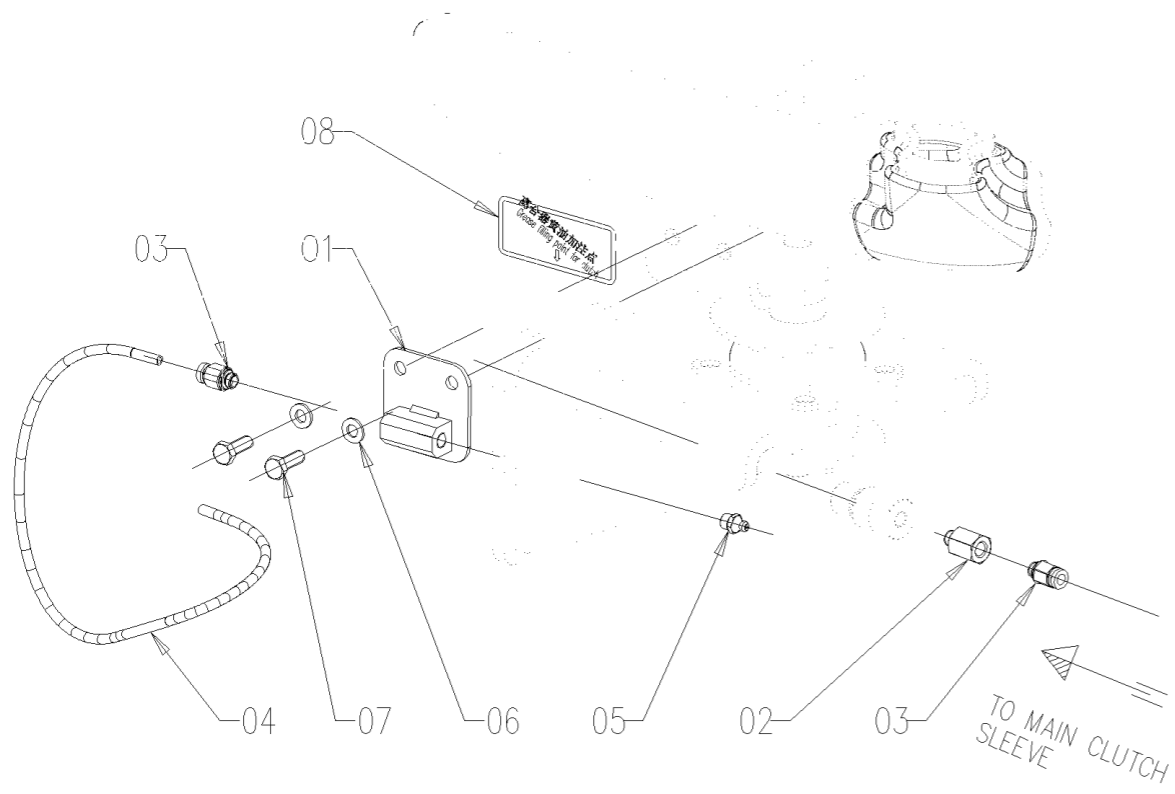
9.AG755.90.0 REAR WHEEL BALLAST 160+160



# 9.AG765.03.0 MAIN CLUTCH COMPLETION

## 9.AG765.03.0\_1 离合器黄油加注系统 MAIN CLUTCH COMPLETION

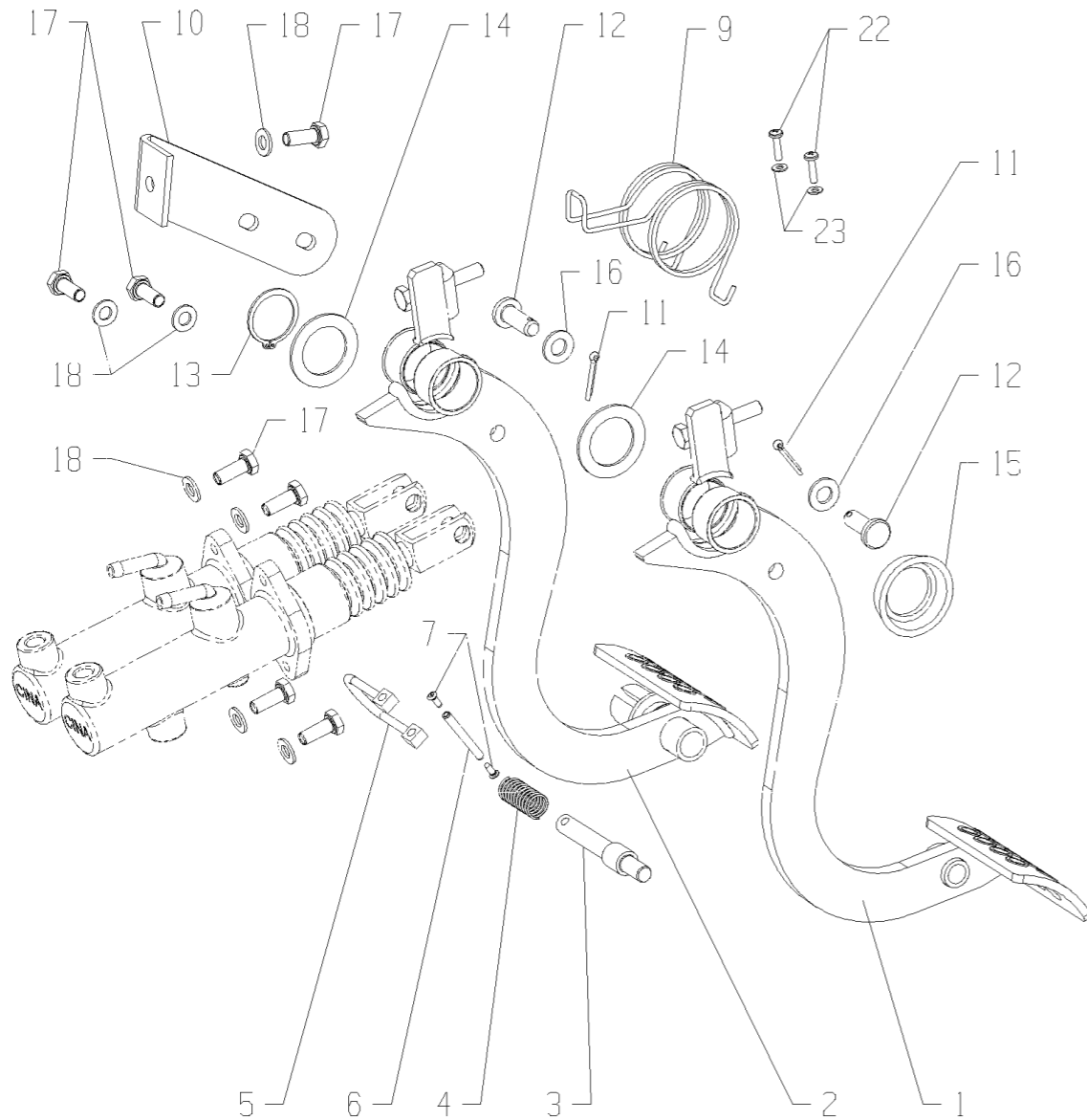
序号	零件编号	零件名称	数量	图号
1	0.024.6107.2	支架 BRACKET	1	0.024.6107.2
2	2.3249.167.2	管接头 RACCORDO	1	2.3249.167.2
3	0.011.2973.0	连接件 ATT.RAP.DIRITTO1/8-6	2	0.011.2973.0
4	0.012.6739.0	软管 TUBO	0.65	0.012.6739.0
5	2.3820.105.2	油嘴 INGRASSATORE M10X1	1	2.3820.105.2
6	2.1310.006.2	垫圈 WASHER	2	2.1310.006.2
7	2.0112.308.2	螺栓 VITE M10X1.5X22	2	2.0112.308.2
8	0.024.0988.0	黄油加注点标识 MAINTENANCE	1	0.024.0988.0



9.AG766.00.0 BRAKE CONTROLS

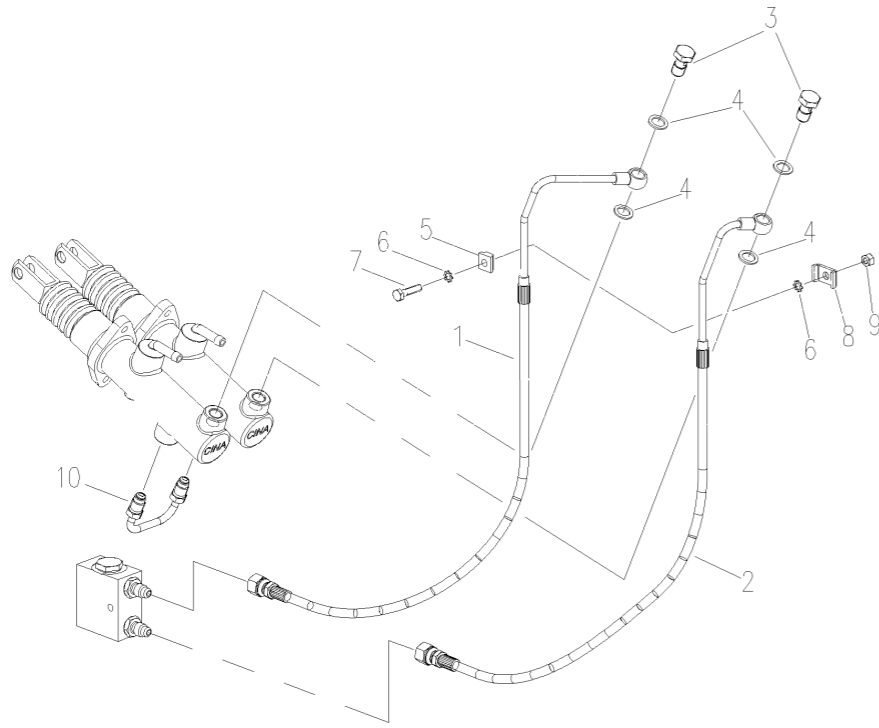
9.AG766.00.0\_2 刹车踏板总成 BRAKES COMMAND

序号	零件编号	零件名称	数量	图号
1	0.020.3784.4/10	左刹车踏板总成 LH BRAKE PEDAL	1	0.020.3784.4/10
2	0.020.3785.4/10	刹车踏板总成 RH BRAKE PEDAL ASS.Y	1	0.020.3785.4/10
3	0.020.3813.0/10	销 PIN	1	0.020.3813.0/10
4	2.4019.586.2	弹簧 MOLLA	1	2.4019.586.2
5	0.020.3812.2	挂钩 HOOK	1	0.020.3812.2
6	2.1630.515.0	销 SPRING-TYPE STRAIGHT PINS	1	2.1630.515.0
7	2.1855.010.0	铆钉 BLIND RIVETS 3.4	2	2.1855.010.0
9	0.020.3816.0	弹簧 SPRING	1	0.020.3816.0
10	0.020.3811.0	支架 BRACKET	1	0.020.3811.0
11	2.1690.308.2	销 PIN	2	2.1690.308.2
12	2.1671.407.2	销 PIN	2	2.1671.407.2
13	2.1410.012.1	挡圈 CIRCLIP	1	2.1410.012.1
14	2.1599.268.0	垫圈 WASHER(PA)	2	2.1599.268.0
15	2.1599.546.0	垫圈 BUSHING(PA)	1	2.1599.546.0
16	2.1310.006.3	垫圈 WASHER	2	2.1310.006.3
17	2.0114.207.2	螺栓 SCREW M8x20	7	2.0114.207.2
18	2.1310.004.2	垫圈 WASHER	7	2.1310.004.2
22	2.0332.206.2	螺钉 CROSS SCREW M4x0.7x16	2	2.0332.206.2
23	2.1310.028.2	垫圈 WASHER	2	2.1310.028.2



Assembling instruction  
100

## 9.AG766.01.0 BRAKE OIL PIPES



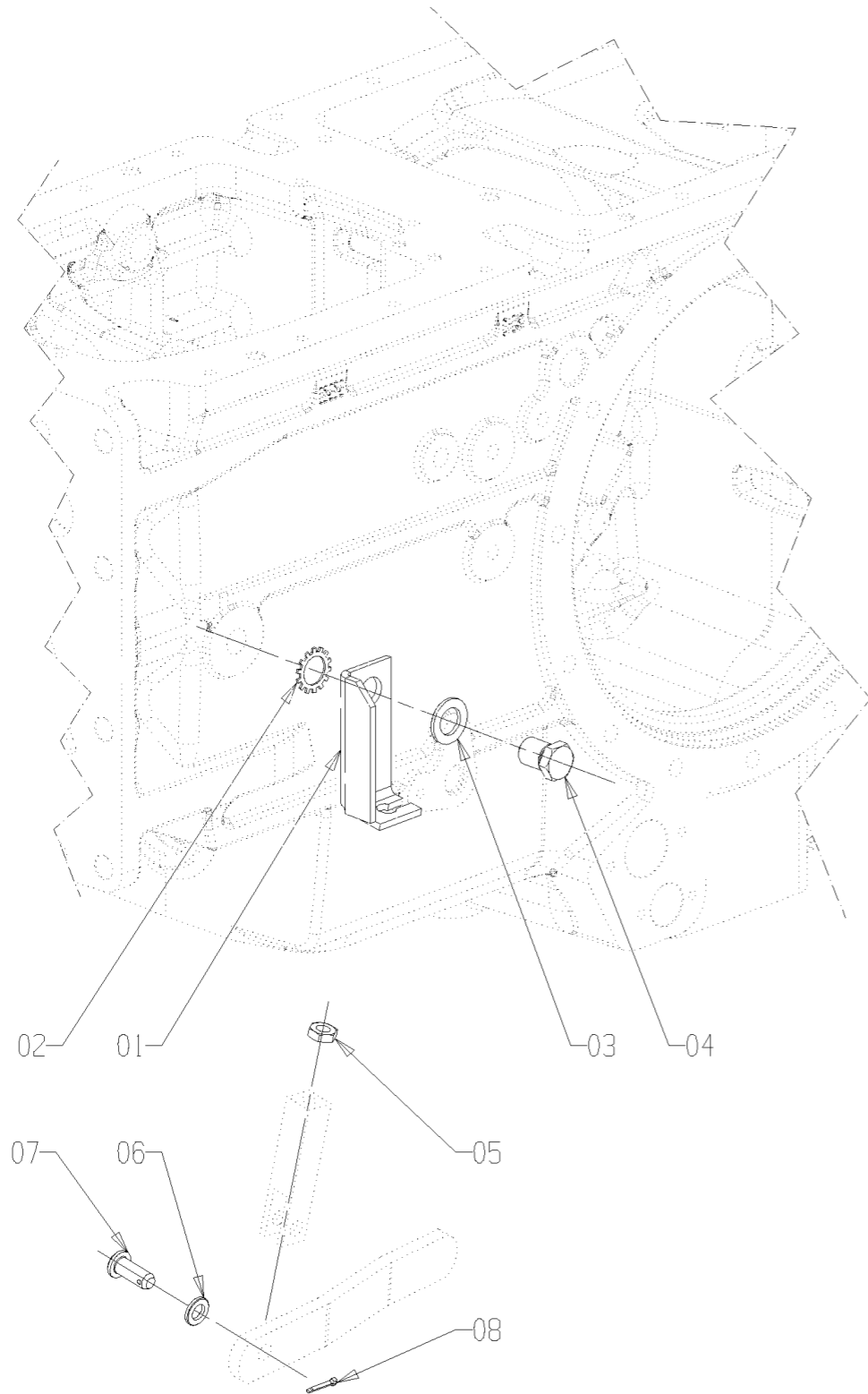
## 9.AG766.01.0\_0 制动泵油管总成 BRAKE OIL PIPES

序号	零件编号	零件名称	数量	图号
1	0.020.9199.3	软管 HOSE 1/8 BRAKE RIGHT	1	0.020.9199.3
2	0.020.9197.3	软管 HOSE 1/8 BRAKE LEFT	1	0.020.9197.3
3	2.3339.431.2/10	螺栓 BOCCHETT M12x1.25	2	2.3339.431.2/10
4	2.1560.008.0	密封垫圈 GUARN 12.2X18	4	2.1560.008.0
5	0.021.1668.0	块 BLOCCHETTO	1	0.021.1668.0
6	2.1470.002.2	垫圈 WASHER	2	2.1470.002.2
7	2.0112.009.2	螺栓 VITE M6X1X25	1	2.0112.009.2
8	0.002.8816.0	连接板 PIASTRINA	1	0.002.8816.0
9	2.1011.103.2	螺母 NUT	1	2.1011.103.2
10	0.021.6230.3	制动器盘管 BRAKE PUMPS COL.PIPE	1	0.021.6230.3

9.AG766.06.0 HAND BRAKE COMPL.

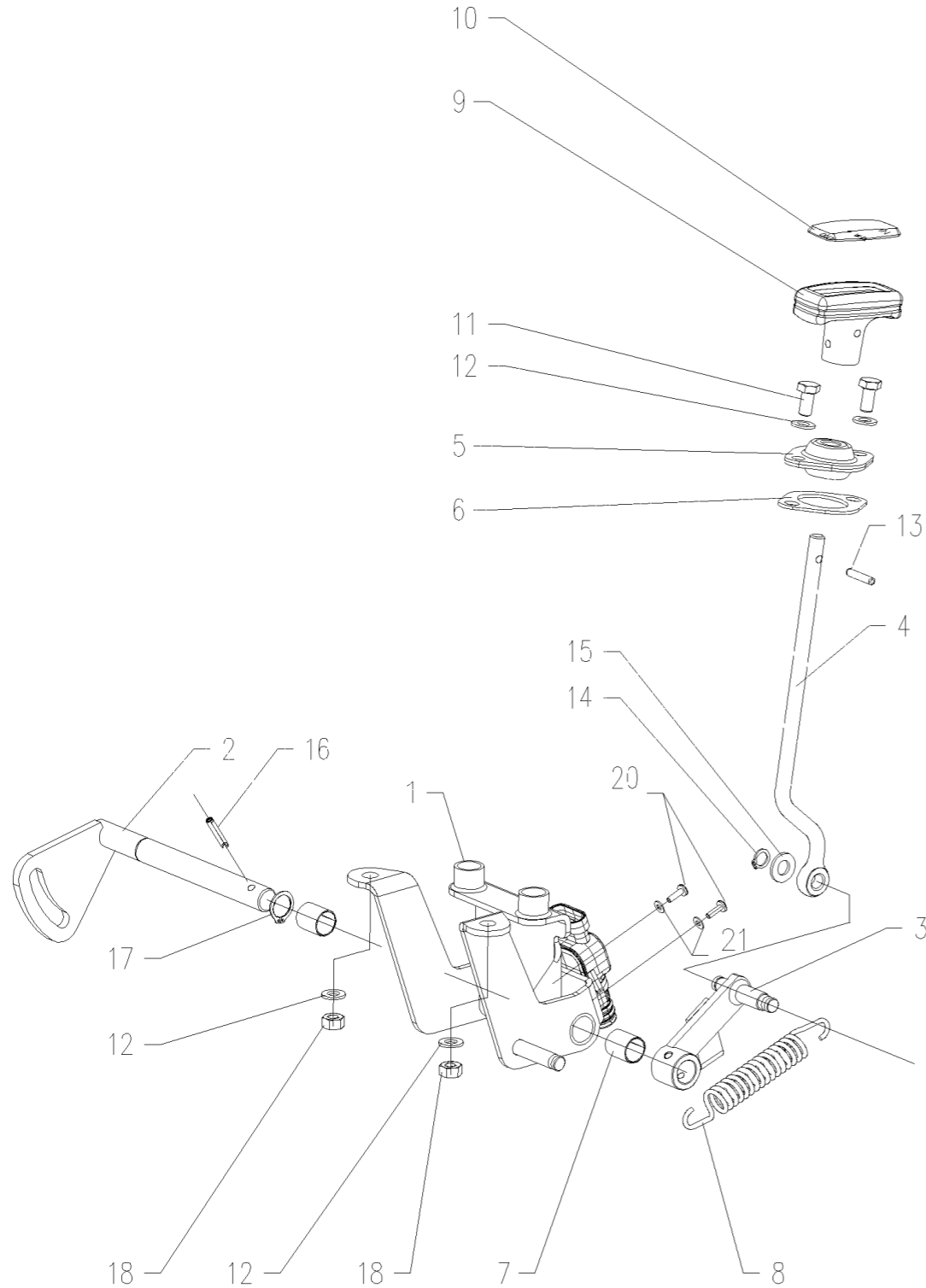
9.AG766.06.0\_0 手刹操纵附件 HAND BRAKE COMPL.

序号	零件编号	零件名称	数量	图号
1	0.202.6650.0	框架 FERMO	1	0.202.6650.0
2	2.1470.011.2	垫圈 ROSETTA 20	1	2.1470.011.2
3	2.1311.012.2	垫圈 ROSETTA 20	1	2.1311.012.2
4	2.0119.079.2	螺栓 VITE M20X1.5X25	1	2.0119.079.2
5	2.1011.207.2	螺母 DADO M12X1.75	1	2.1011.207.2
6	2.1311.008.2	垫圈 ROSETTA 12	1	2.1311.008.2
7	2.1671.508.2	销 PERNO 12X30	1	2.1671.508.2
8	2.1690.307.2	销 PIN	1	2.1690.307.2



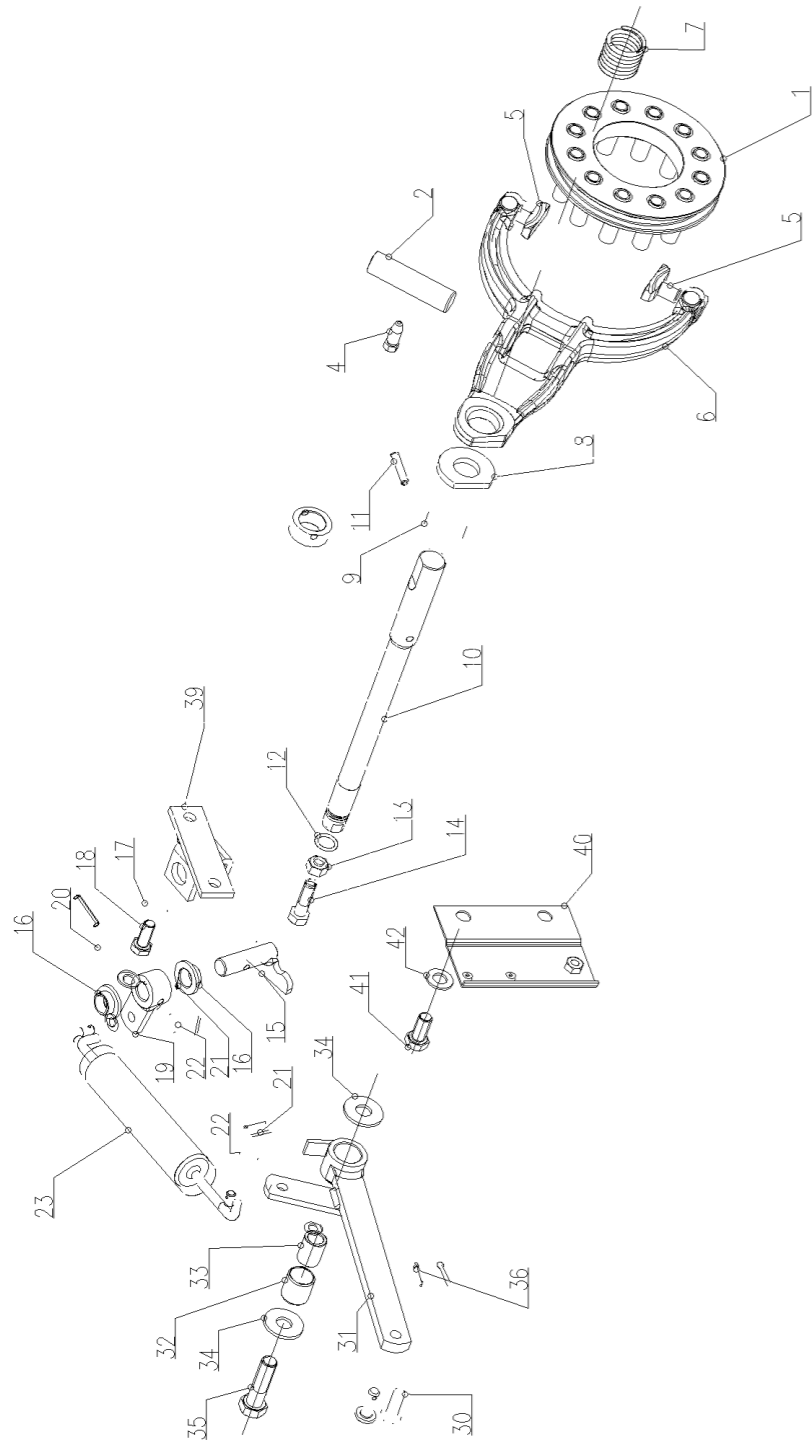
# 9.AG768.02.04WD ENGAGEMENT CONTROL

# 9.AG768.02.0\_2 四驱操纵总成 4WD ENGAGEMENT CONTROL



序号	零件编号	零件名称	数量	图号
1	0.020.5424.3/10	支撑 SUPPORT	1	0.020.5424.3/10
2	0.020.5428.2	杆 SHAFT	1	0.020.5428.2
3	0.020.5434.2/20	四轮驱动杆 4WD LEVER	1	0.020.5434.2/20
4	0.020.5437.2/10	四轮驱动杆 4WD ROD	1	0.020.5437.2/10
5	0.020.5460.3	球连接支承 SPHERE SUPPORT	1	0.020.5460.3
6	0.020.5435.0	垫圈 GASKET	1	0.020.5435.0
7	2.1555.309.0	轴套 BOCCOLA 16X18X20	2	2.1555.309.0
8	2.4049.139.1/10	弹簧 MOLLA	1	2.4049.139.1/10
9	0.009.9885.0/10	手柄 PTO HANDLE	1	0.009.9885.0/10
10	0.014.2031.0	标识 CALOTTINA INNESTO DT	1	0.014.2031.0
11	2.0112.205.2	螺栓 BOLT	2	2.0112.205.2
12	2.1310.004.2	垫圈 WASHER	4	2.1310.004.2
13	2.1630.511.0	销 PIN	1	2.1630.511.0
15	2.1310.006.3	垫圈 WASHER	1	2.1310.006.3
16	2.1631.412.0	销 PIN	1	2.1631.412.0
17	2.1410.004.2	挡圈 CIRCLIP	1	2.1410.004.2
18	2.1011.105.2	螺母 NUT	2	2.1011.105.2
20	2.0332.204.2	螺钉 VITE M4X0.7X12	2	2.0332.204.2
21	2.1310.028.2	垫圈 WASHER	2	2.1310.028.2
22	2.1690.308.2	销 PIN	1	2.1690.308.2

# 9.AG768.05.0 COMANDO BLOCCAGGIO DIFF.



## 9.AG768.05.0\_1 差速锁系统 DIFF. LOCKING SYSTEM

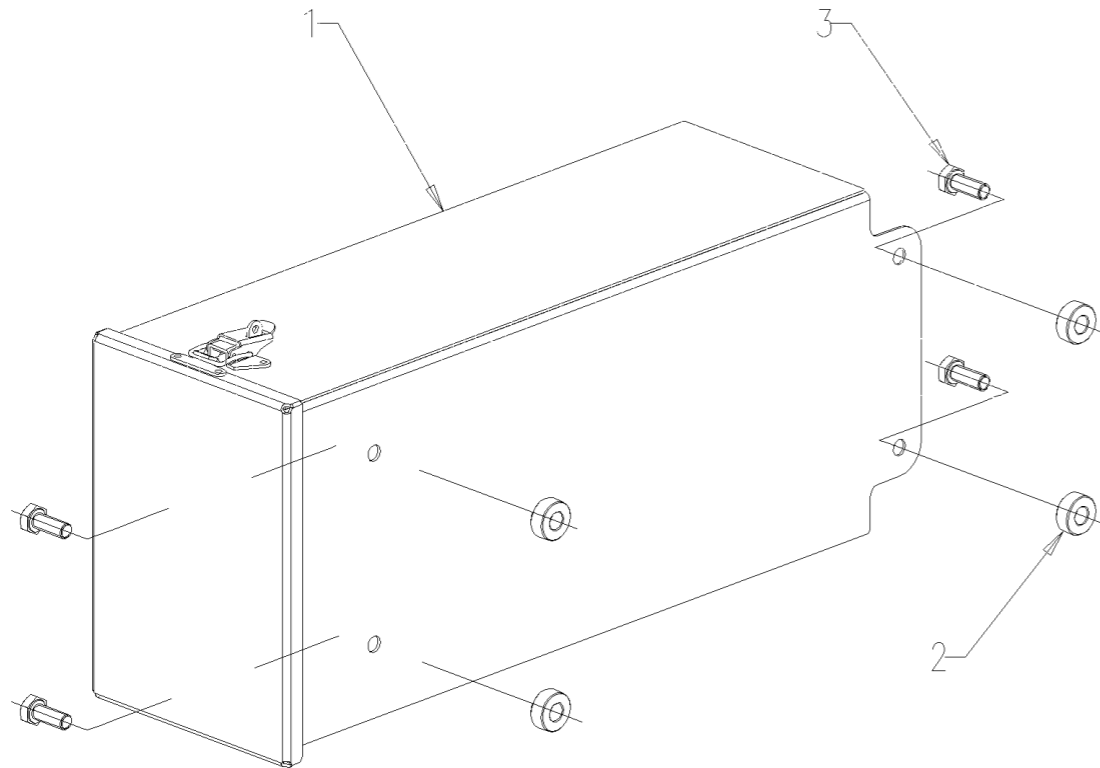
序号	零件编号	零件名称	数量	图号
1	0.154.6855.3/10	锁销 MANICOTTO	1	0.154.6855.3/10
2	0.154.6854.0	销 PERNO	1	0.154.6854.0
4	2.0399.002.1	螺钉 VITE TE M10X1-6eX24	1	2.0399.002.1
5	0.154.6833.0	拨头 PATTINO	2	0.154.6833.0
6	0.163.6816.0	拨叉 FORCELLA	1	0.163.6816.0
7	2.4019.157.1	弹簧 MOLLA RICHIAMO FORC.	1	2.4019.157.1
8	2.1599.222.0	垫圈 ANELLO 24X50X6	1	2.1599.222.0
9	0.163.6850.0	隔圈 DISTANZIALE	1	0.163.6850.0
10	0.235.6811.0/10	拨叉轴 ALBERO	1	0.235.6811.0/10
11	2.1630.614.0	销 SPINA 6X35	1	2.1630.614.0
12	2.1530.037.0	O形圈 ANELLO 15.08X2.62	1	2.1530.037.0
13	2.1011.106.2	螺母 NUT	1	2.1011.106.2
14	2.0119.533.1	螺栓 VITE M10X35	1	2.0119.533.1
15	0.264.6857.2	销 PERNO	1	0.264.6857.2
16	0.264.6862.0	套筒 BOCCOLA	2	0.264.6862.0
17	2.1475.003.2	垫圈 WASHER	2	2.1475.003.2
18	2.0112.309.2	螺栓 BOLT	2	2.0112.309.2
19	0.016.7207.2	摇臂 MOZZO	1	0.016.7207.2
20	2.1631.515.9	销 SPINA 6X32 ACC.INOX	1	2.1631.515.9
21	2.1690.206.2	销 COPIGLIA D.2X16	2	2.1690.206.2
22	2.1310.004.2	垫圈 WASHER	3	2.1310.004.2
23	0.427.6812.3	限位杆 LIMITATORE	1	0.427.6812.3
30	2.1671.407.2	销 PIN	1	2.1671.407.2
31	0.021.9077.2	连接件 LEVA RINVIO DIFF.	1	0.021.9077.2
32	2.1559.126.0	套筒 20.5X24X25 BOCCOLA 20.5X24X25	1	2.1559.126.0
33	2.1579.166.2	垫圈 DIST 14X20X25.5	1	2.1579.166.2
34	2.1599.450.0	垫圈 SPALL 14.5X35X3	2	2.1599.450.0
35	2.0112.519.2	螺栓 VITE M14X2X50	1	2.0112.519.2
36	2.1690.307.2	销 PIN	1	2.1690.307.2
39	0.264.6852.2	支架 SQUADRETTA	1	0.264.6852.2
40	0.264.6871.2/10	连接板 STAFFETTA	1	0.264.6871.2/10
41	2.0112.409.2	螺栓 VITE M12X1.75X25	2	2.0112.409.2
42	2.1475.004.2	垫圈 ROSETTA 12	2	2.1475.004.2



### 9.AG773.04.0\_0 工具箱 TOOL BOX

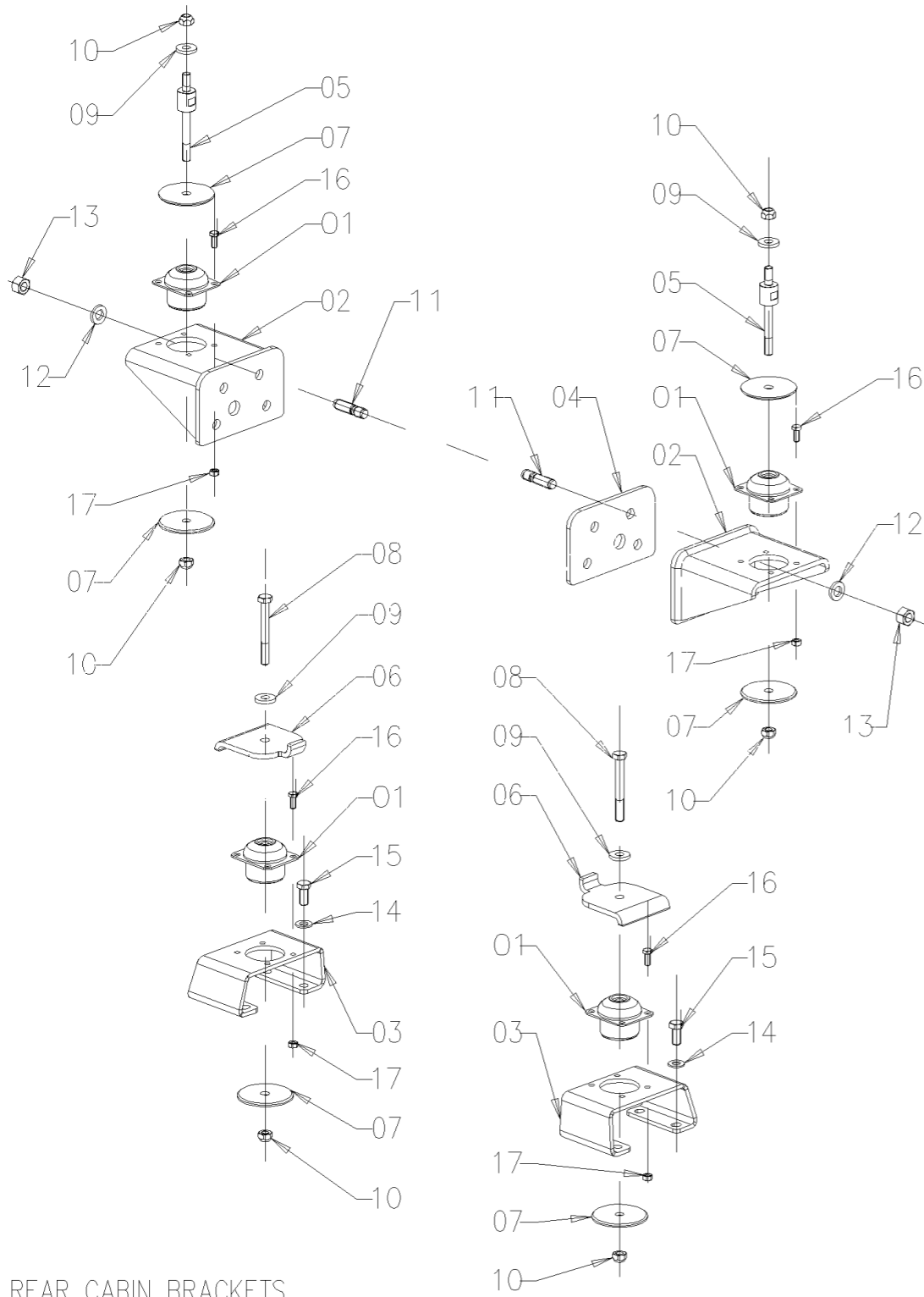
序号	零件编号	零件名称	数量	图号
1	0.020.7404.3	工具箱 TOOL BOX	1	0.020.7404.3
2	0.020.7406.0	隔圈 SPACER	4	0.020.7406.0
3	2.0112.207.2	螺栓 BOLT	4	2.0112.207.2

9.AG773.04.0 TOOLBOX



# 9.AG776.00.0 CAB SUPPORTS

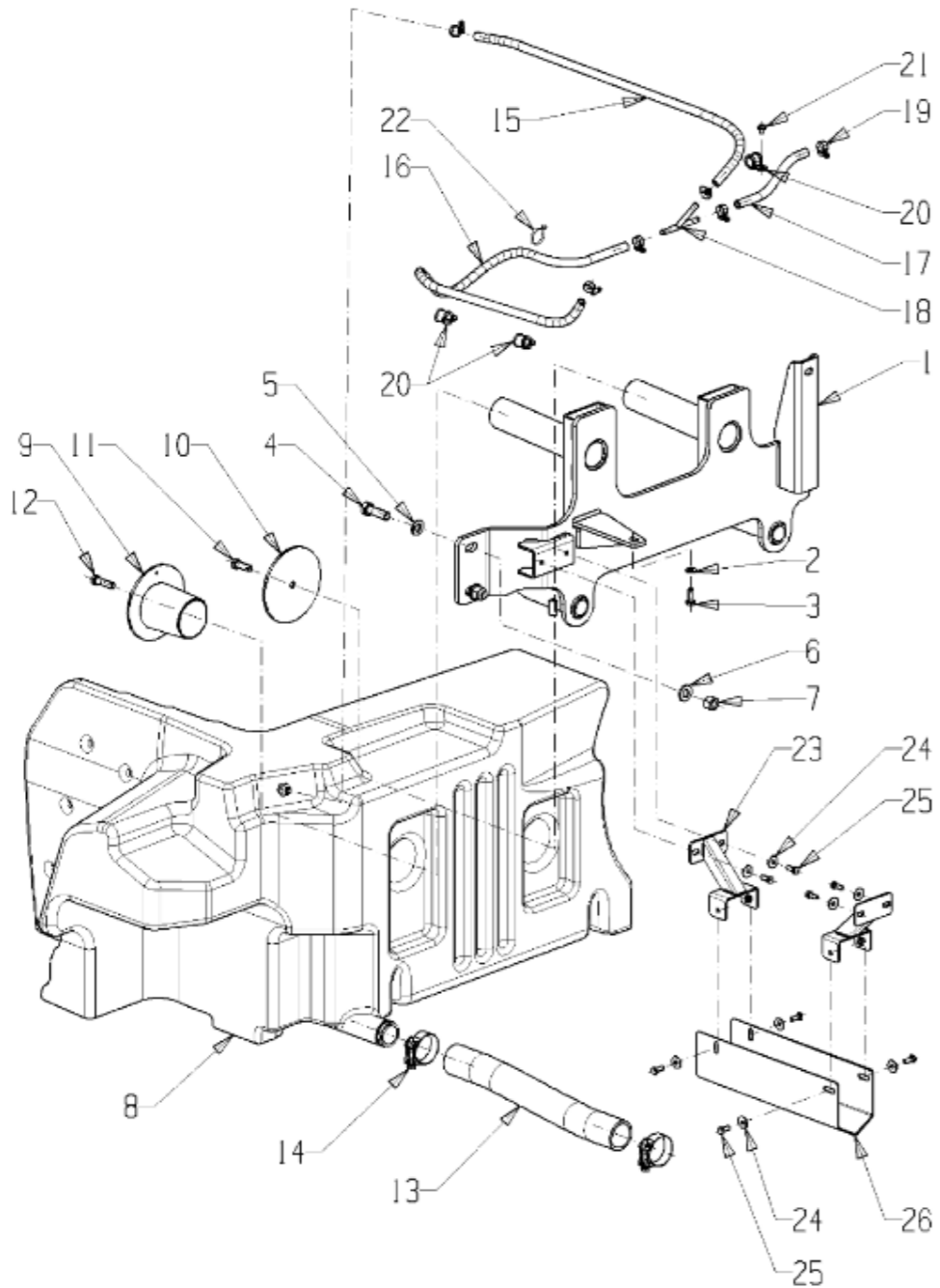
CHINA GROUP



REAR CABIN BRACKETS

# 9.AG776.00.0\_0 驾驶室支座总成 CABIN BRACKET

序号	零件编号	零件名称	数量	图号
1	0.021.5752.0	? 减震器 SILENTBLOCK	4	0.021.5752.0
2	0.020.1548.2	驾驶室前支架 FRONT CABIN	2	0.020.1548.2
3	0.020.2071.0	后支撑 REAR CABIN SUPPORT	2	0.020.2071.0
4	0.020.2056.0	左侧垫片 LH SPACER	1	0.020.2056.0
5	0.013.6204.0/10	销 PERNO DISTANZIALE	2	0.013.6204.0/10
6	0.020.2072.0	支架 BRACKET	2	0.020.2072.0
7	4450233	铁板 PIASTRA	6	4450233
8	2.0113.635.2	螺栓 VITE M16X130	2	2.0113.635.2
9	1139580	垫圈 ROSETTA 17DIN 7349	4	1139580
10	2.1121.011.2	螺母 DADO AUTOBLOC. M16	6	2.1121.011.2
11	2.0422.815.2	螺柱 STUD M20X2.5X50	8	2.0422.815.2
12	2.1475.108.2	垫圈 ROSETTA 20	8	2.1475.108.2
13	2.1011.111.2	螺母 DADO M20X2.5	8	2.1011.111.2
14	2.1475.006.2	垫圈 WASHER	8	2.1475.006.2
15	2.0112.613.2	螺栓 VITE M16X2X35	8	2.0112.613.2
16	2.0114.311.2	螺栓 VITE TE M10X30	16	2.0114.311.2
17	2.1011.106.2	螺母 NUT	16	2.1011.106.2

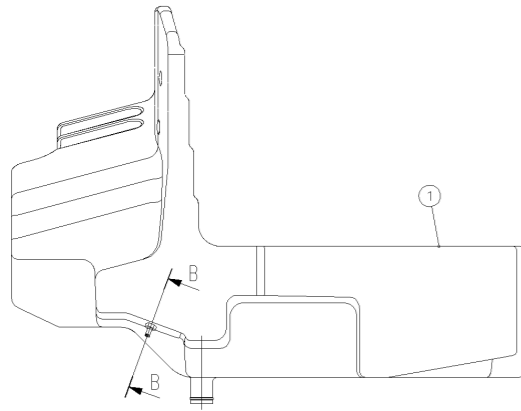
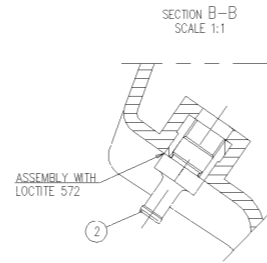
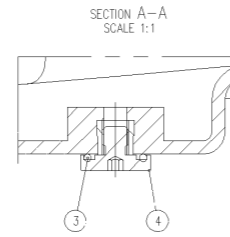
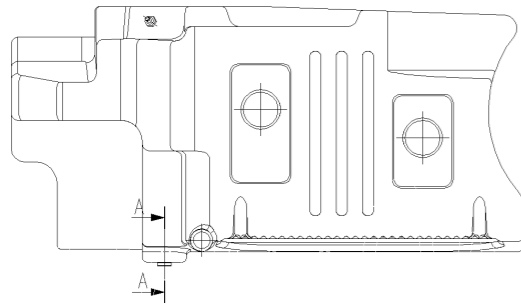


### 9.AG781.04.0 副油箱 AUX. FUEL TANK

序号	零件编号	零件名称	数量	图号
1	0.022.3104.3	支架 FRAME	1	0.022.3104.3
2	2.1475.203.2	垫圈 RONDELLA 10	1	2.1475.203.2
3	2.0112.309.2	螺栓 BOLT	1	2.0112.309.2
4	2.0112.619.2	螺栓 VITE 16X2X50	2	2.0112.619.2
5	2.1310.010.2	垫圈 ROSETTA 16	2	2.1310.010.2
6	2.1475.206.2	垫圈 WASHER	2	2.1475.206.2
7	2.1011.109.2	螺母 DADO M16X2	2	2.1011.109.2
8	0.020.7399.4/10	副油箱组件 COMPL. RH FUEL TANK	1	0.020.7399.4/10
9	4429298.4	副油箱固定架 FISSAGGI SERBATOIO	1	4429298.4
10	4413213	垫圈 ROSETTA	1	4413213
11	2.0112.413.2	螺栓 VITE M12X1.75X35	1	2.0112.413.2
12	2.0112.417.2	螺栓 VITE M12X1.75X45	1	2.0112.417.2
13	0.020.7401.0	软管 HOSE	1	0.020.7401.0
14	2.6859.155.0	夹子 59-63 FASCETTA 59-63	2	2.6859.155.0
15	0.021.1793.0	软管 HOSE	1	0.021.1793.0
16	0.020.9096.0	软管 HOSE	1	0.020.9096.0
17	0.021.2457.0	软管 HOSE	1	0.021.2457.0
18	0.020.9490.2	Y接头 Y FITTING	1	0.020.9490.2
19	2.6851.019.0	喉箍 FASCETTA	6	2.6851.019.0
20	2.6839.058.0	夹子 17/20 RSGU FASCETTA 17/20	3	2.6839.058.0
21	2.0332.504.2	螺钉 VITE M8X1.25X12	1	2.0332.504.2
22	2.6852.201.0	扎带 FASCETTA 188X4.8	1	2.6852.201.0
23	0.022.3101.3	支架 BRACKET	2	0.022.3101.3
24	2.1312.004.2	垫圈 ROSETTA 8	8	2.1312.004.2
25	2.0112.207.2	螺栓 BOLT	8	2.0112.207.2
26	0.022.3100.0	防护支板 PROTECTION	1	0.022.3100.0

0.020.7399.4/10 副油箱组件 COMPL. RH FUEL TANK

序号	零件编号	零件名称	数量	图号
1	0.020.7399.3/10	副油箱 RH FUEL TANK	1	0.020.7399.3/10
2	2.3249.373.0	管接头G 3/8" RACCORDO G 3/8"	1	2.3249.373.0
3	2.1530.056.0	O形圈 ANELLO 21.82X3.53	1	2.1530.056.0
4	0.011.5133.0	油堵 TAPPO	1	0.011.5133.0





SAME DEUTZ-FAHR GROUP S.p.A.  
 SAME • DEUTZ-FAHR • LANDINI • HOLLAND  
 Gruppo - Group  
 IDRAULICA

P2H "DF 1404 - DF 1554 - DF 1704"

GRUPPO ASPIRAZIONE  
 ASPIRATION GROUP

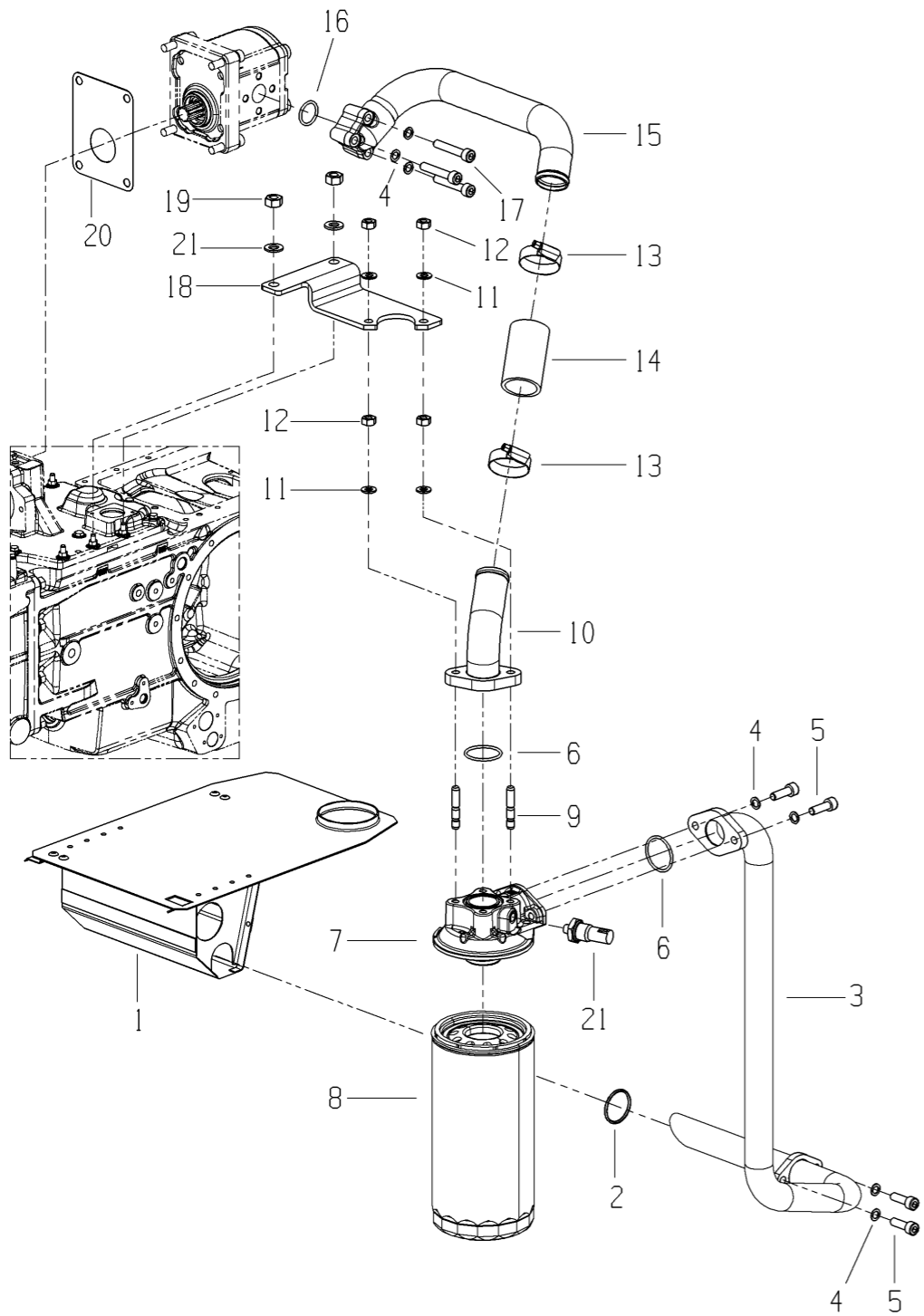
N. dis. - P/N

9. AG782.00.0

Rev	Foglio - Sheet	di - of
0	1	1
Validato il	DM	F
13/11/2013	17462	16

### 9.AG782.00.0 转向吸油管路总成 STEERING OIL SUCTION PIPES

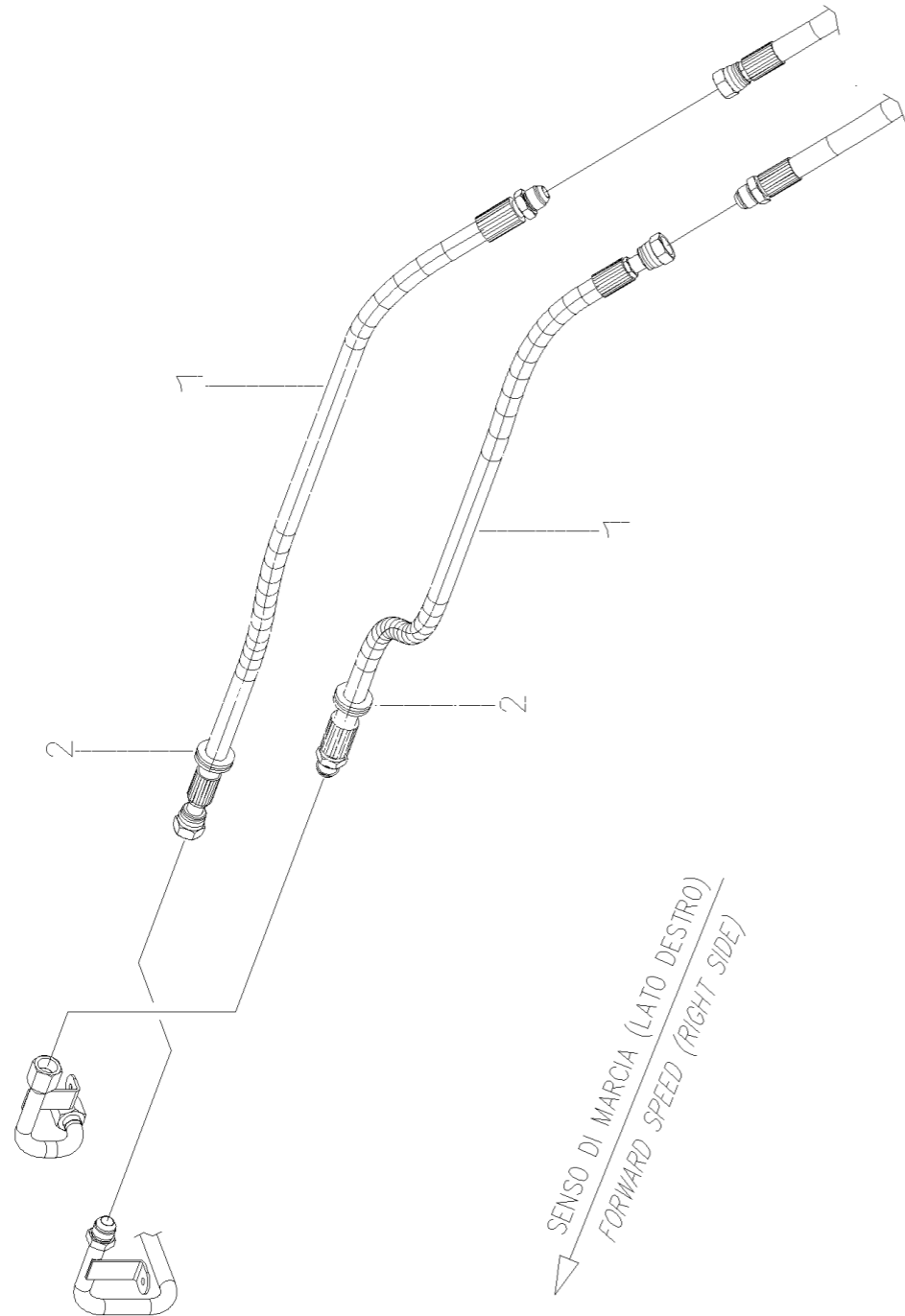
序号	零件编号	零件名称	数量	图号
1	0.021.1312.3	导管架 CARTER FOR SUCTION	1	0.021.1312.3
2	2.1532.087.0	O形圈 O RING	1	2.1532.087.0
3	0.020.9465.3	过滤器输送管 P.30 TRANSM-FILTER	1	0.020.9465.3
4	2.1480.014.2	垫圈 WASHER	7	2.1480.014.2
5	2.0312.208.2	螺钉 VITE M8X1.25X25	4	2.0312.208.2
6	2.1531.091.0	O型圈 O RING	2	2.1531.091.0
7	2.4419.350.1/40	过滤器 TESTINA FILTRO OLIO	1	2.4419.350.1/40
8	2.4419.280.0/10	油滤芯 FILTRO OLIO ASPIRAZ.	1	2.4419.280.0/10
9	2.0422.209.2	螺柱 PRIG M8X1.25X35	2	2.0422.209.2
10	0.020.9463.3	油管 P.34 FILTER-PUMP 14	1	0.020.9463.3
11	2.1310.004.2	垫圈 WASHER	4	2.1310.004.2
12	2.1011.105.2	螺母 NUT	4	2.1011.105.2
13	2.6851.004.0	喉箍 FASCETTA	2	2.6851.004.0
14	2.3213.234.0	软管 MANICOTTO D.34 L.70	1	2.3213.234.0
15	0.020.9464.3	油管 P.34 FILTER-PUMP 14	1	0.020.9464.3
16	2.1531.503.0	O形圈 ANELLO 21.89X2.62	1	2.1531.503.0
17	2.0312.215.2	螺钉 VITE M8X1.25X45	3	2.0312.215.2
18	0.020.9254.0	支架 BRACKET	1	0.020.9254.0
19	2.1011.421.2	螺母 DADO M10X1.25	2	2.1011.421.2
20	0.163.6350.0	垫片 GUARNIZIONE	1	0.163.6350.0
21	2.1310.006.2	垫圈 WASHER	2	2.1310.006.2
22	2.7099.660.0/10	压力传感器 PRESS.OLIO 0.5/0.4 B	1	2.7099.660.0/10



9.AG782.05.0 IMPIANTO SCAMBIATORE OLIO

9.AG782.05.0\_0 油散出油管总成 OIL RADIATOR OIL OULET PIPES

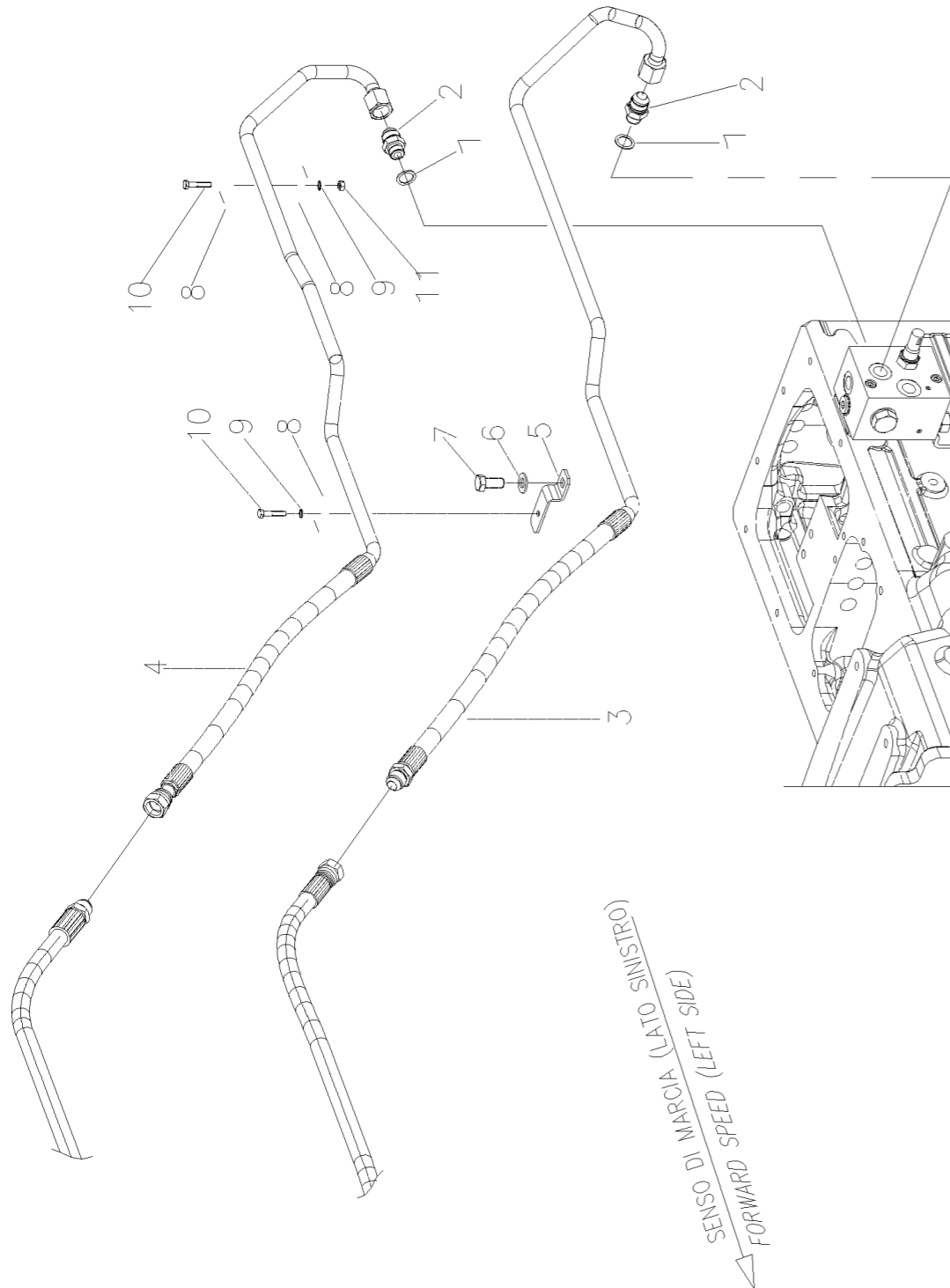
序号	零件编号	零件名称	数量	图号
1	0.020.9210.3	软管 HOSE 1/2 OLI COOLER	2	0.020.9210.3
2	2.6560.017.0	导缆环 FAIRLEAD RINGS	2	2.6560.017.0



# 9.AG782.05.0 IMPIANTO SCAMB.OLIO CAMBIO

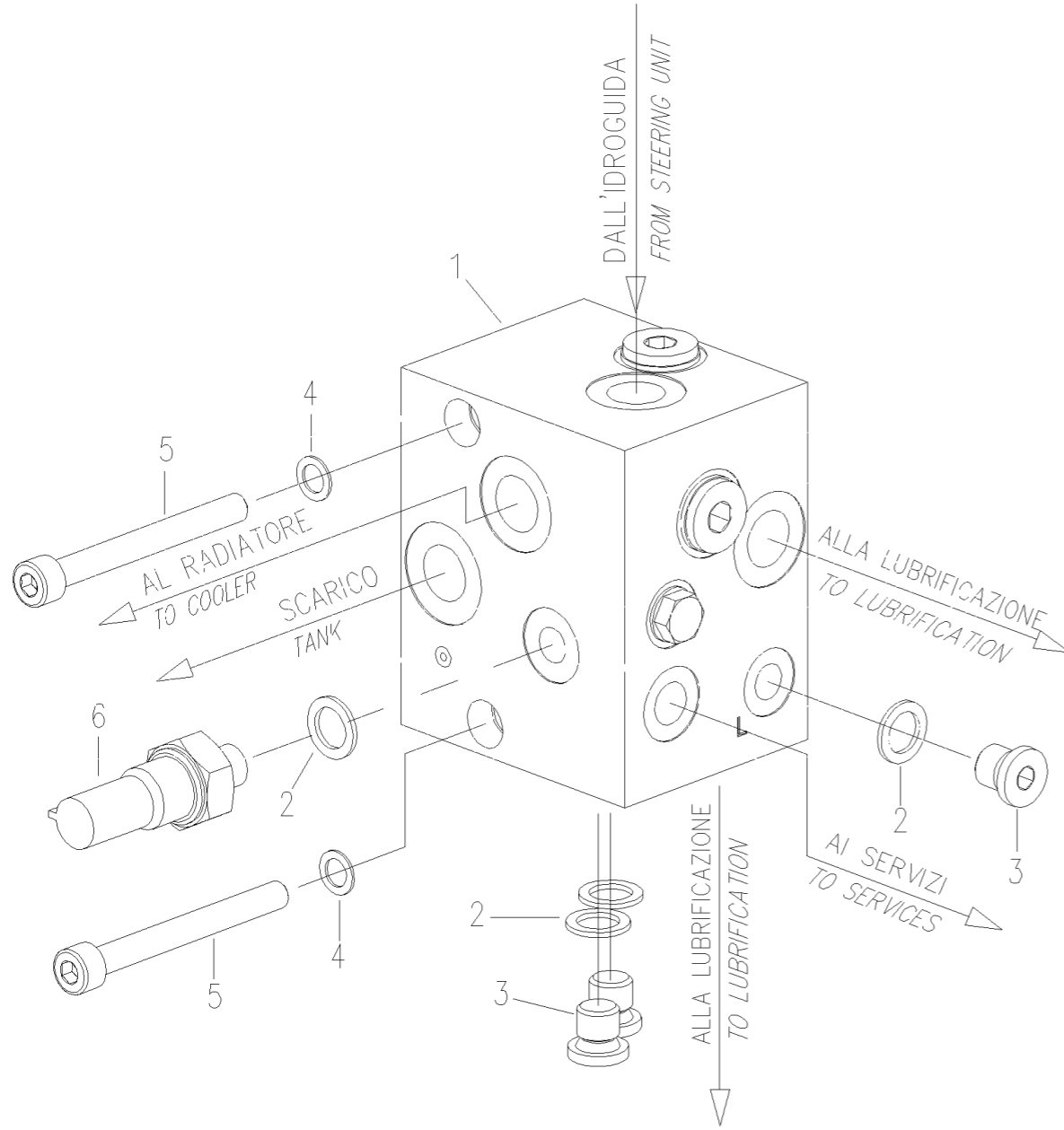
# 9.AG782.09.0\_0 油散进油管总成 OIL RADIATOR OIL INLET PIPES

序号	零件编号	零件名称	数量	图号
1	2.1560.014.0	密封垫圈 SEALING RING	2	2.1560.014.0
2	2.3261.010.2	接头体 RACC 14-16X18X1.5	1	2.3261.010.2
3	0.021.2088.3/10	冷却器输送管 P.16 DELIVERY	1	0.021.2088.3/10
4	0.020.9211.3/10	管 P.16 COOLER RETURN	1	0.020.9211.3/10
5	0.021.1141.3	支架 BRACKET	1	0.021.1141.3
6	2.1310.007.2	垫圈 ROSETTA 12	1	2.1310.007.2
7	2.0112.409.2	螺栓 VITE M12X1.75X25	1	2.0112.409.2
8	0.011.0326.0	支架 SQUADRETTA	3	0.011.0326.0
9	2.1470.002.2	垫圈 WASHER	2	2.1470.002.2
10	2.0112.011.2	螺栓 BOLT	2	2.0112.011.2
11	2.1011.103.2	螺母 NUT	2	2.1011.103.2



# 9.AG782.12.0 GR.MANT.+BY-PASS.RAD.+LUBRIF.

## 9.AG782.12.0\_0 分流阀块总成 BY-PASS VALVE ASS.Y



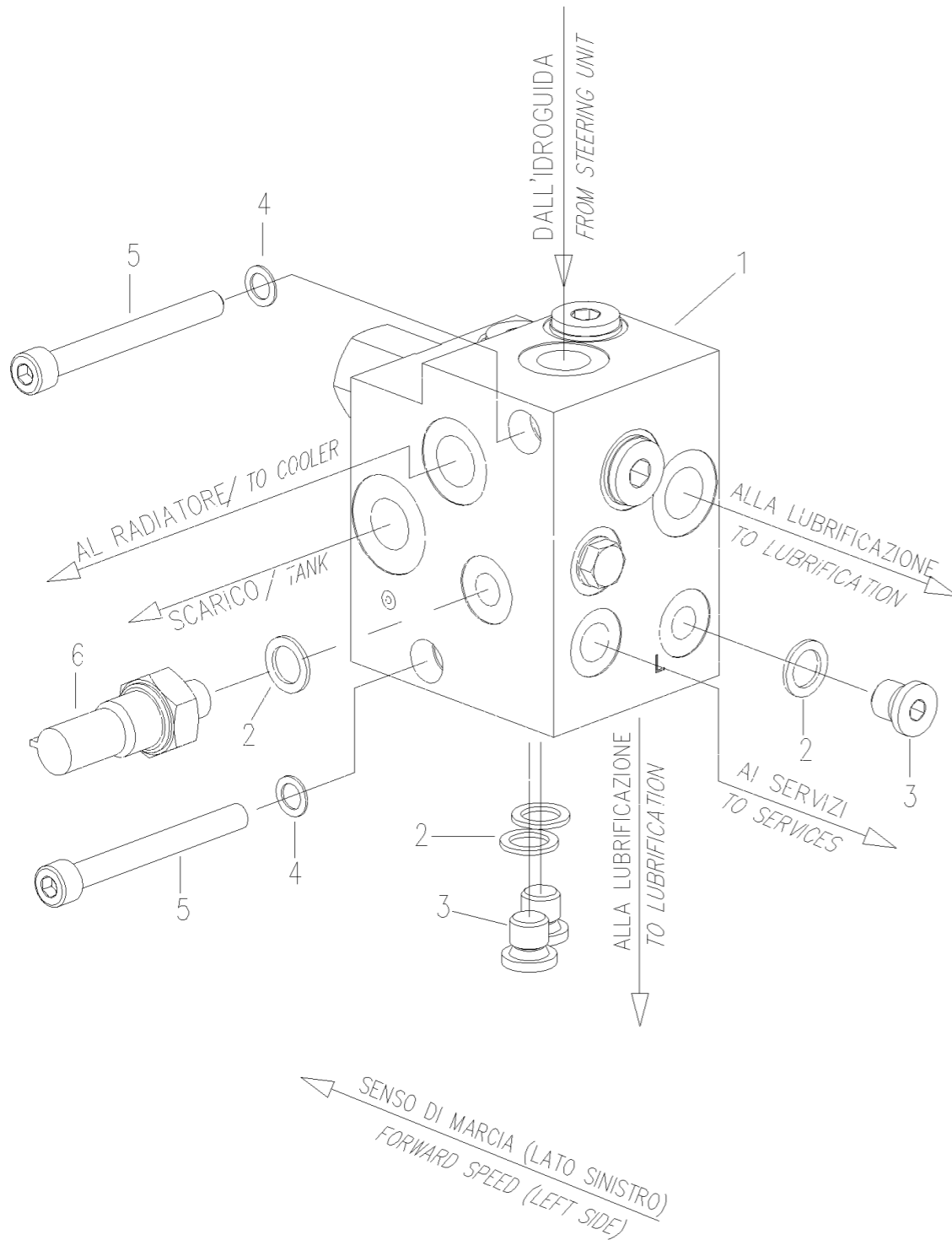
序号	零件编号	零件名称	数量	图号
1	0.021.0651.4	阀 GR.PRES+BY.PASS.COOL	1	0.021.0651.4
2	2.1560.008.0	密封垫圈 GUARN 12.2X18	4	2.1560.008.0
3	2.3120.008.4	螺堵 TAPPO M12X1.5 TCEI	3	2.3120.008.4
4	2.1480.014.2	垫圈 WASHER	2	2.1480.014.2
5	2.0312.221.2	螺钉 VITE M8X1.25X75	2	2.0312.221.2
6	2.7099.044.0/10	安全阀 PRESSOSTATO 7.5 bar	1	2.7099.044.0/10



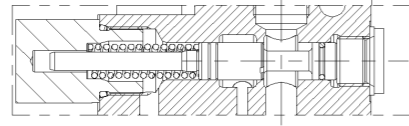
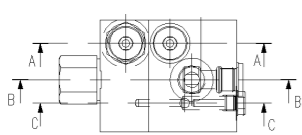
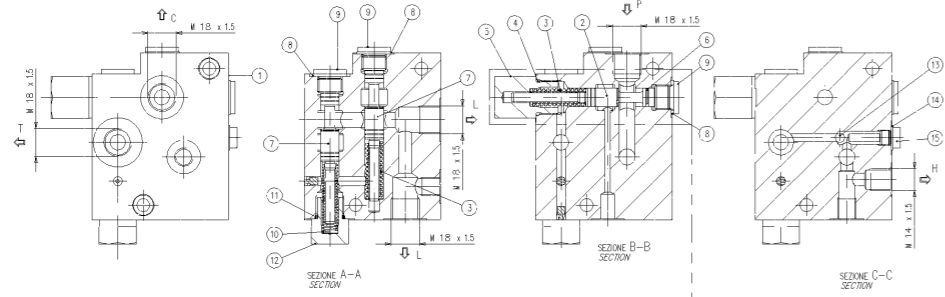
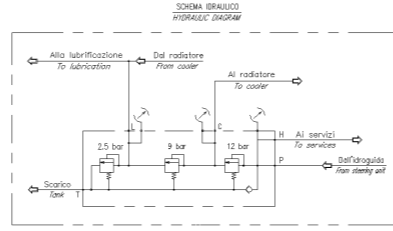
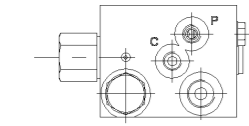
# 9.AG782.12.0 CONTROL VALVE GROUP

## 9.AG782.12.0\_2 分流阀块总成SWINGING BAR

序号	零件编号	零件名称	数量	图号
1	0.021.0651.4	阀 GR.PRES+BY.PASS.COOL	1	0.021.0651.4
2	2.1560.008.0	垫圈 12.2X18 GUARN 12.2X18	4	2.1560.008.0
3	2.3120.008.4	螺母保护帽 TAPPO M12X1.5 TCEI	3	2.3120.008.4
4	2.1480.014.2	垫圈 WASHER	2	2.1480.014.2
5	2.0312.221.2	螺栓 VITE M8X1.25X75	2	2.0312.221.2
6	2.7099.044.0/10	恒压器 PRESSOSTATO 7.5 bar	1	2.7099.044.0/10



### 0.021.0651.4 阀 GR.PRES+BY.PASS.COOL



INSERIRE IL CURSORE DAL FIDIO M16x1.5 PER EVITARE IL TAGLIO DELL'O-RING  
 INSERT SLIDER FROM FILE M16x1.5 TO AVOID O-RING CUTTING

COLLAUDARE SECONDO ISTRUZIONE  
 INSPECTOR ACCORDING TO SPECIFICATION

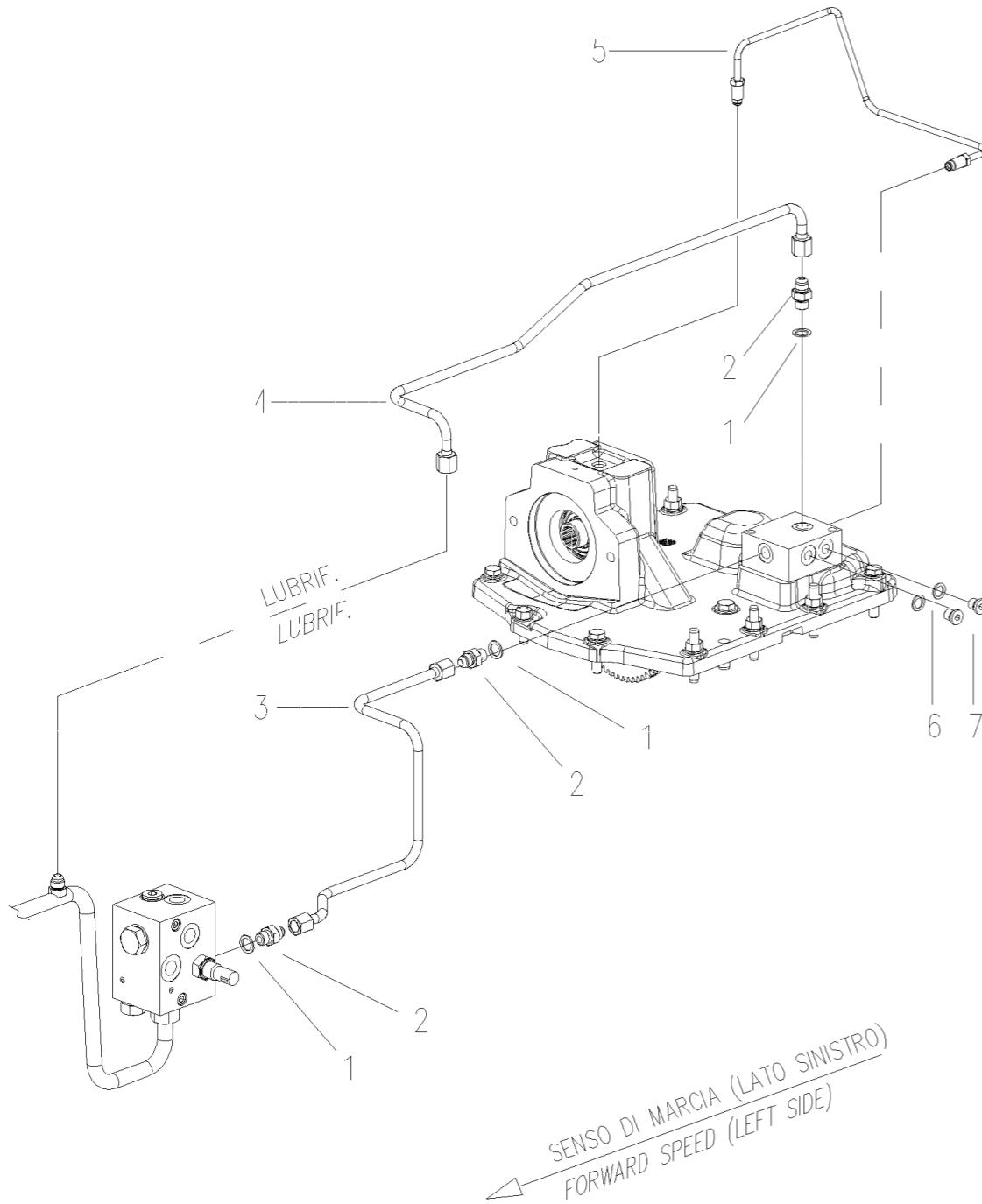
PIUZZA IN CONFORMITA' AL CAP. SDF 92349  
 CLEANING MUST COMPLY WITH 92349-SDF-SPECIFICATION

序号	零件编号	零件名称	数量	图号
1	0.021.0651.3	阀体 GR.PRES+BY.PASS.COOL	1	0.021.0651.3
2	0.015.0236.0	滑块 CURSORE 12x92 CON OR	1	0.015.0236.0
3	2.4019.770.1	弹簧 MOLLA	2	2.4019.770.1
4	2.1539.272.0	O形圈 O-RING 19.3x2.2	1	2.1539.272.0
5	2.3199.395.2	螺纹塞 PLUG M22x15	1	2.3199.395.2
6	2.1531.016.0	O形圈 ANELLO 8.74X1.78	1	2.1531.016.0
7	0.015.0028.0	滑块 CURSORE 12x845	2	0.015.0028.0
8	2.1560.012.0	密封垫圈 SEALING RING	3	2.1560.012.0
9	2.3120.010.4	螺堵 TAPPO ES.INC.M16X1.5	3	2.3120.010.4
10	0.008.3371.0	弹簧 MOLLA 896200113	1	0.008.3371.0
11	2.1539.251.0	O形圈 ANELLO OR 15.3x2.2	1	2.1539.251.0
12	2.3199.387.2	螺纹塞 PLUG M16xISO6149 SP.	1	2.3199.387.2
13	2.2810.002.0	钢球 SFERA 1/4"	1	2.2810.002.0
14	2.1560.006.0	密封垫圈 GUARN 10.2X16	1	2.1560.006.0
15	2.3199.390.2	螺纹塞 PLUG M10x125x28.5	1	2.3199.390.2
100	928158	试验指导 TESTING INSTRUCTION	1	928158

# 9.AG782.14.0 GROUP REAR PTO PLANT

## 9.AG782.14.0\_1 润滑油管总成 LUBRICATING OIL PIPE

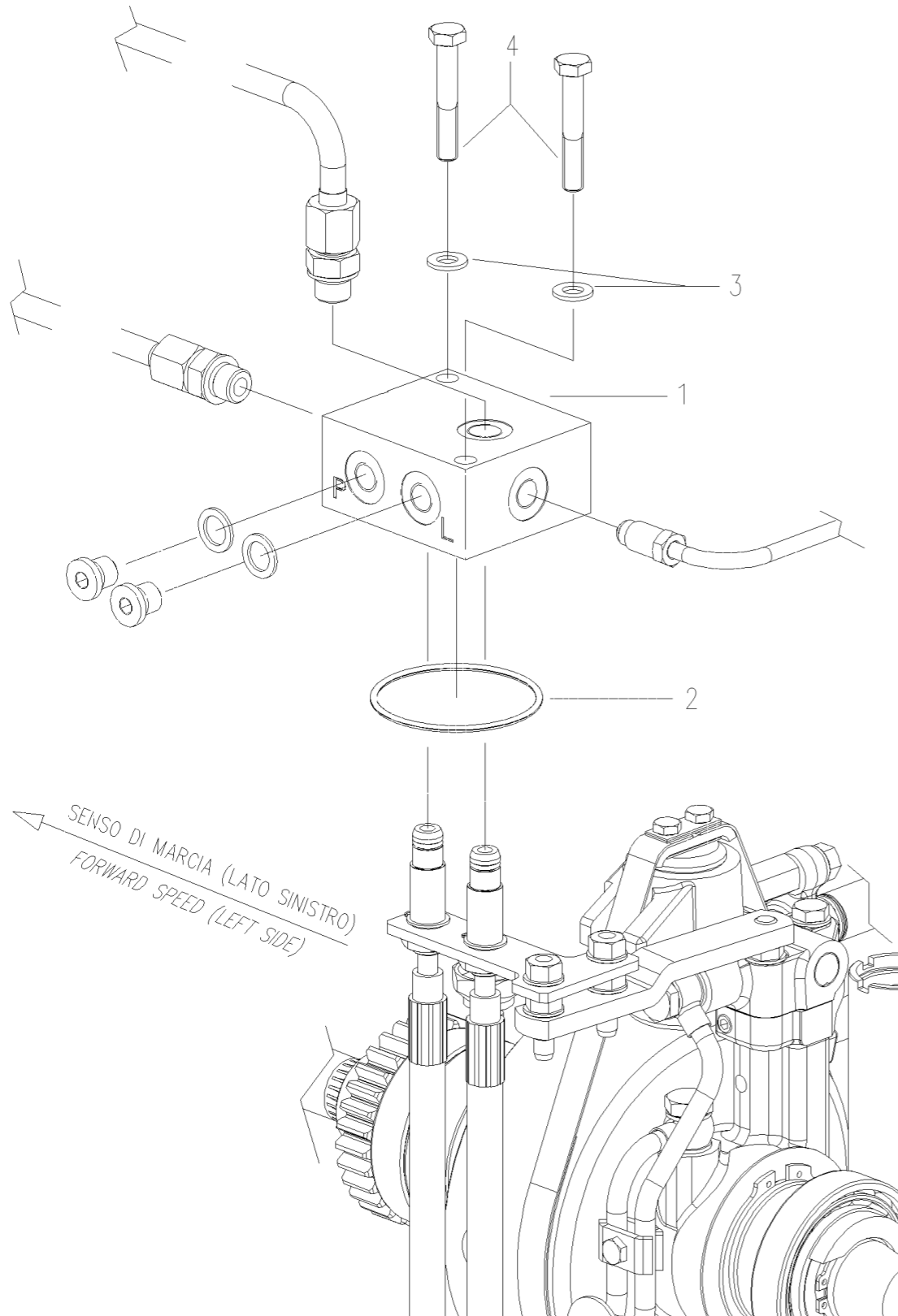
序号	零件编号	零件名称	数量	图号
1	2.1560.010.0	密封垫圈 GUARN 14.2X20	3	2.1560.010.0
2	2.3261.006.2	接头体 RACC 10X14X1.5	3	2.3261.006.2
3	0.020.9239.3/10	管 PIPE 10 PTO DELIVERY	1	0.020.9239.3/10
4	0.020.9240.3	管 PIPE 10 PTO LUBRIC.	1	0.020.9240.3
5	0.020.9238.3	油管 PIPE6 LUB.PUMP.DRIVE	1	0.020.9238.3
6	2.1560.008.0	密封垫圈 GUARN 12.2X18	2	2.1560.008.0
7	2.3120.008.4	螺堵 TAPPO M12X1.5 TCEI	2	2.3120.008.4



9.AG782.15.0 BLOCK CONNECT PTO

9.AG782.15.0\_1 分流阀块总成 SPLITE-FLOW VALVE

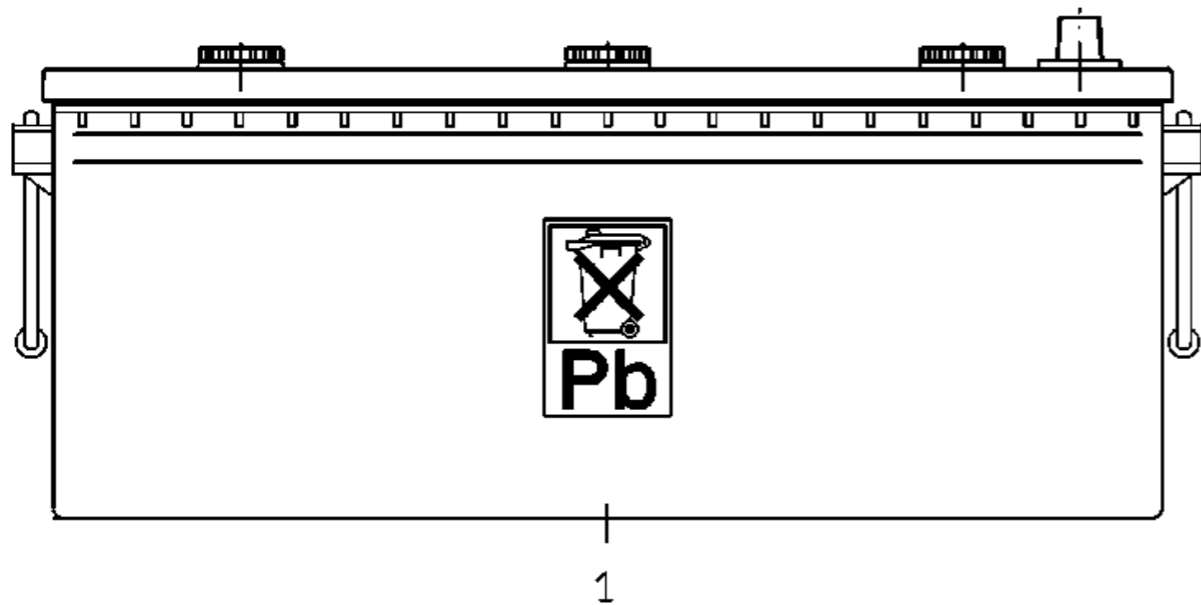
序号	零件编号	零件名称	数量	图号
1	0.020.9235.0/10	连接方块 BLOCK CONNECT PTO	1	0.020.9235.0/10
2	2.1532.150.0	O形圈 ANELLO 61.60X2.62	1	2.1532.150.0
3	2.1310.004.2	垫圈 WASHER	2	2.1310.004.2
4	2.0112.219.2	螺栓 VITE M8X1.25X50	2	2.0112.219.2



9.AG784.08.0 BATTERY 12V 200AH 1200 A SAE

9.AG784.08.0\_0 电瓶 12V 200AH 1200A BATTERY 12V 200AH 1200 A SAE

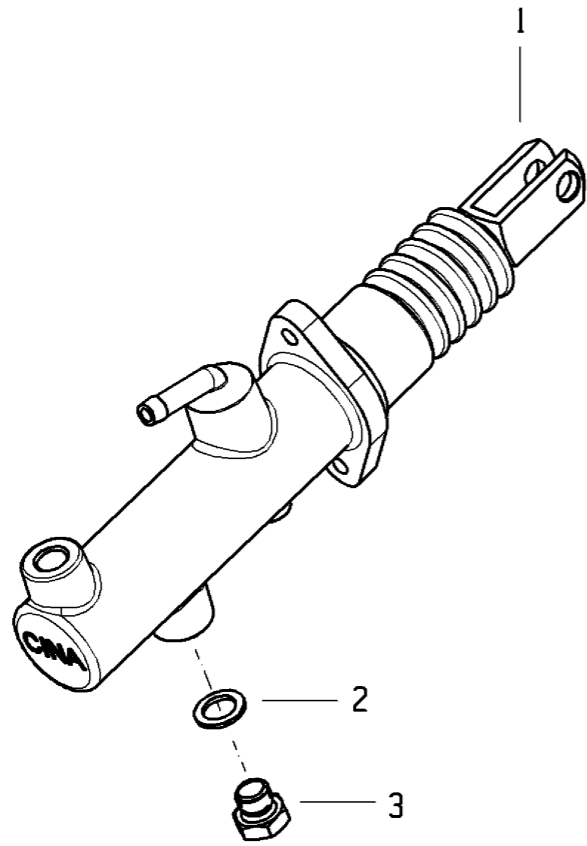
序号	零件编号	零件名称	数量	图号
1	2.9559.067.0	蓄电池 12V 200AH BATTERY 12V	1	2.9559.067.0



 SAME DEUTZ-FAHR GROUP S.p.A. SAME • DEUTZ-FAHR • LANDORF/ITALY • MERLINOVA Gruppo - Group <b>IDRAULICA</b>	P2H "DF 1404 - DF 1554 - DF 1704"	N. dis. - P/N <b>9.AG865.00.0</b>
	<b>CLUTCH PUMP GROUP</b>	Rev 0    foglio - Sheet 1    di - of 1
	GR. POMPA FRIZIONE	Validato il 11/06/2014    CM 17462    F 47

### 9.AG865.00.0\_0 离合主泵总成 CLUTCH PUMP GROUP

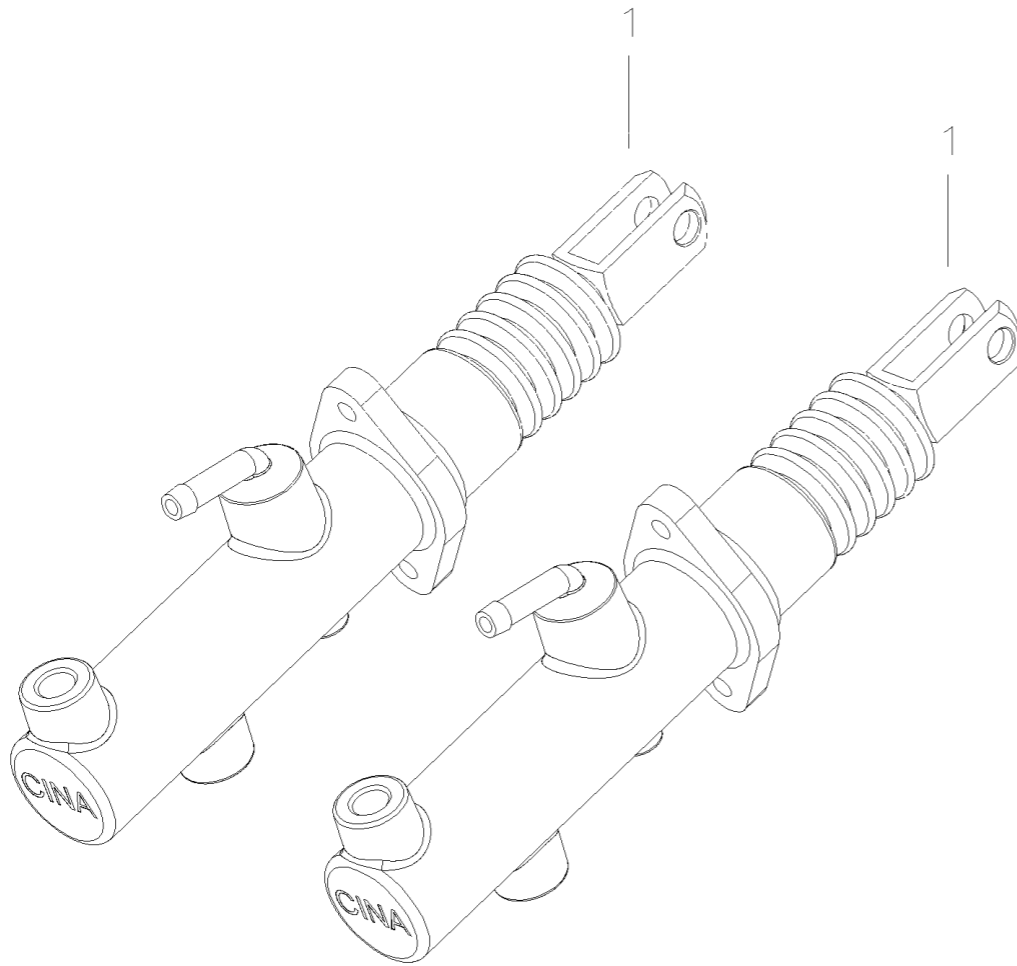
序号	零件编号	零件名称	数量	图号
1	2.3729.065.0	制动总泵 MASTER CYLINDER	1	2.3729.065.0
2	2.1560.008.0	密封垫圈 GUARN 12.2X18	1	2.1560.008.0
3	2.3110.422.2	螺塞 TAPPO M12X1.25	1	2.3110.422.2



9.AG866.00.0 BRAKE PUMP GROUP

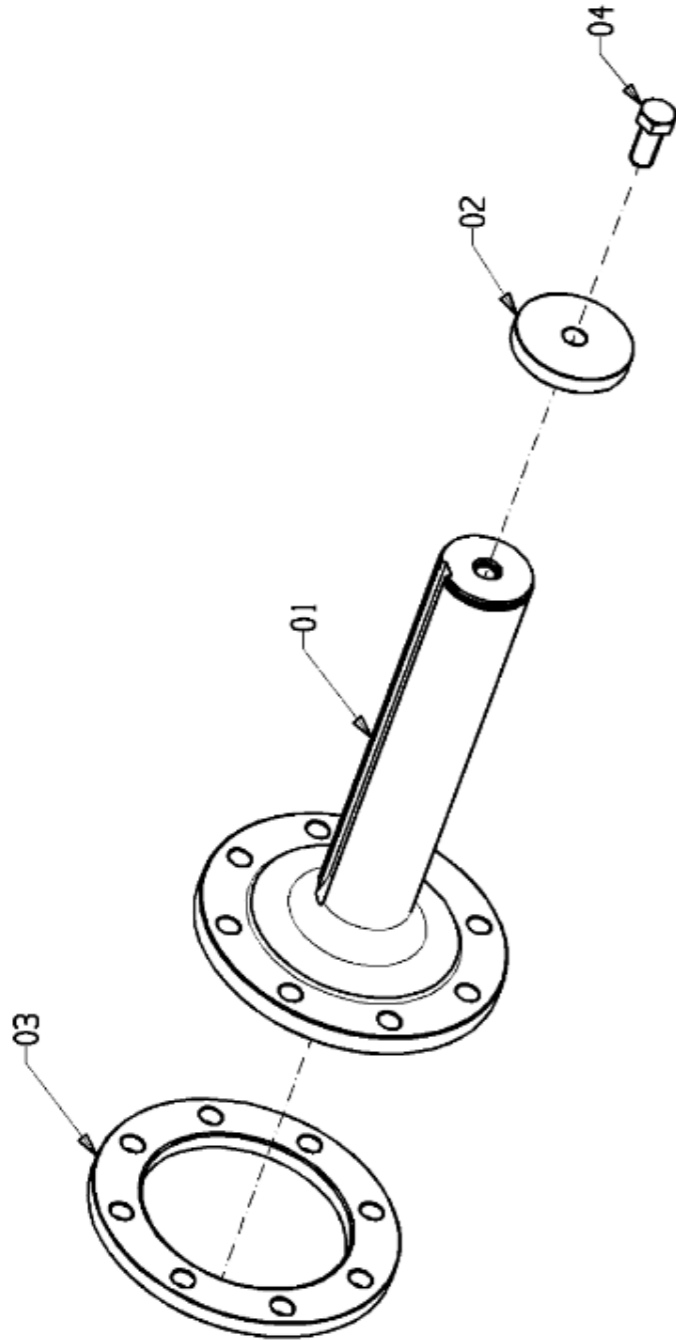
9.AG866.00.0\_0 制动泵总成 GRUPPO POMPA FRENO

序号	零件编号	零件名称	数量	图号
1	2.3729.065.0	制动总泵 MASTER CYLINDER	2	2.3729.065.0



9.CI631.02.0\_0 半轴总成 BAR AXLE ASS.LY

序号	零件编号	零件名称	数量	图号
1	0.033.0750.0	轮轴半轴	2	0.033.0750.0
2	0.020.8513.0	锁紧垫圈	2	0.020.8513.0
3	0.030.8768.0	分隔圈	2	0.030.8768.0
4	2.0112.920.2	螺栓	2	2.0112.920.2

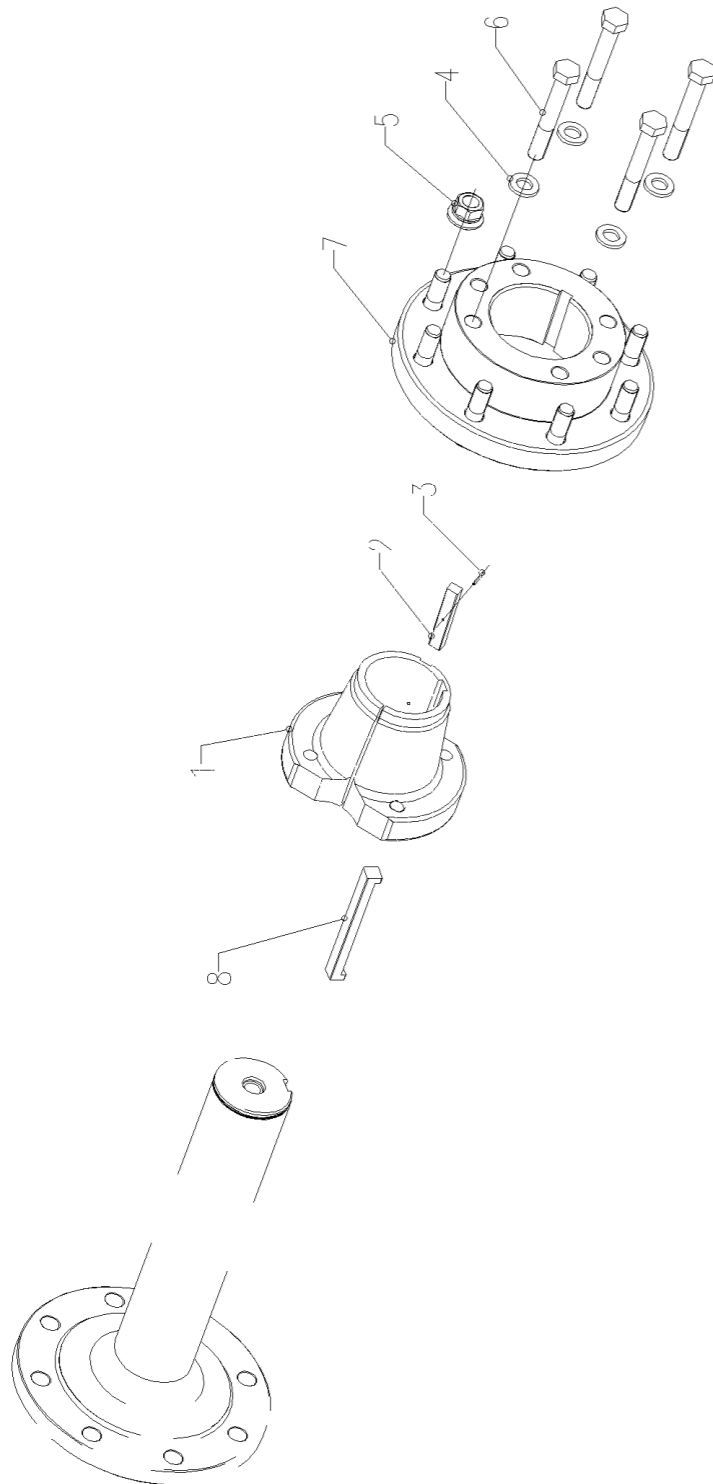




# 9. CI631.04.0 FLANGE-2 ASS. LY

## 9.CI631.04.0\_0 法兰总成-2FLANGE-2 ASS.LY

序号	零件编号	零件名称	数量	图号
1	04453371/10	04453371/10	2	04453371/10
2	2.1799.020.2	chiavetta per mozzo	2	2.1799.020.2
3	2.1630.211.0	开槽重型弹簧式直销 3x24	2	2.1630.211.0
4	2.1475.008.2	锥形垫圈 M20	8	2.1475.008.2
5	2.1099.085.0/30	螺母 M22x1.5	16	2.1099.085.0/30
6	2.0119.080.2	螺栓	8	2.0119.080.2
7	0.009.3540.3/10	FLANGIA RUOTA COMPL.	2	0.009.3540.3/10
8	0.021.3340.0	CHIAVETTA PER SEMIASSE	2	0.021.3340.0





SAIE DEUTZ-FAIR GROUP S.p.A.  
 SAE + OILFIELD + CONSTRUCTION + AGRICULTURE  
 Gruppo - Group  
**CHINA GROUP**

6135-6155-6175 W PROF (PS553)

# FLANGE-2 ASS.LY

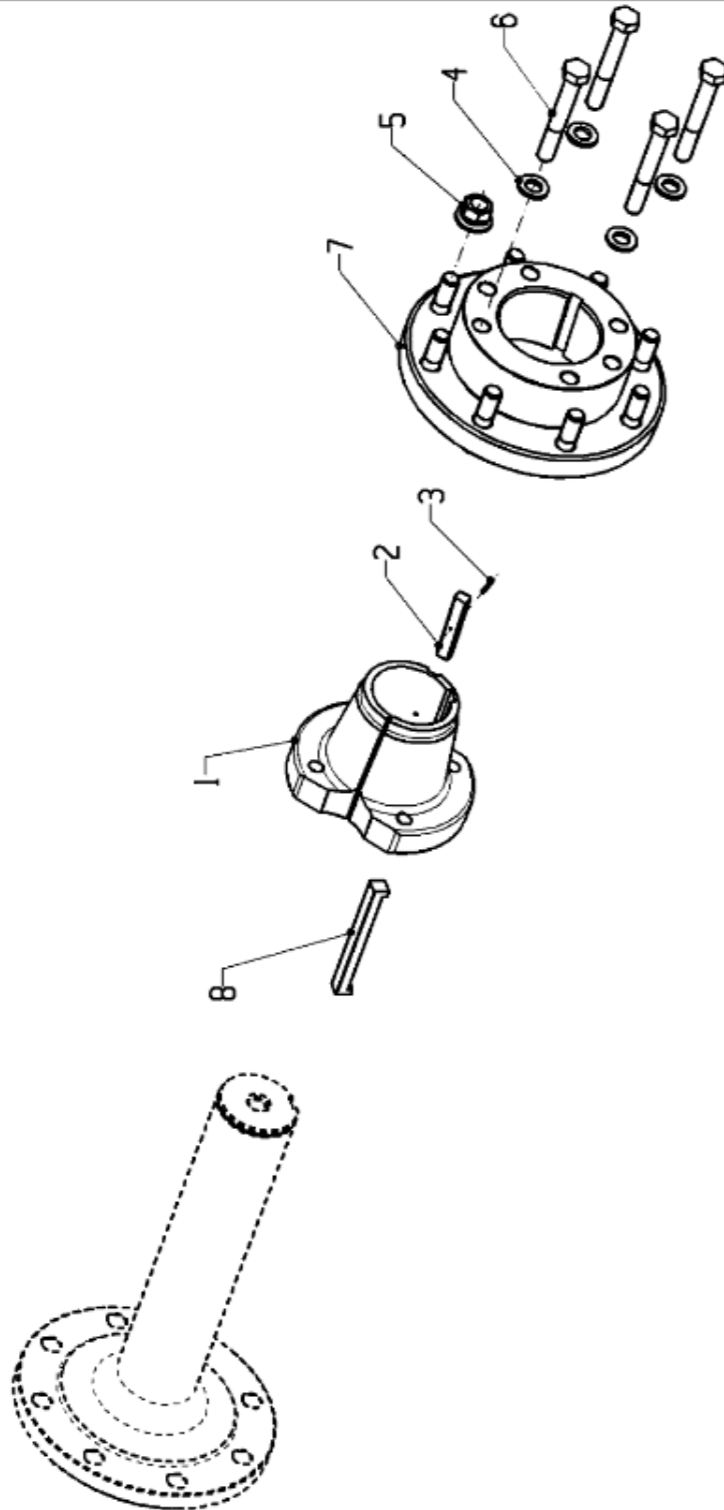
N. dis. - P/N

## 9.CI631.04.0

Rev	Foglio - Sheet	di - of
1		1
Validato il	Om	F
01/08/2019	30501	10

### 9.CI631.04.0\_1 法兰总成 FLANGE-2 ASS.LY

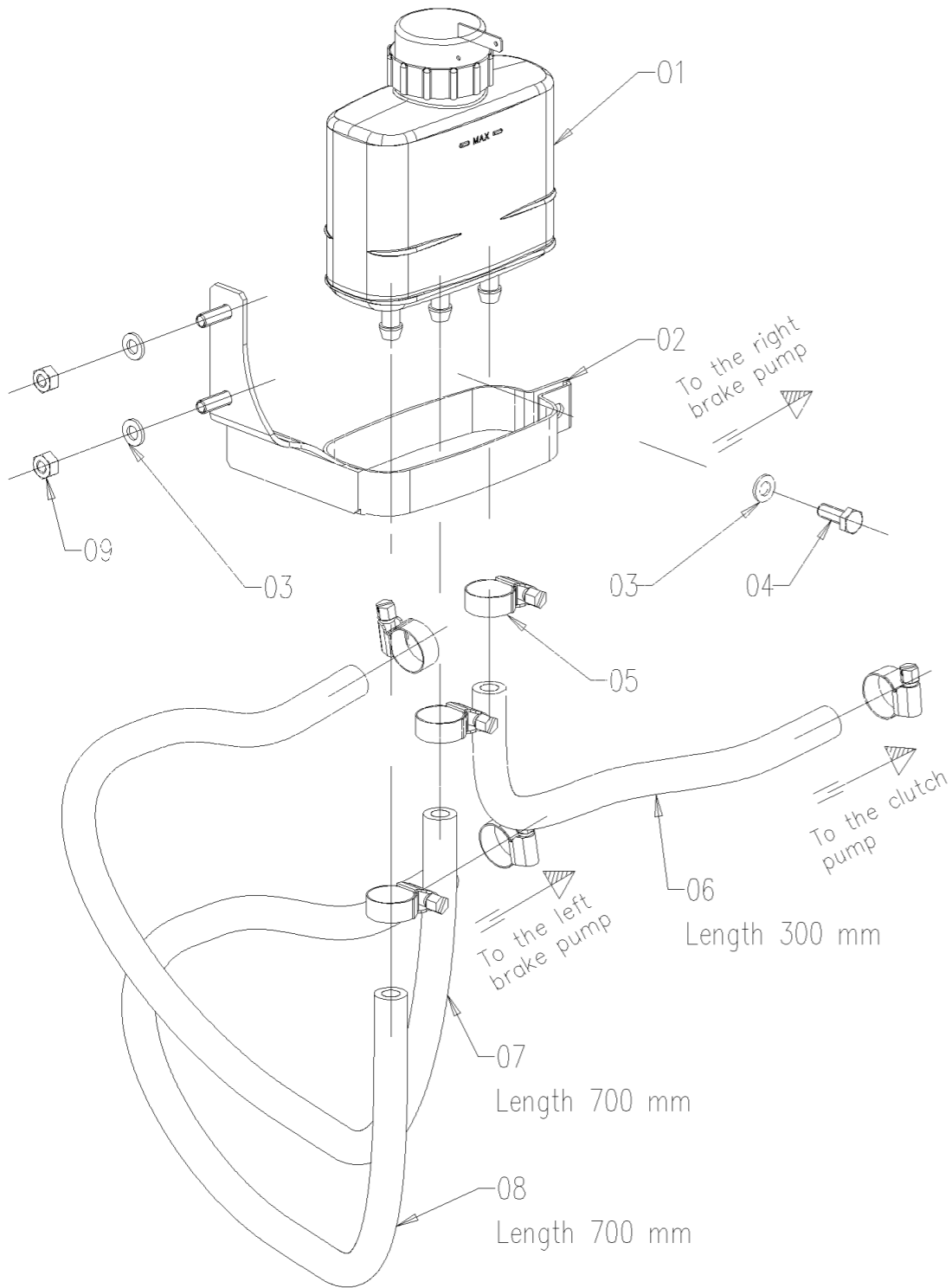
序号	零件编号	零件名称	数量	图号
1	04453371/10	轮毂 HUB	2	04453371/10
2	2.1799.020.2	键 chiavetta per mozzo	2	2.1799.020.2
3	2.1630.211.0	销 SPRING-TYPE STRAIGHT PINS	2	2.1630.211.0
4	2.1475.008.2	锥形垫圈 M20 CONICAL WASHERS	8	2.1475.008.2
5	2.1099.085.0/30	螺母 DADO M22x1.5	16	2.1099.085.0/30
6	2.0119.080.2	螺栓 vite fiss.semiasse post.	8	2.0119.080.2
7	0.009.3540.3/10	法兰盘 FLANGIA RUOTA COMPL.	2	0.009.3540.3/10
8	0.021.3340.0	键 CHIAVETTA PER SEMIASSE	2	0.021.3340.0



# 9.CI666.04.0 OIL BRAKE TANK

# 9.CI666.04.0\_0 制动油箱 OIL BRAKE TANK

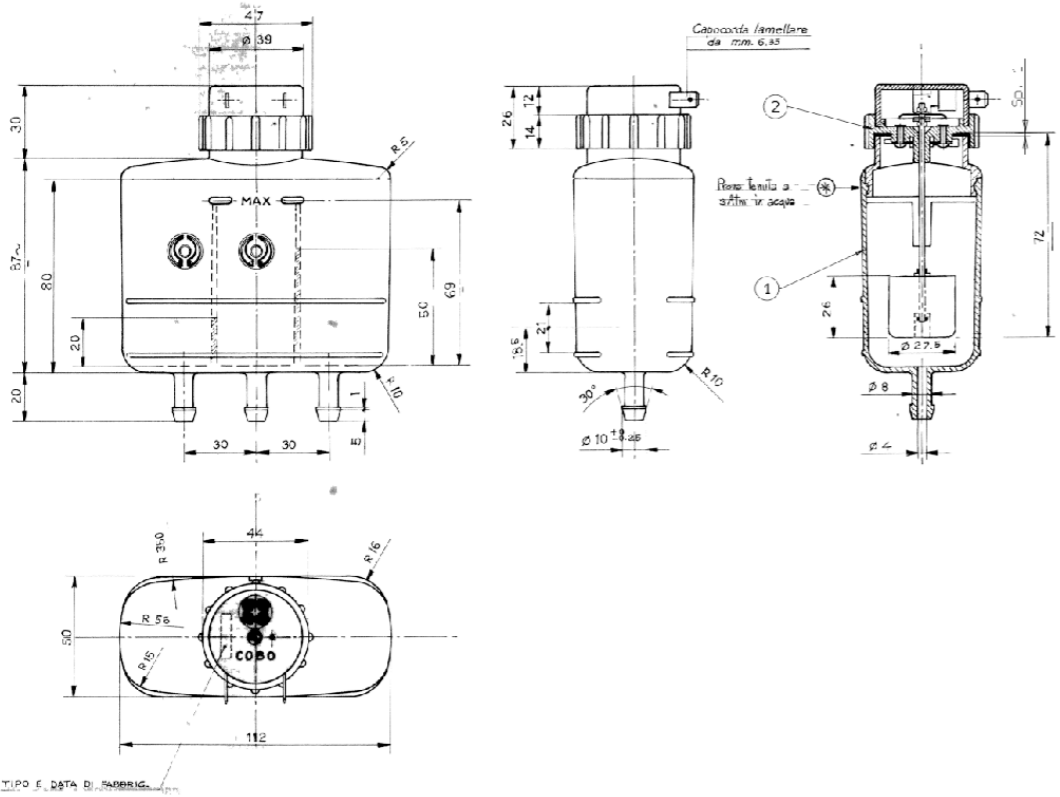
序号	零件编号	零件名称	数量	图号
1	0.257.6654.4/20	油箱 SERBATOIO LIQUIDO	1	0.257.6654.4/20
2	0.023.9347.3	制动油箱支架 OIL BRAKE BRACKET	1	0.023.9347.3
3	2.1475.201.2	垫圈 ROSETTA 6	3	2.1475.201.2
4	2.0112.005.2	螺栓 VITE M6X1X16	1	2.0112.005.2
5	2.6851.019.0	喉箍 FASCETTA	6	2.6851.019.0
6	0.012.6343.0	橡胶管 RUBBER TUBE	0.3	0.012.6343.0
7	0.012.6343.0	橡胶管 RUBBER TUBE	0.7	0.012.6343.0
8	0.012.6343.0	橡胶管 RUBBER TUBE	0.7	0.012.6343.0
9	2.1011.103.2	螺母 NUT	2	2.1011.103.2



0.257.6654.4/20 SERBATOIO OLIO FRENI

0.257.6654.4/20 油箱 SERBATOIO LIQUIDO

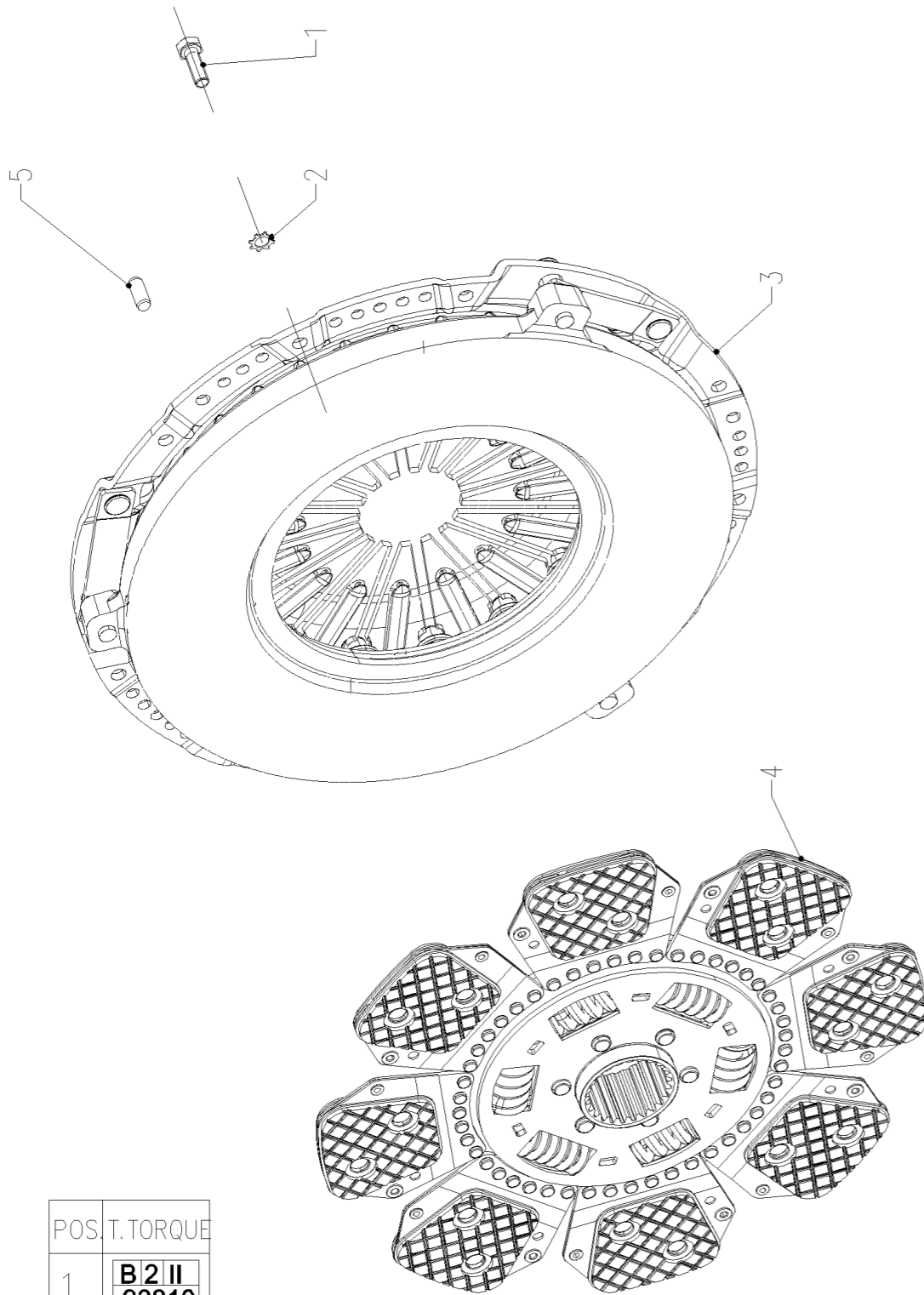
序号	零件编号	零件名称	数量	图号
1	0.257.6654.2/10	油箱 CORPO SERBATOIO	1	0.257.6654.2/10
2	0.257.6654.3/10	油箱盖 TAPPO CON GALLEGG.	1	0.257.6654.3/10



9.CI823.00.0 MAIN CLUTCH 8 SECTORS

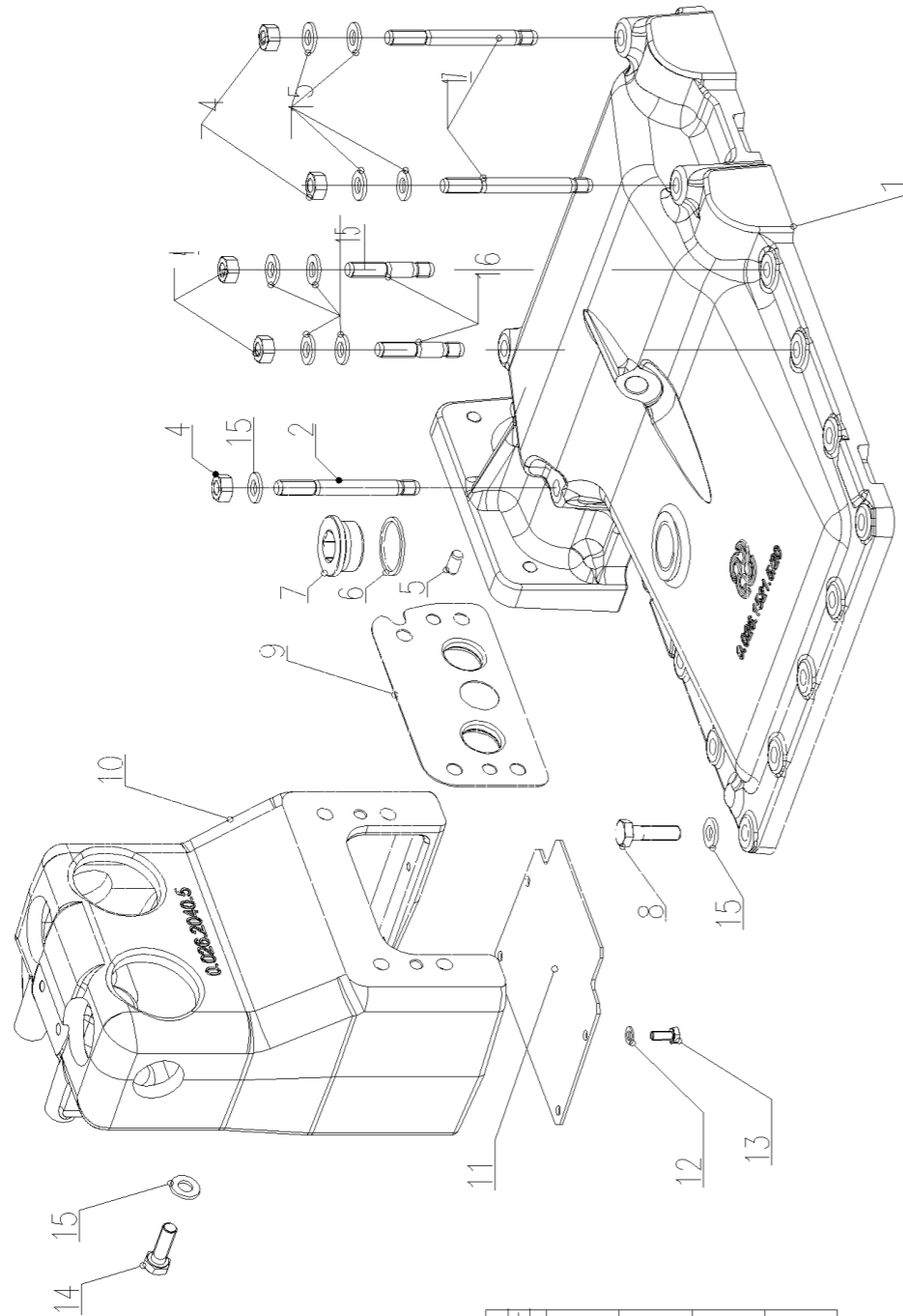
9.CI823.00.0\_0 新加强主离合 NEW ENFORCED MAIN CLUTCH

序号	零件编号	零件名称	数量	图号
1	2.0112.209.2	螺栓 BOLT	9	2.0112.209.2
2	2.1470.004.2	止退垫圈 WASHER	9	2.1470.004.2
3	0.025.9966.4	主离合器 MAIN CLUTCH COVER	1	0.025.9966.4
4	0.025.9967.3	摩擦片 MAIN CLUTCH	1	0.025.9967.3
5	2.1651.709.0	销 SPINA 8X20	3	2.1651.709.0



POS.	T. TORQUE
1	<b>B2 II</b> <b>93810</b>

9.DT931.02.0 FR.GEAR BOX COV.+ CONT.SUPP.



9.DT931.02.0\_3 前齿轮箱盖+操纵支架 FRON GEAR BOX COVER

序号	零件编号	零件名称	数量	图号
1	0.026.1521.0/20	上盖 COPERCHIO COM. MARCE	1	0.026.1521.0/20
2	2.0432.172.7	螺柱 PRIG.M10X1.25X85	2	2.0432.172.7
4	2.1011.421.2	螺母 DADO M10X1.25	6	2.1011.421.2
5	2.1651.707.0	销 SPINA 8X16	2	2.1651.707.0
6	2.1560.056.0	密封垫圈 GUARN 33X39	1	2.1560.056.0
7	2.3199.002.2	螺纹塞 TAPPO 1 GAS	1	2.3199.002.2
8	2.0112.313.2	螺栓 VITE M10X1.5X35	12	2.0112.313.2
9	0.026.2388.0	垫片 LAMIERA PORTA SOFFIETTI	1	0.026.2388.0
10	0.026.2040.0	箱体 CASTELLO LEVE MARCE	1	0.026.2040.0
11	0.026.3418.0	防护板 CARTER PROTEZIONE LEVE	1	0.026.3418.0
12	2.1475.101.2	垫圈 CONICAL SPRING WASH.	4	2.1475.101.2
13	2.0112.004.2	螺栓 VITE M6X1X14	4	2.0112.004.2
14	2.0112.311.2	螺栓 VITE M10X1.5X30	4	2.0112.311.2
15	2.1475.103.2	垫圈 ROSET.E.10.5X20X2.38	26	2.1475.103.2
16	2.0432.163.7	螺柱 PRIG M10X1.25X45	2	2.0432.163.7
17	2.0432.173.7	螺柱 PRIG M10X1.25X90	2	2.0432.173.7
100	939961	装配指导 MONTAGGIO CUSCINETTI	1	939961

100: 939961 MONTAGGIO CUSCINETTI  
COPERCHIO MARCE

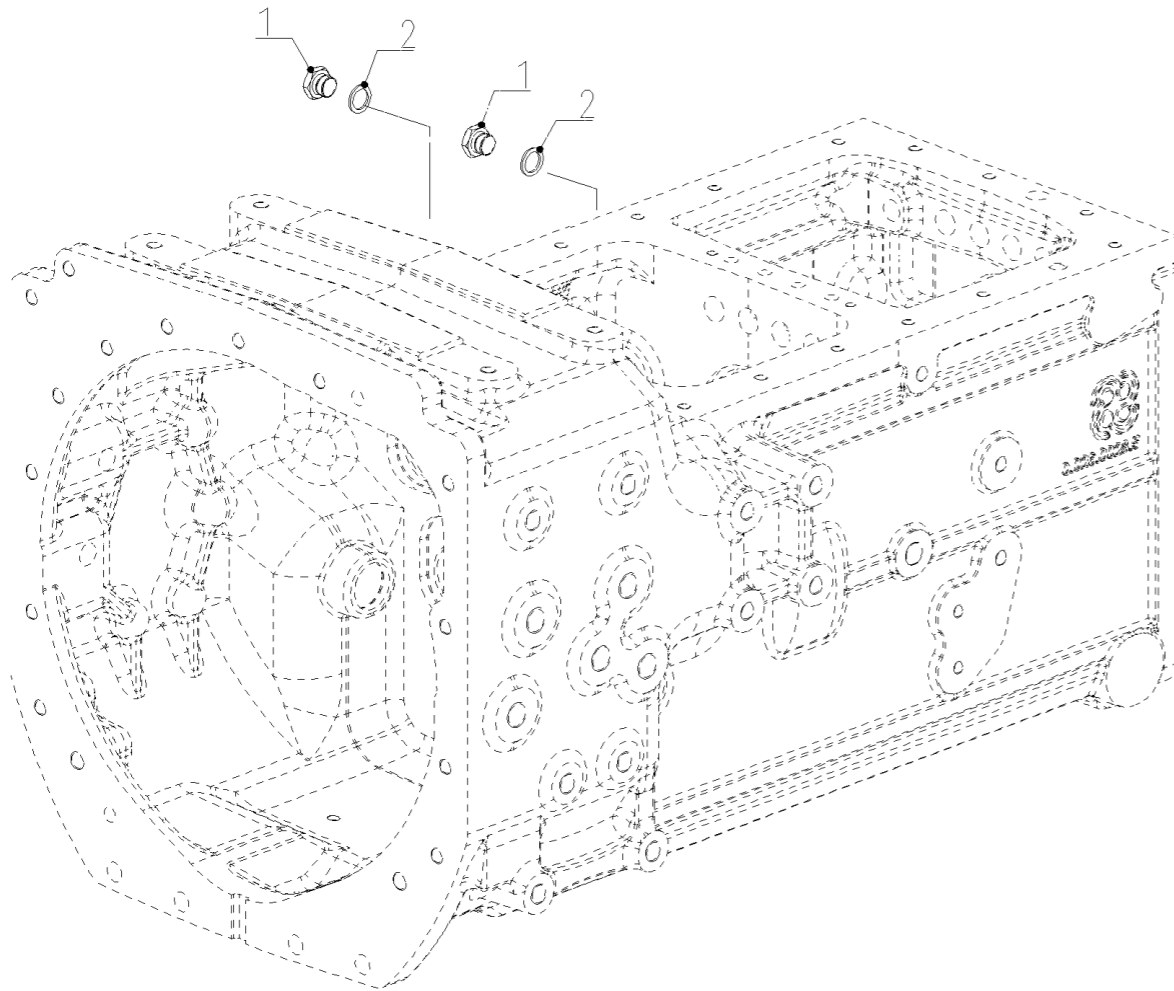
*Bearing assembly  
into gear lever cover*

POS.	T.TORQUE
4	<b>A2 II</b> <b>93810</b>
8	<b>A2 II</b> <b>93810</b>
13	<b>B2 II</b> <b>93810</b>
14	<b>A2 II</b> <b>93810</b>

9.DT931.03.0 COMPL.W/O SUPERCREEPER

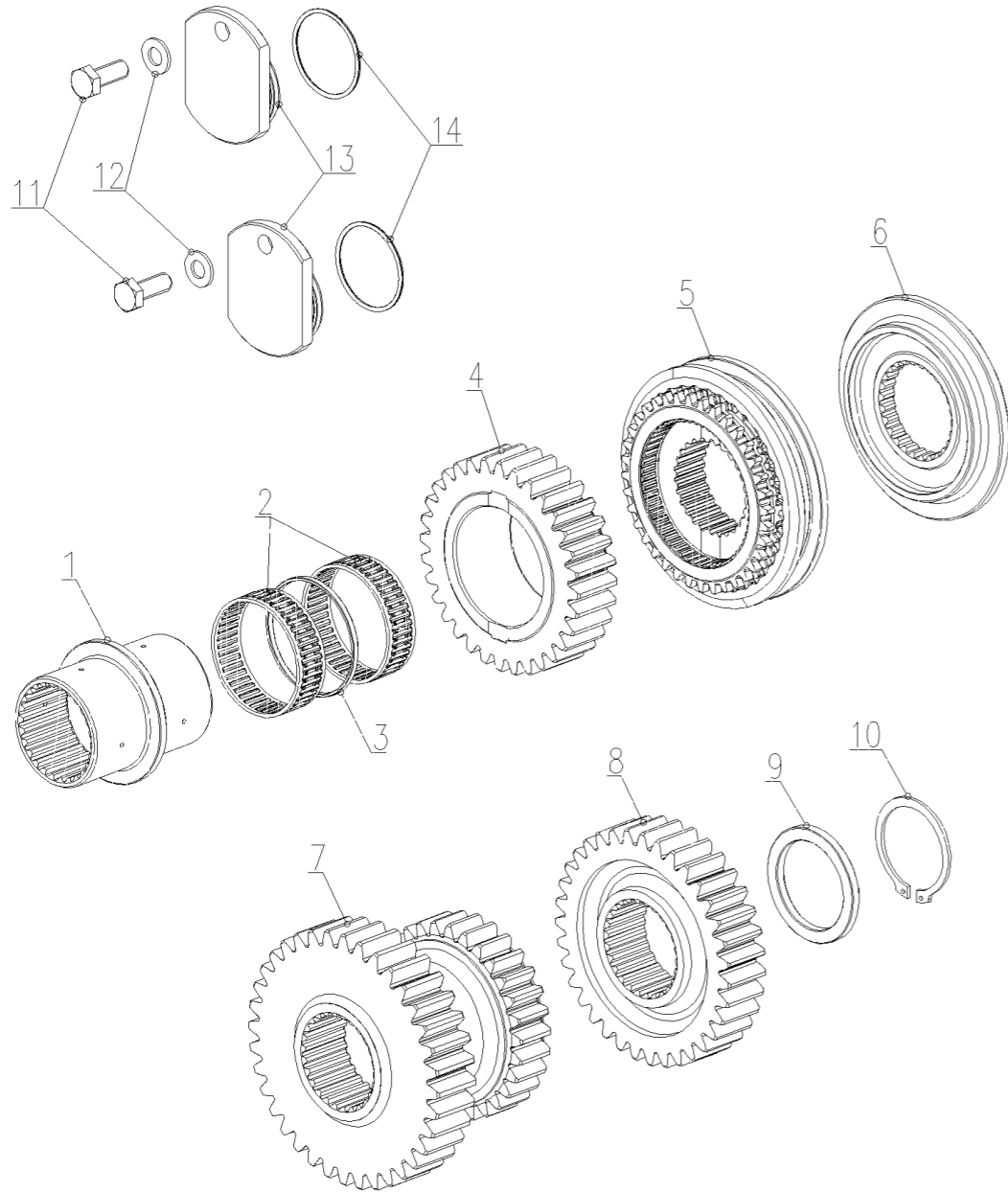
9.DT931.03.0\_0 变速箱总成不带微爬 FRONT GEARBOX W/O SUPERCREEPER

序号	零件编号	零件名称	数量	图号
1	2.3110.404.2	螺塞 TAPPO M16X1.5	2	2.3110.404.2
2	2.1560.012.0	密封垫圈 SEALING RING	2	2.1560.012.0



# 9.DT932.02.0 SPLITTER COMPLETION

# 9.DT932.02.0\_3 分离器齿轮总成 SPLITTER GEAR ASS.Y



序号	零件编号	零件名称	数量	图号
1	0.026.1316.0	套筒 BOCCOLA	1	0.026.1316.0
2	2.2999.562.0	滚针轴承 GABBIA 62X67X20	2	2.2999.562.0
3	2.1549.891.0/10	隔圈 DISTANZIALE	1	2.1549.891.0/10
4	0.026.1342.0	齿轮 INGR.Z32	1	0.026.1342.0
5	0.027.4298.4	同步器 SEMI-SYNCHRO	1	0.027.4298.4
6	0.026.1330.0	隔圈 DISTANZIALE	1	0.026.1330.0
7	0.026.1392.0	齿轮 INGR.CON.TO RETRO/MINI	1	0.026.1392.0
8	0.026.1434.0	齿轮 INGR.Z35 MINI	1	0.026.1434.0
9	2.1599.941.0	垫圈 SHOULDER 50.2x65x5.5	1	2.1599.941.0
10	2.1410.020.7	挡圈 ANELLO 50	1	2.1410.020.7
11	2.0112.309.2	螺栓 BOLT	2	2.0112.309.2
12	2.1475.003.7	垫圈 ROSETTA 10	2	2.1475.003.7
13	0.027.2933.0	盖板 TAPPO GALOPPINO S.CR.	2	0.027.2933.0
14	2.1532.112.0	O形圈 O RING	2	2.1532.112.0

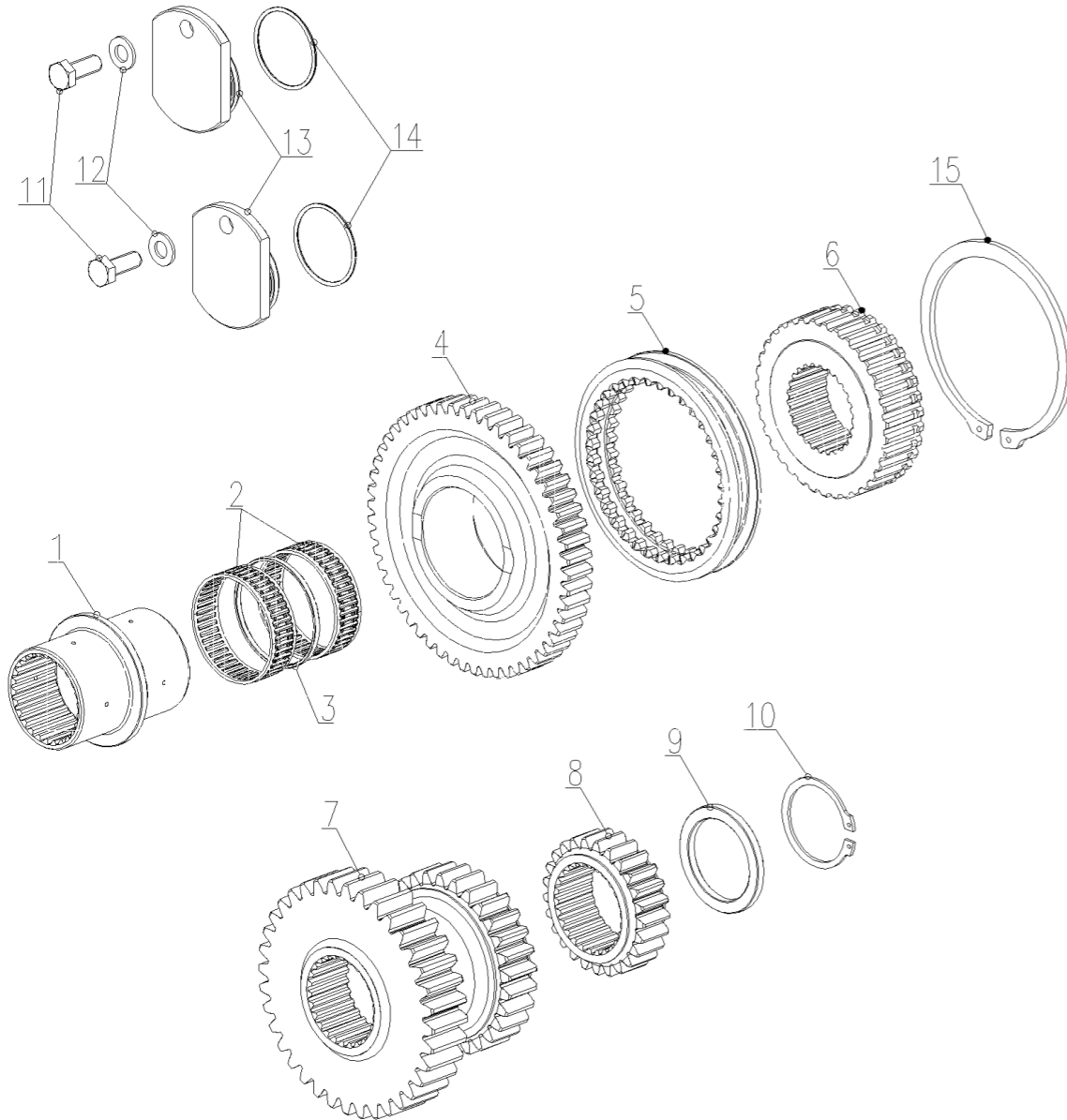
POS.	T.TORQUE
11	<b>B2 II</b> <b>93810</b>



# 9.DT932.03.0 CREEPER COMPLETION

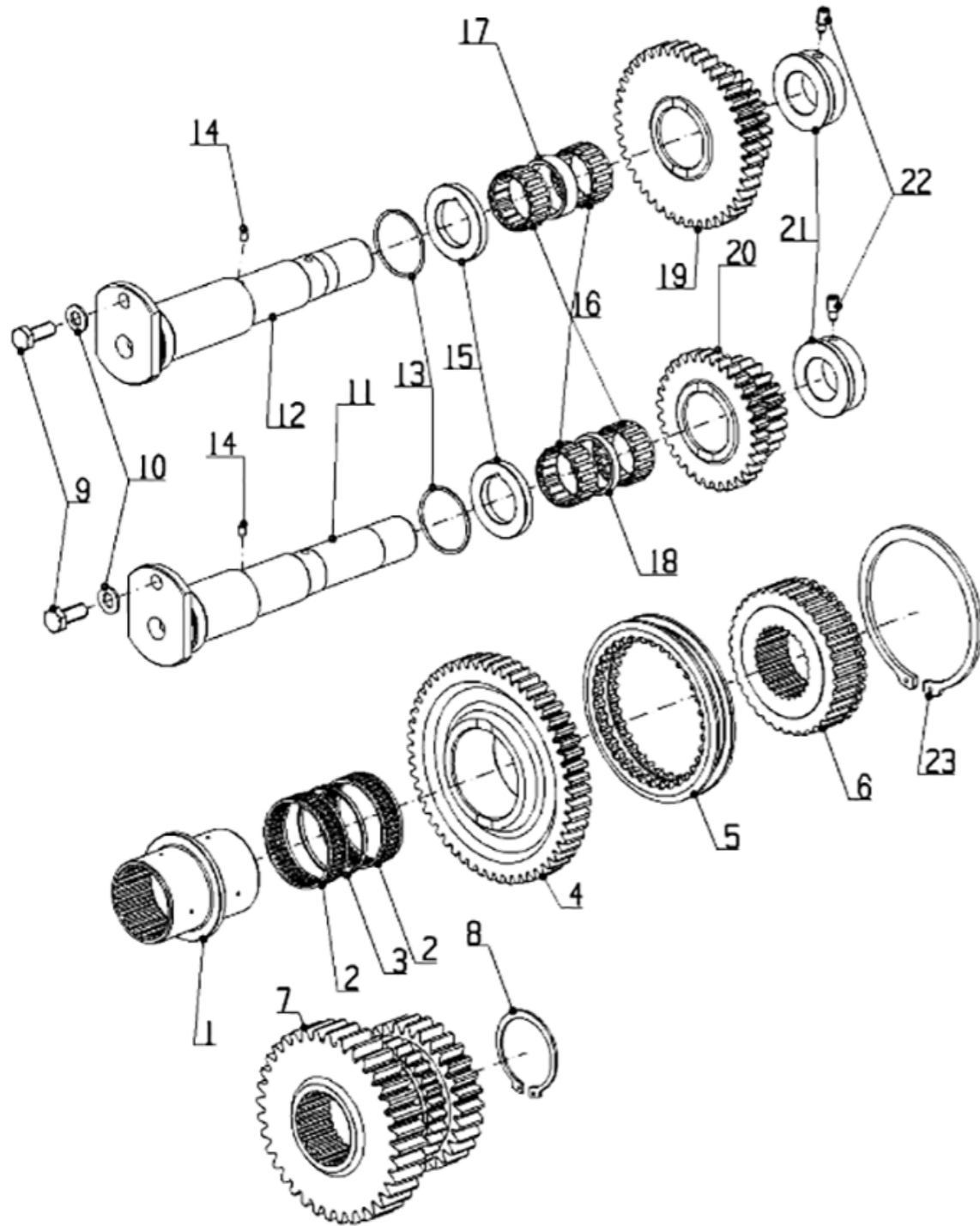
# 9.DT932.03.0\_2 爬行器总成 CREEPER COMPLETION

序号	零件编号	零件名称	数量	图号
1	0.026.1316.0	套筒 BOCCOLA	1	0.026.1316.0
2	2.2999.562.0	滚针轴承 GABBIA 62X67X20	2	2.2999.562.0
3	2.1549.891.0/10	隔圈 DISTANZIALE	1	2.1549.891.0/10
4	0.027.3696.0	齿轮 INGR.Z54	1	0.027.3696.0
5	0.027.3690.0	啮合套 MANICOTTO CREEPER	1	0.027.3690.0
6	0.027.3689.0	齿轮 MOZZO CREEPER	1	0.027.3689.0
7	0.026.1392.0	齿轮 INGR.CON.TO RETRO/MINI	1	0.026.1392.0
8	0.026.2043.0	齿轮 INGR.Z25	1	0.026.2043.0
9	2.1599.941.0	垫圈 SHOULDER 50.2x65x5.5	1	2.1599.941.0
10	2.1410.020.7	挡圈 ANELLO 50	1	2.1410.020.7
11	2.0112.309.2	螺栓 BOLT	2	2.0112.309.2
12	2.1475.003.7	垫圈 ROSETTA 10	2	2.1475.003.7
13	0.027.2933.0	螺塞 TAPPO GALOPPINO S.CR.	2	0.027.2933.0
14	2.1532.112.0	O形圈 O RING	2	2.1532.112.0
15	2.1410.042.1	挡圈 ANELLO 110	1	2.1410.042.1



POS.	T.TORQUE
11	<b>B 2 II</b> <b>93810</b>

### 9.DT932.04.0 SUPERCREEPER COMPLETION



### 9.DT932.04.0\_3 微爬总成 SUPERCREEPER COMPLETION

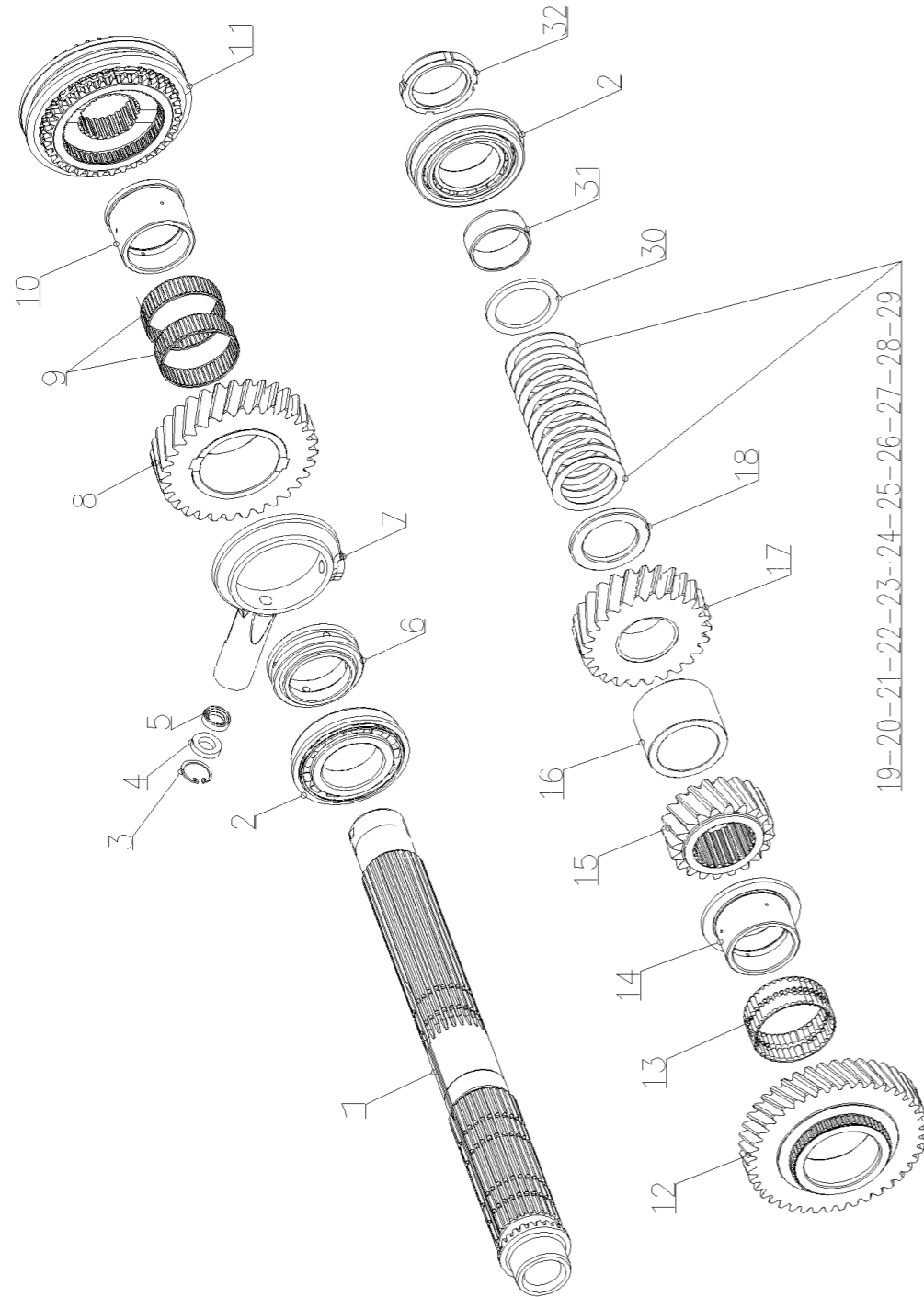
序号	零件编号	零件名称	数量	图号
1	0.026.1316.0	套筒 BOCCOLA	1	0.026.1316.0
2	2.2999.562.0	滚针轴承 GABBIA 62X67X20	2	2.2999.562.0
3	2.1549.891.0/10	隔圈 DISTANZIALE	1	2.1549.891.0/10
4	0.027.3696.0	齿轮 INGR.Z54	1	0.027.3696.0
5	0.027.3690.0	啮合套 MANICOTTO CREEPER	1	0.027.3690.0
6	0.027.3689.0	齿轮 MOZZO CREEPER	1	0.027.3689.0
7	0.026.2129.0	齿轮 ING.CO.TO RM/MINI/S.C.	1	0.026.2129.0
8	2.1410.022.7	挡圈 SEEGER RING D.55	1	2.1410.022.7
9	2.0112.309.2	螺栓 BOLT	2	2.0112.309.2
10	2.1475.003.7	垫圈 ROSETTA 10	2	2.1475.003.7
11	0.026.2108.3/10	轴1 ALBERO 1 COMPL. S.CR.	1	0.026.2108.3/10
12	0.026.2051.3/10	轴2 ALBERO2 COMPL. S.CR.	1	0.026.2051.3/10
13	2.1532.112.0	O形圈 O RING	2	2.1532.112.0
14	2.1650.404.0	销 PERNO 5X10	2	2.1650.404.0
15	2.1599.969.0	垫圈 RALLA S.CR.	2	2.1599.969.0
16	2.2999.026.0	滚针轴承 GABBIA 35X45X20	4	2.2999.026.0
17	2.1549.895.0	隔圈 DISTANZIALE S.CR.	1	2.1549.895.0
18	2.1549.894.0	隔圈 DISTANZIALE S.CR.	1	2.1549.894.0
19	0.026.2052.0	齿轮 INGR.Z43-Z25	1	0.026.2052.0
20	0.026.2111.0	齿轮 INGR.Z32-Z22	1	0.026.2111.0
21	0.027.2490.0	垫圈 RALLA S.CR.	2	0.027.2490.0
22	2.1699.636.0	限位销 SPINA FILETTATA	2	2.1699.636.0
23	2.1410.042.1	挡圈 ANELLO 110	1	2.1410.042.1
100	939958	装配指导 MONTAGGIO GRANI	1	939958

100: 939958 MONTAGGIO GRANI SUPER CREEPER  
*Super creeper set screws assembly*

POS.	T. TORQUE
9	B 2 II 93810

# 9.DT932.05.0 ALB.PRIMARIO MARCE

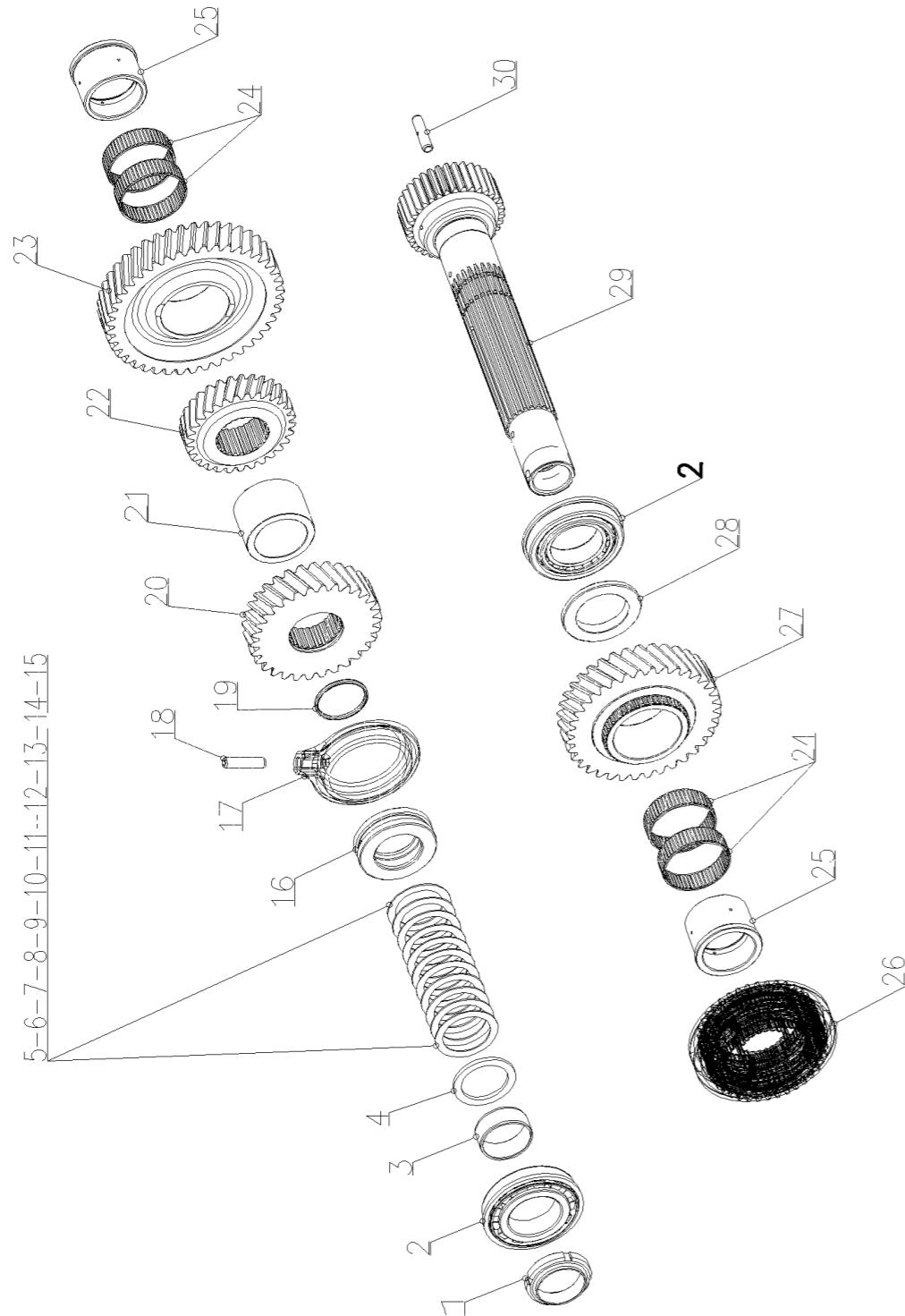
TRANSMISSION



# 9.DT932.05.0\_0 主轴 MAIN SHAFT

序号	零件编号	零件名称	数量	图号
1	0.026.1311.0	主轴 ALBERO PRIMARIO	1	0.026.1311.0
2	2.2999.115.0/10	圆柱滚子轴承 CUSC. 30210 AR	2	2.2999.115.0/10
3	2.1411.009.1	挡圈 ANELLO 24	1	2.1411.009.1
4	2.1579.458.0	垫圈 DIST 14X24X5	1	2.1579.458.0
5	2.1519.069.0	垫片 14X22X7 ANELLO 14X22X7	1	2.1519.069.0
6	0.233.3253.0	套筒 BOCCOLA	1	0.233.3253.0
7	0.233.3254.0	歧管 COLLETTORE	1	0.233.3254.0
8	0.027.1897.0	斜齿轮 INGR. CONDUTTORE 3 VEL.	1	0.027.1897.0
9	2.2770.271.0	轴承 GABBIA 60X65X20	2	2.2770.271.0
10	0.013.9985.0	衬套 BOCCOLA	1	0.013.9985.0
11	0.027.4299.4	同步器 SINCRONIZZATORE COMPL.	1	0.027.4299.4
12	0.027.1911.0	斜齿轮 INGR. CONDUTTORE 4 VEL.	1	0.027.1911.0
13	2.2999.492.0	轴承 GABBIA 60X68X30	1	2.2999.492.0
14	0.013.9993.0	轴承座 BOCCOLA 4 MARCIA	1	0.013.9993.0
15	0.013.9761.0	齿轮 INGR.CONDUUTT.PRIMA	1	0.013.9761.0
16	2.1579.722.0	垫圈 DIST 50X65X45.5	1	2.1579.722.0
17	0.013.9835.0	齿轮 INGR.CONDUUTT.SECONDA	1	0.013.9835.0
18	2.1579.462.0	垫圈 RASAM 45X65X6	1	2.1579.462.0
19	2.1589.263.0	垫圈 45.5X60X1 SPESS 45.5X60X1	1	2.1589.263.0
20	2.1589.229.0	垫圈 45.5X60X1.35 SPESS 45.5X60X1.35	1	2.1589.229.0
21	2.1589.230.0	垫圈 45.5X60X1.4 SPESS 45.5X60X1.4	1	2.1589.230.0
22	2.1589.231.0	垫圈 45.5X60X1.45 SPESS 45.5X60X1.45	1	2.1589.231.0
23	2.1589.530.0	垫圈 RASAM. 45.5X60X0.5	1	2.1589.530.0
24	2.1589.531.0	垫圈 RASAM. 45.5X60X1.05	1	2.1589.531.0
25	2.1589.532.0	垫圈 RASAM. 45.5X60X1.1	1	2.1589.532.0
26	2.1589.533.0	垫圈 RASAM. 45.5X60X1.15	1	2.1589.533.0
27	2.1589.534.0	垫圈 RASAM. 45.5X60X1.2	1	2.1589.534.0
28	2.1589.535.0	垫圈 RASAM. 45.5X60X1.25	1	2.1589.535.0
29	2.1589.536.0	垫圈 RASAM. 45.5X60X1.3	1	2.1589.536.0
30	2.1589.529.0	垫圈 RALLA SP.45X59X3.65	1	2.1589.529.0
31	2.2999.116.0	垫圈 45X50X20 ANELLO 45X50X20	1	2.2999.116.0
32	2.1219.072.0	圆螺母 M45X1.5 GHIERA M45X1.5	1	2.1219.072.0
100	927245	标识 REGISTRAZ.ALB.1-2RIO	1	927245

# 9.DT932.06.0 ALB.SECONDARIO MARCE



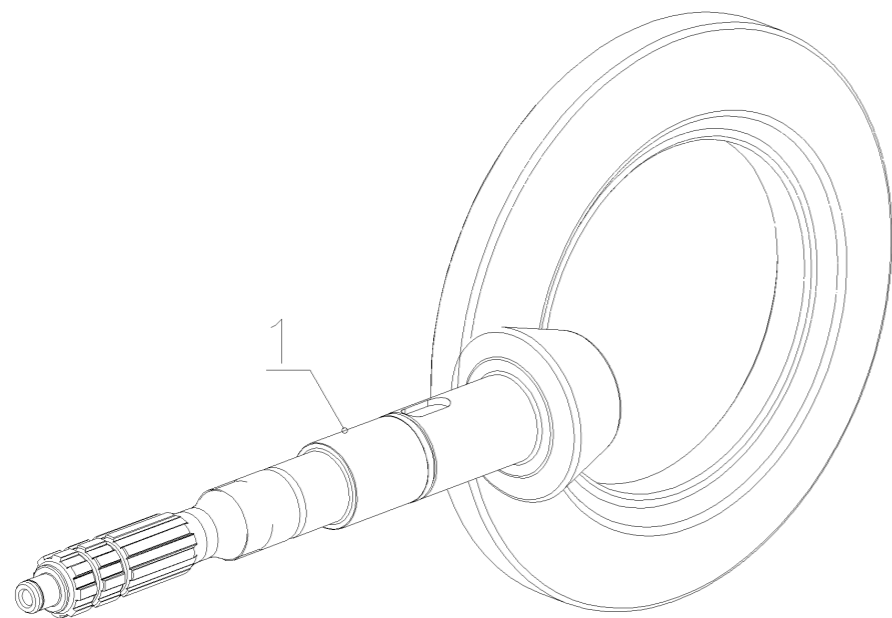
# 9.DT932.06.0\_0 副轴 AUXILIARY SHAFT

序号	零件编号	零件名称	数量	图号
1	2.1219.072.0	圆螺母 M45X1.5 GHIERA M45X1.5	1	2.1219.072.0
2	2.2999.115.0/10	圆柱滚子轴承 CUSC. 30210 AR	2	2.2999.115.0/10
3	2.2999.116.0	垫圈 45X50X20 ANELLO 45X50X20	1	2.2999.116.0
4	2.1589.529.0	垫圈 RALLA SP.45X59X3.65	1	2.1589.529.0
5	2.1589.263.0	垫圈 45.5X60X1 SPESS 45.5X60X1	1	2.1589.263.0
6	2.1589.229.0	垫圈 45.5X60X1.35 SPESS 45.5X60X1.35	1	2.1589.229.0
7	2.1589.230.0	垫圈 45.5X60X1.4 SPESS 45.5X60X1.4	1	2.1589.230.0
8	2.1589.231.0	垫圈 45.5X60X1.45 SPESS 45.5X60X1.45	1	2.1589.231.0
9	2.1589.530.0	垫圈 RASAM. 45.5X60X0.5	1	2.1589.530.0
10	2.1589.531.0	垫圈 RASAM. 45.5X60X1.05	1	2.1589.531.0
11	2.1589.532.0	垫圈 RASAM. 45.5X60X1.1	1	2.1589.532.0
12	2.1589.533.0	垫圈 RASAM. 45.5X60X1.15	1	2.1589.533.0
13	2.1589.534.0	垫圈 RASAM. 45.5X60X1.2	1	2.1589.534.0
14	2.1589.535.0	垫圈 RASAM. 45.5X60X1.25	1	2.1589.535.0
15	2.1589.536.0	垫圈 RASAM. 45.5X60X1.3	1	2.1589.536.0
16	0.016.8072.0	套筒 BOCCOLA LUBRIFIC.	1	0.016.8072.0
17	0.233.3352.0	歧管 COLLETTORE	1	0.233.3352.0
18	0.233.3353.0	销 SPINOTTO	1	0.233.3353.0
19	2.1530.114.0	O形圈 ANELLO 44.45X3.53	1	2.1530.114.0
20	0.016.7998.0	齿轮 INGR.COND.TO 3 VEL.	1	0.016.7998.0
21	2.1579.722.0	垫圈 DIST 50X65X45.5	1	2.1579.722.0
22	0.015.5702.0	齿轮 INGR.CONDOTTO 4 VEL.	1	0.015.5702.0
23	0.027.1757.0	斜齿轮 INGR. CONDOTTO 1 VEL.	1	0.027.1757.0
24	2.2770.271.0	轴承 GABBIA 60X65X20	4	2.2770.271.0
25	0.013.9985.0	衬套 BOCCOLA	2	0.013.9985.0
26	0.027.4299.4	同步器 SINCRONIZZATORE COMPL.	1	0.027.4299.4
27	0.027.1765.0	斜齿轮 INGR. CONDOTTO 2 VEL.	1	0.027.1765.0
28	0.233.3350.0	垫圈 RASAMENTO	1	0.233.3350.0
29	0.016.8010.3/10	齿轮轴 ALB.SECONDARIO COMPL	1	0.016.8010.3/10
30	0.016.8073.0	润滑管道 TUBETTO LUBRIF.	1	0.016.8073.0
100	927245	标识 REGISTRAZ.ALB.1-2RIO	1	927245

9. DT935. 00. 0 COPPIA POSTERIORE

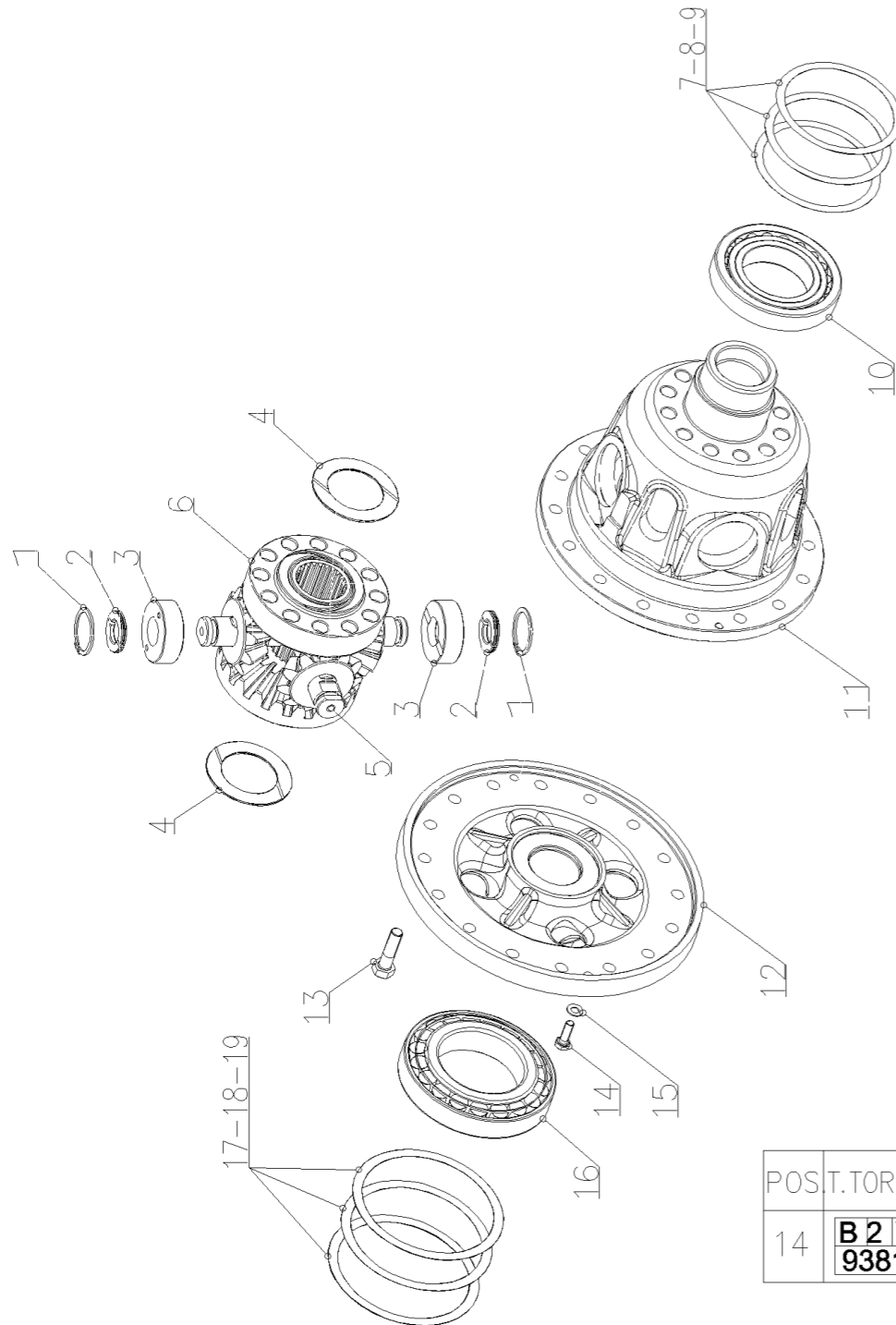
9.DT935.00.0\_0 大小圆锥总成 BEVEL GEAR ASSEMBLY

序号	零件编号	零件名称	数量	图号
1	0.016.8150.3/10	圆锥齿轮 COPPIA CONICA Z10/41	1	0.016.8150.3/10



# 9.DT935.02.0 DIFFERENZIALE POST.

POS. 100: 939145 – ISTRUZIONE DI REGISTRAZIONE COPPIA CONICA POST.  
 POS. 100: 939145 – REAR BEVEL GEAR SET ASSEMBLY INSTRUCTION



POS.	T.TORQUE
14	<b>B 2 VII</b> <b>93810</b>

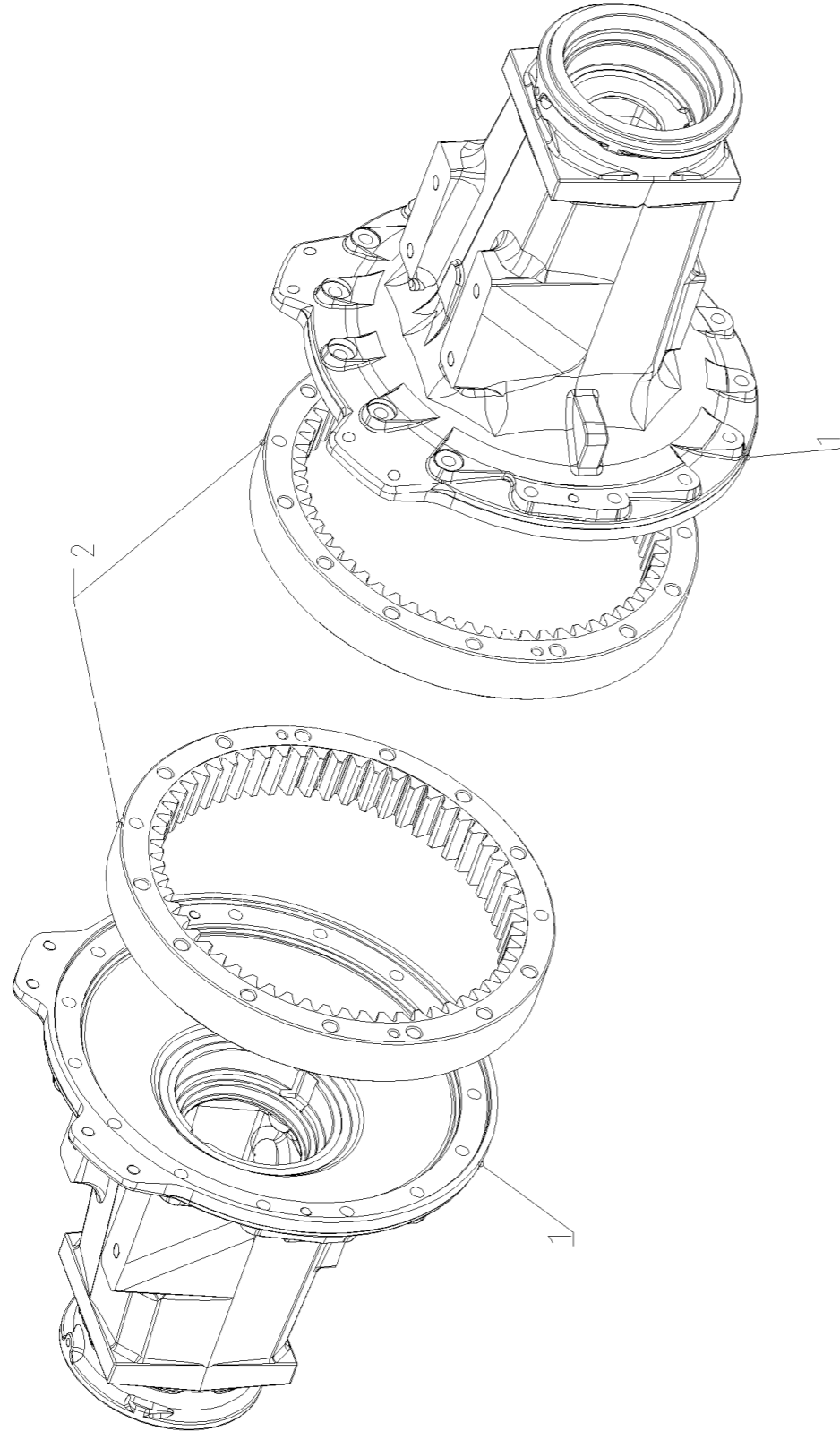
# 9.DT935.02.0\_1 后差速 REAR DIFFERENTIAL

序号	零件编号	零件名称	数量	图号
1	2.1410.016.1	挡圈 CIRCLIP	4	2.1410.016.1
2	0.233.3551.0	垫片 SEMIANELLO	8	0.233.3551.0
3	0.264.3550.0/20	隔圈 DISTANZIALE	4	0.264.3550.0/20
4	2.1599.889.0	垫圈 RALLA DI SPALLAMENTO	2	2.1599.889.0
5	0.012.6823.3	齿轮 GRUP. PERNI PORTASAT	1	0.012.6823.3
6	0.233.3557.3/10	齿轮 GR.PLAN.SATELLITI	1	0.233.3557.3/10
7	2.1580.421.0	垫片 ANELLO 108X124X0.15	4	2.1580.421.0
8	2.1580.420.0	垫片 ANELLO 108X124X0.5	2	2.1580.420.0
9	2.1580.419.0	垫片 ANELLO 108X124X0.2	4	2.1580.419.0
10	2.2520.015.0	轴承 CUSC. 30214	1	2.2520.015.0
11	0.233.3511.0/30	差速器壳体 SEMISCATOLA	1	0.233.3511.0/30
12	0.233.3510.0/20	法兰盘 COPERCH.SEMISCAT	1	0.233.3510.0/20
13	2.0139.013.1	螺栓 VITE M12X1.25X45	16	2.0139.013.1
14	2.0112.209.7	螺栓 HEX BOLT M8X1.25X25	2	2.0112.209.7
15	2.1475.002.7	垫圈 ROSETTA 8	2	2.1475.002.7
16	2.2520.018.0	轴承 CUSC. 30217 J2	1	2.2520.018.0
17	2.1589.091.0	垫圈 130X149X0.5 SPESS 130X149X0.5	4	2.1589.091.0
18	2.1589.090.0	垫圈 130X149X0.2 SPESS 130X149X0.2	2	2.1589.090.0
19	2.1589.089.0	垫圈 130X149X0.1 SPESS 130X149X0.1	4	2.1589.089.0

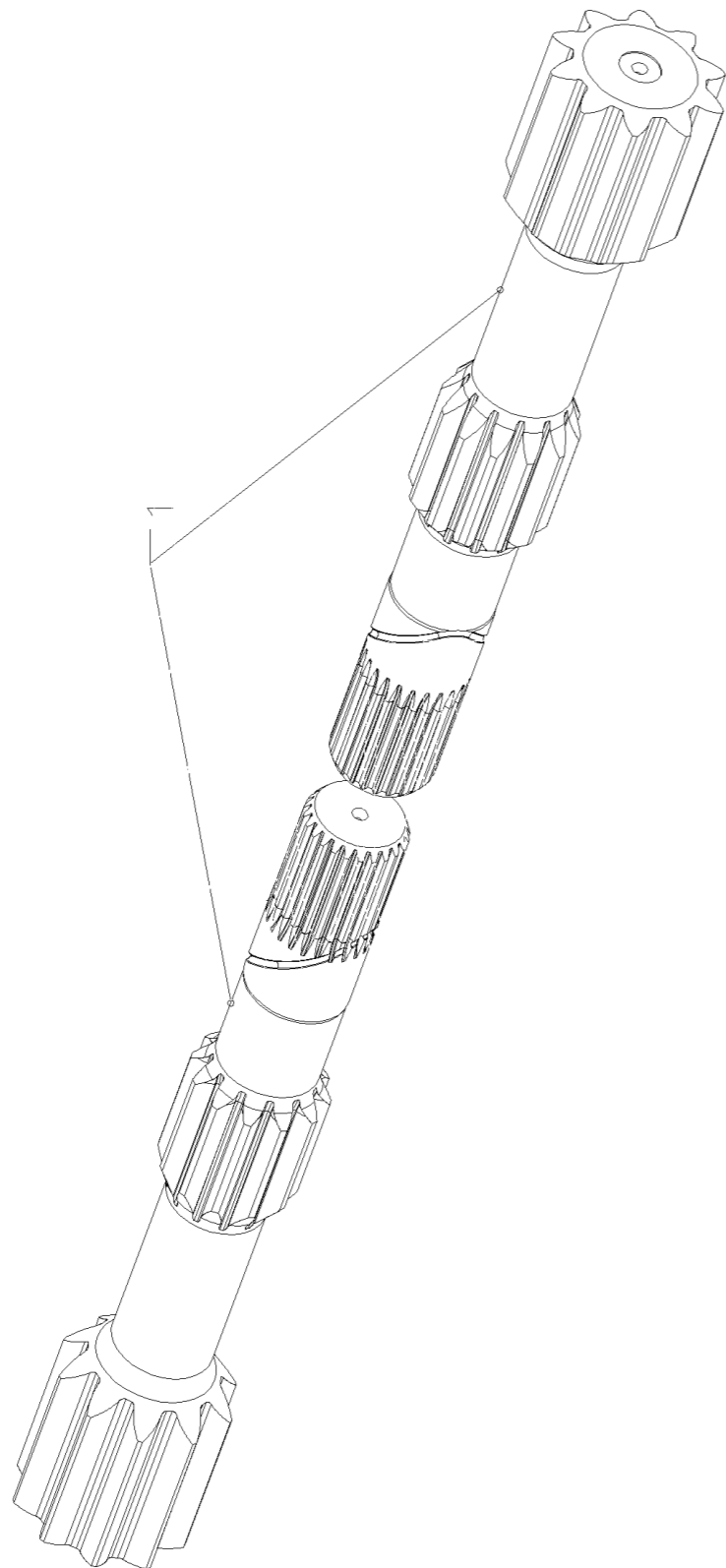
9.DT944.10.0 REAR WHEELS SUPP. WITH CROWN

9.DT944.10.0\_0 最终传动大齿圈总成 FINAL DRIVE RING GEAR ASS.Y

序号	零件编号	零件名称	数量	图号
1	0.212.4410.0/60	半轴壳体 SUPPORTO RUOTA	2	0.212.4410.0/60
2	0.020.5596.0	齿圈 CROWN GEAR	2	0.020.5596.0



9.DT947.00.0 REAR INTERNAL HALF SHAFT



9.DT947.00.0\_0 最终传动短半轴 FINAL DRIVE SEMI-SHAFT ASS.Y

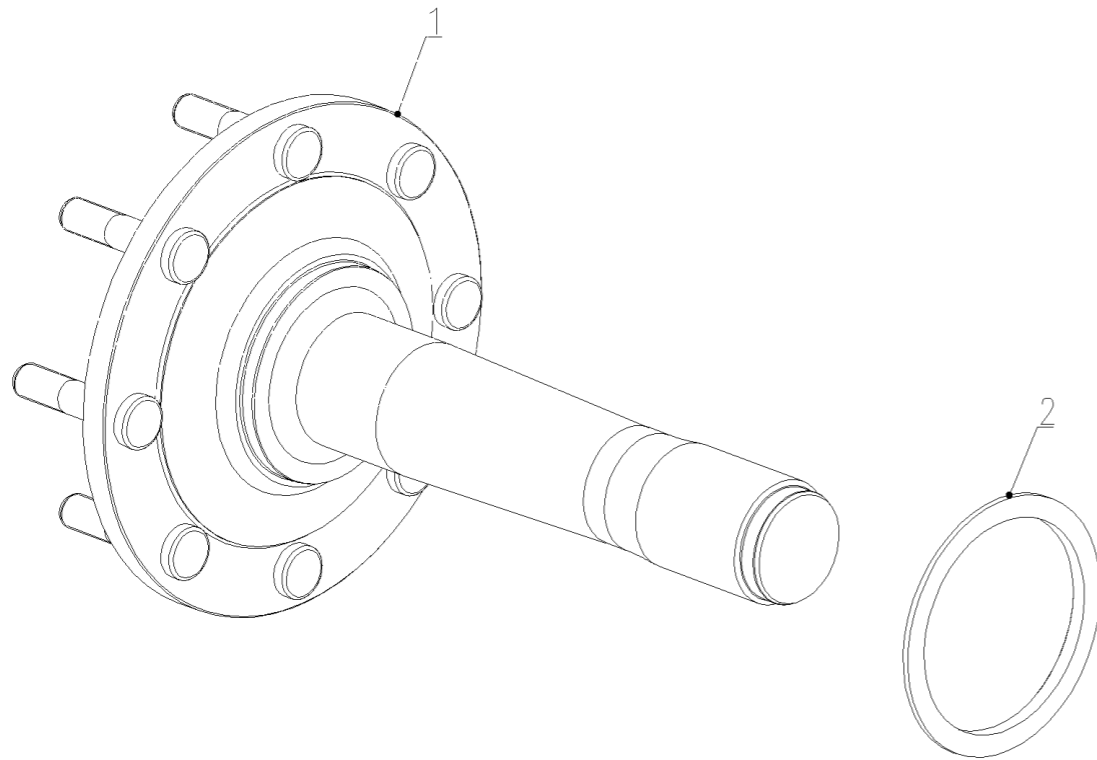
序号	零件编号	零件名称	数量	图号
1	0.020.1550.0	内半轴Z10 INNER HALF SHAFT Z10	2	0.020.1550.0



### 9.DT947.01.0\_0 驱动轴 DRIVE SHAFT

序号	零件编号	零件名称	数量	图号
1	0.020.9212.3	半轴总成 DRIVE SHAFT ASSEMBLY	2	0.020.9212.3
2	0.016.7208.0	防护环 ANELLO PROTEZ.TENUTA	2	0.016.7208.0

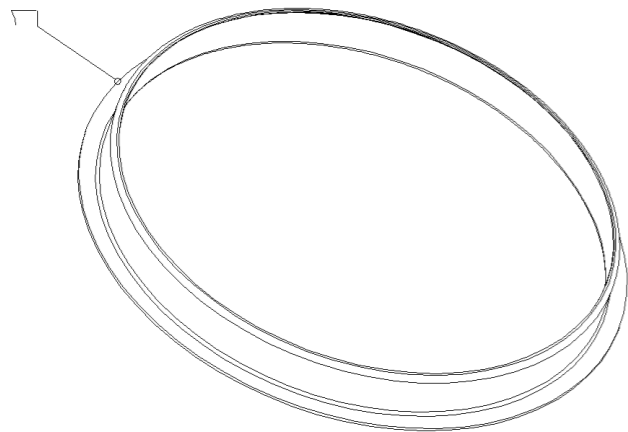
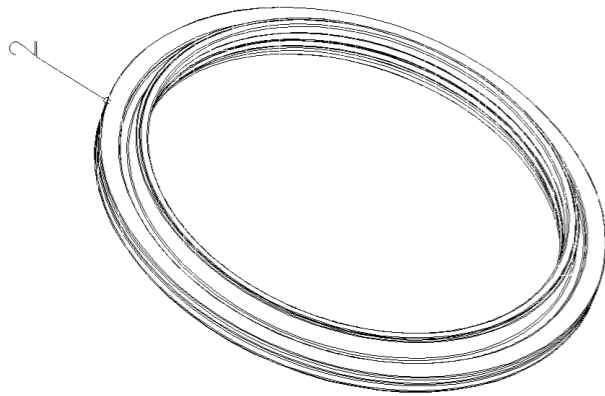
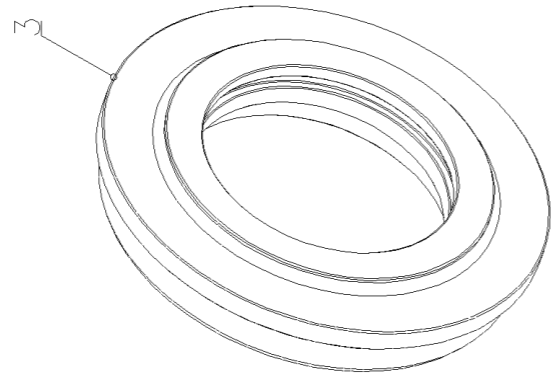
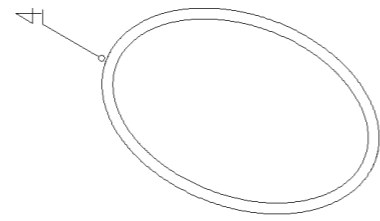
9.DT947.01.0 REAR AXLE EXT. SHAFT



# 9.DT947.03.0 TENUTA GRASSO E DISTANZIALE

# 9.DT947.03.0\_0 密封圈和垫片 SEALS AND GASKET

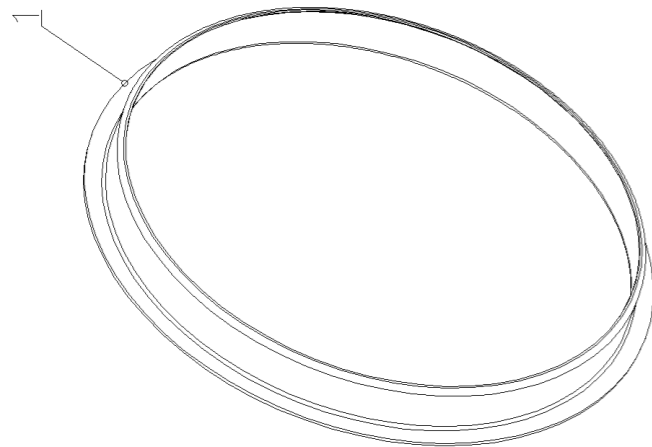
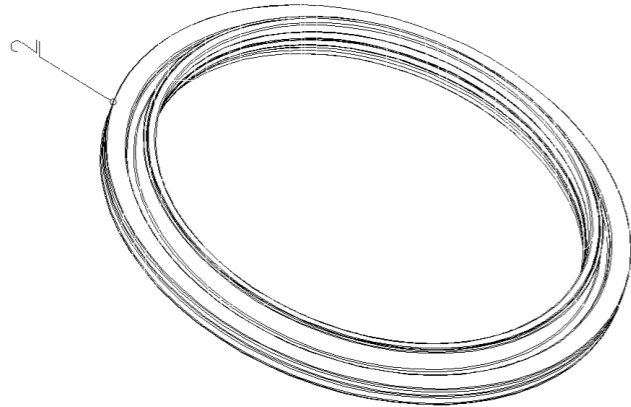
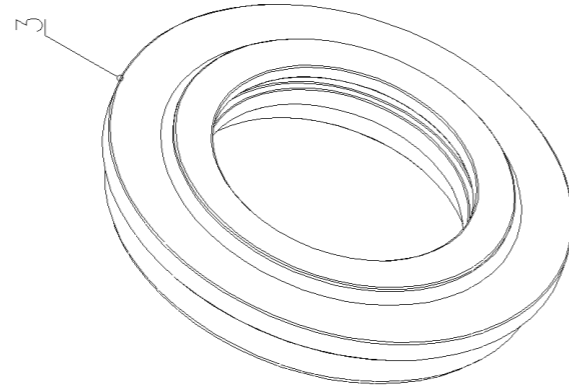
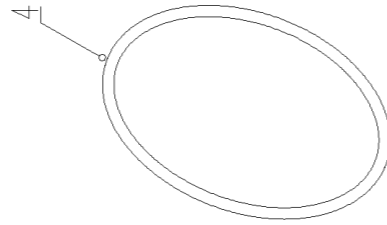
序号	零件编号	零件名称	数量	图号
1	0.016.7495.0	垫圈 SCODELLINO	2	0.016.7495.0
2	2.1519.149.0	垫片 140X169X15 ANELLO 140X169X15	2	2.1519.149.0
3	0.026.5528.0	垫圈 DIST. ALBERO RUOTA	2	0.026.5528.0
4	2.1530.187.0	O形圈 ANELLO 85.32X3.53	2	2.1530.187.0



9.DT947.03.0 SEALING RING AND SPACER

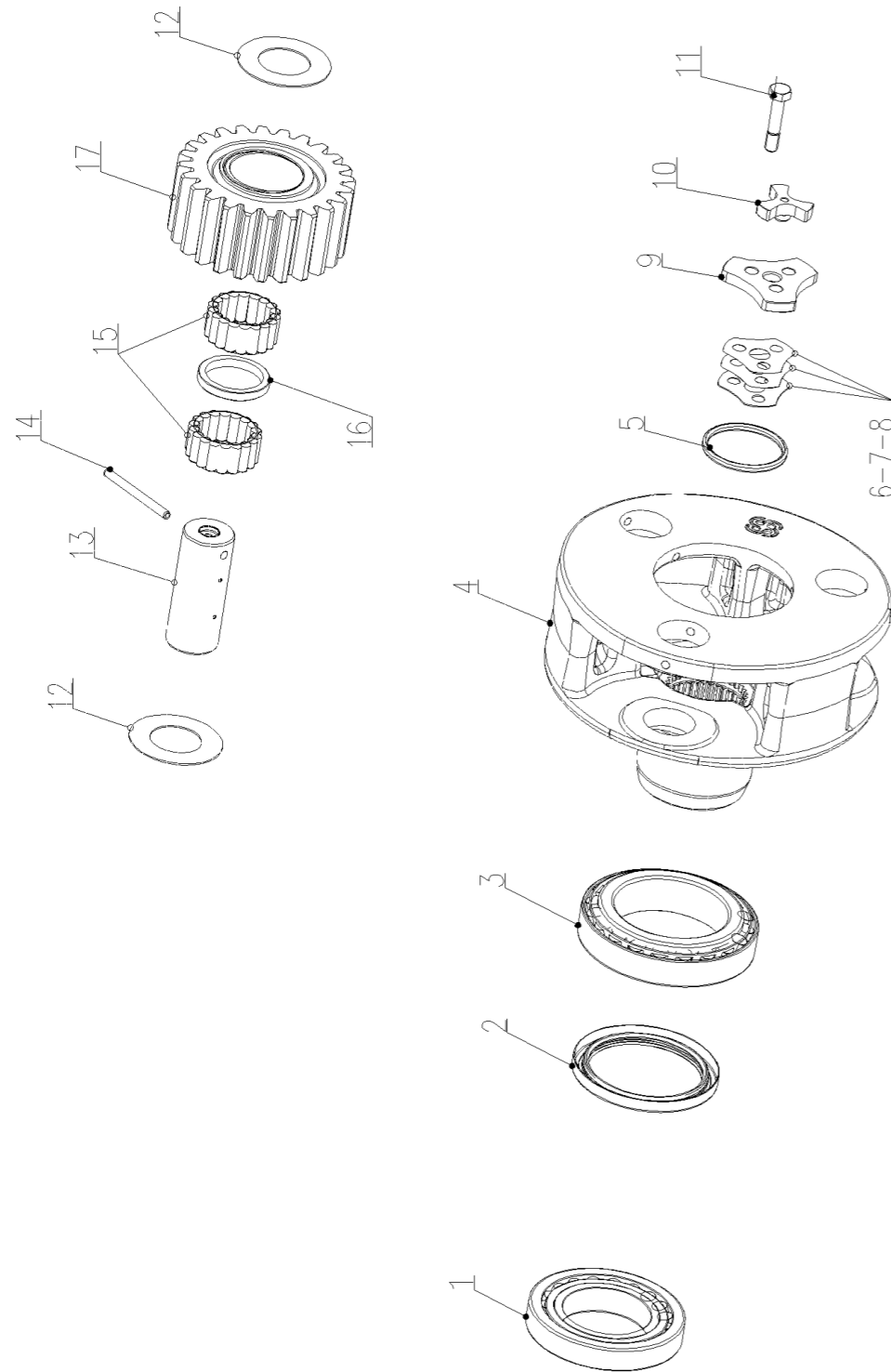
9.DT947.03.0\_1 密封圈和垫片 SEALS AND GASKET

序号	零件编号	零件名称	数量	图号
1	0.016.7495.0	垫圈 SCODELLINO	2	0.016.7495.0
2	2.1519.149.0	挡圈 140X169X15 ANELLO 140X169X15	2	2.1519.149.0
3	0.026.5528.0	垫圈 DIST. ALBERO RUOTA	2	0.026.5528.0
4	2.1530.187.0	挡圈 85.32X3.53 ANELLO 85.32X3.53	2	2.1530.187.0



# 9.DT947.10.0 RIDUTTORE POSTERIORE

# 9.DT947.10.0\_0 最终传动行星机构总成 FINAL DRIVE PLANETARY ASS.Y

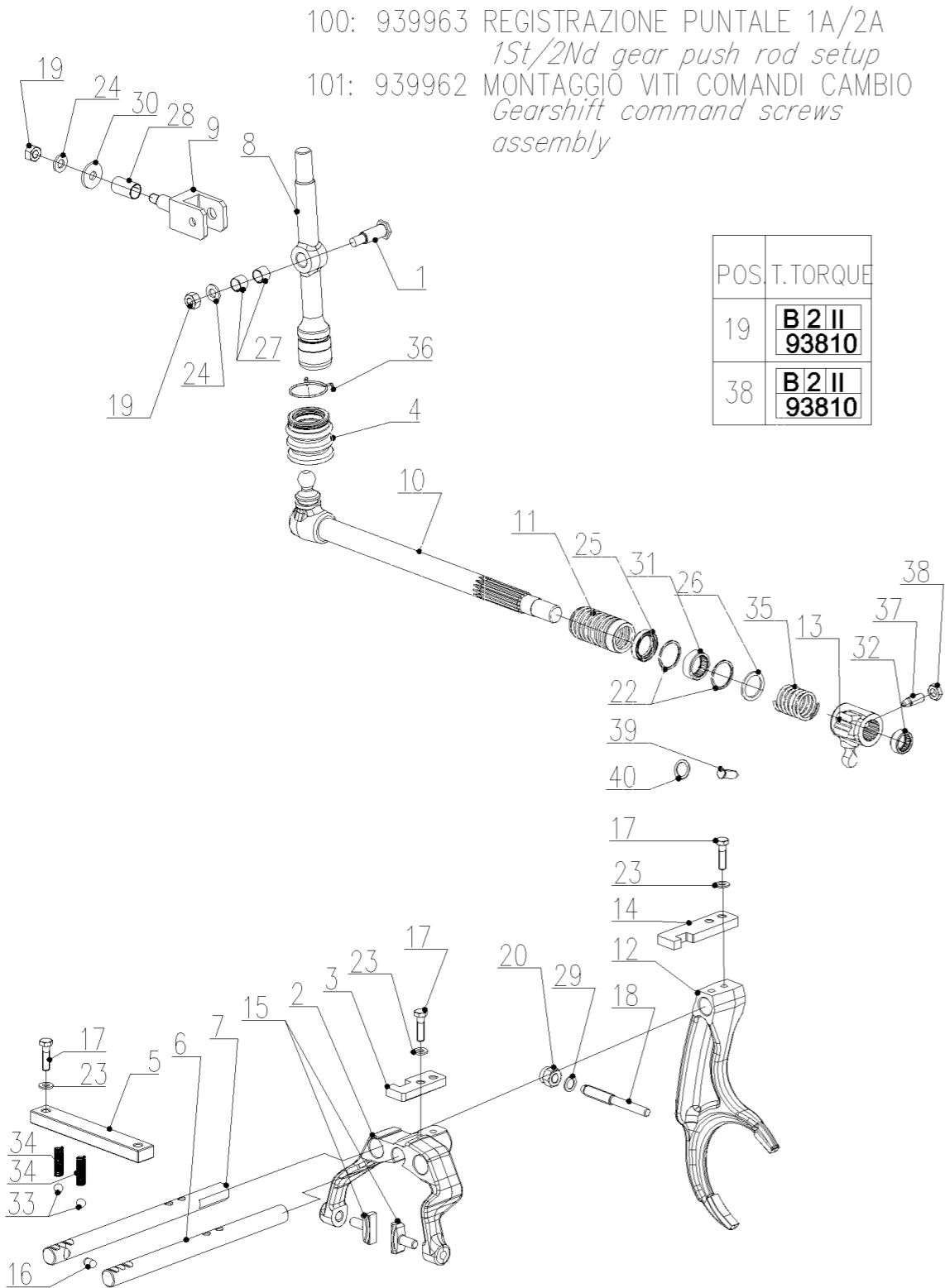


序号	零件编号	零件名称	数量	图号
1	2.2520.018.0	轴承 CUSC. 30217 J2	2	2.2520.018.0
2	2.1529.056.0/10	垫片 110X140X13 ANELLO 110X140X13	2	2.1529.056.0/10
3	2.2511.020.0	轴承 CUSC. 32022A	2	2.2511.020.0
4	0.257.4741.0/40	行星架 PORTASATELLITE	2	0.257.4741.0/40
5	2.1532.171.0	O形圈 AN.OR DIA.72.39X5.34	2	2.1532.171.0
6	0.212.4765.0	垫圈 SPESSORE 9	4	0.212.4765.0
7	0.212.4755.0	垫圈 SPESSORE 9	4	0.212.4755.0
8	0.212.4753.0	垫圈 SPESSORE 9	4	0.212.4753.0
9	0.212.4752.0/20	法兰 FLANGETTA SEMIASSE	2	0.212.4752.0/20
10	0.212.4751.0	隔圈 DISTANZIALE	2	0.212.4751.0
11	2.0139.031.7	螺栓 VITE M12X1.25	6	2.0139.031.7
12	2.1599.338.0	垫圈 RONDELLA 50.2X90X1.5	12	2.1599.338.0
13	0.257.4725.3/10	销 PERNO	6	0.257.4725.3/10
14	2.1630.722.0	销 SPINA 8X90	6	2.1630.722.0
15	2.2999.192.0	滚针轴承 GABBIA 50X70X32	12	2.2999.192.0
16	2.1579.819.0	垫圈 DIST 55.8X69X9	6	2.1579.819.0
17	0.257.4724.0/20	齿轮 SATELLITE	6	0.257.4724.0/20
100	930114	装配指导 CUSCIN.SEMIASI POST	1	930114

# 9.DT964.00.0 SPEED CONTROL

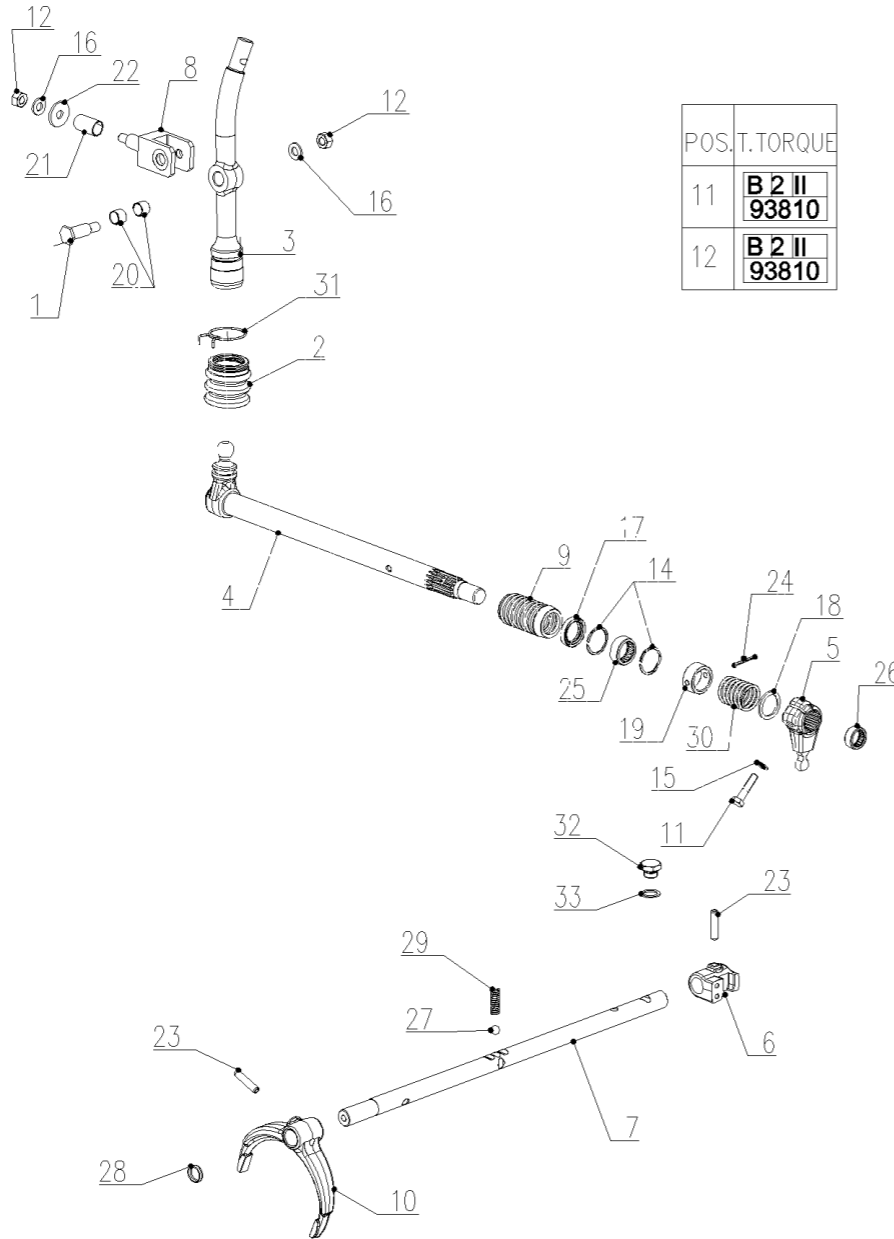
# 9.DT964.00.0\_3 变速操纵 GEAR SHIFT COMMAND

序号	零件编号	零件名称	数量	图号
1	0.009.9957.0	支撑轴 PERNO PER FORCELLA	1	0.009.9957.0
2	0.013.9745.0/10	拨叉3-4 FORCELLA 3-4	1	0.013.9745.0/10
3	0.014.0133.0/10	拨块 NASELLO 3-4	1	0.014.0133.0/10
4	0.020.0899.0	波纹管 SOFFIETTO	1	0.020.0899.0
5	0.026.0720.0	铁板 PIASTRA SCATTI MARCE	1	0.026.0720.0
6	0.026.0775.0	拨叉轴 ASTA 3A 4A VEL.	1	0.026.0775.0
7	0.026.0845.0	拨叉轴 ASTA 1A 2A VEL.	1	0.026.0845.0
8	0.026.2189.0	连接件 LEVA COMANDO MARCE	1	0.026.2189.0
9	0.026.2190.0	变速杆支架 FORCELLA LEVE CAMBIO	1	0.026.2190.0
10	0.026.2267.3/10	操纵杆 ALBERO COMPL.COM.MARCE	1	0.026.2267.3/10
11	0.255.3351.0	波纹管 SOFFIETTO	1	0.255.3351.0
12	0.027.8566.0	拨叉 FORCELLA PRIMA SECONDA	1	0.027.8566.0
13	0.027.8469.0/10	拨杆 LEVA PRIMA/SECONDA	1	0.027.8469.0/10
14	0.027.6674.0	板 NASELLO	1	0.027.6674.0
15	0.264.6478.0	止动销 PATTINO	2	0.264.6478.0
16	0.427.6425.0	锁销 NOTTOLINO	1	0.427.6425.0
17	2.0112.211.2	螺栓 VITE M8X1.25X30	6	2.0112.211.2
18	2.0399.062.2	螺栓 VITE M12X1.75X100	1	2.0399.062.2
19	2.1011.106.2	螺母 NUT	2	2.1011.106.2
20	2.1120.007.2	螺母 DADO M12X175	1	2.1120.007.2
22	2.1423.023.7	挡圈 ANELLO D.32	2	2.1423.023.7
23	2.1475.102.7	垫圈 ROSETTA 8	6	2.1475.102.7
24	2.1475.103.2	垫圈 ROSET.E.10.5X20X2.38	2	2.1475.103.2
25	2.1520.010.0	密封圈 ANELLO D.25X35X7	1	2.1520.010.0
26	2.1549.679.0	垫圈 DIST.26X34X2	1	2.1549.679.0
27	2.1555.107.0	轴套 BOCCOLA 14X16X12	2	2.1555.107.0
28	2.1555.509.0	轴套 BOCCOLA 16X18X30	1	2.1555.509.0
29	2.1560.008.0	密封垫圈 GUARN 12.2X18	1	2.1560.008.0
30	2.1579.520.2	垫圈 RONDELLA 10.5X30X3	1	2.1579.520.2
31	2.2725.032.0	轴承 ASTUCCIO D.25X32X12	1	2.2725.032.0
32	2.2725.057.0	轴承 NEEDLE SHELL 20X26X10	1	2.2725.057.0
33	2.2810.007.0	钢球 SFERA 13/32"	2	2.2810.007.0
34	2.4019.277.1	弹簧 MOLLA SCATTO ASTE	2	2.4019.277.1
35	2.4019.310.0	弹簧 MOLLA	1	2.4019.310.0
36	2.6859.190.2	夹子 FASCETTA CLIP	1	2.6859.190.2
37	2.0399.050.2	螺栓 VITE S.T.E.I. M10X1	1	2.0399.050.2
38	2.1011.506.2	螺母 DADO M10X1	1	2.1011.506.2
39	0.027.8559.0	套圈 PUNTALE INNESCO SENSORE	1	0.027.8559.0
40	2.1560.012.0	密封垫圈 SEALING RING	1	2.1560.012.0
100	939963	装配指导 REGISTRAZIONE PUNTALE	1	939963
101	939962	装配指导 MONTAGGIO VITI	1	939962



9.DT964.01.0

COMANDO MECHANICAL SHUTTLE  
MECHANICAL SHUTTLE CONTROL



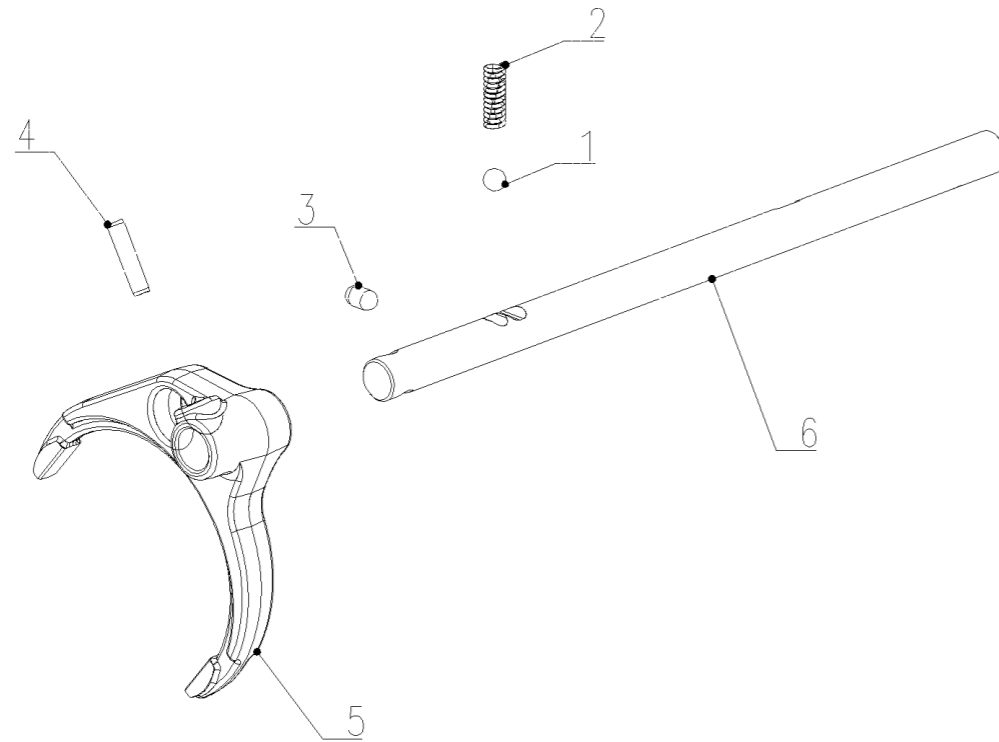
9.DT964.01.0\_3 机械梭式操纵 MECHANICAL SHUTTLE COMMAND

序号	零件编号	零件名称	数量	图号
1	0.009.9957.0	销 PERNO PER FORCELLA	1	0.009.9957.0
2	0.020.0899.0	波纹管 SOFFIETTO	1	0.020.0899.0
3	0.026.0170.0/10	连接件 LEVA CAMBIO A/R/MINI	1	0.026.0170.0/10
4	0.026.0171.3/10	杆 ALBERO COMPL.MINI RID.	1	0.026.0171.3/10
5	0.026.0239.0	连接件 LEVA AVANTI/RETRO-MINI	1	0.026.0239.0
6	0.026.0240.0/10	拨块 NASELLO	1	0.026.0240.0/10
7	0.026.0413.0/20	拨叉轴 ASTA AVANTI-RETRO	1	0.026.0413.0/20
8	0.026.2190.0	叉 FORCELLA LEVE CAMBIO	1	0.026.2190.0
9	0.255.3351.0	波纹管 SOFFIETTO	1	0.255.3351.0
10	0.264.6484.0	拨叉 FORCELLA	1	0.264.6484.0
11	2.0112.213.2	螺栓 BOLT	1	2.0112.213.2
12	2.1011.106.2	螺母 NUT	2	2.1011.106.2
14	2.1423.023.7	挡圈 ANELLO D.32	2	2.1423.023.7
15	2.1474.009.2	垫圈 RONDELLA 8	1	2.1474.009.2
16	2.1475.103.2	垫圈 ROSET.E.10.5X20X2.38	2	2.1475.103.2
17	2.1520.010.0	密封圈 ANELLO D.25X35X7	1	2.1520.010.0
18	2.1549.679.0	垫圈 DIST.26X34X2	1	2.1549.679.0
19	2.1549.898.0	圈 ring	1	2.1549.898.0
20	2.1555.107.0	轴套 BOCCOLA 14X16X12	2	2.1555.107.0
21	2.1555.509.0	轴套 BOCCOLA 16X18X30	1	2.1555.509.0
22	2.1579.520.2	垫圈 RONDELLA 10.5X30X3	1	2.1579.520.2
23	2.1630.714.0	销 SPINA 8X35	2	2.1630.714.0
24	2.1631.516.0	销 SPINA 6X35	1	2.1631.516.0
25	2.2725.032.0	轴承 ASTUCCIO D.25X32X12	1	2.2725.032.0
26	2.2725.057.0	轴承 NEEDLE SHELL 20X26X10	1	2.2725.057.0
27	2.2810.007.0	钢球 SFERA 13/32"	1	2.2810.007.0
28	2.3171.008.4	碗形塞 TAPPO 20	1	2.3171.008.4
29	2.4019.277.1	弹簧 MOLLA SCATTO ASTE	1	2.4019.277.1
30	2.4019.310.0	弹簧 MOLLA	1	2.4019.310.0
31	2.6859.190.2	夹子 FASCETTA CLIP	1	2.6859.190.2
32	2.3110.404.2	螺塞 TAPPO M16X1.5	1	2.3110.404.2
33	2.1560.012.0	密封垫圈 SEALING RING	1	2.1560.012.0

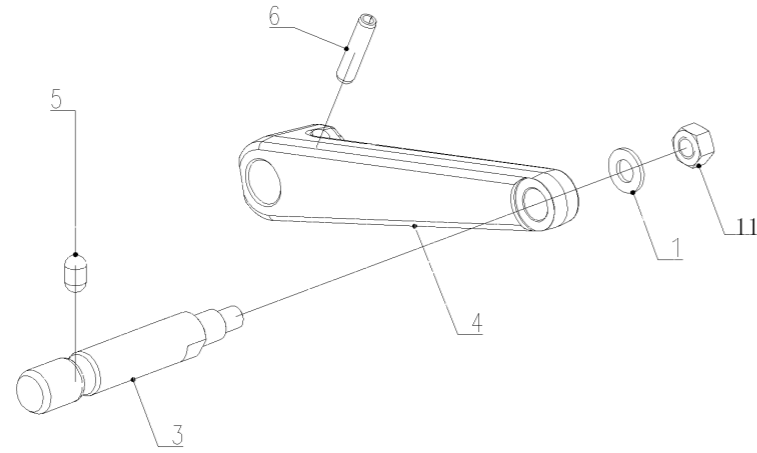
# 9.DT964.02.0 SPLIT./CREEP./S.CR. CONTROL

## 9.DT964.02.0\_0 分离器/爬行档/微爬操纵 SPLITTER/CREEPER/SUPERCREEPER COMMAND

序号	零件编号	零件名称	数量	图号
1	2.2810.007.0	钢球 SFERA 13/32"	1	2.2810.007.0
2	2.4019.277.1	弹簧 MOLLA SCATTO ASTE	1	2.4019.277.1
3	0.427.6425.0	互锁销 NOTTOLINO	1	0.427.6425.0
4	2.1630.714.0	销 SPINA 8X35	1	2.1630.714.0
5	0.026.0499.0	拨叉 FORCELLA COM. SPLITTER	1	0.026.0499.0
6	0.026.0222.0	拨叉轴 ASTA RIDUTTORE	1	0.026.0222.0



# 9.DT964.03.0 COMPL.CREEPER/S.CREEPER



## 9.DT964.03.0\_0 爬行器/微爬总成 COMPLETION CREEPER/SUPERCREEPER

序号	零件编号	零件名称	数量	图号
1	2.1310.006.2	垫圈 WASHER	1	2.1310.006.2
3	0.026.0943.0	轴 ASTA RINVIO MINI	1	0.026.0943.0
4	0.026.0772.0	摇臂 COLLEGAMENTO ASTE	1	0.026.0772.0
5	0.427.6425.0	键 NOTTOLINO	1	0.427.6425.0
6	2.1630.714.0	销 SPINA 8X35	1	2.1630.714.0
11	2.1011.106.2	螺母 NUT	1	2.1011.106.2
100	939965	装配指导 MONTAGGIO ASTA	1	939965

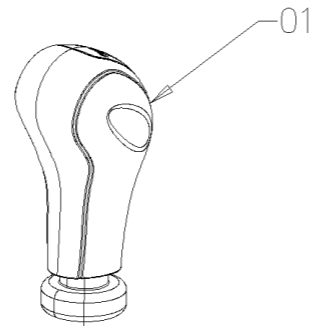
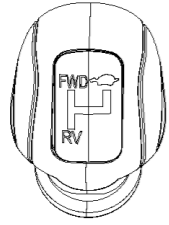


9.DT964.08.0 KNOB - 24+12 / 16+8 / 16+8 SCR

9.DT964.08.0\_0 手柄 - 24+12 / 16+8 / 16+8 SCR KNOB - 24+12 / 16+8 / 16+8 SCR

序号	零件编号	零件名称	数量	图号
1	0.029.4909.4	手柄球 KNOB 24+12 / 16+8 / 16+8 SCR	1	0.029.4909.4

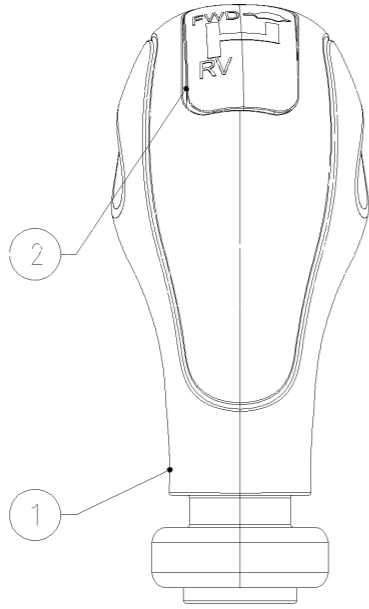
ITEM 01




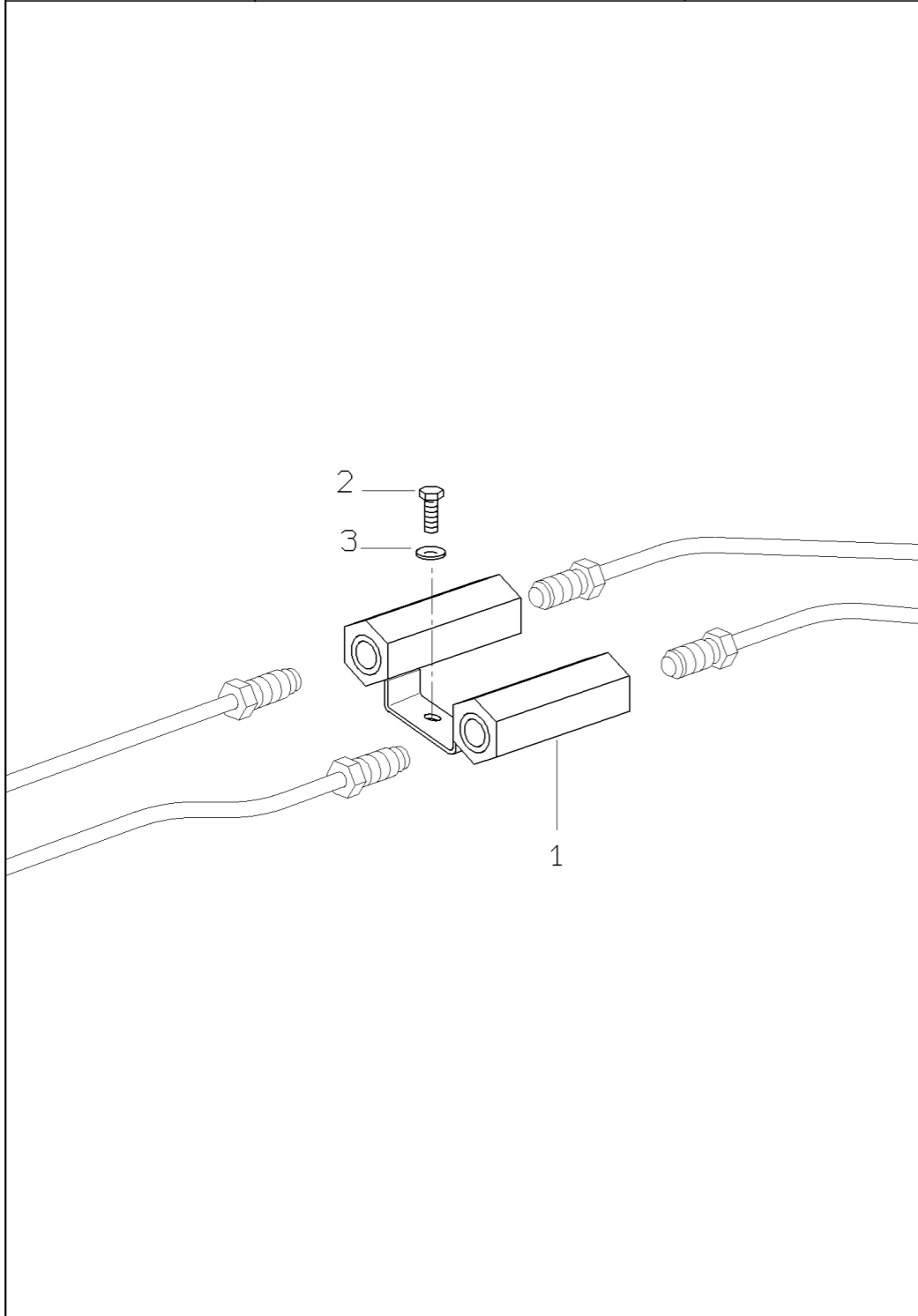
0.029.4909.4 KNOB 24+12 / 16+8 / 16+8 SCR

**0.029.4909.4 手柄球 KNOB 24+12 / 16+8 / 16+8 SCR**

序号	零件编号	零件名称	数量	图号
1	A23.45.028.2	手柄球 KNOB	1	A23.45.028.2
2	0.029.3878.0	盖 24+12 / 16+8 / 16+8 SCR CAP	1	0.029.3878.0



 SAME DEUTZ-FAHR GROUP S.p.A <small>SAME ■ DEUTZ-FAHR ■ LAMBORGHINI ■ HURLMANN</small> Emitt.	ARGON E2--ARGON F E2	Tabella N.	
	RACCORDI PER FRENAT.POSTER. SENZA FRENATURA RIM.	9.E6066.02.0	
		Foglio N. 1	Di N. 1
		Validita' 24/08/2004	



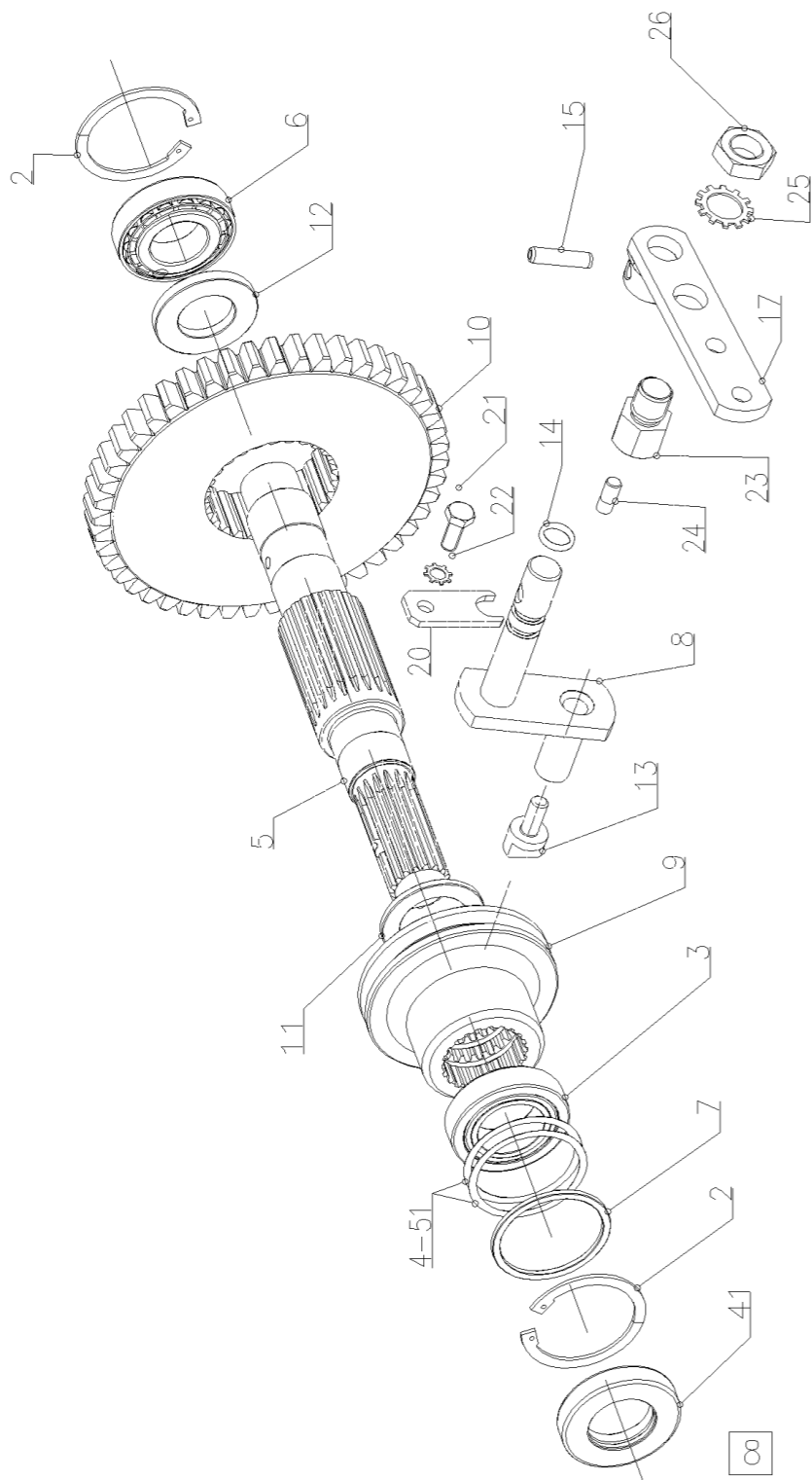
### 9.E6066.02.0\_0 过渡接头座 TRANSITION JOINT

序号	零件编号	零件名称	数量	图号
1	0.014.1279.3	焊合连接支架 STAFFA CON	1	0.014.1279.3
2	2.0112.003.2	螺栓 VITE M6X1X12	1	2.0112.003.2
3	2.1310.002.2	垫圈 WASHER	1	2.1310.002.2

# 9.P0238.00.0 4WD SHAFT ASSEMBLY

Pos.100: 939595 Norma di montaggio  
Pos.100: 939595 Assembly specification

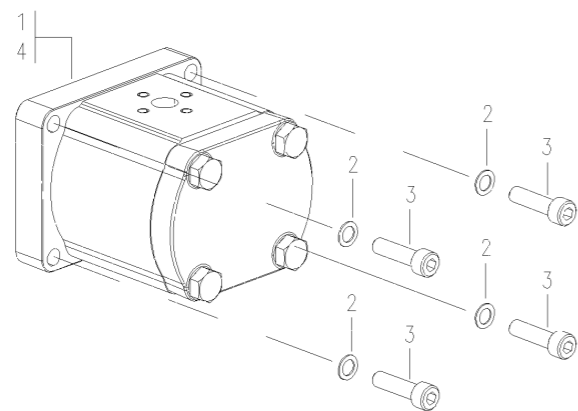
PER PONTE ANTERIORE  
For front axle



# 9.P0238.00.0\_2 四轮驱动啮合 4WD ENGAGEMENT

序号	零件编号	零件名称	数量	图号
2	2.1411.025.1	挡圈 ANELLO 62	2	2.1411.025.1
3	2.2510.005.0	轴承 CUSCINETTO 32007	1	2.2510.005.0
4	2.1589.075.0	垫圈 54X62X0.15 ANELLO 54X62X0.15	5	2.1589.075.0
5	0.233.3822.0	花键轴 ALBERO	1	0.233.3822.0
6	2.2520.006.0	轴承 CUSC. 30206	1	2.2520.006.0
7	2.1599.319.0	垫圈 ANELLO 54X62X3	1	2.1599.319.0
8	0.202.3844.2	拨杆 LEVA	1	0.202.3844.2
9	0.188.3821.0/10	套筒 MANICOTTO	1	0.188.3821.0/10
10	0.028.5101.0	4WD从动齿轮Z52 4WD DRIVEN GEAR	1	0.028.5101.0
11	2.1599.250.0	垫圈 DIST 35X54X4	1	2.1599.250.0
12	2.1579.383.0	圆柱垫片 RONDELLA 30X54X6.3	1	2.1579.383.0
13	0.171.3845.0	拨头 PATTINO	1	0.171.3845.0
14	2.1530.034.0	O形圈 ANELLO 13.94X2.62	1	2.1530.034.0
15	2.1630.713.0	销 SPINA 8X32	1	2.1630.713.0
17	0.264.3842.3	摇臂 LEVA	1	0.264.3842.3
20	0.154.3853.0	连接板 PIASTRINA	1	0.154.3853.0
21	2.0112.207.2	螺栓 BOLT	3	2.0112.207.2
22	2.1470.004.2	止退垫圈 WASHER	3	2.1470.004.2
23	0.202.3854.0	套筒 BOCCOLA	1	0.202.3854.0
24	2.0439.002.1	销 M8X1.25X12 SPINA M8X1.25X12	1	2.0439.002.1
25	2.1470.010.2	垫圈 ROSETTA 18	1	2.1470.010.2
26	2.1011.510.2	螺母 DADO M18X1.5	1	2.1011.510.2
41	2.1529.162.0	油封 COMBI 35-62-12	1	2.1529.162.0
42	0.135.4363.3/10	阀门 VALVOLA DI SFIATO	3	0.135.4363.3/10
45	2.0332.205.2	螺钉 VITE M4X0.7X14	2	2.0332.205.2
51	2.1589.076.0	垫圈 54X62X0.2 ANELLO 54X62X0.2	2	2.1589.076.0
100	939595	装配指导 4WD CALIBRATION	1	939595
101	939972	径向轴标记 REGISTRAZIONE	1	939972

# 9. T0282.02.0 POMPA 19CC DX



ISTRUZIONE DI MONTAGGIO  
 927938 PER PART. POS.3  
 ASSEMBLING INSTRUCTIONS  
 927938 FOR PART. ITEM 3

100

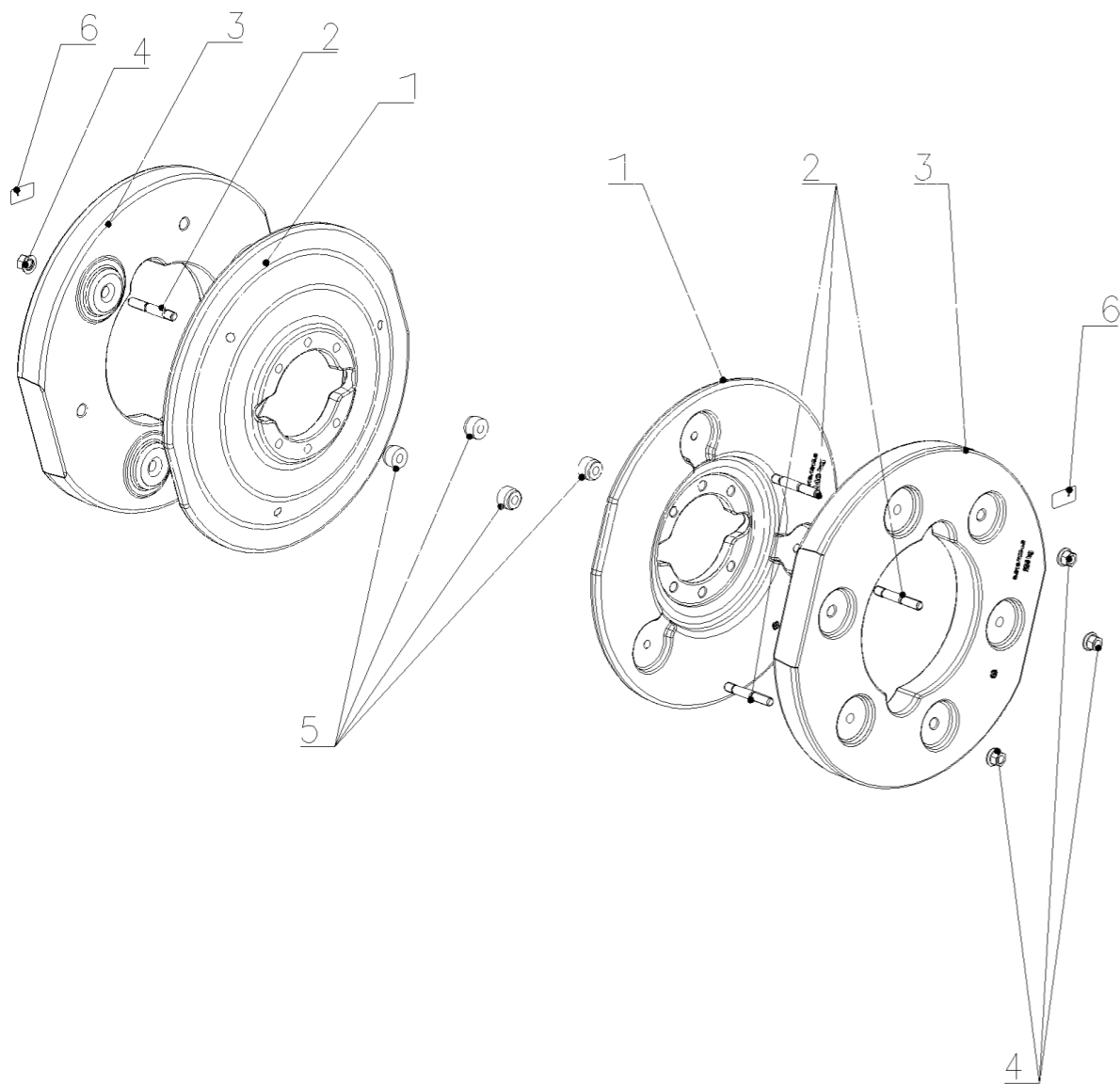
## 9.T0282.02.0\_1 转向泵总成 POMPA 19CC DX

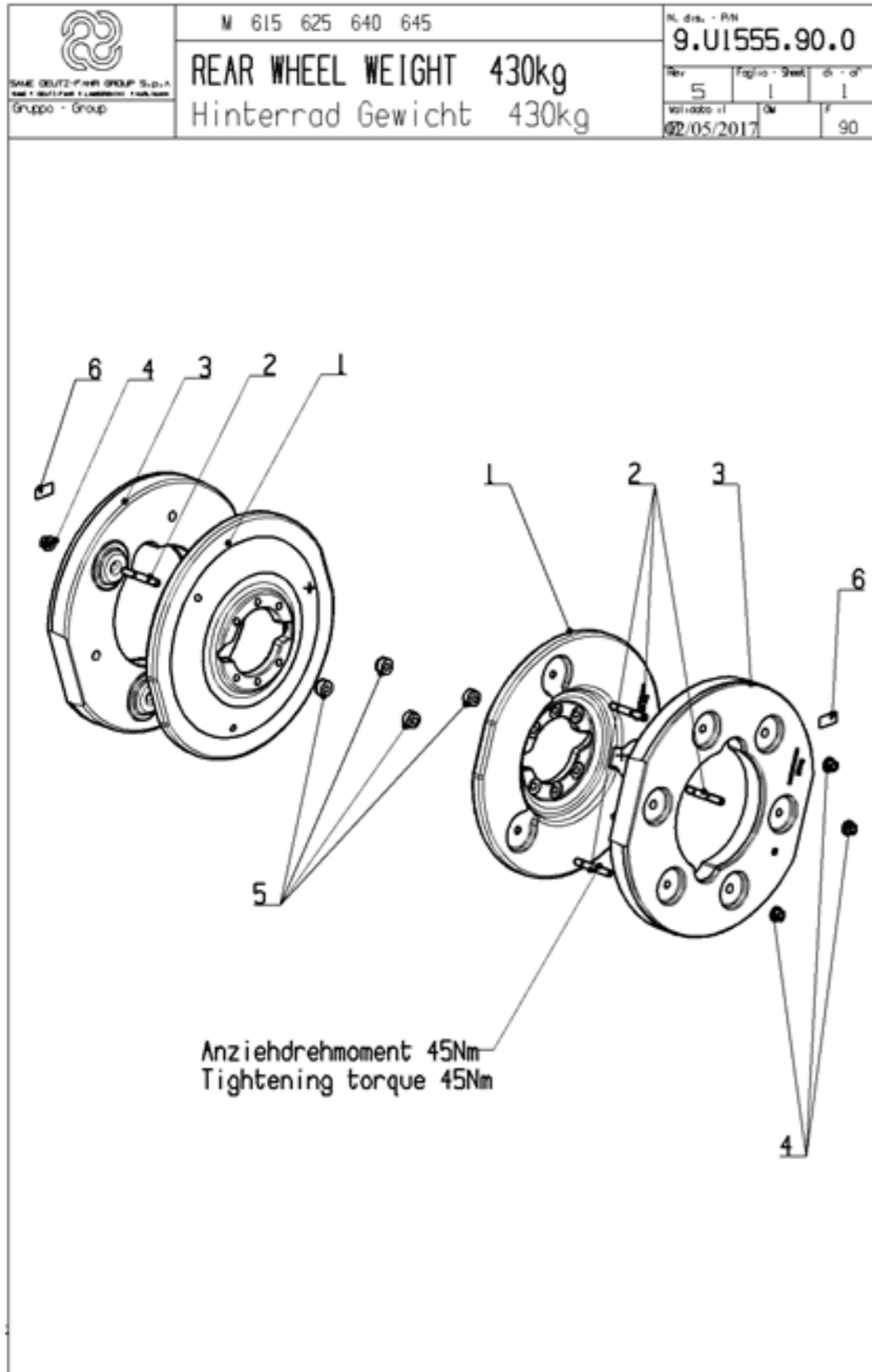
序号	零件编号	零件名称	数量	图号
2	2.1480.014.2	垫圈	4	2.1480.014.2
3	2.0312.210.2	螺钉	4	2.0312.210.2
4	2.4539.005.0	泵	1	2.4539.005.0
100	927938	装配指导	1	927938

9.U1555.90.0 REAR WHEEL WEIGHT 430kg

9.U1555.90.0\_0 后配重，两层，双边共计 820kg REAR BALLAST TWO LAYERSTOTAL 820 kg

序号	零件编号	零件名称	数量	图号
1	0.019.1815.0/30	后轮配重 REAR WHEEL WEIGHT	2	0.019.1815.0/30
2	2.0439.330.7/20	螺柱 STUD SCREW M22X15	6	2.0439.330.7/20
3	0.018.7584.0/20	外侧后配重 REAR WHEEL BALL.OUTS	2	0.018.7584.0/20
4	2.1099.177.6	螺母 M22X1.5X27 NUT M22X1.5X27	6	2.1099.177.6
5	0.019.5876.0/10	隔圈 SPACER	4	0.019.5876.0/10
6	2.9939.516.0/10	警示标示 WARNING LABEL	2	2.9939.516.0/10





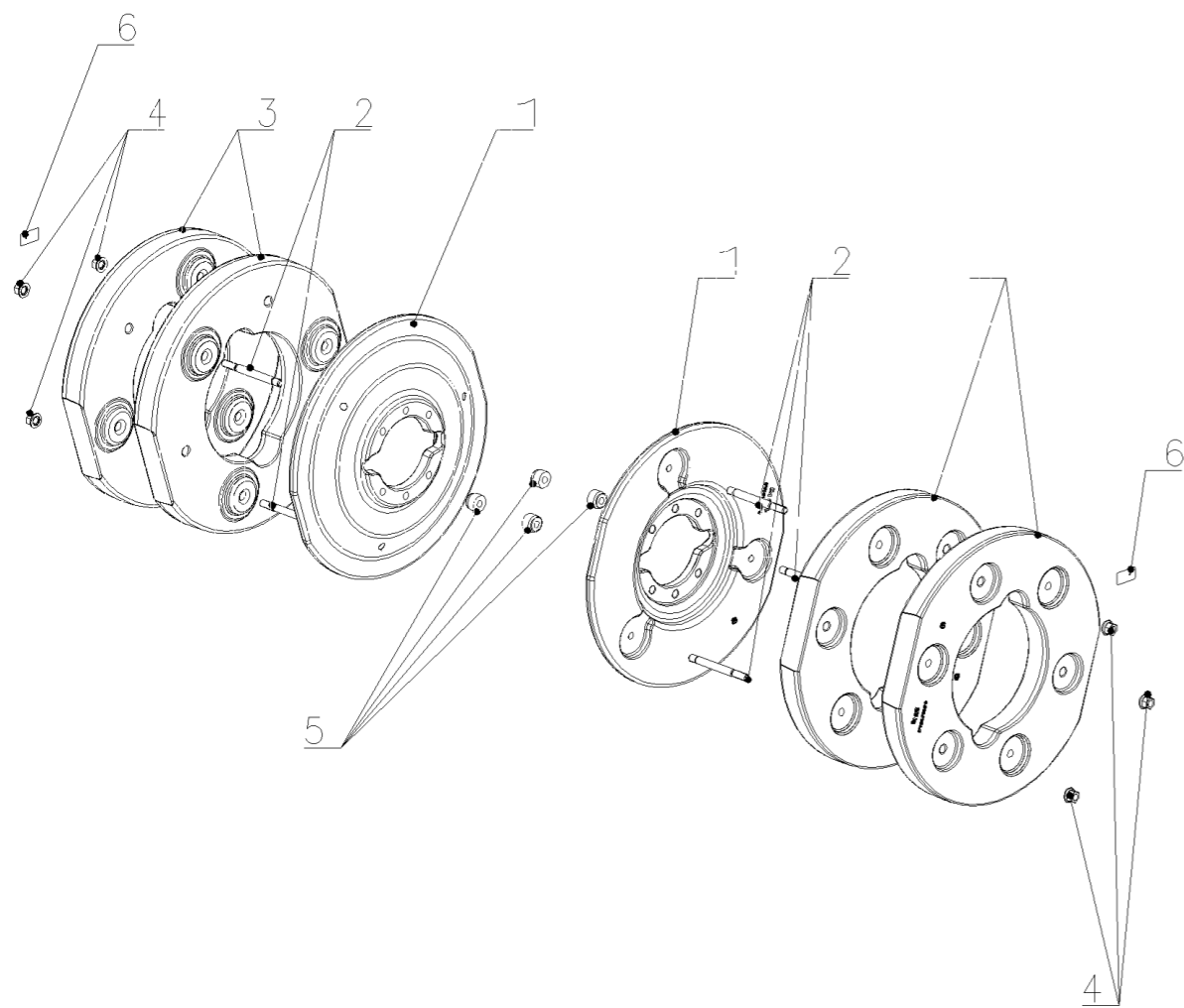
### 9.U1555.90.0\_5 后轮配重410千克 REAR WHEEL WEIGHT 410 KG

序号	零件编号	零件名称	数量	图号
1	0.019.1815.0/30	后轮配重 REAR WHEEL WEIGHT	2	0.019.1815.0/30
2	2.0439.330.7/20	螺柱 STUD SCREW M22X15	6	2.0439.330.7/20
3	0.018.7584.0/20	后轮外配重 REAR WHEEL BALL.OUTS	2	0.018.7584.0/20
4	2.1099.177.6	螺母 NUT M22X1.5X27	6	2.1099.177.6
5	0.019.5876.0/10	隔圈 SPACER	4	0.019.5876.0/10
6	2.9939.516.0/10	警示标示 WARNING LABEL	2	2.9939.516.0/10

9.U1555.91.0 REAR WHEEL WEIGHT 690kg

9.U1555.91.0\_0 后配重，三层，双边共计 1340kg REAR BALLAST THREE LAYERSTOTAL 1340 kg

序号	零件编号	零件名称	数量	图号
1	0.019.1815.0/30	后轮配重 REAR WHEEL WEIGHT	2	0.019.1815.0/30
2	2.0439.331.7/30	螺柱 STUD SCREW	6	2.0439.331.7/30
3	0.018.7584.0/20	后轮外配重 REAR WHEEL BALL.OUTS	4	0.018.7584.0/20
4	2.1099.177.6	螺母 M22X1.5X27 NUT M22X1.5X27	6	2.1099.177.6
5	0.019.5876.0/10	隔圈 SPACER	4	0.019.5876.0/10
6	2.9939.516.0/10	警示标示 WARNING LABEL	2	2.9939.516.0/10



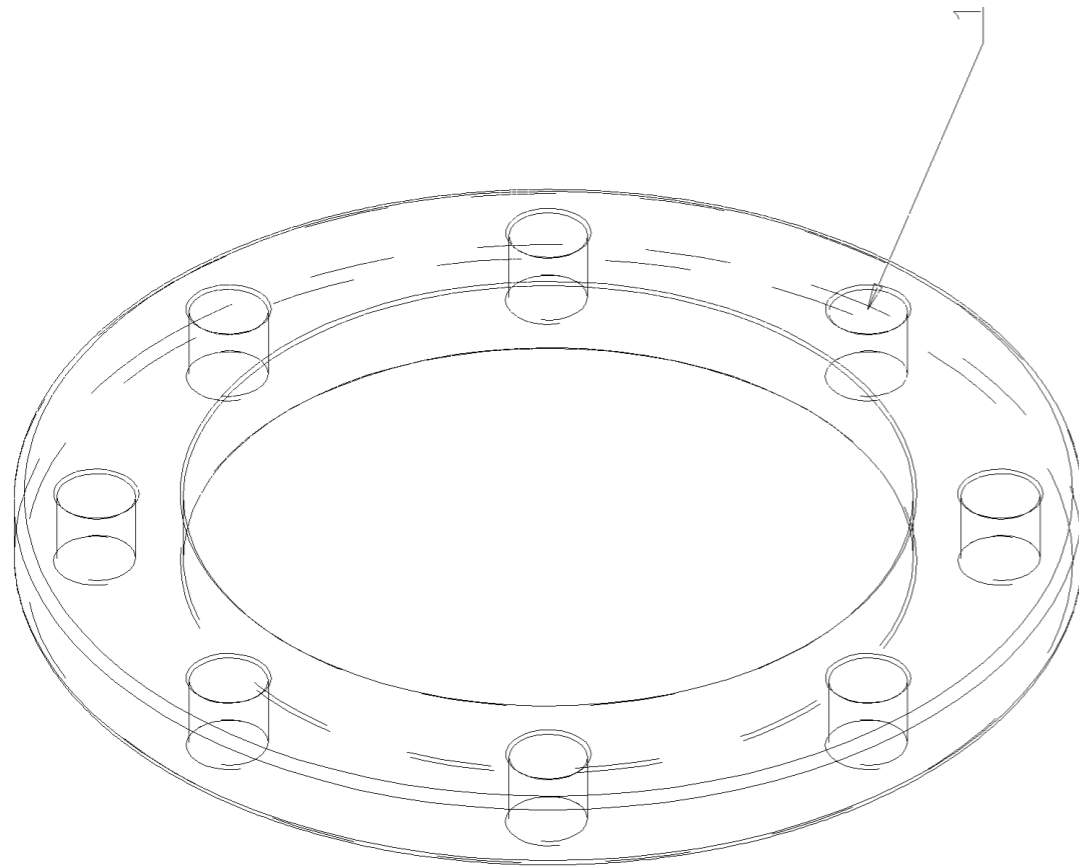




9.W1047.02.0\_0 配重垫块 COUNTER-WEIGHT BLOCK

序号	零件编号	零件名称	数量	图号
1	0.019.3082.0/10	隔圈 DISTANZIALE	2	0.019.3082.0/10

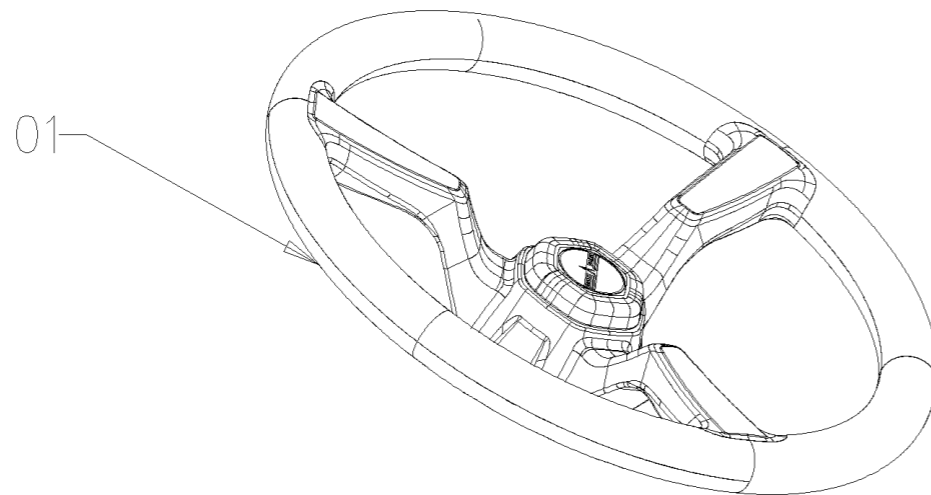
9.W1047.02.0 BALLASTS SPACER



# A23.40.916.4 STEERING WHEEL ASS.Y

## A23.40.916.4\_0 转向操纵总成 STEERING COMMAND ASS.Y

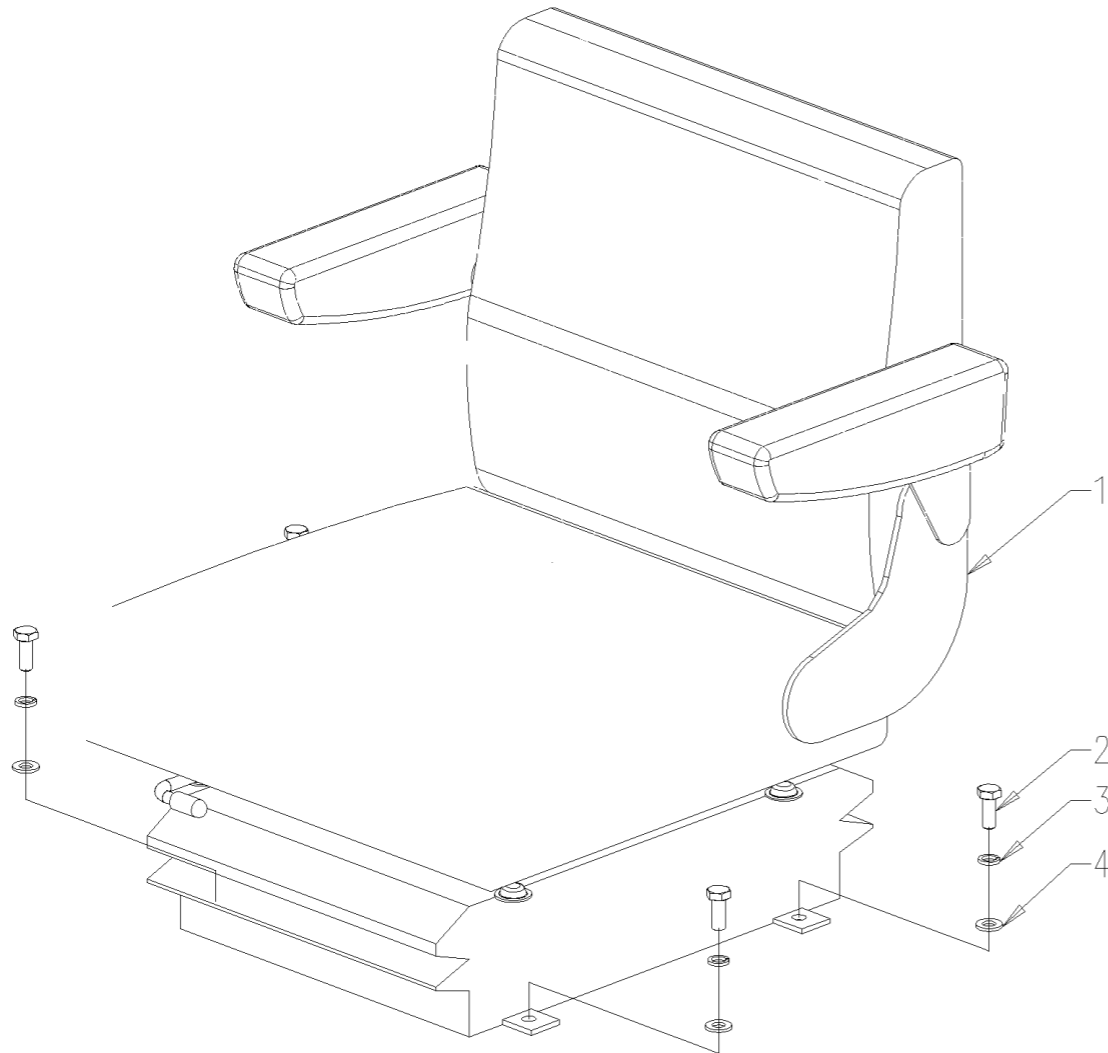
序号	零件编号	零件名称	数量	图号
1	CD554.40.028/10	方向盘 STEERING WHEEL	1	CD554.40.028/10



# A23.44.900.4 SEAT ASS.Y

## A23.44.900.4\_1 优化黑色PVC悬浮座椅（带安全带/扶手） SEAT ASS.Y

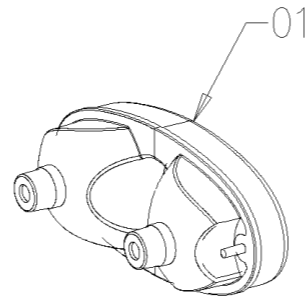
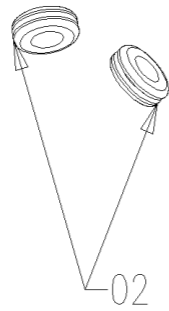
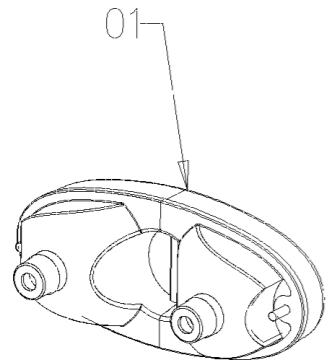
序号	零件编号	零件名称	数量	图号
1	A23.44.001.4/10	PVC 座椅 PVC SEAT	1	A23.44.001.4/10
2	GBT5783-M10X25-A3L	螺栓 BOLT	4	GBT5783-M10X25-A3L
3	GBT93-10-A3L	垫圈 WASHER	4	GBT93-10-A3L
4	GBT97.1-10-A3L	垫圈 WASHER	4	GBT97.1-10-A3L



# A23.48.911.4 REAR LIGHT ASS.Y

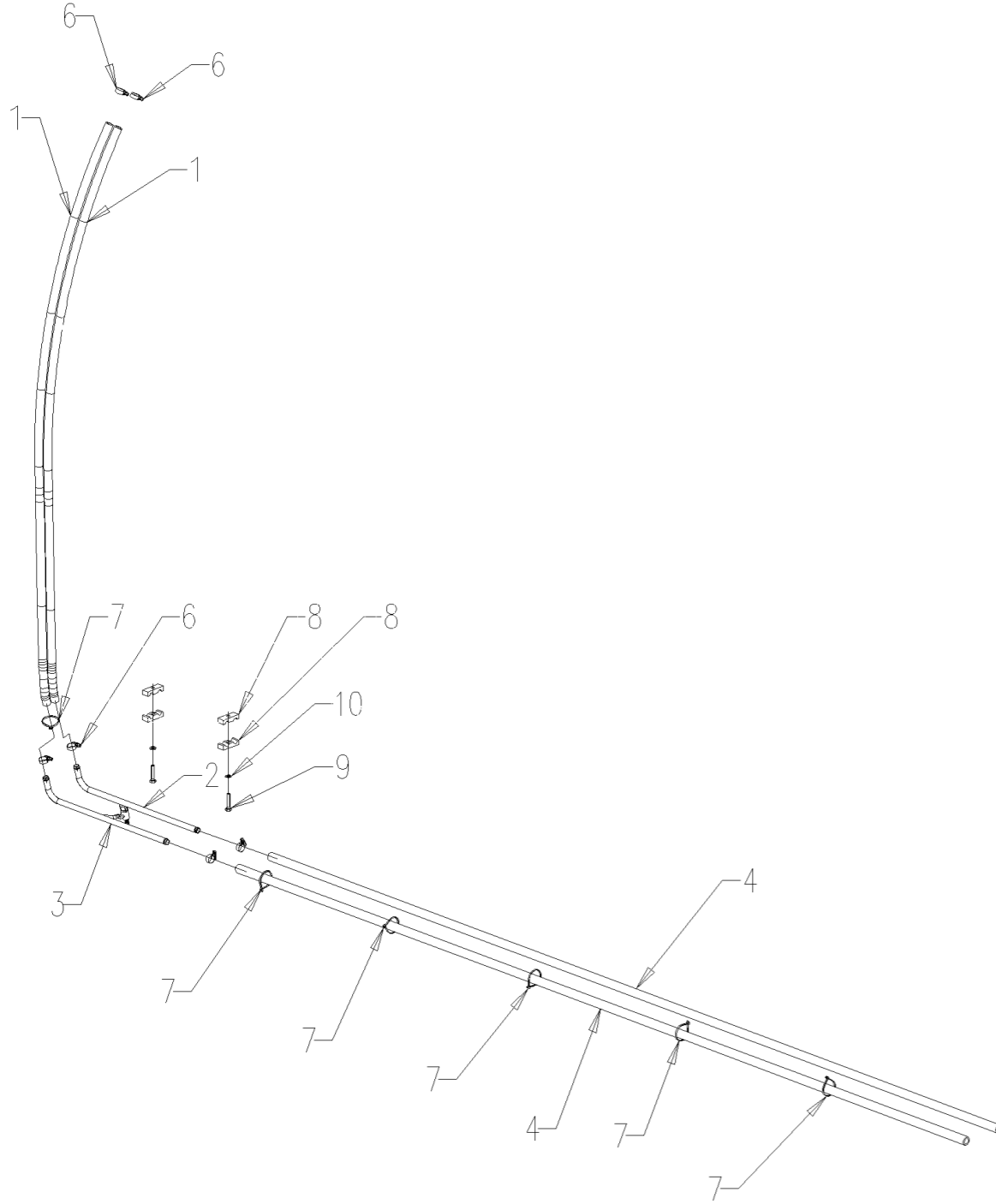
## A23.48.911.4\_0 后尾灯总成 REAR LAMP ASS.Y

序号	零件编号	零件名称	数量	图号
1	CD1204.48.030	后尾灯总成 Rear light assembly	2	CD1204.48.030
2	SH400.48.118	橡胶圈 THREAD RING	2	SH400.48.118



# A23.81.913.4 WATER PIPE ASS.Y

## A23.81.913.4\_1 暖风水管 WATER PIPES

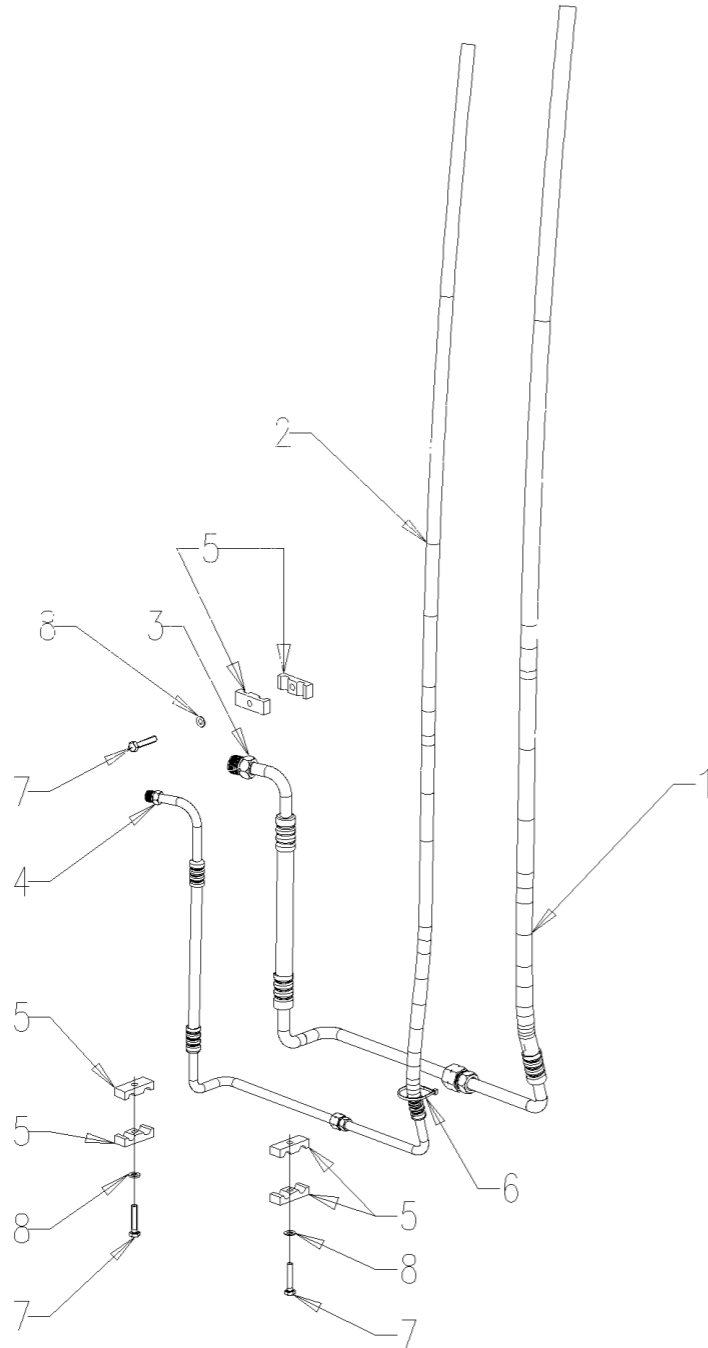


序号	零件编号	零件名称	数量	图号
1	A68.81.002.0	输水管总成 WATER PIPE ASS.	1	A68.81.002.0
2	A68.81.003.4	铝管(阀) ALUMINIUM PIPE(WITH	1	A68.81.003.4
3	A68.81.004.0	铝管(没有阀) ALUMINIUM	1	A68.81.004.0
4	A80.81.005.0	输水管 WATER PIPE	2	A80.81.005.0
6	2.6851.019.0	喉箍 HOSE CLAMP 13-20	6	2.6851.019.0
7	2.6852.101.0	扎带 SELF LOCKING CABLE TIES 142	6	2.6852.101.0
8	A80.45.104.0	块 BLOCK	4	A80.45.104.0
9	GBT5783-M8X40-A2L	螺栓 BOLT	2	GBT5783-M8X40-A2L
10	GBT97.1-8-A3L	垫圈 WASHER	2	GBT97.1-8-A3L

# A23.81.923.4 HVAC PIPE ASS.Y

## A23.81.923.4\_1 空调管路 AC PIPES

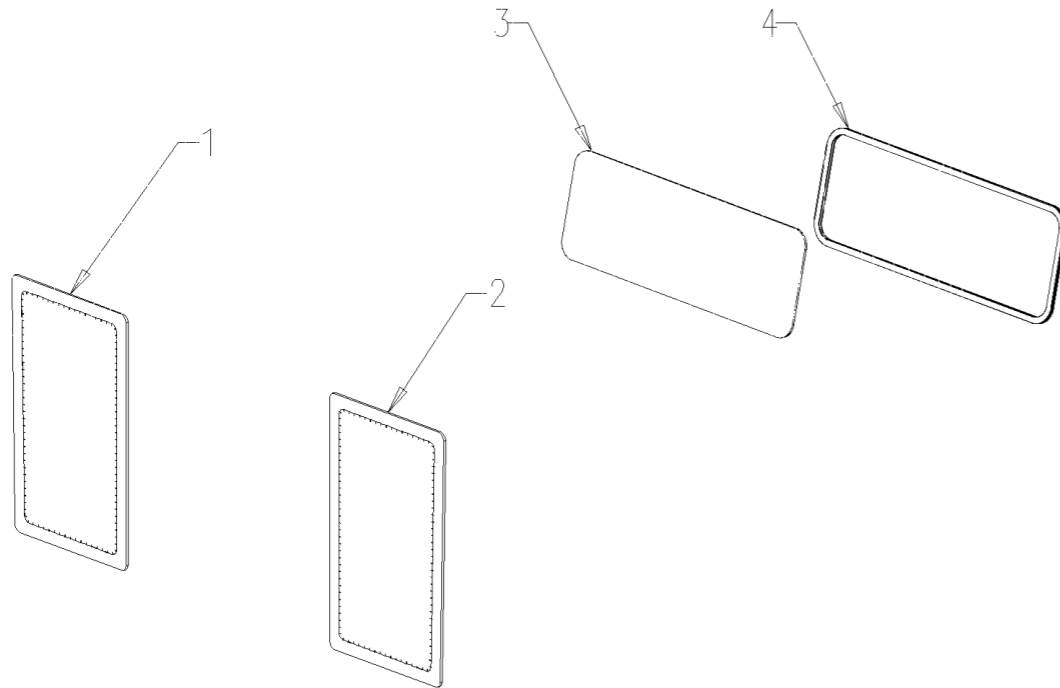
序号	零件编号	零件名称	数量	图号
1	A68.81.009.4	压缩机输液管(蒸发器至外径大) AC	1	A68.81.009.4
2	A68.81.010.4	压缩机输液管(蒸发器至外小直径) AC	1	A68.81.010.4
3	A68.81.011.4	弯曲铝管 BEND ALUMINIUM PIPE-	1	A68.81.011.4
4	A68.81.012.4	小直径铝管 BENG ALUMINIUM PIPE-	1	A68.81.012.4
5	A80.45.104.0	块 BLOCK	6	A80.45.104.0
6	2.6852.101.0	扎带 SELF LOCKING CABLE TIES 142	1	2.6852.101.0
7	GBT5783-M8X40-A2L	螺栓 BOLT	3	GBT5783-M8X40-A2L
8	GBT97.1-8-A3L	垫圈 WASHER	3	GBT97.1-8-A3L



A30.45.905.4 GLASSES ASS.Y

A30.45.905.4\_0 玻璃总成 GLASSES ASS.Y

序号	零件编号	零件名称	数量	图号
1	A23.45.225.0	下玻璃 RH BELOW GLASS	1	A23.45.225.0
2	A23.45.226.0	左侧玻璃 LH BELOW GLASS	1	A23.45.226.0
3	A80.45.023.0	后方玻璃 REAR BELOW GLASS	1	A80.45.023.0
4	A80.45.024.0	玻璃胶 GLASS RUBBER	1	A80.45.024.0

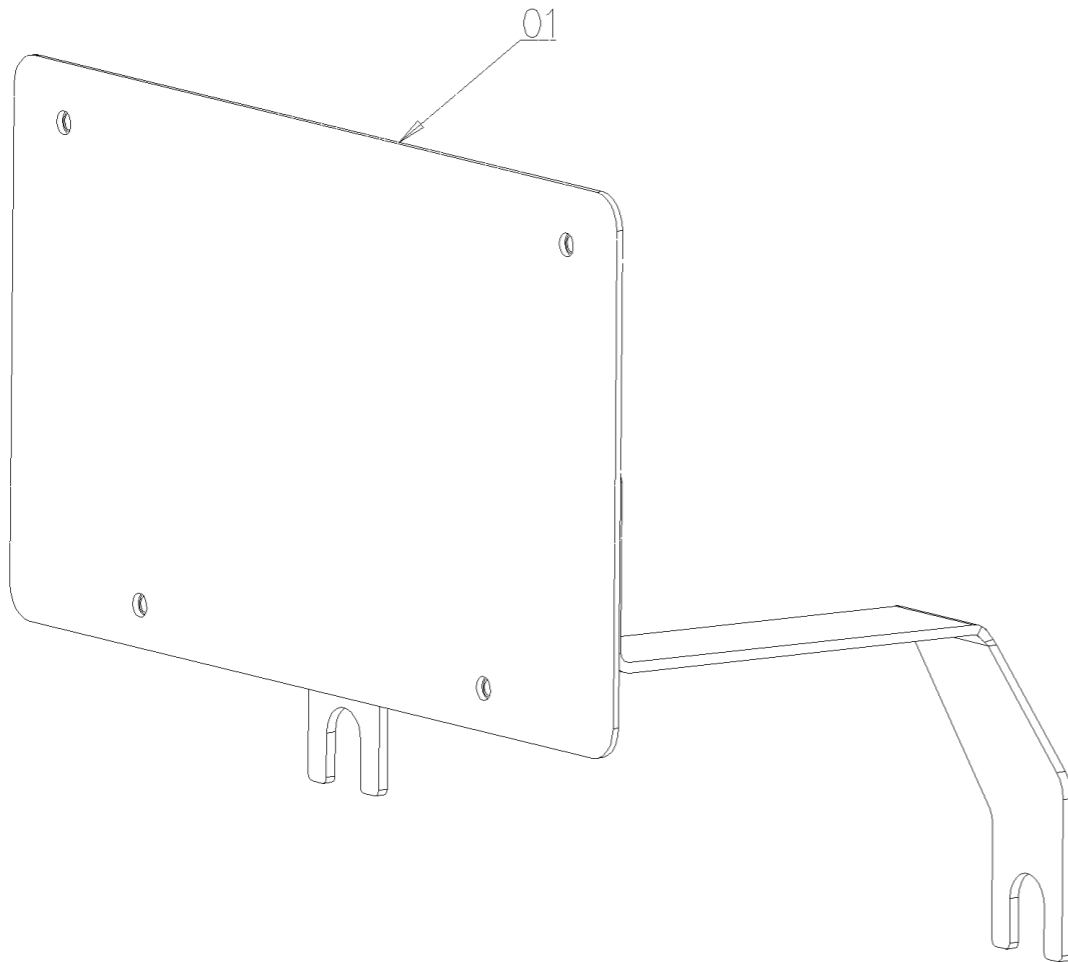




A31.74.900.4\_0 号牌座总成 NO. CARD SEAT ASS.Y

序号	零件编号	零件名称	数量	图号
1	LE1204.74.011	号牌座总成 WELDING SEAT PLATE	1	LE1204.74.011

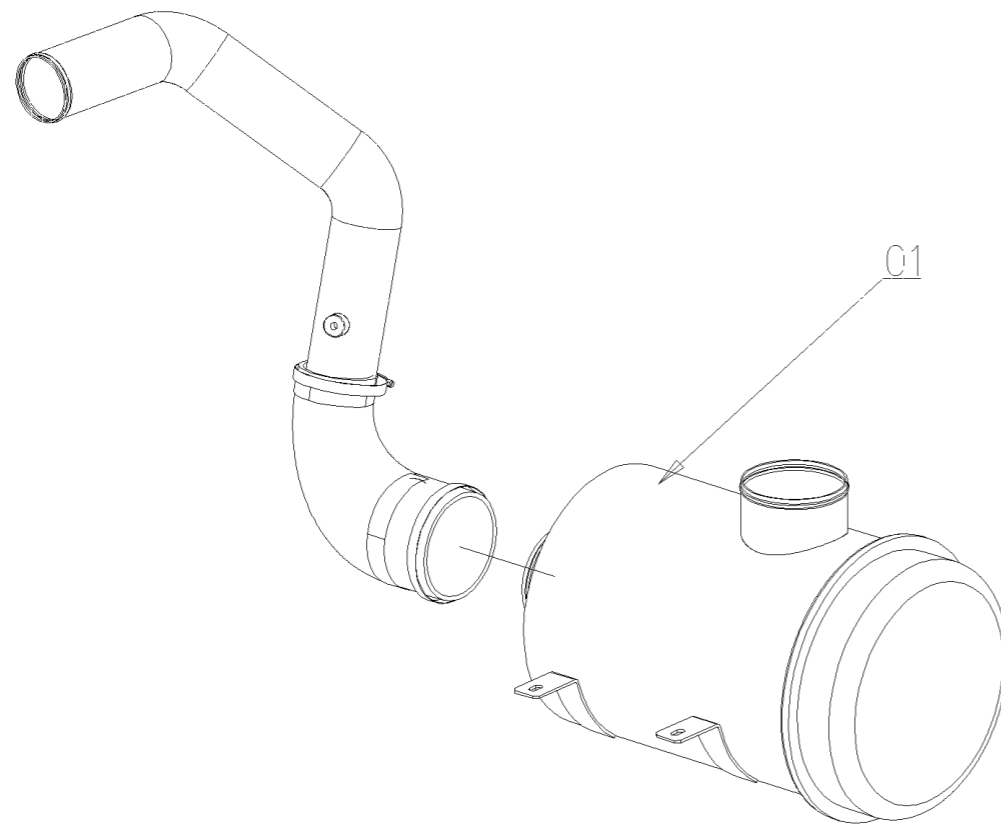
A31.74.900.4 NO. CARD SEAT ASS.Y



# A68.11.901.4 AIR FILTER ASS.Y

## A68.11.901.4\_0 空滤器总成 AIR FILTER ASS.Y

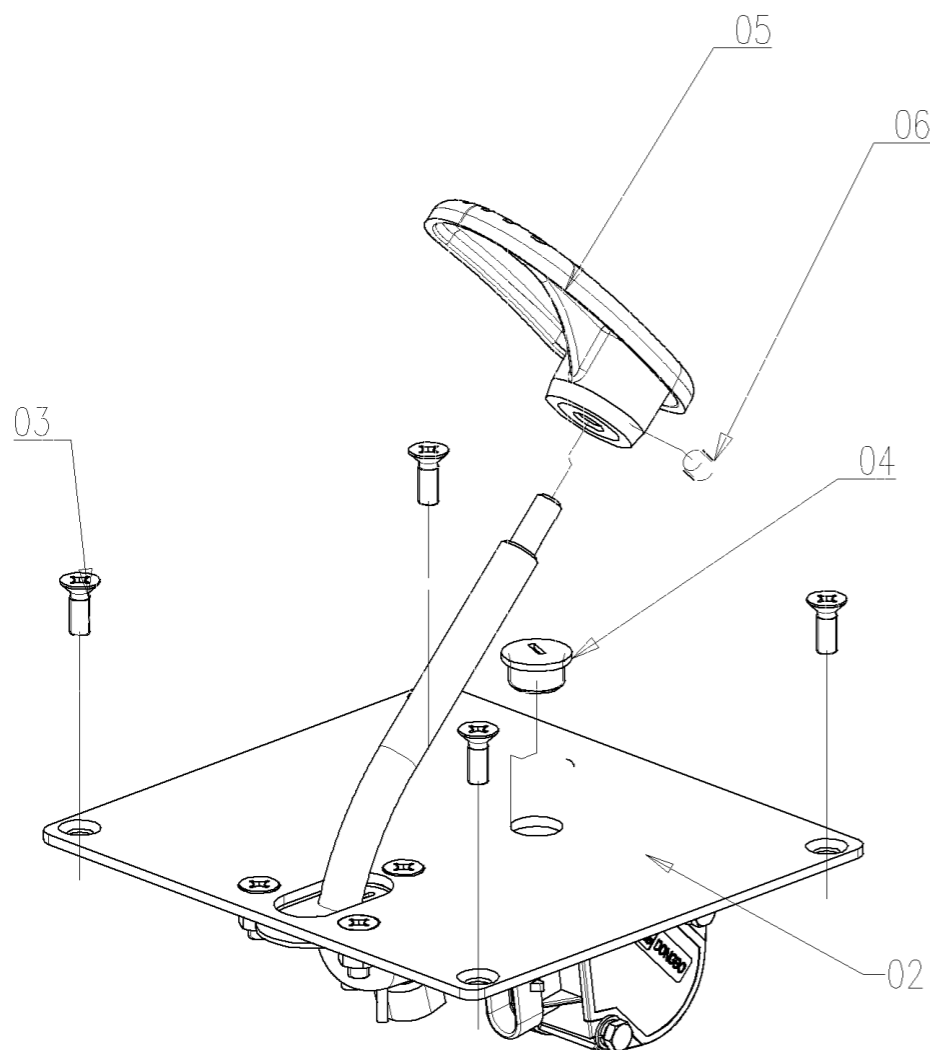
序号	零件编号	零件名称	数量	图号
1	C63.11.001.4/10	空气过滤器 AIR FILTER	1	C63.11.001.4/10
1.1	C63.11.011.4.1	滤芯	1	C63.11.011.4.1



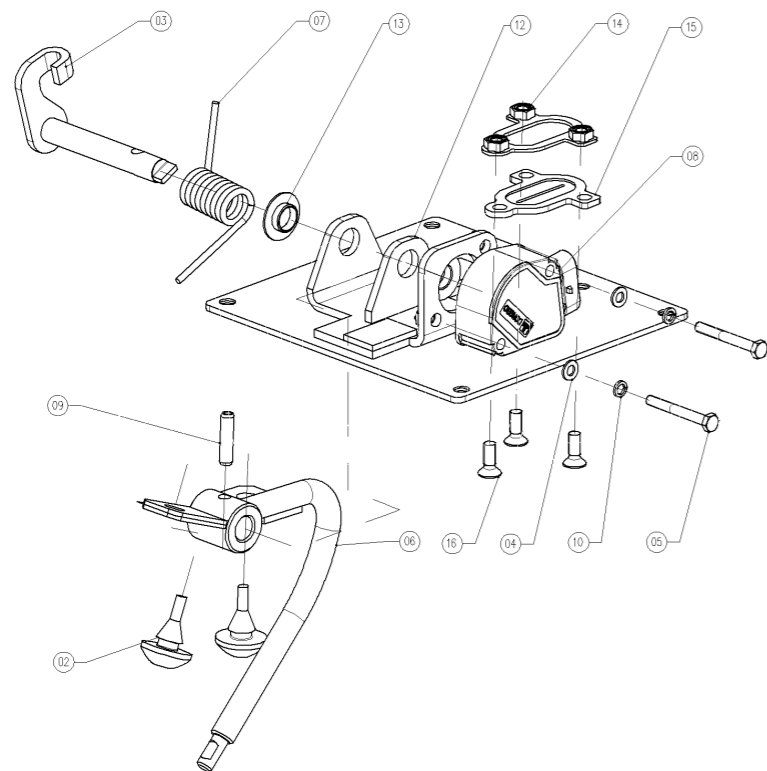
# A68.20.900.4 PEDAL ACCELERATOR

## A68.20.900.4\_2 脚油门总成 PEADL ACCELERATOR ASSEMBLY

序号	零件编号	零件名称	数量	图号
2	A68.20.002.4/20	油门踏板总成 PEDAL ACCELERATOR	1	A68.20.002.4/20
3	GBT819.1-M6X16-A2L	螺钉 SCREW	4	GBT819.1-M6X16-A2L
4	SH900.47A.115-1	塞子 M16 PLUG M16	2	SH900.47A.115-1
5	0.010.8696.2/20	油门踏板 PEDALE ACCELERATORE	1	0.010.8696.2/20
6	2.0512.204.7	螺钉 SET SCREW M8x1.25x12	1	2.0512.204.7




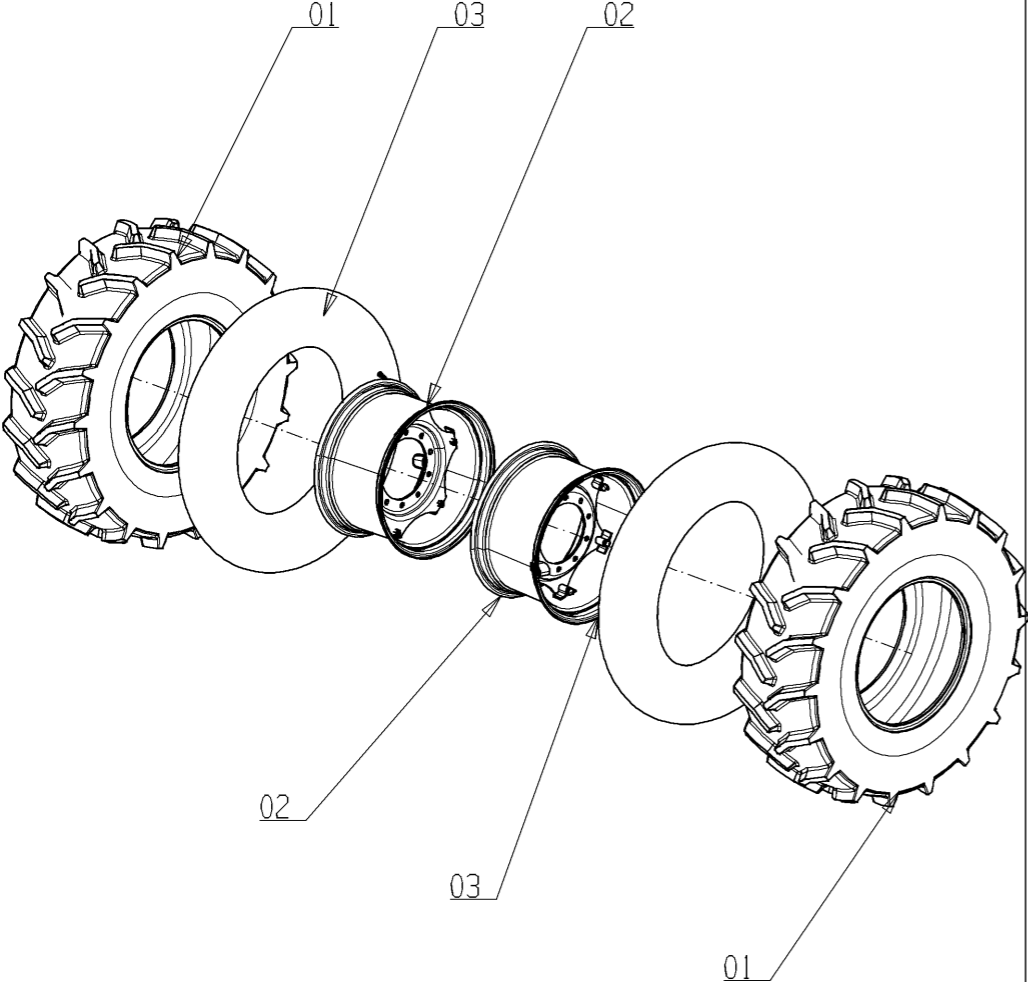
# A68.20.002.4/20 PEDAL ACCELERATOR ASS.



## A68.20.002.4/20 油门踏板总成 PEDAL ACCELERATOR ASS.

序号	零件编号	零件名称	数量	图号
2	0.020.3844.0	块 BLOCK	2	0.020.3844.0
3	A11.20.004.2/10	轴焊接 SHAFT WELDING	1	A11.20.004.2/10
4	GBT97.1-5-A3L	垫圈 WASHER	2	GBT97.1-5-A3L
5	GBT5782-M5X40-A2L	螺栓 BOLT	2	GBT5782-M5X40-A2L
6	A68.20.003.2/10	摇臂 THROTTLE ROCKER ARM	1	A68.20.003.2/10
7	SH400.20.104	扭簧 TORSIONAL SPRING	1	SH400.20.104
8	A11.20.005.0	传感器 SENSOR	1	A11.20.005.0
9	GBT879.1-6X26	销 PIN	1	GBT879.1-6X26
10	GBT93-5-A3L	垫圈 WASHER	2	GBT93-5-A3L
12	A11.20.002.3/10	底板焊接 BASEPLATE WELDING	1	A11.20.002.3/10
13	A68.20.004.0	尼龙套筒 NYLON SLEEVE	2	A68.20.004.0
14	A68.20.006.3	固定板焊接 FIXED PLATE WELDING	1	A68.20.006.3
15	A68.20.005.0	橡胶垫圈 RUBBER SEAL	1	A68.20.005.0
16	GBT819.1-M6X16-A2L	螺钉 SCREW	3	GBT819.1-M6X16-A2L

 SAME DEUTZ-FAHR GROUP S.p.A. <small>SAME • DEUTZ-FAHR • LAMBORGHINI • FAYAT</small> Gruppo - Group CHINA GROUP	SH 1604 - SH 1804	N. dis. - P/N	A68.32.900.4
	FRONT TYRE ASS. 18.4-26	Rev	Foglio - Sheet
	Validato il	GM	F

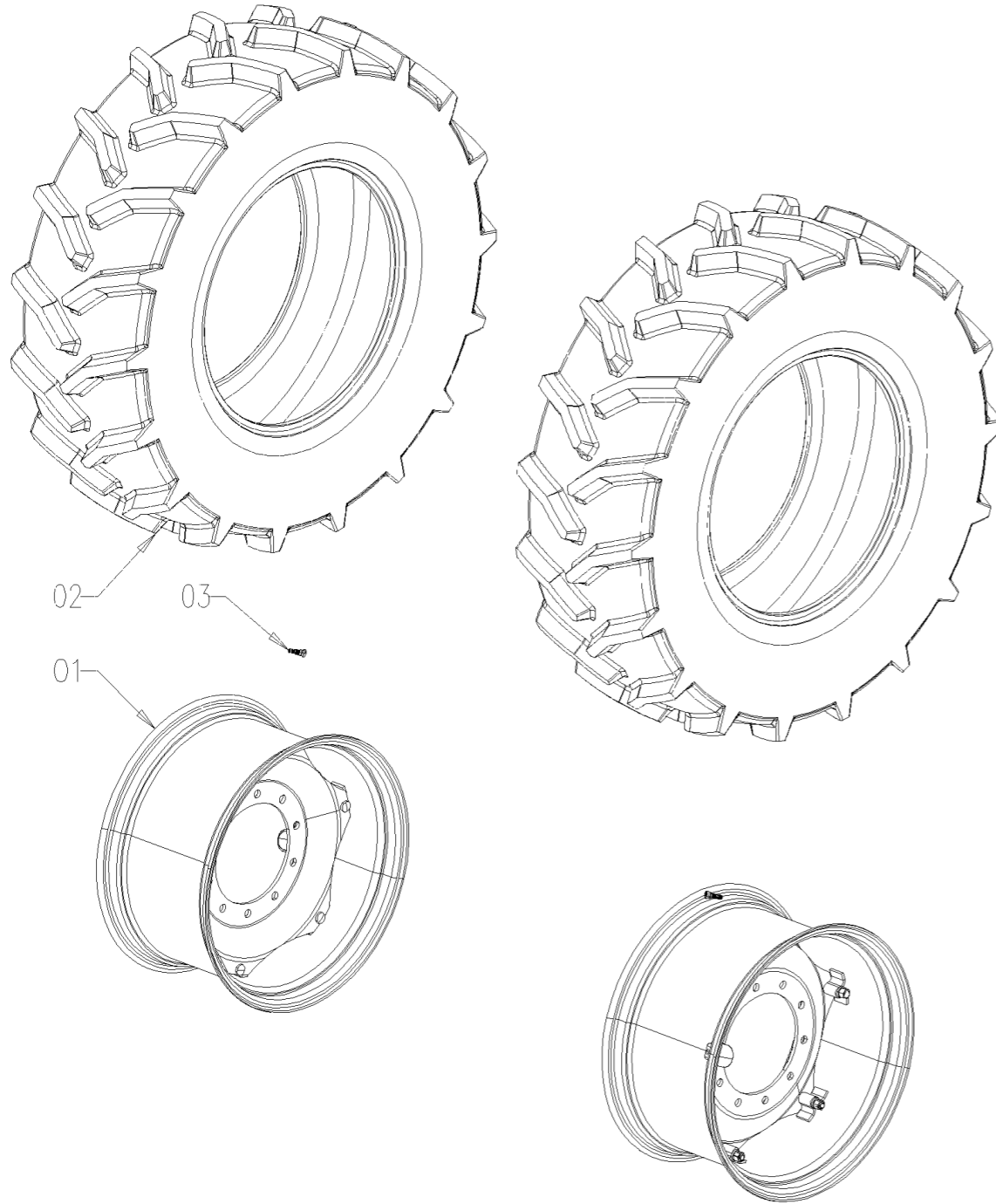
### A68.32.900.4\_1 前轮总成 18.4-26 FRONT TYRE ASS.Y (18.4-26-R1)

序号	零件编号	零件名称	数量	图号
1	GBT2979-18.4-26-12PR-R1	外胎 OUTER TIRE	2	GBT2979-18.4-26-12PR-R1
1	GBT2979-18.4-26-R1	内侧轮胎 INNER TYRE	2	GBT2979-18.4-26-R1
2	A68.32.001.4/10	RIM W15X26	2	A68.32.001.4/10
2	A68.32.001.4	轮辋 RIM W15X26	2	A68.32.001.4/10
3	GBT2979-18.4-26-R1	内胎	2	GBT2979-18.4-26-R1

# A68.32.901.4 ARMOUR FRONT WHEEL 420/85 R28"

## A68.32.901.4\_0 前轮总成 420/85 R28 FRONT TYRE ASS.Y(420/85 R28)

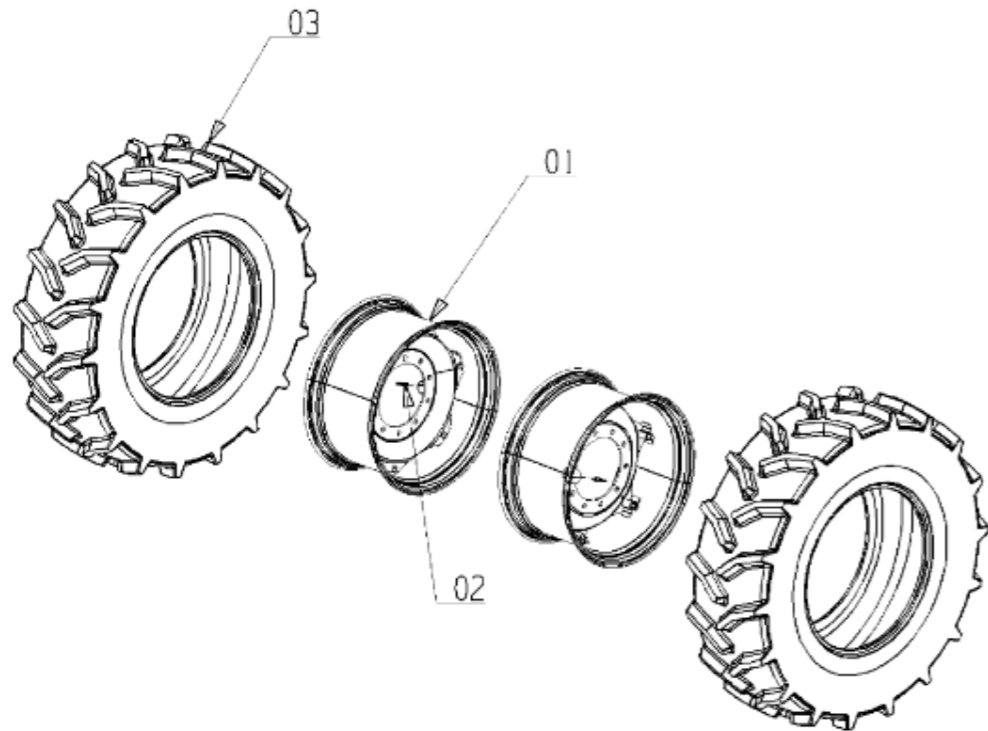
序号	零件编号	零件名称	数量	图号
1	0.019.1031.0	阀门 VALVOLA TUBELESS	2	0.019.1031.0
1	0.022.1389.4	轮辋 RIM W15Lx28"	2	0.022.1389.4
2	2.4811.054.0	轮胎 PNEUMATICO 16.9 R28"	2	2.4811.054.0
3	0.019.1031.0	气门嘴	2	0.019.1031.0



YFB-R-2020-010 Sh.006

**A68.32.901.4\_1 前轮 FRONT TIRE ASS.Y(RADIAL TIRE)**

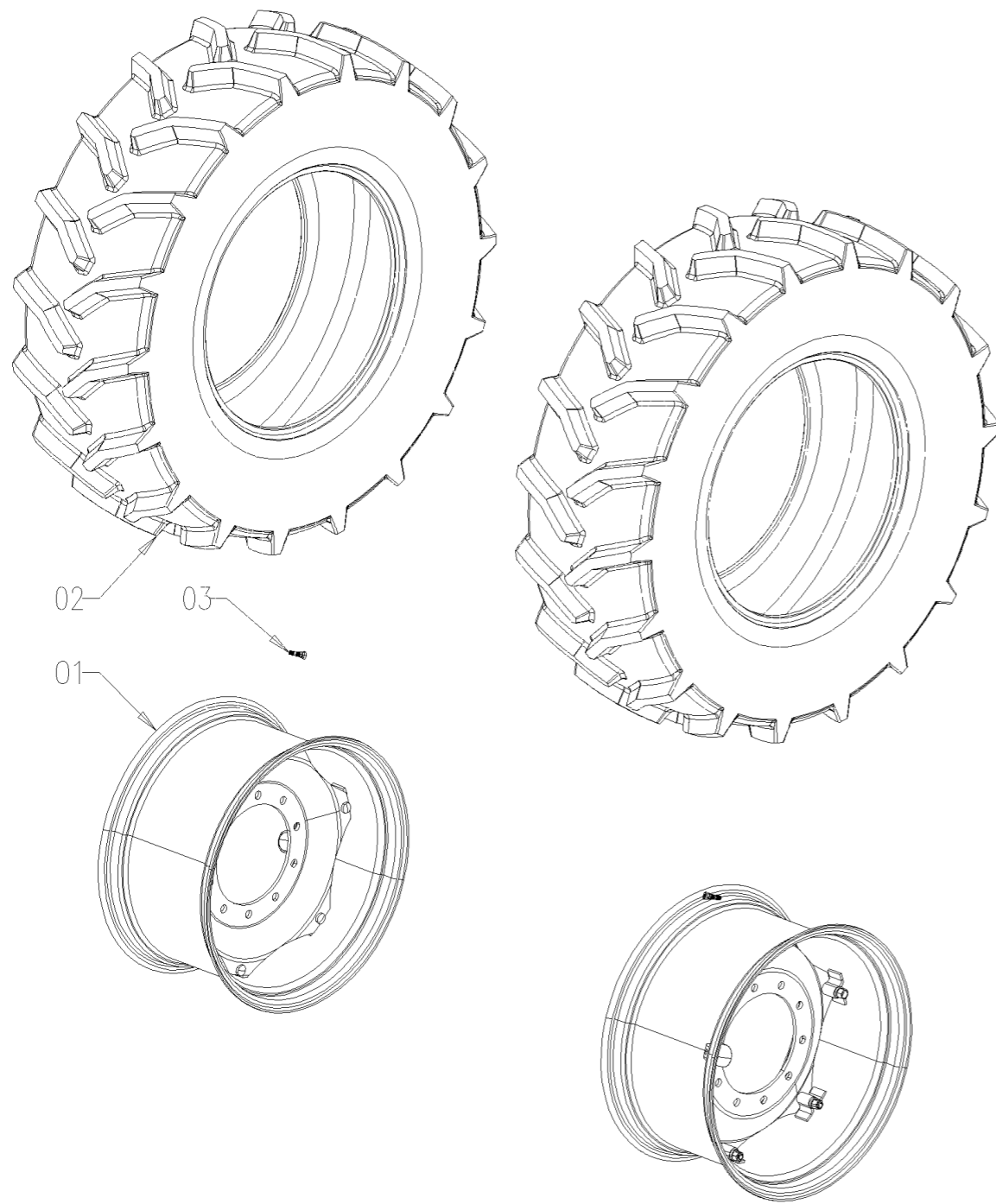
序号	零件编号	零件名称	数量	图号
1	0.022.1389.4	轮辋 RIM W15Lx28"	2	0.022.1389.4
2	2.4811.054.0	轮胎 16.9 R28" PNEUMATICO 16.9 R28"	2	2.4811.054.0
3	0.019.1031.0	气门嘴 VALVOLA TUBELESS	2	0.019.1031.0



A68.32.902.4 ANTI-PUNCTURE 420/85 R28

A68.32.902.4\_0 前轮防扎子午胎 420/85 R28 FRONT TYRE ASS.Y(ANTI-PUNCTURE RADIAL TYRE)

序号	零件编号	零件名称	数量	图号
1	0.022.1389.4	轮辋 RIM W15Lx28"	2	0.022.1389.4
2	2.4811.387.0	轮胎 ANTI-PUNCTURE 420/85 R28	2	2.4811.387.0
3	0.019.1031.0	气门嘴 VALVOLA TUBELESS	2	0.019.1031.0

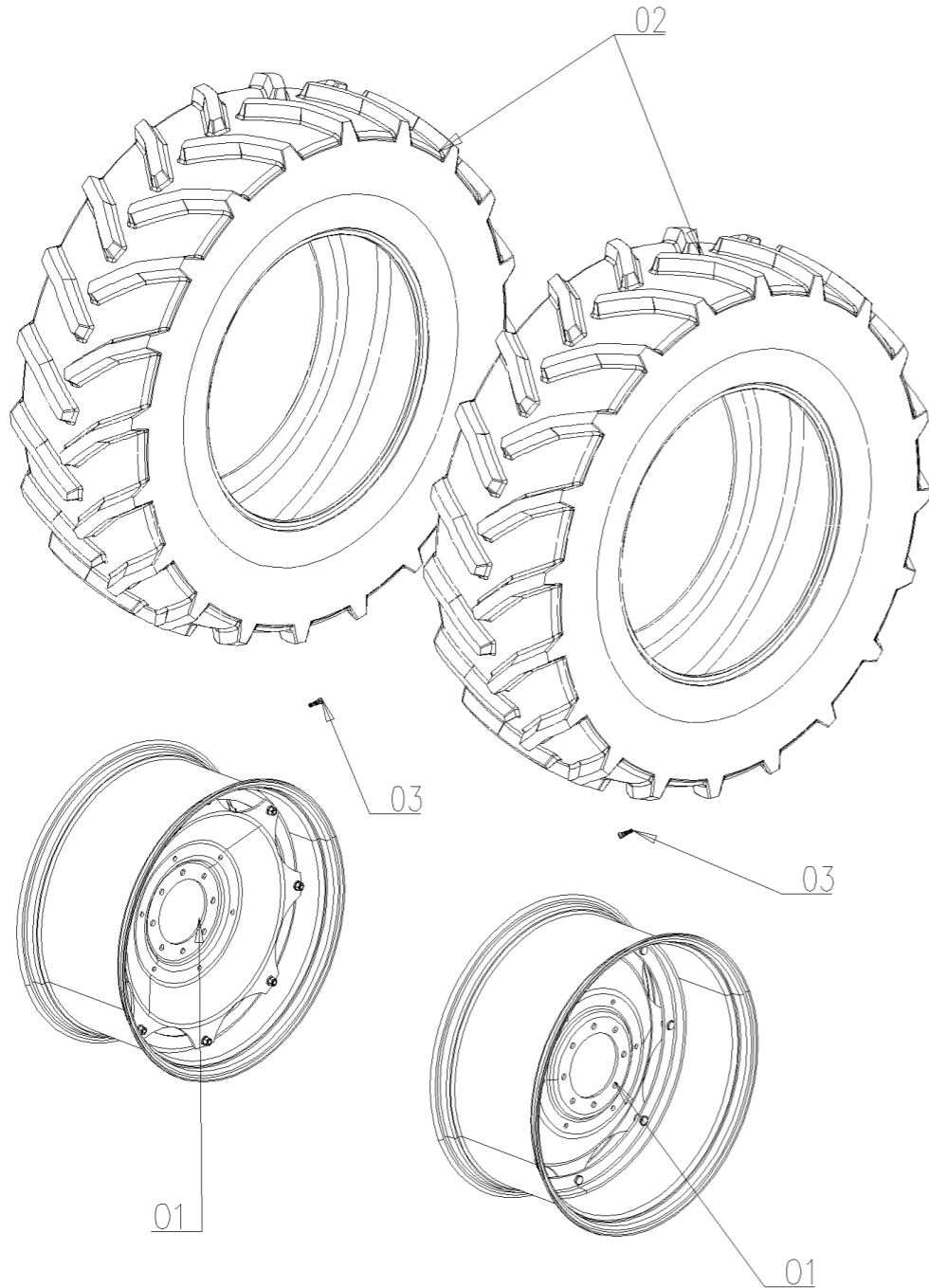




# A68.34.900.4 REAR TYRE 520/85 R38"-ARMOUR

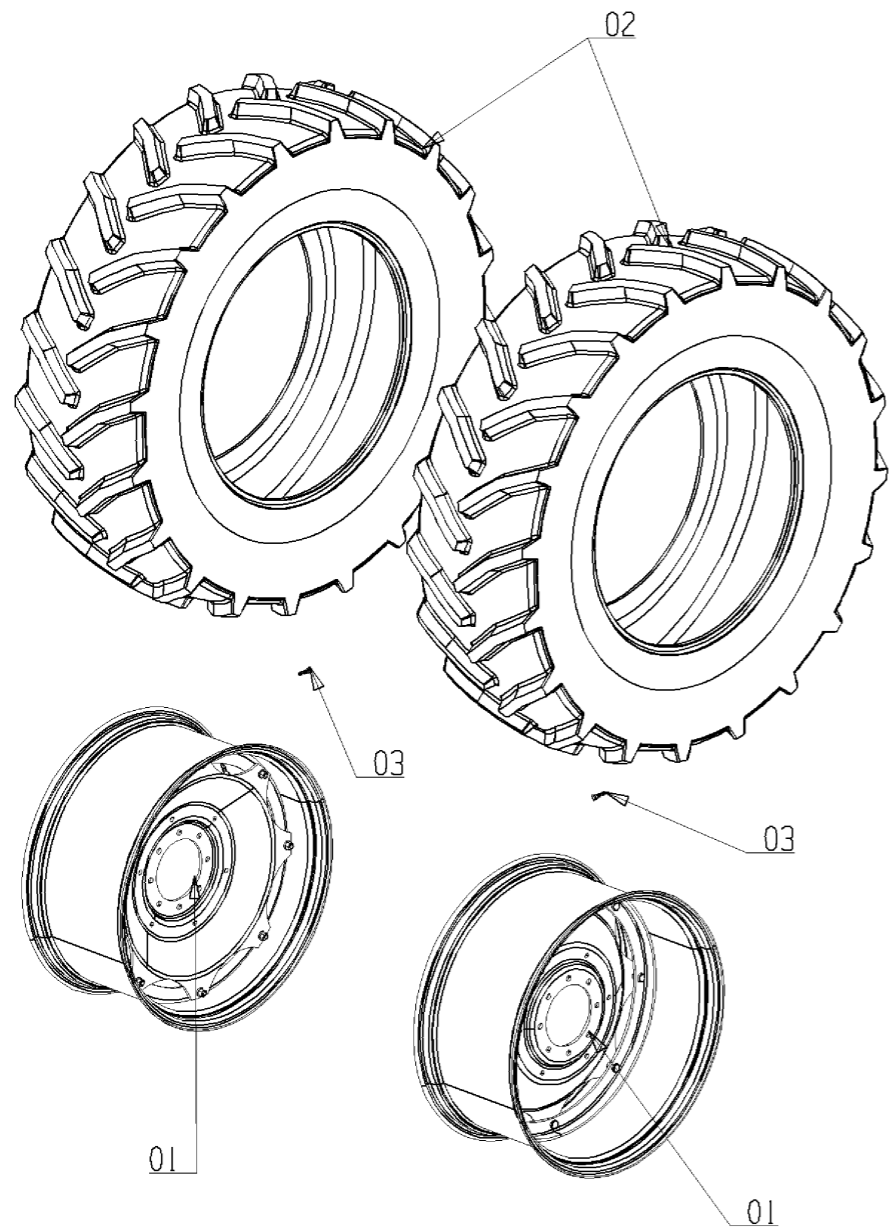
## A68.34.900.4\_0 后轮总成 520/85 R38 REAR TYRE ASS.Y(520/85 R38)

序号	零件编号	零件名称	数量	图号
1	0.022.1390.4/10	轮辋 RIM W18Lx38"	2	0.022.1390.4/10
2	2.4811.067.0	轮胎 PNEUMATICO 20.8 R38"	2	2.4811.067.0
3	0.019.1031.0	气门嘴 VALVOLA TUBELESS	2	0.019.1031.0



 SAME DEUTZ-FAHR GROUP S.p.A. SAME • DEUTZ-FAHR • LANDOROHINI • HURLIMANN Gruppo - Group	CD220 SERIES	N. dis. - P/N	
	REAR TYRE ASS.Y(RADIAL TYRE)	A68.34.900.4	
		Rev. 1	Foglio - Sheet 1
Validato il 19/05/2021		CM	F

YFB-R-2020-010 Sh.006

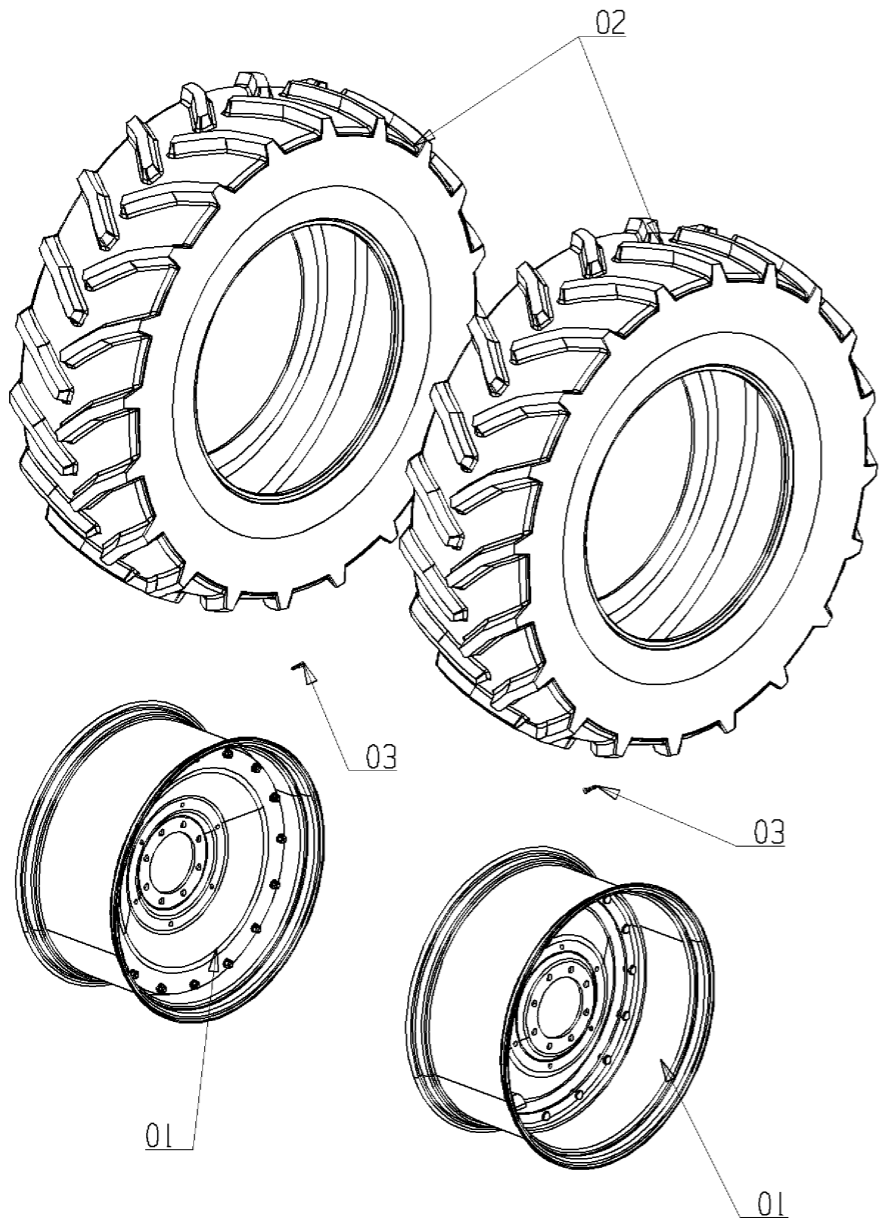


**A68.34.900.4\_1 后轮 520/85 R38 REAR TYRE ASS.Y(RADIAL TYRE)**

序号	零件编号	零件名称	数量	图号
1	0.022.1390.4/10	轮辋	2	0.022.1390.4/10
2	2.4811.067.0	轮胎	2	2.4811.067.0
3	0.019.1031.0	气门嘴	2	0.019.1031.0

 SAME DEUTZ-FAHR GROUP S.p.A. SAME • DEUTZ-FAHR • LANDORPHING • HURLIMANN Gruppo - Group	CD220 SERIES	N. dis. - P/N A68.34.900.4					
	REAR TYRE ASS.Y(RADIAL TYRE)	Rev	2	foglio - Sheet	1	di - of	1
		Validato il	27/01/2022	CM	F		

YFB-R-2020-010 SH.012



**A68.34.900.4\_2 后轮 520/85 R38 REAR TYRE ASS.Y(RADIAL TYRE)**

序号	零件编号	零件名称	数量	图号
1	B06.34.001.4	轮辋	2	B06.34.001.4
2	2.4811.067.0	轮胎	2	2.4811.067.0
3	0.019.1031.0	气门嘴	2	0.019.1031.0



SAME DEUTZ-FAHR GROUP S.p.A.  
 Via F.lli. D'Adda 15 - 37030 LONIGRANO (PD) - ITALIA  
 Gruppo - Group

7W-A (CD220) SERIES

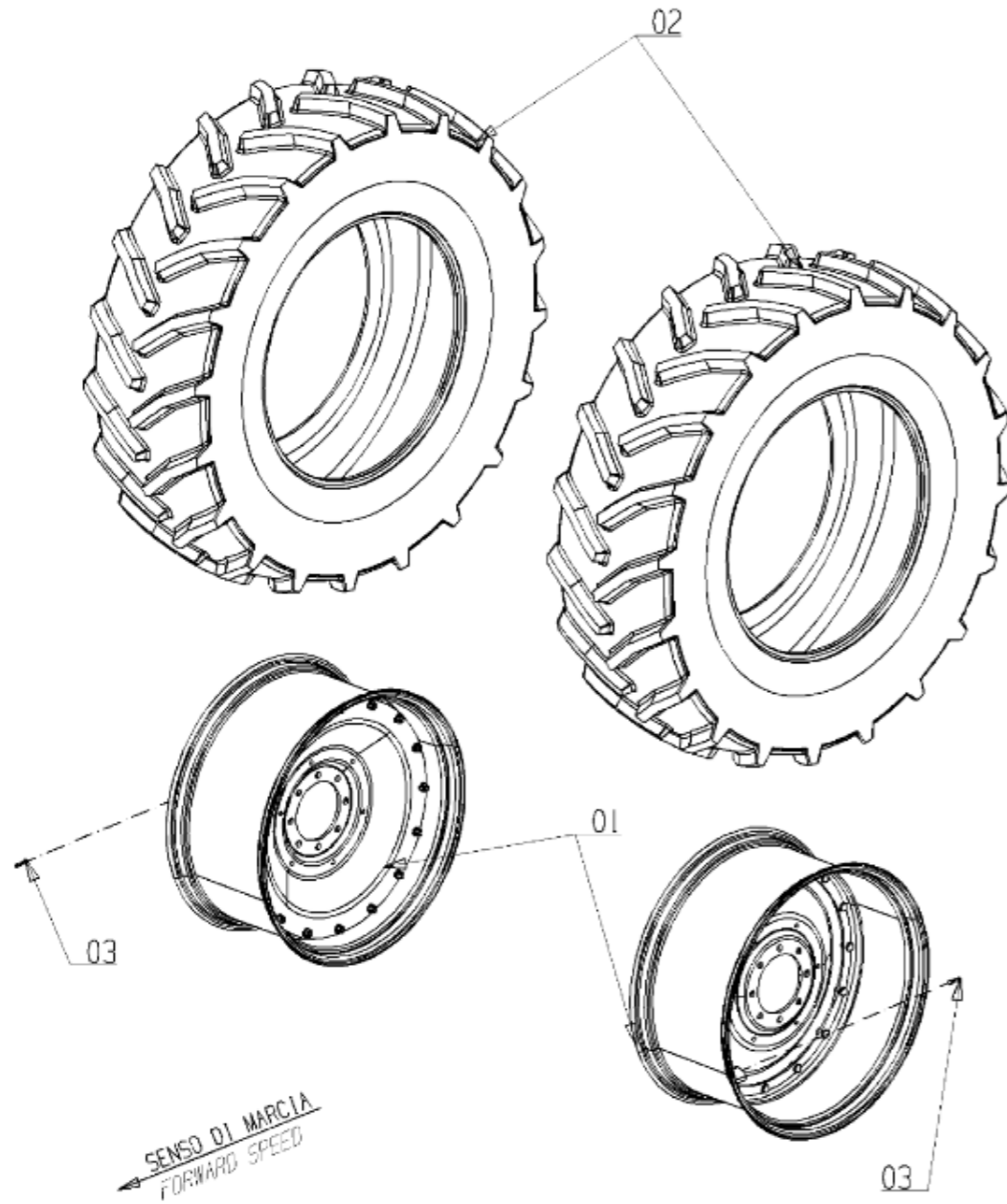
REAR TYRE ASS.Y(RADIAL TYRE)

N. dis. - P/N  
**A68.34.900.4**

Rev	Facile - Sheet	di - di'
3	1	1

Val. valido al	IM	P
28/01/2022		

YFB-R-2018-012 SH.009



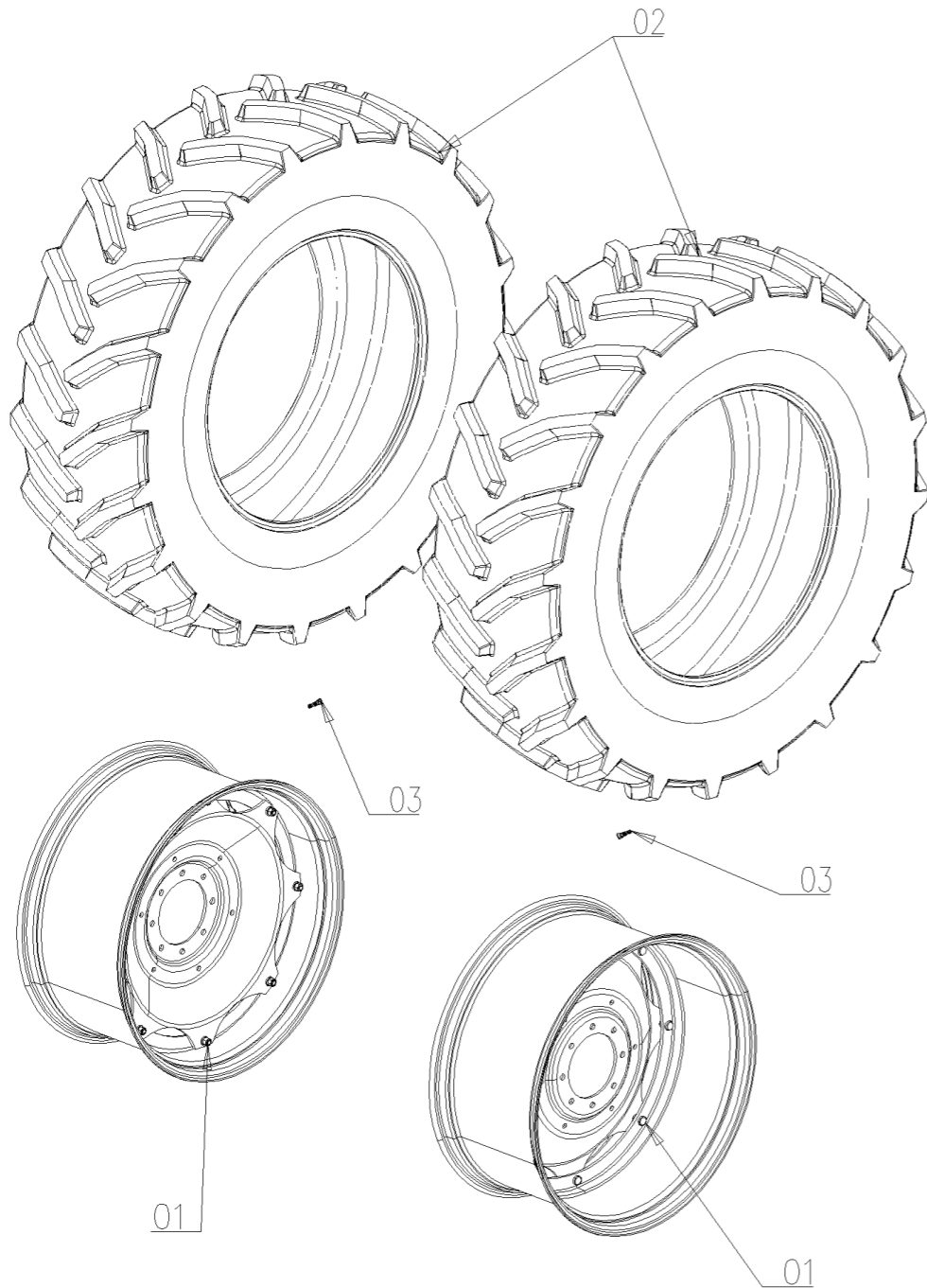
**A68.34.900.4\_3 后轮 REAR TYRE ASS.Y(RADIAL TYRE)**


序号	零件编号	零件名称	数量	图号
1	B06.34.001.4	轮辋	2	B06.34.001.4
2	2.4811.067.0	轮胎 20.8 R38"	2	2.4811.067.0
3	0.019.1031.0	气门嘴	2	0.019.1031.0

# A68.34.903.4 ANTI-PUNCTURE 520/85 R38

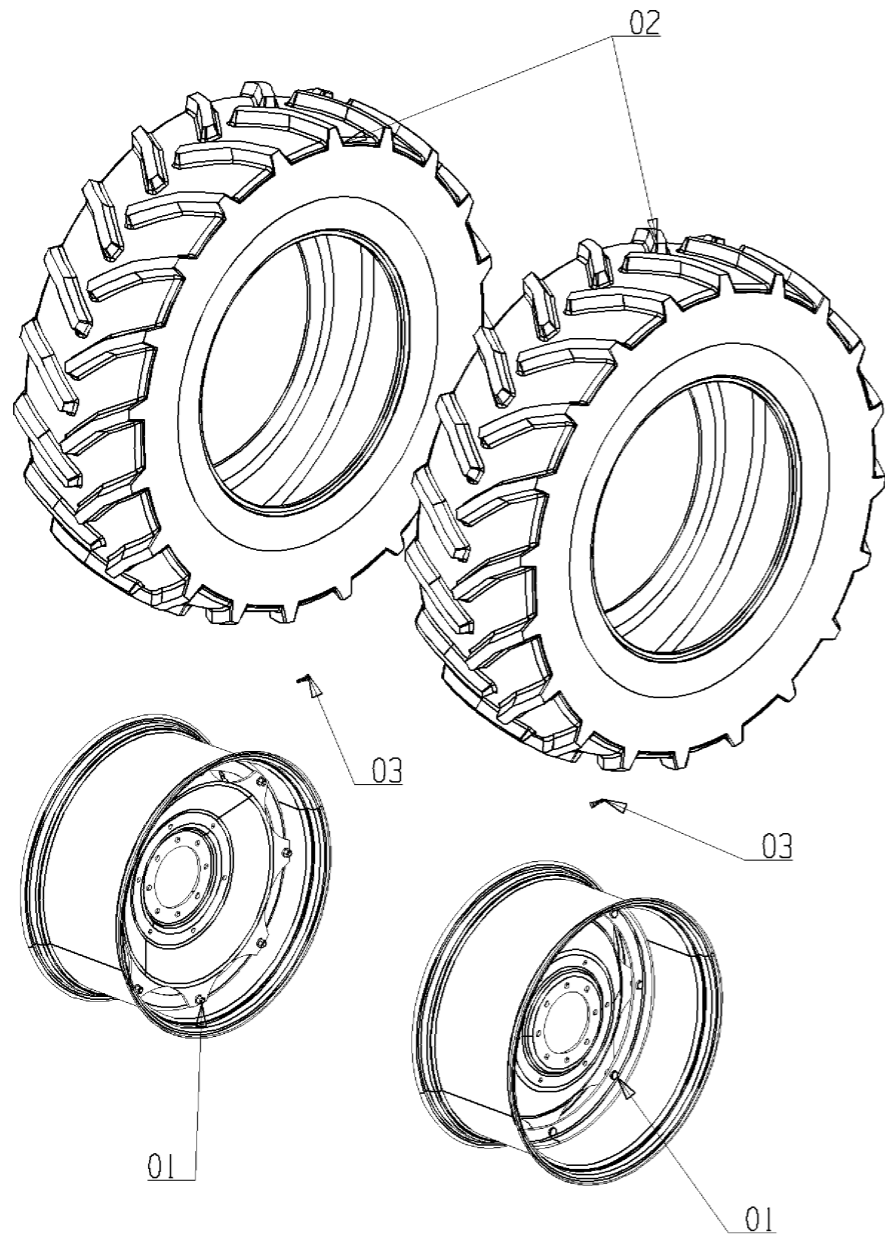
# A68.34.903.4\_0 后轮防扎子午胎 520/85 R38 REAR TYRE ASS.Y(ANTI-PUNCTURE RADIAL TYRE)

序号	零件编号	零件名称	数量	图号
1	0.022.1390.4/10	轮辋 RIM W18Lx38"	2	0.022.1390.4/10
2	2.4811.386.0	轮胎 ANTI-PUNCTURE 520/85 R38	2	2.4811.386.0
3	0.019.1031.0	气门嘴 VALVOLA TUBELESS	2	0.019.1031.0




 SAME DEUTZ-FAHR GROUP S.p.A. <small>SAAB • DEUTZ-FAHR • LAMBORGHINI • HUSLIMANN</small> Gruppo - Group	CD220 SERIES	N. dis. - P/N A68.34.903.4											
	REAR TYRE ASS.Y(ANTI-PUNCTURE RADIAL TYRE)	<table border="1"> <tr> <td>Rev</td> <td>Foglio - Sheet</td> <td>di - of</td> </tr> <tr> <td>1</td> <td>1</td> <td>1</td> </tr> <tr> <td>Validato il</td> <td>CM</td> <td>F</td> </tr> <tr> <td>21/05/2021</td> <td>*</td> <td>*</td> </tr> </table>	Rev	Foglio - Sheet	di - of	1	1	1	Validato il	CM	F	21/05/2021	*
Rev	Foglio - Sheet	di - of											
1	1	1											
Validato il	CM	F											
21/05/2021	*	*											

YFB-R-2020-010 SH.006

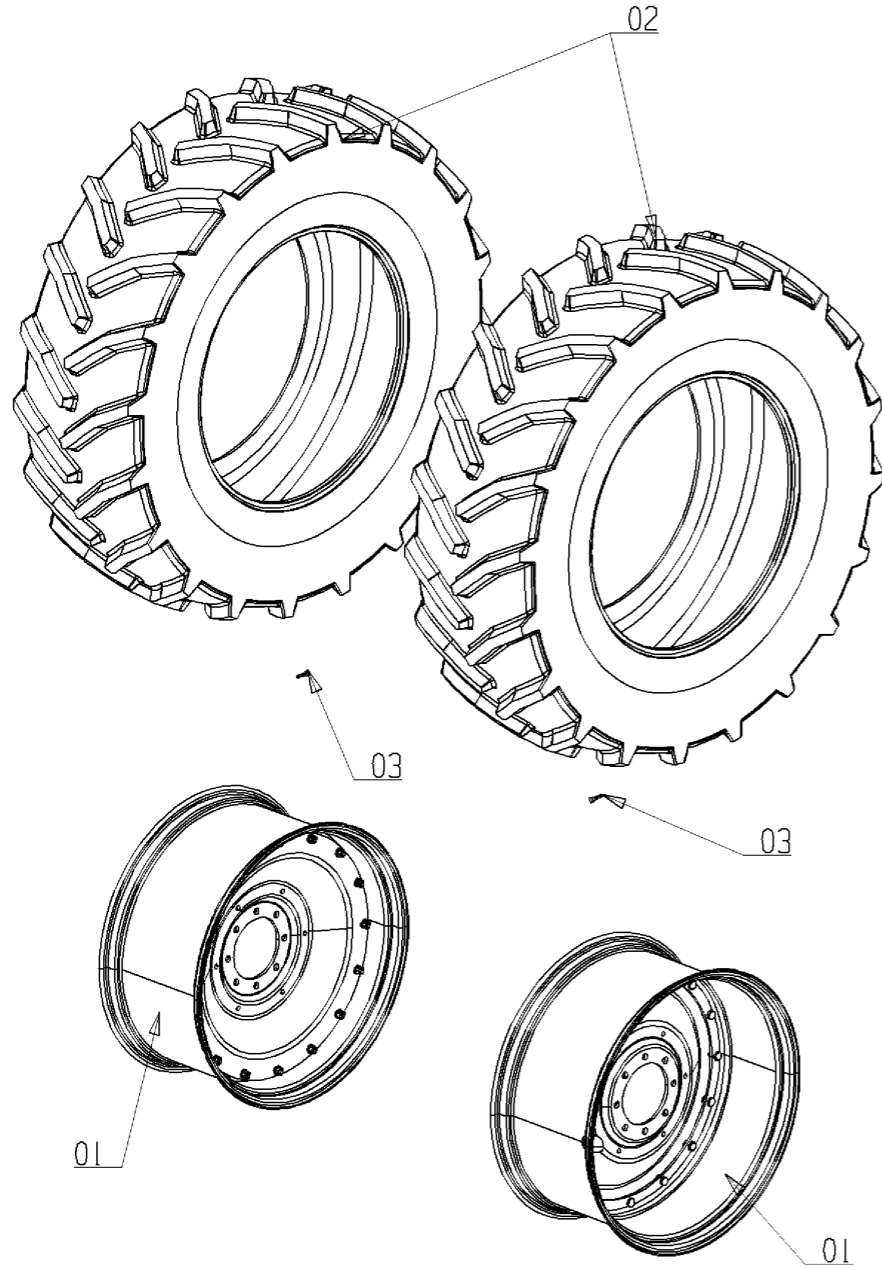


### A68.34.903.4\_1 后轮 520/85 R38 防扎子午胎 REAR TYRE ASS.Y(ANTI-PUNCTURE RADIAL TYRE)

序号	零件编号	零件名称	数量	图号
1	0.022.1390.4/10	轮辋	2	0.022.1390.4/10
2	2.4811.386.0	轮胎	2	2.4811.386.0
3	0.019.1031.0	气门嘴	2	0.019.1031.0


 SAME DEUTZ-FAHR GROUP S.p.A. SAME • DEUTZ-FAHR • LANDINI • HURLIMANN Gruppo - Group	CD220 SERIES	N. dis. - P/N A68.34.903.4	
	REAR TYRE ASS.Y(ANTI-PUNCTURE RADIAL TYRE)	Rev 2	Foglio - Sheet 1
		di - of 1	Vali dato il 27/01/2022

YFB-R-2020-010 SH.012

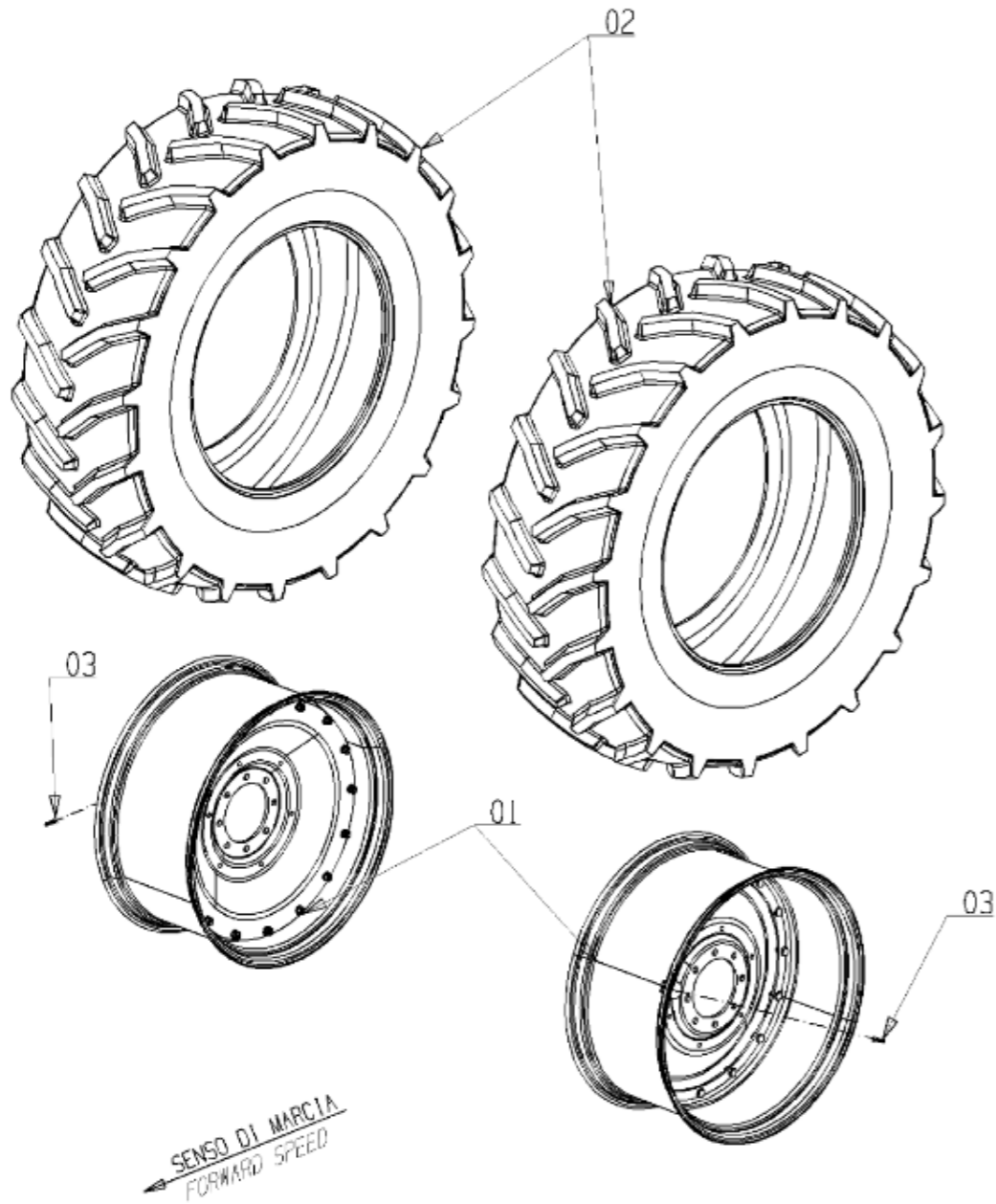


### A68.34.903.4\_2 后轮 520/85 R38 防扎子午胎 REAR TYRE ASS.Y(ANTI-PUNCTURE RADIAL TYRE)

序号	零件编号	零件名称	数量	图号
1	B06.34.001.4	轮辋	2	B06.34.001.4
2	2.4811.386.0	轮胎	2	2.4811.386.0
3	0.019.1031.0	气门嘴	2	0.019.1031.0

 SAME DEUTZ-FAHR GROUP S.p.A. Gruppo - Group	7W-A10D2201 SERIES	N. dis. - PN A68.34.903.4					
	REAR TYRE ASS.Y(ANTI-PUNCTURE RADIAL TYRE)	<table border="1"> <tr> <td>3</td> <td>1</td> <td>1</td> </tr> <tr> <td>28/01/2022</td> <td></td> <td></td> </tr> </table>	3	1	1	28/01/2022	
3	1	1					
28/01/2022							

YFB-R-2018-012 SH.009



### A68.34.903.4\_3 后轮 REAR TYRE ASS.Y(ANTI-PUNCTURE RADIAL TYRE)

序号	零件编号	零件名称	数量	图号
1	B06.34.001.4	轮辋	2	B06.34.001.4
2	2.4811.386.0	轮胎	2	2.4811.386.0
3	0.019.1031.0	气门嘴	2	0.019.1031.0

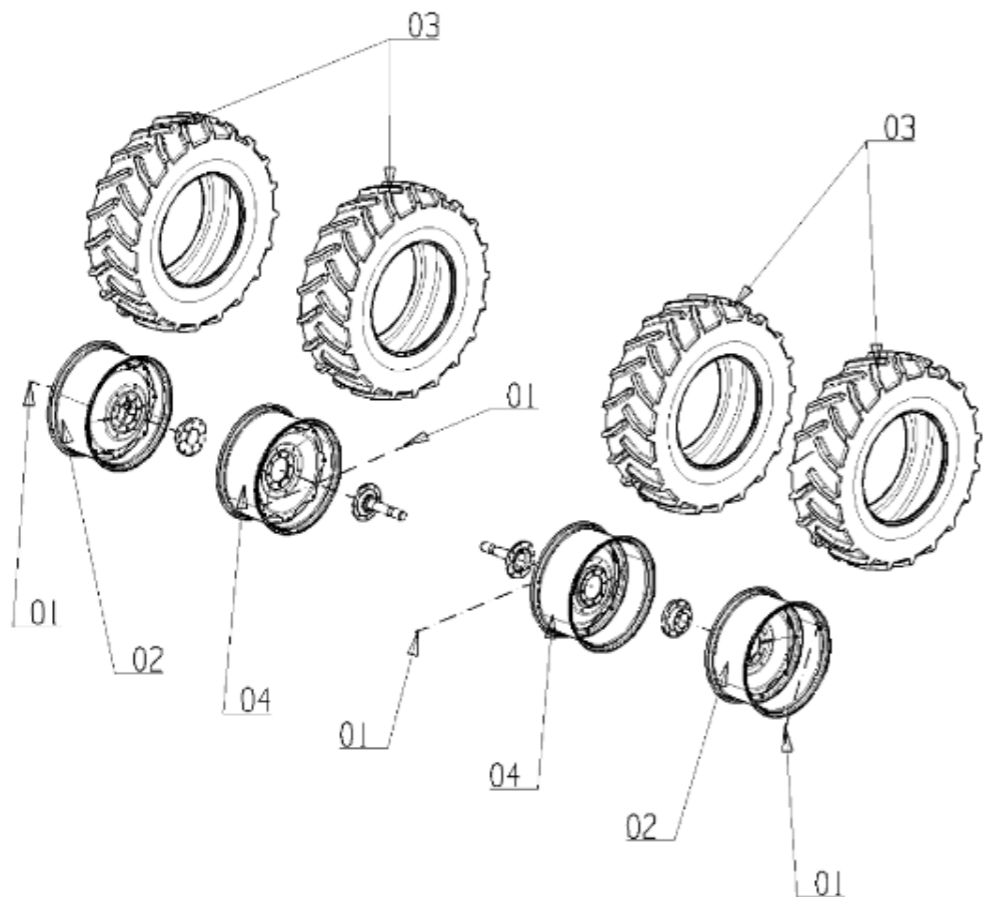


 SME DEUTZ-FAHR GROUP S.p.A. Gruppo - Group	CD220 SERIES	N. dis. - P/N A68.34.907.4	
	REAR TYRE ASS.Y(TWIN RADIAL TYRE)	Rev.	Facile - Sheet di - op°
		Val. data di	31/07/2021

YFB-R-2020-006 SH.003

### A68.34.907.4\_0 后轮 REAR TYRE ASS.Y(TWIN RADIAL TYRE)

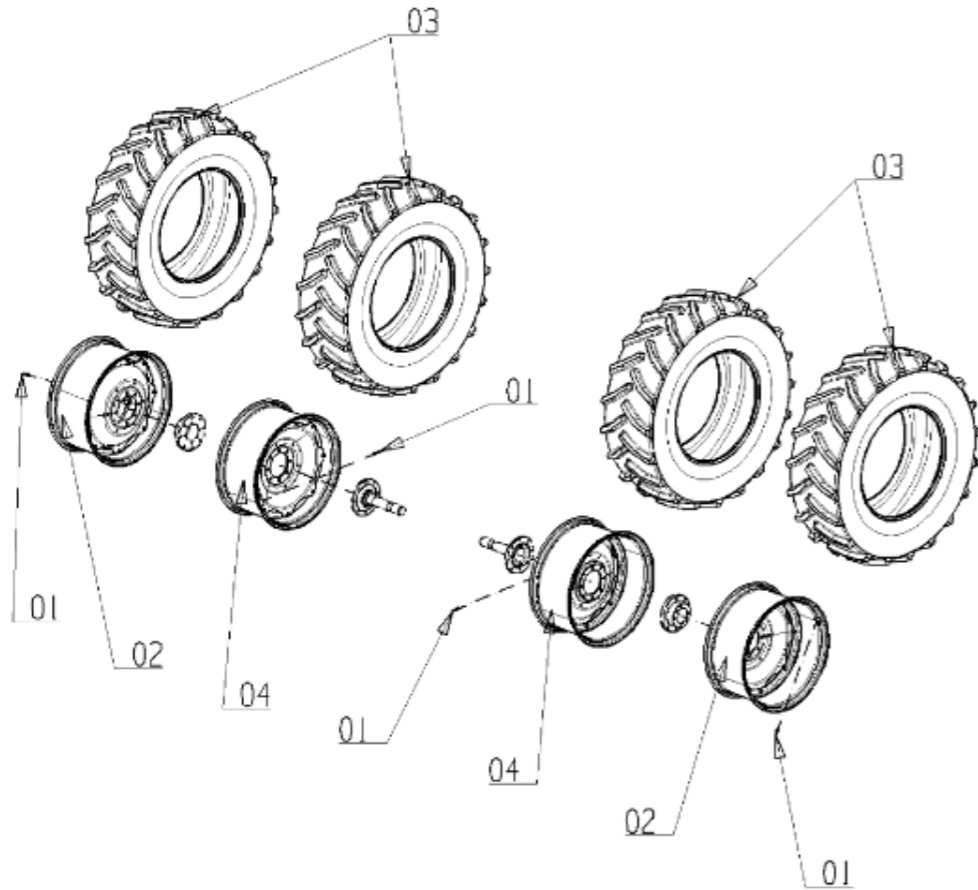
序号	零件编号	零件名称	数量	图号
1	0.019.1031.0	气门嘴 VALVE STEM	4	0.019.1031.0
2	0.031.4047.4	轮辋 RIM W18LX38	2	0.031.4047.4
3	2.4811.067.0	轮胎 20.8 R38" PNEUMATICO 20.8 R38"	4	2.4811.067.0
4	A68.34.004.4	轮辋 RIM W18LX38	2	A68.34.004.4



YFB-R-2020-006 SH.004

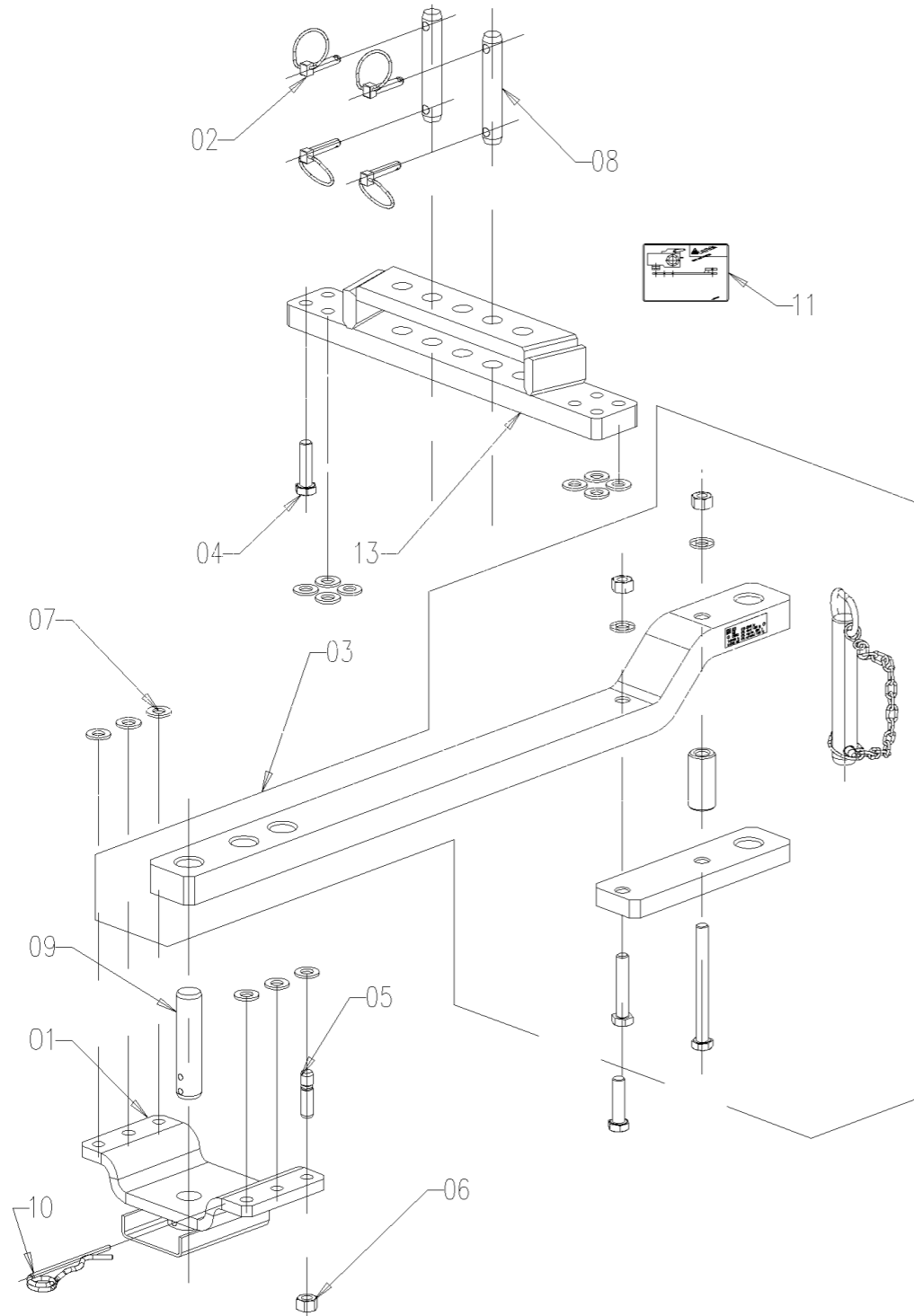
A68.34.908.4\_0 后轮 REAR TYRE ASS.Y

序号	零件编号	零件名称	数量	图号
1	2.4820.140.0	气门嘴 CAM. ARIA 20.8-38"	4	2.4820.140.0
2	0.031.4047.4	轮辋 RIM W18LX38	2	0.031.4047.4
3	2.4811.330.0	轮辋 PNEUMATICO 20.8-38	4	2.4811.330.0
4	A68.34.004.4	轮辋 RIM W18LX38	2	A68.34.004.4



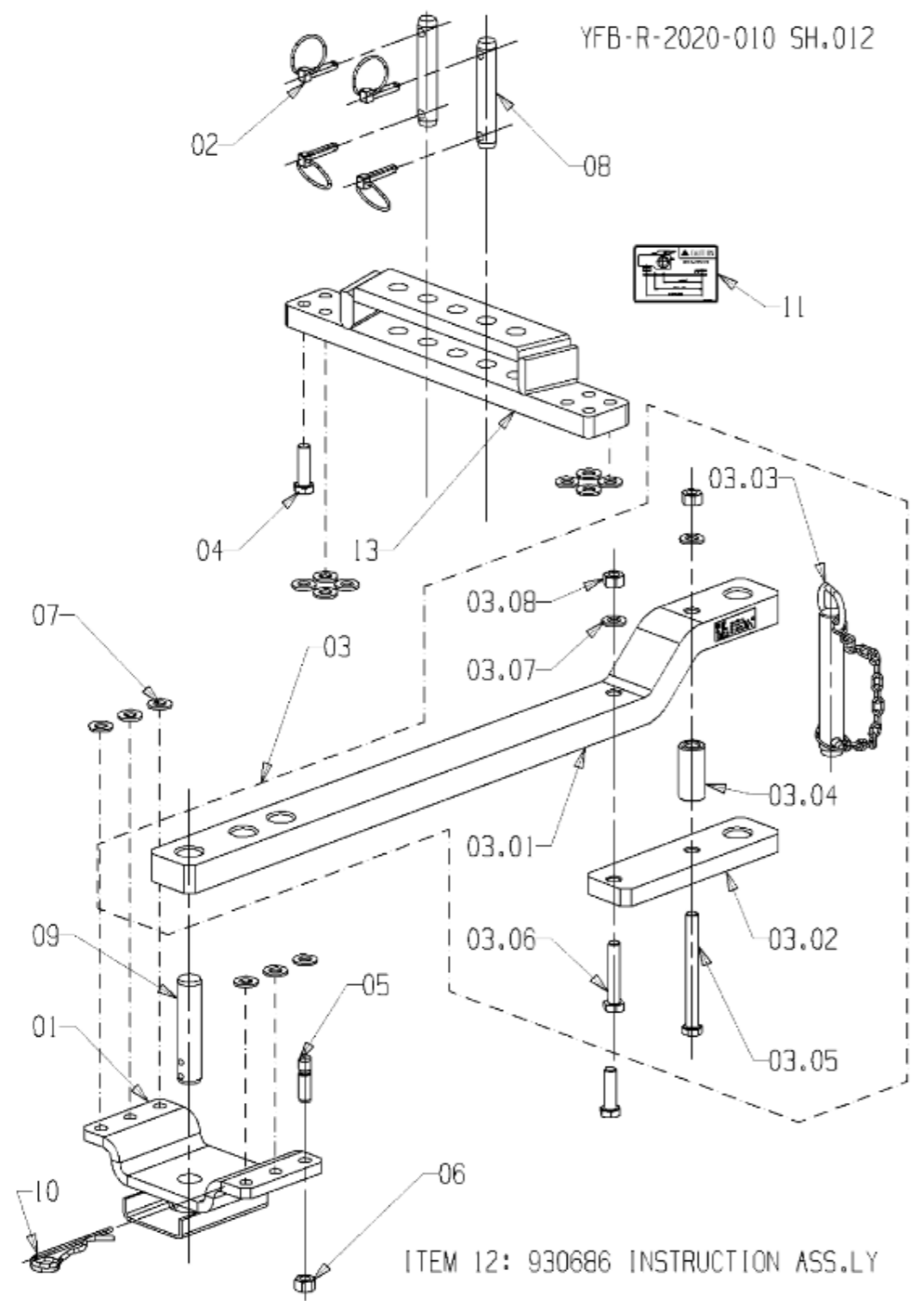
# A68.35.900.4 SWINGING NAR

# A68.35.900.4\_0 摆式牵引 (配强压提升器) SWINGING BAR (WITH ENFORCED LIFT)



序号	零件编号	零件名称	数量	图号
1	0.008.0769.2/10	支架 SUPPORTO	1	0.008.0769.2/10
2	0.010.9322.4	销 SPINA COMPLETA	4	0.010.9322.4
3	0.97308.20.4/40	拉杆 BARRA DI TRAINO COMP	1	0.97308.20.4/40
4	2.0112.621.2	螺栓 HEX BOLT M16x2x60	8	2.0112.621.2
5	2.0432.411.7	螺柱 STUD M16x1.5x40	6	2.0432.411.7
6	2.1011.409.2	螺母 NUT M16x1.5	6	2.1011.409.2
7	2.1475.006.2	垫圈 WASHER	14	2.1475.006.2
8	2.1669.031.2	销 25.4X150 PERNO 25.4X150	2	2.1669.031.2
9	2.1679.090.2	销 PERNO	1	2.1679.090.2
10	2.1699.072.2	销 SPINA	1	2.1699.072.2
11	2.9939.051.0	铭牌 TARGHETTA BARRA TR.	1	2.9939.051.0
12	930686	铭牌横档 I.M.TARGH.BARRA TRAI	1	930686
13	A68.53.002.2/10	定位板 POSITIONING PLATE	1	A68.53.002.2/10

 SME DEUTZ-FAHR GROUP S.p.A. Gruppo - Group	02220 SERIES	N. dis. - P/N <b>A68.35.900.4</b>
	<b>SWINGING BAR</b>	Rev. 1 Foglio - Sheet di - of 1 Data - date 29/11/2021



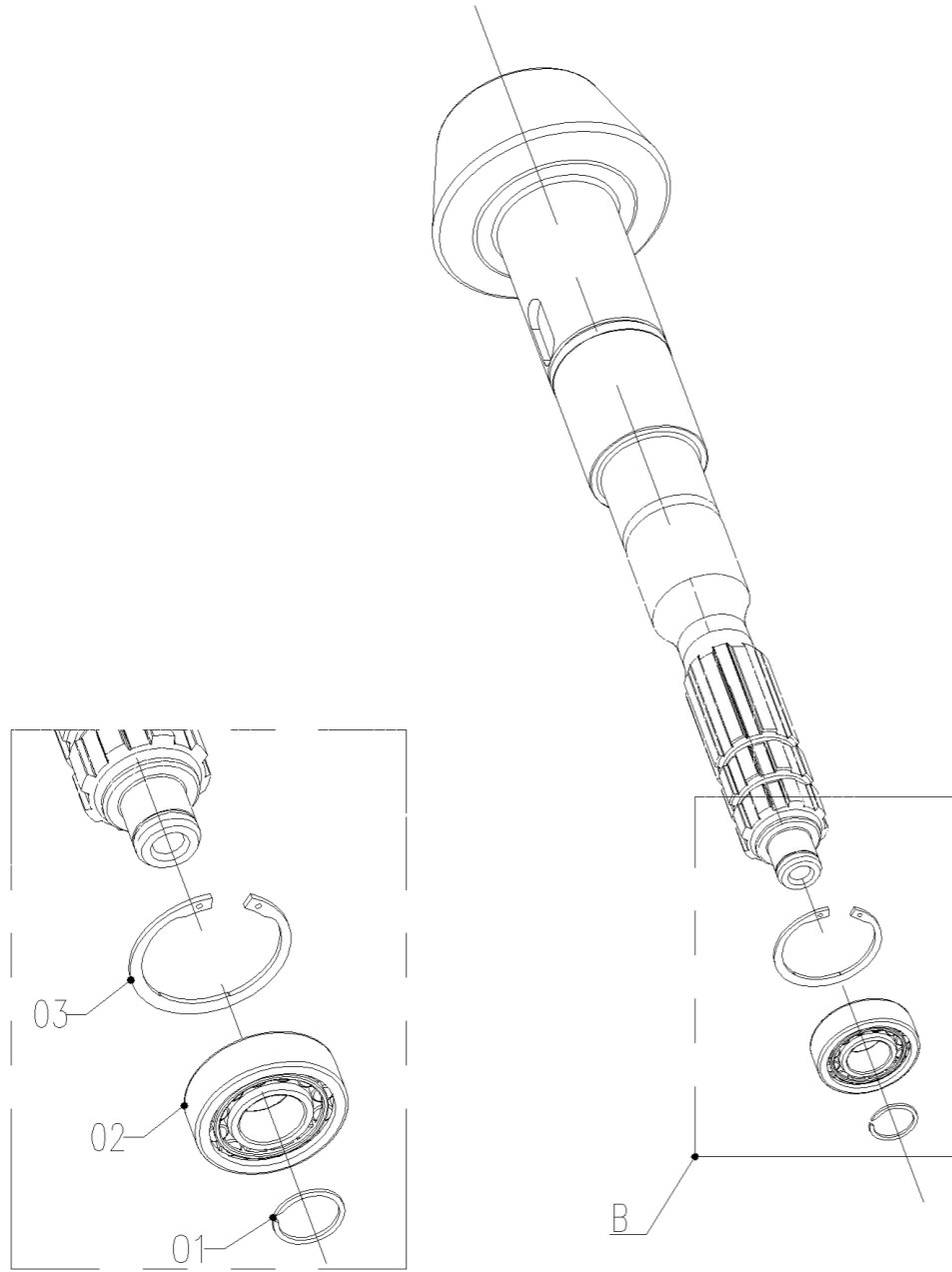
### A68.35.900.4\_1 摆式牵引 (配强压提升器) SWINGING BAR ( WITH ENFORCED LIFT )

序号	零件编号	零件名称	数量	图号
1	0.008.0769.2/10	支架 SUPPORTO	1	0.008.0769.2/10
2	0.010.9322.4	销 SPINA COMPLETA	4	0.010.9322.4
3	0.97308.20.4/40	拉杆 BARRA DI TRAINO COMPL.	1	0.97308.20.4/40
4	2.0112.620.2	螺栓 VITE M16x2x55	8	2.0112.620.2
5	2.0432.411.7	螺柱 STUD M16x1.5x40	6	2.0432.411.7
6	2.1011.409.2	螺母 NUT M16x1.5	6	2.1011.409.2
7	2.1475.006.2	垫圈 CONICAL WASHERS M16	14	2.1475.006.2
8	2.1669.031.2	销 25.4x150 perno @25.4x150	2	2.1669.031.2
9	2.1679.090.2	销 PERNO	1	2.1679.090.2
10	2.1699.072.2	销 SPINA	1	2.1699.072.2
11	2.9939.051.0	铭牌 TARGHETTA GANCIO OSCILL.	1	2.9939.051.0
12	930686	装配指导 TARGHETTA PER BARRE	1	930686
13	A68.53.002.2/10	定位板 POSITIONING PLATE	1	A68.53.002.2/10

# A68.38.900.4 CIRCLIP FOR DRIVING BEVEL

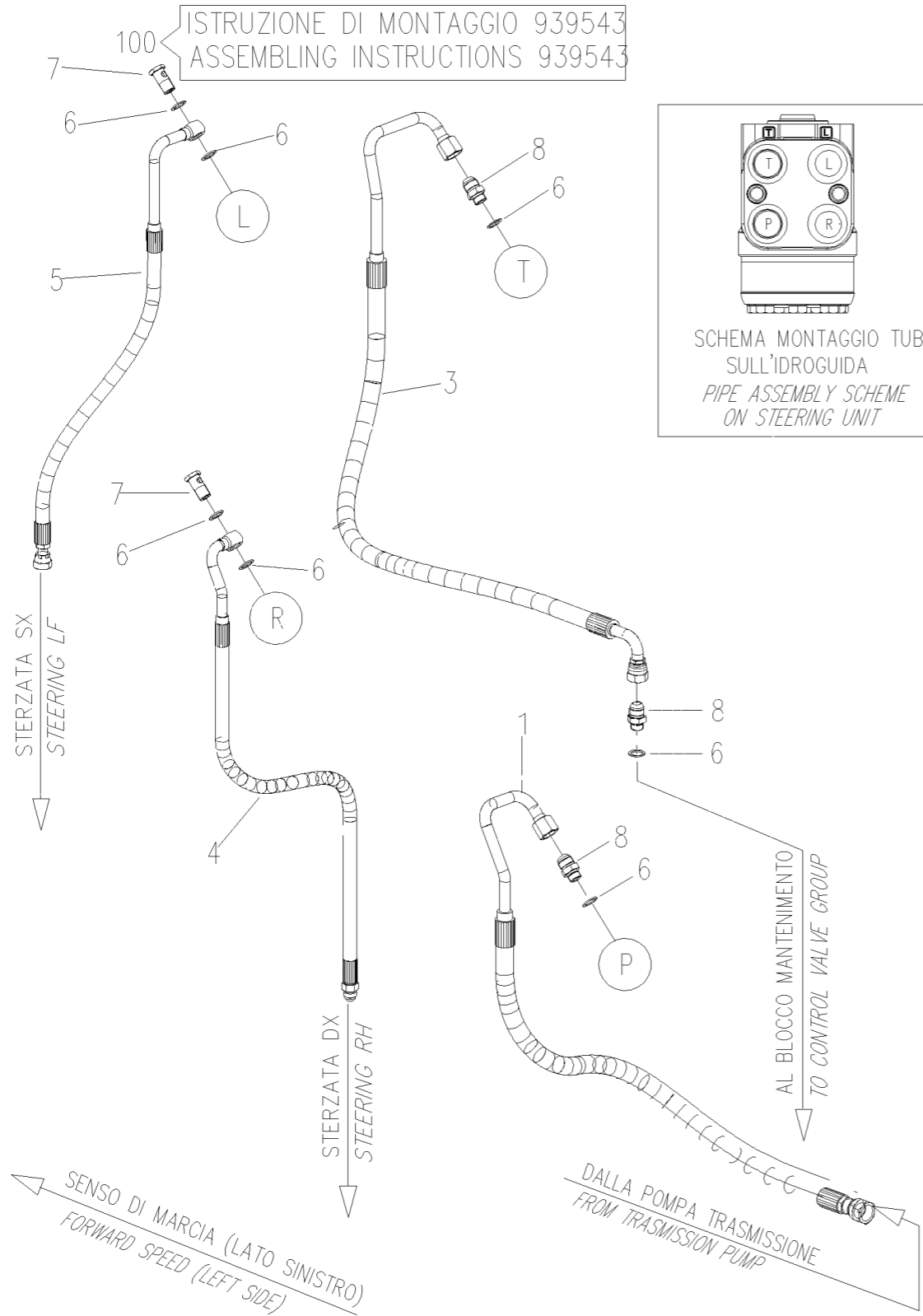
## A68.38.900.4\_1 小圆锥卡簧总成 CIRCLIP FOR DRIVING BEVEL

序号	零件编号	零件名称	数量	图号
1	2.1422.016.0	挡环 circlip	1	2.1422.016.0
2	2.2420.003.0	轴承 CYLINDRICAL BEARING	1	2.2420.003.0
3	2.1411.019.1	挡圈 Anello D.49	1	2.1411.019.1



DETAIL B  
SCALE 1:2

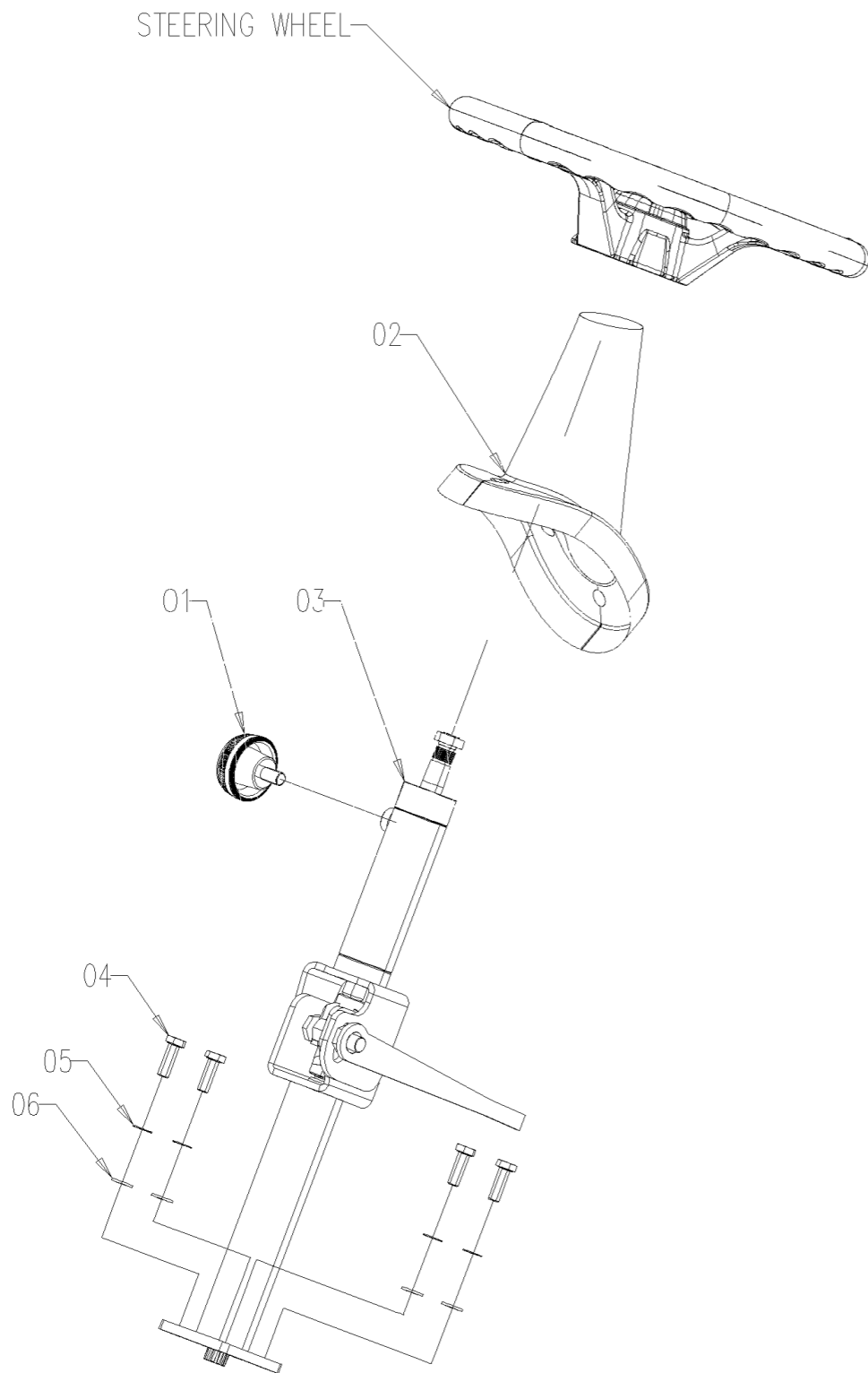
# A68.40.903.4 STEERING PIPING CAB



## A68.40.903.4\_1 转向器管路总成 STEERING VALVE OUTLET PIPES

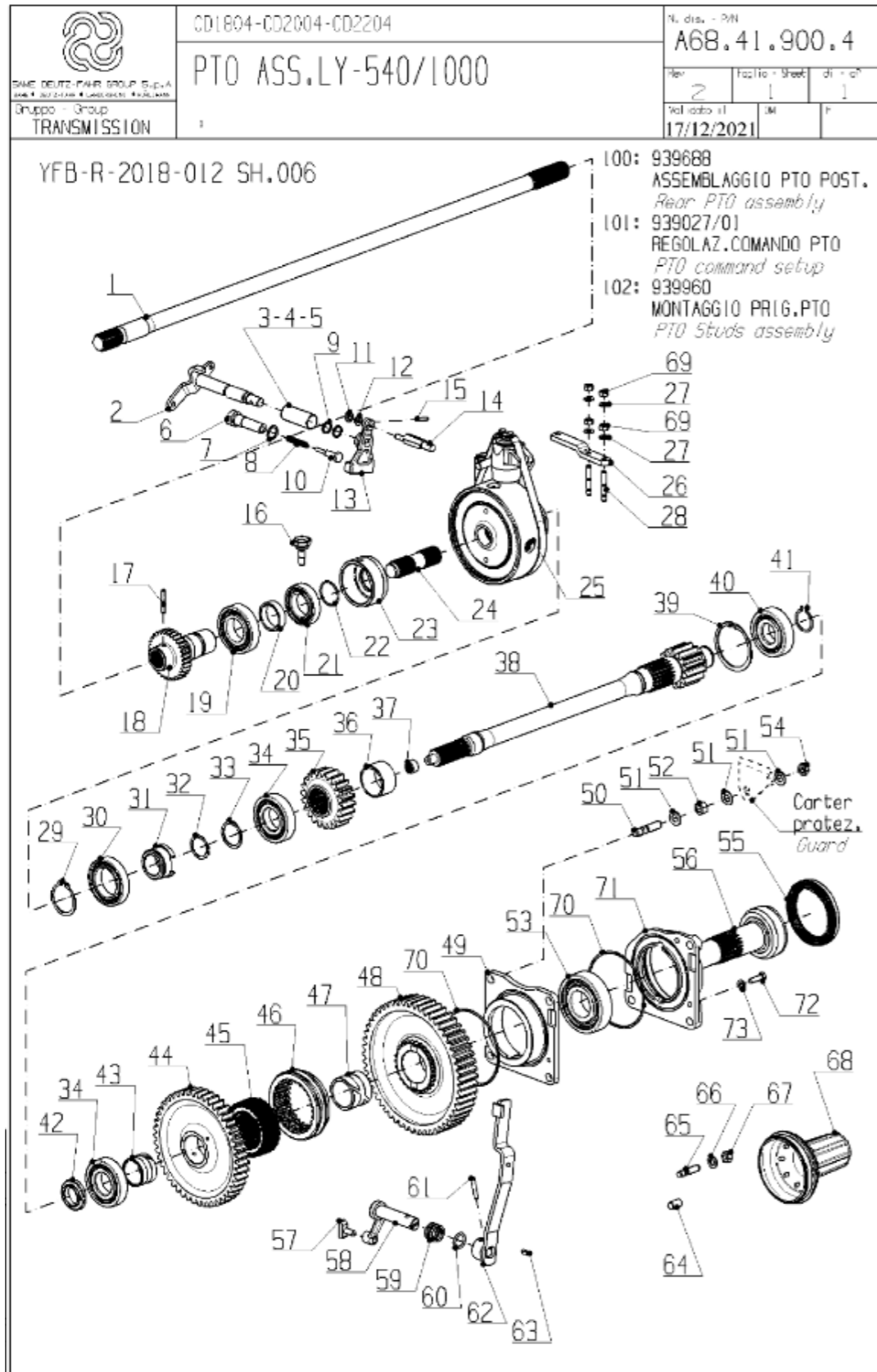
序号	零件编号	零件名称	数量	图号
1	0.020.9213.3/10	油管 T.5/8" MAND. IDROGUIDA	1	0.020.9213.3/10
3	0.020.9216.3/10	油管 T. RITORNO IDROGUIDA	1	0.020.9216.3/10
4	0.020.9214.3	油管 TUBO 3/8" STERZO DX	1	0.020.9214.3
5	A68.40.003.3/10	油管 T. MANDATA STERZO SX	1	A68.40.003.3/10
6	2.1560.014.0	密封垫圈 SEALING RING	7	2.1560.014.0
7	2.3339.295.2/10	螺栓 BOCCHETTONE	2	2.3339.295.2/10
8	2.3261.010.2	接头体 FITTING M18x1.5-7/8"	3	2.3261.010.2

# A68.40.926.4 STEERING COMMAND ASS.Y



# A68.40.926.4\_0 可调转向管柱 ADJUSTABLE STEERING COLUMN

序号	零件编号	零件名称	数量	图号
1	0.020.5342.3	锁紧螺母 LOCKNUT	1	0.020.5342.3
2	A23.45.081.0	防尘罩 STEERING COLUMN COVER	1	A23.45.081.0
3	A68.40.005.2/10	转向柱组件 ADJUSTABLE STEERING	1	A68.40.005.2/10
4	2.0114.311.2	螺栓 SCREW M10x30	4	2.0114.311.2
5	2.1470.006.2	垫圈 LOCK WASHER 10	4	2.1470.006.2
6	2.1310.006.2	垫圈 WASHER	4	2.1310.006.2

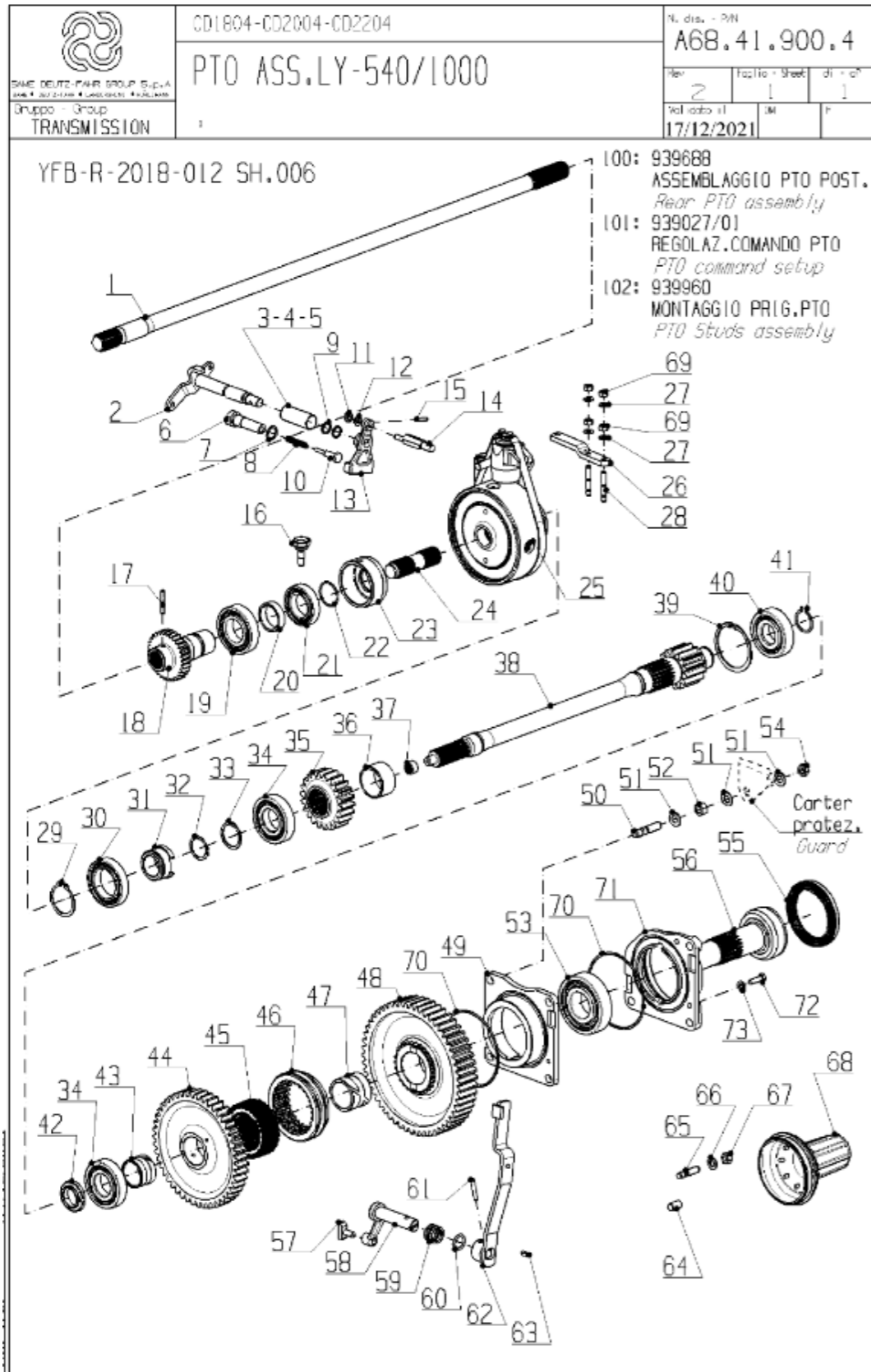


### A68.41.900.4\_0 动力输出 540/1000 POWER TAKE OFF

序号	零件编号	零件名称	数量	图号
1	0.264.3610.0/10	传动轴 ALBERO PRESA POTENZA	1	0.264.3610.0/10
2	0.016.9687.3/20	摇臂 LEVA COM.SENSORE	1	0.016.9687.3/20
3	2.1549.680.2	隔套 DISTANZIALE	1	2.1549.680.2
4	2.1549.681.2	隔套 DISTANZIALE	1	2.1549.681.2
5	2.1549.682.2	隔套 DISTANZIALE	1	2.1549.682.2
6	2.3249.457.2	螺栓 VITE X PUNTAL.DI POSIZ.	1	2.3249.457.2
7	2.1560.014.0	密封垫圈 SEALING RING	1	2.1560.014.0
8	2.4019.093.1	弹簧 MOLLA	1	2.4019.093.1
9	2.1530.038.0	O形圈 O RING	2	2.1530.038.0
10	0.018.9236.0	销 PUNTALINO	1	0.018.9236.0
11	2.1011.105.2	螺母 NUT	1	2.1011.105.2
12	2.1475.202.2	垫圈 CONICAL WASHER M8	1	2.1475.202.2
13	0.018.8990.0	连接件 LEVA INTERNA POSIZION.	1	0.018.8990.0
14	2.1699.167.0/10	塞子 PERN.LEVA INTERNA	1	2.1699.167.0/10
15	2.1631.512.9	销 SPRING-TYPE STRAIGHT PINS	1	2.1631.512.9
16	0.264.8268.0	螺栓 VITE DI FERMO POMPA	1	0.264.8268.0
17	2.1631.517.0	销 SPRING-TYPE STRAIGHT PINS	1	2.1631.517.0
18	0.020.3942.0	齿轮 INGRANAGGIO	1	0.020.3942.0
19	2.2040.012.0	轴承 SINGLE ROW BALL BEARINGS	1	2.2040.012.0
20	2.1549.793.0	隔圈 DISTANZIALE	1	2.1549.793.0
21	2.2030.009.0	轴承 SINGLE ROW BALL BEARINGS 40	1	2.2030.009.0
22	2.1420.016.0	挡圈 Metric	1	2.1420.016.0
23	0.020.4014.0/10	固定销 COPERCHIO	1	0.020.4014.0/10
24	0.264.3650.0/40	套筒 MANICOTTO	1	0.264.3650.0/40
25	0.020.6378.4/10	离合器组件 FRIZIONE P.T.O.	1	0.020.6378.4/10
26	0.012.6169.0	连接板 PIATRINA	1	0.012.6169.0
27	2.1475.002.7	垫圈 CONICAL WASHERS M8	4	2.1475.002.7
28	2.0432.011.7	螺柱 STUD M8x1x40	2	2.0432.011.7
29	2.1410.020.1	挡圈 ANELLO 50	1	2.1410.020.1
30	2.2030.011.0	轴承 SINGLE ROW BALL BEARINGS 50	1	2.2030.011.0
31	0.233.3654.0	套筒 BOCCOLA PORTACUSCINETTO	1	0.233.3654.0
32	2.1410.014.1	挡圈 circlip	1	2.1410.014.1
33	2.1410.016.1	挡圈 CIRCLIP	1	2.1410.016.1
34	2.2999.174.0/10	圆柱滚子轴承 CUSCINETTO A RULLI	2	2.2999.174.0/10
35	0.264.3652.0	齿轮 INGRANAGGIO	1	0.264.3652.0
36	2.1579.897.0	隔圈 DISTANZIALE	1	2.1579.897.0
37	2.2725.015.0	轴承 NEEDLE SHELL 14x20x12	1	2.2725.015.0
38	0.264.3611.0/20	杆 ALBERO	1	0.264.3611.0/20
39	2.1411.032.1	挡圈 ANELLO 80	1	2.1411.032.1
40	2.2472.005.0	轴承 CYLINDRICAL ROLLER	1	2.2472.005.0
41	2.1499.229.7	挡圈 ANELLO ELASTICO	1	2.1499.229.7
42	2.1214.008.7	螺母 COLLAR M35x1.5 DX	1	2.1214.008.7
43	0.188.3653.0	套筒 BOCCOLA	1	0.188.3653.0
44	0.264.3653.0/10	齿轮 RUOTA Z47	1	0.264.3653.0/10



45	0.188.3655.0/20	齿轮 MOZZO	1	0.188.3655.0/20
46	0.188.3656.0/30	套筒 MANICOTTO	1	0.188.3656.0/30
47	0.188.3654.0	套筒 BOCCOLA	1	0.188.3654.0
48	0.233.3621.0/10	齿轮 RUOTA Z54	1	0.233.3621.0/10
49	0.022.8620.0	支架 SUPPORTO CUSC. PTO	1	0.022.8620.0
50	2.0432.261.7	螺柱 STUD M12x1.25x40	4	2.0432.261.7
51	2.1475.004.2	垫圈 CONICAL WASHERS M12	6	2.1475.004.2
52	2.1011.422.2	螺母 NUT M12x1.25	4	2.1011.422.2
53	2.2064.013.0	轴承 SINGLE ROW BALL BEARINGS	1	2.2064.013.0
54	2.1011.522.2	螺母 NUT M12x1.25	1	2.1011.522.2
55	2.1529.183.0	油封 CASSETTA85X110X13/14.5	1	2.1529.183.0
56	0.264.3612.0/10	花键轴 ALBERO CONDOTTO PTO	1	0.264.3612.0/10
57	0.427.6833.0	螺钉 PATTINO	1	0.427.6833.0
58	0.188.3659.0/20	孔连接件 LEVA	1	0.188.3659.0/20
59	2.4019.222.1	弹簧 MOLLA	1	2.4019.222.1
60	2.1539.026.0	O形圈 O-RING 198X36	1	2.1539.026.0
61	2.1630.615.0	销 SPRING-TYPE STRAIGHT PINS	1	2.1630.615.0
62	0.018.0119.2	连接件 LEVA ESTERNA COM. PTO	1	0.018.0119.2
63	2.1720.006.0	键 WOODRUFF KEYS 4x6.5	1	2.1720.006.0
64	2.1651.811.0	销 PARALLEL PINS OF UNHARDENED	2	2.1651.811.0
65	2.0432.155.7	螺柱 STUD M10x1.25x25	6	2.0432.155.7
66	2.1475.003.2	垫圈 WASHER	6	2.1475.003.2
67	2.1011.421.2	螺母 NUT M10x1.25	6	2.1011.421.2
68	0.163.3664.0/10	护罩 PROTEZIONE	1	0.163.3664.0/10
69	2.1011.405.2	螺母 NUT M8x1	4	2.1011.405.2
70	2.1532.521.0	O形圈 O-RING 126.67x2.62	2	2.1532.521.0
71	0.022.8625.0	轴承座 SUPP.ANELLO TENUTA	1	0.022.8625.0
72	2.0112.209.2	螺栓 BOLT	1	2.0112.209.2
73	2.1475.002.2	垫圈 WASHER	1	2.1475.002.2
100	939688	动力输出总成 ASSEMBLAGGIO PTO	1	939688
101	939027	装配指导 REGOLAZ.COMANDO PTO	1	939027
102	939960	装配指导 MONTAGGIO PRIGIONIERI	1	939960

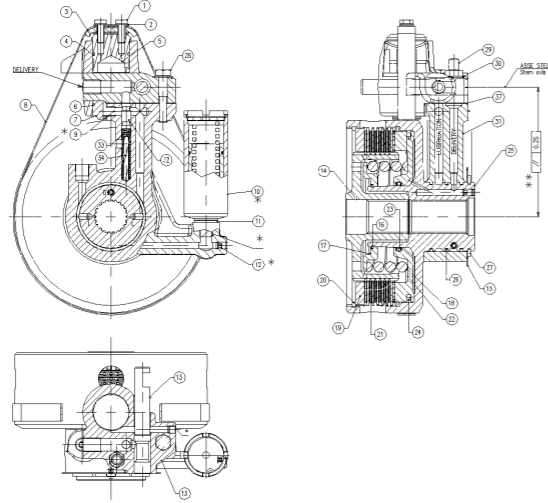


### A68.41.900.4\_1 动力输出540/1000PTO ASSEMBLY-540/1000\_1

序号	零件编号	零件名称	数量	图号
1	0.264.3610.0/10	杆 ALBERO PRESA POTENZA	1	0.264.3610.0/10
2	0.016.9687.3/20	连接件 LEVA COM.SENSORE	1	0.016.9687.3/20
3	2.1549.680.2	隔圈 DISTANZIALE	1	2.1549.680.2
4	2.1549.681.2	隔圈 DISTANZIALE	1	2.1549.681.2
5	2.1549.682.2	隔圈 DISTANZIALE	1	2.1549.682.2
6	2.3249.457.2	螺栓 VITE X PUNTALE DI POSIZ.	1	2.3249.457.2
7	2.1560.014.0	密封圈 SEALING RING	1	2.1560.014.0
8	2.4019.093.1	弹簧 MOLLA	1	2.4019.093.1
9	2.1530.038.0	O形圈 O RING	2	2.1530.038.0
10	0.018.9236.0	台阶螺栓 PUNTALENO	1	0.018.9236.0
11	2.1011.105.2	螺母 NUT	1	2.1011.105.2
12	2.1475.202.2	锥形垫圈 M8 CONICAL WASHER M8	1	2.1475.202.2
13	0.018.8990.0	连接件 LEVA INTERNA POSIZION.	1	0.018.8990.0
14	2.1699.167.0/10	塞子 PERN.LEVA INTERNA	1	2.1699.167.0/10
15	2.1631.512.9	销 6x26 SPRING-TYPE STRAIGHT PINS	1	2.1631.512.9
16	0.264.8268.0	螺栓 VITE DI FERMO POMPA	1	0.264.8268.0
17	2.1631.517.0	销 6x40 SPRING-TYPE STRAIGHT PINS	1	2.1631.517.0
18	0.020.3942.0	齿轮 INGRANAGGIO	1	0.020.3942.0
19	2.2040.012.0	单列滚珠轴承 SINGLE ROW BALL	1	2.2040.012.0
20	2.1549.793.0	隔圈 DISTANZIALE	1	2.1549.793.0
21	2.2030.009.0	单列滚珠轴承 SINGLE ROW BALL	1	2.2030.009.0
22	2.1420.016.0	挡圈 Metric	1	2.1420.016.0
23	0.020.4014.0/10	固定销 COPERCHIO	1	0.020.4014.0/10
24	0.264.3650.0/40	套筒 MANICOTTO	1	0.264.3650.0/40
25	0.020.6378.4/10	离合器组件 FRIZIONE P.T.O.	1	0.020.6378.4/10
26	0.012.6169.0	连接板 PIATRINA	1	0.012.6169.0
27	2.1475.002.7	锥形垫圈 M8 CONICAL WASHERS M8	4	2.1475.002.7
28	2.0432.011.7	螺柱 STUD M8x1x40	2	2.0432.011.7
29	2.1410.020.1	垫圈 50 ANELLO 50	1	2.1410.020.1
30	2.2030.011.0	单列滚珠轴承 SINGLE ROW BALL	1	2.2030.011.0
31	0.233.3654.0	套筒 BOCCOLA PORTACUSCINETTO	1	0.233.3654.0
32	2.1410.014.1	挡圈 circlip	1	2.1410.014.1
33	2.1410.016.1	挡圈 CIRCLIP	1	2.1410.016.1
34	2.2999.174.0/10	圆柱滚子轴承 CUSCINETTO A RULLI	2	2.2999.174.0/10
35	0.264.3652.0	齿轮 INGRANAGGIO	1	0.264.3652.0
36	2.1579.897.0	隔圈 DISTANZIALE	1	2.1579.897.0
37	2.2725.015.0	滚针轴承 14x20x12 NEEDLE SHELL	1	2.2725.015.0
38	0.264.3611.0/20	杆 ALBERO	1	0.264.3611.0/20
39	2.1411.032.1	垫圈 80 ANELLO 80	1	2.1411.032.1
40	2.2472.005.0	圆柱滚子轴承 CYLINDRICAL ROLLER	1	2.2472.005.0
41	2.1499.229.7	挡圈 ANELLO ELASTICO	1	2.1499.229.7
42	2.1214.008.7	圆螺母 COLLAR M35x1.5 DX	1	2.1214.008.7
43	0.188.3653.0	套筒 BOCCOLA	1	0.188.3653.0
44	0.264.3653.0/10	齿轮 RUOTA Z47	1	0.264.3653.0/10

45	0.188.3655.0/20	齿轮 MOZZO	1	0.188.3655.0/20
46	0.188.3656.0/30	套筒 MANICOTTO	1	0.188.3656.0/30
47	0.188.3654.0	套筒 BOCCOLA	1	0.188.3654.0
48	0.233.3621.0/10	齿轮 RUOTA Z54	1	0.233.3621.0/10
49	0.022.8620.0	支架 SUPPORTO CUSC. PTO	1	0.022.8620.0
50	2.0432.261.7	螺柱 STUD M12x1.25x40	4	2.0432.261.7
51	2.1475.004.2	锥形垫圈 M12 CONICAL WASHERS	6	2.1475.004.2
52	2.1011.422.2	螺母 M12x1.25 NUT M12x1.25	4	2.1011.422.2
53	2.2064.013.0	单列滚珠轴承 SINGLE ROW BALL	1	2.2064.013.0
54	2.1011.522.2	螺母 M12x1.25 NUT M12x1.25	1	2.1011.522.2
55	2.1529.183.0	标识 CASSETTA85X110X13/14.5	1	2.1529.183.0
56	C63.41.006.0	动力输出轴 PTO SHAFT	1	C63.41.006.0
57	0.427.6833.0	螺钉 PATTINO	1	0.427.6833.0
58	0.188.3659.0/20	孔连接件 LEVA	1	0.188.3659.0/20
59	2.4019.222.1	弹簧 MOLLA	1	2.4019.222.1
60	2.1539.026.0	O型密封圈 198X36 O-RING 198X36	1	2.1539.026.0
61	2.1630.615.0	销 6x40 SPRING-TYPE STRAIGHT PINS	1	2.1630.615.0
62	0.018.0119.2	连接件 LEVA ESTERNA COM. PTO	1	0.018.0119.2
63	2.1720.006.0	半圆键 WOODRUFF KEYS 4x6.5	1	2.1720.006.0
64	GBT119.2-12h8X24	销 PIN	2	GBT119.2-12h8X24
65	2.0432.155.7	螺柱 STUD M10x1.25x25	8	2.0432.155.7
66	2.1475.003.2	垫圈 WASHER	8	2.1475.003.2
67	2.1011.421.2	螺母 M10x1.25 NUT M10x1.25	8	2.1011.421.2
68	0.163.3664.0/10	护罩 PROTEZIONE	1	0.163.3664.0/10
69	2.1011.405.2	螺母 M8x1 NUT M8x1	4	2.1011.405.2
70	2.1532.521.0	O型密封圈 126.67x2.62 O'RING	2	2.1532.521.0
71	0.022.8625.0	轴承座 SUPP.ANELLO TENUTA	1	0.022.8625.0
72	2.0112.209.2	螺栓 BOLT	1	2.0112.209.2
73	2.1475.002.2	垫圈 WASHER	1	2.1475.002.2
100	939688	动力输出总成 ASSEMBLAGGIO PTO	1	939688
101	939027	装配指导 REGOLAZ.COMANDO PTO	1	939027
102	939960	装配指导 MONTAGGIO PRIGIONIERI	1	939960

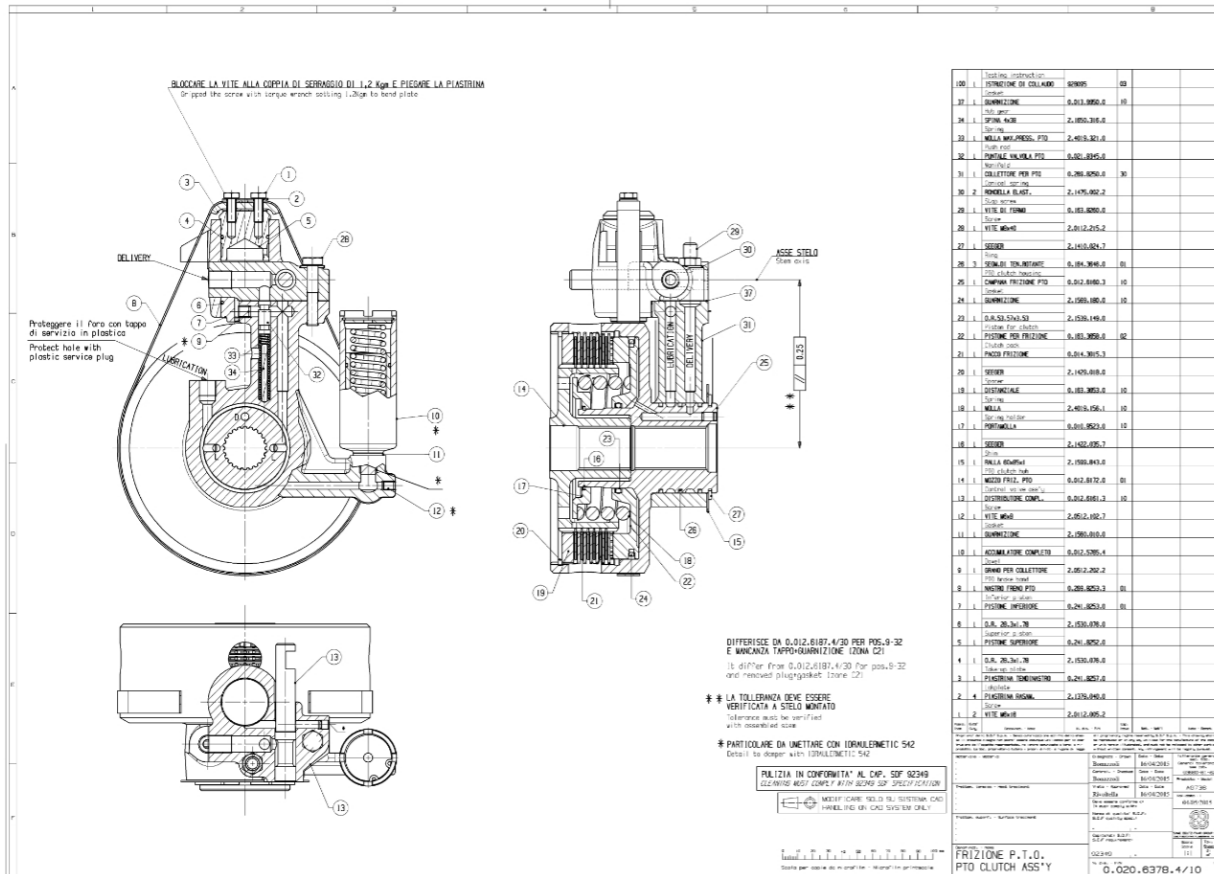
# 0.020.6378.4/10 FRIZIONE P.T.O. PTO CLUTCH ASS'Y



## 0.020.6378.4/10 离合器组件 FRIZIONE P.T.O.

序号	零件编号	零件名称	数量	图号
1	2.0112.005.2	螺栓 HEX BOLT M6x1x16	2	2.0112.005.2
1	0.010.9523.0/10	片 PORTA MOLLA	1	0.010.9523.0/10
2	2.1379.040.0	垫片 PIASTR.RAS.12X30X08	4	2.1379.040.0
2	0.012.5765.4	蓄电池 ACCUMULATORE COML.	1	0.012.5765.4
3	0.012.6160.3/10	动力输出离合器 CAMPANA FRIZIONE	1	0.012.6160.3/10
3	0.241.8257.0	连接板 PIASTRINA	1	0.241.8257.0
4	2.1530.076.0	O形圈 oil seal	2	2.1530.076.0
4	0.012.6161.3/10	分配器总成 DISTRIBUT. COMPL.	1	0.012.6161.3/10
5	0.241.8252.0	活塞 PISTONE	1	0.241.8252.0
5	0.012.6172.0	离合器动力输出轴 MOZ.FRIZIONE	1	0.012.6172.0
6	2.1530.076.0	O形圈 oil seal	2	2.1530.076.0
6	0.013.9950.0/10	垫片 GUARNIZIONE	1	0.013.9950.0/10
7	0.241.8253.0	活塞 PISTONE	1	0.241.8253.0
7	0.014.3015.3	液压PTO离合器 PACCO FRIZIONE	1	0.014.3015.3
8	0.269.8253.3	制动带 NASTRO FRENO	1	0.269.8253.3
8	0.021.9345.0	杆 PUNTALE	1	0.021.9345.0
9	0.163.3653.0/10	隔圈 DISTANZIALE	1	0.163.3653.0/10
9	2.0512.202.2	螺钉 SET SCREW M8x1.25x8	1	2.0512.202.2
10	0.012.5765.4	储能器 ACCUMULATORE COML.	1	0.012.5765.4
10	0.163.3658.0	活塞 PISTONE	1	0.163.3658.0
11	0.163.8260.0	螺栓 VITE	1	0.163.8260.0
11	2.1560.010.0	密封垫圈 GUARN 14.2X20	1	2.1560.010.0
12	2.0512.102.7	螺钉 SET SCREW M6x1x8	1	2.0512.102.7
12	0.164.3646.0	夹紧卡环 SEGMENTO	3	0.164.3646.0
13	0.012.6161.3/10	PTO控制阀组件 DISTRIBUT. COMPL.	1	0.012.6161.3/10
13	0.241.8252.0	活塞 PISTONE	1	0.241.8252.0
14	0.012.6172.0	花键轴 MOZ.FRIZIONE PTO	1	0.012.6172.0
14	0.241.8253.0	活塞 PISTONE	1	0.241.8253.0
15	2.1599.843.0	垫圈 RALLA 60X85X1	1	2.1599.843.0
15	0.241.8257.0	连接板 PIASTRINA	1	0.241.8257.0
16	2.1422.035.7	挡环 circlip	1	2.1422.035.7
16	0.269.8250.0/30	歧管 COLLETTORE PER PTO	1	0.269.8250.0/30
17	0.269.8253.3	制动盘 NASTRO FRENO	1	0.269.8253.3
17	0.010.9523.0/10	片 PORTA MOLLA	1	0.010.9523.0/10
18	2.0112.005.2	六角头螺栓 M6x1x16 HEX BOLT	2	2.0112.005.2
18	2.4019.156.1/10	弹簧 MOLLA	1	2.4019.156.1/10
19	2.0112.215.2	螺栓 BOLT	1	2.0112.215.2
19	0.163.3653.0/10	垫片 DISTANZIALE	1	0.163.3653.0/10
20	2.0512.102.7	紧定螺钉 M6x1x8 SET SCREW M6x1x8	1	2.0512.102.7
20	2.1429.018.0	弹性挡圈 AN.EL. D.153-1566	1	2.1429.018.0
21	0.014.3015.3	PTO离合器摩擦片组件 PACCO	1	0.014.3015.3
21	2.0512.202.2	紧定螺钉 M8x1.25x8 SET SCREW	1	2.0512.202.2
22	2.1379.040.0	销 PIASTR.RAS.12X30X08	4	2.1379.040.0
22	0.163.3658.0	活塞 PISTONE	1	0.163.3658.0

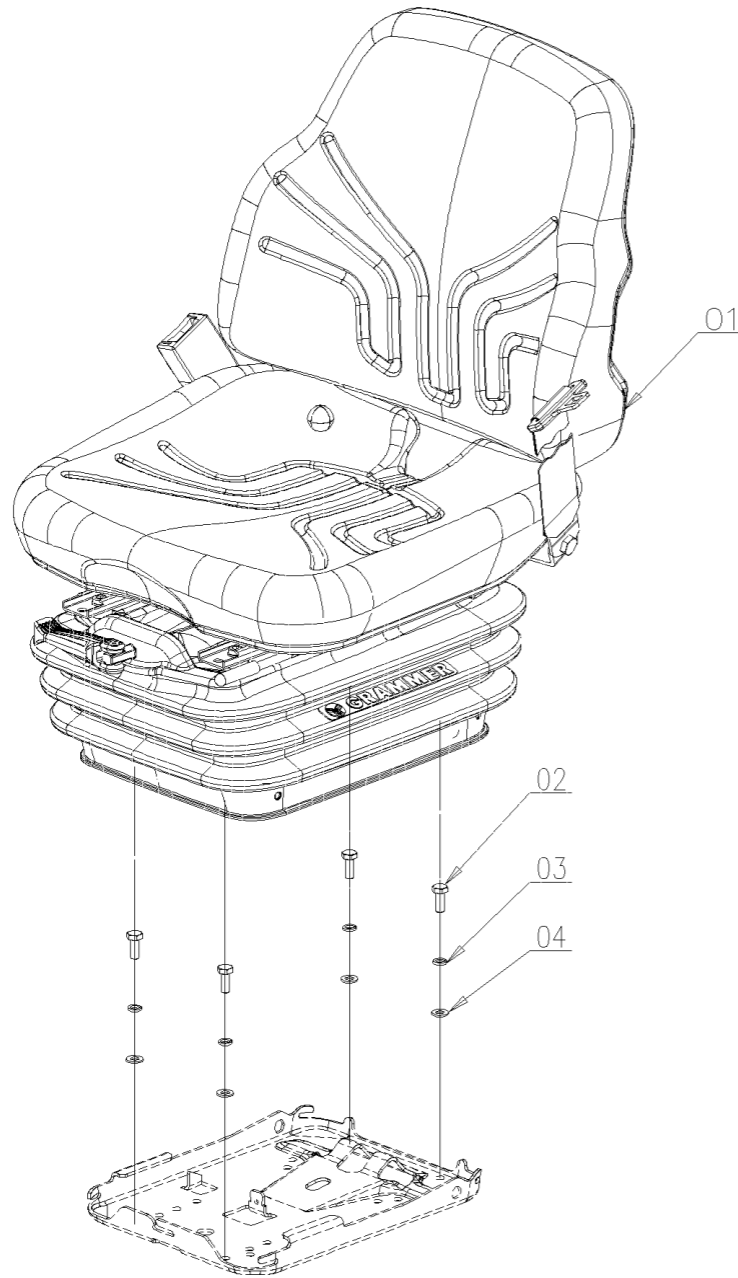
23	2.1410.024.7	垫圈 55 Anello 55	1	2.1410.024.7
23	2.1539.149.0	O形圈 oil seal	1	2.1539.149.0
24	2.1422.035.7	挡圈 circlip	1	2.1422.035.7
24	2.1569.180.0/10	密封圈 GUARNIZIONE EST. PI	1	2.1569.180.0/10
25	2.1429.018.0	卡环 AN.EL. D.153-1566	1	2.1429.018.0
25	0.012.6160.3/10	PTO离合器壳体 CAMPANA FRIZIONE	1	0.012.6160.3/10
26	0.164.3646.0	环 SEGMENTO	3	0.164.3646.0
26	2.1475.002.2	垫圈 WASHER	2	2.1475.002.2
27	2.1530.076.0	油封 oil seal	2	2.1530.076.0
27	2.1410.024.7	挡圈 Anello 55	1	2.1410.024.7
28	2.0112.215.2	螺栓 BOLT	1	2.0112.215.2
28	2.1539.149.0	油封 oil seal	1	2.1539.149.0
29	0.163.8260.0	螺栓 VITE	1	0.163.8260.0
29	2.1560.010.0	密封环 SEALING RING	1	2.1560.010.0
30	2.1475.002.2	垫圈 WASHER	2	2.1475.002.2
30	2.1569.180.0/10	垫片 GUARNIZIONE EST. PI	1	2.1569.180.0/10
31	0.269.8250.0/30	PTO歧管 COLLETTORE PER PTO	1	0.269.8250.0/30
31	2.1599.843.0	垫圈 60X85X1 RALLA 60X85X1	1	2.1599.843.0
32	2.1650.316.0	销4x38 PIN 4x38	1	2.1650.316.0
32	0.021.9345.0	顶杆 PUNTALE	1	0.021.9345.0
33	2.4019.156.1/10	弹簧 MOLLA	1	2.4019.156.1/10
33	2.4019.321.0	弹簧 MOLLA	1	2.4019.321.0
34	2.1650.316.0	销 PIN 4x38	1	2.1650.316.0
34	2.4019.321.0	弹簧 MOLLA	1	2.4019.321.0
37	0.013.9950.0/10	垫片 GUARNIZIONE	1	0.013.9950.0/10



### 0.020.6378.4/10 离合器组件 FRIZIONE P.T.O.

序号	零件编号	零件名称	数量	图号
1	0.010.9523.0/10	片 PORTA MOLLA	1	0.010.9523.0/10
2	0.012.5765.4	蓄电池 ACCUMULATORE COML.	1	0.012.5765.4
3	0.012.6160.3/10	动力输出离合器 CAMPANA FRIZIONE	1	0.012.6160.3/10
4	0.012.6161.3/10	分配器总成 DISTRIBUT. COMPL.	1	0.012.6161.3/10
5	0.012.6172.0	离合器动力输出轴 MOZ.FRIZIONE	1	0.012.6172.0
6	0.013.9950.0/10	垫片 GUARNIZIONE	1	0.013.9950.0/10
7	0.014.3015.3	液压PTO离合器 PACCO FRIZIONE	1	0.014.3015.3
8	0.021.9345.0	杆 PUNTALE	1	0.021.9345.0
9	0.163.3653.0/10	隔圈 DISTANZIALE	1	0.163.3653.0/10
10	0.163.3658.0	活塞 PISTONE	1	0.163.3658.0
11	0.163.8260.0	螺钉 VITE	1	0.163.8260.0
12	0.164.3646.0	夹紧卡环 SEGMENTO	3	0.164.3646.0
13	0.241.8252.0	活塞 PISTONE	1	0.241.8252.0
14	0.241.8253.0	活塞 PISTONE	1	0.241.8253.0
15	0.241.8257.0	连接板 PIASTRINA	1	0.241.8257.0
16	0.269.8250.0/30	歧管 COLLETTORE PER PTO	1	0.269.8250.0/30
17	0.269.8253.3	制动盘 NASTRO FRENO	1	0.269.8253.3
18	2.0112.005.2	六角螺栓 M6x1x16 HEX BOLT M6x1x16	2	2.0112.005.2
19	2.0112.215.2	六角螺栓 M8x1.25x40 HEX BOLT	1	2.0112.215.2
20	2.0512.102.7	固定螺钉 M6x1x8 SET SCREW M6x1x8	1	2.0512.102.7
21	2.0512.202.2	固定螺钉 M8x1.25x8 SET SCREW	1	2.0512.202.2
22	2.1379.040.0	销 PIASTR.RAS.12X30X08	4	2.1379.040.0
23	2.1410.024.7	垫圈 55 Anello 55	1	2.1410.024.7
24	2.1422.035.7	挡圈 2.1422.035.7	1	2.1422.035.7
25	2.1429.018.0	卡环 AN.EL. D.153-1566	1	2.1429.018.0
26	2.1475.002.2	锥形垫圈 M8 CONICAL WASHERS M8	2	2.1475.002.2
27	2.1530.076.0	油封 2.1530.076.0	2	2.1530.076.0
28	2.1539.149.0	油封 2.1539.149.0	1	2.1539.149.0
29	2.1560.010.0	密封圈 SEALING RING	1	2.1560.010.0
30	2.1569.180.0/10	密封圈 GUARNIZIONE EST. PI	1	2.1569.180.0/10
31	2.1599.843.0	垫圈 60X85X1 RALLA 60X85X1	1	2.1599.843.0
32	2.1650.316.0	销 4x38 PIN 4x38	1	2.1650.316.0
33	2.4019.156.1/10	弹簧 MOLLA	1	2.4019.156.1/10
34	2.4019.321.0	弹簧 MOLLA	1	2.4019.321.0

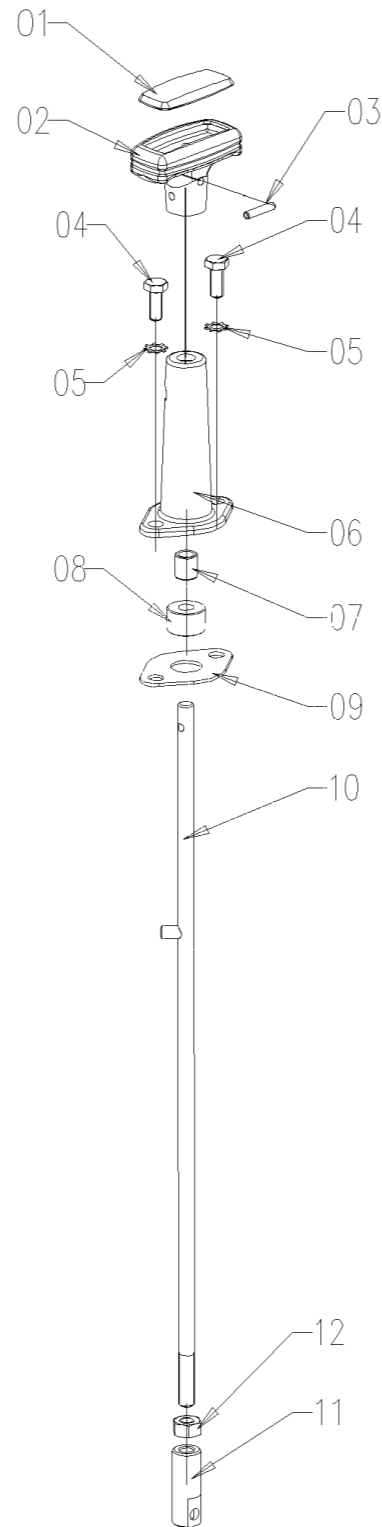
A68.44.900.4 SEAT ASS.



A68.44.900.4\_1 格拉默座椅 (PVC 坐墊及安全带) GRAMMER (PVC CUSION WITH SAFTY BELT)

序号	零件编号	零件名称	数量	图号
1	A68.44.001.4	座椅总成 SEAT(GRAMMERPVC)	1	A68.44.001.4
2	GBT5783-M8X20-A2L	螺栓 BOLT	4	GBT5783-M8X20-A2L
3	GBT93-8-A3L	垫圈 WASHER	4	GBT93-8-A3L
4	GBT97.1-8-A3L	垫圈 WASHER	4	GBT97.1-8-A3L

A68.45.901.4 PTO ENGAGEMENT ASS.

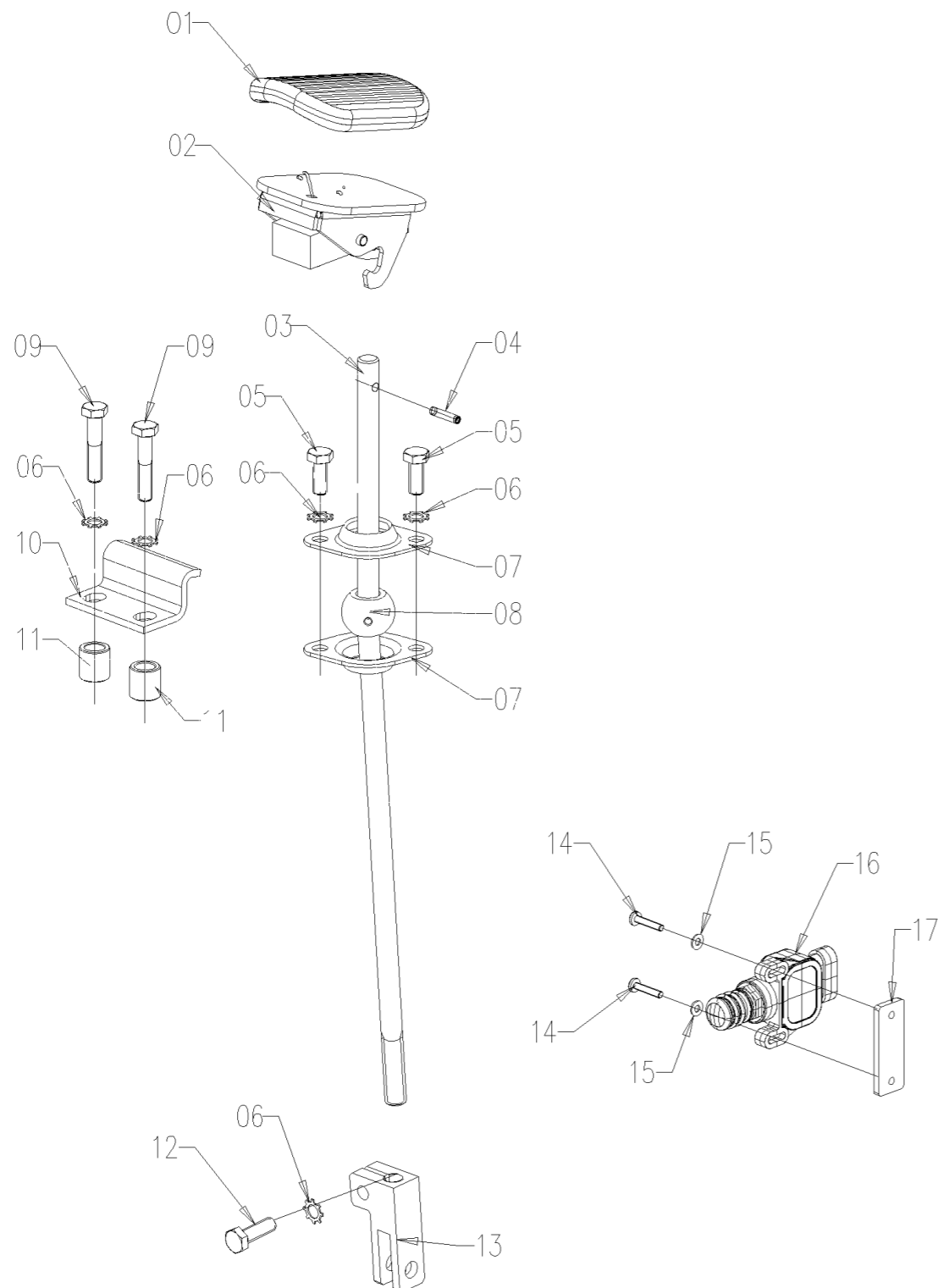


A68.45.901.4\_1 PTO 速度选择操纵 PTO ENGAGEMENT ASS.Y

序号	零件编号	零件名称	数量	图号
1	0.007.6148.0/10	PTO手柄盖 PTO COVER	1	0.007.6148.0/10
2	0.009.9885.0/10	手柄 PTO HANDLE	1	0.009.9885.0/10
3	2.1630.511.0	销 PIN	1	2.1630.511.0
4	2.0112.207.2	螺栓 BOLT	2	2.0112.207.2
5	2.1470.004.2	止退垫圈 WASHER	2	2.1470.004.2
6	0.020.5354.0	导向杆外壳 GUIDE	1	0.020.5354.0
7	2.1559.326.0	套筒 BOCCOLA	1	2.1559.326.0
8	2.1559.325.0	套筒 BOCCOLA	1	2.1559.325.0
9	0.020.5433.0	隔圈 SPACER	1	0.020.5433.0
10	A68.45.050.2	连杆总成 ROD ASSEMBLY	1	A68.45.050.2
11	0.020.5423.0	动力输出杆叉 FORK	1	0.020.5423.0
12	2.1011.106.2	螺母 NUT	1	2.1011.106.2



# A68.45.902.4 DIFFERENTIAL LOCK ASS.



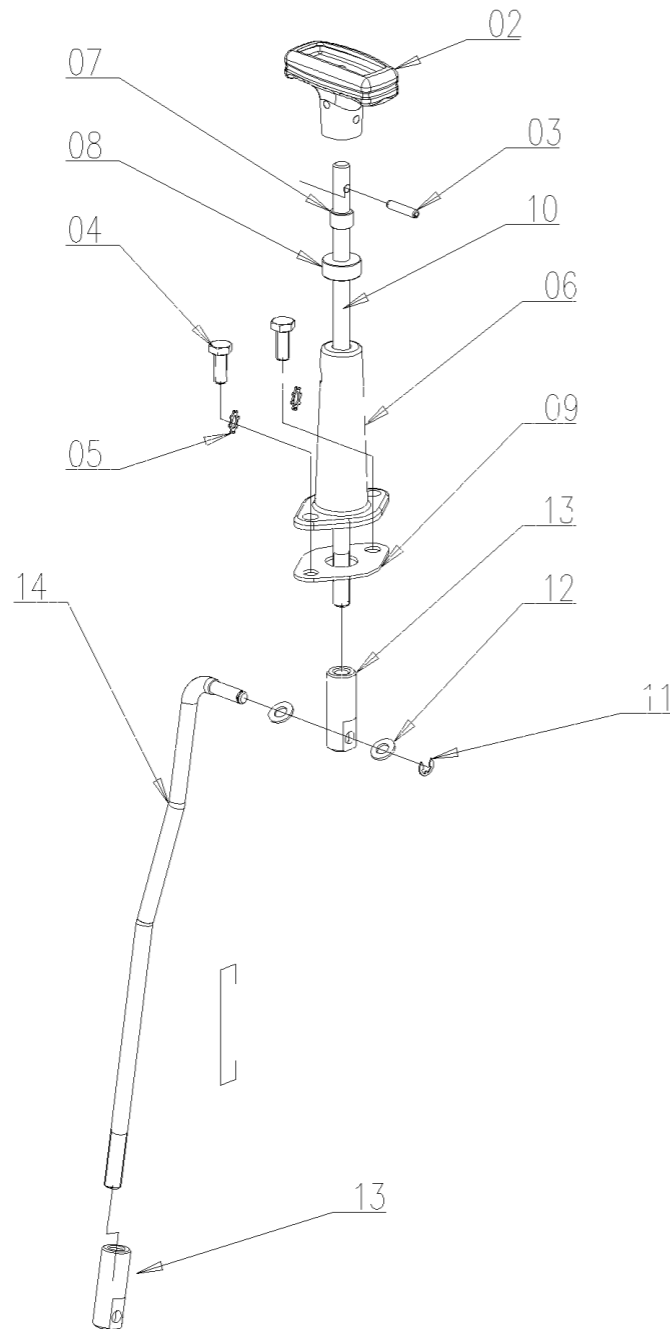
# A68.45.902.4\_1 差速锁总成 DIFFERENTIAL LOCK

序号	零件编号	零件名称	数量	图号
1	0.169.6557.0	橡胶踏板 RUBBER PEDAL	1	0.169.6557.0
2	0.020.5443.4	顶部连接件 TOP LINK ASS.LY	1	0.020.5443.4
3	A68.45.013.0	顶部连接件 TOP LINK	1	A68.45.013.0
4	2.1631.409.0	销 SPRING-TYPE STRAIGHT PINS	1	2.1631.409.0
5	2.0112.207.2	螺栓 BOLT	2	2.0112.207.2
6	2.1470.004.2	止退垫圈 WASHER	5	2.1470.004.2
7	0.020.5462.0	支撑 SUPPORT	2	0.020.5462.0
8	0.020.5461.0	球连接 SPHERE	1	0.020.5461.0
9	2.0112.215.2	螺栓 BOLT	2	2.0112.215.2
10	0.020.5440.0	支架 BRACKET	1	0.020.5440.0
11	A68.45.012.0	管 PIPE	2	A68.45.012.0
12	2.0112.209.2	螺栓 BOLT	1	2.0112.209.2
13	0.020.5444.0	连接叉 FORK	1	0.020.5444.0
14	2.0332.207.2	螺钉 CROSS SCREW M4x0.7x20	2	2.0332.207.2
15	2.1310.028.2	垫圈 WASHER	2	2.1310.028.2
16	2.7659.281.0	开关 SWITCH	1	2.7659.281.0
17	0.020.5441.0	板 PLATE	1	0.020.5441.0

# A68.45.904.4 P.T.O. SHAFT DRIVE - 2 SPEED

# A68.45.904.4\_2 PTO 离合操纵 PTO SPEED CONTROL

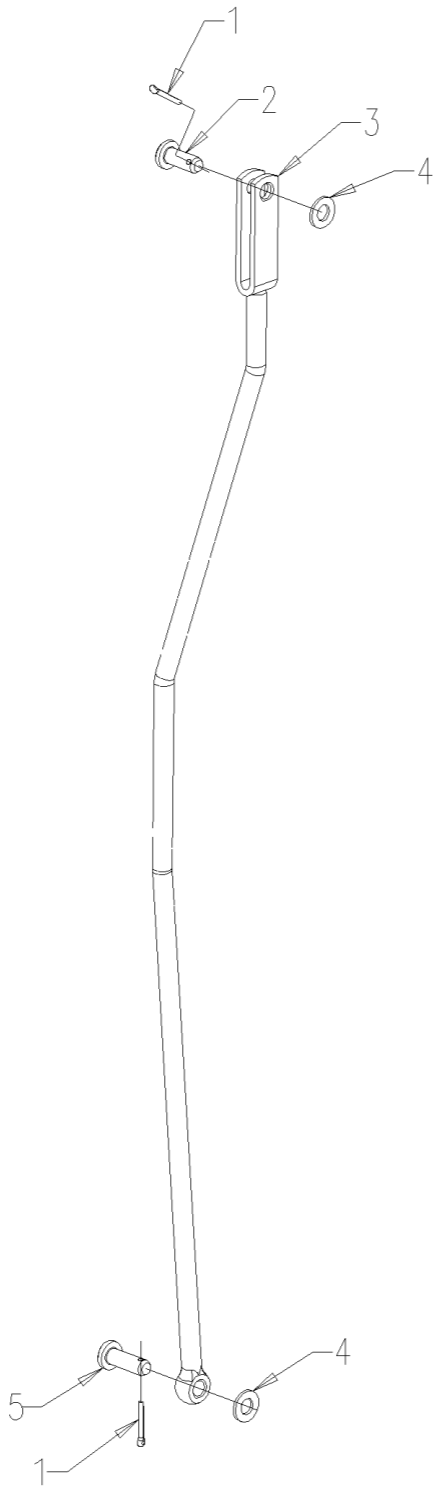
序号	零件编号	零件名称	数量	图号
2	0.009.9885.0/10	手柄 PTO HANDLE	1	0.009.9885.0/10
3	2.1630.511.0	销 PIN	1	2.1630.511.0
4	2.0112.207.2	螺栓 BOLT	2	2.0112.207.2
5	2.1470.004.2	止退垫圈 WASHER	2	2.1470.004.2
6	0.020.5355.0	方向杆壳体 CASTING	1	0.020.5355.0
7	2.1559.516.0/10	套筒 BOCCOLA	1	2.1559.516.0/10
8	2.1559.515.0/10	套筒 BOCCOLA	1	2.1559.515.0/10
9	0.020.5433.0	隔圈 SPACER	1	0.020.5433.0
10	A68.45.051.2	拉杆 ASTA PTO	1	A68.45.051.2
11	2.1430.007.2	挡圈 WASHER	1	2.1430.007.2
12	2.1310.004.2	垫圈 WASHER	4	2.1310.004.2
13	0.020.5423.0	动力输出杆叉 FORK	2	0.020.5423.0
14	A68.45.014.0/10	动力输出变速杆 PTO SPEED LEVER	1	A68.45.014.0/10



A68.45.905.4 4.W.D ASS.

A68.45.905.4\_1 四驱总成 4WD ASSEMBLY

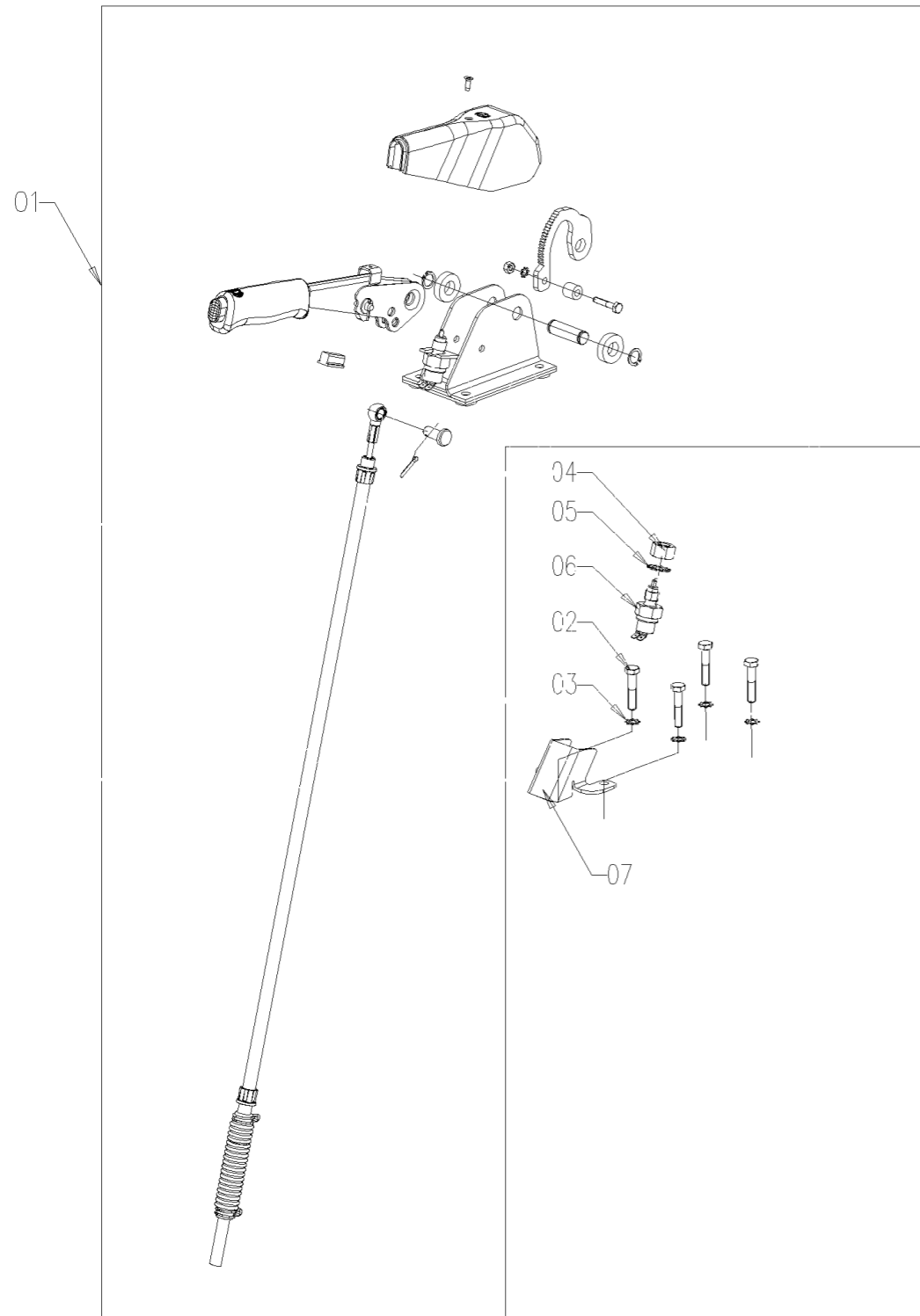
序号	零件编号	零件名称	数量	图号
1	2.1690.308.2	销 PIN	2	2.1690.308.2
2	2.1671.406.2	销 CLEVIS PINS WITH HEAD 10x25	1	2.1671.406.2
3	A68.45.016.2/10	拉杆 TIE ROD	1	A68.45.016.2/10
4	2.1310.006.2	垫圈 WASHER	2	2.1310.006.2
5	2.1671.408.2	销 CLEVIS PINS WITH HEAD 10x30	1	2.1671.408.2



# A68.45.906.4 HANDBRAKE ASS.

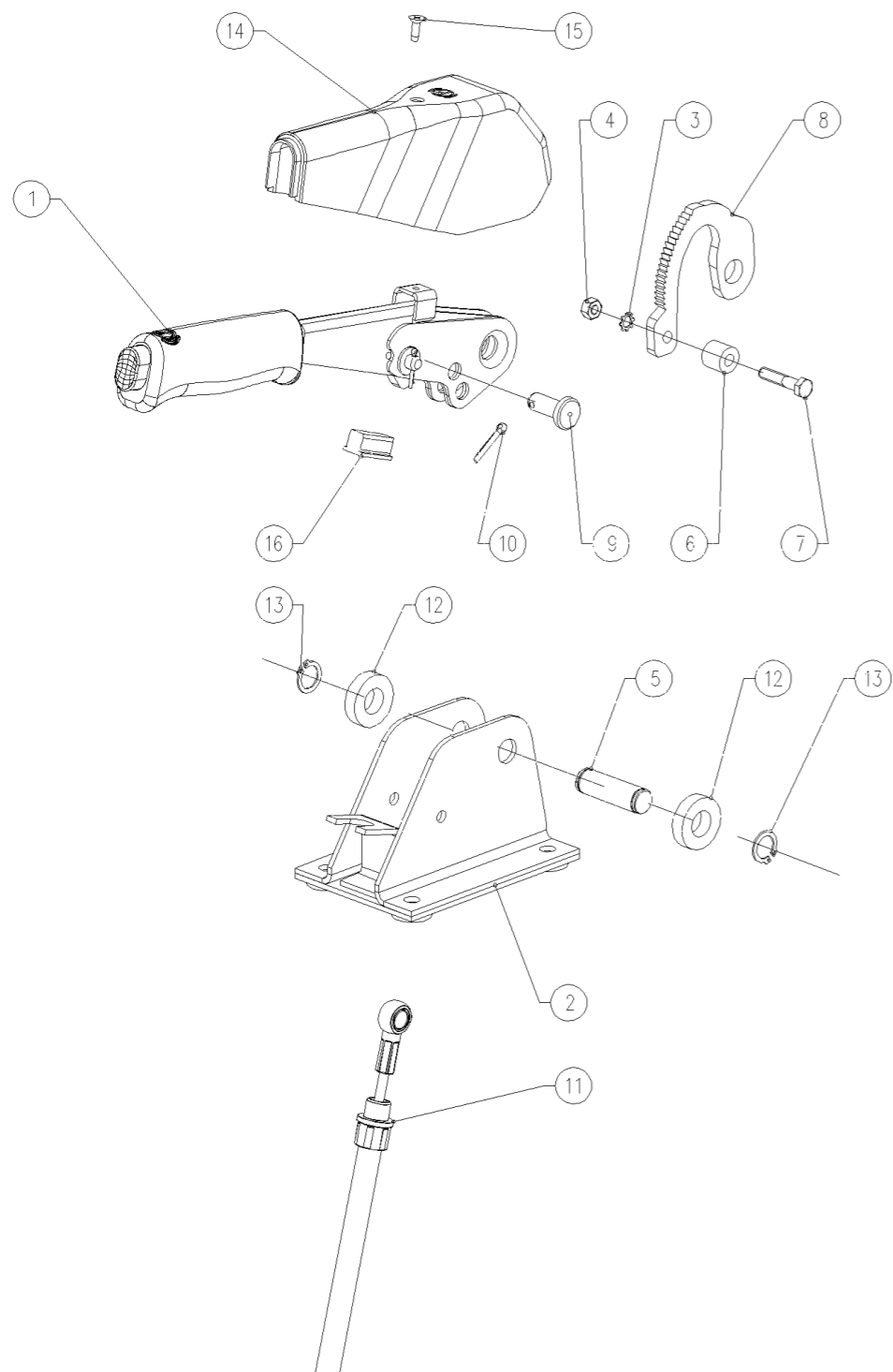
## A68.45.906.4\_1 手刹总成 HAND BRAKE

序号	零件编号	零件名称	数量	图号
1	A68.45.081.4	手刹总成 HANDBRAKE ASS'Y	1	A68.45.081.4
2	2.0112.215.2	螺栓 BOLT	4	2.0112.215.2
3	2.1470.004.2	止退垫圈 WASHER	4	2.1470.004.2
4	2.1011.108.2	螺母 NUT M14x2	1	2.1011.108.2
5	2.1470.008.2	垫圈 WASHER	1	2.1470.008.2
6	2.7659.133.0	开关 SWITCH	1	2.7659.133.0
7	0.022.8767.0	支架	1	0.022.8767.0



A68.45.081.4 HANDBRKAE

### A68.45.081.4 手刹总成 HANDBRAKE ASSEMBLY

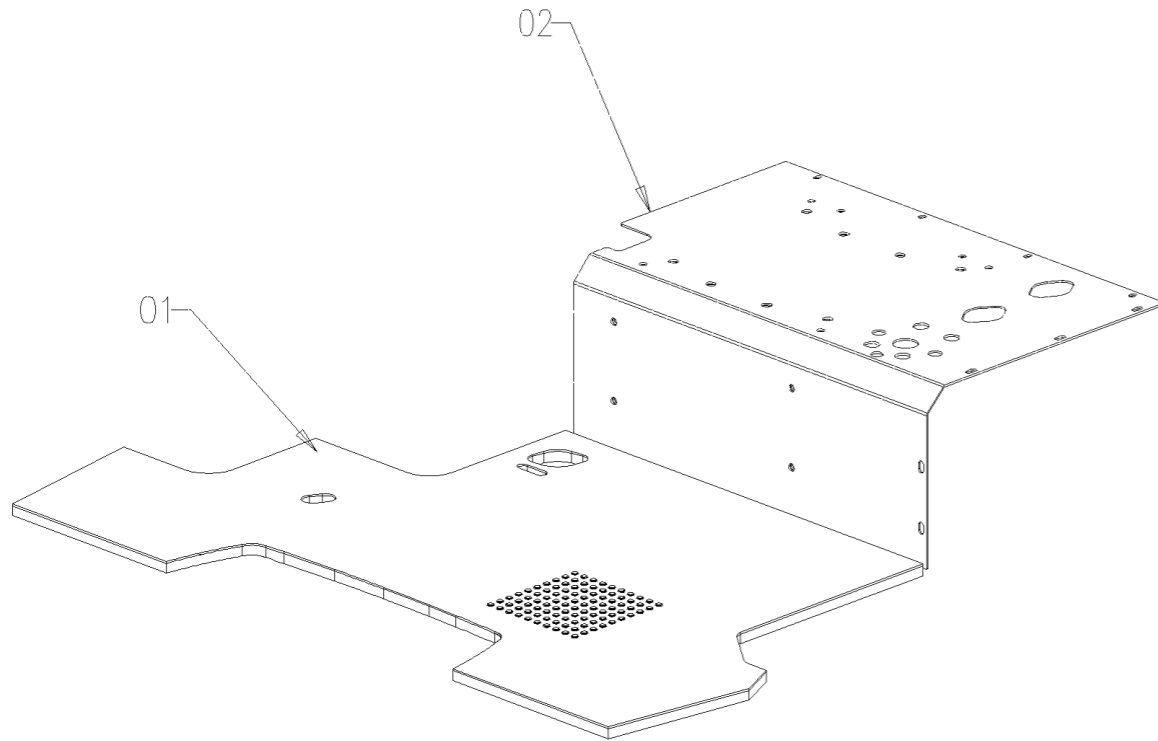


序号	零件编号	零件名称	数量	图号
1	0.020.5414.4	把手总成 HANDLE ASS.	1	0.020.5414.4
2	0.020.3842.2	支撑 SUPPORT	1	0.020.3842.2
3	2.1470.002.2	垫圈 WASHER	1	2.1470.002.2
4	2.1011.103.2	螺母 NUT	1	2.1011.103.2
5	2.1699.265.2	杆 14X46 SHAFT 14X46	1	2.1699.265.2
6	2.1579.972.2	套管 BUSHING 7X15X13.75	1	2.1579.972.2
7	2.0112.011.2	螺栓 BOLT	1	2.0112.011.2
8	0.020.5450.0	齿轮 GEAR	1	0.020.5450.0
9	2.1671.406.2	销 PIN 10X25	1	2.1671.406.2
10	2.1690.307.2	销 PIN	1	2.1690.307.2
11	A68.45.080.4	制动杆 BRAKE ROD	1	A68.45.080.4
12	2.1579.973.2	套管 BUSHING 15X30X7.5	1	2.1579.973.2
13	2.1410.003.1	挡圈 WASHER 14	1	2.1410.003.1
14	0.020.5431.0	手柄套 PLASTIC COVER	1	0.020.5431.0
15	2.0351.454.6	螺钉 SCREW	1	2.0351.454.6
16	0.020.5432.0	滑块 BUBBER BLOCK	1	0.020.5432.0

### A68.45.907.4\_4 地板垫总成 FLOORMAT ASS.Y

序号	零件编号	零件名称	数量	图号
1	A68.45.043.0/20	驾驶室垫 FRONT FLOORMAT	1	A68.45.043.0/20
2	A68.45.047.0/40	后地板垫 REAR FLOORMAT	1	A68.45.047.0/40

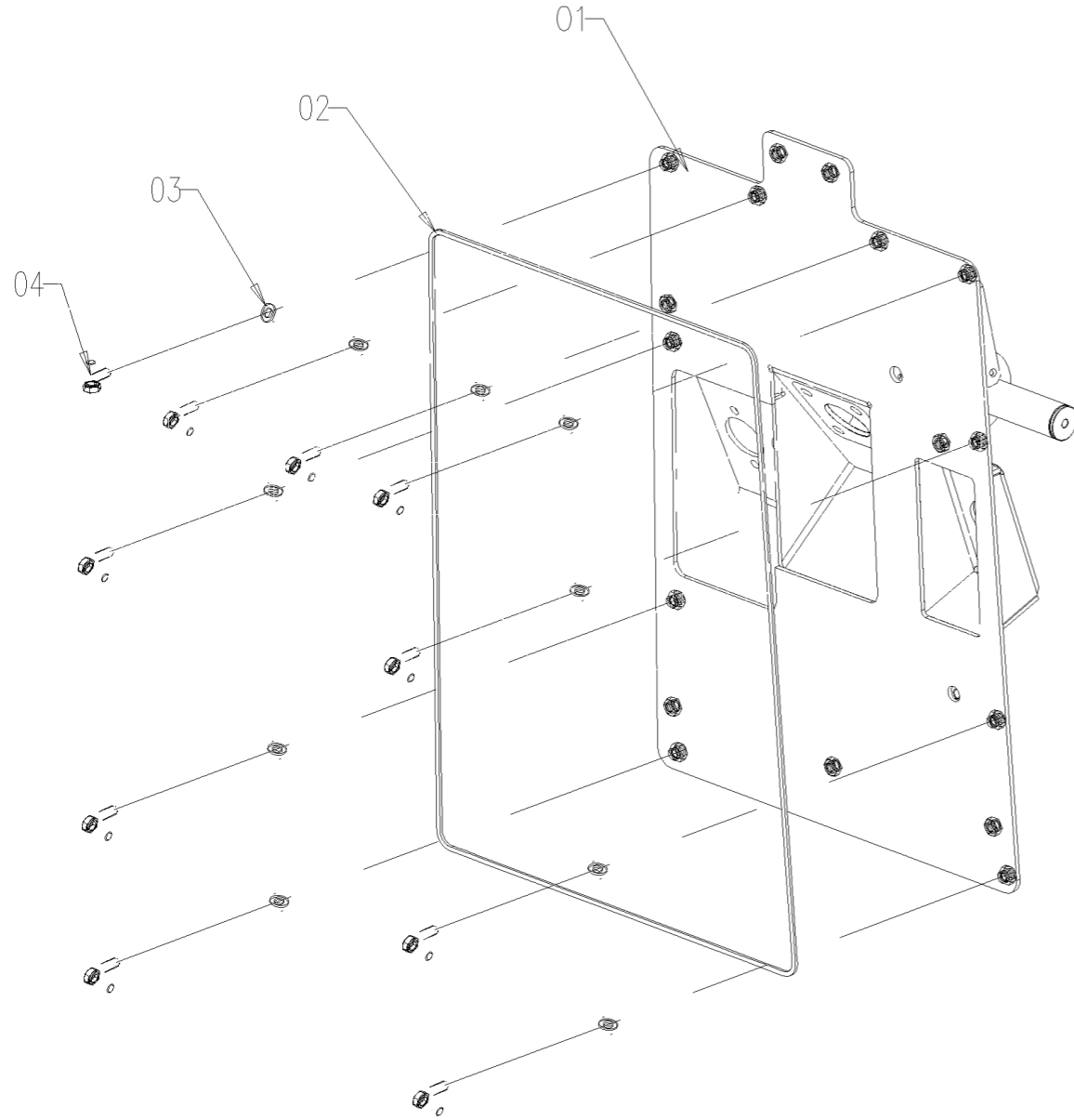
A68.45.907.4 FLOORMAT ASS.



A68.45.909.4 PEDAL SUPPORT ASS.

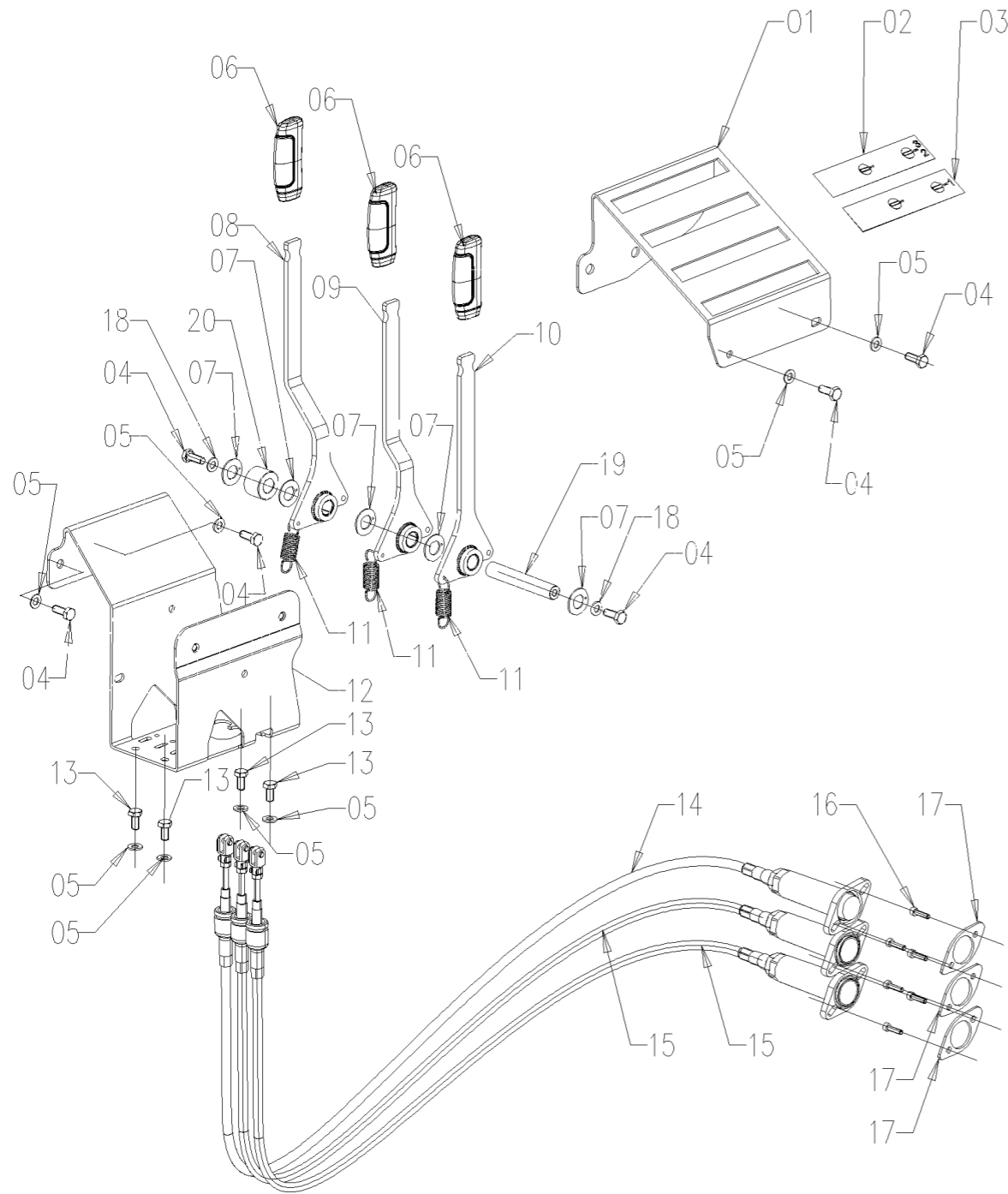
### A68.45.909.4\_0 组合踏板支撑总成 PEDAL SUPPORT

序号	零件编号	零件名称	数量	图号
1	A68.45.003.3	踏板支架 PEDAL SUPPORT	1	A68.45.003.3
2	0.020.5375.0	密封剂 SEALANT	1	0.020.5375.0
3	2.1310.004.2	垫圈 WASHER	10	2.1310.004.2
4	2.0114.207.2	螺栓 SCREW M8x20	10	2.0114.207.2



# A68.45.910.4 CONTROL FOR 6 WAY AUXILIARY

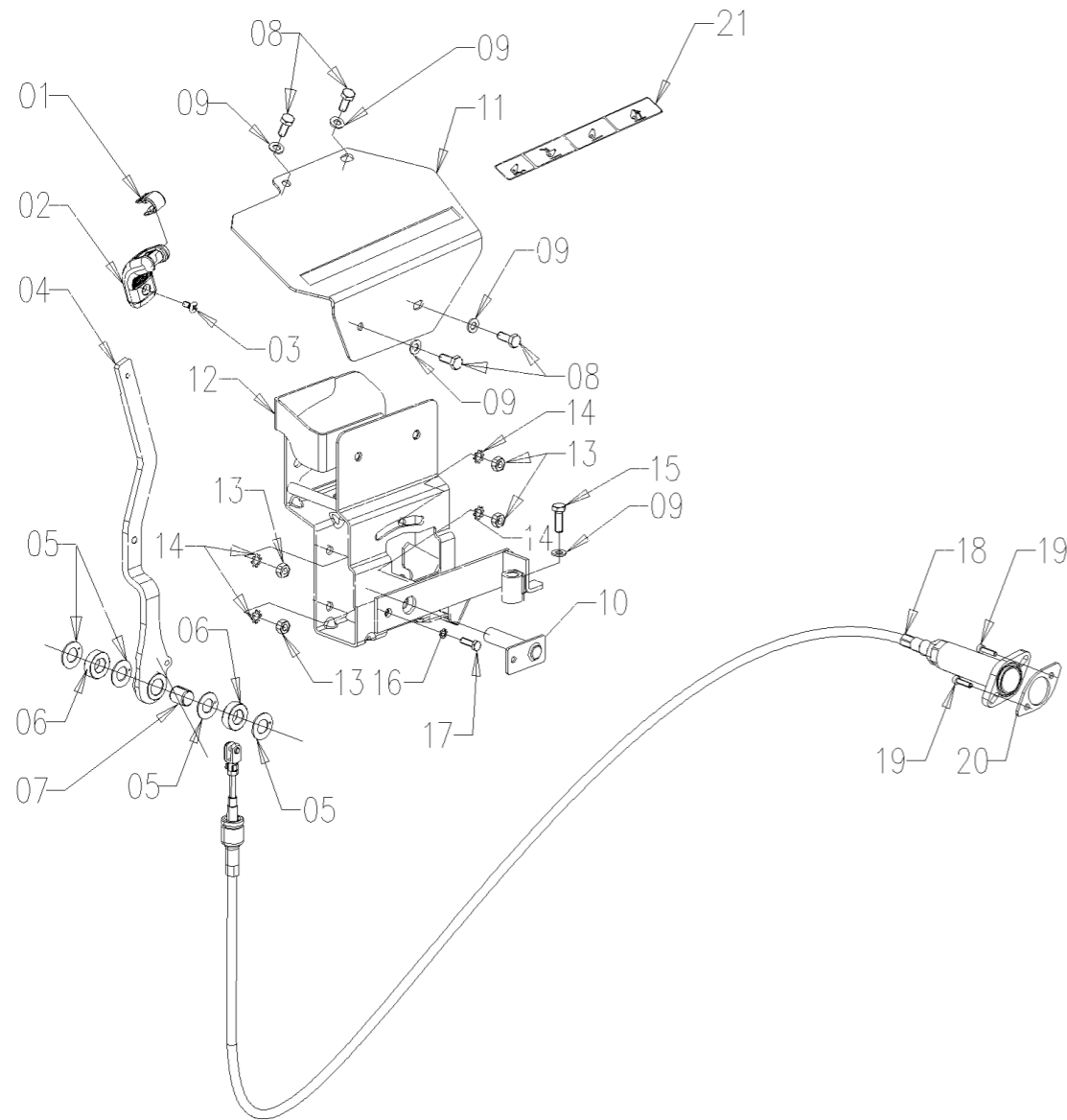
# A68.45.910.4\_3 强压3路阀操纵 6 WAYS COMMAND ASS.Y (ENFORCED)



序号	零件编号	零件名称	数量	图号
1	C63.45.001.0	液压输出杆面板 DISTRIB.LEVERS	1	C63.45.001.0
2	0.021.2182.0	标识 LABEL	1	0.021.2182.0
3	A68.45.104.0	标识 LABEL	1	A68.45.104.0
4	2.0112.207.2	螺栓 BOLT	6	2.0112.207.2
5	2.1310.004.2	垫圈 WASHER	8	2.1310.004.2
6	0.020.3757.0	手柄球 KNOB	3	0.020.3757.0
7	0.020.3752.0	限位板 THRUST BLOCK	5	0.020.3752.0
8	0.027.8055.4	杆3总成 LEVER 3 ASS.LY	1	0.027.8055.4
9	0.027.8054.4	杆2总成 LEVER 2 ASS.LY	1	0.027.8054.4
10	0.027.8082.4	杆1总成 LEVER 1 ASS.LY	1	0.027.8082.4
11	2.4049.160.2	弹簧 SPRING	3	2.4049.160.2
12	C63.45.003.3	支架 VALVE CONTROL SUPPORT	1	C63.45.003.3
13	2.0112.205.2	螺栓 BOLT	4	2.0112.205.2
14	A68.45.076.4/10	阀门拉线 (绿色) SPOOL VALVES	1	A68.45.076.4/10
15	A68.45.065.4/10	阀门拉线 SPOOL VALVES BOWDEN	2	A68.45.065.4/10
16	2.0312.006.2	螺钉 SCREW M5X20	6	2.0312.006.2
17	A68.45.066.0/10	板 SPOOL VALVE PLATE	3	A68.45.066.0/10
18	2.1475.002.2	垫圈 WASHER	2	2.1475.002.2
19	0.028.1451.0	销 PIN	1	0.028.1451.0
20	0.030.1870.0	隔圈 SPACER	1	0.030.1870.0



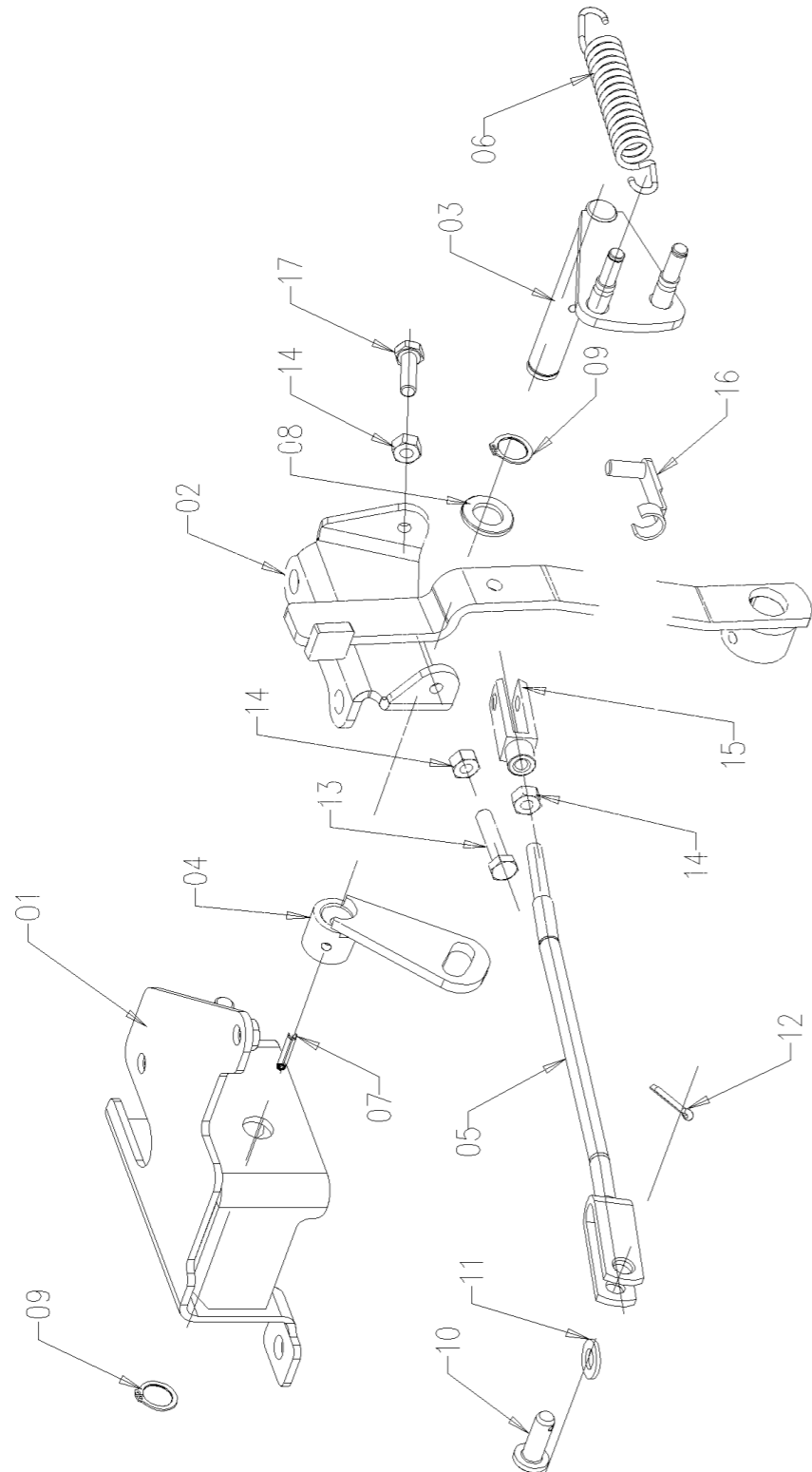
# A68.45.913.4 LIFT CONTROL LEVERS (ENFORCED)



## A68.45.913.4\_3 强压提升操纵 LIFT CONTROL LEVERS (ENFORCED)

序号	零件编号	零件名称	数量	图号
1	0.020.3200.0	手柄球 KNOB	1	0.020.3200.0
2	0.020.3146.0	把手 HANDLE	1	0.020.3146.0
3	2.0322.405.6	螺钉 CROSS SCREW M6x1x14	1	2.0322.405.6
4	A68.45.034.3/30	位置控制球头连杆 POSITION	1	A68.45.034.3/30
5	0.020.3752.0	止推块 THRUST BLOCK	4	0.020.3752.0
6	A68.45.091.0	套管 BUSHING	2	A68.45.091.0
7	0.020.3760.0	套管 BUSHING	1	0.020.3760.0
8	2.0112.207.2	螺栓 BOLT	4	2.0112.207.2
9	2.1310.004.2	垫圈 WASHER	5	2.1310.004.2
10	0.020.5376.2	销 PIN	1	0.020.5376.2
11	A68.45.031.0	操纵杆面板 LEVERS PANEL	1	A68.45.031.0
12	A68.45.036.3/20	支撑杆焊接 SUPPORT LEVER	1	A68.45.036.3/20
13	2.1011.105.2	螺母 NUT	4	2.1011.105.2
14	2.1470.004.2	止退垫圈 WASHER	4	2.1470.004.2
15	2.0112.209.2	螺栓 BOLT	1	2.0112.209.2
16	2.1470.002.2	垫圈 WASHER	1	2.1470.002.2
17	2.0112.007.2	螺栓 BOLT	1	2.0112.007.2
18	A68.45.049.4/40	后提升线束 REAR LIFT BOWDEN	1	A68.45.049.4/40
19	2.0312.006.2	螺钉 SOCKET SCREW M5x0.8x20	2	2.0312.006.2
20	A68.45.066.0/10	板 SPOOL VALVE PLATE	1	A68.45.066.0/10
21	A68.45.048.0	后提升标识 REAR LIFT LABEL	1	A68.45.048.0

# A68.45.921.4 PTO SPEED ENGAGEMENT



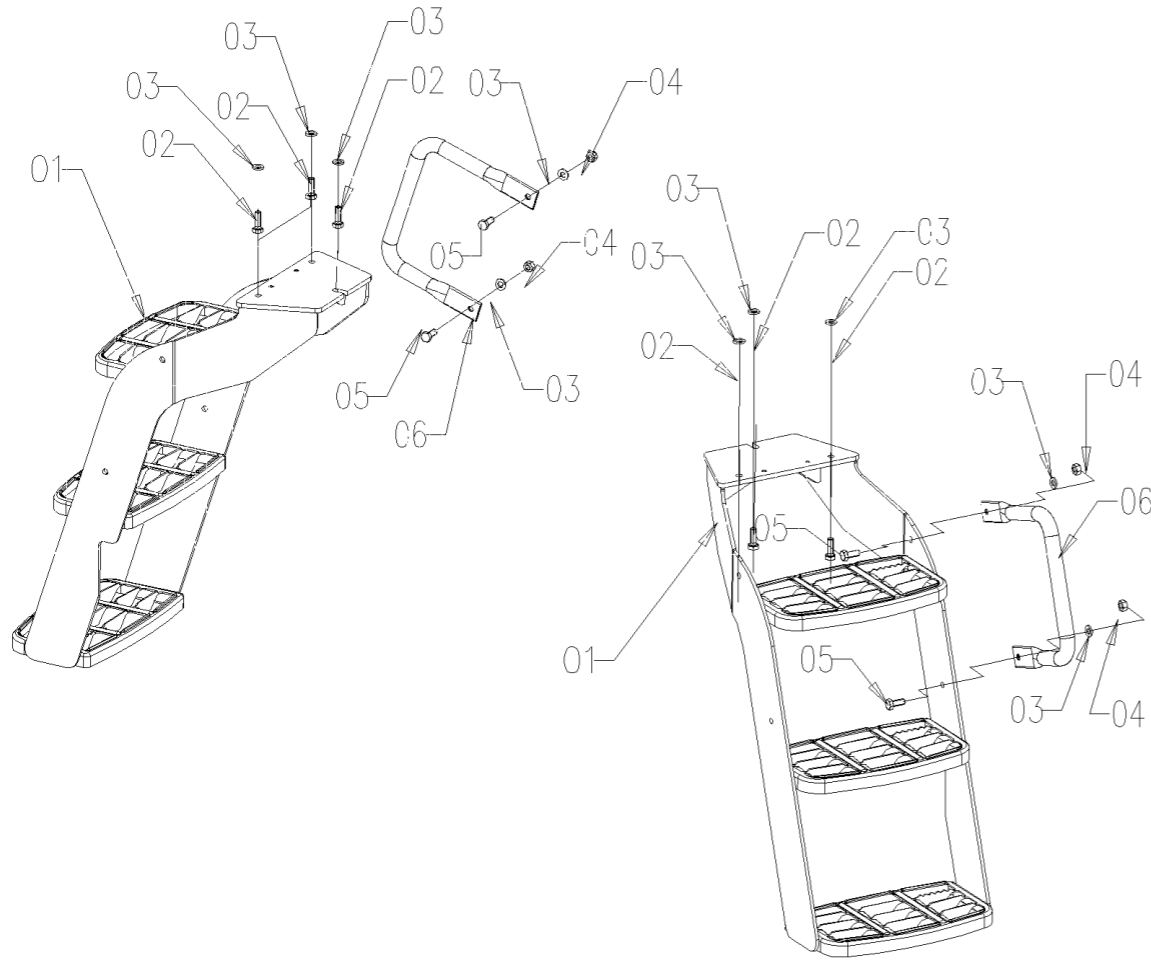
# A68.45.921.4\_2 PTO 离合操纵拉杆附件 PTO SPEED ENGAGEMENT

序号	零件编号	零件名称	数量	图号
1	A68.45.046.3	支架 BRACKET	1	A68.45.046.3
2	0.018.0062.0	支架 BRACKET	1	0.018.0062.0
3	A68.45.054.3/10	动力输出杆540-1000 LEVER FOR PTO	1	A68.45.054.3/10
4	0.021.5749.3	动力输出轴 PTO SHAT	1	0.021.5749.3
5	0.018.0024.3	杆 LEVER	1	0.018.0024.3
6	2.4049.139.1/10	弹簧 SPRING	1	2.4049.139.1/10
7	2.1631.412.0	销 PIN	1	2.1631.412.0
8	2.1311.010.2	垫圈 WASHER 16	1	2.1311.010.2
9	2.1410.004.2	挡圈 CIRCLIP	2	2.1410.004.2
10	2.1671.407.2	销 PIN	1	2.1671.407.2
11	2.1310.006.2	垫圈 WASHER	1	2.1310.006.2
12	2.1690.307.2	销 PIN	1	2.1690.307.2
13	2.0112.213.2	螺栓 BOLT	1	2.0112.213.2
14	2.1011.105.2	螺母 NUT	3	2.1011.105.2
15	2.3510.014.2	连接叉 FORK M8X32	1	2.3510.014.2
16	2.1673.007.2	夹片 CLIP M8X32	1	2.1673.007.2
17	2.0112.209.2	螺栓 BOLT	1	2.0112.209.2

# A68.45.922.4 ENTRY STEPS

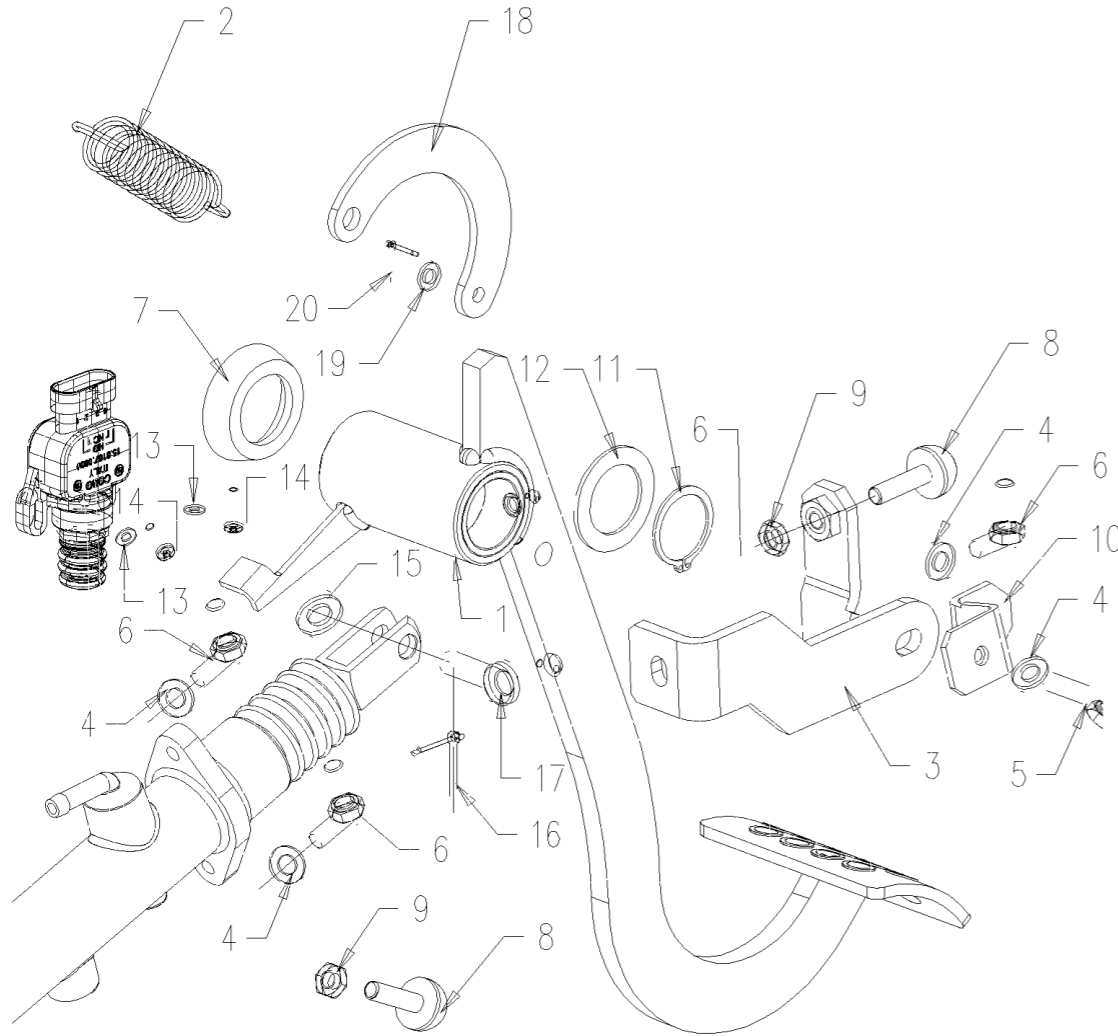
## A68.45.922.4\_1 脚踏总成 STEPS ASS.Y

序号	零件编号	零件名称	数量	图号
1	A68.45.030.3/10	阶梯 CLIMBING STEP	2	A68.45.030.3/10
2	2.0122.361.2	螺栓 HEX BOLT M10x1.25x30	6	2.0122.361.2
3	2.1475.203.2	垫圈 CONICAL WASHER M10	10	2.1475.203.2
4	2.1011.106.2	螺母 NUT	4	2.1011.106.2
5	2.0112.309.2	螺栓 BOLT	4	2.0112.309.2
6	0.020.7403.0	把手 HANDLE	2	0.020.7403.0



# A68.45.924.4 CLUTCH CONTROL ASS.

# A68.45.924.4\_0 离合器踏板总成 MAIN CLUTCH COMMAND



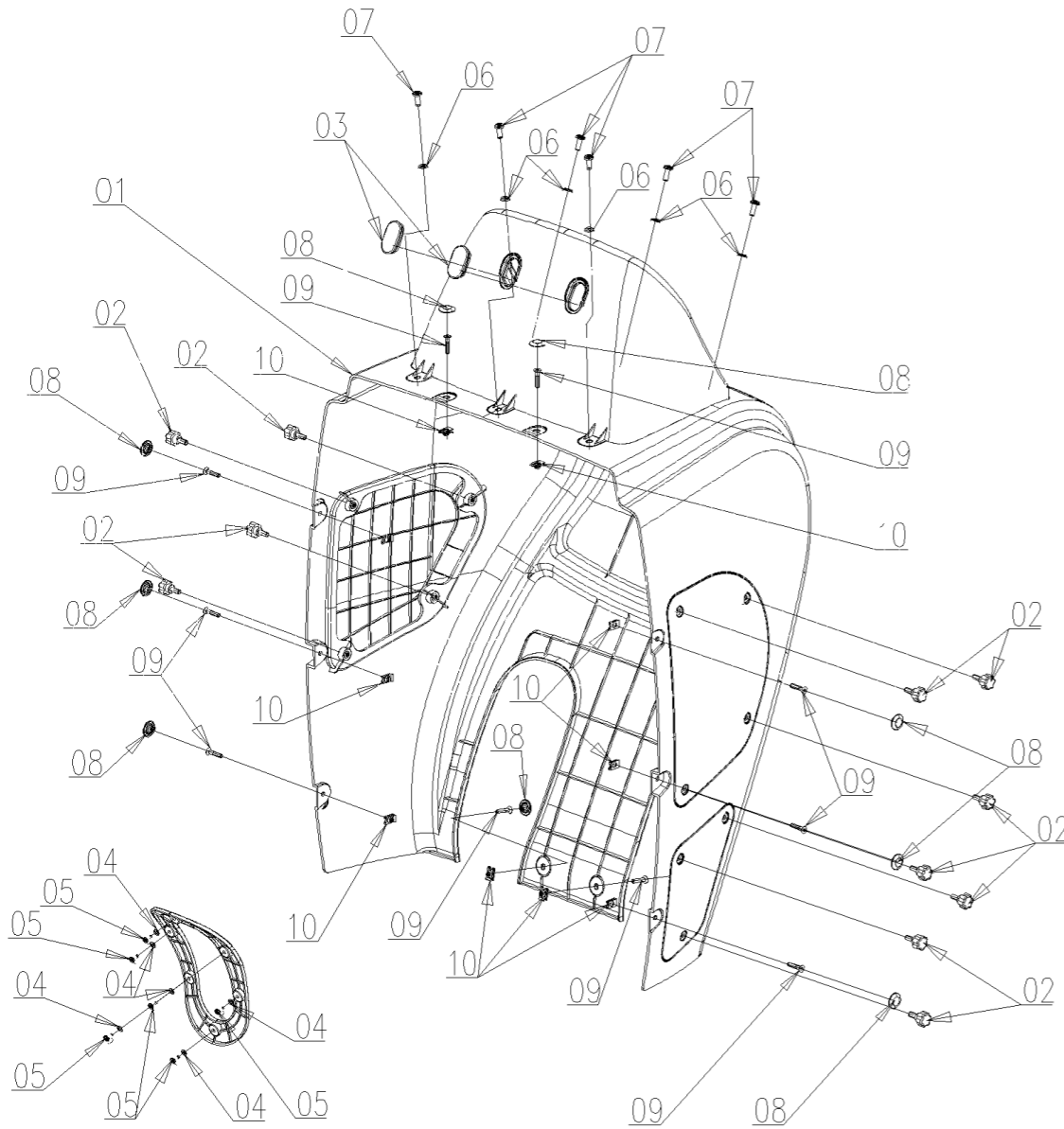
序号	零件编号	零件名称	数量	图号
1	A68.45.094.4	离合器踏板 CLUTCH PEDAL	1	A68.45.094.4
2	2.4049.093.2	弹簧 SPRING	1	2.4049.093.2
3	0.020.3829.3	支架 BRACKET	1	0.020.3829.3
4	2.1310.004.2	垫圈 WASHER	4	2.1310.004.2
5	2.0114.209.2	螺栓 SCREW M8x25	1	2.0114.209.2
6	2.0114.207.2	螺栓 SCREW M8x20	3	2.0114.207.2
7	2.1599.546.0	垫圈 BUSHING(PA)	1	2.1599.546.0
8	0.020.5363.2	限位螺钉 LOCK	2	0.020.5363.2
9	2.1011.205.2	螺母 NUT M8x1.25	2	2.1011.205.2
10	0.020.3094.3	支架 BRACKET	1	0.020.3094.3
11	2.1410.012.1	挡圈 CIRCLIP	1	2.1410.012.1
12	2.1599.268.0	垫圈 WASHER(PA)	1	2.1599.268.0
13	2.1310.028.2	垫圈 WASHER	2	2.1310.028.2
14	2.0332.206.2	螺钉 CROSS SCREW M4x0.7x16	2	2.0332.206.2
15	2.1310.006.3	垫圈 WASHER	1	2.1310.006.3
16	2.1690.308.2	销 PIN	1	2.1690.308.2
17	2.1671.408.2	销 CLEVIS PINS WITH HEAD 10x30	1	2.1671.408.2
18	0.020.5400.0	板 PLATE	1	0.020.5400.0
19	2.1310.002.2	垫圈 WASHER	1	2.1310.002.2
20	2.1690.205.2	销 PIN	1	2.1690.205.2

Assembling instruction  
100

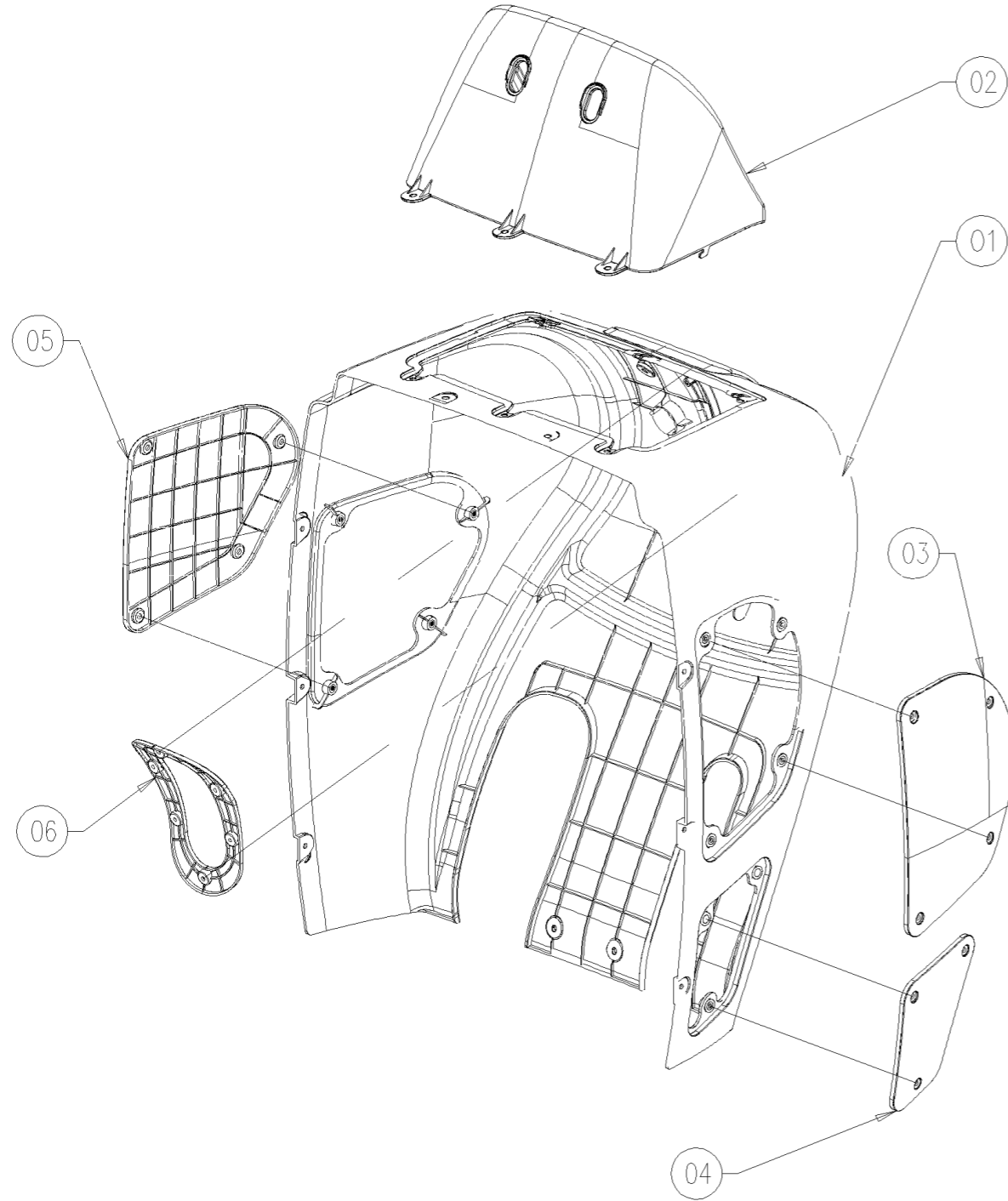
# A68.45.925.4 DASHBOARD ASSLY

## A68.45.925.4\_0 仪表台总成 DASHBOARD ASSEMBLY

序号	零件编号	零件名称	数量	图号
1	A23.45.020.4	仪表台 DASHBOARD	1	A23.45.020.4
2	CD554.45.227	手柄球螺栓 KNOB	11	CD554.45.227
3	A23.45.082.0	橡胶盖 RUBBER CAP	2	A23.45.082.0
4	2.1310.028.3	垫圈 WASHER 4	6	2.1310.028.3
5	2.0332.203.3	螺钉 CROSS SCREW M4x0.7x10	6	2.0332.203.3
6	2.1310.002.3	垫圈 WASHER 6	6	2.1310.002.3
7	2.0332.406.3	螺钉 CROSS SCREW M6x1x16	6	2.0332.406.3
8	A39.45.143.2	手柄套 PLASTIC COVER	10	A39.45.143.2
9	2.0342.107.3	螺钉 SCREW M5x25	10	2.0342.107.3
10	Q31205	B型弹簧螺母 B TYPE SPRING NUT	10	Q31205



A23.45.020.4 DASHBOARD



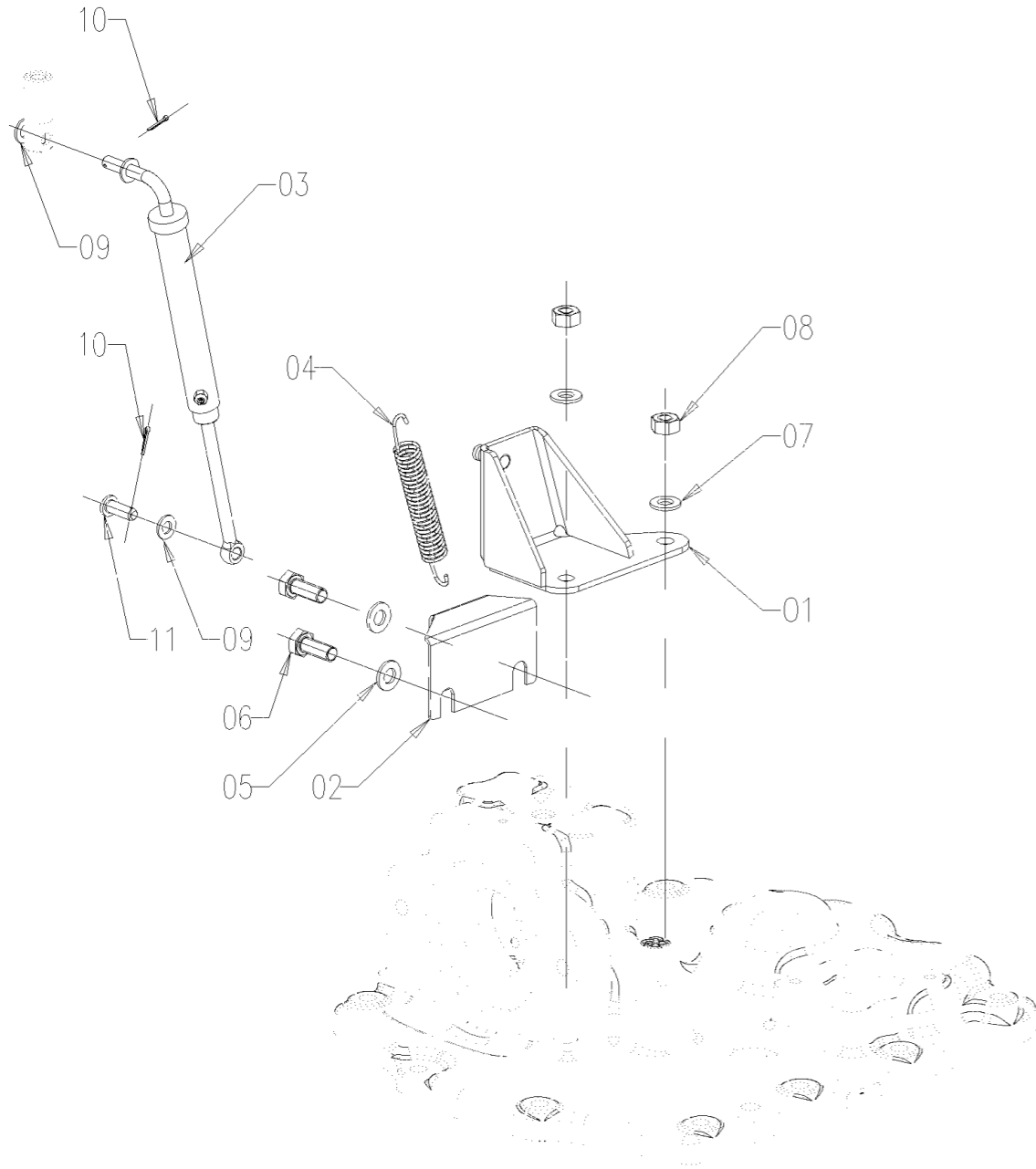
A23.45.020.4 仪表台 DASHBOARD

序号	零件编号	零件名称	数量	图号
1	A23.45.021.3	仪表台 MAIN BODY	1	A23.45.021.3
2	A23.45.022.3	仪表罩 INSTRUMENT MASK	1	A23.45.022.3
3	A23.45.023.0	ECU控制罩 MAITANCE COVER FOR	1	A23.45.023.0
4	A23.45.024.0	离合器维修盖 MAINTANCE COVER	1	A23.45.024.0
5	A23.45.025.0	保险丝盒维护盖 MAINTANCE COVER	1	A23.45.025.0
6	A23.45.026.0	防尘罩固定装置 FIXATION FOR DUST	1	A23.45.026.0

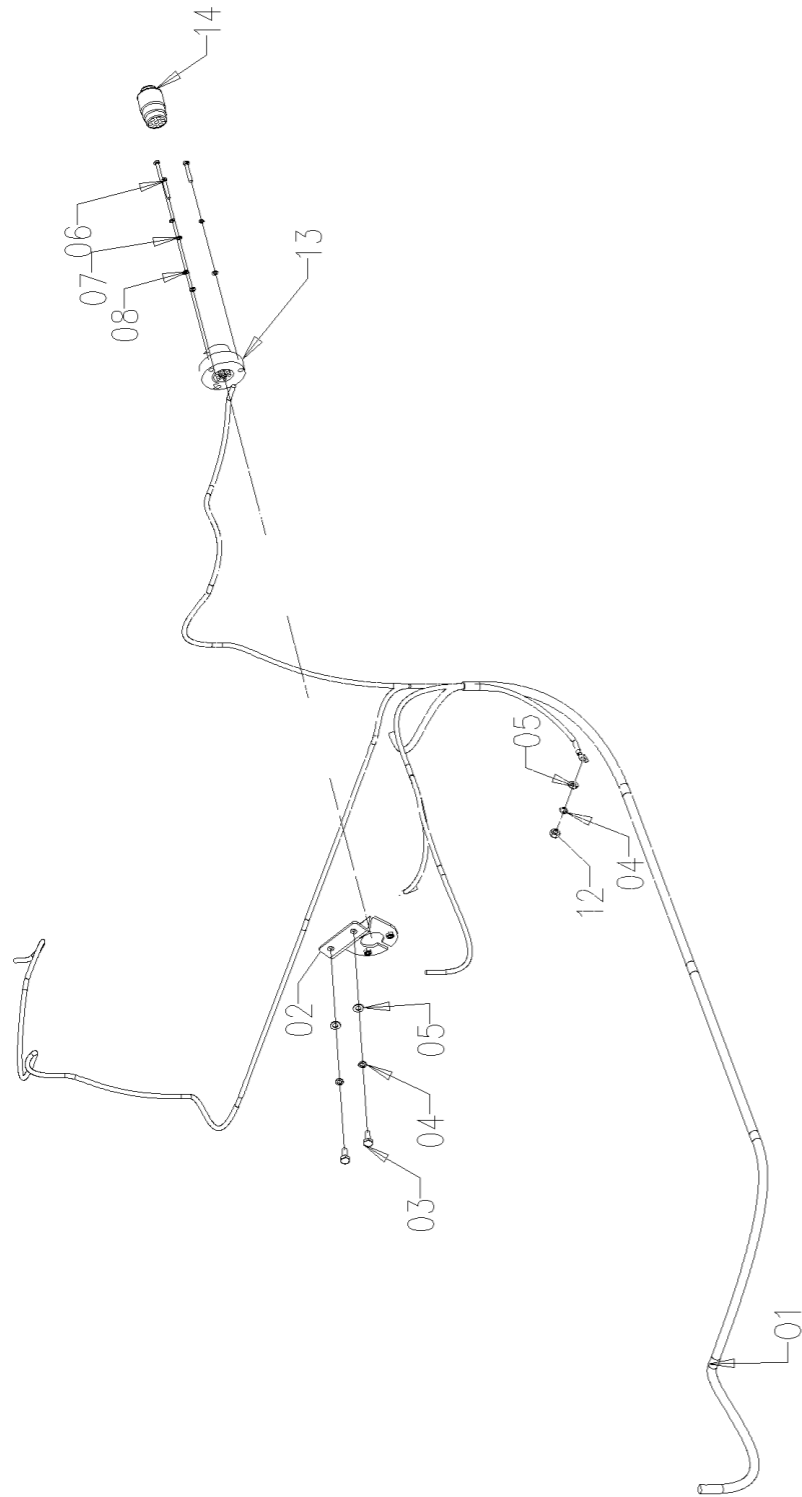
# A68.45.927.4 PTO ENGAGEMENT TIEROD

## A68.45.927.4\_0 PTO 速度选择拉杆附件 PTO ENGAGEMENT TIE ROD

序号	零件编号	零件名称	数量	图号
1	0.017.7033.2	支架 BRACKET	1	0.017.7033.2
2	0.016.9109.2	传感器支架 SENSOR BRACKET	1	0.016.9109.2
3	A68.45.102.4	杆 LEVER	1	A68.45.102.4
4	2.4049.149.2	弹簧 SPRING	1	2.4049.149.2
5	2.1310.006.3	垫圈 WASHER	2	2.1310.006.3
6	2.0114.309.2	螺栓 BOLT M10X25	2	2.0114.309.2
7	2.1310.006.2	垫圈 WASHER	2	2.1310.006.2
8	2.1011.106.2	螺母 NUT	2	2.1011.106.2
9	2.1310.004.2	垫圈 WASHER	2	2.1310.004.2
10	2.1690.205.2	销 PIN	2	2.1690.205.2
11	2.1671.305.2	销 PIN 8X22	1	2.1671.305.2



# A68.48.903.4 REAR W.H. ASSEMBLY



## A68.48.903.4\_3 后线束总成 REAR WIRE HARNESS ASSEMBLY

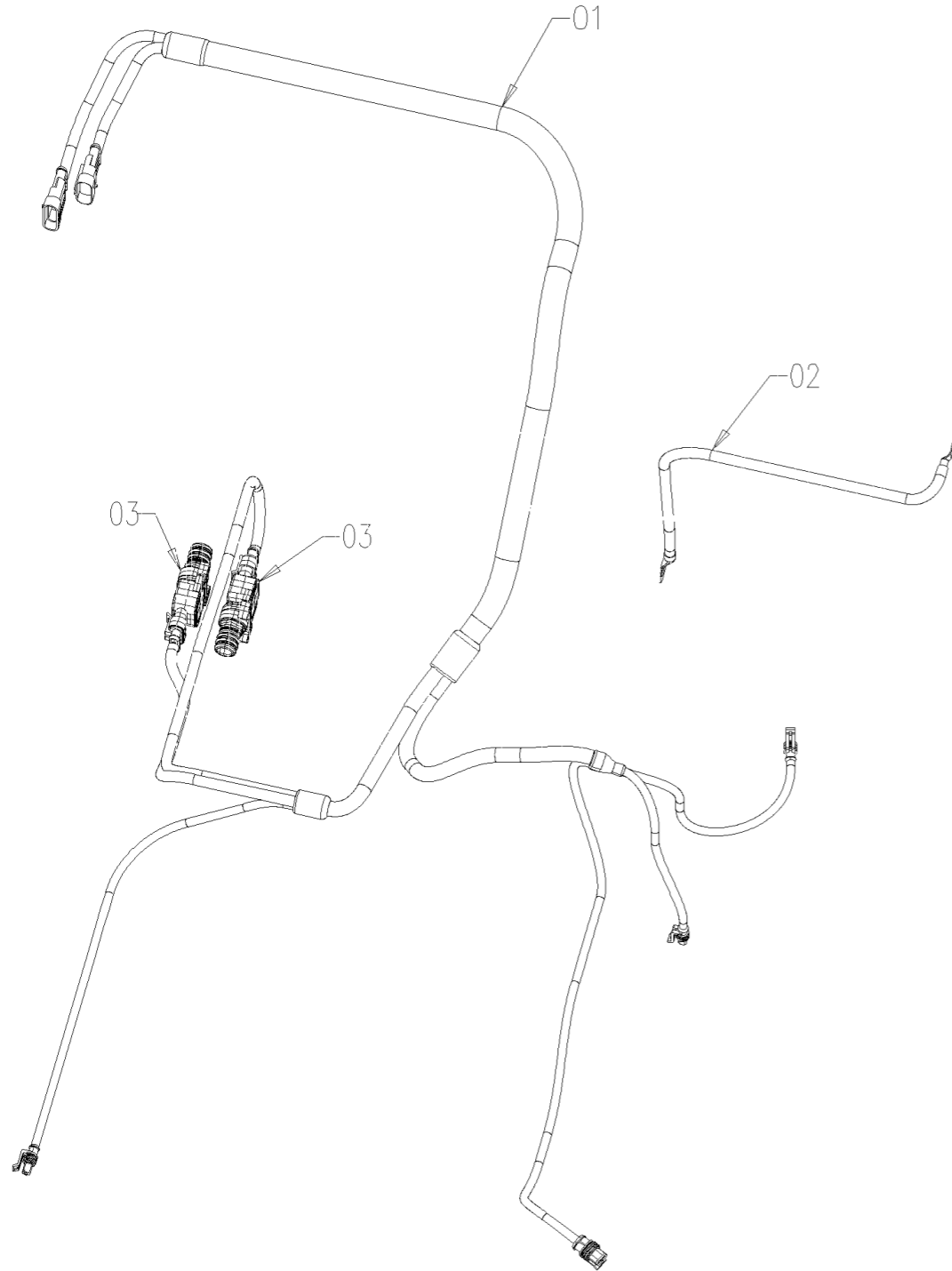
序号	零件编号	零件名称	数量	图号
1	A68.48.003.0/10	后线束 REAR LAMP W.H.	1	A68.48.003.0/10
2	B80.48.008.3	拖车插座支架 TAILER SOCKET	1	B80.48.008.3
3	GBT5783-M8X20-A2L	螺栓 BOLT	2	GBT5783-M8X20-A2L
4	GBT93-8-A3L	垫圈 WASHER	3	GBT93-8-A3L
5	GBT97.1-8-A3L	垫圈 WASHER	3	GBT97.1-8-A3L
6	GBT818-M5X35-A2L	螺钉 SCREW	3	GBT818-M5X35-A2L
7	GBT93-5-A3L	垫圈 WASHER	3	GBT93-5-A3L
8	GBT97.1-5-A3L	垫圈 WASHER	3	GBT97.1-5-A3L
12	GBT6170-M8-A2L	螺母 NUT	1	GBT6170-M8-A2L
13	A56.48.010.0	后挂车插座 REAR TRAILER SOCKET	1	A56.48.010.0
14	A56.48.011.0	后挂车插头 REAR TRAILER PLUG	1	A56.48.011.0



# A68.48.953.4 GEAR BOX W.H. ASS.Y

## A68.48.953.4\_0 变速箱线束总成 GEAR BOX W.H. ASS.Y

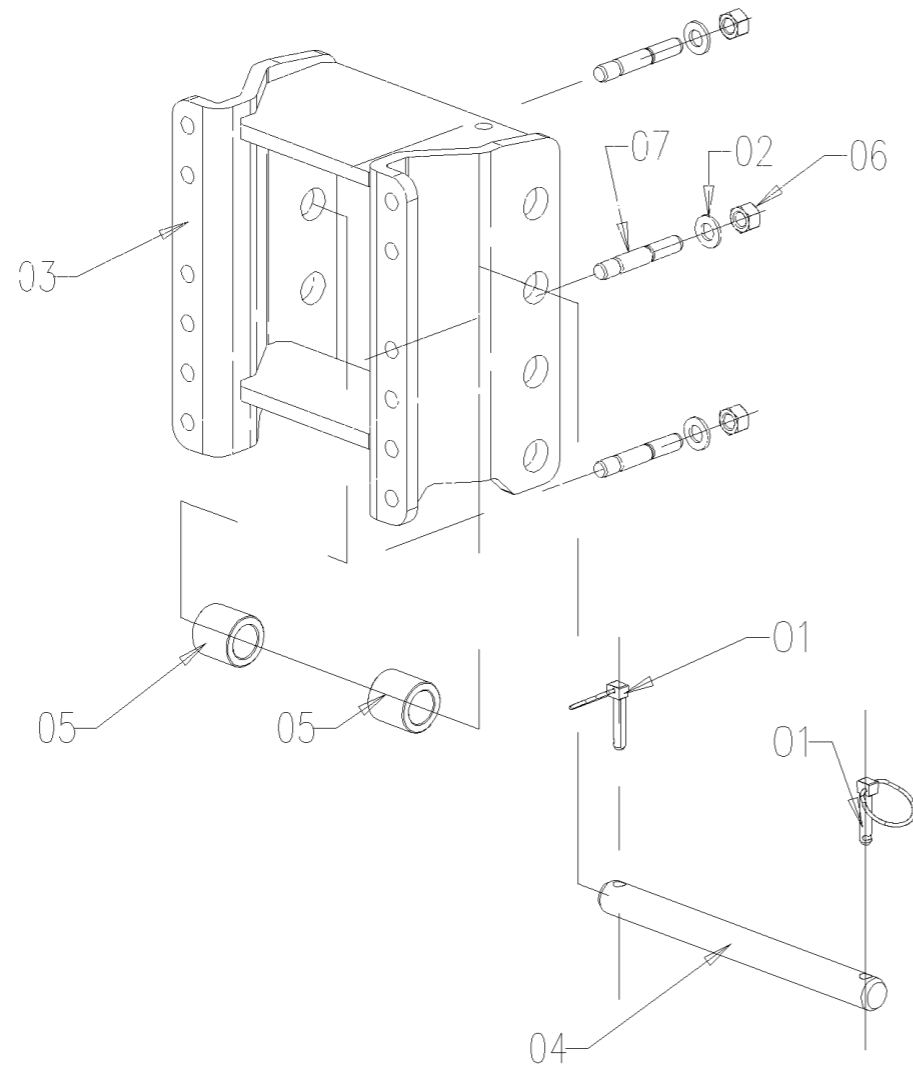
序号	零件编号	零件名称	数量	图号
1	0.020.2412.4/20	后线束 REAR WIRING	1	0.020.2412.4/20
2	0.020.2413.4	接地连接 CABINE GND WIRING	1	0.020.2413.4
3	2.7659.281.0	开关 SWITCH	2	2.7659.281.0



# A68.53.901.4 TRAILER ASSY.

## A68.53.901.4\_0 拖挂架 HITCH BRACKETS

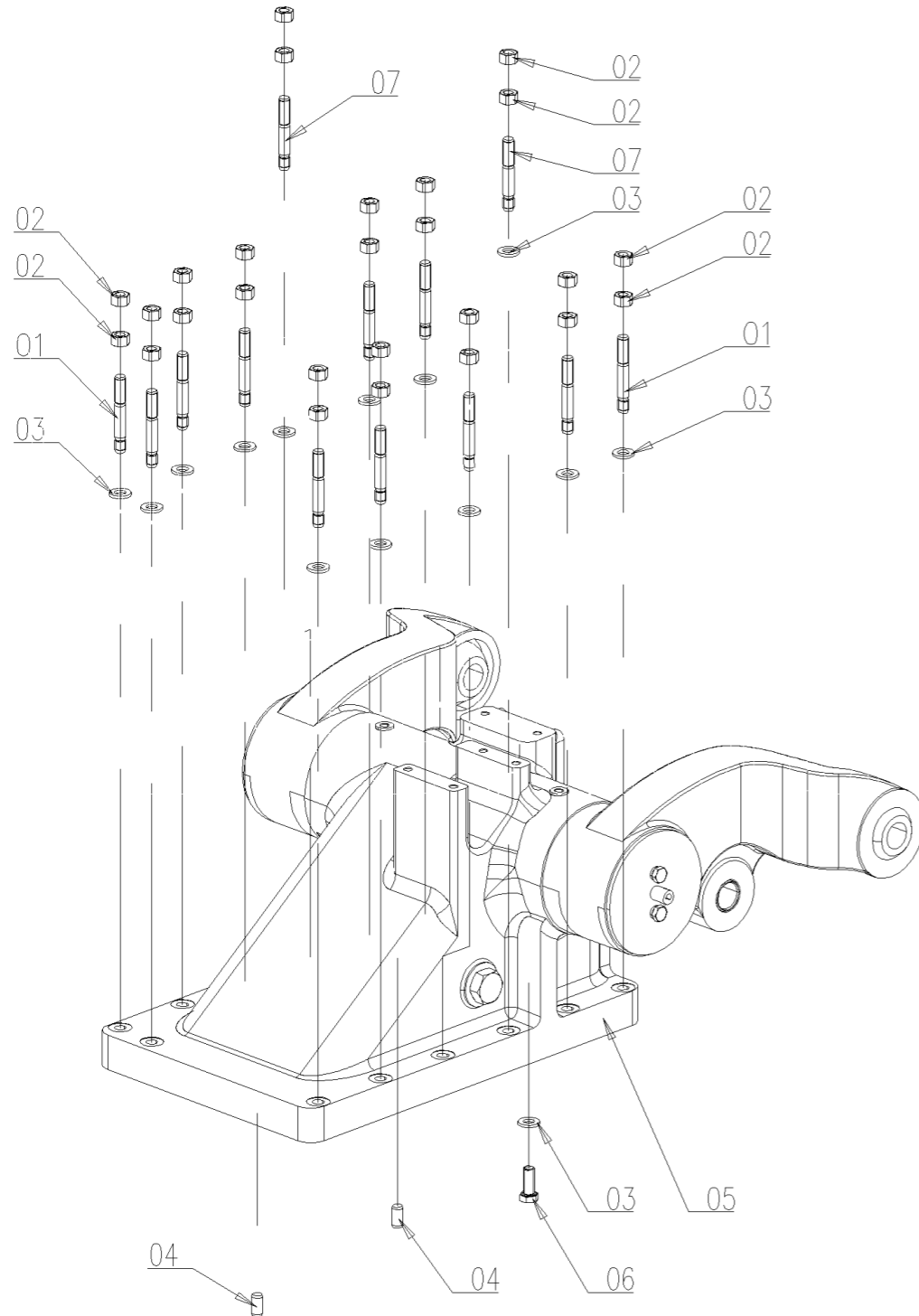
序号	零件编号	零件名称	数量	图号
1	0.010.9322.4	销 SPINA COMPLETA	4	0.010.9322.4
2	2.1475.006.2	垫圈 WASHER	16	2.1475.006.2
3	A68.53.001.2/10	拖挂架 TRAILER FRAME	1	A68.53.001.2/10
4	A68.53.003.0	长销 LONG PIN	2	A68.53.003.0
5	A68.53.004.0	隔套 SLEEVE	4	A68.53.004.0
6	GBT6170-M16-10-A3L	螺母 NUT	16	GBT6170-M16-10-A3L
7	GBT899-AM16X80-10.9-	螺柱 STUD	16	GBT899-AM16X80-10.9-A3L
8	930686	铭牌横档 I.M.TARGH.BARRA TRAI	1	930686



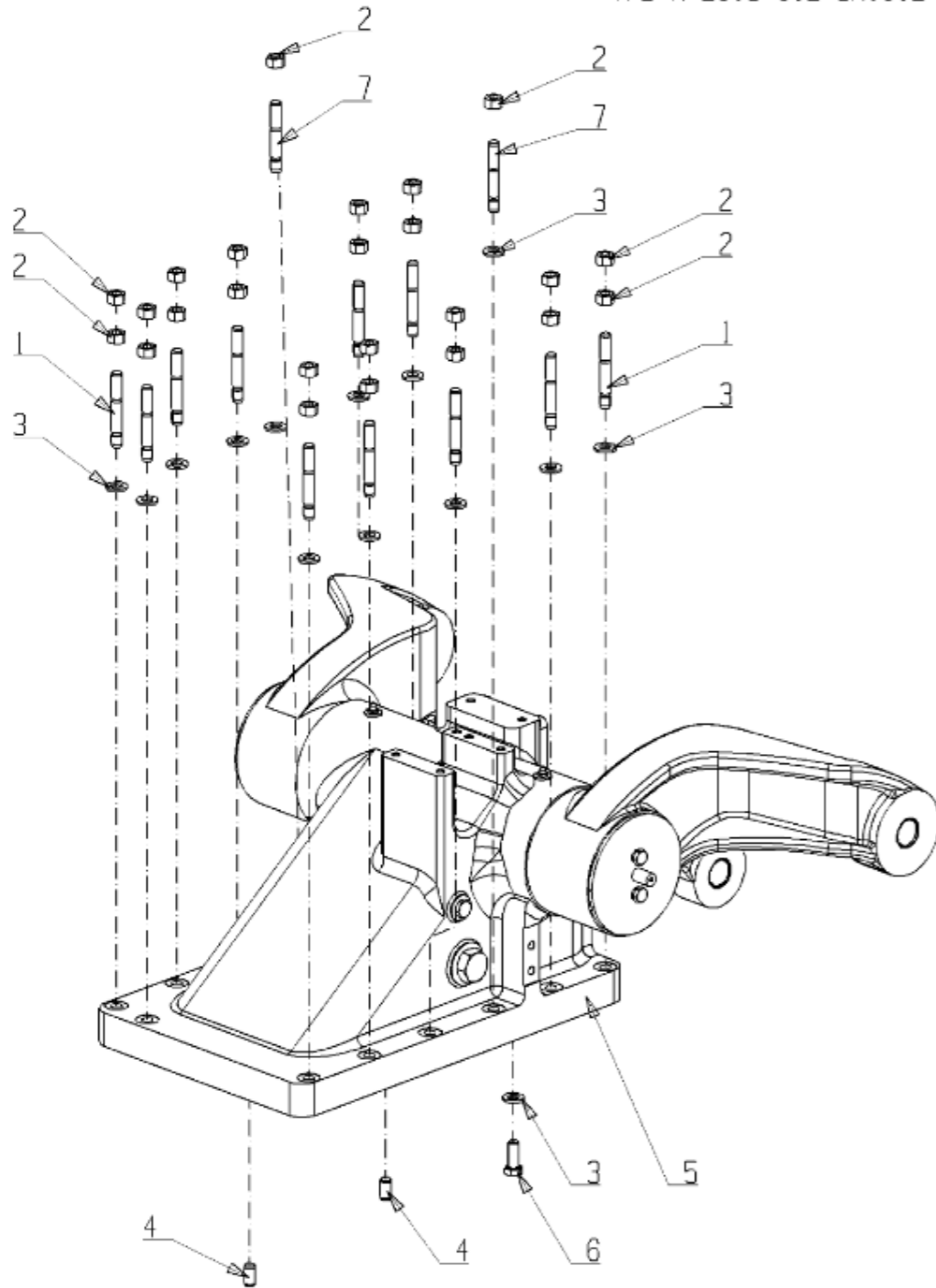
A68.55.900.4 REAR LIFT ASS.

A68.55.900.4\_2 提升器总成 REAR LIFT ASS.Y

序号	零件编号	零件名称	数量	图号
1	2.0433.269.7	螺柱 STUD M12x1.25x70	11	2.0433.269.7
2	2.1012.422.2	螺母 HEX NUT M12x1.25	26	2.1012.422.2
3	2.1475.104.7	垫圈 CONICAL WASHER M12	14	2.1475.104.7
4	2.1651.911.0	销 PARALLEL PINS OF UNHARDENED	2	2.1651.911.0
5	A68.55.001.0/20	后支撑 REAR LIFT	1	A68.55.001.0/20
6	2.0114.411.2	螺栓 SCREW M12x30	1	2.0114.411.2
7	2.0433.268.7	螺柱 STUD M12x1.25x65	2	2.0433.268.7



YFB-R-2018-012 SH.012

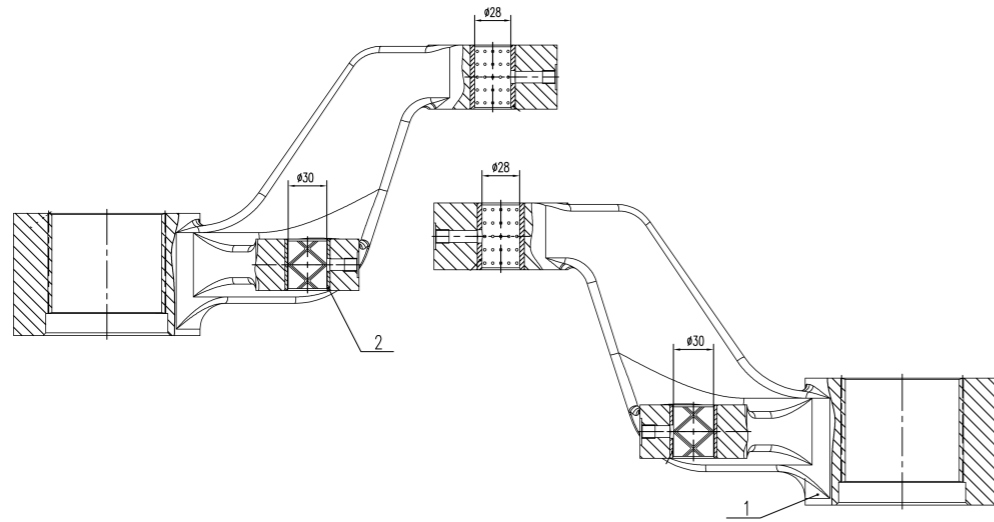


**A68.55.900.4\_5 提升器总成 REAR LIFT ASS.**

序号	零件编号	零件名称	数量	图号
1	2.0433.269.7	螺柱 M12x1.25x70 STUD M12x1.25x70	11	2.0433.269.7
2	2.1012.422.2	六角螺母 M12x1.25 HEX NUT M12x1.25	24	2.1012.422.2
3	2.1475.104.7	锥形垫圈 M12 CONICAL WASHER	14	2.1475.104.7
4	2.1651.911.0	销 PARALLEL PINS OF UNHARDENED	2	2.1651.911.0
5	A68.55.001.0/70	后提升总成 REAR LIFT ASS.Y	1	A68.55.001.0/70
6	2.0114.411.2	螺钉 M12x30 SCREW M12x30	1	2.0114.411.2
7	2.0433.268.7	螺柱 M12x1.25x65 STUD M12x1.25x65	2	2.0433.268.7

### A68.55.001.0/70 提升器总成 REAR LIFT ASS.

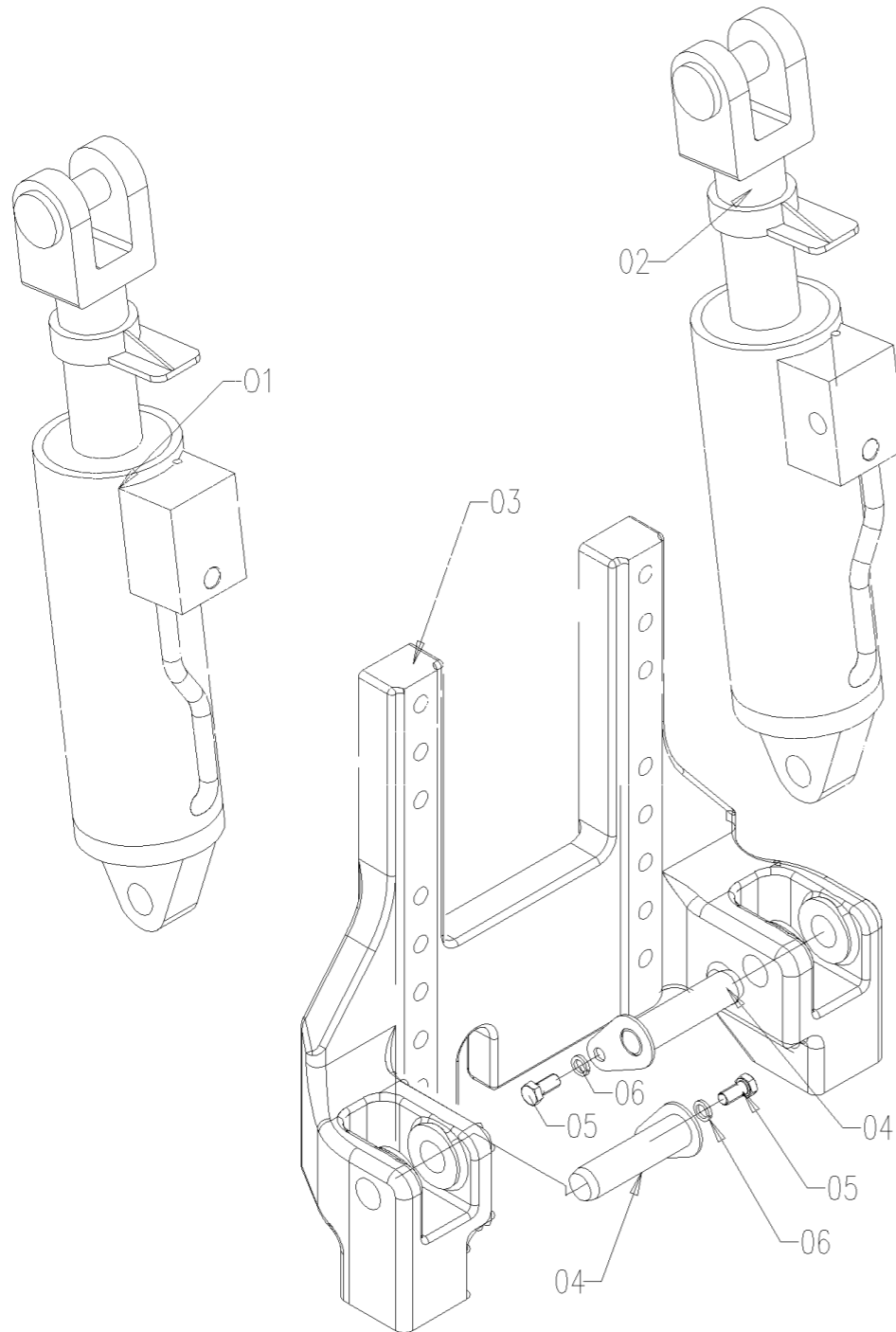
序号	零件编号	零件名称	数量	图号
1	A68.55.031.0	左提升臂总成 Left lifting arm assembly	1	A68.55.031.0
1	A68.55.032.0	右提升臂总成	1	A68.55.032.0
2	A68.55.031.0	左提升臂总成	1	A68.55.031.0
2	A68.55.032.0	右提升臂总成 Right lifting arm assembly	1	A68.55.032.0
5.1	A68.55.032.0	右提升臂总成	1	A68.55.032.0
5.2	A68.55.031.0	左提升臂总成	1	A68.55.031.0



# A68.55.901.4 LIFT CYLINDER ASS.

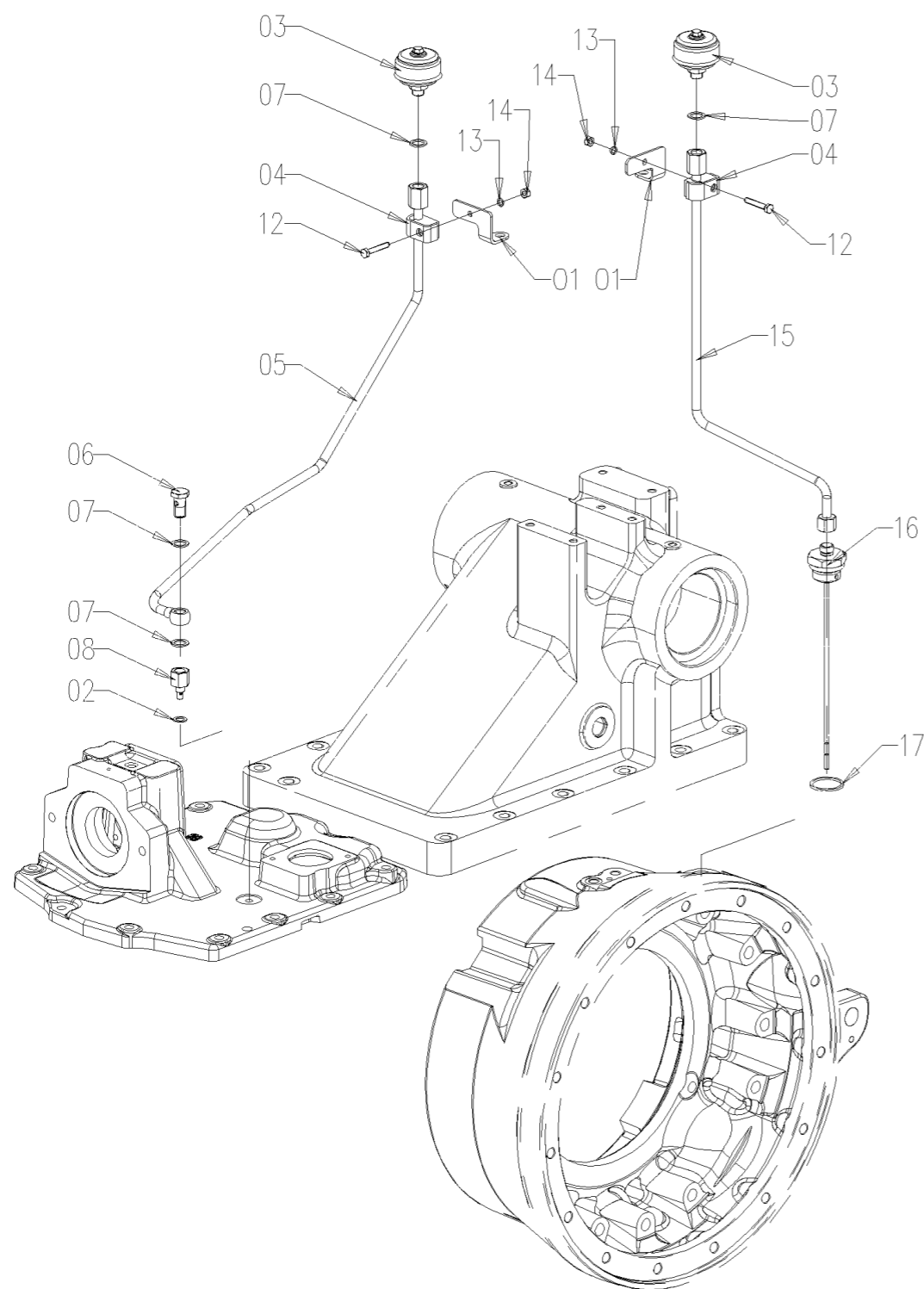
# A68.55.901.4\_2 提升器油缸总成 LIFT CYLINDER ASS.Y

序号	零件编号	零件名称	数量	图号
1	A68.55.002.0	左提升油缸总成 LH CYLINDER ASS.	1	A68.55.002.0
2	A68.55.003.0	右提升油缸总成 RH CYLINDER ASS.	1	A68.55.003.0
3	A68.55.004.0/20	提升油缸支架 CYLINDER SUPPORT	1	A68.55.004.0/20
4	A68.55.005.2	支撑轴焊件 CYL. SUPPORT SHAFT	2	A68.55.005.2
5	GBT5783-M12X25-A3L	螺栓 BOLT	2	GBT5783-M12X25-A3L
6	GBT93-12-A3L	垫圈 WASHER	2	GBT93-12-A3L

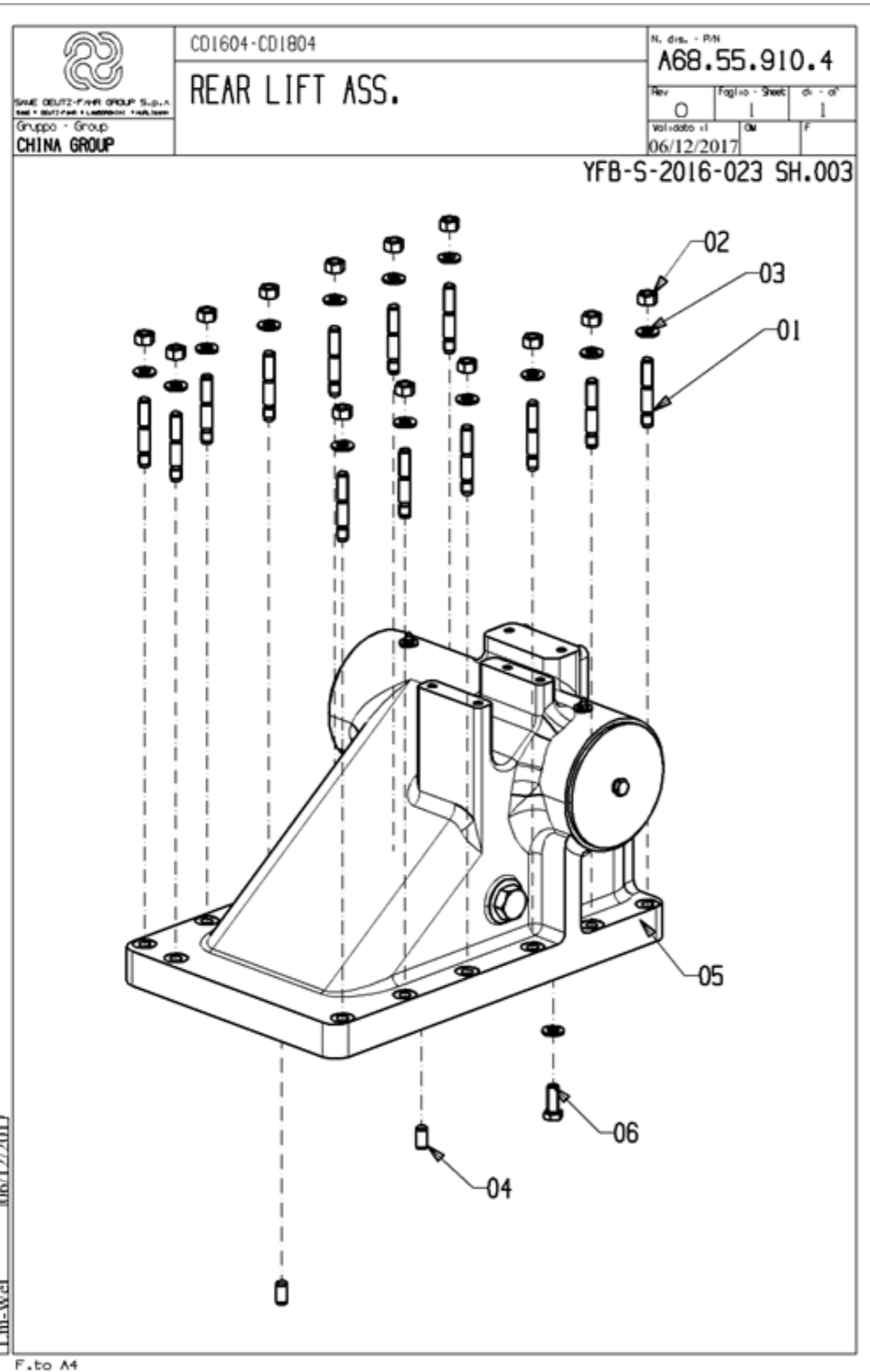


A68.55.903.4 BREATHER ASS.

A68.55.903.4\_1 齿轮箱呼吸器管路 BREATHER ASS.Y



序号	零件编号	零件名称	数量	图号
1	A68.55.017.0/10	支架 BRACKET	2	A68.55.017.0/10
2	2.1560.006.0	密封垫圈 SEALING RING	1	2.1560.006.0
3	0.445.3150.4/20	呼吸器 FILTRO ARIA PER SFIATO	2	0.445.3150.4/20
4	2.3320.103.0	管夹 TUBE CLAMP 10	2	2.3320.103.0
5	A68.55.016.3/10	通气管焊接 BREATHER PIPE	1	A68.55.016.3/10
6	2.3335.006.2	空心螺栓 BOCCH.M14x1.5x26	1	2.3335.006.2
7	2.1560.010.0	密封垫圈 SEALING RING	4	2.1560.010.0
8	2.3249.847.2	管接头M10x15 RACCORDO M10x15	1	2.3249.847.2
12	GBT5783-M6X35-A2L	螺栓 BOLT	2	GBT5783-M6X35-A2L
13	GBT93-6-A3L	垫圈 WASHER	2	GBT93-6-A3L
14	GBT6170-M6-A2L	螺母 NUT	2	GBT6170-M6-A2L
15	A68.55.020.3	通气管焊接 BREATHER PIPE	1	A68.55.020.3
16	A68.55.019.3	油尺焊接 OIL RULER WELDED	1	A68.55.019.3
17	2.1560.056.0	密封垫圈 SEALING RING	1	2.1560.056.0



### A68.55.910.4\_0 提升器总成 REAR LIFT ASS.Y

序号	零件编号	零件名称	数量	图号
1	2.0433.267.7	螺柱 STUD	13	2.0433.267.7
2	2.1012.422.2	螺母 NUT	13	2.1012.422.2
3	2.1475.104.7	垫圈 WASHER	14	2.1475.104.7
4	2.1651.911.0	销 PARALLEL PINS OF UNHARDENED	2	2.1651.911.0
5	A68.55.006.0	提升器 REAR LIFT	1	A68.55.006.0
6	2.0114.411.2	螺栓 BOLT	1	2.0114.411.2

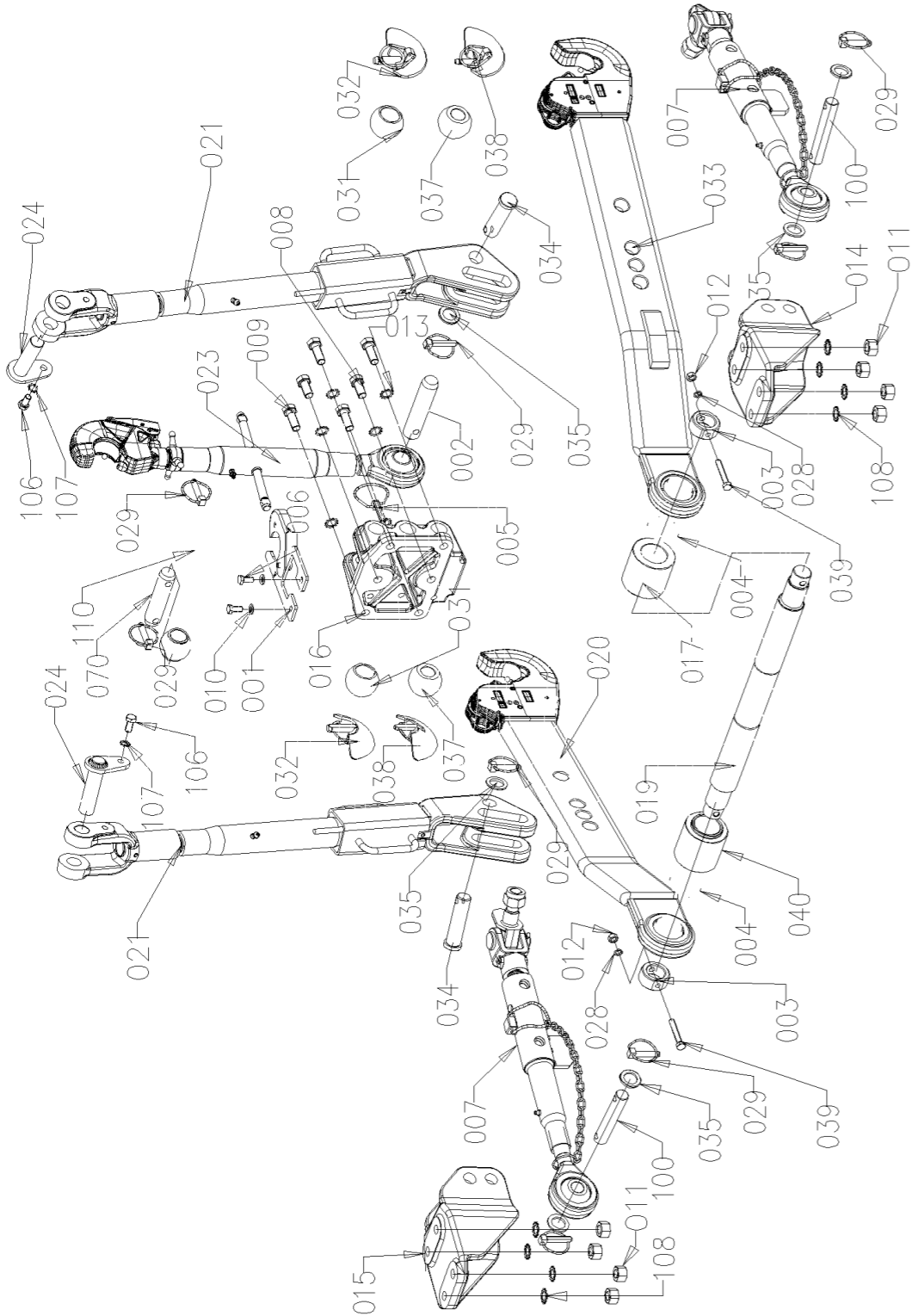


# A68.56.900.4 3 POINT LINKAGE

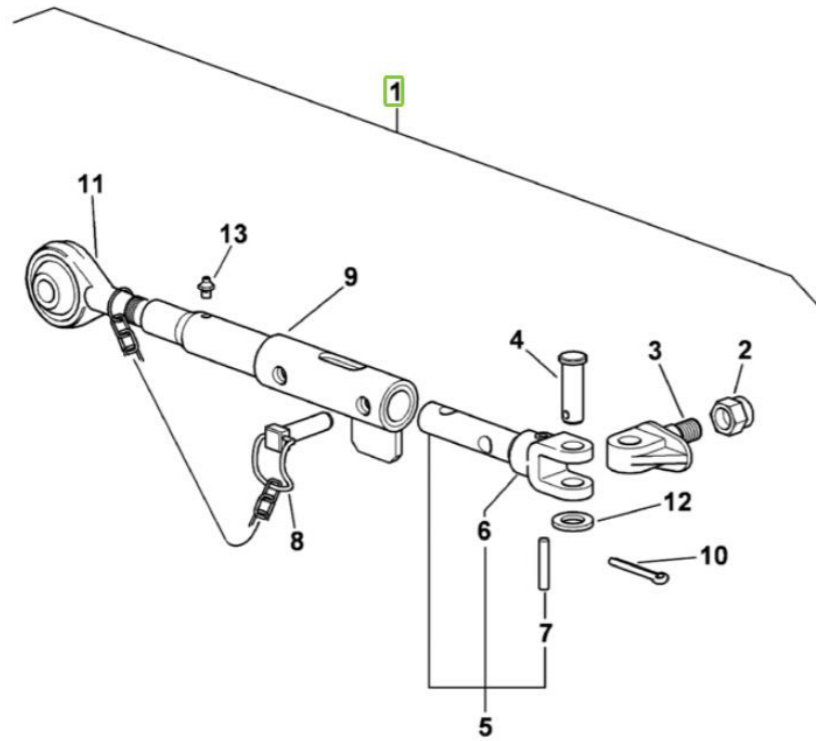
# A68.56.900.4\_2 三点悬挂 3 POINT LINKAGE

序号	零件编号	零件名称	数量	图号
1	A68.56.003.4/10	支架总成 BRACKET ASS.LY	1	A68.56.003.4/10
2	0.760.2212.0	销 PIN	1	0.760.2212.0
3	A68.56.008.0/10	轴套 ANELLO DI SPALLAMENTO	2	A68.56.008.0/10
4	0.96081.53.0	垫圈 ANELLO DI SPALLAMENTO	2	0.96081.53.0
5	0.760.2257.3	销 SPINA	1	0.760.2257.3
6	2.0112.308.2	六角螺栓 M10x1.5x22 HEX BOLT	2	2.0112.308.2
7	0.010.5222.4/80	限位杆 STABILIZZATORE COMPLETO	2	0.010.5222.4/80
8	2.0112.613.2	六角螺栓 M16x2x35 HEX BOLT	2	2.0112.613.2
9	2.0112.617.2	六角螺栓 M16x2x45 HEX BOLT	4	2.0112.617.2
10	2.1475.103.2	锥形垫圈 M10 CONICAL WASHER	2	2.1475.103.2
11	2.1011.310.2	螺母 M18x1.5 NUT M18x1.5	8	2.1011.310.2
12	GB/T6172-M10-A3L	螺母 NUT	2	GB/T6172-M10-A3L
12	GBT6172-M10-A3L	螺母 NUT	2	GBT6172-M10-A3L
13	2.1470.009.2	锁紧垫圈 16 LOCK WASHER 16	6	2.1470.009.2
14	0.010.6427.0	支撑架 STAFFA ANCORAGGIO SX	1	0.010.6427.0
15	0.010.6426.0	支撑架 STAFFA ANCORAGGIO DX	1	0.010.6426.0
16	0.760.3810.0/50	法兰盖 FLANGIA ATTACCO PUNT	1	0.760.3810.0/50
17	A68.56.002.0	套管 BUSHING	1	A68.56.002.0
19	A68.56.001.0/10	下杆支撑轴 LOWER LINK SUPPORT	1	A68.56.001.0/10
20	A68.56.006.3/10	下拉杆 RH LOWER LINK WELDING	1	A68.56.006.3/10
21	0.010.4798.4/20	提升杆 TIRANTE REGOLABILE	2	0.010.4798.4/20
23	0.014.1419.4/10	机械上拉杆 PUNTO NE 3 PUNTO	1	0.014.1419.4/10
24	0.009.3144.2/20	销 PERNO	2	0.009.3144.2/20
28	GB/T93-10-A3L	垫圈 WASHER	2	GB/T93-10-A3L
28	GBT93-10-A3L	垫圈 WASHER	2	GBT93-10-A3L
29	0.010.9322.4	销 SPINA COMPLETA	8	0.010.9322.4
31	0.760.3954.0	圆螺母 ROTULA 3^ CATEG.	2	0.760.3954.0
32	0.016.7834.3	下拉杆球头固定卡 PROFILO CONICO	2	0.016.7834.3
33	A68.56.005.3/10	左下环焊接 LH LOWER LINK	1	A68.56.005.3/10
34	2.1679.082.2/10	销 PERNO	2	2.1679.082.2/10
35	2.1311.015.2	垫圈28 WASHER 28	6	2.1311.015.2
37	0.760.4552.0	下臂拉杆端 BALL JOINT	2	0.760.4552.0
38	0.016.7833.3	下拉杆球头固定卡 PROFILO CONICO	2	0.016.7833.3
39	GBT5783-M10X65-A3L	螺栓 BOLT	2	GBT5783-M10X65-A3L
39	GB/T5783-M10X65-A3L	螺栓 BOLT	2	GB/T5783-M10X65-A3L
40	A68.56.011.0	套管 BUSHING	2	A68.56.011.0
70	2.1669.036.2	销 32X133 PERNO 32X133	1	2.1669.036.2
100	2.1679.031.2/10	销25.4X143 PERNO 25.4X143	2	2.1679.031.2/10
106	2.0112.409.2	六角螺栓 M12x1.75x25 HEX BOLT	2	2.0112.409.2
107	2.1470.007.2	锁紧垫圈 12 LOCK WASHER 12	2	2.1470.007.2
108	2.1470.010.2	锁紧垫圈 18 LOCK WASHER 18	8	2.1470.010.2
110	0.009.2300.0	球头 BALL JOINT	1	0.009.2300.0

YFB-2016-038 SH.011



## 0.010.5222.4/80 限位杆 STABILIZZATORE COMPLETO



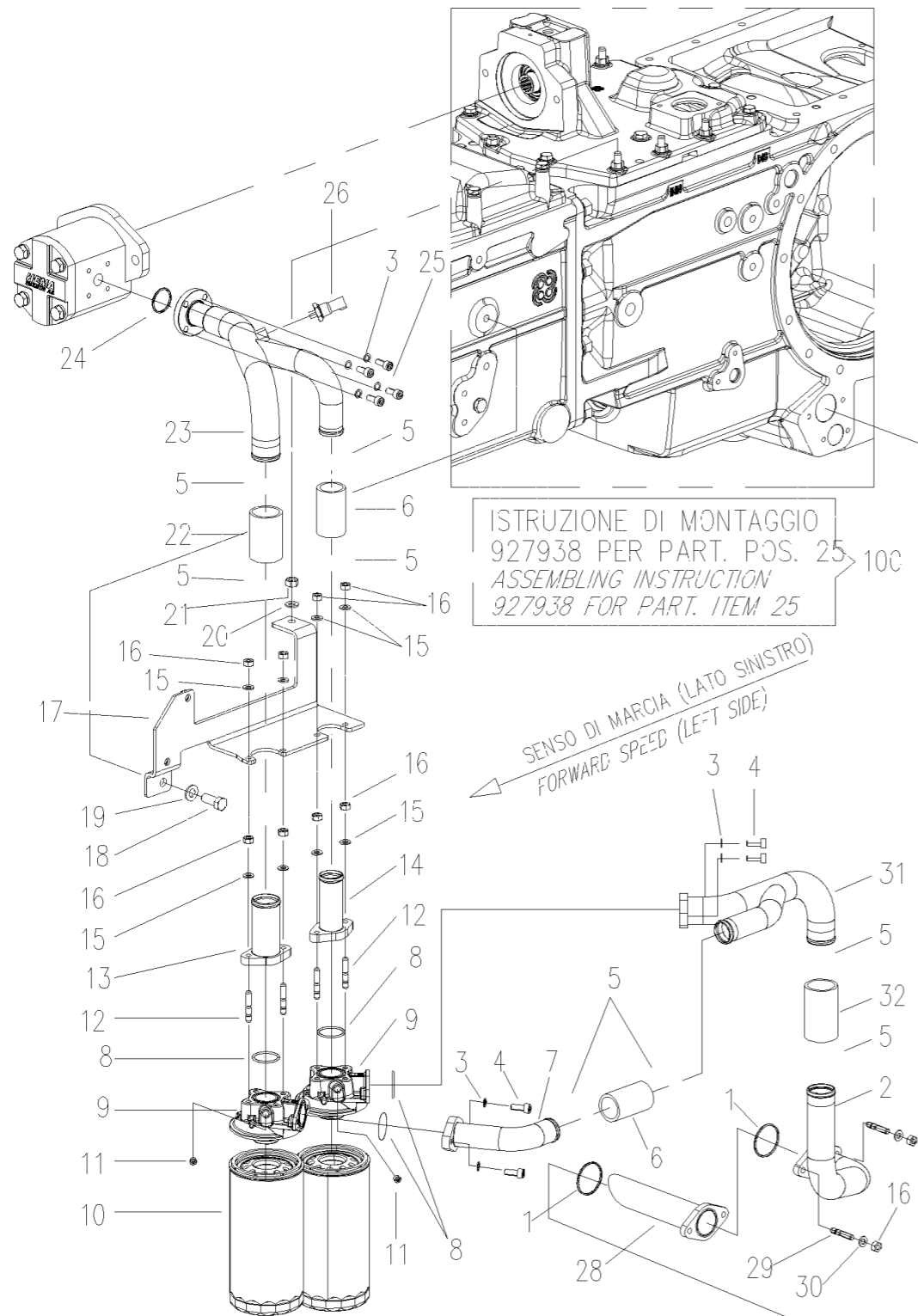
序号	零件编号	零件名称	数量	图号
1	2.1120.213.2	螺母 NUT	1	2.1120.213.2
2	0.012.4092/10	销 PIN	1	0.012.4092/10
3	2.1679.085.2	销 PIN	1	2.1679.085.2
4	0.010.5217.3/10	连杆 TIE ROD WITH FORK	1	0.010.5217.3/10
5	0.012.4364.4	锁紧销 CHAIN COMPLETE	1	0.012.4364.4
6	0.010.5228.2/10	管 PIPE	1	0.010.5228.2/10
7	2.1690.513.2	开口销 SPLIT PIN	1	2.1690.513.2
8	0.010.5226.3	连杆球头组件 THREADED TIE ROD	1	0.010.5226.3
9	2.1311.014.2	垫圈 WASHER	1	2.1311.014.2
10	2.3820.105.2	油嘴 GREASE FITTING	1	2.3820.105.2

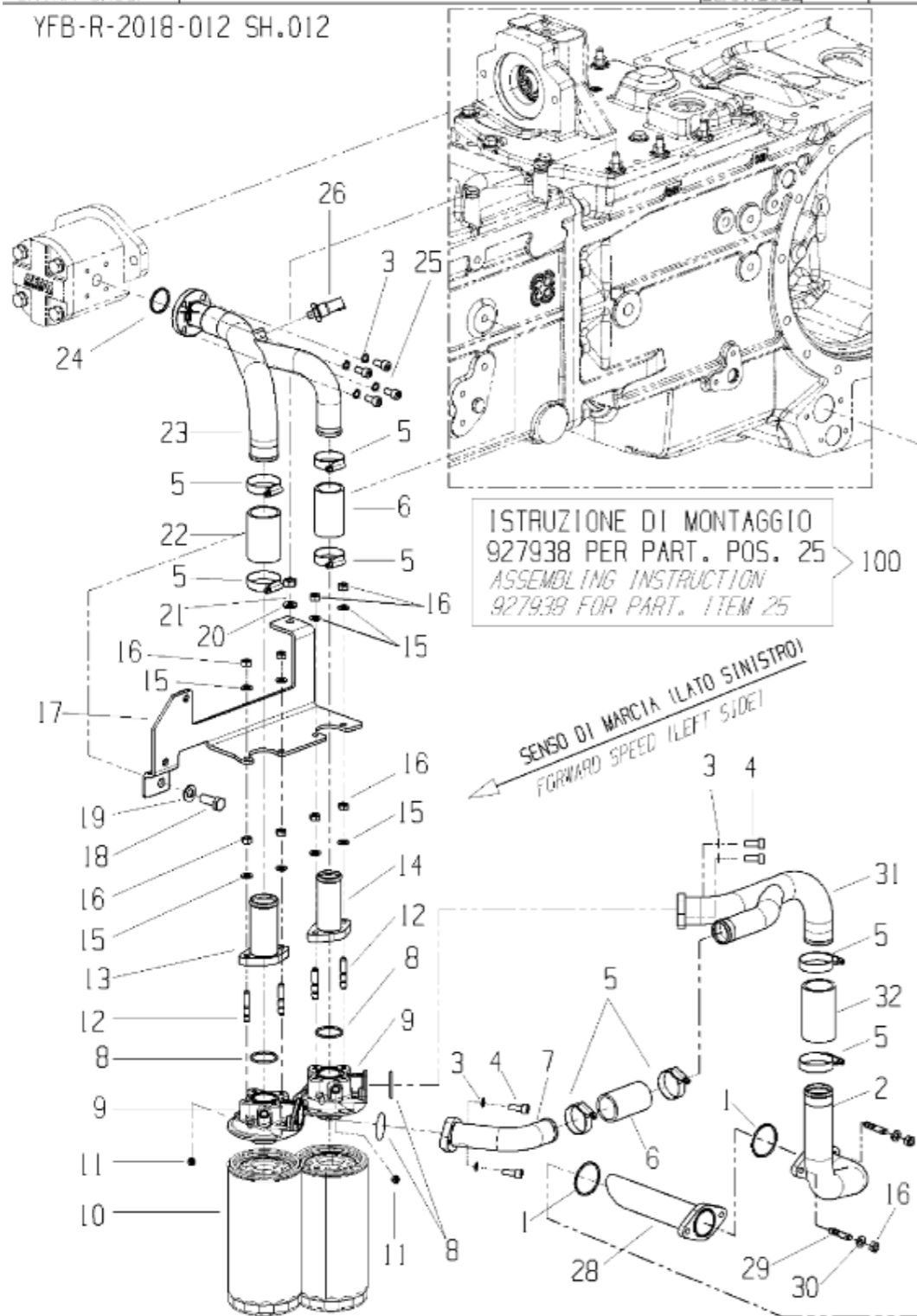
0.010.5222.4/80

A68.58.900.4  
GRUPPO ASPIRAZIONE POMPA SAC

A68.58.900.4\_0 油泵吸油总成 PUMP OIL INLET PIPES ASS.Y

序号	零件编号	零件名称	数量	图号
1	2.1530.112.0	O形圈 ANELLO OR 44.12x2.62	2	2.1530.112.0
2	0.020.9218.3/20	过滤器管道 T. 40 CAMBIO-FILTRI	1	0.020.9218.3/20
3	2.1480.014.2	垫圈 WASHER	8	2.1480.014.2
4	2.0312.206.2	螺钉 SOCKET SCREW M8x1.25x20	4	2.0312.206.2
5	2.6851.004.0	喉箍 FASCETTA	10	2.6851.004.0
6	2.3213.234.0	软管 HOSE 34x70	2	2.3213.234.0
7	0.020.9221.3	弯曲滤管 T. 34 ASPIRAZ. FLANGIA	1	0.020.9221.3
8	2.1531.091.0	O型圈 O RING	4	2.1531.091.0
9	2.4419.350.1/40	过滤器 TESTINA FILTRO OLIO	2	2.4419.350.1/40
10	2.4419.280.0/10	油滤芯 FILTRO OLIO ASPIRAZ.	2	2.4419.280.0/10
11	2.3139.007.1	螺母保护帽 TAPPO	2	2.3139.007.1
12	2.0422.209.2	螺柱 STUD M8x1.25x35	4	2.0422.209.2
13	0.020.9225.3	滤管 T. 40 ASPIRAZ. FILTRO	1	0.020.9225.3
14	0.020.9226.3	滤管 T. 34 ASPIRAZ. FILTRO	1	0.020.9226.3
15	2.1310.004.2	垫圈 WASHER	8	2.1310.004.2
16	2.1011.105.2	螺母 NUT	10	2.1011.105.2
17	0.020.9255.3/10	焊合固定支架 STAFFA FIX FILTRI	1	0.020.9255.3/10
18	2.0114.411.2	螺栓 SCREW M12x30	1	2.0114.411.2
19	2.1310.007.2	垫圈 WASHER 12	1	2.1310.007.2
20	2.1310.006.2	垫圈 WASHER	1	2.1310.006.2
21	2.1011.421.2	螺母 NUT M10x1.25	1	2.1011.421.2
22	2.3213.240.0	软管 HOSE 40x70	1	2.3213.240.0
23	A68.58.027.3	钢管 T.40 FILTRO-POMPA SAC	1	A68.58.027.3
24	2.1532.087.0	O形圈 O RING	1	2.1532.087.0
25	2.0312.205.2	螺钉 SOCKET SCREW M8x1.25x18	4	2.0312.205.2
26	2.7099.660.0/10	压力传感器 PRESS.OLIO 0.5/0.4 B	1	2.7099.660.0/10
28	0.021.6252.3	过滤器管道 T. 40 CAMBIO-FILTRI	1	0.021.6252.3
29	2.0422.207.2	螺柱 STUD M8x1.25x30	2	2.0422.207.2
30	2.1475.102.2	垫圈 CONICAL WASHER M8	2	2.1475.102.2
31	0.021.7508.3	过滤器管道 T. 40 CAMBIO-FILTRI	1	0.021.7508.3
32	2.3213.340.0	软管 HOSE 40x80	1	2.3213.340.0





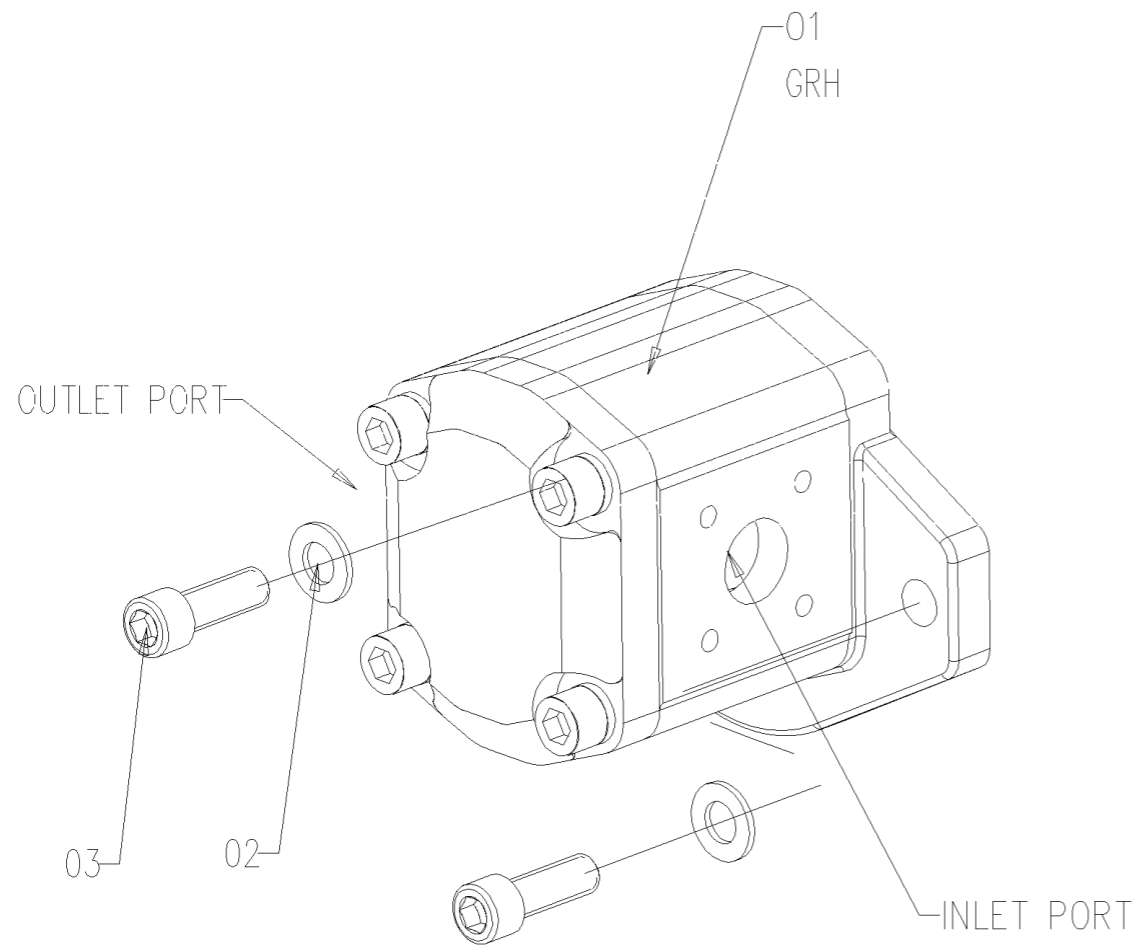
A68.58.900.4\_1 油泵吸油总成 PUMP OIL INLET PIPES ASS.Y

序号	零件编号	零件名称	数量	图号
1	2.1530.112.0	O型圈 ANELLO OR 44.12x2.62	2	2.1530.112.0
2	0.020.9218.3/20	过滤器管道 T. 40 CAMBIO-FILTRI	1	0.020.9218.3/20
3	2.1480.014.2	垫圈 CONICAL WASHER M8	8	2.1480.014.2
4	2.0312.206.2	螺钉 SOCKET SCREW M8x1.25x20	4	2.0312.206.2
5	2.6851.004.0	软管夹 HOSE CLAMP 32-50	8	2.6851.004.0
6	2.3213.234.0	软管 HOSE 34x70	2	2.3213.234.0
7	0.020.9221.3	弯曲滤管 T. 34 ASPIRAZ. FLANGIA	1	0.020.9221.3
8	2.1531.091.0	O型圈 ANELLO OR 34.60X2.62	4	2.1531.091.0
9	2.4419.350.1/40	过滤器 TESTINA FILTRO OLIO	2	2.4419.350.1/40
10	2.4419.280.0/10	油滤芯 FILTRO OLIO ASPIRAZ.	2	2.4419.280.0/10
11	2.3139.007.1	螺母保护帽 TAPPO	2	2.3139.007.1
12	2.0422.209.2	螺柱 STUD M8x1.25x35	4	2.0422.209.2
13	0.020.9225.3	滤管 T. 40 ASPIRAZ. FILTRO	1	0.020.9225.3
14	0.020.9226.3	滤管 T. 34 ASPIRAZ. FILTRO	1	0.020.9226.3
15	2.1310.004.2	垫圈 WASHER 8	8	2.1310.004.2
16	2.1011.105.2	螺母 NUT M8x1.25	10	2.1011.105.2
17	0.020.9255.3/10	焊合固定支架 STAFFA FIX FILTRI	1	0.020.9255.3/10
18	2.0114.411.2	螺栓 SCREW M12x30	1	2.0114.411.2
19	2.1310.007.2	垫圈 WASHER 12	1	2.1310.007.2
20	2.1310.006.2	垫圈 WASHER 10	1	2.1310.006.2
21	2.1011.421.2	螺母 NUT M10x1.25	1	2.1011.421.2
22	2.3213.240.0	软管 HOSE 40x70	1	2.3213.240.0
23	A68.58.027.3	钢管 T.40 FILTRO-POMPA SAC	1	A68.58.027.3
24	2.1532.087.0	O型圈 ANELLO OR 32.99x2.62	1	2.1532.087.0
25	2.0312.205.2	螺钉 SOCKET SCREW M8x1.25x18	4	2.0312.205.2
26	2.7099.660.0/10	压力传感器 PRESS.OLIO 0.5/0.4 B	1	2.7099.660.0/10
28	0.021.6252.3	过滤器管道 T. 40 CAMBIO-FILTRI	1	0.021.6252.3
29	2.0422.207.2	螺柱 STUD M8x1.25x30	2	2.0422.207.2
30	2.1475.102.2	锥形垫圈 CONICAL WASHER M8	2	2.1475.102.2
31	0.021.7508.3	过滤器管道 T. 40 CAMBIO-FILTRI	1	0.021.7508.3
32	2.3213.340.0	软管 HOSE 40x80	1	2.3213.340.0

# A68.58.901.4 GEAR PUMP 28CC

## A68.58.901.4\_0 28CC 液压泵 GEAR PUMP 28CC

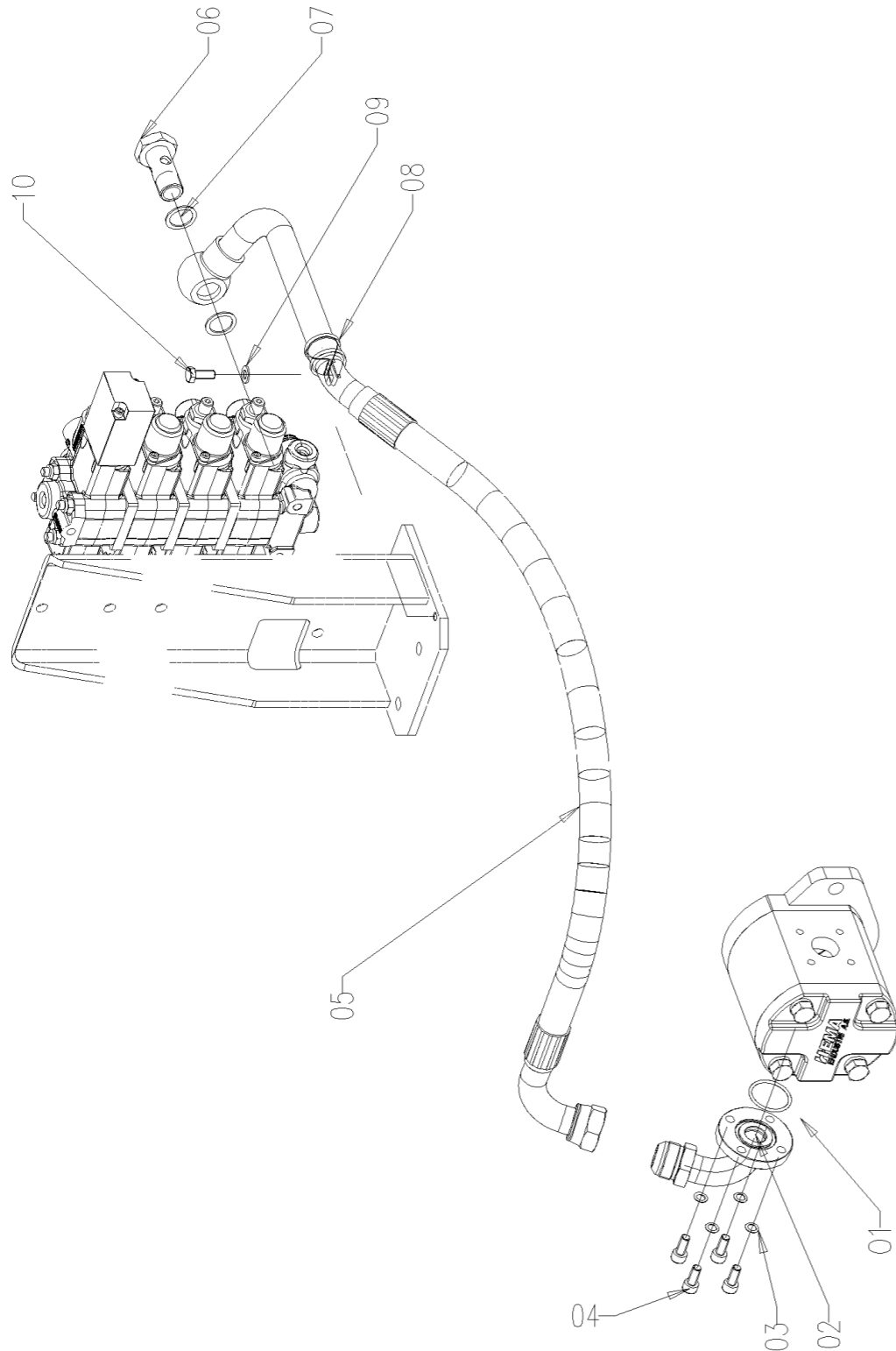
序号	零件编号	零件名称	数量	图号
1	A68.58.026.0	齿轮泵 28CC GEAR PUMP 28CC	1	A68.58.026.0
2	2.1475.004.2	垫圈 CONICAL WASHERS M12	2	2.1475.004.2
3	2.0312.412.2	螺钉 SCREW	2	2.0312.412.2



A68.58.902.4 IMP.POMPA 28CC A DISTR. POST.

A68.58.902.4\_1 提升与分配器油路 LIFT AND DISTRIBUTOR OIL PIPES

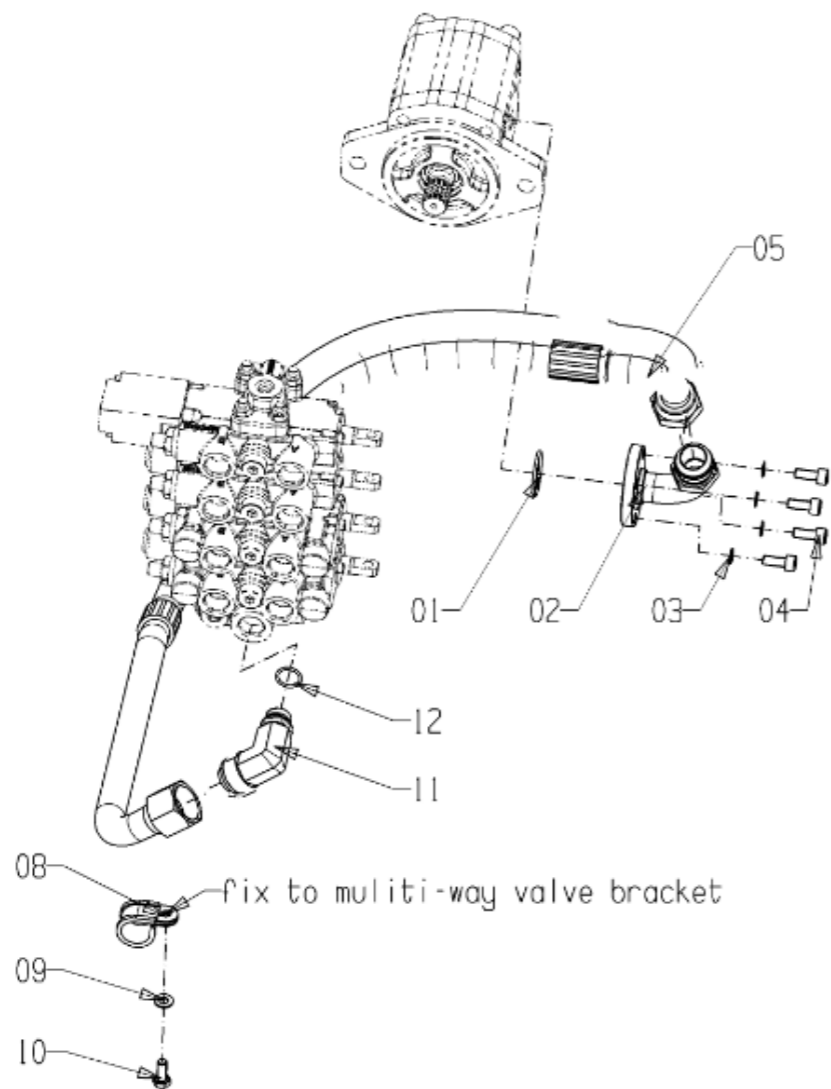
序号	零件编号	零件名称	数量	图号
1	2.1531.091.0	O型圈 O RING	1	2.1531.091.0
2	0.020.9230.3	泵出油管接头 TUBO 25 MAND. DISTR.	1	0.020.9230.3
3	2.1480.014.2	垫圈 WASHER	4	2.1480.014.2
4	2.0312.206.2	螺钉 SOCKET SCREW M8x1.25x20	4	2.0312.206.2
5	A68.58.001.3/10	泵出油管接头 TUBO 3/4" MAND.	1	A68.58.001.3/10
6	A68.58.023.0	空心螺栓 HOLLOW BOLT M22X1.5	1	A68.58.023.0
7	2.1560.018.0	密封垫圈 SEALING RING	2	2.1560.018.0
8	2.6839.054.0	夹子 FASCETTA	1	2.6839.054.0
9	2.1310.004.2	垫圈 WASHER	1	2.1310.004.2
10	2.0112.207.2	螺栓 BOLT	1	2.0112.207.2



 DEUTZ-FAHR GROUP S.p.A. Gruppo - Group	CD2104 SERIES YUCHAI	N. dis. - P/N A68.58.902.4
	IMP. POMPA 28CC A DISTR. POST.	Rev 3 Validato: 00

NON VALIDATO

YFB-R-2018-012 SH.005



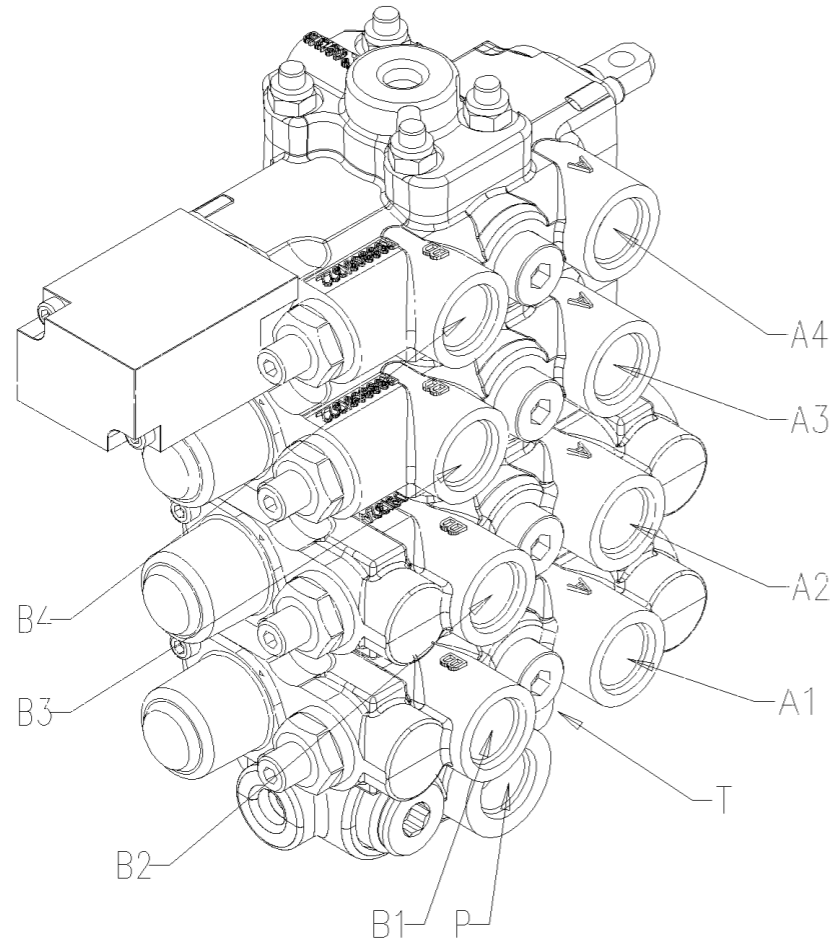
### A68.58.902.4\_3 齿轮泵出油管总成 IMP.POMPA 28CC A DISTR. POST.

序号	零件编号	零件名称	数量	图号
1	2.1531.091.0	O形圈 34.60X2.62 ANELLO OR	1	2.1531.091.0
2	0.020.9230.3	泵出油管接头 TUBO 25 MAND. DISTR.	1	0.020.9230.3
3	2.1480.014.2	锥形垫圈 M8 CONICAL WASHER M8	4	2.1480.014.2
4	2.0312.206.2	内六角螺栓 M8x1.25x20 SOCKET	4	2.0312.206.2
5	A68.58.001.3/30	泵出油管接头 VALVE INLET PIPE ASS.	1	A68.58.001.3/30
8	2.6839.054.0	线夹 FASCETTA	1	2.6839.054.0
9	2.1310.004.2	垫圈 8 WASHER 8	1	2.1310.004.2
10	2.0112.207.2	六角螺栓 M8x1.25x20 HEX BOLT	1	2.0112.207.2
11	C63.58.030.3/10	接头 FITTING	1	C63.58.030.3/10
12	GBT3452.1-19.3X2.2-G	O形圈 O RING	1	GBT3452.1-19.3X2.2-G

### A68.58.903.4 SPOOL VALVE 8 WAYS

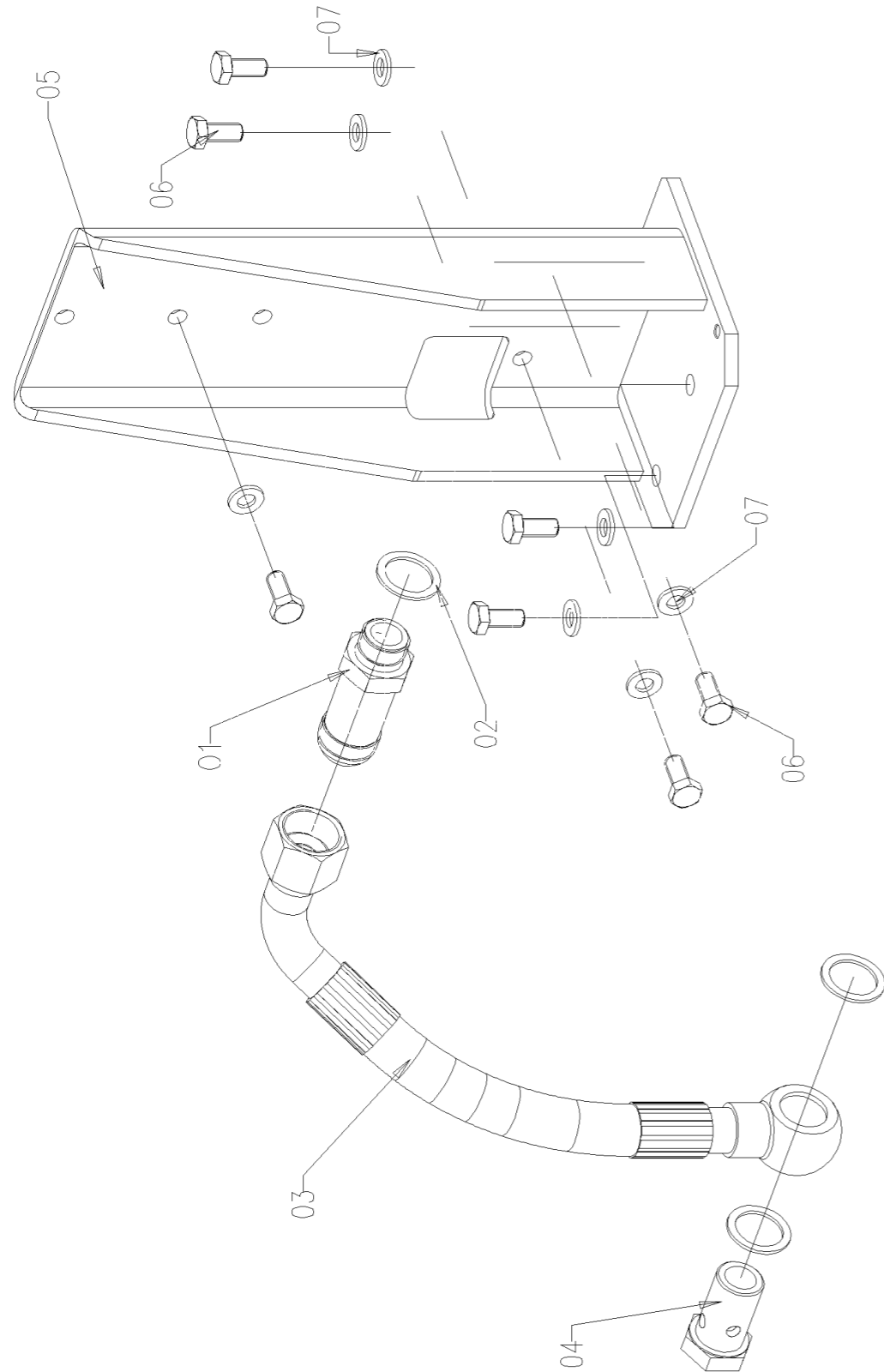
### A68.58.903.4\_0 8 路阀 SPOOL VALVE 8 WAYS

序号	零件编号	零件名称	数量	图号
1	A31.58.001.0	多路阀 MULTIWAY VALVE	1	A31.58.001.0
1.1	ROS12L1X	分配器阀块 分配器阀块	1	ROS12L1X





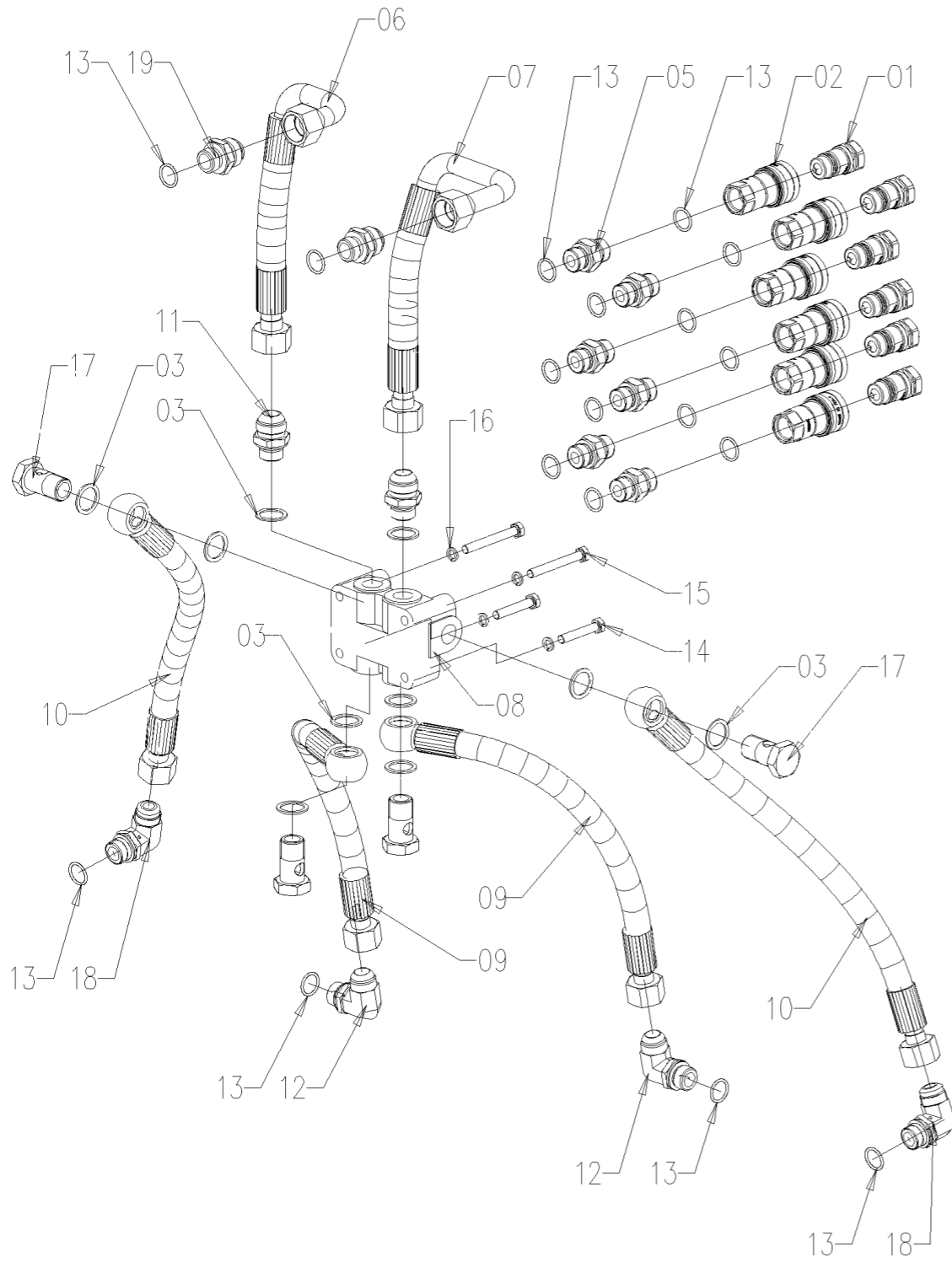
# A68.58.904.4 BASIC C. VALVE PIPING



# A68.58.904.4\_2 多路阀油管总成 VALVE OIL PIPES ASS.Y

序号	零件编号	零件名称	数量	图号
1	A68.58.030.0	管件 M27x2-1 5/16 FITTING M27x2-1	1	A68.58.030.0
2	A68.58.003.0	密封环 SEALING RING 27.3x36	3	A68.58.003.0
3	A68.58.002.3/20	回油接头焊合 RETURN PIPE ASS.	1	A68.58.002.3/20
4	SH900.58.101	空心螺栓 HOLLOW BOLT M27X1.5	1	SH900.58.101
5	A68.58.005.2/10	固定支撑销 STAFFA FIX. DISTRIB.	1	A68.58.005.2/10
6	2.0112.308.2	螺栓 HEX BOLT M10x1.5x22	7	2.0112.308.2
7	2.1475.103.2	垫圈 CONICAL WASHER M10	7	2.1475.103.2

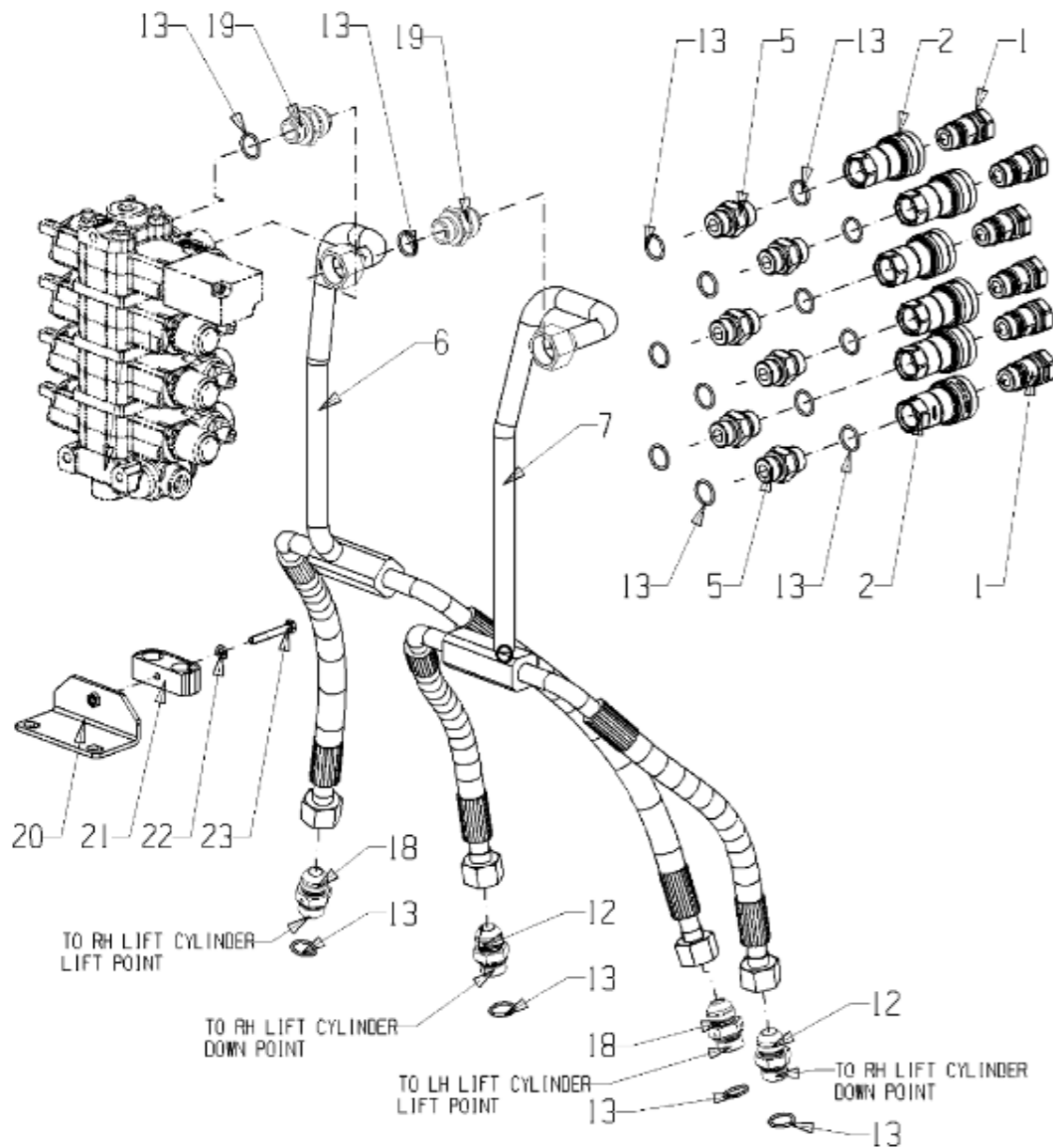
# A68.58.905.4 HYDRAULIC OUTPUT ASS.



## A68.58.905.4\_2 多路阀出油管路总成 LIFT AND DISTRIBUTOR OIL PIPES

序号	零件编号	零件名称	数量	图号
1	A02.58.094.0	快换接头 M. QUICK COUPLER	6	A02.58.094.0
2	A02.58.093.0	快换接头 F. QUICK COUPLER	6	A02.58.093.0
3	2.1560.018.0	密封垫圈 SEALING RING	10	2.1560.018.0
5	A08.58.101.0	管件 M22X1.5F-M22X1.5F FITTING	6	A08.58.101.0
6	A68.58.008.3/20	阀门出口管 VALVE OUTLET PIPE ASS.	1	A68.58.008.3/20
7	A68.58.009.3/30	阀门出口管2 VALVE OUTPUT PIPE	1	A68.58.009.3/30
8	A68.58.010.0/10	接线板 DISTRIBUTER BLOCK	1	A68.58.010.0/10
9	A68.58.011.3	进气管 CYL. INLET PIPE 1	2	A68.58.011.3
10	A68.58.012.3	进气管 CYL. INLET PIPE2	2	A68.58.012.3
11	GBT5625-08-A18/M22X1.5	接头体 FITTING	2	GBT5625-08-A18/M22X1.5
12	GBT5631-08-A16F	接头体 RIGHT ANGEL FITTING	2	GBT5631-08-A16F
13	GBT3452.1-19.3X2.2-G	O形圈 O RING	18	GBT3452.1-19.3X2.2-G
14	GBT5783-M8X45-A2L	螺栓 BOLT	2	GBT5783-M8X45-A2L
15	GBT5783-M8X65-A2L	螺栓 BOLT	2	GBT5783-M8X65-A2L
16	GBT93-8-A3L	垫圈 WASHER	4	GBT93-8-A3L
17	SH904.58.168	空心螺栓 HOLLOW BOLT	4	SH904.58.168
18	A68.58.020.4	减速阀 SLOW DOWN VALVE ASS.	2	A68.58.020.4
19	GBT5625-08-	接头体 FITTING	2	GBT5625-08-A18/M22X1.5F

YFB-R-2018-012 SH.012



NOTE:
   
 Parts 1 are placed in the accessories box.

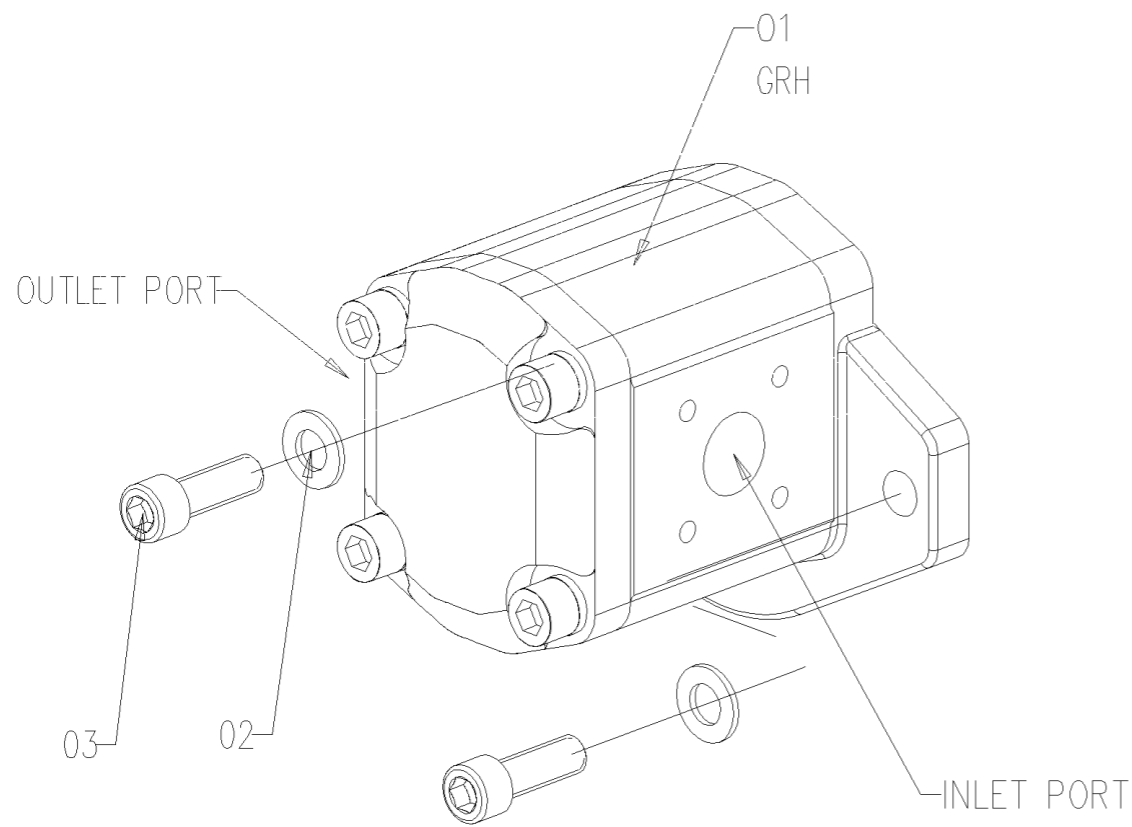
A68.58.905.4\_4 多路阀出油管路总成 VALVE DELIVERY ASS.Y

序号	零件编号	零件名称	数量	图号
1	A02.58.094.0	快速耦合器 M. QUICK COUPLER	6	A02.58.094.0
2	A02.58.093.0	快速耦合器 F. QUICK COUPLER	6	A02.58.093.0
5	A08.58.101.0	管接头 FITTING M22X1.5F-M22X1.5F	6	A08.58.101.0
6	A68.58.041.3/10	气缸进气管组件-L CYL.INLET PIPE	1	A68.58.041.3/10
7	A68.58.042.3	气缸进气管组件-D CYL.INLET PIPE	1	A68.58.042.3
12	GBT5625-08-	接头 FITTING	2	GBT5625-08-A16/M22x1.5F
13	GBT3452.1-19.3X2.2-G	O型圈 O RING	18	GBT3452.1-19.3X2.2-G
18	B06.58.024.4	减速阀组件 SLOW DOWN VALVE ASS.	2	B06.58.024.4
19	GBT5625-08-	接头 FITTING	2	GBT5625-08-A18/M22X1.5F
20	C63.58.011.3/10	管支架 PIPE BRACKET	1	C63.58.011.3/10
21	2.3320.319.0	管形夹具 TUBE CLAMP 18-18	1	2.3320.319.0
22	2.1310.002.2	垫圈 WASHER 6	1	2.1310.002.2
23	2.0112.017.2	螺栓 HEX BOLT M6x1x45	1	2.0112.017.2

# A68.58.911.4 GEAR PUMP 34CC

## A68.58.911.4\_0 34CC 液压泵 PUMP 34 CC

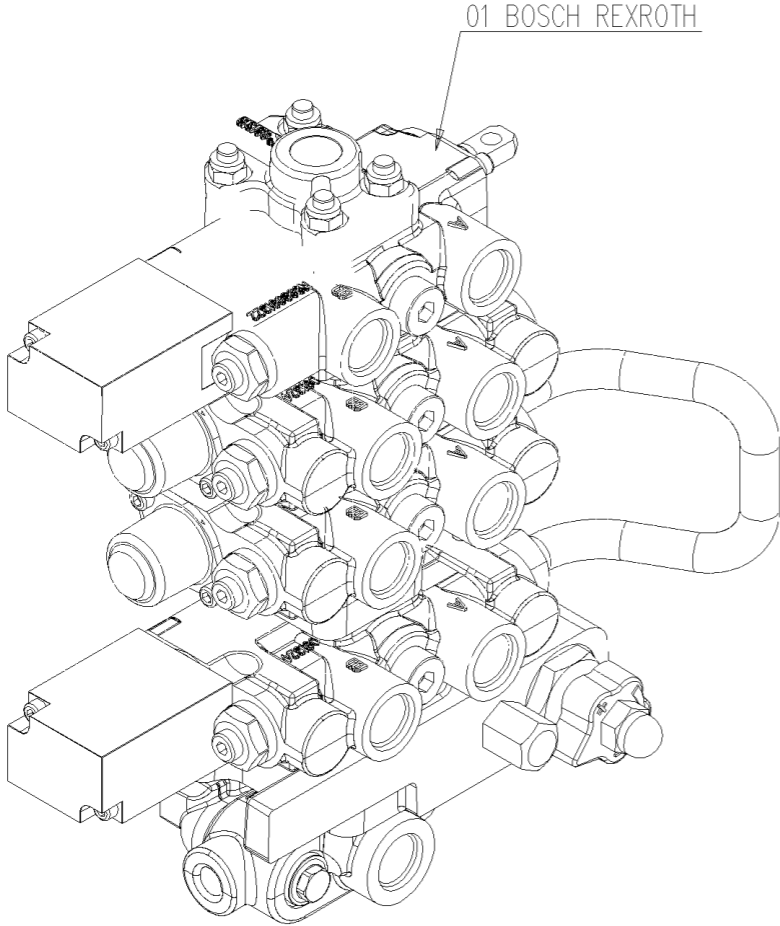
序号	零件编号	零件名称	数量	图号
1	A68.58.040.0	齿轮泵 34CC GEAR PUMP 34CC	1	A68.58.040.0
2	2.1475.004.2	垫圈 CONICAL WASHERS M12	2	2.1475.004.2
3	2.0312.412.2	螺钉 SCREW	2	2.0312.412.2

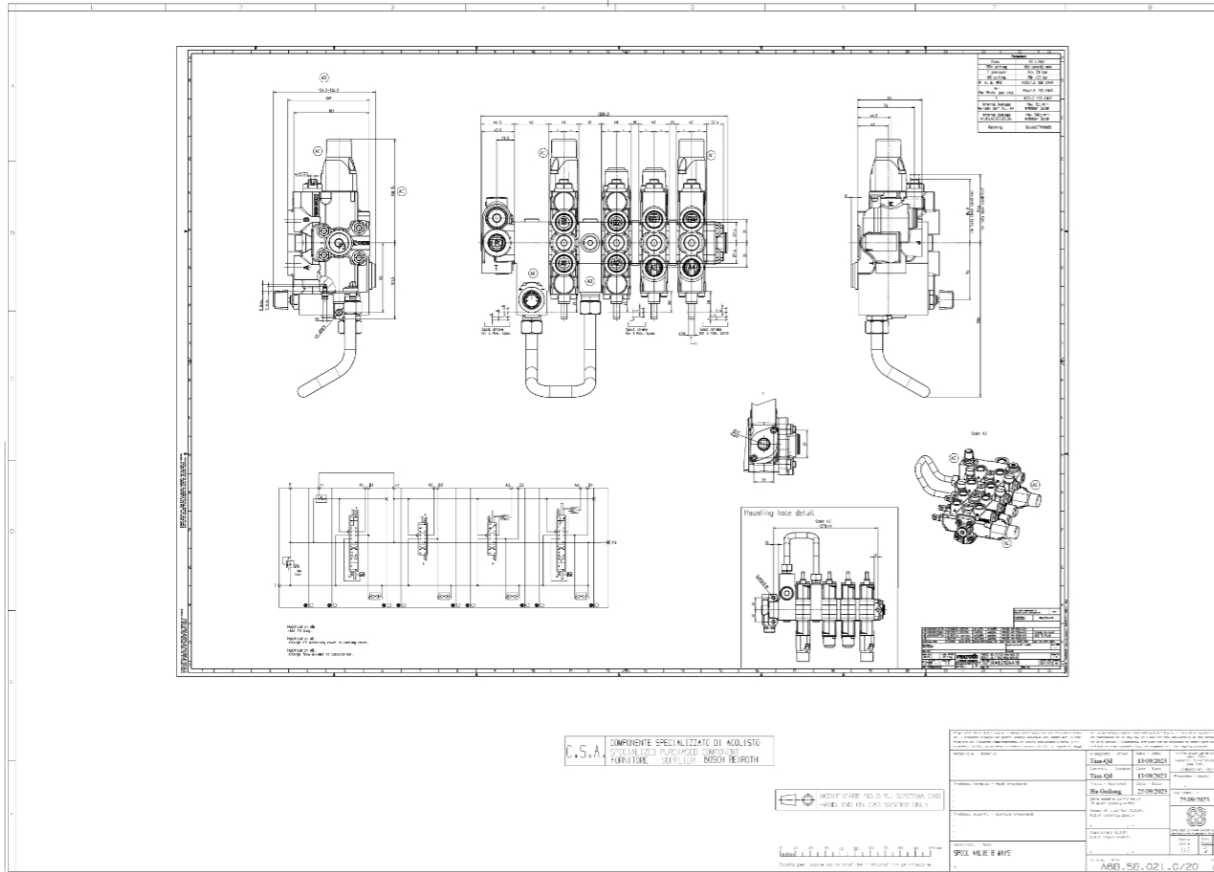


A68.58.913.4 SPOOL VALVE 8 WAYS FR

A68.58.913.4\_2 8路流量控制阀 SPOOL VALVE 8 WAYS FR

序号	零件编号	零件名称	数量	图号
1	A68.58.021.0/10	8路滑阀 8 WAYS SPOOL VALVE	1	A68.58.021.0/10





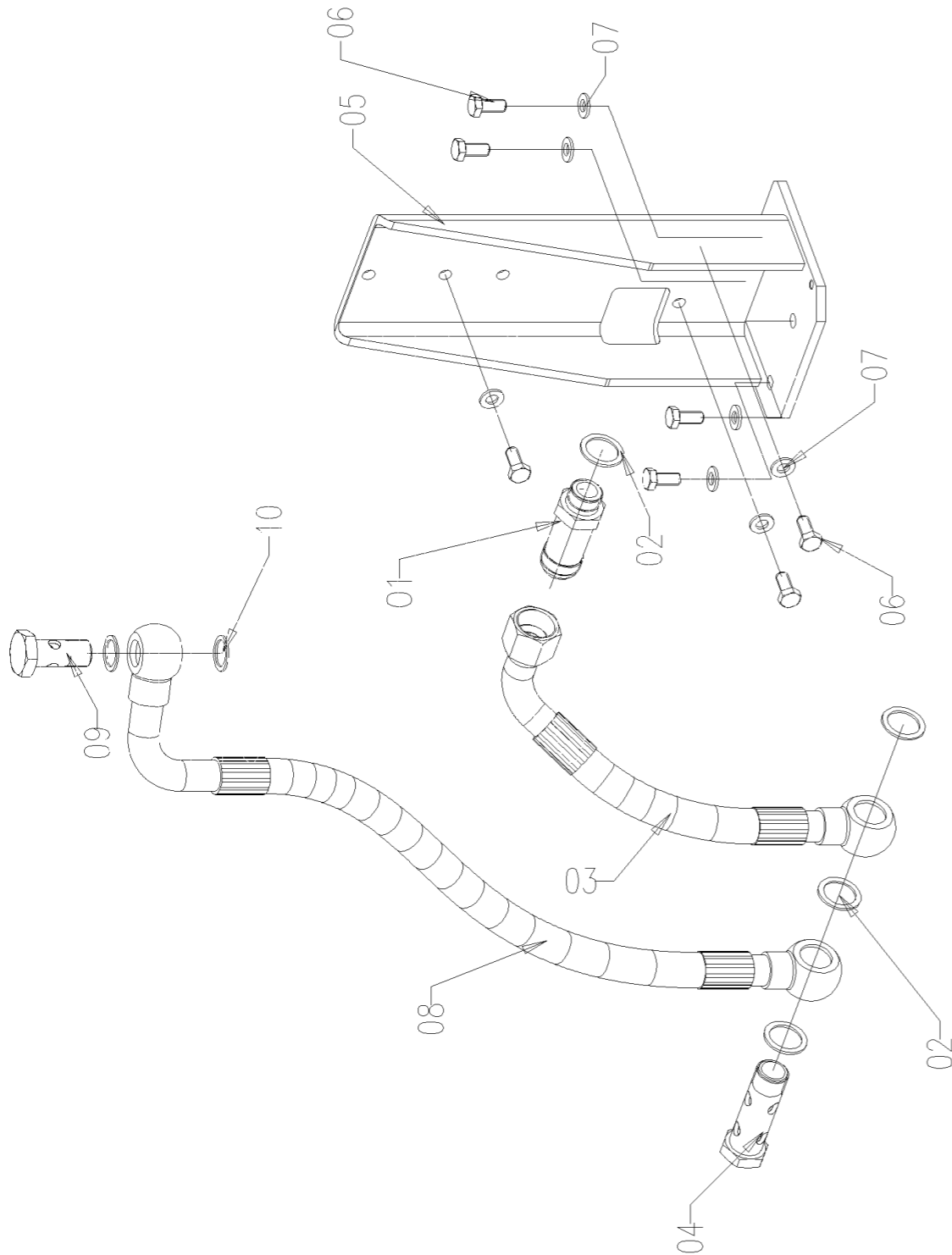
### A68.58.021.0/20 8路滑阀 SPOOL VALVE 8 WAYS

序号	零件编号	零件名称	数量	图号
1	ROS12L1X	分配器阀块	1	ROS12L1X

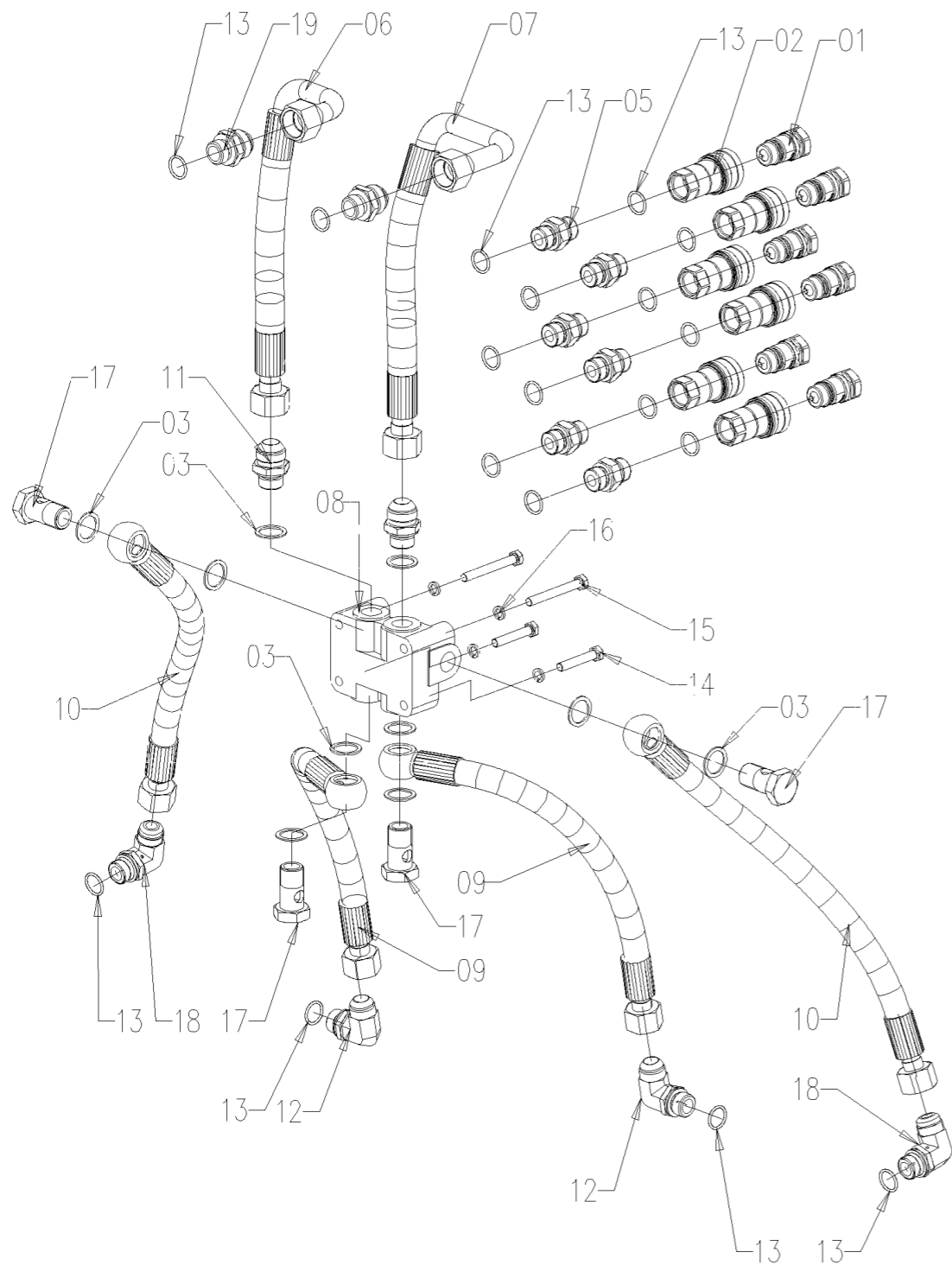
# A68.58.914.4 BASIC C. VALVE PIPING

## A68.58.914.4\_0 多路阀油管总成 VALVE OIL PIPES ASS.Y

序号	零件编号	零件名称	数量	图号
1	A68.58.030.0	管件 M27x2-1 5/16 FITTING M27x2-1	1	A68.58.030.0
2	A68.58.003.0	密封环 SEALING RING 27.3x36	4	A68.58.003.0
3	A68.58.002.3/20	回油接头焊合 RETURN PIPE ASS.	1	A68.58.002.3/20
4	A68.58.029.0	空心螺栓 HOLLOW BOLT M27X1.5	1	A68.58.029.0
5	A68.58.005.2/10	固定支撑销 STAFFA FIX. DISTRIB.	1	A68.58.005.2/10
6	2.0112.308.2	螺栓 HEX BOLT M10x1.5x22	7	2.0112.308.2
7	2.1475.103.2	垫圈 CONICAL WASHER M10	7	2.1475.103.2
8	A68.58.028.3	回油接头焊合 RETURN PIPE ASS.	1	A68.58.028.3
9	A68.58.023.0	空心螺栓 HOLLOW BOLT M22X1.5	1	A68.58.023.0
10	2.1560.018.0	密封垫圈 SEALING RING	2	2.1560.018.0



# A68.58.915.4 HYDRAULIC OUTPUT ASS.



## A68.58.915.4\_2 多路阀出油管路总成 LIFT AND DISTRIBUTOR OIL PIPES

序号	零件编号	零件名称	数量	图号
1	A02.58.094.0	快换接头 M. QUICK COUPLER	6	A02.58.094.0
2	A02.58.093.0	快换接头 F. QUICK COUPLER	6	A02.58.093.0
3	2.1560.018.0	密封垫圈 SEALING RING	10	2.1560.018.0
5	A08.58.101.0	管件 M22X1.5F-M22X1.5F FITTING	6	A08.58.101.0
6	A68.58.024.3/20	阀门出口管 VALVE OUTLET PIPE ASS.	1	A68.58.024.3/20
7	A68.58.025.3/20	阀门出口管2 VALVE OUTPUT PIPE	1	A68.58.025.3/20
8	A68.58.010.0/10	接线板 DISTRIBUTER BLOCK	1	A68.58.010.0/10
9	A68.58.011.3	进气管 CYL. INLET PIPE 1	2	A68.58.011.3
10	A68.58.012.3	进气管 CYL. INLET PIPE2	2	A68.58.012.3
11	GBT5625-08-A18/M22X1.5	接头体 FITTING	2	GBT5625-08-A18/M22X1.5
12	GBT5631-08-A16F	接头体 RIGHT ANGEL FITTING	2	GBT5631-08-A16F
13	GBT3452.1-19.3X2.2-G	O形圈 O RING	18	GBT3452.1-19.3X2.2-G
14	GBT5783-M8X45-A2L	螺栓 BOLT	2	GBT5783-M8X45-A2L
15	GBT5783-M8X65-A2L	螺栓 BOLT	2	GBT5783-M8X65-A2L
16	GBT93-8-A3L	垫圈 WASHER	4	GBT93-8-A3L
17	SH904.58.168	空心螺栓 HOLLOW BOLT	4	SH904.58.168
18	A68.58.020.4	减速阀 SLOW DOWN VALVE ASS.	2	A68.58.020.4
19	GBT5625-08-	接头体 FITTING	2	GBT5625-08-A18/M22X1.5F





SAME DEUTZ-FAHR GROUP S.p.A.  
Via 4 Settembre 10, 37030 Cossato (Trento) - Italia  
Gruppo - Group

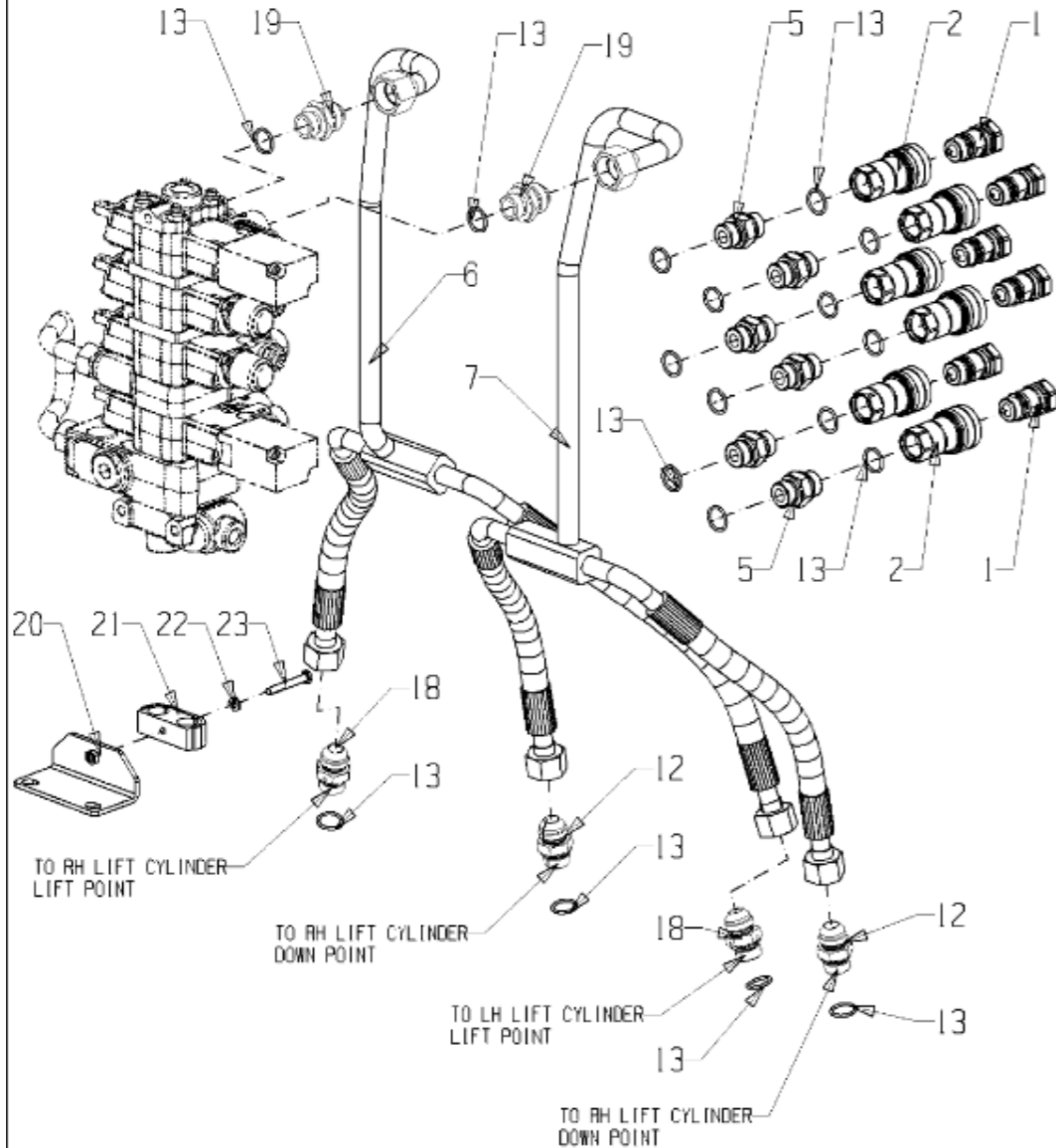
7W-A/7W-P

VALVE DELIVERY ASS.Y

N. dis. - P/N  
A68.58.915.4

Rev	1	1	1
19/08/2022			


YFB-R-2018-012 SH.012



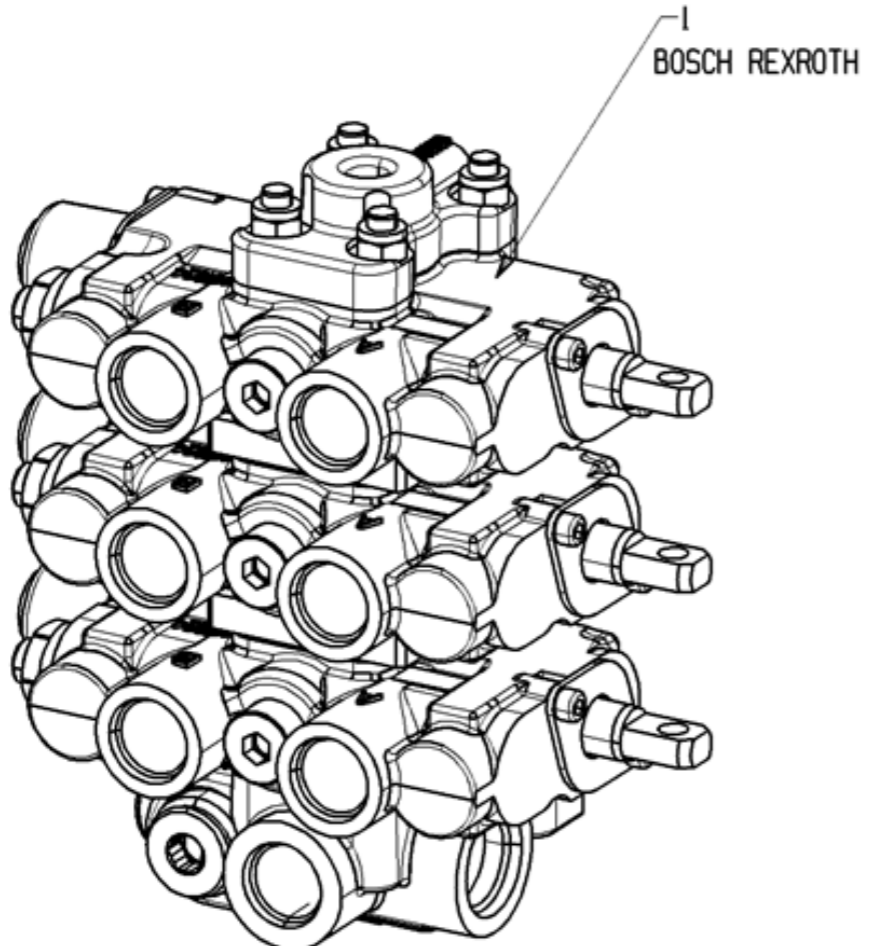
NOTE:  
Parts 1 are placed in the accessories box.

A68.58.915.4\_4 多路阀出油管路总成 VALVE DELIVERY ASS.Y

序号	零件编号	零件名称	数量	图号
1	A02.58.094.0	快速耦合器 M. QUICK COUPLER	6	A02.58.094.0
2	A02.58.093.0	快速耦合器 F. QUICK COUPLER	6	A02.58.093.0
5	A08.58.101.0	管接头 FITTING M22X1.5F-M22X1.5F	6	A08.58.101.0
6	A68.58.043.3/10	气缸进气管组件-L CYL.INLET PIPE	1	A68.58.043.3/10
7	A68.58.044.3	气缸进气管组件-D CYL.INLET PIPE	1	A68.58.044.3
12	GBT5625-08-	接头 FITTING	2	GBT5625-08-A16/M22x1.5F
13	GBT3452.1-19.3X2.2-G	O型圈 O RING	18	GBT3452.1-19.3X2.2-G
18	B06.58.024.4	减速阀组件 SLOW DOWN VALVE ASS.	2	B06.58.024.4
19	GBT5625-08-	接头 FITTING	2	GBT5625-08-A18/M22X1.5F
20	C63.58.011.3/10	管支架 PIPE BRACKET	1	C63.58.011.3/10
21	2.3320.319.0	管形夹具 TUBE CLAMP 18-18	1	2.3320.319.0
22	2.1310.002.2	垫圈 WASHER 6	1	2.1310.002.2
23	2.0112.017.2	螺栓 HEX BOLT M6x1x45	1	2.0112.017.2

 <small>SIME DEUTZ-Fahr GROUP S.p.A. SIME + DEUTZ-Fahr + LANDINI + FAYAT</small> Gruppo - Group	CD1604-CD1804	N. dis. - P/N	<b>A68.58.923.4</b>					
	<b>SPOOL VALVE 6 WAYS</b>	Rev	Foglio - Sheet	di - of	0	1	1	
		Validato - I	Da	F	06/12/2017			

YFB-S-2016-023 SH.003



1  
BOSCH REXROTH

### A68.58.923.4\_0 6路阀 SPOOL VALVE 6 WAYS

序号	零件编号	零件名称	数量	图号
1	A68.58.031.0	6路阀 SPOOL VALVE 6 WAYS	1	A68.58.031.0



GAMBUTOZ FA-R GROUP S.p.A.  
Via I. Boccia 1/10 - 40138 BOLOGNA - ITALIA  
Gruppo - Group

0.047.7286.

SUN BLIND

NON VALIDA I.C.

N. dis. - P/N  
A78.45.933.4

Rev	Figlio - Sheet	di - of
0	1	1
Validato in	00	F

### A78.45.933.4\_0 遮阳帘 SUN BLIND

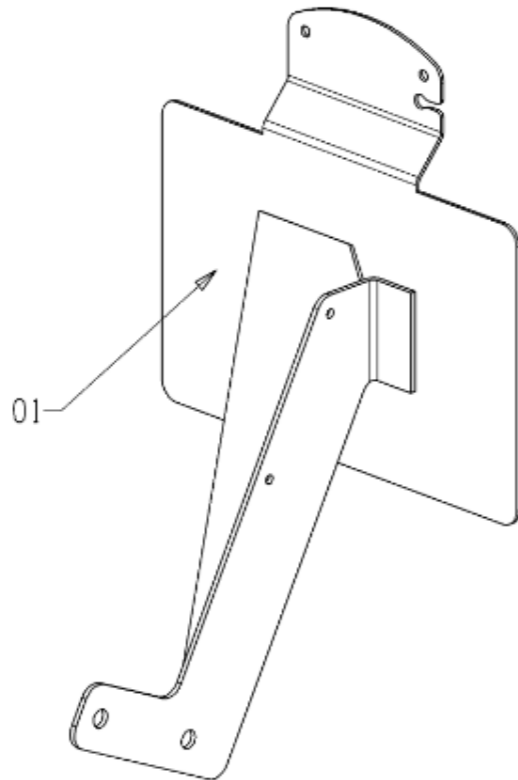
序号	零件编号	零件名称	数量	图号
1	A78.45.003.4	遮阳帘组件 SUN BLIND - ASS.LY	1	A78.45.003.4
2	2.0332.407.3	螺钉 CROSS SCREW M6x1x20	2	2.0332.407.3
3	2.1312.003.2	垫圈 WASHER 6	2	2.1312.003.2



 SAE DEUTZ FA-R GROUP S.p.A. Gruppo - Group CHINA GROUP	FL120 SERIES YTO CN11	N. dis. - P/N A78.74.904.4							
	REAR NO. CARD SEAT ASS.Y	<table border="1"> <tr> <td>Rev</td> <td>0</td> <td>1</td> <td>1</td> </tr> <tr> <td>Validato</td> <td></td> <td>00</td> <td>F</td> </tr> </table>	Rev	0	1	1	Validato		00
Rev	0	1	1						
Validato		00	F						

NON VALIDATO

YFB-S-2017-011 SH.023



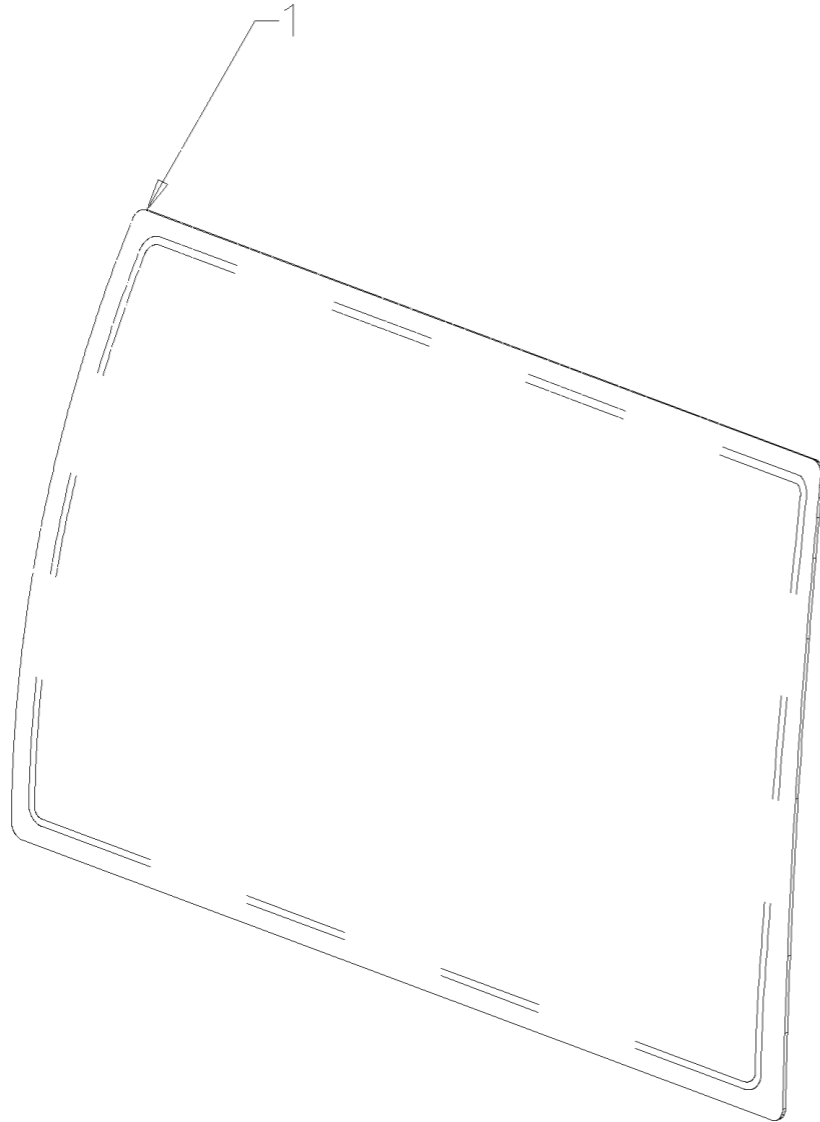
### A78.74.904.4\_0 后号牌座 REAR NO. CARD SEAT ASS.Y

序号	零件编号	零件名称	数量	图号
1	A78.74.001.2	卡板焊接 CARD PLATE WELDED	1	A78.74.001.2

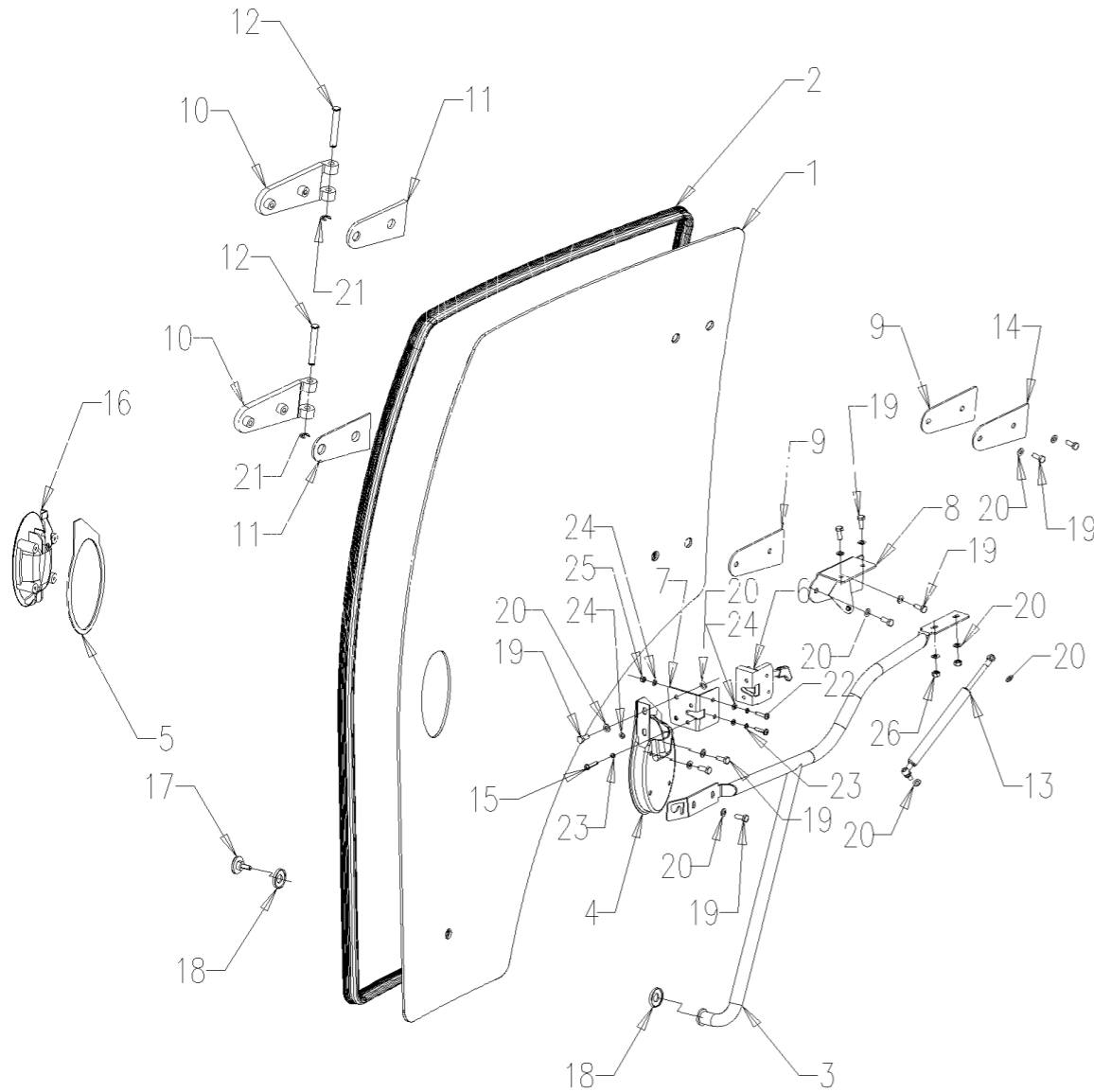
A80.45.901.4 FRONT WINDOW ASS.Y

A80.45.901.4\_0 前窗玻璃 FRONT WINDOW ASS.Y

序号	零件编号	零件名称	数量	图号
1	A80.45.005.0	前窗 FRONT WINDOW	1	A80.45.005.0



# A80.45.902.4 RH DOOR ASS.Y

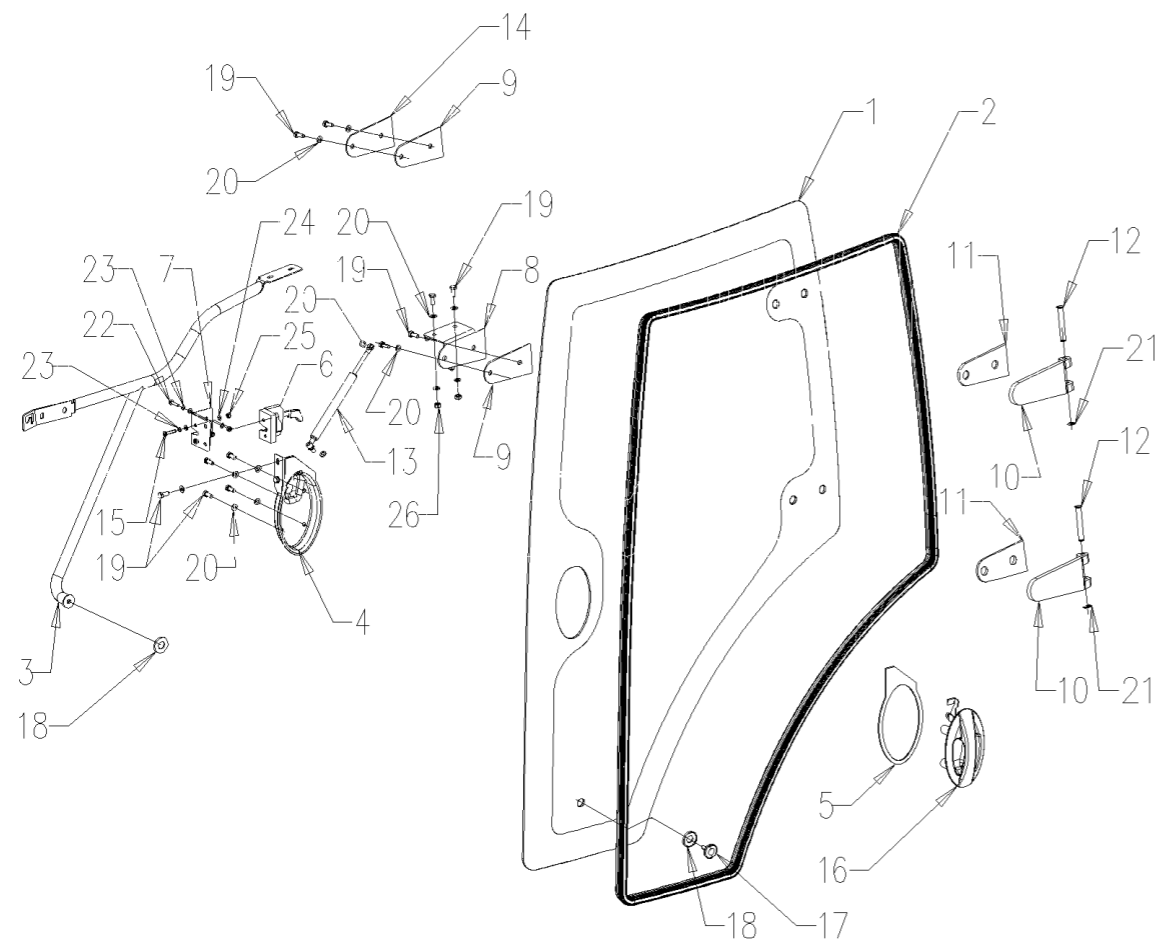


## A80.45.902.4\_0 右门总成 RH DOOR ASS.Y

序号	零件编号	零件名称	数量	图号
1	A80.45.025.0	右门 RH DOOR	1	A80.45.025.0
2	A80.45.026.0	橡胶帽 RUBBER	1	A80.45.026.0
3	A80.45.027.3	右门把手 RH DOOR HANDLE	1	A80.45.027.3
4	A80.45.041.3	门锁固定支架 DOOR LOCK FIXED	1	A80.45.041.3
5	A80.45.044.0	门锁橡胶 DOOR LOCK RUBBER	1	A80.45.044.0
6	A80.45.045.0	门锁 DOOR LOCK	1	A80.45.045.0
7	A80.45.040.0	支架 BRACKET	1	A80.45.040.0
8	A80.45.034.3	气弹簧支承 GAS SPRING BRACKET	1	A80.45.034.3
9	A80.45.037.0	橡胶帽 RUBBER	2	A80.45.037.0
10	A80.45.033.0	? 门锁链 DOOR HINGE	2	A80.45.033.0
11	A80.45.039.0	橡胶帽 RUBBER	2	A80.45.039.0
12	A80.45.047.0	销 PIN	2	A80.45.047.0
13	A80.45.048.0	气弹簧 GAS SPRING	1	A80.45.048.0
14	A80.45.038.0	支架 BRACKET	1	A80.45.038.0
15	2.0332.409.2	螺钉 CROSS SCREW M6x1x30	2	2.0332.409.2
16	A80.45.046.0	门锁把手 DOOR LOCK HANDLE	1	A80.45.046.0
17	A39.45.047.0	塑料头螺栓 M8X20 PLASTIC HEAD	1	A39.45.047.0
18	A39.45.048.0	橡胶垫片 RUBBER GASKET	2	A39.45.048.0
19	GBT5783-M8X20-A2L	螺栓 BOLT	12	GBT5783-M8X20-A2L
20	GBT97.1-8-A3L	垫圈 WASHER	18	GBT97.1-8-A3L
21	2.1430.011.7	挡圈 ANELLO DI SICUR. X ALBERI	2	2.1430.011.7
22	2.0332.408.2	螺钉 CROSS SCREW M6x1x25	2	2.0332.408.2
23	GBT93-6-A3L	垫圈 WASHER	4	GBT93-6-A3L
24	GBT97.1-6-A3L	垫圈 WASHER	8	GBT97.1-6-A3L
25	GBT6170-M6-A2L	螺母 NUT	4	GBT6170-M6-A2L
26	GBT6170-M8-A2L	螺母 NUT	4	GBT6170-M8-A2L

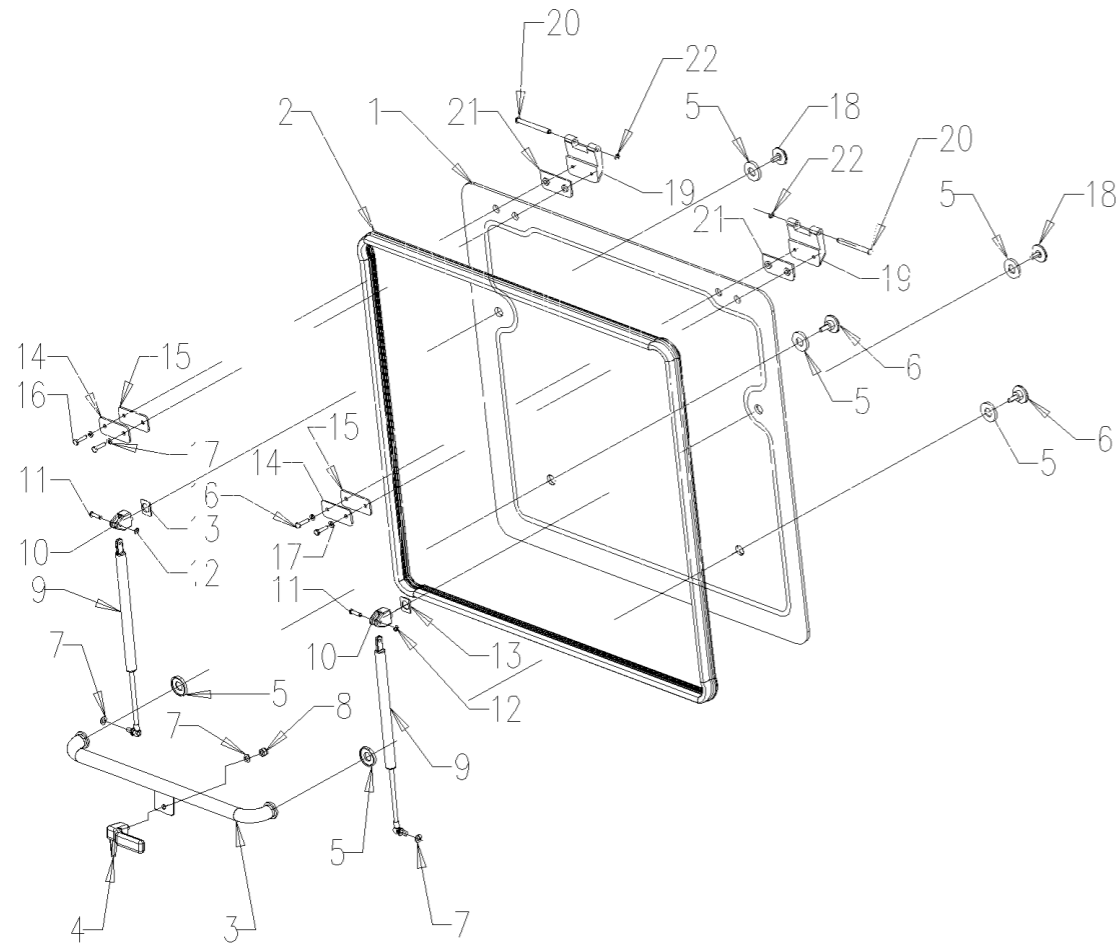
# A80.45.903.4 LH DOOR ASS.Y

## A80.45.903.4\_0 左门总成 LH DOOR ASS.Y



序号	零件编号	零件名称	数量	图号
1	A80.45.049.0	左门 LH DOOR	1	A80.45.049.0
2	A80.45.026.0	橡胶帽 RUBBER	1	A80.45.026.0
3	A80.45.050.3	左门把手 LH DOOR HANDLE	1	A80.45.050.3
4	A80.45.058.3	门锁固定支架 DOOR LOCK FIXED	1	A80.45.058.3
5	A80.45.044.0	门锁橡胶 DOOR LOCK RUBBER	1	A80.45.044.0
6	A80.45.056.0	左门锁 LH DOOR LOCK	1	A80.45.056.0
7	A80.45.057.0	支架 BRACKET	1	A80.45.057.0
8	A80.45.054.3	支架 BRACKET	1	A80.45.054.3
9	A80.45.037.0	橡胶帽 RUBBER	2	A80.45.037.0
10	A80.45.033.0	? 门锁链 DOOR HINGE	2	A80.45.033.0
11	A80.45.039.0	橡胶帽 RUBBER	2	A80.45.039.0
12	A80.45.047.0	销 PIN	2	A80.45.047.0
13	A80.45.048.0	气弹簧 GAS SPRING	1	A80.45.048.0
14	A80.45.038.0	支架 BRACKET	1	A80.45.038.0
15	2.0332.409.2	螺钉 CROSS SCREW M6x1x30	2	2.0332.409.2
16	A80.45.061.0	左门把手 LH DOOR HANDLE	1	A80.45.061.0
17	A39.45.047.0	塑料头螺栓 M8X20 PLASTIC HEAD	1	A39.45.047.0
18	A39.45.048.0	橡胶垫片 RUBBER GASKET	2	A39.45.048.0
19	GBT5783-M8X20-A2L	螺栓 BOLT	12	GBT5783-M8X20-A2L
20	GBT97.1-8-A3L	垫圈 WASHER	18	GBT97.1-8-A3L
21	2.1430.011.7	挡圈 ANELLO DI SICUR. X ALBERI	2	2.1430.011.7
22	2.0332.408.2	螺钉 CROSS SCREW M6x1x25	2	2.0332.408.2
23	GBT93-6-A3L	垫圈 WASHER	4	GBT93-6-A3L
24	GBT97.1-6-A3L	垫圈 WASHER	8	GBT97.1-6-A3L
25	GBT6170-M6-A2L	螺母 NUT	4	GBT6170-M6-A2L
26	GBT6170-M8-A2L	螺母 NUT	4	GBT6170-M8-A2L

# A80.45.904.4 REAR WINDOW ASS.Y



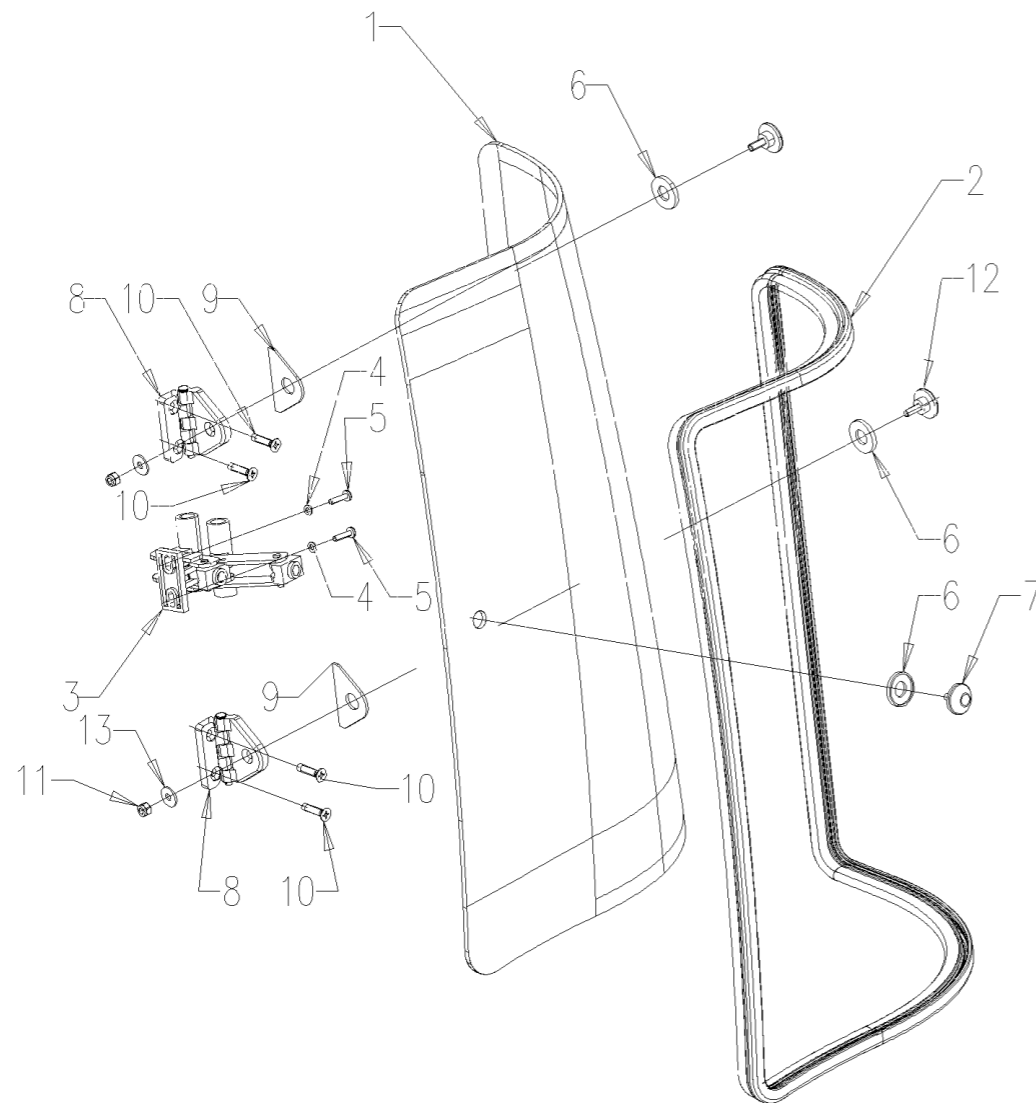
## A80.45.904.4\_0 后窗总成 REAR WINDOW ASS.Y

序号	零件编号	零件名称	数量	图号
1	A80.45.063.0	后挡玻璃 REAR WINDOW GLASS	1	A80.45.063.0
2	A80.45.064.0	后窗橡胶 REAR WINDOW RUBBER	1	A80.45.064.0
3	A80.45.068.3	把手 HANDLE	1	A80.45.068.3
4	A80.45.066.0	后窗把手 REAR WINDOW HANDLE	1	A80.45.066.0
5	A39.45.048.0	橡胶垫片 RUBBER GASKET	6	A39.45.048.0
6	A39.45.047.0	塑料头螺栓 M8X20 PLASTIC HEAD	2	A39.45.047.0
7	GBT97.1-8-A3L	垫圈 WASHER	3	GBT97.1-8-A3L
8	GBT889.1-M8-A2L	螺母 NUT	1	GBT889.1-M8-A2L
9	A80.45.076.0	气弹簧 GAS SPRING	2	A80.45.076.0
10	A80.45.067.0	气弹簧铰链 GAS SPRING HINGE	2	A80.45.067.0
11	A80.45.077.0	销 PIN	2	A80.45.077.0
12	2.1430.006.7	挡圈 ANELLO ELASTICO 5	2	2.1430.006.7
13	A80.45.074.0	垫圈 GASKET	2	A80.45.074.0
14	A80.45.075.0	板 PLATE	2	A80.45.075.0
15	A80.45.070.0	垫圈 GASKET	2	A80.45.070.0
16	GBT5783-M6X25-A2L	螺栓 BOLT	4	GBT5783-M6X25-A2L
17	GBT97.1-6-A3L	垫圈 WASHER	4	GBT97.1-6-A3L
18	A80.45.072.0	手柄球 KNOB	2	A80.45.072.0
19	A80.45.069.0	铰链 HINGE	2	A80.45.069.0
20	A80.45.073.0	销 PIN	2	A80.45.073.0
21	A80.45.071.0	垫圈 GASKET	2	A80.45.071.0
22	2.1430.007.2	挡圈 WASHER	2	2.1430.007.2



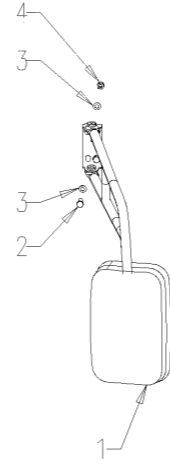
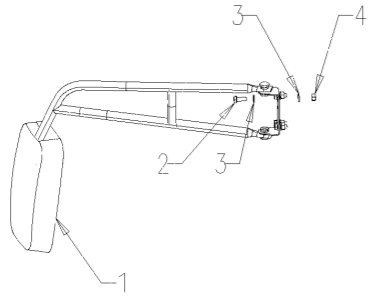
# A80.45.905.4 LH REAR WINDOW ASS.Y

## A80.45.905.4\_0 左后侧窗总成 LH REAR WINDOW ASS.Y



序号	零件编号	零件名称	数量	图号
1	A80.45.078.0	左侧后窗 LH REAR WINDOW	1	A80.45.078.0
2	A80.45.079.0	橡胶帽 RUBBER	1	A80.45.079.0
3	A80.45.080.0	把手 HANDLE	1	A80.45.080.0
4	GBT97.1-6-A3L	垫圈 WASHER	2	GBT97.1-6-A3L
5	2.0332.408.2	螺钉 CROSS SCREW M6x1x25	2	2.0332.408.2
6	A39.45.048.0	橡胶垫片 RUBBER GASKET	3	A39.45.048.0
7	A80.45.072.0	手柄球 KNOB	1	A80.45.072.0
8	A80.45.081.0	铰链 HINGE	2	A80.45.081.0
9	A80.45.082.0	垫圈 GASKET	2	A80.45.082.0
10	GBT819.1-M8X35-A2L	螺钉 SCREW	4	GBT819.1-M8X35-A2L
11	GBT889.1-M8-A2L	螺母 NUT	2	GBT889.1-M8-A2L
12	A39.45.047.0	塑料头螺栓 M8X20 PLASTIC HEAD	2	A39.45.047.0
13	GBT96.1-8-A3L	垫圈 WASHER	2	GBT96.1-8-A3L

A80.45.906.4 REAR MIRROR ASS.Y



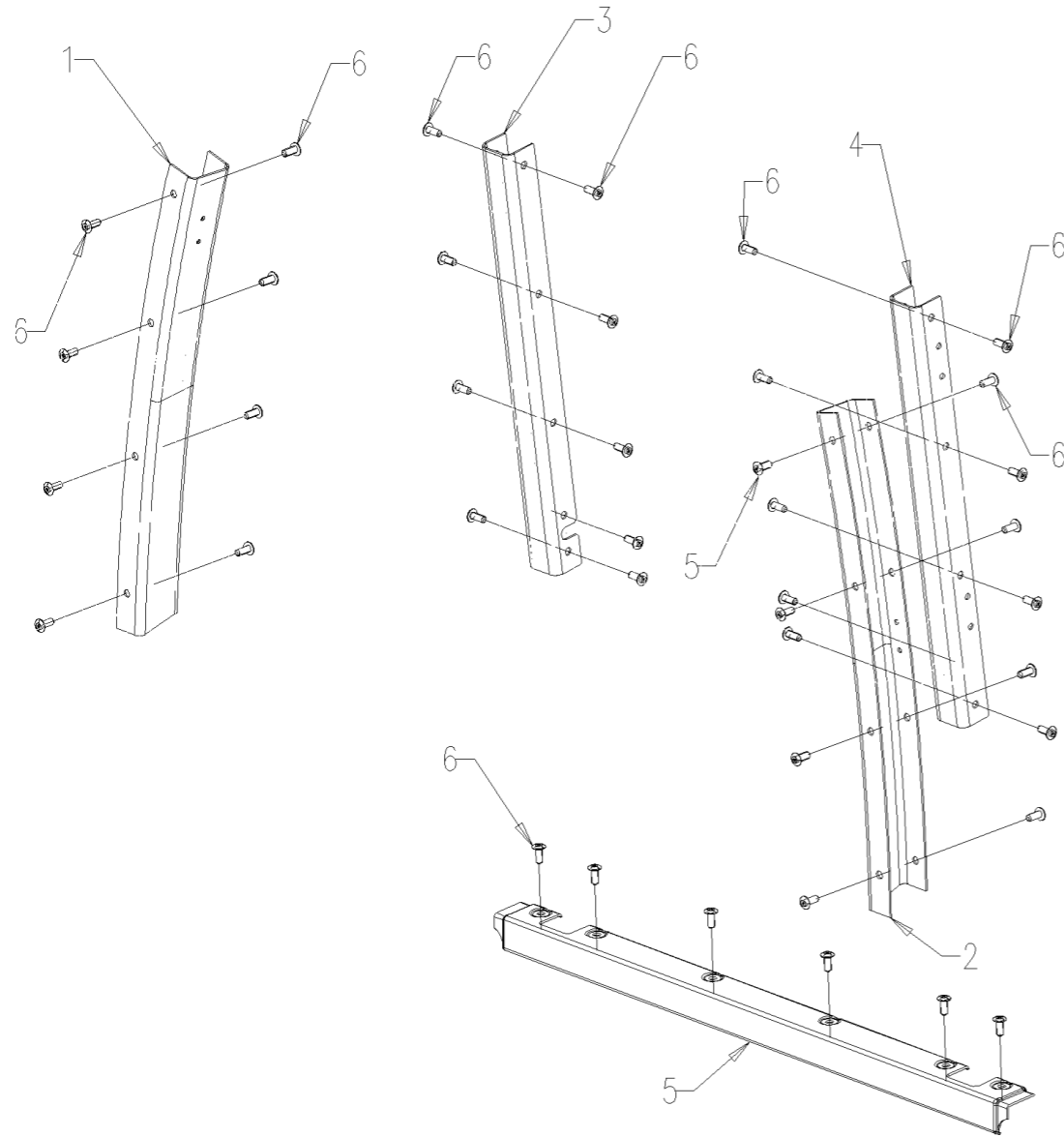
A80.45.906.4\_0 后视镜总成 REAR MIRROR ASS.Y

序号	零件编号	零件名称	数量	图号
1	A80.45.084.4	后视镜 REAR MIRROR	2	A80.45.084.4
2	GBT5783-M8X20-A2L	螺栓 BOLT	8	GBT5783-M8X20-A2L
3	GBT97.1-8-A3L	垫圈 WASHER	16	GBT97.1-8-A3L
4	GBT6170-M8-A2L	螺母 NUT	8	GBT6170-M8-A2L

# A80.45.907.4 COLUMN GUARD ASS.Y

## A80.45.907.4\_0 立柱内饰 COLUMN GUARD ASS.Y

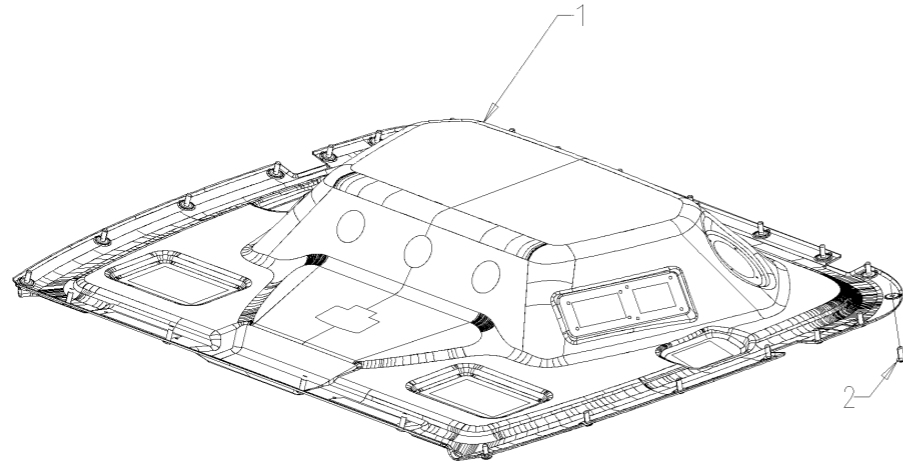
序号	零件编号	零件名称	数量	图号
1	A80.45.012.0	右支柱盖 RH B PILLAR COVER	1	A80.45.012.0
2	A80.45.013.0	左支柱盖 LH B PILLAR COVER	1	A80.45.013.0
3	A80.45.086.0	右支柱盖 RH C PILLAR COVER	1	A80.45.086.0
4	A80.45.087.0	左侧柱盖 LH C PILLAR COVER	1	A80.45.087.0
5	A80.45.089.0	? 后盖 REAR COVER	1	A80.45.089.0
6	A80.45.088.0	塑胶螺钉 PLASTIC SCREW	40	A80.45.088.0



A80.45.908.4 TOP CONSOLE ASS.Y

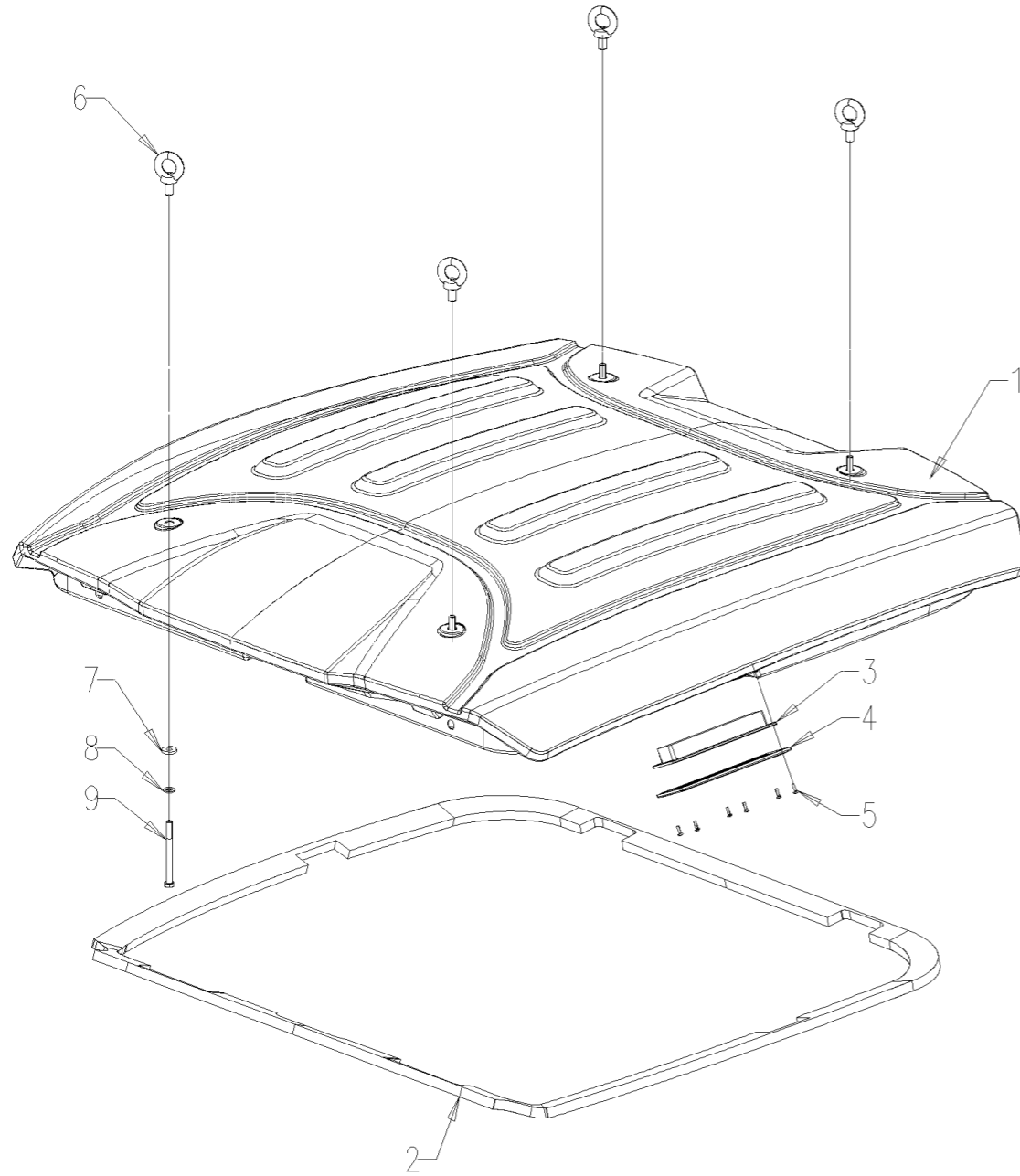
A80.45.908.4\_0 顶内饰 TOP CONSOLE ASS.Y

序号	零件编号	零件名称	数量	图号
1	A80.45.014.4	内顶总成 TOP CONSOLE ASS.Y	1	A80.45.014.4
2	A80.45.088.0	塑胶螺钉 PLASTIC SCREW	25	A80.45.088.0



# A80.45.909.4 TOP COVER ASS.Y

## A80.45.909.4\_0 顶棚 TOP COVER ASS.Y

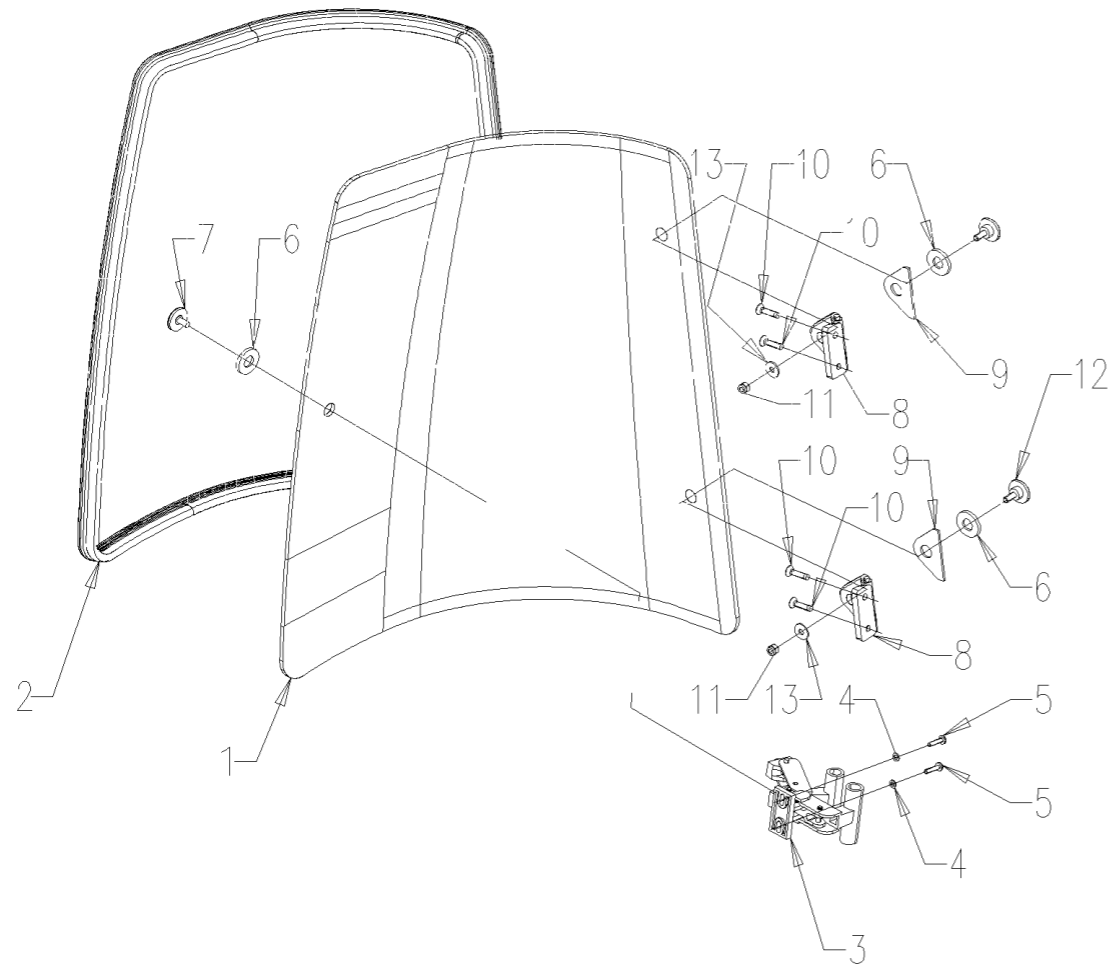


序号	零件编号	零件名称	数量	图号
1	A80.45.015.2	车顶 ROOF	1	A80.45.015.2
2	A80.45.090.0	车顶垫片 ROOF GASKET	1	A80.45.090.0
3	A80.45.091.0	空气过滤器 AIR FILTER	2	A80.45.091.0
4	A39.45.125.0	进气口 FRESH AIR INLET	2	A39.45.125.0
5	GBT818-M5X16-A2L	螺钉 SCREW	12	GBT818-M5X16-A2L
6	GBT825-M16-A3L	螺钉 SCREW	4	GBT825-M16-A3L
7	2.1569.211.0	垫圈 GUARNIZIONE 11.5X30X5	4	2.1569.211.0
8	GBT97.1-12-A3L	垫圈 WASHER	4	GBT97.1-12-A3L
9	2.0112.435.2	螺栓 HEX BOLT M12x1.75x130	4	2.0112.435.2

# A80.45.915.4 RH REAR WINDOW ASS.Y

## A80.45.915.4\_0 右后侧窗总成 RH REAR WINDOW ASS.Y

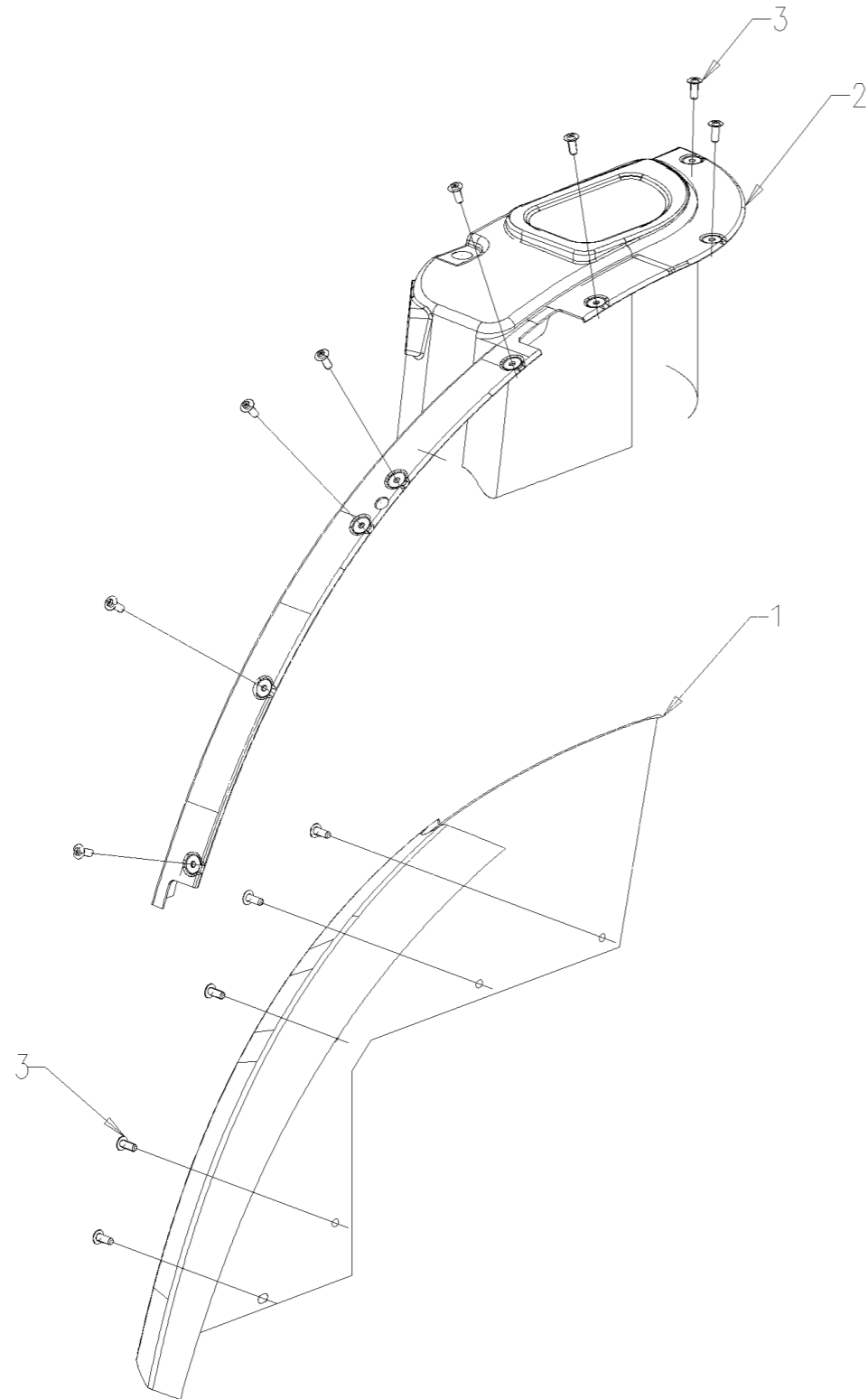
序号	零件编号	零件名称	数量	图号
1	A80.45.083.0	后窗 RH REAR WINDOW	1	A80.45.083.0
2	A80.45.079.0	橡胶帽 RUBBER	1	A80.45.079.0
3	A80.45.080.0	把手 HANDLE	1	A80.45.080.0
4	GBT97.1-6-A3L	垫圈 WASHER	2	GBT97.1-6-A3L
5	2.0332.408.2	螺钉 CROSS SCREW M6x1x25	2	2.0332.408.2
6	A39.45.048.0	橡胶垫片 RUBBER GASKET	3	A39.45.048.0
7	A80.45.072.0	手柄球 KNOB	1	A80.45.072.0
8	A80.45.081.0	铰链 HINGE	2	A80.45.081.0
9	A80.45.082.0	垫圈 GASKET	2	A80.45.082.0
10	GBT819.1-M8X35-A2L	螺钉 SCREW	4	GBT819.1-M8X35-A2L
11	GBT889.1-M8-A2L	螺母 NUT	2	GBT889.1-M8-A2L
12	A39.45.047.0	塑料头螺栓 M8X20 PLASTIC HEAD	2	A39.45.047.0
13	GBT96.1-8-A3L	垫圈 WASHER	2	GBT96.1-8-A3L



# A80.45.931.4 LH CONSOLE ASS.Y

# A80.45.931.4\_0 左轮罩内饰 LH CONSOLE ASS.Y

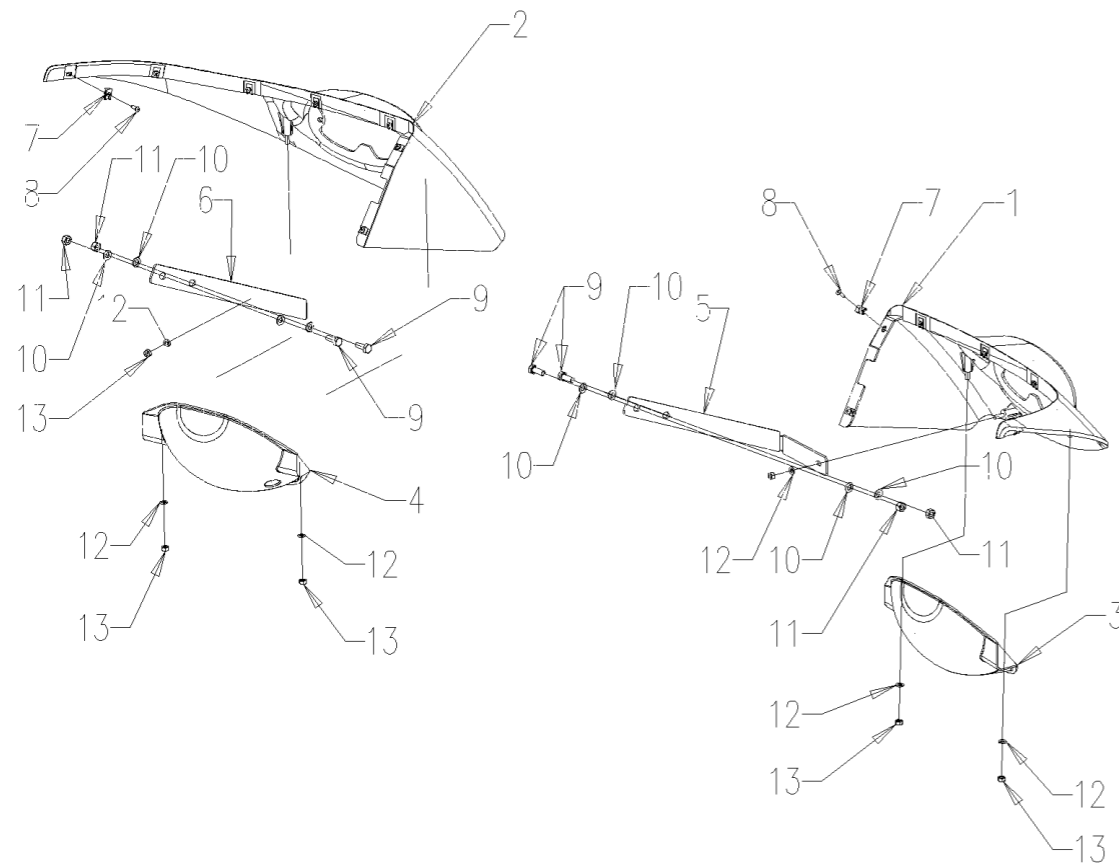
序号	零件编号	零件名称	数量	图号
1	A80.45.094.0	左驾驶室盖 LH WHEEL HOUSE	1	A80.45.094.0
2	A80.45.095.2	左侧控制台 LH CONSOLE	1	A80.45.095.2
3	A80.45.088.0	塑胶螺钉 PLASTIC SCREW	13	A80.45.088.0



# A80.45.964.4 REAR LAMP COVERS

## A80.45.964.4\_0 后尾灯罩 REAR LAMP COVER

序号	零件编号	零件名称	数量	图号
1	A80.45.096.2	左后灯盖 LH REAR LAMP COVER	1	A80.45.096.2
2	A80.45.097.2	右后灯盖 RH REAR LAMP COVER	1	A80.45.097.2
3	A80.45.098.0	左灯罩 LH LAMP COVER	1	A80.45.098.0
4	A80.45.099.0	右灯罩 RH LAMP COVER	1	A80.45.099.0
5	A80.45.100.0	左支架 LH BRACKET	1	A80.45.100.0
6	A80.45.101.0	右支架 RH BRACKET	1	A80.45.101.0
7	A23.45.103.0	夹板 CLIP-SELF-TAPPING SCREW 4.2	14	A23.45.103.0
8	2.0350.455.2	螺钉 SCREW ST4.2x16 - C	14	2.0350.455.2
9	GBT5783-M8X20-A2L	螺栓 BOLT	4	GBT5783-M8X20-A2L
10	GBT97.1-8-A3L	垫圈 WASHER	8	GBT97.1-8-A3L
11	GBT6170-M8-A2L	螺母 NUT	4	GBT6170-M8-A2L
12	GBT97.1-6-A3L	垫圈 WASHER	6	GBT97.1-6-A3L
13	GBT6170-M6-A2L	螺母 NUT	6	GBT6170-M6-A2L

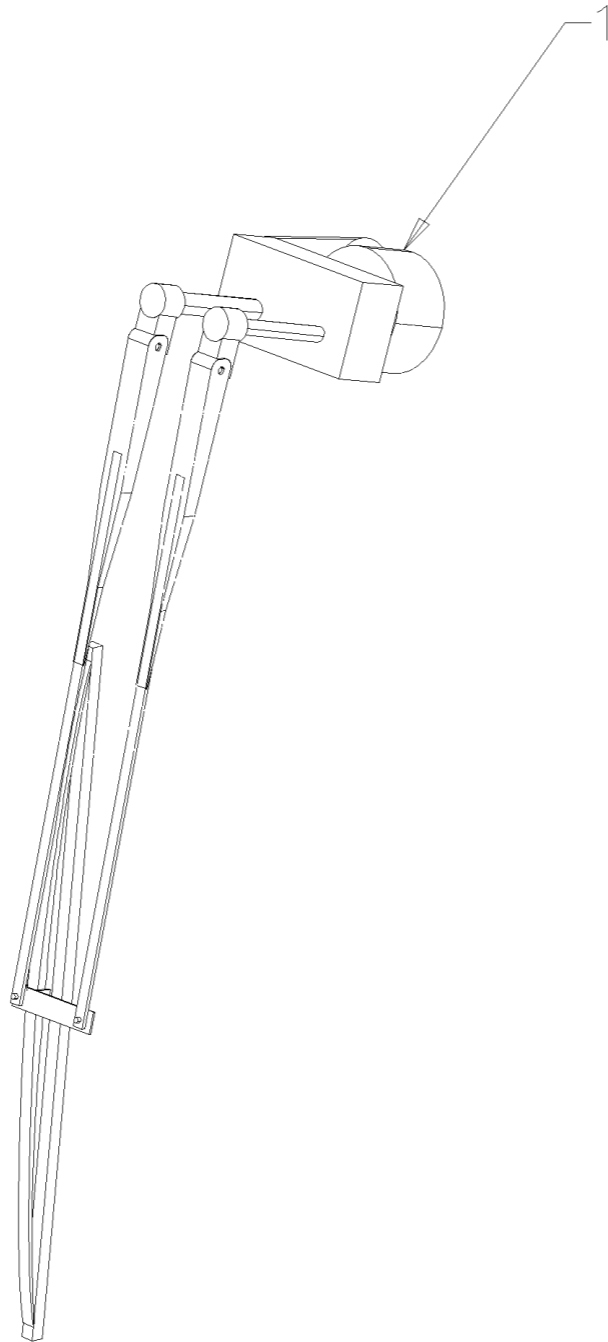




# A80.48.904.4 FRONT WIPER ASS.Y

## A80.48.904.4\_0 前雨刮器 FRONT WIPER ASS.Y

序号	零件编号	零件名称	数量	图号
1	A80.48.001.4	前雨刮器总成 FRONT WIPER ASS.Y	1	A80.48.001.4

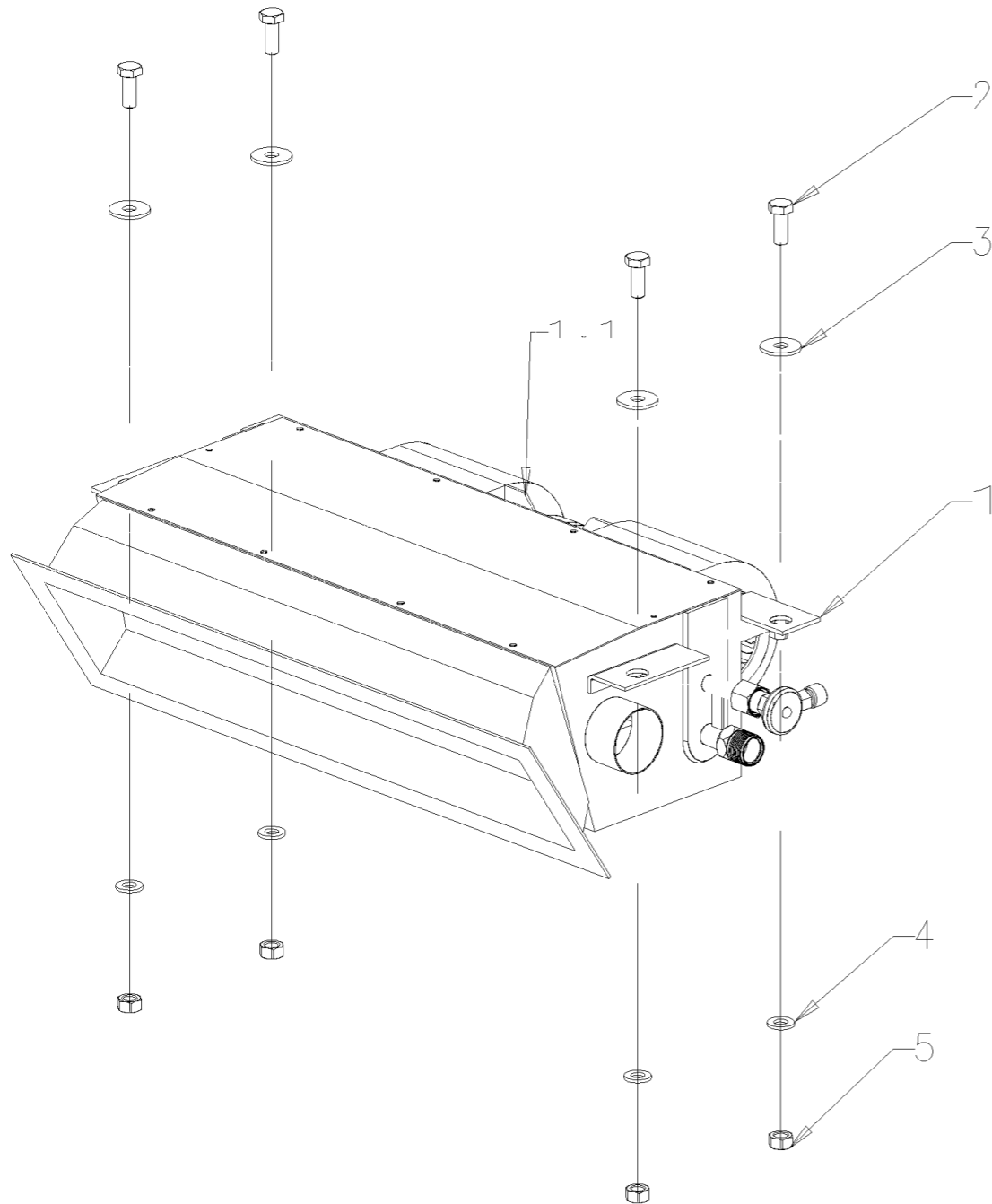


# A80.81.903.4 AC EVAPORATOR ASS.Y

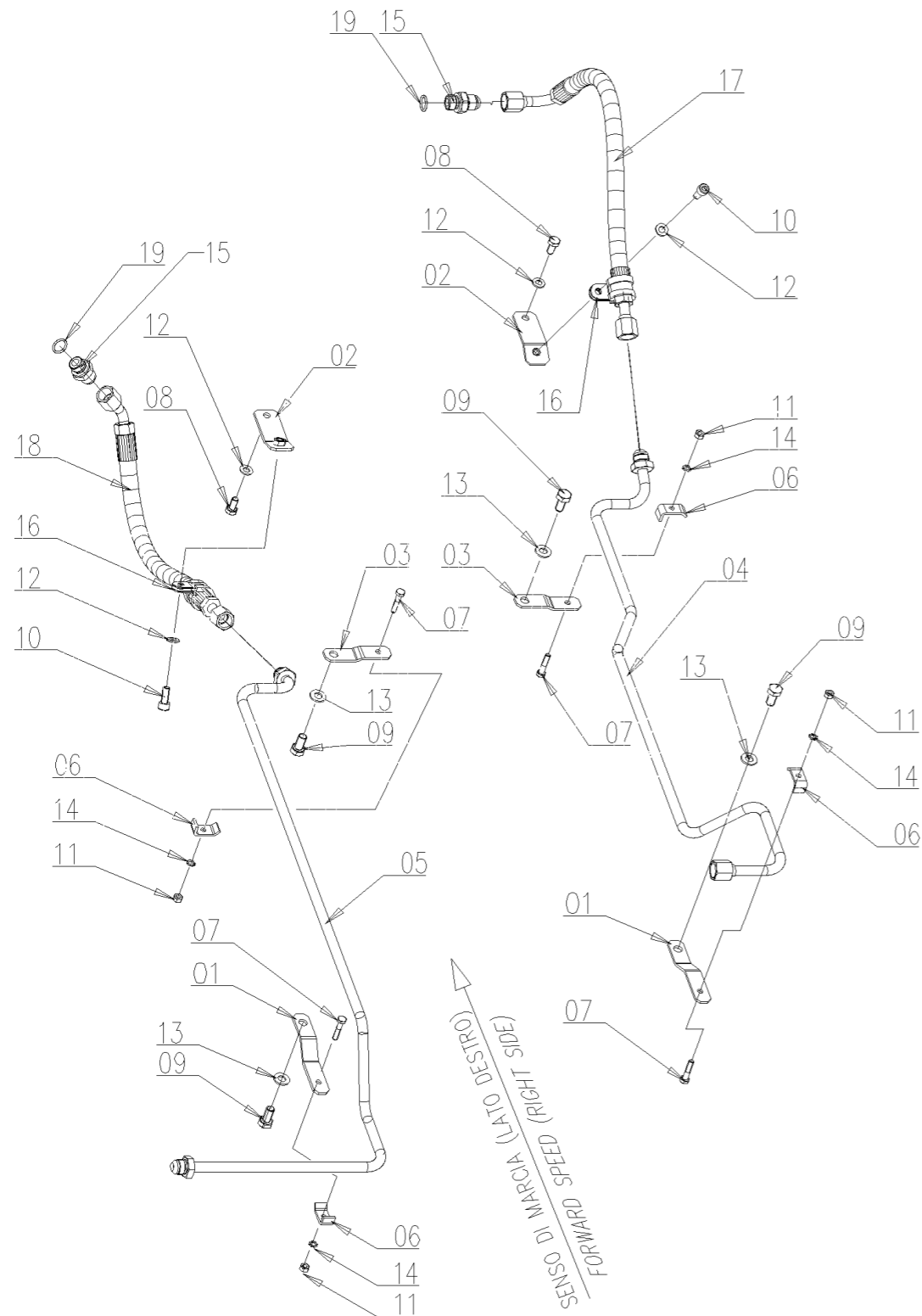
YFB-R-2020-004 SH.008

## A80.81.903.4\_1 蒸发器总成 AC EVAPORATOR ASS.Y

序号	零件编号	零件名称	数量	图号
1	A80.81.001.4	空调蒸发器 AC EVAPORATOR	1	A80.81.001.4
1.1	K81TY2500G-01	蒸发器电机 EVAPORATOR MOTOR	1	K81TY2500G-01
2	GBT5783-M10X25-A3L	螺栓 BOLT	4	GBT5783-M10X25-A3L
3	GBT96.1-10-A3L	垫圈 WASHER	4	GBT96.1-10-A3L
4	GBT97.1-10-A3L	垫圈 WASHER	4	GBT97.1-10-A3L
5	GBT6170-M10-A3L	螺母 NUT	4	GBT6170-M10-A3L



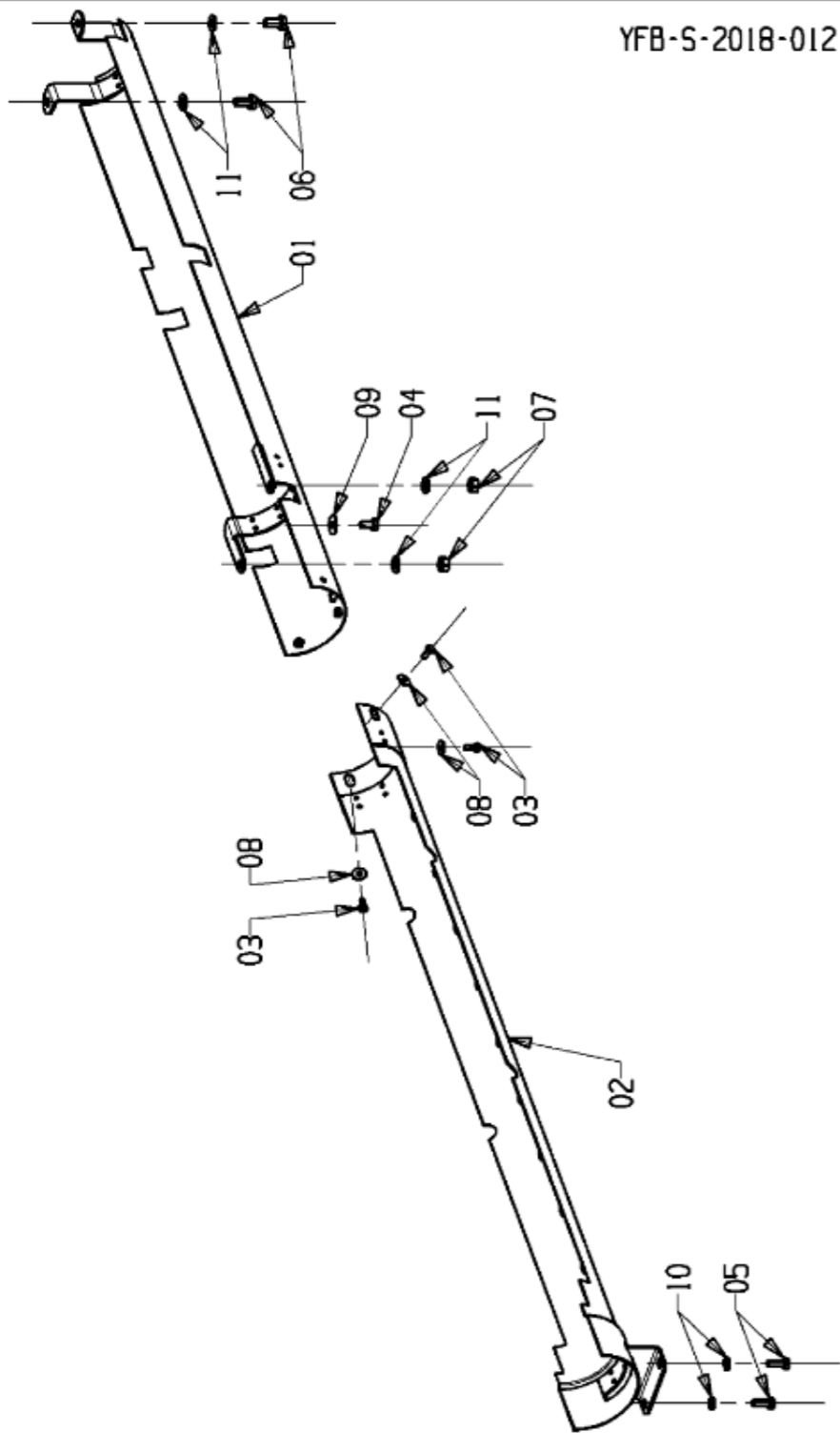
B05.40.905.4 STEERING DELIVERY PIPE ASS.Y



B05.40.905.4\_0 前桥输油管总成 STEERING DELIVERY PIPE ASS.Y

序号	零件编号	零件名称	数量	图号
1	0.020.7148.0	支撑板 STAFFA	2	0.020.7148.0
2	0.020.7149.3	连接板 PIATTINA FIX.	2	0.020.7149.3
3	0.020.7150.0	连接板 PIATTINA	2	0.020.7150.0
4	C63.40.014.3	转向管 STEERING PIPE	1	C63.40.014.3
5	0.021.2046.3	油管 TUBO 12 STERZO SX	1	0.021.2046.3
6	0.176.6359.0	夹子 fascetta inferiore	4	0.176.6359.0
7	2.0112.011.2	螺栓 BOLT	4	2.0112.011.2
8	2.0112.205.2	螺栓 BOLT	2	2.0112.205.2
9	2.0112.307.2	螺栓 HEX BOLT M10x1.5x20	4	2.0112.307.2
10	2.0312.206.2	螺钉 SOCKET SCREW M8x1.25x20	2	2.0312.206.2
11	2.1011.103.2	螺母 NUT	4	2.1011.103.2
12	2.1310.004.2	垫圈 WASHER	4	2.1310.004.2
13	2.1310.006.2	垫圈 WASHER	4	2.1310.006.2
14	2.1470.002.2	垫圈 WASHER	4	2.1470.002.2
15	B05.40.001.0	管件 FITTING	2	B05.40.001.0
16	2.6839.051.0	夹子 FASCETTA	2	2.6839.051.0
17	C63.40.017.3	转向油管 STEERING HOSE	1	C63.40.017.3
18	C63.40.007.3/10	转向油管 STEERING HOSE	1	C63.40.007.3/10
19	GBT3452.1-15.3X2.2-G	O型圈 O RING	2	GBT3452.1-15.3X2.2-G

YFB-S-2018-012 SH.003



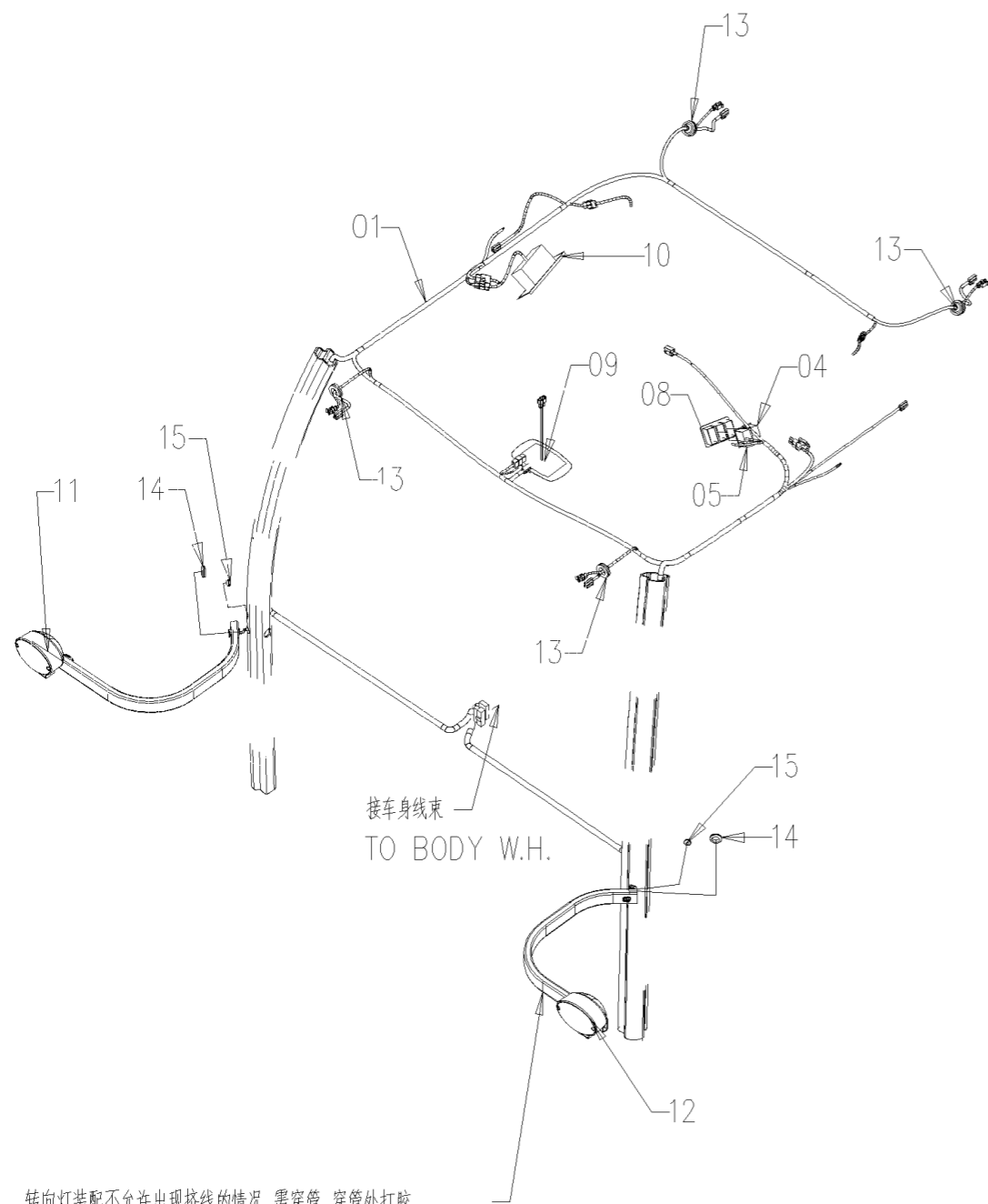
**B05.42.900.4\_0 四轮驱动轴罩 4WD GUARD ASS.LY**

序号	零件编号	零件名称	数量	图号
1	0.020.9480.3/10	后四轮驱动轴防护罩 REAR 4WD	1	0.020.9480.3/10
2	B05.42.001.2	前四轮驱动轴防护罩 FRONT 4WD	1	B05.42.001.2
3	2.0112.004.2	螺栓 BOLT	3	2.0112.004.2
4	2.0112.205.2	螺栓 BOLT	1	2.0112.205.2
5	2.0112.208.2	螺栓 BOLT	2	2.0112.208.2
6	2.0112.307.2	螺栓 BOLT	2	2.0112.307.2
7	2.1012.421.7	螺母 M10x1.25 NUT	2	2.1012.421.7
8	2.1312.003.2	垫圈 WASHER	3	2.1312.003.2
9	2.1312.004.2	垫圈 WASHER	1	2.1312.004.2
10	2.1475.102.2	锥形垫圈 WASHER	2	2.1475.102.2
11	2.1475.103.2	锥形垫圈 WASHER	4	2.1475.103.2

# B05.48.904.4 CABIN W.H. -ELECTRICAL PARTS-

# B05.48.904.4\_1 驾驶室线束 CABIN WIRE HARNESS -ELECTRICAL PARTS-

序号	零件编号	零件名称	数量	图号
1	B05.48.039.4	驾驶室线束 CABIN W.H.	1	B05.48.039.4
4	2.7659.481.0	正面工作灯 FRONT WORK LIGHT SW.	1	2.7659.481.0
5	A23.48.008.0	前雨刷 FRONT WIPER SW.	1	A23.48.008.0
8	A23.48.016.0	三摇杆开关边框 THREE ROCKER	1	A23.48.016.0
9	A23.48.017.0	内部照明灯 INTERIOR LIGHT	1	A23.48.017.0
10	SH900.48.059	收音机 RADIO	1	SH900.48.059
11	CD1204.48.041/20	右转向位置灯 RH INDICATOR LIGHT	1	CD1204.48.041/20
12	CD1204.48.032/20	左转向位置灯总成 LEFT TURN AND	1	CD1204.48.032/20
13	2.6569.069.0/10	橡胶垫圈 RUBBER RING	4	2.6569.069.0/10
14	A39.48.035.0	穿线胶圈 RUBBER CIRCLE	2	A39.48.035.0
15	A39.48.036.0	穿线胶圈 RUBBER CIRCLE	2	A39.48.036.0



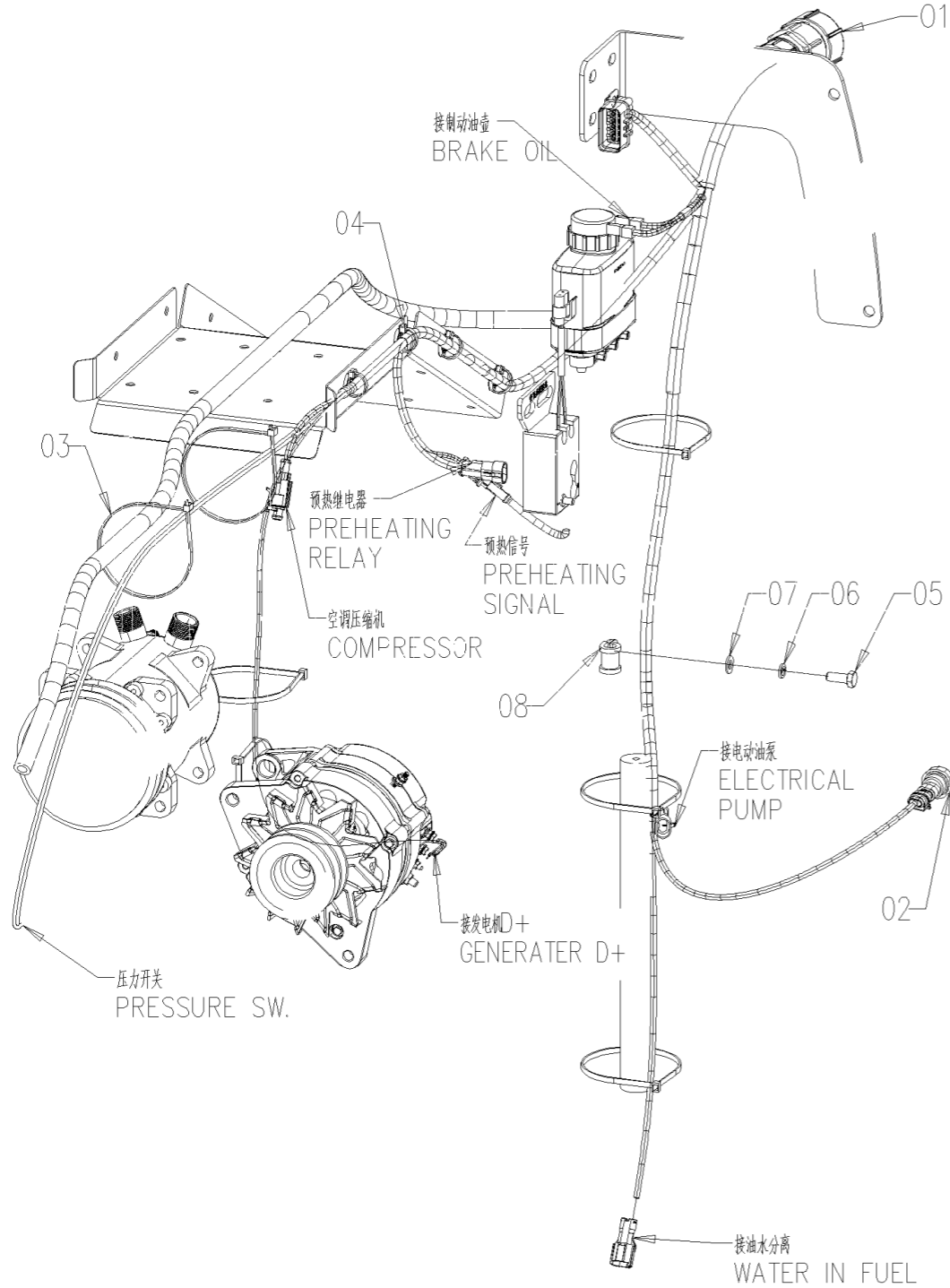
转向灯装配不允许出现挤线的情况,需穿管,穿管处打胶。

When assembling wiring harness is not allowed to be squeezed, need to pass through the pipe and seal the wire hole with glue.

B05.48.905.4 FRONT W.H. ASS.Y

B05.48.905.4\_2 前线束 FRONT WIRE HARNESS ASS.Y

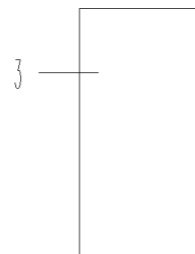
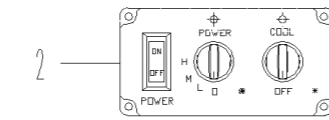
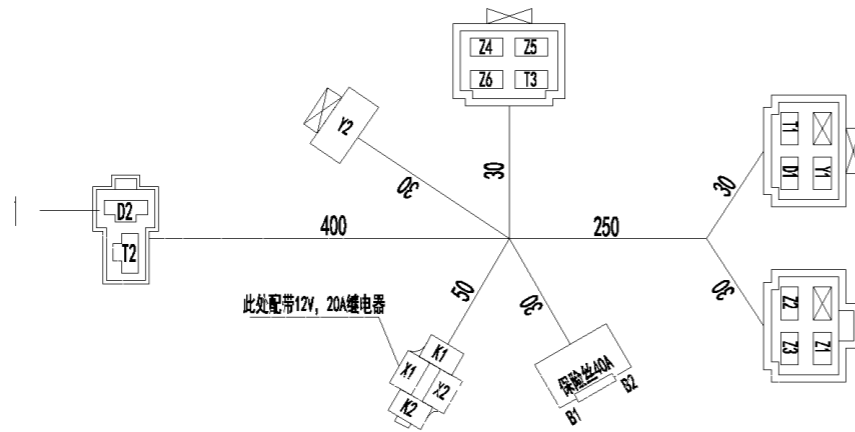
序号	零件编号	零件名称	数量	图号
1	B05.48.012.4/20	前线束 FRONT W.H.	1	B05.48.012.4/20
2	B29.48.017.0	空滤报警开关 AIR FILTER SENSOR	1	B29.48.017.0
3	2.6852.203.0	扎带 SELF LOCKING CABLE TIES 292	8	2.6852.203.0
4	2.6859.153.0	扎带 CLIP	4	2.6859.153.0
5	GBT5783-M8X20-A2L	螺栓 BOLT	1	GBT5783-M8X20-A2L
6	GBT93-8-A3L	垫圈 WASHER	1	GBT93-8-A3L
7	GBT97.1-8-A3L	垫圈 WASHER	1	GBT97.1-8-A3L
8	2.6839.055.0	夹子 FASCETTA	1	2.6839.055.0



# B05.48.914.4 AC CONTROL W.H. ASS.Y

## B05.48.914.4\_0 空调电器系统安装总成 HVAC ELECTRICAL PARTS

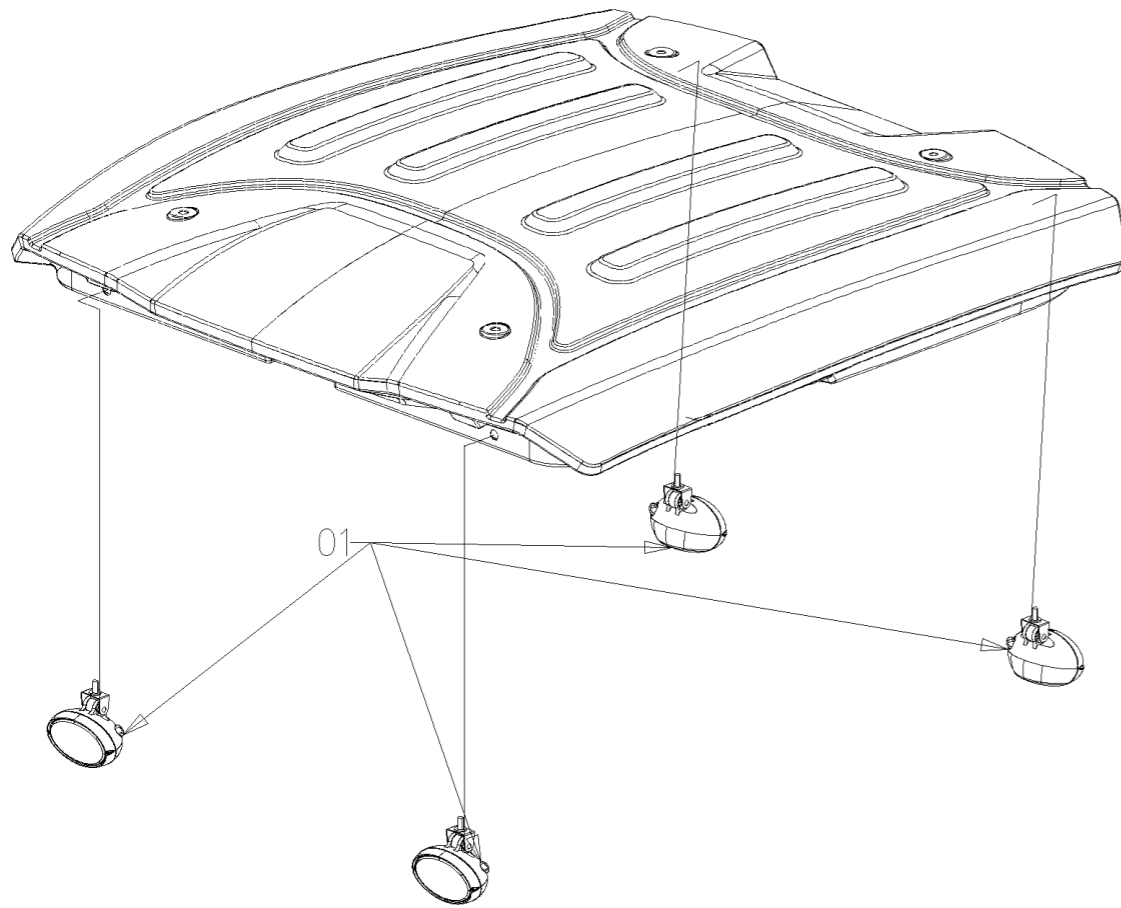
序号	零件编号	零件名称	数量	图号
1	CD1204.48.044	蒸发器线束 EVAPORATOR W.H.	1	CD1204.48.044
2	A39.48.038.0	空调控制面板 0	1	A39.48.038.0
3	2.3199.383.0	暗盖 BLIND COVER	1	2.3199.383.0



B05.48.917.4 ROOF 4 WL ELLIPTICAL H3 ASS.Y

B05.48.917.4\_0 普通工作灯 ROOF 4 WL ELLIPTICAL H3 ASS.Y

序号	零件编号	零件名称	数量	图号
1	2.8039.359.0	顶棚工作灯(椭圆) ROOF WORK	4	2.8039.359.0

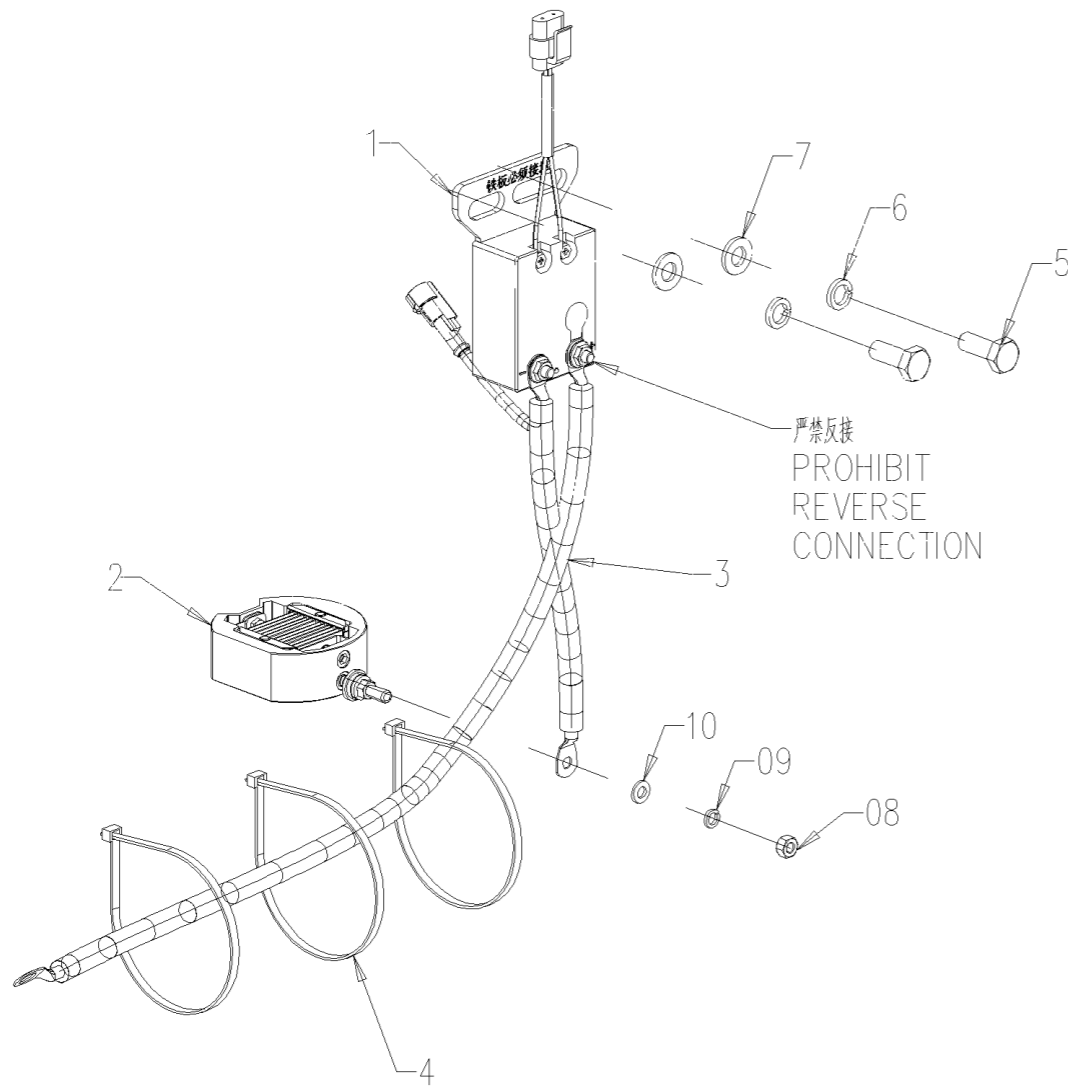


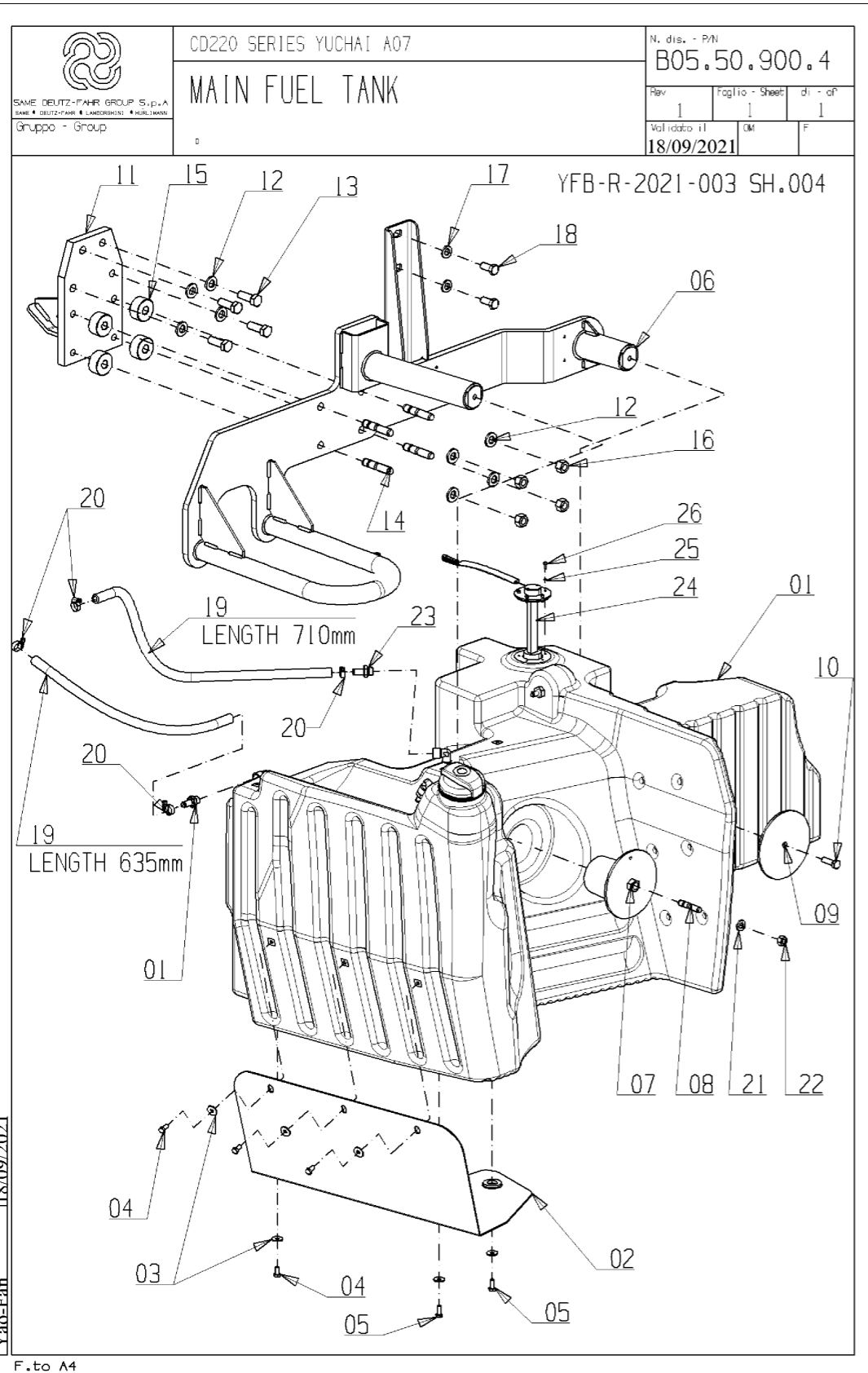


# B05.48.955.4 PREHEATING W.H. ASS.Y

## B05.48.955.4\_0 发动机预热系统 PREHEATING SYSTEM ASSEMBLY

序号	零件编号	零件名称	数量	图号
1	A31.48.017.0	预热继电器 PREHEATING RELAY	1	A31.48.017.0
2	A31.48.018.0	加热器 HEATER	1	A31.48.018.0
3	B05.48.038.4	预热线束 PREHEATING W.H.	1	B05.48.038.4
4	2.6852.203.0	扎带 SELF LOCKING CABLE TIES 292	3	2.6852.203.0
5	GBT5783-M10X25-A3L	螺栓 BOLT	2	GBT5783-M10X25-A3L
6	GBT93-10-A3L	垫圈 WASHER	2	GBT93-10-A3L
7	GBT97.1-10-A3L	垫圈 WASHER	2	GBT97.1-10-A3L
8	GBT6170-M6-A2L	螺母 NUT	1	GBT6170-M6-A2L
9	GBT93-6-A3L	垫圈 WASHER	1	GBT93-6-A3L
10	GBT97.1-6-A3L	垫圈 WASHER	1	GBT97.1-6-A3L

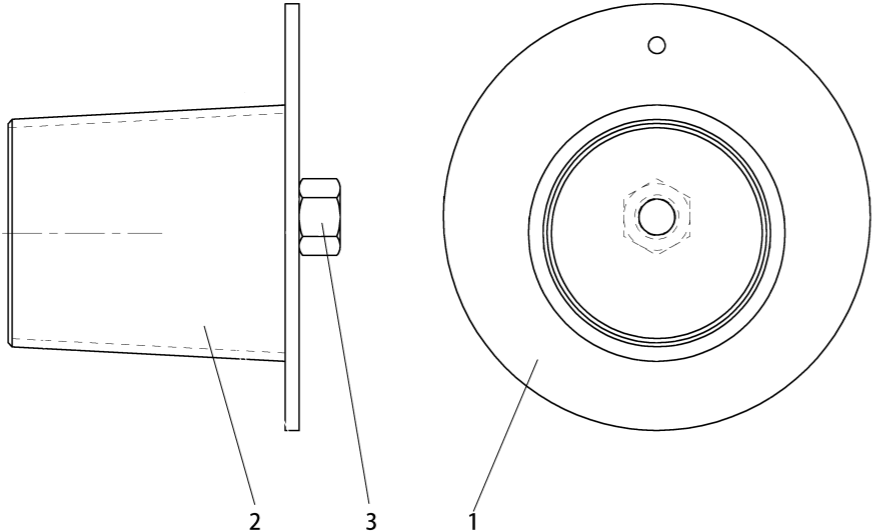




### B05.50.900.4\_1 主油箱 MAIN FUEL TANK

序号	零件编号	零件名称	数量	图号
1	B05.50.001.4/10	主油箱 MAIN FUEL TANK	1	B05.50.001.4/10
1	B05.50.001.4	主油箱 MAIN FUEL TANK	1	B05.50.001.4
2	0.020.7391.2/10	防护隔板 Protective bulkheads	1	0.020.7391.2/10
3	2.1312.004.2	垫圈 8 WASHER	6	2.1312.004.2
4	2.0112.205.2	六角螺栓 M8x1.25x16 BOLT	4	2.0112.205.2
5	2.0112.207.2	六角螺栓 M8x1.25x20 BOLT	2	2.0112.207.2
6	0.022.3103.3	车身骨架 frame	1	0.022.3103.3
6	0.022.3103.3/10	机架 FRAME	1	0.022.3103.3/10
7	04429298.4	盖 COVER	1	04429298.4
8	2.0422.413.2	螺柱 M12x1.75x45 DOPPIA VITE	1	2.0422.413.2
9	04413213	圆柱垫片 WASHER	1	04413213
10	2.0112.413.2	六角螺栓 M12x1.75x35 BOLT	1	2.0112.413.2
11	C63.50.001.2	支架 BRACKET	1	C63.50.001.2
12	2.1475.206.2	锥形垫圈 M16 WASHER	8	2.1475.206.2
13	2.0112.617.2	六角螺栓 M16x2x45 BOLT	4	2.0112.617.2
14	2.0422.617.2	螺柱 M16x2x60 DOPPIA VITE	4	2.0422.617.2
15	0.020.6162.0	隔圈 RIM	4	0.020.6162.0
16	2.1011.109.2	螺母 M16x2 NUT	4	2.1011.109.2
17	2.1475.205.2	锥形垫圈 M14 WASHER	2	2.1475.205.2
18	2.0112.511.2	六角螺栓 M14x2x30 BOLT	2	2.0112.511.2
19	0.029.1451.0	油管 OIL HOSE	2	0.029.1451.0
20	2.6851.019.0	喉箍 13-20 SCHLAUCHSCHELLE-	4	2.6851.019.0
21	2.1475.204.2	锥形垫圈 M12 WASHER	1	2.1475.204.2
22	2.1011.107.2	螺母 M12x1.75 NUT	1	2.1011.107.2
23	A23.50.014.0	连接器 MORSETTO FISS.TUBI	1	A23.50.014.0
24	2.7059.013.0	燃油传感器总成 OIL SENSOR	1	2.7059.013.0
25	2.1480.010.2	锥形垫圈 M4 WASHER	5	2.1480.010.2
26	2.0312.702.2	螺钉 M4x0.7x12 SCREW	5	2.0312.702.2

04429298.4 CUNEO FISS. SERB.



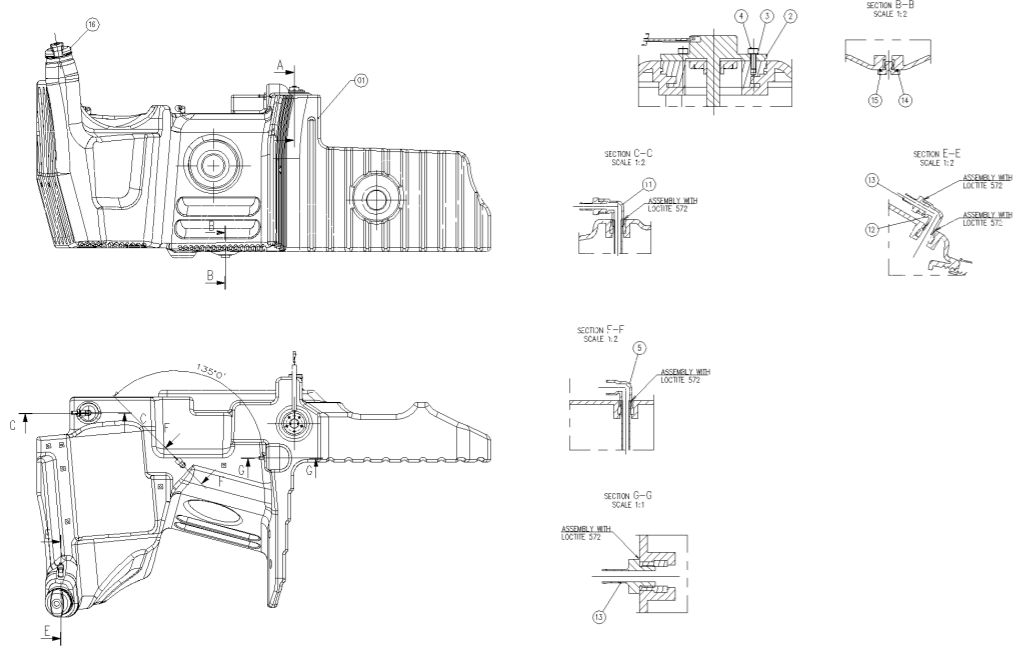
**04429298.4 盖 CUNEO FISS. SERB.**

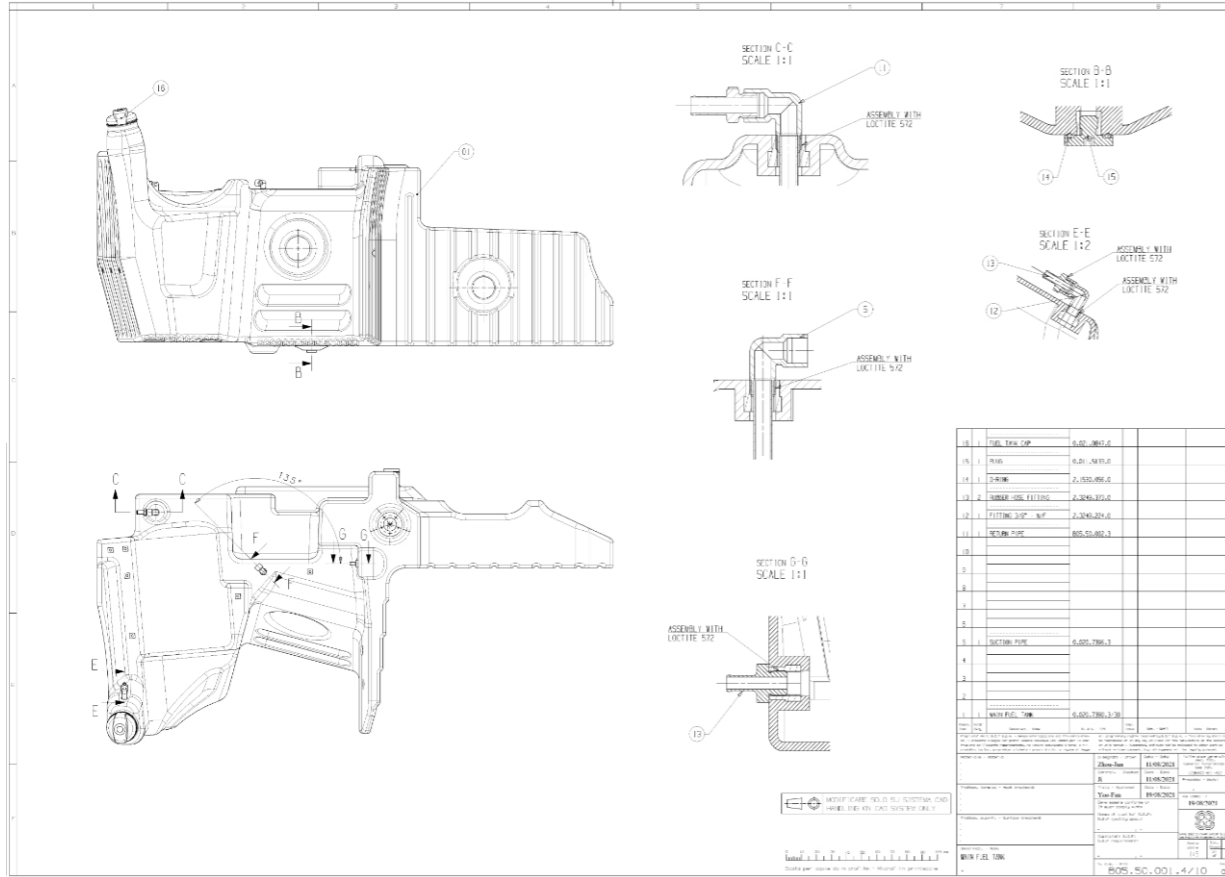
序号	零件编号	零件名称	数量	图号
1	04431848	垫片	1	04431848
2	01112886	螺母	1	01112886
3	04431849	锥形套	1	04431849

# B05.50.001.4 MAIN FUEL TANK

## B05.50.001.4 主油箱 MAIN FUEL TANK

序号	零件编号	零件名称	数量	图号
1	0.020.7390.3/30	主油箱	1	0.020.7390.3/30
5	0.020.7396.3	吸油管	1	0.020.7396.3
11	B05.50.002.3	回水管	1	B05.50.002.3
12	2.3249.224.0	管接头	1	2.3249.224.0
13	2.3249.373.0	管接头	2	2.3249.373.0
14	2.1530.056.0	2.1530.056.0	1	2.1530.056.0
15	0.011.5133.0	TAPPO	1	0.011.5133.0
16	0.021.0847.0	油箱盖	1	0.021.0847.0





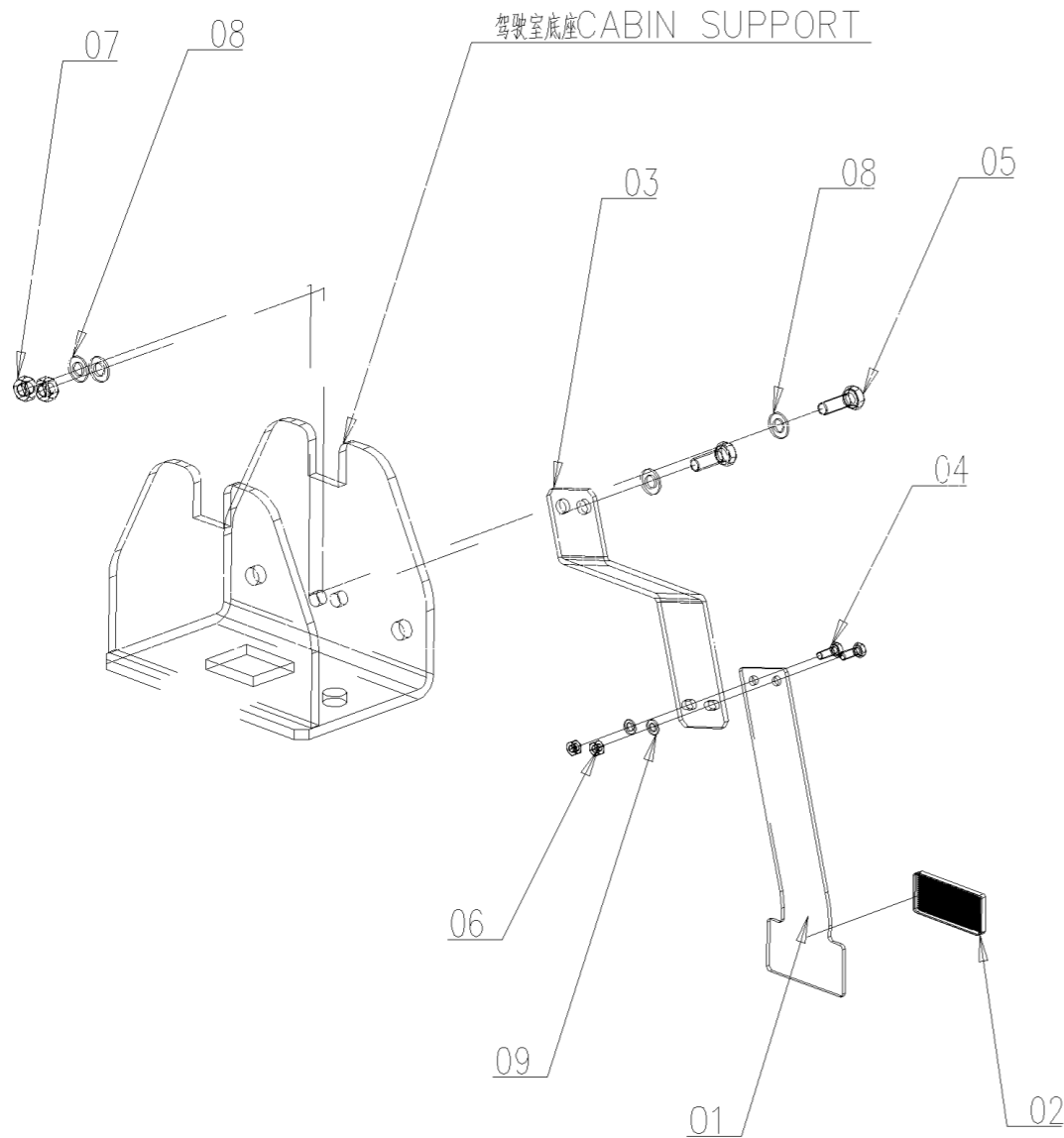
## B05.50.001.4/10 主油箱 MAIN FUEL TANK

序号	零件编号	零件名称	数量	图号
1	0.020.7390.3/30	主油箱 MAIN FUEL TANK	1	0.020.7390.3/30
5	0.020.7396.3	吸油管 SUCTION PIPE	1	0.020.7396.3
11	B05.50.002.3	回水管 RETURN PIPE	1	B05.50.002.3
12	2.3249.224.0	管接头90 G 3/8" M/F RACC. 90 G 3/8"	1	2.3249.224.0
13	2.3249.373.0	管接头G 3/8" RACCORDO G 3/8"	2	2.3249.373.0
14	2.1530.056.0	O形圈 O-RINGS	1	2.1530.056.0
15	0.011.5133.0	油堵 TAPPO	1	0.011.5133.0
16	0.021.0847.0	油箱盖 FUEL TANK CAP	1	0.021.0847.0

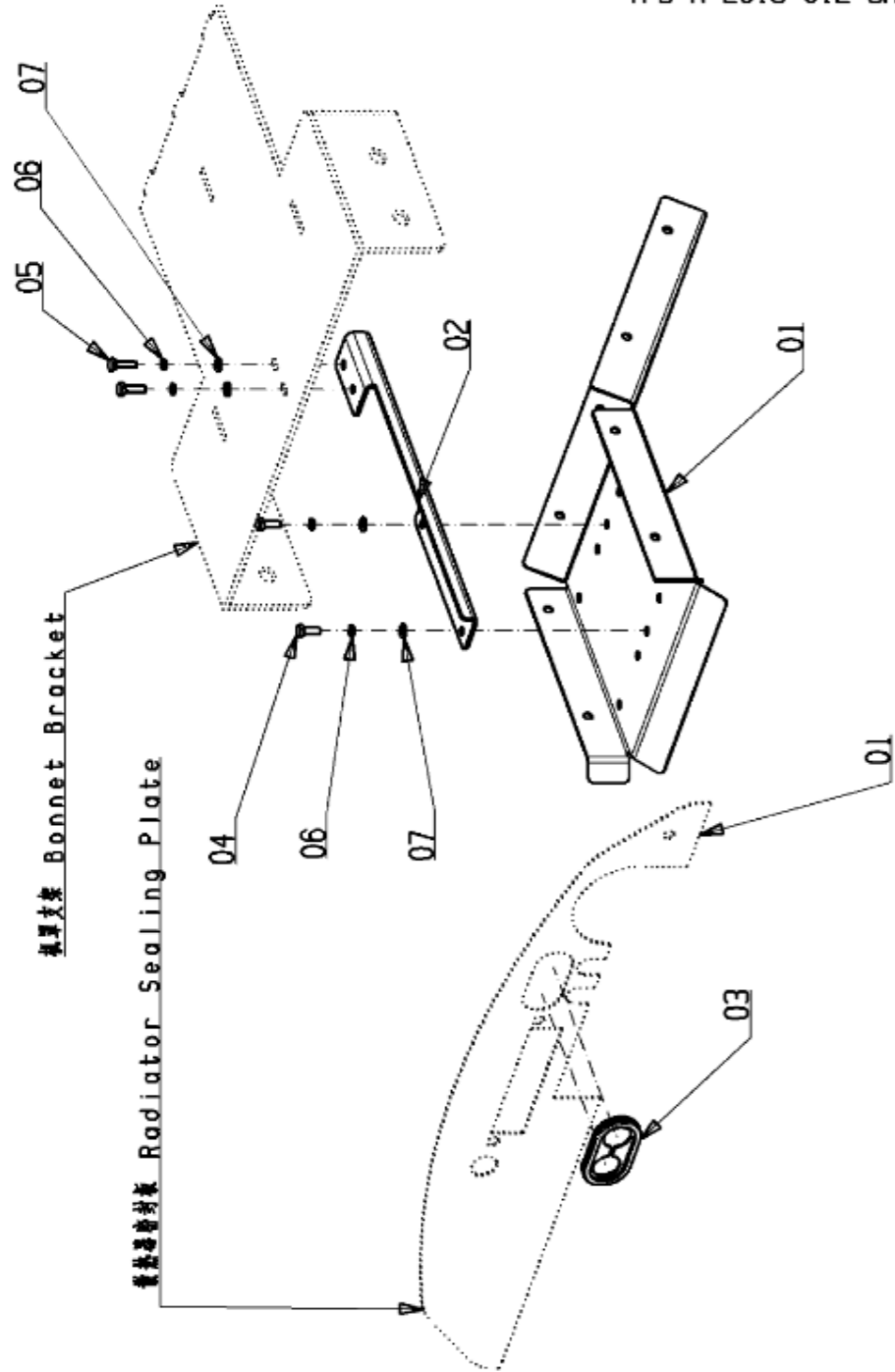
# B05.51.900.4 REFLECTION PLATE ASS.Y

## B05.51.900.4\_0 后反射器 LOWER REFLECTOR

序号	零件编号	零件名称	数量	图号
1	B05.51.001.0	反射安装板 REFLECTION PLATE	2	B05.51.001.0
2	C05.51.002.0/10	反射板 REFLECTOR	2	C05.51.002.0/10
3	0.021.5746.0	支架 BRACKET	2	0.021.5746.0
4	2.0112.005.2	螺栓 HEX BOLT M6x1x16	4	2.0112.005.2
5	2.0112.311.2	螺栓 HEX BOLT M10x1.5x30	4	2.0112.311.2
6	2.1011.103.2	螺母 NUT	4	2.1011.103.2
7	2.1011.106.2	螺母 NUT	4	2.1011.106.2
8	2.1475.003.2	垫圈 WASHER	8	2.1475.003.2
9	2.1475.201.2	垫圈 CONICAL WASHER M6	4	2.1475.201.2



YFB-R-2018-012 SH.001

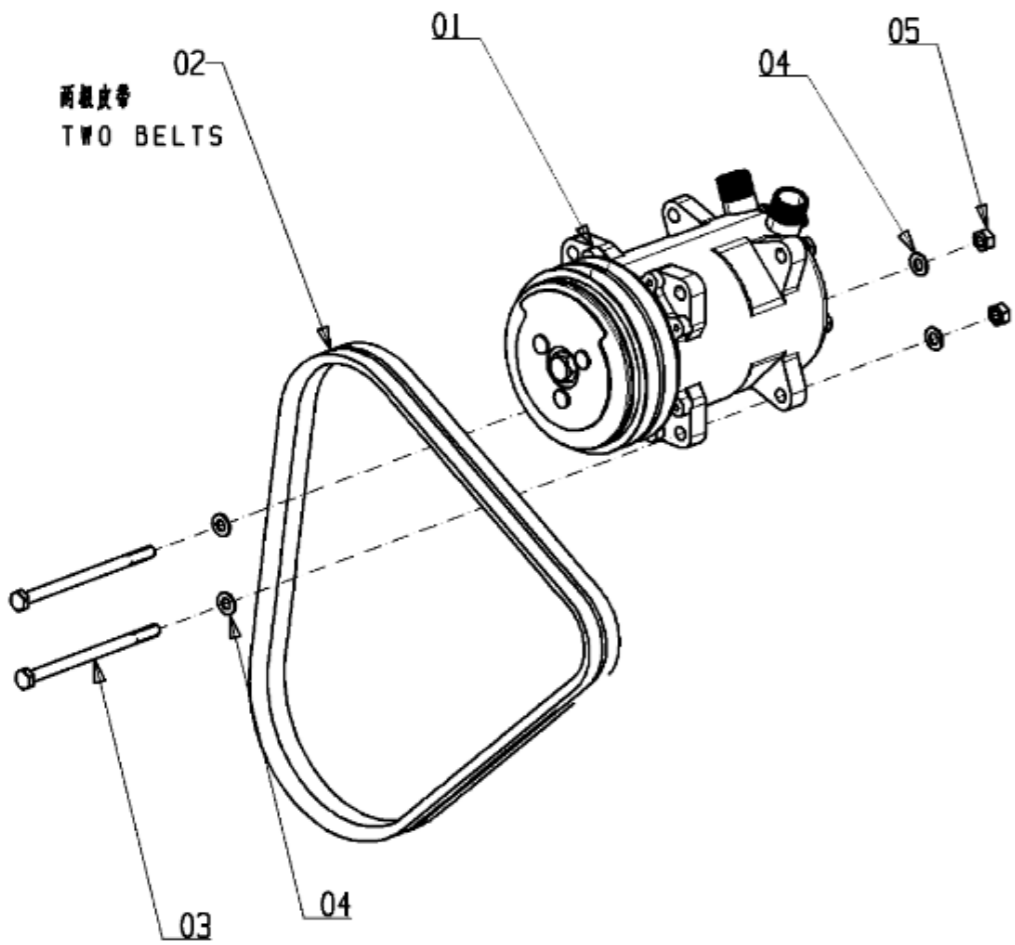


**B05.81.900.4\_1 线束通道 CABLE BUS**

序号	零件编号	零件名称	数量	图号
1	B05.81.001.3/10	管托	1	B05.81.001.3/10
2	B05.81.002.3	支架	1	B05.81.002.3
3	B05.81.003.0	胶圈	1	B05.81.003.0
4	GBT5783-M6X16-A2L	螺栓	2	GBT5783-M6X16-A2L
5	GBT5783-M6X20-A2L	螺栓	2	GBT5783-M6X20-A2L
6	GBT93-6-A3L	垫圈	4	GBT93-6-A3L
7	GBT97.1-6-A3L	垫圈	4	GBT97.1-6-A3L

 SIME DEUTZ-FAIR GROUP S.p.A. SIME + DEUTZ-FAIR + LAMBORGHINI + FAIRTEAM Gruppo - Group	CD1804-CD2104 CNIV	N. dis. - P/N <b>B05.81.901.4</b>
	<b>AC COMPRESSOR</b>	Rev 1    foglio - sheet 1 di 1 Validato il 21/08/2019    Ok    F

YFB-R-2018-012 SH.001



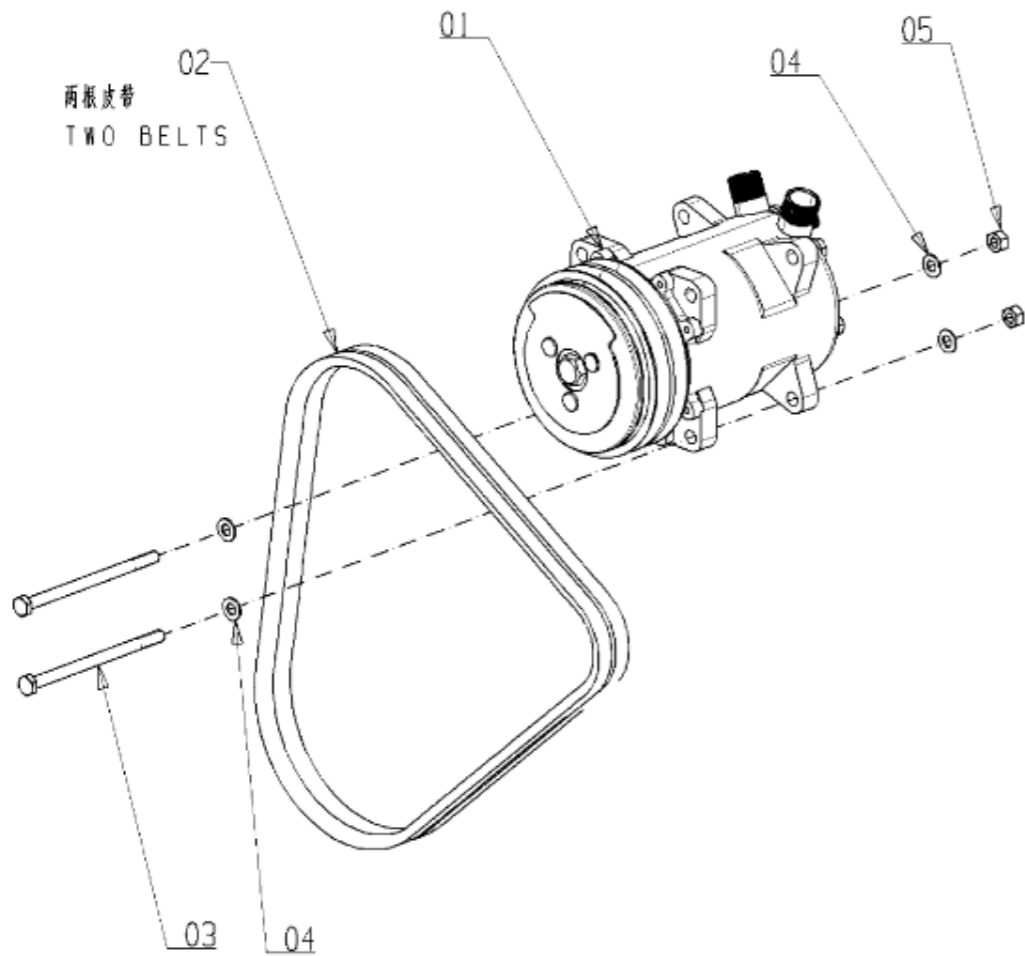
**B05.81.901.4\_1 压缩机总成 AIR CONDITIONING COMPRESSOR**

序号	零件编号	零件名称	数量	图号
1	CD904.81.012	空气压缩机	1	CD904.81.012
2	GBT11544-A970LI	压缩机皮带	2	GBT11544-A970LI
3	2.0112.234.2	六角头螺栓 M8x1.25x125	2	2.0112.234.2
4	2.1475.002.2	锥形垫圈 M8	4	2.1475.002.2
5	2.1011.105.2	螺母 M8x1.25	2	2.1011.105.2



 SAME DEUTZ-FAHR GROUP S.p.A. Gruppo - Group	CD1804-CD2104 CNIV	N. dis. - P/N <b>B05.81.901.4</b>											
	<b>AC COMPRESSOR</b>	<table border="1"> <tr> <td>Rev</td> <td>Facilita - Greek</td> <td>di - di'</td> </tr> <tr> <td>2</td> <td>1</td> <td>1</td> </tr> <tr> <td>Validato il</td> <td>IM</td> <td>P</td> </tr> <tr> <td>27/07/2021</td> <td>-</td> <td>-</td> </tr> </table>	Rev	Facilita - Greek	di - di'	2	1	1	Validato il	IM	P	27/07/2021	-
Rev	Facilita - Greek	di - di'											
2	1	1											
Validato il	IM	P											
27/07/2021	-	-											

YFB-R-2018-004 SH.029



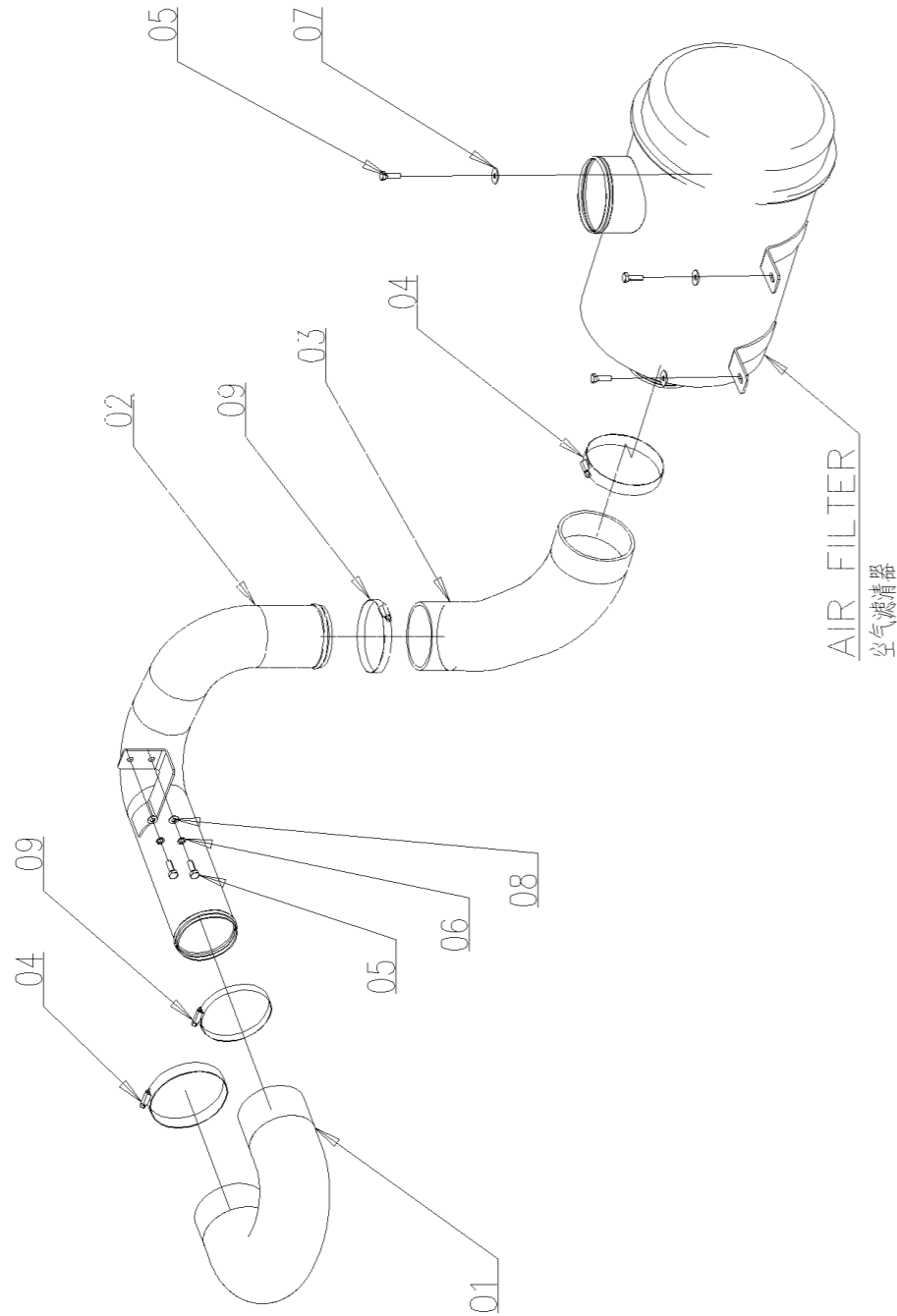
### B05.81.901.4\_2 压缩机总成 AIR CONDITIONING COMPRESSOR

序号	零件编号	零件名称	数量	图号
1	CD904.81.012	空气压缩机 AIR COMPRESSOR	1	CD904.81.012
2	GBT11544-A980LI	皮带 COMPRESSOR BELT	2	GBT11544-A980LI
3	2.0112.234.2	螺栓 HEX BOLT M8x1.25x125	2	2.0112.234.2
4	2.1475.002.2	锥形垫圈 M8 CONICAL WASHERS M8	4	2.1475.002.2
5	2.1011.105.2	螺母 M8x1.25 NUT M8x1.25	2	2.1011.105.2

# B06.11.901.4 AIR INTAKE SYSTEM

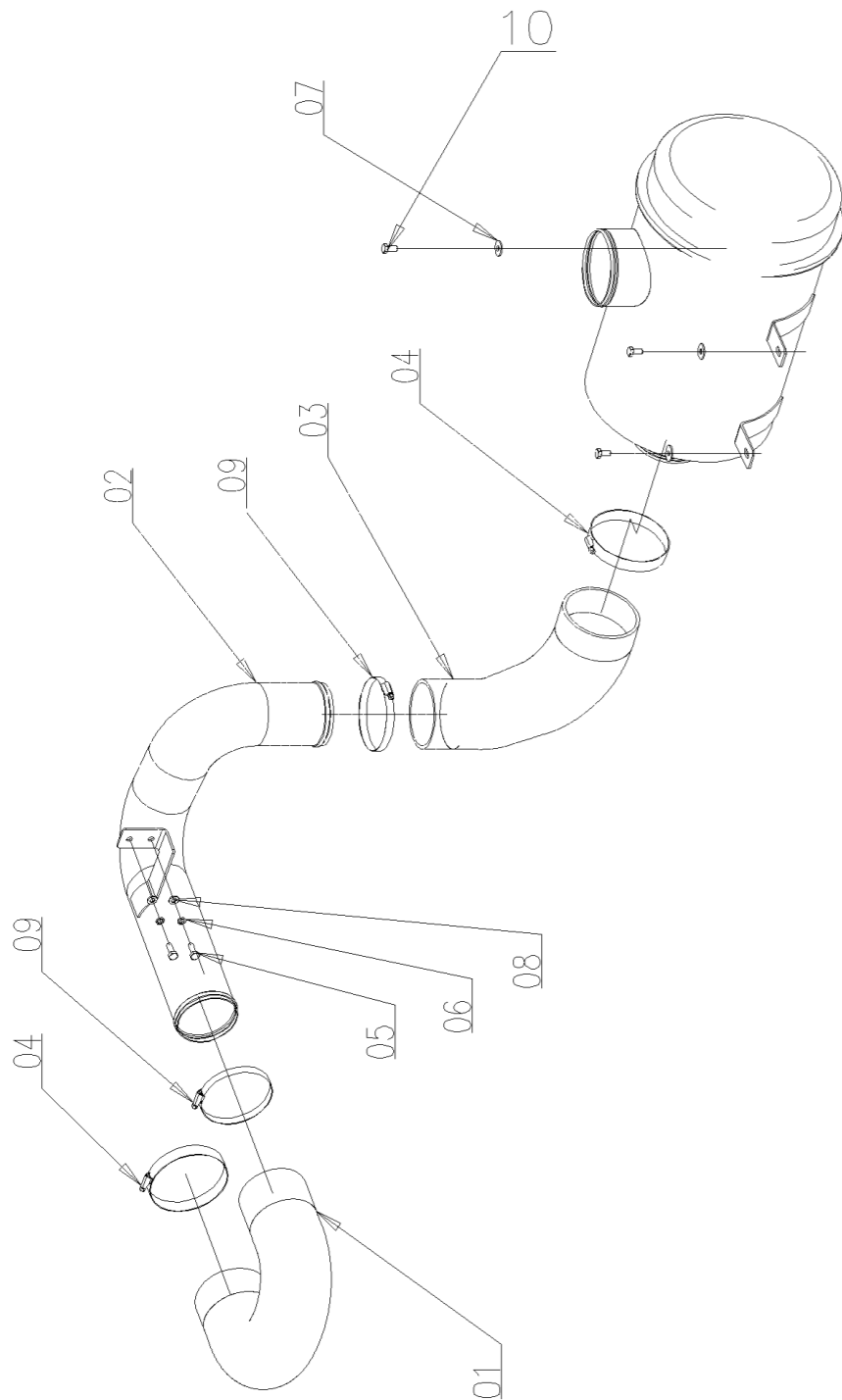
## B06.11.901.4\_0 发动机进气管总成 AIR INTAKE SYSTEM

序号	零件编号	零件名称	数量	图号
1	B05.11.001.0	软管 HOSE	1	B05.11.001.0
2	B05.11.002.2	空气滤清器导管 AIR INTAKE TUBE	1	B05.11.002.2
3	B05.11.003.0	软管 HOSE	1	B05.11.003.0
4	JBT8870-D120	喉箍 HOSE CLAMPS	2	JBT8870-D120
5	GBT5783-M8X25-A2L	螺栓 BOLT	5	GBT5783-M8X25-A2L
6	GBT93-8-A3L	垫圈 WASHER	2	GBT93-8-A3L
7	GBT96.1-8-A3L	垫圈 WASHER	3	GBT96.1-8-A3L
8	GBT97.1-8-A3L	垫圈 WASHER	2	GBT97.1-8-A3L
9	JBT8870-D110	喉箍 HOSE CLAMPS	2	JBT8870-D110

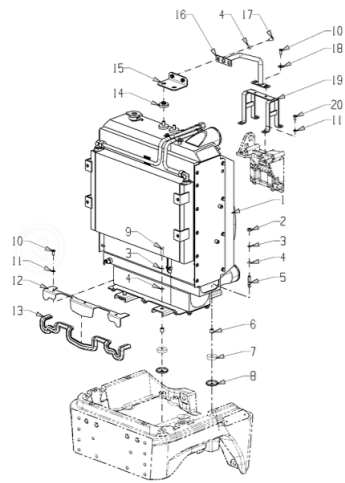


# B06.11.901.4 AIR INTAKE SYSTEM

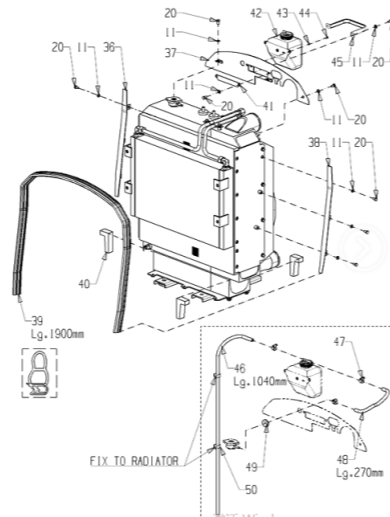
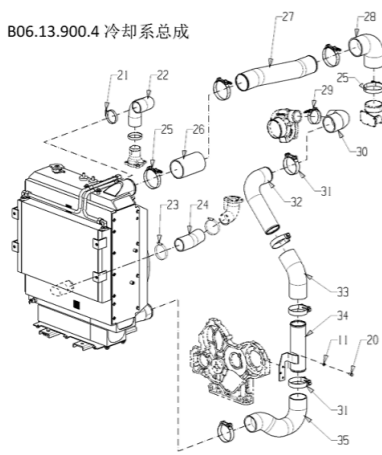
## B06.11.901.4\_1 发动机进气管总成 AIR INTAKE SYSTEM



序号	零件编号	零件名称	数量	图号
1	B05.11.001.0	软管	1	B05.11.001.0
2	B05.11.002.2	进气管	1	B05.11.002.2
3	B05.11.003.0	软管	1	B05.11.003.0
4	JBT8870-D120	喉箍	2	JBT8870-D120
5	GBT5783-M8X20-A2L	螺栓	2	GBT5783-M8X20-A2L
6	GBT93-8-A3L	垫圈	2	GBT93-8-A3L
7	GBT96.1-8-A3L	垫圈	3	GBT96.1-8-A3L
8	GBT97.1-8-A3L	垫圈	2	GBT97.1-8-A3L
9	JBT8870-D110	喉箍	2	JBT8870-D110
10	GBT5783-M8X16-A2L	螺栓	3	GBT5783-M8X16-A2L



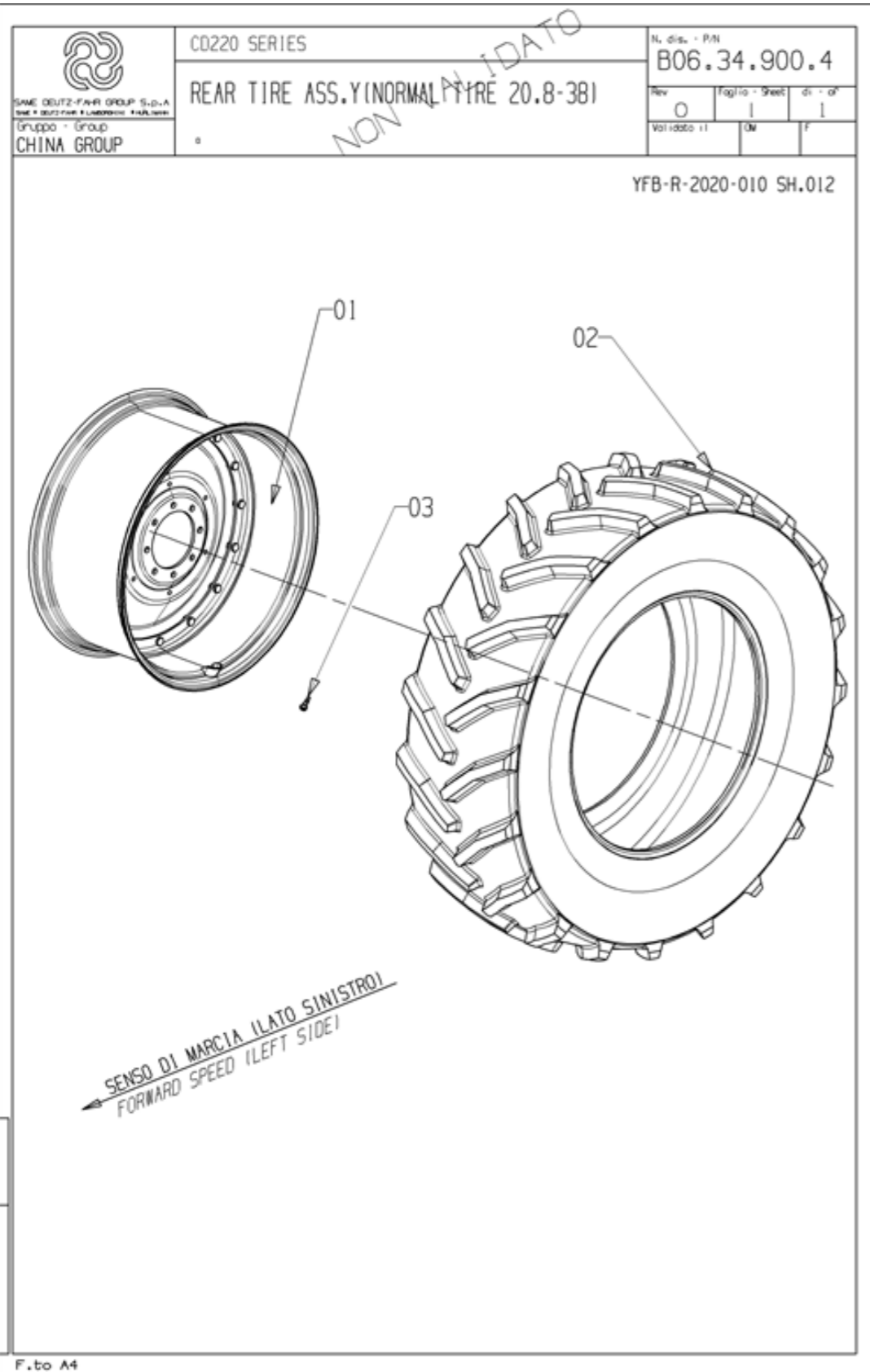
B06.13.900.4 冷却系总成



B06.13.900.4\_1 冷却系统总成 COOLING SYSTEM ASS.Y

序号	零件编号	零件名称	数量	图号
1	B06.13.001.4/10	散热器总成 COOLER GROUP	1	B06.13.001.4/10
2	2.1011.106.2	螺母 NUT	2	2.1011.106.2
3	GBT93-10-A3L	垫圈 WASHER	4	GBT93-10-A3L
4	GBT97.1-10-A3L	垫圈 WASHER	6	GBT97.1-10-A3L
5	2.0422.311.7	螺柱 STUD M10x1.5x40	2	2.0422.311.7
6	B06.13.013.0	套筒 SLEEVE	4	B06.13.013.0
7	B29.13.019.0	前扎带胶垫 RUBBER CUSHION	4	B29.13.019.0
8	A68.13.013.0	垫圈 WASHER	4	A68.13.013.0
9	GBT5783-M10X40-A3L	螺栓 BOLT	2	GBT5783-M10X40-A3L
10	GBT5783-M8X20-A2L	螺栓 BOLT	5	GBT5783-M8X20-A2L
11	GBT97.1-8-A3L	垫圈 WASHER	22	GBT97.1-8-A3L
12	A68.13.006.0/10	隔板 BULKHEAD	1	A68.13.006.0/10
13	A68.13.007.0	密封条 GASKET	1	A68.13.007.0
14	B29.13.021.0	前扎带胶垫 RUBBER CUSHION	2	B29.13.021.0
15	B29.13.022.3	钢板 STEEL PLATE	1	B29.13.022.3
16	B06.13.015.2	散热器支架 RADIATOR SUPPORT	1	B06.13.015.2
17	GBT5783-M10X20-A3L	螺栓 BOLT	2	GBT5783-M10X20-A3L
18	GBT96.1-8-A3L	垫圈 WASHER	2	GBT96.1-8-A3L
19	A68.13.004.3/10	支架 BRACKET	1	A68.13.004.3/10
20	GBT5783-M8X16-A2L	螺栓 BOLT	19	GBT5783-M8X16-A2L
21	JBT8870-D70	喉箍 HOSE CLAMPS	2	JBT8870-D70
22	B06.13.014.0	冷却液软管 COOLANT HOSE	1	B06.13.014.0
23	JBT8870-D80	喉箍 HOSE CLAMPS	2	JBT8870-D80
24	B06.13.016.0	冷却液软管 COOLANT HOSE	1	B06.13.016.0
25	B29.13.015.0	重型卡箍95-103 HEAVY CLAMP 95-103	4	B29.13.015.0
26	B29.13.012.0	中冷器软管 CAC HOSE	1	B29.13.012.0
27	B06.13.010.0	中冷器管 CAC PIPE	1	B06.13.010.0
28	B29.13.011.0	中冷器软管 CAC HOSE	1	B29.13.011.0
29	A29.13.007.0	重型卡箍70-78 HEAVY CLAMP 70-78	1	A29.13.007.0
30	B29.13.006.0	中冷器软管 CAC HOSE	1	B29.13.006.0
31	A31.13.006.0	重型卡箍 86-94 HEAVY CLAMP 86-94	5	A31.13.006.0
32	B29.13.007.0	中冷器管 CAC PIPE	1	B29.13.007.0
33	B29.13.008.0	中冷器软管 CAC HOSE	1	B29.13.008.0
34	B06.13.007.2	中冷器管 CAC PIPE	1	B06.13.007.2
35	B06.13.008.0	中冷器软管 CAC HOSE	1	B06.13.008.0
36	B06.13.012.2	密封托架 RH SEALING BRACKET	1	B06.13.012.2
37	B06.13.009.3/10	上密封托架 UPPER SEALING	1	B06.13.009.3/10
38	B06.13.011.2	左侧密封托架 LH SEALING BRACKET	1	B06.13.011.2
39	A02.13.010.0	密封条 SEALING STRIP	1	A02.13.010.0
40	A68.13.005.0	海绵 SPONGE	4	A68.13.005.0
41	B29.13.024.0	钢板 STEEL PLATE	1	B29.13.024.0
42	CD1204.13.012	膨胀水箱 EXPANSION TANK	1	CD1204.13.012
43	GBT97.1-4-A3L	垫圈 WASHER	2	GBT97.1-4-A3L
44	GBT5783-M4X12-A2L	螺栓 BOLT	2	GBT5783-M4X12-A2L

45	0.023.2676.2	副水箱固定 EXPANSION TANK	1	0.023.2676.2
46	0.026.5598.0	水箱水管 WATER RADIATOR HOSE	1	0.026.5598.0
47	JBT8870-d16	喉箍 HOSE CLAMP	3	JBT8870-d16
48	0.026.5598.0	水箱水管 WATER RADIATOR HOSE	1	0.026.5598.0
49	SH400.48.118	橡胶圈 THREAD RING	1	SH400.48.118
50	SH400.48.112	线卡 CLAMP	2	SH400.48.112



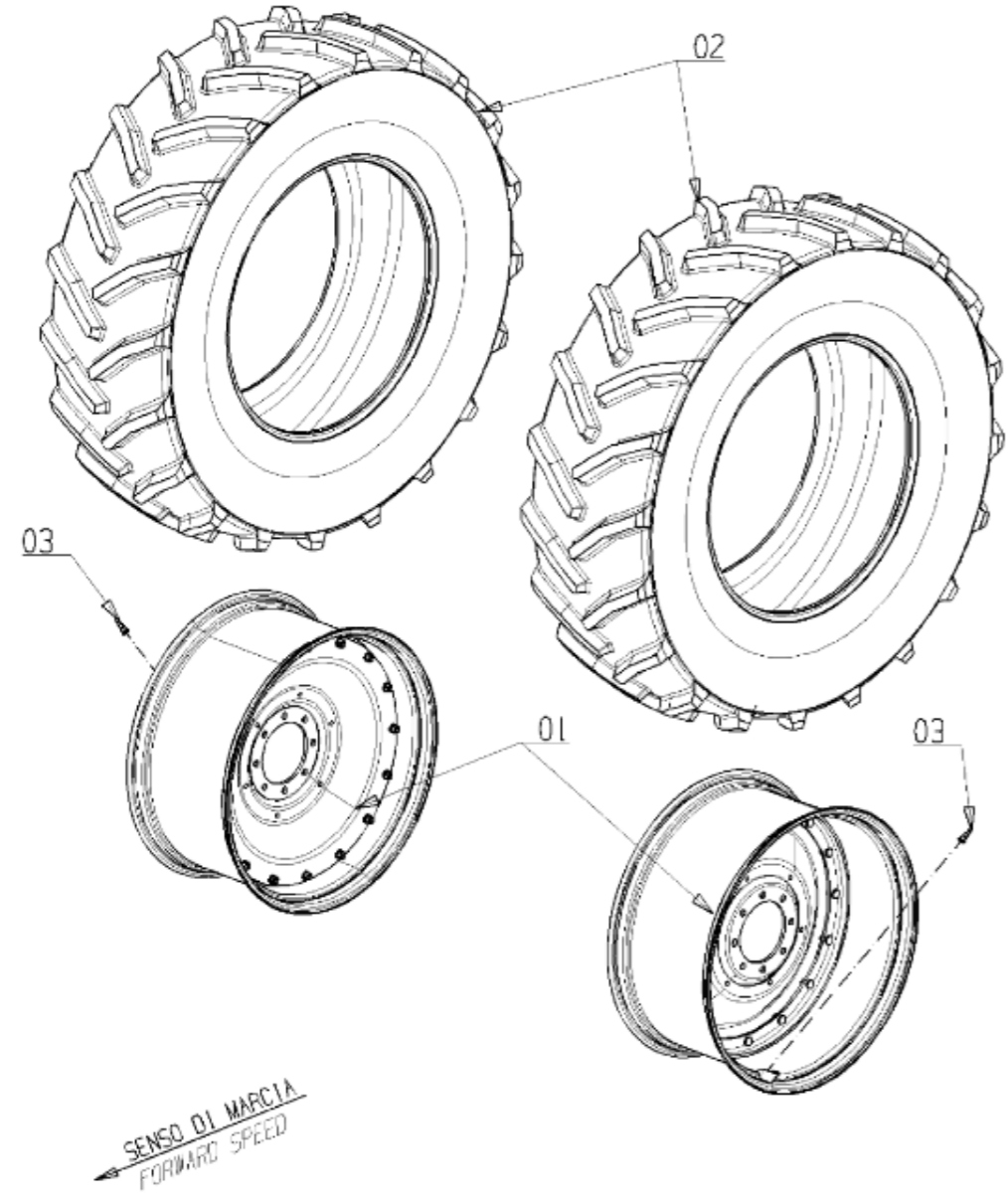
### B06.34.900.4\_0 后轮总成 20.8-38 REAR TYRE ASS.Y(20.8-38-R1)

序号	零件编号	零件名称	数量	图号
1	B06.34.001.4	轮辋 RIM W18LX38	2	B06.34.001.4
2	2.4811.330.0	轮胎 TYRE	2	2.4811.330.0
3	2.4820.140.0	气门嘴 CAM. ARIA 20.8-38"	2	2.4820.140.0

YFB-R-2018-012 SH.009

**B06.34.900.4\_1 后轮 ( 20.8-38 ) REAR TIRE ASS.Y(NORMAL TIRE 20.8-38)**

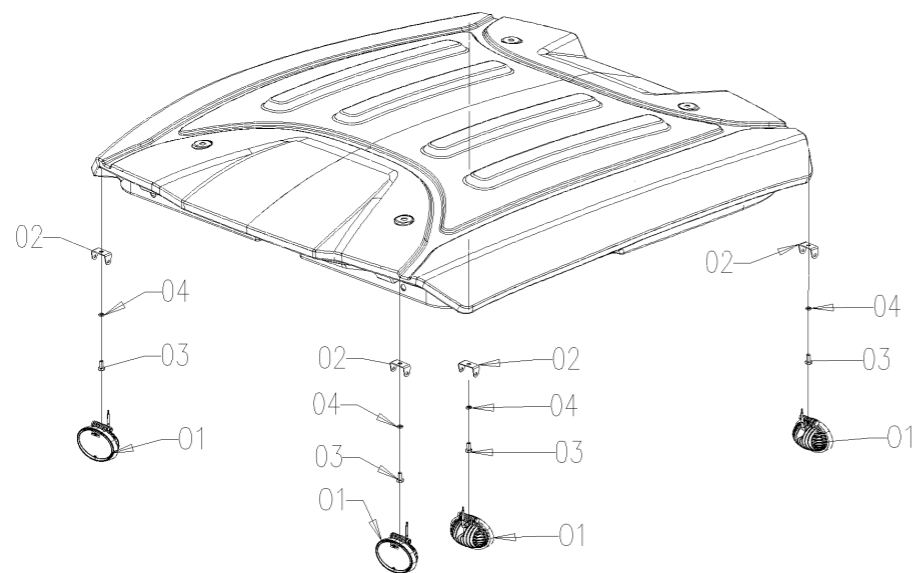
序号	零件编号	零件名称	数量	图号
1	B06.34.001.4	轮辋 RIM W18LX38	2	B06.34.001.4
2	2.4811.330.0	轮胎 PNEUMATICO 20.8-38	2	2.4811.330.0
3	2.4820.140.0	气门嘴 CAM. ARIA 20.8-38"	2	2.4820.140.0



B06.48.907.4 ROOF 4 WL ELLIPTICAL

B06.48.907.4\_0 LED 工作灯 ROOF 4 WL ELLIPTICAL LED ASS.Y

序号	零件编号	零件名称	数量	图号
1	B06.48.015.0	LED工作灯	4	B06.48.015.0
2	B06.48.032.0	LED工作灯支架	4	B06.48.032.0
3	GBT5783-M10X20-A3L	螺栓	4	GBT5783-M10X20-A3L
4	GBT93-10-A3L	垫圈	4	GBT93-10-A3L



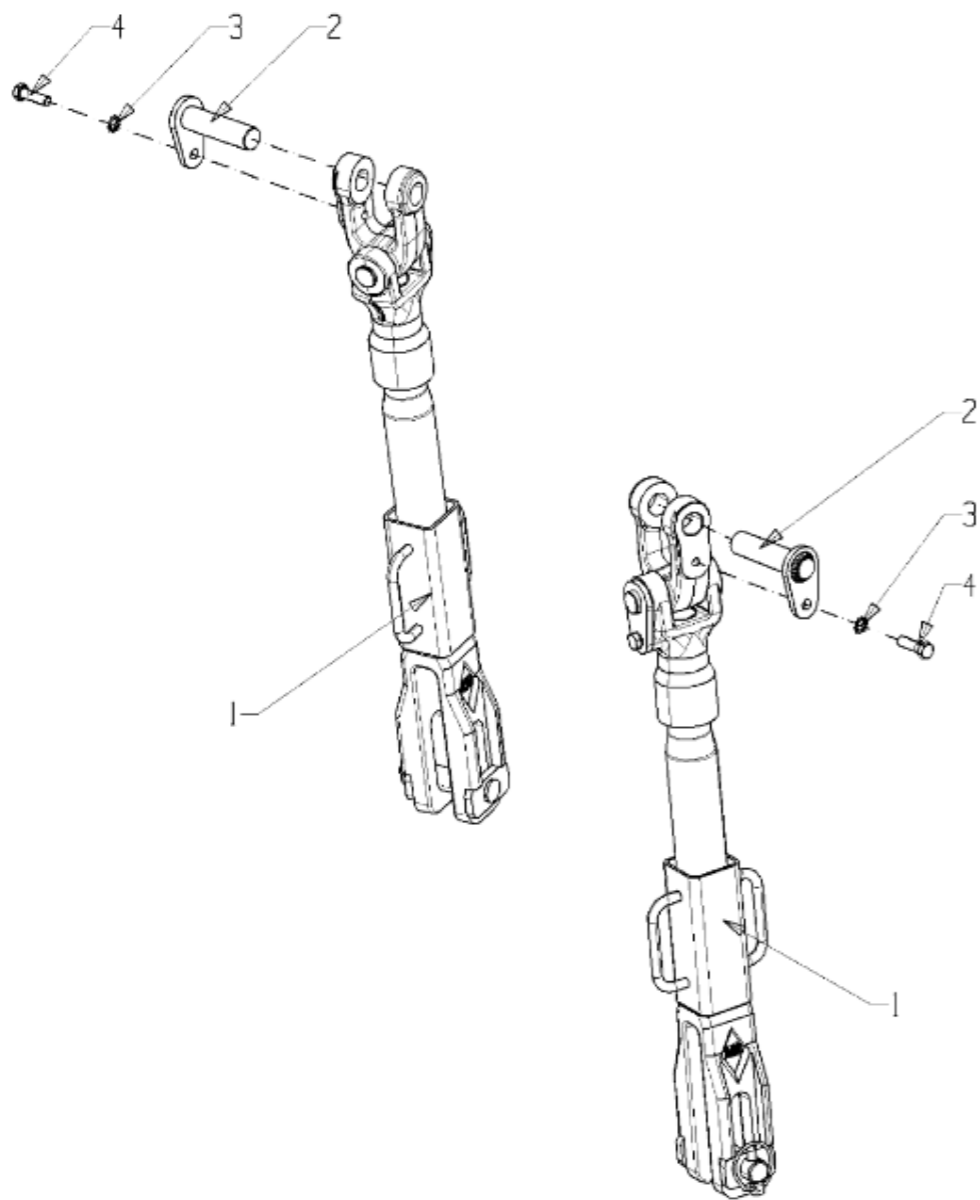


Rev.	Facilita - Street	di - ch
0	1	1
Val. in data di	IM	P
03/09/2022		

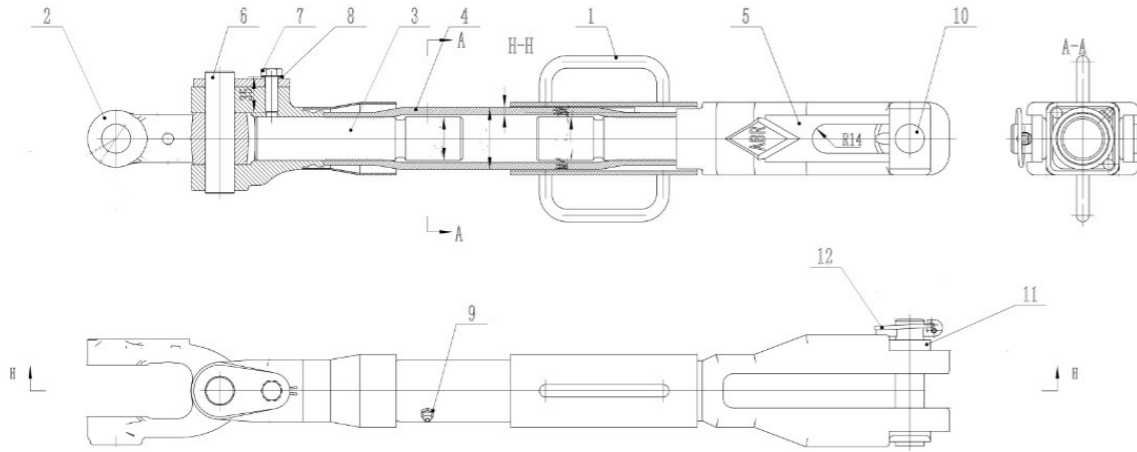
B06.56.901.4\_0 提升杆总成 LIFT LINK ASS.Y

序号	零件编号	零件名称	数量	图号
1	B06.56.001.4	提升总成 LIFT ASS.Y	2	B06.56.001.4
2	0.009.3144.2/20	销 PERNO	2	0.009.3144.2/20
3	2.1470.007.2	锁紧垫圈 12 LOCK WASHER 12	2	2.1470.007.2
4	2.0112.415.2	螺栓 M12x1.75x40 HEX BOLT	2	2.0112.415.2

YFB-R-2018-012 SH.012



B06.56.001.4



左螺纹、右螺纹及销连接处、油杯涂润滑脂。

4	B06.56.007.2	提升螺纹管	1	45					
3	B06.56.002.3	叉1焊合件	1						
2	0.009.2816.0/30	叉2	1						
1	B06.56.009.2	调整套焊合件	1						

12	0.010.9322.4	锁销环组件	1						
11	B06.56.014.0	板	1						
10	B06.56.013.2	下连接销焊合件	1						
9	2.3820.105.2	油杯 M10×1	1	JB/T 7940.1-1995					
8	2.1470.007.2	垫圈 12	1						
7	2.0112.413.2	螺栓M12×35 8.8级	1						
6	0.009.3144.2/20	销	1						
5	B06.56.010.3	下提升叉焊合件	1						

序号	代号	名称	数量	材料	单件重量	总计重量	备注
				提升杆总成		B06.56.001.4	
编制	日期	审核	日期	批准	日期		
制图	日期	审核	日期	批准	日期		
工艺	日期	审核	日期	批准	日期		

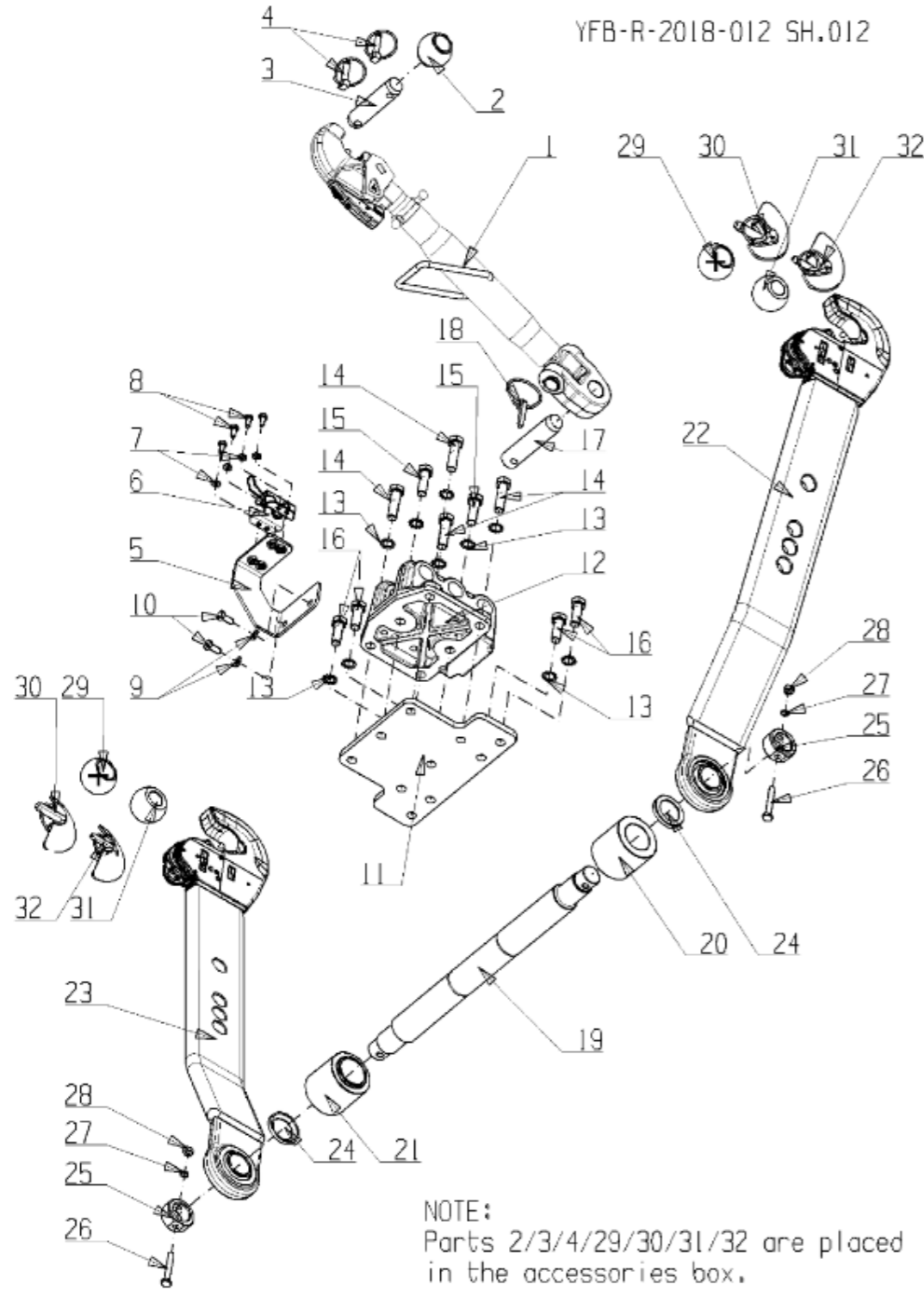


安徽埃博瑞  
机械有限公司

### B06.56.001.4 提升总成 LIFT ASS.Y

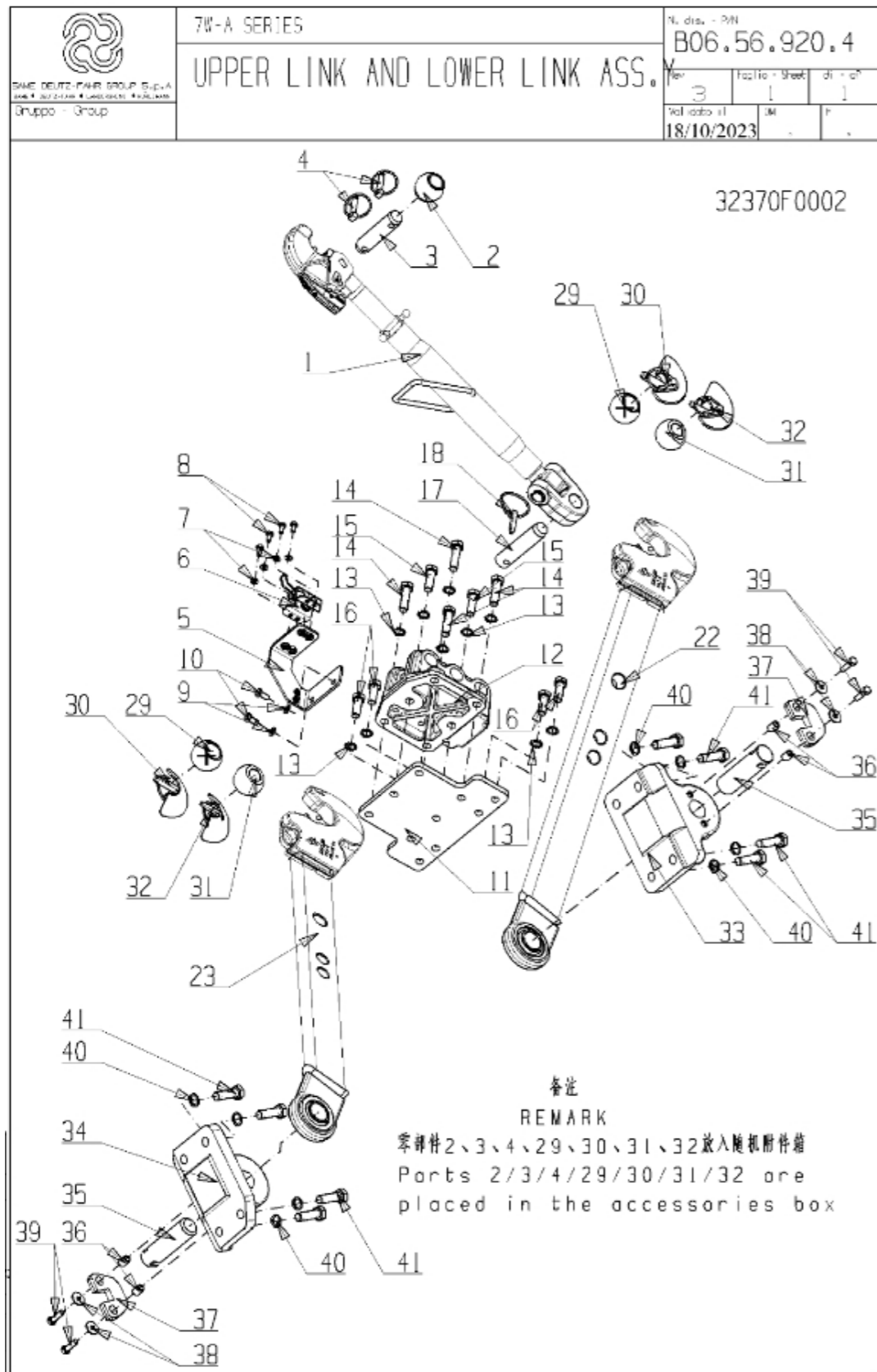
序号	零件编号	零件名称	数量	图号
1	B06.56.009.2	调整套焊合件 HANDLE TUBE	1	B06.56.009.2
2	0.009.2816.0/30	叉2 FORCELLA SUPERIORE	1	0.009.2816.0/30
3	B06.56.002.3	叉1焊合件 UPPER LINK FORK	1	B06.56.002.3
4	B06.56.007.2	提升螺纹管 LIFTING LEVER SCREW	1	B06.56.007.2
5	B06.56.010.3	下提升叉焊合件 LINK FORK ASS.Y	1	B06.56.010.3
6	0.009.3144.2/20	销 PERNO	1	0.009.3144.2/20
7	2.0112.413.2	螺栓M12x1.75x35 HEX BOLT	1	2.0112.413.2
8	2.1470.007.2	垫圈12 LOCK WASHER 12	1	2.1470.007.2
9	2.3820.101.2	油杯M10 × 1 NIPPLES M6	1	2.3820.101.2
10	B06.56.013.2	下连接销焊合件 PIN WELDED	1	B06.56.013.2
11	B06.56.014.0	板 PLATE	1	B06.56.014.0
12	0.010.9322.4	锁销环组件 SPINA COMPLETA	1	0.010.9322.4

YFB-R-2018-012 SH.012



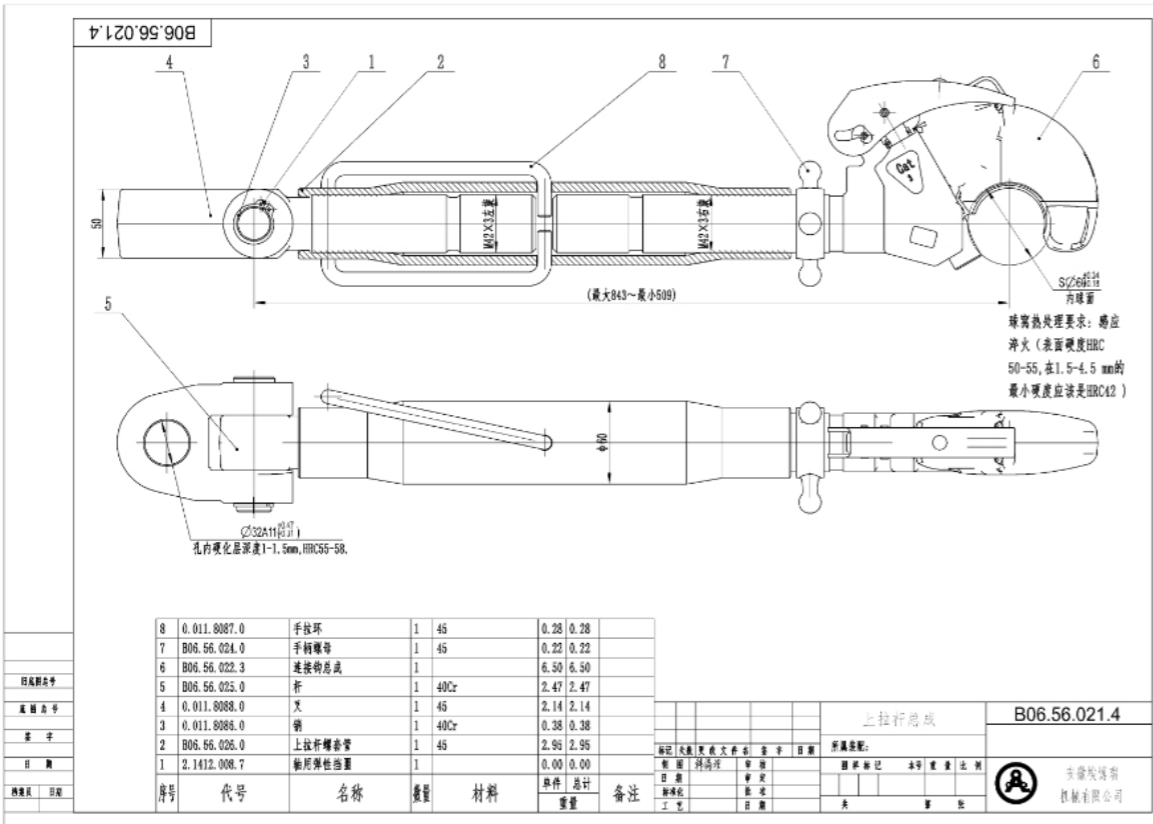
B06.56.920.4\_0 上、下拉杆总成 UPPER LINK AND LOWER LINK ASS.Y

序号	零件编号	零件名称	数量	图号
1	B06.56.021.4	上连杆组件总成 UPPER LINK ASS.Y	1	B06.56.021.4
2	0.009.2300.0	球头 0.009.2300.0	1	0.009.2300.0
3	2.1669.036.2	销 32X133 PERNO 32X133	1	2.1669.036.2
4	0.010.9322.4	销 SPINA COMPLETA	2	0.010.9322.4
5	B06.56.028.3	支架焊接 BRACKET WELDED	1	B06.56.028.3
6	0.009.3492.4/50	停顿 FERMO PER 3^ PUNTO	1	0.009.3492.4/50
7	2.1310.004.2	垫圈 8 WASHER 8	4	2.1310.004.2
8	2.0112.206.2	六角螺栓 M8x1.25x18 HEX BOLT	4	2.0112.206.2
9	2.1475.103.2	锥形垫圈 M10 CONICAL WASHER	2	2.1475.103.2
10	2.0112.308.2	六角螺栓 M10x1.5x22 HEX BOLT	2	2.0112.308.2
11	B05.55.001.0	连接板 CONNECT PLATE	1	B05.55.001.0
12	0.760.3810.0/50	法兰盖 FLANGIA ATTACCO PUNT	1	0.760.3810.0/50
13	2.1470.009.2	锁紧垫圈 16 LOCK WASHER 16	10	2.1470.009.2
14	2.0112.621.2	六角螺栓 M16x2x60 HEX BOLT	4	2.0112.621.2
15	2.0112.619.2	六角螺栓 M16x2x50 HEX BOLT	2	2.0112.619.2
16	2.0112.617.2	六角螺栓 M16x2x45 HEX BOLT	4	2.0112.617.2
17	0.76022.12.0	销 32X150 0.76022.12.0	1	0.76022.12.0
18	0.760.2257.3	销 SPINA	1	0.760.2257.3
19	A68.56.001.0/10	下杆支撑轴 LOWER LINK SUPPORT	1	A68.56.001.0/10
20	A68.56.002.0	套管 BUSHING	1	A68.56.002.0
21	A68.56.011.0	套管 BUSHING	1	A68.56.011.0
22	A68.56.005.3/20	左下环焊接 LH LOWER LINK	1	A68.56.005.3/20
23	A68.56.006.3/20	右下环焊接 RH LOWER LINK	1	A68.56.006.3/20
24	0.96081.53.0	垫圈 ANELLO DI SPALLAMENTO	2	0.96081.53.0
25	A68.56.008.0/10	垫圈 ANELLO DI SPALLAMENTO	2	A68.56.008.0/10
26	2.0114.320.2	螺钉 M10x65 SCREW M10x65	2	2.0114.320.2
27	2.1473.008.2	弹垫 M10 SPRING WASHER M10	2	2.1473.008.2
28	2.1011.106.2	螺母 M10x1.5 NUT M10x1.5	2	2.1011.106.2
29	0.760.3954.0	圆螺母 ROTULA 3^ CATEG.	2	0.760.3954.0
30	0.016.7834.3	下拉杆球头固定卡 PROFILO CONICO	2	0.016.7834.3
31	0.760.4552.0	下臂拉杆端 0.760.4552.0	2	0.760.4552.0
32	0.016.7833.3	下拉杆球头固定卡 PROFILO CONICO	2	0.016.7833.3



### B06.56.920.4\_3 上、下拉杆总成 UPPER LINK AND LOWER LINK ASS.Y

序号	零件编号	零件名称	数量	图号
1	B06.56.021.4/10	上连杆组件总成 UPPER LINK ASS.Y	1	B06.56.021.4/10
2	0.009.2300.0	球头 ROTULA	1	0.009.2300.0
3	2.1669.036.2	销 32X133 PERNO 32X133	1	2.1669.036.2
4	0.010.9322.4	销 SPINA AN. ELASTICO	2	0.010.9322.4
5	B06.56.028.3/10	支架焊接 BRACKET WELDED	1	B06.56.028.3/10
6	0.009.3492.4/50	停顿 FERMO 3^PUNTO	1	0.009.3492.4/50
7	2.1310.004.2	垫圈 8 ROSETTA 8	4	2.1310.004.2
8	2.0112.206.2	螺栓 M8X1.25X18 VITE M8X1.25X18	4	2.0112.206.2
9	2.1475.103.2	垫圈 10.5X20X2.38	2	2.1475.103.2
10	2.0112.308.2	螺栓 M10X1.5X22 VITE M10X1.5X22	2	2.0112.308.2
11	B05.55.001.0	连接板 CONNECT PLATE	1	B05.55.001.0
12	0.760.3810.0/60	法兰盖 FLANGIA ATTACCO PUNT	1	0.760.3810.0/60
13	2.1470.009.2	垫圈 16 ROSETTA 16	10	2.1470.009.2
14	2.0112.621.2	螺栓 M16X2X60 VITE M16X2X60	4	2.0112.621.2
15	2.0112.619.2	螺栓 16X2X50 VITE 16X2X50	2	2.0112.619.2
16	2.0112.617.2	螺栓 M16X2X45 VITE M16X2X45	4	2.0112.617.2
17	0.76022.12.0	销 32X150 0.76022.12.0	1	0.76022.12.0
18	0.760.2257.3	销 SPINA	1	0.760.2257.3
22	B06.56.041.3	左下环焊接 LH LOWER LINK	1	B06.56.041.3
23	B06.56.042.3	右下环焊接 RH LOWER LINK	1	B06.56.042.3
29	0.760.3954.0	圆螺母 ROTULA 3^ CAT.	2	0.760.3954.0
30	0.016.7834.3	下拉杆球头固定卡 PROFILO CONICO	2	0.016.7834.3
31	0.760.4552.0	下臂拉杆端 ROTULA 2^ CAT.	2	0.760.4552.0
32	0.016.7833.3	下拉杆球头固定卡 PROFILO CONICO	2	0.016.7833.3
33	B06.56.031.0	左下拉杆支撑 LH LOWER LINK	1	B06.56.031.0
34	B06.56.035.0	左下拉杆支撑 RH LOWER LINK	1	B06.56.035.0
35	B06.56.036.0	固定销 FIXED PIN	2	B06.56.036.0
36	C63.56.005.0/10	隔套 BUSH	4	C63.56.005.0/10
37	0.008.2420.0/10	支撑板 STAFFA	2	0.008.2420.0/10
38	2.1312.005.2	垫圈 10 ROSETTA 10	4	2.1312.005.2
39	2.0114.313.2	螺栓 M10X35 VITE M10X35	4	2.0114.313.2
40	2.1473.012.2	弹垫 M18 SPRING WASHER M18	8	2.1473.012.2



### B06.56.021.4 上连杆组件总成 UPPER LINK ASS.Y

序号	零件编号	零件名称	数量	图号
1	2.1412.008.7	挡圈 25 Anello 25	1	2.1412.008.7
2	B06.56.026.0	上拉杆螺套管 UPPER SCREW PIPE	1	B06.56.026.0
3	0.011.8086.0	销 PERNO	1	0.011.8086.0
4	0.011.8088.0	叉 FORCELLA SUPERIORE	1	0.011.8088.0
5	B06.56.025.0	杆 FRONT ROD	1	B06.56.025.0
6	B06.56.022.3	连接钩总成 TIRANTE AUTOMATICO	1	B06.56.022.3
7	B06.56.024.0	手柄螺母 ADJUSTING LEAVER	1	B06.56.024.0
8	0.011.8087.0	手拉环 MANIGLIA	1	0.011.8087.0

上拉杆总成

B06.56.021.4



B06.56.021.4/10

球窝热处理要求: 感应  
淬火 (表面硬度HRC  
50-55, 在1.5-4.5 mm的  
最小硬度应该是HRC42)

孔径硬化层深度1-1.5mm, HRC55-58.

8	0.011.8087.0	手扶环	1	45	0.28	0.28	
7	B06.56.024.0	手柄螺母	1	45	0.22	0.22	
6	B06.56.022.3	连接钩总成	1		6.50	6.50	
5	B06.56.025.0	杆	1	40Cr	2.47	2.47	
4	0.011.8088.0	叉	1	45	2.14	2.14	
3	0.011.8086.0	销	1	40Cr	0.38	0.38	
2	B06.56.026.0_10	上拉杆螺套管	1	45	2.95	2.95	
1	2.1412.008.7	轴形弹性挡圈	1		0.00	0.00	
序号	代号	名称	数量	材料	零件重量	总计	备注
					重量		

上拉杆总成

B06.56.021.4/10

安徽埃博南  
 机械有限公司

### B06.56.021.4/10 上连杆组件总成 UPPER LINK ASS.Y

序号	零件编号	零件名称	数量	图号
1	2.1412.008.7	挡圈 25 ANELLO 25	1	2.1412.008.7
2	B06.56.026.0/10	上拉杆螺套管 UPPER SCREW PIPE	1	B06.56.026.0/10
3	0.011.8086.0	销 PERNO	1	0.011.8086.0
4	0.011.8088.0	叉 FORCELLA	1	0.011.8088.0
5	B06.56.025.0	杆 FRONT ROD	1	B06.56.025.0
6	B06.56.022.3	连接钩总成 TIRANTE AUTOMATICO	1	B06.56.022.3
7	B06.56.024.0	手柄螺母 ADJUSTING LEVER	1	B06.56.024.0
8	0.011.8087.0	手扶环 MANIGLIA	1	0.011.8087.0



SAIE DEUTZ-FAIR GROUP S.p.A.  
Sede e stabilimento: 36060 Montebelluna (TV)  
Gruppo - Group

CD90-CD100-CD110-CD120-1

6 WAYS VALVE ASS.Y

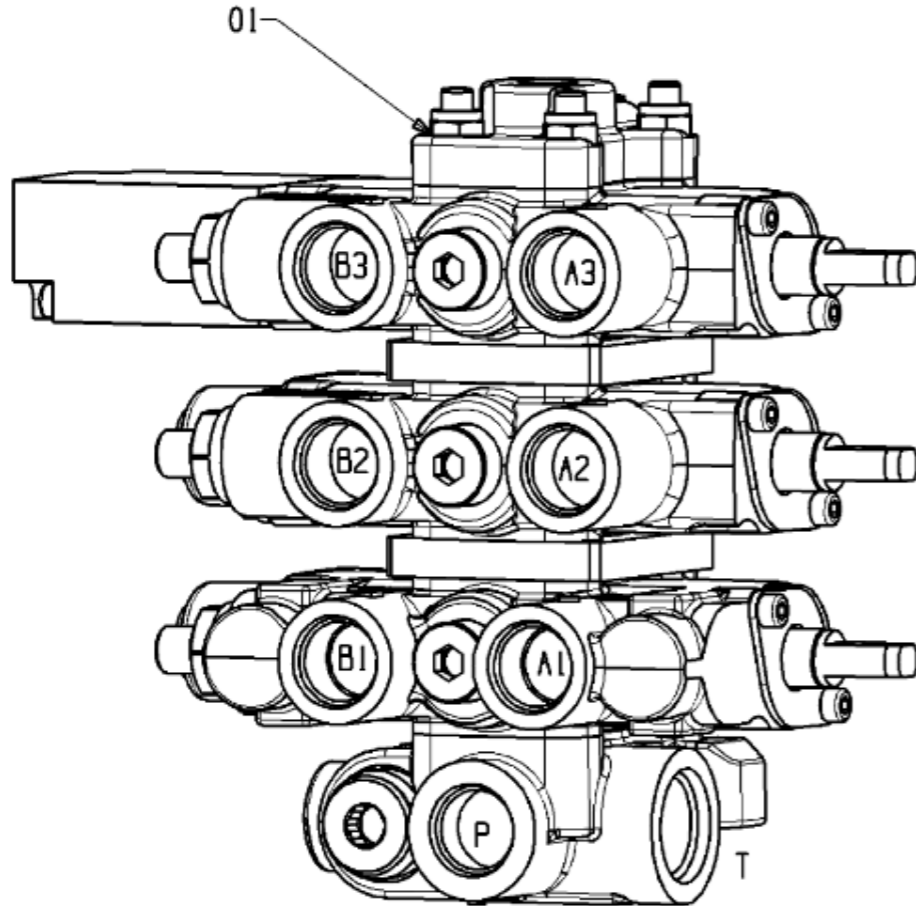
N. dis. - P/N  
**B09.58.903.4**

Rev	Foglio	Sheet	di	di
0	1	1	1	1
Validato il		Da	F	
06/04/2020				

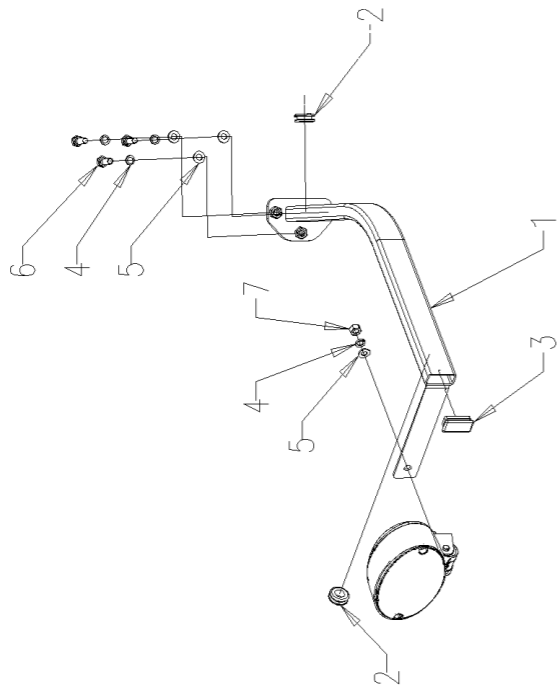
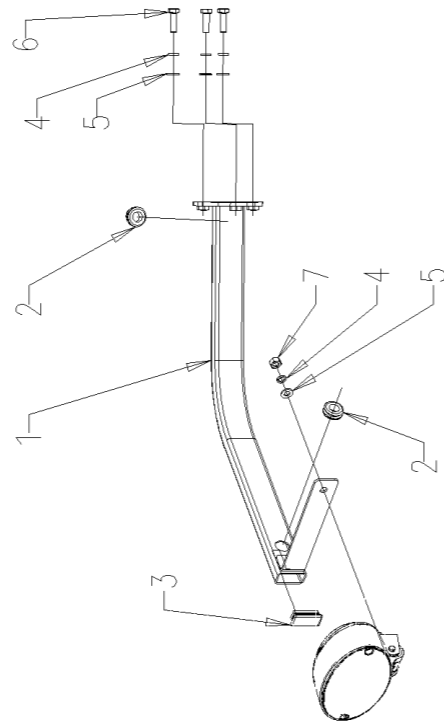
**B09.58.903.4\_0 多路阀总成 WAYS VALVE ASS.Y**

序号	零件编号	零件名称	数量	图号
1	B09.58.007.0	6路阀总成 6 WAYS VALVE ASS.Y	1	B09.58.007.0

YFB-S-2018-014 SH.001



# B29.45.905.4 DIRECT LAMP ARM ASS.Y



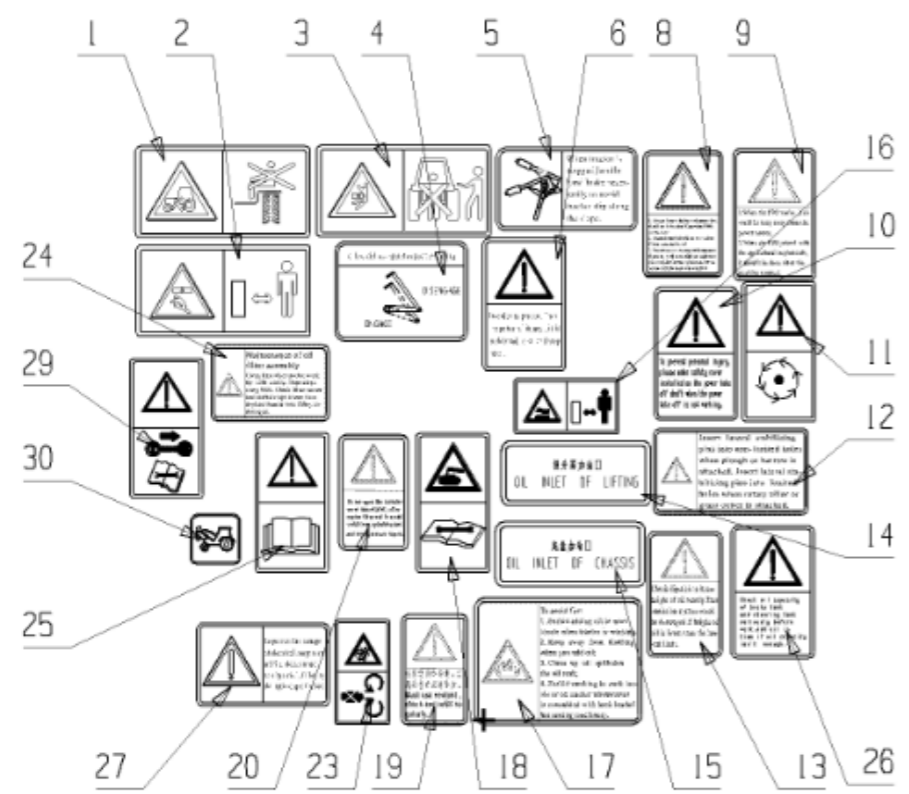
# B29.45.905.4\_2 左右转向灯支架 RH/LH LIGHT SUPPORT ASS.Y

序号	零件编号	零件名称	数量	图号
1	B29.45.023.3/20	直射灯臂 DIRECT LAMP ARM	2	B29.45.023.3/20
2	CD904.45.105	橡胶帽 RUBBER	4	CD904.45.105
3	CD904.45.106	塑料塞 PLASTIC PLUG	2	CD904.45.106
4	GBT93-8-A3L	垫圈 WASHER	8	GBT93-8-A3L
5	GBT97.1-8-A3L	垫圈 WASHER	8	GBT97.1-8-A3L
6	GBT5783-M8X25-A2L	螺栓 BOLT	6	GBT5783-M8X25-A2L
7	GBT6170-M8-A2L	螺母 NUT	2	GBT6170-M8-A2L



 SAME DEUTZ-FAHR GROUP S.p.A. SAME • SAME-TAG • LANDSCHAFT • WILLMANN Gruppo - Group	FL40/FL55	N. dis. - P/N <b>B61.51.901.4</b>
	<b>UNIVERSAL LABELS ASS.Y</b>	Rev. 4 Foglio - Sheet 1 di 1 Val idato il 01/01/11

YFB-R-2019-001 SH.042



**B61.51.901.4\_4 通用标识 UNIVERSAL LABELS ASS.Y**

序号	零件编号	零件名称	数量	图号
1	SH900.51.136	挡泥板禁止乘坐标识	1	SH900.51.136
2	SH900.51.132	安全警告标识	1	SH900.51.132
3	SH900.51.135	安全警告标识	1	SH900.51.135
4	SH900.51B.103	差速锁标识	1	SH900.51B.103
5	SH900.51B.110	驻车制动标识	1	SH900.51B.110
6	SH900.51B.122	后横板安全标识	1	SH900.51B.122
8	B61.51.009.0/10	动力输出安全标识 IV	1	B61.51.009.0/10
9	SH900.51B.117	动力输出 安全标识	1	SH900.51B.117
10	SH900.51B.116	动力输出 安全标识III	1	SH900.51B.116
11	SH900.51.118	动力输出 安全标识II	1	SH900.51.118
12	SH900.51B.119	限位销安全标识	1	SH900.51B.119
13	SH900.51B.125	传动液位检测标识	1	SH900.51B.125
14	SH900.51.153	提升器加油口标识	1	SH900.51.153
15	SH900.51.154	底盘加油口标识	1	SH900.51.154
16	SH900.51.152	高温防烫标识(小)	1	SH900.51.152
17	SH900.51B.112	加油防火标识	1	SH900.51B.112
18	SH900.51.122	蓄电池安全标识	1	SH900.51.122
19	A11.51.004.0	冷却系统标识	1	A11.51.004.0
20	B61.51.010.0	水箱口防烫标识	1	B61.51.010.0
23	SH900.51.125	安全警告标识	1	SH900.51.125
24	SH900.51B.102	吸油滤清器保养标识	1	SH900.51B.102
25	SH900.51.130	阅读说明书	1	SH900.51.130
26	SH900.51B.120	制动转向油箱油位安全标识	1	SH900.51B.120
27	SH900.51B.123	保险丝安全标识	1	SH900.51B.123
29	SH900.51.138	安全警告标识 I	1	SH900.51.138
30	2.9939.835.0/10	机罩标识	1	2.9939.835.0/10



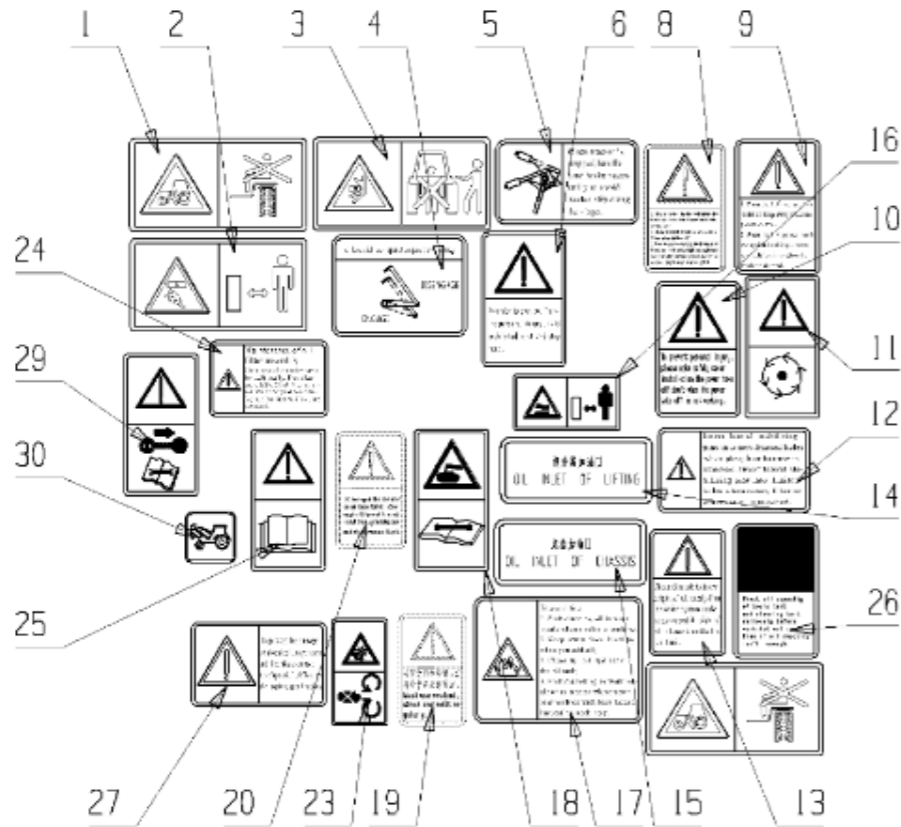
FL40/FL55

UNIVERSAL LABELS ASS.Y

N. dis. - P/N  
B61.51.901.4

Rev	1	Sheet	di	1
1	5	1	1	1
2	23/07/2022			

YFB-R-2017-011 SH.085



B61.51.901.4\_5 通用标识 UNIVERSAL LABELS ASS.Y

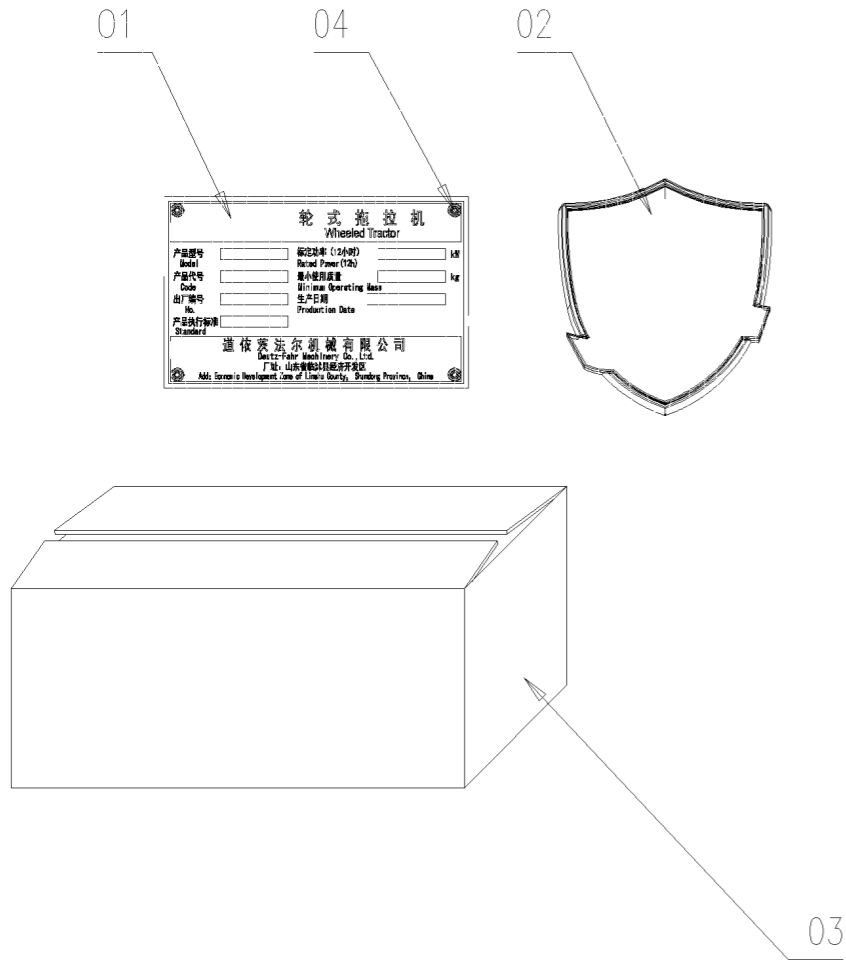
序号	零件编号	零件名称	数量	图号
1	SH900.51.136	挡泥板禁止乘坐标识 WARNING	2	SH900.51.136
2	SH900.51.132	安全警告标识 WARNING PLATE	1	SH900.51.132
3	SH900.51.135	安全警告标 WARNING PLATE	1	SH900.51.135
4	SH900.51B.103	差速锁标识 DIFFERENTIAL LOCK	1	SH900.51B.103
5	SH900.51B.110	驻车制动标识 PARKING BRAKE	1	SH900.51B.110
6	SH900.51B.122	后横板安全标识 REAR TRANSVERSE	1	SH900.51B.122
8	B61.51.009.0/10	动力输出安全标识 PTO SAFTY	1	B61.51.009.0/10
9	SH900.51B.117	动力输出安全标识 SECURITY	1	SH900.51B.117
10	SH900.51B.116	动力输出安全标识 PTO SAFETY	1	SH900.51B.116
11	SH900.51.118	动力输出安全标识 PTO SAFETY	1	SH900.51.118
12	SH900.51B.119	限位销安全标识 SECURITY	1	SH900.51B.119
13	SH900.51B.125	传动液位检测标识 SECURITY	1	SH900.51B.125
14	SH900.51.153	提升器加油口标识 LIFT REFUELING	1	SH900.51.153
15	SH900.51.154	底盘加油口(强压) CHASSIS FUEL	1	SH900.51.154
16	SH900.51.152	高温防烫标识(小) HIGH	1	SH900.51.152
17	SH900.51B.112	加油防火标识 SECURITY	1	SH900.51B.112
18	SH900.51.122	蓄电池标识 BATTERY LOGO	1	SH900.51.122
19	A11.51.004.0	冷却系统标签 COOLING SYSTEM	1	A11.51.004.0
20	B61.51.010.0	水箱口防烫标识 RADIATOR ANTI-	1	B61.51.010.0
23	SH900.51.125	安全警告标识 VII SAFETY LOGO VII	1	SH900.51.125
24	SH900.51B.102	吸油滤清器保养标识 SECURITY	1	SH900.51B.102
25	SH900.51.130	阅读说明书标识 READING	1	SH900.51.130
26	SH900.51B.120	制动转向油箱油位安全标识 OIL TANK	1	SH900.51B.120
27	SH900.51B.123	保险丝安全标识 SECURITY	1	SH900.51B.123
29	SH900.51.138	安全警告标识 SAFETY WARNING	1	SH900.51.138
30	2.9939.835.0/10	机罩开启标识 BONNET	1	2.9939.835.0/10

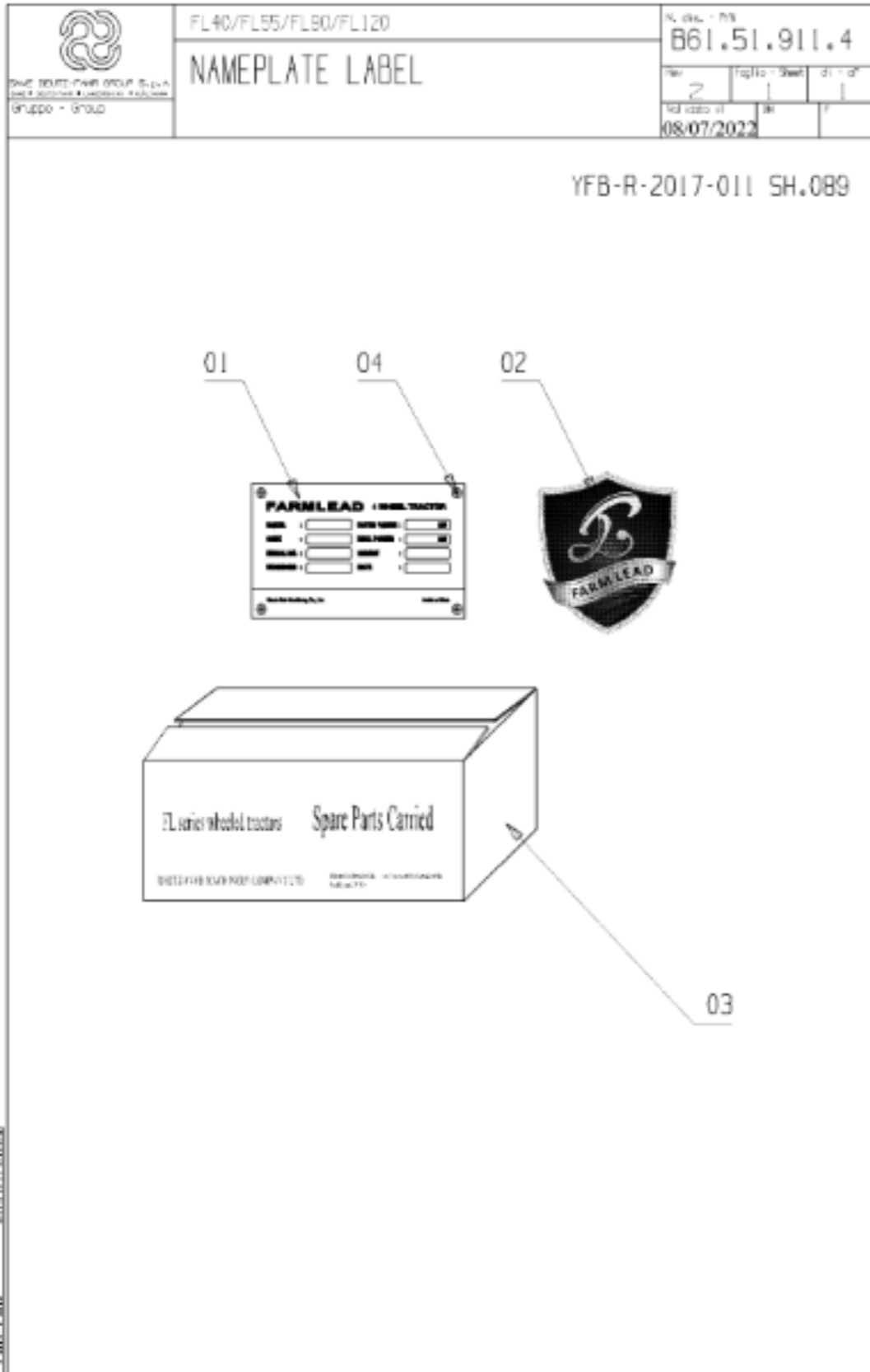
# Nameplate label B61.51.911.4

YFB-R-2017-001 SH.041

## B61.51.911.4\_1 铭牌标识 NAMEPLATE LABEL

序号	零件编号	零件名称	数量	图号
1	B61.51.001.0	铭牌标识	1	B61.51.001.0
2	B61.51.005.3	前标	1	B61.51.005.3
3	B61.51.006.0	包装箱	1	B61.51.006.0
4	GB/T 12618	抽芯铆钉 3X15	4	GB/T 12618





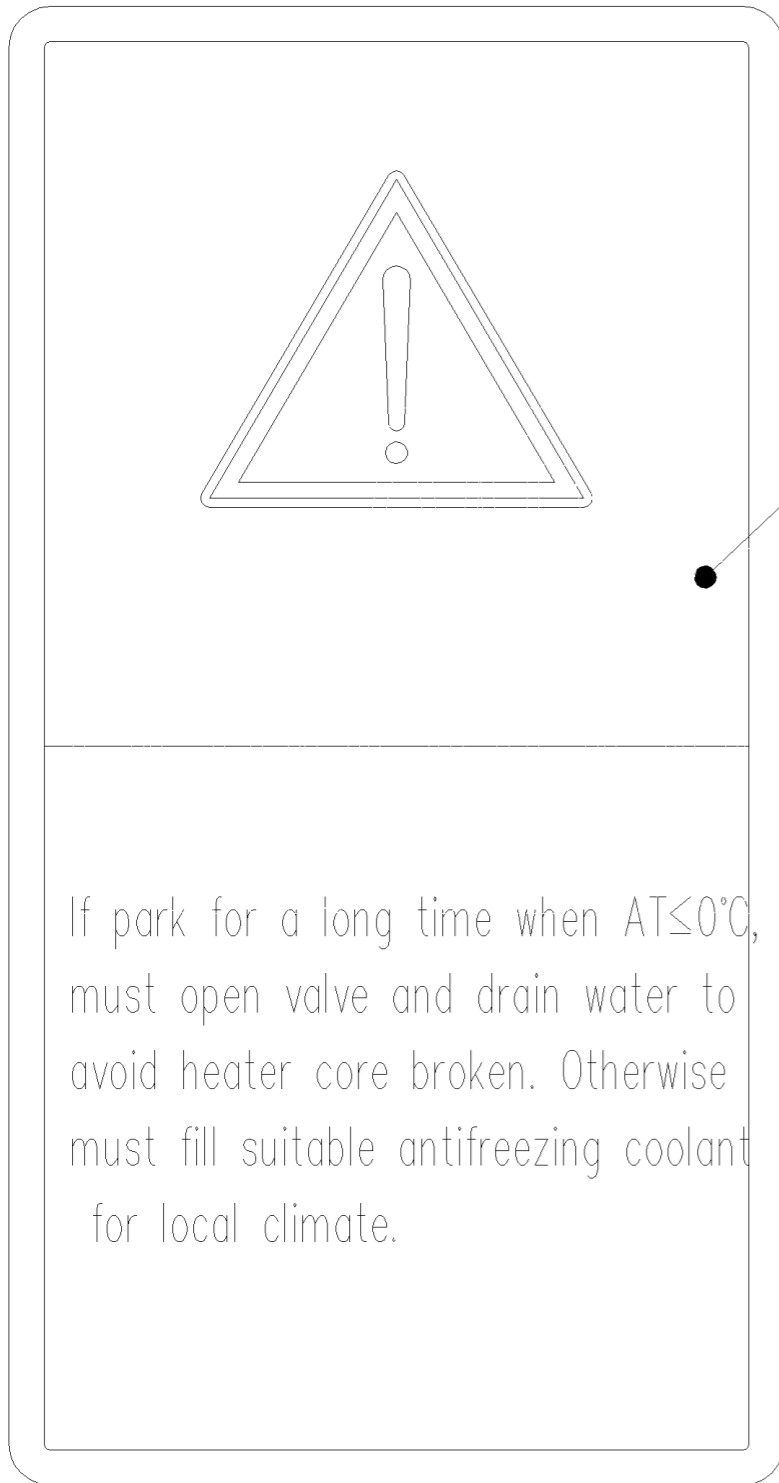
### B61.51.911.4\_2 铭牌标识 NAMEPLATE LABEL

序号	零件编号	零件名称	数量	图号
1	A62.51.002.0/20	铭牌 FARMLEAD NAMEPLATE	1	A62.51.002.0/20
2	B61.51.005.3	前标 FRONT LOGO	1	B61.51.005.3
3	B61.51.006.0	包装箱 PACKAGE BOX	1	B61.51.006.0
4	GBT12618.1-3X15	铆钉 RIVET	4	GBT12618.1-3X15

# B80.51.904.4 DRAIN WATER LABEL

## B80.51.904.4\_0 放水提醒 WATER RELEASING REMINDER

序号	零件编号	零件名称	数量	图号
1	B80.51.101.0	放水提醒标识 WATER RELEASING	1	B80.51.101.0

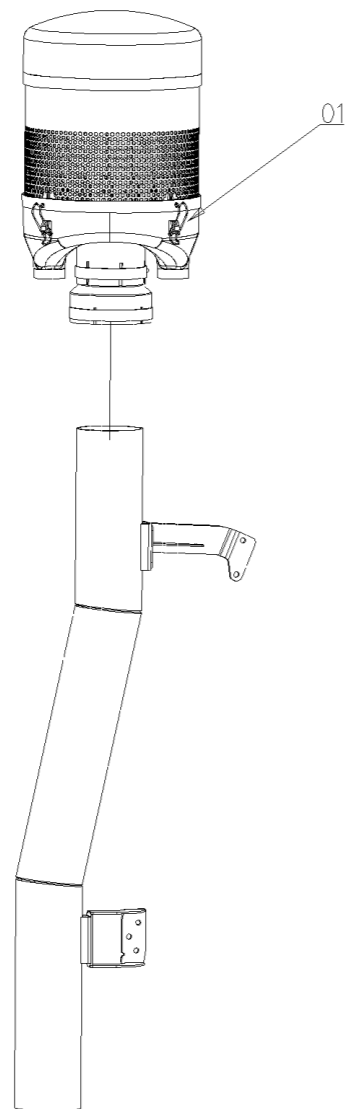


1

# C63.11.910.4 AIR PRE-CLEANER ASS.Y

## C63.11.910.4\_0 预滤清器总成 AIR PRE-FILTER ASS.Y

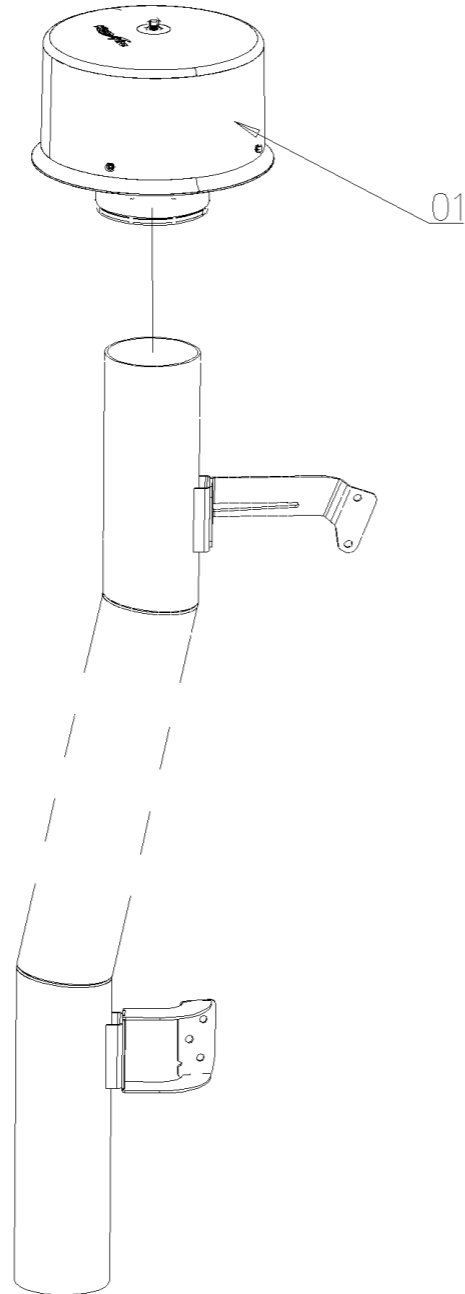
序号	零件编号	零件名称	数量	图号
1	C63.11.003.4	空气粗滤器 AIR PRECLEANER	1	C63.11.003.4



C63.11.920.4 AIR PRE-CLEANER ASS.Y

C63.11.920.4\_0 预滤清器总成 AIR PRE-FILTER ASS.Y

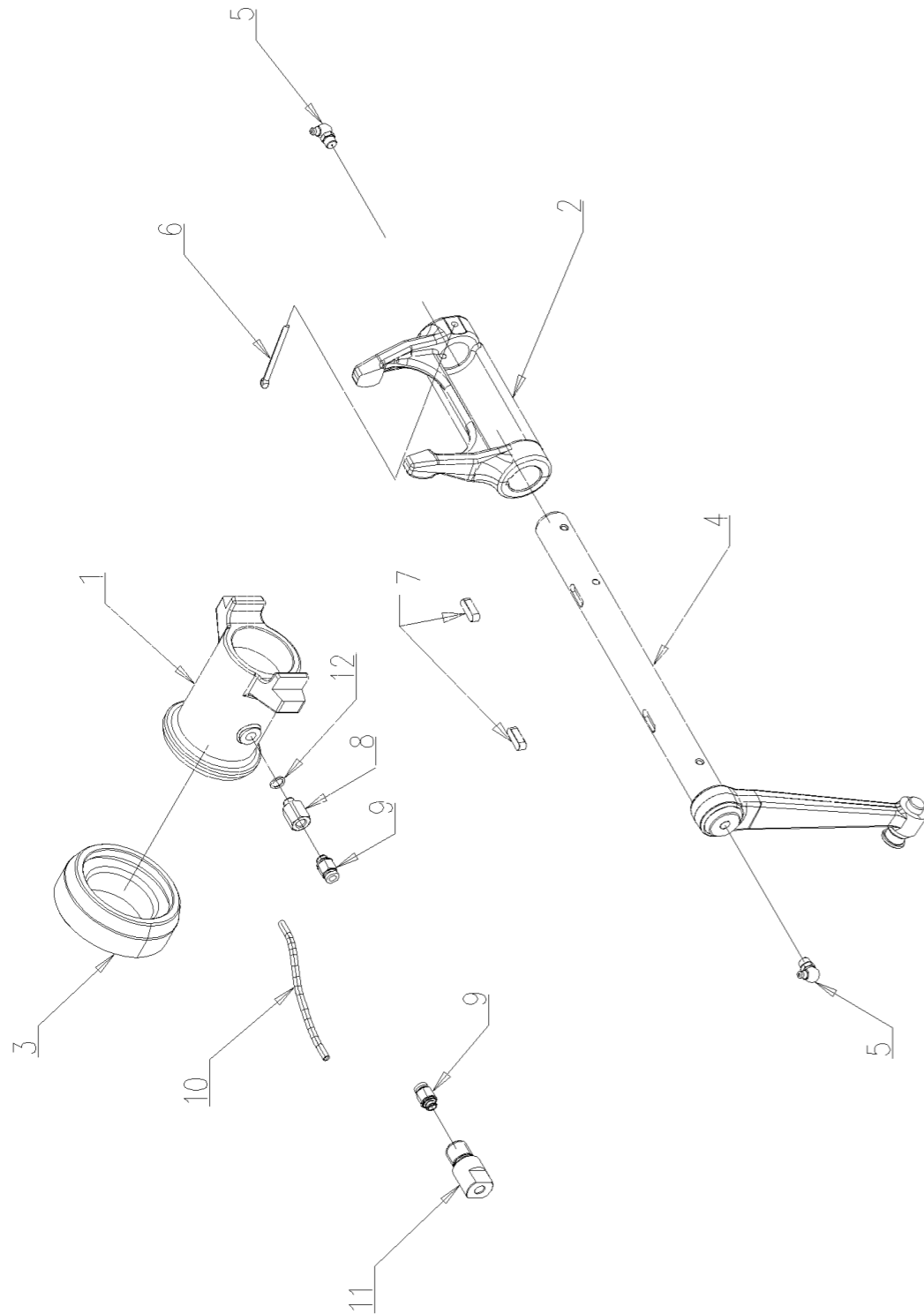
序号	零件编号	零件名称	数量	图号
1	0.021.8936.4/10	空气粗滤器 AIR PRECLEANER	1	0.021.8936.4/10



# C63.21.901.4 CLUTCH CONTROL

## C63.21.901.4\_0 离合操纵 CLUTCH COMMAND

序号	零件编号	零件名称	数量	图号
1	C63.21.001.0	分离轴承座 RELEASE BEARING SEAT	1	C63.21.001.0
2	0.264.6532.0/10	离合分离拨叉 FORCELLA	1	0.264.6532.0/10
3	2.2999.443.0	轴承 CUSCIN.REGGISPINTA	1	2.2999.443.0
4	0.016.9136.3/20	摇臂 ALBERO COM.FORC.FRIZ.	1	0.016.9136.3/20
5	2.3821.303.2	油嘴 GREASE_NIPPLES_90°	2	2.3821.303.2
6	2.1690.518.2	销 SPLIT PIN 5-63	1	2.1690.518.2
7	2.1710.206.0	键 PARALLEL KEYS 8x7 L25	2	2.1710.206.0
8	2.3249.167.2	管接头 RACCORDO	1	2.3249.167.2
9	0.011.2973.0	连接件 ATTACCO RAPIDO	2	0.011.2973.0
10	0.012.6739.0	软管 TUBO	1	0.012.6739.0
11	2.3249.756.2	管件 FITTING	1	2.3249.756.2
12	2.1560.005.0	密封垫圈 SEALING RING	1	2.1560.005.0

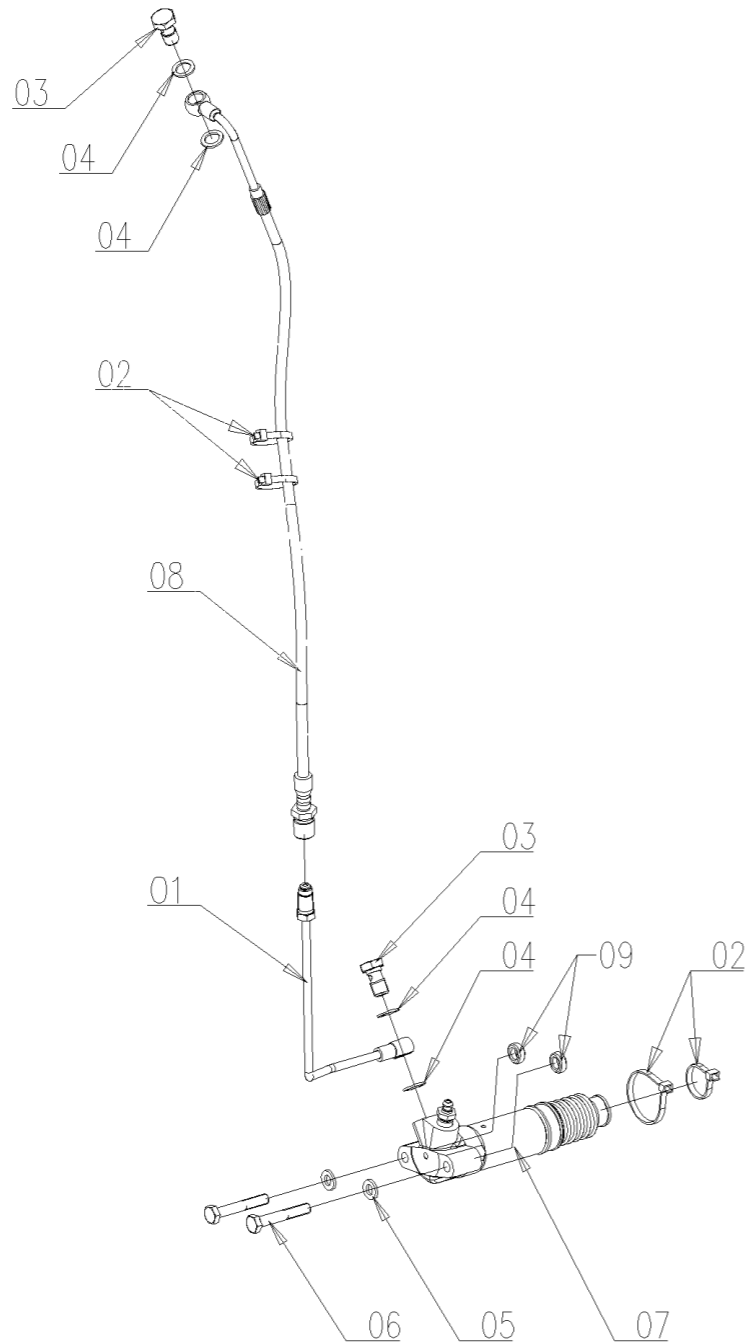




# C63.21.904.4 CLUTCH CONTROL

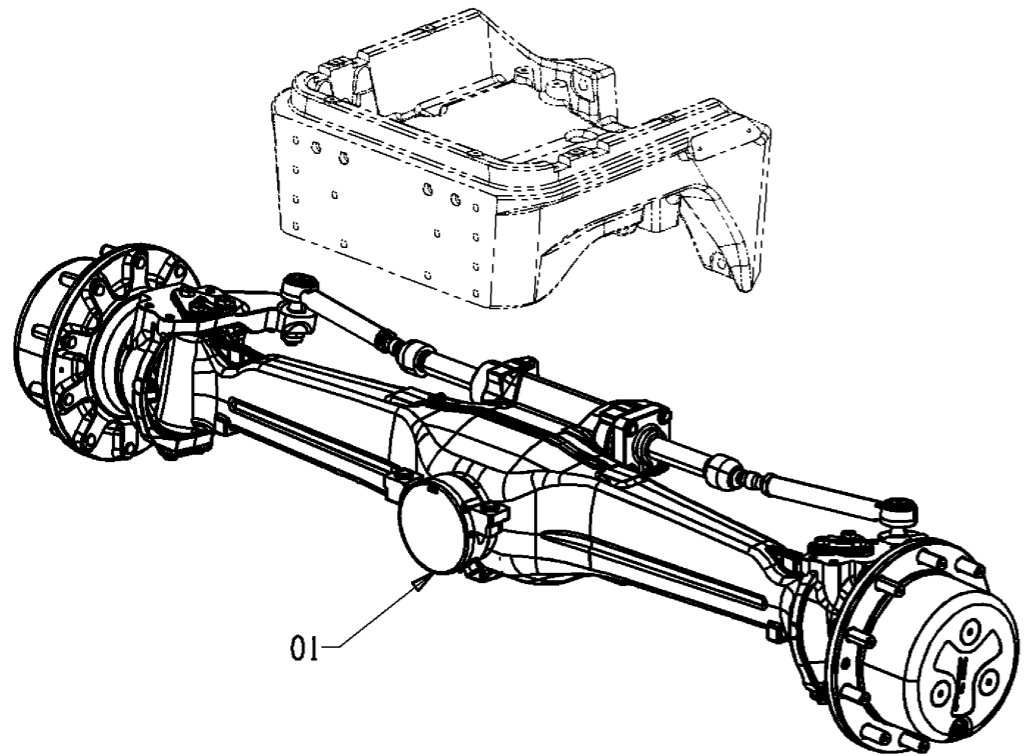
## C63.21.904.4\_1 离合控制总成 CLUTCH CONTROL

序号	零件编号	零件名称	数量	图号
1	C63.21.001.3	管 PIPE	1	C63.21.001.3
2	2.6852.203.0	扎带 SELF LOCKING CABLE TIES 292	4	2.6852.203.0
3	2.3339.431.2/10	螺栓 BOCCHETT M12x1.25	2	2.3339.431.2/10
4	2.1560.008.0	密封垫圈 SEALING RING	4	2.1560.008.0
5	2.1475.202.2	垫圈 CONICAL WASHER M8	2	2.1475.202.2
6	2.0112.219.2	螺栓 HEX BOLT M8x1.25x50	2	2.0112.219.2
7	0.257.6537.4/40	气制动阀 CYLINDER CON.FRITZ	1	0.257.6537.4/40
8	0.020.9090.3	管 PIPE	1	0.020.9090.3
9	2.1579.018.2	隔套 SLEEVE	2	2.1579.018.2



 SIME DEUTZ-FAHR GROUP S.p.A. <small>SIME + DEUTZ-FAHR + LANDSPEED + HILTI</small> Gruppo - Group	CD2104	N. dis. - P/N <b>C63.31.900.4</b>	
	<b>C.A. 20.43 LIMITED SLIP</b>	Rev	Foglio - Sheet
		0	1
	Validato il	OM	F
	28/03/2019		

YFB-S-2018-012 SH.003



**C63.31.900.4\_0 前桥 卡拉罗 CA20.43 FRONT AXLE CARRARO CA20.43**

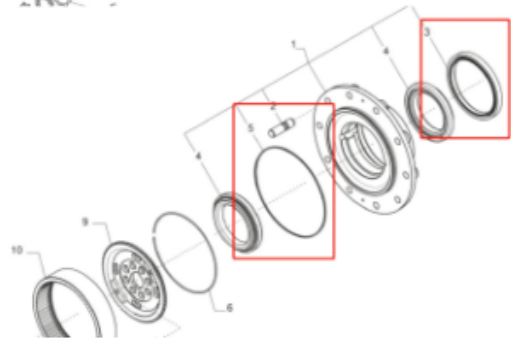
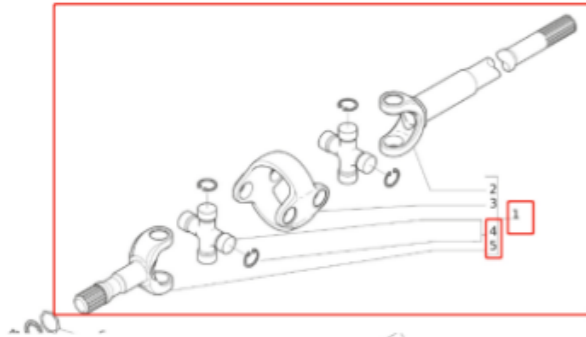
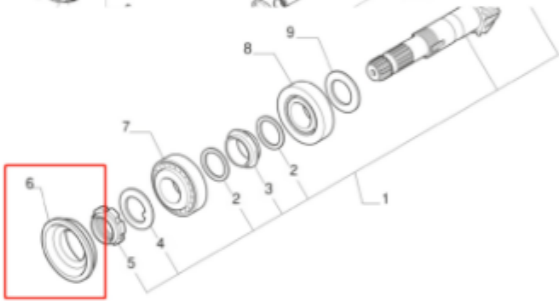
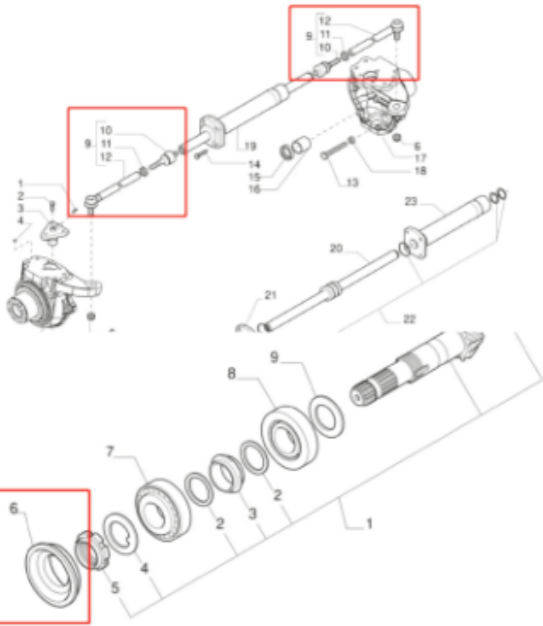
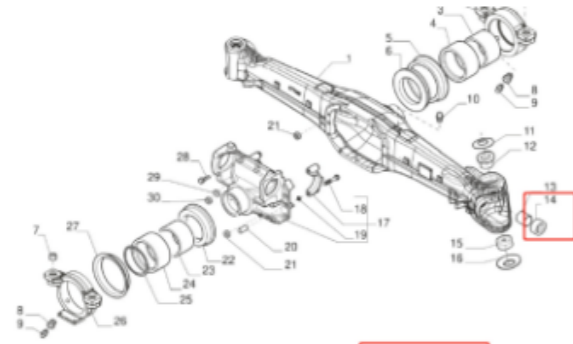
序号	零件编号	零件名称	数量	图号
1	C63.31.001.4	前桥 20.43 FRONT AXLE 20.43	1	C63.31.001.4

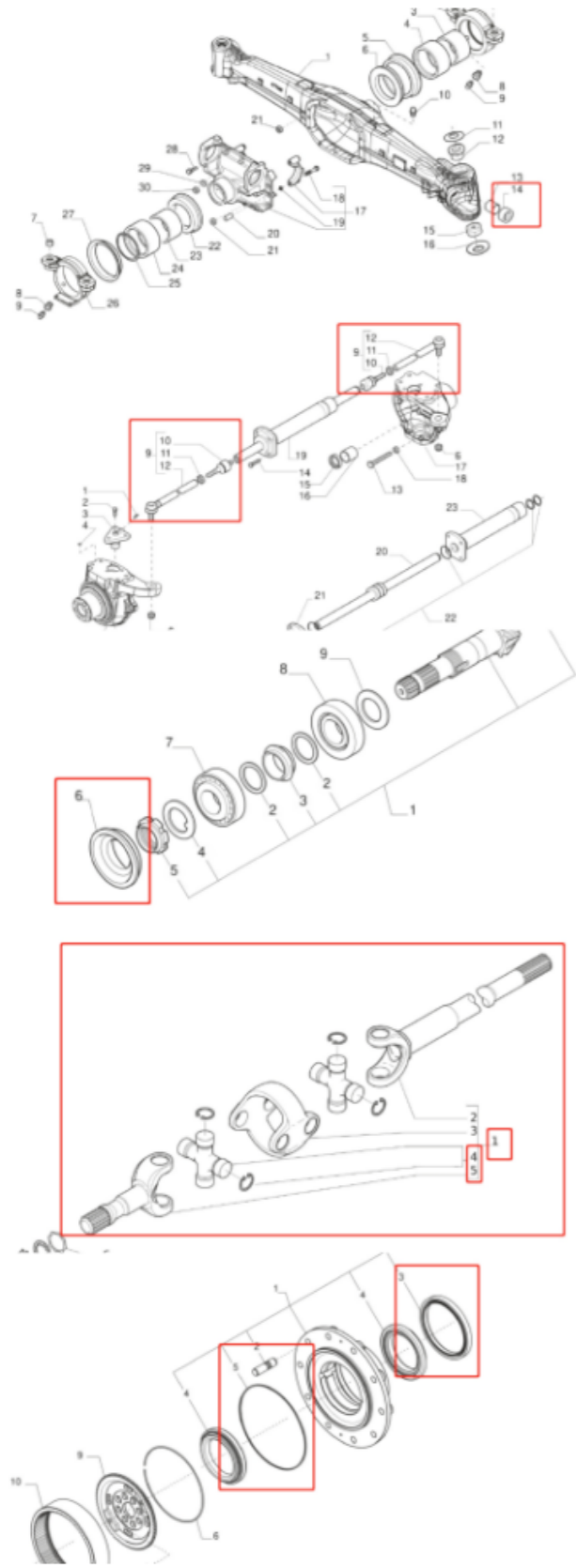
13000114117  
 13000114117  
 13000114117

### C63.31.001 前桥 FRONT AXLE

序号	零件编号	零件名称
null	null	

数量	图号
null	



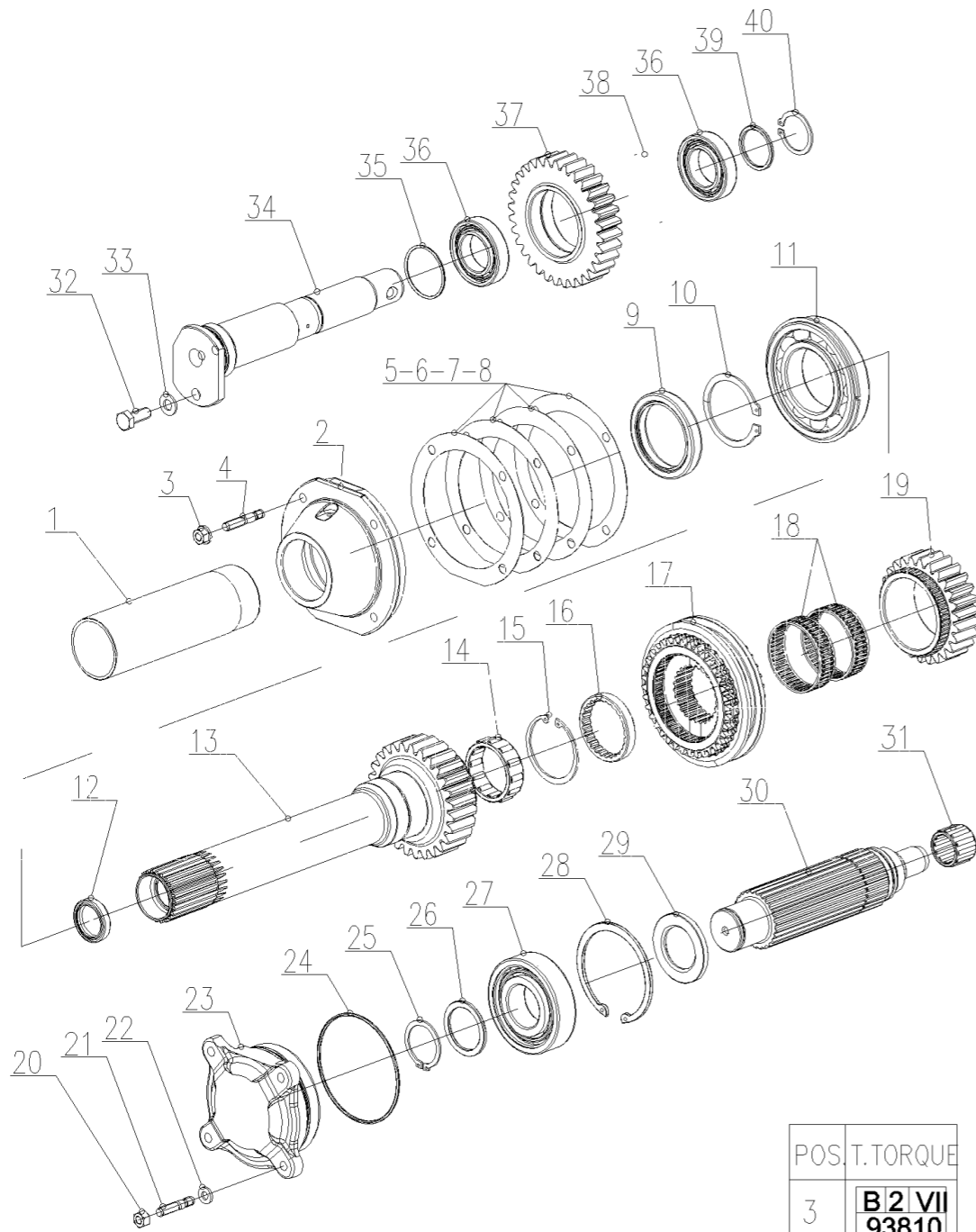


### C63.31.001.4 前桥 FRONT AXLE

序号	零件编号	零件名称	数量	图号
1	451661	双接头 Double joint	1	451661
3	149703	卡带式密封圈 150 180 145/16 Cassette	2	149703
4	40837	轮毂 Spider	2	40837
5	210390	叉子 ( 车轮一侧 ) Fork (wheel side)	2	210390
5	28579	O形圈 O.ring	1	28579
6	134339	密封圈 Seal	2	134339
9	149436	转向臂 Steering arm	2	149436
10	351504	球形接头 Ball joint	2	351504
11	70787	螺母 M24x1.5 Nut M24x1.5	2	70787
12	352563	拉杆 Tie rod	2	352563
14	381523	密封圈 Seal ring	2	381523

# C63.37.900.4 MECHANICAL SHUTTLE

# C63.37.900.4\_0 机械梭式 MECHANICAL SHUTTLE

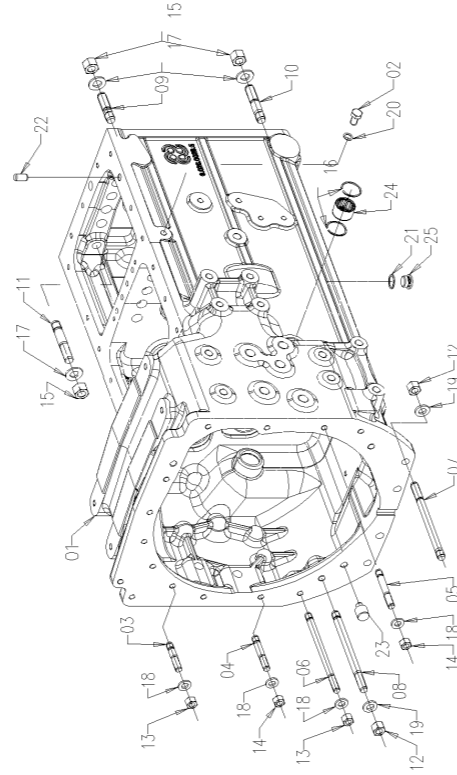
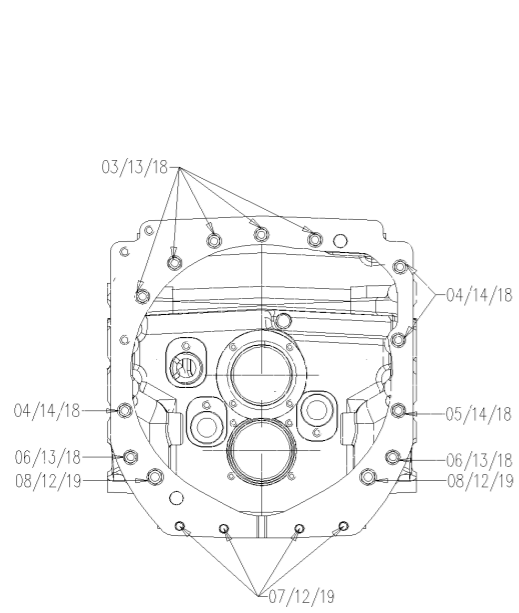


100: 939952 – REGISTRAZIONE GIOCO ALBERO INGRESSO  
*Input shaft clearance setup*

POS.	T.TORQUE
3	<b>B 2 VII</b> <b>93810</b>
20	<b>B 2 II</b> <b>93810</b>
32	<b>B 2 II</b> <b>93810</b>

序号	零件编号	零件名称	数量	图号
1	C63.37.003.0	套筒 SLEEVE	1	C63.37.003.0
2	0.264.3112.0/20	法兰 FLANGIA SUPP.MANIC.FRIZ.	1	0.264.3112.0/20
3	2.1125.003.7	密封螺母 SEALING NUT M8x1	4	2.1125.003.7
4	2.0432.009.7	螺柱 STUD M8x1x35	4	2.0432.009.7
5	0.233.3152.0	调整垫 GUARNIZIONE 9	1	0.233.3152.0
6	0.233.3265.0	调整垫 SPESSORE	1	0.233.3265.0
7	0.233.3266.0	调整垫 SPESSORE	1	0.233.3266.0
8	0.264.3259.0	调整垫 GUARNIZIONE	4	0.264.3259.0
9	2.1529.028.0	挡圈 ANELLO DI TENUTA	1	2.1529.028.0
10	2.1410.024.1	挡圈 ring	1	2.1410.024.1
11	2.2999.138.0	滚珠轴承 CUSCINETTO 212NR	1	2.2999.138.0
12	2.1529.061.0	挡圈 .TEN.OLIO 30X40X8	1	2.1529.061.0
13	C63.37.002.3	输入轴 INPUT SHAFT	1	C63.37.002.3
14	2.2999.130.0	滚针轴承 GABBIA A RULLI	1	2.2999.130.0
15	2.1411.024.1	挡圈 circlip	1	2.1411.024.1
16	0.026.1329.0	隔圈 DISTANZIALE	1	0.026.1329.0
16	0.026.1329.0 ?	隔圈 DISTANZIALE	1	0.026.1329.0 ?
17	0.027.4297.4	啮合套 SINCRONIZZATORE COMPL.	1	0.027.4297.4
18	2.2999.562.0	滚针轴承 GABBIA 62X67X20	2	2.2999.562.0
19	0.026.1332.0	齿轮 INGR.Z26	1	0.026.1332.0
20	2.1011.305.2	螺母 NUT M8x1	4	2.1011.305.2
21	2.0432.007.2	螺柱 STUD M8x1x30	4	2.0432.007.2
22	2.1475.202.2	垫圈 CONICAL WASHER M8	4	2.1475.202.2
23	0.026.1441.0	法兰盖 FLANGIA CH. SUPP. CUSC.	1	0.026.1441.0
24	2.1532.525.0	O形圈 O-RING 94.92X2.62	1	2.1532.525.0
25	2.1410.016.7	挡圈 anello elast. DIA 40	1	2.1410.016.7
26	2.1599.965.0	垫圈 RALLA	1	2.1599.965.0
27	2.2060.012.0	轴承 SINGLE ROW BALL BEARINGS	1	2.2060.012.0
28	2.1411.036.7	挡圈 disk	1	2.1411.036.7
29	2.1599.964.0	垫圈 RALLA	1	2.1599.964.0
30	0.026.1510.0	花键轴 ALBERO MINI RETRO	1	0.026.1510.0
31	2.2999.111.0	滚针轴承 GABBIA	1	2.2999.111.0
32	2.0112.309.2	螺栓 BOLT	1	2.0112.309.2
33	2.1475.003.7	垫圈 CONICAL WASHERS M10	1	2.1475.003.7
34	0.026.1531.3/10	轴 ALBERO COMPL.RM	1	0.026.1531.3/10
35	2.1532.112.0	O形圈 O RING	1	2.1532.112.0
36	2.2030.008.0	轴承 SINGLE ROW BALL BEARINGS 35	2	2.2030.008.0
37	0.026.1533.0	齿轮 INGR.GALOPPINO RM Z32	1	0.026.1533.0
37	0.026.1533.0 ?	齿轮 INGR.GALOPPINO RM Z32	1	0.026.1533.0 ?
38	2.1411.025.7	挡圈 circlip	1	2.1411.025.7
39	2.1599.966.0	垫圈 RALLA	1	2.1599.966.0
40	2.1410.014.7	挡圈 ANELLO 35	1	2.1410.014.7
100	939952	装配指导 REGISTRAZIONE GIOCO	1	939952

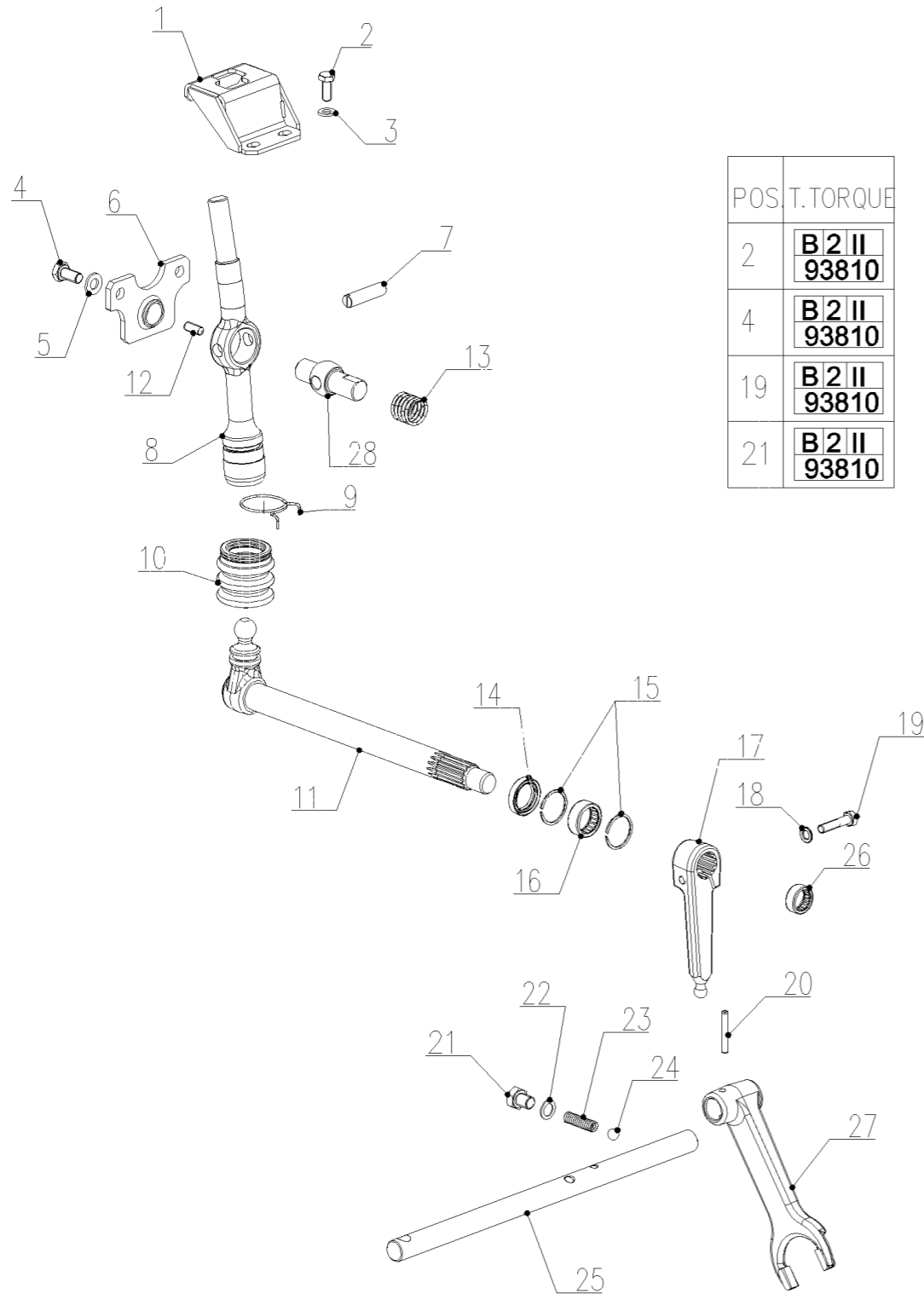
C63.37.901.4 FRONT GEARBOX ASS.LY



C63.37.901.4\_0 前箱 FRONT GEAR BOX

序号	零件编号	零件名称	数量	图号
1	0.026.0028.0/10	前箱 FRONT GEARBOX	1	0.026.0028.0/10
2	2.0112.407.2	螺栓 HEX BOLT M12x1.75x20	1	2.0112.407.2
3	2.0433.265.7	螺柱 STUD M12x1.25x50	5	2.0433.265.7
4	2.0433.268.7	螺柱 STUD M12x1.25x65	3	2.0433.268.7
5	2.0433.270.7	螺柱 STUD M12x1.25x75	1	2.0433.270.7
6	2.0433.283.7	螺柱 STUD M12x1.25x180	2	2.0433.283.7
7	2.0433.332.7	螺柱 STUD M14x1.5x170	4	2.0433.332.7
8	2.0433.333.7	螺柱 STUD M14x1.5x180	2	2.0433.333.7
9	2.0433.413.7	螺柱 STUD M16x1.5x45	8	2.0433.413.7
10	2.0433.418.7	螺柱 STUD M16x1.5x65	2	2.0433.418.7
11	2.0433.420.7	螺柱 STUD M16x1.5x75	2	2.0433.420.7
12	2.1011.308.2	螺母 NUT M14x1.5	6	2.1011.308.2
13	2.1011.322.2	螺母 NUT M12x1.25	7	2.1011.322.2
14	2.1011.422.2	螺母 NUT M12x1.25	4	2.1011.422.2
15	2.1012.309.7	螺母 HEX NUT M16x1.5	12	2.1012.309.7
16	2.1423.027.7	挡圈 circlip	4	2.1423.027.7
17	2.1475.006.2	垫圈 WASHER	12	2.1475.006.2
18	2.1475.204.2	垫圈 CONICAL WASHER M12	11	2.1475.204.2
19	2.1475.205.2	垫圈 CONICAL WASHER M14	6	2.1475.205.2
20	2.1560.008.0	密封垫圈 SEALING RING	1	2.1560.008.0
21	2.1560.017.0	密封垫圈 SEALING RING	2	2.1560.017.0
22	2.1651.911.0	销 PARALLEL PINS OF UNHARDENED	2	2.1651.911.0
23	2.1699.448.0/10	销 SPINA	2	2.1699.448.0/10
24	2.2999.520.0	轴承 GUSCIO 30x24x37 2RS	2	2.2999.520.0
25	2.3199.001.2	螺纹塞 TAPPO 1/2" GAS	2	2.3199.001.2
26	939946	装配指导 APPLICAZIONE	1	939946

# C63.38.902.4 RANGE SPEED CONTROL ASS.LY



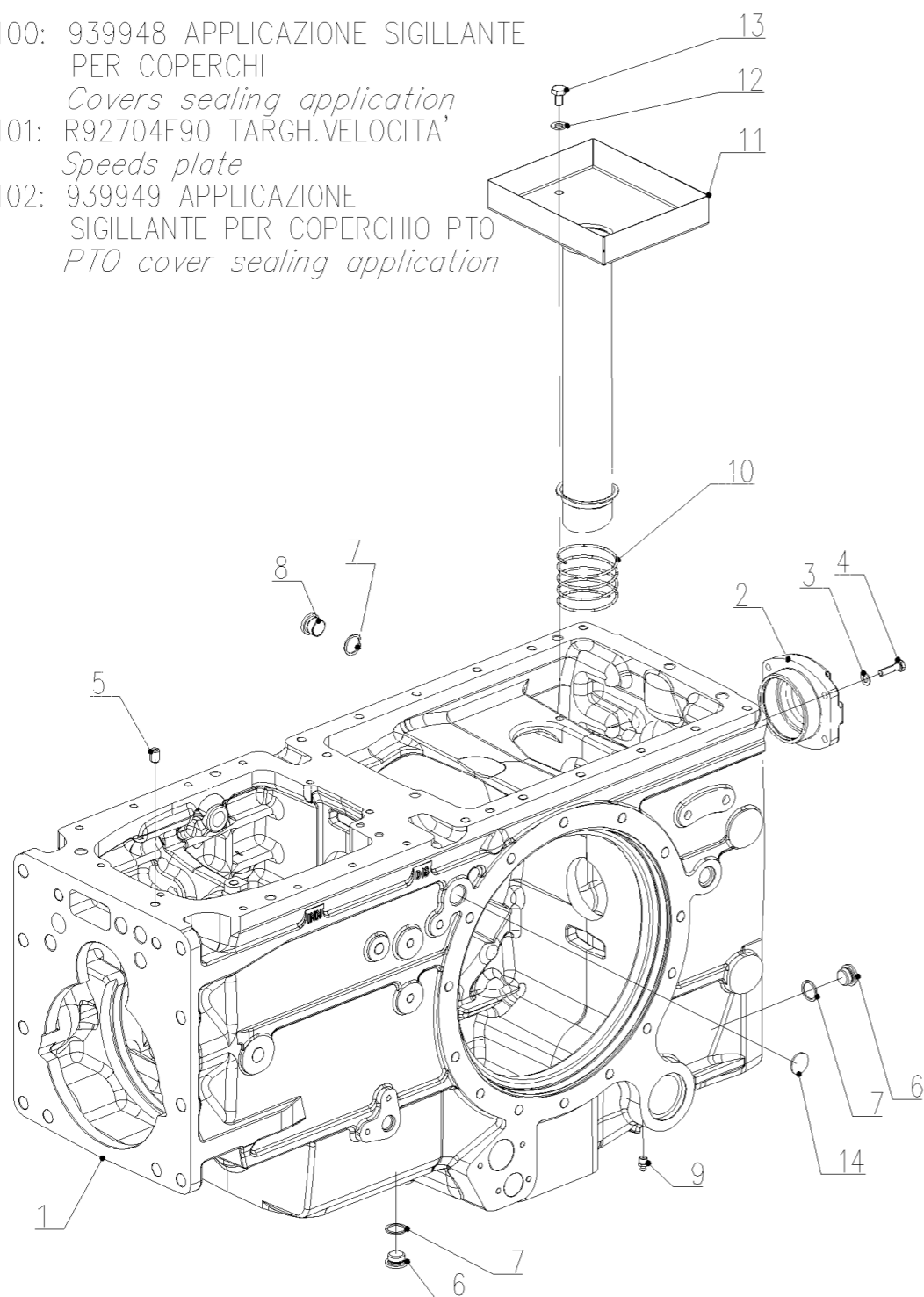
# C63.38.902.4\_0 副变速操纵 AUXILIARY GEAR SHIFT COMMAND

序号	零件编号	零件名称	数量	图号
1	0.026.3265.2	铁板 PIASTRA SELEZ.GAMME	1	0.026.3265.2
2	2.0112.207.2	螺栓 BOLT	2	2.0112.207.2
3	2.1475.102.2	垫圈 CONICAL WASHER M8	2	2.1475.102.2
4	2.0112.307.2	螺栓 HEX BOLT M10x1.5x20	2	2.0112.307.2
5	2.1475.103.2	垫圈 CONICAL WASHER M10	2	2.1475.103.2
6	0.026.2253.2	支撑板 STAFFA LEVA GAMME	1	0.026.2253.2
7	0.269.6460.0	销 PERNO	1	0.269.6460.0
8	0.026.3252.0	连接件 LEVA GAMME	1	0.026.3252.0
9	2.6859.190.2	夹子 FASCETTA CLIP	1	2.6859.190.2
10	0.020.0899.0	波纹管 SOFFIETTO	1	0.020.0899.0
11	0.026.2357.3/10	杆 ALBERO COMPL.RIDUTTORE	1	0.026.2357.3/10
12	2.0532.208.7	螺钉 SET SCREW M8x1.25x20	1	2.0532.208.7
13	2.4019.188.1	弹簧 MOLLA	1	2.4019.188.1
14	2.1520.010.0	密封圈 ROTATING SHAFTDOUBLE	1	2.1520.010.0
15	2.1423.023.7	挡圈 ANELLO D.32	2	2.1423.023.7
16	2.2725.032.0	轴承 NEEDLE SHELL 25x32x12	1	2.2725.032.0
17	0.269.6452.0	拨杆 LEVA	1	0.269.6452.0
18	2.1474.009.2	垫圈 SPRING WASHER M8	1	2.1474.009.2
19	2.0112.213.2	螺栓 BOLT	1	2.0112.213.2
20	2.1630.615.0	销 SPRING-TYPE STRAIGHT PINS	1	2.1630.615.0
21	2.0112.404.2	螺栓 HEX BOLT M12x1.75x14	1	2.0112.404.2
22	2.1560.008.0	密封垫圈 SEALING RING	1	2.1560.008.0
23	2.4019.334.1	弹簧 MOLLA	1	2.4019.334.1
24	2.2810.007.0	钢球 STEEL BALL 13/32	1	2.2810.007.0
25	C63.38.002.0	拨叉轴 SHIFT FORK SHAFT	1	C63.38.002.0
26	2.2725.057.0	轴承 NEEDLE SHELL 20x26x10	1	2.2725.057.0
27	0.427.6433.0	拨叉 FORCELLA	1	0.427.6433.0
28	0.269.6461.0	球头销 SFERA	1	0.269.6461.0

C63.38.903.4 REAR GEAR BOX

C63.38.903.4\_0 后齿轮箱 REAR GEAR BOX

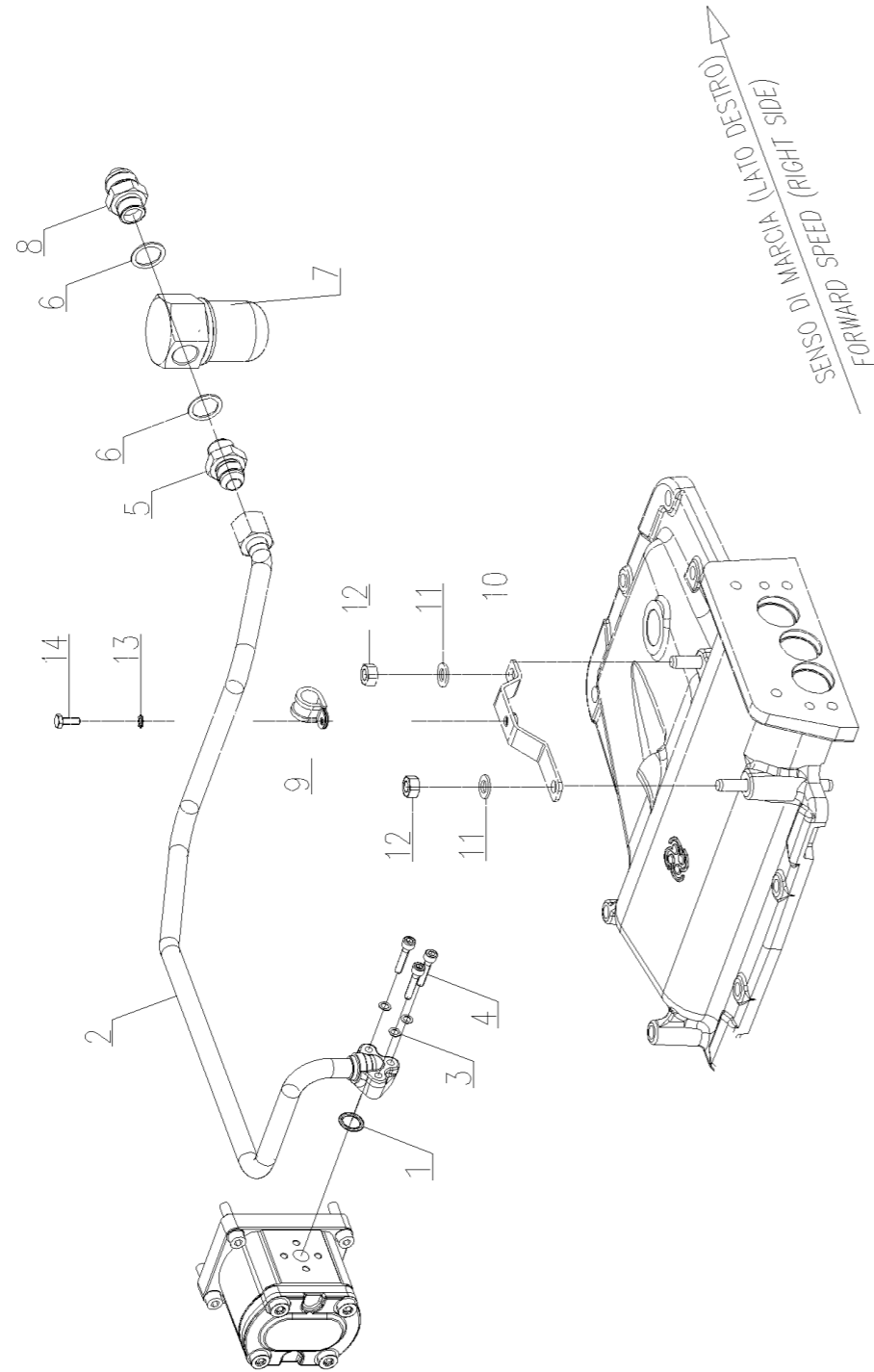
- 100: 939948 APPLICAZIONE SIGILLANTE PER COPERCHI  
*Covers sealing application*
- 101: R92704F90 TARGH.VELOCITA'  
*Speeds plate*
- 102: 939949 APPLICAZIONE SIGILLANTE PER COPERCHIO PTO  
*PTO cover sealing application*



序号	零件编号	零件名称	数量	图号
1	0.031.6129.0	后齿轮箱 REAR GEARBOX	1	0.031.6129.0
2	0.264.3161.0	法兰盘 FLANGIA POST. CHIUSURA	1	0.264.3161.0
3	2.1475.002.2	垫圈 WASHER	4	2.1475.002.2
4	2.0112.211.2	螺栓 HEX BOLT M8x1.25x30	4	2.0112.211.2
5	GBT73-M12X16-A3L	螺钉 SCREW	1	GBT73-M12X16-A3L
6	2.3199.001.2	螺纹塞 TAPPO 1/2" GAS	2	2.3199.001.2
7	2.1560.017.0	密封垫圈 SEALING RING	3	2.1560.017.0
8	2.3120.002.4	螺堵 PLUG M22x1.5	1	2.3120.002.4
9	2.3820.105.2	油嘴 NIPPLES M10	2	2.3820.105.2
10	2.4019.308.0/10	弹簧 MOLLA	1	2.4019.308.0/10
11	0.264.3153.3/20	支架焊合 BACINELLA CON TUBO	1	0.264.3153.3/20
12	2.1475.003.7	垫圈 CONICAL WASHERS M10	2	2.1475.003.7
13	2.0112.305.2	螺栓 HEX BOLT M10x1.5x16	2	2.0112.305.2
14	2.3170.011.2	塞片 CORE HOLE SEALING PLUGS 28	1	2.3170.011.2
100	939948	装配指导 APPLICAZIONE	1	939948
101	R92704F90	装配指导 MONTAGGIO TARGHETTE	1	R92704F90
102	939949	装配指导 APPLICAZIONE	1	939949



C63.40.902.4 PUMP OIL OUTPUT PIPE ASS.

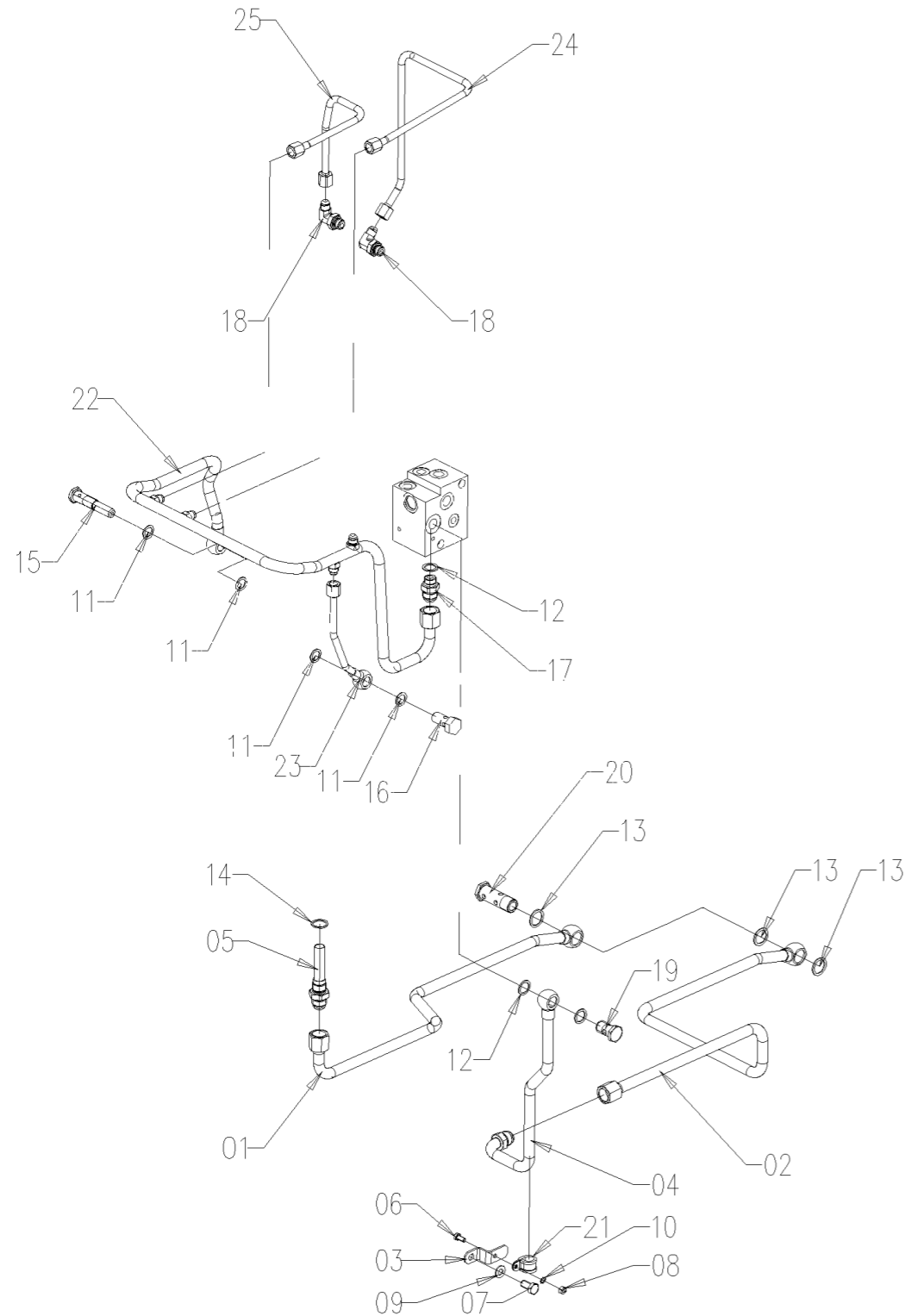


C63.40.902.4\_1 转向泵出油管总成 STEERING PUMP OUTLET PIPES

序号	零件编号	零件名称	数量	图号
1	2.1532.040.0	O形圈 O-RING	1	2.1532.040.0
2	C63.40.015.3	转向压力管 STEERING PRESSURE PIPE	1	C63.40.015.3
3	2.1480.012.2	垫圈 CONICAL WASHER M6	3	2.1480.012.2
4	2.0312.110.2	螺钉 SOCKET SCREW M6x1x30	3	2.0312.110.2
5	2.3261.012.2	接头体 FITTING M22x1.5-7/8"	1	2.3261.012.2
6	2.1560.018.0	密封垫圈 SEALING RING	2	2.1560.018.0
7	0.264.6378.4/30	液压阻尼 RISONATORE COMPLETO	1	0.264.6378.4/30
8	2.3261.013.2	接头体 FITTING M22x1.5-1 1/16"	1	2.3261.013.2
9	2.6839.066.0/10	夹子 FASCETTA	1	2.6839.066.0/10
10	C63.40.011.3	支架 BRACKET	1	C63.40.011.3
11	2.1310.006.2	垫圈 WASHER	2	2.1310.006.2
12	2.1011.406.2	螺母 NUT M10x1	2	2.1011.406.2
13	2.1470.002.2	垫圈 WASHER	1	2.1470.002.2
14	2.0112.005.2	螺栓 HEX BOLT M6x1x16	1	2.0112.005.2

# C63.40.907.4 LUBRICATION PIPING ASS.

# C63.40.907.4\_2 润滑管路 (配微爬机型) LUBRICATION PIPING ASS.Y FOR CREEPER



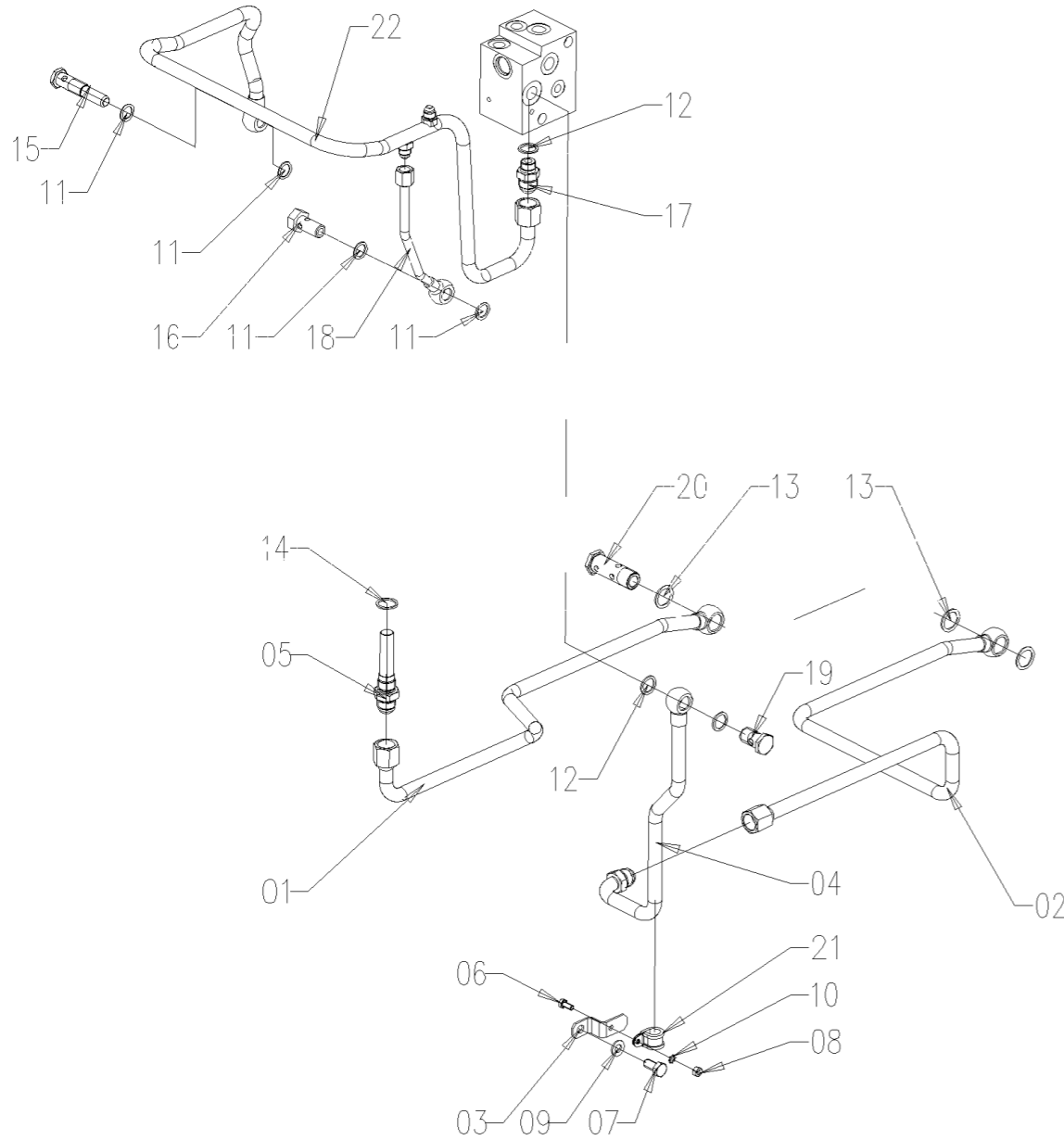
序号	零件编号	零件名称	数量	图号
1	0.020.9236.3	胶管 T.16 COLL. CAMBIO	1	0.020.9236.3
2	0.021.0907.3	排气管 T.16 SCARICO MANT.	1	0.021.0907.3
3	0.021.0929.0	支撑板 STAFFA	1	0.021.0929.0
4	0.021.0931.3	排气管 T.16 SCARICO MANT.	1	0.021.0931.3
5	0.021.1834.3	管接头 RACCORDO LIVELLO OLIO	1	0.021.1834.3
6	2.0112.004.2	螺栓 HEX BOLT M6x1x14	1	2.0112.004.2
7	2.0112.307.2	螺栓 HEX BOLT M10x1.5x20	1	2.0112.307.2
8	2.1011.103.2	螺母 NUT	1	2.1011.103.2
9	2.1310.006.2	垫圈 WASHER	1	2.1310.006.2
10	2.1470.002.2	垫圈 WASHER	1	2.1470.002.2
11	2.1560.012.0	密封垫圈 SEALING RING	4	2.1560.012.0
12	2.1560.014.0	密封垫圈 SEALING RING	3	2.1560.014.0
13	2.1560.018.0	密封垫圈 SEALING RING	3	2.1560.018.0
14	2.1560.054.0	密封垫圈 SEALING RING	1	2.1560.054.0
15	C63.40.008.0	空心螺栓 HOLLOW BOLT	1	C63.40.008.0
16	SH404.40.120	空心螺栓 HOLLOW BOLT	1	SH404.40.120
17	2.3261.010.2	接头体 FITTING M18x1.5-7/8"	1	2.3261.010.2
18	2.3264.009.2	接头体 90° END FITTINGS M16x1.5- 10	2	2.3264.009.2
19	2.3335.008.2	空心螺栓 bocchettone 13	1	2.3335.008.2
20	2.3339.257.0/20	管接头 RACCORDO	1	2.3339.257.0/20
21	2.6839.066.0/10	夹子 FASCETTA	1	2.6839.066.0/10
22	C63.40.001.3/10	油管 T.16 LUBR. TRASM.	1	C63.40.001.3/10
23	C63.40.002.3/10	管 PIPE 10 LUBR.	1	C63.40.002.3/10
24	C63.40.003.3/10	管 P.10 LUBR.S.CREEPER	1	C63.40.003.3/10
25	C63.40.004.3/10	管 P.10 LUBR.S.CREEPER	1	C63.40.004.3/10

C63.40.927.4 LUBRICATION PIPE ASS.

di - of  
F 1

C63.40.927.4\_2 润滑管路 (配非微爬机型) LUBRICATION PIPING ASS.Y WITHOUT CREEPER

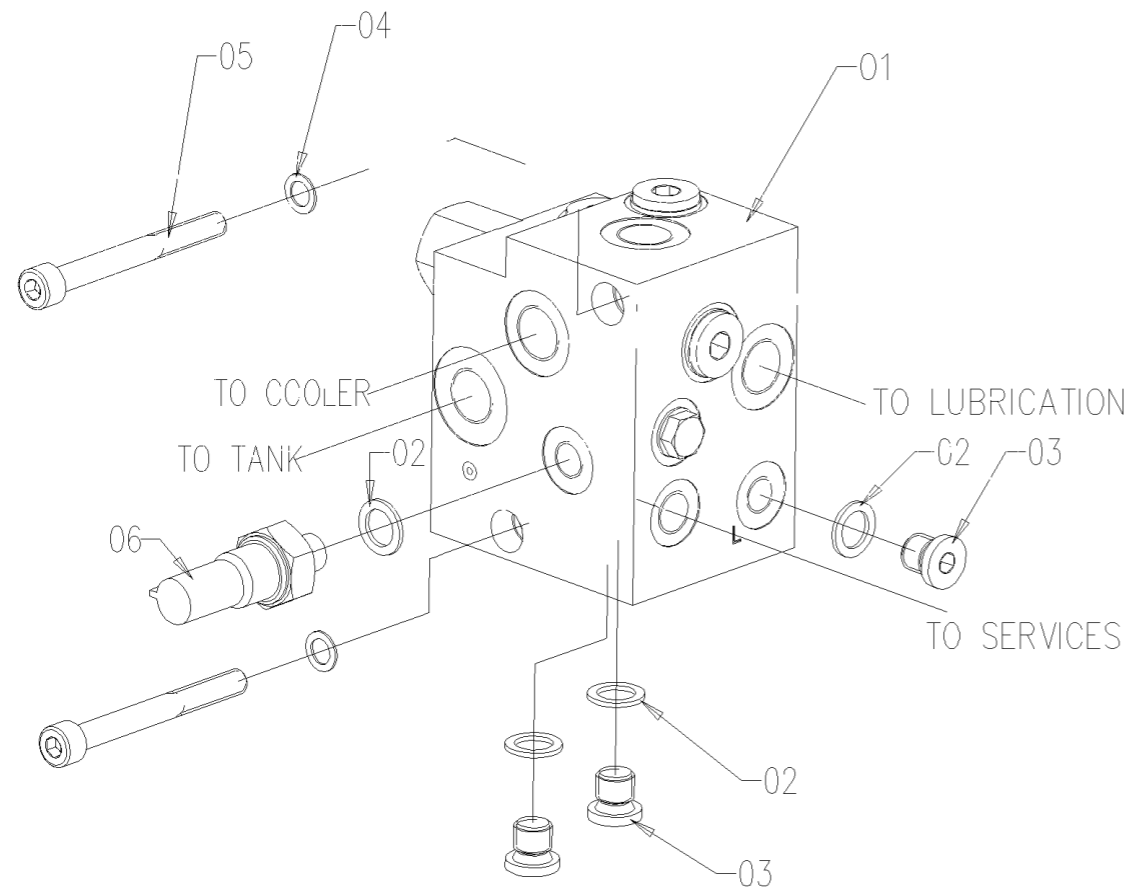
序号	零件编号	零件名称	数量	图号
1	0.020.9236.3	胶管 T.16 COLL. CAMBIO	1	0.020.9236.3
2	0.021.0907.3	排气管 T.16 SCARICO MANT.	1	0.021.0907.3
3	0.021.0929.0	支撑板 STAFFA	1	0.021.0929.0
4	0.021.0931.3	排气管 T.16 SCARICO MANT.	1	0.021.0931.3
5	0.021.1834.3	管接头 RACCORDO LIVELLO OLIO	1	0.021.1834.3
6	2.0112.004.2	螺栓 HEX BOLT M6x1x14	1	2.0112.004.2
7	2.0112.307.2	螺栓 HEX BOLT M10x1.5x20	1	2.0112.307.2
8	2.1011.103.2	螺母 NUT	1	2.1011.103.2
9	2.1310.006.2	垫圈 WASHER	1	2.1310.006.2
10	2.1470.002.2	垫圈 WASHER	1	2.1470.002.2
11	2.1560.012.0	密封垫圈 SEALING RING	4	2.1560.012.0
12	2.1560.014.0	密封垫圈 SEALING RING	3	2.1560.014.0
13	2.1560.018.0	密封垫圈 SEALING RING	3	2.1560.018.0
14	2.1560.054.0	密封垫圈 SEALING RING	1	2.1560.054.0
15	2.3249.764.2	空心螺栓 HOLLOW BOLT	1	2.3249.764.2
16	SH404.40.120	空心螺栓 HOLLOW BOLT	1	SH404.40.120
17	2.3261.010.2	接头体 FITTING M18x1.5-7/8"	1	2.3261.010.2
18	C63.40.002.3/10	管 PIPE 10 LUBR.	1	C63.40.002.3/10
19	2.3335.008.2	空心螺栓 bocchettone 13	1	2.3335.008.2
20	2.3339.257.0/20	管接头 RACCORDO	1	2.3339.257.0/20
21	2.6839.066.0/10	夹子 FASCETTA	1	2.6839.066.0/10
22	C63.40.012.3	油管 T.16 LUBR. TRASM.	1	C63.40.012.3



C63.40.937.4 BY-PASS VALVE ASS.

C63.40.937.4\_0 分流阀块总成 BY-PASS VALVE ASS.Y

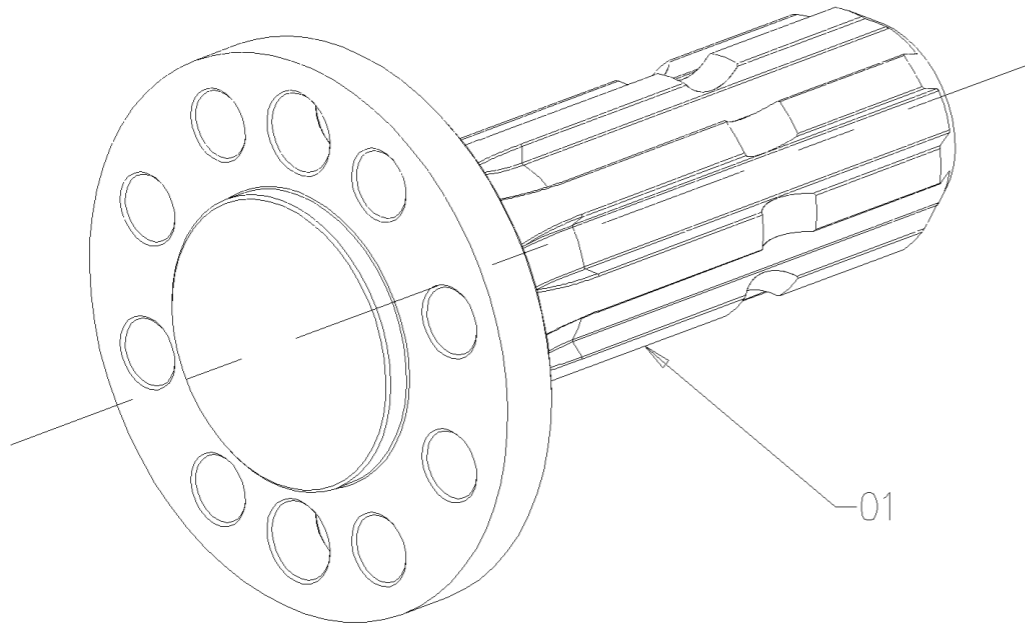
序号	零件编号	零件名称	数量	图号
1	C63.40.013.4	阀 VALVE	1	C63.40.013.4
2	2.1560.008.0	密封垫圈 SEALING RING	4	2.1560.008.0
3	2.3120.008.4	螺堵 PLUG M12x1.5	3	2.3120.008.4
4	2.1480.014.2	垫圈 WASHER	2	2.1480.014.2
5	2.0312.221.2	螺钉 SOCKET SCREW M8x1.25x75	2	2.0312.221.2
6	2.7099.044.0	压力开关 PRESSURE SWITCH 7.5 BAR	1	2.7099.044.0



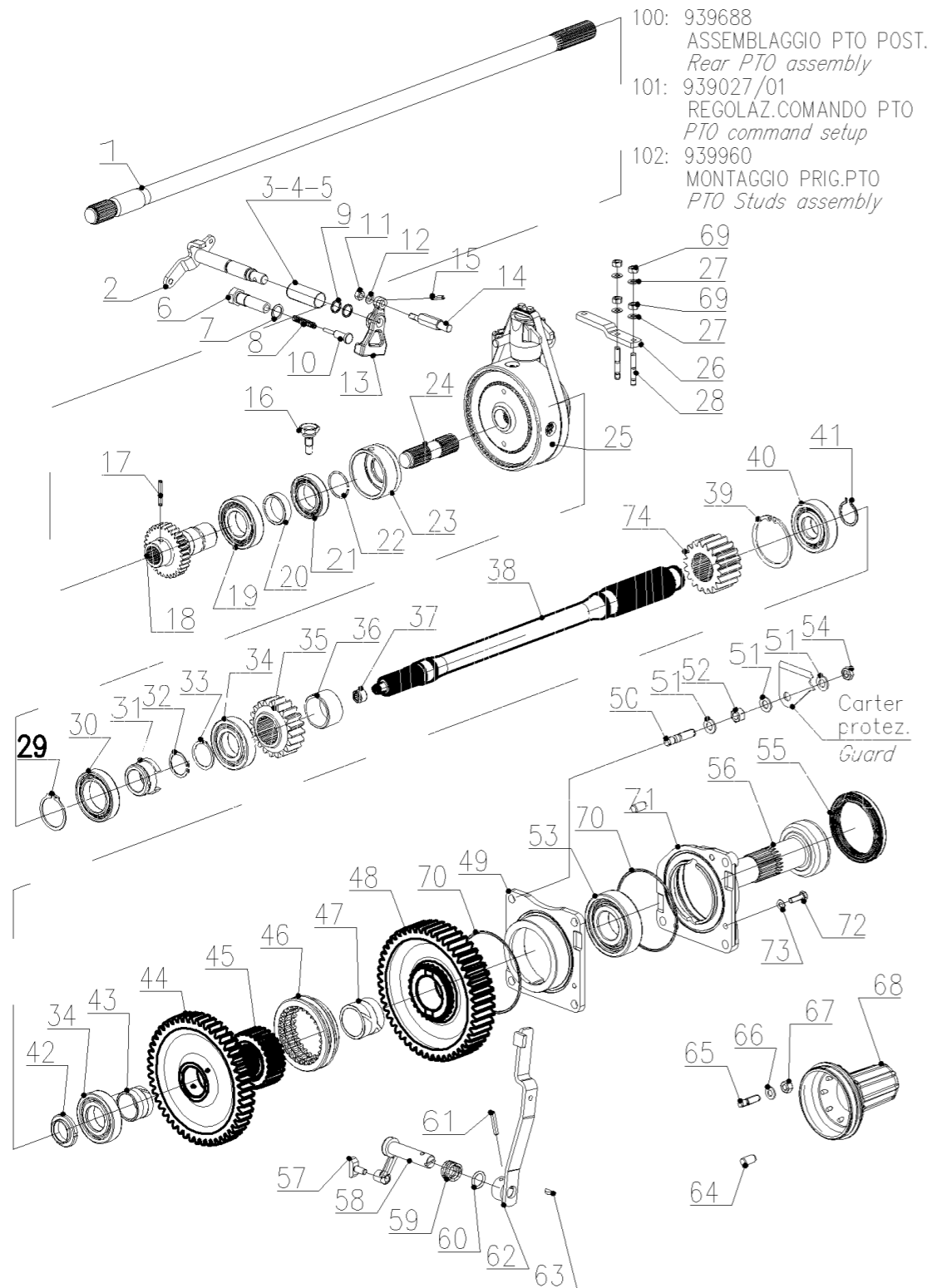
C63.41.901.4\_0 动力输出轴 Z8 PTO SHAFT Z8

序号	零件编号	零件名称	数量	图号
1	C63.41.007.0	动力输出轴 PTO Z8 SHAFT	1	C63.41.007.0

C63.41.901.4 PTO SHAFT - 8KEYS



# C63.41.902.4 PTO ASSEMBLY

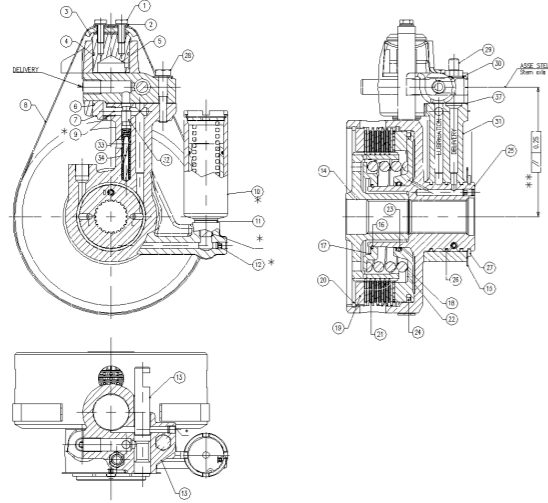


# C63.41.902.4\_3 动力输出 760/850 POWER TAKE OFF

序号	零件编号	零件名称	数量	图号
1	0.264.3610.0/10	杆 ALBERO PRESA POTENZA	1	0.264.3610.0/10
2	0.016.9687.3/20	连接件 LEVA COM.SENSORE	1	0.016.9687.3/20
3	2.1549.680.2	隔圈 DISTANZIALE	1	2.1549.680.2
4	2.1549.681.2	隔圈 DISTANZIALE	1	2.1549.681.2
5	2.1549.682.2	隔圈 DISTANZIALE	1	2.1549.682.2
6	2.3249.457.2	螺栓 VITE X PUNTALE.DI POSIZ.	1	2.3249.457.2
7	2.1560.014.0	密封圈 SEALING RING	1	2.1560.014.0
8	2.4019.093.1	弹簧 MOLLA	1	2.4019.093.1
9	2.1530.038.0	ANELLO O.R.15.54X2.62 O RING	2	2.1530.038.0
10	0.018.9236.0	台阶螺栓 PUNTALE	1	0.018.9236.0
11	2.1011.105.2	螺母 M8x1.25 NUT	1	2.1011.105.2
12	2.1475.202.2	垫圈 CONICAL WASHER M8	1	2.1475.202.2
13	0.018.8990.0	连接件 LEVA INTERNA POSIZION.	1	0.018.8990.0
14	2.1699.167.0/10	塞子 PERN.LEVA INTERNA	1	2.1699.167.0/10
15	2.1631.512.9	销 SPRING-TYPE STRAIGHT PINS	1	2.1631.512.9
16	0.264.8268.0	螺栓 VITE DI FERMO POMPA	1	0.264.8268.0
17	2.1631.517.0	销 SPRING-TYPE STRAIGHT PINS	1	2.1631.517.0
18	0.020.3942.0	齿轮 INGRANAGGIO	1	0.020.3942.0
19	2.2040.012.0	轴承 SINGLE ROW BALL BEARINGS	1	2.2040.012.0
20	2.1549.793.0	隔圈 DISTANZIALE	1	2.1549.793.0
21	2.2030.009.0	轴承 SINGLE ROW BALL BEARINGS 40	1	2.2030.009.0
22	2.1420.016.0	挡圈 Metric	1	2.1420.016.0
23	0.020.4014.0/10	固定销 COPERCHIO	1	0.020.4014.0/10
24	0.264.3650.0/40	套筒 MANICOTTO	1	0.264.3650.0/40
25	0.020.6378.4/10	离合器组件 FRIZIONE P.T.O.	1	0.020.6378.4/10
26	0.012.6169.0	连接板 PIATRINA	1	0.012.6169.0
27	2.1475.002.7	垫圈 M8 CONICAL WASHERS M8	4	2.1475.002.7
28	2.0432.011.7	螺柱 M8x1x40 STUD M8x1x40	2	2.0432.011.7
29	2.1410.020.1	挡圈 50 ANELLO 50	1	2.1410.020.1
30	2.2030.011.0	轴承 SINGLE ROW BALL BEARINGS 50	1	2.2030.011.0
31	0.233.3654.0	套筒 BOCCOLA PORTACUSCINETTO	1	0.233.3654.0
32	2.1410.014.1	挡圈 circlip	1	2.1410.014.1
33	2.1410.016.1	挡圈 CIRCLIP	1	2.1410.016.1
34	2.2999.174.0/10	圆柱滚子轴承 CUSCINETTO A RULLI	2	2.2999.174.0/10
35	C63.41.003.0/10	驱动齿轮 H DRIVING GEAR	1	C63.41.003.0/10
36	2.1579.897.0	隔圈 DISTANZIALE	1	2.1579.897.0
37	2.2725.015.0	轴承 14x20x12 NEEDLE SHELL 14x20x12	1	2.2725.015.0
38	C63.41.001.0/10	主动轴 PTO DRIVING SHAFT	1	C63.41.001.0/10
39	2.1411.032.1	挡圈 80 ANELLO 80	1	2.1411.032.1
40	2.2472.005.0	轴承 35 CYLINDRICAL ROLLER	1	2.2472.005.0
41	2.1499.229.7	挡圈 ANELLO ELASTICO	1	2.1499.229.7
42	2.1214.008.7	螺母 M35x1.5 DX COLLAR M35x1.5 DX	1	2.1214.008.7
43	0.188.3653.0	套筒 BOCCOLA	1	0.188.3653.0
44	C63.41.004.0/10	从动齿轮 H DRIVEN GEAR	1	C63.41.004.0/10

45	0.188.3655.0/20	齿轮 MOZZO	1	0.188.3655.0/20
46	0.188.3656.0/30	套筒 MANICOTTO	1	0.188.3656.0/30
47	0.188.3654.0	套筒 BOCCOLA	1	0.188.3654.0
48	C63.41.002.0/10	从动齿轮 L DRIVEN GEAR	1	C63.41.002.0/10
49	0.022.8620.0	支架 SUPPORTO CUSC. PTO	1	0.022.8620.0
50	2.0432.261.7	螺柱 M12x1.25x40 STUD M12x1.25x40	4	2.0432.261.7
51	2.1475.004.2	垫圈 M12 CONICAL WASHERS M12	6	2.1475.004.2
52	2.1011.422.2	螺母 M12x1.25 NUT M12x1.25	4	2.1011.422.2
53	2.2064.013.0	轴承 45 SINGLE ROW BALL BEARINGS	1	2.2064.013.0
54	2.1011.522.2	螺母 M12x1.25 NUT M12x1.25	1	2.1011.522.2
55	2.1529.183.0	标识 CASSETTA85X110X13/14.5	1	2.1529.183.0
56	C63.41.006.0	动力输出轴 PTO SHAFT	1	C63.41.006.0
57	0.427.6833.0	螺钉 PATTINO	1	0.427.6833.0
58	0.188.3659.0/20	孔连接件 LEVA	1	0.188.3659.0/20
59	2.4019.222.1	弹簧 MOLLA	1	2.4019.222.1
60	2.1539.026.0	O形圈 198X36 O-RING 198X36	1	2.1539.026.0
61	2.1630.615.0	销 SPRING-TYPE STRAIGHT PINS	1	2.1630.615.0
62	0.018.0119.2	连接件 LEVA ESTERNA COM. PTO	1	0.018.0119.2
63	2.1720.006.0	键 4x6.5 WOODRUFF KEYS 4x6.5	1	2.1720.006.0
64	2.1659.545.0	销 D.12x24 PIN D.12x24	2	2.1659.545.0
65	2.0433.157.7	螺柱 M10x1.25x30 STUD M10x1.25x30	8	2.0433.157.7
66	2.1475.103.2	垫圈 M10 CONICAL WASHER M10	8	2.1475.103.2
67	2.1012.421.7	螺母T M10x1.25 HEX NUT M10x1.25	8	2.1012.421.7
68	0.163.3664.0/10	护罩 PROTEZIONE	1	0.163.3664.0/10
69	2.1011.405.2	螺母 M8x1 NUT M8x1	4	2.1011.405.2
70	2.1532.521.0	O形圈 126.67x2.62 O-RING 126.67x2.62	2	2.1532.521.0
71	0.022.8625.0	阀门底座 SUPP.ANELLO TENUTA	1	0.022.8625.0
72	2.0112.209.2	六角螺栓 M8x1.25x25 HEX BOLT	1	2.0112.209.2
73	2.1475.002.2	锥形垫圈 M8 CONICAL WASHERS M8	1	2.1475.002.2
74	C63.41.005.0	驱动齿轮 L DRIVING GEAR	1	C63.41.005.0
75	2.1475.002.2	垫圈 WASHER	1	2.1475.002.2
76	C63.41.005.0	驱动齿轮 L DRIVING GEAR	1	C63.41.005.0
100	939688	动力输出总成 ASSEMBLAGGIO PTO	1	939688
101	939027	装配指导 REGOLAZ.COMANDO PTO	1	939027
102	939960	装配指导 MONTAGGIO PRIGIONIERI	1	939960

# 0.020.6378.4/10 FRIZIONE P.T.O. PTO CLUTCH ASS'Y



## 0.020.6378.4/10 离合器组件 FRIZIONE P.T.O.

序号	零件编号	零件名称	数量	图号
1	0.010.9523.0/10	片 PORTA MOLLA	1	0.010.9523.0/10
2	0.012.5765.4	蓄电池 ACCUMULATORE COML.	1	0.012.5765.4
3	0.012.6160.3/10	动力输出离合器 CAMPANA FRIZIONE	1	0.012.6160.3/10
4	0.012.6161.3/10	分配器总成 DISTRIBUT. COMPL.	1	0.012.6161.3/10
5	0.012.6172.0	离合器动力输出轴 MOZ.FRIZIONE	1	0.012.6172.0
6	0.013.9950.0/10	垫片 GUARNIZIONE	1	0.013.9950.0/10
7	0.014.3015.3	液压PTO离合器 PACCO FRIZIONE	1	0.014.3015.3
8	0.021.9345.0	杆 PUNTALE	1	0.021.9345.0
9	0.163.3653.0/10	隔圈 DISTANZIALE	1	0.163.3653.0/10
10	0.163.3658.0	活塞 PISTONE	1	0.163.3658.0
11	0.163.8260.0	螺栓 VITE	1	0.163.8260.0
12	0.164.3646.0	夹紧卡环 SEGMENTO	3	0.164.3646.0
13	0.241.8252.0	活塞 PISTONE	1	0.241.8252.0
14	0.241.8253.0	活塞 PISTONE	1	0.241.8253.0
15	0.241.8257.0	连接板 PIASTRINA	1	0.241.8257.0
16	0.269.8250.0/30	歧管 COLLETTORE PER PTO	1	0.269.8250.0/30
17	0.269.8253.3	制动盘 NASTRO FRENO	1	0.269.8253.3
18	2.0112.005.2	螺栓 HEX BOLT M6x1x16	2	2.0112.005.2
19	2.0112.215.2	螺栓 BOLT	1	2.0112.215.2
20	2.0512.102.7	螺钉 SET SCREW M6x1x8	1	2.0512.102.7
21	2.0512.202.2	螺钉 SET SCREW M8x1.25x8	1	2.0512.202.2
22	2.1379.040.0	销 PIASTR.RAS.12X30X08	4	2.1379.040.0
23	2.1410.024.7	挡圈 Anello 55	1	2.1410.024.7
24	2.1422.035.7	挡环 circlip	1	2.1422.035.7
25	2.1429.018.0	卡环 AN.EL. D.153-1566	1	2.1429.018.0
26	2.1475.002.2	垫圈 WASHER	2	2.1475.002.2
27	2.1530.076.0	O形圈 oil seal	2	2.1530.076.0
28	2.1539.149.0	O形圈 oil seal	1	2.1539.149.0
29	2.1560.010.0	密封垫圈 SEALING RING	1	2.1560.010.0
30	2.1569.180.0/10	垫片 GUARNIZIONE EST. PI	1	2.1569.180.0/10
31	2.1599.843.0	垫圈 RALLA 60X85X1	1	2.1599.843.0
32	2.1650.316.0	销 PIN 4x38	1	2.1650.316.0
33	2.4019.156.1/10	弹簧 MOLLA	1	2.4019.156.1/10
34	2.4019.321.0	弹簧 MOLLA	1	2.4019.321.0

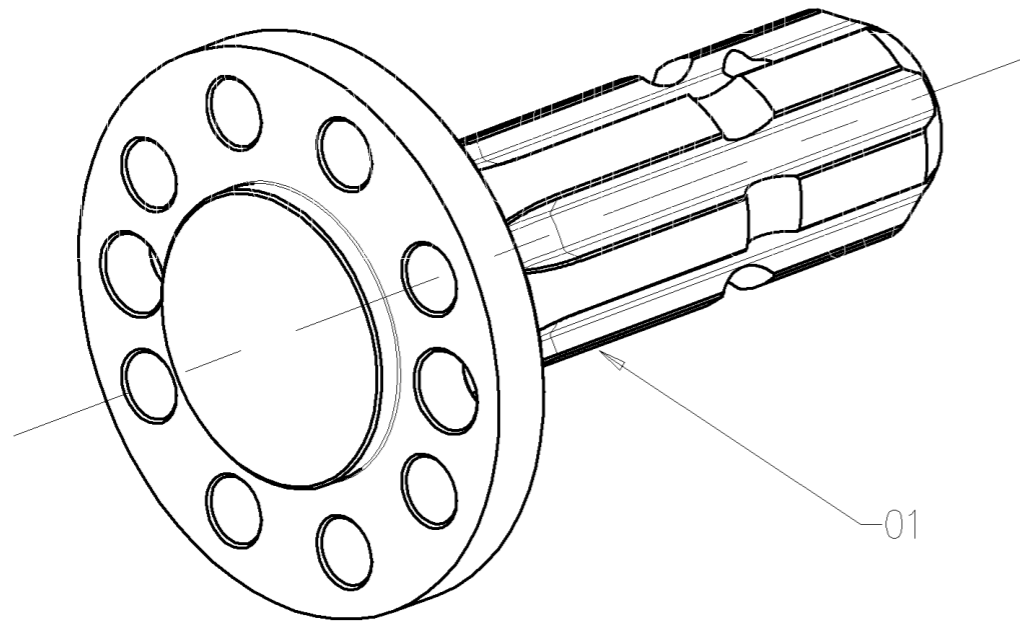


C63.41.911.4\_0 动力输出轴 Z6 PTO SHAFT Z6

序号	零件编号	零件名称
1	C63.41.008.0	动力输出轴 PTO Z6 SHAFT

数量	图号
1	C63.41.008.0

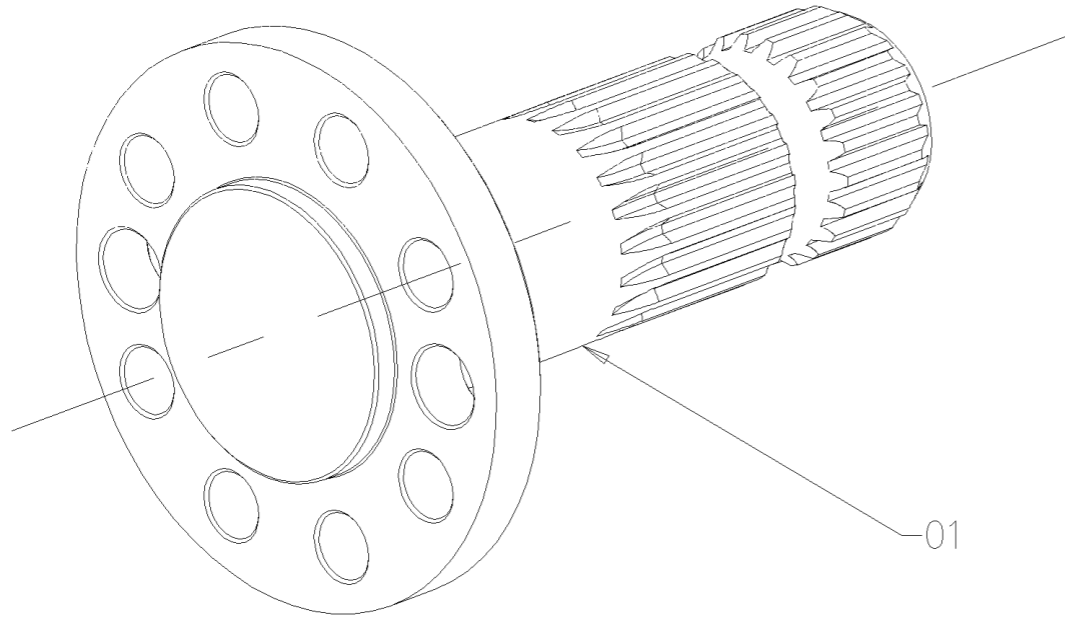
C63.41.911.4 PTO SHAFT - 6KEYS



C63.41.921.4\_0 动力输出轴 Z21 PTO SHAFT Z21

序号	零件编号	零件名称	数量	图号
1	C63.41.009.0	动力输出轴 PTO Z21 SHAFT	1	C63.41.009.0

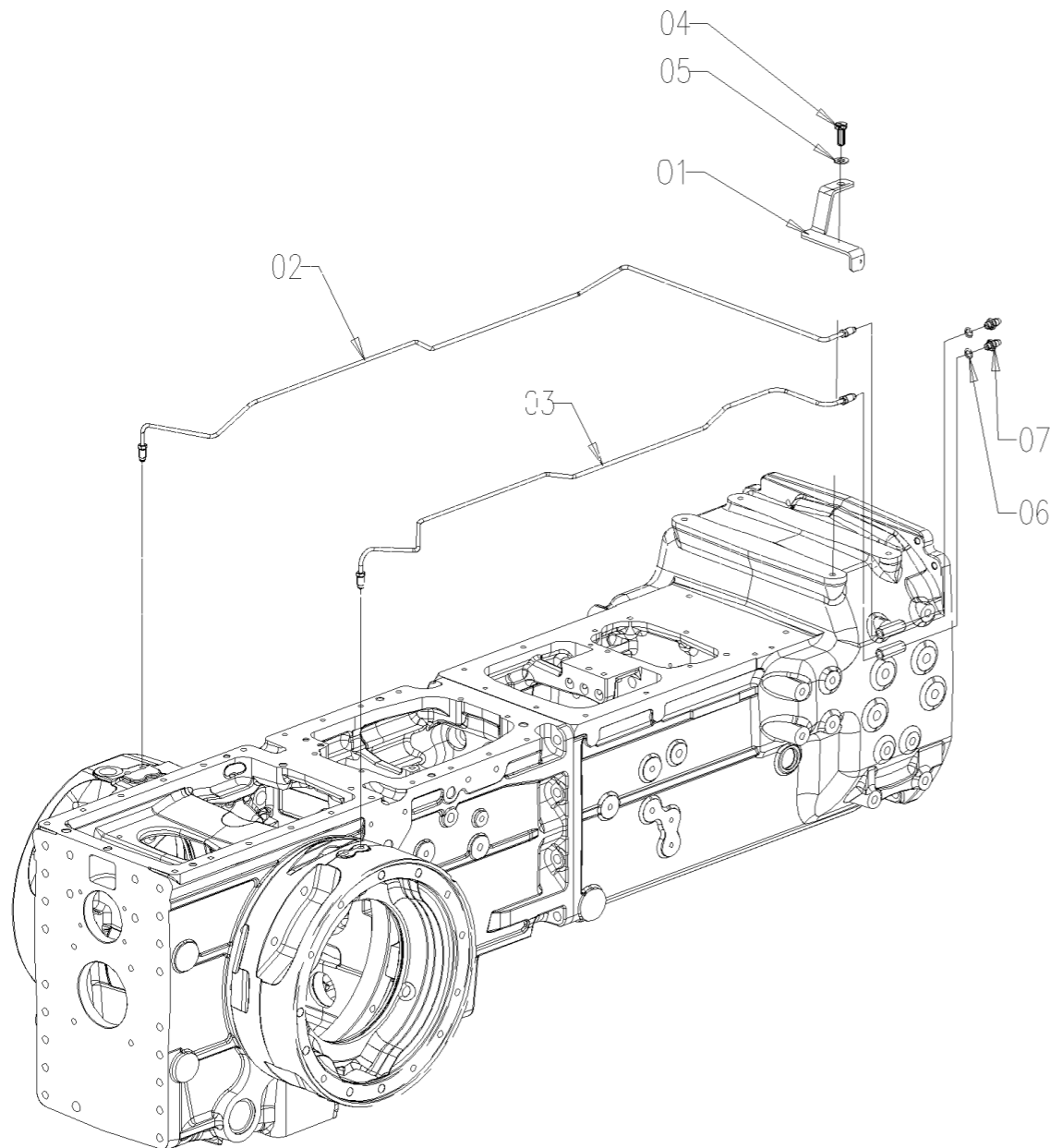
C63.41.921.4 PTO SHAFT - 21KEYS



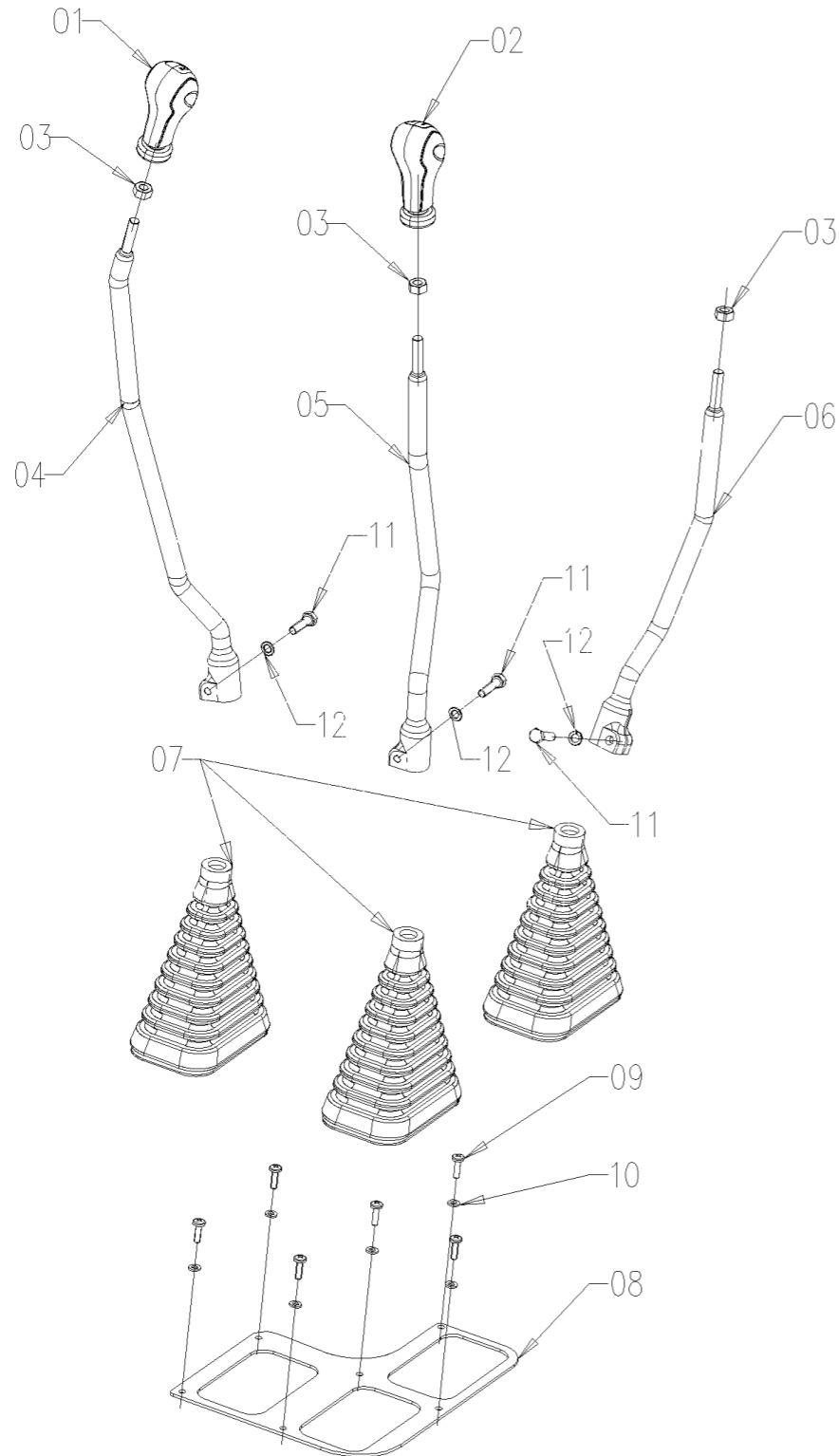
# C63.43.903.4 BRAKE PIPE ASS.

## C63.43.903.4\_1 制动管路总成 BRAKE PIPE ASS.Y

序号	零件编号	零件名称	数量	图号
1	0.029.2704.0	支撑架 STAFFA FIX. TUBI POST.	1	0.029.2704.0
2	C63.43.001.3	左制动管 TUBO 6.35 SX FREN.POST	1	C63.43.001.3
3	0.029.2701.3	右制动管 PIPE 6.35 RIGHT BRAKE	1	0.029.2701.3
4	2.0112.411.2	螺栓 HEX BOLT M12x1.75x25	1	2.0112.411.2
5	2.1310.007.2	垫圈 WASHER 12	1	2.1310.007.2
6	2.1560.008.0	密封垫圈 SEALING RING	2	2.1560.008.0
7	2.3339.447.2/10	管接头 M12-M12 RACCORDO M12-	2	2.3339.447.2/10



# C63.45.903.4 GEAR LEVERS



# C63.45.903.4\_0 换挡操纵 GEAR LEVERS

序号	零件编号	零件名称	数量	图号
1	0.029.1220.4	副变速操纵手柄 RANGE SHIFT KNOB	1	0.029.1220.4
2	0.029.3874.4	换挡操纵手柄 GEAR SHIFT KNOB	1	0.029.3874.4
3	2.1011.106.2	螺母 NUT	3	2.1011.106.2
4	C63.45.005.0	副变速杆 RANGE SHIFT LEVER	1	C63.45.005.0
5	C63.45.004.0	副变速杆 RANGE GEAR LEVER	1	C63.45.004.0
6	C63.45.006.0	爬行杆 CREEPER LEVER	1	C63.45.006.0
7	0.020.3700.0	换挡杆套 CASING	3	0.020.3700.0
8	A68.45.083.0	变速杆板 GEAR LEVER PLATE	1	A68.45.083.0
9	2.0332.407.3	螺钉 CROSS SCREW M6x1x20	6	2.0332.407.3
10	2.1310.002.2	垫圈 WASHER	6	2.1310.002.2
11	2.0112.211.2	螺栓 HEX BOLT M8x1.25x30	3	2.0112.211.2
12	2.1474.009.2	垫圈 SPRING WASHER M8	3	2.1474.009.2

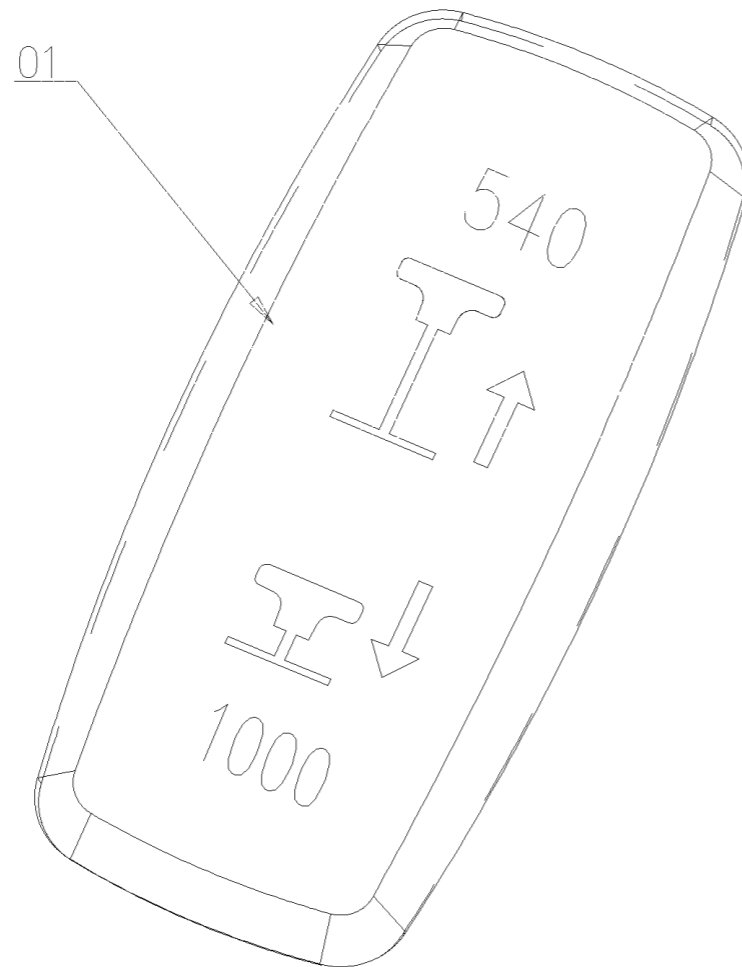
C63.45.906.4

LABEL 540/1000

C63.45.906.4\_0 标识 540/1000 LABEL 540/1000

序号	零件编号	零件名称
1	0.018.0662.0	标识 TARGHETTA P.T.O.

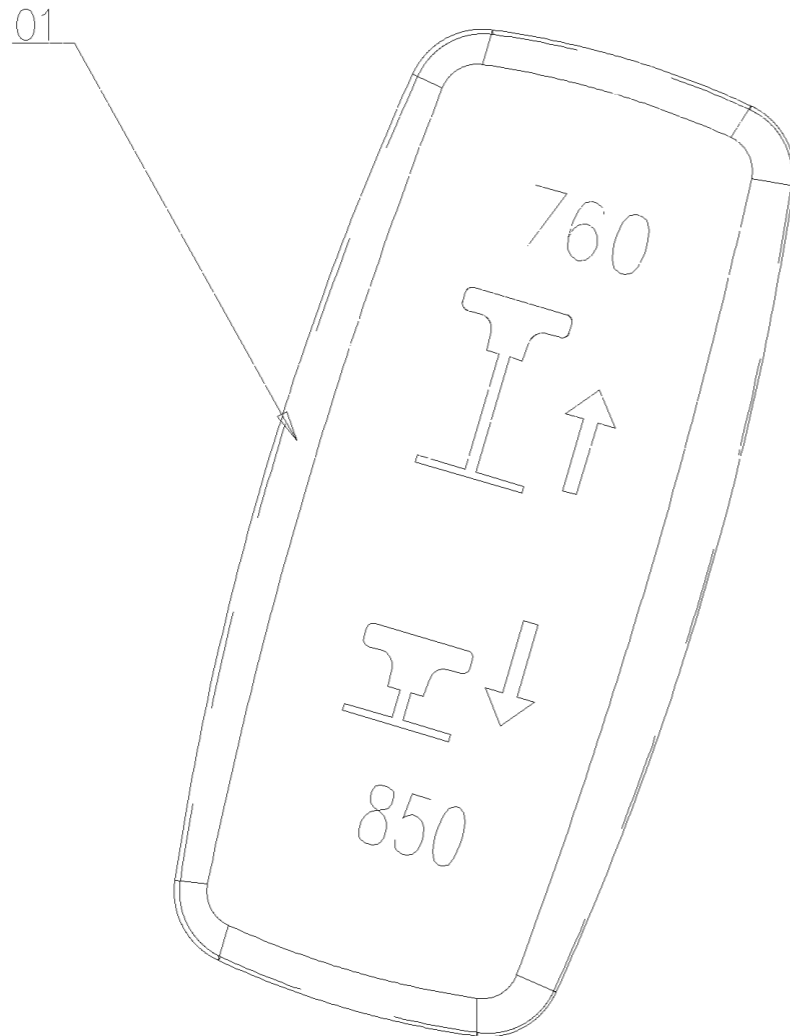
数量	图号
1	0.018.0662.0



C63.45.907.4 LABEL 760/850

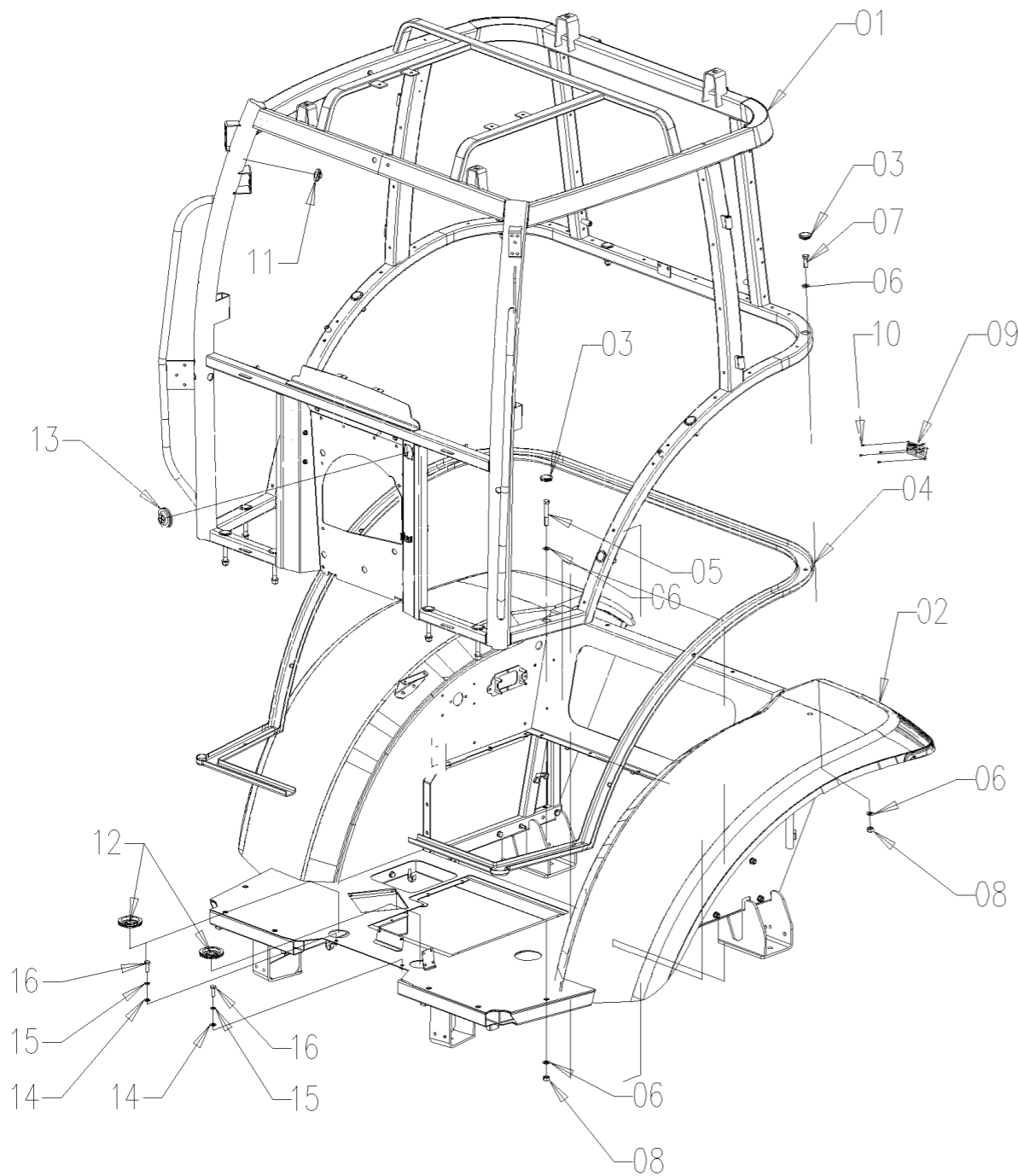
C63.45.907.4\_0 标识 760/850 LABEL 760/850

序号	零件编号	零件名称	数量	图号
1	C63.45.020.0	动力输出标识 PTO LABEL 760/850	1	C63.45.020.0



# C63.45.910.4 CABIN STRUCTURE ASS.Y

## C63.45.910.4\_0 驾驶室骨架 CABIN STRUCTURE ASS.Y

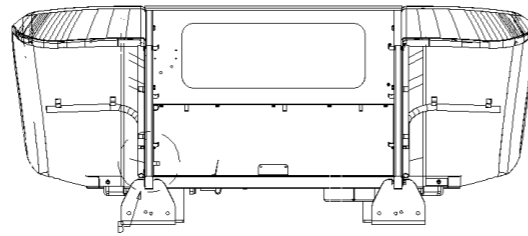
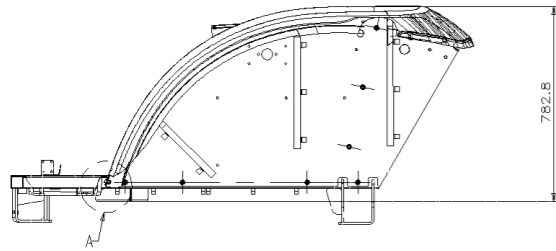


序号	零件编号	零件名称	数量	图号
1	C63.45.090.3/10	驾驶室骨架 UPPER CABIN FRAME	1	C63.45.090.3/10
2	C63.45.091.4	地板焊接总成 FLOOR WELDING	1	C63.45.091.4
3	0.026.5183.0	塞子 D.30.5 PLUG D.30.5	14	0.026.5183.0
4	B36.45.038.0/10	橡胶条 RUBBER	1	B36.45.038.0/10
5	2.0112.425.2	螺栓 HEX BOLT M12x1.75x80	6	2.0112.425.2
6	2.1310.007.2	垫圈 WASHER 12	28	2.1310.007.2
7	2.0112.413.2	螺栓 HEX BOLT M12x1.75x35	8	2.0112.413.2
8	2.1011.107.2	螺母 NUT M12x1.75	14	2.1011.107.2
9	0.034.4543.0/10	OECD标识 OECD LABEL	1	0.034.4543.0/10
10	2.1855.010.0	铆钉 BLIND RIVETS 3.4	4	2.1855.010.0
11	2.6569.069.0/10	橡胶垫圈 RUBBER RING	1	2.6569.069.0/10
12	A11.45.002.0	垫圈 GASKET	2	A11.45.002.0
13	C63.45.114.0	垫圈 GASKET	1	C63.45.114.0
14	GBT97.1-10-A3L	垫圈 WASHER	2	GBT97.1-10-A3L
15	GBT93-10-A3L	垫圈 WASHER	2	GBT93-10-A3L
16	GBT5783-M10X30-A3L	螺栓 BOLT	2	GBT5783-M10X30-A3L

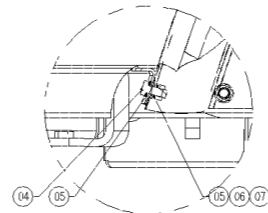
C63.45.091.4 FLOOR WELDING ASS.Y

C63.45.091.4 地板焊接总成 FLOOR WELDING ASS.Y

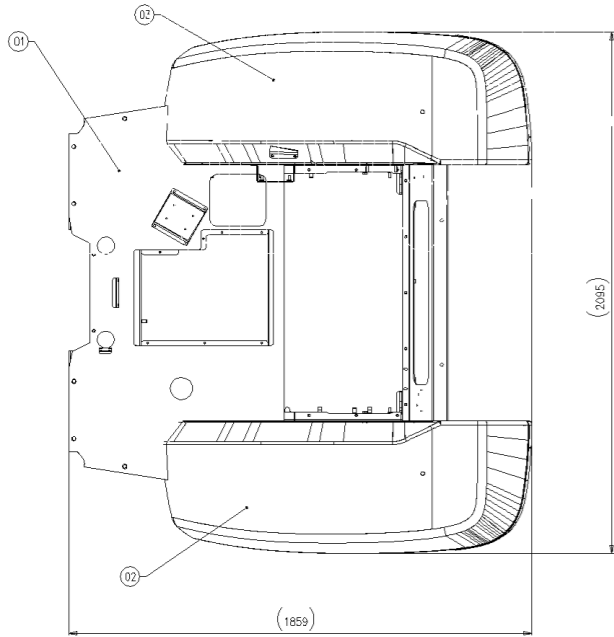
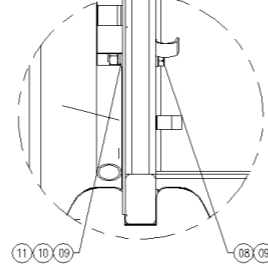
序号	零件编号	零件名称	数量	图号
1	C63.45.092.3	驾驶室地板框架焊合 CABIN FLOOR	1	C63.45.092.3
2	C63.45.100.3	左挡泥板焊件 LEFT FENDER	1	C63.45.100.3
3	C63.45.099.3	右防护板焊合 RIGHT FENDER	1	C63.45.099.3
4	GBT5783-M8X20-A2L	螺栓 BOLT	2	GBT5783-M8X20-A2L
5	GBT97.1-8-A3L	垫圈 WASHER	4	GBT97.1-8-A3L
6	GBT93-8-A3L	垫圈 WASHER	2	GBT93-8-A3L
7	GBT6170-M8-A2L	螺母 NUT	2	GBT6170-M8-A2L
8	GBT5783-M10X50-A3L	螺栓 BOLT	14	GBT5783-M10X50-A3L
9	GBT97.1-10-A3L	垫圈 WASHER	28	GBT97.1-10-A3L
10	GBT93-10-A3L	垫圈 WASHER	14	GBT93-10-A3L
11	GBT6170-M10-A3L	螺母 NUT	14	GBT6170-M10-A3L



DETAIL A  
SCALE 1:2



DETAIL B  
SCALE 1:2

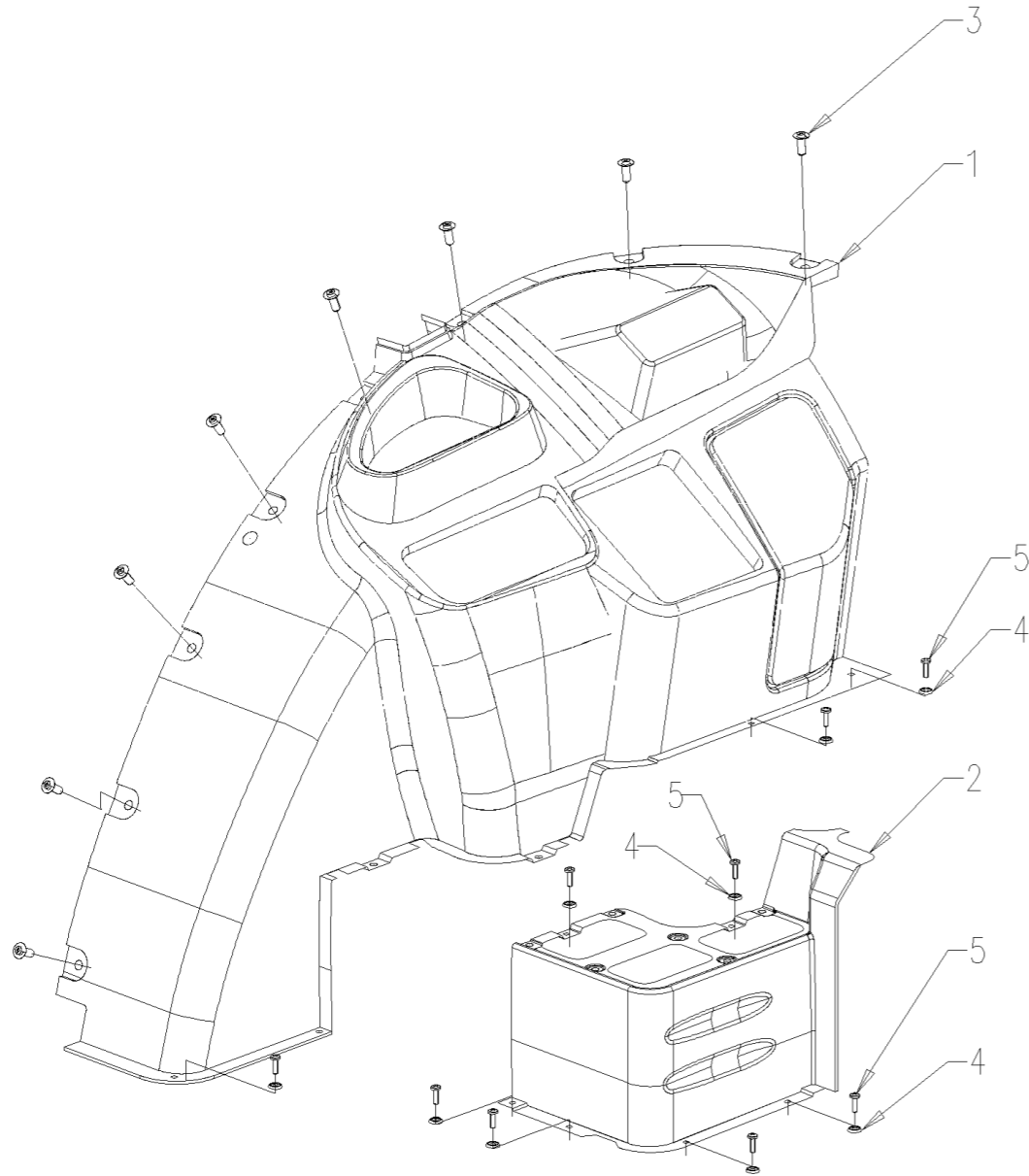


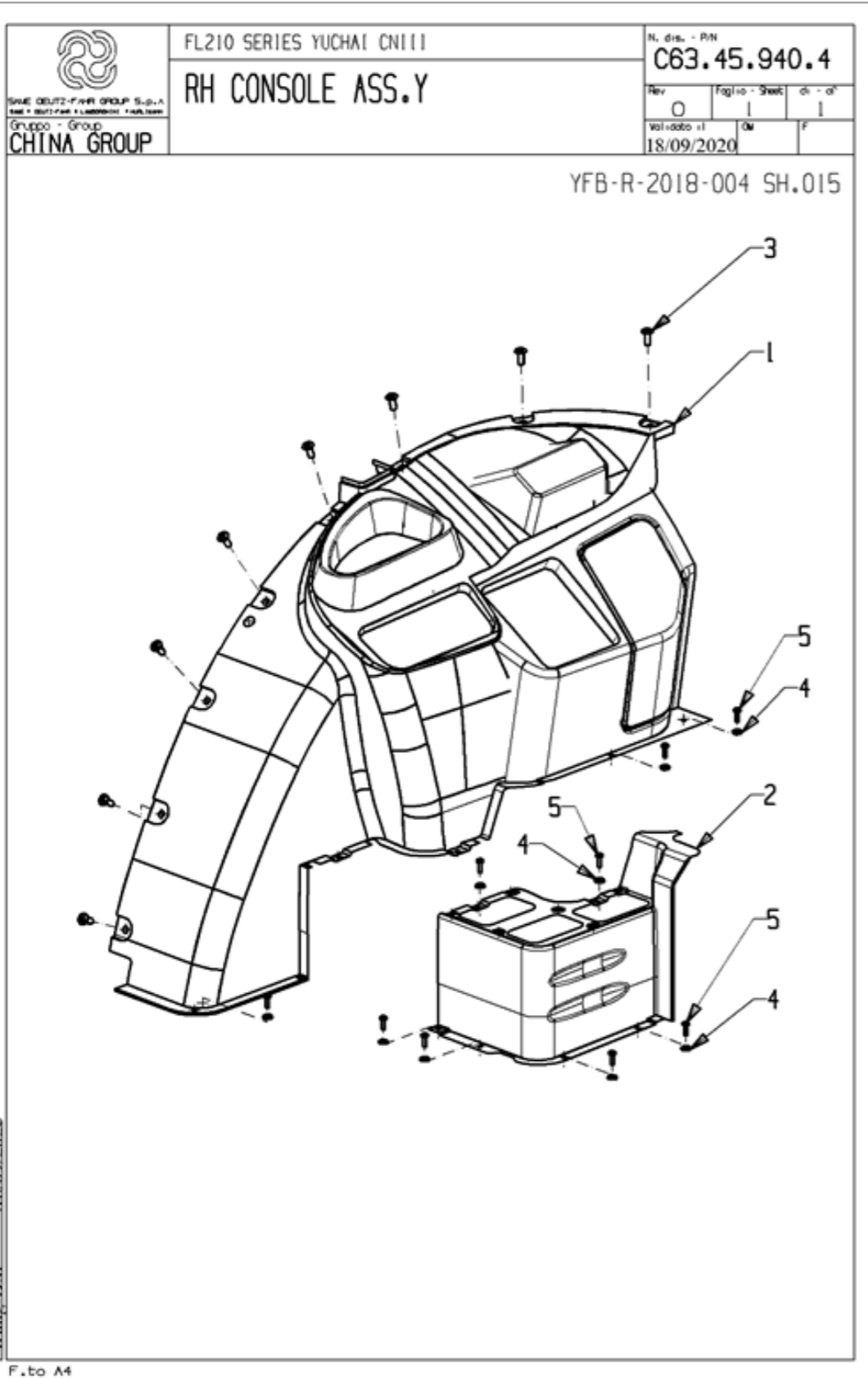


# C63.45.930.4 RH CONSOLE ASS.Y

## C63.45.930.4\_0 右轮罩内饰总成 RH CONSOLE ASS.Y

序号	零件编号	零件名称	数量	图号
1	C63.45.088.2	控制台 RH CONSOLE	1	C63.45.088.2
2	C63.45.089.0	变速杆外壳 GEAR LEVER COVER	1	C63.45.089.0
3	A80.45.088.0	塑胶螺钉 PLASTIC SCREW	8	A80.45.088.0
4	0.020.3772.0	螺栓帽 UNDER SCREW	9	0.020.3772.0
5	2.0332.407.2	螺钉 CROSS SCREW M6x1x20	9	2.0332.407.2





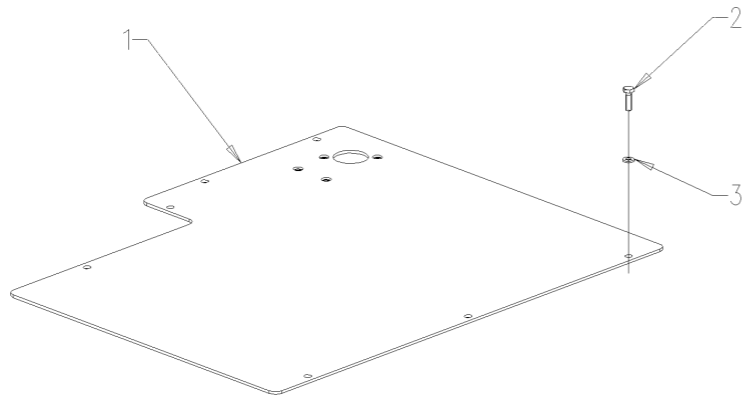
### C63.45.940.4\_0 右轮罩内饰总成 RH CONSOLE ASS.Y

序号	零件编号	零件名称	数量	图号
1	C63.45.115.2	右控制台 RH CONSOLE	1	C63.45.115.2
2	C63.45.089.0	变速杆盖 GEAR LEVER COVER	1	C63.45.089.0
3	A80.45.088.0	塑胶螺钉 PLASTIC SCREW	8	A80.45.088.0
4	0.020.3772.0	衬垫 UNDER SCREW	9	0.020.3772.0
5	2.0332.407.2	螺钉 SCREW	9	2.0332.407.2

C63.45.962.4 FRONT FLOOR COVER

C63.45.962.4\_0 前地板 FRONT FLOOR COVER

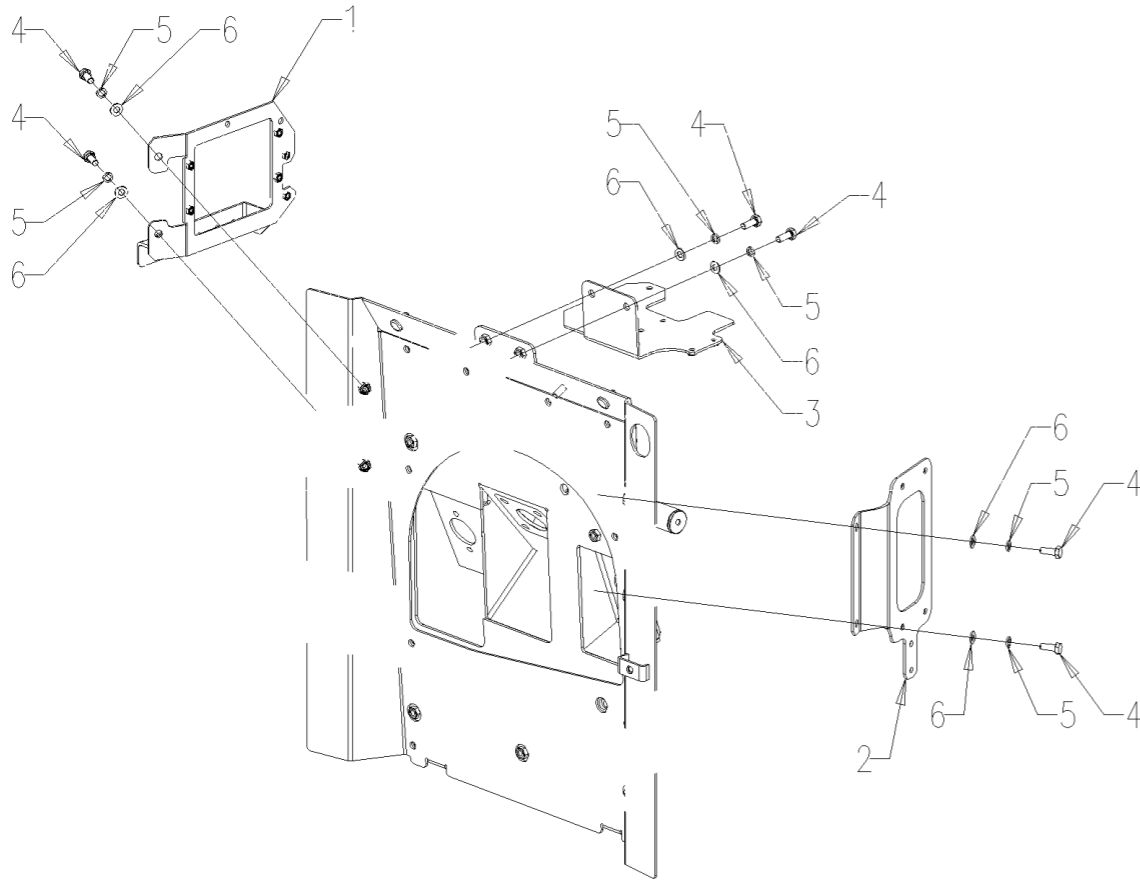
序号	零件编号	零件名称	数量	图号
1	C63.45.098.3	保险板 TRIP COVER	1	C63.45.098.3
2	GBT5783-M6X20-A2L	螺栓 BOLT	7	GBT5783-M6X20-A2L
3	GBT97.1-6-A3L	垫圈 WASHER	7	GBT97.1-6-A3L



# C63.45.963.4 CONTROL UNITS BRACKET ASS.Y

## C63.45.963.4\_0 控制器支架 CONTROL UNITS BRACKET ASS.Y

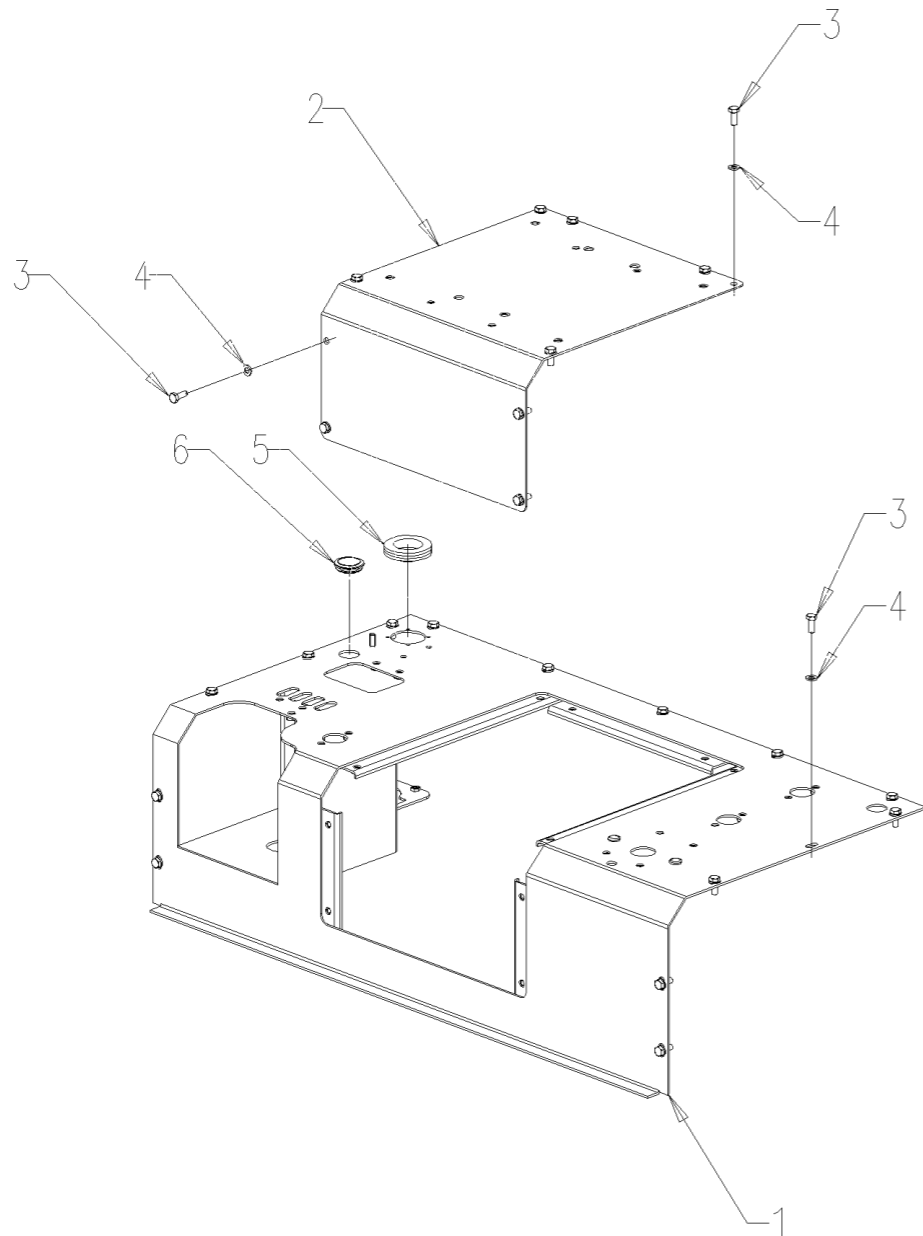
序号	零件编号	零件名称	数量	图号
1	A68.45.044.3/30	电器盒支架 FUSE BOX BRACKET	1	A68.45.044.3/30
2	A68.45.072.3	ECU支架 ECU BRACKET	1	A68.45.072.3
3	B06.45.005.3/10	控制单元支架 CONTROL UNIT	1	B06.45.005.3/10
4	GBT5783-M8X20-A2L	螺栓 BOLT	6	GBT5783-M8X20-A2L
5	GBT93-8-A3L	垫圈 WASHER	6	GBT93-8-A3L
6	GBT97.1-8-A3L	垫圈 WASHER	6	GBT97.1-8-A3L



# C63.45.972.4 REAR FLOOR COVER

## C63.45.972.4\_1 后地板 REAR FLOOR COVER

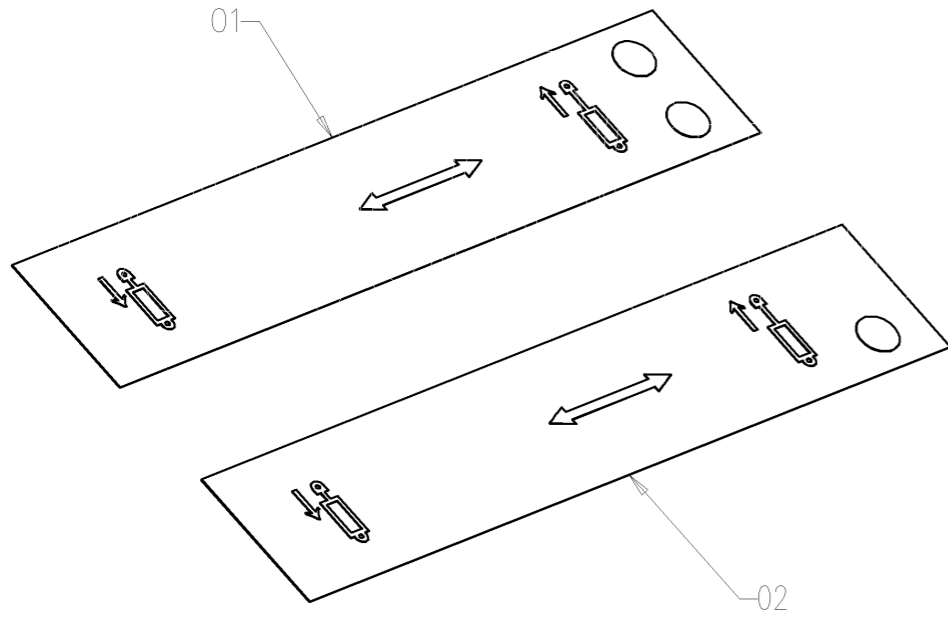
序号	零件编号	零件名称	数量	图号
1	A68.45.079.3/70	后地板焊接 REAR FLOOR WELDING	1	A68.45.079.3/70
2	A68.45.075.3/30	盖 COVER	1	A68.45.075.3/30
3	GBT5783-M8X20-A2L	螺栓 BOLT	25	GBT5783-M8X20-A2L
4	GBT97.1-8-A3L	垫圈 WASHER	25	GBT97.1-8-A3L
5	C63.45.114.0	垫圈 GASKET	1	C63.45.114.0
6	0.026.5183.0	塞子 D.30.5 PLUG D.30.5	1	0.026.5183.0



# C63.58.909.4 LEVER STICKERS ASS.Y

## C63.58.909.4\_0 多路阀操纵标识总成 LEVER STICKERS ASS.Y

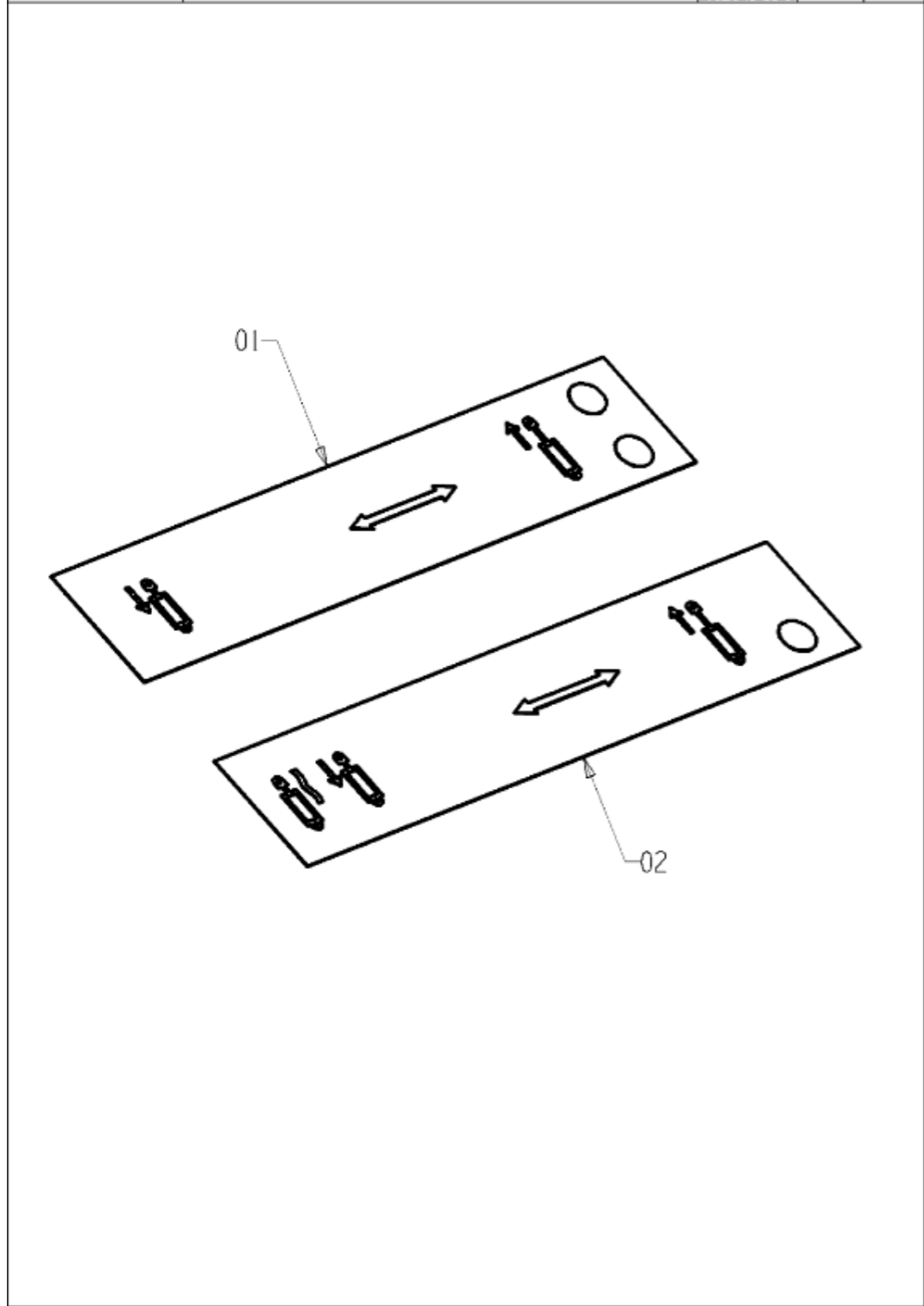
序号	零件编号	零件名称	数量	图号
1	0.034.5646.0	杆贴纸	1	0.034.5646.0
2	0.034.5647.0	杆贴纸	1	0.034.5647.0



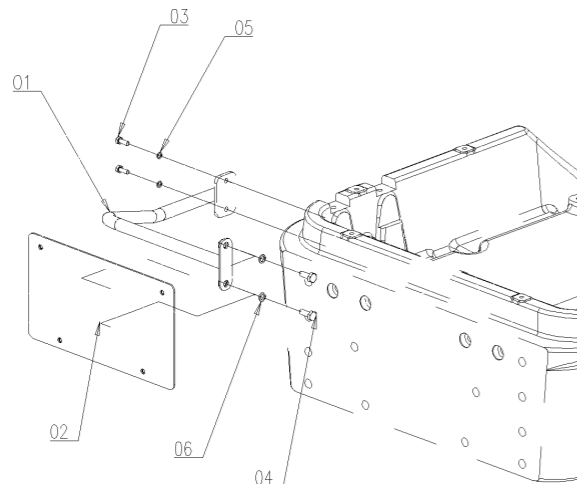
 SAME DEUTZ-FAHR GROUP S.p.A. Gruppo - Group	CD2104 SERIES YUCHAI CN111	N. dis. - P/N <b>063.58.919.4</b>		
	<b>LEVER STICKER ASS.Y</b>	Rev. 	Foglio - Sheet 	di - of 
		Val. data di <b>25/02/2021</b>	IM	P

**C63.58.919.4\_00 LEVER STICKER ASS.Y\_0**

序号	零件编号	零件名称	数量	图号
1	0.034.5646.0	杆贴纸	1	0.034.5646.0
2	0.034.5645.0	杆贴纸	1	0.034.5645.0



# C63.74.900.4 LICENSE PLATE ASS.Y



## C63.74.900.4\_0 号牌座总成 LICENSE PLATE ASS.Y

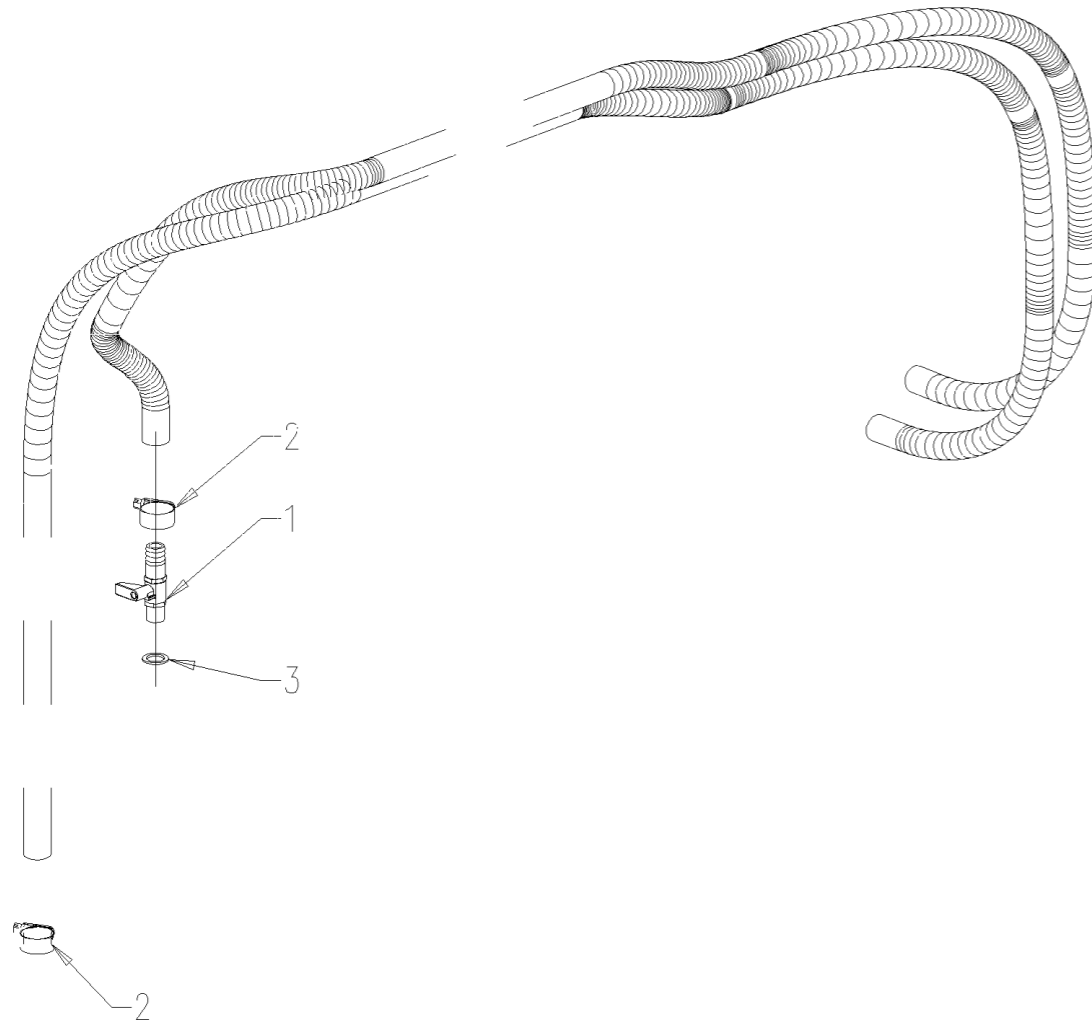
序号	零件编号	零件名称	数量	图号
1	C63.74.001.3	支架 BRACKET	1	C63.74.001.3
2	C05.74.001.3	车牌架 LICENSE PLATE HOLDER	1	C05.74.001.3
3	GBT5783-M6X16-A2L	螺栓 BOLT	2	GBT5783-M6X16-A2L
4	GBT5783-M8X20-A2L	螺栓 BOLT	2	GBT5783-M8X20-A2L
5	GBT93-6-A3L	垫圈 WASHER	2	GBT93-6-A3L
6	GBT93-8-A3L	垫圈 WASHER	2	GBT93-8-A3L



# C63.81.903.4 WATER VALVE ASS.Y

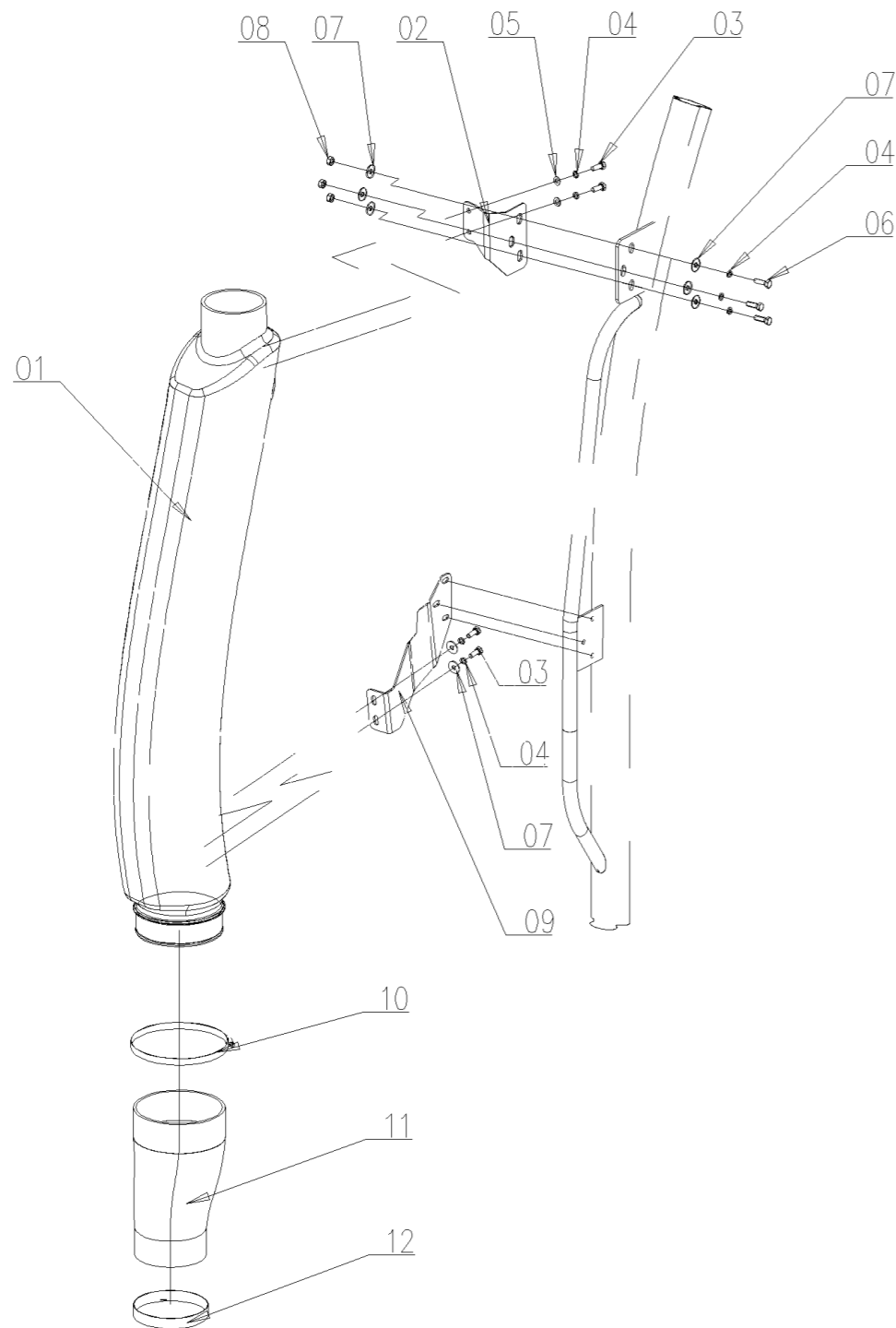
## C63.81.903.4\_1 暖风水阀 WATER VALVE ASS.Y

序号	零件编号	零件名称	数量	图号
1	A68.45.101.4/20	水阀 WATER VALVE	1	A68.45.101.4/20
2	2.6851.001.0	喉箍 HOSE CLAMP 16-25	2	2.6851.001.0
3	2.1560.010.0	密封垫圈 SEALING RING	1	2.1560.010.0



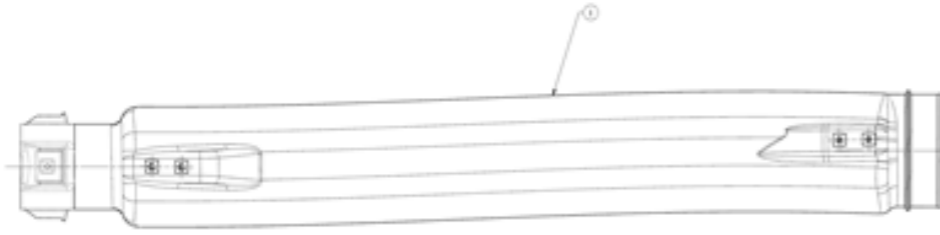
# D14.11.902.4 AIR FILTER INTAKE PIPE ASS.Y

# D14.11.902.4\_0 空滤进气管总成 AIR FILTER INTAKE PIPE ASS.Y



序号	零件编号	零件名称	数量	图号
1	0.034.2076.4	吸入空气软管 ASS.LY INLET AIR HOSE	1	0.034.2076.4
2	D14.11.001.2	顶部支架 TOP BRACKET	1	D14.11.001.2
3	GBT5783-M8X20-A2L	螺栓 BOLT	4	GBT5783-M8X20-A2L
4	GBT93-8-A3L	垫圈 WASHER	7	GBT93-8-A3L
5	GBT97.1-8-A3L	垫圈 WASHER	2	GBT97.1-8-A3L
6	GBT5783-M8X25-A2L	螺栓 BOLT	3	GBT5783-M8X25-A2L
7	GBT96.1-8-A3L	垫圈 WASHER	8	GBT96.1-8-A3L
8	GBT6170-M8-A3L	螺母 NUT	3	GBT6170-M8-A3L
9	D14.11.002.2	下支架 LOWER BRACKET	1	D14.11.002.2
10	2.6851.016.0	喉箍 HOSE CLAMP 150-170	1	2.6851.016.0
11	D14.11.003.0	软管 HOSE	1	D14.11.003.0
12	JBT8870-D130	软管夹 HOSE CLAMPS	1	JBT8870-D130

0.034.2076.4 ASS.LYINLET AIR HOSE.

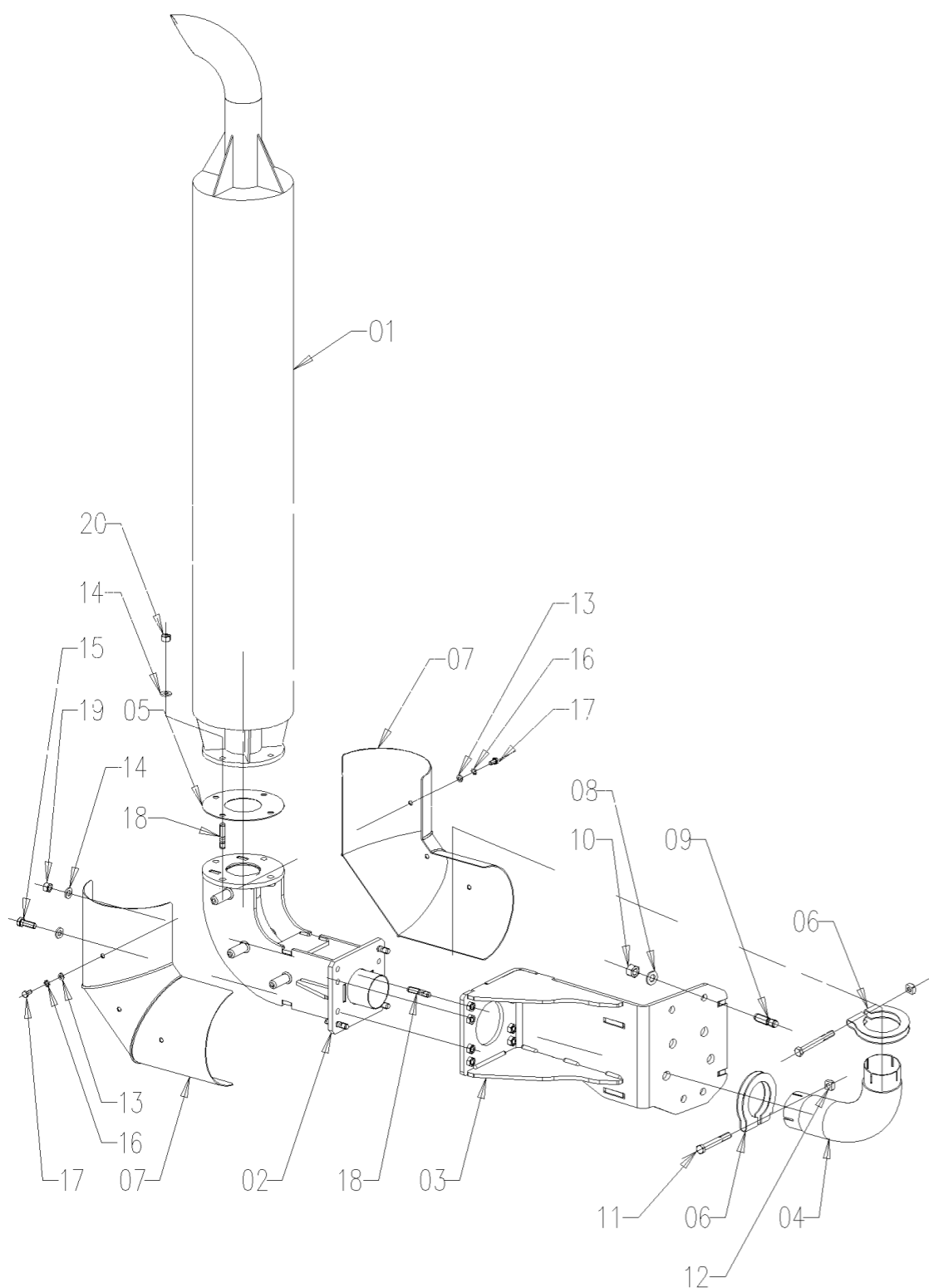


0.034.2076.4 吸入空气软管 ASS.LY INLET AIR HOSE

序号	零件编号	零件名称	数量	图号
1	0.034.2041.3	进气软管 AIR INLET PIPE	1	0.034.2041.3

D14.22.900.4 EXHAUST SYSTEM ASS.Y

D14.22.900.4\_0 排气系统总成 EXHAUST SYSTEM ASS.Y

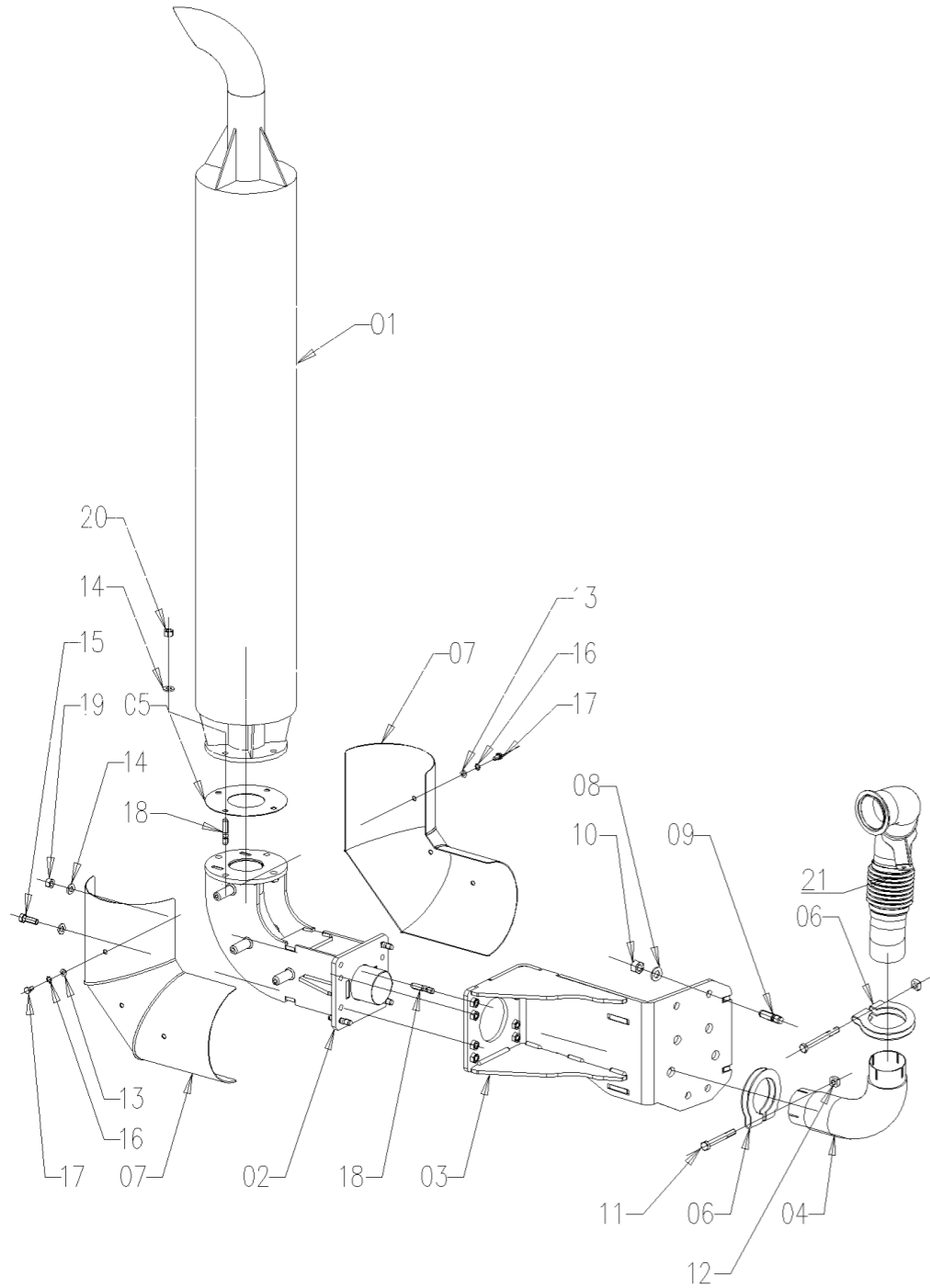


序号	零件编号	零件名称	数量	图号
1	0.020.1563.4/10	消声器 SILENCER	1	0.020.1563.4/10
2	0.020.1561.3/10	排气管支架 EXHAUST PIPE SUPPORT	1	0.020.1561.3/10
3	0.020.1569.3/30	排气管支架 EXHAUST PIPE SUPPORT	1	0.020.1569.3/30
4	0.020.2067.2/10	较低的排气管 LOWER EXHAUST PIPE	1	0.020.2067.2/10
5	0.020.2068.0/10	消声器密封垫 SILENCER GASKET	1	0.020.2068.0/10
6	0.020.2066.0/10	单孔夹 CLAMP D. 82	2	0.020.2066.0/10
7	0.020.2069.2/20	隔热罩 HEATING GUARD	2	0.020.2069.2/20
8	2.1475.106.2	垫圈 CONICAL WASHER M16	4	2.1475.106.2
9	2.0422.611.2	螺柱 STUD M16x2x40	4	2.0422.611.2
10	2.1011.109.2	螺母 NUT M16x2	4	2.1011.109.2
11	2.0112.429.2	螺栓 HEX BOLT M12x1.75x100	2	2.0112.429.2
12	2.1040.107.7	螺母 SQU NUT M12x1.75	2	2.1040.107.7
13	2.1475.202.2	垫圈 CONICAL WASHER M8	6	2.1475.202.2
14	2.1475.204.2	垫圈 CONICAL WASHER M12	12	2.1475.204.2
15	2.0112.413.2	螺栓 HEX BOLT M12x1.75x35	4	2.0112.413.2
16	2.1470.004.2	止退垫圈 WASHER	6	2.1470.004.2
17	2.0112.205.2	螺栓 BOLT	6	2.0112.205.2
18	2.0422.411.2	螺柱 STUD M12x1.75x40	8	2.0422.411.2
19	2.1011.107.2	螺母 NUT M12x1.75	4	2.1011.107.2
20	2.1019.192.0	螺母 M12x1.75 INOX NUT M12x1.75	4	2.1019.192.0

# D14.22.900.4 EXHAUST SYSTEM ASS.Y

# D14.22.900.4\_1 排气系统总成 EXHAUST SYSTEM ASS.Y

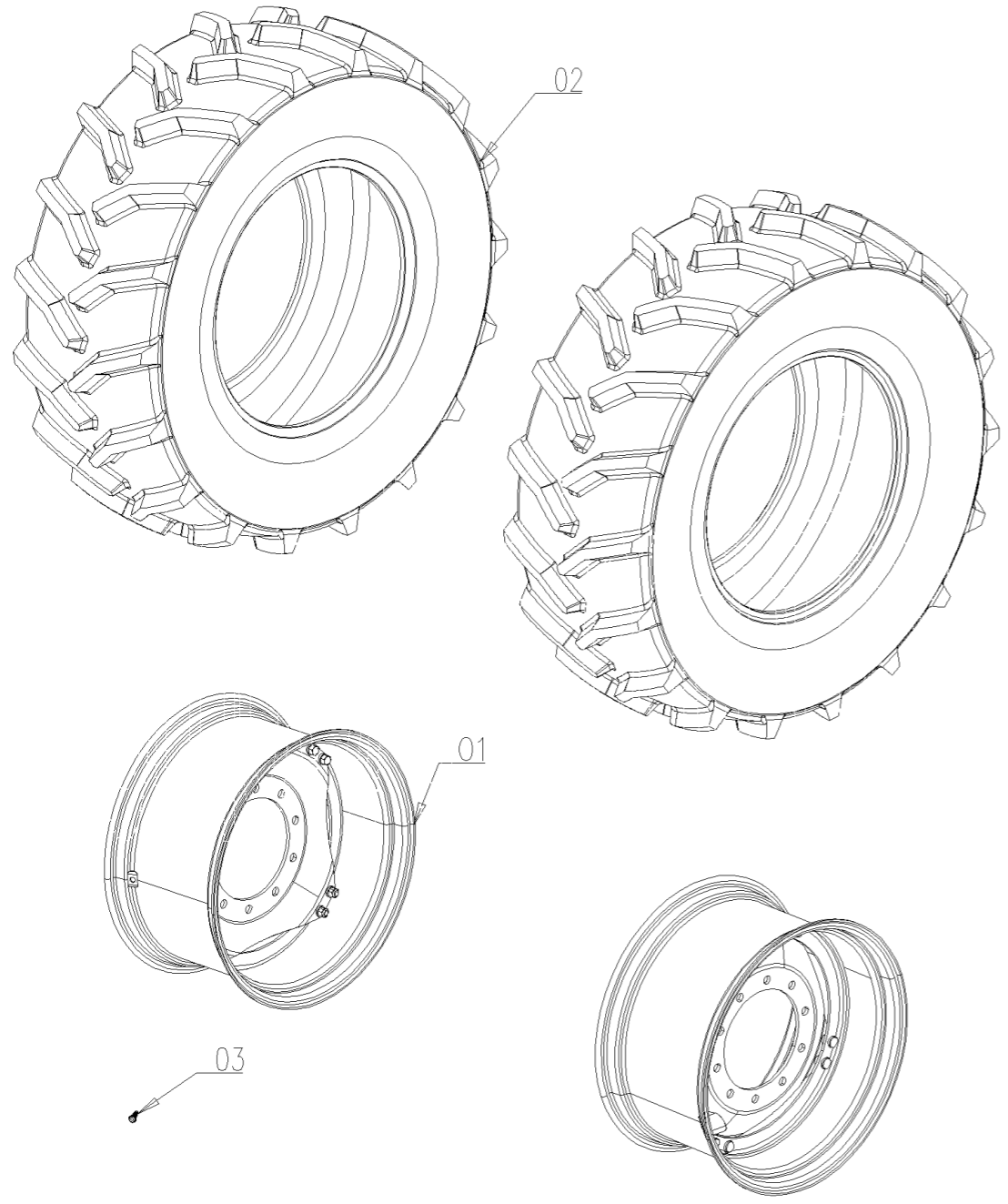
序号	零件编号	零件名称	数量	图号
1	0.020.1563.4/10	消音器 SILENCER	1	0.020.1563.4/10
2	0.020.1561.3/10	排气管支架 EXHAUST PIPE SUPPORT	1	0.020.1561.3/10
3	0.020.1569.3/30	排气管支架 EXHAUST PIPE SUPPORT	1	0.020.1569.3/30
4	0.020.2067.2/10	底部排气管 LOWER EXHAUST PIPE	1	0.020.2067.2/10
5	0.020.2068.0/10	消声器密封垫 SILENCER GASKET	1	0.020.2068.0/10
6	0.020.2066.0/10	夹具 CLAMP D. 82	2	0.020.2066.0/10
7	0.020.2069.2/20	隔热罩 HEATING GUARD	2	0.020.2069.2/20
8	2.1475.106.2	垫圈 CONICAL WASHER M16	4	2.1475.106.2
9	2.0422.611.2	螺柱 STUD M16x2x40	4	2.0422.611.2
10	2.1011.109.2	螺母 NUT M16x2	4	2.1011.109.2
11	2.0112.429.2	螺栓 HEX BOLT M12x1.75x100	2	2.0112.429.2
12	2.1040.107.7	螺母 SQU NUT M12x1.75	2	2.1040.107.7
13	2.1475.202.2	垫圈 CONICAL WASHER M8	6	2.1475.202.2
14	2.1475.204.2	垫圈 CONICAL WASHER M12	12	2.1475.204.2
15	2.0112.413.2	螺栓 HEX BOLT M12x1.75x35	4	2.0112.413.2
16	2.1470.004.2	止退垫圈 LOCK WASHER 8	6	2.1470.004.2
17	2.0112.205.2	螺栓 HEX BOLT M8x1.25x16	6	2.0112.205.2
18	2.0422.411.2	螺柱 STUD M12x1.75x40	8	2.0422.411.2
19	2.1011.107.2	螺母 NUT M12x1.75	4	2.1011.107.2
20	2.1019.192.0	螺母 NUT M12x1.75 INOX	4	2.1019.192.0
21	D14.22.001.4	排气管 EXHAUST PIPE	1	D14.22.001.4



D14.32.900.4 FRONT TYRE 480/70 R28" MAXAM

D14.32.900.4\_0 前轮 480/70 R28 FRONT TYRE ASS.Y(RADIAL TYRE)

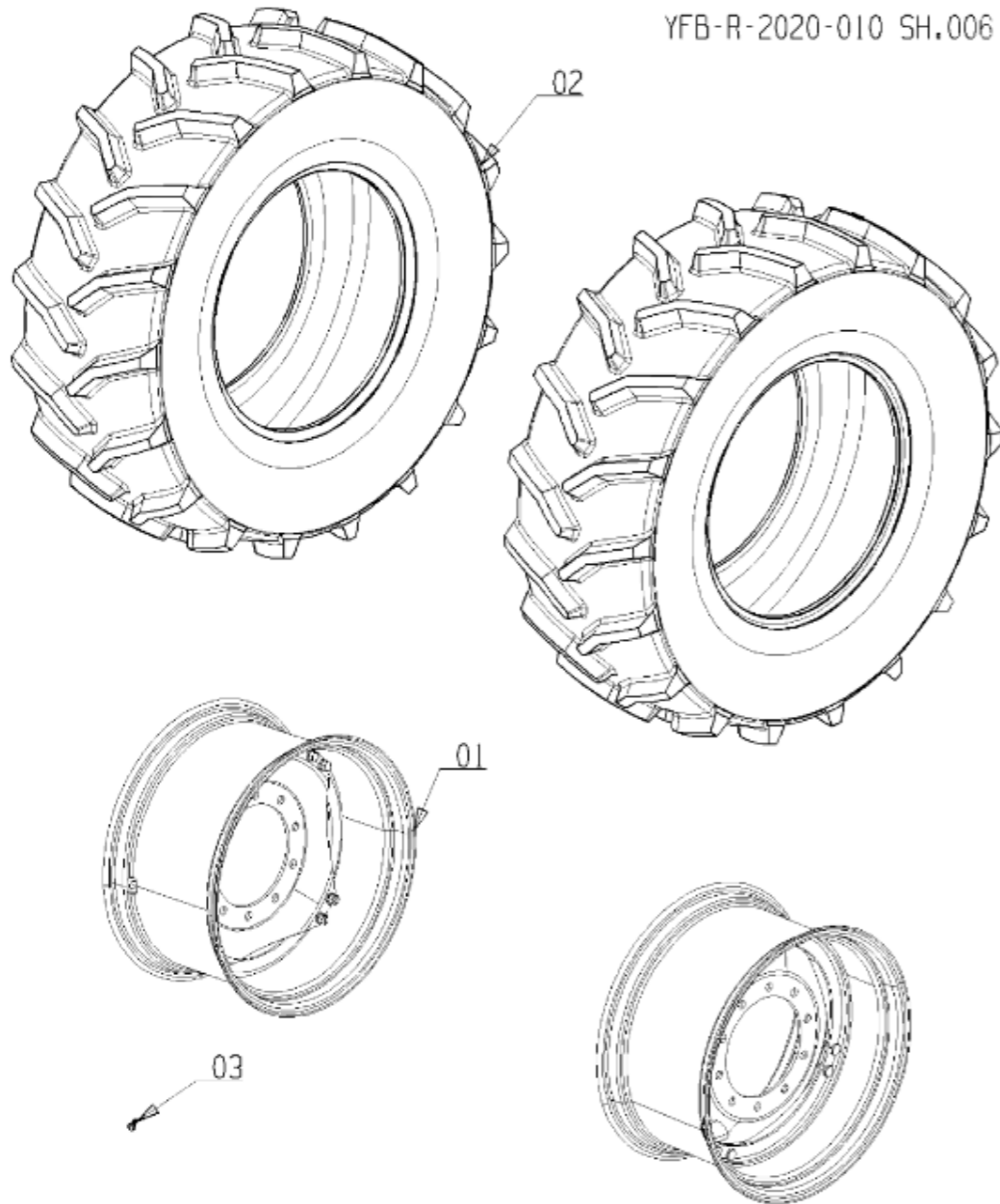
序号	零件编号	零件名称	数量	图号
1	0.034.1891.4/10	轮辋 RIM W15Lx28"	2	0.034.1891.4/10
2	D14.32.001.0	轮胎480/70 R28 MAXAM TYRE 480/70	2	D14.32.001.0
3	0.019.1031.0	气门嘴 VALVOLA TUBELESS	2	0.019.1031.0



D14.32.900.4\_1 前轮 FRONT TYRE ASS.Y(RADIAL TYRE)

序号	零件编号	零件名称	数量	图号
1	0.034.1891.4/10	轮辋 RIM W15Lx28"	2	0.034.1891.4/10
2	2.4811.235.0	轮胎 PNEUMATICO 480/70 R28"	2	2.4811.235.0
3	0.019.1031.0	气门嘴 VALVOLA TUBELESS	2	0.019.1031.0

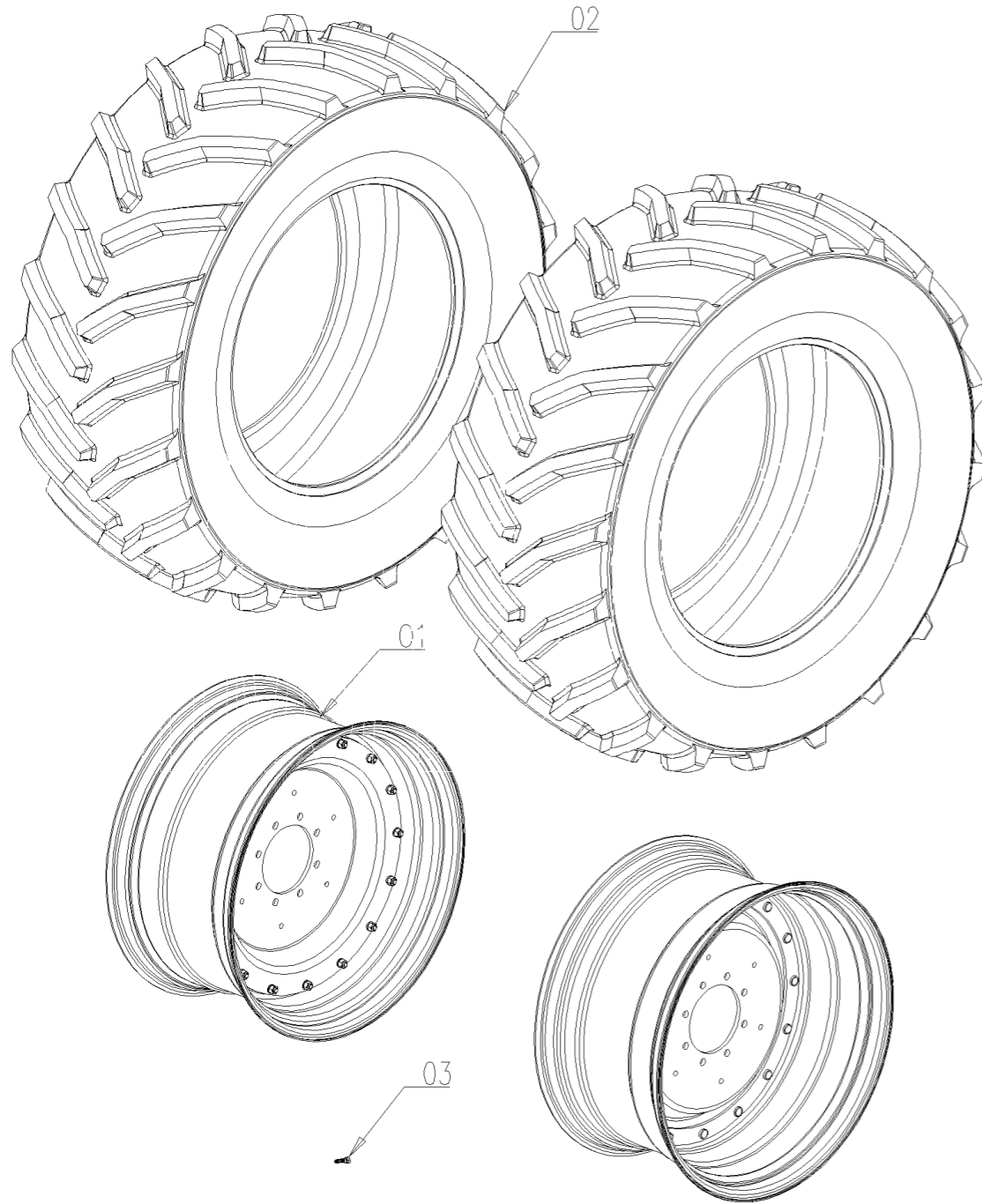
YFB-R-2020-010 SH.006



D14.34.901.4 MAXAM TYRE 650/65 R38

D14.34.901.4\_1 后轮 650/65 R38 REAR TYRE ASS.Y(RADIAL TYRE)

序号	零件编号	零件名称	数量	图号
1	D14.34.002.4/10	轮辋 RIM DW20X38	2	D14.34.002.4/10
2	D14.34.001.0	轮胎650/65 R38 MAXAM TYRE 650/65	2	D14.34.001.0
3	0.019.1031.0	气门嘴 VALVOLA TUBELESS	2	0.019.1031.0



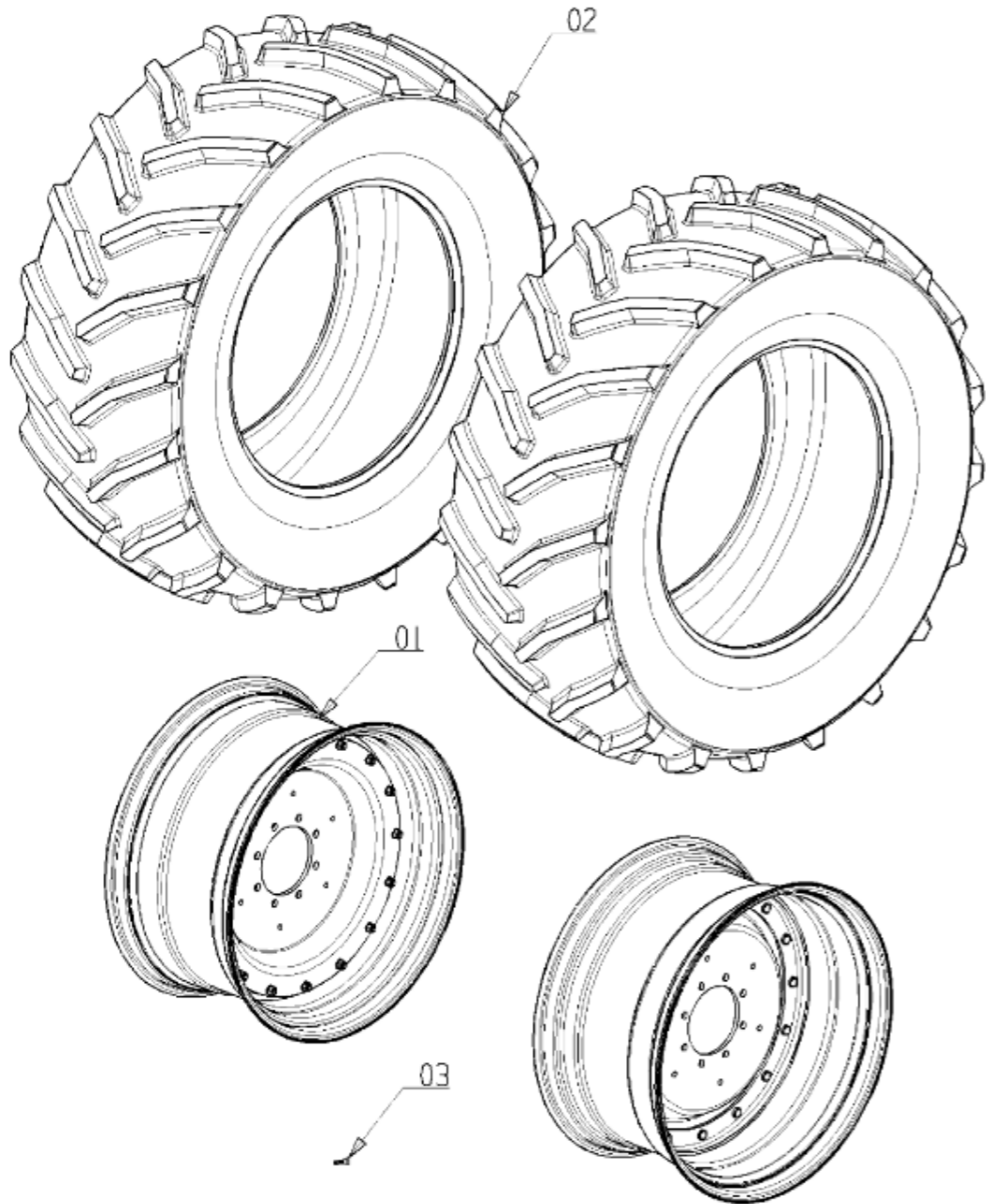


 SAME DEUTZ-FAHR GROUP S.p.A. Gruppo - Group	CD220 SERIES	N. dis. - P/N D14.34.901.4											
	REAR TYRE ASS.Y(RADIAL TYRE)	<table border="1"> <tr> <td>Rev</td> <td>Facilito - Break</td> <td>di - di'</td> </tr> <tr> <td>2</td> <td>1</td> <td>1</td> </tr> <tr> <td>Val. scatto il</td> <td>IM</td> <td>P</td> </tr> <tr> <td>19/05/2021</td> <td></td> <td></td> </tr> </table>	Rev	Facilito - Break	di - di'	2	1	1	Val. scatto il	IM	P	19/05/2021	
Rev	Facilito - Break	di - di'											
2	1	1											
Val. scatto il	IM	P											
19/05/2021													

### D14.34.901.4\_2 后轮 650/65 R38 REAR TYRE ASS.Y(RADIAL TYRE)

序号	零件编号	零件名称	数量	图号
1	D14.34.002.4/10	轮辋 RIM DW20X38	2	D14.34.002.4/10
2	2.4811.128.0	轮胎 PNEUMATICO 650/65 R38"	2	2.4811.128.0
3	0.019.1031.0	气门嘴 VALVOLA TUBELESS	2	0.019.1031.0

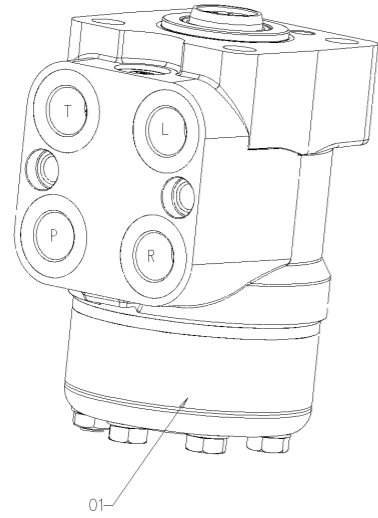
YFB-R-2020-010 SH.006



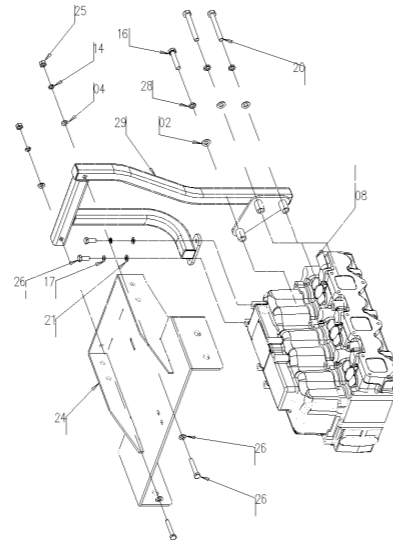
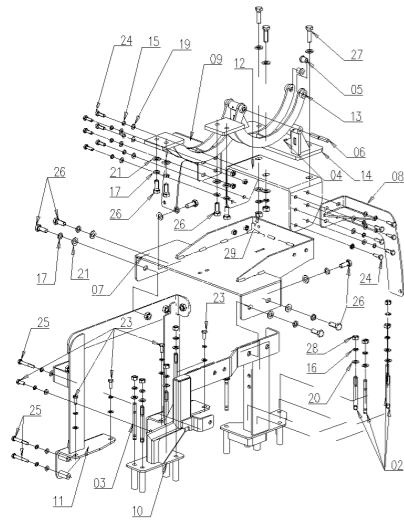
# D14. 40. 904. 4 STEERING UNIT OR 200 M170

## D14.40.904.4\_0 转向器总成 STEERING UNIT OR 200 M170

序号	零件编号	零件名称	数量	图号
1	D14.40.006.0	转向器	1	D14.40.006.0



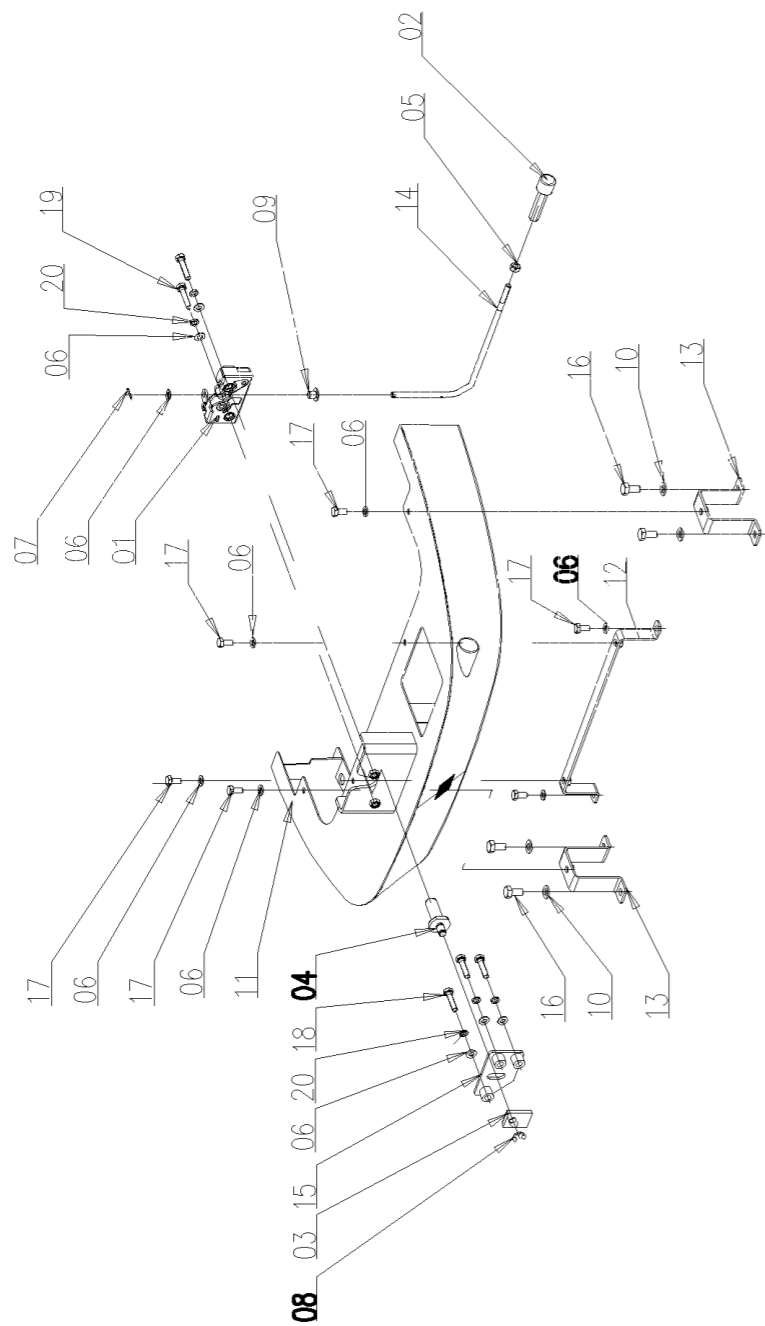
D14.47.901.4 BONNET SUPPORT ASS.Y



D14.47.901.4\_0 机罩支架总成 BONNET SUPPORT ASS.Y

序号	零件编号	零件名称	数量	图号
1	GBT6170-M8-A2L	螺母 NUT	2	GBT6170-M8-A2L
2	2.0422.323.2	螺柱 STUD M10x1.5x90	4	2.0422.323.2
3	2.0422.325.2	螺柱 STUD M10x1.5x100	5	2.0422.325.2
4	2.0532.003.7	螺钉 SET SCREW M5x0.8x10	2	2.0532.003.7
5	2.1559.147.0	套筒 BOCCOLA CERNIERA	4	2.1559.147.0
6	2.1699.563.0	销 pin	2	2.1699.563.0
7	A68.47.003.3	中央罩支架 CENTRAL BONNET	1	A68.47.003.3
8	A68.47.005.3	左后盖支架 LH REAR BONNET	1	A68.47.005.3
9	A68.47.006.3	右后盖支架 RH REAR BONNET	1	A68.47.006.3
10	B05.47.001.3/20	左支架 LH BRACKET	1	B05.47.001.3/20
11	B05.47.003.3/20	支架 RH BRACKET	1	B05.47.003.3/20
12	B05.47.004.3	底座支架 BASE SUPPORT	1	B05.47.004.3
13	B05.47.016.2/10	铰链 HINGE	2	B05.47.016.2/10
14	B05.47.017.2/10	安装座 SEAT	1	B05.47.017.2/10
15	GBT93-8-A3L	垫圈 WASHER	25	GBT93-8-A3L
16	GBT93-10-A3L	垫圈 WASHER	12	GBT93-10-A3L
17	GBT93-12-A3L	垫圈 WASHER	13	GBT93-12-A3L
18	GBT5783-M8X50-A2L	螺栓 BOLT	2	GBT5783-M8X50-A2L
19	GBT97.1-8-A3L	垫圈 WASHER	27	GBT97.1-8-A3L
20	GBT97.1-10-A3L	垫圈 WASHER	12	GBT97.1-10-A3L
21	GBT97.1-12-A3L	垫圈 WASHER	16	GBT97.1-12-A3L
22	GBT5783-M10X50-A3L	螺栓 BOLT	1	GBT5783-M10X50-A3L
23	GBT5783-M8X20-A2L	螺栓 BOLT	7	GBT5783-M8X20-A2L
24	GBT5783-M8X25-A2L	螺栓 BOLT	12	GBT5783-M8X25-A2L
25	GBT5782-M8X55-A2L	螺栓 BOLT	4	GBT5782-M8X55-A2L
26	GBT5783-M12X30-10.9-	螺栓 BOLT	10	GBT5783-M12X30-10.9-A3L
27	GBT5783-M12X40-10.9-	螺栓 BOLT	3	GBT5783-M12X40-10.9-A3L
28	GBT6170-M10-A3L	螺母 NUT	9	GBT6170-M10-A3L
29	GBT6170-M12-A3L	螺母 NUT	3	GBT6170-M12-A3L
30	B05.47.018.2	后支承 REAR SUPPORT	1	B05.47.018.2
31	GBT5782-M10X80-A3L	螺栓 BOLT	2	GBT5782-M10X80-A3L

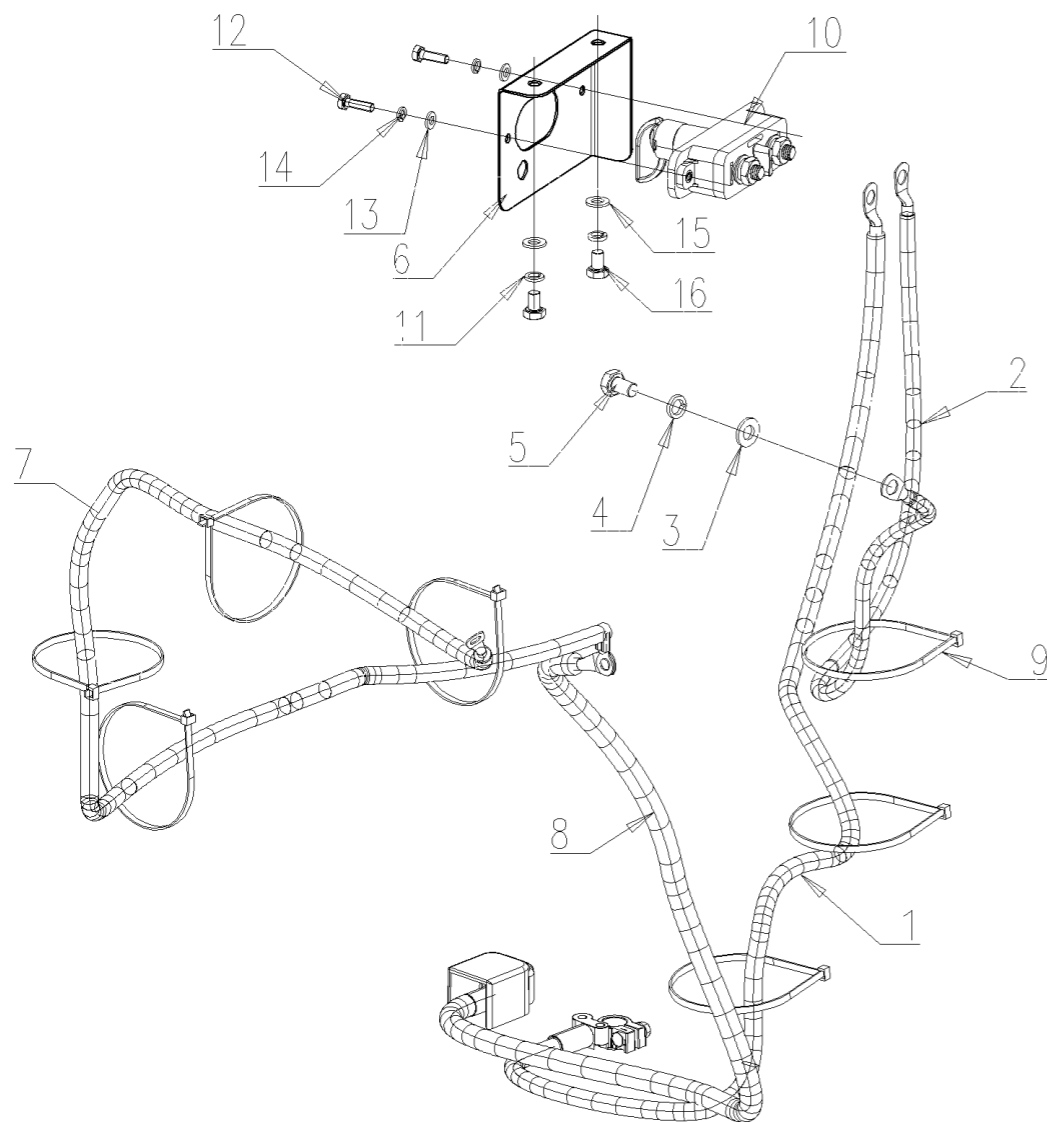
D14.47.902.4 BONNET COMPLETAION ASS.Y



D14.47.902.4\_0 机罩锁总成 BONNET COMPLETAION ASS.Y

序号	零件编号	零件名称	数量	图号
1	C12.47.040.4	机罩锁	1	C12.47.040.4
2	C12.47.041.2	按钮	1	C12.47.041.2
3	0.015.5537.0/10	塑料板	1	0.015.5537.0/10
4	0.021.9353.0	连接销	1	0.021.9353.0
5	GBT6170-M8-A2L	螺母	1	GBT6170-M8-A2L
6	GBT97.1-8-A3L	垫圈	12	GBT97.1-8-A3L
7	GBT91-2x16-A3L	销	2	GBT91-2x16-A3L
8	2.1430.011.7	挡圈	1	2.1430.011.7
9	C12.47.042.0	尼龙套	1	C12.47.042.0
10	GBT97.1-10-A3L	垫圈	4	GBT97.1-10-A3L
11	B05.47.022.3	前面罩支架	1	B05.47.022.3
12	B05.47.006.3	支架	1	B05.47.006.3
13	B05.47.014.3	支架	2	B05.47.014.3
14	B05.47.021.0/10	推杆	1	B05.47.021.0/10
15	B29.47.059.3	座板焊接	1	B29.47.059.3
16	GBT5783-M10X20-A3L	螺栓	4	GBT5783-M10X20-A3L
17	GBT5783-M8X16-A2L	螺栓	6	GBT5783-M8X16-A2L
18	GBT5783-M8X35-A2L	螺栓	3	GBT5783-M8X35-A2L
19	GBT5783-M8X40-A2L	螺栓	2	GBT5783-M8X40-A2L
20	GBT93-8-A3L	垫圈	5	GBT93-8-A3L

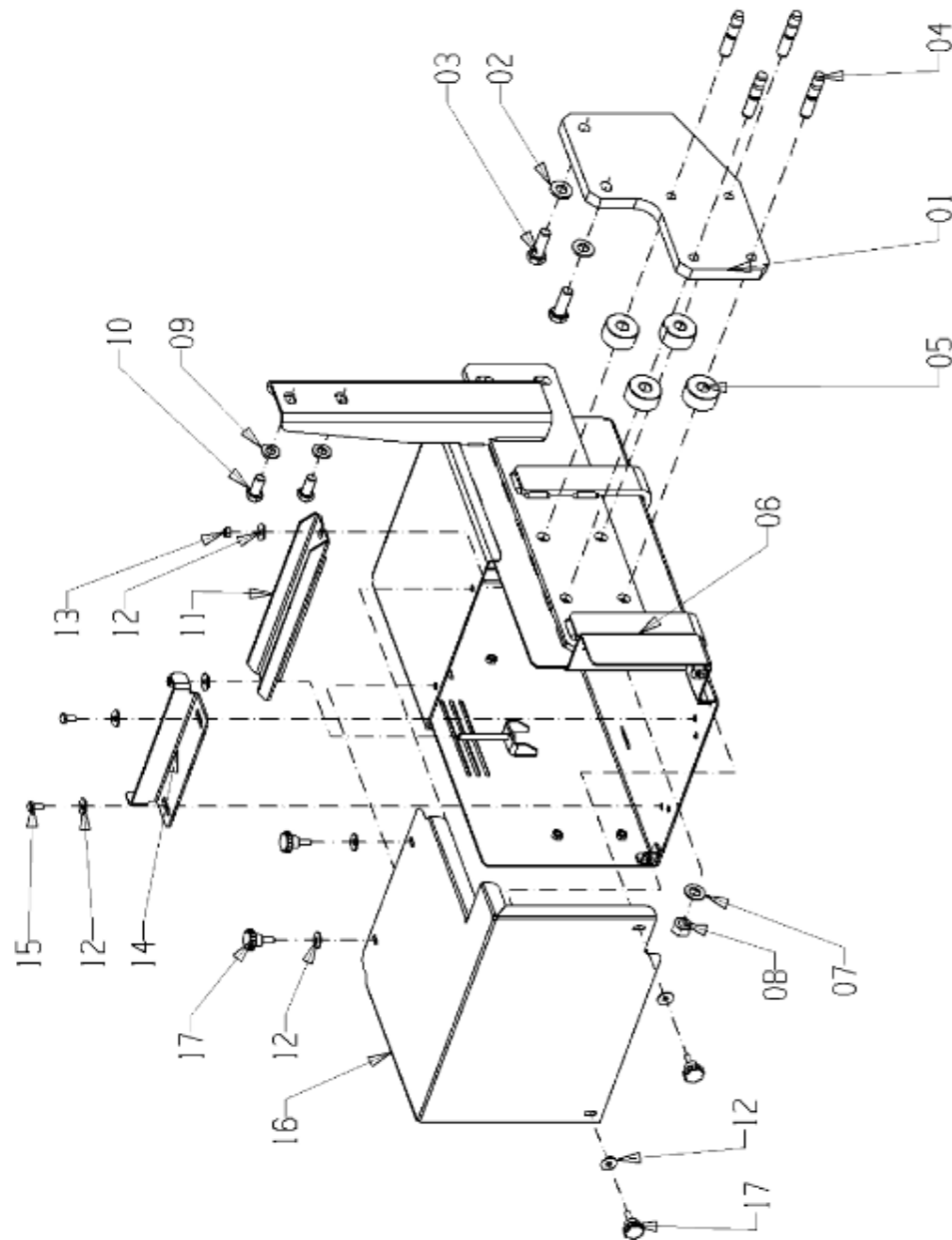
# D14.48.900.4 POWER W.H. ASS.Y



## D14.48.900.4\_0 电源线束总成 POWER W.H. ASS.Y

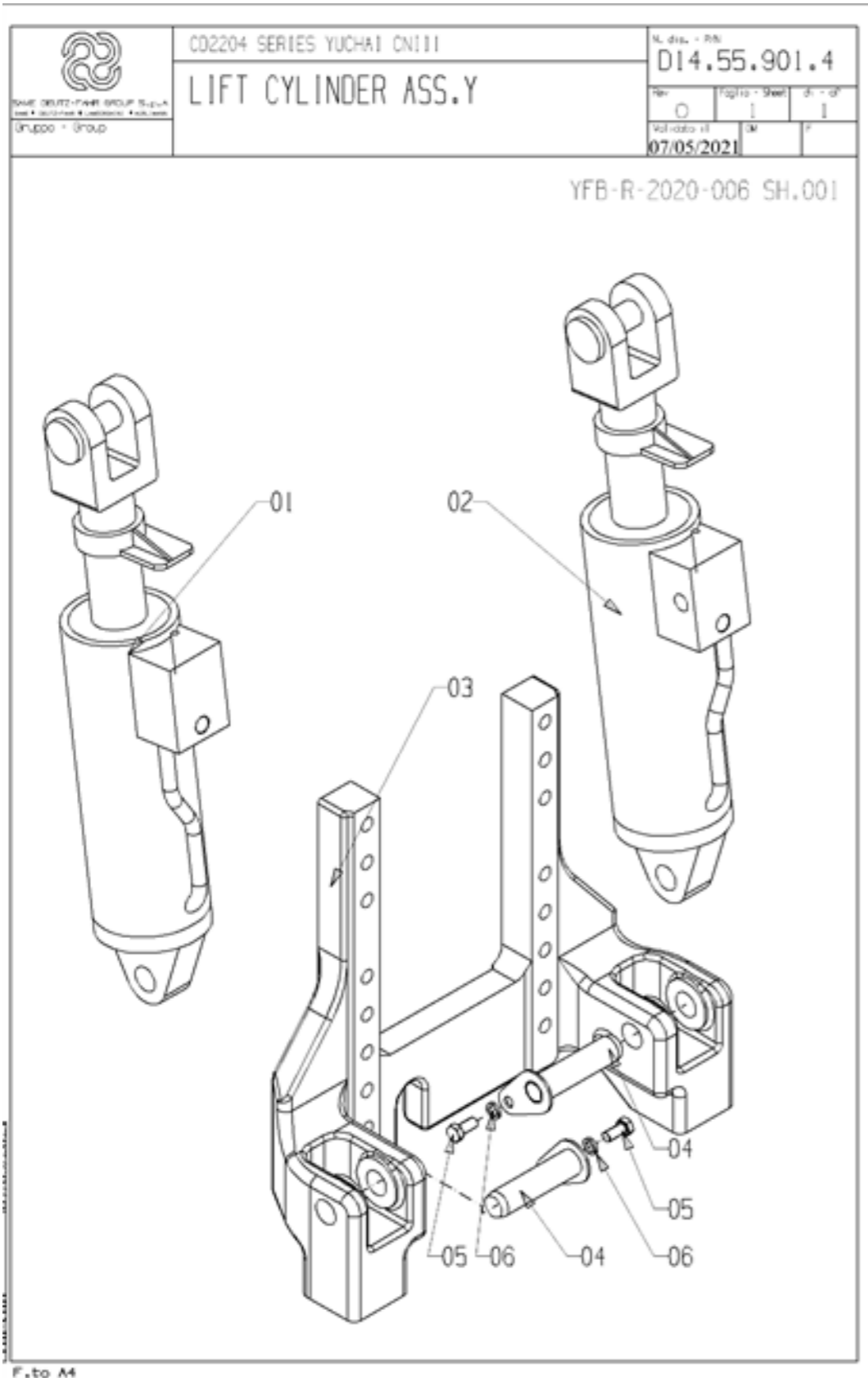
序号	零件编号	零件名称	数量	图号
1	D14.48.013.0	电池负极线束 NEGATIVE BATTERY	1	D14.48.013.0
2	D14.48.014.0	电池负极线束 NEGATIVE BATTERY	1	D14.48.014.0
3	GBT97.1-10-A3L	垫圈 WASHER	1	GBT97.1-10-A3L
4	GBT93-10-A3L	垫圈 WASHER	1	GBT93-10-A3L
5	GBT5783-M10X16-A3L	螺栓 BOLT	1	GBT5783-M10X16-A3L
6	B09.48.013.0	电源开关支架 POWER SWITCH	1	B09.48.013.0
7	B05.48.017.4/30	充电线束 CHARGE W.H.	1	B05.48.017.4/30
8	D14.48.015.4	正极电池线束 POSITIVE BATTERY	1	D14.48.015.4
9	2.6852.203.0	扎带 SELF LOCKING CABLE TIES 292	7	2.6852.203.0
10	CD554.48.030	电源开关 MAINS SWITCH	1	CD554.48.030
11	GBT93-8-A3L	垫圈 WASHER	2	GBT93-8-A3L
12	GBT5783-M6X20-A2L	螺栓 BOLT	2	GBT5783-M6X20-A2L
13	GBT97.1-6-A3L	垫圈 WASHER	2	GBT97.1-6-A3L
14	GBT93-6-A3L	垫圈 WASHER	2	GBT93-6-A3L
15	GBT97.1-8-A3L	垫圈 WASHER	2	GBT97.1-8-A3L
16	GBT5783-M8X12-A2L	螺栓 BOLT	2	GBT5783-M8X12-A2L

YFB-R-2020-010 SH.012



D14.48.906.4\_1 电瓶托架 BATTERY SUPPORTS ASS.Y

序号	零件编号	零件名称	数量	图号
1	0.020.9489.0	支架 BRACKET	1	0.020.9489.0
2	2.1475.206.2	锥形垫圈 WASHER	2	2.1475.206.2
3	2.0112.617.2	螺栓 BOLT	2	2.0112.617.2
4	2.0422.617.2	螺柱 STUD	4	2.0422.617.2
5	0.020.6162.0	隔圈 SPACER	4	0.020.6162.0
6	0.020.7407.3/40	电池支架 BATTERY SUPPORT	1	0.020.7407.3/40
7	2.1310.010.2	垫圈 WASHER	4	2.1310.010.2
8	2.1011.109.2	螺母 NUT	4	2.1011.109.2
9	2.1475.205.2	锥形垫圈 M14 WASHER	2	2.1475.205.2
10	2.0112.511.2	螺栓 BOLT	2	2.0112.511.2
11	0.020.7409.3	固定支架 FIXING BRACKET	1	0.020.7409.3
12	2.1312.004.2	垫圈 WASHER	8	2.1312.004.2
13	2.1011.105.2	螺母 NUT	2	2.1011.105.2
14	0.020.7408.0	前支架 FRONT BRACKET	1	0.020.7408.0
15	2.0112.205.2	螺栓 BOLT	2	2.0112.205.2
16	0.020.8969.0	盖 COVER	1	0.020.8969.0
17	0.021.5737.2	手球 KNOB	4	0.021.5737.2



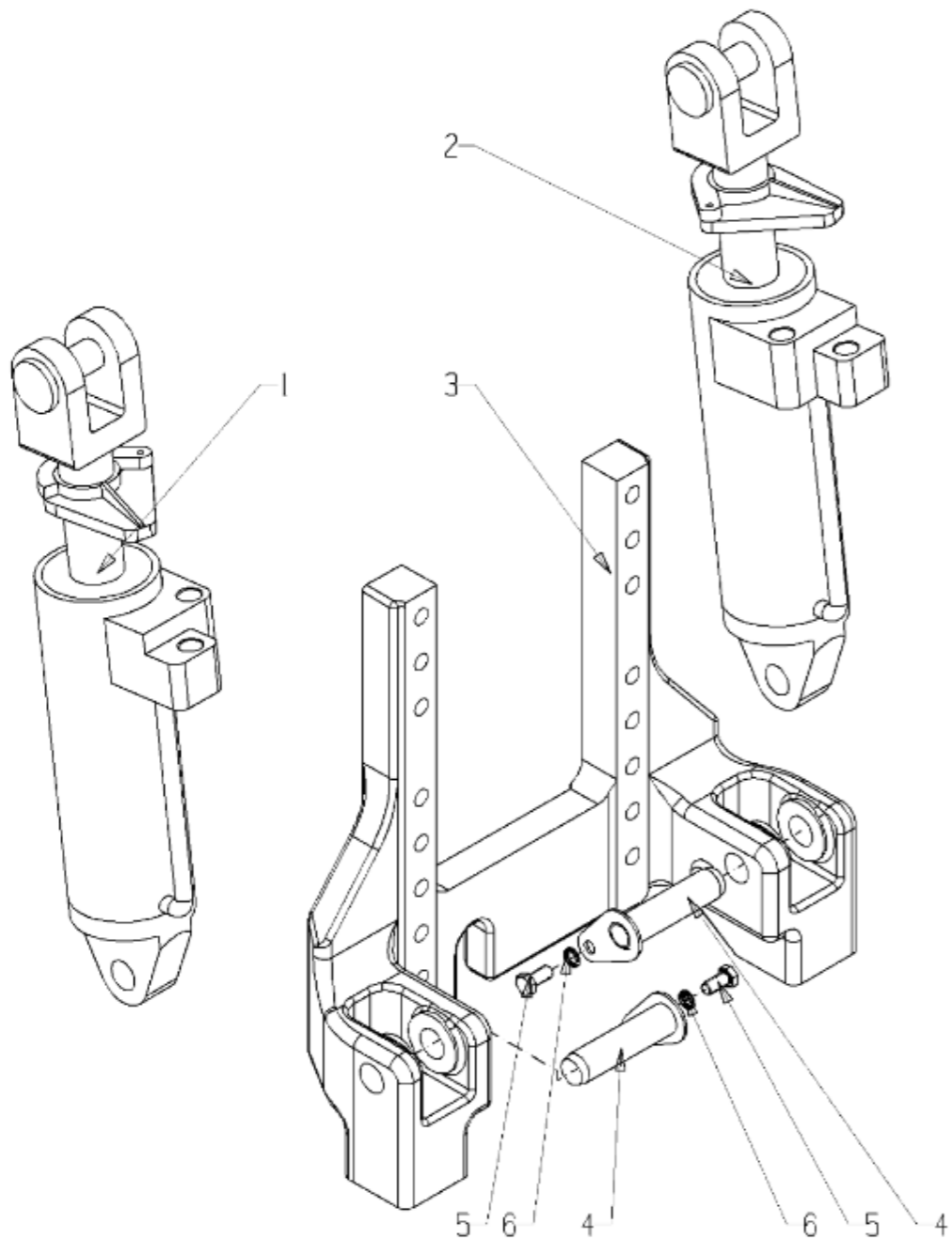
### D14.55.901.4\_0 提升油缸总成 LIFT CYLINDER ASS.Y

序号	零件编号	零件名称	数量	图号
1	A68.55.002.0	左提升油缸总成 LH CYLINDER ASS.	1	A68.55.002.0
2	A68.55.003.0	右提升油缸总成 RH CYLINDER ASS.	1	A68.55.003.0
3	D14.55.008.0	提升油缸支架 CYLINDER SUPPORT	1	D14.55.008.0
4	A68.55.005.2	支撑轴焊件 CYL. SUPPORT SHAFT	2	A68.55.005.2
5	GBT5783-M12X25-A3L	螺栓 BOLT	2	GBT5783-M12X25-A3L
6	GBT93-12-A3L	垫圈 WASHER	2	GBT93-12-A3L

YFB-R-2018-012 SH.012

D14.55.901.4\_1 提升油缸总成 LIFT CYLINDER ASS.Y

序号	零件编号	零件名称	数量	图号
1	A68.55.002.0/20	左提升油缸总成 LH CYLINDER ASS.Y	1	A68.55.002.0/20
2	A68.55.003.0/20	右提升油缸总成 RH CYLINDER ASS.Y	1	A68.55.003.0/20
3	D14.55.008.0	提升油缸支架 CYLINDER SUPPORT	1	D14.55.008.0
4	A68.55.005.2	支撑轴焊件 CYL. SUPPORT SHAFT	2	A68.55.005.2
5	2.0114.409.2	螺栓 SCREW M12x25	2	2.0114.409.2
6	2.1473.009.2	弹簧垫圈 SPRING WASHER M12	2	2.1473.009.2

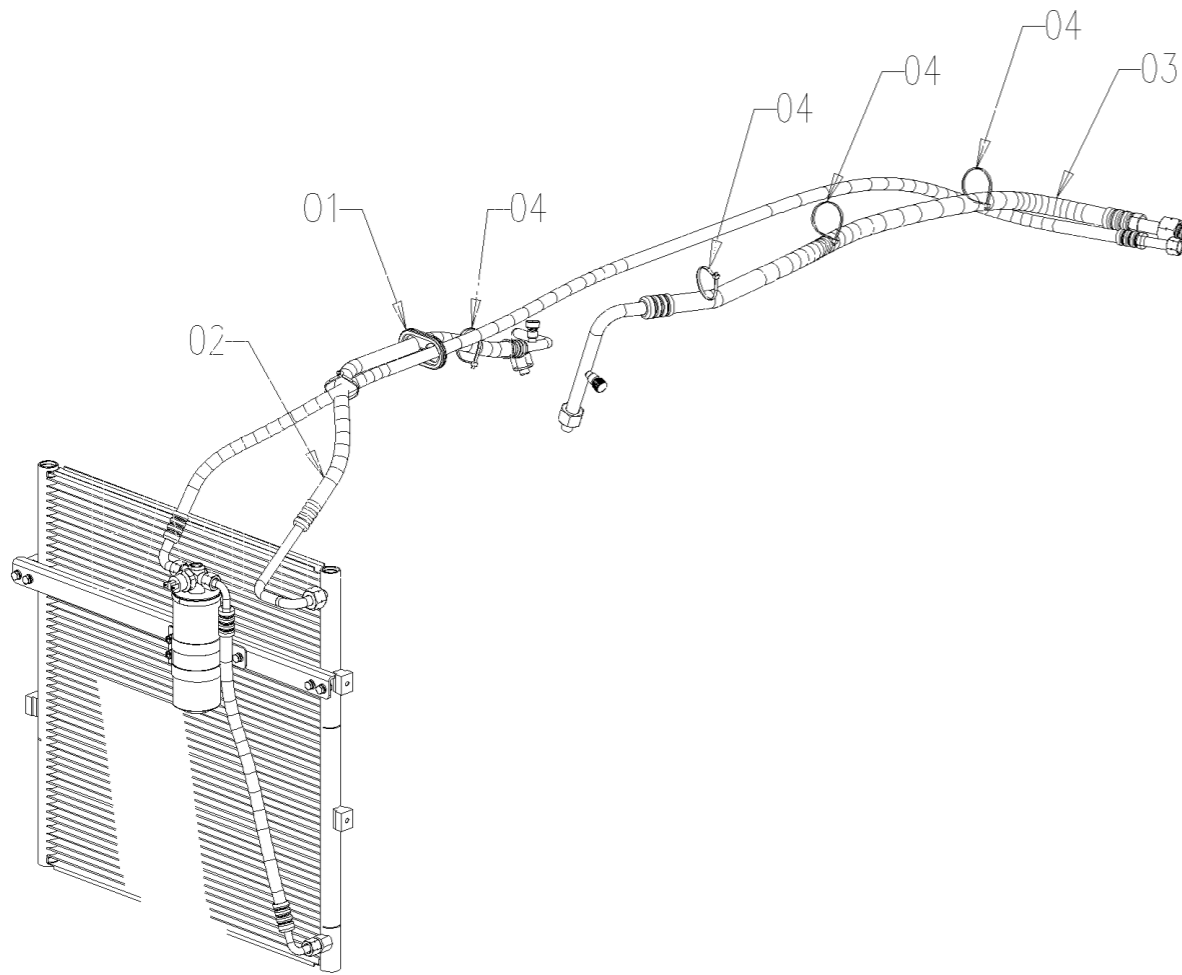




# D14.81.901.4 AC COMPRESSOR PIPE ASS.Y

## D14.81.901.4\_0 压缩机管路总成 AC COMPRESSOR PIPE ASS.Y

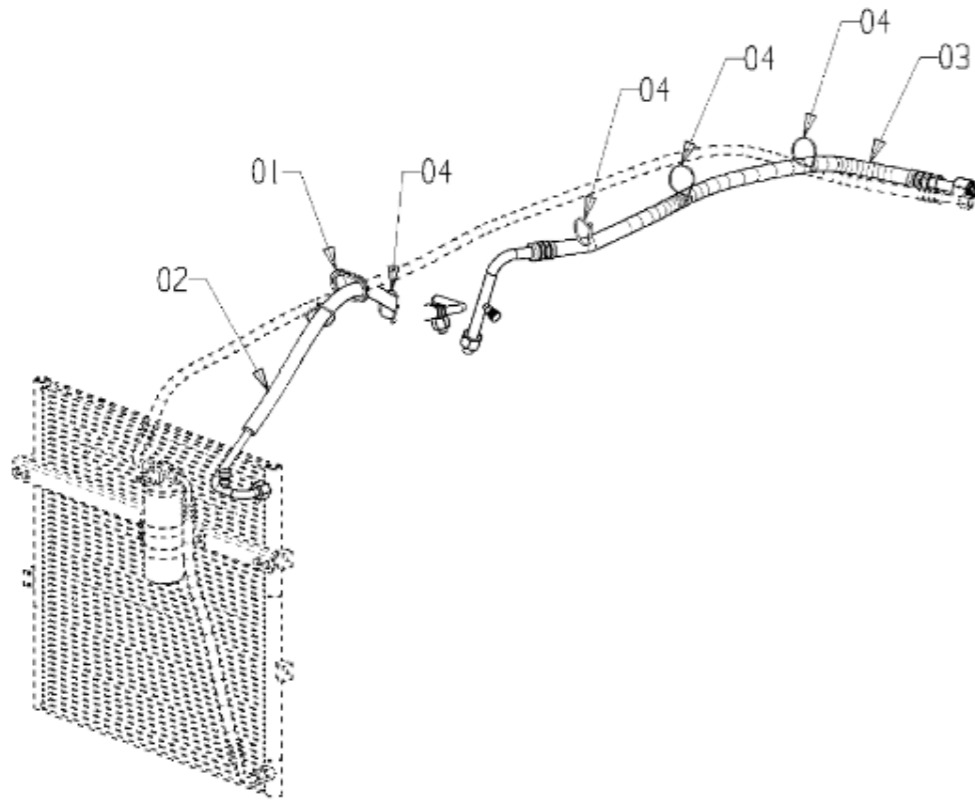
序号	零件编号	零件名称	数量	图号
1	B05.81.003.0	胶圈	1	B05.81.003.0
2	B06.81.002.4	压缩机输液管(压缩机至冷凝器)	1	B06.81.002.4
3	A68.81.007.4/10	压缩机输液管(蒸发器至压缩机)	1	A68.81.007.4/10
4	2.6852.101.0	扎带	5	2.6852.101.0



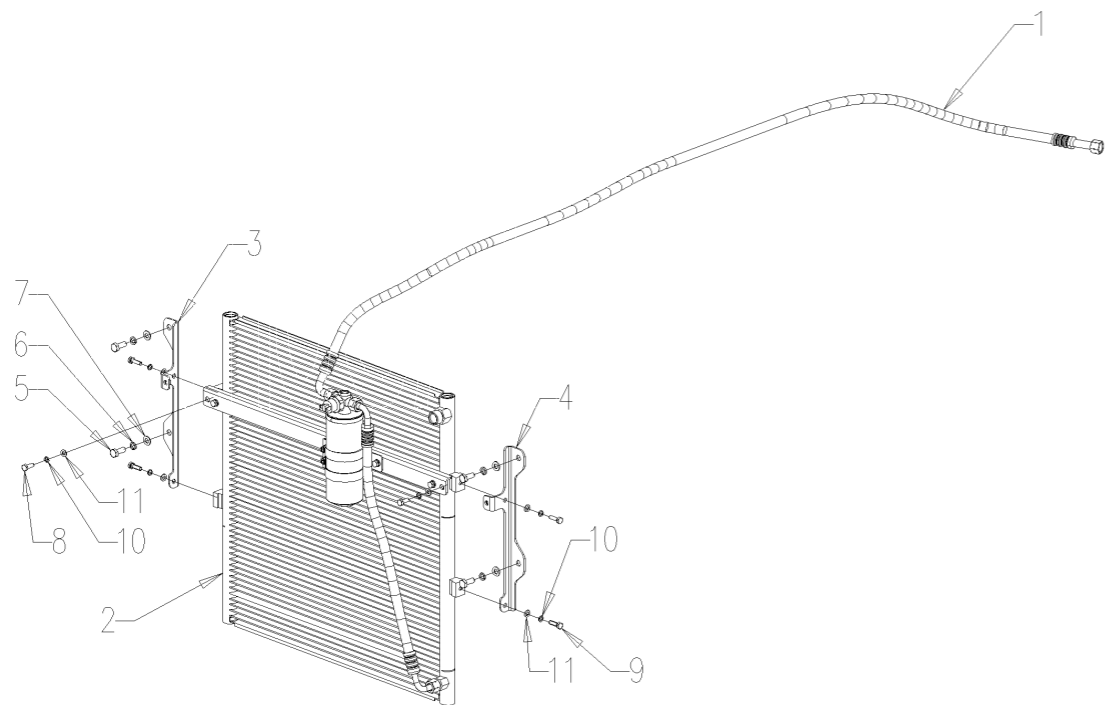
YFB-R-2020-006 SH.004

**D14.81.901.4\_2 压缩机管路总成 AC COMPRESSOR PIPE ASS.Y**

序号	零件编号	零件名称	数量	图号
1	B05.81.003.0	胶圈 AC PIPE SEALING	1	B05.81.003.0
2	B06.81.002.4/20	压缩机输液管 (压缩机至冷凝器) AC	1	B06.81.002.4/20
3	A68.81.007.4/10	压缩机输液管 (压缩机至冷凝器) AC	1	A68.81.007.4/10
4	2.6852.101.0	自锁扎带 142 SELF LOCKING CABLE	5	2.6852.101.0



# D14.81.902.4 AC COMPRESSOR ASS.Y



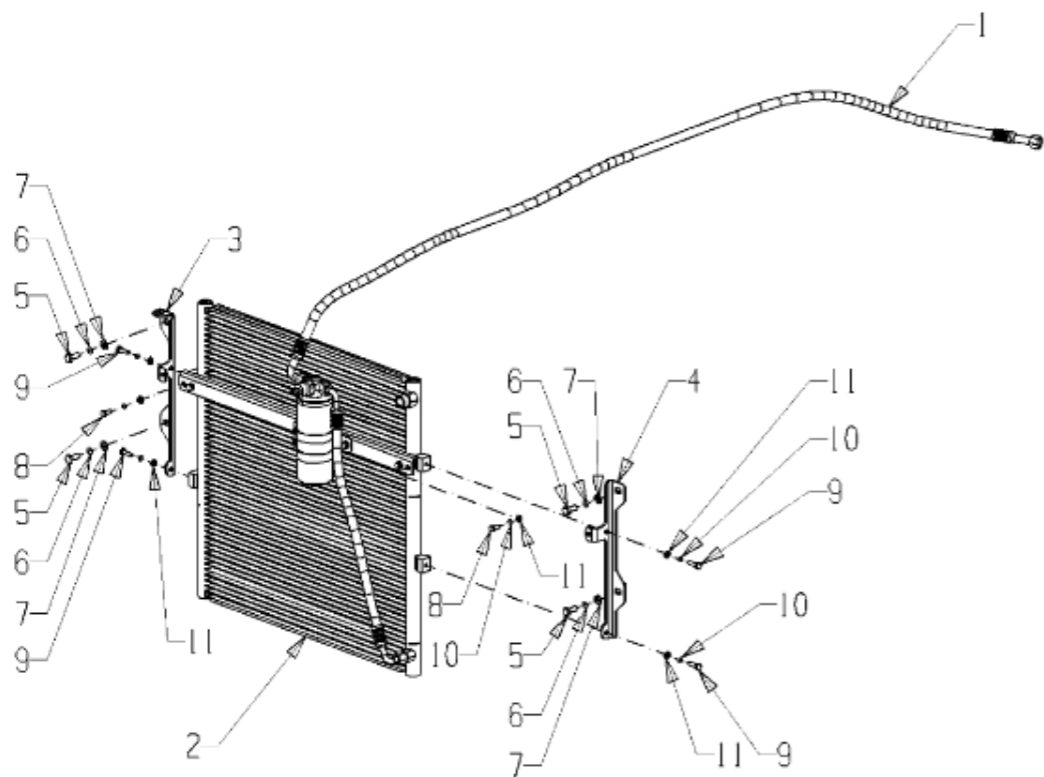
# D14.81.902.4\_0 冷凝器、管路、干燥瓶及其相关组件 AC CONDENSER ASS.Y

序号	零件编号	零件名称	数量	图号
1	B06.81.008.4	交流管(冷凝器至蒸发器)	1	B06.81.008.4
2	B06.81.007.4	冷凝器总成	1	B06.81.007.4
3	B06.81.005.3	右支架	1	B06.81.005.3
4	B06.81.006.3	左支架	1	B06.81.006.3
5	GBT5783-M8X20-A2L	螺栓	4	GBT5783-M8X20-A2L
6	GBT93-8-A3L	垫圈	4	GBT93-8-A3L
7	GBT97.1-8-A3L	垫圈	4	GBT97.1-8-A3L
8	GBT5783-M6X16-A2L	螺栓	2	GBT5783-M6X16-A2L
9	GBT5783-M6X20-A2L	螺栓	4	GBT5783-M6X20-A2L
10	GBT93-6-A3L	垫圈	6	GBT93-6-A3L
11	GBT97.1-6-A3L	垫圈	6	GBT97.1-6-A3L

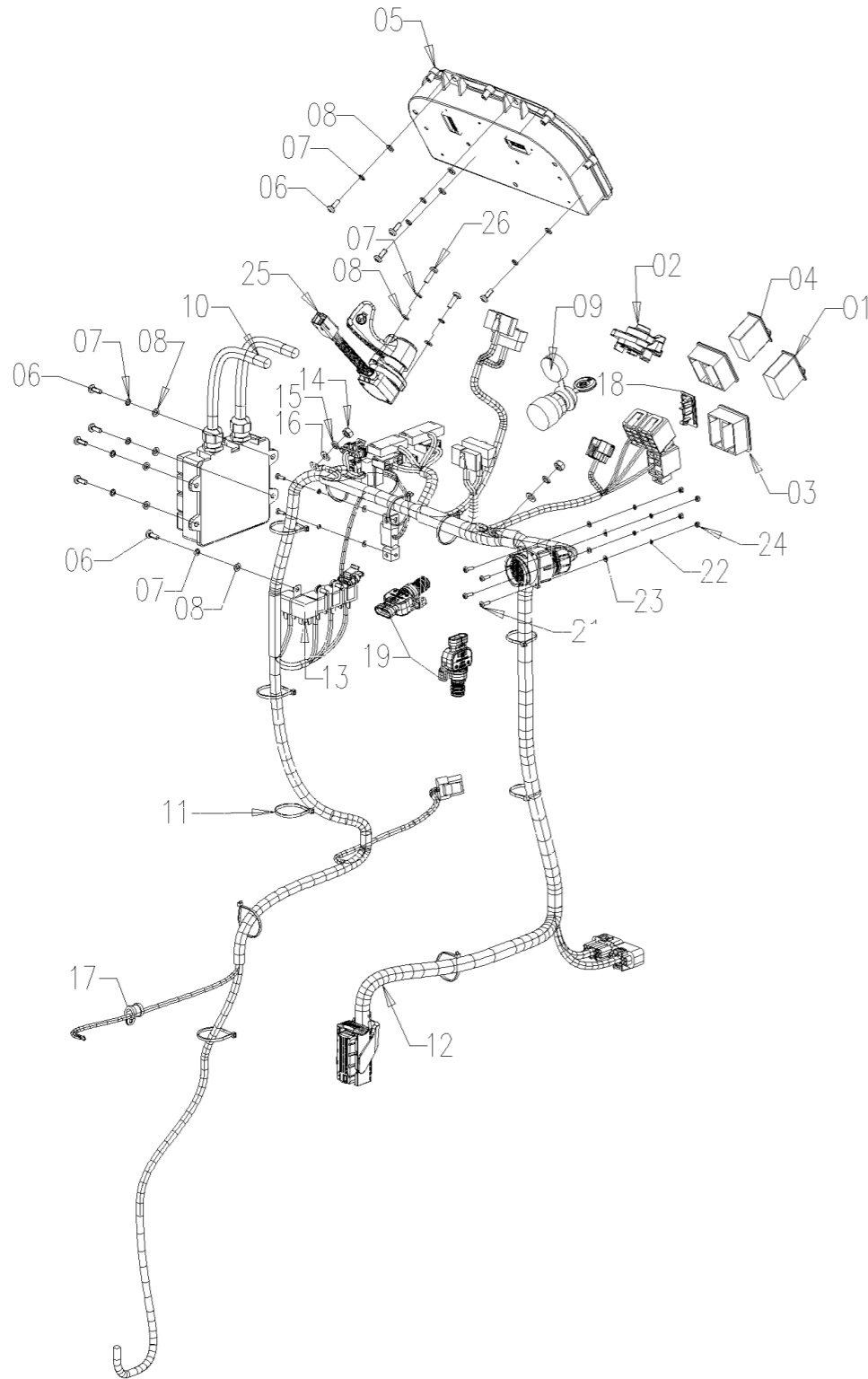
YFB-R-2020-006 SH.004

### D14.81.902.4\_2 冷凝器、管路、干燥瓶及其相关组件 AC CONDENSER ASS.Y

序号	零件编号	零件名称	数量	图号
1	B06.81.008.4	交流管 (冷凝器至蒸馏器) AC PIPE	1	B06.81.008.4
2	B06.81.007.4	冷凝器总成 CONDENSER	1	B06.81.007.4
3	B06.81.005.3/20	右支架 RH BRACKET	1	B06.81.005.3/20
4	B06.81.006.3/10	左支架 LH BRACKET	1	B06.81.006.3/10
5	2.0114.207.2	螺丝钉 SCREW M8x20	4	2.0114.207.2
6	GBT93-8-A3L	垫圈 WASHER	4	GBT93-8-A3L
7	2.1310.004.2	垫圈 WASHER 8	4	2.1310.004.2
8	2.0114.005.2	螺栓 SCREW M6x16	2	2.0114.005.2
9	2.0114.007.2	螺栓 SCREW M6x20	4	2.0114.007.2
10	GBT93-6-A3L	垫圈 WASHER	6	GBT93-6-A3L
11	2.1310.002.2	垫圈 WASHER 6	6	2.1310.002.2



# D43.48.901.4 BODY W.H. ASS.Y

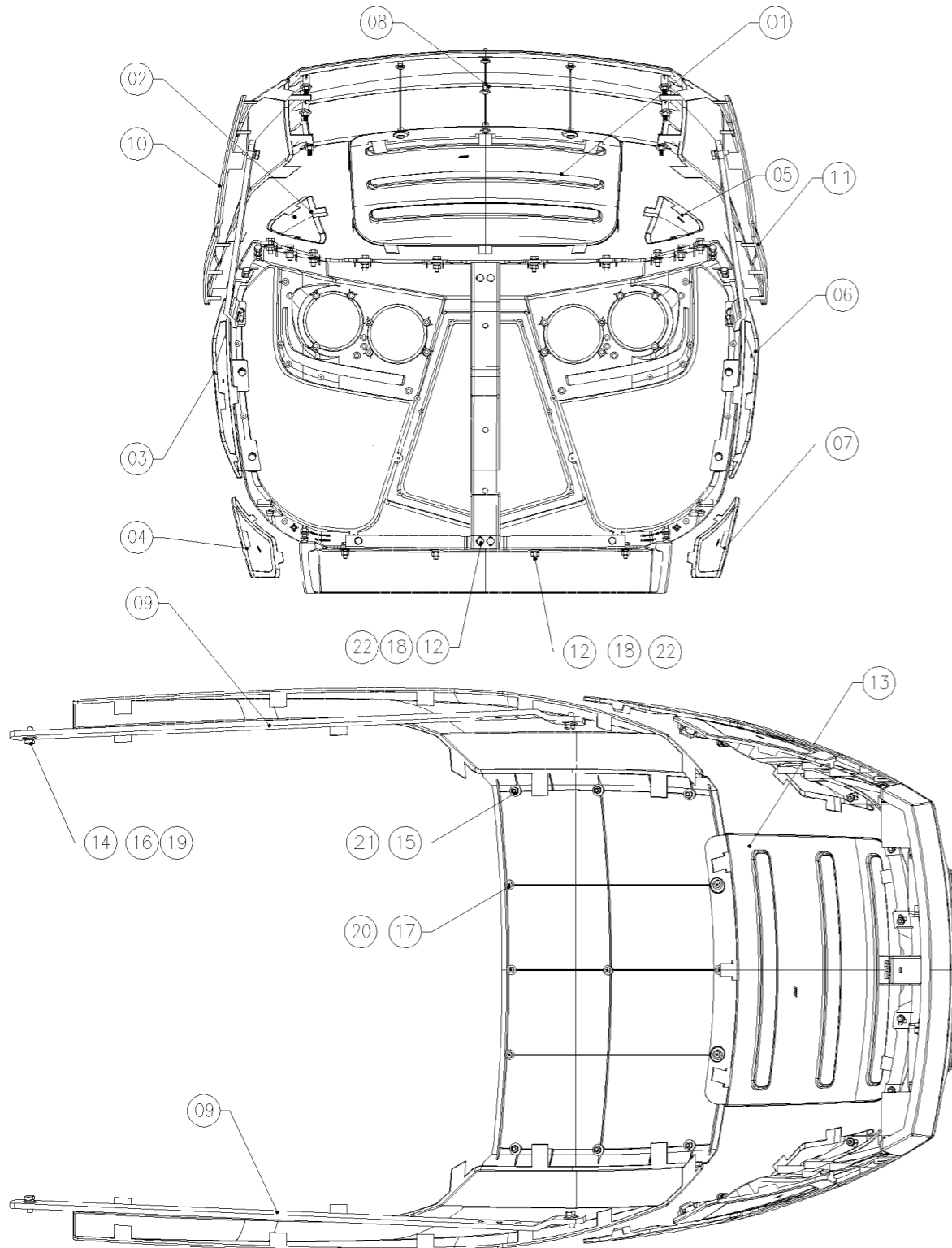


# D43.48.901.4\_0 车身线束总成 BODY WIRE HARNESS ASSEMBLY

序号	零件编号	零件名称	数量	图号
1	A23.48.013.0	车尾灯开关 PASS. REAR LAMP SW.	1	A23.48.013.0
2	A23.48.006.0	多功能组合开关 COMBINED LIGHT	1	A23.48.006.0
3	A23.48.007.0	摇臂开关框 ROCKER SWITCH	2	A23.48.007.0
4	2.7659.474.0	危险开关 HAZARD SWITCH	1	2.7659.474.0
5	B29.48.012.0/10	组合仪表总成 CHECK PANEL 3.5	1	B29.48.012.0/10
6	GBT818-M6X16-A2L	螺钉 SCREW	12	GBT818-M6X16-A2L
7	GBT93-6-A3L	垫圈 WASHER	14	GBT93-6-A3L
8	GBT97.1-6-A3L	垫圈 WASHER	14	GBT97.1-6-A3L
9	CD304.48.039	点火锁 IGNITION LOCK	1	CD304.48.039
10	B09.48.010.4	(中央) 电器盒 FUSE BOX	1	B09.48.010.4
11	2.6852.101.0	扎带 SELF LOCKING CABLE TIES 142	12	2.6852.101.0
12	D43.48.001.4	车身线束 BODY W.H.	1	D43.48.001.4
13	0.030.6684.0	继电器 RELAY-12V-40A	5	0.030.6684.0
14	GBT6170-M8-A2L	螺母 NUT	2	GBT6170-M8-A2L
15	GBT93-8-A3L	垫圈 WASHER	2	GBT93-8-A3L
16	GBT97.1-8-A3L	垫圈 WASHER	2	GBT97.1-8-A3L
17	2.6839.059.0	夹子 FASCETTA	1	2.6839.059.0
18	2.3199.383.0	暗盖 BLIND COVER	2	2.3199.383.0
19	2.7659.281.0	开关 SWITCH	2	2.7659.281.0
21	GBT70.1-M4X12-A2L	螺钉 SCREW	4	GBT70.1-M4X12-A2L
22	GBT93-4-A3L	垫圈 WASHER	6	GBT93-4-A3L
23	GBT97.1-4-A3L	垫圈 WASHER	6	GBT97.1-4-A3L
24	GBT6170-M4-A2L	螺母 NUT	4	GBT6170-M4-A2L
25	0.023.9062.4/10	手油门 HAND THROTTLE	1	0.023.9062.4/10
26	GBT818-M6X20-A2L	螺钉 SCREW	2	GBT818-M6X20-A2L
27	GBT818-M4X10-A2L	螺钉 SCREW	2	GBT818-M4X10-A2L

B39.47.028.4/10 BONNET COMPLETION

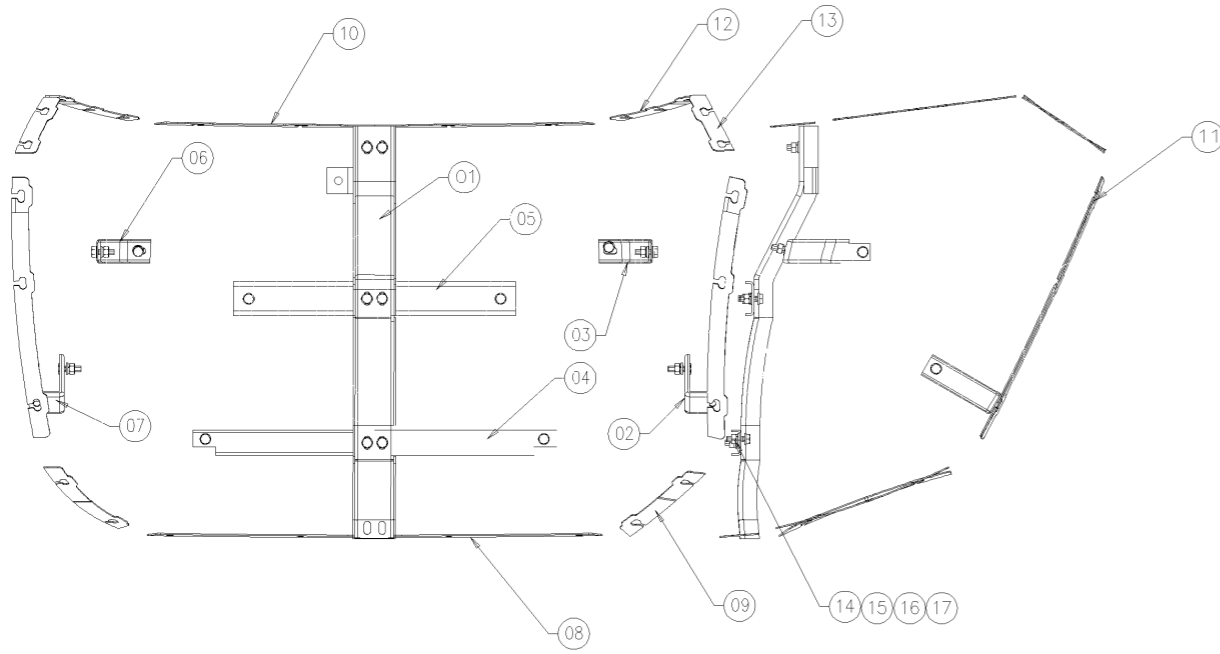
B39.47.028.4/10 机罩附件 BONNET COMPLETION



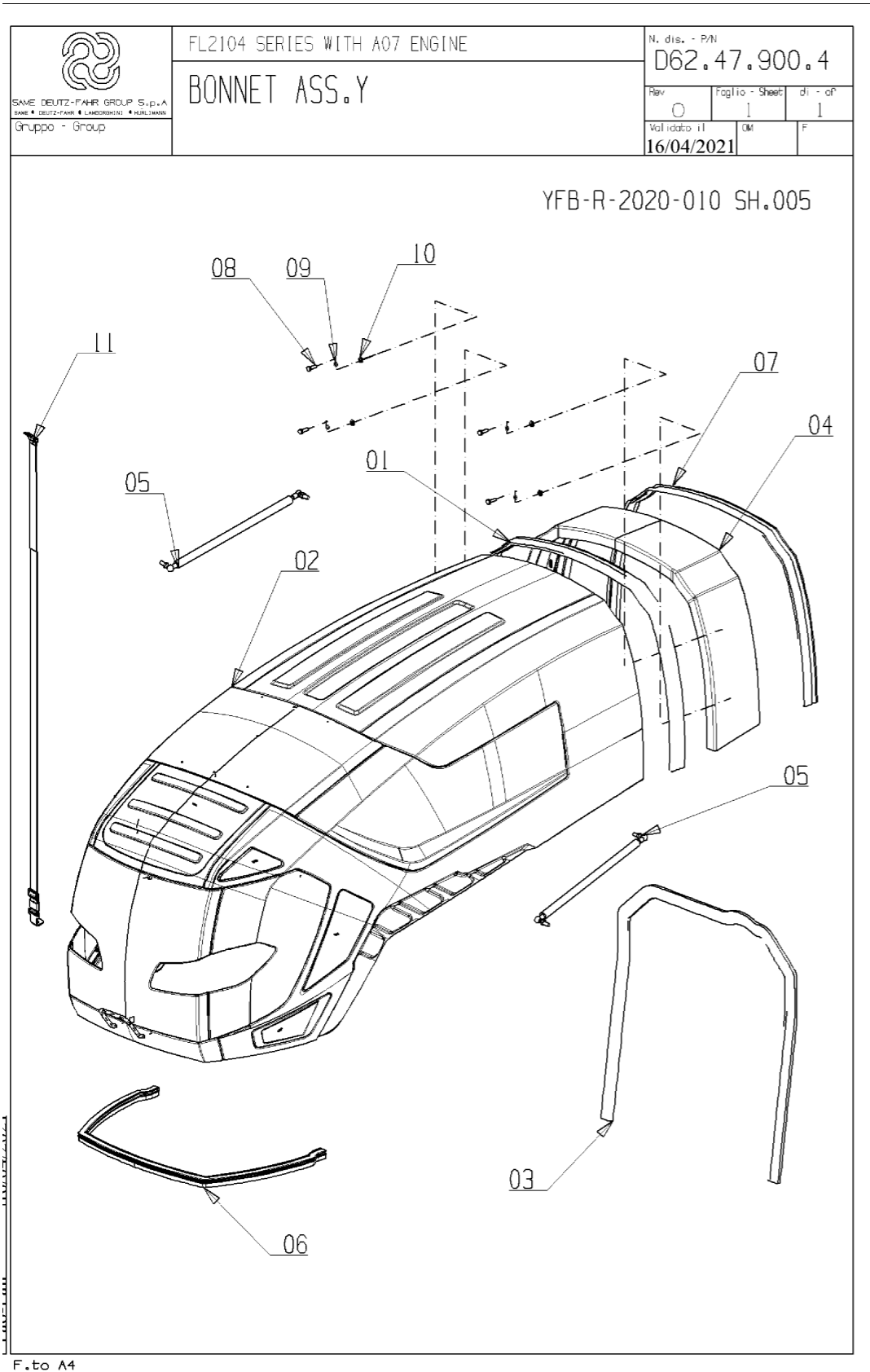
序号	零件编号	零件名称	数量	图号
1	B39.47.013.0	上网板 UP GRID	1	B39.47.013.0
2	B39.47.014.0	左网板1 LEFT GRID 1	1	B39.47.014.0
3	B39.47.015.0	左网板2 LEFT GRID 2	1	B39.47.015.0
4	B39.47.016.0	左网板3 LEFT GRID 3	1	B39.47.016.0
5	B39.47.017.0	右网板1 RH GRID 1	1	B39.47.017.0
6	B39.47.018.0	右网板2 RH GRID 2	1	B39.47.018.0
7	B39.47.019.0	右网板3 RH GRID 3	1	B39.47.019.0
8	B39.47.037.2	塑料板 PLASTIC PLATE	1	B39.47.037.2
9	CD1204.47.102	气弹簧支架 GAS SPRING SUPPORT	2	CD1204.47.102
10	CD1204.47.116	网板 NET	1	CD1204.47.116
11	CD1204.47.117	右网板 RIGHT NET	1	CD1204.47.117
12	GBT5783-M6X20-A2L	螺栓 BOLT	34	GBT5783-M6X20-A2L
13	B39.47.036.0	垫圈 WASHER	1	B39.47.036.0
14	GBT5783-M8X20-A2L	螺栓 BOLT	4	GBT5783-M8X20-A2L
15	GBT6170-M6-A2L	螺母 NUT	40	GBT6170-M6-A2L
16	GBT97.1-8-A3L	垫圈 WASHER	4	GBT97.1-8-A3L
17	GBT818-M5X20-A2L	螺钉 SCREW	7	GBT818-M5X20-A2L
18	GBT93-6-A3L	垫圈 WASHER	34	GBT93-6-A3L
19	GBT93-8-A3L	垫圈 WASHER	4	GBT93-8-A3L
20	GBT96.1-5-A3L	垫圈 WASHER	7	GBT96.1-5-A3L
21	GBT96.1-6-A3L	垫圈 WASHER	6	GBT96.1-6-A3L
22	GBT97.1-6-A3L	垫圈 WASHER	68	GBT97.1-6-A3L

### D62.47.002.4 前面罩支架总成 FRONT FACE SUPPORT ASS.Y

D62.47.002.4 FRONT FACE SUPPORT ASS.Y



序号	零件编号	零件名称	数量	图号
1	CD1204.47.013	灯罩连接板 LAMP SHADE	1	CD1204.47.013
2	CD1204.47.104	灯罩连接板 LAMP SHADE	1	CD1204.47.104
3	CD1204.47.105	灯罩连接板 LAMP SHADE	1	CD1204.47.105
4	CD1204.47.106	灯罩连接板 LAMP SHADE	1	CD1204.47.106
5	CD1204.47.107	灯罩连接板 LAMP SHADE	1	CD1204.47.107
6	CD1204.47.108	左灯罩连接板 LEFT LAMP SHADE	1	CD1204.47.108
7	CD1204.47.109	灯罩连接板 LAMP SHADE	1	CD1204.47.109
8	CD1204.47.110	垫圈 WASHER	1	CD1204.47.110
9	CD1204.47.111	垫圈 WASHER	2	CD1204.47.111
10	CD1204.47.112	垫圈 WASHER	1	CD1204.47.112
11	CD1204.47.113	垫圈 WASHER	2	CD1204.47.113
12	CD1204.47.114	垫圈 WASHER	2	CD1204.47.114
13	CD1204.47.115	垫圈 WASHER	2	CD1204.47.115
14	GBT93-6-A3L	垫圈 WASHER	14	GBT93-6-A3L
15	GBT97.1-6-A3L	垫圈 WASHER	32	GBT97.1-6-A3L
16	GBT5783-M6X20-A2L	螺栓 BOLT	16	GBT5783-M6X20-A2L
17	GBT6170-M6-A2L	螺母 NUT	16	GBT6170-M6-A2L



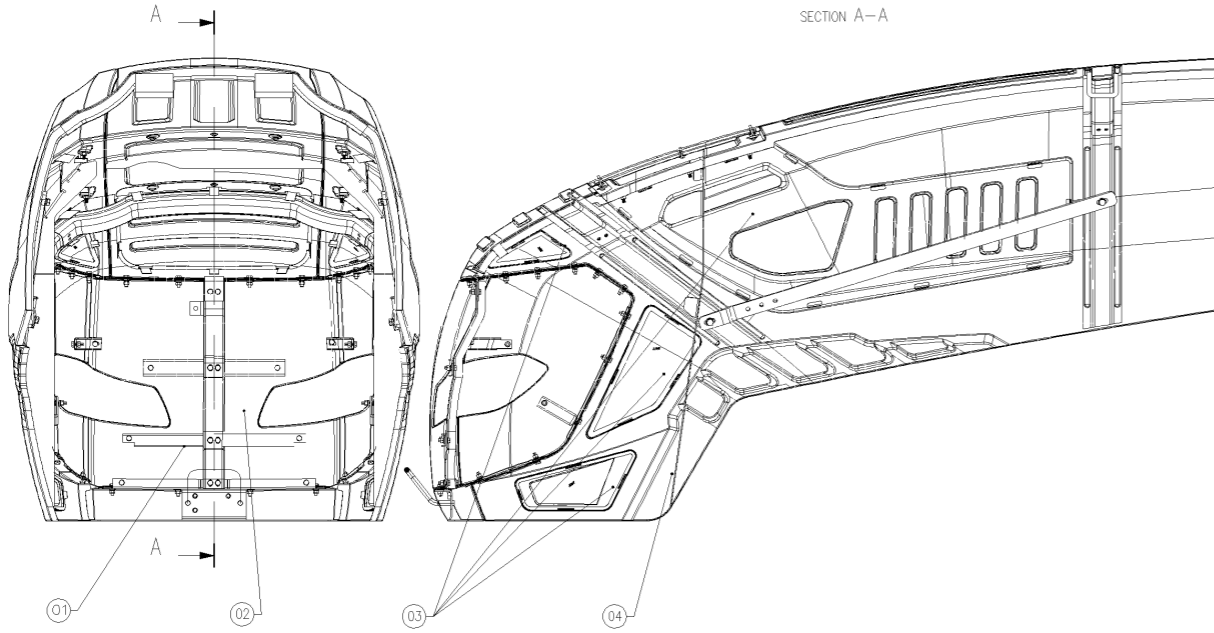
### D62.47.900.4\_0 机罩安装总成 BONNET ASS.Y

序号	零件编号	零件名称	数量	图号
1	A68.47.007.0	机罩橡胶条 BONNET RUBBER STRIP	1	A68.47.007.0
2	D62.47.001.4	机罩 BONNET	1	D62.47.001.4
3	B05.47.010.0	密封条 SEALING STRIP	1	B05.47.010.0
4	CD1204.47.118/10	后塑料盖 REAR PLASTIC COVER	1	CD1204.47.118/10
5	CD1204.47.211	机罩气弹簧 BONNET GAS SPRING	2	CD1204.47.211
6	CD1204.47.216/10	密封条 SEALING STRIP	1	CD1204.47.216/10
7	CD1204.47.219	密封条 SEALING STRIP	1	CD1204.47.219
8	GBT5783-M8X25-A2L	螺栓 BOLT	4	GBT5783-M8X25-A2L
9	GBT93-8-A3L	垫圈 WASHER	4	GBT93-8-A3L
10	GBT97.1-8-A3L	垫圈 WASHER	4	GBT97.1-8-A3L
11	C45.47.044.4	绳组件 ROPE COMPONENT	1	C45.47.044.4



D62.47.001.4 BONNET

SECTION A-A

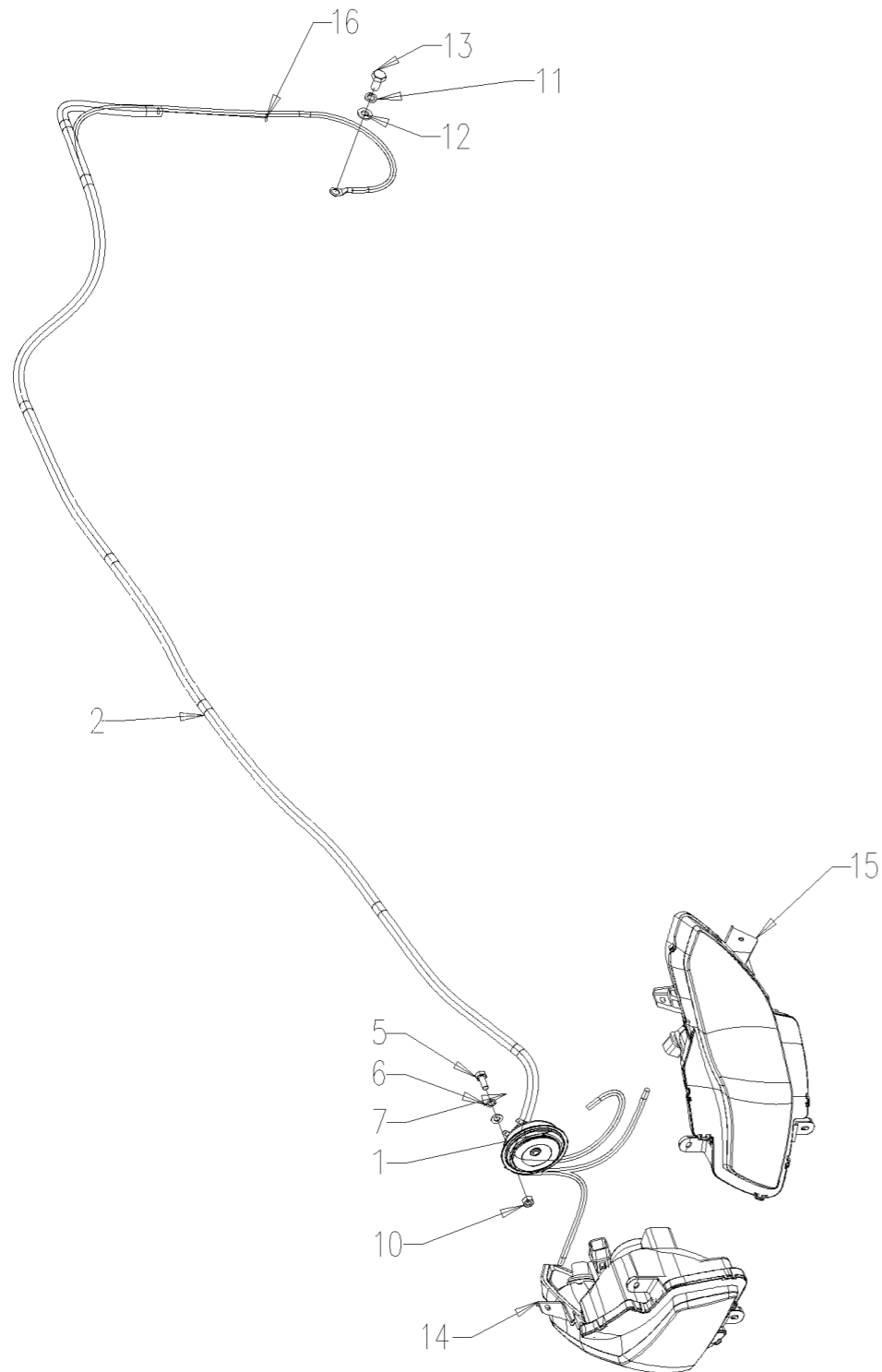


### D62.47.001.4 机罩 BONNET

序号	零件编号	零件名称	数量	图号
1	D62.47.002.4	前面罩支架总成 FRONT FACE	1	D62.47.002.4
2	CD1204.47.012/20	前面罩焊合 FRONT FACE	1	CD1204.47.012/20
3	B39.47.028.4/10	机罩附件 BONNET COMPLETION	1	B39.47.028.4/10
4	B05.47.009.3/20	机罩焊件 BONNET WELDING	1	B05.47.009.3/20

# D62.48.902.4 BONNET W.H. ASS.Y

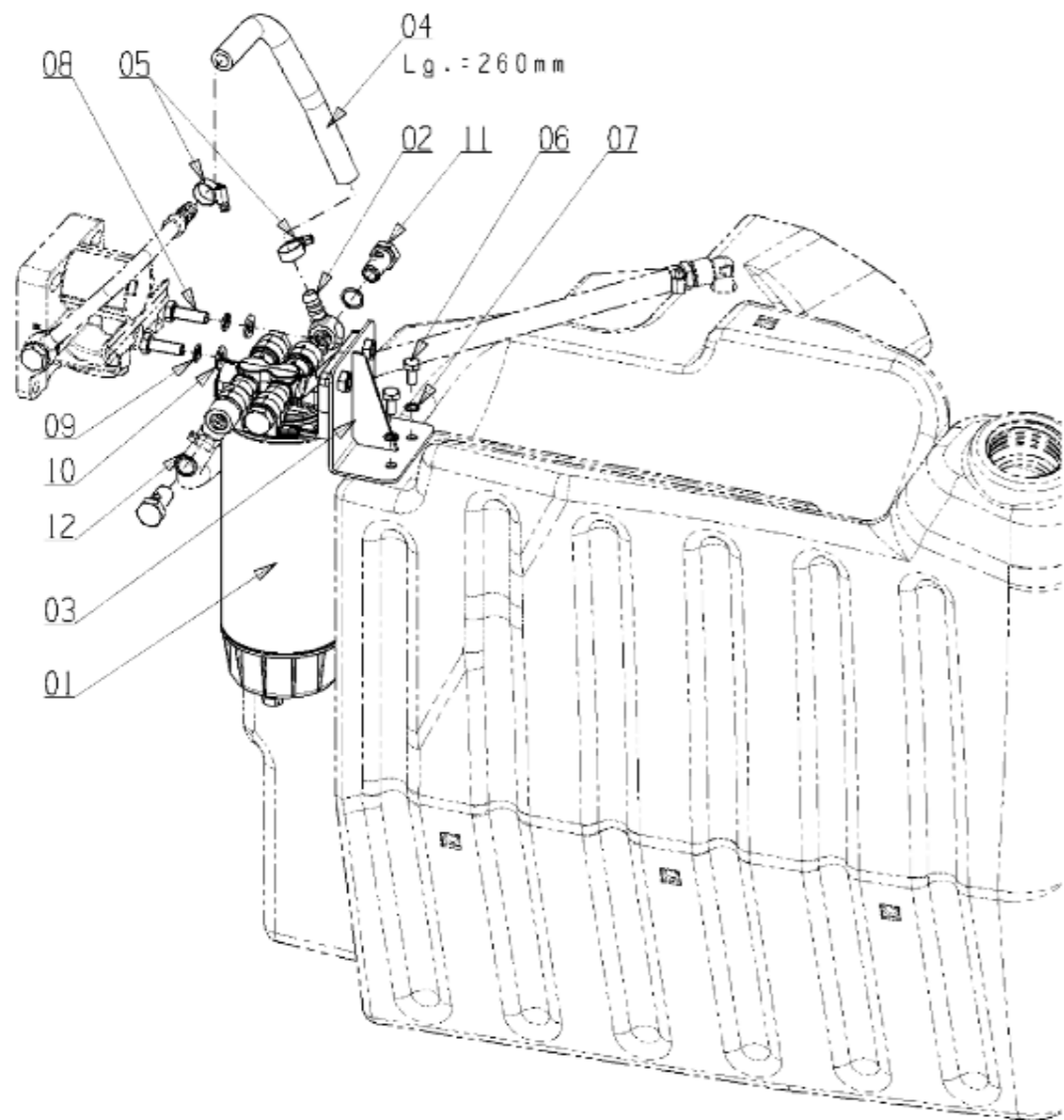
YFB-S-2017-011 SH.015



## D62.48.902.4\_0 机罩线束安装总成 BONNET W.H. ASS.Y

序号	零件编号	零件名称	数量	图号
1	B29.48.032.0	电喇叭 ELECTRIC HORN	1	B29.48.032.0
2	A68.48.004.0/10	机罩线束 BONNET W.H.	1	A68.48.004.0/10
5	2.0114.207.2	螺栓 BOLT	1	2.0114.207.2
6	GBT93-8-A3L	垫圈 WASHER	1	GBT93-8-A3L
7	2.1310.004.2	垫圈 WASHER	1	2.1310.004.2
10	2.1011.105.2	螺母 NUT	1	2.1011.105.2
11	GBT93-10-A3L	垫圈 WASHER	1	GBT93-10-A3L
12	2.1310.006.2	垫圈 WASHER	1	2.1310.006.2
13	2.0114.307.2	螺栓 BOLT	1	2.0114.307.2
14	CD1204.48.035	左前照灯 LEFT HEADLIGHT	1	CD1204.48.035
15	CD1204.48.036	右前照灯 RIGHT HEADLIGHT	1	CD1204.48.036
16	D62.48.003.0	适配器电缆 ADPTER CABLE	1	D62.48.003.0

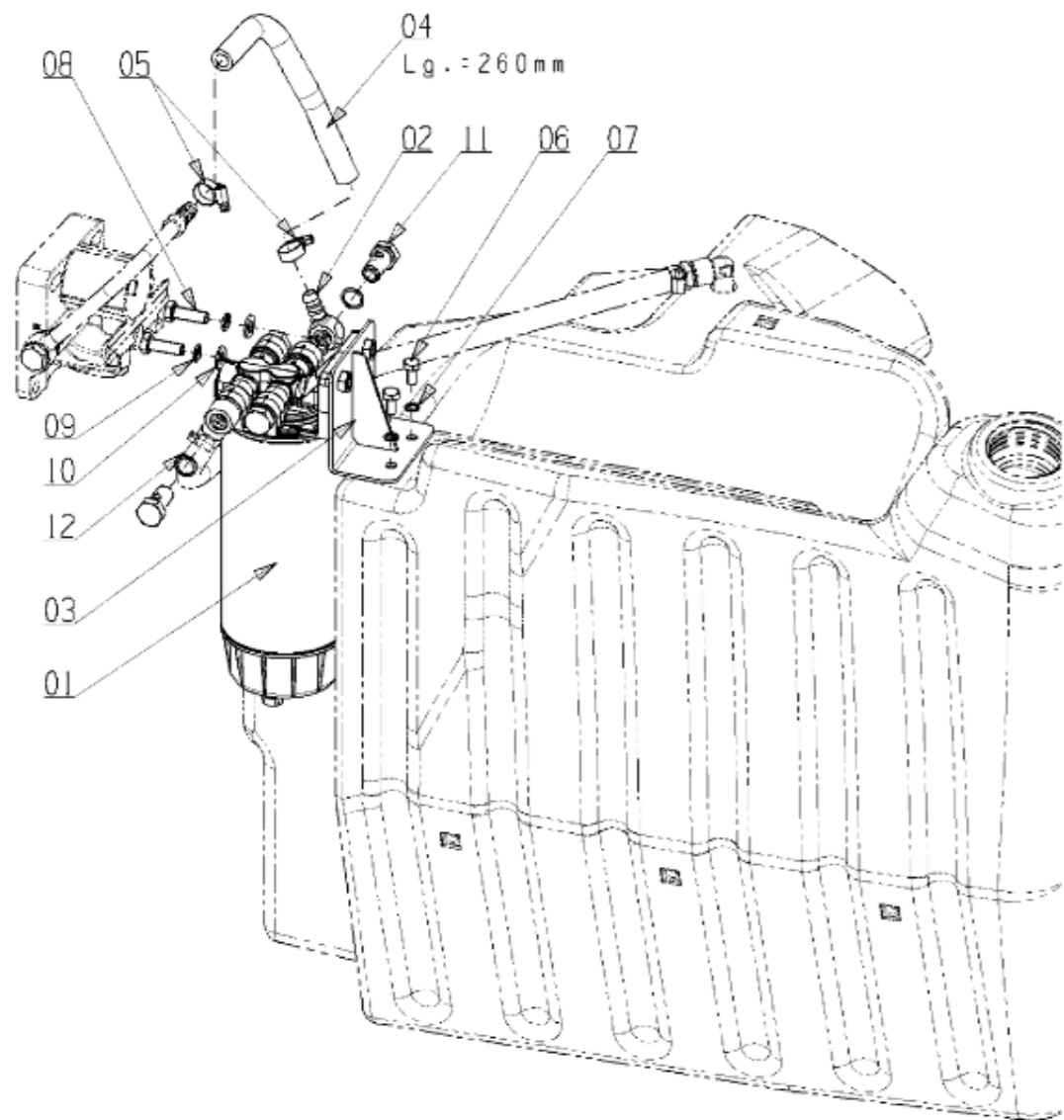
YFB-R-2017-011 SH.088



### D62.50.910.4 柴油滤清器管路总成 FUEL PREFILTER AND PIPE ASS.Y

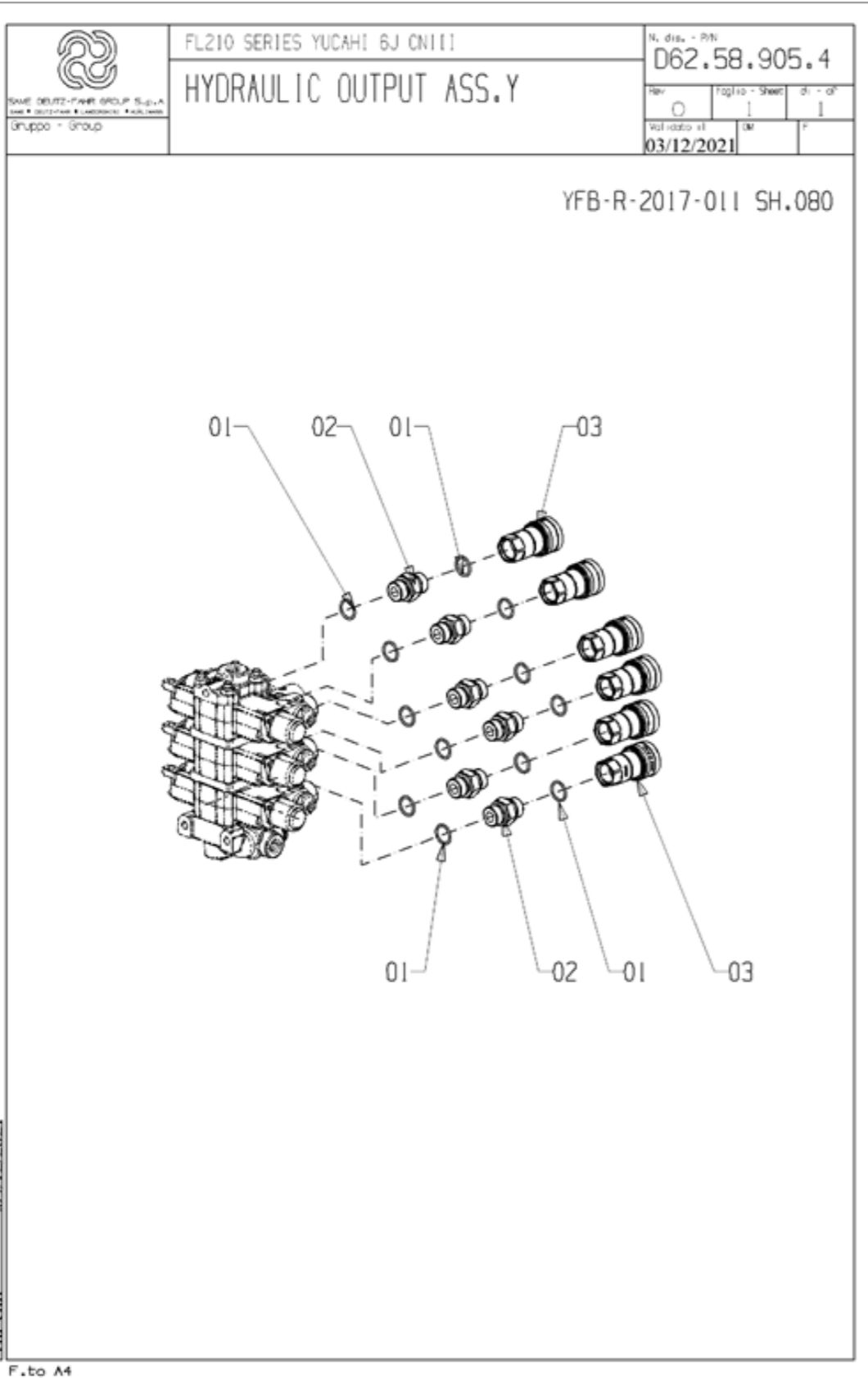
序号	零件编号	零件名称	数量	图号
1	D62.10.001.4	燃油预滤器总成 FUEL PREFILTER	1	D62.10.001.4
2	D62.10.002.0	端头配件 EYE FITTING	2	D62.10.002.0
3	D62.50.001.3	燃料预滤器支架 FUEL PREFILTER	1	D62.50.001.3
4	0.029.1451.0	油管 FUEL HOSE	1	0.029.1451.0
5	2.6851.019.0	软管夹 HOSE CLAMP 13-20	2	2.6851.019.0
6	2.0114.205.2	螺栓 SCREW M8x16	2	2.0114.205.2
7	2.1473.007.2	弹簧垫圈 SPRING WASHER M8	2	2.1473.007.2
8	2.0114.311.2	螺栓 SCREW M10x30	2	2.0114.311.2
9	2.1473.008.2	弹簧垫圈 SPRING WASHER M10	2	2.1473.008.2
10	2.1310.006.2	垫圈 WASHER 10	2	2.1310.006.2
11	2.3332.005.2	空心螺栓 M16x1.5 BANJO PLUG	2	2.3332.005.2
12	2.1560.011.0	密封环 SEALING RING	4	2.1560.011.0

YFB-R-2017-011 SH.088




D62.50.910.4\_0 柴油滤清器管路总成 FUEL PREFILTER AND PIPE ASS.Y

序号	零件编号	零件名称	数量	图号
1	D62.10.001.4	燃油预滤器总成 FUEL PREFILTER	1	D62.10.001.4
2	D62.10.002.0	端头配件 EYE FITTING	2	D62.10.002.0
3	D62.50.001.3	燃料预滤器支架 FUEL PREFILTER	1	D62.50.001.3
4	0.029.1451.0	油管 FUEL HOSE	1	0.029.1451.0
5	2.6851.019.0	软管夹 13-20 HOSE CLAMP 13-20	2	2.6851.019.0
6	2.0114.205.2	螺钉 M8x16 SCREW M8x16	2	2.0114.205.2
7	2.1473.007.2	弹垫 M8 SPRING WASHER M8	2	2.1473.007.2
8	2.0114.311.2	螺钉 M10x30 SCREW M10x30	2	2.0114.311.2
9	2.1473.008.2	弹垫 M10 SPRING WASHER M10	2	2.1473.008.2
10	2.1310.006.2	垫圈 10 WASHER 10	2	2.1310.006.2
11	2.3332.005.2	空心螺栓 M16x1.5 BANJO PLUG	2	2.3332.005.2
12	2.1560.011.0	密封圈 SEALING RING	4	2.1560.011.0




### D62.58.905.4\_0 液压输出总成 HYDRAULIC OUTPUT ASS.Y


序号	零件编号	零件名称	数量	图号
1	GBT3452.1-19.3X2.2-G	O形圈 O RING	12	GBT3452.1-19.3X2.2-G
2	A08.58.101.0	管接头 FITTING	6	A08.58.101.0
3	A02.58.093.0	快换阴接头 F. QUICK COUPLER	6	A02.58.093.0

 SAME DEUTZ-FAHR GROUP S.p.A. <small>Leoni • Landini • Lombardini • New Holland</small> Gruppo • Group	FL210 SERIES YUCAHI CN111 <b>QUICK COUPLES ASS.Y</b>	N. dis. - PN <b>D62.58.908.4</b>	
	Rev. 0    Foglio - Sheet 1    di - of 1 07/12/2021		


YFB-R-2017-011 SH.080



01



01



01

备注  
NOTE

01 - 作为随机附件  
01 - Assemble as accessory

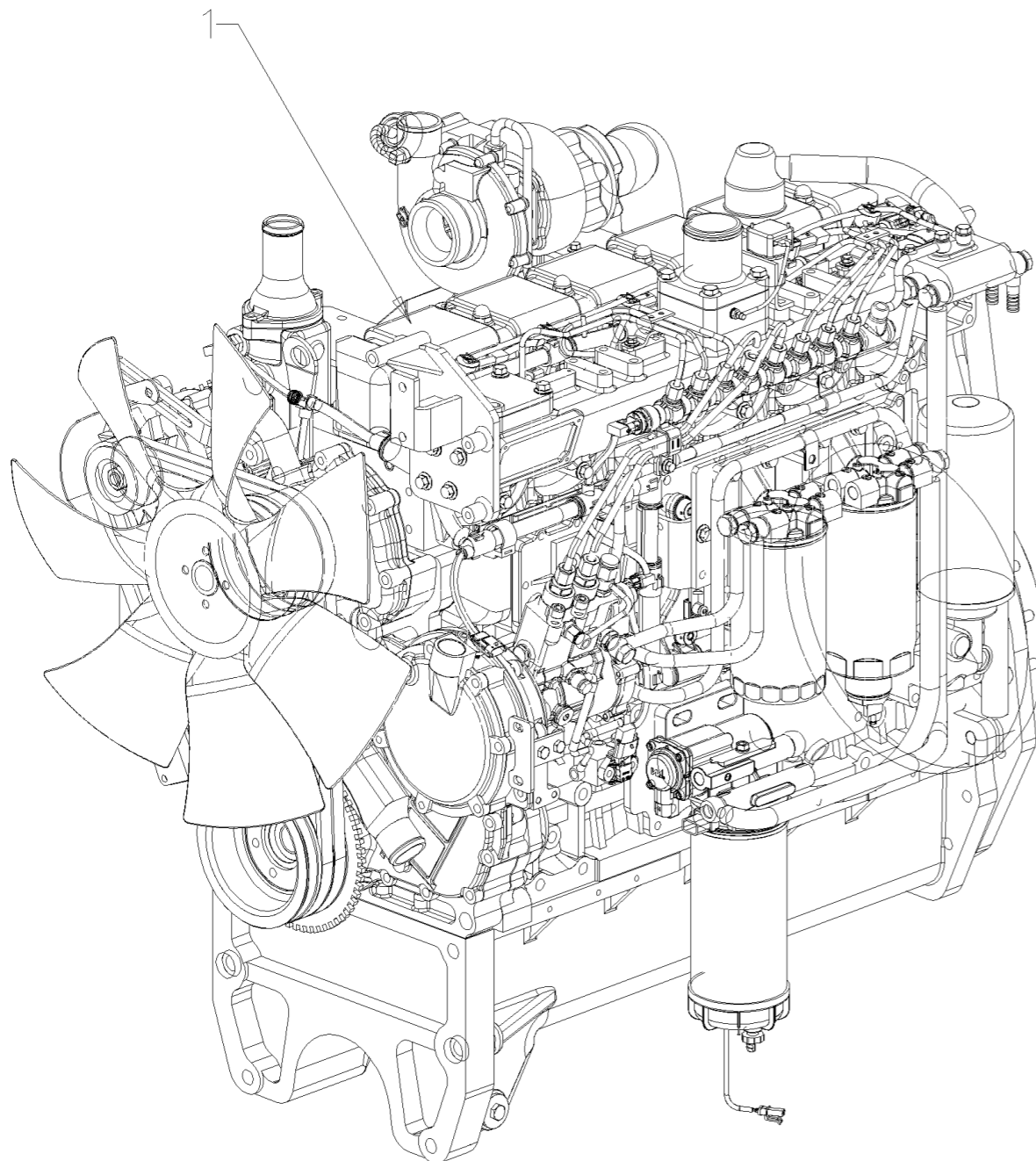
### D62.58.908.4\_0 快换阳接头总成 QUICK COUPLES ASS.Y

序号	零件编号	零件名称	数量	图号
1	A02.58.094.0	快换阳接头 M. QUICK COUPLER	6	A02.58.094.0

# D63.10.900.4 ENGINE YCA07260-T305

## D63.10.900.4\_1 发动机总成 ENGINE ASS.Y

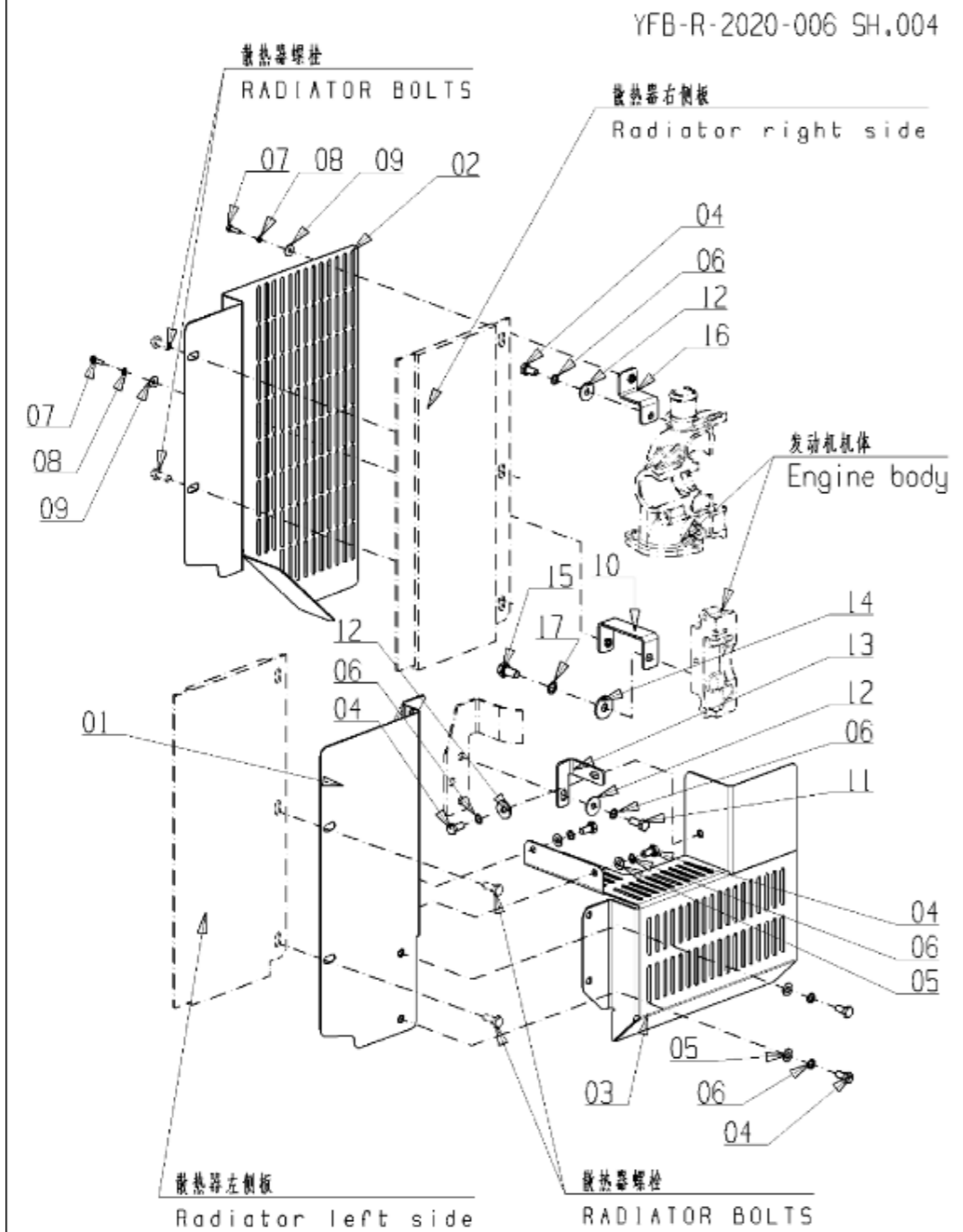
序号	零件编号	零件名称	数量	图号
1	D63.10.001.4/10	发动机	1	D63.10.001.4/10



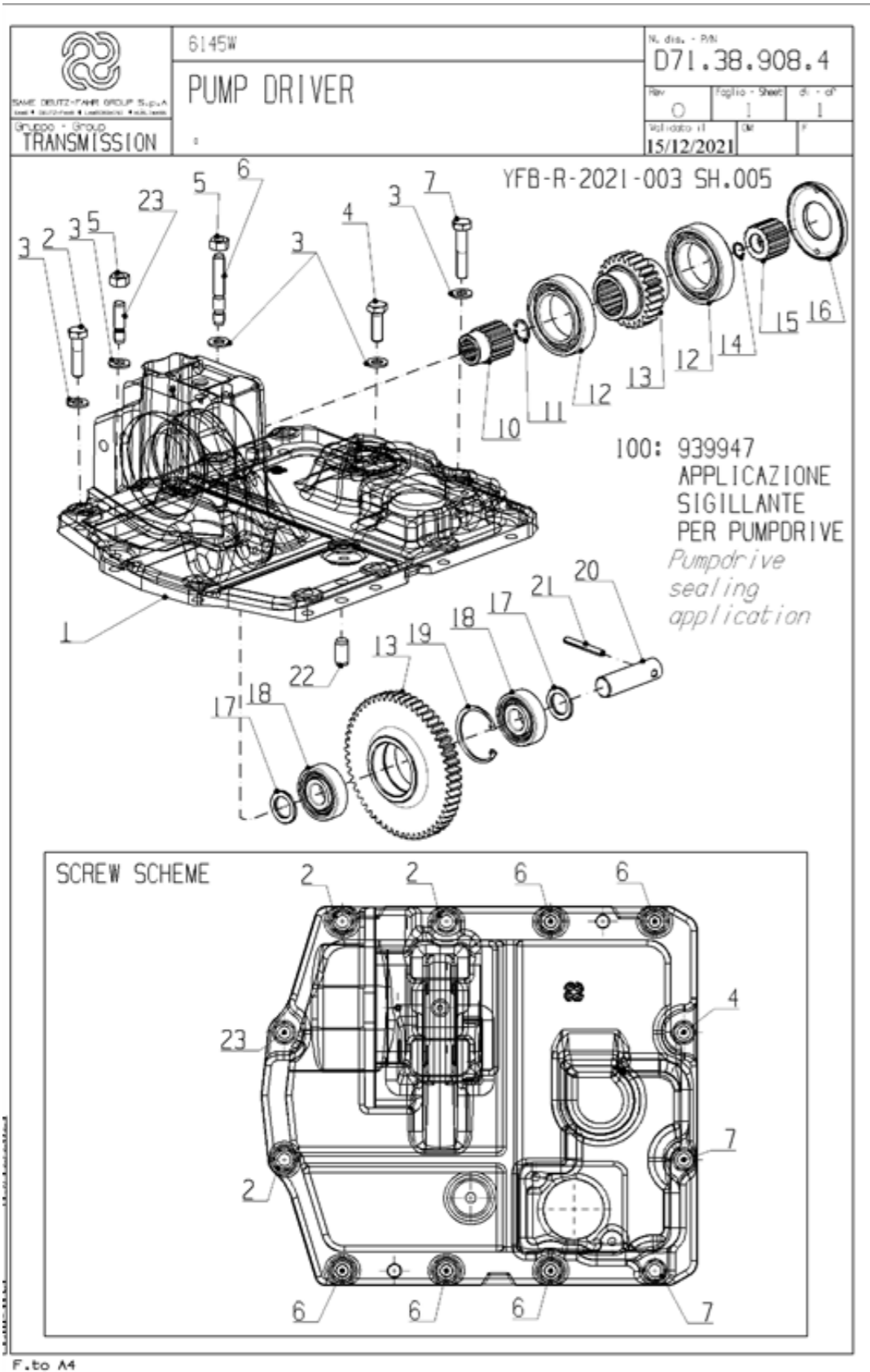
 SAME DEUTZ-FAHR GROUP S.p.A. Gruppo - Group	CD220 SERIES CLASSIC VERSION <b>LH/RH GUARD ASS.Y</b>	N. dis. - PN <b>D63.47.903.4</b>
	12/09/2022	1

### D63.47.903.4\_0 左右防护总成 LH/RH GUARD ASS.Y

序号	零件编号	零件名称	数量	图号
1	B05.47.007.3/10	左侧皮带护板 LH BELT PROTECTION	1	B05.47.007.3/10
2	B05.47.008.0/20	右侧皮带护板 RH BELT PROTECTION	1	B05.47.008.0/20
3	B06.47.024.3	左皮带护罩 LEFT BELT GUARD	1	B06.47.024.3
4	2.0114.205.2	螺栓 BOLT	6	2.0114.205.2
5	2.1310.004.2	垫圈 WASHER	4	2.1310.004.2
6	GBT93-8-A3L	垫圈 WASHER	7	GBT93-8-A3L
7	2.0114.105.2	螺栓 BOLT	2	2.0114.105.2
8	GBT93-5-A3L	垫圈 WASHER	2	GBT93-5-A3L
9	2.1312.002.2	垫圈 WASHER	2	2.1312.002.2
10	B05.47.024.3	右侧支架 1 RH-SUPPORT 1	1	B05.47.024.3
11	2.0114.207.2	螺栓 BOLT	1	2.0114.207.2
12	2.1312.004.2	垫圈 WASHER	3	2.1312.004.2
13	B06.47.037.0	皮带护罩支架 BELT GUARD BRACKET	1	B06.47.037.0
14	2.1312.005.2	垫圈 WASHER	1	2.1312.005.2
15	2.0114.307.2	螺栓 BOLT	1	2.0114.307.2
16	B05.47.025.3	右侧支架 2 RH-SUPPORT 2	1	B05.47.025.3
17	GBT93-10-A3L	垫圈 WASHER	1	GBT93-10-A3L







### D71.38.908.4\_0 泵传动 PUMP DRIVE

序号	零件编号	零件名称	数量	图号
1	0.020.4911.3/20	盖总成 COVER ASS.Y	1	0.020.4911.3/20
2	2.0112.315.2	螺栓 BOLT	3	2.0112.315.2
3	2.1475.003.2	垫圈 WASHERS	12	2.1475.003.2
4	2.0112.311.2	螺栓 BOLT	1	2.0112.311.2
5	2.1011.421.2	螺母 NUT	6	2.1011.421.2
6	2.0439.407.7	螺柱 STUD	5	2.0439.407.7
7	2.0112.319.2	螺栓 BOLT	2	2.0112.319.2
10	0.020.3956.0	连接套 SLEEVE	1	0.020.3956.0
11	2.1411.055.7	挡圈 CIRCLIP	1	2.1411.055.7
12	2.2030.010.0	轴承 SINGLE ROW BALL BEARINGS 45	2	2.2030.010.0
13	0.020.3537.4	齿轮总成 GEARS ASSEMBLY	1	0.020.3537.4
14	2.1411.003.7	挡圈 CIRCLIP	1	2.1411.003.7
15	0.020.3955.0	链接套 SLEEVE	1	0.020.3955.0
16	0.008.4664.0	隔套 DISTANZIALE	1	0.008.4664.0
17	2.1599.398.0	垫圈 WASHER	2	2.1599.398.0
18	2.2060.005.0	轴承 SINGLE ROW BALL BEARINGS	2	2.2060.005.0
19	2.1411.021.1	挡圈 CIRCLIP	1	2.1411.021.1
20	0.9090.251.0	销 PIN	1	0.9090.251.0
21	2.1630.617.0	销 SPRING-TYPE STRAIGHT PINS	1	2.1630.617.0
22	2.1651.911.0	销 PARALLEL PINS OF UNHARDENED	2	2.1651.911.0
23	2.0432.155.7	螺柱 STUD	1	2.0432.155.7
100	939947	装配指导 APPLICAZIONE	1	939947



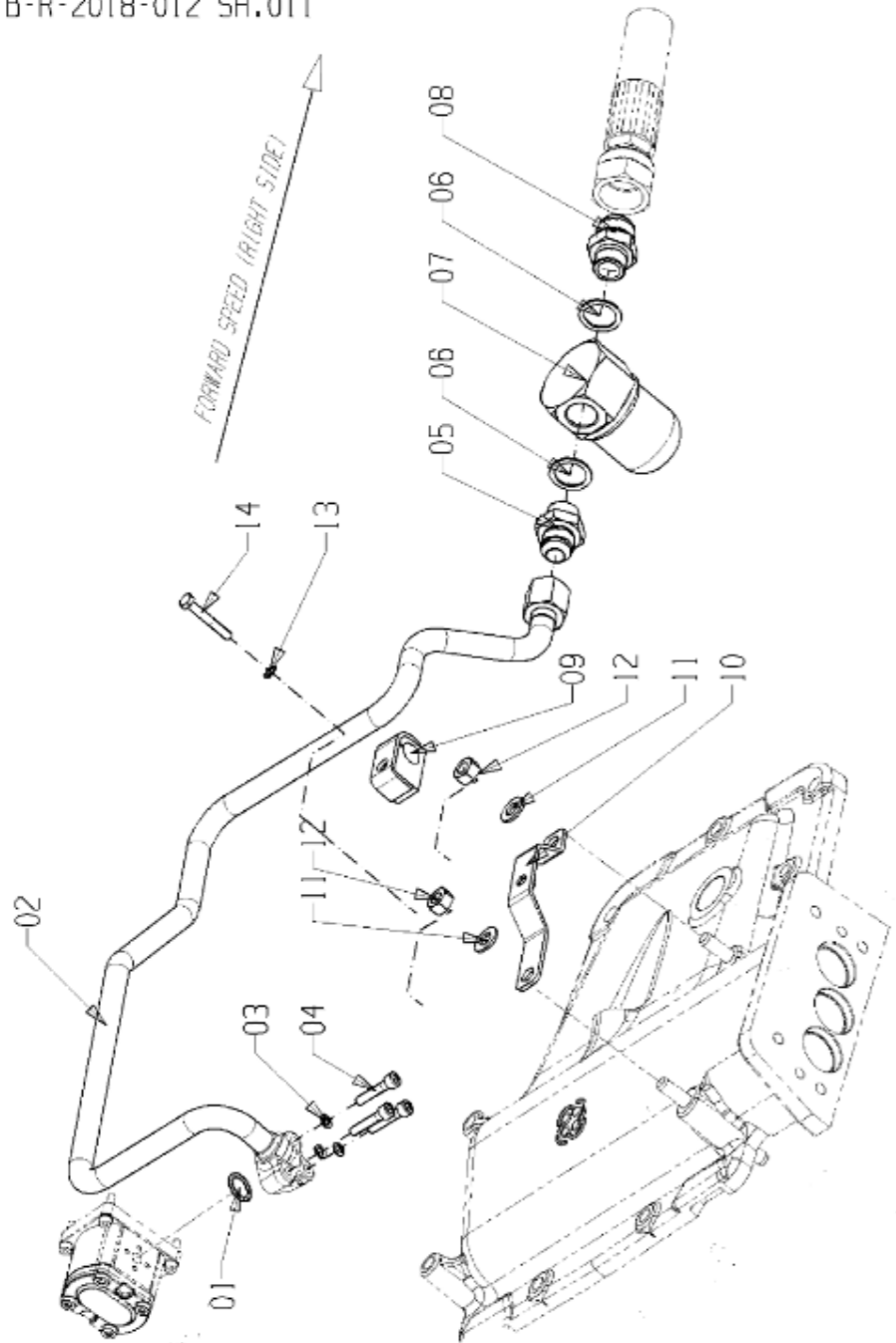
6W SERIES 6145W HD

STEERING PUMP DELIVERY PIPE ASS.Y

No. dis. - P/N	
D71.40.902.4	
Rev.	04/07/2022

SAME DEUTZ-FAHR GROUP S.p.A.  
Gruppo - Group

YFB-R-2018-012 SH.011

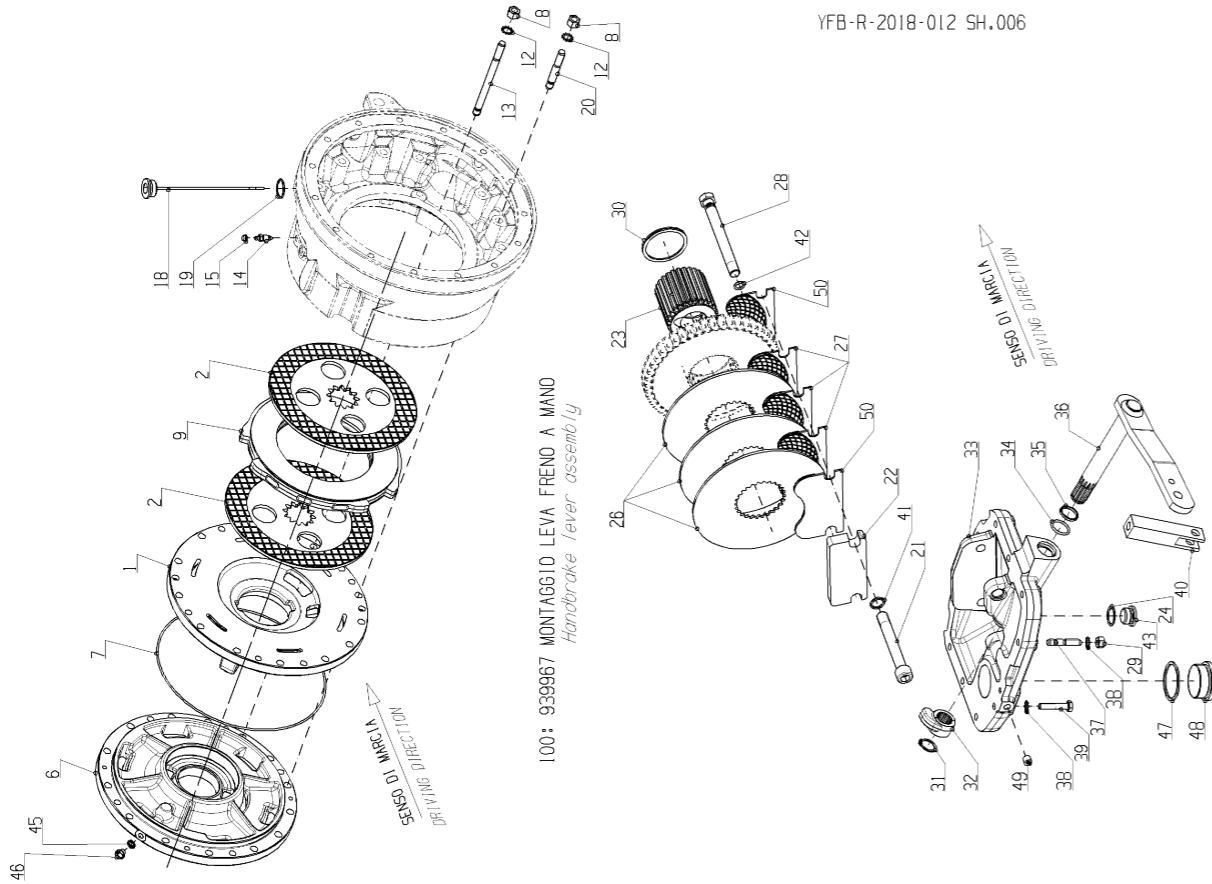


D71.40.902.4\_1 转向泵出油管总成 STEERING PUMP DELIVERY PIPE ASS.Y

序号	零件编号	零件名称	数量	图号
1	2.1532.040.0	O型圈 2.1532.024.0	1	2.1532.040.0
2	D71.40.006.3	转向泵出口管总成 STEERING PUMP	1	D71.40.006.3
3	2.1480.012.2	锥形垫圈M6 CONICAL WASHER M6	3	2.1480.012.2
4	2.0312.110.2	螺钉 SOCKET SCREW M6x1x30	3	2.0312.110.2
5	2.3261.012.2	接头体 FITTING M22x1.5-7/8"	1	2.3261.012.2
6	2.1560.018.0	组合密封圈 SEALING RING	2	2.1560.018.0
7	0.264.6378.4/40	共振器 RISONATORE COMPLETO	1	0.264.6378.4/40
8	2.3261.013.2	接头体 FITTING M22x1.5-1 1/16"	1	2.3261.013.2
9	2.3320.108.0	管形夹具 TUBE CLAMP 16	1	2.3320.108.0
10	C63.40.011.3	支架 BRACKET	1	C63.40.011.3
11	2.1310.006.2	垫圈 WASHER 10	2	2.1310.006.2
12	2.1011.406.2	螺母 NUT M10x1	2	2.1011.406.2
13	2.1470.002.2	锁紧垫圈 LOCK WASHER 6	1	2.1470.002.2
14	2.0112.015.2	螺栓 HEX BOLT M6x1x40	1	2.0112.015.2

D71.43.912.4 REAR BRAKES

YFB-R-2018-012 SH.006



100: 939967 MONTAGGIO LEVA FRENO A MANO  
Handbrake lever assembly

D71.43.912.4\_0 后制动 REAR BRAKES

序号	零件编号	零件名称	数量	图号
1	0.233.5431.0/40	法兰盘 FLANGIA DIFFERENZ. SX	1	0.233.5431.0/40
2	0.016.3654.2/20	制动盘 DISCO FRENO	4	0.016.3654.2/20
6	0.007.7564.0/30	法兰 FLANGIA DESTRA	1	0.007.7564.0/30
7	2.1539.518.0	垫圈 343 × 3.52 O RING	1	2.1539.518.0
8	2.1011.308.2	螺母 NUT	28	2.1011.308.2
9	0.008.4612.0/60	制动器控制盘 Controdisco freno	2	0.008.4612.0/60
12	2.1470.008.2	锁紧垫片 WASHER	28	2.1470.008.2
13	2.0432.333.7	螺柱 STUD	26	2.0432.333.7
14	0.170.5455.0	油嘴 VITE DI SPURGO	2	0.170.5455.0
15	2.3199.039.0	螺纹塞 TAPPO X VITE	2	2.3199.039.0
18	0.264.5453.2/10	游标尺 ASTA	1	0.264.5453.2/10
19	2.1560.056.0	密封环 SEALING RING	1	2.1560.056.0
20	2.0432.321.7	螺柱 STUD	2	2.0432.321.7
21	2.0169.003.1/10	螺栓 SCREW	1	2.0169.003.1/10
22	0.188.5459.0/20	制动器板 GANASCIA	1	0.188.5459.0/20
23	0.020.6043.0	套筒 0.020.6043.0	1	0.020.6043.0
24	2.1560.054.0	密封环 SEALING RING	1	2.1560.054.0
26	0.188.5458.0	盘片 DISCO	3	0.188.5458.0
27	0.171.5459.2	制动盘 DOUBLE BRAKE SECTOR	3	0.171.5459.2
28	2.0129.052.1	螺栓 SCREW	1	2.0129.052.1
29	2.1011.005.2	螺母 NUT	2	2.1011.005.2
30	0.202.5454.2	固定销 COPERCHIO	1	0.202.5454.2
31	2.1410.006.1	垫圈 20 CIRCLIP	1	2.1410.006.1
32	0.171.5453.0/10	内摇臂 LEVA INTERNA	1	0.171.5453.0/10
33	0.264.5450.0/10	固定销 COPERCHIO INFERIORE	1	0.264.5450.0/10
34	2.1539.086.0	垫圈 2189X262 O RING	1	2.1539.086.0
35	2.1579.295.0	隔套 DISTANZIALE	1	2.1579.295.0
36	0.188.5460.2/30	手柄 LEVER FOR HANDBRAKE	1	0.188.5460.2/30
37	2.0422.209.2	螺柱 STUD	2	2.0422.209.2
38	2.1470.004.2	锁紧垫片 LOCK WASHER	10	2.1470.004.2
39	2.0112.215.2	螺栓 BOLT	8	2.0112.215.2
40	2.3519.045.2	连接叉 FORCELLA	1	2.3519.045.2
41	2.1599.195.2	垫圈 WASHER	1	2.1599.195.2
42	2.1530.018.0	垫圈 9.19 × 2.62 O RING	1	2.1530.018.0
43	2.3199.001.2	螺纹塞 TAPPO G 1/2 E.I.	1	2.3199.001.2
45	2.1561.006.0	黏结密封圈 12 SEALING WASHERS	1	2.1561.006.0
46	2.3110.422.2	螺塞 Tappo esagonale M12x1.25	1	2.3110.422.2
47	2.1560.030.0	密封环 SEALING RING	1	2.1560.030.0
48	2.3120.113.4	螺母保护帽 PLUG M45x1.5	1	2.3120.113.4
49	2.3130.001.7	螺母保护帽 PIPE G 1/8	1	2.3130.001.7
50	0.171.5451.2	制动器 BRAKE SECTOR	2	0.171.5451.2
100	939967	装配指导 MONTAGGIO LEVA FRENO	1	939967