

| 零件编号                   | 结构代码            | 零件顺序 | 零件编号                 | 结构代码           | 零件顺序 | 零件编号                | 结构代码           | 零件顺序 |
|------------------------|-----------------|------|----------------------|----------------|------|---------------------|----------------|------|
| 0.020.5337.0           | 0.020.5337.3/10 | 1    | GBT3452.1-23.6X1.8-G | A06.37.904.4_1 | 10   | SH400.37.110        | A06.37.908.4_1 | 2    |
| 2.2021.009.0           | 0.020.5337.3/10 | 2    | GBT93-8-A3L          | A06.37.904.4_1 | 11   | SH400.37.112        | A06.37.908.4_1 | 3    |
| CD554.37A.106          | A06.37.903.4_2  | 1    | GBT5783-M8X35-A2L    | A06.37.904.4_1 | 12   | SH400.37.113        | A06.37.908.4_1 | 4    |
| CD554.37A.105          | A06.37.903.4_2  | 2    | CD404.37A.101/10     | A06.37.905.4_1 | 1    | SH400.37.115        | A06.37.908.4_1 | 5    |
| CD554.37A.107          | A06.37.903.4_2  | 3    | JBT7918-K25X31X20    | A06.37.905.4_1 | 2    | SH400.37.116        | A06.37.908.4_1 | 6    |
| CD554.37A.108          | A06.37.903.4_2  | 4    | CD554.37A.119/30     | A06.37.906.4_3 | 1    | SH400.37.117        | A06.37.908.4_1 | 7    |
| CD554.37A.118          | A06.37.903.4_2  | 5    | GBT283-NUP210E       | A06.37.906.4_3 | 2    | SH400.37.114        | A06.37.908.4_1 | 8    |
| SH550.37.108           | A06.37.903.4_2  | 6    | SH400.37.136-1       | A06.37.906.4_3 | 3    | SH400.37.118        | A06.37.908.4_1 | 9    |
| CD554.37A.013/20       | A06.37.903.4_2  | 7    | GBT893.1-21          | A06.37.906.4_3 | 4    | GBT276-6306N        | A06.37.908.4_1 | 10   |
| CD554.37A.019          | A06.37.903.4_2  | 8    | SH550.37.126         | A06.37.906.4_3 | 5    | GBT305-72/78.6      | A06.37.908.4_1 | 11   |
| GBT297-32007           | A06.37.903.4_2  | 9    | JBT7918-K50X55X30ZW  | A06.37.906.4_3 | 6    | GBT5783-M8X25-A2L   | A06.37.908.4_1 | 12   |
| CD554.37A.127          | A06.37.903.4_2  | 10   | SH550.37.127/10      | A06.37.906.4_3 | 7    | GBT93-8-A3L         | A06.37.908.4_1 | 13   |
| CD554.37A.136          | A06.37.903.4_2  | 11   | A39.37.009.0         | A06.37.906.4_3 | 8    | GBT858-24           | A06.37.908.4_1 | 14   |
| CD554.37A.128          | A06.37.903.4_2  | 12   | SH550.37.130         | A06.37.906.4_3 | 9    | GBT812-M24X1.5      | A06.37.908.4_1 | 15   |
| CD554.37A.145/146/147  | A06.37.903.4_2  | 13   | SH550.37.131/10      | A06.37.906.4_3 | 10   | SH400.37.120/10     | A06.37.908.4_1 | 16   |
| CD554.37A.129/10       | A06.37.903.4_2  | 14   | GBT894.1-50          | A06.37.906.4_3 | 11   | SH400.37B.501       | A06.37.908.4_1 | 17   |
| SH550.37.119           | A06.37.903.4_2  | 15   | GBT297-30308         | A06.37.906.4_3 | 12   | SH400.37B.126       | A06.37.908.4_1 | 18   |
| CD554.37A.116          | A06.37.903.4_2  | 16   | CD554.37A.120        | A06.37.906.4_3 | 13   | SH400.37J.183       | A06.37.908.4_1 | 19   |
| CD554.37A.012/10       | A06.37.903.4_2  | 17   | CD554.37A.121        | A06.37.906.4_3 | 14   | SH400.37.128        | A06.37.908.4_1 | 20   |
| CD554.37A.018          | A06.37.903.4_2  | 18   | GBT283-NF208E        | A06.37.906.4_3 | 15   | SH400.37.130        | A06.37.908.4_1 | 21   |
| CD554.37A.011/10       | A06.37.903.4_2  | 19   | GBT894.1-40          | A06.37.906.4_3 | 16   | SH400.37.131        | A06.37.908.4_1 | 22   |
| CD554.37A.112          | A06.37.903.4_2  | 20   | GBT5783-M10X30-A3L   | A06.37.906.4_3 | 17   | SH400.37.132        | A06.37.908.4_1 | 23   |
| CD554.37A.111          | A06.37.903.4_2  | 21   | GBT93-10-A3L         | A06.37.906.4_3 | 18   | SH400.37.134        | A06.37.908.4_1 | 24   |
| CD554.37A.142/143/144  | A06.37.903.4_2  | 22   | SH400.37J.137        | A06.37.906.4_3 | 19   | A06.37.008.0        | A06.37.908.4_1 | 25   |
| CD554.37A.110          | A06.37.903.4_2  | 23   | GBT895.2-24          | A06.37.906.4_3 | 20   | A06.37.010.0        | A06.37.908.4_1 | 26   |
| CD554.37A.131          | A06.37.903.4_2  | 24   | GBT283-NUP307E       | A06.37.906.4_3 | 21   | GBT283-NUP307E      | A06.37.909.4_1 | 1    |
| CD554.37A.109          | A06.37.903.4_2  | 25   | GBT894.1-35          | A06.37.906.4_3 | 22   | SH550.37.135        | A06.37.909.4_1 | 2    |
| GBT5783-M8X25-A2L      | A06.37.903.4_2  | 26   | SH550.37.135         | A06.37.906.4_3 | 23   | SH400.37.103        | A06.37.909.4_1 | 3    |
| A39.37.007.0           | A06.37.903.4_2  | 27   | CD554.37A.148        | A06.37.906.4_3 | 24   | JBT7918-K35X43X34ZW | A06.37.909.4_1 | 4    |
| 2.1560.008.0           | A06.37.903.4_2  | 28   | JBT7918-K35X43X34ZW  | A06.37.906.4_3 | 25   | SH400.37.111        | A06.37.909.4_1 | 5    |
| GBT3452.1-9.5X2.65-G   | A06.37.903.4_2  | 29   | SH400.37.111         | A06.37.906.4_3 | 26   | SH550.37.133        | A06.37.909.4_1 | 6    |
| GBT93-8-A3L            | A06.37.903.4_2  | 30   | CD554.37A.124        | A06.37.906.4_3 | 27   | GBT894.1-35         | A06.37.909.4_1 | 7    |
| CD554.37A.104          | A06.37.904.4_1  | 1    | CD554.37A.123        | A06.37.906.4_3 | 28   | SH400.37M.132       | A06.37.909.4_1 | 8    |
| CD554.37A.102          | A06.37.904.4_1  | 2    | JBT7918-K22X28X20    | A06.37.906.4_3 | 29   | JBT7918-K20X26X20   | A06.37.909.4_1 | 9    |
| GBT13871.1-FB-040062-D | A06.37.904.4_1  | 3    | CD554.37A.139        | A06.37.906.4_3 | 30   | GBT283-NUP208E      | A06.37.909.4_1 | 10   |
| SH400.37B.182          | A06.37.904.4_1  | 4    | CD554.37A.017/10     | A06.37.906.4_3 | 31   | SH400.37M.109       | A06.37.909.4_1 | 11   |
| SH400.37B.183          | A06.37.904.4_1  | 5    | QCT388-10            | A06.37.906.4_3 | 32   | GBT276-6007E        | A06.37.909.4_1 | 12   |
| SH400.37B.184          | A06.37.904.4_1  | 6    | SH400.37M.107        | A06.37.907.4_0 | 1    | GBT283-NUP210E      | A06.37.909.4_1 | 13   |
| GBT297-30208           | A06.37.904.4_1  | 7    | JBT7918-K25X31X20    | A06.37.907.4_0 | 2    | GBT893.1-21         | A06.37.909.4_1 | 14   |
| A39.37.006.4           | A06.37.904.4_1  | 8    | SH400.37.108         | A06.37.908.4_1 | 1    | SH550.37.126        | A06.37.909.4_1 | 15   |

| 零件编号                | 结构代码           | 零件顺序 | 零件编号                | 结构代码           | 零件顺序 | 零件编号               | 结构代码           | 零件顺序 |
|---------------------|----------------|------|---------------------|----------------|------|--------------------|----------------|------|
| SH550.37.126        | A06.37.909.4_1 | 15   | GBT276-6007E        | A06.37.911.4_1 | 11   | SH400.37.109       | A06.37.914.4_1 | 11   |
| SH400.37.136-1      | A06.37.909.4_1 | 16   | GBT276-6210         | A06.37.911.4_1 | 12   | GBT276-6007E       | A06.37.914.4_1 | 12   |
| JBT7918-K50X55X30ZW | A06.37.909.4_1 | 17   | GBT893.1-21         | A06.37.911.4_1 | 13   | GBT276-6210        | A06.37.914.4_1 | 13   |
| SH400.37M.127/10    | A06.37.909.4_1 | 18   | GBT894.1-50         | A06.37.911.4_1 | 14   | GBT893.1-21        | A06.37.914.4_1 | 14   |
| A39.37.009.0        | A06.37.909.4_1 | 19   | SH400.37.136-1      | A06.37.911.4_1 | 15   | GBT894.1-50        | A06.37.914.4_1 | 15   |
| SH550.37.130        | A06.37.909.4_1 | 20   | SH400.37J.169       | A06.37.911.4_1 | 16   | SH400.37.136-1     | A06.37.914.4_1 | 16   |
| SH550.37.131/10     | A06.37.909.4_1 | 21   | SH400.37J.137       | A06.37.911.4_1 | 17   | SH400.37.013       | A06.37.914.4_1 | 17   |
| GBT894.1-50         | A06.37.909.4_1 | 22   | GBT283-NUP308EM     | A06.37.911.4_1 | 18   | SH400.37.137       | A06.37.914.4_1 | 18   |
| SH400.37M.169       | A06.37.909.4_1 | 23   | SH400.37.139        | A06.37.911.4_1 | 19   | GBT276-6308N       | A06.37.914.4_1 | 19   |
| GBT283-NUP308EM     | A06.37.909.4_1 | 24   | SH400.37J.180       | A06.37.911.4_1 | 20   | GBT305-90/96.5     | A06.37.914.4_1 | 20   |
| SH400.37.139        | A06.37.909.4_1 | 25   | GBT283-NF208E       | A06.37.911.4_1 | 21   | SH400.37.139       | A06.37.914.4_1 | 21   |
| SH400.37J.180       | A06.37.909.4_1 | 26   | GBT894.1-40         | A06.37.911.4_1 | 22   | GBT895.2-24        | A06.37.914.4_1 | 22   |
| GBT283-NF208E       | A06.37.909.4_1 | 27   | GBT895.2-24         | A06.37.911.4_1 | 23   | GBT5783-M10X20-A3L | A06.37.914.4_1 | 23   |
| GBT894.1-40         | A06.37.909.4_1 | 28   | GBT5783-M10X30-A3L  | A06.37.911.4_1 | 24   | SH400.37.140       | A06.37.914.4_1 | 24   |
| SH400.37J.137       | A06.37.909.4_1 | 29   | GBT93-10-A3L        | A06.37.911.4_1 | 25   | SH400.37.014       | A06.37.914.4_1 | 25   |
| GBT895.2-24         | A06.37.909.4_1 | 30   | GBT894.1-35         | A06.37.911.4_1 | 26   | QCT388-14          | A06.37.914.4_1 | 26   |
| GBT93-10-A3L        | A06.37.909.4_1 | 31   | SH400.37J.107       | A06.37.912.4_0 | 1    | SH400.37.141       | A06.37.914.4_1 | 27   |
| GBT5783-M10X30-A3L  | A06.37.909.4_1 | 32   | JBT7918-K25X31X20   | A06.37.912.4_0 | 2    | GBT894.1-40        | A06.37.914.4_1 | 28   |
| CD554.37.105        | A06.37.910.4_0 | 1    | CD554.37.115        | A06.37.913.4_0 | 1    | GBT5783-M10X30-A3L | A06.37.914.4_1 | 29   |
| CD404.37M.101/10    | A06.37.910.4_0 | 2    | YBT5294-SZ-F-1.4    | A06.37.913.4_0 | 2    | SH400.37.107       | A06.37.915.4_0 | 1    |
| CD554.37.111/20     | A06.37.910.4_0 | 3    | GBT879.1-3X26       | A06.37.913.4_0 | 3    | CD554.37.115       | A06.37.916.4_0 | 1    |
| CD554.37.112        | A06.37.910.4_0 | 4    | GBT879.1-5X26       | A06.37.913.4_0 | 4    | YBT5294-SZ-F-1.4   | A06.37.916.4_0 | 2    |
| CD554.37.115        | A06.37.910.4_0 | 5    | A06.37.001.0        | A06.37.913.4_0 | 5    | GBT879.1-3X26      | A06.37.916.4_0 | 3    |
| SH400.37.147        | A06.37.910.4_0 | 6    | GBT308-8-G100-b     | A06.37.913.4_0 | 6    | GBT879.1-5X26      | A06.37.916.4_0 | 4    |
| SH400.37.148        | A06.37.910.4_0 | 7    | LD700.37.148        | A06.37.913.4_0 | 7    | SH400.37.151       | A06.37.916.4_0 | 5    |
| GBT308-8-G100-b     | A06.37.910.4_0 | 8    | CD554.37.105        | A06.37.913.4_0 | 8    | GBT308-8-G100-b    | A06.37.916.4_0 | 6    |
| GBT879.1-3X26       | A06.37.910.4_0 | 9    | CD404.37J.101/10    | A06.37.913.4_0 | 9    | SH400.37.145       | A06.37.916.4_0 | 7    |
| GBT879.1-5X26       | A06.37.910.4_0 | 10   | GBT93-6-A3L         | A06.37.913.4_0 | 10   | SH400.37.146       | A06.37.916.4_0 | 8    |
| LD700.37.148        | A06.37.910.4_0 | 11   | GBT5783-M6X12-A2L   | A06.37.913.4_0 | 11   | LD700.37.148       | A06.37.916.4_0 | 9    |
| SH400.37.151        | A06.37.910.4_0 | 12   | SH400.37.145        | A06.37.913.4_0 | 12   | CD554.37.105       | A06.37.916.4_0 | 10   |
| YBT5294-SZ-F-1.4    | A06.37.910.4_0 | 13   | GBT93-10-A3L        | A06.37.914.4_1 | 1    | A06.37.001.0       | A06.37.916.4_0 | 11   |
| GBT283-NUP307E      | A06.37.911.4_1 | 1    | GBT276-6307         | A06.37.914.4_1 | 2    | CD554.37.112       | A06.37.916.4_0 | 12   |
| SH400.37J.182       | A06.37.911.4_1 | 2    | SH400.37.102        | A06.37.914.4_1 | 3    | CD404.37.102/10    | A06.37.916.4_0 | 13   |
| SH400.37.103        | A06.37.911.4_1 | 3    | SH400.37.103        | A06.37.914.4_1 | 4    | CD404.42.011       | A06.42.901.4_0 | 1    |
| JBT7918-K35X43X34ZW | A06.37.911.4_1 | 4    | JBT7918-K35X43X34ZW | A06.37.914.4_1 | 5    | SH404.42.124       | A06.42.901.4_0 | 2    |
| SH400.37.111        | A06.37.911.4_1 | 5    | SH400.37.111        | A06.37.914.4_1 | 6    | GBT894.1-48        | A06.42.901.4_0 | 3    |
| SH400.37J.105       | A06.37.911.4_1 | 6    | SH400.37.105        | A06.37.914.4_1 | 7    | GBT93-10-A3L       | A06.42.901.4_0 | 4    |
| SH400.37.106        | A06.37.911.4_1 | 7    | SH400.37.106        | A06.37.914.4_1 | 8    | GBT5783-M10X30-A3L | A06.42.901.4_0 | 5    |
| JBT7918-K20X26X20   | A06.37.911.4_1 | 8    | JBT7918-K20X26X20   | A06.37.914.4_1 | 9    | GBT119.1-10m6X20   | A06.42.901.4_0 | 6    |
| GBT276-6208         | A06.37.911.4_1 | 9    | GBT276-6208         | A06.37.914.4_1 | 10   | GBT5783-M10X35-A3L | A06.42.901.4_0 | 7    |

| 零件编号                   | 结构代码            | 零件顺序 | 零件编号               | 结构代码           | 零件顺序 | 零件编号                         | 结构代码           | 零件顺序 |
|------------------------|-----------------|------|--------------------|----------------|------|------------------------------|----------------|------|
| GBT5783-M10X35-A3L     | A08.42.901.4_0  | 7    | CD554.37.119/20    | A08.37.905.4_1 | 33   | C05.37.008.0                 | A08.37.906.4_2 | 19   |
| A23.45.028.2           | A08.37.003.4/10 | 1    | JBT8870-D15        | A08.37.905.4_1 | 34   | 2.1473.006.2                 | A08.37.906.4_2 | 20   |
| A08.37.006.0/10        | A08.37.003.4/10 | 2    | CD1204.50.103      | A08.37.905.4_1 | 35   | 2.0114.003.2                 | A08.37.906.4_2 | 21   |
| A23.45.028.2           | A08.37.003.4/10 | 1    | CD1204.50.105      | A08.37.905.4_1 | 36   | CD554.37.105                 | A08.37.907.4_0 | 1    |
| A08.37.006.0/10        | A08.37.003.4/10 | 2    | CD554.37.115       | A08.37.906.4_0 | 1    | CD554.37.110/20              | A08.37.907.4_0 | 2    |
| A23.45.028.2           | A08.37.005.4/10 | 1    | YBT5294-SZ-F-1.4   | A08.37.906.4_0 | 2    | CD554.37.111/20              | A08.37.907.4_0 | 3    |
| A08.37.008.0/10        | A08.37.005.4/10 | 2    | GBT879.1-3X26      | A08.37.906.4_0 | 3    | CD554.37.112                 | A08.37.907.4_0 | 4    |
| QCT388-30              | A08.37.903.4_1  | 1    | GBT879.1-5X26      | A08.37.906.4_0 | 4    | CD554.37.115                 | A08.37.907.4_0 | 5    |
| SH400.37.159/10        | A08.37.903.4_1  | 2    | SH400.37.151       | A08.37.906.4_0 | 5    | CD554.37A.150                | A08.37.907.4_0 | 6    |
| QCT410-B               | A08.37.903.4_1  | 3    | GBT308-8-G100-b    | A08.37.906.4_0 | 6    | CD554.37A.151                | A08.37.907.4_0 | 7    |
| CD554.37.102/10        | A08.37.905.4_1  | 1    | GBT5783-M10X20-A3L | A08.37.906.4_0 | 7    | GBT308-8-G100-b              | A08.37.907.4_0 | 8    |
| SH900.37.175           | A08.37.905.4_1  | 2    | GBT93-10-A3L       | A08.37.906.4_0 | 8    | GBT6172.1-M10-A3L            | A08.37.907.4_0 | 9    |
| GBT5783-M10X25-A3L     | A08.37.905.4_1  | 3    | CD554.37.121/10    | A08.37.906.4_0 | 9    | GBT73-M10X50-A3L             | A08.37.907.4_0 | 10   |
| GBT93-10-A3L           | A08.37.905.4_1  | 4    | CD554.37.124       | A08.37.906.4_0 | 10   | GBT879.1-3X26                | A08.37.907.4_0 | 11   |
| GBT5782-M10X80-A3L     | A08.37.905.4_1  | 5    | CD554.37.123       | A08.37.906.4_0 | 11   | GBT879.1-5X26                | A08.37.907.4_0 | 12   |
| CD554.37.107           | A08.37.905.4_1  | 6    | CD554.37.122       | A08.37.906.4_0 | 12   | LD700.37.148                 | A08.37.907.4_0 | 13   |
| LD800.37.126           | A08.37.905.4_1  | 7    | LD700.37.148       | A08.37.906.4_0 | 13   | SH400.37.151                 | A08.37.907.4_0 | 14   |
| GBT894.1-22            | A08.37.905.4_1  | 8    | CD554.37.105       | A08.37.906.4_0 | 14   | YBT5294-SZ-F-1.4             | A08.37.907.4_0 | 15   |
| GBT879.1-8X32          | A08.37.905.4_1  | 9    | CD554.37.108/30    | A08.37.906.4_0 | 15   | SH550.37.151                 | A08.37.909.4_0 | 1    |
| GBT879.1-5X32          | A08.37.905.4_1  | 10   | CD554.37.112       | A08.37.906.4_0 | 16   | SH550.37.014                 | A08.37.909.4_0 | 2    |
| CD554.37.117           | A08.37.905.4_1  | 11   | SH550.37.138       | A08.37.906.4_0 | 17   | SH400.37B.201                | A08.37.909.4_0 | 3    |
| 2.3110.403.2           | A08.37.905.4_1  | 13   | CD554.37.109/20    | A08.37.906.4_0 | 18   | GBT13871.1-FB-040062-F       | A08.37.909.4_0 | 4    |
| 2.1560.010.0           | A08.37.905.4_1  | 14   | CD554.37.115       | A08.37.906.4_2 | 1    | GBT5783-M8X25-A2L            | A08.37.909.4_0 | 5    |
| GBT70.1-M8X20-10.9-A2L | A08.37.905.4_1  | 15   | YBT5294-SZ-F-1.4   | A08.37.906.4_2 | 2    | GBT3452.1-23.6X1.8-G         | A08.37.909.4_0 | 6    |
| CD554.37.120/10        | A08.37.905.4_1  | 16   | 2.1630.251.2       | A08.37.906.4_2 | 3    | GBT276-6208                  | A08.37.909.4_0 | 7    |
| SH900.37.182/10        | A08.37.905.4_1  | 17   | 2.1630.551.2       | A08.37.906.4_2 | 4    | GBT93-8-A3L                  | A08.37.909.4_0 | 8    |
| SH900.37.178/10        | A08.37.905.4_1  | 18   | SH400.37.151       | A08.37.906.4_2 | 5    | A39.37.013.0/20              | A08.37.914.4_3 | 1    |
| CD554.37.106           | A08.37.905.4_1  | 19   | GBT308-8-G100-b    | A08.37.906.4_2 | 6    | GBT119.1-12m6X22             | A08.37.914.4_3 | 2    |
| CD404.37.101           | A08.37.905.4_1  | 20   | 2.0114.307.2       | A08.37.906.4_2 | 7    | GBT119.1-12m6X28             | A08.37.914.4_3 | 3    |
| GBT5783-M8X20-A2L      | A08.37.905.4_1  | 21   | 2.1473.008.2       | A08.37.906.4_2 | 8    | GBT5783-M10X20-A3L           | A08.37.914.4_3 | 4    |
| GBT93-8-A3L            | A08.37.905.4_1  | 22   | CD554.37.121/10    | A08.37.906.4_2 | 9    | GBT5783-M12X50-10.9-A3L      | A08.37.914.4_3 | 5    |
| QCT388-24              | A08.37.905.4_1  | 23   | CD554.37.124       | A08.37.906.4_2 | 10   | GBT6171-M12X1.25-10-A2L      | A08.37.914.4_3 | 6    |
| SH900.37.203           | A08.37.905.4_1  | 24   | CD554.37.123       | A08.37.906.4_2 | 11   | GBT899-AM12X1.25X35-10.9-A2L | A08.37.914.4_3 | 7    |
| SH900.37.191           | A08.37.905.4_1  | 25   | CD554.37.122       | A08.37.906.4_2 | 12   | JBT982-10                    | A08.37.914.4_3 | 8    |
| GBT893.1-40            | A08.37.905.4_1  | 26   | LD700.37.148       | A08.37.906.4_2 | 13   | GBT93-10-A3L                 | A08.37.914.4_3 | 9    |
| SH900.37.174           | A08.37.905.4_1  | 27   | CD554.37.105       | A08.37.906.4_2 | 14   | GBT93-12-A3L                 | A08.37.914.4_3 | 10   |
| CD554.37.104           | A08.37.905.4_1  | 28   | CD554.37.108/30    | A08.37.906.4_2 | 15   | A08.37.012.2                 | A08.37.914.4_3 | 11   |
| CD554.37.103           | A08.37.905.4_1  | 29   | CD554.37.112       | A08.37.906.4_2 | 16   | A39.37.013.0/30              | A08.37.914.4_4 | 1    |
| CD554.37.113/10        | A08.37.905.4_1  | 30   | SH550.37.138       | A08.37.906.4_2 | 17   | GBT119.1-12m6X22             | A08.37.914.4_4 | 2    |
| GBT119.1-10m6X22       | A08.37.905.4_1  | 31   | CD554.37.109/20    | A08.37.906.4_2 | 18   | GBT119.1-12m6X28             | A08.37.914.4_4 | 3    |

| 零件编号                    | 结构代码           | 零件顺序 | 零件编号                    | 结构代码           | 零件顺序 | 零件编号                    | 结构代码           | 零件顺序 |
|-------------------------|----------------|------|-------------------------|----------------|------|-------------------------|----------------|------|
| GBT119.1-12m6X28        | A08.37.914.4_4 | 3    | SH400.56.140            | A08.56.902.4_2 | 4    | GBT93-10-A3L            | A23.48.912.4_1 | 6    |
| 2.0114.307.2            | A08.37.914.4_4 | 4    | SH400.56.139            | A08.56.902.4_2 | 5    | GBT6170-M10-A3L         | A23.48.912.4_1 | 7    |
| GBT5783-M12X50-10.9-A3L | A08.37.914.4_4 | 5    | SH400.56.017/10         | A08.56.902.4_2 | 6    | SH550.21A.011           | A39.21.903.4_0 | 1    |
| GBT6171-M12X1.25-10-A2L | A08.37.914.4_4 | 6    | SH400.56.144            | A08.56.902.4_2 | 7    | SH550.21A.012           | A39.21.903.4_0 | 1    |
| 2.0433.259.2            | A08.37.914.4_4 | 7    | GBT882-B18X60-A3L       | A08.56.902.4_2 | 8    | SH550.21A.013           | A39.21.903.4_0 | 1    |
| 2.1560.005.0            | A08.37.914.4_4 | 8    | SH400.56.138            | A08.56.902.4_2 | 9    | GBT93-10-A3L            | A39.21.903.4_0 | 2    |
| GBT93-10-A3L            | A08.37.914.4_4 | 9    | SH400.56.145            | A08.56.902.4_2 | 11   | GBT5783-M10X45-10.9-A3L | A39.21.903.4_0 | 3    |
| GBT93-12-A3L            | A08.37.914.4_4 | 10   | GBT889.1-M20-A3L        | A08.56.902.4_2 | 12   | A23.21.001.0/10         | A39.21.904.4_2 | 1    |
| A08.37.012.2            | A08.37.914.4_4 | 11   | SH400.56.016            | A08.56.902.4_2 | 13   | CD554.21.014/10         | A39.21.904.4_2 | 2    |
| 2.3110.406.2            | A08.37.915.4_0 | 1    | GBT97.1-20-A3L          | A08.56.902.4_2 | 14   | GBT70.1-M8X45-A2L       | A39.21.904.4_2 | 3    |
| 2.1560.016.0            | A08.37.915.4_0 | 2    | GBT97.1-18-A3L          | A08.56.902.4_2 | 15   | GBT6170-M8-A2L          | A39.21.904.4_2 | 4    |
| A11.38.023.0            | A08.38.910.4_0 | 1    | GBT91-5X40-A3L          | A08.56.902.4_2 | 16   | JBT7940.1-M8X1          | A39.21.904.4_2 | 5    |
| 2.1560.008.0            | A08.40.907.4_1 | 1    | GBT97.1-24-A3L          | A08.56.911.4_0 | 1    | SH400.21.102            | A39.21.904.4_2 | 6    |
| A39.40.013.0/10         | A08.40.907.4_1 | 2    | SH550.56.102            | A08.56.911.4_0 | 2    | SH400.21.103            | A39.21.904.4_2 | 7    |
| A08.40.032.3            | A08.40.907.4_1 | 3    | SH400.56.144            | A08.56.911.4_0 | 3    | SH400.21.113            | A39.21.904.4_2 | 8    |
| A39.40.008.3            | A08.40.907.4_1 | 4    | SH550.56B.012/10        | A08.56.911.4_0 | 4    | SH400.21B.101           | A39.21.904.4_2 | 9    |
| A08.40.033.3            | A08.40.907.4_1 | 5    | SH550.56B.115           | A08.56.911.4_0 | 5    | YBT5294-SZ-F-1.4        | A39.21.904.4_2 | 10   |
| A08.40.034.3            | A08.40.907.4_1 | 6    | GBT93-16-A3L            | A08.56.912.4_2 | 1    | GBT3452.1-20X2.65-G     | A39.21.904.4_2 | 11   |
| A08.40.035.0            | A08.40.907.4_1 | 7    | SH550.56B.015           | A08.56.912.4_2 | 2    | LD800.43.132            | A39.21.905.4_0 | 1    |
| A08.40.036.0            | A08.40.907.4_1 | 8    | GBT5783-M16X45-10.9-A3L | A08.56.912.4_2 | 3    | CD554.21.110            | A39.21.905.4_0 | 2    |
| A23.45.076.4/10         | A08.42.901.4_2 | 1    | SH400.56.139            | A08.56.912.4_2 | 4    | GBT894.1-30             | A39.21.905.4_0 | 3    |
| GBT6172.1-M10-A3L       | A08.42.901.4_2 | 2    | SH400.56.144            | A08.56.912.4_2 | 5    | SH900.21.118            | A39.21.905.4_0 | 4    |
| CD554.42.103-1          | A08.42.901.4_2 | 3    | SH400.56.140            | A08.56.912.4_2 | 6    | GBT6172.1-M8-A2L        | A39.21.905.4_0 | 5    |
| LD800.41.104            | A08.42.901.4_2 | 4    | SH550.56B.014/10        | A08.56.912.4_2 | 7    | CD554.21.012/10         | A39.21.905.4_0 | 6    |
| GBT5783-M6X16-A2L       | A08.42.901.4_2 | 5    | GBT882-B18X60-A3L       | A08.56.912.4_2 | 8    | CD554.21.013            | A39.21.905.4_0 | 7    |
| GBT93-6-A3L             | A08.42.901.4_2 | 6    | SH400.56.138            | A08.56.912.4_2 | 9    | GBT97.1-10-A3L          | A39.21.905.4_0 | 8    |
| GBT97.1-6-A3L           | A08.42.901.4_2 | 7    | SH400.56.145            | A08.56.912.4_2 | 11   | GBT93-10-A3L            | A39.21.905.4_0 | 9    |
| SH404.42.114            | A08.42.901.4_2 | 8    | GBT889.1-M20-A3L        | A08.56.912.4_2 | 12   | GBT5783-M10X25-A3L      | A39.21.905.4_0 | 10   |
| GBT882-B10X32-A3L       | A08.42.901.4_2 | 9    | SH550.56B.016           | A08.56.912.4_2 | 13   | JBT7940.1-M8X1          | A39.21.905.4_0 | 11   |
| GBT91-3.2X18-A3L        | A08.42.901.4_2 | 10   | GBT97.1-20-A3L          | A08.56.912.4_2 | 14   | GBT6170-M10-A3L         | A39.21.905.4_0 | 12   |
| SH400.43.108            | A08.42.901.4_2 | 11   | GBT97.1-18-A3L          | A08.56.912.4_2 | 15   | SH900.43.103            | A39.21.905.4_0 | 13   |
| GBT97.1-10-A3L          | A08.42.901.4_2 | 12   | GBT91-5X40-A3L          | A08.56.912.4_2 | 16   | CD554.21.011/10         | A39.21.905.4_0 | 14   |
| SH550.56.102            | A08.56.901.4_1 | 1    | A39.48.007.0/10         | A11.48.914.4_0 | 1    | GBT91-3.2X20-A3L        | A39.21.905.4_0 | 15   |
| SH400.56.144            | A08.56.901.4_1 | 2    | SH900.48.057            | A11.48.914.4_0 | 2    | GBT6173-M10X1-A2L       | A39.21.905.4_0 | 16   |
| SH550.56.015/10         | A08.56.901.4_1 | 3    | A39.48.034.0            | A11.48.914.4_0 | 3    | CD554.21.109            | A39.21.905.4_0 | 17   |
| SH400.56.146            | A08.56.901.4_1 | 4    | CD554.48.105            | A23.48.912.4_1 | 1    | CD554.21.010/10         | A39.21.905.4_0 | 18   |
| GBT97.1-22-A3L          | A08.56.901.4_1 | 5    | A39.48.026.0/10         | A23.48.912.4_1 | 2    | LD800.21.107            | A39.21.905.4_0 | 19   |
| GBT97.1-24-A3L          | A08.56.901.4_1 | 6    | A39.48.044.0            | A23.48.912.4_1 | 3    | CD554.21.107/10         | A39.21.905.4_0 | 20   |
| GBT93-16-A3L            | A08.56.902.4_2 | 1    | GBT5783-M10X25-A3L      | A23.48.912.4_1 | 4    | GBT882-B10X32-A3L       | A39.21.905.4_0 | 21   |
| GBT5783-M16X45-10.9-A3L | A08.56.902.4_2 | 2    | GBT97.1-10-A3L          | A23.48.912.4_1 | 5    | SH900.21.108            | A39.21.905.4_0 | 22   |

| 零件编号                         | 结构代码           | 零件顺序 | 零件编号                 | 结构代码           | 零件顺序 | 零件编号                   | 结构代码           | 零件顺序 |
|------------------------------|----------------|------|----------------------|----------------|------|------------------------|----------------|------|
| SH900.21.108                 | A39.21.905.4_0 | 22   | GBT93-12-A3L         | A39.37.903.4_3 | 10   | GBT5783-M8X12-A2L      | A39.38.907.4_2 | 7    |
| SH900.21.117                 | A39.21.905.4_0 | 23   | A08.37.012.2         | A39.37.903.4_3 | 11   | SH400.38.142           | A39.38.907.4_2 | 8    |
| A39.37.005.0                 | A39.37.006.4   | 1    | SH900.37.016/10      | A39.38.904.4_1 | 1    | CD554.38.101           | A39.38.910.4_1 | 1    |
| SH400.37.170                 | A39.37.006.4   | 2    | 2.1560.016.0         | A39.38.904.4_1 | 2    | CD554.38.103           | A39.38.910.4_1 | 2    |
| A11.37.141.2/10              | A39.37.900.4_6 | 1    | 2.1560.024.0         | A39.38.904.4_1 | 3    | GBT91-4X36-A3L         | A39.38.910.4_1 | 3    |
| GBT818-M5X16-A2L             | A39.37.900.4_6 | 2    | A08.38.001.3/10      | A39.38.904.4_1 | 4    | GBT93-10-A3L           | A39.38.910.4_1 | 4    |
| GBT97.1-5-A3L                | A39.37.900.4_6 | 3    | A08.38.002.2         | A39.38.904.4_1 | 5    | GBT308-9.5-G100-b      | A39.38.910.4_1 | 5    |
| CD554.37.056/20              | A39.37.900.4_6 | 4    | CD404.38J.013/20     | A39.38.904.4_1 | 6    | GBT5783-M10X30-A3L     | A39.38.910.4_1 | 6    |
| GBT882-B8X30-A3L             | A39.37.900.4_6 | 5    | GBT70.1-M8X55-A2L    | A39.38.904.4_1 | 7    | GBT13871.1-FB-016030-D | A39.38.910.4_1 | 7    |
| GBT91-3.2X18-A3L             | A39.37.900.4_6 | 6    | GBT93-8-A3L          | A39.38.904.4_1 | 8    | SH400.38J.203          | A39.38.910.4_1 | 8    |
| A39.37.002.2                 | A39.37.900.4_6 | 7    | GBT93-10-A3L         | A39.38.904.4_1 | 9    | SH400.38J.218          | A39.38.910.4_1 | 9    |
| GBT894.1-20                  | A39.37.900.4_6 | 8    | SH400.38.125         | A39.38.904.4_1 | 10   | SH400.41.119           | A39.38.910.4_1 | 10   |
| GBT97.1-20-A3L               | A39.37.900.4_6 | 9    | LE1204.38.128        | A39.38.904.4_1 | 11   | SH550.38J.014-1        | A39.38.910.4_1 | 11   |
| LD800.37.172-1               | A39.37.900.4_6 | 10   | GBT3452.1-45X1.8-G   | A39.38.904.4_1 | 12   | CD554.38.101           | A39.38.910.4_5 | 1    |
| A39.37.001.2/20              | A39.37.900.4_6 | 11   | GBT5783-M10X25-A3L   | A39.38.904.4_1 | 13   | CD554.38.103           | A39.38.910.4_5 | 2    |
| GBT882-B8X50-A3L             | A39.37.900.4_6 | 12   | GBT5783-M10X60-A3L   | A39.38.904.4_1 | 14   | 2.1690.413.2           | A39.38.910.4_5 | 3    |
| A39.37.004.0                 | A39.37.900.4_6 | 13   | SH900.37.016/10      | A39.38.904.4_3 | 1    | 2.1473.008.2           | A39.38.910.4_5 | 4    |
| CD554.37.055                 | A39.37.900.4_6 | 14   | 2.1560.016.0         | A39.38.904.4_3 | 2    | GBT308-9.5-G100-b      | A39.38.910.4_5 | 5    |
| GBT879.1-6X26                | A39.37.900.4_6 | 15   | 2.1560.024.0         | A39.38.904.4_3 | 3    | 2.0114.311.2           | A39.38.910.4_5 | 6    |
| CD554.37.054/10              | A39.37.900.4_6 | 18   | A08.38.001.3/10      | A39.38.904.4_3 | 4    | GBT13871.1-FB-016030-D | A39.38.910.4_5 | 7    |
| GBT5783-M10X20-A3L           | A39.37.900.4_6 | 19   | A08.38.002.2         | A39.38.904.4_3 | 5    | SH400.38J.203/20       | A39.38.910.4_5 | 8    |
| GBT97.1-8-A3L                | A39.37.900.4_6 | 20   | A39.38.010.3/10      | A39.38.904.4_3 | 6    | SH400.38J.218/10       | A39.38.910.4_5 | 9    |
| CD554.37.051-1               | A39.37.900.4_6 | 21   | 2.0312.206.2         | A39.38.904.4_3 | 7    | SH400.41.119           | A39.38.910.4_5 | 10   |
| CD454.37.012                 | A39.37.900.4_6 | 22   | 2.1473.007.2         | A39.38.904.4_3 | 8    | SH550.38J.014-1        | A39.38.910.4_5 | 11   |
| GBT6170-M10-A3L              | A39.37.900.4_6 | 23   | 2.1473.008.2         | A39.38.904.4_3 | 9    | A39.41.006.0           | A39.38.910.4_5 | 12   |
| A08.37.004.4/10              | A39.37.900.4_6 | 24   | SH400.38.125         | A39.38.904.4_3 | 10   | 2.0312.106.2           | A39.38.910.4_5 | 13   |
| A08.37.003.4/10              | A39.37.900.4_6 | 25   | LE1204.38.128        | A39.38.904.4_3 | 11   | C60.37.012.0           | A39.38.910.4_5 | 14   |
| A39.37.003.0/10              | A39.37.900.4_6 | 26   | GBT3452.1-45X1.8-G   | A39.38.904.4_3 | 12   | GBT879.1-3.5X40        | A39.38.911.4_1 | 1    |
| GBT5783-M8X16-A2L            | A39.37.900.4_6 | 27   | 2.0114.309.2         | A39.38.904.4_3 | 13   | GBT879.1-6X40          | A39.38.911.4_1 | 2    |
| GBT93-10-A3L                 | A39.37.900.4_6 | 28   | 2.0114.319.2         | A39.38.904.4_3 | 14   | GBT3452.1-15X2.65-G    | A39.38.911.4_1 | 3    |
| GBT879.1-5X35                | A39.37.900.4_6 | 30   | A08.58.080.0         | A39.38.906.4_0 | 1    | SH400.38.158           | A39.38.911.4_1 | 4    |
| GBT879.1-8X35                | A39.37.900.4_6 | 31   | GBT93-8-A3L          | A39.38.906.4_0 | 2    | QCT388-20              | A39.38.911.4_1 | 5    |
| A39.37.014.0/20              | A39.37.903.4_3 | 1    | GBT5783-M8X20-A2L    | A39.38.906.4_0 | 3    | SH400.38.159           | A39.38.911.4_1 | 6    |
| GBT119.1-12m6X22             | A39.37.903.4_3 | 2    | GBT3452.1-35.5X1.8-G | A39.38.906.4_0 | 4    | SH400.38.160           | A39.38.911.4_1 | 7    |
| GBT119.1-12m6X28             | A39.37.903.4_3 | 3    | GBT5783-M10X30-A3L   | A39.38.907.4_2 | 1    | SH400.38.190           | A39.38.911.4_1 | 8    |
| GBT5783-M10X20-A3L           | A39.37.903.4_3 | 4    | GBT93-10-A3L         | A39.38.907.4_2 | 2    | CD554.38.010           | A39.38.913.4_1 | 1    |
| GBT5783-M12X50-10.9-A3L      | A39.37.903.4_3 | 5    | SH400.38.177         | A39.38.907.4_2 | 3    | GBT882-B8X24-A3L       | A39.38.913.4_1 | 2    |
| GBT6171-M12X1.25-10-A2L      | A39.37.903.4_3 | 6    | SH400.38.011A        | A39.38.907.4_2 | 4    | GBT97.1-8-A3L          | A39.38.913.4_1 | 3    |
| GBT899-AM12X1.25X35-10.9-A2L | A39.37.903.4_3 | 7    | SH400.38.151         | A39.38.907.4_2 | 5    | GBT91-3.2X20-A3L       | A39.38.913.4_1 | 4    |
| JBT982-10                    | A39.37.903.4_3 | 8    | SH400.38.161         | A39.38.907.4_2 | 6    | CD554.38.011/10        | A39.38.913.4_1 | 5    |

| 零件编号                        | 结构代码           | 零件顺序 | 零件编号                    | 结构代码           | 零件顺序 | 零件编号                  | 结构代码           | 零件顺序 |
|-----------------------------|----------------|------|-------------------------|----------------|------|-----------------------|----------------|------|
| CD554.38.011/10             | A39.38.913.4_1 | 5    | 2.7099.660.0/10         | A39.40.902.4_4 | 17   | LD800.41.104          | A39.41.900.4_5 | 12   |
| GBT879.1-6X35               | A39.38.913.4_1 | 6    | GBT5783-M12X35-10.9-A3L | A39.40.902.4_4 | 18   | SH404.42.114          | A39.41.900.4_5 | 13   |
| GBT879.1-3.5X35             | A39.38.913.4_1 | 7    | C24.40.004.3/10         | A39.40.902.4_4 | 19   | 2.1630.351.2          | A39.41.900.4_5 | 14   |
| A08.58.080.0                | A39.38.920.4_0 | 1    | CD554.58.017            | A39.40.902.4_4 | 20   | A39.41.004.4/10       | A39.41.901.4_3 | 1    |
| GBT93-8-A3L                 | A39.38.920.4_0 | 2    | A08.58.015.0            | A39.40.902.4_4 | 21   | GBT6172.1-M10-A3L     | A39.41.901.4_3 | 2    |
| GBT5783-M8X20-A2L           | A39.38.920.4_0 | 3    | GBT3452.1-30X2.65-G     | A39.40.902.4_4 | 22   | GBT5783-M6X20-A2L     | A39.41.901.4_3 | 3    |
| GBT3452.1-35.5X1.8-G        | A39.38.920.4_0 | 4    | GBT6170-M8-A2L          | A39.40.902.4_4 | 23   | GBT93-6-A3L           | A39.41.901.4_3 | 4    |
| GBT119.1-6h8X16             | A39.39.908.4_1 | 1    | GBT5783-M10X16-A3L      | A39.40.902.4_4 | 24   | GBT97.1-6-A3L         | A39.41.901.4_3 | 5    |
| GBT5786-M16X1.5X85-10.9-A3L | A39.39.908.4_1 | 2    | GBT5783-M8X20-A2L       | A39.40.902.4_4 | 25   | SH404.42.114          | A39.41.901.4_3 | 6    |
| GBT5786-M18X1.5X50-10.9-A3L | A39.39.908.4_1 | 3    | C24.40.007.0            | A39.40.902.4_4 | 26   | LD800.41.104          | A39.41.901.4_3 | 7    |
| GBT6176-M16X1.5-10-A3L      | A39.39.908.4_1 | 4    | GB/T 5783               | A39.40.903.4_0 | 1    | A39.41.001.3/20       | A39.41.901.4_3 | 8    |
| SH704-1.34.101              | A39.39.908.4_1 | 5    | GB/T 93                 | A39.40.903.4_0 | 2    | GBT882-B10X28-A3L     | A39.41.901.4_3 | 9    |
| SH704-1.34.102/10           | A39.39.908.4_1 | 6    | CD554.40.012/10         | A39.40.903.4_0 | 3    | GBT97.1-10-A3L        | A39.41.901.4_3 | 10   |
| SH704-1.34.103              | A39.39.908.4_1 | 7    | GB/T 70.1               | A39.40.903.4_0 | 4    | GBT91-3.2X18-A3L      | A39.41.901.4_3 | 11   |
| SH704-1.34.104              | A39.39.908.4_1 | 8    | CD304.40.024            | A39.40.905.4_0 | 1    | CD554.41.012-1        | A39.41.901.4_3 | 12   |
| SH704-1.34.105              | A39.39.908.4_1 | 9    | A39.41.002.4/10         | A39.41.900.4_4 | 1    | GBT879.1-3.5X26       | A39.41.901.4_3 | 13   |
| 2.1651.507.0                | A39.39.908.4_2 | 1    | GBT6172.1-M10-A3L       | A39.41.900.4_4 | 2    | GBT879.1-6X26         | A39.41.901.4_3 | 14   |
| GBT5786-M16X1.5X85-10.9-A3L | A39.39.908.4_2 | 2    | GBT5783-M6X20-A2L       | A39.41.900.4_4 | 3    | A39.41.004.4/10       | A39.41.901.4_4 | 1    |
| 2.0125.608.2                | A39.39.908.4_2 | 3    | GBT93-6-A3L             | A39.41.900.4_4 | 4    | 2.1011.206.2          | A39.41.901.4_4 | 2    |
| 2.1012.309.2                | A39.39.908.4_2 | 4    | GBT97.1-6-A3L           | A39.41.900.4_4 | 5    | 2.0114.007.2          | A39.41.901.4_4 | 3    |
| SH704-1.34.101/10           | A39.39.908.4_2 | 5    | A39.41.001.3/20         | A39.41.900.4_4 | 6    | 2.1473.006.2          | A39.41.901.4_4 | 4    |
| SH704-1.34.102/10           | A39.39.908.4_2 | 6    | GBT882-B10X28-A3L       | A39.41.900.4_4 | 7    | 2.1310.002.2          | A39.41.901.4_4 | 5    |
| SH704-1.34.103              | A39.39.908.4_2 | 7    | GBT97.1-10-A3L          | A39.41.900.4_4 | 8    | SH404.42.114          | A39.41.901.4_4 | 6    |
| SH704-1.34.104              | A39.39.908.4_2 | 8    | GBT91-3.2X18-A3L        | A39.41.900.4_4 | 9    | LD800.41.104          | A39.41.901.4_4 | 7    |
| SH704-1.34.105              | A39.39.908.4_2 | 9    | CD554.41.012-1          | A39.41.900.4_4 | 10   | A39.41.001.3/30       | A39.41.901.4_4 | 8    |
| JBT8870-D32                 | A39.40.902.4_4 | 1    | GBT879.1-6X26           | A39.41.900.4_4 | 11   | 2.1671.407.2          | A39.41.901.4_4 | 9    |
| CD704-1A.583.102            | A39.40.902.4_4 | 2    | LD800.41.104            | A39.41.900.4_4 | 12   | 2.1310.006.2          | A39.41.901.4_4 | 10   |
| SH400.58.112                | A39.40.902.4_4 | 3    | SH404.42.114            | A39.41.900.4_4 | 13   | 2.1690.307.2          | A39.41.901.4_4 | 11   |
| C24.40.003.3/10             | A39.40.902.4_4 | 4    | GBT879.1-3.5X26         | A39.41.900.4_4 | 14   | CD554.41.012-1        | A39.41.901.4_4 | 12   |
| 2.1560.018.0                | A39.40.902.4_4 | 5    | A39.41.002.4/10         | A39.41.900.4_5 | 1    | 2.1630.351.2          | A39.41.901.4_4 | 13   |
| A39.40.020.0/10             | A39.40.902.4_4 | 6    | 2.1011.206.2            | A39.41.900.4_5 | 2    | 2.1630.651.2          | A39.41.901.4_4 | 14   |
| A39.40.021.3                | A39.40.902.4_4 | 7    | 2.0114.007.2            | A39.41.900.4_5 | 3    | SH400.41.119          | A39.41.902.4_2 | 1    |
| GBT5783-M10X20-A3L          | A39.40.902.4_4 | 8    | 2.1473.006.2            | A39.41.900.4_5 | 4    | SH400.41.118          | A39.41.902.4_2 | 2    |
| GBT93-10-A3L                | A39.40.902.4_4 | 9    | 2.1310.002.2            | A39.41.900.4_5 | 5    | SH400.41.117          | A39.41.902.4_2 | 3    |
| SH904.58.170                | A39.40.902.4_4 | 10   | A39.41.001.3/30         | A39.41.900.4_5 | 6    | SH400.41.116          | A39.41.902.4_2 | 4    |
| A39.40.018.3/30             | A39.40.902.4_4 | 11   | 2.1671.407.2            | A39.41.900.4_5 | 7    | SH400.41.011          | A39.41.902.4_2 | 5    |
| CD704-1B.40.104             | A39.40.902.4_4 | 12   | 2.1310.006.2            | A39.41.900.4_5 | 8    | GBT5783-M8X20-A2L     | A39.41.902.4_2 | 6    |
| GBT93-8-A3L                 | A39.40.902.4_4 | 13   | 2.1690.307.2            | A39.41.900.4_5 | 9    | GBT3452.1-11.2X2.65-G | A39.41.902.4_2 | 7    |
| A39.40.019.3/10             | A39.40.902.4_4 | 14   | CD554.41.012-1          | A39.41.900.4_5 | 10   | GBT308-9.5-G100-b     | A39.41.902.4_2 | 8    |
| GBT3452.1-19X2.65-G         | A39.40.902.4_4 | 15   | 2.1630.651.2            | A39.41.900.4_5 | 11   | GBT93-8-A3L           | A39.41.902.4_2 | 9    |

| 零件编号                   | 结构代码           | 零件顺序 | 零件编号              | 结构代码           | 零件顺序 | 零件编号                    | 结构代码            | 零件顺序 |
|------------------------|----------------|------|-------------------|----------------|------|-------------------------|-----------------|------|
| GBT93-8-A3L            | A39.41.902.4_2 | 9    | LD800.43.102      | A39.43.903.4_0 | 7    | GBT6170-M10-A3L         | A39.43.906.4_0  | 13   |
| GBT91-2.5x25-A3L       | A39.41.902.4_2 | 10   | GBT879.1-6X45     | A39.43.903.4_0 | 8    | LD800.43.117            | A39.43.906.4_0  | 14   |
| A39.41.006.0           | A39.41.902.4_2 | 11   | GBT879.1-10X45    | A39.43.903.4_0 | 9    | LD800.43.013            | A39.43.906.4_0  | 15   |
| SH400.41.114           | A39.41.903.4_1 | 1    | LD800.43.105      | A39.43.903.4_0 | 10   | GBT6170-M8-A2L          | A39.43.906.4_0  | 16   |
| SH400.41.113           | A39.41.903.4_1 | 2    | CD554.43.103/10   | A39.43.903.4_0 | 11   | GBT93-8-A3L             | A39.43.906.4_0  | 17   |
| SH400.41.110           | A39.41.903.4_1 | 3    | GBT97.1-30-A3L    | A39.43.903.4_0 | 12   | A71.45.001.3/10         | A39.45.935.4_2  | 1    |
| SH400.41.107           | A39.41.903.4_1 | 4    | GBT894.1-30       | A39.43.903.4_0 | 13   | GBT97.1-12-A3L          | A39.45.935.4_2  | 2    |
| SH400.41.106           | A39.41.903.4_1 | 5    | GBT5783-M8X25-A2L | A39.43.904.4_1 | 1    | GBT93-12-A3L            | A39.45.935.4_2  | 3    |
| JBT7918-K35X40X27      | A39.41.903.4_1 | 6    | GBT93-8-A3L       | A39.43.904.4_1 | 2    | GBT5783-M12X30-10.9-A3L | A39.45.935.4_2  | 4    |
| JBT7918-K40X46X34ZW    | A39.41.903.4_1 | 7    | GBT97.1-8-A3L     | A39.43.904.4_1 | 3    | GBT5783-M6X35-A2L       | A39.45.937.4_1  | 1    |
| GBT894.1-40            | A39.41.903.4_1 | 8    | GBT5783-M8X30-A2L | A39.43.904.4_1 | 4    | GBT93-6-A3L             | A39.45.937.4_1  | 2    |
| GBT858-25              | A39.41.903.4_1 | 9    | GBT6170-M8-A2L    | A39.43.904.4_1 | 5    | GBT97.1-6-A3L           | A39.45.937.4_1  | 3    |
| GBT812-M25X1.5         | A39.41.903.4_1 | 10   | GBT5783-M8X35-A2L | A39.43.904.4_1 | 6    | GBT818-M5X16-A2L        | A39.45.937.4_1  | 4    |
| GBT305-90/96.5         | A39.41.903.4_1 | 11   | CD554.43.026      | A39.43.904.4_1 | 7    | GBT93-5-A3L             | A39.45.937.4_1  | 5    |
| GBT276-6309            | A39.41.903.4_1 | 12   | CD554.43.021/10   | A39.43.904.4_1 | 8    | GBT97.1-5-A3L           | A39.45.937.4_1  | 6    |
| GBT276-6308N           | A39.41.903.4_1 | 13   | GBT91-3.2X22-A3L  | A39.43.904.4_1 | 9    | A39.45.147.0            | A39.45.937.4_1  | 7    |
| GBT276-6306            | A39.41.903.4_1 | 14   | GBT97.1-10-A3L    | A39.43.904.4_1 | 10   | A39.45.037.0            | A39.45.937.4_1  | 8    |
| GBT276-6208            | A39.41.903.4_1 | 15   | GBT882-B10X45-A3L | A39.43.904.4_1 | 11   | A39.45.269.0            | A39.45.937.4_1  | 9    |
| SH704-1.37.115-1       | A39.41.903.4_1 | 16   | CD554.43.022/10   | A39.43.904.4_1 | 12   | A39.45.036.0/20         | A39.45.938.4_3  | 1    |
| SH400.41.105           | A39.41.904.4_1 | 1    | CD554.43.023/10   | A39.43.904.4_1 | 13   | A39.45.138.0            | A39.45.938.4_3  | 2    |
| SH400.41.101A          | A39.41.904.4_1 | 2    | CD554.43.101      | A39.43.904.4_1 | 14   | A39.45.139.0            | A39.45.938.4_3  | 3    |
| GBT13871.1-FB-050072-D | A39.41.904.4_1 | 3    | GBT882-B10X30-A3L | A39.43.904.4_1 | 15   | GBT96.1-10-A3L          | A39.45.938.4_3  | 4    |
| GBT5782-M12X55-A3L     | A39.41.904.4_1 | 5    | GBT894.1-30       | A39.43.906.4_0 | 1    | GBT5783-M10X25-A3L      | A39.45.938.4_3  | 5    |
| GBT93-12-A3L           | A39.41.904.4_1 | 6    | LD800.43.130      | A39.43.906.4_0 | 2    | A39.45.270.0            | A39.45.938.4_3  | 6    |
| SH400.41.102A          | A39.41.906.4_1 | 1    | CD454.43.014      | A39.43.906.4_0 | 3    | A39.45.271.0            | A39.45.938.4_3  | 7    |
| A39.41.027.2/10        | A39.41.906.4_1 | 2    | LD800.43.132      | A39.43.906.4_0 | 4    | A39.45.125.0            | A39.45.939.4_0  | 1    |
| GBT5783-M12X30-A3L     | A39.41.906.4_1 | 4    | GBT91-3.2X22-A3L  | A39.43.906.4_0 | 5    | GBT97.1-5-A3L           | A39.45.939.4_0  | 2    |
| GBT96-12-A3L           | A39.41.906.4_1 | 5    | GBT97.1-10-A3L    | A39.43.906.4_0 | 6    | GBT818-M5X16-A2L        | A39.45.939.4_0  | 3    |
| GBT93-12-A3L           | A39.41.906.4_1 | 6    | LD800.43.109      | A39.43.906.4_0 | 7    | GBT5783-M6X20-A2L       | A39.45.942.4_02 | 1    |
| CD554A.41.101/10       | A39.41.907.4_0 | 1    | GBT882-B10X30-A3L | A39.43.906.4_0 | 8    | GBT93-6-A3L             | A39.45.942.4_02 | 2    |
| CD554A.41.102/10       | A39.41.907.4_0 | 2    | LD800.43.129      | A39.43.906.4_0 | 9    | CD554.45.223            | A39.45.942.4_02 | 3    |
| CD554A.41.103/10       | A39.41.907.4_0 | 3    | CD454.43.016      | A39.43.906.4_0 | 10   | GBT97.1-6-A3L           | A39.45.942.4_02 | 4    |
| SH550.41A.101          | A39.41.908.4_0 | 1    | CD454.43.110      | A39.43.906.4_0 | 10   | GBT5783-M5X20-A2L       | A39.45.942.4_02 | 5    |
| SH550.41A.102          | A39.41.908.4_0 | 2    | 2.4019.586.2      | A39.43.906.4_0 | 10   | GBT93-5-A3L             | A39.45.942.4_02 | 6    |
| SH704-1.41.102         | A39.41.908.4_0 | 3    | CD454.43.015      | A39.43.906.4_0 | 10   | GBT97.1-5-A3L           | A39.45.942.4_02 | 7    |
| CD554.43.019-1         | A39.43.903.4_0 | 1    | GBT879.1-5X40     | A39.43.906.4_0 | 10   | CD554.45.204-1          | A39.45.942.4_02 | 8    |
| A39.43.008.0           | A39.43.903.4_0 | 2    | GBT12618.1-3X10   | A39.43.906.4_0 | 11   | CD554.45.205            | A39.45.942.4_02 | 9    |
| A39.43.007.0           | A39.43.903.4_0 | 3    | 0.020.3812.2      | A39.43.906.4_0 | 11   | CD554.45.206-1          | A39.45.942.4_02 | 10   |
| GBT97.1-10-A3L         | A39.43.903.4_0 | 4    | CD554.43.104/10   | A39.43.906.4_0 | 11   | CD554.45.222-1          | A39.45.942.4_02 | 11   |
| GBT93-10-A3L           | A39.43.903.4_0 | 5    | LD800.43.106      | A39.43.906.4_0 | 12   | A39.45.192.0/10         | A39.45.942.4_02 | 12   |

| 零件编号              | 结构代码            | 零件顺序 | 零件编号               | 结构代码           | 零件顺序 | 零件编号               | 结构代码           | 零件顺序 |
|-------------------|-----------------|------|--------------------|----------------|------|--------------------|----------------|------|
| A39.45.192.0/10   | A39.45.942.4_02 | 12   | GBT818-M6X16-A2L   | A39.45.949.4_0 | 3    | 2.1475.003.2       | A39.45.954.4_0 | 13   |
| CD554.45.200      | A39.45.942.4_02 | 13   | GBT97.1-6-A3L      | A39.45.949.4_0 | 4    | GBT97.1-10-A3L     | A39.45.954.4_0 | 14   |
| SH900.45A.205     | A39.45.942.4_02 | 14   | GBT96.1-6-A3L      | A39.45.949.4_0 | 5    | 2.2841.071.0       | A39.45.954.4_0 | 15   |
| CD554.45.224      | A39.45.942.4_02 | 15   | A39.45.170.0/20    | A39.45.951.4_1 | 1    | GBT889.1-M10-A3L   | A39.45.954.4_0 | 16   |
| A39.45.149.0      | A39.45.942.4_02 | 16   | GBT846-ST4.8X16    | A39.45.951.4_1 | 2    | GBT96.1-10-A3L     | A39.45.954.4_0 | 17   |
| A39.45.151.0      | A39.45.942.4_02 | 17   | A39.45.143.2       | A39.45.951.4_1 | 3    | 0.016.6279.0       | A39.45.954.4_0 | 18   |
| A39.45.150.0      | A39.45.942.4_02 | 18   | C05.45.029.4       | A39.45.951.4_1 | 4    | 2.6569.073.0       | A39.45.954.4_0 | 19   |
| A39.45.234.0      | A39.45.942.4_02 | 19   | A39.45.273.0       | A39.45.951.4_1 | 5    | A39.45.094.0       | A39.45.954.4_0 | 20   |
| A39.45.203.0      | A39.45.942.4_02 | 20   | A39.45.128.0       | A39.45.951.4_1 | 6    | A23.45.095.0       | A39.45.954.4_0 | 21   |
| A39.45.198.4      | A39.45.944.4_0  | 1    | A39.45.034.0/10    | A39.45.951.4_1 | 7    | 0.020.3772.0       | A39.45.954.4_0 | 22   |
| A39.45.145.4      | A39.45.945.4_0  | 1    | GBT818-M8X16-A2L   | A39.45.951.4_1 | 8    | 2.0332.407.3       | A39.45.954.4_0 | 23   |
| A39.45.146.4      | A39.45.945.4_0  | 2    | GBT97.1-8-A3L      | A39.45.951.4_1 | 9    | GBT93-6-A3L        | A39.45.954.4_0 | 24   |
| A39.45.119.0      | A39.45.947.4_0  | 1    | GBT818-M6X16-A2L   | A39.45.951.4_1 | 10   | GBT97.1-6-A3L      | A39.45.954.4_0 | 25   |
| A39.45.120.0      | A39.45.947.4_0  | 2    | GBT97.1-6-A3L      | A39.45.951.4_1 | 11   | 2.0332.409.2       | A39.45.954.4_0 | 26   |
| A39.45.121.0      | A39.45.947.4_0  | 3    | C05.45.028.0       | A39.45.951.4_1 | 12   | GBT6170-M6-A2L     | A39.45.954.4_0 | 27   |
| A39.45.214.0      | A39.45.948.4_0  | 1    | A39.45.033.0/20    | A39.45.952.4_1 | 1    | A39.45.213.0       | A39.45.954.4_0 | 28   |
| A39.45.053.0      | A39.45.948.4_0  | 2    | GBT846-ST4.8X16    | A39.45.952.4_1 | 2    | A39.45.957.4       | A39.45.957.4_0 | 0    |
| 0.020.3163.0      | A39.45.948.4_0  | 3    | A39.45.143.2       | A39.45.952.4_1 | 3    | A39.45.244.0       | A39.45.957.4_0 | 1    |
| A39.45.054.0      | A39.45.948.4_0  | 4    | C05.45.029.4       | A39.45.952.4_1 | 4    | GBT5783-M8X20-A2L  | A39.45.957.4_0 | 2    |
| GBT6170-M8-A2L    | A39.45.948.4_0  | 5    | A39.45.273.0       | A39.45.952.4_1 | 5    | GBT96.1-8-A3L      | A39.45.957.4_0 | 3    |
| 2.2841.018.0      | A39.45.948.4_0  | 6    | A39.45.128.0       | A39.45.952.4_1 | 6    | 0.015.5340.0/10    | A39.45.957.4_0 | 4    |
| A39.45.229.0      | A39.45.948.4_0  | 7    | A39.45.034.0/10    | A39.45.952.4_1 | 7    | A85.45.067.2       | A39.45.957.4_0 | 5    |
| 0.020.3164.0      | A39.45.948.4_0  | 8    | GBT818-M8X16-A2L   | A39.45.952.4_1 | 8    | A39.45.046.0       | A39.45.957.4_0 | 6    |
| 0.012.6597.0/10   | A39.45.948.4_0  | 9    | GBT97.1-8-A3L      | A39.45.952.4_1 | 9    | A39.45.047.0       | A39.45.957.4_0 | 7    |
| 0.012.6598.0/10   | A39.45.948.4_0  | 10   | GBT818-M6X16-A2L   | A39.45.952.4_1 | 10   | A39.45.048.0       | A39.45.957.4_0 | 8    |
| 0.012.6180.0      | A39.45.948.4_0  | 11   | GBT97.1-6-A3L      | A39.45.952.4_1 | 11   | A85.45.076.4       | A39.45.957.4_0 | 9    |
| GBT5783-M8X40-A2L | A39.45.948.4_0  | 12   | C05.45.028.0       | A39.45.952.4_1 | 12   | A39.45.238.0       | A39.45.957.4_0 | 10   |
| GBT93-8-A3L       | A39.45.948.4_0  | 13   | A39.45.954.4       | A39.45.954.4_0 | 0    | A85.45.077.0       | A39.45.957.4_0 | 11   |
| GBT97.1-8-A3L     | A39.45.948.4_0  | 14   | A39.45.243.0       | A39.45.954.4_0 | 1    | GBT5783-M10X30-A3L | A39.45.957.4_0 | 12   |
| 0.020.3162.0      | A39.45.948.4_0  | 15   | GBT5783-M8X20-A2L  | A39.45.954.4_0 | 2    | 2.1475.003.2       | A39.45.957.4_0 | 13   |
| 0.020.3158.0      | A39.45.948.4_0  | 16   | GBT96.1-8-A3L      | A39.45.954.4_0 | 3    | GBT97.1-10-A3L     | A39.45.957.4_0 | 14   |
| 0.014.9749.0      | A39.45.948.4_0  | 17   | 0.015.5340.0/10    | A39.45.954.4_0 | 4    | 2.2841.071.0       | A39.45.957.4_0 | 15   |
| A39.45.246.4      | A39.45.948.4_0  | 18   | A85.45.063.2       | A39.45.954.4_0 | 5    | GBT889.1-M10-A3L   | A39.45.957.4_0 | 16   |
| GBT5783-M8X45-A2L | A39.45.948.4_0  | 19   | A39.45.046.0       | A39.45.954.4_0 | 6    | GBT96.1-10-A3L     | A39.45.957.4_0 | 17   |
| 2.1499.197.0      | A39.45.948.4_0  | 20   | A39.45.047.0       | A39.45.954.4_0 | 7    | 0.016.6279.0       | A39.45.957.4_0 | 18   |
| 2.1530.078.0      | A39.45.948.4_0  | 21   | A39.45.048.0       | A39.45.954.4_0 | 8    | 2.6569.073.0       | A39.45.957.4_0 | 19   |
| 2.0332.407.3      | A39.45.948.4_0  | 22   | A39.45.091.4       | A39.45.954.4_0 | 9    | A39.45.094.0       | A39.45.957.4_0 | 20   |
| 2.1310.002.2      | A39.45.948.4_0  | 23   | A39.45.092.0       | A39.45.954.4_0 | 10   | A23.45.095.0       | A39.45.957.4_0 | 21   |
| A39.45.247.0      | A39.45.948.4_0  | 24   | A39.45.093.0       | A39.45.954.4_0 | 11   | 0.020.3772.0       | A39.45.957.4_0 | 22   |
| A39.45.240.0      | A39.45.949.4_0  | 1    | GBT5783-M10X30-A3L | A39.45.954.4_0 | 12   | 2.0332.407.3       | A39.45.957.4_0 | 23   |



| 零件编号              | 结构代码           | 零件顺序 | 零件编号                    | 结构代码           | 零件顺序 | 零件编号                    | 结构代码           | 零件顺序 |
|-------------------|----------------|------|-------------------------|----------------|------|-------------------------|----------------|------|
| 2.0332.407.3      | A39.45.957.4_0 | 23   | GBT97.1-12-A3L          | A39.45.971.4_1 | 2    | SH400.48.118            | A39.48.905.4_3 | 11   |
| GBT97.1-6-A3L     | A39.45.957.4_0 | 24   | GBT93-12-A3L            | A39.45.971.4_1 | 3    | A39.48.025.0            | A39.48.905.4_3 | 12   |
| GBT93-6-A3L       | A39.45.957.4_0 | 25   | GBT5783-M12X30-10.9-A3L | A39.45.971.4_1 | 4    | GBT5783-M6X12-A2L       | A39.48.905.4_3 | 13   |
| 2.0332.409.2      | A39.45.957.4_0 | 26   | CD1204.48.041/20        | A39.45.972.4_2 | 1    | GBT93-6-A3L             | A39.48.905.4_3 | 14   |
| GBT6170-M6-A2L    | A39.45.957.4_0 | 27   | CD904.45.106            | A39.45.972.4_2 | 2    | A56.48.010.0            | A39.48.905.4_3 | 16   |
| A39.45.213.0      | A39.45.957.4_0 | 28   | A39.48.039.3            | A39.45.972.4_2 | 3    | A56.48.011.0            | A39.48.905.4_3 | 17   |
| GBT93-6-A3L       | A39.45.958.4_0 | 1    | 2.1310.004.2            | A39.45.972.4_2 | 4    | CD304.48.404/10         | A39.48.905.4_3 | 18   |
| GBT97.1-6-A3L     | A39.45.958.4_0 | 2    | 2.1474.009.2            | A39.45.972.4_2 | 5    | GBT97.1-6-A3L           | A39.48.905.4_3 | 19   |
| A39.45.032.0      | A39.45.958.4_0 | 3    | 2.1011.105.2            | A39.45.972.4_2 | 6    | GBT5783-M8X20-A2L       | A39.48.905.4_3 | 20   |
| GBT70.1-M4X12-A2L | A39.45.958.4_0 | 4    | CD904.45.105            | A39.45.972.4_2 | 7    | GBT93-8-A3L             | A39.48.905.4_3 | 21   |
| 0.020.9486.0      | A39.45.958.4_0 | 5    | CD1204.48.032/20        | A39.45.972.4_2 | 8    | GBT97.1-8-A3L           | A39.48.905.4_3 | 22   |
| A39.45.031.0      | A39.45.958.4_0 | 6    | 2.0114.209.2            | A39.45.972.4_2 | 9    | A39.48.020.0/20         | A39.48.912.4_2 | 1    |
| A39.45.114.0/10   | A39.45.958.4_0 | 7    | A39.45.303.3/10         | A39.45.973.4_1 | 1    | 2.6852.203.0            | A39.48.912.4_2 | 3    |
| GBT818-M5X10-A2L  | A39.45.958.4_0 | 8    | A39.45.306.0/10         | A39.45.973.4_1 | 2    | GBT6170-M10-A3L         | A39.50.901.4_1 | 1    |
| GBT96.1-5-A3L     | A39.45.958.4_0 | 9    | GBT5783-M8X20-A2L       | A39.45.973.4_1 | 3    | GBT93-10-A3L            | A39.50.901.4_1 | 2    |
| GBT5783-M6X16-A2L | A39.45.958.4_0 | 10   | GBT93-8-A3L             | A39.45.973.4_1 | 4    | GBT97.1-10-A3L          | A39.50.901.4_1 | 3    |
| A39.45.113.0/10   | A39.45.958.4_0 | 11   | GBT97.1-8-A3L           | A39.45.973.4_1 | 5    | A39.50.001.3/20         | A39.50.901.4_1 | 4    |
| GBT93-5-A3L       | A39.45.958.4_0 | 12   | C24.45.012.0            | A39.45.973.4_1 | 6    | GBT5783-M12X40-10.9-A3L | A39.50.901.4_1 | 5    |
| GBT97.1-5-A3L     | A39.45.958.4_0 | 13   | GBT12618.1-2.4X6        | A39.45.973.4_1 | 7    | GBT93-12-A3L            | A39.50.901.4_1 | 6    |
| A39.45.148.0/10   | A39.45.958.4_0 | 14   | A39.45.227.0            | A39.45.973.4_1 | 8    | GBT97.1-12-A3L          | A39.50.901.4_1 | 7    |
| A39.45.199.0      | A39.45.958.4_0 | 15   | C24.45.013.2            | A39.45.973.4_1 | 9    | A39.50.023.0            | A39.50.901.4_1 | 8    |
| A39.45.200.0      | A39.45.958.4_0 | 16   | C24.45.029.0            | A39.45.973.4_1 | 10   | A39.50.002.2/20         | A39.50.901.4_1 | 9    |
| A39.45.172.0      | A39.45.959.4_0 | 1    | C24.45.030.0            | A39.45.973.4_1 | 11   | A39.50.003.2/20         | A39.50.901.4_1 | 10   |
| GBT97.1-5-A3L     | A39.45.959.4_0 | 2    | A39.48.012.0            | A39.48.903.4_1 | 1    | GBT5783-M10X40-A3L      | A39.50.901.4_1 | 11   |
| GBT5783-M5X16-A2L | A39.45.959.4_0 | 3    | B29.48.032.0            | A39.48.903.4_1 | 2    | GBT5783-M10X25-A3L      | A39.50.901.4_1 | 12   |
| GBT5783-M6X20-A2L | A39.45.959.4_0 | 4    | SH400.48.112            | A39.48.903.4_1 | 3    | A39.50.010.0/20         | A39.50.901.4_1 | 13   |
| GBT93-6-A3L       | A39.45.959.4_0 | 5    | B55.48.006.2            | A39.48.903.4_1 | 6    | A39.50.011.0            | A39.50.901.4_1 | 14   |
| GBT97.1-6-A3L     | A39.45.959.4_0 | 6    | GBT96.1-6-A3L           | A39.48.903.4_1 | 7    | GBT97.1-8-A3L           | A39.50.901.4_1 | 15   |
| GBT5783-M8X20-A2L | A39.45.959.4_0 | 7    | GBT5783-M8X25-A2L       | A39.48.903.4_1 | 8    | GBT93-8-A3L             | A39.50.901.4_1 | 16   |
| GBT97.1-8-A3L     | A39.45.959.4_0 | 8    | GBT93-8-A3L             | A39.48.903.4_1 | 9    | GBT5783-M8X16-A2L       | A39.50.901.4_1 | 17   |
| A39.45.236.3      | A39.45.959.4_0 | 9    | GBT97.1-8-A3L           | A39.48.903.4_1 | 10   | A39.50.020.2/10         | A39.50.901.4_1 | 18   |
| CD554.45.123-2    | A39.45.959.4_0 | 10   | GBT818-M5X35-A2L        | A39.48.905.4_3 | 2    | A39.50.007.0            | A39.50.901.4_1 | 19   |
| CD554.45.237      | A39.45.959.4_0 | 11   | GBT93-5-A3L             | A39.48.905.4_3 | 3    | A39.50.004.3/10         | A39.50.901.4_1 | 20   |
| CD554A.45.102/20  | A39.45.959.4_0 | 12   | GBT97.1-5-A3L           | A39.48.905.4_3 | 4    | A39.50.013.0            | A39.50.901.4_1 | 21   |
| CD554A.45.017/20  | A39.45.959.4_0 | 13   | GBT6170-M5-A2L          | A39.48.905.4_3 | 5    | CD1204.50.103           | A39.50.901.4_1 | 22   |
| SH900.45A.034     | A39.45.963.4_0 | 1    | A39.48.011.0/30         | A39.48.905.4_3 | 6    | CD1204.50.105           | A39.50.901.4_1 | 23   |
| GBT96.1-12-A3L    | A39.45.963.4_0 | 2    | A39.48.030.0            | A39.48.905.4_3 | 7    | JBT8870-D20             | A39.50.901.4_1 | 24   |
| GBT93-12-A3L      | A39.45.963.4_0 | 3    | GBT818-M4X10-A2L        | A39.48.905.4_3 | 8    | A39.50.017.3/20         | A39.50.901.4_1 | 25   |
| GBT6170-M12-A3L   | A39.45.963.4_0 | 4    | GBT97.1-4-A3L           | A39.48.905.4_3 | 9    | A39.50.018.0            | A39.50.901.4_1 | 26   |
| SH900.45A.033     | A39.45.963.4_0 | 5    | SH900.48.049            | A39.48.905.4_3 | 10   | A39.50.008.0/10         | A39.50.901.4_1 | 27   |

| 零件编号                 | 结构代码           | 零件顺序 | 零件编号                     | 结构代码           | 零件顺序 | 零件编号                     | 结构代码           | 零件顺序 |
|----------------------|----------------|------|--------------------------|----------------|------|--------------------------|----------------|------|
| A39.50.008.0/10      | A39.50.901.4_1 | 27   | GBT879.1-3X30            | A39.55.902.4_3 | 16   | GBT91-4X35-A3L           | A39.56.900.4_2 | 6    |
| A39.50.005.3/10      | A39.50.901.4_1 | 28   | GBT879.1-5X30            | A39.55.902.4_3 | 17   | SH400.56.019A            | A39.56.900.4_2 | 7    |
| A39.50.006.3/10      | A39.50.901.4_1 | 29   | CD554.55.019-1           | A39.55.902.4_3 | 18   | SH550.56.011             | A39.56.900.4_2 | 8    |
| A39.50.009.0         | A39.50.901.4_1 | 30   | GBT91-5X50-A3L           | A39.55.904.4_1 | 1    | SH400.56.015A            | A39.56.900.4_2 | 9    |
| CD554.55.011         | A39.55.900.4_0 | 1    | GBT97.1-30-A3L           | A39.55.904.4_1 | 2    | CD554.56.011/50          | A39.56.900.4_2 | 10   |
| SH550.55.012         | A39.55.900.4_0 | 2    | CD554.55A.012/20         | A39.55.904.4_1 | 3    | GBT5783-M8X40-A2L        | A39.56.900.4_2 | 11   |
| GBT5783-M12X35-A3L   | A39.55.900.4_0 | 3    | CD554.55A.011/20         | A39.55.904.4_1 | 4    | GBT93-8-A3L              | A39.56.900.4_2 | 12   |
| GBT93-12-A3L         | A39.55.900.4_0 | 4    | SH550.55B.016            | A39.55.904.4_1 | 5    | GBT96.1-8-A3L            | A39.56.900.4_2 | 13   |
| GBT5783-M8X30-A3L    | A39.55.900.4_0 | 5    | GBT5783-M10X25-A3L       | A39.55.904.4_1 | 6    | SH550.56B.101            | A39.56.910.4_3 | 1    |
| GBT93-8-A3L          | A39.55.900.4_0 | 6    | GBT93-10-A3L             | A39.55.904.4_1 | 7    | GBT93-16-A3L             | A39.56.910.4_3 | 2    |
| GBT5782-M12X100-A3L  | A39.55.900.4_0 | 7    | C22.55.001.4             | A39.55.910.4_3 | 1    | GBT5783-M16X45-10.9-A3L  | A39.56.910.4_3 | 3    |
| CD554.55.012/10      | A39.55.900.4_0 | 8    | SH550.55B.018            | A39.55.910.4_3 | 2    | GBT899-AM16X180-10.9-A3L | A39.56.910.4_3 | 4    |
| GBT5783-M8X20-A3L    | A39.55.900.4_0 | 9    | A08.55.004.0             | A39.55.910.4_3 | 3    | GBT6170-M16-A3L          | A39.56.910.4_3 | 5    |
| GBT5782-M12X235-A3L  | A39.55.900.4_0 | 10   | GBT5783-M6X20-A2L        | A39.55.910.4_3 | 4    | GBT5783-M10X25-A3L       | A39.56.910.4_3 | 6    |
| GBT5783-M12X45-A3L   | A39.55.900.4_0 | 11   | GBT6170-M6-A2L           | A39.55.910.4_3 | 5    | GBT93-10-A3L             | A39.56.910.4_3 | 7    |
| GBT3452.1-32.5X1.8-G | A39.55.900.4_0 | 12   | SH550.55B.102            | A39.55.910.4_3 | 6    | SH550.56B.017            | A39.56.910.4_3 | 8    |
| GBT6170-M8-A3L       | A39.55.900.4_0 | 13   | CD554.55A.014            | A39.55.910.4_3 | 7    | SH550.56B.118            | A39.56.910.4_3 | 9    |
| GBT97.1-8-A3L        | A39.55.900.4_0 | 14   | GBT882-B10X30-A3L        | A39.55.910.4_3 | 8    | SH550.56B.011            | A39.56.910.4_3 | 10   |
| CD554.55.014         | A39.55.900.4_0 | 15   | GBT91-3.2X20-A3L         | A39.55.910.4_3 | 9    | GBT93-12-A3L             | A39.56.910.4_3 | 14   |
| JBT8870-D20          | A39.55.900.4_0 | 16   | GBT97.1-10-A3L           | A39.55.910.4_3 | 10   | GBT5783-M12X40-10.9-A3L  | A39.56.910.4_3 | 15   |
| SH704-1.55.101       | A39.55.900.4_0 | 17   | GBT5782-M14X235-10.9-A3L | A39.55.910.4_3 | 11   | GBT93-8-A3L              | A39.56.910.4_3 | 16   |
| GBT5783-M8X25-A3L    | A39.55.900.4_0 | 18   | SH704-1.55.015-1         | A39.55.910.4_3 | 14   | GBT5783-M8X30-A2L        | A39.56.910.4_3 | 17   |
| SH550.55B.107        | A39.55.900.4_0 | 19   | GBT5783-M8X25-A2L        | A39.55.910.4_3 | 15   | SH550.56B.114            | A39.56.910.4_3 | 18   |
| 2.1560.018.0         | A39.55.900.4_0 | 20   | GBT93-8-A3L              | A39.55.910.4_3 | 16   | SH400.56.025             | A39.56.910.4_3 | 19   |
| CD554.55.015         | A39.55.900.4_0 | 21   | GBT6170-M8-A2L           | A39.55.910.4_3 | 17   | SH550.56B.013            | A39.56.910.4_3 | 20   |
| SH400.58.112         | A39.55.900.4_0 | 22   | JBT8870-D20              | A39.55.910.4_3 | 18   | SH550.56B.102            | A39.56.910.4_3 | 21   |
| CD554.55.113         | A39.55.902.4_3 | 1    | A39.55.006.0             | A39.55.910.4_3 | 19   | SH550.56B.103            | A39.56.910.4_3 | 22   |
| GBT6170-M8-A2L       | A39.55.902.4_3 | 2    | SH550.55B.017            | A39.55.910.4_3 | 20   | GBT5783-M8X20-A2L        | A39.56.910.4_3 | 23   |
| CD554.55.020         | A39.55.902.4_3 | 3    | SH400.58.112             | A39.55.910.4_3 | 21   | CD554.56A.011/40         | A39.56.910.4_3 | 24   |
| SH900.58.140/10      | A39.55.902.4_3 | 4    | 2.1560.018.0             | A39.55.910.4_3 | 22   | GBT93-8-A3L              | A39.58.900.4_2 | 2    |
| A39.55.002.0         | A39.55.902.4_3 | 5    | SH550.55B.015            | A39.55.910.4_3 | 23   | C05.58.025.3/10          | A39.58.900.4_2 | 6    |
| CD554.55.017/10      | A39.55.902.4_3 | 6    | SH550.55B.107            | A39.55.910.4_3 | 24   | CD554.58.017             | A39.58.900.4_2 | 7    |
| SH550.58D.141        | A39.55.902.4_3 | 7    | GBT5783-M14X50-10.9-A3L  | A39.55.910.4_3 | 25   | 2.4419.280.0/10          | A39.58.900.4_2 | 13   |
| CD554.55.018/10      | A39.55.902.4_3 | 8    | GBT93-14-A3L             | A39.55.910.4_3 | 27   | 2.4419.350.1/40          | A39.58.900.4_2 | 14   |
| GBT882-B8X28-A3L     | A39.55.902.4_3 | 9    | 2.1560.010.0             | A39.55.910.4_3 | 28   | 2.1531.091.0             | A39.58.900.4_2 | 15   |
| GBT97.1-8-A3L        | A39.55.902.4_3 | 10   | GBT93-16-A3L             | A39.56.900.4_2 | 1    | SH400.58.106             | A39.58.900.4_2 | 16   |
| GBT91-2X20-A3L       | A39.55.902.4_3 | 11   | GBT5783-M16X45-10.9-A3L  | A39.56.900.4_2 | 2    | A85.58.004.3             | A39.58.900.4_2 | 17   |
| GBT5783-M8X25-A2L    | A39.55.902.4_3 | 12   | GBT6178-M20-A3L          | A39.56.900.4_2 | 3    | GBT5783-M8X35-A2L        | A39.58.900.4_2 | 18   |
| GBT93-8-A3L          | A39.55.902.4_3 | 13   | GBT97.1-20-A3L           | A39.56.900.4_2 | 4    | A08.58.016.0             | A39.58.900.4_2 | 19   |
| GBT97.1-20-A3L       | A39.55.902.4_3 | 14   | SH550.56.017             | A39.56.900.4_2 | 5    | GBT70.1-M8X40-A2L        | A39.58.900.4_2 | 20   |

| 零件编号                    | 结构代码           | 零件顺序 | 零件编号                | 结构代码           | 零件顺序 | 零件编号                | 结构代码           | 零件顺序 |
|-------------------------|----------------|------|---------------------|----------------|------|---------------------|----------------|------|
| GBT70.1-M8X40-A2L       | A39.58.900.4_2 | 20   | CD554.583.014/10    | A39.58.907.4_4 | 19   | GBT3733.2-83-G14    | A39.58.915.4_4 | 1    |
| GBT5783-M8X25-A2L       | A39.58.900.4_2 | 21   | GBT5783-M8X30-A2L   | A39.58.907.4_4 | 20   | 2.1560.014.0        | A39.58.915.4_4 | 2    |
| GBT3452.1-21.2X1.8-G    | A39.58.900.4_2 | 22   | GBT3452.1-15X2.65-G | A39.58.907.4_4 | 21   | A39.58.024.3/40     | A39.58.915.4_4 | 3    |
| A39.58.061.3            | A39.58.900.4_2 | 24   | CD554.583.022-1     | A39.58.907.4_4 | 22   | CD554.583.021-1     | A39.58.915.4_4 | 4    |
| A39.58.060.3            | A39.58.900.4_2 | 25   | GBT5783-M8X65-A2L   | A39.58.907.4_4 | 23   | CD554.583.120       | A39.58.915.4_4 | 5    |
| 2.1560.018.0            | A39.58.900.4_2 | 31   | A39.58.050.0/10     | A39.58.907.4_4 | 24   | JBT8870-D32         | A39.58.915.4_4 | 6    |
| 2.7099.660.0/10         | A39.58.900.4_2 | 34   | SH904.58.015        | A39.58.908.4_2 | 1    | CD554.583.013       | A39.58.915.4_4 | 7    |
| GBT5783-M12X35-10.9-A3L | A39.58.900.4_2 | 35   | SH904.58.012        | A39.58.908.4_2 | 2    | GBT3737.2-83-G14    | A39.58.915.4_4 | 8    |
| JBT8870-D32             | A39.58.900.4_2 | 36   | 2.1560.018.0        | A39.58.908.4_2 | 3    | CD554.583.023       | A39.58.915.4_4 | 9    |
| A39.58.062.0            | A39.58.900.4_2 | 37   | CD554.58.111        | A39.58.908.4_2 | 4    | 2.1560.018.0        | A39.58.915.4_4 | 10   |
| GBT3452.1-20X1.8-G      | A39.58.900.4_2 | 38   | GBT6173-M22X1.5-A3L | A39.58.908.4_2 | 5    | CD554.583.130       | A39.58.915.4_4 | 11   |
| GBT93-12-A3L            | A39.58.900.4_2 | 39   | CD554.583.130       | A39.58.908.4_2 | 6    | GBT5783-M12X20-A3L  | A39.58.915.4_4 | 12   |
| GBT5783-M8X20-A2L       | A39.58.900.4_2 | 40   | 2.1560.014.0        | A39.58.908.4_2 | 7    | GBT93-12-A3L        | A39.58.915.4_4 | 13   |
| GBT6170-M8-A2L          | A39.58.900.4_2 | 41   | CD554.583.113       | A39.58.908.4_2 | 8    | CD554.58.015        | A39.58.915.4_4 | 14   |
| CD554.58.018/10         | A39.58.904.4_0 | 1    | CD554.583.114       | A39.58.908.4_2 | 9    | CD554.58.020        | A39.58.915.4_4 | 15   |
| GBT70.1-M8X35-A2L       | A39.58.904.4_0 | 2    | CD554.583.015       | A39.58.908.4_2 | 12   | GBT5783-M8X20-A2L   | A39.58.915.4_4 | 16   |
| GBT93-8-A3L             | A39.58.904.4_0 | 3    | CD554.583.016/10    | A39.58.908.4_2 | 13   | GBT6170-M8-A2L      | A39.58.915.4_4 | 17   |
| GBT3737.2-83-G14        | A39.58.905.4_3 | 1    | CD554.583.017       | A39.58.908.4_2 | 14   | GBT93-8-A3L         | A39.58.915.4_4 | 18   |
| A39.58.001.3/30         | A39.58.905.4_3 | 2    | CD554.583.018       | A39.58.908.4_2 | 15   | CD554.583.014/10    | A39.58.915.4_4 | 19   |
| GBT3452.1-15X2.65-G     | A39.58.905.4_3 | 3    | CD554.583.020/10    | A39.58.908.4_2 | 16   | GBT5783-M8X30-A2L   | A39.58.915.4_4 | 20   |
| GBT5783-M8X30-A2L       | A39.58.905.4_3 | 4    | CD554.583.019/10    | A39.58.908.4_2 | 17   | GBT3452.1-15X2.65-G | A39.58.915.4_4 | 21   |
| GBT93-8-A3L             | A39.58.905.4_3 | 5    | SH550.58B.110/20    | A39.58.909.4_1 | 1    | CD554.583.022-1     | A39.58.915.4_4 | 22   |
| CD554.583.012           | A39.58.906.4_0 | 1    | A39.58.010.2        | A39.58.909.4_1 | 2    | GBT5783-M8X65-A2L   | A39.58.915.4_4 | 23   |
| GBT3733.2-83-G14        | A39.58.907.4_4 | 1    | A39.58.033.2        | A39.58.909.4_1 | 3    | A39.58.050.0/10     | A39.58.915.4_4 | 24   |
| 2.1560.014.0            | A39.58.907.4_4 | 2    | A39.58.034.2        | A39.58.909.4_1 | 4    | SH904.58.015        | A39.58.916.4_1 | 1    |
| A39.58.002.3/40         | A39.58.907.4_4 | 3    | GBT5783-M10X45-A3L  | A39.58.909.4_1 | 5    | SH904.58.012        | A39.58.916.4_1 | 2    |
| CD554.583.021-1         | A39.58.907.4_4 | 4    | GBT6170-M10-A3L     | A39.58.909.4_1 | 6    | 2.1560.018.0        | A39.58.916.4_1 | 3    |
| CD554.583.120           | A39.58.907.4_4 | 5    | GBT93-10-A3L        | A39.58.909.4_1 | 7    | CD554.58.111        | A39.58.916.4_1 | 4    |
| JBT8870-D32             | A39.58.907.4_4 | 6    | GBT97.1-10-A3L      | A39.58.909.4_1 | 8    | GB/T 6173           | A39.58.916.4_1 | 5    |
| CD554.583.013           | A39.58.907.4_4 | 7    | GBT6172.1-M10-A3L   | A39.58.909.4_1 | 9    | CD554.583.130       | A39.58.916.4_1 | 6    |
| GBT3737.2-83-G14        | A39.58.907.4_4 | 8    | CD554.583A.013      | A39.58.910.4_2 | 1    | 2.1560.014.0        | A39.58.916.4_1 | 7    |
| CD554.583.023           | A39.58.907.4_4 | 9    | SH550.58D.011/10    | A39.58.910.4_2 | 2    | CD554.583.113       | A39.58.916.4_1 | 8    |
| 2.1560.018.0            | A39.58.907.4_4 | 10   | SH904.58.015        | A39.58.912.4_7 | 1    | CD554.583.114       | A39.58.916.4_1 | 9    |
| CD554.583.130           | A39.58.907.4_4 | 11   | SH904.58.012        | A39.58.912.4_7 | 2    | CD554.583.017       | A39.58.916.4_1 | 10   |
| GBT5783-M12X20-A3L      | A39.58.907.4_4 | 12   | 2.1560.018.0        | A39.58.912.4_7 | 3    | CD554.583.018       | A39.58.916.4_1 | 11   |
| GBT93-12-A3L            | A39.58.907.4_4 | 13   | CD554.58.111        | A39.58.912.4_7 | 4    | CD554.583.020/10    | A39.58.916.4_1 | 12   |
| CD554.58.015            | A39.58.907.4_4 | 14   | GBT6173-M22X1.5-A3L | A39.58.912.4_7 | 5    | CD554.583.019/10    | A39.58.916.4_1 | 13   |
| CD554.58.020            | A39.58.907.4_4 | 15   | CD554.583A.119      | A39.58.912.4_7 | 6    | SH550.58B.110/20    | A39.58.917.4_2 | 1    |
| GBT5783-M8X20-A2L       | A39.58.907.4_4 | 16   | CD554.583A.015/20   | A39.58.912.4_7 | 7    | A39.58.033.2        | A39.58.917.4_2 | 2    |
| GBT6170-M8-A2L          | A39.58.907.4_4 | 17   | CD554.582.012-2     | A39.58.914.4_0 | 1    | A39.58.034.2        | A39.58.917.4_2 | 3    |

| 零件编号                | 结构代码           | 零件顺序 | 零件编号                 | 结构代码           | 零件顺序 | 零件编号                 | 结构代码           | 零件顺序 |
|---------------------|----------------|------|----------------------|----------------|------|----------------------|----------------|------|
| A39.58.034.2        | A39.58.917.4_2 | 3    | GBT93-8-A3L          | A39.58.922.4_3 | 1    | GBT3733-08-L14F      | A39.58.925.4_7 | 28   |
| GBT6172.1-M10-A3L   | A39.58.917.4_2 | 4    | GBT5783-M8X20-A2L    | A39.58.922.4_3 | 2    | GBT3452.1-12X1.5-G   | A39.58.925.4_7 | 29   |
| CD554.581.012       | A39.58.918.4_0 | 1    | GBT6170-M8-A2L       | A39.58.922.4_3 | 3    | SH550.58D.011/10     | A39.58.927.4_1 | 1    |
| GBT3733.2-83-G14    | A39.58.919.4_3 | 1    | CD554.58.015         | A39.58.922.4_3 | 4    | SH904.58.015         | A39.58.929.4_4 | 1    |
| 2.1560.014.0        | A39.58.919.4_3 | 2    | CD554.58.020         | A39.58.922.4_3 | 5    | SH904.58.012         | A39.58.929.4_4 | 2    |
| A39.58.024.3/40     | A39.58.919.4_3 | 3    | GBT5783-M12X20-A3L   | A39.58.922.4_3 | 6    | 2.1560.018.0         | A39.58.929.4_4 | 3    |
| CD554.583.021-1     | A39.58.919.4_3 | 4    | GBT93-12-A3L         | A39.58.922.4_3 | 7    | CD554.58.111         | A39.58.929.4_4 | 4    |
| CD554.581.101       | A39.58.919.4_3 | 5    | GBT5783-M8X30-A2L    | A39.58.922.4_3 | 8    | GBT6173-M22X1.5-A3L  | A39.58.929.4_4 | 5    |
| JB/T8870-D32        | A39.58.919.4_3 | 6    | GBT3452.1-15X2.65-G  | A39.58.922.4_3 | 9    | CD554.583A.119       | A39.58.929.4_4 | 6    |
| CD554.583.013       | A39.58.919.4_3 | 7    | A39.58.028.3/20      | A39.58.922.4_3 | 10   | CD554.583A.021/10    | A39.58.929.4_4 | 7    |
| GBT3737.2-83-G14    | A39.58.919.4_3 | 8    | A39.58.050.0/10      | A39.58.922.4_3 | 11   | CD554.583A.022       | A39.58.929.4_4 | 8    |
| CD554.583.023       | A39.58.919.4_3 | 9    | CD554.583A.013       | A39.58.923.4_1 | 1    | CD554.583A.024       | A39.58.929.4_4 | 9    |
| 2.1560.018.0        | A39.58.919.4_3 | 10   | CD554.582A.011/30    | A39.58.923.4_1 | 2    | CD554.583A.023       | A39.58.929.4_4 | 10   |
| CD554.583.130       | A39.58.919.4_3 | 11   | SH904.58.015         | A39.58.925.4_7 | 1    | 2.1560.014.0         | A39.58.929.4_4 | 11   |
| GBT5783-M12X20-A3L  | A39.58.919.4_3 | 12   | SH904.58.012         | A39.58.925.4_7 | 2    | GBT3733-08-L14F      | A39.58.929.4_4 | 12   |
| GBT93-12-A3L        | A39.58.919.4_3 | 13   | 2.1560.018.0         | A39.58.925.4_7 | 3    | A11.58.102.0         | A39.58.929.4_4 | 13   |
| CD554.58.015        | A39.58.919.4_3 | 14   | CD554.58.111         | A39.58.925.4_7 | 4    | GBT3452.1-17.3X2.2-G | A39.58.929.4_4 | 14   |
| CD554.58.020        | A39.58.919.4_3 | 15   | GBT6173-M22X1.5-A3L  | A39.58.925.4_7 | 5    | A08.58.019.3         | A39.58.929.4_4 | 15   |
| GBT5783-M8X20-A2L   | A39.58.919.4_3 | 16   | CD554.583A.015/20    | A39.58.925.4_7 | 6    | CD554.583A.027/40    | A39.58.929.4_4 | 16   |
| GBT6170-M8-A2L      | A39.58.919.4_3 | 17   | CD554.583A.017/20    | A39.58.925.4_7 | 7    | SH400.58.112         | A39.58.931.4_1 | 1    |
| GBT93-8-A3L         | A39.58.919.4_3 | 18   | CD554.583A.016/10    | A39.58.925.4_7 | 8    | 2.1560.018.0         | A39.58.931.4_1 | 2    |
| CD554.581.014/10    | A39.58.919.4_3 | 19   | CD554.583A.014/10    | A39.58.925.4_7 | 9    | A39.58.030.3         | A39.58.931.4_1 | 3    |
| GBT5783-M8X30-A2L   | A39.58.919.4_3 | 20   | CD554.583.130        | A39.58.925.4_7 | 10   | A39.58.032.2/10      | A39.58.931.4_1 | 4    |
| GBT3452.1-15X2.65-G | A39.58.919.4_3 | 21   | 2.1560.014.0         | A39.58.925.4_7 | 11   | CD554.58.017         | A39.58.931.4_1 | 5    |
| CD554.583.022-1     | A39.58.919.4_3 | 22   | GBT3733.2-83-G14     | A39.58.925.4_7 | 12   | GB/T 5783            | A39.58.931.4_1 | 6    |
| GBT5783-M8X65-A2L   | A39.58.919.4_3 | 23   | CD554.583A.024       | A39.58.925.4_7 | 13   | GB/T 93              | A39.58.931.4_1 | 7    |
| A39.58.050.0/10     | A39.58.919.4_3 | 24   | CD554.583A.023       | A39.58.925.4_7 | 14   | GB/T 6170            | A39.58.931.4_1 | 8    |
| SH904.58.015        | A39.58.920.4_1 | 1    | A11.58.102.0         | A39.58.925.4_7 | 15   | SH400.58.106         | A39.58.931.4_1 | 9    |
| SH904.58.012        | A39.58.920.4_1 | 2    | GBT3452.1-17.3X2.2-G | A39.58.925.4_7 | 16   | JB/T 8870            | A39.58.931.4_1 | 10   |
| 2.1560.018.0        | A39.58.920.4_1 | 3    | A08.58.019.3         | A39.58.925.4_7 | 17   | SH450.58.014         | A39.58.931.4_1 | 11   |
| CD554.58.111        | A39.58.920.4_1 | 4    | CD554.583A.027/40    | A39.58.925.4_7 | 18   | GB/T 5783            | A39.58.931.4_1 | 12   |
| GBT6173-M22X1.5-A3L | A39.58.920.4_1 | 5    | CD554.583A.028/40    | A39.58.925.4_7 | 19   | SH400.58.107         | A39.58.931.4_1 | 13   |
| CD554.583.130       | A39.58.920.4_1 | 6    | CD554.583A.025/30    | A39.58.925.4_7 | 20   | CD404.58.015         | A39.58.931.4_1 | 14   |
| 2.1560.014.0        | A39.58.920.4_1 | 7    | CD554.583A.026/30    | A39.58.925.4_7 | 21   | GB/T 70.1            | A39.58.931.4_1 | 15   |
| CD554.583.113       | A39.58.920.4_1 | 8    | CD554.583A.120       | A39.58.925.4_7 | 22   | GB/T 3452.1          | A39.58.931.4_1 | 16   |
| CD554.583.114       | A39.58.920.4_1 | 9    | GBT5783-M8X40-A2L    | A39.58.925.4_7 | 23   | LD700.58.107         | A39.58.932.4_1 | 1    |
| CD554.583.017       | A39.58.920.4_1 | 10   | GBT6170-M8-A2L       | A39.58.925.4_7 | 24   | 2.1560.020.0         | A39.58.932.4_1 | 2    |
| CD554.583.018       | A39.58.920.4_1 | 11   | GBT93-8-A3L          | A39.58.925.4_7 | 25   | A39.58.031.3         | A39.58.932.4_1 | 3    |
| SH550.58B.110/20    | A39.58.921.4_1 | 1    | GBT97.1-8-A3L        | A39.58.925.4_7 | 26   | A39.58.032.2/10      | A39.58.932.4_1 | 4    |
| A39.58.033.2        | A39.58.921.4_1 | 2    | GBT3452.1-15.3X2.2-G | A39.58.925.4_7 | 27   | CD554.58.017         | A39.58.932.4_1 | 5    |

| 零件编号                    | 结构代码           | 零件顺序 | 零件编号                 | 结构代码           | 零件顺序 | 零件编号               | 结构代码           | 零件顺序 |
|-------------------------|----------------|------|----------------------|----------------|------|--------------------|----------------|------|
| CD554.58.017            | A39.58.932.4_1 | 5    | GBT70.1-M8X40-A2L    | A39.58.940.4_1 | 20   | SH400.45.010       | A39.80.915.4_0 | 7    |
| GB/T 5783               | A39.58.932.4_1 | 6    | GBT5783-M8X25-A2L    | A39.58.940.4_1 | 21   | SH900.48.045       | A39.80.915.4_0 | 8    |
| GB/T 93                 | A39.58.932.4_1 | 7    | GBT3452.1-21.2X1.8-G | A39.58.940.4_1 | 22   | A39.81.017.4       | A39.81.911.4_0 | 1    |
| GB/T 6170               | A39.58.932.4_1 | 8    | A39.58.061.3         | A39.58.940.4_1 | 23   | C05.81.023.4       | A39.81.911.4_0 | 2    |
| SH400.58.106            | A39.58.932.4_1 | 9    | C05.58.049.0         | A39.58.940.4_1 | 24   | GBT5783-M6X25-A2L  | A39.81.911.4_0 | 3    |
| JB/T 8870               | A39.58.932.4_1 | 10   | GBT3452.1-20X1.8-G   | A39.58.940.4_1 | 25   | GBT93-6-A3L        | A39.81.911.4_0 | 4    |
| SH450.58.014            | A39.58.932.4_1 | 11   | B26.80.007.2         | A39.80.903.4_1 | 1    | GBT97.1-6-A3L      | A39.81.911.4_0 | 5    |
| GB/T 5783               | A39.58.932.4_1 | 12   | B26.80.008.3         | A39.80.903.4_1 | 2    | A39.81.018.4       | A39.81.912.4_2 | 1    |
| SH400.56.107            | A39.58.932.4_1 | 13   | GBT91-3.2X20-A3L     | A39.80.903.4_1 | 3    | A39.81.007.0       | A39.81.912.4_2 | 2    |
| SH450.58.013            | A39.58.932.4_1 | 14   | GBT93-10-A3L         | A39.80.903.4_1 | 4    | 2.0114.005.2       | A39.81.912.4_2 | 3    |
| GB/T 70.1               | A39.58.932.4_1 | 15   | GBT97.1-10-A3L       | A39.80.903.4_1 | 5    | 2.1473.006.2       | A39.81.912.4_2 | 4    |
| GB/T 3452.1             | A39.58.932.4_1 | 16   | GBT882-B10X35-A3L    | A39.80.903.4_1 | 6    | 2.1310.002.2       | A39.81.912.4_2 | 5    |
| SH550.58B.110/20        | A39.58.933.4_2 | 1    | GBT5783-M10X30-A3L   | A39.80.903.4_1 | 7    | 2.0114.207.2       | A39.81.912.4_2 | 6    |
| A39.58.033.2            | A39.58.933.4_2 | 2    | GBT6170-M10-A3L      | A39.80.903.4_1 | 8    | 2.1473.007.2       | A39.81.912.4_2 | 7    |
| A39.58.034.2            | A39.58.933.4_2 | 3    | SH400.80.011         | A39.80.903.4_1 | 9    | 2.1310.004.2       | A39.81.912.4_2 | 8    |
| GBT6172.1-M10-A3L       | A39.58.933.4_2 | 4    | SH900.41.102         | A39.80.903.4_1 | 10   | A39.81.005.4       | A39.81.912.4_2 | 9    |
| CD554.581A.012/30       | A39.58.933.4_2 | 5    | CD554.80.014         | A39.80.905.4_1 | 1    | 2.6852.101.0       | A39.81.912.4_2 | 10   |
| SH550.58B.110/20        | A39.58.934.4_2 | 1    | A39.80.008.0         | A39.80.907.4_4 | 1    | A23.81.011.0       | A39.81.912.4_2 | 11   |
| A39.58.033.2            | A39.58.934.4_2 | 2    | GBT5783-M12X25-A3L   | A39.80.907.4_4 | 2    | A39.81.020.4       | A39.81.912.4_2 | 12   |
| A39.58.034.2            | A39.58.934.4_2 | 3    | GBT97.1-12-A3L       | A39.80.907.4_4 | 3    | A39.81.019.0       | A39.81.912.4_2 | 13   |
| GBT6172.1-M10-A3L       | A39.58.934.4_2 | 4    | GBT93-12-A3L         | A39.80.907.4_4 | 4    | A39.81.015.4       | A39.81.913.4_0 | 1    |
| CD554.582A.012/30       | A39.58.934.4_2 | 5    | GBT5783-M8X25-A2L    | A39.80.907.4_4 | 5    | GBT5783-M10X25-A3L | A39.81.913.4_0 | 2    |
| CD554.581A.012/30       | A39.58.935.4_2 | 1    | GBT6170-M8-A2L       | A39.80.907.4_4 | 6    | GBT93-10-A3L       | A39.81.913.4_0 | 3    |
| GBT6170-M8-A2L          | A39.58.940.4_1 | 1    | GBT97.1-8-A3L        | A39.80.907.4_4 | 7    | GBT97.1-10-A3L     | A39.81.913.4_0 | 4    |
| GBT93-8-A3L             | A39.58.940.4_1 | 2    | GBT93-8-A3L          | A39.80.907.4_4 | 8    | A39.81.012.0       | A39.81.913.4_0 | 5    |
| GBT5783-M8X20-A2L       | A39.58.940.4_1 | 3    | SH400.80.034         | A39.80.907.4_4 | 9    | JB/T8870-D25       | A39.81.913.4_0 | 6    |
| GBT93-12-A3L            | A39.58.940.4_1 | 4    | SH400.45.010         | A39.80.907.4_4 | 10   | A39.81.002.4       | A39.81.913.4_0 | 7    |
| JB/T8870-D32            | A39.58.940.4_1 | 5    | SH400.48.045         | A39.80.907.4_4 | 11   | A39.81.003.4       | A39.81.913.4_0 | 8    |
| C05.58.025.3/10         | A39.58.940.4_1 | 6    | SH900.48.028         | A39.80.907.4_4 | 12   | 2.6852.101.0       | A39.81.913.4_0 | 9    |
| CD554.58.017            | A39.58.940.4_1 | 7    | A39.80.007.2/10      | A39.80.907.4_4 | 13   | A39.81.013.4       | A39.81.923.4_0 | 1    |
| GBT5783-M12X35-10.9-A3L | A39.58.940.4_1 | 8    | A39.80.004.2/10      | A39.80.907.4_4 | 14   | GBT5783-M10X25-A3L | A39.81.923.4_0 | 2    |
| 2.7099.660.0/10         | A39.58.940.4_1 | 9    | GBT5783-M10X25-A3L   | A39.80.907.4_4 | 15   | GBT93-10-A3L       | A39.81.923.4_0 | 3    |
| 2.1560.020.0            | A39.58.940.4_1 | 11   | GBT97.1-10-A3L       | A39.80.907.4_4 | 16   | GBT97.1-10-A3L     | A39.81.923.4_0 | 4    |
| A39.58.060.3            | A39.58.940.4_1 | 12   | GBT93-10-A3L         | A39.80.907.4_4 | 17   | A39.81.012.0       | A39.81.923.4_0 | 5    |
| 2.4419.280.0/10         | A39.58.940.4_1 | 13   | SH550.80B.021        | A39.80.915.4_0 | 1    | JB/T8870-D25       | A39.81.923.4_0 | 6    |
| 2.4419.350.1/40         | A39.58.940.4_1 | 14   | GBT5783-M8X25-A2L    | A39.80.915.4_0 | 2    | A39.81.011.0       | A39.81.928.4_0 | 1    |
| 2.1531.091.0            | A39.58.940.4_1 | 15   | GBT6170-M8-A2L       | A39.80.915.4_0 | 3    | A39.81.014.0       | A39.81.928.4_0 | 2    |
| SH400.58.106            | A39.58.940.4_1 | 16   | GBT96.1-8-A3L        | A39.80.915.4_0 | 4    | SH400.45.010       | A39.81.928.4_0 | 3    |
| A85.58.004.3            | A39.58.940.4_1 | 17   | SH900.48.028         | A39.80.915.4_0 | 5    | JB/T8870-D32       | A39.81.928.4_0 | 4    |
| GBT5783-M8X35-A2L       | A39.58.940.4_1 | 18   | SH400.80.034         | A39.80.915.4_0 | 6    | 2.6852.101.0       | A39.81.928.4_0 | 5    |

| 零件编号                | 结构代码            | 零件顺序 | 零件编号               | 结构代码            | 零件顺序 | 零件编号                          | 结构代码           | 零件顺序 |
|---------------------|-----------------|------|--------------------|-----------------|------|-------------------------------|----------------|------|
| 2.6852.101.0        | A39.81.928.4_0  | 5    | CD554.37.051-1     | A46.37.900.4_06 | 21   | SH400.38J.020                 | A46.38.907.4_0 | 17   |
| CD554.40.028/10     | A41.40.901.4_1  | 1    | CD454.37.012       | A46.37.900.4_06 | 22   | GBT283-NJ208E                 | A46.38.907.4_0 | 18   |
| CD554.40.124/10     | A41.40.901.4_1  | 2    | GBT6170-M10-A3L    | A46.37.900.4_06 | 23   | GBT93-12-A3L                  | A46.38.908.4_1 | 1    |
| 0.020.5342.3        | A41.40.901.4_1  | 3    | A08.37.005.4/10    | A46.37.900.4_06 | 24   | GBT899-AM12X1.25X150-10.9-A3L | A46.38.908.4_1 | 2    |
| A39.40.001.4        | A41.40.901.4_1  | 4    | A08.37.003.4/10    | A46.37.900.4_06 | 25   | GBT899-AM12X1.25X160-10.9-A3L | A46.38.908.4_1 | 3    |
| GBT899-GM10X25-A3L  | A41.40.901.4_1  | 5    | A39.37.003.0/10    | A46.37.900.4_06 | 26   | GBT6171-M12X1.25-10-A2L       | A46.38.908.4_1 | 4    |
| GBT93-10-A3L        | A41.40.901.4_1  | 6    | GBT5783-M8X16-A2L  | A46.37.900.4_06 | 27   | SH400.38.115                  | A46.38.909.4_0 | 1    |
| GBT6170-M10-A3L     | A41.40.901.4_1  | 7    | GBT93-10-A3L       | A46.37.900.4_06 | 28   | SH400.38.120                  | A46.38.909.4_0 | 2    |
| GBT5783-M10X25-A3L  | A41.40.901.4_1  | 8    | GBT879.1-5X35      | A46.37.900.4_06 | 30   | SH400.38.119                  | A46.38.909.4_0 | 3    |
| GBT6173-M16X1.5-A3L | A41.40.901.4_1  | 9    | GBT879.1-8X35      | A46.37.900.4_06 | 31   | SH400.38.118                  | A46.38.909.4_0 | 4    |
| SH554S.40.011/10    | A41.40.902.4_1  | 1    | A46.38.001.0/30    | A46.38.904.4_2  | 1    | SH400.38.117                  | A46.38.909.4_0 | 5    |
| GBT70.1-M8X65-A2L   | A41.40.906.4_1  | 1    | A46.38.002.0/30    | A46.38.905.4_2  | 1    | GBT5783-M10X30-A3L            | A46.38.909.4_0 | 6    |
| GBT93-8-A3L         | A41.40.906.4_1  | 2    | SH400.38J.115      | A46.38.906.4_0  | 1    | GBT894.1-50                   | A46.38.909.4_0 | 7    |
| CD704-1.40.011/10   | A41.40.906.4_1  | 3    | SH400.38.120       | A46.38.906.4_0  | 2    | GBT858-39                     | A46.38.909.4_0 | 8    |
| GBT70.1-M8X35-A2L   | A41.40.906.4_1  | 4    | SH400.38.119       | A46.38.906.4_0  | 3    | GBT812-M39X1.5                | A46.38.909.4_0 | 9    |
| A39.81.006.4        | A44.81.910.4_0  | 1    | SH400.38.118       | A46.38.906.4_0  | 4    | GBT297-32208                  | A46.38.909.4_0 | 10   |
| GBT5783-M8X40-A2L   | A44.81.910.4_0  | 2    | SH400.38.117       | A46.38.906.4_0  | 5    | GBT283-NUP2210E               | A46.38.909.4_0 | 11   |
| GBT97.1-8-A3L       | A44.81.910.4_0  | 3    | GBT5783-M10X30-A3L | A46.38.906.4_0  | 6    | GBT93-10-A3L                  | A46.38.909.4_0 | 12   |
| GBT93-8-A3L         | A44.81.910.4_0  | 4    | GBT894.1-50        | A46.38.906.4_0  | 7    | GBT879.1-6X50                 | A46.38.909.4_0 | 13   |
| GBT6170-M8-A2L      | A44.81.910.4_0  | 5    | GBT858-39          | A46.38.906.4_0  | 8    | SH400.38.122                  | A46.38.909.4_0 | 14   |
| GBT5783-M8X25-A2L   | A44.81.910.4_0  | 6    | GBT812-M39X1.5     | A46.38.906.4_0  | 9    | QCT388-25                     | A46.38.909.4_0 | 15   |
| A23.45.028.2        | A46.37.001.4/10 | 1    | GBT297-32208       | A46.38.906.4_0  | 10   | SH400.39.118/20               | A46.39.900.4_3 | 1    |
| A46.37.002.0/10     | A46.37.001.4/10 | 2    | GBT283-NUP2210EM   | A46.38.906.4_0  | 11   | SH400.39.136                  | A46.39.900.4_3 | 2    |
| A11.37.141.2/10     | A46.37.900.4_06 | 1    | GBT93-10-A3L       | A46.38.906.4_0  | 12   | SH400.39.140                  | A46.39.900.4_3 | 3    |
| GBT818-M5X16-A2L    | A46.37.900.4_06 | 2    | SH400.38J.122      | A46.38.907.4_0  | 1    | GBT6176-M16X1.5-10-A3L        | A46.39.900.4_3 | 4    |
| GBT97.1-5-A3L       | A46.37.900.4_06 | 3    | SH400.38J.123      | A46.38.907.4_0  | 2    | SH400.39A.101/20              | A46.39.901.4_2 | 1    |
| CD554.37.056/20     | A46.37.900.4_06 | 4    | SH400.37.111       | A46.38.907.4_0  | 3    | GBT894.1-70                   | A46.39.901.4_2 | 2    |
| GBT882-B8X30-A3L    | A46.37.900.4_06 | 5    | SH400.38J.201      | A46.38.907.4_0  | 4    | SH400.39.114/10               | A46.39.902.4_0 | 1    |
| GBT91-3.2X18-A3L    | A46.37.900.4_06 | 6    | GBT5846-KK35X43X34 | A46.38.907.4_0  | 5    | SH400.39.115/10               | A46.39.902.4_0 | 2    |
| A39.37.002.2        | A46.37.900.4_06 | 7    | SH400.38J.202      | A46.38.907.4_0  | 6    | SH400.39.103                  | A46.39.903.4_1 | 1    |
| GBT894.1-20         | A46.37.900.4_06 | 8    | SH400.38J.207      | A46.38.907.4_0  | 7    | SH400.39.104/10               | A46.39.903.4_1 | 2    |
| GBT97.1-20-A3L      | A46.37.900.4_06 | 9    | SH400.38J.208      | A46.38.907.4_0  | 8    | SH400.39.105                  | A46.39.903.4_1 | 3    |
| LD800.37.172-1      | A46.37.900.4_06 | 10   | GBT283-NJ206E      | A46.38.907.4_0  | 9    | SH400.39.106                  | A46.39.903.4_1 | 4    |
| A39.37.001.2/20     | A46.37.900.4_06 | 11   | GBT893.1-62        | A46.38.907.4_0  | 10   | SH400.39.107                  | A46.39.903.4_1 | 5    |
| GBT882-B8X50-A3L    | A46.37.900.4_06 | 12   | GBT879.1-8X30      | A46.38.907.4_0  | 11   | SH400.39.109                  | A46.39.903.4_1 | 6    |
| A39.37.004.0        | A46.37.900.4_06 | 13   | GBT879.1-5X30      | A46.38.907.4_0  | 12   | SH400.39.110-1                | A46.39.903.4_1 | 7    |
| CD554.37.055        | A46.37.900.4_06 | 14   | SH400.38J.204      | A46.38.907.4_0  | 13   | SH400.39.111                  | A46.39.903.4_1 | 8    |
| GBT879.1-6X26       | A46.37.900.4_06 | 15   | SH400.38J.205      | A46.38.907.4_0  | 14   | SH400.39.112                  | A46.39.903.4_1 | 9    |
| CD554.37.054/10     | A46.37.900.4_06 | 18   | GBT5783-M10X30-A3L | A46.38.907.4_0  | 15   | SH400.39.113                  | A46.39.903.4_1 | 10   |
| GBT5783-M10X20-A3L  | A46.37.900.4_06 | 19   | GBT93-10-A3L       | A46.38.907.4_0  | 16   | SH400.39.121                  | A46.39.903.4_1 | 11   |

| 零件编号                   | 结构代码           | 零件顺序 | 零件编号                | 结构代码            | 零件顺序 | 零件编号                    | 结构代码            | 零件顺序 |
|------------------------|----------------|------|---------------------|-----------------|------|-------------------------|-----------------|------|
| SH400.39.121           | A46.39.903.4_1 | 11   | GBT93-10-A3L        | A46.42.903.4_1  | 8    | CD904A.45.104           | A46.45.911.4_01 | 3    |
| SH400.39.122           | A46.39.903.4_1 | 12   | GBT93-8-A3L         | A46.42.903.4_1  | 9    | GBT889.1-M16-A3L        | A46.45.911.4_01 | 4    |
| SH400.39.123           | A46.39.903.4_1 | 13   | GBT70.1-M8X20-A2L   | A46.42.903.4_1  | 10   | GBT5782-M16X110-A3L     | A46.45.911.4_01 | 5    |
| GBT276-6211            | A46.39.903.4_1 | 14   | CD404.43.011        | A46.43.900.4_   | 1    | LD700.47.031            | A46.45.911.4_01 | 6    |
| GBT276-6212            | A46.39.903.4_1 | 15   | CD404.43.012        | A46.43.900.4_   | 2    | A46.45.017.2            | A46.45.911.4_01 | 7    |
| GBT309-P5X23.8-G2-3-5  | A46.39.903.4_1 | 16   | CD404.43.011        | A46.43.900.4_0  | 1    | A46.45.016.2            | A46.45.911.4_01 | 8    |
| GBT879.1-5X24          | A46.39.903.4_1 | 17   | CD404.43.012        | A46.43.900.4_0  | 2    | GBT5783-M12X30-10.9-A3L | A46.45.911.4_01 | 9    |
| GBT879.1-8X24          | A46.39.903.4_1 | 18   | GBT91-3.2X22-A3L    | A46.43.903.4_0  | 1    | GBT93-12-A3L            | A46.45.911.4_01 | 10   |
| SH400.39.101           | A46.39.904.4_0 | 1    | GBT97.1-10-A3L      | A46.43.903.4_0  | 2    | GBT97.1-12-A3L          | A46.45.911.4_01 | 11   |
| SH400.39.102           | A46.39.904.4_0 | 2    | LD800.43.109        | A46.43.903.4_0  | 3    | GBT97.1-14-A3L          | A46.45.911.4_01 | 12   |
| SH400.39.116           | A46.39.905.4_0 | 1    | GBT882-B10X30-A3L   | A46.43.903.4_0  | 4    | GBT5783-M14X40-A3L      | A46.45.911.4_01 | 13   |
| GBT13871.1-FB-070095-D | A46.39.905.4_0 | 2    | GBT6170-M10-LH-A3L  | A46.43.903.4_0  | 5    | GBT93-14-A3L            | A46.45.911.4_01 | 14   |
| GBT5783-M12X30-A3L     | A46.39.905.4_0 | 3    | CD404.43.102        | A46.43.903.4_0  | 6    | A39.45.231.2/20         | A46.45.911.4_01 | 15   |
| GBT3452.1-115X3.55-G   | A46.39.905.4_0 | 4    | GBT5783-M10X25-A3L  | A46.43.903.4_0  | 7    | A39.45.230.2            | A46.45.911.4_01 | 16   |
| GBT93-12-A3L           | A46.39.905.4_0 | 5    | GBT93-10-A3L        | A46.43.903.4_0  | 8    | CD404.55.011            | A46.55.900.4_0  | 1    |
| SH400.39A.102          | A46.39.906.4_0 | 1    | CD404.43.016        | A46.43.903.4_0  | 9    | SH550.55.012            | A46.55.900.4_0  | 2    |
| GBT13871.1-FB-070095-D | A46.39.906.4_0 | 2    | GBT6170-M10-A3L     | A46.43.903.4_0  | 10   | GBT5783-M12X35-A3L      | A46.55.900.4_0  | 3    |
| GBT5783-M12X30-A3L     | A46.39.906.4_0 | 3    | CD554.43.101        | A46.43.903.4_0  | 11   | GBT93-12-A3L            | A46.55.900.4_0  | 4    |
| GBT3452.1-115X3.55-G   | A46.39.906.4_0 | 4    | CD554.43.111        | A46.43.903.4_0  | 12   | GBT5783-M8X30-A3L       | A46.55.900.4_0  | 5    |
| GBT93-12-A3L           | A46.39.906.4_0 | 5    | SH400.21.102        | A46.43.903.4_0  | 13   | GBT93-8-A3L             | A46.55.900.4_0  | 6    |
| CD404.42A.011          | A46.42.900.4_0 | 1    | CD404.43.101        | A46.43.903.4_0  | 14   | GBT5782-M12X100-A3L     | A46.55.900.4_0  | 7    |
| SH404.42.124A          | A46.42.900.4_0 | 2    | CD404.43.017        | A46.43.903.4_0  | 15   | CD554.55.012/10         | A46.55.900.4_0  | 8    |
| GBT894.1-48            | A46.42.900.4_0 | 3    | GBT818-M6X20-A2L    | A46.45.910.4_1  | 1    | GBT5783-M8X20-A3L       | A46.55.900.4_0  | 9    |
| GBT93-10-A3L           | A46.42.900.4_0 | 4    | GBT93-6-A3L         | A46.45.910.4_1  | 2    | GBT5782-M12X235-A3L     | A46.55.900.4_0  | 10   |
| GBT5783-M10X30-A3L     | A46.42.900.4_0 | 5    | GBT97.1-6-A3L       | A46.45.910.4_1  | 3    | GBT5783-M12X45-A3L      | A46.55.900.4_0  | 11   |
| GBT119.1-10m6X20       | A46.42.900.4_0 | 6    | GBT818-M5X25-A2L    | A46.45.910.4_1  | 4    | GBT3452.1-32.5X1.8-G    | A46.55.900.4_0  | 12   |
| GBT5783-M10X35-A3L     | A46.42.900.4_0 | 7    | GBT93-5-A3L         | A46.45.910.4_1  | 5    | GBT6170-M8-A3L          | A46.55.900.4_0  | 13   |
| CD404.42.011           | A46.42.902.4_0 | 1    | GBT97.1-5-A3L       | A46.45.910.4_1  | 6    | GBT97.1-8-A3L           | A46.55.900.4_0  | 14   |
| SH354.42.124           | A46.42.902.4_0 | 2    | GBT5783-M5X16-A2L   | A46.45.910.4_1  | 7    | CD554.55.014            | A46.55.900.4_0  | 15   |
| GBT894.1-48            | A46.42.902.4_0 | 3    | A39.45.228.2        | A46.45.910.4_1  | 8    | JBT8870-D20             | A46.55.900.4_0  | 16   |
| GBT93-10-A3L           | A46.42.902.4_0 | 4    | GBT818-M5X35-A2L    | A46.45.910.4_1  | 9    | SH704-1.55.101          | A46.55.900.4_0  | 17   |
| GBT5783-M10X30-A3L     | A46.42.902.4_0 | 5    | A39.45.143.2        | A46.45.910.4_1  | 10   | GBT5783-M8X25-A3L       | A46.55.900.4_0  | 18   |
| GBT119.1-10m6X20       | A46.42.902.4_0 | 6    | GBT819.1-M5X20-A2L  | A46.45.910.4_1  | 11   | SH550.55B.107           | A46.55.900.4_0  | 19   |
| GBT5783-M10X35-A3L     | A46.42.902.4_0 | 7    | Q31205              | A46.45.910.4_1  | 12   | 2.1560.018.0            | A46.55.900.4_0  | 20   |
| SH404.42A.010          | A46.42.903.4_1 | 1    | A39.45.193.0        | A46.45.910.4_1  | 13   | CD554.55.015            | A46.55.900.4_0  | 21   |
| GBT5783-M12X40-A3L     | A46.42.903.4_1 | 2    | CD554.45.220/10     | A46.45.910.4_1  | 14   | SH400.58.112            | A46.55.900.4_0  | 22   |
| GBT5783-M10X25-A3L     | A46.42.903.4_1 | 3    | GBT6170-M5-A2L      | A46.45.910.4_1  | 15   | GBT93-16-A3L            | A46.56.900.4_2  | 1    |
| GBT5783-M8X16-A2L      | A46.42.903.4_1 | 4    | A46.45.019.4        | A46.45.910.4_1  | 16   | GBT5783-M16X45-10.9-A3L | A46.56.900.4_2  | 2    |
| GBT97.1-10-A3L         | A46.42.903.4_1 | 5    | GBT5782-M16X100-A3L | A46.45.911.4_01 | 1    | GBT6178-M20-A3L         | A46.56.900.4_2  | 3    |
| GBT97.1-8-A3L          | A46.42.903.4_1 | 6    | GBT97.1-16-A3L      | A46.45.911.4_01 | 2    | GBT97.1-20-A3L          | A46.56.900.4_2  | 4    |

| 零件编号               | 结构代码           | 零件顺序 | 零件编号               | 结构代码           | 零件顺序 | 零件编号                | 结构代码           | 零件顺序 |
|--------------------|----------------|------|--------------------|----------------|------|---------------------|----------------|------|
| GBT97.1-20-A3L     | A46.56.900.4_2 | 4    | JBT8870-D32        | A46.58.914.4_1 | 4    | 2.1560.018.0        | A46.58.924.4_1 | 13   |
| SH400.56.014       | A46.56.900.4_2 | 5    | GBT5783-M10X20-A3L | A46.58.914.4_1 | 5    | A46.58.010.2        | A46.58.924.4_1 | 14   |
| GBT91-4X35-A3L     | A46.56.900.4_2 | 6    | GBT93-10-A3L       | A46.58.914.4_1 | 6    | CD554.583.130       | A46.58.924.4_1 | 15   |
| SH400.56.019A      | A46.56.900.4_2 | 7    | CD554.583A.030     | A46.58.914.4_1 | 7    | 2.1560.014.0        | A46.58.924.4_1 | 16   |
| SH400.56.012       | A46.56.900.4_2 | 8    | CD554.583A.029-1   | A46.58.914.4_1 | 8    | A39.58.037.3        | A46.58.924.4_1 | 17   |
| SH400.56.015A      | A46.56.900.4_2 | 9    | GBT5783-M8X65-A2L  | A46.58.914.4_1 | 9    | GBT5783-M10X70-A3L  | A46.58.924.4_1 | 18   |
| CD554.56.011/50    | A46.56.900.4_2 | 10   | GBT6170-M8-A2L     | A46.58.914.4_1 | 10   | A39.58.016.3/30     | A46.58.924.4_1 | 19   |
| GBT5783-M8X40-A2L  | A46.56.900.4_2 | 11   | GBT93-8-A3L        | A46.58.914.4_1 | 11   | GBT6170-M10-A3L     | A46.58.924.4_1 | 20   |
| GBT93-8-A3L        | A46.56.900.4_2 | 12   | SH400.58.112       | A46.58.914.4_1 | 12   | GBT5783-M12X20-A3L  | A46.58.924.4_1 | 21   |
| GBT96.1-8-A3L      | A46.56.900.4_2 | 13   | 2.1560.018.0       | A46.58.914.4_1 | 13   | GBT93-12-A3L        | A46.58.924.4_1 | 22   |
| SH400.56.101       | A46.56.901.4_0 | 1    | A46.58.010.2       | A46.58.914.4_1 | 14   | CD554.58.015        | A46.58.924.4_1 | 23   |
| SH400.56.144       | A46.56.901.4_0 | 2    | CD554.583.130      | A46.58.914.4_1 | 15   | CD554.58.020        | A46.58.924.4_1 | 24   |
| SH400.56.013/10    | A46.56.901.4_0 | 3    | 2.1560.014.0       | A46.58.914.4_1 | 16   | GBT5783-M8X20-A2L   | A46.58.924.4_1 | 25   |
| SH400.56.146       | A46.56.901.4_0 | 4    | A39.58.038.3       | A46.58.914.4_1 | 17   | CD554.583A.019-1    | A46.58.924.4_1 | 26   |
| GBT97.1-22-A3L     | A46.56.901.4_0 | 5    | A39.58.016.3/30    | A46.58.914.4_1 | 18   | CD554.583A.110-1    | A46.58.924.4_1 | 27   |
| GBT97.1-20-A3L     | A46.56.901.4_0 | 6    | GBT5783-M10X70-A3L | A46.58.914.4_1 | 19   | CD554.583A.020      | A46.58.924.4_1 | 28   |
| SH550.58D.019      | A46.58.904.4_1 | 1    | GBT6170-M10-A3L    | A46.58.914.4_1 | 20   | GBT97.1-12-A3L      | A46.58.924.4_1 | 29   |
| A68.58.003.0       | A46.58.904.4_1 | 2    | GBT5783-M12X20-A3L | A46.58.914.4_1 | 21   | SH904.58.168        | A46.58.924.4_1 | 30   |
| CD554.583A.113     | A46.58.904.4_1 | 3    | GBT93-12-A3L       | A46.58.914.4_1 | 22   | A39.58.050.0/10     | A46.58.924.4_1 | 31   |
| JBT8870-D32        | A46.58.904.4_1 | 4    | GBT97.1-12-A3L     | A46.58.914.4_1 | 23   | GBT3733.2-83-G14    | A46.58.934.4_0 | 1    |
| GBT5783-M10X20-A3L | A46.58.904.4_1 | 5    | CD554.58.015       | A46.58.914.4_1 | 24   | 2.1560.014.0        | A46.58.934.4_0 | 2    |
| GBT93-10-A3L       | A46.58.904.4_1 | 6    | CD554.58.020       | A46.58.914.4_1 | 25   | A46.58.001.3        | A46.58.934.4_0 | 3    |
| CD554.583A.030     | A46.58.904.4_1 | 7    | GBT5783-M8X20-A2L  | A46.58.914.4_1 | 26   | CD554.583.021-1     | A46.58.934.4_0 | 4    |
| 2.1560.018.0       | A46.58.904.4_1 | 8    | CD554.583A.019-1   | A46.58.914.4_1 | 27   | CD554.583.120       | A46.58.934.4_0 | 5    |
| SH400.58.112       | A46.58.904.4_1 | 9    | CD554.583A.110-1   | A46.58.914.4_1 | 28   | JBT8870-D32         | A46.58.934.4_0 | 6    |
| GBT5783-M10X70-A3L | A46.58.904.4_1 | 10   | CD554.583A.020     | A46.58.914.4_1 | 29   | CD554.583.013       | A46.58.934.4_0 | 7    |
| GBT6170-M10-A3L    | A46.58.904.4_1 | 11   | SH904.58.168       | A46.58.914.4_1 | 30   | GBT3737.2-83-G14    | A46.58.934.4_0 | 8    |
| A39.58.029.3/20    | A46.58.904.4_1 | 12   | A39.58.050.0/10    | A46.58.914.4_1 | 31   | CD554.583.023       | A46.58.934.4_0 | 9    |
| A46.58.010.2       | A46.58.904.4_1 | 13   | SH550.58D.019      | A46.58.924.4_1 | 1    | 2.1560.018.0        | A46.58.934.4_0 | 10   |
| GBT6170-M8-A2L     | A46.58.904.4_1 | 14   | A68.58.003.0       | A46.58.924.4_1 | 2    | CD554.583.130       | A46.58.934.4_0 | 11   |
| GBT93-8-A3L        | A46.58.904.4_1 | 15   | CD554.583A.113     | A46.58.924.4_1 | 3    | 2.1011.105.2        | A46.58.934.4_0 | 12   |
| GBT5783-M12X20-A3L | A46.58.904.4_1 | 16   | JBT8870-D32        | A46.58.924.4_1 | 4    | 2.0114.207.2        | A46.58.934.4_0 | 13   |
| GBT93-12-A3L       | A46.58.904.4_1 | 17   | GBT5783-M10X20-A3L | A46.58.924.4_1 | 5    | CD554.58.015        | A46.58.934.4_0 | 14   |
| CD554.58.015       | A46.58.904.4_1 | 18   | GBT93-10-A3L       | A46.58.924.4_1 | 6    | CD554.58.014        | A46.58.934.4_0 | 15   |
| CD554.58.020       | A46.58.904.4_1 | 19   | CD554.583A.030     | A46.58.924.4_1 | 7    | B26.58.003.0        | A46.58.934.4_0 | 16   |
| GBT5783-M8X20-A2L  | A46.58.904.4_1 | 20   | CD554.583A.029-1   | A46.58.924.4_1 | 8    | 2.0114.220.2        | A46.58.934.4_0 | 17   |
| SH904.58.168       | A46.58.904.4_1 | 21   | GBT5783-M8X65-A2L  | A46.58.924.4_1 | 9    | GBT93-8-A3L         | A46.58.934.4_0 | 18   |
| A39.58.050.0/10    | A46.58.904.4_1 | 22   | GBT6170-M8-A2L     | A46.58.924.4_1 | 10   | CD554.583.014/10    | A46.58.934.4_0 | 19   |
| SH550.58D.019      | A46.58.914.4_1 | 1    | GBT93-8-A3L        | A46.58.924.4_1 | 11   | 2.0114.211.2        | A46.58.934.4_0 | 20   |
| A68.58.003.0       | A46.58.914.4_1 | 2    | SH400.58.112       | A46.58.924.4_1 | 12   | GBT3452.1-15X2.65-G | A46.58.934.4_0 | 21   |



| 零件编号                    | 结构代码           | 零件顺序 | 零件编号            | 结构代码           | 零件顺序 | 零件编号                | 结构代码           | 零件顺序 |
|-------------------------|----------------|------|-----------------|----------------|------|---------------------|----------------|------|
| GBT3452.1-15X2.65-G     | A46.58.934.4_0 | 21   | SH900.51.154    | A73.51.902.4_0 | 15   | A59.51.001.0/10     | A73.51.905.4_0 | 1    |
| CD554.583.022-1         | A46.58.934.4_0 | 22   | SH900.51.152    | A73.51.902.4_0 | 16   | A59.51.002.0        | A73.51.905.4_0 | 2    |
| LD754.51.104A           | A60.51.902.4_0 | 1    | SH900.51B.112   | A73.51.902.4_0 | 17   | B61.51.006.0        | A73.51.905.4_0 | 3    |
| LD754.51.102A           | A60.51.902.4_0 | 2    | SH900.51.122    | A73.51.902.4_0 | 18   | GBT12618.1-3X15     | A73.51.905.4_0 | 4    |
| B61.51.006.0            | A60.51.902.4_0 | 3    | A73.51.016.0    | A73.51.902.4_0 | 19   | A59.51.001.0/20     | A73.51.905.4_2 | 1    |
| GBT12618.1-3X15         | A60.51.902.4_0 | 4    | B61.51.010.0    | A73.51.902.4_0 | 20   | A59.51.002.0        | A73.51.905.4_2 | 2    |
| LD754.51.104A           | A60.51.902.4_1 | 1    | SH900.51B.131   | A73.51.902.4_0 | 21   | B61.51.006.0        | A73.51.905.4_2 | 3    |
| LD754.51.102A           | A60.51.902.4_1 | 2    | SH900.51.125    | A73.51.902.4_0 | 23   | GBT12618.1-3X15     | A73.51.905.4_2 | 4    |
| B61.51.006.0            | A60.51.902.4_1 | 3    | SH900.51B.102   | A73.51.902.4_0 | 24   | A73.51.005.0        | A73.51.906.4_0 | 1    |
| GBT12618.1-3X15         | A60.51.902.4_1 | 4    | SH900.51.130    | A73.51.902.4_0 | 25   | A73.51.019.0        | A73.51.907.4_0 | 1    |
| GBT6170-M16-A3L         | A60.91.900.4_3 | 1    | A73.51.012.0    | A73.51.902.4_0 | 26   | A76.51.001.0        | A73.51.907.4_0 | 2    |
| GBT93-16-A3L            | A60.91.900.4_3 | 2    | A73.51.010.0    | A73.51.902.4_0 | 27   | A73.51.015.0        | A73.51.908.4_0 | 1    |
| A60.91.003.0            | A60.91.900.4_3 | 3    | SH900.51.138    | A73.51.902.4_0 | 29   | SH900.51.124        | A73.51.908.4_0 | 2    |
| A60.91.001.0/10         | A60.91.900.4_3 | 4    | SH900.51.136    | A73.51.902.4_2 | 1    | SH404.40.120        | A76.40.905.4_0 | 1    |
| SH900.91.105            | A60.91.900.4_3 | 5    | SH900.51.132    | A73.51.902.4_2 | 2    | 2.1560.012.0        | A76.40.905.4_0 | 2    |
| A60.91.002.0            | A60.91.900.4_3 | 6    | SH900.51.135    | A73.51.902.4_2 | 3    | SH404A.40.023       | A76.40.905.4_0 | 3    |
| GBT5783-M16X35-10.9-A3L | A60.91.900.4_3 | 7    | A73.51.020.0    | A73.51.902.4_2 | 4    | SH404A.40.024       | A76.40.905.4_0 | 4    |
| GBT6170-M16-A3L         | A60.91.901.4_3 | 1    | A73.51.008.0    | A73.51.902.4_2 | 5    | SH404.40.022        | A76.40.905.4_0 | 5    |
| GBT93-16-A3L            | A60.91.901.4_3 | 2    | A73.51.011.0    | A73.51.902.4_2 | 6    | CD404.40.013        | A76.40.905.4_0 | 6    |
| A60.91.003.0            | A60.91.901.4_3 | 3    | B61.51.009.0/10 | A73.51.902.4_2 | 8    | CD404.40.012        | A76.40.905.4_0 | 7    |
| A60.91.001.0/10         | A60.91.901.4_3 | 4    | A73.51.018.0    | A73.51.902.4_2 | 9    | CD404.40.014/10     | A76.40.905.4_0 | 8    |
| SH900.91.105            | A60.91.901.4_3 | 5    | A73.51.017.0    | A73.51.902.4_2 | 10   | CD404.40.015/10     | A76.40.905.4_0 | 9    |
| GBT5783-M16X35-10.9-A3L | A60.91.901.4_3 | 6    | SH900.51.118    | A73.51.902.4_2 | 11   | CD404.40.106        | A76.40.905.4_0 | 10   |
| GBT2979-14.9-24-8PR-R1  | A63.34.900.4_2 | 1    | A73.51.001.0    | A73.51.902.4_2 | 12   | CD304.40.130        | A76.40.905.4_0 | 11   |
| GBT2979-14.9-24-R1      | A63.34.900.4_2 | 2    | A73.51.013.0    | A73.51.902.4_2 | 13   | 2.0114.313.2        | A76.40.905.4_0 | 12   |
| A63.34.001.4/10         | A63.34.900.4_2 | 3    | SH900.51.153    | A73.51.902.4_2 | 14   | GBT93-10-A3L        | A76.40.905.4_0 | 13   |
| A63.50.002.0            | A63.50.900.4_1 | 1    | SH900.51.154    | A73.51.902.4_2 | 15   | GBT93-8-A3L         | A76.40.905.4_0 | 14   |
| A63.50.001.0            | A63.50.900.4_1 | 2    | SH900.51.152    | A73.51.902.4_2 | 16   | 2.0114.315.2        | A76.40.905.4_0 | 15   |
| SH900.51.136            | A73.51.902.4_0 | 1    | SH900.51B.112   | A73.51.902.4_2 | 17   | SH900.40.112        | A76.40.905.4_0 | 16   |
| SH900.51.132            | A73.51.902.4_0 | 2    | SH900.51.122    | A73.51.902.4_2 | 18   | 2.1011.105.2        | A76.40.905.4_0 | 17   |
| SH900.51.135            | A73.51.902.4_0 | 3    | A73.51.016.0    | A73.51.902.4_2 | 19   | 2.0114.215.2        | A76.40.905.4_0 | 18   |
| A73.51.020.0            | A73.51.902.4_0 | 4    | B61.51.010.0    | A73.51.902.4_2 | 20   | CD404.40.113        | A76.40.905.4_0 | 19   |
| A73.51.008.0            | A73.51.902.4_0 | 5    | A11.51.004.0    | A73.51.902.4_2 | 21   | A73.58.002.0        | A76.58.901.4_0 | 1    |
| A73.51.011.0            | A73.51.902.4_0 | 6    | SH900.51.125    | A73.51.902.4_2 | 23   | A73.58.004.0        | A76.58.901.4_0 | 2    |
| B61.51.009.0/10         | A73.51.902.4_0 | 8    | SH900.51B.102   | A73.51.902.4_2 | 24   | A73.58.003.0        | A76.58.901.4_0 | 3    |
| A73.51.018.0            | A73.51.902.4_0 | 9    | SH900.51.130    | A73.51.902.4_2 | 25   | A73.58.005.0        | A76.58.901.4_0 | 4    |
| A73.51.017.0            | A73.51.902.4_0 | 10   | A73.51.012.0    | A73.51.902.4_2 | 26   | 2.1560.018.0        | A76.58.901.4_0 | 5    |
| SH900.51.118            | A73.51.902.4_0 | 11   | A73.51.010.0    | A73.51.902.4_2 | 27   | CD554.58.111        | A76.58.901.4_0 | 6    |
| A73.51.001.0            | A73.51.902.4_0 | 12   | SH900.51.138    | A73.51.902.4_2 | 29   | GBT6173-M22X1.5-A3L | A76.58.901.4_0 | 7    |
| A73.51.013.0            | A73.51.902.4_0 | 13   | A73.51.004.0    | A73.51.904.4_1 | 1    | CD404.58.013        | A76.58.901.4_0 | 8    |

| 零件编号                | 结构代码           | 零件顺序 | 零件编号                | 结构代码           | 零件顺序 | 零件编号              | 结构代码           | 零件顺序 |
|---------------------|----------------|------|---------------------|----------------|------|-------------------|----------------|------|
| CD404.58.013        | A76.58.901.4_0 | 8    | GBT3452.1-19X2.65-G | A76.58.904.4_1 | 19   | CD554.41.011/20   | B02.41.900.4_1 | 6    |
| CD554.58.113        | A76.58.901.4_0 | 9    | 2.0114.220.2        | A76.58.904.4_1 | 20   | GBT882-B10X28-A3L | B02.41.900.4_1 | 7    |
| GBT3737.2-83-G14    | A76.58.904.4_0 | 1    | CD554.58.014        | A76.58.904.4_1 | 21   | GBT97.1-10-A3L    | B02.41.900.4_1 | 8    |
| 2.1560.014.0        | A76.58.904.4_0 | 2    | GBT3733.2-83-G14    | A76.58.904.4_1 | 22   | GBT91-3.2X18-A3L  | B02.41.900.4_1 | 9    |
| A46.58.001.3        | A76.58.904.4_0 | 3    | B26.58.003.0        | A76.58.904.4_1 | 23   | CD554.41.012-1    | B02.41.900.4_1 | 10   |
| CD554.581.014/10    | A76.58.904.4_0 | 4    | 2.1560.014.0        | A76.58.905.4_0 | 1    | GBT879.1-6X26     | B02.41.900.4_1 | 11   |
| CD554.581.101       | A76.58.904.4_0 | 5    | CD554.583.017       | A76.58.905.4_0 | 2    | LD800.41.104      | B02.41.900.4_1 | 12   |
| CD554.583.013       | A76.58.904.4_0 | 6    | CD554.583.018       | A76.58.905.4_0 | 3    | SH404.42.114      | B02.41.900.4_1 | 13   |
| CD554.583.021-1     | A76.58.904.4_0 | 7    | CD554.583.130       | A76.58.905.4_0 | 4    | GBT879.1-3.5X26   | B02.41.900.4_1 | 14   |
| CD554.583.130       | A76.58.904.4_0 | 8    | CD554.583.113       | A76.58.905.4_0 | 5    | CD554.51.105/20   | B02.51.912.4_0 | 1    |
| CD554.583.023       | A76.58.904.4_0 | 9    | CD554.583.114       | A76.58.905.4_0 | 6    | CD554.51.104/20   | B02.51.912.4_0 | 2    |
| 2.1560.018.0        | A76.58.904.4_0 | 10   | CD554.58.111        | A76.58.905.4_0 | 7    | B11.10.013.2/10   | B11.10.902.4_1 | 1    |
| JBT8870-D32         | A76.58.904.4_0 | 11   | GBT6173-M22X1.5-A3L | A76.58.905.4_0 | 8    | A44.10.002.0      | B11.10.902.4_1 | 2    |
| CD554.583.022-1     | A76.58.904.4_0 | 12   | 2.1560.018.0        | A76.58.905.4_0 | 9    | 2.1473.007.2      | B11.10.902.4_1 | 3    |
| GBT93-8-A3L         | A76.58.904.4_0 | 13   | A73.58.002.0        | A76.58.905.4_0 | 10   | 2.1310.004.2      | B11.10.902.4_1 | 4    |
| CD554.58.015        | A76.58.904.4_0 | 14   | A73.58.004.0        | A76.58.905.4_0 | 11   | 2.0112.220.2      | B11.10.902.4_1 | 5    |
| CD554.58.020        | A76.58.904.4_0 | 15   | A73.58.003.0        | A76.58.905.4_0 | 12   | 2.0114.209.2      | B11.10.902.4_1 | 6    |
| 2.1011.105.2        | A76.58.904.4_0 | 16   | A73.58.005.0        | A76.58.905.4_0 | 13   | 2.1011.105.2      | B11.10.902.4_1 | 7    |
| 2.0114.207.2        | A76.58.904.4_0 | 17   | A73.58.003.0        | A76.58.915.4_0 | 1    | GBT11544-A820LI   | B11.10.902.4_1 | 8    |
| 2.0114.211.2        | A76.58.904.4_0 | 18   | A73.58.002.0        | A76.58.915.4_0 | 2    | B11.10.011.4      | B11.10.903.4_0 | 1    |
| GBT3452.1-15X2.65-G | A76.58.904.4_0 | 19   | 2.1560.018.0        | A76.58.915.4_0 | 3    | B11.10.012.4      | B11.10.903.4_0 | 2    |
| 2.0114.220.2        | A76.58.904.4_0 | 20   | CD554.58.111        | A76.58.915.4_0 | 4    | A42.10.007.0      | B11.10.903.4_0 | 3    |
| CD554.58.014        | A76.58.904.4_0 | 21   | GBT6173-M22X1.5-A3L | A76.58.915.4_0 | 5    | A42.10.008.0      | B11.10.903.4_0 | 4    |
| GBT3733.2-83-G14    | A76.58.904.4_0 | 22   | CD554.583.130       | A76.58.915.4_0 | 6    | GBT93-8-A3L       | B11.10.903.4_0 | 5    |
| GBT3737.2-83-G14    | A76.58.904.4_1 | 1    | 2.1560.014.0        | A76.58.915.4_0 | 7    | 2.1310.004.2      | B11.10.903.4_0 | 6    |
| 2.1560.014.0        | A76.58.904.4_1 | 2    | CD554.583.113       | A76.58.915.4_0 | 8    | 2.0112.232.2      | B11.10.903.4_0 | 7    |
| A46.58.001.3        | A76.58.904.4_1 | 3    | CD554.583.114       | A76.58.915.4_0 | 9    | 2.0114.209.2      | B11.10.903.4_0 | 8    |
| CD554.581.014/10    | A76.58.904.4_1 | 4    | CD554.583.017       | A76.58.915.4_0 | 10   | 2.1560.006.0      | B11.10.903.4_0 | 9    |
| CD554.581.101       | A76.58.904.4_1 | 5    | CD554.583.018       | A76.58.915.4_0 | 11   | A39.11.002.4/10   | B11.11.901.4_0 | 1    |
| CD554.583.013       | A76.58.904.4_1 | 6    | CD554.583.020/10    | A76.58.915.4_0 | 12   | 2.0114.207.2      | B11.11.901.4_0 | 2    |
| CD554.583.021-1     | A76.58.904.4_1 | 7    | CD554.583.019/10    | A76.58.915.4_0 | 13   | GBT93-8-A3L       | B11.11.901.4_0 | 3    |
| CD554.583.130       | A76.58.904.4_1 | 8    | A73.58.004.0        | A76.58.915.4_0 | 14   | 2.1310.004.2      | B11.11.901.4_0 | 4    |
| CD554.583.023       | A76.58.904.4_1 | 9    | A73.58.005.0        | A76.58.915.4_0 | 15   | 2.1011.105.2      | B11.11.901.4_0 | 5    |
| 2.1560.018.0        | A76.58.904.4_1 | 10   | SH550.41.105A       | A85.41.901.4_0 | 1    | A39.11.014.0/10   | B11.11.901.4_0 | 6    |
| JBT8870-D32         | A76.58.904.4_1 | 11   | SH550.41.105        | A85.41.902.4_0 | 1    | A39.11.015.0/10   | B11.11.901.4_0 | 7    |
| CD554.583.022-1     | A76.58.904.4_1 | 12   | A39.41.004.4/10     | B02.41.900.4_1 | 1    | A39.11.010.3/10   | B11.11.901.4_0 | 8    |
| GBT93-8-A3L         | A76.58.904.4_1 | 13   | GBT6172.1-M10-A3L   | B02.41.900.4_1 | 2    | JBT8870-D90       | B11.11.901.4_0 | 9    |
| CD554.58.015        | A76.58.904.4_1 | 14   | GBT5783-M6X20-A2L   | B02.41.900.4_1 | 3    | A46.11.004.0/10   | B11.11.901.4_0 | 10   |
| 2.1011.105.2        | A76.58.904.4_1 | 16   | GBT93-6-A3L         | B02.41.900.4_1 | 4    | JBT8870-D70       | B11.11.901.4_0 | 11   |
| 2.0114.207.2        | A76.58.904.4_1 | 17   | GBT97.1-6-A3L       | B02.41.900.4_1 | 5    | A46.11.001.4      | B11.11.901.4_0 | 12   |

| 零件编号                | 结构代码           | 零件顺序 | 零件编号                 | 结构代码           | 零件顺序 | 零件编号                 | 结构代码           | 零件顺序 |
|---------------------|----------------|------|----------------------|----------------|------|----------------------|----------------|------|
| A46.11.001.4        | B11.11.901.4_0 | 12   | CD404.40.011         | B11.40.902.4_0 | 1    | CD404A.40.102        | B11.40.913.4_0 | 4    |
| SH404A.11.101       | B11.11.901.4_0 | 13   | CD304.40.123         | B11.40.902.4_0 | 2    | A46.40.005.0         | B11.40.913.4_0 | 5    |
| SH400.11.102        | B11.11.901.4_0 | 14   | 2.1560.014.0         | B11.40.902.4_0 | 3    | A39.40.025.3         | B11.40.913.4_0 | 6    |
| 2.0114.209.2        | B11.11.901.4_0 | 15   | 2.1560.016.0         | B11.40.903.4_0 | 1    | A46.40.002.3/10      | B11.40.913.4_0 | 7    |
| SH400.11.011        | B11.11.901.4_0 | 16   | CD554.40.015         | B11.40.903.4_0 | 2    | A46.40.003.3/10      | B11.40.913.4_0 | 8    |
| 2.0114.211.2        | B11.11.901.4_0 | 17   | CD554.40.016         | B11.40.903.4_0 | 3    | B11.40.001.3         | B11.40.922.4_0 | 1    |
| GBT93-10-A3L        | B11.11.901.4_0 | 18   | CD404.40.112         | B11.40.903.4_0 | 4    | B09.40.009.0         | B11.40.922.4_0 | 2    |
| 2.0114.309.2        | B11.11.901.4_0 | 19   | JBT8870-D32          | B11.40.903.4_0 | 5    | GBT3452.1-15.3X2.2-G | B11.40.922.4_0 | 3    |
| CD1204.13.104       | B11.13.910.4_0 | 1    | SH404.40.101         | B11.40.903.4_0 | 6    | SH900.58.105         | B11.40.923.4_0 | 1    |
| 2.6851.018.0        | B11.13.910.4_0 | 2    | SH404.40.127         | B11.40.903.4_0 | 7    | 2.1560.016.0         | B11.40.923.4_0 | 2    |
| B11.13.001.4        | B11.13.910.4_0 | 3    | SH900.40.101         | B11.40.903.4_0 | 8    | A39.40.026.3         | B11.40.923.4_0 | 3    |
| JBT8870-d50         | B11.13.910.4_0 | 4    | SH900.40.102         | B11.40.903.4_0 | 9    | CD404A.40.102        | B11.40.923.4_0 | 4    |
| SH450.13A.101       | B11.13.910.4_0 | 5    | SH900.40.105         | B11.40.903.4_0 | 10   | A46.40.003.3/10      | B11.40.923.4_0 | 5    |
| B55.13.004.0        | B11.13.910.4_0 | 6    | SH404.40.120         | B11.40.905.4_1 | 1    | A46.40.002.3/10      | B11.40.923.4_0 | 6    |
| SH900.13.105        | B11.13.910.4_0 | 7    | 2.1560.012.0         | B11.40.905.4_1 | 2    | A39.40.025.3         | B11.40.923.4_0 | 7    |
| SH900.13.106        | B11.13.910.4_0 | 8    | SH404A.40.023        | B11.40.905.4_1 | 3    | A39.40.027.3         | B11.40.923.4_0 | 8    |
| GBT93-10-A3L        | B11.13.910.4_0 | 9    | SH404A.40.024        | B11.40.905.4_1 | 4    | A39.40.042.3         | B11.40.923.4_0 | 9    |
| 2.0112.320.2        | B11.13.910.4_0 | 10   | SH404.40.022         | B11.40.905.4_1 | 5    | A39.40.041.3         | B11.40.923.4_0 | 10   |
| B11.13.003.0        | B11.13.910.4_0 | 11   | B11.40.003.3         | B11.40.905.4_1 | 6    | B11.40.001.3         | B11.40.932.4_0 | 1    |
| B11.13.002.0        | B11.13.910.4_0 | 12   | B11.40.002.3         | B11.40.905.4_1 | 7    | CD304.40.123         | B11.40.932.4_0 | 2    |
| 2.0114.213.2        | B11.13.910.4_0 | 13   | CD554.40.023/10      | B11.40.905.4_1 | 8    | 2.1560.014.0         | B11.40.932.4_0 | 3    |
| 2.1011.105.2        | B11.13.910.4_0 | 14   | CD554.40.024/10      | B11.40.905.4_1 | 9    | SH404A.47.108        | B11.47.901.4_0 | 1    |
| GBT93-8-A3L         | B11.13.910.4_0 | 15   | CD404.40.106         | B11.40.905.4_1 | 10   | 2.0114.209.2         | B11.47.901.4_0 | 2    |
| 2.0114.207.2        | B11.13.910.4_0 | 16   | A08.40.017.0         | B11.40.905.4_1 | 11   | GBT93-8-A3L          | B11.47.901.4_0 | 3    |
| 2.1310.004.2        | B11.13.910.4_0 | 17   | 2.0114.313.2         | B11.40.905.4_1 | 12   | B55.47.019.3         | B11.47.901.4_0 | 4    |
| CD404.40.018        | B11.40.900.4_1 | 1    | 2.1473.008.2         | B11.40.905.4_1 | 13   | 2.0114.309.2         | B11.47.901.4_0 | 5    |
| SH454.40.018/10     | B11.40.900.4_1 | 2    | 2.1473.007.2         | B11.40.905.4_1 | 14   | GBT93-10-A3L         | B11.47.901.4_0 | 6    |
| CD404.40.102/10     | B11.40.900.4_1 | 3    | SH900.40.112         | B11.40.905.4_1 | 16   | 2.1310.004.2         | B11.47.901.4_0 | 7    |
| SH404.40.112        | B11.40.900.4_1 | 4    | 2.1011.105.2         | B11.40.905.4_1 | 17   | B55.47.013.2         | B11.47.901.4_0 | 8    |
| CD554.40.107        | B11.40.900.4_1 | 5    | 2.0114.215.2         | B11.40.905.4_1 | 18   | B55.47.008.3/10      | B11.47.901.4_0 | 9    |
| GBT93-8-A3L         | B11.40.900.4_1 | 6    | B11.40.004.0         | B11.40.905.4_1 | 19   | 2.1690.307.2         | B11.47.901.4_0 | 10   |
| GBT93-10-A3L        | B11.40.900.4_1 | 7    | B11.40.005.0         | B11.40.905.4_1 | 20   | 2.1310.007.2         | B11.47.901.4_0 | 11   |
| GBT3452.1-19X2.65-G | B11.40.900.4_1 | 8    | 2.1310.004.2         | B11.40.905.4_1 | 21   | B55.47.007.2         | B11.47.901.4_0 | 12   |
| 2.0114.213.2        | B11.40.900.4_1 | 9    | 2.0114.216.2         | B11.40.905.4_1 | 22   | GBT882-B12X80-A3L    | B11.47.901.4_0 | 13   |
| 2.0114.215.2        | B11.40.900.4_1 | 10   | CD404.40.011         | B11.40.912.4_0 | 1    | 2.0114.311.2         | B11.47.901.4_0 | 14   |
| 2.0114.309.2        | B11.40.900.4_1 | 11   | B09.40.009.0         | B11.40.912.4_0 | 2    | B55.47.006.2         | B11.47.901.4_0 | 15   |
| 2.1011.106.2        | B11.40.900.4_1 | 12   | GBT3452.1-15.3X2.2-G | B11.40.912.4_0 | 3    | B55.47.009.3         | B11.47.901.4_0 | 16   |
| JBT8870-D32         | B11.40.900.4_1 | 13   | 2.1560.016.0         | B11.40.913.4_0 | 1    | 2.0114.007.2         | B11.47.901.4_0 | 17   |
| SH404A.40A.011      | B11.40.900.4_1 | 14   | CD1204A.40.019       | B11.40.913.4_0 | 2    | 2.1310.002.2         | B11.47.901.4_0 | 18   |
| SH404.40.025        | B11.40.900.4_1 | 15   | JBT8870-D32          | B11.40.913.4_0 | 3    | A39.47.021.0/20      | B11.47.901.4_0 | 19   |

| 零件编号                 | 结构代码           | 零件顺序 | 零件编号                 | 结构代码           | 零件顺序 | 零件编号             | 结构代码           | 零件顺序 |
|----------------------|----------------|------|----------------------|----------------|------|------------------|----------------|------|
| A39.47.021.0/20      | B11.47.901.4_0 | 19   | CD554.583.023        | B11.58.904.4_0 | 9    | 2.0114.205.2     | B11.58.910.4_0 | 16   |
| A44.47.010.2         | B11.47.901.4_0 | 20   | 2.1560.018.0         | B11.58.904.4_0 | 10   | 2.1310.004.2     | B11.58.910.4_0 | 17   |
| 2.1011.106.2         | B11.47.901.4_0 | 21   | CD554.583.130        | B11.58.904.4_0 | 11   | B13.10.001.4     | B13.10.900.4_0 | 1    |
| GBT93-6-A3L          | B11.47.901.4_0 | 22   | 2.0114.207.2         | B11.58.904.4_0 | 12   | SH550.58D.019    | B19.58.904.4_0 | 1    |
| 2.1011.103.2         | B11.47.901.4_0 | 23   | CD554.58.020         | B11.58.904.4_0 | 13   | A68.58.003.0     | B19.58.904.4_0 | 2    |
| B55.47.014.2         | B11.47.901.4_0 | 24   | CD554.58.014         | B11.58.904.4_0 | 14   | CD554.583A.113   | B19.58.904.4_0 | 3    |
| A44.47.009.0         | B11.47.901.4_0 | 25   | 2.0114.220.2         | B11.58.904.4_0 | 15   | JBT8870-D32      | B19.58.904.4_0 | 4    |
| B55.47.012.2         | B11.47.901.4_0 | 26   | CD554.58.015         | B11.58.904.4_0 | 16   | 2.0114.307.2     | B19.58.904.4_0 | 5    |
| 2.0114.317.2         | B11.47.901.4_0 | 27   | 2.1011.105.2         | B11.58.904.4_0 | 17   | GBT93-10-A3L     | B19.58.904.4_0 | 6    |
| 2.1310.006.2         | B11.47.901.4_0 | 28   | GBT93-8-A3L          | B11.58.904.4_0 | 18   | CD554.583A.030   | B19.58.904.4_0 | 7    |
| B55.47.017.3         | B11.47.901.4_0 | 29   | CD554.583.014/10     | B11.58.904.4_0 | 19   | CD554.583A.029-1 | B19.58.904.4_0 | 8    |
| 2.1011.105.2         | B11.47.901.4_0 | 30   | 2.0114.211.2         | B11.58.904.4_0 | 20   | 2.0114.220.2     | B19.58.904.4_0 | 9    |
| CD404.47.102         | B11.47.901.4_0 | 31   | GBT3452.1-15X2.65-G  | B11.58.904.4_0 | 21   | 2.1011.105.2     | B19.58.904.4_0 | 10   |
| B53.47.001.0         | B11.47.901.4_0 | 32   | CD554.583.022-1      | B11.58.904.4_0 | 22   | CD554.58.014     | B19.58.904.4_0 | 11   |
| 2.1312.005.2         | B11.47.901.4_0 | 33   | 2.1560.014.0         | B11.58.905.4_0 | 1    | SH400.58.112     | B19.58.904.4_0 | 12   |
| CD404.47A.103/10     | B11.47.901.4_0 | 34   | CD554.583.017        | B11.58.905.4_0 | 2    | 2.1560.018.0     | B19.58.904.4_0 | 13   |
| SH400.58.112         | B11.58.900.4_0 | 1    | CD554.583.018        | B11.58.905.4_0 | 3    | SH550.58D.123    | B19.58.904.4_0 | 14   |
| 2.1560.018.0         | B11.58.900.4_0 | 2    | CD554.583.130        | B11.58.905.4_0 | 4    | CD554.583.130    | B19.58.904.4_0 | 15   |
| CD404.58.011         | B11.58.900.4_0 | 3    | CD554.583.113        | B11.58.905.4_0 | 5    | 2.1560.014.0     | B19.58.904.4_0 | 16   |
| CD554.58.016         | B11.58.900.4_0 | 4    | CD554.583.114        | B11.58.905.4_0 | 6    | A39.58.037.3     | B19.58.904.4_0 | 17   |
| CD554.58.017         | B11.58.900.4_0 | 5    | CD554.58.111         | B11.58.905.4_0 | 7    | 2.0114.321.2     | B19.58.904.4_0 | 18   |
| 2.0114.207.2         | B11.58.900.4_0 | 6    | GBT6173-M22X1.5-A3L  | B11.58.905.4_0 | 8    | CD554.58.015     | B19.58.904.4_0 | 19   |
| GBT93-8-A3L          | B11.58.900.4_0 | 7    | 2.1560.018.0         | B11.58.905.4_0 | 9    | 2.1011.106.2     | B19.58.904.4_0 | 20   |
| 2.1011.105.2         | B11.58.900.4_0 | 8    | SH904.58.012         | B11.58.905.4_0 | 10   | 2.0114.407.2     | B19.58.904.4_0 | 21   |
| JBT8870-D32          | B11.58.900.4_0 | 9    | SH904.58.015         | B11.58.905.4_0 | 11   | GBT93-12-A3L     | B19.58.904.4_0 | 22   |
| SH400.58.106         | B11.58.900.4_0 | 10   | 2.1560.020.0         | B11.58.910.4_0 | 1    | CD554.58.020     | B19.58.904.4_0 | 23   |
| SH450.58.014         | B11.58.900.4_0 | 11   | CD554.583A.011       | B11.58.910.4_0 | 2    | CD554.583A.012   | B19.58.904.4_0 | 24   |
| SH400.58.107         | B11.58.900.4_0 | 12   | LD700.58.107         | B11.58.910.4_0 | 3    | GBT93-8-A3L      | B19.58.904.4_0 | 25   |
| 2.1310.004.2         | B11.58.900.4_0 | 13   | CD554.58.017         | B11.58.910.4_0 | 4    | CD554.583A.019-1 | B19.58.904.4_0 | 26   |
| CD404.58.015         | B11.58.900.4_0 | 14   | GBT93-8-A3L          | B11.58.910.4_0 | 5    | CD554.583A.110-1 | B19.58.904.4_0 | 27   |
| 2.0114.205.2         | B11.58.900.4_0 | 15   | 2.0114.207.2         | B11.58.910.4_0 | 6    | CD554.583A.020   | B19.58.904.4_0 | 28   |
| 2.0312.208.2         | B11.58.900.4_0 | 16   | 2.1011.105.2         | B11.58.910.4_0 | 7    | 2.1310.007.2     | B19.58.904.4_0 | 29   |
| GBT3452.1-21.2X1.8-G | B11.58.900.4_0 | 17   | CD554.58.016         | B11.58.910.4_0 | 8    | SH904.58.168     | B19.58.904.4_0 | 30   |
| GBT3733.2-83-G14     | B11.58.904.4_0 | 1    | JBT8870-D32          | B11.58.910.4_0 | 9    | 2.0114.207.2     | B19.58.904.4_0 | 31   |
| 2.1560.014.0         | B11.58.904.4_0 | 2    | SH400.58.106         | B11.58.910.4_0 | 10   | SH550.58D.019    | B19.58.914.4_0 | 1    |
| CD554.583.011/10     | B11.58.904.4_0 | 3    | SH450.58.014         | B11.58.910.4_0 | 11   | 2.1560.021.0     | B19.58.914.4_0 | 2    |
| CD554.583.021-1      | B11.58.904.4_0 | 4    | SH400.58.107         | B11.58.910.4_0 | 12   | CD554.582A.113   | B19.58.914.4_0 | 3    |
| CD554.583.120        | B11.58.904.4_0 | 5    | CD404.58.015         | B11.58.910.4_0 | 13   | JBT8870-D32      | B19.58.914.4_0 | 4    |
| JBT8870-D32          | B11.58.904.4_0 | 6    | 2.0312.206.2         | B11.58.910.4_0 | 14   | 2.0114.307.2     | B19.58.914.4_0 | 5    |
| CD554.583.013        | B11.58.904.4_0 | 7    | GBT3452.1-21.2X1.8-G | B11.58.910.4_0 | 15   | GBT93-10-A3L     | B19.58.914.4_0 | 6    |

| 零件编号             | 结构代码           | 零件顺序 | 零件编号                | 结构代码           | 零件顺序 | 零件编号                    | 结构代码           | 零件顺序 |
|------------------|----------------|------|---------------------|----------------|------|-------------------------|----------------|------|
| GBT93-10-A3L     | B19.58.914.4_0 | 6    | CD554.58.014        | B19.58.924.4_0 | 16   | GBT93-8-A3L             | B25.58.914.4_0 | 11   |
| CD554.583A.030   | B19.58.914.4_0 | 7    | 2.0114.207.2        | B19.58.924.4_0 | 17   | SH400.58.112            | B25.58.914.4_0 | 12   |
| CD554.583A.029-1 | B19.58.914.4_0 | 8    | CD554.58.015        | B19.58.924.4_0 | 18   | 2.1560.018.0            | B25.58.914.4_0 | 13   |
| 2.0114.220.2     | B19.58.914.4_0 | 9    | CD554.58.020        | B19.58.924.4_0 | 19   | A46.58.010.2            | B25.58.914.4_0 | 14   |
| 2.1011.105.2     | B19.58.914.4_0 | 10   | SH904.58.168        | B19.58.924.4_0 | 20   | CD554.583.130           | B25.58.914.4_0 | 15   |
| GBT93-8-A3L      | B19.58.914.4_0 | 11   | GBT3737.2-83-G14    | B25.58.902.4_0 | 1    | 2.1560.014.0            | B25.58.914.4_0 | 16   |
| SH400.58.112     | B19.58.914.4_0 | 12   | CD404.58.012        | B25.58.902.4_0 | 2    | A39.58.038.3            | B25.58.914.4_0 | 17   |
| 2.1560.018.0     | B19.58.914.4_0 | 13   | GBT3452.1-15X2.65-G | B25.58.902.4_0 | 3    | CD554.583A.012          | B25.58.914.4_0 | 18   |
| CD554.582A.123   | B19.58.914.4_0 | 14   | GBT5783-M8X30-A3L   | B25.58.902.4_0 | 4    | GBT5783-M10X70-A3L      | B25.58.914.4_0 | 19   |
| CD554.583.130    | B19.58.914.4_0 | 15   | GBT93-8-A3L         | B25.58.902.4_0 | 5    | GBT6170-M10-A3L         | B25.58.914.4_0 | 20   |
| 2.1560.014.0     | B19.58.914.4_0 | 16   | SH550.58D.019       | B25.58.904.4_0 | 1    | GBT5783-M12X20-A3L      | B25.58.914.4_0 | 21   |
| A39.58.038.3     | B19.58.914.4_0 | 17   | 2.1560.021.0        | B25.58.904.4_0 | 2    | GBT93-12-A3L            | B25.58.914.4_0 | 22   |
| CD554.583A.012   | B19.58.914.4_0 | 18   | CD554.583A.113      | B25.58.904.4_0 | 3    | GBT97.1-12-A3L          | B25.58.914.4_0 | 23   |
| 2.0114.321.2     | B19.58.914.4_0 | 19   | JBT8870-D32         | B25.58.904.4_0 | 4    | CD554.58.015            | B25.58.914.4_0 | 24   |
| 2.1011.106.2     | B19.58.914.4_0 | 20   | GBT5783-M10X20-A3L  | B25.58.904.4_0 | 5    | CD554.58.020            | B25.58.914.4_0 | 25   |
| 2.0114.407.2     | B19.58.914.4_0 | 21   | GBT93-10-A3L        | B25.58.904.4_0 | 6    | GBT5783-M8X20-A3L       | B25.58.914.4_0 | 26   |
| GBT93-12-A3L     | B19.58.914.4_0 | 22   | CD554.583A.030      | B25.58.904.4_0 | 7    | CD554.583A.019-1        | B25.58.914.4_0 | 27   |
| 2.1310.007.2     | B19.58.914.4_0 | 23   | 2.1560.018.0        | B25.58.904.4_0 | 8    | CD554.583A.110-1        | B25.58.914.4_0 | 28   |
| CD554.58.015     | B19.58.914.4_0 | 24   | SH400.58.112        | B25.58.904.4_0 | 9    | CD554.583A.020          | B25.58.914.4_0 | 29   |
| CD554.58.020     | B19.58.914.4_0 | 25   | GBT5783-M10X70-A3L  | B25.58.904.4_0 | 10   | SH904.58.168            | B25.58.914.4_0 | 30   |
| 2.0114.207.2     | B19.58.914.4_0 | 26   | GBT6170-M10-A3L     | B25.58.904.4_0 | 11   | CD554.58.014            | B25.58.914.4_0 | 31   |
| CD554.583A.019-1 | B19.58.914.4_0 | 27   | CD554.581A.011      | B25.58.904.4_0 | 12   | SH404.31.011            | B26.31.900.4_0 | 1    |
| CD554.583A.110-1 | B19.58.914.4_0 | 28   | A46.58.010.2        | B25.58.904.4_0 | 13   | GBT5783-M14X45-10.9-A3L | B26.31.900.4_0 | 2    |
| CD554.583A.020   | B19.58.914.4_0 | 29   | GBT6170-M8-A3L      | B25.58.904.4_0 | 14   | GBT93-14-A3L            | B26.31.900.4_0 | 3    |
| SH904.58.168     | B19.58.914.4_0 | 30   | GBT93-8-A3L         | B25.58.904.4_0 | 15   | SH404.31.102            | B26.31.900.4_0 | 4    |
| CD554.58.014     | B19.58.914.4_0 | 31   | CD554.58.014        | B25.58.904.4_0 | 16   | GBT6176-M14X1.5-10-A3L  | B26.31.900.4_0 | 5    |
| SH550.58D.019    | B19.58.924.4_0 | 1    | GBT5783-M8X20-A3L   | B25.58.904.4_0 | 17   | 2.6852.203.0            | B26.48.901.4_5 | 2    |
| 2.1560.021.0     | B19.58.924.4_0 | 2    | CD554.58.015        | B25.58.904.4_0 | 18   | B26.48.001.0/30         | B26.48.901.4_5 | 3    |
| CD554.583A.113   | B19.58.924.4_0 | 3    | CD554.58.020        | B25.58.904.4_0 | 19   | A39.48.014.0/20         | B26.48.901.4_5 | 4    |
| JBT8870-D32      | B19.58.924.4_0 | 4    | SH904.58.168        | B25.58.904.4_0 | 20   | A39.48.040.0            | B26.48.901.4_5 | 6    |
| 2.0114.307.2     | B19.58.924.4_0 | 5    | SH550.58D.019       | B25.58.914.4_0 | 1    | CD304.48.039            | B26.48.901.4_5 | 7    |
| GBT93-10-A3L     | B19.58.924.4_0 | 6    | 2.1560.021.0        | B25.58.914.4_0 | 2    | B61.48.027              | B26.48.901.4_5 | 8    |
| CD554.583A.030   | B19.58.924.4_0 | 7    | CD554.582A.113      | B25.58.914.4_0 | 3    | GBT818-M5X16-A2L        | B26.48.901.4_5 | 9    |
| 2.1560.018.0     | B19.58.924.4_0 | 8    | JBT8870-D32         | B25.58.914.4_0 | 4    | GBT818-M6X20-A2L        | B26.48.901.4_5 | 10   |
| SH400.58.112     | B19.58.924.4_0 | 9    | GBT5783-M10X20-A3L  | B25.58.914.4_0 | 5    | GBT818-M6X25-A2L        | B26.48.901.4_5 | 11   |
| 2.0114.321.2     | B19.58.924.4_0 | 10   | GBT93-10-A3L        | B25.58.914.4_0 | 6    | GBT93-5-A3L             | B26.48.901.4_5 | 12   |
| 2.1011.106.2     | B19.58.924.4_0 | 11   | CD554.583A.030      | B25.58.914.4_0 | 7    | GBT93-6-A3L             | B26.48.901.4_5 | 13   |
| CD554.581A.011   | B19.58.924.4_0 | 12   | CD554.583A.029-1    | B25.58.914.4_0 | 8    | GBT97.1-5-A3L           | B26.48.901.4_5 | 14   |
| SH550.58D.123    | B19.58.924.4_0 | 13   | GBT5783-M8X65-A3L   | B25.58.914.4_0 | 9    | GBT97.1-6-A3L           | B26.48.901.4_5 | 15   |
| 2.1011.105.2     | B19.58.924.4_0 | 14   | GBT6170-M8-A3L      | B25.58.914.4_0 | 10   | LD800.48.030            | B26.48.901.4_5 | 16   |

| 零件编号              | 结构代码           | 零件顺序 | 零件编号                    | 结构代码           | 零件顺序 | 零件编号                    | 结构代码           | 零件顺序 |
|-------------------|----------------|------|-------------------------|----------------|------|-------------------------|----------------|------|
| LD800.48.030      | B26.48.901.4_5 | 16   | 2.3110.403.2            | B26.50.912.4_0 | 1    | GBT5783-M10X20-A3L      | B47.48.907.4_0 | 2    |
| LD800.48.031      | B26.48.901.4_5 | 17   | 2.1560.010.0            | B26.50.912.4_0 | 2    | GBT93-10-A3L            | B47.48.907.4_0 | 3    |
| SH400.48.040      | B26.48.901.4_5 | 18   | A39.50.014.3            | B26.50.912.4_0 | 3    | GBT97.1-10-A3L          | B47.48.907.4_0 | 4    |
| SH400.48.047      | B26.48.901.4_5 | 19   | B26.50.003.2            | B26.50.912.4_0 | 4    | A39.48.038.0            | B47.48.909.4_0 | 1    |
| CD554A.48.024/20  | B26.48.901.4_5 | 20   | A39.50.022.0            | B26.50.912.4_0 | 5    | A39.48.008.0            | B47.48.909.4_0 | 2    |
| GBT6170-M8-A2L    | B26.48.901.4_5 | 21   | GBT5783-M8X30-A2L       | B26.50.912.4_0 | 6    | LD800.13.107            | B55.13.901.4_0 | 1    |
| GBT97.1-8-A3L     | B26.48.901.4_5 | 22   | B26.50.001.0            | B26.50.912.4_0 | 7    | B55.13.005.0            | B55.13.901.4_0 | 2    |
| GBT93-8-A3L       | B26.48.901.4_5 | 23   | B26.50.002.0            | B26.50.912.4_0 | 8    | GBT6170-M8-A2L          | B55.13.901.4_0 | 3    |
| A56.48.010.0      | B26.48.903.4_2 | 1    | CD304.50.014            | B26.50.912.4_0 | 9    | GBT5783-M8X16-A2L       | B55.13.901.4_0 | 4    |
| GBT818-M5X35-A2L  | B26.48.903.4_2 | 2    | GBT93-8-A3L             | B26.50.912.4_0 | 10   | GBT93-8-A3L             | B55.13.901.4_0 | 5    |
| GBT93-5-A3L       | B26.48.903.4_2 | 3    | GBT6170-M8-A2L          | B26.50.912.4_0 | 11   | CD554A.13.014           | B55.13.901.4_0 | 6    |
| GBT97.1-5-A3L     | B26.48.903.4_2 | 4    | CD404.58.014            | B26.58.934.4_0 | 1    | GBT5783-M8X20-A2L       | B55.13.901.4_0 | 7    |
| GBT6170-M5-A2L    | B26.48.903.4_2 | 5    | GBT93-8-A3L             | B26.58.934.4_0 | 2    | GBT97.1-8-A3L           | B55.13.901.4_0 | 8    |
| A39.48.011.0/30   | B26.48.903.4_2 | 6    | GBT3452.1-15X2.65-G     | B26.58.934.4_0 | 3    | CD554A.13.013           | B55.13.901.4_0 | 9    |
| CD554.48.024      | B26.48.903.4_2 | 7    | GBT5783-M8X30-A2L       | B26.58.934.4_0 | 4    | LD800.13.107            | B55.13.902.4_0 | 1    |
| GBT818-M4X10-A2L  | B26.48.903.4_2 | 8    | CD554.58.015            | B26.58.934.4_0 | 5    | B55.13.006.0            | B55.13.902.4_0 | 2    |
| GBT97.1-4-A3L     | B26.48.903.4_2 | 9    | B26.58.003.0            | B26.58.934.4_0 | 6    | GBT6170-M8-A2L          | B55.13.902.4_0 | 3    |
| SH900.48.049      | B26.48.903.4_2 | 10   | GBT6170-M8-A2L          | B26.58.934.4_0 | 7    | A39.13.002.0            | B55.13.902.4_0 | 4    |
| SH400.48.118      | B26.48.903.4_2 | 11   | GBT5783-M8X20-A2L       | B26.58.934.4_0 | 8    | GBT5783-M8X16-A2L       | B55.13.902.4_0 | 5    |
| A39.48.025.0      | B26.48.903.4_2 | 12   | CD554.58.014            | B26.58.934.4_0 | 9    | GBT93-8-A3L             | B55.13.902.4_0 | 6    |
| GBT5783-M6X12-A2L | B26.48.903.4_2 | 13   | B26.80.003.3/20         | B26.80.900.4_1 | 1    | CD554A.13.014           | B55.13.902.4_0 | 7    |
| GBT93-6-A3L       | B26.48.903.4_2 | 14   | GBT6170-M8-A2L          | B26.80.900.4_1 | 2    | GBT5783-M8X20-A2L       | B55.13.902.4_0 | 8    |
| A56.48.011.0      | B26.48.903.4_2 | 15   | GBT93-8-A3L             | B26.80.900.4_1 | 3    | GBT97.1-8-A3L           | B55.13.902.4_0 | 9    |
| CD554.48.104      | B26.48.903.4_2 | 16   | GBT97.1-8-A3L           | B26.80.900.4_1 | 4    | CD554A.13.013           | B55.13.902.4_0 | 10   |
| 2.6852.203.0      | B26.48.905.4_2 | 1    | B26.80.004.0/10         | B26.80.900.4_1 | 5    | GBT5783-M8X25-A2L       | B55.31.900.4_1 | 1    |
| A39.48.022.2/30   | B26.48.905.4_2 | 2    | A08.40.017.0            | B26.80.900.4_1 | 6    | GBT93-8-A3L             | B55.31.900.4_1 | 2    |
| B26.48.002.0/10   | B26.48.905.4_2 | 3    | GBT5783-M8X40-A2L       | B26.80.900.4_1 | 7    | GBT97.1-8-A3L           | B55.31.900.4_1 | 3    |
| B26.48.003.0      | B26.48.905.4_2 | 4    | B26.80.005.3            | B26.80.902.4_1 | 1    | A39.31.001.2/10         | B55.31.900.4_1 | 4    |
| SH900.48.032      | B26.48.905.4_2 | 5    | SH400.80.104            | B26.80.902.4_1 | 2    | B55.31.004.3/10         | B55.31.900.4_1 | 5    |
| SH900.48.033      | B26.48.905.4_2 | 6    | GBT6173-M18X1.5-A3L     | B26.80.902.4_1 | 3    | GBT6170-M16-10-A3L      | B55.31.900.4_1 | 6    |
| SH900.48.034      | B26.48.905.4_2 | 7    | CD554.80.103            | B26.80.902.4_1 | 4    | GBT93-16-A3L            | B55.31.900.4_1 | 7    |
| GBT97.1-8-A3L     | B26.48.905.4_2 | 8    | B26.80.001.3            | B26.80.902.4_1 | 5    | GBT899-AM16X65-10.9-A3L | B55.31.900.4_1 | 8    |
| GBT93-8-A3L       | B26.48.905.4_2 | 9    | CD554.80.105            | B26.80.902.4_1 | 6    | GBT5783-M8X20-A2L       | B55.31.900.4_1 | 9    |
| GBT5783-M8X20-A2L | B26.48.905.4_2 | 10   | B26.80.006.3            | B26.80.904.4_0 | 1    | B55.31.001.3            | B55.31.900.4_1 | 10   |
| A39.48.027.3      | B26.48.905.4_2 | 11   | SH554S.31.011           | B27.31.900.4_2 | 1    | GBT5783-M8X25-A2L       | B55.31.901.4_2 | 1    |
| A39.48.006.0/10   | B26.48.914.4_0 | 1    | GBT5783-M14X45-10.9-A3L | B27.31.900.4_2 | 2    | GBT93-8-A3L             | B55.31.901.4_2 | 2    |
| 2.6569.069.0/10   | B26.48.914.4_0 | 3    | GBT93-14-A3L            | B27.31.900.4_2 | 3    | GBT97.1-8-A3L           | B55.31.901.4_2 | 3    |
| SH900.48.058      | B26.48.914.4_0 | 4    | SH404.31.102            | B27.31.900.4_2 | 4    | SH554A.31.011           | B55.31.901.4_2 | 4    |
| SH900.48.059      | B26.48.914.4_0 | 5    | GBT6176-M14X1.5-10-A3L  | B27.31.900.4_2 | 5    | GBT899-AM16X65-10.9-A3L | B55.31.901.4_2 | 5    |
| A39.48.018.0      | B26.48.914.4_0 | 6    | A39.48.026.0/10         | B47.48.907.4_0 | 1    | GBT93-16-A3L            | B55.31.901.4_2 | 6    |

| 零件编号                    | 结构代码           | 零件顺序 | 零件编号                    | 结构代码           | 零件顺序 | 零件编号              | 结构代码           | 零件顺序 |
|-------------------------|----------------|------|-------------------------|----------------|------|-------------------|----------------|------|
| GBT93-16-A3L            | B55.31.901.4_2 | 6    | GBT97.1-12-A3L          | B55.45.902.4_0 | 2    | GBT93-6-A3L       | B55.45.905.4_2 | 4    |
| GBT6170-M16-10-A3L      | B55.31.901.4_2 | 7    | GBT93-12-A3L            | B55.45.902.4_0 | 3    | GBT5783-M6X16-A2L | B55.45.905.4_2 | 5    |
| SH404A.31A.011/10       | B55.31.901.4_2 | 8    | GBT5783-M12X30-10.9-A3L | B55.45.902.4_0 | 4    | CD554.45.044/10   | B55.45.905.4_2 | 6    |
| GBT5783-M8X20-A2L       | B55.31.901.4_2 | 9    | GBT5783-M6X20-A2L       | B55.45.903.4_0 | 1    | CD554.45.048/30   | B55.45.905.4_2 | 7    |
| SH404A.31.013/20        | B55.31.901.4_2 | 10   | GBT93-6-A3L             | B55.45.903.4_0 | 2    | CD554.45.185-1    | B55.45.906.4_0 | 1    |
| 2.1560.016.0            | B55.40.913.4_0 | 1    | GBT97.1-6-A3L           | B55.45.903.4_0 | 3    | CD554.45.186-1    | B55.45.906.4_0 | 2    |
| CD554.40.015            | B55.40.913.4_0 | 2    | CD554.45.223            | B55.45.903.4_0 | 4    | CD554.45.167-1    | B55.45.906.4_0 | 3    |
| CD554.40.016            | B55.40.913.4_0 | 3    | GBT5783-M5X20-A2L       | B55.45.903.4_0 | 5    | GBT923-M10-A3L    | B55.45.906.4_0 | 4    |
| CD404.40A.010           | B55.40.913.4_0 | 4    | GBT93-5-A3L             | B55.45.903.4_0 | 6    | GBT5783-M6X40-A2L | B55.45.906.4_0 | 5    |
| JBT8870-D32             | B55.40.913.4_0 | 5    | GBT97.1-5-A3L           | B55.45.903.4_0 | 7    | GBT889.1-M6-A2L   | B55.45.906.4_0 | 6    |
| SH404.40.101            | B55.40.913.4_0 | 6    | CD554.45.204-1          | B55.45.903.4_0 | 8    | SH300.47.047-1    | B55.45.906.4_0 | 7    |
| SH404.40.127            | B55.40.913.4_0 | 7    | CD554.45.205            | B55.45.903.4_0 | 9    | SH900.45A.032     | B55.45.906.4_0 | 8    |
| SH900.40.101            | B55.40.913.4_0 | 8    | CD554.45.222-1          | B55.45.903.4_0 | 10   | GBT5783-M6X45-A2L | B55.45.906.4_0 | 9    |
| SH900.40.102            | B55.40.913.4_0 | 9    | CD554.45.155-1          | B55.45.903.4_0 | 11   | GBT97.1-6-A3L     | B55.45.906.4_0 | 10   |
| SH900.40.105            | B55.40.913.4_0 | 10   | CD554.45.207            | B55.45.903.4_0 | 12   | CD554.45.171      | B55.45.906.4_0 | 11   |
| GBT97.1-6-A3L           | B55.45.900.4_1 | 1    | CD554.45.200            | B55.45.903.4_0 | 13   | GBT6170-M6-A2L    | B55.45.906.4_0 | 12   |
| GBT93-6-A3L             | B55.45.900.4_1 | 2    | CD554.45.206-1          | B55.45.903.4_0 | 14   | GBT93-6-A3L       | B55.45.906.4_0 | 13   |
| GBT5783-M6X20-A2L       | B55.45.900.4_1 | 3    | CD554.45.224            | B55.45.903.4_0 | 15   | SH554A.47.021/10  | B55.47.900.4_1 | 1    |
| CD554.45.029-1          | B55.45.900.4_1 | 4    | SH900.45A.205           | B55.45.903.4_0 | 16   | GBT6170-M6-A2L    | B55.47.900.4_1 | 2    |
| GBT97.1-8-A3L           | B55.45.900.4_1 | 5    | GBT97.1-6               | B55.45.904.4_0 | 1    | GBT93-6-A3L       | B55.47.900.4_1 | 3    |
| GBT93-8-A3L             | B55.45.900.4_1 | 6    | GBT93-6                 | B55.45.904.4_0 | 2    | GBT97.1-6-A3L     | B55.47.900.4_1 | 4    |
| GBT5783-M8X20-A2L       | B55.45.900.4_1 | 7    | GBT818-M6X20-O          | B55.45.904.4_0 | 3    | SH554A.47.138     | B55.47.900.4_1 | 5    |
| CD554.45.016/10         | B55.45.900.4_1 | 8    | GBT818-M5X16-A2L        | B55.45.904.4_0 | 4    | SH554A.47.155     | B55.47.900.4_1 | 6    |
| CD554.45.123-2          | B55.45.900.4_1 | 9    | GBT93-5-A3L             | B55.45.904.4_0 | 5    | CD1204.48.035     | B55.47.900.4_1 | 7    |
| CD554.45.237            | B55.45.900.4_1 | 10   | GBT97.1-5-A3L           | B55.45.904.4_0 | 6    | CD1204.48.036     | B55.47.900.4_1 | 8    |
| CD554.45.011/40         | B55.45.900.4_1 | 11   | GBT818-M5X25-O          | B55.45.904.4_0 | 7    | GBT5783-M6X20-A2L | B55.47.900.4_1 | 9    |
| GBT5782-M16X110-A3L     | B55.45.901.4_2 | 1    | GBT93-5                 | B55.45.904.4_0 | 8    | SH554A.47.156     | B55.47.900.4_1 | 10   |
| GBT97.1-16-A3L          | B55.45.901.4_2 | 2    | GBT97.1-5               | B55.45.904.4_0 | 9    | B26.47.007.0      | B55.47.900.4_1 | 11   |
| LD700.47.120-1          | B55.45.901.4_2 | 3    | CD554.45.028/10         | B55.45.904.4_0 | 10   | B55.47.002.3      | B55.47.900.4_1 | 12   |
| LD700.47.031            | B55.45.901.4_2 | 4    | A39.45.228.2            | B55.45.904.4_0 | 11   | SH554A.47.129     | B55.47.900.4_1 | 13   |
| CD554.45.019/20         | B55.45.901.4_2 | 5    | GBT818-M5X35-A2L        | B55.45.904.4_0 | 12   | B26.47.006.0/10   | B55.47.900.4_1 | 14   |
| GBT6187.1-M16-A3L       | B55.45.901.4_2 | 6    | A39.45.143.2            | B55.45.904.4_0 | 13   | SH554A.47.127/10  | B55.47.900.4_1 | 15   |
| GBT5783-M12X30-10.9-A3L | B55.45.901.4_2 | 7    | GBT819.1-M5X20-A2L      | B55.45.904.4_0 | 14   | GBT97.1-5-A3L     | B55.47.900.4_1 | 16   |
| GBT93-12-A3L            | B55.45.901.4_2 | 8    | Q31205                  | B55.45.904.4_0 | 15   | GBT818-M5X16-A2L  | B55.47.900.4_1 | 17   |
| GBT97.1-12-A3L          | B55.45.901.4_2 | 9    | A39.45.193.0            | B55.45.904.4_0 | 16   | SH554A.47.128     | B55.47.900.4_1 | 18   |
| B55.45.001.2            | B55.45.901.4_2 | 10   | CD554.45.220/10         | B55.45.904.4_0 | 17   | B26.47.005.0      | B55.47.900.4_1 | 19   |
| GBT5783-M12X35-10.9-A3L | B55.45.901.4_2 | 11   | GBT6170-M5-A2L          | B55.45.904.4_0 | 18   | GBT93-5-A3L       | B55.47.900.4_1 | 20   |
| GBT5782-M16X120-A3L     | B55.45.901.4_2 | 12   | CD554.45.045/10         | B55.45.905.4_2 | 1    | GBT6170-M5-A2L    | B55.47.900.4_1 | 21   |
| CD404.45.020            | B55.45.901.4_2 | 13   | CD554.45.049/30         | B55.45.905.4_2 | 2    | GBT97.1-4-A3L     | B55.47.900.4_1 | 22   |
| CD404.45.021-1          | B55.45.901.4_2 | 14   | GBT97.1-6-A3L           | B55.45.905.4_2 | 3    | GBT93-4-A3L       | B55.47.900.4_1 | 23   |

| 零件编号               | 结构代码           | 零件顺序 | 零件编号                | 结构代码           | 零件顺序 | 零件编号             | 结构代码           | 零件顺序 |
|--------------------|----------------|------|---------------------|----------------|------|------------------|----------------|------|
| GBT93-4-A3L        | B55.47.900.4_1 | 23   | B57.51.001.0        | B57.51.900.4_0 | 6    | GBT93-5-A3L      | B61.48.901.4_3 | 22   |
| GBT818-M4X8-A2L    | B55.47.900.4_1 | 24   | GBT6173-M16X1.5-A3L | B61.40.906.4_0 | 1    | GBT818-M5X16-A2L | B61.48.901.4_3 | 23   |
| SH554A.47.132      | B55.47.900.4_1 | 25   | CD554.40.028/10     | B61.40.906.4_0 | 2    | SH400.48.118     | B61.48.903.4_3 | 1    |
| SH554A.47.131      | B55.47.900.4_1 | 26   | CD554.40.124/20     | B61.40.906.4_0 | 3    | GBT818-M5X35-A2L | B61.48.903.4_3 | 2    |
| CD554.48.030       | B55.48.900.4_1 | 1    | 0.020.5342.3        | B61.40.906.4_0 | 4    | GBT93-5-A3L      | B61.48.903.4_3 | 3    |
| GBT5783-M6X20-A2L  | B55.48.900.4_1 | 2    | CD554.40.019/10     | B61.40.906.4_0 | 5    | GBT97.1-5-A3L    | B61.48.903.4_3 | 4    |
| GBT93-6-A3L        | B55.48.900.4_1 | 3    | GBT5783-M10X25-A3L  | B61.40.906.4_0 | 6    | GBT6170-M5-A2L   | B61.48.903.4_3 | 5    |
| GBT97.1-6-A3L      | B55.48.900.4_1 | 4    | GBT93-10-A3L        | B61.40.906.4_0 | 7    | CD554.48.104     | B61.48.903.4_3 | 6    |
| A39.48.015.0/10    | B55.48.900.4_1 | 6    | GBT6170-M10-A3L     | B61.40.906.4_0 | 8    | B61.48.003.4     | B61.48.903.4_3 | 7    |
| CD554A.48.022      | B55.48.900.4_1 | 7    | CD454.45.111        | B61.45.932.4_0 | 1    | CD554.48.024     | B61.48.903.4_3 | 8    |
| SH900.48.036       | B55.48.900.4_1 | 8    | SH554A.47.153       | B61.47.902.4_4 | 1    | GBT818-M4X10-A2L | B61.48.903.4_3 | 9    |
| CD554A.48.107      | B55.48.900.4_1 | 9    | SH554A.47.124       | B61.47.902.4_4 | 2    | GBT97.1-4-A3L    | B61.48.903.4_3 | 10   |
| A39.48.046.2       | B55.48.900.4_1 | 10   | SH554A.47.019-1     | B61.47.902.4_4 | 3    | SH900.48.049     | B61.48.903.4_3 | 11   |
| GBT6170-M8-A2L     | B55.48.900.4_1 | 11   | GBT93-5-A3L         | B61.47.902.4_4 | 4    | CD304.48.036/20  | B61.48.903.4_3 | 12   |
| GBT93-8-A3L        | B55.48.900.4_1 | 12   | 2.0332.307.2        | B61.47.902.4_4 | 5    | CD304.48.037/20  | B61.48.903.4_3 | 13   |
| GBT97.1-8-A3L      | B55.48.900.4_1 | 13   | SH554A.47.126       | B61.47.902.4_4 | 6    | GBT6170-M6-A2L   | B61.48.903.4_3 | 16   |
| A31.48.022.0       | B55.48.900.4_1 | 14   | SH554A.47.018/10    | B61.47.902.4_4 | 7    | GBT93-6-A3L      | B61.48.903.4_3 | 17   |
| 2.6852.203.0       | B55.48.900.4_1 | 15   | 2.1011.103.2        | B61.47.902.4_4 | 8    | GBT97.1-6-A3L    | B61.48.903.4_3 | 18   |
| SH900.48.105       | B55.48.900.4_1 | 16   | A08.47.024.0        | B61.47.902.4_4 | 9    | A56.48.010.0     | B61.48.903.4_3 | 19   |
| GBT5783-M10X20-A3L | B55.48.900.4_1 | 17   | SH554A.47.122       | B61.47.902.4_4 | 10   | A56.48.011.0     | B61.48.903.4_3 | 20   |
| GBT93-10-A3L       | B55.48.900.4_1 | 18   | 2.1310.002.2        | B61.47.902.4_4 | 11   | 2.6852.203.0     | B61.48.905.4_1 | 1    |
| GBT97.1-10-A3L     | B55.48.900.4_1 | 19   | 2.1690.107.2        | B61.47.902.4_4 | 12   | B61.48.002.4     | B61.48.905.4_1 | 2    |
| CD404A.48.022/10   | B55.48.900.4_1 | 20   | C12.47.045.4        | B61.47.902.4_4 | 13   | SH900.48.032     | B61.48.905.4_1 | 3    |
| GBT5783-M8X20-A2L  | B55.48.900.4_1 | 21   | B61.48.001.0/10     | B61.48.901.4_3 | 1    | SH900.48.033     | B61.48.905.4_1 | 4    |
| 0.020.2413.4       | B55.48.900.4_1 | 22   | 2.6852.203.0        | B61.48.901.4_3 | 2    | CD554.48.026     | B61.48.905.4_1 | 5    |
| 2.6839.060.0       | B55.48.900.4_1 | 23   | B61.48.027          | B61.48.901.4_3 | 3    | CD554.50.014     | B61.50.900.4_1 | 1    |
| 2.6839.054.0       | B55.48.900.4_1 | 24   | CD554A.48.028/20    | B61.48.901.4_3 | 4    | CD554.50.013/20  | B61.50.900.4_1 | 2    |
| SH554A.48.015      | B55.48.902.4_1 | 1    | CD304.48.039        | B61.48.901.4_3 | 5    | JBT8870-D32      | B61.50.900.4_1 | 3    |
| B29.48.032.0       | B55.48.902.4_1 | 2    | GBT97.1-6-A3L       | B61.48.901.4_3 | 7    | CD554.50.102     | B61.50.900.4_1 | 4    |
| SH400.48.112       | B55.48.902.4_1 | 3    | GBT818-M6X20-A2L    | B61.48.901.4_3 | 8    | CD554.50.125     | B61.50.900.4_1 | 5    |
| B55.48.006.2       | B55.48.902.4_1 | 4    | GBT818-M5X20-A2L    | B61.48.901.4_3 | 9    | GBT93-10-A3L     | B61.50.900.4_1 | 6    |
| GBT96.1-6-A3L      | B55.48.902.4_1 | 5    | GBT97.1-5-A3L       | B61.48.901.4_3 | 10   | CD554.50.105     | B61.50.900.4_1 | 7    |
| GBT5783-M8X25-A2L  | B55.48.902.4_1 | 6    | GBT93-6-A3L         | B61.48.901.4_3 | 11   | CD554.50.015/20  | B61.50.900.4_1 | 8    |
| GBT93-8-A3L        | B55.48.902.4_1 | 7    | CD554.48.025        | B61.48.901.4_3 | 12   | GBT97.1-10-A3L   | B61.50.900.4_1 | 9    |
| GBT97.1-8-A3L      | B55.48.902.4_1 | 8    | A39.48.040.0        | B61.48.901.4_3 | 14   | GBT6170-M10-A3L  | B61.50.900.4_1 | 10   |
| SH900.51B.109      | B55.51.918.4_0 | 1    | LD800.48.030        | B61.48.901.4_3 | 16   | CD304.50.302     | B61.50.900.4_1 | 11   |
| B61.51.003.0       | B57.51.900.4_0 | 1    | LD800.48.031        | B61.48.901.4_3 | 17   | CD554.50.123/10  | B61.50.900.4_1 | 12   |
| B61.51.002.0       | B57.51.900.4_0 | 2    | SH400.48.040        | B61.48.901.4_3 | 18   | GBT93-8-A3L      | B61.50.900.4_1 | 13   |
| SH554A.51.103      | B57.51.900.4_0 | 3    | SH400.48.047        | B61.48.901.4_3 | 19   | GBT6170-M8-A2L   | B61.50.900.4_1 | 14   |
| SH554A.51.106      | B57.51.900.4_0 | 4    | CD554A.48.024/20    | B61.48.901.4_3 | 20   | CD304.50.014     | B61.50.900.4_1 | 15   |



| 零件编号                    | 结构代码           | 零件顺序 | 零件编号            | 结构代码           | 零件顺序 | 零件编号               | 结构代码           | 零件顺序 |
|-------------------------|----------------|------|-----------------|----------------|------|--------------------|----------------|------|
| CD304.50.014            | B61.50.900.4_1 | 15   | SH900.51.125    | B61.51.901.4_4 | 23   | SH904.51.114       | B61.51.910.4_0 | 1    |
| LD800.50.020            | B61.50.900.4_1 | 16   | SH900.51B.102   | B61.51.901.4_4 | 24   | B61.51.001.0       | B61.51.911.4_1 | 1    |
| GBT5783-M8X35-A2L       | B61.50.900.4_1 | 17   | SH900.51.130    | B61.51.901.4_4 | 25   | B61.51.005.3       | B61.51.911.4_1 | 2    |
| B61.50.001.2            | B61.50.900.4_1 | 18   | SH900.51B.120   | B61.51.901.4_4 | 26   | B61.51.006.0       | B61.51.911.4_1 | 3    |
| B61.50.002.2            | B61.50.900.4_1 | 19   | SH900.51B.123   | B61.51.901.4_4 | 27   | GB/T 12618         | B61.51.911.4_1 | 4    |
| CD554.50.103            | B61.50.900.4_1 | 20   | SH900.51.138    | B61.51.901.4_4 | 29   | A62.51.002.0/20    | B61.51.911.4_2 | 1    |
| B61.50.003.4            | B61.50.900.4_1 | 21   | 2.9939.835.0/10 | B61.51.901.4_4 | 30   | B61.51.005.3       | B61.51.911.4_2 | 2    |
| CD554.50.122            | B61.50.900.4_1 | 22   | SH900.51.136    | B61.51.901.4_5 | 1    | B61.51.006.0       | B61.51.911.4_2 | 3    |
| CD554.50.017-1          | B61.50.900.4_1 | 23   | SH900.51.132    | B61.51.901.4_5 | 2    | GBT12618.1-3X15    | B61.51.911.4_2 | 4    |
| LE1204.50.149           | B61.50.900.4_1 | 24   | SH900.51.135    | B61.51.901.4_5 | 3    | SH550.58D.019      | B61.58.904.4_0 | 1    |
| CD554.50.101            | B61.50.900.4_1 | 25   | SH900.51B.103   | B61.51.901.4_5 | 4    | 2.1560.021.0       | B61.58.904.4_0 | 2    |
| JBT982-14               | B61.50.900.4_1 | 26   | SH900.51B.110   | B61.51.901.4_5 | 5    | CD554.583A.113     | B61.58.904.4_0 | 3    |
| GBT5783-M8X45-A2L       | B61.50.900.4_1 | 27   | SH900.51B.122   | B61.51.901.4_5 | 6    | JBT8870-D32        | B61.58.904.4_0 | 4    |
| GBT5783-M10X20-A3L      | B61.50.900.4_1 | 28   | B61.51.009.0/10 | B61.51.901.4_5 | 8    | GBT5783-M10X20-A3L | B61.58.904.4_0 | 5    |
| JBT8870-D40             | B61.50.900.4_1 | 29   | SH900.51B.117   | B61.51.901.4_5 | 9    | GBT93-10-A3L       | B61.58.904.4_0 | 6    |
| CD554.50.012/20         | B61.50.900.4_1 | 30   | SH900.51B.116   | B61.51.901.4_5 | 10   | CD554.583A.030     | B61.58.904.4_0 | 7    |
| GBT67-M4X12-A2L         | B61.50.900.4_1 | 31   | SH900.51.118    | B61.51.901.4_5 | 11   | 2.1560.018.0       | B61.58.904.4_0 | 8    |
| GBT93-4-A3L             | B61.50.900.4_1 | 32   | SH900.51B.119   | B61.51.901.4_5 | 12   | SH400.58.112       | B61.58.904.4_0 | 9    |
| CD554.50.104/10         | B61.50.900.4_1 | 33   | SH900.51B.125   | B61.51.901.4_5 | 13   | GBT5783-M10X70-A3L | B61.58.904.4_0 | 10   |
| JBT8870-d16             | B61.50.900.4_1 | 34   | SH900.51.153    | B61.51.901.4_5 | 14   | GBT6170-M10-A3L    | B61.58.904.4_0 | 11   |
| GBT93-12-A3L            | B61.50.900.4_1 | 35   | SH900.51.154    | B61.51.901.4_5 | 15   | CD554.581A.011     | B61.58.904.4_0 | 12   |
| GBT5783-M12X30-10.9-A3L | B61.50.900.4_1 | 36   | SH900.51.152    | B61.51.901.4_5 | 16   | SH550.58D.123      | B61.58.904.4_0 | 13   |
| SH900.51.136            | B61.51.901.4_4 | 1    | SH900.51B.112   | B61.51.901.4_5 | 17   | GBT6170-M8-A2L     | B61.58.904.4_0 | 14   |
| SH900.51.132            | B61.51.901.4_4 | 2    | SH900.51.122    | B61.51.901.4_5 | 18   | GBT93-8-A3L        | B61.58.904.4_0 | 15   |
| SH900.51.135            | B61.51.901.4_4 | 3    | A11.51.004.0    | B61.51.901.4_5 | 19   | CD554.58.014       | B61.58.904.4_0 | 16   |
| SH900.51B.103           | B61.51.901.4_4 | 4    | B61.51.010.0    | B61.51.901.4_5 | 20   | GBT5783-M8X20-A2L  | B61.58.904.4_0 | 17   |
| SH900.51B.110           | B61.51.901.4_4 | 5    | SH900.51.125    | B61.51.901.4_5 | 23   | CD554.58.015       | B61.58.904.4_0 | 18   |
| SH900.51B.122           | B61.51.901.4_4 | 6    | SH900.51B.102   | B61.51.901.4_5 | 24   | CD554.58.020       | B61.58.904.4_0 | 19   |
| B61.51.009.0/10         | B61.51.901.4_4 | 8    | SH900.51.130    | B61.51.901.4_5 | 25   | SH904.58.168       | B61.58.904.4_0 | 20   |
| SH900.51B.117           | B61.51.901.4_4 | 9    | SH900.51B.120   | B61.51.901.4_5 | 26   | SH550.58D.019      | B61.58.914.4_0 | 1    |
| SH900.51B.116           | B61.51.901.4_4 | 10   | SH900.51B.123   | B61.51.901.4_5 | 27   | 2.1560.021.0       | B61.58.914.4_0 | 2    |
| SH900.51.118            | B61.51.901.4_4 | 11   | SH900.51.138    | B61.51.901.4_5 | 29   | CD554.582A.113     | B61.58.914.4_0 | 3    |
| SH900.51B.119           | B61.51.901.4_4 | 12   | 2.9939.835.0/10 | B61.51.901.4_5 | 30   | JBT8870-D32        | B61.58.914.4_0 | 4    |
| SH900.51B.125           | B61.51.901.4_4 | 13   | SH900.51.124    | B61.51.902.4_0 | 1    | GBT5783-M10X20-A3L | B61.58.914.4_0 | 5    |
| SH900.51.153            | B61.51.901.4_4 | 14   | SH900.51B.126   | B61.51.902.4_0 | 2    | GBT93-10-A3L       | B61.58.914.4_0 | 6    |
| SH900.51.154            | B61.51.901.4_4 | 15   | SH904.51.114    | B61.51.905.4_0 | 1    | CD554.583A.030     | B61.58.914.4_0 | 7    |
| SH900.51.152            | B61.51.901.4_4 | 16   | SH900.51B.129   | B61.51.906.4_0 | 1    | CD554.583A.029-1   | B61.58.914.4_0 | 8    |
| SH900.51B.112           | B61.51.901.4_4 | 17   | CD454.51D.101   | B61.51.908.4_0 | 1    | GBT5783-M8X65-A2L  | B61.58.914.4_0 | 9    |
| SH900.51.122            | B61.51.901.4_4 | 18   | CD454.51D.102   | B61.51.908.4_0 | 2    | GBT6170-M8-A2L     | B61.58.914.4_0 | 10   |
| A11.51.004.0            | B61.51.901.4_4 | 19   | SH900.51B.111   | B61.51.909.4_0 | 1    | GBT93-8-A3L        | B61.58.914.4_0 | 11   |

| 零件编号                    | 结构代码           | 零件顺序 | 零件编号                 | 结构代码            | 零件顺序 | 零件编号                   | 结构代码          | 零件顺序 |
|-------------------------|----------------|------|----------------------|-----------------|------|------------------------|---------------|------|
| GBT93-8-A3L             | B61.58.914.4_0 | 11   | A46.37.001.4/10      | CD404.37.002_3  | 6    | SH904.42.115           | CD404.42.011  | 11   |
| SH400.58.112            | B61.58.914.4_0 | 12   | A08.37.003.4/10      | CD404.37.002_3  | 7    | GBT276-6306            | CD404.42.011  | 12   |
| 2.1560.018.0            | B61.58.914.4_0 | 13   | A11.37.141.2/10      | CD404.37J.002_4 | 1    | GBT894.1-38            | CD404.42.011  | 13   |
| CD554.582A.123          | B61.58.914.4_0 | 14   | GBT818-M5X16-A2L     | CD404.37J.002_4 | 2    | SH554.42.106           | CD404.42.011  | 14   |
| CD554.583.130           | B61.58.914.4_0 | 15   | GBT97.1-5-A3L        | CD404.37J.002_4 | 3    | SH404.42.117           | CD404.42.011  | 15   |
| 2.1560.014.0            | B61.58.914.4_0 | 16   | CD554.37.056/20      | CD404.37J.002_4 | 4    | GBT5783-M8X20-A2L      | CD404.42.011  | 16   |
| A39.58.038.3            | B61.58.914.4_0 | 17   | GBT882-B8X30-A3L     | CD404.37J.002_4 | 5    | GBT93-8-A3L            | CD404.42.011  | 17   |
| CD554.583A.012          | B61.58.914.4_0 | 18   | GBT91-3.2X18-A3L     | CD404.37J.002_4 | 6    | CD404.42.101           | CD404.42.011  | 18   |
| GBT5783-M10X70-A3L      | B61.58.914.4_0 | 19   | CD554.37.053-1       | CD404.37J.002_4 | 7    | SH554.42.107           | CD404.42.011  | 19   |
| GBT6170-M10-A3L         | B61.58.914.4_0 | 20   | GBT894.1-20          | CD404.37J.002_4 | 8    | CD404.42.102           | CD404.42.011  | 20   |
| GBT5783-M12X20-A3L      | B61.58.914.4_0 | 21   | GBT97.1-20-A3L       | CD404.37J.002_4 | 9    | GBT13871.1-FB-030052-D | CD404.42.011  | 21   |
| GBT93-12-A3L            | B61.58.914.4_0 | 22   | LD800.37.172-1       | CD404.37J.002_4 | 10   | SH404.42.106           | CD404.42.011  | 22   |
| GBT97.1-12-A3L          | B61.58.914.4_0 | 23   | CD554.37.052/30      | CD404.37J.002_4 | 11   | SH554.42.132           | CD404.42.011  | 23   |
| CD554.58.015            | B61.58.914.4_0 | 24   | GBT879.1-8X35        | CD404.37J.002_4 | 12   | GBT5783-M10X45-A3L     | CD404.42.011  | 24   |
| CD554.58.020            | B61.58.914.4_0 | 25   | GBT879.1-5X35        | CD404.37J.002_4 | 13   | GBT93-10-A3L           | CD404.42.011  | 25   |
| GBT5783-M8X20-A2L       | B61.58.914.4_0 | 26   | CD554.37.055         | CD404.37J.002_4 | 14   | CD554.42.011-1         | CD404.42.011  | 26   |
| CD554.583A.019-1        | B61.58.914.4_0 | 27   | GBT879.1-6X26        | CD404.37J.002_4 | 15   | SH554.42.013           | CD404.42.011  | 27   |
| CD554.583A.110-1        | B61.58.914.4_0 | 28   | GBT93-10-A3L         | CD404.37J.002_4 | 16   | GBT879.1-8X30          | CD404.42.011  | 28   |
| CD554.583A.020          | B61.58.914.4_0 | 29   | CD554.37.054/10      | CD404.37J.002_4 | 18   | GBT879.1-5X30          | CD404.42.011  | 29   |
| SH904.58.168            | B61.58.914.4_0 | 30   | GBT5783-M10X20-A3L   | CD404.37J.002_4 | 19   | GBT3452.1-17X1.8-G     | CD404.42.011  | 30   |
| CD554.58.014            | B61.58.914.4_0 | 31   | CD554.37.051-1       | CD404.37J.002_4 | 20   | SH554.42.116           | CD404.42.011  | 31   |
| B65.44.002.4            | B63.44.900.4_0 | 1    | CD454.37.012         | CD404.37J.002_4 | 21   | SH554.42.111           | CD404.42.011  | 32   |
| 2.0114.309.2            | B63.44.900.4_0 | 2    | GBT6170-M10-A3L      | CD404.37J.002_4 | 22   | SH554.42.112           | CD404.42.011  | 33   |
| 2.1474.010.2            | B63.44.900.4_0 | 3    | A08.37.005.4/10      | CD404.37J.002_4 | 23   | SH554.42.113           | CD404.42.011  | 34   |
| 2.1310.006.2            | B63.44.900.4_0 | 4    | A08.37.003.4/10      | CD404.37J.002_4 | 24   | YBT5294-SZ-F-1.4       | CD404.42.011  | 35   |
| B55.47.014.2            | B65.20.910.4_0 | 1    | CD554.37.211         | CD404.37J.002_4 | 25   | GBT308-10-G100-b       | CD404.42.011  | 36   |
| 2.0114.307.2            | B65.20.910.4_0 | 2    | GBT5783-M8X16-A2L    | CD404.37J.002_4 | 26   | SH904.42.124           | CD404.42.011  | 37   |
| GBT93-10-A3L            | B65.20.910.4_0 | 3    | GBT93-8-A3L          | CD404.37J.002_4 | 27   | SH904.42.113           | CD404.42.011  | 38   |
| C05.45.120.0            | C05.45.918.4_0 | 1    | CD554.37.212         | CD404.37J.002_4 | 28   | JBT982-18              | CD404.42.011  | 39   |
| SH550.56B.025           | C05.56.920.4_0 | 1    | GBT97.1-8-A3L        | CD404.37J.002_4 | 29   | SH404.42.125A          | CD404.42A.011 | 1    |
| SH550.56B.026           | C05.56.920.4_0 | 2    | SH404.42.125         | CD404.42.011    | 1    | SH404.42.112           | CD404.42A.011 | 2    |
| GBT5782-M16X60-10.9-A3L | C05.56.920.4_0 | 3    | SH404.42.112         | CD404.42.011    | 2    | GBT6171-M10X1-A3L      | CD404.42A.011 | 3    |
| GBT6170-M16-A3L         | C05.56.920.4_0 | 4    | GBT6171-M10X1-A3L    | CD404.42.011    | 3    | SH404.42.103           | CD404.42A.011 | 4    |
| GBT93-16-A3L            | C05.56.920.4_0 | 5    | SH404.42.103         | CD404.42.011    | 4    | JBT7918-K25X31X20      | CD404.42A.011 | 5    |
| CD554.55A.202           | C22.55.001.4   | 4    | JBT7918-K25X31X20    | CD404.42.011    | 5    | SH554.42.103           | CD404.42A.011 | 6    |
| CD554.55A.201           | C22.55.001.4   | 5    | SH554.42.103         | CD404.42.011    | 6    | SH404.42.126           | CD404.42A.011 | 7    |
| GBT879.1-8X35           | CD404.37.002_3 | 1    | SH404.42.126         | CD404.42.011    | 7    | GBT3452.1-132X3.55-G   | CD404.42A.011 | 8    |
| GBT879.1-5X35           | CD404.37.002_3 | 2    | GBT3452.1-132X3.55-G | CD404.42.011    | 8    | SH904.42.119           | CD404.42A.011 | 9    |
| CD554.37.051-1          | CD404.37.002_3 | 3    | SH904.42.119         | CD404.42.011    | 9    | CD404.42.103           | CD404.42A.011 | 10   |
| CD454.37.012            | CD404.37.002_3 | 4    | CD404.42.103         | CD404.42.011    | 10   | SH904.42.115           | CD404.42A.011 | 11   |

| 零件编号                   | 结构代码            | 零件顺序 | 零件编号                  | 结构代码             | 零件顺序 | 零件编号                   | 结构代码             | 零件顺序 |
|------------------------|-----------------|------|-----------------------|------------------|------|------------------------|------------------|------|
| SH904.42.115           | CD404.42A.011   | 11   | GBT5783-M10X25-A3L    | CD404.47A.001_2  | 13   | CD404A.22.102          | CD404A.22.001_02 | 11   |
| GBT276-6306            | CD404.42A.011   | 12   | GBT91-3.2X18-A3L      | CD404.47A.001_2  | 14   | CD404A.22.013/20       | CD404A.22.001_02 | 12   |
| GBT894.1-38            | CD404.42A.011   | 13   | GBT97.1-12-A3L        | CD404.47A.001_2  | 15   | CD554A.22.102          | CD404A.22.001_02 | 13   |
| SH554.42.106           | CD404.42A.011   | 14   | B55.47.007.2          | CD404.47A.001_2  | 16   | CD404A.22.011/30       | CD404A.22.001_02 | 14   |
| SH404.42.117           | CD404.42A.011   | 15   | GBT882-B12X80-A3L     | CD404.47A.001_2  | 17   | CD404A.22.014/10       | CD404A.22.001_02 | 15   |
| GBT5783-M8X20-A2L      | CD404.42A.011   | 16   | B55.47.006.2          | CD404.47A.001_2  | 18   | GBT97.1-10-A3L         | CD404A.22.001_02 | 16   |
| GBT93-8-A3L            | CD404.42A.011   | 17   | GBT5783-M10X50-A3L    | CD404.47A.001_2  | 19   | GBT5783-M10X35-A3L     | CD404A.22.001_02 | 17   |
| CD404.42.101           | CD404.42A.011   | 18   | CD404.47.102          | CD404.47A.001_2  | 20   | GBT882-B6X20-A3L       | CD554.20.001_3   | 1    |
| SH554.42.107           | CD404.42A.011   | 19   | CD404.47A.103/10      | CD404.47A.001_2  | 21   | GBT91-1.6X18-A3L       | CD554.20.001_3   | 2    |
| SH404.42.104A          | CD404.42A.011   | 20   | GBT5783-M10X30-A3L    | CD404.47A.001_2  | 22   | B26.20.001.4           | CD554.20.001_3   | 3    |
| GBT13871.1-FB-030052-D | CD404.42A.011   | 21   | B53.47.001.0          | CD404.47A.001_2  | 23   | LD700.20.013           | CD554.20.001_3   | 4    |
| SH404.42.106           | CD404.42A.011   | 22   | FT500B.55.022         | CD404.55.011     | 8    | GBT6170-M8-A2L         | CD554.20.001_3   | 5    |
| SH554.42.132           | CD404.42A.011   | 23   | FT500A.55.020         | CD404.55.011     | 20   | GBT97.1-8-A3L          | CD554.20.001_3   | 6    |
| GBT5783-M10X45-A3L     | CD404.42A.011   | 24   | FT500B.55.013G        | CD404.55.011     | 37   | CD554.20.013/20        | CD554.20.001_3   | 7    |
| GBT93-10-A3L           | CD404.42A.011   | 25   | FT500B.55.106B        | CD404.55.011     | 60   | SH400.20.111           | CD554.20.001_3   | 8    |
| CD554.42.011-1         | CD404.42A.011   | 26   | KM550.55.023A         | CD404.55.011     | 61   | GBT68-M8X30-A2L        | CD554.20.001_3   | 9    |
| SH554.42.013           | CD404.42A.011   | 27   | 2.1560.018.0          | CD404.58.001A_   | 1    | GBT97.1-6-A3L          | CD554.20.001_3   | 10   |
| GBT879.1-8X30          | CD404.42A.011   | 28   | CD404.58.013          | CD404.58.001A_   | 2    | SH400.43.128           | CD554.20.001_3   | 11   |
| GBT879.1-5X30          | CD404.42A.011   | 29   | CD554.58.111          | CD404.58.001A_   | 3    | CD554.20.018           | CD554.20.001_3   | 12   |
| GBT3452.1-17X1.8-G     | CD404.42A.011   | 30   | CD554.58.113          | CD404.58.001A_   | 4    | GBT5783-M8X25-A2L      | CD554.20.001_3   | 13   |
| SH554.42.116           | CD404.42A.011   | 31   | GB/T 6173-M22*1.5-A3L | CD404.58.001A_   | 5    | GBT93-8-A3L            | CD554.20.001_3   | 14   |
| SH554.42.111           | CD404.42A.011   | 32   | SH904.58.012          | CD404.58.001A_   | 6    | CD554.20.020           | CD554.20.001_3   | 15   |
| SH554.42.112           | CD404.42A.011   | 33   | SH904.58.015          | CD404.58.001A_   | 7    | SH400.48.120           | CD554.20.001_3   | 16   |
| SH554.42.113           | CD404.42A.011   | 34   | SH904.58.012          | CD404.58.001A_0  | 1    | GBT5783-M8X45-A2L      | CD554.20.001_3   | 17   |
| YBT5294-SZ-F-1.4       | CD404.42A.011   | 35   | 2.1560.018.0          | CD404.58.001A_0  | 2    | GBT5783-M6X12-A2L      | CD554.20.001_3   | 18   |
| GBT308-10-G100-b       | CD404.42A.011   | 36   | CD554.58.111          | CD404.58.001A_0  | 3    | GBT93-6-A3L            | CD554.20.001_3   | 19   |
| SH904.42.124           | CD404.42A.011   | 37   | GB/T 6173             | CD404.58.001A_0  | 4    | GBT91-2x12-A3L         | CD554.20.001_3   | 20   |
| SH904.42.113           | CD404.42A.011   | 38   | CD404.58.013          | CD404.58.001A_0  | 5    | GBT95-8-A3L            | CD554.20.001_3   | 21   |
| JBT982-18              | CD404.42A.011   | 39   | CD554.58.113          | CD404.58.001A_0  | 6    | GBT6172.1-M8-A2L       | CD554.20.001_3   | 22   |
| GBT5783-M8X25-A2L      | CD404.47A.001_2 | 1    | SH904.58.015          | CD404.58.001A_0  | 7    | CD554.21.015/10        | CD554.21.012/10  | 1    |
| CD554.47.017/10        | CD404.47A.001_2 | 2    | GBT5783-M10X30-A3L    | CD404A.22.001_02 | 1    | LD800.21.114           | CD554.21.012/10  | 2    |
| GBT93-8-A3L            | CD404.47A.001_2 | 3    | GBT93-10-A3L          | CD404A.22.001_02 | 2    | GBT2979-13.6-28-6PR-R2 | CD554.34.001_1   | 1    |
| GBT6170-M8-A2L         | CD404.47A.001_2 | 4    | GBT900-AM10X25-A3L    | CD404A.22.001_02 | 3    | GBT2979-13.6-28-R2     | CD554.34.001_1   | 2    |
| SH404A.47.108          | CD404.47A.001_2 | 5    | GBT6170-M10-A3L       | CD404A.22.001_02 | 4    | SH554.34.011           | CD554.34.001_1   | 3    |
| CD554.47.018/10        | CD404.47A.001_2 | 6    | GBT5783-M6X12-A2L     | CD404A.22.001_02 | 5    | A11.37.141.2/10        | CD554.37.002_4   | 1    |
| GBT97.1-8-A3L          | CD404.47A.001_2 | 7    | GBT96.1-6-A3L         | CD404A.22.001_02 | 6    | GBT818-M5X16-A2L       | CD554.37.002_4   | 2    |
| CD404.47.013/20        | CD404.47A.001_2 | 8    | GBT93-6-A3L           | CD404A.22.001_02 | 7    | GBT97.1-5-A3L          | CD554.37.002_4   | 3    |
| SH554A.47.123          | CD404.47A.001_2 | 9    | CD404A.22.012/20      | CD404A.22.001_02 | 8    | CD554.37.056/20        | CD554.37.002_4   | 4    |
| CD554.47.015/10        | CD404.47A.001_2 | 10   | CD404A.22.101/10      | CD404A.22.001_02 | 9    | GBT882-B8X30-A3L       | CD554.37.002_4   | 5    |
| GBT97.1-10-A3L         | CD404.47A.001_2 | 11   | GBT5783-M10X25-A3L    | CD404A.22.001_02 | 10   | GBT91-3.2X18-A3L       | CD554.37.002_4   | 6    |

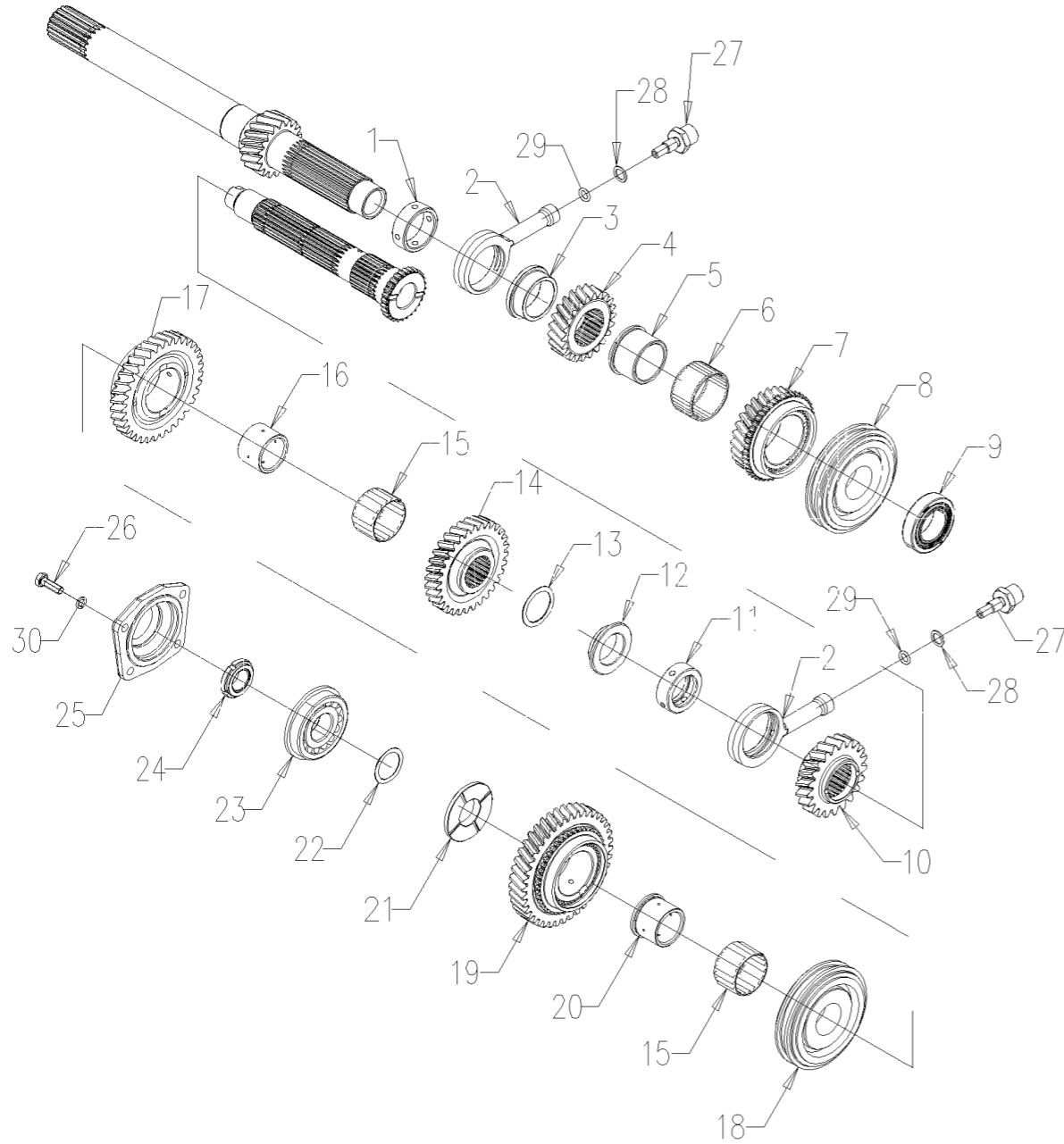
| 零件编号               | 结构代码             | 零件顺序 | 零件编号              | 结构代码            | 零件顺序 | 零件编号                    | 结构代码             | 零件顺序 |
|--------------------|------------------|------|-------------------|-----------------|------|-------------------------|------------------|------|
| GBT91-3.2X18-A3L   | CD554.37.002_4   | 6    | GBT97.1-10-A3L    | CD554.41.002_3  | 8    | GBT97.1-4-A3L           | CD554.45.049/30  | 14   |
| CD554.37.053-1     | CD554.37.002_4   | 7    | GBT91-3.2X18-A3L  | CD554.41.002_3  | 9    | 2.0312.704.3            | CD554.45.049/30  | 15   |
| GBT894.1-20        | CD554.37.002_4   | 8    | CD554.41.012-1    | CD554.41.002_3  | 10   | CD554.45.209            | CD554.45.049/30  | 16   |
| GBT97.1-20-A3L     | CD554.37.002_4   | 9    | GBT879.1-6X26     | CD554.41.002_3  | 11   | CD554.45.040/30         | CD554.45.049/30  | 17   |
| LD800.37.172-1     | CD554.37.002_4   | 10   | LD800.41.104      | CD554.41.002_3  | 12   | CD554.45.231            | CD554.45.049/30  | 18   |
| CD554.37.052/30    | CD554.37.002_4   | 11   | SH404.42.114      | CD554.41.002_3  | 13   | GBT97.1-6-A3L           | CD554.45.049/30  | 19   |
| GBT879.1-8X35      | CD554.37.002_4   | 12   | GBT879.1-3.5X26   | CD554.41.002_3  | 14   | GBT93-6-A3L             | CD554.45.049/30  | 20   |
| GBT879.1-5X35      | CD554.37.002_4   | 13   | GBT818-M6X20-A2L  | CD554.45.048/30 | 1    | CD554.46.011/10         | CD554.46.001_2   | 1    |
| CD554.37.055       | CD554.37.002_4   | 14   | GBT93-6           | CD554.45.048/30 | 2    | GBT5782-M16X90-10.9-A3L | CD554.46.001_2   | 2    |
| GBT879.1-6X26      | CD554.37.002_4   | 15   | GBT97.1-6         | CD554.45.048/30 | 3    | GBT97.1-16-A3L          | CD554.46.001_2   | 3    |
| GBT93-10-A3L       | CD554.37.002_4   | 16   | 0.020.9486.0      | CD554.45.048/30 | 4    | GBT93-16-A3L            | CD554.46.001_2   | 4    |
| CD554.37.054/10    | CD554.37.002_4   | 18   | GBT6170-M6-A2L    | CD554.45.048/30 | 5    | GBT802-M16-A3L          | CD554.46.001_2   | 5    |
| GBT5783-M10X20-A3L | CD554.37.002_4   | 19   | CD554.45.046/10   | CD554.45.048/30 | 6    | CD554.46.014-1          | CD554.46.001_2   | 6    |
| CD554.37.051-1     | CD554.37.002_4   | 20   | CD554.45.041      | CD554.45.048/30 | 7    | CD554.46.013-1          | CD554.46.001_2   | 7    |
| CD454.37.012       | CD554.37.002_4   | 21   | GBT5783-M8X20-A2L | CD554.45.048/30 | 8    | GBT5783-M14X40-A3L      | CD554.46.001_2   | 8    |
| GBT6170-M10-A3L    | CD554.37.002_4   | 22   | GBT93-8-A3L       | CD554.45.048/30 | 9    | GBT93-14-A3L            | CD554.46.001_2   | 9    |
| A08.37.004.4/10    | CD554.37.002_4   | 23   | GBT97.1-8-A3L     | CD554.45.048/30 | 10   | GBT6170-M14-A3L         | CD554.46.001_2   | 10   |
| A08.37.003.4/10    | CD554.37.002_4   | 24   | GBT5783-M6X20-A2L | CD554.45.048/30 | 11   | GBT97.1-14-A3L          | CD554.46.001_2   | 11   |
| CD554.37.211       | CD554.37.002_4   | 25   | GBT6170-M4-A2L    | CD554.45.048/30 | 12   | SH550.45.101            | CD554.46.001_2   | 12   |
| GBT5783-M8X16-A2L  | CD554.37.002_4   | 26   | GBT93-4-A3L       | CD554.45.048/30 | 13   | SH900.56.105            | CD554.46.001_2   | 13   |
| GBT93-8-A3L        | CD554.37.002_4   | 27   | GBT97.1-4-A3L     | CD554.45.048/30 | 14   | GBT882-B16X85-A3L       | CD554.46.001_2   | 14   |
| CD554.37.212       | CD554.37.002_4   | 28   | 2.0312.704.3      | CD554.45.048/30 | 15   | FT500B.55.022           | CD554.55.011     | 8    |
| GBT97.1-8-A3L      | CD554.37.002_4   | 29   | CD554.45.208      | CD554.45.048/30 | 16   | FT500A.55.020           | CD554.55.011     | 20   |
| CD554.37A.130      | CD554.37A.017/10 | 1    | CD554.45.039/30   | CD554.45.048/30 | 17   | FT500B.55.013G          | CD554.55.011     | 37   |
| CD554.37A.126/10   | CD554.37A.017/10 | 2    | CD554.45.231      | CD554.45.048/30 | 18   | FT500B.55.106B          | CD554.55.011     | 60   |
| CD554.40.134       | CD554.40.019/10  | 1    | GBT97.1-6-A3L     | CD554.45.048/30 | 19   | KM550.55.023A           | CD554.55.011     | 61   |
| 2.1411.066.7       | CD554.40.019/10  | 2    | GBT93-6-A3L       | CD554.45.048/30 | 20   | SH900.55.169            | CD554.55.012/10  | 1    |
| 2.1599.566.2       | CD554.40.019/10  | 3    | GBT818-M6X20-A2L  | CD554.45.049/30 | 1    | SH900.55.170            | CD554.55.012/10  | 2    |
| CD554.40.025-1     | CD554.40.019/10  | 4    | GBT93-6           | CD554.45.049/30 | 2    | CD554.55.013/10         | CD554.55.012/10  | 3    |
| 2.1549.390.0       | CD554.40.019/10  | 5    | GBT97.1-6         | CD554.45.049/30 | 3    | CD554.55A.101           | CD554.55A.014    | 1    |
| 2.1630.410.0       | CD554.40.019/10  | 6    | 0.020.9486.0      | CD554.45.049/30 | 4    | GBT6170-M10-A3L         | CD554.55A.014    | 2    |
| 0.020.5337.3/10    | CD554.40.019/10  | 7    | GBT6170-M6-A2L    | CD554.45.049/30 | 5    | SH550.55B.101-1         | CD554.55A.014    | 3    |
| 2.1410.010.7       | CD554.40.019/10  | 8    | CD554.45.047/10   | CD554.45.049/30 | 6    | GBT91-2.5X16-A3L        | CD554.56.011/50  | 1    |
| CD554.40.026       | CD554.40.019/10  | 9    | CD554.45.042      | CD554.45.049/30 | 7    | GBT97.1-6-A3L           | CD554.56.011/50  | 2    |
| A39.41.002.4/10    | CD554.41.002_3   | 1    | GBT5783-M8X20-A2L | CD554.45.049/30 | 8    | SH550.56B.116/10        | CD554.56.011/50  | 3    |
| GBT6172.1-M10-A3L  | CD554.41.002_3   | 2    | GBT93-8-A3L       | CD554.45.049/30 | 9    | CD554.56.012/40         | CD554.56.011/50  | 4    |
| GBT5783-M6X20-A2L  | CD554.41.002_3   | 3    | GBT97.1-8-A3L     | CD554.45.049/30 | 10   | SH400.56.104            | CD554.56.012/40  | 1    |
| GBT93-6-A3L        | CD554.41.002_3   | 4    | GBT5783-M6X20-A2L | CD554.45.049/30 | 11   | CD554.56.101/40         | CD554.56.012/40  | 2    |
| GBT97.1-6-A3L      | CD554.41.002_3   | 5    | GBT6170-M4-A2L    | CD554.45.049/30 | 12   | CD554.56A.020/30        | CD554.56A.011/40 | 1    |
| CD554.41.011/20    | CD554.41.002_3   | 6    | GBT93-4-A3L       | CD554.45.049/30 | 13   | GBT97.1-6-A3L           | CD554.56A.011/40 | 2    |

| 零件编号              | 结构代码              | 零件顺序 | 零件编号                   | 结构代码              | 零件顺序 | 零件编号                    | 结构代码            | 零件顺序 |
|-------------------|-------------------|------|------------------------|-------------------|------|-------------------------|-----------------|------|
| GBT97.1-6-A3L     | CD554.56A.011/40  | 2    | GBT6170-M8-A2L         | CD554.581A.012/30 | 11   | SH350.34.011            | SH350.34.001_2  | 3    |
| GBT91-2.5X16-A3L  | CD554.56A.011/40  | 3    | CD554.581A.102         | CD554.581A.012/30 | 12   | GBT2979-7.5-16-8PR-R1   | SH354.32.001_2  | 1    |
| SH550.56B.116/10  | CD554.56A.011/40  | 4    | GBT6170-M8-LH-A2L      | CD554.581A.012/30 | 13   | GBT2979-7.5-16-R1       | SH354.32.001_2  | 2    |
| SH904.58.012      | CD554.58.001A_0   | 1    | A11.55.017.0           | CD554.581A.012/30 | 14   | SH354.32.011            | SH354.32.001_2  | 3    |
| 2.1560.018.0      | CD554.58.001A_0   | 2    | SH550.58D.016/10       | CD554.581A.012/30 | 15   | GBT2979-12.4-28-6PR-PR1 | SH400.34A.001_1 | 1    |
| CD554.58.111      | CD554.58.001A_0   | 3    | CD554.581A.021/10      | CD554.581A.012/30 | 16   | GBT2979-12.4-28-PR1     | SH400.34A.001_1 | 2    |
| GB/T 6173         | CD554.58.001A_0   | 4    | GBT882-B6X22-A3L       | CD554.581A.012/30 | 17   | SH350.34.011            | SH400.34A.001_1 | 3    |
| CD554.58.019      | CD554.58.001A_0   | 5    | GBT91-2x12-A3L         | CD554.581A.012/30 | 18   | GBT5783-M16X60-10.9-A3L | SH400.35.001A_0 | 1    |
| CD554.58.113      | CD554.58.001A_0   | 6    | GBT97.1-6-A3L          | CD554.581A.012/30 | 19   | GBT93-16-A3L            | SH400.35.001A_0 | 2    |
| SH904.58.015      | CD554.58.001A_0   | 7    | GBT882-B6X28-A3L       | CD554.581A.012/30 | 20   | GBT6170-M16-10-A3L      | SH400.35.001A_0 | 3    |
| SH900.58.140/10   | CD554.581A.012/30 | 1    | SH550.58D.145          | CD554.581A.012/30 | 21   | SH400.35.011A           | SH400.35.001A_0 | 4    |
| CD554.581A.013/10 | CD554.581A.012/30 | 2    | SH900.58.140/10        | CD554.582A.012/30 | 1    | GBT882-B32X90-A3L       | SH400.35.001A_0 | 5    |
| CD554.581A.014/10 | CD554.581A.012/30 | 3    | CD554.581A.013/10      | CD554.582A.012/30 | 2    | SH900.56.113            | SH400.35.001A_0 | 6    |
| SH550.58D.141     | CD554.581A.012/30 | 4    | CD554.582A.101         | CD554.582A.012/30 | 3    | GBT882-B22X85-A3L       | SH400.35.001A_0 | 7    |
| GBT894.1-20       | CD554.581A.012/30 | 5    | SH550.58D.141          | CD554.582A.012/30 | 4    | SH400.56.144            | SH400.35.001A_0 | 8    |
| SH550.58D.103     | CD554.581A.012/30 | 6    | GBT894.1-20            | CD554.582A.012/30 | 5    | SH400.35.012A           | SH400.35.001A_0 | 9    |
| GBT93-8-A3L       | CD554.581A.012/30 | 7    | SH550.58D.103          | CD554.582A.012/30 | 6    | SH400.35.106A           | SH400.35.012A   | 1    |
| GBT5783-M8X20-A2L | CD554.581A.012/30 | 8    | GBT93-8-A3L            | CD554.582A.012/30 | 7    | GBT5782-M16X80-10.9-A3L | SH400.35.012A   | 2    |
| 0.020.5466.0      | CD554.581A.012/30 | 9    | GBT5783-M8X20-A2L      | CD554.582A.012/30 | 8    | GBT93-16-A3L            | SH400.35.012A   | 3    |
| A11.55.018.0      | CD554.581A.012/30 | 10   | 0.020.5466.0           | CD554.582A.012/30 | 9    | GBT6170-M16-10-A3L      | SH400.35.012A   | 4    |
| GBT6170-M8-A2L    | CD554.581A.012/30 | 11   | A11.55.018.0           | CD554.582A.012/30 | 10   | SH400.35.107A           | SH400.35.012A   | 5    |
| CD554.581A.102    | CD554.581A.012/30 | 12   | GBT6170-M8-A2L         | CD554.582A.012/30 | 11   | SH400.35.013A           | SH400.35.012A   | 6    |
| GBT6170-M8-LH-A2L | CD554.581A.012/30 | 13   | CD554.581A.102         | CD554.582A.012/30 | 12   | SH900.56.113            | SH400.35.012A   | 7    |
| A11.55.017.0      | CD554.581A.012/30 | 14   | GBT6170-M8-LH-A2L      | CD554.582A.012/30 | 13   | GBT297-32013            | SH400.38.011A   | 1    |
| SH550.58D.016/10  | CD554.581A.012/30 | 15   | A11.55.017.0           | CD554.582A.012/30 | 14   | SH400.38.214            | SH400.38.011A   | 2    |
| CD554.581A.021/10 | CD554.581A.012/30 | 16   | CD554.581A.021/10      | CD554.582A.012/30 | 15   | SH400.38.144            | SH400.38.011A   | 3    |
| GBT882-B6X22-A3L  | CD554.581A.012/30 | 17   | GBT882-B6X22-A3L       | CD554.582A.012/30 | 16   | SH400.38.147            | SH400.38.011A   | 4    |
| GBT91-2X12-A3L    | CD554.581A.012/30 | 18   | GBT91-2x12-A3L         | CD554.582A.012/30 | 17   | SH400.38.149            | SH400.38.011A   | 5    |
| GBT97.1-6-A3L     | CD554.581A.012/30 | 19   | GBT97.1-6-A3L          | CD554.582A.012/30 | 18   | SH400.38.150            | SH400.38.011A   | 6    |
| GBT882-B6X28-A3L  | CD554.581A.012/30 | 20   | GBT882-B6X28-A3L       | CD554.582A.012/30 | 19   | GBT6170-M12-A3L         | SH400.38.011A   | 7    |
| SH550.58D.145     | CD554.581A.012/30 | 21   | SH550.58D.145          | CD554.582A.012/30 | 20   | 2.1475.004.2            | SH400.38.011A   | 8    |
| SH900.58.140/10   | CD554.581A.012/30 | 1    | LD700.56.029           | LD700.56.018      | 1    | SH400.38.141            | SH400.38.011A   | 9    |
| CD554.581A.013/10 | CD554.581A.012/30 | 2    | LD700.56.119           | LD700.56.018      | 2    | SH400.38.183/10         | SH400.38.011A   | 10   |
| CD554.581A.014/10 | CD554.581A.012/30 | 3    | LD700.56.120           | LD700.56.018      | 3    | SH400.38.148            | SH400.38.011A   | 11   |
| SH550.58D.141     | CD554.581A.012/30 | 4    | LD700.56.121           | LD700.56.018      | 4    | SH400.38.145/10         | SH400.38.011A   | 12   |
| GBT894.1-20       | CD554.581A.012/30 | 5    | LD700.56.122           | LD700.56.018      | 5    | SH400.38.143            | SH400.38.011A   | 13   |
| SH550.58D.103     | CD554.581A.012/30 | 6    | LD700.56.150           | LD700.56.029      | 1    | GBT297-30211            | SH400.38.011A   | 14   |
| GBT93-8-A3L       | CD554.581A.012/30 | 7    | LD700.56.151           | LD700.56.029      | 2    | SH400.38.019            | SH400.38.011A   | 15   |
| GBT5783-M8X20-A2L | CD554.581A.012/30 | 8    | GBT2979-11.2-28-8PR-R1 | SH350.34.001_2    | 1    | SH400.38.182/10         | SH400.38.011A   | 16   |
| 0.020.5466.0      | CD554.581A.012/30 | 9    | GBT2979-11.2-28-R1     | SH350.34.001_2    | 2    | SH400.38.184            | SH400.38.011A   | 17   |

| 零件编号                 | 结构代码            | 零件顺序 | 零件编号               | 结构代码             | 零件顺序 | 零件编号                   | 结构代码             | 零件顺序 |
|----------------------|-----------------|------|--------------------|------------------|------|------------------------|------------------|------|
| SH400.38.184         | SH400.38.011A   | 17   | SH400.56.031       | SH400.56.017/10  | 5    | SH400.74.103-1         | SH400.74.002-1_1 | 7    |
| SH400.38.213         | SH400.38.011A   | 18   | SH400.56.110       | SH400.56.020     | 1    | SH400.74.101/10        | SH400.74.002B_1  | 1    |
| SH400.38J.212        | SH400.38J.020   | 1    | SH400.56.149       | SH400.56.020     | 2    | GBT5783-M16X35-A3L     | SH400.74.002B_1  | 2    |
| SH400.37.170         | SH400.38J.020   | 2    | SH400.56.129       | SH400.56.020     | 3    | GBT97.1-16-A3L         | SH400.74.002B_1  | 3    |
| SH400.44B.010/10     | SH400.44B.001_1 | 1    | SH400.56.148       | SH400.56.020     | 4    | GBT93-16-A3L           | SH400.74.002B_1  | 4    |
| GBT5783-M10X35-A3L   | SH400.44B.001_1 | 2    | SH400.56.027       | SH400.56.020     | 5    | SH400.74.102           | SH400.74.002B_1  | 5    |
| GBT93-10-A3L         | SH400.44B.001_1 | 3    | SH400.56.111       | SH400.56.022     | 1    | SH400.74.103B          | SH400.74.002B_1  | 6    |
| GBT97.1-10-A3L       | SH400.44B.001_1 | 4    | SH400.56.114       | SH400.56.022     | 2    | GBT6170-M16-A3L        | SH400.74.002B_1  | 7    |
| SH400.46.015         | SH400.46.002A_0 | 1    | SH400.56.115       | SH400.56.023     | 1    | GBT96-16-A3L           | SH400.74.002B_1  | 8    |
| SH400.46.012A        | SH400.46.002A_0 | 2    | SH400.56.114       | SH400.56.023     | 2    | SH400.75.101           | SH400.75.001_0   | 1    |
| SH400.46.122         | SH400.46.002A_0 | 3    | SH400.56.116       | SH400.56.024     | 1    | GBT6170-M20-A3L        | SH400.75.001_0   | 2    |
| GBT5783-M8X25-A2L    | SH400.46.002A_0 | 4    | SH400.56.117       | SH400.56.024     | 2    | GBT97.1-20-A3L         | SH400.75.001_0   | 3    |
| GBT96.1-8-A3L        | SH400.46.002A_0 | 5    | SH400.56.119       | SH400.56.025     | 1    | GBT93-20-A3L           | SH400.75.001_0   | 4    |
| GBT93-8-A3L          | SH400.46.002A_0 | 6    | SH400.56.118       | SH400.56.025     | 2    | SH400.75.102           | SH400.75.001_0   | 5    |
| GBT5782-M12X140-A3L  | SH400.46.002A_0 | 7    | SH400.56.119       | SH400.56.025     | 1    | SH704-1.53.101         | SH400.75.001_0   | 6    |
| GBT97.1-12-A3L       | SH400.46.002A_0 | 8    | SH400.56.118       | SH400.56.025     | 2    | SH400.53A.102          | SH400.75.001_0   | 7    |
| GBT93-12-A3L         | SH400.46.002A_0 | 9    | SH400.56.128       | SH400.56.027     | 1    | GBT5783-M16X30-A3L     | SH400.91.001A_3  | 1    |
| GBT6170-M12-A3L      | SH400.46.002A_0 | 10   | SH400.56.129       | SH400.56.027     | 2    | GBT93-16-A3L           | SH400.91.001A_3  | 2    |
| SH400.53.101         | SH400.53.001_0  | 1    | SH400.56.130       | SH400.56.027     | 3    | SH904.31.193           | SH400.91.001A_3  | 3    |
| SH400.53.102         | SH400.53.001_0  | 2    | SH400.56.131       | SH400.56.027     | 4    | SH400.91.101/10        | SH400.91.001A_3  | 4    |
| SH400.53.103         | SH400.53.001_0  | 3    | SH400.56.025       | SH400.56.027     | 5    | SH400.91.102           | SH400.91.001A_3  | 5    |
| SH400.53.011         | SH400.53.001_0  | 4    | SH400.56.141       | SH400.56.029     | 1    | GBT6170-M16-A3L        | SH400.91.001A_3  | 6    |
| SH400.53.104         | SH400.53.001_0  | 5    | SH400.56.142       | SH400.56.029     | 2    | GBT5783-M16X30-A3L     | SH400.91.001_3   | 1    |
| SH400.53.105         | SH400.53.011    | 1    | SH400.56.141       | SH400.56.029     | 1    | GBT93-16-A3L           | SH400.91.001_3   | 2    |
| SH400.53.106         | SH400.53.011    | 2    | SH400.56.142       | SH400.56.029     | 2    | SH904.31.193           | SH400.91.001_3   | 3    |
| SH400.56.023         | SH400.56.012    | 1    | SH400.56.109       | SH400.56.031     | 1    | SH400.91.103           | SH400.91.001_3   | 4    |
| GBT6173-M24X2-LH-A3L | SH400.56.012    | 2    | SH400.56.112       | SH400.56.031     | 2    | SH400.91.101/10        | SH400.91.001_3   | 5    |
| JBT7940.1-M6         | SH400.56.012    | 3    | SH400.56.109       | SH400.56.031     | 1    | SH400.91.102           | SH400.91.001_3   | 6    |
| SH400.56.024         | SH400.56.012    | 4    | SH400.56.112       | SH400.56.031     | 2    | GBT6170-M16-A3L        | SH400.91.001_3   | 7    |
| GBT6173-M24X2-A3L    | SH400.56.012    | 5    | SH400.74.104/30    | SH400.74.001A_2  | 1    | SH554.32.011           | SH404.32F.001_2  | 1    |
| SH400.56.022         | SH400.56.012    | 6    | GBT97.1-16-A3L     | SH400.74.001A_2  | 2    | GBT2979-8.3-20-PR1     | SH404.32F.001_2  | 2    |
| SH400.56.020         | SH400.56.012    | 7    | GBT5783-M16X65-A3L | SH400.74.001A_2  | 3    | GBT2979-8.3-20-6PR-PR1 | SH404.32F.001_2  | 3    |
| SH400.56.120         | SH400.56.013_10 | 1    | GBT93-16-A3L       | SH400.74.001A_2  | 4    | GBT879.1-6X35          | SH404.42A.010    | 1    |
| SH400.56.026/10      | SH400.56.013_10 | 2    | GBT6170-M16-A3L    | SH400.74.001A_2  | 5    | SH404.42.107           | SH404.42A.010    | 2    |
| JB/T7940.1           | SH400.56.013_10 | 3    | SH400.74.101/10    | SH400.74.002-1_1 | 1    | SH404.42.128           | SH404.42A.010    | 3    |
| CD404.56.011         | SH400.56.013_10 | 4    | GBT5783-M16X35-A3L | SH400.74.002-1_1 | 2    | SH404.42.015           | SH404.42A.010    | 4    |
| SH400.56.121/10      | SH400.56.013_10 | 5    | GBT97.1-16-A3L     | SH400.74.002-1_1 | 3    | GBT3452.1-34.5X3.55-G  | SH404.42A.010    | 5    |
| SH400.56.143         | SH400.56.017/10 | 1    | GBT93-16-A3L       | SH400.74.002-1_1 | 4    | SH404.42A.011          | SH404.42A.010    | 6    |
| GBT6173-M22X1.5-A3L  | SH400.56.017/10 | 2    | SH400.74.102       | SH400.74.002-1_1 | 5    | GBT5783-M8X25-A2L      | SH404.42A.010    | 7    |
| SH400.56.028/10      | SH400.56.017/10 | 3    | GBT6170-M16-A3L    | SH400.74.002-1_1 | 6    | GBT93-8-A3L            | SH404.42A.010    | 8    |

| 零件编号                   | 结构代码             | 零件顺序 | 零件编号                   | 结构代码             | 零件顺序 | 零件编号                  | 结构代码             | 零件顺序 |
|------------------------|------------------|------|------------------------|------------------|------|-----------------------|------------------|------|
| GBT93-8-A3L            | SH404.42A.010    | 8    | GBT6178-M10-A3L        | SH404A.13A.001_1 | 10   | SH550.56.013          | SH550.56.011     | 6    |
| GBT13871.1-FB-035055-D | SH404.42A.010    | 9    | GBT91-2.5X28-A3L       | SH404A.13A.001_1 | 11   | SH750.56.018          | SH550.56.011     | 7    |
| GBT276-6007            | SH404.42A.010    | 10   | GBT97.1-8-A3L          | SH404A.13A.001_1 | 12   | SH550.56.107          | SH550.56.012     | 1    |
| SH404.42.145           | SH404.42A.010    | 11   | SH900.13.106           | SH404A.13A.001_1 | 13   | SH550.56.108          | SH550.56.012     | 2    |
| SH404.42A.101          | SH404.42A.010    | 12   | SH404A.13.103/10       | SH404A.13A.001_1 | 14   | SH550.56.107          | SH550.56.012     | 1    |
| SH404.42A.104          | SH404.42A.010    | 13   | SH404A.13.101          | SH404A.13A.011   | 1    | SH550.56.108          | SH550.56.012     | 2    |
| GBT894.1-26            | SH404.42A.010    | 14   | SH404A.13.104          | SH404A.13A.011   | 1    | SH550.56.109          | SH550.56.013     | 1    |
| SH404.42.019           | SH404.42A.010    | 15   | GBT5783-M8X25-A2L      | SH404A.13A.011   | 1    | SH550.56.108          | SH550.56.013     | 2    |
| SH404.42.016           | SH404.42A.010    | 16   | GBT6170-M8-A2L         | SH404A.13A.011   | 1    | SH550.56.109          | SH550.56.013     | 1    |
| SH404.42.139           | SH404.42A.010    | 17   | GBT97.1-8-A3L          | SH404A.13A.011   | 2    | SH550.56.108          | SH550.56.013     | 2    |
| JBT7940.1-M10X1        | SH404.42A.010    | 18   | GBT93-8-A3L            | SH404A.13A.011   | 2    | SH550.56.103          | SH550.56.015/10  | 1    |
| A39.11.002.4/10        | SH404A.11.001_2  | 1    | SH404A.13A.010         | SH404A.13A.011   | 2    | SH550.56.016/10       | SH550.56.015/10  | 2    |
| GBT5783-M8X25-A2L      | SH404A.11.001_2  | 2    | SH400.22.020-1         | SH404A.22.001_2  | 1    | JBT7940.1-M6          | SH550.56.015/10  | 3    |
| GBT93-8-A3L            | SH404A.11.001_2  | 3    | GBT6170-M10-A3L        | SH404A.22.001_2  | 2    | SH550.56.041          | SH550.56.015/10  | 4    |
| SH404A.11.101          | SH404A.11.001_2  | 4    | GBT5783-M10X35-A3L     | SH404A.22.001_2  | 3    | SH550.56.104/10       | SH550.56.015/10  | 5    |
| JBT8870-D70            | SH404A.11.001_2  | 5    | GBT93-10-A3L           | SH404A.22.001_2  | 4    | SH550.56.101          | SH550.56.024     | 1    |
| GBT5783-M10X25-A2L     | SH404A.11.001_2  | 6    | CD554A.22.102          | SH404A.22.001_2  | 5    | SH550.56.110          | SH550.56.024     | 2    |
| GBT93-10-A3L           | SH404A.11.001_2  | 7    | GBT5783-M8X25-A2L      | SH404A.22.001_2  | 6    | SH550.56.103          | SH550.56B.012/10 | 1    |
| SH400.11.102           | SH404A.11.001_2  | 8    | GBT93-8-A3L            | SH404A.22.001_2  | 7    | SH550.56B.021/10      | SH550.56B.012/10 | 2    |
| SH400.11.011           | SH404A.11.001_2  | 9    | GBT97.1-8-A3L          | SH404A.22.001_2  | 8    | JBT7940.1-M6          | SH550.56B.012/10 | 3    |
| GBT5783-M8X20-A2L      | SH404A.11.001_2  | 10   | SH404A.22.101          | SH404A.22.001_2  | 9    | SH550.56.041          | SH550.56B.012/10 | 4    |
| SH704-1.11A.101/10     | SH404A.11.001_2  | 11   | SH550.22.012           | SH404A.22.001_2  | 10   | SH550.56B.107/10      | SH550.56B.012/10 | 5    |
| GBT5783-M6X20-A2L      | SH404A.11.001_2  | 12   | GBT5783-M10X30-A3L     | SH404A.22.001_2  | 11   | SH550.56.012          | SH550.56B.013    | 1    |
| GBT96.1-6-A3L          | SH404A.11.001_2  | 13   | GBT97.1-10-A3L         | SH404A.22.001_2  | 12   | GBT6173-M27X2-A3L     | SH550.56B.013    | 2    |
| GBT93-6-A3L            | SH404A.11.001_2  | 14   | FT400.21.143A          | SH550.21A.011    | 1    | SH550.56B.022         | SH550.56B.013    | 3    |
| GBT6170-M6-A2L         | SH404A.11.001_2  | 15   | FT400.21B.107L         | SH550.21A.011    | 2    | JBT7940.1-M6          | SH550.56B.013    | 4    |
| CD554A.11.016/10       | SH404A.11.001_2  | 16   | SH550.21A.011          | SH550.21A.011    | 9    | GBT6173-M27X2-LH-A3L  | SH550.56B.013    | 5    |
| CD554A.11.017/10       | SH404A.11.001_2  | 17   | TB550.211-01A          | SH550.21A.011    | 13   | SH550.56.013          | SH550.56B.013    | 6    |
| CD554A.11.107/10       | SH404A.11.001_2  | 18   | FT400.21B.102D         | SH550.21A.011    | 14   | LD700.56.018          | SH550.56B.013    | 7    |
| JBT8870-D80            | SH404A.11.001_2  | 19   | FT400.21.143           | SH550.21A.011    | 17   | SH400.56.143          | SH550.56B.014/10 | 1    |
| CD404A.11.013/10       | SH404A.11.001_2  | 20   | FT400.21B.106          | SH550.21A.011    | 18   | GBT6173-M22X1.5-A3L   | SH550.56B.014/10 | 2    |
| A46.11.001.4           | SH404A.11.001_2  | 21   | SH550.21A.011          | SH550.21A.011    | 20   | SH550.56B.023/10      | SH550.56B.014/10 | 3    |
| SH404A.13A.011         | SH404A.13A.001_1 | 1    | GBT2979-12.4-28-8PR-R1 | SH550.34.001_2   | 1    | SH400.56.029          | SH550.56B.014/10 | 4    |
| JBT8870-D60            | SH404A.13A.001_1 | 2    | GBT2979-12.4-28-R1     | SH550.34.001_2   | 2    | SH400.56.031          | SH550.56B.014/10 | 5    |
| SH450.13A.101          | SH404A.13A.001_1 | 3    | SH550.34.011           | SH550.34.001_2   | 3    | SH550.56B.109         | SH550.56B.022    | 1    |
| GBT6172.1-M8-A2L       | SH404A.13A.001_1 | 4    | SH550.56.012           | SH550.56.011     | 1    | SH550.56.110          | SH550.56B.022    | 2    |
| SH550.13A.111          | SH404A.13A.001_1 | 5    | GBT6173-M27X2-A3L      | SH550.56.011     | 2    | SH554.32.011          | SH554.32B.001_1  | 1    |
| GBT97.1-10-A3L         | SH404A.13A.001_1 | 6    | SH550.56.024           | SH550.56.011     | 3    | GBT2979-8.3-20-R1     | SH554.32B.001_1  | 2    |
| SH900.13.107           | SH404A.13A.001_1 | 7    | JBT7940.1-M6           | SH550.56.011     | 4    | GBT2979-8.3-20-6PR-R1 | SH554.32B.001_1  | 3    |
| SH450.13A.102          | SH404A.13A.001_1 | 8    | GBT6173-M27X2-LH-A3L   | SH550.56.011     | 5    | GB/T9877.1 B658510    | SH554S.31.011    | 2    |

# A06.37.903.4 MAIN GEARS ASS.Y



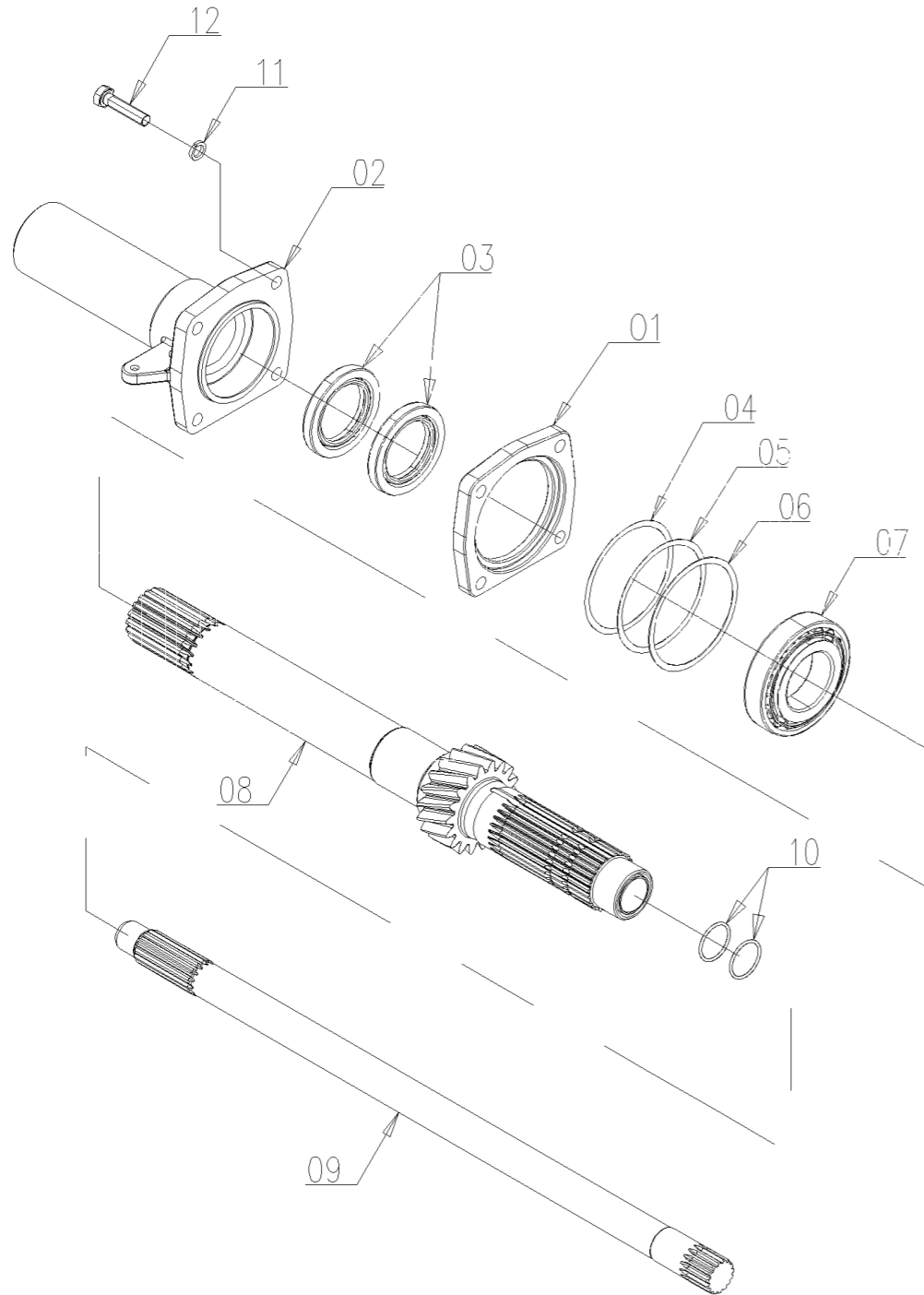
## A06.37.903.4\_2 主变速总成 (同步器通用) MAIN GEARS ASS.Y(Synchronizer universal)

| 序号 | 零件编号                  | 零件名称                          | 数量 | 图号                    |
|----|-----------------------|-------------------------------|----|-----------------------|
| 1  | CD554.37A.106         | 润滑衬套 LUBRICATION SLEEVE       | 1  | CD554.37A.106         |
| 2  | CD554.37A.105         | 强制润滑衬套 FORCED                 | 2  | CD554.37A.105         |
| 3  | CD554.37A.107         | 套筒 SLEEVE                     | 1  | CD554.37A.107         |
| 4  | CD554.37A.108         | 第二驱动齿轮 2nd DRIVING GEAR       | 1  | CD554.37A.108         |
| 5  | CD554.37A.118         | 档齿轮衬套 THE THIRD SPEED         | 1  | CD554.37A.118         |
| 6  | SH550.37.108          | 轴承 BEARING                    | 1  | SH550.37.108          |
| 7  | CD554.37A.013/20      | III档主动齿轮 III DRIVING GEAR     | 1  | CD554.37A.013/20      |
| 8  | CD554.37A.019         | 3/4档同步器合件 SYNCHRONIZER        | 1  | CD554.37A.019         |
| 9  | GBT297-32007          | 轴承 BEARING                    | 1  | GBT297-32007          |
| 10 | CD554.37A.127         | 第四驱动齿轮 THE FOURTH SPEED       | 1  | CD554.37A.127         |
| 11 | CD554.37A.136         | - 档隔套 THE THIRD-FOURTH        | 1  | CD554.37A.136         |
| 12 | CD554.37A.128         | 挡圈 CLOSING RING               | 1  | CD554.37A.128         |
| 13 | CD554.37A.145/146/147 | 调整垫片 ADJUSTING SHIM           | 0  | CD554.37A.145/146/147 |
| 14 | CD554.37A.129/10      | 第三驱动齿轮 THE THIRD SPEED        | 1  | CD554.37A.129/10      |
| 15 | SH550.37.119          | 轴承K43X49X30 BEARING K43X49X30 | 2  | SH550.37.119          |
| 16 | CD554.37A.116         | 第二齿轮衬套 2nd GEAR BUSHING       | 1  | CD554.37A.116         |
| 17 | CD554.37A.012/10      | II档从动齿轮 II DRIVEN GEAR UNIT   | 1  | CD554.37A.012/10      |
| 18 | CD554.37A.018         | 、 档同步器合件 SYNCHRONIZER         | 1  | CD554.37A.018         |
| 19 | CD554.37A.011/10      | I档从动齿轮 I DRIVEN GEAR UNIT     | 1  | CD554.37A.011/10      |
| 20 | CD554.37A.112         | 套管 BUSHING                    | 1  | CD554.37A.112         |
| 21 | CD554.37A.111         | 止推环 THRUST RING               | 1  | CD554.37A.111         |
| 22 | CD554.37A.142/143/144 | 调整垫片 ADJUSTING SHIM           | 0  | CD554.37A.142/143/144 |
| 23 | CD554.37A.110         | 轴承 BEARING                    | 1  | CD554.37A.110         |
| 24 | CD554.37A.131         | 锁紧螺母 LOCKING NUT              | 1  | CD554.37A.131         |
| 25 | CD554.37A.109         | 从动轴轴承座 DRIVEN SHAFT           | 1  | CD554.37A.109         |
| 26 | GBT5783-M8X25-A2L     | 螺栓 BOLT                       | 4  | GBT5783-M8X25-A2L     |
| 27 | A39.37.007.0          | 螺纹管接头 PIPE JOINT SCREW        | 2  | A39.37.007.0          |
| 28 | 2.1560.008.0          | 垫圈12.2X18 SEALING RING        | 2  | 2.1560.008.0          |
| 29 | GBT3452.1-9.5X2.65-G  | O形密封圈 O RING                  | 2  | GBT3452.1-9.5X2.65-G  |
| 30 | GBT93-8-A3L           | 垫圈 WASHER                     | 4  | GBT93-8-A3L           |



# A06.37.904.4 INPUT SHAFT ASS.LY

# A06.37.904.4\_1 输入轴总成 (12F+12R 同步器) INPUT SHAFT ASS.LY(12F+12R synchronizer)

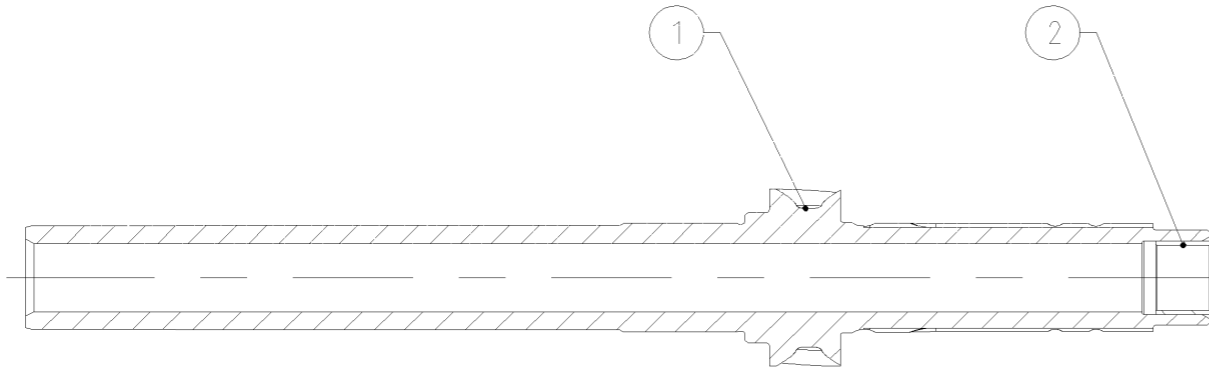


| 序号 | 零件编号                   | 零件名称                    | 数量 | 图号                     |
|----|------------------------|-------------------------|----|------------------------|
| 1  | CD554.37A.104          | 轴承压盖 BEARING COVER      | 1  | CD554.37A.104          |
| 2  | CD554.37A.102          | 输入轴轴承座 INPUT SHAFT      | 1  | CD554.37A.102          |
| 3  | GBT13871.1-FB-040062-D | 油封 OIL SEAL             | 2  | GBT13871.1-FB-040062-D |
| 4  | SH400.37B.182          | 垫片0.1 SHIM 0.1          | 0  | SH400.37B.182          |
| 5  | SH400.37B.183          | 垫片0.2 SHIM 0.2          | 0  | SH400.37B.183          |
| 6  | SH400.37B.184          | 垫片0.5 SHIM 0.5          | 0  | SH400.37B.184          |
| 7  | GBT297-30208           | 轴承 BEARING              | 1  | GBT297-30208           |
| 8  | A39.37.006.4           | 输入轴 INPUT SHAFT UNIT    | 1  | A39.37.006.4           |
| 9  | SH400.37B.201          | 副离合器轴 VICE CLUTCH SHAFT | 1  | SH400.37B.201          |
| 10 | GBT3452.1-23.6X1.8-G   | O形密封圈 O RING            | 2  | GBT3452.1-23.6X1.8-G   |
| 11 | GBT93-8-A3L            | 垫圈 WASHER               | 4  | GBT93-8-A3L            |
| 12 | GBT5783-M8X35-A2L      | 螺栓 BOLT                 | 4  | GBT5783-M8X35-A2L      |

### A39.37.006.4 输入轴INPUT SHAFT UNIT

| 序号 | 零件编号         | 零件名称            | 数量 | 图号           |
|----|--------------|-----------------|----|--------------|
| 1  | A39.37.005.0 | 输入轴 INPUT SHAFT | 1  | A39.37.005.0 |
| 2  | SH400.37.170 | 套管 BUSHING      | 1  | SH400.37.170 |

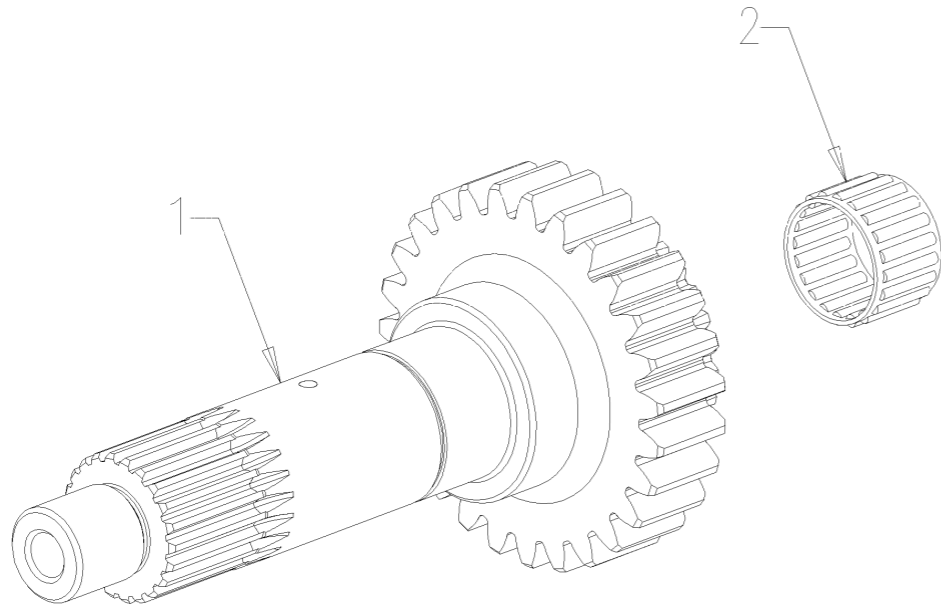
A39.37.006.4 INPUT SHAFT UNIT



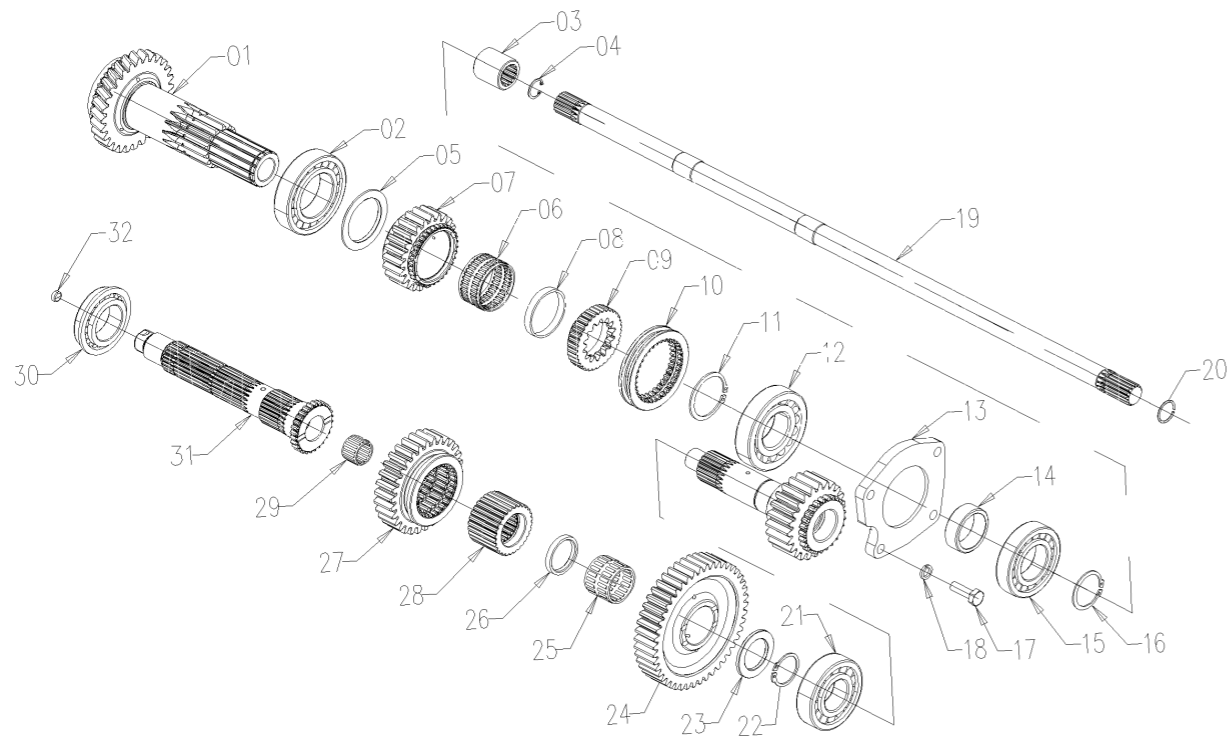
# A06.37.905.4 OUTPUT SHAFT ASS.LY

## A06.37.905.4\_1 输出轴总成OUTPUT SHAFT ASS.LY

| 序号 | 零件编号              | 零件名称   | 数量 | 图号                |
|----|-------------------|--------|----|-------------------|
| 1  | CD404.37A.101/10  | 副变速从动轴 | 1  | CD404.37A.101/10  |
| 2  | JBT7918-K25X31X20 | 轴承     | 1  | JBT7918-K25X31X20 |



A06.37.906.4 RANGE GEARS ASS.LY



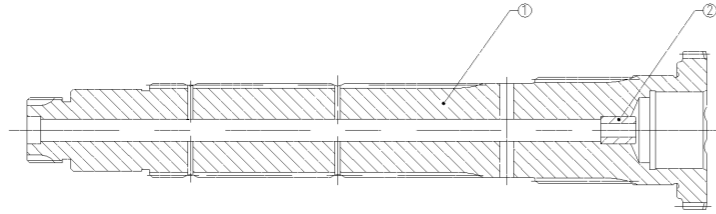
A06.37.906.4\_3 副变速总成 (同步器通用) RANGE GEARS ASS.LY(Synchronizer universal)

| 序号 | 零件编号                | 零件名称                      | 数量 | 图号                  |
|----|---------------------|---------------------------|----|---------------------|
| 1  | CD554.37A.119/30    | 副变速主动齿轮轴 DRIVING RANGE    | 1  | CD554.37A.119/30    |
| 2  | GBT283-NUP210E      | 轴承 BEARING                | 1  | GBT283-NUP210E      |
| 3  | SH400.37.136-1      | 连接套 CONNECTING BUSHING    | 1  | SH400.37.136-1      |
| 4  | GBT893.1-21         | 弹性挡圈 CIRCLIP              | 1  | GBT893.1-21         |
| 5  | SH550.37.126        | 挡圈 RING                   | 1  | SH550.37.126        |
| 6  | JBT7918-K50X55X30ZW | 轴承 BEARING                | 1  | JBT7918-K50X55X30ZW |
| 7  | SH550.37.127/10     | 中间驱动齿轮 INTERMEDIATE       | 1  | SH550.37.127/10     |
| 8  | A39.37.009.0        | 隔套 SPACER                 | 1  | A39.37.009.0        |
| 9  | SH550.37.130        | 中间齿轮座 INTERMEDIATE GEAR   | 1  | SH550.37.130        |
| 10 | SH550.37.131/10     | 中间齿轮套筒 INTERMEDIATE GEAR  | 1  | SH550.37.131/10     |
| 11 | GBT894.1-50         | 弹性挡圈 CIRCLIP              | 1  | GBT894.1-50         |
| 12 | GBT297-30308        | 轴承 BEARING                | 1  | GBT297-30308        |
| 13 | CD554.37A.120       | 副变速轴承盖 RANGE GEAR BEARING | 1  | CD554.37A.120       |
| 14 | CD554.37A.121       | 隔圈 SPACER                 | 1  | CD554.37A.121       |
| 15 | GBT283-NF208E       | 轴承 BEARING                | 1  | GBT283-NF208E       |
| 16 | GBT894.1-40         | 弹性挡圈 CIRCLIP FOR SHAFT    | 1  | GBT894.1-40         |
| 17 | GBT5783-M10X30-A3L  | 螺栓 BOLT                   | 4  | GBT5783-M10X30-A3L  |
| 18 | GBT93-10-A3L        | 垫圈 WASHER                 | 4  | GBT93-10-A3L        |
| 19 | SH400.37J.137       | 动力输出连接轴 PTO CONNECTING    | 1  | SH400.37J.137       |
| 20 | GBT895.2-24         | 弹性挡圈 CIRCLIP              | 1  | GBT895.2-24         |
| 21 | GBT283-NUP307E      | 轴承 BEARING                | 1  | GBT283-NUP307E      |
| 22 | GBT894.1-35         | 弹性挡圈 CIRCLIP              | 1  | GBT894.1-35         |
| 23 | SH550.37.135        | 限位挡圈 LIMIT RING           | 1  | SH550.37.135        |
| 24 | CD554.37A.148       | 副变速从动齿轮 RANGE SPEED       | 1  | CD554.37A.148       |
| 25 | JBT7918-K35X43X34ZW | 轴承 BEARING                | 1  | JBT7918-K35X43X34ZW |
| 26 | SH400.37.111        | 隔套 SPACER                 | 1  | SH400.37.111        |
| 27 | CD554.37A.124       | 中速从动齿轮 MIDDLE SPEED       | 1  | CD554.37A.124       |
| 28 | CD554.37A.123       | 倒档齿轮啮合齿座 TOOTH HOLDER     | 1  | CD554.37A.123       |
| 29 | JBT7918-K22X28X20   | 轴承 BEARING                | 1  | JBT7918-K22X28X20   |
| 30 | CD554.37A.139       | 轴承 BEARING                | 1  | CD554.37A.139       |
| 31 | CD554.37A.017/10    | 第二轴装置 THE SECOND SHAFT    | 1  | CD554.37A.017/10    |
| 32 | QCT388-10           | 碗形膨胀塞 BOWL TYPE EXPANSION | 1  | QCT388-10           |

### CD554.37A.017/10 第二轴装置 THE SECOND SHAFT UNIT

| 序号 | 零件编号             | 零件名称                    | 数量 | 图号               |
|----|------------------|-------------------------|----|------------------|
| 1  | CD554.37A.130    | 杆2 SHAFT 2              | 1  | CD554.37A.130    |
| 2  | CD554.37A.126/10 | 两轴连接 CONNECTION BETWEEN | 1  | CD554.37A.126/10 |

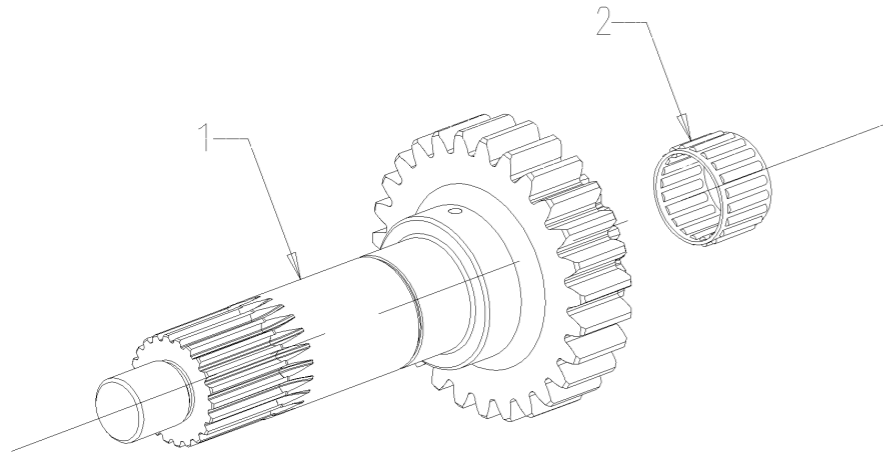
### CD554.37A.017/10 THE SECOND SHAFT UNIT



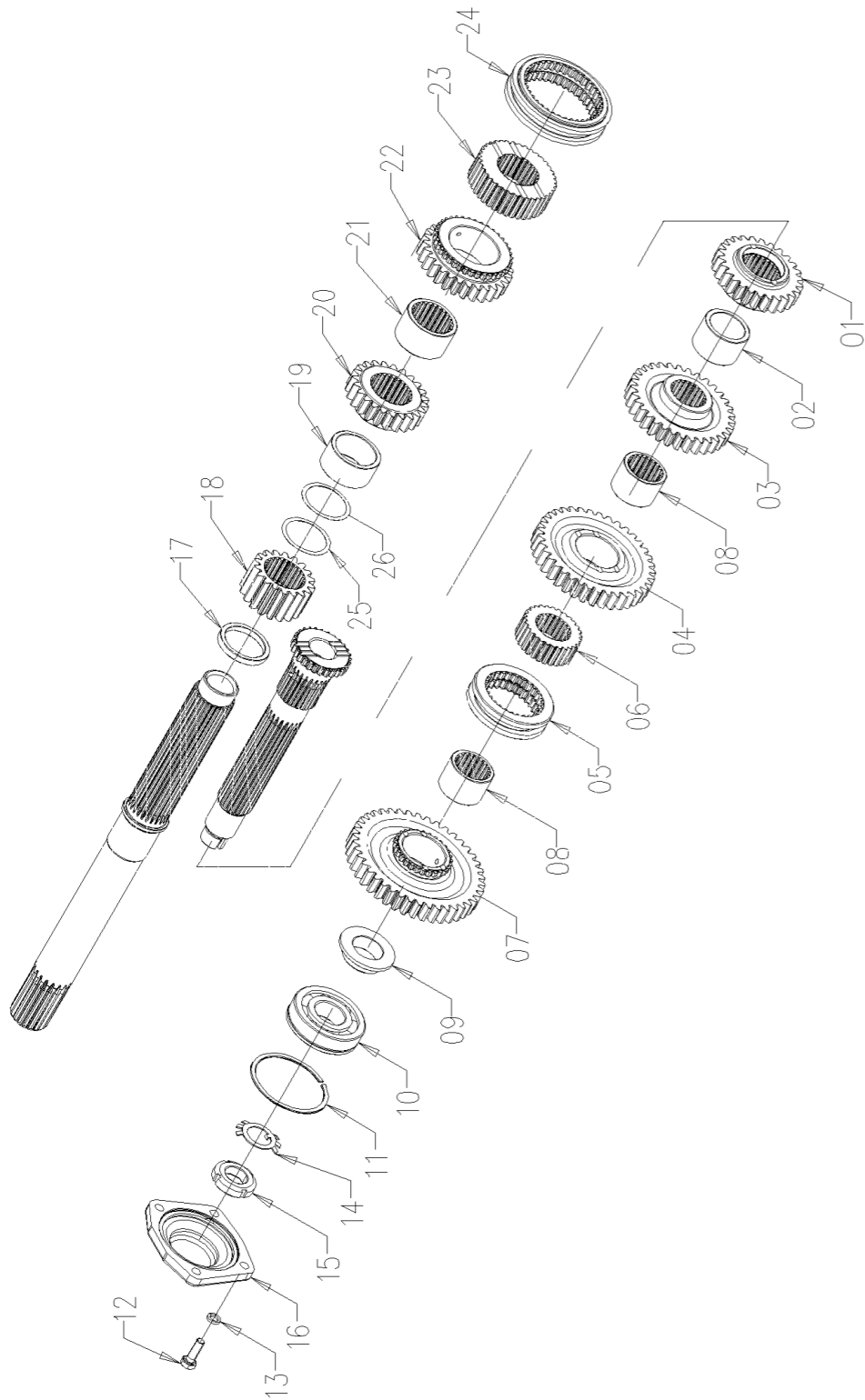
### A06.37.907.4\_0 输出轴总成OUTPUT SHAFT ASS.LY

| 序号 | 零件编号              | 零件名称  | 数量 | 图号                |
|----|-------------------|-------|----|-------------------|
| 1  | SH400.37M.107     | 变速从动轴 | 1  | SH400.37M.107     |
| 2  | JBT7918-K25X31X20 | 轴承    | 1  | JBT7918-K25X31X20 |

### A06.37.907.4 OUTPUT SHAFT ASS. LY



# A06.37.908.4 MAIN GEARS ASS.Y

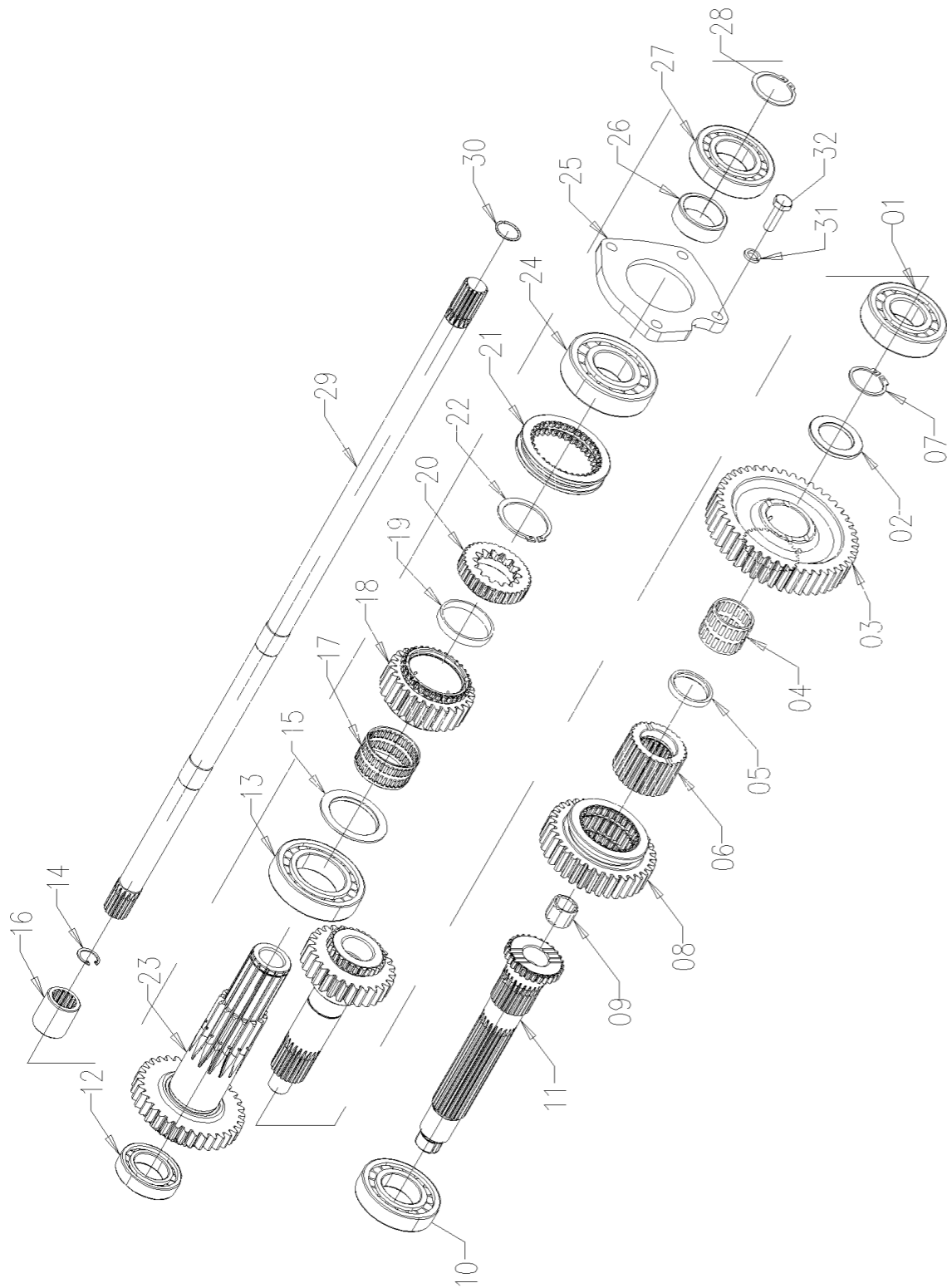


## A06.37.908.4\_1 主变速齿轮总成 MAIN GEARS ASS.Y

| 序号 | 零件编号              | 零件名称         | 数量 | 图号                |
|----|-------------------|--------------|----|-------------------|
| 1  | SH400.37.108      | 档从动齿轮        | 1  | SH400.37.108      |
| 2  | SH400.37.110      | - 档齿轮隔套      | 1  | SH400.37.110      |
| 3  | SH400.37.112      | 档从动齿轮        | 1  | SH400.37.112      |
| 4  | SH400.37.113      | 档从动齿轮        | 1  | SH400.37.113      |
| 5  | SH400.37.115      | - 档啮合套       | 1  | SH400.37.115      |
| 6  | SH400.37.116      | - 档啮合齿座      | 1  | SH400.37.116      |
| 7  | SH400.37.117      | 档从动齿轮        | 1  | SH400.37.117      |
| 8  | SH400.37.114      | - 档齿轮衬套      | 2  | SH400.37.114      |
| 9  | SH400.37.118      | 轴轴端挡圈        | 1  | SH400.37.118      |
| 10 | GBT276-6306N      | 轴承           | 1  | GBT276-6306N      |
| 11 | GBT305-72/78.6    | 止动环          | 1  | GBT305-72/78.6    |
| 12 | GBT5783-M8X25-A2L | 螺栓           | 4  | GBT5783-M8X25-A2L |
| 13 | GBT93-8-A3L       | 垫圈           | 4  | GBT93-8-A3L       |
| 14 | GBT858-24         | 垫圈           | 1  | GBT858-24         |
| 15 | GBT812-M24X1.5    | 螺母           | 1  | GBT812-M24X1.5    |
| 16 | SH400.37.120/10   | 轴轴承盖         | 1  | SH400.37.120/10   |
| 17 | SH400.37B.501     | - 档齿轮挡环      | 1  | SH400.37B.501     |
| 18 | SH400.37B.126     | 档主动齿轮        | 1  | SH400.37B.126     |
| 19 | SH400.37J.183     | SLEEVE       | 1  | SH400.37J.183     |
| 20 | SH400.37.128      | 档主动齿轮        | 1  | SH400.37.128      |
| 21 | SH400.37.130      | 档齿轮衬套        | 1  | SH400.37.130      |
| 22 | SH400.37.131      | 档主动齿轮        | 1  | SH400.37.131      |
| 23 | SH400.37.132      | - 档啮合齿座      | 1  | SH400.37.132      |
| 24 | SH400.37.134      | - 档啮合套       | 1  | SH400.37.134      |
| 25 | A06.37.008.0      | 垫片-41X49X0.1 | 按需 | A06.37.008.0      |
| 26 | A06.37.010.0      | 垫片-41X49X0.2 | 按需 | A06.37.010.0      |

# A06.37.909.4 RANGE GEARS ASS.LY

# A06.37.909.4\_1 副变速齿轮总成RANGE GEAR ASS.LY

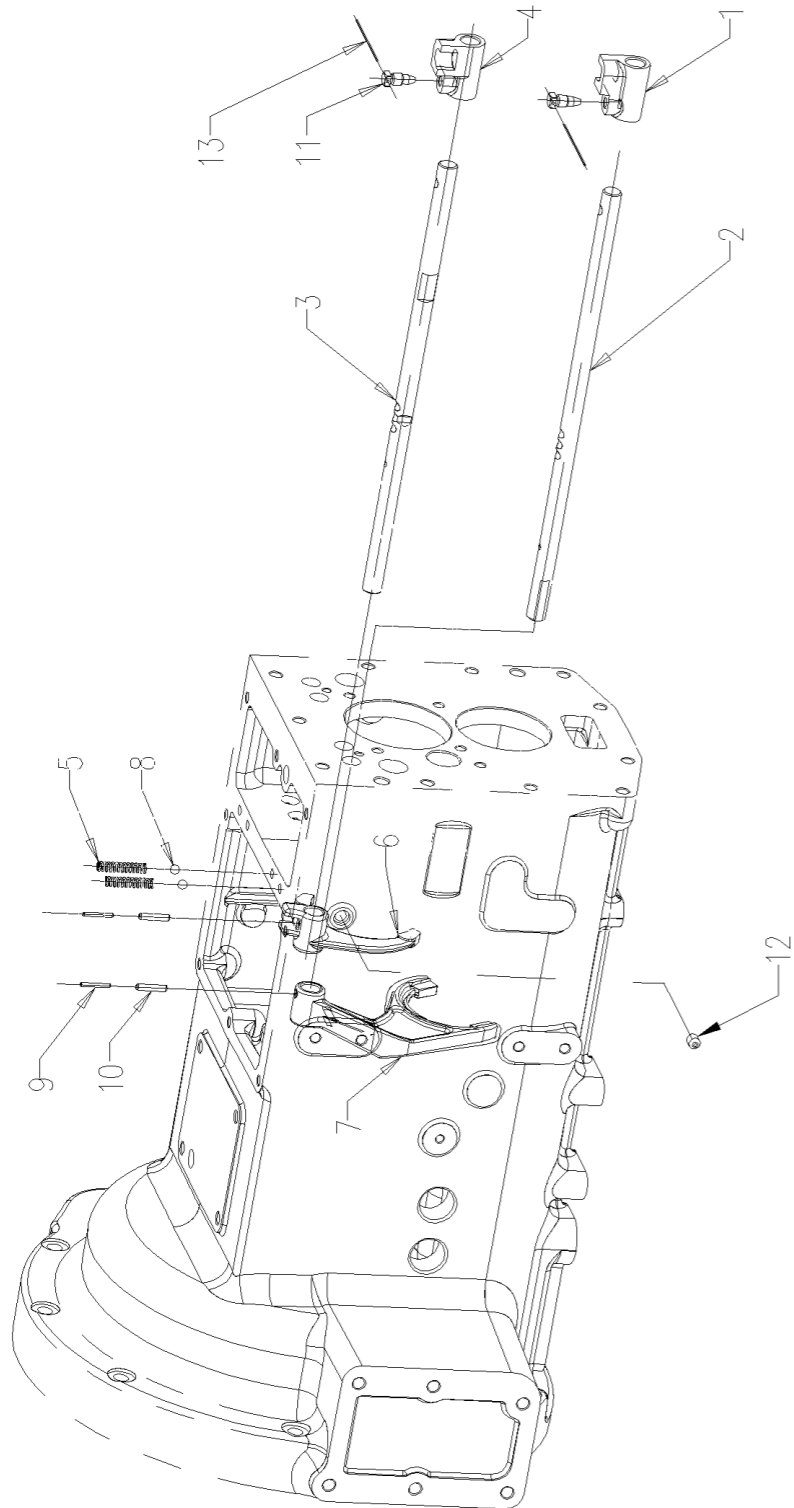


| 序号 | 零件编号                | 零件名称     | 数量 | 图号                  |
|----|---------------------|----------|----|---------------------|
| 1  | GBT283-NUP307E      | 轴承       | 1  | GBT283-NUP307E      |
| 2  | SH550.37.135        | 限位挡圈     | 1  | SH550.37.135        |
| 3  | SH400.37.103        | 副变速从动齿轮  | 1  | SH400.37.103        |
| 4  | JBT7918-K35X43X34ZW | 轴承       | 1  | JBT7918-K35X43X34ZW |
| 5  | SH400.37.111        | 隔套       | 1  | SH400.37.111        |
| 6  | SH550.37.133        | 倒档齿轮啮合齿座 | 1  | SH550.37.133        |
| 7  | GBT894.1-35         | 挡圈       | 1  | GBT894.1-35         |
| 8  | SH400.37M.132       | 中档从动齿轮   | 1  | SH400.37M.132       |
| 9  | JBT7918-K20X26X20   | 轴承       | 1  | JBT7918-K20X26X20   |
| 10 | GBT283-NUP208E      | 轴承       | 1  | GBT283-NUP208E      |
| 11 | SH400.37M.109       | 轴        | 1  | SH400.37M.109       |
| 12 | GBT276-6007E        | 轴承       | 1  | GBT276-6007E        |
| 13 | GBT283-NUP210E      | 轴承       | 1  | GBT283-NUP210E      |
| 14 | GBT893.1-21         | 挡圈       | 1  | GBT893.1-21         |
| 15 | SH550.37.126        | 挡圈       | 1  | SH550.37.126        |
| 16 | SH400.37.136-1      | 连接套      | 1  | SH400.37.136-1      |
| 17 | JBT7918-K50X55X30ZW | 轴承       | 1  | JBT7918-K50X55X30ZW |
| 18 | SH400.37M.127/10    | 中档主动齿轮   | 1  | SH400.37M.127/10    |
| 19 | A39.37.009.0        | 隔套       | 1  | A39.37.009.0        |
| 20 | SH550.37.130        | 中档啮合齿座   | 1  | SH550.37.130        |
| 21 | SH550.37.131/10     | 中档啮合套    | 1  | SH550.37.131/10     |
| 22 | GBT894.1-50         | 挡圈       | 1  | GBT894.1-50         |
| 23 | SH400.37M.169       | 副变速主动齿轮轴 | 1  | SH400.37M.169       |
| 24 | GBT283-NUP308EM     | 轴承       | 1  | GBT283-NUP308EM     |
| 25 | SH400.37.139        | 副变速轴承盖   | 1  | SH400.37.139        |
| 26 | SH400.37J.180       | 隔套       | 1  | SH400.37J.180       |
| 27 | GBT283-NF208E       | 轴承       | 1  | GBT283-NF208E       |
| 28 | GBT894.1-40         | 挡圈       | 1  | GBT894.1-40         |
| 29 | SH400.37J.137       | 动力输出连接轴  | 1  | SH400.37J.137       |
| 30 | GBT895.2-24         | 挡圈       | 1  | GBT895.2-24         |
| 31 | GBT93-10-A3L        | 垫圈       | 4  | GBT93-10-A3L        |
| 32 | GBT5783-M10X30-A3L  | 螺栓       | 4  | GBT5783-M10X30-A3L  |

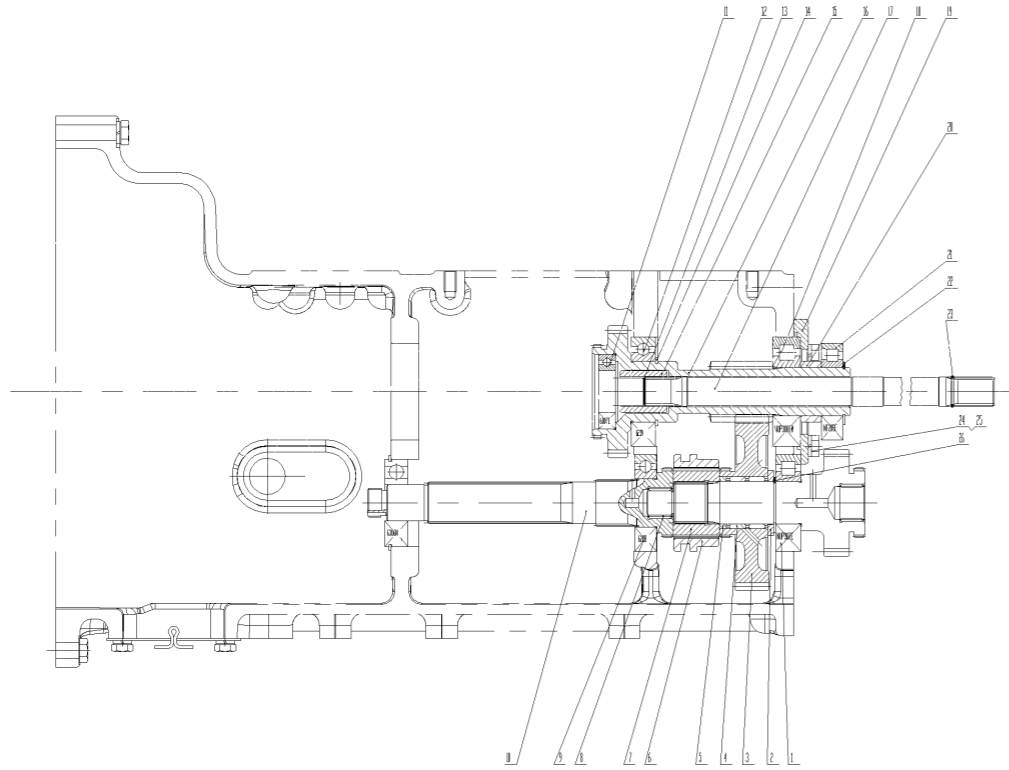


# A06.37.910.4 MAIN SPEED CONTROL ASS.LY

# A06.37.910.4\_0 主变速操纵总成MAIN SPEED CONTROL ASS.LY



| 序号 | 零件编号             | 零件名称    | 数量 | 图号               |
|----|------------------|---------|----|------------------|
| 1  | CD554.37.105     | 换挡拨快(一) | 1  | CD554.37.105     |
| 2  | CD404.37M.101/10 | 1-2叉轴   | 1  | CD404.37M.101/10 |
| 3  | CD554.37.111/20  | 3-4叉轴   | 1  | CD554.37.111/20  |
| 4  | CD554.37.112     | 换挡拨块(一) | 1  | CD554.37.112     |
| 5  | CD554.37.115     | 弹簧      | 2  | CD554.37.115     |
| 6  | SH400.37.147     | 3-4速度叉  | 1  | SH400.37.147     |
| 7  | SH400.37.148     | 1-2速度叉  | 1  | SH400.37.148     |
| 8  | GBT308-8-G100-b  | 球       | 2  | GBT308-8-G100-b  |
| 9  | GBT879.1-3X26    | 销       | 2  | GBT879.1-3X26    |
| 10 | GBT879.1-5X26    | 销       | 2  | GBT879.1-5X26    |
| 11 | LD700.37.148     | 止动螺钉    | 2  | LD700.37.148     |
| 12 | SH400.37.151     | 互锁销     | 1  | SH400.37.151     |
| 13 | YBT5294-SZ-F-1.4 | 低碳钢丝网   | 2  | YBT5294-SZ-F-1.4 |



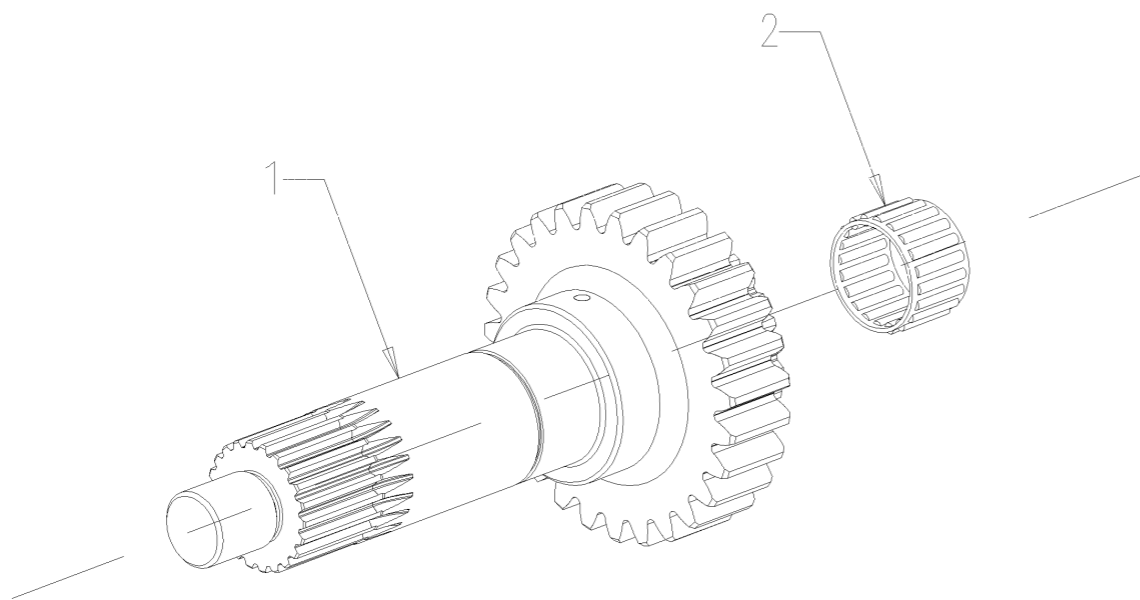
## A06.37.911.4\_1 副变速齿轮总成RANGE GEARS ASS.LY

| 序号 | 零件编号                | 零件名称     | 数量 | 图号                  |
|----|---------------------|----------|----|---------------------|
| 1  | GBT283-NUP307E      | 轴承       | 1  | GBT283-NUP307E      |
| 2  | SH400.37J.182       | 限位挡圈     | 1  | SH400.37J.182       |
| 3  | SH400.37.103        | 副变速从动齿轮  | 1  | SH400.37.103        |
| 4  | JBT7918-K35X43X34ZW | 轴承       | 1  | JBT7918-K35X43X34ZW |
| 5  | SH400.37.111        | 隔套       | 1  | SH400.37.111        |
| 6  | SH400.37J.105       | 副变速挂接套   | 1  | SH400.37J.105       |
| 7  | SH400.37.106        | 倒档齿轮啮合齿座 | 1  | SH400.37.106        |
| 8  | JBT7918-K20X26X20   | 轴承       | 1  | JBT7918-K20X26X20   |
| 9  | GBT276-6208         | 轴承       | 1  | GBT276-6208         |
| 10 | SH400.37.109        | 轴        | 1  | SH400.37.109        |
| 11 | GBT276-6007E        | BEARING  | 1  | GBT276-6007E        |
| 12 | GBT276-6210         | 轴承       | 1  | GBT276-6210         |
| 13 | GBT893.1-21         | 挡圈       | 1  | GBT893.1-21         |
| 14 | GBT894.1-50         | 挡圈       | 1  | GBT894.1-50         |
| 15 | SH400.37.136-1      | 连接套      | 1  | SH400.37.136-1      |
| 16 | SH400.37J.169       | 副变速主动齿轮轴 | 1  | SH400.37J.169       |
| 17 | SH400.37J.137       | 动力输出连接轴  | 1  | SH400.37J.137       |
| 18 | GBT283-NUP308EM     | 轴承       | 1  | GBT283-NUP308EM     |
| 19 | SH400.37.139        | 副变速轴承盖   | 1  | SH400.37.139        |
| 20 | SH400.37J.180       | 隔套       | 1  | SH400.37J.180       |
| 21 | GBT283-NF208E       | 轴承       | 1  | GBT283-NF208E       |
| 22 | GBT894.1-40         | 挡圈       | 1  | GBT894.1-40         |
| 23 | GBT895.2-24         | 挡圈       | 1  | GBT895.2-24         |
| 24 | GBT5783-M10X30-A3L  | 螺栓       | 4  | GBT5783-M10X30-A3L  |
| 25 | GBT93-10-A3L        | 垫圈       | 4  | GBT93-10-A3L        |
| 26 | GBT894.1-35         | 挡圈       | 1  | GBT894.1-35         |

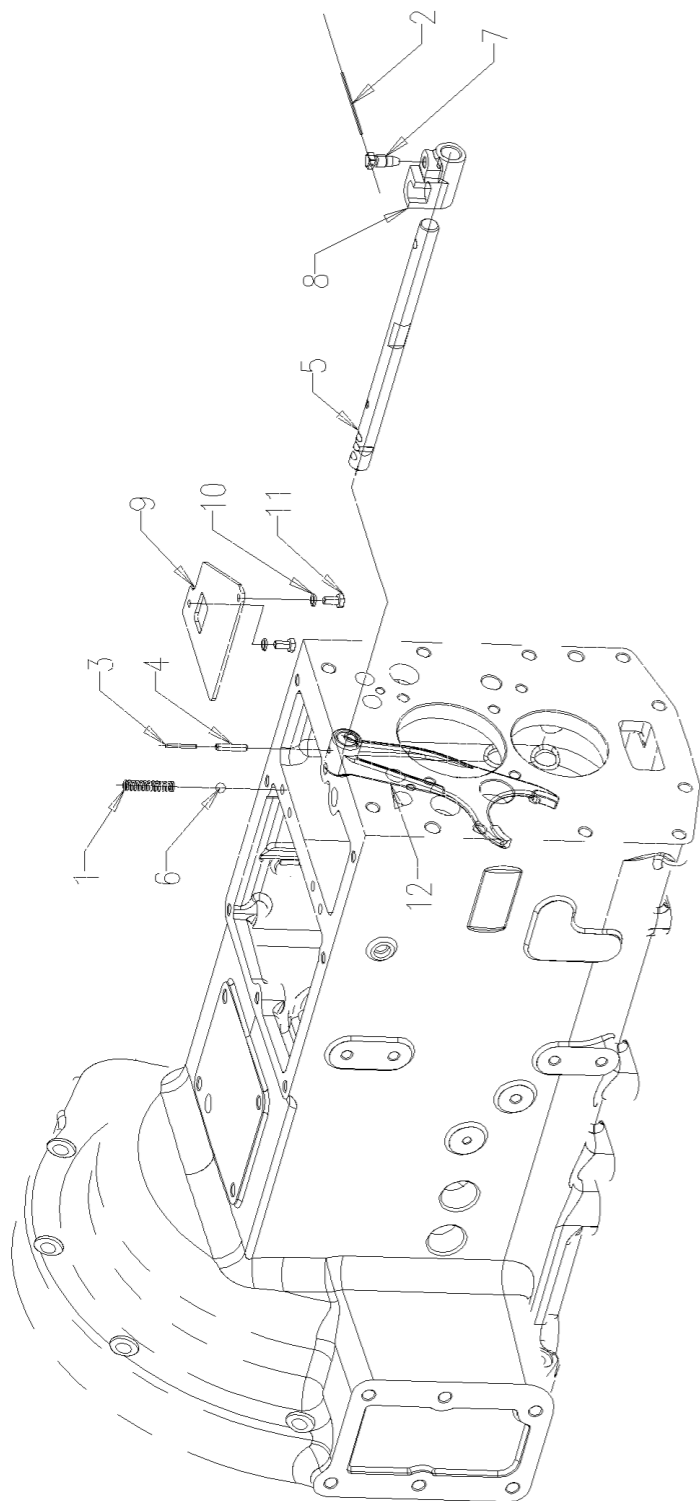
# A06.37.912.4 OUTPUT SHAFT ASS.LY

## A06.37.912.4\_0 输出轴总成OUTPUT SHAFT ASS.LY

| 序号 | 零件编号              | 零件名称  | 数量 | 图号                |
|----|-------------------|-------|----|-------------------|
| 1  | SH400.37J.107     | 变速从动轴 | 1  | SH400.37J.107     |
| 2  | JBT7918-K25X31X20 | 轴承    | 1  | JBT7918-K25X31X20 |



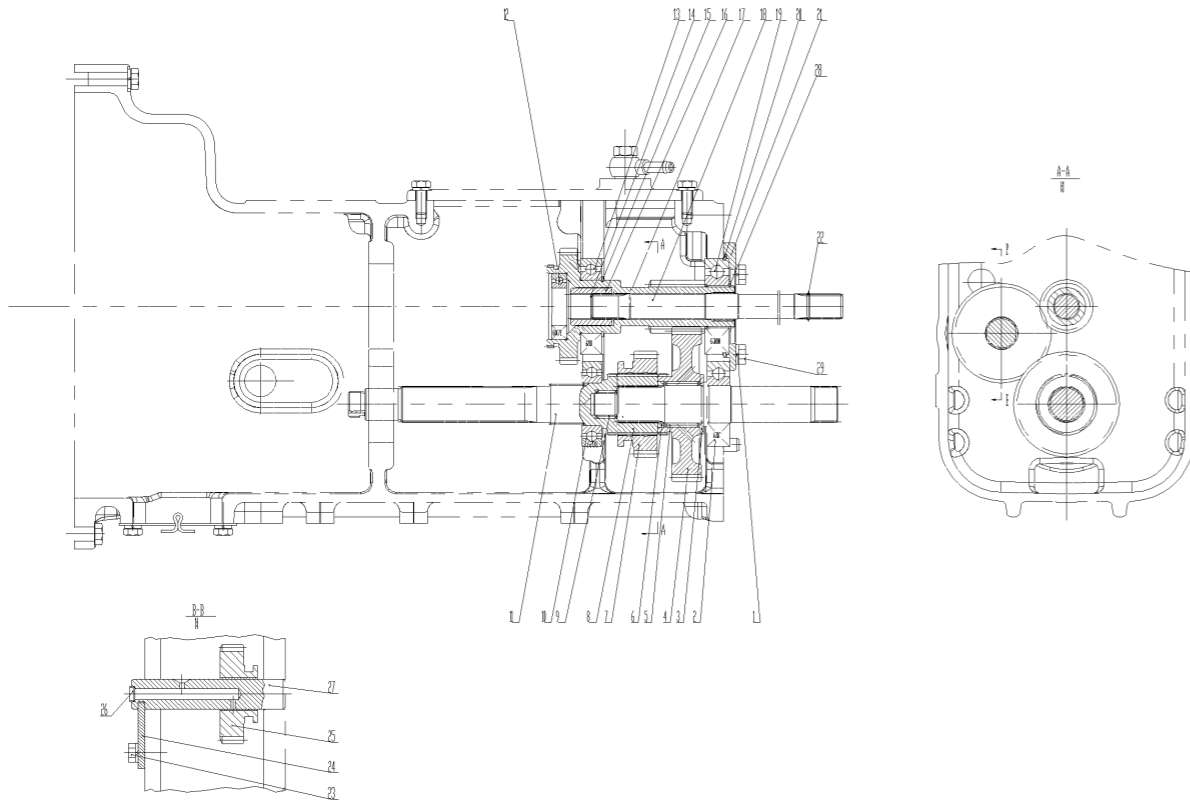
# A06.37.913.4 RANGE SPEED CONTROL ASS.LY



# A06.37.913.4\_0 副变速操纵总成RANGE SPEED CONTROL ASS.LY

| 序号 | 零件编号              | 零件名称    | 数量 | 图号                |
|----|-------------------|---------|----|-------------------|
| 1  | CD554.37.115      | 弹簧      | 1  | CD554.37.115      |
| 2  | YBT5294-SZ-F-1.4  | 低碳钢丝网   | 1  | YBT5294-SZ-F-1.4  |
| 3  | GBT879.1-3X26     | 销       | 1  | GBT879.1-3X26     |
| 4  | GBT879.1-5X26     | 销       | 1  | GBT879.1-5X26     |
| 5  | A06.37.001.0      | 对叉轴     | 1  | A06.37.001.0      |
| 6  | GBT308-8-G100-b   | 球       | 1  | GBT308-8-G100-b   |
| 7  | LD700.37.148      | 止动螺钉    | 1  | LD700.37.148      |
| 8  | CD554.37.105      | 换挡拨快(一) | 1  | CD554.37.105      |
| 9  | CD404.37J.101/10  | 定位板     | 1  | CD404.37J.101/10  |
| 10 | GBT93-6-A3L       | 垫圈      | 2  | GBT93-6-A3L       |
| 11 | GBT5783-M6X12-A2L | 螺栓      | 2  | GBT5783-M6X12-A2L |
| 12 | SH400.37.145      | 副变速叉    | 1  | SH400.37.145      |

## A06.37.914.4\_1 副变速齿轮总成RANGE GEARS ASS.LY



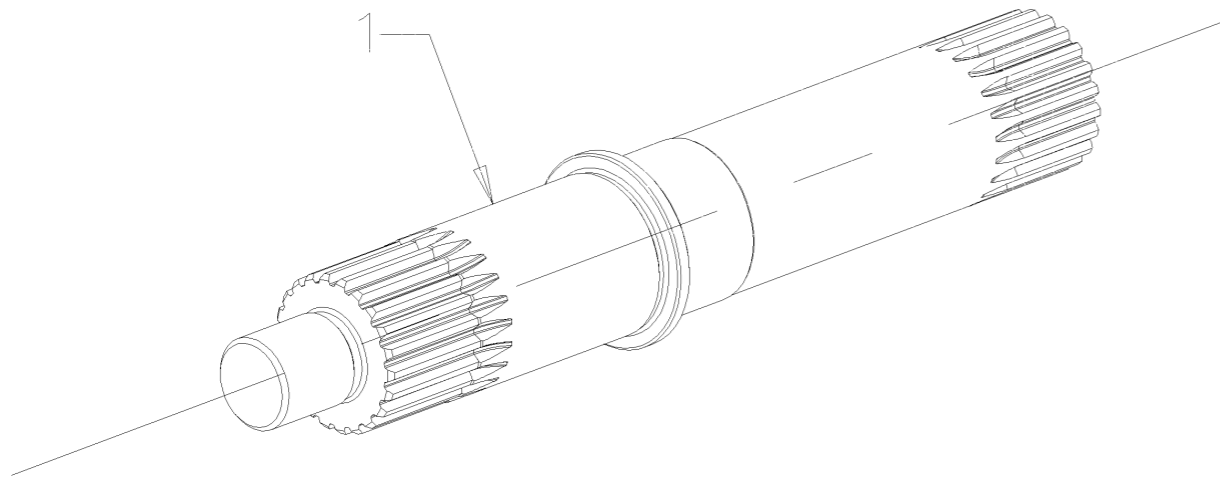
| 序号 | 零件编号                | 零件名称       | 数量 | 图号                  |
|----|---------------------|------------|----|---------------------|
| 1  | GBT93-10-A3L        | 垫圈         | 5  | GBT93-10-A3L        |
| 2  | GBT276-6307         | 轴承         | 1  | GBT276-6307         |
| 3  | SH400.37.102        | 挡圈         | 1  | SH400.37.102        |
| 4  | SH400.37.103        | 副变速从动齿轮    | 1  | SH400.37.103        |
| 5  | JBT7918-K35X43X34ZW | 轴承         | 1  | JBT7918-K35X43X34ZW |
| 6  | SH400.37.111        | 隔套         | 1  | SH400.37.111        |
| 7  | SH400.37.105        | 倒档从动齿轮     | 1  | SH400.37.105        |
| 8  | SH400.37.106        | 倒档齿轮啮合齿座   | 1  | SH400.37.106        |
| 9  | JBT7918-K20X26X20   | 轴承         | 1  | JBT7918-K20X26X20   |
| 10 | GBT276-6208         | 轴承         | 1  | GBT276-6208         |
| 11 | SH400.37.109        | 轴          | 1  | SH400.37.109        |
| 12 | GBT276-6007E        | 轴承         | 1  | GBT276-6007E        |
| 13 | GBT276-6210         | 轴承         | 1  | GBT276-6210         |
| 14 | GBT893.1-21         | 弹性挡圈       | 1  | GBT893.1-21         |
| 15 | GBT894.1-50         | 弹性挡圈       | 1  | GBT894.1-50         |
| 16 | SH400.37.136-1      | 连接套        | 1  | SH400.37.136-1      |
| 17 | SH400.37.013        | 副变速主动齿轮轴合件 | 1  | SH400.37.013        |
| 18 | SH400.37.137        | 动力输出连接轴    | 1  | SH400.37.137        |
| 19 | GBT276-6308N        | 轴承         | 1  | GBT276-6308N        |
| 20 | GBT305-90/96.5      | 卡环         | 1  | GBT305-90/96.5      |
| 21 | SH400.37.139        | 副变速轴承盖     | 1  | SH400.37.139        |
| 22 | GBT895.2-24         | 弹性挡圈       | 1  | GBT895.2-24         |
| 23 | GBT5783-M10X20-A3L  | 螺栓         | 1  | GBT5783-M10X20-A3L  |
| 24 | SH400.37.140        | 倒档轴限位板     | 1  | SH400.37.140        |
| 25 | SH400.37.014        | 倒档中间齿轮轴合件  | 1  | SH400.37.014        |
| 26 | QCT388-14           | 碗形膨胀塞      | 1  | QCT388-14           |
| 27 | SH400.37.141        | 倒档中间轴      | 1  | SH400.37.141        |
| 28 | GBT894.1-40         | 弹性挡圈       | 1  | GBT894.1-40         |
| 29 | GBT5783-M10X30-A3L  | 螺栓         | 4  | GBT5783-M10X30-A3L  |

A06.37.915.4 OUTPUT SHAFT ASS.LY

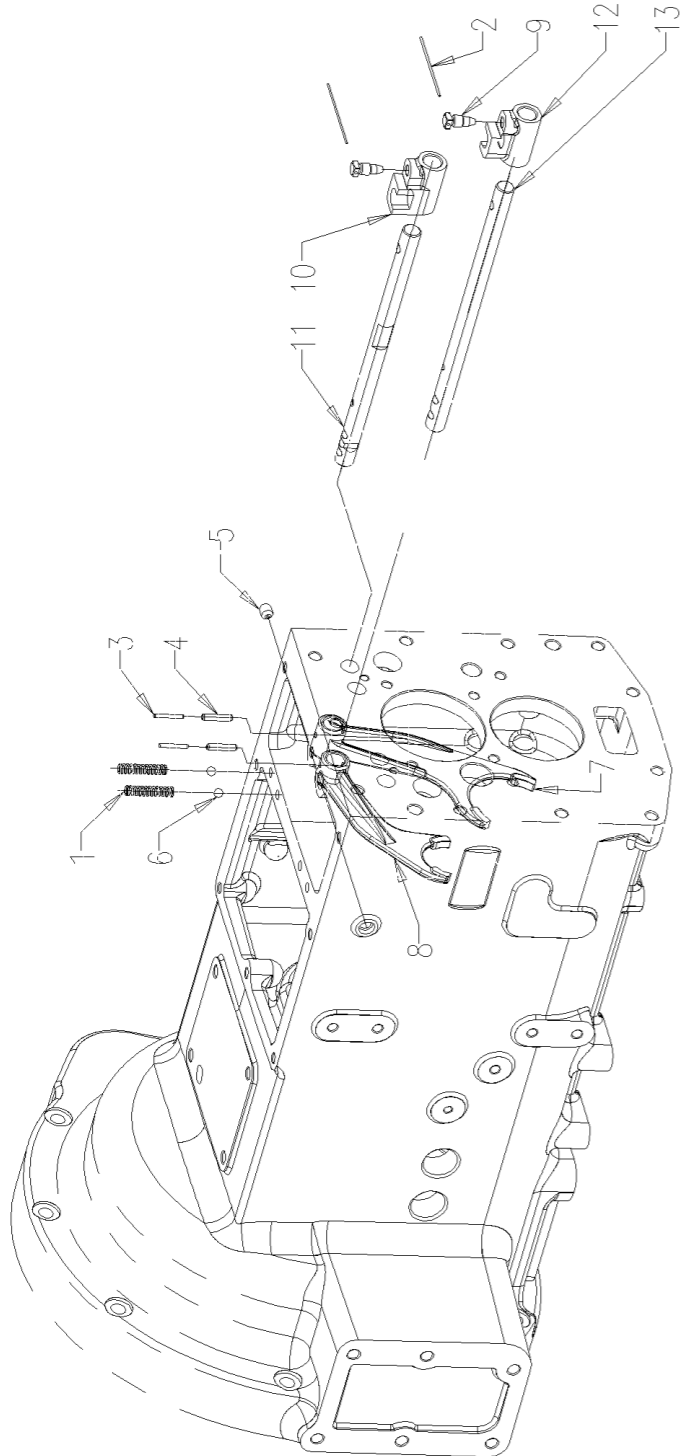
A06.37.915.4\_0 输出轴总成OUTPUT SHAFT ASS.LY

| 序号 | 零件编号         | 零件名称  |
|----|--------------|-------|
| 1  | SH400.37.107 | 变速从动轴 |

| 数量 | 图号           |
|----|--------------|
| 1  | SH400.37.107 |



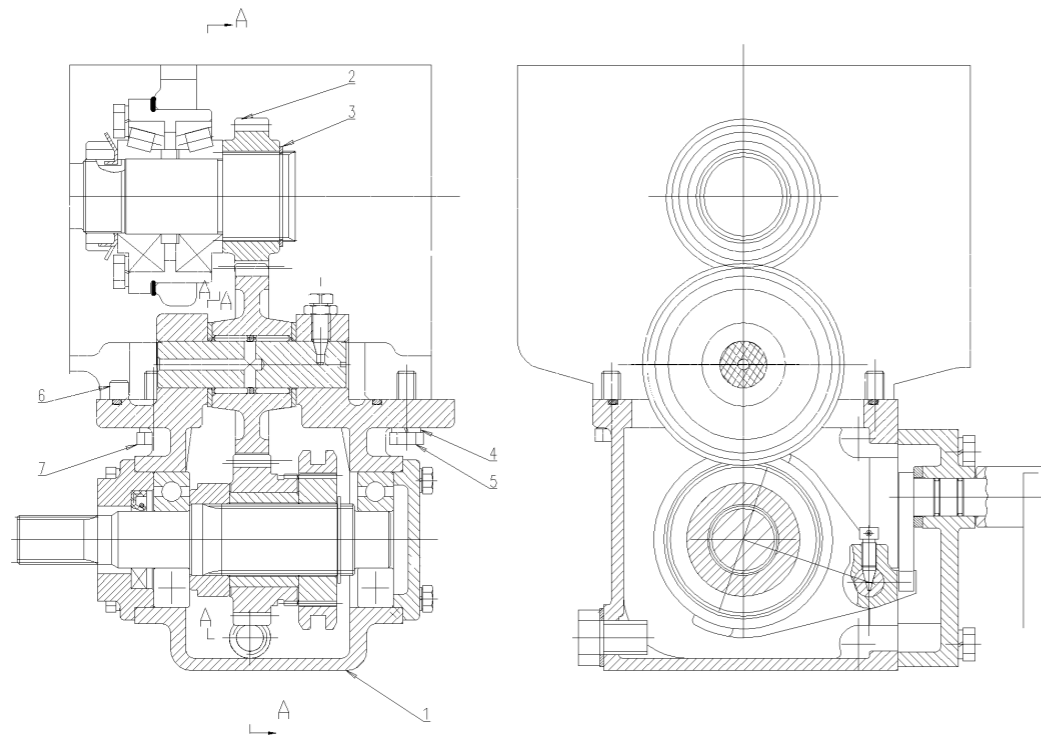
# A06.37.916.4 RANGE SPEED CONTROL ASS.LY



# A06.37.916.4\_0 副变速操纵总成RANGE SPEED CONTROL ASS.LY

| 序号 | 零件编号             | 零件名称    | 数量 | 图号               |
|----|------------------|---------|----|------------------|
| 1  | CD554.37.115     | 弹簧      | 2  | CD554.37.115     |
| 2  | YBT5294-SZ-F-1.4 | 低碳钢丝网   | 2  | YBT5294-SZ-F-1.4 |
| 3  | GBT879.1-3X26    | 销       | 2  | GBT879.1-3X26    |
| 4  | GBT879.1-5X26    | 销       | 2  | GBT879.1-5X26    |
| 5  | SH400.37.151     | 互锁销     | 1  | SH400.37.151     |
| 6  | GBT308-8-G100-b  | 球       | 2  | GBT308-8-G100-b  |
| 7  | SH400.37.145     | 副变速拨叉   | 1  | SH400.37.145     |
| 8  | SH400.37.146     | 反向叉     | 1  | SH400.37.146     |
| 9  | LD700.37.148     | 止动螺钉    | 2  | LD700.37.148     |
| 10 | CD554.37.105     | 换挡拨快(一) | 1  | CD554.37.105     |
| 11 | A06.37.001.0     | 对叉轴     | 1  | A06.37.001.0     |
| 12 | CD554.37.112     | 换挡拨快(一) | 1  | CD554.37.112     |
| 13 | CD404.37.102/10  | 反向叉轴    | 1  | CD404.37.102/10  |

A06.42.901.4\_0 分动箱总成TRANSFER CASE ASS.LY



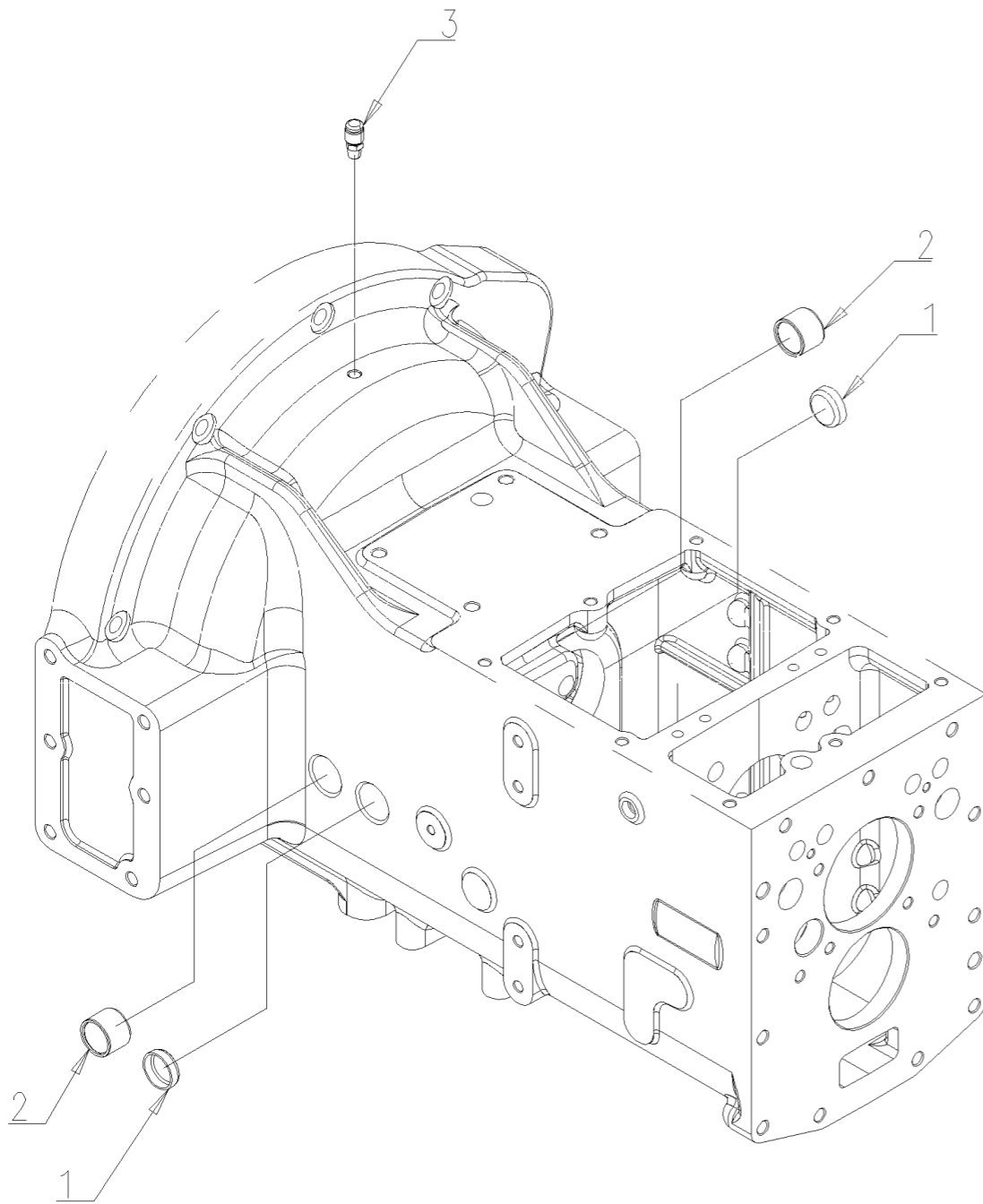
| 序号 | 零件编号               | 零件名称    | 数量 | 图号                 |
|----|--------------------|---------|----|--------------------|
| 1  | CD404.42.011       | 分动箱总成   | 1  | CD404.42.011       |
| 2  | SH404.42.124       | 前驱动输出齿轮 | 1  | SH404.42.124       |
| 3  | GBT894.1-48        | 轴用弹性挡圈  | 1  | GBT894.1-48        |
| 4  | GBT93-10-A3L       | 垫圈      | 4  | GBT93-10-A3L       |
| 5  | GBT5783-M10X30-A3L | 螺栓      | 2  | GBT5783-M10X30-A3L |
| 6  | GBT119.1-10m6X20   | 销       | 2  | GBT119.1-10m6X20   |
| 7  | GBT5783-M10X35-A3L | 螺栓      | 2  | GBT5783-M10X35-A3L |



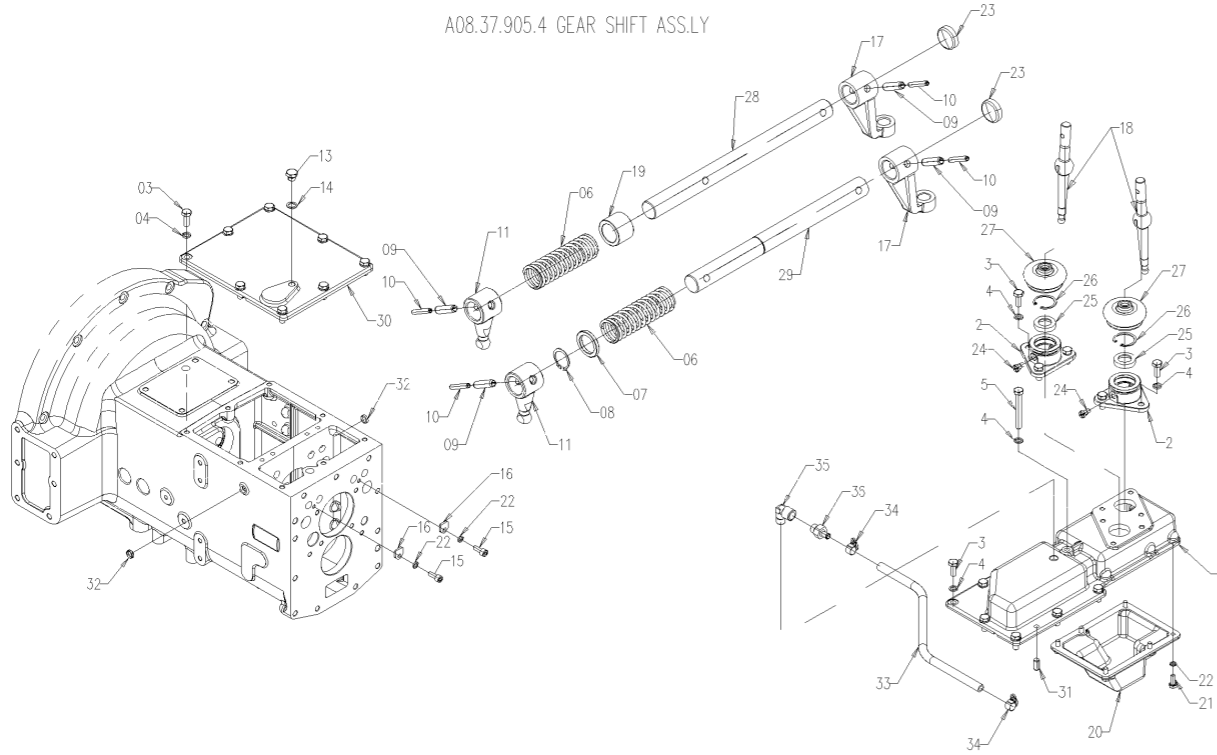
# A08.37.903.4 SLEEVE ASS.LY

## A08.37.903.4\_1 轴套总成SLEEVE ASS.LY

| 序号 | 零件编号            | 零件名称                | 数量 | 图号              |
|----|-----------------|---------------------|----|-----------------|
| 1  | QCT388-30       | 塞块 PLUG PIECE       | 2  | QCT388-30       |
| 2  | SH400.37.159/10 | 套管 BUSHING 25X30X22 | 2  | SH400.37.159/10 |
| 3  | QCT410-B        | 通风阀塞 VENT PLUG      | 1  | QCT410-B        |



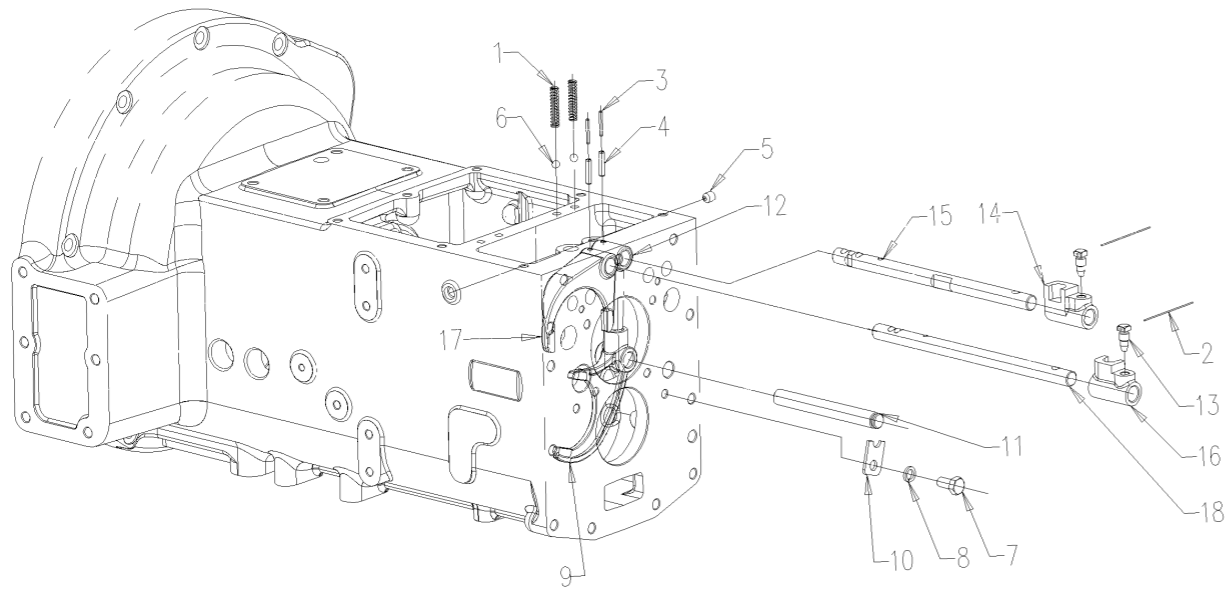
A08.37.905.4 GEAR SHIFT ASS.LY



## A08.37.905.4\_1 操纵总成GEAR SHIFT ASS.LY

| 序号 | 零件编号                   | 零件名称                         | 数量 | 图号                     |
|----|------------------------|------------------------------|----|------------------------|
| 1  | CD554.37.102/10        | 上盖板 UP COVER                 | 1  | CD554.37.102/10        |
| 2  | SH900.37.175           | 操纵杆支座 JOYSTICK SUPPORT       | 2  | SH900.37.175           |
| 3  | GBT5783-M10X25-A3L     | 螺栓 BOLT                      | 21 | GBT5783-M10X25-A3L     |
| 4  | GBT93-10-A3L           | 垫圈 WASHER                    | 22 | GBT93-10-A3L           |
| 5  | GBT5782-M10X80-A3L     | 螺栓 BOLT                      | 1  | GBT5782-M10X80-A3L     |
| 6  | CD554.37.107           | 压缩弹簧 COMPRESSION SPRING      | 2  | CD554.37.107           |
| 7  | LD800.37.126           | 垫圈 WASHER                    | 1  | LD800.37.126           |
| 8  | GBT894.1-22            | 弹性挡圈 CIRCLIP                 | 1  | GBT894.1-22            |
| 9  | GBT879.1-8X32          | 销 PIN                        | 4  | GBT879.1-8X32          |
| 10 | GBT879.1-5X32          | 销 PIN                        | 4  | GBT879.1-5X32          |
| 11 | CD554.37.117           | 换挡拨块 (一) DRIVING BLOCK       | 2  | CD554.37.117           |
| 13 | 2.3110.403.2           | 螺母保护帽 TAPPO M14x1.5x10       | 1  | 2.3110.403.2           |
| 14 | 2.1560.010.0           | 垫圈 14.2X20 SEALING RING      | 1  | 2.1560.010.0           |
| 15 | GBT70.1-M8X20-10.9-A2L | 螺栓 BOLT                      | 2  | GBT70.1-M8X20-10.9-A2L |
| 16 | CD554.37.120/10        | 定位板 positioning plate        | 2  | CD554.37.120/10        |
| 17 | SH900.37.182/10        | 变速杆操纵拨叉 SHIFT LEVER          | 2  | SH900.37.182/10        |
| 18 | SH900.37.178/10        | 变速杆 SHIFT LEVER              | 2  | SH900.37.178/10        |
| 19 | CD554.37.106           | 隔圈 SPACER                    | 1  | CD554.37.106           |
| 20 | CD404.37.101           | 侧置操纵下盖 SIDE PLACE CONTROL    | 1  | CD404.37.101           |
| 21 | GBT5783-M8X20-A2L      | 螺栓 BOLT                      | 6  | GBT5783-M8X20-A2L      |
| 22 | GBT93-8-A3L            | 垫圈 WASHER                    | 8  | GBT93-8-A3L            |
| 23 | QCT388-24              | 塞块 BOWL TYPE EXPANSION PLUG  | 2  | QCT388-24              |
| 24 | SH900.37.203           | 定位螺栓 POSITIONING BOLT        | 4  | SH900.37.203           |
| 25 | SH900.37.191           | 盖 COVER                      | 2  | SH900.37.191           |
| 26 | GBT893.1-40            | 弹性挡圈 CIRCLIPS FOR HOLE       | 2  | GBT893.1-40            |
| 27 | SH900.37.174           | 防尘套 DUST SLEEVE              | 2  | SH900.37.174           |
| 28 | CD554.37.104           | 副变速传递杆 SUB-TRANSMISSION      | 1  | CD554.37.104           |
| 29 | CD554.37.103           | 主变速传递杆 MAIN TRANSMISSION     | 1  | CD554.37.103           |
| 30 | CD554.37.113/10        | 变速箱上盖 upper cover of gearbox | 1  | CD554.37.113/10        |
| 31 | GBT119.1-10m6X22       | 销 PIN                        | 2  | GBT119.1-10m6X22       |
| 32 | QCT388-14              | 碗形膨胀塞 BOWL TYPE WXPANSION    | 2  | QCT388-14              |
| 33 | CD554.37.119/20        | 呼吸软管 BREATHING HOSE          | 0  | CD554.37.119/20        |
| 34 | JBT8870-D15            | 软管夹 HOSE CLAMPS              | 2  | JBT8870-D15            |
| 35 | CD1204.50.103          | 管件 FITTING                   | 1  | CD1204.50.103          |
| 36 | CD1204.50.105          | 通气接头 VENT JOINT              | 1  | CD1204.50.105          |

A08.37.906.4 RANGE SPEED CONTROL ASS.LY

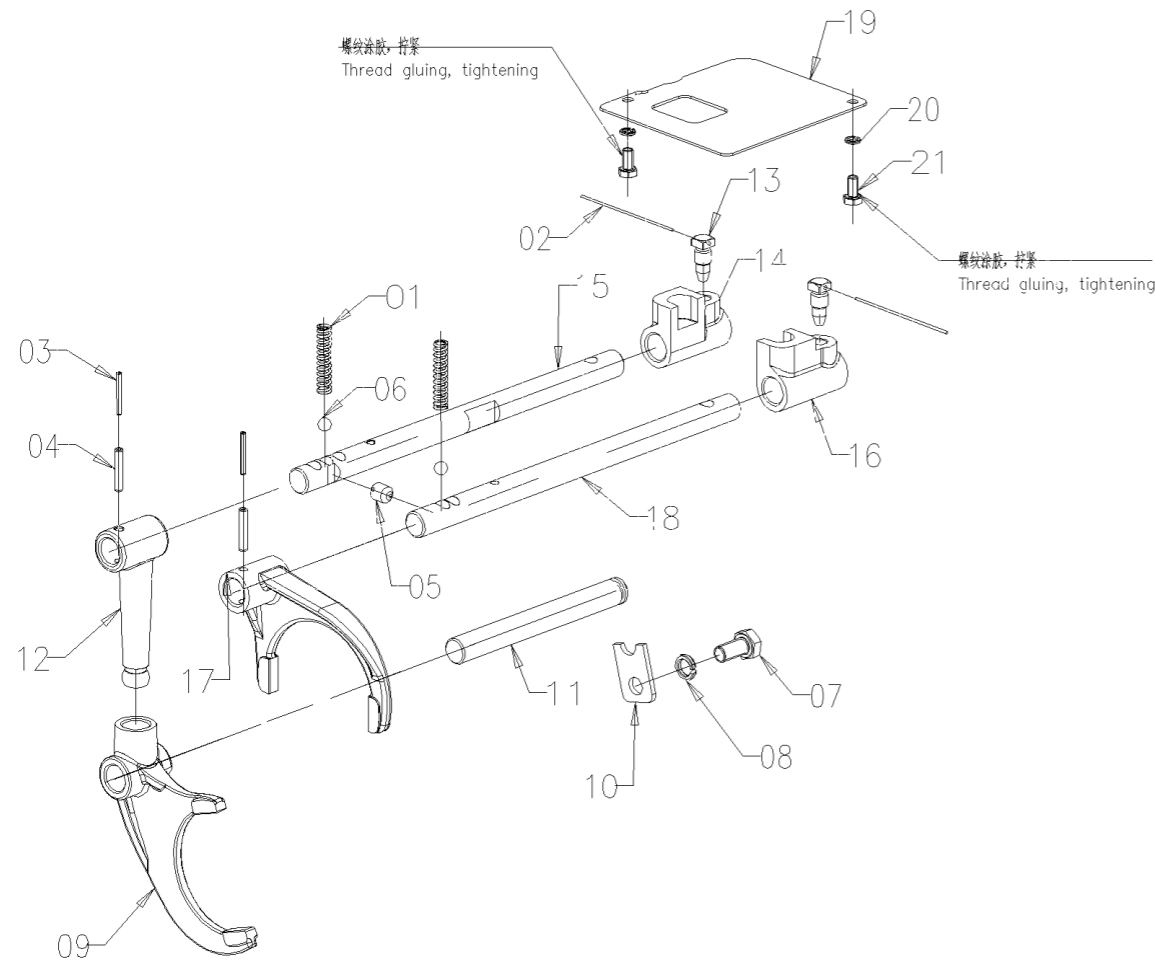


A08.37.906.4\_0 副变速操纵总成RANGE SPEED CONTROL ASS.LY

| 序号 | 零件编号               | 零件名称                         | 数量 | 图号                 |
|----|--------------------|------------------------------|----|--------------------|
| 1  | CD554.37.115       | 弹簧 SPRING                    | 2  | CD554.37.115       |
| 2  | YBT5294-SZ-F-1.4   | 低碳钢丝网 STEEL WIRE             | 2  | YBT5294-SZ-F-1.4   |
| 3  | GBT879.1-3X26      | 销 PIN                        | 2  | GBT879.1-3X26      |
| 4  | GBT879.1-5X26      | 销 PIN                        | 2  | GBT879.1-5X26      |
| 5  | SH400.37.151       | 互锁销 INTERLOCK PIN            | 1  | SH400.37.151       |
| 6  | GBT308-8-G100-b    | 球 BALL                       | 2  | GBT308-8-G100-b    |
| 7  | GBT5783-M10X20-A3L | 螺栓 BOLT                      | 1  | GBT5783-M10X20-A3L |
| 8  | GBT93-10-A3L       | 垫圈 WASHER                    | 1  | GBT93-10-A3L       |
| 9  | CD554.37.121/10    | 副变速拨叉 RANGE SHIFT FORK       | 1  | CD554.37.121/10    |
| 10 | CD554.37.124       | 锁片 LOCK PLATE                | 1  | CD554.37.124       |
| 11 | CD554.37.123       | 副变速轴 RANGE SHIFT SHAFT       | 1  | CD554.37.123       |
| 12 | CD554.37.122       | 副变速杆 RANGE SHIFT LEVER       | 1  | CD554.37.122       |
| 13 | LD700.37.148       | 止动螺钉 STOP SCREW              | 2  | LD700.37.148       |
| 14 | CD554.37.105       | 换挡拨块 (一) DRIVING BLOCK ?     | 1  | CD554.37.105       |
| 15 | CD554.37.108/30    | 挂档叉轴 SHIFT FORK SHAFT        | 1  | CD554.37.108/30    |
| 16 | CD554.37.112       | 换挡拨块 (一) DRIVING BLOCK ?     | 1  | CD554.37.112       |
| 17 | SH550.37.138       | 中间齿轮叉 INTERMEDIATE GEAR      | 1  | SH550.37.138       |
| 18 | CD554.37.109/20    | 中速拨叉 Middle speed shift fork | 1  | CD554.37.109/20    |

# A08.37.906.4 RANGE SPEED CONTROL ASS.Y

YFB-R-2022-001 SH.006

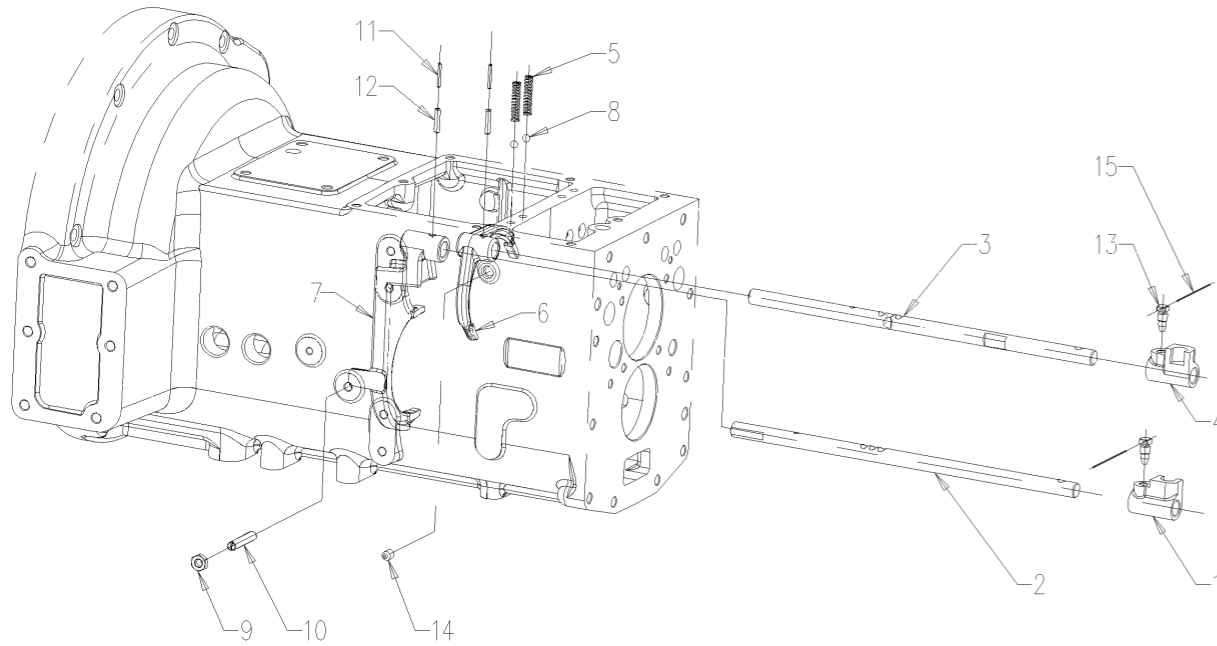


## A08.37.906.4\_2 副变速操纵总成 RANGE SPEED CONTROL ASS.Y

| 序号 | 零件编号             | 零件名称                         | 数量 | 图号               |
|----|------------------|------------------------------|----|------------------|
| 1  | CD554.37.115     | 弹簧 SPRING                    | 2  | CD554.37.115     |
| 2  | YBT5294-SZ-F-1.4 | 低碳钢线 LOW CARBON STEEL WIRE   | 2  | YBT5294-SZ-F-1.4 |
| 3  | 2.1630.251.2     | 销 SPRING-TYPE STRAIGHT PINS  | 2  | 2.1630.251.2     |
| 4  | 2.1630.551.2     | 销 SPRING-TYPE STRAIGHT PINS  | 2  | 2.1630.551.2     |
| 5  | SH400.37.151     | 互锁销 INTERLOCK PIN            | 1  | SH400.37.151     |
| 6  | GBT308-8-G100-b  | 球 BALL                       | 2  | GBT308-8-G100-b  |
| 7  | 2.0114.307.2     | 螺栓 M10x20 SCREW M10x20       | 1  | 2.0114.307.2     |
| 8  | 2.1473.008.2     | 垫圈 M10 SPRING WASHER M10     | 1  | 2.1473.008.2     |
| 9  | CD554.37.121/10  | 副变速拨叉 RANGE SHIFT FORK       | 1  | CD554.37.121/10  |
| 10 | CD554.37.124     | 锁片 LOCK PLATE                | 1  | CD554.37.124     |
| 11 | CD554.37.123     | 副变速轴 RANGE SHIFT SHAFT       | 1  | CD554.37.123     |
| 12 | CD554.37.122     | 副变速杆 RANGE SHIFT LEVER       | 1  | CD554.37.122     |
| 13 | LD700.37.148     | 止动螺栓 STOP SCREW              | 2  | LD700.37.148     |
| 14 | CD554.37.105     | 换挡拨快 (一) DRIVING BLOCK       | 1  | CD554.37.105     |
| 15 | CD554.37.108/30  | 挂档叉轴 SHIFT FORK SHAFT        | 1  | CD554.37.108/30  |
| 16 | CD554.37.112     | 换挡拨快 (一) DRIVING BLOCK       | 1  | CD554.37.112     |
| 17 | SH550.37.138     | 中间齿轮叉 INTERMEDIATE GEAR      | 1  | SH550.37.138     |
| 18 | CD554.37.109/20  | 中速拨叉 Middle speed shift fork | 1  | CD554.37.109/20  |
| 19 | C05.37.008.0     | 挡油板 OIL BAFFLE               | 1  | C05.37.008.0     |
| 20 | 2.1473.006.2     | 垫圈 SPRING WASHER M6          | 2  | 2.1473.006.2     |
| 21 | 2.0114.003.2     | 螺栓 SCREW M6x12               | 2  | 2.0114.003.2     |

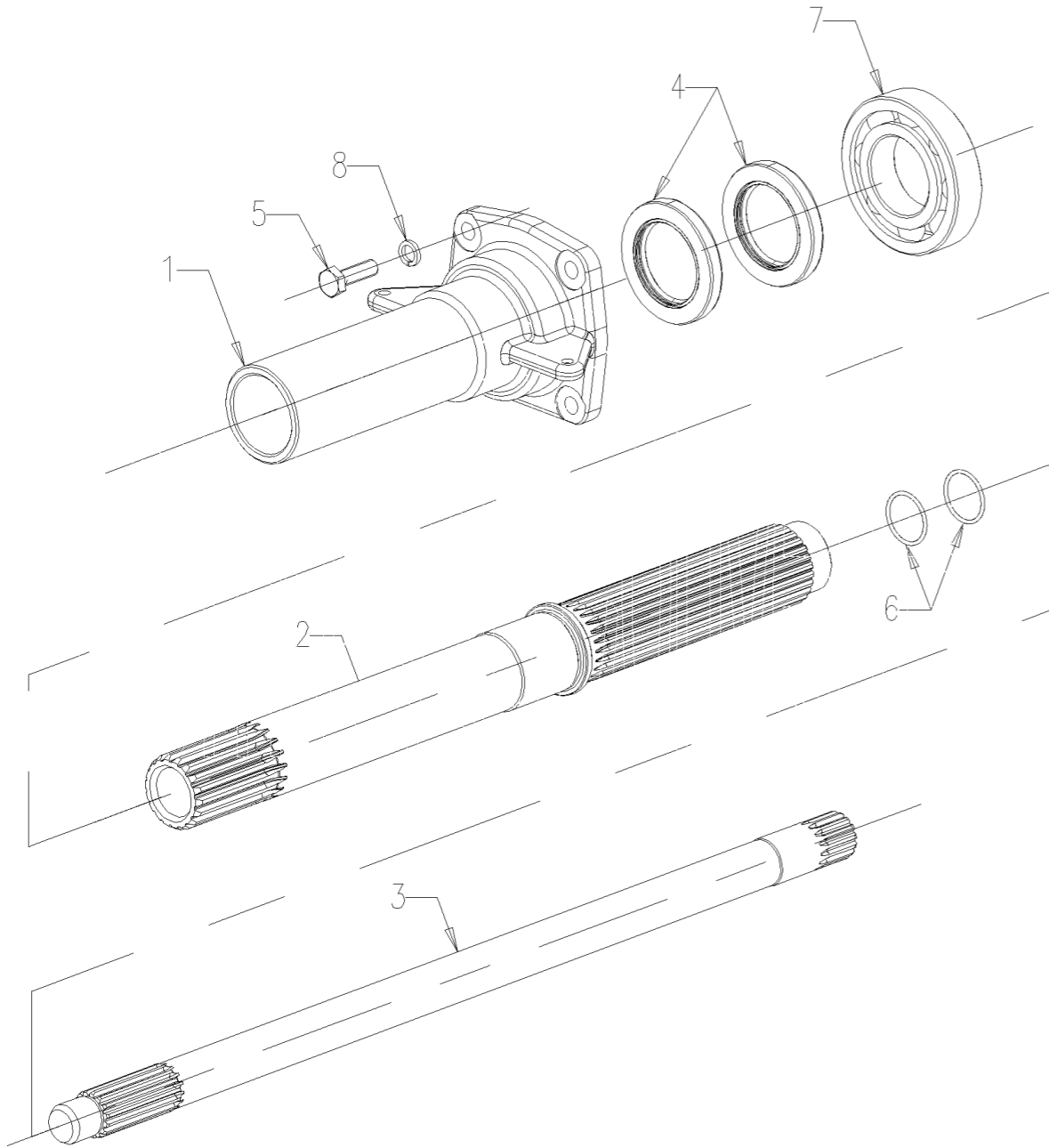
**A08.37.907.4\_0 主变速操纵总成 (同步器通用) MAIN SPEED CONTROL ASS.LY(SYNCHRONIZER UNIVERSAL)**

A08.37.907.4 MAIN SPEED CONTROL ASS.LY



| 序号 | 零件编号              | 零件名称                               | 数量 | 图号                |
|----|-------------------|------------------------------------|----|-------------------|
| 1  | CD554.37.105      | 换挡拨块 (一) DRIVING BLOCK             | 1  | CD554.37.105      |
| 2  | CD554.37.110/20   | 1-2变速叉轴 1-2 speed shift fork shaft | 1  | CD554.37.110/20   |
| 3  | CD554.37.111/20   | 3 - 4叉轴 3-4 fork shaft             | 1  | CD554.37.111/20   |
| 4  | CD554.37.112      | 换挡拨块 (一) DRIVING BLOCK             | 1  | CD554.37.112      |
| 5  | CD554.37.115      | 弹簧 SPRING                          | 2  | CD554.37.115      |
| 6  | CD554.37A.150     | 34变速拨叉 34 SPEED SHIFT FORK         | 1  | CD554.37A.150     |
| 7  | CD554.37A.151     | 12变速拨叉 12 SPEED SHIFT FORK         | 1  | CD554.37A.151     |
| 8  | GBT308-8-G100-b   | 球 BALL                             | 2  | GBT308-8-G100-b   |
| 9  | GBT6172.1-M10-A3L | 螺母 NUT                             | 1  | GBT6172.1-M10-A3L |
| 10 | GBT73-M10X50-A3L  | 螺丝钉 SCREW                          | 1  | GBT73-M10X50-A3L  |
| 11 | GBT879.1-3X26     | 销 PIN                              | 2  | GBT879.1-3X26     |
| 12 | GBT879.1-5X26     | 销 PIN                              | 2  | GBT879.1-5X26     |
| 13 | LD700.37.148      | 止动螺钉 STOP SCREW                    | 2  | LD700.37.148      |
| 14 | SH400.37.151      | 互锁销 INTERLOCK PIN                  | 1  | SH400.37.151      |
| 15 | YBT5294-SZ-F-1.4  | 低碳钢丝网 STEEL WIRE                   | 2  | YBT5294-SZ-F-1.4  |

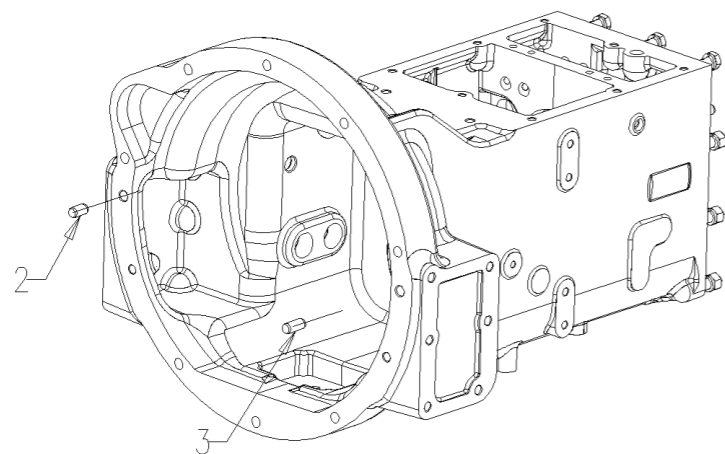
# A08.37.909.4 INPUT SHAFT ASS.LY



## A08.37.909.4\_0 输入轴总成 INPUT SHAFT ASS.LY

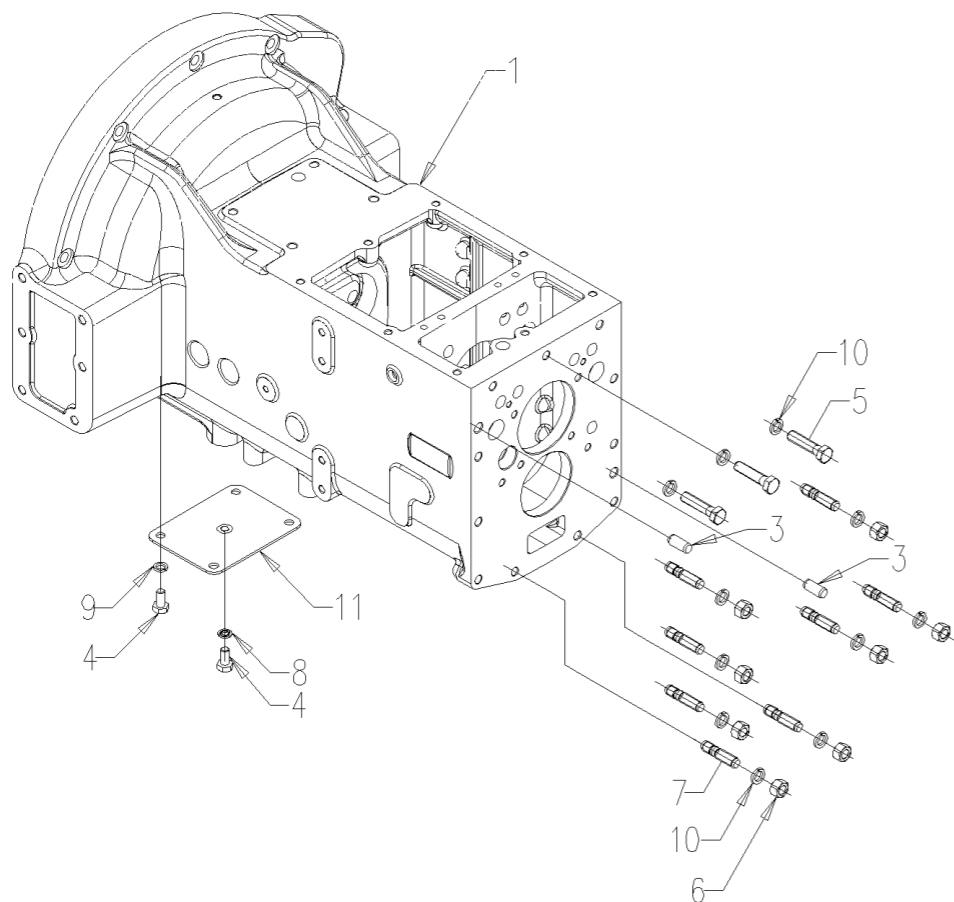
| 序号 | 零件编号                   | 零件名称  | 数量 | 图号                     |
|----|------------------------|-------|----|------------------------|
| 1  | SH550.37.151           | 轴轴承盖  | 1  | SH550.37.151           |
| 2  | SH550.37.014           | 轴合件   | 1  | SH550.37.014           |
| 3  | SH400.37B.201          | 副离合器轴 | 1  | SH400.37B.201          |
| 4  | GBT13871.1-FB-040062-F | 油封    | 2  | GBT13871.1-FB-040062-F |
| 5  | GBT5783-M8X25-A2L      | 螺栓    | 4  | GBT5783-M8X25-A2L      |
| 6  | GBT3452.1-23.6X1.8-G   | O形密封圈 | 2  | GBT3452.1-23.6X1.8-G   |
| 7  | GBT276-6208            | 轴承    | 1  | GBT276-6208            |
| 8  | GBT93-8-A3L            | 垫圈    | 4  | GBT93-8-A3L            |

# A08.37.914.4 GEARBOX CASE ASS.LY



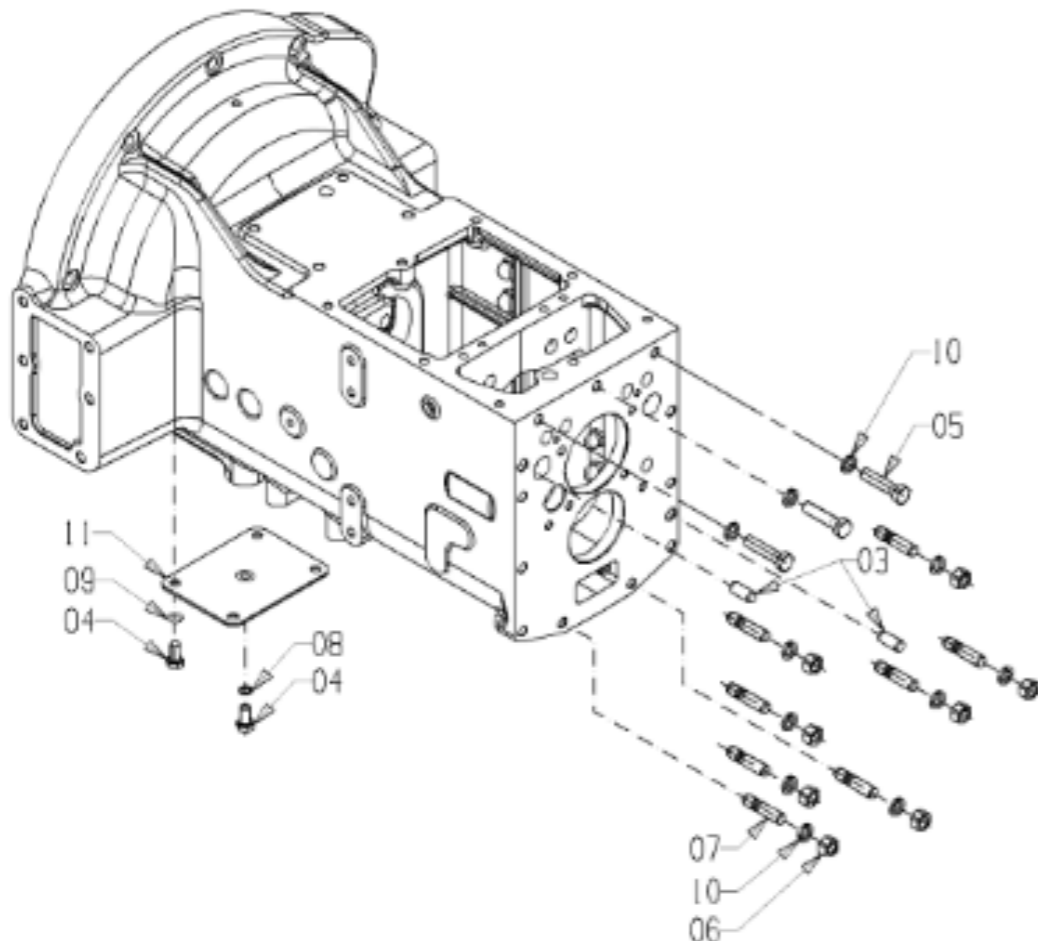
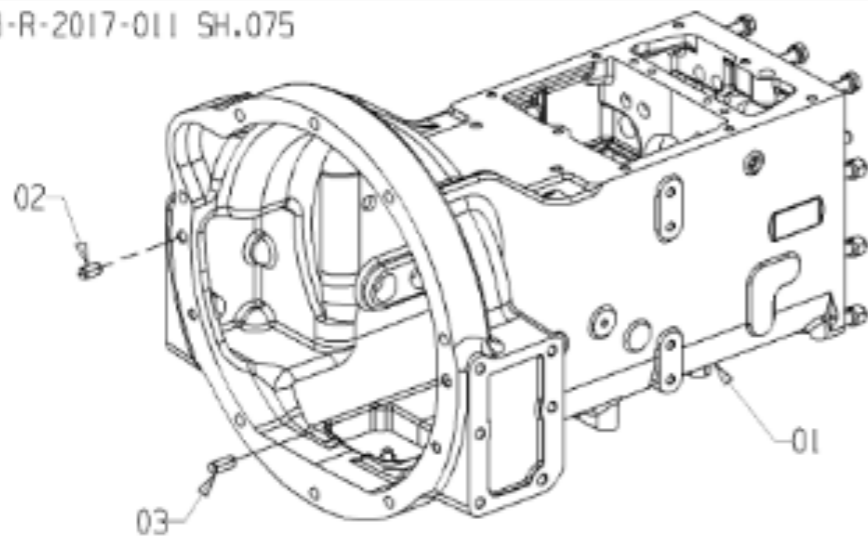
# A08.37.914.4\_3 变速箱箱体总成 (12F+12R 啮合套通用) GEARBOX CASE ASS.LY(12F+12R Universal engagement set)

| 序号 | 零件编号                 | 零件名称                 | 数量 | 图号                        |
|----|----------------------|----------------------|----|---------------------------|
| 1  | A39.37.013.0/20      | 前变速器 FRONT GEARBOX   | 1  | A39.37.013.0/20           |
| 2  | GBT119.1-12m6X22     | 销 PIN                | 1  | GBT119.1-12m6X22          |
| 3  | GBT119.1-12m6X28     | 销 PIN                | 3  | GBT119.1-12m6X28          |
| 4  | GBT5783-M10X20-A3L   | 螺栓 BOLT              | 5  | GBT5783-M10X20-A3L        |
| 5  | GBT5783-M12X50-10.9- | 螺栓 BOLT              | 3  | GBT5783-M12X50-10.9-A3L   |
| 6  | GBT6171-M12X1.25-10- | 螺母 NUT               | 8  | GBT6171-M12X1.25-10-A2L   |
| 7  | GBT899-AM12X1.25X35- | 螺柱 STUD              | 8  | GBT899-AM12X1.25X35-10.9- |
| 8  | JBT982-10            | 组合密封垫圈 SEALING RINGS | 1  | JBT982-10                 |
| 9  | GBT93-10-A3L         | 垫圈 WASHER            | 4  | GBT93-10-A3L              |
| 10 | GBT93-12-A3L         | 垫圈 WASHER            | 11 | GBT93-12-A3L              |
| 11 | A08.37.012.2         | 盖焊件 COVER WELDMENT   | 1  | A08.37.012.2              |



|   |                                       |
|---|---------------------------------------|
| <br>CD40&CD55&CD70<br><b>GEARBOX CASE ASS.LY</b><br>Gruppo - Group | N. Ord. - P.N.<br><b>A08.37.914.4</b> |
|   | Ver. 4<br>06/09/2021                  |

YFB-R-2017-011 SH.075



### A08.37.914.4\_4 壳体总成 GEARBOX CASE ASS.Y

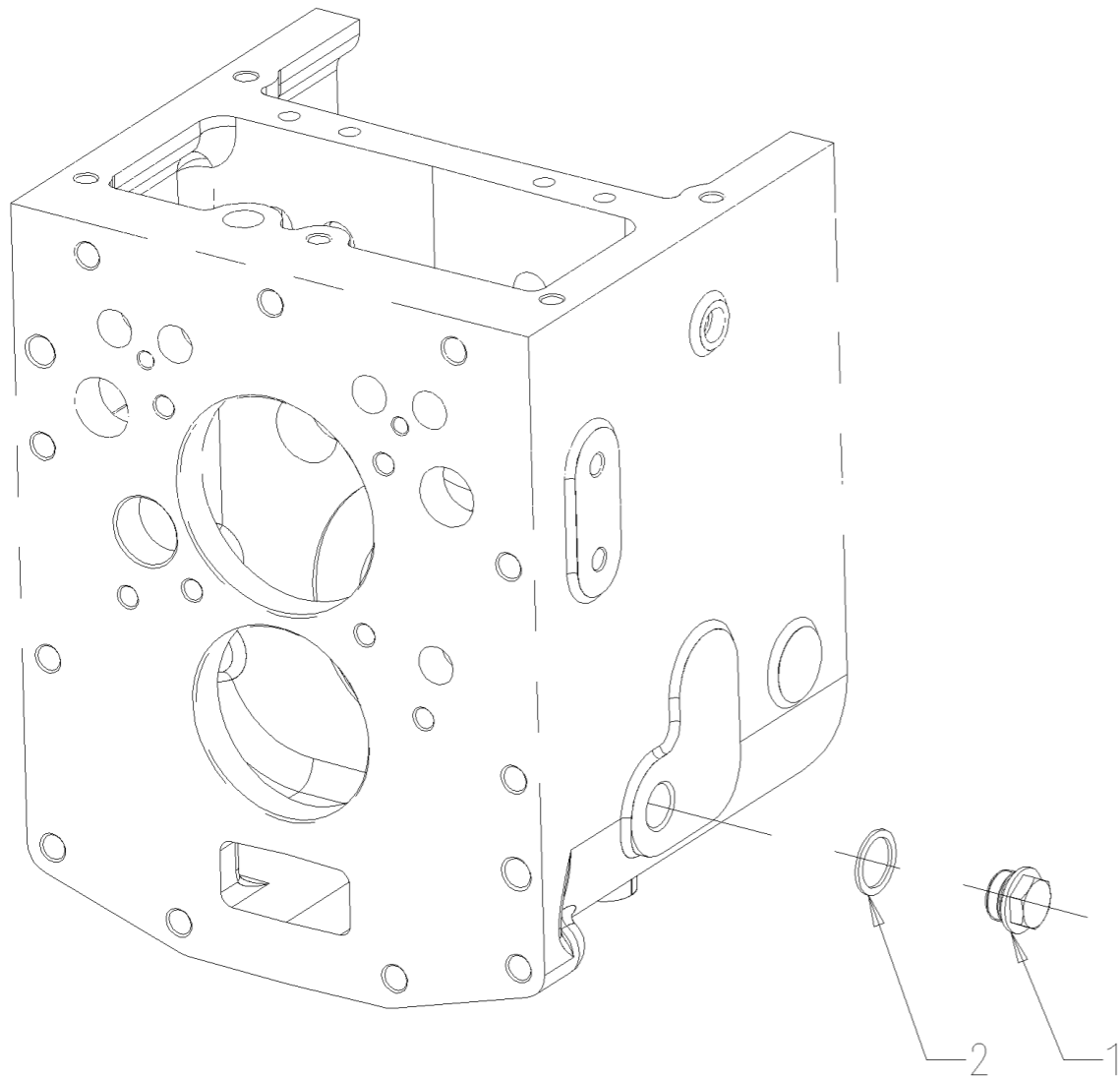
| 序号 | 零件编号                 | 零件名称                | 数量 | 图号                      |
|----|----------------------|---------------------|----|-------------------------|
| 1  | A39.37.013.0/30      | 前变速器 FRONT GEARBOX  | 1  | A39.37.013.0/30         |
| 2  | GBT119.1-12m6X22     | 销 PIN               | 1  | GBT119.1-12m6X22        |
| 3  | GBT119.1-12m6X28     | 销 PIN               | 3  | GBT119.1-12m6X28        |
| 4  | 2.0114.307.2         | 螺栓 SCREW M10x20     | 5  | 2.0114.307.2            |
| 5  | GBT5783-M12X50-10.9- | 螺栓 BOLT             | 3  | GBT5783-M12X50-10.9-A3L |
| 6  | GBT6171-M12X1.25-10- | 螺母 NUT              | 8  | GBT6171-M12X1.25-10-A2L |
| 7  | 2.0433.259.2         | 螺柱 STUD M12x1.25x35 | 8  | 2.0433.259.2            |
| 8  | 2.1560.005.0         | 密封垫圈 SEALING RING   | 1  | 2.1560.005.0            |
| 9  | GBT93-10-A3L         | 垫圈 WASHER           | 4  | GBT93-10-A3L            |
| 10 | GBT93-12-A3L         | 垫圈 WASHER           | 11 | GBT93-12-A3L            |
| 11 | A08.37.012.2         | 盖焊件 COVER WELDMENT  | 1  | A08.37.012.2            |



# A08.37.915.4 PLUG ASS.LY

## A08.37.915.4\_0 螺塞 (啮合套通用) Screw plugs (common to engagement sets)

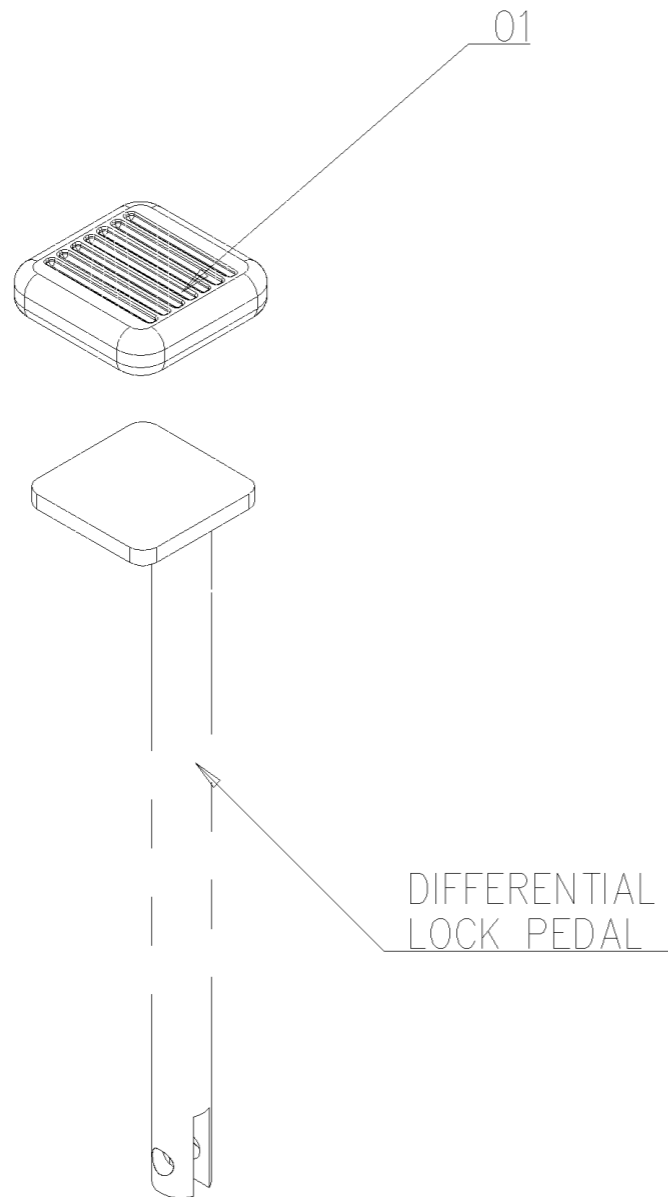
| 序号 | 零件编号         | 零件名称                          | 数量 | 图号           |
|----|--------------|-------------------------------|----|--------------|
| 1  | 2.3110.406.2 | 螺母保护帽 Tappo esagonale M20x1.5 | 1  | 2.3110.406.2 |
| 2  | 2.1560.016.0 | 密封环 SEALING RING              | 1  | 2.1560.016.0 |



# A08.38.910.4 PEDAL COVER ASS.Y

## A08.38.910.4\_0 橡胶盖 RUBBER CAP

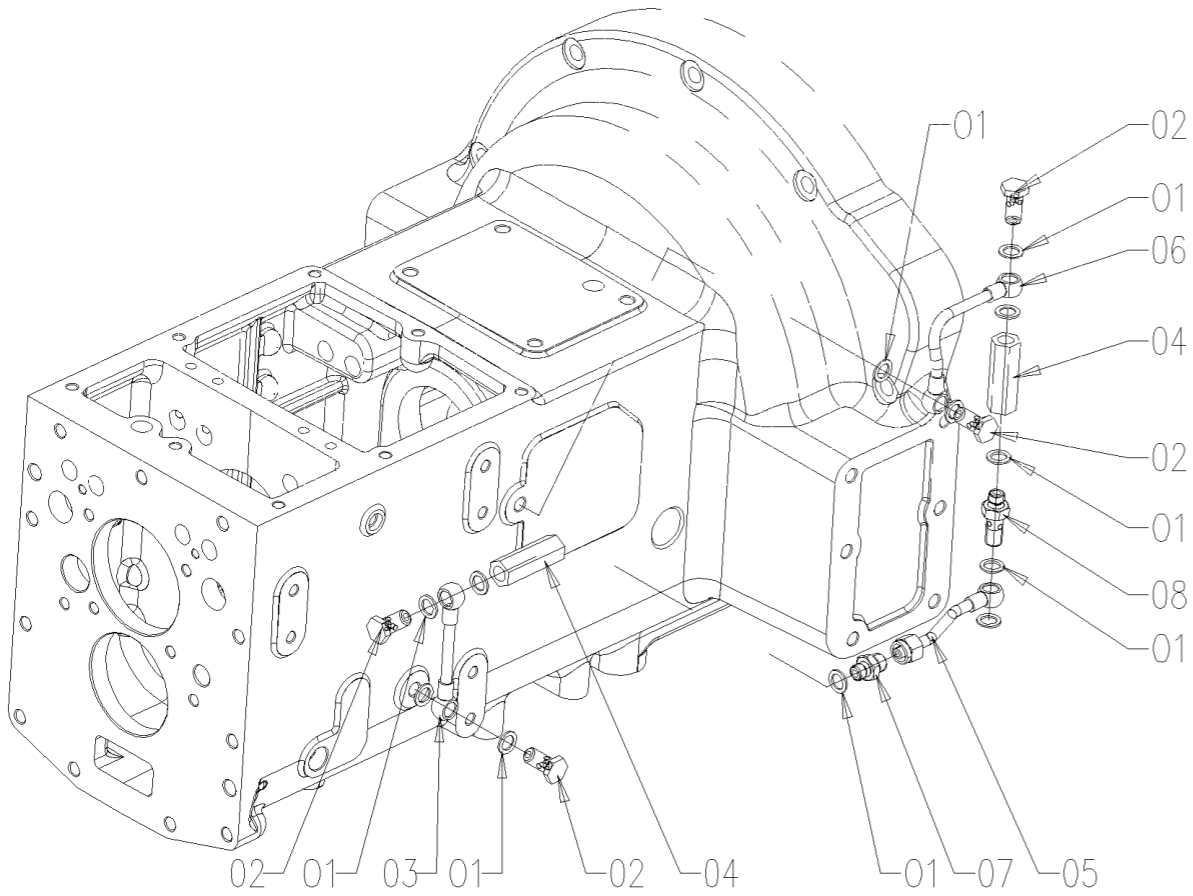
| 序号 | 零件编号         | 零件名称              | 数量 | 图号           |
|----|--------------|-------------------|----|--------------|
| 1  | A11.38.023.0 | 穿线胶圈 RUBBER COVER | 1  | A11.38.023.0 |



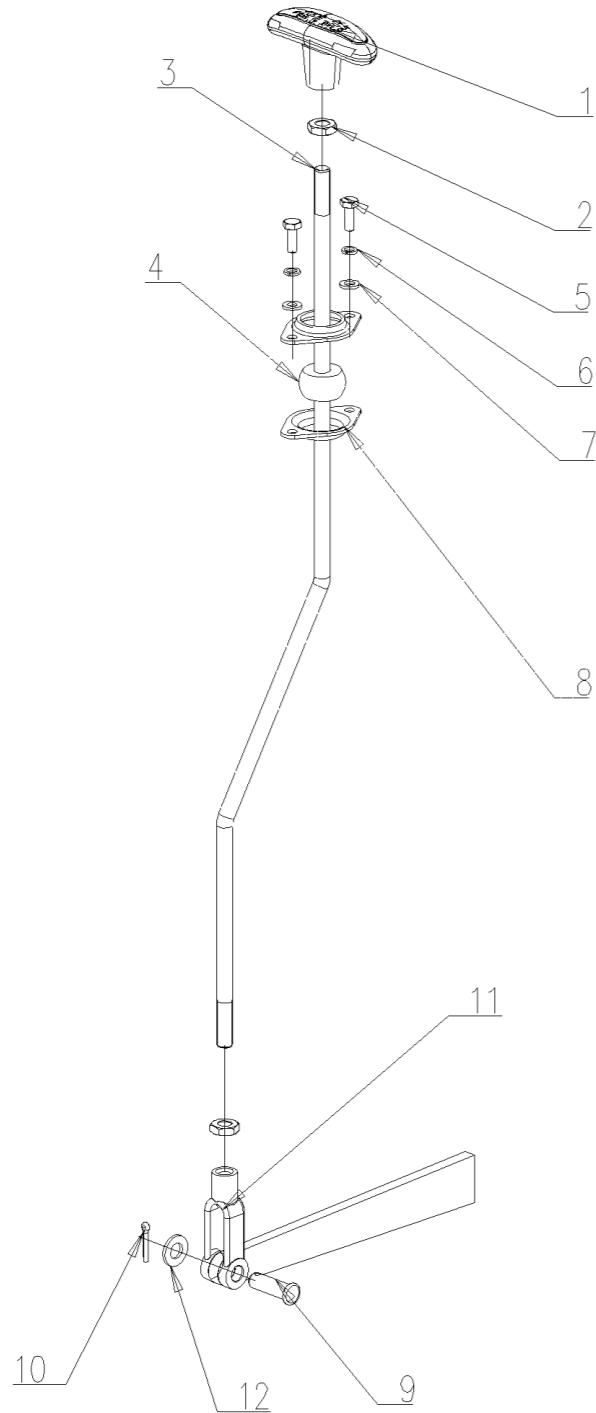
A08.40.907.4 PRESSURE CONTROLLING PIPE ASS.

A08.40.907.4\_1 压力控制管路总成 (同步器通用) PRESSURE CONTROLLING PIPE ASS.(Synchronizer universal)

| 序号 | 零件编号            | 零件名称                         | 数量 | 图号              |
|----|-----------------|------------------------------|----|-----------------|
| 1  | 2.1560.008.0    | 垫圈12.2X18 SEALING RING       | 12 | 2.1560.008.0    |
| 2  | A39.40.013.0/10 | 空心螺栓 HOLLOW BOLT             | 4  | A39.40.013.0/10 |
| 3  | A08.40.032.3    | 润滑油管1 LUBRICATING OIL PIPE-1 | 1  | A08.40.032.3    |
| 4  | A39.40.008.3    | 单向阀总成 ONE-WAY VALVE ASS.     | 2  | A39.40.008.3    |
| 5  | A08.40.033.3    | 润滑油管2 LUBRICATING OIL PIPE-2 | 1  | A08.40.033.3    |
| 6  | A08.40.034.3    | 传输管 T-BLOCK                  | 1  | A08.40.034.3    |
| 7  | A08.40.035.0    | 连接器 CONNECTOR                | 1  | A08.40.035.0    |
| 8  | A08.40.036.0    | 空心螺栓 HOLLOW BOLT             | 1  | A08.40.036.0    |



# A08.42.901.4 4WD ENGAGEMENT CONTROL ASS.Y



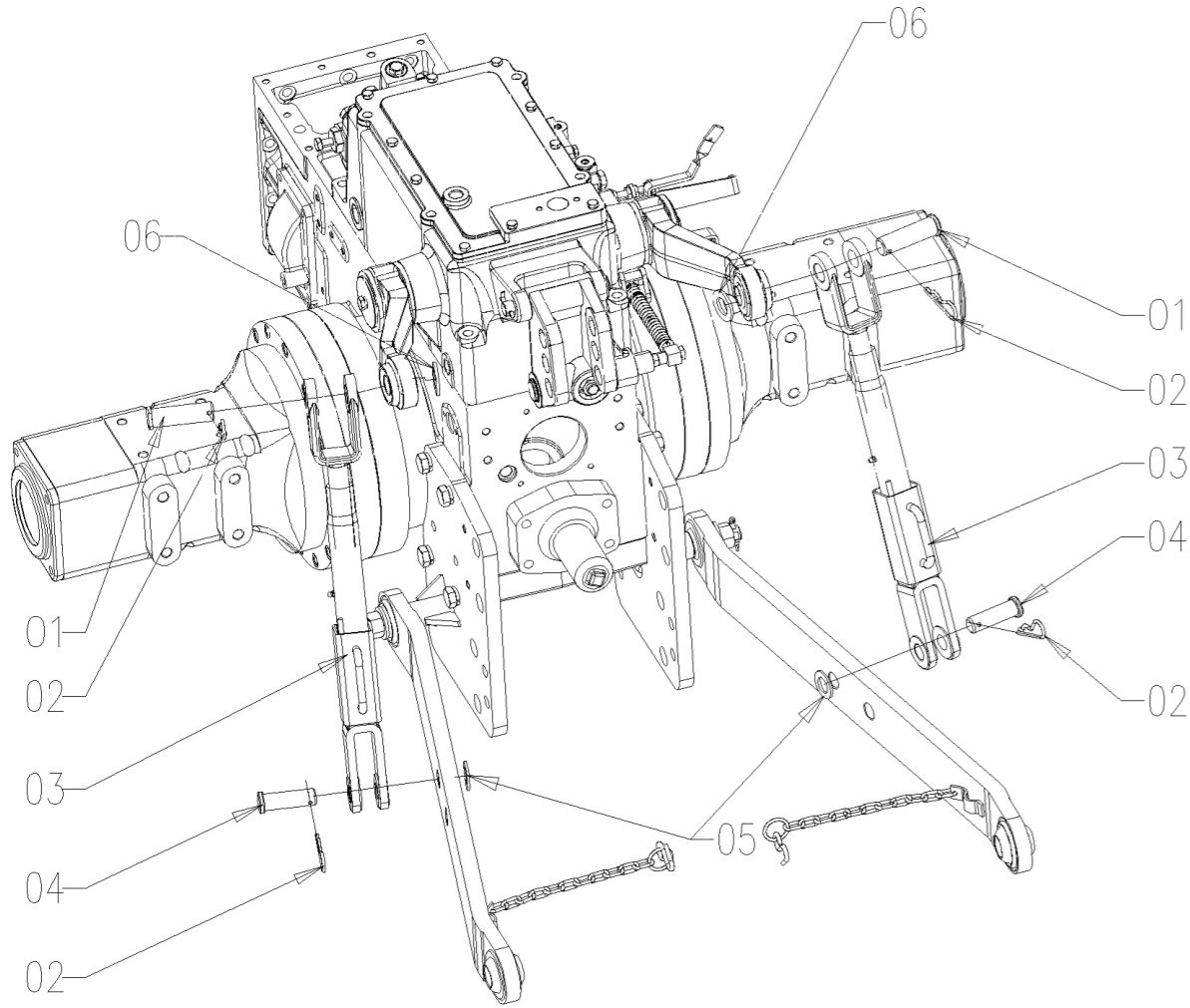
# A08.42.901.4\_2 四驱操纵总成TRANSFER CASE CONTRONL ASSEMBLY

| 序号 | 零件编号              | 零件名称                      | 数量 | 图号                |
|----|-------------------|---------------------------|----|-------------------|
| 1  | A23.45.076.4/10   | 手柄套 KNOB_4WD              | 1  | A23.45.076.4/10   |
| 2  | GBT6172.1-M10-A3L | 螺母 NUT                    | 2  | GBT6172.1-M10-A3L |
| 3  | CD554.42.103-1    | 操纵杆 OPERATING LEVER       | 1  | CD554.42.103-1    |
| 4  | LD800.41.104      | 导向套 GUIDE SLEEVE          | 1  | LD800.41.104      |
| 5  | GBT5783-M6X16-A2L | 螺栓 BOLT                   | 2  | GBT5783-M6X16-A2L |
| 6  | GBT93-6-A3L       | 垫圈 WASHER                 | 2  | GBT93-6-A3L       |
| 7  | GBT97.1-6-A3L     | 垫圈 WASHER                 | 2  | GBT97.1-6-A3L     |
| 8  | SH404.42.114      | 导向套 GUIDER SLEEVE PROTECT | 2  | SH404.42.114      |
| 9  | GBT882-B10X32-A3L | 销 PIN                     | 1  | GBT882-B10X32-A3L |
| 10 | GBT91-3.2X18-A3L  | 销 PIN                     | 1  | GBT91-3.2X18-A3L  |
| 11 | SH400.43.108      | 拉杆前叉 PULL ROD FRONT FORK  | 1  | SH400.43.108      |
| 12 | GBT97.1-10-A3L    | 垫圈 WASHER                 | 1  | GBT97.1-10-A3L    |

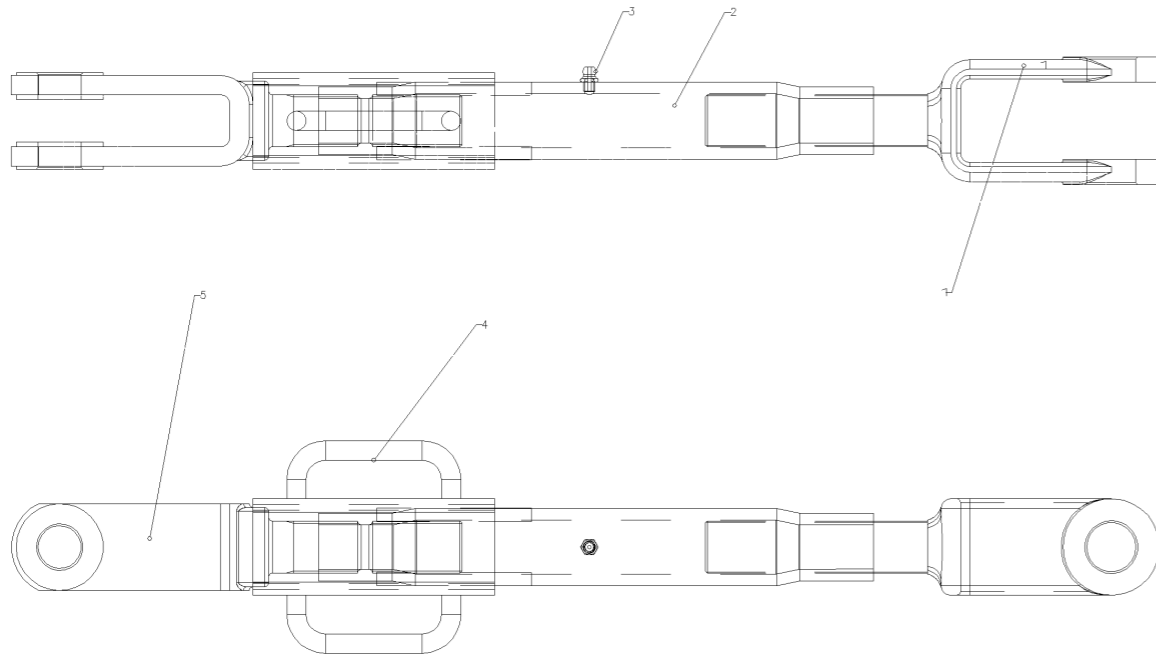
# A08.56.901.4 LIFTING LEVER MOUNTING ASS.

## A08.56.901.4\_1 提升杆安装总成 (非强压, 2类悬挂) LIFTING LEVER MOUNTING ASS.(non-strong pressure, class 2 suspension)

| 序号 | 零件编号            | 零件名称                    | 数量 | 图号              |
|----|-----------------|-------------------------|----|-----------------|
| 1  | SH550.56.102    | 提升杆上连接销 UPPER PIN SHAFT | 2  | SH550.56.102    |
| 2  | SH400.56.144    | 弹性锁销 SPRING LOCK PIN    | 4  | SH400.56.144    |
| 3  | SH550.56.015/10 | 提升连杆总成 LIFTING LINK     | 2  | SH550.56.015/10 |
| 4  | SH400.56.146    | 提升杆下连接销 LIFT LINK LOWER | 2  | SH400.56.146    |
| 5  | GBT97.1-22-A3L  | 垫圈 WASHER               | 2  | GBT97.1-22-A3L  |
| 6  | GBT97.1-24-A3L  | 垫圈 WASHER               | 2  | GBT97.1-24-A3L  |



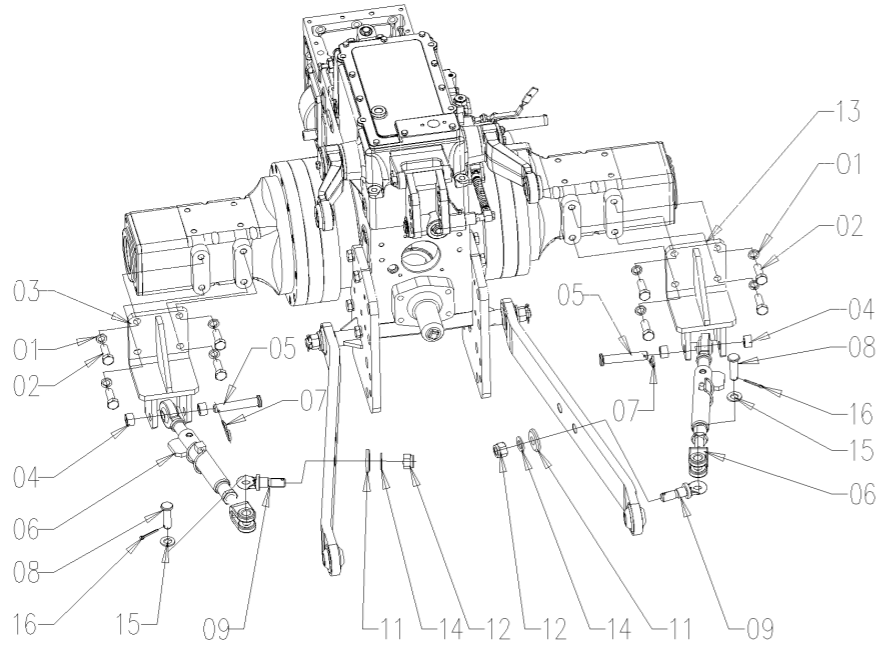
SH550.56.015/10 LIFTING LINK ASSEMBLY



SH550.56.015/10 提升连杆总成 LIFTING LINK ASSEMBLY

| 序号 | 零件编号            | 零件名称                   | 数量 | 图号              |
|----|-----------------|------------------------|----|-----------------|
| 1  | SH550.56.103    | 提升杆上连接叉 UPPER U FORK   | 1  | SH550.56.103    |
| 2  | SH550.56.016/10 | 焊接的升降杆螺钉 LIFTING LEVER | 1  | SH550.56.016/10 |
| 3  | JBT7940.1-M6    | 油杯 GREASE              | 1  | JBT7940.1-M6    |
| 4  | SH550.56.041    | 处理管 HANDLE TUBE        | 1  | SH550.56.041    |
| 5  | SH550.56.104/10 | 连接叉 LINK FORK          | 1  | SH550.56.104/10 |

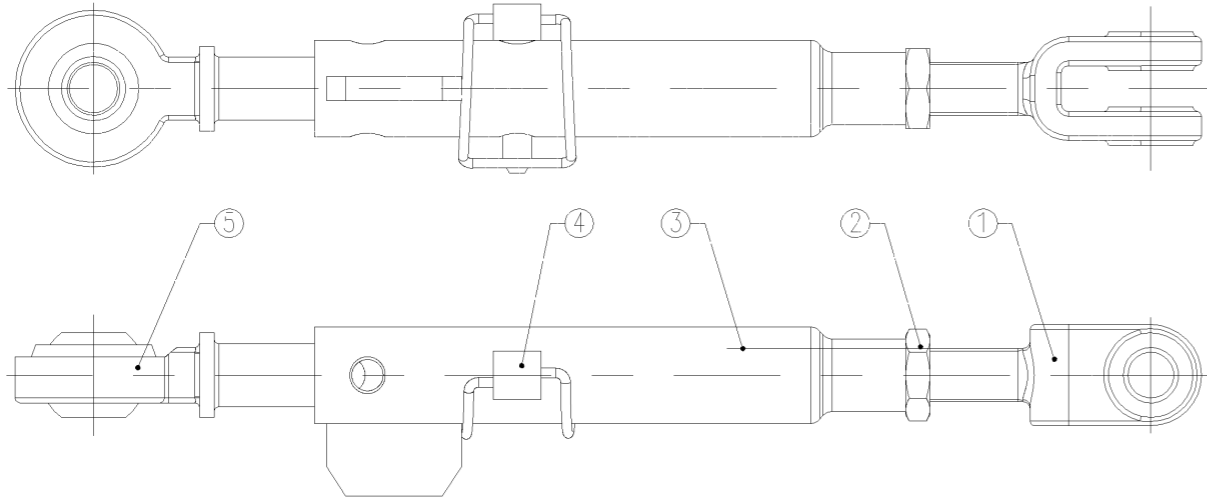
A08.56.902.4 LIMITED LEVER MOUNTING ASS.



A08.56.902.4\_2 限位杆安装总成 (提升拉杆, 非强压, 2类悬挂) LIMITED LEVER MOUNTING ASS.(lifting tie bar, non-strong pressure, category 2 suspension)

| 序号 | 零件编号                 | 零件名称                       | 数量 | 图号                      |
|----|----------------------|----------------------------|----|-------------------------|
| 1  | GBT93-16-A3L         | 垫圈 WASHER                  | 8  | GBT93-16-A3L            |
| 2  | GBT5783-M16X45-10.9- | 螺栓 BOLT                    | 8  | GBT5783-M16X45-10.9-A3L |
| 3  | SH400.56.018         | 左限位杆支架焊合件 LEFT POSITION    | 1  | SH400.56.018            |
| 4  | SH400.56.140         | 钢管\U+220528 × 4/45 SELEEVE | 4  | SH400.56.140            |
| 5  | SH400.56.139         | 限位杆连接销 POSITION LIMITED    | 2  | SH400.56.139            |
| 6  | SH400.56.017/10      | 升降杆总成 LIFTING LEVER        | 2  | SH400.56.017/10         |
| 7  | SH400.56.144         | 弹性锁销 SPRING LOCK PIN       | 2  | SH400.56.144            |
| 8  | GBT882-B18X60-A3L    | 销 PIN                      | 2  | GBT882-B18X60-A3L       |
| 9  | SH400.56.138         | 限位杆后连接销 POSITION LIMITED   | 2  | SH400.56.138            |
| 11 | SH400.56.145         | 圆板 RONND PLATE             | 2  | SH400.56.145            |
| 12 | GBT889.1-M20-A3L     | 螺母 NUT                     | 2  | GBT889.1-M20-A3L        |
| 13 | SH400.56.016         | 右限位杆支架焊合件 RIGHT LOWER      | 1  | SH400.56.016            |
| 14 | GBT97.1-20-A3L       | 垫圈 WASHER                  | 2  | GBT97.1-20-A3L          |
| 15 | GBT97.1-18-A3L       | 垫圈 WASHER                  | 2  | GBT97.1-18-A3L          |
| 16 | GBT91-5X40-A3L       | 销 PIN                      | 2  | GBT91-5X40-A3L          |

# SH400.56.017/10 LIFTING LEVER ASSEMBLY



## SH400.56.017/10 提升杆总成 LIFT LINK ASSEMBLY

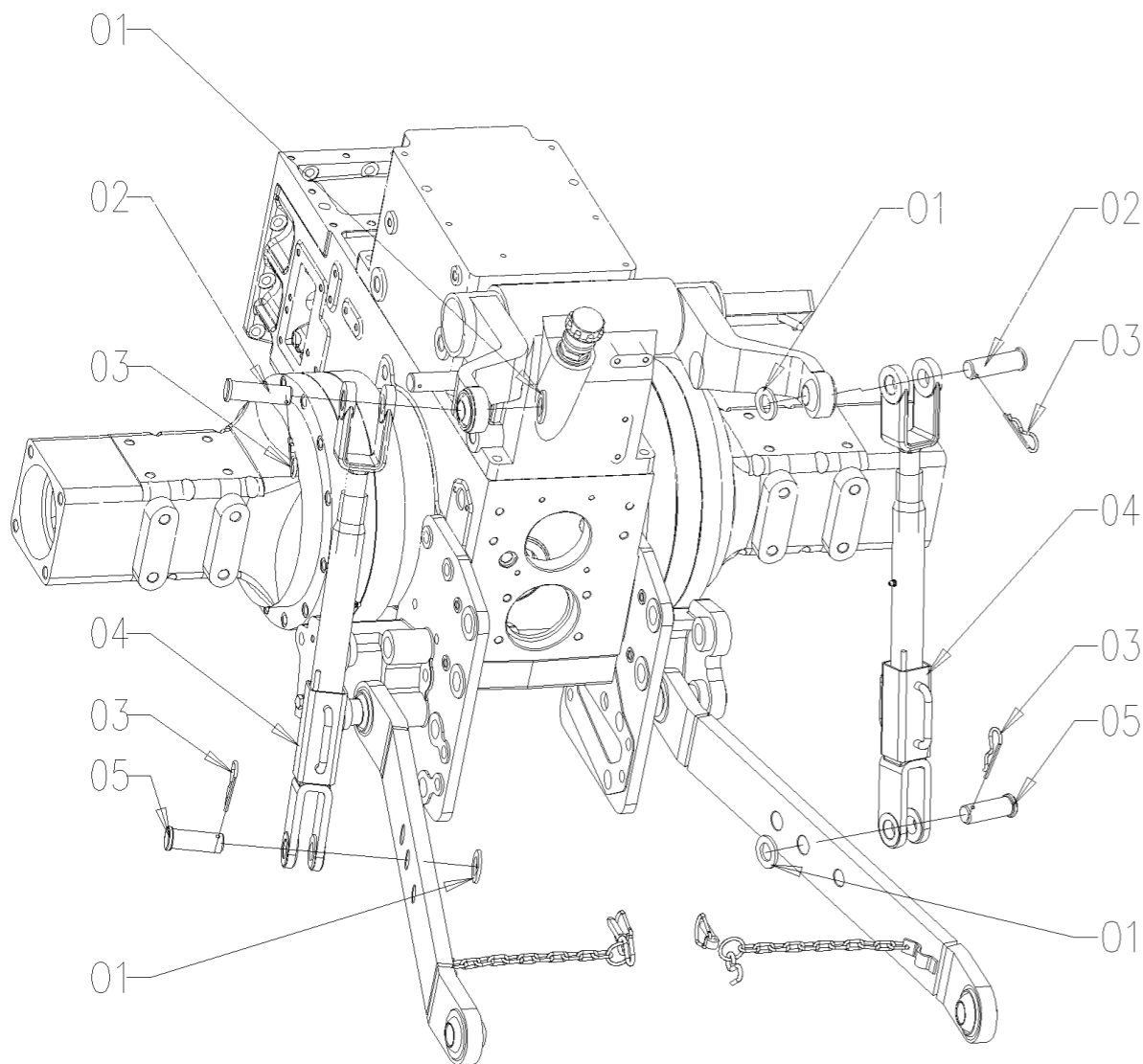
| 序号 | 零件编号                | 零件名称                     | 数量 | 图号                  |
|----|---------------------|--------------------------|----|---------------------|
| 1  | SH400.56.143        | 限位杆调节螺杆 POSITION         | 1  | SH400.56.143        |
| 2  | GBT6173-M22X1.5-A3L | 螺母 NUT                   | 1  | GBT6173-M22X1.5-A3L |
| 3  | SH400.56.028/10     | 焊接伸缩杆 TELESCOPIC PIPE    | 1  | SH400.56.028/10     |
| 4  | SH400.56.029        | 限位锁销组合 POSITIONING LOCK  | 1  | SH400.56.029        |
| 5  | SH400.56.031        | 伸缩杆球头总成 TELESCOPING LINK | 1  | SH400.56.031        |



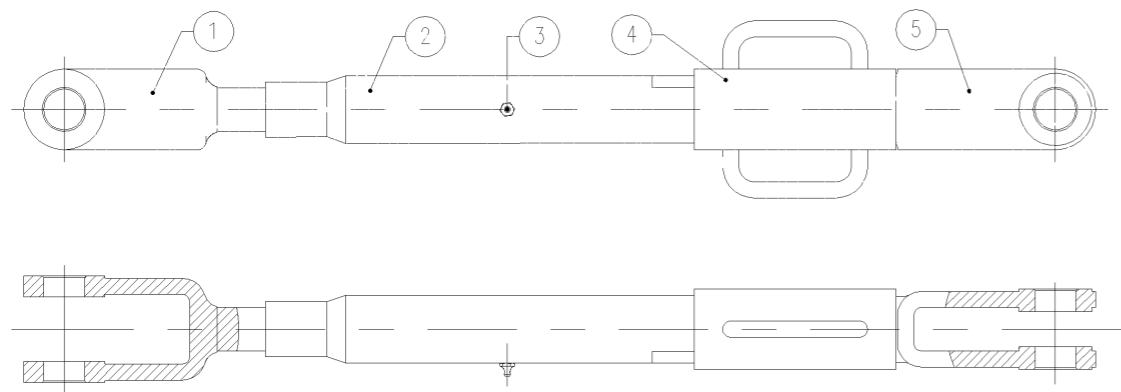
# A08.56.911.4 LIFTING LEVER MOUNTING ASS.

## A08.56.911.4\_0 提升杆安装总成 (强压) LIFTING LEVER MOUNTING ASS.(strong pressure)

| 序号 | 零件编号             | 零件名称                    | 数量 | 图号               |
|----|------------------|-------------------------|----|------------------|
| 1  | GBT97.1-24-A3L   | 垫圈 WASHER               | 4  | GBT97.1-24-A3L   |
| 2  | SH550.56.102     | 提升杆上连接销 UPPER PIN SHAFT | 2  | SH550.56.102     |
| 3  | SH400.56.144     | 弹性锁销 SPRING LOCK PIN    | 4  | SH400.56.144     |
| 4  | SH550.56B.012/10 | 提升机构杆系 LIFT LINKAGE     | 2  | SH550.56B.012/10 |
| 5  | SH550.56B.115    | 提升杆下连接销 LIFT PIN SHAFT  | 2  | SH550.56B.115    |



# SH550.56B.012/10 LIFT LINKAGE

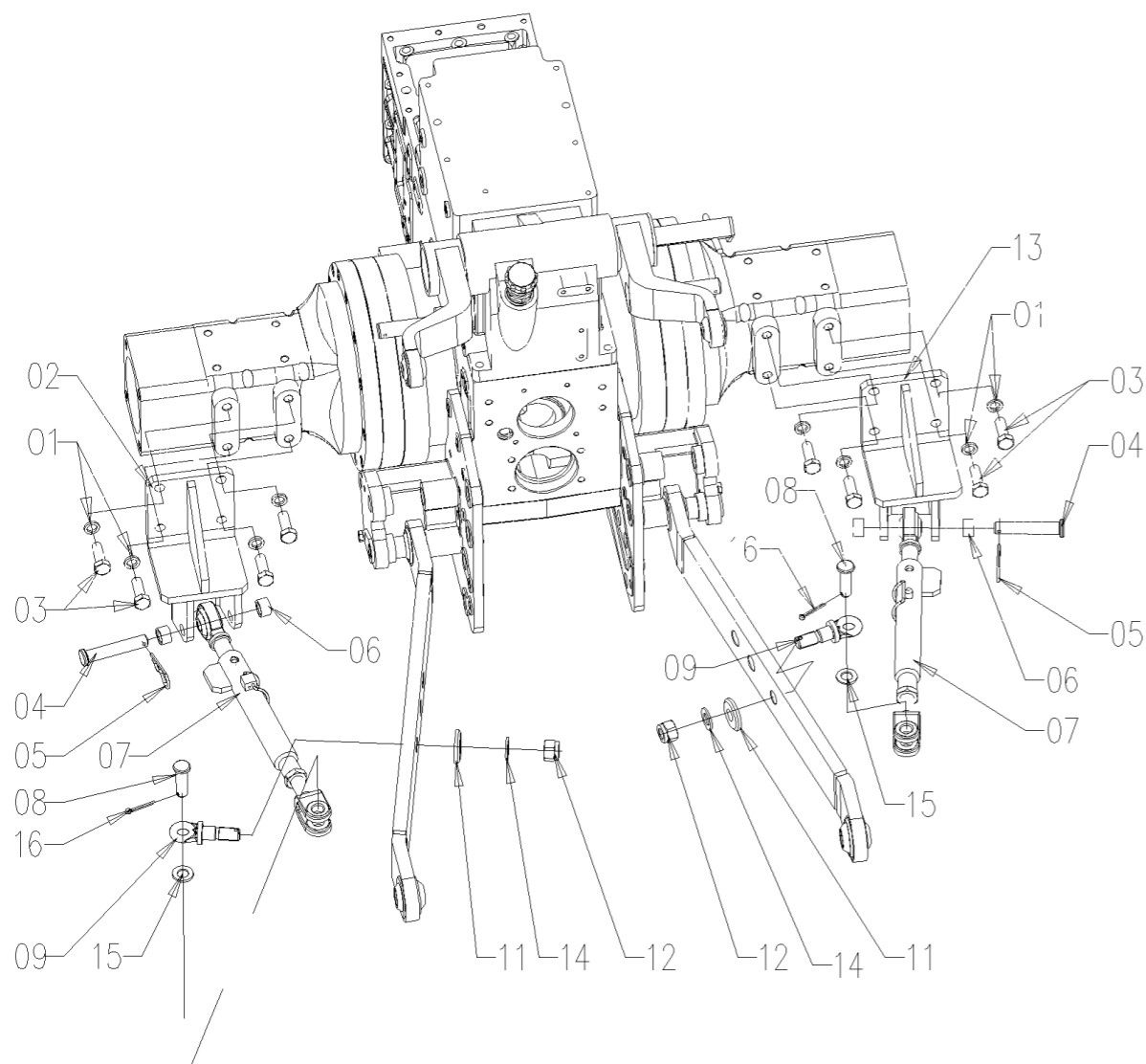


## SH550.56B.012/10 提升机构杆系 LIFT LINKAGE

| 序号 | 零件编号             | 零件名称                      | 数量 | 图号               |
|----|------------------|---------------------------|----|------------------|
| 1  | SH550.56.103     | 提升杆上连接叉 UPPER U FORK      | 1  | SH550.56.103     |
| 2  | SH550.56B.021/10 | 焊接吊杆螺钉 LIFTING LINK SCREW | 1  | SH550.56B.021/10 |
| 3  | JBT7940.1-M6     | 油杯 GREASE                 | 1  | JBT7940.1-M6     |
| 4  | SH550.56.041     | 处理管 HANDLE TUBE           | 1  | SH550.56.041     |
| 5  | SH550.56B.107/10 | 提升器连接叉 LIFT LINKAGE FORK  | 1  | SH550.56B.107/10 |

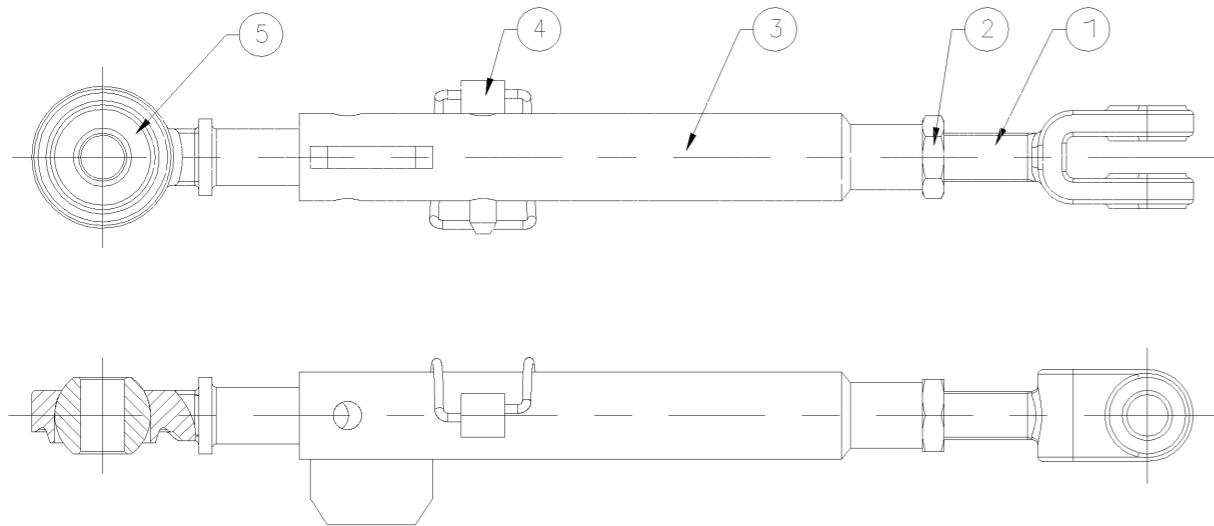
# A08.56.912.4 LIMITED LEVER MOUNTING ASS.

## A08.56.912.4\_2 限位杆安装总成 (后提升强压) LEVER MOUNTING ASS.(followed by a strong pressure boost)



| 序号 | 零件编号                 | 零件名称                       | 数量 | 图号                      |
|----|----------------------|----------------------------|----|-------------------------|
| 1  | GBT93-16-A3L         | 垫圈 WASHER                  | 8  | GBT93-16-A3L            |
| 2  | SH550.56B.015        | 左限位杆支架焊合件 LEFT LIMIT       | 1  | SH550.56B.015           |
| 3  | GBT5783-M16X45-10.9- | 螺栓 BOLT                    | 8  | GBT5783-M16X45-10.9-A3L |
| 4  | SH400.56.139         | 限位杆连接销 POSITION LIMITED    | 2  | SH400.56.139            |
| 5  | SH400.56.144         | 弹性锁销 SPRING LOCK PIN       | 2  | SH400.56.144            |
| 6  | SH400.56.140         | 钢管\U+220528 × 4/45 SELEEVE | 4  | SH400.56.140            |
| 7  | SH550.56B.014/10     | 限制杆总成 LIMITING LEVER       | 2  | SH550.56B.014/10        |
| 8  | GBT882-B18X60-A3L    | 销 PIN                      | 2  | GBT882-B18X60-A3L       |
| 9  | SH400.56.138         | 限位杆后连接销 POSITION LIMITED   | 2  | SH400.56.138            |
| 11 | SH400.56.145         | 圆板 RONND PLATE             | 2  | SH400.56.145            |
| 12 | GBT889.1-M20-A3L     | 螺母 NUT                     | 2  | GBT889.1-M20-A3L        |
| 13 | SH550.56B.016        | 右限位杆支架焊合件 RIGHT LIMIT      | 1  | SH550.56B.016           |
| 14 | GBT97.1-20-A3L       | 垫圈 WASHER                  | 2  | GBT97.1-20-A3L          |
| 15 | GBT97.1-18-A3L       | 垫圈 WASHER                  | 2  | GBT97.1-18-A3L          |
| 16 | GBT91-5X40-A3L       | 销 PIN                      | 2  | GBT91-5X40-A3L          |

SH550.56B.014/10 LIMITING LEVER ASSEMBLY



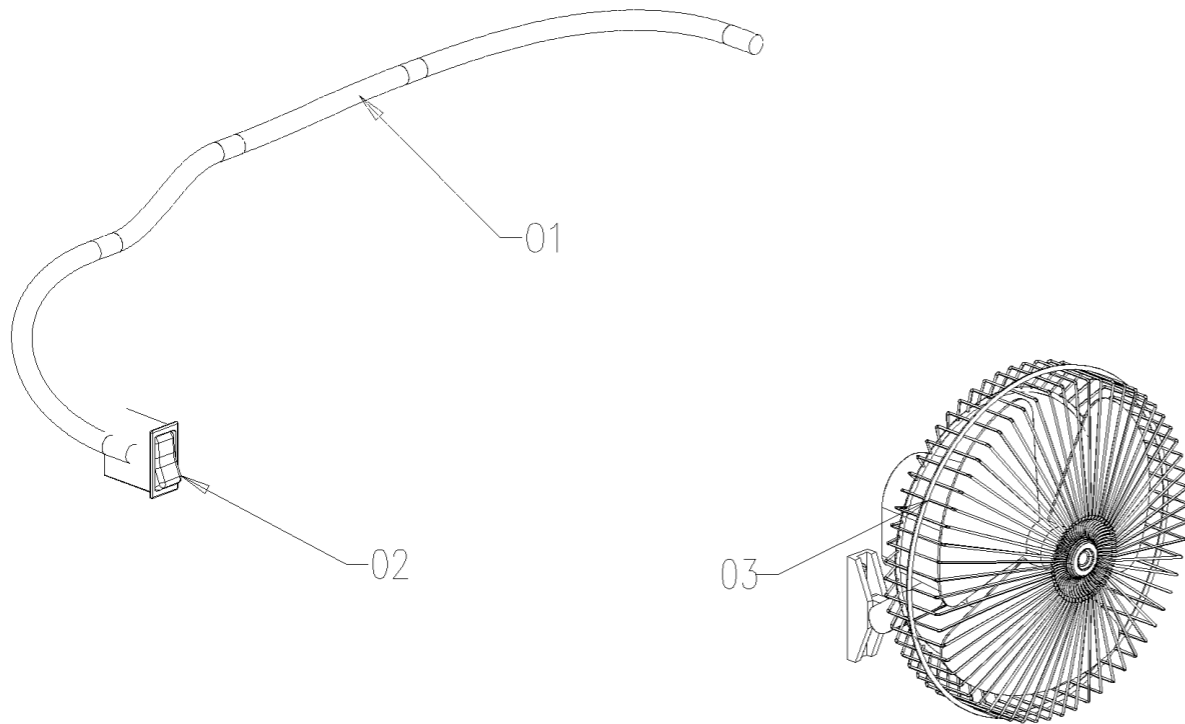
**SH550.56B.014/10 限制杆总成 LIMITING LEVER ASSEMBLY**

| 序号 | 零件编号                | 零件名称                     | 数量 | 图号                  |
|----|---------------------|--------------------------|----|---------------------|
| 1  | SH400.56.143        | 限位杆调节螺杆 POSITION         | 1  | SH400.56.143        |
| 2  | GBT6173-M22X1.5-A3L | 螺母 NUT                   | 1  | GBT6173-M22X1.5-A3L |
| 3  | SH550.56B.023/10    | 焊接伸缩杆 TELESCOPIC PIPE    | 1  | SH550.56B.023/10    |
| 4  | SH400.56.029        | 限位锁销组合 POSITIONING LOCK  | 1  | SH400.56.029        |
| 5  | SH400.56.031        | 伸缩杆球头总成 TELESCOPING LINK | 1  | SH400.56.031        |

# A11.48.914.4 HEATER ELEC. PART

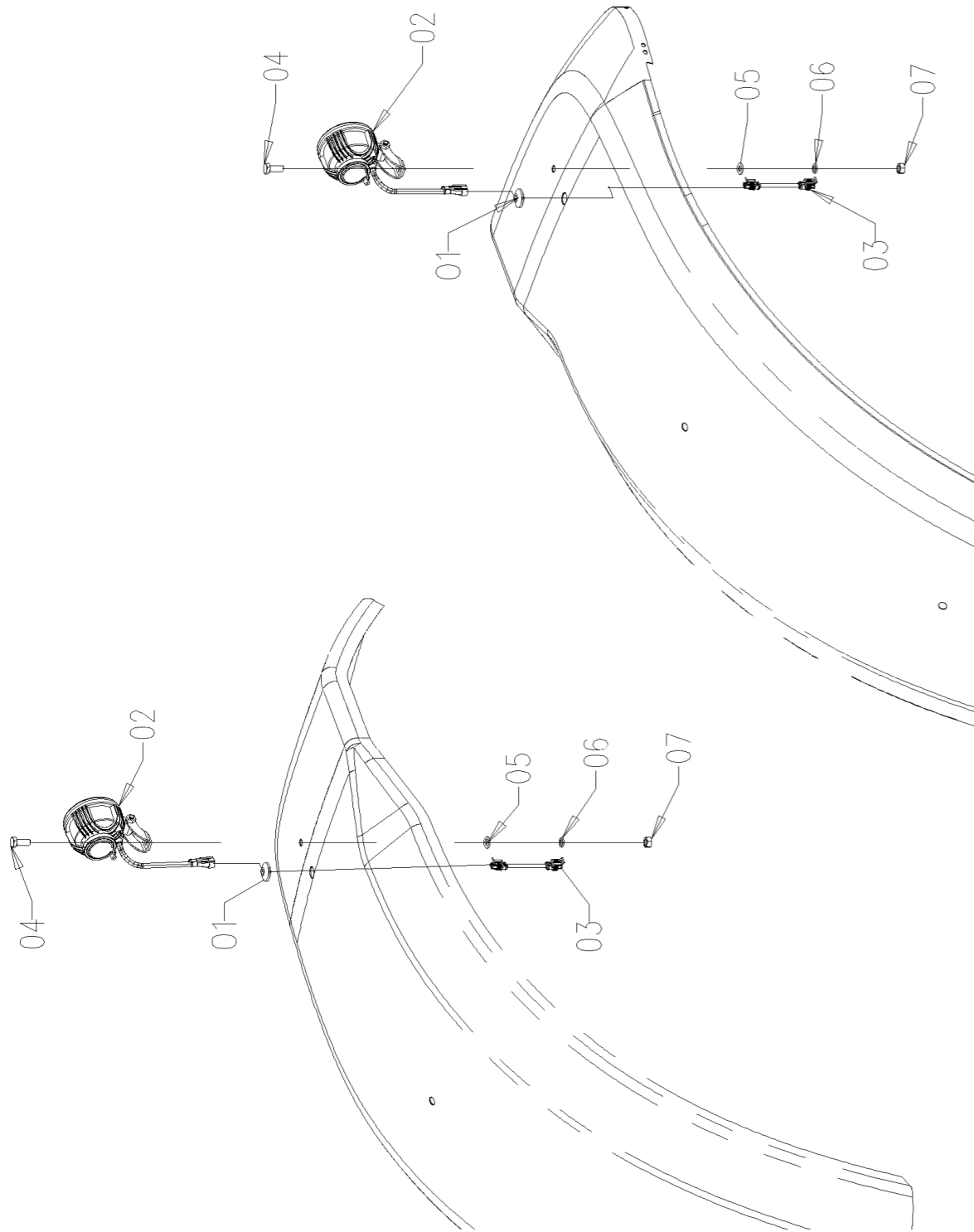
## A11.48.914.4\_0 暖风电器总成 Warm air electrical assembly

| 序号 | 零件编号            | 零件名称            | 数量 | 图号              |
|----|-----------------|-----------------|----|-----------------|
| 1  | A39.48.007.0/10 | 驾驶室暖风线束 驾驶室暖风线束 | 1  | A39.48.007.0/10 |
| 2  | SH900.48.057    | 风扇总成 风扇总成       | 1  | SH900.48.057    |
| 3  | A39.48.034.0    | 暖风开关 暖风开关       | 1  | A39.48.034.0    |



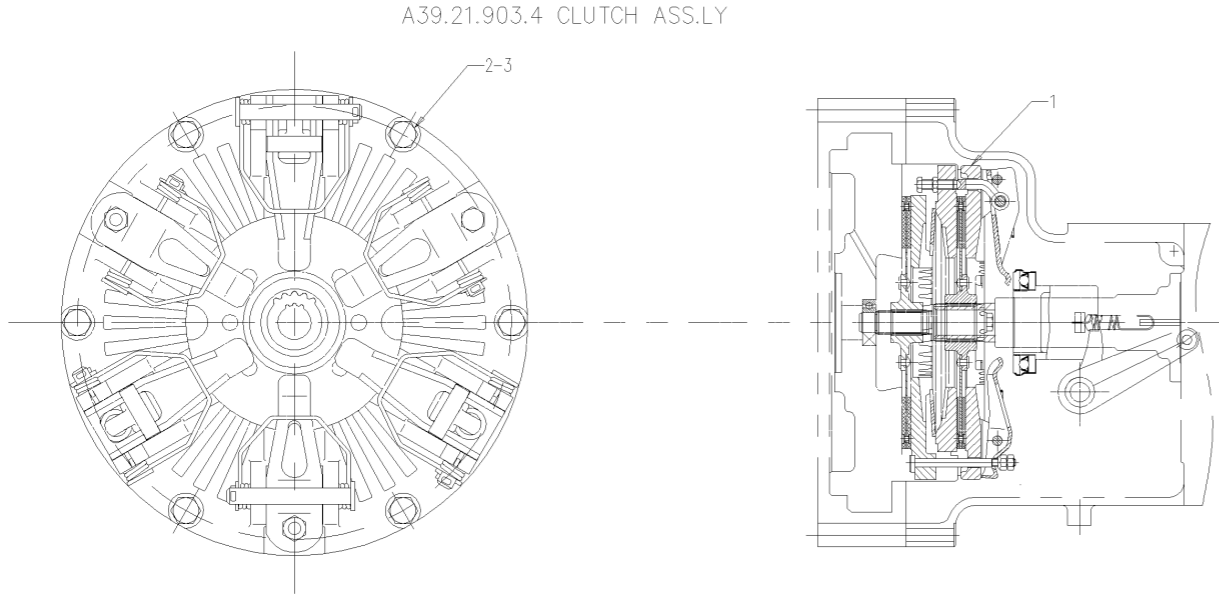
# A23.48.912.4 WORK LAMP ASS.Y

# A23.48.912.4\_1 挡泥板工作灯安装总成 FENDER WORK LIGHT ASS.Y



| 序号 | 零件编号               | 零件名称                 | 数量 | 图号                 |
|----|--------------------|----------------------|----|--------------------|
| 1  | CD554.48.105       | 橡胶垫圈 RUBBER RING     | 2  | CD554.48.105       |
| 2  | A39.48.026.0/10    | 工作灯 WORK LAMP        | 2  | A39.48.026.0/10    |
| 3  | A39.48.044.0       | 工作灯线束 WORK LAMP W.H. | 2  | A39.48.044.0       |
| 4  | GBT5783-M10X25-A3L | 螺栓 BOLT              | 2  | GBT5783-M10X25-A3L |
| 5  | GBT97.1-10-A3L     | 垫圈 WASHER            | 2  | GBT97.1-10-A3L     |
| 6  | GBT93-10-A3L       | 垫圈 WASHER            | 2  | GBT93-10-A3L       |
| 7  | GBT6170-M10-A3L    | 螺母 NUT               | 2  | GBT6170-M10-A3L    |

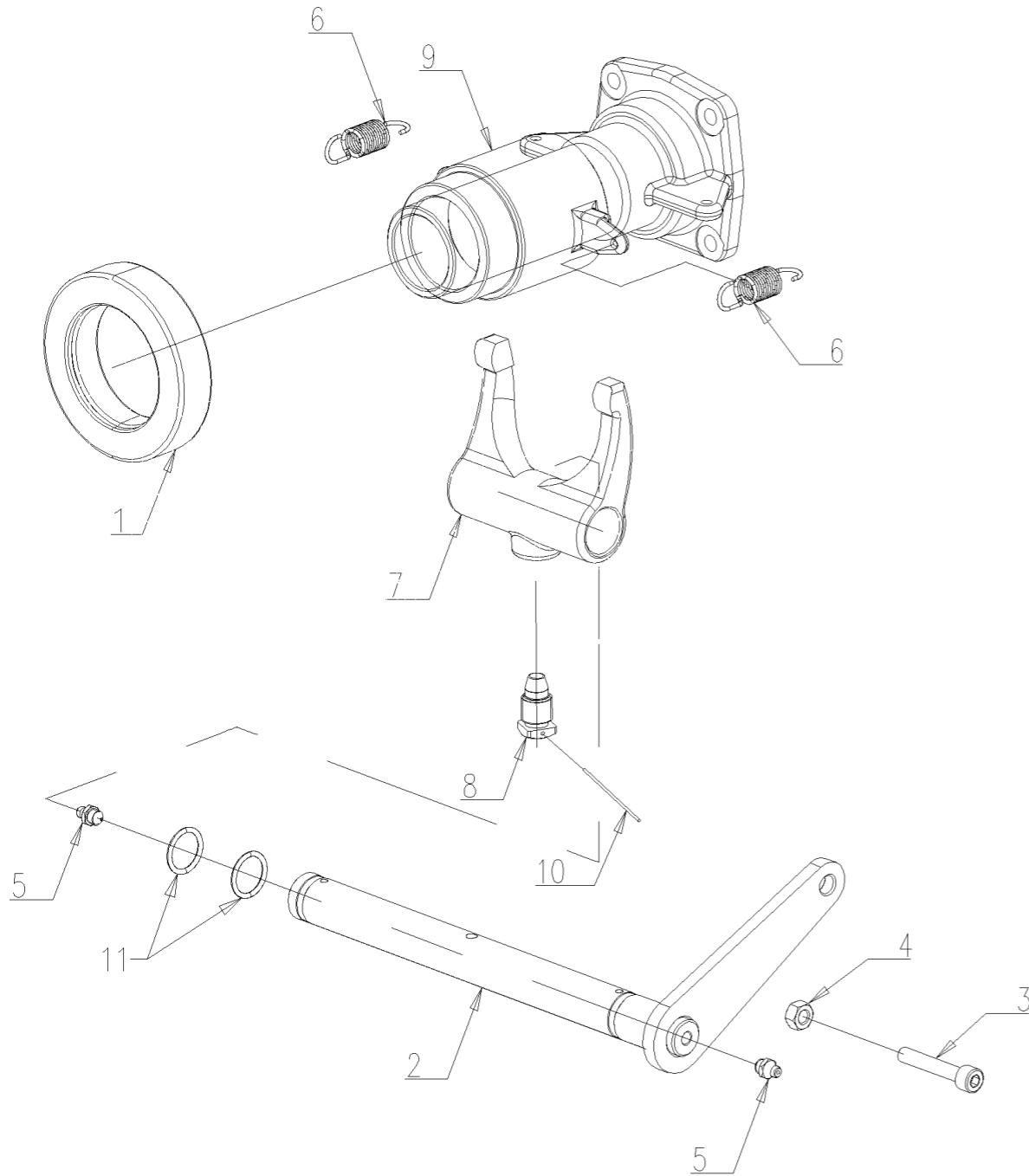
### A39.21.903.4\_0 离合器总成 (10英寸) CLUTCH ASS.LY



| 序号  | 零件编号                 | 零件名称          | 数量 | 图号                      |
|-----|----------------------|---------------|----|-------------------------|
| 1   | SH550.21A.011        | 离合器分总成 离合器分总成 | 1  | SH550.21A.011           |
| 1.1 | SH550.21A.012        | 摩擦片1          | 1  | SH550.21A.012           |
| 1.2 | SH550.21A.013        | 摩擦片2          | 1  | SH550.21A.013           |
| 2   | GBT93-10-A3L         | 垫圈 垫圈         | 6  | GBT93-10-A3L            |
| 3   | GBT5783-M10X45-10.9- | 螺栓 螺栓         | 6  | GBT5783-M10X45-10.9-A3L |
|     |                      | WASHER        |    |                         |
|     |                      | BOLT          |    |                         |

# A39.21.904.4 CLUTCH RELEASING ASS.LY

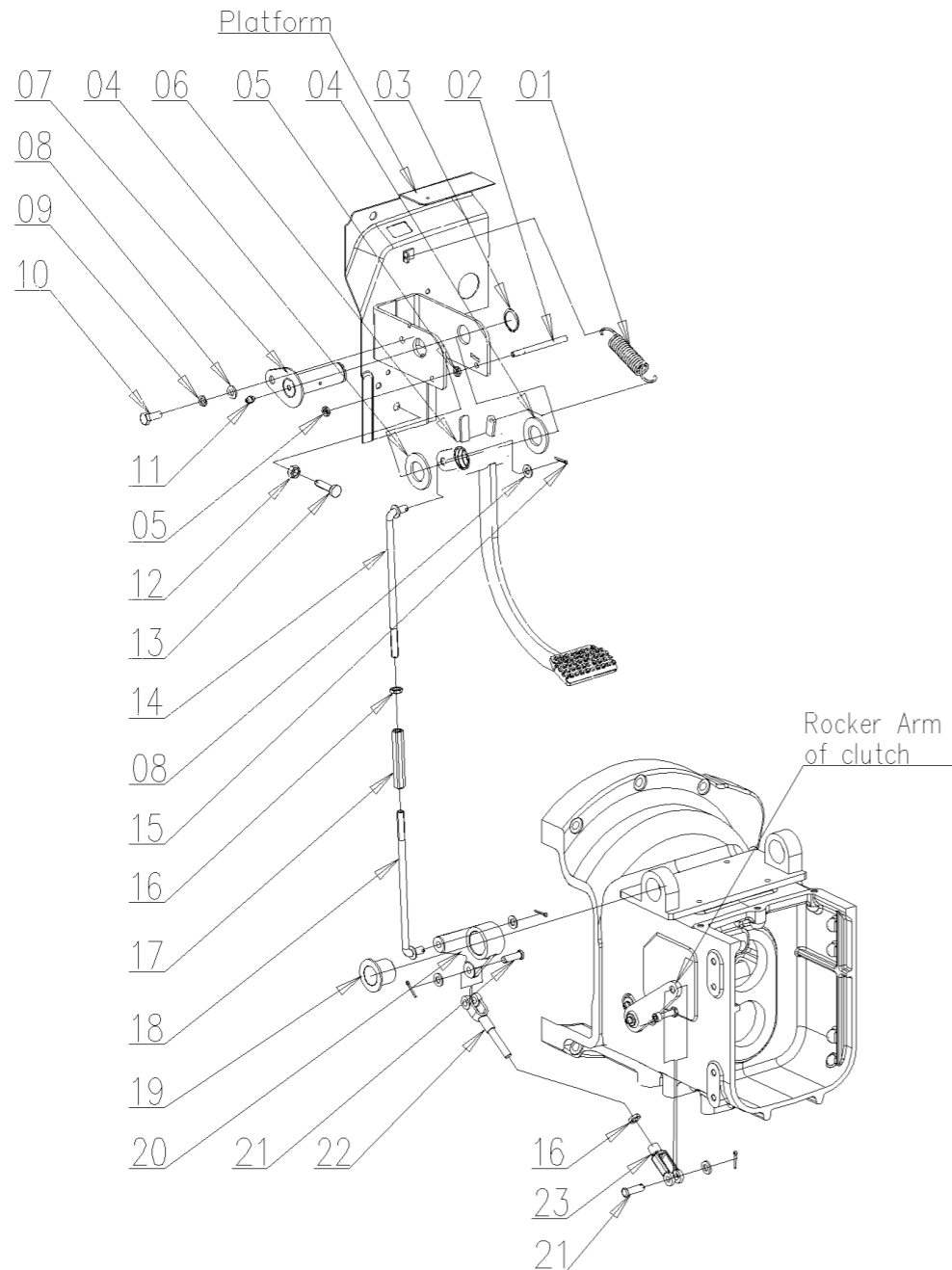
## A39.21.904.4\_2 离合器分离总成 CLUTCH RELEASING ASS.LY



| 序号 | 零件编号                | 零件名称                       | 数量 | 图号                  |
|----|---------------------|----------------------------|----|---------------------|
| 1  | A23.21.001.0/10     | 离合器分离轴承 BEARING 996713K    | 1  | A23.21.001.0/10     |
| 2  | CD554.21.014/10     | 离合器释放摇臂焊接件 CLUTCH          | 1  | CD554.21.014/10     |
| 3  | GBT70.1-M8X45-A2L   | 螺钉 BOLT                    | 1  | GBT70.1-M8X45-A2L   |
| 4  | GBT6170-M8-A2L      | 螺母 NUT                     | 1  | GBT6170-M8-A2L      |
| 5  | JBT7940.1-M8X1      | 黄油嘴 GREASE NIPPLE          | 2  | JBT7940.1-M8X1      |
| 6  | SH400.21.102        | 轴承座回位弹簧 BEARING SEAT       | 2  | SH400.21.102        |
| 7  | SH400.21.103        | 分离拨叉 RELEASE FORK          | 1  | SH400.21.103        |
| 8  | SH400.21.113        | 止动螺栓 STOP BOLT             | 1  | SH400.21.113        |
| 9  | SH400.21B.101       | 分离轴承座 RELEASE BEARING SEAT | 1  | SH400.21B.101       |
| 10 | YBT5294-SZ-F-1.4    | 低碳钢丝网 LOW CARBON STEEL     | 1  | YBT5294-SZ-F-1.4    |
| 11 | GBT3452.1-20X2.65-G | O型密封圈 O-RING               | 2  | GBT3452.1-20X2.65-G |



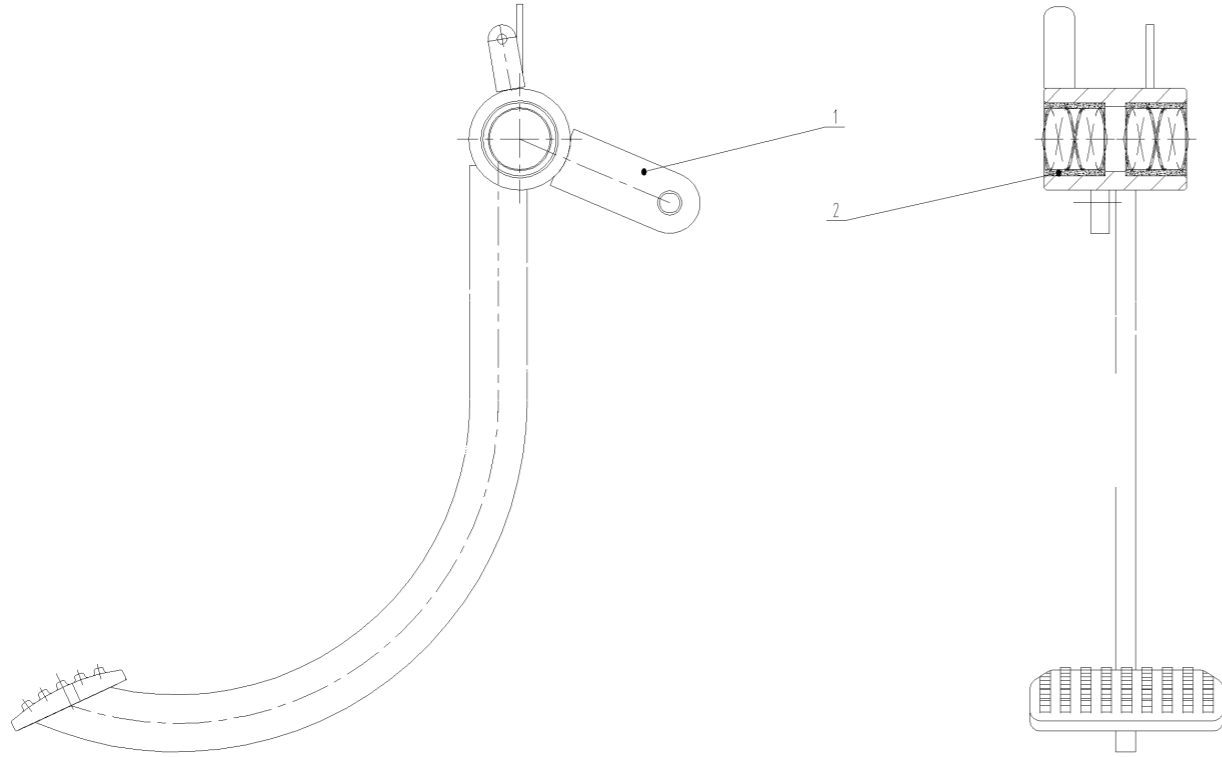
# A39.21.905.4 CLUTCH PEDAL ASSY.



# A39.21.905.4\_0 离合器踏板操纵总成 CLUTCH PEDAL ASSY.

| 序号 | 零件编号               | 零件名称                     | 数量 | 图号                 |
|----|--------------------|--------------------------|----|--------------------|
| 1  | LD800.43.132       | 踏板回位弹簧 PEDAL RETURN      | 1  | LD800.43.132       |
| 2  | CD554.21.110       | 限位杆 LIMITED ROD          | 1  | CD554.21.110       |
| 3  | GBT894.1-30        | 弹性挡圈 CIRCLIP FOR SHAFT   | 1  | GBT894.1-30        |
| 4  | SH900.21.118       | 摩擦垫圈 FRICTION WASHER     | 2  | SH900.21.118       |
| 5  | GBT6172.1-M8-A2L   | 螺母 NUT                   | 2  | GBT6172.1-M8-A2L   |
| 6  | CD554.21.012/10    | 主离合踏板压合 MAIN CLUCH PEDEL | 1  | CD554.21.012/10    |
| 7  | CD554.21.013       | 主离合踏板轴焊合 MAIN CLUCH      | 1  | CD554.21.013       |
| 8  | GBT97.1-10-A3L     | 垫圈 PLAIN WASHER          | 5  | GBT97.1-10-A3L     |
| 9  | GBT93-10-A3L       | 垫圈 SPRING WASHER         | 1  | GBT93-10-A3L       |
| 10 | GBT5783-M10X25-A3L | 螺栓 BOLT                  | 1  | GBT5783-M10X25-A3L |
| 11 | JBT7940.1-M8X1     | 黄油嘴 GREASE NIPPLE        | 1  | JBT7940.1-M8X1     |
| 12 | GBT6170-M10-A3L    | 螺母 NUT                   | 1  | GBT6170-M10-A3L    |
| 13 | SH900.43.103       | 调整螺钉 ADJUSTING SCREW     | 1  | SH900.43.103       |
| 14 | CD554.21.011/10    | 拉杆焊合 BAR WELDMENT        | 1  | CD554.21.011/10    |
| 15 | GBT91-3.2X20-A3L   | 销 PIN                    | 4  | GBT91-3.2X20-A3L   |
| 16 | GBT6173-M10X1-A2L  | 螺母 NUT                   | 2  | GBT6173-M10X1-A2L  |
| 17 | CD554.21.109       | 调节螺母 ADJUSTABLE NUT      | 1  | CD554.21.109       |
| 18 | CD554.21.010/10    | 左旋拉杆焊合 LEFT HANDED BAR   | 1  | CD554.21.010/10    |
| 19 | LD800.21.107       | 过渡摇臂衬套 TRANSITION ROCKER | 1  | LD800.21.107       |
| 20 | CD554.21.107/10    | 过渡摇臂 TRANSITIONAL ROCKER | 1  | CD554.21.107/10    |
| 21 | GBT882-B10X32-A3L  | 销 PIN                    | 2  | GBT882-B10X32-A3L  |
| 22 | SH900.21.108       | 主离合短拉杆 MAIN CLUTCH       | 1  | SH900.21.108       |
| 23 | SH900.21.117       | 拨叉 FORK                  | 1  | SH900.21.117       |

CD554.21.012/10 主离合踏板压合

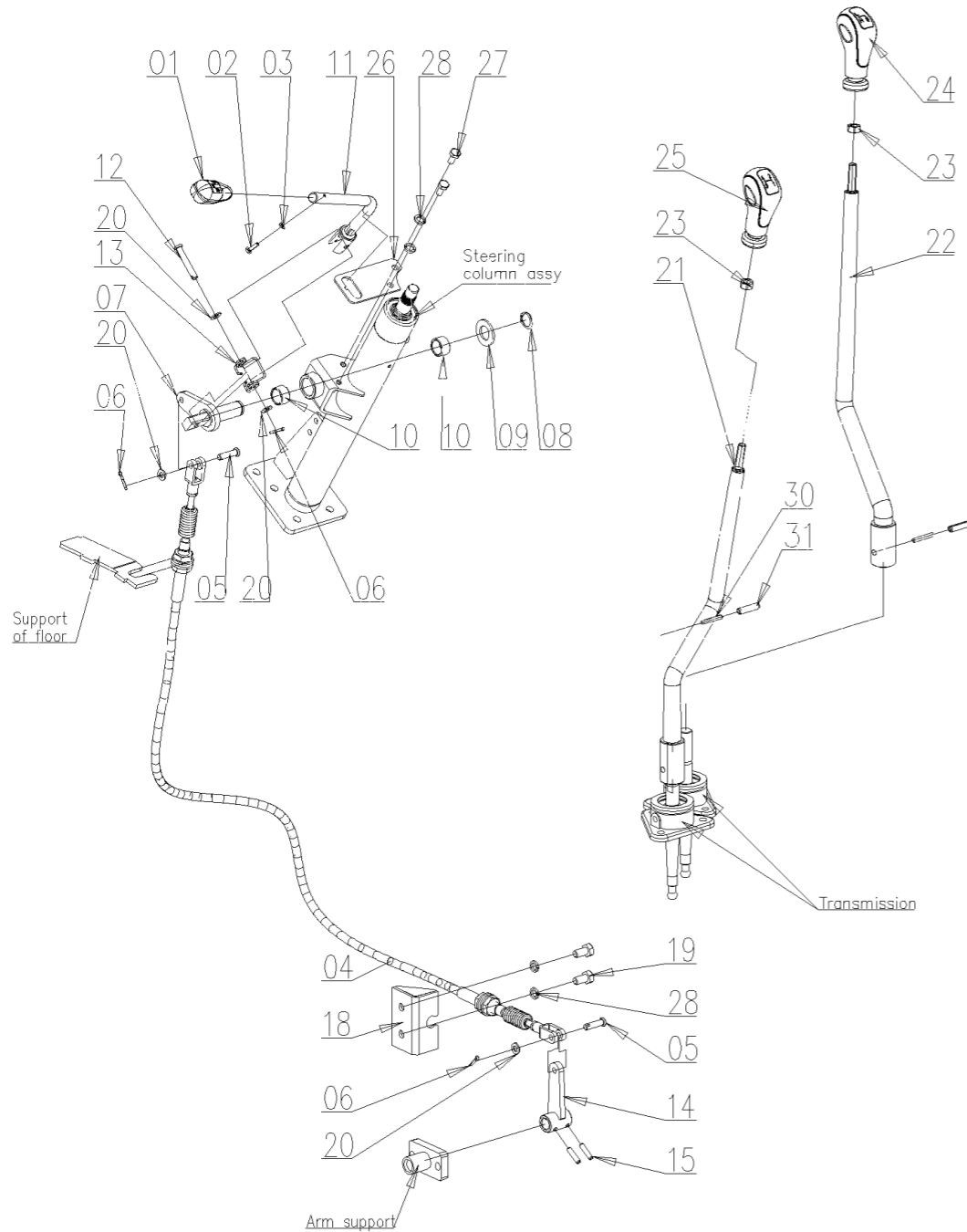


### CD554.21.012/10 主离合踏板压合 MAIN CLUCH PEDEL ASSEMBLY

| 序号 | 零件编号            | 零件名称                     | 数量 | 图号              |
|----|-----------------|--------------------------|----|-----------------|
| 1  | CD554.21.015/10 | 主离合踏板焊合 MAIN CLUCH PEDEL | 1  | CD554.21.015/10 |
| 2  | LD800.21.114    | 主离合踏板轴衬套 MAIN CLUTCH     | 2  | LD800.21.114    |

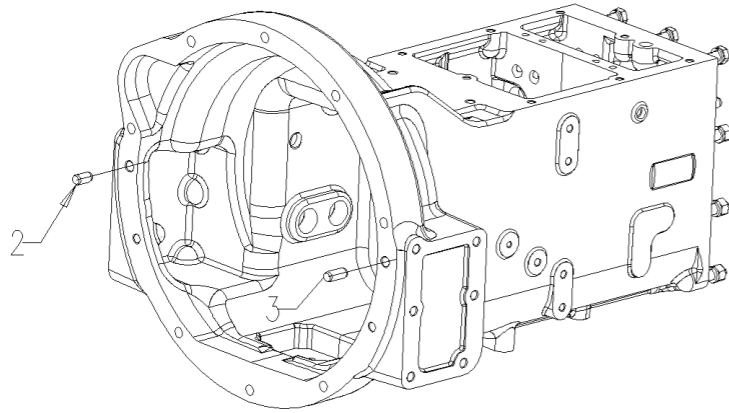
# A39.37.900.4 GEAR SHIFT COMMAND 12+12

# A39.37.900.4\_6 变速箱操纵总成 GEAR SHIFT COMMAND 12+12



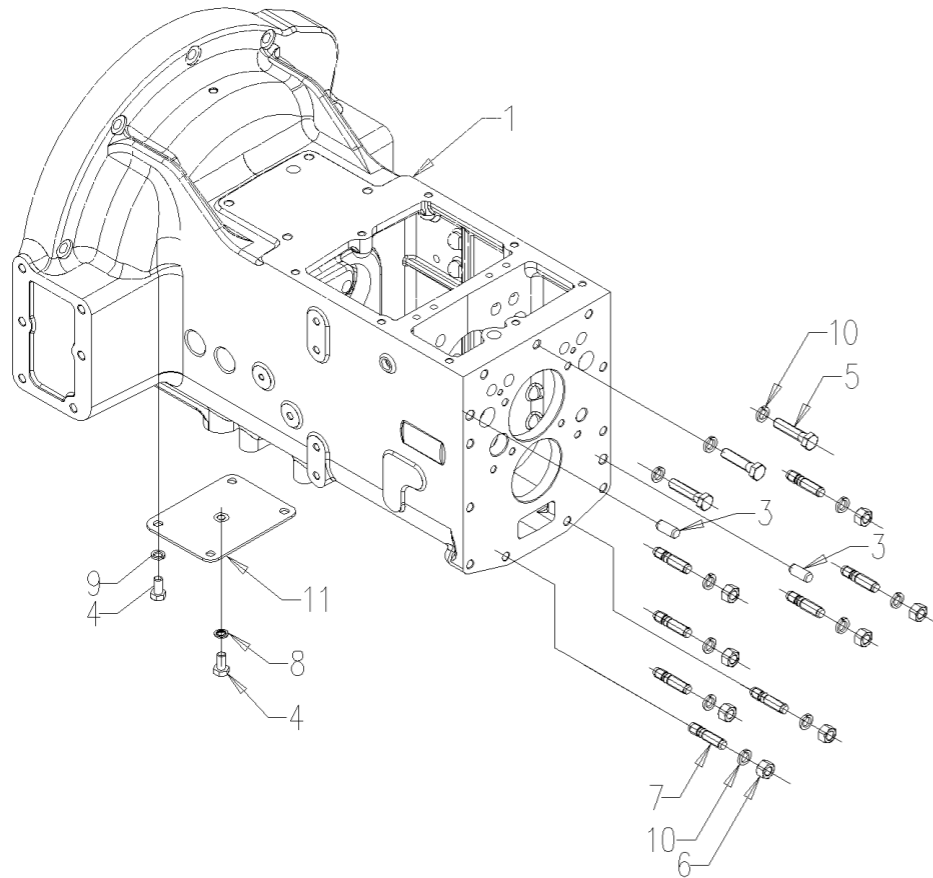
| 序号 | 零件编号               | 零件名称                      | 数量 | 图号                 |
|----|--------------------|---------------------------|----|--------------------|
| 1  | A11.37.141.2/10    | 梭式开关按钮 SHUTTLE SHIFT KNOB | 1  | A11.37.141.2/10    |
| 2  | GBT818-M5X16-A2L   | 螺丝钉 SCREW                 | 1  | GBT818-M5X16-A2L   |
| 3  | GBT97.1-5-A3L      | 垫圈 WASHER                 | 1  | GBT97.1-5-A3L      |
| 4  | CD554.37.056/20    | 软轴合件 FLEXIBLE SHIAFT      | 1  | CD554.37.056/20    |
| 5  | GBT882-B8X30-A3L   | 销 PIN                     | 2  | GBT882-B8X30-A3L   |
| 6  | GBT91-3.2X18-A3L   | 销 PIN                     | 3  | GBT91-3.2X18-A3L   |
| 7  | A39.37.002.2       | 摇臂焊合 ROCKER ARM WELDMENT  | 1  | A39.37.002.2       |
| 8  | GBT894.1-20        | 弹性挡圈 CIRCLIP              | 1  | GBT894.1-20        |
| 9  | GBT97.1-20-A3L     | 垫圈 WASHER                 | 1  | GBT97.1-20-A3L     |
| 10 | LD800.37.172-1     | 套筒 SLEEVE                 | 2  | LD800.37.172-1     |
| 11 | A39.37.001.2/20    | 梭式处理焊件 SHUTTLE HANDLE     | 1  | A39.37.001.2/20    |
| 12 | GBT882-B8X50-A3L   | 销 PIN                     | 1  | GBT882-B8X50-A3L   |
| 13 | A39.37.004.0       | 扭簧 TORSION SPRING         | 1  | A39.37.004.0       |
| 14 | CD554.37.055       | 摇臂焊合 ROCKER ARM WELDMENT  | 1  | CD554.37.055       |
| 15 | GBT879.1-6X26      | 销 PIN                     | 2  | GBT879.1-6X26      |
| 18 | CD554.37.054/10    | 支架焊件 BRACKET WELDMENT     | 1  | CD554.37.054/10    |
| 19 | GBT5783-M10X20-A3L | 螺栓 BOLT                   | 2  | GBT5783-M10X20-A3L |
| 20 | GBT97.1-8-A3L      | 垫圈 WASHER                 | 4  | GBT97.1-8-A3L      |
| 21 | CD554.37.051-1     | 操纵杆总成 OPERATING LEVER     | 1  | CD554.37.051-1     |
| 22 | CD454.37.012       | 副变速杆焊合 RANGE SHIFT LEVER  | 1  | CD454.37.012       |
| 23 | GBT6170-M10-A3L    | 螺母 NUT                    | 2  | GBT6170-M10-A3L    |
| 24 | A08.37.004.4/10    | 副变速开关按钮 RANGE SHIFT KNOB  | 1  | A08.37.004.4/10    |
| 25 | A08.37.003.4/10    | 主开关按钮 MAIN SHIFT KNOB     | 1  | A08.37.003.4/10    |
| 26 | A39.37.003.0/10    | 限制板 LIMIT PLATE           | 1  | A39.37.003.0/10    |
| 27 | GBT5783-M8X16-A2L  | 螺栓 BOLT                   | 2  | GBT5783-M8X16-A2L  |
| 28 | GBT93-10-A3L       | 垫圈 WASHER                 | 4  | GBT93-10-A3L       |
| 30 | GBT879.1-5X35      | 销 PIN                     | 2  | GBT879.1-5X35      |
| 31 | GBT879.1-8X35      | 销 PIN                     | 2  | GBT879.1-8X35      |

# A39.37.903.4 GEARBOX CASE ASS.LY



## A39.37.903.4\_3 壳体总成 (同步器通用) GEARBOX ASS.LY

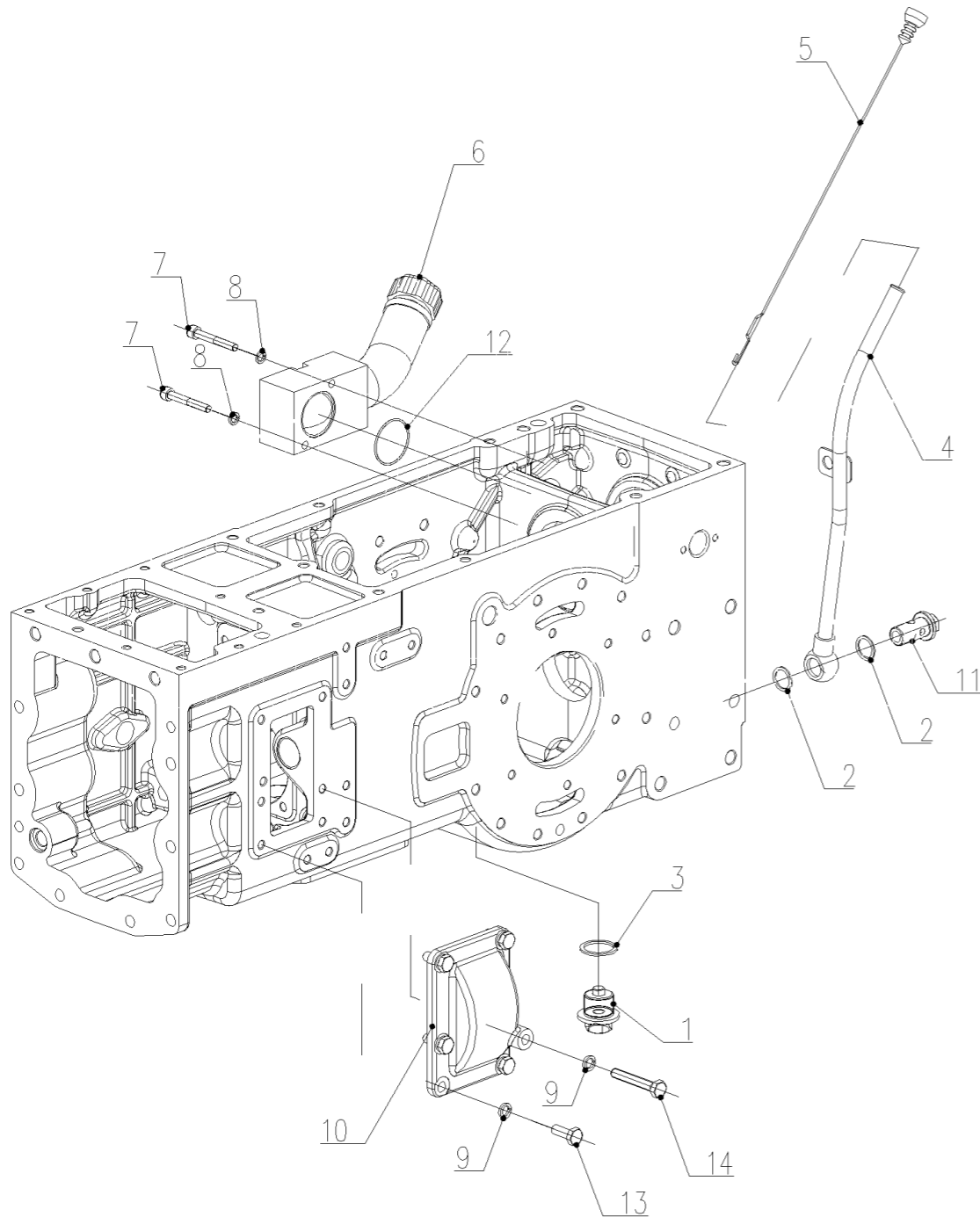
| 序号 | 零件编号                 | 零件名称                 | 数量 | 图号                        |
|----|----------------------|----------------------|----|---------------------------|
| 1  | A39.37.014.0/20      | 前变速器 FRONT GEARBOX   | 1  | A39.37.014.0/20           |
| 2  | GBT119.1-12m6X22     | 销 PIN                | 1  | GBT119.1-12m6X22          |
| 3  | GBT119.1-12m6X28     | 销 PIN                | 3  | GBT119.1-12m6X28          |
| 4  | GBT5783-M10X20-A3L   | 螺栓 BOLT              | 5  | GBT5783-M10X20-A3L        |
| 5  | GBT5783-M12X50-10.9- | 螺栓 BOLT              | 3  | GBT5783-M12X50-10.9-A3L   |
| 6  | GBT6171-M12X1.25-10- | 螺母 NUT               | 8  | GBT6171-M12X1.25-10-A2L   |
| 7  | GBT899-AM12X1.25X35- | 螺柱 STUD              | 8  | GBT899-AM12X1.25X35-10.9- |
| 8  | JBT982-10            | 组合密封垫圈 SEALING RINGS | 1  | JBT982-10                 |
| 9  | GBT93-10-A3L         | 垫圈 WASHER            | 4  | GBT93-10-A3L              |
| 10 | GBT93-12-A3L         | 垫圈 WASHER            | 11 | GBT93-12-A3L              |
| 11 | A08.37.012.2         | 盖焊件 COVER WELDMENT   | 1  | A08.37.012.2              |



# A39.38.904.4 ACCESSORIES ASS.Y

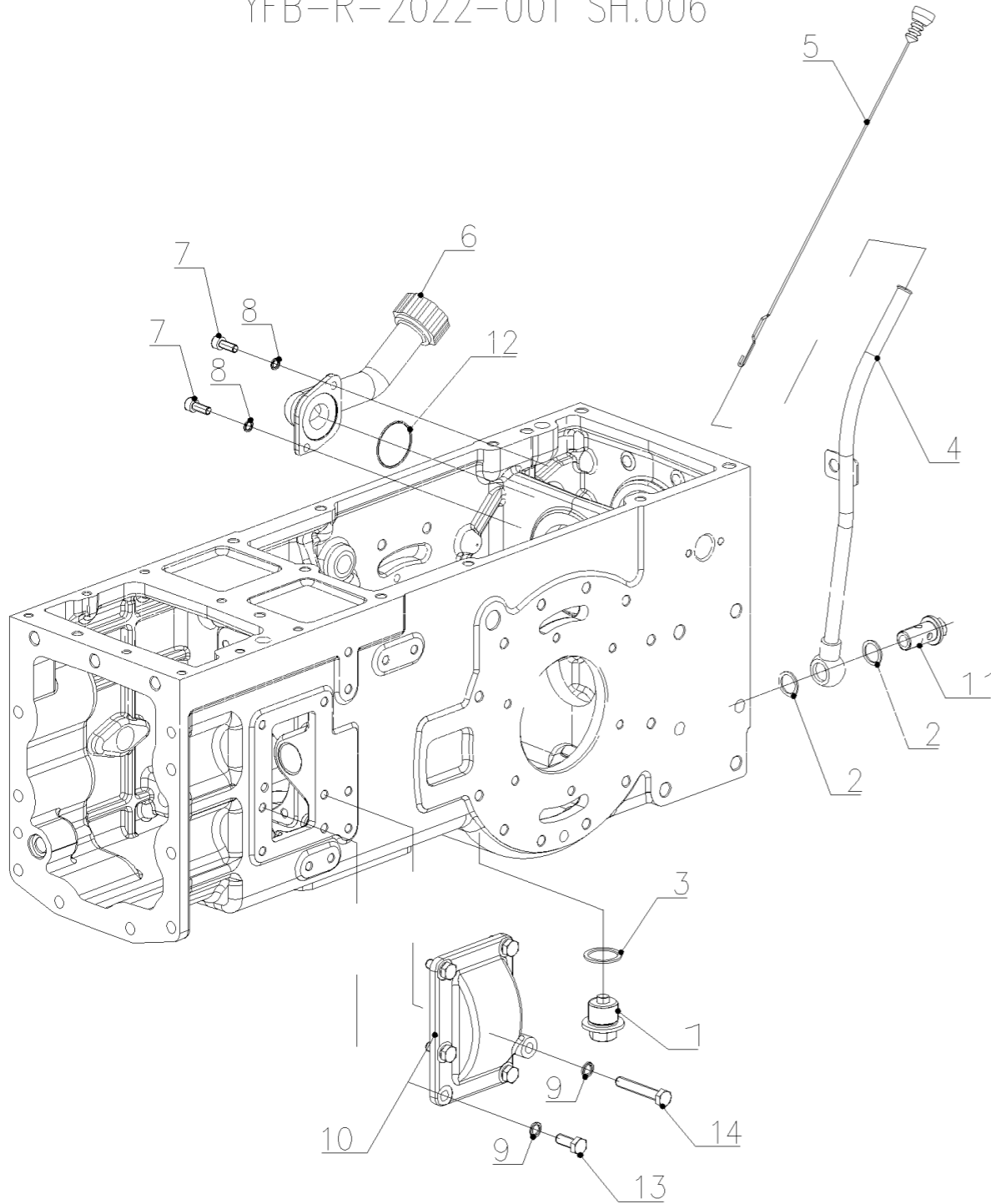
## A39.38.904.4\_1 附件总成 ACCESSORIES ASS.LY

| 序号 | 零件编号               | 零件名称                      | 数量 | 图号                 |
|----|--------------------|---------------------------|----|--------------------|
| 1  | SH900.37.016/10    | 排油螺塞 OIL DRAINAGE SCREW   | 1  | SH900.37.016/10    |
| 2  | 2.1560.016.0       | 密封环 SEALING RING          | 2  | 2.1560.016.0       |
| 3  | 2.1560.024.0       | 圈 2.1560.024.0            | 1  | 2.1560.024.0       |
| 4  | A08.38.001.3/10    | 油尺管 PIPE FOR OIL DIPSTICK | 1  | A08.38.001.3/10    |
| 5  | A08.38.002.2       | 油尺 OIL DIPSTICK           | 1  | A08.38.002.2       |
| 6  | CD404.38J.013/20   | 加油口组件 INLET FOR OIL       | 1  | CD404.38J.013/20   |
| 7  | GBT70.1-M8X55-A2L  | 螺栓 BOLT                   | 2  | GBT70.1-M8X55-A2L  |
| 8  | GBT93-8-A3L        | 垫圈 WASHER                 | 2  | GBT93-8-A3L        |
| 9  | GBT93-10-A3L       | 垫圈 WASHER                 | 6  | GBT93-10-A3L       |
| 10 | SH400.38.125       | 倒档侧盖 REVERSE SIDE COVER   | 1  | SH400.38.125       |
| 11 | LE1204.38.128      | 空心螺栓 HOLLOW BOLT          | 1  | LE1204.38.128      |
| 12 | GBT3452.1-45X1.8-G | O形密封圈 O RING              | 1  | GBT3452.1-45X1.8-G |
| 13 | GBT5783-M10X25-A3L | 螺栓 BOLT                   | 5  | GBT5783-M10X25-A3L |
| 14 | GBT5783-M10X60-A3L | 螺栓 BOLT                   | 1  | GBT5783-M10X60-A3L |



# A39.38.904.4 ACCESSORIES ASS.Y

YFB-R-2022-001 SH.006



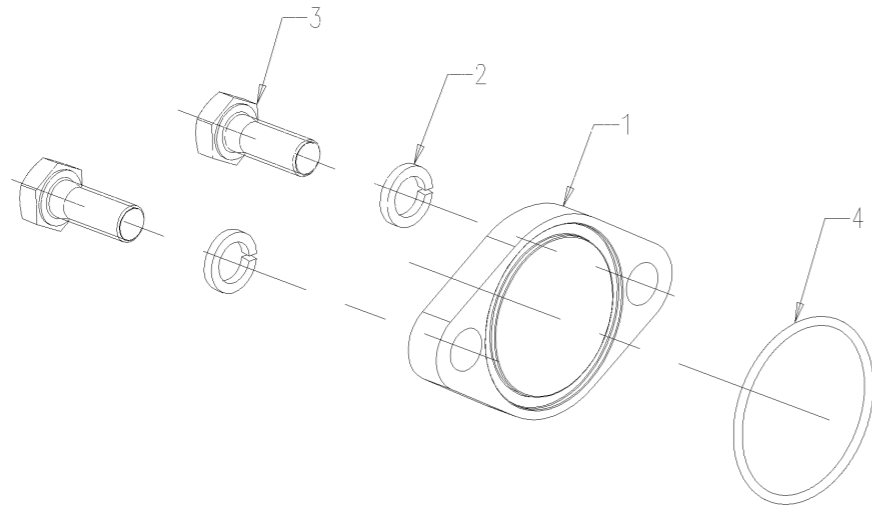
## A39.38.904.4\_3 附件总成 ACCESSORIES ASS.Y

| 序号 | 零件编号               | 零件名称                       | 数量 | 图号                 |
|----|--------------------|----------------------------|----|--------------------|
| 1  | SH900.37.016/10    | 排油螺塞 OIL DRAINAGE SCREW    | 1  | SH900.37.016/10    |
| 2  | 2.1560.016.0       | 组合密封垫圈 SEALING RING        | 2  | 2.1560.016.0       |
| 3  | 2.1560.024.0       | 圈 2.1560.024.0             | 1  | 2.1560.024.0       |
| 4  | A08.38.001.3/10    | 油尺管 PIPE FOR OIL DIPSTICK  | 1  | A08.38.001.3/10    |
| 5  | A08.38.002.2       | 油尺 OIL DIPSTICK            | 1  | A08.38.002.2       |
| 6  | A39.38.010.3/10    | 油管组件 FULE PIPE ASS.Y       | 1  | A39.38.010.3/10    |
| 7  | 2.0312.206.2       | 螺栓 M8x1.25x20 SOCKET SCREW | 2  | 2.0312.206.2       |
| 8  | 2.1473.007.2       | 垫圈 SPRING WASHER M8        | 2  | 2.1473.007.2       |
| 9  | 2.1473.008.2       | 弹簧垫圈 M10 SPRING WASHER M10 | 6  | 2.1473.008.2       |
| 10 | SH400.38.125       | 倒档侧盖 REVERSE SIDE COVER    | 1  | SH400.38.125       |
| 11 | LE1204.38.128      | 空心螺栓 HOLLOW BOLT           | 1  | LE1204.38.128      |
| 12 | GBT3452.1-45X1.8-G | O形密封圈 O RING               | 1  | GBT3452.1-45X1.8-G |
| 13 | 2.0114.309.2       | 螺栓 SCREW M10x25            | 5  | 2.0114.309.2       |
| 14 | 2.0114.319.2       | 螺栓 SCREW M10x60            | 1  | 2.0114.319.2       |

# A39.38.906.4 COVER ASS.LY

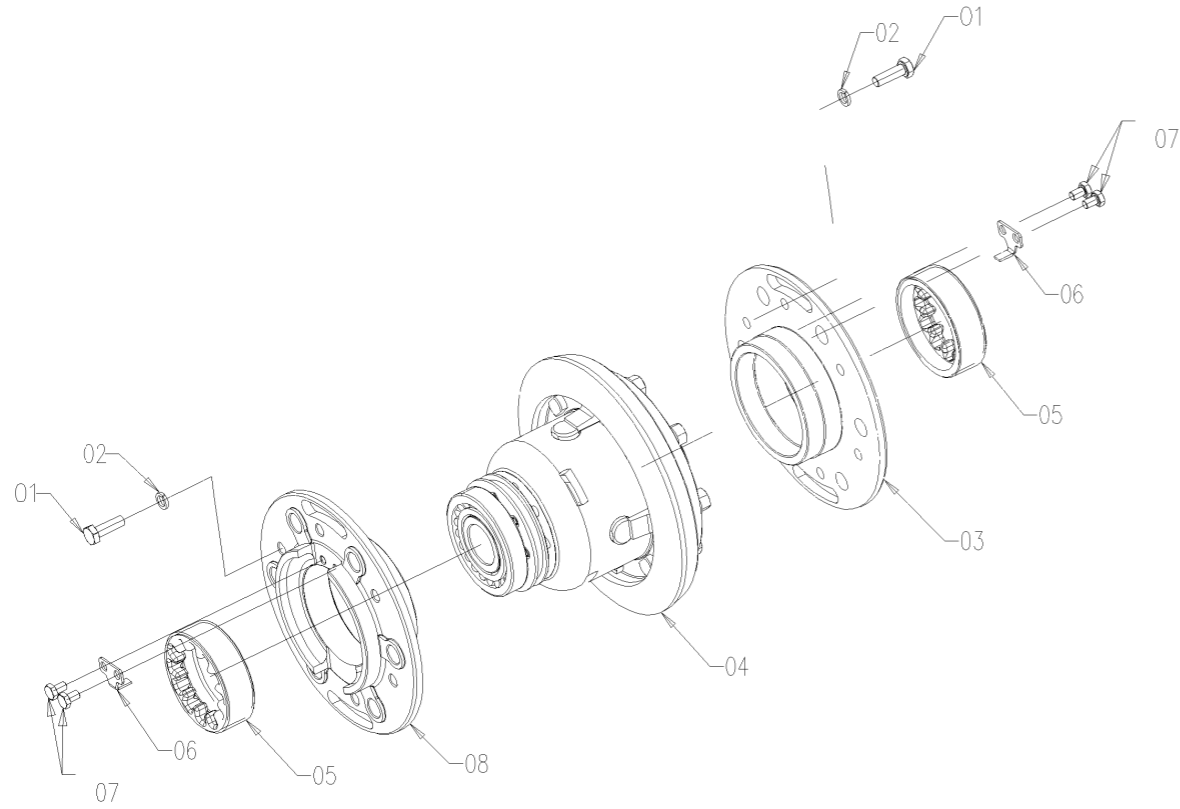
# A39.38.906.4\_0 端盖总成COVER ASS.LY

| 序号 | 零件编号                 | 零件名称         | 数量 | 图号                   |
|----|----------------------|--------------|----|----------------------|
| 1  | A08.58.080.0         | 板 PLATE      | 1  | A08.58.080.0         |
| 2  | GBT93-8-A3L          | 垫圈 WASHER    | 2  | GBT93-8-A3L          |
| 3  | GBT5783-M8X20-A2L    | 螺栓 BOLT      | 2  | GBT5783-M8X20-A2L    |
| 4  | GBT3452.1-35.5X1.8-G | O型密封圈 O-RING | 1  | GBT3452.1-35.5X1.8-G |



A39.38.907.4 DRIVEN BEVEL GEAR ASS.LY

A39.38.907.4\_2 大圆锥总成DRIVEN BEVEL GEAR ASS.LY

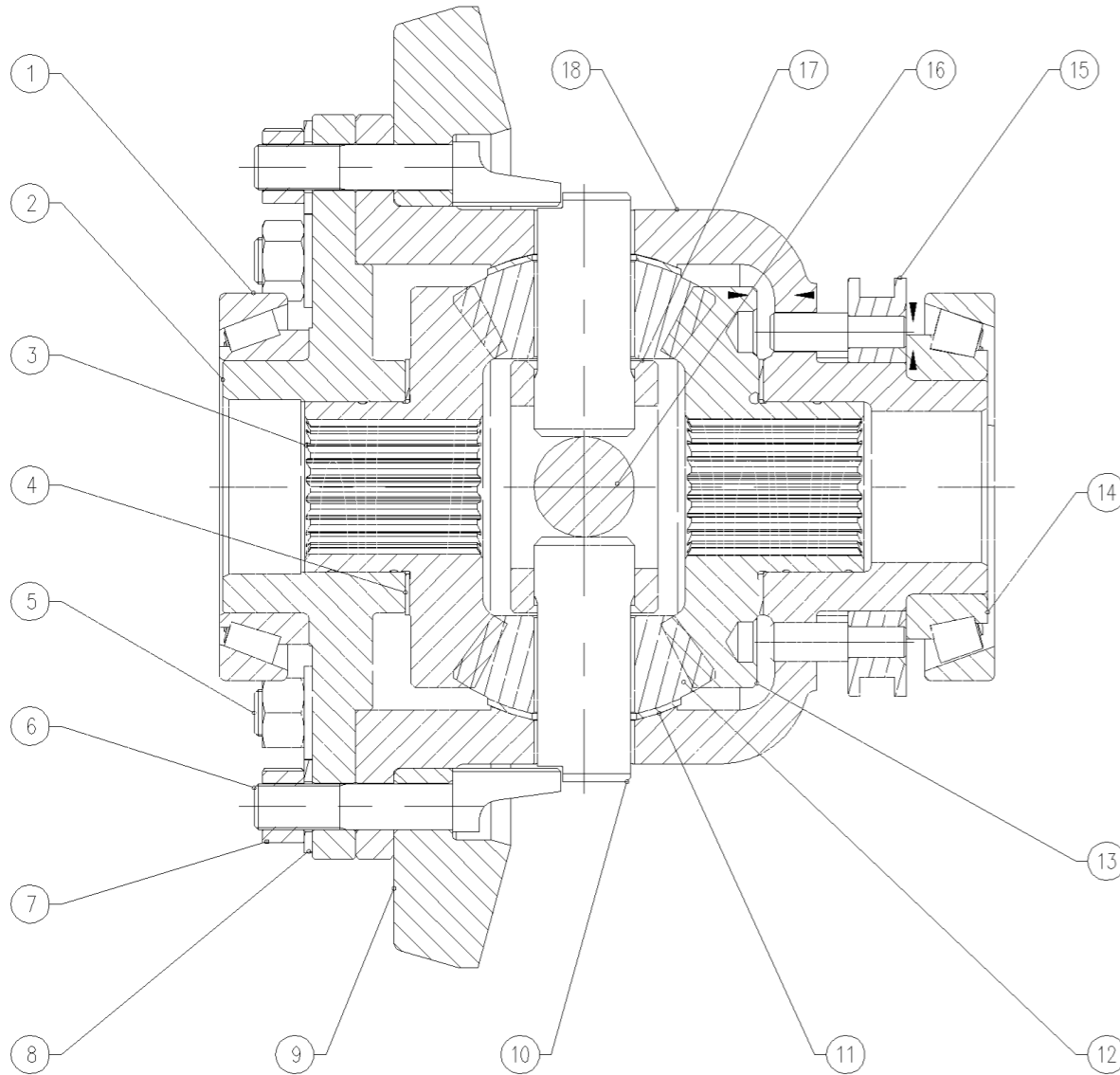


| 序号 | 零件编号               | 零件名称            | 数量 | 图号                 |
|----|--------------------|-----------------|----|--------------------|
| 1  | GBT5783-M10X30-A3L | 螺栓 螺栓           | 12 | GBT5783-M10X30-A3L |
| 2  | GBT93-10-A3L       | 垫圈 垫圈           | 12 | GBT93-10-A3L       |
| 3  | SH400.38.177       | 右差速器轴承座 右差速器轴承座 | 1  | SH400.38.177       |
| 4  | SH400.38.011A      | 差速器总成 差速器总成     | 1  | SH400.38.011A      |
| 5  | SH400.38.151       | 调整螺母 调整螺母       | 2  | SH400.38.151       |
| 6  | SH400.38.161       | 锁片 锁片           | 2  | SH400.38.161       |
| 7  | GBT5783-M8X12-A2L  | 螺栓 螺栓           | 4  | GBT5783-M8X12-A2L  |
| 8  | SH400.38.142       | 左差速器轴承座 左差速器轴承座 | 1  | SH400.38.142       |



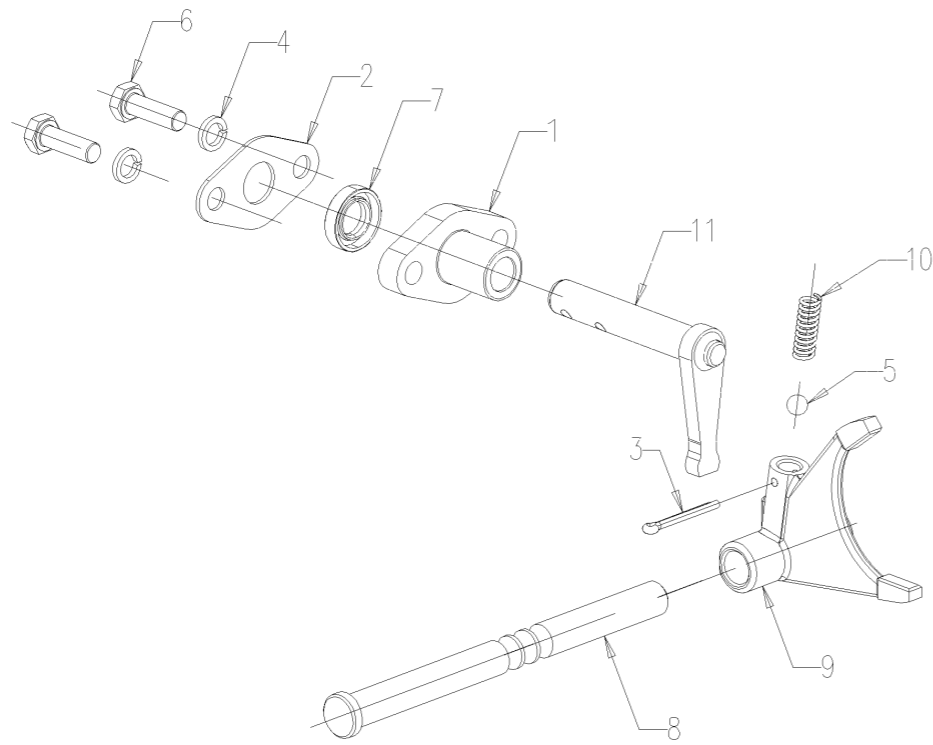
### SH400.38.011A 差速器总成 Differential assembly

SH400.38.011A DIFFERENTIAL ASSEMBLY



| 序号 | 零件编号            | 零件名称                     | 数量 | 图号              |
|----|-----------------|--------------------------|----|-----------------|
| 1  | GBT297-32013    | 轴承 轴承                    | 1  | GBT297-32013    |
| 2  | SH400.38.214    | 差速器盖 差速器盖                | 1  | SH400.38.214    |
| 3  | SH400.38.144    | 右半轴齿轮 右半轴齿轮              | 1  | SH400.38.144    |
| 4  | SH400.38.147    | 半轴齿轮垫片 半轴齿轮垫片            | 2  | SH400.38.147    |
| 5  | SH400.38.149    | 大锥齿轮固定螺栓 大锥齿轮固定螺栓        | 4  | SH400.38.149    |
| 6  | SH400.38.150    | 行星齿轮轴止退螺栓 行星齿轮轴止退        | 4  | SH400.38.150    |
| 7  | GBT6170-M12-A3L | 螺母 螺母                    | 8  | GBT6170-M12-A3L |
| 8  | 2.1475.004.2    | 圆柱垫片 CONICAL WASHERS M12 | 8  | 2.1475.004.2    |
| 9  | SH400.38.141    | 大圆锥齿轮 大圆锥齿轮              | 1  | SH400.38.141    |
| 10 | SH400.38.183/10 | 短行星齿轮轴 短行星齿轮轴            | 2  | SH400.38.183/10 |
| 11 | SH400.38.148    | 行星齿轮垫片 行星齿轮垫片            | 4  | SH400.38.148    |
| 12 | SH400.38.145/10 | 行星齿轮 行星齿轮                | 4  | SH400.38.145/10 |
| 13 | SH400.38.143    | 左半轴齿轮 左半轴齿轮              | 1  | SH400.38.143    |
| 14 | GBT297-30211    | 轴承 轴承                    | 1  | GBT297-30211    |
| 15 | SH400.38.019    | 差速锁总成 差速锁总成              | 1  | SH400.38.019    |
| 16 | SH400.38.182/10 | 行星齿轮轴 行星齿轮轴              | 1  | SH400.38.182/10 |
| 17 | SH400.38.184    | 中心环 中心环                  | 1  | SH400.38.184    |
| 18 | SH400.38.213    | 差速器壳 差速器壳                | 1  | SH400.38.213    |

# A39.38.910.4 SHUTTLE CONTROL ASS.Y

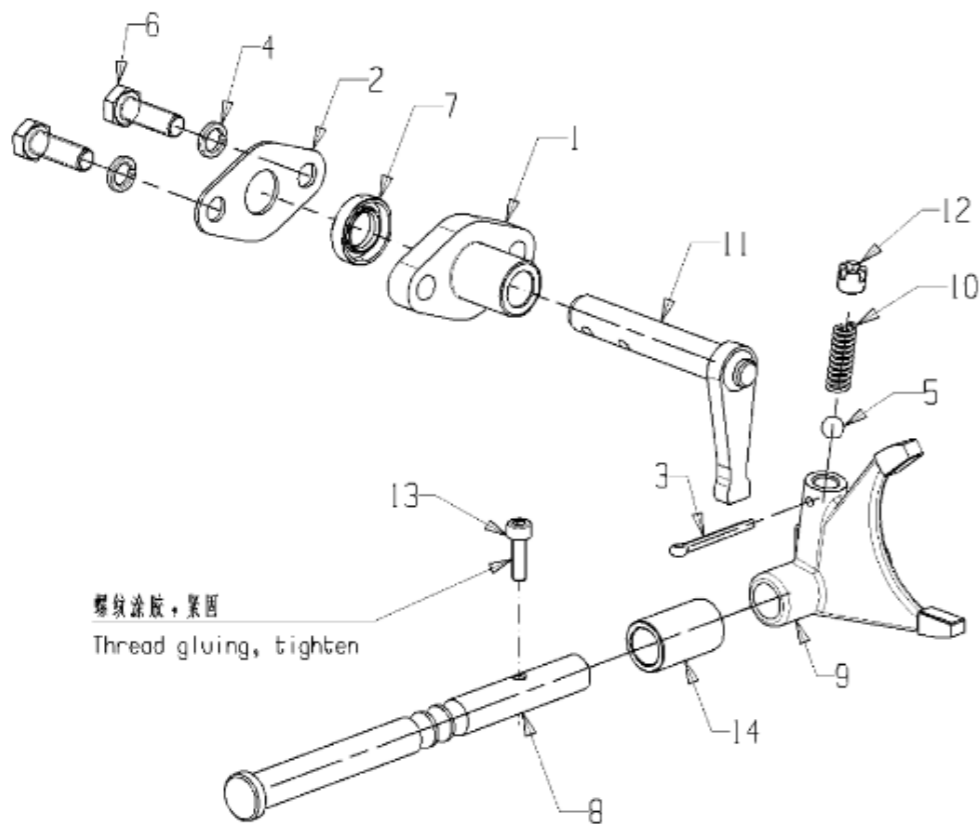


## A39.38.910.4\_1 梭式档操纵总成 SHUTTLE CONTROL ASS.Y

| 序号 | 零件编号                   | 零件名称    | 数量 | 图号                     |
|----|------------------------|---------|----|------------------------|
| 1  | CD554.38.101           | 梭式换挡摇臂座 | 1  | CD554.38.101           |
| 2  | CD554.38.103           | 板       | 1  | CD554.38.103           |
| 3  | GBT91-4X36-A3L         | 销       | 1  | GBT91-4X36-A3L         |
| 4  | GBT93-10-A3L           | 垫圈      | 2  | GBT93-10-A3L           |
| 5  | GBT308-9.5-G100-b      | 球       | 1  | GBT308-9.5-G100-b      |
| 6  | GBT5783-M10X30-A3L     | 螺栓      | 2  | GBT5783-M10X30-A3L     |
| 7  | GBT13871.1-FB-016030-D | 油封      | 1  | GBT13871.1-FB-016030-D |
| 8  | SH400.38J.203          | 倒挡拨叉轴   | 1  | SH400.38J.203          |
| 9  | SH400.38J.218          | 倒挡拨叉轴   | 1  | SH400.38J.218          |
| 10 | SH400.41.119           | 碳素弹簧钢丝  | 1  | SH400.41.119           |
| 11 | SH550.38J.014-1        | 联锁杆焊合件  | 1  | SH550.38J.014-1        |

|   |                       |                               |                     |
|---|-----------------------|-------------------------------|---------------------|
| <br>SIME DEUTZ-FAHR GROUP S.p.A.<br><small>10046 - 30127-1000 - LONIGLIANO - PAVIA</small><br>Gruppo - Group | CD40 Series           | N. dis. - P/N<br>A39.38.910.4 |                     |
|   | SHUTTLE CONTROL ASS.Y | Rev.<br>5                     | Facile - Sheet<br>1 |
|   |                       | Validato il<br>29/06/2022     | IM<br>P             |

YFB-R-2020-009 SH.011



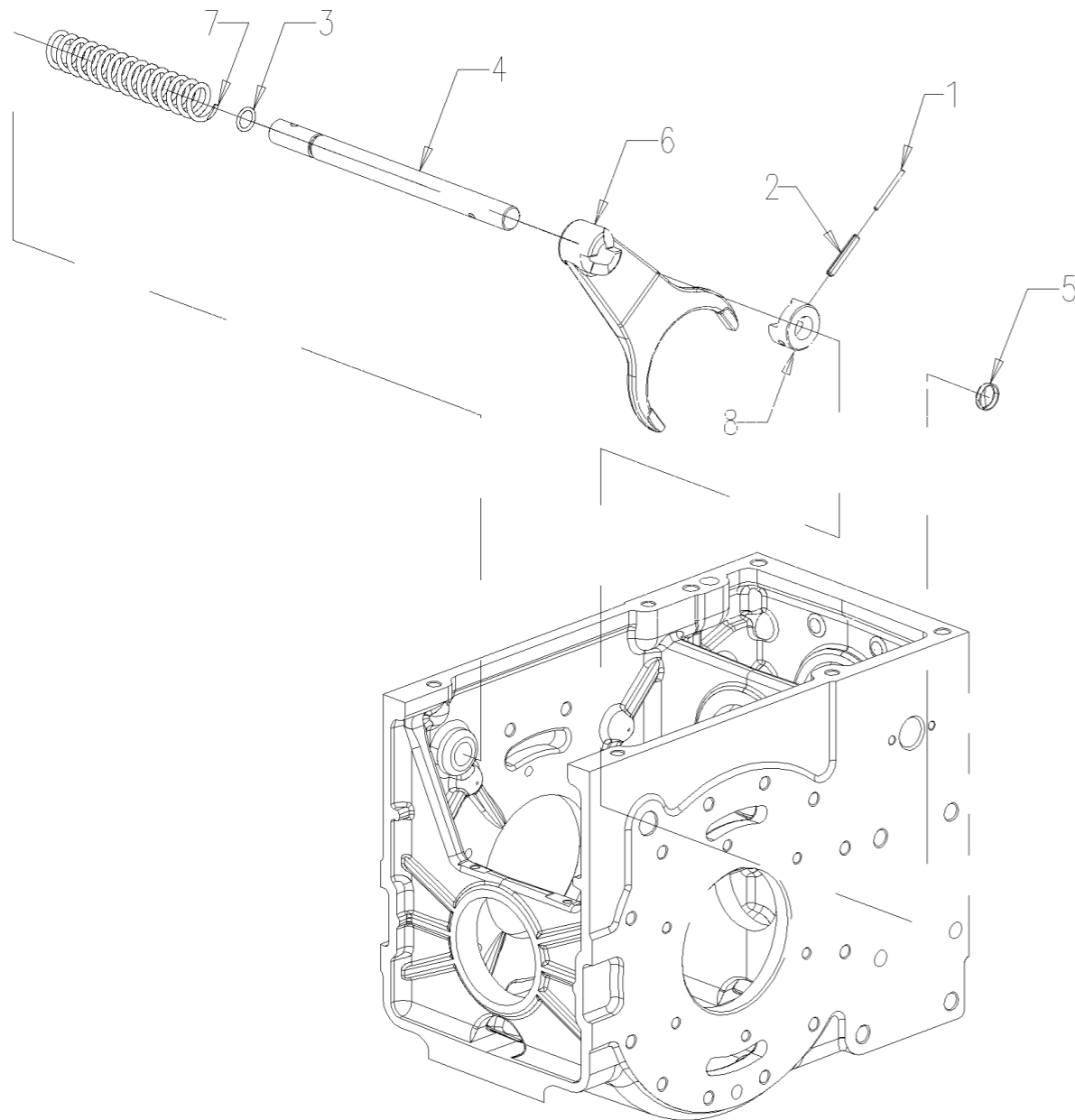
### A39.38.910.4\_5 梭式档操纵总成 SHUTTLE CONTROL ASS.Y

| 序号 | 零件编号                   | 零件名称                      | 数量 | 图号                     |
|----|------------------------|---------------------------|----|------------------------|
| 1  | CD554.38.101           | 梭式换挡摇臂座 ROCHER ARM        | 1  | CD554.38.101           |
| 2  | CD554.38.103           | 板 PLATE                   | 1  | CD554.38.103           |
| 3  | 2.1690.413.2           | 固定销 SPLIT PIN 4-36        | 1  | 2.1690.413.2           |
| 4  | 2.1473.008.2           | 弹簧垫圈 SPRING WASHER M10    | 2  | 2.1473.008.2           |
| 5  | GBT308-9.5-G100-b      | 球 BALL                    | 1  | GBT308-9.5-G100-b      |
| 6  | 2.0114.311.2           | 螺栓 SCREW M10x30           | 2  | 2.0114.311.2           |
| 7  | GBT13871.1-FB-016030-D | 油封 OIL SEAL               | 1  | GBT13871.1-FB-016030-D |
| 8  | SH400.38J.203/20       | 倒挡拨叉轴 REVERSE SHIFT FORK  | 1  | SH400.38J.203/20       |
| 9  | SH400.38J.218/10       | 倒挡拨叉轴 F-R FORK            | 1  | SH400.38J.218/10       |
| 10 | SH400.41.119           | 碳素弹簧钢丝1.5/65Mn FORK SHAFT | 1  | SH400.41.119           |
| 11 | SH550.38J.014-1        | 联锁杆焊合件 ROD WELDMENT       | 1  | SH550.38J.014-1        |
| 12 | A39.41.006.0           | 螺栓 SCREW                  | 1  | A39.41.006.0           |
| 13 | 2.0312.106.2           | 螺钉 SOCKET SCREW M6x1x20   | 1  | 2.0312.106.2           |
| 14 | C60.37.012.0           | 套筒 SLEEVE                 | 1  | C60.37.012.0           |

# A39.38.911.4 DIFFERENTIAL CONTROL ASS.Y

## A39.38.911.4\_1 差速锁操纵总成 DIFFERENTIAL CONTROL ASS.LY

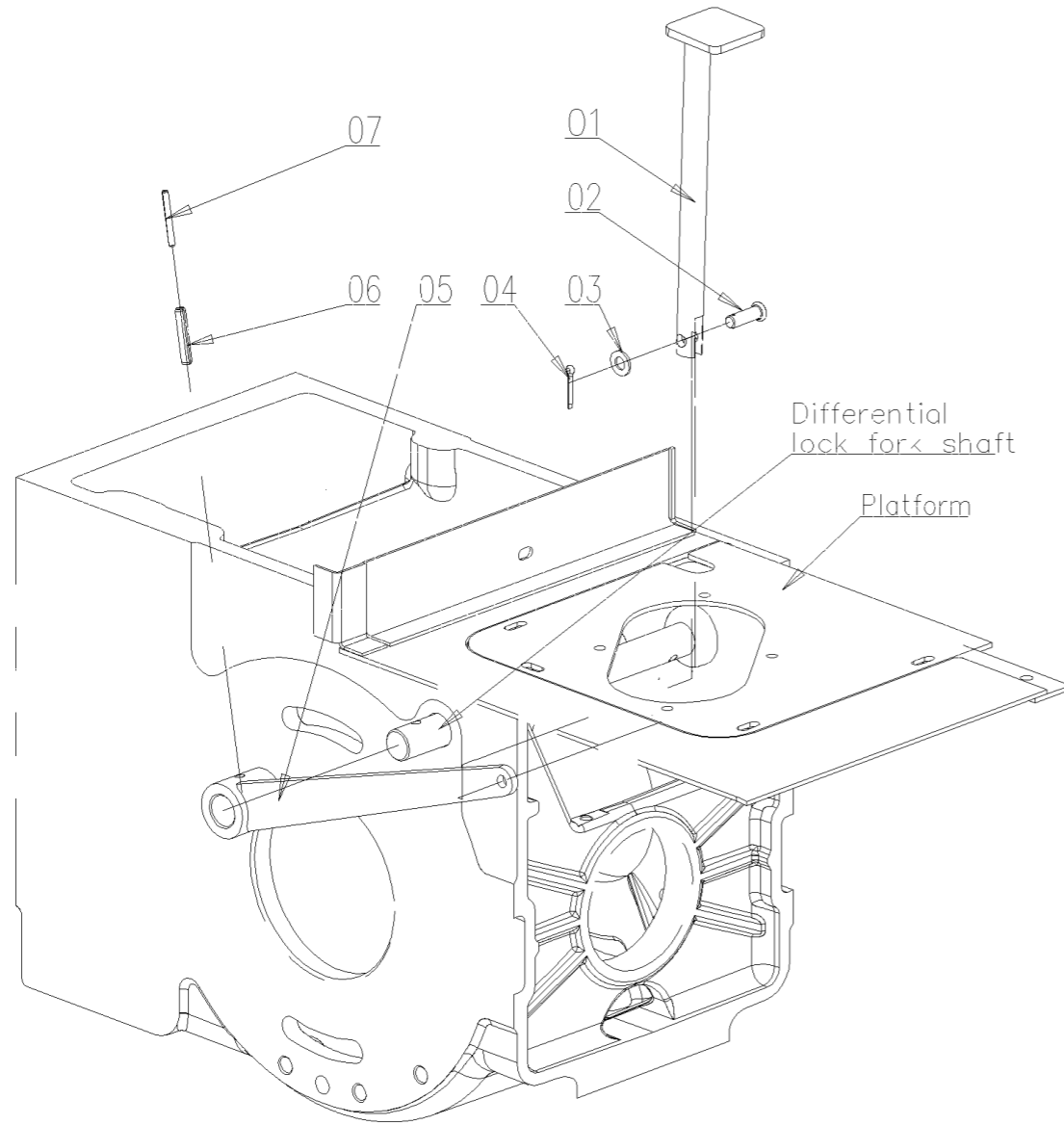
| 序号 | 零件编号                | 零件名称                      | 数量 | 图号                  |
|----|---------------------|---------------------------|----|---------------------|
| 1  | GBT879.1-3.5X40     | 销 PIN                     | 1  | GBT879.1-3.5X40     |
| 2  | GBT879.1-6X40       | 销 PIN                     | 1  | GBT879.1-6X40       |
| 3  | GBT3452.1-15X2.65-G | O形圈 SEAL RING             | 1  | GBT3452.1-15X2.65-G |
| 4  | SH400.38.158        | 差速锁叉轴 DIFFERENTIAL LOCK   | 1  | SH400.38.158        |
| 5  | QCT388-20           | 碗形膨胀塞 BOWL TYPE EXPANSION | 1  | QCT388-20           |
| 6  | SH400.38.159        | 差速锁拨叉 DIFFERENTIAL LOCK   | 1  | SH400.38.159        |
| 7  | SH400.38.160        | 回位弹簧 DIFFERENTIAL RETURN  | 1  | SH400.38.160        |
| 8  | SH400.38.190        | 差速锁拨头 DIFFERENTIAL LOCK   | 1  | SH400.38.190        |



# A39.38.913.4 DIFFERENTIAL LOCK COMMAND ASS.Y

## A39.38.913.4\_1 差速锁操纵总成 DIFFERENTIAL LOCK CONTROL ASSY.

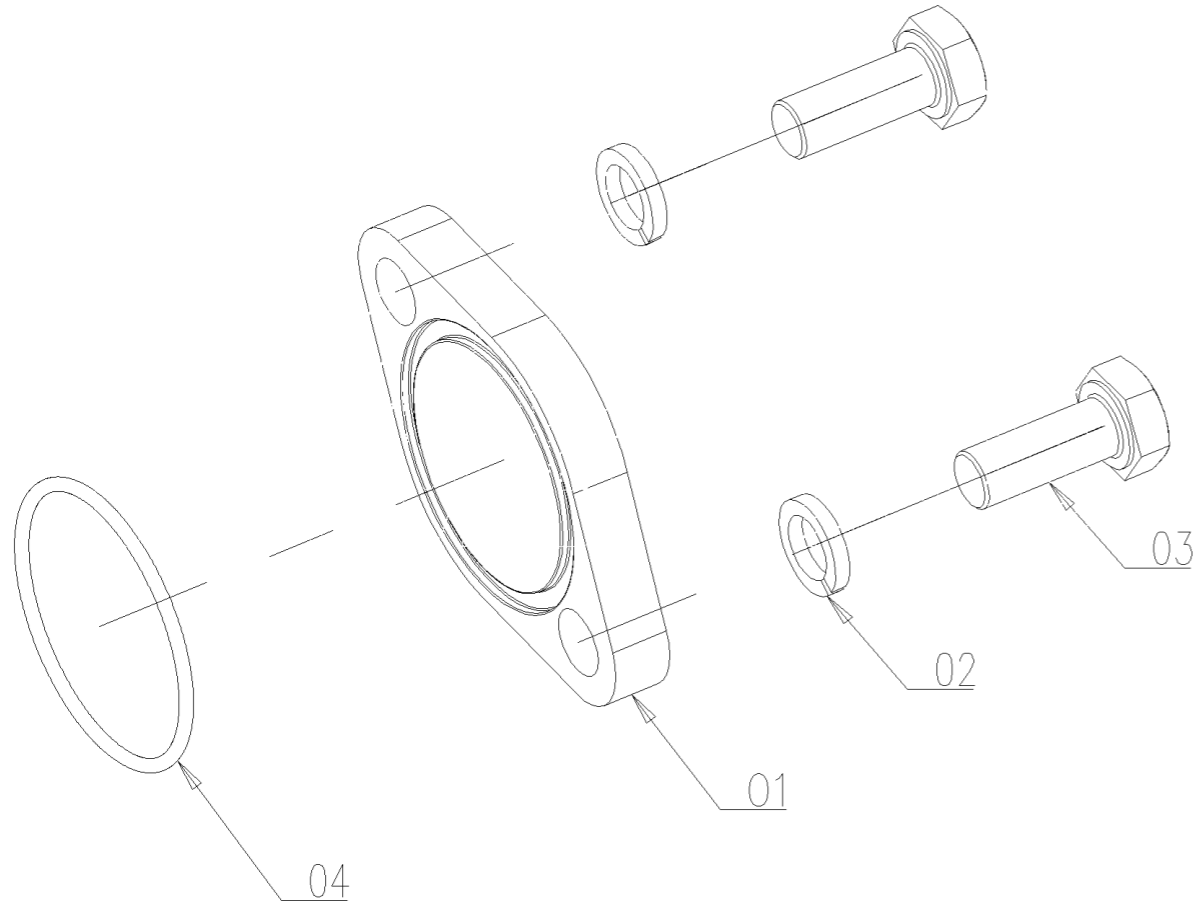
| 序号 | 零件编号             | 零件名称                      | 数量 | 图号               |
|----|------------------|---------------------------|----|------------------|
| 1  | CD554.38.010     | 差速锁踏板焊件 DIFFERENTIAL LOCK | 1  | CD554.38.010     |
| 2  | GBT882-B8X24-A3L | 销 PIN                     | 1  | GBT882-B8X24-A3L |
| 3  | GBT97.1-8-A3L    | 垫圈 WASHER                 | 1  | GBT97.1-8-A3L    |
| 4  | GBT91-3.2X20-A3L | 销 PIN                     | 1  | GBT91-3.2X20-A3L |
| 5  | CD554.38.011/10  | 差速锁臂焊件 DIFFERENTIAL LOCK  | 1  | CD554.38.011/10  |
| 6  | GBT879.1-6X35    | 销 PIN                     | 1  | GBT879.1-6X35    |
| 7  | GBT879.1-3.5X35  | 销 PIN                     | 1  | GBT879.1-3.5X35  |



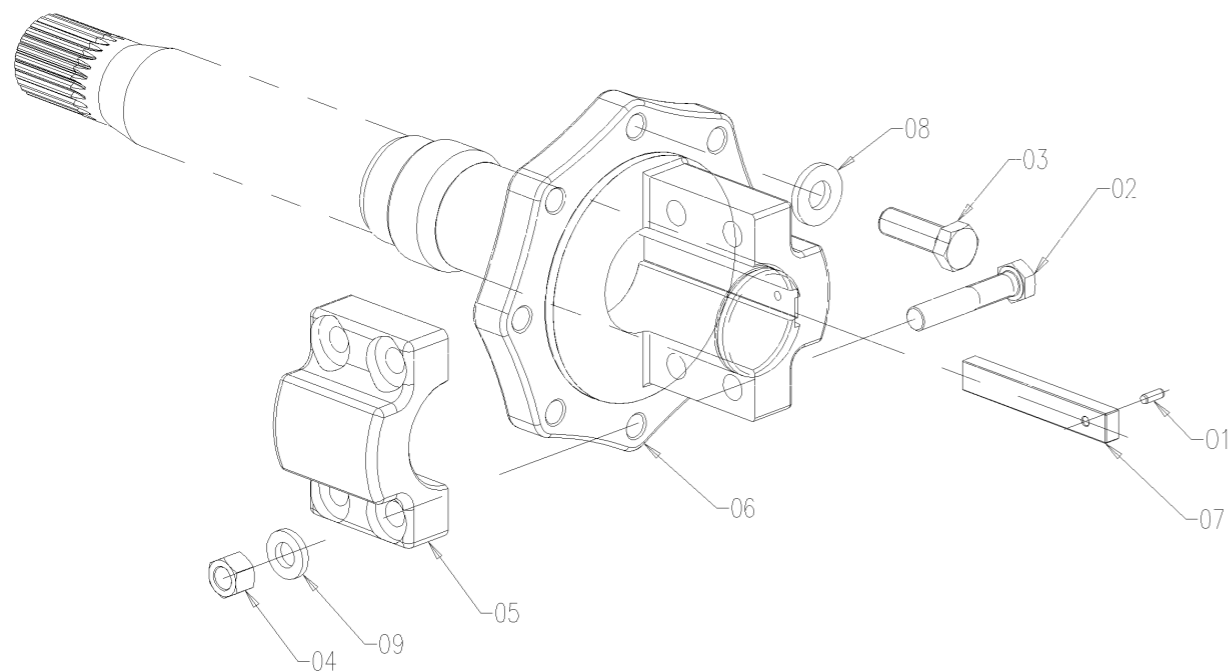
# A39.38.920.4 COVER ASS.Y

## A39.38.920.4\_0 端盖总成 (啮合套通用) COVER ASS.LY

| 序号 | 零件编号                 | 零件名称         | 数量 | 图号                   |
|----|----------------------|--------------|----|----------------------|
| 1  | A08.58.080.0         | 板 PLATE      | 1  | A08.58.080.0         |
| 2  | GBT93-8-A3L          | 垫圈 WASHER    | 2  | GBT93-8-A3L          |
| 3  | GBT5783-M8X20-A2L    | 螺栓 BOLT      | 2  | GBT5783-M8X20-A2L    |
| 4  | GBT3452.1-35.5X1.8-G | O型密封圈 O-RING | 1  | GBT3452.1-35.5X1.8-G |



A39.39.908.4 HUB ASS.LY

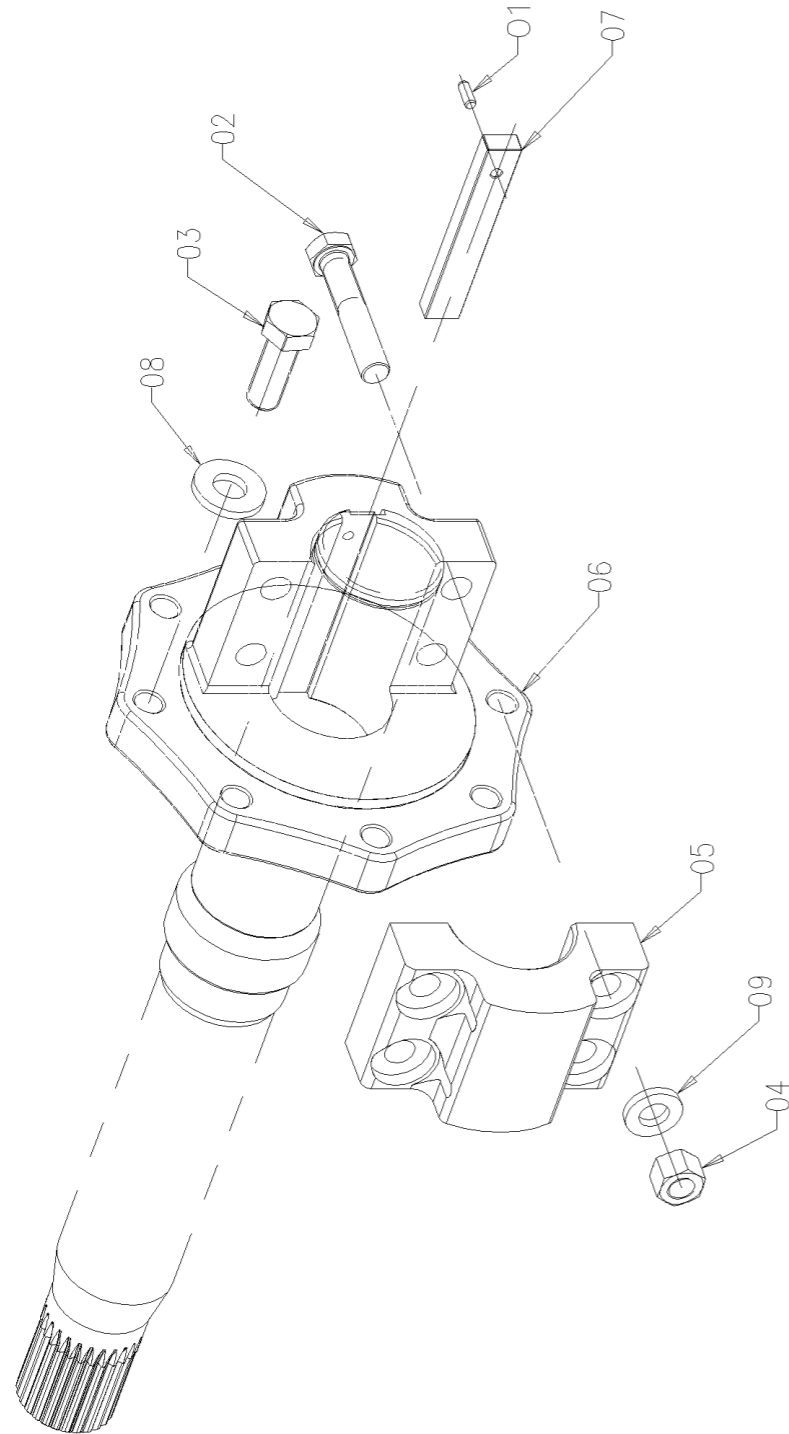


**A39.39.908.4\_1 轮毂总成 (无级可调后轮距) Wheel hub assembly (infinitely adjustable rear wheelbase)**

| 序号 | 零件编号                   | 零件名称         | 数量 | 图号                          |
|----|------------------------|--------------|----|-----------------------------|
| 1  | GBT119.1-6h8X16        | 销 PIN        | 2  | GBT119.1-6h8X16             |
| 2  | GBT5786-M16X1.5X85-    | 螺栓 BOLT      | 8  | GBT5786-M16X1.5X85-10.9-A3L |
| 3  | GBT5786-M18X1.5X50-    | 螺栓 BOLT      | 16 | GBT5786-M18X1.5X50-10.9-A3L |
| 4  | GBT6176-M16X1.5-10-A3L | 螺母 NUT       | 8  | GBT6176-M16X1.5-10-A3L      |
| 5  | SH704-1.34.101         | 毂盖 HUB COVER | 2  | SH704-1.34.101              |
| 6  | SH704-1.34.102/10      | 轮毂 HUB       | 2  | SH704-1.34.102/10           |
| 7  | SH704-1.34.103         | 平键 FLATE KEY | 2  | SH704-1.34.103              |
| 8  | SH704-1.34.104         | 垫圈 WASHER    | 16 | SH704-1.34.104              |
| 9  | SH704-1.34.105         | 垫圈 WASHER    | 8  | SH704-1.34.105              |

A39.39.908.4 HUB ASS.LY

YFB-R-2021-004 SH.002



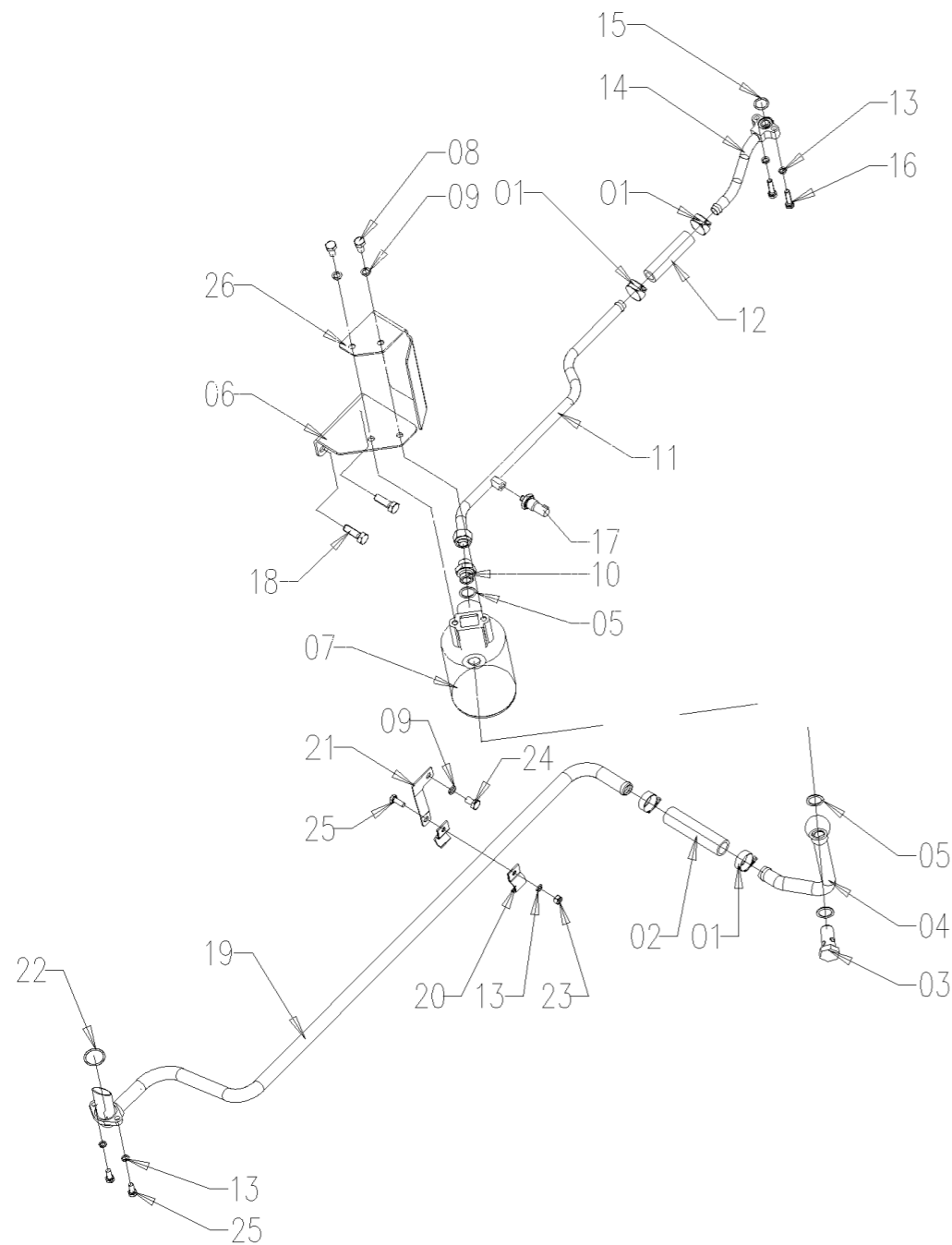
A39.39.908.4\_2 轮毂总成 HUB ASS.Y

| 序号 | 零件编号                | 零件名称                          | 数量 | 图号                          |
|----|---------------------|-------------------------------|----|-----------------------------|
| 1  | 2.1651.507.0        | 销 PARALLEL PINS OF UNHARDENED | 2  | 2.1651.507.0                |
| 2  | GBT5786-M16X1.5X85- | 螺栓 BOLT                       | 8  | GBT5786-M16X1.5X85-10.9-A3L |
| 3  | 2.0125.608.2        | 螺栓 M18x50 SCREW M18x50        | 16 | 2.0125.608.2                |
| 4  | 2.1012.309.2        | 螺母 HEX NUT M16x1.5            | 8  | 2.1012.309.2                |
| 5  | SH704-1.34.101/10   | 毂盖 HUB COVER                  | 2  | SH704-1.34.101/10           |
| 6  | SH704-1.34.102/10   | 轮毂 HUB                        | 2  | SH704-1.34.102/10           |
| 7  | SH704-1.34.103      | 平键 FLATE KEY                  | 2  | SH704-1.34.103              |
| 8  | SH704-1.34.104      | 垫圈 WASHER                     | 16 | SH704-1.34.104              |
| 9  | SH704-1.34.105      | 垫圈 WASHER                     | 8  | SH704-1.34.105              |



# A39.40.902.4 STEERING PUMP SUCTION PIPE ASS.

# A39.40.902.4\_4 转向泵吸油管总成 (同步器) Steering pump suction pipe assembly (synchronizer)

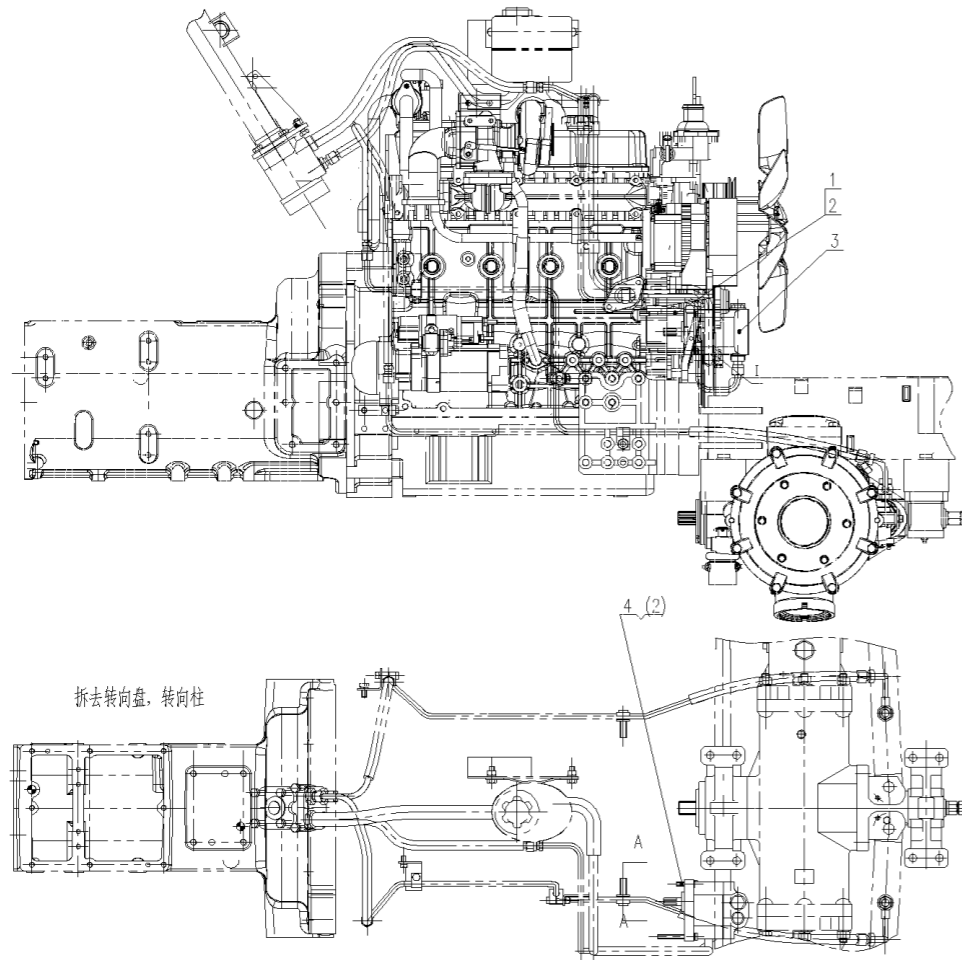


| 序号 | 零件编号                 | 零件名称                         | 数量 | 图号                      |
|----|----------------------|------------------------------|----|-------------------------|
| 1  | JBT8870-D32          | 软管夹 HOSE CLAMPS              | 4  | JBT8870-D32             |
| 2  | CD704-1A.583.102     | 吸油胶管 TUBE                    | 1  | CD704-1A.583.102        |
| 3  | SH400.58.112         | 空心螺栓 HOLLOW BOLT             | 1  | SH400.58.112            |
| 4  | C24.40.003.3/10      | 滤油进油管 FILTER OIL INLET PIPE  | 1  | C24.40.003.3/10         |
| 5  | 2.1560.018.0         | 密封圈 SEALING RING             | 3  | 2.1560.018.0            |
| 6  | A39.40.020.0/10      | 支架 BRACKET                   | 1  | A39.40.020.0/10         |
| 7  | A39.40.021.3         | 滤清器总成 FILTER ASS.            | 1  | A39.40.021.3            |
| 8  | GBT5783-M10X20-A3L   | 螺栓 BOLT                      | 2  | GBT5783-M10X20-A3L      |
| 9  | GBT93-10-A3L         | 垫圈 WASHER                    | 3  | GBT93-10-A3L            |
| 10 | SH904.58.170         | 卡套式端直通接头体 DIRECT JOINT       | 1  | SH904.58.170            |
| 11 | A39.40.018.3/30      | 滤油出油管 FILTER OIL OUTPUT PIPE | 1  | A39.40.018.3/30         |
| 12 | CD704-1B.40.104      | 回油软管 RETURN HOSE             | 1  | CD704-1B.40.104         |
| 13 | GBT93-8-A3L          | 垫圈 WASHER                    | 5  | GBT93-8-A3L             |
| 14 | A39.40.019.3/10      | 泵进油管焊合 PUMP OIL INLET PIPE   | 1  | A39.40.019.3/10         |
| 15 | GBT3452.1-19X2.65-G  | O形密封圈 O RING                 | 1  | GBT3452.1-19X2.65-G     |
| 16 | GBT5783-M8X35-A2L    | 螺栓 BOLT                      | 2  | GBT5783-M8X35-A2L       |
| 17 | 2.7099.660.0/10      | 压力传感器 PRESS.OLIO 0.5/0.4 B   | 1  | 2.7099.660.0/10         |
| 18 | GBT5783-M12X35-10.9- | 螺栓 BOLT                      | 2  | GBT5783-M12X35-10.9-A3L |
| 19 | C24.40.004.3/10      | 吸油管 OIL SUCTION PIPE         | 1  | C24.40.004.3/10         |
| 20 | CD554.58.017         | 下油管夹与胶垫胶合2 LOWER CLIP        | 2  | CD554.58.017            |
| 21 | A08.58.015.0         | 支架 BRACKET                   | 1  | A08.58.015.0            |
| 22 | GBT3452.1-30X2.65-G  | O形密封圈 O RING                 | 1  | GBT3452.1-30X2.65-G     |
| 23 | GBT6170-M8-A2L       | 螺母 NUT                       | 1  | GBT6170-M8-A2L          |
| 24 | GBT5783-M10X16-A3L   | 螺栓 BOLT                      | 1  | GBT5783-M10X16-A3L      |
| 25 | GBT5783-M8X20-A2L    | 螺栓 BOLT                      | 3  | GBT5783-M8X20-A2L       |
| 26 | C24.40.007.0         | 支架 BRACKET                   | 1  | C24.40.007.0            |

### A39.40.903.4\_0 转向泵安装总成Steering pump mounting assembly

| 序号 | 零件编号            | 零件名称            | 数量 | 图号              |
|----|-----------------|-----------------|----|-----------------|
| 1  | GB/T 5783       | 螺栓M8*65-8.8-A2L | 2  | GB/T 5783       |
| 2  | GB/T 93         | 垫圈8             | 4  | GB/T 93         |
| 3  | CD554.40.012/10 | 恒流溢流泵           | 1  | CD554.40.012/10 |
| 4  | GB/T 70.1       | 内六角螺钉M8*35-A2L  | 2  | GB/T 70.1       |

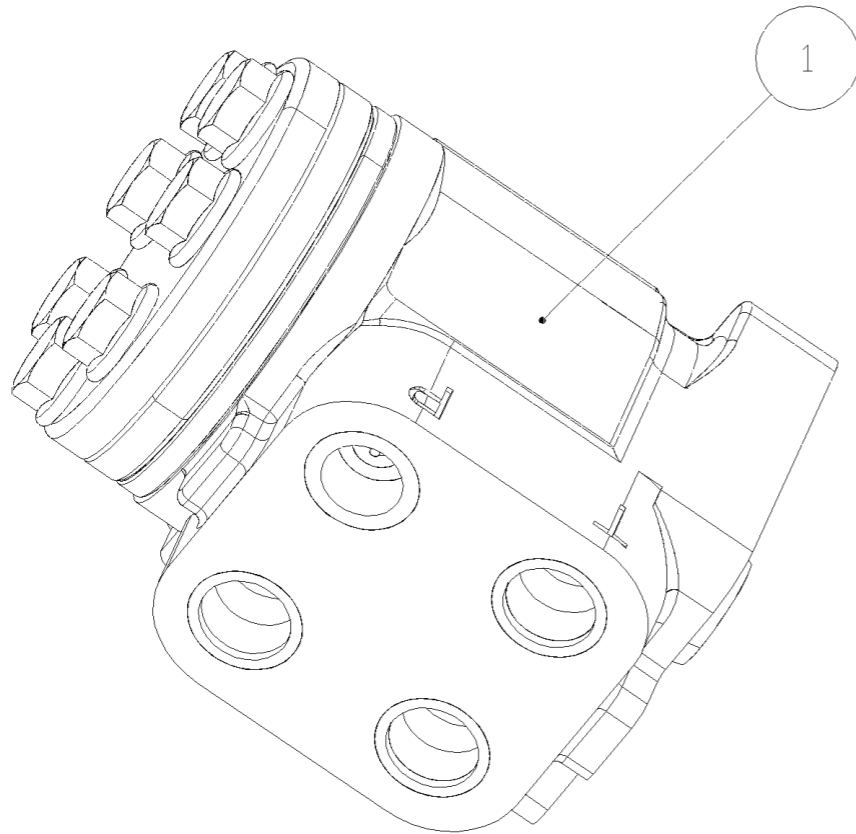
## A39.40.903.4 转向泵安装总成



A39.40.905.4\_0 转向器总成Steering gear assembly

| 序号 | 零件编号         | 零件名称                      | 数量 | 图号           |
|----|--------------|---------------------------|----|--------------|
| 1  | CD304.40.024 | 转向器总成 STEERING UNIT ASS.Y | 1  | CD304.40.024 |

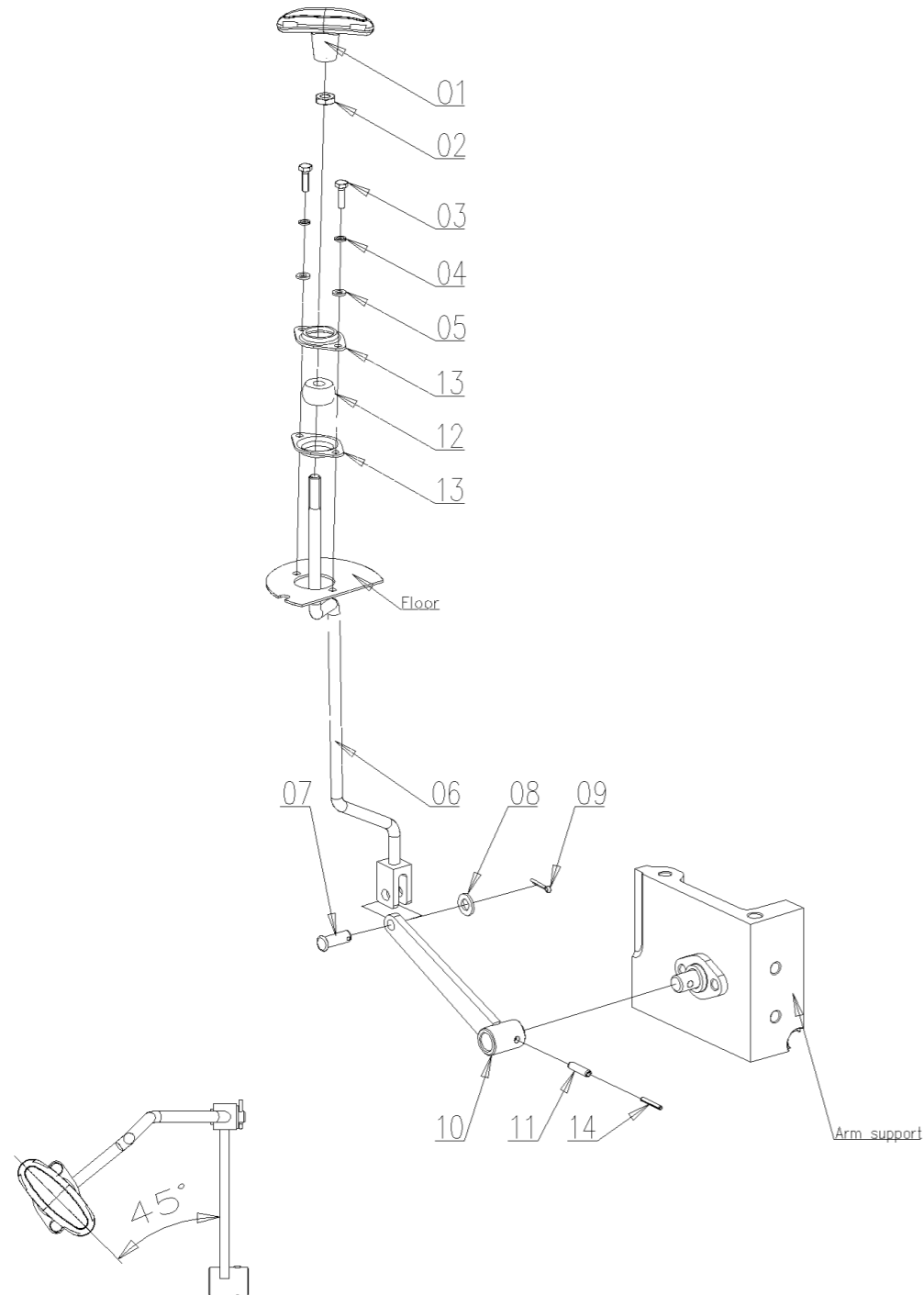
A39.40.905.4 STEERING UNIT



# A39.41.900.4 PTO COMMAND ASSY(540/1000)

# A39.41.900.4\_4 动力输出操纵总成PTO COMMAND ASSY(540/1000)

| 序号 | 零件编号              | 零件名称                         | 数量 | 图号                |
|----|-------------------|------------------------------|----|-------------------|
| 1  | A39.41.002.4/10   | 控制手柄(540/1000) P.T.O CONTROL | 1  | A39.41.002.4/10   |
| 2  | GBT6172.1-M10-A3L | 螺母 NUT                       | 1  | GBT6172.1-M10-A3L |
| 3  | GBT5783-M6X20-A2L | 螺栓 BOLT                      | 2  | GBT5783-M6X20-A2L |
| 4  | GBT93-6-A3L       | 垫圈 WASHER                    | 2  | GBT93-6-A3L       |
| 5  | GBT97.1-6-A3L     | 垫圈 WASHER                    | 2  | GBT97.1-6-A3L     |
| 6  | A39.41.001.3/20   | 杆焊件 LEVER WELDMENT           | 1  | A39.41.001.3/20   |
| 7  | GBT882-B10X28-A3L | 销 PIN                        | 1  | GBT882-B10X28-A3L |
| 8  | GBT97.1-10-A3L    | 垫圈 WASHER                    | 1  | GBT97.1-10-A3L    |
| 9  | GBT91-3.2X18-A3L  | 销 PIN                        | 1  | GBT91-3.2X18-A3L  |
| 10 | CD554.41.012-1    | 操作摇臂焊接件 OPERATING            | 1  | CD554.41.012-1    |
| 11 | GBT879.1-6X26     | 销 PIN                        | 1  | GBT879.1-6X26     |
| 12 | LD800.41.104      | 导向套 GUIDE SLEEVE             | 1  | LD800.41.104      |
| 13 | SH404.42.114      | 导向套 GUIDER SLEEVE PROTECT    | 2  | SH404.42.114      |
| 14 | GBT879.1-3.5X26   | 销 PIN                        | 1  | GBT879.1-3.5X26   |

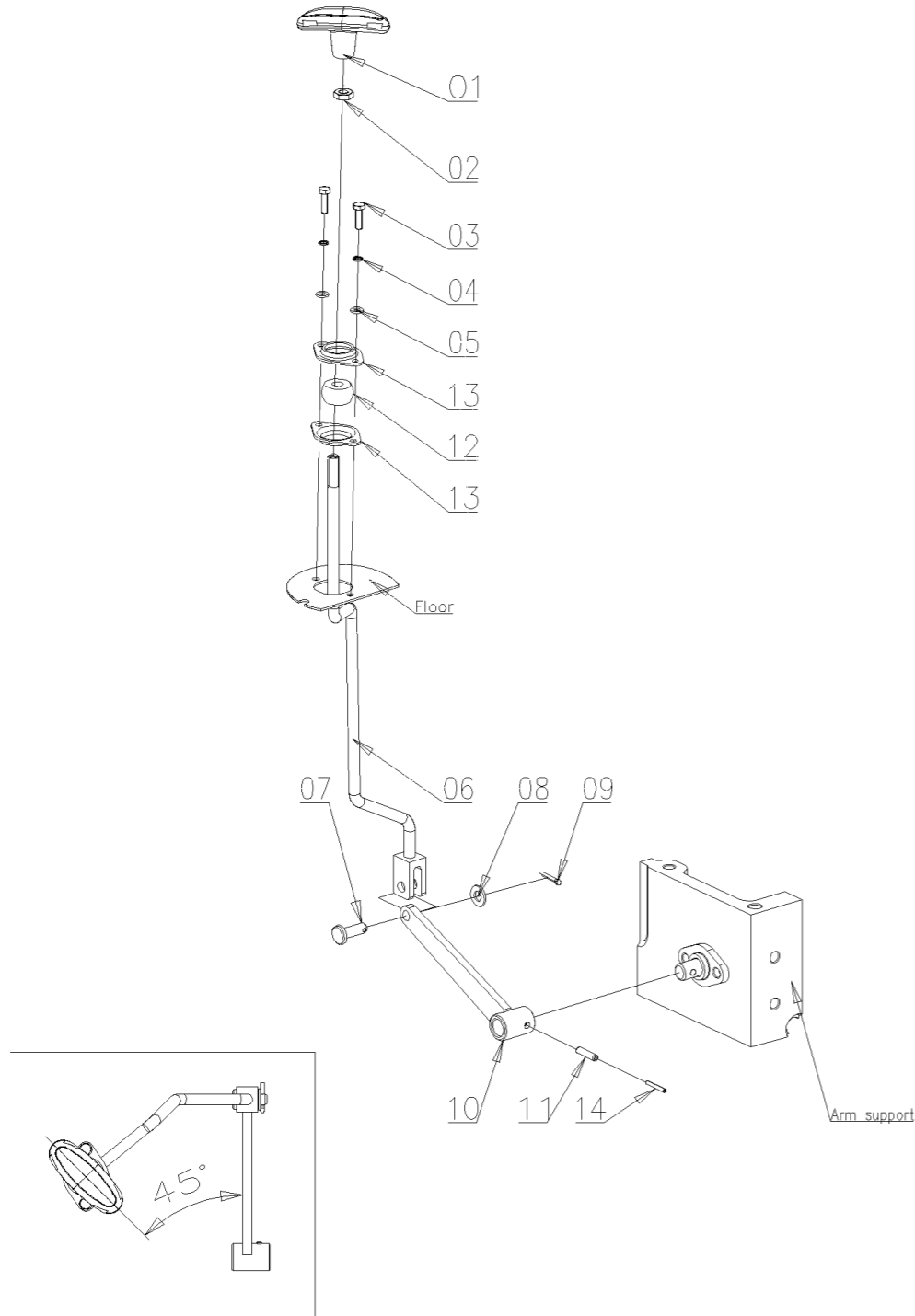


A39.41.900.4 PTO COMMAND ASSY(540/1000)

YFB-R-2022-001 SH.006

A39.41.900.4\_5 动力输出操纵总成 (540/1000) PTO COMMAND ASS.Y (540/1000)

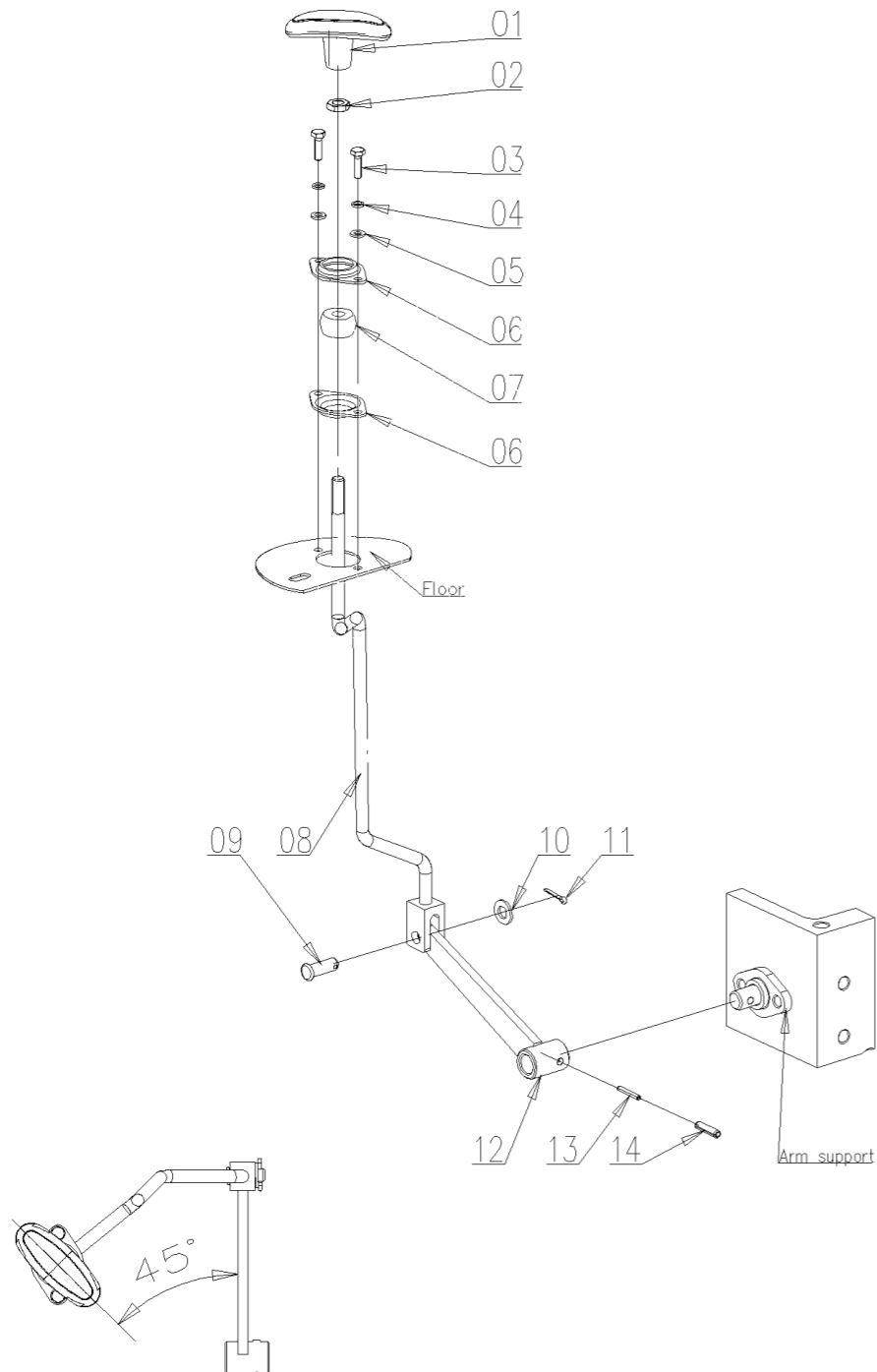
| 序号 | 零件编号            | 零件名称                          | 数量 | 图号              |
|----|-----------------|-------------------------------|----|-----------------|
| 1  | A39.41.002.4/10 | 控制手柄(540/1000) P.T.O CONTROL  | 1  | A39.41.002.4/10 |
| 2  | 2.1011.206.2    | 螺母 NUT M10x1.5                | 1  | 2.1011.206.2    |
| 3  | 2.0114.007.2    | 螺栓M6x20 SCREW M6x20           | 2  | 2.0114.007.2    |
| 4  | 2.1473.006.2    | 垫圈 SPRING WASHER M6           | 2  | 2.1473.006.2    |
| 5  | 2.1310.002.2    | 垫圈 6 WASHER 6                 | 2  | 2.1310.002.2    |
| 6  | A39.41.001.3/30 | 杆焊件 LEVER WELDMENT            | 1  | A39.41.001.3/30 |
| 7  | 2.1671.407.2    | 销 CLEVIS PINS WITH HEAD 10x28 | 1  | 2.1671.407.2    |
| 8  | 2.1310.006.2    | 垫圈 10 WASHER 10               | 1  | 2.1310.006.2    |
| 9  | 2.1690.307.2    | 销 3.2-18 SPLIT PIN 3.2-18     | 1  | 2.1690.307.2    |
| 10 | CD554.41.012-1  | 操作摇臂焊接件 OPERATING             | 1  | CD554.41.012-1  |
| 11 | 2.1630.651.2    | 销 SPRING-TYPE STRAIGHT PINS   | 1  | 2.1630.651.2    |
| 12 | LD800.41.104    | 导向套 GUIDE SLEEVE              | 1  | LD800.41.104    |
| 13 | SH404.42.114    | 导向套护腕 GUIDER SLEEVE           | 2  | SH404.42.114    |
| 14 | 2.1630.351.2    | 销 SPRING-TYPE STRAIGHT PINS   | 1  | 2.1630.351.2    |



# A39.41.901.4 PTO COMMAND ASS.Y (540/760)

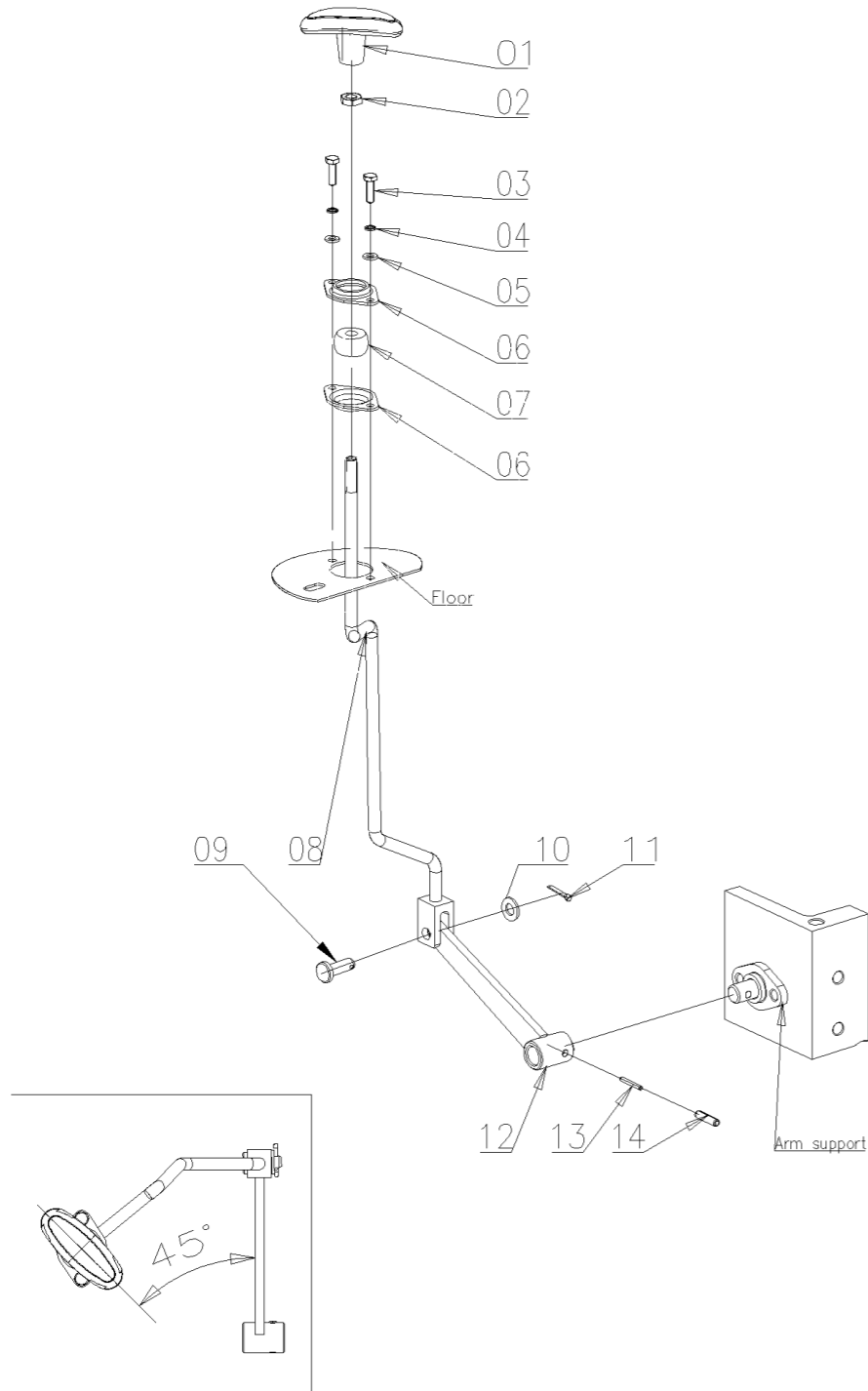
## A39.41.901.4\_3 动力输出操纵总成 PTO COMMAND ASSY(540/760)

| 序号 | 零件编号              | 零件名称                         | 数量 | 图号                |
|----|-------------------|------------------------------|----|-------------------|
| 1  | A39.41.004.4/10   | 控制手柄 (540/760) P.T.O CONTROL | 1  | A39.41.004.4/10   |
| 2  | GBT6172.1-M10-A3L | 螺母 NUT                       | 1  | GBT6172.1-M10-A3L |
| 3  | GBT5783-M6X20-A2L | 螺栓 BOLT                      | 2  | GBT5783-M6X20-A2L |
| 4  | GBT93-6-A3L       | 垫圈 WASHER                    | 2  | GBT93-6-A3L       |
| 5  | GBT97.1-6-A3L     | 垫圈 WASHER                    | 2  | GBT97.1-6-A3L     |
| 6  | SH404.42.114      | 导向套 GUIDER SLEEVE PROTECT    | 2  | SH404.42.114      |
| 7  | LD800.41.104      | 导向套 GUIDE SLEEVE             | 1  | LD800.41.104      |
| 8  | A39.41.001.3/20   | 杆焊件 LEVER WELDMENT           | 1  | A39.41.001.3/20   |
| 9  | GBT882-B10X28-A3L | 销 PIN                        | 1  | GBT882-B10X28-A3L |
| 10 | GBT97.1-10-A3L    | 垫圈 WASHER                    | 1  | GBT97.1-10-A3L    |
| 11 | GBT91-3.2X18-A3L  | 销 PIN                        | 1  | GBT91-3.2X18-A3L  |
| 12 | CD554.41.012-1    | 操作摇臂焊件 OPERATING             | 1  | CD554.41.012-1    |
| 13 | GBT879.1-3.5X26   | 销 PIN                        | 1  | GBT879.1-3.5X26   |
| 14 | GBT879.1-6X26     | 销 PIN                        | 1  | GBT879.1-6X26     |



# A39.41.901.4 PTO COMMAND ASS.Y (540/760)

YFB-R-2022-001 SH.006



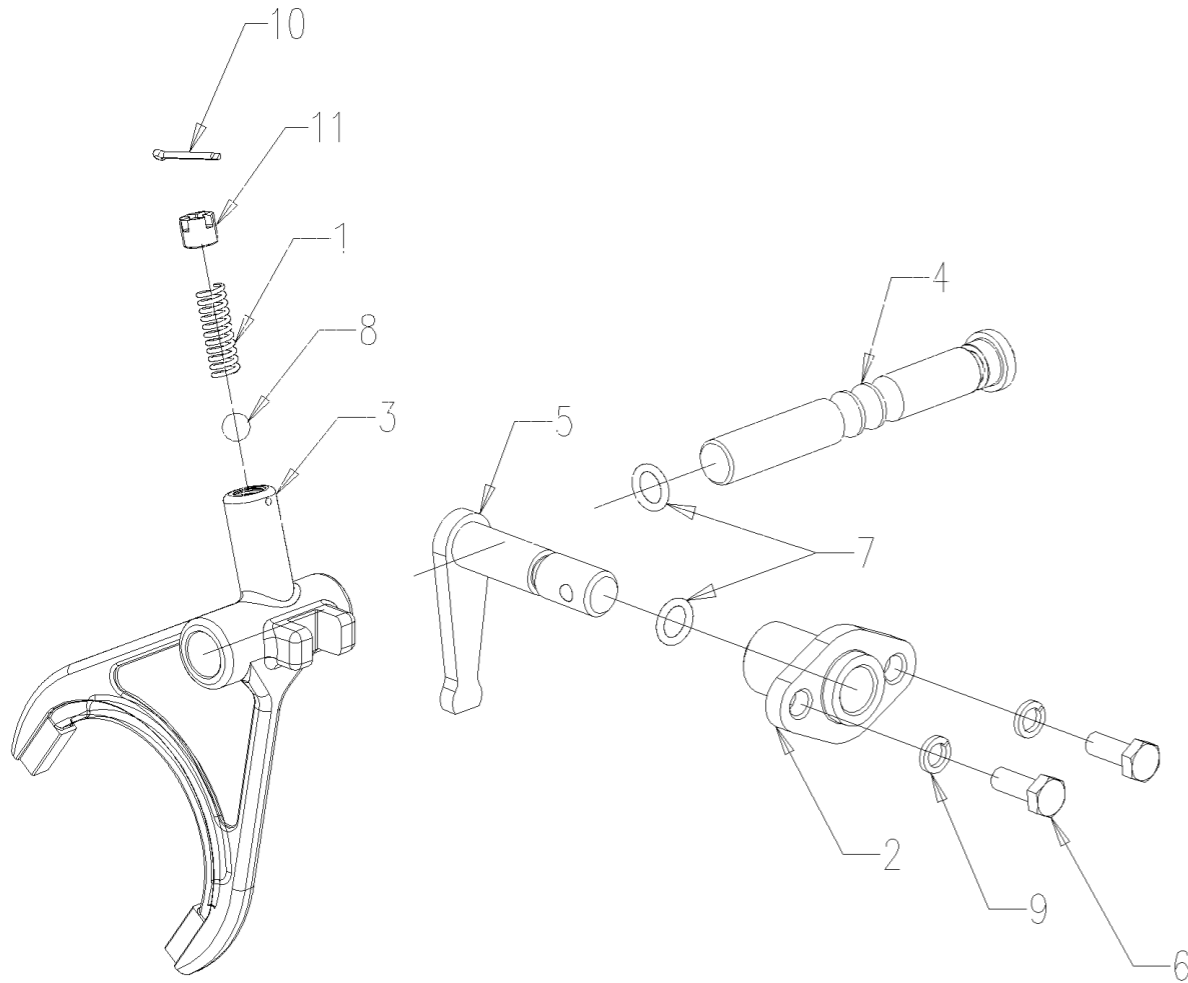
## A39.41.901.4\_4 动力输出操纵总成 (540/760) PTO COMMAND ASS.Y (540/760)

| 序号 | 零件编号            | 零件名称                          | 数量 | 图号              |
|----|-----------------|-------------------------------|----|-----------------|
| 1  | A39.41.004.4/10 | 控制手柄 (540/760) P.T.O CONTROL  | 1  | A39.41.004.4/10 |
| 2  | 2.1011.206.2    | 螺母 NUT M10x1.5                | 1  | 2.1011.206.2    |
| 3  | 2.0114.007.2    | 螺栓M6x20 SCREW M6x20           | 2  | 2.0114.007.2    |
| 4  | 2.1473.006.2    | 垫圈 SPRING WASHER M6           | 2  | 2.1473.006.2    |
| 5  | 2.1310.002.2    | 垫圈 6 WASHER 6                 | 2  | 2.1310.002.2    |
| 6  | SH404.42.114    | 导向套护腕 GUIDER SLEEVE           | 2  | SH404.42.114    |
| 7  | LD800.41.104    | 导向套 GUIDE SLEEVE              | 1  | LD800.41.104    |
| 8  | A39.41.001.3/30 | 杆焊件 LEVER WELDMENT            | 1  | A39.41.001.3/30 |
| 9  | 2.1671.407.2    | 销 CLEVIS PINS WITH HEAD 10x28 | 1  | 2.1671.407.2    |
| 10 | 2.1310.006.2    | 垫圈 10 WASHER 10               | 1  | 2.1310.006.2    |
| 11 | 2.1690.307.2    | 销 3.2-18 SPLIT PIN 3.2-18     | 1  | 2.1690.307.2    |
| 12 | CD554.41.012-1  | 操作摇臂焊件 OPERATING              | 1  | CD554.41.012-1  |
| 13 | 2.1630.351.2    | 销 SPRING-TYPE STRAIGHT PINS   | 1  | 2.1630.351.2    |
| 14 | 2.1630.651.2    | 销 SPRING-TYPE STRAIGHT PINS   | 1  | 2.1630.651.2    |

# A39.41.902.4 PTO CONTROL ASS.Y

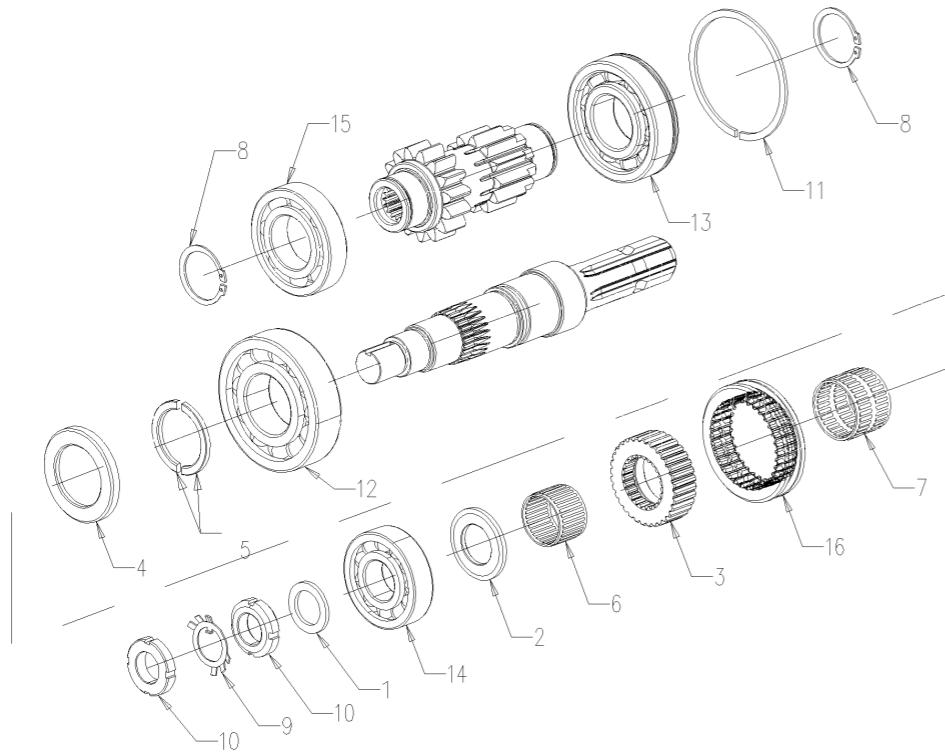
## A39.41.902.4\_2 PTO 操纵总成PTO CONTROL ASS.LY

| 序号 | 零件编号                  | 零件名称                      | 数量 | 图号                    |
|----|-----------------------|---------------------------|----|-----------------------|
| 1  | SH400.41.119          | 碳素弹簧钢丝1.5/65Mn FORK SHAFT | 1  | SH400.41.119          |
| 2  | SH400.41.118          | 拨杆轴套 SHIFT LEVER BUSHING  | 1  | SH400.41.118          |
| 3  | SH400.41.117          | 动力输出操纵拨叉 PTO SHIFT FORK   | 1  | SH400.41.117          |
| 4  | SH400.41.116          | 叉轴 PTO FORK SHAFT         | 1  | SH400.41.116          |
| 5  | SH400.41.011          | 指形拨杆焊合件 SHIFT LEVER       | 1  | SH400.41.011          |
| 6  | GBT5783-M8X20-A2L     | 螺栓 BOLT                   | 2  | GBT5783-M8X20-A2L     |
| 7  | GBT3452.1-11.2X2.65-G | O形密封圈 O RING              | 2  | GBT3452.1-11.2X2.65-G |
| 8  | GBT308-9.5-G100-b     | 球 BALL                    | 1  | GBT308-9.5-G100-b     |
| 9  | GBT93-8-A3L           | 垫圈 WASHER                 | 2  | GBT93-8-A3L           |
| 10 | GBT91-2.5x25-A3L      | 销 PIN                     | 1  | GBT91-2.5x25-A3L      |
| 11 | A39.41.006.0          | 螺丝钉 SCREW                 | 1  | A39.41.006.0          |





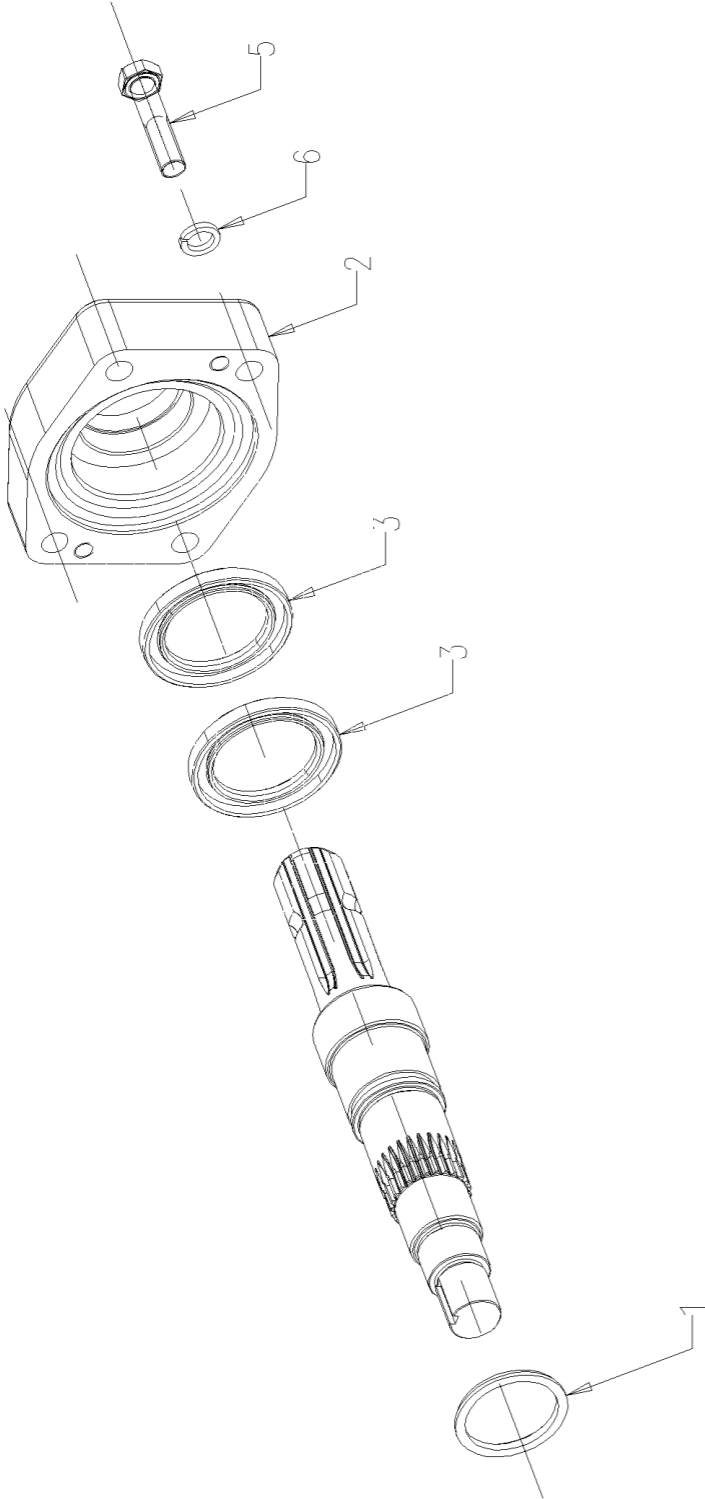
A39.41.903.4 PTO ACCESSORY ASS.Y



A39.41.903.4\_1 动力输出附件总成 (整体式) PTO ACCESSORY ASS.LY

| 序号 | 零件编号                | 零件名称                     | 数量 | 图号                  |
|----|---------------------|--------------------------|----|---------------------|
| 1  | SH400.41.114        | 垫圈 WASHER                | 1  | SH400.41.114        |
| 2  | SH400.41.113        | 输出轴前挡环 FRONT CIRCLIP OF  | 1  | SH400.41.113        |
| 3  | SH400.41.110        | 动力输出啮合座 PTO ENGAGEMENT   | 1  | SH400.41.110        |
| 4  | SH400.41.107        | 后挡环 REAR CIRCLIP         | 1  | SH400.41.107        |
| 5  | SH400.41.106        | 输出轴半卡簧 OUTPUT SHAFT HALF | 2  | SH400.41.106        |
| 6  | JBT7918-K35X40X27   | 轴承 BEARING               | 1  | JBT7918-K35X40X27   |
| 7  | JBT7918-K40X46X34ZW | 轴承 BEARING               | 1  | JBT7918-K40X46X34ZW |
| 8  | GBT894.1-40         | 弹性挡圈 CIRCLIP FOR SHAFT   | 2  | GBT894.1-40         |
| 9  | GBT858-25           | 圆螺母用六角垫圈 TAB WASHER FOR  | 1  | GBT858-25           |
| 10 | GBT812-M25X1.5      | 圆螺母 ROUND NUT            | 2  | GBT812-M25X1.5      |
| 11 | GBT305-90/96.5      | 卡环 SNAP RING             | 1  | GBT305-90/96.5      |
| 12 | GBT276-6309         | 轴承 BEARING               | 1  | GBT276-6309         |
| 13 | GBT276-6308N        | 轴承 BEARING               | 1  | GBT276-6308N        |
| 14 | GBT276-6306         | 轴承 BEARING               | 1  | GBT276-6306         |
| 15 | GBT276-6208         | 轴承 BEARING               | 1  | GBT276-6208         |
| 16 | SH704-1.37.115-1    | - 档啮合套 I-II SPEED SLEEVE | 1  | SH704-1.37.115-1    |

A39.41.904.4 PTO OIL SEAL ASS.LY



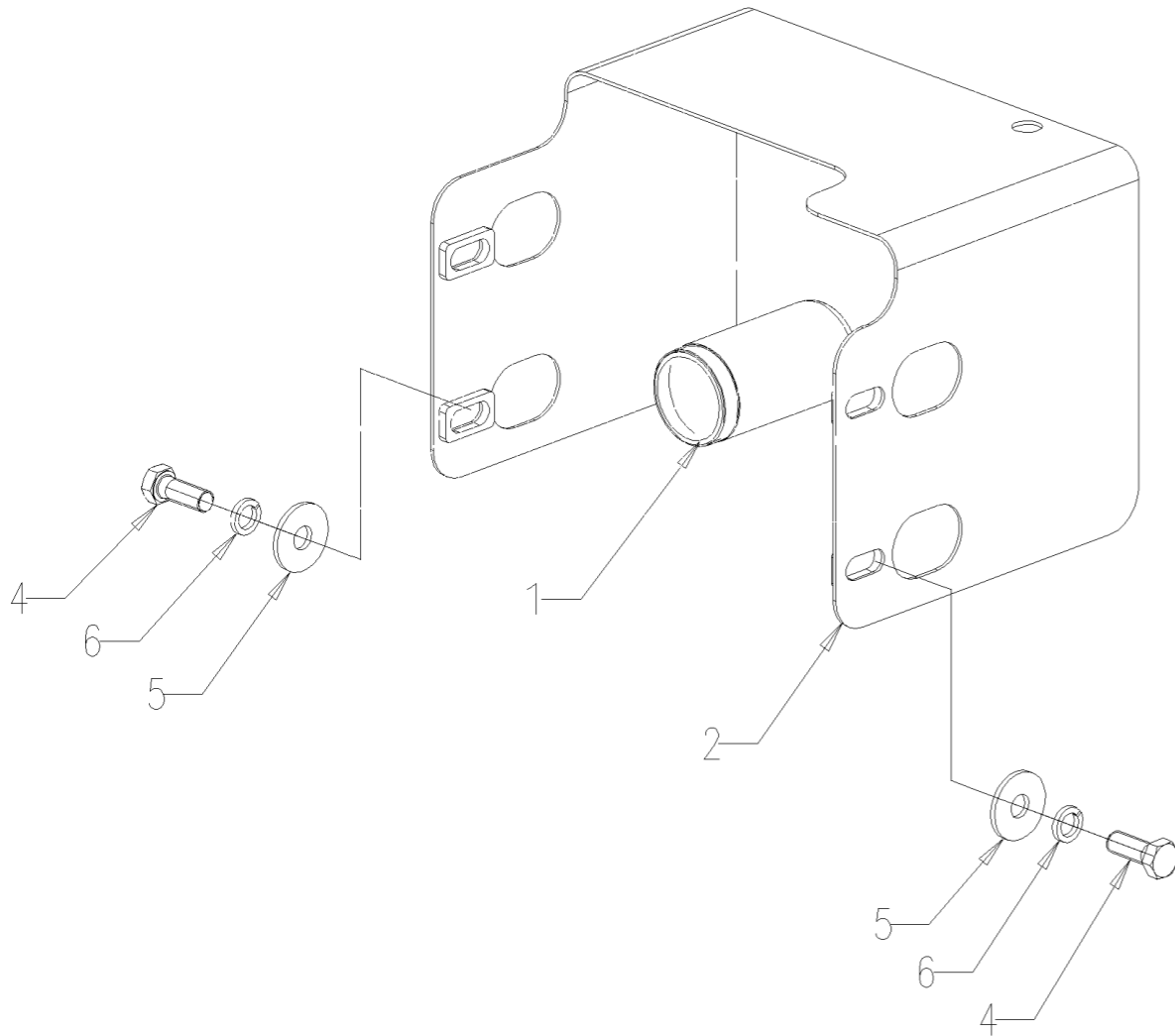
A39.41.904.4\_1 动力输出油封总成 (整体式) PTO OIL SEAL ASS.LY

| 序号 | 零件编号                   | 零件名称                 | 数量 | 图号                     |
|----|------------------------|----------------------|----|------------------------|
| 1  | SH400.41.105           | 输出轴轴承卡环 OUTPUT SHAFT | 1  | SH400.41.105           |
| 2  | SH400.41.101A          | 后端盖 REAR END COVER   | 1  | SH400.41.101A          |
| 3  | GBT13871.1-FB-050072-D | 油封 OIL SEAL          | 2  | GBT13871.1-FB-050072-D |
| 5  | GBT5782-M12X55-A3L     | 螺栓 BOLT              | 4  | GBT5782-M12X55-A3L     |
| 6  | GBT93-12-A3L           | 垫圈 WASHER            | 4  | GBT93-12-A3L           |

# A39.41.906.4 PTO PROTECTION ASS.Y

## A39.41.906.4\_1 动力输出防护罩总成 (整体式) PTO PROTECTION ASS.LY

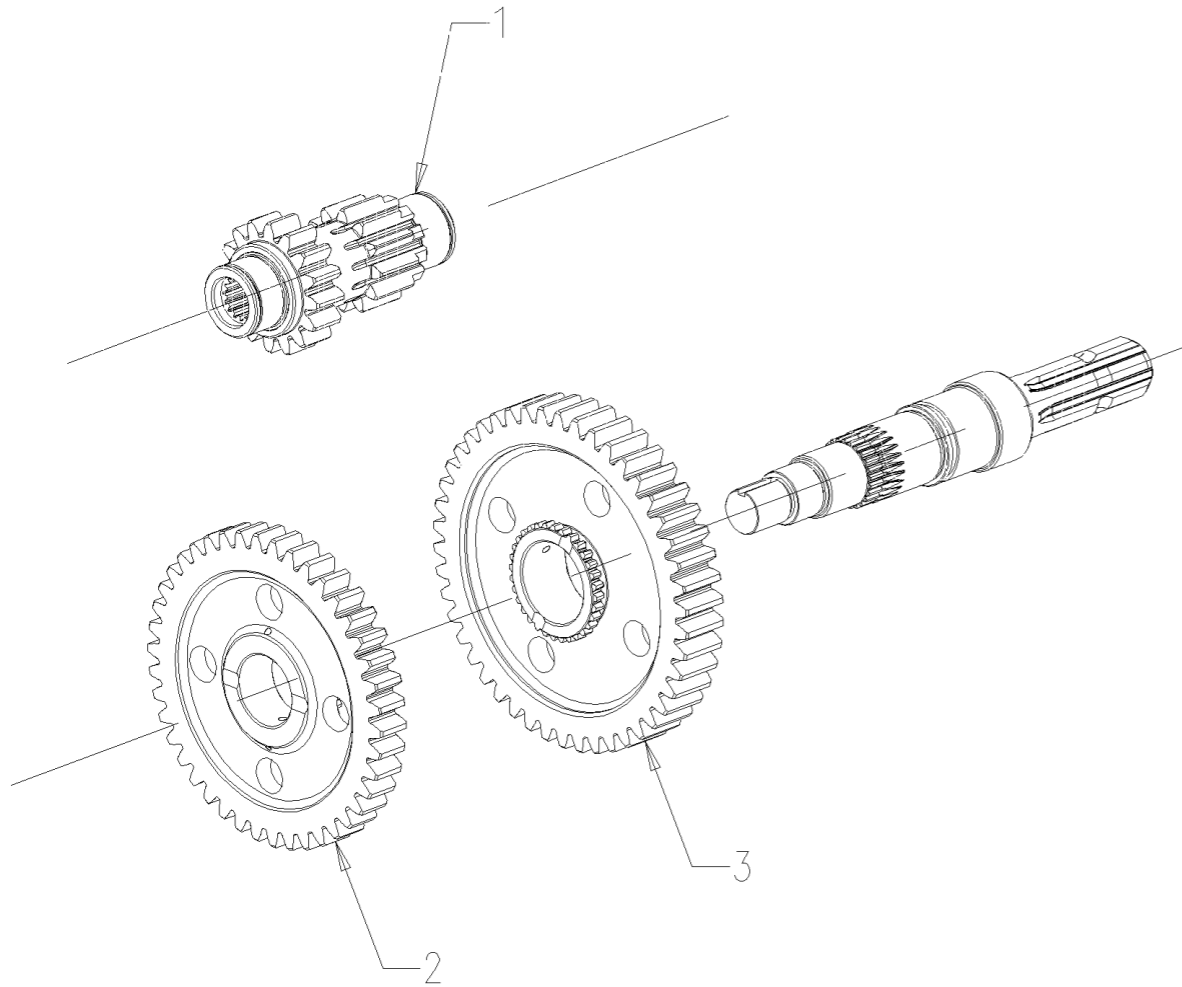
| 序号 | 零件编号               | 零件名称                | 数量 | 图号                 |
|----|--------------------|---------------------|----|--------------------|
| 1  | SH400.41.102A      | 盖 PTO COVER         | 1  | SH400.41.102A      |
| 2  | A39.41.027.2/10    | 动力输出保护焊件 PTO SHIELD | 1  | A39.41.027.2/10    |
| 4  | GBT5783-M12X30-A3L | 螺栓 BOLT             | 4  | GBT5783-M12X30-A3L |
| 5  | GBT96-12-A3L       | 垫圈 WASHER           | 4  | GBT96-12-A3L       |
| 6  | GBT93-12-A3L       | 垫圈 WASHER           | 4  | GBT93-12-A3L       |



# A39.41.907.4 PTO GEARS ASS.LY

## A39.41.907.4\_0 动力输出齿轮总成 ( 540/760 rpm ) PTO GEARS ASS.LY

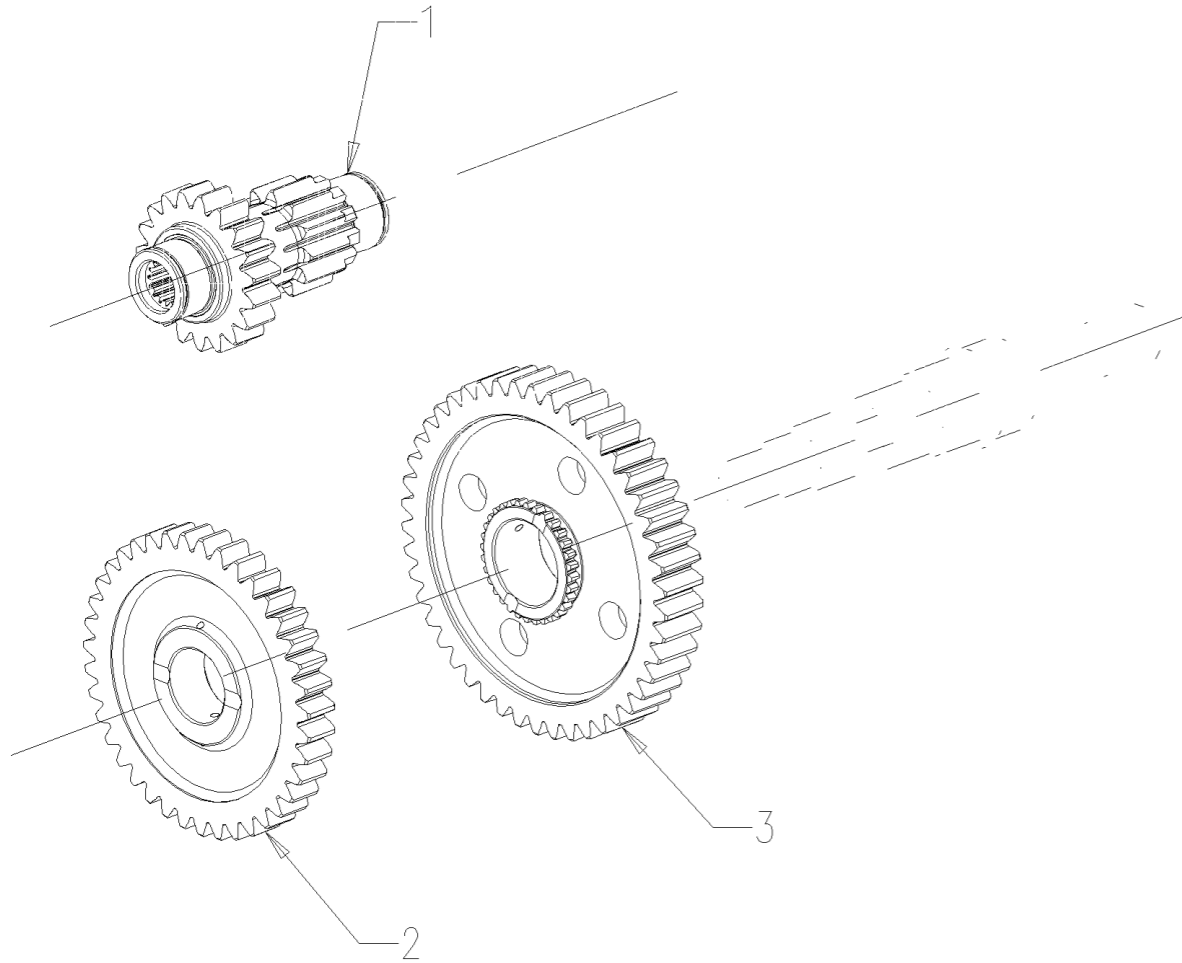
| 序号 | 零件编号             | 零件名称    | 数量 | 图号               |
|----|------------------|---------|----|------------------|
| 1  | CD554A.41.101/10 | 齿轮 GEAR | 1  | CD554A.41.101/10 |
| 2  | CD554A.41.102/10 | 齿轮 GEAR | 1  | CD554A.41.102/10 |
| 3  | CD554A.41.103/10 | 齿轮 GEAR | 1  | CD554A.41.103/10 |



# A39.41.908.4 PTO GEARS ASS.LY

## A39.41.908.4\_0 动力输出齿轮总成 ( 540/1000 rpm ) PTO GEARS ASS.LY

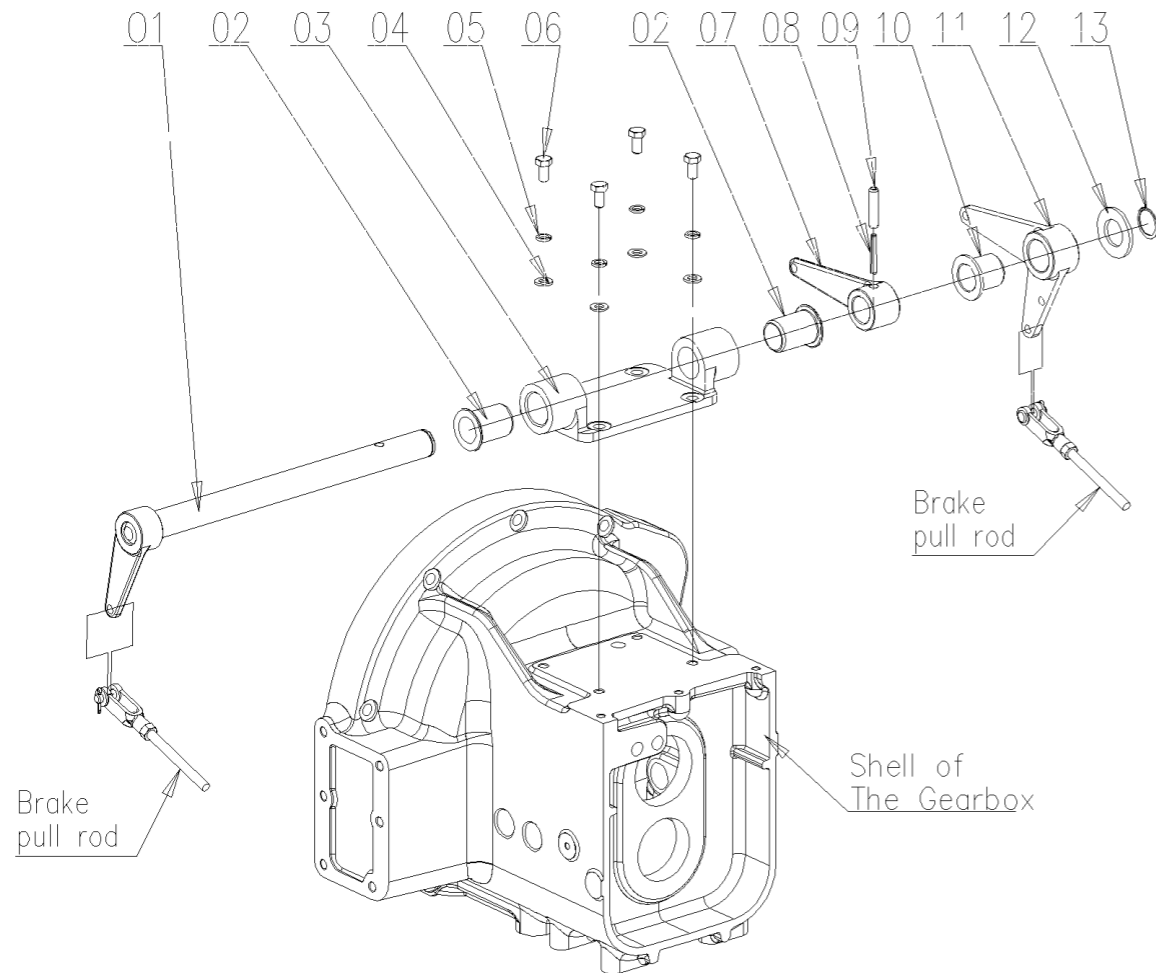
| 序号 | 零件编号           | 零件名称                      | 数量 | 图号             |
|----|----------------|---------------------------|----|----------------|
| 1  | SH550.41A.101  | 动力输出主动双联齿轮 DUAL GEAR      | 1  | SH550.41A.101  |
| 2  | SH550.41A.102  | 中间变速齿轮 INTERMEDIATE SPEED | 1  | SH550.41A.102  |
| 3  | SH704-1.41.102 | 动力输出被动大齿轮 PTO DRIVEN      | 1  | SH704-1.41.102 |



# A39.43.903.4 BRAKE ROCKER ARM ASS.Y

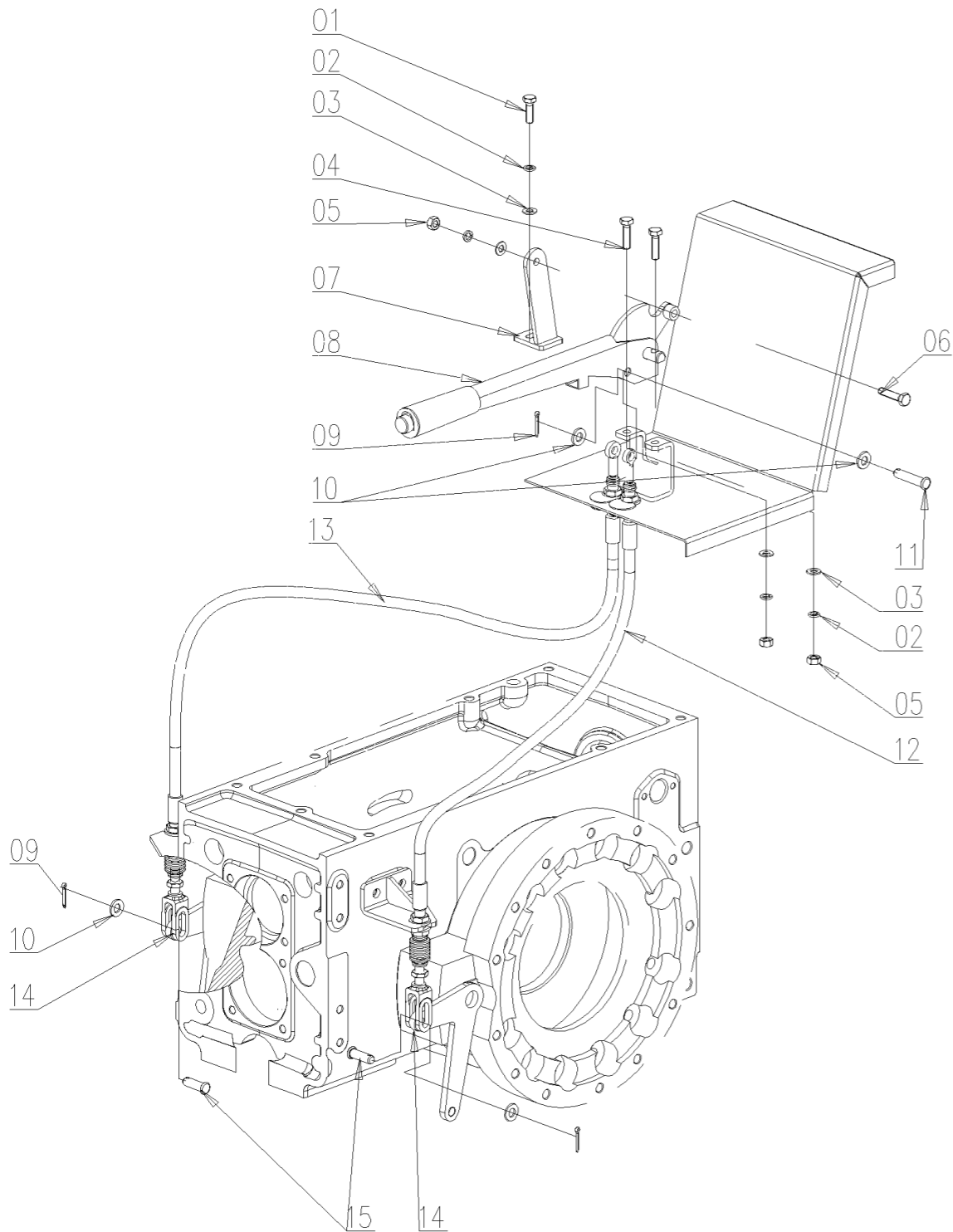
## A39.43.903.4\_0 制动摇臂总成 BRAKE ROCKER ARM ASS.Y

| 序号 | 零件编号               | 零件名称                      | 数量 | 图号                 |
|----|--------------------|---------------------------|----|--------------------|
| 1  | CD554.43.019-1     | 过渡摇臂支撑轴焊合 SUPPORT SHAFT   | 1  | CD554.43.019-1     |
| 2  | A39.43.008.0       | 隔套 SPACE SLEEVE           | 2  | A39.43.008.0       |
| 3  | A39.43.007.0       | 中间支承 MID SUPPORT          | 1  | A39.43.007.0       |
| 4  | GBT97.1-10-A3L     | 垫圈 PLAIN WASHER           | 4  | GBT97.1-10-A3L     |
| 5  | GBT93-10-A3L       | 垫圈 SPRING WASHER          | 4  | GBT93-10-A3L       |
| 6  | GBT5783-M10X20-A3L | 螺栓 BOLT                   | 4  | GBT5783-M10X20-A3L |
| 7  | LD800.43.102       | 左制动器摇臂 LEFT BRAKE         | 1  | LD800.43.102       |
| 8  | GBT879.1-6X45      | 销 PIN                     | 1  | GBT879.1-6X45      |
| 9  | GBT879.1-10X45     | 销 PIN                     | 1  | GBT879.1-10X45     |
| 10 | LD800.43.105       | 套管 BUSHING                | 1  | LD800.43.105       |
| 11 | CD554.43.103/10    | 右制动器摇臂 RIGHT BRAKE ROCKER | 1  | CD554.43.103/10    |
| 12 | GBT97.1-30-A3L     | 垫圈 WASHER                 | 1  | GBT97.1-30-A3L     |
| 13 | GBT894.1-30        | 弹性挡圈 CIRCLIP FOR SHAFT    | 1  | GBT894.1-30        |



# A39.43.904.4 HAND BRAKING ASS.

# A39.43.904.4\_1 手制动总成HAND BRAKING ASSY.

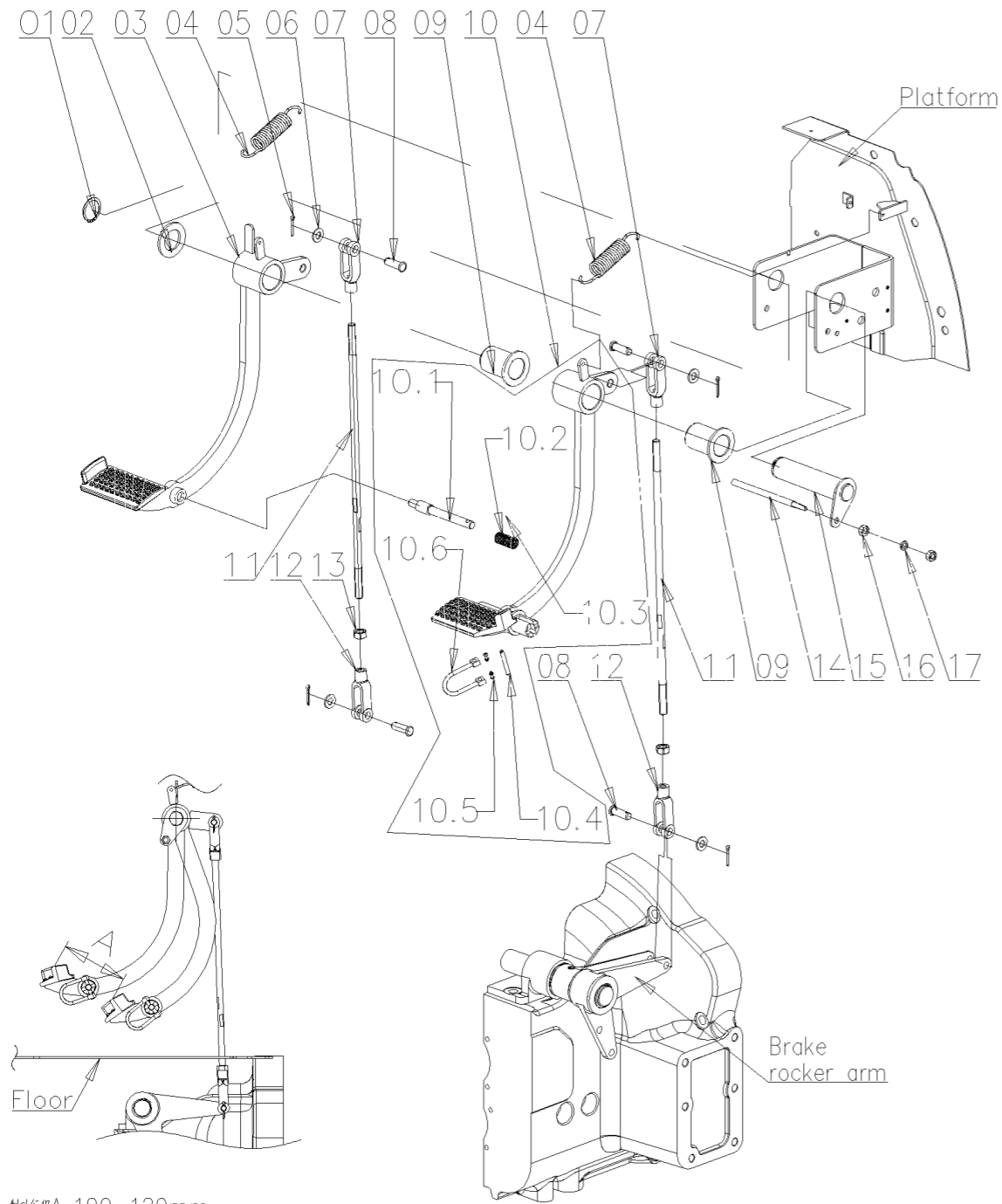


| 序号 | 零件编号              | 零件名称      | 数量 | 图号                |
|----|-------------------|-----------|----|-------------------|
| 1  | GBT5783-M8X25-A2L | 螺栓        | 1  | GBT5783-M8X25-A2L |
| 2  | GBT93-8-A3L       | 垫圈        | 4  | GBT93-8-A3L       |
| 3  | GBT97.1-8-A3L     | 垫圈        | 4  | GBT97.1-8-A3L     |
| 4  | GBT5783-M8X30-A2L | 螺栓        | 2  | GBT5783-M8X30-A2L |
| 5  | GBT6170-M8-A2L    | 螺母        | 3  | GBT6170-M8-A2L    |
| 6  | GBT5783-M8X35-A2L | 螺栓        | 1  | GBT5783-M8X35-A2L |
| 7  | CD554.43.026      | 制动手柄安装座焊合 | 1  | CD554.43.026      |
| 8  | CD554.43.021/10   | 制动手柄组件    | 1  | CD554.43.021/10   |
| 9  | GBT91-3.2X22-A3L  | 销         | 3  | GBT91-3.2X22-A3L  |
| 10 | GBT97.1-10-A3L    | 垫圈        | 4  | GBT97.1-10-A3L    |
| 11 | GBT882-B10X45-A3L | 销         | 1  | GBT882-B10X45-A3L |
| 12 | CD554.43.022/10   | 左制动拉锁     | 1  | CD554.43.022/10   |
| 13 | CD554.43.023/10   | 右制动拉锁     | 1  | CD554.43.023/10   |
| 14 | CD554.43.101      | 连接叉       | 2  | CD554.43.101      |
| 15 | GBT882-B10X30-A3L | 销         | 2  | GBT882-B10X30-A3L |

# A39.43.906.4 BRAKE PEDAL ASSY.

YFB-R-2017-011 SH.007

# A39.43.906.4\_0 制动踏板总成BRAKE PEDAL ASSY.



| 序号   | 零件编号              | 零件名称                  | 数量 | 图号                |
|------|-------------------|-----------------------|----|-------------------|
| 1    | GBT894.1-30       | 挡圈 CIRCLIP            | 1  | GBT894.1-30       |
| 2    | LD800.43.130      | 尼龙挡圈 NYLON RING       | 1  | LD800.43.130      |
| 3    | CD454.43.014      | 左制动踏板焊合件 LEFT BRAKE   | 1  | CD454.43.014      |
| 4    | LD800.43.132      | 踏板回位弹簧 PEDAL RETURN   | 2  | LD800.43.132      |
| 5    | GBT91-3.2X22-A3L  | 销 PIN                 | 4  | GBT91-3.2X22-A3L  |
| 6    | GBT97.1-10-A3L    | 垫圈 WASHER             | 4  | GBT97.1-10-A3L    |
| 7    | LD800.43.109      | 拉杆前叉 ROD FORK         | 2  | LD800.43.109      |
| 8    | GBT882-B10X30-A3L | 销 PIN                 | 4  | GBT882-B10X30-A3L |
| 9    | LD800.43.129      | 踏板衬套 PEDAL BUSHING    | 2  | LD800.43.129      |
| 10   | CD454.43.016      | 右制动踏板焊合件 RIGHT BRAKE  | 1  | CD454.43.016      |
| 10.1 | CD454.43.110      | 连接轴 CONNECTING SHAFT  | 1  | CD454.43.110      |
| 10.2 | 2.4019.586.2      | 弹簧 SPRING             | 1  | 2.4019.586.2      |
| 10.3 | CD454.43.015      | 右制动踏板焊合件 RIGHT BRAKE  | 1  | CD454.43.015      |
| 10.4 | GBT879.1-5X40     | 销 PIN                 | 1  | GBT879.1-5X40     |
| 10.5 | GBT12618.1-3X10   | 铆钉 BLIND RIVETS       | 2  | GBT12618.1-3X10   |
| 10.6 | 0.020.3812.2      | 挂钩 HOOK               | 1  | 0.020.3812.2      |
| 11   | CD554.43.104/10   | 上拉杆 UPPER LINK        | 2  | CD554.43.104/10   |
| 12   | LD800.43.106      | 拉杆前叉 ROD FORK         | 2  | LD800.43.106      |
| 13   | GBT6170-M10-A3L   | 螺母 NUT                | 2  | GBT6170-M10-A3L   |
| 14   | LD800.43.117      | 止动轴 STOP SHAFT        | 1  | LD800.43.117      |
| 15   | LD800.43.013      | 踏板支撑轴焊合 PEDAL SUPPORT | 1  | LD800.43.013      |
| 16   | GBT6170-M8-A2L    | 螺母 NUT                | 2  | GBT6170-M8-A2L    |
| 17   | GBT93-8-A3L       | 垫圈 WASHER             | 1  | GBT93-8-A3L       |

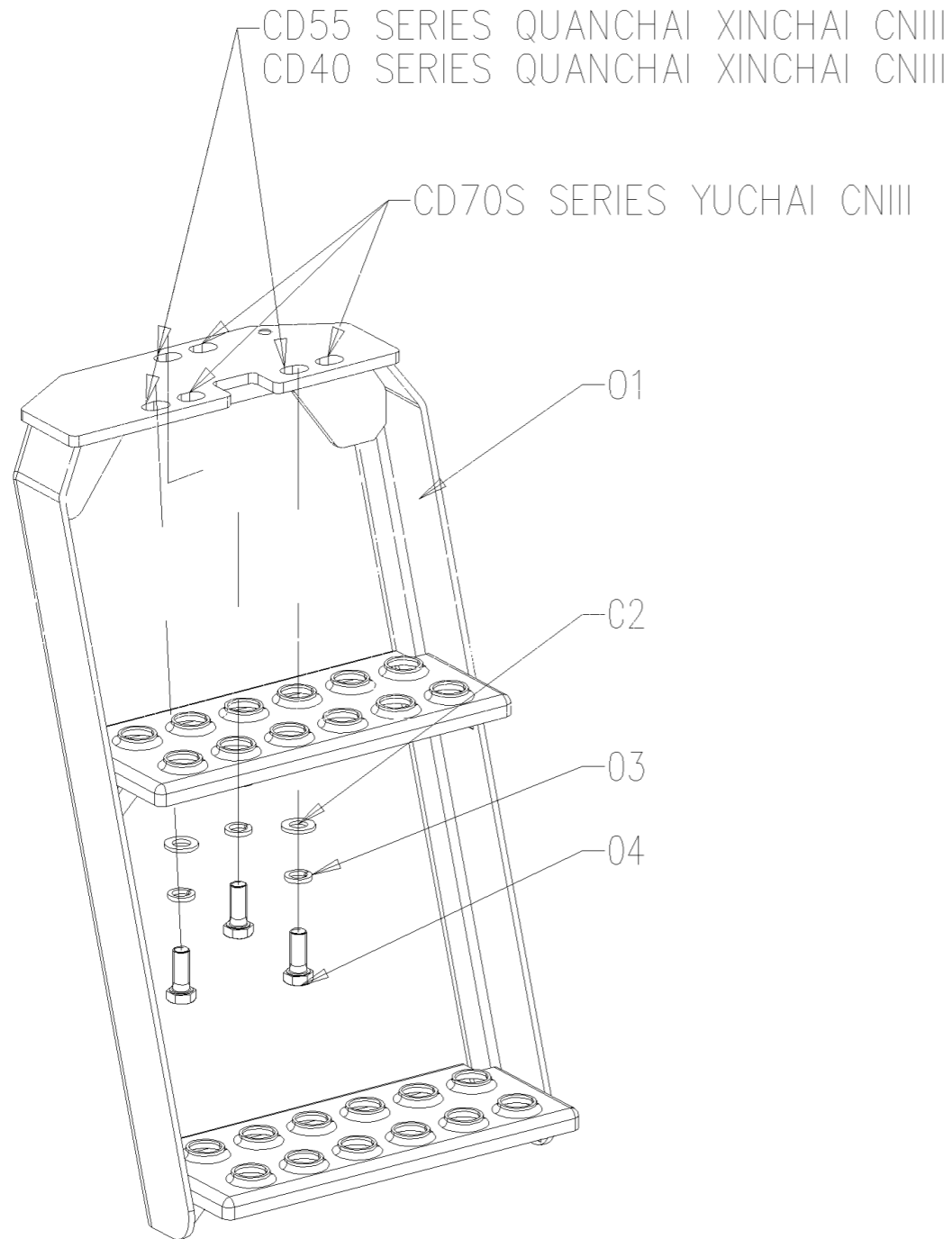
制动行程A: 100-120mm  
Brake stroke A: 100-120mm



# A39.45.935.4 THE LADDER ASSEMBLY

## A39.45.935.4\_2 左侧上车梯总成 THE LADDER ASSEMBLY

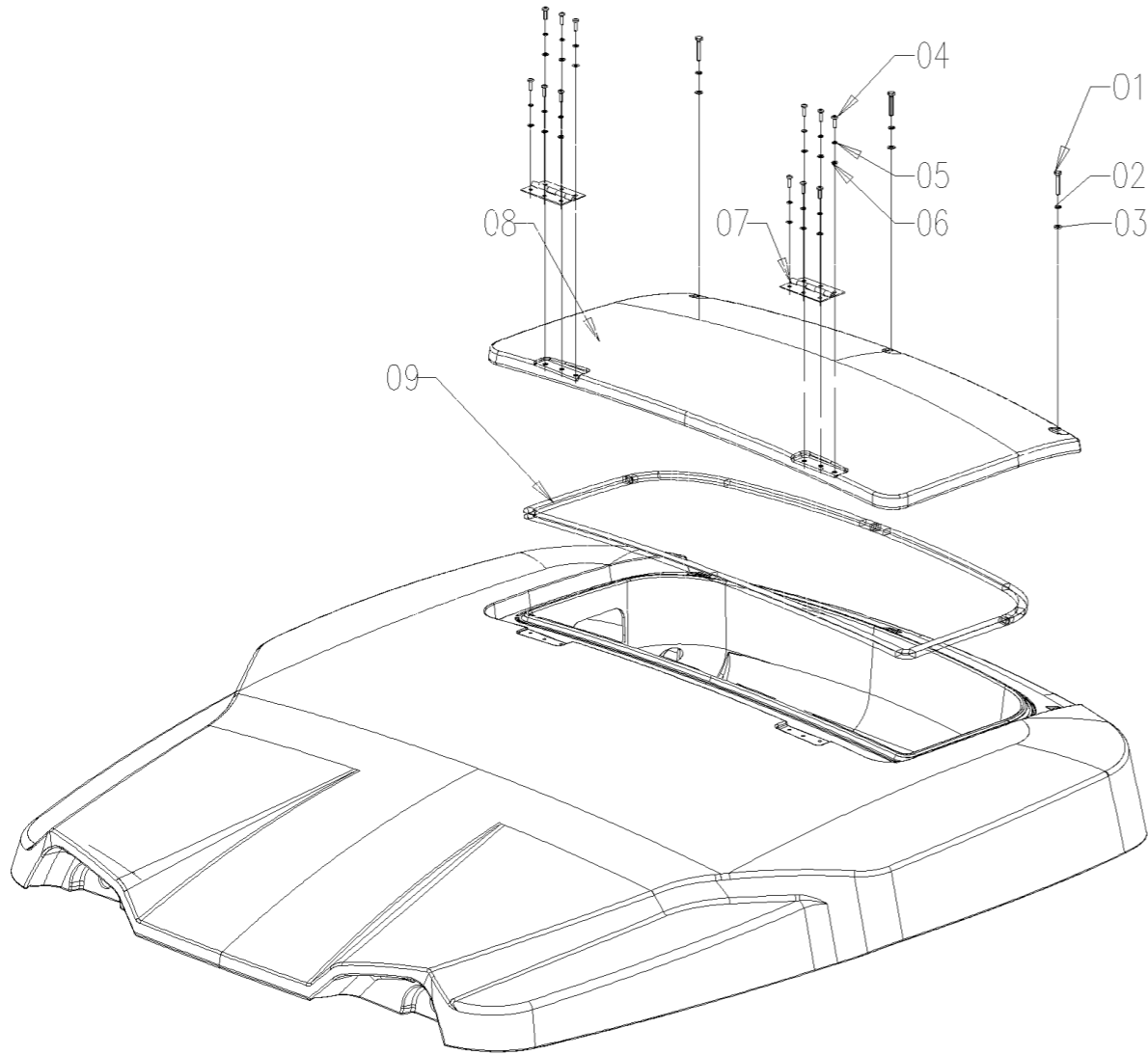
| 序号 | 零件编号                 | 零件名称                | 数量 | 图号                      |
|----|----------------------|---------------------|----|-------------------------|
| 1  | A71.45.001.3/10      | 左侧阶梯总成 LH STAIR ASS | 1  | A71.45.001.3/10         |
| 2  | GBT97.1-12-A3L       | 垫圈 WASHER           | 3  | GBT97.1-12-A3L          |
| 3  | GBT93-12-A3L         | 垫圈 WASHER           | 3  | GBT93-12-A3L            |
| 4  | GBT5783-M12X30-10.9- | 螺栓 BOLT             | 3  | GBT5783-M12X30-10.9-A3L |



# A39.45.937.4 ACCESS COVER ASSEMBLY

## A39.45.937.4\_1 检修盖总成 (驾驶室) ACCESS COVER ASSEMBLY(CAB)

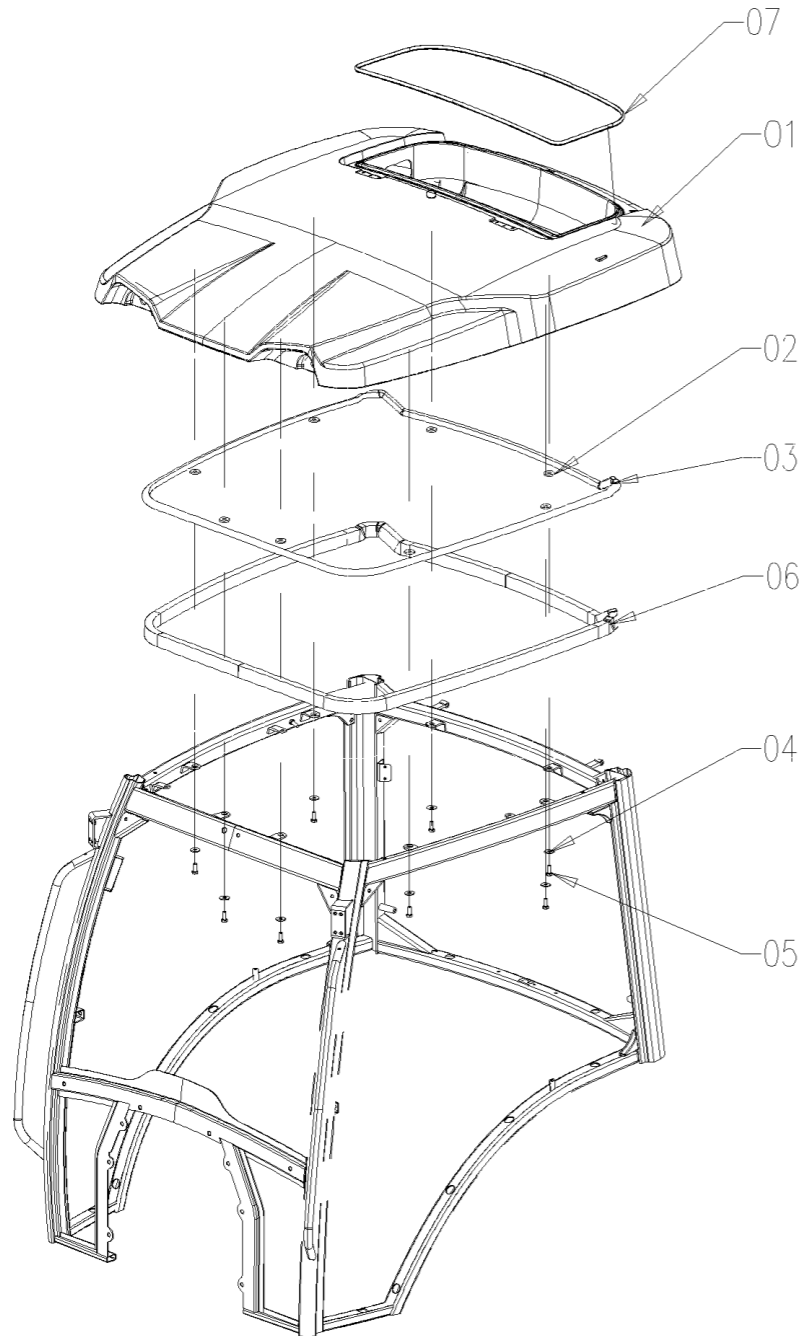
| 序号 | 零件编号              | 零件名称                   | 数量 | 图号                |
|----|-------------------|------------------------|----|-------------------|
| 1  | GBT5783-M6X35-A2L | 螺栓 BOLT                | 3  | GBT5783-M6X35-A2L |
| 2  | GBT93-6-A3L       | 垫圈 WASHER              | 3  | GBT93-6-A3L       |
| 3  | GBT97.1-6-A3L     | 垫圈 WASHER              | 3  | GBT97.1-6-A3L     |
| 4  | GBT818-M5X16-A2L  | 螺丝钉 SCREW              | 12 | GBT818-M5X16-A2L  |
| 5  | GBT93-5-A3L       | 垫圈 WASHER              | 12 | GBT93-5-A3L       |
| 6  | GBT97.1-5-A3L     | 垫圈 WASHER              | 12 | GBT97.1-5-A3L     |
| 7  | A39.45.147.0      | 铰链 HINGE               | 2  | A39.45.147.0      |
| 8  | A39.45.037.0      | 维护覆盖 MAINTENANCE COVER | 1  | A39.45.037.0      |
| 9  | A39.45.269.0      | 海绵 CR SPONGE           | 1  | A39.45.269.0      |



# A39.45.938.4 CEILING ASSEMBLY

## A39.45.938.4\_3 顶棚总成 (驾驶室) CEILING ASSEMBLY(CAB)

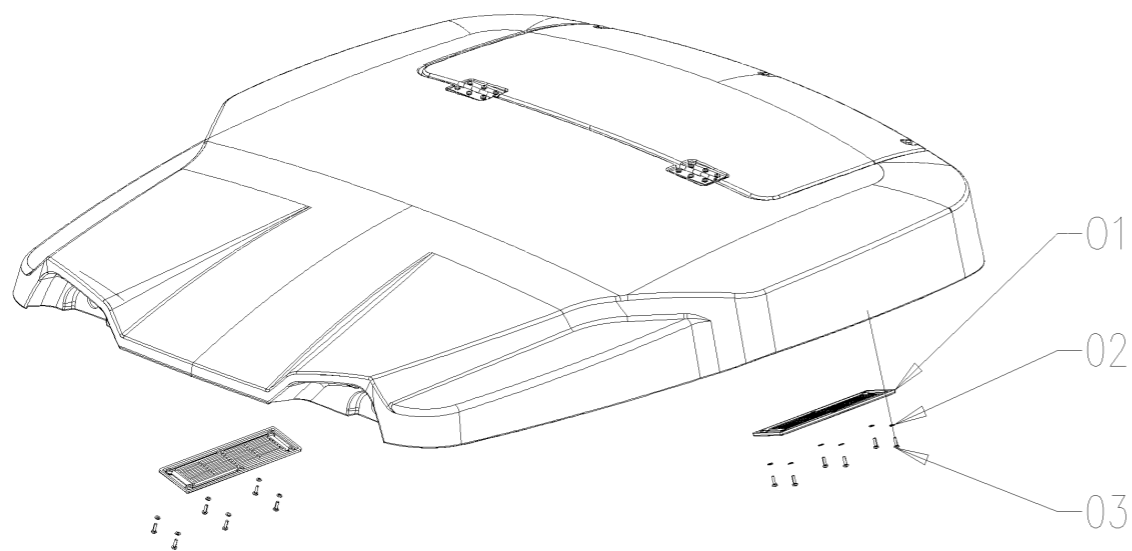
| 序号 | 零件编号               | 零件名称                      | 数量 | 图号                 |
|----|--------------------|---------------------------|----|--------------------|
| 1  | A39.45.036.0/20    | 天花板 CEILING ONTOLOGY      | 1  | A39.45.036.0/20    |
| 2  | A39.45.138.0       | 橡胶垫圈 RUBBER WASHER        | 8  | A39.45.138.0       |
| 3  | A39.45.139.0       | 密封胶条 SEALING RUBBER STRIP | 1  | A39.45.139.0       |
| 4  | GBT96.1-10-A3L     | 垫圈 WASHER                 | 8  | GBT96.1-10-A3L     |
| 5  | GBT5783-M10X25-A3L | 螺栓 BOLT                   | 8  | GBT5783-M10X25-A3L |
| 6  | A39.45.270.0       | 泡沫橡胶 RUBBER SPONGE        | 1  | A39.45.270.0       |
| 7  | A39.45.271.0       | 密封胶条 SEALING RUBBER STRIP | 1  | A39.45.271.0       |



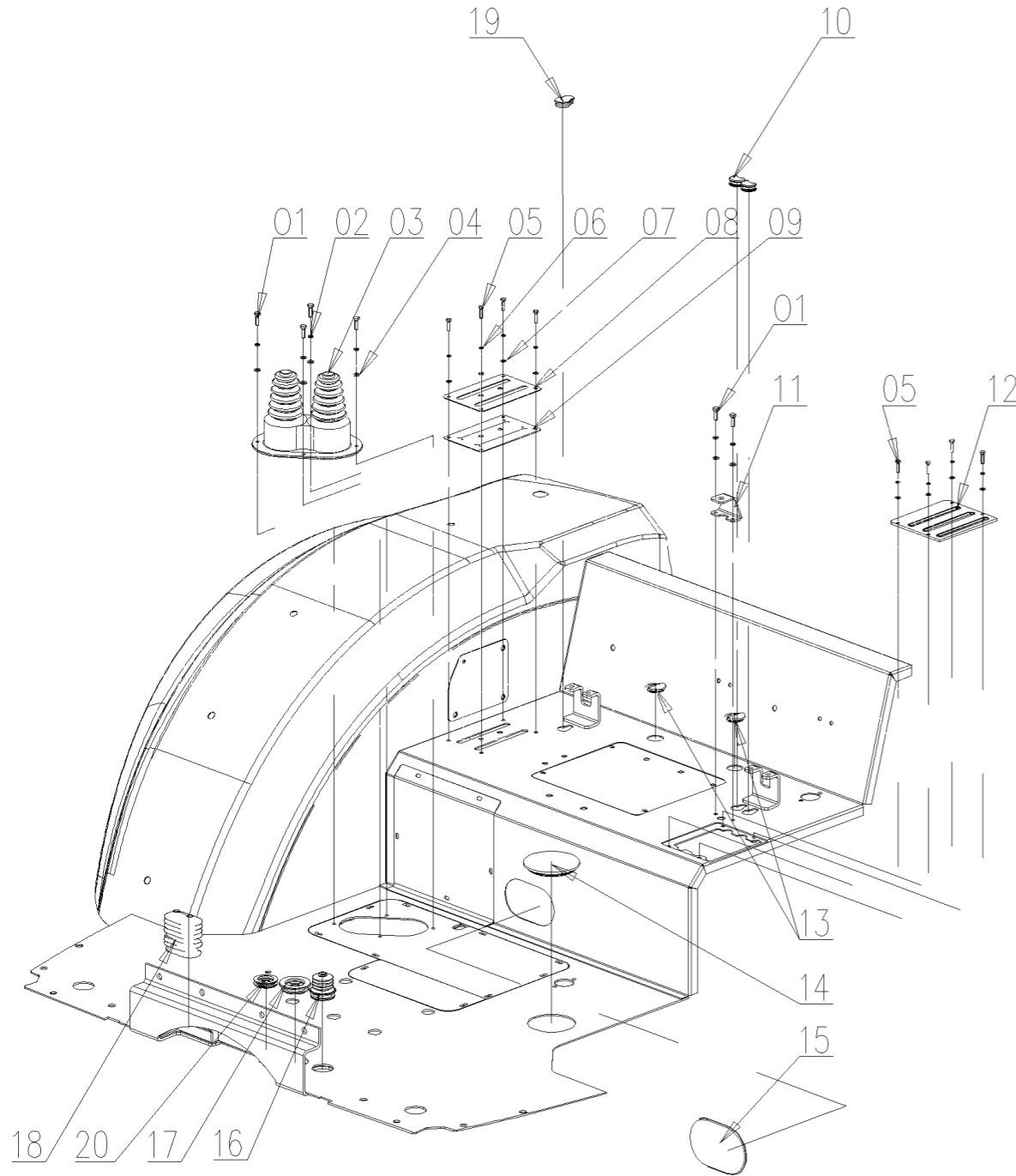
# A39.45.939.4 FAG ASSEMBLY

## A39.45.939.4\_0 新风口总成 (驾驶室) FAG ASSEMBLY(CAB)

| 序号 | 零件编号             | 零件名称                | 数量 | 图号               |
|----|------------------|---------------------|----|------------------|
| 1  | A39.45.125.0     | 进气口 FRESH AIR INLET | 2  | A39.45.125.0     |
| 2  | GBT97.1-5-A3L    | 垫圈 WASHER           | 12 | GBT97.1-5-A3L    |
| 3  | GBT818-M5X16-A2L | 螺丝钉 SCREW           | 12 | GBT818-M5X16-A2L |



# A39.45.942.4 FLOOR SEALING ASS.Y



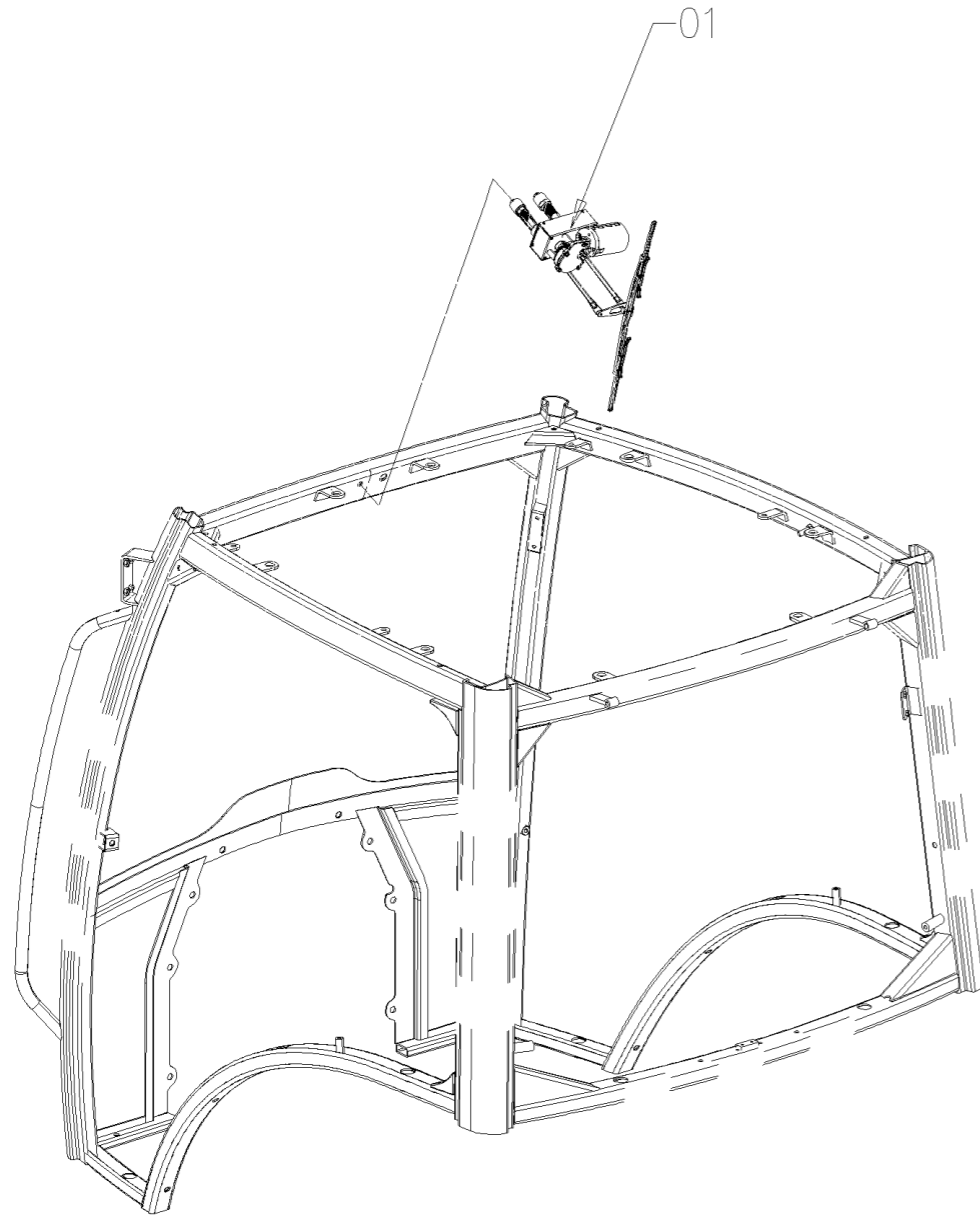
## A39.45.942.4\_02 地板密封总成 FLOOR ACCESSORIES ASSY

| 序号 | 零件编号              | 零件名称    | 数量 | 图号                |
|----|-------------------|---------|----|-------------------|
| 1  | GBT5783-M6X20-A2L | 螺栓      | 6  | GBT5783-M6X20-A2L |
| 2  | GBT93-6-A3L       | 垫圈      | 6  | GBT93-6-A3L       |
| 3  | CD554.45.223      | 变速杆防尘罩  | 1  | CD554.45.223      |
| 4  | GBT97.1-6-A3L     | 垫圈      | 6  | GBT97.1-6-A3L     |
| 5  | GBT5783-M5X20-A2L | 螺栓      | 8  | GBT5783-M5X20-A2L |
| 6  | GBT93-5-A3L       | 垫圈      | 8  | GBT93-5-A3L       |
| 7  | GBT97.1-5-A3L     | 垫圈      | 8  | GBT97.1-5-A3L     |
| 8  | CD554.45.204-1    | 升降机盖    | 1  | CD554.45.204-1    |
| 9  | CD554.45.205      | 升降机密封垫片 | 1  | CD554.45.205      |
| 10 | CD554.45.206-1    | 手制动密封盖  | 2  | CD554.45.206-1    |
| 11 | CD554.45.222-1    | 手制动开关支架 | 1  | CD554.45.222-1    |
| 12 | A39.45.192.0/10   | 盖片      | 1  | A39.45.192.0/10   |
| 13 | CD554.45.200      | 穿线胶圈    | 2  | CD554.45.200      |
| 14 | SH900.45A.205     | 穿线胶圈    | 1  | SH900.45A.205     |
| 15 | CD554.45.224      | 后堵盖     | 1  | CD554.45.224      |
| 16 | A39.45.149.0      | 防尘罩     | 1  | A39.45.149.0      |
| 17 | A39.45.151.0      | 盖       | 1  | A39.45.151.0      |
| 18 | A39.45.150.0      | 防尘罩     | 1  | A39.45.150.0      |
| 19 | A39.45.234.0      | 橡胶盖     | 1  | A39.45.234.0      |
| 20 | A39.45.203.0      | 盖       | 1  | A39.45.203.0      |

# A39.45.944.4 WIPER BLADE ASSEMBLY

## A39.45.944.4\_0 雨刮总成 (驾驶室) WIPER BLADE ASSEMBLY

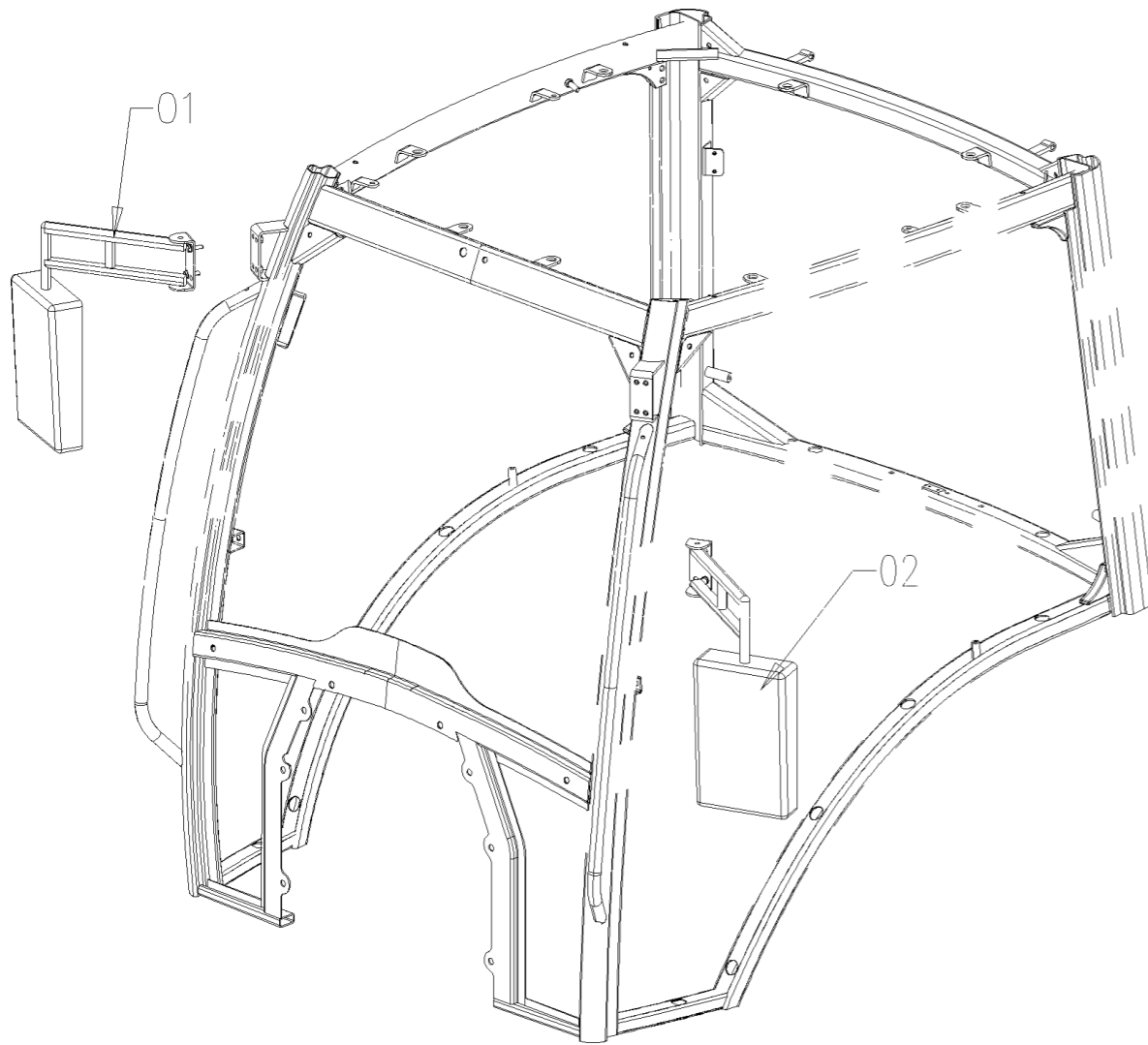
| 序号 | 零件编号         | 零件名称                 | 数量 | 图号           |
|----|--------------|----------------------|----|--------------|
| 1  | A39.45.198.4 | 雨刮器总成 WIPER ASSEMBLY | 1  | A39.45.198.4 |



### A39.45.945.4\_0 后视镜总成 (驾驶室) REARVIEW MIRROR

| 序号 | 零件编号         | 零件名称                  | 数量 | 图号           |
|----|--------------|-----------------------|----|--------------|
| 1  | A39.45.145.4 | 右后视镜组件 RIGHT REARVIEW | 1  | A39.45.145.4 |
| 2  | A39.45.146.4 | 左后视镜总成 LEFT REARVIEW  | 1  | A39.45.146.4 |

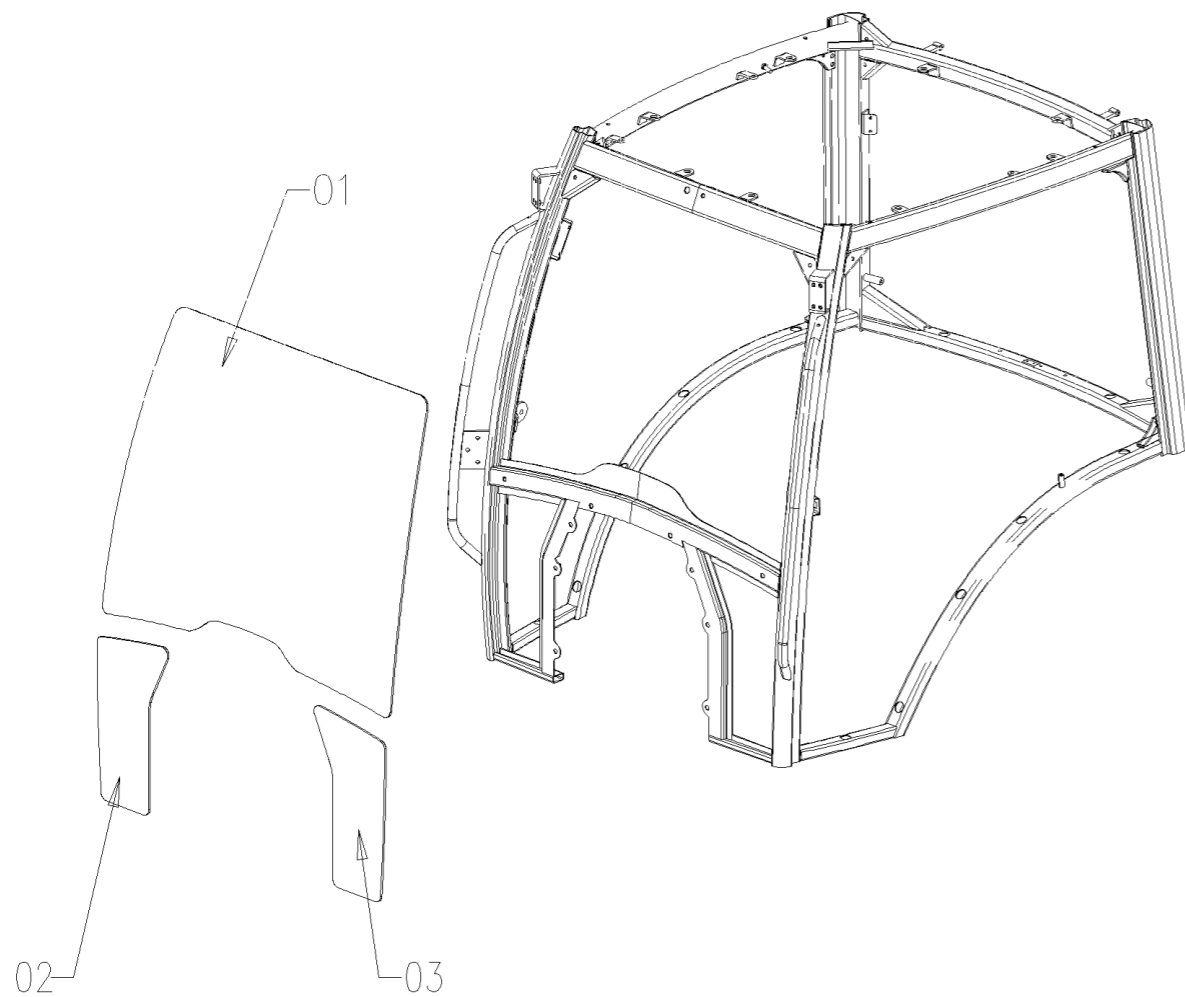
A39.45.945.4 REARVIEW MIRROR



# A39.45.947.4 GLASS ASSEMBLY

## A39.45.947.4\_0 粘帖玻璃总成 (驾驶室) REAR WINDOW ASSEMBLY

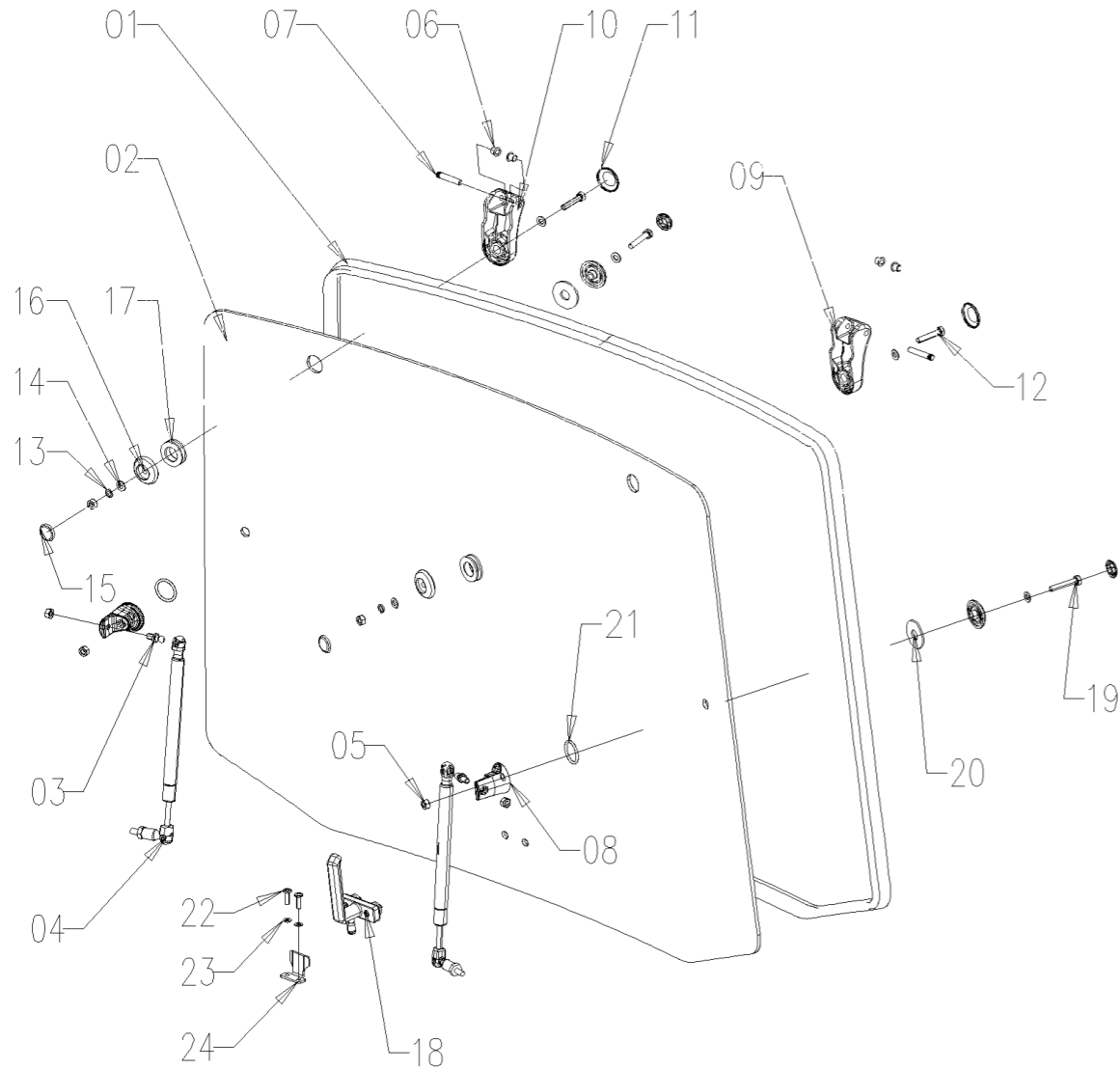
| 序号 | 零件编号         | 零件名称                       | 数量 | 图号           |
|----|--------------|----------------------------|----|--------------|
| 1  | A39.45.119.0 | 前挡风玻璃 FRONT WINDSHIELD     | 1  | A39.45.119.0 |
| 2  | A39.45.120.0 | 右挡风玻璃 UNDER THE RIGHT      | 1  | A39.45.120.0 |
| 3  | A39.45.121.0 | 左挡风玻璃 UNDER THE LEFT FRONT | 1  | A39.45.121.0 |





# A39.45.948.4 REAR WINDOW ASSEMBLY

# A39.45.948.4\_0 后窗总成 (驾驶室) REAR WINDOW ASSEMBLY

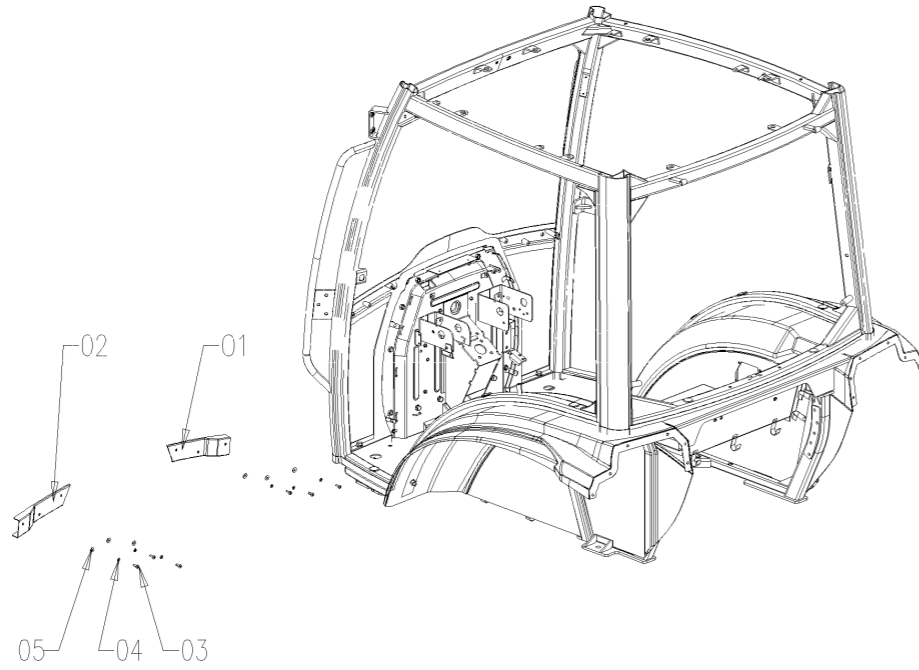


| 序号 | 零件编号              | 零件名称                           | 数量 | 图号                |
|----|-------------------|--------------------------------|----|-------------------|
| 1  | A39.45.214.0      | 橡胶垫片 RUBBER GASKET             | 1  | A39.45.214.0      |
| 2  | A39.45.053.0      | 后挡玻璃 REAR WINDOW GLASS         | 1  | A39.45.053.0      |
| 3  | 0.020.3163.0      | 球铰 BALL JOINT                  | 2  | 0.020.3163.0      |
| 4  | A39.45.054.0      | 左门轨焊接 LEFT DOOR RAILS          | 2  | A39.45.054.0      |
| 5  | GBT6170-M8-A2L    | 螺母 NUT                         | 6  | GBT6170-M8-A2L    |
| 6  | 2.2841.018.0      | 滑动轴承8x10x10 SLINDING BEARING   | 4  | 2.2841.018.0      |
| 7  | A39.45.229.0      | 主轴 SPINDLE                     | 2  | A39.45.229.0      |
| 8  | 0.020.3164.0      | 加油阻尼支承 GAS DAMPER SUPPORT      | 2  | 0.020.3164.0      |
| 9  | 0.012.6597.0/10   | 铰链 CERNIERA PORT. SX           | 1  | 0.012.6597.0/10   |
| 10 | 0.012.6598.0/10   | 铰链 CERNIERA PORT. DX           | 1  | 0.012.6598.0/10   |
| 11 | 0.012.6180.0      | 防护盖 CAPP.DI PROTEZIONE         | 2  | 0.012.6180.0      |
| 12 | GBT5783-M8X40-A2L | 螺栓 BOLT                        | 2  | GBT5783-M8X40-A2L |
| 13 | GBT93-8-A3L       | 垫圈 WASHER                      | 2  | GBT93-8-A3L       |
| 14 | GBT97.1-8-A3L     | 垫圈 WASHER                      | 6  | GBT97.1-8-A3L     |
| 15 | 0.020.3162.0      | 螺丝帽 CAP                        | 4  | 0.020.3162.0      |
| 16 | 0.020.3158.0      | 垫圈 WASHER                      | 4  | 0.020.3158.0      |
| 17 | 0.014.9749.0      | 垫片 40X40 GUARNIZIONE 40X40     | 2  | 0.014.9749.0      |
| 18 | A39.45.246.4      | 把手 HANDLE                      | 1  | A39.45.246.4      |
| 19 | GBT5783-M8X45-A2L | 螺栓 BOLT                        | 2  | GBT5783-M8X45-A2L |
| 20 | 2.1499.197.0      | 垫片 16X44X3 GUARNIZIONE 16X44X3 | 2  | 2.1499.197.0      |
| 21 | 2.1530.078.0      | 挡圈 anello di tenuta            | 2  | 2.1530.078.0      |
| 22 | 2.0332.407.3      | 螺钉M6x1x20 CROSS SCREW M6x1x20  | 2  | 2.0332.407.3      |
| 23 | 2.1310.002.2      | 垫圈 WASHER 6                    | 2  | 2.1310.002.2      |
| 24 | A39.45.247.0      | 把手锁件 HANDLE LOCK               | 1  | A39.45.247.0      |

# A39.45.949.4 WIRE SHIELD

## A39.45.949.4\_0 线束护罩 (驾驶室) WIRE SHIELD

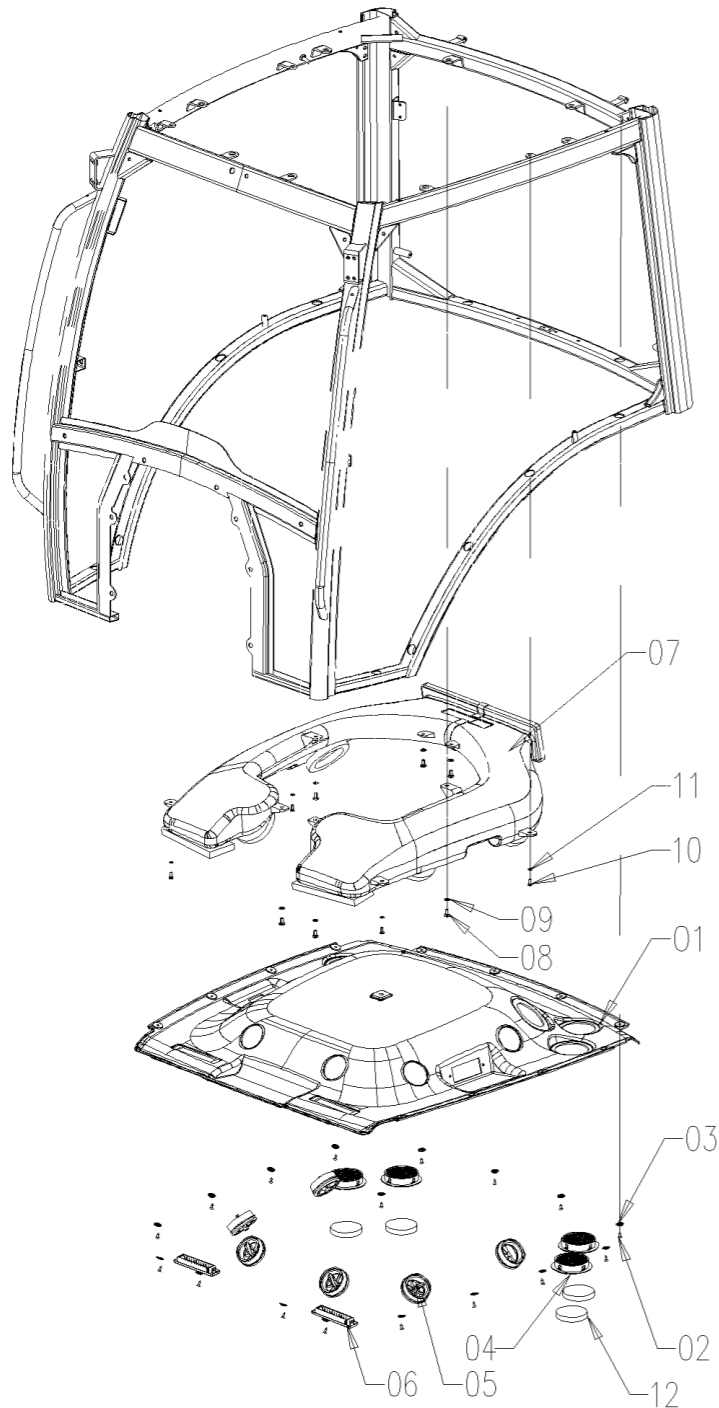
| 序号 | 零件编号             | 零件名称                    | 数量 | 图号               |
|----|------------------|-------------------------|----|------------------|
| 1  | A39.45.240.0     | 右线盾 RIGHT WIRE SHIELD   | 1  | A39.45.240.0     |
| 2  | A39.45.248.0     | 左电线防护板 LEFT WIRE SHIELD | 1  | A39.45.248.0     |
| 3  | GBT818-M6X16-A2L | 螺丝钉 SCREW               | 6  | GBT818-M6X16-A2L |
| 4  | GBT97.1-6-A3L    | 垫圈 WASHER               | 6  | GBT97.1-6-A3L    |
| 5  | GBT96.1-6-A3L    | 垫圈 WASHER               | 6  | GBT96.1-6-A3L    |



# A39.45.951.4 AIR DUCT ASSEMBLY

# A39.45.951.4\_1 风道内顶总成 (暖风) AIR DUCT ASSEMBLY(warm air)

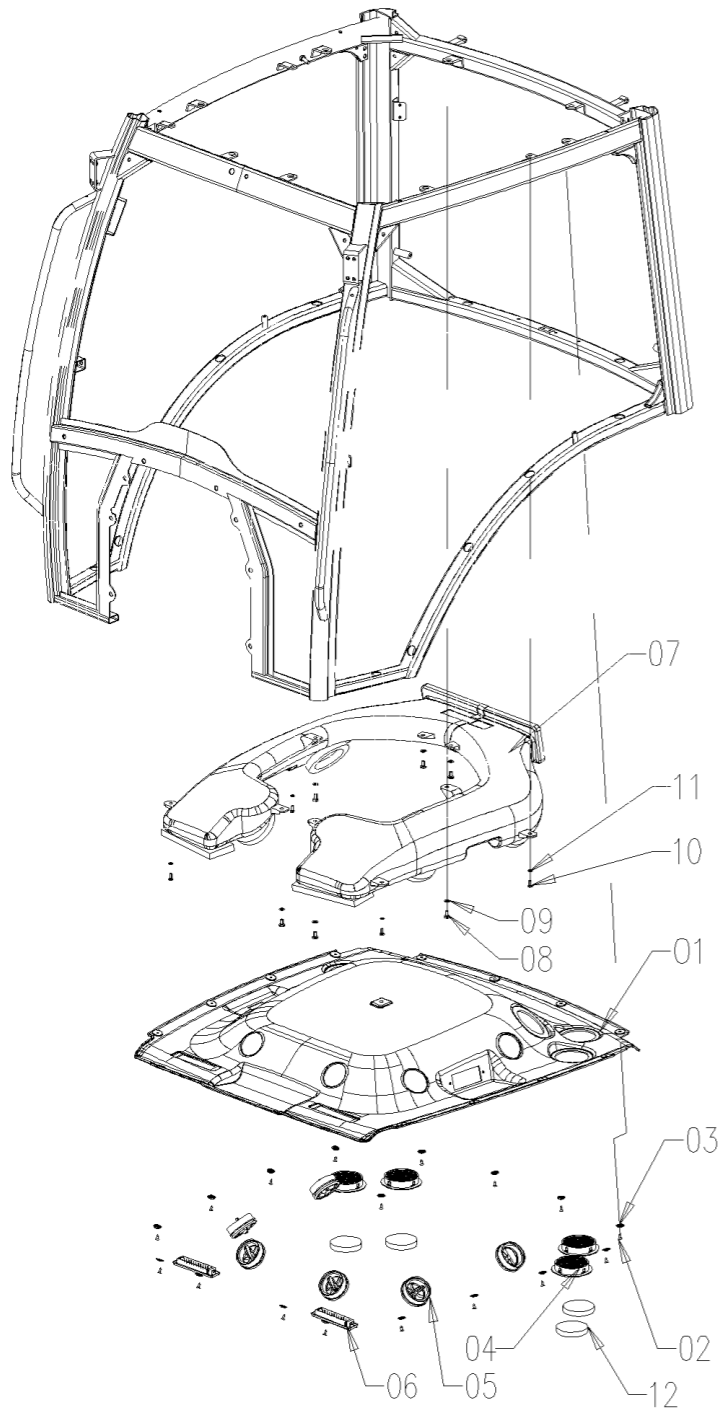
| 序号 | 零件编号             | 零件名称                  | 数量 | 图号               |
|----|------------------|-----------------------|----|------------------|
| 1  | A39.45.170.0/20  | 室内顶部加热器 INDOOR TOP-   | 1  | A39.45.170.0/20  |
| 2  | GBT846-ST4.8X16  | 螺丝钉 SCREW             | 17 | GBT846-ST4.8X16  |
| 3  | A39.45.143.2     | 手柄套 PLASTIC COVER     | 17 | A39.45.143.2     |
| 4  | C05.45.029.4     | 进气滤网 AIR-INLET SCREEN | 4  | C05.45.029.4     |
| 5  | A39.45.273.0     | 排气口 AIR OUTLET        | 6  | A39.45.273.0     |
| 6  | A39.45.128.0     | 除霜口 DEFROST OUTLET    | 2  | A39.45.128.0     |
| 7  | A39.45.034.0/10  | 空气管 AIR DUCT          | 1  | A39.45.034.0/10  |
| 8  | GBT818-M8X16-A2L | 螺丝钉 SCREW             | 6  | GBT818-M8X16-A2L |
| 9  | GBT97.1-8-A3L    | 垫圈 WASHER             | 6  | GBT97.1-8-A3L    |
| 10 | GBT818-M6X16-A2L | 螺丝钉 SCREW             | 4  | GBT818-M6X16-A2L |
| 11 | GBT97.1-6-A3L    | 垫圈 WASHER             | 4  | GBT97.1-6-A3L    |
| 12 | C05.45.028.0     | 滤网 FILTER SCREEN      | 4  | C05.45.028.0     |



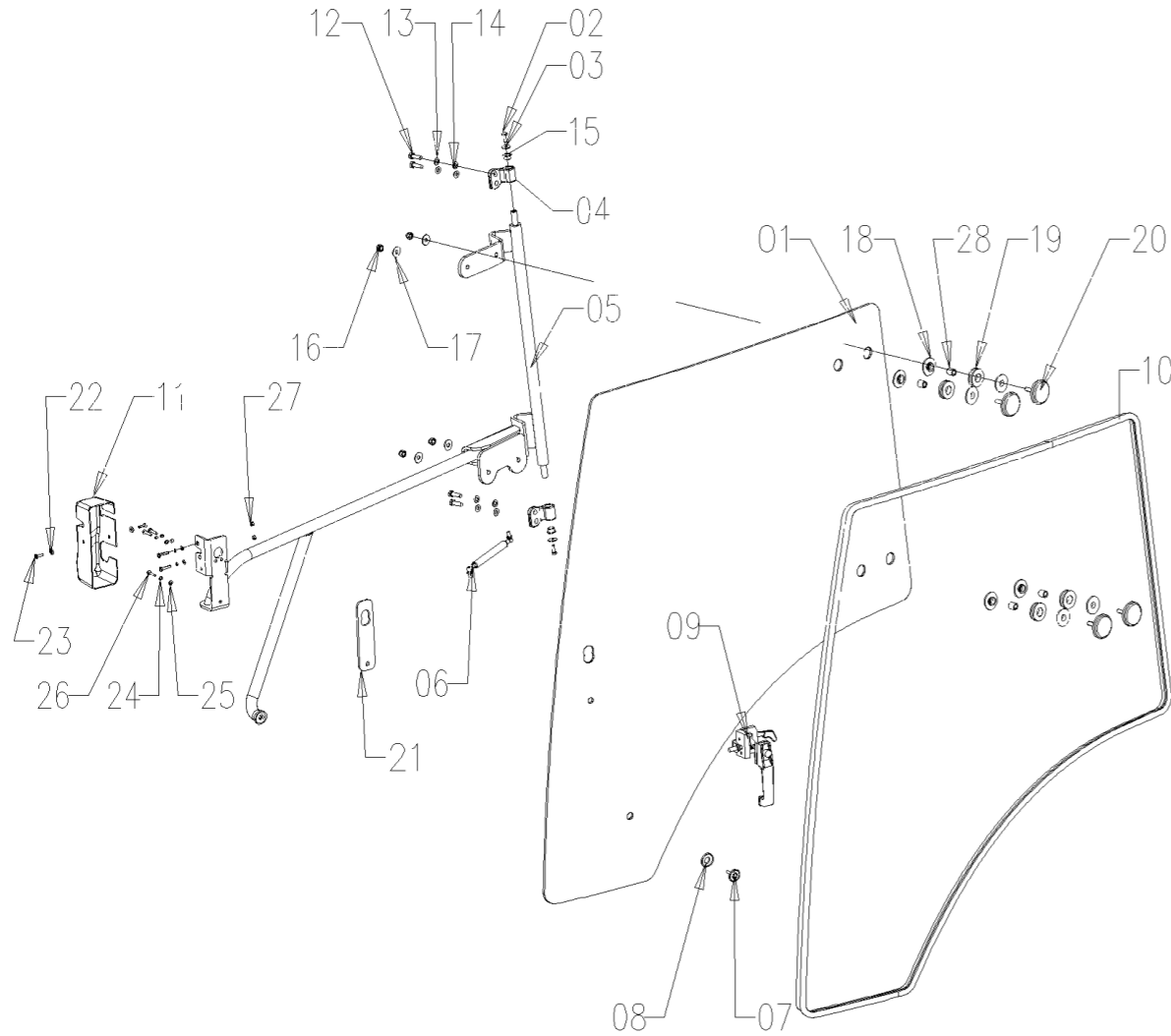
# A39.45.952.4 AIR DUCT ASSEMBLY

## A39.45.952.4\_1 风道内顶总成 (空调) AIR DUCT ASSEMBLY(Air conditioning)

| 序号 | 零件编号             | 零件名称                  | 数量                           | 图号               |
|----|------------------|-----------------------|------------------------------|------------------|
| 1  | A39.45.033.0/20  | 室内顶部空调系统 INDOOR TOP-  | 1                            | A39.45.033.0/20  |
| 2  | GBT846-ST4.8X16  | 螺丝钉 SCREW             | 17                           | GBT846-ST4.8X16  |
| 3  | A39.45.143.2     | 手柄套 PLASTIC COVER     | 17                           | A39.45.143.2     |
| 4  | C05.45.029.4     | 进气滤网 AIR-INLET SCREEN | 4                            | C05.45.029.4     |
| 5  | A39.45.273.0     | 排气口 AIR OUTLET        | 6                            | A39.45.273.0     |
| 6  | A39.45.128.0     | 除霜口 DEFROST OUTLET    | 2                            | A39.45.128.0     |
| 7  | A39.45.034.0/10  | 空气管 AIR DUCT          | 1                            | A39.45.034.0/10  |
| 8  | GBT818-M8X16-A2L | 螺丝钉 SCREW             | 6                            | GBT818-M8X16-A2L |
| 9  | GBT97.1-8-A3L    | 垫圈 WASHER             | 6                            | GBT97.1-8-A3L    |
| 10 | GBT818-M6X16-A2L | 螺丝钉 SCREW             | 4                            | GBT818-M6X16-A2L |
| 11 | GBT97.1-6-A3L    | 垫圈 WASHER             | 4                            | GBT97.1-6-A3L    |
| 12 | C05.45.028.0     | 滤网 FILTER SCREEN      | 4 </td <td>C05.45.028.0</td> | C05.45.028.0     |



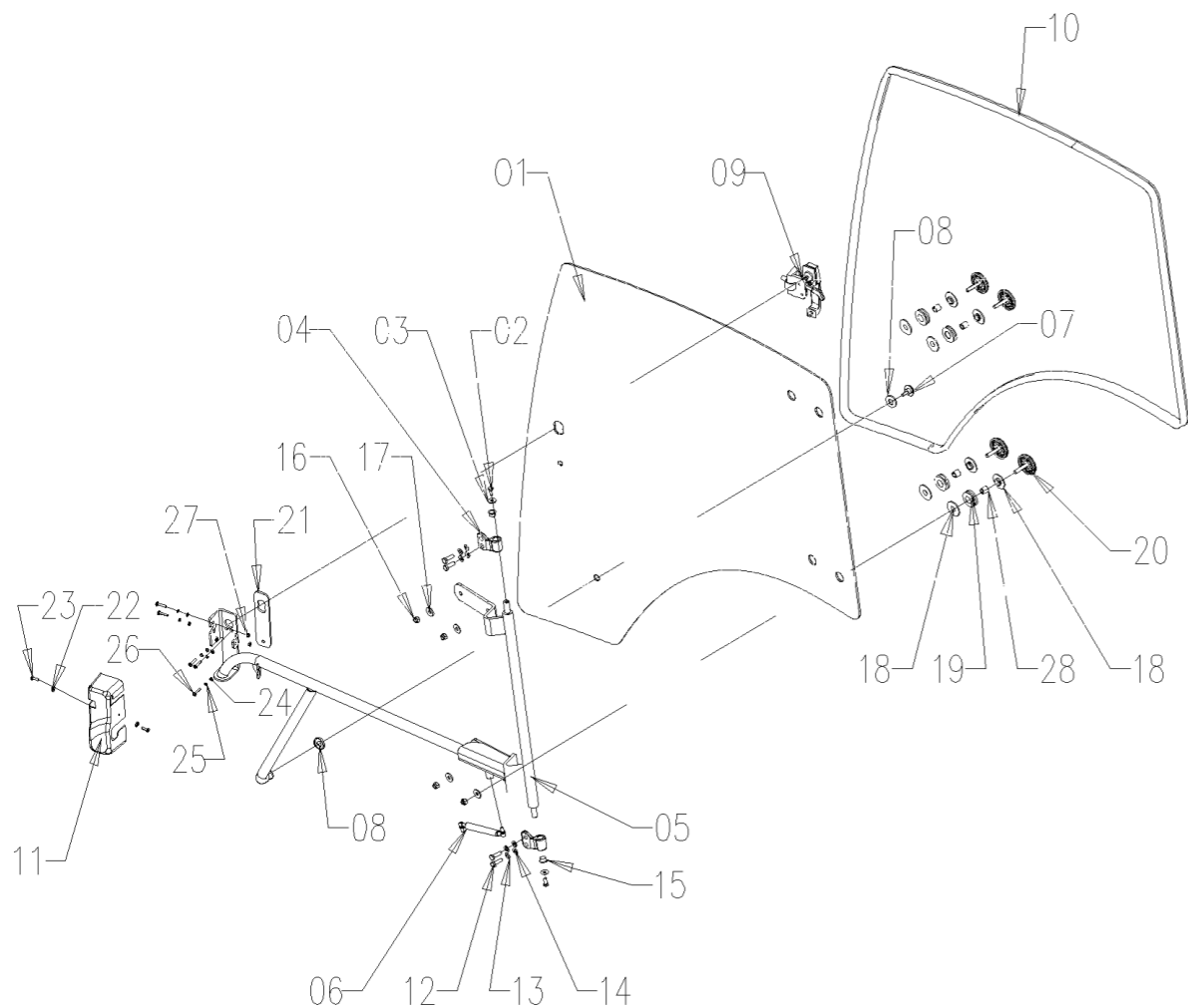
# A39.45.954.4 LEFT DOOR ASSEMBLY



## A39.45.954.4\_0 左侧门总成 LEFT DOOR ASSEMBLY

| 序号 | 零件编号               | 零件名称                           | 数量 | 图号                 |
|----|--------------------|--------------------------------|----|--------------------|
| 0  | A39.45.954.4       | 左侧门总成 LEFT DOOR ASSEMBLY       | 1  | A39.45.954.4       |
| 1  | A39.45.243.0       | 左门玻璃 LEFT DOOR GLASS           | 1  | A39.45.243.0       |
| 2  | GBT5783-M8X20-A2L  | 螺栓 BOLT                        | 2  | GBT5783-M8X20-A2L  |
| 3  | GBT96.1-8-A3L      | 垫圈 WASHER                      | 2  | GBT96.1-8-A3L      |
| 4  | 0.015.5340.0/10    | 支架 SUPPORTO MANIGLIONE         | 2  | 0.015.5340.0/10    |
| 5  | A85.45.063.2       | 左门把手 HANDLE_LH DOOR_WA         | 1  | A85.45.063.2       |
| 6  | A39.45.046.0       | 门气弹簧 DOOR GAS SPRING           | 1  | A39.45.046.0       |
| 7  | A39.45.047.0       | 塑料头螺栓 M8X20 PLASTIC HEAD       | 1  | A39.45.047.0       |
| 8  | A39.45.048.0       | 橡胶垫片 RUBBER GASKET             | 2  | A39.45.048.0       |
| 9  | A39.45.091.4       | 左门门锁 LEFT DOOR LOCK            | 1  | A39.45.091.4       |
| 10 | A39.45.092.0       | 门密封胶条 DOOR SEALING STRIP       | 1  | A39.45.092.0       |
| 11 | A39.45.093.0       | 左门锁盒 LEFT DOOR LOCK BOX        | 1  | A39.45.093.0       |
| 12 | GBT5783-M10X30-A3L | 螺栓 BOLT                        | 4  | GBT5783-M10X30-A3L |
| 13 | 2.1475.003.2       | 锥形垫圈 CONICAL WASHERS M10       | 4  | 2.1475.003.2       |
| 14 | GBT97.1-10-A3L     | 垫圈 WASHER                      | 4  | GBT97.1-10-A3L     |
| 15 | 2.2841.071.0       | 轴承 SLINDING BEARING 16x18x12   | 2  | 2.2841.071.0       |
| 16 | GBT889.1-M10-A3L   | 螺母 NUT                         | 4  | GBT889.1-M10-A3L   |
| 17 | GBT96.1-10-A3L     | 垫圈 WASHER                      | 4  | GBT96.1-10-A3L     |
| 18 | 0.016.6279.0       | 圆柱垫片 RONDELLA D.50             | 8  | 0.016.6279.0       |
| 19 | 2.6569.073.0       | 调整垫 GUARNIZIONE                | 4  | 2.6569.073.0       |
| 20 | A39.45.094.0       | 门铰链盖 DOOR HINGED COVER         | 4  | A39.45.094.0       |
| 21 | A23.45.095.0       | 橡胶垫片 RUBBER GASKET             | 1  | A23.45.095.0       |
| 22 | 0.020.3772.0       | 螺栓帽 UNDER SCREW                | 2  | 0.020.3772.0       |
| 23 | 2.0332.407.3       | 螺钉 M6x1x20 CROSS SCREW M6x1x20 | 2  | 2.0332.407.3       |
| 24 | GBT93-6-A3L        | 垫圈 WASHER                      | 5  | GBT93-6-A3L        |
| 25 | GBT97.1-6-A3L      | 垫圈 WASHER                      | 5  | GBT97.1-6-A3L      |
| 26 | 2.0332.409.2       | 螺钉 M6x1x30 CROSS SCREW M6x1x30 | 5  | 2.0332.409.2       |
| 27 | GBT6170-M6-A2L     | 螺母 NUT                         | 2  | GBT6170-M6-A2L     |
| 28 | A39.45.213.0       | 套管 BUSHING                     | 4  | A39.45.213.0       |

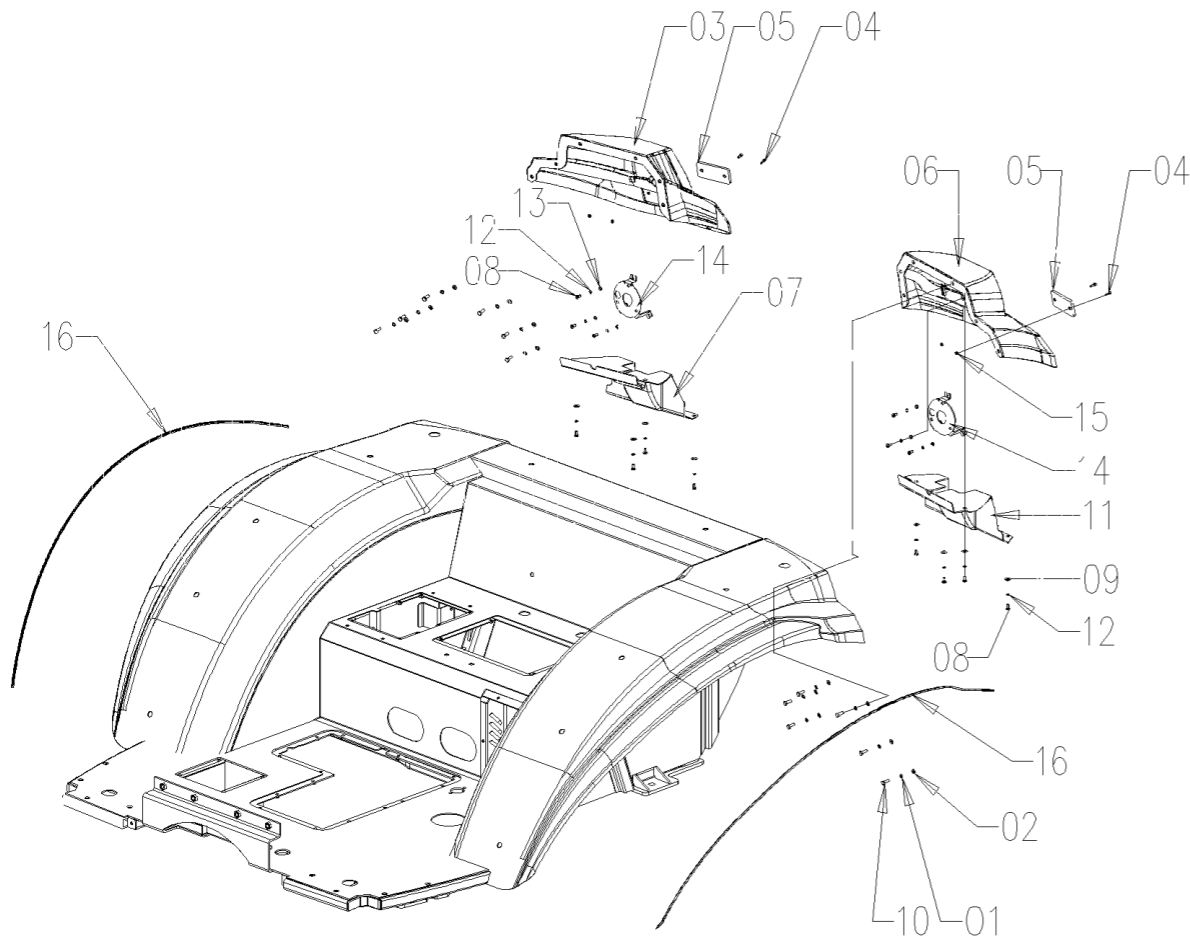
# A39.45.957.4 RIGHT DOOR ASSEMBLY



## A39.45.957.4\_0 右侧门总成 RIGHT DOOR ASSEMBLY

| 序号 | 零件编号               | 零件名称                           | 数量 | 图号                 |
|----|--------------------|--------------------------------|----|--------------------|
| 0  | A39.45.957.4       | 右侧门总成 RIGHT DOOR ASSEMBLY      | 1  | A39.45.957.4       |
| 1  | A39.45.244.0       | 右门玻璃 RIGHT DOOR GLASS          | 1  | A39.45.244.0       |
| 2  | GBT5783-M8X20-A2L  | 螺栓 BOLT                        | 2  | GBT5783-M8X20-A2L  |
| 3  | GBT96.1-8-A3L      | 垫圈 WASHER                      | 2  | GBT96.1-8-A3L      |
| 4  | 0.015.5340.0/10    | 支架 SUPPORTO MANIGLIONE         | 2  | 0.015.5340.0/10    |
| 5  | A85.45.067.2       | 右门把手 HANDLE_RH DOOR_WA         | 1  | A85.45.067.2       |
| 6  | A39.45.046.0       | 门气弹簧 DOOR GAS SPRING           | 1  | A39.45.046.0       |
| 7  | A39.45.047.0       | 塑料头螺栓 M8X20 PLASTIC HEAD       | 1  | A39.45.047.0       |
| 8  | A39.45.048.0       | 橡胶垫片 RUBBER GASKET             | 2  | A39.45.048.0       |
| 9  | A85.45.076.4       | 右门锁 RIGHT DOOR LOCK            | 1  | A85.45.076.4       |
| 10 | A39.45.238.0       | 门密封胶条 DOOR SEALING STRIP       | 1  | A39.45.238.0       |
| 11 | A85.45.077.0       | 右门锁盒 RIGHT DOOR LOCK BOX       | 1  | A85.45.077.0       |
| 12 | GBT5783-M10X30-A3L | 螺栓 BOLT                        | 4  | GBT5783-M10X30-A3L |
| 13 | 2.1475.003.2       | 锥形垫圈 CONICAL WASHERS M10       | 4  | 2.1475.003.2       |
| 14 | GBT97.1-10-A3L     | 垫圈 WASHER                      | 4  | GBT97.1-10-A3L     |
| 15 | 2.2841.071.0       | 轴承 SLINDING BEARING 16x18x12   | 2  | 2.2841.071.0       |
| 16 | GBT889.1-M10-A3L   | 螺母 NUT                         | 4  | GBT889.1-M10-A3L   |
| 17 | GBT96.1-10-A3L     | 垫圈 WASHER                      | 4  | GBT96.1-10-A3L     |
| 18 | 0.016.6279.0       | 圆柱垫片 RONDELLA D.50             | 8  | 0.016.6279.0       |
| 19 | 2.6569.073.0       | 调整垫 GUARNIZIONE                | 4  | 2.6569.073.0       |
| 20 | A39.45.094.0       | 门铰链盖 DOOR HINGED COVER         | 4  | A39.45.094.0       |
| 21 | A23.45.095.0       | 橡胶垫片 RUBBER GASKET             | 1  | A23.45.095.0       |
| 22 | 0.020.3772.0       | 螺栓帽 UNDER SCREW                | 2  | 0.020.3772.0       |
| 23 | 2.0332.407.3       | 螺钉 M6x1x20 CROSS SCREW M6x1x20 | 2  | 2.0332.407.3       |
| 24 | GBT97.1-6-A3L      | 垫圈 WASHER                      | 5  | GBT97.1-6-A3L      |
| 25 | GBT93-6-A3L        | 垫圈 WASHER                      | 5  | GBT93-6-A3L        |
| 26 | 2.0332.409.2       | 螺钉 M6x1x30 CROSS SCREW M6x1x30 | 5  | 2.0332.409.2       |
| 27 | GBT6170-M6-A2L     | 螺母 NUT                         | 2  | GBT6170-M6-A2L     |
| 28 | A39.45.213.0       | 套管 BUSHING                     | 4  | A39.45.213.0       |

# A39.45.958.4 REAR EXTENSION ASSEMBLY



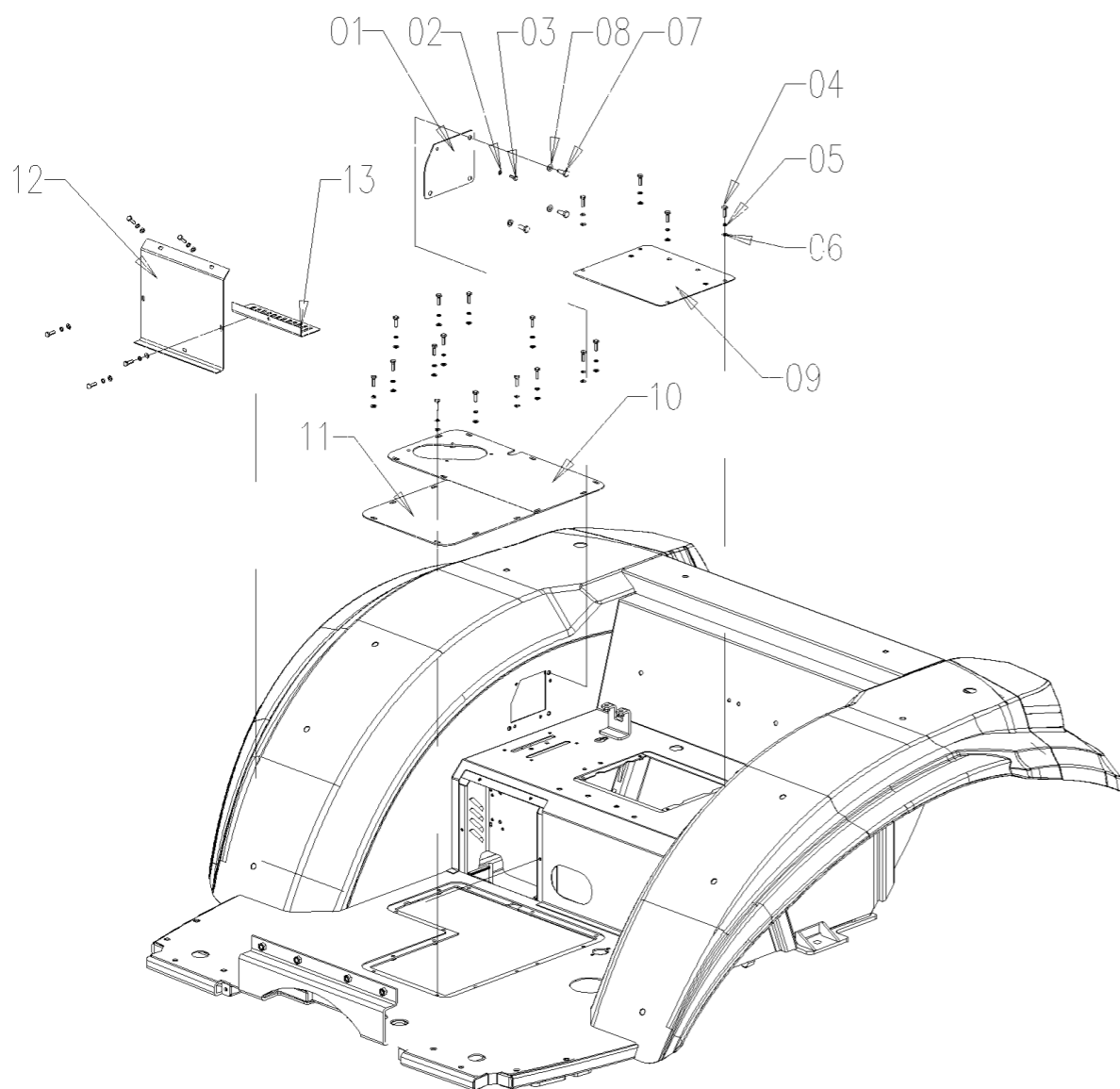
## A39.45.958.4\_0 尾罩总成 (小轮罩尾罩及配件) REAR EXTENSION ASSEMBLY

| 序号 | 零件编号              | 零件名称                    | 数量 | 图号                |
|----|-------------------|-------------------------|----|-------------------|
| 1  | GBT93-6-A3L       | 垫圈 WASHER               | 12 | GBT93-6-A3L       |
| 2  | GBT97.1-6-A3L     | 垫圈 WASHER               | 12 | GBT97.1-6-A3L     |
| 3  | A39.45.032.0      | 后扩展 REAR EXTENSION_RH   | 1  | A39.45.032.0      |
| 4  | GBT70.1-M4X12-A2L | 螺丝钉 SCREW               | 4  | GBT70.1-M4X12-A2L |
| 5  | 0.020.9486.0      | XH6-2反射板 REFLECTOR      | 2  | 0.020.9486.0      |
| 6  | A39.45.031.0      | 后扩展 REAR EXTENSION_LH   | 1  | A39.45.031.0      |
| 7  | A39.45.114.0/10   | 防护罩 PROTECTIVE COVER_RH | 1  | A39.45.114.0/10   |
| 8  | GBT818-M5X10-A2L  | 螺丝钉 SCREW               | 14 | GBT818-M5X10-A2L  |
| 9  | GBT96.1-5-A3L     | 垫圈 WASHER               | 8  | GBT96.1-5-A3L     |
| 10 | GBT5783-M6X16-A2L | 螺栓 BOLT                 | 12 | GBT5783-M6X16-A2L |
| 11 | A39.45.113.0/10   | 防护罩 PROTECTIVE COVER_LH | 1  | A39.45.113.0/10   |
| 12 | GBT93-5-A3L       | 垫圈 WASHER               | 14 | GBT93-5-A3L       |
| 13 | GBT97.1-5-A3L     | 垫圈 WASHER               | 6  | GBT97.1-5-A3L     |
| 14 | A39.45.148.0/10   | 塑料支架 PLASTIC SUPPORT    | 2  | A39.45.148.0/10   |
| 15 | A39.45.199.0      | 橡胶螺母 RUBBER NUT M4      | 4  | A39.45.199.0      |
| 16 | A39.45.200.0      | 橡胶条 RUBBER STRIP        | 2  | A39.45.200.0      |

# A39.45.959.4 FLOOR ACCESSORY ASSEMBLY

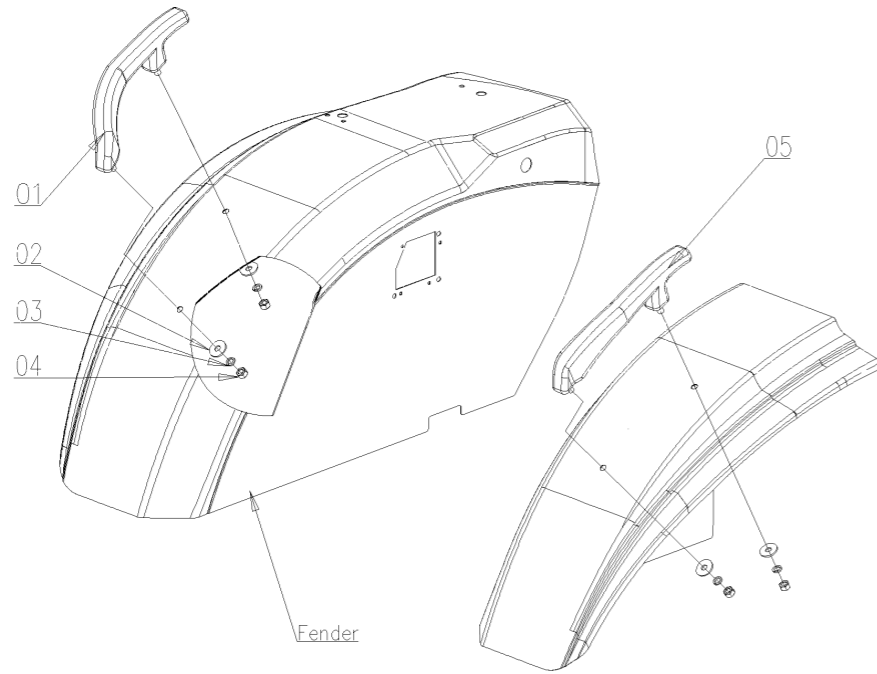
# A39.45.959.4\_0 地板附件总成 (小轮罩尾罩及附件) FLOOR ACCESSORY ASSEMBLY

| 序号 | 零件编号              | 零件名称                   | 数量 | 图号                |
|----|-------------------|------------------------|----|-------------------|
| 1  | A39.45.172.0      | 板 PLATE                | 1  | A39.45.172.0      |
| 2  | GBT97.1-5-A3L     | 垫圈 WASHER              | 1  | GBT97.1-5-A3L     |
| 3  | GBT5783-M5X16-A2L | 螺栓 BOLT                | 1  | GBT5783-M5X16-A2L |
| 4  | GBT5783-M6X20-A2L | 螺栓 BOLT                | 23 | GBT5783-M6X20-A2L |
| 5  | GBT93-6-A3L       | 垫圈 WASHER              | 23 | GBT93-6-A3L       |
| 6  | GBT97.1-6-A3L     | 垫圈 WASHER              | 23 | GBT97.1-6-A3L     |
| 7  | GBT5783-M8X20-A2L | 螺栓 BOLT                | 3  | GBT5783-M8X20-A2L |
| 8  | GBT97.1-8-A3L     | 垫圈 WASHER              | 3  | GBT97.1-8-A3L     |
| 9  | A39.45.236.3      | 维护板 MAINTENANCE PLATE  | 1  | A39.45.236.3      |
| 10 | CD554.45.123-2    | 变速箱检修盖板 GEARBOX        | 1  | CD554.45.123-2    |
| 11 | CD554.45.237      | 盖片 COVER PLATE         | 1  | CD554.45.237      |
| 12 | CD554A.45.102/20  | ECU维修板 ECU FRONT COVER | 1  | CD554A.45.102/20  |
| 13 | CD554A.45.017/20  | ECU下安装板焊合 ECU BRACKET  | 1  | CD554A.45.017/20  |





A39.45.963.4 CAR ARM ASSY.



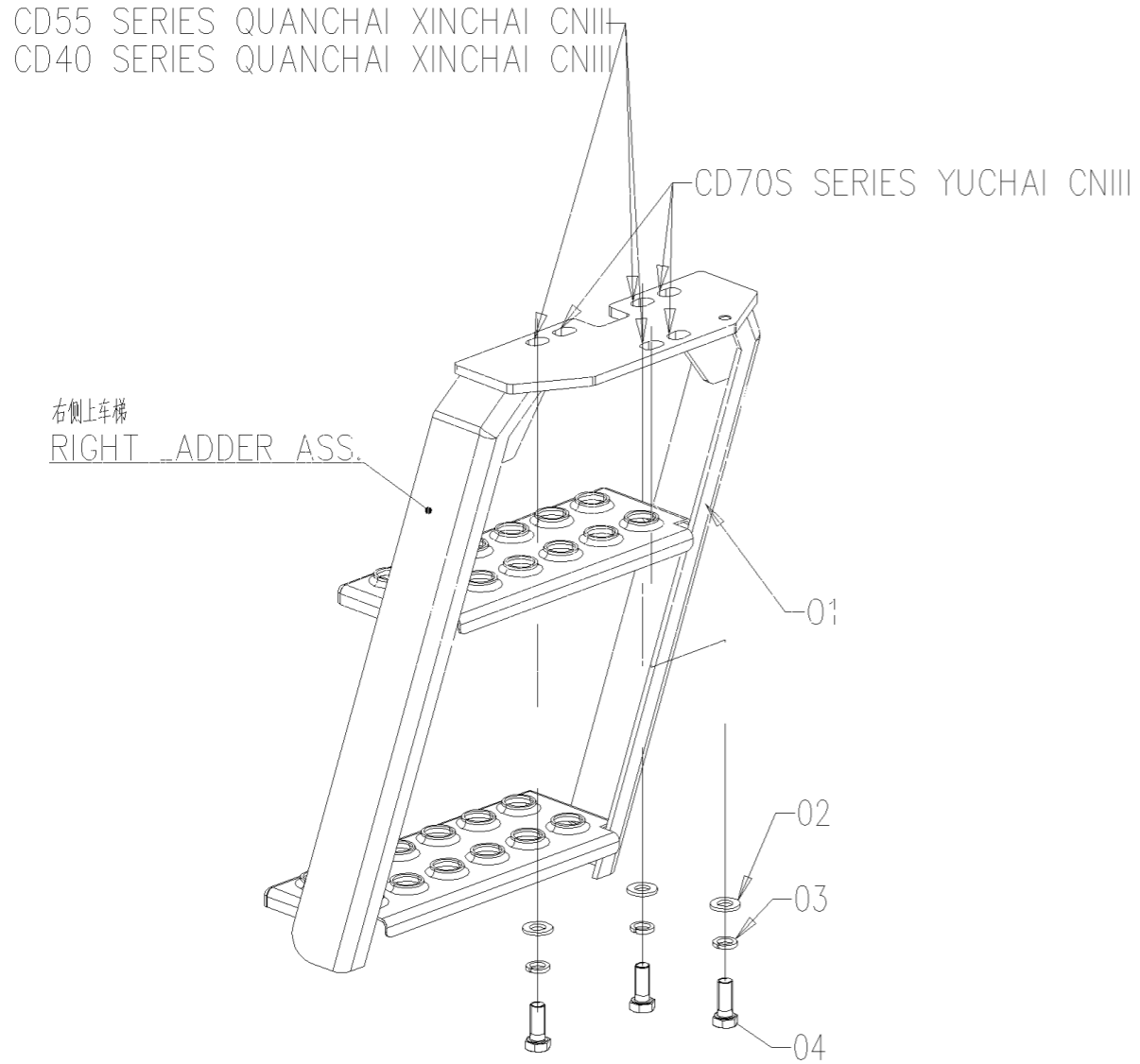
A39.45.963.4\_0 扶手安装 (地板+安全架) FLOOR ACCESSORIES ASSY.

| 序号 | 零件编号            | 零件名称                      | 数量 | 图号              |
|----|-----------------|---------------------------|----|-----------------|
| 1  | SH900.45A.034   | 右上车扶手组件 LEFT CAR ARM ASSY | 1  | SH900.45A.034   |
| 2  | GBT96.1-12-A3L  | 垫圈 WASHER                 | 4  | GBT96.1-12-A3L  |
| 3  | GBT93-12-A3L    | 垫圈 WASHER                 | 4  | GBT93-12-A3L    |
| 4  | GBT6170-M12-A3L | 螺母 NUT                    | 4  | GBT6170-M12-A3L |
| 5  | SH900.45A.033   | 左上车扶手组件 RIGHT CAR ARM     | 1  | SH900.45A.033   |

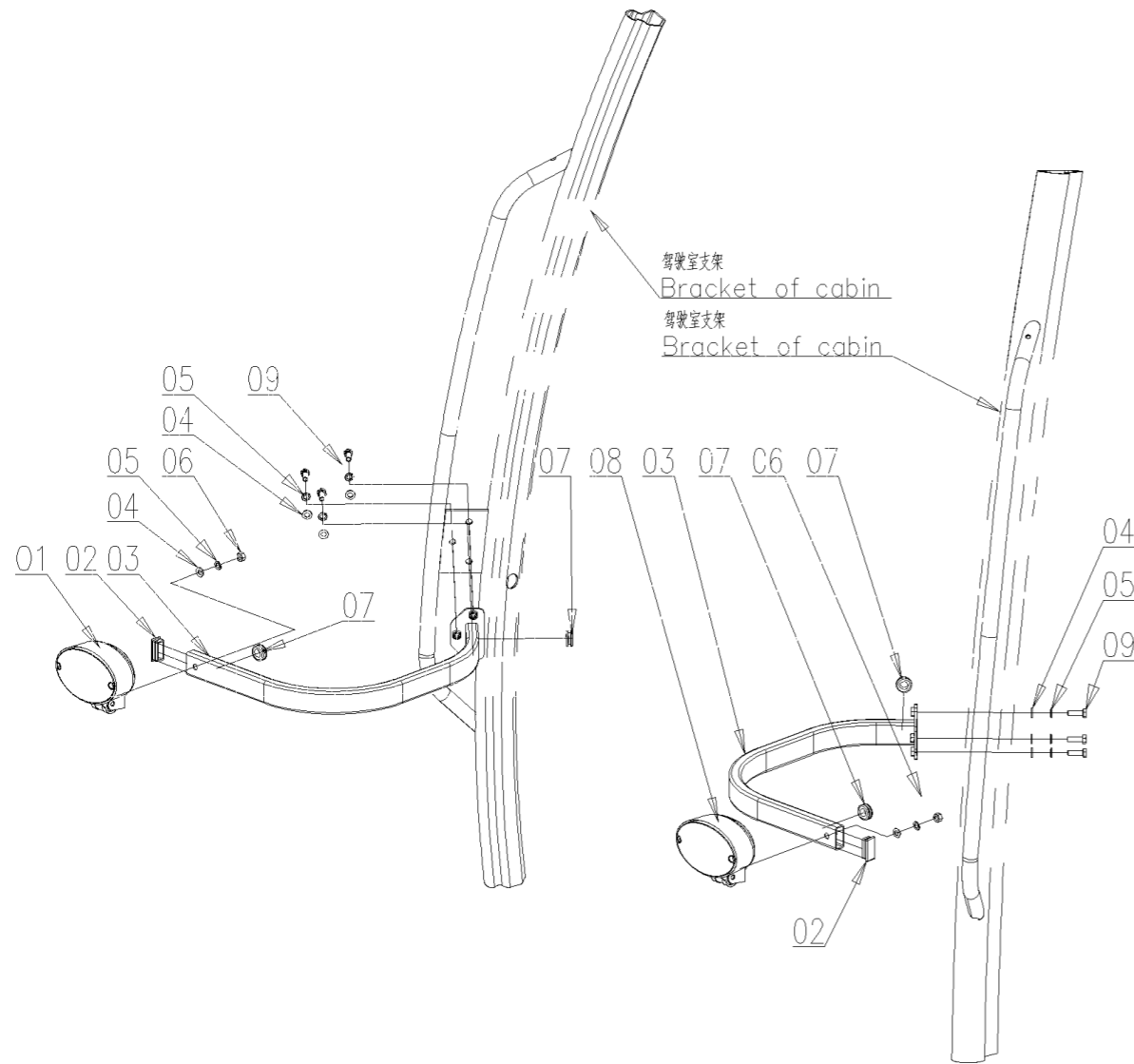
# A39.45.971.4 RIGHT LADDER ASS.

## A39.45.971.4\_1 右侧上车梯总成 ( 双侧上车梯 ) RIGHT LADDER ASS.Y

| 序号 | 零件编号                 | 零件名称              | 数量 | 图号                      |
|----|----------------------|-------------------|----|-------------------------|
| 1  | A71.45.011.3         | 阶梯总成 RH STAIR ASS | 1  | A71.45.011.3            |
| 2  | GBT97.1-12-A3L       | 垫圈 WASHER         | 3  | GBT97.1-12-A3L          |
| 3  | GBT93-12-A3L         | 垫圈 WASHER         | 3  | GBT93-12-A3L            |
| 4  | GBT5783-M12X30-10.9- | 螺栓 BOLT           | 3  | GBT5783-M12X30-10.9-A3L |



# A39.45.972.4 TURN LIGHT ASS.

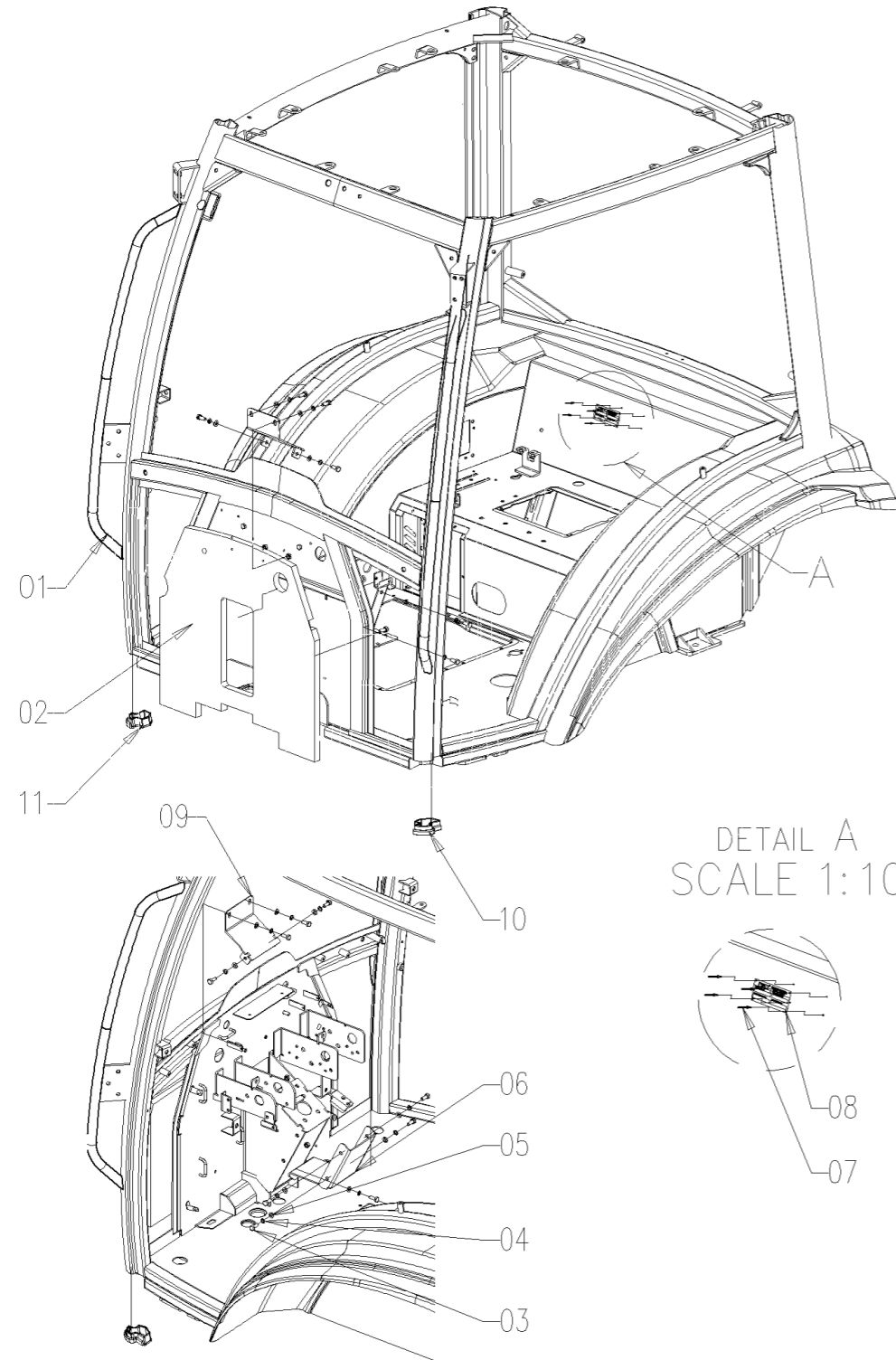


## A39.45.972.4\_2 转向灯支架总成TURN LIGHT ASS.

| 序号 | 零件编号             | 零件名称     | 数量 | 图号               |
|----|------------------|----------|----|------------------|
| 1  | CD1204.48.041/20 | 右转向位置灯   | 1  | CD1204.48.041/20 |
| 2  | CD904.45.106     | 塑料塞      | 2  | CD904.45.106     |
| 3  | A39.48.039.3     | 支架       | 2  | A39.48.039.3     |
| 4  | 2.1310.004.2     | 垫圈       | 8  | 2.1310.004.2     |
| 5  | 2.1474.009.2     | 弹簧垫圈     | 8  | 2.1474.009.2     |
| 6  | 2.1011.105.2     | 螺母       | 2  | 2.1011.105.2     |
| 7  | CD904.45.105     | 橡胶帽      | 4  | CD904.45.105     |
| 8  | CD1204.48.032/20 | 左转向位置灯总成 | 1  | CD1204.48.032/20 |
| 9  | 2.0114.209.2     | 螺丝钉      | 6  | 2.0114.209.2     |

# A39.45.973.4 CABIN FRAME ASS.Y

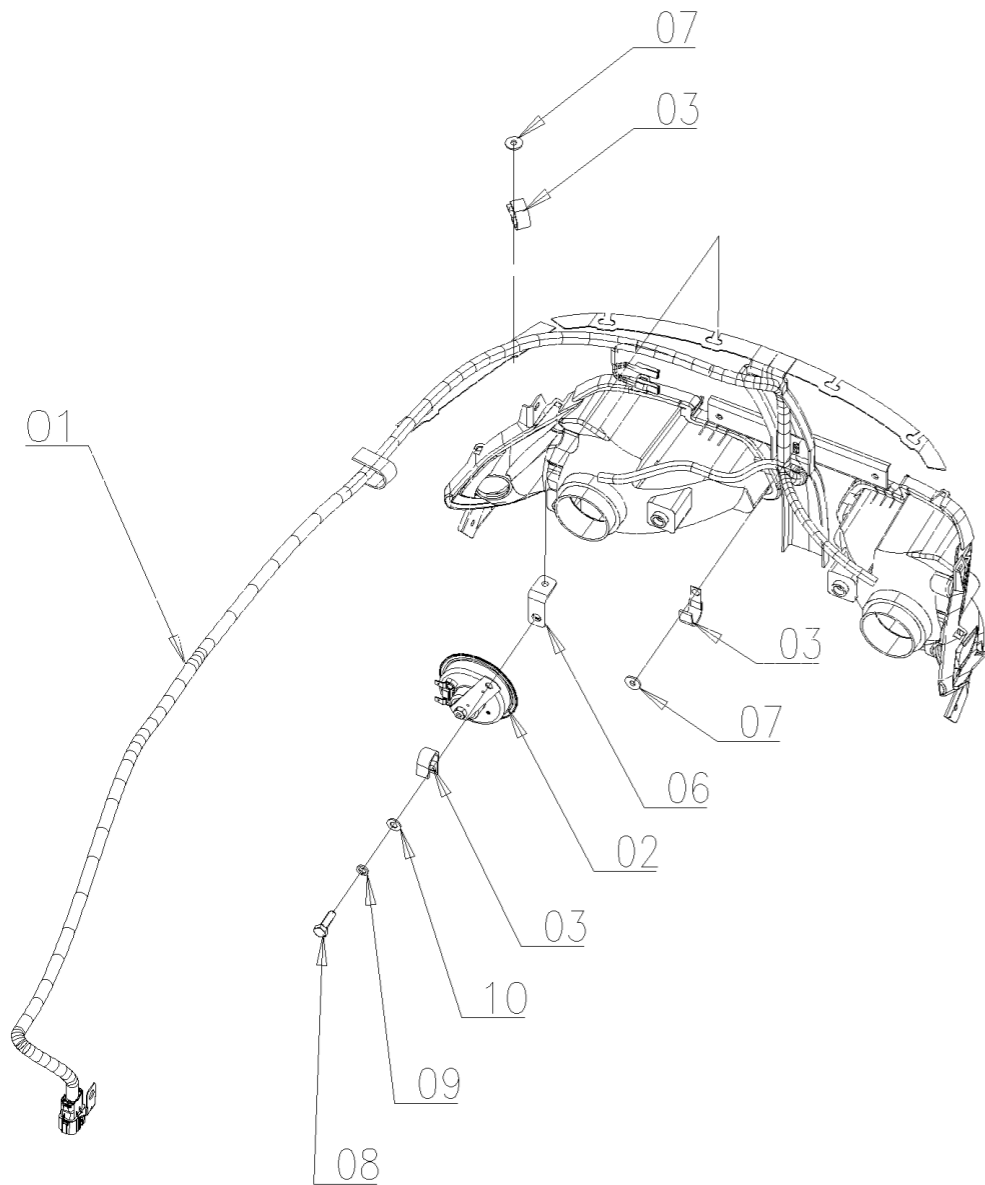
# A39.45.973.4\_1 驾驶室框架总成 CAB FRAME ASS.



| 序号 | 零件编号              | 零件名称    | 数量 | 图号                |
|----|-------------------|---------|----|-------------------|
| 1  | A39.45.303.3/10   | 驾驶室框架   | 1  | A39.45.303.3/10   |
| 2  | A39.45.306.0/10   | 隔热泡沫板   | 1  | A39.45.306.0/10   |
| 3  | GBT5783-M8X20-A2L | 螺栓      | 9  | GBT5783-M8X20-A2L |
| 4  | GBT93-8-A3L       | 垫圈      | 9  | GBT93-8-A3L       |
| 5  | GBT97.1-8-A3L     | 垫圈      | 9  | GBT97.1-8-A3L     |
| 6  | C24.45.012.0      | 安装板     | 1  | C24.45.012.0      |
| 7  | GBT12618.1-2.4X6  | 空心铆钉    | 4  | GBT12618.1-2.4X6  |
| 8  | A39.45.227.0      | OECD 标识 | 1  | A39.45.227.0      |
| 9  | C24.45.013.2      | 安装板     | 1  | C24.45.013.2      |
| 10 | C24.45.029.0      | 橡胶套     | 1  | C24.45.029.0      |
| 11 | C24.45.030.0      | 橡胶套     | 1  | C24.45.030.0      |

# A39.48.903.4 BONNET W.H. ASS.Y

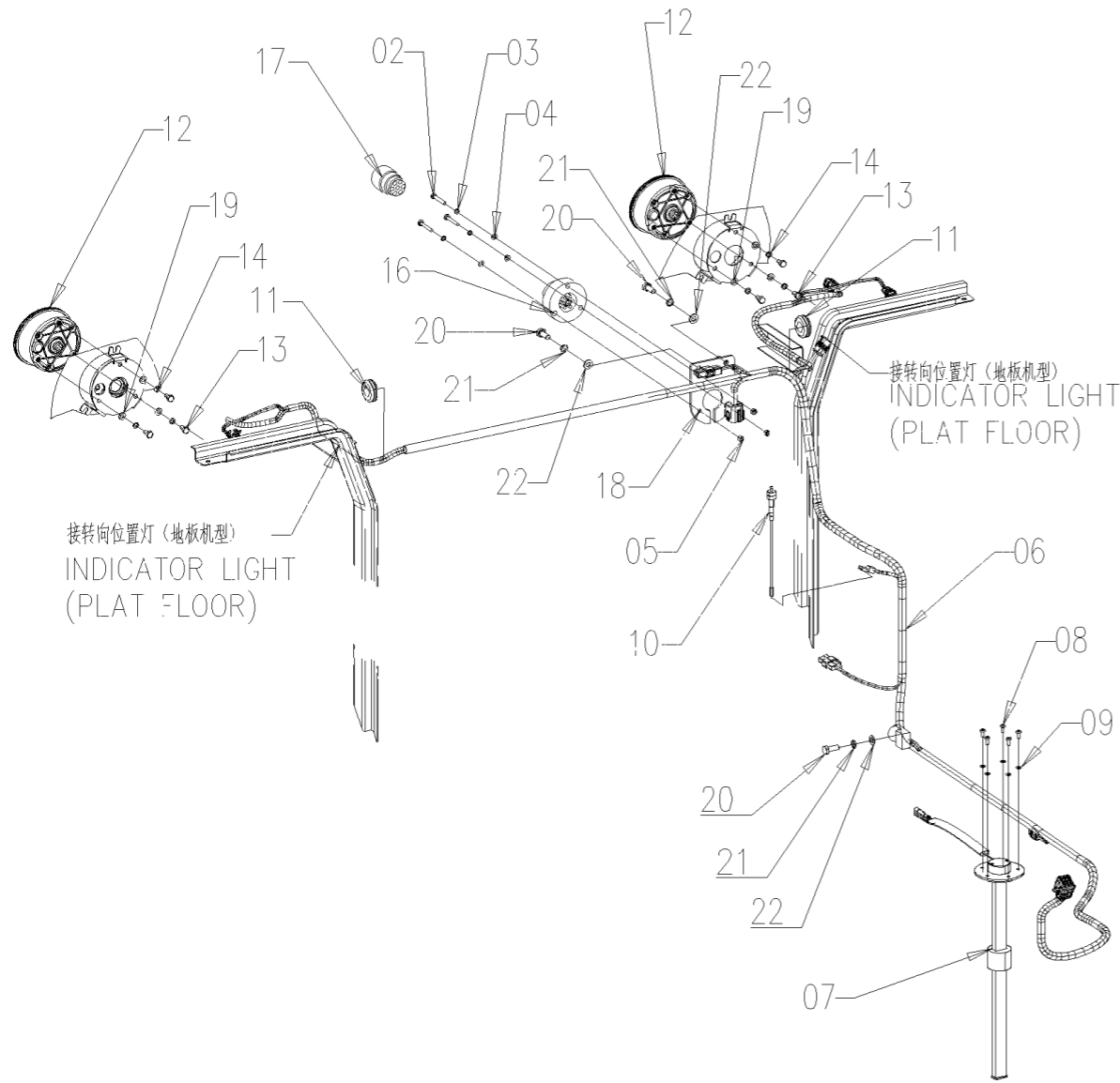
YFB-R-2020-001 SH.013



## A39.48.903.4\_1 前灯线束安装总成 Headlight harness mounting assembly

| 序号 | 零件编号              | 零件名称                 | 数量 | 图号                |
|----|-------------------|----------------------|----|-------------------|
| 1  | A39.48.012.0      | 发动机罩线束 BONNET WIRING | 1  | A39.48.012.0      |
| 2  | B29.48.032.0      | 电喇叭 ELECTRIC HORN    | 1  | B29.48.032.0      |
| 3  | SH400.48.112      | 线卡 CLAMP             | 3  | SH400.48.112      |
| 6  | B55.48.006.2      | 喇叭支架 HORN BRACKET    | 1  | B55.48.006.2      |
| 7  | GBT96.1-6-A3L     | 垫圈 WASHER            | 2  | GBT96.1-6-A3L     |
| 8  | GBT5783-M8X25-A2L | 螺栓 BOLT              | 1  | GBT5783-M8X25-A2L |
| 9  | GBT93-8-A3L       | 垫圈 WASHER            | 1  | GBT93-8-A3L       |
| 10 | GBT97.1-8-A3L     | 垫圈 WASHER            | 1  | GBT97.1-8-A3L     |

# A39.48.905.4 REAR LAMP W.H. ASS.Y



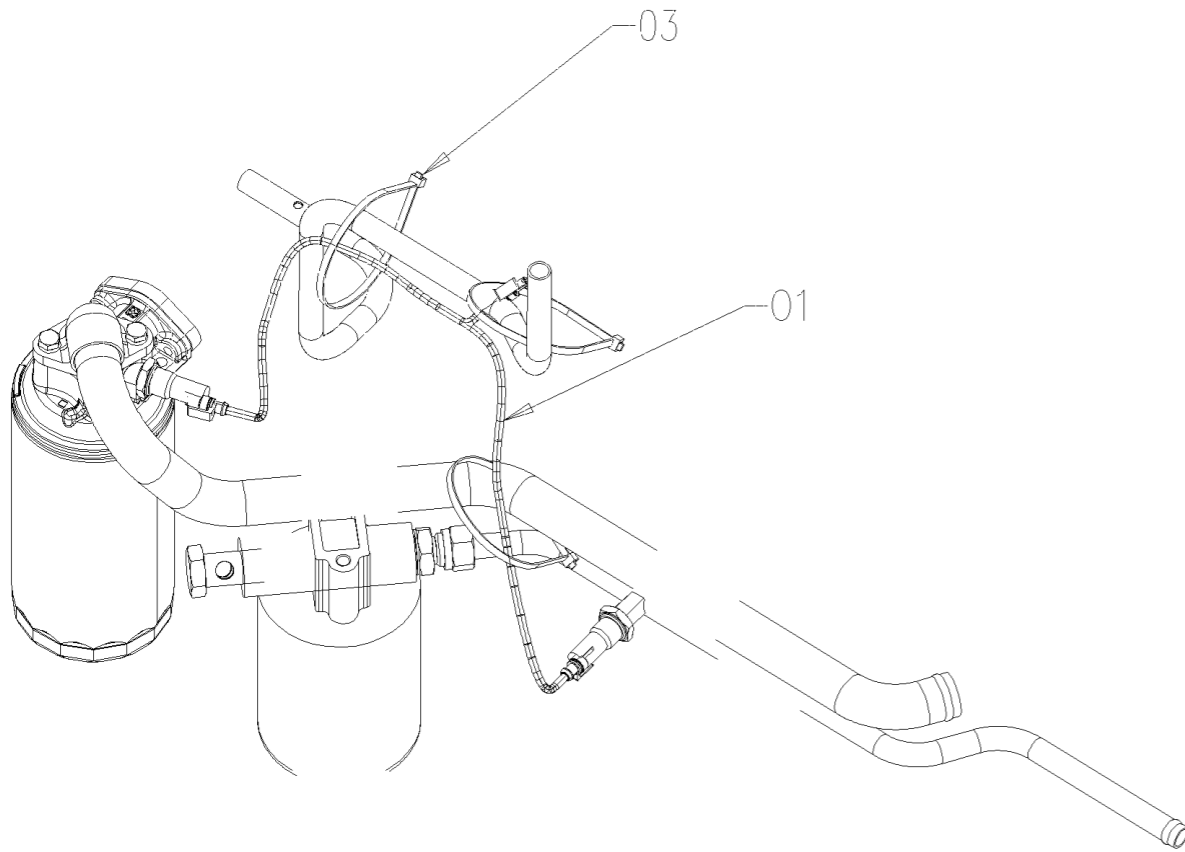
## A39.48.905.4\_3 后灯线束安装总成 REAR WIRING HARNESS ASSEMBLY

| 序号 | 零件编号              | 零件名称    | 数量 | 图号                |
|----|-------------------|---------|----|-------------------|
| 2  | GBT818-M5X35-A2L  | 铆钉      | 3  | GBT818-M5X35-A2L  |
| 3  | GBT93-5-A3L       | 垫圈      | 3  | GBT93-5-A3L       |
| 4  | GBT97.1-5-A3L     | 垫圈      | 3  | GBT97.1-5-A3L     |
| 5  | GBT6170-M5-A2L    | 螺母      | 3  | GBT6170-M5-A2L    |
| 6  | A39.48.011.0/30   | 后线束     | 1  | A39.48.011.0/30   |
| 7  | A39.48.030.0      | 燃油传感器总成 | 1  | A39.48.030.0      |
| 8  | GBT818-M4X10-A2L  | 螺钉      | 5  | GBT818-M4X10-A2L  |
| 9  | GBT97.1-4-A3L     | 垫圈      | 5  | GBT97.1-4-A3L     |
| 10 | SH900.48.049      | 手刹开关    | 1  | SH900.48.049      |
| 11 | SH400.48.118      | 穿线胶圈    | 2  | SH400.48.118      |
| 12 | A39.48.025.0      | 后尾灯总成   | 2  | A39.48.025.0      |
| 13 | GBT5783-M6X12-A2L | 螺栓      | 6  | GBT5783-M6X12-A2L |
| 14 | GBT93-6-A3L       | 垫圈      | 6  | GBT93-6-A3L       |
| 16 | A56.48.010.0      | 后挂车插座   | 1  | A56.48.010.0      |
| 17 | A56.48.011.0      | 后挂车插头   | 1  | A56.48.011.0      |
| 18 | CD304.48.404/10   | 支架      | 1  | CD304.48.404/10   |
| 19 | GBT97.1-6-A3L     | 垫圈      | 6  | GBT97.1-6-A3L     |
| 20 | GBT5783-M8X20-A2L | 螺栓      | 3  | GBT5783-M8X20-A2L |
| 21 | GBT93-8-A3L       | 垫圈      | 3  | GBT93-8-A3L       |
| 22 | GBT97.1-8-A3L     | 垫圈      | 3  | GBT97.1-8-A3L     |

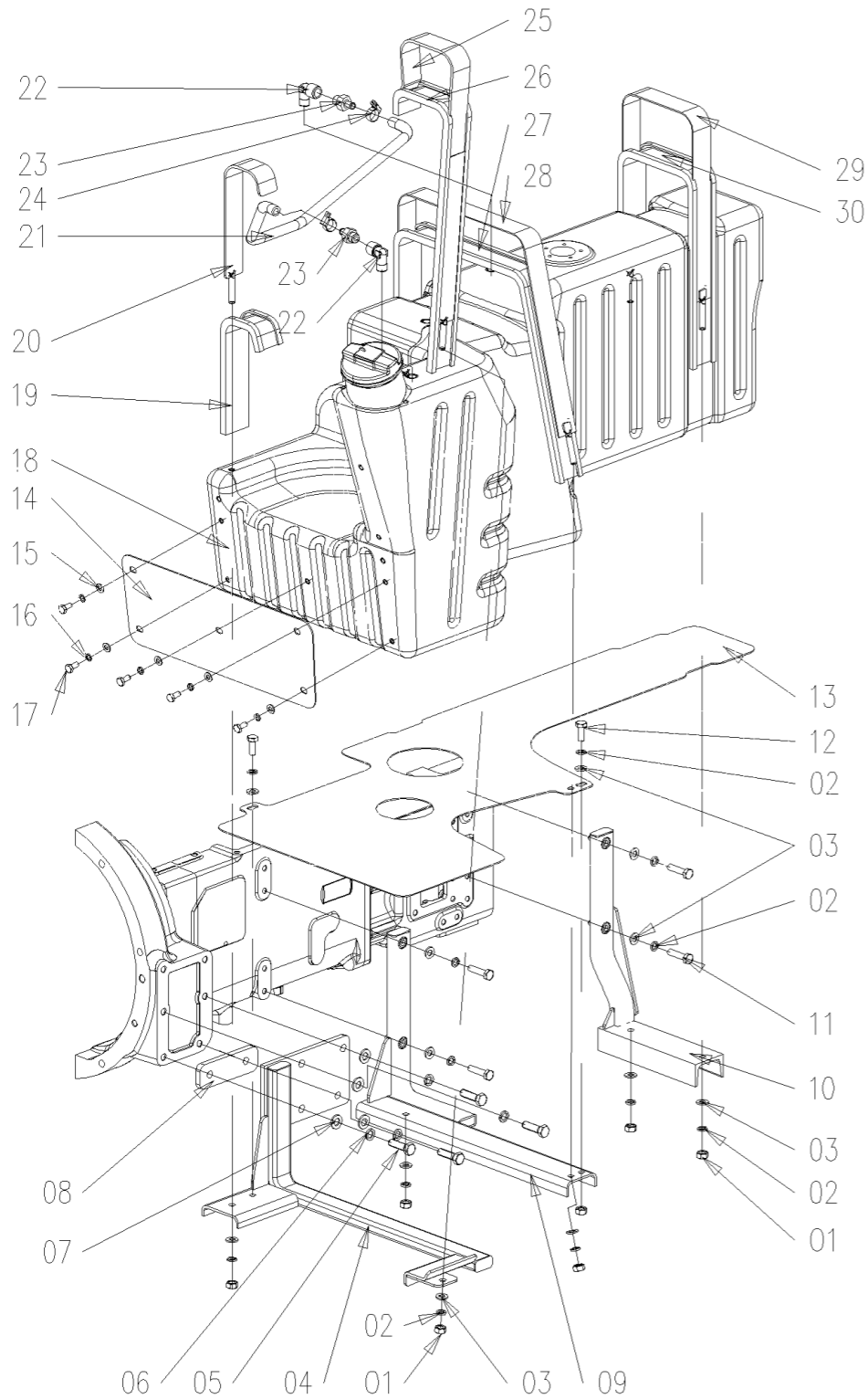
### A39.48.912.4\_2 液压传感器安装总成 Hydraulic sensor mounting assembly

| 序号 | 零件编号            | 零件名称                        | 数量 | 图号              |
|----|-----------------|-----------------------------|----|-----------------|
| 1  | A39.48.020.0/20 | 液压报警开关线束 液压报警开关线束           | 1  | A39.48.020.0/20 |
| 3  | 2.6852.203.0    | 自锁扎带 292 SELF LOCKING CABLE | 3  | 2.6852.203.0    |

## A39.48.912.4 HYDRAULICS SENSOR ASSEMBLY



# A39.50.901.4 MAIN FUEL TANK ASS.Y

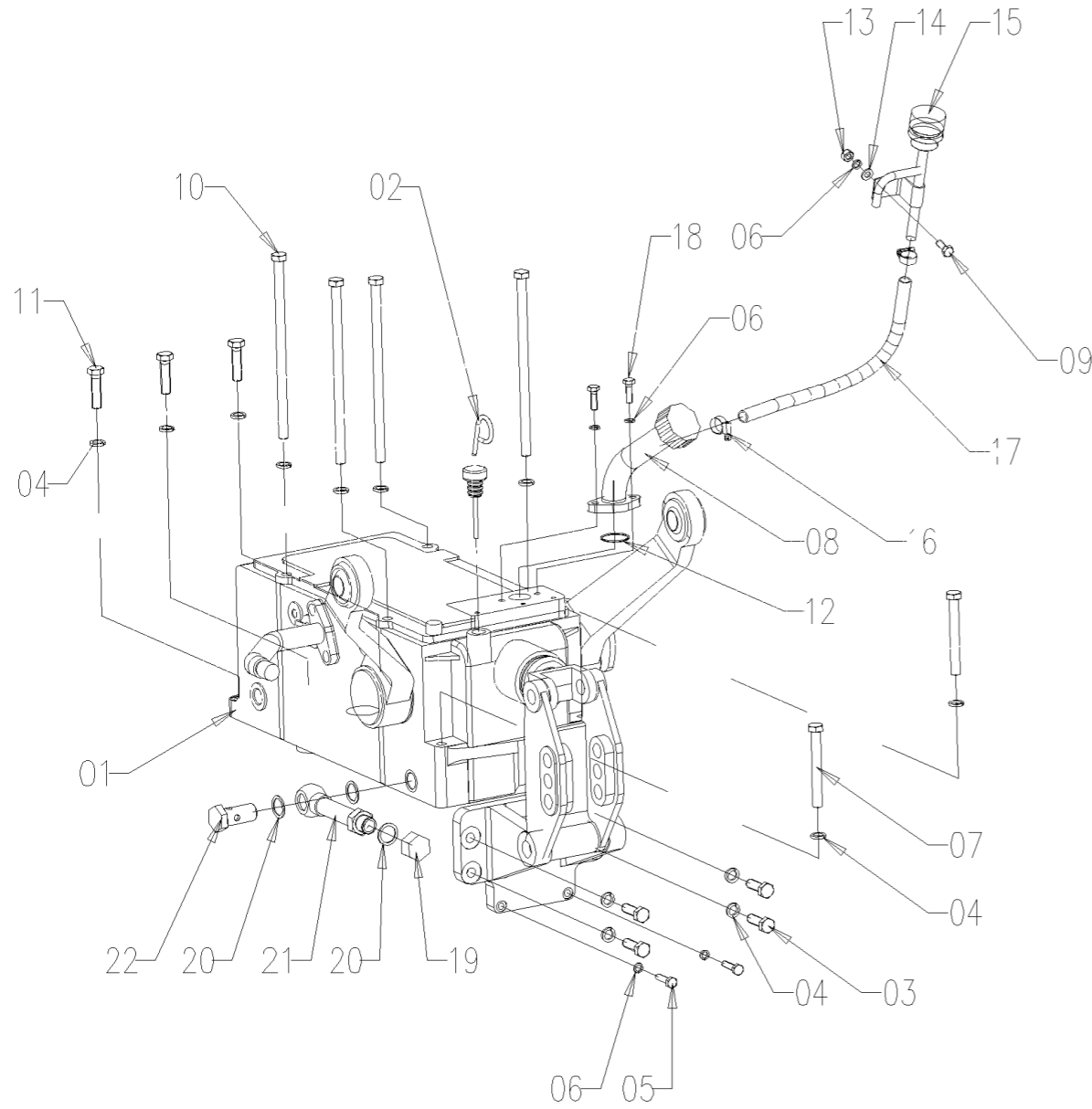


# A39.50.901.4\_1 燃油主油箱总成GEAR LEVER ASS.

| 序号 | 零件编号                 | 零件名称                   | 数量 | 图号                      |
|----|----------------------|------------------------|----|-------------------------|
| 1  | GBT6170-M10-A3L      | 螺母 NUT                 | 7  | GBT6170-M10-A3L         |
| 2  | GBT93-10-A3L         | 垫圈 WASHER              | 16 | GBT93-10-A3L            |
| 3  | GBT97.1-10-A3L       | 垫圈 WASHER              | 16 | GBT97.1-10-A3L          |
| 4  | A39.50.001.3/20      | 前支架焊件 FRONT BRACKET    | 1  | A39.50.001.3/20         |
| 5  | GBT5783-M12X40-10.9- | 螺栓 BOLT                | 4  | GBT5783-M12X40-10.9-A3L |
| 6  | GBT93-12-A3L         | 垫圈 WASHER              | 4  | GBT93-12-A3L            |
| 7  | GBT97.1-12-A3L       | 垫圈 WASHER              | 4  | GBT97.1-12-A3L          |
| 8  | A39.50.023.0         | 块 BLOCK                | 1  | A39.50.023.0            |
| 9  | A39.50.002.2/20      | 中间支架焊件 MEDIAL BRACKET  | 1  | A39.50.002.2/20         |
| 10 | A39.50.003.2/20      | 后支架焊件 REAR BRACKET     | 1  | A39.50.003.2/20         |
| 11 | GBT5783-M10X40-A3L   | 螺栓 BOLT                | 4  | GBT5783-M10X40-A3L      |
| 12 | GBT5783-M10X25-A3L   | 螺栓 BOLT                | 6  | GBT5783-M10X25-A3L      |
| 13 | A39.50.010.0/20      | 垫板 BOTTOM PLATE        | 1  | A39.50.010.0/20         |
| 14 | A39.50.011.0         | 防护板 PREVENTER PLATE    | 1  | A39.50.011.0            |
| 15 | GBT97.1-8-A3L        | 垫圈 WASHER              | 5  | GBT97.1-8-A3L           |
| 16 | GBT93-8-A3L          | 垫圈 WASHER              | 5  | GBT93-8-A3L             |
| 17 | GBT5783-M8X16-A2L    | 螺栓 BOLT                | 5  | GBT5783-M8X16-A2L       |
| 18 | A39.50.020.2/10      | 燃料箱 FUEL TANK          | 1  | A39.50.020.2/10         |
| 19 | A39.50.007.0         | 前扎带胶垫 RUBBER CUSHION   | 1  | A39.50.007.0            |
| 20 | A39.50.004.3/10      | 前钢带 FRONT STEEL BELT   | 1  | A39.50.004.3/10         |
| 21 | A39.50.013.0         | 呼吸软管 RUBBER PIPE       | 1  | A39.50.013.0            |
| 22 | CD1204.50.103        | 管件 FITTING             | 2  | CD1204.50.103           |
| 23 | CD1204.50.105        | 通气接头 VENT JOINT        | 2  | CD1204.50.105           |
| 24 | JBT8870-D20          | 软管夹 HOSE CLAMPS        | 2  | JBT8870-D20             |
| 25 | A39.50.017.3/20      | 左钢带 LF STEEL BELT      | 1  | A39.50.017.3/20         |
| 26 | A39.50.018.0         | 前扎带胶垫 RUBBER CUSHION   | 1  | A39.50.018.0            |
| 27 | A39.50.008.0/10      | 前扎带胶垫 RUBBER CUSHION   | 1  | A39.50.008.0/10         |
| 28 | A39.50.005.3/10      | 中间钢带 MIDDLE STEEL BELT | 1  | A39.50.005.3/10         |
| 29 | A39.50.006.3/10      | 后钢带 REAR STEEL BELT    | 1  | A39.50.006.3/10         |
| 30 | A39.50.009.0         | 前扎带胶垫 RUBBER CUSHION   | 1  | A39.50.009.0            |

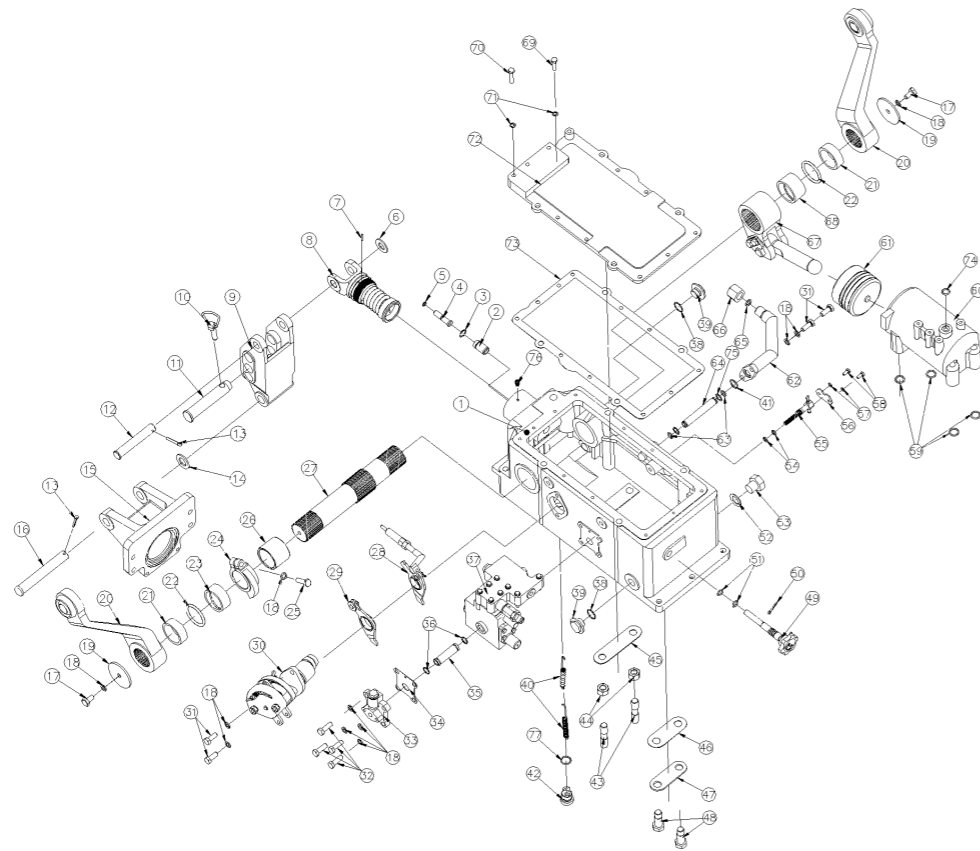


# A39.55.900.4 REAR LIFTER ASS.



## A39.55.900.4\_0 提升器总成 LIFTER ASS.Y

| 序号 | 零件编号                 | 零件名称    | 数量 | 图号                   |
|----|----------------------|---------|----|----------------------|
| 1  | CD554.55.011         | 提升器总成   | 1  | CD554.55.011         |
| 2  | SH550.55.012         | 油尺组件    | 1  | SH550.55.012         |
| 3  | GBT5783-M12X35-A3L   | 螺栓      | 4  | GBT5783-M12X35-A3L   |
| 4  | GBT93-12-A3L         | 垫圈      | 13 | GBT93-12-A3L         |
| 5  | GBT5783-M8X30-A3L    | 螺栓      | 2  | GBT5783-M8X30-A3L    |
| 6  | GBT93-8-A3L          | 弹簧垫圈    | 5  | GBT93-8-A3L          |
| 7  | GBT5782-M12X100-A3L  | 螺栓      | 2  | GBT5782-M12X100-A3L  |
| 8  | CD554.55.012/10      | 进油口总成   | 1  | CD554.55.012/10      |
| 9  | GBT5783-M8X20-A3L    | 螺栓      | 1  | GBT5783-M8X20-A3L    |
| 10 | GBT5782-M12X235-A3L  | 螺栓      | 4  | GBT5782-M12X235-A3L  |
| 11 | GBT5783-M12X45-A3L   | 螺栓      | 3  | GBT5783-M12X45-A3L   |
| 12 | GBT3452.1-32.5X1.8-G | O形圈     | 1  | GBT3452.1-32.5X1.8-G |
| 13 | GBT6170-M8-A3L       | 螺母      | 1  | GBT6170-M8-A3L       |
| 14 | GBT97.1-8-A3L        | 平垫圈     | 1  | GBT97.1-8-A3L        |
| 15 | CD554.55.014         | 呼吸器     | 1  | CD554.55.014         |
| 16 | JBT8870-D20          | 软管夹     | 2  | JBT8870-D20          |
| 17 | SH704-1.55.101       | 呼吸软管    | 1  | SH704-1.55.101       |
| 18 | GBT5783-M8X25-A3L    | 螺栓      | 2  | GBT5783-M8X25-A3L    |
| 19 | SH550.55B.107        | 螺母      | 1  | SH550.55B.107        |
| 20 | 2.1560.018.0         | 组合密封圈   | 3  | 2.1560.018.0         |
| 21 | CD554.55.015         | 排油管道焊接件 | 1  | CD554.55.015         |
| 22 | SH400.58.112         | 空心螺栓    | 1  | SH400.58.112         |



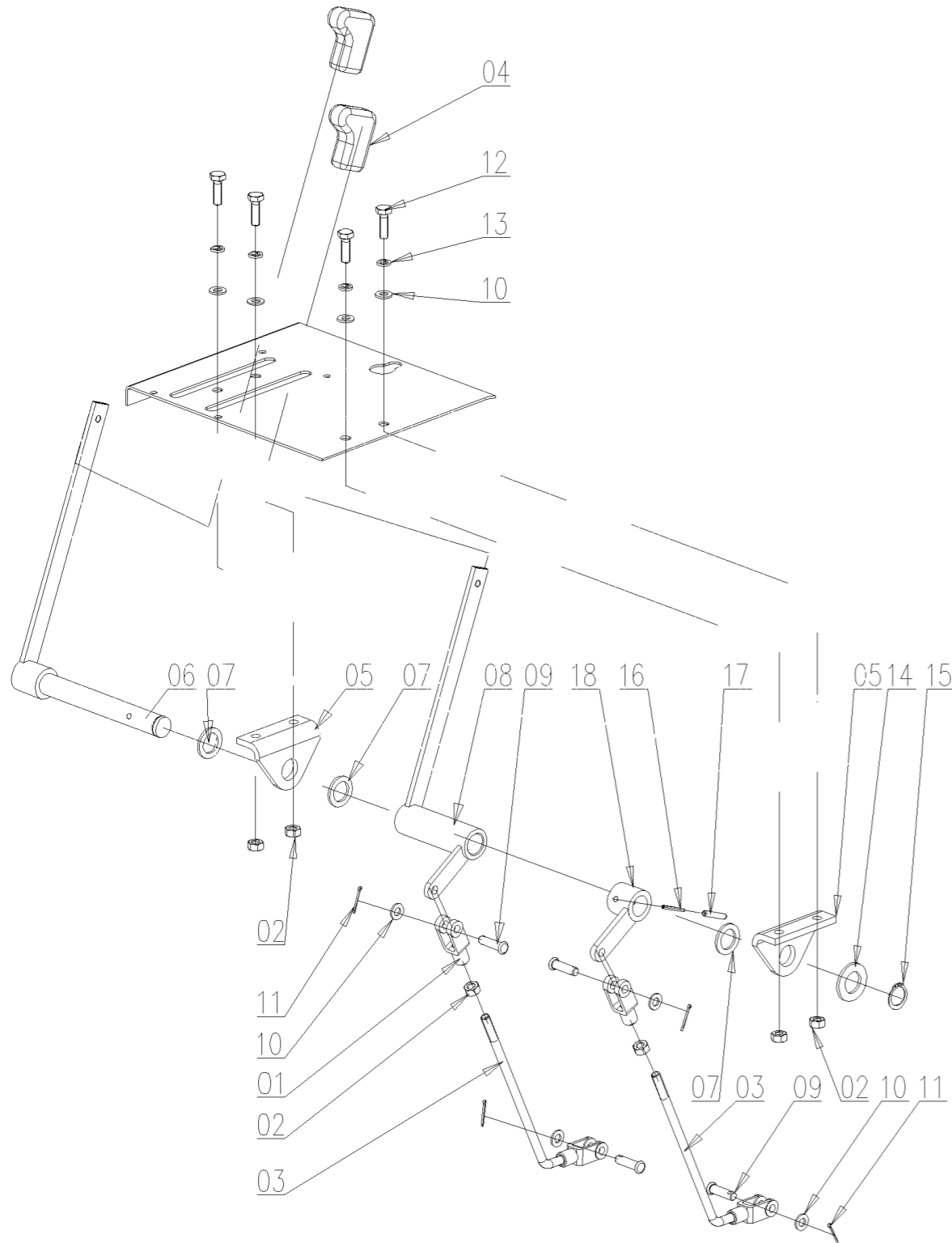
### CD554.55.011 提升器总成 LIFTING DEVICE ASSEMBLY

| 序号 | 零件编号           | 零件名称                           | 数量 | 图号             |
|----|----------------|--------------------------------|----|----------------|
| 8  | FT500B.55.022  | 力调节弹簧总成 Force adjusting spring | 1  | FT500B.55.022  |
| 20 | FT500A.55.020  | 提升臂总成 Lift arm assemblies      | 2  | FT500A.55.020  |
| 37 | FT500B.55.013G | 分配器与支座总成 Distributor and       | 1  | FT500B.55.013G |
| 60 | FT500B.55.106B | 油缸体 Cylinder body              | 1  | FT500B.55.106B |
| 61 | KM550.55.023A  | 活塞总成 Piston assembly           | 1  | KM550.55.023A  |

CD554.55.011 提升器总成

# A39.55.902.4 LIFT OPERATING MECHANISM ASSY

# A39.55.902.4\_3 提升器操纵总成Lifter handling assembly

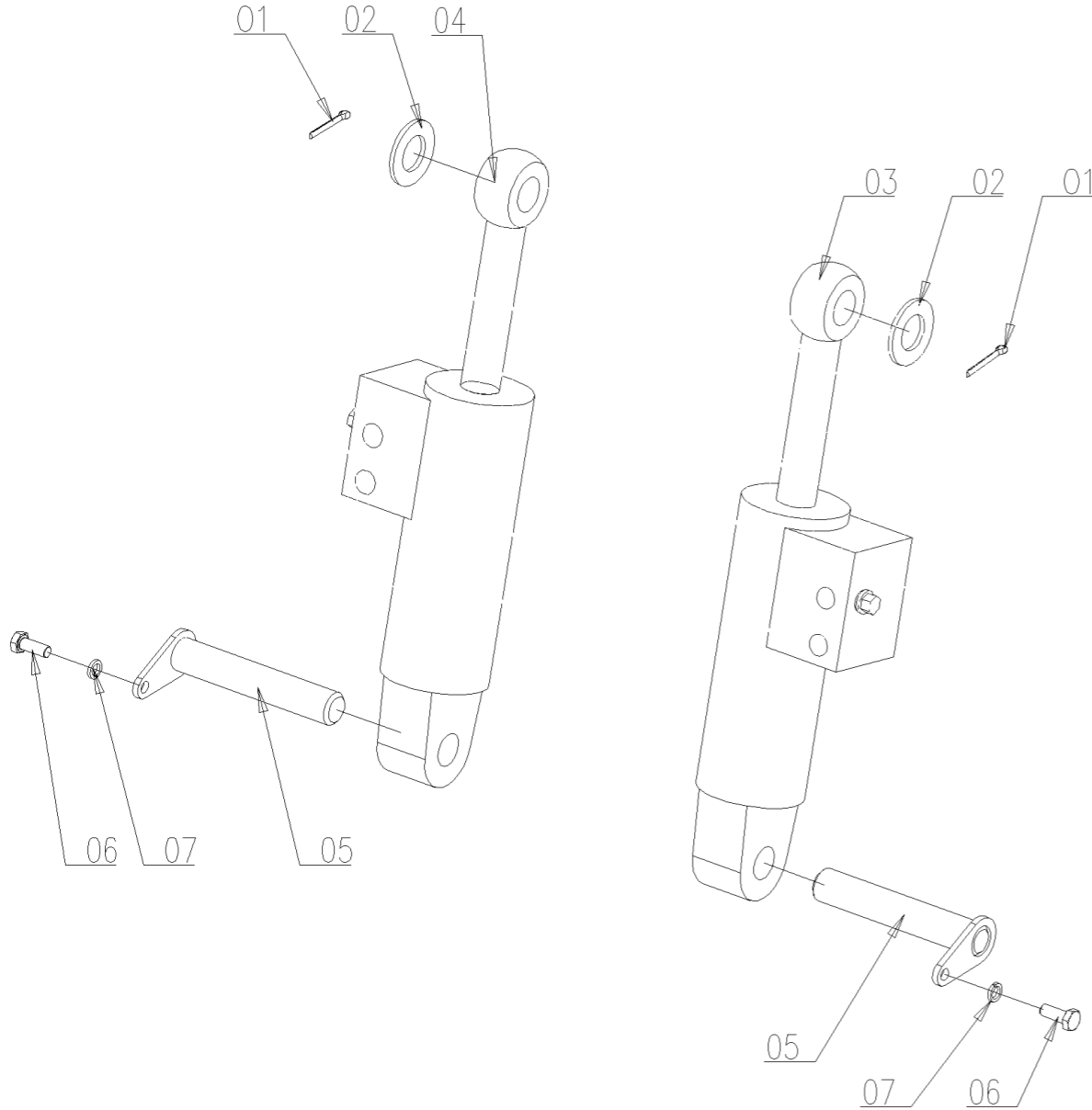


| 序号 | 零件编号              | 零件名称                   | 数量 | 图号                |
|----|-------------------|------------------------|----|-------------------|
| 1  | CD554.55.113      | 右旋拉杆接头 FORCK_RH        | 2  | CD554.55.113      |
| 2  | GBT6170-M8-A2L    | 螺母 NUT                 | 6  | GBT6170-M8-A2L    |
| 3  | CD554.55.020      | 拉杆焊合 LEVER WELDMENT    | 2  | CD554.55.020      |
| 4  | SH900.58.140/10   | 手柄 HANDLE              | 2  | SH900.58.140/10   |
| 5  | A39.55.002.0      | 安装板 MOUNTING PLATE     | 2  | A39.55.002.0      |
| 6  | CD554.55.017/10   | 位调节手柄焊合件 POSITION      | 1  | CD554.55.017/10   |
| 7  | SH550.58D.141     | 尼龙挡圈 RING              | 3  | SH550.58D.141     |
| 8  | CD554.55.018/10   | 力调节手柄焊合件 DRAFT CONTROL | 1  | CD554.55.018/10   |
| 9  | GBT882-B8X28-A3L  | 销 PIN                  | 4  | GBT882-B8X28-A3L  |
| 10 | GBT97.1-8-A3L     | 垫圈 WASHER              | 8  | GBT97.1-8-A3L     |
| 11 | GBT91-2X20-A3L    | 销 PIN                  | 4  | GBT91-2X20-A3L    |
| 12 | GBT5783-M8X25-A2L | 螺栓 BOLT                | 4  | GBT5783-M8X25-A2L |
| 13 | GBT93-8-A3L       | 垫圈 WASHER              | 4  | GBT93-8-A3L       |
| 14 | GBT97.1-20-A3L    | 垫圈 WASHER              | 1  | GBT97.1-20-A3L    |
| 15 | GBT894.1-20       | 弹簧垫圈 CIRCLIP           | 1  | GBT894.1-20       |
| 16 | GBT879.1-3X30     | 销 PIN                  | 1  | GBT879.1-3X30     |
| 17 | GBT879.1-5X30     | 销 PIN                  | 1  | GBT879.1-5X30     |
| 18 | CD554.55.019-1    | 位调节摇臂焊合件 POSITION      | 1  | CD554.55.019-1    |

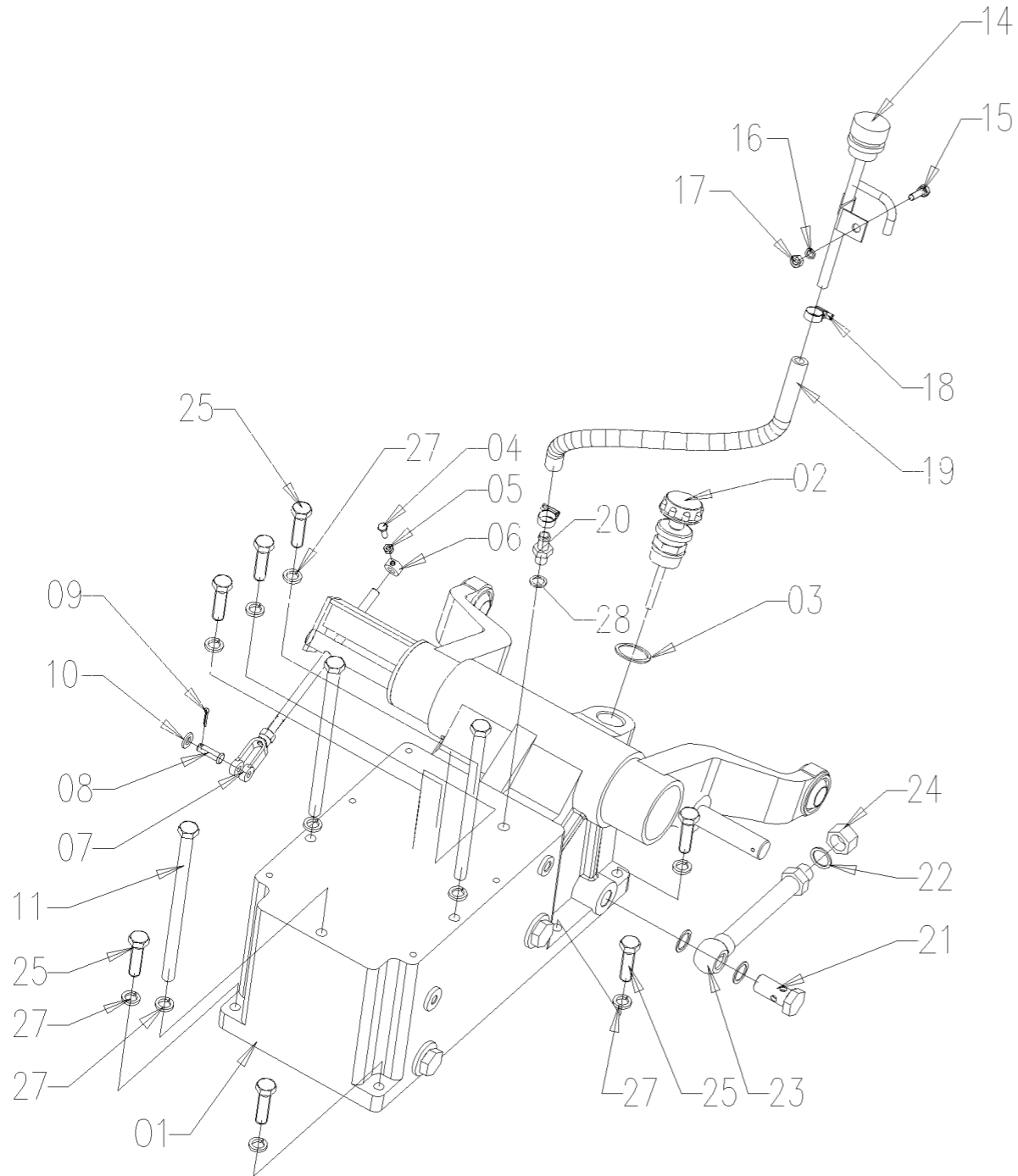
# A39.55.904.4 ENFORCED CYLINDER INSTALLED ASS.

## A39.55.904.4\_1 强压油缸安装总成 (后提升) Strong pressure cylinder mounting assembly (rear lift)

| 序号 | 零件编号               | 零件名称            | 数量 | 图号                 |
|----|--------------------|-----------------|----|--------------------|
| 1  | GBT91-5X50-A3L     | 销 PIN           | 2  | GBT91-5X50-A3L     |
| 2  | GBT97.1-30-A3L     | 垫圈 WASHER       | 2  | GBT97.1-30-A3L     |
| 3  | CD554.55A.012/20   | 左提升油缸总成 左提升油缸总成 | 1  | CD554.55A.012/20   |
| 4  | CD554.55A.011/20   | 右提升油缸总成 右提升油缸总成 | 1  | CD554.55A.011/20   |
| 5  | SH550.55B.016      | 油缸支撑轴焊合 油缸支撑轴焊合 | 2  | SH550.55B.016      |
| 6  | GBT5783-M10X25-A3L | 螺栓 BOLT         | 2  | GBT5783-M10X25-A3L |
| 7  | GBT93-10-A3L       | 垫圈 WASHER       | 2  | GBT93-10-A3L       |

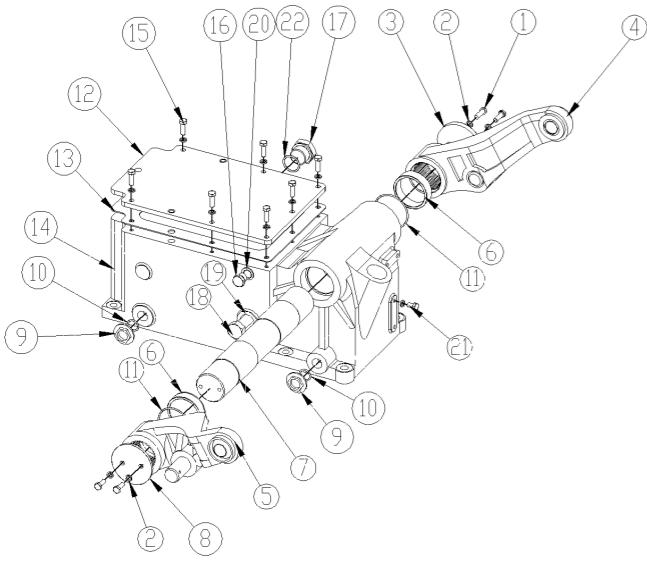


# A39.55.910.4 REAR LIFT ASS.Y



## A39.55.910.4\_3 提升器安装总成 LIFTER INSTALLED ASS.

| 序号 | 零件编号                  | 零件名称                      | 数量 | 图号                       |
|----|-----------------------|---------------------------|----|--------------------------|
| 1  | C22.55.001.4          | 后提升组件 REAR LIFTER ASSY-N  | 1  | C22.55.001.4             |
| 2  | SH550.55B.018         | 油尺装配总成 DIPSTICK ASSY      | 1  | SH550.55B.018            |
| 3  | A08.55.004.0          | 垫圈 WASHER                 | 1  | A08.55.004.0             |
| 4  | GBT5783-M6X20-A2L     | 螺栓 BOLT                   | 1  | GBT5783-M6X20-A2L        |
| 5  | GBT6170-M6-A2L        | 螺母 NUT                    | 1  | GBT6170-M6-A2L           |
| 6  | SH550.55B.102         | 限位块 LIMIT BLOCK           | 1  | SH550.55B.102            |
| 7  | CD554.55A.014         | 连杆总成 LINK ASSEMBLY        | 1  | CD554.55A.014            |
| 8  | GBT882-B10X30-A3L     | 销 PIN                     | 1  | GBT882-B10X30-A3L        |
| 9  | GBT91-3.2X20-A3L      | 销 PIN                     | 1  | GBT91-3.2X20-A3L         |
| 10 | GBT97.1-10-A3L        | 垫圈 WASHER                 | 1  | GBT97.1-10-A3L           |
| 11 | GBT5782-M14X235-10.9- | 螺栓 BOLT                   | 3  | GBT5782-M14X235-10.9-A3L |
| 14 | SH704-1.55.015-1      | 呼吸器组件 BREATHER ASSEMBLY   | 1  | SH704-1.55.015-1         |
| 15 | GBT5783-M8X25-A2L     | 螺栓 BOLT                   | 1  | GBT5783-M8X25-A2L        |
| 16 | GBT93-8-A3L           | 垫圈 WASHER                 | 1  | GBT93-8-A3L              |
| 17 | GBT6170-M8-A2L        | 罗缪 NUT                    | 1  | GBT6170-M8-A2L           |
| 18 | JBT8870-D20           | 软管夹 HOSE CLAMPS           | 2  | JBT8870-D20              |
| 19 | A39.55.006.0          | 通气软管 BREATHER HOSE        | 1  | A39.55.006.0             |
| 20 | SH550.55B.017         | 通气接头焊合 AIR JOINT WELDMENT | 1  | SH550.55B.017            |
| 21 | SH400.58.112          | 空心螺栓 HOLLOW BOLT          | 1  | SH400.58.112             |
| 22 | 2.1560.018.0          | 组合密封圈 SEALING RING        | 3  | 2.1560.018.0             |
| 23 | SH550.55B.015         | 提升器放油管焊合 OIL OUTLET PIPE  | 1  | SH550.55B.015            |
| 24 | SH550.55B.107         | 螺母 NUT                    | 1  | SH550.55B.107            |
| 25 | GBT5783-M14X50-10.9-  | 螺栓 BOLT                   | 7  | GBT5783-M14X50-10.9-A3L  |
| 27 | GBT93-14-A3L          | 垫圈 WASHER                 | 10 | GBT93-14-A3L             |
| 28 | 2.1560.010.0          | 组合密封圈 SEALING RING        | 1  | 2.1560.010.0             |



C22.55.001.4(A) 提升器总成

### C22.55.001.4 后提升组件 REAR LIFTER ASSY-N

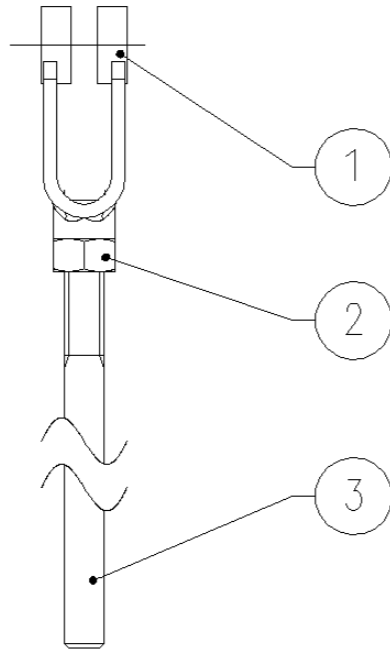
| 序号 | 零件编号          | 零件名称                   | 数量 | 图号            |
|----|---------------|------------------------|----|---------------|
| 4  | CD554.55A.202 | 右提升臂 Right lifting arm | 1  | CD554.55A.202 |
| 5  | CD554.55A.201 | 左提升臂 Left lifting arm  | 1  | CD554.55A.201 |

|    |                 |               |    |
|----|-----------------|---------------|----|
| ?? | ??              | ??            | ?? |
| 22 | JB982           | ?????? 27     | 1  |
| 21 | GB5783          | ?? M8x12      | 2  |
| 20 | JB982-77        | ?????? 14     | 1  |
| 19 | JB982-77        | ?????? 22     | 1  |
| 18 | GB5786-86       | ?? M22x1.5x20 | 1  |
| 17 | TE250.55A.109   | 外六角螺塞         | 1  |
| 16 | 320.55A.122     | ??            | 1  |
| 15 | GB5783          | ?? M8x25      | 7  |
| 14 | C22.55.011      | ????????      | 1  |
| 13 | TB600.55C.302   | ????          | 1  |
| 12 | C22.55.102A     | ??            | 1  |
| 11 | GB/T3452.1-2005 | ??61.5x5.3    | 2  |
| 10 | GB3452.1-92     | O??22.4x1.8   | 2  |
| 9  | FT500B.55.197   | ??M22x1.5     | 2  |
| 8  | TB500.55.5.1-01 | ??            | 1  |
| 7  | TB600.55C.1-01  | ???           | 1  |
| 6  | CD554.55A.101   | ????          | 2  |
| 5  | TB600.55B.1.1a  | ??????        | 1  |
| 4  | TB600.55C.1.1a  | ??????        | 1  |
| 3  | TB600.55C.1.2   | ????????      | 1  |
| 2  | GB93-87         | ?? 8          | 11 |
| 1  | GB5783          | ?? M8x20      | 4  |

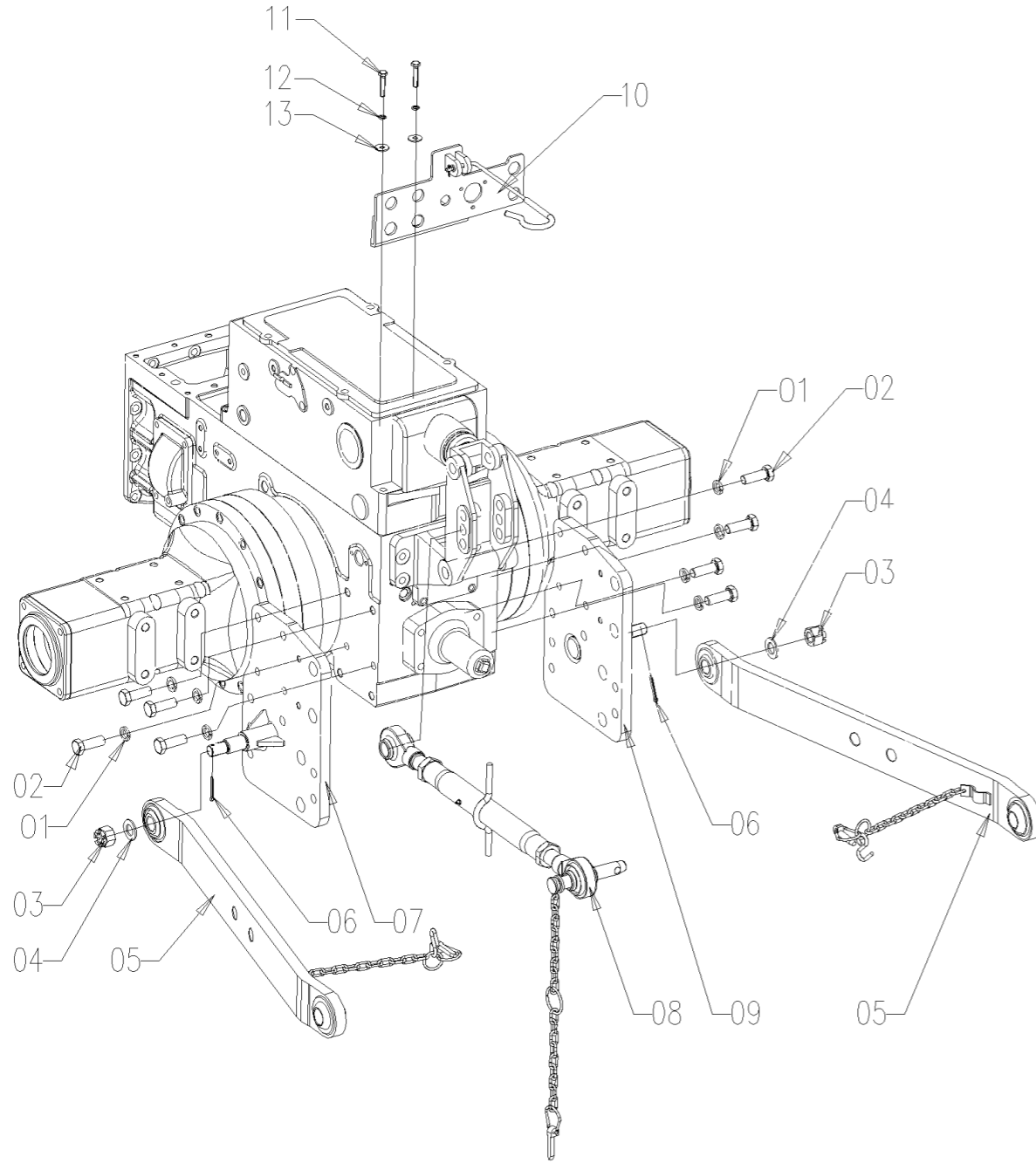
# CD554.55A.014 LINK ASSEMBLY

## CD554.55A.014 连杆总成 LINK ASSEMBLY

| 序号 | 零件编号            | 零件名称          | 数量 | 图号              |
|----|-----------------|---------------|----|-----------------|
| 1  | CD554.55A.101   | 连接叉 LINK FORK | 1  | CD554.55A.101   |
| 2  | GBT6170-M10-A3L | 螺母 NUT        | 1  | GBT6170-M10-A3L |
| 3  | SH550.55B.101-1 | 限制杆 LIMIT ROD | 1  | SH550.55B.101-1 |



# A39.56.900.4 UPPER AND DOWN LINK ASS.

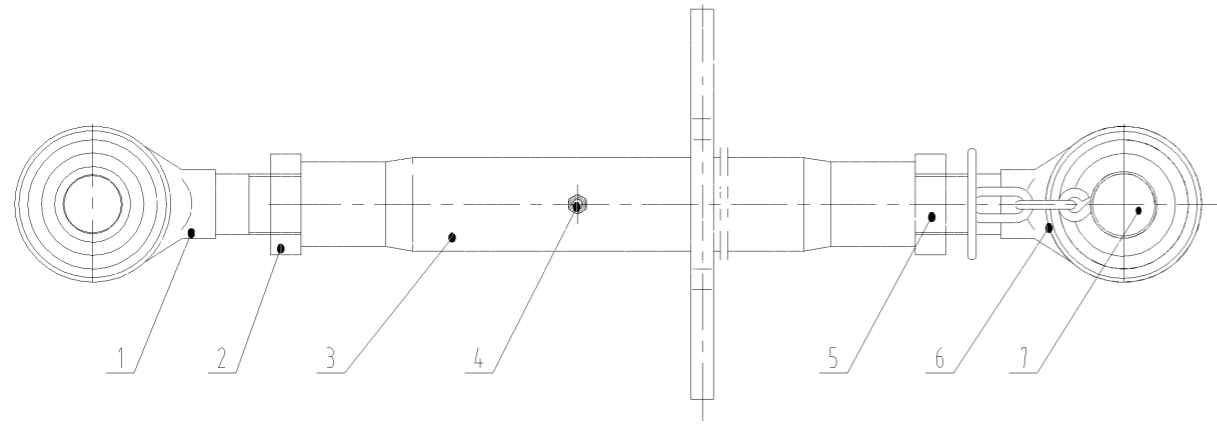


## A39.56.900.4\_2 悬挂机构总成 Suspension mechanism assembly

| 序号 | 零件编号                 | 零件名称                    | 数量 | 图号                      |
|----|----------------------|-------------------------|----|-------------------------|
| 1  | GBT93-16-A3L         | WASHER                  | 8  | GBT93-16-A3L            |
| 2  | GBT5783-M16X45-10.9- | BOLT                    | 8  | GBT5783-M16X45-10.9-A3L |
| 3  | GBT6178-M20-A3L      | NUT                     | 2  | GBT6178-M20-A3L         |
| 4  | GBT97.1-20-A3L       | WASHER                  | 2  | GBT97.1-20-A3L          |
| 5  | SH550.56.017         | LOWER LINKAGE ASSY      | 2  | SH550.56.017            |
| 6  | GBT91-4X35-A3L       | PIN                     | 2  | GBT91-4X35-A3L          |
| 7  | SH400.56.019A        | LEFT LOWER LINK BRACKET | 1  | SH400.56.019A           |
| 8  | SH550.56.011         | UPPER LINKAGE ASSY      | 1  | SH550.56.011            |
| 9  | SH400.56.015A        | LEFT LOWER LINK BRACKET | 1  | SH400.56.015A           |
| 10 | CD554.56.011/50      | HOOK SEAT               | 1  | CD554.56.011/50         |
| 11 | GBT5783-M8X40-A2L    | BOLT                    | 2  | GBT5783-M8X40-A2L       |
| 12 | GBT93-8-A3L          | WASHER                  | 2  | GBT93-8-A3L             |
| 13 | GBT96.1-8-A3L        | WASHER                  | 2  | GBT96.1-8-A3L           |



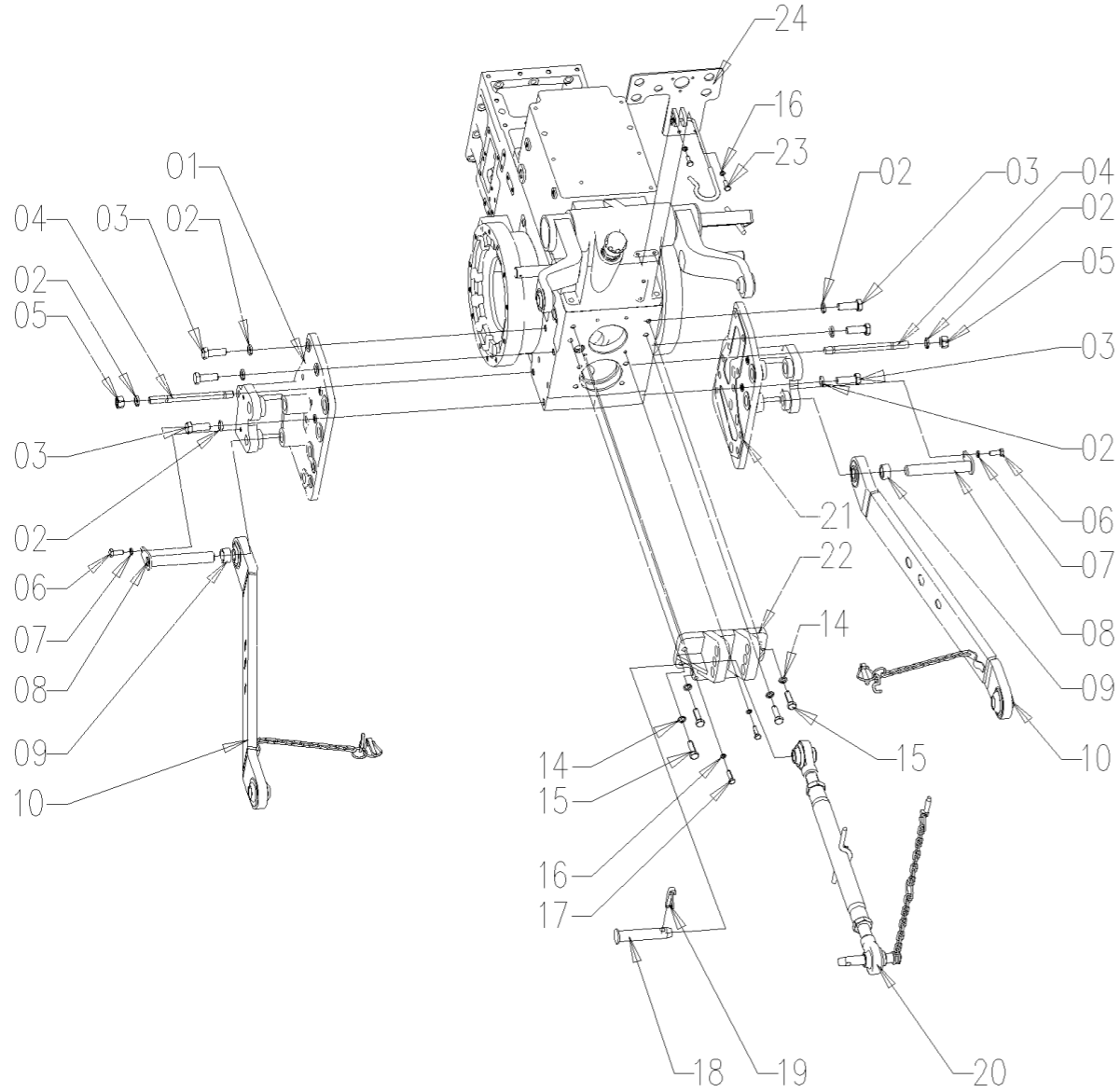
SH550.56.011 上拉杆总成



SH550.56.011 上拉杆组件 UPPER LINKAGE ASSY

| 序号 | 零件编号                 | 零件名称                      | 数量 | 图号                   |
|----|----------------------|---------------------------|----|----------------------|
| 1  | SH550.56.012         | FRONT ADJUST LINKAGE ASSY | 1  | SH550.56.012         |
| 2  | GBT6173-M27X2-A3L    | NUT                       | 1  | GBT6173-M27X2-A3L    |
| 3  | SH550.56.024         | ADJUST SCREW PIPE ASSY    | 1  | SH550.56.024         |
| 4  | JBT7940.1-M6         | GREASE                    | 1  | JBT7940.1-M6         |
| 5  | GBT6173-M27X2-LH-A3L | NUT                       | 1  | GBT6173-M27X2-LH-A3L |
| 6  | SH550.56.013         | REAR ADJUST LINKAGE ASSY  | 1  | SH550.56.013         |
| 7  | SH750.56.018         | UPPER ROD LOCK PIN ASS.   | 1  | SH750.56.018         |

# A39.56.910.4 UPPER LINK AND LOWER LINK ASS.Y



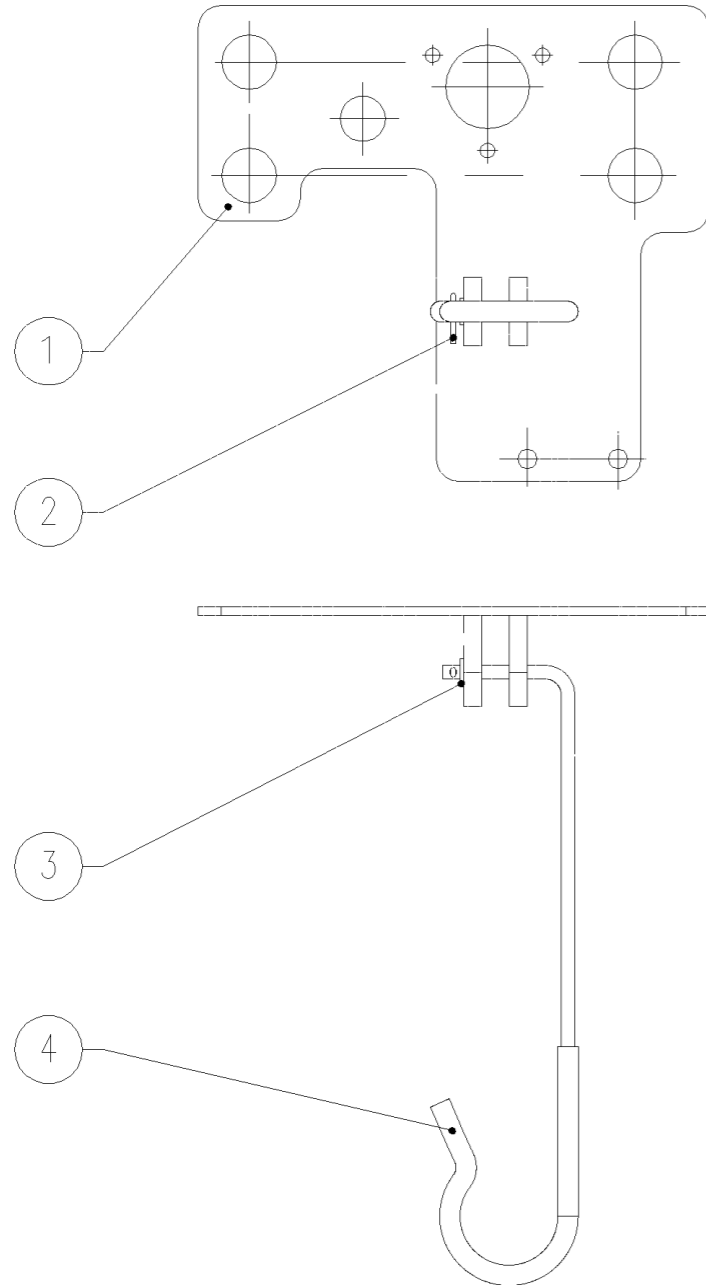
## A39.56.910.4\_3 下拉杆安装总成UPPER AND DOWN LINK ASS.

| 序号 | 零件编号                  | 零件名称                     | 数量 | 图号                       |
|----|-----------------------|--------------------------|----|--------------------------|
| 1  | SH550.56B.101         | 左油缸支座 LEFT CYLINDER      | 1  | SH550.56B.101            |
| 2  | GBT93-16-A3L          | 垫圈 WASHER                | 8  | GBT93-16-A3L             |
| 3  | GBT5783-M16X45-10.9-  | 螺栓 BOLT                  | 6  | GBT5783-M16X45-10.9-A3L  |
| 4  | GBT899-AM16X180-10.9- | 双头螺柱 STUD                | 2  | GBT899-AM16X180-10.9-A3L |
| 5  | GBT6170-M16-A3L       | 螺母 NUT                   | 2  | GBT6170-M16-A3L          |
| 6  | GBT5783-M10X25-A3L    | 螺栓 BOLT                  | 2  | GBT5783-M10X25-A3L       |
| 7  | GBT93-10-A3L          | 垫圈 WASHER                | 2  | GBT93-10-A3L             |
| 8  | SH550.56B.017         | 下拉杆铰接轴焊合 LOWER LINKAGE   | 2  | SH550.56B.017            |
| 9  | SH550.56B.118         | 隔套 SPACE SLEEVE          | 2  | SH550.56B.118            |
| 10 | SH550.56B.011         | 下拉杆总成 LOWER LINKAGE ASSY | 2  | SH550.56B.011            |
| 14 | GBT93-12-A3L          | 垫圈 WASHER                | 4  | GBT93-12-A3L             |
| 15 | GBT5783-M12X40-10.9-  | 螺栓 BOLT                  | 4  | GBT5783-M12X40-10.9-A3L  |
| 16 | GBT93-8-A3L           | 垫圈 WASHER                | 4  | GBT93-8-A3L              |
| 17 | GBT5783-M8X30-A2L     | 螺栓 BOLT                  | 2  | GBT5783-M8X30-A2L        |
| 18 | SH550.56B.114         | 上拉杆前连接销 UPPER PIN SHAFT  | 1  | SH550.56B.114            |
| 19 | SH400.56.025          | 锁销总成 LOCK PIN ASSEMBLY   | 1  | SH400.56.025             |
| 20 | SH550.56B.013         | 上连杆组件 UPPER LINKAGE ASSY | 1  | SH550.56B.013            |
| 21 | SH550.56B.102         | 右油缸支座 RIGHT CYLINDER     | 1  | SH550.56B.102            |
| 22 | SH550.56B.103         | 上拉杆支架 UPPER LINKAGE      | 1  | SH550.56B.103            |
| 23 | GBT5783-M8X20-A2L     | 螺栓 BOLT                  | 2  | GBT5783-M8X20-A2L        |
| 24 | CD554.56A.011/40      | 上连杆挂钩座 UPPER LINK FIXED  | 1  | CD554.56A.011/40         |

CD554.56A.011/40 上连接固定支座 UPPER LINK FIXED SEAT

| 序号 | 零件编号             | 零件名称               | 数量 | 图号               |
|----|------------------|--------------------|----|------------------|
| 1  | CD554.56A.020/30 | FIXED SEAT         | 1  | CD554.56A.020/30 |
| 2  | GBT97.1-6-A3L    | WASHER             | 1  | GBT97.1-6-A3L    |
| 3  | GBT91-2.5X16-A3L | PIN                | 1  | GBT91-2.5X16-A3L |
| 4  | SH550.56B.116/10 | UPPER LINKAGE HOOK | 1  | SH550.56B.116/10 |

CD554.56A.011/40 UPPER LINK FIXED SEAT

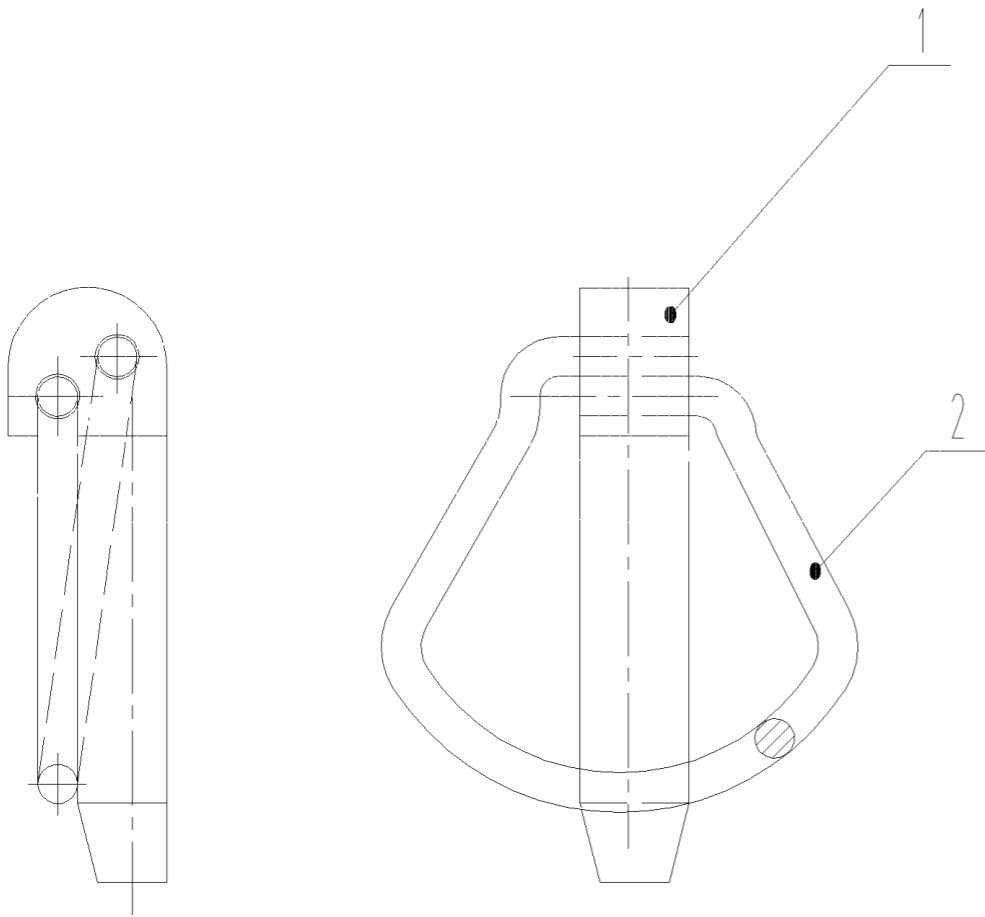


SH400.56.025 锁销总成 LOCK PIN ASSEMBLY

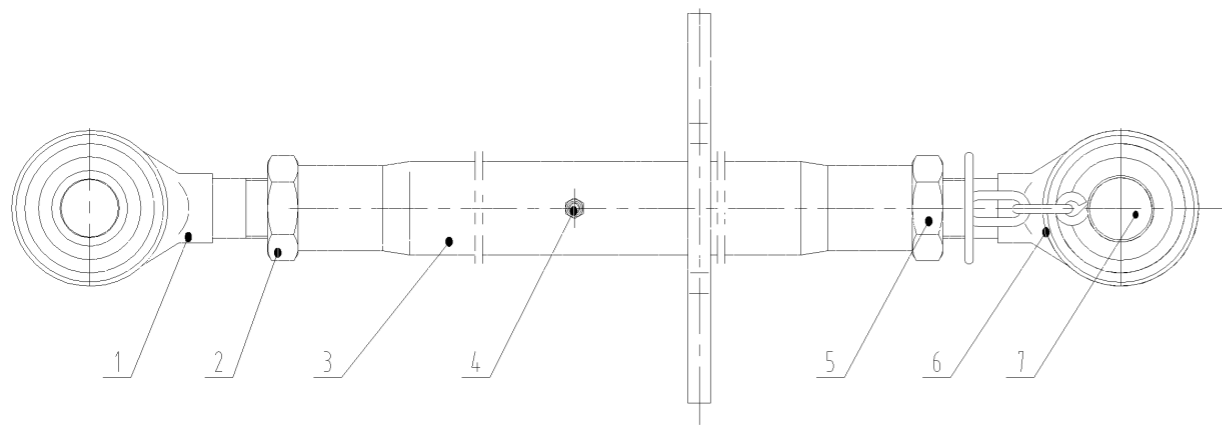
| 序号 | 零件编号         | 零件名称              | 数量 | 图号           |
|----|--------------|-------------------|----|--------------|
| 1  | SH400.56.119 | 锁销轴 LOCK PIN      | 1  | SH400.56.119 |
| 2  | SH400.56.118 | 锁销环 LOCK PIN RING | 1  | SH400.56.118 |

SH400.56.025

锁销总成



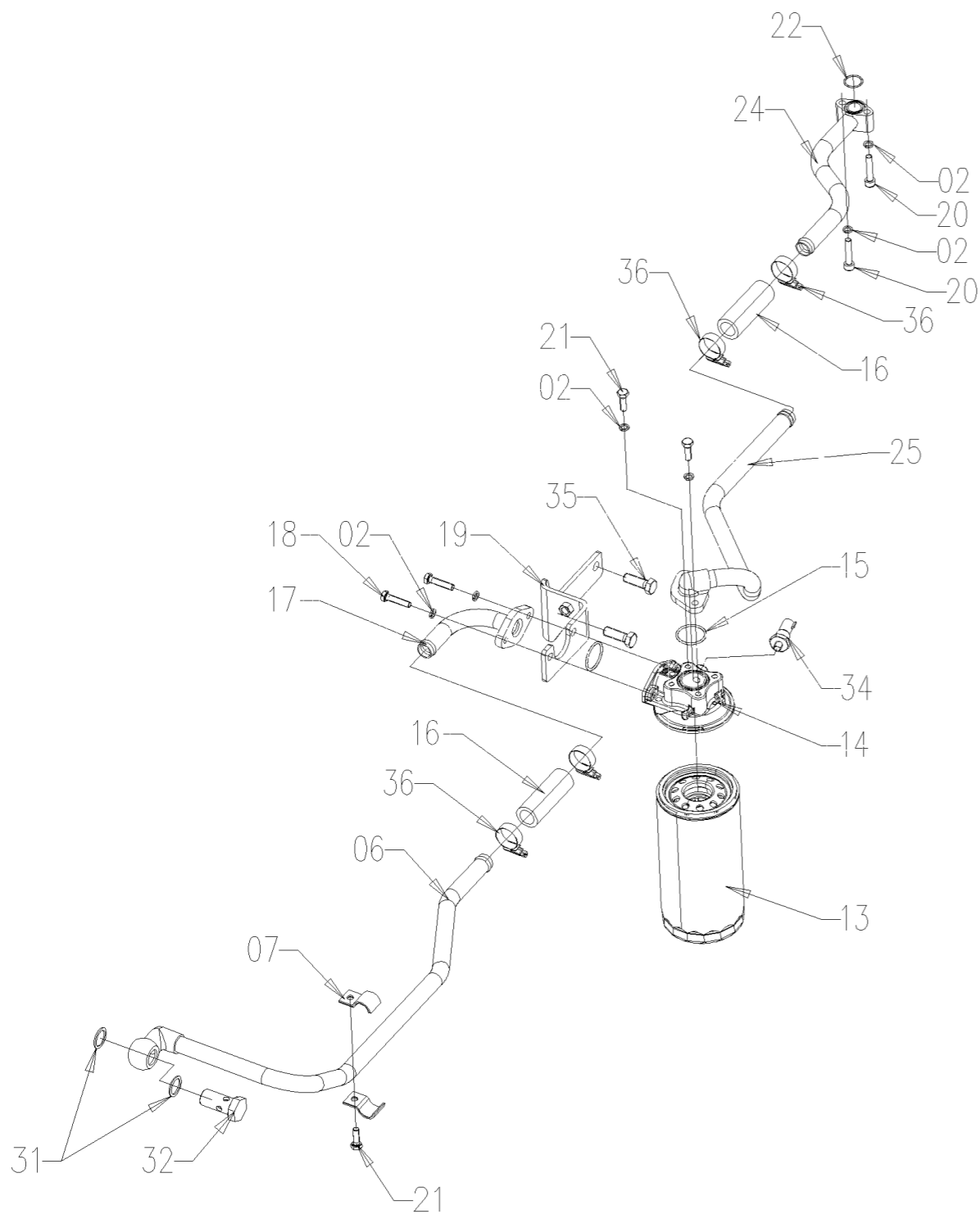
SH550.56B.013 上拉杆总成



SH550.56B.013 上拉杆总成 UPPER LINKAGE ASSY

| 序号 | 零件编号                 | 零件名称                      | 数量 | 图号                   |
|----|----------------------|---------------------------|----|----------------------|
| 1  | SH550.56.012         | 前调节杆总成 FRONT ADJUST       | 1  | SH550.56.012         |
| 2  | GBT6173-M27X2-A3L    | 螺母 NUT                    | 1  | GBT6173-M27X2-A3L    |
| 3  | SH550.56B.022        | 调节螺管焊合件 ADJUST SCREW PIPE | 1  | SH550.56B.022        |
| 4  | JBT7940.1-M6         | 黄油嘴 GREASE NIPPLE         | 1  | JBT7940.1-M6         |
| 5  | GBT6173-M27X2-LH-A3L | 螺母 NUT                    | 1  | GBT6173-M27X2-LH-A3L |
| 6  | SH550.56.013         | 后调节杆总成 REAR ADJUST        | 1  | SH550.56.013         |
| 7  | LD700.56.018         | 上拉杆锁销总成 UPPER LOCK PIN    | 1  | LD700.56.018         |

# A39.58.900.4 OIL SUCTION PIPE ASS.Y



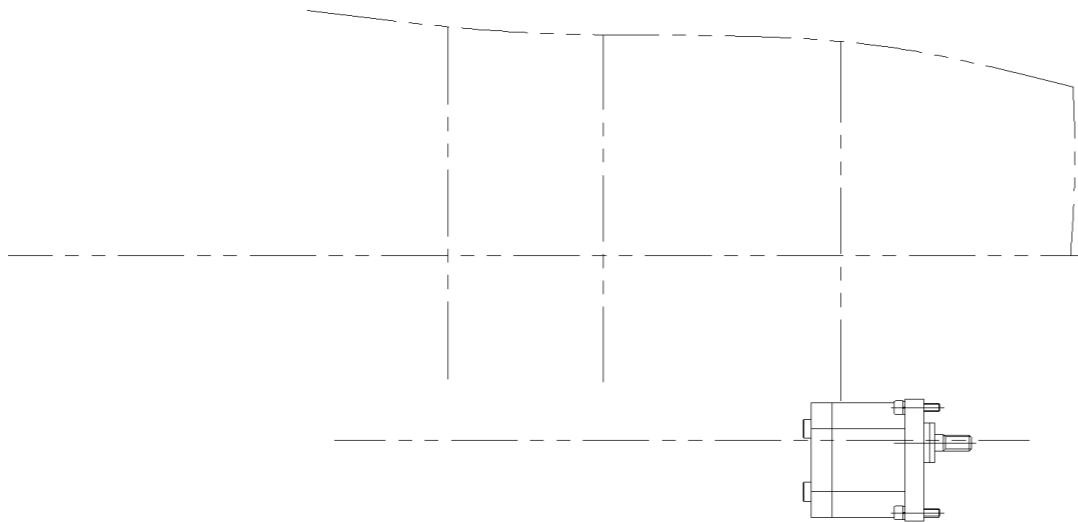
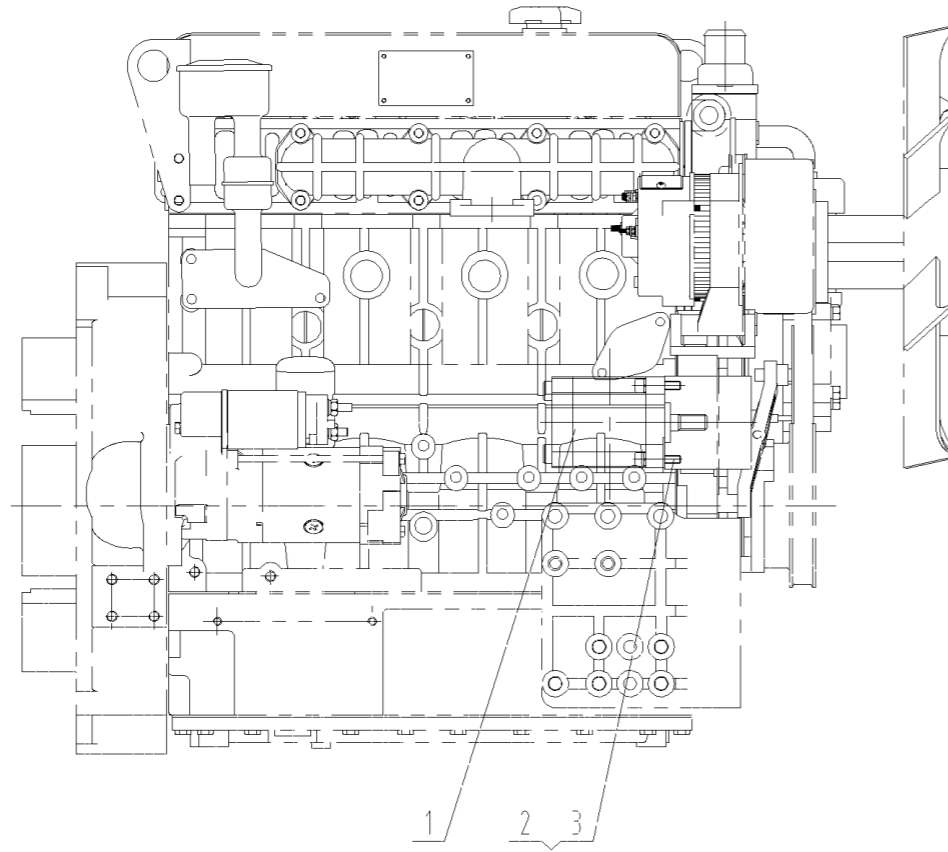
## A39.58.900.4\_2 吸气管总成 SUCTION PIPE ASS.Y

| 序号 | 零件编号                 | 零件名称                    | 数量 | 图号                      |
|----|----------------------|-------------------------|----|-------------------------|
| 2  | GBT93-8-A3L          | WASHER                  | 7  | GBT93-8-A3L             |
| 6  | C05.58.025.3/10      | OIL SUCTION PIPE WELDED | 1  | C05.58.025.3/10         |
| 7  | CD554.58.017         | LOWER CLIP ASSY 2       | 2  | CD554.58.017            |
| 13 | 2.4419.280.0/10      | FILTRO OLIO ASPIRAZ.    | 1  | 2.4419.280.0/10         |
| 14 | 2.4419.350.1/40      | TESTINA FILTRO OLIO     | 1  | 2.4419.350.1/40         |
| 15 | 2.1531.091.0         | ANELLO OR 34.60X2.62    | 2  | 2.1531.091.0            |
| 16 | SH400.58.106         | OIL SUCTION RUBBER PIPE | 2  | SH400.58.106            |
| 17 | A85.58.004.3         | OIL PIPE WELDED         | 1  | A85.58.004.3            |
| 18 | GBT5783-M8X35-A2L    | BOLT                    | 2  | GBT5783-M8X35-A2L       |
| 19 | A08.58.016.0         | BRACKET                 | 1  | A08.58.016.0            |
| 20 | GBT70.1-M8X40-A2L    | SCREW                   | 2  | GBT70.1-M8X40-A2L       |
| 21 | GBT5783-M8X25-A2L    | BOLT                    | 2  | GBT5783-M8X25-A2L       |
| 22 | GBT3452.1-21.2X1.8-G | O RING                  | 1  | GBT3452.1-21.2X1.8-G    |
| 24 | A39.58.061.3         | PUMP SUCTION PIPE       | 1  | A39.58.061.3            |
| 25 | A39.58.060.3         | OIL SUCTION PIPE        | 1  | A39.58.060.3            |
| 31 | 2.1560.018.0         | SEALING RING            | 1  | 2.1560.018.0            |
| 34 | 2.7099.660.0/10      | PRESS.OLIO 0.5/0.4 B    | 1  | 2.7099.660.0/10         |
| 35 | GBT5783-M12X35-10.9- | BOLT                    | 2  | GBT5783-M12X35-10.9-A3L |
| 36 | JBT8870-D32          | HOSE CLAMPS             | 4  | JBT8870-D32             |
| 37 | A39.58.062.0         | M22X1.5A-M30X2K FITTING | 1  | A39.58.062.0            |
| 38 | GBT3452.1-20X1.8-G   | O RING                  | 1  | GBT3452.1-20X1.8-G      |
| 39 | GBT93-12-A3L         | WASHER                  | 2  | GBT93-12-A3L            |
| 40 | GBT5783-M8X20-A2L    | BOLT                    | 1  | GBT5783-M8X20-A2L       |
| 41 | GBT6170-M8-A2L       | NUT                     | 1  | GBT6170-M8-A2L          |

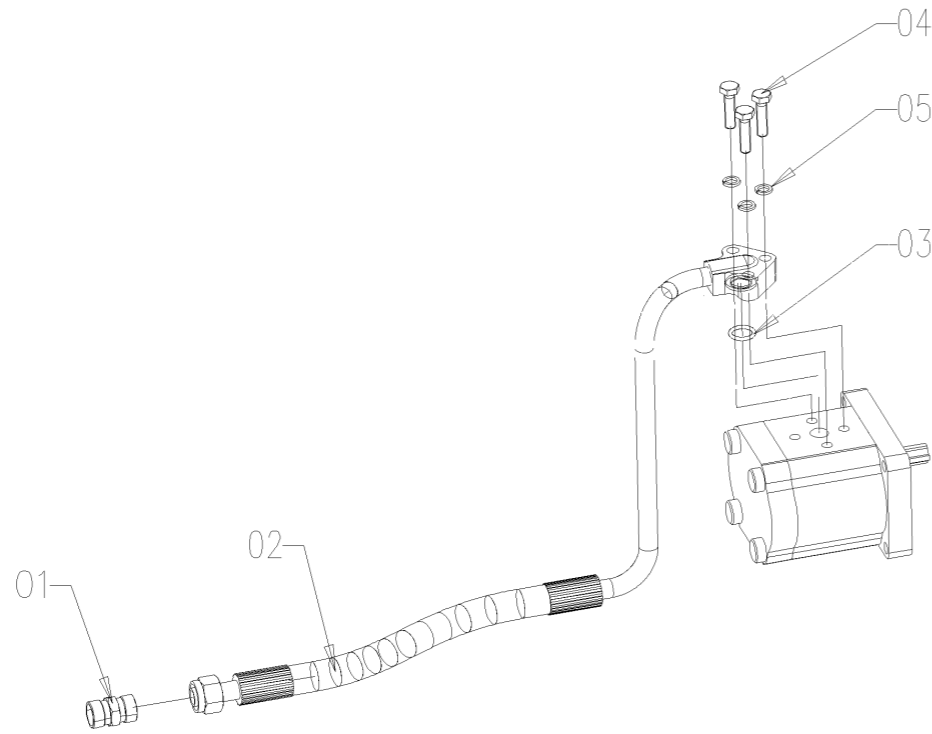
A39.58.904.4 齿轮泵安装总成

A39.58.904.4\_0 齿轮泵安装总成 Gear pump mounting assembly

| 序号 | 零件编号              | 零件名称                    | 数量 | 图号                |
|----|-------------------|-------------------------|----|-------------------|
| 1  | CD554.58.018/10   | 齿轮泵CBN-F316 齿轮泵CBN-F316 | 1  | CD554.58.018/10   |
| 2  | GBT70.1-M8X35-A2L | 螺栓 BOLT                 | 4  | GBT70.1-M8X35-A2L |
| 3  | GBT93-8-A3L       | 垫圈 WASHER               | 4  | GBT93-8-A3L       |



A39.58.905.4 PUMP OIL OUTPUT PIPE ASS.



A39.58.905.4\_3 提升泵出油管总成 Gear pump mounting assembly

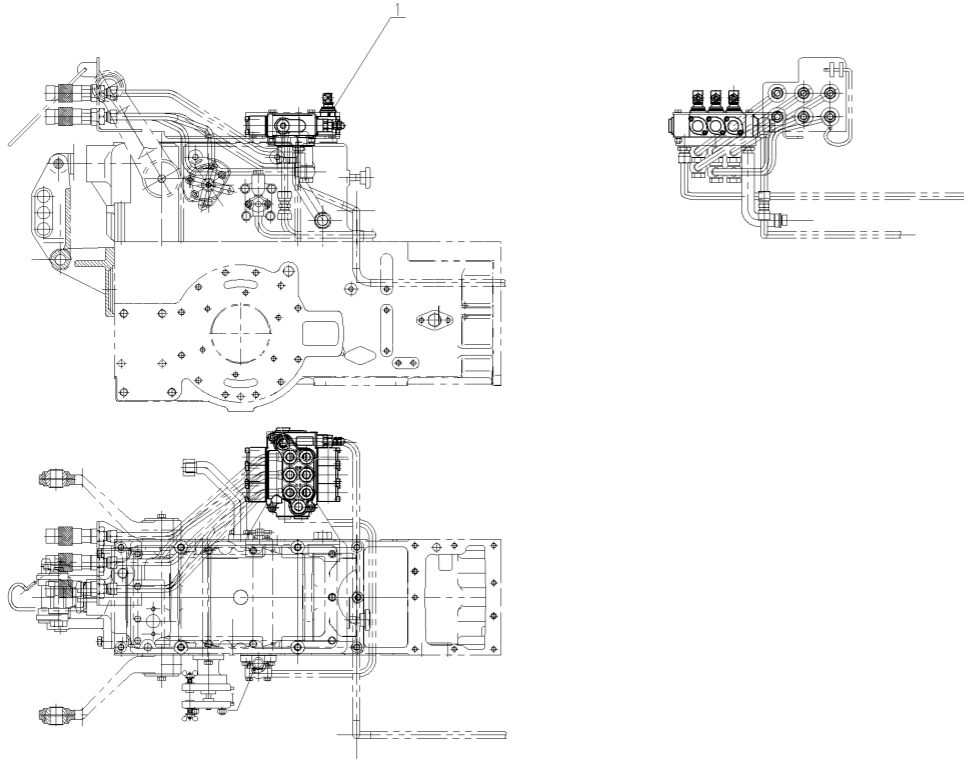
| 序号 | 零件编号                | 零件名称    | 数量 | 图号                  |
|----|---------------------|---------|----|---------------------|
| 1  | GBT3737.2-83-G14    | FITTING | 1  | GBT3737.2-83-G14    |
| 2  | A39.58.001.3/30     | 压力油管总成  | 1  | A39.58.001.3/30     |
| 3  | GBT3452.1-15X2.65-G | O RING  | 1  | GBT3452.1-15X2.65-G |
| 4  | GBT5783-M8X30-A2L   | BOLT    | 3  | GBT5783-M8X30-A2L   |
| 5  | GBT93-8-A3L         | WASHER  | 3  | GBT93-8-A3L         |



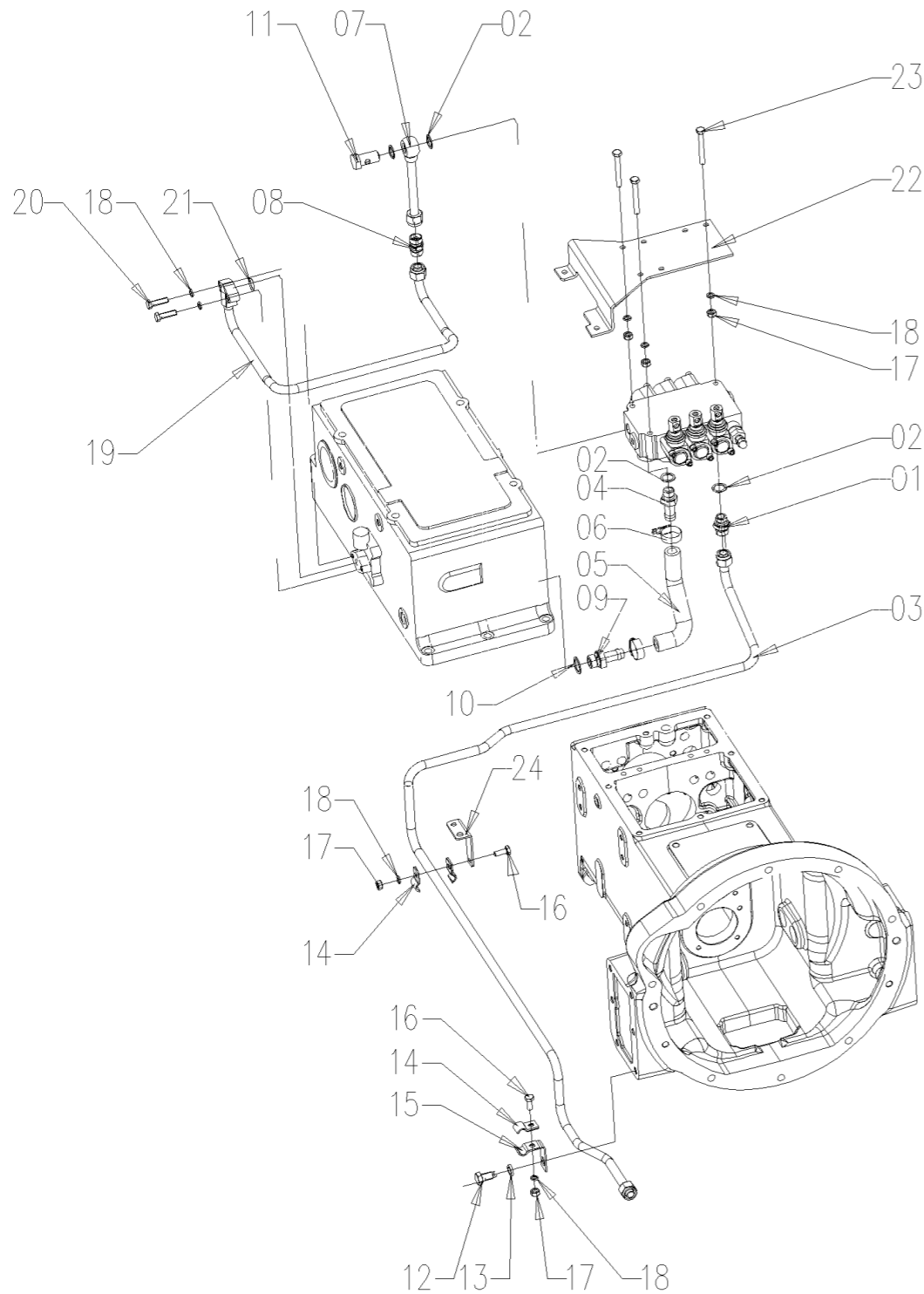
A39.58.906.4 多路阀总成<3路>

### A39.58.906.4\_0 多路阀总成 Multi-way valve assembly

| 序号 | 零件编号          | 零件名称      | 数量 | 图号            |
|----|---------------|-----------|----|---------------|
| 1  | CD554.583.012 | 多路阀总成(3路) | 1  | CD554.583.012 |



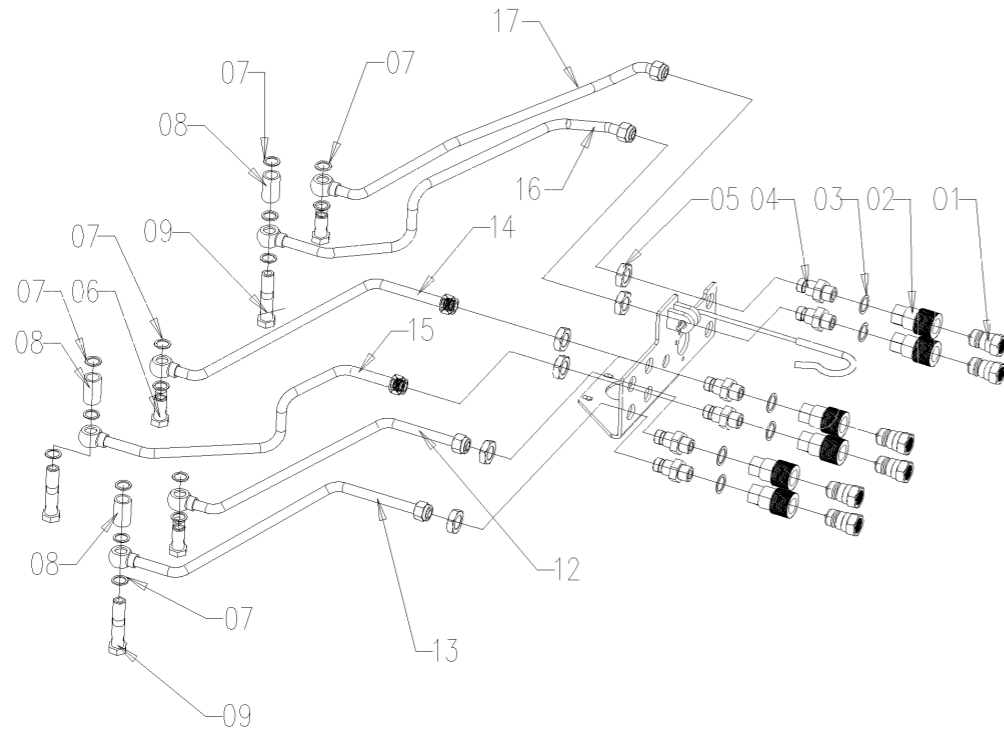
# A39.58.907.4 VALVE PIPE ASS.Y



## A39.58.907.4\_4 阀门管总成 VALVE PIPE ASS.Y

| 序号 | 零件编号                | 零件名称                       | 数量 | 图号                  |
|----|---------------------|----------------------------|----|---------------------|
| 1  | GBT3733.2-83-G14    | FITTING                    | 1  | GBT3733.2-83-G14    |
| 2  | 2.1560.014.0        | SEALING RING               | 4  | 2.1560.014.0        |
| 3  | A39.58.002.3/40     | OIL INLET PIPE ASSEMBLY    | 1  | A39.58.002.3/40     |
| 4  | CD554.583.021-1     | RETURN PIPR WELDMENT       | 1  | CD554.583.021-1     |
| 5  | CD554.583.120       | RETURN TUBE                | 1  | CD554.583.120       |
| 6  | JBT8870-D32         | HOSE CLAMPS                | 2  | JBT8870-D32         |
| 7  | CD554.583.013       | VALVE MIDDLE PIPE WELDMENT | 1  | CD554.583.013       |
| 8  | GBT3737.2-83-G14    | FITTING                    | 1  | GBT3737.2-83-G14    |
| 9  | CD554.583.023       | RETURN PIPR WELDMENT 2     | 1  | CD554.583.023       |
| 10 | 2.1560.018.0        | SEALING RING               | 1  | 2.1560.018.0        |
| 11 | CD554.583.130       | HOLLOW BOLT M18*1.5        | 1  | CD554.583.130       |
| 12 | GBT5783-M12X20-A3L  | BOLT                       | 1  | GBT5783-M12X20-A3L  |
| 13 | GBT93-12-A3L        | WASHER                     | 1  | GBT93-12-A3L        |
| 14 | CD554.58.015        | UPPER CLIP ASSY 2          | 3  | CD554.58.015        |
| 15 | CD554.58.020        | CLIP ASSY                  | 1  | CD554.58.020        |
| 16 | GBT5783-M8X20-A2L   | BOLT                       | 2  | GBT5783-M8X20-A2L   |
| 17 | GBT6170-M8-A2L      | NUT                        | 5  | GBT6170-M8-A2L      |
| 18 | GBT93-8-A3L         | WASHER                     | 7  | GBT93-8-A3L         |
| 19 | CD554.583.014/10    | LIFT INLET PIPE WELDMENT   | 1  | CD554.583.014/10    |
| 20 | GBT5783-M8X30-A2L   | BOLT                       | 2  | GBT5783-M8X30-A2L   |
| 21 | GBT3452.1-15X2.65-G | SEAL RING                  | 1  | GBT3452.1-15X2.65-G |
| 22 | CD554.583.022-1     | VALVE BRACKET              | 1  | CD554.583.022-1     |
| 23 | GBT5783-M8X65-A2L   | BOLT                       | 3  | GBT5783-M8X65-A2L   |
| 24 | A39.58.050.0/10     | BRACKET                    | 1  | A39.58.050.0/10     |

A39.58.908.4 MULTI-WAY VALVE OIL OUTPUT PIPE ASS.

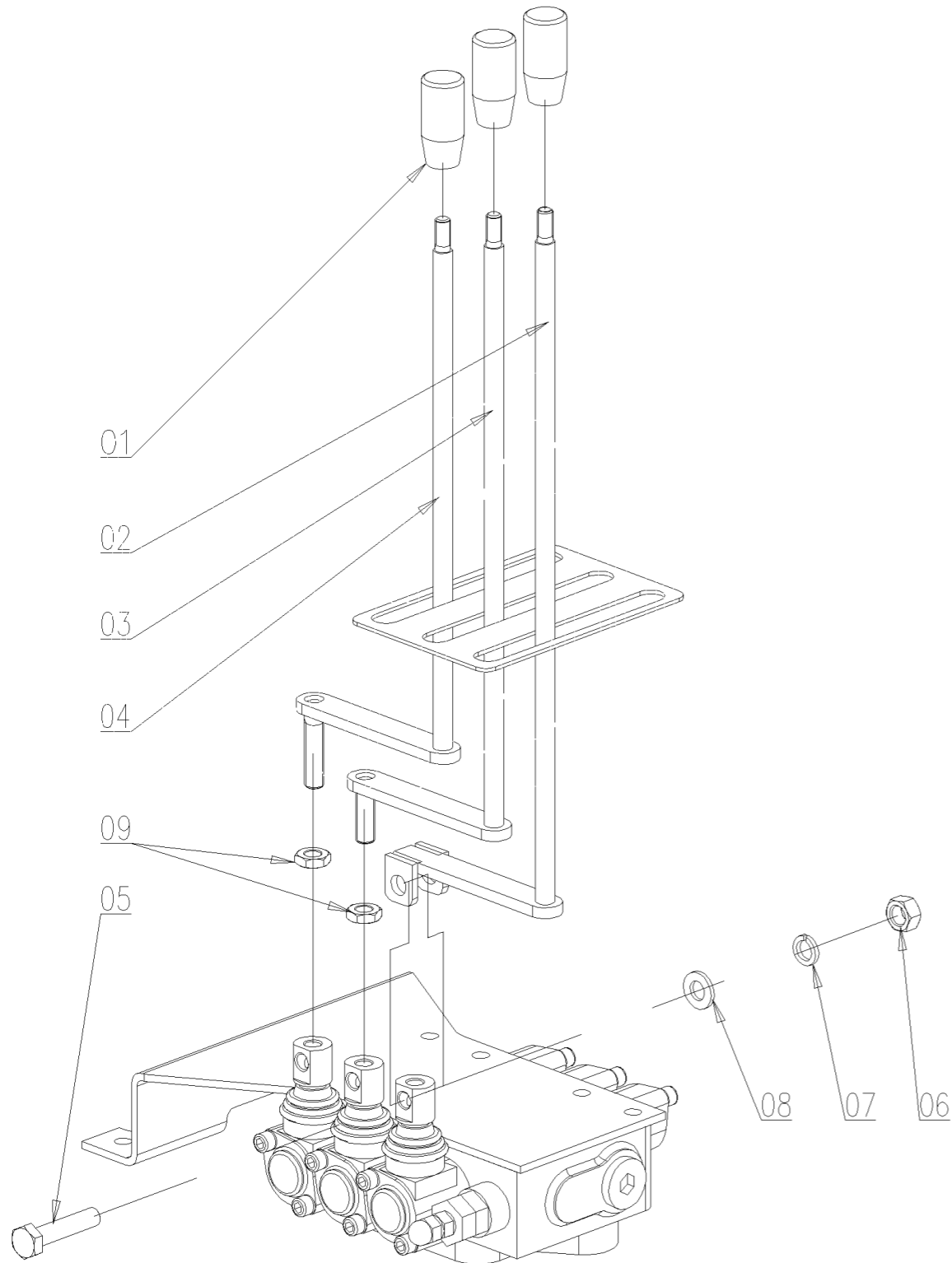


A39.58.908.4\_2 Multi-way valve output pipe assembly 多路阀输出油管总成

| 序号 | 零件编号                | 零件名称                          | 数量 | 图号                  |
|----|---------------------|-------------------------------|----|---------------------|
| 1  | SH904.58.015        | 快换阳接头总成 M.QUICK COUPLER       | 6  | SH904.58.015        |
| 2  | SH904.58.012        | 快换接头总成 F.QUICK COUPLER        | 6  | SH904.58.012        |
| 3  | 2.1560.018.0        | 组合密封垫 SEALING RING            | 6  | 2.1560.018.0        |
| 4  | CD554.58.111        | 快换接头连接头 JOINT                 | 6  | CD554.58.111        |
| 5  | GBT6173-M22X1.5-A3L | 螺母 NUT                        | 6  | GBT6173-M22X1.5-A3L |
| 6  | CD554.583.130       | 空心螺栓 HOLLOW BOLT M18*1.5      | 3  | CD554.583.130       |
| 7  | 2.1560.014.0        | 组合密封垫 SEALING RING            | 15 | 2.1560.014.0        |
| 8  | CD554.583.113       | 隔套 SLEEVE40                   | 3  | CD554.583.113       |
| 9  | CD554.583.114       | 空心螺栓 HOLLOW BOLT M18 ? 1.5-78 | 3  | CD554.583.114       |
| 12 | CD554.583.015       | 多路阀输出油管总成1 VALVE OUTLET       | 1  | CD554.583.015       |
| 13 | CD554.583.016/10    | 多路阀输出油管总成2 VALVE              | 1  | CD554.583.016/10    |
| 14 | CD554.583.017       | 多路阀输出油管总成3 VALVE OUTLET       | 1  | CD554.583.017       |
| 15 | CD554.583.018       | 多路阀输出油管总成4 VALVE OUTLET       | 1  | CD554.583.018       |
| 16 | CD554.583.020/10    | 多路阀输出油管总成6 VALVE              | 1  | CD554.583.020/10    |
| 17 | CD554.583.019/10    | 多路阀输出油管总成5 VALVE              | 1  | CD554.583.019/10    |

# A39.58.909.4 SPOOL VALVE CONTROL ASSY

## A39.58.909.4\_1 多路阀操纵机构总成 (3路输出) Multi-way valve manipulator assembly (3-way output)

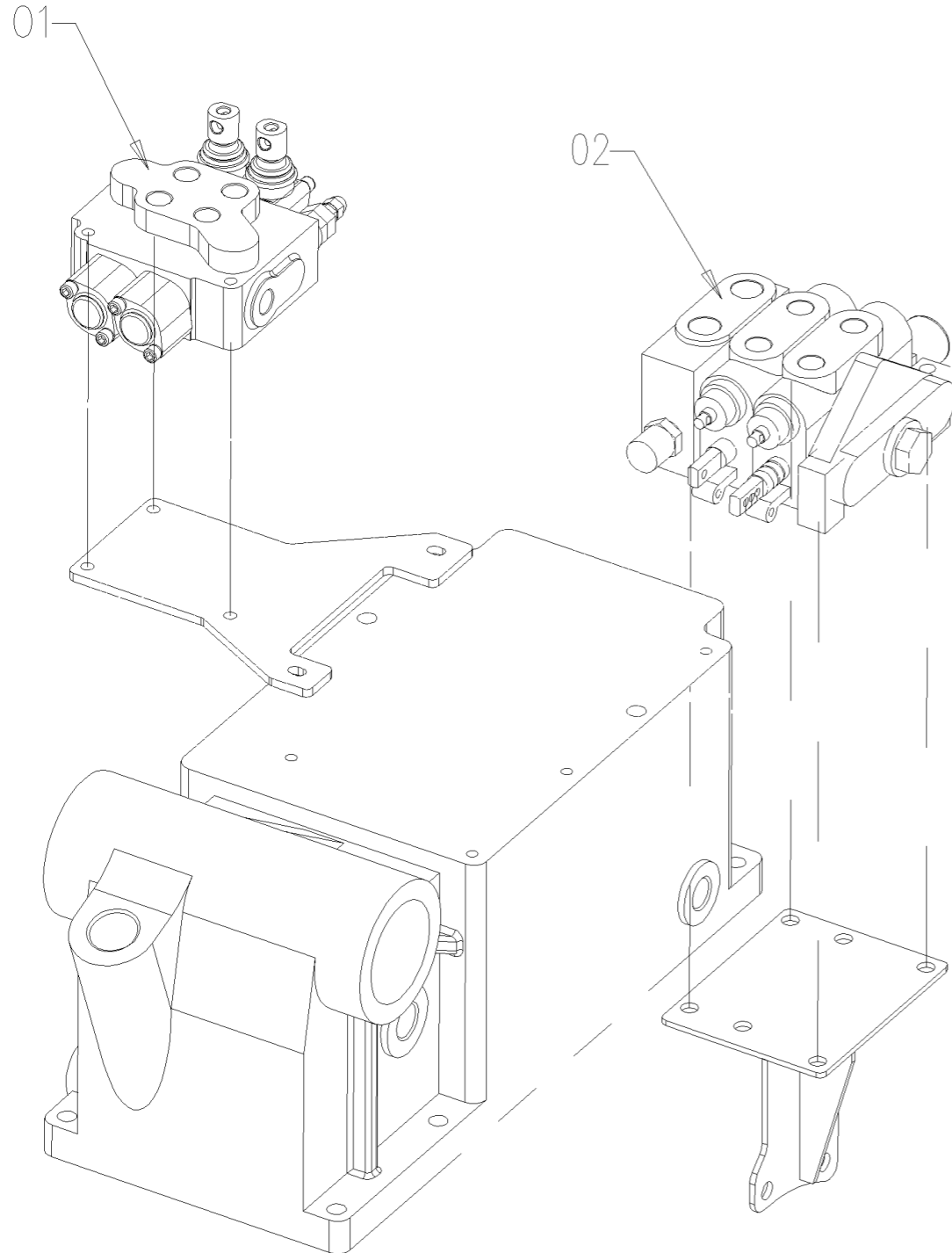


| 序号 | 零件编号               | 零件名称 | 数量 | 图号                 |
|----|--------------------|------|----|--------------------|
| 1  | SH550.58B.110/20   | 球形把手 | 3  | SH550.58B.110/20   |
| 2  | A39.58.010.2       | 操纵杆  | 1  | A39.58.010.2       |
| 3  | A39.58.033.2       | 操纵杆  | 1  | A39.58.033.2       |
| 4  | A39.58.034.2       | 操纵杆  | 1  | A39.58.034.2       |
| 5  | GBT5783-M10X45-A3L | 螺栓   | 1  | GBT5783-M10X45-A3L |
| 6  | GBT6170-M10-A3L    | 螺母   | 1  | GBT6170-M10-A3L    |
| 7  | GBT93-10-A3L       | 垫圈   | 1  | GBT93-10-A3L       |
| 8  | GBT97.1-10-A3L     | 垫圈   | 1  | GBT97.1-10-A3L     |
| 9  | GBT6172.1-M10-A3L  | 螺母   | 2  | GBT6172.1-M10-A3L  |

# A39.58.910.4 MULTI-WAY VALVE ASS.

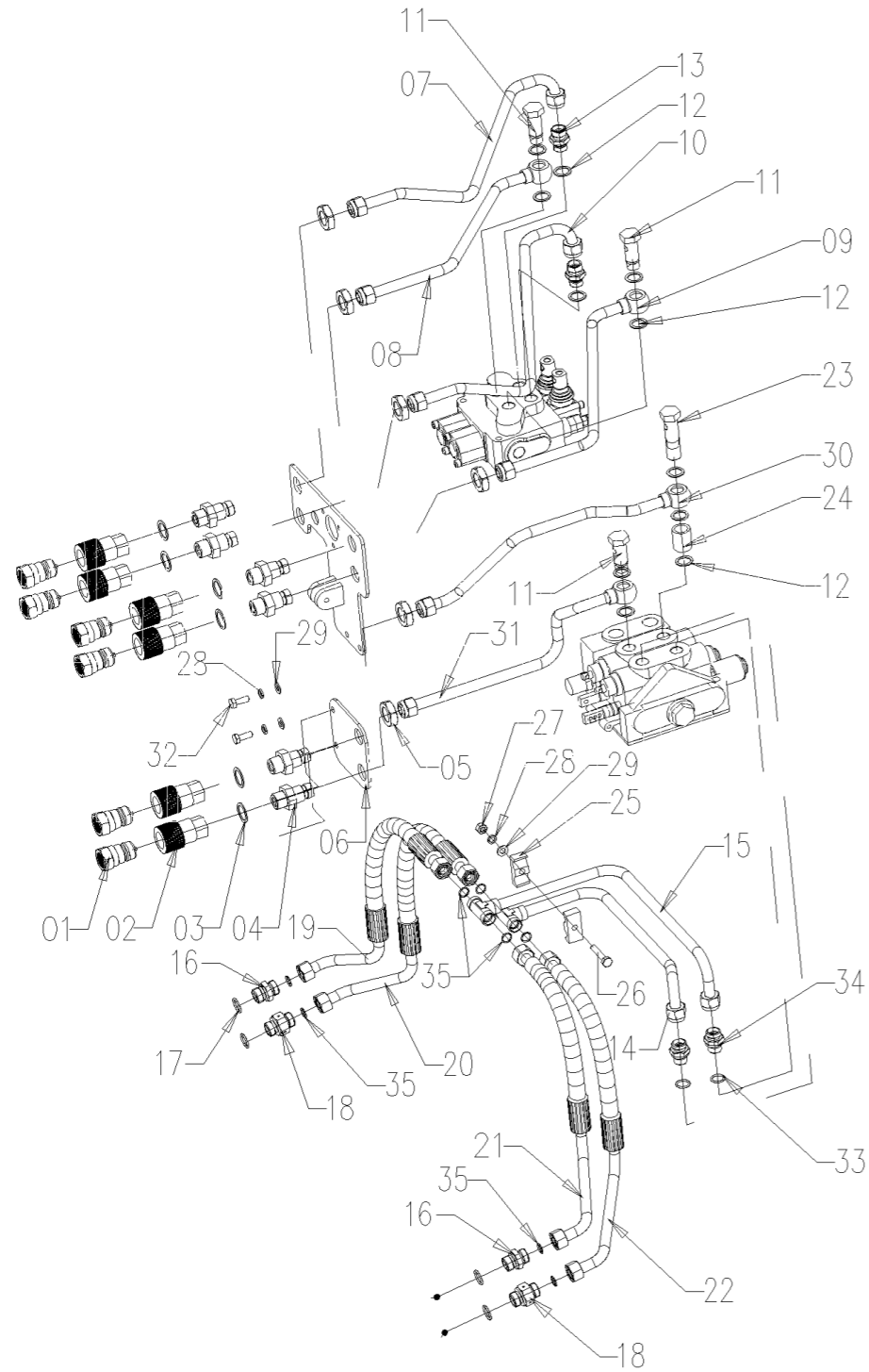
## A39.58.910.4\_2 多路阀总成 (3路强压) Multi-way valve assembly (3 way strong pressure)

| 序号 | 零件编号             | 零件名称       | 数量 | 图号               |
|----|------------------|------------|----|------------------|
| 1  | CD554.583A.013   | 多路阀总成      | 1  | CD554.583A.013   |
| 2  | SH550.58D.011/10 | 多路阀总成DF250 | 1  | SH550.58D.011/10 |



# A39.58.912.4 VALVE DELIVERY ASS.Y

## A39.58.912.4\_7 多路阀输出油管总成 Multi-way valve output pipe assembly

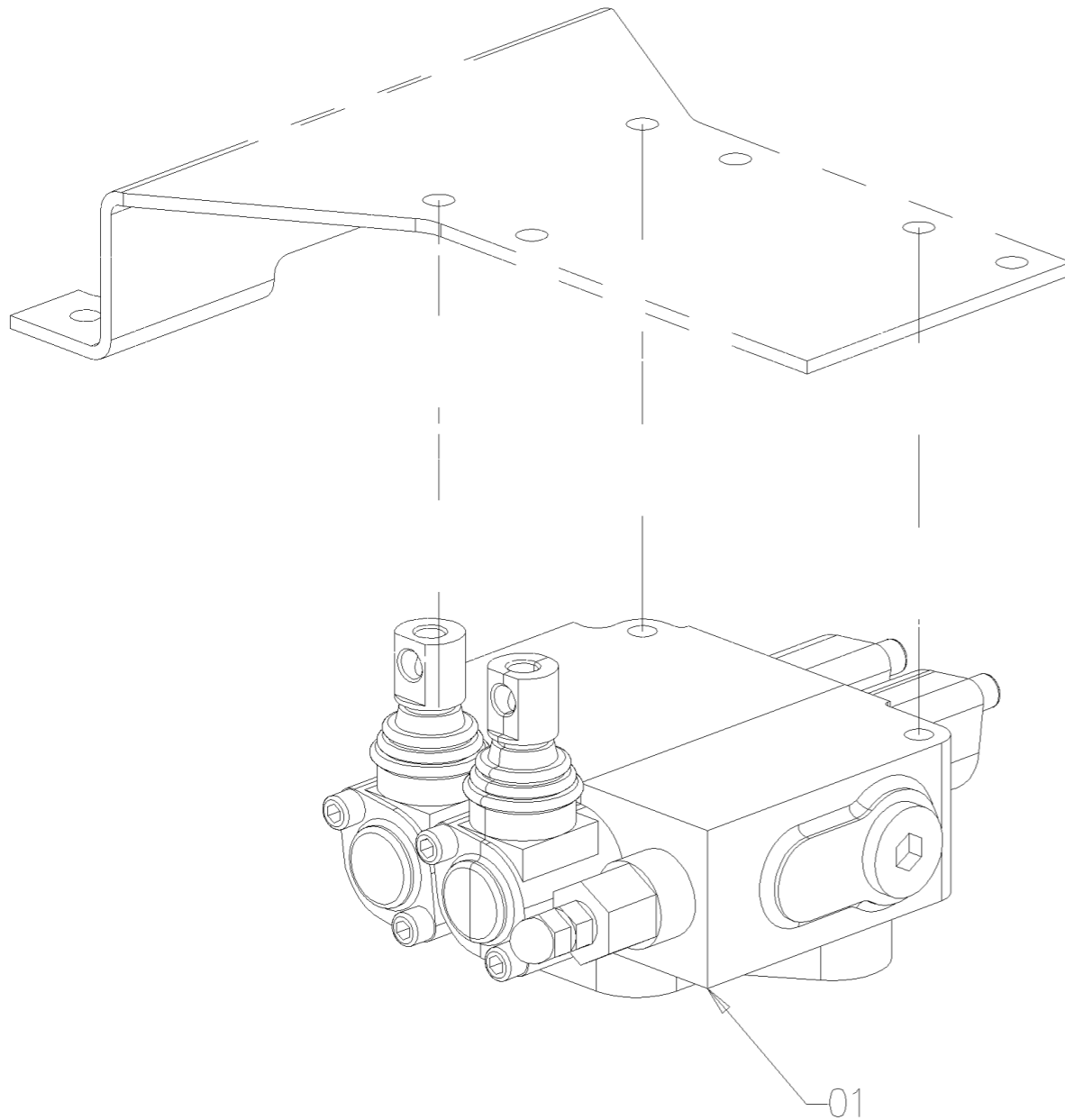


| 序号 | 零件编号                | 零件名称                    | 数量 | 图号                  |
|----|---------------------|-------------------------|----|---------------------|
| 1  | SH904.58.015        | 快换阳接头总成 M.QUICK COUPLER | 6  | SH904.58.015        |
| 2  | SH904.58.012        | 快换接头总成 F.QUICK COUPLER  | 6  | SH904.58.012        |
| 3  | 2.1560.018.0        | 组合密封垫圈 SEALING RING     | 6  | 2.1560.018.0        |
| 4  | CD554.58.111        | 快换接头连接头 JOINT           | 6  | CD554.58.111        |
| 5  | GBT6173-M22X1.5-A3L | 螺母 NUT                  | 6  | GBT6173-M22X1.5-A3L |
| 6  | CD554.583A.119      | 快换接头支架 BRACKET          | 1  | CD554.583A.119      |
| 7  | CD554.583A.015/20   | 输出油管2 OUTPUT OIL PIPE-2 | 1  | CD554.583A.015/20   |

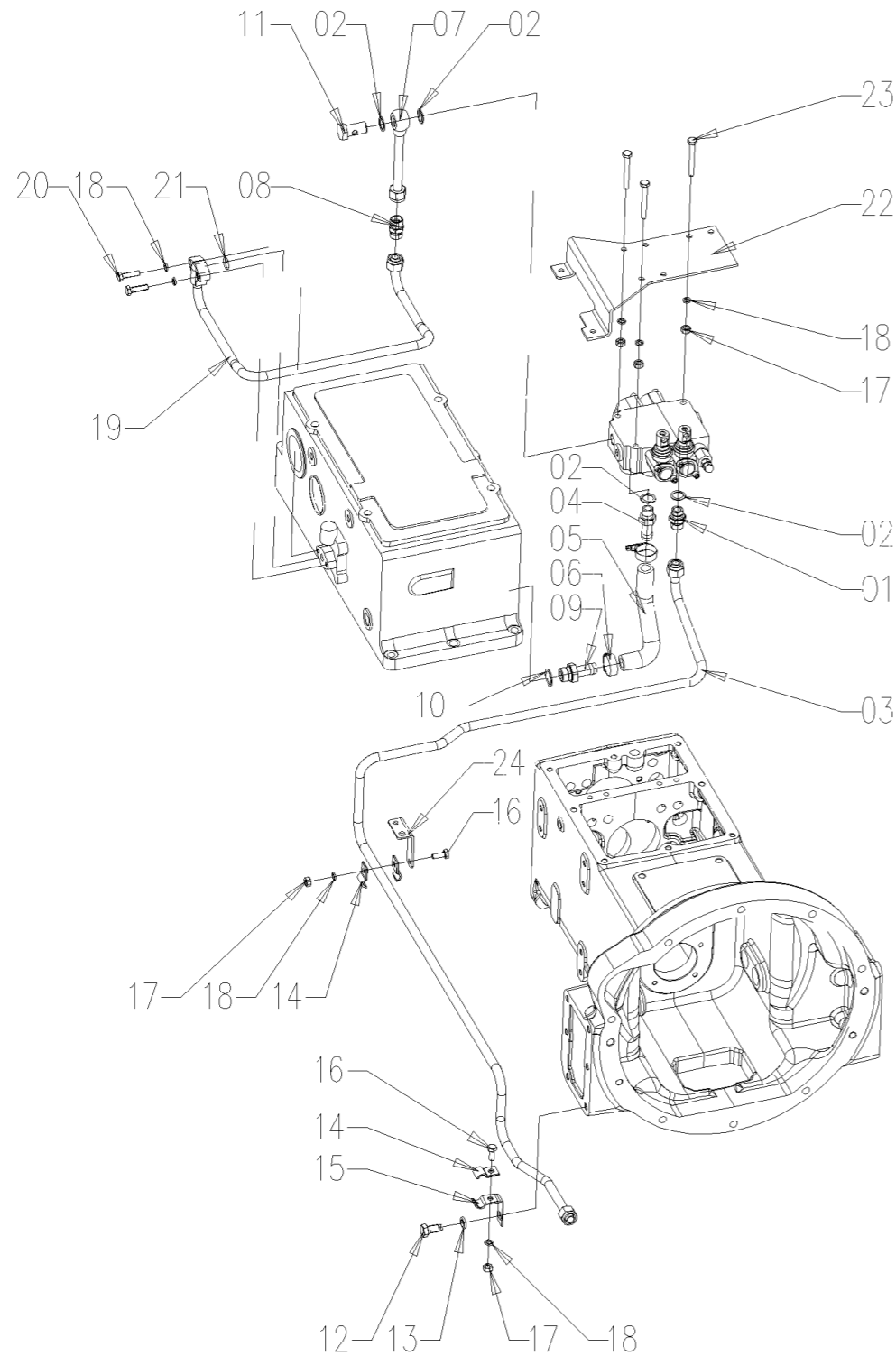
A39.58.914.4 VALVE ASS.Y

A39.58.914.4\_0 多路阀总成(2路) Multi-way valve assembly (2 ways)

| 序号 | 零件编号            | 零件名称      | 数量 | 图号              |
|----|-----------------|-----------|----|-----------------|
| 1  | CD554.582.012-2 | 多路阀总成(2路) | 1  | CD554.582.012-2 |



# A39.58.915.4 VALVE PIPE ASS.Y

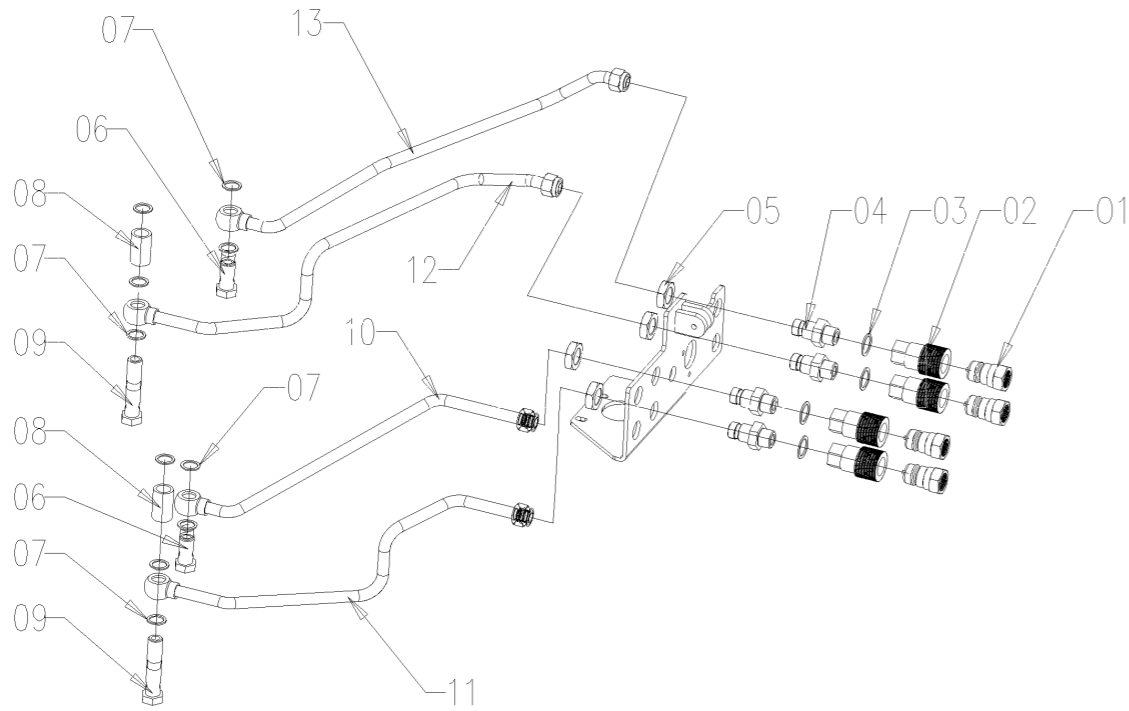


# A39.58.915.4\_4 阀门管总成 VALVE PIPE ASS.Y

| 序号 | 零件编号                | 零件名称                       | 数量 | 图号                  |
|----|---------------------|----------------------------|----|---------------------|
| 1  | GBT3733.2-83-G14    | FITTING                    | 1  | GBT3733.2-83-G14    |
| 2  | 2.1560.014.0        | SEALING RING               | 4  | 2.1560.014.0        |
| 3  | A39.58.024.3/40     | OIL INLET PIPE ASSEMBLY    | 1  | A39.58.024.3/40     |
| 4  | CD554.583.021-1     | RETURN PIPR WELDMENT       | 1  | CD554.583.021-1     |
| 5  | CD554.583.120       | RETURN TUBE                | 1  | CD554.583.120       |
| 6  | JBT8870-D32         | HOSE CLAMPS                | 2  | JBT8870-D32         |
| 7  | CD554.583.013       | VALVE MIDDLE PIPE WELDMENT | 1  | CD554.583.013       |
| 8  | GBT3737.2-83-G14    | FITTING                    | 1  | GBT3737.2-83-G14    |
| 9  | CD554.583.023       | RETURN PIPR WELDMENT 2     | 1  | CD554.583.023       |
| 10 | 2.1560.018.0        | SEALING RING               | 1  | 2.1560.018.0        |
| 11 | CD554.583.130       | HOLLOW BOLT M18*1.5        | 1  | CD554.583.130       |
| 12 | GBT5783-M12X20-A3L  | BOLT                       | 1  | GBT5783-M12X20-A3L  |
| 13 | GBT93-12-A3L        | WASHER                     | 1  | GBT93-12-A3L        |
| 14 | CD554.58.015        | UPPER CLIP ASSY 2          | 3  | CD554.58.015        |
| 15 | CD554.58.020        | CLIP ASSY                  | 1  | CD554.58.020        |
| 16 | GBT5783-M8X20-A2L   | BOLT                       | 2  | GBT5783-M8X20-A2L   |
| 17 | GBT6170-M8-A2L      | NUT                        | 5  | GBT6170-M8-A2L      |
| 18 | GBT93-8-A3L         | WASHER                     | 7  | GBT93-8-A3L         |
| 19 | CD554.583.014/10    | LIFT INLET PIPE WELDMENT   | 1  | CD554.583.014/10    |
| 20 | GBT5783-M8X30-A2L   | BOLT                       | 2  | GBT5783-M8X30-A2L   |
| 21 | GBT3452.1-15X2.65-G | SEAL RING                  | 1  | GBT3452.1-15X2.65-G |
| 22 | CD554.583.022-1     | VALVE BRACKET              | 1  | CD554.583.022-1     |
| 23 | GBT5783-M8X65-A2L   | BOLT                       | 3  | GBT5783-M8X65-A2L   |
| 24 | A39.58.050.0/10     | BRACKET                    | 1  | A39.58.050.0/10     |



A39.58.916.4 MULTI-WAY VALVE OIL OUTPUT PIPE ASS.



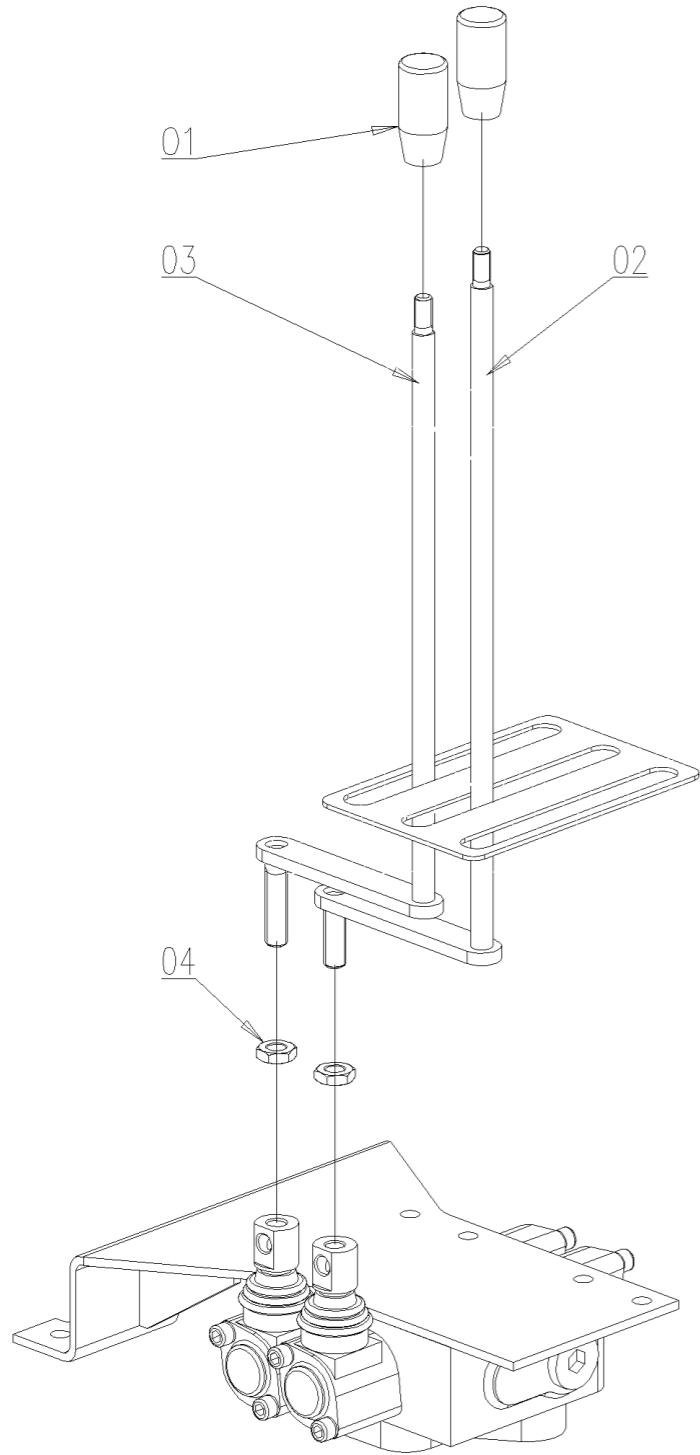
A39.58.916.4\_1 多路阀输出油管总成 (2路输出) Multi-valve output fuel line assembly (2 outputs)

| 序号 | 零件编号             | 零件名称             | 数量 | 图号               |
|----|------------------|------------------|----|------------------|
| 1  | SH904.58.015     | 快换阳接头总成          | 4  | SH904.58.015     |
| 2  | SH904.58.012     | 快换接头总成           | 4  | SH904.58.012     |
| 3  | 2.1560.018.0     | 垫圈22             | 4  | 2.1560.018.0     |
| 4  | CD554.58.111     | 快换接头连接头          | 4  | CD554.58.111     |
| 5  | GB/T 6173        | 六角薄螺母M22*1.5-A2L | 4  | GB/T 6173        |
| 6  | CD554.583.130    | 空心螺栓M18*1.5      | 2  | CD554.583.130    |
| 7  | 2.1560.014.0     | 垫圈18             | 8  | 2.1560.014.0     |
| 8  | CD554.583.113    | 隔套40             | 2  | CD554.583.113    |
| 9  | CD554.583.114    | 空心螺栓M18×1.5-78   | 2  | CD554.583.114    |
| 10 | CD554.583.017    | 多路阀输出油管总成3       | 1  | CD554.583.017    |
| 11 | CD554.583.018    | 多路阀输出油管总成4       | 1  | CD554.583.018    |
| 12 | CD554.583.020/10 | 多路阀输出油管总成6       | 1  | CD554.583.020/10 |
| 13 | CD554.583.019/10 | 多路阀输出油管总成5       | 1  | CD554.583.019/10 |

# A39.58.917.4 SPOOL VALVE CONTROL ASSY

## A39.58.917.4\_2 多路阀操纵机构总成 (2路) Multi-way valve manipulator assembly (2 way)

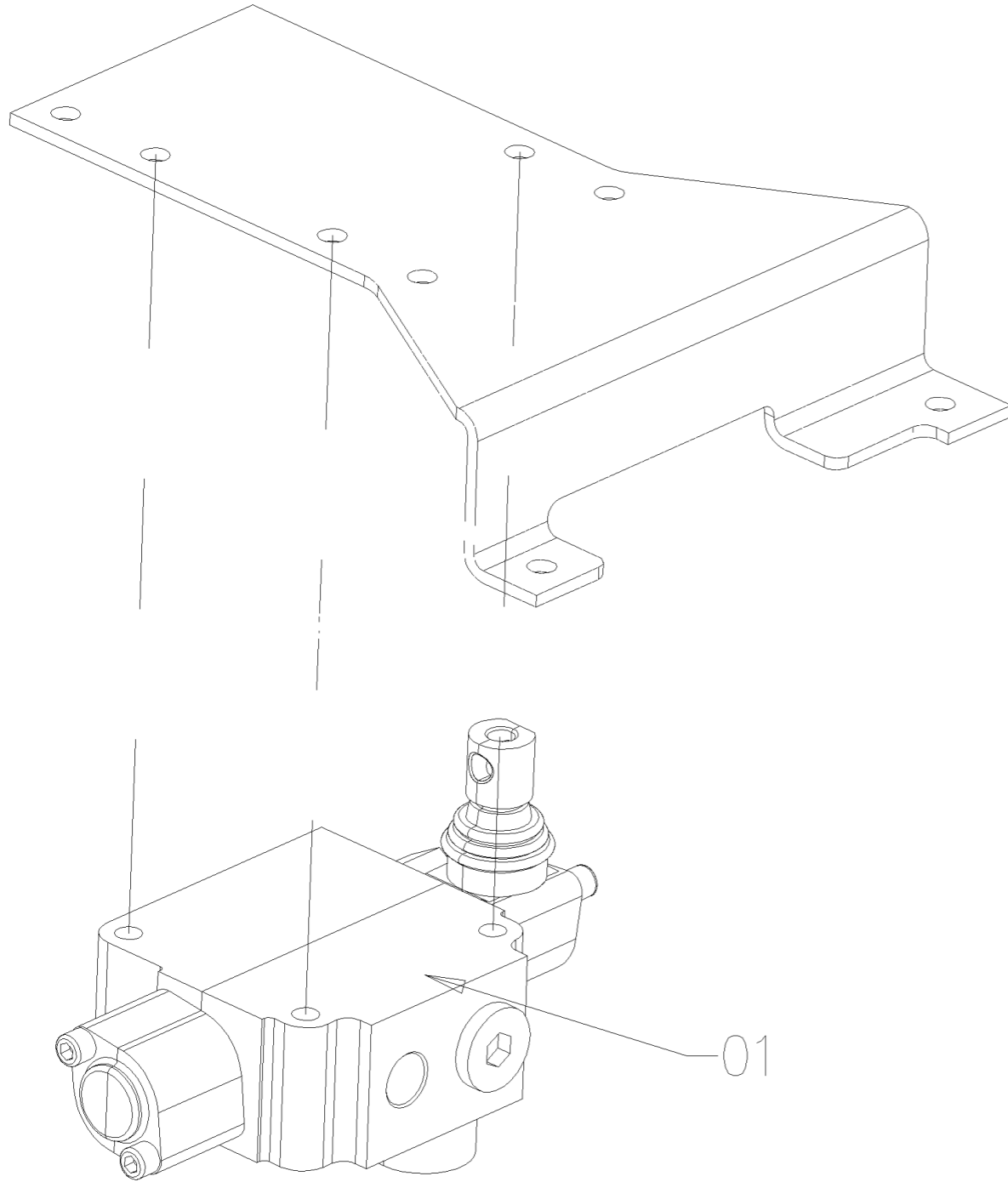
| 序号 | 零件编号              | 零件名称 | 数量 | 图号                |
|----|-------------------|------|----|-------------------|
| 1  | SH550.58B.110/20  | 球形把手 | 2  | SH550.58B.110/20  |
| 2  | A39.58.033.2      | 操纵杆  | 1  | A39.58.033.2      |
| 3  | A39.58.034.2      | 操纵杆  | 1  | A39.58.034.2      |
| 4  | GBT6172.1-M10-A3L | 螺母   | 2  | GBT6172.1-M10-A3L |



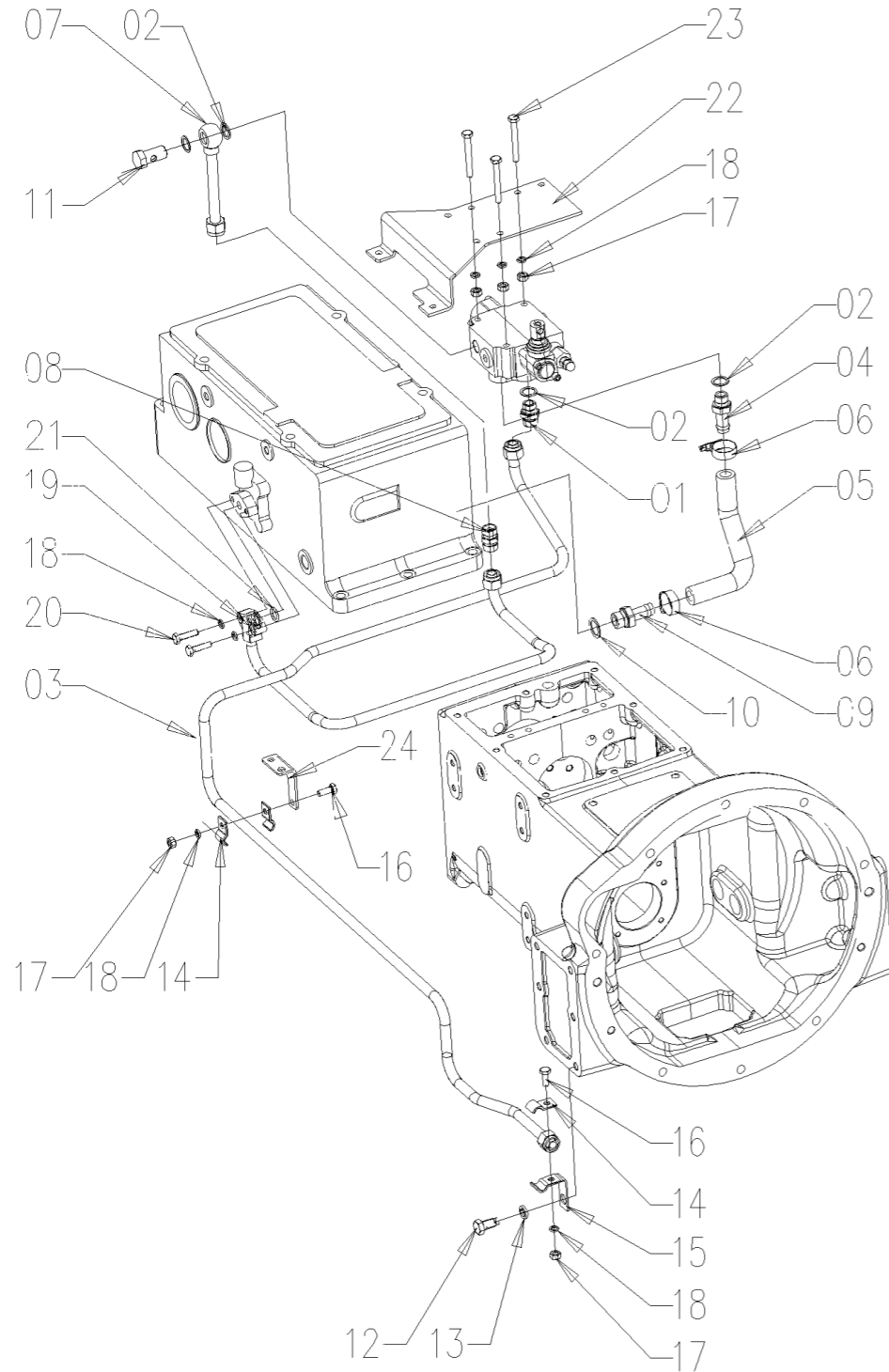
# A39.58.918.4 VALVE ASS.Y

## A39.58.918.4\_0 多路阀总成(1路) Multi-way valve assembly (1 way)

| 序号 | 零件编号          | 零件名称      | 数量 | 图号            |
|----|---------------|-----------|----|---------------|
| 1  | CD554.581.012 | 多路阀总成(2路) | 1  | CD554.581.012 |



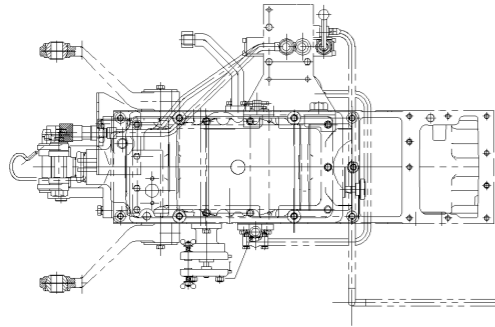
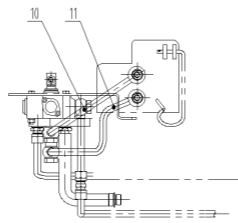
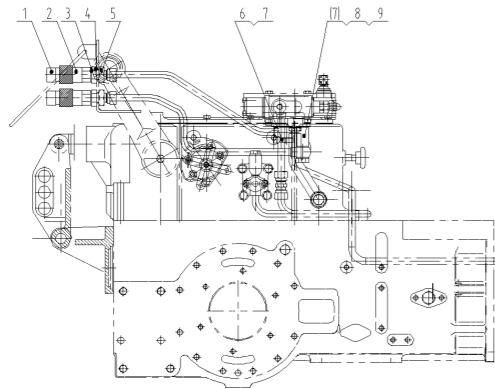
# A39.58.919.4 VALVE PIPE ASS.Y



## A39.58.919.4\_3 阀门管总成 VALVE PIPE ASS.Y

| 序号 | 零件编号                | 零件名称                       | 数量 | 图号                  |
|----|---------------------|----------------------------|----|---------------------|
| 1  | GBT3733.2-83-G14    | FITTING                    | 1  | GBT3733.2-83-G14    |
| 2  | 2.1560.014.0        | SEALING RING               | 4  | 2.1560.014.0        |
| 3  | A39.58.024.3/40     | OIL INLET PIPE ASSEMBLY    | 1  | A39.58.024.3/40     |
| 4  | CD554.583.021-1     | RETURN PIPR WELDMENT       | 1  | CD554.583.021-1     |
| 5  | CD554.581.101       | RETURN TUBE                | 1  | CD554.581.101       |
| 6  | JBT8870-D32         | HOSE CLAMPS                | 2  | JBT8870-D32         |
| 7  | CD554.583.013       | VALVE MIDDLE PIPE WELDMENT | 1  | CD554.583.013       |
| 8  | GBT3737.2-83-G14    | FITTING                    | 1  | GBT3737.2-83-G14    |
| 9  | CD554.583.023       | RETURN PIPR WELDMENT 2     | 1  | CD554.583.023       |
| 10 | 2.1560.018.0        | SEALING RING               | 1  | 2.1560.018.0        |
| 11 | CD554.583.130       | HOLLOW BOLT M18*1.5        | 1  | CD554.583.130       |
| 12 | GBT5783-M12X20-A3L  | BOLT                       | 1  | GBT5783-M12X20-A3L  |
| 13 | GBT93-12-A3L        | WASHER                     | 1  | GBT93-12-A3L        |
| 14 | CD554.58.015        | UPPER CLIP ASSY 2          | 3  | CD554.58.015        |
| 15 | CD554.58.020        | CLIP ASSY                  | 1  | CD554.58.020        |
| 16 | GBT5783-M8X20-A2L   | BOLT                       | 2  | GBT5783-M8X20-A2L   |
| 17 | GBT6170-M8-A2L      | NUT                        | 5  | GBT6170-M8-A2L      |
| 18 | GBT93-8-A3L         | WASHER                     | 7  | GBT93-8-A3L         |
| 19 | CD554.581.014/10    | LIFT INLET PIPE WELDMENT   | 1  | CD554.581.014/10    |
| 20 | GBT5783-M8X30-A2L   | BOLT                       | 2  | GBT5783-M8X30-A2L   |
| 21 | GBT3452.1-15X2.65-G | SEAL RING                  | 1  | GBT3452.1-15X2.65-G |
| 22 | CD554.583.022-1     | VALVE BRACKET              | 1  | CD554.583.022-1     |
| 23 | GBT5783-M8X65-A2L   | BOLT                       | 3  | GBT5783-M8X65-A2L   |
| 24 | A39.58.050.0/10     | BRACKET                    | 1  | A39.58.050.0/10     |

**A39.58.920.4\_1 多路阀输出油管总成 (1路输出) Multi-valve output fuel line assembly (1 outputs)**

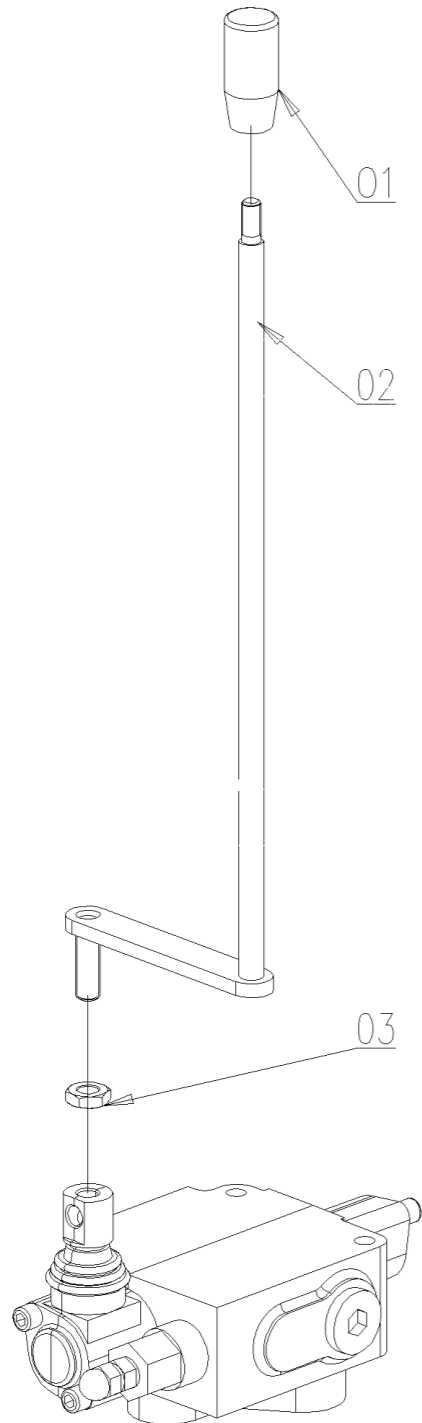


| 序号 | 零件编号                | 零件名称             | 数量 | 图号                  |
|----|---------------------|------------------|----|---------------------|
| 1  | SH904.58.015        | 快换阳接头总成          | 2  | SH904.58.015        |
| 2  | SH904.58.012        | 快换接头总成           | 2  | SH904.58.012        |
| 3  | 2.1560.018.0        | 垫圈22             | 2  | 2.1560.018.0        |
| 4  | CD554.58.111        | 快换接头连接头          | 2  | CD554.58.111        |
| 5  | GBT6173-M22X1.5-A3L | NUT              | 2  | GBT6173-M22X1.5-A3L |
| 6  | CD554.583.130       | 空心螺栓M18*1.5      | 1  | CD554.583.130       |
| 7  | 2.1560.014.0        | 垫圈18             | 4  | 2.1560.014.0        |
| 8  | CD554.583.113       | 隔套40             | 1  | CD554.583.113       |
| 9  | CD554.583.114       | 空心螺栓M18 × 1.5-78 | 1  | CD554.583.114       |
| 10 | CD554.583.017       | 多路阀输出油管总成3       | 1  | CD554.583.017       |
| 11 | CD554.583.018       | 多路阀输出油管总成4       | 1  | CD554.583.018       |

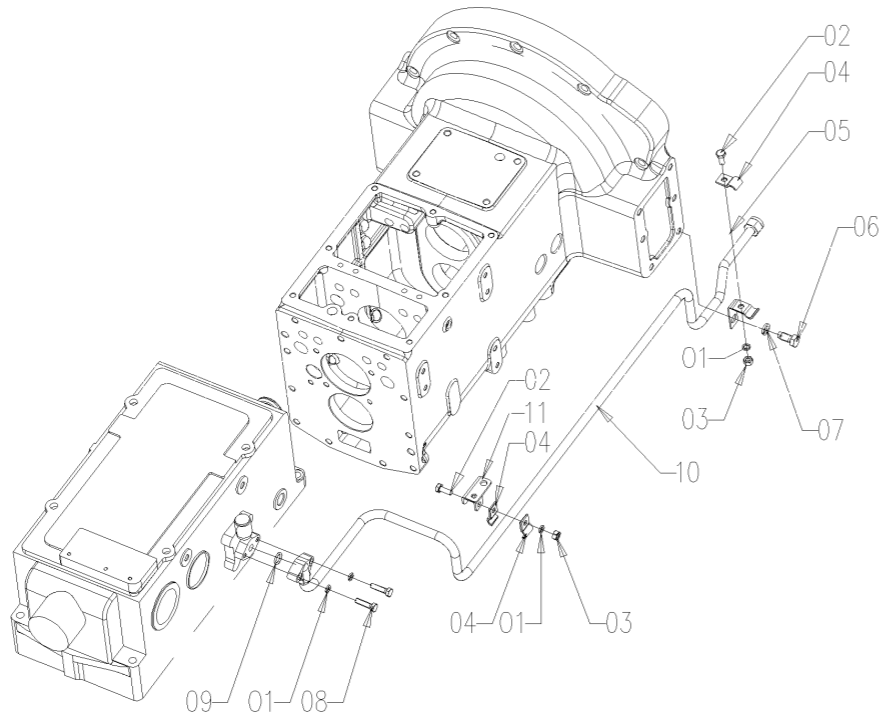
# A39.58.921.4 SPOOL VALVE CONTROL ASSY

## A39.58.921.4\_1 多路阀操纵机构总成(1路) Multi-way valve manipulator assembly (1 way)

| 序号 | 零件编号              | 零件名称              | 数量 | 图号                |
|----|-------------------|-------------------|----|-------------------|
| 1  | SH550.58B.110/20  | 手柄球 BALL KNOB     | 1  | SH550.58B.110/20  |
| 2  | A39.58.033.2      | 操纵杆 CONTROL LEVER | 1  | A39.58.033.2      |
| 3  | GBT6172.1-M10-A3L | 螺母 NUT            | 1  | GBT6172.1-M10-A3L |



### A39.58.922.4 REAR LIFT PIPE ASS.Y



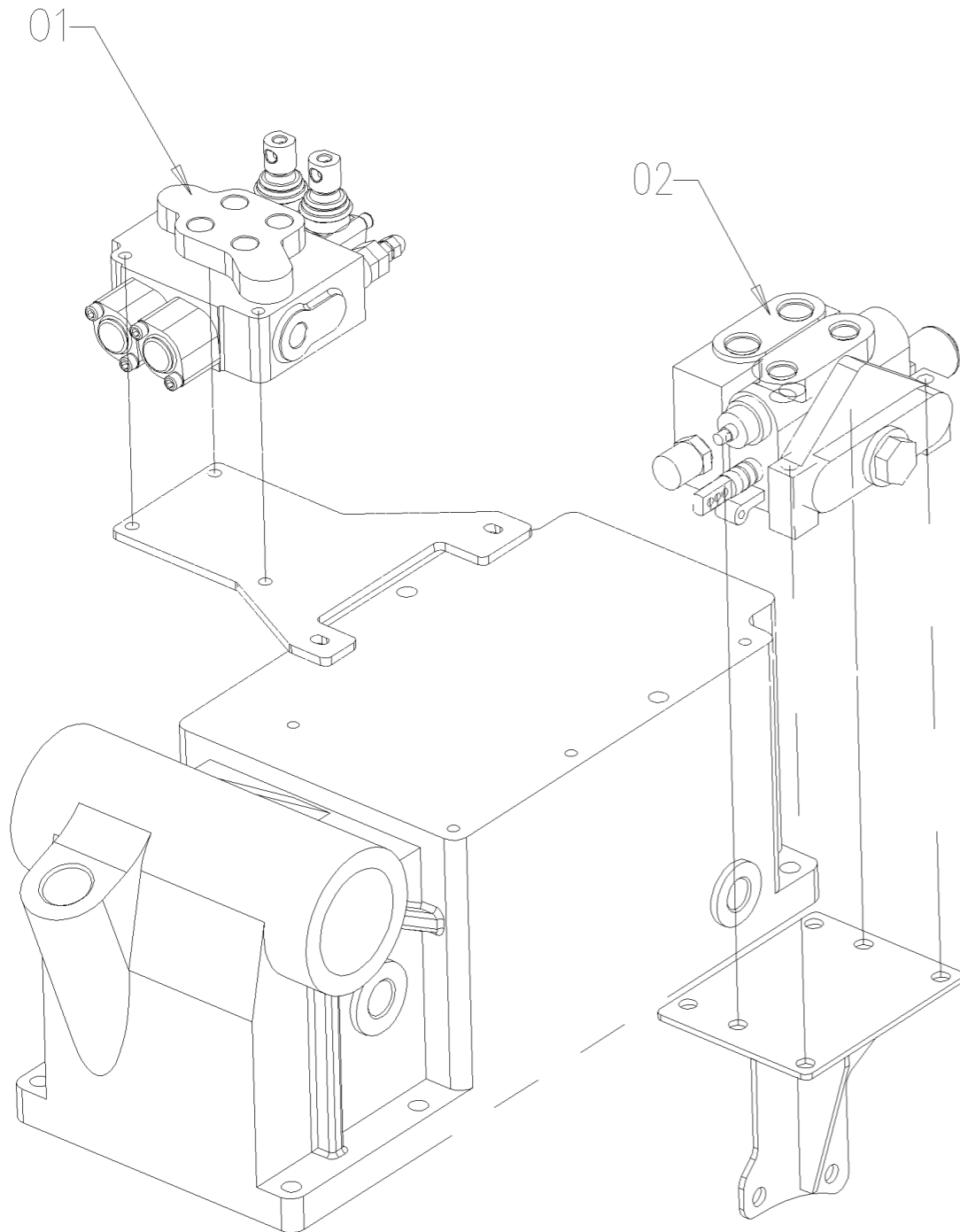
### A39.58.922.4\_3 阀门管总成 VALVE PIPE ASS.Y

| 序号 | 零件编号                | 零件名称                          | 数量 | 图号                  |
|----|---------------------|-------------------------------|----|---------------------|
| 1  | GBT93-8-A3L         | WASHER                        | 4  | GBT93-8-A3L         |
| 2  | GBT5783-M8X20-A2L   | BOLT                          | 2  | GBT5783-M8X20-A2L   |
| 3  | GBT6170-M8-A2L      | NUT                           | 2  | GBT6170-M8-A2L      |
| 4  | CD554.58.015        | UPPER CLIP ASSY 2             | 3  | CD554.58.015        |
| 5  | CD554.58.020        | CLIP ASSY                     | 1  | CD554.58.020        |
| 6  | GBT5783-M12X20-A3L  | BOLT                          | 1  | GBT5783-M12X20-A3L  |
| 7  | GBT93-12-A3L        | WASHER                        | 1  | GBT93-12-A3L        |
| 8  | GBT5783-M8X30-A2L   | BOLT                          | 2  | GBT5783-M8X30-A2L   |
| 9  | GBT3452.1-15X2.65-G | SEAL RING                     | 1  | GBT3452.1-15X2.65-G |
| 10 | A39.58.028.3/20     | LIFTER OIL INLET PIPE ASEMBLY | 1  | A39.58.028.3/20     |
| 11 | A39.58.050.0/10     | BRACKET                       | 1  | A39.58.050.0/10     |

# A39.58.923.4 MULTI-WAY VALVE ASS.

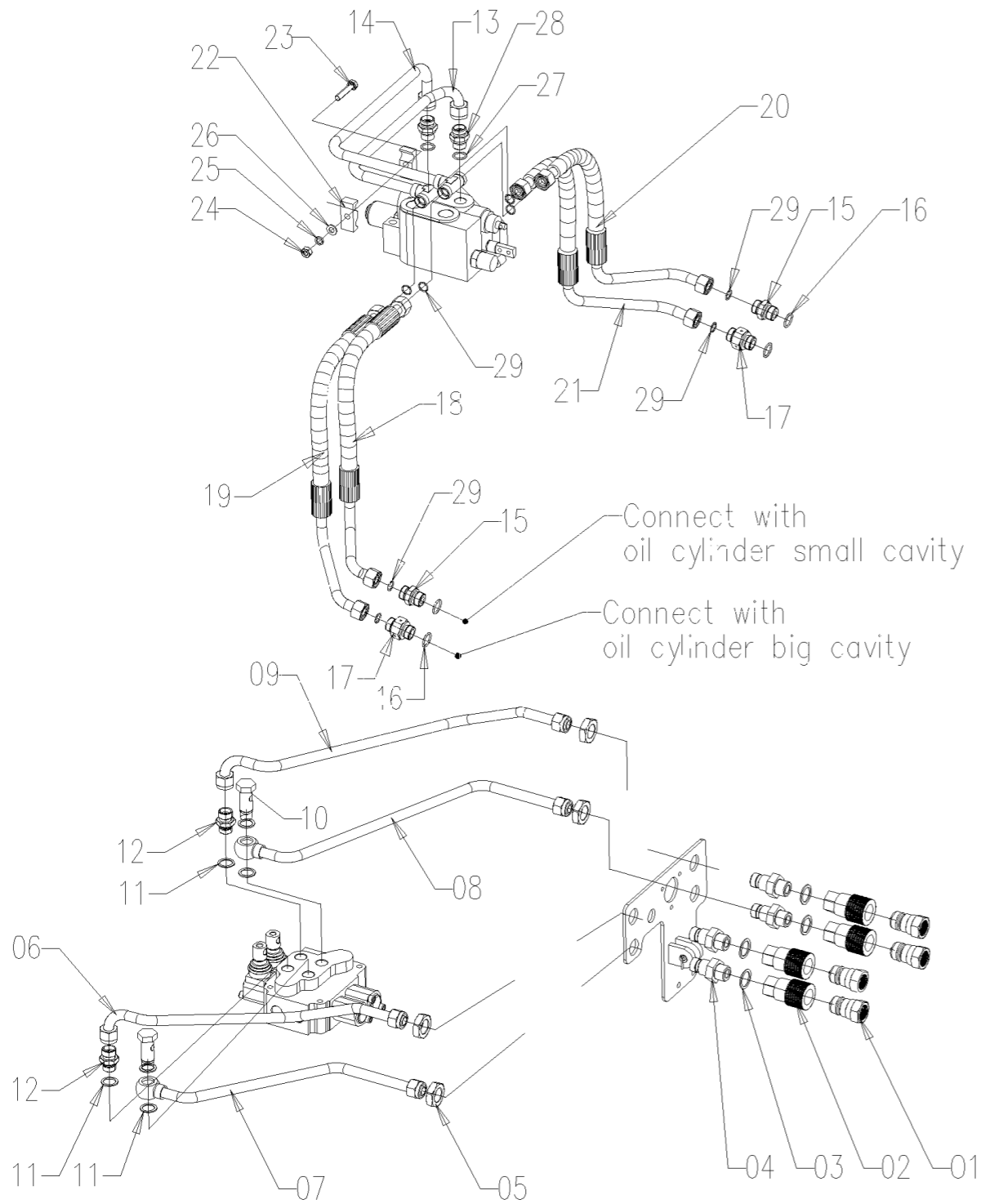
## A39.58.923.4\_1 多路阀总成 (2路强压) Multi-way valve assembly (2 way strong pressure)

| 序号 | 零件编号              | 零件名称       | 数量 | 图号                |
|----|-------------------|------------|----|-------------------|
| 1  | CD554.583A.013    | 多路阀总成      | 1  | CD554.583A.013    |
| 2  | CD554.582A.011/30 | 多路阀总成DF150 | 1  | CD554.582A.011/30 |





# A39.58.925.4 VALVE DELIVERY ASS.Y



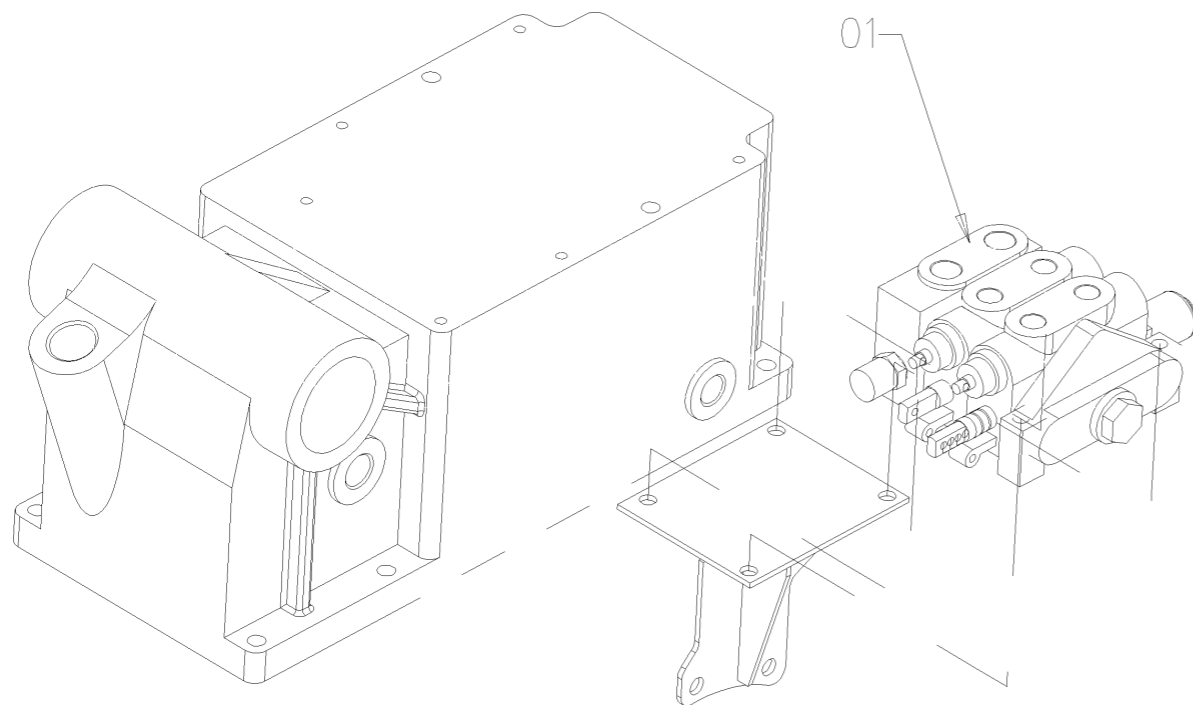
## A39.58.925.4\_7 多路阀输出油管总成 VALVE DELIVERY ASS.Y

| 序号 | 零件编号                 | 零件名称                       | 数量 | 图号                   |
|----|----------------------|----------------------------|----|----------------------|
| 1  | SH904.58.015         | 快换阳接头总成 M.QUICK COUPLER    | 4  | SH904.58.015         |
| 2  | SH904.58.012         | 快换接头总成 F.QUICK COUPLER     | 4  | SH904.58.012         |
| 3  | 2.1560.018.0         | 组合密封圈 SEALING RING         | 4  | 2.1560.018.0         |
| 4  | CD554.58.111         | 排气弯管接头 JOINT               | 4  | CD554.58.111         |
| 5  | GBT6173-M22X1.5-A3L  | 螺母 NUT                     | 4  | GBT6173-M22X1.5-A3L  |
| 6  | CD554.583A.015/20    | 输出油管2 OUTPUT OIL PIPE-2    | 1  | CD554.583A.015/20    |
| 7  | CD554.583A.017/20    | 输出油管4 OUTPUT OIL PIPE-4    | 1  | CD554.583A.017/20    |
| 8  | CD554.583A.016/10    | 输出油管3 OUTPUT OIL PIPE-3    | 1  | CD554.583A.016/10    |
| 9  | CD554.583A.014/10    | 输出油管1 OUTPUT OIL PIPE-1    | 1  | CD554.583A.014/10    |
| 10 | CD554.583.130        | 空心螺栓M18*1.5 HOLLOW BOLT    | 2  | CD554.583.130        |
| 11 | 2.1560.014.0         | 组合密封圈 SEALING RING         | 6  | 2.1560.014.0         |
| 12 | GBT3733.2-83-G14     | 管接头 FITTING                | 2  | GBT3733.2-83-G14     |
| 13 | CD554.583A.024       | 多路阀输出油管总成7 VALVE OUTLET    | 1  | CD554.583A.024       |
| 14 | CD554.583A.023       | 多路阀输出油管总成8 VALVE OUTLET    | 1  | CD554.583A.023       |
| 15 | A11.58.102.0         | 接头 FITTING M20X1.5-M20X1.5 | 2  | A11.58.102.0         |
| 16 | GBT3452.1-17.3X2.2-G | O形圈 O RING                 | 4  | GBT3452.1-17.3X2.2-G |
| 17 | A08.58.019.3         | 减速阀组件 DECELERATION VALVE   | 2  | A08.58.019.3         |
| 18 | CD554.583A.027/40    | 输油软管3 OIL HOSE - 3         | 1  | CD554.583A.027/40    |
| 19 | CD554.583A.028/40    | 输油软管4 OIL HOSE - 4         | 1  | CD554.583A.028/40    |
| 20 | CD554.583A.025/30    | 输油软管2 OIL HOSE-2           | 1  | CD554.583A.025/30    |
| 21 | CD554.583A.026/30    | 输油软管1 OIL HOSE-1           | 1  | CD554.583A.026/30    |
| 22 | CD554.583A.120       | 双孔管夹 CLIP                  | 2  | CD554.583A.120       |
| 23 | GBT5783-M8X40-A2L    | 螺栓 BOLT                    | 1  | GBT5783-M8X40-A2L    |
| 24 | GBT6170-M8-A2L       | 螺母 NUT                     | 1  | GBT6170-M8-A2L       |
| 25 | GBT93-8-A3L          | 垫圈 WASHER                  | 1  | GBT93-8-A3L          |
| 26 | GBT97.1-8-A3L        | 垫圈 WASHER                  | 1  | GBT97.1-8-A3L        |
| 27 | GBT3452.1-15.3X2.2-G | O形圈 O RING                 | 2  | GBT3452.1-15.3X2.2-G |
| 28 | GBT3733-08-L14F      | 卡套式端直通接头 FITTING           | 2  | GBT3733-08-L14F      |
| 29 | GBT3452.1-12X1.5-G   | O形圈 O RING                 | 8  | GBT3452.1-12X1.5-G   |

# A39.58.927.4 MULTI-WAY VALVE ASS.

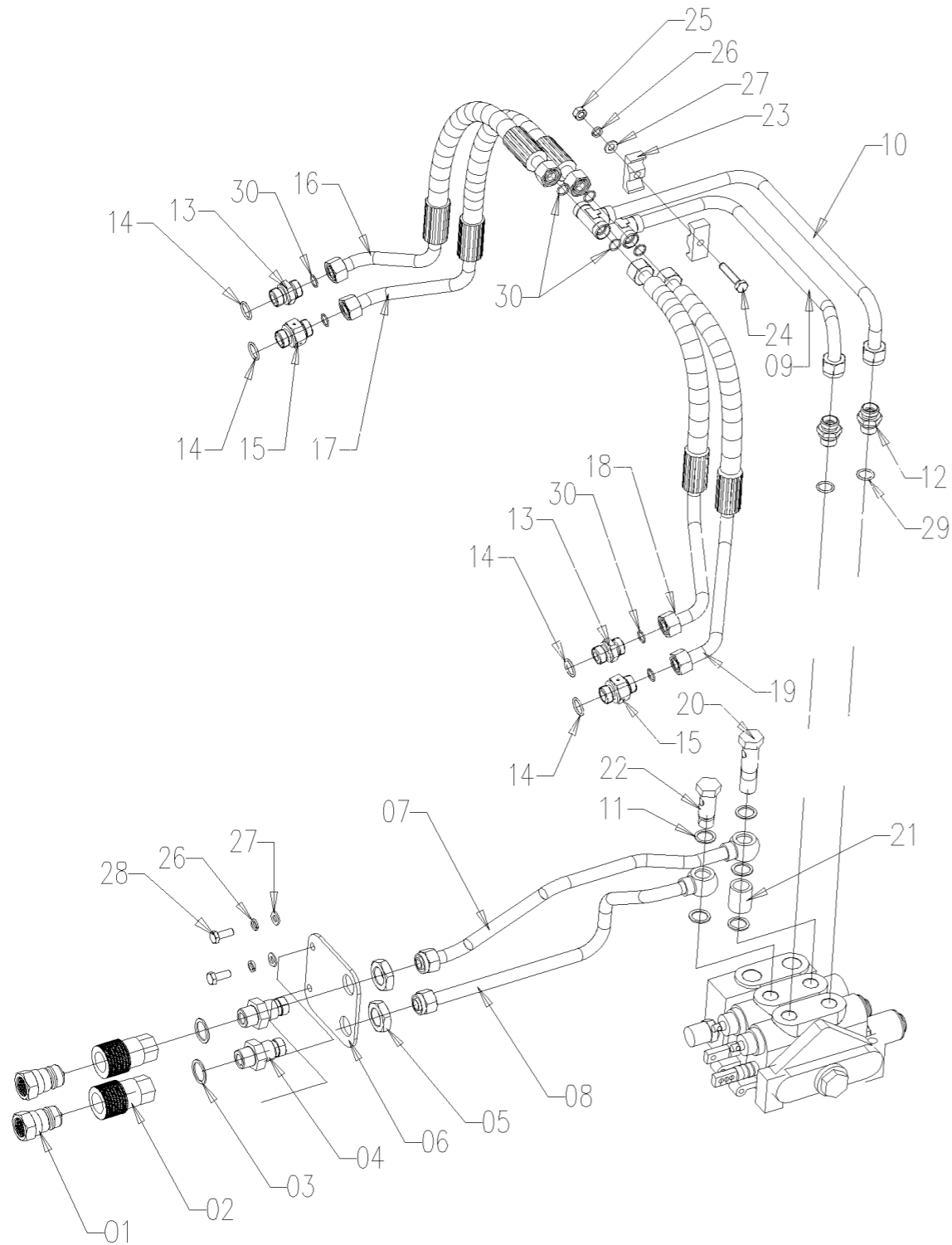
## A39.58.927.4\_1 多路阀总成 (1路强压) Multi-way valve assembly (1 way strong pressure)

| 序号 | 零件编号             | 零件名称       | 数量 | 图号               |
|----|------------------|------------|----|------------------|
| 1  | SH550.58D.011/10 | 多路阀总成DF250 | 1  | SH550.58D.011/10 |



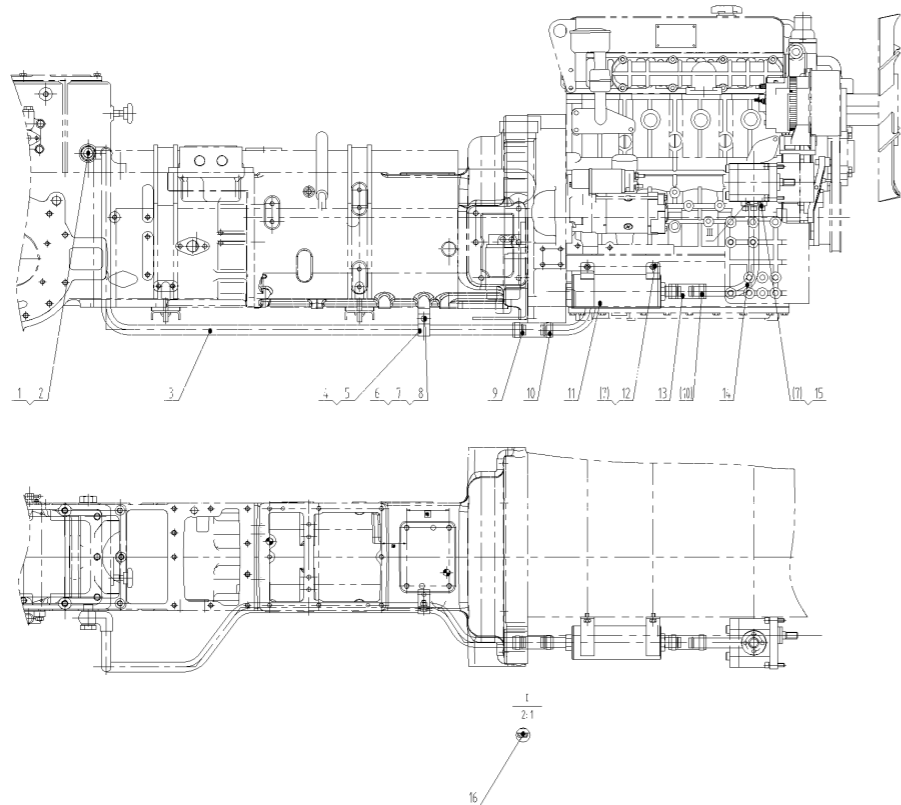
# A39.58.929.4 VALVE DELIVERY ASS.Y

# A39.58.929.4\_4 多路阀输出油管总成 VALVE DELIVERY ASS.Y



| 序号 | 零件编号                 | 零件名称                       | 数量 | 图号                   |
|----|----------------------|----------------------------|----|----------------------|
| 1  | SH904.58.015         | 快换阳接头总成 M.QUICK COUPLER    | 2  | SH904.58.015         |
| 2  | SH904.58.012         | 快换接头总成                     | 2  | SH904.58.012         |
| 3  | 2.1560.018.0         | 组合密封垫圈 SEALING RING        | 2  | 2.1560.018.0         |
| 4  | CD554.58.111         | 快换接头连接头 JOINT              | 2  | CD554.58.111         |
| 5  | GBT6173-M22X1.5-A3L  | 螺母 NUT                     | 2  | GBT6173-M22X1.5-A3L  |
| 6  | CD554.583A.119       | 快换接头支架 BRACKET             | 1  | CD554.583A.119       |
| 7  | CD554.583A.021/10    | 输出油管 OIL OUTPUT PIPE       | 1  | CD554.583A.021/10    |
| 8  | CD554.583A.022       | 多路阀输出油管总成6 VALVE OUTLET    | 1  | CD554.583A.022       |
| 9  | CD554.583A.024       | 多路阀输出油管总成7 VALVE OUTLET    | 1  | CD554.583A.024       |
| 10 | CD554.583A.023       | 多路阀输出油管总成8 VALVE OUTLET    | 1  | CD554.583A.023       |
| 11 | 2.1560.014.0         | 组合密封垫圈 SEALING RING        | 5  | 2.1560.014.0         |
| 12 | GBT3733-08-L14F      | 卡套式端直通接头 FITTING           | 2  | GBT3733-08-L14F      |
| 13 | A11.58.102.0         | 接头 FITTING M20X1.5-M20X1.5 | 2  | A11.58.102.0         |
| 14 | GBT3452.1-17.3X2.2-G | O形密封圈 O RING               | 4  | GBT3452.1-17.3X2.2-G |
| 15 | A08.58.019.3         | 减速阀总成 DECELERATION VALVE   | 2  | A08.58.019.3         |
| 16 | CD554.583A.027/40    | 输油软管3 OIL HOSE-3           | 1  | CD554.583A.027/40    |

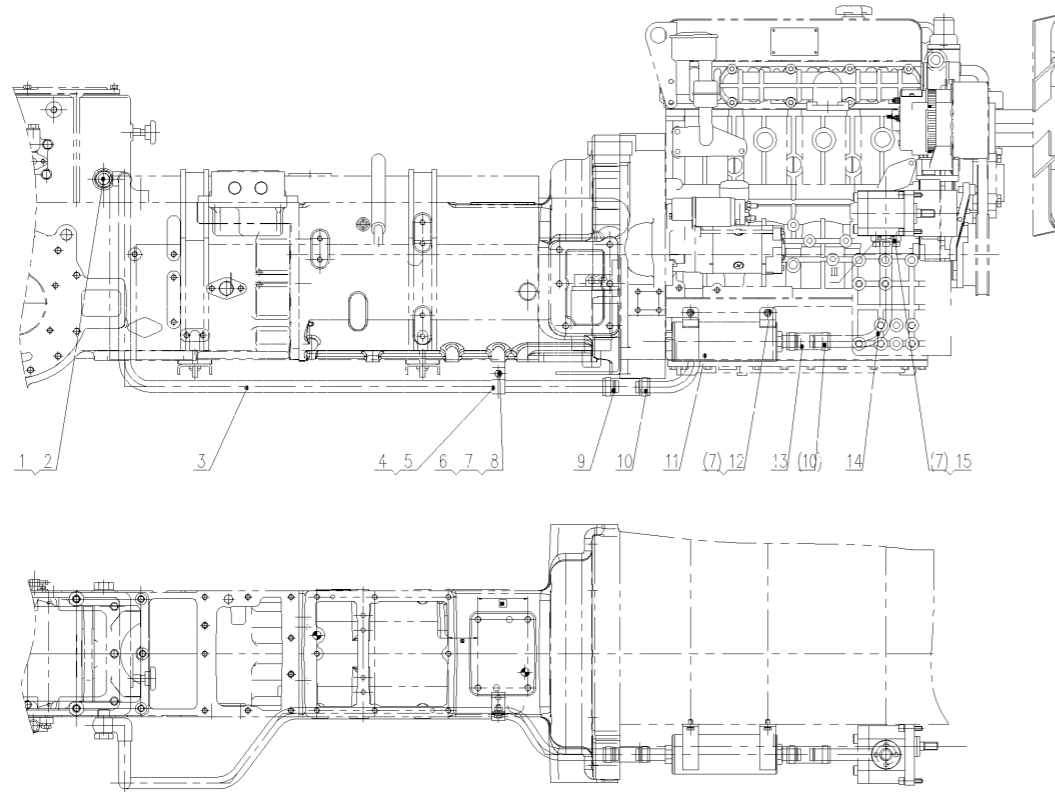
A39.58.931.4 吸油管总成独立用油、强压



A39.58.931.4\_1 吸油管路总成 (独立用油、非强压) Suction line assembly (oil independent, non-pressurised)

| 序号 | 零件编号            | 零件名称               | 数量 | 图号              |
|----|-----------------|--------------------|----|-----------------|
| 1  | SH400.58.112    | 空心螺栓               | 1  | SH400.58.112    |
| 2  | 2.1560.018.0    | 垫圈22               | 2  | 2.1560.018.0    |
| 3  | A39.58.030.3    | 吸油长管焊合             | 1  | A39.58.030.3    |
| 4  | A39.58.032.2/10 | 下油管夹与胶垫胶合1         | 1  | A39.58.032.2/10 |
| 5  | CD554.58.017    | 下油管夹与胶垫胶合2         | 1  | CD554.58.017    |
| 6  | GB/T 5783       | 螺栓M8*20-8.8-A2L    | 1  | GB/T 5783       |
| 7  | GB/T 93         | 垫圈8-A2L            | 7  | GB/T 93         |
| 8  | GB/T 6170       | 螺母M8-A2L           | 1  | GB/T 6170       |
| 9  | SH400.58.106    | 吸油胶管               | 1  | SH400.58.106    |
| 10 | JB/T 8870       | 喉箍D32              | 4  | JB/T 8870       |
| 11 | SH450.58.014    | 滤油器总成              | 1  | SH450.58.014    |
| 12 | GB/T 5783       | 螺栓M8*16-8.8-A2L    | 2  | GB/T 5783       |
| 13 | SH400.58.107    | 吸油胶管               | 1  | SH400.58.107    |
| 14 | CD404.58.015    | 吸油短管焊合             | 1  | CD404.58.015    |
| 15 | GB/T 70.1       | 内六角螺钉M8*25-8.8-A2L | 4  | GB/T 70.1       |
| 16 | GB/T 3452.1     | O形圈21.8*1.8G       | 1  | GB/T 3452.1     |

## A39.58.932.4\_1 吸油管路总成 (独立用油、强压) Oil suction line assembly (oil independent, strong pressure)

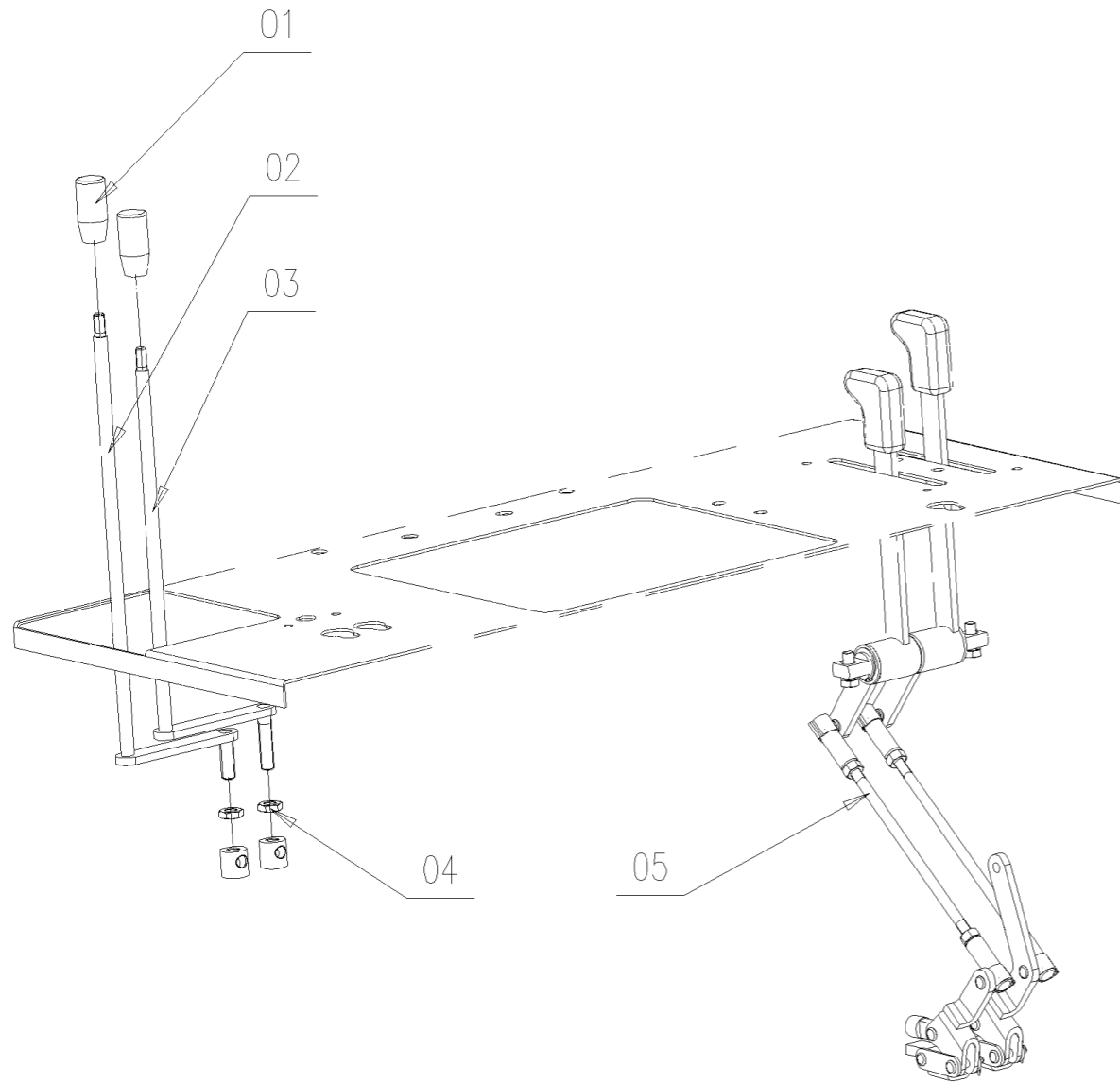


| 序号 | 零件编号            | 零件名称               | 数量 | 图号              |
|----|-----------------|--------------------|----|-----------------|
| 1  | LD700.58.107    | 空心螺栓-2             | 1  | LD700.58.107    |
| 2  | 2.1560.020.0    | 垫圈24               | 2  | 2.1560.020.0    |
| 3  | A39.58.031.3    | 吸油长管焊合             | 1  | A39.58.031.3    |
| 4  | A39.58.032.2/10 | 下油管夹与胶垫胶合1         | 1  | A39.58.032.2/10 |
| 5  | CD554.58.017    | 下油管夹与胶垫胶合2         | 1  | CD554.58.017    |
| 6  | GB/T 5783       | 螺栓M8*20-8.8-A2L    | 1  | GB/T 5783       |
| 7  | GB/T 93         | 垫圈8-A2L            | 7  | GB/T 93         |
| 8  | GB/T 6170       | 螺母M8-A2L           | 1  | GB/T 6170       |
| 9  | SH400.58.106    | 吸油胶管               | 1  | SH400.58.106    |
| 10 | JB/T 8870       | 喉箍D32              | 4  | JB/T 8870       |
| 11 | SH450.58.014    | 滤油器总成              | 1  | SH450.58.014    |
| 12 | GB/T 5783       | 螺栓M8*16-8.8-A2L    | 2  | GB/T 5783       |
| 13 | SH400.56.107    | 吸油胶管               | 1  | SH400.56.107    |
| 14 | SH450.58.013    | 吸油短管焊合             | 1  | SH450.58.013    |
| 15 | GB/T 70.1       | 内六角螺钉M8*25-8.8-A2L | 4  | GB/T 70.1       |
| 16 | GB/T 3452.1     | O形圈21.8*1.8G       | 1  | GB/T 3452.1     |

# A39.58.933.4 HYDRAULIC SYSTEM CONTROL ASS.

## A39.58.933.4\_2 多路阀操纵机构总成 (3路压强) Multi-way valve manipulator assembly (3-way pressure)

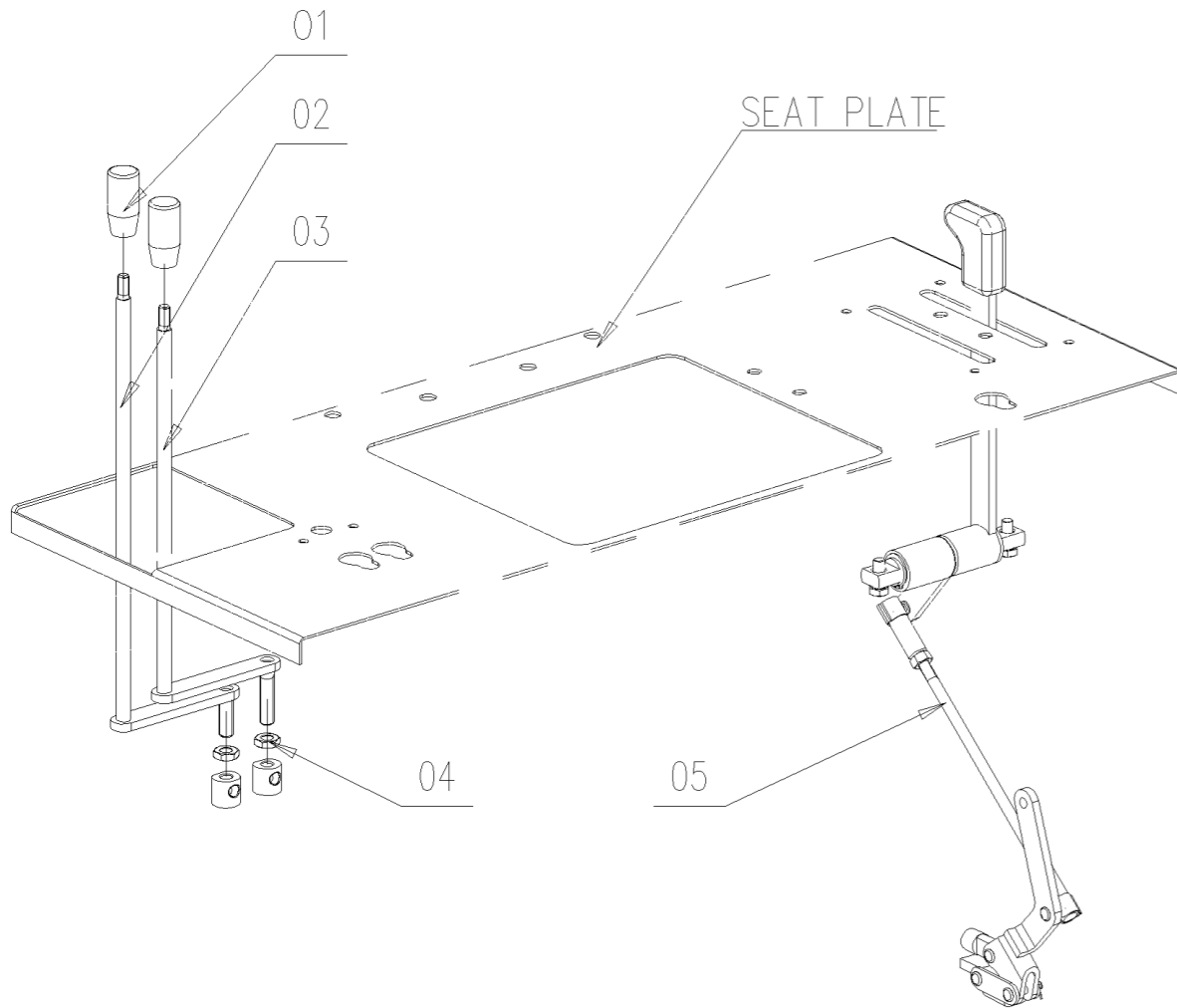
| 序号 | 零件编号              | 零件名称  | 数量 | 图号                |
|----|-------------------|-------|----|-------------------|
| 1  | SH550.58B.110/20  | 球形把手  | 2  | SH550.58B.110/20  |
| 2  | A39.58.033.2      | 操纵杆   | 1  | A39.58.033.2      |
| 3  | A39.58.034.2      | 操纵杆   | 1  | A39.58.034.2      |
| 4  | GBT6172.1-M10-A3L | 螺母    | 2  | GBT6172.1-M10-A3L |
| 5  | CD554.581A.012/30 | 阀控制总成 | 1  | CD554.581A.012/30 |



# A39.58.934.4 HYDRAULIC SYSTEM CONTROL ASS.

## A39.58.934.4\_2 多路阀操纵机构总成 (2路输出、强压) Multi-way valve manipulator assembly (2-way output, strong pressure)

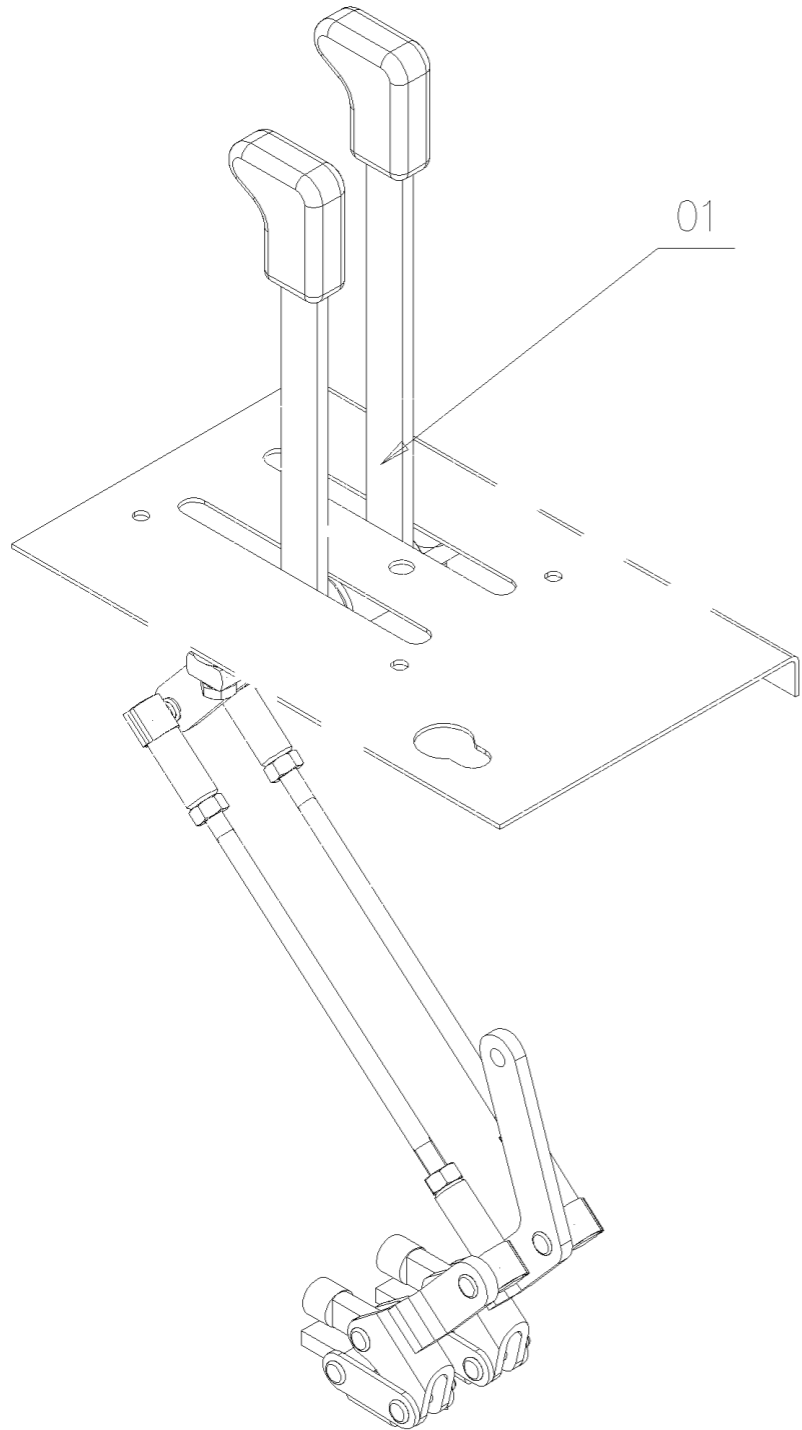
| 序号 | 零件编号              | 零件名称  | 数量 | 图号                |
|----|-------------------|-------|----|-------------------|
| 1  | SH550.58B.110/20  | 球形把手  | 2  | SH550.58B.110/20  |
| 2  | A39.58.033.2      | 操纵杆   | 1  | A39.58.033.2      |
| 3  | A39.58.034.2      | 操纵杆   | 1  | A39.58.034.2      |
| 4  | GBT6172.1-M10-A3L | 螺母    | 2  | GBT6172.1-M10-A3L |
| 5  | CD554.582A.012/30 | 阀控制总成 | 1  | CD554.582A.012/30 |



# A39.58.935.4 HYDRAULIC SYSTEM CONTROL ASSEMBLY

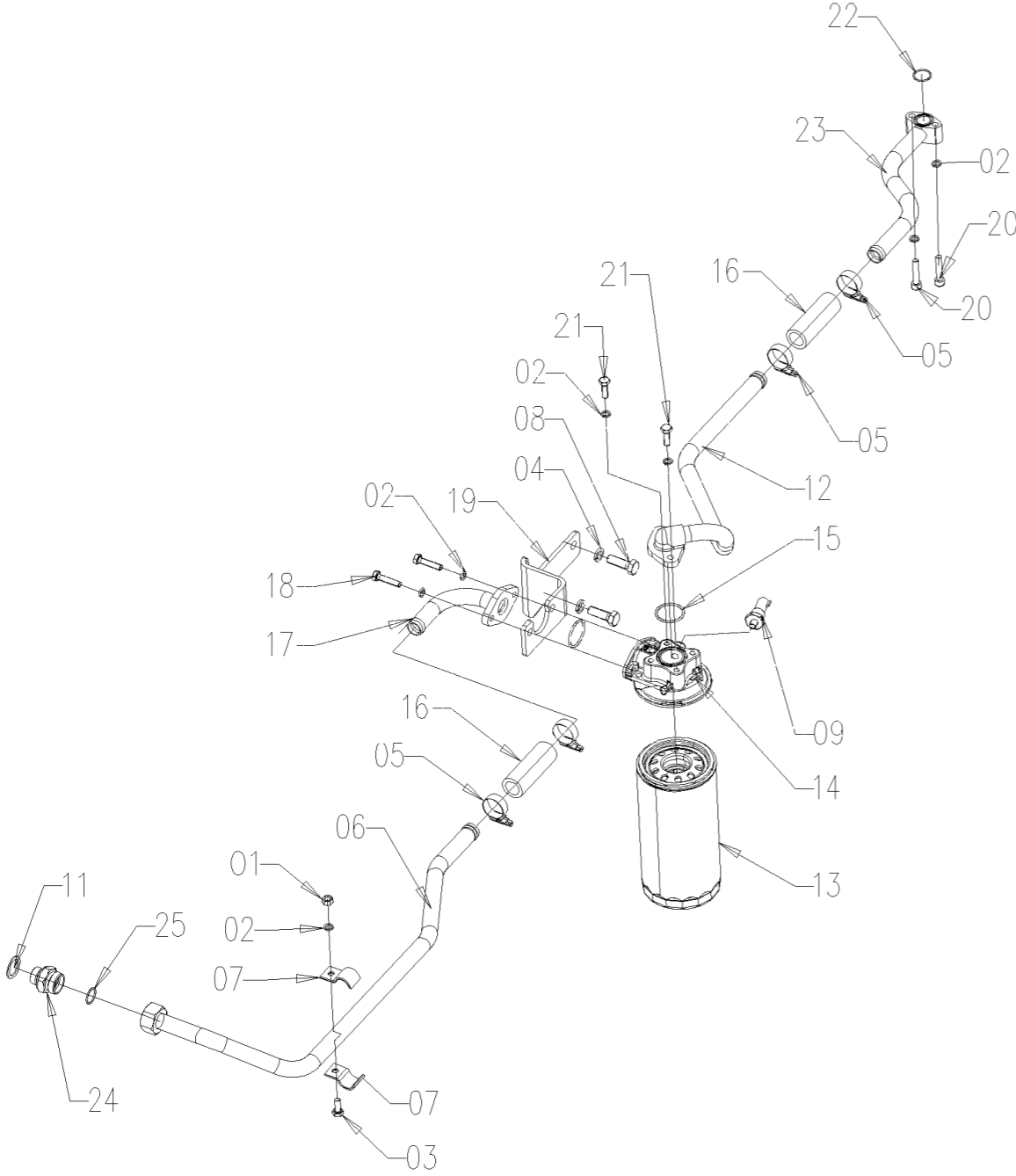
## A39.58.935.4\_2 多路阀操纵机构总成 (1路输出强压) Multi-way valve manipulator assembly (1 output, strong pressure)

| 序号 | 零件编号              | 零件名称  | 数量 | 图号                |
|----|-------------------|-------|----|-------------------|
| 1  | CD554.581A.012/30 | 阀控制总成 | 1  | CD554.581A.012/30 |





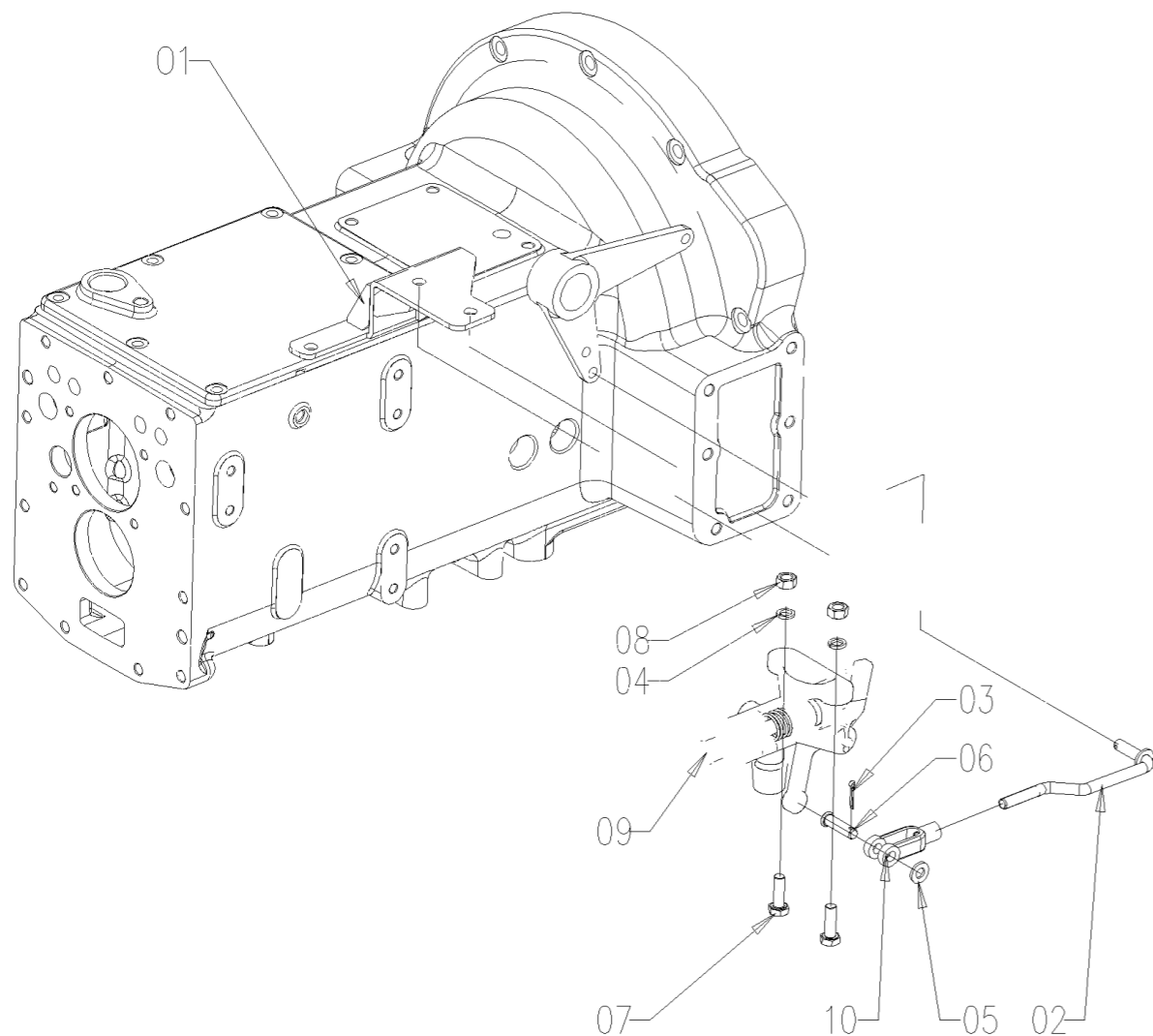
# A39.58.940.4 SUCTION PIPE ASS.Y



## A39.58.940.4\_1 吸油管路总成 SUCTION PIPE ASS.Y

| 序号 | 零件编号                 | 零件名称              | 数量 | 图号                      |
|----|----------------------|-------------------|----|-------------------------|
| 1  | GBT6170-M8-A2L       | 螺母                | 1  | GBT6170-M8-A2L          |
| 2  | GBT93-8-A3L          | 垫圈                | 7  | GBT93-8-A3L             |
| 3  | GBT5783-M8X20-A2L    | 螺栓                | 1  | GBT5783-M8X20-A2L       |
| 4  | GBT93-12-A3L         | 垫圈                | 2  | GBT93-12-A3L            |
| 5  | JBT8870-D32          | 软管夹               | 4  | JBT8870-D32             |
| 6  | C05.58.025.3/10      | 吸油管焊接             | 1  | C05.58.025.3/10         |
| 7  | CD554.58.017         | 下油管夹与胶垫胶合2        | 2  | CD554.58.017            |
| 8  | GBT5783-M12X35-10.9- | 螺栓                | 2  | GBT5783-M12X35-10.9-A3L |
| 9  | 2.7099.660.0/10      | 压力传感器             | 1  | 2.7099.660.0/10         |
| 11 | 2.1560.020.0         | 垫圈                | 1  | 2.1560.020.0            |
| 12 | A39.58.060.3         | 吸油管               | 1  | A39.58.060.3            |
| 13 | 2.4419.280.0/10      | 油滤芯               | 1  | 2.4419.280.0/10         |
| 14 | 2.4419.350.1/40      | 过滤器               | 1  | 2.4419.350.1/40         |
| 15 | 2.1531.091.0         | O形圈               | 2  | 2.1531.091.0            |
| 16 | SH400.58.106         | 吸油橡胶管             | 2  | SH400.58.106            |
| 17 | A85.58.004.3         | 石油管道焊接            | 1  | A85.58.004.3            |
| 18 | GBT5783-M8X35-A2L    | 螺栓                | 2  | GBT5783-M8X35-A2L       |
| 19 | A08.58.016.0         | 支架                | 1  | A08.58.016.0            |
| 20 | GBT70.1-M8X40-A2L    | 螺钉                | 2  | GBT70.1-M8X40-A2L       |
| 21 | GBT5783-M8X25-A2L    | 螺栓                | 2  | GBT5783-M8X25-A2L       |
| 22 | GBT3452.1-21.2X1.8-G | O形圈               | 1  | GBT3452.1-21.2X1.8-G    |
| 23 | A39.58.061.3         | 油泵吸油管             | 1  | A39.58.061.3            |
| 24 | C05.58.049.0         | M24X1.5A-M30X2K管件 | 1  | C05.58.049.0            |
| 25 | GBT3452.1-20X1.8-G   | O形圈               | 1  | GBT3452.1-20X1.8-G      |

# A39.80.903.4 SERVICE BRAKE VALVE ASS.Y



## A39.80.903.4\_1 脚制动阀安装总成 (气刹) Foot brake valve mounting assembly (air brake)

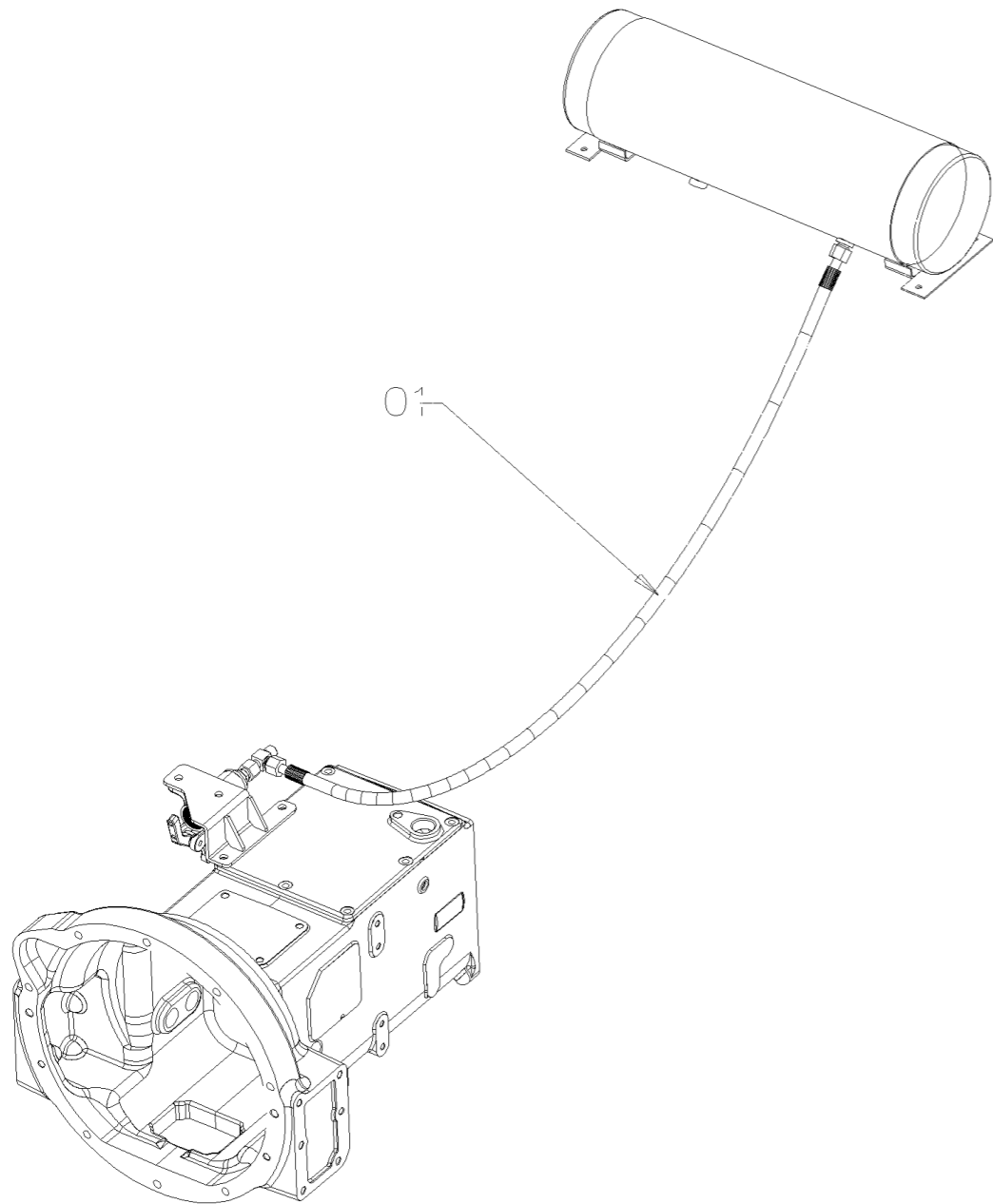
| 序号 | 零件编号               | 零件名称               | 数量 | 图号                 |
|----|--------------------|--------------------|----|--------------------|
| 1  | B26.80.007.2       | 阀门支架 VALVE BRACKET | 1  | B26.80.007.2       |
| 2  | B26.80.008.3       | 杆 ROD              | 1  | B26.80.008.3       |
| 3  | GBT91-3.2X20-A3L   | 销 PIN              | 1  | GBT91-3.2X20-A3L   |
| 4  | GBT93-10-A3L       | 垫圈 WASHER          | 2  | GBT93-10-A3L       |
| 5  | GBT97.1-10-A3L     | 垫圈 WASHER          | 1  | GBT97.1-10-A3L     |
| 6  | GBT882-B10X35-A3L  | 销 PIN              | 1  | GBT882-B10X35-A3L  |
| 7  | GBT5783-M10X30-A3L | 螺栓 BOLT            | 2  | GBT5783-M10X30-A3L |
| 8  | GBT6170-M10-A3L    | 螺母 NUT             | 3  | GBT6170-M10-A3L    |
| 9  | SH400.80.011       | 气制动阀总成 气制动阀总成      | 1  | SH400.80.011       |
| 10 | SH900.41.102       | 连接叉 调节叉            | 1  | SH900.41.102       |

# A39.80.905.4 AIR TANK INLET HOSE ASS.

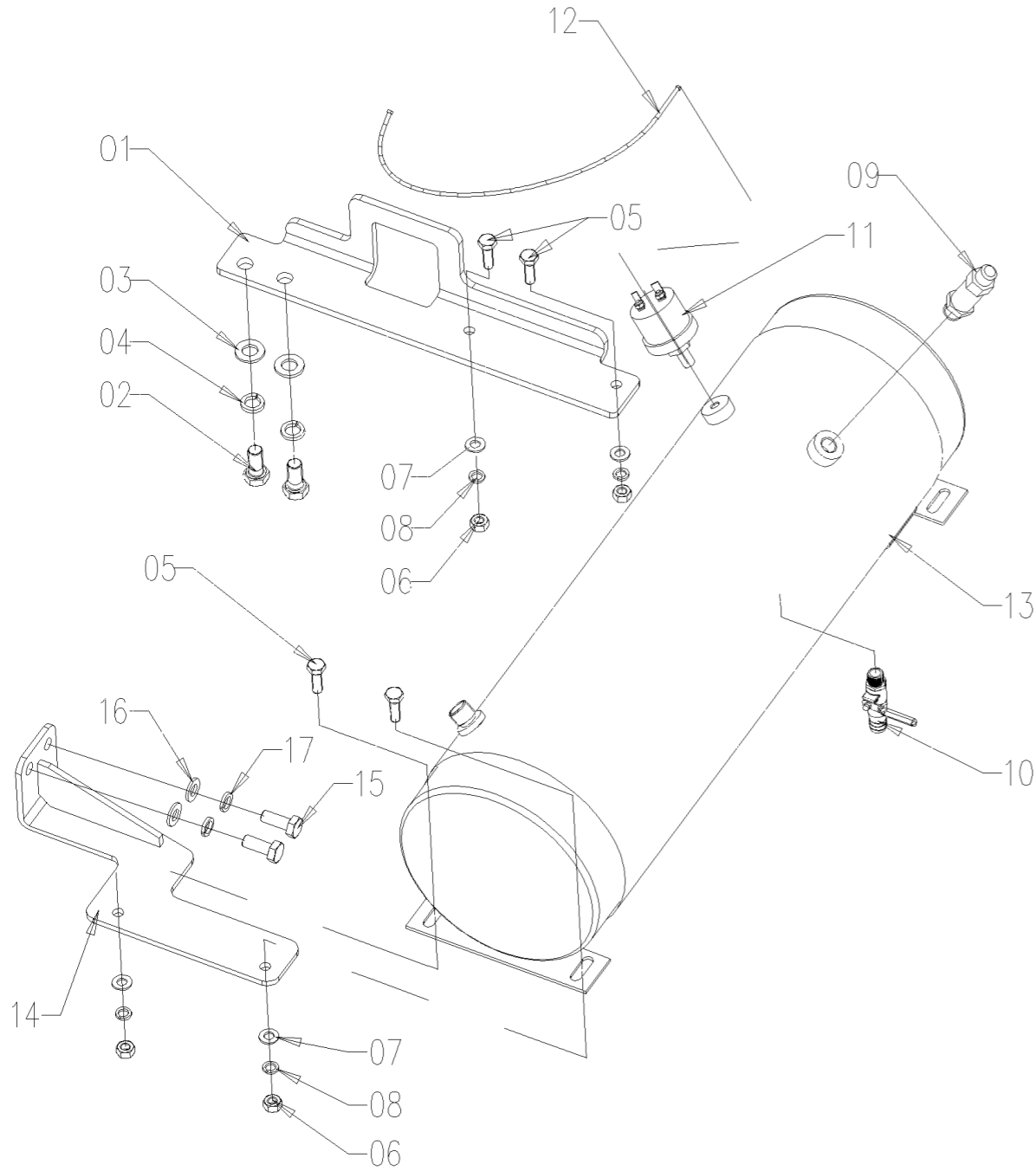
## A39.80.905.4\_1 储气筒管路总成 AIR TANK LINE ASS.

| 序号 | 零件编号         | 零件名称                  | 数量 | 图号           |
|----|--------------|-----------------------|----|--------------|
| 1  | CD554.80.014 | 脚制动阀出气软管总成 FOOT BRAKE | 1  | CD554.80.014 |

YFB-R-2016-011 SH.042



# A39.80.907.4 AIR TANK INSTALLED ASS.



## A39.80.907.4\_4 储气筒安装总成 (气刹) AIR TANK INSTALLED ASS.(air brake)

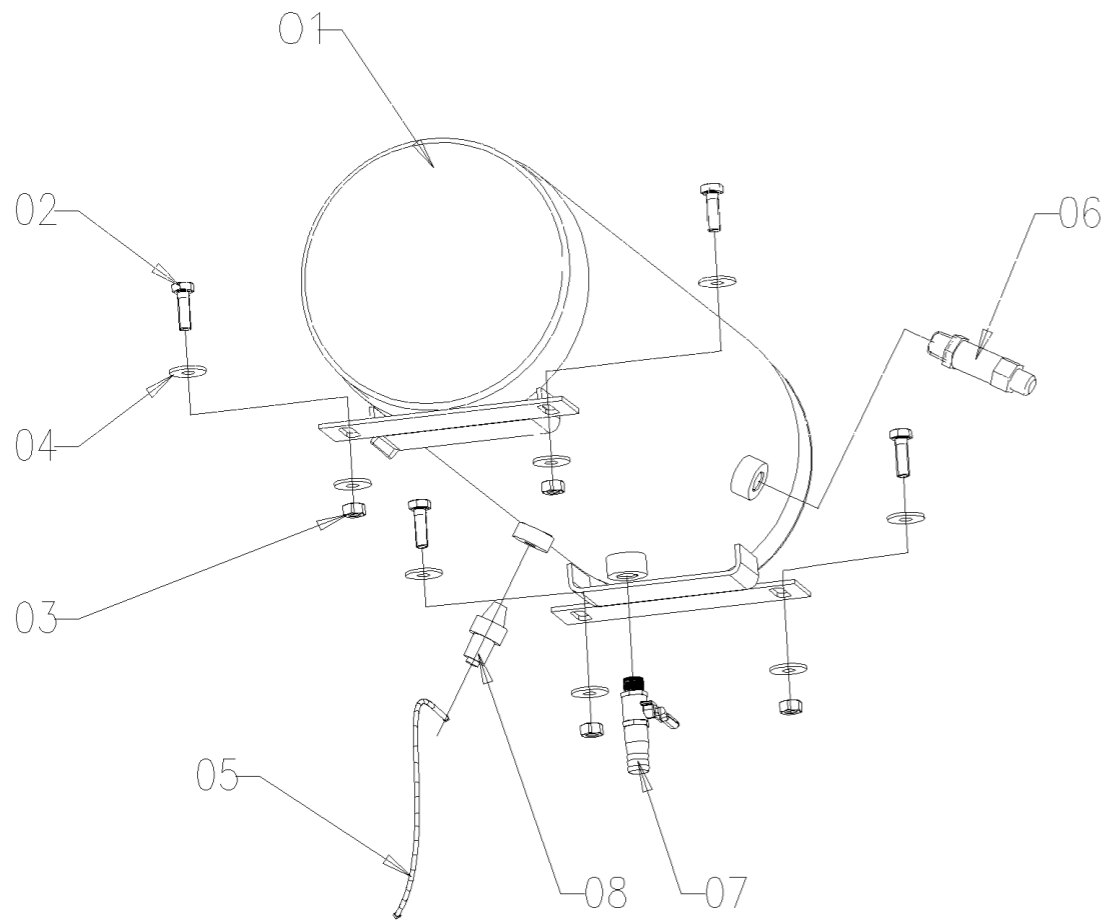
| 序号 | 零件编号               | 零件名称                        | 数量 | 图号                 |
|----|--------------------|-----------------------------|----|--------------------|
| 1  | A39.80.008.0       | 前支架 FRONT BRACKET           | 1  | A39.80.008.0       |
| 2  | GBT5783-M12X25-A3L | 螺栓 BOLT                     | 2  | GBT5783-M12X25-A3L |
| 3  | GBT97.1-12-A3L     | 垫圈 WASHER                   | 2  | GBT97.1-12-A3L     |
| 4  | GBT93-12-A3L       | 垫圈 WASHER                   | 2  | GBT93-12-A3L       |
| 5  | GBT5783-M8X25-A2L  | 螺栓 BOLT                     | 4  | GBT5783-M8X25-A2L  |
| 6  | GBT6170-M8-A2L     | 螺母 NUT                      | 4  | GBT6170-M8-A2L     |
| 7  | GBT97.1-8-A3L      | 垫圈 WASHER                   | 4  | GBT97.1-8-A3L      |
| 8  | GBT93-8-A3L        | 垫圈 WASHER                   | 4  | GBT93-8-A3L        |
| 9  | SH400.80.034       | 安全阀总成 RELIEF VALVE ASSEMBLY | 1  | SH400.80.034       |
| 10 | SH400.45.010       | 暖风进水阀总成 WARM AIR WATER      | 1  | SH400.45.010       |
| 11 | SH400.48.045       | 气压传感器 AIR PRESSURE WARNING  | 1  | SH400.48.045       |
| 12 | SH900.48.028       | 气压报警线束总成 AIR PRESSURE       | 1  | SH900.48.028       |
| 13 | A39.80.007.2/10    | 氧气筒总成 AIR TANK ASS.         | 1  | A39.80.007.2/10    |
| 14 | A39.80.004.2/10    | 后支架 REAR BRACKET            | 1  | A39.80.004.2/10    |
| 15 | GBT5783-M10X25-A3L | 螺栓 BOLT                     | 2  | GBT5783-M10X25-A3L |
| 16 | GBT97.1-10-A3L     | 垫圈 WASHER                   | 2  | GBT97.1-10-A3L     |
| 17 | GBT93-10-A3L       | 垫圈 WASHER                   | 2  | GBT93-10-A3L       |

# A39.80.915.4 AIR TANK INSTALLED ASS.

YFB-R-2016-011 SH.042

## A39.80.915.4\_0 储气筒安装总成 AIR TANK INSTALLED ASS.

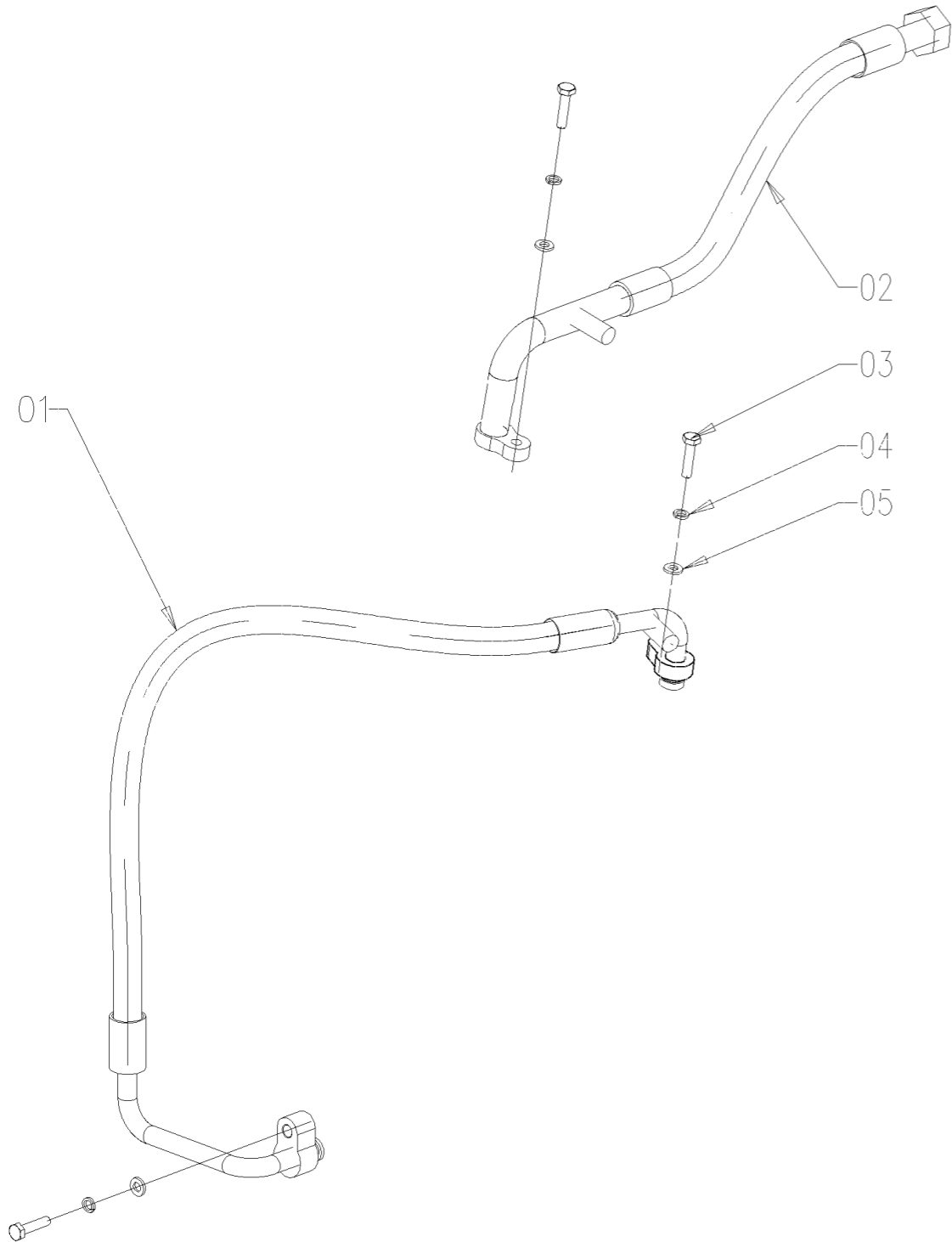
| 序号 | 零件编号              | 零件名称                       | 数量 | 图号                |
|----|-------------------|----------------------------|----|-------------------|
| 1  | SH550.80B.021     | 储气筒焊合 PNEUMATIC RESERVOIR  | 1  | SH550.80B.021     |
| 2  | GBT5783-M8X25-A2L | 螺栓 BOLT                    | 4  | GBT5783-M8X25-A2L |
| 3  | GBT6170-M8-A2L    | 螺母 NUT                     | 4  | GBT6170-M8-A2L    |
| 4  | GBT96.1-8-A3L     | 垫圈 WASHER                  | 8  | GBT96.1-8-A3L     |
| 5  | SH900.48.028      | 气压报警线束总成 AIR PRESSURE      | 1  | SH900.48.028      |
| 6  | SH400.80.034      | 安全阀总成 RELIEF VALVE ASS.Y   | 1  | SH400.80.034      |
| 7  | SH400.45.010      | 暖风进水阀总成 WARM AIR WATER     | 1  | SH400.45.010      |
| 8  | SH900.48.045      | 气压传感器 AIR PRESSURE WARNING | 1  | SH900.48.045      |

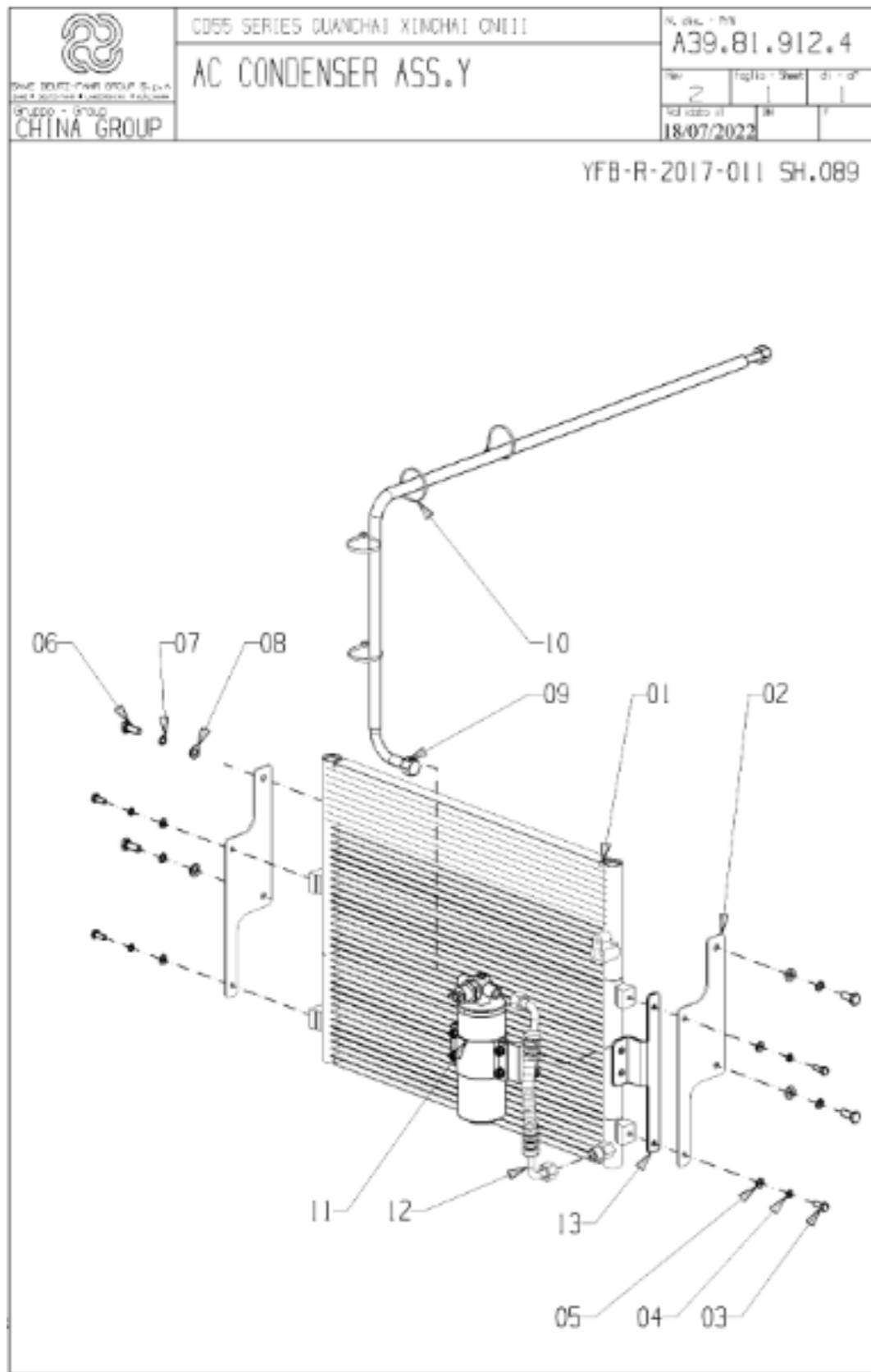


# A39.81.911.4 AC COMPRESSOR PIPE ASS.Y

# A39.81.911.4\_0 空调压缩机管路总成 AIR CONDITIONING COMPRESSOR PIPE ASS.Y

| 序号 | 零件编号              | 零件名称                    | 数量 | 图号                |
|----|-------------------|-------------------------|----|-------------------|
| 1  | A39.81.017.4      | 压缩机排气管 COMPRESSOR       | 1  | A39.81.017.4      |
| 2  | C05.81.023.4      | 压缩机入口管 COMPRESSOR INLET | 1  | C05.81.023.4      |
| 3  | GBT5783-M6X25-A2L | 螺栓 BOLT                 | 3  | GBT5783-M6X25-A2L |
| 4  | GBT93-6-A3L       | 垫圈 WASHER               | 3  | GBT93-6-A3L       |
| 5  | GBT97.1-6-A3L     | 垫圈 WASHER               | 3  | GBT97.1-6-A3L     |

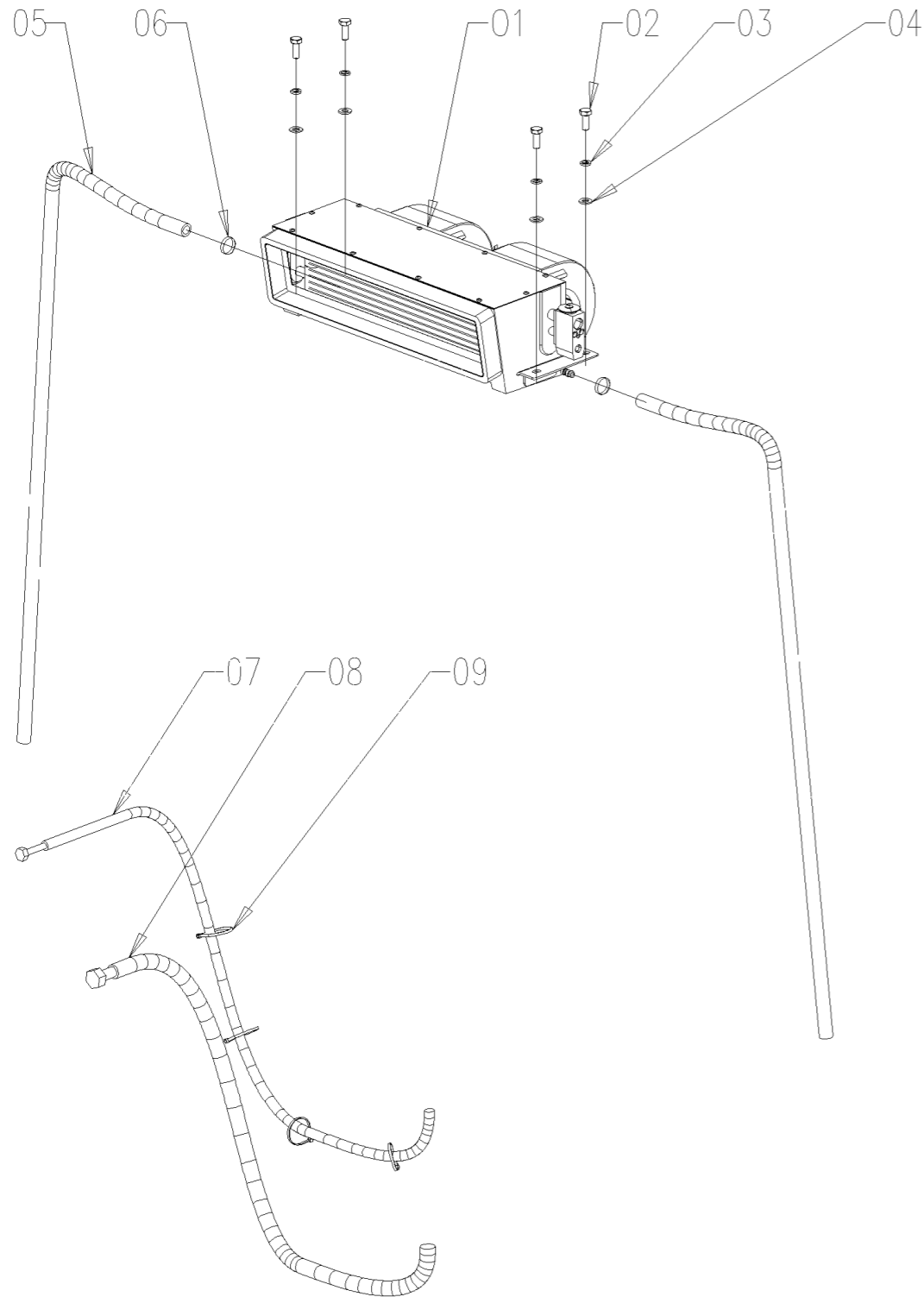




### A39.81.912.4\_2 空调冷凝器总成 AIR CONDITIONING CONDENSER ASS.Y

| 序号 | 零件编号         | 零件名称                        | 数量 | 图号           |
|----|--------------|-----------------------------|----|--------------|
| 1  | A39.81.018.4 | 冷凝器 CONDENSER               | 1  | A39.81.018.4 |
| 2  | A39.81.007.0 | 板 PLATE                     | 2  | A39.81.007.0 |
| 3  | 2.0114.005.2 | 螺栓 M8x1.25x20 SCREW M6x16   | 4  | 2.0114.005.2 |
| 4  | 2.1473.006.2 | 垫圈 SPRING WASHER M6         | 4  | 2.1473.006.2 |
| 5  | 2.1310.002.2 | 垫圈 WASHER 6                 | 4  | 2.1310.002.2 |
| 6  | 2.0114.207.2 | 螺丝钉 SCREW M8x20             | 4  | 2.0114.207.2 |
| 7  | 2.1473.007.2 | 垫圈 SPRING WASHER M8         | 4  | 2.1473.007.2 |
| 8  | 2.1310.004.2 | 垫圈 WASHER 8                 | 4  | 2.1310.004.2 |
| 9  | A39.81.005.4 | 干燥瓶输出管 DRYING BOTTLR        | 1  | A39.81.005.4 |
| 10 | 2.6852.101.0 | 自锁扎带 142 SELF LOCKING CABLE | 4  | 2.6852.101.0 |
| 11 | A23.81.011.0 | 干燥瓶总成 RECEIVER DRIER        | 1  | A23.81.011.0 |
| 12 | A39.81.020.4 | 冷凝器管道 CONDENSOR TO          | 1  | A39.81.020.4 |
| 13 | A39.81.019.0 | 冷凝器支架 AC CONDENSER          | 1  | A39.81.019.0 |

# A39.81.913.4 AC EVAPORATOR ASS.Y

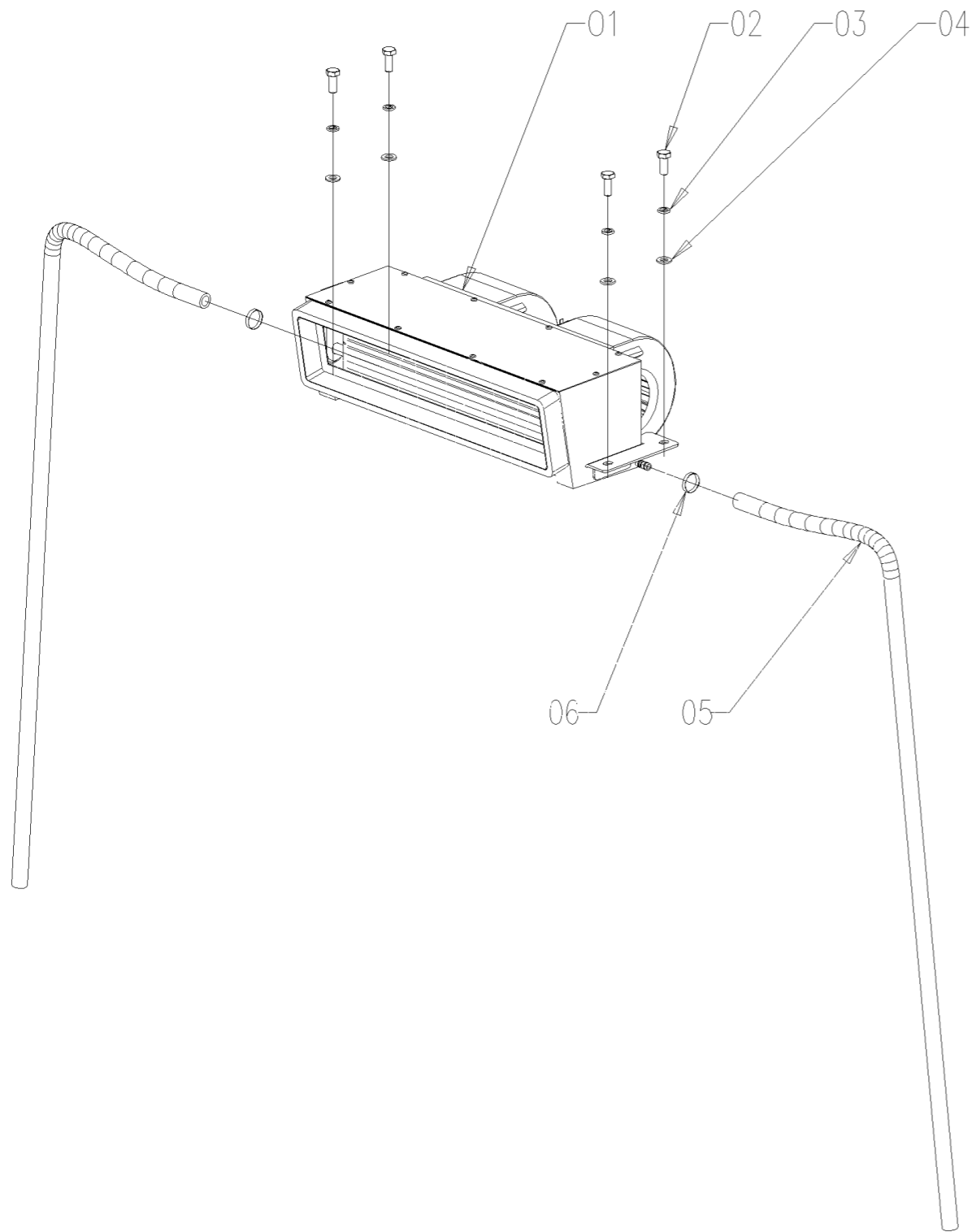


## A39.81.913.4\_0 空调蒸发器总成 AIR CONDITIONING EVAPORATOR ASS.Y

| 序号 | 零件编号               | 零件名称                        | 数量 | 图号                 |
|----|--------------------|-----------------------------|----|--------------------|
| 1  | A39.81.015.4       | 中拖蒸发器总成 EVAPORATOR          | 1  | A39.81.015.4       |
| 2  | GBT5783-M10X25-A3L | 螺栓 BOLT                     | 4  | GBT5783-M10X25-A3L |
| 3  | GBT93-10-A3L       | 垫圈 WASHER                   | 4  | GBT93-10-A3L       |
| 4  | GBT97.1-10-A3L     | 垫圈 WASHER                   | 4  | GBT97.1-10-A3L     |
| 5  | A39.81.012.0       | 输水管 WATER PIPE              | 2  | A39.81.012.0       |
| 6  | JBT8870-D25        | 软管夹 HOSE CLAMPS             | 2  | JBT8870-D25        |
| 7  | A39.81.002.4       | 蒸发器进液管 EVAPORATOR LIQUID    | 1  | A39.81.002.4       |
| 8  | A39.81.003.4       | 蒸发器出气管 EVAPORATOR GAS       | 1  | A39.81.003.4       |
| 9  | 2.6852.101.0       | 自锁扎带 142 SELF LOCKING CABLE | 4  | 2.6852.101.0       |



# A39.81.923.4 WARM ASS.Y



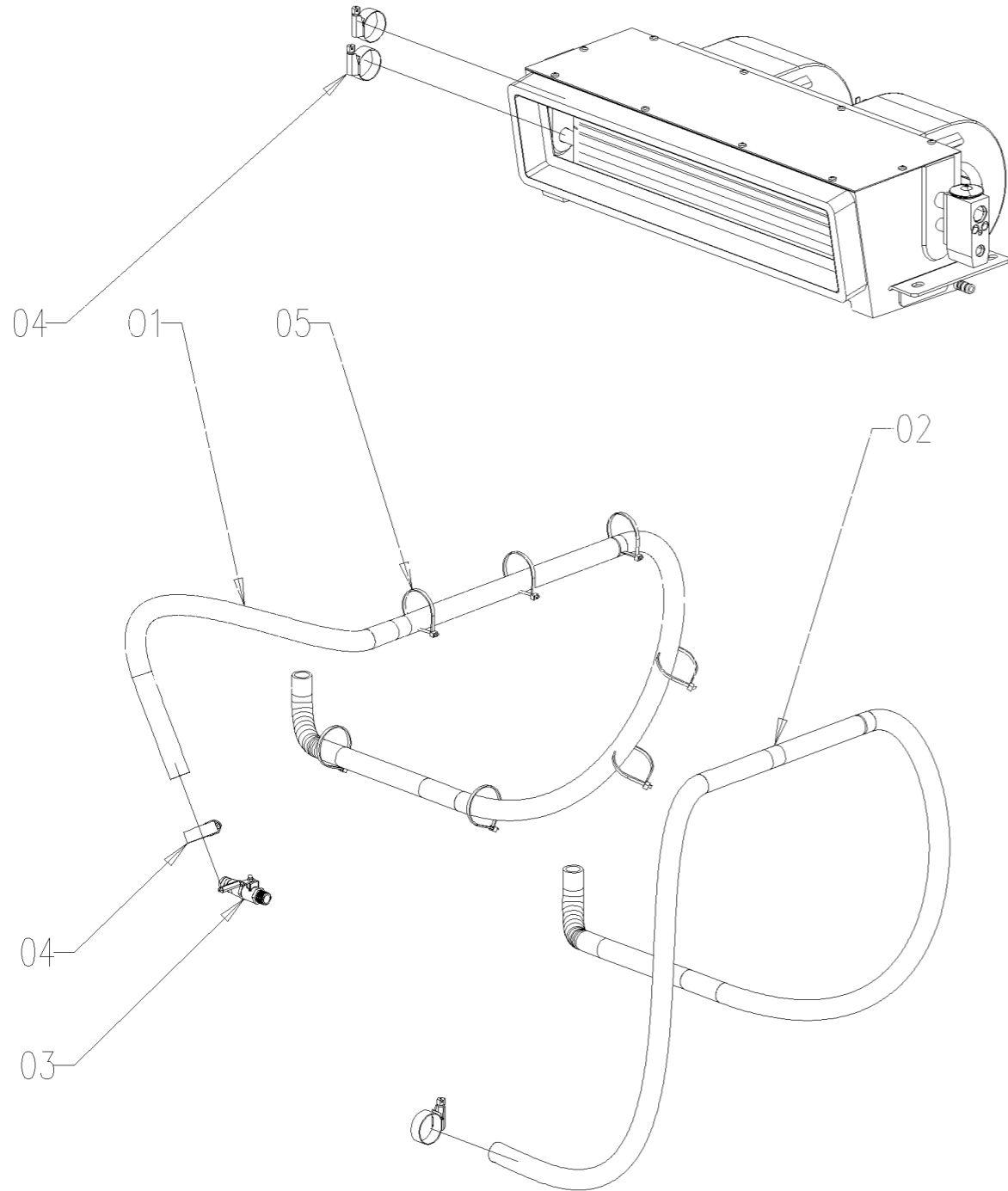
## A39.81.923.4\_0 暖风总成 WARM ASS.Y

| 序号 | 零件编号               | 零件名称            | 数量 | 图号                 |
|----|--------------------|-----------------|----|--------------------|
| 1  | A39.81.013.4       | 暖风机 FAN HEATER  | 1  | A39.81.013.4       |
| 2  | GBT5783-M10X25-A3L | 螺栓 BOLT         | 4  | GBT5783-M10X25-A3L |
| 3  | GBT93-10-A3L       | 垫圈 WASHER       | 4  | GBT93-10-A3L       |
| 4  | GBT97.1-10-A3L     | 垫圈 WASHER       | 4  | GBT97.1-10-A3L     |
| 5  | A39.81.012.0       | 输水管 WATER PIPE  | 2  | A39.81.012.0       |
| 6  | JBT8870-D25        | 软管夹 HOSE CLAMPS | 2  | JBT8870-D25        |

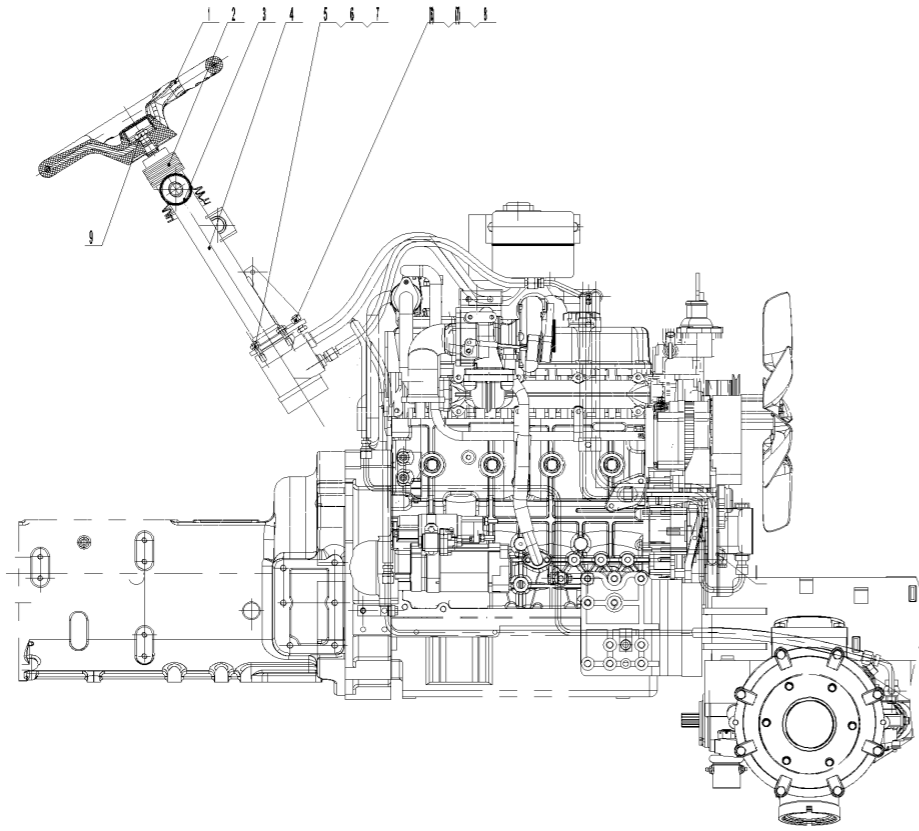
# A39.81.928.4 WARM PIPR ASS.Y

## A39.81.928.4\_0 暖风管路总成 (驾驶室) WARM PIPR ASS.Y (Cab)

| 序号 | 零件编号         | 零件名称                        | 数量 | 图号           |
|----|--------------|-----------------------------|----|--------------|
| 1  | A39.81.011.0 | 输水管 WATER PIPE              | 1  | A39.81.011.0 |
| 2  | A39.81.014.0 | 输水管 WATER PIPE              | 1  | A39.81.014.0 |
| 3  | SH400.45.010 | 暖风进水阀总成 WARM AIR WATER      | 1  | SH400.45.010 |
| 4  | JBT8870-D32  | 软管夹 HOSE CLAMPS             | 4  | JBT8870-D32  |
| 5  | 2.6852.101.0 | 自锁扎带 142 SELF LOCKING CABLE | 7  | 2.6852.101.0 |



A41.40.901.4 STEERING CONTROL ASSEMBLY



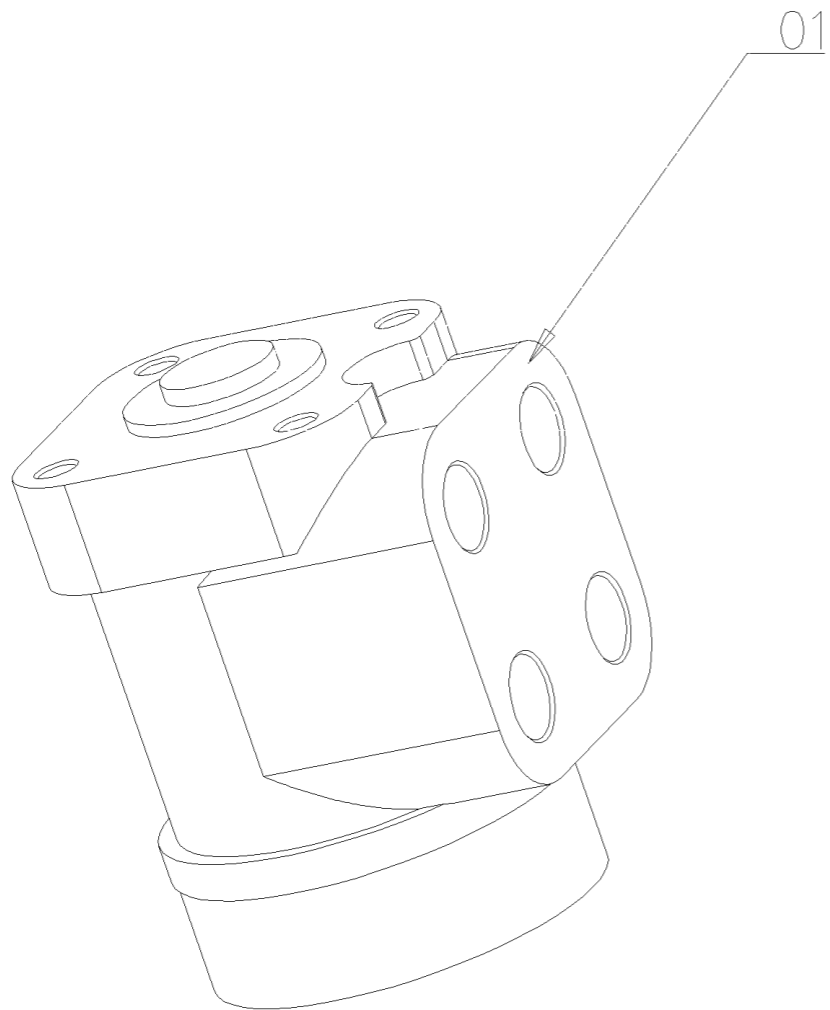
**A41.40.901.4\_1 转向控制安装总成 Steering control mounting assembly**

| 序号 | 零件编号                | 零件名称        | 数量 | 图号                  |
|----|---------------------|-------------|----|---------------------|
| 1  | CD554.40.028/10     | 方向盘 转向盘总成   | 1  | CD554.40.028/10     |
| 2  | CD554.40.124/10     | 防尘套 防尘套     | 1  | CD554.40.124/10     |
| 3  | 0.020.5342.3        | 锁紧螺母 锁紧螺母   | 1  | 0.020.5342.3        |
| 4  | A39.40.001.4        | 转向柱总成 转向柱总成 | 1  | A39.40.001.4        |
| 5  | GBT899-GM10X25-A3L  | 螺柱 STUD     | 4  | GBT899-GM10X25-A3L  |
| 6  | GBT93-10-A3L        | 垫圈 WASHER   | 6  | GBT93-10-A3L        |
| 7  | GBT6170-M10-A3L     | 螺母 NUT      | 6  | GBT6170-M10-A3L     |
| 8  | GBT5783-M10X25-A3L  | 螺栓 BOLT     | 2  | GBT5783-M10X25-A3L  |
| 9  | GBT6173-M16X1.5-A3L | 螺母 NUT      | 1  | GBT6173-M16X1.5-A3L |

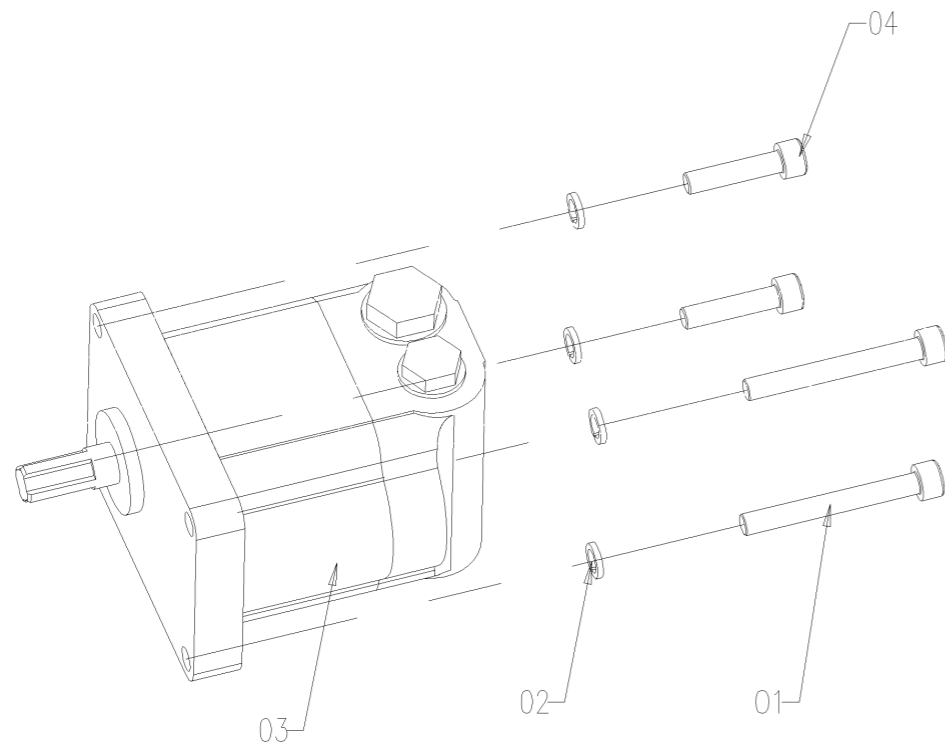
# A41.40.902.4 STEERING VALVE ASS.

## A41.40.902.4\_1 转向器总成 Steering gear assembly

| 序号 | 零件编号             | 零件名称                  | 数量 | 图号               |
|----|------------------|-----------------------|----|------------------|
| 1  | SH554S.40.011/10 | BZZ-100整体式全液压转向器 BZZ- | 1  | SH554S.40.011/10 |



# A41.40.906.4 PUMP ASS.Y



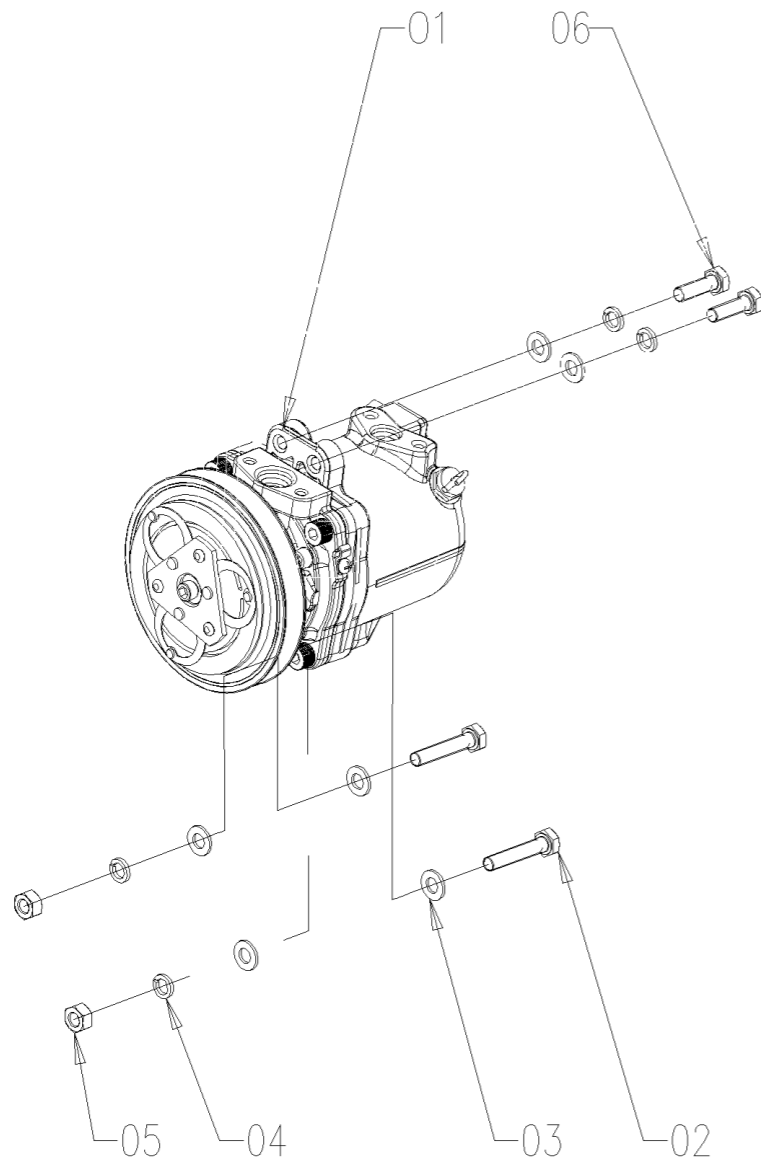
## A41.40.906.4\_1 转向泵安装总成 Steering pump mounting assembly

| 序号 | 零件编号              | 零件名称        | 数量 | 图号                |
|----|-------------------|-------------|----|-------------------|
| 1  | GBT70.1-M8X65-A2L | 螺钉 BOLT     | 2  | GBT70.1-M8X65-A2L |
| 2  | GBT93-8-A3L       | 垫圈 WASHER   | 4  | GBT93-8-A3L       |
| 3  | CD704-1.40.011/10 | 恒流溢流泵 恒流溢流泵 | 1  | CD704-1.40.011/10 |
| 4  | GBT70.1-M8X35-A2L | 螺栓 BOLT     | 2  | GBT70.1-M8X35-A2L |

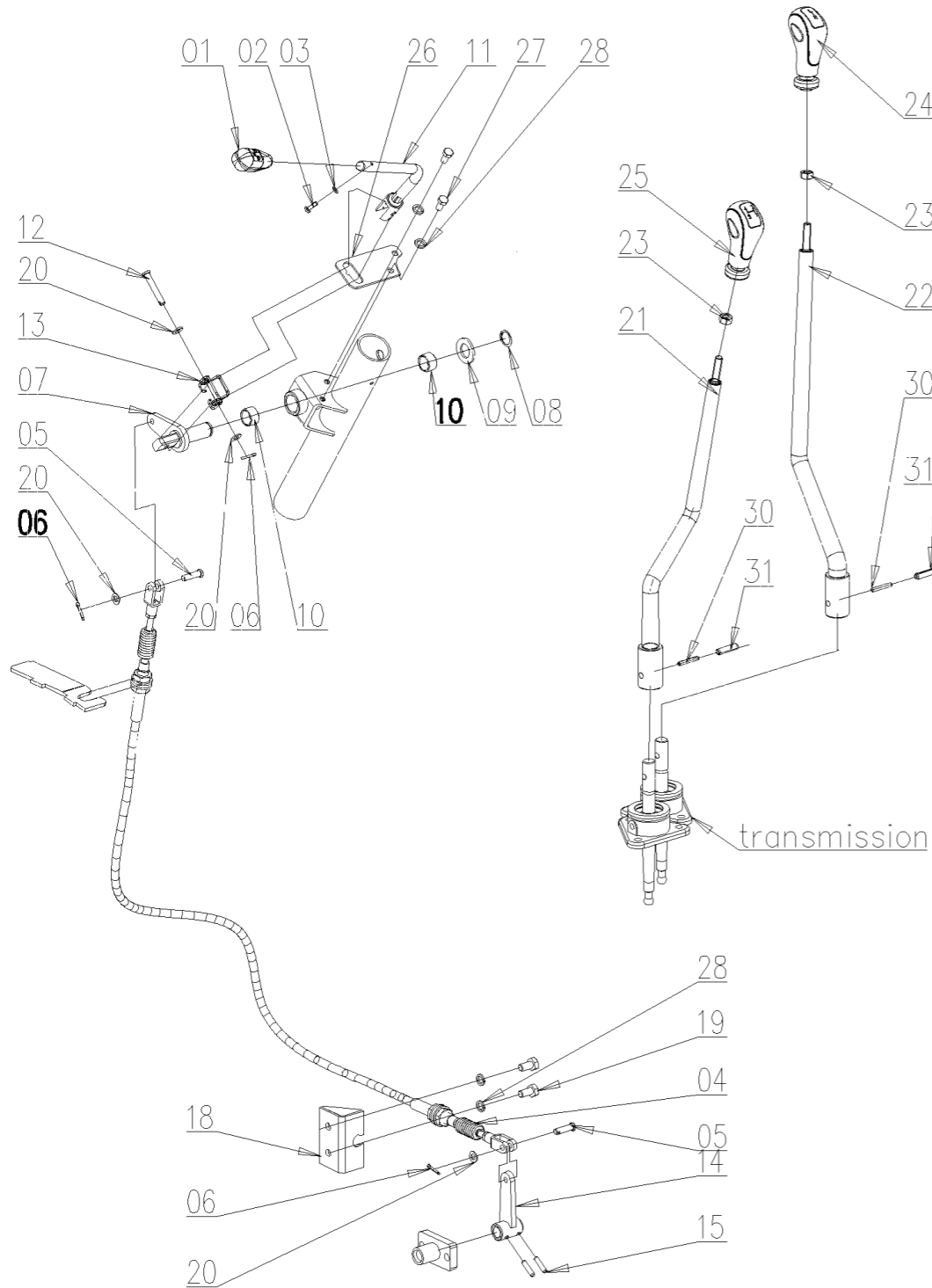
# A44.81.910.4 AC COMPRESSOR ASS.Y

## A44.81.910.4\_0 空调压缩机总成 AIR CONDITIONING COMPRESSOR ASS.Y

| 序号 | 零件编号              | 零件名称             | 数量 | 图号                |
|----|-------------------|------------------|----|-------------------|
| 1  | A39.81.006.4      | 压缩机总成 COMPRESSOR | 1  | A39.81.006.4      |
| 2  | GBT5783-M8X40-A2L | 螺栓 BOLT          | 2  | GBT5783-M8X40-A2L |
| 3  | GBT97.1-8-A3L     | 垫圈 WASHER        | 6  | GBT97.1-8-A3L     |
| 4  | GBT93-8-A3L       | 垫圈 WASHER        | 4  | GBT93-8-A3L       |
| 5  | GBT6170-M8-A2L    | 螺母 NUT           | 2  | GBT6170-M8-A2L    |
| 6  | GBT5783-M8X25-A2L | 螺栓 BOLT          | 2  | GBT5783-M8X25-A2L |



# A46.37.900.4 SHIFT LEVER ASS.Y ( 8+8)



## A46.37.900.4\_06 变速箱操纵总成\_06

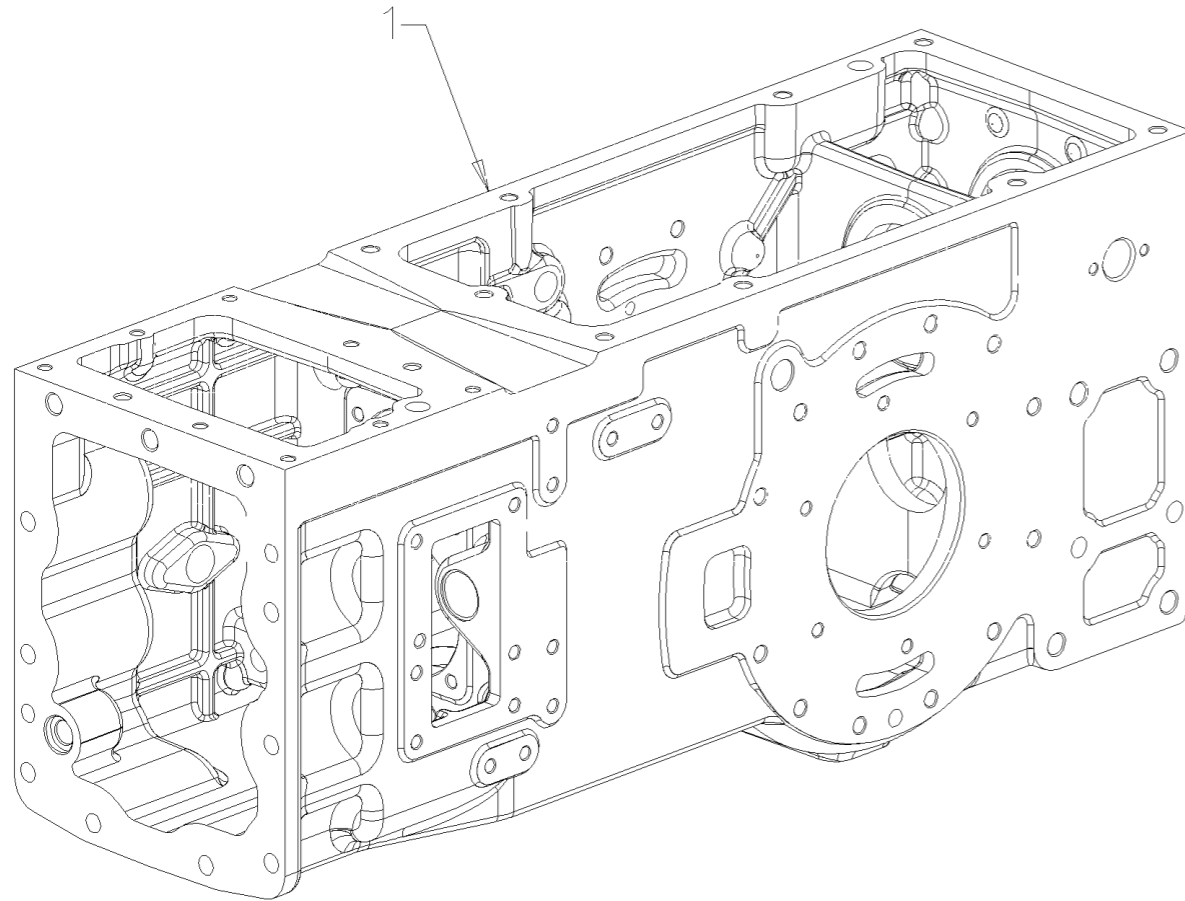
| 序号 | 零件编号               | 零件名称    | 数量 | 图号                 |
|----|--------------------|---------|----|--------------------|
| 1  | A11.37.141.2/10    | 梭式开关按钮  | 1  | A11.37.141.2/10    |
| 2  | GBT818-M5X16-A2L   | 螺丝钉     | 1  | GBT818-M5X16-A2L   |
| 3  | GBT97.1-5-A3L      | 垫圈      | 1  | GBT97.1-5-A3L      |
| 4  | CD554.37.056/20    | 软轴合件    | 1  | CD554.37.056/20    |
| 5  | GBT882-B8X30-A3L   | 销       | 2  | GBT882-B8X30-A3L   |
| 6  | GBT91-3.2X18-A3L   | 销       | 3  | GBT91-3.2X18-A3L   |
| 7  | A39.37.002.2       | 摇臂焊合    | 1  | A39.37.002.2       |
| 8  | GBT894.1-20        | 弹性挡圈    | 1  | GBT894.1-20        |
| 9  | GBT97.1-20-A3L     | 垫圈      | 1  | GBT97.1-20-A3L     |
| 10 | LD800.37.172-1     | 套筒      | 2  | LD800.37.172-1     |
| 11 | A39.37.001.2/20    | 梭式处理焊件  | 1  | A39.37.001.2/20    |
| 12 | GBT882-B8X50-A3L   | 销       | 1  | GBT882-B8X50-A3L   |
| 13 | A39.37.004.0       | 扭簧      | 1  | A39.37.004.0       |
| 14 | CD554.37.055       | 摇臂焊合    | 1  | CD554.37.055       |
| 15 | GBT879.1-6X26      | 销       | 2  | GBT879.1-6X26      |
| 18 | CD554.37.054/10    | 支架焊件    | 1  | CD554.37.054/10    |
| 19 | GBT5783-M10X20-A3L | 螺栓      | 2  | GBT5783-M10X20-A3L |
| 20 | GBT97.1-8-A3L      | 垫圈      | 4  | GBT97.1-8-A3L      |
| 21 | CD554.37.051-1     | 操纵杆总成   | 1  | CD554.37.051-1     |
| 22 | CD454.37.012       | 副变速杆焊合  | 1  | CD454.37.012       |
| 23 | GBT6170-M10-A3L    | 螺母      | 2  | GBT6170-M10-A3L    |
| 24 | A08.37.005.4/10    | 副变速开关按钮 | 1  | A08.37.005.4/10    |
| 25 | A08.37.003.4/10    | 主开关按钮   | 1  | A08.37.003.4/10    |
| 26 | A39.37.003.0/10    | 限制板     | 1  | A39.37.003.0/10    |
| 27 | GBT5783-M8X16-A2L  | 螺栓      | 2  | GBT5783-M8X16-A2L  |
| 28 | GBT93-10-A3L       | 垫圈      | 4  | GBT93-10-A3L       |
| 30 | GBT879.1-5X35      | 销       | 2  | GBT879.1-5X35      |
| 31 | GBT879.1-8X35      | 销       | 2  | GBT879.1-8X35      |

A46.38.904.4\_2 后桥壳总成 REAR GEARBOX ASS.LY

| 序号 | 零件编号            | 零件名称 |
|----|-----------------|------|
| 1  | A46.38.001.0/30 | 后齿轮箱 |

| 数量 | 图号              |
|----|-----------------|
| 1  | A46.38.001.0/30 |

A46.38.904.4 REAR GEARBOX ASS.Y



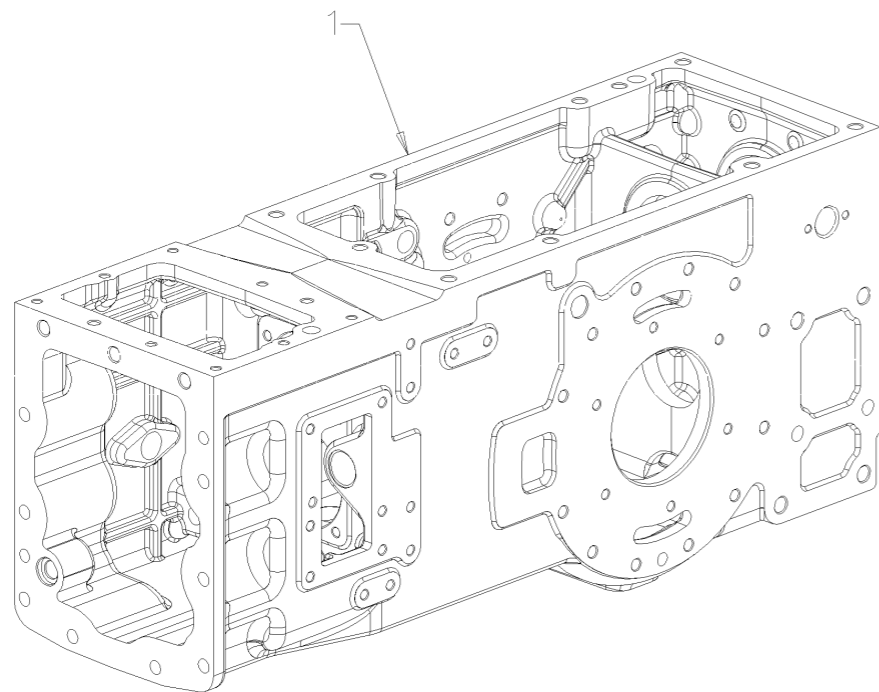


A46.38.905.4 REAR GEARBOX ASS.Y

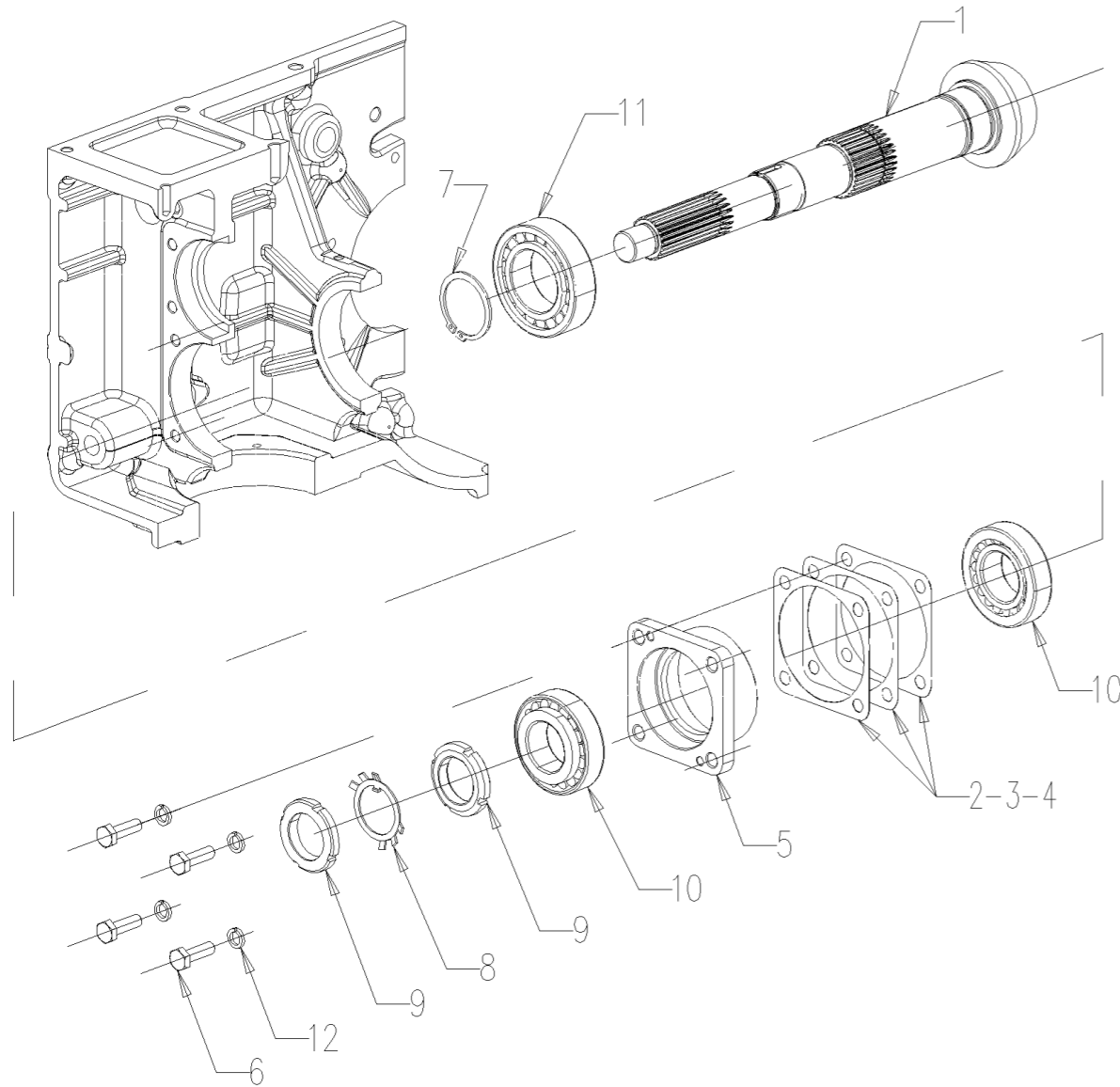
A46.38.905.4\_2 后桥壳总成 REAR GEARBOX ASS.LY

| 序号 | 零件编号            | 零件名称 |
|----|-----------------|------|
| 1  | A46.38.002.0/30 | 后齿轮箱 |

| 数量 | 图号              |
|----|-----------------|
| 1  | A46.38.002.0/30 |



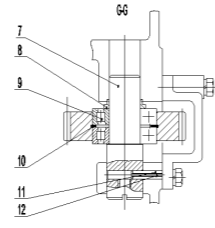
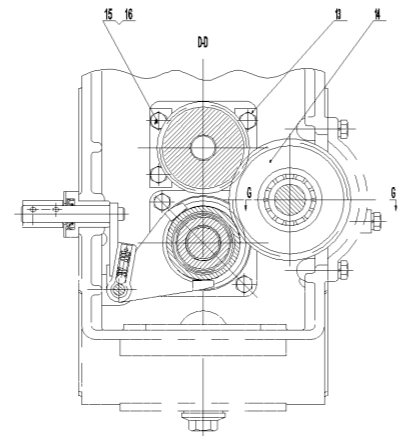
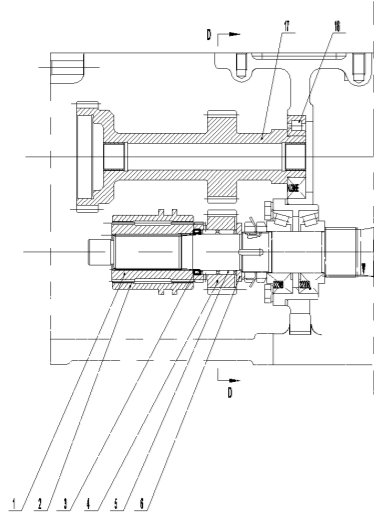
# A46.38.906.4 DRIVING BEVEL GEAR ASS.LY



## A46.38.906.4\_0 小圆锥总成 DRIVING BEVEL GEAR ASS.LY

| 序号 | 零件编号               | 零件名称     | 数量 | 图号                 |
|----|--------------------|----------|----|--------------------|
| 1  | SH400.38J.115      | 小圆锥齿轮轴   | 1  | SH400.38J.115      |
| 2  | SH400.38.120       | 垫片0.5    | 按需 | SH400.38.120       |
| 3  | SH400.38.119       | 垫片0.15   | 按需 | SH400.38.119       |
| 4  | SH400.38.118       | 调整垫片     | 按需 | SH400.38.118       |
| 5  | SH400.38.117       | 轴承座      | 1  | SH400.38.117       |
| 6  | GBT5783-M10X30-A3L | 螺栓       | 4  | GBT5783-M10X30-A3L |
| 7  | GBT894.1-50        | 弹性挡圈     | 1  | GBT894.1-50        |
| 8  | GBT858-39          | 圆螺母用六角垫圈 | 1  | GBT858-39          |
| 9  | GBT812-M39X1.5     | 圆螺母      | 2  | GBT812-M39X1.5     |
| 10 | GBT297-32208       | 轴承       | 2  | GBT297-32208       |
| 11 | GBT283-NUP2210EM   | 轴承       | 1  | GBT283-NUP2210EM   |
| 12 | GBT93-10-A3L       | 垫圈       | 4  | GBT93-10-A3L       |

# A46.38.907.4 SHUTTLE GEARS ASS. LY



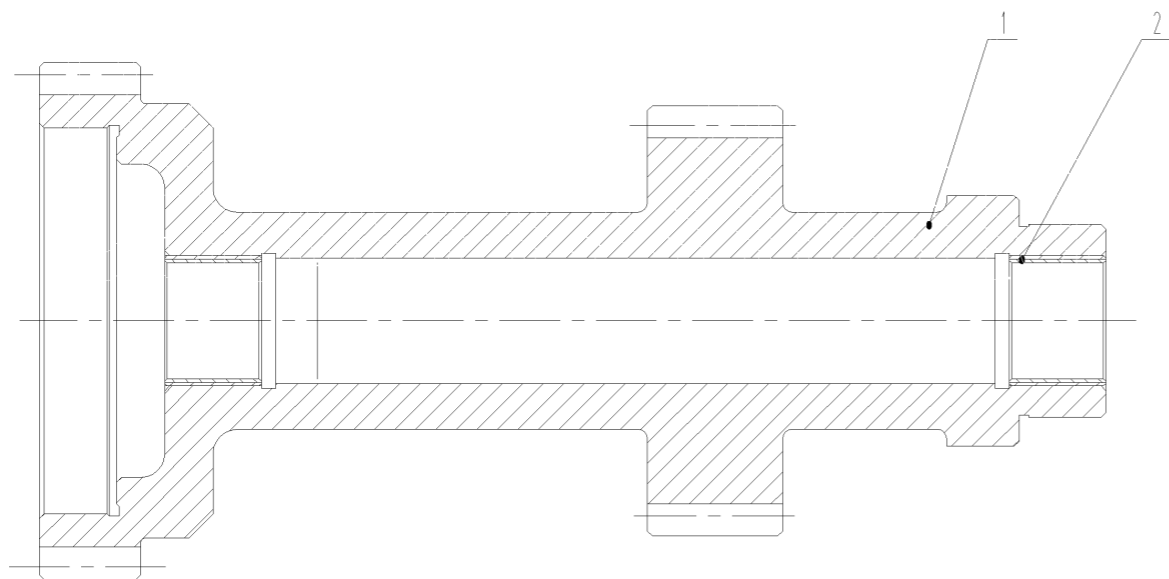
## A46.38.907.4\_0 梭式档总成 SHUTTLE GEARS ASS.LY

| 序号 | 零件编号               | 零件名称    | 数量 | 图号                 |
|----|--------------------|---------|----|--------------------|
| 1  | SH400.38J.122      | 啮合座     | 1  | SH400.38J.122      |
| 2  | SH400.38J.123      | 啮合套     | 1  | SH400.38J.123      |
| 3  | SH400.37.111       | 隔套      | 1  | SH400.37.111       |
| 4  | SH400.38J.201      | 倒档被动齿轮  | 1  | SH400.38J.201      |
| 5  | GBT5846-KK35X43X34 | 轴承      | 1  | GBT5846-KK35X43X34 |
| 6  | SH400.38J.202      | 调整垫圈    | 1  | SH400.38J.202      |
| 7  | SH400.38J.207      | 倒档惰轮轴   | 1  | SH400.38J.207      |
| 8  | SH400.38J.208      | 倒档惰轮轴隔套 | 1  | SH400.38J.208      |
| 9  | GBT283-NJ206E      | 轴承      | 2  | GBT283-NJ206E      |
| 10 | GBT893.1-62        | 挡圈      | 1  | GBT893.1-62        |
| 11 | GBT879.1-8X30      | 销       | 1  | GBT879.1-8X30      |
| 12 | GBT879.1-5X30      | 销       | 1  | GBT879.1-5X30      |
| 13 | SH400.38J.204      | 轴承压盖    | 2  | SH400.38J.204      |
| 14 | SH400.38J.205      | 倒档惰轮    | 1  | SH400.38J.205      |
| 15 | GBT5783-M10X30-A3L | 螺栓      | 4  | GBT5783-M10X30-A3L |
| 16 | GBT93-10-A3L       | 垫圈      | 4  | GBT93-10-A3L       |
| 17 | SH400.38J.020      | 倒档中间轴总成 | 1  | SH400.38J.020      |
| 18 | GBT283-NJ208E      | 轴承      | 1  | GBT283-NJ208E      |

SH400.38J.020 倒档中间轴合件

SH400.38J.020 倒档中间轴总成 Reverser gear middle gear assembly

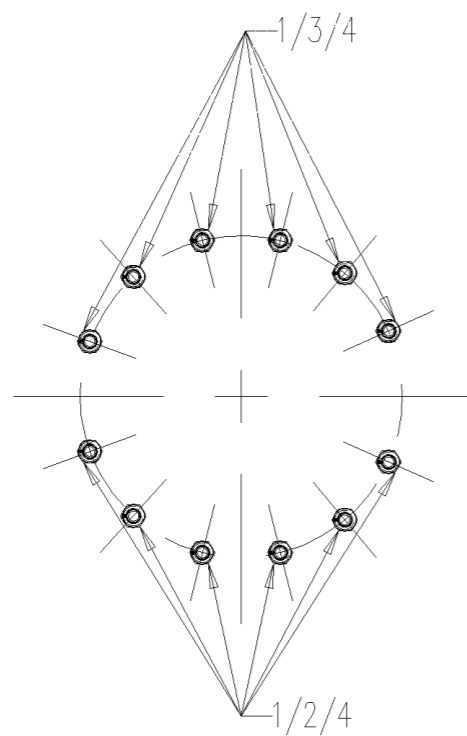
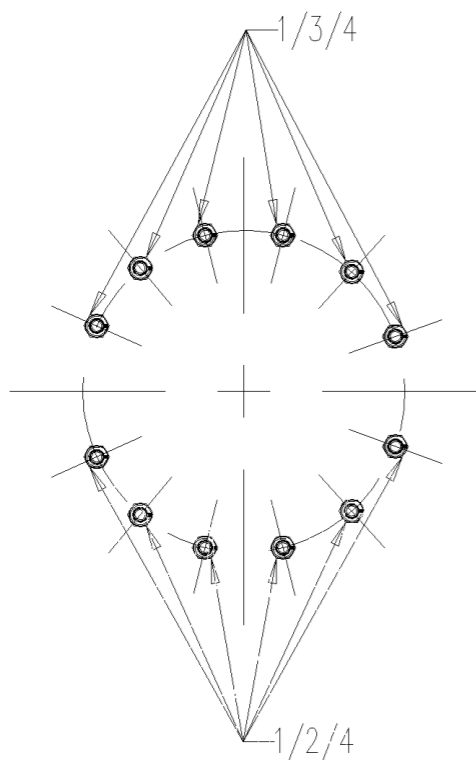
| 序号 | 零件编号          | 零件名称    | 数量 | 图号            |
|----|---------------|---------|----|---------------|
| 1  | SH400.38J.212 | 倒档中间齿轮轴 | 1  | SH400.38J.212 |
| 2  | SH400.37.170  | 衬套      | 2  | SH400.37.170  |



# A46.38.908.4 BOLTS ASS. LY

## A46.38.908.4\_1 螺栓总成 BOLTS ASS.LY

| 序号 | 零件编号                  | 零件名称 | 数量 | 图号                         |
|----|-----------------------|------|----|----------------------------|
| 1  | GBT93-12-A3L          | 垫圈   | 24 | GBT93-12-A3L               |
| 2  | GBT899-AM12X1.25X150- | 螺柱   | 12 | GBT899-AM12X1.25X150-10.9- |
| 3  | GBT899-AM12X1.25X160- | 螺柱   | 12 | GBT899-AM12X1.25X160-10.9- |
| 4  | GBT6171-M12X1.25-10-  | 螺母   | 24 | GBT6171-M12X1.25-10-A2L    |

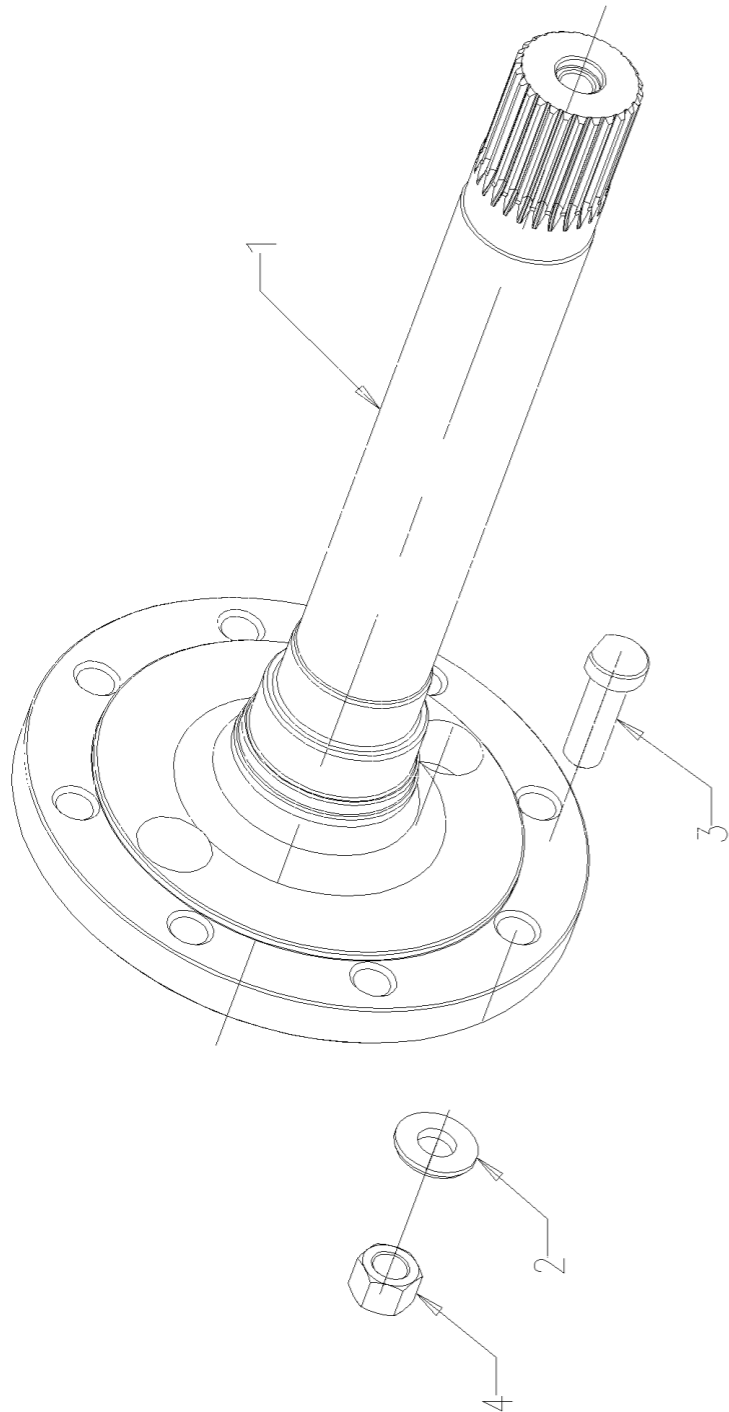




# A46.39.900.4 DRIVING SHAFT ASS.LY

## A46.39.900.4\_3 驱动轴总成 DRIVING SHAFT ASS.LY

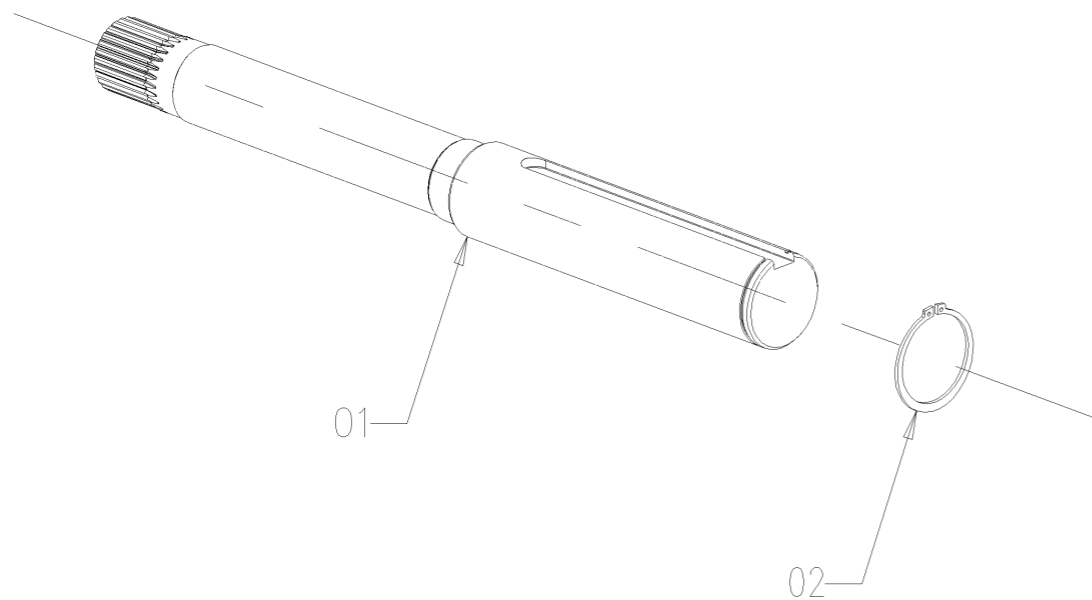
| 序号 | 零件编号                   | 零件名称   | 数量 | 图号                     |
|----|------------------------|--------|----|------------------------|
| 1  | SH400.39.118/20        | 主动轴    | 2  | SH400.39.118/20        |
| 2  | SH400.39.136           | 垫圈     | 16 | SH400.39.136           |
| 3  | SH400.39.140           | 右后轮毂螺栓 | 16 | SH400.39.140           |
| 4  | GBT6176-M16X1.5-10-A3L | 螺母     | 16 | GBT6176-M16X1.5-10-A3L |



# A46.39.901.4 DRIVING SHAFT ASS.LY

## A46.39.901.4\_2 驱动轴总成 DRIVING SHAFT ASS.LY

| 序号 | 零件编号             | 零件名称 | 数量 | 图号               |
|----|------------------|------|----|------------------|
| 1  | SH400.39A.101/20 | 主动轴  | 2  | SH400.39A.101/20 |
| 2  | GBT894.1-70      | 弹性挡圈 | 2  | GBT894.1-70      |

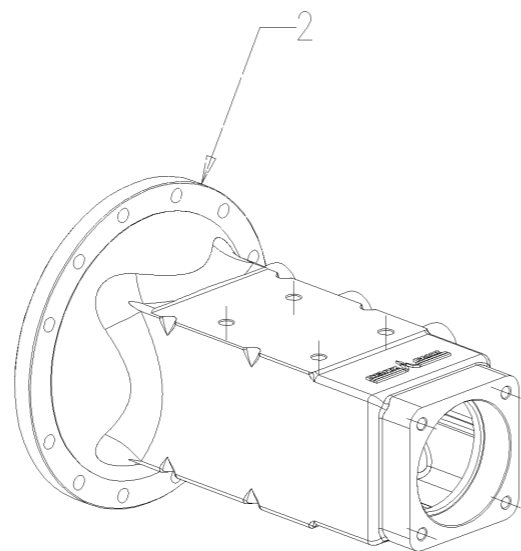
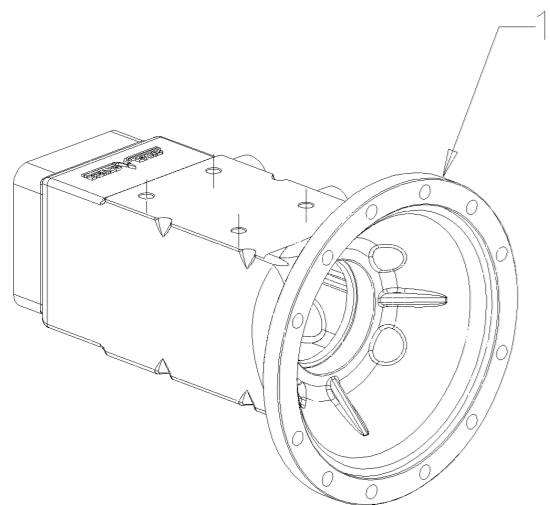




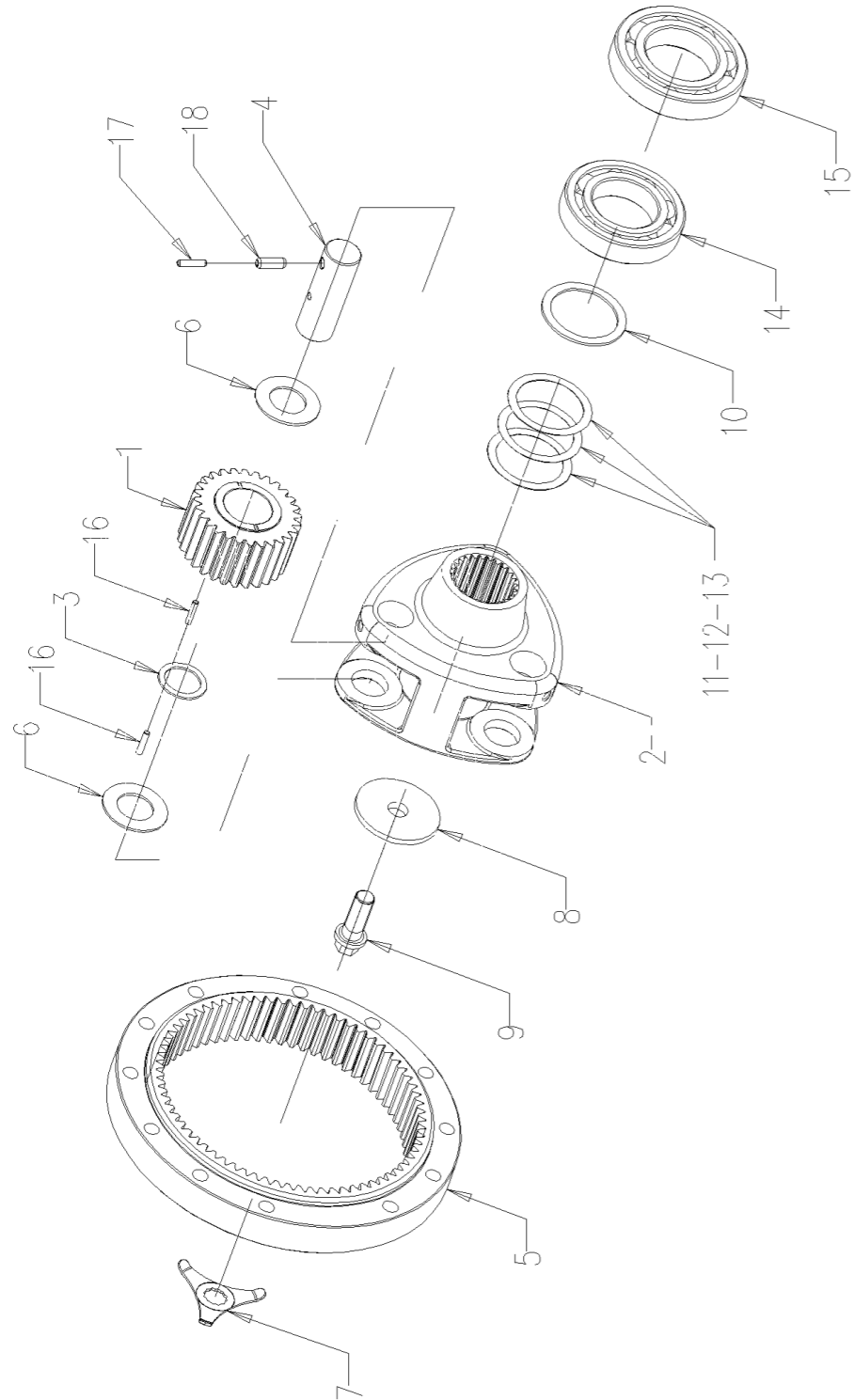
A46.39.902.4 DRIVING SHAFT HOUSING ASS.LY

A46.39.902.4\_0 驱动轴壳体总成 DRIVING SHAFT HOUSING ASS.LY

| 序号 | 零件编号            | 零件名称 | 数量 | 图号              |
|----|-----------------|------|----|-----------------|
| 1  | SH400.39.114/10 | 半轴箱  | 1  | SH400.39.114/10 |
| 2  | SH400.39.115/10 | 半轴箱  | 1  | SH400.39.115/10 |



# A46.39.903.4 PLANET GEARS ASS.LY



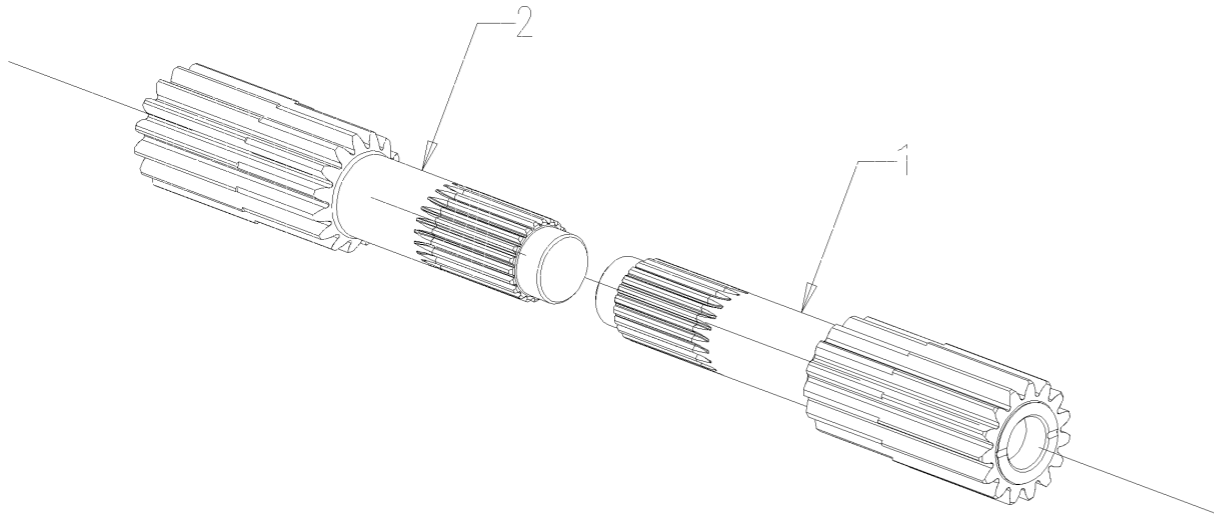
# A46.39.903.4\_1 行星轮总成 PLANET GEARS ASS.LY

| 序号 | 零件编号                  | 零件名称    | 数量  | 图号                    |
|----|-----------------------|---------|-----|-----------------------|
| 1  | SH400.39.103          | 短行星齿轮轴  | 6   | SH400.39.103          |
| 2  | SH400.39.104/10       | 行星齿轮架   | 2   | SH400.39.104/10       |
| 3  | SH400.39.105          | 滚针内隔套   | 6   | SH400.39.105          |
| 4  | SH400.39.106          | 行星齿轮轴   | 6   | SH400.39.106          |
| 5  | SH400.39.107          | 齿圈      | 2   | SH400.39.107          |
| 6  | SH400.39.109          | 滚针外隔套   | 12  | SH400.39.109          |
| 7  | SH400.39.110-1        | 驱动轴锁片   | 2   | SH400.39.110-1        |
| 8  | SH400.39.111          | 挡块      | 2   | SH400.39.111          |
| 9  | SH400.39.112          | 驱动轴锁紧螺栓 | 2   | SH400.39.112          |
| 10 | SH400.39.113          | 隔套      | 2   | SH400.39.113          |
| 11 | SH400.39.121          | 调整垫片    | 按需  | SH400.39.121          |
| 12 | SH400.39.122          | 垫片      | 按需  | SH400.39.122          |
| 13 | SH400.39.123          | 垫片      | 按需  | SH400.39.123          |
| 14 | GBT276-6211           | 轴承      | 2   | GBT276-6211           |
| 15 | GBT276-6212           | 轴承      | 2   | GBT276-6212           |
| 16 | GBT309-P5X23.8-G2-3-5 | 滚针      | 264 | GBT309-P5X23.8-G2-3-5 |
| 17 | GBT879.1-5X24         | 销       | 6   | GBT879.1-5X24         |
| 18 | GBT879.1-8X24         | 销       | 6   | GBT879.1-8X24         |

# A46.39.904.4 SUN GEARS ASS.LY

## A46.39.904.4\_0 太阳轮总成 SUN GEARS ASS.LY

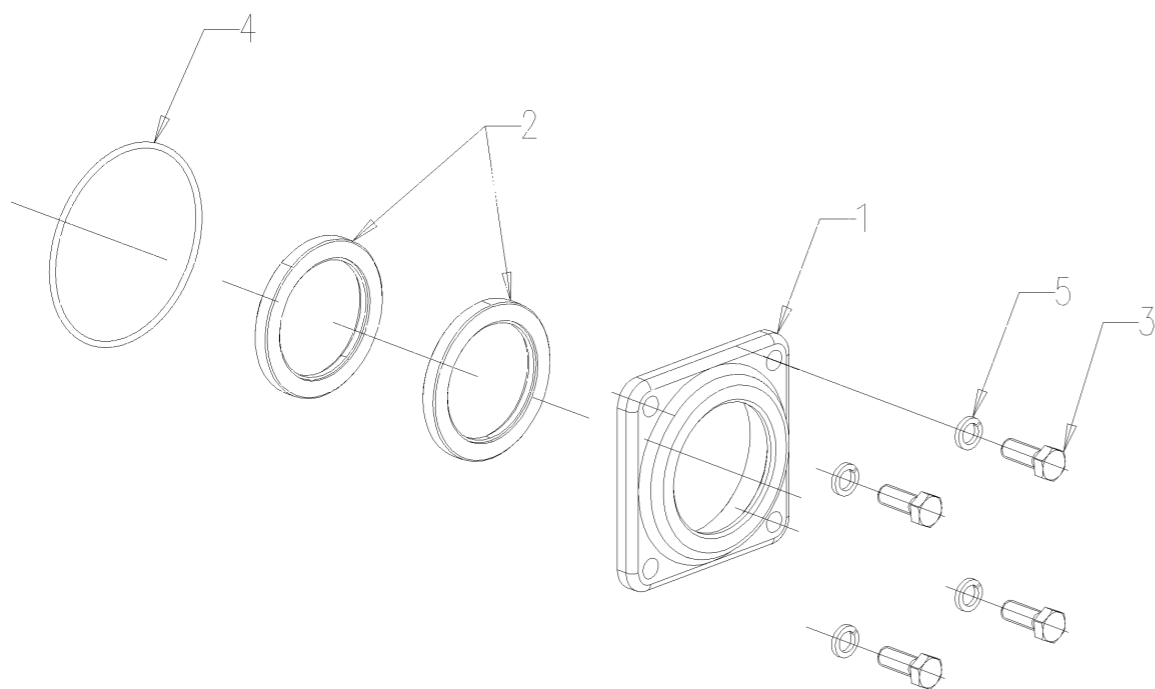
| 序号 | 零件编号         | 零件名称 | 数量 | 图号           |
|----|--------------|------|----|--------------|
| 1  | SH400.39.101 | 左半轴  | 1  | SH400.39.101 |
| 2  | SH400.39.102 | 右半轴  | 1  | SH400.39.102 |



# A46.39.905.4 COVER ASS.LY

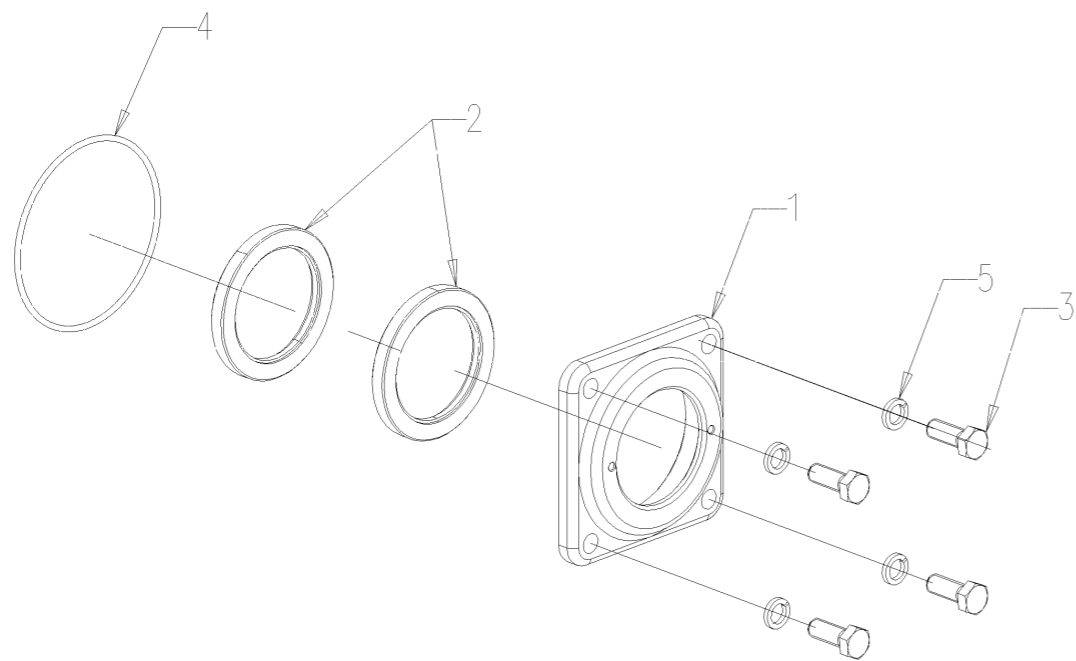
## A46.39.905.4\_0 端盖总成 COVER ASS.LY

| 序号 | 零件编号                   | 零件名称  | 数量 | 图号                     |
|----|------------------------|-------|----|------------------------|
| 1  | SH400.39.116           | 油封座   | 2  | SH400.39.116           |
| 2  | GBT13871.1-FB-070095-D | 油封    | 4  | GBT13871.1-FB-070095-D |
| 3  | GBT5783-M12X30-A3L     | 螺栓    | 8  | GBT5783-M12X30-A3L     |
| 4  | GBT3452.1-115X3.55-G   | O形密封圈 | 2  | GBT3452.1-115X3.55-G   |
| 5  | GBT93-12-A3L           | 垫圈    | 8  | GBT93-12-A3L           |



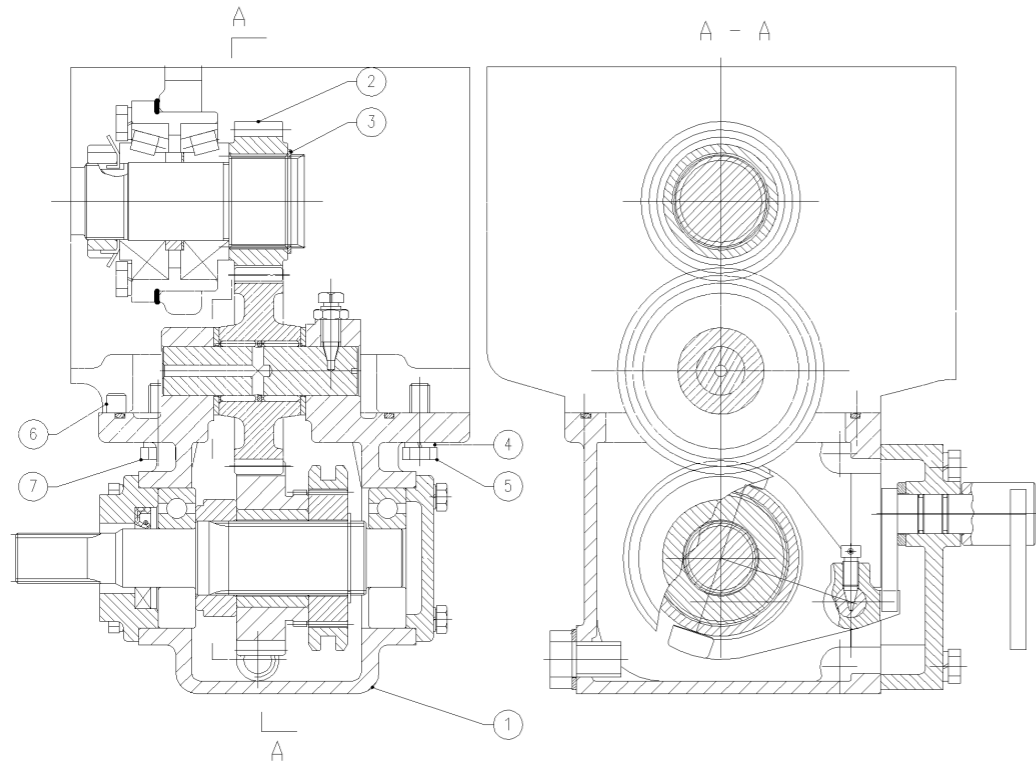
# A46.39.906.4 COVER ASS.LY

## A46.39.906.4\_0 端盖总成 COVER ASS.LY



| 序号 | 零件编号                   | 零件名称  | 数量 | 图号                     |
|----|------------------------|-------|----|------------------------|
| 1  | SH400.39A.102          | 油封座   | 2  | SH400.39A.102          |
| 2  | GBT13871.1-FB-070095-D | 油封    | 4  | GBT13871.1-FB-070095-D |
| 3  | GBT5783-M12X30-A3L     | 螺栓    | 8  | GBT5783-M12X30-A3L     |
| 4  | GBT3452.1-115X3.55-G   | O形密封圈 | 2  | GBT3452.1-115X3.55-G   |
| 5  | GBT93-12-A3L           | 垫圈    | 8  | GBT93-12-A3L           |

**A46.42.900.4\_0 分动箱总成 TRANSFER CASE ASS.LY**

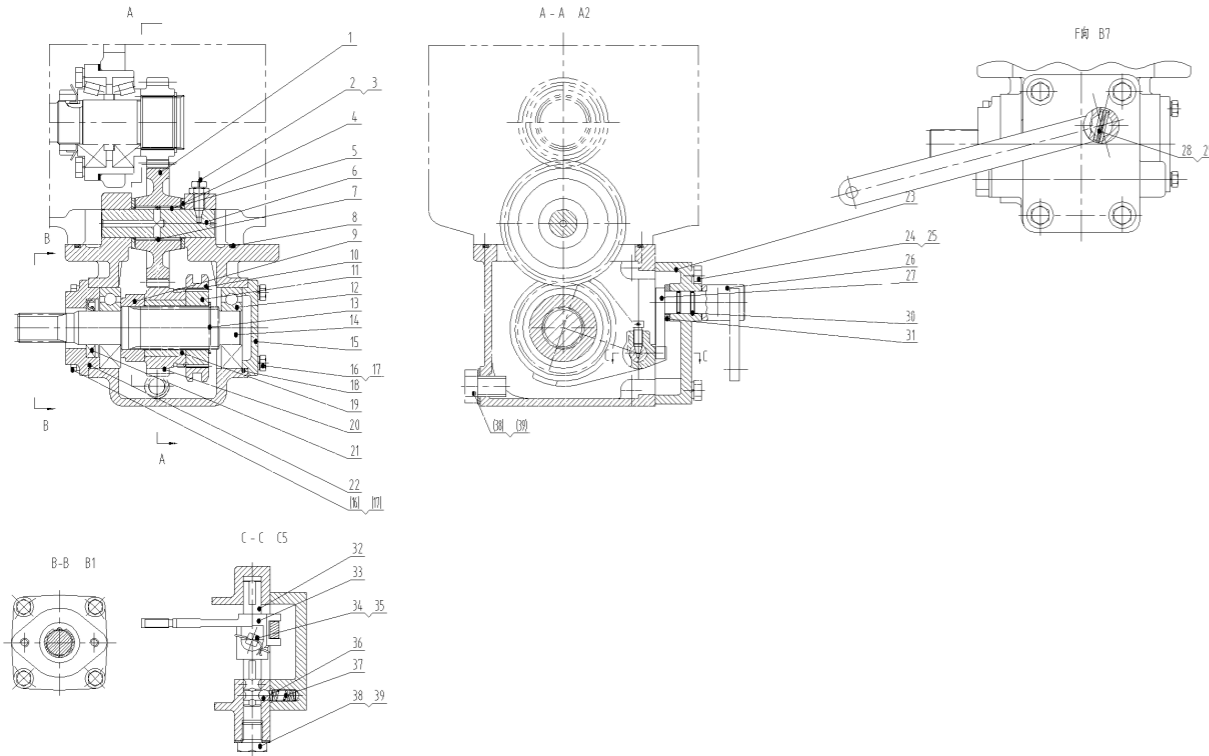


| 序号 | 零件编号               | 零件名称    | 数量 | 图号                 |
|----|--------------------|---------|----|--------------------|
| 1  | CD404.42A.011      | 分动箱总成   | 1  | CD404.42A.011      |
| 2  | SH404.42.124A      | 前驱动输出齿轮 | 1  | SH404.42.124A      |
| 3  | GBT894.1-48        | 轴用弹性挡圈  | 1  | GBT894.1-48        |
| 4  | GBT93-10-A3L       | 垫圈      | 4  | GBT93-10-A3L       |
| 5  | GBT5783-M10X30-A3L | 螺栓      | 2  | GBT5783-M10X30-A3L |
| 6  | GBT119.1-10m6X20   | 销       | 2  | GBT119.1-10m6X20   |
| 7  | GBT5783-M10X35-A3L | 螺栓      | 2  | GBT5783-M10X35-A3L |

CD404.42A.011

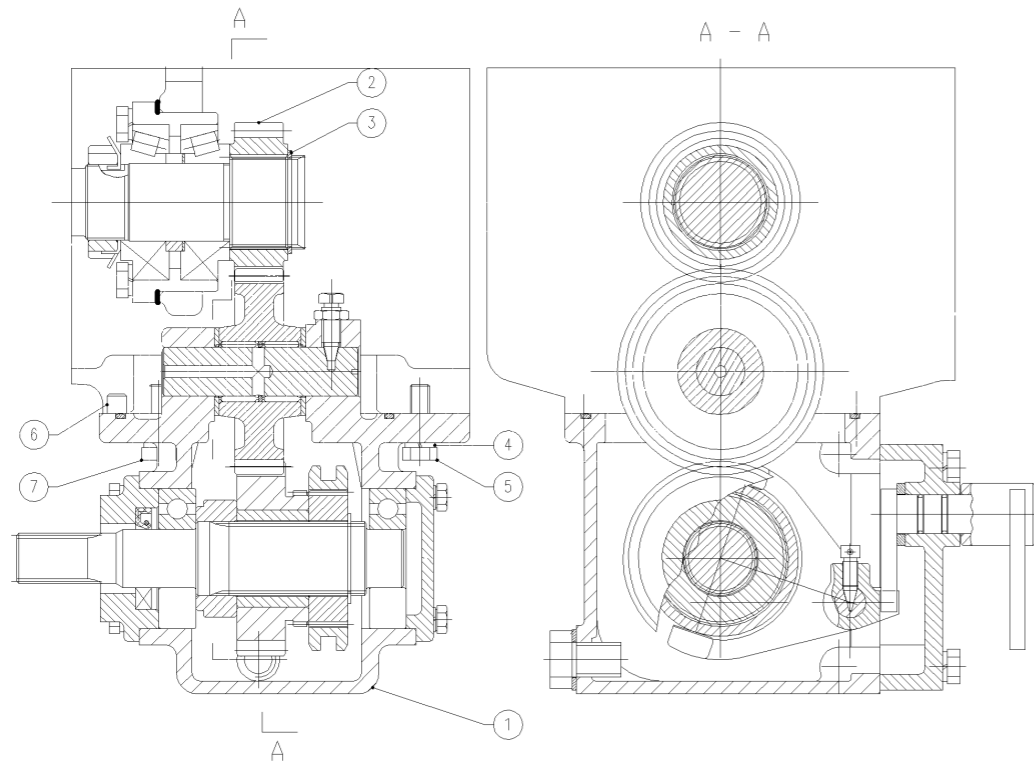
分动箱分总成

CD404.42A.011 分动箱总成 Transfer case assembly



| 序号 | 零件编号                    | 零件名称    | 数量 | 图号                      |
|----|-------------------------|---------|----|-------------------------|
| 1  | SH404.42.125A           | 分动箱惰轮   | 1  | SH404.42.125A           |
| 2  | SH404.42.112            | 止动螺钉    | 1  | SH404.42.112            |
| 3  | GB/T6171-M10X1-A3L      | 螺母      | 1  | GB/T6171-M10X1-A3L      |
| 4  | SH404.42.103            | 止推环     | 2  | SH404.42.103            |
| 5  | JBT7918-K25X31X20       | 轴承      | 2  | JBT7918-K25X31X20       |
| 6  | SH554.42.103            | 惰轮轴     | 1  | SH554.42.103            |
| 7  | SH404.42.126            | 滚针内隔套   | 1  | SH404.42.126            |
| 8  | GB/T3452.1-132X3.55-G   | O形圈     | 1  | GB/T3452.1-132X3.55-G   |
| 9  | SH904.42.119            | 隔套      | 1  | SH904.42.119            |
| 10 | CD404.42.103            | 啮合套     | 1  | CD404.42.103            |
| 11 | SH904.42.115            | 啮合齿座    | 1  | SH904.42.115            |
| 12 | GB/T276-6306            | 轴承      | 2  | GB/T276-6306            |
| 13 | GB/T894.1-38            | 挡圈      | 1  | GB/T894.1-38            |
| 14 | SH554.42.106            | 分动箱齿轮轴  | 1  | SH554.42.106            |
| 15 | SH404.42.117            | 轴承盖     | 1  | SH404.42.117            |
| 16 | GB/T5783-M8X20-A2L      | 螺栓      | 8  | GB/T5783-M8X20-A2L      |
| 17 | GB/T93-8-A3L            | 垫圈      | 8  | GB/T93-8-A3L            |
| 18 | CD404.42.101            | 分动箱体    | 1  | CD404.42.101            |
| 19 | SH554.42.107            | 齿轮衬套    | 1  | SH554.42.107            |
| 20 | SH404.42.104A           | 分动箱被动齿轮 | 1  | SH404.42.104A           |
| 21 | GB/T13871.1-FB-030052-D | 油封      | 1  | GB/T13871.1-FB-030052-D |
| 22 | SH404.42.106            | 轴承座     | 1  | SH404.42.106            |
| 23 | SH554.42.132            | 分动箱体端盖  | 1  | SH554.42.132            |
| 24 | GB/T5783-M10X45-A3L     | 螺栓      | 4  | GB/T5783-M10X45-A3L     |
| 25 | GB/T93-10-A3L           | 垫圈      | 4  | GB/T93-10-A3L           |
| 26 | CD554.42.011-1          | 摇臂焊合    | 1  | CD554.42.011-1          |
| 27 | SH554.42.013            | 转轴焊合    | 1  | SH554.42.013            |
| 28 | GB/T879.1-8X30          | 弹性销     | 1  | GB/T879.1-8X30          |
| 29 | GB/T879.1-5X30          | 弹性销     | 1  | GB/T879.1-5X30          |
| 30 | GB/T3452.1-17X1.8-G     | O形圈     | 2  | GB/T3452.1-17X1.8-G     |
| 31 | SH554.42.116            | 转轴隔套    | 1  | SH554.42.116            |
| 32 | SH554.42.111            | 拨叉轴     | 1  | SH554.42.111            |
| 33 | SH554.42.112            | 分离拨叉    | 1  | SH554.42.112            |
| 34 | SH554.42.113            | 紧定螺钉    | 1  | SH554.42.113            |
| 35 | YBT5294-SZ-F-1.4        | 低碳钢丝1.4 | 按需 | YBT5294-SZ-F-1.4        |
| 36 | GB/T308-10-G100-b       | 钢球      | 1  | GB/T308-10-G100-b       |
| 37 | SH904.42.124            | 弹簧      | 1  | SH904.42.124            |
| 38 | SH904.42.113            | 螺堵      | 2  | SH904.42.113            |
| 39 | JBT982-18               | 垫圈      | 2  | JBT982-18               |

## A46.42.902.4\_0 分动箱总成 TRANSFER CASE ASS.LY

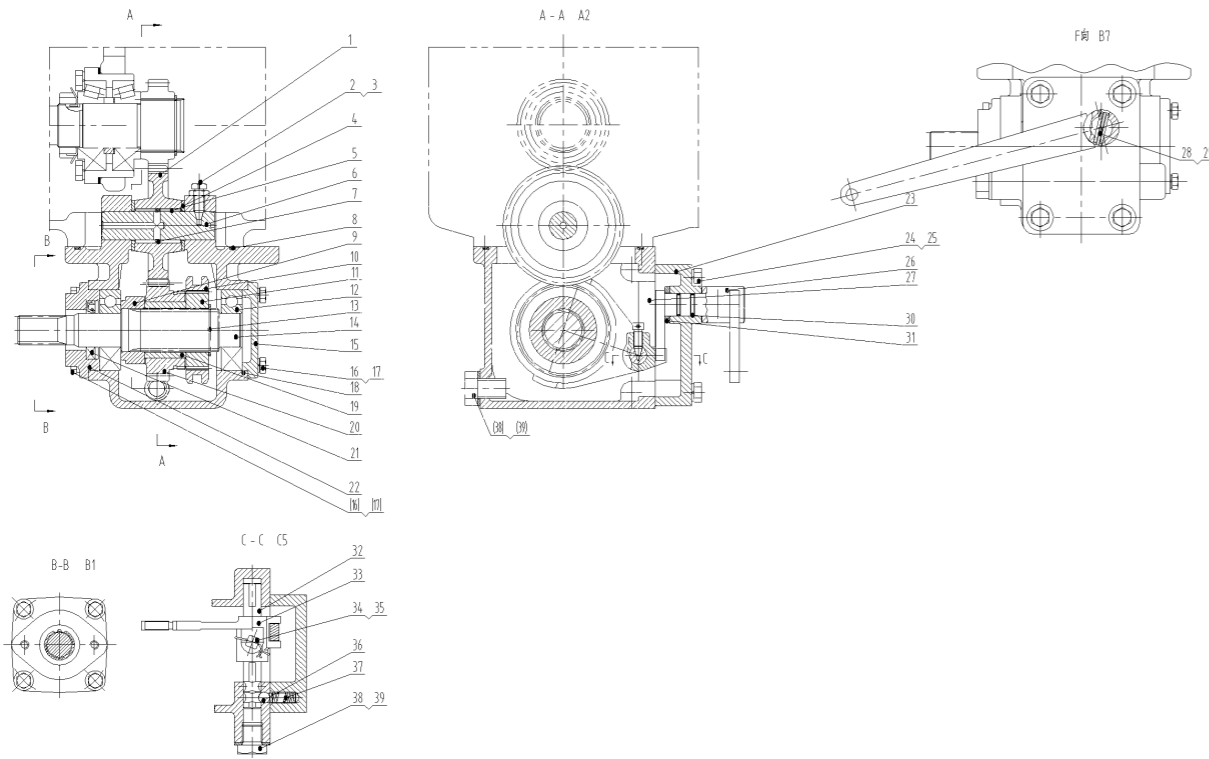


| 序号 | 零件编号               | 零件名称    | 数量 | 图号                 |
|----|--------------------|---------|----|--------------------|
| 1  | CD404.42.011       | 分动箱总成   | 1  | CD404.42.011       |
| 2  | SH354.42.124       | 前驱动输出齿轮 | 1  | SH354.42.124       |
| 3  | GBT894.1-48        | 轴用弹性挡圈  | 1  | GBT894.1-48        |
| 4  | GBT93-10-A3L       | 垫圈      | 4  | GBT93-10-A3L       |
| 5  | GBT5783-M10X30-A3L | 螺栓      | 2  | GBT5783-M10X30-A3L |
| 6  | GBT119.1-10m6X20   | 销       | 2  | GBT119.1-10m6X20   |
| 7  | GBT5783-M10X35-A3L | 螺栓      | 2  | GBT5783-M10X35-A3L |



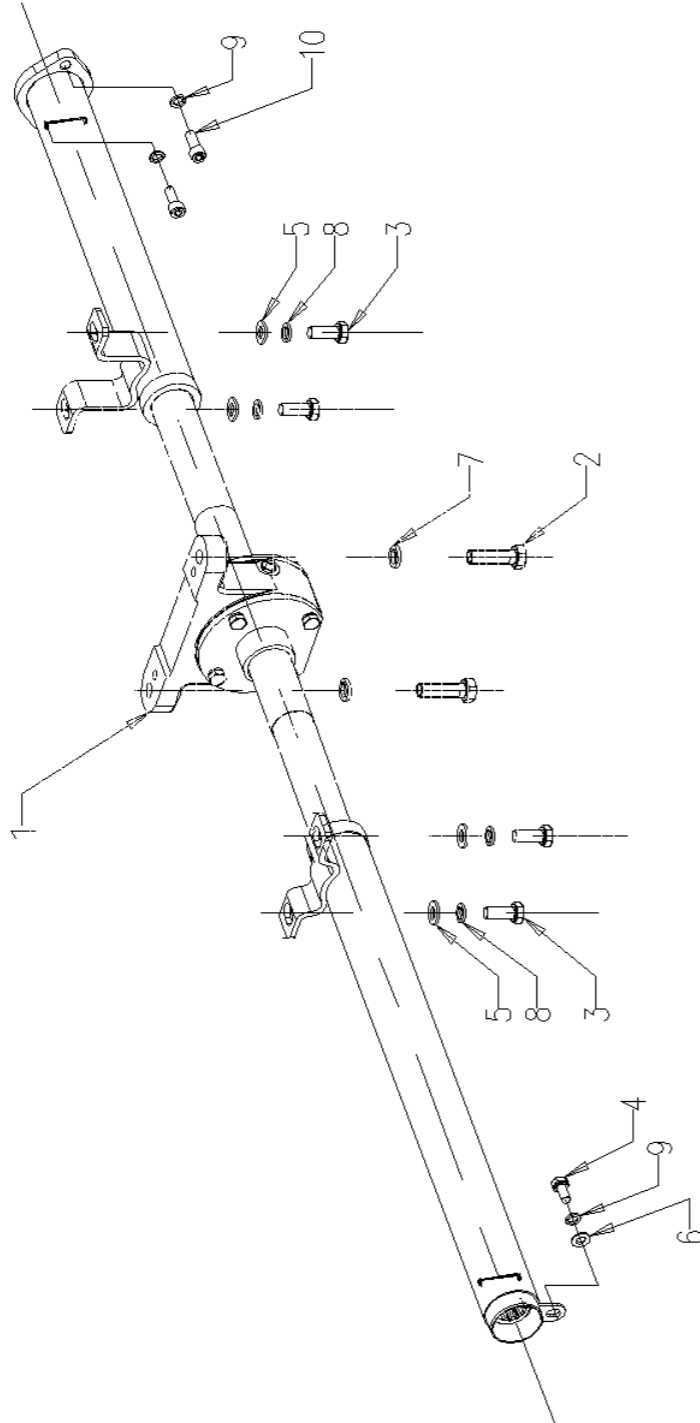
# CD404.42.011 分动箱分总成

# CD404.42.011 分动箱总成 Transfer case assembly



| 序号 | 零件编号                   | 零件名称    | 数量 | 图号                     |
|----|------------------------|---------|----|------------------------|
| 1  | SH404.42.125           | 分动箱惰轮   | 1  | SH404.42.125           |
| 2  | SH404.42.112           | 止动螺钉    | 1  | SH404.42.112           |
| 3  | GBT6171-M10X1-A3L      | 螺母      | 1  | GBT6171-M10X1-A3L      |
| 4  | SH404.42.103           | 止推环     | 2  | SH404.42.103           |
| 5  | JBT7918-K25X31X20      | 轴承      | 2  | JBT7918-K25X31X20      |
| 6  | SH554.42.103           | 惰轮轴     | 1  | SH554.42.103           |
| 7  | SH404.42.126           | 滚针内隔套   | 1  | SH404.42.126           |
| 8  | GBT3452.1-132X3.55-G   | O形圈     | 1  | GBT3452.1-132X3.55-G   |
| 9  | SH904.42.119           | 隔套      | 1  | SH904.42.119           |
| 10 | CD404.42.103           | 啮合套     | 1  | CD404.42.103           |
| 11 | SH904.42.115           | 啮合齿座    | 1  | SH904.42.115           |
| 12 | GBT276-6306            | 轴承      | 2  | GBT276-6306            |
| 13 | GBT894.1-38            | 挡圈      | 1  | GBT894.1-38            |
| 14 | SH554.42.106           | 分动箱齿轮轴  | 1  | SH554.42.106           |
| 15 | SH404.42.117           | 轴承盖     | 1  | SH404.42.117           |
| 16 | GBT5783-M8X20-A2L      | 螺栓      | 8  | GBT5783-M8X20-A2L      |
| 17 | GBT93-8-A3L            | 垫圈      | 8  | GBT93-8-A3L            |
| 18 | CD404.42.101           | 分动箱体    | 1  | CD404.42.101           |
| 19 | SH554.42.107           | 齿轮衬套    | 1  | SH554.42.107           |
| 20 | CD404.42.102           | 分动箱被动齿轮 | 1  | CD404.42.102           |
| 21 | GBT13871.1-FB-030052-D | 油封      | 1  | GBT13871.1-FB-030052-D |
| 22 | SH404.42.106           | 轴承座     | 1  | SH404.42.106           |
| 23 | SH554.42.132           | 分动箱体端盖  | 1  | SH554.42.132           |
| 24 | GBT5783-M10X45-A3L     | 螺栓      | 4  | GBT5783-M10X45-A3L     |
| 25 | GBT93-10-A3L           | 垫圈      | 4  | GBT93-10-A3L           |
| 26 | CD554.42.011-1         | 摇臂焊合    | 1  | CD554.42.011-1         |
| 27 | SH554.42.013           | 转轴焊合    | 1  | SH554.42.013           |
| 28 | GBT879.1-8X30          | 弹性销     | 1  | GBT879.1-8X30          |
| 29 | GBT879.1-5X30          | 弹性销     | 1  | GBT879.1-5X30          |
| 30 | GBT3452.1-17X1.8-G     | O形圈     | 2  | GBT3452.1-17X1.8-G     |
| 31 | SH554.42.116           | 转轴隔套    | 1  | SH554.42.116           |
| 32 | SH554.42.111           | 拨叉轴     | 1  | SH554.42.111           |
| 33 | SH554.42.112           | 分离拨叉    | 1  | SH554.42.112           |
| 34 | SH554.42.113           | 紧定螺钉    | 1  | SH554.42.113           |
| 35 | YBT5294-SZ-F-1.4       | 低碳钢丝1.4 | 按需 | YBT5294-SZ-F-1.4       |
| 36 | GBT308-10-G100-b       | 钢球      | 1  | GBT308-10-G100-b       |
| 37 | SH904.42.124           | 弹簧      | 1  | SH904.42.124           |
| 38 | SH904.42.113           | 螺堵      | 2  | SH904.42.113           |
| 39 | JBT982-18              | 垫圈      | 2  | JBT982-18              |

# A46.42.903.4 4WD SHAFT ASS.LY

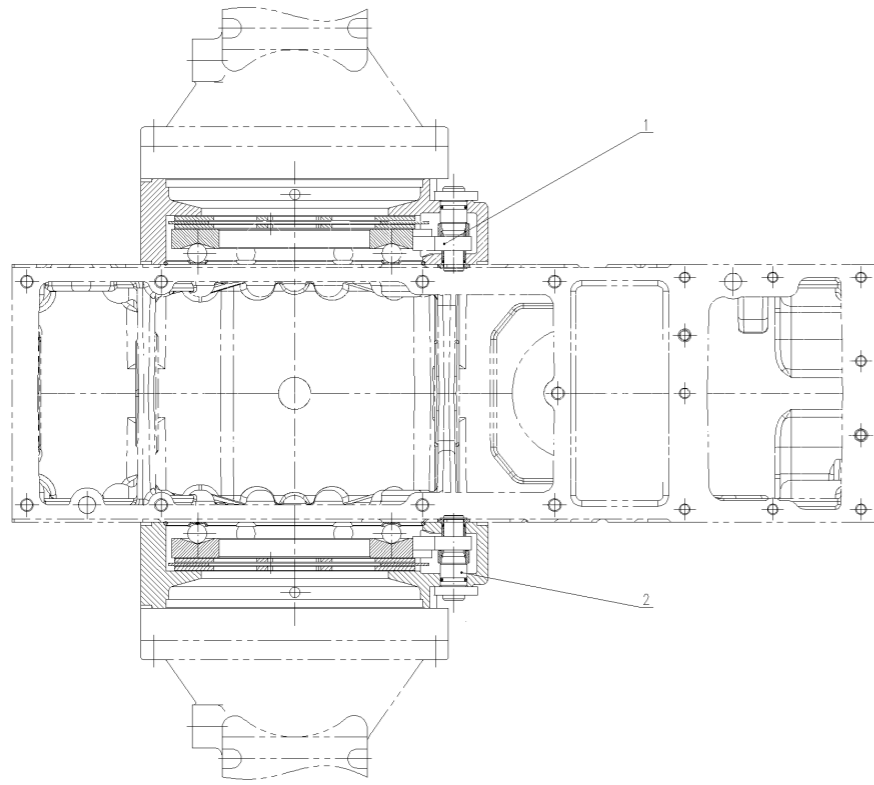


## A46.42.903.4\_1 传动轴总成 4WD SHAFT ASS.LY

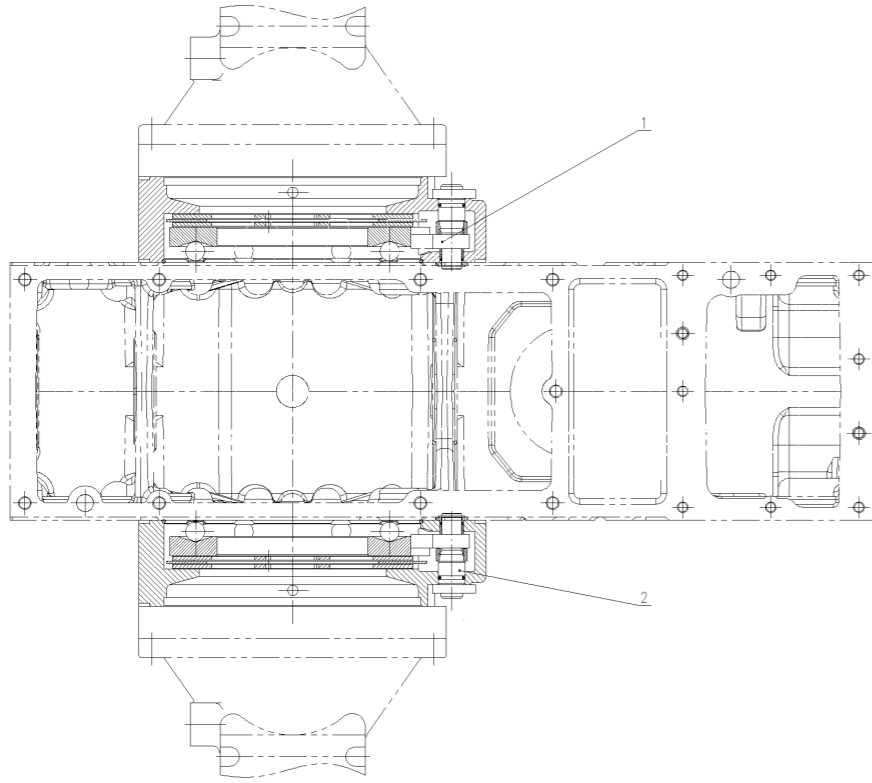
| 序号 | 零件编号               | 零件名称                   | 数量 | 图号                 |
|----|--------------------|------------------------|----|--------------------|
| 1  | SH404.42A.010      | 分动箱传动总成 TRANSFER SHAFT | 1  | SH404.42A.010      |
| 2  | GBT5783-M12X40-A3L | 螺栓 BOLT                | 2  | GBT5783-M12X40-A3L |
| 3  | GBT5783-M10X25-A3L | 螺栓 BOLT                | 4  | GBT5783-M10X25-A3L |
| 4  | GBT5783-M8X16-A2L  | 螺栓 BOLT                | 1  | GBT5783-M8X16-A2L  |
| 5  | GBT97.1-10-A3L     | 垫圈 WASHER              | 4  | GBT97.1-10-A3L     |
| 6  | GBT97.1-8-A3L      | 垫圈 WASHER              | 1  | GBT97.1-8-A3L      |
| 7  | GBT93-12-A3L       | 垫圈 WASHER              | 2  | GBT93-12-A3L       |
| 8  | GBT93-10-A3L       | 垫圈 WASHER              | 4  | GBT93-10-A3L       |
| 9  | GBT93-8-A3L        | 垫圈 WASHER              | 3  | GBT93-8-A3L        |
| 10 | GBT70.1-M8X20-A2L  | 螺钉 SCREW               | 2  | GBT70.1-M8X20-A2L  |

A46.43.900.4\_制动器总成 Brake assemblies

| 序号 | 零件编号         | 零件名称   | 数量 | 图号           |
|----|--------------|--------|----|--------------|
| 1  | CD404.43.011 | 左制动器总成 | 1  | CD404.43.011 |
| 2  | CD404.43.012 | 右制动器总成 | 1  | CD404.43.012 |



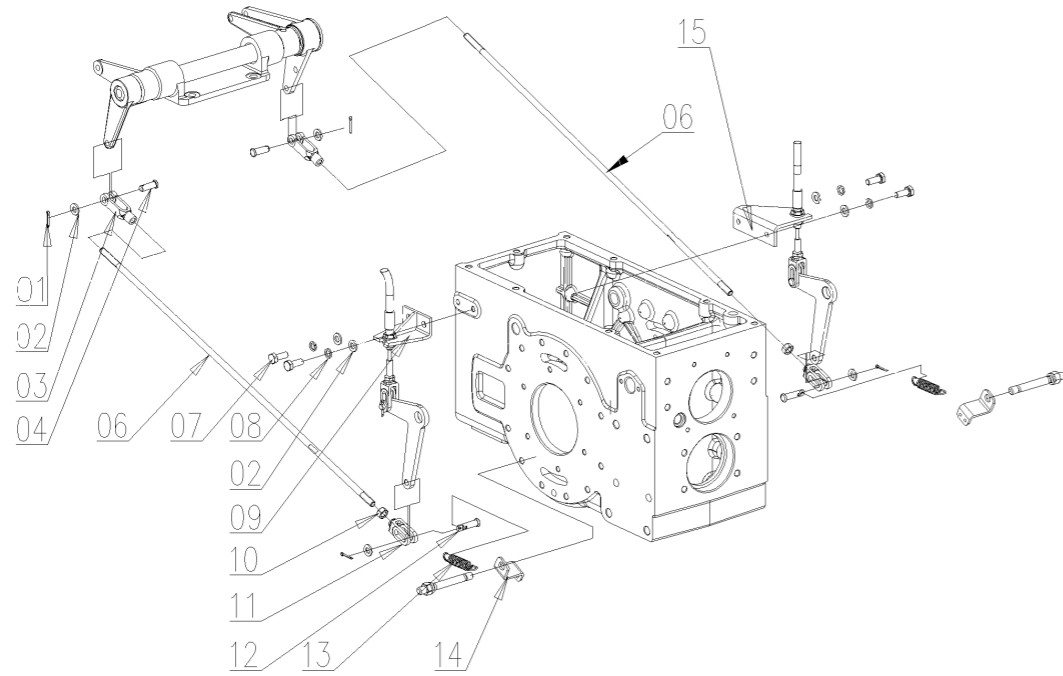
A46.43.900.4 制动器总成



### A46.43.900.4\_0 制动器总成 Brake assemblies

| 序号 | 零件编号         | 零件名称          | 数量 | 图号           |
|----|--------------|---------------|----|--------------|
| 1  | CD404.43.011 | 左制动器总成 左制动器总成 | 1  | CD404.43.011 |
| 2  | CD404.43.012 | 右制动器总成 右制动器总成 | 1  | CD404.43.012 |

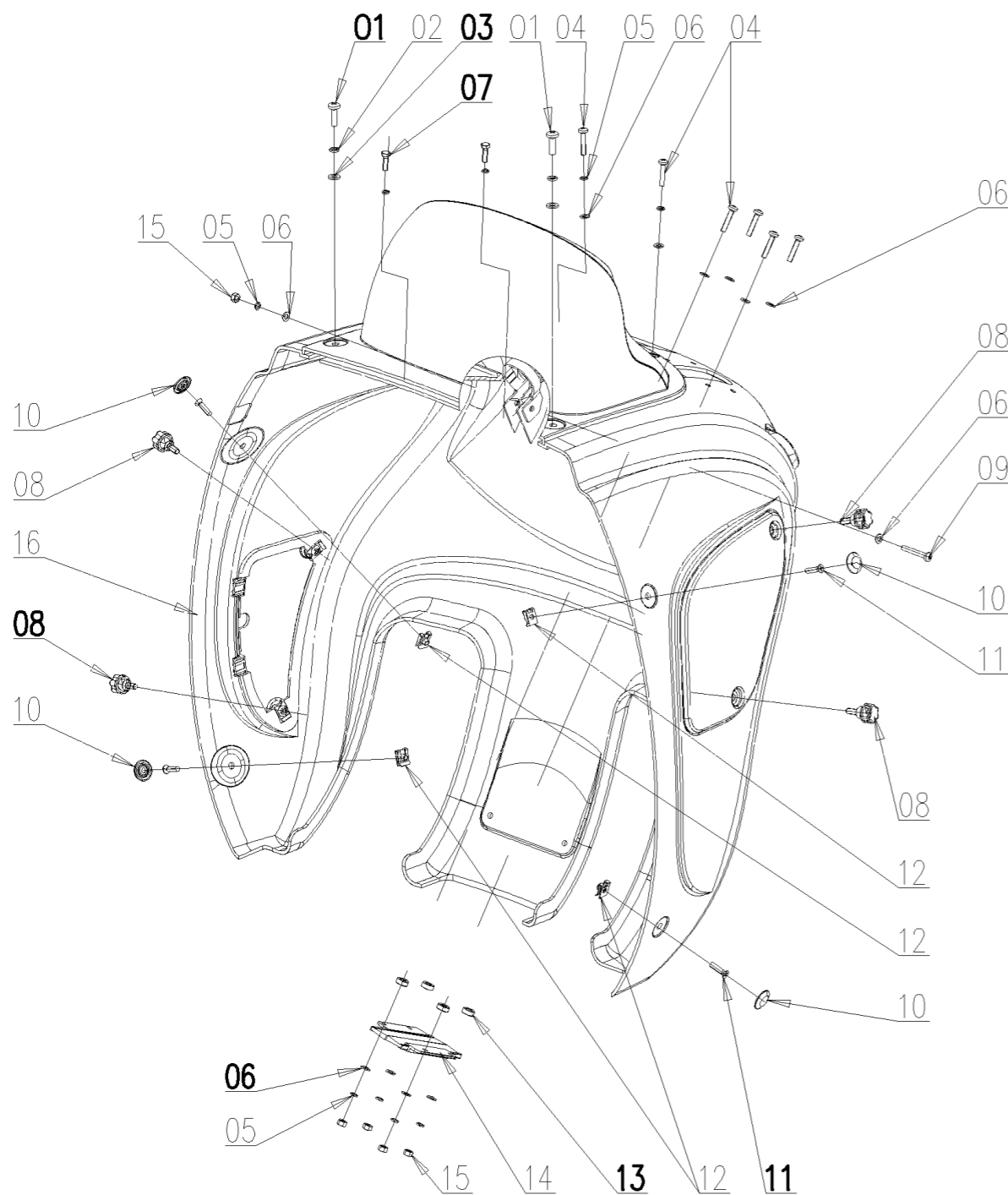
# A46.43.903.4 BRAKE ROD ASS.Y



# A46.43.903.4\_0 制动拉杆总成 BRAKE ROD ASSY.

| 序号 | 零件编号               | 零件名称      | 数量 | 图号                 |
|----|--------------------|-----------|----|--------------------|
| 1  | GBT91-3.2X22-A3L   | 销         | 4  | GBT91-3.2X22-A3L   |
| 2  | GBT97.1-10-A3L     | 垫圈        | 8  | GBT97.1-10-A3L     |
| 3  | LD800.43.109       | 拉杆前叉      | 2  | LD800.43.109       |
| 4  | GBT882-B10X30-A3L  | 销         | 2  | GBT882-B10X30-A3L  |
| 5  | GBT6170-M10-LH-A3L | 螺母        | 2  | GBT6170-M10-LH-A3L |
| 6  | CD404.43.102       | 长拉杆       | 2  | CD404.43.102       |
| 7  | GBT5783-M10X25-A3L | 螺栓        | 4  | GBT5783-M10X25-A3L |
| 8  | GBT93-10-A3L       | 垫圈        | 4  | GBT93-10-A3L       |
| 9  | CD404.43.016       | 左刹车线架     | 1  | CD404.43.016       |
| 10 | GBT6170-M10-A3L    | 螺母        | 2  | GBT6170-M10-A3L    |
| 11 | CD554.43.101       | 连接叉       | 2  | CD554.43.101       |
| 12 | CD554.43.111       | 销         | 2  | CD554.43.111       |
| 13 | SH400.21.102       | 轴承座回位弹簧   | 2  | SH400.21.102       |
| 14 | CD404.43.101       | 弹簧挂板      | 2  | CD404.43.101       |
| 15 | CD404.43.017       | 右制动拉线支架焊合 | 1  | CD404.43.017       |

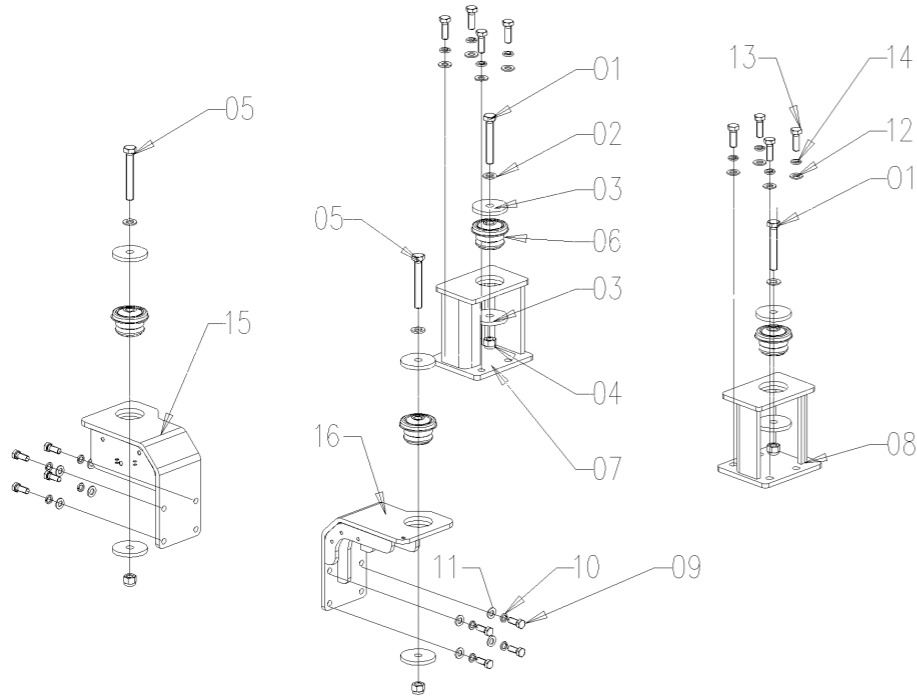
# A46.45.910.4 DASHBOARD ASSY.



## A46.45.910.4\_1 仪表台总成 DASHBOARD ASSY.

| 序号 | 零件编号               | 零件名称   | 数量 | 图号                 |
|----|--------------------|--------|----|--------------------|
| 1  | GBT818-M6X20-A2L   | 螺钉     | 2  | GBT818-M6X20-A2L   |
| 2  | GBT93-6-A3L        | 垫圈     | 2  | GBT93-6-A3L        |
| 3  | GBT97.1-6-A3L      | 垫圈     | 2  | GBT97.1-6-A3L      |
| 4  | GBT818-M5X25-A2L   | 螺钉     | 6  | GBT818-M5X25-A2L   |
| 5  | GBT93-5-A3L        | 垫圈     | 9  | GBT93-5-A3L        |
| 6  | GBT97.1-5-A3L      | 垫圈     | 12 | GBT97.1-5-A3L      |
| 7  | GBT5783-M5X16-A2L  | 螺栓     | 2  | GBT5783-M5X16-A2L  |
| 8  | A39.45.228.2       | 塑胶螺栓   | 4  | A39.45.228.2       |
| 9  | GBT818-M5X35-A2L   | 螺钉     | 1  | GBT818-M5X35-A2L   |
| 10 | A39.45.143.2       | 手柄套    | 4  | A39.45.143.2       |
| 11 | GBT819.1-M5X20-A2L | 螺丝钉    | 4  | GBT819.1-M5X20-A2L |
| 12 | Q31205             | B型弹簧螺母 | 4  | Q31205             |
| 13 | A39.45.193.0       | 套筒     | 4  | A39.45.193.0       |
| 14 | CD554.45.220/10    | 密封刷    | 2  | CD554.45.220/10    |
| 15 | GBT6170-M5-A2L     | 螺母     | 5  | GBT6170-M5-A2L     |
| 16 | A46.45.019.4       | 仪表盘    | 1  | A46.45.019.4       |

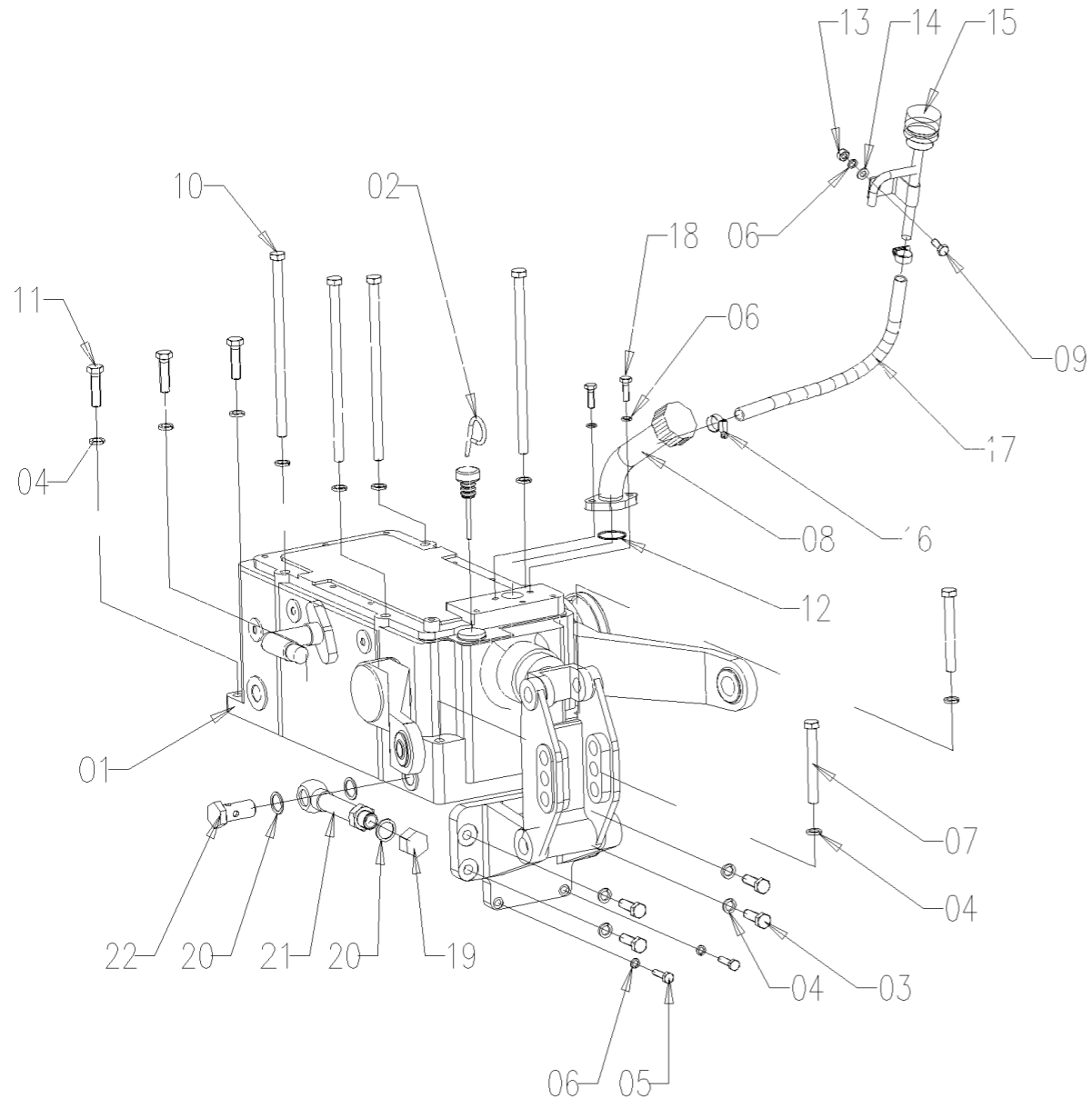
# A46.45.911.4 SUPPORT ASSEMBLY



## A46.45.911.4\_01 前后安装座总成\_01

| 序号 | 零件编号                 | 零件名称  | 数量 | 图号                      |
|----|----------------------|-------|----|-------------------------|
| 1  | GBT5782-M16X100-A3L  | 螺栓    | 2  | GBT5782-M16X100-A3L     |
| 2  | GBT97.1-16-A3L       | 垫圈    | 4  | GBT97.1-16-A3L          |
| 3  | CD904A.45.104        | 减震垫板  | 8  | CD904A.45.104           |
| 4  | GBT889.1-M16-A3L     | 螺母    | 4  | GBT889.1-M16-A3L        |
| 5  | GBT5782-M16X110-A3L  | 螺栓    | 2  | GBT5782-M16X110-A3L     |
| 6  | LD700.47.031         | 阻尼块   | 4  | LD700.47.031            |
| 7  | A46.45.017.2         | 右固定架  | 1  | A46.45.017.2            |
| 8  | A46.45.016.2         | 左安装支架 | 1  | A46.45.016.2            |
| 9  | GBT5783-M12X30-10.9- | 螺栓    | 8  | GBT5783-M12X30-10.9-A3L |
| 10 | GBT93-12-A3L         | 垫圈    | 8  | GBT93-12-A3L            |
| 11 | GBT97.1-12-A3L       | 垫圈    | 8  | GBT97.1-12-A3L          |
| 12 | GBT97.1-14-A3L       | 垫圈    | 8  | GBT97.1-14-A3L          |
| 13 | GBT5783-M14X40-A3L   | 螺栓    | 8  | GBT5783-M14X40-A3L      |
| 14 | GBT93-14-A3L         | 垫圈    | 8  | GBT93-14-A3L            |
| 15 | A39.45.231.2/20      | 右前支架  | 1  | A39.45.231.2/20         |
| 16 | A39.45.230.2         | 左前托架  | 1  | A39.45.230.2            |

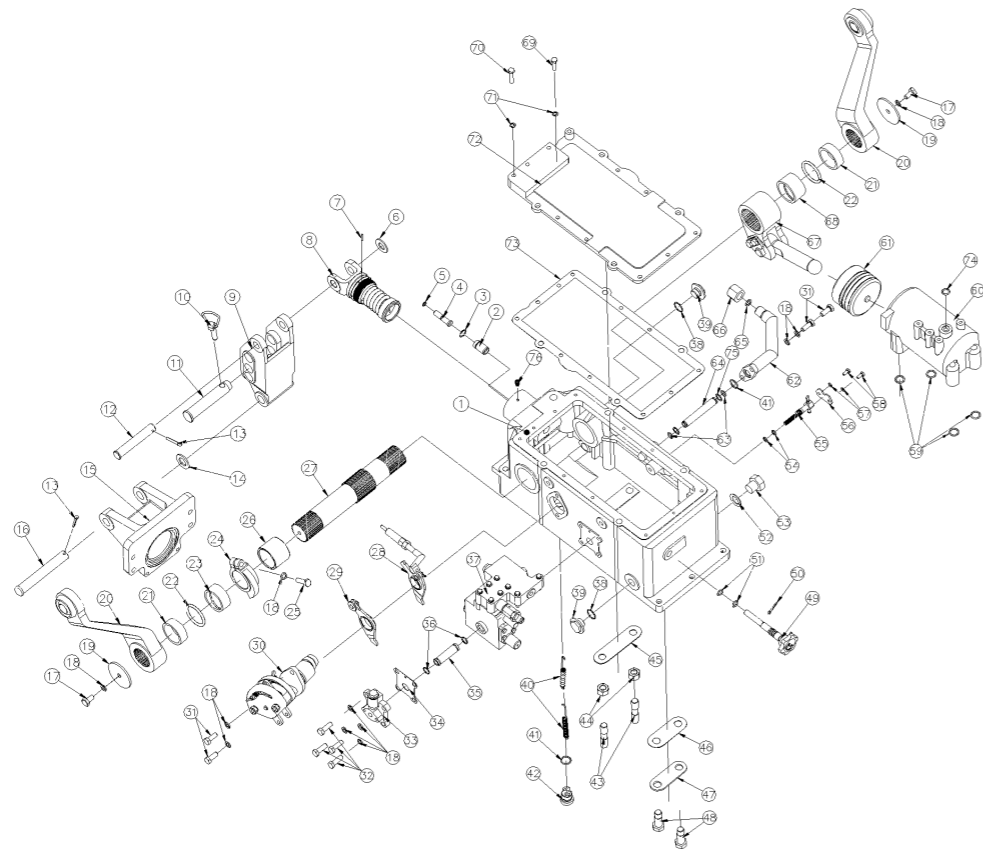
# A46.55.900.4 REAR LIFTER ASS.



## A46.55.900.4\_0 提升器总成 LIFTER ASS.Y

| 序号 | 零件编号                 | 零件名称    | 数量 | 图号                   |
|----|----------------------|---------|----|----------------------|
| 1  | CD404.55.011         | 提升器总成   | 1  | CD404.55.011         |
| 2  | SH550.55.012         | 油尺组件    | 1  | SH550.55.012         |
| 3  | GBT5783-M12X35-A3L   | 螺栓      | 4  | GBT5783-M12X35-A3L   |
| 4  | GBT93-12-A3L         | 垫圈      | 13 | GBT93-12-A3L         |
| 5  | GBT5783-M8X30-A3L    | 螺栓      | 2  | GBT5783-M8X30-A3L    |
| 6  | GBT93-8-A3L          | 弹簧垫圈    | 5  | GBT93-8-A3L          |
| 7  | GBT5782-M12X100-A3L  | 螺栓      | 2  | GBT5782-M12X100-A3L  |
| 8  | CD554.55.012/10      | 进油口总成   | 1  | CD554.55.012/10      |
| 9  | GBT5783-M8X20-A3L    | 螺栓      | 1  | GBT5783-M8X20-A3L    |
| 10 | GBT5782-M12X235-A3L  | 螺栓      | 4  | GBT5782-M12X235-A3L  |
| 11 | GBT5783-M12X45-A3L   | 螺栓      | 3  | GBT5783-M12X45-A3L   |
| 12 | GBT3452.1-32.5X1.8-G | O形圈     | 1  | GBT3452.1-32.5X1.8-G |
| 13 | GBT6170-M8-A3L       | 螺母      | 1  | GBT6170-M8-A3L       |
| 14 | GBT97.1-8-A3L        | 平垫圈     | 1  | GBT97.1-8-A3L        |
| 15 | CD554.55.014         | 呼吸器     | 1  | CD554.55.014         |
| 16 | JBT8870-D20          | 软管夹     | 2  | JBT8870-D20          |
| 17 | SH704-1.55.101       | 呼吸软管    | 1  | SH704-1.55.101       |
| 18 | GBT5783-M8X25-A3L    | 螺栓      | 2  | GBT5783-M8X25-A3L    |
| 19 | SH550.55B.107        | 螺母      | 1  | SH550.55B.107        |
| 20 | 2.1560.018.0         | 组合密封圈   | 3  | 2.1560.018.0         |
| 21 | CD554.55.015         | 排油管道焊接件 | 1  | CD554.55.015         |
| 22 | SH400.58.112         | 空心螺栓    | 1  | SH400.58.112         |



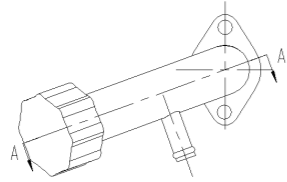
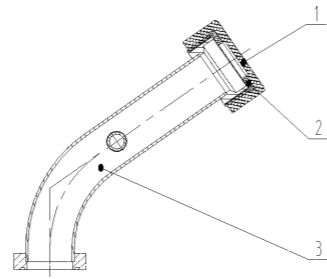
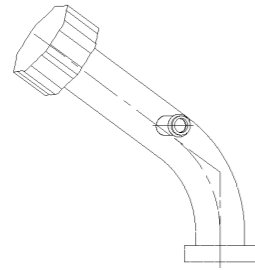


### CD404.55.011 提升器总成 LIFTING DEVICE ASSEMBLY

| 序号 | 零件编号           | 零件名称                           | 数量 | 图号             |
|----|----------------|--------------------------------|----|----------------|
| 8  | FT500B.55.022  | 力调节弹簧总成 Force adjusting spring | 1  | FT500B.55.022  |
| 20 | FT500A.55.020  | 提升臂总成 Lift arm assemblies      | 2  | FT500A.55.020  |
| 37 | FT500B.55.013G | 分配器与支座总成 Distributor and       | 1  | FT500B.55.013G |
| 60 | FT500B.55.106B | 油缸体 Cylinder body              | 1  | FT500B.55.106B |
| 61 | KM550.55.023A  | 活塞总成 Piston assembly           | 1  | KM550.55.023A  |

CD404.55.011 提升器总成

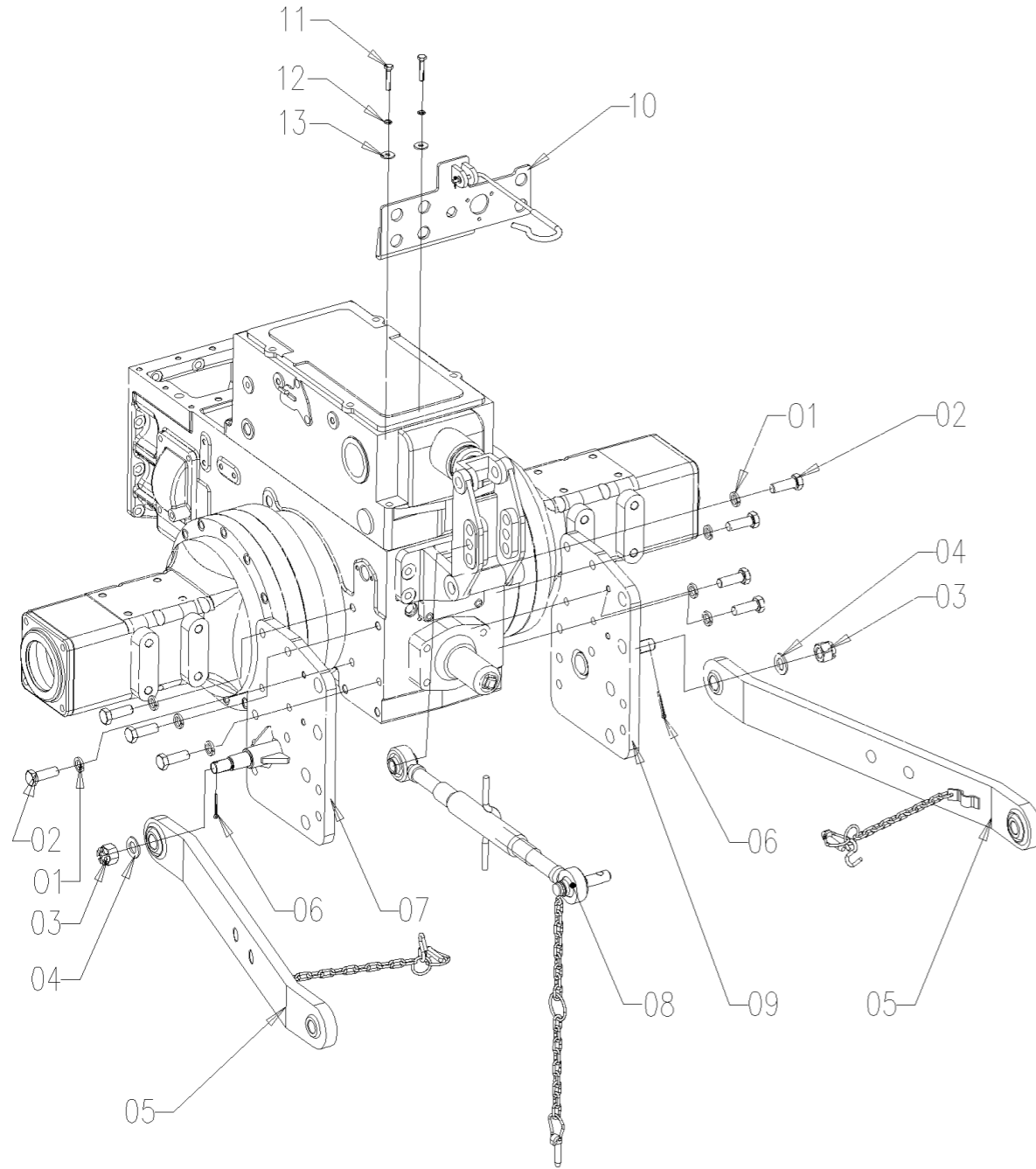
CD554.55.012/10 加油口总成



**CD554.55.012/10 加油口总成 Oil filler assembly**

| 序号 | 零件编号            | 零件名称               | 数量 | 图号              |
|----|-----------------|--------------------|----|-----------------|
| 1  | SH900.55.169    | NUT CAP            | 1  | SH900.55.169    |
| 2  | SH900.55.170    | GASKET             | 1  | SH900.55.170    |
| 3  | CD554.55.013/10 | OIL INLET WELDMENT | 1  | CD554.55.013/10 |

# A46.56.900.4 UPPER AND DOWN LINK ASS.



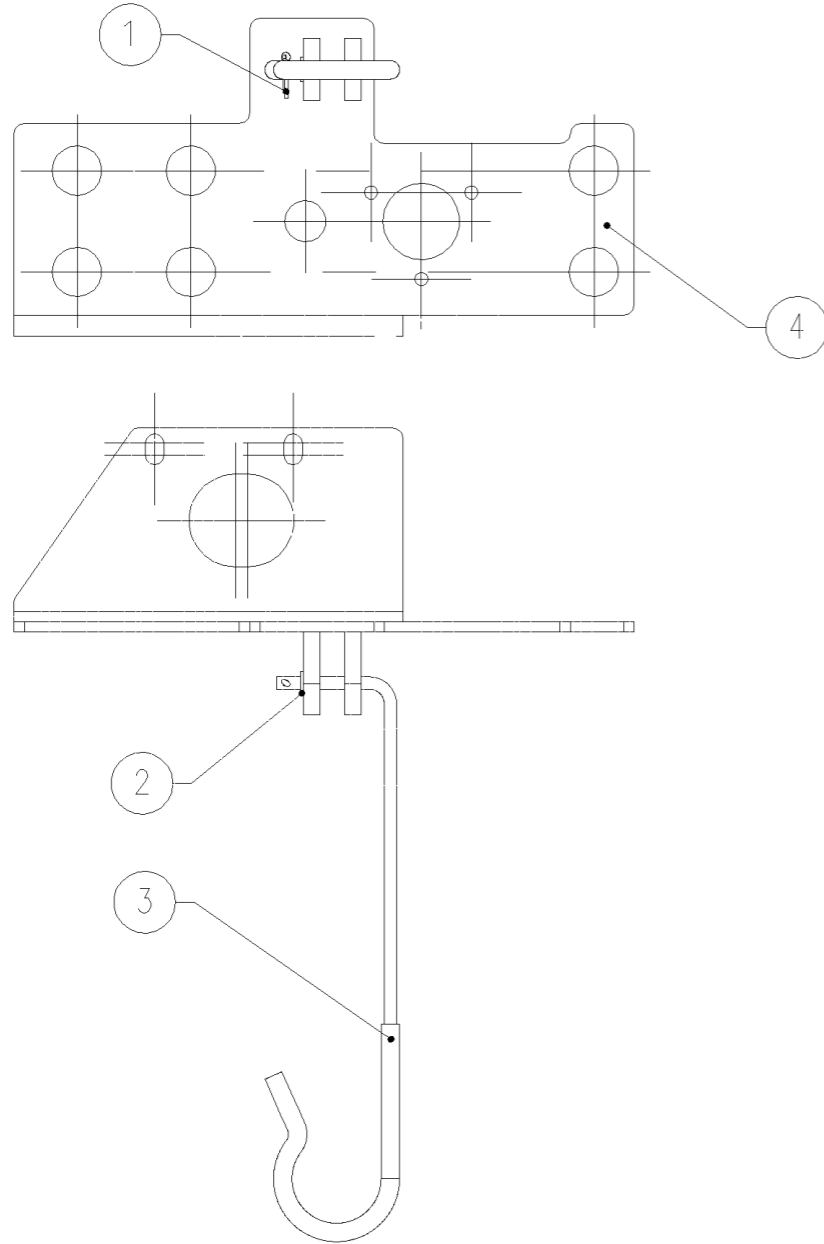
## A46.56.900.4\_2 悬挂机构总成 Suspension mechanism assembly

| 序号 | 零件编号                 | 零件名称                     | 数量 | 图号                      |
|----|----------------------|--------------------------|----|-------------------------|
| 1  | GBT93-16-A3L         | 垫圈 WASHER                | 8  | GBT93-16-A3L            |
| 2  | GBT5783-M16X45-10.9- | 螺栓 BOLT                  | 8  | GBT5783-M16X45-10.9-A3L |
| 3  | GBT6178-M20-A3L      | 螺母 NUT                   | 2  | GBT6178-M20-A3L         |
| 4  | GBT97.1-20-A3L       | 垫圈 WASHER                | 2  | GBT97.1-20-A3L          |
| 5  | SH400.56.014         | 下拉杆总成 LOWER LINKAGE ASSY | 2  | SH400.56.014            |
| 6  | GBT91-4X35-A3L       | 销 PIN                    | 2  | GBT91-4X35-A3L          |
| 7  | SH400.56.019A        | 左下拉杆支座焊合件 LEFT LOWER     | 1  | SH400.56.019A           |
| 8  | SH400.56.012         | 上拉杆总成 UPPER LINKAGE ASSY | 1  | SH400.56.012            |
| 9  | SH400.56.015A        | 右下拉杆支座焊合件 LEFT LOWER     | 1  | SH400.56.015A           |
| 10 | CD554.56.011/50      | 挂钩座 HOOK SEAT            | 1  | CD554.56.011/50         |
| 11 | GBT5783-M8X40-A2L    | 螺栓 BOLT                  | 2  | GBT5783-M8X40-A2L       |
| 12 | GBT93-8-A3L          | 垫圈 WASHER                | 2  | GBT93-8-A3L             |
| 13 | GBT96.1-8-A3L        | 垫圈 WASHER                | 2  | GBT96.1-8-A3L           |

# CD554.56.011/50 UPPER LINK FIXED CARD ASS.

## CD554.56.011/50 挂钩座 HOOK SEAT

| 序号 | 零件编号             | 零件名称                  | 数量 | 图号               |
|----|------------------|-----------------------|----|------------------|
| 1  | GBT91-2.5X16-A3L | 销 PIN                 | 1  | GBT91-2.5X16-A3L |
| 2  | GBT97.1-6-A3L    | 垫圈 WASHER             | 1  | GBT97.1-6-A3L    |
| 3  | SH550.56B.116/10 | 挂钩 UPPER LINKAGE HOOK | 1  | SH550.56B.116/10 |
| 4  | CD554.56.012/40  | 固定座 HOOK SEAT         | 1  | CD554.56.012/40  |

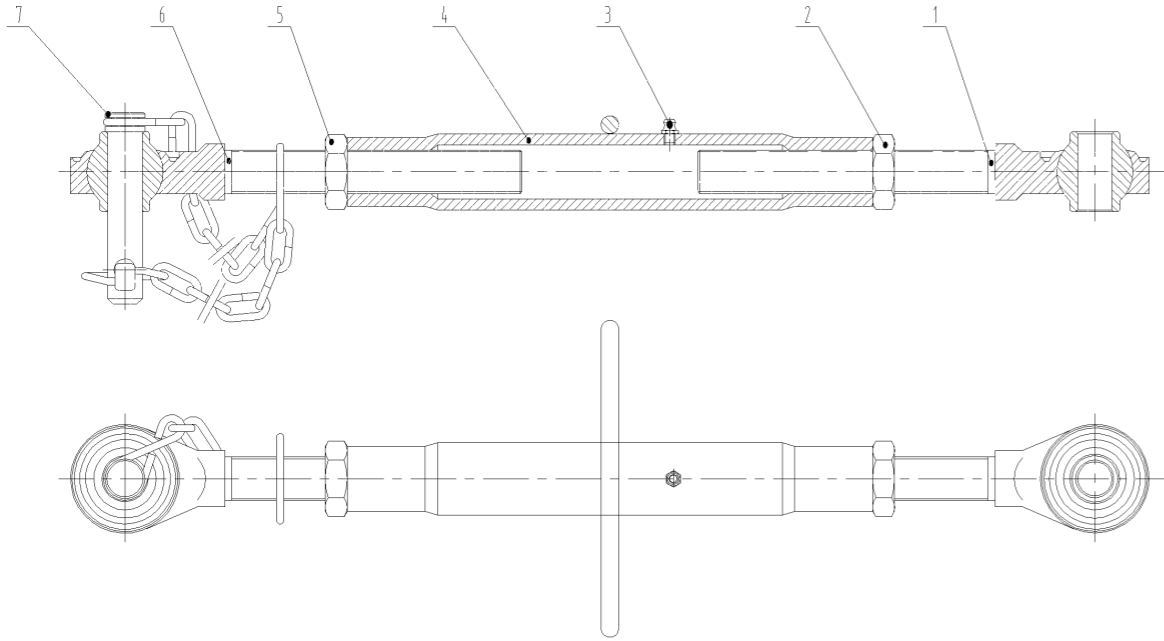


SH400.56.012

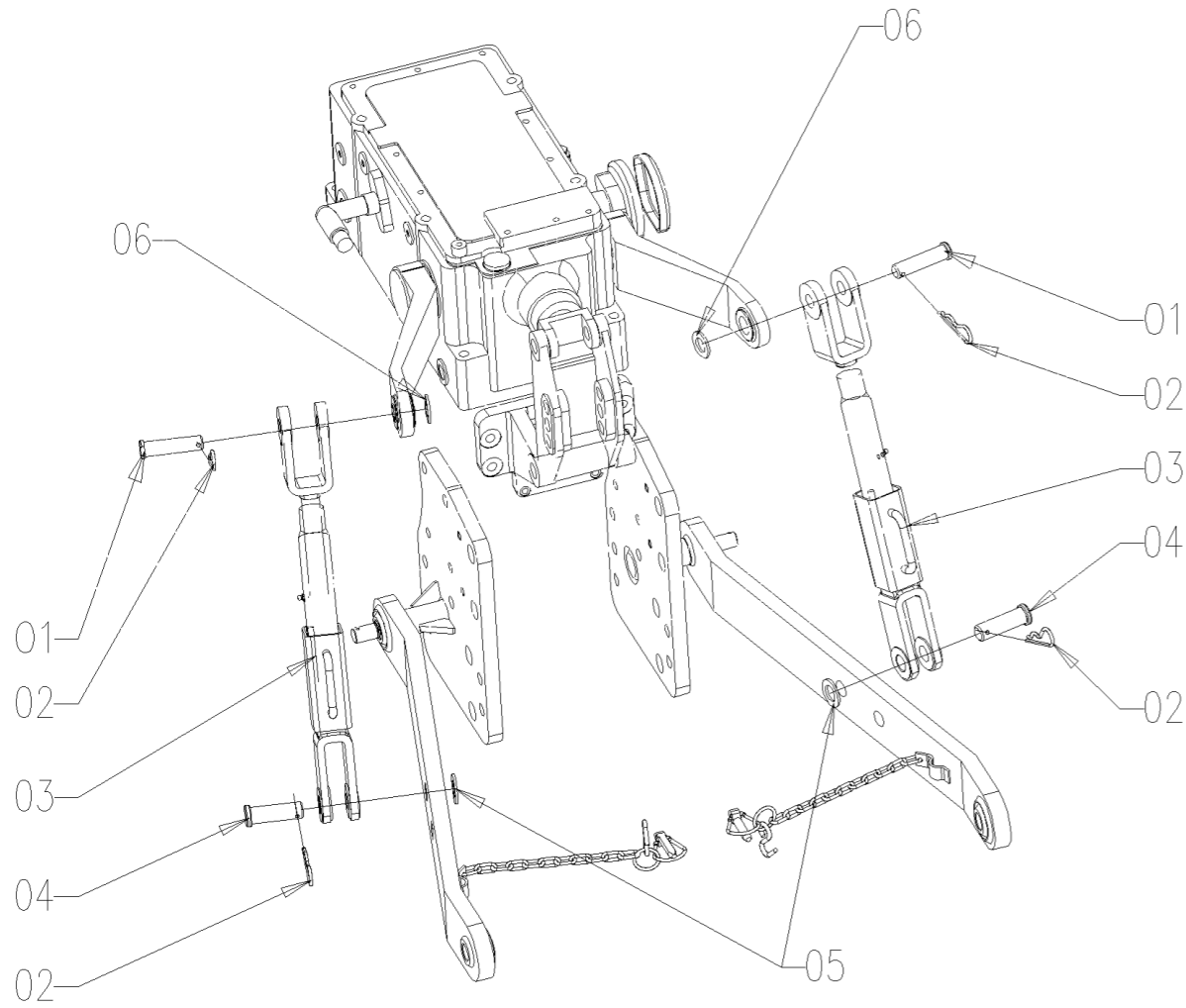
上拉杆总成

SH400.56.012 上拉杆总成 UPPER LINKAGE ASSY

| 序号 | 零件编号                 | 零件名称                     | 数量 | 图号                   |
|----|----------------------|--------------------------|----|----------------------|
| 1  | SH400.56.023         | 后调节杆总成 FRONT ADJUST      | 1  | SH400.56.023         |
| 2  | GBT6173-M24X2-LH-A3L | 螺母 NUT                   | 1  | GBT6173-M24X2-LH-A3L |
| 3  | JBT7940.1-M6         | 黄油嘴 GREASE               | 1  | JBT7940.1-M6         |
| 4  | SH400.56.024         | 调节螺管总成 ADJUST SCREW PIPE | 1  | SH400.56.024         |
| 5  | GBT6173-M24X2-A3L    | 螺母 NUT                   | 1  | GBT6173-M24X2-A3L    |
| 6  | SH400.56.022         | 前调节杆总成 REAR ADJUST       | 1  | SH400.56.022         |
| 7  | SH400.56.020         | 上拉杆锁销链总成 UPPER ROD LOCK  | 1  | SH400.56.020         |



# A46.56.901.4 LIFTING LEVER MOUNTING ASS.

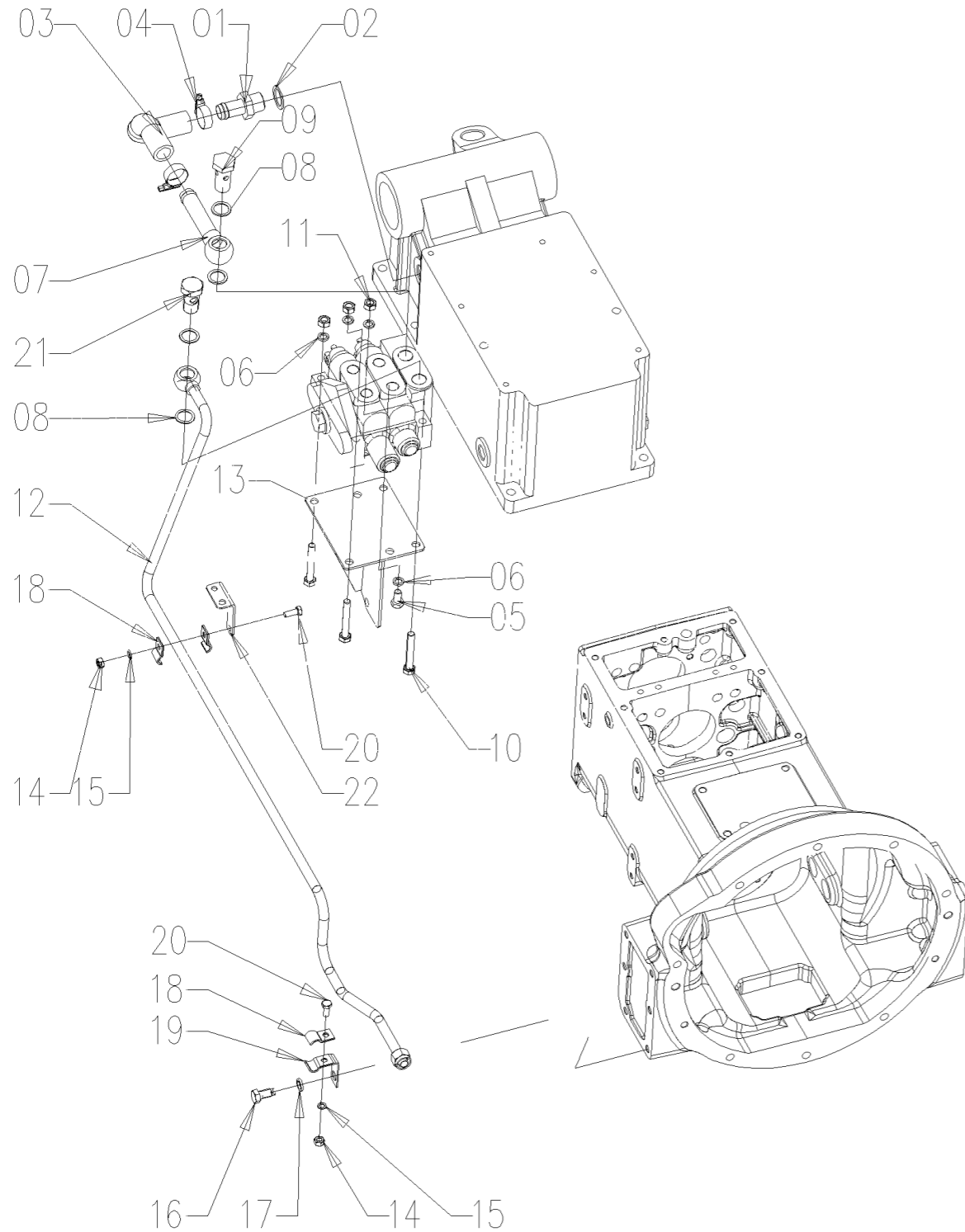


## A46.56.901.4\_0 升降杆安装总成 LIFTING LEVER MOUNTING ASS.

| 序号 | 零件编号            | 零件名称    | 数量 | 图号              |
|----|-----------------|---------|----|-----------------|
| 1  | SH400.56.101    | 提升杆上连接销 | 2  | SH400.56.101    |
| 2  | SH400.56.144    | 弹性锁销    | 4  | SH400.56.144    |
| 3  | SH400.56.013/10 | 提升连杆总成  | 2  | SH400.56.013/10 |
| 4  | SH400.56.146    | 提升杆下连接销 | 2  | SH400.56.146    |
| 5  | GBT97.1-22-A3L  | 垫圈      | 2  | GBT97.1-22-A3L  |
| 6  | GBT97.1-20-A3L  | 垫圈      | 2  | GBT97.1-20-A3L  |

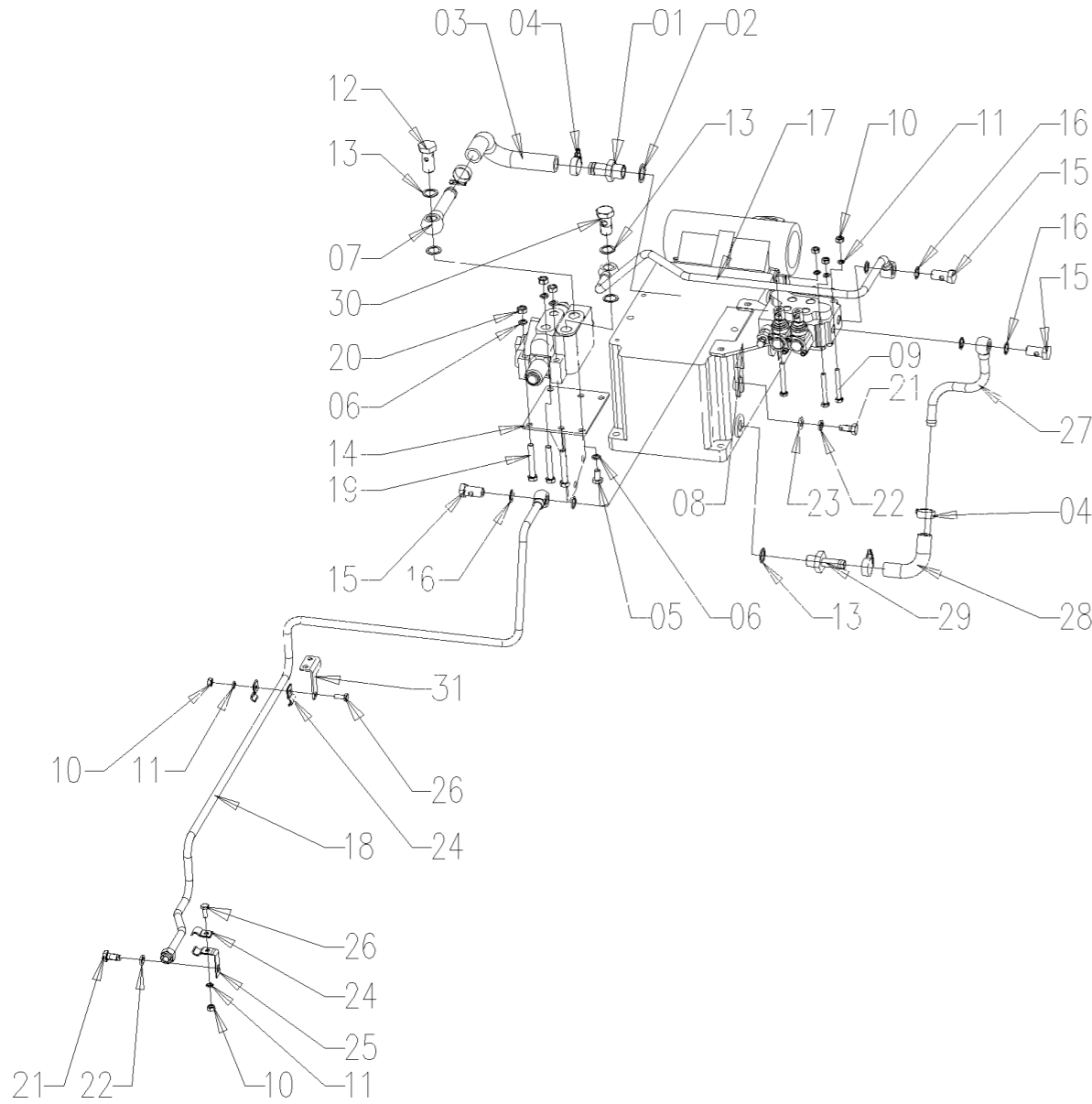
# A46.58.904.4 VALVE PIPE ASS.Y

# A46.58.904.4\_1 阀管总成 VALVE PIPE ASS.Y



| 序号 | 零件编号               | 零件名称                           | 数量 | 图号                 |
|----|--------------------|--------------------------------|----|--------------------|
| 1  | SH550.58D.019      | RETURN PIPE WELDMENT           | 1  | SH550.58D.019      |
| 2  | A68.58.003.0       | SEALING RING 27.3X36           | 1  | A68.58.003.0       |
| 3  | CD554.583A.113     | RETURN TUBE                    | 1  | CD554.583A.113     |
| 4  | JBT8870-D32        | HOSE CLAMPS                    | 2  | JBT8870-D32        |
| 5  | GBT5783-M10X20-A3L | BOLT                           | 1  | GBT5783-M10X20-A3L |
| 6  | GBT93-10-A3L       | WASHER                         | 4  | GBT93-10-A3L       |
| 7  | CD554.583A.030     | VALVE RETURN JOINT             | 1  | CD554.583A.030     |
| 8  | 2.1560.018.0       | SEALING RING                   | 4  | 2.1560.018.0       |
| 9  | SH400.58.112       | HOLLOW BOLT                    | 1  | SH400.58.112       |
| 10 | GBT5783-M10X70-A3L | BOLT                           | 3  | GBT5783-M10X70-A3L |
| 11 | GBT6170-M10-A3L    | NUT                            | 3  | GBT6170-M10-A3L    |
| 12 | A39.58.029.3/20    | MULTI-WAY VALVE OIL INLET PIPE | 1  | A39.58.029.3/20    |
| 13 | A46.58.010.2       | VALVE BRACKET                  | 1  | A46.58.010.2       |
| 14 | GBT6170-M8-A2L     | NUT                            | 2  | GBT6170-M8-A2L     |
| 15 | GBT93-8-A3L        | WASHER                         | 2  | GBT93-8-A3L        |
| 16 | GBT5783-M12X20-A3L | BOLT                           | 1  | GBT5783-M12X20-A3L |
| 17 | GBT93-12-A3L       | WASHER                         | 1  | GBT93-12-A3L       |
| 18 | CD554.58.015       | UPPER CLIP ASSY 2              | 3  | CD554.58.015       |
| 19 | CD554.58.020       | CLIP ASSY                      | 1  | CD554.58.020       |
| 20 | GBT5783-M8X20-A2L  | BOLT                           | 2  | GBT5783-M8X20-A2L  |
| 21 | SH904.58.168       | HOLLOW BOLT                    | 1  | SH904.58.168       |
| 22 | A39.58.050.0/10    | BRACKET                        | 1  | A39.58.050.0/10    |

# A46.58.914.4 VALVE PIPE ASS.Y



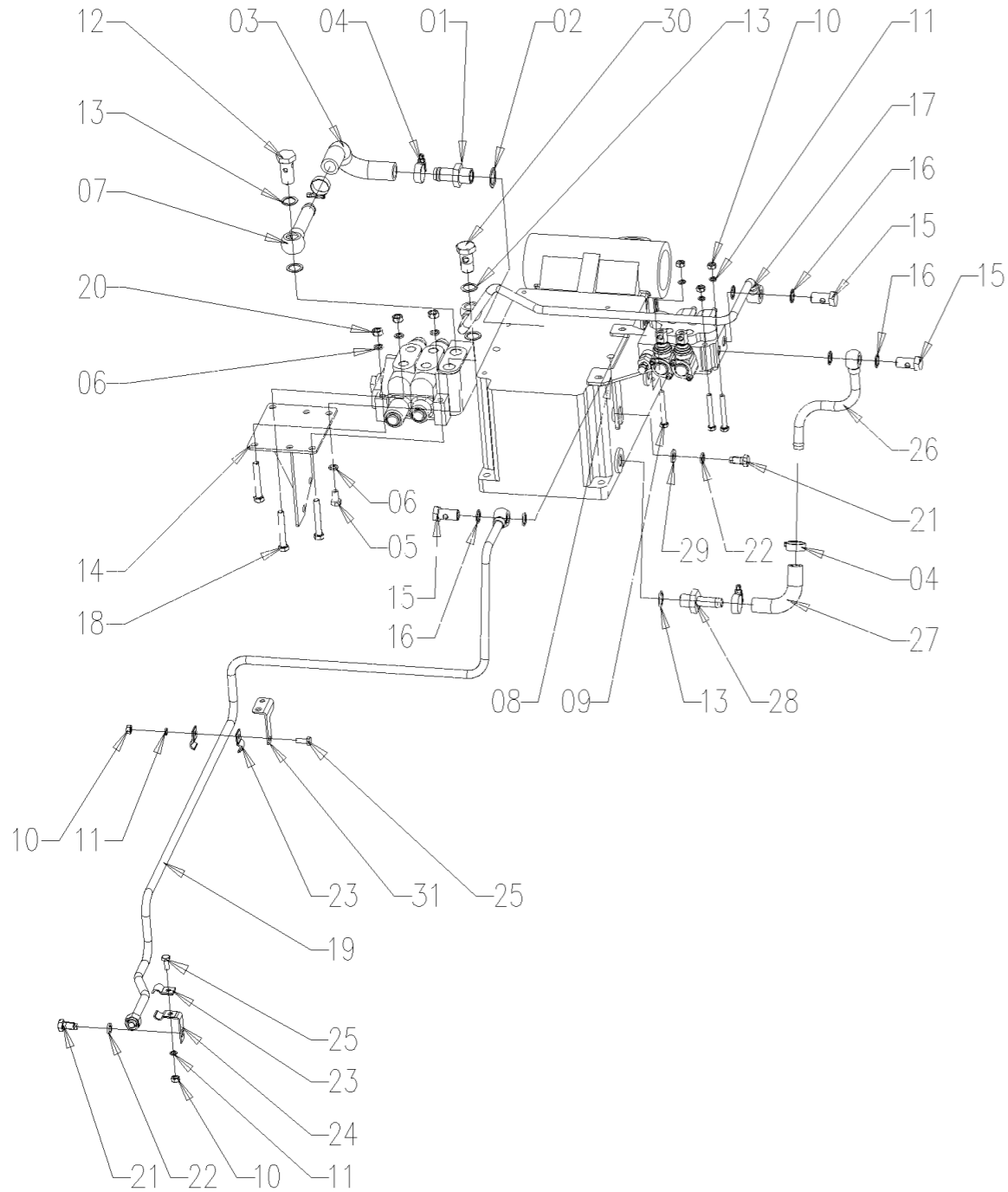
## A46.58.914.4\_1 阀管总成 VALVE PIPE ASS.Y

| 序号 | 零件编号               | 零件名称                           | 数量 | 图号                 |
|----|--------------------|--------------------------------|----|--------------------|
| 1  | SH550.58D.019      | RETURN PIPE WELDMENT           | 1  | SH550.58D.019      |
| 2  | A68.58.003.0       | SEALING RING 27.3X36           | 1  | A68.58.003.0       |
| 3  | CD554.582A.113     | RETURN TUBE                    | 1  | CD554.582A.113     |
| 4  | JBT8870-D32        | HOSE CLAMPS                    | 4  | JBT8870-D32        |
| 5  | GBT5783-M10X20-A3L | BOLT                           | 1  | GBT5783-M10X20-A3L |
| 6  | GBT93-10-A3L       | WASHER                         | 4  | GBT93-10-A3L       |
| 7  | CD554.583A.030     | VALVE RETURN JOINT             | 1  | CD554.583A.030     |
| 8  | CD554.583A.029-1   | VALVE BRACKET                  | 1  | CD554.583A.029-1   |
| 9  | GBT5783-M8X65-A2L  | BOLT                           | 3  | GBT5783-M8X65-A2L  |
| 10 | GBT6170-M8-A2L     | NUT                            | 5  | GBT6170-M8-A2L     |
| 11 | GBT93-8-A3L        | WASHER                         | 5  | GBT93-8-A3L        |
| 12 | SH400.58.112       | HOLLOW BOLT                    | 1  | SH400.58.112       |
| 13 | 2.1560.018.0       | SEALING RING                   | 5  | 2.1560.018.0       |
| 14 | A46.58.010.2       | VALVE BRACKET                  | 1  | A46.58.010.2       |
| 15 | CD554.583.130      | HOLLOW BOLT M18*1.5            | 3  | CD554.583.130      |
| 16 | 2.1560.014.0       | SEALING RING                   | 6  | 2.1560.014.0       |
| 17 | A39.58.038.3       | OIL PIPE ASS.                  | 1  | A39.58.038.3       |
| 18 | A39.58.016.3/30    | MULTI-WAY VALVE OIL INLET PIPE | 1  | A39.58.016.3/30    |
| 19 | GBT5783-M10X70-A3L | BOLT                           | 3  | GBT5783-M10X70-A3L |
| 20 | GBT6170-M10-A3L    | NUT                            | 3  | GBT6170-M10-A3L    |
| 21 | GBT5783-M12X20-A3L | BOLT                           | 2  | GBT5783-M12X20-A3L |
| 22 | GBT93-12-A3L       | WASHER                         | 2  | GBT93-12-A3L       |
| 23 | GBT97.1-12-A3L     | WASHER                         | 1  | GBT97.1-12-A3L     |
| 24 | CD554.58.015       | UPPER CLIP ASSY 2              | 3  | CD554.58.015       |
| 25 | CD554.58.020       | CLIP ASSY                      | 1  | CD554.58.020       |
| 26 | GBT5783-M8X20-A2L  | BOLT                           | 2  | GBT5783-M8X20-A2L  |
| 27 | CD554.583A.019-1   | RETURN PIPE WELDMENT           | 1  | CD554.583A.019-1   |
| 28 | CD554.583A.110-1   | VALVE RETURN TUBE              | 1  | CD554.583A.110-1   |
| 29 | CD554.583A.020     | RETURN JOINT WELDMENT          | 1  | CD554.583A.020     |
| 30 | SH904.58.168       | HOLLOW BOLT                    | 1  | SH904.58.168       |
| 31 | A39.58.050.0/10    | BRACKET                        | 1  | A39.58.050.0/10    |



# A46.58.924.4 VALVE PIPE ASS.Y

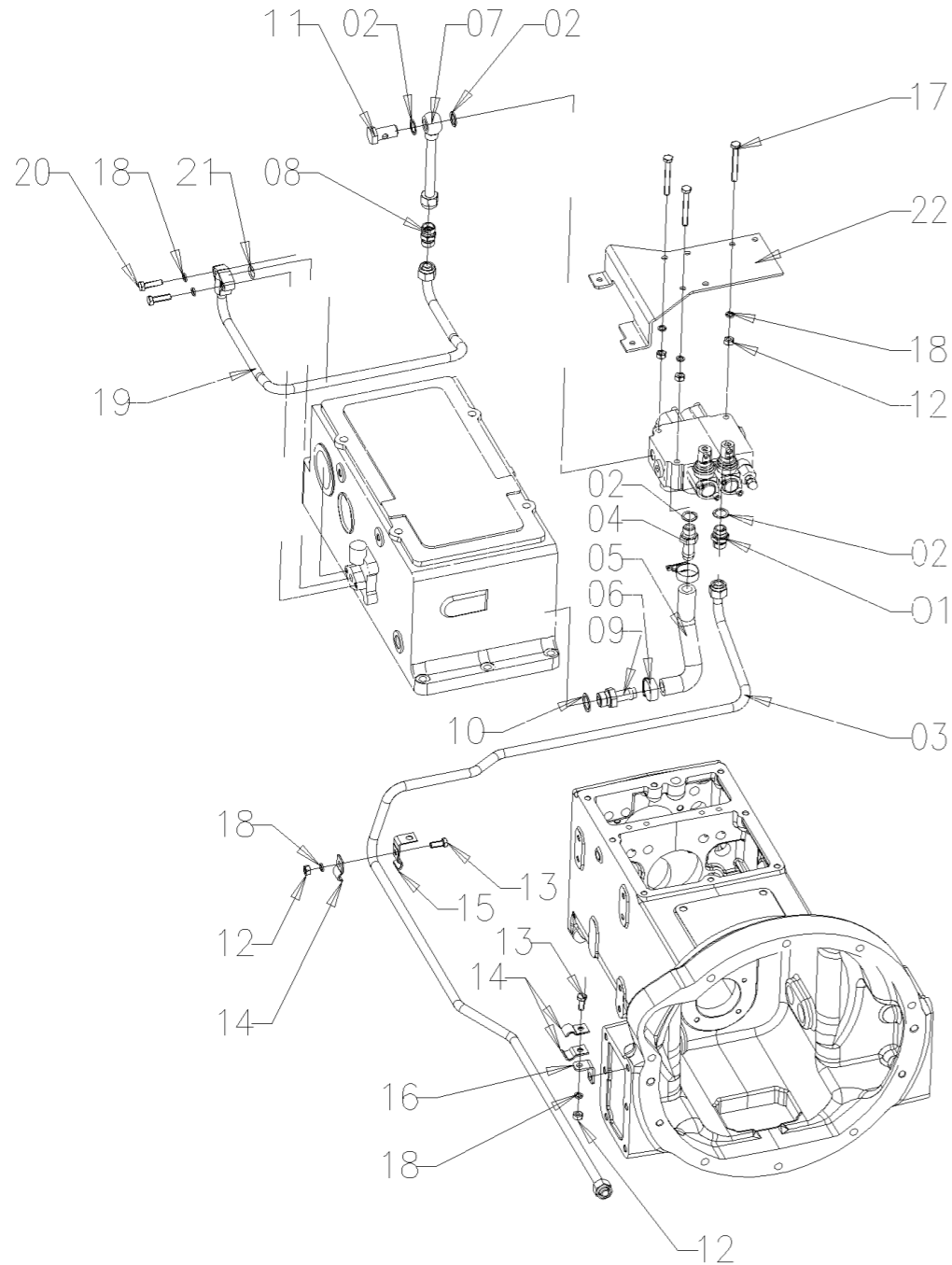
# A46.58.924.4\_1 阀管总成 VALVE PIPE ASS.Y



| 序号 | 零件编号               | 零件名称                           | 数量 | 图号                 |
|----|--------------------|--------------------------------|----|--------------------|
| 1  | SH550.58D.019      | RETURN PIPE WELDMENT           | 1  | SH550.58D.019      |
| 2  | A68.58.003.0       | SEALING RING 27.3X36           | 1  | A68.58.003.0       |
| 3  | CD554.583A.113     | RETURN TUBE                    | 1  | CD554.583A.113     |
| 4  | JBT8870-D32        | HOSE CLAMPS                    | 4  | JBT8870-D32        |
| 5  | GBT5783-M10X20-A3L | BOLT                           | 1  | GBT5783-M10X20-A3L |
| 6  | GBT93-10-A3L       | WASHER                         | 4  | GBT93-10-A3L       |
| 7  | CD554.583A.030     | VALVE RETURN JOINT             | 1  | CD554.583A.030     |
| 8  | CD554.583A.029-1   | VALVE BRACKET                  | 1  | CD554.583A.029-1   |
| 9  | GBT5783-M8X65-A2L  | BOLT                           | 3  | GBT5783-M8X65-A2L  |
| 10 | GBT6170-M8-A2L     | NUT                            | 5  | GBT6170-M8-A2L     |
| 11 | GBT93-8-A3L        | WASHER                         | 5  | GBT93-8-A3L        |
| 12 | SH400.58.112       | HOLLOW BOLT                    | 1  | SH400.58.112       |
| 13 | 2.1560.018.0       | SEALING RING                   | 5  | 2.1560.018.0       |
| 14 | A46.58.010.2       | VALVE BRACKET                  | 1  | A46.58.010.2       |
| 15 | CD554.583.130      | HOLLOW BOLT M18*1.5            | 3  | CD554.583.130      |
| 16 | 2.1560.014.0       | SEALING RING                   | 6  | 2.1560.014.0       |
| 17 | A39.58.037.3       | OIL PIPE ASS.                  | 1  | A39.58.037.3       |
| 18 | GBT5783-M10X70-A3L | BOLT                           | 3  | GBT5783-M10X70-A3L |
| 19 | A39.58.016.3/30    | MULTI-WAY VALVE OIL INLET PIPE | 1  | A39.58.016.3/30    |
| 20 | GBT6170-M10-A3L    | NUT                            | 3  | GBT6170-M10-A3L    |
| 21 | GBT5783-M12X20-A3L | BOLT                           | 2  | GBT5783-M12X20-A3L |
| 22 | GBT93-12-A3L       | WASHER                         | 2  | GBT93-12-A3L       |
| 23 | CD554.58.015       | UPPER CLIP ASSY 2              | 3  | CD554.58.015       |
| 24 | CD554.58.020       | CLIP ASSY                      | 1  | CD554.58.020       |
| 25 | GBT5783-M8X20-A2L  | BOLT                           | 2  | GBT5783-M8X20-A2L  |
| 26 | CD554.583A.019-1   | RETURN PIPE WELDMENT           | 1  | CD554.583A.019-1   |
| 27 | CD554.583A.110-1   | VALVE RETURN TUBE              | 1  | CD554.583A.110-1   |
| 28 | CD554.583A.020     | RETURN JOINT WELDMENT          | 1  | CD554.583A.020     |
| 29 | GBT97.1-12-A3L     | WASHER                         | 1  | GBT97.1-12-A3L     |
| 30 | SH904.58.168       | HOLLOW BOLT                    | 1  | SH904.58.168       |
| 31 | A39.58.050.0/10    | BRACKET                        | 1  | A39.58.050.0/10    |

# A46.58.934.4 VALVE PIPE ASS.Y

YFB-R-2018-005 SH.047



## A46.58.934.4\_0 多路阀油管总成 VALVE PIPE ASS.Y

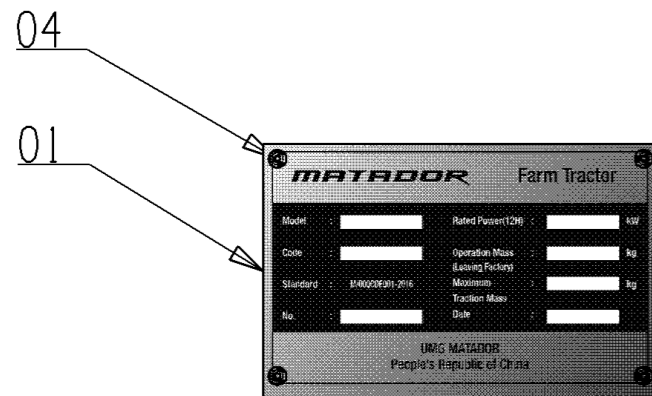
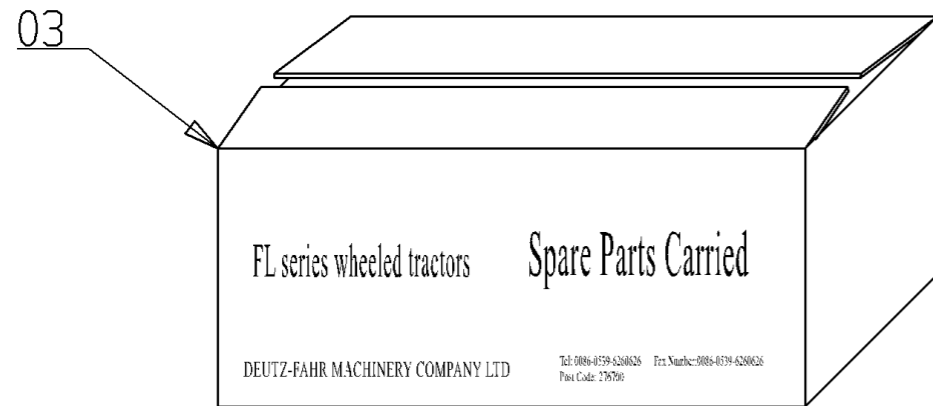
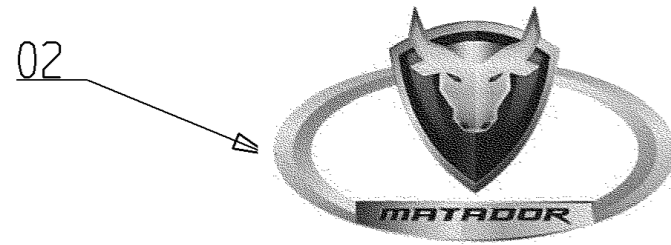
| 序号 | 零件编号                | 零件名称                     | 数量 | 图号                  |
|----|---------------------|--------------------------|----|---------------------|
| 1  | GBT3733.2-83-G14    | 管接头 FITTING              | 1  | GBT3733.2-83-G14    |
| 2  | 2.1560.014.0        | 密封垫圈 SEALING RING        | 4  | 2.1560.014.0        |
| 3  | A46.58.001.3        | 阀进油管焊合 VALVE INLET PIPE  | 1  | A46.58.001.3        |
| 4  | CD554.583.021-1     | 回油管焊合 RETURN PIPE        | 1  | CD554.583.021-1     |
| 5  | CD554.583.120       | 回油软管 OIL RETURN HOSE     | 1  | CD554.583.120       |
| 6  | JBT8870-D32         | 喉箍 HOSE CLAMPS           | 2  | JBT8870-D32         |
| 7  | CD554.583.013       | 多路阀中间油管焊合 VALVE MIDDLE   | 1  | CD554.583.013       |
| 8  | GBT3737.2-83-G14    | 管接头 FITTING              | 1  | GBT3737.2-83-G14    |
| 9  | CD554.583.023       | 回油短管焊合2 RETURN PIPR      | 1  | CD554.583.023       |
| 10 | 2.1560.018.0        | 密封垫圈 SEALING RING        | 1  | 2.1560.018.0        |
| 11 | CD554.583.130       | 空心螺栓 HOLLOW BOLT         | 1  | CD554.583.130       |
| 12 | 2.1011.105.2        | 螺母 NUT                   | 5  | 2.1011.105.2        |
| 13 | 2.0114.207.2        | 螺栓 BOLT                  | 2  | 2.0114.207.2        |
| 14 | CD554.58.015        | 上油管夹与胶垫胶合2 UPPER CLIP    | 3  | CD554.58.015        |
| 15 | CD554.58.014        | 上油管夹与胶垫胶合1 UPPER CLIP    | 1  | CD554.58.014        |
| 16 | B26.58.003.0        | 支架 BRACKET               | 1  | B26.58.003.0        |
| 17 | 2.0114.220.2        | 螺栓 BOLT                  | 3  | 2.0114.220.2        |
| 18 | GBT93-8-A3L         | 垫圈 WASHER                | 7  | GBT93-8-A3L         |
| 19 | CD554.583.014/10    | 提升器进油管焊合 LIFT INLET PIPE | 1  | CD554.583.014/10    |
| 20 | 2.0114.211.2        | 螺栓 BOLT                  | 2  | 2.0114.211.2        |
| 21 | GBT3452.1-15X2.65-G | O型圈 O RING               | 1  | GBT3452.1-15X2.65-G |
| 22 | CD554.583.022-1     | 阀门支架 VALVE BRACKET       | 1  | CD554.583.022-1     |

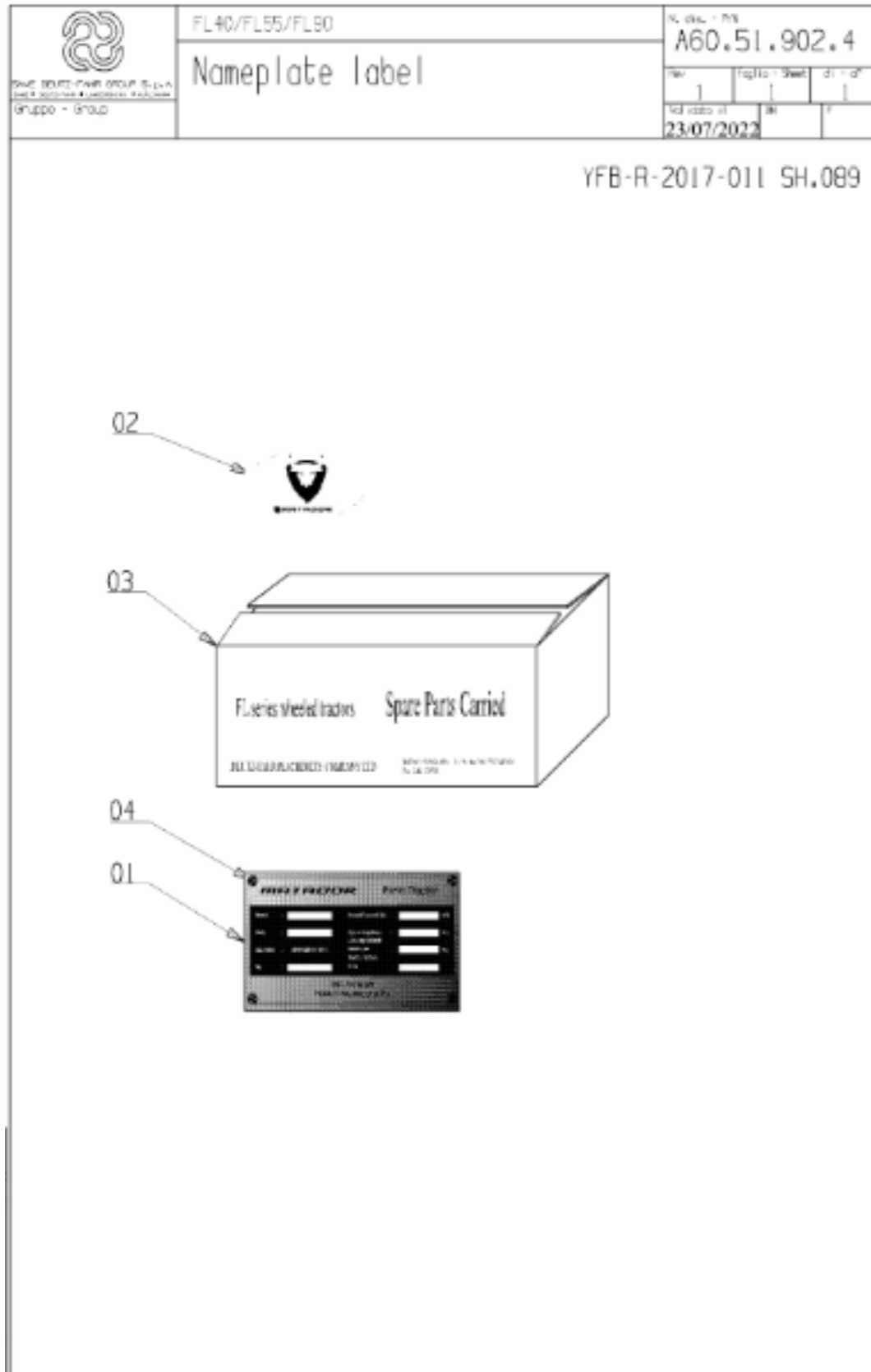
# A60.51.902.4 NAMEPLATE LABEL

YFB-R-2017-011 SH.007

## A60.51.902.4\_0 铭牌标识 NAMEPLATE LABEL

| 序号 | 零件编号            | 零件名称            | 数量 | 图号              |
|----|-----------------|-----------------|----|-----------------|
| 1  | LD754.51.104A   | 产品铭牌 ID LABEL   | 1  | LD754.51.104A   |
| 2  | LD754.51.102A   | 前标 FRONT LOGO   | 1  | LD754.51.102A   |
| 3  | B61.51.006.0    | 包装箱 PACKAGE BOX | 1  | B61.51.006.0    |
| 4  | GBT12618.1-3X15 | 铆钉 BLIND RIVETS | 4  | GBT12618.1-3X15 |



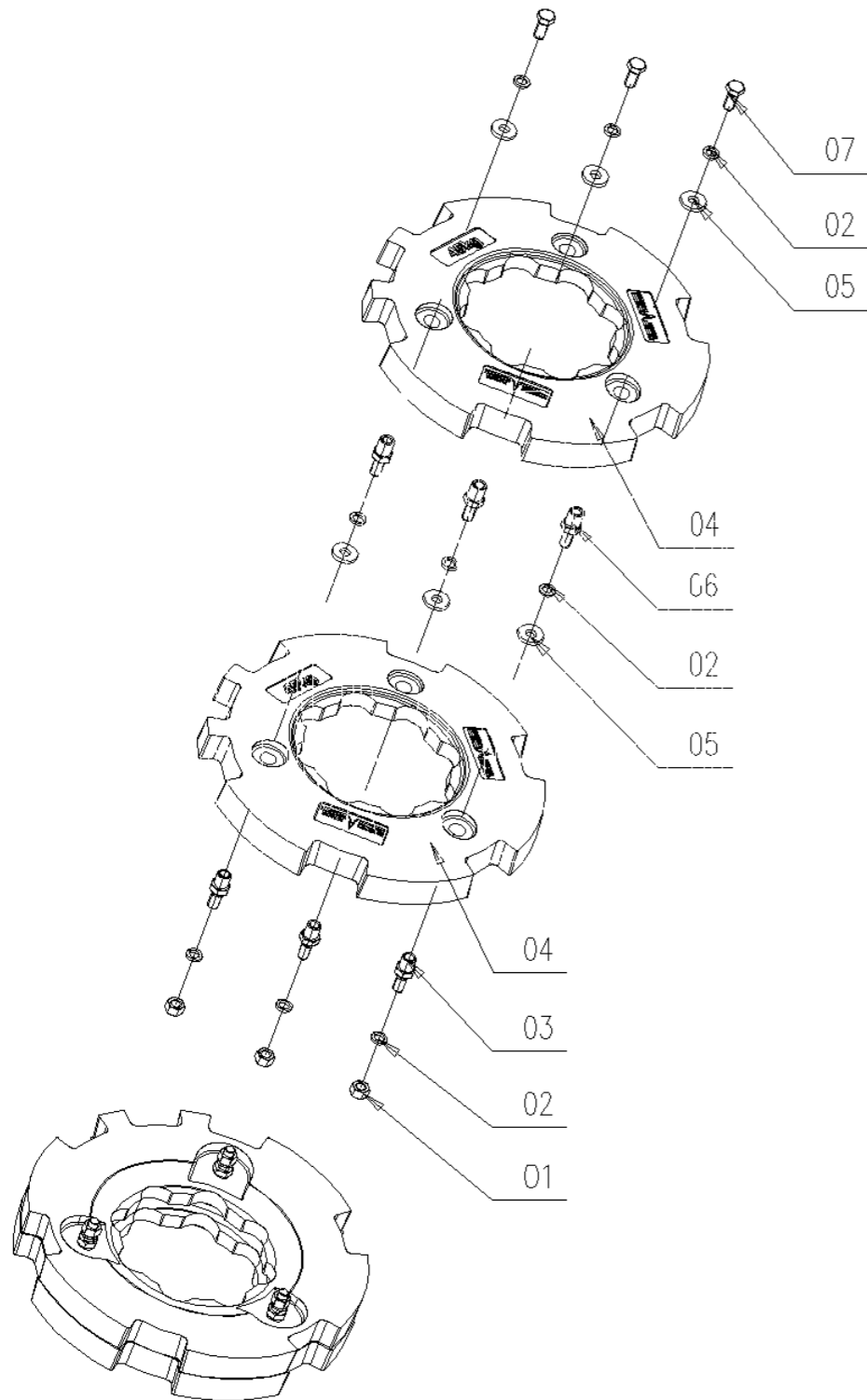


### A60.51.902.4\_1 铭牌标识 NAMEPLATE LABEL

| 序号 | 零件编号            | 零件名称            | 数量 | 图号              |
|----|-----------------|-----------------|----|-----------------|
| 1  | LD754.51.104A   | 产品铭牌 NAME PLATE | 1  | LD754.51.104A   |
| 2  | LD754.51.102A   | 前标 FRONT LABEL  | 1  | LD754.51.102A   |
| 3  | B61.51.006.0    | 包装箱 PACKAGE BOX | 1  | B61.51.006.0    |
| 4  | GBT12618.1-3X15 | 铆钉 RIVET        | 4  | GBT12618.1-3X15 |

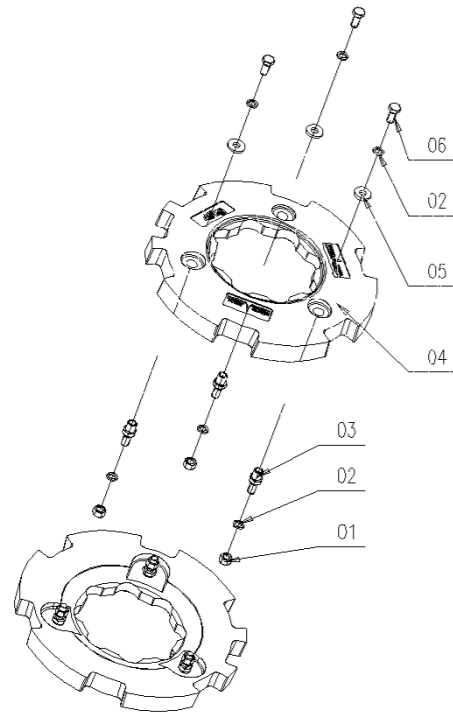
# A60.91.900.4 REAR BALLAST ASSY

## A60.91.900.4\_3 后配重总成 REAR BALLAST ASSY



| 序号 | 零件编号                 | 零件名称                    | 数量 | 图号                      |
|----|----------------------|-------------------------|----|-------------------------|
| 1  | GBT6170-M16-A3L      | 螺母 NUT                  | 6  | GBT6170-M16-A3L         |
| 2  | GBT93-16-A3L         | 垫圈 WASHER               | 18 | GBT93-16-A3L            |
| 3  | A60.91.003.0         | 配重螺栓 BALLAST BOLT       | 6  | A60.91.003.0            |
| 4  | A60.91.001.0/10      | 后配重 REAR BALLAST        | 4  | A60.91.001.0/10         |
| 5  | SH900.91.105         | 垫圈 WASHER               | 12 | SH900.91.105            |
| 6  | A60.91.002.0         | 后配重螺栓 REAR BALLAST BOLT | 6  | A60.91.002.0            |
| 7  | GBT5783-M16X35-10.9- | 螺栓 BOLT                 | 6  | GBT5783-M16X35-10.9-A3L |

# A60.91.900.4 REAR BALLAST ASSY

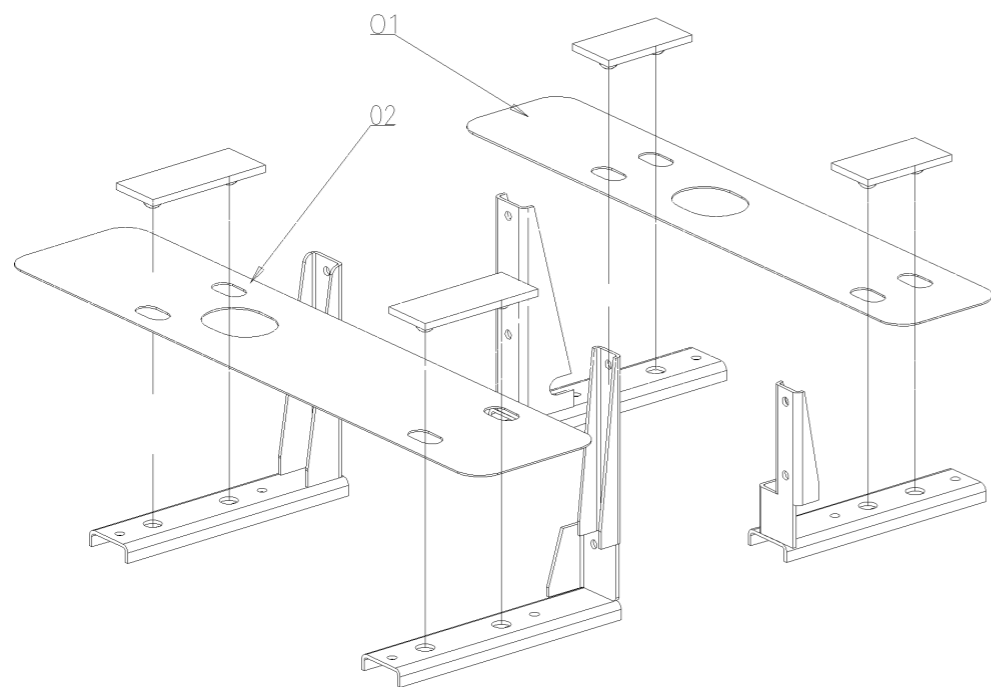


## A60.91.901.4\_3 后配重总成 REAR BALLAST ASSY

| 序号 | 零件编号                 | 零件名称              | 数量 | 图号                      |
|----|----------------------|-------------------|----|-------------------------|
| 1  | GBT6170-M16-A3L      | 螺母 NUT            | 6  | GBT6170-M16-A3L         |
| 2  | GBT93-16-A3L         | 垫圈 WASHER         | 12 | GBT93-16-A3L            |
| 3  | A60.91.003.0         | 配重螺栓 BALLAST BOLT | 6  | A60.91.003.0            |
| 4  | A60.91.001.0/10      | 后配重 REAR BALLAST  | 2  | A60.91.001.0/10         |
| 5  | SH900.91.105         | 垫圈 WASHER         | 6  | SH900.91.105            |
| 6  | GBT5783-M16X35-10.9- | 螺栓 BOLT           | 6  | GBT5783-M16X35-10.9-A3L |

# A63.50.900.4 FUEL TANK PROTECTION ASSEMBLY

YFB-R-2017-001 SH.041

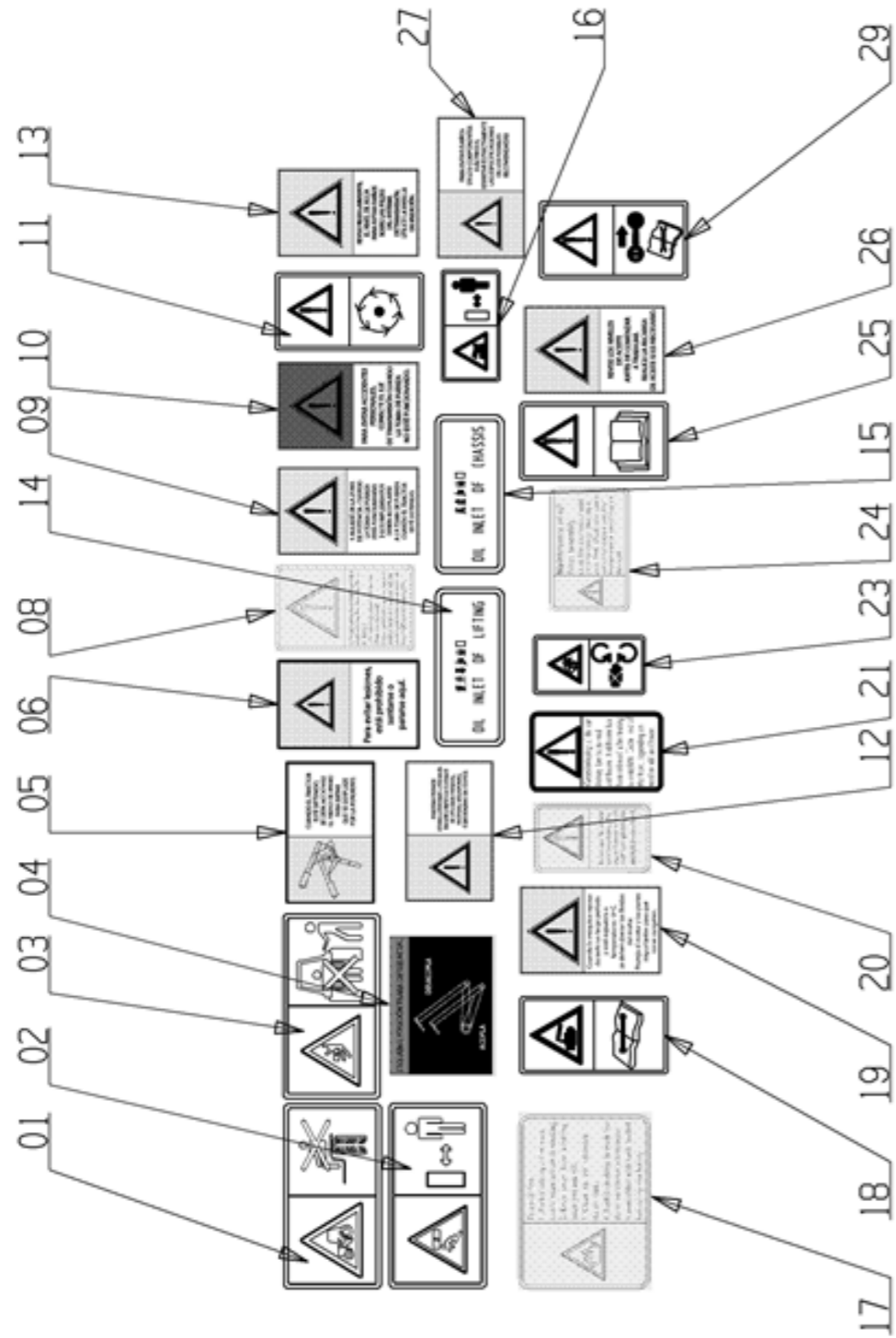


## A63.50.900.4\_1 油箱防护板

| 序号 | 零件编号         | 零件名称                       | 数量 | 图号           |
|----|--------------|----------------------------|----|--------------|
| 1  | A63.50.002.0 | 右防护板 RH BELT PROTECTION    | 1  | A63.50.002.0 |
| 2  | A63.50.001.0 | 左防护板 LEFT PROTECTION PLATE | 1  | A63.50.001.0 |

# A73.51.902.4 UNIVERSAL LABELS ASSEMBLY

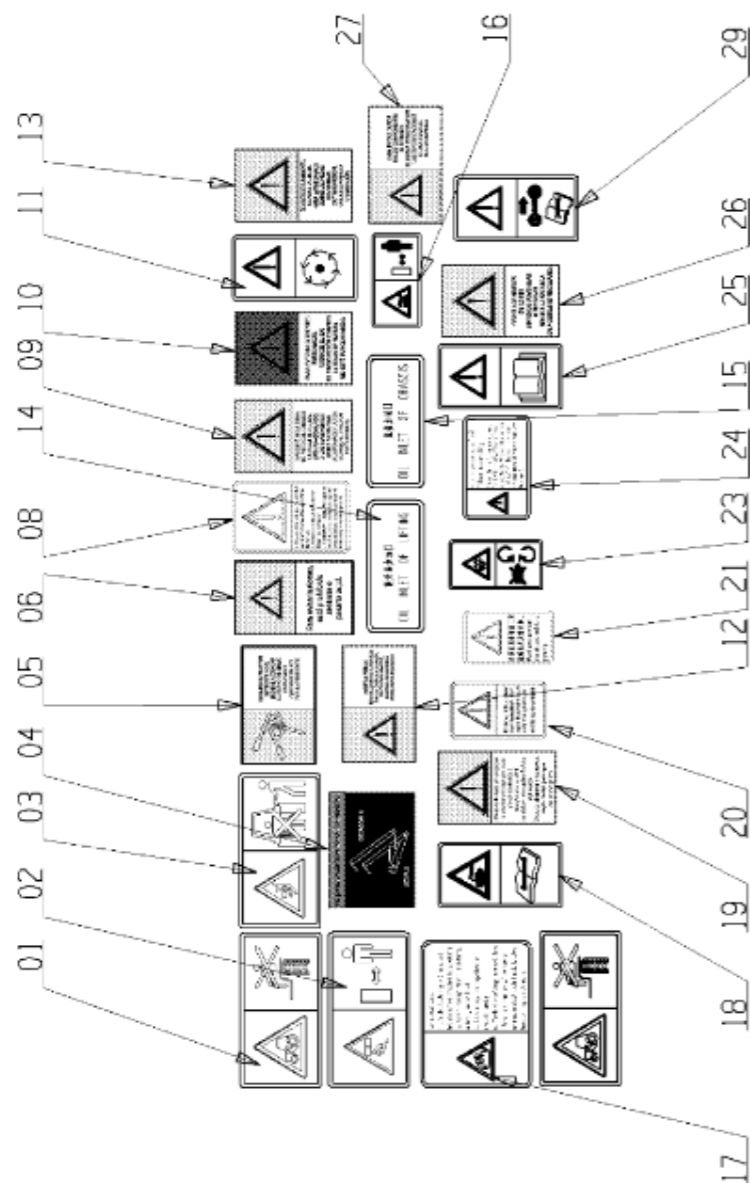
YFB-S-2017-011 SH.002



## A73.51.902.4\_0 通用标识 UNIVERSAL LABELS ASS.Y

| 序号 | 零件编号            | 零件名称                      | 数量 | 图号              |
|----|-----------------|---------------------------|----|-----------------|
| 1  | SH900.51.136    | 挡泥板禁止乘坐标识 FORBIDDEN       | 1  | SH900.51.136    |
| 2  | SH900.51.132    | 安全警告标识 SAFETY WARNING     | 1  | SH900.51.132    |
| 3  | SH900.51.135    | 安全警告标识 SAFETY WARNING     | 1  | SH900.51.135    |
| 4  | A73.51.020.0    | 差速锁标识 DIFFERENTIAL LOCK   | 1  | A73.51.020.0    |
| 5  | A73.51.008.0    | 手制动标识 HAND BRAKE LABEL    | 1  | A73.51.008.0    |
| 6  | A73.51.011.0    | 后横板安全标识 SAFETY MARKING    | 1  | A73.51.011.0    |
| 8  | B61.51.009.0/10 | 动力输出安全标识 IV POWER         | 1  | B61.51.009.0/10 |
| 9  | A73.51.018.0    | 动力输出安全标识2 POWER OUTPUT    | 1  | A73.51.018.0    |
| 10 | A73.51.017.0    | 动力输出安全标识 PTO SAFETY LABEL | 1  | A73.51.017.0    |
| 11 | SH900.51.118    | 动力输出安全标识II POWER OUTPUT   | 1  | SH900.51.118    |
| 12 | A73.51.001.0    | 限位销安全标识 LIMIT PIN SAFETY  | 1  | A73.51.001.0    |
| 13 | A73.51.013.0    | 传动液位检测标识 TRANSMISSION     | 1  | A73.51.013.0    |
| 14 | SH900.51.153    | 提升器加油口标识 LIFT OIL INLET   | 1  | SH900.51.153    |
| 15 | SH900.51.154    | 底盘加油口标识 CHASSIS OIL INLET | 1  | SH900.51.154    |
| 16 | SH900.51.152    | 高温防烫标识(小) HIGH            | 1  | SH900.51.152    |
| 17 | SH900.51B.112   | 加油防火标识 FUEL FIRE          | 1  | SH900.51B.112   |
| 18 | SH900.51.122    | 蓄电池安全标识 BATTERY SAFETY    | 1  | SH900.51.122    |
| 19 | A73.51.016.0    | 冷却系统标识 COOLING SYSTEM     | 1  | A73.51.016.0    |
| 20 | B61.51.010.0    | 水箱口防烫标识 HOT PREVENTION    | 1  | B61.51.010.0    |
| 21 | SH900.51B.131   | 注意标识 ATTENTION LABEL      | 1  | SH900.51B.131   |
| 23 | SH900.51.125    | 安全警告标识 SAFETY WARNING     | 1  | SH900.51.125    |
| 24 | SH900.51B.102   | 吸油滤清器保养标识 FUEL SUCTION    | 1  | SH900.51B.102   |
| 25 | SH900.51.130    | 阅读说明书 READ THE            | 1  | SH900.51.130    |
| 26 | A73.51.012.0    | 制动转向油箱油位安全标识 STEERING     | 1  | A73.51.012.0    |
| 27 | A73.51.010.0    | 保险丝安全标识 FUSE SAFETY LABEL | 1  | A73.51.010.0    |
| 29 | SH900.51.138    | 安全警告标识 I SAFETY WARNING   | 1  | SH900.51.138    |





### A73.51.902.4\_2 通用标识 UNIVERSAL LABELS ASS.Y

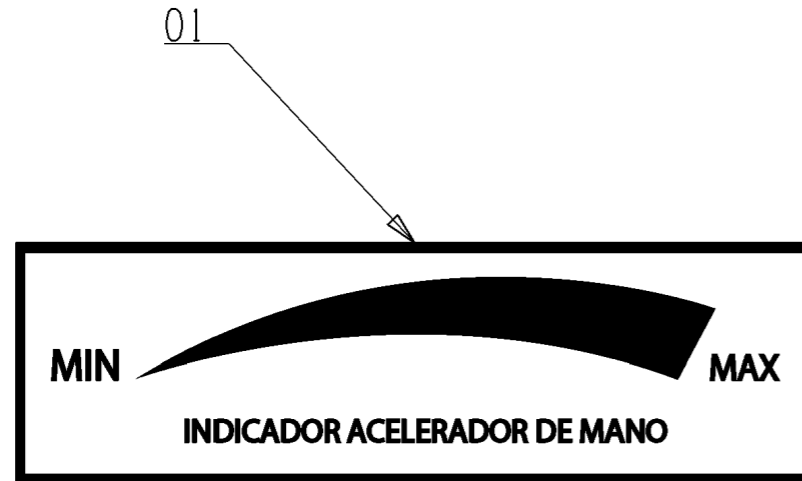
| 序号 | 零件编号            | 零件名称                      | 数量 | 图号              |
|----|-----------------|---------------------------|----|-----------------|
| 1  | SH900.51.136    | 挡泥板禁止乘坐标识 WARNING         | 2  | SH900.51.136    |
| 2  | SH900.51.132    | 安全警告标识 WARNING PLATE      | 1  | SH900.51.132    |
| 3  | SH900.51.135    | 安全警告标识 WARNING PLATE      | 1  | SH900.51.135    |
| 4  | A73.51.020.0    | 差速锁标识 DIFFERENTIAL LOCK   | 1  | A73.51.020.0    |
| 5  | A73.51.008.0    | 手制动标识 HAND BRAKE LABEL    | 1  | A73.51.008.0    |
| 6  | A73.51.011.0    | 后横板安全标识 REAR TRANSVERSE   | 1  | A73.51.011.0    |
| 8  | B61.51.009.0/10 | 动力输出安全标识 PTO SAFETY       | 1  | B61.51.009.0/10 |
| 9  | A73.51.018.0    | 动力输出安全标识2 PTO SAFETY      | 1  | A73.51.018.0    |
| 10 | A73.51.017.0    | 动力输出安全标识 PTO SAFETY       | 1  | A73.51.017.0    |
| 11 | SH900.51.118    | 动力输出安全标识 PTO SAFETY       | 1  | SH900.51.118    |
| 12 | A73.51.001.0    | 限位销安全标识 LIMIT PIN SAFETY  | 1  | A73.51.001.0    |
| 13 | A73.51.013.0    | 传动液位检测标识 TRANSMISSION     | 1  | A73.51.013.0    |
| 14 | SH900.51.153    | 提升器加油口标识 LIFT REFUELING   | 1  | SH900.51.153    |
| 15 | SH900.51.154    | 底盘加油口标识(强压) CHASSIS       | 1  | SH900.51.154    |
| 16 | SH900.51.152    | 高温防烫标识(小) HIGH            | 1  | SH900.51.152    |
| 17 | SH900.51B.112   | 机油防火标识 SECURITY           | 1  | SH900.51B.112   |
| 18 | SH900.51.122    | 蓄电池标识 BATTERY LOGO        | 1  | SH900.51.122    |
| 19 | A73.51.016.0    | 冷却系统标识 COOLING SYSTEM     | 1  | A73.51.016.0    |
| 20 | B61.51.010.0    | 水箱口防烫标识 RADIATOR ANTI-    | 1  | B61.51.010.0    |
| 21 | A11.51.004.0    | 冷却系统标签 COOLING SYSTEM     | 1  | A11.51.004.0    |
| 23 | SH900.51.125    | 安全警告标识VII SAFETY LOGO VII | 1  | SH900.51.125    |
| 24 | SH900.51B.102   | 吸油滤清器保养标识 SECURITY        | 1  | SH900.51B.102   |
| 25 | SH900.51.130    | 阅读说明书标识 READING           | 1  | SH900.51.130    |
| 26 | A73.51.012.0    | 制动转向油箱油位安全标识 OIL TANK     | 1  | A73.51.012.0    |
| 27 | A73.51.010.0    | 保险丝安全标识 FUSE SAFETY       | 1  | A73.51.010.0    |
| 29 | SH900.51.138    | 安全警告标识 SAFETY WARNING     | 1  | SH900.51.138    |

# A73.51.904.4 HAND THROTTLE LABELS ASSEMBLY

## A73.51.904.4\_1 手油门标识总成 THROTTLE LABELS ASSEMBLY

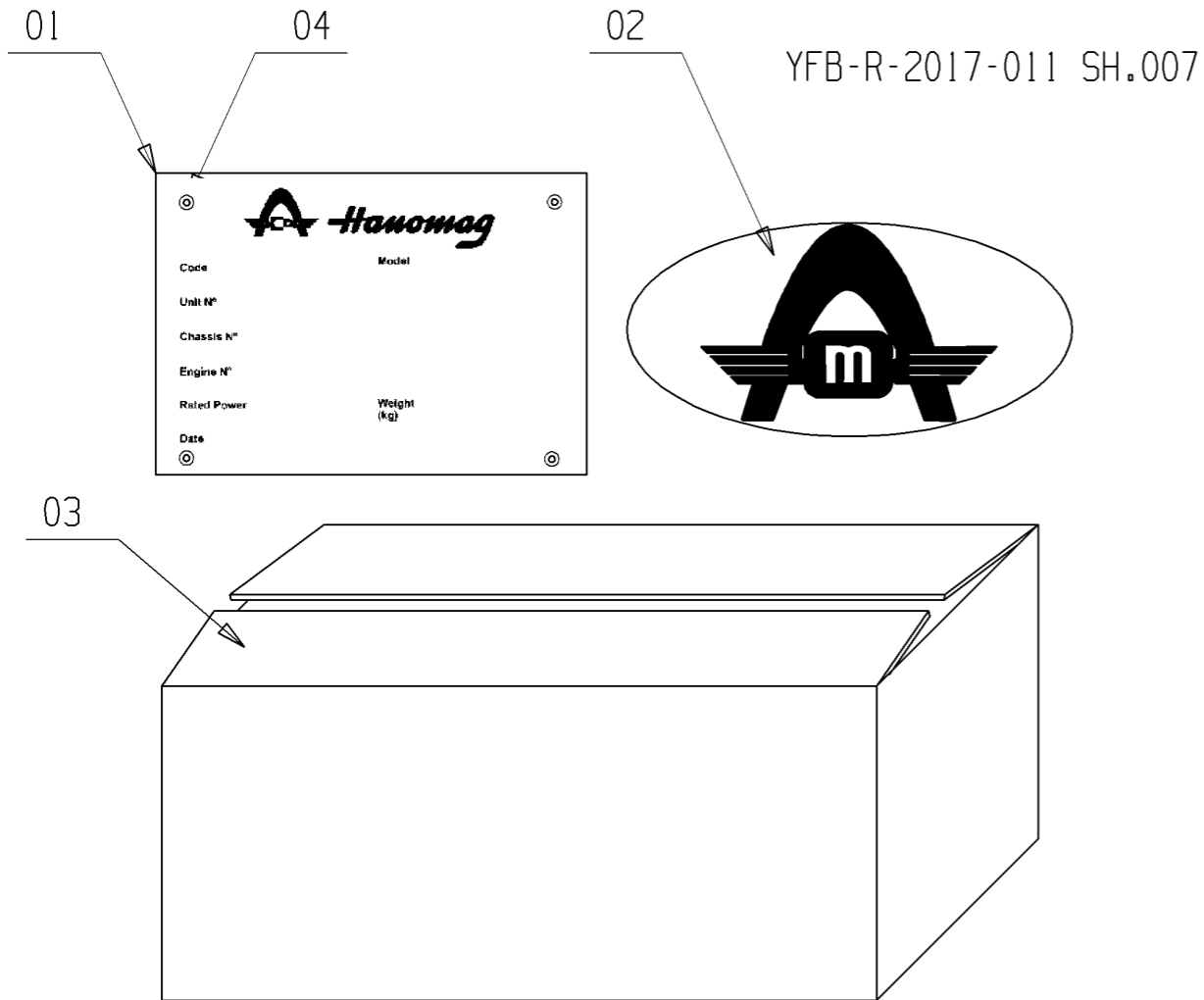
| 序号 | 零件编号         | 零件名称                  | 数量 | 图号           |
|----|--------------|-----------------------|----|--------------|
| 1  | A73.51.004.0 | 手油门标识 HANDLE THROTTLE | 1  | A73.51.004.0 |

YFB-R-2017-011 SH.007



# A73.51.905.4 NAMEPLATE LABELS ASSEMBLY

# A73.51.905.4\_0 铭牌标识 NAMEPLATE LABELS ASS.Y



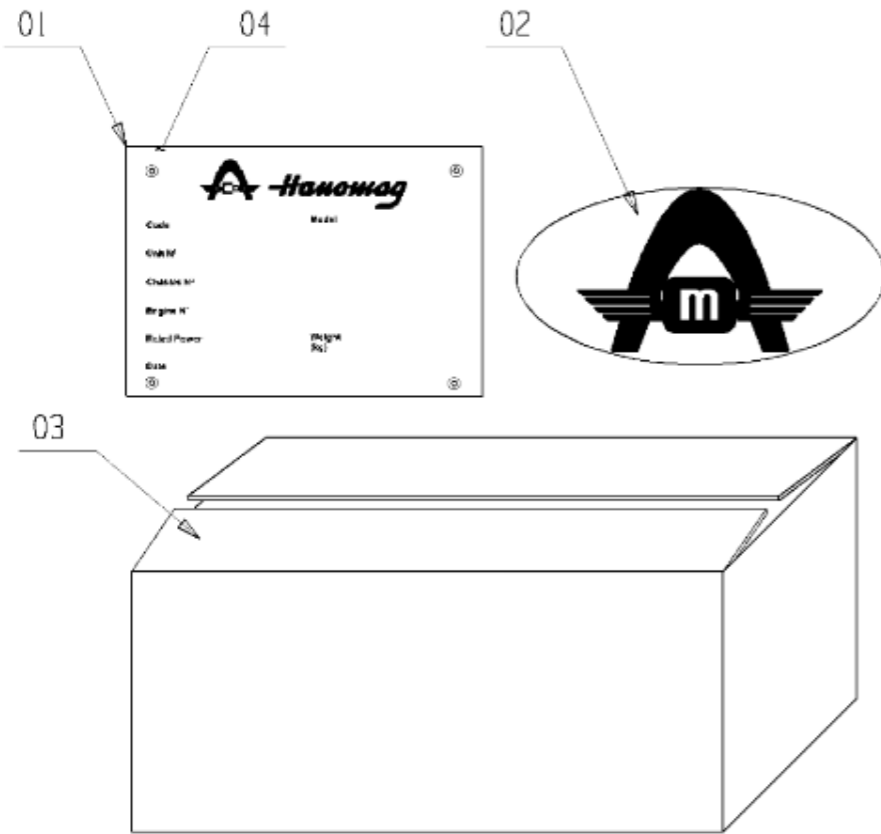
| 序号 | 零件编号            | 零件名称            | 数量 | 图号              |
|----|-----------------|-----------------|----|-----------------|
| 1  | A59.51.001.0/10 | 产品铭牌 ID LABEL   | 1  | A59.51.001.0/10 |
| 2  | A59.51.002.0    | 前标 FRONT LOGO   | 1  | A59.51.002.0    |
| 3  | B61.51.006.0    | 包装箱 PACKAGE BOX | 1  | B61.51.006.0    |
| 4  | GBT12618.1-3X15 | 铆钉 BLIND RIVETS | 4  | GBT12618.1-3X15 |

|             |                |          |
|-------------|----------------|----------|
| Rev.        | Facile - Sheet | di - di" |
| 2           | 1              | 1        |
| Validato il | IM             | P        |
| 20/07/2022  |                |          |

YFB-R-2017-011 SH.089

**A73.51.905.4\_2 铭牌标识 NAMEPLATE LABELS ASS.Y**

| 序号 | 零件编号            | 零件名称                    | 数量 | 图号              |
|----|-----------------|-------------------------|----|-----------------|
| 1  | A59.51.001.0/20 | 产品铭牌 PRODUCTS NAMEPLATE | 1  | A59.51.001.0/20 |
| 2  | A59.51.002.0    | 前标 FRONT LOGO           | 1  | A59.51.002.0    |
| 3  | B61.51.006.0    | 包装箱 PACKAGE BOX         | 1  | B61.51.006.0    |
| 4  | GBT12618.1-3X15 | 铆钉 RIVET                | 4  | GBT12618.1-3X15 |



# A73.51.906.4 LIFTER COMMOND LABEL

## A73.51.906.4\_0 提升操纵标识 LIFTER COMMOND LABEL

| 序号 | 零件编号         | 零件名称                   | 数量 | 图号           |
|----|--------------|------------------------|----|--------------|
| 1  | A73.51.005.0 | 提升器操纵标识 LIFTER CONTROL | 2  | A73.51.005.0 |

YFB-R-2017-011 SH.007

01



# A73.51.907.4 PTO COMMAND LABEL

## A73.51.907.4\_0 动力输出操纵标识 PTO COMMAND LABEL

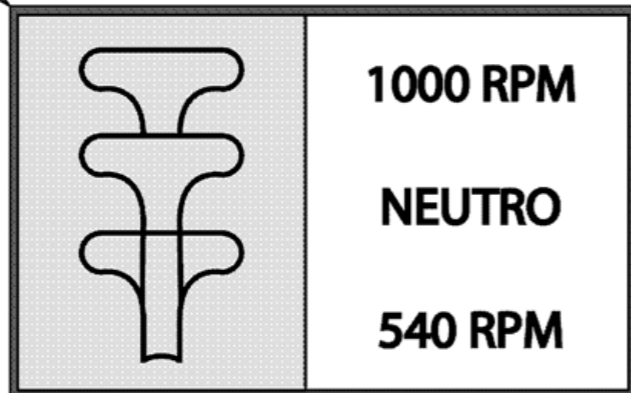
| 序号 | 零件编号         | 零件名称                   | 数量 | 图号           |
|----|--------------|------------------------|----|--------------|
| 1  | A73.51.019.0 | 动力输出安全标识3 POWER OUTPUT | 1  | A73.51.019.0 |
| 2  | A76.51.001.0 | 动力输出操纵标识 PTO LABEL     | 1  | A76.51.001.0 |

YFB-R-2017-011 SH.007

01



02

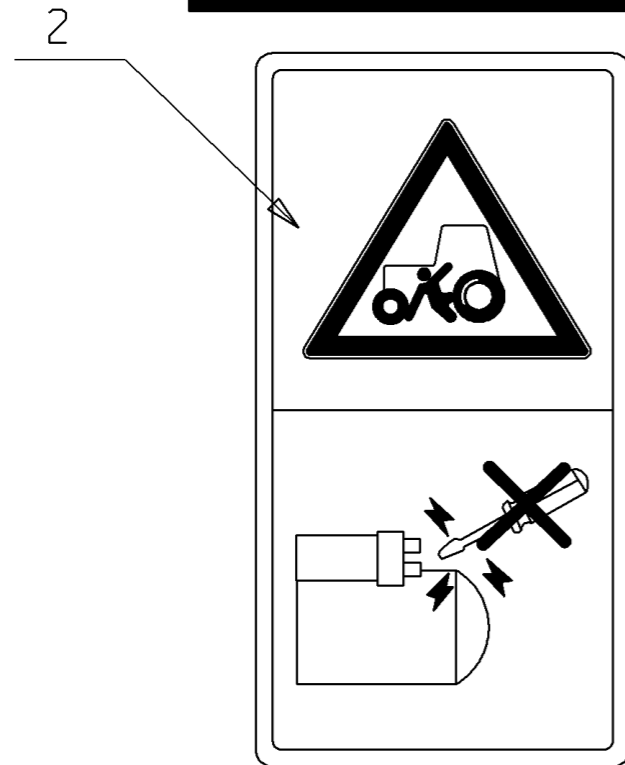
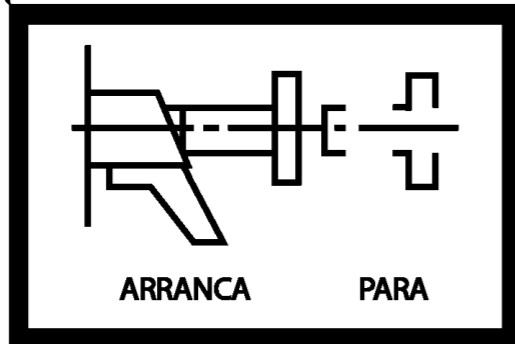


# A73.51.908.4 START AND STOP LABEL

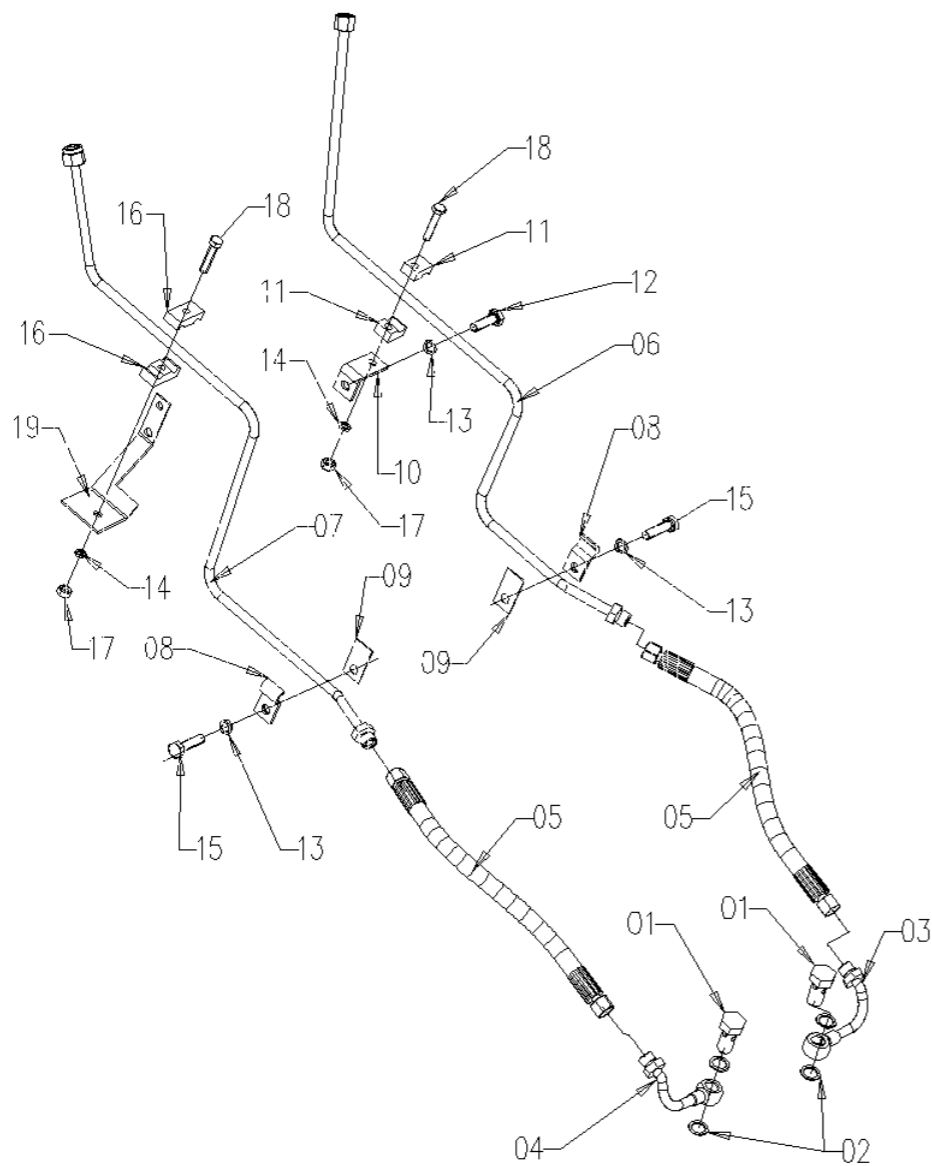
## A73.51.908.4\_0 熄火、安全启动标识 START AND STOP LABEL

| 序号 | 零件编号         | 零件名称                    | 数量 | 图号           |
|----|--------------|-------------------------|----|--------------|
| 1  | A73.51.015.0 | 熄火拉线操作标识 FLAMEOUT CABLE | 1  | A73.51.015.0 |
| 2  | SH900.51.124 | 安全启动标识 STARTING SAFETY  | 1  | SH900.51.124 |

1 YFB-R-2017-011 SH.007



# A76.40.905.4 STEERING DELIVERY PIPE ASS.Y

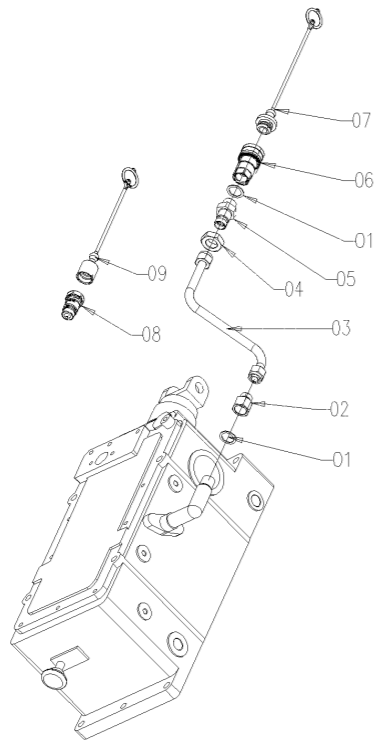


## A76.40.905.4\_0 转向输油管总成 STEERING DELIVERY PIPE ASS.Y

| 序号 | 零件编号            | 零件名称                      | 数量 | 图号              |
|----|-----------------|---------------------------|----|-----------------|
| 1  | SH404.40.120    | 空心螺栓 FITTING M16x1.5      | 2  | SH404.40.120    |
| 2  | 2.1560.012.0    | 组合密封垫圈 SEALING RING       | 4  | 2.1560.012.0    |
| 3  | SH404A.40.023   | 油缸左硬管焊合件 OIL CYLINDER     | 1  | SH404A.40.023   |
| 4  | SH404A.40.024   | 油缸右硬管焊合件 OIL CYLINDER     | 1  | SH404A.40.024   |
| 5  | SH404.40.022    | 油缸右出油软管总成 LEFT OIL        | 2  | SH404.40.022    |
| 6  | CD404.40.013    | 左输油钢管总成 LEFT OIL DELIVERY | 1  | CD404.40.013    |
| 7  | CD404.40.012    | 右输油钢管总成1 RIGHT OIL        | 1  | CD404.40.012    |
| 8  | CD404.40.014/10 | 单孔管夹组件 SINGLE-HOLE PIPE   | 2  | CD404.40.014/10 |
| 9  | CD404.40.015/10 | 油管支架组件 OIL PIPE TRESTLE   | 2  | CD404.40.015/10 |
| 10 | CD404.40.106    | 左输油管支架 LEFT OIL DELIVERY  | 1  | CD404.40.106    |
| 11 | CD304.40.130    | 夹 CLIP                    | 2  | CD304.40.130    |
| 12 | 2.0114.313.2    | M10x35螺钉 SCREW M10x35     | 1  | 2.0114.313.2    |
| 13 | GBT93-10-A3L    | 垫圈 WASHER                 | 3  | GBT93-10-A3L    |
| 14 | GBT93-8-A3L     | 垫圈 WASHER                 | 2  | GBT93-8-A3L     |
| 15 | 2.0114.315.2    | M10x40螺钉 SCREW M10x40     | 2  | 2.0114.315.2    |
| 16 | SH900.40.112    | 双孔夹 DOUBLE CLIP           | 2  | SH900.40.112    |
| 17 | 2.1011.105.2    | M8x1.25螺母 NUT M8x1.25     | 2  | 2.1011.105.2    |
| 18 | 2.0114.215.2    | M8x40螺钉 SCREW M8x40       | 2  | 2.0114.215.2    |
| 19 | CD404.40.113    | 右支架 RIGHT BRACKET         | 1  | CD404.40.113    |



A76.58.901.4 SIMPLE HYDRAULIC OUTPUT SYSTEM ASS.

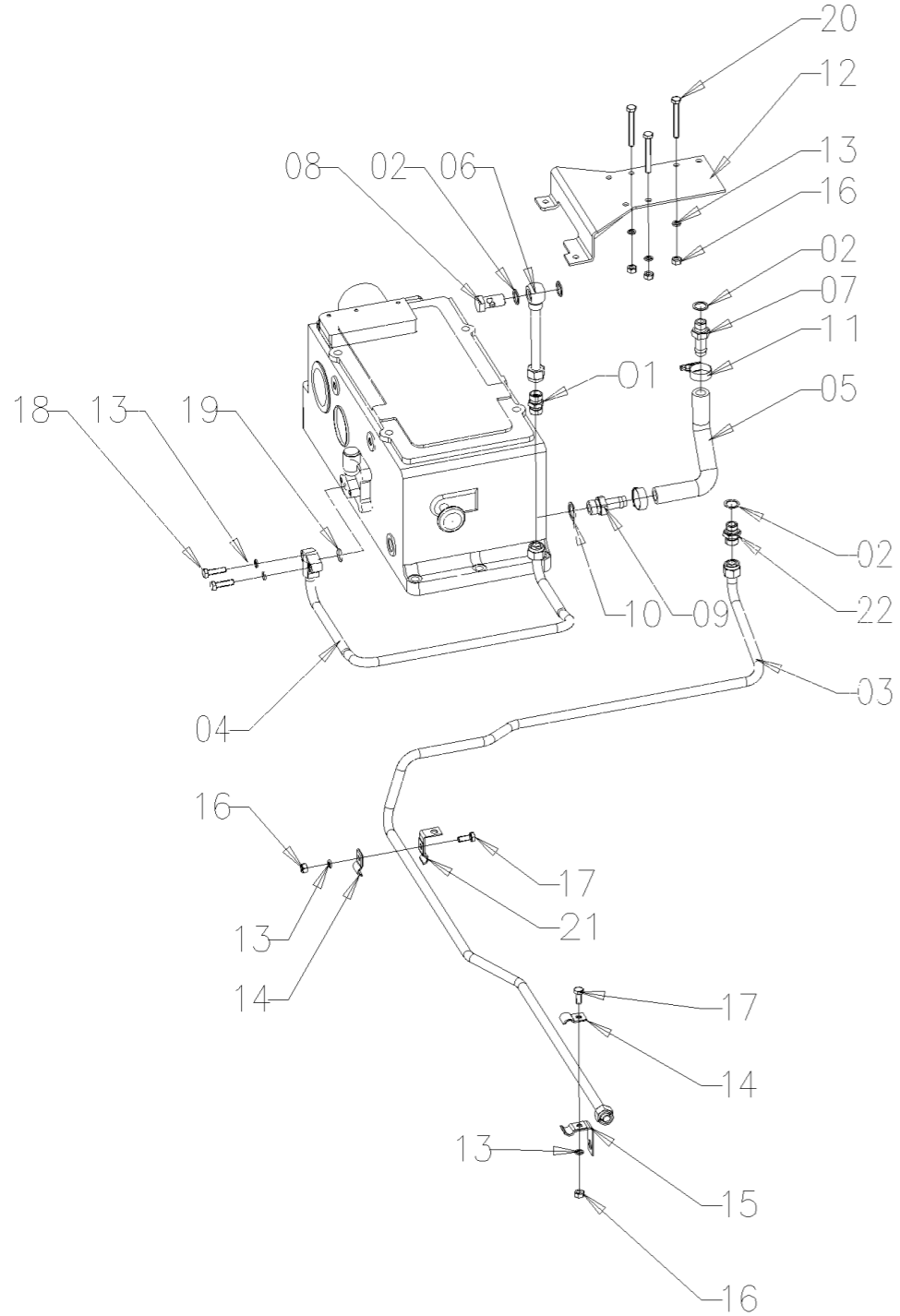


A76.58.901.4\_0 简单液压输出总成 Simple hydraulic output assembly

| 序号 | 零件编号                | 零件名称                    | 数量 | 图号                  |
|----|---------------------|-------------------------|----|---------------------|
| 1  | A73.58.002.0        | 快换阴接头总成 F.QUICK COUPLER | 1  | A73.58.002.0        |
| 2  | A73.58.004.0        | 快换阴接头盖 F.QUICK COUPLER  | 1  | A73.58.004.0        |
| 3  | A73.58.003.0        | 快换阳接头总成 M.QUICK COUPLER | 1  | A73.58.003.0        |
| 4  | A73.58.005.0        | 快换阳接头盖 M.QUICK COUPLER  | 1  | A73.58.005.0        |
| 5  | 2.1560.018.0        | 垫圈22 WASHER             | 1  | 2.1560.018.0        |
| 6  | CD554.58.111        | 快换接头连接头 JOINT           | 1  | CD554.58.111        |
| 7  | GBT6173-M22X1.5-A3L | 螺母 NUT                  | 1  | GBT6173-M22X1.5-A3L |
| 8  | CD404.58.013        | 简单液压输出油管总成 OUTLET PIPE  | 1  | CD404.58.013        |
| 9  | CD554.58.113        | 卡套接头 卡套接头               | 1  | CD554.58.113        |

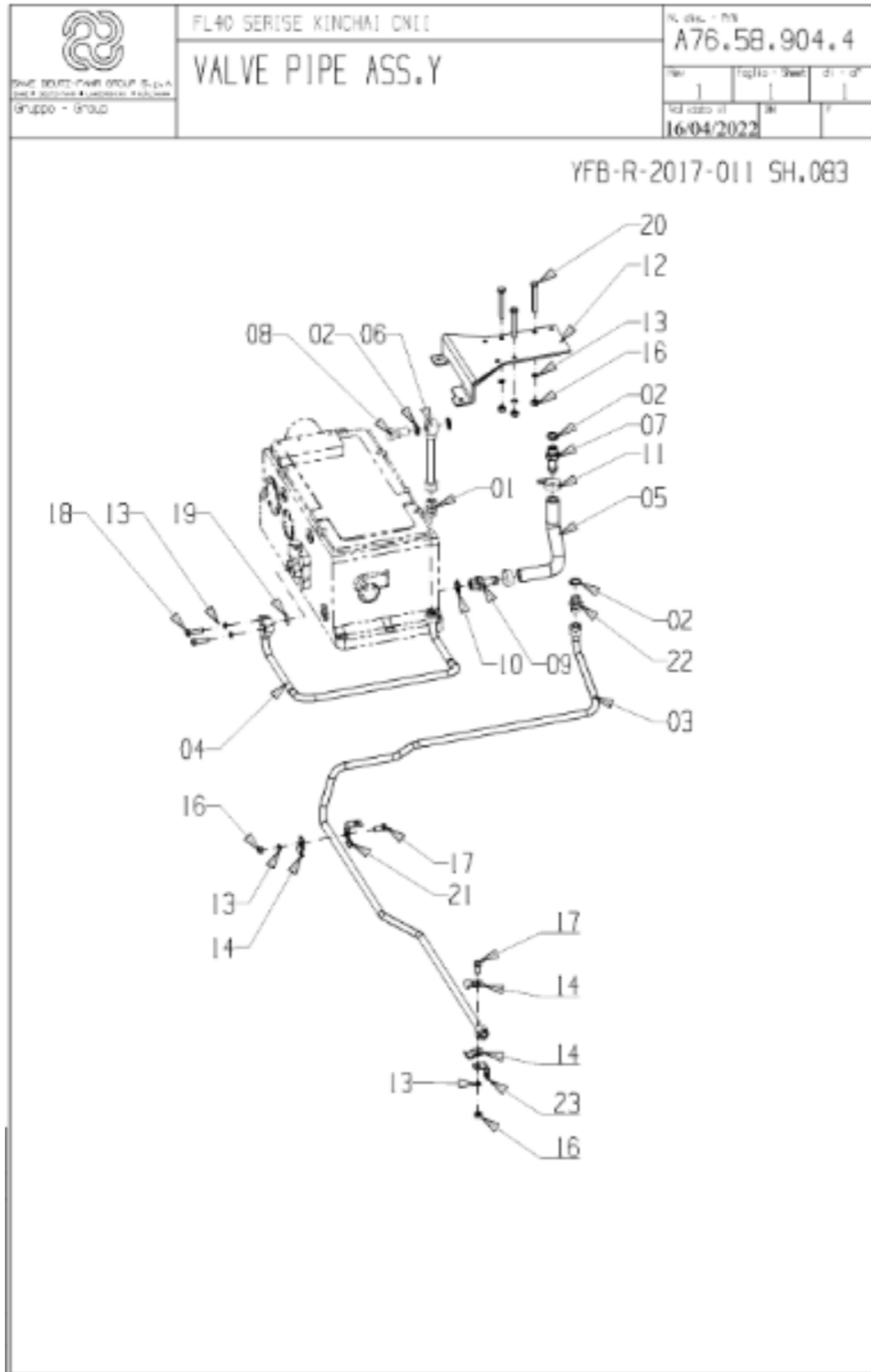
# A76.58.904.4 VALVE PIPE ASS.Y

YFB-R-2017-011 SH.065



## A76.58.904.4\_0 多路阀油管总成 (1路输出) SPOOL VALVE BASIC PIPE ASS.Y

| 序号 | 零件编号                | 零件名称                     | 数量 | 图号                  |
|----|---------------------|--------------------------|----|---------------------|
| 1  | GBT3737.2-83-G14    | 管接头 FITTING              | 1  | GBT3737.2-83-G14    |
| 2  | 2.1560.014.0        | 密封垫圈 SEALING RING        | 4  | 2.1560.014.0        |
| 3  | A46.58.001.3        | 阀进油管焊合 VALVE INLET PIPE  | 1  | A46.58.001.3        |
| 4  | CD554.581.014/10    | 提升器进油管焊合 LIFT INLET PIPE | 1  | CD554.581.014/10    |
| 5  | CD554.581.101       | 回油管 OIL RETURN PIPE      | 1  | CD554.581.101       |
| 6  | CD554.583.013       | 多路阀中间油管焊合 VALVE MIDDLE   | 1  | CD554.583.013       |
| 7  | CD554.583.021-1     | 回油管焊合 RETURN PIPE        | 1  | CD554.583.021-1     |
| 8  | CD554.583.130       | 空心螺栓 HOLLOW BOLT         | 1  | CD554.583.130       |
| 9  | CD554.583.023       | 回油短管焊合2 RETURN PIPR      | 1  | CD554.583.023       |
| 10 | 2.1560.018.0        | 密封垫圈 SEALING RING        | 1  | 2.1560.018.0        |
| 11 | JBT8870-D32         | 喉箍 HOSE CLAMPS           | 2  | JBT8870-D32         |
| 12 | CD554.583.022-1     | 阀门支架 VALVE BRACKET       | 1  | CD554.583.022-1     |
| 13 | GBT93-8-A3L         | 垫圈 WASHER                | 7  | GBT93-8-A3L         |
| 14 | CD554.58.015        | 上油管夹与胶垫胶合2 UPPER CLIP    | 2  | CD554.58.015        |
| 15 | CD554.58.020        | 夹子组件 CLIP ASSY           | 1  | CD554.58.020        |
| 16 | 2.1011.105.2        | 螺母 NUT                   | 5  | 2.1011.105.2        |
| 17 | 2.0114.207.2        | 螺栓 BOLT                  | 2  | 2.0114.207.2        |
| 18 | 2.0114.211.2        | 螺栓 BOLT                  | 2  | 2.0114.211.2        |
| 19 | GBT3452.1-15X2.65-G | O型圈 O RING               | 1  | GBT3452.1-15X2.65-G |
| 20 | 2.0114.220.2        | 螺栓 BOLT                  | 3  | 2.0114.220.2        |
| 21 | CD554.58.014        | 上油管夹与胶垫胶合1 UPPER CLIP    | 1  | CD554.58.014        |
| 22 | GBT3733.2-83-G14    | 管接头 FITTING              | 1  | GBT3733.2-83-G14    |

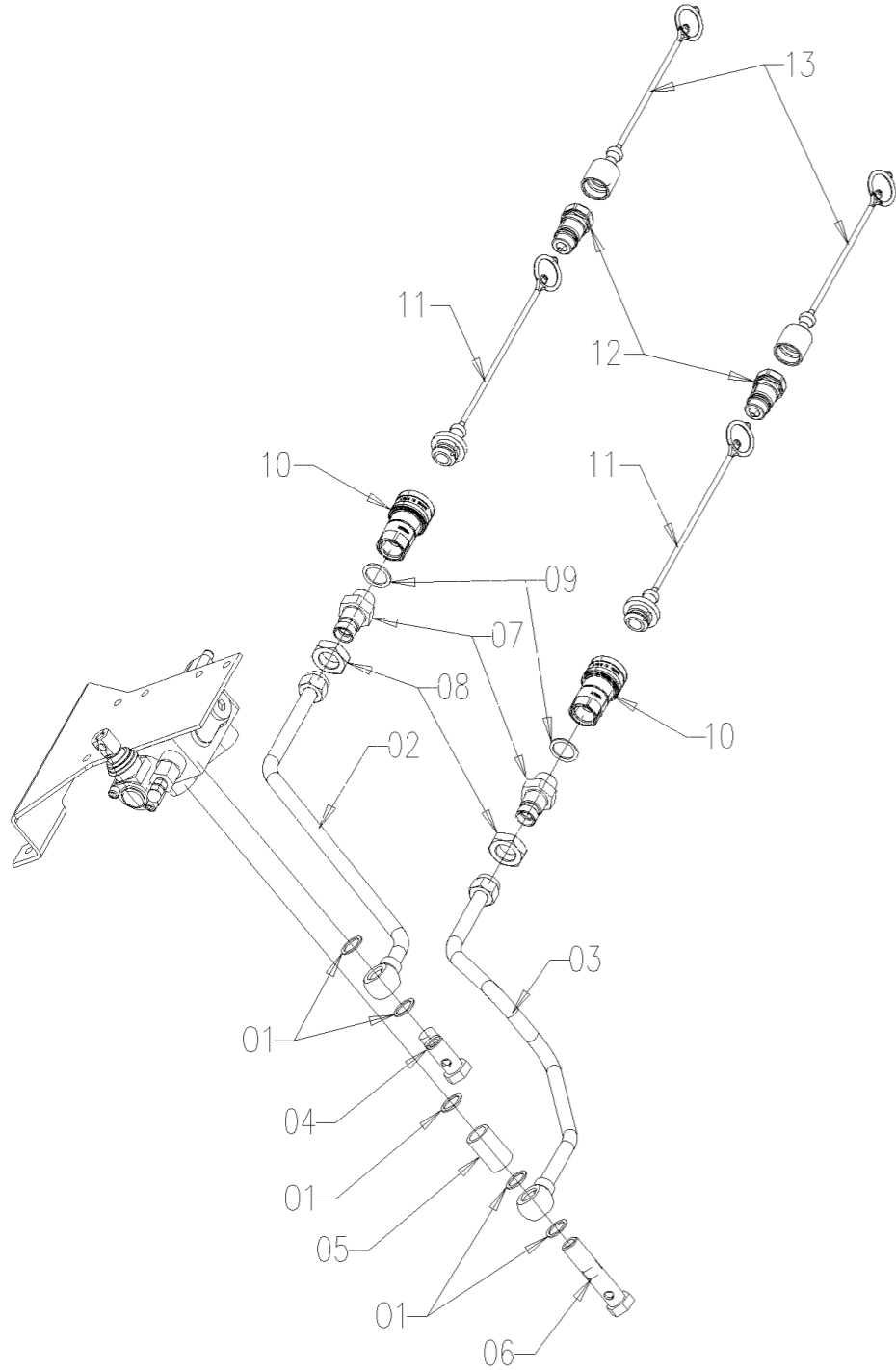


### A76.58.904.4\_1 多路阀油管总成 (1路输出) SPOOL VALVE BASIC PIPE ASS.Y

| 序号 | 零件编号                | 零件名称                     | 数量 | 图号                  |
|----|---------------------|--------------------------|----|---------------------|
| 1  | GBT3737.2-83-G14    | 接头 FITTING               | 1  | GBT3737.2-83-G14    |
| 2  | 2.1560.014.0        | 组合密封垫圈 SEALING RING      | 4  | 2.1560.014.0        |
| 3  | A46.58.001.3        | 阀进油管焊合 VALVE INLET PIPE  | 1  | A46.58.001.3        |
| 4  | CD554.581.014/10    | 提升器进油管焊合 LIFT INLET PIPE | 1  | CD554.581.014/10    |
| 5  | CD554.581.101       | 回油管 RETURN TUBE          | 1  | CD554.581.101       |
| 6  | CD554.583.013       | 多路阀中间油管焊合 VALVE MIDDLE   | 1  | CD554.583.013       |
| 7  | CD554.583.021-1     | 回油管焊合 RETURN PIPR        | 1  | CD554.583.021-1     |
| 8  | CD554.583.130       | 空心螺栓M18*1.5 HOLLOW BOLT  | 1  | CD554.583.130       |
| 9  | CD554.583.023       | 回油短管焊合2 RETURN PIPR      | 1  | CD554.583.023       |
| 10 | 2.1560.018.0        | 组合密封圈 SEALING RING       | 1  | 2.1560.018.0        |
| 11 | JBT8870-D32         | 软管夹H HOSE CLAMPS         | 2  | JBT8870-D32         |
| 12 | CD554.583.022-1     | 阀门支架 VALVE BRACKET       | 1  | CD554.583.022-1     |
| 13 | GBT93-8-A3L         | 垫圈 WASHER                | 7  | GBT93-8-A3L         |
| 14 | CD554.58.015        | 上油管夹与胶垫胶合2 UPPER CLIP    | 3  | CD554.58.015        |
| 16 | 2.1011.105.2        | 螺母 NUT M8x1.25           | 5  | 2.1011.105.2        |
| 17 | 2.0114.207.2        | 螺丝钉 SCREW M8x20          | 2  | 2.0114.207.2        |
| 18 | 2.0114.211.2        | 螺栓 SCREW M8x30           | 2  | 2.0114.211.2        |
| 19 | GBT3452.1-19X2.65-G | O形圈 O RING               | 1  | GBT3452.1-19X2.65-G |
| 20 | 2.0114.220.2        | 螺栓 SCREW M8x65           | 3  | 2.0114.220.2        |
| 21 | CD554.58.014        | 上油管夹与胶垫胶合1 UPPER CLIP    | 1  | CD554.58.014        |
| 22 | GBT3733.2-83-G14    | 管接头 FITTING              | 1  | GBT3733.2-83-G14    |
| 23 | B26.58.003.0        | 支架 BRACKET               | 1  | B26.58.003.0        |

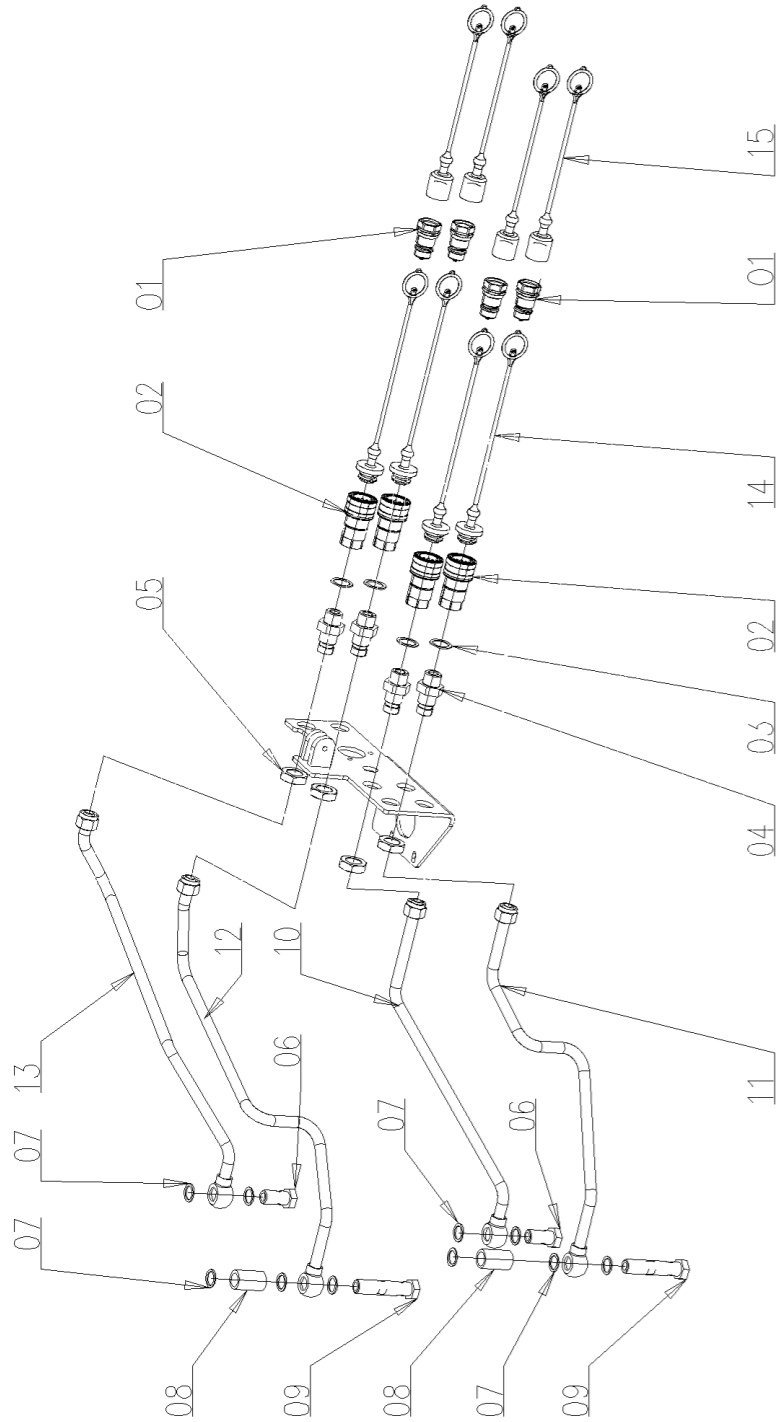
# A76.58.905.4 VALVE DELIVERY ASS.Y

## A76.58.905.4\_0 多路阀输出油管总成 VALVE DELIVERY ASS.Y



| 序号 | 零件编号                | 零件名称                          | 数量 | 图号                  |
|----|---------------------|-------------------------------|----|---------------------|
| 1  | 2.1560.014.0        | 组合密封垫圈 SEALING RING           | 5  | 2.1560.014.0        |
| 2  | CD554.583.017       | 多路阀输出油管总成3 VALVE OUTLET       | 1  | CD554.583.017       |
| 3  | CD554.583.018       | 多路阀输出油管总成4 VALVE OUTLET       | 1  | CD554.583.018       |
| 4  | CD554.583.130       | 空心螺栓 HOLLOW BOLT M18*1.5      | 1  | CD554.583.130       |
| 5  | CD554.583.113       | 隔套40 SLEEVE40                 | 1  | CD554.583.113       |
| 6  | CD554.583.114       | 空心螺栓 HOLLOW BOLT M18 ? 1.5-78 | 1  | CD554.583.114       |
| 7  | CD554.58.111        | 快换接头连接头 JOINT                 | 2  | CD554.58.111        |
| 8  | GBT6173-M22X1.5-A3L | 螺母 GBT6173-M22x1.5-A3L        | 2  | GBT6173-M22X1.5-A3L |
| 9  | 2.1560.018.0        | 组合密封垫圈 SEALING RING           | 2  | 2.1560.018.0        |
| 10 | A73.58.002.0        | 快速接头器 F. QUICK COUPLER        | 2  | A73.58.002.0        |
| 11 | A73.58.004.0        | 快速接头器盖 F. QUICK COUPLER       | 2  | A73.58.004.0        |
| 12 | A73.58.003.0        | 快速接头器 M. QUICK COUPLER        | 2  | A73.58.003.0        |
| 13 | A73.58.005.0        | 快速接头器盖 M. QUICK COUPLER       | 2  | A73.58.005.0        |

# A76.58.915.4 VALVE DELIVERY ASS.Y



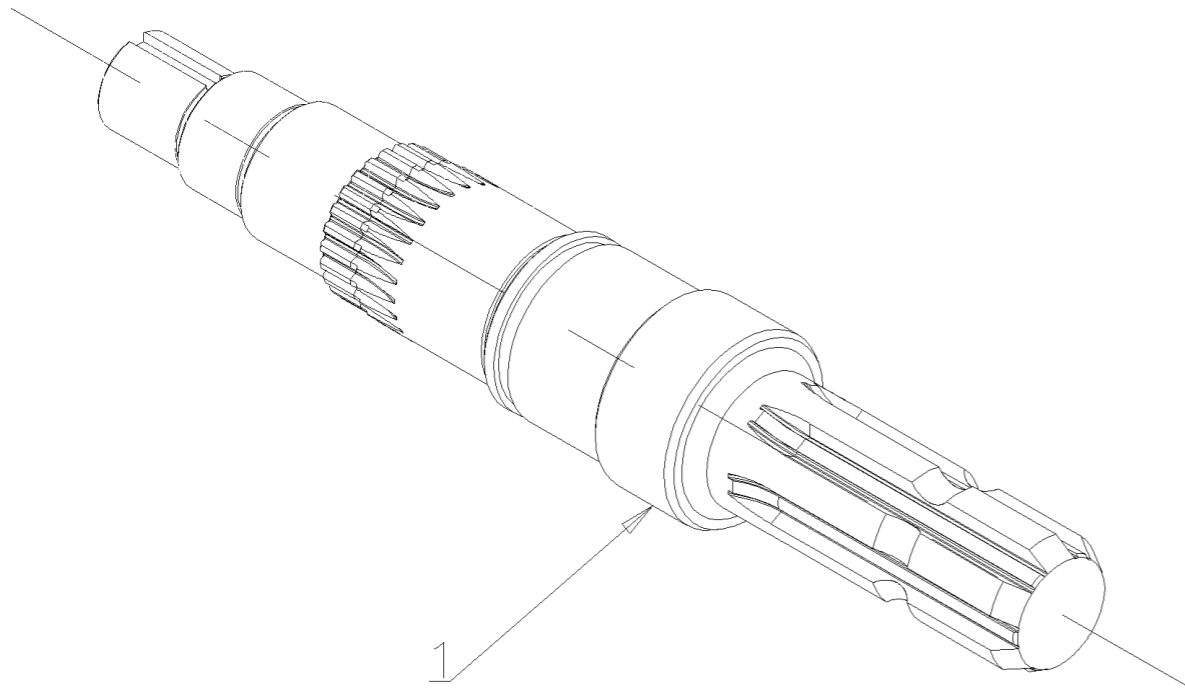
## A76.58.915.4\_0 多路阀输出油管总成 VALVE DELIVERY ASS.Y

| 序号 | 零件编号                | 零件名称                        | 数量 | 图号                  |
|----|---------------------|-----------------------------|----|---------------------|
| 1  | A73.58.003.0        | 快速接头器 M. QUICK COUPLER      | 4  | A73.58.003.0        |
| 2  | A73.58.002.0        | 快速接头器 F. QUICK COUPLER      | 4  | A73.58.002.0        |
| 3  | 2.1560.018.0        | 组合密封垫圈 SEALING RING         | 4  | 2.1560.018.0        |
| 4  | CD554.58.111        | 快换接头连接头 JOINT               | 4  | CD554.58.111        |
| 5  | GBT6173-M22X1.5-A3L | 螺母 GBT6173-M22x1.5-A3L      | 4  | GBT6173-M22X1.5-A3L |
| 6  | CD554.583.130       | 空心螺栓 HOLLOW BOLT M18*1.5    | 2  | CD554.583.130       |
| 7  | 2.1560.014.0        | 组合密封垫圈 SEALING RING         | 10 | 2.1560.014.0        |
| 8  | CD554.583.113       | 隔套40 SLEEVE40               | 2  | CD554.583.113       |
| 9  | CD554.583.114       | 空心螺栓 HOLLOW BOLT M18X1.5-78 | 2  | CD554.583.114       |
| 10 | CD554.583.017       | 多路阀输出油管总成3 VALVE OUTLET     | 1  | CD554.583.017       |
| 11 | CD554.583.018       | 多路阀输出油管总成4 VALVE OUTLET     | 1  | CD554.583.018       |
| 12 | CD554.583.020/10    | 多路阀输出油管总成6 VALVE            | 1  | CD554.583.020/10    |
| 13 | CD554.583.019/10    | 多路阀输出油管总成5 VALVE            | 1  | CD554.583.019/10    |
| 14 | A73.58.004.0        | 快速接头器 F. QUICK COUPLER      | 4  | A73.58.004.0        |
| 15 | A73.58.005.0        | 快速接头器 M. QUICK COUPLER      | 4  | A73.58.005.0        |

# A85.41.901.4 PTO SHAFT -6 KEYS

## A85.41.901.4\_0 PTO轴-6键 (整体式) PTO SFAFT -6 KEYS

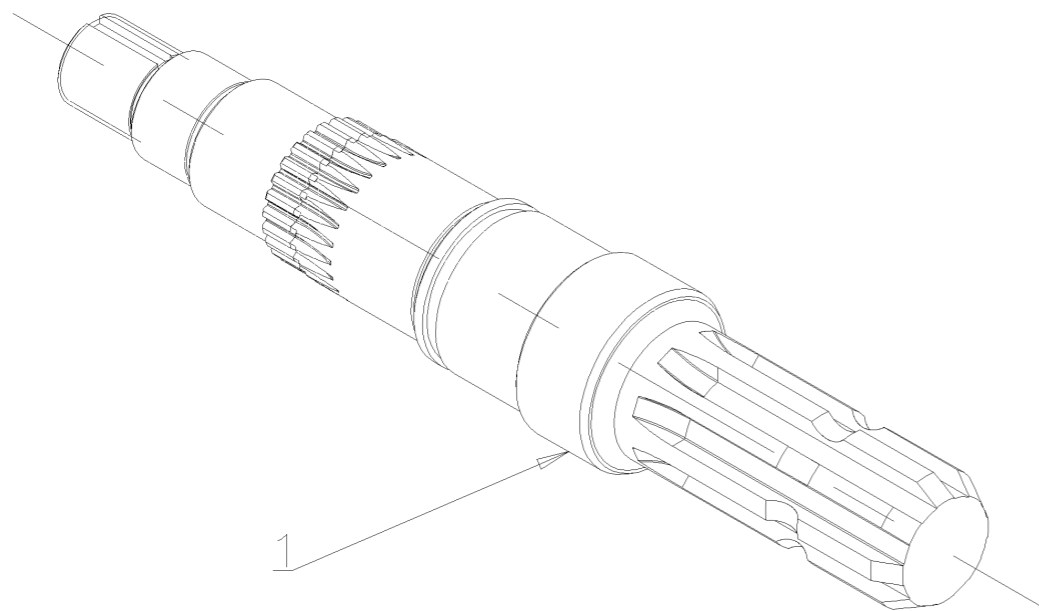
| 序号 | 零件编号          | 零件名称                        | 数量 | 图号            |
|----|---------------|-----------------------------|----|---------------|
| 1  | SH550.41.105A | 动力输出轴(6 TOOTH) PTO SHAFT (6 | 1  | SH550.41.105A |



# A85.41.902.4 PTO SHAFT -8 KEYS

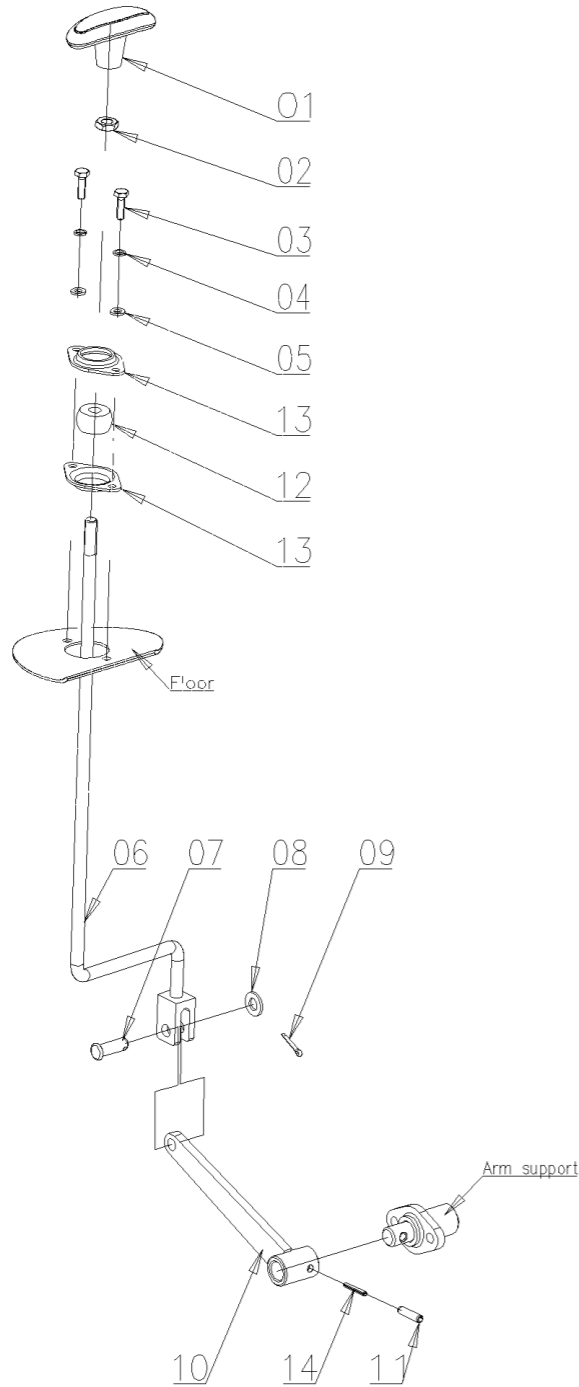
## A85.41.902.4\_0 PTO轴-8键 (整体式) PTO SFAFT -8KEYS

| 序号 | 零件编号         | 零件名称            | 数量 | 图号           |
|----|--------------|-----------------|----|--------------|
| 1  | SH550.41.105 | 动力输出轴 PTO SHAFT | 1  | SH550.41.105 |



# B02.41.900.4 PTO CONTROL (540/760)

YFB-R-2016-010 SH.051



## B02.41.900.4\_1 动力输出操纵总成 (540/760rpm) PTO CONTROL (540/760)

| 序号 | 零件编号              | 零件名称                         | 数量 | 图号                |
|----|-------------------|------------------------------|----|-------------------|
| 1  | A39.41.004.4/10   | 控制手柄 (540/760) P.T.O CONTROL | 1  | A39.41.004.4/10   |
| 2  | GBT6172.1-M10-A3L | 螺母 NUT                       | 1  | GBT6172.1-M10-A3L |
| 3  | GBT5783-M6X20-A2L | 螺栓 BOLT                      | 2  | GBT5783-M6X20-A2L |
| 4  | GBT93-6-A3L       | 垫圈 WASHER                    | 2  | GBT93-6-A3L       |
| 5  | GBT97.1-6-A3L     | 垫圈 WASHER                    | 2  | GBT97.1-6-A3L     |
| 6  | CD554.41.011/20   | 操纵杆焊件 OPERATING LEVER        | 1  | CD554.41.011/20   |
| 7  | GBT882-B10X28-A3L | 销 PIN                        | 1  | GBT882-B10X28-A3L |
| 8  | GBT97.1-10-A3L    | 垫圈 WASHER                    | 1  | GBT97.1-10-A3L    |
| 9  | GBT91-3.2X18-A3L  | 销 PIN                        | 1  | GBT91-3.2X18-A3L  |
| 10 | CD554.41.012-1    | 操作摇臂焊件 OPERATING             | 1  | CD554.41.012-1    |
| 11 | GBT879.1-6X26     | 销 PIN                        | 1  | GBT879.1-6X26     |
| 12 | LD800.41.104      | 导向套 GUIDE SLEEVE             | 1  | LD800.41.104      |
| 13 | SH404.42.114      | 导向套 GUIDE SLEEVE             | 2  | SH404.42.114      |
| 14 | GBT879.1-3.5X26   | 销 PIN                        | 1  | GBT879.1-3.5X26   |



B02.51.912.4 FIRST MAINTENANCE AND SCAN QR LABEL ASS.

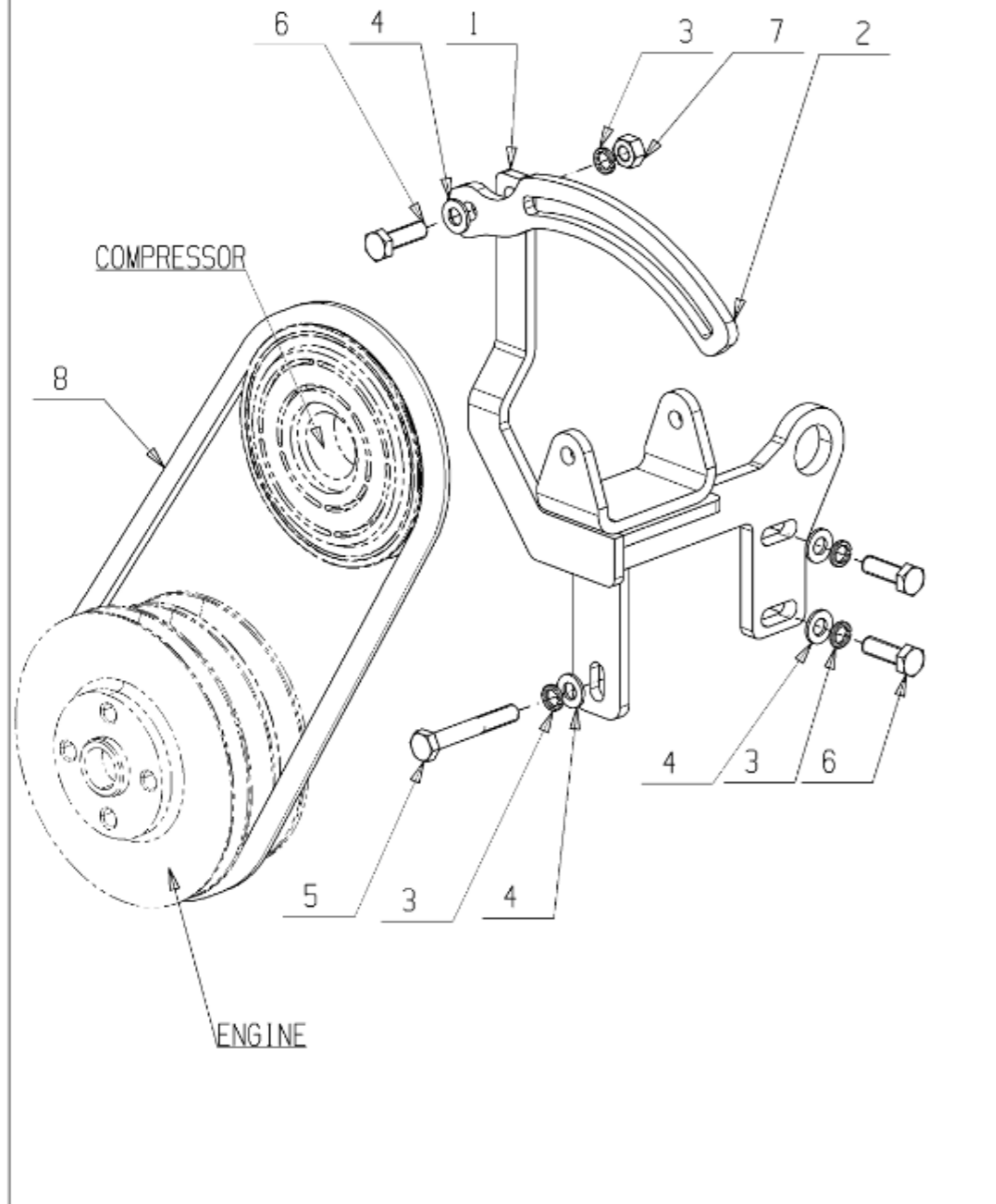
B02.51.912.4\_0 首次保养和扫码标识 FIRST MAINTENANCE AND SCAN QR LABEL ASS.

| 序号 | 零件编号            | 零件名称          | 数量 | 图号              |
|----|-----------------|---------------|----|-----------------|
| 1  | CD554.51.105/20 | 首次保养标识 首次保养标识 | 1  | CD554.51.105/20 |
| 2  | CD554.51.104/20 | 扫码标识 扫码标识     | 1  | CD554.51.104/20 |



|  |                            |                                    |
|--|----------------------------|------------------------------------|
| <br>DEUTZ-FAHR GROUP S.p.A.<br>Gruppo - Group | FL40 SERIES                | Fl. dis. - P/N<br>B11.10.902.4     |
|  | ENGINE AC COMPLETION ASS.Y | Rev: 1<br>Modific: 0<br>di - of: 1 |

YFB-R-2017-011 SH.089



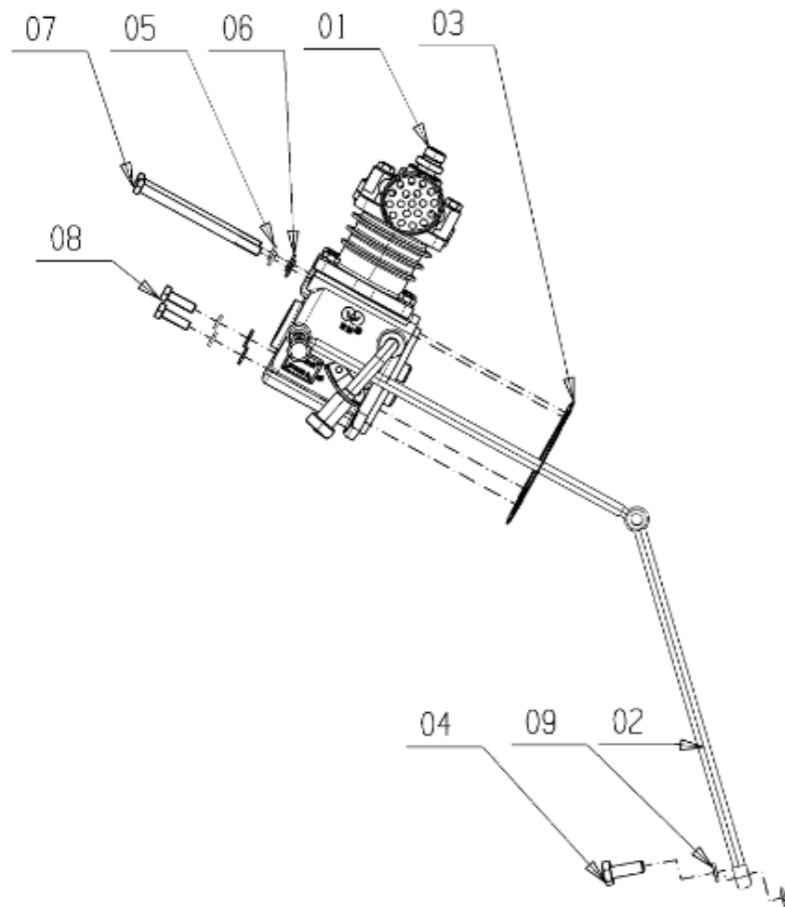
### B11.10.902.4\_1 空调支架安装总成 ENGINE AC COMPLETION ASS.Y

| 序号 | 零件编号            | 零件名称                   | 数量 | 图号              |
|----|-----------------|------------------------|----|-----------------|
| 1  | B11.10.013.2/10 | 空调支架 A/C BRACKE        | 1  | B11.10.013.2/10 |
| 2  | A44.10.002.0    | 调节器 ADJUSTING YOKE     | 1  | A44.10.002.0    |
| 3  | 2.1473.007.2    | 弹簧垫圈 SPRING WASHER M8  | 4  | 2.1473.007.2    |
| 4  | 2.1310.004.2    | 垫圈 WASHER 8            | 4  | 2.1310.004.2    |
| 5  | 2.0112.220.2    | 螺栓 M8x1.25x55 HEX BOLT | 1  | 2.0112.220.2    |
| 6  | 2.0114.209.2    | 螺栓 M8x25 SCREW M8x25   | 3  | 2.0114.209.2    |
| 7  | 2.1011.105.2    | 螺母 M8x1.25 NUT M8x1.25 | 1  | 2.1011.105.2    |
| 8  | GBT11544-A820LI | 压缩机皮带 COMPRESSOR BELT  | 1  | GBT11544-A820LI |

|   |                      |                                |
|---|----------------------|--------------------------------|
| <br>SAME DEUTZ-FAHR GROUP S.p.A.<br>S.M.E. 40012/FAH 40012/FAH 40012/FAH<br>Gruppo - Group | FL40 XC              | fl. dis. - P/N<br>B11.10.903.4 |
|   | AIR COMPRESSOR ASS.Y | Rev: 0<br>Validato: 01/01/17   |

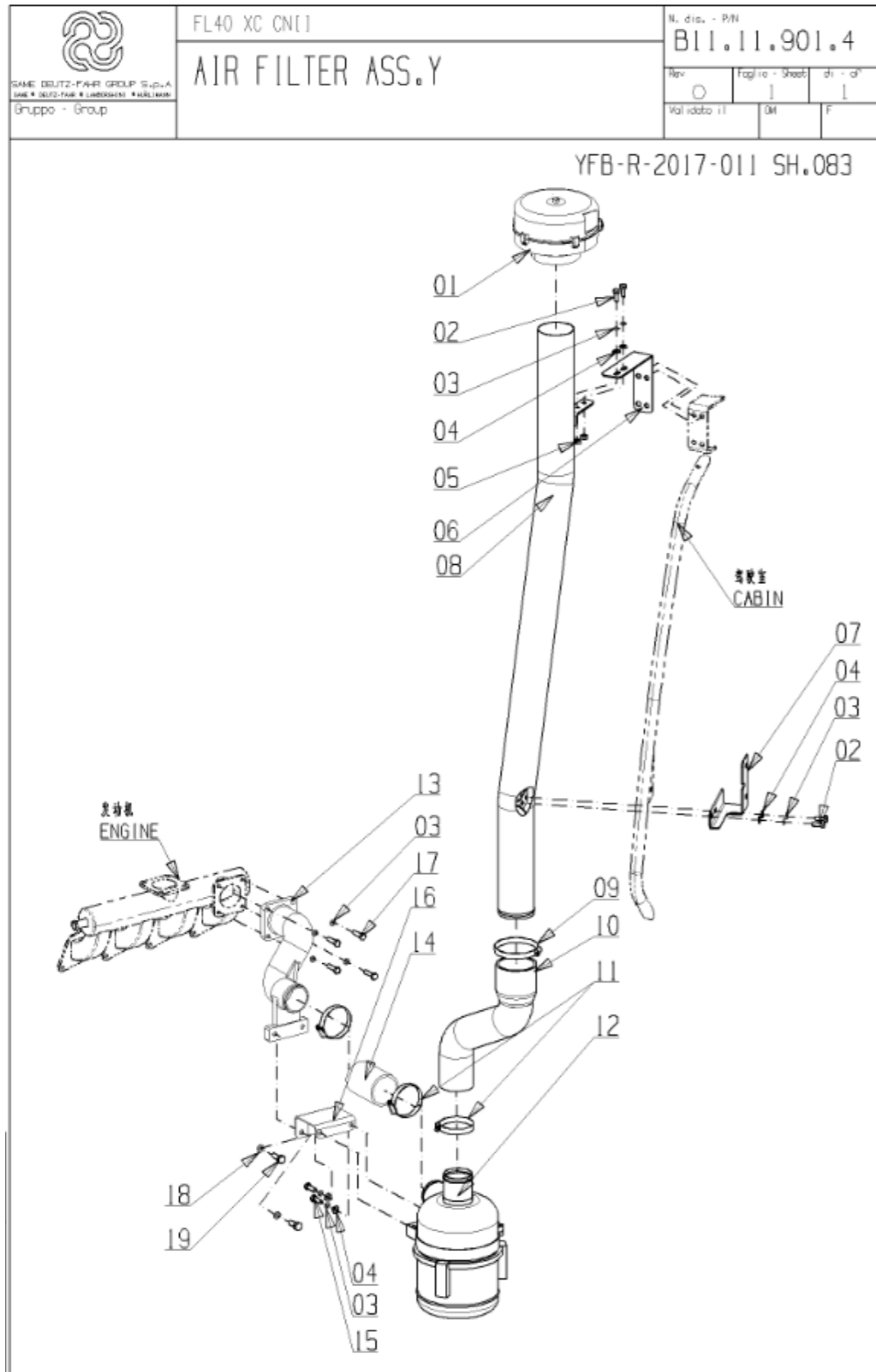
NON VALIDATO

YFB-R-2017-011 SH.083



### B11.10.903.4\_0 气泵安装总成 AIR COMPRESSOR ASS.Y

| 序号 | 零件编号         | 零件名称                            | 数量 | 图号           |
|----|--------------|---------------------------------|----|--------------|
| 1  | B11.10.011.4 | 气泵 AIR PUMP                     | 1  | B11.10.011.4 |
| 2  | B11.10.012.4 | 润滑管总成 LUBRICATION PIPE          | 1  | B11.10.012.4 |
| 3  | A42.10.007.0 | 空气压缩机盖板垫片 AIR PUMP              | 1  | A42.10.007.0 |
| 4  | A42.10.008.0 | 空心螺栓 HOLLOW BOLT                | 2  | A42.10.008.0 |
| 5  | GBT93-8-A3L  | 垫圈 WASHER                       | 4  | GBT93-8-A3L  |
| 6  | 2.1310.004.2 | 垫圈 8 WASHER 8                   | 4  | 2.1310.004.2 |
| 7  | 2.0112.232.2 | 螺栓 M8x1.25x115 HEX BOLT         | 2  | 2.0112.232.2 |
| 8  | 2.0114.209.2 | 螺栓 M8x25 SCREW M8x25            | 2  | 2.0114.209.2 |
| 9  | 2.1560.006.0 | 密封圈 10.2X16 GUARNIZIONE 10.2X16 | 4  | 2.1560.006.0 |

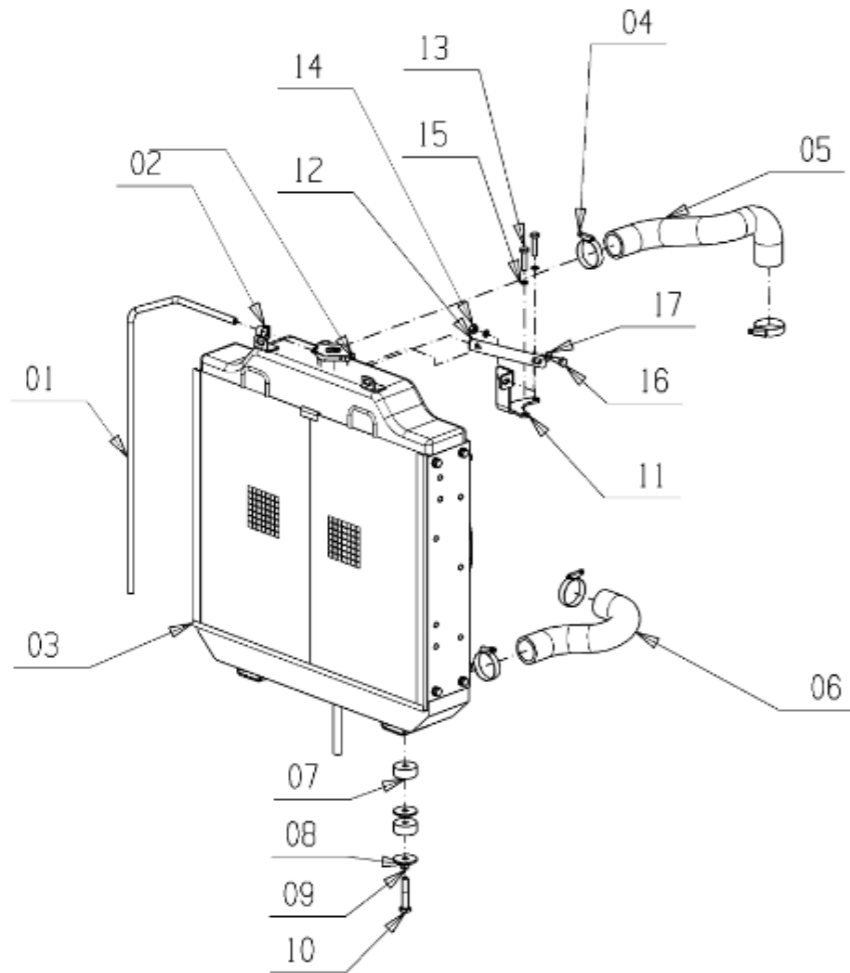


### B11.11.901.4\_0 空滤总成 AIR FILTER ASS.Y

| 序号 | 零件编号            | 零件名称                      | 数量 | 图号              |
|----|-----------------|---------------------------|----|-----------------|
| 1  | A39.11.002.4/10 | 空气预滤清器 AIR PREFILTER      | 1  | A39.11.002.4/10 |
| 2  | 2.0114.207.2    | 螺栓 M8x20 SCREW M8x20      | 4  | 2.0114.207.2    |
| 3  | GBT93-8-A3L     | 垫圈 WASHER                 | 10 | GBT93-8-A3L     |
| 4  | 2.1310.004.2    | 垫圈 8 WASHER 8             | 6  | 2.1310.004.2    |
| 5  | 2.1011.105.2    | 螺母 M8x1.25 NUT M8x1.25    | 2  | 2.1011.105.2    |
| 6  | A39.11.014.0/10 | 连接管 CONNECTION PLATE      | 1  | A39.11.014.0/10 |
| 7  | A39.11.015.0/10 | 连接管 CONNECTION PLATE      | 1  | A39.11.015.0/10 |
| 8  | A39.11.010.3/10 | 进油管焊合 INLET PIPE WELDED   | 1  | A39.11.010.3/10 |
| 9  | JBT8870-D90     | 软管夹 HOSE CLAMPS           | 1  | JBT8870-D90     |
| 10 | A46.11.004.0/10 | 进气胶管 AIE INTAKE HOSE      | 1  | A46.11.004.0/10 |
| 11 | JBT8870-D70     | 软管夹 HOSE CLAMPS           | 3  | JBT8870-D70     |
| 12 | A46.11.001.4    | 空气滤清器 AIR FILTER ASSEMBLY | 1  | A46.11.001.4    |
| 13 | SH404A.11.101   | 进气管 AIR INPUT PIPE        | 1  | SH404A.11.101   |
| 14 | SH400.11.102    | 空气软管 AIR SOFT PIPE        | 1  | SH400.11.102    |
| 15 | 2.0114.209.2    | 螺栓 M8x25 SCREW M8x25      | 2  | 2.0114.209.2    |
| 16 | SH400.11.011    | 支架焊合 BRACKET WELDING      | 1  | SH400.11.011    |
| 17 | 2.0114.211.2    | 螺栓 M8x30 SCREW M8x30      | 4  | 2.0114.211.2    |
| 18 | GBT93-10-A3L    | 垫圈 WASHER                 | 2  | GBT93-10-A3L    |
| 19 | 2.0114.309.2    | 螺栓 M10x25 SCREW M10x25    | 2  | 2.0114.309.2    |

|  |                    |                                |
|--|--------------------|--------------------------------|
| <br>SIME DEUTZ-FAIR GROUP S.p.A.<br>SIME, FAIR, DEUTZ-FAIR, LAMBERTINI, RUTLAND<br>Gruppo - Group | FL40 SERIES        | fl. dis. - P/N<br>B11.13.910.4 |
|  | COOLNG SYSTEM ASSY | Rev: 0<br>Validato: 01/01/17   |

YFB-R-2017-011 SH.083

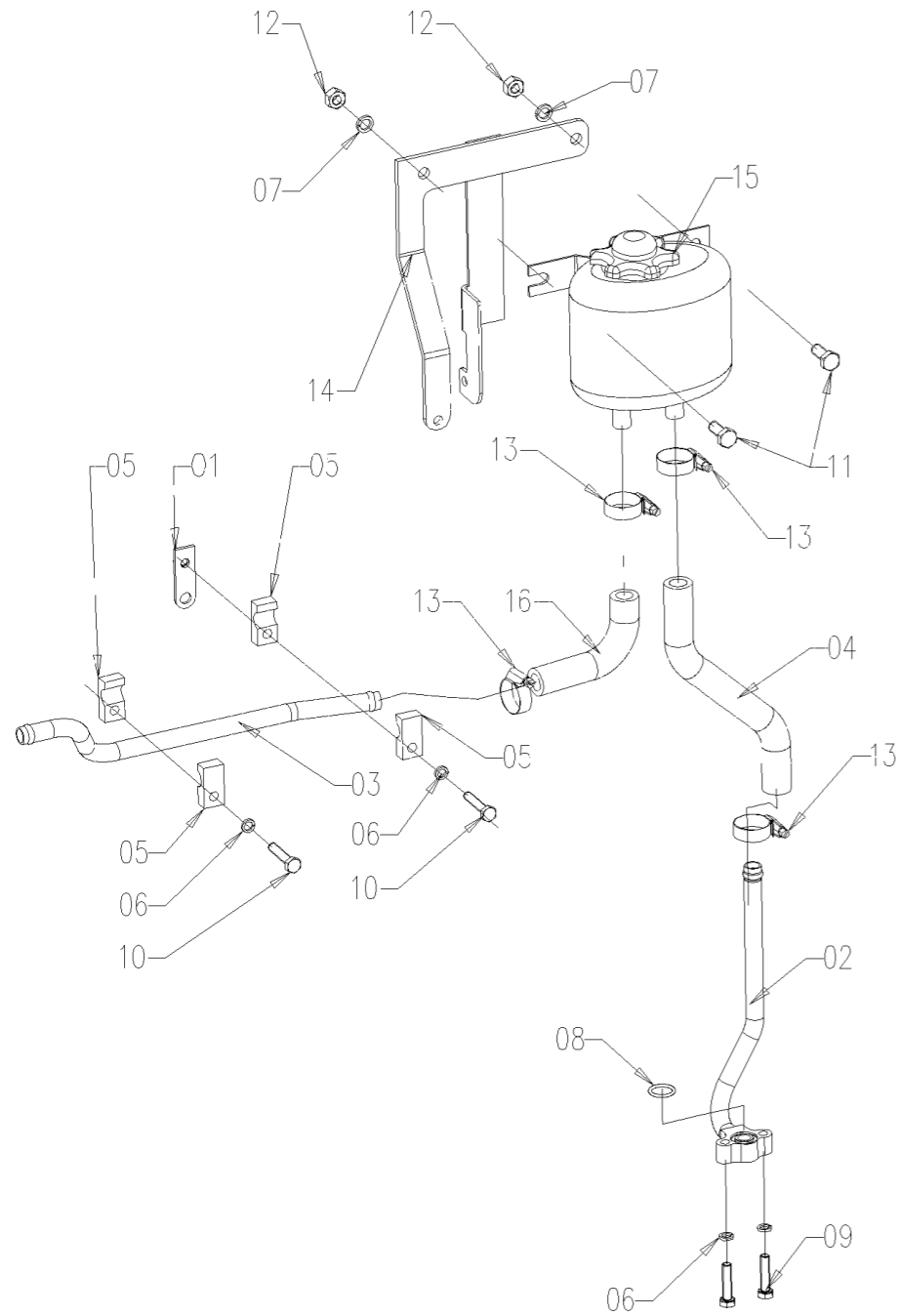


### B11.13.910.4\_0 冷却系总成 COOLING SYSTEM ASSY

| 序号 | 零件编号          | 零件名称                       | 数量 | 图号            |
|----|---------------|----------------------------|----|---------------|
| 1  | CD1204.13.104 | 溢水管 OVERFLOW PIPE          | 1  | CD1204.13.104 |
| 2  | 2.6851.018.0  | 软管夹 11-17 HOSE CLAMP 11-17 | 1  | 2.6851.018.0  |
| 3  | B11.13.001.4  | 水散热器 RADIATOR              | 1  | B11.13.001.4  |
| 4  | JBT8870-d50   | 软管夹 HOSE CLAMPS            | 4  | JBT8870-d50   |
| 5  | SH450.13A.101 | 水箱进水软管 WATER INLET HOSE    | 1  | SH450.13A.101 |
| 6  | B55.13.004.0  | 出水口软管 WATER OUTLET HOSE    | 1  | B55.13.004.0  |
| 7  | SH900.13.105  | 橡胶圈 RUBBER RING            | 4  | SH900.13.105  |
| 8  | SH900.13.106  | 垫圈 WASHER                  | 4  | SH900.13.106  |
| 9  | GBT93-10-A3L  | 垫圈 WASHER                  | 2  | GBT93-10-A3L  |
| 10 | 2.0112.320.2  | 螺栓 M10x1.5x55 HEX BOLT     | 2  | 2.0112.320.2  |
| 11 | B11.13.003.0  | 支架 BRACKETS                | 1  | B11.13.003.0  |
| 12 | B11.13.002.0  | 横拉杆 TIE RODS               | 1  | B11.13.002.0  |
| 13 | 2.0114.213.2  | 螺栓 M8x35 SCREW M8x35       | 2  | 2.0114.213.2  |
| 14 | 2.1011.105.2  | 螺母 M8x1.25 NUT M8x1.25     | 2  | 2.1011.105.2  |
| 15 | GBT93-8-A3L   | 垫圈 WASHER                  | 4  | GBT93-8-A3L   |
| 16 | 2.0114.207.2  | 螺栓 M8x20 SCREW M8x20       | 2  | 2.0114.207.2  |
| 17 | 2.1310.004.2  | 垫圈 8 WASHER 8              | 2  | 2.1310.004.2  |

# B11.40.900.4 STEERING SUCTION PIPE ASS.Y

## B11.40.900.4\_1 转向吸油管总成 STEERING SUCTION PIPE ASS.Y

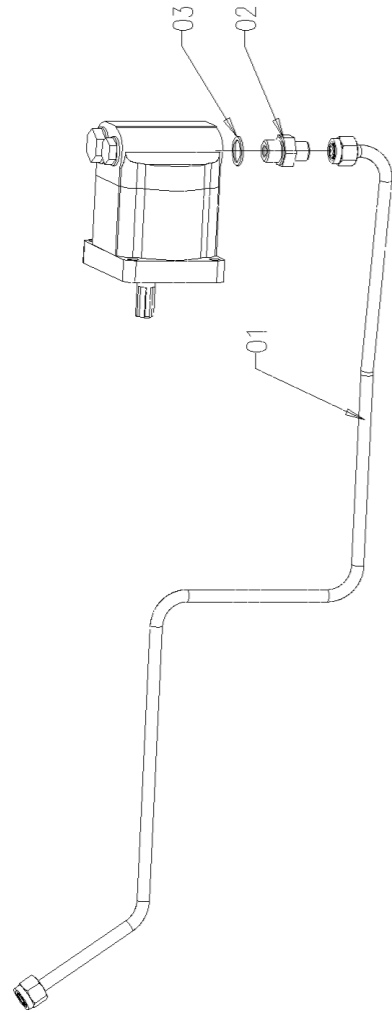


| 序号 | 零件编号                | 零件名称                    | 数量 | 图号                  |
|----|---------------------|-------------------------|----|---------------------|
| 1  | CD404.40.018        | 回油管支架 OIL RETURN PIPE   | 1  | CD404.40.018        |
| 2  | SH454.40.018/10     | 油泵吸油钢管焊件总成 OIL PUMP     | 1  | SH454.40.018/10     |
| 3  | CD404.40.102/10     | 回油管 OIL RETURNING PIPE  | 1  | CD404.40.102/10     |
| 4  | SH404.40.112        | 出油软管 OIL OUTPUT HOSE    | 1  | SH404.40.112        |
| 5  | CD554.40.107        | 单管夹 SINGLE TUBE CLIP 16 | 4  | CD554.40.107        |
| 6  | GBT93-8-A3L         | 垫圈 WASHER               | 4  | GBT93-8-A3L         |
| 7  | GBT93-10-A3L        | 垫圈 WASHER               | 2  | GBT93-10-A3L        |
| 8  | GBT3452.1-19X2.65-G | O形圈 O RING              | 1  | GBT3452.1-19X2.65-G |
| 9  | 2.0114.213.2        | 螺栓 SCREW M8x35          | 2  | 2.0114.213.2        |
| 10 | 2.0114.215.2        | 螺栓 SCREW M8x40          | 2  | 2.0114.215.2        |
| 11 | 2.0114.309.2        | 螺栓 SCREW M10x25         | 2  | 2.0114.309.2        |
| 12 | 2.1011.106.2        | 螺母 NUT M10x1.5          | 2  | 2.1011.106.2        |
| 13 | JBT8870-D32         | 喉箍 HOSE CLAMPS          | 4  | JBT8870-D32         |
| 14 | SH404A.40A.011      | 转向油壶支架焊合 STEERING OIL   | 1  | SH404A.40A.011      |
| 15 | SH404.40.025        | 转向油壶及呼吸器总成 STEERING     | 1  | SH404.40.025        |
| 16 | SH404.40.109        | 低压液压软管 LOW PRESSURE OIL | 1  | SH404.40.109        |

### B11.40.902.4\_0 转向泵出油管总成 STEERING PUMP DELIVERY PIPE ASS.Y

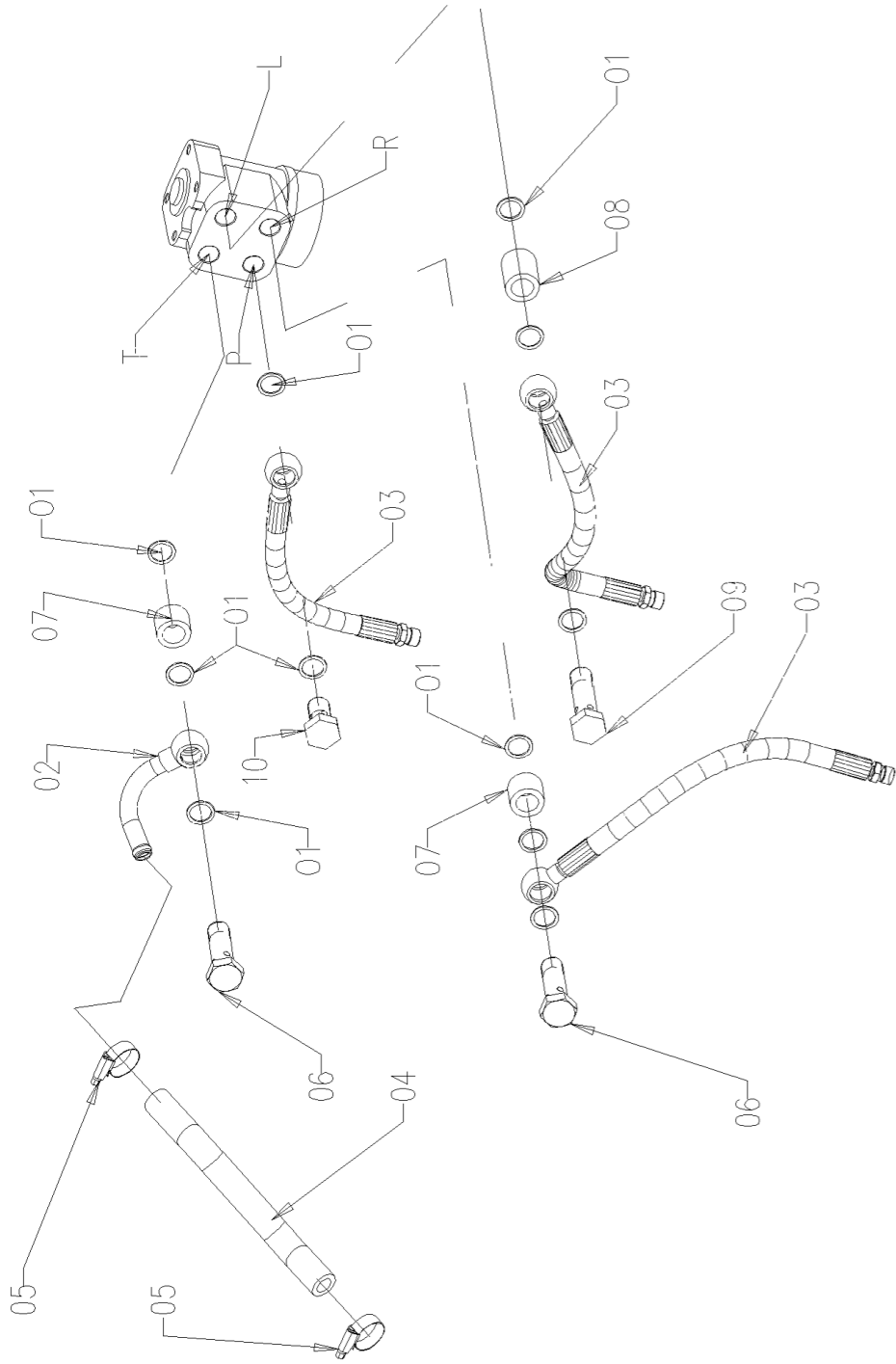
| 序号 | 零件编号         | 零件名称                    | 数量 | 图号           |
|----|--------------|-------------------------|----|--------------|
| 1  | CD404.40.011 | 油泵出油管总成 OIL TANK OUTLET | 1  | CD404.40.011 |
| 2  | CD304.40.123 | 卡套式端直通接头体 BARREL        | 1  | CD304.40.123 |
| 3  | 2.1560.014.0 | 组合密封垫圈 SEALING RING     | 1  | 2.1560.014.0 |

### B11.40.902.4 STEERING PUMP DELIVERY PIPE ASS.Y



# B11.40.903.4 STEERING UNIT PIPE ASS.Y

## B11.40.903.4\_0 转向器油管总成 STEERING UNIT PIPE ASS.Y

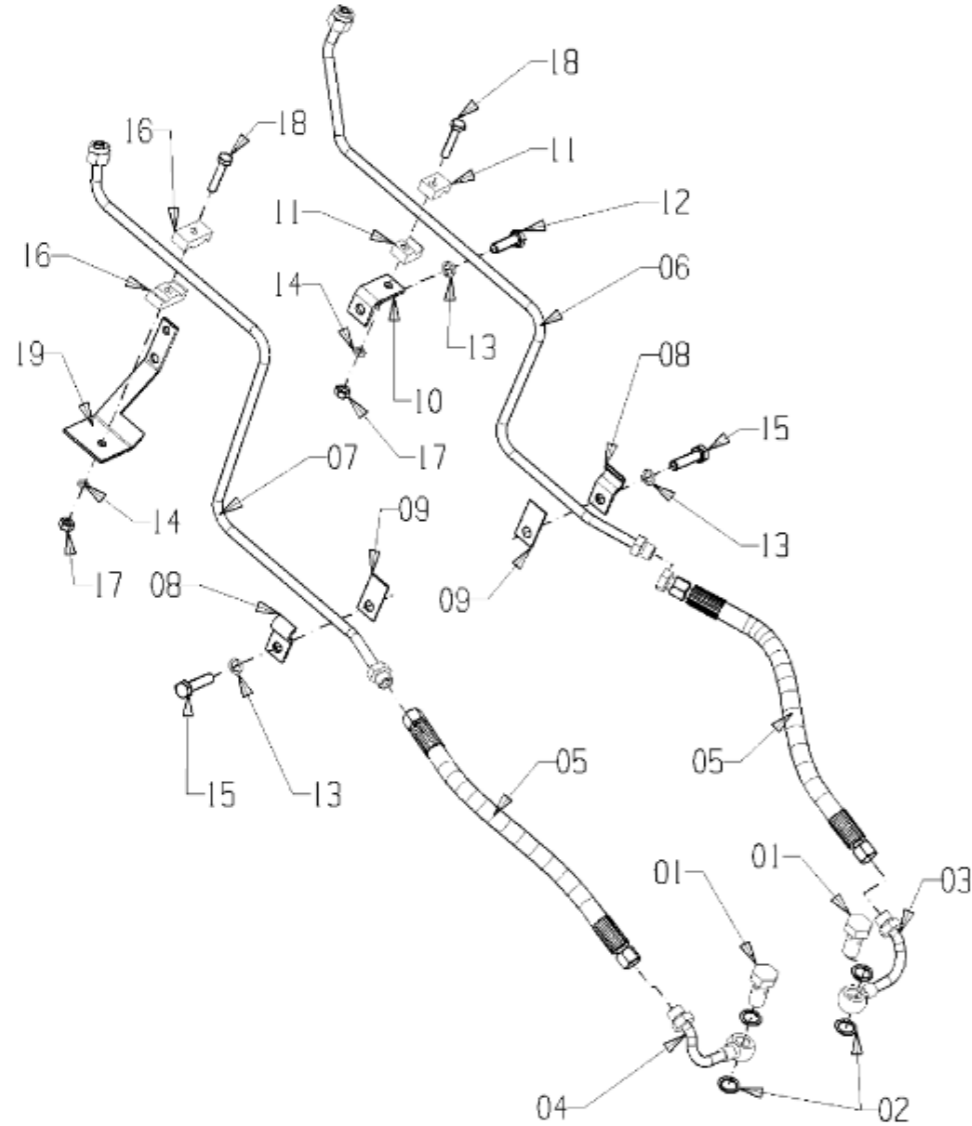


| 序号 | 零件编号         | 零件名称                      | 数量 | 图号           |
|----|--------------|---------------------------|----|--------------|
| 1  | 2.1560.016.0 | 组合密封垫圈 SEALING RING       | 11 | 2.1560.016.0 |
| 2  | CD554.40.015 | 回油短管焊合 OIL RETURN TUBE    | 1  | CD554.40.015 |
| 3  | CD554.40.016 | 右输油钢管总成2 DIVERTER OUTPUT  | 3  | CD554.40.016 |
| 4  | CD404.40.112 | 转向器回油软管 STEERING GEAR OIL | 1  | CD404.40.112 |
| 5  | JBT8870-D32  | 喉箍 HOSE CLAMPS            | 2  | JBT8870-D32  |
| 6  | SH404.40.101 | 空心短螺栓 SHORT HOLLOW BOLT   | 2  | SH404.40.101 |
| 7  | SH404.40.127 | 短接管 SHORT PIPE            | 2  | SH404.40.127 |
| 8  | SH900.40.101 | 短接管 SHORT COUPLING PIPE   | 1  | SH900.40.101 |
| 9  | SH900.40.102 | 空心螺栓 HOLLOW BOLT M20X1.5  | 1  | SH900.40.102 |
| 10 | SH900.40.105 | 空心螺栓 HOLLOW SHORT BOLT    | 1  | SH900.40.105 |



|   |                              |                               |                               |
|---|------------------------------|-------------------------------|-------------------------------|
| <br>SIME DEUTZ-FAHR GROUP S.p.A.<br>Gruppo - Group | FL40 SERISE XINCHAI CNII     | N. dis. - P/N<br>B11.40.905.4 |                               |
|   | STEERING DELIVERY PIPE ASS.Y | Rev.                          | Facile - Sheet di - di<br>1 1 |
|   |                              | Stato - stato di              | IM P                          |
|   |                              | 28/01/2022                    |                               |

YFB-R-2017-011 SH.083



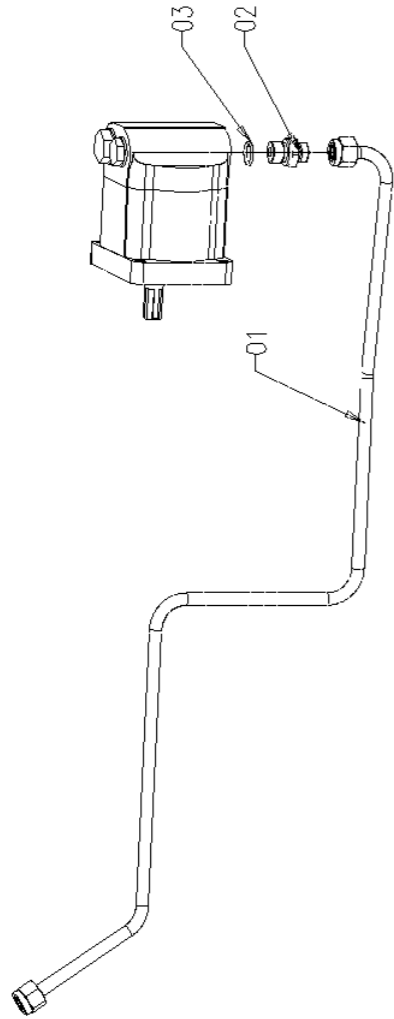
### B11.40.905.4\_1 转向输油管路总成 STEERING DELIVERY PIPE ASS.Y

| 序号 | 零件编号            | 零件名称                       | 数量 | 图号              |
|----|-----------------|----------------------------|----|-----------------|
| 1  | SH404.40.120    | 空心螺栓 FITTING M16x1.5       | 2  | SH404.40.120    |
| 2  | 2.1560.012.0    | 组合密封垫圈 SEALING RING        | 4  | 2.1560.012.0    |
| 3  | SH404A.40.023   | 油缸左硬管焊合件 OIL CYLINDER      | 1  | SH404A.40.023   |
| 4  | SH404A.40.024   | 油缸右硬管焊合件 OIL CYLINDER      | 1  | SH404A.40.024   |
| 5  | SH404.40.022    | 油缸右出油软管总成 LEFT OIL         | 2  | SH404.40.022    |
| 6  | B11.40.003.3    | 左输油钢管总成 LEFT DELIVERY      | 1  | B11.40.003.3    |
| 7  | B11.40.002.3    | 右输油钢管总成 RIGHT DELIVERY     | 1  | B11.40.002.3    |
| 8  | CD554.40.023/10 | 单孔夹2 SINGLE TUBE CLIP 2    | 1  | CD554.40.023/10 |
| 9  | CD554.40.024/10 | 油管支架组件2 TUBE BRACKET 2     | 1  | CD554.40.024/10 |
| 10 | CD404.40.106    | 左输油管支架 LEFT OIL DELIVERY   | 1  | CD404.40.106    |
| 11 | A08.40.017.0    | 油管夹 PIPE CLAMP             | 4  | A08.40.017.0    |
| 12 | 2.0114.313.2    | 螺栓 M10x35 SCREW M10x35     | 1  | 2.0114.313.2    |
| 13 | 2.1473.008.2    | 弹簧垫圈 M10 SPRING WASHER M10 | 1  | 2.1473.008.2    |
| 14 | 2.1473.007.2    | 弹簧垫圈 M8 SPRING WASHER M8   | 3  | 2.1473.007.2    |
| 16 | SH900.40.112    | 双孔夹 DOUBLE CLIP            | 2  | SH900.40.112    |
| 17 | 2.1011.105.2    | 螺母 M8x1.25 NUT M8x1.25     | 3  | 2.1011.105.2    |
| 18 | 2.0114.215.2    | 螺栓 M8x40 SCREW M8x40       | 2  | 2.0114.215.2    |
| 19 | B11.40.004.0    | 右转向管支架 RIGHT STEERING PIPE | 1  | B11.40.004.0    |
| 20 | B11.40.005.0    | 右转向前支架 RIGHT STEERING      | 1  | B11.40.005.0    |
| 21 | 2.1310.004.2    | 垫圈 8 WASHER 8              | 1  | 2.1310.004.2    |
| 22 | 2.0114.216.2    | 螺栓 M8x45 SCREW M8x45       | 1  | 2.0114.216.2    |

### B11.40.912.4\_0 转向泵出油管总成 STEERING PUMP DELIVERY PIPE ASS.Y

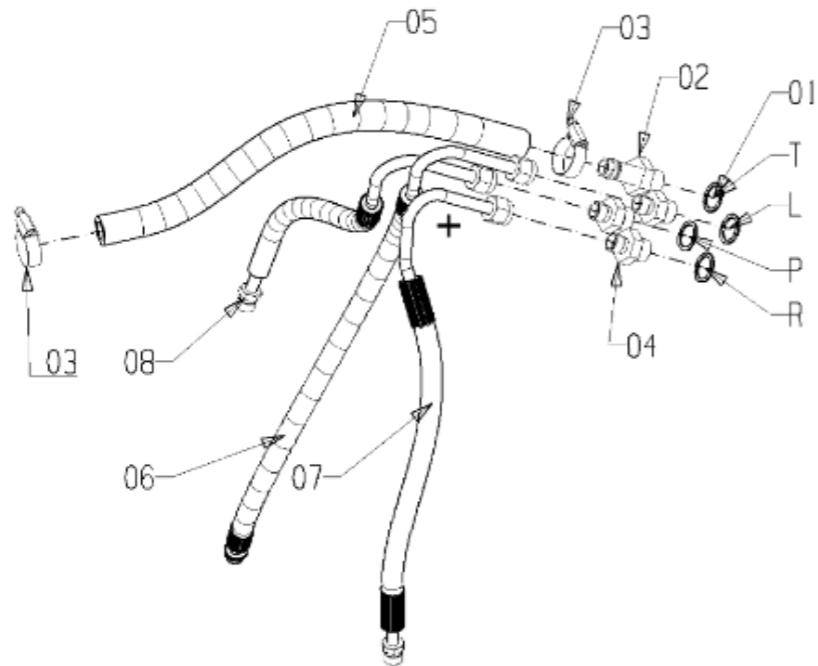
| 序号 | 零件编号                 | 零件名称                         | 数量 | 图号                   |
|----|----------------------|------------------------------|----|----------------------|
| 1  | CD404.40.011         | 油泵出油管总成 OIL TANK OUTLET      | 1  | CD404.40.011         |
| 2  | B09.40.009.0         | 空心螺栓 FITTING M16X1.5-M18X1.5 | 1  | B09.40.009.0         |
| 3  | GBT3452.1-15.3X2.2-G | O形密封圈 O RING                 | 1  | GBT3452.1-15.3X2.2-G |

### B11.40.912.4 STEERING PUMP DELIVERY PIPE ASS.Y



|   |                          |                               |                                |
|---|--------------------------|-------------------------------|--------------------------------|
| <br>SIME DEUTZ-FAHR GROUP S.p.A.<br>Gruppo - Group | FL40 SERISE XC CN11      | N. dis. - P/N<br>B11.40.913.4 |                                |
|   | STEERING UNIT PIPE ASS.Y | Rev.                          | Facilio - Sheet di - di<br>1 1 |
|   |                          | Valido dal<br>28/01/2022      |                                |

YFB-R-2017-011 SH.083

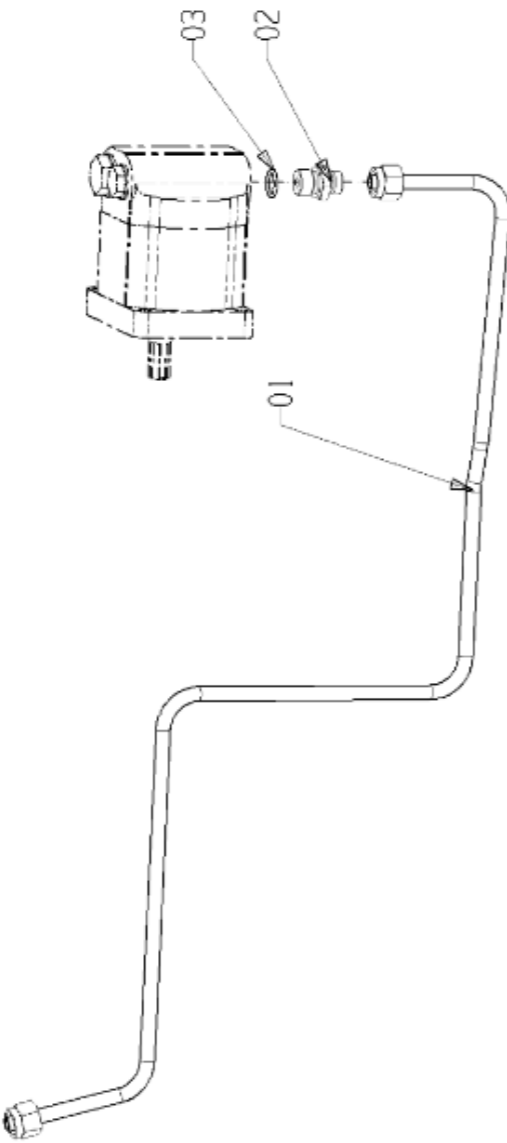


### B11.40.913.4\_0 转向器油管总成 STEERING UNIT PIPE ASS.Y

| 序号 | 零件编号            | 零件名称                    | 数量 | 图号              |
|----|-----------------|-------------------------|----|-----------------|
| 1  | 2.1560.016.0    | 组合密封垫圈 SEALING RING     | 4  | 2.1560.016.0    |
| 2  | CD1204A.40.019  | 回油管焊接 OIL RETURN PIPE   | 1  | CD1204A.40.019  |
| 3  | JBT8870-D32     | 软管夹 HOSE CLAMPS         | 2  | JBT8870-D32     |
| 4  | CD404A.40.102   | 卡套式直通接头体 CLAMP TYPE END | 3  | CD404A.40.102   |
| 5  | A46.40.005.0    | 转向回流软管 STEERING RETURN  | 1  | A46.40.005.0    |
| 6  | A39.40.025.3    | 转向油管总成 RH STEERING HOSE | 1  | A39.40.025.3    |
| 7  | A46.40.002.3/10 | 左转向管 LH STEERING PIPE   | 1  | A46.40.002.3/10 |
| 8  | A46.40.003.3/10 | 右转向管 RH STEERING PIPE   | 1  | A46.40.003.3/10 |

|  |                                   |  |
|--|-----------------------------------|--|
| <br>SME DEUTZ-FAHR GROUP S.p.A.<br>Gruppo - Group | FL40 SERISE XINCHAI CNII          | N. dis. - P/N<br>B11.40.922.4                |
|  | STEERING PUMP DELIVERY PIPE ASS.Y | Facilio - Sheet di - c°<br>1 1<br>28/01/2022 |

YFB-R-2017-011 SH.083

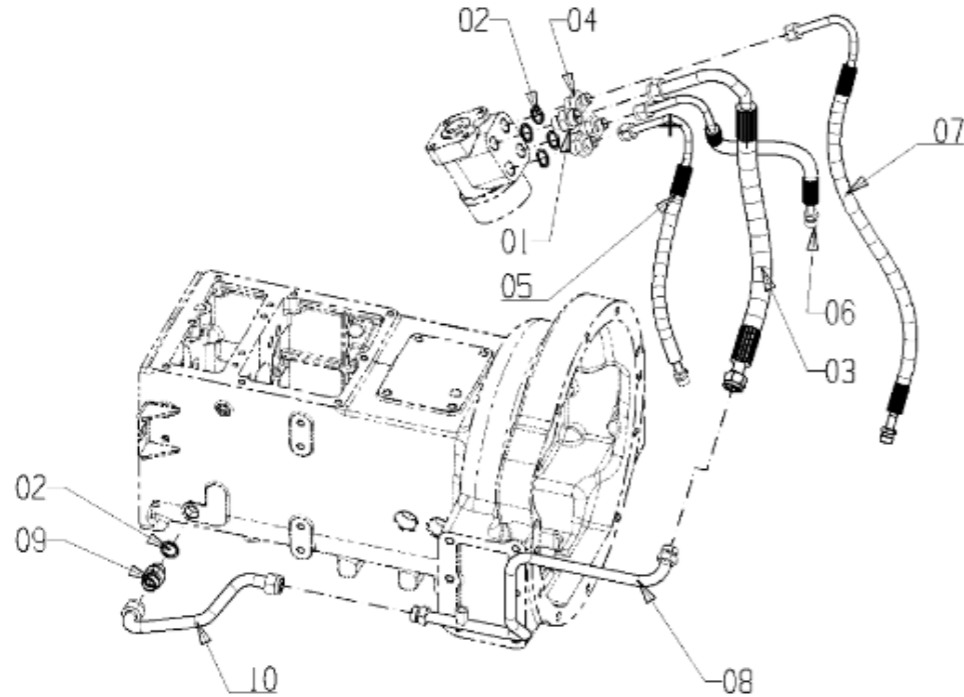


**B11.40.922.4\_0 转向泵出油管总成 STEERING PUMP DELIVERY PIPE ASS.Y**

| 序号 | 零件编号                 | 零件名称                       | 数量 | 图号                   |
|----|----------------------|----------------------------|----|----------------------|
| 1  | B11.40.001.3         | 转向泵出口管 STEERING PUMP       | 1  | B11.40.001.3         |
| 2  | B09.40.009.0         | 接头 M16X1.5-M18X1.5 FITTING | 1  | B09.40.009.0         |
| 3  | GBT3452.1-15.3X2.2-G | O形圈 O RING                 | 1  | GBT3452.1-15.3X2.2-G |

|   |                          |                              |                       |
|---|--------------------------|------------------------------|-----------------------|
| <br>SHINE DELTA PAPER GROUP S.p.A.<br>Gruppo - Group | FL40 SERISE XC CN11      | N. dis. - PN<br>B11.40.923.4 |                       |
|   | STEERING UNIT PIPE ASS.Y | Rev. 0                       | Foglio - Sheet 1 di 1 |
|   |                          | Definito il 28/01/2022       |                       |

YFB-R-2017-011 SH.083

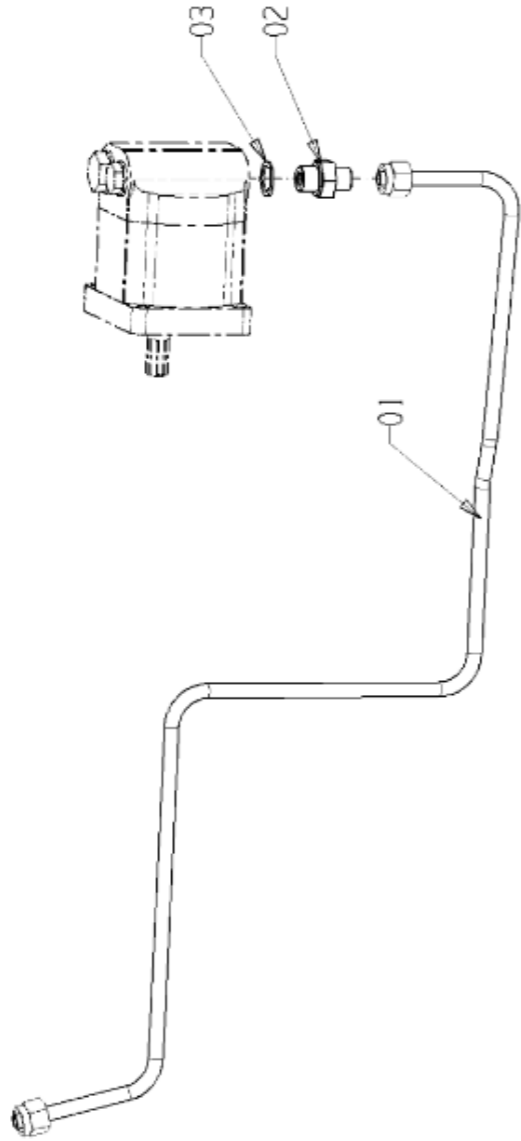


### B11.40.923.4\_0 转向器管路总成 STEERING UNIT PIPE ASS.Y

| 序号 | 零件编号            | 零件名称                      | 数量 | 图号              |
|----|-----------------|---------------------------|----|-----------------|
| 1  | SH900.58.105    | 卡套式端直通接头体 CONNECTOR       | 1  | SH900.58.105    |
| 2  | 2.1560.016.0    | 组合密封垫圈 SEALING RING       | 5  | 2.1560.016.0    |
| 3  | A39.40.026.3    | 回油软管总成 OIL RETURNING HOSE | 1  | A39.40.026.3    |
| 4  | CD404A.40.102   | 卡套式直通接头体 CLAMP TYPE END   | 3  | CD404A.40.102   |
| 5  | A46.40.003.3/10 | 右转向管 RH STEERING PIPE     | 1  | A46.40.003.3/10 |
| 6  | A46.40.002.3/10 | 左转向管 LH STEERING PIPE     | 1  | A46.40.002.3/10 |
| 7  | A39.40.025.3    | 转向油管总成 RH STEERING HOSE   | 1  | A39.40.025.3    |
| 8  | A39.40.027.3    | 回油管总成 OIL RETURNING PIPE  | 1  | A39.40.027.3    |
| 9  | A39.40.042.3    | 连接器 ONE WAY CONNECTOR     | 1  | A39.40.042.3    |
| 10 | A39.40.041.3    | 转向回油管 STEERING OIL        | 1  | A39.40.041.3    |

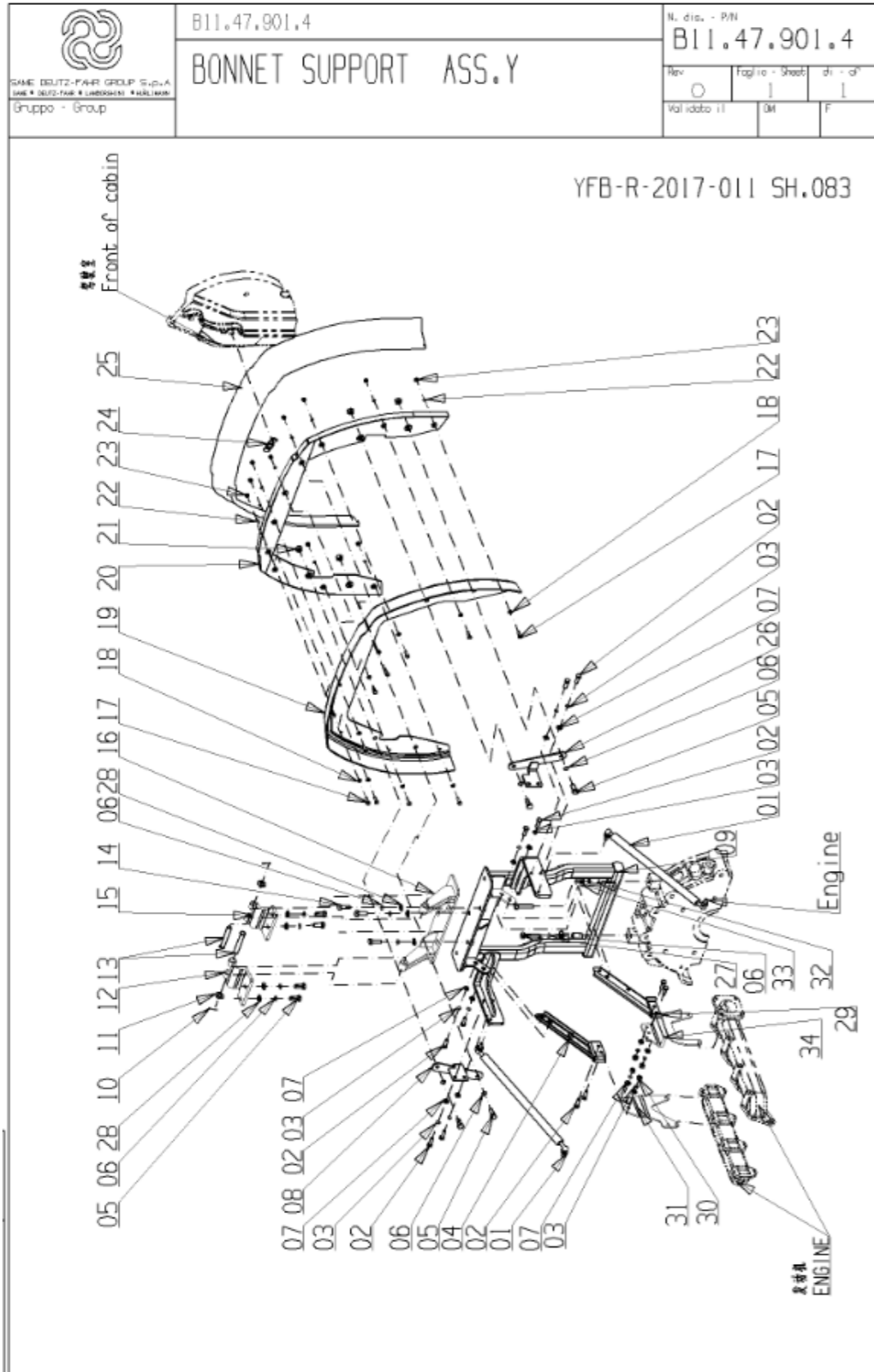
|   |                                   |  |   |   |   |            |  |
|---|-----------------------------------|--|---|---|---|------------|--|
| <br>SAME DEUTZ-FAHR GROUP S.p.A.<br>Gruppo Group | FL40 SERIES XINCHAI CNT1          | N. dis. - P/N<br>B11.40.932.4  |   |   |   |            |  |
|   | STEERING PUMP DELIVERY PIPE ASS.Y | <table border="1"> <tr> <td>1</td> <td>1</td> <td>1</td> </tr> <tr> <td>28/01/2022</td> <td></td> <td></td> </tr> </table> | 1 | 1 | 1 | 28/01/2022 |  |
| 1   | 1                                 | 1  |   |   |   |            |  |
| 28/01/2022  |                                   |  |   |   |   |            |  |

YFB-R-2017-011 SH.083



### B11.40.932.4\_0 转向泵出油管总成 STEERING PUMP DELIVERY PIPE ASS.Y

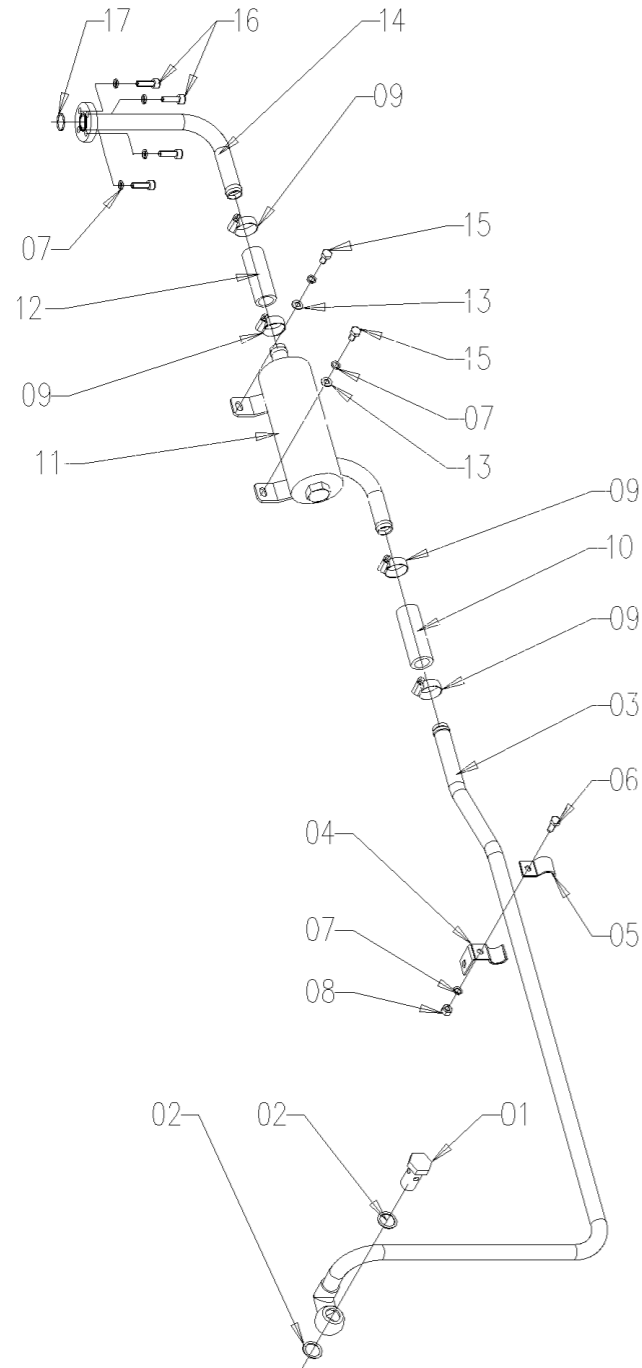
| 序号 | 零件编号         | 零件名称                 | 数量 | 图号           |
|----|--------------|----------------------|----|--------------|
| 1  | B11.40.001.3 | 转向泵出口管 STEERING PUMP | 1  | B11.40.001.3 |
| 2  | CD304.40.123 | 卡套式直通接头体 BARREL      | 1  | CD304.40.123 |
| 3  | 2.1560.014.0 | 组合密封圈 SEALING RING   | 1  | 2.1560.014.0 |



### B11.47.901.4\_0 机罩支撑总成 BONNET SUPPORT ASS.Y

| 序号 | 零件编号              | 零件名称                      | 数量 | 图号                |
|----|-------------------|---------------------------|----|-------------------|
| 1  | SH404A.47.108     | 机罩气弹簧 ENGINE HOOD AIR     | 2  | SH404A.47.108     |
| 2  | 2.0114.209.2      | 螺栓 M8x25 SCREW M8x25      | 12 | 2.0114.209.2      |
| 3  | GBT93-8-A3L       | 垫圈 WASHER                 | 12 | GBT93-8-A3L       |
| 4  | B55.47.019.3      | 右支架 RIGHT BRACKET         | 1  | B55.47.019.3      |
| 5  | 2.0114.309.2      | 螺栓 M10x25 SCREW M10x25    | 8  | 2.0114.309.2      |
| 6  | GBT93-10-A3L      | 垫圈 WASHER                 | 13 | GBT93-10-A3L      |
| 7  | 2.1310.004.2      | 垫圈 8 WASHER 8             | 12 | 2.1310.004.2      |
| 8  | B55.47.013.2      | 支架 BRACKET I              | 1  | B55.47.013.2      |
| 9  | B55.47.008.3/10   | 阀盖支架焊件 BONNET BRACKET     | 1  | B55.47.008.3/10   |
| 10 | 2.1690.307.2      | 销 3.2-18 SPLIT PIN 3.2-18 | 2  | 2.1690.307.2      |
| 11 | 2.1310.007.2      | 垫圈 12 WASHER 12           | 2  | 2.1310.007.2      |
| 12 | B55.47.007.2      | 右铰链支架 RIGHT HINGE SUPPORT | 1  | B55.47.007.2      |
| 13 | GBT882-B12X80-A3L | 销 PIN                     | 2  | GBT882-B12X80-A3L |
| 14 | 2.0114.311.2      | 螺栓 M10x30 SCREW M10x30    | 3  | 2.0114.311.2      |
| 15 | B55.47.006.2      | 左铰链支架 LEFT HINGE SUPPORT  | 1  | B55.47.006.2      |
| 16 | B55.47.009.3      | 阀盖安装支架 BONNET MOUNTING    | 1  | B55.47.009.3      |
| 17 | 2.0114.007.2      | 螺栓 M6x20 SCREW M6x20      | 10 | 2.0114.007.2      |
| 18 | 2.1310.002.2      | 垫圈 6 WASHER 6             | 10 | 2.1310.002.2      |
| 19 | A39.47.021.0/20   | 后板 BACK PANEL             | 1  | A39.47.021.0/20   |
| 20 | A44.47.010.2      | 面板支架 PANEL BRACKET        | 1  | A44.47.010.2      |
| 21 | 2.1011.106.2      | 螺母 M10x1.5 NUT M10x1.5    | 4  | 2.1011.106.2      |
| 22 | GBT93-6-A3L       | 垫圈 WASHER                 | 10 | GBT93-6-A3L       |
| 23 | 2.1011.103.2      | 螺母 M6x1 NUT M6x1          | 10 | 2.1011.103.2      |
| 24 | B55.47.014.2      | 支撑 SUPPORT                | 1  | B55.47.014.2      |
| 25 | A44.47.009.0      | 后垫圈 REAR GASKET           | 1  | A44.47.009.0      |
| 26 | B55.47.012.2      | 支架 II BRACKET II          | 1  | B55.47.012.2      |
| 27 | 2.0114.317.2      | 螺栓 M10x50 SCREW M10x50    | 2  | 2.0114.317.2      |
| 28 | 2.1310.006.2      | 垫圈 10 WASHER 10           | 7  | 2.1310.006.2      |
| 29 | B55.47.017.3      | 左支架 LEFT BRACKET          | 1  | B55.47.017.3      |
| 30 | 2.1011.105.2      | 螺母 M8x1.25 NUT M8x1.25    | 4  | 2.1011.105.2      |
| 31 | CD404.47.102      | 右支架 RIGHT BRACKET         | 1  | CD404.47.102      |
| 32 | B53.47.001.0      | 套筒 SLEEVE                 | 2  | B53.47.001.0      |
| 33 | 2.1312.005.2      | 垫圈 10 WASHER 10           | 2  | 2.1312.005.2      |
| 34 | CD404.47A.103/10  | 左支架 LEFT BRACKET          | 1  | CD404.47A.103/10  |

# B11.58.900.4 SUCTION PIPE ASS.Y



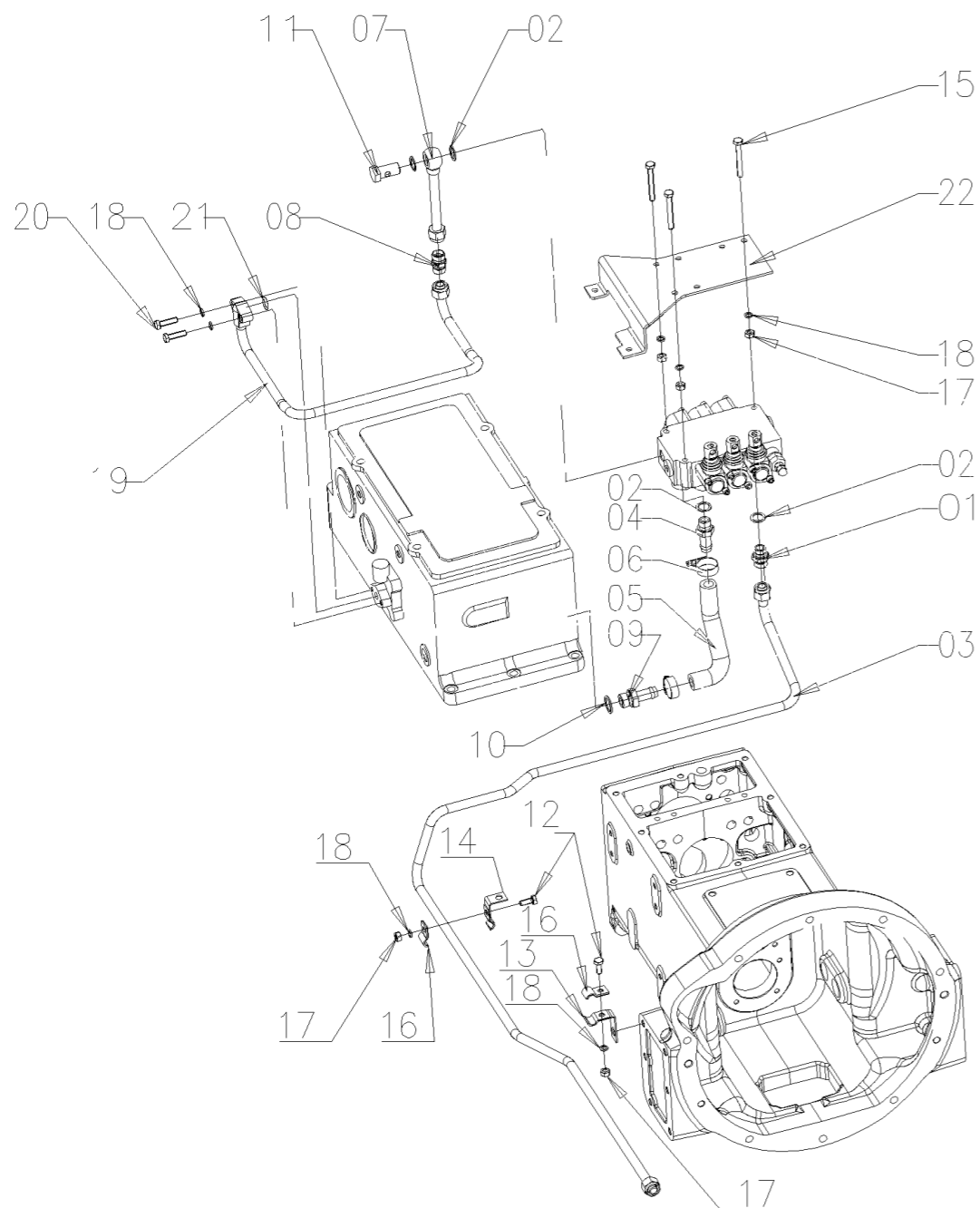
# B11.58.900.4\_0 齿轮吸油管路总成 SUCTION PIPE ASS.Y

| 序号 | 零件编号                 | 零件名称                         | 数量 | 图号                   |
|----|----------------------|------------------------------|----|----------------------|
| 1  | SH400.58.112         | 空心螺栓 HOLLOW BOLT             | 1  | SH400.58.112         |
| 2  | 2.1560.018.0         | 组合密封垫圈 SEALING RING          | 2  | 2.1560.018.0         |
| 3  | CD404.58.011         | 吸油长管焊合 OIL ABSORBING LONG    | 1  | CD404.58.011         |
| 4  | CD554.58.016         | 下油管夹与胶垫胶合1 LOWER CLIP        | 1  | CD554.58.016         |
| 5  | CD554.58.017         | 下油管夹与胶垫胶合2 LOWER CLIP        | 1  | CD554.58.017         |
| 6  | 2.0114.207.2         | 螺栓 SCREW M8x20               | 1  | 2.0114.207.2         |
| 7  | GBT93-8-A3L          | 垫圈 WASHER                    | 7  | GBT93-8-A3L          |
| 8  | 2.1011.105.2         | 螺母 NUT M8x1.25               | 1  | 2.1011.105.2         |
| 9  | JBT8870-D32          | 喉箍 HOSE CLAMPS               | 4  | JBT8870-D32          |
| 10 | SH400.58.106         | 吸油胶管 OIL SUCTION RUBBER PIPE | 1  | SH400.58.106         |
| 11 | SH450.58.014         | 滤油器总成 OIL FILTER ASSEMBLY    | 1  | SH450.58.014         |
| 12 | SH400.58.107         | 夹布输油胶管 OIL SUCTION RUBBER    | 1  | SH400.58.107         |
| 13 | 2.1310.004.2         | 垫圈 WASHER 8                  | 2  | 2.1310.004.2         |
| 14 | CD404.58.015         | 吸油短管焊合 OIL SUCTION PIPE      | 1  | CD404.58.015         |
| 15 | 2.0114.205.2         | 螺栓 SCREW M8x16               | 2  | 2.0114.205.2         |
| 16 | 2.0312.208.2         | 凹头螺钉 SOCKET SCREW M8x1.25x25 | 4  | 2.0312.208.2         |
| 17 | GBT3452.1-21.2X1.8-G | O形圈 O RING                   | 1  | GBT3452.1-21.2X1.8-G |



# B11.58.904.4 VALVE PIPE ASS.Y

YFB-R-2017-011 SH.065



## B11.58.904.4\_0 多路阀管路总成 VALVE PIPE ASS.Y

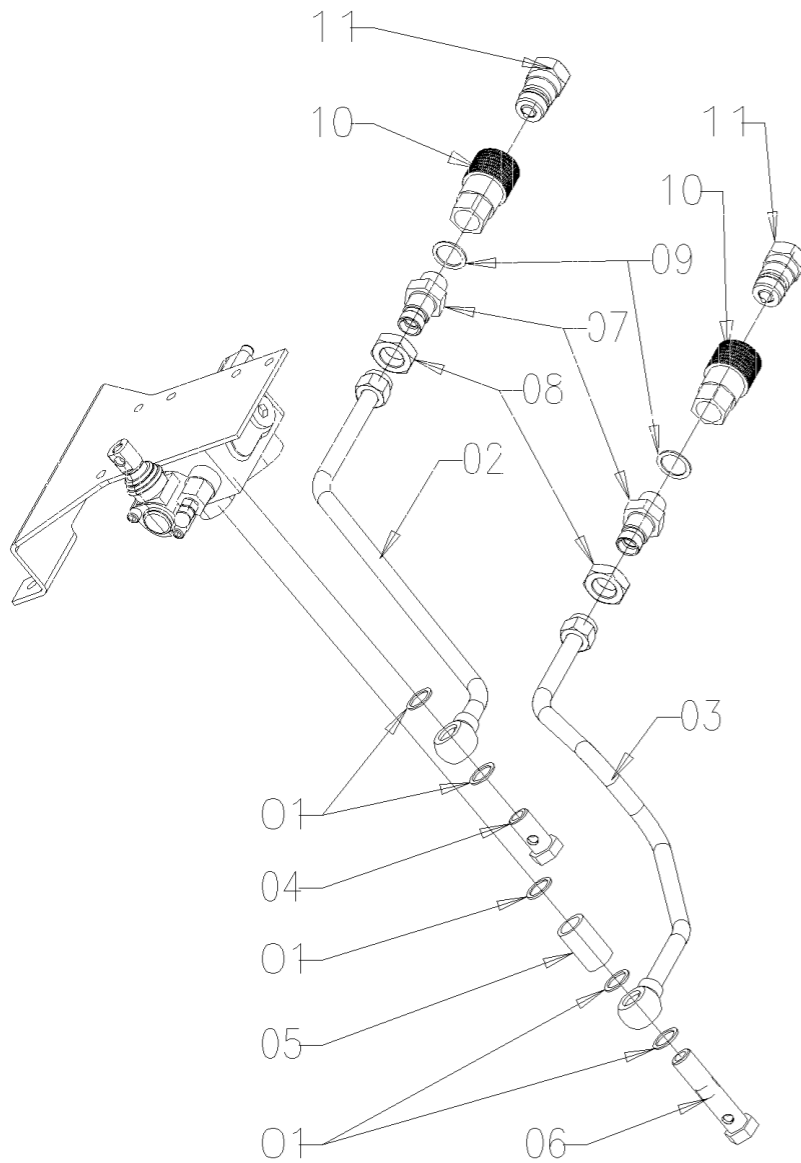
| 序号 | 零件编号                | 零件名称                     | 数量 | 图号                  |
|----|---------------------|--------------------------|----|---------------------|
| 1  | GBT3733.2-83-G14    | 管接头 FITTING              | 1  | GBT3733.2-83-G14    |
| 2  | 2.1560.014.0        | 密封垫圈 SEALING RING        | 4  | 2.1560.014.0        |
| 3  | CD554.583.011/10    | 阀进油管焊合 VALVE INLET PIPE  | 1  | CD554.583.011/10    |
| 4  | CD554.583.021-1     | 回油管焊合 RETURN PIPE        | 1  | CD554.583.021-1     |
| 5  | CD554.583.120       | 回油软管 OIL RETURN HOSE     | 1  | CD554.583.120       |
| 6  | JBT8870-D32         | 喉箍 HOSE CLAMPS           | 2  | JBT8870-D32         |
| 7  | CD554.583.013       | 多路阀中间油管焊合 VALVE MIDDLE   | 1  | CD554.583.013       |
| 8  | GBT3737.2-83-G14    | 管接头 FITTING              | 1  | GBT3737.2-83-G14    |
| 9  | CD554.583.023       | 回油短管焊合2 RETURN PIPE      | 1  | CD554.583.023       |
| 10 | 2.1560.018.0        | 密封垫圈 SEALING RING        | 1  | 2.1560.018.0        |
| 11 | CD554.583.130       | 空心螺栓 HOLLOW BOLT         | 1  | CD554.583.130       |
| 12 | 2.0114.207.2        | 螺栓 BOLT                  | 2  | 2.0114.207.2        |
| 13 | CD554.58.020        | 夹子组件 CLIP ASSY           | 1  | CD554.58.020        |
| 14 | CD554.58.014        | 上油管夹与胶垫胶合1 UPPER CLIP    | 1  | CD554.58.014        |
| 15 | 2.0114.220.2        | 螺栓 BOLT                  | 3  | 2.0114.220.2        |
| 16 | CD554.58.015        | 上油管夹与胶垫胶合2 UPPER CLIP    | 2  | CD554.58.015        |
| 17 | 2.1011.105.2        | 螺母 NUT                   | 5  | 2.1011.105.2        |
| 18 | GBT93-8-A3L         | 垫圈 WASHER                | 7  | GBT93-8-A3L         |
| 19 | CD554.583.014/10    | 提升器进油管焊合 LIFT INLET PIPE | 1  | CD554.583.014/10    |
| 20 | 2.0114.211.2        | 螺栓 BOLT                  | 2  | 2.0114.211.2        |
| 21 | GBT3452.1-15X2.65-G | O型圈 O RING               | 1  | GBT3452.1-15X2.65-G |
| 22 | CD554.583.022-1     | 阀门支架 VALVE BRACKET       | 1  | CD554.583.022-1     |

# B11.58.905.4 VALVE DELIVERY ASS.Y

YFB-R-2017-011 SH.065

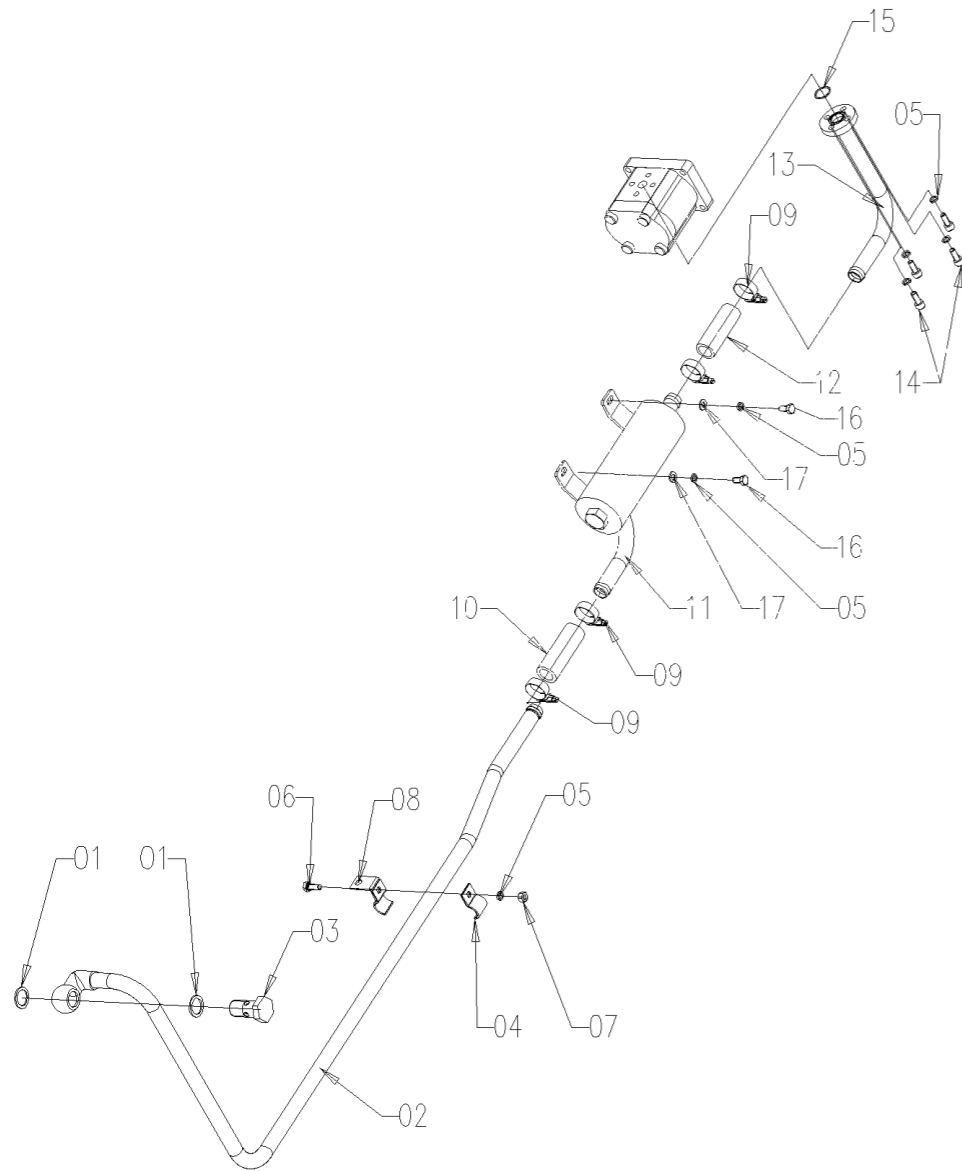
## B11.58.905.4\_0 多路阀输出油管总成 VALVE DELIVERY ASS.Y

| 序号 | 零件编号                | 零件名称                      | 数量 | 图号                  |
|----|---------------------|---------------------------|----|---------------------|
| 1  | 2.1560.014.0        | 密封垫圈 SEALING RING         | 5  | 2.1560.014.0        |
| 2  | CD554.583.017       | 阀出油管焊件3 VALVE OUTLET PIPE | 1  | CD554.583.017       |
| 3  | CD554.583.018       | 阀出油管焊件4 VALVE OUTLET PIPE | 1  | CD554.583.018       |
| 4  | CD554.583.130       | 空心螺栓 HOLLOW BOLT          | 1  | CD554.583.130       |
| 5  | CD554.583.113       | 隔套40 SLEEVE 40            | 1  | CD554.583.113       |
| 6  | CD554.583.114       | 空心螺栓 HOLLOW BOLT          | 1  | CD554.583.114       |
| 7  | CD554.58.111        | 排气弯管接头 JOINT              | 2  | CD554.58.111        |
| 8  | GBT6173-M22X1.5-A3L | 螺母 NUT                    | 2  | GBT6173-M22X1.5-A3L |
| 9  | 2.1560.018.0        | 密封垫圈 SEALING RING         | 2  | 2.1560.018.0        |
| 10 | SH904.58.012        | 快换接头 QUICK ATTACH FITTING | 2  | SH904.58.012        |
| 11 | SH904.58.015        | 快换阳接头 M. QUICK COUPLER    | 2  | SH904.58.015        |



# B11.58.910.4 SUCTION PIPE ASS.Y

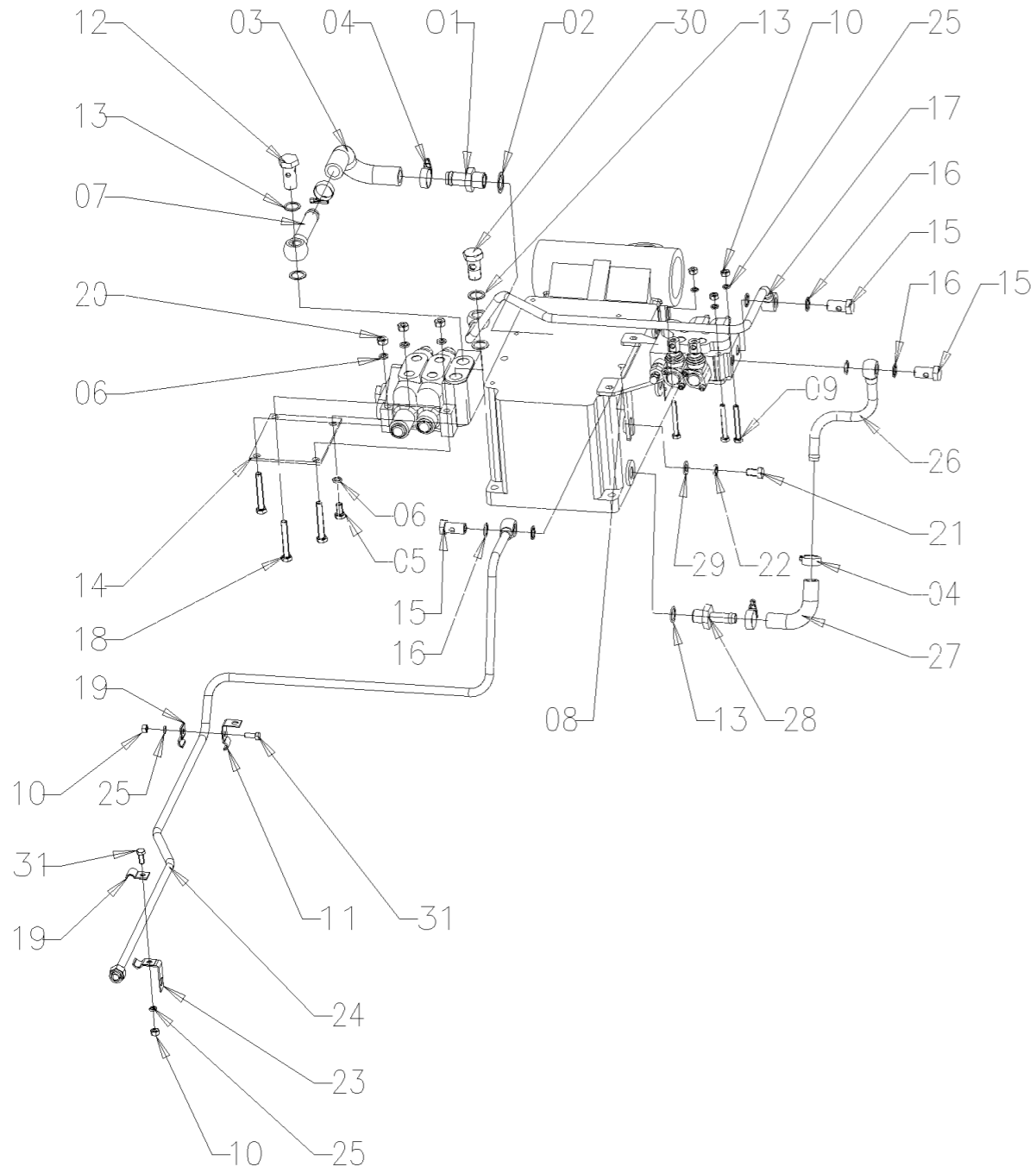
## B11.58.910.4\_0 齿轮吸油管路总成 SUCTION PIPE ASS.Y



| 序号 | 零件编号                 | 零件名称                         | 数量 | 图号                   |
|----|----------------------|------------------------------|----|----------------------|
| 1  | 2.1560.020.0         | 组合密封垫圈 SEALING RING          | 2  | 2.1560.020.0         |
| 2  | CD554.583A.011       | 吸油长管焊合 SUCK PIPE WELDMENT    | 1  | CD554.583A.011       |
| 3  | LD700.58.107         | 空心螺栓 HOLLOW BOLT -2          | 1  | LD700.58.107         |
| 4  | CD554.58.017         | 下油管夹与胶垫胶合2 LOWER CLIP        | 1  | CD554.58.017         |
| 5  | GBT93-8-A3L          | 垫圈 WASHER                    | 7  | GBT93-8-A3L          |
| 6  | 2.0114.207.2         | 螺栓 SCREW M8x20               | 1  | 2.0114.207.2         |
| 7  | 2.1011.105.2         | 螺母 NUT M8x1.25               | 1  | 2.1011.105.2         |
| 8  | CD554.58.016         | 下油管夹与胶垫胶合1 LOWER CLIP        | 1  | CD554.58.016         |
| 9  | JBT8870-D32          | 喉箍 HOSE CLAMPS               | 4  | JBT8870-D32          |
| 10 | SH400.58.106         | 吸油胶管 OIL SUCTION RUBBER PIPE | 1  | SH400.58.106         |
| 11 | SH450.58.014         | 滤油器总成 OIL FILTER ASSEMBLY    | 1  | SH450.58.014         |
| 12 | SH400.58.107         | 夹布输油胶管 OIL SUCTION RUBBER    | 1  | SH400.58.107         |
| 13 | CD404.58.015         | 吸油短管焊合 OIL SUCTION PIPE      | 1  | CD404.58.015         |
| 14 | 2.0312.206.2         | 凹头螺钉 SOCKET SCREW M8x1.25x20 | 4  | 2.0312.206.2         |
| 15 | GBT3452.1-21.2X1.8-G | O形圈 O RING                   | 1  | GBT3452.1-21.2X1.8-G |
| 16 | 2.0114.205.2         | 螺栓 SCREW M8x16               | 2  | 2.0114.205.2         |
| 17 | 2.1310.004.2         | 垫圈 WASHER 8                  | 2  | 2.1310.004.2         |

# B19.58.904.4 VALVE PIPE ASS.Y

YFB-R-2017-011 SH.065

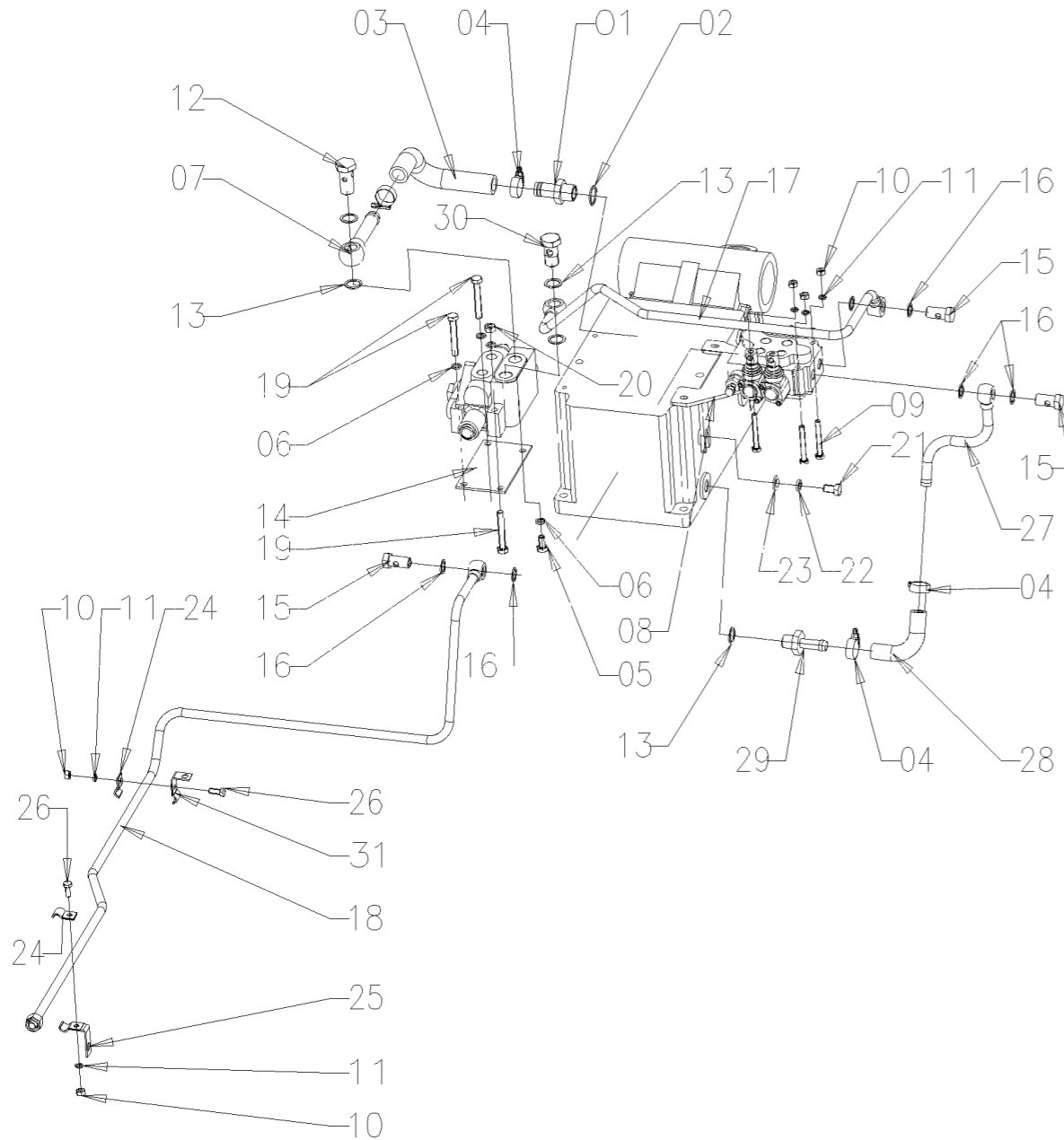


# B19.58.904.4\_0 多路阀油管总成 VALVE PIPE ASS.Y

| 序号 | 零件编号             | 零件名称                      | 数量 | 图号               |
|----|------------------|---------------------------|----|------------------|
| 1  | SH550.58D.019    | 回油管焊合 RETURN PIPE         | 1  | SH550.58D.019    |
| 2  | A68.58.003.0     | 密封环 SEALING RING          | 1  | A68.58.003.0     |
| 3  | CD554.583A.113   | 回油软管 OIL RETURN HOSE      | 1  | CD554.583A.113   |
| 4  | JBT8870-D32      | 喉箍 HOSE CLAMPS            | 4  | JBT8870-D32      |
| 5  | 2.0114.307.2     | 螺栓 BOLT                   | 1  | 2.0114.307.2     |
| 6  | GBT93-10-A3L     | 垫圈 WASHER                 | 4  | GBT93-10-A3L     |
| 7  | CD554.583A.030   | 阀回油管焊合 VALVE RETURN JOINT | 1  | CD554.583A.030   |
| 8  | CD554.583A.029-1 | 阀门支架 VALVE BRACKET        | 1  | CD554.583A.029-1 |
| 9  | 2.0114.220.2     | 螺栓 BOLT                   | 3  | 2.0114.220.2     |
| 10 | 2.1011.105.2     | 螺母 NUT                    | 5  | 2.1011.105.2     |
| 11 | CD554.58.014     | 上油管夹与胶垫胶合1 UPPER CLIP     | 1  | CD554.58.014     |
| 12 | SH400.58.112     | 空心螺栓 HOLLOW BOLT          | 1  | SH400.58.112     |
| 13 | 2.1560.018.0     | 密封垫圈 SEALING RING         | 5  | 2.1560.018.0     |
| 14 | SH550.58D.123    | 阀门支架 VALVE BRACKET        | 1  | SH550.58D.123    |
| 15 | CD554.583.130    | 空心螺栓 HOLLOW BOLT          | 3  | CD554.583.130    |
| 16 | 2.1560.014.0     | 密封垫圈 SEALING RING         | 6  | 2.1560.014.0     |
| 17 | A39.58.037.3     | 油管总成 OIL PIPE ASS.        | 1  | A39.58.037.3     |
| 18 | 2.0114.321.2     | 螺栓 BOLT                   | 3  | 2.0114.321.2     |
| 19 | CD554.58.015     | 上油管夹与胶垫胶合2 UPPER CLIP     | 2  | CD554.58.015     |
| 20 | 2.1011.106.2     | 螺母 NUT                    | 3  | 2.1011.106.2     |
| 21 | 2.0114.407.2     | 螺栓 BOLT                   | 1  | 2.0114.407.2     |
| 22 | GBT93-12-A3L     | 垫圈 WASHER                 | 1  | GBT93-12-A3L     |
| 23 | CD554.58.020     | 夹子组件 CLIP ASSY            | 1  | CD554.58.020     |
| 24 | CD554.583A.012   | 阀进油管焊合 VALVE INLET PIPE   | 1  | CD554.583A.012   |
| 25 | GBT93-8-A3L      | 垫圈 WASHER                 | 5  | GBT93-8-A3L      |
| 26 | CD554.583A.019-1 | 回油管焊合 RETURN PIPE         | 1  | CD554.583A.019-1 |
| 27 | CD554.583A.110-1 | 阀回油管 VALVE RETURN TUBE    | 1  | CD554.583A.110-1 |
| 28 | CD554.583A.020   | 多路阀回油短管焊合 RETURN JOINT    | 1  | CD554.583A.020   |
| 29 | 2.1310.007.2     | 垫圈 WASHER                 | 1  | 2.1310.007.2     |
| 30 | SH904.58.168     | 空心螺栓 HOLLOW BOLT          | 1  | SH904.58.168     |
| 31 | 2.0114.207.2     | 螺栓 BOLT                   | 2  | 2.0114.207.2     |

# B19.58.914.4 VALVE PIPE ASS.Y

YFB-R-2017-011 SH.065



## B19.58.914.4\_0 多路阀油管总成 VALVE PIPE ASS.Y

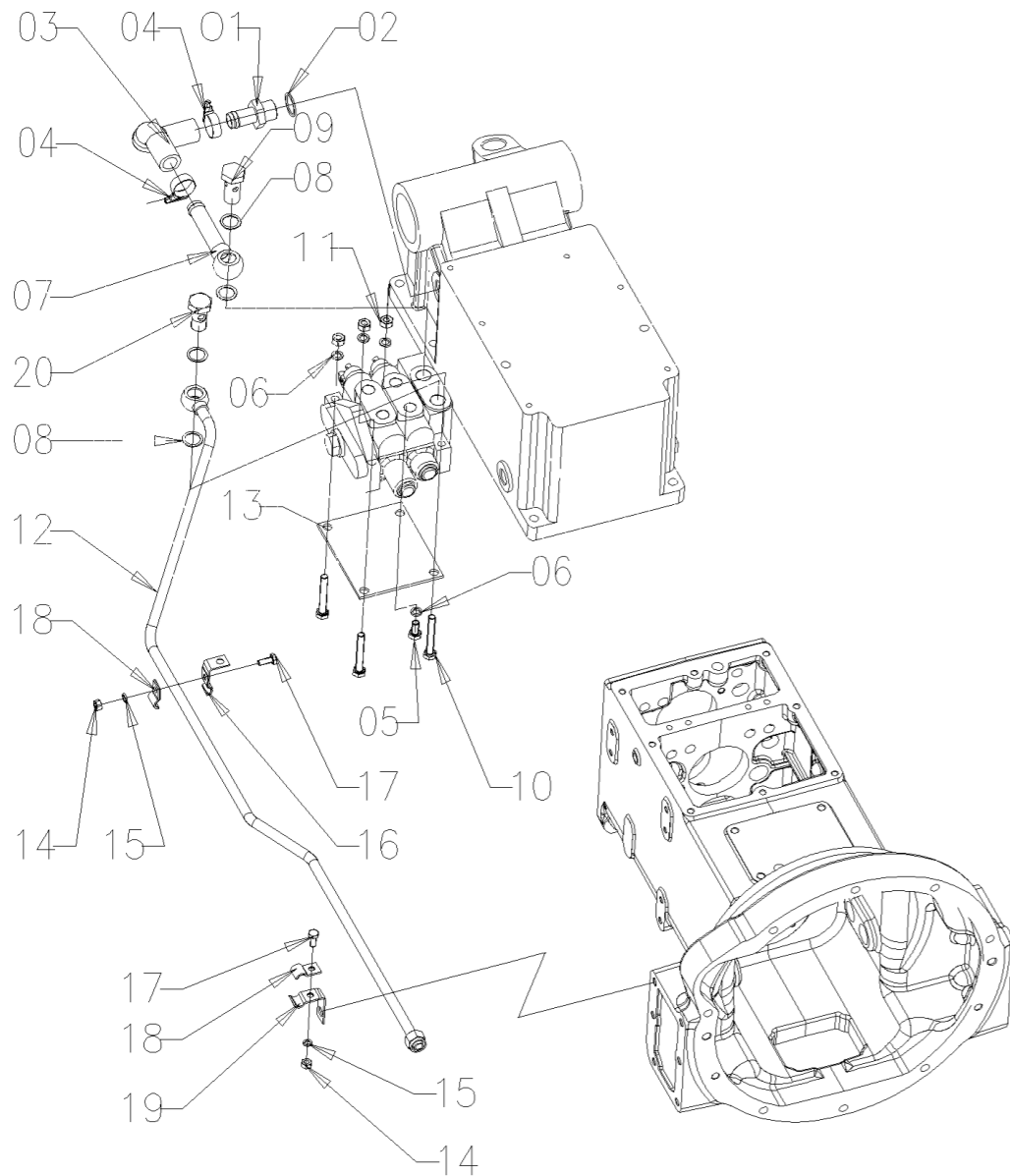
| 序号 | 零件编号             | 零件名称                      | 数量 | 图号               |
|----|------------------|---------------------------|----|------------------|
| 1  | SH550.58D.019    | 回油管焊合 RETURN PIPE         | 1  | SH550.58D.019    |
| 2  | 2.1560.021.0     | 密封垫圈 SEALING RING         | 1  | 2.1560.021.0     |
| 3  | CD554.582A.113   | 回油软管 OIL RETURN HOSE      | 1  | CD554.582A.113   |
| 4  | JBT8870-D32      | 喉箍 HOSE CLAMPS            | 4  | JBT8870-D32      |
| 5  | 2.0114.307.2     | 螺栓 BOLT                   | 1  | 2.0114.307.2     |
| 6  | GBT93-10-A3L     | 垫圈 WASHER                 | 4  | GBT93-10-A3L     |
| 7  | CD554.583A.030   | 阀回油管焊合 VALVE RETURN JOINT | 1  | CD554.583A.030   |
| 8  | CD554.583A.029-1 | 阀门支架 VALVE BRACKET        | 1  | CD554.583A.029-1 |
| 9  | 2.0114.220.2     | 螺栓 BOLT                   | 3  | 2.0114.220.2     |
| 10 | 2.1011.105.2     | 螺母 NUT                    | 5  | 2.1011.105.2     |
| 11 | GBT93-8-A3L      | 垫圈 WASHER                 | 5  | GBT93-8-A3L      |
| 12 | SH400.58.112     | 空心螺栓 HOLLOW BOLT          | 1  | SH400.58.112     |
| 13 | 2.1560.018.0     | 密封垫圈 SEALING RING         | 5  | 2.1560.018.0     |
| 14 | CD554.582A.123   | 阀门支架 VALVE BRACKET        | 1  | CD554.582A.123   |
| 15 | CD554.583.130    | 空心螺栓 HOLLOW BOLT          | 3  | CD554.583.130    |
| 16 | 2.1560.014.0     | 密封垫圈 SEALING RING         | 6  | 2.1560.014.0     |
| 17 | A39.58.038.3     | 油管总成 OIL PIPE ASS.        | 1  | A39.58.038.3     |
| 18 | CD554.583A.012   | 阀进油管焊合 VALVE INLET PIPE   | 1  | CD554.583A.012   |
| 19 | 2.0114.321.2     | 螺栓 BOLT                   | 3  | 2.0114.321.2     |
| 20 | 2.1011.106.2     | 螺母 NUT                    | 1  | 2.1011.106.2     |
| 21 | 2.0114.407.2     | 螺栓 BOLT                   | 1  | 2.0114.407.2     |
| 22 | GBT93-12-A3L     | 垫圈 WASHER                 | 1  | GBT93-12-A3L     |
| 23 | 2.1310.007.2     | 垫圈 WASHER                 | 1  | 2.1310.007.2     |
| 24 | CD554.58.015     | 上油管夹与胶垫胶合2 UPPER CLIP     | 2  | CD554.58.015     |
| 25 | CD554.58.020     | 夹子组件 CLIP ASSY            | 1  | CD554.58.020     |
| 26 | 2.0114.207.2     | 螺栓 BOLT                   | 2  | 2.0114.207.2     |
| 27 | CD554.583A.019-1 | 阀回油管焊合 VALVE RETURN JOINT | 1  | CD554.583A.019-1 |
| 28 | CD554.583A.110-1 | 阀回油管 VALVE RETURN TUBE    | 1  | CD554.583A.110-1 |
| 29 | CD554.583A.020   | 多路阀回油短管焊合 RETURN JOINT    | 1  | CD554.583A.020   |
| 30 | SH904.58.168     | 空心螺栓 HOLLOW BOLT          | 1  | SH904.58.168     |
| 31 | CD554.58.014     | 上油管夹与胶垫胶合1 UPPER CLIP     | 1  | CD554.58.014     |

# B19.58.924.4 VALVE PIPE ASS.Y

YFB-R-2017-011 SH.065

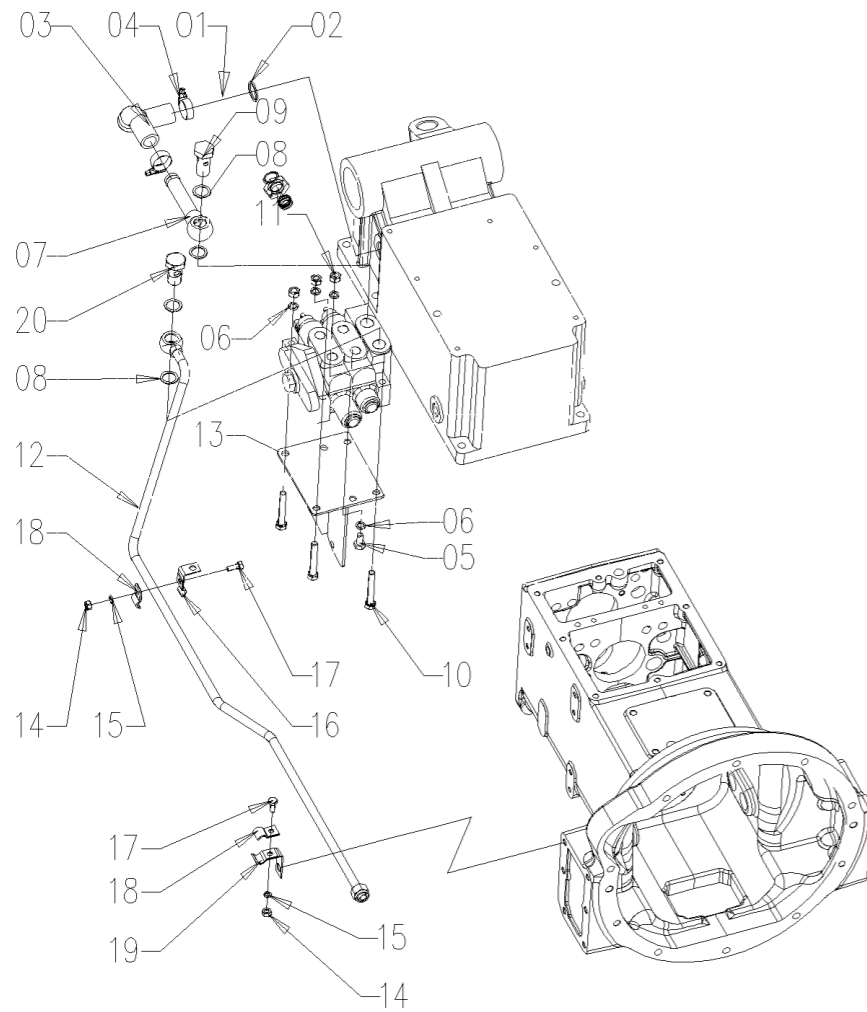
## B19.58.924.4\_0 多路阀油管总成 VALVE PIPE ASS.Y

| 序号 | 零件编号           | 零件名称                      | 数量 | 图号             |
|----|----------------|---------------------------|----|----------------|
| 1  | SH550.58D.019  | 回油管焊合 RETURN PIPE         | 1  | SH550.58D.019  |
| 2  | 2.1560.021.0   | 密封垫圈 SEALING RING         | 1  | 2.1560.021.0   |
| 3  | CD554.583A.113 | 回油软管 OIL RETURN HOSE      | 1  | CD554.583A.113 |
| 4  | JBT8870-D32    | 喉箍 HOSE CLAMPS            | 2  | JBT8870-D32    |
| 5  | 2.0114.307.2   | 螺栓 BOLT                   | 1  | 2.0114.307.2   |
| 6  | GBT93-10-A3L   | 垫圈 WASHER                 | 4  | GBT93-10-A3L   |
| 7  | CD554.583A.030 | 阀回油管焊合 VALVE RETURN JOINT | 1  | CD554.583A.030 |
| 8  | 2.1560.018.0   | 密封垫圈 SEALING RING         | 4  | 2.1560.018.0   |
| 9  | SH400.58.112   | 空心螺栓 HOLLOW BOLT          | 1  | SH400.58.112   |
| 10 | 2.0114.321.2   | 螺栓 BOLT                   | 3  | 2.0114.321.2   |
| 11 | 2.1011.106.2   | 螺母 NUT                    | 3  | 2.1011.106.2   |
| 12 | CD554.581A.011 | 阀进油管焊合 VALVE INLET PIPE   | 1  | CD554.581A.011 |
| 13 | SH550.58D.123  | 阀门支架 VALVE BRACKET        | 1  | SH550.58D.123  |
| 14 | 2.1011.105.2   | 螺母 NUT                    | 2  | 2.1011.105.2   |
| 15 | GBT93-8-A3L    | 垫圈 WASHER                 | 2  | GBT93-8-A3L    |
| 16 | CD554.58.014   | 上油管夹与胶垫胶合1 UPPER CLIP     | 1  | CD554.58.014   |
| 17 | 2.0114.207.2   | 螺栓 BOLT                   | 2  | 2.0114.207.2   |
| 18 | CD554.58.015   | 上油管夹与胶垫胶合2 UPPER CLIP     | 2  | CD554.58.015   |
| 19 | CD554.58.020   | 夹子组件 CLIP ASSY            | 1  | CD554.58.020   |
| 20 | SH904.58.168   | 空心螺栓 HOLLOW BOLT          | 1  | SH904.58.168   |



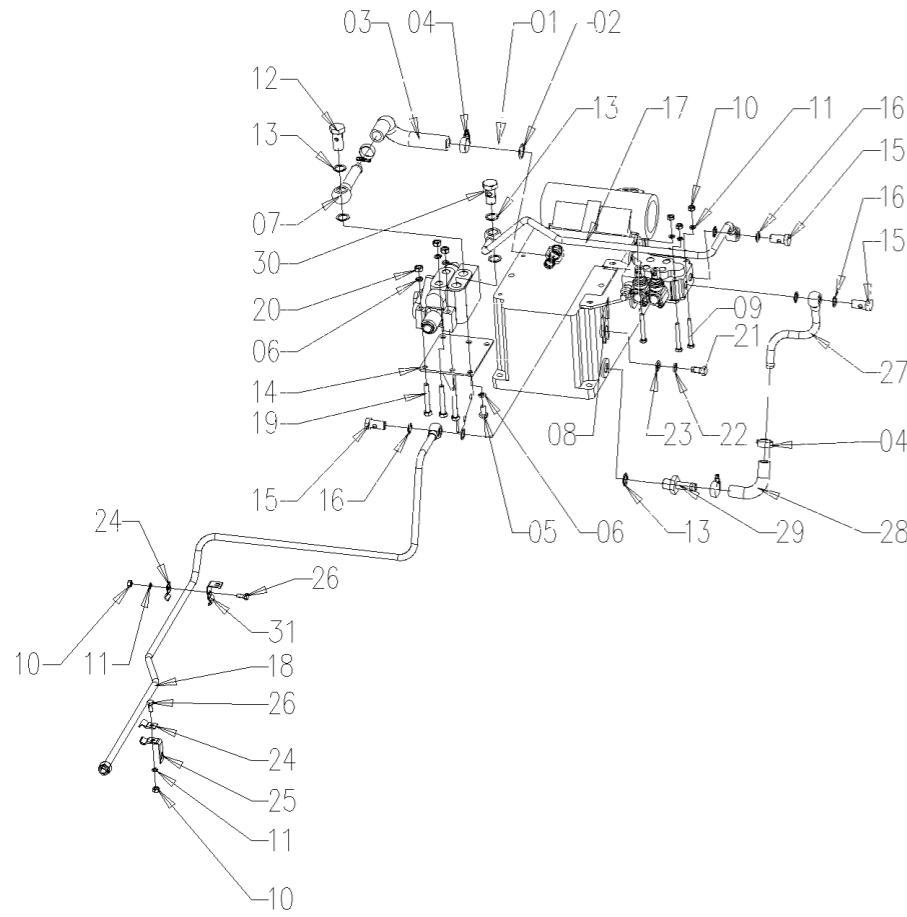
# B25.58.904.4 MULTI-VALVE HOSE ASS.-1

## B25.58.904.4\_0 多路阀油管总成 (1路输出强压) VALVE PIPE ASS.Y (1 way output strong pressure)



| 序号 | 零件编号               | 零件名称                      | 数量 | 图号                 |
|----|--------------------|---------------------------|----|--------------------|
| 1  | SH550.58D.019      | 回油短管焊合 RETURN PIPE        | 1  | SH550.58D.019      |
| 2  | 2.1560.021.0       | 组合密封垫圈 SEALING RING       | 1  | 2.1560.021.0       |
| 3  | CD554.583A.113     | 回油管 RETURN TUBE           | 1  | CD554.583A.113     |
| 4  | JBT8870-D32        | 喉箍 HOSE CLAMPS            | 2  | JBT8870-D32        |
| 5  | GBT5783-M10X20-A3L | 螺栓 BOLT                   | 1  | GBT5783-M10X20-A3L |
| 6  | GBT93-10-A3L       | 弹簧垫圈 SPRING WASHER        | 4  | GBT93-10-A3L       |
| 7  | CD554.583A.030     | 多路阀回油管焊合 VALVE RETURN     | 1  | CD554.583A.030     |
| 8  | 2.1560.018.0       | 组合密封垫圈 SEALING RING       | 4  | 2.1560.018.0       |
| 9  | SH400.58.112       | 空心螺栓 HOLLOW BOLT          | 1  | SH400.58.112       |
| 10 | GBT5783-M10X70-A3L | 螺栓 BOLT                   | 3  | GBT5783-M10X70-A3L |
| 11 | GBT6170-M10-A3L    | 螺母 NUT                    | 3  | GBT6170-M10-A3L    |
| 12 | CD554.581A.011     | 多路阀进油管焊合 VALVE INLET PIPE | 1  | CD554.581A.011     |
| 13 | A46.58.010.2       | 阀门支架焊接 VALVE BRACKET      | 1  | A46.58.010.2       |
| 14 | GBT6170-M8-A3L     | 螺母 NUT                    | 2  | GBT6170-M8-A3L     |
| 15 | GBT93-8-A3L        | 弹簧垫圈 SPRING WASHER        | 2  | GBT93-8-A3L        |
| 16 | CD554.58.014       | 上油管夹与胶垫胶合1 UPPER CLIP     | 1  | CD554.58.014       |
| 17 | GBT5783-M8X20-A3L  | 螺栓 BOLT                   | 2  | GBT5783-M8X20-A3L  |
| 18 | CD554.58.015       | 上油管夹与胶垫胶合2 UPPER CLIP     | 2  | CD554.58.015       |
| 19 | CD554.58.020       | 油管夹与胶垫胶合 CLIP ASSY        | 1  | CD554.58.020       |
| 20 | SH904.58.168       | 空心螺栓 HOLLOW BOLT          | 1  | SH904.58.168       |

B25.58.914.4 MULTI-VALVE HOSE ASS.-2



B25.58.914.4\_0 多路阀油管总成 (2路输出强压) VALVE PIPE ASS.Y (2 way output strong pressure)

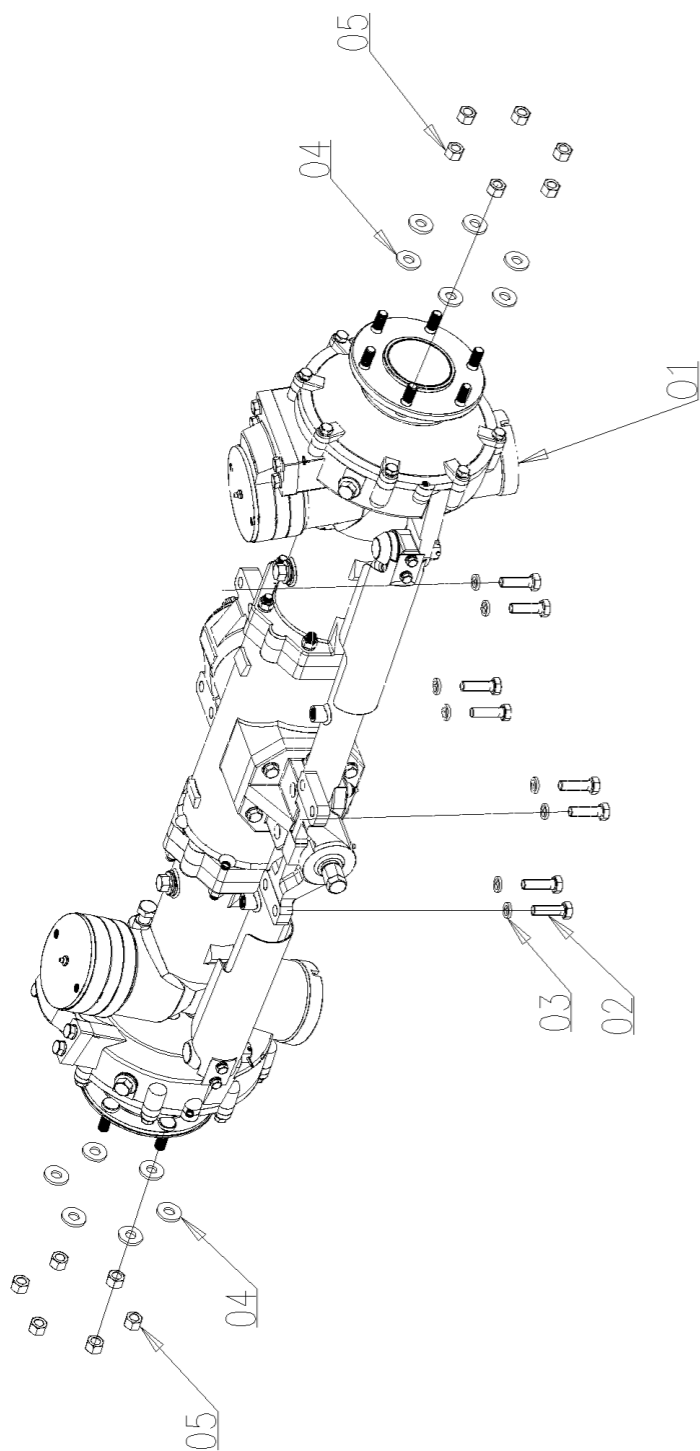
| 序号 | 零件编号               | 零件名称                      | 数量 | 图号                 |
|----|--------------------|---------------------------|----|--------------------|
| 1  | SH550.58D.019      | 回油短管焊合 RETURN PIPE        | 1  | SH550.58D.019      |
| 2  | 2.1560.021.0       | 组合密封垫圈 SEALING RING       | 1  | 2.1560.021.0       |
| 3  | CD554.582A.113     | 回油管 RETURN TUBE           | 1  | CD554.582A.113     |
| 4  | JBT8870-D32        | 喉箍 HOSE CLAMPS            | 4  | JBT8870-D32        |
| 5  | GBT5783-M10X20-A3L | 螺栓 BOLT                   | 1  | GBT5783-M10X20-A3L |
| 6  | GBT93-10-A3L       | 弹簧垫圈 SPRING WASHER        | 4  | GBT93-10-A3L       |
| 7  | CD554.583A.030     | 多路阀回油管焊合 VALVE RETURN     | 1  | CD554.583A.030     |
| 8  | CD554.583A.029-1   | 多路阀安装支架焊合 VALVE           | 1  | CD554.583A.029-1   |
| 9  | GBT5783-M8X65-A3L  | 螺栓 BOLT                   | 3  | GBT5783-M8X65-A3L  |
| 10 | GBT6170-M8-A3L     | 螺母 NUT                    | 5  | GBT6170-M8-A3L     |
| 11 | GBT93-8-A3L        | 弹簧垫圈 SPRING WASHER        | 5  | GBT93-8-A3L        |
| 12 | SH400.58.112       | 空心螺栓 HOLLOW BOLT          | 1  | SH400.58.112       |
| 13 | 2.1560.018.0       | 组合密封垫圈 SEALING RING       | 5  | 2.1560.018.0       |
| 14 | A46.58.010.2       | 阀门支架 VALVE BRACKET        | 1  | A46.58.010.2       |
| 15 | CD554.583.130      | 空心螺栓 HOLLOW BOLT M18*1.5  | 3  | CD554.583.130      |
| 16 | 2.1560.014.0       | 组合密封垫圈 SEALING RING       | 6  | 2.1560.014.0       |
| 17 | A39.58.038.3       | 油管总成 OIL PIPE ASS.        | 1  | A39.58.038.3       |
| 18 | CD554.583A.012     | 多路阀进油管总成 VALVE INLET PIPE | 1  | CD554.583A.012     |
| 19 | GBT5783-M10X70-A3L | 螺栓 BOLT                   | 3  | GBT5783-M10X70-A3L |
| 20 | GBT6170-M10-A3L    | 螺母 NUT                    | 3  | GBT6170-M10-A3L    |
| 21 | GBT5783-M12X20-A3L | 螺栓 BOLT                   | 1  | GBT5783-M12X20-A3L |
| 22 | GBT93-12-A3L       | 垫圈 WASHER                 | 1  | GBT93-12-A3L       |
| 23 | GBT97.1-12-A3L     | 垫圈 WASHER                 | 1  | GBT97.1-12-A3L     |
| 24 | CD554.58.015       | 上油管夹与胶垫胶合2 UPPER CLIP     | 2  | CD554.58.015       |
| 25 | CD554.58.020       | 油管夹与胶垫胶合 CLIP ASSY        | 1  | CD554.58.020       |
| 26 | GBT5783-M8X20-A3L  | 螺栓 BOLT                   | 2  | GBT5783-M8X20-A3L  |
| 27 | CD554.583A.019-1   | 多路阀回油管总成 RETURN PIPE      | 1  | CD554.583A.019-1   |
| 28 | CD554.583A.110-1   | 多路阀回油软管 VALVE RETURN      | 1  | CD554.583A.110-1   |
| 29 | CD554.583A.020     | 多路阀回油短管焊合 RETURN JOINT    | 1  | CD554.583A.020     |
| 30 | SH904.58.168       | 空心螺栓 HOLLOW BOLT          | 1  | SH904.58.168       |
| 31 | CD554.58.014       | 上油管夹与胶垫胶合1 UPPER CLIP     | 1  | CD554.58.014       |



# B26.31.900.4 FRONT AXLE ASS.Y

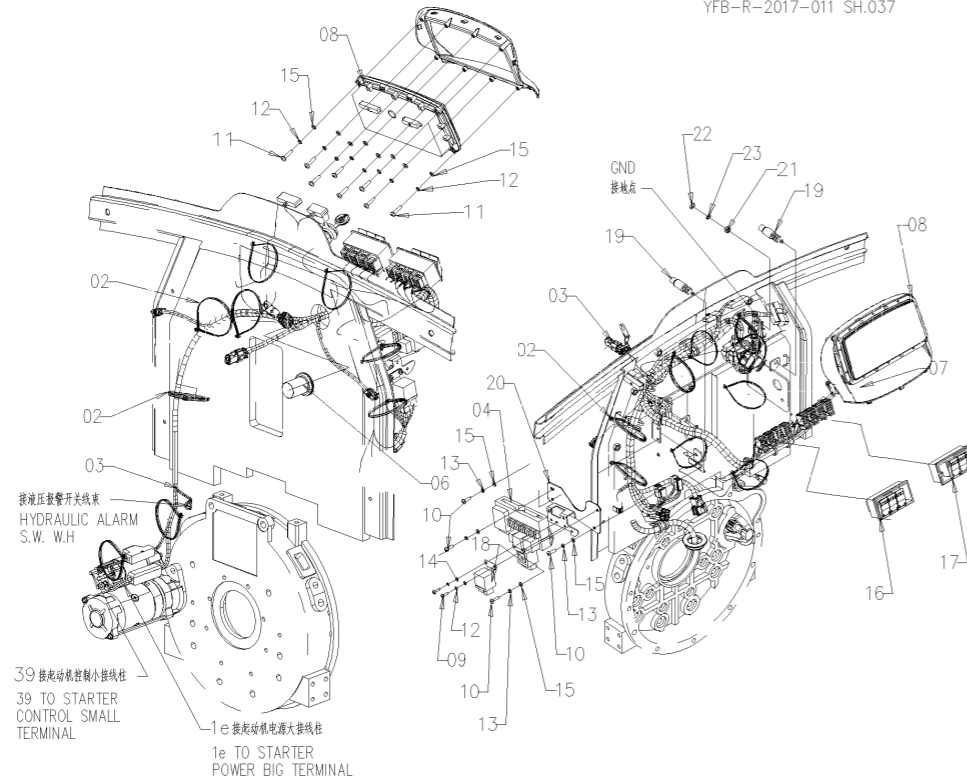
## B26.31.900.4\_0 前桥总成 FRONT AXLE ASS.Y

| 序号 | 零件编号                   | 零件名称 | 数量 | 图号                      |
|----|------------------------|------|----|-------------------------|
| 1  | SH404.31.011           | 前轴组件 | 1  | SH404.31.011            |
| 2  | GBT5783-M14X45-10.9-   | 螺栓   | 8  | GBT5783-M14X45-10.9-A3L |
| 3  | GBT93-14-A3L           | 垫圈   | 8  | GBT93-14-A3L            |
| 4  | SH404.31.102           | 垫圈   | 12 | SH404.31.102            |
| 5  | GBT6176-M14X1.5-10-A3L | 螺母   | 12 | GBT6176-M14X1.5-10-A3L  |



B26.48.901.4 BODY W.H ASSEMBLY

YFB-R-2017-011 SH.037

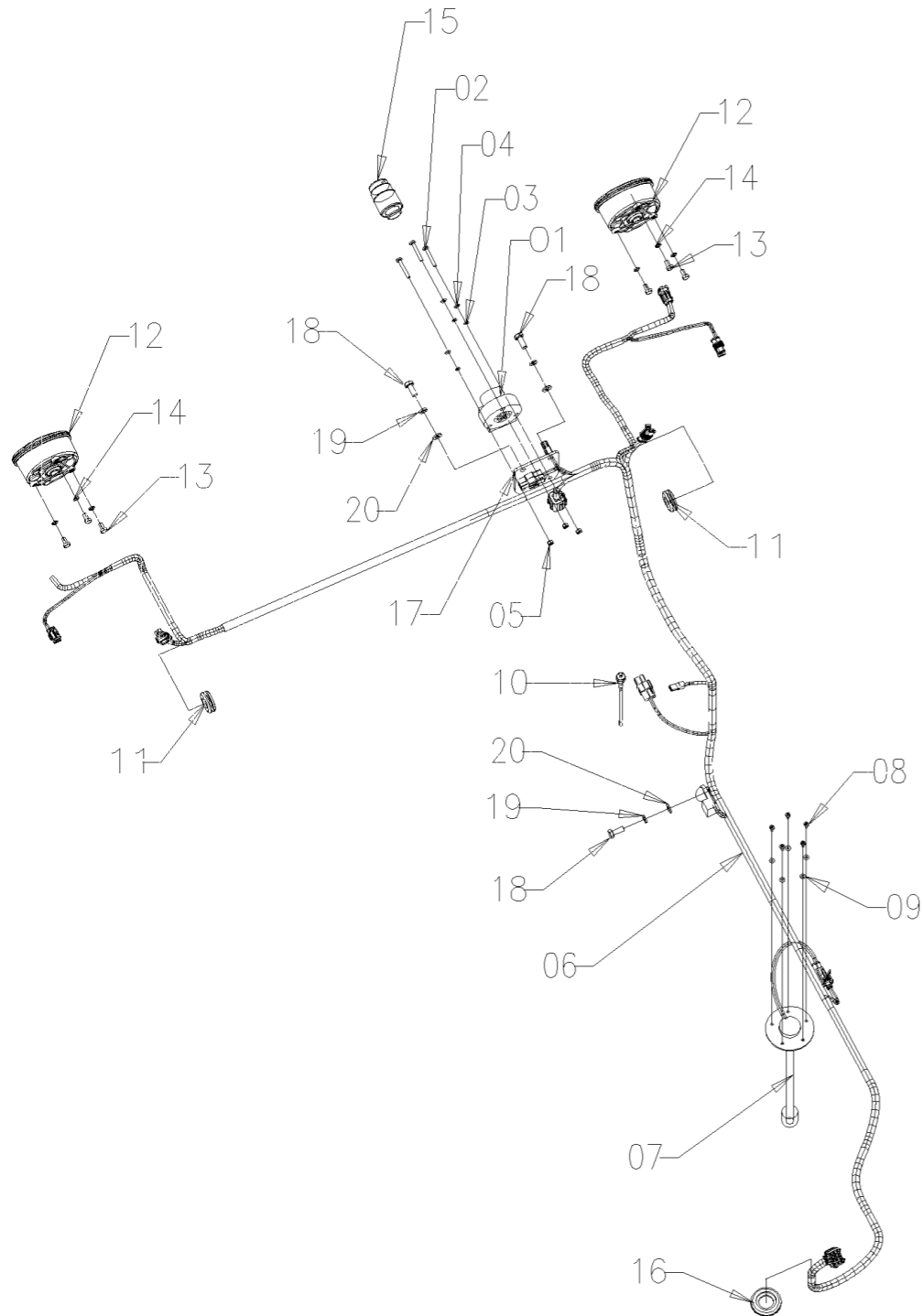


B26.48.901.4\_5 车身线束安装总成BODY WIRE HARNESS ASSEMBLY

| 序号 | 零件编号             | 零件名称                     | 数量 | 图号               |
|----|------------------|--------------------------|----|------------------|
| 2  | 2.6852.203.0     | 扎带 W.H. TIE              | 9  | 2.6852.203.0     |
| 3  | B26.48.001.0/30  | 车身线束 BODY W.H.           | 1  | B26.48.001.0/30  |
| 4  | A39.48.014.0/20  | 保险丝盒 FUSE BOX            | 1  | A39.48.014.0/20  |
| 6  | A39.48.040.0     | 穿线胶圈 RUBBER RING         | 1  | A39.48.040.0     |
| 7  | CD304.48.039     | 点火锁 IGNITION SWTICH      | 1  | CD304.48.039     |
| 8  | B61.48.027       | CAN组合仪表总成 COMBINATION    | 1  | B61.48.027       |
| 9  | GBT818-M5X16-A2L | 螺钉 SCREW                 | 2  | GBT818-M5X16-A2L |
| 10 | GBT818-M6X20-A2L | 螺钉 SCREW                 | 4  | GBT818-M6X20-A2L |
| 11 | GBT818-M6X25-A2L | 螺钉 SCREW                 | 8  | GBT818-M6X25-A2L |
| 12 | GBT93-5-A3L      | 垫圈 WASHER                | 2  | GBT93-5-A3L      |
| 13 | GBT93-6-A3L      | 垫圈 WASHER                | 12 | GBT93-6-A3L      |
| 14 | GBT97.1-5-A3L    | 垫圈 WASHER                | 2  | GBT97.1-5-A3L    |
| 15 | GBT97.1-6-A3L    | 垫圈 WASHER                | 12 | GBT97.1-6-A3L    |
| 16 | LD800.48.030     | 左侧摇臂开关 LEFT SIDE ROCKER  | 1  | LD800.48.030     |
| 17 | LD800.48.031     | 右侧摇臂开关 RIGHT SIDE ROCKER | 1  | LD800.48.031     |
| 18 | SH400.48.040     | 启动继电器 STARTING RELAY     | 2  | SH400.48.040     |
| 19 | SH400.48.047     | 制动开关 BRAKE SWITCH        | 2  | SH400.48.047     |
| 20 | CD554A.48.024/20 | 支架 BRACKET               | 1  | CD554A.48.024/20 |
| 21 | GBT6170-M8-A2L   | 螺母 NUT                   | 1  | GBT6170-M8-A2L   |
| 22 | GBT97.1-8-A3L    | 垫圈 WASHER                | 1  | GBT97.1-8-A3L    |
| 23 | GBT93-8-A3L      | 垫圈 WASHER                | 1  | GBT93-8-A3L      |

# B26.48.903.4 REAR LAMP W.H. ASS.Y

YFB-R-2018-005 SH.037

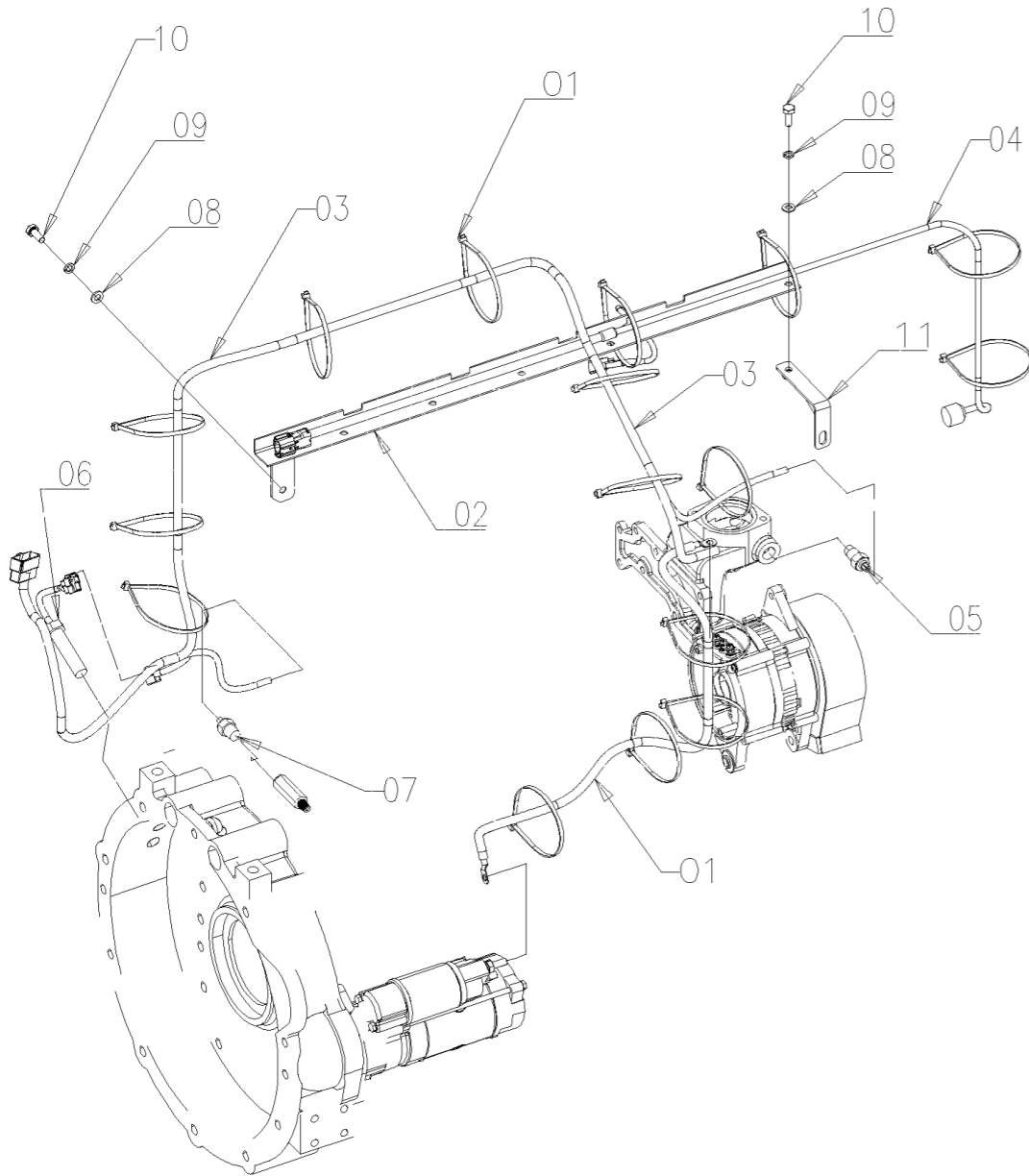


# B26.48.903.4\_2 后灯线束安装总成 REAR LAMP WIRE HARNESS ASS.Y

| 序号 | 零件编号              | 零件名称                      | 数量 | 图号                |
|----|-------------------|---------------------------|----|-------------------|
| 1  | A56.48.010.0      | 后挂车插座 TRAILER SOCKET      | 1  | A56.48.010.0      |
| 2  | GBT818-M5X35-A2L  | 螺钉 SCREW                  | 3  | GBT818-M5X35-A2L  |
| 3  | GBT93-5-A3L       | 垫圈 WASHER                 | 3  | GBT93-5-A3L       |
| 4  | GBT97.1-5-A3L     | 垫圈 WASHER                 | 3  | GBT97.1-5-A3L     |
| 5  | GBT6170-M5-A2L    | 螺母 NUT                    | 3  | GBT6170-M5-A2L    |
| 6  | A39.48.011.0/30   | 后灯线束 REAR LAMP W.H.       | 1  | A39.48.011.0/30   |
| 7  | CD554.48.024      | 机油传感器总成 OIL SENSOR        | 1  | CD554.48.024      |
| 8  | GBT818-M4X10-A2L  | 螺钉 SCREW                  | 5  | GBT818-M4X10-A2L  |
| 9  | GBT97.1-4-A3L     | 垫圈 WASHER                 | 5  | GBT97.1-4-A3L     |
| 10 | SH900.48.049      | 手刹开关 PARKING BRAKE SWITCH | 1  | SH900.48.049      |
| 11 | SH400.48.118      | 橡胶圈 RUBBER RING           | 2  | SH400.48.118      |
| 12 | A39.48.025.0      | 后尾灯 REAR LAMP             | 2  | A39.48.025.0      |
| 13 | GBT5783-M6X12-A2L | 螺栓 BOLT                   | 6  | GBT5783-M6X12-A2L |
| 14 | GBT93-6-A3L       | 垫圈 WASHER                 | 6  | GBT93-6-A3L       |
| 15 | A56.48.011.0      | 后挂车插头 REAR TRAILER PLUG   | 1  | A56.48.011.0      |
| 16 | CD554.48.104      | 橡胶圈 RUBBER RING           | 1  | CD554.48.104      |

# B26.48.905.4 ENGINE W.H. ASS.Y

YFB-R-2017-011 SH.044



# B26.48.905.4\_2 发动机线束安装总成ENGINE WIRE HARNESS ASS.Y

| 序号 | 零件编号              | 零件名称                    | 数量 | 图号                |
|----|-------------------|-------------------------|----|-------------------|
| 1  | 2.6852.203.0      | 扎带 W.H. TIE             | 16 | 2.6852.203.0      |
| 2  | A39.48.022.2/30   | 线束支架 HARNESS BRACKET    | 1  | A39.48.022.2/30   |
| 3  | B26.48.002.0/10   | 发动机线束 ENGINE W.H.       | 1  | B26.48.002.0/10   |
| 4  | B26.48.003.0      | 空调线束 AIR CONDITION W.H. | 1  | B26.48.003.0      |
| 5  | SH900.48.032      | 水温传感器 WATER TEMPERATURE | 1  | SH900.48.032      |
| 6  | SH900.48.033      | 速度传感器 SPEED SENSOR      | 1  | SH900.48.033      |
| 7  | SH900.48.034      | 机油压力传感器 OIL PRESSURE    | 1  | SH900.48.034      |
| 8  | GBT97.1-8-A3L     | 垫圈 WASHER               | 2  | GBT97.1-8-A3L     |
| 9  | GBT93-8-A3L       | 垫圈 WASHER               | 2  | GBT93-8-A3L       |
| 10 | GBT5783-M8X20-A2L | 螺栓 BOLT                 | 2  | GBT5783-M8X20-A2L |
| 11 | A39.48.027.3      | 支架 BRACKET              | 1  | A39.48.027.3      |

## 说明/NOTE:

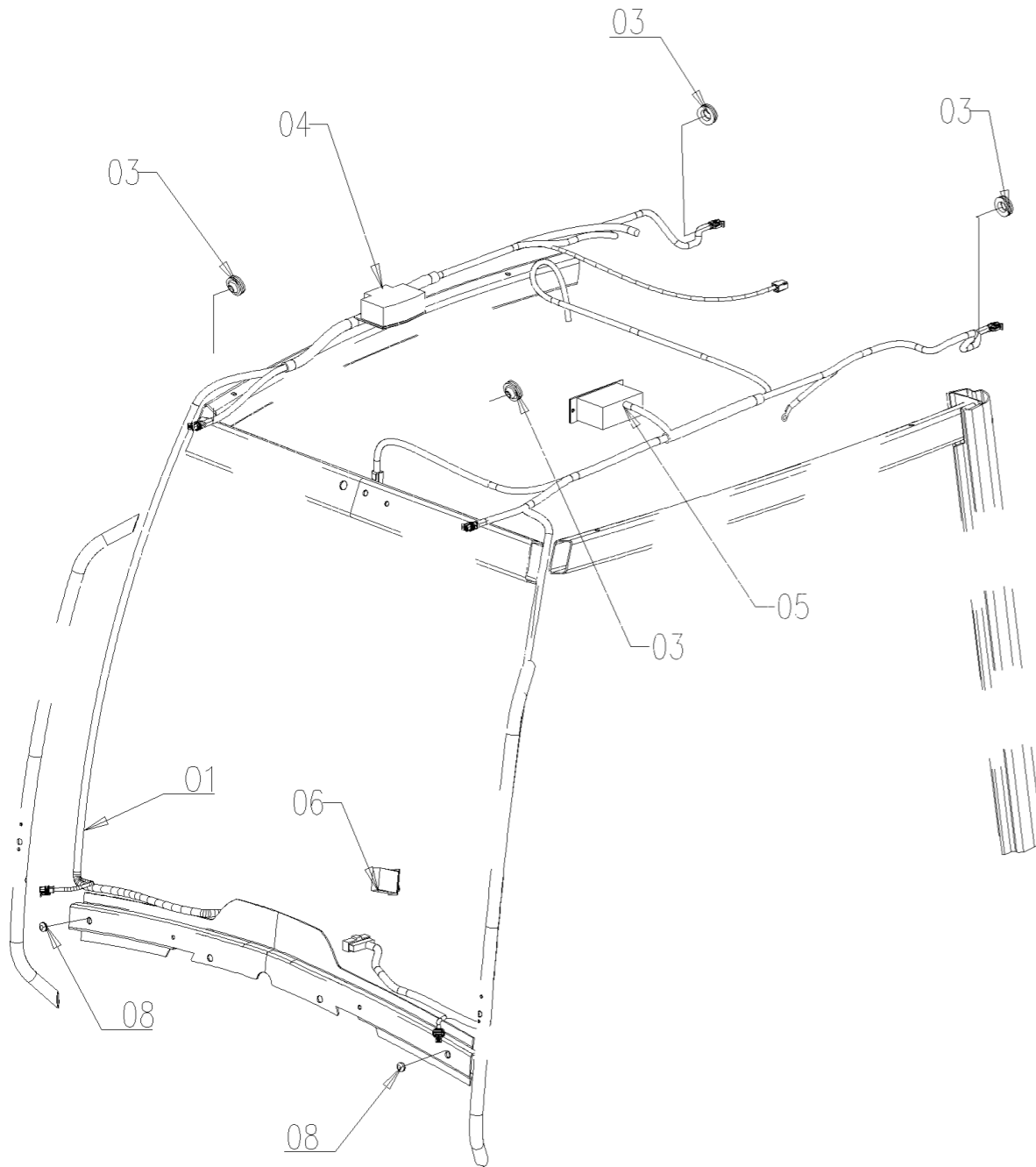
转速传感器安装方法: 拧到底接触到飞轮齿圈后, 退回1—1.5圈, 最后锁紧。

INSTALLATION METHOD OF SPEED SENSOR: SCREW IT TO THE BOTTOM AND CONTACT THE FLYWHEEL RING GEAR, RETURN 1-1.5 TURNS, AND FINALLY LOCK.

# B26.48.914.4 CABIN W.H. ASS.Y

## B26.48.914.4\_0 驾驶室线束总成 (小轮罩) CABINWIRE HARNESS ASS.Y

| 序号 | 零件编号            | 零件名称                 | 数量 | 图号              |
|----|-----------------|----------------------|----|-----------------|
| 1  | A39.48.006.0/10 | 驾驶室顶棚线束 CABIN WIRING | 1  | A39.48.006.0/10 |
| 3  | 2.6569.069.0/10 | 橡胶垫圈 Gommino         | 4  | 2.6569.069.0/10 |
| 4  | SH900.48.058    | 车顶灯 CAB CEILING LAMP | 1  | SH900.48.058    |
| 5  | SH900.48.059    | 收音机 RADIO            | 1  | SH900.48.059    |
| 6  | A39.48.018.0    | 雨刮喷水开关 WIPER SW.     | 1  | A39.48.018.0    |
| 8  | A39.48.036.0    | 穿线胶圈 RUBBER CIRCLE   | 2  | A39.48.036.0    |

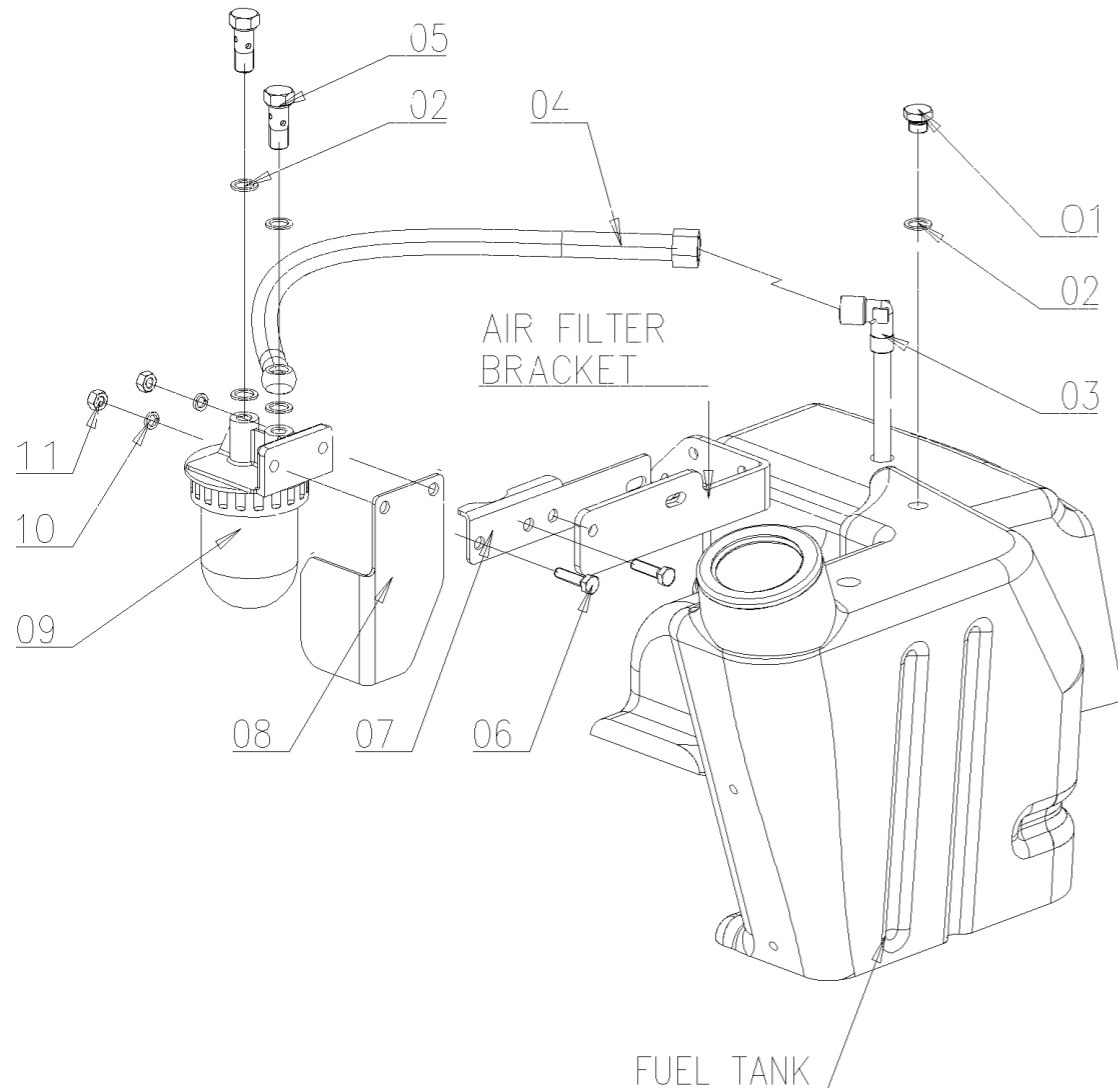


# B26.50.912.4 FUEL PIPE ASS.Y

YFB-R-2017-011 SH.044

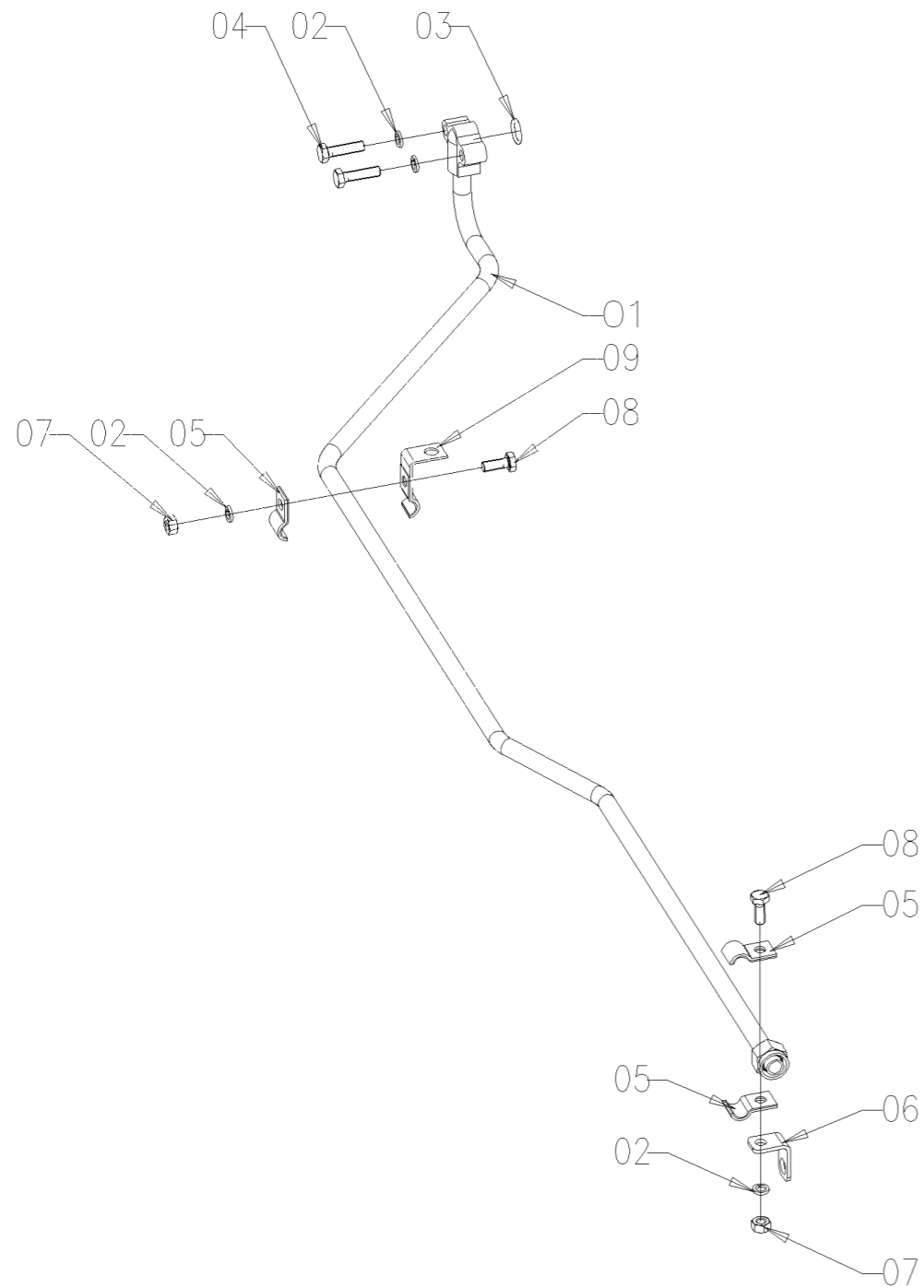
## B26.50.912.4\_0 燃油管路总成 FUEL PIPE ASS.Y

| 序号 | 零件编号              | 零件名称                       | 数量 | 图号                |
|----|-------------------|----------------------------|----|-------------------|
| 1  | 2.3110.403.2      | 螺塞 SCREW PLUG              | 1  | 2.3110.403.2      |
| 2  | 2.1560.010.0      | 密封垫圈 SEALING RING          | 5  | 2.1560.010.0      |
| 3  | A39.50.014.3      | 吸油管 PUMP INLET PIPE WELDED | 1  | A39.50.014.3      |
| 4  | B26.50.003.2      | 吸油管 PUMP INLET PIPE WELDED | 1  | B26.50.003.2      |
| 5  | A39.50.022.0      | 螺栓 BOLT                    | 2  | A39.50.022.0      |
| 6  | GBT5783-M8X30-A2L | 螺栓 BOLT                    | 2  | GBT5783-M8X30-A2L |
| 7  | B26.50.001.0      | 支架 BRACKET                 | 1  | B26.50.001.0      |
| 8  | B26.50.002.0      | 防护罩 PROTECT COVER          | 1  | B26.50.002.0      |
| 9  | CD304.50.014      | 沉淀杯 WATER SEPARATOR        | 1  | CD304.50.014      |
| 10 | GBT93-8-A3L       | 垫圈 WASHER                  | 2  | GBT93-8-A3L       |
| 11 | GBT6170-M8-A2L    | 螺母 NUT                     | 2  | GBT6170-M8-A2L    |



# B26.58.934.4 REAR LIFT PIPE ASS.Y

YFB-R-2017-011 SH.007



# B26.58.934.4\_0 提升器进油管总成(无液压输出) MULTI-WAY VALVE PIPE ASS.(no hydraulic output)

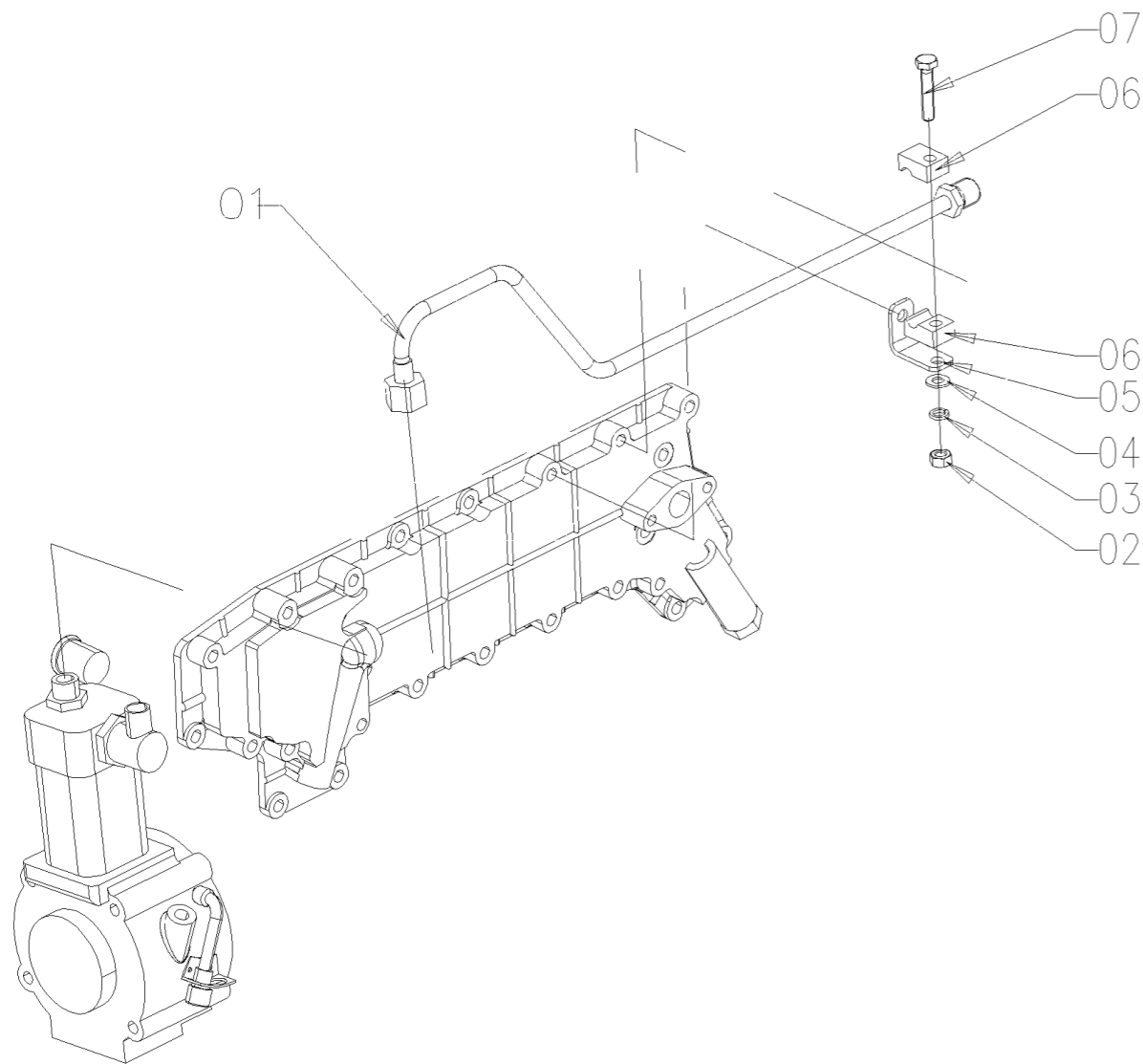
| 序号 | 零件编号                | 零件名称                          | 数量 | 图号                  |
|----|---------------------|-------------------------------|----|---------------------|
| 1  | CD404.58.014        | 压力油管总成 PRESSURE OIL PIPE ASS. | 1  | CD404.58.014        |
| 2  | GBT93-8-A3L         | 垫圈 WASHER                     | 4  | GBT93-8-A3L         |
| 3  | GBT3452.1-15X2.65-G | O型圈 O RING                    | 1  | GBT3452.1-15X2.65-G |
| 4  | GBT5783-M8X30-A2L   | 螺栓 BOLT                       | 2  | GBT5783-M8X30-A2L   |
| 5  | CD554.58.015        | 上油管夹与胶垫胶合2 UPPER CLIP         | 3  | CD554.58.015        |
| 6  | B26.58.003.0        | 支架 BRACKET                    | 1  | B26.58.003.0        |
| 7  | GBT6170-M8-A2L      | 螺母 NUT                        | 2  | GBT6170-M8-A2L      |
| 8  | GBT5783-M8X20-A2L   | 螺栓 BOLT                       | 2  | GBT5783-M8X20-A2L   |
| 9  | CD554.58.014        | 上油管夹与胶垫胶合1 UPPER CLIP         | 1  | CD554.58.014        |

# B26.80.900.4 PUMP DELIVERY PIPE

YFB-S-2016-011 SH.024

## B26.80.900.4\_1 气泵出气管总成 PUMP DELIVERY PIPE

| 序号 | 零件编号              | 零件名称               | 数量 | 图号                |
|----|-------------------|--------------------|----|-------------------|
| 1  | B26.80.003.3/20   | 气管组件 AIR PIPE ASS. | 1  | B26.80.003.3/20   |
| 2  | GBT6170-M8-A2L    | 螺母 NUT             | 1  | GBT6170-M8-A2L    |
| 3  | GBT93-8-A3L       | 垫圈 WASHER          | 1  | GBT93-8-A3L       |
| 4  | GBT97.1-8-A3L     | 垫圈 WASHER          | 1  | GBT97.1-8-A3L     |
| 5  | B26.80.004.0/10   | 支架 BRACKET         | 1  | B26.80.004.0/10   |
| 6  | A08.40.017.0      | 油管夹 PIPE CLAMP     | 2  | A08.40.017.0      |
| 7  | GBT5783-M8X40-A2L | 螺栓 BOLT            | 1  | GBT5783-M8X40-A2L |

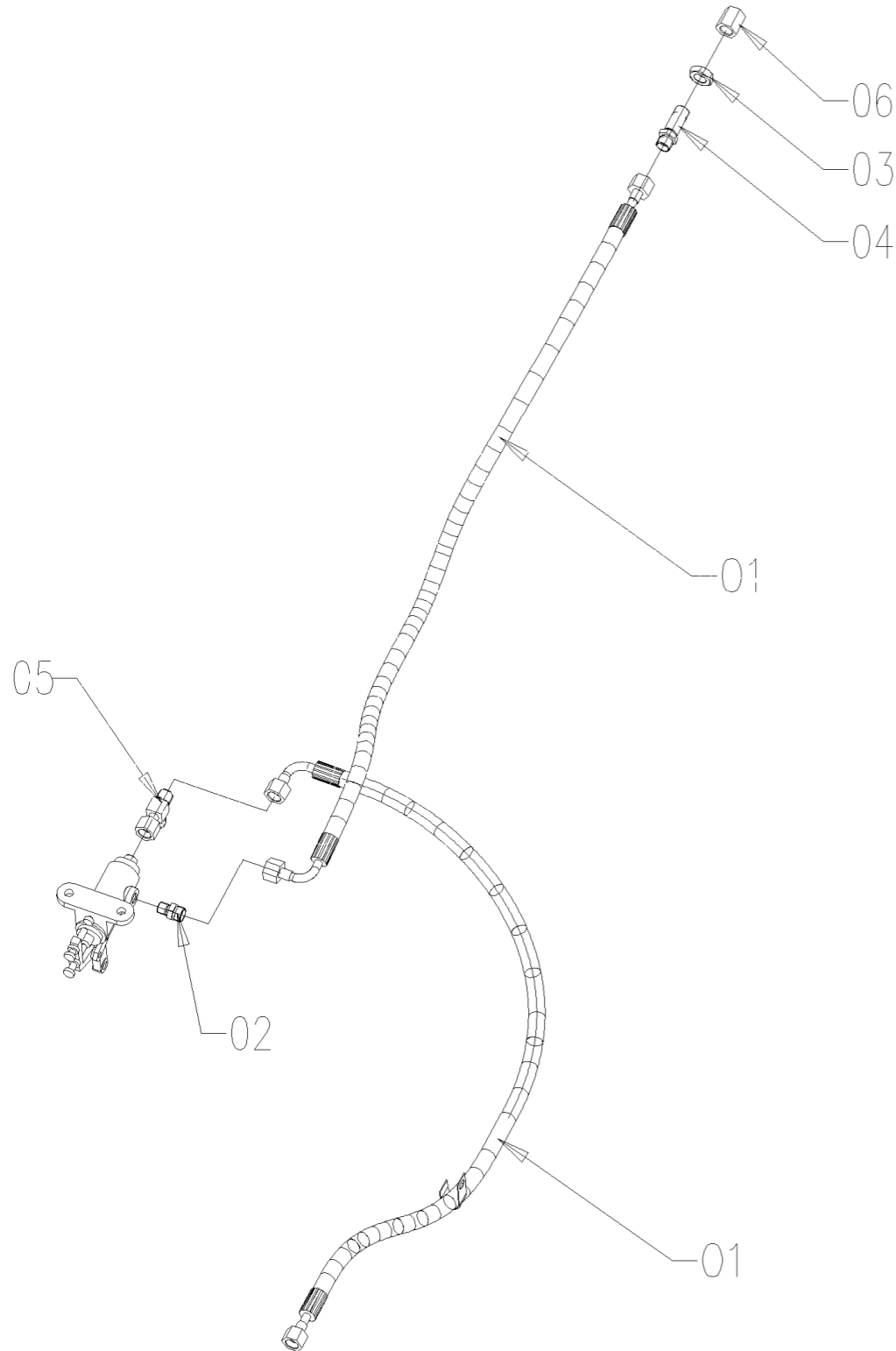




# B26.80.902.4 BRAKE VALVE AIR HOSE ASS.

## B26.80.902.4\_1 脚制动阀管路总成 (气刹) BRAKE VALVE AIR HOSE ASS.(airbrake)

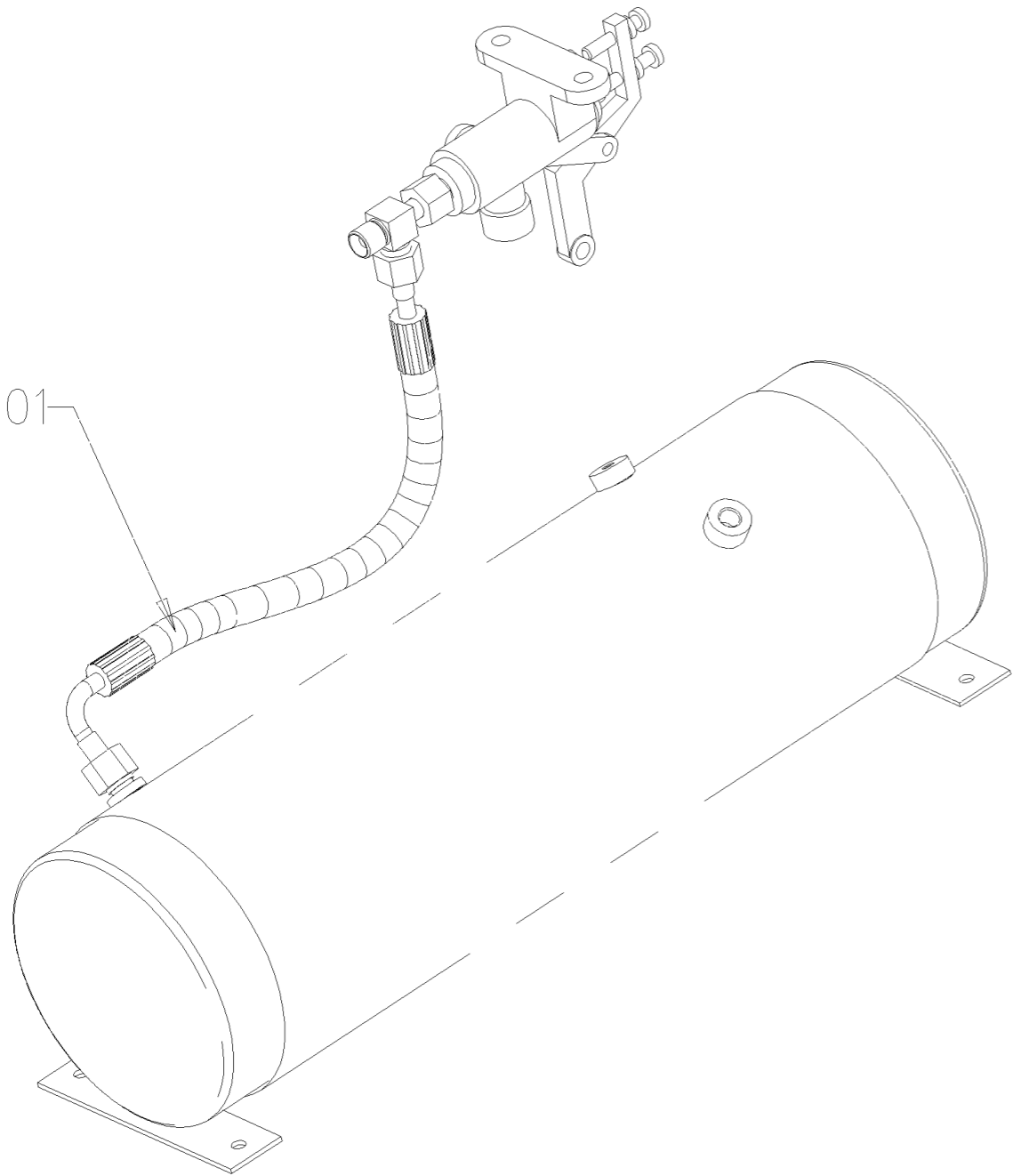
| 序号 | 零件编号                | 零件名称                       | 数量 | 图号                  |
|----|---------------------|----------------------------|----|---------------------|
| 1  | B26.80.005.3        | 进气软管总成 AIR INLET HOSE ASS. | 2  | B26.80.005.3        |
| 2  | SH400.80.104        | 排气管接头 EXHAUST PIPE JOINT   | 1  | SH400.80.104        |
| 3  | GBT6173-M18X1.5-A3L | 螺母 NUT                     | 1  | GBT6173-M18X1.5-A3L |
| 4  | CD554.80.103        | 排气弯管接头 JOINT               | 1  | CD554.80.103        |
| 5  | B26.80.001.3        | T形连接器 T-CONNECTOR          | 1  | B26.80.001.3        |
| 6  | CD554.80.105        | 套筒 COVER                   | 1  | CD554.80.105        |



# B26.80.904.4 AIR TANK INLET HOSE ASS.

## B26.80.904.4\_0 储气筒管路总成 (气刹) AIR TANK INLET HOSE ASS.(airbrake)

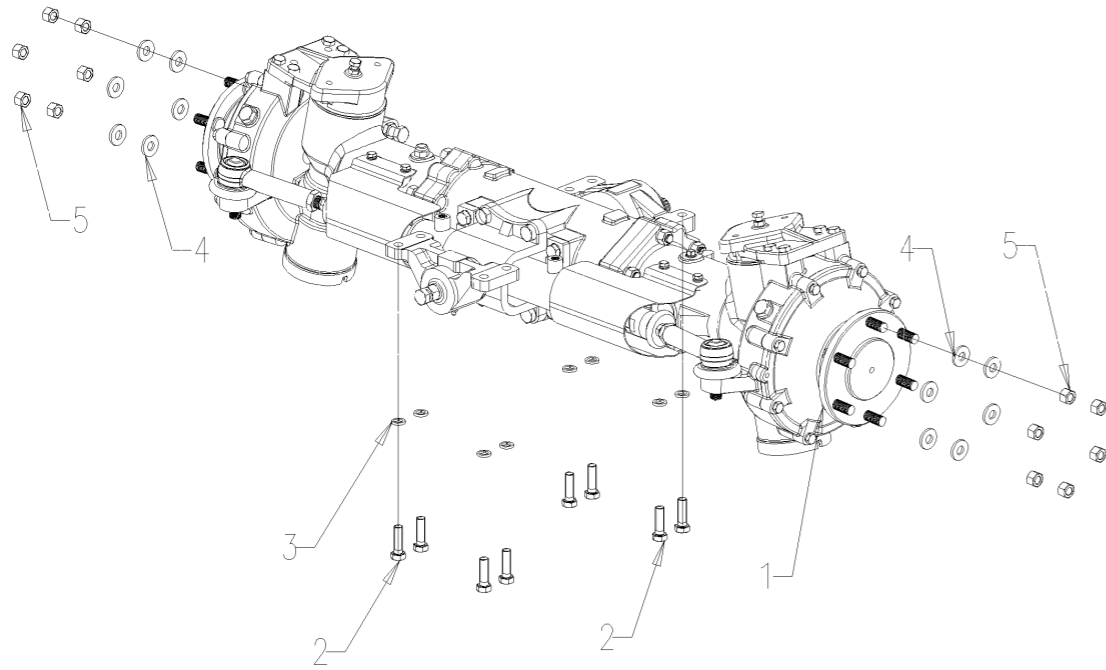
| 序号 | 零件编号         | 零件名称                       | 数量 | 图号           |
|----|--------------|----------------------------|----|--------------|
| 1  | B26.80.006.3 | 进气软管总成 AIR INLET HOSE ASS. | 1  | B26.80.006.3 |

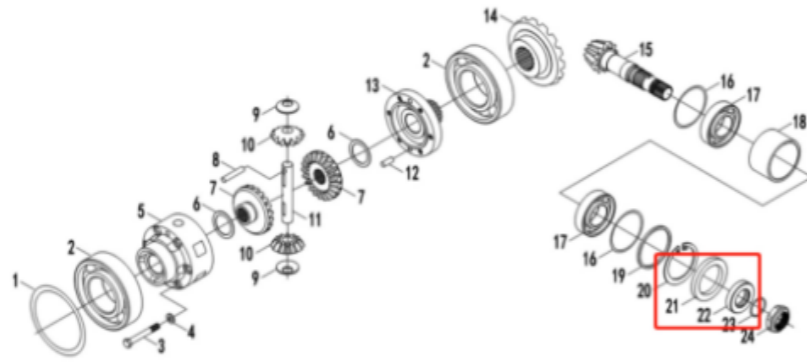


# B27.31.900.4 FRONT AXLE ASS.Y

## B27.31.900.4\_2 前桥总成 FRONT AXLE ASS.Y

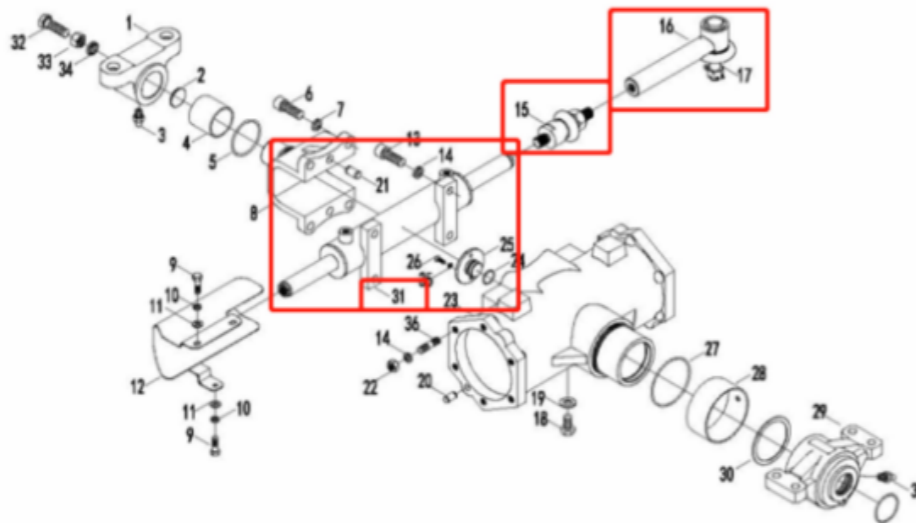
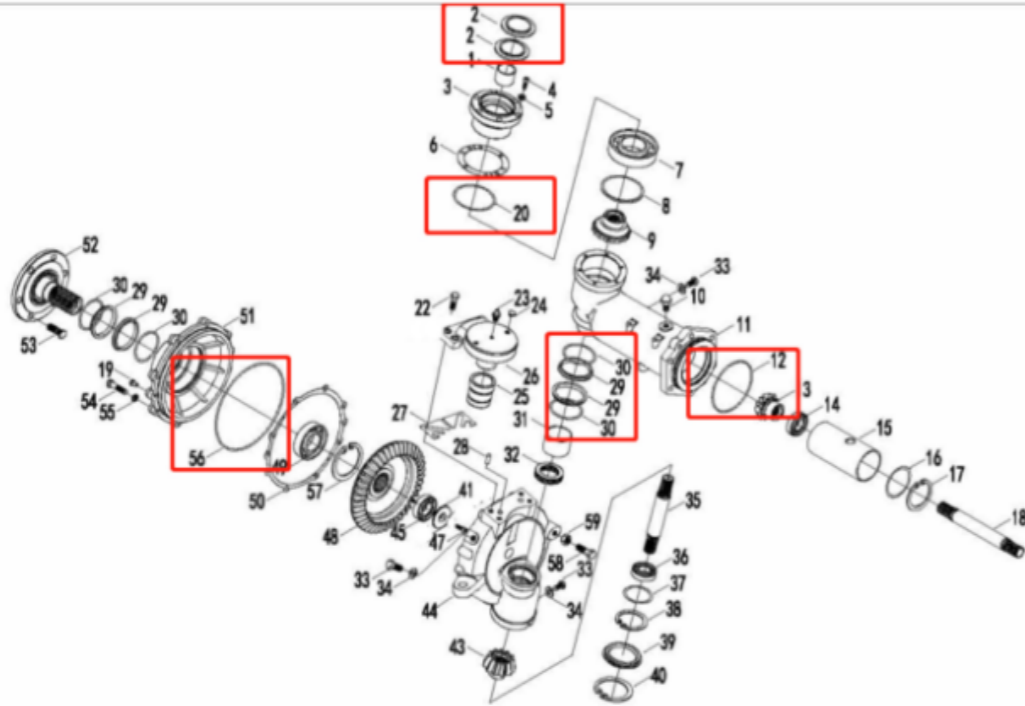
| 序号 | 零件编号                   | 零件名称          | 数量 | 图号                      |
|----|------------------------|---------------|----|-------------------------|
| 1  | SH554S.31.011          | 前桥 FRONT AXLE | 1  | SH554S.31.011           |
| 2  | GBT5783-M14X45-10.9-   | 螺栓 BOLT       | 8  | GBT5783-M14X45-10.9-A3L |
| 3  | GBT93-14-A3L           | 垫圈 WASHER     | 8  | GBT93-14-A3L            |
| 4  | SH404.31.102           | 垫圈 WASHER     | 12 | SH404.31.102            |
| 5  | GBT6176-M14X1.5-10-A3L | 螺母 NUT        | 12 | GBT6176-M14X1.5-10-A3L  |





### SH554S.31.011 前桥 FRONT AXLE

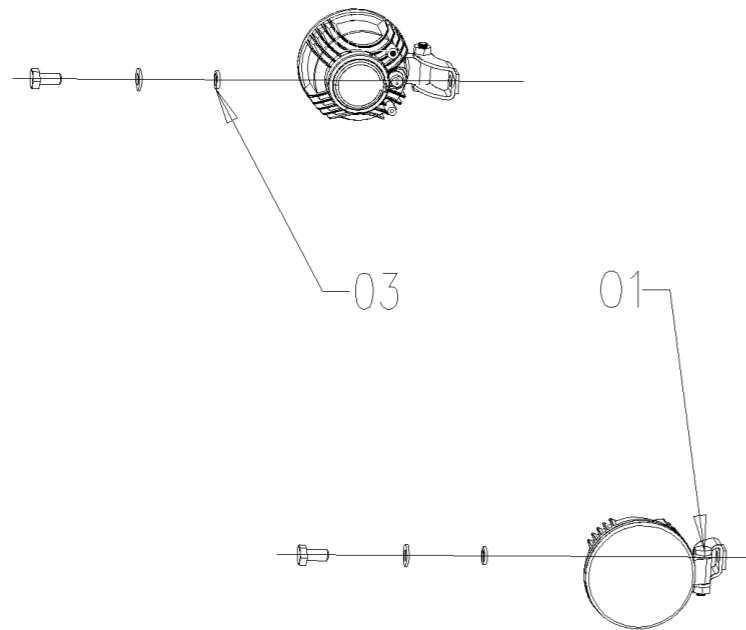
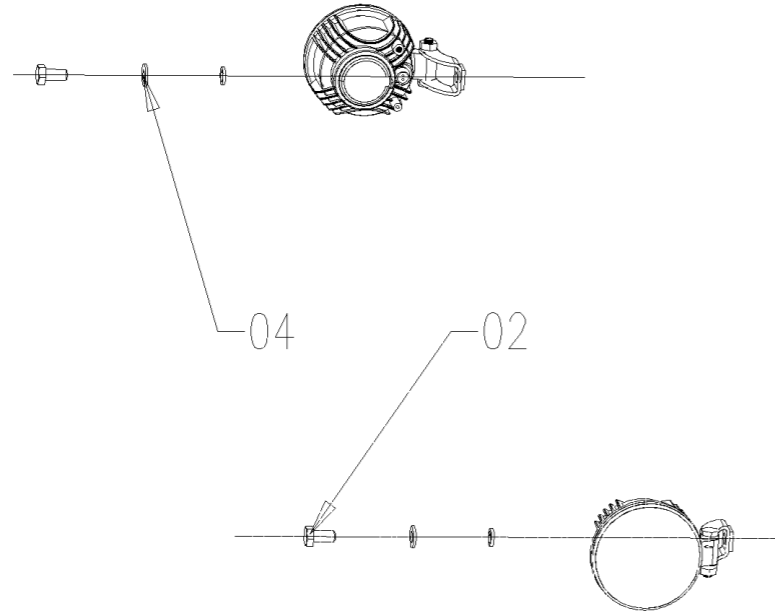
| 序号 | 零件编号                    | 零件名称                    | 数量 | 图号                      |
|----|-------------------------|-------------------------|----|-------------------------|
| 2  | GB/T9877.1 B658510      | 油封 Oil Seal             | 4  | GB/T9877.1 B658510      |
| 12 | GB/T3452.1 136x3.55G    | O形圈 O.ring              | 2  | GB/T3452.1 136x3.55G    |
| 15 | QJ554-1.31.022          | 油缸接头 oil cylinder joint | 2  | QJ554-1.31.022          |
| 16 | QJ554-1.31.023          | 拉杆端 tie rod end         | 2  | QJ554-1.31.023          |
| 20 | GB/T3452.1 90X5.3G      | O形圈 O.ring              | 2  | GB/T3452.1 90X5.3G      |
| 21 | GB/T9877.1-1988 FB55808 | 油封 Oil Seal             | 1  | GB/T9877.1-1988 FB55808 |
| 22 | QJ554-1.31.140          | 密封筒 seal cartridge      | 1  | QJ554-1.31.140          |
| 29 | QJ554.31.103A           | 圆环 ring                 | 8  | QJ554.31.103A           |
| 30 | GB/T3452.1 65 × 4.8G    | O形圈 O.ring              | 8  | GB/T3452.1 65 × 4.8G    |
| 31 | QJ554-1.31.020          | 转向气缸 Steering cylinder  | 1  | QJ554-1.31.020          |
| 56 | GB/T3452.1 243X5.3G     | O形圈 O.ring              | 2  | GB/T3452.1 243X5.3G     |



# B47.48.907.4 WORK LAMP ASS.Y

## B47.48.907.4\_0 工作灯总成 (驾驶室) Work light assembly (cab)

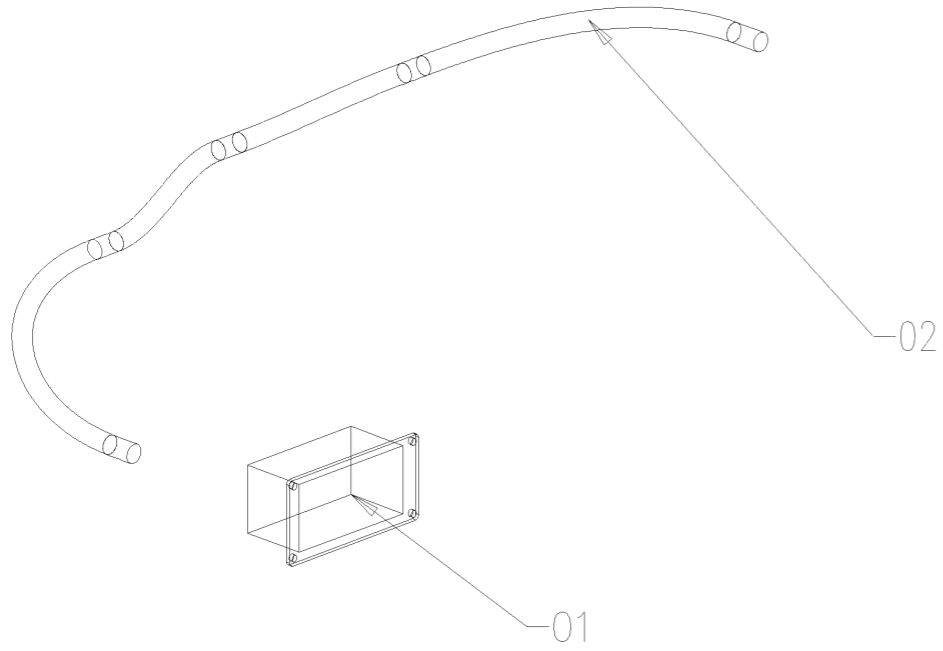
| 序号 | 零件编号               | 零件名称               | 数量 | 图号                 |
|----|--------------------|--------------------|----|--------------------|
| 1  | A39.48.026.0/10    | 工作灯 工作灯总成WORK LAMP | 4  | A39.48.026.0/10    |
| 2  | GBT5783-M10X20-A3L | 螺栓 BOLT            | 4  | GBT5783-M10X20-A3L |
| 3  | GBT93-10-A3L       | 垫圈 WASHER          | 4  | GBT93-10-A3L       |
| 4  | GBT97.1-10-A3L     | 垫圈 WASHER          | 4  | GBT97.1-10-A3L     |



# B47.48.909.4 HVAC ELEC.PART

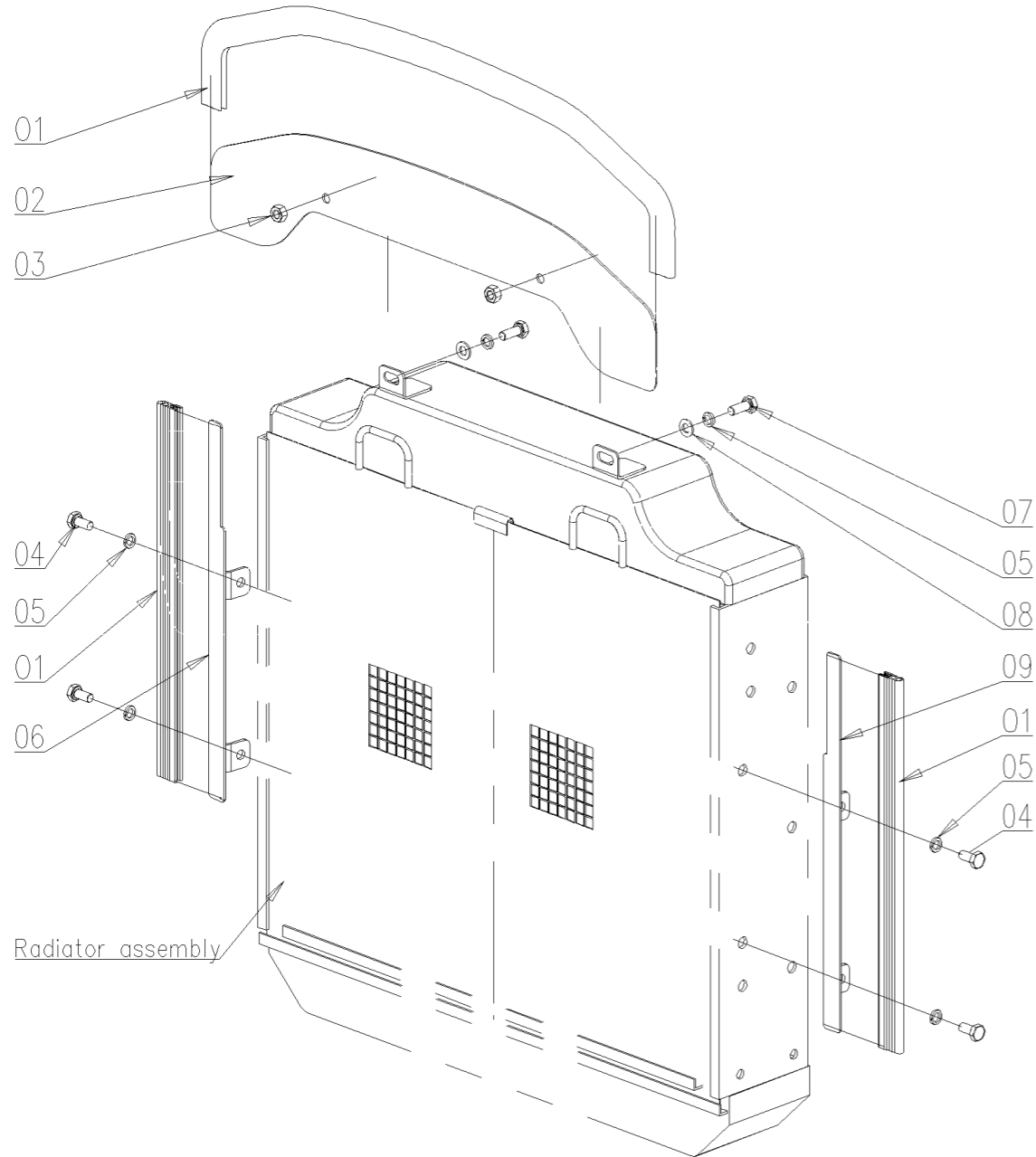
## B47.48.909.4\_0 空调电器总成 Air conditioning electrical assemblies

| 序号 | 零件编号         | 零件名称            | 数量 | 图号           |
|----|--------------|-----------------|----|--------------|
| 1  | A39.48.038.0 | 空调控制面板 空调控制面板   | 1  | A39.48.038.0 |
| 2  | A39.48.008.0 | 驾驶室空调线束 驾驶室空调线束 | 1  | A39.48.008.0 |



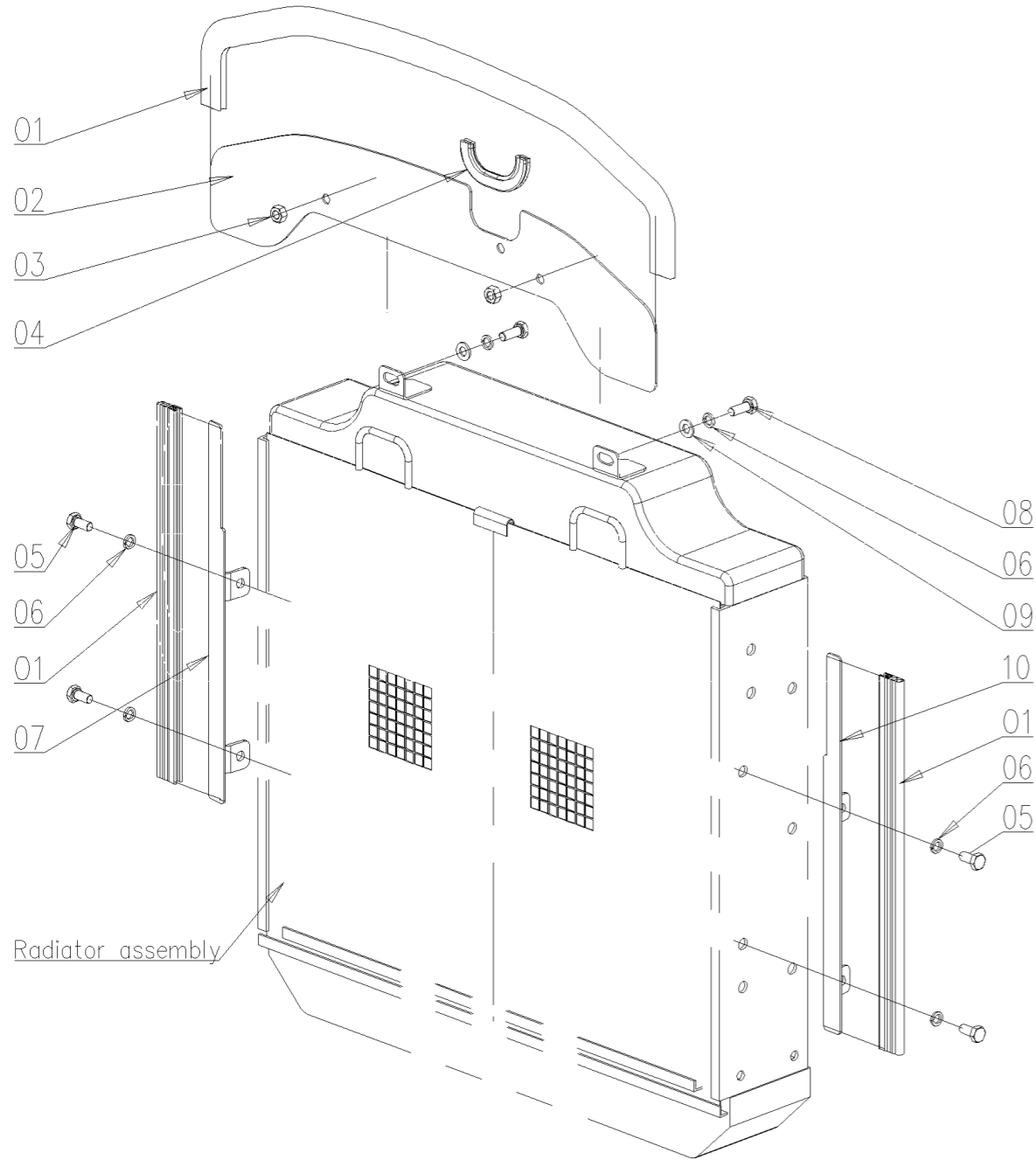
# B55.13.901.4 COOLING SEALING

## B55.13.901.4\_0 冷却密封总成 COOLING SEALING



| 序号 | 零件编号              | 零件名称                     | 数量 | 图号                |
|----|-------------------|--------------------------|----|-------------------|
| 1  | LD800.13.107      | 密封条 SEALING STRIP        | 2  | LD800.13.107      |
| 2  | B55.13.005.0      | 上密封板 UPPER SEALING PLATE | 1  | B55.13.005.0      |
| 3  | GBT6170-M8-A2L    | 螺母 NUT                   | 2  | GBT6170-M8-A2L    |
| 4  | GBT5783-M8X16-A2L | 螺栓 BOLT                  | 4  | GBT5783-M8X16-A2L |
| 5  | GBT93-8-A3L       | 垫圈 WASHER                | 6  | GBT93-8-A3L       |
| 6  | CD554A.13.014     | 右密封板 RIGHT SEALING PLATE | 1  | CD554A.13.014     |
| 7  | GBT5783-M8X20-A2L | 螺栓 BOLT                  | 2  | GBT5783-M8X20-A2L |
| 8  | GBT97.1-8-A3L     | 垫圈 WASHER                | 2  | GBT97.1-8-A3L     |
| 9  | CD554A.13.013     | 左密封板 LEFT SEALING PLATE  | 1  | CD554A.13.013     |

# B55.13.902.4 COOLING SEALING



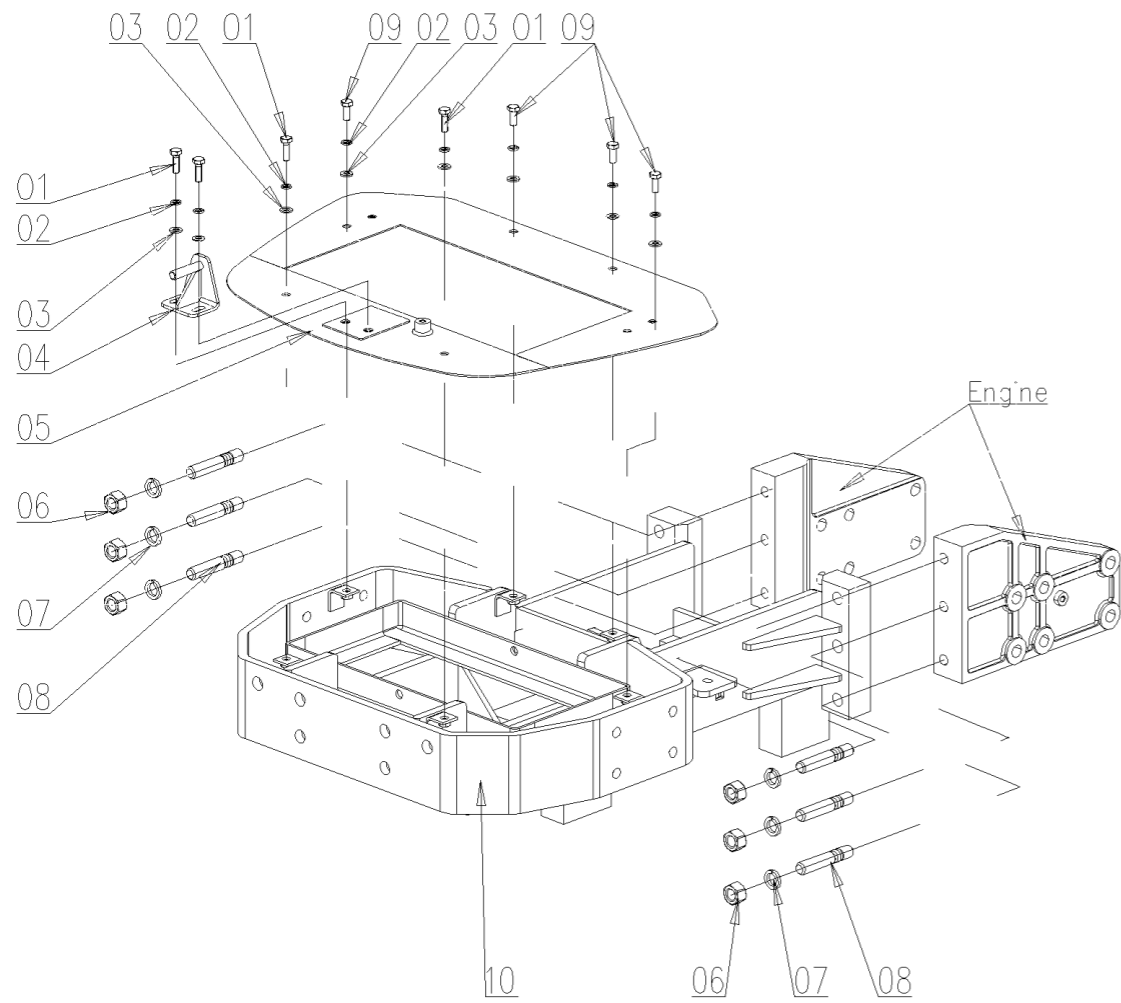
## B55.13.902.4\_0 冷却密封总成 COOLING SEALING

| 序号 | 零件编号              | 零件名称                     | 数量 | 图号                |
|----|-------------------|--------------------------|----|-------------------|
| 1  | LD800.13.107      | 密封条 SEALING STRIP        | 2  | LD800.13.107      |
| 2  | B55.13.006.0      | 上密封板 UPPER SEALING PLATE | 1  | B55.13.006.0      |
| 3  | GBT6170-M8-A2L    | 螺母 NUT                   | 2  | GBT6170-M8-A2L    |
| 4  | A39.13.002.0      | 密封条 SEALING STRIP        | 1  | A39.13.002.0      |
| 5  | GBT5783-M8X16-A2L | 螺栓 BOLT                  | 4  | GBT5783-M8X16-A2L |
| 6  | GBT93-8-A3L       | 垫圈 WASHER                | 6  | GBT93-8-A3L       |
| 7  | CD554A.13.014     | 右密封板 RIGHT SEALING PLATE | 1  | CD554A.13.014     |
| 8  | GBT5783-M8X20-A2L | 螺栓 BOLT                  | 2  | GBT5783-M8X20-A2L |
| 9  | GBT97.1-8-A3L     | 垫圈 WASHER                | 2  | GBT97.1-8-A3L     |
| 10 | CD554A.13.013     | 左密封板 LEFT SEALING PLATE  | 1  | CD554A.13.013     |



# B55.31.900.4 FRONT SUPPORT ASS.Y

## B55.31.900.4\_1 托架总成 FRONT SUPPORT ASS.Y

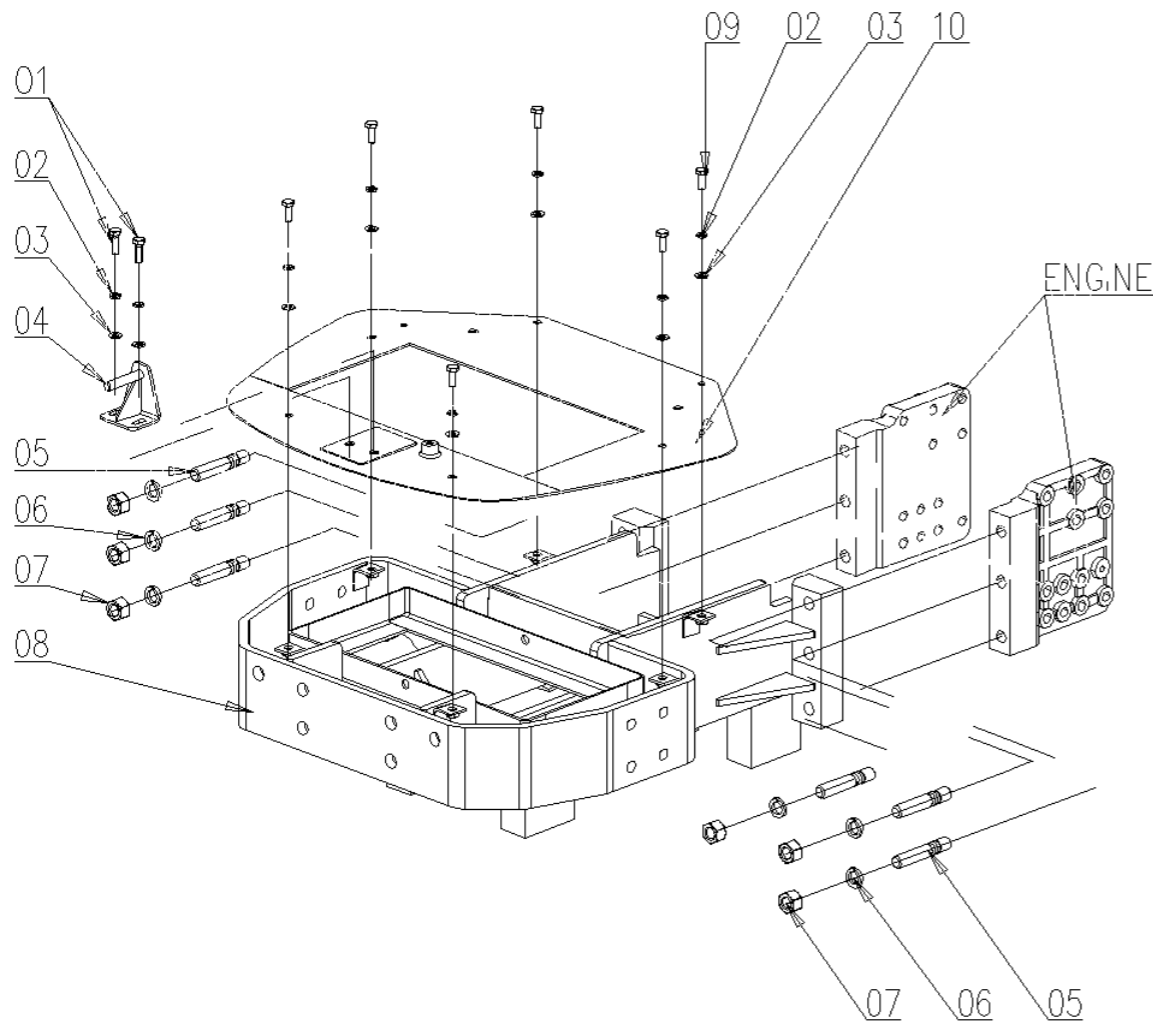


| 序号 | 零件编号                 | 零件名称                  | 数量 | 图号                      |
|----|----------------------|-----------------------|----|-------------------------|
| 1  | GBT5783-M8X25-A2L    | 螺栓 BOLT               | 4  | GBT5783-M8X25-A2L       |
| 2  | GBT93-8-A3L          | 垫圈 WASHER             | 8  | GBT93-8-A3L             |
| 3  | GBT97.1-8-A3L        | 垫圈 WASHER             | 8  | GBT97.1-8-A3L           |
| 4  | A39.31.001.2/10      | 机罩锁座焊合 LOCK SUPPORT   | 1  | A39.31.001.2/10         |
| 5  | B55.31.004.3/10      | 底板 UNDER PLATE        | 1  | B55.31.004.3/10         |
| 6  | GBT6170-M16-10-A3L   | 螺母 NUT                | 6  | GBT6170-M16-10-A3L      |
| 7  | GBT93-16-A3L         | 垫圈 WASHER             | 6  | GBT93-16-A3L            |
| 8  | GBT899-AM16X65-10.9- | 双头螺柱 STUD             | 6  | GBT899-AM16X65-10.9-A3L |
| 9  | GBT5783-M8X20-A2L    | 螺栓 BOLT               | 4  | GBT5783-M8X20-A2L       |
| 10 | B55.31.001.3         | 支架焊件 SUPPORT WELDMENT | 1  | B55.31.001.3            |

# B55.31.901.4 FRONT SUPPORT ASS.Y

## B55.31.901.4\_2 前托架总成 FRONT SUPPORT ASS.Y

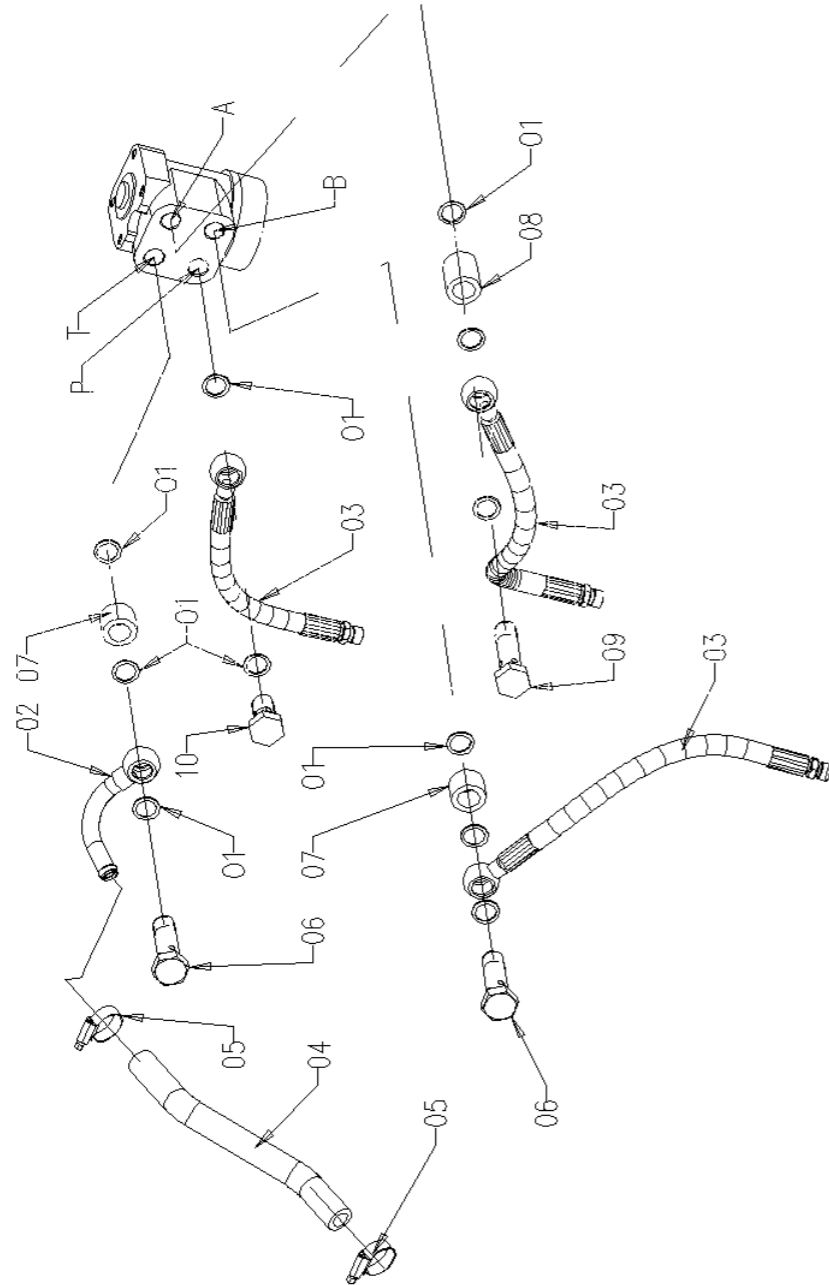
| 序号 | 零件编号                 | 零件名称                    | 数量 | 图号                      |
|----|----------------------|-------------------------|----|-------------------------|
| 1  | GBT5783-M8X25-A2L    | 螺栓 BOLT                 | 2  | GBT5783-M8X25-A2L       |
| 2  | GBT93-8-A3L          | 垫圈 WASHER               | 8  | GBT93-8-A3L             |
| 3  | GBT97.1-8-A3L        | 垫圈 WASHER               | 8  | GBT97.1-8-A3L           |
| 4  | SH554A.31.011        | 机罩锁座焊合 BONNET LOCK SEAT | 1  | SH554A.31.011           |
| 5  | GBT899-AM16X65-10.9- | 螺柱 STUD                 | 6  | GBT899-AM16X65-10.9-A3L |
| 6  | GBT93-16-A3L         | 垫圈 WASHER               | 6  | GBT93-16-A3L            |
| 7  | GBT6170-M16-10-A3L   | 螺母 NUT                  | 6  | GBT6170-M16-10-A3L      |
| 8  | SH404A.31A.011/10    | 钢板件托架焊合 STEEL PLATE     | 1  | SH404A.31A.011/10       |
| 9  | GBT5783-M8X20-A2L    | 螺栓 BOLT                 | 6  | GBT5783-M8X20-A2L       |
| 10 | SH404A.31.013/20     | 散热器底座焊合 RADIATOR BASE   | 1  | SH404A.31.013/20        |



# B55.40.913.4 STEERING UNIT PIPE ASS.Y

# B55.40.913.4\_0 转向器油管总成 STEERING UNIT PIPE ASS.Y

| 序号 | 零件编号          | 零件名称                     | 数量 | 图号            |
|----|---------------|--------------------------|----|---------------|
| 1  | 2.1560.016.0  | 组合密封垫圈 SEALING RING      | 11 | 2.1560.016.0  |
| 2  | CD554.40.015  | 回油短管焊合 OIL RETURN TUBE   | 1  | CD554.40.015  |
| 3  | CD554.40.016  | 右输油钢管总成2 DIVERTER OUTPUT | 3  | CD554.40.016  |
| 4  | CD404.40A.010 | 转向器回油软管 STEERING OIL     | 1  | CD404.40A.010 |
| 5  | JBT8870-D32   | 软管夹 HOSE CLAMPS          | 2  | JBT8870-D32   |
| 6  | SH404.40.101  | 空心短螺栓 SHORT HOLLOW BOLT  | 2  | SH404.40.101  |
| 7  | SH404.40.127  | 短接管 SHORT PIPE           | 2  | SH404.40.127  |
| 8  | SH900.40.101  | 短接管 SHORT COUPLING PIPE  | 1  | SH900.40.101  |
| 9  | SH900.40.102  | 空心螺栓 HOLLOW BOLT M20X1.5 | 1  | SH900.40.102  |
| 10 | SH900.40.105  | 空心螺栓 HOLLOW SHORT BOLT   | 1  | SH900.40.105  |

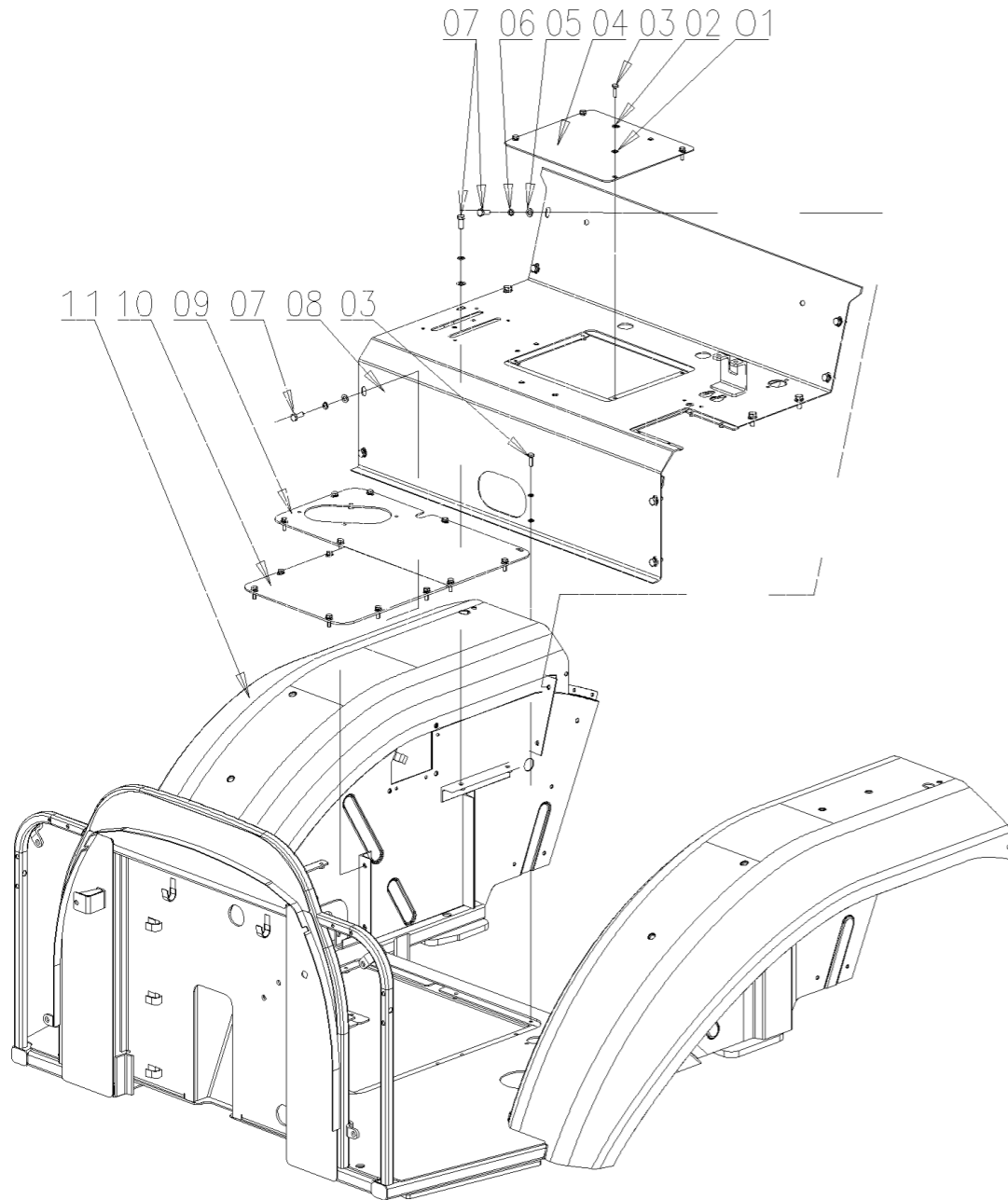


# B55.45.900.4 PLATFORM ASSEMBLY

YFB-R-2018-001 SH.021

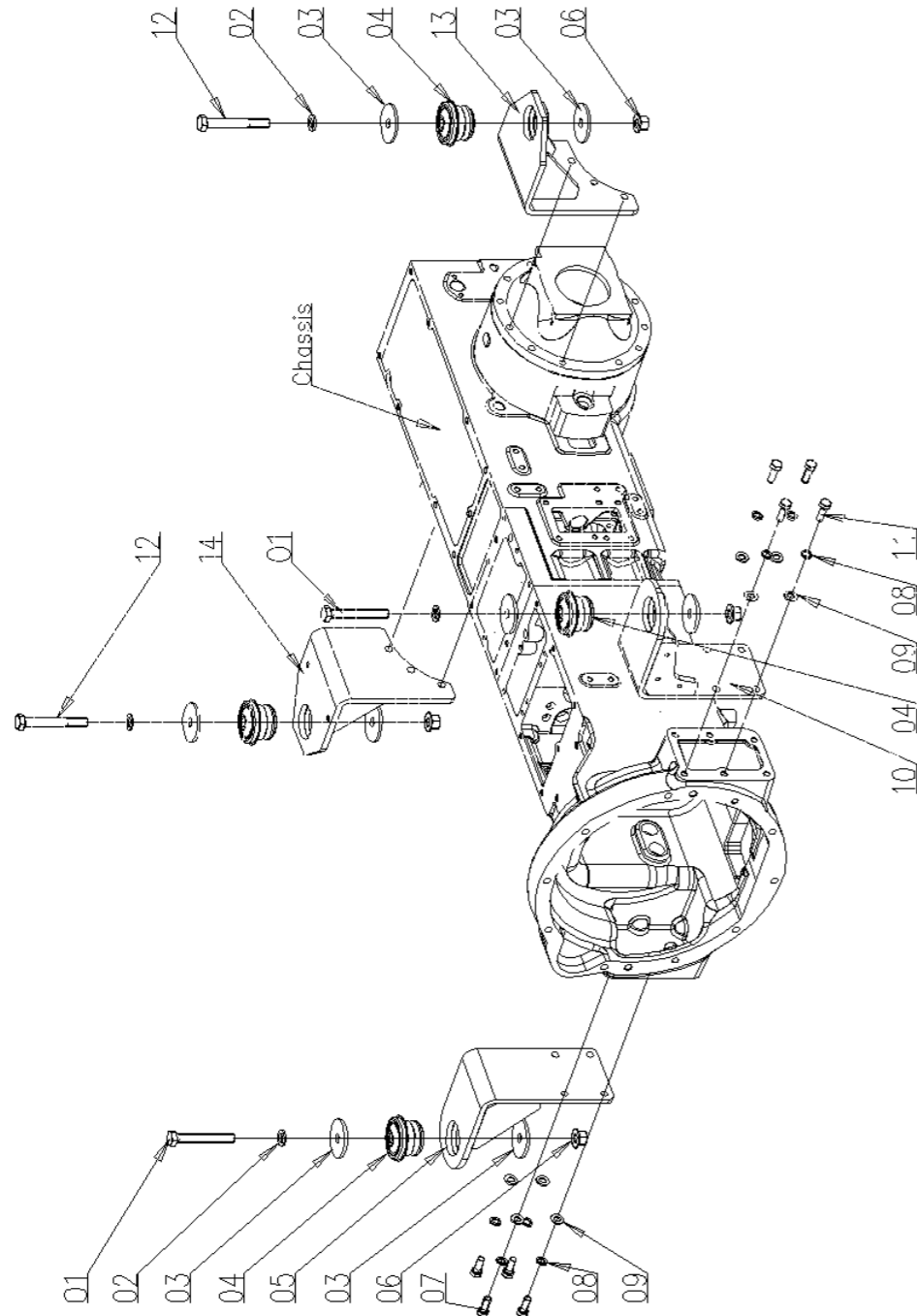
# B55.45.900.4\_1 地板总成 FLOOR ASSEMBLY

| 序号 | 零件编号              | 零件名称                   | 数量 | 图号                |
|----|-------------------|------------------------|----|-------------------|
| 1  | GBT97.1-6-A3L     | 垫圈 WASHER              | 18 | GBT97.1-6-A3L     |
| 2  | GBT93-6-A3L       | 垫圈 WASHER              | 18 | GBT93-6-A3L       |
| 3  | GBT5783-M6X20-A2L | 螺栓 BOLT                | 18 | GBT5783-M6X20-A2L |
| 4  | CD554.45.029-1    | 提升器维修板焊件 LIFTER        | 1  | CD554.45.029-1    |
| 5  | GBT97.1-8-A3L     | 垫圈 WASHER              | 12 | GBT97.1-8-A3L     |
| 6  | GBT93-8-A3L       | 垫圈 WASHER              | 12 | GBT93-8-A3L       |
| 7  | GBT5783-M8X20-A2L | 螺栓 BOLT                | 12 | GBT5783-M8X20-A2L |
| 8  | CD554.45.016/10   | 座椅底板焊件 SEAT BOARD      | 1  | CD554.45.016/10   |
| 9  | CD554.45.123-2    | 变速箱检修盖板 GEARBOX        | 1  | CD554.45.123-2    |
| 10 | CD554.45.237      | 盖片 COVER PLATE         | 1  | CD554.45.237      |
| 11 | CD554.45.011/40   | 地板焊件 PLATFORM WELDMENT | 1  | CD554.45.011/40   |



# B55.45.901.4 SUPPORT ASSEMBLY

## B55.45.901.4\_2 地板支撑总成 SUPPORT ASSEMBLY



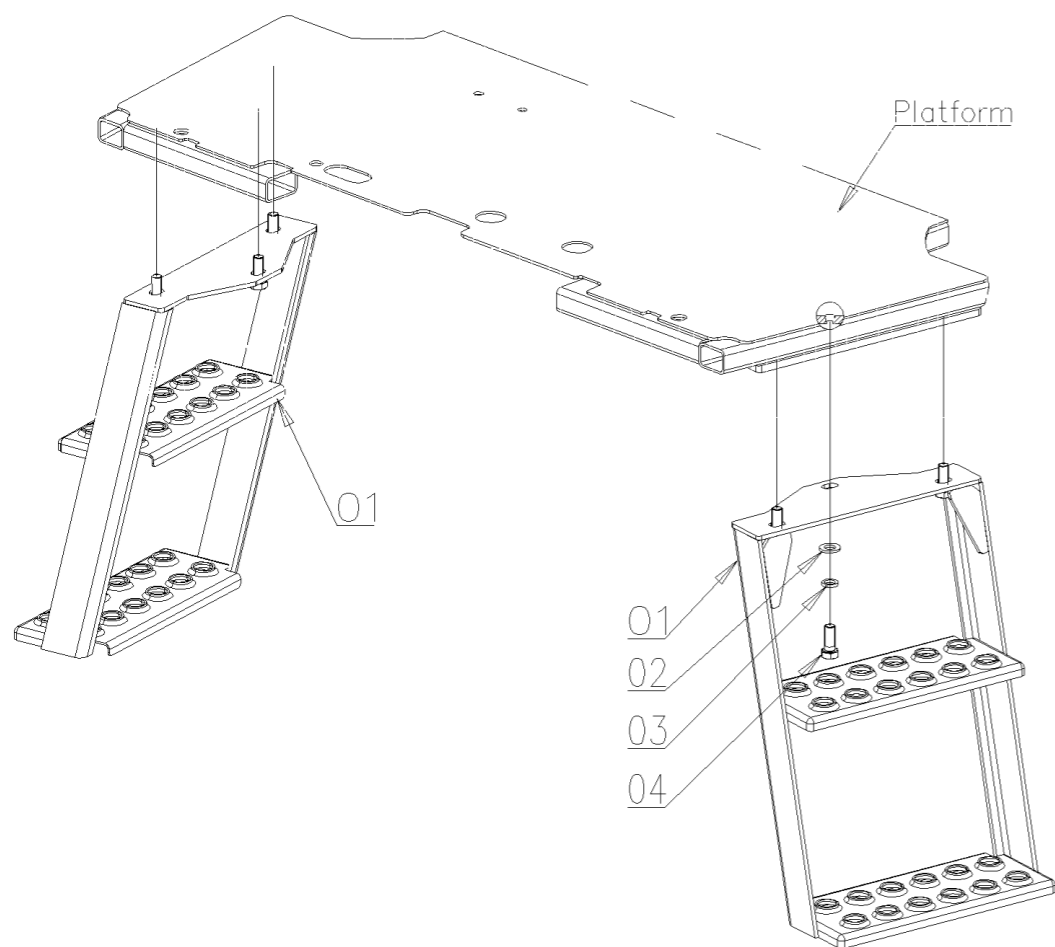
| 序号 | 零件编号                 | 零件名称                     | 数量 | 图号                      |
|----|----------------------|--------------------------|----|-------------------------|
| 1  | GBT5782-M16X110-A3L  | 螺栓 BOLT                  | 2  | GBT5782-M16X110-A3L     |
| 2  | GBT97.1-16-A3L       | 垫圈 WASHER                | 4  | GBT97.1-16-A3L          |
| 3  | LD700.47.120-1       | 减震垫板 DAMPING PLATE       | 8  | LD700.47.120-1          |
| 4  | LD700.47.031         | 阻尼块 DAMPING BLOCK        | 4  | LD700.47.031            |
| 5  | CD554.45.019/20      | 右前支撑 RIGHT-FRONT SUPPORT | 1  | CD554.45.019/20         |
| 6  | GBT6187.1-M16-A3L    | 螺母 NUT                   | 4  | GBT6187.1-M16-A3L       |
| 7  | GBT5783-M12X30-10.9- | 螺栓 BOLT                  | 4  | GBT5783-M12X30-10.9-A3L |
| 8  | GBT93-12-A3L         | 垫圈 WASHER                | 8  | GBT93-12-A3L            |
| 9  | GBT97.1-12-A3L       | 垫圈 WASHER                | 8  | GBT97.1-12-A3L          |
| 10 | B55.45.001.2         | 左支撑 LEFT SUPPORT         | 1  | B55.45.001.2            |
| 11 | GBT5783-M12X35-10.9- | 螺栓 BOLT                  | 4  | GBT5783-M12X35-10.9-A3L |
| 12 | GBT5782-M16X120-A3L  | 螺栓 BOLT                  | 2  | GBT5782-M16X120-A3L     |
| 13 | CD404.45.020         | 地板左后安装座焊合 FLOOR LEFT     | 1  | CD404.45.020            |
| 14 | CD404.45.021-1       | 地板右后安装座焊合 FLOOR RIGHT    | 1  | CD404.45.021-1          |

# B55.45.902.4 STEPS ASS.Y

YFB-R-2017-011 SH.015

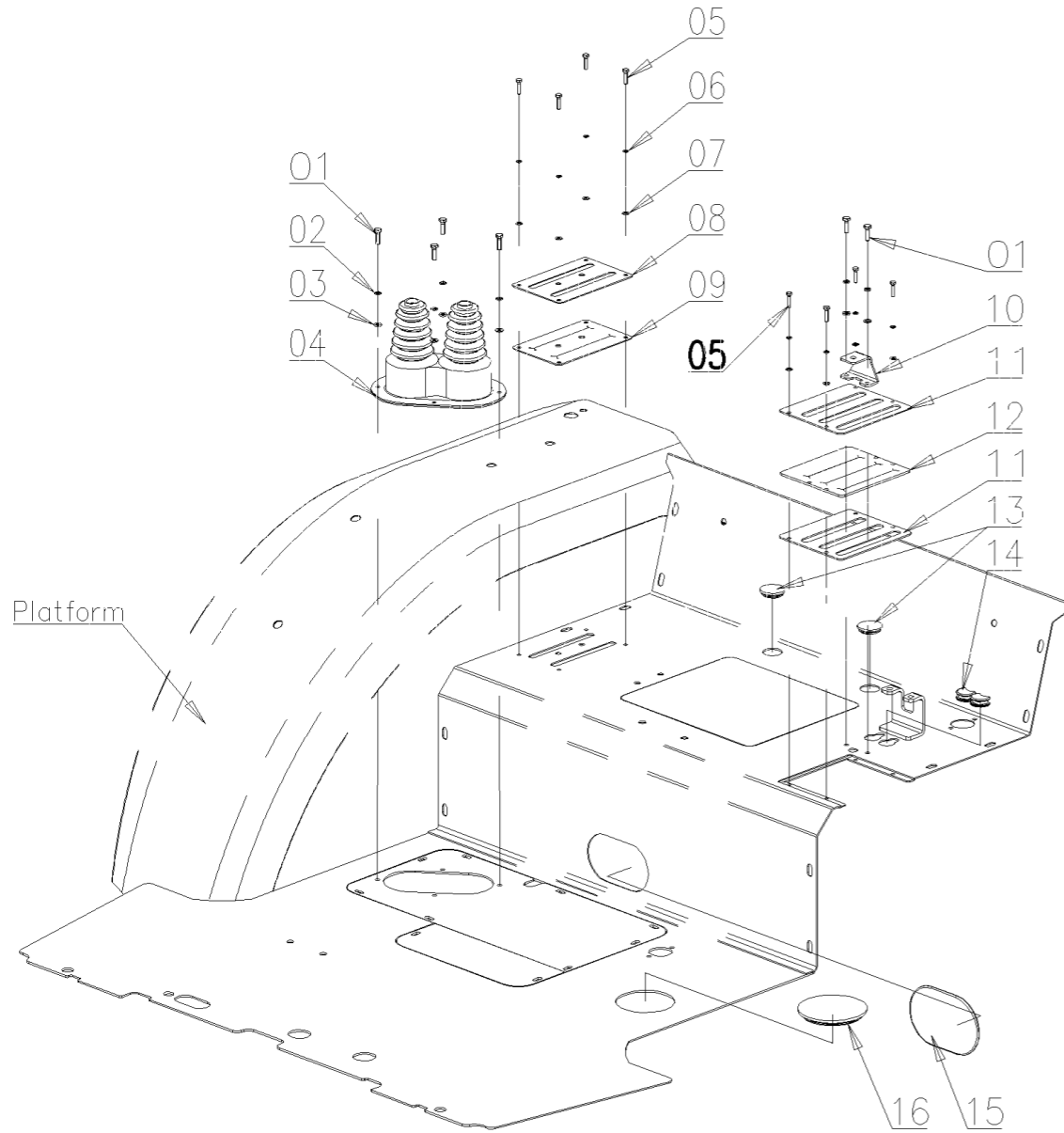
## B55.45.902.4\_0 双侧上车梯总成 STEPS ASSEMBLY

| 序号 | 零件编号                 | 零件名称                | 数量 | 图号                      |
|----|----------------------|---------------------|----|-------------------------|
| 1  | CD554.45.015-1       | 脚踏板焊合 PEDAL WELDING | 2  | CD554.45.015-1          |
| 2  | GBT97.1-12-A3L       | 垫圈 WASHER           | 6  | GBT97.1-12-A3L          |
| 3  | GBT93-12-A3L         | 垫圈 WASHER           | 6  | GBT93-12-A3L            |
| 4  | GBT5783-M12X30-10.9- | 螺栓 BOLT             | 6  | GBT5783-M12X30-10.9-A3L |



# B55.45.903.4 FLOOR SEALING ASS.Y

YFB-R-2017-011 SH.015

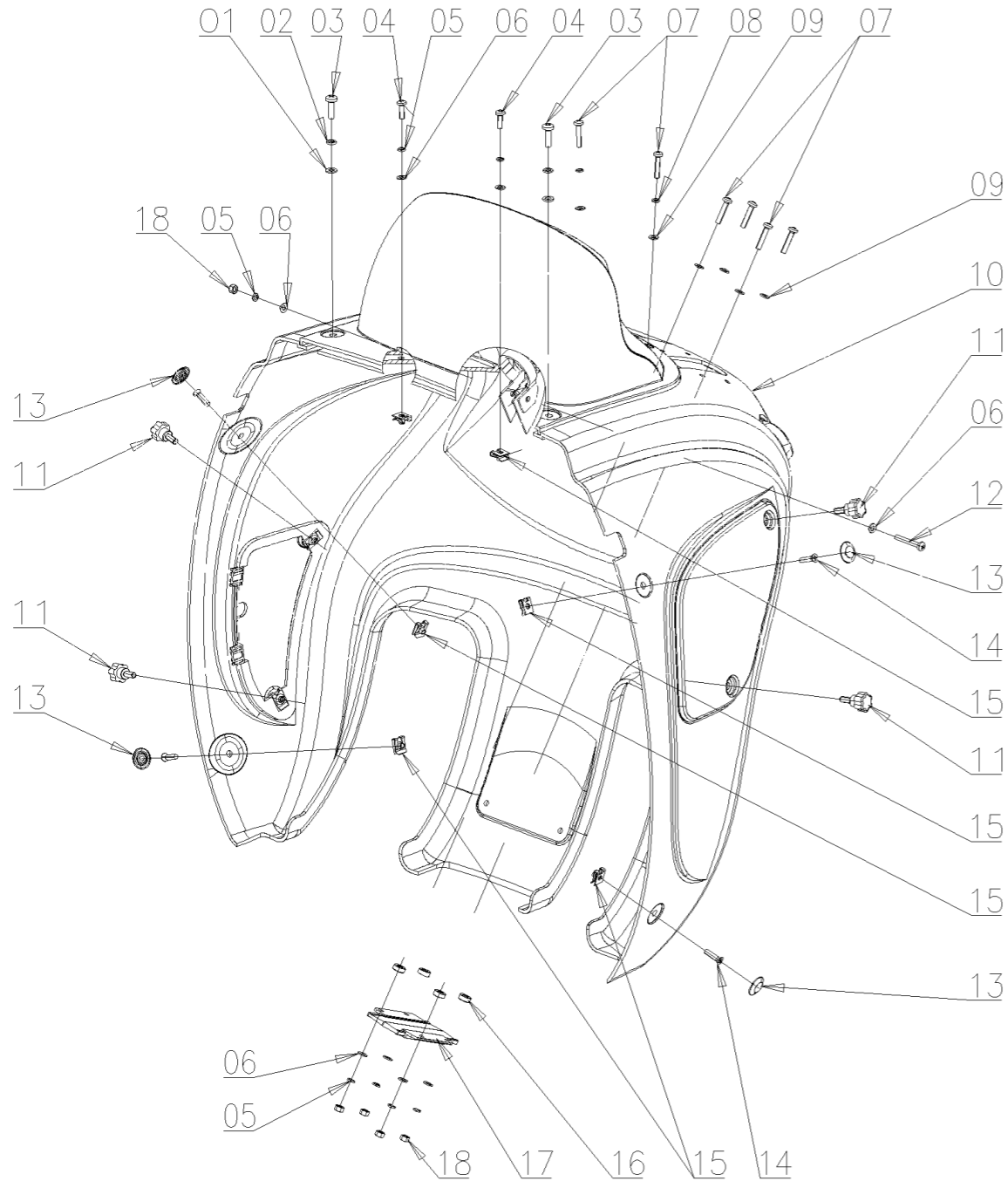


## B55.45.903.4\_0 地板密封总成 FLOOR SEALING ELEMENT ASSY.

| 序号 | 零件编号              | 零件名称                      | 数量 | 图号                |
|----|-------------------|---------------------------|----|-------------------|
| 1  | GBT5783-M6X20-A2L | 螺栓 BOLT                   | 6  | GBT5783-M6X20-A2L |
| 2  | GBT93-6-A3L       | 垫圈 WASHER                 | 6  | GBT93-6-A3L       |
| 3  | GBT97.1-6-A3L     | 垫圈 WASHER                 | 6  | GBT97.1-6-A3L     |
| 4  | CD554.45.223      | 变速杆防尘罩 GEAR SHIFT LEVER   | 1  | CD554.45.223      |
| 5  | GBT5783-M5X20-A2L | 螺栓 BOLT                   | 8  | GBT5783-M5X20-A2L |
| 6  | GBT93-5-A3L       | 垫圈 WASHER                 | 8  | GBT93-5-A3L       |
| 7  | GBT97.1-5-A3L     | 垫圈 WASHER                 | 8  | GBT97.1-5-A3L     |
| 8  | CD554.45.204-1    | 提升器盖 LIFTER COVER         | 1  | CD554.45.204-1    |
| 9  | CD554.45.205      | 提升器密封垫 LIFTER SEALING     | 1  | CD554.45.205      |
| 10 | CD554.45.222-1    | 手制动开关支架 HAND BRAKE        | 1  | CD554.45.222-1    |
| 11 | CD554.45.155-1    | 多路阀盖板 MULTI-VALVE COVER   | 2  | CD554.45.155-1    |
| 12 | CD554.45.207      | 多路阀密封垫 MULTI-VALVE        | 1  | CD554.45.207      |
| 13 | CD554.45.200      | 穿线胶圈 RUBBER RING          | 2  | CD554.45.200      |
| 14 | CD554.45.206-1    | 手制动密封盖 HAND BRAKE SEALING | 2  | CD554.45.206-1    |
| 15 | CD554.45.224      | 后堵盖 REAR RUBBER COVER     | 1  | CD554.45.224      |
| 16 | SH900.45A.205     | 穿线胶圈 RUBBER RING          | 1  | SH900.45A.205     |

# B55.45.904.4 DASHBOARD ASS.Y

YFB-R-2017-011 SH.015



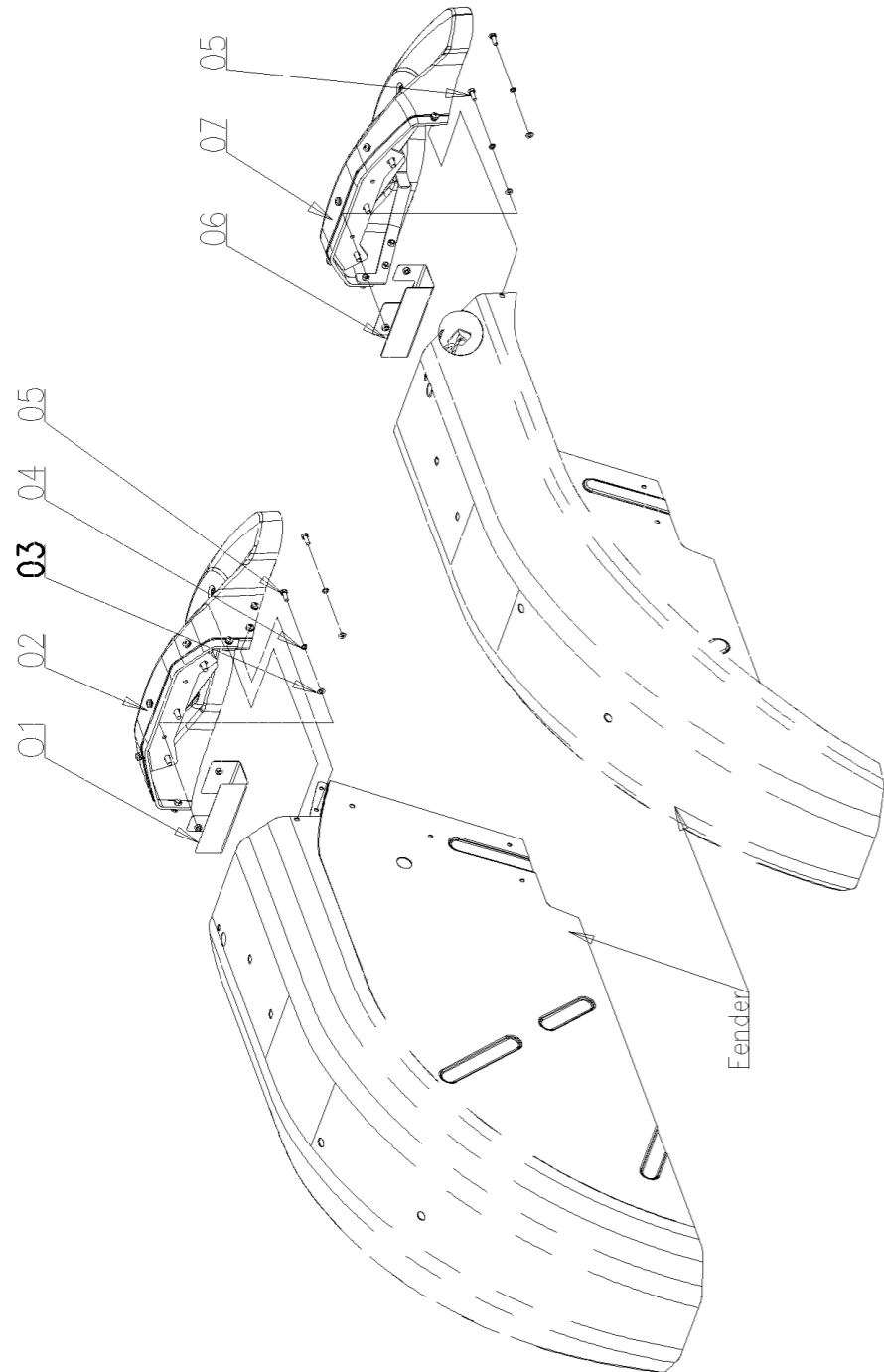
# B55.45.904.4\_0 仪表台总成 DASHBOARD ASSEMBLY

| 序号 | 零件编号               | 零件名称                     | 数量 | 图号                 |
|----|--------------------|--------------------------|----|--------------------|
| 1  | GBT97.1-6          | 垫圈 WASHER                | 2  | GBT97.1-6          |
| 2  | GBT93-6            | 垫圈 WASHER                | 2  | GBT93-6            |
| 3  | GBT818-M6X20-O     | 螺钉 SCREW                 | 2  | GBT818-M6X20-O     |
| 4  | GBT818-M5X16-A2L   | 螺钉 SCREW                 | 2  | GBT818-M5X16-A2L   |
| 5  | GBT93-5-A3L        | 垫圈 WASHER                | 7  | GBT93-5-A3L        |
| 6  | GBT97.1-5-A3L      | 垫圈 WASHER                | 8  | GBT97.1-5-A3L      |
| 7  | GBT818-M5X25-O     | 螺钉 SCREW                 | 6  | GBT818-M5X25-O     |
| 8  | GBT93-5            | 垫圈 WASHER                | 2  | GBT93-5            |
| 9  | GBT97.1-5          | 垫圈 WASHER                | 6  | GBT97.1-5          |
| 10 | CD554.45.028/10    | 仪表盘 DASHBOARD            | 1  | CD554.45.028/10    |
| 11 | A39.45.228.2       | 塑胶螺栓 PLASTIC BOLT        | 4  | A39.45.228.2       |
| 12 | GBT818-M5X35-A2L   | 螺钉 SCREW                 | 1  | GBT818-M5X35-A2L   |
| 13 | A39.45.143.2       | 手柄套 HANDLE SLEEVE        | 4  | A39.45.143.2       |
| 14 | GBT819.1-M5X20-A2L | 螺钉 SCREW                 | 4  | GBT819.1-M5X20-A2L |
| 15 | Q31205             | B型弹簧螺母 B TYPE SPRING NUT | 6  | Q31205             |
| 16 | A39.45.193.0       | 套筒 SLEEVE                | 4  | A39.45.193.0       |
| 17 | CD554.45.220/10    | 密封刷 SEALING BRUSH        | 2  | CD554.45.220/10    |
| 18 | GBT6170-M5-A2L     | 螺母 NUT                   | 5  | GBT6170-M5-A2L     |



# B55.45.905.4 REAR EXTENSION ASSEMBLY

YFB-R-2017-011 SH.066

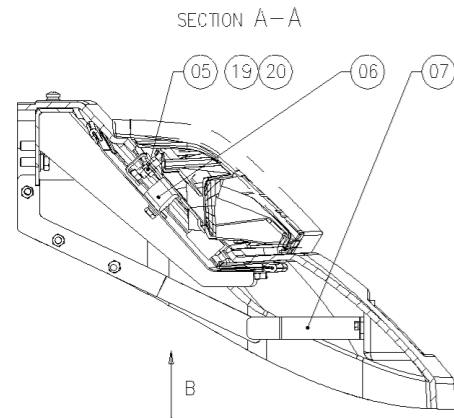
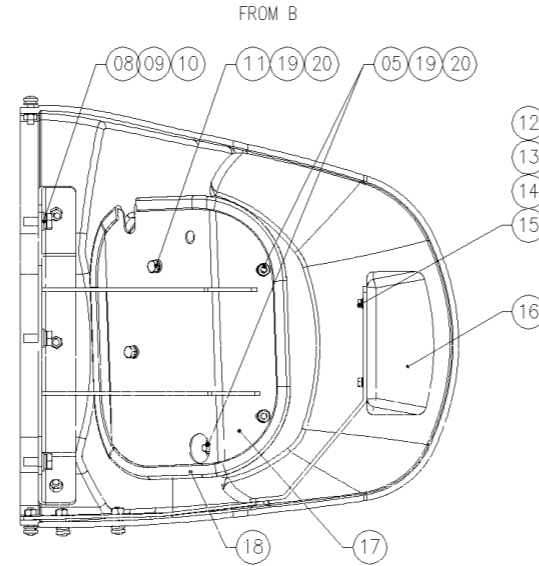
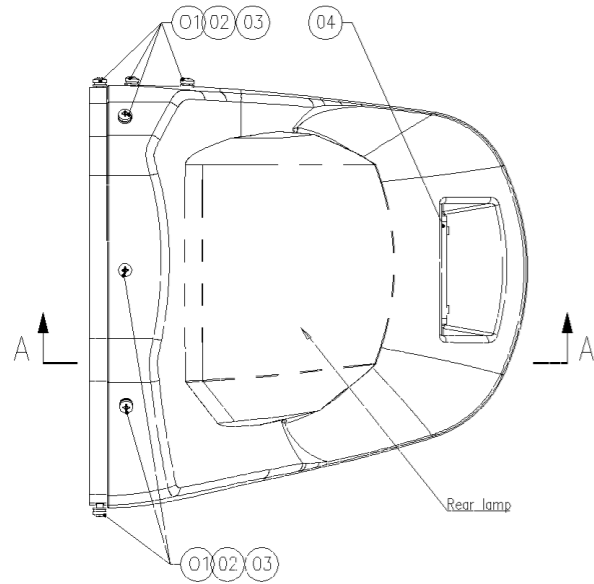


## B55.45.905.4\_2 后尾罩总成 REAR EXTENSION ASSEMBLY

| 序号 | 零件编号              | 零件名称                  | 数量 | 图号                |
|----|-------------------|-----------------------|----|-------------------|
| 1  | CD554.45.045/10   | 右侧线束盖 RH WIRE HARNESS | 1  | CD554.45.045/10   |
| 2  | CD554.45.049/30   | 右后发动机罩总成 RH REAR HOOD | 1  | CD554.45.049/30   |
| 3  | GBT97.1-6-A3L     | 垫圈 WASHER             | 4  | GBT97.1-6-A3L     |
| 4  | GBT93-6-A3L       | 垫圈 WASHER             | 4  | GBT93-6-A3L       |
| 5  | GBT5783-M6X16-A2L | 螺栓 BOLT               | 4  | GBT5783-M6X16-A2L |
| 6  | CD554.45.044/10   | 左侧线束盖 LH WIRE HARNESS | 1  | CD554.45.044/10   |
| 7  | CD554.45.048/30   | 左后发动机罩总成 LH REAR HOOD | 1  | CD554.45.048/30   |

### CD554.45.048/30 左后发动机罩总成 LH REAR HOOD ASSY

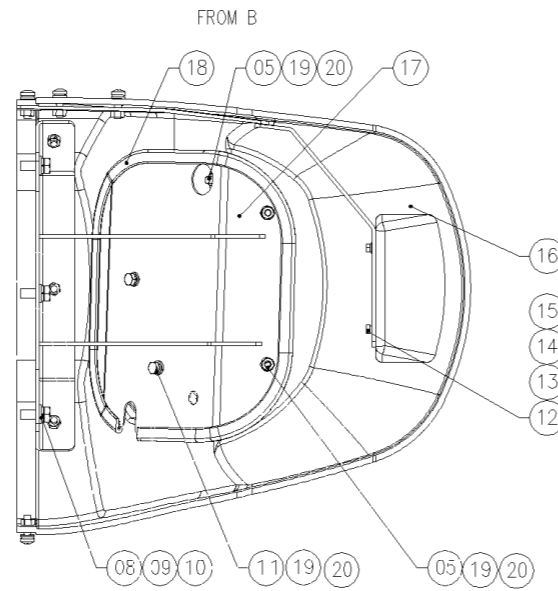
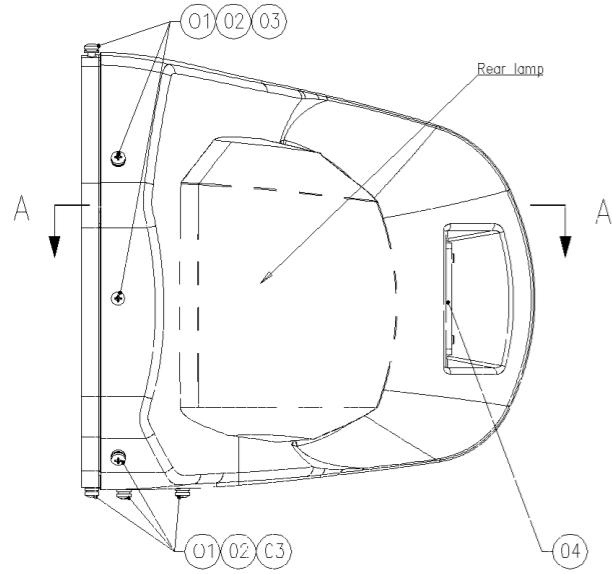
CD554.45.048/30 LH REAR HOOD ASSY



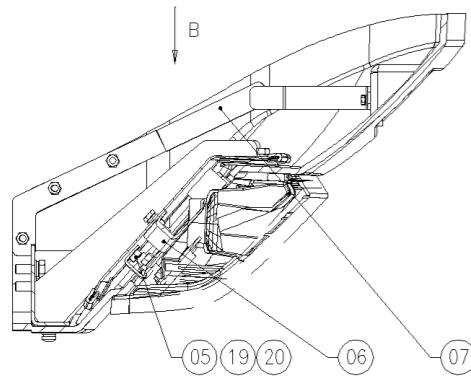
| 序号 | 零件编号              | 零件名称                      | 数量 | 图号                |
|----|-------------------|---------------------------|----|-------------------|
| 1  | GBT818-M6X20-A2L  | 螺钉 SCREW                  | 7  | GBT818-M6X20-A2L  |
| 2  | GBT93-6           | 垫圈 WASHER                 | 7  | GBT93-6           |
| 3  | GBT97.1-6         | 垫圈 WASHER                 | 7  | GBT97.1-6         |
| 4  | 0.020.9486.0      | XH6-2反射板 REFLECTOR        | 1  | 0.020.9486.0      |
| 5  | GBT6170-M6-A2L    | 螺母 NUT                    | 13 | GBT6170-M6-A2L    |
| 6  | CD554.45.046/10   | 左灯支架焊件 LH LAMP SUPPORT    | 1  | CD554.45.046/10   |
| 7  | CD554.45.041      | 左支架焊件 LH BRACKET          | 1  | CD554.45.041      |
| 8  | GBT5783-M8X20-A2L | 螺栓 BOLT                   | 3  | GBT5783-M8X20-A2L |
| 9  | GBT93-8-A3L       | 垫圈 WASHER                 | 3  | GBT93-8-A3L       |
| 10 | GBT97.1-8-A3L     | 垫圈 WASHER                 | 3  | GBT97.1-8-A3L     |
| 11 | GBT5783-M6X20-A2L | 螺栓 BOLT                   | 2  | GBT5783-M6X20-A2L |
| 12 | GBT6170-M4-A2L    | 螺母 NUT                    | 2  | GBT6170-M4-A2L    |
| 13 | GBT93-4-A3L       | 垫圈 WASHER                 | 2  | GBT93-4-A3L       |
| 14 | GBT97.1-4-A3L     | 垫圈 WASHER                 | 2  | GBT97.1-4-A3L     |
| 15 | 2.0312.704.3      | 螺钉 SCREW                  | 2  | 2.0312.704.3      |
| 16 | CD554.45.208      | 左挡泥板尾罩 TAIL COVER OF LEFT | 1  | CD554.45.208      |
| 17 | CD554.45.039/30   | 左后车灯罩焊件 LH REAR LAMP      | 1  | CD554.45.039/30   |
| 18 | CD554.45.231      | 密封胶条 RUBBER SEALING       | 1  | CD554.45.231      |
| 19 | GBT97.1-6-A3L     | 垫圈 WASHER                 | 8  | GBT97.1-6-A3L     |
| 20 | GBT93-6-A3L       | 垫圈 WASHER                 | 8  | GBT93-6-A3L       |

### CD554.45.049/30 左后发动机罩总成 LH REAR HOOD ASSY

CD554.45.049/30 RH REAR HOOD ASS.Y



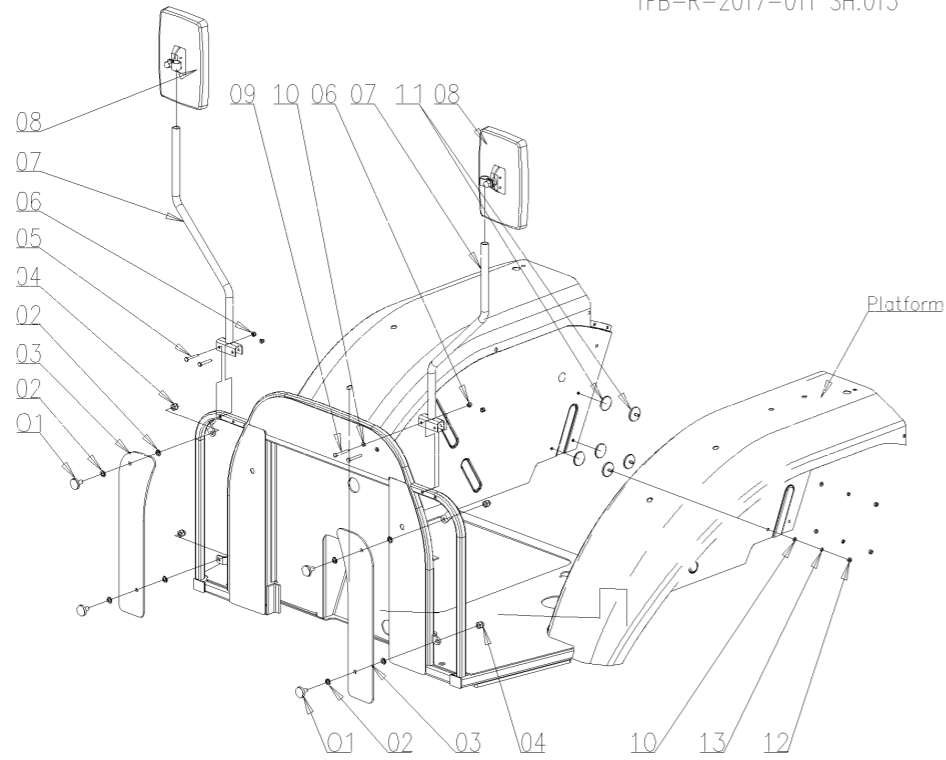
SECTION A-A



| 序号 | 零件编号              | 零件名称                       | 数量 | 图号                |
|----|-------------------|----------------------------|----|-------------------|
| 1  | GBT818-M6X20-A2L  | 螺钉 SCREW                   | 7  | GBT818-M6X20-A2L  |
| 2  | GBT93-6           | 垫圈 WASHER                  | 7  | GBT93-6           |
| 3  | GBT97.1-6         | 垫圈 WASHER                  | 7  | GBT97.1-6         |
| 4  | 0.020.9486.0      | XH6-2反射板 REFLECTOR         | 1  | 0.020.9486.0      |
| 5  | GBT6170-M6-A2L    | 螺母 NUT                     | 13 | GBT6170-M6-A2L    |
| 6  | CD554.45.047/10   | 右侧灯支架焊件 RH LAMP SUPPORT    | 1  | CD554.45.047/10   |
| 7  | CD554.45.042      | 右支架焊件 RH BRACKET           | 1  | CD554.45.042      |
| 8  | GBT5783-M8X20-A2L | 螺栓 BOLT                    | 3  | GBT5783-M8X20-A2L |
| 9  | GBT93-8-A3L       | 垫圈 WASHER                  | 3  | GBT93-8-A3L       |
| 10 | GBT97.1-8-A3L     | 垫圈 WASHER                  | 3  | GBT97.1-8-A3L     |
| 11 | GBT5783-M6X20-A2L | 螺栓 BOLT                    | 2  | GBT5783-M6X20-A2L |
| 12 | GBT6170-M4-A2L    | 螺母 NUT                     | 2  | GBT6170-M4-A2L    |
| 13 | GBT93-4-A3L       | 垫圈 WASHER                  | 2  | GBT93-4-A3L       |
| 14 | GBT97.1-4-A3L     | 垫圈 WASHER                  | 2  | GBT97.1-4-A3L     |
| 15 | 2.0312.704.3      | 螺钉 SCREW                   | 2  | 2.0312.704.3      |
| 16 | CD554.45.209      | 右挡泥板尾罩 TAIL COVER OF RIGHT | 1  | CD554.45.209      |
| 17 | CD554.45.040/30   | 右后车灯罩焊件 RH REAR LAMP       | 1  | CD554.45.040/30   |
| 18 | CD554.45.231      | 密封胶条 RUBBER SEALING        | 1  | CD554.45.231      |
| 19 | GBT97.1-6-A3L     | 垫圈 WASHER                  | 8  | GBT97.1-6-A3L     |
| 20 | GBT93-6-A3L       | 垫圈 WASHER                  | 8  | GBT93-6-A3L       |

B55.45.906.4 FLOOR ACCESSORIES ASSY.

YFB-R-2017-011 SH.015

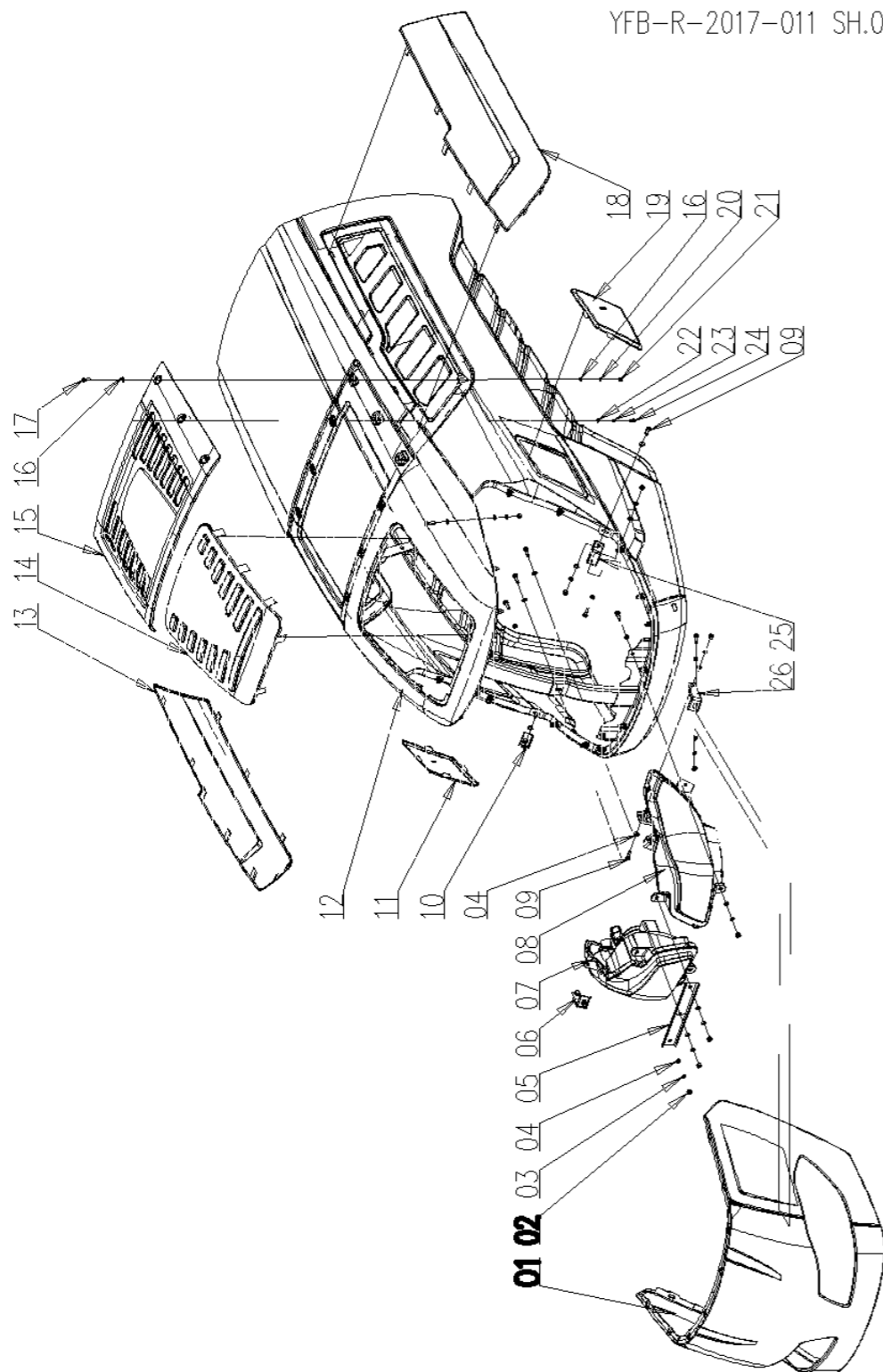


B55.45.906.4\_0 地板附件总成 FLOOR ACCESSORIES ASSY.

| 序号 | 零件编号              | 零件名称                   | 数量 | 图号                |
|----|-------------------|------------------------|----|-------------------|
| 1  | CD554.45.185-1    | 挡风玻璃固定螺栓 WINDSHIELD    | 4  | CD554.45.185-1    |
| 2  | CD554.45.186-1    | 橡胶垫 RUBBER CUSHION     | 8  | CD554.45.186-1    |
| 3  | CD554.45.167-1    | 挡风玻璃 WINDSHIELD        | 2  | CD554.45.167-1    |
| 4  | GBT923-M10-A3L    | 螺母 NUT                 | 4  | GBT923-M10-A3L    |
| 5  | GBT5783-M6X40-A2L | 螺栓 BOLT                | 2  | GBT5783-M6X40-A2L |
| 6  | GBT889.1-M6-A2L   | 螺母 NUT                 | 4  | GBT889.1-M6-A2L   |
| 7  | SH300.47.047-1    | 后视镜支架焊合件 REAR-VIEW     | 2  | SH300.47.047-1    |
| 8  | SH900.45A.032     | 后视镜组件 REAR VIEW MIRROR | 2  | SH900.45A.032     |
| 9  | GBT5783-M6X45-A2L | 螺栓 BOLT                | 2  | GBT5783-M6X45-A2L |
| 10 | GBT97.1-6-A3L     | 垫圈 WASHER              | 8  | GBT97.1-6-A3L     |
| 11 | CD554.45.171      | 减震器 SHOCK ABSORBER     | 6  | CD554.45.171      |
| 12 | GBT6170-M6-A2L    | 螺母 NUT                 | 6  | GBT6170-M6-A2L    |
| 13 | GBT93-6-A3L       | 垫圈 WASHER              | 6  | GBT93-6-A3L       |

# B55.47.900.4 BONNET ASSY

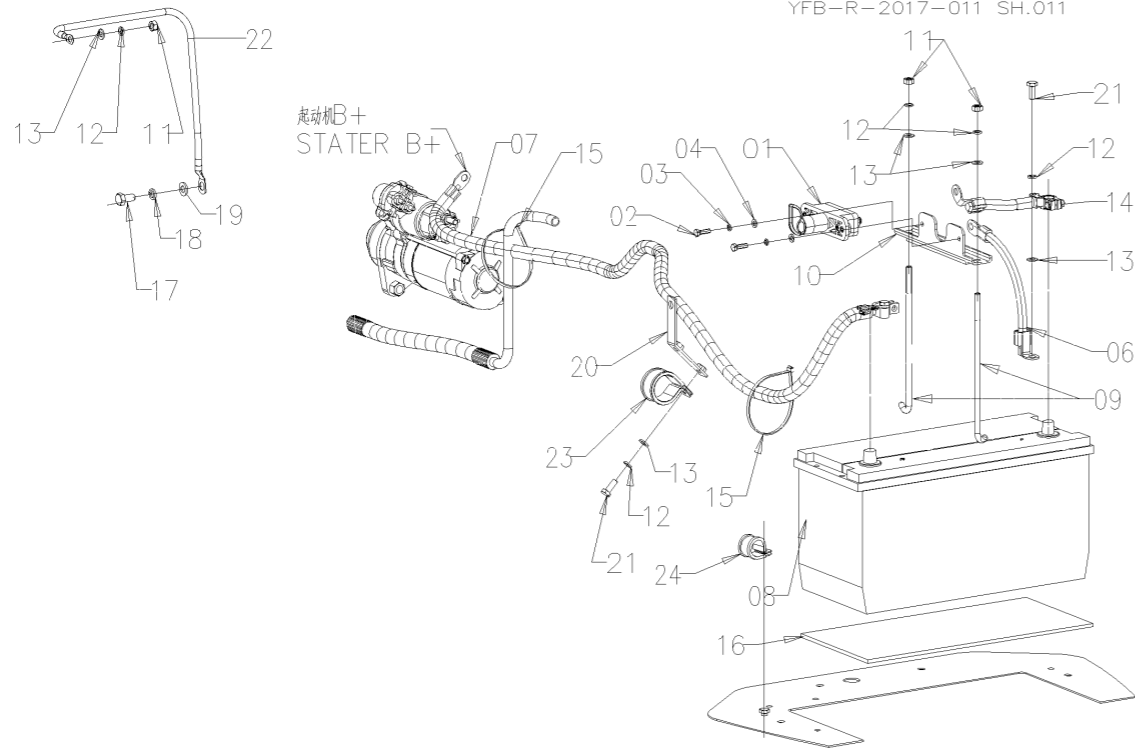
YFB-R-2017-011 SH.024



# B55.47.900.4\_1 机罩总成 BONNET ASSY

| 序号 | 零件编号              | 零件名称                    | 数量 | 图号                |
|----|-------------------|-------------------------|----|-------------------|
| 1  | SH554A.47.021/10  | 前网板焊件 FRONT MESH PLATE  | 1  | SH554A.47.021/10  |
| 2  | GBT6170-M6-A2L    | 螺母 NUT                  | 33 | GBT6170-M6-A2L    |
| 3  | GBT93-6-A3L       | 垫圈 WASHER               | 33 | GBT93-6-A3L       |
| 4  | GBT97.1-6-A3L     | 垫圈 WASHER               | 66 | GBT97.1-6-A3L     |
| 5  | SH554A.47.138     | 前灯中间连接板 HEADLIGHT FIX   | 1  | SH554A.47.138     |
| 6  | SH554A.47.155     | 前灯中间连接板 HEADLIGHT FIX   | 1  | SH554A.47.155     |
| 7  | CD1204.48.035     | 左前照灯总成 LEFT HEADLIGHT   | 1  | CD1204.48.035     |
| 8  | CD1204.48.036     | 右前照灯总成 RIGHT HEADLIGHT  | 1  | CD1204.48.036     |
| 9  | GBT5783-M6X20-A2L | 螺栓 BOLT                 | 33 | GBT5783-M6X20-A2L |
| 10 | SH554A.47.156     | 前灯中间连接板 HEADLIGHT FIX   | 1  | SH554A.47.156     |
| 11 | B26.47.007.0      | 栅格 III GRID III         | 1  | B26.47.007.0      |
| 12 | B55.47.002.3      | 机罩焊件 BONNET WELDMENT    | 1  | B55.47.002.3      |
| 13 | SH554A.47.129     | 机罩右网板 BONNET RIGHT MESH | 1  | SH554A.47.129     |
| 14 | B26.47.006.0/10   | 栅格 II GRID II           | 1  | B26.47.006.0/10   |
| 15 | SH554A.47.127/10  | 机罩上盘 BONNET UPPER PLATE | 1  | SH554A.47.127/10  |
| 16 | GBT97.1-5-A3L     | 垫圈 WASHER               | 12 | GBT97.1-5-A3L     |
| 17 | GBT818-M5X16-A2L  | 螺栓 SCREW                | 6  | GBT818-M5X16-A2L  |
| 18 | SH554A.47.128     | 机罩左网板 BONNET LEFT MESH  | 1  | SH554A.47.128     |
| 19 | B26.47.005.0      | 栅格 I GRID I             | 1  | B26.47.005.0      |
| 20 | GBT93-5-A3L       | 垫圈 WASHER               | 6  | GBT93-5-A3L       |
| 21 | GBT6170-M5-A2L    | 螺母 NUT                  | 6  | GBT6170-M5-A2L    |
| 22 | GBT97.1-4-A3L     | 垫圈 WASHER               | 6  | GBT97.1-4-A3L     |
| 23 | GBT93-4-A3L       | 垫圈 WASHER               | 6  | GBT93-4-A3L       |
| 24 | GBT818-M4X8-A2L   | 螺钉 SCREW                | 6  | GBT818-M4X8-A2L   |
| 25 | SH554A.47.132     | 前灯连接弯板II HEADLIGHT FIX  | 1  | SH554A.47.132     |
| 26 | SH554A.47.131     | 前灯连接弯板I HEADLIGHT FIX   | 1  | SH554A.47.131     |

B55.48.900.4 POWER W.H. ASSY.

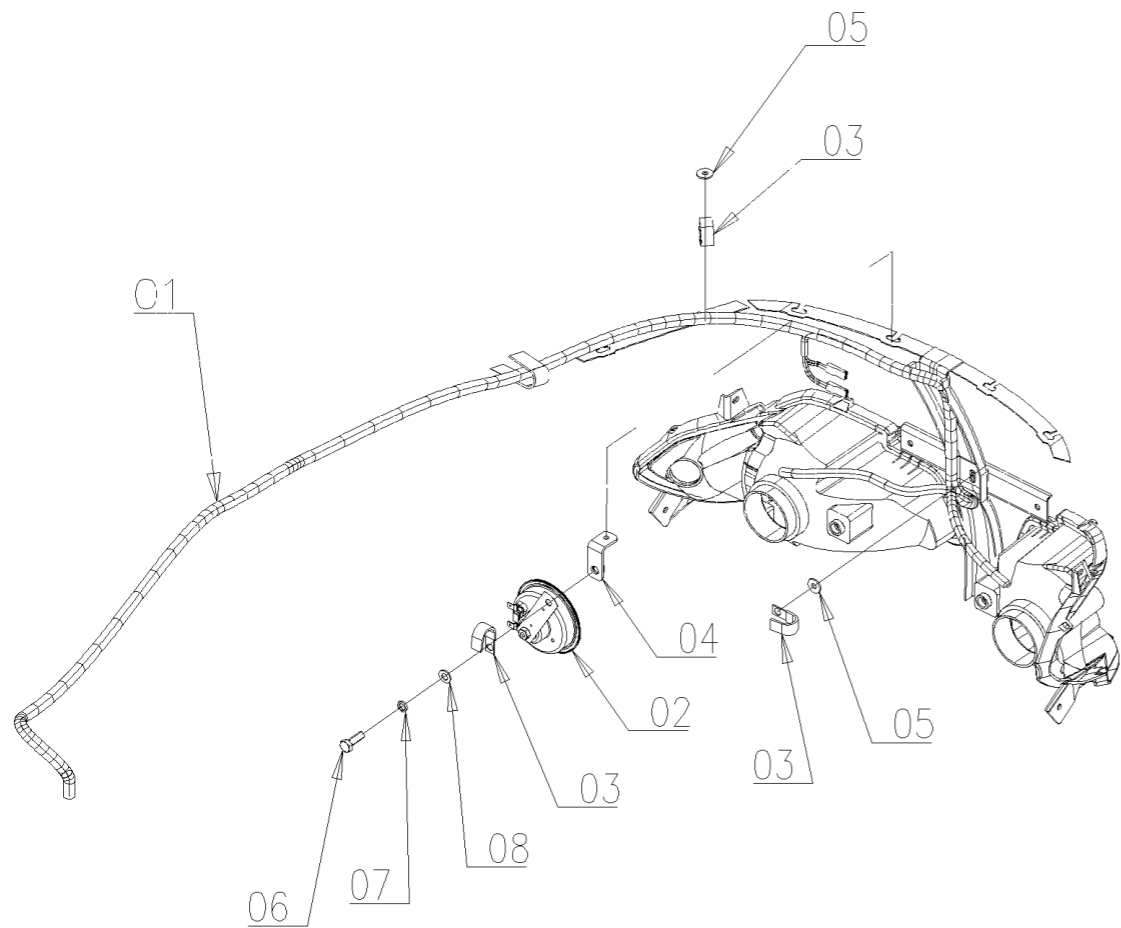


B55.48.900.4\_1 电源线束安装总成 POWER WIRE HARNESS ASS.Y

| 序号 | 零件编号               | 零件名称                       | 数量 | 图号                 |
|----|--------------------|----------------------------|----|--------------------|
| 1  | CD554.48.030       | 电源开关 BATTERY SWITCH        | 1  | CD554.48.030       |
| 2  | GBT5783-M6X20-A2L  | 螺栓 BOLT                    | 2  | GBT5783-M6X20-A2L  |
| 3  | GBT93-6-A3L        | 垫圈 WASHER                  | 2  | GBT93-6-A3L        |
| 4  | GBT97.1-6-A3L      | 垫圈 WASHER                  | 2  | GBT97.1-6-A3L      |
| 6  | A39.48.015.0/10    | 地线开关线束 GND SW. W.H.        | 1  | A39.48.015.0/10    |
| 7  | CD554A.48.022      | 电源线组件 POWER WIRE ASSY      | 1  | CD554A.48.022      |
| 8  | SH900.48.036       | 蓄电池-QW-120 (威王) BATTERY 6- | 1  | SH900.48.036       |
| 9  | CD554A.48.107      | 杆 ROD                      | 2  | CD554A.48.107      |
| 10 | A39.48.046.2       | 电池压板和电源支架 BATTERY PLATE    | 1  | A39.48.046.2       |
| 11 | GBT6170-M8-A2L     | 螺母 NUT                     | 3  | GBT6170-M8-A2L     |
| 12 | GBT93-8-A3L        | 垫圈 WASHER                  | 5  | GBT93-8-A3L        |
| 13 | GBT97.1-8-A3L      | 垫圈 WASHER                  | 5  | GBT97.1-8-A3L      |
| 14 | A31.48.022.0       | 负电源开关线束 POWER NEGATIVE     | 1  | A31.48.022.0       |
| 15 | 2.6852.203.0       | 扎带 W.H. TIE                | 2  | 2.6852.203.0       |
| 16 | SH900.48.105       | 电瓶垫皮 BATTERY CUSHION       | 1  | SH900.48.105       |
| 17 | GBT5783-M10X20-A3L | 螺栓 BOLT                    | 1  | GBT5783-M10X20-A3L |
| 18 | GBT93-10-A3L       | 垫圈 WASHER                  | 1  | GBT93-10-A3L       |
| 19 | GBT97.1-10-A3L     | 垫圈 WASHER                  | 1  | GBT97.1-10-A3L     |
| 20 | CD404A.48.022/10   | 支架2 W.H. BRACKET 2         | 1  | CD404A.48.022/10   |
| 21 | GBT5783-M8X20-A2L  | 螺栓 BOLT                    | 2  | GBT5783-M8X20-A2L  |
| 22 | 0.020.2413.4       | 接地连接 CABINE GND WIRING     | 1  | 0.020.2413.4       |
| 23 | 2.6839.060.0       | 夹子 CLIP                    | 1  | 2.6839.060.0       |
| 24 | 2.6839.054.0       | 夹子 CLIP                    | 1  | 2.6839.054.0       |

# B55.48.902.4 BONNET W.H. ASS.Y

YFB-R-2020-001 SH.013



## B55.48.902.4\_1 机罩线束总成 BONNET WIRE HARNESS ASS.Y

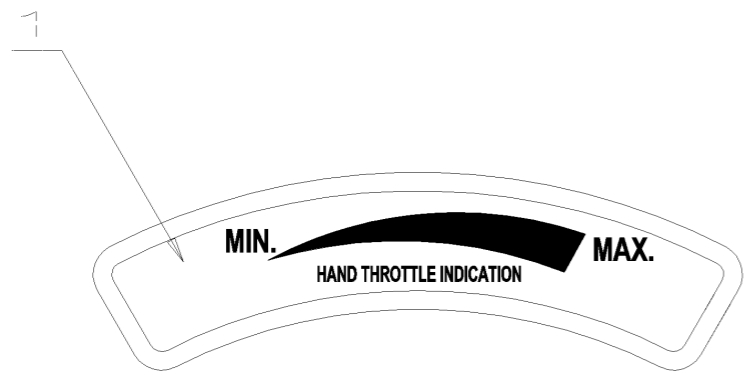
| 序号 | 零件编号              | 零件名称                   | 数量 | 图号                |
|----|-------------------|------------------------|----|-------------------|
| 1  | SH554A.48.015     | 前灯线束总成 FRONT LAMP W.H. | 1  | SH554A.48.015     |
| 2  | B29.48.032.0      | 电喇叭 ELECTRIC HORN      | 1  | B29.48.032.0      |
| 3  | SH400.48.112      | 线卡 CLAMP               | 3  | SH400.48.112      |
| 4  | B55.48.006.2      | 喇叭支架 HORN BRACKET      | 1  | B55.48.006.2      |
| 5  | GBT96.1-6-A3L     | 垫圈 WASHER              | 2  | GBT96.1-6-A3L     |
| 6  | GBT5783-M8X25-A2L | 螺栓 BOLT                | 1  | GBT5783-M8X25-A2L |
| 7  | GBT93-8-A3L       | 垫圈 WASHER              | 1  | GBT93-8-A3L       |
| 8  | GBT97.1-8-A3L     | 垫圈 WASHER              | 1  | GBT97.1-8-A3L     |

# B55.51.918.4 Hand throttle label

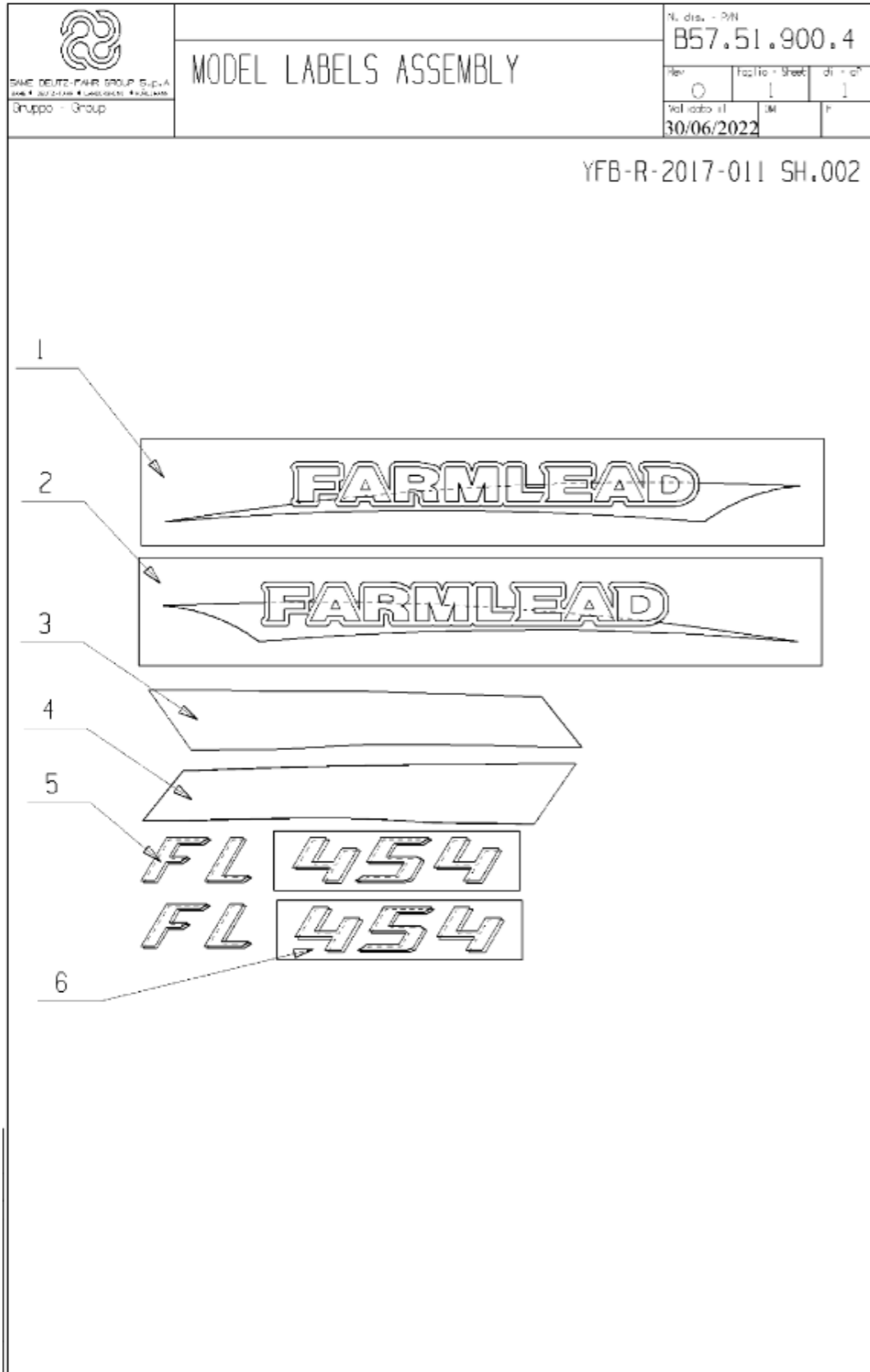
YFB-R-2017-008 SH.120

## B55.51.918.4\_0 手油门标识总成 AUXILIARY CLUTCH COMMAND LABEL

| 序号 | 零件编号          | 零件名称                  | 数量 | 图号            |
|----|---------------|-----------------------|----|---------------|
| 1  | SH900.51B.109 | 手油门标识 HANDLE THROTTLE | 1  | SH900.51B.109 |





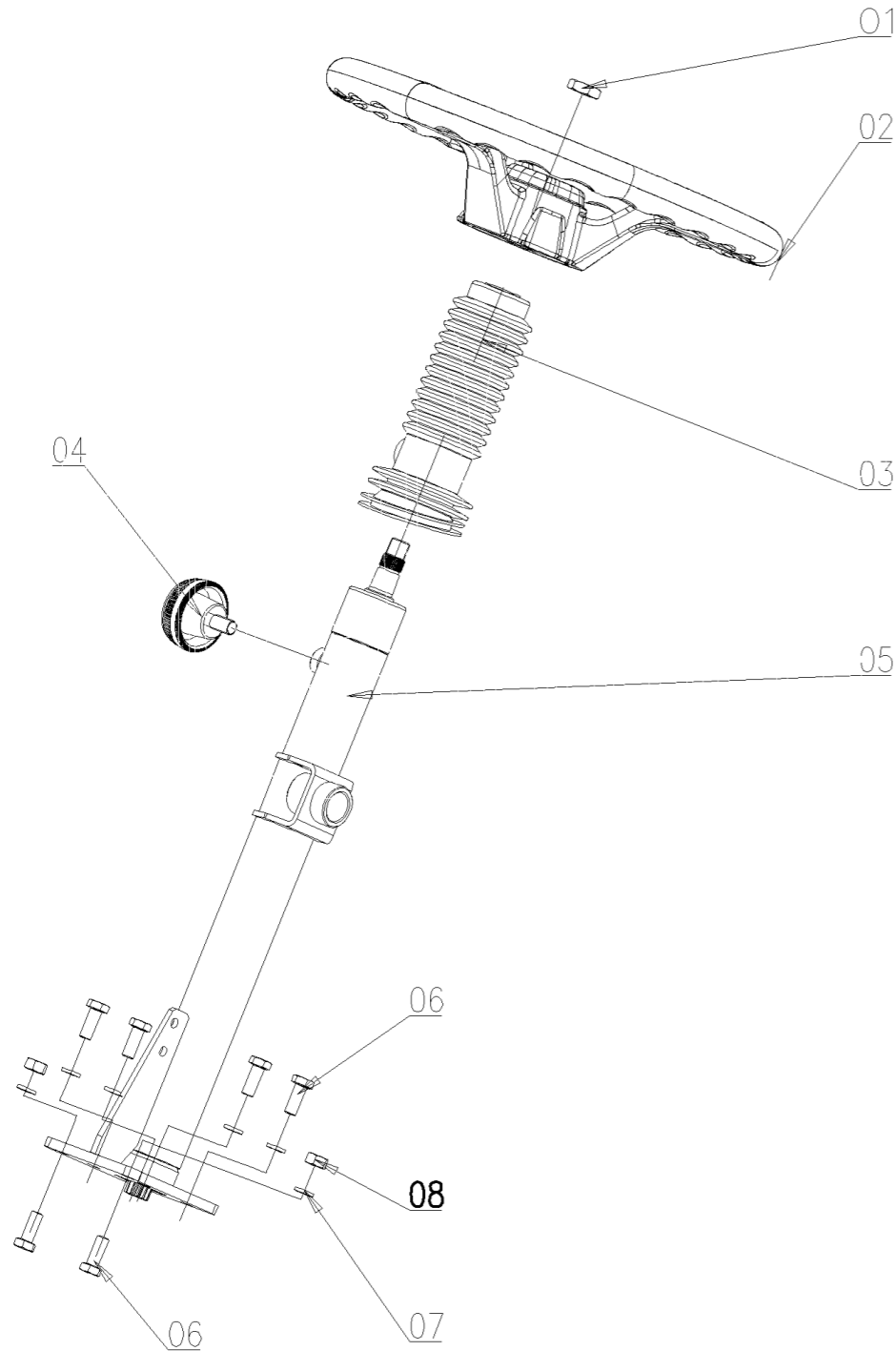


### B57.51.900.4\_0 车型标识 MODEL LABELS ASSEMBLY

| 序号 | 零件编号          | 零件名称                     | 数量 | 图号            |
|----|---------------|--------------------------|----|---------------|
| 1  | B61.51.003.0  | 左侧“FARMLEAD”标识           | 1  | B61.51.003.0  |
| 2  | B61.51.002.0  | 右侧“FARMLEAD”标识           | 1  | B61.51.002.0  |
| 3  | SH554A.51.103 | 左侧标识3 Identifier left 3  | 1  | SH554A.51.103 |
| 4  | SH554A.51.106 | 左侧标识2 Identifier right 2 | 1  | SH554A.51.106 |
| 5  | B61.51.004.0  | “FL”标识 "FL" Identifier   | 2  | B61.51.004.0  |
| 6  | B57.51.001.0  | "454"标识 Label 454        | 2  | B57.51.001.0  |

# B61.40.906.4 STEERING COMMAND ASS.Y

YFB-R-2018-005 SH.045

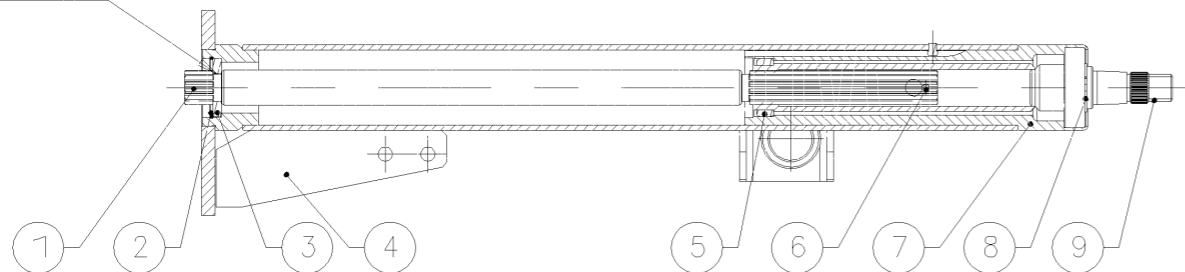


# B61.40.906.4\_0 转向操纵总成 STEERING COMMAND ASS.Y

| 序号 | 零件编号                | 零件名称                | 数量 | 图号                  |
|----|---------------------|---------------------|----|---------------------|
| 1  | GBT6173-M16X1.5-A3L | 螺母 NUT              | 1  | GBT6173-M16X1.5-A3L |
| 2  | CD554.40.028/10     | 方向盘 STEERING WHEEL  | 1  | CD554.40.028/10     |
| 3  | CD554.40.124/20     | 防尘套 DUST SLEEVE     | 1  | CD554.40.124/20     |
| 4  | 0.020.5342.3        | 锁紧螺母 LOCK NUT       | 1  | 0.020.5342.3        |
| 5  | CD554.40.019/10     | 转向柱 STEERING COLUMN | 1  | CD554.40.019/10     |
| 6  | GBT5783-M10X25-A3L  | 螺栓 BOLT             | 6  | GBT5783-M10X25-A3L  |
| 7  | GBT93-10-A3L        | 垫圈 WASHER           | 6  | GBT93-10-A3L        |
| 8  | GBT6170-M10-A3L     | 螺母 NUT              | 2  | GBT6170-M10-A3L     |

CD554.40.019/10 STEERING COLUMN

此外应浮动  
Floating



### CD554.40.019/10 转向柱 STEERING COLUMN

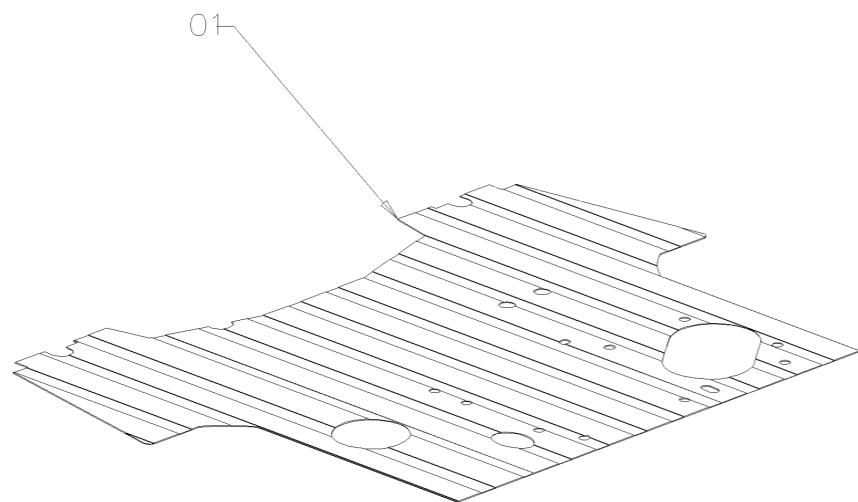
| 序号 | 零件编号            | 零件名称                      | 数量 | 图号              |
|----|-----------------|---------------------------|----|-----------------|
| 1  | CD554.40.134    | 下转向轴 LOWER STEERING SHAFT | 1  | CD554.40.134    |
| 2  | 2.1411.066.7    | 挡圈 CIRCLIP                | 1  | 2.1411.066.7    |
| 3  | 2.1599.566.2    | 垫圈 WASHER                 | 2  | 2.1599.566.2    |
| 4  | CD554.40.025-1  | 外转向柱 EXTURNAL STEERING    | 1  | CD554.40.025-1  |
| 5  | 2.1549.390.0    | 隔圈 SPACER                 | 1  | 2.1549.390.0    |
| 6  | 2.1630.410.0    | 弹性圆柱销 PIN                 | 1  | 2.1630.410.0    |
| 7  | 0.020.5337.3/10 | 内柱总成 INNER COLUMN ASS.Y   | 1  | 0.020.5337.3/10 |
| 8  | 2.1410.010.7    | 挡圈 CIRCLIP                | 1  | 2.1410.010.7    |
| 9  | CD554.40.026    | 转向轴 STEERING SHAFT        | 1  | CD554.40.026    |

B61.45.932.4 FLOORMAT ASS.Y

YFB-R-2017-011 SH.061

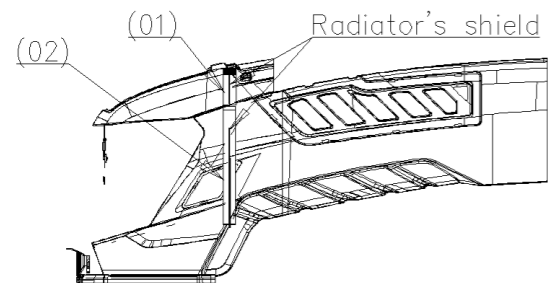
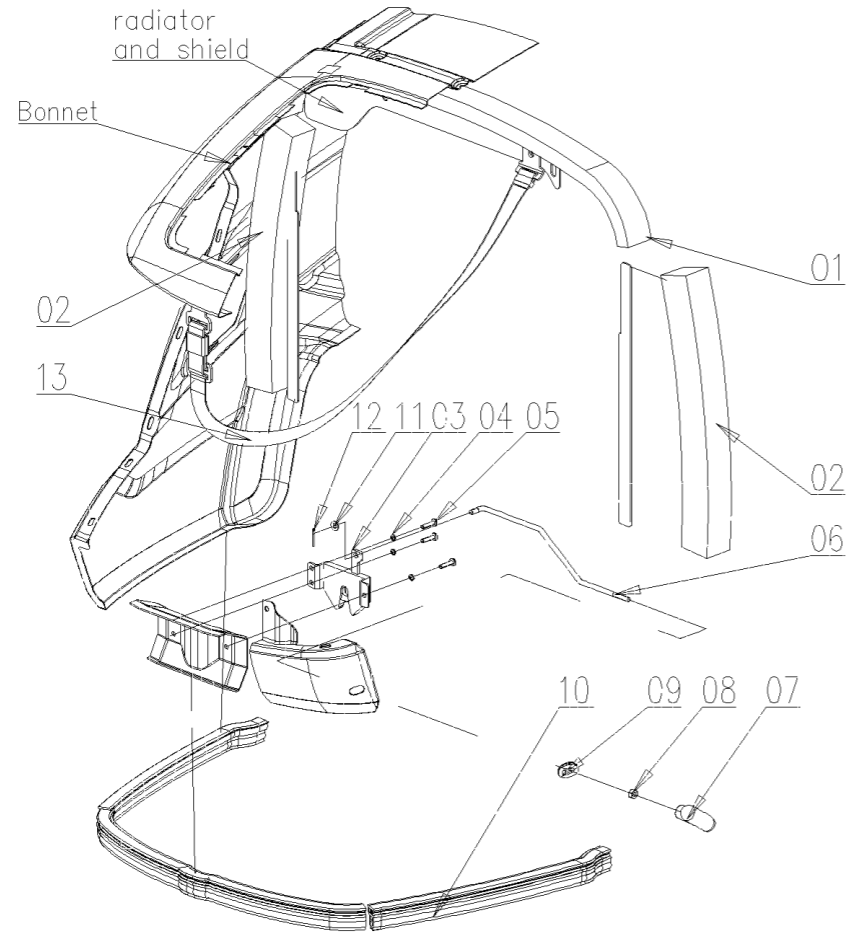
B61.45.932.4\_0 地板垫总成 FLOORMAT ASS.Y

| 序号 | 零件编号         | 零件名称         | 数量 | 图号           |
|----|--------------|--------------|----|--------------|
| 1  | CD454.45.111 | 地板垫 FLOORMAT | 1  | CD454.45.111 |



# B61.47.902.4 BONNET LOCK ASS.Y

YFB-R-2021-001 SH.006

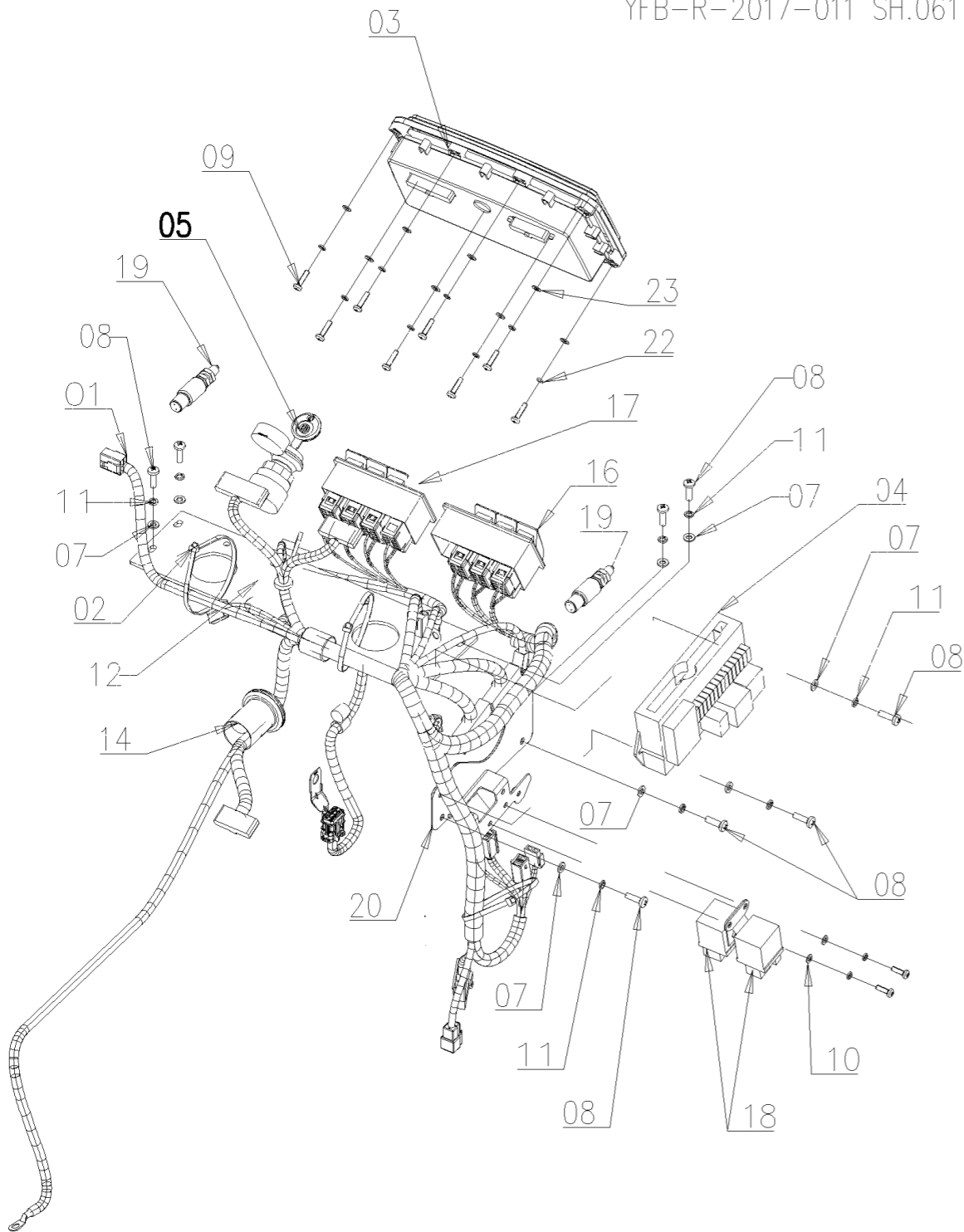


# B61.47.902.4\_4 机罩锁总成 BONNET LOCK ASS.Y

| 序号 | 零件编号             | 零件名称                       | 数量 | 图号               |
|----|------------------|----------------------------|----|------------------|
| 1  | SH554A.47.153    | 上密封海绵 UPPER SEALING SPONGE | 1  | SH554A.47.153    |
| 2  | SH554A.47.124    | 密封海绵 SEALING SPONGE        | 2  | SH554A.47.124    |
| 3  | SH554A.47.019-1  | 机罩锁 BONNET LOCK            | 1  | SH554A.47.019-1  |
| 4  | GBT93-5-A3L      | 垫圈 WASHER                  | 3  | GBT93-5-A3L      |
| 5  | 2.0332.307.2     | 螺钉 SCREW                   | 3  | 2.0332.307.2     |
| 6  | SH554A.47.126    | 机罩锁拉杆 BONNET LOCK ROD      | 1  | SH554A.47.126    |
| 7  | SH554A.47.018/10 | 把手总成 HANDLE ASS.Y          | 1  | SH554A.47.018/10 |
| 8  | 2.1011.103.2     | 螺母 NUT                     | 1  | 2.1011.103.2     |
| 9  | A08.47.024.0     | 导向套 GUIDE SLEEVE           | 1  | A08.47.024.0     |
| 10 | SH554A.47.122    | 前密封条 FRONT SEALING         | 1  | SH554A.47.122    |
| 11 | 2.1310.002.2     | 垫圈 WASHER                  | 1  | 2.1310.002.2     |
| 12 | 2.1690.107.2     | 销 PIN                      | 1  | 2.1690.107.2     |
| 13 | C12.47.045.4     | 绳组件 ROPE COMPONENT         | 1  | C12.47.045.4     |

# B61.48.901.4 BODY W.H. ASS.Y

YFB-R-2017-011 SH.061

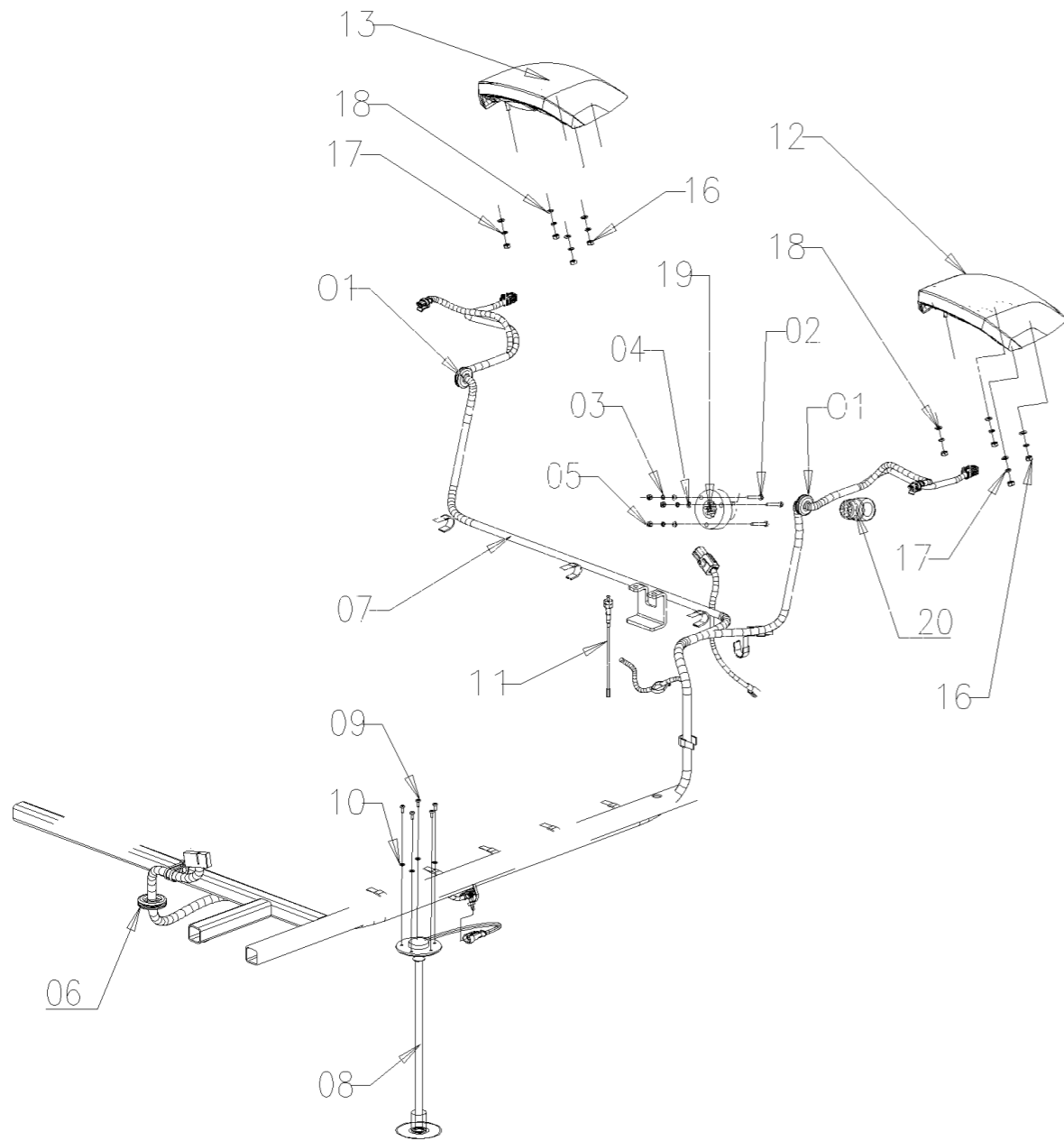


# B61.48.901.4\_3 车身线束总成 BODY WIRE HARNESS ASS.Y

| 序号 | 零件编号             | 零件名称                     | 数量 | 图号               |
|----|------------------|--------------------------|----|------------------|
| 1  | B61.48.001.0/10  | 车身线束 BODY W.H.           | 1  | B61.48.001.0/10  |
| 2  | 2.6852.203.0     | 扎带 W.H. TIE              | 3  | 2.6852.203.0     |
| 3  | B61.48.027       | CAN组合仪表总成 COMBINATION    | 1  | B61.48.027       |
| 4  | CD554A.48.028/20 | 保险丝盒 FUSE BOX            | 1  | CD554A.48.028/20 |
| 5  | CD304.48.039     | 点火锁 IGNITION SWTICH      | 1  | CD304.48.039     |
| 7  | GBT97.1-6-A3L    | 垫圈 WASHER                | 8  | GBT97.1-6-A3L    |
| 8  | GBT818-M6X20-A2L | 螺钉 SCREW                 | 8  | GBT818-M6X20-A2L |
| 9  | GBT818-M5X20-A2L | 螺钉 SCREW                 | 8  | GBT818-M5X20-A2L |
| 10 | GBT97.1-5-A3L    | 垫圈 WASHER                | 10 | GBT97.1-5-A3L    |
| 11 | GBT93-6-A3L      | 垫圈 WASHER                | 8  | GBT93-6-A3L      |
| 12 | CD554.48.025     | 线束支架 HARNESS BRACKET     | 1  | CD554.48.025     |
| 14 | A39.48.040.0     | 穿线胶圈 RUBBER RING         | 1  | A39.48.040.0     |
| 16 | LD800.48.030     | 左侧摇臂开关 LEFT SIDE ROCKER  | 1  | LD800.48.030     |
| 17 | LD800.48.031     | 右侧摇臂开关 RIGHT SIDE ROCKER | 1  | LD800.48.031     |
| 18 | SH400.48.040     | 启动继电器 STARTING RELAY     | 2  | SH400.48.040     |
| 19 | SH400.48.047     | 制动开关 BRAKE SWITCH        | 2  | SH400.48.047     |
| 20 | CD554A.48.024/20 | 支架 BRACKET               | 1  | CD554A.48.024/20 |
| 22 | GBT93-5-A3L      | 垫圈 WASHER                | 10 | GBT93-5-A3L      |
| 23 | GBT818-M5X16-A2L | 螺钉 SCREW                 | 2  | GBT818-M5X16-A2L |

# B61.48.903.4 REAR LAMP W.H. ASS.Y

YFB-R-2017-011 SH.066

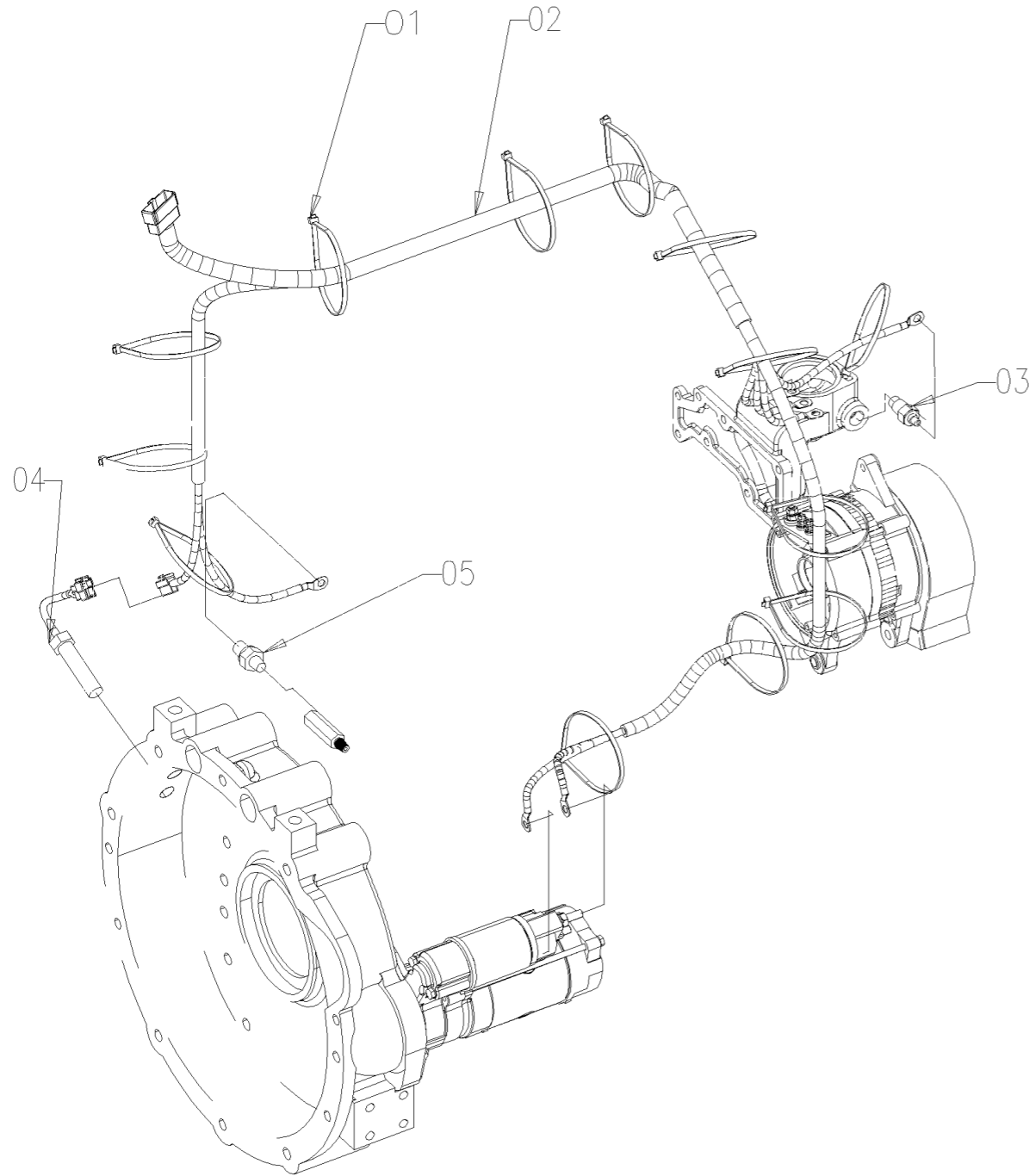


## B61.48.903.4\_3 后灯线束总成 REAR LAMP WIRE HARNESS ASS.Y

| 序号 | 零件编号             | 零件名称                      | 数量 | 图号               |
|----|------------------|---------------------------|----|------------------|
| 1  | SH400.48.118     | 橡胶圈 RUBBER RING           | 2  | SH400.48.118     |
| 2  | GBT818-M5X35-A2L | 螺钉 SCREW                  | 3  | GBT818-M5X35-A2L |
| 3  | GBT93-5-A3L      | 垫圈 WASHER                 | 3  | GBT93-5-A3L      |
| 4  | GBT97.1-5-A3L    | 垫圈 WASHER                 | 3  | GBT97.1-5-A3L    |
| 5  | GBT6170-M5-A2L   | 螺母 NUT                    | 3  | GBT6170-M5-A2L   |
| 6  | CD554.48.104     | 橡胶圈 RUBBER RING           | 1  | CD554.48.104     |
| 7  | B61.48.003.4     | 后线束总成 REAR W.H. ASSEMBLY  | 1  | B61.48.003.4     |
| 8  | CD554.48.024     | 机油传感器总成 OIL SENSOR        | 1  | CD554.48.024     |
| 9  | GBT818-M4X10-A2L | 螺钉 SCREW                  | 5  | GBT818-M4X10-A2L |
| 10 | GBT97.1-4-A3L    | 垫圈 WASHER                 | 5  | GBT97.1-4-A3L    |
| 11 | SH900.48.049     | 手刹开关 PARKING BRAKE SWITCH | 1  | SH900.48.049     |
| 12 | CD304.48.036/20  | 左后车灯总成 LEFT REAR LAMP     | 1  | CD304.48.036/20  |
| 13 | CD304.48.037/20  | 右后车灯总成 RIGHT REAR LAMP    | 1  | CD304.48.037/20  |
| 16 | GBT6170-M6-A2L   | 螺母 NUT                    | 8  | GBT6170-M6-A2L   |
| 17 | GBT93-6-A3L      | 垫圈 WASHER                 | 8  | GBT93-6-A3L      |
| 18 | GBT97.1-6-A3L    | 垫圈 WASHER                 | 8  | GBT97.1-6-A3L    |
| 19 | A56.48.010.0     | 后挂车插座 TRAILER SOCKET      | 1  | A56.48.010.0     |
| 20 | A56.48.011.0     | 后挂车插头 REAR TRAILER PLUG   | 1  | A56.48.011.0     |

# B61.48.905.4 ENGINE W.H. ASS.Y

YFB-R-2017-011 SH.044



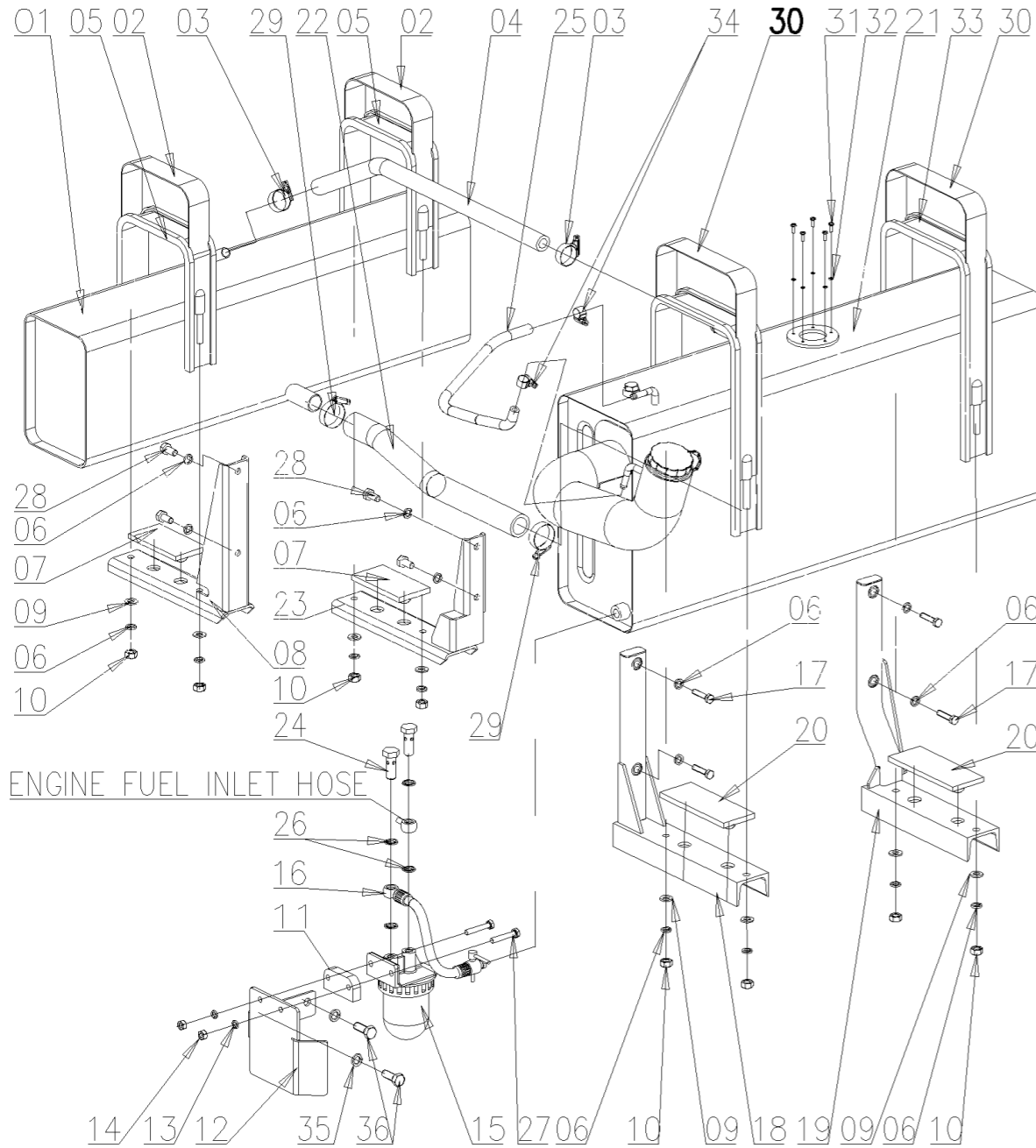
## B61.48.905.4\_1 发动机线束总成 ENGINE WIRE HARNESS ASS.Y

| 序号 | 零件编号         | 零件名称                    | 数量 | 图号           |
|----|--------------|-------------------------|----|--------------|
| 1  | 2.6852.203.0 | 扎带 W.H. TIE             | 13 | 2.6852.203.0 |
| 2  | B61.48.002.4 | 发动机线束 ENGINE W.H.       | 1  | B61.48.002.4 |
| 3  | SH900.48.032 | 水温传感器 WATER TEMPERATURE | 1  | SH900.48.032 |
| 4  | SH900.48.033 | 速度传感器 SPEED SENSOR      | 1  | SH900.48.033 |
| 5  | CD554.48.026 | 机油压力传感器 OIL PRESSURE    | 1  | CD554.48.026 |



# B61.50.900.4 FEUL TANK ASS.Y

YFB-R-2019-001 SH.018

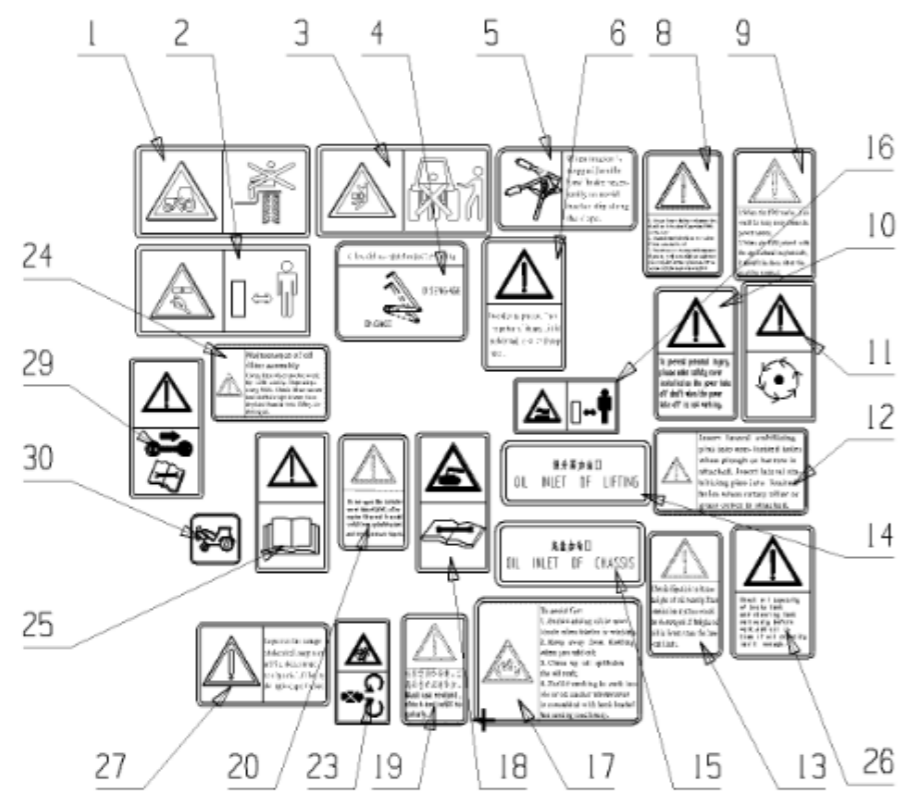


## B61.50.900.4\_1 油箱总成 FUEL TANK ASSY

| 序号 | 零件编号                 | 零件名称                     | 数量 | 图号                      |
|----|----------------------|--------------------------|----|-------------------------|
| 1  | CD554.50.014         | 辅助油箱总成 AUXILIARY TANK    | 1  | CD554.50.014            |
| 2  | CD554.50.013/20      | 钢带 STEEL BELT            | 2  | CD554.50.013/20         |
| 3  | JBT8870-D32          | 喉箍 HOSE CLAMPS           | 2  | JBT8870-D32             |
| 4  | CD554.50.102         | 主油箱和辅助油箱之间的呼吸软管          | 1  | CD554.50.102            |
| 5  | CD554.50.125         | 副油箱板橡胶板 RUBBER PLATE OF  | 2  | CD554.50.125            |
| 6  | GBT93-10-A3L         | 垫圈 WASHER                | 16 | GBT93-10-A3L            |
| 7  | CD554.50.105         | 橡胶板二 RUBBER PLATE II     | 2  | CD554.50.105            |
| 8  | CD554.50.015/20      | 副油箱前支架焊件 FRONT BRACKET   | 1  | CD554.50.015/20         |
| 9  | GBT97.1-10-A3L       | 垫圈 WASHER                | 8  | GBT97.1-10-A3L          |
| 10 | GBT6170-M10-A3L      | 螺母 NUT                   | 8  | GBT6170-M10-A3L         |
| 11 | CD304.50.302         | 减震垫 SHOCK ABSORBER PAD   | 1  | CD304.50.302            |
| 12 | CD554.50.123/10      | 安装支架 MOUNTING BRACKET    | 1  | CD554.50.123/10         |
| 13 | GBT93-8-A3L          | 垫圈 WASHER                | 2  | GBT93-8-A3L             |
| 14 | GBT6170-M8-A2L       | 螺母 NUT                   | 2  | GBT6170-M8-A2L          |
| 15 | CD304.50.014         | 沉淀杯 WATER SEPARATOR      | 1  | CD304.50.014            |
| 16 | LD800.50.020         | 管组件 TUBE ASSY            | 1  | LD800.50.020            |
| 17 | GBT5783-M8X35-A2L    | 螺栓 BOLT                  | 4  | GBT5783-M8X35-A2L       |
| 18 | B61.50.001.2         | 主油箱前支架 FRONT BRACKET OF  | 1  | B61.50.001.2            |
| 19 | B61.50.002.2         | 主油箱后支架 REAR BRACKET OF   | 1  | B61.50.002.2            |
| 20 | CD554.50.103         | 橡胶板I RUBBER PLATE I      | 2  | CD554.50.103            |
| 21 | B61.50.003.4         | 主油箱 MAIN FUEL TANK       | 1  | B61.50.003.4            |
| 22 | CD554.50.122         | 主福油箱通油管 OIL TUBE BETWEEN | 1  | CD554.50.122            |
| 23 | CD554.50.017-1       | 副油箱后支架焊件 REAR BRACKET    | 1  | CD554.50.017-1          |
| 24 | LE1204.50.149        | 空心螺栓 HOLLOW BOLT         | 2  | LE1204.50.149           |
| 25 | CD554.50.101         | 呼吸软管 BREATHING HOSE      | 1  | CD554.50.101            |
| 26 | JBT982-14            | 密封圈 SEALING RINGS        | 4  | JBT982-14               |
| 27 | GBT5783-M8X45-A2L    | 螺栓 BOLT                  | 2  | GBT5783-M8X45-A2L       |
| 28 | GBT5783-M10X20-A3L   | 螺栓 BOLT                  | 4  | GBT5783-M10X20-A3L      |
| 29 | JBT8870-D40          | 喉箍 HOSE CLAMPS           | 2  | JBT8870-D40             |
| 30 | CD554.50.012/20      | 钢带 STEEL BELT            | 2  | CD554.50.012/20         |
| 31 | GBT67-M4X12-A2L      | 螺钉 SCREW                 | 5  | GBT67-M4X12-A2L         |
| 32 | GBT93-4-A3L          | 垫圈 WASHER                | 5  | GBT93-4-A3L             |
| 33 | CD554.50.104/10      | 主油箱扎带橡胶垫 RUBBER PLATE OF | 2  | CD554.50.104/10         |
| 34 | JBT8870-d16          | 喉箍 HOSE CLAMPS           | 2  | JBT8870-d16             |
| 35 | GBT93-12-A3L         | 垫圈 WASHER                | 2  | GBT93-12-A3L            |
| 36 | GBT5783-M12X30-10.9- | 螺栓 BOLT                  | 2  | GBT5783-M12X30-10.9-A3L |

|   |                         |                                      |
|---|-------------------------|--------------------------------------|
| <br>SAME DEUTZ-FAHR GROUP S.p.A.<br>SAME • SAME-TAG • LANDINI • HOLLAND<br>Gruppo - Group | FL40/FL55               | N. dis. - P/N<br><b>B61.51.901.4</b> |
|   | UNIVERSAL LABELS ASS.Y  |                                      |
|   | Rev. 4                  | Foglio - Sheet 1 di 1                |
|   | Val idato il 01/01/2019 | F                                    |

YFB-R-2019-001 SH.042



### B61.51.901.4\_4 通用标识 UNIVERSAL LABELS ASS.Y

| 序号 | 零件编号            | 零件名称         | 数量 | 图号              |
|----|-----------------|--------------|----|-----------------|
| 1  | SH900.51.136    | 挡泥板禁止乘坐标识    | 1  | SH900.51.136    |
| 2  | SH900.51.132    | 安全警告标识       | 1  | SH900.51.132    |
| 3  | SH900.51.135    | 安全警告标识       | 1  | SH900.51.135    |
| 4  | SH900.51B.103   | 差速锁标识        | 1  | SH900.51B.103   |
| 5  | SH900.51B.110   | 驻车制动标识       | 1  | SH900.51B.110   |
| 6  | SH900.51B.122   | 后横板安全标识      | 1  | SH900.51B.122   |
| 8  | B61.51.009.0/10 | 动力输出安全标识 IV  | 1  | B61.51.009.0/10 |
| 9  | SH900.51B.117   | 动力输出 安全标识    | 1  | SH900.51B.117   |
| 10 | SH900.51B.116   | 动力输出 安全标识III | 1  | SH900.51B.116   |
| 11 | SH900.51.118    | 动力输出 安全标识II  | 1  | SH900.51.118    |
| 12 | SH900.51B.119   | 限位销安全标识      | 1  | SH900.51B.119   |
| 13 | SH900.51B.125   | 传动液位检测标识     | 1  | SH900.51B.125   |
| 14 | SH900.51.153    | 提升器加油口标识     | 1  | SH900.51.153    |
| 15 | SH900.51.154    | 底盘加油口标识      | 1  | SH900.51.154    |
| 16 | SH900.51.152    | 高温防烫标识(小)    | 1  | SH900.51.152    |
| 17 | SH900.51B.112   | 加油防火标识       | 1  | SH900.51B.112   |
| 18 | SH900.51.122    | 蓄电池安全标识      | 1  | SH900.51.122    |
| 19 | A11.51.004.0    | 冷却系统标识       | 1  | A11.51.004.0    |
| 20 | B61.51.010.0    | 水箱口防烫标识      | 1  | B61.51.010.0    |
| 23 | SH900.51.125    | 安全警告标识       | 1  | SH900.51.125    |
| 24 | SH900.51B.102   | 吸油滤清器保养标识    | 1  | SH900.51B.102   |
| 25 | SH900.51.130    | 阅读说明书        | 1  | SH900.51.130    |
| 26 | SH900.51B.120   | 制动转向油箱油位安全标识 | 1  | SH900.51B.120   |
| 27 | SH900.51B.123   | 保险丝安全标识      | 1  | SH900.51B.123   |
| 29 | SH900.51.138    | 安全警告标识 I     | 1  | SH900.51.138    |
| 30 | 2.9939.835.0/10 | 机罩标识         | 1  | 2.9939.835.0/10 |



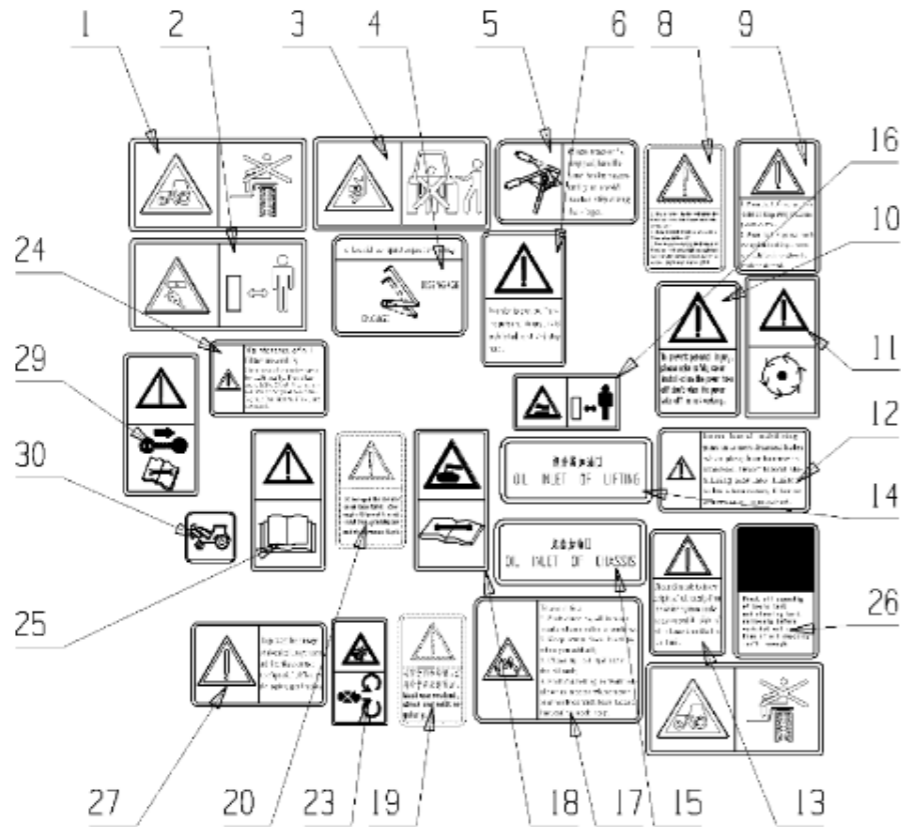
FL40/FL55

UNIVERSAL LABELS ASS.Y

N. dis. - P/N  
B61.51.901.4

|             |            |       |           |
|-------------|------------|-------|-----------|
| Rev         | 1          | Sheet | di 1 di 1 |
| Validato il | 23/07/2022 | IM    | P         |

YFB-R-2017-011 SH.085



B61.51.901.4\_5 通用标识 UNIVERSAL LABELS ASS.Y

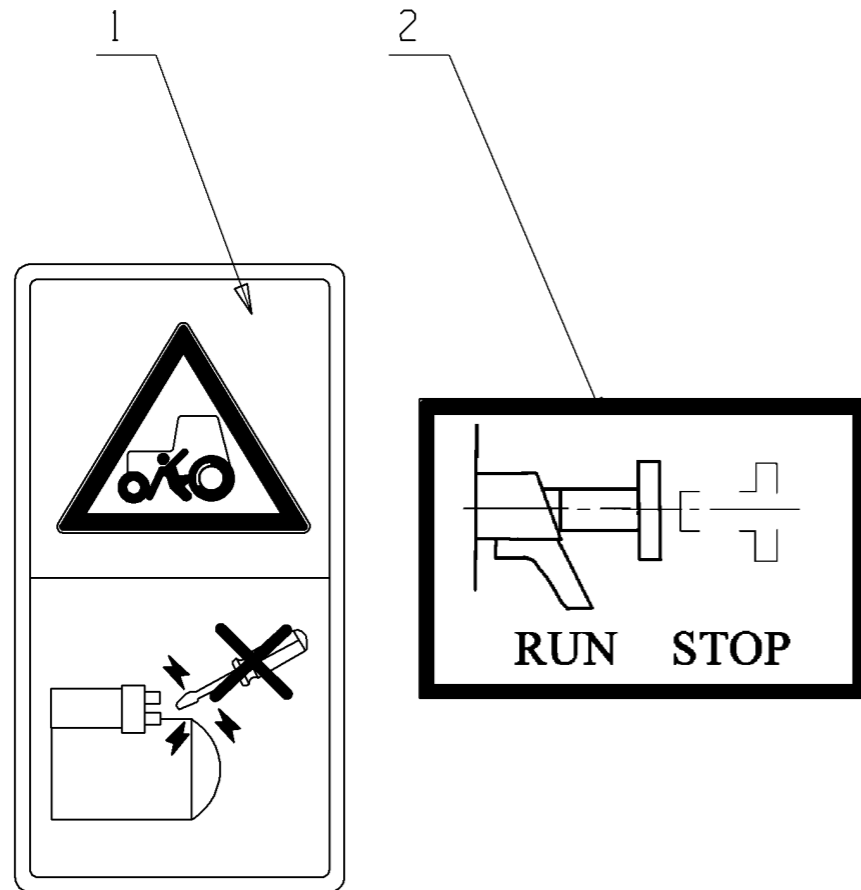
| 序号 | 零件编号            | 零件名称                       | 数量 | 图号              |
|----|-----------------|----------------------------|----|-----------------|
| 1  | SH900.51.136    | 挡泥板禁止乘坐标识 WARNING          | 2  | SH900.51.136    |
| 2  | SH900.51.132    | 安全警告标识 WARNING PLATE       | 1  | SH900.51.132    |
| 3  | SH900.51.135    | 安全警告标 WARNING PLATE        | 1  | SH900.51.135    |
| 4  | SH900.51B.103   | 差速锁标识 DIFFERENTIAL LOCK    | 1  | SH900.51B.103   |
| 5  | SH900.51B.110   | 驻车制动标识 PARKING BRAKE       | 1  | SH900.51B.110   |
| 6  | SH900.51B.122   | 后横板安全标识 REAR TRANSVERSE    | 1  | SH900.51B.122   |
| 8  | B61.51.009.0/10 | 动力输出安全标识 PTO SAFTY         | 1  | B61.51.009.0/10 |
| 9  | SH900.51B.117   | 动力输出安全标识 SECURITY          | 1  | SH900.51B.117   |
| 10 | SH900.51B.116   | 动力输出安全标识 PTO SAFETY        | 1  | SH900.51B.116   |
| 11 | SH900.51.118    | 动力输出安全标识 PTO SAFETY        | 1  | SH900.51.118    |
| 12 | SH900.51B.119   | 限位销安全标识 SECURITY           | 1  | SH900.51B.119   |
| 13 | SH900.51B.125   | 传动液位检测标识 SECURITY          | 1  | SH900.51B.125   |
| 14 | SH900.51.153    | 提升器加油口标识 LIFT REFUELING    | 1  | SH900.51.153    |
| 15 | SH900.51.154    | 底盘加油口(强压) CHASSIS FUEL     | 1  | SH900.51.154    |
| 16 | SH900.51.152    | 高温防烫标识(小) HIGH             | 1  | SH900.51.152    |
| 17 | SH900.51B.112   | 加油防火标识 SECURITY            | 1  | SH900.51B.112   |
| 18 | SH900.51.122    | 蓄电池标识 BATTERY LOGO         | 1  | SH900.51.122    |
| 19 | A11.51.004.0    | 冷却系统标签 COOLING SYSTEM      | 1  | A11.51.004.0    |
| 20 | B61.51.010.0    | 水箱口防烫标识 RADIATOR ANTI-     | 1  | B61.51.010.0    |
| 23 | SH900.51.125    | 安全警告标识 VII SAFETY LOGO VII | 1  | SH900.51.125    |
| 24 | SH900.51B.102   | 吸油滤清器保养标识 SECURITY         | 1  | SH900.51B.102   |
| 25 | SH900.51.130    | 阅读说明书标识 READING            | 1  | SH900.51.130    |
| 26 | SH900.51B.120   | 制动转向油箱油位安全标识 OIL TANK      | 1  | SH900.51B.120   |
| 27 | SH900.51B.123   | 保险丝安全标识 SECURITY           | 1  | SH900.51B.123   |
| 29 | SH900.51.138    | 安全警告标识 SAFETY WARNING      | 1  | SH900.51.138    |
| 30 | 2.9939.835.0/10 | 机罩开启标识 BONNET              | 1  | 2.9939.835.0/10 |

# B61.51.902.4 START AND STOP LABEL

## B61.51.902.4\_0 熄火、安全启动标识 ENGINE START AND STOP LABEL

| 序号 | 零件编号          | 零件名称                    | 数量 | 图号            |
|----|---------------|-------------------------|----|---------------|
| 1  | SH900.51.124  | 安全启动标识 STARTING SAFETY  | 1  | SH900.51.124  |
| 2  | SH900.51B.126 | 熄火拉线操作标识 FLAMEOUT CABLE | 1  | SH900.51B.126 |

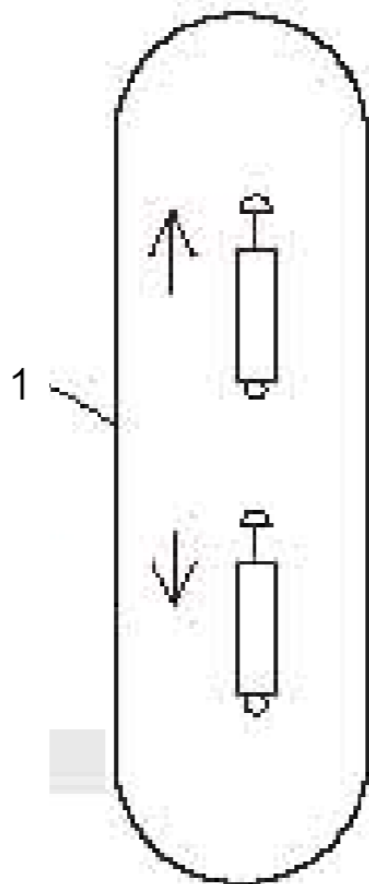
YFB-R-2017-011 SH.002



B61.51.905.4 MULTI COMMAND LABEL

B61.51.905.4\_0 多路阀操纵标识总成(2路) MULTI-VALVE COMMAND LABEL

| 序号 | 零件编号         | 零件名称              | 数量 | 图号           |
|----|--------------|-------------------|----|--------------|
| 1  | SH904.51.114 | 多路换向阀操纵标识 多路换向阀操纵 | 1  | SH904.51.114 |



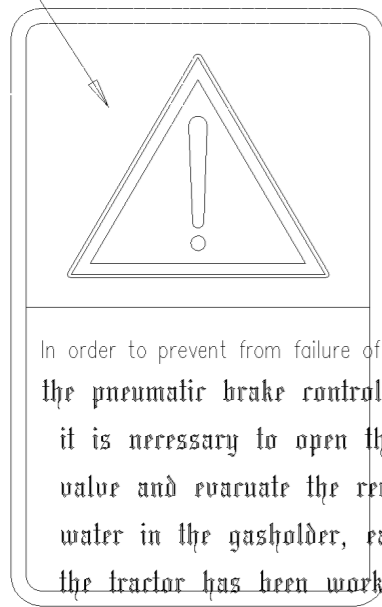
# Air brake label B61.51.906.4

## B61.51.906.4\_0 气刹标识总成 AIR BRAKE LABEL

| 序号 | 零件编号          | 零件名称 | 数量 | 图号            |
|----|---------------|------|----|---------------|
| 1  | SH900.51B.129 | 气刹标识 | 1  | SH900.51B.129 |

YFB-R-2017-011 SH.002

01

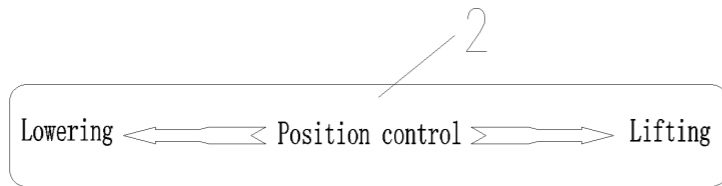
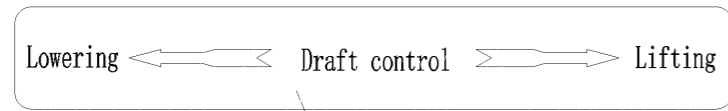


In order to prevent from failure of the pneumatic brake control system, it is necessary to open the drain valve and evacuate the remnant water in the gasholder, each time the tractor has been working for 50hrs.

# B61.51.908.4 NON-ENFORCED LIFT COMMOND LABEL

## B61.51.908.4\_0 非强压提升操纵标识总成（后提升）NON-ENFORCED LIFT C.L. ASS.Y

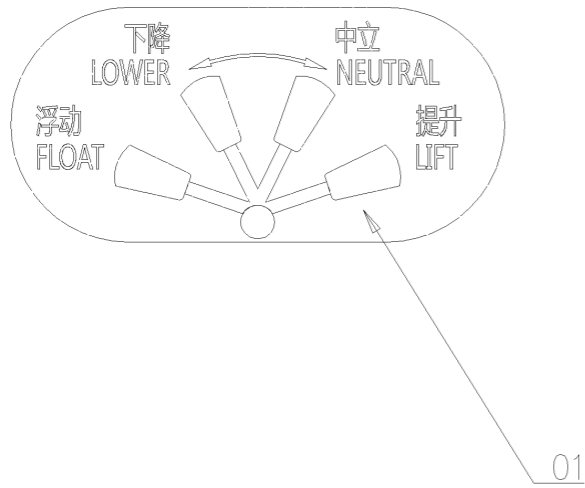
| 序号 | 零件编号          | 零件名称        | 数量 | 图号            |
|----|---------------|-------------|----|---------------|
| 1  | CD454.51D.101 | 力调节标识 力调节标识 | 1  | CD454.51D.101 |
| 2  | CD454.51D.102 | 位调节标识 位调节标识 | 1  | CD454.51D.102 |



B61.51.909.4\_0 强压提升操纵标识 (后提升) ENFORCED LIFT C.L. ASS.Y

| 序号 | 零件编号          | 零件名称          | 数量 | 图号            |
|----|---------------|---------------|----|---------------|
| 1  | SH900.51B.111 | 强压操纵标识 强压操纵标识 | 1  | SH900.51B.111 |

B61.51.909.4 ENFORCED LIFT C.L. ASS.Y

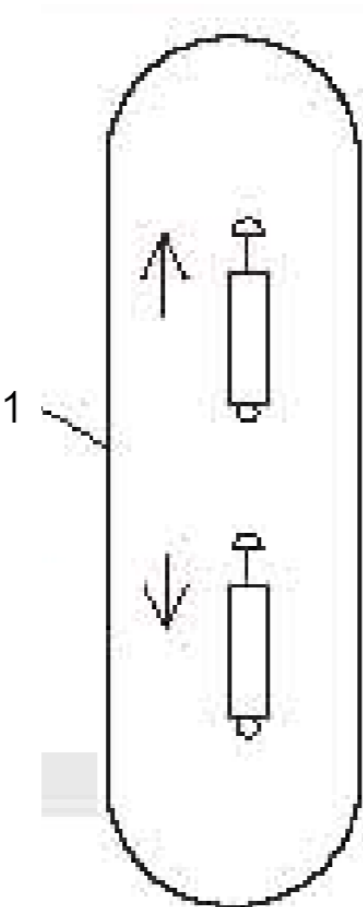




B61.51.910.4 MULTI COMMAND LABEL

B61.51.910.4\_0 多路阀操纵标识总成 (3路) MULTI-VALVE COMMAND LABEL

| 序号 | 零件编号         | 零件名称              | 数量 | 图号           |
|----|--------------|-------------------|----|--------------|
| 1  | SH904.51.114 | 多路换向阀操纵标识 多路换向阀操纵 | 2  | SH904.51.114 |

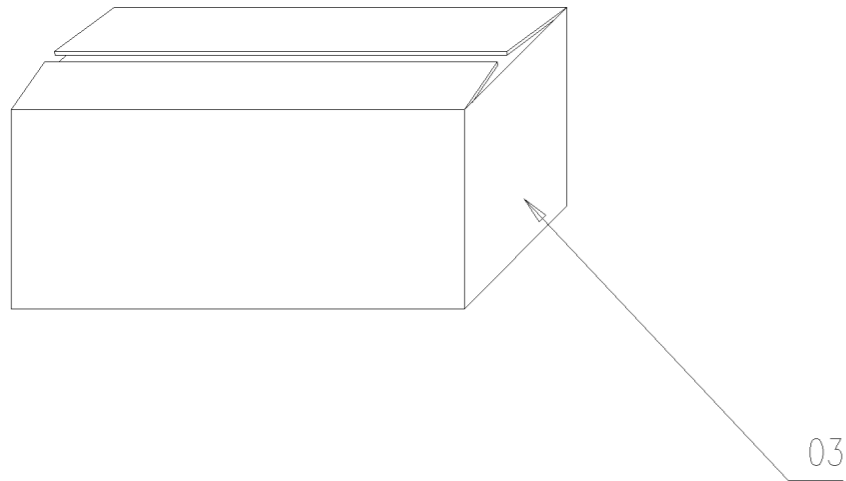
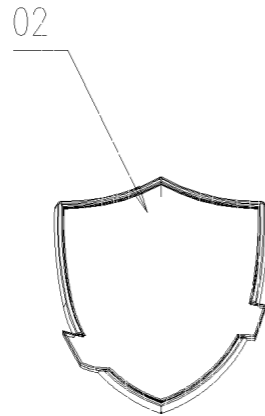
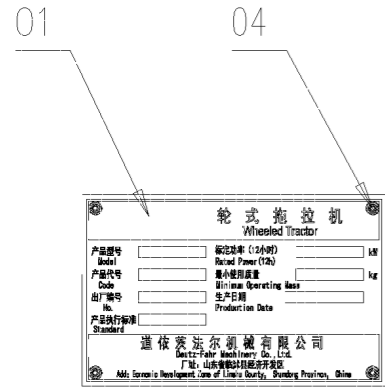


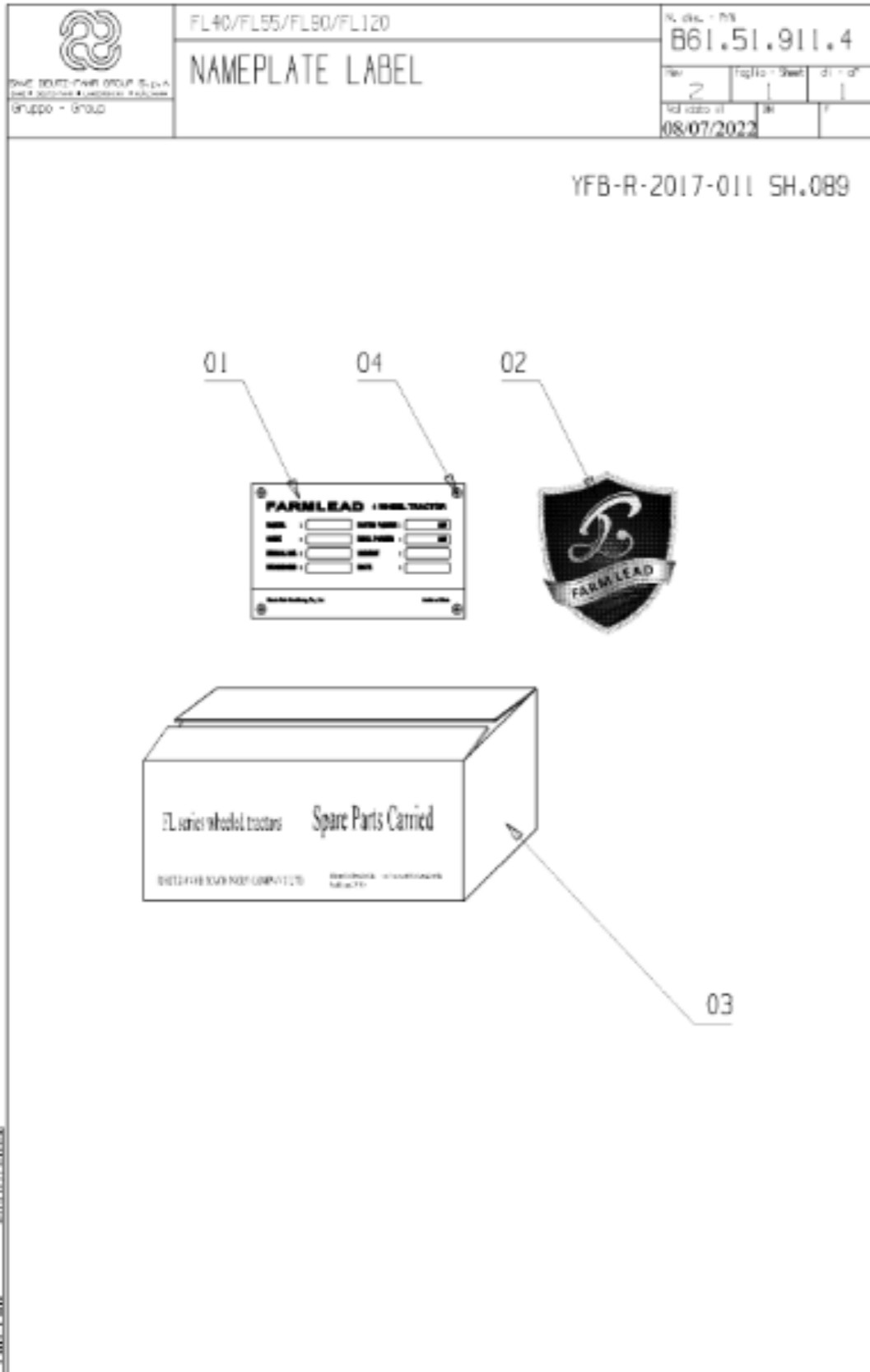
# Nameplate label B61.51.911.4

YFB-R-2017-001 SH.041

## B61.51.911.4\_1 铭牌标识 NAMEPLATE LABEL

| 序号 | 零件编号         | 零件名称      | 数量 | 图号           |
|----|--------------|-----------|----|--------------|
| 1  | B61.51.001.0 | 铭牌标识      | 1  | B61.51.001.0 |
| 2  | B61.51.005.3 | 前标        | 1  | B61.51.005.3 |
| 3  | B61.51.006.0 | 包装箱       | 1  | B61.51.006.0 |
| 4  | GB/T 12618   | 抽芯铆钉 3X15 | 4  | GB/T 12618   |



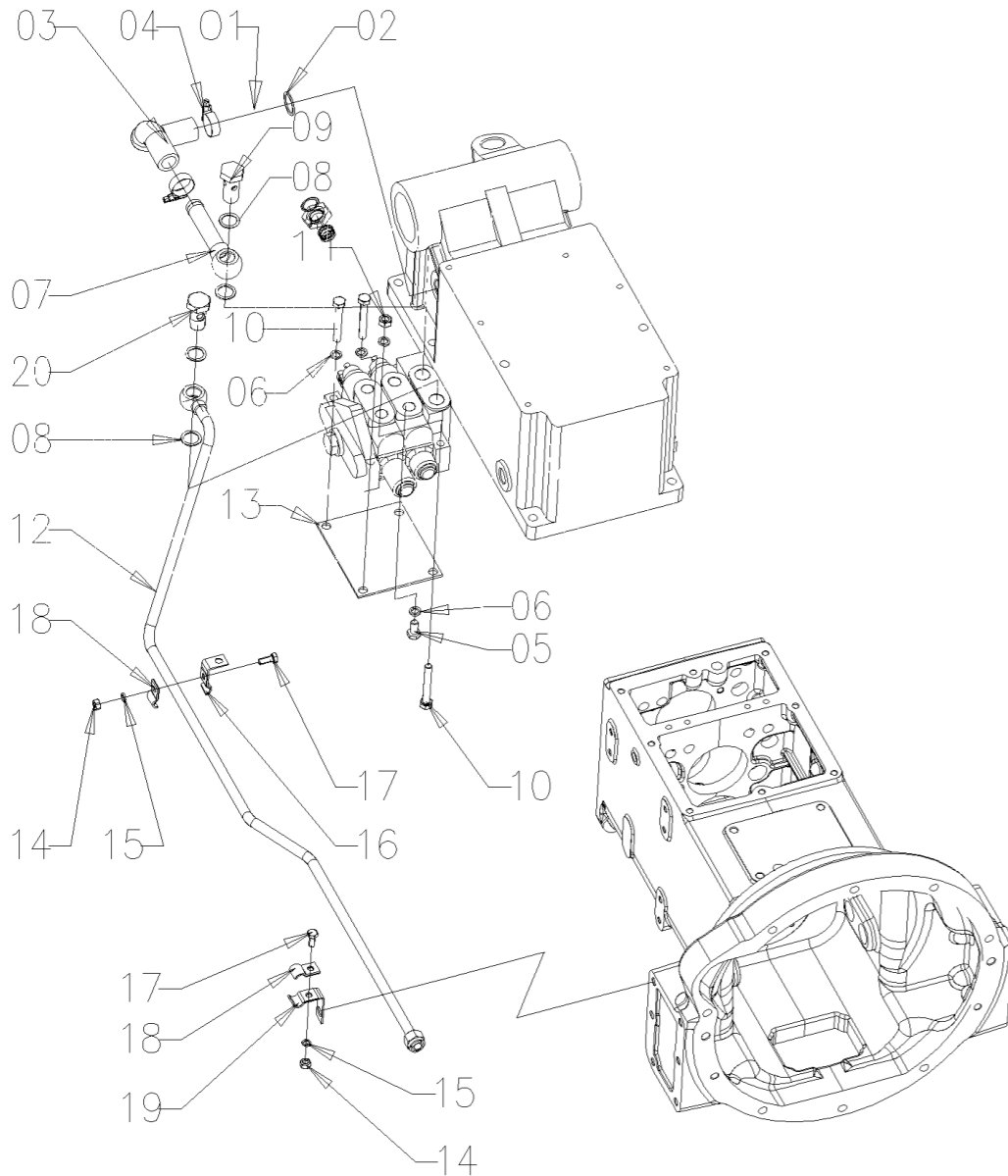


### B61.51.911.4\_2 铭牌标识 NAMEPLATE LABEL

| 序号 | 零件编号            | 零件名称                  | 数量 | 图号              |
|----|-----------------|-----------------------|----|-----------------|
| 1  | A62.51.002.0/20 | 铭牌 FARMLEAD NAMEPLATE | 1  | A62.51.002.0/20 |
| 2  | B61.51.005.3    | 前标 FRONT LOGO         | 1  | B61.51.005.3    |
| 3  | B61.51.006.0    | 包装箱 PACKAGE BOX       | 1  | B61.51.006.0    |
| 4  | GBT12618.1-3X15 | 铆钉 RIVET              | 4  | GBT12618.1-3X15 |

# B61.58.904.4 MULTI-WAY VALVE HOSE ASS.

YFB-R-2017-011 SH.007



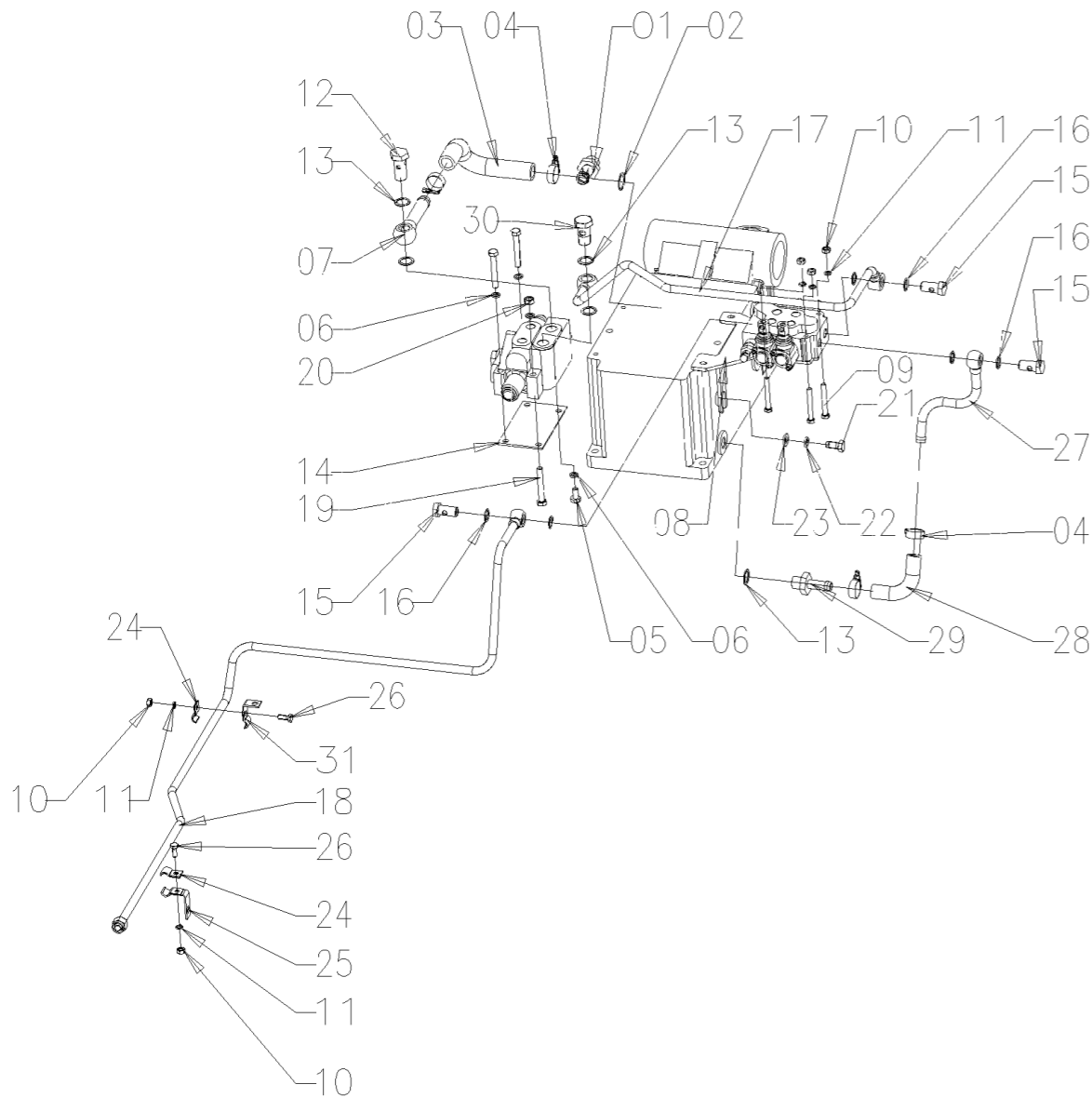
# B61.58.904.4\_0 多路阀油管总成 (1路输出强压) MULTI-WAY VALVE PIPE ASS.Y(1 way output strong pressure)

| 序号 | 零件编号               | 零件名称                      | 数量 | 图号                 |
|----|--------------------|---------------------------|----|--------------------|
| 1  | SH550.58D.019      | 回油管焊合 RETURN PIPE         | 1  | SH550.58D.019      |
| 2  | 2.1560.021.0       | 密封垫圈 SEALING RING         | 1  | 2.1560.021.0       |
| 3  | CD554.583A.113     | 回油软管 OIL RETURN HOSE      | 1  | CD554.583A.113     |
| 4  | JBT8870-D32        | 喉箍 HOSE CLAMPS            | 2  | JBT8870-D32        |
| 5  | GBT5783-M10X20-A3L | 螺栓 BOLT                   | 1  | GBT5783-M10X20-A3L |
| 6  | GBT93-10-A3L       | 垫圈 WASHER                 | 4  | GBT93-10-A3L       |
| 7  | CD554.583A.030     | 阀回油管焊合 VALVE RETURN JOINT | 1  | CD554.583A.030     |
| 8  | 2.1560.018.0       | 密封垫圈 SEALING RING         | 4  | 2.1560.018.0       |
| 9  | SH400.58.112       | 空心螺栓 HOLLOW BOLT          | 1  | SH400.58.112       |
| 10 | GBT5783-M10X70-A3L | 螺栓 BOLT                   | 3  | GBT5783-M10X70-A3L |
| 11 | GBT6170-M10-A3L    | 螺母 NUT                    | 1  | GBT6170-M10-A3L    |
| 12 | CD554.581A.011     | 阀进油管焊合 VALVE INLET PIPE   | 1  | CD554.581A.011     |
| 13 | SH550.58D.123      | 阀门支架 VALVE BRACKET        | 1  | SH550.58D.123      |
| 14 | GBT6170-M8-A2L     | 螺母 NUT                    | 2  | GBT6170-M8-A2L     |
| 15 | GBT93-8-A3L        | 垫圈 WASHER                 | 2  | GBT93-8-A3L        |
| 16 | CD554.58.014       | 上油管夹与胶垫胶合1 UPPER CLIP     | 1  | CD554.58.014       |
| 17 | GBT5783-M8X20-A2L  | 螺栓 BOLT                   | 2  | GBT5783-M8X20-A2L  |
| 18 | CD554.58.015       | 上油管夹与胶垫胶合2 UPPER CLIP     | 2  | CD554.58.015       |
| 19 | CD554.58.020       | 夹子组件 CLIP ASSY            | 1  | CD554.58.020       |
| 20 | SH904.58.168       | 空心螺栓 HOLLOW BOLT          | 1  | SH904.58.168       |

B61.58.914.4 MULTI-WAY VALVE HOSE ASS.-2

YFB-R-2017-011 SH.007

B61.58.914.4\_0 多路阀油管总成 (2路强压) MULTI-WAY VALVE PIPE ASS.Y-2(1 way strong pressure)



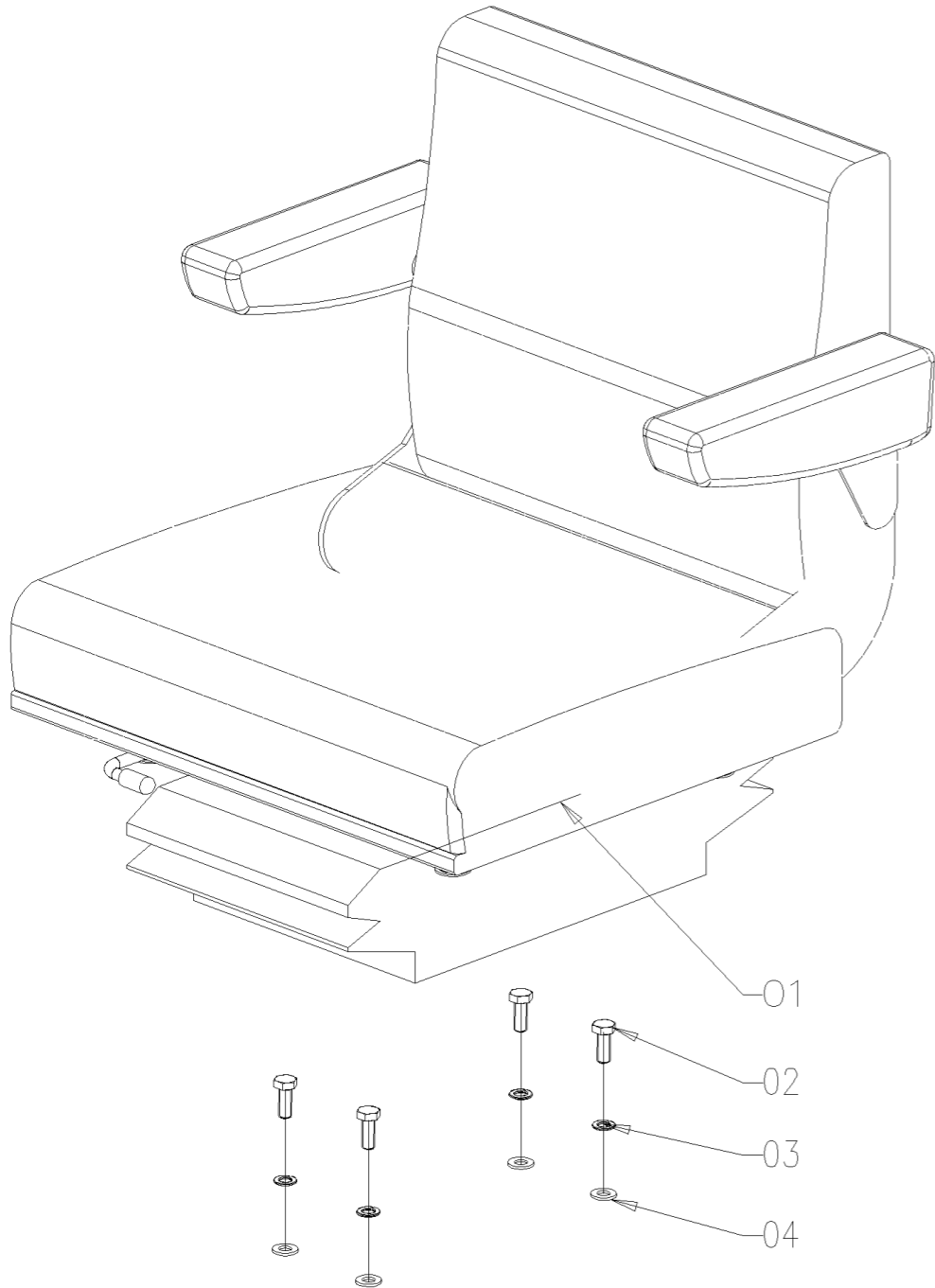
| 序号 | 零件编号               | 零件名称                      | 数量 | 图号                 |
|----|--------------------|---------------------------|----|--------------------|
| 1  | SH550.58D.019      | 回油管焊合 RETURN PIPE         | 1  | SH550.58D.019      |
| 2  | 2.1560.021.0       | 密封垫圈 SEALING RING         | 1  | 2.1560.021.0       |
| 3  | CD554.582A.113     | 回油软管 OIL RETURN HOSE      | 1  | CD554.582A.113     |
| 4  | JBT8870-D32        | 喉箍 HOSE CLAMPS            | 4  | JBT8870-D32        |
| 5  | GBT5783-M10X20-A3L | 螺栓 BOLT                   | 1  | GBT5783-M10X20-A3L |
| 6  | GBT93-10-A3L       | 垫圈 WASHER                 | 4  | GBT93-10-A3L       |
| 7  | CD554.583A.030     | 阀回油管焊合 VALVE RETURN JOINT | 1  | CD554.583A.030     |
| 8  | CD554.583A.029-1   | 阀门支架 VALVE BRACKET        | 1  | CD554.583A.029-1   |
| 9  | GBT5783-M8X65-A2L  | 螺栓 BOLT                   | 3  | GBT5783-M8X65-A2L  |
| 10 | GBT6170-M8-A2L     | 螺母 NUT                    | 5  | GBT6170-M8-A2L     |
| 11 | GBT93-8-A3L        | 垫圈 WASHER                 | 5  | GBT93-8-A3L        |
| 12 | SH400.58.112       | 空心螺栓 HOLLOW BOLT          | 1  | SH400.58.112       |
| 13 | 2.1560.018.0       | 密封垫圈 SEALING RING         | 5  | 2.1560.018.0       |
| 14 | CD554.582A.123     | 阀门支架 VALVE BRACKET        | 1  | CD554.582A.123     |
| 15 | CD554.583.130      | 空心螺栓 HOLLOW BOLT          | 3  | CD554.583.130      |
| 16 | 2.1560.014.0       | 密封垫圈 SEALING RING         | 6  | 2.1560.014.0       |
| 17 | A39.58.038.3       | 油管总成 OIL PIPE ASS.        | 1  | A39.58.038.3       |
| 18 | CD554.583A.012     | 阀进油管焊合 VALVE INLET PIPE   | 1  | CD554.583A.012     |
| 19 | GBT5783-M10X70-A3L | 螺栓 BOLT                   | 3  | GBT5783-M10X70-A3L |
| 20 | GBT6170-M10-A3L    | 螺母 NUT                    | 1  | GBT6170-M10-A3L    |
| 21 | GBT5783-M12X20-A3L | 螺栓 BOLT                   | 1  | GBT5783-M12X20-A3L |
| 22 | GBT93-12-A3L       | 垫圈 WASHER                 | 1  | GBT93-12-A3L       |
| 23 | GBT97.1-12-A3L     | 垫圈 WASHER                 | 1  | GBT97.1-12-A3L     |
| 24 | CD554.58.015       | 上油管夹与胶垫胶合2 UPPER CLIP     | 2  | CD554.58.015       |
| 25 | CD554.58.020       | 夹子组件 CLIP ASSY            | 1  | CD554.58.020       |
| 26 | GBT5783-M8X20-A2L  | 螺栓 BOLT                   | 2  | GBT5783-M8X20-A2L  |
| 27 | CD554.583A.019-1   | 回油管焊合 RETURN PIPE         | 1  | CD554.583A.019-1   |
| 28 | CD554.583A.110-1   | 阀回油管 VALVE RETURN TUBE    | 1  | CD554.583A.110-1   |
| 29 | CD554.583A.020     | 多路阀回油短管焊合 RETURN JOINT    | 1  | CD554.583A.020     |
| 30 | SH904.58.168       | 空心螺栓 HOLLOW BOLT          | 1  | SH904.58.168       |
| 31 | CD554.58.014       | 上油管夹与胶垫胶合1 UPPER CLIP     | 1  | CD554.58.014       |

# B63.44.900.4 SEAT ASS.Y

YFB-R-2021-001 SH.006

## B63.44.900.4\_0 座椅总成 SEAT ASS.Y

| 序号 | 零件编号         | 零件名称      | 数量 | 图号           |
|----|--------------|-----------|----|--------------|
| 1  | B65.44.002.4 | 座椅 SEAT   | 1  | B65.44.002.4 |
| 2  | 2.0114.309.2 | 螺栓 BOLT   | 4  | 2.0114.309.2 |
| 3  | 2.1474.010.2 | 垫圈 WASHER | 4  | 2.1474.010.2 |
| 4  | 2.1310.006.2 | 垫圈 WASHER | 4  | 2.1310.006.2 |

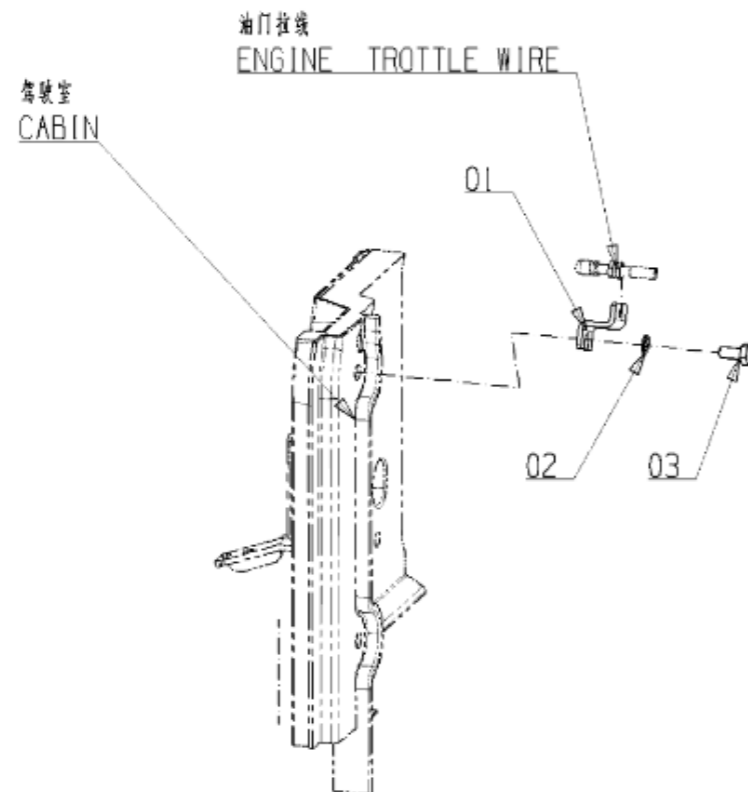


|   |                     |                               |                        |
|---|---------------------|-------------------------------|------------------------|
| <br>SAME DEUTZ-FAHR GROUP S.p.A.<br>Gruppo - Group | FL55 QC CN11 CABIN  | N. dis. - P/N<br>B65.20.910.4 |                        |
|   | CABLE SUPPORT ASS.Y | Rev.                          | Foglio - Sheet di - of |
|   | 1                   | 29/06/2022                    |                        |

### B65.20.910.4\_0 拉线支架总成 CABLE SUPPORT ASS.Y

| 序号 | 零件编号         | 零件名称            | 数量 | 图号           |
|----|--------------|-----------------|----|--------------|
| 1  | B55.47.014.2 | 支撑 SUPPORT      | 1  | B55.47.014.2 |
| 2  | 2.0114.307.2 | 螺栓 SCREW M10x20 | 1  | 2.0114.307.2 |
| 3  | GBT93-10-A3L | 垫圈 WASHER       | 1  | GBT93-10-A3L |

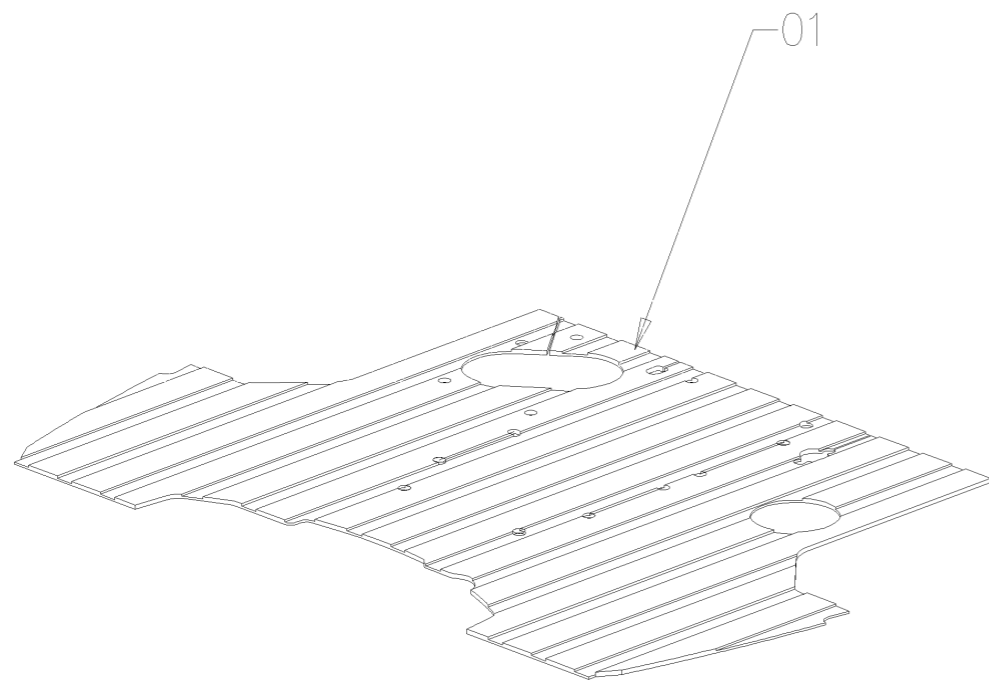
YFB-R-2017-011 SH.083



# C05.45.918.4 CUSHION-CABIN-SMALL FENDER

## C05.45.918.4\_0 地板垫总成 (驾驶室小轮罩) CUSHION ASS.Y

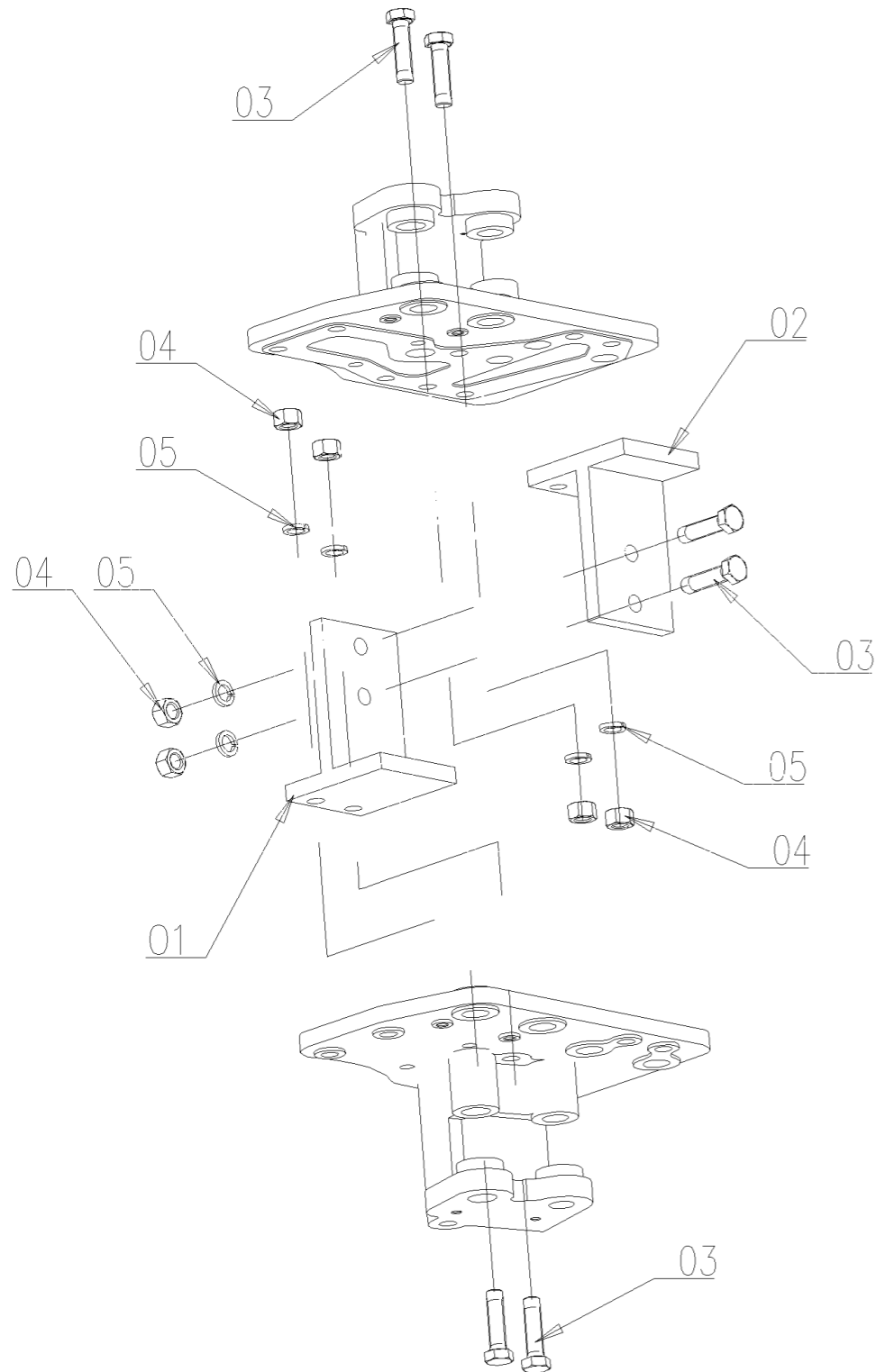
| 序号 | 零件编号         | 零件名称         | 数量 | 图号           |
|----|--------------|--------------|----|--------------|
| 1  | C05.45.120.0 | 驾驶室地毯 CARPET | 1  | C05.45.120.0 |





# C05.56.920.4 UPPER LINK AND LOWER LINK ASS.Y

# C05.56.920.4\_0 支撑板总成 (不装摆式牵引) BRACKET INSTALLED ASS.Y (without pendulum traction)

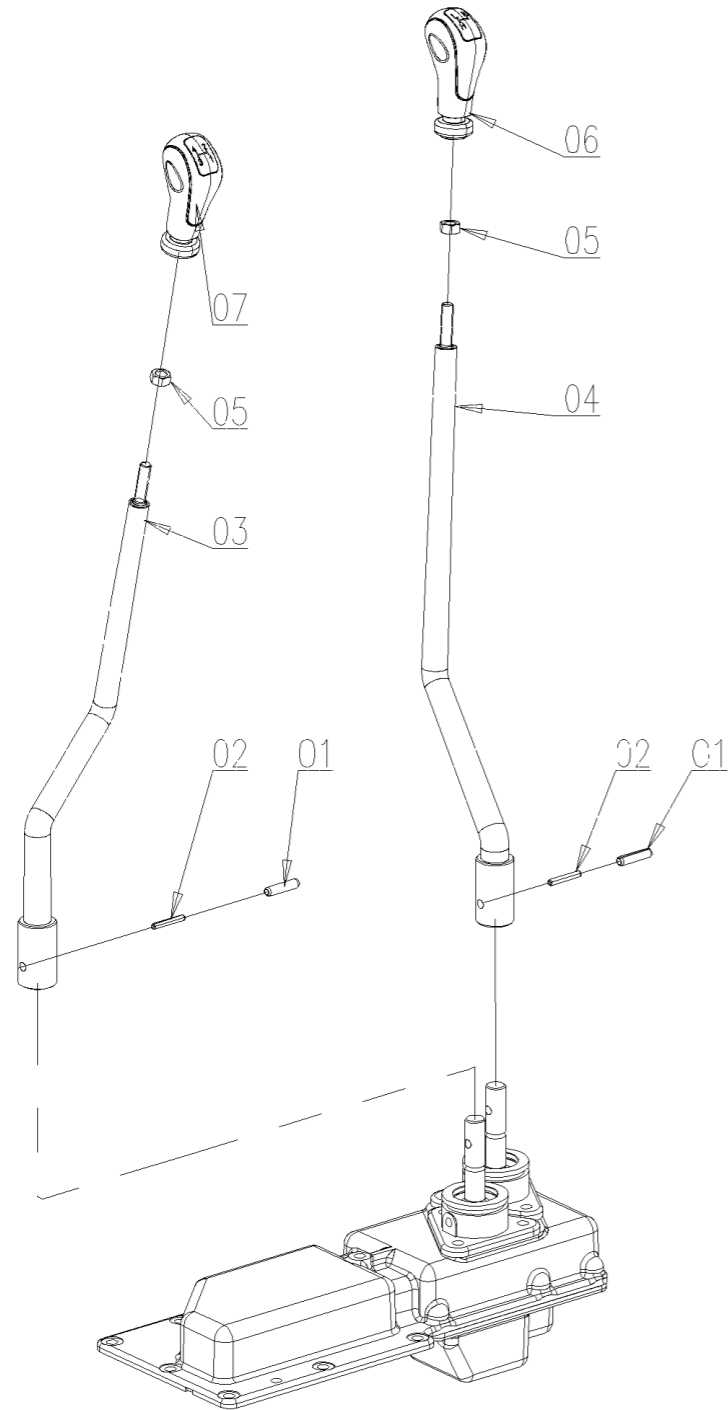


| 序号 | 零件编号                 | 零件名称                | 数量 | 图号                      |
|----|----------------------|---------------------|----|-------------------------|
| 1  | SH550.56B.025        | 左支架焊件 LEFT BRACKET  | 1  | SH550.56B.025           |
| 2  | SH550.56B.026        | 右支架焊件 RIGHT BRACKET | 1  | SH550.56B.026           |
| 3  | GBT5782-M16X60-10.9- | 螺栓 BOLT             | 6  | GBT5782-M16X60-10.9-A3L |
| 4  | GBT6170-M16-A3L      | 螺母 NUT              | 6  | GBT6170-M16-A3L         |
| 5  | GBT93-16-A3L         | 垫圈 WASHER           | 6  | GBT93-16-A3L            |

CD404.37.002 SHIFT LEVER ASS.Y(8+4)

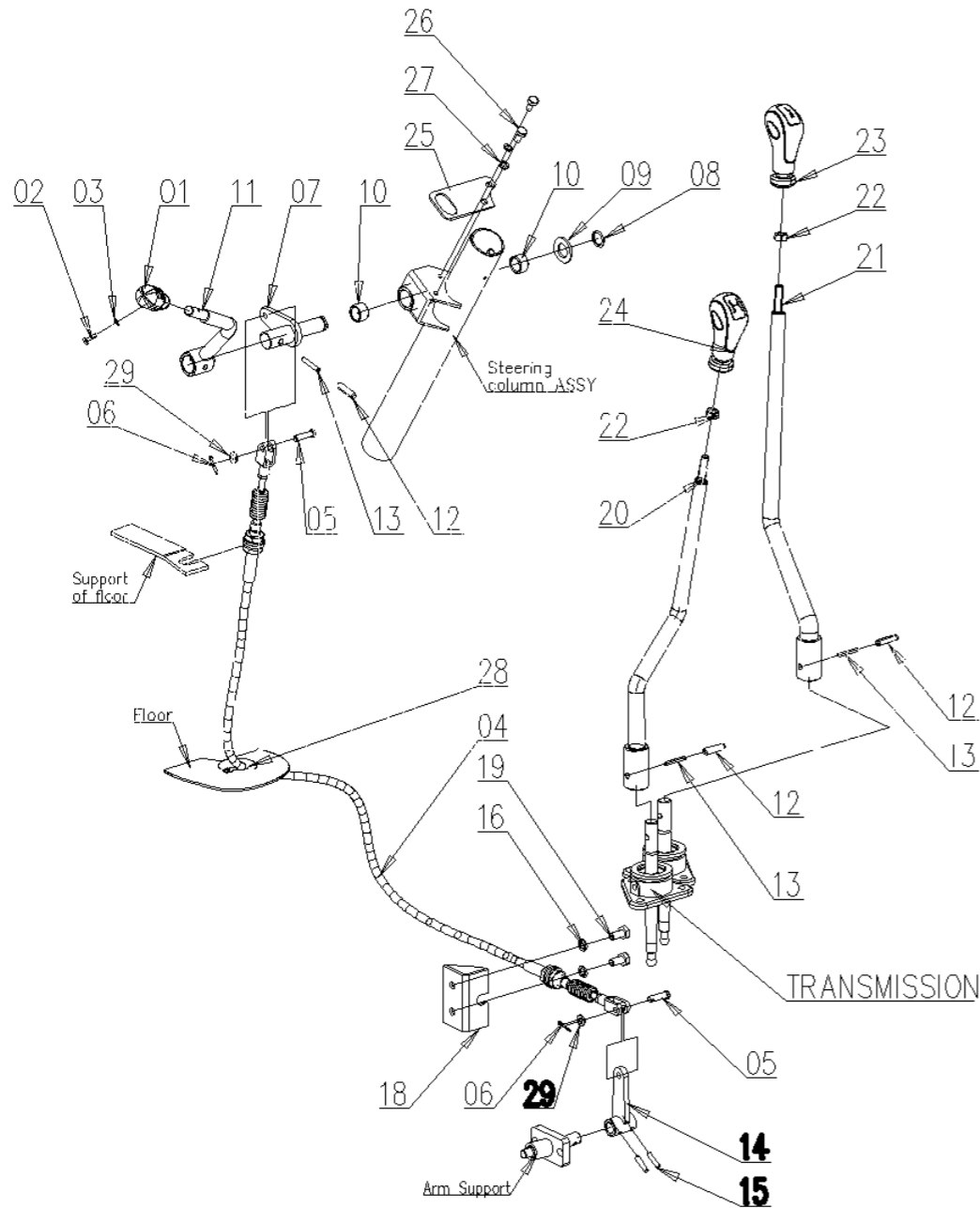
CD404.37.002\_3 变速箱操纵总成 GEAR SHIFT COMMAND 8+4

| 序号 | 零件编号            | 零件名称    | 数量 | 图号              |
|----|-----------------|---------|----|-----------------|
| 1  | GBT879.1-8X35   | 销       | 2  | GBT879.1-8X35   |
| 2  | GBT879.1-5X35   | 销       | 2  | GBT879.1-5X35   |
| 3  | CD554.37.051-1  | 操纵杆总成   | 1  | CD554.37.051-1  |
| 4  | CD454.37.012    | 副变速杆焊合  | 1  | CD454.37.012    |
| 5  | GBT6170-M10-A3L | 螺母      | 2  | GBT6170-M10-A3L |
| 6  | A46.37.001.4/10 | 副变速开关按钮 | 1  | A46.37.001.4/10 |
| 7  | A08.37.003.4/10 | 主开关按钮   | 1  | A08.37.003.4/10 |



# CD404.37J.002 SHIFT LEVER ASS.Y (8+8)

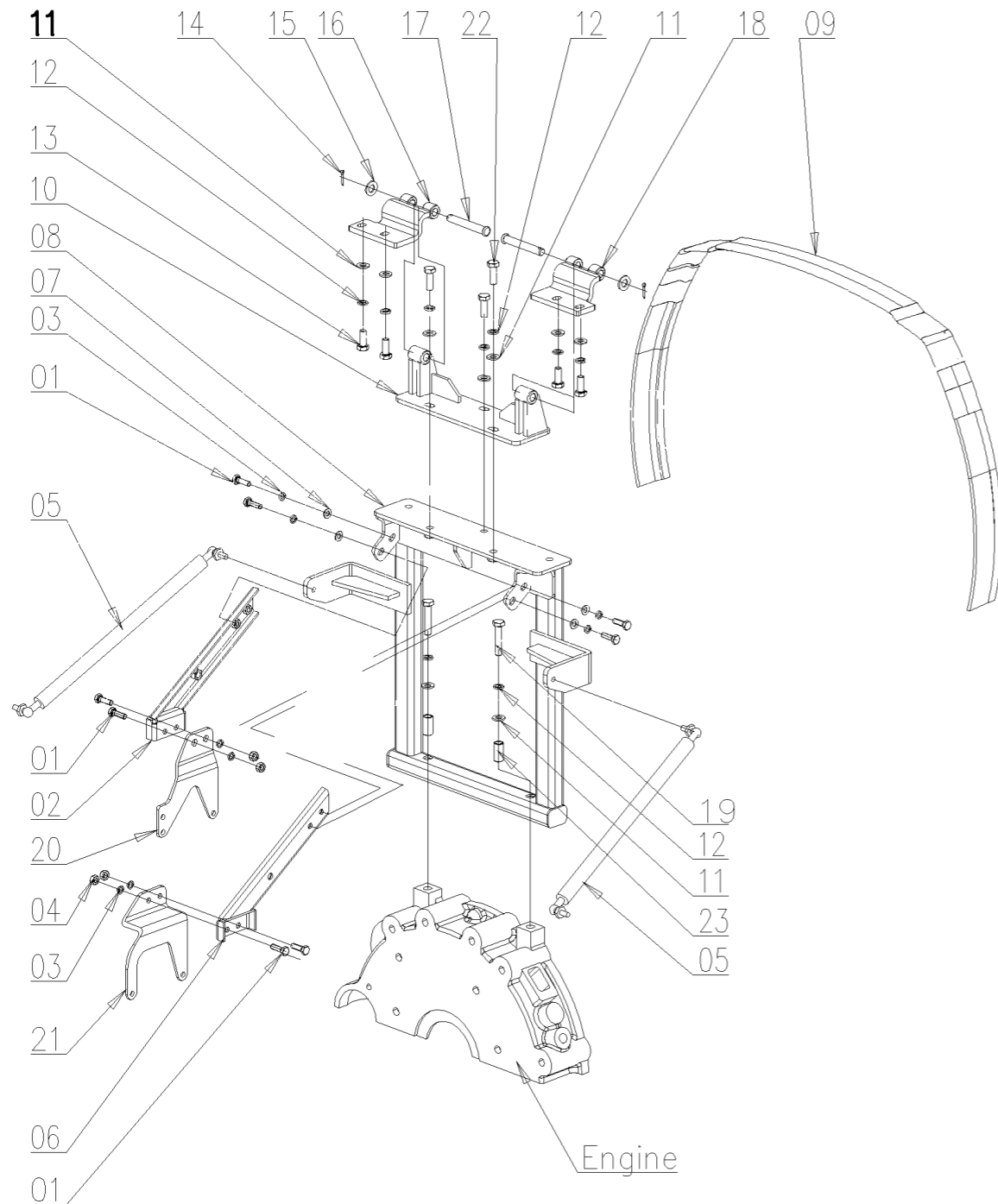
## CD404.37J.002\_4 变速箱操纵总成8F+8R GEAR SHIFT COMMAND 8+8



| 序号 | 零件编号               | 零件名称                      | 数量 | 图号                 |
|----|--------------------|---------------------------|----|--------------------|
| 1  | A11.37.141.2/10    | 梭式换挡手柄 SHUTTLE SHIFT KNOB | 1  | A11.37.141.2/10    |
| 2  | GBT818-M5X16-A2L   | 螺栓 SCREW                  | 1  | GBT818-M5X16-A2L   |
| 3  | GBT97.1-5-A3L      | 垫圈 WASHER                 | 1  | GBT97.1-5-A3L      |
| 4  | CD554.37.056/20    | 软轴合件 FLEXIBLE SHIAFT      | 1  | CD554.37.056/20    |
| 5  | GBT882-B8X30-A3L   | 销 PIN                     | 2  | GBT882-B8X30-A3L   |
| 6  | GBT91-3.2X18-A3L   | 销 PIN                     | 2  | GBT91-3.2X18-A3L   |
| 7  | CD554.37.053-1     | 摇臂焊合 ROCKER ARM WELDMENT  | 1  | CD554.37.053-1     |
| 8  | GBT894.1-20        | 弹性挡圈 CIRCLIP              | 1  | GBT894.1-20        |
| 9  | GBT97.1-20-A3L     | 垫圈 WASHER                 | 1  | GBT97.1-20-A3L     |
| 10 | LD800.37.172-1     | 套 SLEEVE                  | 2  | LD800.37.172-1     |
| 11 | CD554.37.052/30    | 梭式换挡操纵杆 SHUTTLE SHIFT     | 1  | CD554.37.052/30    |
| 12 | GBT879.1-8X35      | 销 PIN                     | 3  | GBT879.1-8X35      |
| 13 | GBT879.1-5X35      | 销 PIN                     | 3  | GBT879.1-5X35      |
| 14 | CD554.37.055       | 摇臂焊合 ROCKER ARM WELDMENT  | 1  | CD554.37.055       |
| 15 | GBT879.1-6X26      | 销 PIN                     | 2  | GBT879.1-6X26      |
| 16 | GBT93-10-A3L       | 垫圈 WASHER                 | 2  | GBT93-10-A3L       |
| 18 | CD554.37.054/10    | 支架焊件 BRACKET WELDMENT     | 1  | CD554.37.054/10    |
| 19 | GBT5783-M10X20-A3L | 螺栓 BOLT                   | 2  | GBT5783-M10X20-A3L |
| 20 | CD554.37.051-1     | 操纵杆总成 OPERATING LEVER     | 1  | CD554.37.051-1     |
| 21 | CD454.37.012       | 副变速杆焊合 RANGE SHIFT LEVER  | 1  | CD454.37.012       |
| 22 | GBT6170-M10-A3L    | 螺母 NUT                    | 2  | GBT6170-M10-A3L    |
| 23 | A08.37.005.4/10    | 副变速开关按钮 RANGE SHIFT KNOB  | 1  | A08.37.005.4/10    |
| 24 | A08.37.003.4/10    | 主开关按钮 MAIN SHIFT KNOB     | 1  | A08.37.003.4/10    |
| 25 | CD554.37.211       | 限位板 STOP PLATE            | 1  | CD554.37.211       |
| 26 | GBT5783-M8X16-A2L  | 螺栓 BOLT                   | 2  | GBT5783-M8X16-A2L  |
| 27 | GBT93-8-A3L        | 垫圈 WASHER                 | 2  | GBT93-8-A3L        |
| 28 | CD554.37.212       | 密封条 SEALING STRIP         | 1  | CD554.37.212       |
| 29 | GBT97.1-8-A3L      | 垫圈 WASHER                 | 2  | GBT97.1-8-A3L      |

# CD404.47A.001 BONNET ASSY

## CD404.47A.001\_2 机罩附件总成 BONNET ASSEMBLY

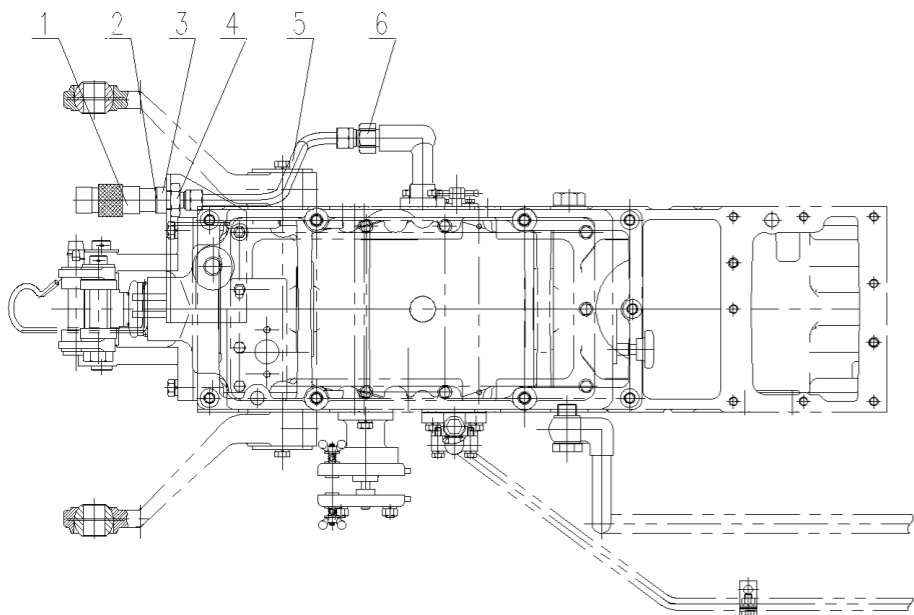
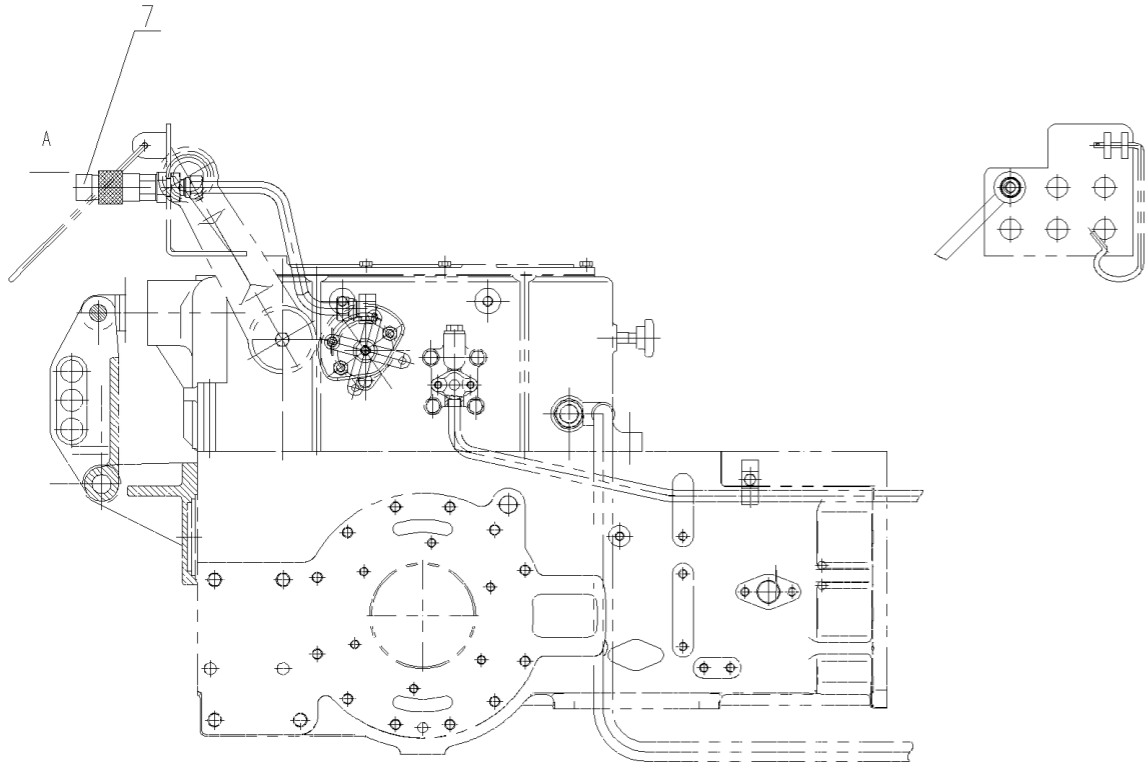


| 序号 | 零件编号               | 零件名称                      | 数量 | 图号                 |
|----|--------------------|---------------------------|----|--------------------|
| 1  | GBT5783-M8X25-A2L  | 螺栓 BOLT                   | 8  | GBT5783-M8X25-A2L  |
| 2  | CD554.47.017/10    | 右支架焊接 RIGHT BRACKET       | 1  | CD554.47.017/10    |
| 3  | GBT93-8-A3L        | 垫圈 WASHER                 | 8  | GBT93-8-A3L        |
| 4  | GBT6170-M8-A2L     | 螺母 NUT                    | 4  | GBT6170-M8-A2L     |
| 5  | SH404A.47.108      | 机罩气弹簧 ENGINE HOOD AIR     | 2  | SH404A.47.108      |
| 6  | CD554.47.018/10    | 左支架焊接 LEFT BRACKET        | 1  | CD554.47.018/10    |
| 7  | GBT97.1-8-A3L      | 垫圈 WASHER                 | 4  | GBT97.1-8-A3L      |
| 8  | CD404.47.013/20    | 横桥 HORIZONTAL BRIDGE      | 1  | CD404.47.013/20    |
| 9  | SH554A.47.123      | 机罩后密封条 REAR SEALING       | 1  | SH554A.47.123      |
| 10 | CD554.47.015/10    | 机罩安装座焊合 BONNET HOLDER     | 1  | CD554.47.015/10    |
| 11 | GBT97.1-10-A3L     | 垫圈 WASHER                 | 9  | GBT97.1-10-A3L     |
| 12 | GBT93-10-A3L       | 垫圈 WASHER                 | 9  | GBT93-10-A3L       |
| 13 | GBT5783-M10X25-A3L | 螺栓 BOLT                   | 4  | GBT5783-M10X25-A3L |
| 14 | GBT91-3.2X18-A3L   | 销 PIN                     | 2  | GBT91-3.2X18-A3L   |
| 15 | GBT97.1-12-A3L     | 垫圈 WASHER                 | 2  | GBT97.1-12-A3L     |
| 16 | B55.47.007.2       | 右铰链支架 RIGHT HINGE SUPPORT | 1  | B55.47.007.2       |
| 17 | GBT882-B12X80-A3L  | 销 PIN                     | 2  | GBT882-B12X80-A3L  |
| 18 | B55.47.006.2       | 左铰链支架 LEFT HINGE SUPPORT  | 1  | B55.47.006.2       |
| 19 | GBT5783-M10X50-A3L | 螺栓 BOLT                   | 2  | GBT5783-M10X50-A3L |
| 20 | CD404.47.102       | 右支架 RIGHT BRACKET         | 1  | CD404.47.102       |
| 21 | CD404.47A.103/10   | 左支架 LEFT BRACKET          | 1  | CD404.47A.103/10   |
| 22 | GBT5783-M10X30-A3L | 螺栓 BOLT                   | 3  | GBT5783-M10X30-A3L |
| 23 | B53.47.001.0       | 套筒 SLEEVE                 | 2  | B53.47.001.0       |

CD404.58.001A 液压系统快换输出总成(简单液压输出)

CD404.58.001A\_ 液压系统简单输出总成 Simple output assembly for hydraulic systems

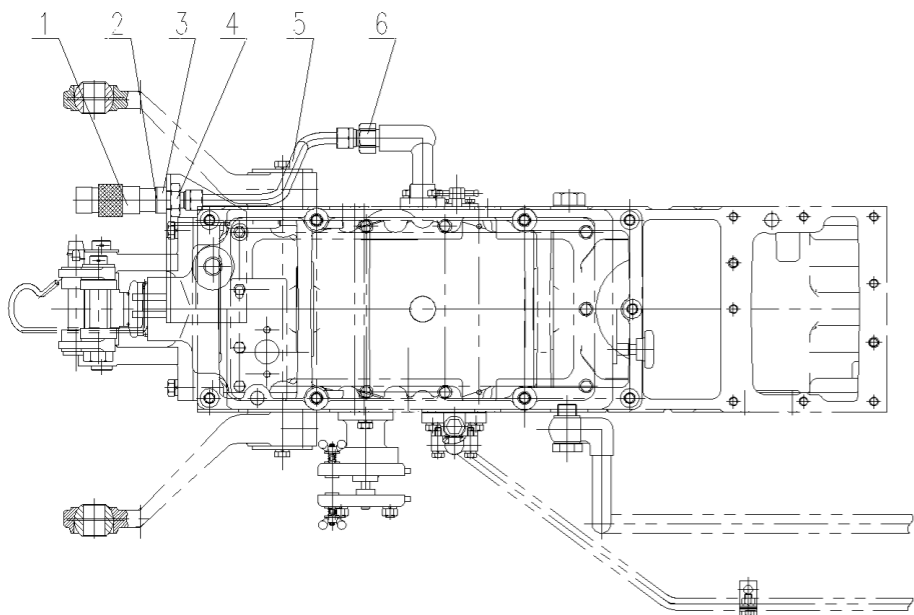
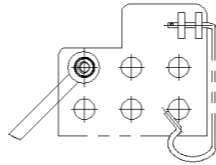
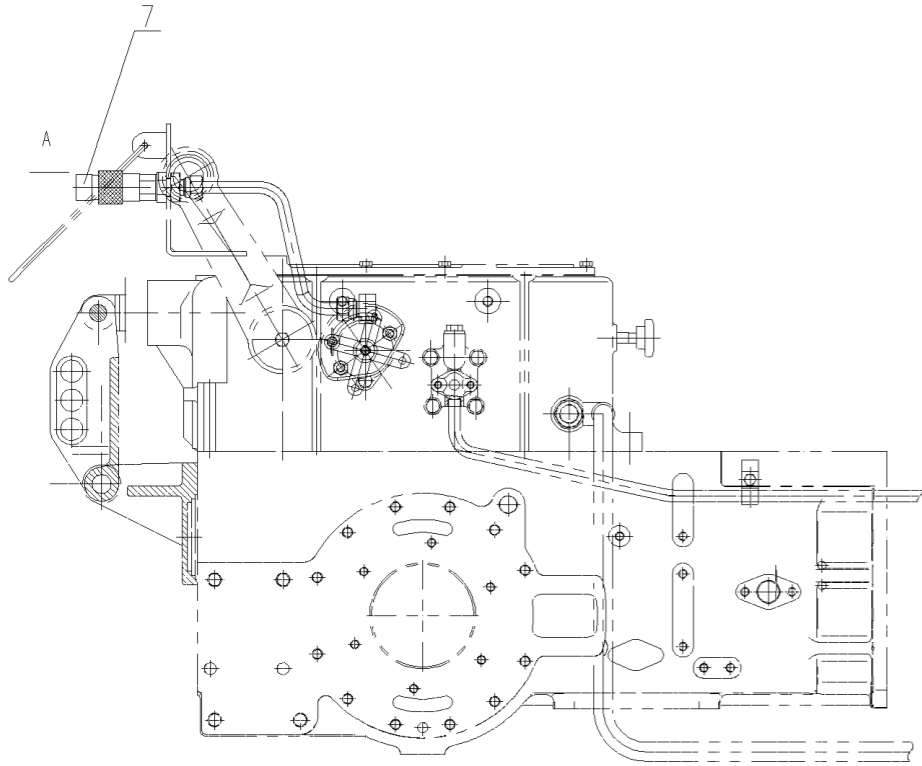
| 序号 | 零件编号                  | 零件名称              | 数量 | 图号                    |
|----|-----------------------|-------------------|----|-----------------------|
| 1  | 2.1560.018.0          | 垫圈22              | 1  | 2.1560.018.0          |
| 2  | CD404.58.013          | 简单液压输出油管总成        | 1  | CD404.58.013          |
| 3  | CD554.58.111          | 快换接头连接头           | 1  | CD554.58.111          |
| 4  | CD554.58.113          | 卡套接头              | 1  | CD554.58.113          |
| 5  | GB/T 6173-M22*1.5-A3L | 六角薄螺母M22*1.5-Zn.D | 1  | GB/T 6173-M22*1.5-A3L |
| 6  | SH904.58.012          | 快换接头总成            | 1  | SH904.58.012          |
| 7  | SH904.58.015          | 快换阳接头总成           | 1  | SH904.58.015          |



CD404.58.001A 液压系统快换输出总成(简单液压输出)

CD404.58.001A\_0 液压系统简单输出总成 Simple output assembly for hydraulic systems

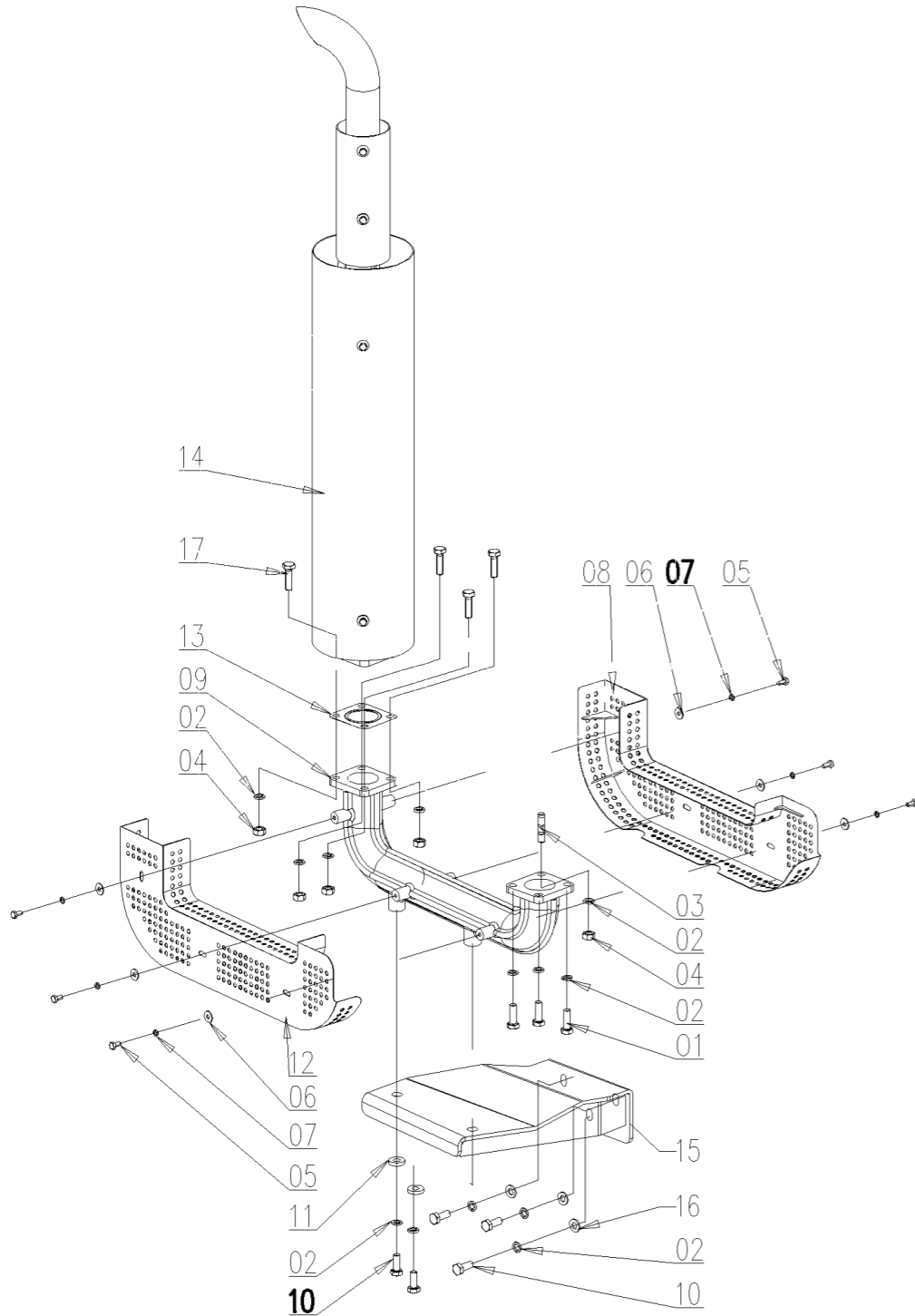
| 序号 | 零件编号         | 零件名称                    | 数量 | 图号           |
|----|--------------|-------------------------|----|--------------|
| 1  | SH904.58.012 | 快换接头总成 快换接头总成           | 1  | SH904.58.012 |
| 2  | 2.1560.018.0 | 垫圈22 垫圈22               | 1  | 2.1560.018.0 |
| 3  | CD554.58.111 | 快换接头连接头 快换接头连接头         | 1  | CD554.58.111 |
| 4  | GB/T 6173    | 六角薄螺母M22*1.5-Zn.D 六角薄螺母 | 1  | GB/T 6173    |
| 5  | CD404.58.013 | 简单液压输出油管总成 简单液压输出       | 1  | CD404.58.013 |
| 6  | CD554.58.113 | 卡套接头 卡套接头               | 1  | CD554.58.113 |
| 7  | SH904.58.015 | 快换阳接头总成 快换阳接头总成         | 1  | SH904.58.015 |



CD404A.22.001 EXHAUST SYSTEM ASS.

CD404A.22.001\_02 排气系统总成 EXHAUST SYSTEM ASSEMBLY

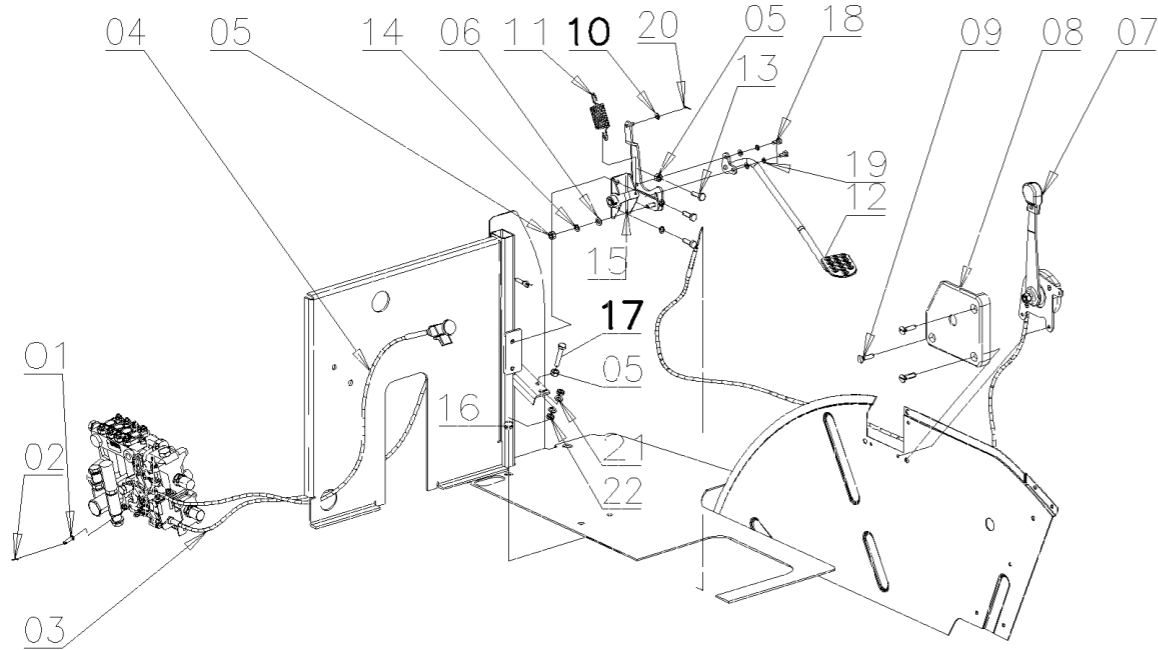
| 序号 | 零件编号               | 零件名称    | 数量 | 图号                 |
|----|--------------------|---------|----|--------------------|
| 1  | GBT5783-M10X30-A3L | 螺栓      | 3  | GBT5783-M10X30-A3L |
| 2  | GBT93-10-A3L       | 垫圈      | 13 | GBT93-10-A3L       |
| 3  | GBT900-AM10X25-A3L | 螺柱      | 1  | GBT900-AM10X25-A3L |
| 4  | GBT6170-M10-A3L    | 螺母      | 5  | GBT6170-M10-A3L    |
| 5  | GBT5783-M6X12-A2L  | 螺栓      | 6  | GBT5783-M6X12-A2L  |
| 6  | GBT96.1-6-A3L      | 垫圈      | 6  | GBT96.1-6-A3L      |
| 7  | GBT93-6-A3L        | 垫圈      | 6  | GBT93-6-A3L        |
| 8  | CD404A.22.012/20   | 罩 I     | 1  | CD404A.22.012/20   |
| 9  | CD404A.22.101/10   | 排气弯管    | 1  | CD404A.22.101/10   |
| 10 | GBT5783-M10X25-A3L | 螺栓      | 5  | GBT5783-M10X25-A3L |
| 11 | CD404A.22.102      | 垫块      | 2  | CD404A.22.102      |
| 12 | CD404A.22.013/20   | 罩 II    | 1  | CD404A.22.013/20   |
| 13 | CD554A.22.102      | 密封垫     | 1  | CD554A.22.102      |
| 14 | CD404A.22.011/30   | 消音器总成   | 1  | CD404A.22.011/30   |
| 15 | CD404A.22.014/10   | 消音器支架焊件 | 1  | CD404A.22.014/10   |
| 16 | GBT97.1-10-A3L     | 垫圈      | 3  | GBT97.1-10-A3L     |
| 17 | GBT5783-M10X35-A3L | 螺栓      | 4  | GBT5783-M10X35-A3L |



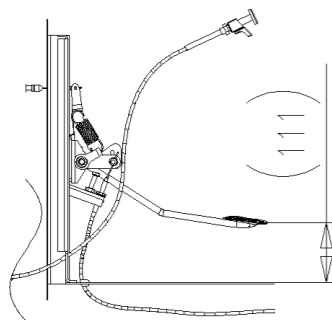
# CD554.20.001 ENGINE COMMAND ASS.Y

YFB-R-2017-011 SH.070

# CD554.20.001\_3 发动机操纵总成 ENGINE CONTROL ASSEMBLY



| 序号 | 零件编号              | 零件名称                      | 数量 | 图号                |
|----|-------------------|---------------------------|----|-------------------|
| 1  | GBT882-B6X20-A3L  | 销 PIN                     | 1  | GBT882-B6X20-A3L  |
| 2  | GBT91-1.6X18-A3L  | 销 PIN                     | 1  | GBT91-1.6X18-A3L  |
| 3  | B26.20.001.4      | 脚油门拉线 FOOT THROTTLE PULL  | 1  | B26.20.001.4      |
| 4  | LD700.20.013      | 熄火拉线 FLAMEOUT CABLE       | 1  | LD700.20.013      |
| 5  | GBT6170-M8-A2L    | 螺母 NUT                    | 3  | GBT6170-M8-A2L    |
| 6  | GBT97.1-8-A3L     | 垫圈 WASHER                 | 1  | GBT97.1-8-A3L     |
| 7  | CD554.20.013/20   | 手油门总成 HAND THROTTLE ASS.Y | 1  | CD554.20.013/20   |
| 8  | SH400.20.111      | 手油门盖 HAND THROTTLE COVER  | 1  | SH400.20.111      |
| 9  | GBT68-M8X30-A2L   | 螺钉 SCREW                  | 3  | GBT68-M8X30-A2L   |
| 10 | GBT97.1-6-A3L     | 垫圈 WASHER                 | 3  | GBT97.1-6-A3L     |
| 11 | SH400.43.128      | 制动踏板回位弹簧 BRAKE PEDAL      | 1  | SH400.43.128      |
| 12 | CD554.20.018      | 油门踏板焊件 ACCELERATOR PEDAL  | 1  | CD554.20.018      |
| 13 | GBT5783-M8X25-A2L | 螺栓 BOLT                   | 3  | GBT5783-M8X25-A2L |
| 14 | GBT93-8-A3L       | 垫圈 WASHER                 | 3  | GBT93-8-A3L       |
| 15 | CD554.20.020      | 脚油门焊合 ACCELERATOR         | 1  | CD554.20.020      |
| 16 | SH400.48.120      | 橡胶保护环 RUBBER PROTECT RING | 1  | SH400.48.120      |
| 17 | GBT5783-M8X45-A2L | 螺栓 BOLT                   | 1  | GBT5783-M8X45-A2L |
| 18 | GBT5783-M6X12-A2L | 螺栓 BOLT                   | 2  | GBT5783-M6X12-A2L |
| 19 | GBT93-6-A3L       | 垫圈 WASHER                 | 2  | GBT93-6-A3L       |
| 20 | GBT91-2x12-A3L    | 销 PIN                     | 1  | GBT91-2x12-A3L    |
| 21 | GBT95-8-A3L       | 垫圈 WASHER                 | 2  | GBT95-8-A3L       |
| 22 | GBT6172.1-M8-A2L  | 螺母 NUT                    | 2  | GBT6172.1-M8-A2L  |



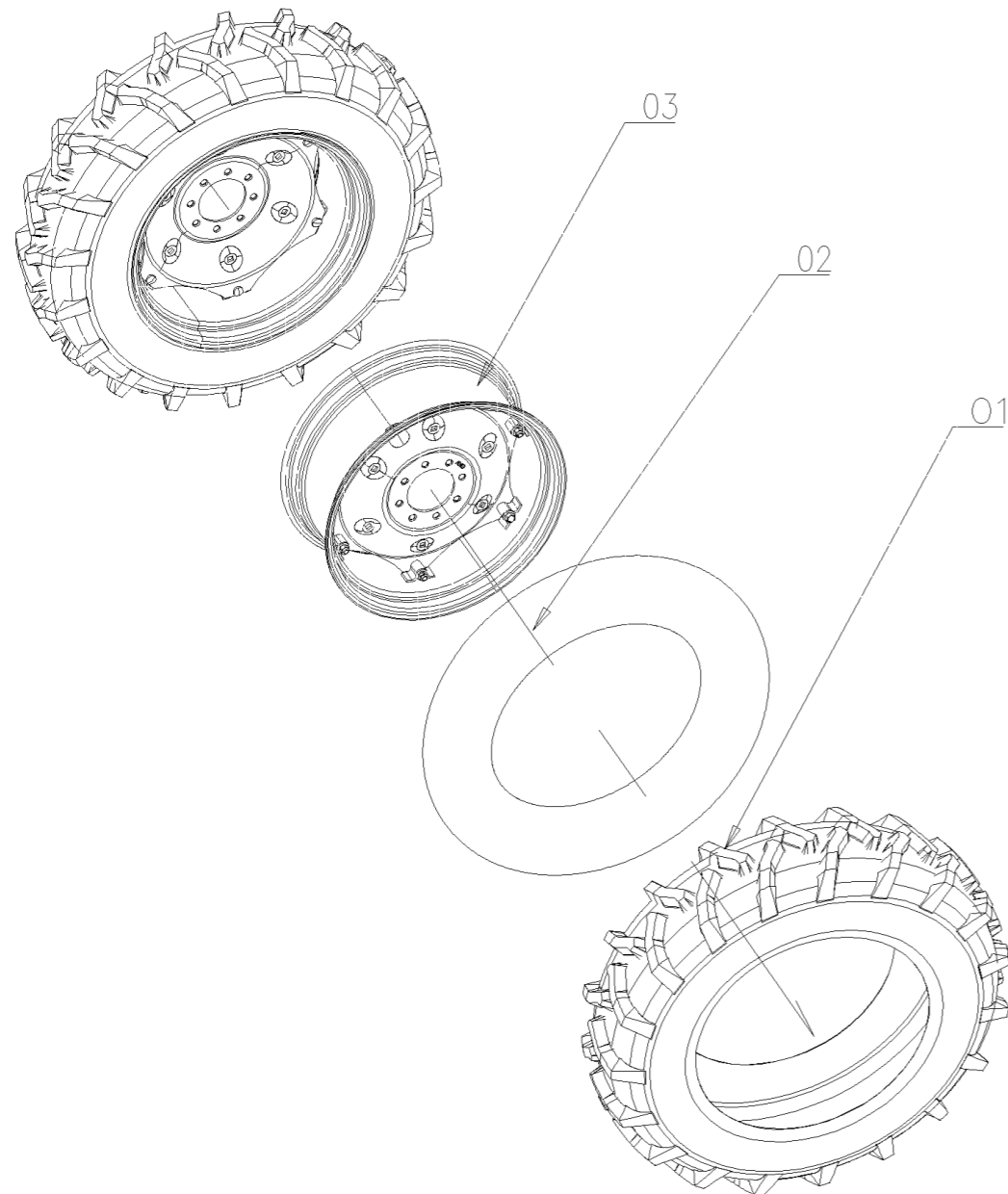
自由状态油门踏板距底板距离  
Distance from the accelerator pedal to the bottom free state



CD554.34.001 REAR TIRE ASS.Y (13.6-28-R2 OD-1285)

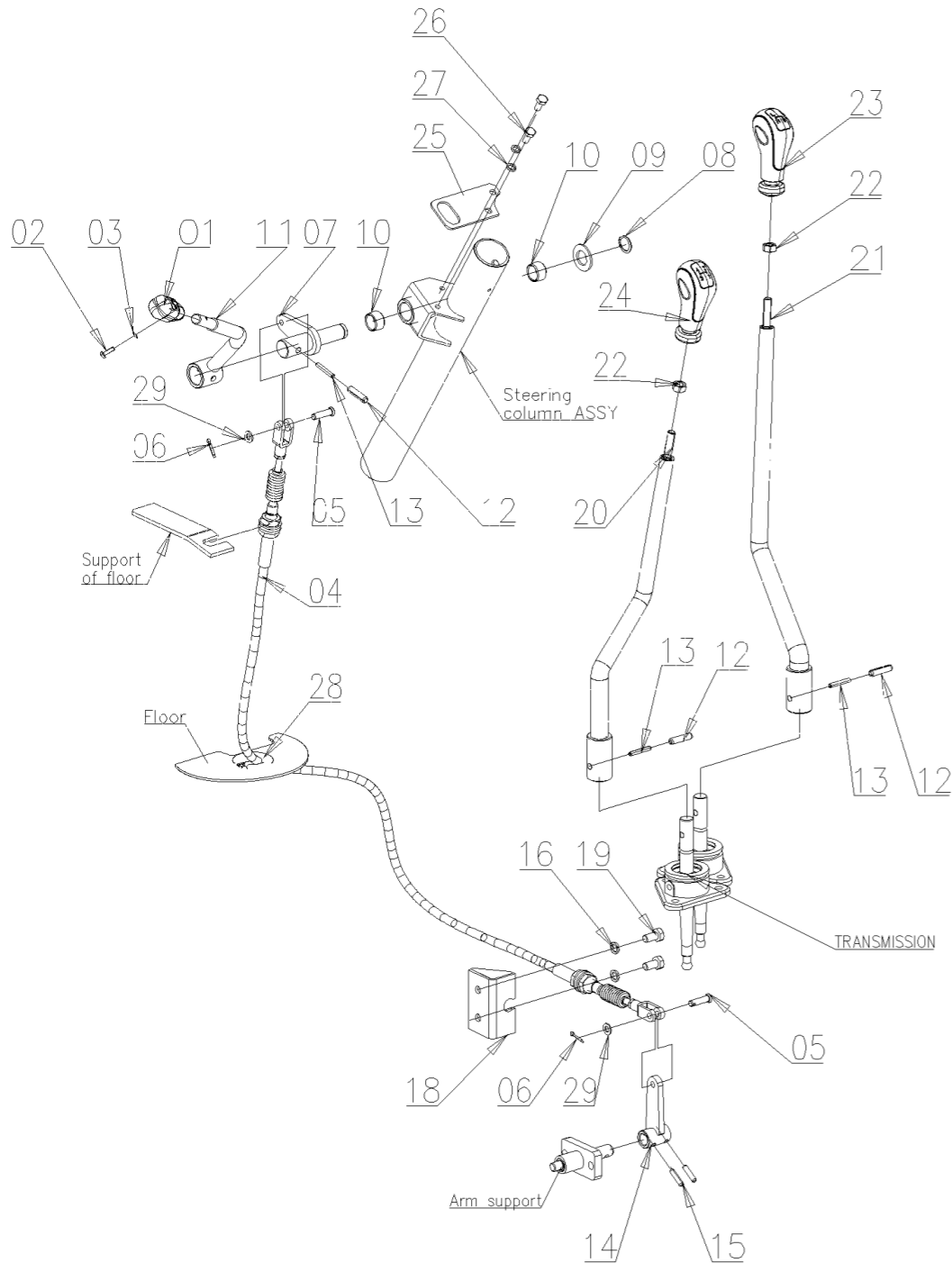
CD554.34.001\_1后驱动轮总成(有级可调 13.6-28, 中花胎, 外径 1285, 前桥  
i=12.713, 分动箱21/28) REAR TIRE ASS.Y (13.6-28-R2 OD-1285)

| 序号 | 零件编号                   | 零件名称            | 数量 | 图号                     |
|----|------------------------|-----------------|----|------------------------|
| 1  | GBT2979-13.6-28-6PR-R2 | 外胎 OUTER TIRE   | 2  | GBT2979-13.6-28-6PR-R2 |
| 2  | GBT2979-13.6-28-R2     | 内胎 INNER TIRE   | 2  | GBT2979-13.6-28-R2     |
| 3  | SH554.34.011           | 轮辋 轮辋总成W12 x 28 | 2  | SH554.34.011           |



# CD554.37.002 SHIFT LEVER ASS.Y (12+12)

YFB-R-2017-011 SH.040



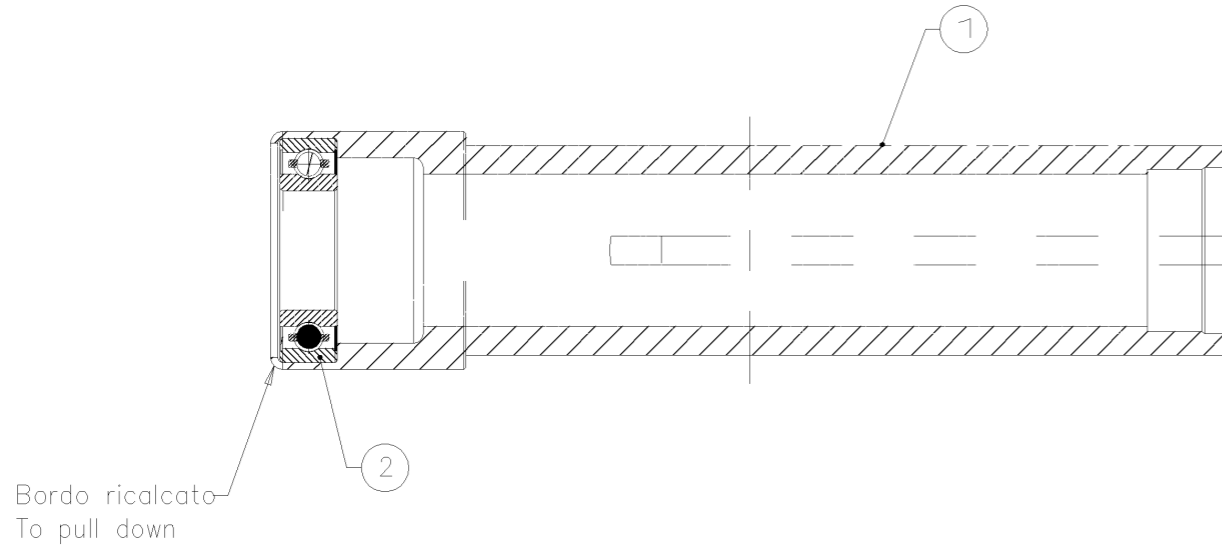
## CD554.37.002\_4 变速箱操纵总成 12F+12R GEAR SHIFT COMMAND 12+12

| 序号 | 零件编号               | 零件名称                      | 数量 | 图号                 |
|----|--------------------|---------------------------|----|--------------------|
| 1  | A11.37.141.2/10    | 梭式开关按钮 SHUTTLE SHIFT KNOB | 1  | A11.37.141.2/10    |
| 2  | GBT818-M5X16-A2L   | 螺钉 SCREW                  | 1  | GBT818-M5X16-A2L   |
| 3  | GBT97.1-5-A3L      | 垫圈 WASHER                 | 1  | GBT97.1-5-A3L      |
| 4  | CD554.37.056/20    | 软轴合件 FLEXIBLE SHIAFT      | 1  | CD554.37.056/20    |
| 5  | GBT882-B8X30-A3L   | 销 PIN                     | 2  | GBT882-B8X30-A3L   |
| 6  | GBT91-3.2X18-A3L   | 销 PIN                     | 2  | GBT91-3.2X18-A3L   |
| 7  | CD554.37.053-1     | 摇臂焊合 ROCKER ARM WELDMENT  | 1  | CD554.37.053-1     |
| 8  | GBT894.1-20        | 挡圈 CIRCLIP                | 1  | GBT894.1-20        |
| 9  | GBT97.1-20-A3L     | 垫圈 WASHER                 | 1  | GBT97.1-20-A3L     |
| 10 | LD800.37.172-1     | 套筒 SLEEVE                 | 2  | LD800.37.172-1     |
| 11 | CD554.37.052/30    | 换向手柄 SHUTTLE SHIFT HANDLE | 1  | CD554.37.052/30    |
| 12 | GBT879.1-8X35      | 销 PIN                     | 3  | GBT879.1-8X35      |
| 13 | GBT879.1-5X35      | 销 PIN                     | 3  | GBT879.1-5X35      |
| 14 | CD554.37.055       | 摇臂焊合 ROCKER ARM WELDMENT  | 1  | CD554.37.055       |
| 15 | GBT879.1-6X26      | 销 PIN                     | 2  | GBT879.1-6X26      |
| 16 | GBT93-10-A3L       | 垫圈 WASHER                 | 2  | GBT93-10-A3L       |
| 18 | CD554.37.054/10    | 支架焊件 SUPPORT WELDMENT     | 1  | CD554.37.054/10    |
| 19 | GBT5783-M10X20-A3L | 螺栓 BOLT                   | 2  | GBT5783-M10X20-A3L |
| 20 | CD554.37.051-1     | 操纵杆总成 OPERATING LEVER     | 1  | CD554.37.051-1     |
| 21 | CD454.37.012       | 副变速杆焊合 RANGE SHIFT LEVER  | 1  | CD454.37.012       |
| 22 | GBT6170-M10-A3L    | 螺母 NUT                    | 2  | GBT6170-M10-A3L    |
| 23 | A08.37.004.4/10    | 副变速开关按钮 RANGE SHIFT KNOB  | 1  | A08.37.004.4/10    |
| 24 | A08.37.003.4/10    | 主开关按钮 MAIN SHIFT KNOB     | 1  | A08.37.003.4/10    |
| 25 | CD554.37.211       | 挡板 STOP PLATE             | 1  | CD554.37.211       |
| 26 | GBT5783-M8X16-A2L  | 螺栓 BOLT                   | 2  | GBT5783-M8X16-A2L  |
| 27 | GBT93-8-A3L        | 垫圈 WASHER                 | 2  | GBT93-8-A3L        |
| 28 | CD554.37.212       | 密封胶条 RUBBER SEALING       | 1  | CD554.37.212       |
| 29 | GBT97.1-8-A3L      | 垫圈 WASHER                 | 2  | GBT97.1-8-A3L      |

### 0.020.5337.3/10 内柱总成

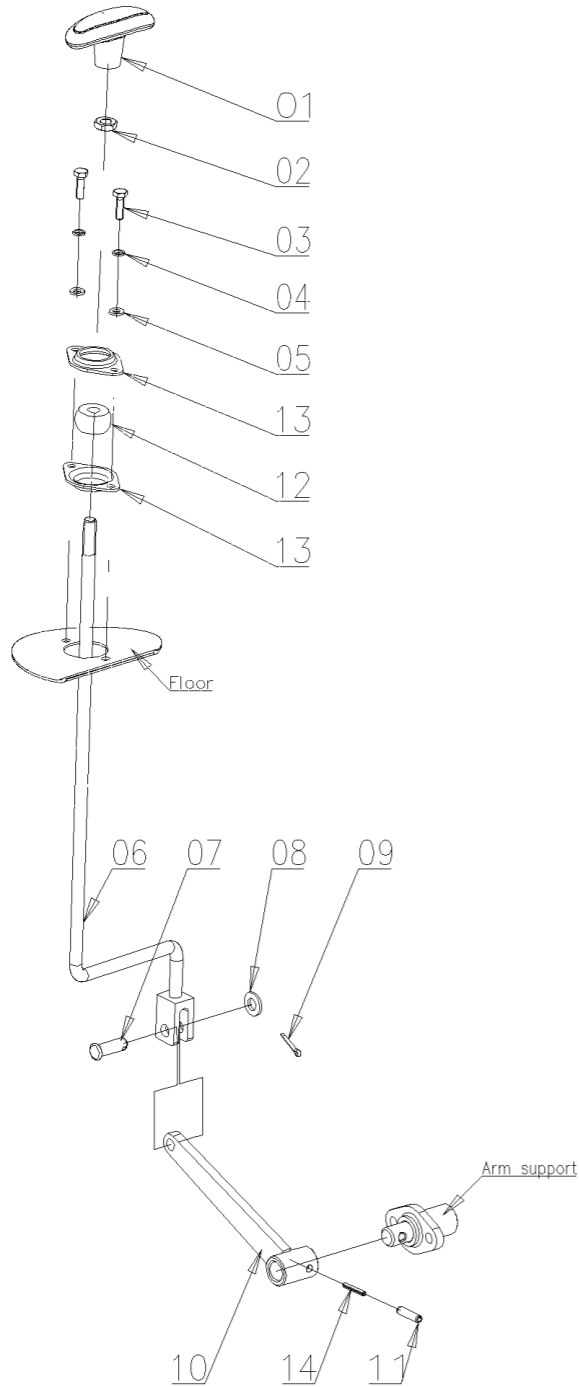
0.020.5337.3/10 INNER COLUMN ASS.Y

| 序号 | 零件编号         | 零件名称            | 数量 | 图号           |
|----|--------------|-----------------|----|--------------|
| 1  | 0.020.5337.0 | 内柱 INNER COLUMN | 1  | 0.020.5337.0 |
| 2  | 2.2021.009.0 | 轴承 BEARING      | 1  | 2.2021.009.0 |



# CD554.41.002 PTO CONTROL (540/1000)

YFB-R-2016-010 SH.051

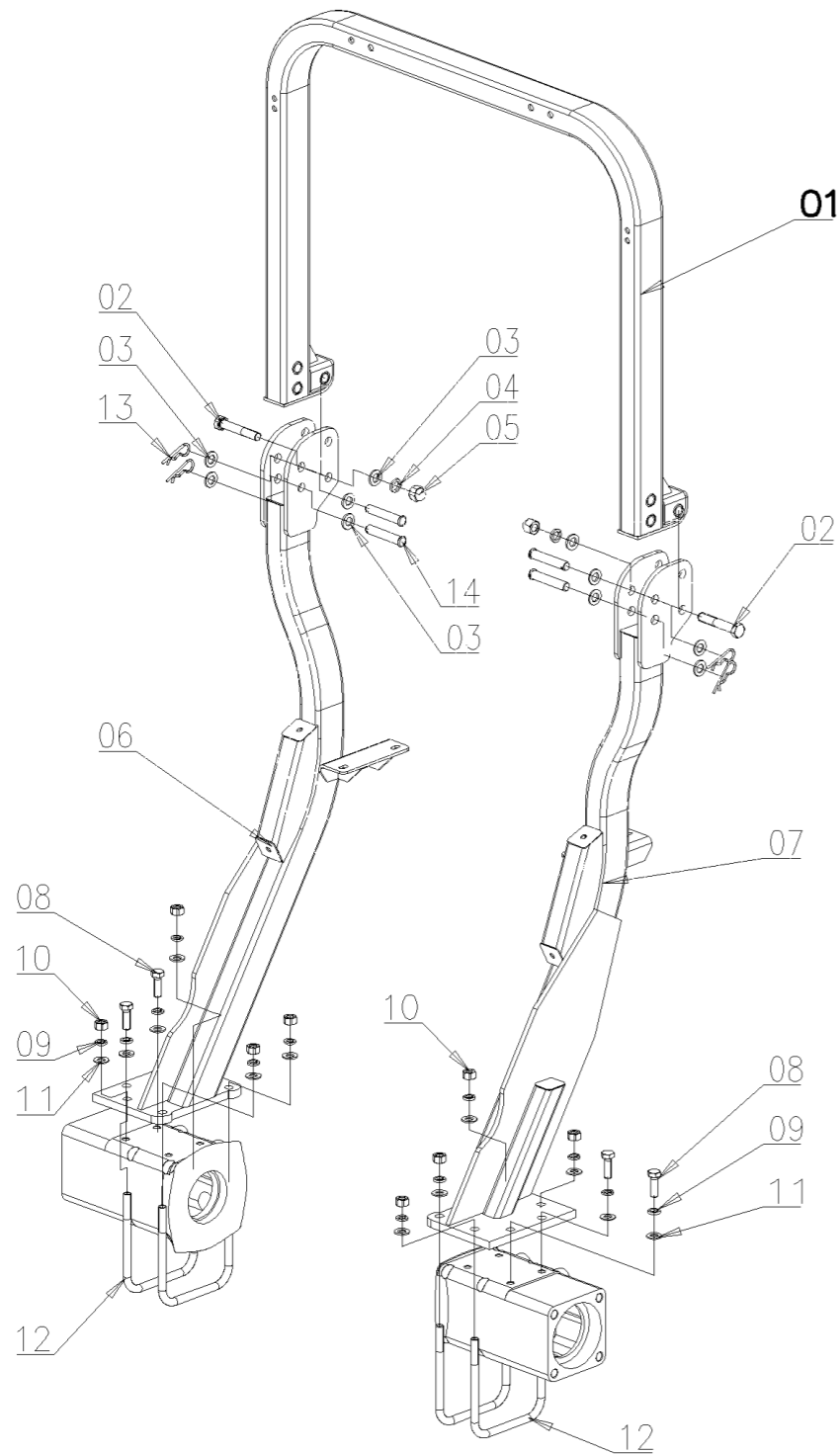


## CD554.41.002\_3 动力输出操纵总成(540/1000rpm) PTO CONTROL (540/1000)

| 序号 | 零件编号              | 零件名称                         | 数量 | 图号                |
|----|-------------------|------------------------------|----|-------------------|
| 1  | A39.41.002.4/10   | 控制手柄(540/1000) P.T.O CONTROL | 1  | A39.41.002.4/10   |
| 2  | GBT6172.1-M10-A3L | 螺母 NUT                       | 1  | GBT6172.1-M10-A3L |
| 3  | GBT5783-M6X20-A2L | 螺栓 BOLT                      | 2  | GBT5783-M6X20-A2L |
| 4  | GBT93-6-A3L       | 垫圈 WASHER                    | 2  | GBT93-6-A3L       |
| 5  | GBT97.1-6-A3L     | 垫圈 WASHER                    | 2  | GBT97.1-6-A3L     |
| 6  | CD554.41.011/20   | 操纵杆焊件 OPERATING LEVER        | 1  | CD554.41.011/20   |
| 7  | GBT882-B10X28-A3L | 销 PIN                        | 1  | GBT882-B10X28-A3L |
| 8  | GBT97.1-10-A3L    | 垫圈 WASHER                    | 1  | GBT97.1-10-A3L    |
| 9  | GBT91-3.2X18-A3L  | 销 PIN                        | 1  | GBT91-3.2X18-A3L  |
| 10 | CD554.41.012-1    | 操作摇臂焊件 OPERATING             | 1  | CD554.41.012-1    |
| 11 | GBT879.1-6X26     | 销 PIN                        | 1  | GBT879.1-6X26     |
| 12 | LD800.41.104      | 导向套 GUIDE SLEEVE             | 1  | LD800.41.104      |
| 13 | SH404.42.114      | 导向套 GUIDE SLEEVE             | 2  | SH404.42.114      |
| 14 | GBT879.1-3.5X26   | 销 PIN                        | 1  | GBT879.1-3.5X26   |

# CD554.46.001 ROPS ASS.Y

YFB-R-2018-005 SH.037



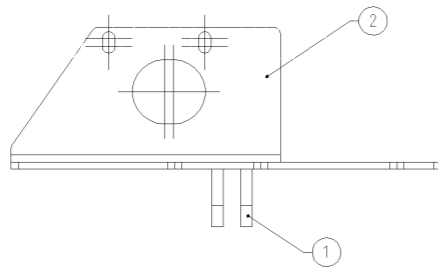
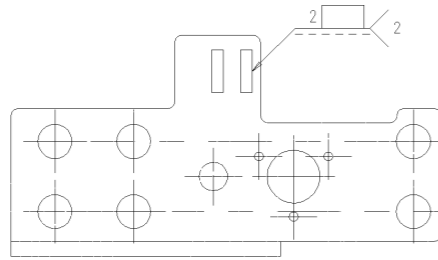
## CD554.46.001\_2 安全架总成 ROPS ASS.Y

| 序号 | 零件编号                 | 零件名称                       | 数量 | 图号                      |
|----|----------------------|----------------------------|----|-------------------------|
| 1  | CD554.46.011/10      | 上桥焊合 UPPER BRIDGE WELDMENT | 1  | CD554.46.011/10         |
| 2  | GBT5782-M16X90-10.9- | 螺栓 BOLT                    | 2  | GBT5782-M16X90-10.9-A3L |
| 3  | GBT97.1-16-A3L       | 垫圈 WASHER                  | 10 | GBT97.1-16-A3L          |
| 4  | GBT93-16-A3L         | 垫圈 WASHER                  | 2  | GBT93-16-A3L            |
| 5  | GBT802-M16-A3L       | 螺母 NUT                     | 2  | GBT802-M16-A3L          |
| 6  | CD554.46.014-1       | 右支架焊件 RH BRACKET           | 1  | CD554.46.014-1          |
| 7  | CD554.46.013-1       | 左支架焊件 LH BRACKET           | 1  | CD554.46.013-1          |
| 8  | GBT5783-M14X40-A3L   | 螺栓 BOLT                    | 4  | GBT5783-M14X40-A3L      |
| 9  | GBT93-14-A3L         | 垫圈 WASHER                  | 12 | GBT93-14-A3L            |
| 10 | GBT6170-M14-A3L      | 螺母 NUT                     | 8  | GBT6170-M14-A3L         |
| 11 | GBT97.1-14-A3L       | 垫圈 WASHER                  | 12 | GBT97.1-14-A3L          |
| 12 | SH550.45.101         | U形螺栓 U BOLT                | 4  | SH550.45.101            |
| 13 | SH900.56.105         | 碳素弹簧钢丝\U+22053.5-2/65Mn    | 4  | SH900.56.105            |
| 14 | GBT882-B16X85-A3L    | 销 PIN                      | 4  | GBT882-B16X85-A3L       |

CD554.56.012/40 UPPER LINK FIXED SEAT WELDED

CD554.56.012/40 挂钩座 HOOK SEAT

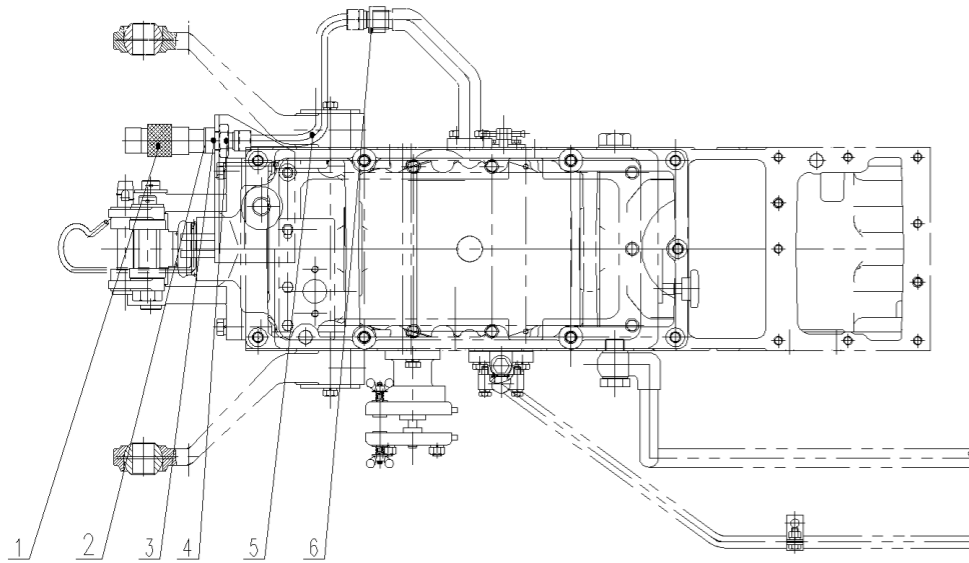
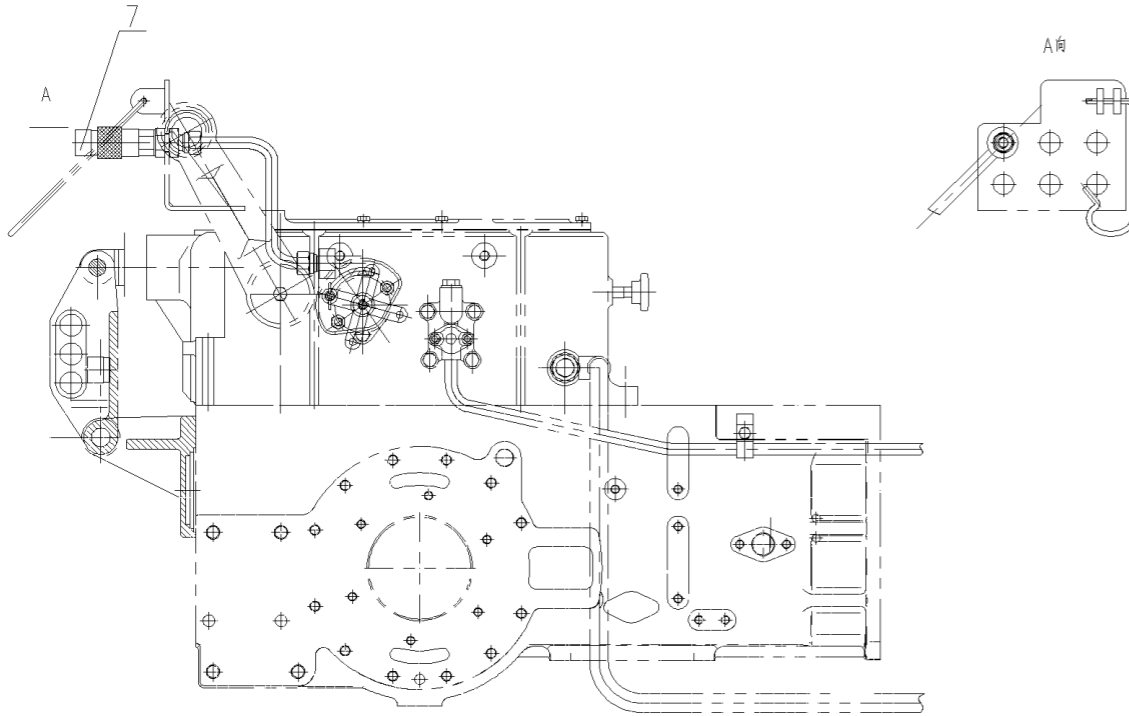
| 序号 | 零件编号            | 零件名称                  | 数量 | 图号              |
|----|-----------------|-----------------------|----|-----------------|
| 1  | SH400.56.104    | 挂钩座 HOOK SEAT         | 2  | SH400.56.104    |
| 2  | CD554.56.101/40 | 后输出座 REAR OUTPUT SEAT | 1  | CD554.56.101/40 |



### CD554.58.001A\_0 液压系统简单输出总成 Simple output assembly for hydraulic systems

CD554.58.001A 液压系统快换输出总成(简单液压输出)

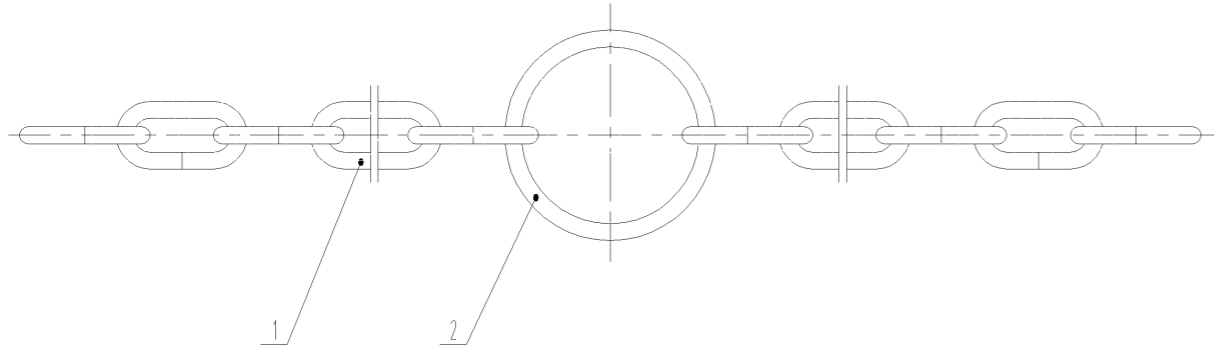
| 序号 | 零件编号         | 零件名称              | 数量 | 图号           |
|----|--------------|-------------------|----|--------------|
| 1  | SH904.58.012 | 快换接头总成            | 1  | SH904.58.012 |
| 2  | 2.1560.018.0 | 垫圈22              | 1  | 2.1560.018.0 |
| 3  | CD554.58.111 | 快换接头连接头           | 1  | CD554.58.111 |
| 4  | GB/T 6173    | 六角薄螺母M22*1.5-Zn.D | 1  | GB/T 6173    |
| 5  | CD554.58.019 | 简单液压输出油管总成        | 1  | CD554.58.019 |
| 6  | CD554.58.113 | 卡套接头              | 1  | CD554.58.113 |
| 7  | SH904.58.015 | 快换阳接头总成           | 1  | SH904.58.015 |



LD700.56.029 链条及环焊合件

LD700.56.029 链条及环焊合件 CHAIN AND RING WELDMENT

| 序号 | 零件编号         | 零件名称            | 数量 | 图号           |
|----|--------------|-----------------|----|--------------|
| 1  | LD700.56.150 | SMALL LINK      | 18 | LD700.56.150 |
| 2  | LD700.56.151 | CONNECTING RING | 1  | LD700.56.151 |

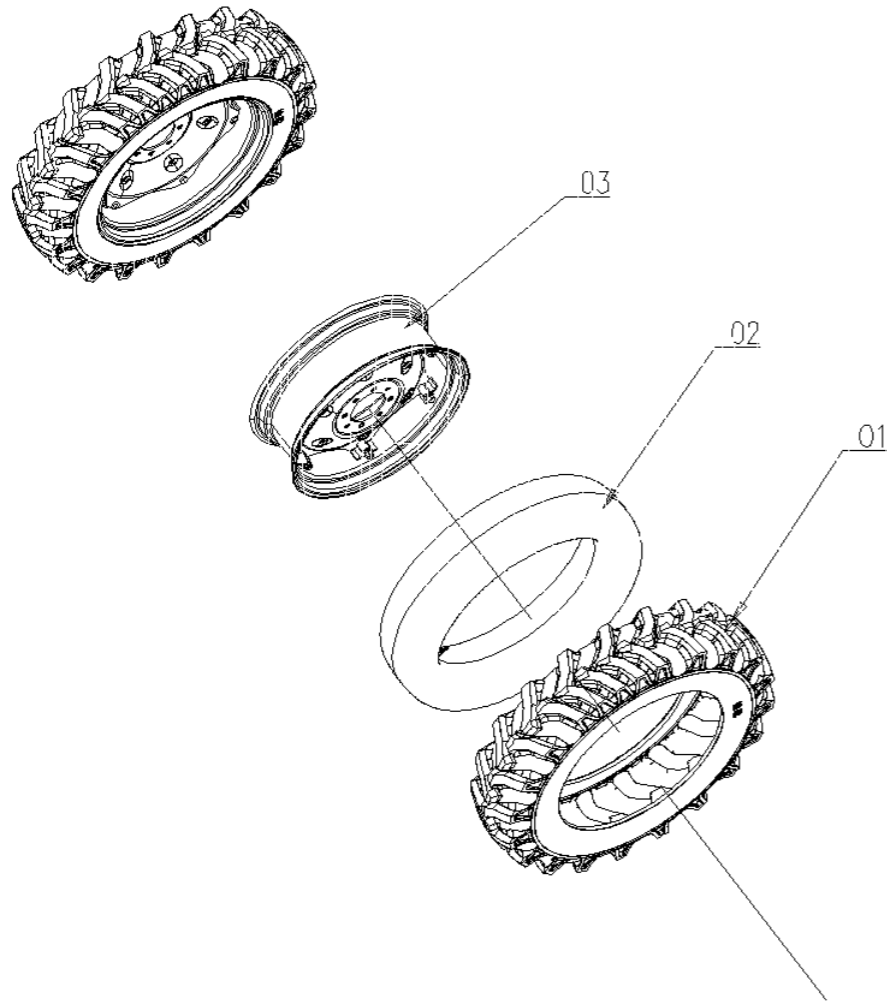




# SH350.34.001 REAR TIRE ASS.Y (11.2-28-R1)

## SH350.34.001\_2 后轮总成11.2-28-R1 REAR TIRE ASS.Y (11.2-28-R1)

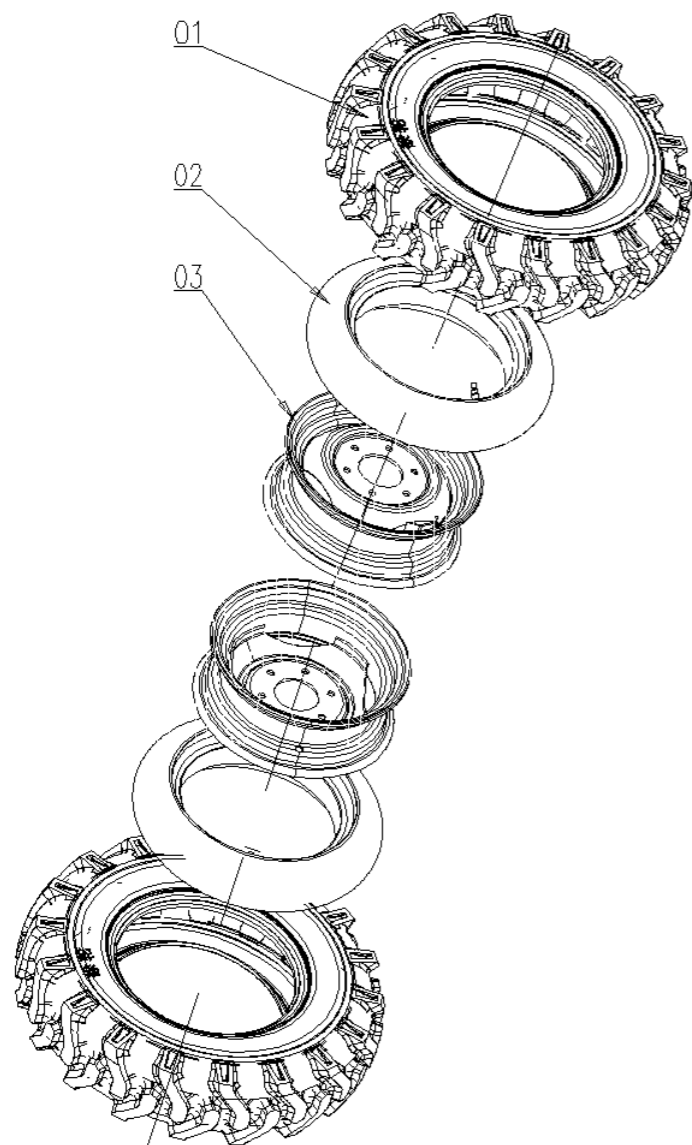
| 序号 | 零件编号                   | 零件名称                   | 数量 | 图号                     |
|----|------------------------|------------------------|----|------------------------|
| 1  | GBT2979-11.2-28-8PR-R1 | 外轮胎 OUTER TIRE         | 2  | GBT2979-11.2-28-8PR-R1 |
| 2  | GBT2979-11.2-28-R1     | 内轮胎 INNER TIRE         | 2  | GBT2979-11.2-28-R1     |
| 3  | SH350.34.011           | 轮辋 RIM ASS.Y ( W10X28) | 2  | SH350.34.011           |



# SH354.32.001 FRONT TIRE ASS.Y (7.5-16-R1)

## SH354.32.001\_2 前轮 7.5-16-R1 FRONT TIRE ASS.Y (7.5-16-R1)

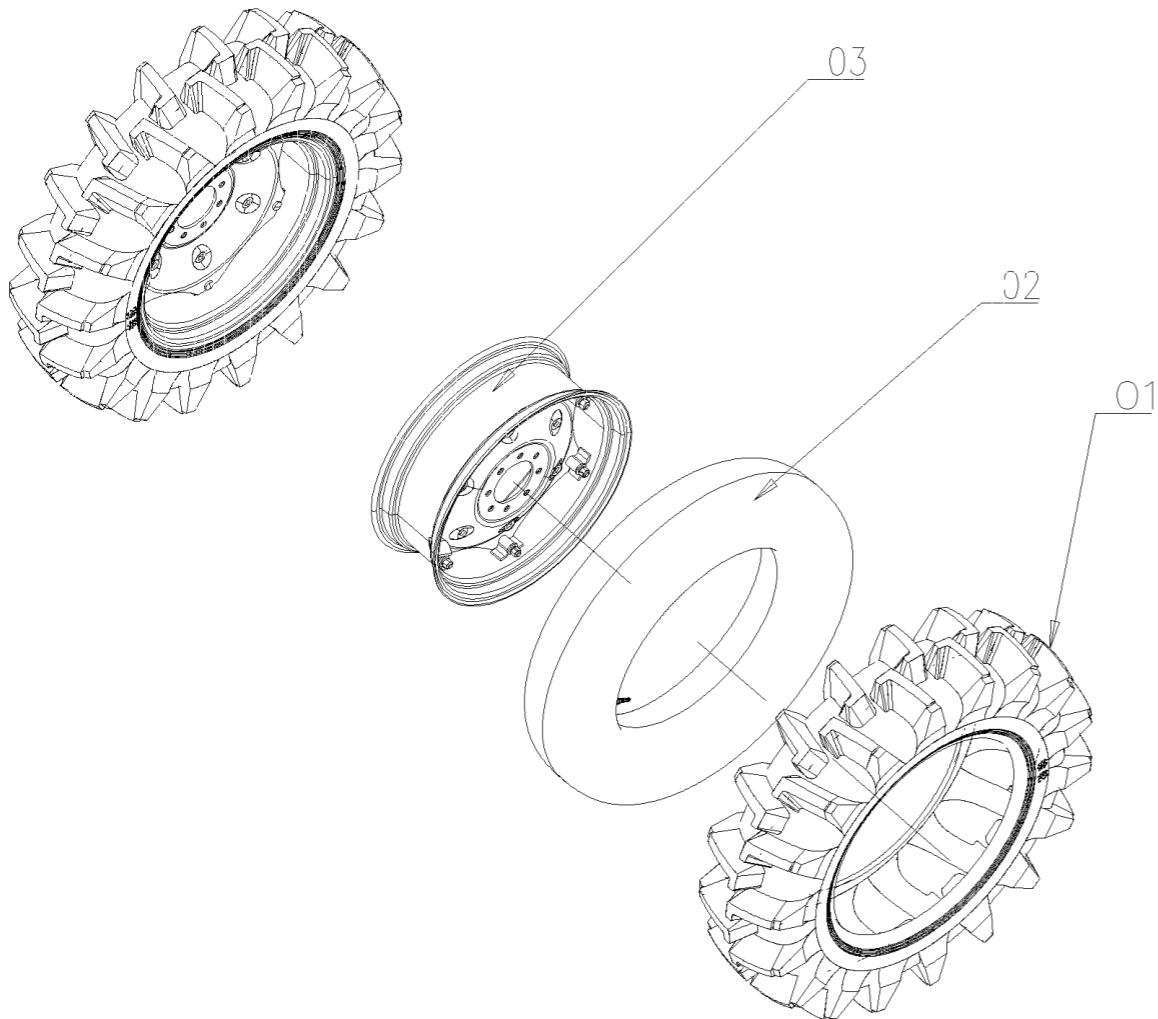
| 序号 | 零件编号                  | 零件名称                    | 数量 | 图号                    |
|----|-----------------------|-------------------------|----|-----------------------|
| 1  | GBT2979-7.5-16-8PR-R1 | 外轮胎 OUTER TIRE          | 2  | GBT2979-7.5-16-8PR-R1 |
| 2  | GBT2979-7.5-16-R1     | 内轮胎 INNER TIRE          | 2  | GBT2979-7.5-16-R1     |
| 3  | SH354.32.011          | 轮辋 RIM ASS.Y (5.50FX16) | 2  | SH354.32.011          |



# SH400.34A.001 REAR TIRE ASS.Y (12.4-28-PR1)

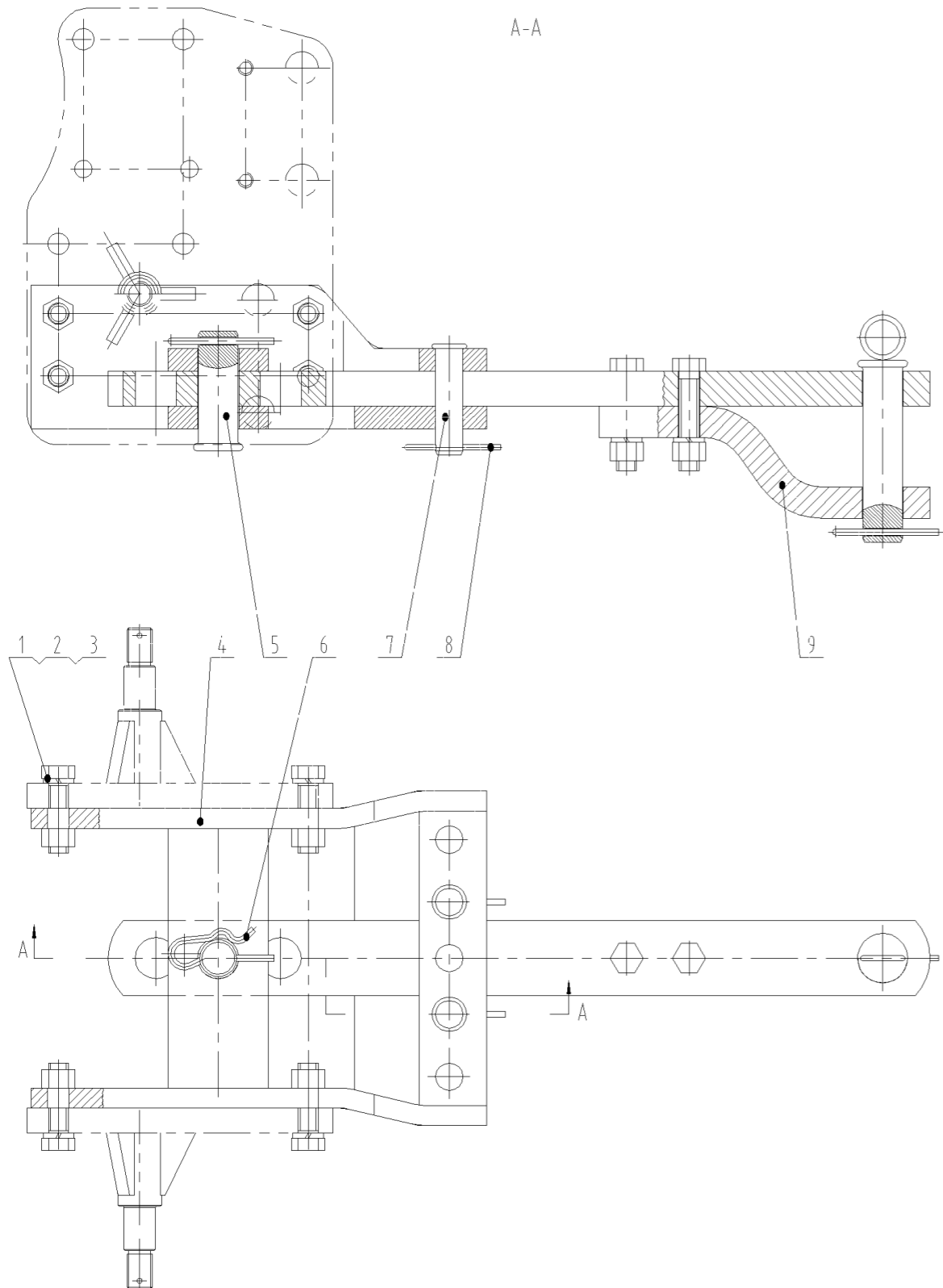
## SH400.34A.001\_1后驱动轮总成(高花胎水田轮12.4-28,有级可调,前桥i=12.713,分动箱21/27) REAR TIRE ASS.Y(12.4-28-PR1)

| 序号 | 零件编号                    | 零件名称                   | 数量 | 图号                      |
|----|-------------------------|------------------------|----|-------------------------|
| 1  | GBT2979-12.4-28-6PR-PR1 | 外胎 OUTER TIRE          | 2  | GBT2979-12.4-28-6PR-PR1 |
| 2  | GBT2979-12.4-28-PR1     | 内胎 INNER TIRE          | 2  | GBT2979-12.4-28-PR1     |
| 3  | SH350.34.011            | 轮辋W10×28焊合件 轮辋W10X28焊合 | 2  | SH350.34.011            |



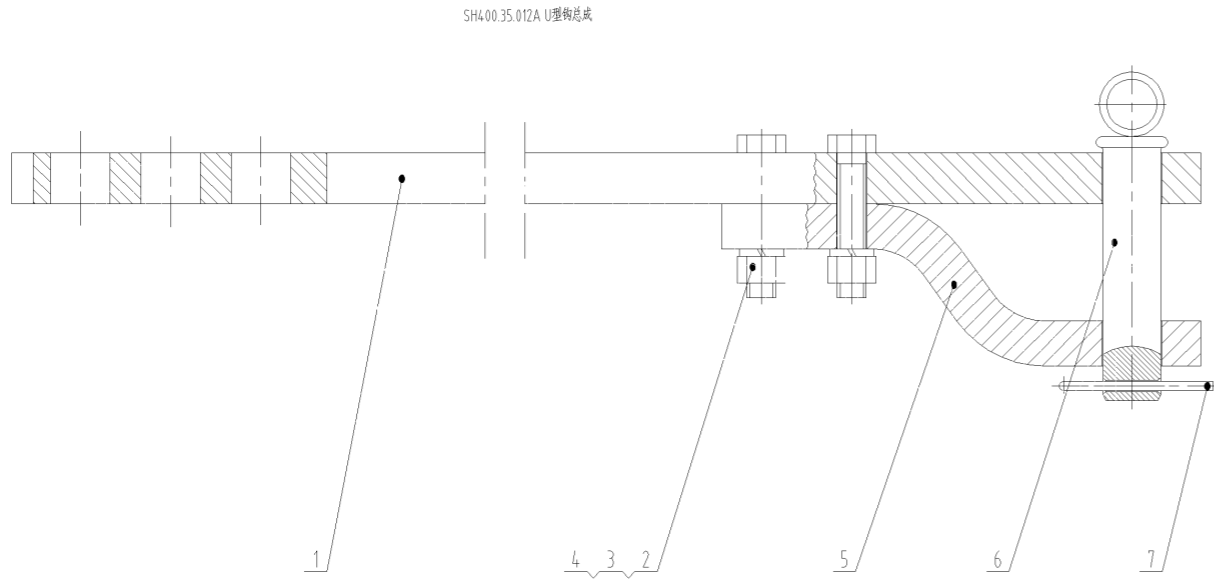
SH400.35.001A 摆式牵引机构总成

SH400.35.001A\_0 摆式牵引总成 SWINGING BAR ASSEMBLY



| 序号 | 零件编号                 | 零件名称              | 数量 | 图号                      |
|----|----------------------|-------------------|----|-------------------------|
| 1  | GBT5783-M16X60-10.9- | 螺栓 BOLT           | 8  | GBT5783-M16X60-10.9-A3L |
| 2  | GBT93-16-A3L         | 垫圈 WASHER         | 8  | GBT93-16-A3L            |
| 3  | GBT6170-M16-10-A3L   | 螺母 NUT            | 8  | GBT6170-M16-10-A3L      |
| 4  | SH400.35.011A        | 牵引架焊合 牵引架焊合       | 1  | SH400.35.011A           |
| 5  | GBT882-B32X90-A3L    | 销 PIN             | 1  | GBT882-B32X90-A3L       |
| 6  | SH900.56.113         | 弹簧锁销 ( ) 弹簧锁销 ( ) | 1  | SH900.56.113            |
| 7  | GBT882-B22X85-A3L    | 销 PIN             | 2  | GBT882-B22X85-A3L       |
| 8  | SH400.56.144         | 弹性锁销 弹性锁销         | 2  | SH400.56.144            |
| 9  | SH400.35.012A        | U型钩总成 U型钩总成       | 1  | SH400.35.012A           |

### SH400.35.012A U型钩总成 U-Hook Assemblies



| 序号 | 零件编号                 | 零件名称              | 数量 | 图号                      |
|----|----------------------|-------------------|----|-------------------------|
| 1  | SH400.35.106A        | U形钩上件 U形钩上件       | 1  | SH400.35.106A           |
| 2  | GBT5782-M16X80-10.9- | 螺栓 BOLT           | 2  | GBT5782-M16X80-10.9-A3L |
| 3  | GBT93-16-A3L         | 垫圈 WASHER         | 2  | GBT93-16-A3L            |
| 4  | GBT6170-M16-10-A3L   | 螺母 NUT            | 2  | GBT6170-M16-10-A3L      |
| 5  | SH400.35.107A        | U形钩下件 U形钩下件       | 1  | SH400.35.107A           |
| 6  | SH400.35.013A        | 牵引销焊合 牵引销焊合       | 1  | SH400.35.013A           |
| 7  | SH900.56.113         | 弹簧锁销 ( ) 弹簧锁销 ( ) | 1  | SH900.56.113            |

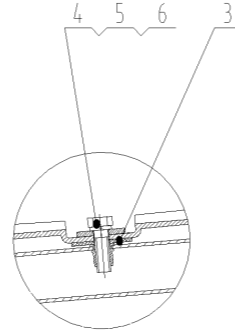
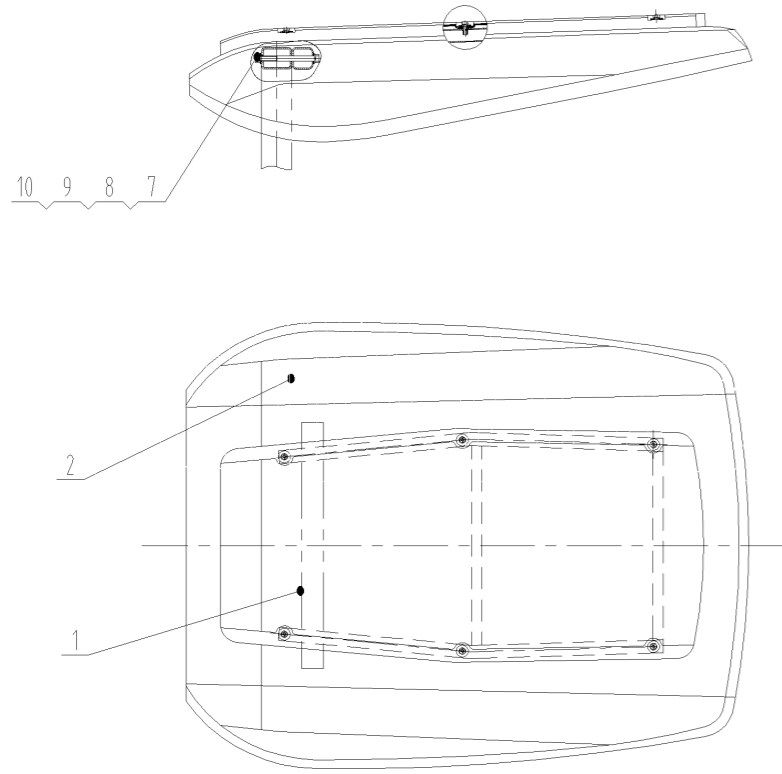
# SH400.44B.001 SEAT INSTALLATION ASSEMBLY

# SH400.44B.001\_1 座椅安装总成 (带安全带和扶手) SEAT INSTALLATION ASSEMBLY (with seat belt and handrails)

| 序号 | 零件编号               | 零件名称      | 数量 | 图号                 |
|----|--------------------|-----------|----|--------------------|
| 1  | SH400.44B.010/10   | 座椅 座椅     | 1  | SH400.44B.010/10   |
| 2  | GBT5783-M10X35-A3L | 螺栓 BOLT   | 4  | GBT5783-M10X35-A3L |
| 3  | GBT93-10-A3L       | 垫圈 WASHER | 4  | GBT93-10-A3L       |
| 4  | GBT97.1-10-A3L     | 垫圈 WASHER | 4  | GBT97.1-10-A3L     |



SH400.46.002A 遮阳棚总成

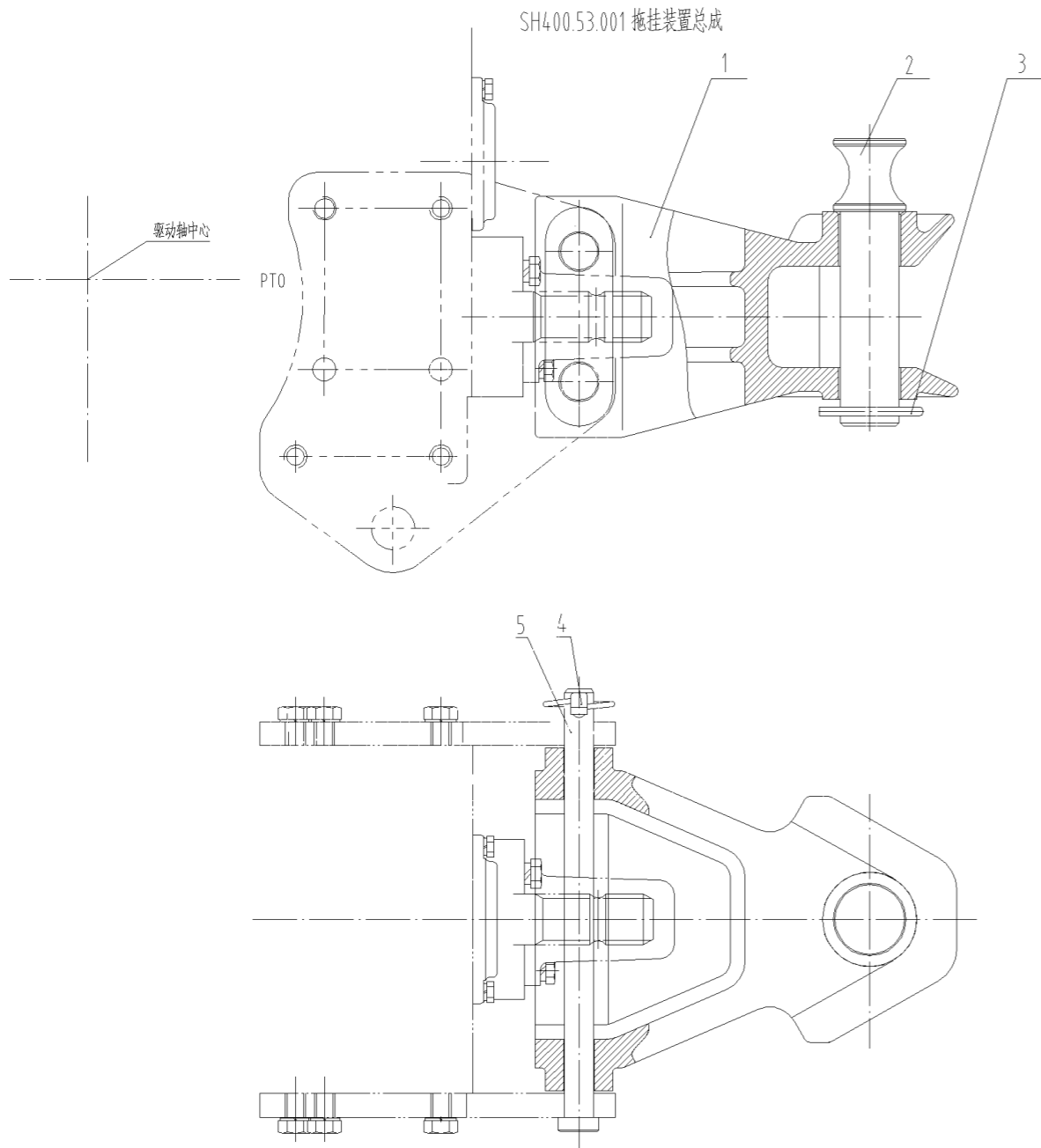


### SH400.46.002A\_0 遮阳棚总成 AWNING ASS.Y

| 序号 | 零件编号                | 零件名称        | 数量 | 图号                  |
|----|---------------------|-------------|----|---------------------|
| 1  | SH400.46.015        | 遮阳棚骨架 遮阳棚骨架 | 1  | SH400.46.015        |
| 2  | SH400.46.012A       | 遮阳棚 遮阳棚     | 1  | SH400.46.012A       |
| 3  | SH400.46.122        | 橡胶垫片 橡胶垫片   | 6  | SH400.46.122        |
| 4  | GBT5783-M8X25-A2L   | 螺栓 BOLT     | 6  | GBT5783-M8X25-A2L   |
| 5  | GBT96.1-8-A3L       | 垫圈 WASHER   | 6  | GBT96.1-8-A3L       |
| 6  | GBT93-8-A3L         | 垫圈 WASHER   | 6  | GBT93-8-A3L         |
| 7  | GBT5782-M12X140-A3L | 螺栓 BOLT     | 4  | GBT5782-M12X140-A3L |
| 8  | GBT97.1-12-A3L      | 垫圈 WASHER   | 8  | GBT97.1-12-A3L      |
| 9  | GBT93-12-A3L        | 垫圈 WASHER   | 10 | GBT93-12-A3L        |
| 10 | GBT6170-M12-A3L     | 螺母 NUT      | 4  | GBT6170-M12-A3L     |

### SH400.53.001\_0 拖挂总成 HITCH ASSY.

| 序号 | 零件编号         | 零件名称      | 数量 | 图号           |
|----|--------------|-----------|----|--------------|
| 1  | SH400.53.101 | 牵引架 牵引架   | 1  | SH400.53.101 |
| 2  | SH400.53.102 | 拖挂销 拖挂销   | 1  | SH400.53.102 |
| 3  | SH400.53.103 | 弹性锁销 弹性锁销 | 1  | SH400.53.103 |
| 4  | SH400.53.011 | 锁销 锁销总成   | 2  | SH400.53.011 |
| 5  | SH400.53.104 | 连接销 连接销   | 2  | SH400.53.104 |

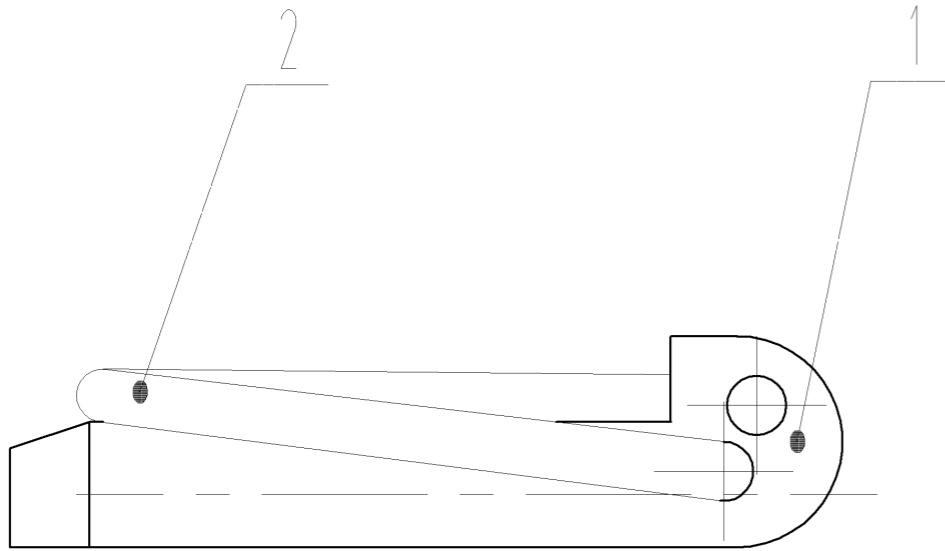




# SH400.53.011 锁销总成

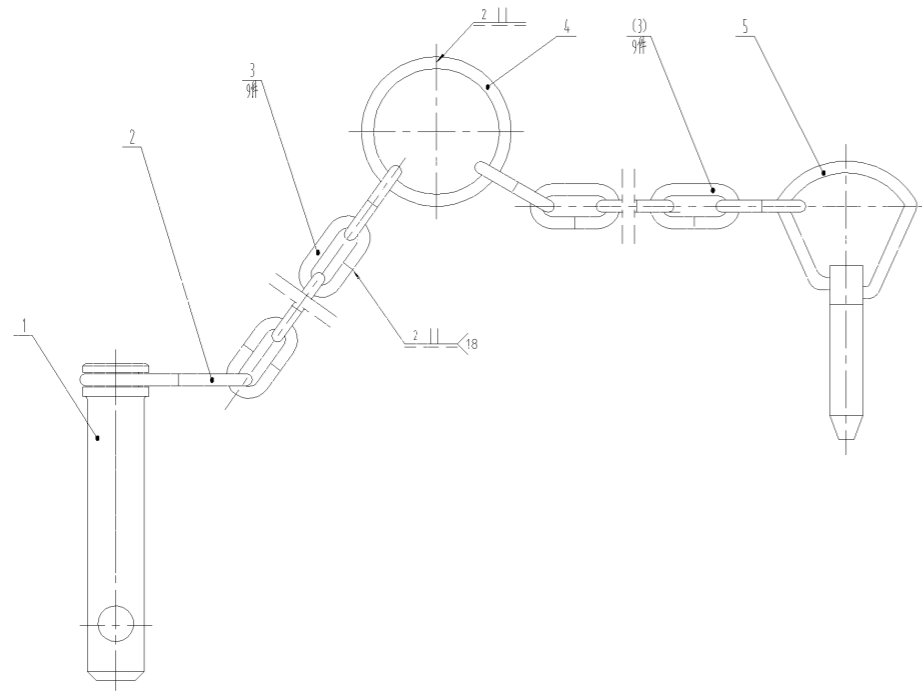
## SH400.53.011 锁销 Locking pins

| 序号 | 零件编号         | 零件名称  | 数量 | 图号           |
|----|--------------|-------|----|--------------|
| 1  | SH400.53.105 | 锁销 锁销 | 1  | SH400.53.105 |
| 2  | SH400.53.106 | 锁环 锁环 | 1  | SH400.53.106 |



# SH400.56.020 上拉杆锁销链总成

# SH400.56.020 上拉杆锁销链总成 UPPER ROD LOCK PIN ASSEMBLY



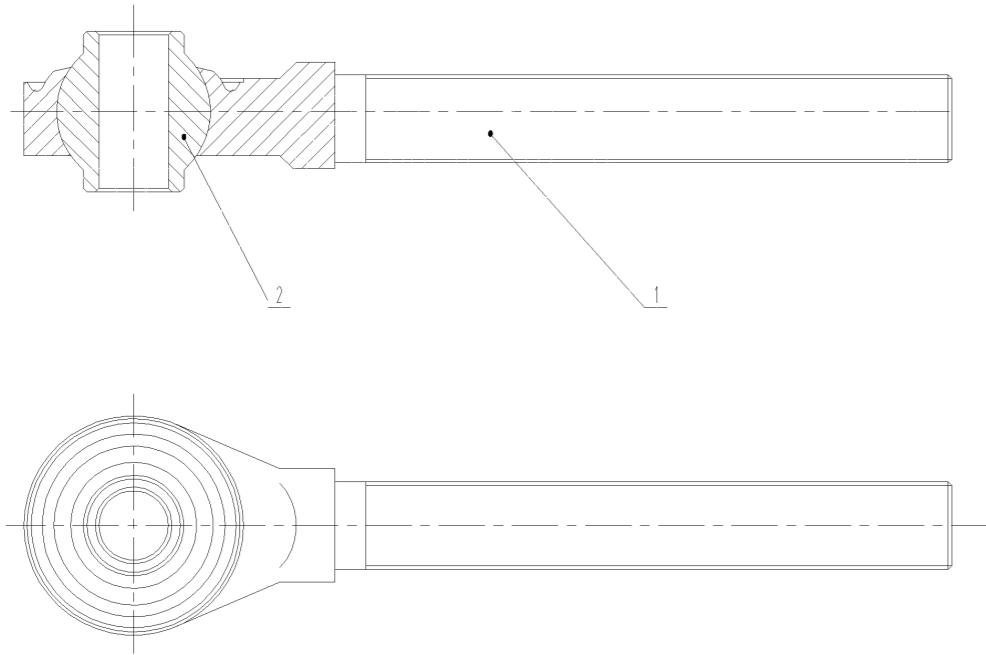
| 序号 | 零件编号         | 零件名称                      | 数量 | 图号           |
|----|--------------|---------------------------|----|--------------|
| 1  | SH400.56.110 | 上拉杆连接销 THE CHAIN AND RING | 1  | SH400.56.110 |
| 2  | SH400.56.149 | 上拉杆链环钩 UPPER ROD          | 1  | SH400.56.149 |
| 3  | SH400.56.129 | 小链环 CONNECTING RING       | 18 | SH400.56.129 |
| 4  | SH400.56.148 | 上拉杆圆环 LOCK PIN RING       | 1  | SH400.56.148 |
| 5  | SH400.56.027 | 下拉杆锁销链总成 LOWER LINK       | 1  | SH400.56.027 |

SH400.56.022

前调节杆总成

SH400.56.022 后调节杆总成 REAR ADJUST LINKAGE ASSEMBLY

| 序号 | 零件编号         | 零件名称                      | 数量 | 图号           |
|----|--------------|---------------------------|----|--------------|
| 1  | SH400.56.111 | 上拉杆前调节螺杆 REAR ADJUST ROD  | 1  | SH400.56.111 |
| 2  | SH400.56.114 | 上拉杆球接头 UPPER LINKAGE BALL | 1  | SH400.56.114 |

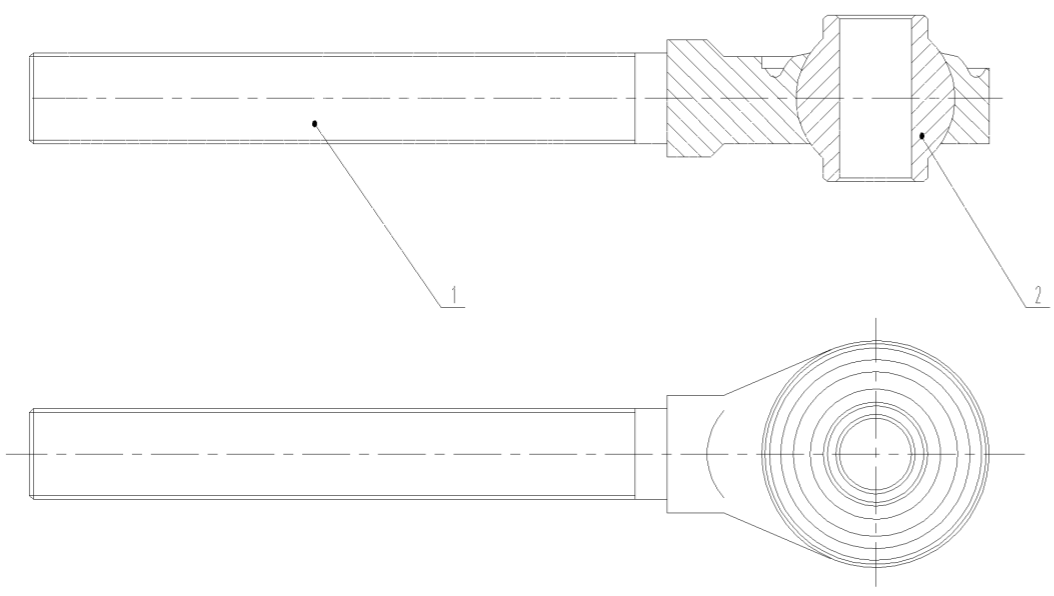


SH400.56.023

后调节杆总成

SH400.56.023 前调节杆总成 FRONT ADJUST LINKAGE ASSEMBLY

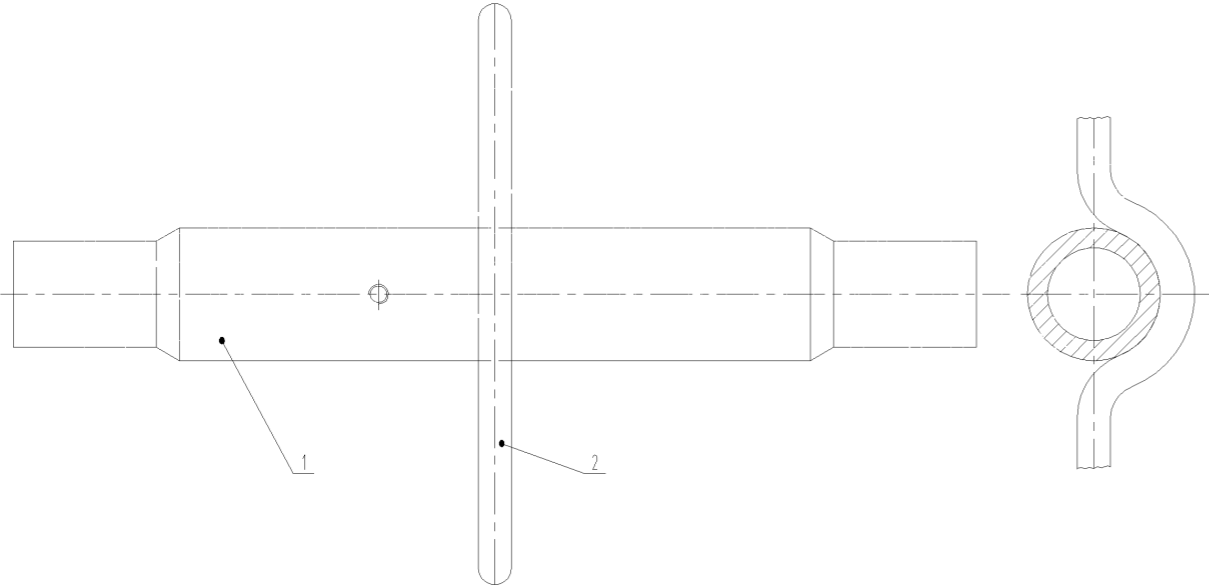
| 序号 | 零件编号         | 零件名称                      | 数量 | 图号           |
|----|--------------|---------------------------|----|--------------|
| 1  | SH400.56.115 | 上拉杆后调节螺杆 FRONT ADJUST     | 1  | SH400.56.115 |
| 2  | SH400.56.114 | 上拉杆球接头 UPPER LINKAGE BALL | 1  | SH400.56.114 |



SH400.56.024 调节螺管总成

SH400.56.024 调节螺管总成 ADJUST SCREW PIPE ASSY

| 序号 | 零件编号         | 零件名称                   | 数量 | 图号           |
|----|--------------|------------------------|----|--------------|
| 1  | SH400.56.116 | 调节螺管 ADJUST SCREW PIPE | 1  | SH400.56.116 |
| 2  | SH400.56.117 | 调节手柄 ADJUST HANDLE     | 1  | SH400.56.117 |

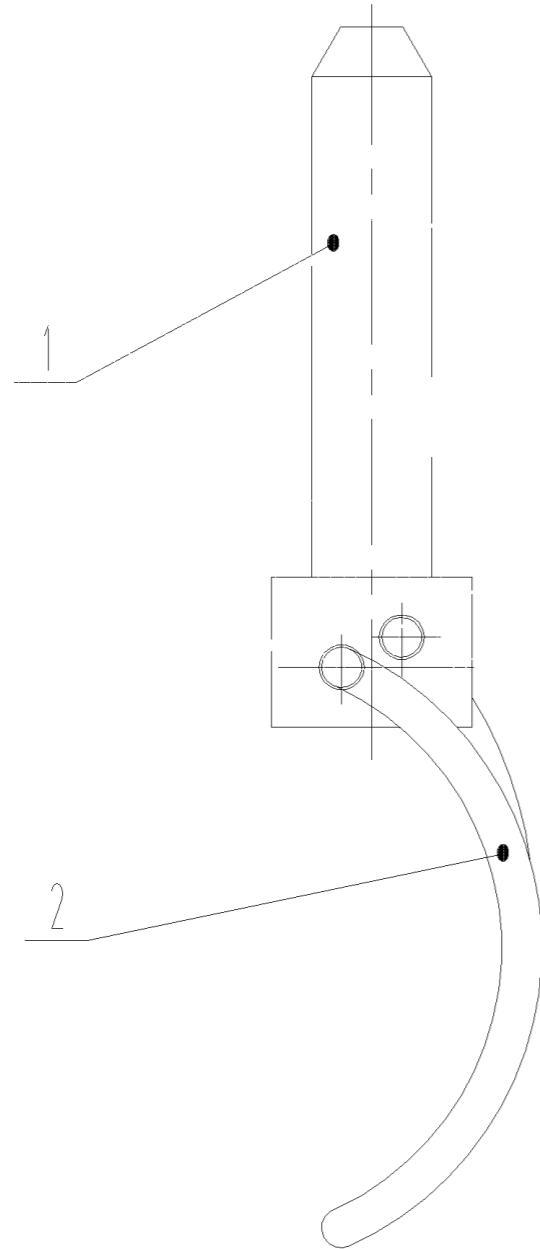


SH400.56.029

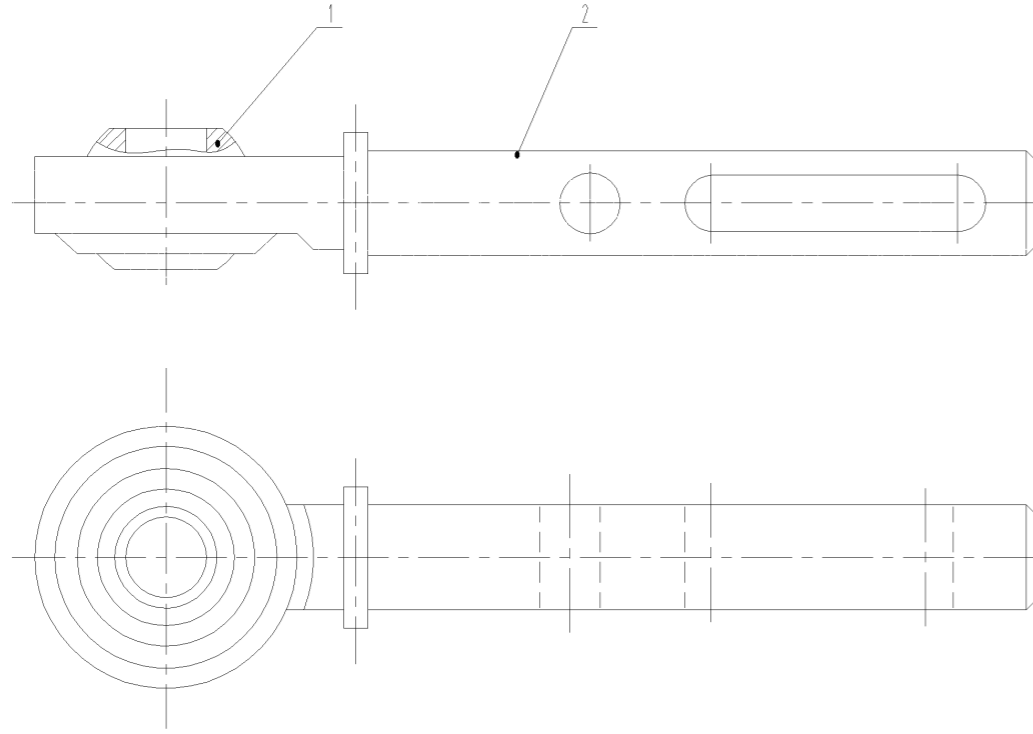
限位锁销组合

SH400.56.029 限位锁销组合 POSITIONING LOCK PIN ASSEMBLY

| 序号 | 零件编号         | 零件名称          | 数量 | 图号           |
|----|--------------|---------------|----|--------------|
| 1  | SH400.56.141 | 锁定销 LOCK PIN  | 1  | SH400.56.141 |
| 2  | SH400.56.142 | 锁销环 LOCK RING | 1  | SH400.56.142 |



SH400.56.031 伸缩杆球头总成

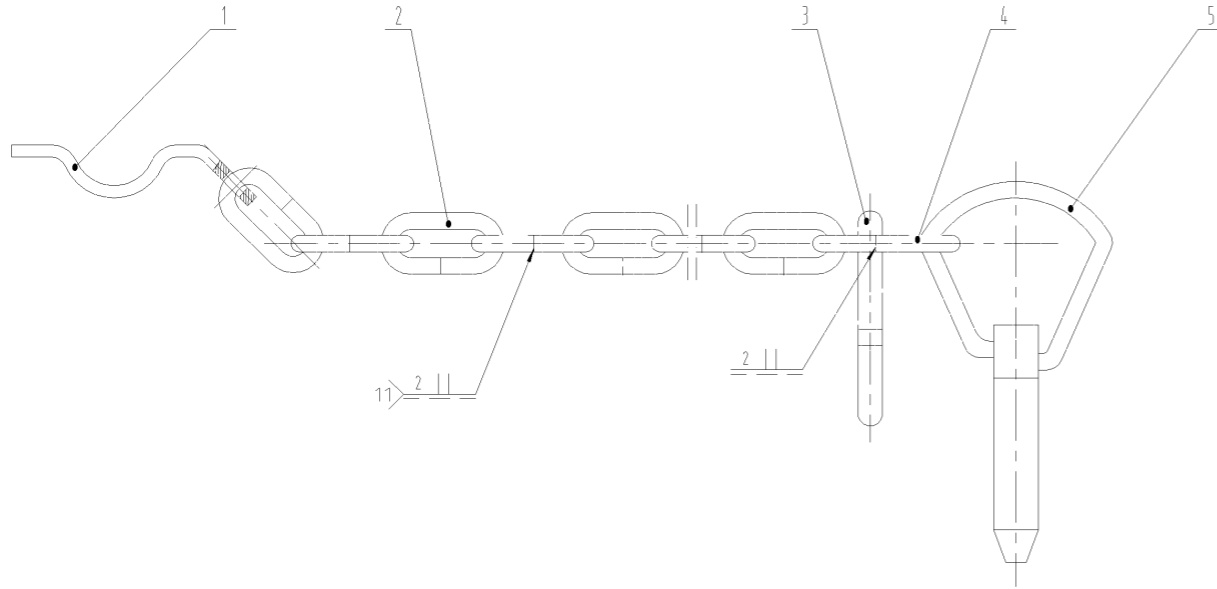


SH400.56.031 伸缩杆球头总成 TELESCOPING LINK BALL ASSEMBLY

| 序号 | 零件编号         | 零件名称                   | 数量 | 图号           |
|----|--------------|------------------------|----|--------------|
| 1  | SH400.56.109 | 伸缩杆 TELESCOPING LINK   | 1  | SH400.56.109 |
| 2  | SH400.56.112 | 伸缩杆球头 TELESCOPING BALL | 1  | SH400.56.112 |

SH400.56.027 下拉杆锁销链总成

SH400.56.027 下拉杆锁销链总成 LOWER LINK LOCK CHAIN ASSEMBLY



| 序号 | 零件编号         | 零件名称                       | 数量 | 图号           |
|----|--------------|----------------------------|----|--------------|
| 1  | SH400.56.128 | 连接板 CONNECTING PLATE       | 1  | SH400.56.128 |
| 2  | SH400.56.129 | 小链环 SMALL CONNECTING CHAIN | 11 | SH400.56.129 |
| 3  | SH400.56.130 | 下拉杆链环钩 LOWER LINK CHAIN    | 1  | SH400.56.130 |
| 4  | SH400.56.131 | 下拉杆圆环 RING                 | 1  | SH400.56.131 |
| 5  | SH400.56.025 | 锁销总成 LOCK PIN ASSEMBLY     | 1  | SH400.56.025 |

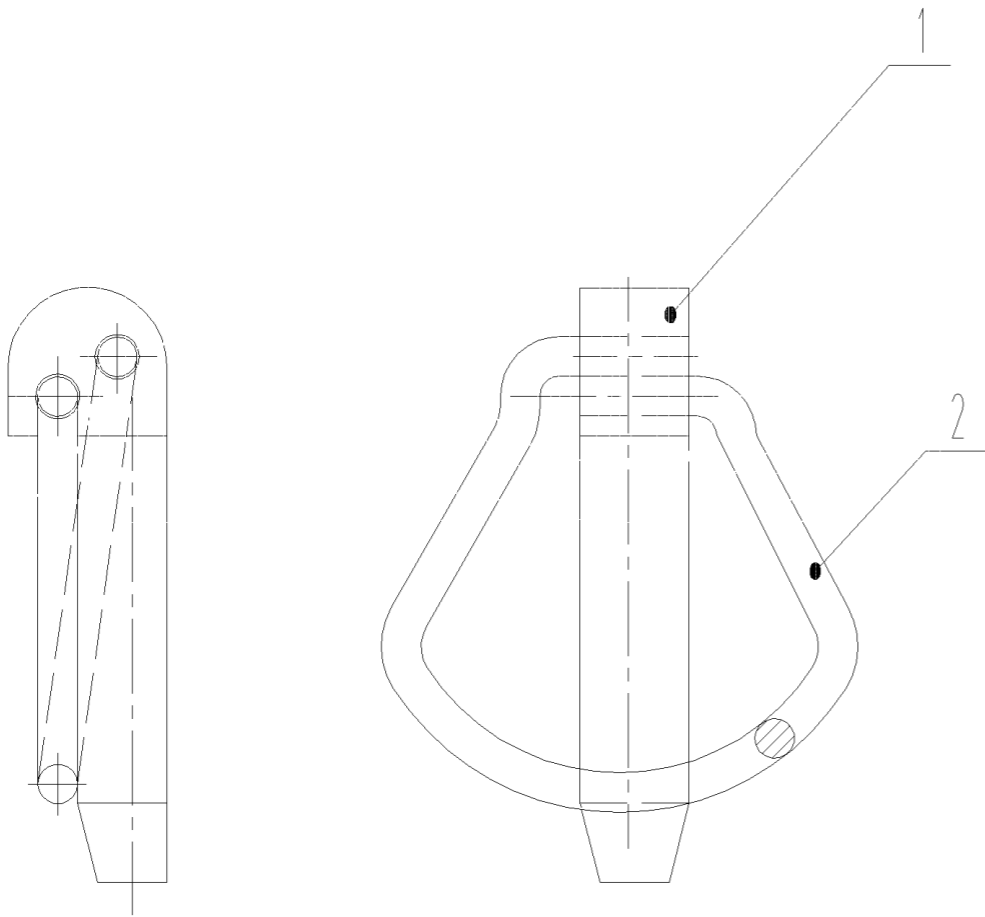


SH400.56.025 锁销总成 LOCK PIN ASSEMBLY

| 序号 | 零件编号         | 零件名称              | 数量 | 图号           |
|----|--------------|-------------------|----|--------------|
| 1  | SH400.56.119 | 锁销轴 LOCK PIN      | 1  | SH400.56.119 |
| 2  | SH400.56.118 | 锁销环 LOCK PIN RING | 1  | SH400.56.118 |

SH400.56.025

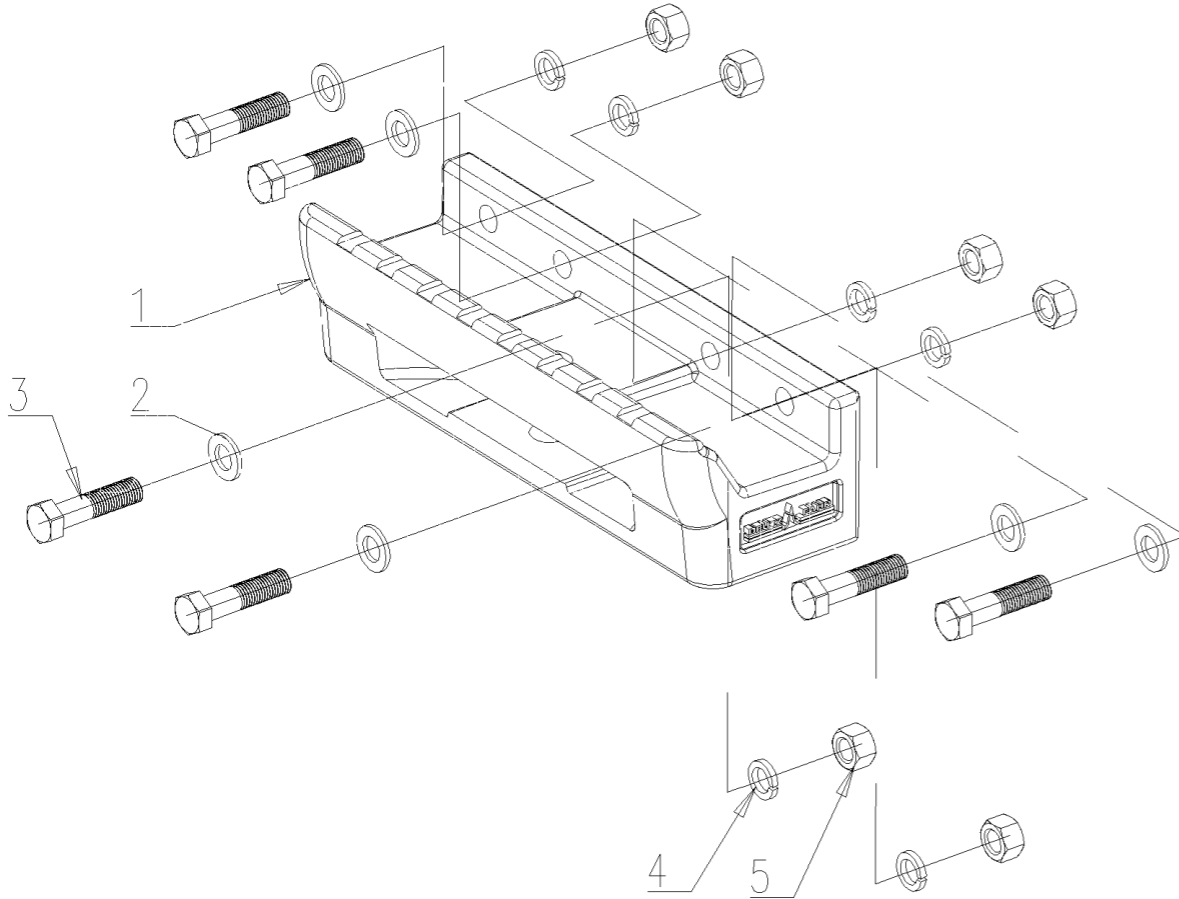
锁销总成



# SH400.74.001A FRONT BALLAST BRACKET ASS.Y

## SH400.74.001A\_2 前配重架总成 FRONT BALLAST BRACKET ASS.Y

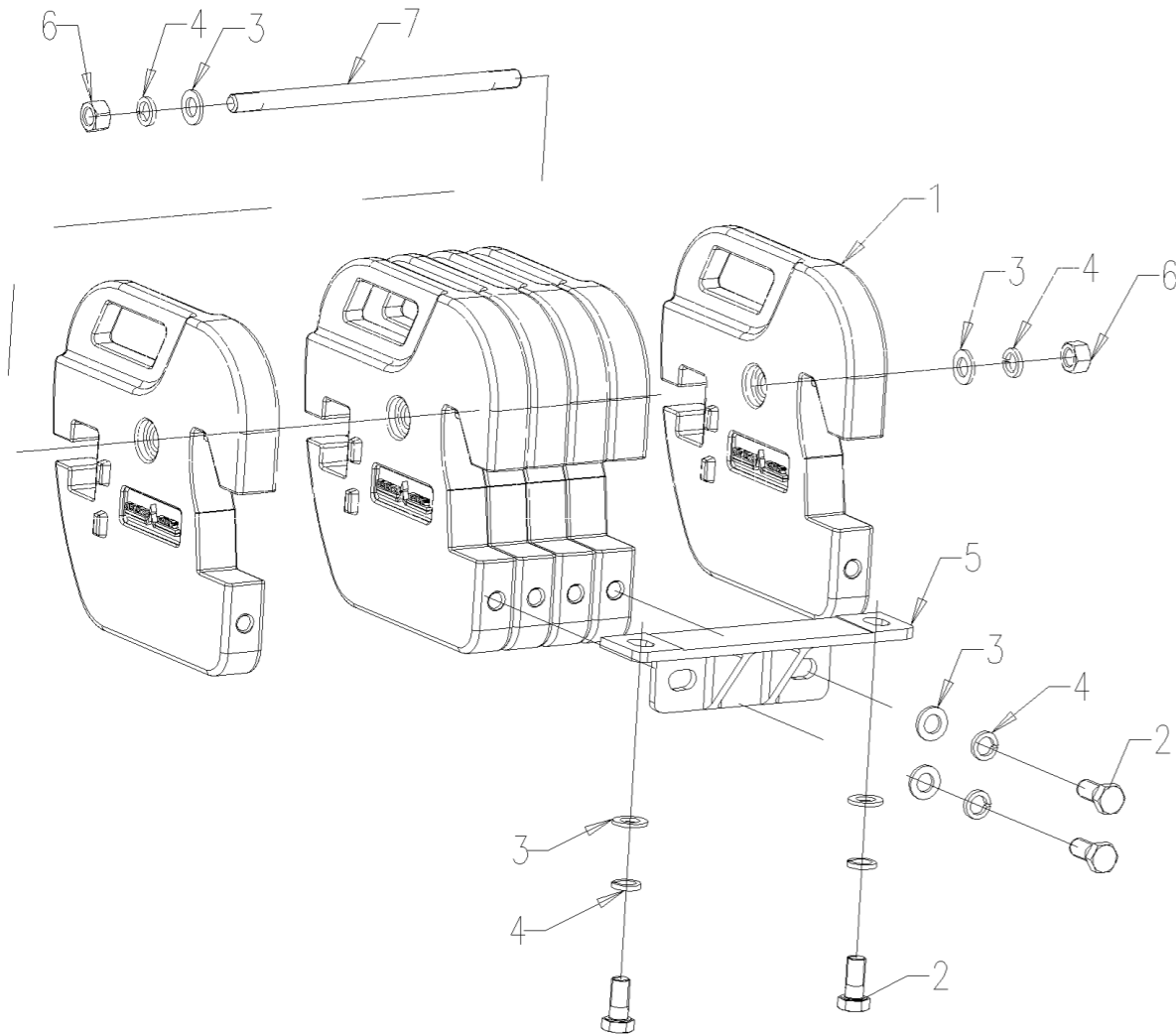
| 序号 | 零件编号               | 零件名称  | 数量 | 图号                 |
|----|--------------------|-------|----|--------------------|
| 1  | SH400.74.104/30    | 装载车配重 | 1  | SH400.74.104/30    |
| 2  | GBT97.1-16-A3L     | 垫圈    | 6  | GBT97.1-16-A3L     |
| 3  | GBT5783-M16X65-A3L | 螺栓    | 6  | GBT5783-M16X65-A3L |
| 4  | GBT93-16-A3L       | 垫圈    | 6  | GBT93-16-A3L       |
| 5  | GBT6170-M16-A3L    | 螺母    | 6  | GBT6170-M16-A3L    |



# SH400.74.002-1 FRONT BALLAST ASSEMBLY

## SH400.74.002-1\_1 前配重总成, 6片, 共108kg FRONT BALLAST ASSEMBLY

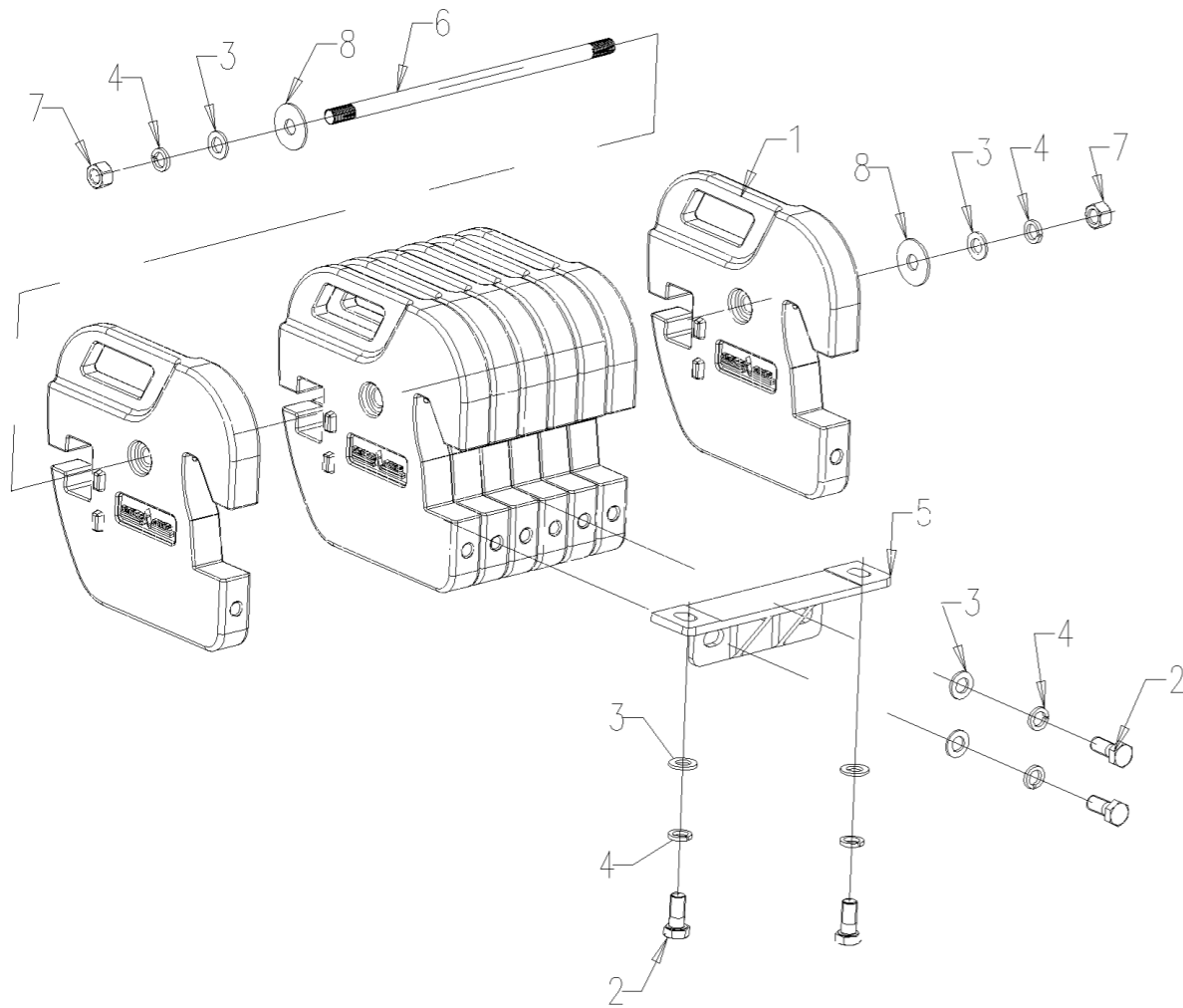
| 序号 | 零件编号               | 零件名称               | 数量 | 图号                 |
|----|--------------------|--------------------|----|--------------------|
| 1  | SH400.74.101/10    | 前配重 FRONT BALLAST  | 6  | SH400.74.101/10    |
| 2  | GBT5783-M16X35-A3L | 螺栓 BOLT            | 4  | GBT5783-M16X35-A3L |
| 3  | GBT97.1-16-A3L     | 垫圈 WASHER          | 6  | GBT97.1-16-A3L     |
| 4  | GBT93-16-A3L       | 垫圈 WASHER          | 6  | GBT93-16-A3L       |
| 5  | SH400.74.102       | 安装支架 FIXED BRACKET | 1  | SH400.74.102       |
| 6  | GBT6170-M16-A3L    | 螺母 NUT             | 2  | GBT6170-M16-A3L    |
| 7  | SH400.74.103-1     | 连接螺栓 JOINT BOLT    | 1  | SH400.74.103-1     |



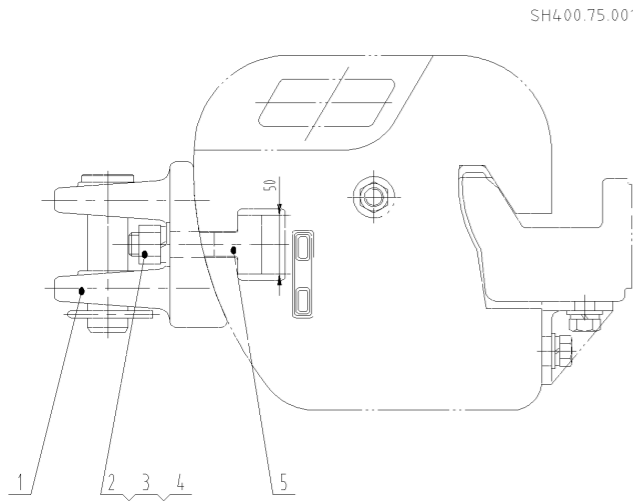
# SH400.74.002B FRONT BALLAST ASSEMBLY(8 PIECES)

## SH400.74.002B\_1 前配重总成, 8片, 共144kg FRONT BALLAST ASSEMBLY

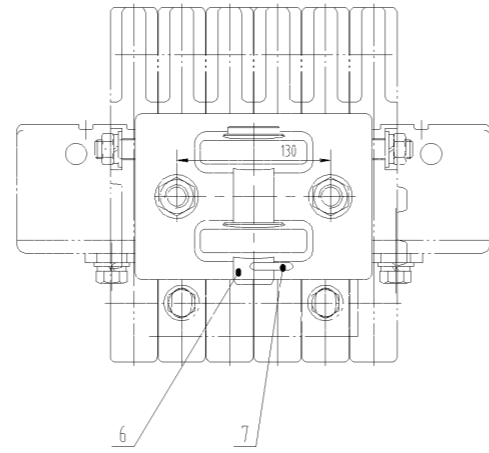
| 序号 | 零件编号               | 零件名称               | 数量 | 图号                 |
|----|--------------------|--------------------|----|--------------------|
| 1  | SH400.74.101/10    | 前配重 FRONT BALLAST  | 8  | SH400.74.101/10    |
| 2  | GBT5783-M16X35-A3L | 螺栓 BOLT            | 4  | GBT5783-M16X35-A3L |
| 3  | GBT97.1-16-A3L     | 垫圈 WASHER          | 6  | GBT97.1-16-A3L     |
| 4  | GBT93-16-A3L       | 垫圈 WASHER          | 6  | GBT93-16-A3L       |
| 5  | SH400.74.102       | 安装支架 FIXED BRACKET | 1  | SH400.74.102       |
| 6  | SH400.74.103B      | 连接螺栓 JOINT BOLT    | 1  | SH400.74.103B      |
| 7  | GBT6170-M16-A3L    | 螺母 NUT             | 2  | GBT6170-M16-A3L    |
| 8  | GBT96-16-A3L       | 大垫圈 BIG WASHER     | 2  | GBT96-16-A3L       |



### SH400.75.001\_0 前牵引座总成 Front traction seat assembly



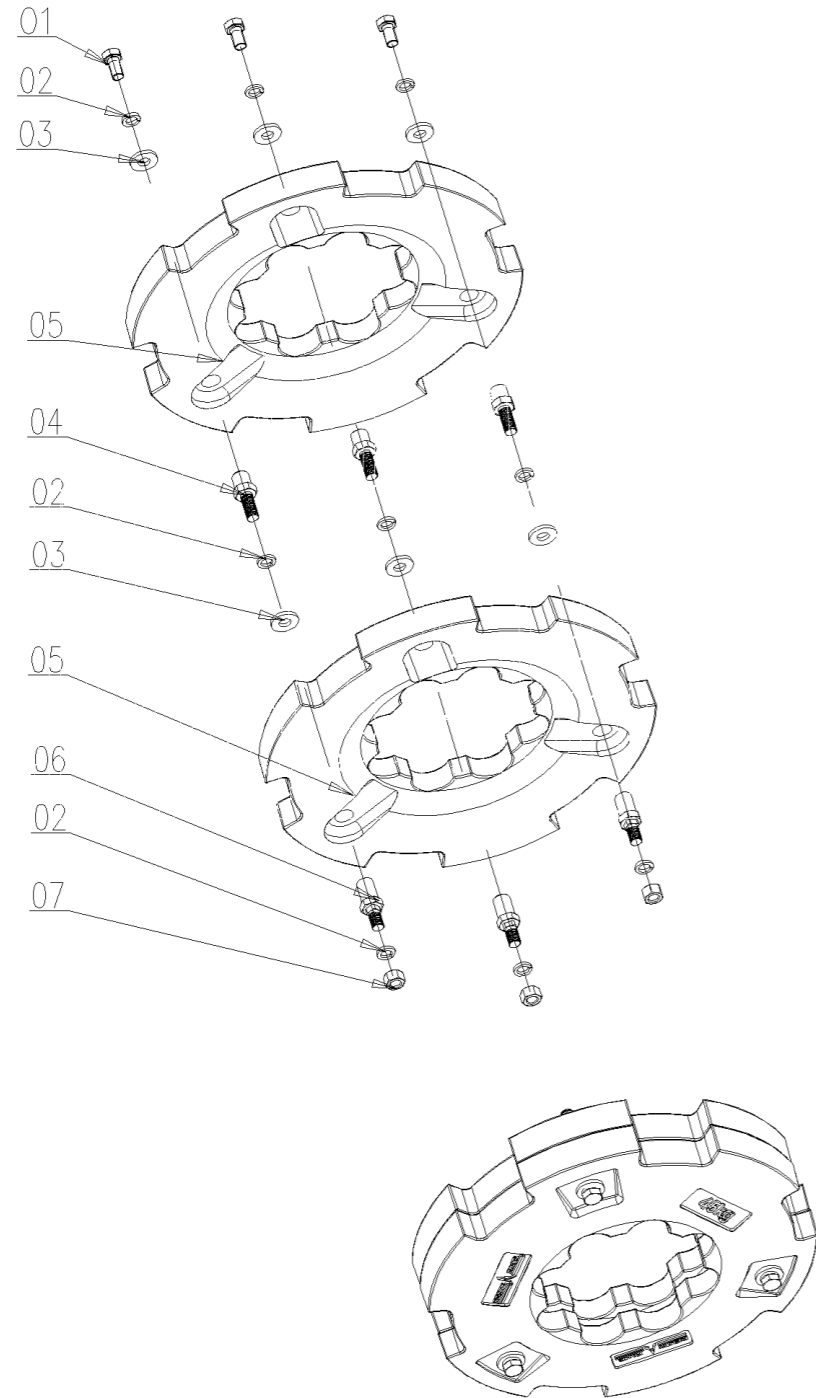
SH400.75.001 前牵引座总成



| 序号 | 零件编号            | 零件名称      | 数量 | 图号              |
|----|-----------------|-----------|----|-----------------|
| 1  | SH400.75.101    | 前牵引座 前牵引座 | 1  | SH400.75.101    |
| 2  | GBT6170-M20-A3L | 螺母 NUT    | 2  | GBT6170-M20-A3L |
| 3  | GBT97.1-20-A3L  | 垫圈 WASHER | 2  | GBT97.1-20-A3L  |
| 4  | GBT93-20-A3L    | 垫圈 WASHER | 2  | GBT93-20-A3L    |
| 5  | SH400.75.102    | 连接螺栓 连接螺栓 | 2  | SH400.75.102    |
| 6  | SH704-1.53.101  | 短销 短销     | 1  | SH704-1.53.101  |
| 7  | SH400.53A.102   | 弹簧锁销 弹簧锁销 | 1  | SH400.53A.102   |

# SH400.91.001 REAR BALLAST ASS.Y

## SH400.91.001\_3 两层, 双边共计180kg REAR BALLAST ASS.Y

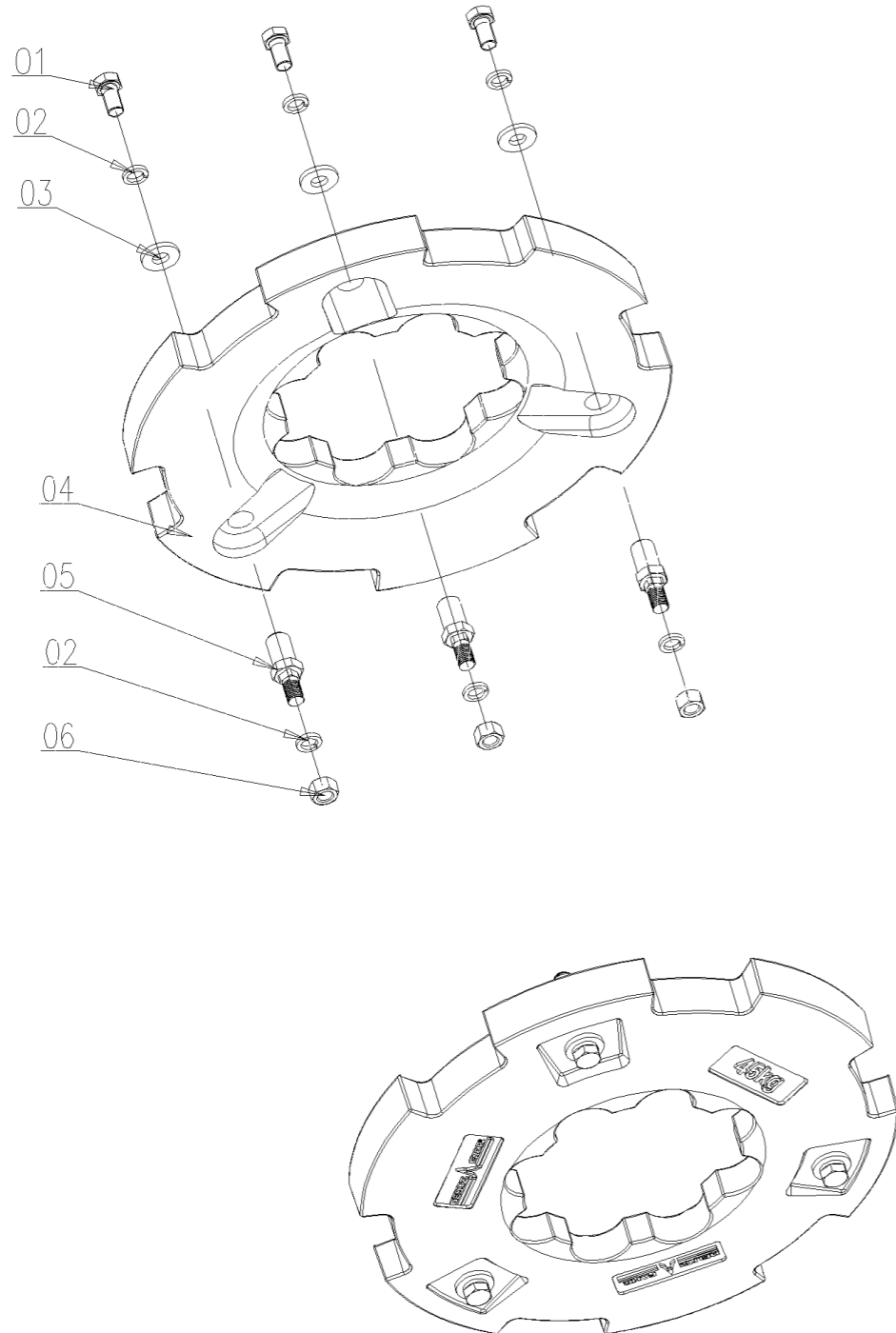


| 序号 | 零件编号               | 零件名称                       | 数量 | 图号                 |
|----|--------------------|----------------------------|----|--------------------|
| 1  | GBT5783-M16X30-A3L | 螺栓 BOLT                    | 6  | GBT5783-M16X30-A3L |
| 2  | GBT93-16-A3L       | 垫圈 WASHER                  | 18 | GBT93-16-A3L       |
| 3  | SH904.31.193       | 垫圈 17385 GASKET 17385      | 12 | SH904.31.193       |
| 4  | SH400.91.103       | 后配重螺丝 REAR BALLAST SCREW   | 6  | SH400.91.103       |
| 5  | SH400.91.101/10    | ? 后配重 REAR BALLAST         | 4  | SH400.91.101/10    |
| 6  | SH400.91.102       | 后配重螺丝 REAR BALLAST SCREW 1 | 6  | SH400.91.102       |
| 7  | GBT6170-M16-A3L    | 螺母 NUT                     | 6  | GBT6170-M16-A3L    |

# SH400.91.001A REAR BALLAST ASS.Y

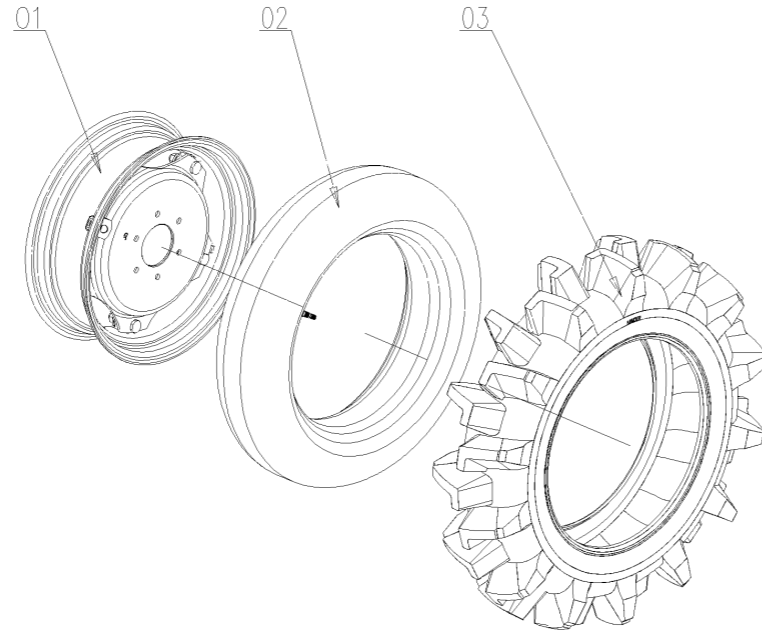
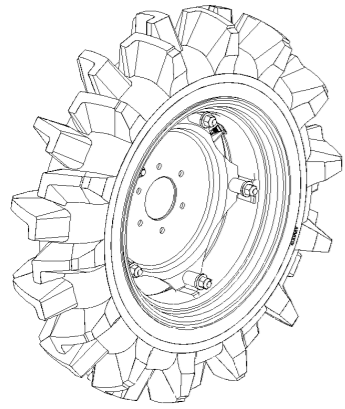
## SH400.91.001A\_3 1层, 双边共计90kg REAR BALLAST ASSEMBLY

| 序号 | 零件编号               | 零件名称                       | 数量 | 图号                 |
|----|--------------------|----------------------------|----|--------------------|
| 1  | GBT5783-M16X30-A3L | 螺栓 BOLT                    | 6  | GBT5783-M16X30-A3L |
| 2  | GBT93-16-A3L       | 垫圈 WASHER                  | 12 | GBT93-16-A3L       |
| 3  | SH904.31.193       | 垫圈 17385 GASKET 17385      | 6  | SH904.31.193       |
| 4  | SH400.91.101/10    | ? 后配重 REAR BALLAST         | 2  | SH400.91.101/10    |
| 5  | SH400.91.102       | 后配重螺丝 REAR BALLAST SCREW 1 | 6  | SH400.91.102       |
| 6  | GBT6170-M16-A3L    | 螺母 NUT                     | 6  | GBT6170-M16-A3L    |



SH404.32F.001 FRONT TYRE ASS.Y(PADDY TIRE)

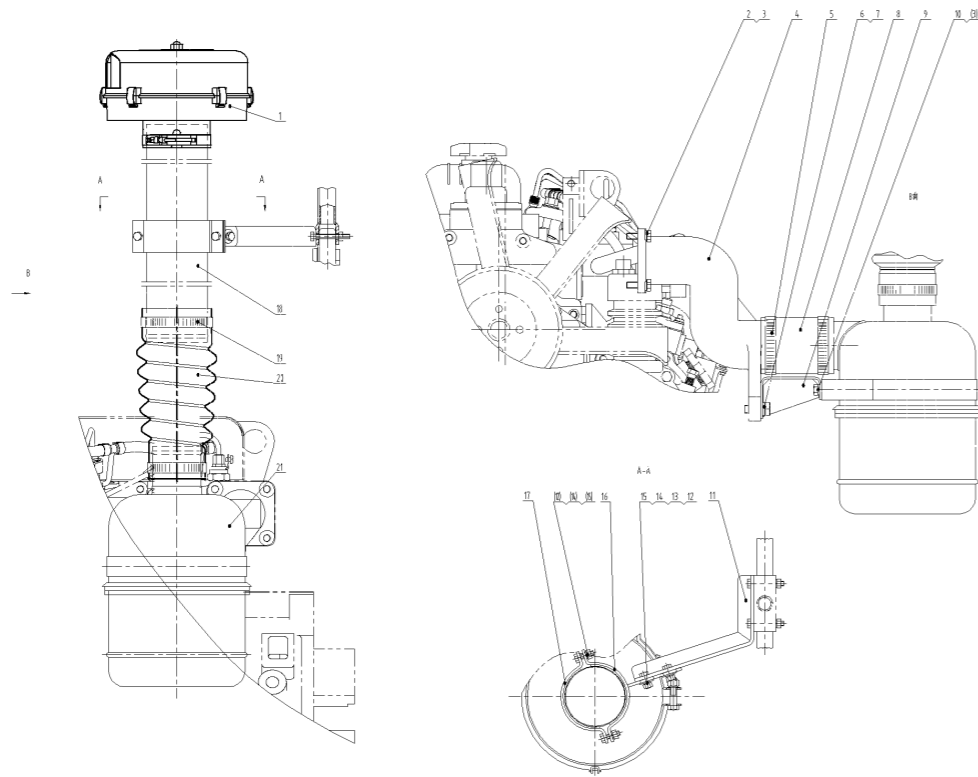
SH404.32F.001\_2 前驱动轮总成 (高花胎 水田轮8.3-20, 有级可调, 前桥i=12.713, 分动箱21/27) FRONT TIRE ASS.Y(8.3-20-PR1)



| 序号 | 零件编号                   | 零件名称                          | 数量 | 图号                     |
|----|------------------------|-------------------------------|----|------------------------|
| 1  | SH554.32.011           | 轮圈组件 (W7X20) RIM ASSY (W7X20) | 2  | SH554.32.011           |
| 2  | GBT2979-8.3-20-PR1     | 内胎 INNER TIRE                 | 2  | GBT2979-8.3-20-PR1     |
| 3  | GBT2979-8.3-20-6PR-PR1 | 外胎 OUTER TIRE                 | 2  | GBT2979-8.3-20-6PR-PR1 |



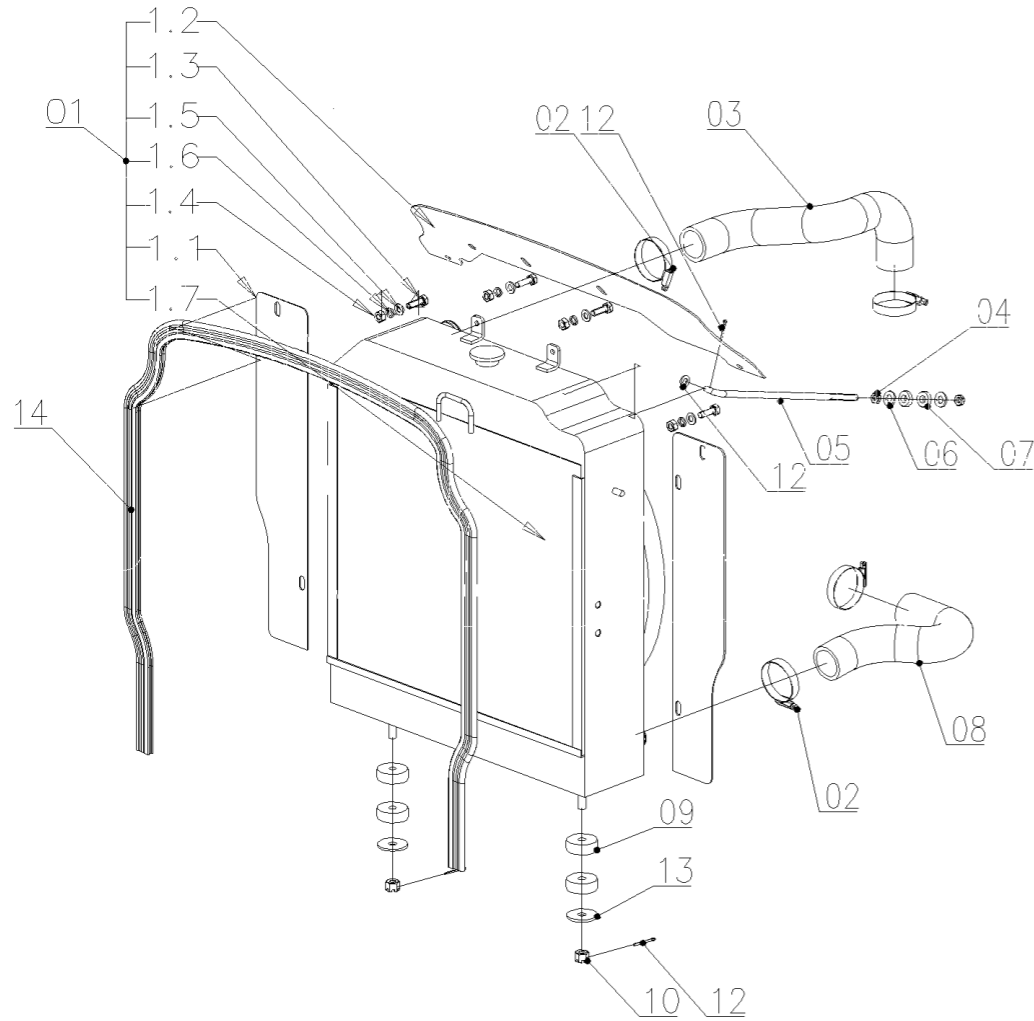
SH404A.11.001 AIR FILTER SYSTEM ASS.Y



SH404A.11.001\_2 空气滤清系总成 Air Filter System Assembly

| 序号 | 零件编号               | 零件名称                 | 数量 | 图号                 |
|----|--------------------|----------------------|----|--------------------|
| 1  | A39.11.002.4/10    | 空气预滤器 AIR PREFILTER  | 1  | A39.11.002.4/10    |
| 2  | GBT5783-M8X25-A2L  | 螺栓 BOLT              | 4  | GBT5783-M8X25-A2L  |
| 3  | GBT93-8-A3L        | 垫圈 WASHER            | 6  | GBT93-8-A3L        |
| 4  | SH404A.11.101      | 进气管 INTAKE PIPE      | 1  | SH404A.11.101      |
| 5  | JBT8870-D70        | 喉箍 HOSE CLAMP        | 3  | JBT8870-D70        |
| 6  | GBT5783-M10X25-A2L | 螺栓 BOLT              | 2  | GBT5783-M10X25-A2L |
| 7  | GBT93-10-A3L       | 垫圈 WASHER            | 2  | GBT93-10-A3L       |
| 8  | SH400.11.102       | 空气软管 AIR HOSE        | 1  | SH400.11.102       |
| 9  | SH400.11.011       | 支架焊合 BRACKET WELDED  | 1  | SH400.11.011       |
| 10 | GBT5783-M8X20-A2L  | 螺栓 BOLT              | 2  | GBT5783-M8X20-A2L  |
| 11 | SH704-1.11A.101/10 | 空滤器加固弯板 AIR FILTER   | 1  | SH704-1.11A.101/10 |
| 12 | GBT5783-M6X20-A2L  | 螺栓 BOLT              | 4  | GBT5783-M6X20-A2L  |
| 13 | GBT96.1-6-A3L      | 垫圈 WASHER            | 2  | GBT96.1-6-A3L      |
| 14 | GBT93-6-A3L        | 垫圈 WASHER            | 4  | GBT93-6-A3L        |
| 15 | GBT6170-M6-A2L     | 螺母 NUT               | 4  | GBT6170-M6-A2L     |
| 16 | CD554A.11.016/10   | 箍焊合 CLAMPS WELDED    | 1  | CD554A.11.016/10   |
| 17 | CD554A.11.017/10   | 箍 CLAMPS             | 1  | CD554A.11.017/10   |
| 18 | CD554A.11.107/10   | 进气管 INTAKE PIPE      | 1  | CD554A.11.107/10   |
| 19 | JBT8870-D80        | 喉箍 HOSE CLAMP        | 1  | JBT8870-D80        |
| 20 | CD404A.11.013/10   | 进气胶管 AIR INTAKE HOSE | 1  | CD404A.11.013/10   |
| 21 | A46.11.001.4       | 空气滤清器 AIR CLEANER    | 1  | A46.11.001.4       |

# SH404A.13A.001 COOLING SYSTEM ASSEMBLY

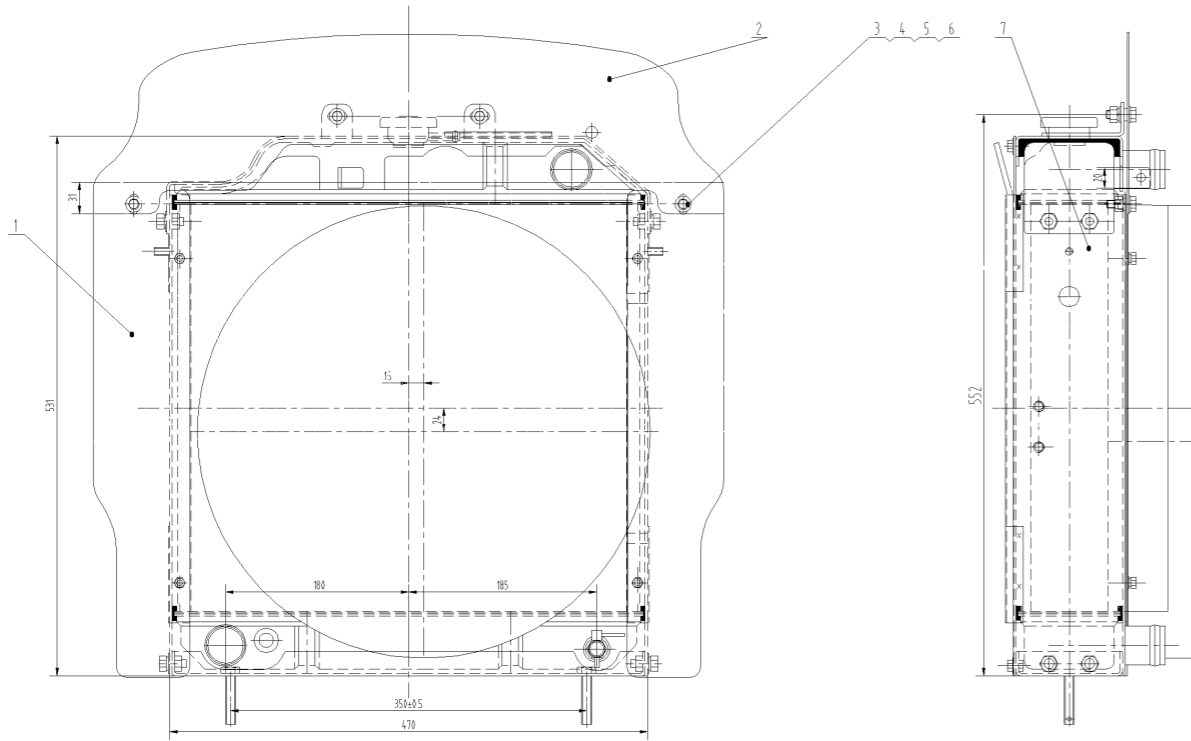


## SH404A.13A.001\_1 冷却系统总成 COOLING SYSTEM ASSEMBLY

| 序号 | 零件编号             | 零件名称                     | 数量 | 图号               |
|----|------------------|--------------------------|----|------------------|
| 1  | SH404A.13A.011   | 散热器与挡风板安装总成 RADIATOR     | 1  | SH404A.13A.011   |
| 2  | JBT8870-D60      | 喉箍 HOSE CLAMPS           | 4  | JBT8870-D60      |
| 3  | SH450.13A.101    | 水箱进水软管 WATER TANK WATER  | 1  | SH450.13A.101    |
| 4  | GBT6172.1-M8-A2L | 六角薄螺母 HEXAGON THIN NUT   | 2  | GBT6172.1-M8-A2L |
| 5  | SH550.13A.111    | 水箱拉杆 WATER TANK DRAG ROD | 1  | SH550.13A.111    |
| 6  | GBT97.1-10-A3L   | 垫圈 WASHER                | 2  | GBT97.1-10-A3L   |
| 7  | SH900.13.107     | 橡胶垫圈 RUBBER GASKET       | 2  | SH900.13.107     |
| 8  | SH450.13A.102    | 水箱出水软管 WATER TANK WATER  | 1  | SH450.13A.102    |
| 9  | SH900.13.105     | 橡胶垫块 RUBBER PAD          | 4  | SH900.13.105     |
| 10 | GBT6178-M10-A3L  | 六角开槽螺母 SLOTTED NUT       | 2  | GBT6178-M10-A3L  |
| 11 | GBT91-2.5X28-A3L | 开口销 SPLIT PIN            | 3  | GBT91-2.5X28-A3L |
| 12 | GBT97.1-8-A3L    | 垫圈 WASHER                | 1  | GBT97.1-8-A3L    |
| 13 | SH900.13.106     | 垫圈 WASHER                | 2  | SH900.13.106     |
| 14 | SH404A.13.103/10 | 密封条 SEALING STRIP        | 1  | SH404A.13.103/10 |

# SH404A.13A.011 RADIATOR ASSY

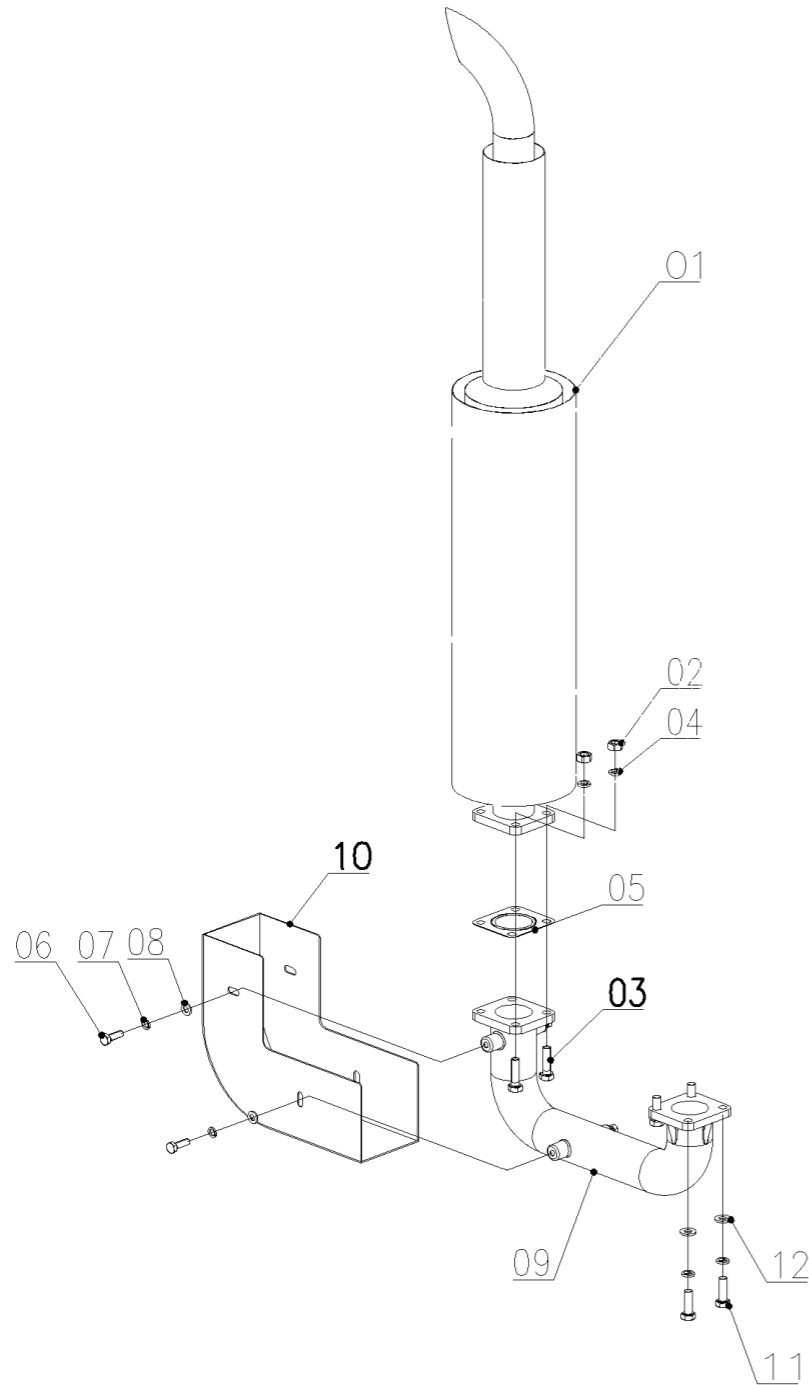
# SH404A.13A.011 散热器与挡风板安装总成 RADIATOR AND WINDPROOF ASSEMBLY



| 序号  | 零件编号              | 零件名称                  | 数量 | 图号                |
|-----|-------------------|-----------------------|----|-------------------|
| 1.1 | SH404A.13.101     | 侧挡板 SIDE BAFFLE       | 2  | SH404A.13.101     |
| 1.2 | SH404A.13.104     | 上挡板 UP BAFFLE         | 1  | SH404A.13.104     |
| 1.3 | GBT5783-M8X25-A2L | 螺栓 BOLT               | 4  | GBT5783-M8X25-A2L |
| 1.4 | GBT6170-M8-A2L    | 螺母 NUT                | 4  | GBT6170-M8-A2L    |
| 1.5 | GBT97.1-8-A3L     | 垫圈 WASHER             | 4  | GBT97.1-8-A3L     |
| 1.6 | GBT93-8-A3L       | 垫圈 BOLT               | 4  | GBT93-8-A3L       |
| 1.7 | SH404A.13A.010    | 散热器总成 COOLING PACKAGE | 1  | SH404A.13A.010    |

# SH404A.22.001 EXHAUST ASS.Y

YFB-R-2017-011 SH.061



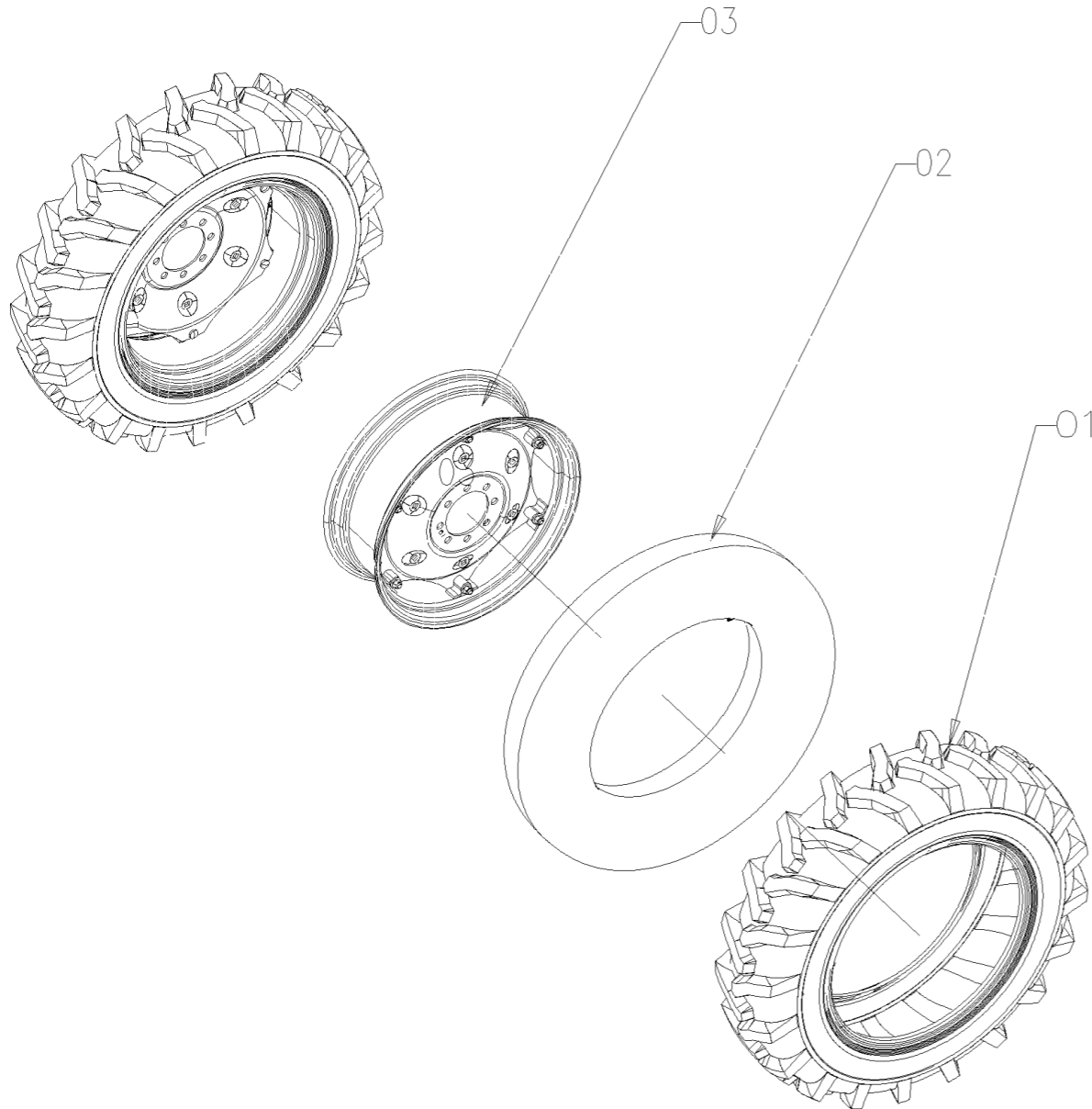
## SH404A.22.001\_2 排气系统总成 EXHAUST SYSTEM ASS.Y

| 序号 | 零件编号               | 零件名称                | 数量 | 图号                 |
|----|--------------------|---------------------|----|--------------------|
| 1  | SH400.22.020-1     | 消声器总成 MUFFLER ASS.Y | 1  | SH400.22.020-1     |
| 2  | GBT6170-M10-A3L    | 螺母 NUT              | 4  | GBT6170-M10-A3L    |
| 3  | GBT5783-M10X35-A3L | 螺栓 BOLT             | 4  | GBT5783-M10X35-A3L |
| 4  | GBT93-10-A3L       | 垫圈 WASHER           | 8  | GBT93-10-A3L       |
| 5  | CD554A.22.102      | 密封垫 SEALING GASKET  | 1  | CD554A.22.102      |
| 6  | GBT5783-M8X25-A2L  | 螺栓 BOLT             | 4  | GBT5783-M8X25-A2L  |
| 7  | GBT93-8-A3L        | 垫圈 WASHER           | 4  | GBT93-8-A3L        |
| 8  | GBT97.1-8-A3L      | 垫圈 WASHER           | 4  | GBT97.1-8-A3L      |
| 9  | SH404A.22.101      | 排气弯管 EXHAUST ELBOW  | 1  | SH404A.22.101      |
| 10 | SH550.22.012       | 排气弯管防护罩焊合件 EXHAUST  | 1  | SH550.22.012       |
| 11 | GBT5783-M10X30-A3L | 螺栓 BOLT             | 4  | GBT5783-M10X30-A3L |
| 12 | GBT97.1-10-A3L     | 垫圈 WASHER           | 4  | GBT97.1-10-A3L     |

# SH550.34.001 REAR TIRE ASS.Y(12.4-28-R1)

## SH550.34.001\_2 后驱动轮总成 (斜交胎 12.4-28 , 无级可调 , 前桥i=12.713 , 分动箱 21/27 ) REAR TIRE ASS.Y(12.4-28-R1)

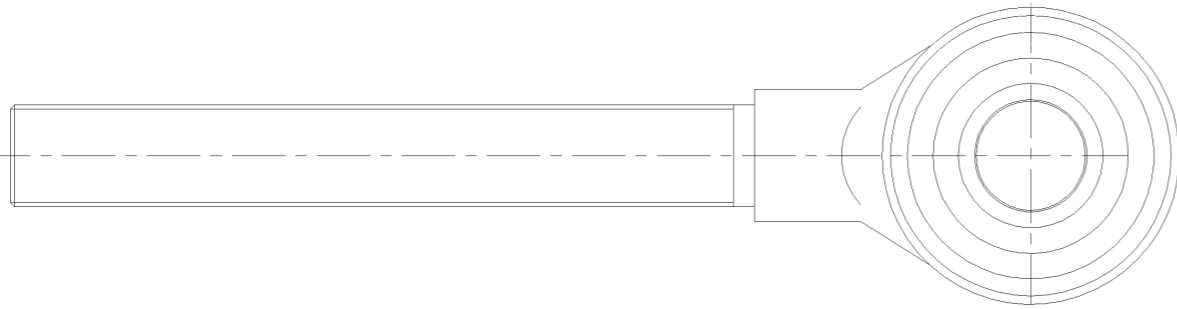
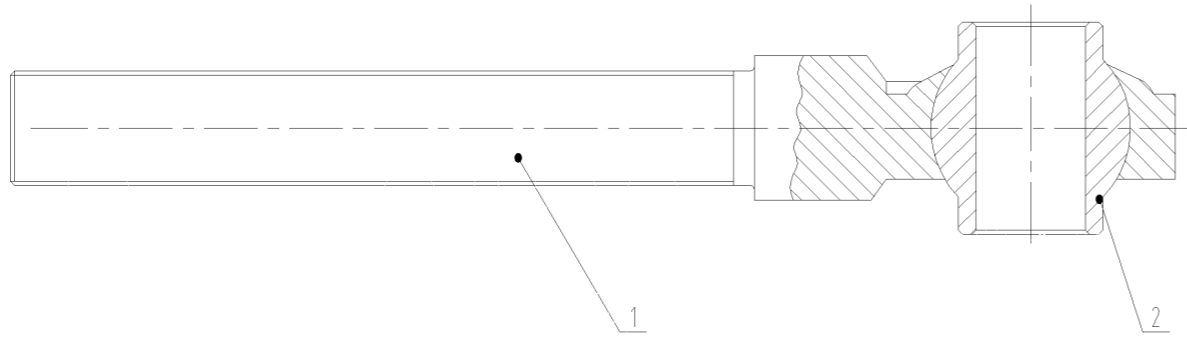
| 序号 | 零件编号                   | 零件名称              | 数量 | 图号                     |
|----|------------------------|-------------------|----|------------------------|
| 1  | GBT2979-12.4-28-8PR-R1 | 外胎 OUTER TIRE     | 2  | GBT2979-12.4-28-8PR-R1 |
| 2  | GBT2979-12.4-28-R1     | 内胎 INNER TIRE     | 2  | GBT2979-12.4-28-R1     |
| 3  | SH550.34.011           | 轮辋焊合 RIM WELDMENT | 2  | SH550.34.011           |



SH550.56.012 前调节杆总成

SH550.56.012 前调节杆总成 FRONT ADJUST LINKAGE ASSY

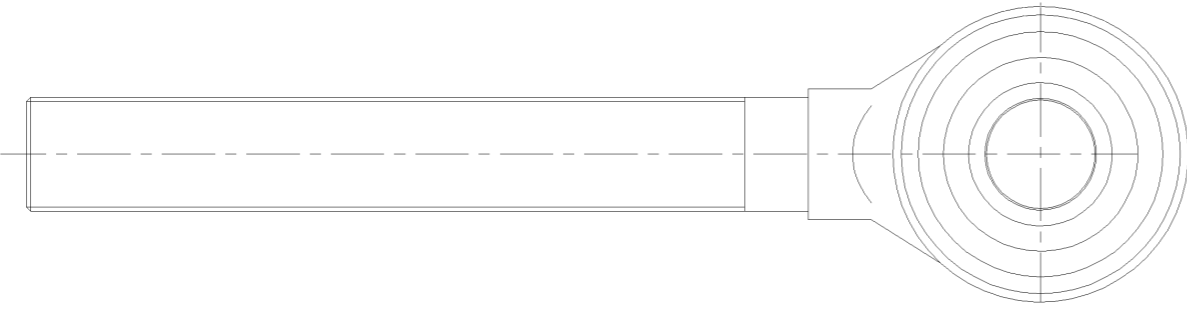
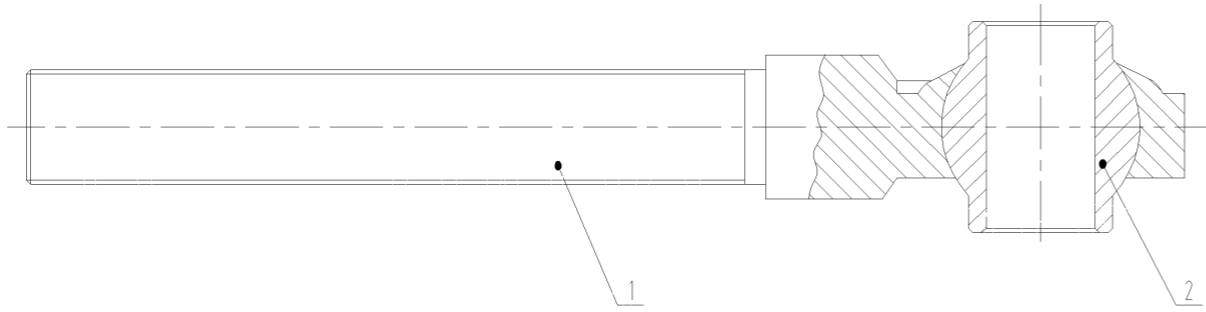
| 序号 | 零件编号         | 零件名称                     | 数量 | 图号           |
|----|--------------|--------------------------|----|--------------|
| 1  | SH550.56.107 | FRONT ADJUST ROD         | 1  | SH550.56.107 |
| 2  | SH550.56.108 | UPPER LINKAGE BALL JOINT | 1  | SH550.56.108 |



SH550.56.013 后调节杆总成

SH550.56.013 后调节杆总成 REAR ADJUST LINKAGE ASSY

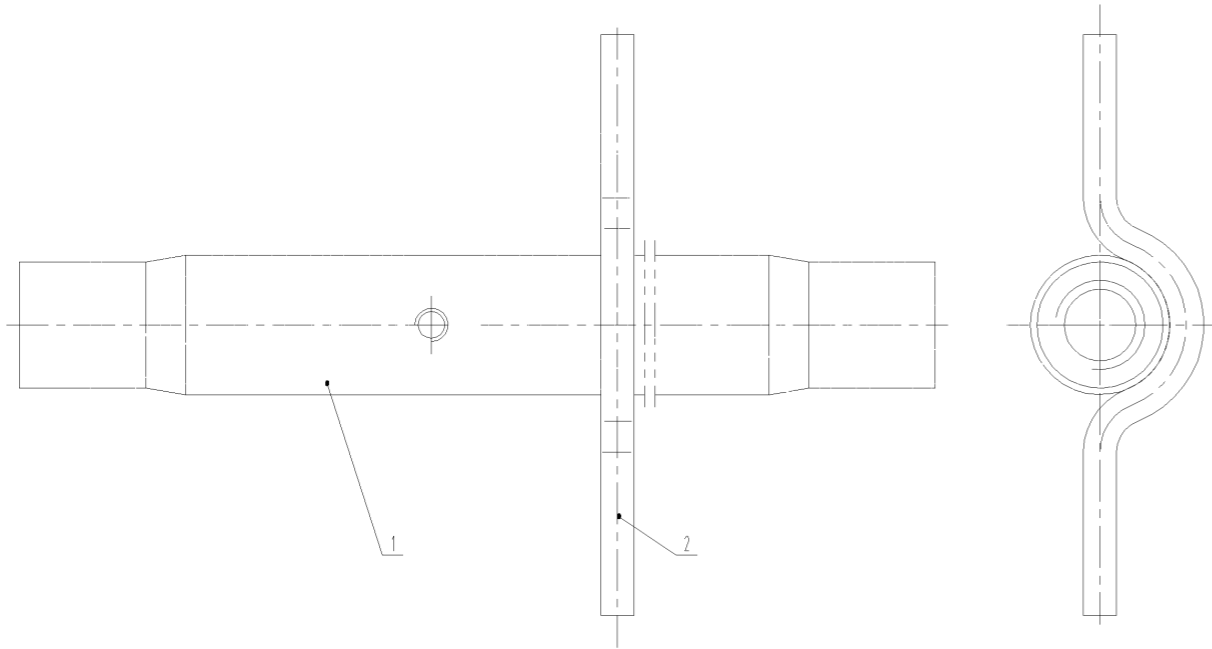
| 序号 | 零件编号         | 零件名称                     | 数量 | 图号           |
|----|--------------|--------------------------|----|--------------|
| 1  | SH550.56.109 | REAR ADJUST ROD          | 1  | SH550.56.109 |
| 2  | SH550.56.108 | UPPER LINKAGE BALL JOINT | 1  | SH550.56.108 |



SH550.56.024 调节螺管总成

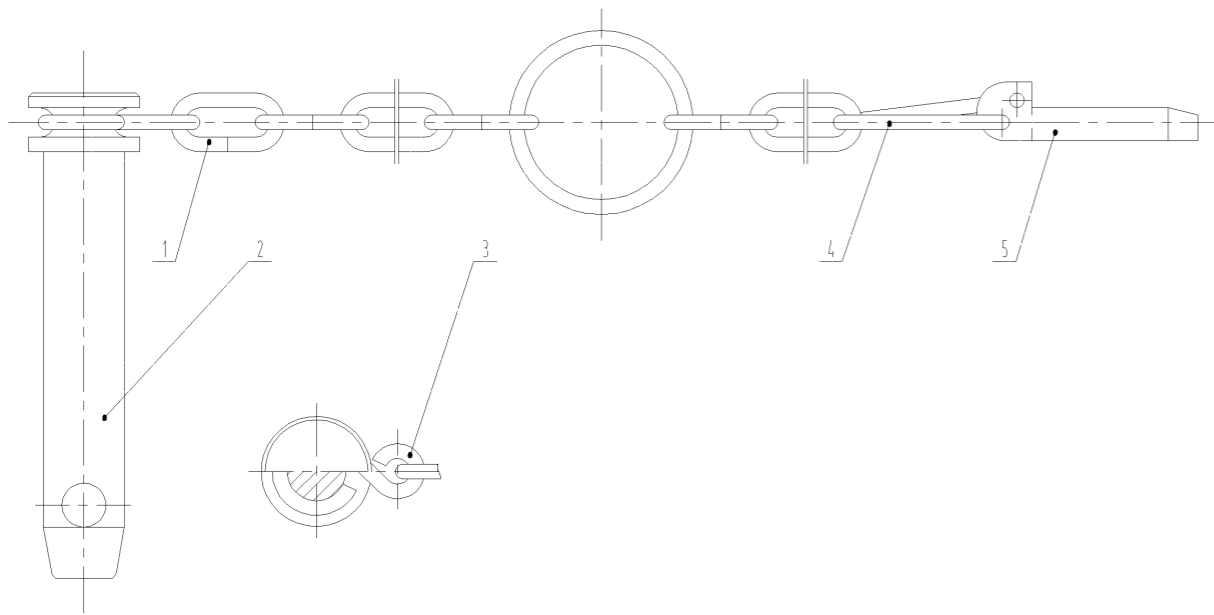
SH550.56.024 调节螺管总成 ADJUST SCREW PIPE ASSY

| 序号 | 零件编号         | 零件名称              | 数量 | 图号           |
|----|--------------|-------------------|----|--------------|
| 1  | SH550.56.101 | ADJUST SCREW PIPE | 1  | SH550.56.101 |
| 2  | SH550.56.110 | ADJUST HANDLE     | 1  | SH550.56.110 |





LD700.56.018 上拉杆锁销总成



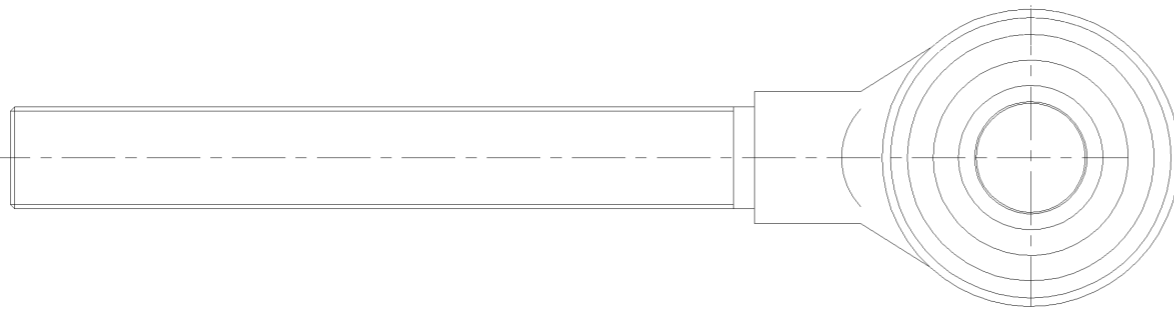
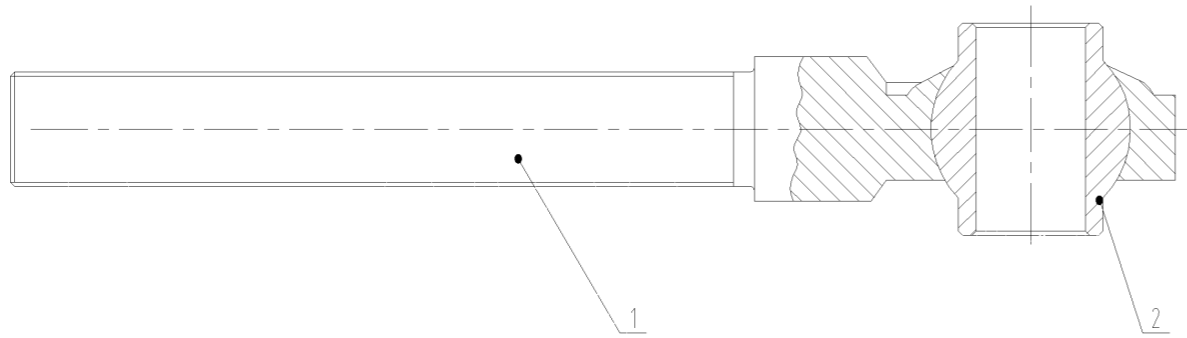
**LD700.56.018 上拉杆锁销总成 UPPER LOCK PIN ASSEMBLY**

| 序号 | 零件编号         | 零件名称                        | 数量 | 图号           |
|----|--------------|-----------------------------|----|--------------|
| 1  | LD700.56.029 | 链条及环焊合件 CHAIN AND RING      | 1  | LD700.56.029 |
| 2  | LD700.56.119 | 上拉杆联接销 ON THE PULL ROD      | 1  | LD700.56.119 |
| 3  | LD700.56.120 | LD700.56.120 COUPLING RINGS | 1  | LD700.56.120 |
| 4  | LD700.56.121 | 锁销环 LOCK RING               | 1  | LD700.56.121 |
| 5  | LD700.56.122 | 锁销 LOCK PIN                 | 1  | LD700.56.122 |

SH550.56.012 前调节杆总成

### SH550.56.012 前调节杆总成 FRONT ADJUST LINKAGE ASSY

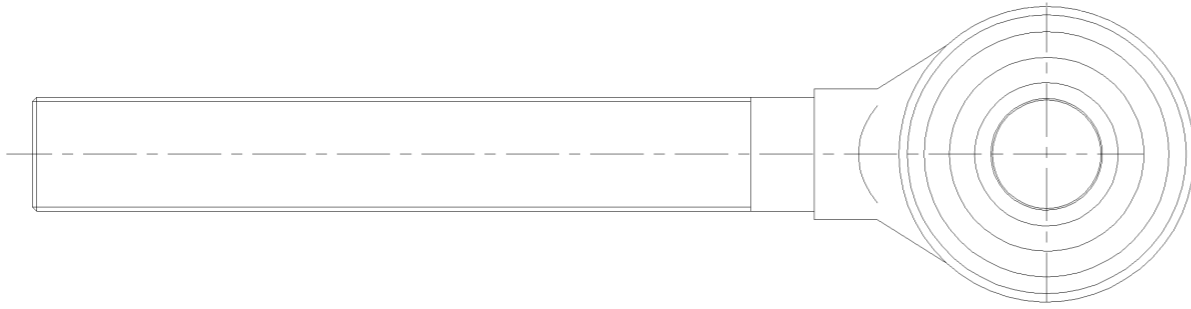
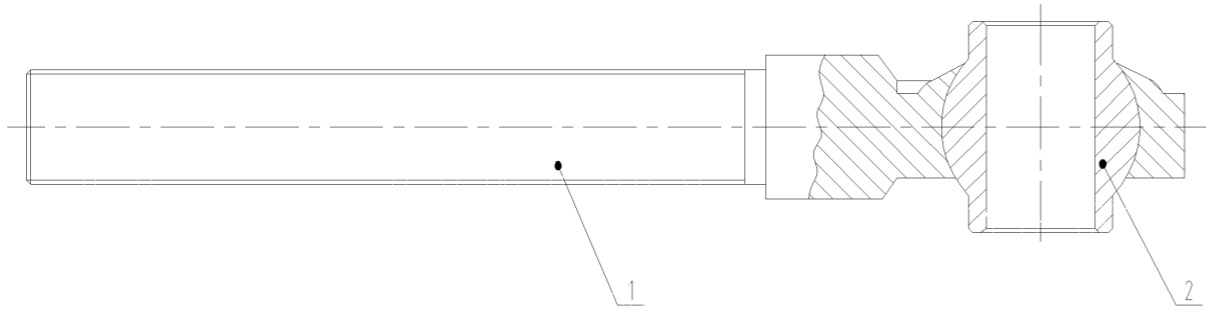
| 序号 | 零件编号         | 零件名称                      | 数量 | 图号           |
|----|--------------|---------------------------|----|--------------|
| 1  | SH550.56.107 | 上拉杆前调节杆 FRONT ADJUST ROD  | 1  | SH550.56.107 |
| 2  | SH550.56.108 | 上拉杆球接头 UPPER LINKAGE BALL | 1  | SH550.56.108 |



SH550.56.013 后调节杆总成

SH550.56.013 后调节杆总成 REAR ADJUST LINKAGE ASSY

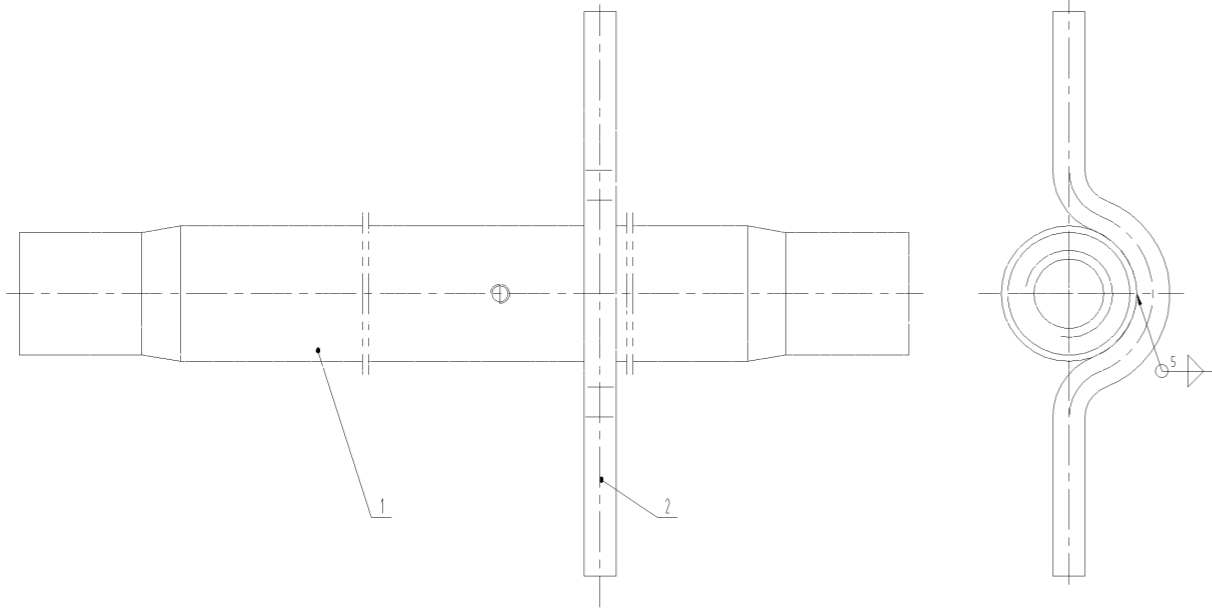
| 序号 | 零件编号         | 零件名称                      | 数量 | 图号           |
|----|--------------|---------------------------|----|--------------|
| 1  | SH550.56.109 | 上拉杆后调节杆 REAR ADJUST ROD   | 1  | SH550.56.109 |
| 2  | SH550.56.108 | 上拉杆球接头 UPPER LINKAGE BALL | 1  | SH550.56.108 |



SH550.56B.022 调节螺管焊合件

### SH550.56B.022 调节螺管焊合件 ADJUST SCREW PIPE ASSY

| 序号 | 零件编号          | 零件名称                   | 数量 | 图号            |
|----|---------------|------------------------|----|---------------|
| 1  | SH550.56B.109 | 调节螺管 ADJUST SCREW PIPE | 1  | SH550.56B.109 |
| 2  | SH550.56.110  | 调节手柄 ADJUST HANDLE     | 1  | SH550.56.110  |

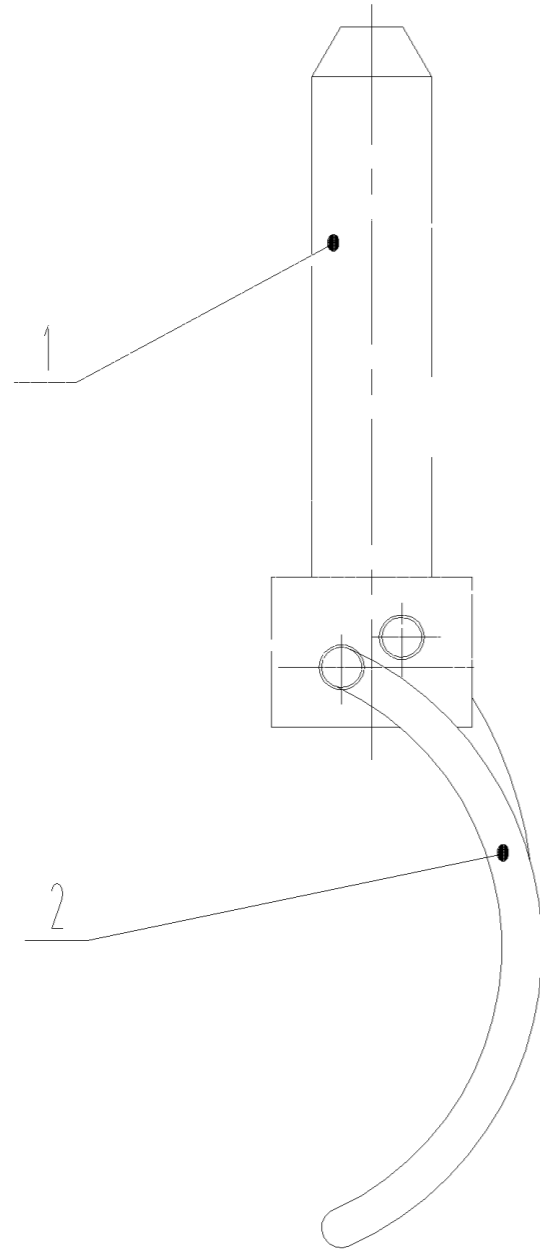


SH400.56.029

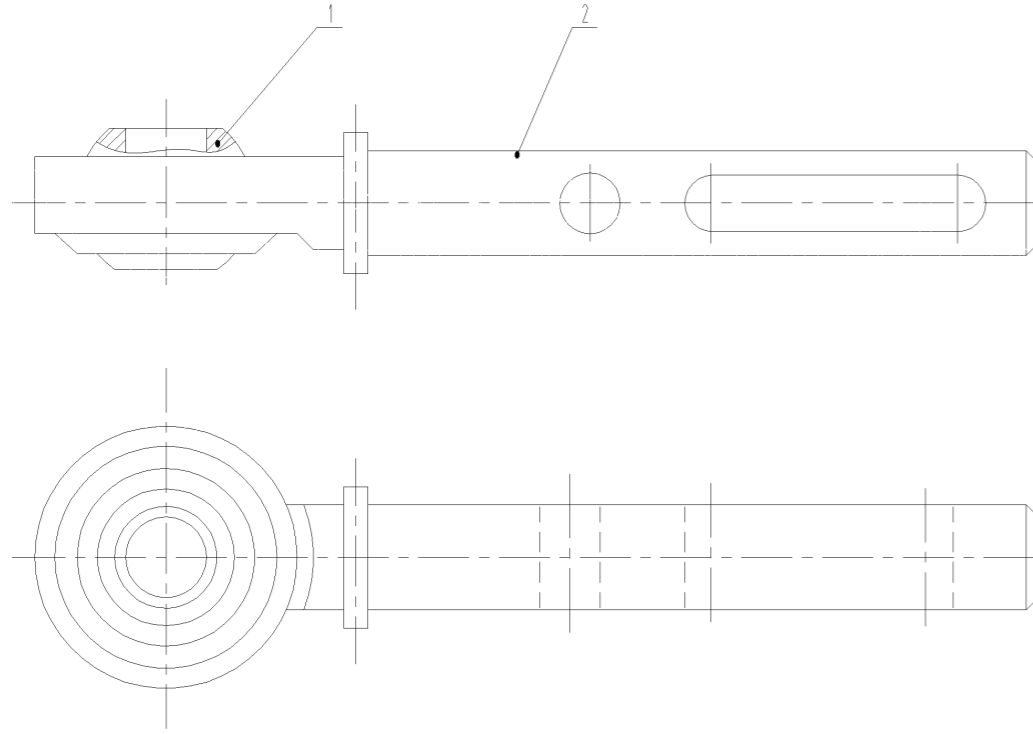
限位锁销组合

SH400.56.029 限位锁销组合 POSITIONING LOCK PIN ASSEMBLY

| 序号 | 零件编号         | 零件名称          | 数量 | 图号           |
|----|--------------|---------------|----|--------------|
| 1  | SH400.56.141 | 锁定销 LOCK PIN  | 1  | SH400.56.141 |
| 2  | SH400.56.142 | 锁销环 LOCK RING | 1  | SH400.56.142 |



SH400.56.031 伸缩杆球头总成



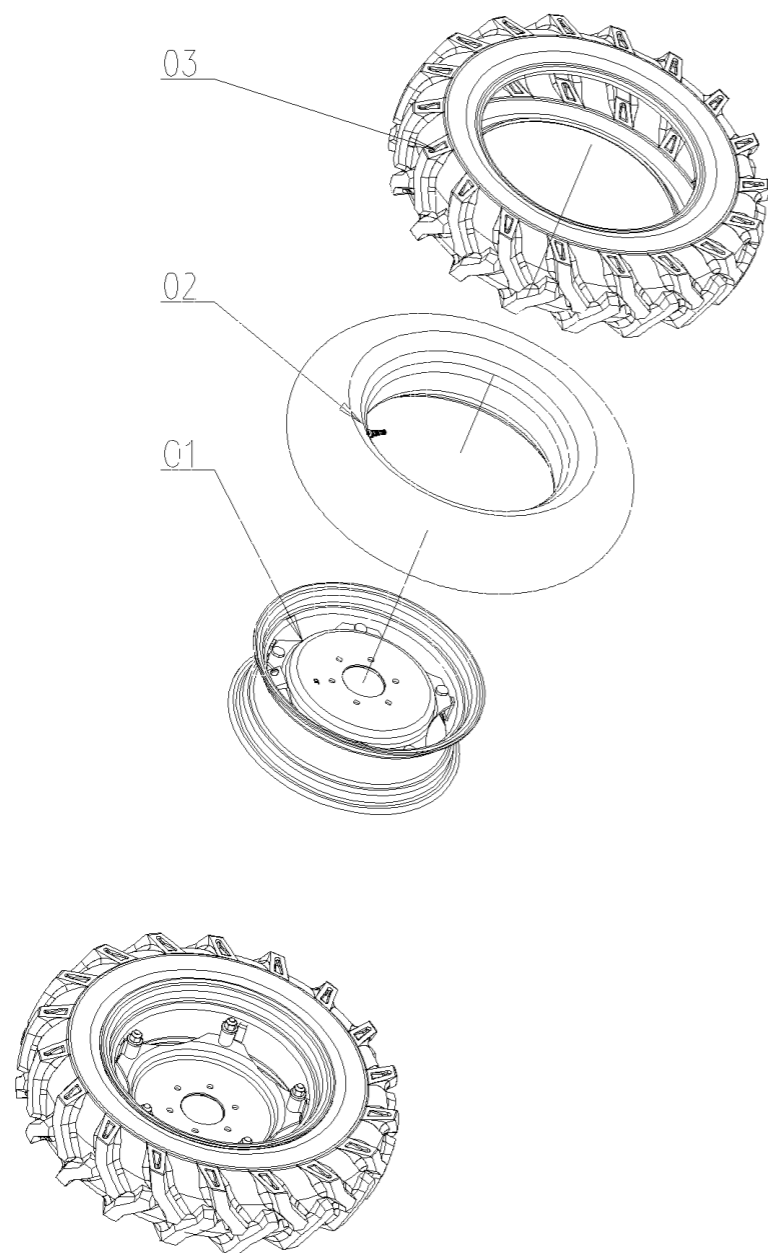
SH400.56.031 伸缩杆球头总成 TELESCOPING LINK BALL ASSEMBLY

| 序号 | 零件编号         | 零件名称                   | 数量 | 图号           |
|----|--------------|------------------------|----|--------------|
| 1  | SH400.56.109 | 伸缩杆 TELESCOPING LINK   | 1  | SH400.56.109 |
| 2  | SH400.56.112 | 伸缩杆球头 TELESCOPING BALL | 1  | SH400.56.112 |

# SH554.32B.001 FRONT WHEEL(8.3-20)

# SH554.32B.001\_1 前驱动轮总成 (斜交胎 8.3-20 , 前桥i=12.713 , 分动箱21/27) FRONT TIRE ASS.Y (8.3-20-R1)

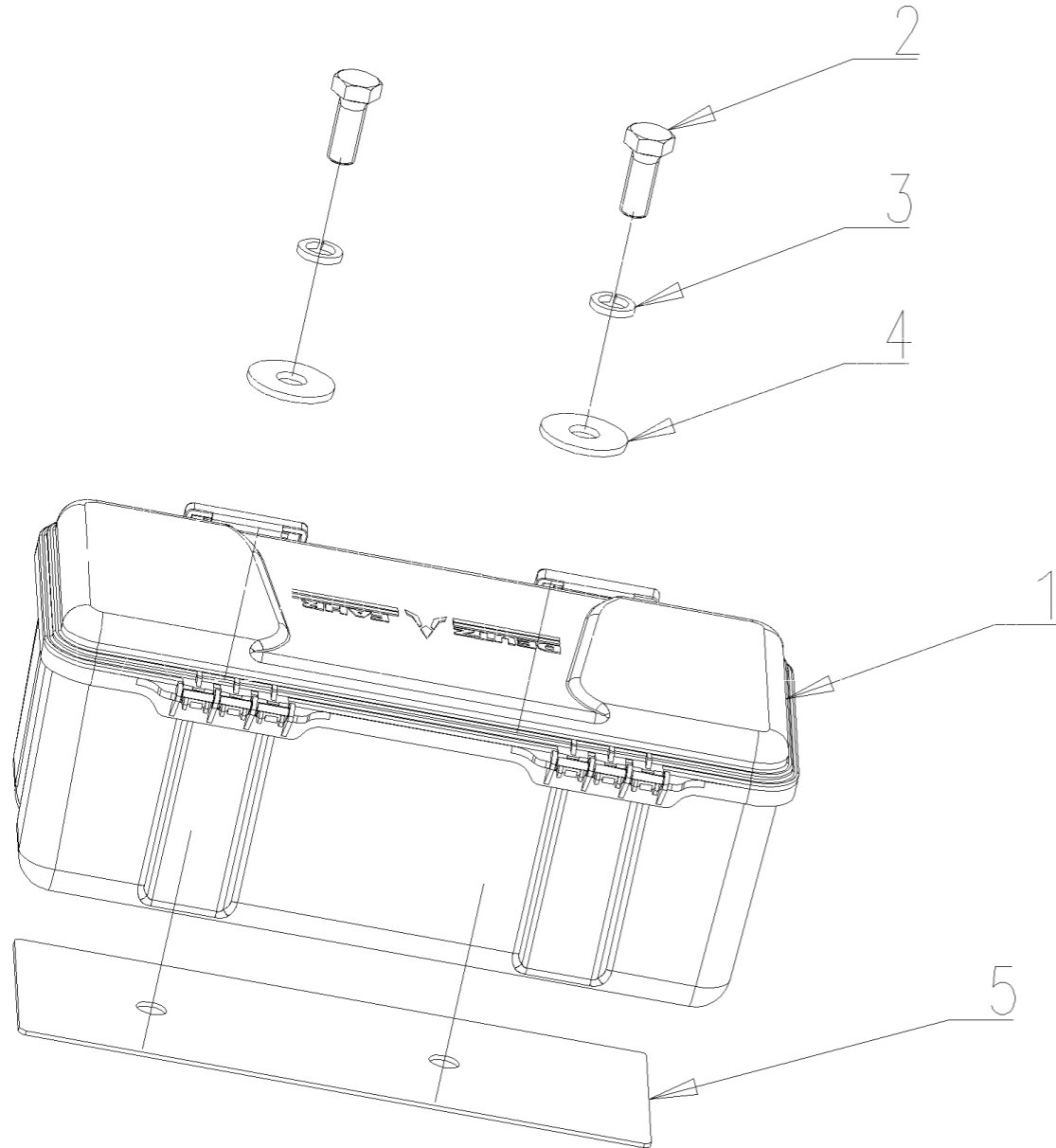
| 序号 | 零件编号                  | 零件名称                     | 数量 | 图号                    |
|----|-----------------------|--------------------------|----|-----------------------|
| 1  | SH554.32.011          | 轮圈组件 (W7X20) 轮辋总成W7 × 20 | 2  | SH554.32.011          |
| 2  | GBT2979-8.3-20-R1     | 内胎 INNER TIRE            | 2  | GBT2979-8.3-20-R1     |
| 3  | GBT2979-8.3-20-6PR-R1 | 外胎 OUTER TIRE            | 2  | GBT2979-8.3-20-6PR-R1 |



# SH704-1.49.002 TOOL BOX ASS.Y

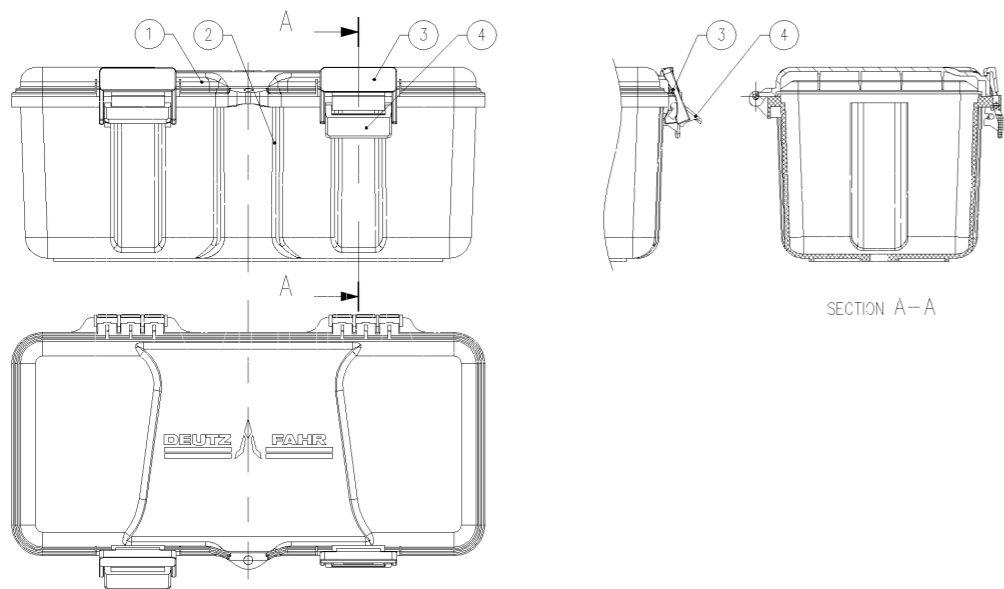
## SH704-1.49.002\_2 工具箱总成 (地板+安全架) TOOLBOX ASS.Y

| 序号 | 零件编号               | 零件名称        | 数量 | 图号                 |
|----|--------------------|-------------|----|--------------------|
| 1  | SH704-1.49.020/10  | 工具箱总成 工具箱总成 | 1  | SH704-1.49.020/10  |
| 2  | GBT5783-M12X30-A3L | 螺栓 BOLT     | 2  | GBT5783-M12X30-A3L |
| 3  | GBT93-12-A3L       | 垫圈 WASHER   | 2  | GBT93-12-A3L       |
| 4  | GBT96-12-A3L       | 垫圈 WASHER   | 2  | GBT96-12-A3L       |
| 5  | SH704-1.49.205/10  | 工具箱胶垫 工具箱胶垫 | 1  | SH704-1.49.205/10  |





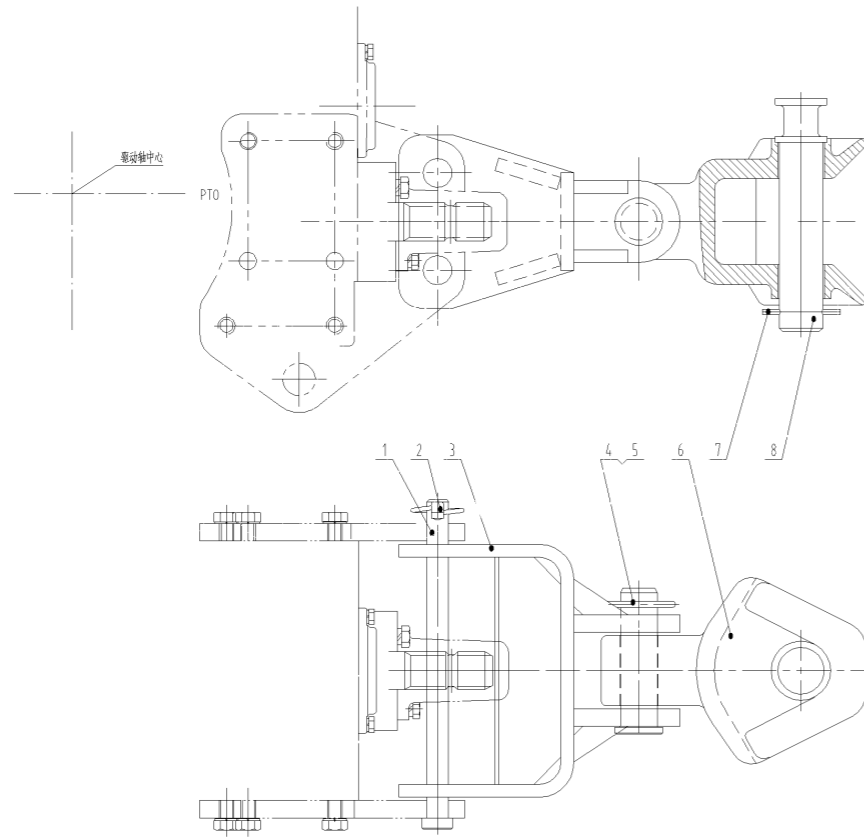
SH704-1.49.020/10 TOOLBOX ASSEMBLY



SH704-1.49.020/10 工具箱总成 TOOLBOX ASS.Y

| 序号 | 零件编号              | 零件名称        | 数量 | 图号                |
|----|-------------------|-------------|----|-------------------|
| 1  | SH704-1.49.201/10 | 工具箱上盖 工具箱上盖 | 1  | SH704-1.49.201/10 |
| 2  | SH704-1.49.202    | 工具箱下箱 工具箱下箱 | 1  | SH704-1.49.202    |
| 3  | SH704-1.49.203    | 上锁扣 上锁扣     | 2  | SH704-1.49.203    |
| 4  | SH704-1.49.204    | 下锁扣 下锁扣     | 2  | SH704-1.49.204    |

SH704-153.001



## SH704-1.53.001\_0 拖挂总成 (加强型可活动拖挂) TRALER HITCH ASS.Y

| 序号 | 零件编号           | 零件名称          | 数量 | 图号             |
|----|----------------|---------------|----|----------------|
| 1  | SH400.53.104   | 连接销 连接销       | 2  | SH400.53.104   |
| 2  | SH400.53.011   | 锁销 锁销         | 2  | SH400.53.011   |
| 3  | SH704-1.53.011 | 拖挂架焊合件 拖挂架焊合件 | 1  | SH704-1.53.011 |
| 4  | SH704-1.53.101 | 短销 短销         | 1  | SH704-1.53.101 |
| 5  | SH400.53A.102  | 弹簧锁销 弹簧锁销     | 1  | SH400.53A.102  |
| 6  | LD700.53.103   | U形挂钩 U形挂钩     | 1  | LD700.53.103   |
| 7  | LD700.53.104   | 弹簧锁销 弹簧锁销     | 1  | LD700.53.104   |
| 8  | LD700.53.106   | 牵引销 牵引销       | 1  | LD700.53.106   |