

YC4A100Z-T20 (A8YT1) 柴油机

零件图册

Parts Catalogue of YC4A100Z-T20 (A8YT1) Diesel Engine

广西玉柴机器股份有限公司

GuangXi Yuchai Machinery Co., Ltd.

2021年4月

April. 2021

前 言 Foreword

感谢您选用广西玉柴机器股份有限公司的产品，并感谢您阅读《YC4A100Z-T20(A8YT1)柴油机零件图册》！
Thanks for using Yuchai engine and reading the “Parts Catalogue of YC4A100Z-T20(A8YT1)Diesel Engine”！

玉柴的服务宗旨是：“倾我所有、尽我所能、竭诚用户、诚信天下”，为了更好地履行玉柴的服务宗旨，我们编印了《YC4A100Z-T20(A8YT1)柴油机零件图册》，希望本图册可以让用户更好地了解玉柴产品的结构与配置，方便用户使用、维修和购置零配件。

With the aim to fulfill our company service tenet, i. e. “striving all out to serve the customers, spending full sincerity to confidence the world”, we compiled and printed this “Parts Catalogue of YC4A100Z-T20(A8YT1)Diesel Engine”. We hope this “Parts Catalogue of YC4A100Z-T20(A8YT1) Diesel Engine” will help you to understand the structure and configuration of Yuchai’s YC4A100Z-T20(A8YT1) diesel engines, so to operate and maintain them easily for your reference only.

本零件图册是根据 2021 年 4 月相关生产图样、资料编制而成的。图册中列出了 YC4A100Z-T20(A8YT1)柴油机的全部零部件目录。
This “Parts Catalogue of YC4A100Z-T20(A8YT1) Diesel Engine” is compiled by basing on the production samples and technical documents in January 2021, and covers the engine model of YC4A100Z-T20(A8YT1) diesel engine.

随着产品的不断改进提高和用户不断提出新的要求，《YC4A100Z-T20(A8YT1)柴油机零件图册》中的有关内容将会有不同程度的变更，玉柴保留在不预先通知的情况下进行修改的权利，具体配置情况应以当时产品技术文件为依据。

As production improvements and consumer’s requirements are constantly brought up, the content of this “Parts Catalogue of YC4A100Z-T20(A8YT1)Diesel Engine” must be changed at a certain extent, which Yuchai reserves the right to modify without formal notification beforehand. The engine’s idiographic configuration is according to its technical documents.

本零件图册编写不足之处在所难免，敬请提出批评意见，使之渐臻完善。谢谢！
Deficiencies may appear in this “Part Catalogue of YC4A100Z-T20(A8YT1)Diesel Engine”，and your comments and suggestions are appreciated honestly!

广西玉柴机器股份有限公司
GuangXi Yuchai Machinery Co., Ltd.

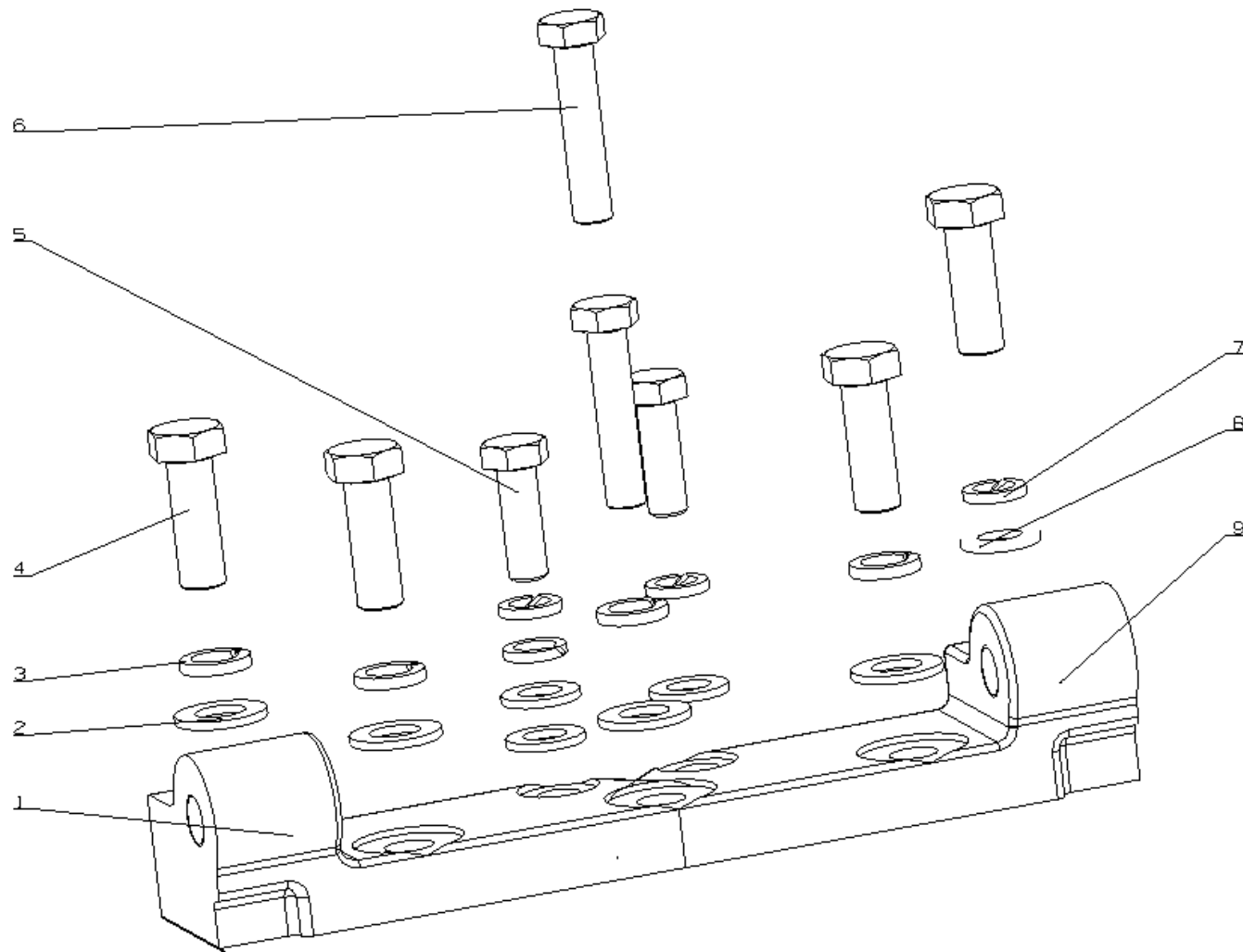
目 录 CONTENTS

序号 No.	图号 Part No.	名 称	Part Name	页数 Page	备注 Remark
1	B8800-1001000	发动机悬置总成	Engine Suspension Assembly		
2	A94T9-1002000	气缸体总成	Cylinder Block Assembly		
3	A94T9-1002200	齿轮室部件	Gear Housing Parts		
4	A8ETM-1003000	气缸盖总成	Cylinder Head Assembly		
5	A9MT5-A003000	气缸盖罩总成	Cylinder Head Cover Assembly		
6	AYK000-A004000	吊耳总成	Hanger Assembly		
7	A8600-1004000	活塞及连杆总成	Piston Connecting Rod Assembly		
8	A8E00-1005000	曲轴减振器总成	Crankshaft Vibration Damper Assembly		
9	A8600-1006000	凸轮轴总成	Camshaft Assembly		
10	B8800-1007000	配气机构总成	Valve Train Assembly		
11	A8ETM-1008000	进排气管总成	Intake and Exhaust Manifold Parts Assembly		
12	A9YT1-1009000	油底壳总成	Oil Sump Assembly		
13	B8800-1010000	机油集滤器总成	Oil Strainer Assembly		
14	A9X00-1013000	机油冷却器总成	Oil Cooler Assembly		
15	B8800-1028000	油标尺总成	Oil Dipstick Assembly		
16	B8800-1011000	机油泵总成	Oil Pump Subassembly		
17	B8805-1012000	机油滤清器部件	Oil filter assembly		
18	B7N00-1104000	供给系管路总成	Fuel Supply lines Assembly		
19	B8800-1105000	柴油滤清器总成	Fuel Filter Assembly		
20	A8E00-1111000	喷油泵总成	Injection Pump Assembly		
21	J3400-1112000	喷油器总成	Injection Pump Assembly		
22	B9200-1118000	增压器总成	Turbocharger Assembly		
23	A8ET5-1201000	消声器总成	Muffler assembly		
24	A8ET5-1303000	散热器水管及软管总成	Radiator Pipe And Hose Assembly		
25	A8ETM-1305000	放水开关总成	Water Drain Assembly		
26	A94G5-1306000	调温器总成	Thermostat Assembly		

27	A8ETM-1307000	水泵总成	Water Pump Assembly		
28	B8801-1308000	风扇总成	Fan Assembly		
29	A8E00-1600000	动力输出总成	Power Output Assembly		
30	A8ETM-3701000	发电机总成	Alternator assembly		
31	A8300-3708000	起动机总成	Starter Assembly		
32	D7Q00-3904000	铭牌	Data Plate		
33	A8ETM-8104000	空调压缩机总成	Air condition compressor Assembly		
34	D7205-3900000	工具备件总成	Tool Spare Parts Assembly		

EWP=Easy wear part (易损件)

1. B8800-1001000/发动机悬置总成 Engine Suspension Assembly

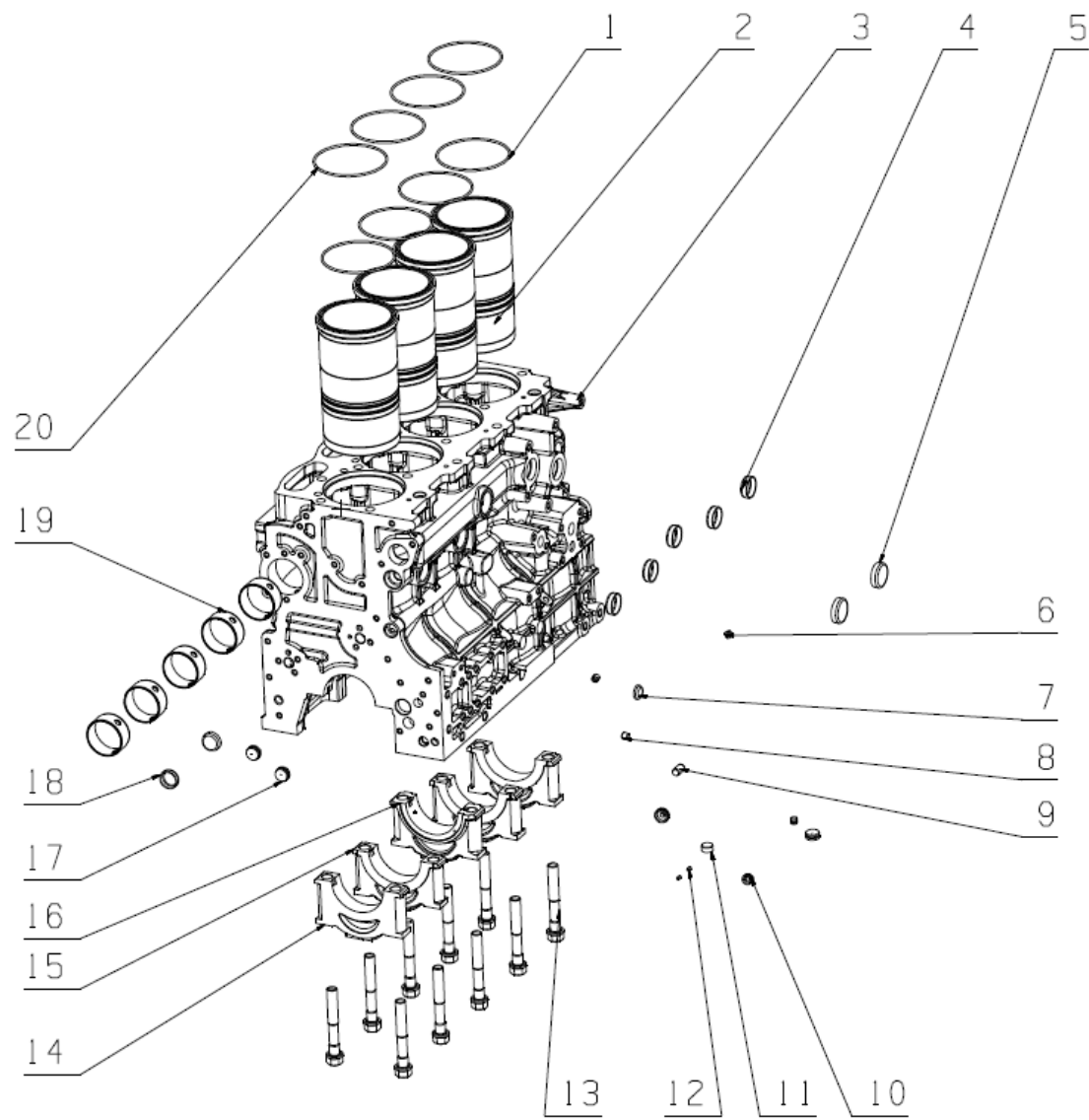


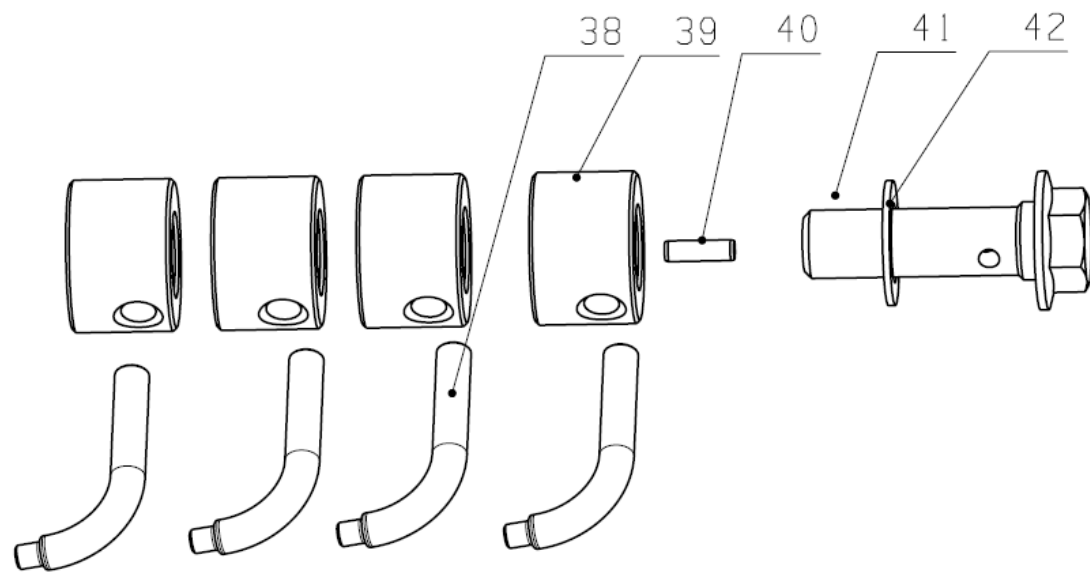
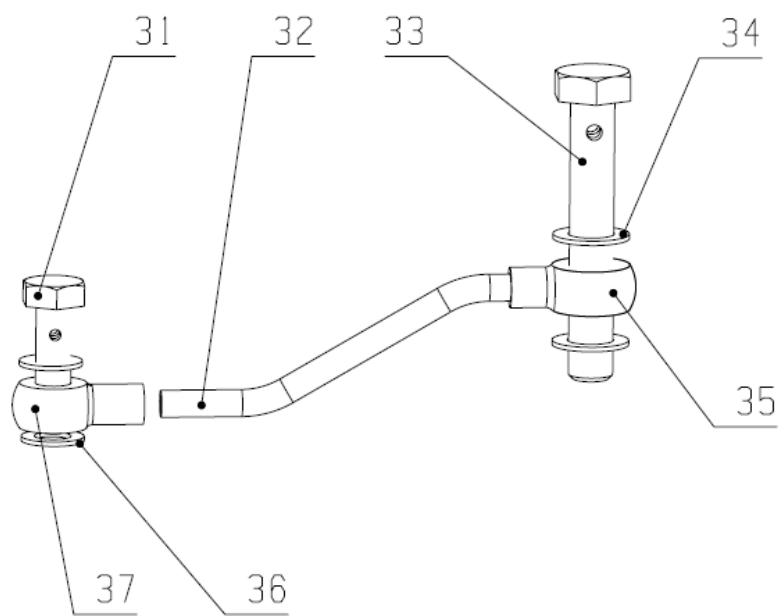
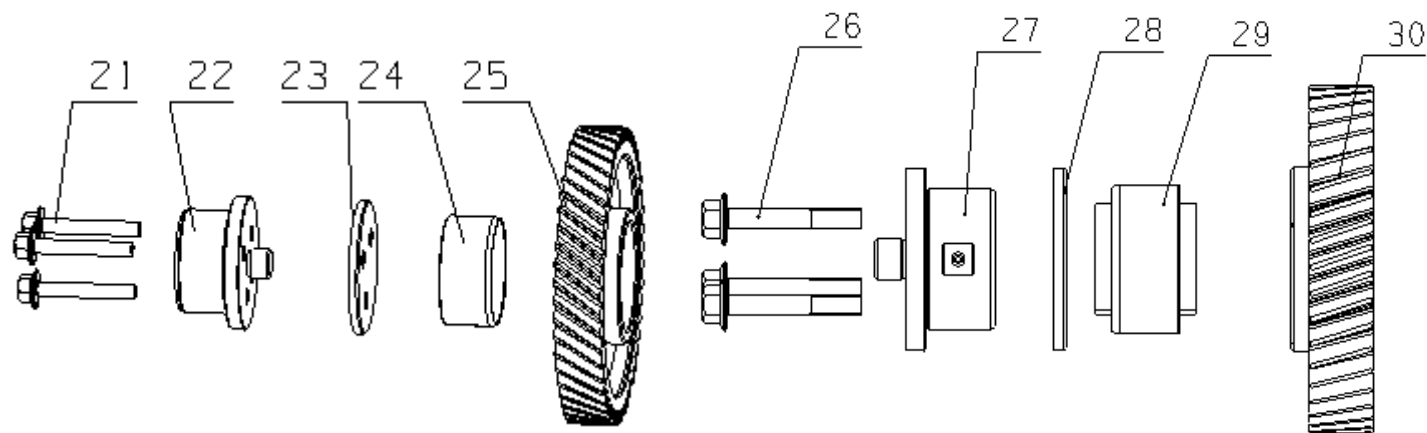
2. B8800-1001000/发动机悬置总成 Engine Suspension Assembly

序号 No.	图号 Part No.	名 称	Part Name	数量 Qty	备注 Remark
1	B8800-1001601C	右支架	Right bracket	1	
2	Q40114	垫圈 14	Gasket 14	4	易损件 EWP
3	Q40314	垫圈 14	Gasket 14	4	易损件 EWP
4	Q150B1440	螺栓 M14×40	Bolt M14×40	4	
5	Q150B1235	螺栓 M12×35	Bolt M12×35	2	
6	Q150B1255TF2	螺栓 M12×55	Bolt M12×55	2	
7	Q40312	垫圈 12	Gasket 12	4	易损件 EWP
8	Q40112	垫圈 12	Gasket 12	4	易损件 EWP
9	B8800-1001501C	左支架	Left bracket	1	

EWP=Easy wear part (易损件)

2. A94T9-1002000/气缸体总成 Cylinder Block Assembly





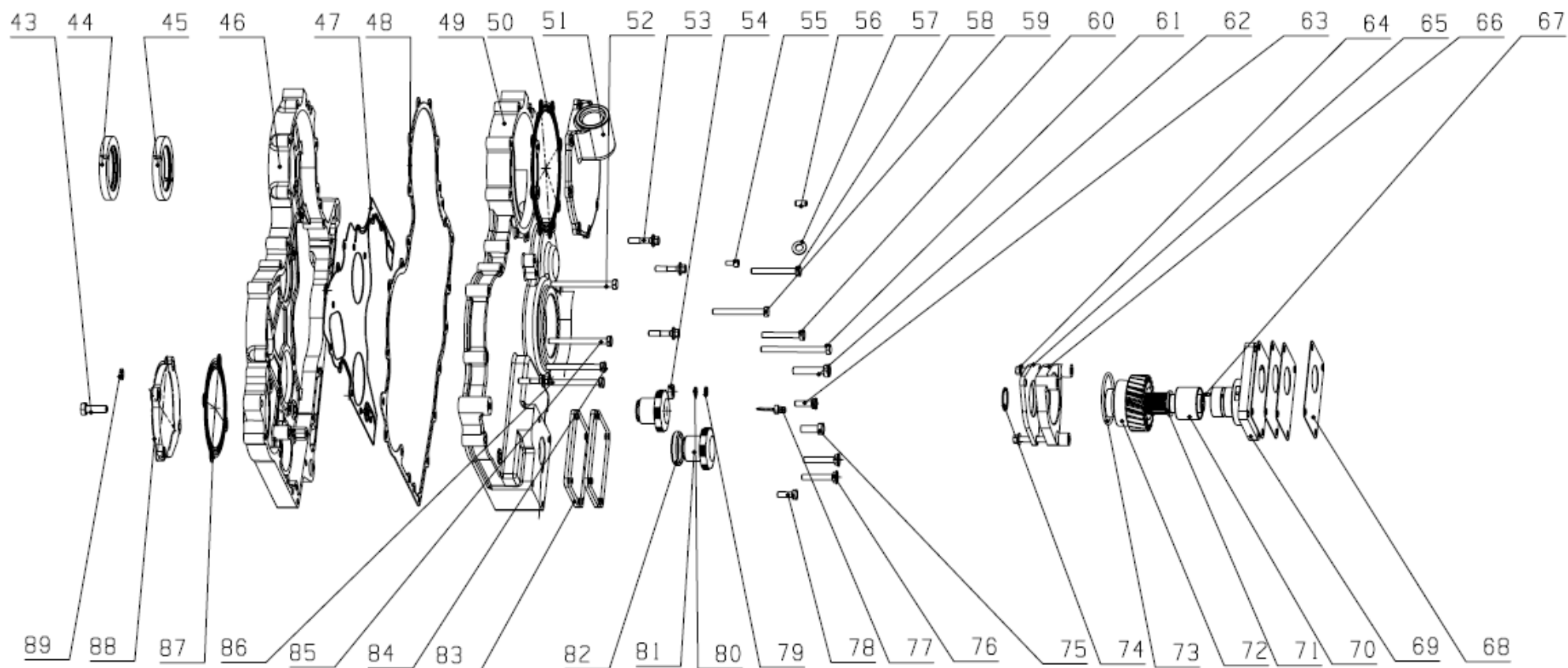
2. A94T9-1002000/气缸体总成 Cylinder Block Assembly

序号 NO.	图号 Part No.	名 称	Part Name	数量 Qty	备注 Remark
1	A3000-1002063B	气缸套封水圈	The cylinder liner seals the water ring	4	
2	A9W00-1002106C	气缸套	Cylinder liner	4	
3	A9W00-1002114E	气缸体	Cylinder block	1	
4	YC7-35	碗形塞片 35	Bowl plug 35	5	
5	YC7-40	碗形塞片 40	Bowl plug 40	2	
6	B0100-1002104	铝堵	Aluminum wall	3	
7	YC7-22	碗形塞片 22	Bowl plug 22	1	
8	Q61901	螺塞 NPT 1/8	Plug the NPT 1/8	1	
9	YC24-B1222	圆柱销 12X22	12 x22 cylindrical pin	1	
10	A8300-1002105	碗形塞片	Cup plug	1	
11	DK300-1002110A	主油道密封塞	Main oil line seal plug	1	
12	YC24-B0408	圆柱销 4X8	The cylindrical pin 4 by 8	2	
13	330-1002021B	主轴承盖螺栓	Main bearing cover bolts	10	
14	D30-1002012A	前主轴承盖	Front main bearing cover	1	
15	330-1002014	主轴承盖	The main bearing cover	3	
16	A50900-1002013	中间主轴承盖	Intermediate main bearing cover	1	
17	6105Q-1002110	主油道密封塞	Main oil line seal plug	4	
18	YC7-30	碗形塞片 30	Bowl plug 30	2	
19	D30-1002120	凸轮轴衬套	Cam shaft bushing	5	
20	A3000-1002063	气缸套封水圈	The cylinder liner seals the water ring	4	
21	D30-1002313	法兰面螺栓 M8X53.5	Flange bolt M8X53.5	3	
22	D30-1002052	惰齿轮轴	Idler gear shaft	1	
23	D30-1002054	惰齿轮挡板	Idler gear baffle	1	

24	6105QA-1002011	凸轮轴衬套	Cam shaft bushing	1	
25	D30-1002051	惰齿轮	Idle gear	1	
26	D30-1002313	法兰面螺栓 M8X53.5	Flange bolt M8X53.5	3	
27	B8800-1002D02A	液压泵惰齿轮轴	Hydraulic pump idler gear shaft	1	
28	B8800-1002D03	液压泵惰齿轮压板	Hydraulic pump idler gear press plate	1	
29	B8800-1002302A	惰齿轮衬套	Idler gear bushing	1	
30	B8800-1002D01A	液压泵惰齿轮	Idler gear for hydraulic pump	1	
31	B8800-1002E01A	铰接螺栓 I	Hinged bolt I	1	
32	B8800-1002E41	油管	oil tube	1	
33	B8800-1002E02A	铰接螺栓 II	Hinged bolt II	1	
34	Q/YC901-3C10	垫圈 10	Gasket 10	2	
35	Q/YC901-2C102	铰接式管接头体	Articulated pipe joint body	1	
36	Q/YC901-3C08	垫圈 8	Gasket 8	2	EWP
37	6105Q-1007072	油管接头	The tubing connector	1	
38	D30-1002742	喷管	effuser	4	
39	B8800-1002741	喷嘴体	The nozzle body	4	
40	YC24-B0310	圆柱销 3X10	The cylindrical pin 3 x10	4	
41	G0100-1002162A	过油螺栓	The oil bolt	4	
42	430-1002163	垫圈	washer	4	EWP

EWP=Easy wear part (易损件)

3. A94T9-1002200/齿轮室部件 Gear Housing Parts



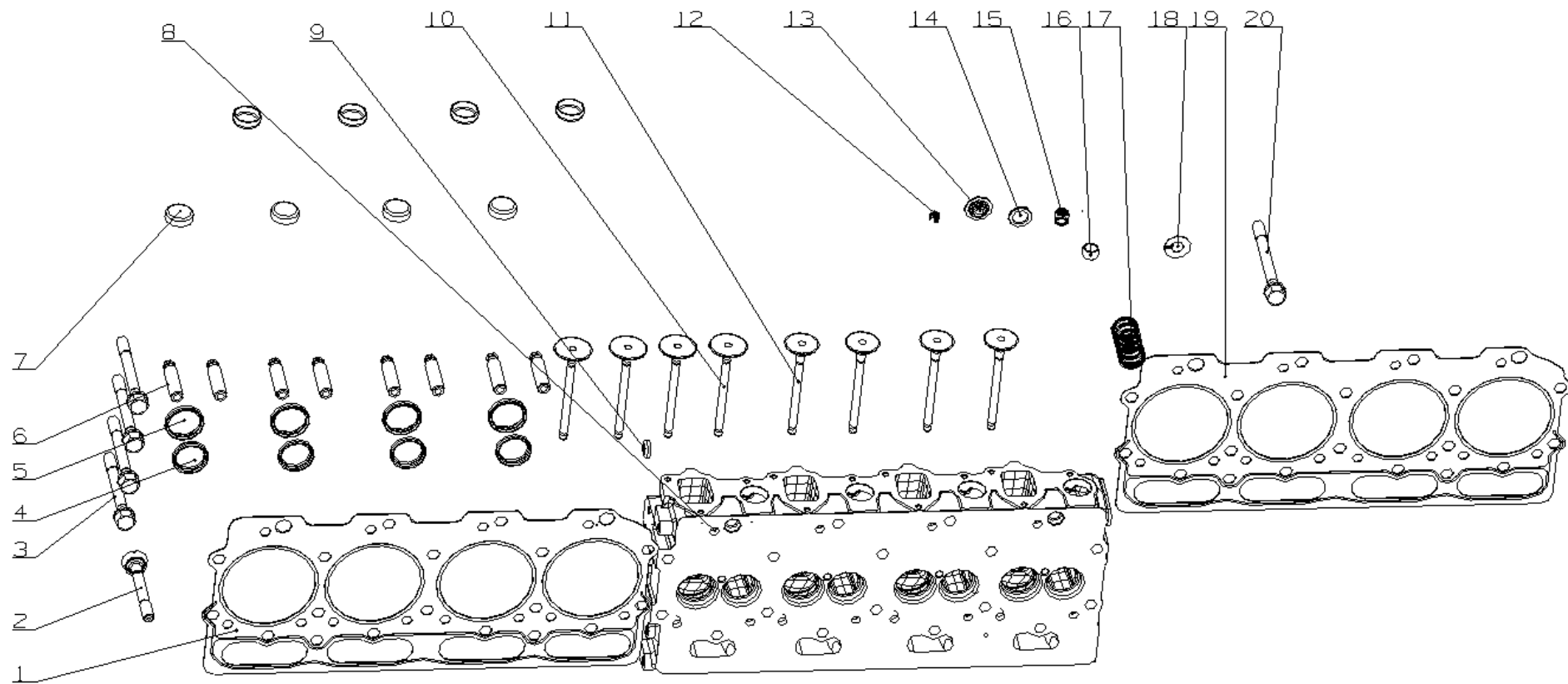
3. A94T9-1002200/齿轮室部件 Gear Housing Parts

43	Q150B1030	螺栓 M10X30	Bolt M10X30	3	
44	YC209-C065090FR	油封 65X90	Oil seal 65 x90	1	
45	YC209-C065090PR	油封 65X90	Oil seal 65 x90	1	
46	B8800-1002201D	齿轮室	Gear chamber	1	
47	B9900-1002202	齿轮室垫片	Gear chamber gasket	1	EWP
48	B8800-1002213A	齿轮室盖垫片	Gear chamber cover gasket	1	EWP
49	B8800-1002203	齿轮室盖	Gear chamber cover	1	
50	B8800-1002206A	喷油泵齿轮盖垫片	Fuel injection pump gear cover gasket	1	EWP
51	B7B01-1002205	喷油泵齿轮盖	Gear cover for fuel injection pump	1	
52	Q150B0890	螺栓 M8X90	Bolt M8X90	1	
53	Q1840835	螺栓 M8X35	Bolt M8X35	4	
54	E0200-1002265	垫圈	washer	1	EWP
55	Q218B0612	螺钉 M6X12	Screw M6X12	1	
56	YC24-B0816	圆柱销 8X16	Cylindrical pin x16 8	2	
57	Q40110	垫圈 10	washer 10	4	EWP
58	Q150B0865	螺栓 M8X65	Bolt M8X65	3	
59	Q150B0875	螺栓 M8X75	Bolt M8X75	3	
60	Q150B0855	螺栓 M8X55	Bolt M8X55	5	
61	Q150B0895	螺栓 M8X95	Bolt M8X95	2	
62	Q150B1045	螺栓 M10X45	Bolt M10X45	2	
63	Q150B0825	螺栓 M8X25	Bolt M8X25	10	
64	Q1840850TF2	螺栓 M8X50	Bolt M8X50	2	
65	B8800-1002263	液压泵齿轮压板	Hydraulic pump gear press plate	1	
66	B8800-1002264	垫块	bearer supporting bracket	1	

67	B8800-1002611	小油道堵塞	Small oil passage clogged	1	
68	AV500-1002225	液压泵垫片	Hydraulic pump gasket	4	EWP
69	BY6T2-1002233B	液压泵齿轮轴	Hydraulic pump gear shaft	1	
70	G8200-1002612A	液压泵齿轮衬套	Hydraulic pump gear bushing	1	
71	A8ST4-1002262	液压泵传动花键	Hydraulic pump transmission spline	1	
72	BY6T2-1002261A	液压泵齿轮	Hydraulic pump gear	1	
73	YC208-C06700F	O 形圈 3.55X67	3.55 X67 o-ring	1	EWP
74	Q43130	挡圈 30	Retaining ring 30	1	
75	Q151B1025	螺栓 M10X1X25	Bolt M10X1X25	1	
76	Q150B0845	螺栓 M8X45	Bolt M8X45	2	
77	B8800-1002207	上止点指针	Top dead center pointer	1	
78	Q150B0822	螺栓 M8X22	Bolt M8X22	3	
79	Q/YC149-8	复合式密封垫圈 8	Compound sealing gasket 8	2	
80	Q40308	垫圈 8	Gasket 8	32	EWP
81	150-1003041F	加机油口盖	Oil filling cap	1	
82	150-1003043C	密封圈	seal ring	1	EWP
83	AVJ01-3407013	转向泵盖	Steering pump cover	2	
84	Q150B0880	螺栓 M8X80	Bolt M8X80	1	
85	Q150B0885	螺栓 M8X85	Bolt M8X85	1	
86	Q150B0870	螺栓 M8X70	Bolt M8X70	1	
87	D8000-3509009	空压机垫片	Air compressor gasket	1	EWP
88	D7100-1002211	空压机接口盖板	Air compressor interface cover plate	1	
89	Q40310	垫圈 10	Gasket 10	6	

EWP=Easy wear part (易损件)

4. A8ETM-1003000/气缸盖总成 Cylinder Head Assembly

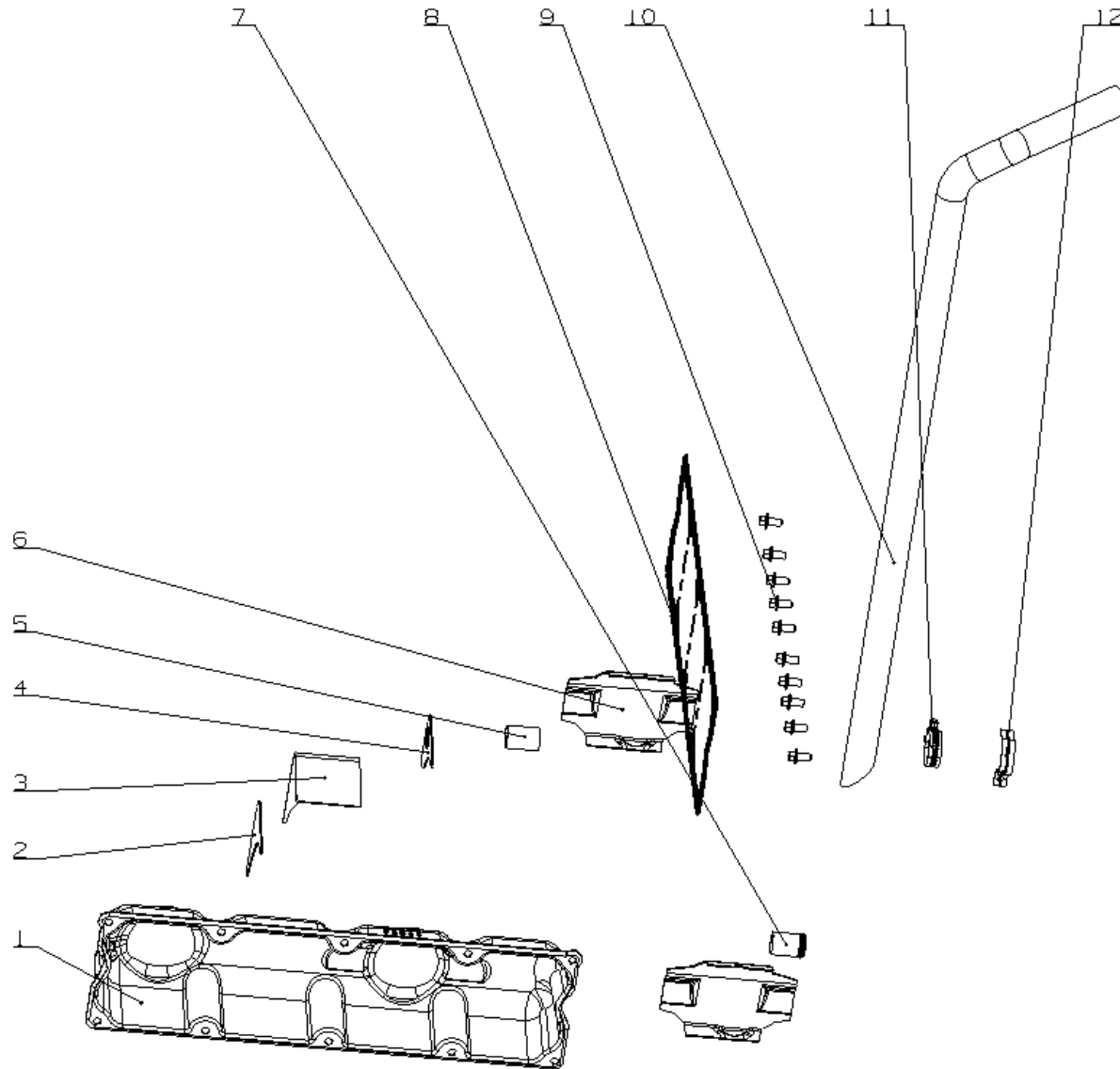


4. A8ETM-1003000/气缸盖总成 Cylinder Head Assembly

序号 No.	图号 Part No.	名 称	Part Name	数量 Qty	备注 Remark
1	D0300-1003001B-497	气缸盖垫片	Cylinder head gasket	1	易损件 EWP
2	D30-1003018	气缸盖短螺栓	Cylinder head short bolt	4	
3	330-1003018B	缸盖短螺栓 (II)	Cylinder head short bolt (II)	4	
4	D30-1003174A	排气门座圈	Exhaust valve seat ring	4	
5	D30-1003173A	进气门座圈	Intake valve seat ring	4	
6	M2A00-1003172	气门导管	Valve guide	8	
7	YC7-35	碗形塞片 35	Bowl plug 35	8	
8	D30-1003171E	气缸盖	Cylinder head	1	
9	YC7-22	碗形塞片 22	Bowl plug 22	1	
10	D30-1003111B	进气门	Intake valve	4	
11	D30-1003103C	排气门	The exhaust valve	4	
12	150-1007021E	气门锁夹	Valve lock clamp	16	
13	D30-1003116	气门弹簧上座	Upper seat of valve spring	8	
14	A9L00-1112006A	密封垫	a seal	4	
15	M6600-1003105	气门杆油封	Valve stem oil seal	8	
16	6105QA-1003088	气缸盖定位销套	Cylinder head locating pin sleeve	2	
17	D30-1003118	排气门弹簧	Exhaust valve spring	8	
18	D30-1003161	气门弹簧下座	Valve spring lower seat	8	
19	D0300-1003001C-386	气缸盖垫片	Cylinder head gasket	1	易损件 EWP
20	330-1003014B	气缸盖短螺栓	Cylinder head short bolt	10	

EWP=Easy wear part (易损件)

5. A9MT5-A003000/气缸盖罩总成 Cylinder Head Cover Assembly

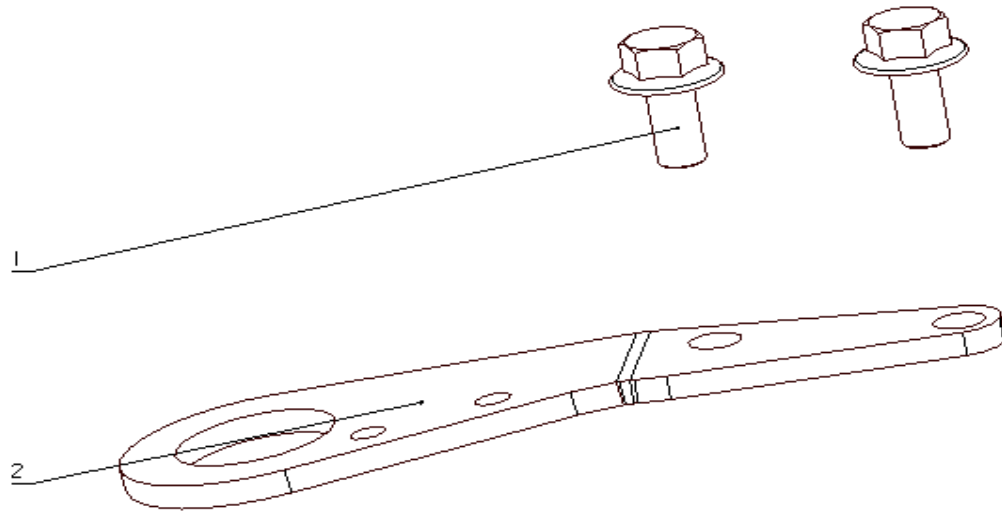


5. A9MT5-A003000/气缸盖罩总成 Cylinder Head Cover Assembly

序号 No.	图号 Part No.	名 称	Part Name	数量 Qty	备注 Remark
1	B8800-1003241	气缸盖罩	Cylinder Head Cover	1	
2	D0110-1003063	前盖板	Front cover plate	1	
3	D0110-1003064	中盖板	Middle cover plate	1	
4	D0110-1003065	后盖板	Back cover plate	1	
5	D0110-1003066	通气管	Vent pipe	1	
6	D0708-1003242	隔板	Isolated plate	1	
7	D0110-1003067	不锈钢钢丝绒	Stainless steel velvet	1000	
8	D30-1003022C	气缸盖罩垫片	Cylinder Head Cover gasket	1	
9	Q1840816	螺栓 M8×16	Bolts M8×16	10	
10	D01D2-1014003B	通气软管	Ventilation pipe	1	
11	Q67638	环箍 38	Hoop 38	1	
12	340-1013007	机油管夹	Oil pipe clamp	1	

EWP=Easy wear part (易损件)

6. AYK000-A004000/吊耳总成 Hanger Assembly

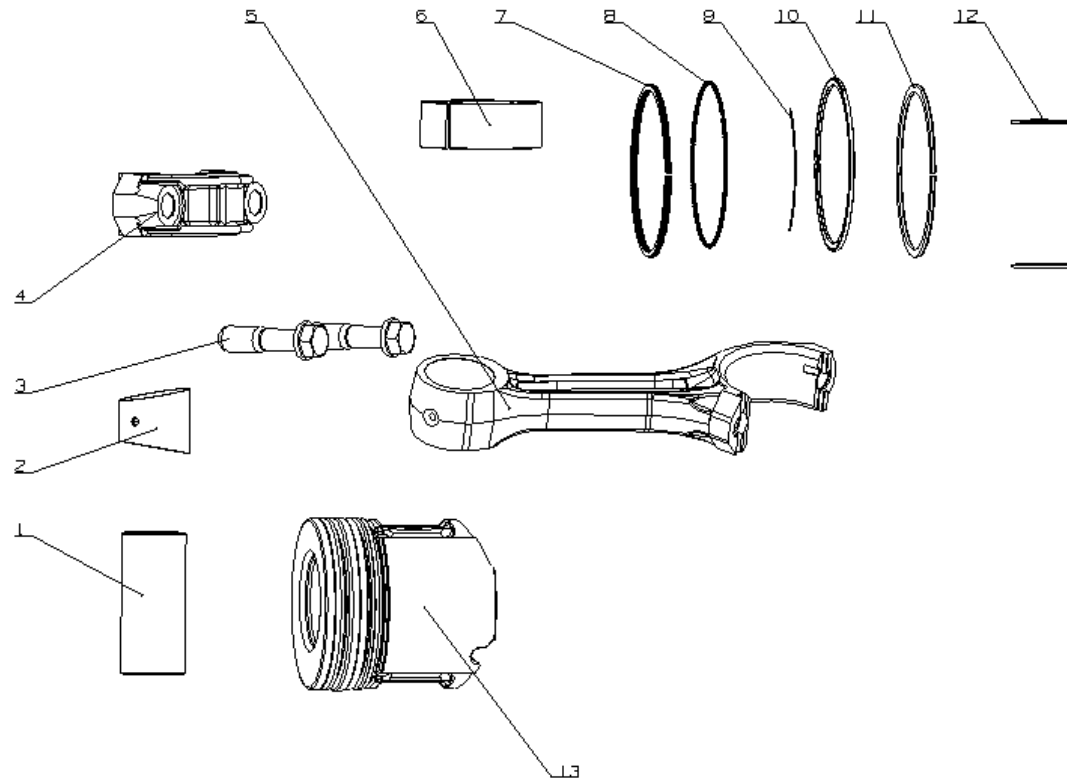


6. AYK000-A004000/吊耳总成 Hanger Assembly

序号 No.	图号 Part No.	名 称	Part Name	数量 Qty	备注 Remark
1	Q1841225TF2	螺栓 M12×25	BoltM12×25	2	
2	A9W00-1003123	后吊耳	Rear lifting lug	1	

EWP=Easy wear part (易损件)

7. A8600-1004000/活塞及连杆总成 Piston Connecting Rod Assembly

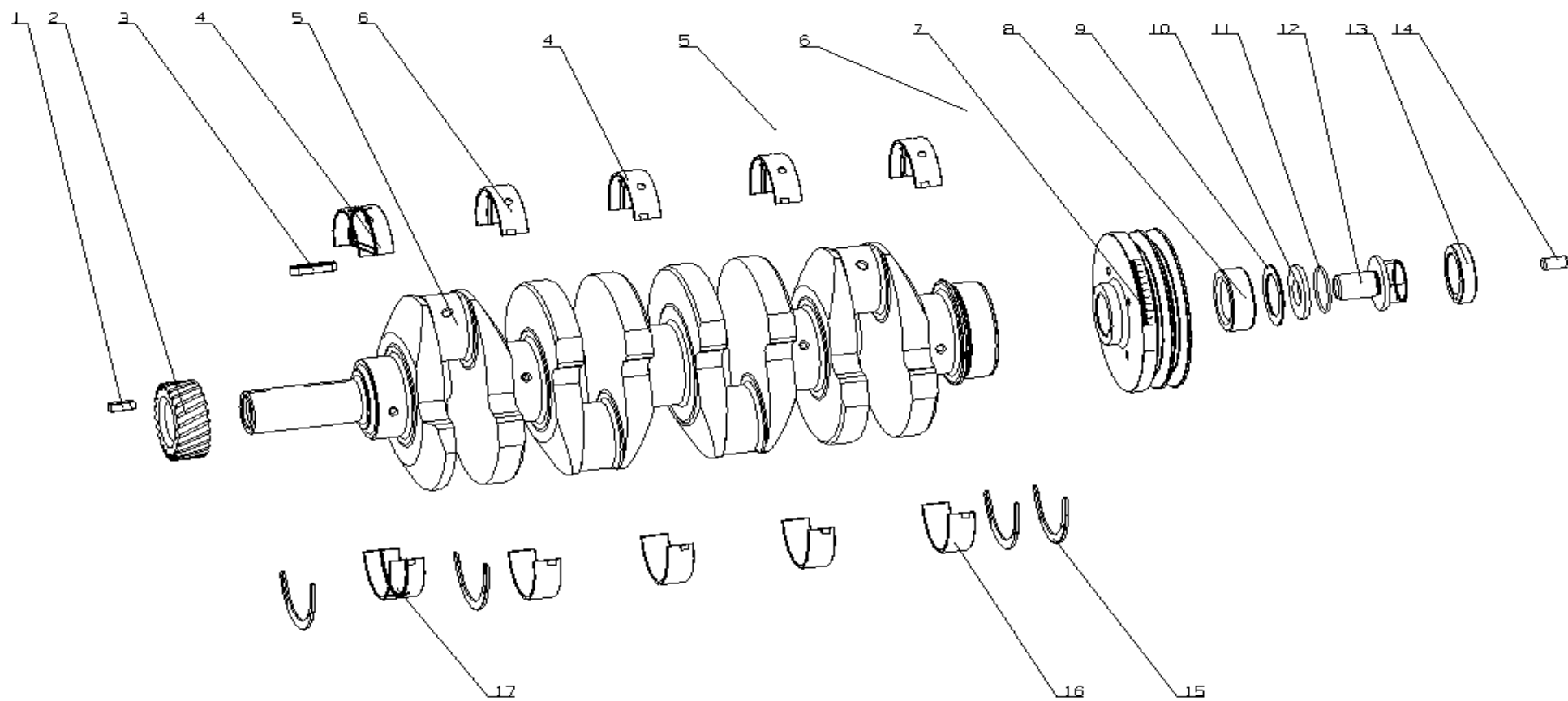


7. A8600-1004000/活塞及连杆总成 Piston Connecting Rod Assembly

序号 No.	图号 Part No.	名 称	Part Name	数量 Qty	备注 Remark
1	430-1004019	活塞销	Piston pin	1	
2	A3000-1004202	连杆衬套	Connecting rod bushing	1	
3	6105Q-1004054	连杆螺栓	Connecting rod bolt	2	
4	A8300-1004203	连杆盖	Connecting rod cap	1	
5	A8300-1004201A	连杆体	Connecting rod body	1	
6	A8600-1004005	连杆轴瓦	Connecting rod bearing bush	2	
7	A6000-1004101A	油环体	The oil ring body	1	
8	A6000-1004102A	撑簧	Last spring	1	
9	A6000-1004103A	撑簧接头	Spring joint	1	
10	A6000-1004002A	气环	Gaseous ring	1	
11	A6000-1004003A	刮油环	Oil scraper ring	1	
12	Q43040	挡圈 40	Retaining ring40	2	
13	A8600-1004001A	活塞	Plunger	1	

EWP=Easy wear part (易损件)

8. A8E00-1005000/曲轴减振器总成 Crankshaft Vibration Damper Assembly

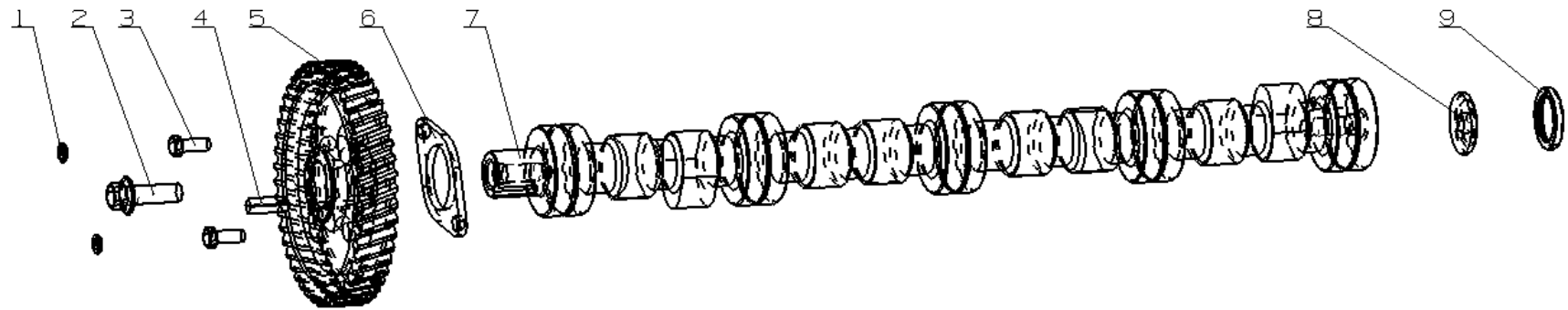


8. A8E00-1005000/曲轴减振器总成 Crankshaft Vibration Damper Assembly

序号 No.	图号 Part No.	名 称	Part Name	数量 Qty	备注 Remark
1	GB/T1096-C1225	键 C12×25	Key C12×25	1	
2	6105Q-1005021	曲轴正时齿轮	Shock absorber fastening bolt	1	
3	Q5511245	键 12×45	Key 12×45	1	
4	D30-1005056A	上主轴瓦	Upper main bearing shoe	1	
5	A8300-1005001D	曲轴	Crankshaft	1	
6	D30-1005054	上主轴瓦	Upper main bearing shoe	4	
7	B8800-1005015A	曲轴皮带轮	Crankshaft pulley	1	
8	530-1005017A	皮带轮隔套	Pulley spacer	1	
9	530-1005024	垫片	Gasket	1	易损件 EWP
10	D30-1005051	减振器紧固螺栓垫片	Damper fastening bolt gasket	1	
11	YC208-B04370F	O 形圈 2.65×43.7	O ring2.65×43.7	1	易损件 EWP
12	D30-1005052	减振器紧固螺栓	Shock absorber fastening bolt	1	
13	D30-1005023	隔套	Spacer sleeve	1	
14	YC24-B1226	圆柱销 12×26	Cylindrical pin12×26	1	
15	6105Q-1005058A	曲轴止推片	Crankshaft thrust bearing	4	
16	D30-1005055	下主轴瓦	Under shaft tile	4	
17	D30-1005057	下主轴瓦	Under shaft tile	1	

EWP=Easy wear part (易损件)

9. A8600-1006000/凸轮轴总成 Camshaft Assembly

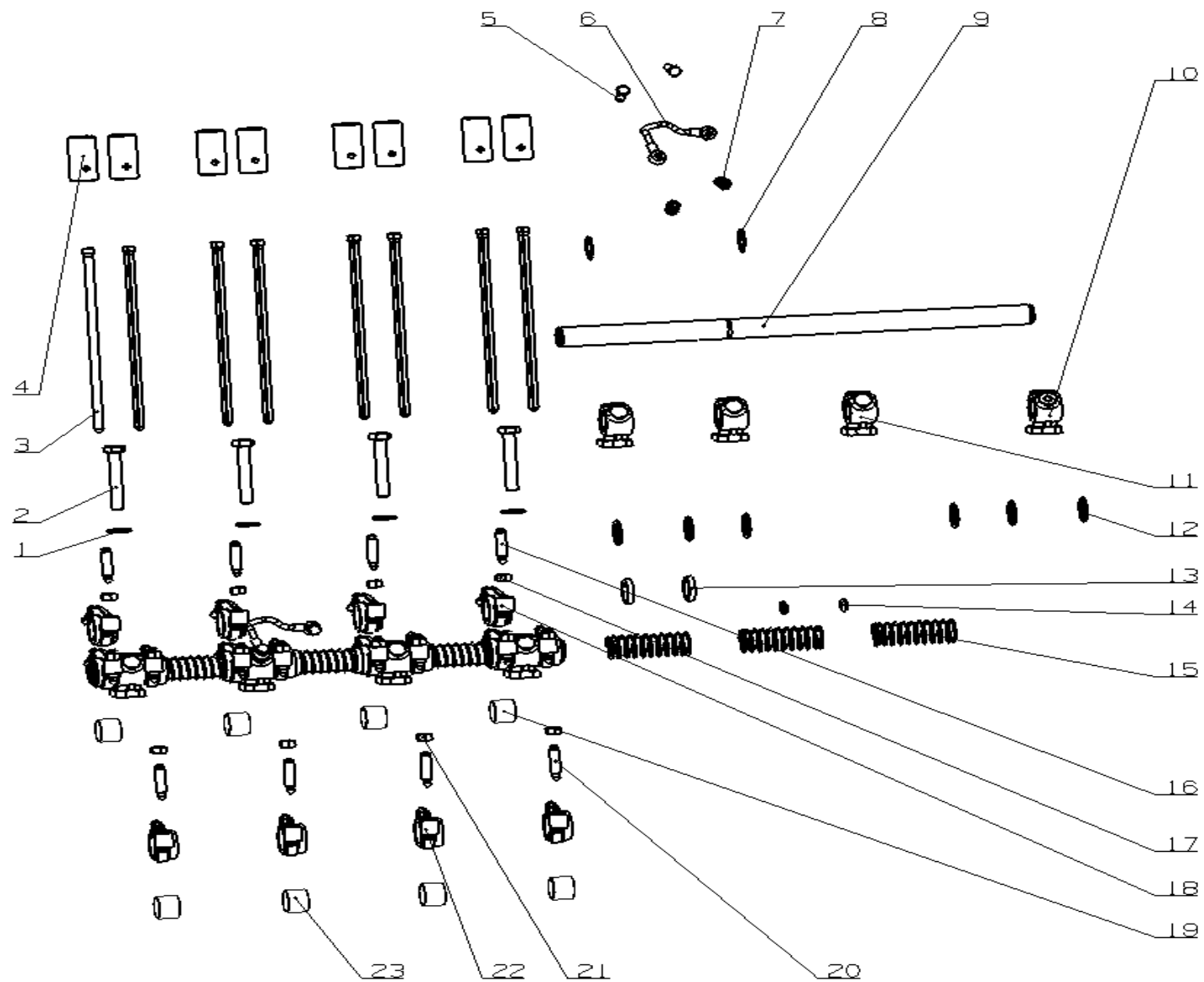


9. A8600-1006000/凸轮轴总成 Camshaft Assembly

序号 No.	图号 Part No.	名 称	Part Name	数量 Qty	备注 Remark
1	Q40308	垫圈 8	Gasket 8	2	易损件 EWP
2	Q1841235TF2	螺栓 M12×35	Bolt M12×35	1	
3	Q/YC1820820TF2	螺栓 M8×20	Bolt M8×20	2	
4	GB/T1096-C0828	键 C8×28	Key C8×28	1	
5	d30-1006021	凸轮轴正时齿轮	Camshaft timing gear	1	
6	D30-1006016	凸轮轴止推片	Camshaft thrust plate	1	
7	d30-1006001	凸轮轴	The camshaft	1	
8	630-1006019	垫圈	Gasket	1	易损件 EWP
9	6105Q-1006005	隔圈	Spacer ring	1	

EWP=Easy wear part (易损件)

10. B8800-1007000/配气机构总成 Valve Train Assembly

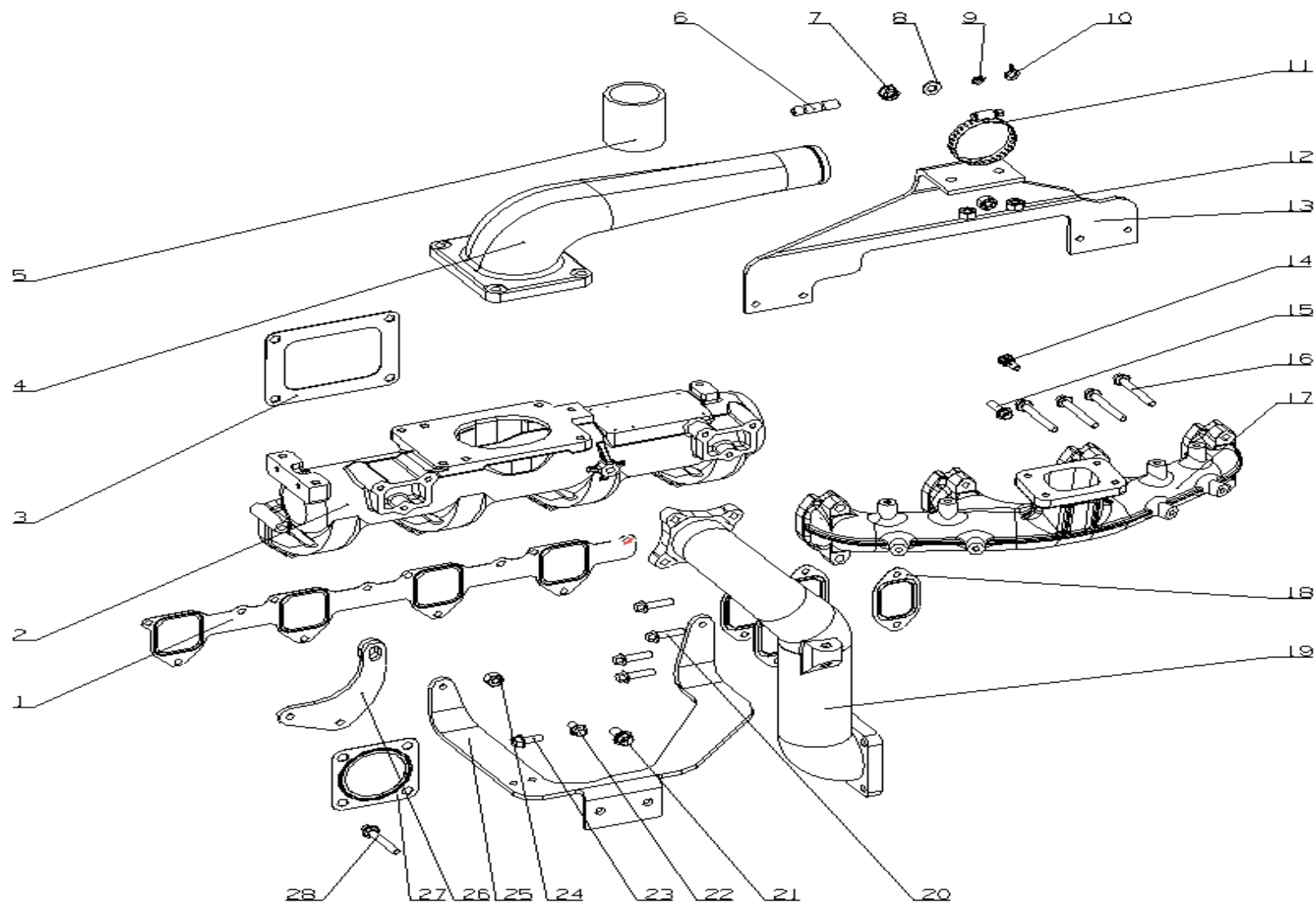


10. B8800-1007000/配气机构总成 Valve Train Assembly

序号 No.	图号 Part No.	名 称	Part Name	数量 Qty	备注 Remark
1	A30-1007092	垫圈	Washer	4	易损件 EWP
2	D30-1007036	六角头螺栓	Hexagon head bolt	4	
3	6105QA-1007081B	推杆	Handspike	8	
4	6105Q-1007091A	挺杆	Tappet	8	
5	6105Q-1007073	接头螺栓	Joint bolt	2	
6	D30-1007075A	油管焊接件	Oil pipe assembly	1	
7	Q/YC149-8	复合式密封垫圈 8	Compound sealing washer 8	4	易损件 EWP
8	Q43125	挡圈 25	Retaining ring 25	2	
9	D30-1007101	摇臂轴	Rocker shaft	1	
10	D30-1007034	摇臂轴座 (一)	Rocker shaft seat (一)	1	
11	D30-1007033	摇臂轴座 (二)	Rocker shaft seat (二)	3	
12	6105QA-1007031	摇臂轴垫圈	Rocker shaft washer	6	易损件 EWP
13	D30-1007031	摇臂轴垫圈	Rocker shaft washer	2	易损件 EWP
14	6105QA-1007042	碗形塞片	Bowl plug	2	
15	6105QA-1007032	气门摇臂轴弹簧	Valve rocker shaft spring	3	
16	6105QA-1007053	气门调整螺钉	Valve adjusting nut bolt	4	
17	6105Q-1007054	锁紧螺母	Lock nut	4	
18	J3100-1007153A	排气门摇臂	Rocker arm of exhaust valve	4	
19	AYJ400-1007144	进气门摇臂衬套	Intake rocker bushing	4	
20	6105QA-1007053	气门调整螺钉	Valve adjusting screw	4	
21	6105Q-1007054	锁紧螺母	Lock nut	4	
22	J3100-1007143A	进气门摇臂	Intake rocker	4	
23	AYJ400-1007144	进气门摇臂衬套	Intake rocker bushing	4	

EWP=Easy wear part (易损件)

11. A8ETM-1008000/进排气管总成 Intake and EXhaust Manifold Parts Assembly



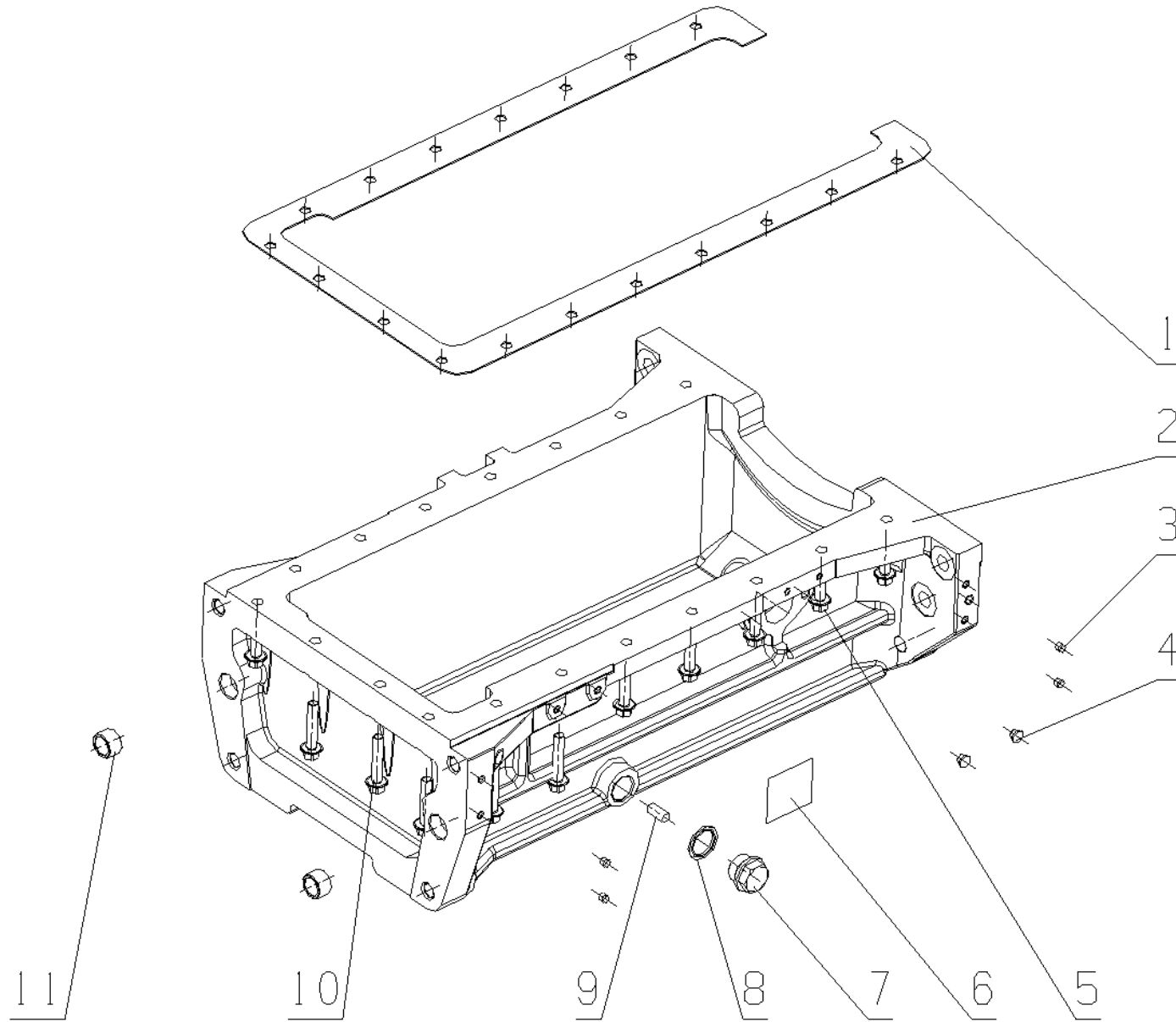
11. A8ETM-1008000/进排气管总成 Intake and Exhaust Manifold Parts Assembly

序号 No.	图号 Part No.	名 称	Part Name	数量 Qty	备注 Remark
1	AV500-1008104	进气管垫片	Intake Pipe Gasket	1	易损件 EWP
2	D0200-1008101F	进气管	admission pipe	1	
3	D7703-1008105	进气接管垫片	Gasket for inlet pipe	1	易损件 EWP
4	1D30-1008017	进气接管	inlet pipe	1	
5	G2R00-1118610	压气机出口胶管	Compressor outlet hose	1	
6	Q1201035	螺柱 M10×35	Stud M10×35	4	
7	Q340B10	螺母 M10	Nut M10	4	
8	Q40110	垫圈 10	Washer 10	4	易损件 EWP
9	Q40308	垫圈 8	Washer 8	4	易损件 EWP
10	Q40310	垫圈 10	Washer 10	4	易损件 EWP
11	Q67664	环箍 64	Loop hoop64	2	易损件 EWP
12	Q340B10	螺母 M10	Nut M10	3	
13	B9200-1008041A	进气侧支撑板	Intake side support plate	1	
14	Q150B0820	螺栓 M8×20	Bolt M8×20	4	
15	Q1840828TF2	螺栓 M8×28	Bolt M8×28	8	
16	Q1840865TF2	螺栓 M8×65	Bolt M8×65	4	
17	D0200-1008204D	排气管	exhaust pipe	1	
18	D2000-1008250B	排气管垫片组件	Exhaust manifold gasket parts	4	
19	B9200-1008203A	涡轮后排气接管	Exhaust pipe after turbine	1	
20	Q1800830TF2	螺栓 M8×30	Bolt M8×30	4	
21	Q1841020	螺栓 M10×20	Bolt M10×20	1	
22	Q1840816	螺栓 M8×16	Bolt M8×16	1	
23	Q1840822TF2	螺栓 M8×22	Bolt M8×22	2	
24	Q340B10	螺母 M10	Bolt M10	2	
25	B9200-1008212C	支架	Bracket	1	

26	B9200-1118050	压气机出口联接管托架焊接件	Bracket weldment of compressor outlet connecting pipe	1	
27	B9212-1201002	消声器垫片	Muffler gasket	1	易损件 EWP
28	YC3-0855TF2	螺栓 M8×55	Bolt M8×55	8	

EWP=Easy wear part (易损件)

12. A9YT1-1009000/油底壳总成 Oil Sump Assembly

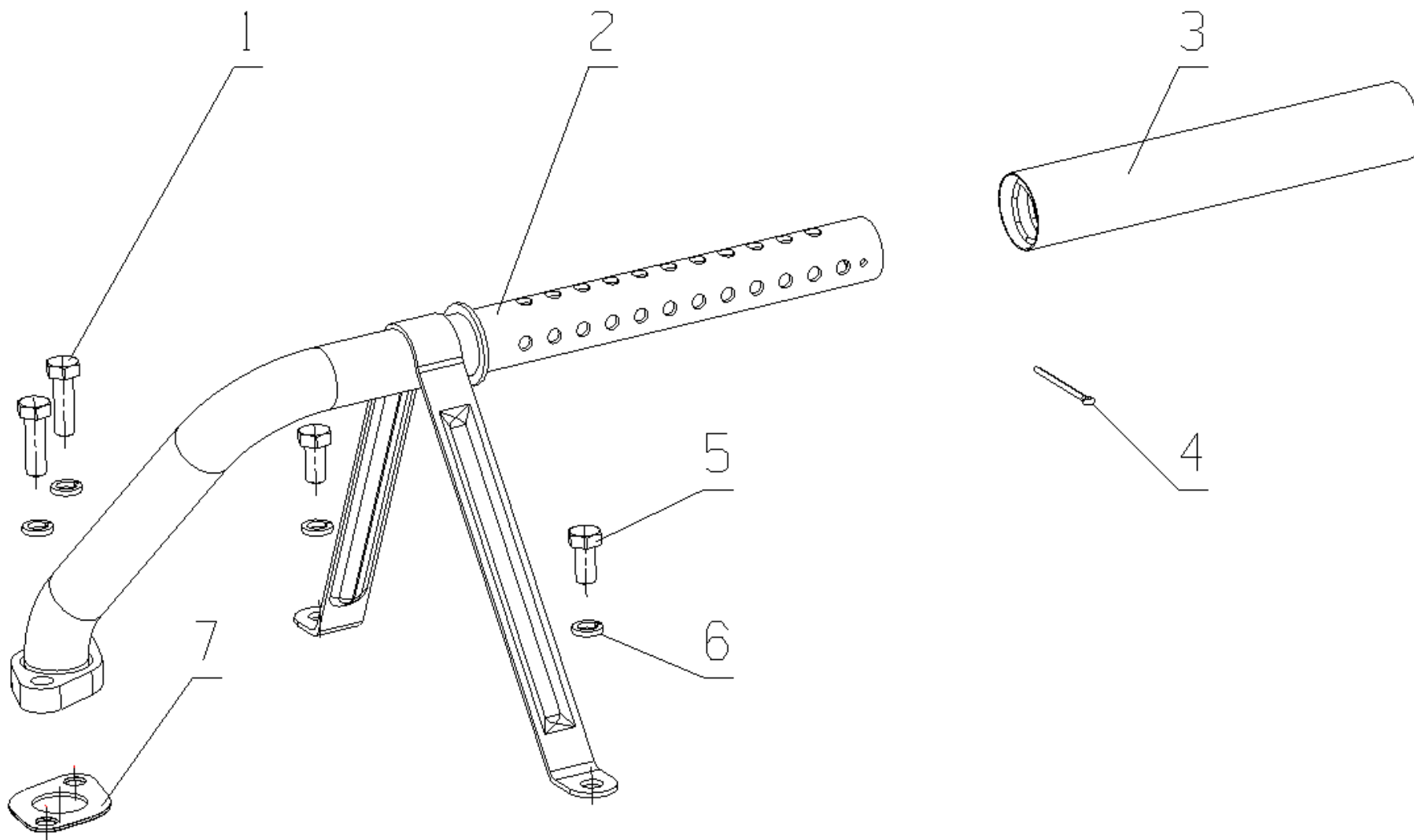


12. A9YT1-1009000/油底壳总成 Oil Sump Assembly

序号 NO.	图号 Part No.	名 称	Part Name	数量 Qty	备注 Remark
1	BY6T3-1009001	油底壳垫片	Oil sump gasket	1	易损件 EWP
2	A8ST4-1009006	油底壳	Oil Sump	1	
3	YC8-08072	塑料堵塞 M8	Plastic blockage M8	4	
4	Q72510090	塑料堵塞 M10	Plastic blockage M10	2	
5	Q1841035	螺栓 M10×35	Bolt M10×35	10	
6	YC51-1301	加机油量标签	Add oil quantity label	1	
7	6105Q-1009031C	放油塞	Oil drain plug	1	
8	Q/YC149-27	复合式密封垫圈 27	Compound Seal washer 27	1	易损件 EWP
9	6105Q-1009032A	放油塞磁铁	Drain plug magnet	1	
10	Q1841050	螺栓 M10×50	Bolt M10×50	8	
11	B8803-1002121	定位套	Positioning Sleeve	2	

EWP=Easy wear part (易损件)

13. B8800-1010000/机油集滤器总成 Oil Strainer Assembly

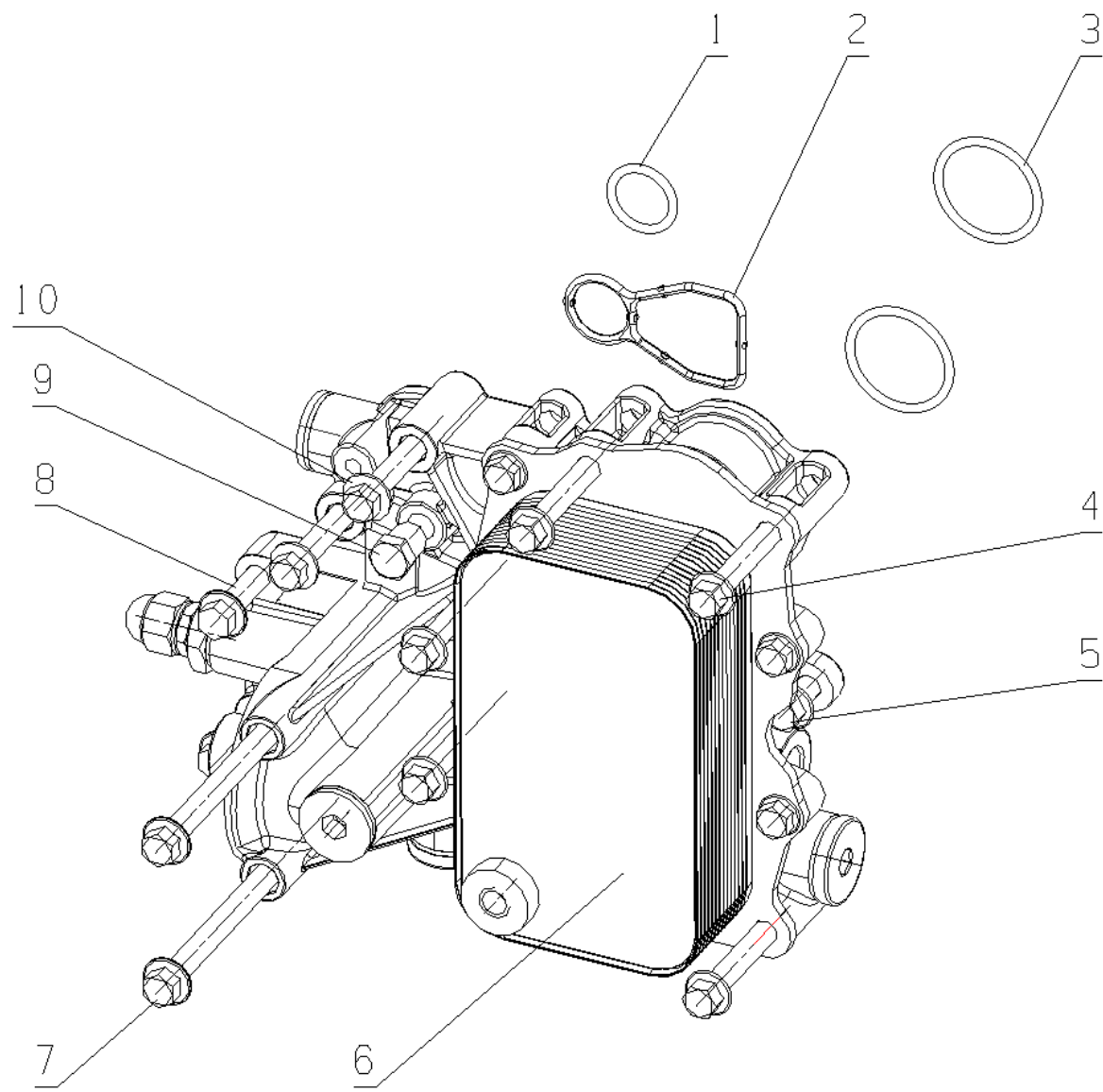


13. B8800-1010000/机油集滤器总成 Oil Strainer Assembly

序号 NO.	图号 Part No.	名 称	Part Name	数量 Qty	备注 Remark
1	Q/YC1820825TF2	螺栓 M8×25	Bolt M8×25	2	
2	B8800-1010100A	吸油管部件	Oil suction pipe part	1	
3	B8800-1010200	滤网部件	Screen parts	1	
4	Q5002536	销 2.5×36	Sell 2.5×36	1	
5	Q/YC1820816	螺栓 M8×16	Bolt M8×16	2	
6	Q40308	垫圈 8	Washer 08	4	易损件 EWP
7	D7505-1010150	垫片组件	Gasket assembly	1	易损件 EWP

EWP=Easy wear part (易损件)

14. A9X00-1013000/机油冷却器总成 Oil Cooler Assembly

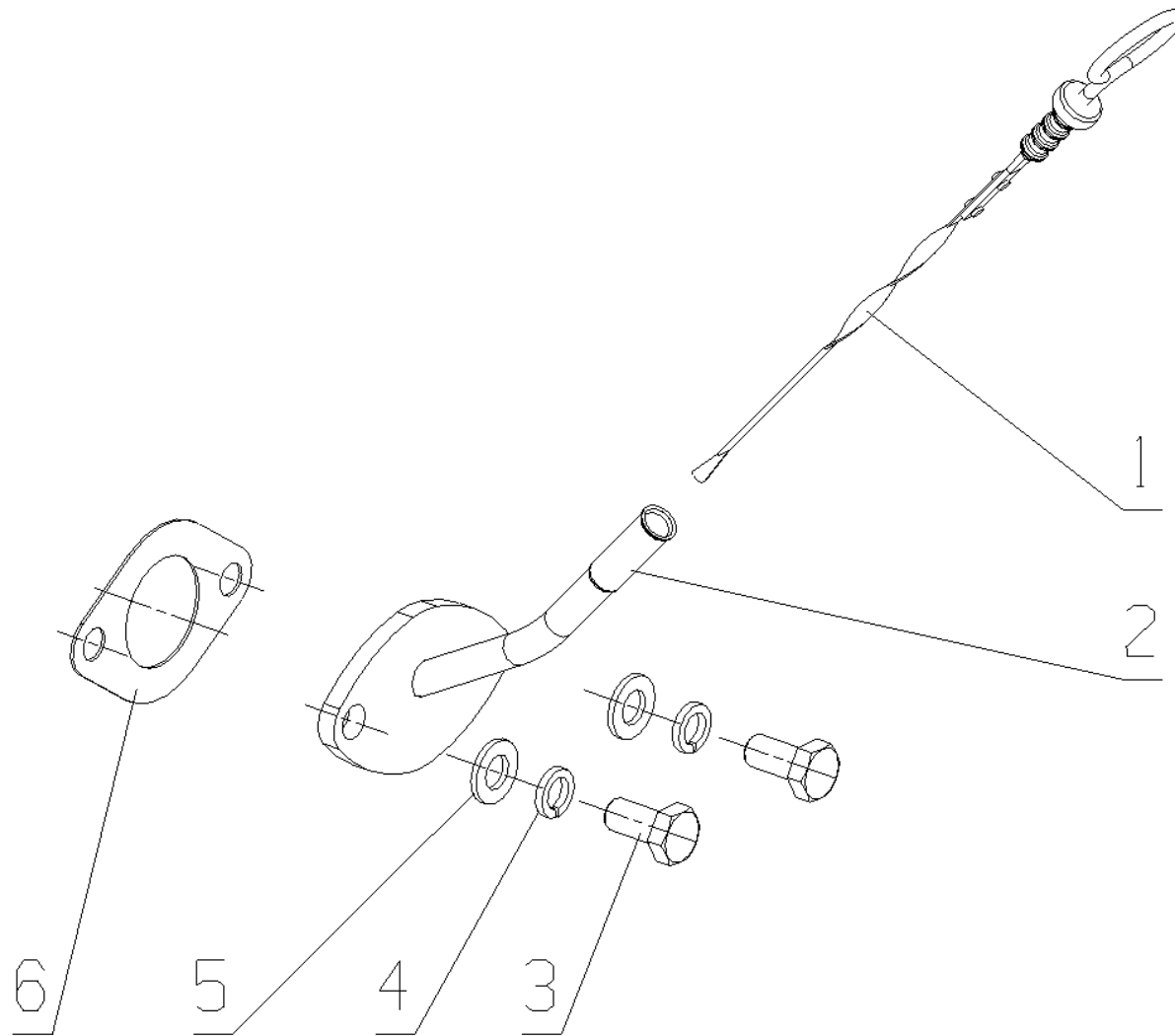


14. A9X00-1013000/机油冷却器总成 Oil Cooler Assembly

序号 NO.	图号 Part No.	名 称	Part Name	数量 Qty	备注 Remark
1	YC208-C02360F	O 形圈 3.55×23.6	O-ring 3.55×23.6	1	易损件 EWP
2	A9W00-1013106	冷却器盖垫片	Gasket for cooler cover	1	易损件 EWP
3	YC208-C04000S	O 形圈 3.55×40	O-ring 3.55×40	2	易损件 EWP
4	Q1841065TF2	螺栓 M10×65	Bolt M10×65	5	
5	Q1841022TF2	螺栓 M10×22	Bolt M10×22	1	
6	A9W00-1013100D	机油冷却器	Oil cooler	1	
7	Q18410145	螺栓 M10×145	Bolt M10×145	2	
8	Q1841035	螺栓 M10×35	Bolt M10×35	2	
9	Q618B02	螺塞 NPT 1/4	Plug NPT 1/4	1	
10	Q1841060TF2	螺栓 M10×60	Bolt M10×60	2	

EWP=Easy wear part (易损件)

15. B8800-1028000/油标尺总成 Oil Dipstick Assembly

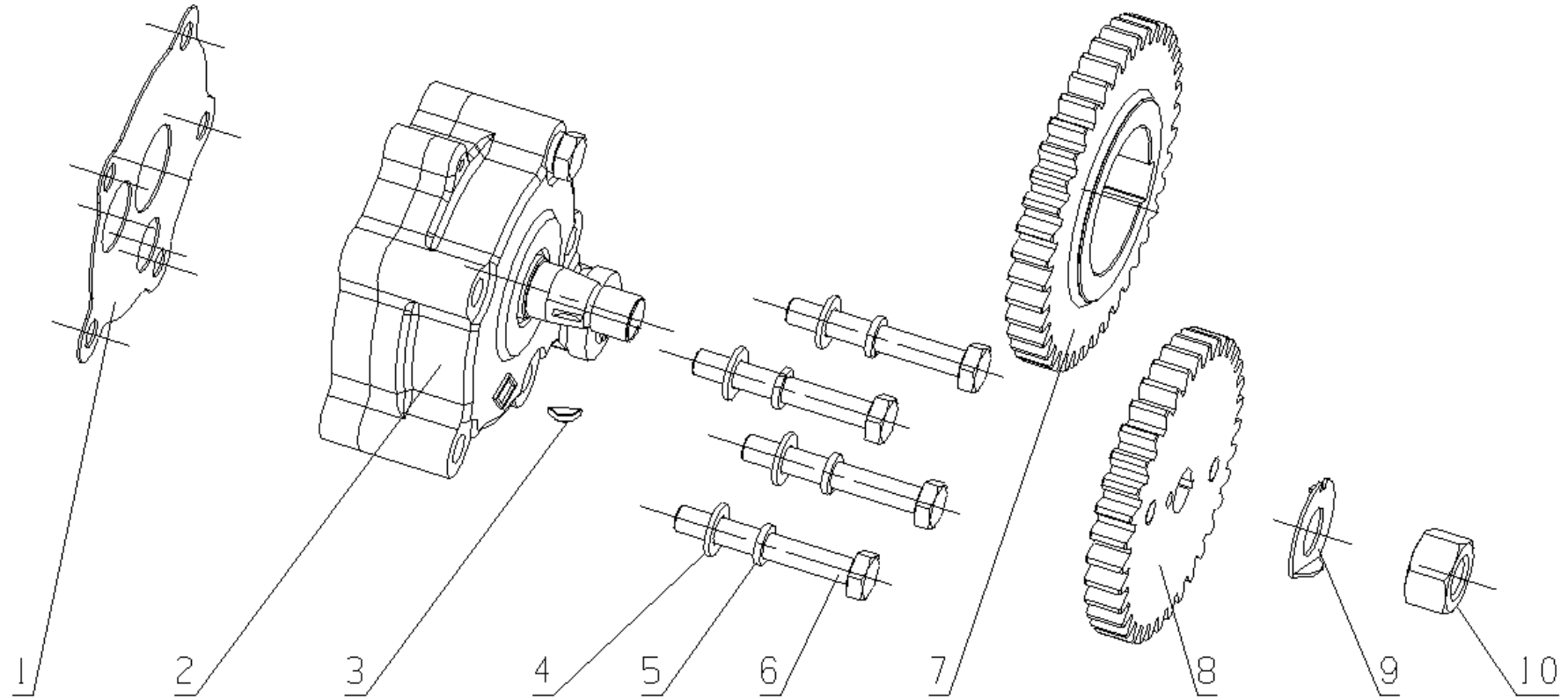


15. B8800-1028000/油标尺总成 Oil Dipstick Assembly

序号 NO.	图号 Part No.	名 称	Part Name	数量 Qty	备注 Remark
1	B8800-1009080A	油标尺焊接件	Oil dipstick weldment	1	
2	B8800-1009090A	油标尺套管组件	Oil dipstick sleeve pipe subassembly	1	
3	Q150B1020	螺栓 M10×20	Bolt M10×20	2	
4	Q40310	垫圈 10	Washer 10	2	易损件 EWP
5	Q40110	垫圈 10	Washer 10	2	易损件 EWP
6	150-1013107	法兰垫片	Flange gasket	1	易损件 EWP

EWP=Easy wear part (易损件)

16. B8800-1011000/机油泵总成 Oil pump assembly

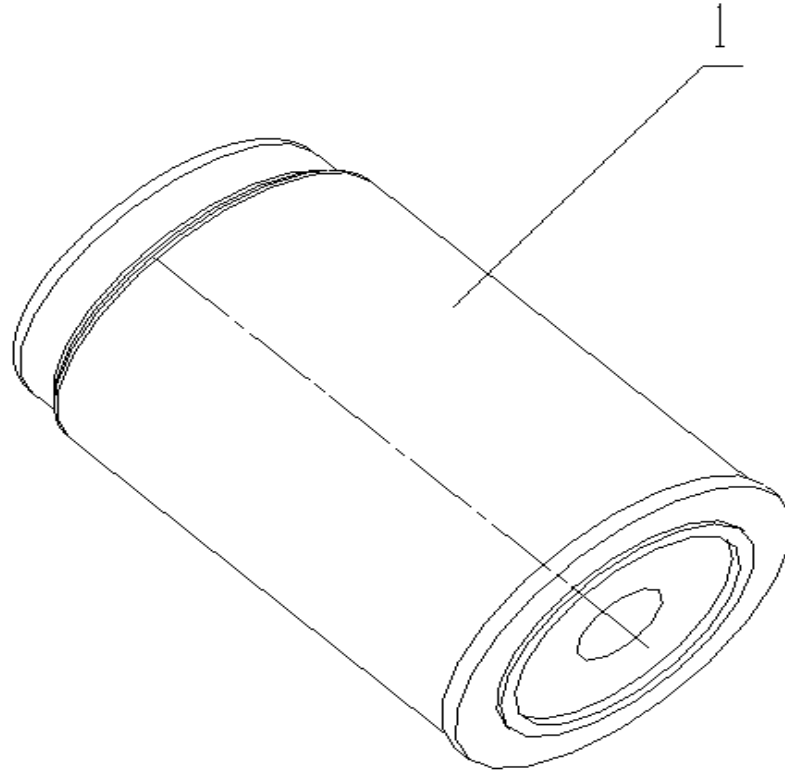


16. B8800-1011000/机油泵总成 Oil pump assembly

序号 NO.	图号 Part No.	名 称	Part Name	数量 Qty	备注 Remark
1	B8800-1011007	机油泵垫片	Oil pump gasket	1	
2	B8800-1011100C	机油泵部件	Oil pump	1	
3	GB/T1099-2510	键 2.5×10	Key 2.5×10	1	
4	Q40108	垫圈 8	Washer 8	4	易损件 EWP
5	Q40308	垫圈 8	Washer 8	4	易损件 EWP
6	Q150B0855	螺栓 M8×55	Bolt M8×55	4	
7	B8800-1011001	驱动齿轮	Drive gear	1	
8	B8800-1011114	机油泵驱动齿轮	Oil pump drive gear	1	
9	GB/T856-14-300HV	外舌止动垫圈 14	Outer tongue stop washer 14	1	易损件 EWP
10	Q341B14	螺母 M14×1.5	Nut M14×1.5	1	

EWP=Easy wear part (易损件)

17. B8805-1012000/机油滤清器总成 Oil filter assembly

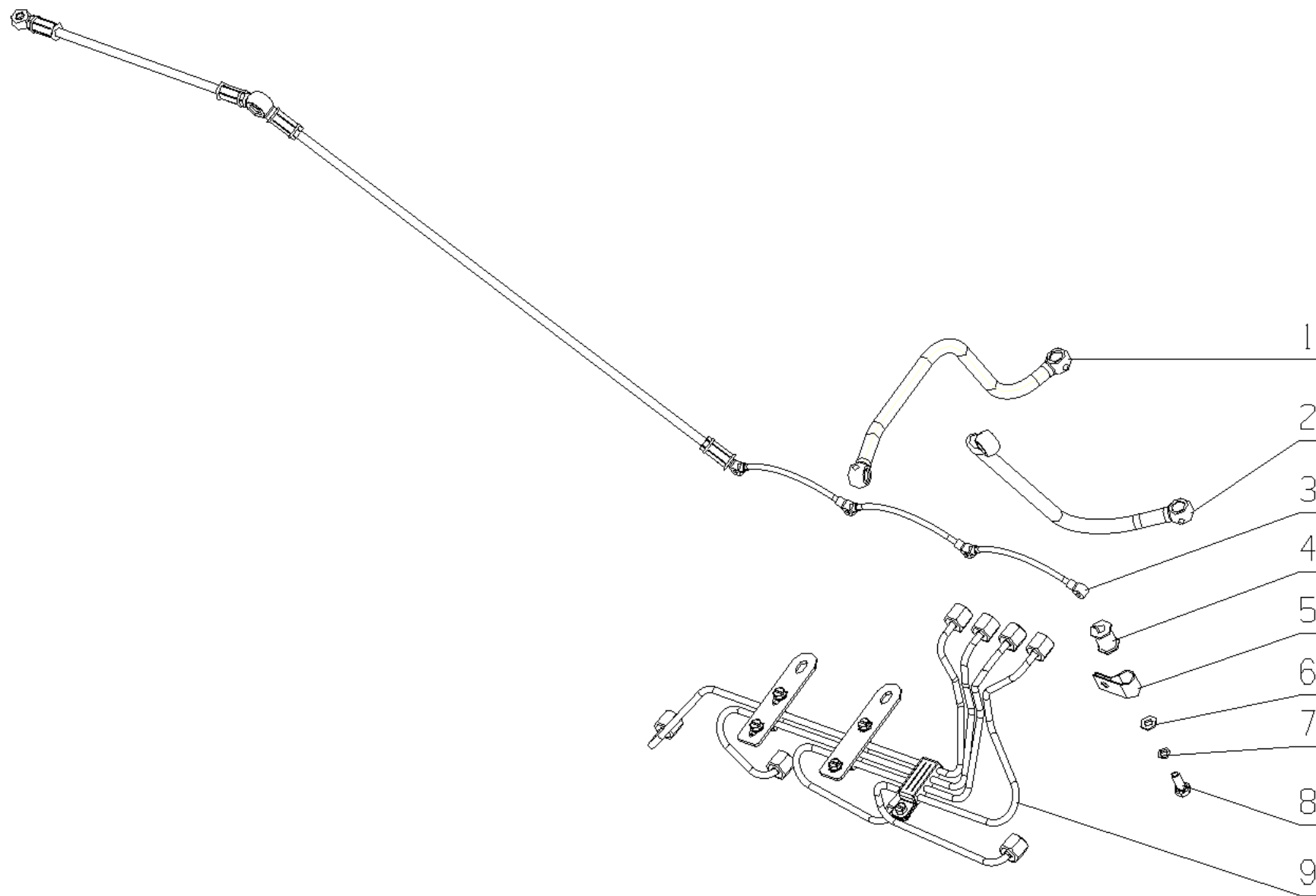


17. B8805-1012000/机油滤清器总成 Oil filter assembly

序号 NO.	图号 Part No.	名称	Part Name	数量 Qty	备注 Remark
1	186-1012240	机油滤清器	Oil filter	1	易损件 EWP

EWP=Easy wear part (易损件)

18. B7N00-1104000/供给系管路总成 Fuel Supply lines Assembly

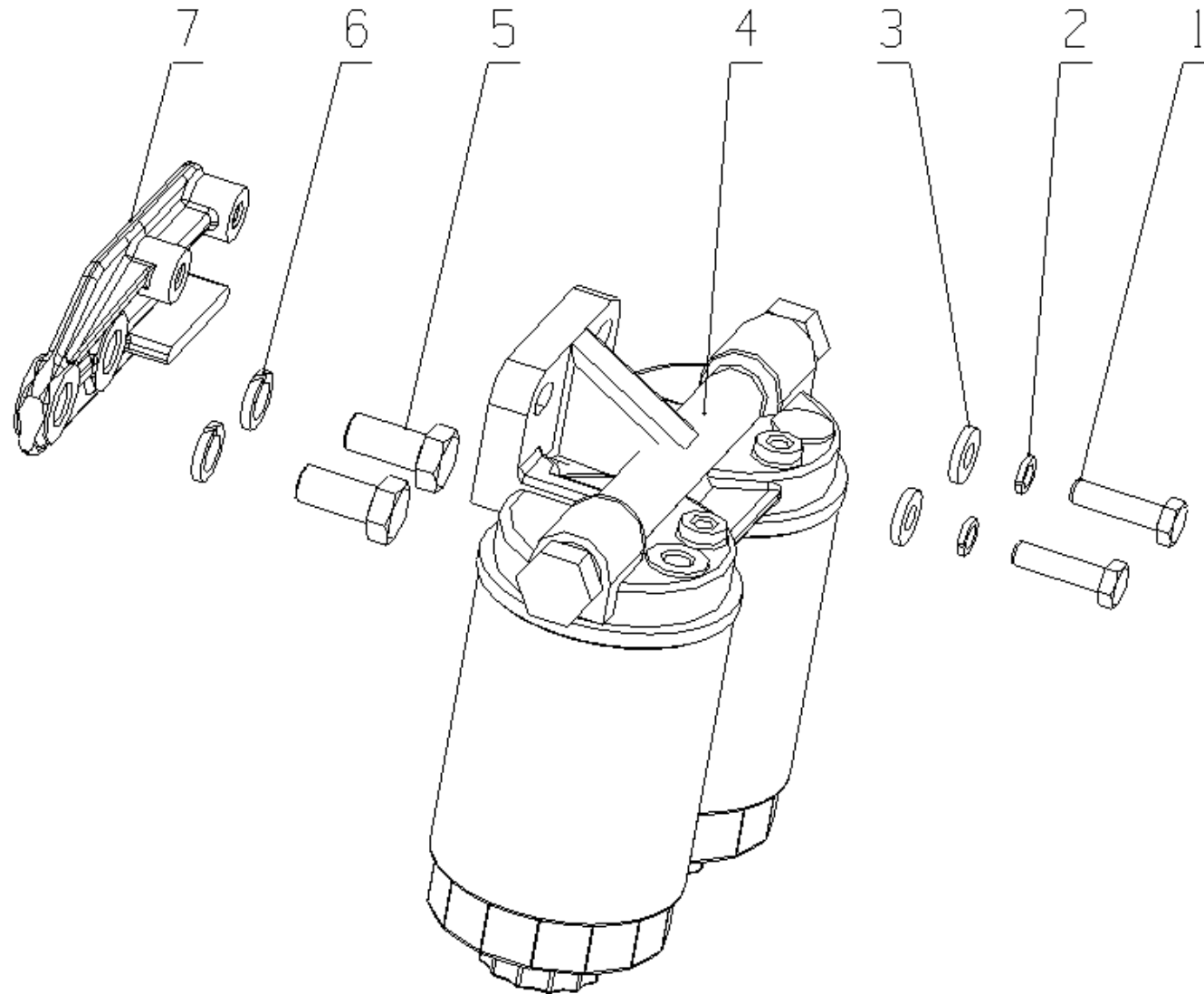


18. B7N00-1104000/供给系管路总成 Fuel Supply lines Assembly

序号 NO.	图号 Part No.	名 称	Part Name	数量 Qty	备注 Remark
1	B8800-1104400A	柴滤器至喷油泵油管部件	Fuel pipe from filter to feed pump	1	
2	B8800-1104300B	输油泵至柴滤器油管部件	Fuel pump to diesel filter fuel line assembly	1	
3	B7N00-1104240E	回油管组件	Fuel return pipe	1	
4	A3000-1111048	护套	Sheathing	1	
5	151-1002082	管夹	Pipe clamp	1	
6	Q40108	垫圈 8	Gasket 8	1	易损件 EWP
7	Q40308	垫圈 8	Gasket 8	1	易损件 EWP
8	Q150B0820	螺栓 M8×20	Bolt M8×20	1	
9	B7N00-1104100	高压油管部件	High pressure pipe parts	1	

EWP=Easy wear part (易损件)

19. B8800-1105000/柴油滤清器总成 Fuel filter assembly

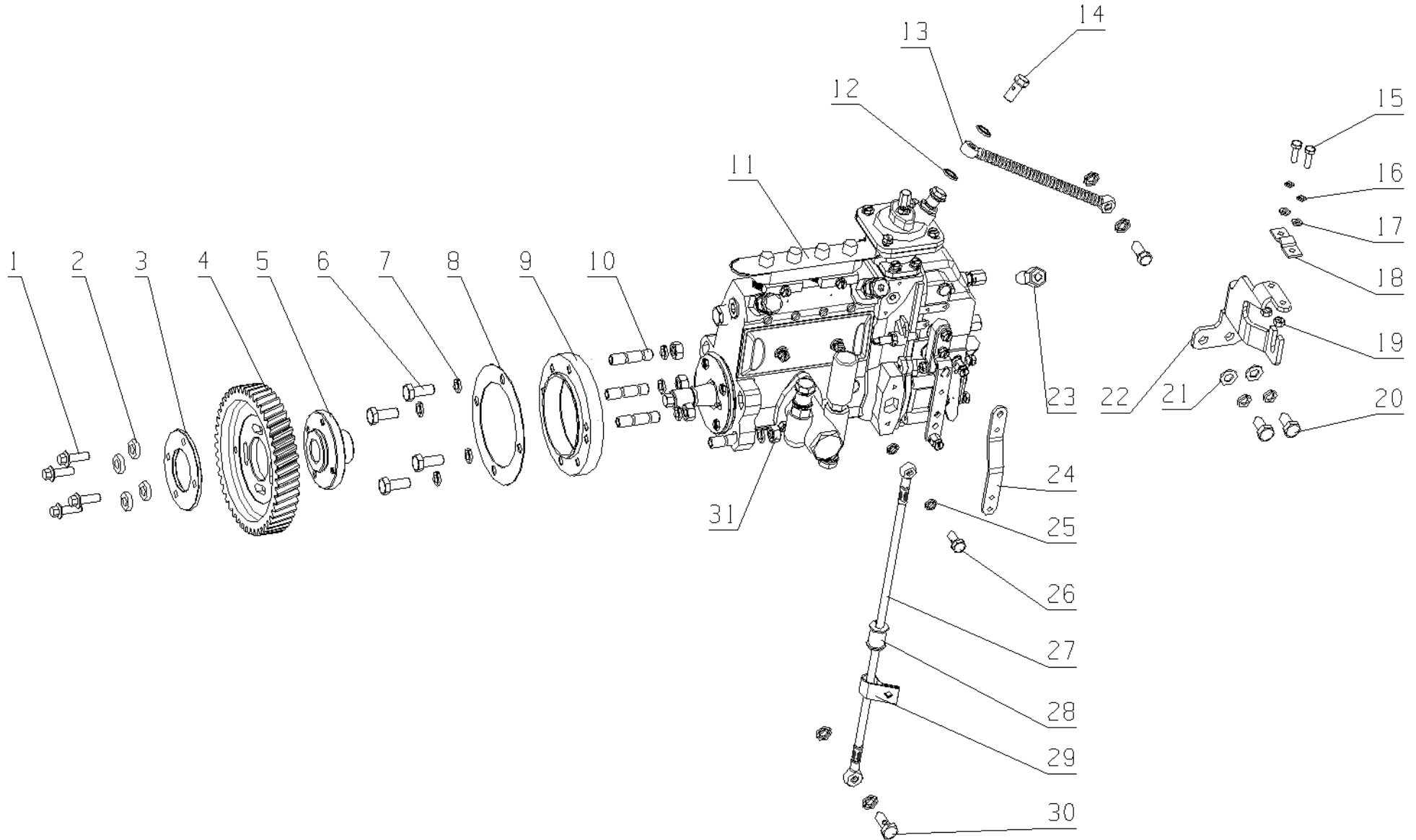


19. B8800-1105000/柴油滤清器总成 Fuel filter assembly

序号 NO.	图号 Part No.	名 称	Part Name	数量 Qty	备注 Remark
1	Q150B0830TF2	螺栓 M8×30	Bolt M8×30	2	
2	Q40308	垫圈 8	washer 8	2	易损件 EWP
3	6105Q-3509013	垫圈	washer	2	易损件 EWP
4	231-1105010	柴油滤清器	Fuel filter	1	
5	Q150B1225TF2	螺栓 M12×25	Bolt M12×25	2	
6	Q40312	垫圈 12	washer 12	2	易损件 EWP
7	B8800-1105050D	柴滤器支架组件	Wood filter bracket assembly	1	

EWP=Easy wear part (易损件)

20. A8E00-1111000/喷油泵总成 Fuel Injection Pump Assembly



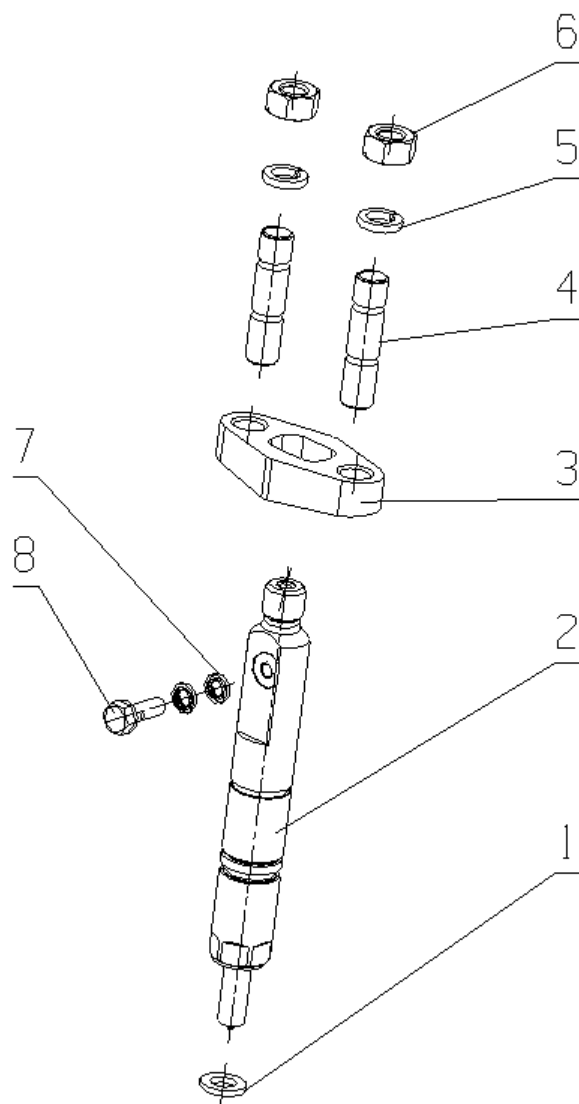
20. A8E00-1111000/喷油泵总成 Fuel Injection Pump Assembly

序号 NO.	图号 Part No.	名 称	Part Name	数量 Qty	备注 Remark
1	Q1800825TF2	螺栓 M8×25	Bolt M8×25	4	
2	B8800-1111021	螺栓垫圈	Bolt Washer	4	
3	B8800-1111019	喷油泵齿轮压紧垫圈	Pump gear Packing washer	1	
4	B8800-1111003	喷油泵齿轮	Fuel injection pump gear	1	
5	D7100-1111101B	喷油泵齿轮连接板	Fuel injection pump gear joint tray	1	
6	Q150B1025TF2	螺栓 M10×25	Bolt M10×25	4	
7	Q40310	垫圈 10	Washer 10	10	易损件 EWP
8	D30-1111062A	连接板垫片	Gasket	1	易损件 EWP
9	D30-1111061	喷油泵连接板	Fuel injection pump joint tray	1	
10	Q1201035TF2	螺柱 M10×35	Bolt M10×35	4	
11	A8E00-1111100-493	喷油泵	Fuel injection pump	1	
12	Q/YC149-10	复合式密封垫圈 10	Washer 10	6	易损件 EWP
13	B7707-1111070A	增压补偿管	Turbocharger compensator pipe	1	
14	Q/YC901-1C1010	铰接螺栓 M10×1	Swing bolt M10X1	2	
15	Q150B0620	螺栓 M6×20	Bolt M6×20	2	
16	Q40306	垫圈 6	Washer 6	2	易损件 EWP
17	Q40106	垫圈 6	Washer 6	2	易损件 EWP
18	B8800-1115242B	夹紧卡	Clamp element	1	
19	Q340B06	螺母 M6	Nut M6	2	

20	Q150B1020	螺栓 M10×20	Bolt M10×20	2	
21	Q40110	垫圈 10	Washer 10	2	易损件 EWP
22	B9200-1111014	油门拉线支架	Cable accelerator bracket	1	
23	B8800-1111007A	外螺纹管接头	Male connector	1	
24	B9200-1111013	油门手柄	Throttle control handle	1	
25	Q/YC149-8	复合式密封垫圈 8	Compound seal washer 8	2	易损件 EWP
26	Q/YC901-1C0810	铰接螺栓 M8×1	Swing bolt M8X1	1	
27	D7103-1111301A	机油管	Oil pipe	1	
28	A3000-1111048	护套	Jacket	1	
29	151-1002082	管夹	Pipe clamp	1	
30	M3000-1002701A	过油螺栓	Oil hollow bolt	1	
31	Q340B10	螺母 M10	Nut M10	4	

EWP=Easy wear part (易损件)

21. J3400-1112000/喷油器总成 Fuel Injector Assembly

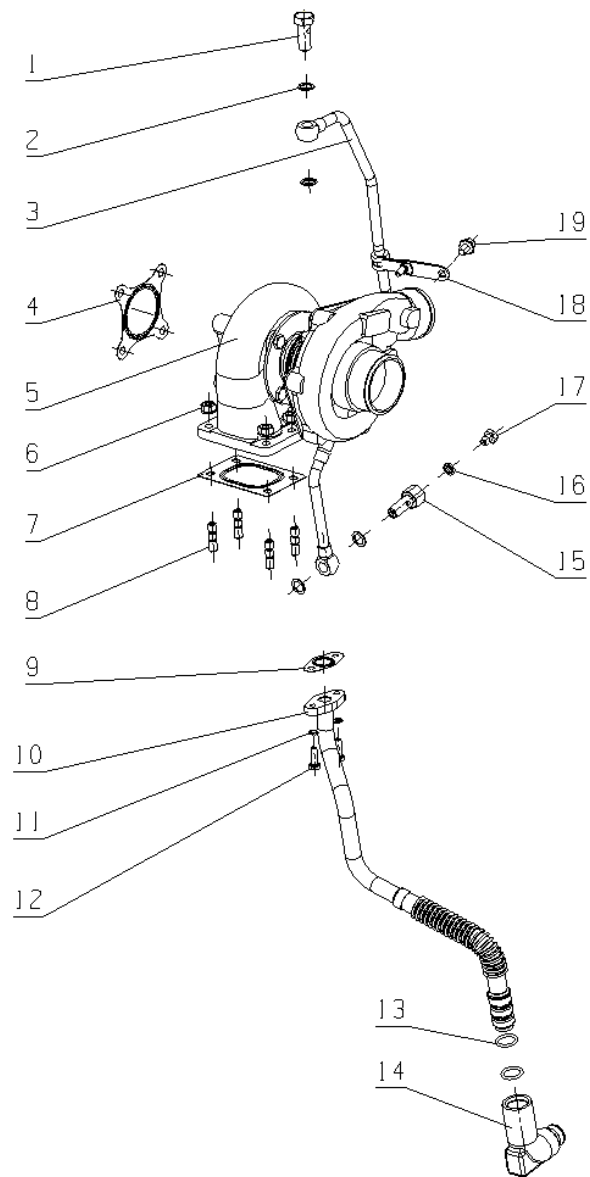


21. J3400-1112000/喷油器总成 Fuel Injector Assembly

序号 NO.	图号 Part No.	名 称	Part Name	数量 Qty	备注 Remark
1	630-1112001	喷油器垫片	Injector gasket	1	易损件
2	J3400-1112010	喷油器	Injector	1	欧亚, 选装
	J3400-1112010A	喷油器	Injector	1	德尔福, 选装
	J3400-1112010B	喷油器	Injector	1	北油, 选装
3	A30-1112022A	固定板	Locking plate	1	
4	Q1201035TF2	螺柱 M10×35	Double-screw bolt M10×35	2	
5	Q40310	垫圈 10	Washer 10	2	
6	Q340B10	螺母 M10	Nut M10	2	
7	Q/YC149-6	复合式密封垫圈 6	Sealing ring 6	12	易损件 EWP
8	Q/YC901-1C0610	铰接螺栓 M6×1	Bolt M6×1	2	
9	J3400-1112050	油嘴偶件	Nozzle fittings	1	选装
10	J3400-1112050A	油嘴偶件	Nozzle fittings	1	选装
11	J3400-1112050B	油嘴偶件	Nozzle fittings	1	选装

EWP=Easy wear part (易损件)

22. B9200-1118000/增压器总成 Turbocharger Assembly

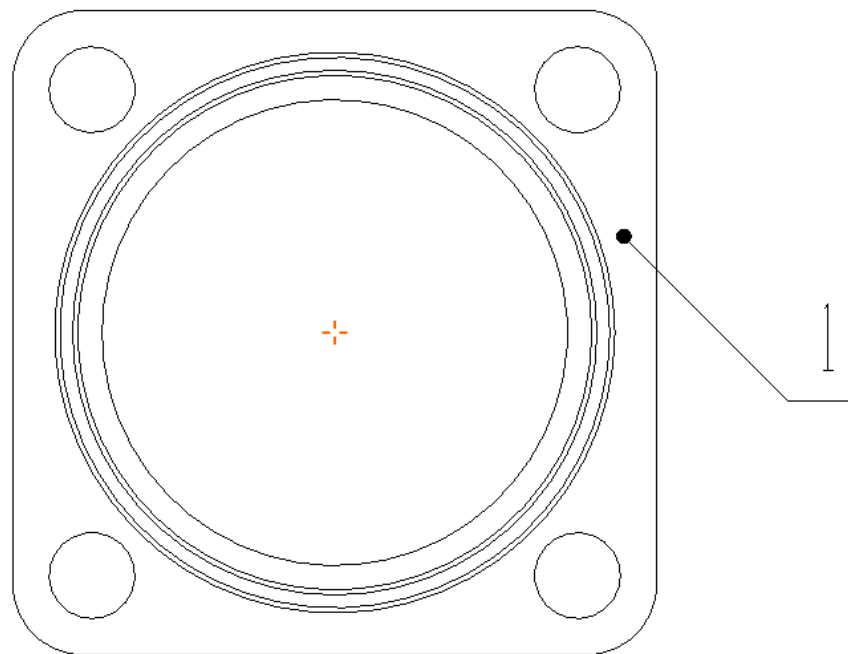


22. B9200-1118000/增压器总成 Turbocharger Assembly

序号 NO.	图号 Part No.	名 称	Part Name	数量 Qty	备注 Remark
1	393-1118001	过油螺栓 M12×1.5	Oil hollow bolt M12×1.5	1	
2	Q/YC901-3C12	垫圈 12	Washer 12	4	易损件 EWP
3	BY6T1-1118240A	进油管焊接组件	Oil inlet pipe assembly	1	
4	B9200-1118003	涡轮出口垫片	Turbine outlet gasket	1	易损件 EWP
5	B9200-1118100A-502	增压器	Turbocharger	1	
6	W3100-1118008A	螺母	Nut	4	
7	1530-1118012	增压器垫片	Turbocharger Gasket	1	易损件 EWP
8	E0200-1118011	双头螺柱	Double stud	4	
9	G3E00-1118301	垫片	Gasket	1	易损件 EWP
10	B9200-1118350	增压器回油管焊接件	Oil return pipe assembly	1	
11	Q40306	垫圈 6	Washer 6	2	易损件 EWP
12	Q150B0618TF2	螺栓 M6×18	Bolt M6×18	2	
13	YC208-B01700F	O形圈 2.65×17	O-ring 2.65×17	2	易损件 EWP
14	B9200-1118352C	接头	Piecing	1	
15	D0200-1118031	过油螺栓	Oil hollow bolt	1	
16	Q/YC149-8	复合式密封垫圈 8	Washer 8	1	易损件 EWP
17	Q/YC198-8	螺塞 M8×1	Screw plug M8×1	1	
18	J6218-1118270	管夹支架组件	Pipe clamp bracket assembly	1	
19	Q1840810	螺栓 M8×10	Bolt M8×10	1	

EWP=Easy wear part (易损件)

23. A8ET5-1201000/消声器总成 Muffler assembly

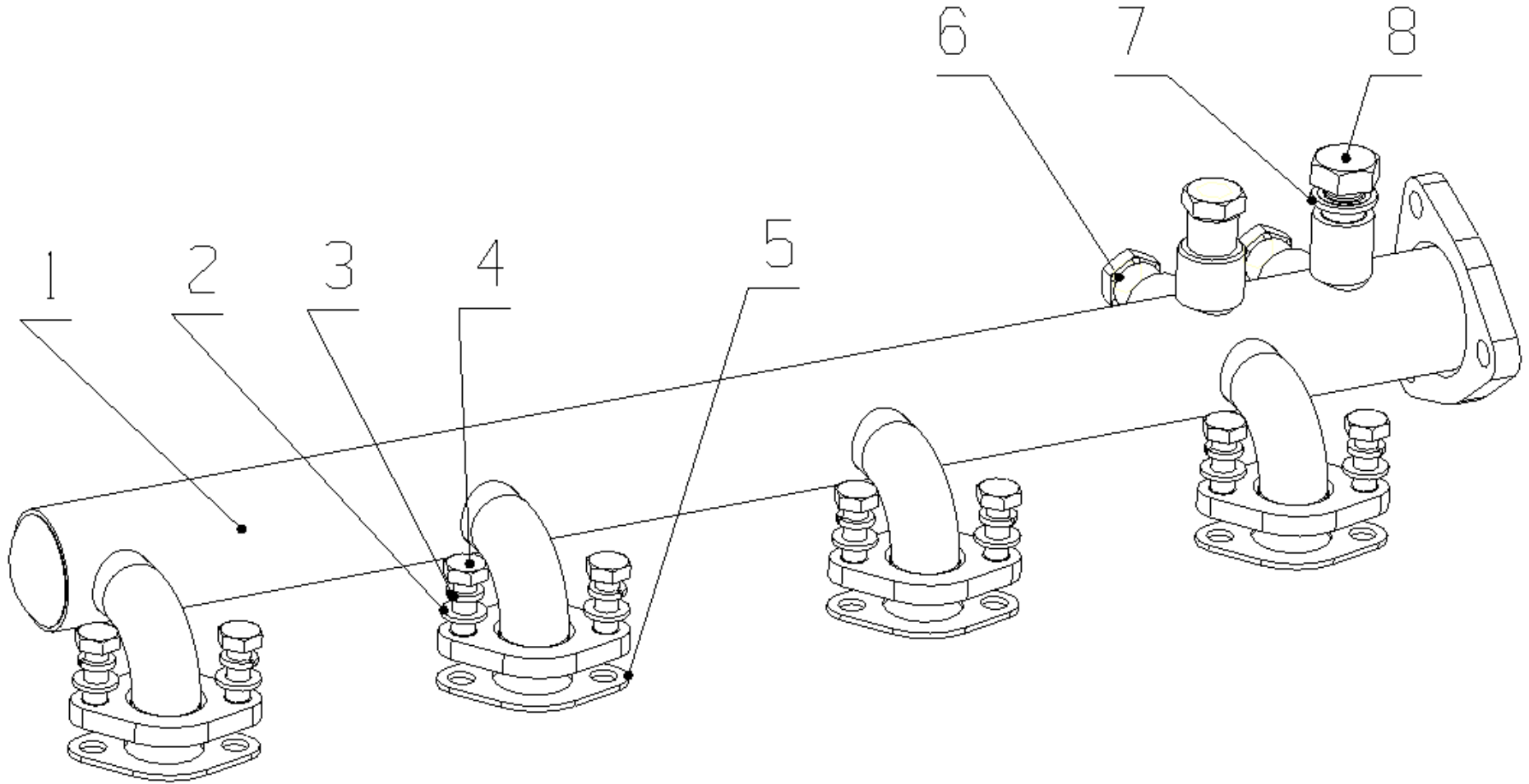


23. A8ET5-1201000/消声器总成 Muffler assembly

序号 NO.	图号 Part No.	名 称	Part Name	数量 Qty	备注 Remark
1	B9212-1201002	消声器垫片	Muffler gasket	1	易损件 EWP

EWP=Easy wear part (易损件)

24. A8ET5-1303000/散热器水管及软管总成 Radiator Pipe And Hose Assembly

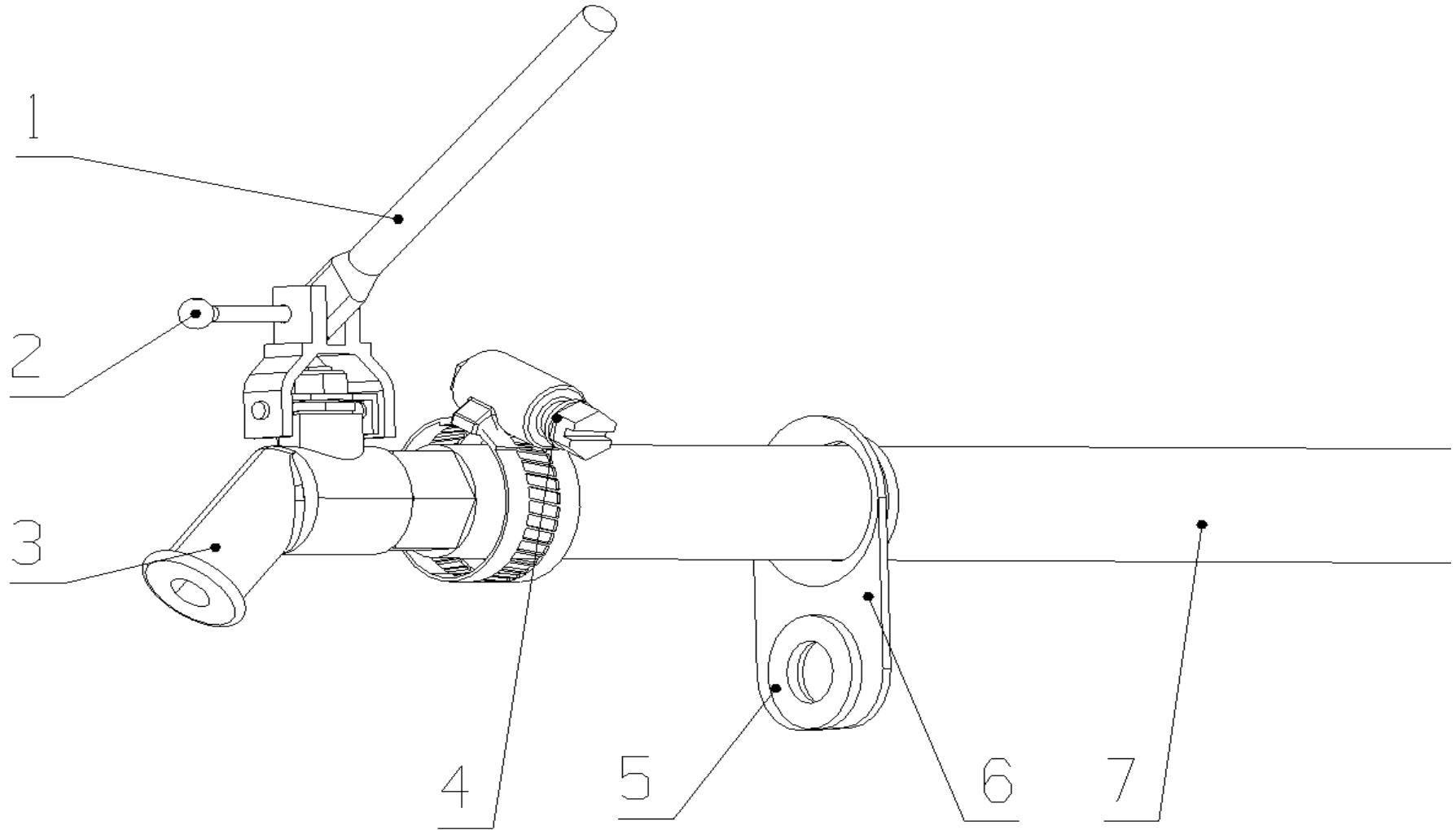


24. A8ET5-1303000/散热器水管及软管总成 Radiator Pipe And Hose Assembly

序号 NO.	图号 Part No.	名称	Part Name	数量 Qty	备注 Remark
1	A70000-1303040	出水管组件	Outlet pipe subassembly	1	
2	Q40008	垫圈8	Washer 8	8	易损件 EWP
3	Q40308	垫圈 8	Washer 8	8	易损件 EWP
4	Q150B0820	螺栓 M8×20	Bolt M8×20	8	
5	B8701-1303042	出水管垫片	Outlet pipe gasket	4	易损件 EWP
6	Q618B03	螺塞 NPT 3/8	Screw plug NPT 3/8	3	
7	Q/YC149-14	复合式密封垫圈 14	Compound sealing washer 14	1	易损件 EWP
8	Q/YC198-14	螺塞 M14	Plug M14	1	

EWP=Easy wear part (易损件)

25. A8ETM-1305000/放水开关总成 Water Drain Assembly

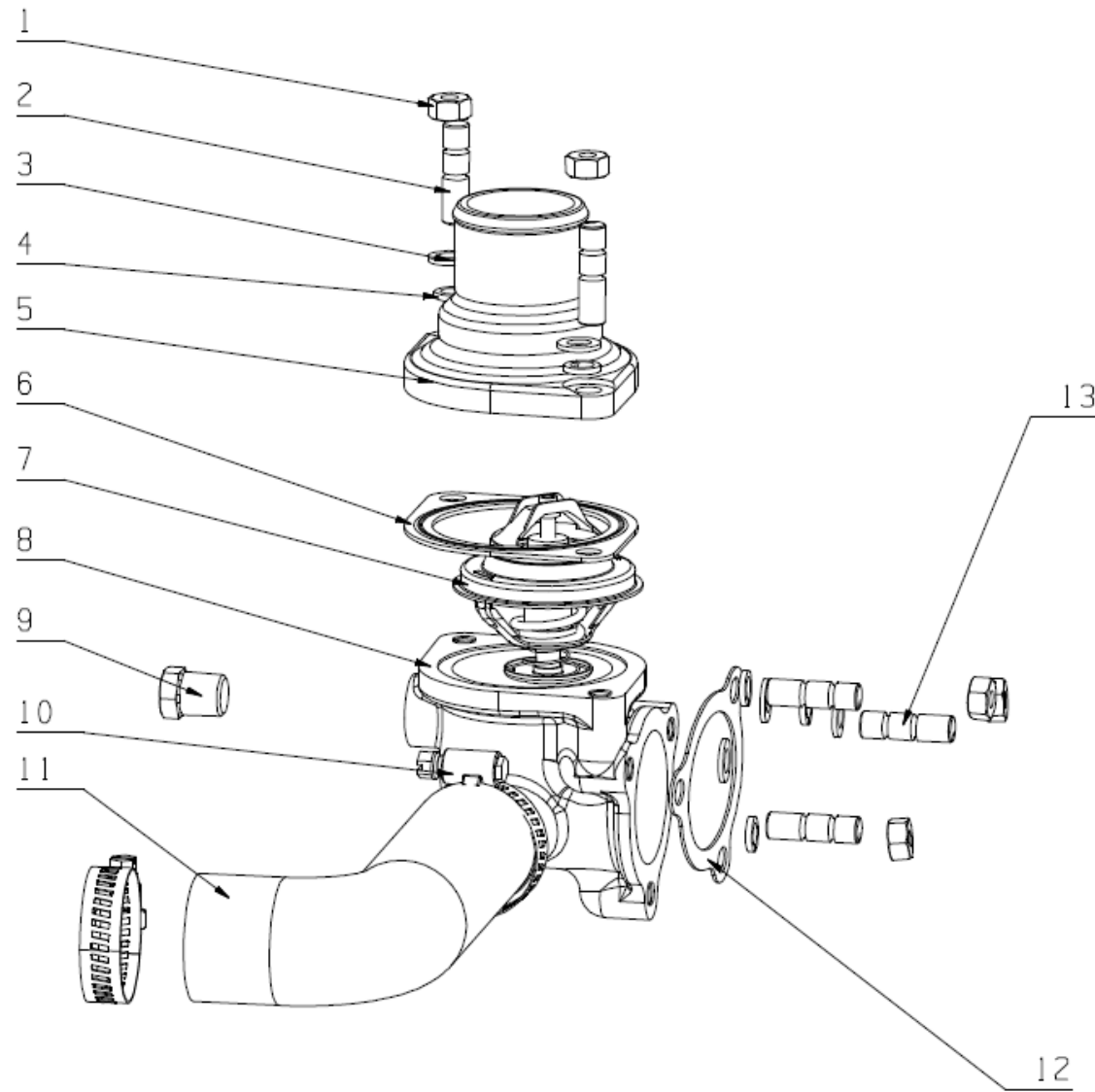


25. A8ETM-1305000/放水开关总成 Water Drain Assembly

序号 NO.	图号 Part No.	名 称	Part Name	数量 Qty	备注 Remark
1	150-1305015	操纵杆	Holding rod	1	
2	Q5003220	销 3.2×20	Pin 3.2×20	1	
3	J1000-1305040	放水阀组件	Water Drain valve assembly	1	
4	Q67627	环箍 27	Loop hoop 27	1	
5	Q40110	垫圈 10	Washer 10	1	
6	B8800-1013042	托架	Support	1	
7	480-1305007	出水胶管	Outlet pipe	1	

EWP=Easy wear part (易损件)

26. A94G5-1306000/调温器总成 Thermostat Assembly

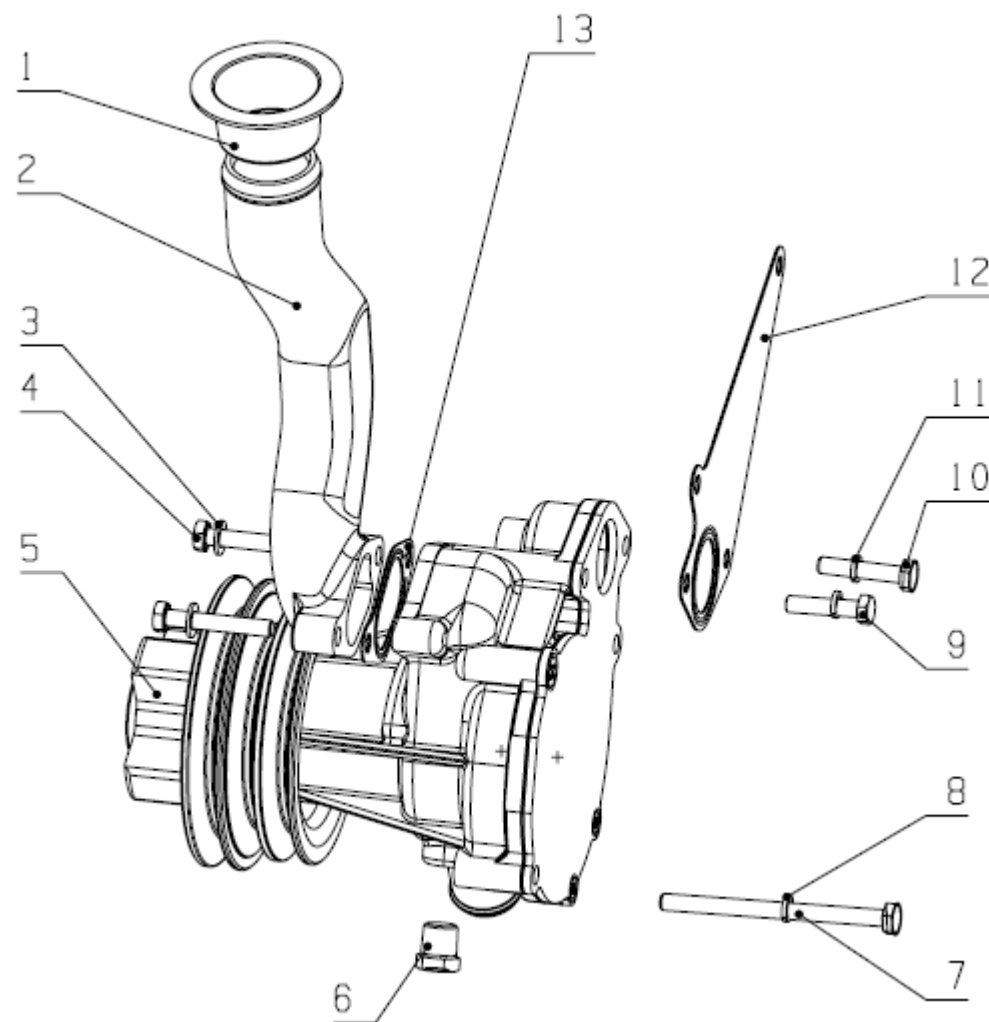


26. A94G5-1306000/调温器总成 Thermostat Assembly

序号 NO.	图号 Part No.	名 称	Part Name	数量 Qty	备注 Remark
1	Q340B08	螺母 M8	Nut M8	5	
2	Q1200825	螺柱 M8X25	Stud M8X25	2	
3	Q40008	垫圈 8	Gasket 8	5	
4	Q40308	垫圈 8	Gasket 8	5	
5	377A-1303011	调温器盖	Thermostat cover	1	
6	6105Q-1306006	调温器座垫片	Thermostat seat gasket	1	
7	J8000-1306004	调温器	thermostat	1	
8	630-1306003A	调温器座	Thermostat seat	1	
9	Q618B02	螺塞 NPT 1/4	Plug the NPT 1/4	1	
10	Q67645	环箍 45	Hoop 45	2	
11	B8800-1306005	回水胶管	The return water hose	2	
12	B8701-1306006	调温器座垫片	Thermostat seat gasket	1	
13	Q1200822	螺柱 M8X22	Stud M8X22	3	

EWP=Easy wear part (易损件)

27. A8ETM-1307000/水泵总成 Water Pump Assembly

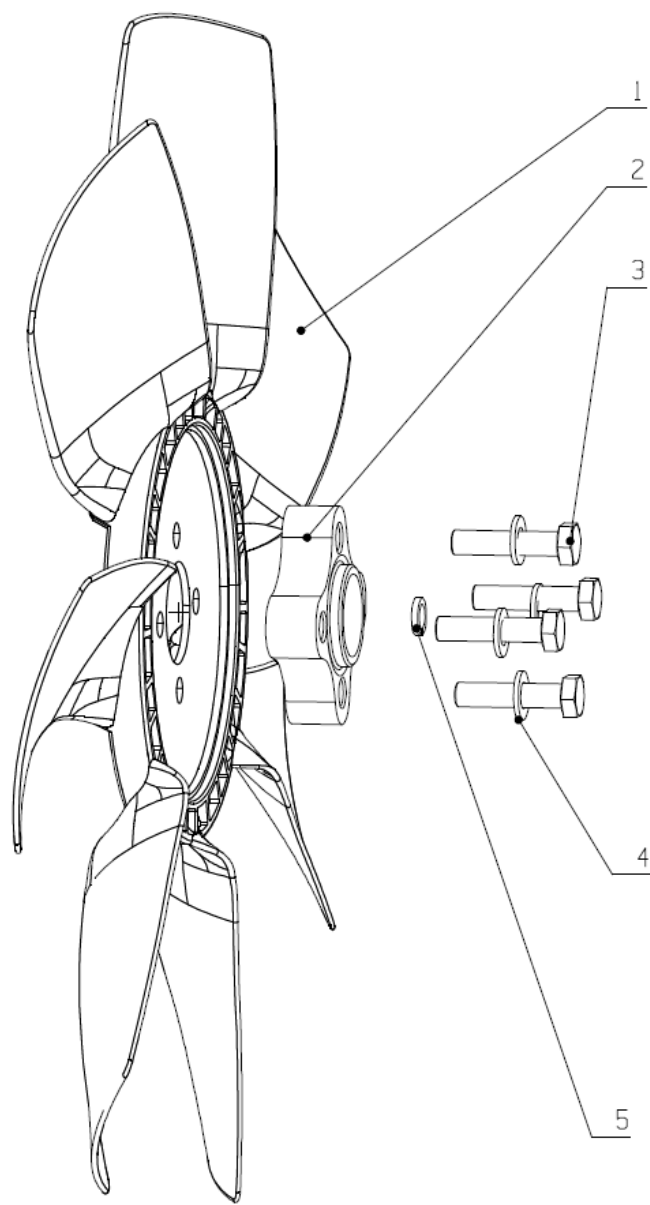


27. A8ETM-1307000 水泵总成/Water Pump Assembly

序号 NO.	图号 Part No.	名 称	Part Name	数量 Qty	备注 Remark
1	630-1000094A	水管封口盖	Water pipe sealing cap	1	
2	A8ET0-1307004A	进水接管	Take over the water	1	
3	Q40108	垫圈 8	Gasket 8	2	
4	Q150B0850TF2	螺栓 M8X50	Bolt M8X50	2	
5	B8801-1307100C	水泵	Bolted M8X50 water pump	1	
6	Q618B03	螺塞 NPT 3/8	Plug the NPT 3/8	1	
7	Q150B08108	螺栓 M8X108	Bolt M8X108	1	
8	Q40308	垫圈 8	Gasket 8	2	
9	Q150B0835	螺栓 M8X35	Bolt M8X35	1	
10	Q150B0840TF2	螺栓 M8X40	Bolt M8X40	1	
11	Q40308	垫圈 8	Gasket 8	1	
12	B9900-1307001	水泵垫片	Water pump gasket	1	
13	B9900-1307005A	进水接管垫片	Inlet pipe gasket	1	
14	YC80-SPA-1385A	V 带	V belt	2	

EWP=Easy wear part (易损件)

28. B8801-1308000/风扇总成 Fan Assembly

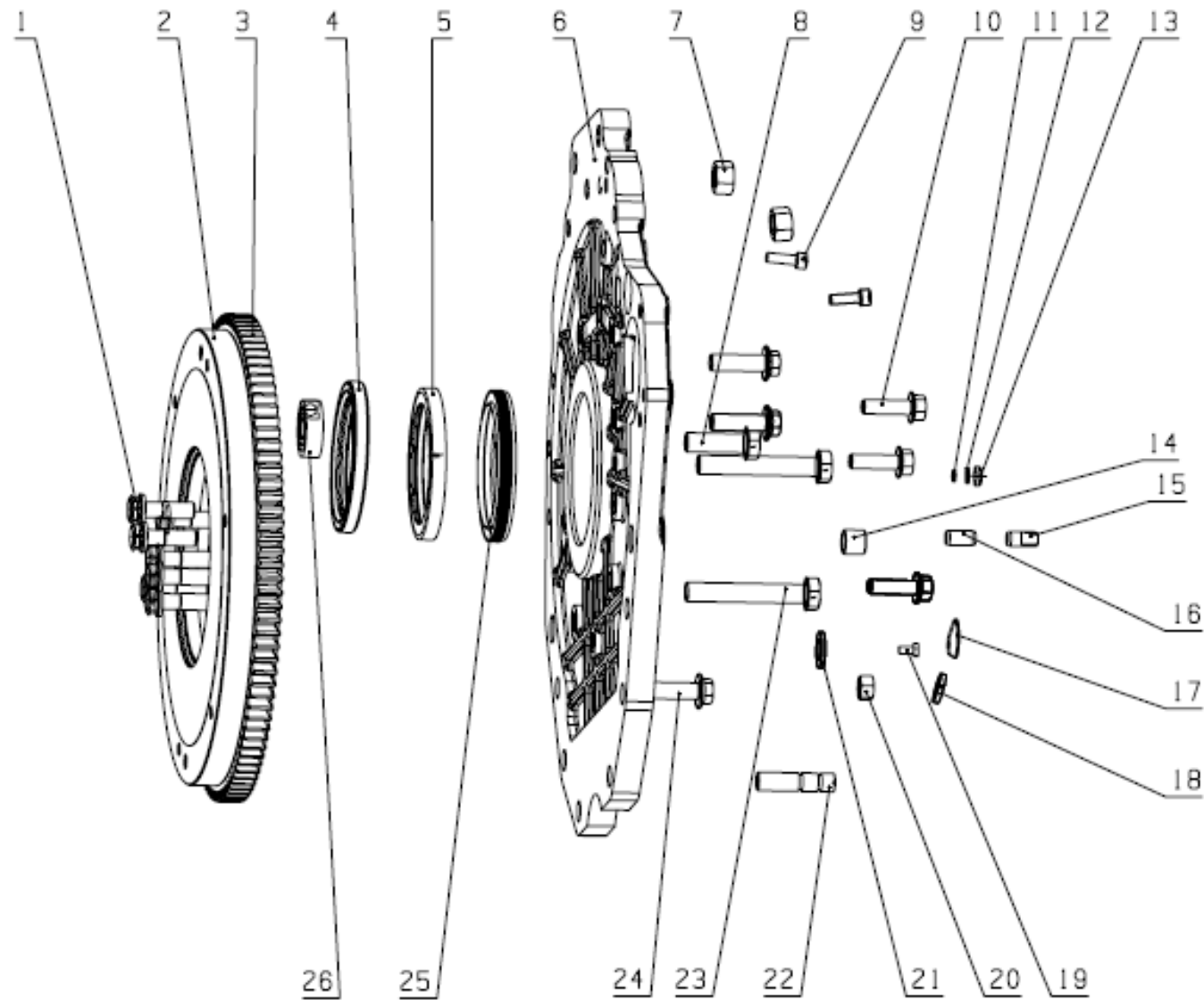


28. B8801-1308000/风扇总成 Fan Assembly

序号 NO.	图号 Part No.	名 称	Part Name	数量 Qty	备注 Remark
1	J490A-1308150A	风扇组件	Inlet inlet gasket fan assembly	1	
2	SC1F2-1308102	垫块	block	1	
3	Q150B1045TF2	螺栓 M10X45	Bolt M10X45	4	
4	Q40110	垫圈 10	Gasket 10	4	
5	Q40310	垫圈 10	Gasket 10	4	

EWP=Easy wear part (易损件)

29. A8E00-1600000/动力输出总成 Power Output Assembly



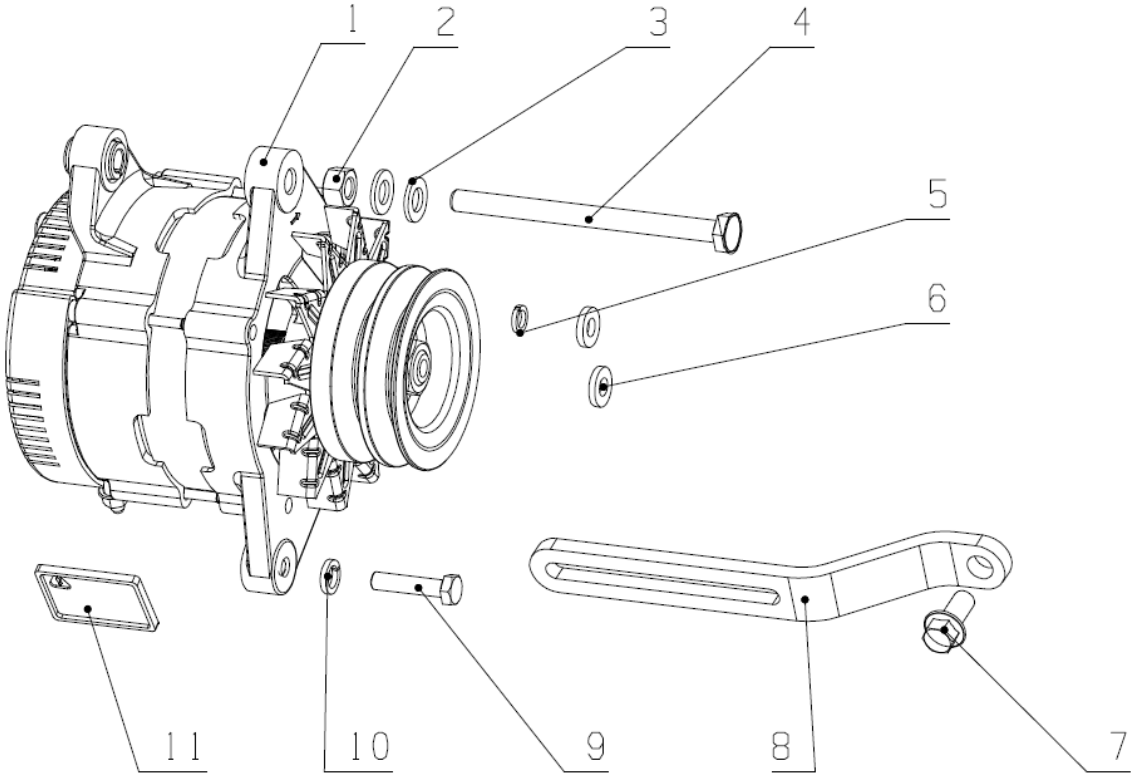
29. A8E00-1600000/动力输出总成 Power Output Assembly

序号 NO.	图号 Part No.	名 称	Part Name	数量 Qty	备注 Remark
1	AVJ0T1-1005303	飞轮螺栓	The flywheel bolt	7	
2	B9200-1005361E	飞轮	flywheel	1	
3	G8201-1005362	齿圈	gear ring	2	
4	YC209-100125FL	油封 100X125	oil seal	1	
5	YC209-C100125PL	油封 100X125	oil seal	1	
6	B8801-1600409B	飞轮板	The flywheel plate	1	
7	Q340B16	螺母 M16	Nut M16	2	
8	Q150B1650	螺栓 M16X50	Bolt M16X50	5	
9	Q218B0825TF2	螺钉 M8X25	Screw M8X25	3	
10	Q1841240TF2	螺栓 M12X40	Bolt M12X40	12	
11	Q40306	垫圈	Washer	1	
12	Q40106	垫圈 6	Washer 6	1	
13	YC7-16	碗形塞片 16	Bowl plug 16	1	
14	B8805-1002121	定位套	locating bush	3	
15	6105Q-1600011	扁销	Flat pin	1	
16	YC24-B1224	圆柱销 12X24	12 x24 cylindrical pin	1	
17	6QA1-1600016	盖板	cover plate	1	
18	Q40316	垫圈 16	Gasket 16	8	
19	Q150B0612	螺栓 M6X12	Bolt M6X12	1	
20	Q340B12	螺母 M12	Nut M12	4	
21	Q40116	垫圈 16	Gasket 16	4	
22	GB/T897-GA1450-8.8-P	螺柱 AM14X50	Stud AM14X50	1	
23	GB/T5780-16100	螺栓 M16X100	Bolt M16X100	2	

24	Q1841445TF2	螺栓 M14X45	Bolt M14X45	4	
25	YC209-B100125PL	油封 100X125	oil seal	1	
26	GB/T276-6303-2RS1	滚动轴承 6303-2RS1	Rolling bearings 6303-2RS1	1	

EWP=Easy wear part (易损件)

30. A8ETM-3701000/发电机总成 Alternator Assembly

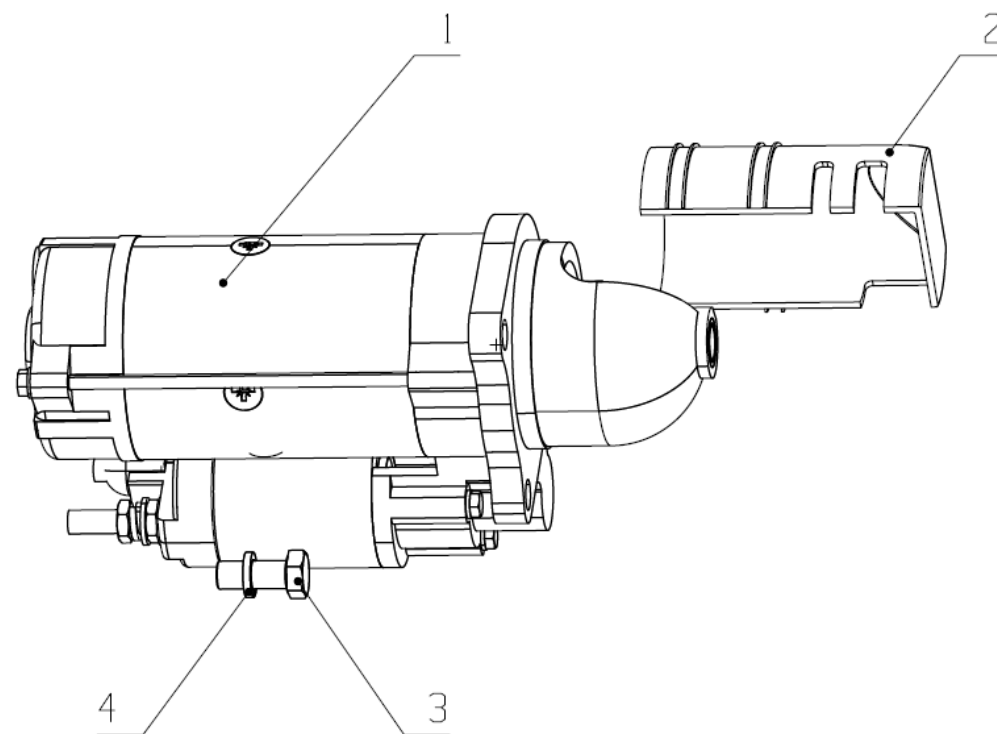


30. A8ETM-3701000/发电机总成 Alternator Assembly

序号 NO.	图号 Part No.	名 称	Part Name	数量 Qty	备注 Remark
1	D7103-3701100	发电机	Alternator	1	
2	Q360B10	螺母 M10	Nut M10	1	
3	Q40110	垫圈 10	Gasket 10	1	
4	Q150B10130	螺栓 M10X130	Bolt M10X130	1	
5	Q40308	垫圈 8	Gasket 8	1	
6	6105Q-3509013	垫圈	Gasket	1	
7	Q1841022TF2	螺栓 M10X22	Bolt M10X22	1	
8	A96T0-3701052A	调节板	Adjustment plate	1	
9	Q150B0835	螺栓 M8X35	Bolt M8X35	1	
10	Q40310	垫圈 10	Gasket 10	1	
11	D7103-3903002	警示牌	warning board	1	

EWP=Easy wear part (易损件)

31. A8300-3708000/起动机总成 Starter Assembly

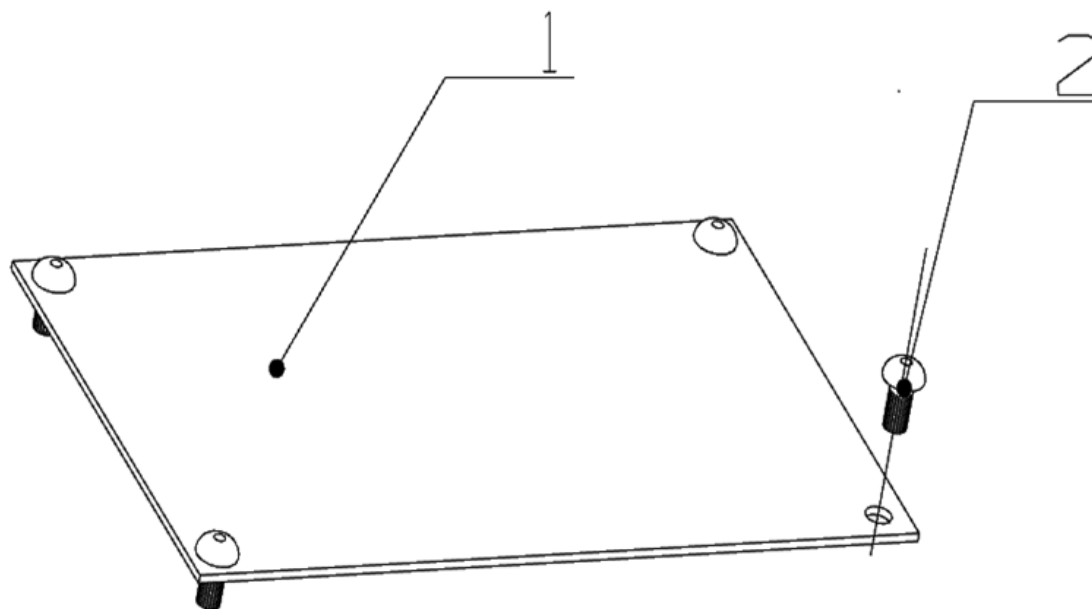


31. A8300-3708000/起动机总成 Starter Assembly

序号 NO.	图号 Part No.	名 称	Part Name	数量 Qty	备注 Remark
1	A8300-3708100	起动机	starter	1	
2	A3206-3708104A	起动机防护罩	Starter shield	1	
3	Q150B1230	螺栓 M12X30	Bolt M12X30	3	
4	Q40312	垫圈 12	Gasket 12	3	
5	D30-1049337	尼龙扎带VI	Nylon cable tie VI	2	无三维

EWP=Easy wear part (易损件)

32. D7Q00-3904000/标牌总成 Plate Assembly

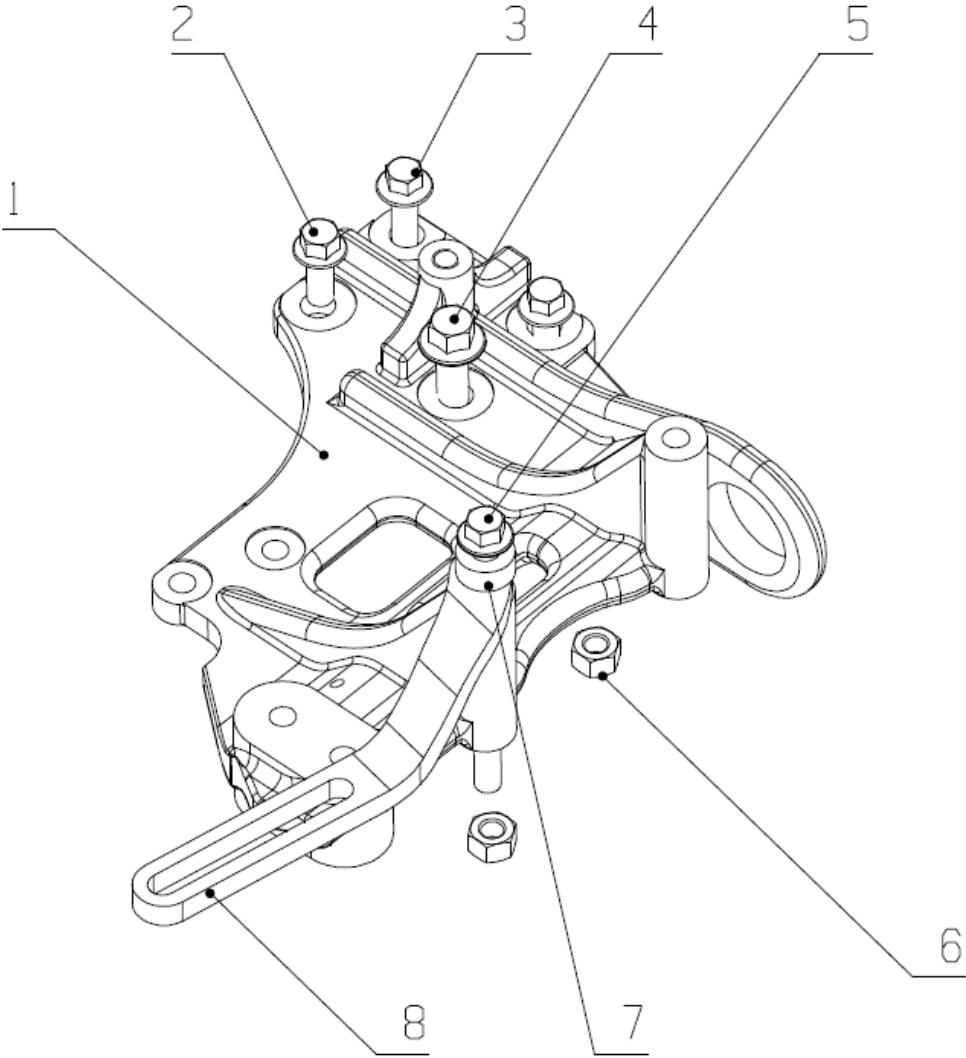


32. D7Q00-3904000/标牌总成 Plate Assembly

序号 NO.	图号 Part No.	名 称	Part Name	数量 Qty	备注 Remark
1	YC394-B000E	标牌	Plate	1	
2	YC5-0306	铆钉 3X6	Rivet 3X6	4	

EWP=Easy wear part (易损件)

33. A8ETM-8104000/空调压缩机总成 Air condition compressor Assembly

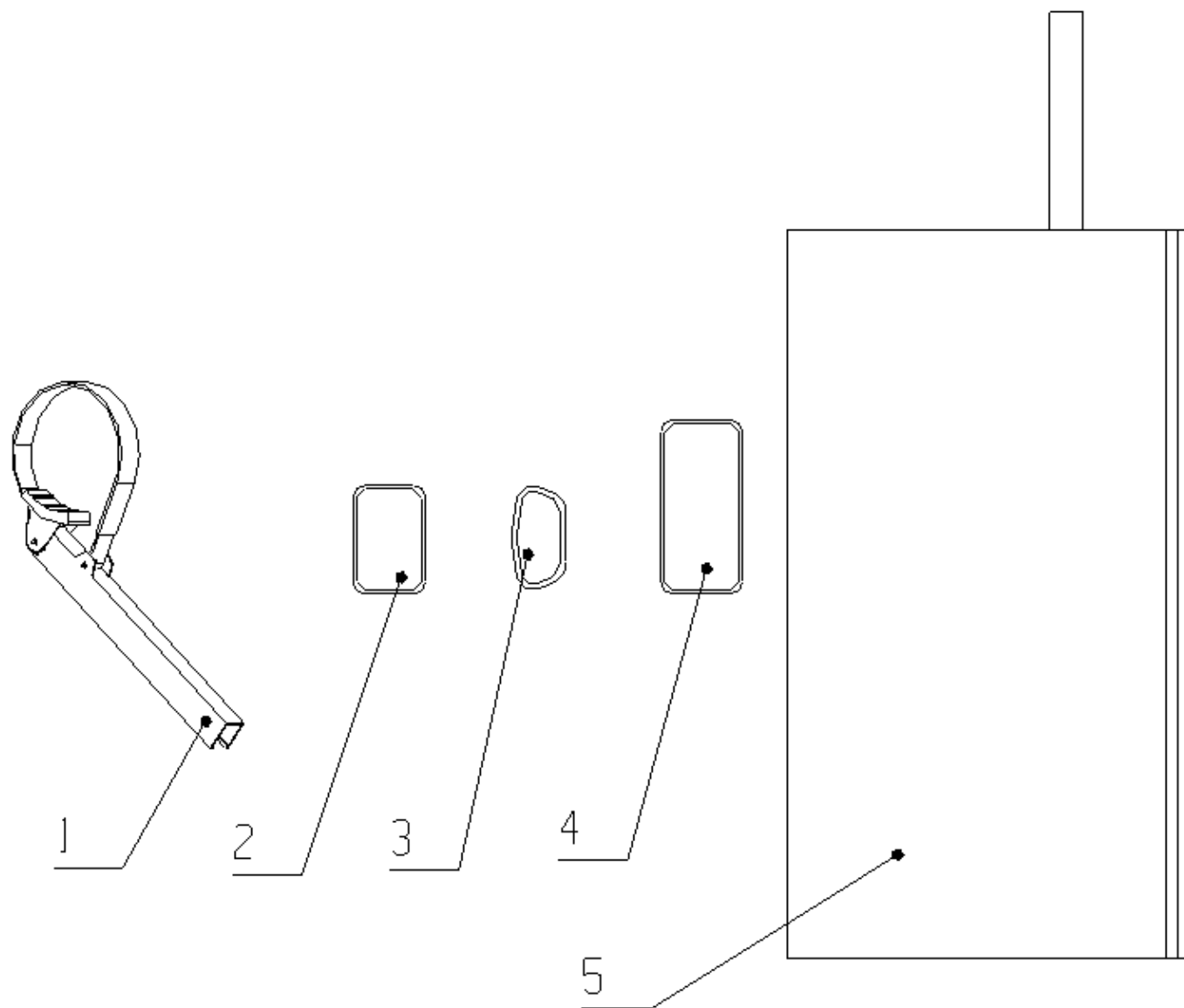


33. A8ETM-8104000/空调压缩机总成 Air condition compressor Assembly

序号 NO.	图号 Part No.	名 称	Part Name	数量 Qty	备注 Remark
1	A9MT7-8104007B	空调机支架	Air condition compressor support	1	
2	Q1841025TF2	螺栓 M10X25	Bolt M10X25	1	
3	Q1841030TF2	螺栓 M10X30	Bolt M10X30	2	
4	Q1841230TF2	螺栓 M12X30	Bolt M12X30	4	
5	Q18410130TF2	螺栓 M10X130	Bolt M10X130	1	
6	Q360B10	螺母 M10	Nut M10	2	
7	340-1013006	垫圈	gasket	1	
8	A9MT7-3701052	调节板	Adjustment plate	1	

EWP=Easy wear part (易损件)

34. D7205-3900000 / 工具备件总成 Tool Spare Parts Assembly



34. D7205-3900000/工具备件总成 Tool Spare Parts Assembly

序号 NO.	图号 Part No.	名 称	Part Name	数量 Qty	备注 Remark
1	G3GAA-3901260	滤清器拆装扳手	Filter mounting and dismounting wrench	1	
2	JY1000-3903009	转动防护警示牌	Rotating protection warning board	1	
3	JY1000-3903005	曲轴转向指示牌	Crankshaft steering indicator	1	
4	JY1000-3903002	警示牌	Warning signs	1	
5	630-3900100A	备件袋	Spare part bag	1	

EWP=Easy wear part (易损件)