

零件编号	结构代码	零件顺序	零件编号	结构代码	零件顺序	零件编号	结构代码	零件顺序
DF1204.58B.011	9.DI688.25.0_0	1	GBT5783-M8X25-A2L	A11.55.930.4_2	8	SH900.56.107	A11.56.901.4_1	4
A11.38.027.2	A11.38.909.4_0	1	GBT3452.1-32.5X1.8-G	A11.55.930.4_2	9	SH900.56.108	A11.56.901.4_1	5
JBT8870-D20	A11.38.909.4_0	2	GBT93-12-A3L	A11.55.930.4_2	10	SH900.56.155/10	A11.56.901.4_1	6
SH704-1.55.101	A11.38.909.4_0	3	GBT5782-M12X225-10.9-A3L	A11.55.930.4_2	11	A11.58.030.3-30	A11.58.904.4_7	1
JBT8870-D20	A11.38.909.4_0	4	GBT5783-M12X35-10.9-A3L	A11.55.930.4_2	12	A11.58.023.3	A11.58.904.4_7	2
SH900.38.159	A11.38.909.4_0	5	GBT5782-M12X165-10.9-A3L	A11.55.930.4_2	13	A11.58.024.3-10	A11.58.904.4_7	3
JBT982-12	A11.38.909.4_0	6	GBT93-16-A3L	A11.55.930.4_2	14	A11.58.025.2-30	A11.58.904.4_7	4
A11.38.027.2	A11.38.909.4_1	1	GBT5782-M16X55-10.9-A3L	A11.55.930.4_2	15	SH400.58.106	A11.58.904.4_7	6
JBT8870-D20	A11.38.909.4_1	2	2.1560.016.0	A11.55.930.4_2	17	SH400.58B.122	A11.58.904.4_7	7
SH704-1.55.101	A11.38.909.4_1	3	A11.55.025.3	A11.55.930.4_2	18	GBT93-10-A3L	A11.58.904.4_7	8
SH900.38.159	A11.38.909.4_1	5	SH550.55B.107	A11.55.930.4_2	19	GBT5783-M10X65-A3L	A11.58.904.4_7	9
JBT982-12	A11.38.909.4_1	6	2.1560.018.0	A11.55.930.4_2	20	JBT8870-D32	A11.58.904.4_7	10
GBT3452.1-300X3.55-G	A11.43.001.4/10	1	SH900.56.131	A11.56.033.4	1	GBT5783-M10X16-A3L	A11.58.904.4_7	11
GBT3452.1-260X3.55-G	A11.43.001.4/10	2	SH900.56.129	A11.56.033.4	2	GBT6170-M10-A3L	A11.58.904.4_7	12
GBT119.1-10m6X22	A11.43.001.4/10	3	A11.56.034.0	A11.56.033.4	3	2.1560.018.0	A11.58.904.4_7	13
0.026.3890.0/10	A11.43.001.4/10	4	SH900.56.154	A11.56.033.4	4	GBT5783-M8X35-A2L	A11.58.904.4_7	14
SH900.43.027	A11.43.001.4/10	5	SH900.56.026	A11.56.033.4	5	GBT93-8-A3L	A11.58.904.4_7	15
SH900.43.173	A11.43.001.4/10	6	SH900.56.132	A11.56.033.4	6	GBT5783-M12X25-10.9-A3L	A11.58.904.4_7	16
A11.43.007.0/10	A11.43.001.4/10	7	SH900.56.133	A11.56.033.4	7	GBT93-12-A3L	A11.58.904.4_7	17
JBT982-10	A11.43.001.4/10	8	SH900.56.111	A11.56.900.4_2	1	A11.58.084.0	A11.58.904.4_7	18
SH900.43.189	A11.43.001.4/10	9	SH900.56.103	A11.56.900.4_2	2	CD554.40.107	A11.58.904.4_7	19
GBT3452.1-300X3.55-G	A11.43.002.4/10	1	SH900.56.030-1	A11.56.900.4_2	3	GBT5783-M8X40-A2L	A11.58.904.4_7	20
GBT3452.1-260X3.55-G	A11.43.002.4/10	2	A11.56.033.4	A11.56.900.4_2	4	GBT6170-M8-A3L	A11.58.904.4_7	21
GBT119.1-10m6X22	A11.43.002.4/10	3	GBT9459-M24X2-A3L	A11.56.900.4_2	6	GBT3452.1-14X1.5-G	A11.58.904.4_7	22
0.026.3890.0/10	A11.43.002.4/10	4	GBT93-16-A3L	A11.56.900.4_2	7	2.3139.024.2	A11.58.904.4_7	23
SH900.43.027	A11.43.002.4/10	5	GBT91-5X40-A3L	A11.56.900.4_2	8	GBT3452.1-16X1.5-G	A11.58.904.4_7	24
SH900.43.173	A11.43.002.4/10	6	GBT899-AM16X95-10.9-A3L	A11.56.900.4_2	9	GBT3738-08-L18	A11.58.904.4_7	25
A11.43.008.0/10	A11.43.002.4/10	7	GBT72-M8X16-A2L	A11.56.900.4_2	10	GBT3452.1-19.3X2.2-G	A11.58.904.4_7	26
JBT982-10	A11.43.002.4/10	8	GBT6170-M16-10-A3L	A11.56.900.4_2	11	GBT6170-M6-A2L	A11.58.904.4_7	26
SH900.43.189	A11.43.002.4/10	9	GBT119.1-20m6X35	A11.56.900.4_2	12	2.6839.068.0	A11.58.904.4_7	27
A11.43.001.4/10	A11.43.905.4_2	1	GBT97.1-24-A3L	A11.56.900.4_2	13	A11.58.108.0	A11.58.904.4_7	28
A11.43.002.4/10	A11.43.905.4_2	2	SH900.56.027/10	A11.56.901.4_0	1	GBT70.1-M6X20-A2L	A11.58.904.4_7	29
0.170.5455.0	A11.43.905.4_2	3	SH900.56.031	A11.56.901.4_0	2	GBT93-6-A3L	A11.58.904.4_7	30
2.3199.039.0	A11.43.905.4_2	4	SH900.56.105	A11.56.901.4_0	3	A08.58.102.0	A11.58.905.4_2	1
A11.55.015.4	A11.55.930.4_2	1	SH900.56.107	A11.56.901.4_0	4	A02.58.093.0	A11.58.905.4_2	2
A11.55.013.3/10	A11.55.930.4_2	2	SH900.56.108	A11.56.901.4_0	5	A02.58.094.0	A11.58.905.4_2	5
A08.55.004.0	A11.55.930.4_2	3	SH900.56.155/10	A11.56.901.4_0	6	GBT3452.1-15.3X2.2-G	A11.58.905.4_2	6
A08.55.006.0	A11.55.930.4_2	4	SH900.56.027/20	A11.56.901.4_1	1	GBT3452.1-19.3X2.2-G	A11.58.905.4_2	7
2.1560.010.0	A11.55.930.4_2	5	SH900.56.031	A11.56.901.4_1	2	A11.58.022.3-20	A11.58.906.4_2	1
0.445.3150.4/20	A11.55.930.4_2	6	SH900.56.105	A11.56.901.4_1	3	SH904.58.168	A11.58.906.4_2	2

零件编号	结构代码	零件顺序	零件编号	结构代码	零件顺序	零件编号	结构代码	零件顺序
SH904.58.168	A11.58.906.4_2	2	SH900.21.110	A23.21.900.4_4	6	LE1204.37.201	A23.37.900.4_0	4
SH400.58.112	A11.58.906.4_2	3	YBT5294-SZ-F-1.4	A23.21.900.4_4	7	GBT5783-M8X20-A2L	A23.37.900.4_0	5
2.1560.018.0	A11.58.906.4_2	4	SH900.21.111/10	A23.21.900.4_4	8	GBT93-8-A3L	A23.37.900.4_0	6
A11.58.039.4-30	A11.58.907.4_4	1	SH900.21.112	A23.21.900.4_4	9	GBT5783-M10X20-A3L	A23.37.900.4_0	7
GBT894.1-20	A11.58.907.4_4	2	SH900.21.018	A23.21.900.4_4	10	GBT5782-M10X75-A3L	A23.37.900.4_0	8
A23.45.019.0	A11.58.907.4_4	3	SH900.21.113	A23.21.900.4_4	11	GBT5783-M10X25-A3L	A23.37.900.4_0	9
A11.58.037.3	A11.58.907.4_4	4	SH900.21.019	A23.21.900.4_4	12	SH900.37.180	A23.37.900.4_0	10
0.020.3757.0	A11.58.907.4_4	5	SH900.21.101	A23.21.900.4_4	13	GBT93-10-A3L	A23.37.900.4_0	11
A11.58.038.3	A11.58.907.4_4	6	SH900.21.124	A23.21.900.4_4	14	GBT5783-M10X30-A3L	A23.37.900.4_0	12
GBT5783-M8X35-A2L	A11.58.907.4_4	7	GBT93-8-A3L	A23.21.900.4_4	15	GBT119.1-16m6X32	A23.37.900.4_0	13
A11.58.032.0	A11.58.907.4_4	8	2.1011.105.2	A23.21.900.4_4	16	GBT879.1-8X32	A23.37.900.4_0	14
GBT5783-M8X25-A2L	A11.58.907.4_4	9	B47.21.004.4-LUK	A23.21.902.4_1	1	GBT879.1-5X32	A23.37.900.4_0	15
GBT93-8-A3L	A11.58.907.4_4	10	GBT119.1-10h8X30	A23.21.902.4_1	2	LE1204.37.156	A23.37.900.4_0	16
GBT97.1-8-A3L	A11.58.907.4_4	11	GBT93-10-A3L	A23.21.902.4_1	3	SH900.37.203	A23.37.900.4_0	17
A11.58.031.3-10	A11.58.907.4_4	12	GBT5783-M10X45-10.9-A3L	A23.21.902.4_1	4	LE1204.37.157	A23.37.900.4_0	18
GBT6170-M8-A2L	A11.58.907.4_4	13	LE1204.21B.010	A23.21.903.4_1	1	SH900.37.181	A23.37.900.4_0	19
A11.58.036.0	A11.58.907.4_4	14	GBT5783-M10X45-10.9-A3L	A23.21.903.4_1	2	GBT3452.1-17X2.65-G	A23.37.900.4_0	20
2.4049.160.2	A11.58.907.4_4	15	GBT93-10-A3L	A23.21.903.4_1	3	GBT879.1-3X32	A23.37.900.4_0	21
GBT5783-M8X20-A2L	A11.58.907.4_4	16	GBT119.1-10h8X30	A23.21.903.4_1	4	SH900.37.185	A23.37.900.4_0	22
A11.58.060.0	A11.58.907.4_4	17	0.011.2973.0	A23.21.907.4_0	1	LE1204.37.184	A23.37.900.4_0	23
A23.21.001.0/10	A23.21.900.4_3	1	0.012.6739.0	A23.21.907.4_0	2	GBT879.1-5X30	A23.37.900.4_0	24
SH900.21.103	A23.21.900.4_3	2	2.3820.105.2	A23.21.907.4_0	3	GBT879.1-3X30	A23.37.900.4_0	25
NTM8842A.00	A23.21.900.4_3	3	A23.21.005.0	A23.21.907.4_0	4	QCT388-24	A23.37.900.4_0	26
SH900.21.104/10	A23.21.900.4_3	4	A23.21.007.0	A23.21.907.4_0	5	SH900.37.176	A23.37.900.4_0	27
SH900.21.109	A23.21.900.4_3	5	A41.21.002.0	A23.21.907.4_0	6	SH900.37.191	A23.37.900.4_0	28
SH900.21.110	A23.21.900.4_3	6	GBT6172.1-M20-A3L	A23.21.907.4_0	7	GBT893.1-40	A23.37.900.4_0	29
YBT5294-SZ-F-1.4	A23.21.900.4_3	7	GBT6173-M10X1-A2L	A23.21.907.4_0	8	SH900.37.174	A23.37.900.4_1	1
SH900.21.111/10	A23.21.900.4_3	8	CD904A.31.011/10	A23.31.901.4_1	1	LE1204.37.153	A23.37.900.4_1	2
SH900.21.112	A23.21.900.4_3	9	GBT93-16-A3L	A23.31.901.4_1	2	LE1204.37.150	A23.37.900.4_1	3
SH900.21.018	A23.21.900.4_3	10	GBT5782-M16X75-10.9-A3L	A23.31.901.4_1	3	LE1204.37.201	A23.37.900.4_1	4
SH900.21.113	A23.21.900.4_3	11	GBT5782-M16X110-A3L	A23.31.901.4_1	4	2.0114.207.2	A23.37.900.4_1	5
SH900.21.019	A23.21.900.4_3	12	SH900.31.113	A23.31.901.4_1	5	GBT93-8-A3L	A23.37.900.4_1	6
SH900.21.101	A23.21.900.4_3	13	CD904A.31.011/20	A23.31.901.4_2	1	2.0114.307.2	A23.37.900.4_1	7
SH900.21.124	A23.21.900.4_3	14	GBT93-16-A3L	A23.31.901.4_2	2	2.0112.324.2	A23.37.900.4_1	8
GBT93-8-A3L	A23.21.900.4_3	15	GBT5782-M16X75-10.9-A3L	A23.31.901.4_2	3	2.0114.309.2	A23.37.900.4_1	9
GBT6170-M8-A2L	A23.21.900.4_3	16	GBT5782-M16X110-A3L	A23.31.901.4_2	4	SH900.37.180	A23.37.900.4_1	10
A23.21.001.0/10	A23.21.900.4_4	1	SH900.31.113	A23.31.901.4_2	5	GBT93-10-A3L	A23.37.900.4_1	11
SH900.21.103	A23.21.900.4_4	2	SH900.37.174	A23.37.900.4_0	1	2.0114.311.2	A23.37.900.4_1	12
NTM8842A.00	A23.21.900.4_4	3	LE1204.37.153	A23.37.900.4_0	2	GBT119.1-16m6X32	A23.37.900.4_1	13
SH900.21.104/10	A23.21.900.4_4	4	LE1204.37.150	A23.37.900.4_0	3	2.1630.713.2	A23.37.900.4_1	14

零件编号	结构代码	零件顺序	零件编号	结构代码	零件顺序	零件编号	结构代码	零件顺序
2.1630.713.2	A23.37.900.4_1	14	GBT893.1-40	A23.37.904.4_0	27	GBT93-16-A3L	A23.37.910.4_1	12
2.1630.513.2	A23.37.900.4_1	15	GBT3452.1-17X2.65-G	A23.37.904.4_0	28	GBT5783-M16X45-10.9-A3L	A23.37.910.4_1	13
LE1204.37.156	A23.37.900.4_1	16	SH900.37.174	A23.37.904.4_1	1	SH900.37.104	A23.37.910.4_1	14
SH900.37.203	A23.37.900.4_1	17	SH900.37.175	A23.37.904.4_1	2	GBT93-8-A3L	A23.37.910.4_1	15
LE1204.37.157	A23.37.900.4_1	18	2.0114.207.2	A23.37.904.4_1	3	GBT5783-M8X25-A2L	A23.37.910.4_1	16
SH900.37.181	A23.37.900.4_1	19	GBT93-8-A3L	A23.37.904.4_1	4	GBT6176-M12X1.5-10-A3L	A23.37.910.4_1	17
2.1630.213.2	A23.37.900.4_1	20	SH900.37.178/10	A23.37.904.4_1	5	GBT900-AM12X1.5X40-10.9-A3L	A23.37.910.4_1	18
SH900.37.185	A23.37.900.4_1	21	SH900.37.177	A23.37.904.4_1	6	SH900.37.105	A23.37.910.4_1	19
LE1204.37.184	A23.37.900.4_1	22	2.0114.307.2	A23.37.904.4_1	7	QCT388-14	A23.37.910.4_1	20
2.1630.552.2	A23.37.900.4_1	23	2.0112.324.2	A23.37.904.4_1	8	2.1475.004.7	A23.37.910.4_1	21
2.1630.252.2	A23.37.900.4_1	24	2.0114.309.2	A23.37.904.4_1	9	LE1204.37.203	A23.37.913.4_1	1
QCT388-24	A23.37.900.4_1	25	2.0114.313.2	A23.37.904.4_1	10	A23.37.007.0	A23.37.913.4_1	2
SH900.37.176	A23.37.900.4_1	26	GBT93-10-A3L	A23.37.904.4_1	11	SH900.37.152	A23.37.913.4_1	3
SH900.37.191	A23.37.900.4_1	27	GBT119.1-16m6X32	A23.37.904.4_1	12	A23.37.008.0	A23.37.913.4_1	4
GBT893.1-40	A23.37.900.4_1	28	SH900.37.208	A23.37.904.4_1	13	GBT305-90/96.5	A23.37.913.4_1	5
SH900.37.174	A23.37.904.4_0	1	SH900.37.180	A23.37.904.4_1	14	GBT276-6210N/P6	A23.37.913.4_1	6
SH900.37.175	A23.37.904.4_0	2	SH900.37.181	A23.37.904.4_1	15	SH900.37.151	A23.37.913.4_1	7
GBT5781-M8X20-A3L	A23.37.904.4_0	3	SH900.37.182/10	A23.37.904.4_1	16	SH900.37.149	A23.37.913.4_1	8
GBT93-8-A3L	A23.37.904.4_0	4	SH900.37.203	A23.37.904.4_1	17	JBT7918-K64X74X41ZW	A23.37.913.4_1	9
SH900.37.178/10	A23.37.904.4_0	5	2.1630.713.2	A23.37.904.4_1	18	A23.37.002.0	A23.37.913.4_1	10
SH900.37.177	A23.37.904.4_0	6	2.1630.513.2	A23.37.904.4_1	19	SH900.37.107	A23.37.913.4_1	11
GBT5781-M10X20-A3L	A23.37.904.4_0	7	SH900.37.183-1	A23.37.904.4_1	20	SH900.41.121	A23.37.913.4_1	12
GBT5780-M10X75-A3L	A23.37.904.4_0	8	SH900.37.184-1	A23.37.904.4_1	21	SH900.37.111	A23.37.913.4_1	13
GBT5781-M10X25-A3L	A23.37.904.4_0	9	SH900.37.185	A23.37.904.4_1	22	SH900.37.109	A23.37.913.4_1	14
GBT5780-M10X40-A3L	A23.37.904.4_0	10	2.1630.213.2	A23.37.904.4_1	23	SH900.37A.113	A23.37.913.4_1	15
GBT93-10-A3L	A23.37.904.4_0	11	QCT388-24	A23.37.904.4_1	24	SH900.37A.112	A23.37.913.4_1	16
GBT119.1-16m6X32	A23.37.904.4_0	12	SH900.37.176	A23.37.904.4_1	25	SH900.37.145	A23.37.913.4_1	17
SH900.37.208	A23.37.904.4_0	13	SH900.37.191	A23.37.904.4_1	26	SH900.37A.110	A23.37.913.4_1	18
SH900.37.180	A23.37.904.4_0	14	GBT893.1-40	A23.37.904.4_1	27	GBT283-NUP211E	A23.37.913.4_1	19
SH900.37.181	A23.37.904.4_0	15	GBT5783-M10X25-A3L	A23.37.910.4_1	1	LE1204.37.137/30	A23.37.913.4_1	20
SH900.37.182/10	A23.37.904.4_0	16	GBT93-10-A3L	A23.37.910.4_1	2	LE1204.37.211	A23.37.913.4_1	21
SH900.37.203	A23.37.904.4_0	17	SH900.37.106	A23.37.910.4_1	3	GBT309-P5X23.8-G2-3-5	A23.37.913.4_1	22
GBT879.1-8X32	A23.37.904.4_0	18	GBT91-5X25-A3L	A23.37.910.4_1	4	GBT895.1-42	A23.37.913.4_1	23
GBT879.1-5X32	A23.37.904.4_0	19	GBT5783-M12X25-A3L	A23.37.910.4_1	5	LE1204.37.203	A23.37.913.4_2	1
SH900.37.183-1	A23.37.904.4_0	20	GBT93-12-A3L	A23.37.910.4_1	6	A23.37.007.0	A23.37.913.4_2	2
SH900.37.184-1	A23.37.904.4_0	21	SH900.37.154	A23.37.910.4_1	7	SH900.37.152	A23.37.913.4_2	3
SH900.37.185	A23.37.904.4_0	22	SH900.37.016/10	A23.37.910.4_1	8	A23.37.008.0	A23.37.913.4_2	4
GBT879.1-3X32	A23.37.904.4_0	23	JBT982-30	A23.37.910.4_1	9	GBT305-90/96.5	A23.37.913.4_2	5
QCT388-24	A23.37.904.4_0	24	SH900.37.216	A23.37.910.4_1	10	GBT276-6210N/P6	A23.37.913.4_2	6
SH900.37.176	A23.37.904.4_0	25	CD904A.37.101/10	A23.37.910.4_1	11	SH900.37.151	A23.37.913.4_2	7

零件编号	结构代码	零件顺序	零件编号	结构代码	零件顺序	零件编号	结构代码	零件顺序
SH900.37.151	A23.37.913.4_2	7	SH900.37A.108	A23.37.915.4_2	1	SH900.37.143	A23.37.923.4_0	19
SH900.37.149	A23.37.913.4_2	8	LE1204.37.140	A23.37.915.4_2	2	GBT276-6211	A23.37.923.4_0	20
JBT7918-K64X74X41ZW	A23.37.913.4_2	9	LE1204.37.141	A23.37.915.4_2	3	SH900.37.148	A23.37.923.4_0	21
A23.37.002.0	A23.37.913.4_2	10	JBT7918-K55X65X43ZW	A23.37.915.4_2	4	SH900.37.142	A23.37.923.4_0	22
SH900.37.107	A23.37.913.4_2	11	SH900.37A.114	A23.37.915.4_2	5	JBT7918-K32X39X20	A23.37.923.4_0	23
SH900.41.121	A23.37.913.4_2	12	SH900.37A.116	A23.37.915.4_2	6	SH900.37.152	A23.37.923.4_0	24
SH900.37.111	A23.37.913.4_2	13	LE1204.37.144	A23.37.915.4_2	7	YBT5294-SZ-F-1.4	A23.37.923.4_1	1
SH900.37.109	A23.37.913.4_2	14	LE1204.37.205	A23.37.915.4_2	8	GBT32.1-M10X20-A3L	A23.37.923.4_1	2
SH900.37A.113	A23.37.913.4_2	15	LE1204.37.145/30	A23.37.915.4_2	9	GBT93-10-A3L	A23.37.923.4_1	3
SH900.37A.112	A23.37.913.4_2	16	SH900.37.135A	A23.37.917.4_0	1	SH900.37.153	A23.37.923.4_1	4
SH900.37.145	A23.37.913.4_2	17	GBT308-10-G100-b	A23.37.917.4_0	2	GBT305-90/96.5	A23.37.923.4_1	5
SH900.37A.110	A23.37.913.4_2	18	SH900.37.159	A23.37.917.4_0	3	GBT276-6210N/P6	A23.37.923.4_1	6
GBT283-NUP211E	A23.37.913.4_2	19	SH900.37.158	A23.37.917.4_0	4	SH900.37.151	A23.37.923.4_1	7
LE1204.37.137/30	A23.37.913.4_2	20	SH900.38.110	A23.37.917.4_0	5	A23.37.002.0	A23.37.923.4_1	8
LE1204.37.211	A23.37.913.4_2	21	YBT5294-SZ-F-1.4	A23.37.917.4_0	6	SH900.37.149	A23.37.923.4_1	9
GBT309-P5X23.8-G2-3-5	A23.37.913.4_2	22	LE1204.37.165	A23.37.917.4_0	7	JBT7918-K64X74X41ZW	A23.37.923.4_1	10
GBT895.1-42	A23.37.913.4_2	23	LE1204.37.188-1	A23.37.917.4_0	8	SH900.37B.102	A23.37.923.4_1	11
GBT288-20209	A23.37.914.4_0	1	GBT5783-M10X25-A3L	A23.37.917.4_0	9	SH900.41.121	A23.37.923.4_1	12
SH900.37A.107	A23.37.914.4_0	2	GBT93-10-A3L	A23.37.917.4_0	10	SH900.37.111	A23.37.923.4_1	13
GBT283-NUP1014M	A23.37.914.4_0	3	SH900.37.119	A23.37.917.4_0	11	SH900.37.109	A23.37.923.4_1	14
GBT894.1-70	A23.37.914.4_0	4	LE1204.37.166-1	A23.37.917.4_0	12	SH900.37B.104	A23.37.923.4_1	15
SH900.37A.104	A23.37.914.4_0	5	SH900.37.125	A23.37.917.4_0	13	SH900.37B.106	A23.37.923.4_1	16
JBT7918-K55X62X46ZW	A23.37.914.4_0	6	YBT5294-SZ-F-1.4	A23.37.923.4_0	1	SH900.37.145	A23.37.923.4_1	17
LE1204.37.114	A23.37.914.4_0	7	GBT32.1-M10X20-A3L	A23.37.923.4_0	2	SH900.37B.108	A23.37.923.4_1	18
SH900.37A.106	A23.37.914.4_0	8	GBT93-10-A3L	A23.37.923.4_0	3	SH900.37.143	A23.37.923.4_1	19
SH900.37A.121	A23.37.914.4_0	9	SH900.37.153	A23.37.923.4_0	4	GBT276-6211	A23.37.923.4_1	20
GBT276-6408N	A23.37.914.4_0	10	GBT305-90/96.5	A23.37.923.4_0	5	SH900.37.148	A23.37.923.4_1	21
GBT305-110/116.6	A23.37.914.4_0	11	GBT276-6210N/P6	A23.37.923.4_0	6	SH900.37.142	A23.37.923.4_1	22
GBT894.1-40	A23.37.914.4_0	12	SH900.37.151	A23.37.923.4_0	7	JBT7918-K32X39X20	A23.37.923.4_1	23
GBT288-20209	A23.37.914.4_1	1	A23.37.002.0	A23.37.923.4_0	8	SH900.37.152	A23.37.923.4_1	24
SH900.37A.107	A23.37.914.4_1	2	SH900.37.149	A23.37.923.4_0	9	GBT288-20209	A23.37.924.4_0	1
GBT283-NUP1014M	A23.37.914.4_1	3	JBT7918-K64X74X41ZW	A23.37.923.4_0	10	SH900.37B.107	A23.37.924.4_0	2
GBT894.1-70	A23.37.914.4_1	4	SH900.37B.102	A23.37.923.4_0	11	GBT283-NUP1014M	A23.37.924.4_0	3
SH900.37A.104	A23.37.914.4_1	5	SH900.41.121	A23.37.923.4_0	12	GBT894.1-70	A23.37.924.4_0	4
JBT7918-K55X62X46ZW	A23.37.914.4_1	6	SH900.37.111	A23.37.923.4_0	13	GBT276-6408N	A23.37.924.4_0	5
LE1204.37.114	A23.37.914.4_1	7	SH900.37.109	A23.37.923.4_0	14	GBT305-110/116.6	A23.37.924.4_0	6
SH900.37A.106	A23.37.914.4_1	8	SH900.37B.104	A23.37.923.4_0	15	GBT894.1-40	A23.37.924.4_0	7
SH900.37A.121	A23.37.914.4_1	9	SH900.37B.106	A23.37.923.4_0	16	SH900.37.141	A23.37.925.4_0	1
GBT276-6408N	A23.37.914.4_1	10	SH900.37.145	A23.37.923.4_0	17	SH900.37.140	A23.37.925.4_0	2
GBT305-110/116.6	A23.37.914.4_1	11	SH900.37B.108	A23.37.923.4_0	18	A23.37.003.0	A23.37.925.4_0	3

零件编号	结构代码	零件顺序	零件编号	结构代码	零件顺序	零件编号	结构代码	零件顺序
A23.37.003.0	A23.37.925.4_0	3	SH900.37.160	A23.37.926.4_1	12	SH900.37.124A	A23.37.927.4_1	12
JBT7918-K55X65X43ZW	A23.37.925.4_0	4	SH900.37.135A	A23.37.927.4	1	SH900.37.163	A23.37.927.4_1	13
SH900.37.138	A23.37.925.4_0	5	GBT308-10-G100-b	A23.37.927.4	2	SH900.37.123	A23.37.927.4_1	14
SH900.37.134	A23.37.925.4_0	6	SH900.37.159	A23.37.927.4	3	YBT5294-SZ-F-1.4	A23.37.933.4_0	1
SH900.37.165	A23.37.925.4_0	7	SH900.37.125	A23.37.927.4	4	GBT32.1-M10X20-A3L	A23.37.933.4_0	2
GBT276-6211N/P6	A23.37.925.4_0	8	SH900.37.158	A23.37.927.4	5	GBT93-10-A3L	A23.37.933.4_0	3
GBT305-100/106.5	A23.37.925.4_0	9	SH900.37.162	A23.37.927.4	6	SH900.37.153	A23.37.933.4_0	4
GBT894.1-55	A23.37.925.4_0	10	SH900.37.119	A23.37.927.4	7	GBT305-90/96.5	A23.37.933.4_0	5
SH900.37.141	A23.37.925.4_1	1	GBT93-10-A3L	A23.37.927.4	8	GBT276-6210N/P6	A23.37.933.4_0	6
SH900.37.140	A23.37.925.4_1	2	2.0114.309.2	A23.37.927.4	9	SH900.37.151	A23.37.933.4_0	7
A23.37.003.0	A23.37.925.4_1	3	YBT5294-SZ-F-1.4	A23.37.927.4	10	A23.37.002.0	A23.37.933.4_0	8
JBT7918-K55X65X43ZW	A23.37.925.4_1	4	SH900.38.110	A23.37.927.4	11	SH900.37.149	A23.37.933.4_0	9
SH900.37.138	A23.37.925.4_1	5	SH900.37.124A	A23.37.927.4	12	JBT7918-K64X74X41ZW	A23.37.933.4_0	10
SH900.37.134	A23.37.925.4_1	6	SH900.37.163	A23.37.927.4	13	SH900.37.107	A23.37.933.4_0	11
SH900.37.165	A23.37.925.4_1	7	SH900.37.123	A23.37.927.4	14	SH900.41.121	A23.37.933.4_0	12
GBT276-6211N/P6	A23.37.925.4_1	8	SH900.37.135A	A23.37.927.4_0	1	SH900.37.111	A23.37.933.4_0	13
GBT305-100/106.5	A23.37.925.4_1	9	GBT308-10-G100-b	A23.37.927.4_0	2	SH900.37.109	A23.37.933.4_0	14
GBT894.1-55	A23.37.925.4_1	10	SH900.37.159	A23.37.927.4_0	3	SH900.37.147	A23.37.933.4_0	15
YBT5294-SZ-F-1.4	A23.37.926.4_0	1	SH900.37.125	A23.37.927.4_0	4	SH900.37.146	A23.37.933.4_0	16
SH900.38.110	A23.37.926.4_0	2	SH900.37.158	A23.37.927.4_0	5	SH900.37.145	A23.37.933.4_0	17
SH900.37.135A	A23.37.926.4_0	3	SH900.37.162	A23.37.927.4_0	6	SH900.37.144	A23.37.933.4_0	18
GBT308-10-G100-b	A23.37.926.4_0	4	SH900.37.119	A23.37.927.4_0	7	SH900.37.143	A23.37.933.4_0	19
SH900.37.156	A23.37.926.4_0	5	GBT93-10-A3L	A23.37.927.4_0	8	GBT276-6211	A23.37.933.4_0	20
SH900.37.159	A23.37.926.4_0	6	GBT5783-M10X25-A3L	A23.37.927.4_0	9	SH900.37.148	A23.37.933.4_0	21
SH900.37.166	A23.37.926.4_0	7	YBT5294-SZ-F-1.4	A23.37.927.4_0	10	SH900.37.142	A23.37.933.4_0	22
SH900.37.167	A23.37.926.4_0	8	SH900.38.110	A23.37.927.4_0	11	JBT7918-K32X39X20	A23.37.933.4_0	23
SH900.37.157	A23.37.926.4_0	9	SH900.37.124A	A23.37.927.4_0	12	SH900.37.152	A23.37.933.4_0	24
SH900.37.164	A23.37.926.4_0	10	SH900.37.163	A23.37.927.4_0	13	YBT5294-SZ-F-1.4	A23.37.933.4_1	1
SH900.37.161	A23.37.926.4_0	11	SH900.37.123	A23.37.927.4_0	14	GBT32.1-M10X20-A3L	A23.37.933.4_1	2
SH900.37.160	A23.37.926.4_0	12	SH900.37.135A	A23.37.927.4_1	1	GBT93-10-A3L	A23.37.933.4_1	3
YBT5294-SZ-F-1.4	A23.37.926.4_1	1	GBT308-10-G100-b	A23.37.927.4_1	2	SH900.37.153	A23.37.933.4_1	4
SH900.38.110	A23.37.926.4_1	2	SH900.37.159	A23.37.927.4_1	3	GBT305-90/96.5	A23.37.933.4_1	5
SH900.37.135A	A23.37.926.4_1	3	SH900.37.125	A23.37.927.4_1	4	GBT276-6210N/P6	A23.37.933.4_1	6
GBT308-10-G100-b	A23.37.926.4_1	4	SH900.37.158	A23.37.927.4_1	5	SH900.37.151	A23.37.933.4_1	7
SH900.37.156	A23.37.926.4_1	5	SH900.37.162	A23.37.927.4_1	6	A23.37.002.0	A23.37.933.4_1	8
SH900.37.159	A23.37.926.4_1	6	SH900.37.119	A23.37.927.4_1	7	SH900.37.149	A23.37.933.4_1	9
SH900.37.166	A23.37.926.4_1	7	GBT93-10-A3L	A23.37.927.4_1	8	JBT7918-K64X74X41ZW	A23.37.933.4_1	10
SH900.37.167	A23.37.926.4_1	8	2.0114.309.2	A23.37.927.4_1	9	SH900.37.107	A23.37.933.4_1	11
SH900.37.157	A23.37.926.4_1	9	YBT5294-SZ-F-1.4	A23.37.927.4_1	10	SH900.41.121	A23.37.933.4_1	12
SH900.37.164	A23.37.926.4_1	10	SH900.38.110	A23.37.927.4_1	11	SH900.37.111	A23.37.933.4_1	13

零件编号	结构代码	零件顺序	零件编号	结构代码	零件顺序	零件编号	结构代码	零件顺序
SH900.37.111	A23.37.933.4_1	13	SH900.37.013	A23.37.952.4_0	5	SH900.37.115	A23.37.960.4_1	5
SH900.37.109	A23.37.933.4_1	14	LE1204.37.186	A23.37.952.4_0	6	SH900.38.110	A23.37.960.4_1	6
SH900.37.147	A23.37.933.4_1	15	GBT893.1-170	A23.37.952.4_0	7	YBT5294-SZ-F-1.4	A23.37.960.4_1	7
SH900.37.146	A23.37.933.4_1	16	SH900.37.116	A23.37.952.4_0	8	2.1011.107.2	A23.37.960.4_1	8
SH900.37.145	A23.37.933.4_1	17	A23.37.004.0	A23.37.952.4_0	9	GBT71-M12X40-A3L	A23.37.960.4_1	9
SH900.37.144	A23.37.933.4_1	18	A23.37.005.0	A23.37.952.4_0	10	SH900.37.135A	A23.37.960.4_1	10
SH900.37.143	A23.37.933.4_1	19	GBT309-P4X25.8-G3-3-6	A23.37.952.4_0	11	GBT308-10-G100-b	A23.37.960.4_1	11
GBT276-6211	A23.37.933.4_1	20	LE1204.37.187	A23.37.952.4_0	12	SH900.37B.109	A23.37.960.4_1	12
SH900.37.148	A23.37.933.4_1	21	SH900.37.131	A23.37.952.4_0	13	SH900.37.118-1	A23.37.960.4_1	13
SH900.37.142	A23.37.933.4_1	22	SH900.37A.115	A23.37.952.4_1	1	GBT3452.1-17X1.8-G	A23.37.960.4_1	14
JBT7918-K32X39X20	A23.37.933.4_1	23	GBT93-10-A3L	A23.37.952.4_1	2	GBT894.1-35	A23.37.961.4_0	1
SH900.37.152	A23.37.933.4_1	24	GBT5783-M10X25-A3L	A23.37.952.4_1	3	SH900.37A.120	A23.37.961.4_0	2
GBT288-20209	A23.37.934.4_0	1	LE1204.37.185	A23.37.952.4_1	4	SH900.37.170A	A23.37.961.4_0	3
SH900.37.114	A23.37.934.4_0	2	SH900.37.013	A23.37.952.4_1	5	SH900.37.222	A23.37.961.4_0	4
GBT283-NUP1014M	A23.37.934.4_0	3	LE1204.37.186	A23.37.952.4_1	6	JBT7918-K35X45X30	A23.37.961.4_0	5
GBT894.1-70	A23.37.934.4_0	4	GBT893.1-170	A23.37.952.4_1	7	A23.37.001.0	A23.37.961.4_0	6
GBT276-6408N	A23.37.934.4_0	5	SH900.37.116	A23.37.952.4_1	8	SH900.37.117	A23.37.961.4_0	7
GBT305-110/116.6	A23.37.934.4_0	6	A23.37.004.0	A23.37.952.4_1	9	GBT93-10-A3L	A23.37.961.4_0	8
GBT894.1-40	A23.37.934.4_0	7	A23.37.005.0	A23.37.952.4_1	10	GBT5783-M10X20-A3L	A23.37.961.4_0	9
QCT388-14	A23.37.951.4_0	1	GBT309-P4X25.8-G3-3-6	A23.37.952.4_1	11	SH900.37.122A/10	A23.37.961.4_0	10
SH900.37A.119	A23.37.951.4_0	2	LE1204.37.187/10	A23.37.952.4_1	12	QCT388-14	A23.37.961.4_0	11
SH900.37A.117	A23.37.951.4_0	3	SH900.37.131	A23.37.952.4_1	13	SH900.37.133	A23.37.962.4_0	1
JBT7918-K35X45X43ZW	A23.37.951.4_0	4	GBT5783-M10X25-A3L	A23.37.960.4_0	1	GBT93-10-A3L	A23.37.962.4_0	2
SH900.37A.120	A23.37.951.4_0	5	GBT93-10-A3L	A23.37.960.4_0	2	GBT5783-M10X25-A3L	A23.37.962.4_0	3
SH900.37A.118	A23.37.951.4_0	6	SH900.37.119	A23.37.960.4_0	3	SH900.37.128	A23.37.962.4_0	4
QCT388-14	A23.37.951.4_1	1	SH900.37.137	A23.37.960.4_0	4	SH900.37.013	A23.37.962.4_0	5
SH900.37A.119	A23.37.951.4_1	2	SH900.37.115	A23.37.960.4_0	5	SH900.37.127	A23.37.962.4_0	6
SH900.37A.117	A23.37.951.4_1	3	SH900.38.110	A23.37.960.4_0	6	GBT893.1-175	A23.37.962.4_0	7
JBT7918-K35X45X43ZW	A23.37.951.4_1	4	YBT5294-SZ-F-1.4	A23.37.960.4_0	7	SH900.37.116	A23.37.962.4_0	8
SH900.37A.120	A23.37.951.4_1	5	GBT6170-M12-A3L	A23.37.960.4_0	8	A23.37.004.0	A23.37.962.4_0	9
SH900.37A.118	A23.37.951.4_1	6	GBT71-M12X40-A3L	A23.37.960.4_0	9	A23.37.005.0	A23.37.962.4_0	10
QCT388-14	A23.37.951.4_2	1	SH900.37.135A	A23.37.960.4_0	10	SH900.37.132	A23.37.962.4_0	11
SH900.37A.119	A23.37.951.4_2	2	GBT308-10-G100-b	A23.37.960.4_0	11	GBT309-P4X25.8-G3-3-6	A23.37.962.4_0	12
SH900.37A.117	A23.37.951.4_2	3	SH900.37B.109	A23.37.960.4_0	12	SH900.37.131	A23.37.962.4_0	13
JBT7918-K35X45X43ZW	A23.37.951.4_2	4	SH900.37.118-1	A23.37.960.4_0	13	SH900.37.133	A23.37.962.4_1	1
SH900.37A.120	A23.37.951.4_2	5	GBT3452.1-17X1.8-G	A23.37.960.4_0	14	GBT93-10-A3L	A23.37.962.4_1	2
SH900.37A.118	A23.37.951.4_2	6	2.0114.309.2	A23.37.960.4_1	1	GBT5783-M10X25-A3L	A23.37.962.4_1	3
SH900.37A.115	A23.37.952.4_0	1	GBT93-10-A3L	A23.37.960.4_1	2	SH900.37.128	A23.37.962.4_1	4
GBT93-10-A3L	A23.37.952.4_0	2	SH900.37.119	A23.37.960.4_1	3	SH900.37.013	A23.37.962.4_1	5
GBT5783-M10X25-A3L	A23.37.952.4_0	3	SH900.37.137	A23.37.960.4_1	4	SH900.37.127	A23.37.962.4_1	6

零件编号	结构代码	零件顺序	零件编号	结构代码	零件顺序	零件编号	结构代码	零件顺序
SH900.37.127	A23.37.962.4_1	6	A23.38.001.0	A23.38.903.4_1	13	GBT5783-M12X35-10.9-A3L	A23.38.908.4_1	4
GBT893.1-175	A23.37.962.4_1	7	SH900.38.142	A23.38.903.4_1	14	GBT93-12-A3L	A23.38.908.4_1	5
SH900.37.116	A23.37.962.4_1	8	2.1475.004.2	A23.38.903.4_1	15	SH900.38.130/10	A23.38.908.4_1	6
A23.37.004.0	A23.37.962.4_1	9	GBT5783-M12X25-A3L	A23.38.903.4_1	16	SH900.38.128/10	A23.38.908.4_1	7
A23.37.005.0	A23.37.962.4_1	10	GBT297-30216	A23.38.903.4_1	17	SH900.38.163/10	A23.38.908.4_1	8
SH900.37.132	A23.37.962.4_1	11	GBT3452.1-30X2.65-G	A23.38.904.4_0	1	SH900.38.164/10	A23.38.908.4_1	9
GBT309-P4X25.8-G3-3-6	A23.37.962.4_1	12	SH900.38.114	A23.38.904.4_0	2	GBT297-32311	A23.38.908.4_1	10
SH900.37.131	A23.37.962.4_1	13	GBT3452.1-20X2.65-G	A23.38.904.4_0	3	SH900.38.118	A23.38.909.4_0	1
JBT982-12	A23.38.902.4_0	1	SH900.38.113	A23.38.904.4_0	4	GBT5783-M10X25-A3L	A23.38.909.4_0	2
SH900.38.159	A23.38.902.4_0	2	SH900.38.109	A23.38.904.4_0	5	SH900.38.119	A23.38.909.4_0	3
SH900.38.160/10	A23.38.902.4_0	3	SH900.38.112	A23.38.904.4_0	6	SH900.38.120	A23.38.909.4_0	4
JBT8870-D20	A23.38.902.4_0	4	SH900.38.110	A23.38.904.4_0	7	GBT305-72/78.6	A23.38.909.4_0	5
GBT297-32216	A23.38.903.4_0	1	YBT5294-SZ-F-1.4	A23.38.904.4_0	8	GBT276-6306N	A23.38.909.4_0	6
GBT6171-M14X1.5-10-A3L	A23.38.903.4_0	2	SH900.38.111	A23.38.904.4_0	9	GBT895.2-30	A23.38.909.4_0	7
2.1475.005.7	A23.38.903.4_0	3	SH900.38.126	A23.38.904.4_0	10	SH900.38.118	A23.38.909.4_1	1
SH900.38.152	A23.38.903.4_0	4	GBT3452.1-30X2.65-G	A23.38.904.4_1	1	GBT5783-M10X25-A3L	A23.38.909.4_1	2
SH900.38.151	A23.38.903.4_0	5	SH900.38.114	A23.38.904.4_1	2	SH900.38.119	A23.38.909.4_1	3
SH900.38.150	A23.38.903.4_0	6	GBT3452.1-20X2.65-G	A23.38.904.4_1	3	SH900.38.120	A23.38.909.4_1	4
SH900.38.145/20	A23.38.903.4_0	7	SH900.38.113	A23.38.904.4_1	4	GBT305-72/78.6	A23.38.909.4_1	5
SH900.38.153/10	A23.38.903.4_0	8	SH900.38.109	A23.38.904.4_1	5	GBT276-6306N	A23.38.909.4_1	6
A23.38.002.0	A23.38.903.4_0	9	SH900.38.112	A23.38.904.4_1	6	GBT895.2-30	A23.38.909.4_1	7
SH900.38.148/10	A23.38.903.4_0	10	SH900.38.110	A23.38.904.4_1	7	SH900.38.162	A23.38.910.4_2	1
SH900.38.154	A23.38.903.4_0	11	YBT5294-SZ-F-1.4	A23.38.904.4_1	8	SH900.38.117	A23.38.910.4_2	2
SH900.38.144	A23.38.903.4_0	12	SH900.38.111	A23.38.904.4_1	9	SH900.38.161	A23.38.910.4_2	3
A23.38.001.0	A23.38.903.4_0	13	SH900.38.126	A23.38.904.4_1	10	GBT6171-M14X1.5-10-A3L	A23.38.910.4_2	4
SH900.38.142	A23.38.903.4_0	14	GBT3452.1-30X2.65-G	A23.38.904.4_3	1	GBT93-14-A3L	A23.38.910.4_2	5
2.1475.004.2	A23.38.903.4_0	15	SH900.38.114	A23.38.904.4_3	2	GBT899-AM14X1.5X190-10.9-A3L	A23.38.910.4_2	6
GBT5783-M12X25-A3L	A23.38.903.4_0	16	GBT3452.1-20X2.65-G	A23.38.904.4_3	3	0.026.3892.0	A23.38.910.4_2	7
GBT297-30216	A23.38.903.4_0	17	SH900.38.113	A23.38.904.4_3	4	GBT5783-M10X25-A3L	A23.38.910.4_2	8
GBT297-32216	A23.38.903.4_1	1	SH900.38.109	A23.38.904.4_3	5	GBT93-10-A3L	A23.38.910.4_2	9
GBT6171-M14X1.5-10-A3L	A23.38.903.4_1	2	SH900.38.112	A23.38.904.4_3	6	SH900.38.011	A23.38.910.4_2	10
2.1475.005.7	A23.38.903.4_1	3	SH900.38.110	A23.38.904.4_3	7	GBT119.1-16m6X35	A23.38.910.4_2	11
SH900.38.152	A23.38.903.4_1	4	YBT5294-SZ-F-1.4	A23.38.904.4_3	8	0.026.3891.0	A23.38.910.4_2	12
SH900.38.151	A23.38.903.4_1	5	SH900.38.111	A23.38.904.4_3	9	DF904.38.013/10	A23.38.910.4_2	13
SH900.38.150	A23.38.903.4_1	6	SH900.38.126	A23.38.904.4_3	10	GBT93-8-A3L	A23.38.910.4_2	14
SH900.38.145/20	A23.38.903.4_1	7	SH900.38.131	A23.38.905.4_0	1	GBT5783-M8X25-A2L	A23.38.910.4_2	15
SH900.38.153/10	A23.38.903.4_1	8	SH900.38.146	A23.38.905.4_0	2	GBT3452.1-15X2.65-G	A23.38.910.4_2	16
A23.38.002.0	A23.38.903.4_1	9	GBT812-M50X1.5	A23.38.908.4_1	1	SH900.38.018/10	A23.38.910.4_2	17
SH900.38.148/10	A23.38.903.4_1	10	GBT858-50	A23.38.908.4_1	2	JBT982-36	A23.38.910.4_2	18
SH900.38.154	A23.38.903.4_1	11	GBT297-30310	A23.38.908.4_1	3	QCT388-20	A23.38.910.4_2	19

零件编号	结构代码	零件顺序	零件编号	结构代码	零件顺序	零件编号	结构代码	零件顺序
QCT388-20	A23.38.910.4_2	19	GBT119.1-6m8X22	A23.39.900.4	12	SH900.39.104	A23.39.913.4_0	11
A23.38.003.0/20	A23.38.910.4_2	20	2.1475.107.7	A23.39.900.4	13	GBT879.2-12X32	A23.39.913.4_0	12
GBT119.1-12m6X30	A23.38.910.4_2	21	SH954.34.110	A23.39.900.4_2	1	GBT879.1-10X32	A23.39.913.4_0	13
SH900.38.105A	A23.38.910.4_2	22	SH954.34.109/20	A23.39.900.4_2	2	SH900.39.111	A23.39.913.4_1	1
GBT899-AM14X1.5X200-10.9-A3L	A23.38.910.4_2	23	SH954.34.106	A23.39.900.4_2	3	SH900.39.102	A23.39.913.4_1	2
SH900.38.016	A23.38.910.4_2	24	SH954.34.105	A23.39.900.4_2	4	SH900.39.109	A23.39.913.4_1	3
SH900.38.162	A23.38.910.4_3	1	SH954.34.104	A23.39.900.4_2	5	SH900.39.110	A23.39.913.4_1	4
SH900.38.117	A23.38.910.4_3	2	2.1475.108.2	A23.39.900.4_2	7	SH900.39.107	A23.39.913.4_1	5
SH900.38.161	A23.38.910.4_3	3	LE1204.34.104	A23.39.900.4_2	8	SH904.39.106	A23.39.913.4_1	6
GBT6171-M14X1.5-10-A3L	A23.38.910.4_3	4	GBT894.1-95	A23.39.900.4_2	9	A23.39.001.0	A23.39.913.4_1	7
GBT93-14-A3L	A23.38.910.4_3	5	GBT6176-M20X1.5-10-A3L	A23.39.900.4_2	10	GBT309-P8X23.8-G3-3-6	A23.39.913.4_1	8
GBT899-AM14X1.5X190-10.9-A3L	A23.38.910.4_3	6	GBT5786-M18X1.5X75-12.9-A3L	A23.39.900.4_2	11	SH900.39.105	A23.39.913.4_1	9
0.026.3892.0	A23.38.910.4_3	7	GBT119.1-6m8X22	A23.39.900.4_2	12	SH904.39.103	A23.39.913.4_1	10
GBT5783-M10X25-A3L	A23.38.910.4_3	8	2.1475.107.7	A23.39.900.4_2	13	SH900.39.104	A23.39.913.4_1	11
GBT93-10-A3L	A23.38.910.4_3	9	SH954.34.110	A23.39.900.4_4	1	GBT879.2-12X32	A23.39.913.4_1	12
SH900.38.011	A23.38.910.4_3	10	SH954.34.109/20	A23.39.900.4_4	2	GBT879.1-10X32	A23.39.913.4_1	13
GBT119.1-16m6X35	A23.38.910.4_3	11	SH954.34.106	A23.39.900.4_4	3	2.1475.108.2	A23.39.914.4_2	2
0.026.3891.0	A23.38.910.4_3	12	SH954.34.105	A23.39.900.4_4	4	SH954.34.109/20	A23.39.914.4_2	3
DF904.38.013/10	A23.38.910.4_3	13	SH954.34.104	A23.39.900.4_4	5	SH950.39.102/10	A23.39.914.4_2	4
GBT93-8-A3L	A23.38.910.4_3	14	2.1475.108.2	A23.39.900.4_4	6	GBT6176-M20X1.5-10-A3L	A23.39.914.4_2	6
GBT5783-M8X25-A2L	A23.38.910.4_3	15	LE1204.34.104	A23.39.900.4_4	7	GBT5783-M14X40-A3L	A23.39.920.4_0	1
GBT3452.1-15X2.65-G	A23.38.910.4_3	16	2.1414.056.2	A23.39.900.4_4	8	GBT93-14-A3L	A23.39.920.4_0	2
SH900.38.018/10	A23.38.910.4_3	17	2.1012.311.2	A23.39.900.4_4	9	SH950.39.103	A23.39.920.4_0	3
JBT982-36	A23.38.910.4_3	18	GBT5786-M18X1.5X75-12.9-A3L	A23.39.900.4_4	10	GBT13871.1-FB-100130-D	A23.39.920.4_0	4
QCT388-20	A23.38.910.4_3	19	GBT119.1-6m8X22	A23.39.900.4_4	11	GBT297-30218	A23.39.920.4_0	5
A23.38.003.0/20	A23.38.910.4_3	20	2.1475.107.7	A23.39.900.4_4	12	SH950.39.101/20	A23.39.920.4_0	6
GBT119.1-12m6X30	A23.38.910.4_3	21	SH904.39.101	A23.39.912.4_0	1	GBT297-30214	A23.39.920.4_0	7
SH900.38.105A	A23.38.910.4_3	22	SH904.39.118	A23.39.912.4_0	2	SH954.39.101/10	A23.39.924.4_1	1
GBT899-AM14X1.5X200-10.9-A3L	A23.38.910.4_3	23	SH904.39.101	A23.39.912.4_1	1	GBT70.1-MX30-A2L	A23.40.901.4_1	1
SH900.38.016	A23.38.910.4_3	24	SH904.39.118	A23.39.912.4_1	2	GBT5782-M8X100-A2L	A23.40.901.4_1	2
A26.38.011.0	A23.38.910.4_3	25	SH900.39.111	A23.39.913.4_0	1	GBT93-8-A3L	A23.40.901.4_1	3
SH954.34.110	A23.39.900.4	1	SH900.39.102	A23.39.913.4_0	2	CD904A.40.011	A23.40.901.4_1	4
SH954.34.109/20	A23.39.900.4	2	SH900.39.109	A23.39.913.4_0	3	SH900.40.013	A23.40.904.4_0	1
SH954.34.106	A23.39.900.4	3	SH900.39.110	A23.39.913.4_0	4	CD554.40.028/10	A23.40.916.4_0	1
SH954.34.105	A23.39.900.4	4	SH900.39.107	A23.39.913.4_0	5	SH900.41.116A/10	A23.41.900.4_0	1
SH954.34.104	A23.39.900.4	5	SH904.39.106	A23.39.913.4_0	6	SH900.41.116	A23.41.901.4_0	1
2.1475.108.2	A23.39.900.4	7	A23.39.001.0	A23.39.913.4_0	7	SH900.41.116	A23.41.901.4_1	1
LE1204.34.104	A23.39.900.4	8	GBT309-P8X23.8-G3-3-6	A23.39.913.4_0	8	SH900.41.012	A23.41.902.4_0	1
2.1414.056.2	A23.39.900.4	9	SH900.39.105	A23.39.913.4_0	9	GBT3452.1-17X1.8-G	A23.41.902.4_0	2
2.1012.311.2	A23.39.900.4	10	SH904.39.103	A23.39.913.4_0	10	SH900.41.104	A23.41.902.4_0	3



零件编号	结构代码	零件顺序	零件编号	结构代码	零件顺序	零件编号	结构代码	零件顺序
SH900.41.104	A23.41.902.4_0	3	SH904.42.117	A23.42.001.4	12	SH904.42A.106	A23.42.002.4	13
YBT5294-SZ-F-1.4	A23.41.902.4_0	4	SH904.42.118	A23.42.001.4	13	SH904.42.106	A23.42.002.4	14
SH900.38.110	A23.41.902.4_0	5	SH904.42.119	A23.42.001.4	14	GBT3452.1-15X2.65-G	A23.42.002.4	15
SH900.41.128	A23.41.902.4_0	6	SH904.42.120	A23.42.001.4	15	GBT879.1-8X32	A23.42.002.4	16
GBT6172.1-M16-A3L	A23.41.902.4_0	7	SH904.42.124	A23.42.001.4	16	GBT5783-M10X40-A3L	A23.42.002.4	17
GBT71-M16X30-A3L	A23.41.902.4_0	8	SH904.42.121	A23.42.001.4	17	GBT93-10-A3L	A23.42.002.4	18
SH900.41.133	A23.41.902.4_0	9	SH904.42.013	A23.42.001.4	18	GBT5783-M10X25-A3L	A23.42.002.4	19
SH900.41.132	A23.41.902.4_0	10	SH904.42.014	A23.42.001.4	19	SH904.42.112	A23.42.002.4	20
GBT71-M12X65-A3L	A23.41.902.4_0	11	GBT3452.1-15X2.65-G	A23.42.001.4	20	GBT276-6306	A23.42.002.4	21
GBT6170-M12-A3L	A23.41.902.4_0	12	GBT879.1-8X32	A23.42.001.4	21	GBT894.1-38	A23.42.002.4	22
SH900.41.131	A23.41.902.4_0	13	GBT5783-M10X40-A3L	A23.42.001.4	22	SH904.42.115	A23.42.002.4	23
GBT3452.1-17X2.65-G	A23.41.902.4_0	14	GBT93-10-A3L	A23.42.001.4	23	SH904.42.114	A23.42.002.4	24
SH900.41.130	A23.41.902.4_0	15	GBT5783-M10X25-A3L	A23.42.001.4	24	SH904.42A.107	A23.42.002.4	25
SH900.41.127	A23.41.902.4_0	16	GBT276-6306	A23.42.001.4	25	SH904.42A.108	A23.42.002.4	26
SH900.41.012	A23.41.902.4_1	1	GBT894.1-38	A23.42.001.4	26	SH904.42.118	A23.42.002.4	27
GBT3452.1-17X1.8-G	A23.41.902.4_1	2	GBT308-10-G100-b	A23.42.001.4	27	SH904.42A.109	A23.42.002.4	28
SH900.41.104	A23.41.902.4_1	3	JBT982-18	A23.42.001.4	28	SH904.42.120	A23.42.002.4	29
YBT5294-SZ-F-1.4	A23.41.902.4_1	4	GBT5783-M10X30-A3L	A23.42.001.4	29	GBT13871.1-B-030052-D	A23.42.002.4	30
SH900.38.110	A23.41.902.4_1	5	GBT13871.1-B-030052-D	A23.42.001.4	30	JBT982-18	A23.42.002.4	31
SH900.41.128	A23.41.902.4_1	6	GBT119.1-8m6X20	A23.42.001.4	31	SH904.42.113	A23.42.002.4	32
2.1011.209.2	A23.41.902.4_1	7	GBT6170-M10-A3L	A23.42.001.4	32	GBT5783-M10X30-A3L	A23.42.002.4	33
GBT71-M16X30-A3L	A23.41.902.4_1	8	GBT79-M10X20-A3L	A23.42.001.4	33	GBT308-10-G100-b	A23.42.002.4	34
SH900.41.133	A23.41.902.4_1	9	GBT283-NJ305	A23.42.001.4	34	SH904.42.124	A23.42.002.4	35
SH900.41.132	A23.41.902.4_1	10	GBT893.1-62	A23.42.001.4	35	YBT5294-SZ-F-1.00	A23.42.002.4	36
GBT71-M12X65-A3L	A23.41.902.4_1	11	YBT5294-SZ-F-1.00	A23.42.001.4	36	SH904.42.121	A23.42.002.4	37
2.1011.107.2	A23.41.902.4_1	12	GBT894.1-29	A23.42.001.4	37	SH904.42.013	A23.42.002.4	38
SH900.41.131	A23.41.902.4_1	13	SH904.42.142	A23.42.001.4	38	SH904.42.014	A23.42.002.4	39
GBT3452.1-17X2.65-G	A23.41.902.4_1	14	SH904.42.143	A23.42.001.4	39	A23.42.001.4	A23.42.901.4_0	1
SH900.41.130	A23.41.902.4_1	15	GBT894.1-29	A23.42.002.4	1	GBT5783-M14X40-A3L	A23.42.901.4_0	2
SH900.41.127	A23.41.902.4_1	16	GBT119.1-8m6X20	A23.42.002.4	2	GBT93-14-A3L	A23.42.901.4_0	3
SH904.42.103	A23.42.001.4	1	GBT6170-M10-A3L	A23.42.002.4	3	SH904.42.101	A23.42.901.4_0	4
SH904.42.104	A23.42.001.4	2	GBT79-M10X20-A3L	A23.42.002.4	4	SH904.42.102	A23.42.901.4_0	5
SH904.42.105	A23.42.001.4	3	GBT893.1-62	A23.42.002.4	5	SH904.42.109	A23.42.901.4_0	6
SH904.42.106	A23.42.001.4	4	GBT283-NJ305	A23.42.002.4	6	A23.42.002.4	A23.42.902.4_0	1
SH904.42.107	A23.42.001.4	5	SH904.42A.102	A23.42.002.4	7	GBT5783-M14X40-A3L	A23.42.902.4_0	2
SH904.42.108	A23.42.001.4	6	SH904.42A.103	A23.42.002.4	8	GBT93-14-A3L	A23.42.902.4_0	3
SH904.42.113	A23.42.001.4	7	SH904.42A.104	A23.42.002.4	9	SH904.42.101	A23.42.902.4_0	4
SH904.42.112	A23.42.001.4	8	SH904.42A.105	A23.42.002.4	10	SH904.42A.101	A23.42.902.4_0	5
SH904.42.114	A23.42.001.4	9	SH904.42.107	A23.42.002.4	11	SH904.42.109	A23.42.902.4_0	6
SH904.42.115	A23.42.001.4	10	SH904.42.108	A23.42.002.4	12	2.3110.404.2	A23.43.902.4_0	1

零件编号	结构代码	零件顺序	零件编号	结构代码	零件顺序	零件编号	结构代码	零件顺序
2.3110.404.2	A23.43.902.4_0	1	GBT5783-M8X20-A2L	A23.43.903.4_2	8	A23.44.001.4/10	A23.44.900.4_1	1
2.1560.012.0	A23.43.902.4_0	2	GBT93-8-A3L	A23.43.903.4_2	9	GBT5783-M10X25-A3L	A23.44.900.4_1	2
SH900.43.169	A23.43.902.4_0	3	A23.43.002.0	A23.43.903.4_2	10	GBT93-10-A3L	A23.44.900.4_1	3
GBT3452.1-15X2.65-G	A23.43.902.4_0	4	DF904.43.053	A23.43.903.4_2	11	GBT97.1-10-A3L	A23.44.900.4_1	4
SH900.43.194	A23.43.902.4_0	5	GBT6170-M8-A2L	A23.43.903.4_2	14	A23.45.009.0	A23.45.060.4/30	1
GBT854-10	A23.43.902.4_0	6	A23.43.006.3	A23.43.903.4_2	15	SH900.37.121	A23.45.903.4_1	1
GBT119.1-8m6X15	A23.43.902.4_0	7	A23.43.007.3	A23.43.903.4_2	16	GBT6170-M10-A3L	A23.45.903.4_1	2
SH900.43.132	A23.43.902.4_0	8	A11.43.014.0	A23.43.903.4_2	17	GBT93-6-A3L	A23.45.903.4_1	3
GBT5783-M10X35-A3L	A23.43.902.4_0	9	GBT3452.1-10X1.8-G	A23.43.903.4_2	18	GBT97.1-6-A3L	A23.45.903.4_1	4
GBT93-10-A3L	A23.43.902.4_0	10	SH900.43.130	A23.43.903.4_2	19	SH404.42.113	A23.45.903.4_1	5
SH900.43.131	A23.43.902.4_0	11	2.1560.012.0	A23.43.903.4_2	20	A23.45.001.0	A23.45.903.4_1	6
SH900.43.023	A23.43.902.4_0	12	GBT97.1-10-A3L	A23.43.903.4_2	21	SH900.41.102	A23.45.903.4_1	7
SH900.43.024	A23.43.902.4_0	13	GBT97.1-8-A3L	A23.43.903.4_2	22	GBT5783-M6X25-A3L	A23.45.903.4_1	8
GBT894.1-48	A23.43.902.4_0	14	A23.43.004.3	A23.43.903.4_2	23	SH404.42.114	A23.45.903.4_1	9
SH900.43.136	A23.43.902.4_0	15	SH900.43.115	A23.43.903.4_3	1	A23.45.078.4/10	A23.45.903.4_1	10
SH900.43.141	A23.43.902.4_0	16	2.1560.008.0	A23.43.903.4_3	2	GBT91-2.5X16-A3L	A23.45.903.4_1	11
SH900.43.142	A23.43.902.4_0	17	2.0114.311.2	A23.43.903.4_3	3	GBT97.1-10-A3L	A23.45.903.4_1	12
2.3110.404.2	A23.43.902.4_1	1	2.1473.008.2	A23.43.903.4_3	4	SH900.37.120	A23.45.903.4_1	13
2.1560.012.0	A23.43.902.4_1	2	A23.43.005.3/10	A23.43.903.4_3	5	SH900.37.011	A23.45.903.4_1	14
SH900.43.169	A23.43.902.4_1	3	2.6851.018.0	A23.43.903.4_3	6	GBT93-10-A3L	A23.45.903.4_1	15
GBT3452.1-15X2.65-G	A23.43.902.4_1	4	A11.43.021.4	A23.43.903.4_3	7	GBT879.1-8X30	A23.45.903.4_1	16
SH900.43.194	A23.43.902.4_1	5	2.0114.207.2	A23.43.903.4_3	8	GBT879.1-5X30	A23.45.903.4_1	17
GBT854-10	A23.43.902.4_1	6	2.1473.007.2	A23.43.903.4_3	9	SH900.37.121	A23.45.903.4_2	1
GBT119.1-8m6X15	A23.43.902.4_1	7	A23.43.002.0	A23.43.903.4_3	10	GBT6170-M10-A3L	A23.45.903.4_2	2
SH900.43.132	A23.43.902.4_1	8	DF904.43.053	A23.43.903.4_3	11	GBT93-6-A3L	A23.45.903.4_2	3
GBT5783-M10X35-A3L	A23.43.902.4_1	9	2.1011.105.2	A23.43.903.4_3	14	GBT97.1-6-A3L	A23.45.903.4_2	4
GBT93-10-A3L	A23.43.902.4_1	10	A23.43.006.3/10	A23.43.903.4_3	15	SH404.42.113	A23.45.903.4_2	5
SH900.43.131	A23.43.902.4_1	11	A23.43.007.3/10	A23.43.903.4_3	16	A23.45.001.0	A23.45.903.4_2	6
SH900.43.023	A23.43.902.4_1	12	A11.43.014.0	A23.43.903.4_3	17	SH900.41.102	A23.45.903.4_2	7
SH900.43.024	A23.43.902.4_1	13	GBT3452.1-11.8X1.8-G	A23.43.903.4_3	18	GBT5783-M6X25-A2L	A23.45.903.4_2	8
GBT894.1-48	A23.43.902.4_1	14	SH900.43.130	A23.43.903.4_3	19	SH404.42.114	A23.45.903.4_2	9
SH900.43.136	A23.43.902.4_1	15	2.1560.012.0	A23.43.903.4_3	20	A23.45.078.4/10	A23.45.903.4_2	10
SH900.43.141	A23.43.902.4_1	16	2.1310.006.2	A23.43.903.4_3	21	GBT91-2.5X16-A3L	A23.45.903.4_2	11
SH900.43.142	A23.43.902.4_1	17	A23.43.004.3/10	A23.43.903.4_3	23	GBT97.1-10-A3L	A23.45.903.4_2	12
SH900.43.115	A23.43.903.4_2	1	2.0114.003.2	A23.43.903.4_3	24	SH900.37.120	A23.45.903.4_2	13
2.1560.008.0	A23.43.903.4_2	2	A11.43.031.3	A23.43.903.4_3	26	SH900.37.011	A23.45.903.4_2	14
GBT5783-M10X30-A3L	A23.43.903.4_2	3	A23.43.012.3	A23.43.903.4_3	27	GBT93-10-A3L	A23.45.903.4_2	15
GBT93-10-A3L	A23.43.903.4_2	4	CD554A.13.106/10	A23.43.903.4_3	28	GBT879.1-8X30	A23.45.903.4_2	16
A23.43.005.3	A23.43.903.4_2	5	2.1473.006.2	A23.43.903.4_3	29	GBT879.1-5X30	A23.45.903.4_2	17
JBT8870-D25	A23.43.903.4_2	6	A23.48.027.4	A23.43.903.4_3	30	SH900.38.013	A23.45.904.4_1	1

零件编号	结构代码	零件顺序	零件编号	结构代码	零件顺序	零件编号	结构代码	零件顺序
SH900.38.013	A23.45.904.4_1	1	GBT5783-M6X25-A2L	A23.45.905.4_3	5	A23.45.038.3/10	A23.45.909.4_2	17
GBT5783-M6X25-A2L	A23.45.904.4_1	2	GBT93-6-A3L	A23.45.905.4_3	6	A11.55.017.0	A23.45.909.4_2	18
GBT93-6-A3L	A23.45.904.4_1	3	GBT97.1-6-A3L	A23.45.905.4_3	7	A23.45.035.3/10	A23.45.909.4_2	19
GBT97.1-6-A3L	A23.45.904.4_1	4	LE1204.45.107	A23.45.905.4_3	8	GBT91-1.6X18-A2L	A23.45.909.4_2	20
CD1204.45.106	A23.45.904.4_1	5	SH404.42.114	A23.45.905.4_3	9	GBT882-B6X24-A3L	A23.45.909.4_2	21
SH404.42.114	A23.45.904.4_1	6	A23.45.001.0	A23.45.905.4_3	10	GBT882-B6X26-A3L	A23.45.909.4_2	22
A23.45.001.0	A23.45.904.4_1	7	SH400.21.126	A23.45.905.4_3	11	0.020.5466.0	A23.45.909.4_2	24
GBT882-B8X24-A3L	A23.45.904.4_1	8	GBT882-B10X30-A3L	A23.45.905.4_3	12	A23.45.018.0	A23.45.909.4_2	25
GBT97.1-8-A3L	A23.45.904.4_1	9	GBT97.1-10-A3L	A23.45.905.4_3	13	GBT5783-M6X20-A3L	A23.45.909.4_2	29
GBT91-2X20-A3L	A23.45.904.4_1	10	GBT91-3.2X25-A3L	A23.45.905.4_3	14	GBT93-6-A3L	A23.45.909.4_2	30
GBT894.1-20	A23.45.904.4_1	11	GBT879.1-8X40	A23.45.905.4_3	15	A23.45.091.4/10	A23.45.910.4_2	1
SH900.38.012	A23.45.904.4_1	12	A23.45.076.4/10	A23.45.906.4_2	1	SH900.41.103	A23.45.910.4_2	2
GBT5783-M10X25-A3L	A23.45.904.4_1	13	GBT6170-M10-A3L	A23.45.906.4_2	3	GBT6170-M10-A3L	A23.45.910.4_2	3
GBT93-10-A3L	A23.45.904.4_1	14	A23.45.062.0	A23.45.906.4_2	4	SH900.41.101	A23.45.910.4_2	4
SH900.38.106	A23.45.904.4_1	15	GBT5783-M6X25-A2L	A23.45.906.4_2	5	GBT5783-M6X25-A2L	A23.45.910.4_2	5
SH900.38.103	A23.45.904.4_1	16	GBT93-6-A3L	A23.45.906.4_2	6	GBT93-6-A3L	A23.45.910.4_2	6
SH900.38.102	A23.45.904.4_1	17	GBT97.1-6-A3L	A23.45.906.4_2	7	GBT97.1-6-A3L	A23.45.910.4_2	7
GBT91-2.5X16-A3L	A23.45.904.4_1	18	SH404.42.113	A23.45.906.4_2	8	LE1204.45.107	A23.45.910.4_2	8
SH900.38.115	A23.45.904.4_1	19	SH404.42.114	A23.45.906.4_2	9	SH404.42.114	A23.45.910.4_2	9
GBT879.1-8X40	A23.45.904.4_1	20	A23.45.001.0	A23.45.906.4_2	10	A23.45.001.0	A23.45.910.4_2	10
GBT879.1-5X40	A23.45.904.4_1	21	SH904.42.126	A23.45.906.4_2	11	SH400.21.126	A23.45.910.4_2	11
SH900.38.104	A23.45.904.4_1	22	GBT882-B10X32-A3L	A23.45.906.4_2	12	GBT882-B10X30-A3L	A23.45.910.4_2	12
A23.45.073.4/10	A23.45.905.4_2	1	GBT97.1-10-A3L	A23.45.906.4_2	13	GBT97.1-10-A3L	A23.45.910.4_2	13
SH900.41.103	A23.45.905.4_2	2	GBT91-3.2X20-A3L	A23.45.906.4_2	14	GBT91-3.2X25-A3L	A23.45.910.4_2	14
GBT6170-M10-A3L	A23.45.905.4_2	3	0.020.3757.0	A23.45.909.4_2	1	GBT879.1-8X40	A23.45.910.4_2	15
SH900.41.101	A23.45.905.4_2	4	0.020.3200.0	A23.45.909.4_2	2	A23.45.091.4/10	A23.45.910.4_3	1
GBT5783-M6X25-A2L	A23.45.905.4_2	5	0.020.3149.0	A23.45.909.4_2	3	SH900.41.103	A23.45.910.4_3	2
GBT93-6-A3L	A23.45.905.4_2	6	GBT820-M6X14-4.8-A2L	A23.45.909.4_2	4	GBT6170-M10-A3L	A23.45.910.4_3	3
GBT97.1-6-A3L	A23.45.905.4_2	7	A23.45.058.0	A23.45.909.4_2	5	SH900.41.101	A23.45.910.4_3	4
LE1204.45.107	A23.45.905.4_2	8	A23.45.032.3/10	A23.45.909.4_2	6	GBT5783-M6X25-A2L	A23.45.910.4_3	5
SH404.42.114	A23.45.905.4_2	9	A23.45.031.3/10	A23.45.909.4_2	7	GBT93-6-A3L	A23.45.910.4_3	6
A23.45.001.0	A23.45.905.4_2	10	A23.45.030.3/20	A23.45.909.4_2	8	GBT97.1-6-A3L	A23.45.910.4_3	7
SH400.21.126	A23.45.905.4_2	11	A23.45.019.0	A23.45.909.4_2	9	LE1204.45.107	A23.45.910.4_3	8
GBT882-B10X30-A3L	A23.45.905.4_2	12	GBT894.1-20	A23.45.909.4_2	10	SH404.42.114	A23.45.910.4_3	9
GBT97.1-10-A3L	A23.45.905.4_2	13	GBT5783-M8X25-A3L	A23.45.909.4_2	11	A23.45.001.0	A23.45.910.4_3	10
GBT91-3.2X25-A3L	A23.45.905.4_2	14	GBT93-8-A3L	A23.45.909.4_2	12	SH400.21.126	A23.45.910.4_3	11
GBT879.1-8X40	A23.45.905.4_2	15	GBT97.1-6-A3L	A23.45.909.4_2	13	GBT882-B10X30-A3L	A23.45.910.4_3	12
A23.45.073.4/10	A23.45.905.4_3	1	A11.55.018.0	A23.45.909.4_2	14	GBT97.1-10-A3L	A23.45.910.4_3	13
SH900.41.103	A23.45.905.4_3	2	GBT6170-M8-A3L	A23.45.909.4_2	15	GBT91-3.2X25-A3L	A23.45.910.4_3	14
GBT6170-M10-A3L	A23.45.905.4_3	3	A23.45.037.0	A23.45.909.4_2	16	GBT879.1-8X40	A23.45.910.4_3	15

零件编号	结构代码	零件顺序	零件编号	结构代码	零件顺序	零件编号	结构代码	零件顺序
GBT879.1-8X40	A23.45.910.4_3	15	GBT5783-M8X20-A2L	A23.45.919.4_2	17	SH900.41.103	A23.45.925.4_2	14
GBT6171-M10X1-LH-A2L	A23.45.911.4_2	18	GBT93-8-A3L	A23.45.919.4_2	18	GBT879.1-8X40	A23.45.925.4_2	15
A31.45.009.3/10	A23.45.912.4_2	1	GBT894.1-30	A23.45.919.4_2	19	A23.45.001.0	A23.45.935.4_1	1
GBT6170-M10-A3L	A23.45.912.4_2	2	SH900.21.021	A23.45.919.4_2	20	A23.45.092.4/10	A23.45.935.4_1	2
A23.45.005.3	A23.45.912.4_2	3	SH900.21.012	A23.45.919.4_2	21	GBT5783-M6X25-A2L	A23.45.935.4_1	3
A46.37.001.4/10	A23.45.912.4_2	4	SH900.21.122	A23.45.919.4_2	22	GBT6170-M10-A3L	A23.45.935.4_1	4
A23.45.006.3	A23.45.912.4_2	5	SH900.21.015	A23.45.919.4_2	23	2.1671.408.2	A23.45.935.4_1	5
GBT879.1-5X32	A23.45.912.4_2	6	SH900.21.105	A23.45.919.4_2	24	GBT91-3.2X25-A3L	A23.45.935.4_1	6
GBT879.1-8X32	A23.45.912.4_2	7	GBT6171-M10X1-A2L	A23.45.919.4_2	25	GBT93-6-A3L	A23.45.935.4_1	7
GBT5782-M16X140-A3L	A23.45.913.4_0	1	SH900.21.108	A23.45.919.4_2	26	GBT97.1-10-A3L	A23.45.935.4_1	8
GBT97.1-16-A3L	A23.45.913.4_0	2	GBT882-B10X32-A3L	A23.45.919.4_2	27	GBT97.1-6-A3L	A23.45.935.4_1	9
CD904A.45.104	A23.45.913.4_0	3	SH900.43.181	A23.45.919.4_2	28	LE1204.45.107	A23.45.935.4_1	10
LD700.47.031	A23.45.913.4_0	4	A23.45.001.0	A23.45.925.4_1	1	SH400.21.126	A23.45.935.4_1	11
SH900.45A.038A	A23.45.913.4_0	5	A23.45.089.4/10	A23.45.925.4_1	2	SH404.42.114	A23.45.935.4_1	12
GBT5783-M16X45-10.9-A3L	A23.45.913.4_0	6	GBT5783-M6X25-A2L	A23.45.925.4_1	3	SH900.41.101	A23.45.935.4_1	13
GBT93-16-A3L	A23.45.913.4_0	7	GBT6170-M10-A3L	A23.45.925.4_1	4	SH900.41.103	A23.45.935.4_1	14
GBT889.1-M16-A3L	A23.45.913.4_0	8	2.1671.408.2	A23.45.925.4_1	5	GBT879.1-8X40	A23.45.935.4_1	15
GBT5782-M16X100-A3L	A23.45.913.4_0	9	GBT91-3.2X25-A3L	A23.45.925.4_1	6	A23.45.001.0	A23.45.935.4_2	1
GBT5782-M16X95-A3L	A23.45.913.4_0	10	GBT93-6-A3L	A23.45.925.4_1	7	A23.45.092.4/10	A23.45.935.4_2	2
CD904A.45A.031	A23.45.913.4_0	11	GBT97.1-10-A3L	A23.45.925.4_1	8	GBT5783-M6X25-A2L	A23.45.935.4_2	3
GBT6170-M16-A3L	A23.45.913.4_0	12	GBT97.1-6-A3L	A23.45.925.4_1	9	GBT6170-M10-A3L	A23.45.935.4_2	4
CD904.45.033	A23.45.914.4_1	1	LE1204.45.107	A23.45.925.4_1	10	GBT882-B10X30-A3L	A23.45.935.4_2	5
GBT97.1-12-A3L	A23.45.914.4_1	2	SH400.21.126	A23.45.925.4_1	11	GBT91-3.2X25-A3L	A23.45.935.4_2	6
GBT93-12-A3L	A23.45.914.4_1	3	SH404.42.114	A23.45.925.4_1	12	GBT93-6-A3L	A23.45.935.4_2	7
GBT5783-M12X25-A3L	A23.45.914.4_1	4	SH900.41.101	A23.45.925.4_1	13	GBT97.1-10-A3L	A23.45.935.4_2	8
GBT93-10-A3L	A23.45.919.4_2	1	SH900.41.103	A23.45.925.4_1	14	GBT97.1-6-A3L	A23.45.935.4_2	9
GBT5783-M10X25-A3L	A23.45.919.4_2	2	GBT879.1-8X40	A23.45.925.4_1	15	LE1204.45.107	A23.45.935.4_2	10
GBT894.1-20	A23.45.919.4_2	3	A23.45.001.0	A23.45.925.4_2	1	SH400.21.126	A23.45.935.4_2	11
SH900.21.117	A23.45.919.4_2	4	A23.45.089.4/10	A23.45.925.4_2	2	SH404.42.114	A23.45.935.4_2	12
GBT97.1-20-A3L	A23.45.919.4_2	5	GBT5783-M6X25-A2L	A23.45.925.4_2	3	SH900.41.101	A23.45.935.4_2	13
SH900.21.118	A23.45.919.4_2	6	GBT6170-M10-A3L	A23.45.925.4_2	4	SH900.41.103	A23.45.935.4_2	14
SH900.21.107	A23.45.919.4_2	7	GBT882-B10X30-A3L	A23.45.925.4_2	5	GBT879.1-8X40	A23.45.935.4_2	15
SH900.21.123	A23.45.919.4_2	8	GBT91-3.2X25-A3L	A23.45.925.4_2	6	CD554.48.105	A23.48.912.4_1	1
SH900.21.022	A23.45.919.4_2	9	GBT93-6-A3L	A23.45.925.4_2	7	A39.48.026.0/10	A23.48.912.4_1	2
GBT6170-M10-A3L	A23.45.919.4_2	10	GBT97.1-10-A3L	A23.45.925.4_2	8	A39.48.044.0	A23.48.912.4_1	3
SH900.43.030	A23.45.919.4_2	11	GBT97.1-6-A3L	A23.45.925.4_2	9	GBT5783-M10X25-A3L	A23.48.912.4_1	4
SH900.21.101	A23.45.919.4_2	12	LE1204.45.107	A23.45.925.4_2	10	GBT97.1-10-A3L	A23.48.912.4_1	5
GBT91-3.2X20-A3L	A23.45.919.4_2	13	SH400.21.126	A23.45.925.4_2	11	GBT93-10-A3L	A23.48.912.4_1	6
GBT97.1-10-A3L	A23.45.919.4_2	14	SH404.42.114	A23.45.925.4_2	12	GBT6170-M10-A3L	A23.48.912.4_1	7
SH900.21.011	A23.45.919.4_2	15	SH900.41.101	A23.45.925.4_2	13	FT800.55.107A	A23.55.001.0/10	22

零件编号	结构代码	零件顺序	零件编号	结构代码	零件顺序	零件编号	结构代码	零件顺序
FT800.55.107A	A23.55.001.0/10	22	SH900.55.103	A23.55.901.4_0	12	SH900.58.020/20	A23.58.904.4_5	5
TD904.55.1.109	A23.55.001.0/10	26	GBT91-2.5X25-A3L	A23.56.900.4_0	1	SH400.58.106	A23.58.904.4_5	6
FT800.55.106B	A23.55.001.0/10	27	GBT97.1-8-A3L	A23.56.900.4_0	2	A68.58.003.0	A23.58.904.4_5	7
GB3452.1-92	A23.55.001.0/10	28	SH900.56.101/10	A23.56.900.4_0	3	JBT8870-D32	A23.58.904.4_5	8
GB3452.1-92	A23.55.001.0/10	29	SH900.56.030-1	A23.56.900.4_0	4	GBT93-8-A3L	A23.58.904.4_5	9
GB3452.1-92	A23.55.001.0/10	30	GBT119.1-20m6X35	A23.56.900.4_0	5	GBT93-10-A3L	A23.58.904.4_5	10
TD904.55.1.105	A23.55.001.0/10	31	SH900.56.018	A23.56.900.4_0	6	GBT70.1-M8X25-A2L	A23.58.904.4_5	11
FT65.55.121	A23.55.001.0/10	61	SH900.56.106	A23.56.900.4_0	7	GBT6170-M10-A3L	A23.58.904.4_5	12
GB3452.1-92	A23.55.001.0/10	62	SH400.56.025	A23.56.900.4_0	8	GBT5783-M8X20-A2L	A23.58.904.4_5	13
GB3452.1-92	A23.55.001.0/10	64	SH900.56.111	A23.56.900.4_0	9	GBT5783-M8X16-A2L	A23.58.904.4_5	14
FT65.55.165	A23.55.001.0/10	65	GBT899-AM16X95-10.9-A3L	A23.56.900.4_0	10	GBT5783-M10X70-A3L	A23.58.904.4_5	15
TD904.55.1.107	A23.55.001.0/10	68	GBT93-16-A3L	A23.56.900.4_0	11	GBT5783-M10X20-A3L	A23.58.904.4_5	16
GBT3452.1-32.5X1.8-G	A23.55.900.4_2	1	GBT6170-M16-10-A3L	A23.56.900.4_0	12	GBT3452.1-19X2.65-G	A23.58.904.4_5	17
GBT5782-M12X140-10.9-A3L	A23.55.900.4_2	2	GBT95-24-A3L	A23.56.900.4_0	13	A23.58.016.3/10	A23.58.904.4_5	18
GBT5783-M8X20-A2L	A23.55.900.4_2	3	GBT9459-M24X2-A3L	A23.56.900.4_0	14	A23.58.015.3	A23.58.904.4_5	19
GBT5783-M8X30-A2L	A23.55.900.4_2	4	GBT91-5X40-A3L	A23.56.900.4_0	15	A23.58.013.3/10	A23.58.904.4_5	20
GBT6170-M12-10-A3L	A23.55.900.4_2	5	GBT72-M8X16-A2L	A23.56.900.4_0	16	A23.58.004.3	A23.58.904.4_5	21
GBT6170-M16-10-A3L	A23.55.900.4_2	6	SH900.56.103	A23.56.900.4_0	17	2.1560.018.0	A23.58.904.4_5	23
GBT6170-M8-A2L	A23.55.900.4_2	7	SH900.56.031	A23.56.901.4_0	1	A23.58.021.0/10	A23.58.904.4_5	24
GBT899-AM12X40-10.9-A3L	A23.55.900.4_2	8	SH900.56.105	A23.56.901.4_0	2	A23.58.022.3	A23.58.904.4_5	25
GBT899-AM16X70-10.9-A3L	A23.55.900.4_2	9	SH900.56.107	A23.56.901.4_0	3	SH904.58.170	A23.58.904.4_5	26
GBT93-12-A3L	A23.55.900.4_2	10	SH900.56.108	A23.56.901.4_0	4	A23.58.030.0	A23.58.913.4_0	1
GBT93-16-A3L	A23.55.900.4_2	11	SH900.56.027/10	A23.56.901.4_0	5	SH400.58.112	A23.58.914.4_3	1
GBT93-8-A3L	A23.55.900.4_2	12	SH900.56.155/10	A23.56.901.4_0	6	SH900.58.182	A23.58.914.4_3	2
JBT8870-D20	A23.55.900.4_2	13	SH900.56.019	A23.56.902.4_0	1	SH900.58.101	A23.58.914.4_3	3
SH704-1.55.015-1	A23.55.900.4_2	14	SH900.56.104	A23.56.902.4_0	2	SH900.58.025	A23.58.914.4_3	4
SH900.55.012	A23.55.900.4_2	15	SH900.56.105	A23.56.902.4_0	3	SH900.58.020/20	A23.58.914.4_3	5
SH900.55.148	A23.55.900.4_2	16	SH900.56.032	A23.56.902.4_0	4	SH400.58.106	A23.58.914.4_3	6
SH900.55.162/10	A23.55.900.4_2	17	SH900.56.110	A23.56.902.4_0	5	A68.58.003.0	A23.58.914.4_3	7
A23.55.001.0/10	A23.55.900.4_2	18	GBT9459-M24X2-A3L	A23.56.902.4_0	6	JBT8870-D32	A23.58.914.4_3	8
GBT119.1-20m6X35	A23.55.901.4_0	1	GBT91-5X40-A3L	A23.56.902.4_0	7	GBT93-8-A3L	A23.58.914.4_3	9
GBT6170-M18-10-A3L	A23.55.901.4_0	2	GBT5783-M16X40-10.9-A3L	A23.56.902.4_0	8	GBT93-10-A3L	A23.58.914.4_3	10
GBT899-GM18X65-10.9-A3L	A23.55.901.4_0	3	GBT93-16-A3L	A23.56.902.4_0	9	GBT70.1-M8X25-A2L	A23.58.914.4_3	11
GBT91-5X45-A3L	A23.55.901.4_0	4	SH900.56.025	A23.56.902.4_0	10	GBT6170-M10-A3L	A23.58.914.4_3	12
GBT93-18-A3L	A23.55.901.4_0	5	SH900.56.150	A23.56.902.4_0	11	GBT5783-M8X20-A2L	A23.58.914.4_3	13
SH900.55.014	A23.55.901.4_0	6	A23.58.001.0/10	A23.58.903.4_1	1	GBT5783-M8X16-A2L	A23.58.914.4_3	14
SH900.55.107	A23.55.901.4_0	7	SH400.58.112	A23.58.904.4_5	1	GBT5783-M10X70-A3L	A23.58.914.4_3	15
SH900.55.108	A23.55.901.4_0	8	SH900.58.182	A23.58.904.4_5	2	GBT5783-M10X20-A3L	A23.58.914.4_3	16
SH900.55.115	A23.55.901.4_0	9	SH900.58.101	A23.58.904.4_5	3	GBT3452.1-19X2.65-G	A23.58.914.4_3	17
SH900.55.147	A23.55.901.4_0	10	SH900.58.025	A23.58.904.4_5	4	A23.58.024.3	A23.58.914.4_3	18

零件编号	结构代码	零件顺序	零件编号	结构代码	零件顺序	零件编号	结构代码	零件顺序
A23.58.024.3	A23.58.914.4_3	18	2.0312.006.2	A23.58.917.4_4	13	A23.80.009.3	A23.80.910.4_0	1
A23.58.015.3	A23.58.914.4_3	19	2.1410.004.2	A23.58.917.4_4	14	B80.10.007.2	A23.80.910.4_0	2
A23.58.013.3/10	A23.58.914.4_3	20	2.2841.071.0	A23.58.917.4_4	15	2.1560.018.0	A23.80.910.4_0	3
A23.58.023.3	A23.58.914.4_3	21	A31.45.019.0	A23.58.917.4_4	16	A23.80.006.0	A23.80.910.4_0	4
2.1560.022.0	A23.58.914.4_3	22	A31.45.020.4	A23.58.917.4_4	17	A23.80.008.3/20	A23.80.910.4_0	5
2.1560.018.0	A23.58.914.4_3	23	A31.45.021.2/10	A23.58.917.4_4	18	A23.80.010.3	A23.80.910.4_0	6
A23.58.025.0	A23.58.914.4_3	24	A31.45.022.2	A23.58.917.4_4	19	GBT5783-M8X80-A2L	A23.80.910.4_0	7
A23.58.022.3	A23.58.914.4_3	25	A23.58.027.0	A23.58.917.4_4	20	GBT5783-M12X25-A3L	A23.80.910.4_0	8
SH904.58.170	A23.58.914.4_3	26	A23.80.003.2	A23.80.901.4_1	1	GBT93-12-A3L	A23.80.910.4_0	9
A31.45.011.0	A23.58.917.4_3	1	GBT97.1-10-A3L	A23.80.901.4_1	2	A23.80.014.3	A23.80.910.4_0	10
A31.45.013.0/10	A23.58.917.4_3	2	GBT93-10-A3L	A23.80.901.4_1	3	A23.80.015.3	A23.80.910.4_0	11
A31.45.012.0/10	A23.58.917.4_3	3	GBT5783-M10X30-A3L	A23.80.901.4_1	4	A23.80.012.0	A23.80.910.4_0	12
GBT93-6-A3L	A23.58.917.4_3	4	GBT6170-M10-A3L	A23.80.901.4_1	5	A23.80.007.0	A23.80.910.4_0	13
GBT70.1-M6X25-A2L	A23.58.917.4_3	5	GBT5783-M10X35-A3L	A23.80.901.4_1	6	A23.80.011.0	A23.80.910.4_0	14
GBT819.1-M6X16-A2L	A23.58.917.4_3	6	SH900.80.012	A23.80.901.4_1	7	GBT5783-M6X16-A2L	A23.80.910.4_0	15
0.020.3200.0	A23.58.917.4_3	7	SH900.80.105	A23.80.902.4_1	1	GBT93-6-A3L	A23.80.910.4_0	16
0.020.3149.0	A23.58.917.4_3	8	CD904A.80.012	A23.80.902.4_1	2	GBT6170-M6-A2L	A23.80.910.4_0	17
0.020.3757.0	A23.58.917.4_3	9	CD904A.80.103	A23.80.902.4_1	3	GBT5783-M8X16-A2L	A23.80.910.4_0	18
A23.58.026.4	A23.58.917.4_3	10	2.1560.010.0	A23.80.902.4_1	4	GBT93-8-A3L	A23.80.910.4_0	19
GBT5783-M6X16-A2L	A23.58.917.4_3	11	SH900.40.133	A23.80.902.4_1	5	A23.80.016.0	A23.80.910.4_0	20
A68.45.066.0/10	A23.58.917.4_3	12	A23.80.004.3	A23.80.902.4_1	6	CD904A.80.018/20	A23.80.915.4_5	1
GBT70.1-M5X20-A2L	A23.58.917.4_3	13	SH900.80.020	A23.80.903.4_0	1	SH900.48.045	A23.80.915.4_5	2
2.1410.004.2	A23.58.917.4_3	14	SH900.80.118	A23.80.903.4_0	2	SH900.48.028	A23.80.915.4_5	3
2.2841.071.0	A23.58.917.4_3	15	CD904A.80.101	A23.80.903.4_0	3	SH400.45.010	A23.80.915.4_5	5
A31.45.019.0	A23.58.917.4_3	16	GBT93-10-A3L	A23.80.903.4_0	4	B09.80.001.0	A23.80.915.4_5	6
A31.45.020.4	A23.58.917.4_3	17	GBT5783-M10X30-A3L	A23.80.903.4_0	5	A68.81.002.0	A23.81.913.4_1	1
A31.45.021.2/10	A23.58.917.4_3	18	CD904A.80.013	A23.80.904.4_0	1	A68.81.003.4	A23.81.913.4_1	2
A31.45.022.2	A23.58.917.4_3	19	A23.80.005.3/10	A23.80.907.4_3	1	A68.81.004.0	A23.81.913.4_1	3
A23.58.027.0	A23.58.917.4_3	20	SH900.80.104	A23.80.907.4_3	2	A80.81.005.0	A23.81.913.4_1	4
A31.45.011.0	A23.58.917.4_4	1	GBT6173-18X1.5-A3L	A23.80.907.4_3	3	2.6851.019.0	A23.81.913.4_1	6
A31.45.013.0/10	A23.58.917.4_4	2	CD554.80.105	A23.80.907.4_3	4	2.6852.101.0	A23.81.913.4_1	7
A31.45.012.0/10	A23.58.917.4_4	3	B80.80.006.0	A23.80.907.4_3	5	A80.45.104.0	A23.81.913.4_1	8
2.1473.006.2	A23.58.917.4_4	4	GBT5783-M8X25-A2L	A23.80.907.4_3	6	GBT5783-M8X40-A2L	A23.81.913.4_1	9
2.0312.108.2	A23.58.917.4_4	5	GBT93-8-A3L	A23.80.907.4_3	7	GBT97.1-8-A3L	A23.81.913.4_1	10
GBT819.1-M6X16-A2L	A23.58.917.4_4	6	GBT882-B10X30-A3L	A23.80.909.4_0	1	A68.81.009.4	A23.81.923.4_1	1
0.020.3200.0	A23.58.917.4_4	7	GBT91-2X16-A3L	A23.80.909.4_0	2	A68.81.010.4	A23.81.923.4_1	2
0.020.3149.0	A23.58.917.4_4	8	GBT91-2x16-A3L	A23.80.909.4_0	2	A68.81.011.4	A23.81.923.4_1	3
0.020.3757.0	A23.58.917.4_4	9	A23.80.002.0	A23.80.909.4_0	3	A68.81.012.4	A23.81.923.4_1	4
A23.58.026.4	A23.58.917.4_4	10	LD700.43.134	A23.80.909.4_0	4	A80.45.104.0	A23.81.923.4_1	5
2.0114.005.2	A23.58.917.4_4	11	GBT6170-M10-A3L	A23.80.909.4_0	5	2.6852.101.0	A23.81.923.4_1	6

零件编号	结构代码	零件顺序	零件编号	结构代码	零件顺序	零件编号	结构代码	零件顺序
2.6852.101.0	A23.81.923.4_1	6	SH900.43.016	A31.45.909.4_2	5	A73.35.004.0	A73.35.008.4	5
GBT5783-M8X40-A2L	A23.81.923.4_1	7	GBT894.1-30	A31.45.909.4_2	6	SH900.35.102	A73.35.008.4	6
GBT97.1-8-A3L	A23.81.923.4_1	8	SH900.43.030	A31.45.909.4_2	7	SH900.35.101	A73.35.008.4	7
CD1104A.56.011/10	A27.56.902.4_0	1	GBT6170-M10-A3L	A31.45.909.4_2	8	GBT899-AM16X40-A3L	A73.35.900.4_0	1
SH900.56.104	A27.56.902.4_0	2	SH900.43.103	A31.45.909.4_2	9	GBT93-16-A3L	A73.35.900.4_0	2
SH900.56.105	A27.56.902.4_0	3	GBT93-10-A3L	A31.45.909.4_2	10	GBT6170-M16-A3L	A73.35.900.4_0	3
SH900.56.032	A27.56.902.4_0	4	SH900.43.011	A31.45.909.4_2	11	A73.35.001.4/10	A73.35.900.4_0	4
SH900.56.110	A27.56.902.4_0	5	GBT879.1-5X18	A31.45.909.4_2	12	GBT899-AM16X110-A3L	A73.35.900.4_0	5
GBT9459-M24X2-A3L	A27.56.902.4_0	6	SH900.56.105	A31.45.909.4_2	13	A31.45.011.0	A78.58.917.4_1	1
GBT91-5X40-A3L	A27.56.902.4_0	7	GBT6170-M8-A2L	A31.45.909.4_2	14	A31.45.013.0/10	A78.58.917.4_1	2
GBT5783-M16X40-10.9-A3L	A27.56.902.4_0	8	GBT93-8-A3L	A31.45.909.4_2	15	A31.45.012.0/10	A78.58.917.4_1	3
GBT93-16-A3L	A27.56.902.4_0	9	GBT5783-M8X20-A2L	A31.45.909.4_2	16	2.1473.006.2	A78.58.917.4_1	4
CD1104A.56.012/10	A27.56.902.4_0	10	SH900.21.101	A31.45.909.4_2	17	2.0312.108.2	A78.58.917.4_1	5
SH900.56.150	A27.56.902.4_0	11	0.024.0988.0	A31.51.900.4_0	1	GBT819.1-M6X16-A2L	A78.58.917.4_1	6
LE1204.11.012	A31.11.910.4_0	1	LD754.51.104A	A60.51.902.4_0	1	0.020.3200.0	A78.58.917.4_1	7
SH900.40.012	A31.40.916.4_0	1	LD754.51.102A	A60.51.902.4_0	2	0.020.3149.0	A78.58.917.4_1	8
GBT5783-M10X25-A3L	A31.40.916.4_0	2	B61.51.006.0	A60.51.902.4_0	3	0.020.3757.0	A78.58.917.4_1	9
GBT93-10-A3L	A31.40.916.4_0	3	GBT12618.1-3X15	A60.51.902.4_0	4	B80.45.012.4	A78.58.917.4_1	10
GBT879.1-8X30	A31.45.906.4_2	1	LD754.51.104A	A60.51.902.4_1	1	2.0114.005.2	A78.58.917.4_1	11
GBT879.1-5X30	A31.45.906.4_2	2	LD754.51.102A	A60.51.902.4_1	2	A68.45.066.0/10	A78.58.917.4_1	12
SH900.43.170	A31.45.906.4_2	3	B61.51.006.0	A60.51.902.4_1	3	2.0312.006.2	A78.58.917.4_1	13
SH900.21.117	A31.45.906.4_2	4	GBT12618.1-3X15	A60.51.902.4_1	4	2.1410.004.2	A78.58.917.4_1	14
GBT91-3.2X20-A3L	A31.45.906.4_2	5	A68.44.001.4	A68.44.900.4_1	1	2.2841.071.0	A78.58.917.4_1	15
GBT97.1-10-A3L	A31.45.906.4_2	6	GBT5783-M8X20-A2L	A68.44.900.4_1	2	A31.45.019.0	A78.58.917.4_1	16
GBT882-B10X32-A3L	A31.45.906.4_2	7	GBT93-8-A3L	A68.44.900.4_1	3	A31.45.020.4	A78.58.917.4_1	17
GBT6171-M10X1-A2L	A31.45.906.4_2	8	GBT97.1-8-A3L	A68.44.900.4_1	4	A31.45.021.2/10	A78.58.917.4_1	18
GBT5783-M8X35-A2L	A31.45.906.4_2	9	A68.56.004.0/10	A68.56.003.4/10	1	A31.45.022.2	A78.58.917.4_1	19
GBT93-8-A3L	A31.45.906.4_2	10	0.76038.58.0	A68.56.003.4/10	2	SH900.37.102A	A80.37.912.4_0	1
GBT97.1-8-A3L	A31.45.906.4_2	11	2.4099.042.2	A68.56.003.4/10	3	GBT13871.1-FB-050072-D	A80.37.912.4_0	2
A23.45.010.0/20	A31.45.906.4_2	12	0.76038.57.0	A68.56.003.4/10	4	SH900.37.217	A80.37.912.4_0	3
SH900.43.145	A31.45.906.4_2	13	SH900.35.102	A73.35.001.4_10_0	1	GBT276-6310	A80.37.912.4_0	4
2.6560.008.0	A31.45.906.4_2	14	LE1204.35.104	A73.35.001.4_10_0	2	SH900.37.103A	A80.37.912.4_0	5
A23.45.050.0	A31.45.906.4_2	15	A73.35.002.3	A73.35.001.4_10_0	3	GBT894.1-55	A80.37.912.4_0	6
A23.45.002.0	A31.45.906.4_2	16	A73.35.006.2/10	A73.35.001.4_10_0	4	SH900.37A.109	A80.37.912.4_0	7
A23.45.060.4/30	A31.45.906.4_2	17	A73.35.007.0	A73.35.001.4_10_0	5	JBT7918-K64X74X41ZW	A80.37.912.4_0	8
GBT6171-M10X1-LH-A2L	A31.45.906.4_2	18	A73.35.008.4	A73.35.001.4_10_0	6	SH900.37.109	A80.37.912.4_0	9
null	A31.45.906.4_2	null	A73.35.005.0	A73.35.008.4	1	SH900.37A.105	A80.37.912.4_0	10
SH900.43.181	A31.45.909.4_2	1	GBT5782-M16X100-A3L	A73.35.008.4	2	SH900.41.121	A80.37.912.4_0	11
SH900.43.040	A31.45.909.4_2	2	GBT93-16-A3L	A73.35.008.4	3	SH900.37.111	A80.37.912.4_0	12
SH900.43.166	A31.45.909.4_2	3	GBT6170-M16-A3L	A73.35.008.4	4	SH900.37.101	A80.37.912.4_0	13

零件编号	结构代码	零件顺序	零件编号	结构代码	零件顺序	零件编号	结构代码	零件顺序
SH900.37.101	A80.37.912.4_0	13	SH900.37.217	A80.37.922.4_1	3	JBT7918-K64X74X41ZW	A80.37.932.4_1	9
SH900.37.112/10	A80.37.912.4_0	14	GBT276-6310	A80.37.922.4_1	4	SH900.37.110	A80.37.932.4_1	10
SH900.37.113	A80.37.912.4_0	15	SH900.37B.101	A80.37.922.4_1	5	SH900.41.121	A80.37.932.4_1	11
SH900.41.105	A80.37.912.4_0	16	GBT894.1-55	A80.37.922.4_1	6	SH900.37.111	A80.37.932.4_1	12
GBT893.1-28	A80.37.912.4_0	17	SH900.37B.103	A80.37.922.4_1	7	SH900.37.101	A80.37.932.4_1	13
SH900.37.102A	A80.37.912.4_1	1	SH900.37.109	A80.37.922.4_1	8	SH900.37.112/10	A80.37.932.4_1	14
GBT13871.1-FB-050072-D	A80.37.912.4_1	2	JBT7918-K64X74X41ZW	A80.37.922.4_1	9	SH900.37.113	A80.37.932.4_1	15
SH900.37.217	A80.37.912.4_1	3	SH900.37B.105	A80.37.922.4_1	10	SH900.41.105	A80.37.932.4_1	16
GBT276-6310	A80.37.912.4_1	4	SH900.41.121	A80.37.922.4_1	11	GBT893.1-28	A80.37.932.4_1	17
SH900.37.103A	A80.37.912.4_1	5	SH900.37.111	A80.37.922.4_1	12	A80.45.005.0	A80.45.901.4_0	1
GBT894.1-55	A80.37.912.4_1	6	SH900.37.101	A80.37.922.4_1	13	A80.45.025.0	A80.45.902.4_0	1
SH900.37A.109	A80.37.912.4_1	7	SH900.37.112/10	A80.37.922.4_1	14	A80.45.026.0	A80.45.902.4_0	2
JBT7918-K64X74X41ZW	A80.37.912.4_1	8	SH900.37.113	A80.37.922.4_1	15	A80.45.027.3	A80.45.902.4_0	3
SH900.37.109	A80.37.912.4_1	9	SH900.41.105	A80.37.922.4_1	16	A80.45.041.3	A80.45.902.4_0	4
SH900.37A.105	A80.37.912.4_1	10	GBT893.1-28	A80.37.922.4_1	17	A80.45.044.0	A80.45.902.4_0	5
SH900.41.121	A80.37.912.4_1	11	SH900.37.102A	A80.37.932.4_0	1	A80.45.045.0	A80.45.902.4_0	6
SH900.37.111	A80.37.912.4_1	12	GBT13871.1-FB-050072-D	A80.37.932.4_0	2	A80.45.040.0	A80.45.902.4_0	7
SH900.37.101	A80.37.912.4_1	13	SH900.37.217	A80.37.932.4_0	3	A80.45.034.3	A80.45.902.4_0	8
SH900.37.112/10	A80.37.912.4_1	14	GBT276-6310	A80.37.932.4_0	4	A80.45.037.0	A80.45.902.4_0	9
SH900.37.113	A80.37.912.4_1	15	SH900.37.103A	A80.37.932.4_0	5	A80.45.033.0	A80.45.902.4_0	10
SH900.41.105	A80.37.912.4_1	16	GBT894.1-55	A80.37.932.4_0	6	A80.45.039.0	A80.45.902.4_0	11
GBT893.1-28	A80.37.912.4_1	17	SH900.37.108	A80.37.932.4_0	7	A80.45.047.0	A80.45.902.4_0	12
SH900.37.102A	A80.37.922.4_0	1	SH900.37.109	A80.37.932.4_0	8	A80.45.048.0	A80.45.902.4_0	13
GBT13871.1-FB-050072-D	A80.37.922.4_0	2	JBT7918-K64X74X41ZW	A80.37.932.4_0	9	A80.45.038.0	A80.45.902.4_0	14
SH900.37.217	A80.37.922.4_0	3	SH900.37.110	A80.37.932.4_0	10	2.0332.409.2	A80.45.902.4_0	15
GBT276-6310	A80.37.922.4_0	4	SH900.41.121	A80.37.932.4_0	11	A80.45.046.0	A80.45.902.4_0	16
SH900.37B.101	A80.37.922.4_0	5	SH900.37.111	A80.37.932.4_0	12	A39.45.047.0	A80.45.902.4_0	17
GBT894.1-55	A80.37.922.4_0	6	SH900.37.101	A80.37.932.4_0	13	A39.45.048.0	A80.45.902.4_0	18
SH900.37B.103	A80.37.922.4_0	7	SH900.37.112/10	A80.37.932.4_0	14	GBT5783-M8X20-A2L	A80.45.902.4_0	19
SH900.37.109	A80.37.922.4_0	8	SH900.37.113	A80.37.932.4_0	15	GBT97.1-8-A3L	A80.45.902.4_0	20
JBT7918-K64X74X41ZW	A80.37.922.4_0	9	SH900.41.105	A80.37.932.4_0	16	2.1430.011.7	A80.45.902.4_0	21
SH900.37B.105	A80.37.922.4_0	10	GBT893.1-28	A80.37.932.4_0	17	2.0332.408.2	A80.45.902.4_0	22
SH900.41.121	A80.37.922.4_0	11	SH900.37.102A	A80.37.932.4_1	1	GBT93-6-A3L	A80.45.902.4_0	23
SH900.37.111	A80.37.922.4_0	12	GBT13871.1-FB-050072-D	A80.37.932.4_1	2	GBT97.1-6-A3L	A80.45.902.4_0	24
SH900.37.101	A80.37.922.4_0	13	SH900.37.217	A80.37.932.4_1	3	GBT6170-M6-A2L	A80.45.902.4_0	25
SH900.37.112/10	A80.37.922.4_0	14	GBT276-6310	A80.37.932.4_1	4	GBT6170-M8-A2L	A80.45.902.4_0	26
SH900.37.113	A80.37.922.4_0	15	SH900.37.103A	A80.37.932.4_1	5	A80.45.049.0	A80.45.903.4_0	1
SH900.41.105	A80.37.922.4_0	16	GBT894.1-55	A80.37.932.4_1	6	A80.45.026.0	A80.45.903.4_0	2
GBT893.1-28	A80.37.922.4_0	17	SH900.37.108	A80.37.932.4_1	7	A80.45.050.3	A80.45.903.4_0	3
SH900.37.102A	A80.37.922.4_1	1	SH900.37.109	A80.37.932.4_1	8	A80.45.058.3	A80.45.903.4_0	4



零件编号	结构代码	零件顺序	零件编号	结构代码	零件顺序	零件编号	结构代码	零件顺序
A80.45.058.3	A80.45.903.4_0	4	A80.45.069.0	A80.45.904.4_0	19	A80.45.080.0	A80.45.915.4_0	3
A80.45.044.0	A80.45.903.4_0	5	A80.45.073.0	A80.45.904.4_0	20	GBT97.1-6-A3L	A80.45.915.4_0	4
A80.45.056.0	A80.45.903.4_0	6	A80.45.071.0	A80.45.904.4_0	21	2.0332.408.2	A80.45.915.4_0	5
A80.45.057.0	A80.45.903.4_0	7	2.1430.007.2	A80.45.904.4_0	22	A39.45.048.0	A80.45.915.4_0	6
A80.45.054.3	A80.45.903.4_0	8	A80.45.078.0	A80.45.905.4_0	1	A80.45.072.0	A80.45.915.4_0	7
A80.45.037.0	A80.45.903.4_0	9	A80.45.079.0	A80.45.905.4_0	2	A80.45.081.0	A80.45.915.4_0	8
A80.45.033.0	A80.45.903.4_0	10	A80.45.080.0	A80.45.905.4_0	3	A80.45.082.0	A80.45.915.4_0	9
A80.45.039.0	A80.45.903.4_0	11	GBT97.1-6-A3L	A80.45.905.4_0	4	GBT819.1-M8X35-A2L	A80.45.915.4_0	10
A80.45.047.0	A80.45.903.4_0	12	2.0332.408.2	A80.45.905.4_0	5	GBT889.1-M8-A2L	A80.45.915.4_0	11
A80.45.048.0	A80.45.903.4_0	13	A39.45.048.0	A80.45.905.4_0	6	A39.45.047.0	A80.45.915.4_0	12
A80.45.038.0	A80.45.903.4_0	14	A80.45.072.0	A80.45.905.4_0	7	GBT96.1-8-A3L	A80.45.915.4_0	13
2.0332.409.2	A80.45.903.4_0	15	A80.45.081.0	A80.45.905.4_0	8	A80.45.021.0	A80.45.925.4_0	1
A80.45.061.0	A80.45.903.4_0	16	A80.45.082.0	A80.45.905.4_0	9	A80.45.022.0	A80.45.925.4_0	2
A39.45.047.0	A80.45.903.4_0	17	GBT819.1-M8X35-A2L	A80.45.905.4_0	10	A80.45.023.0	A80.45.925.4_0	3
A39.45.048.0	A80.45.903.4_0	18	GBT889.1-M8-A2L	A80.45.905.4_0	11	A80.45.024.0	A80.45.925.4_0	4
GBT5783-M8X20-A2L	A80.45.903.4_0	19	A39.45.047.0	A80.45.905.4_0	12	A80.45.092.0	A80.45.930.4_0	1
GBT97.1-8-A3L	A80.45.903.4_0	20	GBT96.1-8-A3L	A80.45.905.4_0	13	A80.45.093.0	A80.45.930.4_0	2
2.1430.011.7	A80.45.903.4_0	21	A80.45.084.4	A80.45.906.4_0	1	A80.45.088.0	A80.45.930.4_0	3
2.0332.408.2	A80.45.903.4_0	22	GBT5783-M8X20-A2L	A80.45.906.4_0	2	A80.45.094.0	A80.45.931.4_0	1
GBT93-6-A3L	A80.45.903.4_0	23	GBT97.1-8-A3L	A80.45.906.4_0	3	A80.45.095.2	A80.45.931.4_0	2
GBT97.1-6-A3L	A80.45.903.4_0	24	GBT6170-M8-A2L	A80.45.906.4_0	4	A80.45.088.0	A80.45.931.4_0	3
GBT6170-M6-A2L	A80.45.903.4_0	25	A80.45.012.0	A80.45.907.4_0	1	CD904A.45A.025	A80.45.962.4_0	1
GBT6170-M8-A2L	A80.45.903.4_0	26	A80.45.013.0	A80.45.907.4_0	2	GBT5783-M6X20-A2L	A80.45.962.4_0	2
A80.45.063.0	A80.45.904.4_0	1	A80.45.086.0	A80.45.907.4_0	3	GBT97.1-6-A3L	A80.45.962.4_0	3
A80.45.064.0	A80.45.904.4_0	2	A80.45.087.0	A80.45.907.4_0	4	A80.45.096.2	A80.45.964.4_0	1
A80.45.068.3	A80.45.904.4_0	3	A80.45.089.0	A80.45.907.4_0	5	A80.45.097.2	A80.45.964.4_0	2
A80.45.066.0	A80.45.904.4_0	4	A80.45.088.0	A80.45.907.4_0	6	A80.45.098.0	A80.45.964.4_0	3
A39.45.048.0	A80.45.904.4_0	5	A80.45.014.4	A80.45.908.4_0	1	A80.45.099.0	A80.45.964.4_0	4
A39.45.047.0	A80.45.904.4_0	6	A80.45.088.0	A80.45.908.4_0	2	A80.45.100.0	A80.45.964.4_0	5
GBT97.1-8-A3L	A80.45.904.4_0	7	A80.45.015.2	A80.45.909.4_0	1	A80.45.101.0	A80.45.964.4_0	6
GBT889.1-M8-A2L	A80.45.904.4_0	8	A80.45.090.0	A80.45.909.4_0	2	A23.45.103.0	A80.45.964.4_0	7
A80.45.076.0	A80.45.904.4_0	9	A80.45.091.0	A80.45.909.4_0	3	2.0350.455.2	A80.45.964.4_0	8
A80.45.067.0	A80.45.904.4_0	10	A39.45.125.0	A80.45.909.4_0	4	GBT5783-M8X20-A2L	A80.45.964.4_0	9
A80.45.077.0	A80.45.904.4_0	11	GBT818-M5X16-A2L	A80.45.909.4_0	5	GBT97.1-8-A3L	A80.45.964.4_0	10
2.1430.006.7	A80.45.904.4_0	12	GBT825-M16-A3L	A80.45.909.4_0	6	GBT6170-M8-A2L	A80.45.964.4_0	11
A80.45.074.0	A80.45.904.4_0	13	2.1569.211.0	A80.45.909.4_0	7	GBT97.1-6-A3L	A80.45.964.4_0	12
A80.45.075.0	A80.45.904.4_0	14	GBT97.1-12-A3L	A80.45.909.4_0	8	GBT6170-M6-A2L	A80.45.964.4_0	13
A80.45.070.0	A80.45.904.4_0	15	2.0112.435.2	A80.45.909.4_0	9	A80.48.001.4	A80.48.904.4_0	1
GBT5783-M6X25-A2L	A80.45.904.4_0	16	A80.45.083.0	A80.45.915.4_0	1	A80.81.001.4	A80.81.903.4_1	1
GBT97.1-6-A3L	A80.45.904.4_0	17	A80.45.079.0	A80.45.915.4_0	2	GBT5783-M10X25-A3L	A80.81.903.4_1	2

零件编号	结构代码	零件顺序	零件编号	结构代码	零件顺序	零件编号	结构代码	零件顺序
GBT5783-M10X25-A3L	A80.81.903.4_1	2	SH900.41.113	A88.41.905.4_2	29	GBT5786-M16X1.5X45-A3L	B09.31.900.4_2	1
GBT96.1-10-A3L	A80.81.903.4_1	3	2.1475.005.7	A88.41.905.4_2	30	SH904.31.193	B09.31.900.4_2	2
GBT97.1-10-A3L	A80.81.903.4_1	4	2.1012.408.2	A88.41.905.4_2	31	GBT119.1-12h8X24	B09.31.900.4_2	3
GBT6170-M10-A3L	A80.81.903.4_1	5	SH900.41.117/10	A88.41.905.4_2	32	SH904.31.187	B09.31.900.4_2	4
A80.81.008.4	A80.81.904.4_1	1	GBT93-5-A3L	A88.41.905.4_2	33	JBT7940.1-M10X1	B09.31.900.4_2	5
GBT5783-M10X25-A3L	A80.81.904.4_1	2	2.1310.001.2	A88.41.905.4_2	34	GBT5785-M18X1.5X60-10.9-A3L	B09.31.900.4_2	6
GBT96.1-10-A3L	A80.81.904.4_1	3	2.0332.304.2	A88.41.905.4_2	35	GBT93-18-A3L	B09.31.900.4_2	7
GBT97.1-10-A3L	A80.81.904.4_1	4	GBT895.2-30	A88.41.905.4_2	36	SH904.31.188	B09.31.900.4_2	8
GBT6170-M10-A3L	A80.81.904.4_1	5	SH900.41.107-10	A88.41.910.4_1	1	GBT3452.1-53X3.55-G	B09.31.900.4_2	9
A85.58.008.0/10	A85.58.903.4_1	1	SH900.41.120	A88.41.910.4_1	2	SH904.31.189	B09.31.900.4_2	10
SH900.41C.101-10	A88.41.900.4_2	1	SH900.41.123	A88.41.910.4_1	3	SH904.31.010	B09.31.900.4_2	11
SH900.41C.102	A88.41.900.4_2	2	SH900.41A.101-10	A88.41.920.4_1	1	SH904.31.190	B09.31.900.4_2	12
SH900.41.120	A88.41.900.4_2	3	SH900.41A.102	A88.41.920.4_1	2	GBT3452.1-100X5.3-G	B09.31.900.4_2	13
GBT297-30210	A88.41.905.4_2	1	SH900.41A.103	A88.41.920.4_1	3	SH904.31.191	B09.31.900.4_2	14
SH900.41.108	A88.41.905.4_2	2	SH900.41B.101-10	A88.41.930.4_1	1	GBT5786-M16X1.5X45-10.9-A3L	B09.31.900.4_4	1
SH900.41.145	A88.41.905.4_2	3	SH900.41B.103	A88.41.930.4_1	2	SH904.31.193	B09.31.900.4_4	2
SH900.41.109	A88.41.905.4_2	4	SH900.41B.102	A88.41.930.4_1	3	GBT119.1-12h8X24	B09.31.900.4_4	3
GBT93-10-A3L	A88.41.905.4_2	5	GBT5786-M16X1.5X45-10.9-A3L	B09.31.900.4	1	SH904.31.187	B09.31.900.4_4	4
2.0114.316.2	A88.41.905.4_2	6	SH904.31.193	B09.31.900.4	2	2.3820.105.2	B09.31.900.4_4	5
SH900.41.105	A88.41.905.4_2	7	GBT119.1-12h8X24	B09.31.900.4	3	2.0123.721.2	B09.31.900.4_4	6
GBT893.1-28	A88.41.905.4_2	8	SH904.31.187	B09.31.900.4	4	GBT93-18-A3L	B09.31.900.4_4	7
SH900.41.106	A88.41.905.4_2	9	2.3820.105.2	B09.31.900.4	5	GBT3452.1-53X3.55-G	B09.31.900.4_4	8
GBT894.1-45	A88.41.905.4_2	10	2.0123.721.2	B09.31.900.4	6	SH904.31.189	B09.31.900.4_4	9
GBT276-6309	A88.41.905.4_2	11	GBT93-18-A3L	B09.31.900.4	7	SH904.31.010	B09.31.900.4_4	10
SH900.41.126	A88.41.905.4_2	12	GBT3452.1-53X3.55-G	B09.31.900.4	9	SH904.31.190	B09.31.900.4_4	11
SH900.41.125	A88.41.905.4_2	13	SH904.31.189	B09.31.900.4	10	SH904.31.010	B09.31.900.4_4	11
GBT276-6210	A88.41.905.4_2	14	GBT5786-M16X1.5X45-A3L	B09.31.900.4_1	1	SH904.31.190	B09.31.900.4_4	12
SH900.41.124	A88.41.905.4_2	15	SH904.31.193	B09.31.900.4_1	2	GBT3452.1-100X5.3-G	B09.31.900.4_4	12
JBT7918-K68X78X34	A88.41.905.4_2	16	GBT119.1-12h8x24	B09.31.900.4_1	3	GBT3452.1-100X5.3-G	B09.31.900.4_4	13
SH900.41.122	A88.41.905.4_2	17	SH904.31.187	B09.31.900.4_1	4	2.1310.007.2	B09.31.902.4_0	1
SH900.41.121	A88.41.905.4_2	18	JBT7940.1-M10X1	B09.31.900.4_1	5	A11.55.016.4	B09.55.900.4_1	1
SH900.41.111	A88.41.905.4_2	19	GBT5785-M18X1.5X60-8.8-A3L	B09.31.900.4_1	6	A68.56.003.4/10	B09.55.900.4_1	2
SH900.41.119	A88.41.905.4_2	20	GBT93-18-A3L	B09.31.900.4_1	7	A11.55.020.3/10	B09.55.900.4_1	3
GBT297-30212	A88.41.905.4_2	21	SH904.31.188	B09.31.900.4_1	8	A08.55.004.0	B09.55.900.4_1	4
SH900.37.111	A88.41.905.4_2	22	GBT3452.1-52.6x3.55-G	B09.31.900.4_1	9	A08.55.006.0	B09.55.900.4_1	5
A11.41.003.0	A88.41.905.4_2	23	SH904.31.189	B09.31.900.4_1	10	2.1560.010.0	B09.55.900.4_1	6
SH900.41.118	A88.41.905.4_2	24	SH904.31.010	B09.31.900.4_1	11	0.445.3150.4/20	B09.55.900.4_1	7
GBT13871.1-FB-070090-D	A88.41.905.4_2	25	SH904.31.190	B09.31.900.4_1	12	GBT97.1-8-A3L	B09.55.900.4_1	8
A11.41.004.0	A88.41.905.4_2	26	GBT3452.1-99.6x5.3-G	B09.31.900.4_1	13	GBT93-8-A3L	B09.55.900.4_1	9
2.0112.321.2	A88.41.905.4_2	27	SH904.31.191	B09.31.900.4_1	14	GBT5783-M8X25-A2L	B09.55.900.4_1	10

零件编号	结构代码	零件顺序	零件编号	结构代码	零件顺序	零件编号	结构代码	零件顺序
GBT5783-M8X25-A2L	B09.55.900.4_1	10	GBT93-10-A3L	B09.58.904.4_1	4	0.028.1972.3	B09.58.904.4_2	17
GBT3452.1-32.5X1.8-G	B09.55.900.4_1	11	GBT5783-M10X16-A3L	B09.58.904.4_1	5	SH900.58.101	B09.58.904.4_2	18
GBT5783-M12X25-10.9-A3L	B09.55.900.4_1	12	CD554.40.107	B09.58.904.4_1	6	DF1204.58B.020	B09.58.904.4_2	19
GBT93-12-A3L	B09.55.900.4_1	13	GBT5783-M8X40-A2L	B09.58.904.4_1	7	DF904.58B.101	B09.58.904.4_2	20
GBT70.1-M8X25-A2L	B09.55.900.4_1	14	GBT93-8-A3L	B09.58.904.4_1	8	2.0114.205.2	B09.58.904.4_2	21
GBT5782-M12X140-10.9-A3L	B09.55.900.4_1	15	GBT6170-M8-A2L	B09.58.904.4_1	9	2.0114.207.2	B09.58.904.4_2	22
GBT899-AM12x45-10.9-A3L	B09.55.900.4_1	16	GBT5783-M10X20-A3L	B09.58.904.4_1	10	DF904.58B.017	B09.58.904.4_2	23
GBT6170-M12-10-A3L	B09.55.900.4_1	17	GBT3452.1-19X2.65-G	B09.58.904.4_1	11	2.0312.208.2	B09.58.904.4_2	24
SH900.55.148	B09.55.900.4_1	18	GBT5783-M8X30-A2L	B09.58.904.4_1	12	GBT3452.1-23.6X2.9-G	B09.58.904.4_2	25
GBT6170-M16-A3L	B09.55.900.4_1	19	GBT3738-08-L18	B09.58.904.4_1	13	GBT3452.1-14X1.5-G	B09.58.904.4_2	26
GBT93-16-A3L	B09.55.900.4_1	20	GBT3452.1-19.3X2.2-G	B09.58.904.4_1	14	2.3139.024.2	B09.58.904.4_2	27
GBT899-AM16X70-10.9-A3L	B09.55.900.4_1	21	A68.58.003.0	B09.58.904.4_1	15	GBT3452.1-16X1.5-G	B09.58.904.4_2	28
SH900.56.106	B09.55.900.4_1	22	GBT3733-08-L22F	B09.58.904.4_1	16	2.3320.109.0	B09.58.904.4_2	29
SH400.56.025	B09.55.900.4_1	23	0.028.1972.3	B09.58.904.4_1	17	2.1473.006.2	B09.58.904.4_2	30
GBT70.1-M8X40-A2L	B09.55.900.4_1	25	SH900.58.101	B09.58.904.4_1	18	2.1310.002.2	B09.58.904.4_2	31
A11.55.016.4/10	B09.55.900.4_3	1	DF1204.58B.020	B09.58.904.4_1	19	2.1011.003.2	B09.58.904.4_2	32
A68.56.003.4/10	B09.55.900.4_3	2	DF904.58B.101	B09.58.904.4_1	20	2.0114.016.2	B09.58.904.4_2	33
B09.55.001.3/10	B09.55.900.4_3	3	GBT5783-M8X16-A2L	B09.58.904.4_1	21	B09.58.012.0	B09.58.904.4_2	34
2.1310.004.2	B09.55.900.4_3	4	GBT5783-M8X20-A2L	B09.58.904.4_1	22	2.0114.007.2	B09.58.904.4_2	35
2.1473.007.2	B09.55.900.4_3	5	DF904.58B.017	B09.58.904.4_1	23	B29.45.023.3/20	B29.45.905.4_2	1
2.0114.209.2	B09.55.900.4_3	6	GBT70.1-M8X25-A2L	B09.58.904.4_1	24	CD904.45.105	B29.45.905.4_2	2
GBT3452.1-32.5X1.8-G	B09.55.900.4_3	7	GBT3452.1-23.6X2.9-G	B09.58.904.4_1	25	CD904.45.106	B29.45.905.4_2	3
2.0115.409.2	B09.55.900.4_3	8	GBT3452.1-14X1.5-G	B09.58.904.4_1	26	GBT93-8-A3L	B29.45.905.4_2	4
2.1473.009.2	B09.55.900.4_3	9	2.3139.024.2	B09.58.904.4_1	27	GBT97.1-8-A3L	B29.45.905.4_2	5
2.0312.208.2	B09.55.900.4_3	10	A11.58.030.3/30	B09.58.904.4_2	1	GBT5783-M8X25-A2L	B29.45.905.4_2	6
2.0113.437.2	B09.55.900.4_3	11	A23.58.033.2/10	B09.58.904.4_2	2	GBT6170-M8-A2L	B29.45.905.4_2	7
2.0424.210.2	B09.55.900.4_3	12	A23.58.035.0	B09.58.904.4_2	3	0.020.3757.0	B36.45.908.4_2	1
2.1012.107.2	B09.55.900.4_3	13	2.1473.008.2	B09.58.904.4_2	4	A08.55.015.0	B36.45.908.4_2	2
SH900.55.148	B09.55.900.4_3	14	2.0114.305.2	B09.58.904.4_2	5	B36.45.016.3/10	B36.45.908.4_2	3
2.1011.109.2	B09.55.900.4_3	15	CD554.40.107	B09.58.904.4_2	6	B36.45.014.3/10	B36.45.908.4_2	4
2.1473.011.2	B09.55.900.4_3	16	2.0114.215.2	B09.58.904.4_2	7	B36.45.012.3/10	B36.45.908.4_2	5
2.0424.415.2	B09.55.900.4_3	17	2.1473.007.2	B09.58.904.4_2	8	B36.45.010.3/10	B36.45.908.4_2	6
SH900.56.106	B09.55.900.4_3	18	2.1011.105.2	B09.58.904.4_2	9	A23.45.019.0	B36.45.908.4_2	7
SH400.56.025	B09.55.900.4_3	19	2.0114.307.2	B09.58.904.4_2	10	GBT894.1-20	B36.45.908.4_2	8
2.0312.214.2	B09.55.900.4_3	20	GBT3452.1-19X2.65-G	B09.58.904.4_2	11	GBT5783-M8X30-A2L	B36.45.908.4_2	9
2.6851.001.0	B09.55.900.4_3	21	2.0114.211.2	B09.58.904.4_2	12	GBT93-8-A3L	B36.45.908.4_2	10
CD554.55.014/10	B09.55.900.4_3	22	GBT3738-08-L18	B09.58.904.4_2	13	GBT97.1-8-A3L	B36.45.908.4_2	11
A11.55.012.0/10	B09.55.900.4_3	23	GBT3452.1-19.3X2.2-G	B09.58.904.4_2	14	A11.55.018.0	B36.45.908.4_2	12
A11.58.030.3/30	B09.58.904.4_1	1	A68.58.003.0	B09.58.904.4_2	15	GBT6170-M8-A2L	B36.45.908.4_2	13
A23.58.033.2	B09.58.904.4_1	2	GBT3733-08-L22F	B09.58.904.4_2	16	A23.45.037.0	B36.45.908.4_2	14

零件编号	结构代码	零件顺序	零件编号	结构代码	零件顺序	零件编号	结构代码	零件顺序
A23.45.037.0	B36.45.908.4_2	14	GBT879.1-8X32	B52.45.902.4_1	4	2.1473.006.2	B52.45.908.4_6	12
B36.45.002.0	B36.45.908.4_2	15	GBT879.1-5X32	B52.45.902.4_1	5	CD904A.45A.102	B52.45.908.4_6	13
A23.45.038.3/10	B36.45.908.4_2	16	A23.45.027.4/10	B52.45.902.4_1	6	CD904A.45A.121	B52.45.908.4_6	14
GBT6170-M8-LH-A2L	B36.45.908.4_2	17	B52.45.002.3	B52.45.902.4_1	7	B52.45.010.4/50	B52.45.908.4_6	15
A11.55.017.0	B36.45.908.4_2	18	CD804.45A.010/10	B52.45.905.4_0	1	A11.45.110.0/20	B52.45.908.4_6	16
A23.45.035.3/10	B36.45.908.4_2	19	GBT5783-M12X25-A3L	B52.45.905.4_0	2	A11.45.111.2/20	B52.45.908.4_6	17
GBT91-1.6X18-A3L	B36.45.908.4_2	20	GBT93-12-A3L	B52.45.905.4_0	3	A11.45.001.0/20	B52.45.908.4_6	18
GBT882-B6X24-A3L	B36.45.908.4_2	21	GBT97.1-12-A3L	B52.45.905.4_0	4	2.0114.007.2	B52.45.908.4_6	19
GBT97.1-6-A3L	B36.45.908.4_2	23	SH900.45A.032	B52.45.908.4_4	1	2.1310.002.2	B52.45.908.4_6	20
A23.45.018.0	B36.45.908.4_2	24	CD904A.45A.030	B52.45.908.4_4	2	2.3199.114.0	B52.45.908.4_6	21
0.020.5466.0	B36.45.908.4_2	25	CD904A.45A.032	B52.45.908.4_4	3	A23.45.019.0	B52.55.902.4_0	1
L-03031-0G05-00	B47.21.004.4-LUK	14	SH300.47.246	B52.45.908.4_4	4	GBT820-M6X14-4.8-A2L	B52.55.902.4_0	2
L-04130-0003-01	B47.21.004.4-LUK	19	2.1310.004.2	B52.45.908.4_4	5	A11.55.008.3/30	B52.55.902.4_0	3
L-03031-0G03-00	B47.21.004.4-LUK	22	GBT93-8-A3L	B52.45.908.4_4	6	0.020.3200.0	B52.55.902.4_0	4
L-02615-0051-02	B47.21.004.4-LUK	40	2.0114.207.2	B52.45.908.4_4	7	0.020.3149.0	B52.55.902.4_0	5
L-02615-0031-02	B47.21.004.4-LUK	41	CD904A.45A.122	B52.45.908.4_4	8	A11.55.009.3/30	B52.55.902.4_0	6
CD904.45A.011/50	B52.45.010.4/30	1	2.1310.010.2	B52.45.908.4_4	9	A11.55.017.0	B52.55.902.4_0	7
2.1011.105.2	B52.45.010.4/30	2	GBT889.1-M16-A3L	B52.45.908.4_4	10	B52.55.001.0	B52.55.902.4_0	8
CD904A.45A.023	B52.45.010.4/30	3	2.0114.005.2	B52.45.908.4_4	11	A11.55.018.0	B52.55.902.4_0	9
CD904A.45A.103	B52.45.010.4/30	4	GBT93-6-A3L	B52.45.908.4_4	12	0.020.5466.0	B52.55.902.4_0	10
CD904A.45A.024	B52.45.010.4/30	5	CD904A.45A.102	B52.45.908.4_4	13	GBT6170-M8-A2L	B52.55.902.4_0	11
CD904A.45A.025	B52.45.010.4/30	6	CD904A.45A.121	B52.45.908.4_4	14	GBT6170-M8-LH-A2L	B52.55.902.4_0	12
2.0114.007.2	B52.45.010.4/30	7	B52.45.010.4/30	B52.45.908.4_4	15	A08.55.015.0	B52.55.902.4_0	13
2.1310.002.2	B52.45.010.4/30	8	A11.45.110.0/20	B52.45.908.4_4	16	A23.45.019.0	B52.55.902.4_1	1
GBT93-6-A3L	B52.45.010.4/30	9	A11.45.111.2/20	B52.45.908.4_4	17	2.0322.405.3	B52.55.902.4_1	2
SH900.45A.205	B52.45.010.4/30	10	A11.45.001.0/20	B52.45.908.4_4	18	A11.55.008.3/30	B52.55.902.4_1	3
2.0114.207.2	B52.45.010.4/30	11	2.0114.007.2	B52.45.908.4_4	19	0.020.3200.0	B52.55.902.4_1	4
2.1310.004.2	B52.45.010.4/30	12	2.1310.002.2	B52.45.908.4_4	20	0.020.3149.0	B52.55.902.4_1	5
GBT93-8-A3L	B52.45.010.4/30	13	2.3199.114.0	B52.45.908.4_4	21	A11.55.009.3/30	B52.55.902.4_1	6
B52.45.006.3	B52.45.010.4/30	14	SH900.45A.032	B52.45.908.4_6	1	A11.55.017.0	B52.55.902.4_1	7
CD904A.45A.027	B52.45.010.4/30	15	CD904A.45A.030	B52.45.908.4_6	2	B52.55.001.0/10	B52.55.902.4_1	8
CD904A.45A.028	B52.45.010.4/30	16	CD904A.45A.032	B52.45.908.4_6	3	A11.55.018.0	B52.55.902.4_1	9
CD904A.45A.029	B52.45.010.4/30	17	SH300.47.246	B52.45.908.4_6	4	0.020.5466.0	B52.55.902.4_1	10
CD904A.45A.107	B52.45.010.4/30	18	2.1310.004.2	B52.45.908.4_6	5	2.1011.105.2	B52.55.902.4_1	11
2.1011.103.2	B52.45.010.4/30	19	2.1473.007.2	B52.45.908.4_6	6	GBT6170-M8-LH-A2L	B52.55.902.4_1	12
A23.45.232.0	B52.45.010.4/30	20	2.0114.207.2	B52.45.908.4_6	7	A08.55.015.0	B52.55.902.4_1	13
A23.45.231.0	B52.45.010.4/30	21	CD904A.45A.122	B52.45.908.4_6	8	SH900.56.111	B52.56.910.4_0	1
2.6569.069.0/10	B52.45.010.4/30	22	2.1310.010.2	B52.45.908.4_6	9	SH900.56.103	B52.56.910.4_0	2
A23.45.072.4/10	B52.45.902.4_1	1	2.1122.009.2	B52.45.908.4_6	10	SH900.56.030-1	B52.56.910.4_0	3
GBT6170-M10-A3L	B52.45.902.4_1	2	2.0114.005.2	B52.45.908.4_6	11	SH900.56.018	B52.56.910.4_0	4

零件编号	结构代码	零件顺序	零件编号	结构代码	零件顺序	零件编号	结构代码	零件顺序
SH900.56.018	B52.56.910.4_0	4	B52.58.003.3/10	B52.58.902.4_1	6	SH900.51.154	B61.51.901.4_5	15
SH400.56.025	B52.56.910.4_0	5	SH900.51.136	B61.51.901.4_4	1	SH900.51.152	B61.51.901.4_5	16
GBT9459-M24X2-A3L	B52.56.910.4_0	6	SH900.51.132	B61.51.901.4_4	2	SH900.51B.112	B61.51.901.4_5	17
GBT93-16-A3L	B52.56.910.4_0	7	SH900.51.135	B61.51.901.4_4	3	SH900.51.122	B61.51.901.4_5	18
GBT91-5X40	B52.56.910.4_0	8	SH900.51B.103	B61.51.901.4_4	4	A11.51.004.0	B61.51.901.4_5	19
GBT899-M16X95-A3L	B52.56.910.4_0	9	SH900.51B.110	B61.51.901.4_4	5	B61.51.010.0	B61.51.901.4_5	20
GBT72-M8X16-A2L	B52.56.910.4_0	10	SH900.51B.122	B61.51.901.4_4	6	SH900.51.125	B61.51.901.4_5	23
GBT6170-M16-A3L	B52.56.910.4_0	11	B61.51.009.0/10	B61.51.901.4_4	8	SH900.51B.102	B61.51.901.4_5	24
GBT119.1-20X35	B52.56.910.4_0	12	SH900.51B.117	B61.51.901.4_4	9	SH900.51.130	B61.51.901.4_5	25
GBT95-24-A3L	B52.56.910.4_0	13	SH900.51B.116	B61.51.901.4_4	10	SH900.51B.120	B61.51.901.4_5	26
DF904.56.107	B52.56.910.4_0	14	SH900.51.118	B61.51.901.4_4	11	SH900.51B.123	B61.51.901.4_5	27
0.030.2147.3	B52.56.910.4_0	15	SH900.51B.119	B61.51.901.4_4	12	SH900.51.138	B61.51.901.4_5	29
B52.58.002.3	B52.58.900.4_0	1	SH900.51B.125	B61.51.901.4_4	13	2.9939.835.0/10	B61.51.901.4_5	30
GBT3452.1-26.5X2.65-G	B52.58.900.4_0	2	SH900.51.153	B61.51.901.4_4	14	SH900.51.124	B61.51.902.4_0	1
GBT93-8-A3L	B52.58.900.4_0	3	SH900.51.154	B61.51.901.4_4	15	SH900.51B.126	B61.51.902.4_0	2
GBT5783-M8X50-A2L	B52.58.900.4_0	4	SH900.51.152	B61.51.901.4_4	16	B61.51.012.0	B61.51.903.4_1	1
SH900.58.034	B52.58.900.4_0	5	SH900.51B.112	B61.51.901.4_4	17	SH904.51.114	B61.51.905.4_0	1
GBT93-6-A3L	B52.58.900.4_0	6	SH900.51.122	B61.51.901.4_4	18	SH900.51B.129	B61.51.906.4_0	1
GBT5783-M6X30-A2L	B52.58.900.4_0	7	A11.51.004.0	B61.51.901.4_4	19	CD454.51D.101	B61.51.908.4_0	1
GBT6170-M6-A2L	B52.58.900.4_0	8	B61.51.010.0	B61.51.901.4_4	20	CD454.51D.102	B61.51.908.4_0	2
A23.58.019.3	B52.58.900.4_0	9	SH900.51.125	B61.51.901.4_4	23	SH900.51B.111	B61.51.909.4_0	1
SH900.58.043	B52.58.900.4_0	10	SH900.51B.102	B61.51.901.4_4	24	B61.51.001.0	B61.51.911.4_1	1
GBT5783-M6X16-A2L	B52.58.900.4_0	11	SH900.51.130	B61.51.901.4_4	25	B61.51.005.3	B61.51.911.4_1	2
GBT93-16-A3L	B52.58.900.4_0	12	SH900.51B.120	B61.51.901.4_4	26	B61.51.006.0	B61.51.911.4_1	3
GBT5783-M16X30-A3L	B52.58.900.4_0	13	SH900.51B.123	B61.51.901.4_4	27	GB/T 12618	B61.51.911.4_1	4
JBT8870-D40	B52.58.900.4_0	14	SH900.51.138	B61.51.901.4_4	29	A62.51.002.0/20	B61.51.911.4_2	1
A23.58.002.0	B52.58.900.4_0	15	2.9939.835.0/10	B61.51.901.4_4	30	B61.51.005.3	B61.51.911.4_2	2
CD904A.58.012/10	B52.58.900.4_0	16	SH900.51.136	B61.51.901.4_5	1	B61.51.006.0	B61.51.911.4_2	3
GBT97.1-8-A3L	B52.58.900.4_0	17	SH900.51.132	B61.51.901.4_5	2	GBT12618.1-3X15	B61.51.911.4_2	4
GBT5783-M8X30-A2L	B52.58.900.4_0	18	SH900.51.135	B61.51.901.4_5	3	B80.10.001.4/10	B80.10.900.4_1	1
GBT5783-M8X20-A2L	B52.58.900.4_0	19	SH900.51B.103	B61.51.901.4_5	4	B80.10.002.4	B80.10.901.4_0	1
GBT3452.1-32.5X2.65-G	B52.58.900.4_0	20	SH900.51B.110	B61.51.901.4_5	5	GBT3452.1-112X2.65	B80.10.901.4_0	2
SH900.58.018	B52.58.900.4_0	21	SH900.51B.122	B61.51.901.4_5	6	GBT3452.1-112X2.65-G	B80.10.901.4_0	2
B52.58.004.0	B52.58.900.4_0	22	B61.51.009.0/10	B61.51.901.4_5	8	B80.10.004.0	B80.10.901.4_0	3
SH900.58.019	B52.58.900.4_0	23	SH900.51B.117	B61.51.901.4_5	9	GBT5786-M10X1X30-A3L	B80.10.901.4_0	4
GBT3452.1-21.2X1.8-G	B52.58.900.4_0	24	SH900.51B.116	B61.51.901.4_5	10	GBT93-10-A3L	B80.10.901.4_0	5
CD904A.58.014	B52.58.902.4_1	1	SH900.51.118	B61.51.901.4_5	11	GBT97.1-10-A3L	B80.10.901.4_0	6
GBT93-8-A3L	B52.58.902.4_1	2	SH900.51B.119	B61.51.901.4_5	12	GBT5783-M10X35-A3L	B80.10.901.4_0	7
GBT5783-M8X30-A2L	B52.58.902.4_1	3	SH900.51B.125	B61.51.901.4_5	13	B80.10.010.0	B80.10.901.4_0	8
GBT3452.1-15X2.65-G	B52.58.902.4_1	4	SH900.51.153	B61.51.901.4_5	14	B80.10.007.2	B80.10.901.4_0	9

零件编号	结构代码	零件顺序	零件编号	结构代码	零件顺序	零件编号	结构代码	零件顺序
B80.10.007.2	B80.10.901.4_0	9	CD904.11.010	B80.11.919.4_0	1	B80.13.005.0	B80.13.900.4_1	6
B80.10.008.0	B80.10.901.4_0	10	2.0114.613.2	B80.11.919.4_0	2	CD1104A.13.102/10	B80.13.900.4_1	7
B80.10.006.0	B80.10.901.4_0	11	GBT93-16-A3L	B80.11.919.4_0	3	CD1204.13.012	B80.13.900.4_1	8
GBT5783-M8X20-A2L	B80.10.901.4_0	12	2.1310.010.2	B80.11.919.4_0	4	GBT97.1-4-A3L	B80.13.900.4_1	9
GBT93-8-A3L	B80.10.901.4_0	13	2.0114.513.2	B80.11.919.4_0	5	GBT5783-M4X12-A2L	B80.13.900.4_1	10
GBT97.1-8-A3L	B80.10.901.4_0	14	GBT93-14-A3L	B80.11.919.4_0	6	0.023.2676.2	B80.13.900.4_1	11
JBT8870-D32	B80.10.901.4_0	15	2.1310.009.2	B80.11.919.4_0	7	GBT97.1-8-A3L	B80.13.900.4_1	12
B80.10.009.0	B80.10.901.4_0	16	SH950.11.011	B80.11.919.4_0	8	GBT5783-M8X16-A2L	B80.13.900.4_1	13
B80.10.005.2	B80.10.901.4_0	17	JBT8870-D100	B80.11.919.4_0	9	0.026.5598.0	B80.13.900.4_1	14
JBT982-8	B80.10.901.4_0	18	B80.11.002.0/10	B80.11.919.4_0	10	0.026.5598.0	B80.13.900.4_1	15
B80.10.003.0	B80.10.901.4_0	19	JBT8870-D80	B80.11.919.4_0	11	JBT8870-d16	B80.13.900.4_1	16
GBT5783-M8X40-A2L	B80.10.902.4_0	1	2.0114.209.2	B80.11.919.4_0	12	B80.13.004.0	B80.13.900.4_1	17
GBT93-8-A3L	B80.10.902.4_0	2	GBT93-8-A3L	B80.11.919.4_0	13	CD1104A.13.014/10	B80.13.900.4_1	18
B80.10.013.0	B80.10.902.4_0	3	2.1312.004.2	B80.11.919.4_0	14	GBT97.1-10-A3L	B80.13.900.4_1	19
GBT97.1-8-A3L	B80.10.902.4_0	4	CD904.11.102/30	B80.11.919.4_0	15	GBT5783-M10X35-A3L	B80.13.900.4_1	20
GBT6170-M8-A2L	B80.10.902.4_0	5	JBT8870-D130	B80.11.919.4_0	16	SH900.13.107	B80.13.900.4_1	21
GBT97.1-10-A3L	B80.10.902.4_0	6	A23.11.005.0/10	B80.11.919.4_0	17	GBT5783-M8X30-A2L	B80.13.900.4_1	22
GBT93-10-A3L	B80.10.902.4_0	7	A23.11.006.2/20	B80.11.919.4_0	18	CD904A.13.101/10	B80.13.900.4_1	23
GBT5783-M10X40-A3L	B80.10.902.4_0	8	A23.11.008.2/20	B80.11.919.4_0	19	CD1104A.13.108	B80.13.900.4_1	24
GBT6170-M10-A3L	B80.10.902.4_0	9	2.1310.004.2	B80.11.919.4_0	20	SH400.20.101	B80.20.901.4_0	1
CD904.11.011A	B80.11.909.4_0	1	2.1011.105.2	B80.11.919.4_0	21	GBT879.1-5X20	B80.20.901.4_0	2
2.0114.513.2	B80.11.909.4_0	2	A23.11.007.2/20	B80.11.919.4_0	22	SH900.20.013	B80.20.901.4_0	3
GBT93-14-A3L	B80.11.909.4_0	3	CD1104A.11B.014B	B80.11.920.4_0	1	SH400.20.102	B80.20.901.4_0	4
2.1310.009.2	B80.11.909.4_0	4	JBT8870-D100	B80.11.922.4_2	1	SH400.20.104	B80.20.901.4_0	5
CD904A.11.011	B80.11.909.4_0	5	CD904.11.102/30	B80.11.922.4_2	2	SH900.20.011	B80.20.901.4_0	6
2.1312.004.2	B80.11.909.4_0	6	JBT8870-D130	B80.11.922.4_2	3	SH400.20.106	B80.20.901.4_0	7
GBT93-8-A3L	B80.11.909.4_0	7	A23.11.005.0/10	B80.11.922.4_2	4	SH400.20.115	B80.20.901.4_0	8
2.0114.209.2	B80.11.909.4_0	8	2.0114.209.2	B80.11.922.4_2	5	GBT5783-M8X45-A2L	B80.20.901.4_0	9
JBT8870-D100	B80.11.909.4_0	9	2.1310.004.2	B80.11.922.4_2	6	GBT6170-M8-A2L	B80.20.901.4_0	10
B80.11.002.0/10	B80.11.909.4_0	10	2.1011.105.2	B80.11.922.4_2	7	GBT5783-M8X20-A2L	B80.20.901.4_0	11
JBT8870-D80	B80.11.909.4_0	11	A23.11.007.2/30	B80.11.922.4_2	8	GBT93-8-A3L	B80.20.901.4_0	12
2.0114.613.2	B80.11.909.4_0	12	2.1473.007.2	B80.11.922.4_2	9	SH400.20.116	B80.20.901.4_0	13
GBT93-16-A2L	B80.11.909.4_0	13	A23.11.008.2/20	B80.11.922.4_2	10	SH400.20.117	B80.20.901.4_0	14
2.1310.004.2	B80.11.909.4_0	14	A23.11.006.2/30	B80.11.922.4_2	11	GBT5783-M6X20-A2L	B80.20.901.4_0	15
CD904A.11.013B	B80.11.909.4_0	15	2.1312.004.2	B80.11.922.4_2	12	GBT93-6-A3L	B80.20.901.4_0	16
B80.11.001.3	B80.11.909.4_0	16	B80.13.001.4	B80.13.900.4_1	1	SH900.20.157	B80.20.901.4_0	17
CD904.11.013A	B80.11.909.4_0	17	LE1204.13.110	B80.13.900.4_1	2	GBT91-2x12-A3L	B80.20.901.4_0	18
SH900.13.107	B80.11.909.4_0	18	LE1204.13.111	B80.13.900.4_1	3	SH900.20.014	B80.20.901.4_0	19
GBT889.1-M8-A2L	B80.11.909.4_0	19	GBT5782-M10X55-A3L	B80.13.900.4_1	4	SH400.20.101	B80.20.901.4_1	1
2.1011.105.2	B80.11.909.4_0	20	JBT8870-d60	B80.13.900.4_1	5	2.1630.510.2	B80.20.901.4_1	2

零件编号	结构代码	零件顺序	零件编号	结构代码	零件顺序	零件编号	结构代码	零件顺序
2.1630.510.2	B80.20.901.4_1	2	GBT2979-16.9-34-10PR-R1	B80.34.900.4_0	1	GBT6170-M10-A3L	B80.40.900.4_2	5
SH900.20.013	B80.20.901.4_1	3	GBT2979-16.9-34-R1	B80.34.900.4_0	2	GBT5783-M12X30-A3L	B80.40.900.4_2	6
SH400.20.102	B80.20.901.4_1	4	SH904.34.010	B80.34.900.4_0	3	2.1473.009.2	B80.40.900.4_2	7
SH400.20.104	B80.20.901.4_1	5	GBT2979-16.9-34-10PR-R1	B80.34.901.4_1	1	B80.40.002.3/20	B80.40.900.4_2	8
SH900.20.011	B80.20.901.4_1	6	GBT2979-16.9-34-R1	B80.34.901.4_1	2	2.1473.007.2	B80.40.900.4_2	9
SH400.20.106	B80.20.901.4_1	7	SH954.34.010	B80.34.901.4_1	3	GBT5783-M8X30-A3L	B80.40.900.4_2	10
SH400.20.115	B80.20.901.4_1	8	GBT2979-16.9-34-10PR-R1	B80.34.902.4_0	1	B80.40.003.0	B80.40.900.4_2	11
2.0114.216.2	B80.20.901.4_1	9	GBT2979-16.9-34-R1	B80.34.902.4_0	2	JBT8870-D32	B80.40.900.4_2	12
2.1011.105.2	B80.20.901.4_1	10	A65.34.001.2	B80.34.902.4_0	3	GBT3452.1-19X2.65-G	B80.40.900.4_2	13
2.0114.207.2	B80.20.901.4_1	11	SH904.34.011B	B80.34.903.4_0	1	B80.40.001.3/10	B80.40.902.4_1	1
2.1473.007.2	B80.20.901.4_1	12	GBT2979-16.9-38-10PR-R1	B80.34.903.4_0	2	LE1204.40.111	B80.40.902.4_1	2
SH400.20.116	B80.20.901.4_1	13	GBT2979-16.9-38-R1	B80.34.903.4_0	3	GBT70.1-M6X25-A2L	B80.40.902.4_1	3
SH400.20.117	B80.20.901.4_1	14	GBT93-10-A3L	B80.37.911.4_2	1	GBT93-6-A3L	B80.40.902.4_1	4
2.0114.007.2	B80.20.901.4_1	15	GBT93-14-A3L	B80.37.911.4_2	2	GBT6170-M6-A2L	B80.40.902.4_1	5
2.1473.006.2	B80.20.901.4_1	16	GBT93-16-A3L	B80.37.911.4_2	3	SH900.40.110	B80.40.902.4_1	6
SH900.20.157	B80.20.901.4_1	17	2.0113.625.2	B80.37.911.4_2	4	2.1560.014.0	B80.40.902.4_1	7
2.1690.205.2	B80.20.901.4_1	18	2.0113.631.2	B80.37.911.4_2	5	GBT93-8-A3L	B80.40.902.4_1	8
SH900.20.014	B80.20.901.4_1	19	2.0113.630.2	B80.37.911.4_2	6	GBT97.1-8-A3L	B80.40.902.4_1	9
CD904.20.019/20	B80.20.902.4_1	1	2.0115.315.2	B80.37.911.4_2	7	SH900.40.112	B80.40.902.4_1	10
GBT68-M8X30-A2L	B80.20.902.4_1	2	2.0115.516.2	B80.37.911.4_2	8	GBT5783-M8X45-A2L	B80.40.902.4_1	11
SH400.20.111	B80.20.902.4_1	3	2.0115.616.2	B80.37.911.4_2	9	CD904.40.105	B80.40.902.4_1	12
GBT818-M6X12-A2L	B80.20.902.4_1	4	2.1012.109.2	B80.37.911.4_2	10	GBT6170-M8-A3L	B80.40.902.4_1	13
GBT93-6-A3L	B80.20.902.4_1	5	2.1475.006.7	B80.37.911.4_2	11	SH900.40.101	B80.40.903.4_0	1
CD904.20.019/20	B80.20.902.4_2	1	GBT93-10-A3L	B80.40.900.4_1	1	SH900.40.102	B80.40.903.4_0	2
GBT68-M8X30-A2L	B80.20.902.4_2	2	SH900.40.025	B80.40.900.4_1	2	2.1560.016.0	B80.40.903.4_0	3
SH400.20.111	B80.20.902.4_2	3	CD904.40.104	B80.40.900.4_1	3	CD904.40.103/10	B80.40.903.4_0	4
2.0332.404.2	B80.20.902.4_2	4	GBT5783-M10X20-A3L	B80.40.900.4_1	4	SH900.40.014	B80.40.903.4_0	5
2.1473.006.2	B80.20.902.4_2	5	GBT6170-M10-A3L	B80.40.900.4_1	5	SH900.40.018	B80.40.903.4_0	6
SH900.20.018	B80.20.903.4_0	1	GBT5783-M12X30-A3L	B80.40.900.4_1	6	SH900.40.105	B80.40.903.4_0	7
GBT2979-11.2-24-10PR-R1	B80.32.900.4_0	1	GBT93-12-A3L	B80.40.900.4_1	7	SH900.40.019	B80.40.903.4_0	8
GBT2979-11.2-24-R1	B80.32.900.4_0	2	B80.40.002.3/10	B80.40.900.4_1	8	GBT6170-M8-A2L	B80.40.903.4_0	9
SH904.32.010	B80.32.900.4_0	3	GBT93-8-A3L	B80.40.900.4_1	9	GBT93-8-A3L	B80.40.903.4_0	10
GBT2979-13.6-24-8PR-R1	B80.32.901.4_0	1	GBT5783-M8X30-A3L	B80.40.900.4_1	10	GBT97.1-8-A3L	B80.40.903.4_0	11
GBT2979-13.6-24-R1	B80.32.901.4_0	2	B80.40.003.0	B80.40.900.4_1	11	GBT5783-M8X30-A2L	B80.40.903.4_0	12
SH904.32A.011	B80.32.901.4_0	3	JBT8870-D32	B80.40.900.4_1	12	SH900.40.106	B80.40.903.4_0	13
GBT2979-11.2-28-8PR-R1	B80.32.902.4_0	1	GBT3452.1-19X2.65-G	B80.40.900.4_1	13	SH900.40.138	B80.40.903.4_0	14
GBT2979-11.2-28-R1	B80.32.902.4_0	2	2.1473.008.2	B80.40.900.4_2	1	JBT8870-D32	B80.40.903.4_0	15
SH904.32.011B	B80.32.902.4_0	3	SH900.40.025	B80.40.900.4_2	2	GBT93-8-A3L	B80.40.905.4_1	1
B80.32.001.4	B80.32.903.4_0	1	CD904.40.104	B80.40.900.4_2	3	GBT97.1-8-A3L	B80.40.905.4_1	2
GBT2979-13.6-24-8PR-R1	B80.32.903.4_0	2	GBT5783-M10X20-A3L	B80.40.900.4_2	4	GBT6170-M8-A2L	B80.40.905.4_1	3

零件编号	结构代码	零件顺序	零件编号	结构代码	零件顺序	零件编号	结构代码	零件顺序
GBT6170-M8-A2L	B80.40.905.4_1	3	B80.40.014.3/10	B80.40.925.4_1	4	2.0114.207.2	B80.45.010.4/30	11
SH900A.40.011	B80.40.905.4_1	4	B80.40.015.3/10	B80.40.925.4_1	5	2.1310.004.2	B80.45.010.4/30	12
SH900.40.023	B80.40.905.4_1	5	B80.40.008.0/10	B80.40.925.4_1	6	GBT93-8-A3L	B80.45.010.4/30	13
B80.40.008.0	B80.40.905.4_1	6	2.0114.215.2	B80.40.925.4_1	7	A23.45.224.3/20	B80.45.010.4/30	14
GBT5783-M8X40-A2L	B80.40.905.4_1	7	SH900.40.112	B80.40.925.4_1	8	CD904A.45A.027	B80.45.010.4/30	15
SH900.40.112	B80.40.905.4_1	8	2.0114.216.2	B80.40.925.4_1	9	CD904A.45A.028	B80.45.010.4/30	16
GBT5783-M8X20-A2L	B80.40.905.4_1	10	2.0114.207.2	B80.40.925.4_1	10	CD904A.45A.029	B80.45.010.4/30	17
GBT5783-M8X45-A2L	B80.40.905.4_1	11	CD904A.40.110	B80.40.925.4_1	11	CD904A.45A.107	B80.45.010.4/30	18
GBT93-8-A3L	B80.40.911.4_0	1	2.0114.307.2	B80.40.925.4_1	12	2.1011.103.2	B80.45.010.4/30	19
B80.40.013.0	B80.40.911.4_0	2	2.1473.008.2	B80.40.925.4_1	13	A23.45.232.0	B80.45.010.4/30	23
GBT5783-M8X35-A2L	B80.40.911.4_0	3	B80.40.012.2	B80.40.930.4_0	1	A23.45.231.0	B80.45.010.4/30	24
GBT5782-M8X105-A2L	B80.40.911.4_0	4	B80.40.002.3/10	B80.40.930.4_0	2	2.6569.069.0/10	B80.45.010.4/30	25
LE1204.40.013	B80.40.914.4_0	1	B80.40.003.0	B80.40.930.4_0	3	GBT5783-M8X20-A2L	B80.45.901.4_0	1
B80.40.001.3/30	B80.40.922.4_1	1	B80.40.009.0	B80.40.930.4_0	4	GBT93-8-A3L	B80.45.901.4_0	2
LE1204.40.111	B80.40.922.4_1	2	GBT93-8-A3L	B80.40.930.4_0	5	SH900.21.013/10	B80.45.901.4_0	3
2.0312.106.2	B80.40.922.4_1	3	GBT93-10-A3L	B80.40.930.4_0	6	SH900.21.016	B80.45.901.4_0	4
2.1473.006.2	B80.40.922.4_1	4	GBT93-12-A3L	B80.40.930.4_0	7	GBT5783-M10X25-A3L	B80.45.901.4_0	5
2.1011.103.2	B80.40.922.4_1	5	GBT97.1-10-A3L	B80.40.930.4_0	8	GBT93-10-A3L	B80.45.901.4_0	6
SH900.40.110	B80.40.922.4_1	6	GBT3452.1-19X2.65-G	B80.40.930.4_0	9	SH900.21.120	B80.45.901.4_0	7
2.1560.014.0	B80.40.922.4_1	7	GBT5783-M8X35-A2L	B80.40.930.4_0	10	SH900.21.119	B80.45.901.4_0	8
2.3139.024.2	B80.40.922.4_1	8	GBT5783-M10X20-A3L	B80.40.930.4_0	11	SH900.21.118	B80.45.901.4_0	9
A11.40.061.0	B80.40.923.4_1	1	GBT5783-M12X30-A3L	B80.40.930.4_0	12	GBT894.1-30	B80.45.901.4_0	10
B80.40.017.3	B80.40.923.4_1	2	GBT6170-M10-A3L	B80.40.930.4_0	13	GBT91-3.2X20-A3L	B80.45.901.4_0	11
B80.40.018.3	B80.40.923.4_1	3	JBT8870-D32	B80.40.930.4_0	14	GBT97.1-10-A3L	B80.45.901.4_0	12
B29.40.006.3	B80.40.923.4_1	4	SH904.42.012	B80.42.900.4_0	1	SH900.21.117	B80.45.901.4_0	13
GBT3452.1-8X1.5-G	B80.40.923.4_1	5	GBT5783-M16X45-A3L	B80.42.900.4_0	2	GBT882-B10X32-A3L	B80.45.901.4_0	14
GBT3452.1-17.3X2.2-G	B80.40.923.4_1	6	GBT93-10-A3L	B80.42.900.4_0	3	SH900.21.020	B80.45.901.4_0	15
2.0114.213.2	B80.40.923.4_1	7	GBT5783-M10X30-A3L	B80.42.900.4_0	4	GBT6170-M10-A3L	B80.45.901.4_0	16
2.0114.215.2	B80.40.923.4_1	8	GBT93-10-A3L	B80.42.900.4_0	5	SH900.21.116	B80.45.901.4_0	17
A23.40.003.3/10	B80.40.923.4_1	9	GBT5783-M10X25-A3L	B80.42.900.4_0	6	GBT5783-M10X60-A3L	B80.45.901.4_0	18
CD804A.40A.101/10	B80.40.923.4_1	10	CD904.45A.011/50	B80.45.010.4/30	1	GBT6171-M10X1-A3L	B80.45.901.4_0	19
2.1011.105.2	B80.40.923.4_1	11	2.1011.105.2	B80.45.010.4/30	2	SH900.21.115	B80.45.901.4_0	20
2.1473.007.2	B80.40.923.4_1	12	CD904A.45A.023	B80.45.010.4/30	3	SH900.45.037	B80.45.904.4_1	1
2.6851.001.0	B80.40.923.4_1	13	CD904A.45A.103	B80.45.010.4/30	4	GBT5783-M6X20-A2L	B80.45.904.4_1	2
SH900.40.112	B80.40.923.4_1	14	CD904A.45A.024	B80.45.010.4/30	5	GBT96.1-6-A3L	B80.45.904.4_1	3
SH900.40.138	B80.40.923.4_1	15	CD904A.45A.025	B80.45.010.4/30	6	CD904A.45A.120	B80.45.904.4_1	4
CD1204A.40B.101/10	B80.40.923.4_1	16	2.0114.007.2	B80.45.010.4/30	7	ZBT31004-ST4.8x20A-A3L	B80.45.904.4_1	5
null	B80.40.925.4	null	2.1310.002.2	B80.45.010.4/30	8	GBT845-ST4.8X16	B80.45.904.4_1	6
2.1473.007.2	B80.40.925.4_1	1	GBT93-6-A3L	B80.45.010.4/30	9	SH900.40.151	B80.45.904.4_1	7
2.1310.004.2	B80.40.925.4_1	2	SH900.45A.205	B80.45.010.4/30	10	SH900.43.004/10	B80.45.907.4_2	1



零件编号	结构代码	零件顺序	零件编号	结构代码	零件顺序	零件编号	结构代码	零件顺序
SH900.43.004/10	B80.45.907.4_2	1	2.1310.002.2	B80.45.908.4_5	17	CD904A.47.107/10	B80.47.900.4_2	11
GBT5783-M8X20-A2L	B80.45.907.4_2	2	2.0114.007.2	B80.45.908.4_5	18	GBT5783-M10X30-A3L	B80.47.900.4_2	12
GBT93-8-A3L	B80.45.907.4_2	3	2.3199.114.0	B80.45.908.4_5	19	GBT5783-M6X25-A2L	B80.47.900.4_2	13
GBT879.1-8X30	B80.45.907.4_2	4	B80.45.001.0	B80.45.912.4_1	1	GBT6170-M6-A2L	B80.47.900.4_2	14
GBT879.1-5X30	B80.45.907.4_2	5	CD904A.45A.105	B80.45.917.4_0	1	GBT91-1.6X18-A3L	B80.47.900.4_2	15
SH900.43.170	B80.45.907.4_2	6	CD904A.45A.106	B80.45.917.4_0	2	GBT93-10-A3L	B80.47.900.4_2	16
SH900.45A.032	B80.45.908.4_3	1	CD1204.45.101/20	B80.45.932.4	1	GBT93-6-A3L	B80.47.900.4_2	17
CD904A.45A.030	B80.45.908.4_3	2	CD904A.45A.121	B80.45.932.4	2	GBT96.1-10-A3L	B80.47.900.4_2	18
CD904A.45A.032	B80.45.908.4_3	3	CD904A.45A.102	B80.45.932.4	3	GBT97.1-10-A3L	B80.47.900.4_2	19
SH300.47.246	B80.45.908.4_3	4	2.1473.006.2	B80.45.932.4	4	GBT97.1-6-A3L	B80.47.900.4_2	20
2.1310.004.2	B80.45.908.4_3	5	2.0114.005.2	B80.45.932.4	5	SH554A.47.018/10	B80.47.900.4_2	21
GBT93-8-A3L	B80.45.908.4_3	6	CD1204.45.101/10	B80.45.932.4_1	1	SH554A.47.125-1	B80.47.900.4_2	22
2.0114.207.2	B80.45.908.4_3	7	CD904A.45A.121	B80.45.932.4_1	2	GBT6170-M10-A3L	B80.47.900.4_2	23
CD904A.45A.122	B80.45.908.4_3	8	CD904A.45A.102	B80.45.932.4_1	3	CD1204.47.019	B80.47.900.4_4	1
2.1310.010.2	B80.45.908.4_3	9	GBT93-6-A3L	B80.45.932.4_1	4	C45.47.044.4	B80.47.900.4_4	2
GBT889.1-M16-A3L	B80.45.908.4_3	10	GBT5783-M6X16-A2L	B80.45.932.4_1	5	CD1204.47.024/10	B80.47.900.4_4	3
2.0114.005.2	B80.45.908.4_3	11	A23.45.049.0/10	B80.45.940.4_0	1	CD1204.47.216/10	B80.47.900.4_4	4
GBT93-6-A3L	B80.45.908.4_3	12	2.0332.408.3	B80.45.940.4_0	2	CD1204.47.217	B80.47.900.4_4	5
CD904A.45A.102	B80.45.908.4_3	13	0.020.3772.0	B80.45.940.4_0	3	B80.47.002.0	B80.47.900.4_4	6
CD904A.45A.121	B80.45.908.4_3	14	B80.45.023.3	B80.45.962.4_0	1	C25.47.001.4	B80.47.900.4_4	7
B80.45.010.4/30	B80.45.908.4_3	15	A11.45.001.0/20	B80.45.962.4_0	2	CD904.47.015	B80.47.900.4_4	8
SH900.45A.188	B80.45.908.4_3	16	A11.45.110.0/20	B80.45.962.4_0	3	B80.47.001.3/10	B80.47.900.4_4	9
2.1310.002.2	B80.45.908.4_3	17	A11.45.111.2/20	B80.45.962.4_0	4	CD904.47.103	B80.47.900.4_4	10
2.0114.007.2	B80.45.908.4_3	18	2.0114.207.2	B80.45.962.4_0	5	CD904A.47.107/10	B80.47.900.4_4	11
2.3199.114.0	B80.45.908.4_3	19	GBT93-8-A3L	B80.45.962.4_0	6	2.0114.311.2	B80.47.900.4_4	12
SH900.45A.032	B80.45.908.4_5	1	2.1310.004.2	B80.45.962.4_0	7	2.0114.009.2	B80.47.900.4_4	13
CD904A.45A.030	B80.45.908.4_5	2	2.0114.007.2	B80.45.962.4_0	8	2.1011.103.2	B80.47.900.4_4	14
CD904A.45A.032	B80.45.908.4_5	3	GBT93-6-A3L	B80.45.962.4_0	9	2.1690.107.2	B80.47.900.4_4	15
SH300.47.246	B80.45.908.4_5	4	2.1310.002.2	B80.45.962.4_0	10	2.1473.008.2	B80.47.900.4_4	16
2.1310.004.2	B80.45.908.4_5	5	CD904A.45A.107	B80.45.962.4_0	11	2.1473.006.2	B80.47.900.4_4	17
2.1473.007.2	B80.45.908.4_5	6	CD1204.47.019	B80.47.900.4_2	1	2.1312.005.2	B80.47.900.4_4	18
2.0114.207.2	B80.45.908.4_5	7	C45.47.044.4	B80.47.900.4_2	2	2.1310.006.2	B80.47.900.4_4	19
CD904A.45A.122	B80.45.908.4_5	8	CD1204.47.024/10	B80.47.900.4_2	3	2.1310.002.2	B80.47.900.4_4	20
2.1310.010.2	B80.45.908.4_5	9	CD1204.47.216/10	B80.47.900.4_2	4	SH554A.47.018/10	B80.47.900.4_4	21
2.1122.009.2	B80.45.908.4_5	10	CD1204.47.217	B80.47.900.4_2	5	SH554A.47.125-1	B80.47.900.4_4	22
2.0114.005.2	B80.45.908.4_5	11	B80.47.002.0	B80.47.900.4_2	6	2.1011.106.2	B80.47.900.4_4	23
2.1473.006.2	B80.45.908.4_5	12	C25.47.001.4	B80.47.900.4_2	7	CD904.47.018/20	B80.47.901.4_2	1
CD904A.45A.102	B80.45.908.4_5	13	CD904.47.015	B80.47.900.4_2	8	CD904.47.211	B80.47.901.4_2	2
CD904A.45A.121	B80.45.908.4_5	14	B80.47.001.3/10	B80.47.900.4_2	9	CD1104.47.011/10	B80.47.901.4_2	3
B80.45.010.4/50	B80.45.908.4_5	15	CD904.47.103	B80.47.900.4_2	10	CD904.47.101/20	B80.47.901.4_2	4

零件编号	结构代码	零件顺序	零件编号	结构代码	零件顺序	零件编号	结构代码	零件顺序
CD904.47.101/20	B80.47.901.4_2	4	GBT818-M5X35-A2L	B80.48.903.4_1	6	2.6839.057.0	B80.48.910.4_1	17
CD904.47.013	B80.47.901.4_2	5	GBT93-5-A3L	B80.48.903.4_1	7	CD1204.48.027/30	B80.48.914.4_1	1
CD904.47.014	B80.47.901.4_2	6	GBT97.1-5-A3L	B80.48.903.4_1	8	SH900.48.058	B80.48.914.4_1	2
2.0114.416.2	B80.47.901.4_2	7	A56.48.010.0	B80.48.903.4_1	10	SH900.48.059	B80.48.914.4_1	3
2.1310.007.2	B80.47.901.4_2	8	B80.48.008.3	B80.48.903.4_1	11	A23.48.014.0	B80.48.914.4_1	4
GBT93-12-A3L	B80.47.901.4_2	9	GBT93-8-A3L	B80.48.903.4_1	12	A23.48.015.0	B80.48.914.4_1	5
2.1011.107.2	B80.47.901.4_2	10	GBT5783-M8X16-A2L	B80.48.903.4_1	13	SH900.48.057	B80.48.914.4_1	6
2.1690.312.2	B80.47.901.4_2	11	A56.48.011.0	B80.48.903.4_1	14	B80.48.003.3	B80.48.916.4_0	1
2.1310.010.2	B80.47.901.4_2	12	CD1204.48.027/30	B80.48.904.4_1	1	B80.48.005.0	B80.48.916.4_0	2
2.1671.717.2	B80.47.901.4_2	13	SH900.48.058	B80.48.904.4_1	2	GBT97.1-8-A3L	B80.48.916.4_0	3
2.0114.311.2	B80.47.901.4_2	14	SH900.48.059	B80.48.904.4_1	3	GBT93-8-A3L	B80.48.916.4_0	4
2.1310.006.2	B80.47.901.4_2	15	CD1204.48.044	B80.48.904.4_1	4	GBT6170-M8-A3L	B80.48.916.4_0	5
GBT93-10-A3L	B80.47.901.4_2	16	CD1204.48.045	B80.48.904.4_1	5	SH900.48.036	B80.48.916.4_0	6
2.1011.106.2	B80.47.901.4_2	17	A39.48.038.0	B80.48.904.4_1	6	B80.48.004.2	B80.48.916.4_0	7
CD1104.47.013	B80.47.901.4_2	18	SH400.48.114	B80.48.905.4_2	1	2.8039.359.0	B80.48.917.4_1	1
2.0114.309.2	B80.47.901.4_2	19	GBT5783-M10X20-A3L	B80.48.905.4_2	2	CD1204.48.041/20	B80.48.919.4_0	1
2.1312.005.2	B80.47.901.4_2	20	GB93-10-A3L	B80.48.905.4_2	3	CD1204.48.032/20	B80.48.919.4_0	2
LD800.48.031	B80.48.901.4_0	1	B80.48.009.0	B80.48.905.4_2	7	CD1204.48.030	B80.48.919.4_0	4
B80.48.033	B80.48.901.4_0	2	SH900.48.032	B80.48.905.4_2	8	SH400.48.118	B80.48.919.4_0	4
GB818-M6X16-A3L	B80.48.901.4_0	3	CD554.48.026	B80.48.905.4_2	9	B80.51.101.0	B80.51.904.4_0	1
SH400.48.039	B80.48.901.4_0	4	SH900.48.033	B80.48.905.4_2	10	SH900.51B.109	B80.51.918.4_0	1
SH900.48.048	B80.48.901.4_0	5	2.6852.203.0	B80.48.905.4_2	11	GBT5783-M8X50-A2L	B80.58.900.4_1	1
GBT68-M4X30-A3L	B80.48.901.4_0	6	CD1204.48.030	B80.48.909.4_0	1	GBT93-8-A3L	B80.58.900.4_1	2
GBT93-4-A3L	B80.48.901.4_0	7	SH400.48.118	B80.48.909.4_0	2	SH900.58.014-1	B80.58.900.4_1	3
GBT96-4-A3L	B80.48.901.4_0	8	CD904.48.020	B80.48.910.4_1	1	JBT8870-D40	B80.58.900.4_1	4
GBT6170-M4-A2L	B80.48.901.4_0	9	GBT5783-M6X20-A2L	B80.48.910.4_1	2	SH900.58.102	B80.58.900.4_1	5
GBT5783-M6X25-A2L	B80.48.901.4_0	10	GBT93-6-A3L	B80.48.910.4_1	3	SH900A.58.011	B80.58.900.4_1	6
GBT93-6-A3L	B80.48.901.4_0	11	GBT97.1-6-A3L	B80.48.910.4_1	4	GBT5783-M8X16-A2L	B80.58.900.4_1	7
GBT97.1-6-A3L	B80.48.901.4_0	12	B29.48.003.0/10	B80.48.910.4_1	5	SH900.58.018	B80.58.900.4_1	8
GBT6170-M6-A2L	B80.48.901.4_0	13	CD554.48.030	B80.48.910.4_1	6	SH900.58.102A	B80.58.900.4_1	9
CD1204.48.034	B80.48.901.4_0	14	2.6852.203.0	B80.48.910.4_1	7	SH900.58.019	B80.58.900.4_1	10
SH400.48.047	B80.48.901.4_0	15	LE1204.48.021	B80.48.910.4_1	8	GBT5783-M8X20-A2L	B80.58.900.4_1	11
CD1204.48.020	B80.48.901.4_0	16	2.6839.057.0	B80.48.910.4_1	9	GBT3452.1-26.5X2.65-G	B80.58.900.4_1	12
SH400.48.112	B80.48.901.4_0	17	B80.48.006.0	B80.48.910.4_1	10	GBT3452.1-32.5X2.65-G	B80.58.900.4_1	13
CD1204.48.029	B80.48.901.4_0	18	GBT5783-M8X20-A2L	B80.48.910.4_1	11	GBT3452.1-21.2X1.8-G	B80.58.900.4_1	14
2.6852.203.0	B80.48.901.4_0	19	GBT93-8-A3L	B80.48.910.4_1	12	GBT5783-M6X35-A2L	B80.58.900.4_1	15
CD904A.48.020A	B80.48.903.4_1	1	GBT97.1-8-A3L	B80.48.910.4_1	13	GBT93-6-A3L	B80.58.900.4_1	16
DF904.48.023	B80.48.903.4_1	2	GBT5783-M10X20-A3L	B80.48.910.4_1	14	GBT97.1-6-A3L	B80.58.900.4_1	17
GBT818-M4X10-A2L	B80.48.903.4_1	3	GBT93-8-A3L	B80.48.910.4_1	15	SH900.58.034	B80.58.900.4_1	18
GBT93-4-A3L	B80.48.903.4_1	4	GBT97.1-8-A3L	B80.48.910.4_1	16	GBT6170-M6-A2L	B80.58.900.4_1	19

零件编号	结构代码	零件顺序	零件编号	结构代码	零件顺序	零件编号	结构代码	零件顺序
GBT6170-M6-A2L	B80.58.900.4_1	19	SH900.58.108	B80.58.909.4_0	13	SH900.74.012	B80.74.903.4_1	5
GBT5783-M16X30-A2L	B80.58.900.4_1	20	SH900.58.021	B80.58.909.4_0	14	SH900.74.101/10	B80.74.903.4_1	6
GBT93-16-A3L	B80.58.900.4_1	21	SH900.58.022	B80.58.909.4_0	15	GBT6170-M16-10-A3L	B80.74.903.4_1	8
GBT5783-M6X16-A2L	B80.58.900.4_1	22	SH900.58.032	B80.58.909.4_0	16	SH900.74.103-1	B80.74.903.4_1	9
SH900.58.043	B80.58.900.4_1	23	SH904.58.026	B80.58.909.4_0	17	SH900.74.107	B80.74.904.4_0	1
SH900.58.042	B80.58.900.4_1	24	GBT5783-M8X45-A2L	B80.58.909.4_0	18	SH400.75.102	B80.74.904.4_0	2
GBT93-8-A3L	B80.58.902.4_0	1	SH900.58.038	B80.58.909.4_0	19	GBT97.1-20-A3L	B80.74.904.4_0	3
SH900.58.172	B80.58.902.4_0	2	GBT93-10-A3L	B80.58.909.4_0	20	GBT93-20-A3L	B80.74.904.4_0	4
SH900.58.017-1	B80.58.902.4_0	3	GBT5783-M10X25-A3L	B80.58.909.4_0	21	GBT6170-M20-A3L	B80.74.904.4_0	5
GBT5783-M8X30-A2L	B80.58.902.4_0	4	GBT5783-M10X20-A3L	B80.58.909.4_0	22	CD904A.80.018/30	B80.80.905.4_4	1
GBT3452.1-15X2.65-G	B80.58.902.4_0	5	0.98309.51.3/10	B80.58.918.4_0	1	SH900.48.045	B80.80.905.4_4	2
SH900.58.016	B80.58.902.4_0	6	A73.58.003.0	B80.58.928.4_0	1	SH900.48.028	B80.80.905.4_4	3
GBT3737.2-83-G16	B80.58.902.4_0	7	SH904.58.015	B80.58.955.4_0	1	SH400.45.010	B80.80.905.4_4	5
2.1560.014.0	B80.58.905.4_0	1	A02.58.094.0	B80.58.955.4_1	1	B80.80.001.2	B80.80.905.4_4	6
SH904.58.012	B80.58.905.4_0	2	0.98309.51.3/10	B80.58.965.4_0	1	GBT5783-M10X30-A3L	B80.80.905.4_4	7
SH904.58.167	B80.58.905.4_0	3	A73.58.003.0	B80.58.975.4_0	1	GBT97.1-10-A3L	B80.80.905.4_4	8
SH900.58.013	B80.58.905.4_0	4	2.1560.014.0	B80.58.985.4_0	1	GBT93-10-A3L	B80.80.905.4_4	9
GBT6172-M27X2-A3L	B80.58.905.4_0	5	A23.58.005.3	B80.58.985.4_0	2	GBT6170-M10-A3L	B80.80.905.4_4	10
GBT5783-M10X25-A3L	B80.58.905.4_0	6	A23.58.006.3	B80.58.985.4_0	3	B09.80.001.0	B80.80.905.4_4	11
GBT93-10-A3L	B80.58.905.4_0	7	A23.58.007.3	B80.58.985.4_0	4	B80.80.004.3	B80.80.907.4_1	1
GBT97.1-10-A3L	B80.58.905.4_0	8	A23.58.008.3	B80.58.985.4_0	5	GBT6173-M18X1.5-A3L	B80.80.907.4_1	2
SH904.58.171	B80.58.905.4_0	9	A23.58.009.3	B80.58.985.4_0	6	B80.80.003.0/10	B80.80.907.4_1	3
2.1560.018.0	B80.58.905.4_0	10	A23.58.010.3	B80.58.985.4_0	7	2.1560.018.0	B80.80.907.4_1	4
SH904.58.030/10	B80.58.905.4_0	11	A23.58.017.3	B80.58.985.4_0	8	B80.80.002.0	B80.80.907.4_1	5
SH904.58.031/10	B80.58.905.4_0	12	CD554.58.111	B80.58.985.4_0	9	B80.80.005.0	B80.80.907.4_1	6
SH904.58.028/10	B80.58.905.4_0	13	GBT5783-M10X25-A3L	B80.58.985.4_0	10	B80.80.006.0	B80.80.907.4_1	7
SH904.58.029/10	B80.58.905.4_0	14	GBT6172-M22X1.5-A3L	B80.58.985.4_0	11	GBT93-8-A3L	B80.80.907.4_1	8
SH904.58.015	B80.58.905.4_0	15	GBT93-10-A3L	B80.58.985.4_0	12	GBT5783-M8X25-A2L	B80.80.907.4_1	9
SH904.58.015	B80.58.908.4_0	1	SH904.58.012	B80.58.985.4_0	13	A23.80.009.3	B80.80.910.4_1	1
SH900.58.011	B80.58.909.4_0	1	SH904.58.171	B80.58.985.4_0	14	B80.10.007.2	B80.80.910.4_1	2
2.1560.016.0	B80.58.909.4_0	2	GBT5785-M18X1.5X95-10.9-A3L	B80.74.900.4_1	1	2.1560.018.0	B80.80.910.4_1	3
SH900.40.105	B80.58.909.4_0	3	GBT97.1-18-A3L	B80.74.900.4_1	2	A23.80.006.0	B80.80.910.4_1	4
SH900.58.169	B80.58.909.4_0	4	GBT93-18-A3L	B80.74.900.4_1	3	A23.80.008.3/20	B80.80.910.4_1	5
2.1560.020.0	B80.58.909.4_0	5	GBT5785-M18X1.5X70-10.9-A3L	B80.74.900.4_1	4	A23.80.010.3	B80.80.910.4_1	6
GBT93-8-A3L	B80.58.909.4_0	6	SH900.74.102/10	B80.74.900.4_1	5	GBT5783-M8X80-A2L	B80.80.910.4_1	7
SH900.58.105	B80.58.909.4_0	7	GBT5785-M18X1.5X70-10.9-A3L	B80.74.900.4_1	6	2.0114.409.2	B80.80.910.4_1	8
LE1204.58.134-1	B80.58.909.4_0	8	SH900.74.011	B80.74.903.4_1	1	2.1473.009.2	B80.80.910.4_1	9
GBT5783-M8X65-A2L	B80.58.909.4_0	9	GBT5783-M16X40-10.9-A3L	B80.74.903.4_1	2	A23.80.014.3	B80.80.910.4_1	10
SH900.58.023	B80.58.909.4_0	10	GBT97.1-16-A3L	B80.74.903.4_1	3	E04.80.006.3	B80.80.910.4_1	11
SH900.58.111	B80.58.909.4_0	11	GBT93-16-A3L	B80.74.903.4_1	4	A23.80.012.0	B80.80.910.4_1	12

零件编号	结构代码	零件顺序	零件编号	结构代码	零件顺序	零件编号	结构代码	零件顺序
A23.80.012.0	B80.80.910.4_1	12	GBT97.1-16-A3L	B80.91.903.4_0	6	B84.45.005.4	B84.45.900.4_1	2
A23.80.007.0/10	B80.80.910.4_1	13	GBT6170-M16-10-A3L	B80.91.903.4_0	7	0.026.5183.0	B84.45.900.4_1	3
A23.80.011.0	B80.80.910.4_1	14	GBT5783-M16x40-10.9-A3L	B80.91.904.4_0	1	B36.45.038.0/10	B84.45.900.4_1	4
2.0114.005.2	B80.80.910.4_1	15	GBT93-16-A3L	B80.91.904.4_0	2	2.0112.425.2	B84.45.900.4_1	5
2.1473.006.2	B80.80.910.4_1	16	SH900.91.105	B80.91.904.4_0	3	2.1310.007.2	B84.45.900.4_1	6
2.1011.103.2	B80.80.910.4_1	17	CD904A.91.101/10	B80.91.904.4_0	4	2.0112.413.2	B84.45.900.4_1	7
2.0114.205.2	B80.80.910.4_1	18	SH900.91.103	B80.91.904.4_0	5	2.1011.107.2	B84.45.900.4_1	8
2.1473.007.2	B80.80.910.4_1	19	SH900.91.104	B80.91.904.4_0	6	0.034.4543.0/10	B84.45.900.4_1	9
A23.80.016.0	B80.80.910.4_1	20	GBT97.1-16-A3L	B80.91.904.4_0	7	2.1855.010.0	B84.45.900.4_1	10
A23.81.013.0	B80.81.902.4_0	1	GBT6170-M16-10-A3L	B80.91.904.4_0	8	2.6569.069.0/10	B84.45.900.4_1	11
A23.81.007.2	B80.81.902.4_0	2	GBT5783-M16x40-A3L	B80.91.905.4_0	1	CD904A.45A.103	B84.45.900.4_1	12
A23.81.006.2	B80.81.902.4_0	3	GBT93-16-A3L	B80.91.905.4_0	2	A23.45.231.0	B84.45.900.4_1	13
2.0112.005.2	B80.81.902.4_0	4	SH900.91.105	B80.91.905.4_0	3	A23.45.232.0	B84.45.900.4_1	14
2.1470.002.2	B80.81.902.4_0	5	SH900.91.102	B80.91.905.4_0	4	B84.45.001.3/30	B84.45.900.4_3	1
2.0112.207.2	B80.81.902.4_0	6	CD904A.91.101/10	B80.91.905.4_0	5	B84.45.005.4/10	B84.45.900.4_3	2
2.1470.004.2	B80.81.902.4_0	7	SH900.91.103	B80.91.905.4_0	6	0.026.5183.0	B84.45.900.4_3	3
2.1310.004.2	B80.81.902.4_0	8	SH900.91.104	B80.91.905.4_0	7	B36.45.038.0/10	B84.45.900.4_3	4
2.1310.002.2	B80.81.902.4_0	9	GBT97.1-16-A3L	B80.91.905.4_0	8	2.0112.425.2	B84.45.900.4_3	5
A23.81.011.0	B80.81.902.4_0	10	GBT6170-M16-A3L	B80.91.905.4_0	9	2.1310.007.2	B84.45.900.4_3	6
A23.81.012.2	B80.81.902.4_0	11	GBT5783-M16X40-10.9-A3L	B80.91.905.4_1	1	2.0112.413.2	B84.45.900.4_3	7
A23.81.010.0	B80.81.902.4_0	12	GBT93-16-A3L	B80.91.905.4_1	2	2.1011.107.2	B84.45.900.4_3	8
CD904.81.012	B80.81.910.4_0	1	SH900.91.105	B80.91.905.4_1	3	0.034.4543.0/10	B84.45.900.4_3	9
GBT11544-A970LI	B80.81.910.4_0	2	SH900.91.102	B80.91.905.4_1	4	2.1855.010.0	B84.45.900.4_3	10
2.0113.335.2	B80.81.910.4_0	3	CD904A.91.101/10	B80.91.905.4_1	5	2.6569.069.0/10	B84.45.900.4_3	11
2.1011.106.2	B80.81.910.4_0	4	SH900.91.103	B80.91.905.4_1	6	CD904A.45A.103	B84.45.900.4_3	12
2.1310.006.2	B80.81.910.4_0	5	SH900.91.104	B80.91.905.4_1	7	A23.45.231.0	B84.45.900.4_3	13
B80.45.011.0	B80.81.910.4_0	6	GBT97.1-16-A3L	B80.91.905.4_1	8	A23.45.232.0	B84.45.900.4_3	14
2.1470.006.2	B80.81.910.4_0	7	GBT6170-M16-10-A3L	B80.91.905.4_1	9	2.0114.207.2	B84.45.900.4_3	15
B80.81.003.2	B80.81.911.4_0	1	B84.45.006.3	B84.45.005.4	1	2.1473.007.2	B84.45.900.4_3	16
B80.81.001.2	B80.81.911.4_0	2	A23.45.183.3/10	B84.45.005.4	2	2.1310.004.2	B84.45.900.4_3	17
2.6852.101.0	B80.81.911.4_0	3	B84.45.010.3	B84.45.005.4	3	B84.45.012.3	B84.45.962.4_0	1
A23.81.002.0/10	B80.81.911.4_0	4	GBT5783-M8X20-A2L	B84.45.005.4	4	B80.45.006.3/10	B84.45.962.4_0	2
0.023.2683.0	B80.81.911.4_0	5	GBT97.1-8-A3L	B84.45.005.4	5	A23.45.053.0	B84.45.962.4_0	3
B80.81.002.2	B80.81.911.4_0	6	GBT93-8-A3L	B84.45.005.4	6	A23.45.052.0	B84.45.962.4_0	4
2.1310.006.2	B80.81.911.4_0	7	GBT6170-M8-A2L	B84.45.005.4	7	GBT5783-M8X20-A2L	B84.45.962.4_0	5
SH900.13.107	B80.81.911.4_0	8	GBT5783-M10X50-A3L	B84.45.005.4	8	GBT93-8-A3L	B84.45.962.4_0	6
GBT5783-M16X40-10.9-A3L	B80.91.903.4_0	1	GBT97.1-10-A3L	B84.45.005.4	9	GBT97.1-8-A3L	B84.45.962.4_0	7
GBT93-16-A3L	B80.91.903.4_0	2	GBT93-10-A3L	B84.45.005.4	10	GBT5783-M6X20-A2L	B84.45.962.4_0	8
SH900.91.105	B80.91.903.4_0	3	GBT6170-M10-A3L	B84.45.005.4	11	GBT93-6-A3L	B84.45.962.4_0	9
CD904A.91.101/10	B80.91.903.4_0	4	B84.45.001.3/10	B84.45.900.4_1	1	GBT97.1-6-A3L	B84.45.962.4_0	10

零件编号	结构代码	零件顺序	零件编号	结构代码	零件顺序	零件编号	结构代码	零件顺序
GBT97.1-6-A3L	B84.45.962.4_0	10	GBT93-12-A3L	B86.11.921.4_0	6	CD904A.47.019	B95.47.901.4_0	4
CD904A.45A.107	B84.45.962.4_0	11	2.1310.007.2	B86.11.921.4_0	7	CD904A.47.101	B95.47.901.4_0	5
B84.45.013.3	B84.45.972.4_0	1	CD904A.11.010A	B86.11.921.4_0	8	GBT93-6-A3L	B95.47.901.4_0	6
A11.45.001.0/20	B84.45.972.4_0	2	LE1204.48.042	B86.11.921.4_0	9	GBT93-8-A3L	B95.47.901.4_0	7
A11.45.110.0/20	B84.45.972.4_0	3	CD1204.48A.020	B86.11.921.4_0	10	GBT97.1-6-A3L	B95.47.901.4_0	8
A11.45.111.2/20	B84.45.972.4_0	4	JBT8870-D120	B86.11.921.4_0	11	GBT97.1-8-A3L	B95.47.901.4_0	9
GBT5783-M8X20-A2L	B84.45.972.4_0	5	JBT8870-D80	B86.11.921.4_0	12	GBT5783-M6X16-A2L	B95.47.901.4_0	10
GBT93-8-A3L	B84.45.972.4_0	6	CD1104.11.102/10	B86.11.921.4_0	13	GBT5783-M8X16-A2L	B95.47.901.4_0	11
GBT97.1-8-A3L	B84.45.972.4_0	7	A23.11.005.0/10	B86.11.922.4_0	1	SH1004.47.114	B95.47.901.4_0	12
GBT5783-M6X20-A2L	B84.45.972.4_0	8	A23.11.006.2/20	B86.11.922.4_0	2	C60.58.001.0	C05.58.901.4_0	1
GBT93-6-A3L	B84.45.972.4_0	9	A23.11.007.2/20	B86.11.922.4_0	3	GBT70.1-M8X35-A2L	C05.58.901.4_0	2
GBT97.1-6-A3L	B84.45.972.4_0	10	A23.11.008.2/20	B86.11.922.4_0	4	GBT93-8-A3L	C05.58.901.4_0	3
CD904A.45A.107	B84.45.972.4_0	11	2.1011.105.2	B86.11.922.4_0	5	C54.34.001.2	C54.34.900.4_1	1
GBT93-8-A3L	B86.11.903.4_0	1	JBT8870-D130	B86.11.922.4_0	6	GBT2979-18.4-30-12PR-R1	C54.34.900.4_1	2
CD1104.11.011/10	B86.11.903.4_0	2	CD1104.11.101/20	B86.11.922.4_0	7	GBT2979-18.4-30-R1	C54.34.900.4_1	3
2.1310.004.2	B86.11.903.4_0	3	2.0114.209.2	B86.11.922.4_0	8	SH900.20.155	CD904.20.019_20_0	1
2.0114.209.2	B86.11.903.4_0	4	2.1310.004.2	B86.11.922.4_0	9	GBT68-M5X20-A2L	CD904.20.019_20_0	2
JBT8870-D80	B86.11.903.4_0	5	GBT93-8-A3L	B86.11.922.4_0	10	CD904.20.016/20	CD904.20.019_20_0	3
CD904.11.106	B86.11.903.4_0	6	A23.11.005.0/10	B86.11.922.4_1	1	GBT819.1-M4X8-A2L	CD904.20.019_20_0	4
B95.11.002.0	B86.11.912.4_0	1	A23.11.006.2/30	B86.11.922.4_1	2	SH900.20.015	CD904.20.019_20_0	5
B95.11.001.0	B86.11.912.4_0	2	A23.11.007.2/30	B86.11.922.4_1	3	GBT68-M5X8-A3L	CD904.20.019_20_0	6
2.1310.004.2	B86.11.912.4_0	3	A23.11.008.2/20	B86.11.922.4_1	4	SH900.20.150	CD904.20.019_20_0	7
2.0114.209.2	B86.11.912.4_0	4	2.1011.105.2	B86.11.922.4_1	5	GBT6172.1-M8-A2L	CD904.20.019_20_0	8
A23.11.008.2/20	B86.11.912.4_0	5	JBT8870-D130	B86.11.922.4_1	6	GBT95-8-A3L	CD904.20.019_20_0	9
B95.11.003.3	B86.11.912.4_0	6	CD1104.11.101/20	B86.11.922.4_1	7	SH900.20.151	CD904.20.019_20_0	10
GBT93-8-A3L	B86.11.912.4_0	7	2.0114.209.2	B86.11.922.4_1	8	SH900.20.152	CD904.20.019_20_0	11
2.1011.105.2	B86.11.912.4_0	8	2.1310.004.2	B86.11.922.4_1	9	SH900.20.153	CD904.20.019_20_0	12
2.0114.207.2	B86.11.912.4_0	9	2.1473.007.2	B86.11.922.4_1	10	SH900.20.012	CD904.20.019_20_0	13
B95.11.004.2	B86.11.912.4_0	10	2.1312.004.2	B86.11.922.4_1	11	SH900.20.156	CD904.20.019_20_0	14
JBT8870-D130	B86.11.912.4_0	11	CD1204.48.037	B89.48.902.4_0	1	SH900.20.154	CD904.20.019_20_0	15
GBT93-8-A3L	B86.11.913.4_0	1	CD1204.48.022	B89.48.902.4_0	2	GBT6170-M10-A3L	CD904.20.019_20_0	16
B86.11.001.2/10	B86.11.913.4_0	2	CD1204.48.036	B89.48.902.4_0	3	GBT93-10-A3L	CD904.20.019_20_0	17
2.1310.004.2	B86.11.913.4_0	3	2.6852.203.0	B89.48.902.4_0	4	SH950.22.103/10	CD904.22.001_3	1
2.0114.209.2	B86.11.913.4_0	4	CD1204.48.035	B89.48.902.4_0	5	GBT5783-M10X35-A3L	CD904.22.001_3	2
JBT8870-D80	B86.11.913.4_0	5	GBT5783-M6X20-A2L	B89.48.902.4_0	6	GBT97.1-10-A3L	CD904.22.001_3	3
CD904.11.106	B86.11.913.4_0	6	GBT93-6-A3L	B89.48.902.4_0	7	GBT93-10-A3L	CD904.22.001_3	4
CD1104.11.012/10	B86.11.921.4_0	1	GBT97.1-6-A3L	B89.48.902.4_0	8	GBT6170-M10-A3L	CD904.22.001_3	5
2.1310.010.2	B86.11.921.4_0	2	B95.47.004.3	B95.47.901.4_0	1	CD904.22.101	CD904.22.001_3	6
GBT93-16-A3L	B86.11.921.4_0	3	B95.47.005.3	B95.47.901.4_0	2	CD904.22.011/10	CD904.22.001_3	7
2.0114.613.2	B86.11.921.4_0	4	CD904A.47.018	B95.47.901.4_0	3	CD904.22.012/20	CD904.22.001_3	8

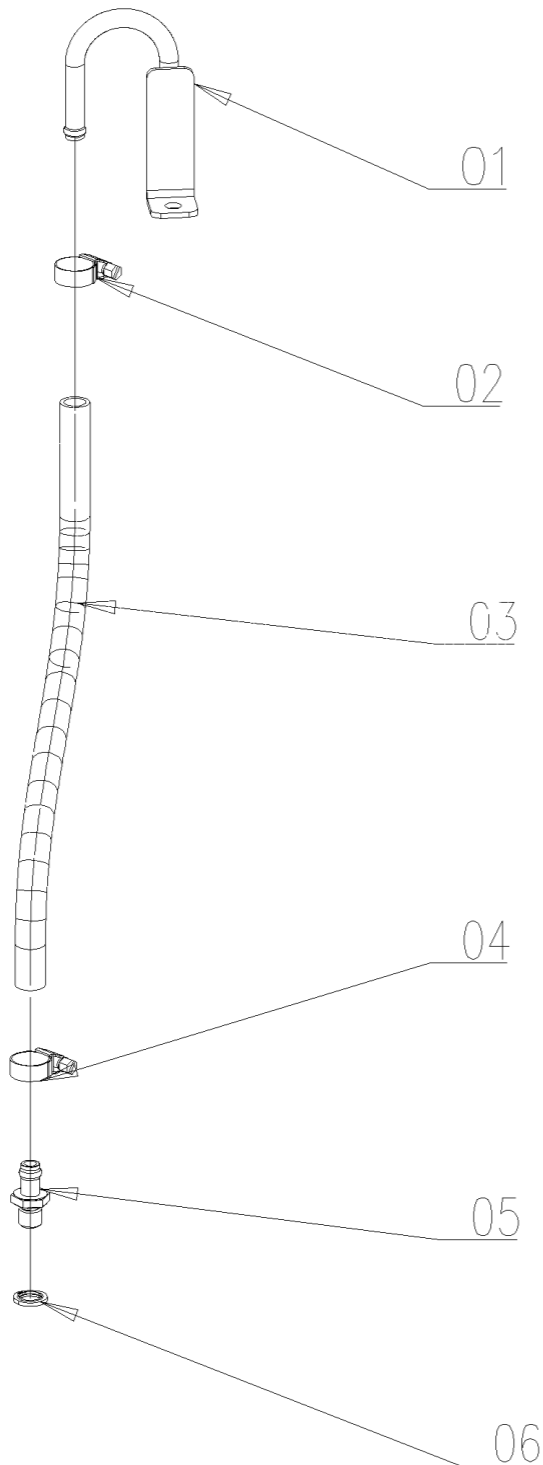
零件编号	结构代码	零件顺序	零件编号	结构代码	零件顺序	零件编号	结构代码	零件顺序
CD904.22.012/20	CD904.22.001_3	8	GBT6170-M10-A3L	CD904.50.001_3	20	CD904A.46.112	CD904A.46.002_1	4
CD904.22.013/10	CD904.22.001_3	9	GBT97.1-10-A3L	CD904.50.001_3	21	GBT5783-M8X40-A2L	CD904A.46.002_1	5
GBT5783-M6X12-A2L	CD904.22.001_3	10	SH900.50.138	CD904.50.001_3	24	GBT96.1-8-A3L	CD904A.46.002_1	6
GBT96-6-A3L	CD904.22.001_3	11	SH900.50.013	CD904.50.001_3	25	CD904A.46.016/20	CD904A.46.002_1	7
GBT93-6-A3L	CD904.22.001_3	12	SH900.50.140	CD904.50.001_3	26	GBT5782-M12X165-A3L	CD904A.46.002_1	8
GBT5783-M12X40-A3L	CD904.22.001_3	13	SH900.50.023	CD904.50.001_3	27	GBT97.1-12-A3L	CD904A.46.002_1	9
GBT97.1-12-A3L	CD904.22.001_3	14	SH900.50.139	CD904.50.001_3	28	GBT93-12-A3L	CD904A.46.002_1	10
GBT93-12-A3L	CD904.22.001_3	15	SH900.50.016	CD904.50.001_3	29	GBT6170-M12-A3L	CD904A.46.002_1	11
GBT6170-M12-A3L	CD904.22.001_3	16	GBT5783-M10X20-A3L	CD904.50.001_3	30	GBT5782-M8X100-A2L	CD904A.46.002_1	12
GBT5783-M14X35-10.9-A3L	CD904.22.001_3	17	SH900.50.011	CD904.50.001_3	31	GBT97.1-8-A3L	CD904A.46.002_1	13
GBT97.1-14-A3L	CD904.22.001_3	18	SH900.50.114	CD904.50.001_3	32	GBT93-8-A3L	CD904A.46.002_1	14
GBT93-14-A3L	CD904.22.001_3	19	SH900.50.018	CD904.50.001_3	33	GBT6170-M8-A2L	CD904A.46.002_1	15
GBT5783-M16X45-10.9-A3L	CD904.22.001_3	20	GBT5783-M16X30-A3L	CD904.50.001_3	37	GBT5783-M8X25-A2L	CD904A.46.002_1	16
GBT97.1-16-A3L	CD904.22.001_3	21	GBT93-16-A3L	CD904.50.001_3	38	DF304.46.015	CD904A.46.002_1	17
GBT93-16-A3L	CD904.22.001_3	22	SH900.50.019	CD904.50.001_3	39	DF304.46.101/10	CD904A.46.002_1	18
B80.22.001.2	CD904.22.001_3	23	SH900.50.141	CD904.50.001_3	40	2.3249.853.2	CD904A.81.002_1	1
GBT5783-M10X40-A3L	CD904.22.001_3	24	CD1204.50A.101	CD904.50.001_3	41	2.6851.001.0	CD904A.81.002_1	2
CD904.49.011/20	CD904.49.001_3	1	CD904.50.103	CD904.50.001_3	44	CD904A.81.014	CD904A.81.002_1	3
2.0114.413.2	CD904.49.001_3	2	2.6839.053.0	CD904.50.001_3	45	GBT5786-M16X1.5X45-A3L	D11.31.900.4_0	1
SH704-1.49.020/20	CD904.49.001_3	3	GBT5783-M6X12-A2L	CD904.50.001_3	46	SH904.31.193	D11.31.900.4_0	2
SH704-1.49.205/10	CD904.49.001_3	4	SH900.45A.198-1	CD904.50.001_3	47	GBT119.1-12h8X24	D11.31.900.4_0	3
2.1312.006.2	CD904.49.001_3	5	JBT8870-D32	CD904.50.001_3	48	SH904.31.187	D11.31.900.4_0	4
JBT982-14	CD904.50.001_3	1	CD904A.46.011/20	CD904A.46.001_3	1	JBT7940.1-M10X1	D11.31.900.4_0	5
SH900.50.146	CD904.50.001_3	2	CD904A.46.012/20	CD904A.46.001_3	2	GBT5785-M18X1.5X60-8.8-A3L	D11.31.900.4_0	6
SH900.50.022	CD904.50.001_3	3	GBT5783-M10X35-A3L	CD904A.46.001_3	3	GBT93-18-A3L	D11.31.900.4_0	7
GBT5781-M8X45-A3L	CD904.50.001_3	4	GBT97.1-10-A3L	CD904A.46.001_3	4	SH904.31.188	D11.31.900.4_0	8
GBT97.1-8-A3L	CD904.50.001_3	5	GBT93-10-A3L	CD904A.46.001_3	5	GBT3452.1-52.6x3.55-G	D11.31.900.4_0	9
GBT93-8-A3L	CD904.50.001_3	6	GBT6170-M10-A3L	CD904A.46.001_3	6	SH904.31.189	D11.31.900.4_0	10
GBT6170-M8-A2L	CD904.50.001_3	7	CD904A.46.014	CD904A.46.001_3	7	SH904.31.010A	D11.31.900.4_0	11
SH900.50.142	CD904.50.001_3	8	GBT5782-M16X110-A3L	CD904A.46.001_3	8	SH904.31.190	D11.31.900.4_0	12
SH900.50.143	CD904.50.001_3	9	GBT97.1-16-A3L	CD904A.46.001_3	9	GBT3452.1-99.6x5.3-G	D11.31.900.4_0	13
SH900.50.145	CD904.50.001_3	10	GBT93-16-A3L	CD904A.46.001_3	10	SH904.31.191	D11.31.900.4_0	14
SH900.50.144	CD904.50.001_3	11	GBT6170-M16-A3L	CD904A.46.001_3	11	DF1204.58B.020-5	DF1204.58B.020	19
CD904A.50.013	CD904.50.001_3	12	CD904A.46.013/20	CD904A.46.001_3	12	DF1204.58B.020-5	DF1204.58B.020	19
CD904.50.015/30	CD904.50.001_3	13	GBT5782-M16X55-A3L	CD904A.46.001_3	13	SH400.56.119	SH400.56.025	1
SH900.50.110	CD904.50.001_3	14	GBT12618.1-3X10	CD904A.46.001_3	14	SH400.56.118	SH400.56.025	2
JBT8870-d50	CD904.50.001_3	15	0.034.4543.0/10	CD904A.46.001_3	15	SH400.56.119	SH400.56.025	1
SH900.50.012	CD904.50.001_3	16	CD904A.46.015/10	CD904A.46.002_1	1	SH400.56.118	SH400.56.025	2
SH900.50.111	CD904.50.001_3	17	CD904A.46.110	CD904A.46.002_1	2	SH900.38.132	SH900.38.011	1
JBT8870-D20	CD904.50.001_3	18	CD904A.46.111	CD904A.46.002_1	3	SH900.38.135	SH900.38.011	2

零件编号	结构代码	零件顺序	零件编号	结构代码	零件顺序	零件编号	结构代码	零件顺序
SH900.38.135	SH900.38.011	2	SH900.56.016	SH900.56.031	1	SH904.42.018	SH904.42.012	6
SH900.38.132	SH900.38.011	1	GBT5796.3-TR30X3-A3L	SH900.56.031	2	SH904.42.125	SH904.42.012	7
SH900.38.135	SH900.38.011	2	SH900.56.017	SH900.56.031	3	SH904.42.019	SH904.42.012	8
SH900.43.213	SH900.43.018	1	SH900.56.153	SH900.56.031	4	GBT894.1-29	SH904.42.012	9
SH900.43.042	SH900.43.018	2	GBT5796.3-TR30X3-LH-A3L	SH900.56.031	5	GBT3452.1-45X3.55-G	SH904.42.012	10
SH900.43.214	SH900.43.018	3	SH900.56.102	SH900.56.031	6	GBT5783-M10X30-A3L	SH904.42.012	11
SH900.43.215	SH900.43.018	4	SH900.56.016	SH900.56.031	1	GBT93-10-A3L	SH904.42.012	12
GBT899-AM16X75-A3L	SH900.53.001_0	1	GBT5796.3-TR30X3-A3L	SH900.56.031	2			
GBT93-16-A3L	SH900.53.001_0	2	SH900.56.017	SH900.56.031	3			
GBT6170-M16-A3L	SH900.53.001_0	3	SH900.56.153	SH900.56.031	4			
SH900.53.101	SH900.53.001_0	4	GBT5796.3-TR30X3-LH-A3L	SH900.56.031	5			
SH900.53.102	SH900.53.001_0	5	SH900.56.102	SH900.56.031	6			
SH900.53.103	SH900.53.001_0	6	SH900.56.020	SH900.56.032	1			
SH900.56.114	SH900.56.011	1	SH900.56.034	SH900.56.032	2			
SH900.56.115	SH900.56.011	2	SH900.56.022	SH900.56.032	3			
SH900.56.124	SH900.56.015	1	GBT5796.3-TR28X3-A3L	SH900.56.032	4			
SH900.56.115	SH900.56.015	2	SH900.56.109	SH900.56.032	5			
SH900.56.125	SH900.56.016	1	SH900.56.020	SH900.56.032	1			
SH900.56.126	SH900.56.016	2	SH900.56.034	SH900.56.032	2			
SH900.56.145	SH900.56.024	1	SH900.56.022	SH900.56.032	3			
SH900.56.146	SH900.56.024	2	GBT5796.3-TR28X3-A3L	SH900.56.032	4			
SH900.56.106	SH900.56.024	3	SH900.56.109	SH900.56.032	5			
SH900.56.147	SH900.56.024	4	SH900.58.025-1	SH900.58.025	4			
SH400.56.025	SH900.56.024	5	240100061053	SH904.31.010	1			
SH900.56.148	SH900.56.026	1	240100029666	SH904.31.010	1			
SH900.56.149	SH900.56.026	2	240100029621	SH904.31.010	1			
SH900.56.011	SH900.56.030-1	1	240100029667	SH904.31.010	1			
SH900.56.014-1	SH900.56.030-1	2	240100029618	SH904.31.010	1			
SH900.56.013-1	SH900.56.030-1	3	240100009966	SH904.31.010	1			
SH900.56.015	SH900.56.030-1	4	02011601A011	SH904.31.010	2			
SH900.56.024	SH900.56.030-1	5	240100061054	SH904.31.010	3			
SH900.56.011	SH900.56.030-1	1	020125010046	SH904.31.010	4			
SH900.56.014-1	SH900.56.030-1	2	240100010726	SH904.31.010	6			
SH900.56.013-1	SH900.56.030-1	3	240100051767	SH904.31.010	14			
SH900.56.015	SH900.56.030-1	4	240100123679	SH904.31.010	18			
SH900.56.024	SH900.56.030-1	5	SH904.42.015	SH904.42.012	1			
SH900.56.011	SH900.56.030-1	1	SH904.42.123	SH904.42.012	2			
SH900.56.014-1	SH900.56.030-1	2	SH904.42.130	SH904.42.012	3			
SH900.56.013-1	SH900.56.030-1	3	SH904.42.016	SH904.42.012	4			
SH900.56.015	SH900.56.030-1	4	SH904.42.017	SH904.42.012	5			

# A11.38.909.4 TRANSMISSION BREATHER ASS.

## A11.38.909.4\_0 传动呼吸器总成 TRANSMISSION BREATHER ASS.Y

序号	零件编号	零件名称	数量	图号
1	A11.38.027.2	呼吸焊件 BREATHER WELDMENT	1	A11.38.027.2
2	JBT8870-D20	软管夹 HOSE CLAMP	1	JBT8870-D20
3	SH704-1.55.101	呼吸软管 BREATH HOSE	1	SH704-1.55.101
4	JBT8870-D20	软管夹 HOSE CLAMP	1	JBT8870-D20
5	SH900.38.159	呼吸接头 BREATHING JOINT	1	SH900.38.159
6	JBT982-12	垫圈 WASHER	1	JBT982-12



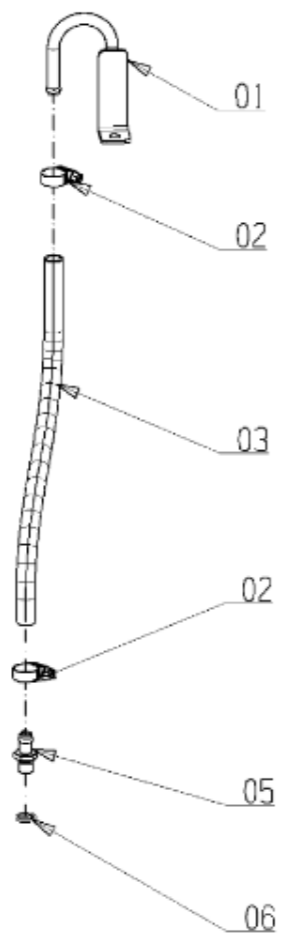


 SME DEUTZ-FAHR GROUP S.p.A. Gruppo - Group	ALL SERIES/B52 SERIES <b>TRANSMISSION BREATHER ASS.Y</b>	N. dis. - P/N <b>A11.38.909.4</b>
	Rev. 1 Val. dato il 02/04/2021	Foglio - Sheet 1 di 1 IM P

YFB-R-2018-003 SH.031

### A11.38.909.4\_1 传动呼吸器总成 TRANSMISSION BREATHER ASS.Y

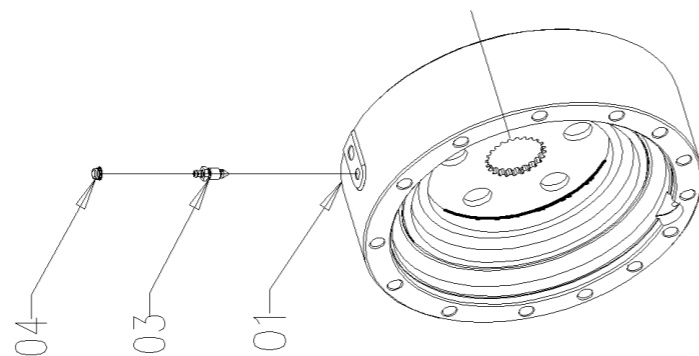
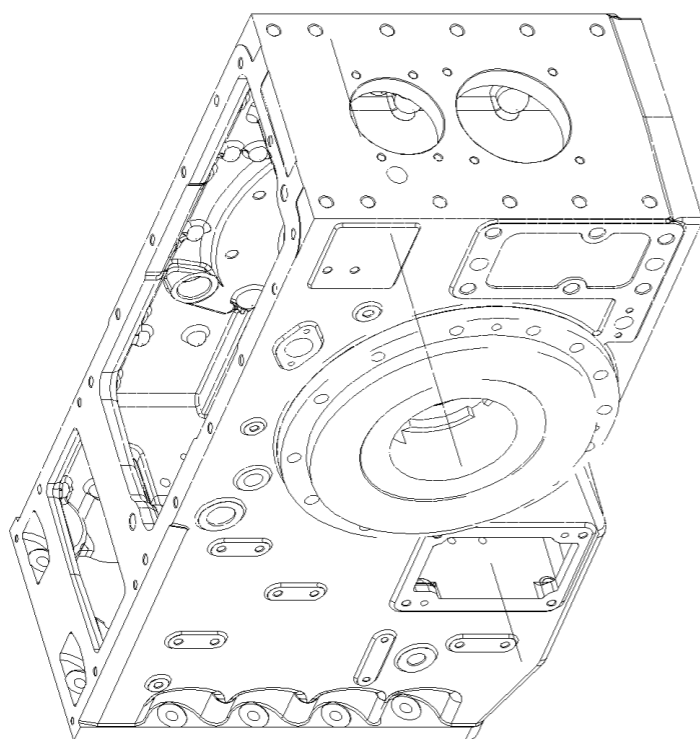
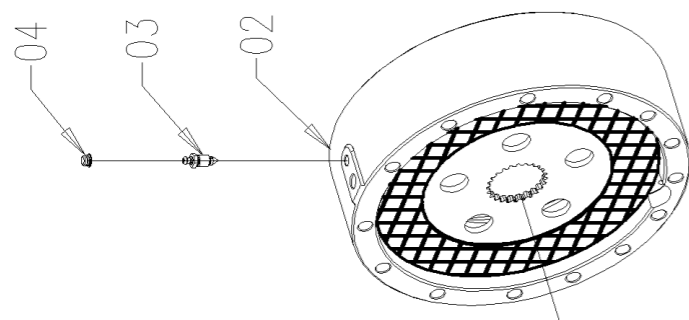
序号	零件编号	零件名称	数量	图号
1	A11.38.027.2	呼吸焊件 BREATHER WELDMENT	1	A11.38.027.2
2	JBT8870-D20	软管夹 HOSE CLAMP	2	JBT8870-D20
3	SH704-1.55.101	呼吸软管 BREATH HOSE	1	SH704-1.55.101
5	SH900.38.159	呼吸接头 BREATHING JOINT	1	SH900.38.159
6	JBT982-12	垫圈 WASHER	1	JBT982-12



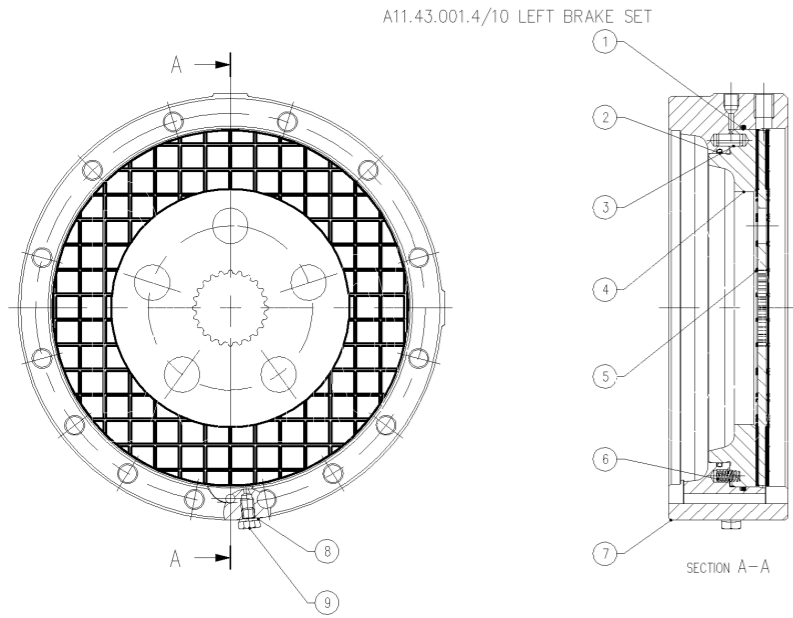
# A11.43.905.4 REAR BRAKE ASS.LY

## A11.43.905.4\_2 后制动总成Rear brake assembly

序号	零件编号	零件名称	数量	图号
1	A11.43.001.4/10	左制动组 LEFT BRAKE SET	1	A11.43.001.4/10
2	A11.43.002.4/10	右制动组 RIGHT BRAKE SET	1	A11.43.002.4/10
3	0.170.5455.0	螺栓 VITE DI SPURGO	2	0.170.5455.0
4	2.3199.039.0	螺母保护帽 TAPPO X VITE	2	2.3199.039.0

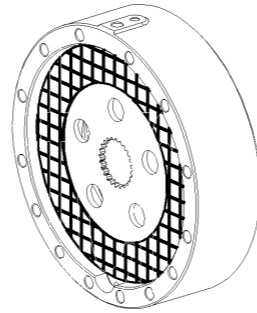
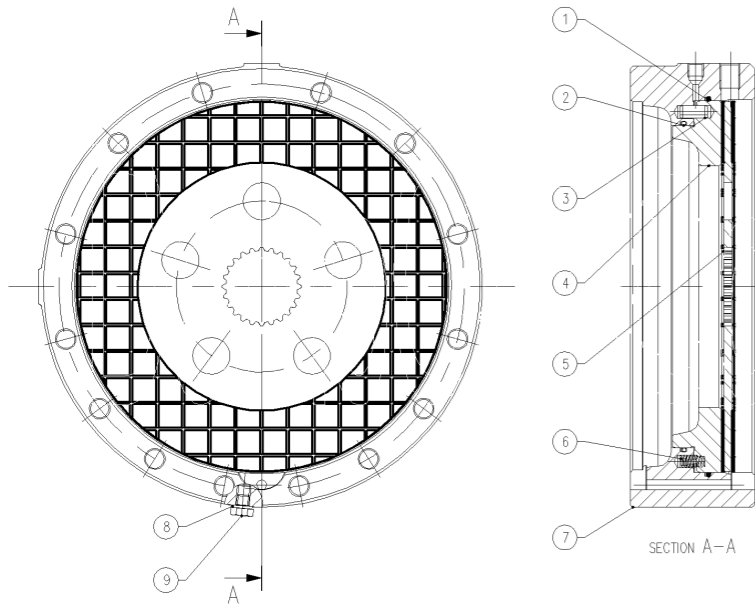


### A11.43.001.4/10 左制动组 Left brake set



序号	零件编号	零件名称	数量	图号
1	GBT3452.1-300X3.55-G	O型密封圈 O-RING	1	GBT3452.1-300X3.55-G
2	GBT3452.1-260X3.55-G	O型密封圈 O-RING	1	GBT3452.1-260X3.55-G
3	GBT119.1-10m6X22	销 PIN	3	GBT119.1-10m6X22
4	0.026.3890.0/10	制动器汽缸活塞 BRAKE PISTON	1	0.026.3890.0/10
5	SH900.43.027	摩擦片组件 SH900.43.027	1	SH900.43.027
6	SH900.43.173	弹簧 SPRING	3	SH900.43.173
7	A11.43.007.0/10	左制动器壳 LEFT BRAKE HOUSING	1	A11.43.007.0/10
8	JBT982-10	组合密封垫圈 SEALING RINGS	1	JBT982-10
9	SH900.43.189	塞子 PLUG	1	SH900.43.189

A11.43.002.4/10 RIGHT BRAKE SET



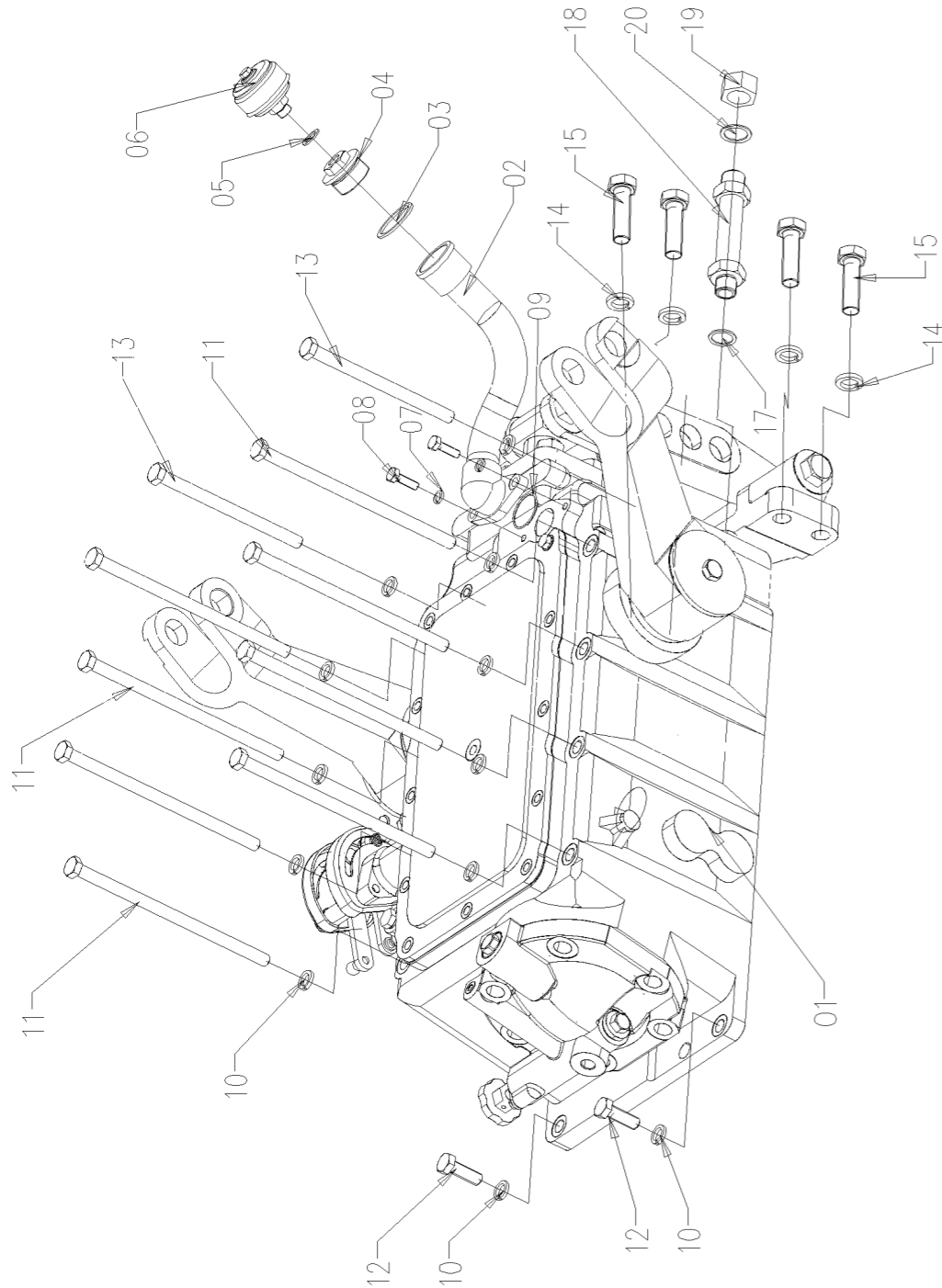
### A11.43.002.4/10 右制动组Right brake set

序号	零件编号	零件名称	数量	图号
1	GBT3452.1-300X3.55-G	O型密封圈 O-RING	1	GBT3452.1-300X3.55-G
2	GBT3452.1-260X3.55-G	O型密封圈 O-RING	1	GBT3452.1-260X3.55-G
3	GBT119.1-10m6X22	销 PIN	3	GBT119.1-10m6X22
4	0.026.3890.0/10	制动器汽缸活塞 BRAKE PISTON	1	0.026.3890.0/10
5	SH900.43.027	摩擦片组件 SH900.43.027	1	SH900.43.027
6	SH900.43.173	弹簧 SPRING	3	SH900.43.173
7	A11.43.008.0/10	右制动器盖 RIGHT BRAKE HOUSING	1	A11.43.008.0/10
8	JBT982-10	组合密封垫圈 SEALING RINGS	1	JBT982-10
9	SH900.43.189	塞子 PLUG	1	SH900.43.189

# REAR LIFT ASS. A11.55.930.4

YFB-S-2016-014 SH.045

## A11.55.930.4\_2 提升器安装总成 REAR LIFT ASS.



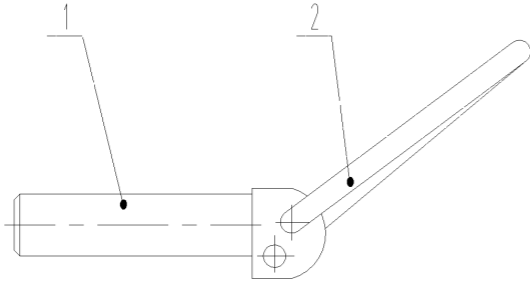
序号	零件编号	零件名称	数量	图号
1	A11.55.015.4	提升器 REAR LIFTER	1	A11.55.015.4
2	A11.55.013.3/10	加油口组件 OIL FILLER ASS.	1	A11.55.013.3/10
3	A08.55.004.0	垫圈 WASHER	1	A08.55.004.0
4	A08.55.006.0	螺母 NUT	1	A08.55.006.0
5	2.1560.010.0	组合密封垫圈 SEALING RING	1	2.1560.010.0
6	0.445.3150.4/20	滤清器 FILTRO ARIA PER SFIATO	1	0.445.3150.4/20
7	GBT93-8-A3L	垫圈 WASHER	2	GBT93-8-A3L
8	GBT5783-M8X25-A2L	螺栓 BOLT	2	GBT5783-M8X25-A2L
9	GBT3452.1-32.5X1.8-G	O形垫圈 O RING	1	GBT3452.1-32.5X1.8-G
10	GBT93-12-A3L	垫圈 WASHER	12	GBT93-12-A3L
11	GBT5782-M12X225-10.9-	螺栓 BOLT	8	GBT5782-M12X225-10.9-A3L
12	GBT5783-M12X35-10.9-	螺栓 BOLT	2	GBT5783-M12X35-10.9-A3L
13	GBT5782-M12X165-10.9-	螺栓 BOLT	2	GBT5782-M12X165-10.9-A3L
14	GBT93-16-A3L	螺栓 WASHER	4	GBT93-16-A3L
15	GBT5782-M16X55-10.9-	螺栓 BOLT	4	GBT5782-M16X55-10.9-A3L
17	2.1560.016.0	组合密封垫圈 SEALING RING	1	2.1560.016.0
18	A11.55.025.3	输送管焊接 DELIVERY PIPE WELDED	1	A11.55.025.3
19	SH550.55B.107	螺母 NUT	1	SH550.55B.107
20	2.1560.018.0	螺母 NUT	1	2.1560.018.0

SH900.56.026 锁销总成 LOCKING PIN ASSY

序号	零件编号	零件名称	数量	图号
1	SH900.56.148	锁定销 LOCK PIN	1	SH900.56.148
2	SH900.56.149	锁销环 LOCK RING	1	SH900.56.149

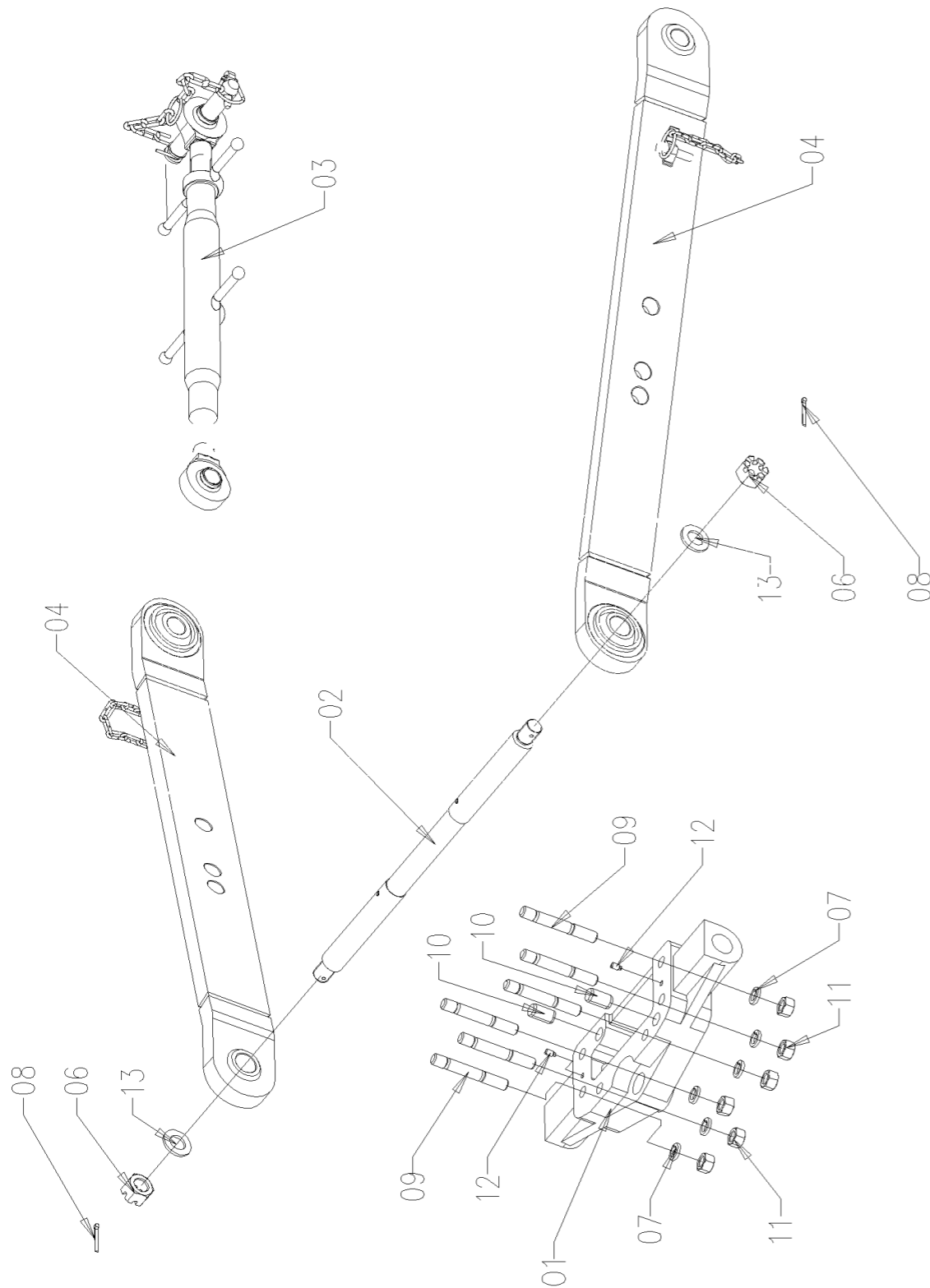
锁销总成

SH900.56.026



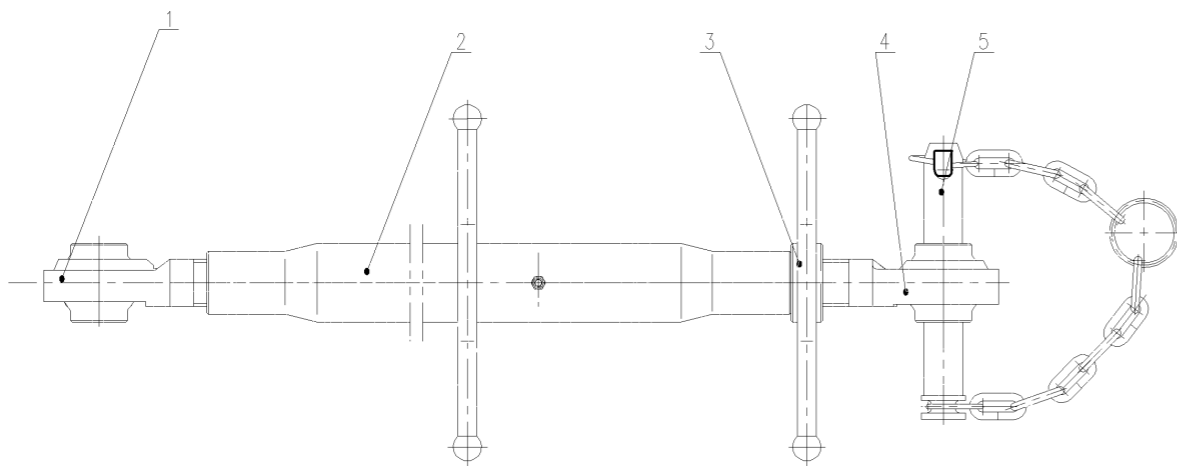
# A11.56.900.4 3 POINT LINKAGE ASS.

## A11.56.900.4\_2 悬挂机构总成 (三点悬挂2类) POINT LINKAGE (3-point suspension category 2)



序号	零件编号	零件名称	数量	图号
1	SH900.56.111	下拉杆支架 LOWER ROD BRACKET	1	SH900.56.111
2	SH900.56.103	下拉杆支撑杆 LOWER PULL ROD	1	SH900.56.103
3	SH900.56.030-1	上拉杆总成 UPPER PULL ROD ASSY	1	SH900.56.030-1
4	A11.56.033.4	较低的连接焊接 LOWER LINK	2	A11.56.033.4
6	GBT9459-M24X2-A3L	螺母 NUT	2	GBT9459-M24X2-A3L
7	GBT93-16-A3L	垫圈 WASHER	6	GBT93-16-A3L
8	GBT91-5X40-A3L	销 PIN	2	GBT91-5X40-A3L
9	GBT899-AM16X95-10.9-	螺柱 STUD	6	GBT899-AM16X95-10.9-A3L
10	GBT72-M8X16-A2L	螺丝钉 SCREW	2	GBT72-M8X16-A2L
11	GBT6170-M16-10-A3L	螺母 NUT	6	GBT6170-M16-10-A3L
12	GBT119.1-20m6X35	销 PIN	2	GBT119.1-20m6X35
13	GBT97.1-24-A3L	垫圈 WASHER	2	GBT97.1-24-A3L

SH900.56.030-1 上拉杆总成

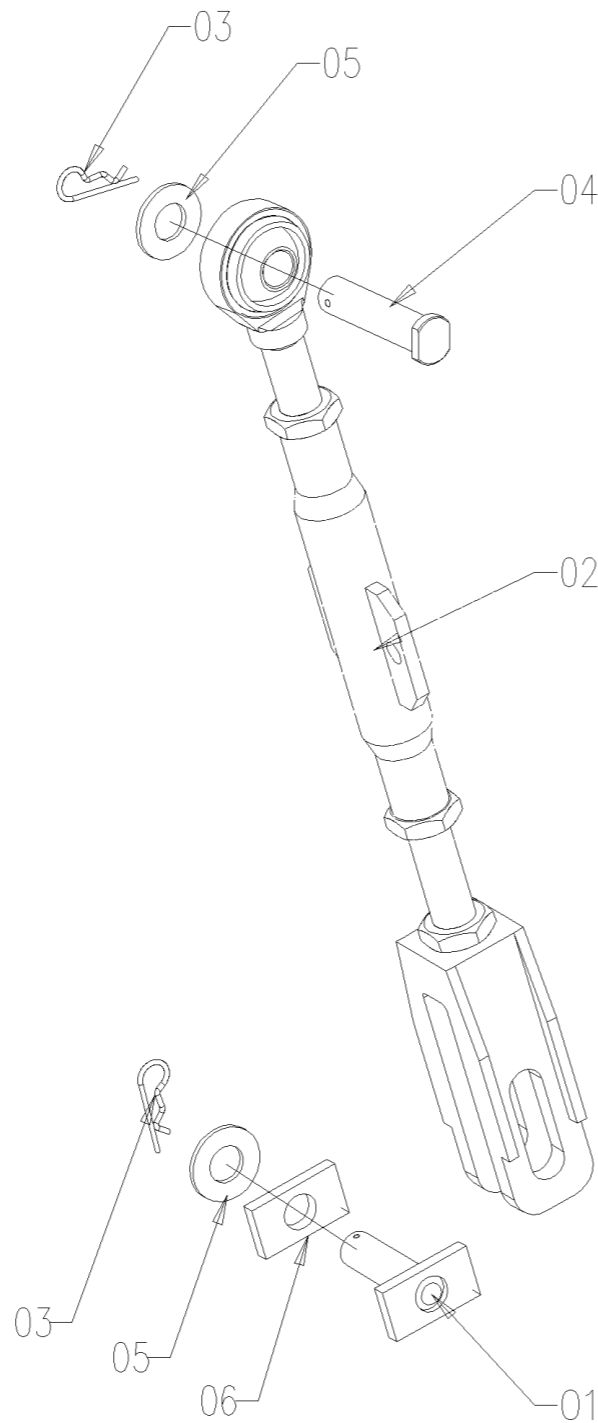
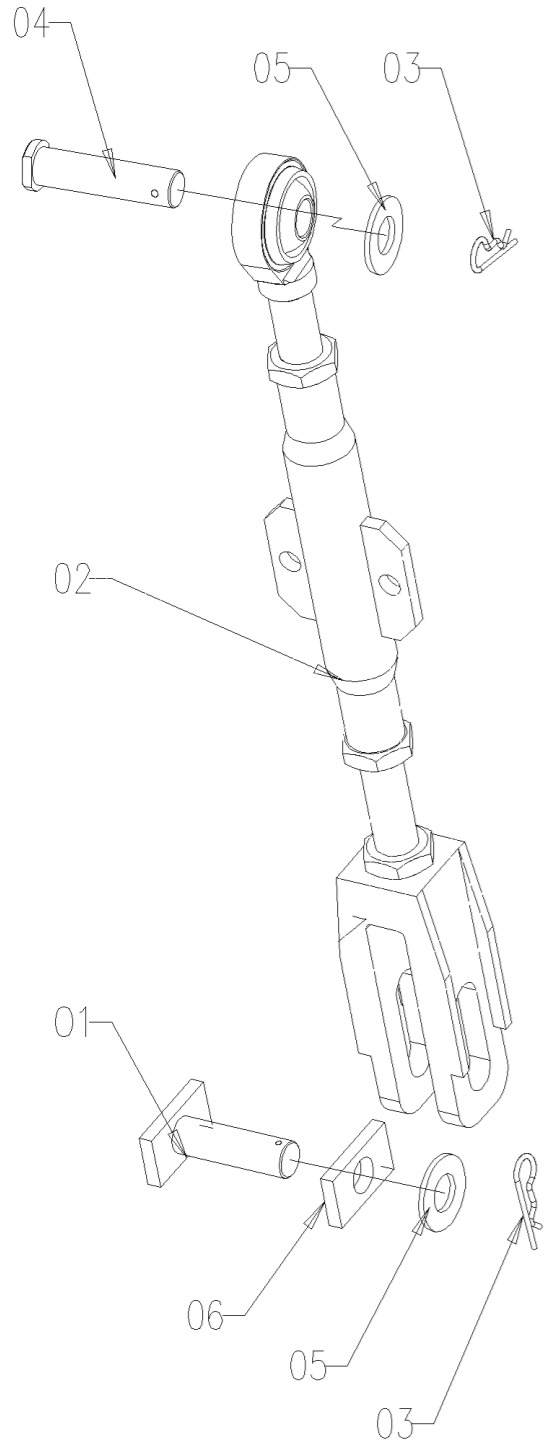


### SH900.56.030-1 上拉杆组件 UPPER LINKAGE ASSY

序号	零件编号	零件名称	数量	图号
1	SH900.56.011	上拉杆后调节螺杆挤压总成	1	SH900.56.011
2	SH900.56.014-1	调节螺管手柄焊合 ADJUSTING	1	SH900.56.014-1
3	SH900.56.013-1	上拉杆锁紧螺帽焊合 UPPER PULL	1	SH900.56.013-1
4	SH900.56.015	上拉杆前调节螺杆挤压总成 FRONT	1	SH900.56.015
5	SH900.56.024	上拉杆销及锁销总成 UPPER ROD PIN	1	SH900.56.024



# A11.56.901.4 3 POINT LINKAGE



## A11.56.901.4\_0 提升杆总成 LIFT LINK ASS.Y

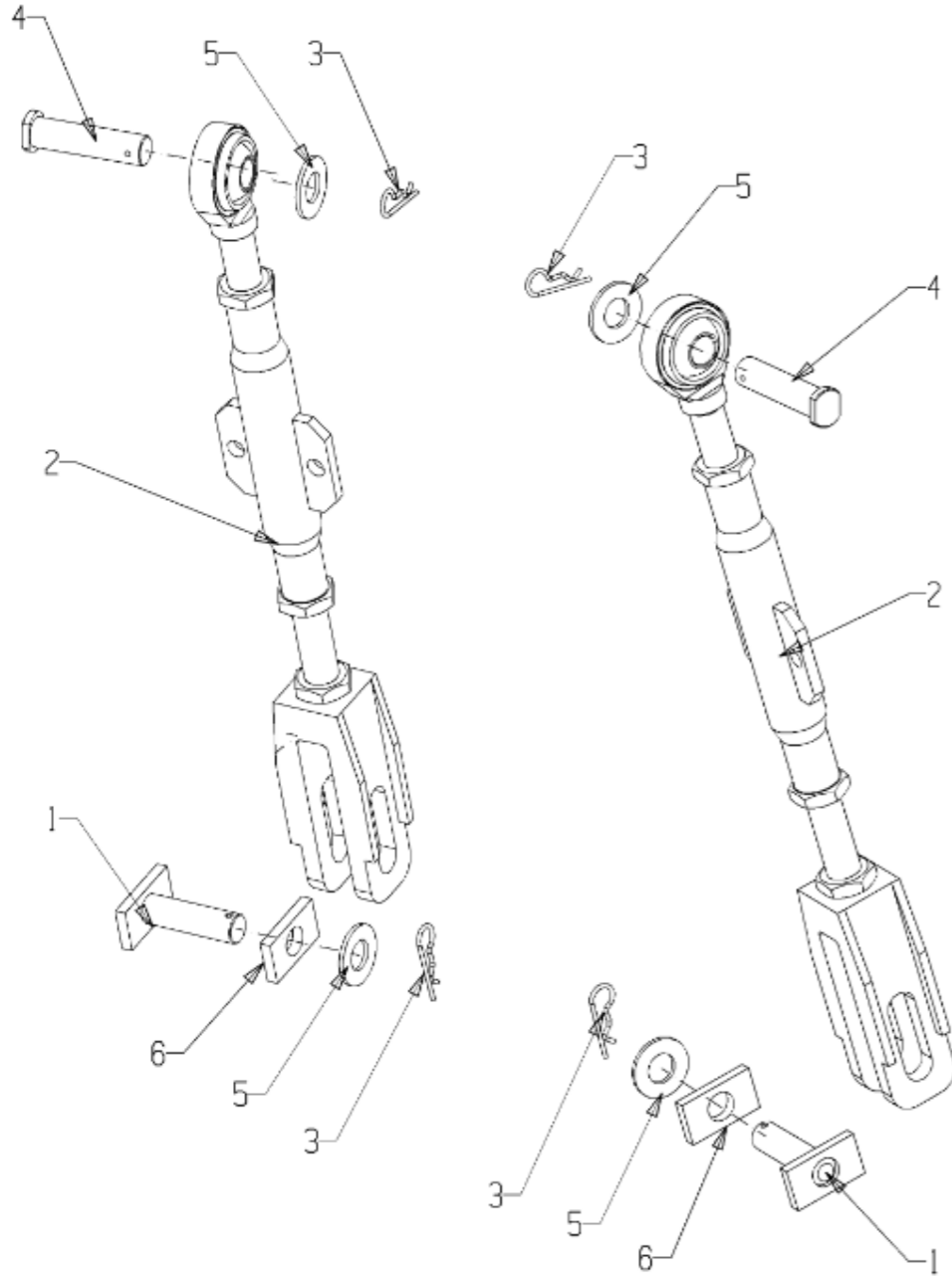
序号	零件编号	零件名称	数量	图号
1	SH900.56.027/10	销轴焊合 GUIDE PIN WELDMENT	2	SH900.56.027/10
2	SH900.56.031	提升杆总成 LIFTING ROD ASSY	2	SH900.56.031
3	SH900.56.105	碳素弹簧钢丝\U+22053.5-2/65Mn	4	SH900.56.105
4	SH900.56.107	提升杆上销轴 LIFTING ROD TOP PIN	2	SH900.56.107
5	SH900.56.108	垫圈 WASHER	4	SH900.56.108
6	SH900.56.155/10	垫片 SHIM	2	SH900.56.155/10

NON VALIDA I.C.

YFB-R-2017-011 SH.090

A11.56.901.4\_1 提升杆总成 LIFT LINK ASS.Y

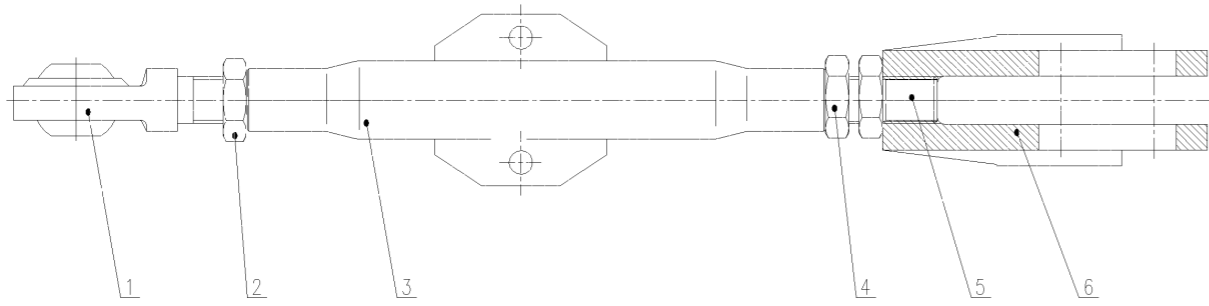
序号	零件编号	零件名称	数量	图号
1	SH900.56.027/20	销轴焊合 GUIDE PIN WELDMENT	2	SH900.56.027/20
2	SH900.56.031	提升杆总成 LIFTING ROD ASSY	2	SH900.56.031
3	SH900.56.105	碳素弹簧钢丝 SPRING LOCKING PIN	4	SH900.56.105
4	SH900.56.107	提升杆上销轴 LIFTING ROD TOP PIN	2	SH900.56.107
5	SH900.56.108	垫圈 WASHER	4	SH900.56.108
6	SH900.56.155/10	垫片 SHIM	2	SH900.56.155/10



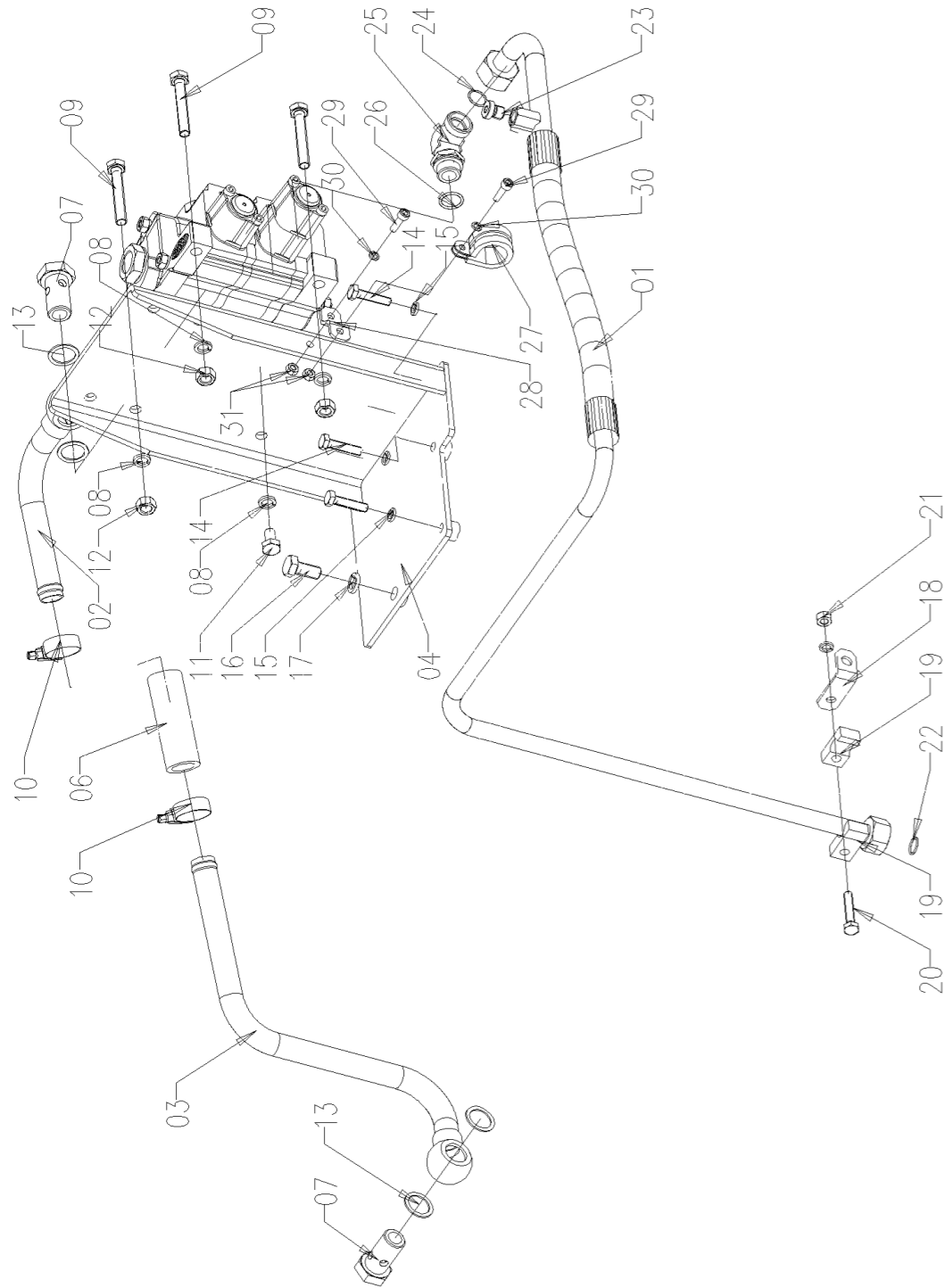
### SH900.56.031 提升杆总成 LIFTING ROD ASSY

序号	零件编号	零件名称	数量	图号
1	SH900.56.016	螺钉铆接件 SCREW RIVETING PIECES	1	SH900.56.016
2	GBT5796.3-TR30X3-A3L	螺母 NUT	1	GBT5796.3-TR30X3-A3L
3	SH900.56.017	提升杆导管焊合 LIFT THREAD TUBE	1	SH900.56.017
4	SH900.56.153	提升下螺杆 LIFTING SCREW	1	SH900.56.153
5	GBT5796.3-TR30X3-LH-	螺母 NUT	2	GBT5796.3-TR30X3-LH-A3L
6	SH900.56.102	提升杆导管焊合 LIFT LINK FORK	1	SH900.56.102

SH900.56.031 提升杆总成



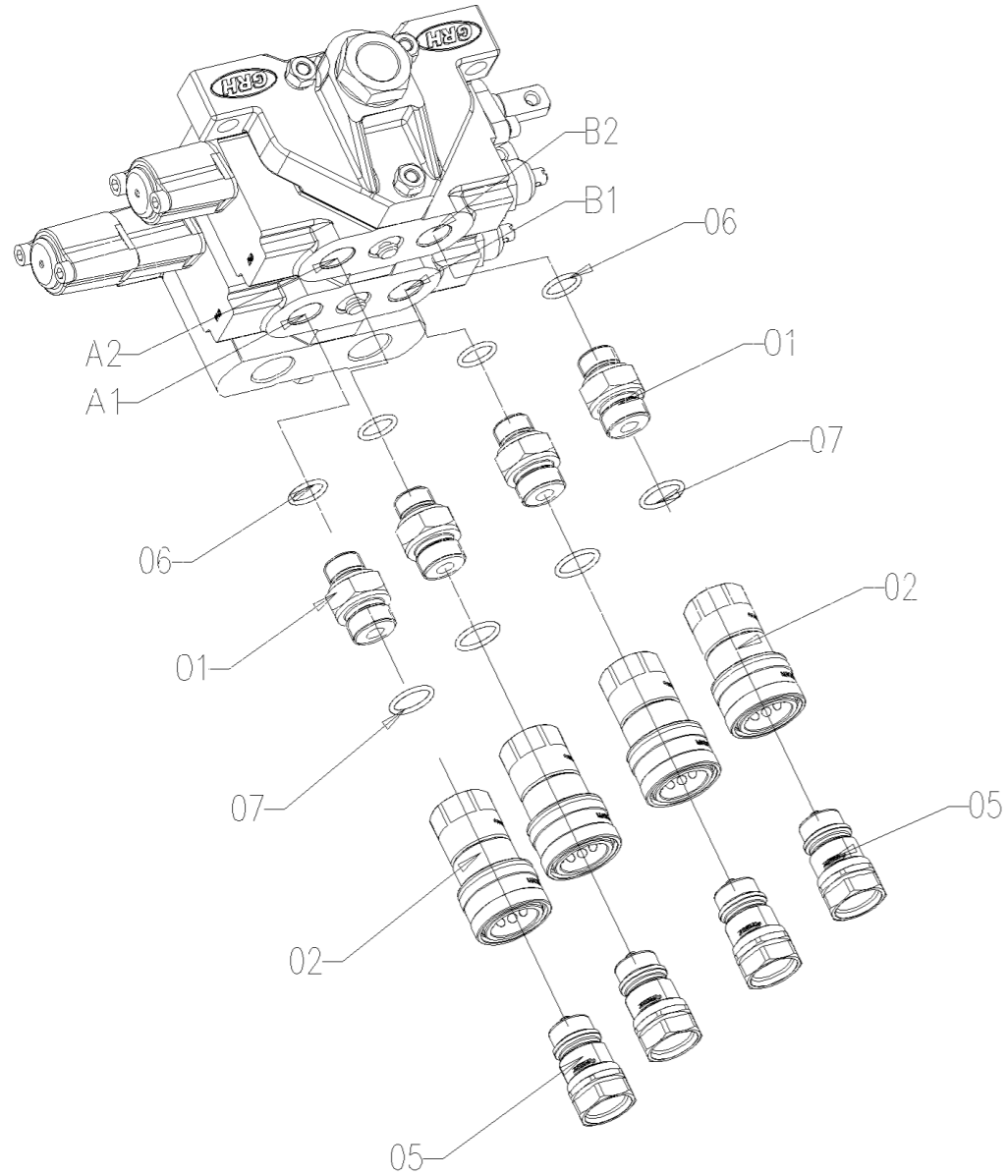
# A11.58.904.4 VALVE PIPE ASS.Y



## A11.58.904.4\_7 阀管总成MULTIWAY VALVE PIPE ASS.

序号	零件编号	零件名称	数量	图号
1	A11.58.030.3-30	滑阀进水管接头 SPOOL VALVE INLET	1	A11.58.030.3-30
2	A11.58.023.3	回水管焊接 RETURN PIPE WELDED	1	A11.58.023.3
3	A11.58.024.3-10	回水管焊接 RETURN PIPE WELDED	1	A11.58.024.3-10
4	A11.58.025.2-30	阀门支架焊接 SOOOL VALVE	1	A11.58.025.2-30
6	SH400.58.106	吸油胶管 OIL SUCTION RUBBER PIPE	1	SH400.58.106
7	SH400.58B.122	空心螺栓1 HOLLOW BOLT 1	2	SH400.58B.122
8	GBT93-10-A3L	垫圈 WASHER	4	GBT93-10-A3L
9	GBT5783-M10X65-A3L	螺栓 BOLT	3	GBT5783-M10X65-A3L
10	JBT8870-D32	喉箍 HOSE CLAMPS	2	JBT8870-D32
11	GBT5783-M10X16-A3L	螺栓 BOLT	1	GBT5783-M10X16-A3L
12	GBT6170-M10-A3L	螺母 NUT	3	GBT6170-M10-A3L
13	2.1560.018.0	密封环 SEALING RING	4	2.1560.018.0
14	GBT5783-M8X35-A2L	螺栓 BOLT	5	GBT5783-M8X35-A2L
15	GBT93-8-A3L	垫圈 WASHER	6	GBT93-8-A3L
16	GBT5783-M12X25-10.9-	螺栓 BOLT	1	GBT5783-M12X25-10.9-A3L
17	GBT93-12-A3L	垫圈 WASHER	1	GBT93-12-A3L
18	A11.58.084.0	支架 BRACKET	1	A11.58.084.0
19	CD554.40.107	单管夹 SINGLE TUBE CLIP 16	2	CD554.40.107
20	GBT5783-M8X40-A2L	螺栓 BOLT	1	GBT5783-M8X40-A2L
21	GBT6170-M8-A3L	螺母 NUT	1	GBT6170-M8-A3L
22	GBT3452.1-14X1.5-G	O形圈 O RING	1	GBT3452.1-14X1.5-G
23	2.3139.024.2	螺塞 TAPPO T.C.E.I. M12x1.5	1	2.3139.024.2
24	GBT3452.1-16X1.5-G	O形圈 O RING	1	GBT3452.1-16X1.5-G
25	GBT3738-08-L18	卡套式可调向端弯通管接头 FITTING	1	GBT3738-08-L18
26	GBT3452.1-19.3X2.2-G	O形圈 O RING	1	GBT3452.1-19.3X2.2-G
26	GBT6170-M6-A2L	螺母 NUT	2	GBT6170-M6-A2L
27	2.6839.068.0	线束夹 FASCETTA	1	2.6839.068.0
28	A11.58.108.0	支架 BRACKET	1	A11.58.108.0
29	GBT70.1-M6X20-A2L	螺钉 SCREW	2	GBT70.1-M6X20-A2L
30	GBT93-6-A3L	垫圈 WASHER	2	GBT93-6-A3L

# A11.58.905.4 OUTPUT PIPE ASS.



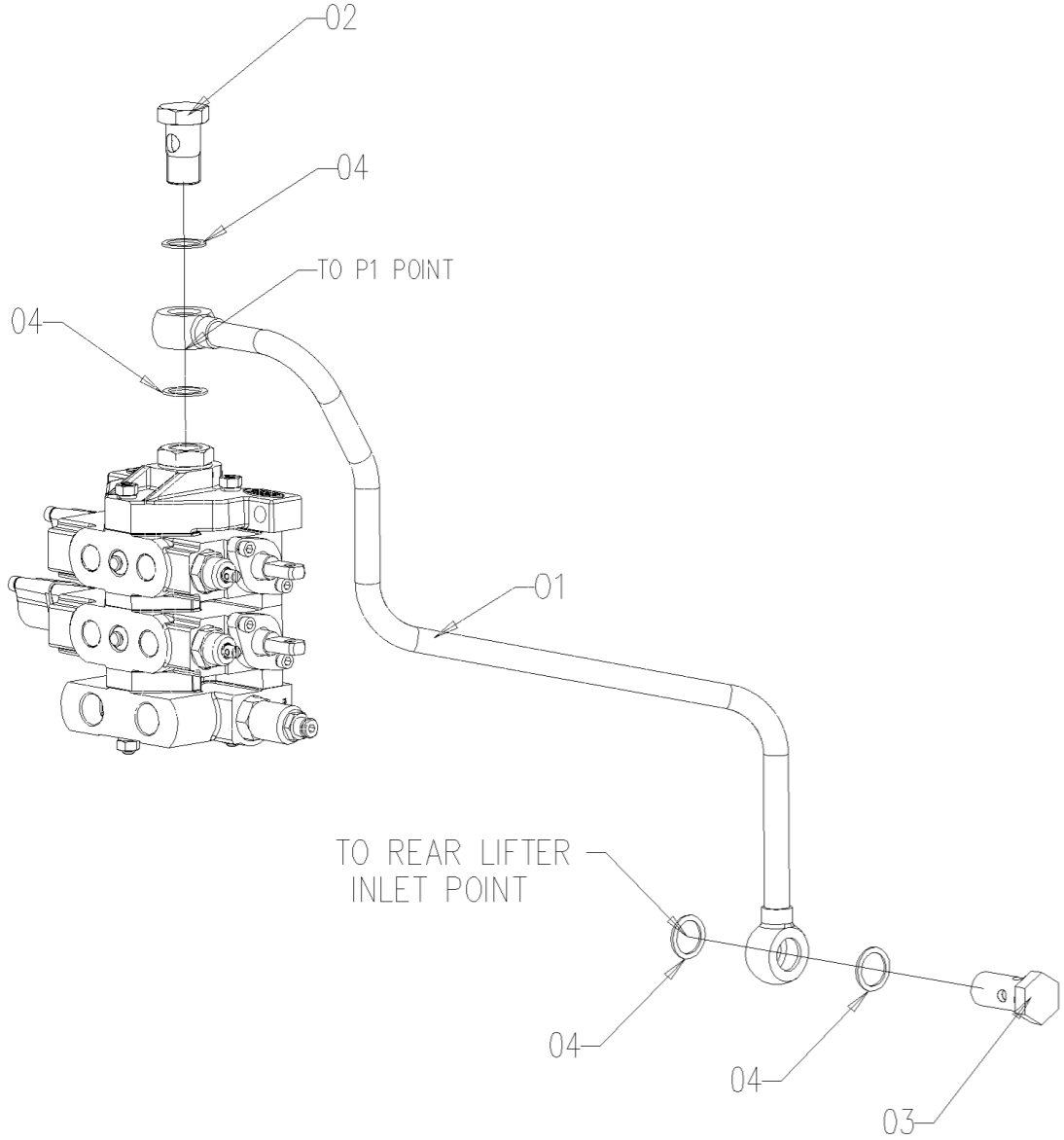
## A11.58.905.4\_2 输出管总成OUTPUT PIPE ASS.

序号	零件编号	零件名称	数量	图号
1	A08.58.102.0	管接头 FITTING M18X1.5F-M22X1.5F	4	A08.58.102.0
2	A02.58.093.0	快速耦合器 F. QUICK COUPLER	4	A02.58.093.0
5	A02.58.094.0	快速耦合器 M. QUICK COUPLER	4	A02.58.094.0
6	GBT3452.1-15.3X2.2-G	O形圈 O RING	4	GBT3452.1-15.3X2.2-G
7	GBT3452.1-19.3X2.2-G	O形圈 O RING	4	GBT3452.1-19.3X2.2-G

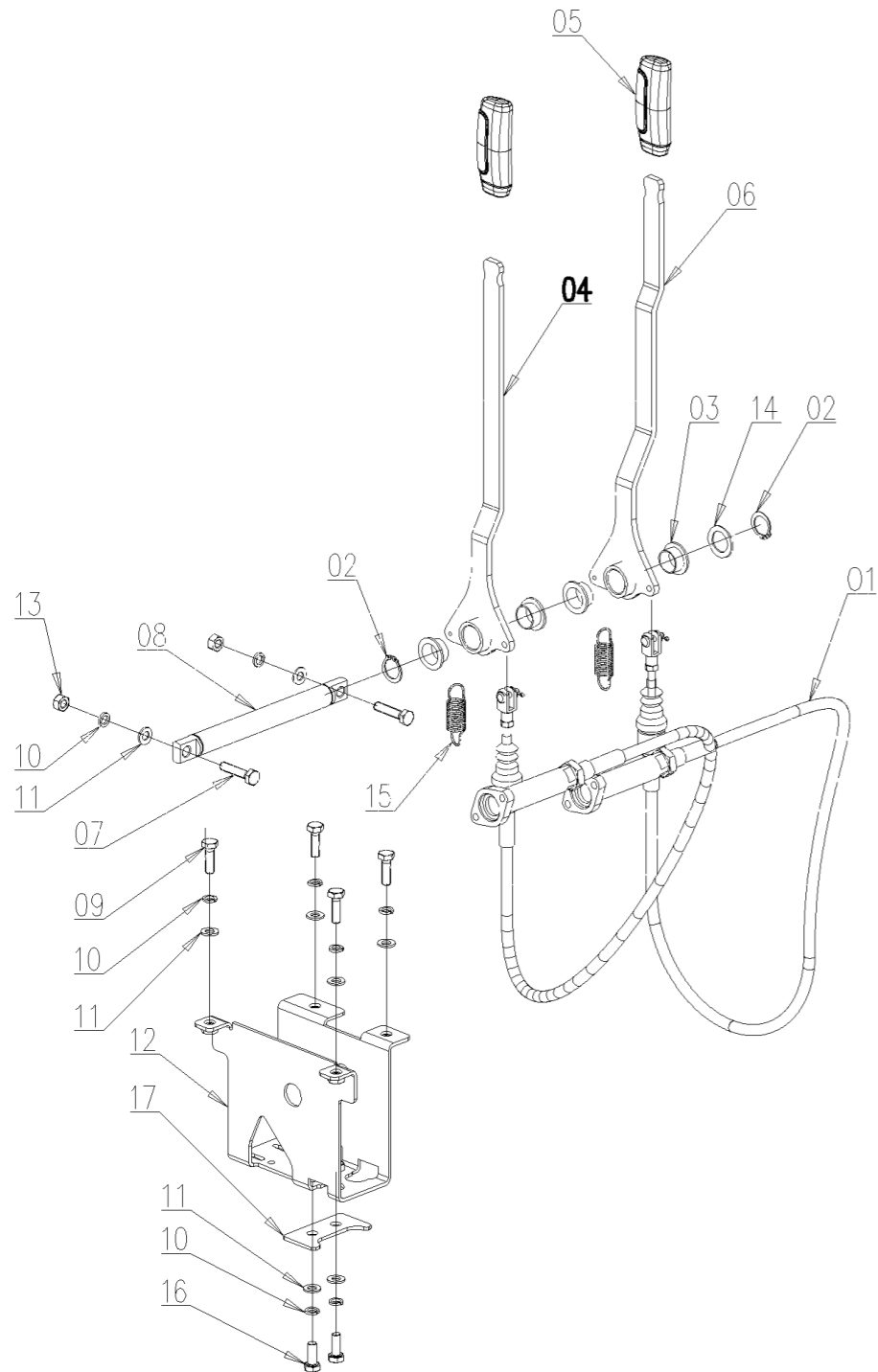
# A11.58.906.4 INLET PIPE ASS.

## A11.58.906.4\_2 入口管道总成INLET PIPE ASS.

序号	零件编号	零件名称	数量	图号
1	A11.58.022.3-20	后升降机进气管焊接 REAR LIFT INLET	1	A11.58.022.3-20
2	SH904.58.168	空心螺栓 HOLLOW BOLT	1	SH904.58.168
3	SH400.58.112	空心螺栓 HOLLOW BOLT	1	SH400.58.112
4	2.1560.018.0	密封环 SEALING RING	4	2.1560.018.0



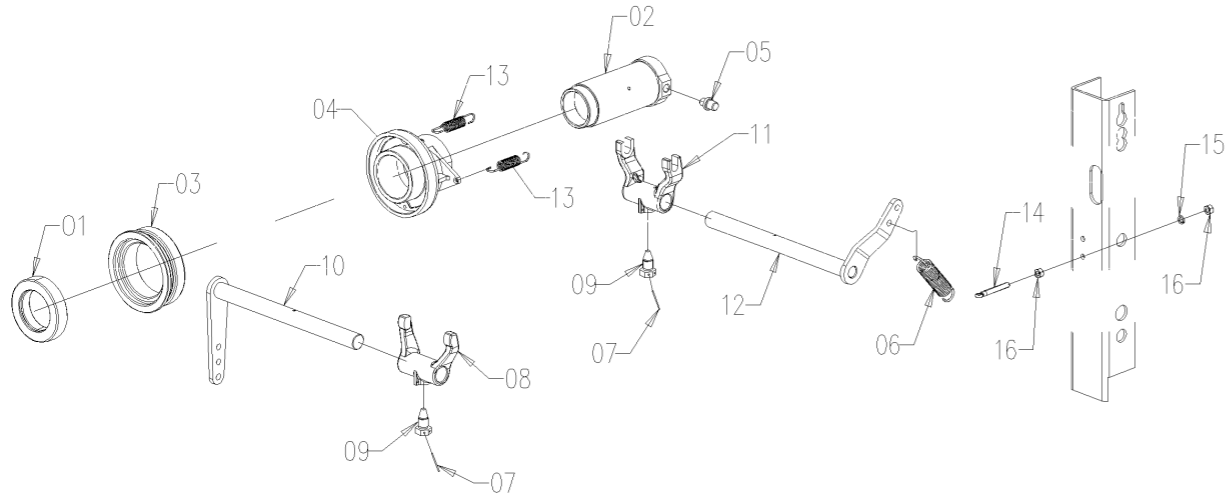
# A11.58.907.4 CONTROL FOR 4 WAYS AUX



## A11.58.907.4\_4路辅助控制CONTROL FOR 4 WAYS AUX

序号	零件编号	零件名称	数量	图号
1	A11.58.039.4-30	软轴 FLEXIBLE SHAFT	2	A11.58.039.4-30
2	GBT894.1-20	弹性挡圈 CIRCLIP	2	GBT894.1-20
3	A23.45.019.0	套筒 SLEEVE	4	A23.45.019.0
4	A11.58.037.3	套筒3焊件 LEVER 3 WELDMENT	1	A11.58.037.3
5	0.020.3757.0	把手 KNOB	2	0.020.3757.0
6	A11.58.038.3	套筒4焊件 LEVER 4 WELDMENT	1	A11.58.038.3
7	GBT5783-M8X35-A2L	螺栓 BOLT	2	GBT5783-M8X35-A2L
8	A11.58.032.0	轴 SHAFT	1	A11.58.032.0
9	GBT5783-M8X25-A2L	螺栓 BOLT	4	GBT5783-M8X25-A2L
10	GBT93-8-A3L	垫圈 WASHER	8	GBT93-8-A3L
11	GBT97.1-8-A3L	垫圈 WASHER	8	GBT97.1-8-A3L
12	A11.58.031.3-10	U型支架焊件 U BRACKET	1	A11.58.031.3-10
13	GBT6170-M8-A2L	螺母 NUT	2	GBT6170-M8-A2L
14	A11.58.036.0	垫圈 WASHER	1	A11.58.036.0
15	2.4049.160.2	弹簧 MOLLA	2	2.4049.160.2
16	GBT5783-M8X20-A2L	螺栓 BOLT	2	GBT5783-M8X20-A2L
17	A11.58.060.0	固定板 FIXING PLATE	1	A11.58.060.0

A23.21.900.4 CLUTCH RELEASING ASS.Y

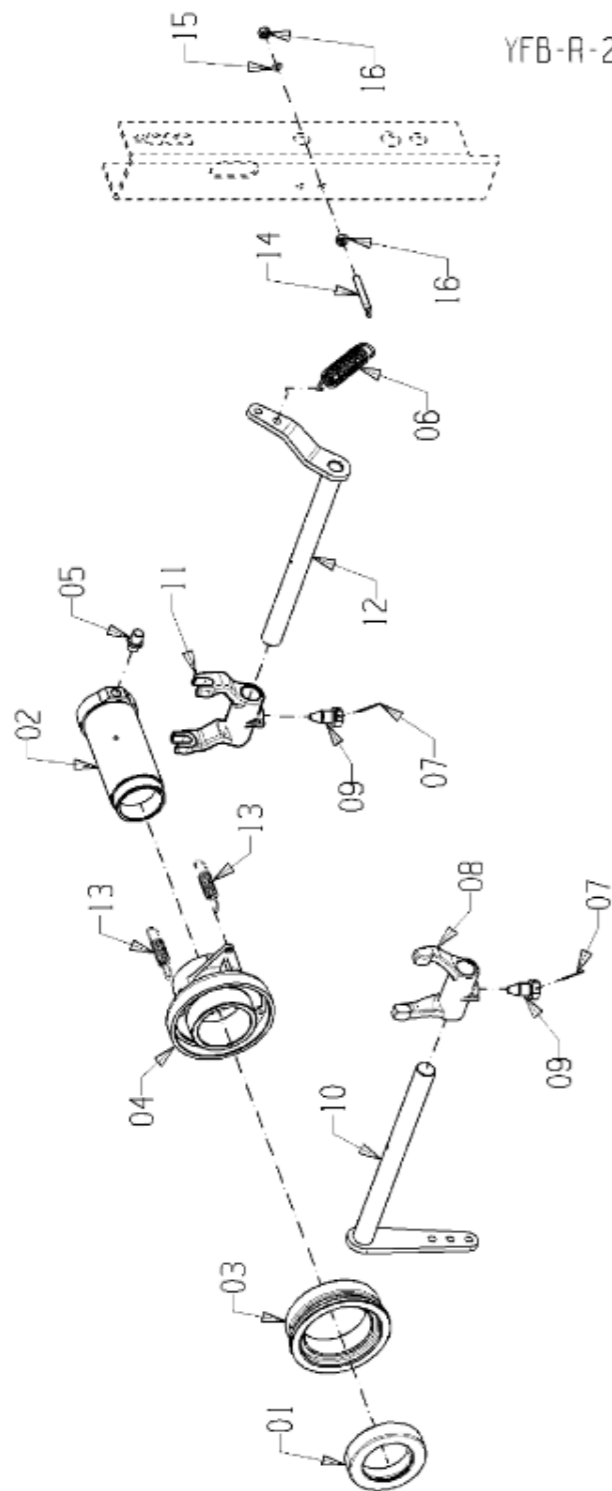


A23.21.900.4\_3 离合器内操纵总成 CLUTCH RELEASING ASS.Y

序号	零件编号	零件名称	数量	图号
1	A23.21.001.0/10	离合器分离轴承 BEARING 996713K	1	A23.21.001.0/10
2	SH900.21.103	主离合分离轴承座 MAIN CLUTCH	1	SH900.21.103
3	NTM8842A.00	角接触型离合器分离球轴承 RELEASE	1	NTM8842A.00
4	SH900.21.104/10	离合器轴承座 PTO CLUTCH BEARING	1	SH900.21.104/10
5	SH900.21.109	圆柱销 CYLINDRICAL PIN	2	SH900.21.109
6	SH900.21.110	弹簧 SPRING	1	SH900.21.110
7	YBT5294-SZ-F-1.4	低碳钢丝 LOW CARBON STEEL WIRE	2	YBT5294-SZ-F-1.4
8	SH900.21.111/10	副离合器拨叉 AUXILIARY CLUTCH	1	SH900.21.111/10
9	SH900.21.112	紧定螺钉 SET SCREWS	2	SH900.21.112
10	SH900.21.018	副离合摇臂轴焊合 AUXILIARY	1	SH900.21.018
11	SH900.21.113	主离合器拨叉 MAIN CLUTCH FORK	1	SH900.21.113
12	SH900.21.019	主离合摇臂轴焊合 MAIN CLUTCH	1	SH900.21.019
13	SH900.21.101	副离合回位弹簧 AUXILIARY CLUTCH	2	SH900.21.101
14	SH900.21.124	销 PIN	1	SH900.21.124
15	GBT93-8-A3L	垫圈 WASHER	1	GBT93-8-A3L
16	GBT6170-M8-A2L	螺母 NUT	2	GBT6170-M8-A2L



YFB-R-2020-004 SH.035



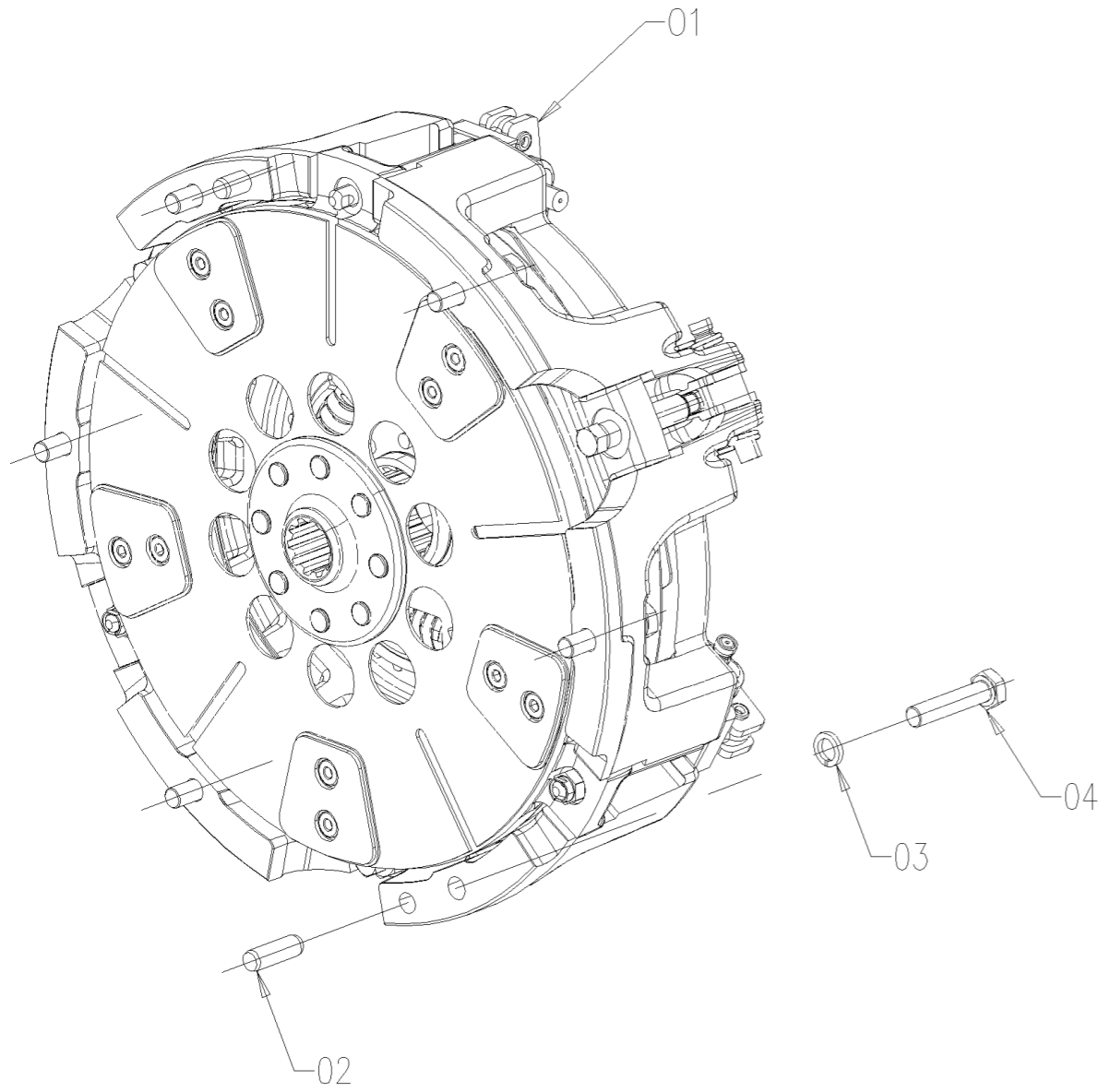
### A23.21.900.4\_4 离合器内操纵总成 CLUTCH RELEASING ASS.Y

序号	零件编号	零件名称	数量	图号
1	A23.21.001.0/10	轴承 BEARING 996713K	1	A23.21.001.0/10
2	SH900.21.103	主离合器轴承座 MAIN CLUTCH	1	SH900.21.103
3	NTM8842A.00	角接触型离合器分离球轴承 RELEASE	1	NTM8842A.00
4	SH900.21.104/10	离合器轴承座 PTO CLUTCH BEARING	1	SH900.21.104/10
5	SH900.21.109	圆柱销 CYLINDRICAL PIN	2	SH900.21.109
6	SH900.21.110	拉簧 SPRING	1	SH900.21.110
7	YBT5294-SZ-F-1.4	低碳钢线 LOW CARBON STEEL WIRE	按需	YBT5294-SZ-F-1.4
8	SH900.21.111/10	副离合器拨叉 AUXILIARY CLUTCH	1	SH900.21.111/10
9	SH900.21.112	紧定螺钉 SET SCREWS	2	SH900.21.112
10	SH900.21.018	副离合摇臂轴焊合 AUXILIARY	1	SH900.21.018
11	SH900.21.113	主离合器拨叉 MAIN CLUTCH FORK	1	SH900.21.113
12	SH900.21.019	主离合摇臂轴焊合 MAIN CLUTCH	1	SH900.21.019
13	SH900.21.101	副离合器复位弹簧 AUXILIARY	2	SH900.21.101
14	SH900.21.124	销 PIN	1	SH900.21.124
15	GBT93-8-A3L	垫圈 WASHER	1	GBT93-8-A3L
16	2.1011.105.2	螺母 NUT M8x1.25	2	2.1011.105.2

### A23.21.902.4\_1 离合器总成 Clutch Assembly

序号	零件编号	零件名称	数量	图号
1	B47.21.004.4-LUK	离合器分总成 Clutch subassemblies	1	B47.21.004.4-LUK
2	GBT119.1-10h8X30	销 PIN	2	GBT119.1-10h8X30
3	GBT93-10-A3L	垫圈 WASHER	6	GBT93-10-A3L
4	GBT5783-M10X45-10.9-	螺栓 BOLT	6	GBT5783-M10X45-10.9-A3L

A23.21.902.4 CLUTCH SUB-ASS.LY



## B47.21.004.4-LUK 离合器分总成 Clutch subassemblies

LuK - spare parts

REP - SET PTO	41	L-02615-0031-02
REP - SET	40	L-02615-0051-02

ring	36	L-02165-0105-01
driven plate assy.	22	L-03031-0G03-00
pressure plate	20	L-02103-0733-00
diaphragm spring	19	L-04130-0003-01
spring pin	18	L-00454-0002-00
pressure plate	15	L-02103-0732-12
clutch disk	14	L-03031-0G05-00
housing	2	L-02101-0215-06
designation	chart	LuK - No.

WEIFANG

	LuK - No.	WEIFANG No.
clutch without PTO-plate	L-02431-0141-01	***
PTO-plate	L-03031-0G03-00	***

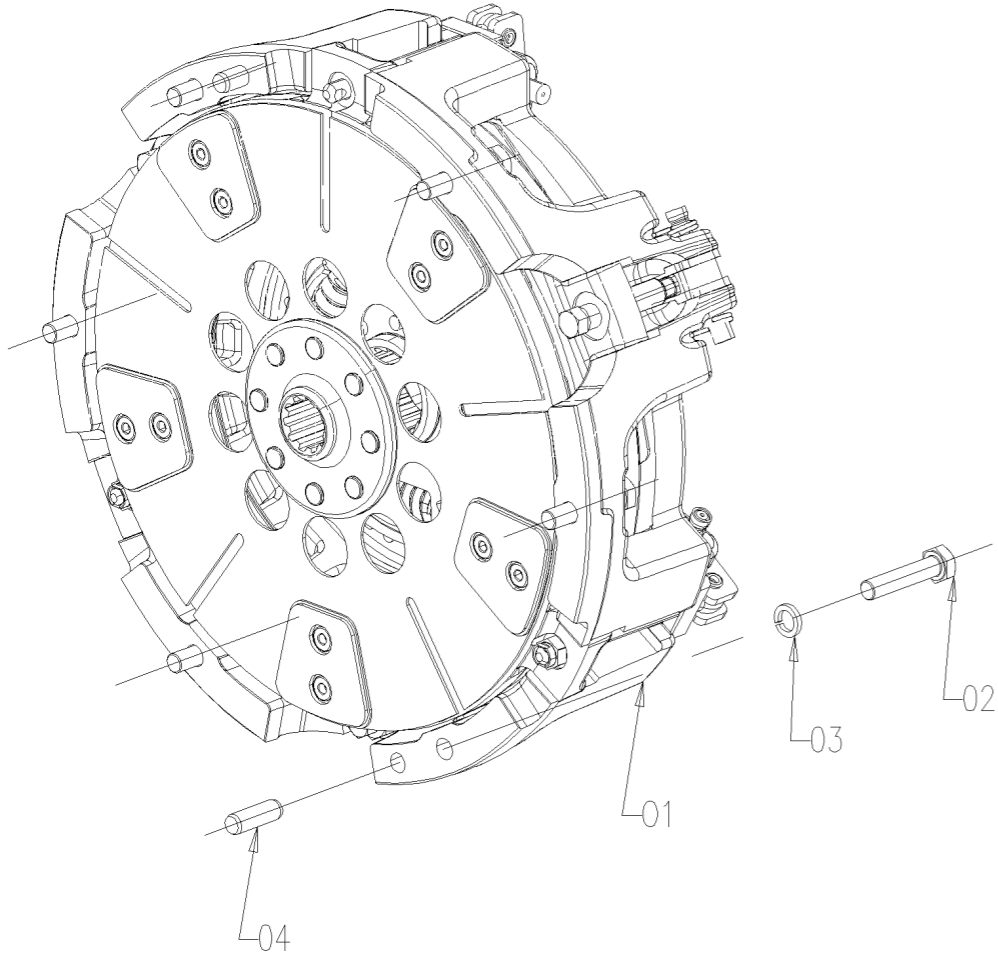
Material: Sache / Item		Ref.-Nr. Bezeichnung / Designation	
Version AA	Datum Date 2007-07-19	Änderungsbeschreibung / Modification description neu erstellt	
Vor-Vers. Prev-ver.	Änd.-Nr. Modif. No. 491235	constructed new	
Maßstab Scale 1:5		Benennung / Description <b>Doppelkupplung double clutch</b>	
Tolerierung Tolerancing ISO 8015		Zeichner / Prep. by S. Hensel Prüfer / Checked by P. Woydtmann	
Masse / Mass 40,65 kg		Kunden-Z. -Nr. / Cust. Dig. No.	Labor/Büro / Lab. office L75 ALKSHL-KDTK Freigeber / Appr. by H. Mueller
Blatt Sheet 1 / 1	Format Size A3	Angebots- und Lieferzeichnung Customer delivery drawing EDD L-02031-0141-01 A01	

序号	零件编号	零件名称	数量	图号
14	L-03031-0G05-00	主盘 main disk	1	L-03031-0G05-00
19	L-04130-0003-01	弹簧膜片 diaphragm spring	1	L-04130-0003-01
22	L-03031-0G03-00	辅助盘 auxiliary disk	1	L-03031-0G03-00
40	L-02615-0051-02	离合器杆组 clutch lever set	3	L-02615-0051-02
41	L-02615-0031-02	离合杆组PTO clutch lever set PTO	3	L-02615-0031-02

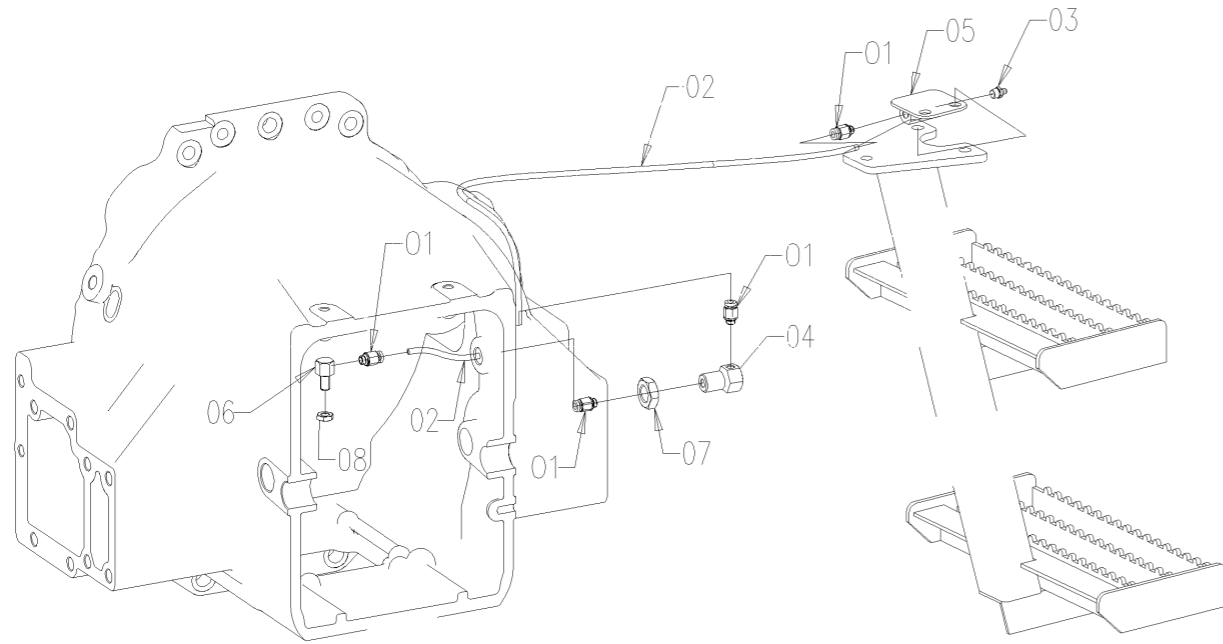
A23.21.903.4 CLUTCH 12+ SUB-ASSY  
YFB-R-2020-004 SH005

A23.21.903.4\_1 新12英寸加强离合器New 12" reinforced clutch

序号	零件编号	零件名称	数量	图号
1	LE1204.21B.010	离合器 CLUTCH	1	LE1204.21B.010
2	GBT5783-M10X45-10.9-	螺栓 BOLT	6	GBT5783-M10X45-10.9-A3L
3	GBT93-10-A3L	垫圈 WASHER	6	GBT93-10-A3L
4	GBT119.1-10h8X30	销 PIN	2	GBT119.1-10h8X30



# A23.21.907.4 GREASE FILLING SYSTEM

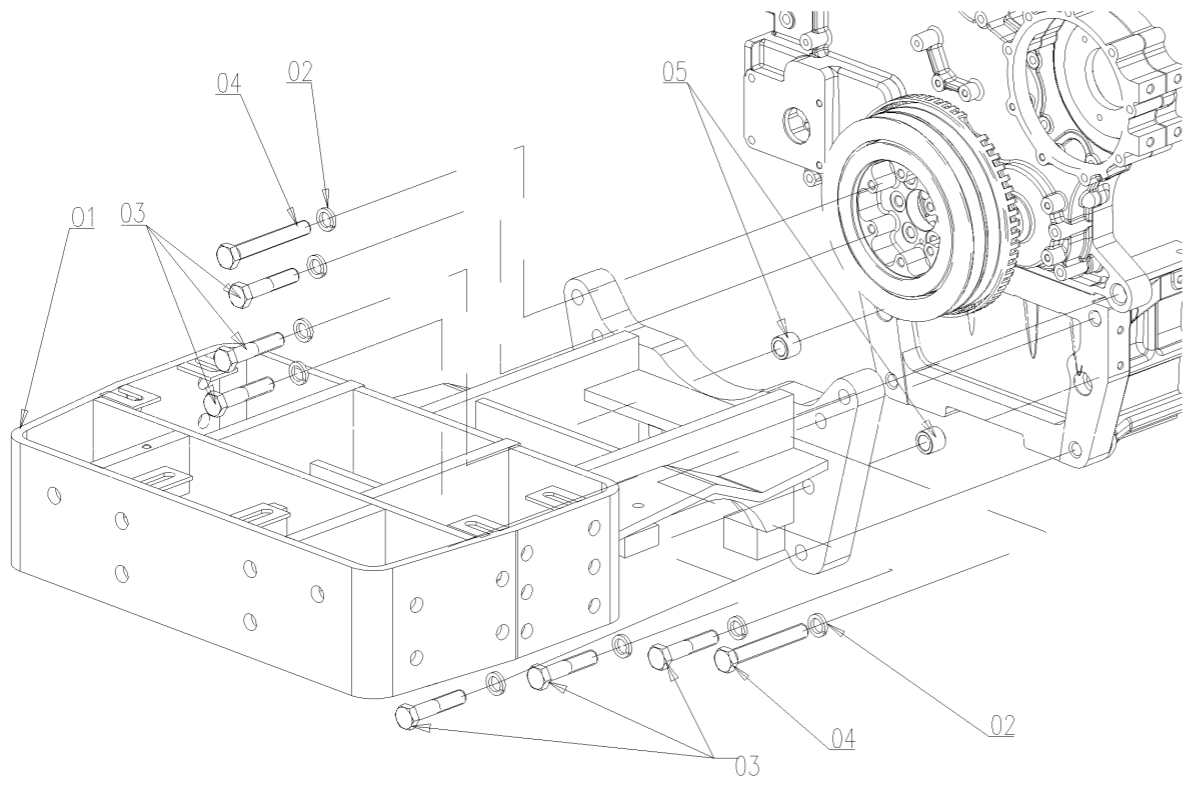


# A23.21.907.4\_0 黄油加注系统 GREASE FILLING SYSTEM

序号	零件编号	零件名称	数量	图号
1	0.011.2973.0	连接件 ATTACCO RAPIDO	4	0.011.2973.0
2	0.012.6739.0	软管 TUBO	2	0.012.6739.0
3	2.3820.105.2	油嘴 NIPPLES M10	1	2.3820.105.2
4	A23.21.005.0	管件 FITTING	1	A23.21.005.0
5	A23.21.007.0	支架 BRACKET	1	A23.21.007.0
6	A41.21.002.0	排气弯管接头 JOINT	1	A41.21.002.0
7	GBT6172.1-M20-A3L	螺母 NUT	1	GBT6172.1-M20-A3L
8	GBT6173-M10X1-A2L	螺母 NUT	1	GBT6173-M10X1-A2L

A23.31.901.4 FRONT SUPPORT ASS.Y

A23.31.901.4\_1 托架总成 FRONT SUPPORT ASS.Y



序号	零件编号	零件名称	数量	图号
1	CD904A.31.011/10	前托架 FRONT SUPPORT JUNCTION	1	CD904A.31.011/10
2	GBT93-16-A3L	垫圈 WASHER	8	GBT93-16-A3L
3	GBT5782-M16X75-10.9-	螺栓 BOLT	6	GBT5782-M16X75-10.9-A3L
4	GBT5782-M16X110-A3L	螺栓 BOLT	2	GBT5782-M16X110-A3L
5	SH900.31.113	套管 BUSHING - 4 CYL -	2	SH900.31.113



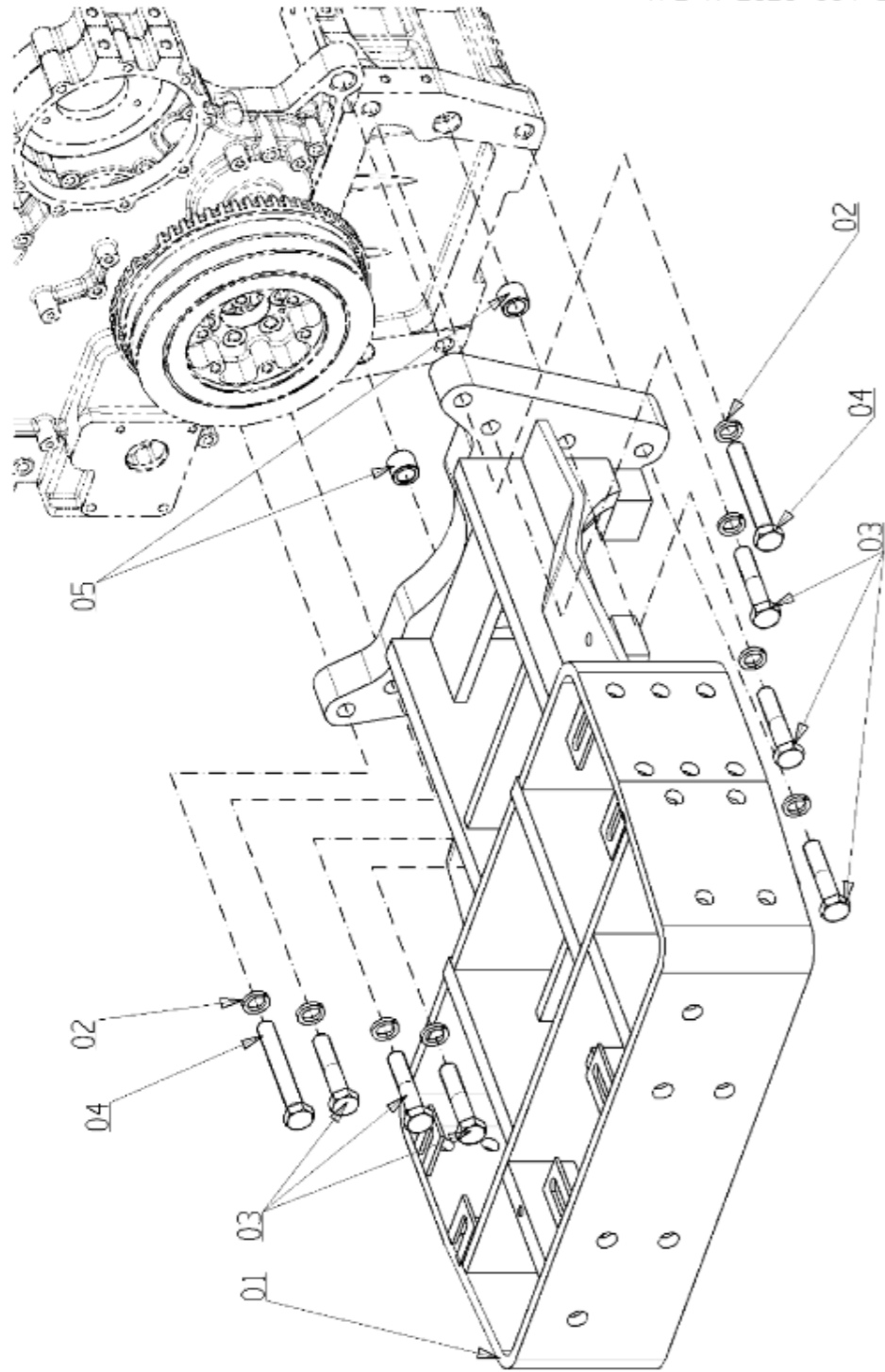
SH90 Series

FRONT SUPPORT ASS.Y

N. dis. - P/N  
A23.31.901.4

Rev	Facilita - Break	di - di'
2	1	1
Validato il	IM	P
16/03/2021		

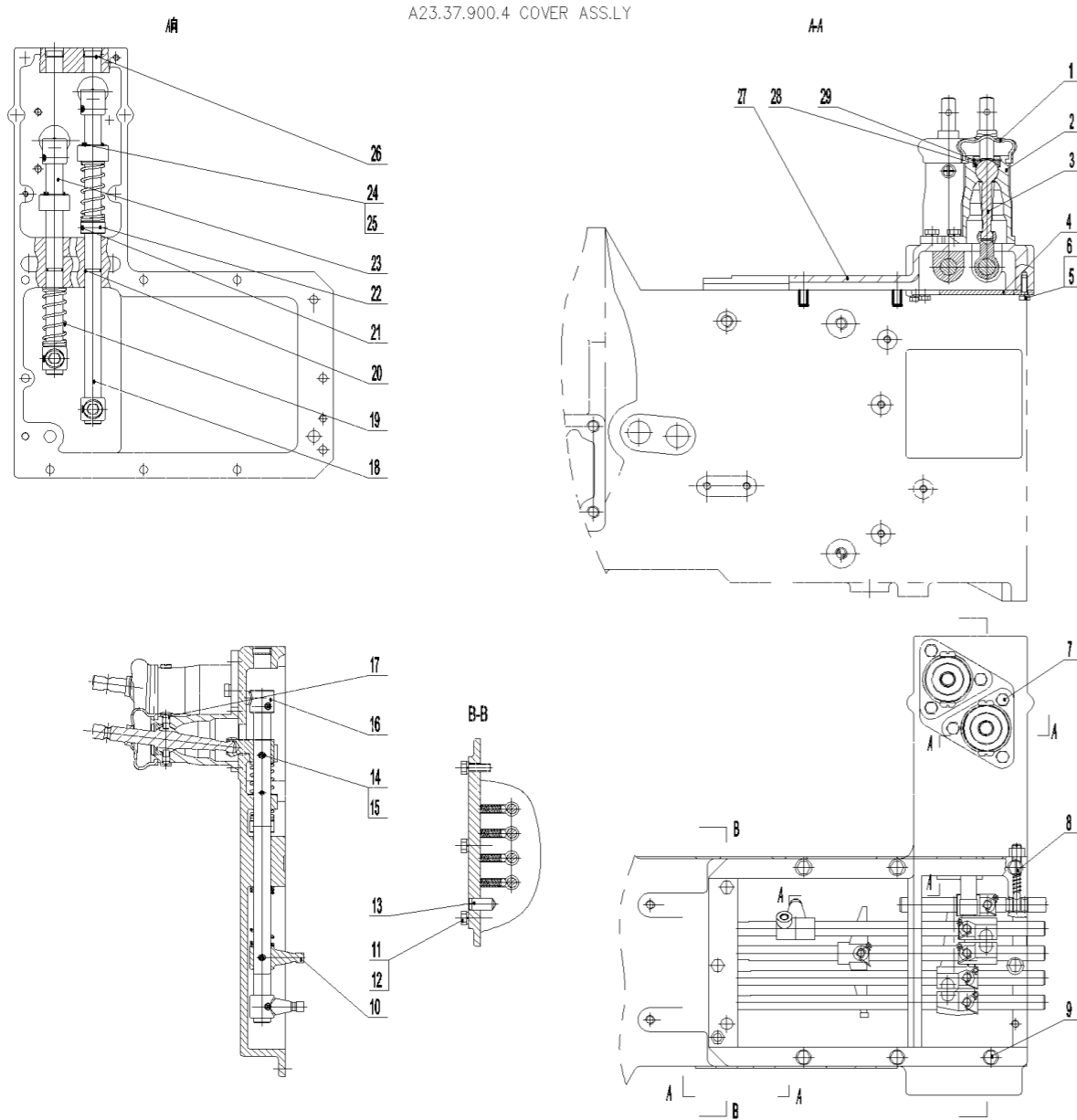
YFB-R-2020-004 SH.029



A23.31.901.4\_2 托架总成 FRONT SUPPORT ASS.Y

序号	零件编号	零件名称	数量	图号
1	CD904A.31.011/20	前托架 FRONT AXLE BRACKET	1	CD904A.31.011/20
2	GBT93-16-A3L	垫圈 WASHER	8	GBT93-16-A3L
3	GBT5782-M16X75-10.9-	螺栓 BOLT	6	GBT5782-M16X75-10.9-A3L
4	GBT5782-M16X110-A3L	螺栓 BOLT	2	GBT5782-M16X110-A3L
5	SH900.31.113	套管 BUSHING - 4 CYL -	2	SH900.31.113

### A23.37.900.4\_0 变速箱盖总成 (16F+8R 梭式档) COVER ASS.Y(16F+8R shuttle gear)

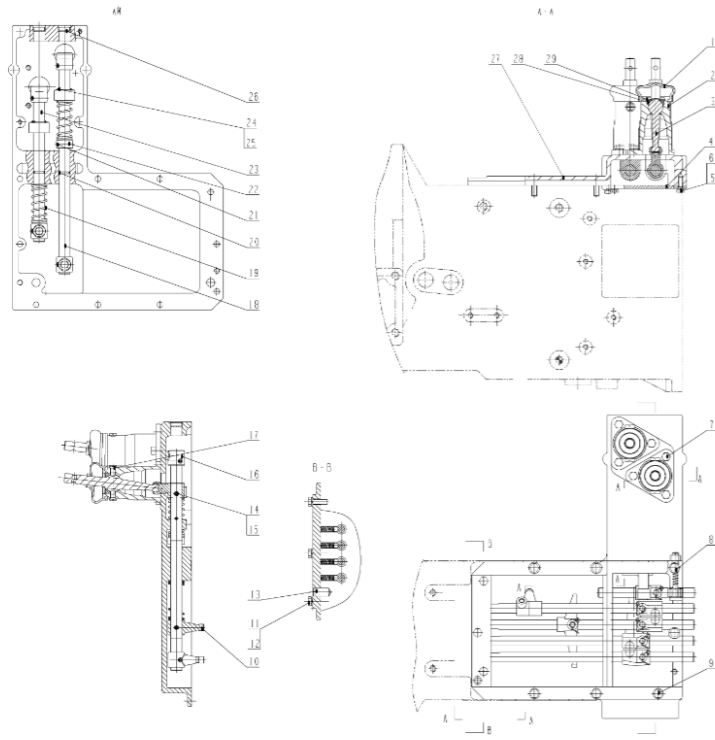


A23.37.900.4 COVER ASS.LY

序号	零件编号	零件名称	数量	图号
1	SH900.37.174	防尘套 DUST SLEEVE	2	SH900.37.174
2	LE1204.37.153	变速杆支座 Gear shift lever support	2	LE1204.37.153
3	LE1204.37.150	下操纵杆 lower joystick	2	LE1204.37.150
4	LE1204.37.201	下盖 lower?cover	1	LE1204.37.201
5	GBT5783-M8X20-A2L	螺栓 BOLT	8	GBT5783-M8X20-A2L
6	GBT93-8-A3L	垫圈 WASHER	8	GBT93-8-A3L
7	GBT5783-M10X20-A3L	螺栓 BOLT	6	GBT5783-M10X20-A3L
8	GBT5782-M10X75-A3L	螺栓 BOLT	2	GBT5782-M10X75-A3L
9	GBT5783-M10X25-A3L	螺栓 BOLT	5	GBT5783-M10X25-A3L
10	SH900.37.180	拨叉头 Fork head	2	SH900.37.180
11	GBT93-10-A3L	垫圈 WASHER	16	GBT93-10-A3L
12	GBT5783-M10X30-A3L	螺栓 BOLT	3	GBT5783-M10X30-A3L
13	GBT119.1-16m6X32	销 PIN	2	GBT119.1-16m6X32
14	GBT879.1-8X32	销 PIN	4	GBT879.1-8X32
15	GBT879.1-5X32	销 PIN	5	GBT879.1-5X32
16	LE1204.37.156	副变速操纵拨头 range shift operationg	2	LE1204.37.156
17	SH900.37.203	定位螺栓 POSITIONING BOLT	4	SH900.37.203
18	LE1204.37.157	副变速操纵传递杆 range shift operationg	1	LE1204.37.157
19	SH900.37.181	压簧 PRESSURE SPRING	2	SH900.37.181
20	GBT3452.1-17X2.65-G	O形密封圈 O RING	2	GBT3452.1-17X2.65-G
21	GBT879.1-3X32	销 PIN	1	GBT879.1-3X32
22	SH900.37.185	套筒 SLEEVE	1	SH900.37.185
23	LE1204.37.184	主变速操纵传递杆 main shift operationg	1	LE1204.37.184
24	GBT879.1-5X30	销 PIN	2	GBT879.1-5X30
25	GBT879.1-3X30	销 PIN	2	GBT879.1-3X30
26	QCT388-24	塞块 PLUG PIECE	2	QCT388-24
27	SH900.37.176	变速箱盖 gearbox cover	1	SH900.37.176
28	SH900.37.191	盖 COVER	2	SH900.37.191
29	GBT893.1-40	弹性挡圈 CIRCLIP	2	GBT893.1-40



### A23.37.900.4\_1 变速箱盖总成 (16F+8R 梭式档) COVER ASS.Y(16F+8R shuttle gear)



**技术要求**

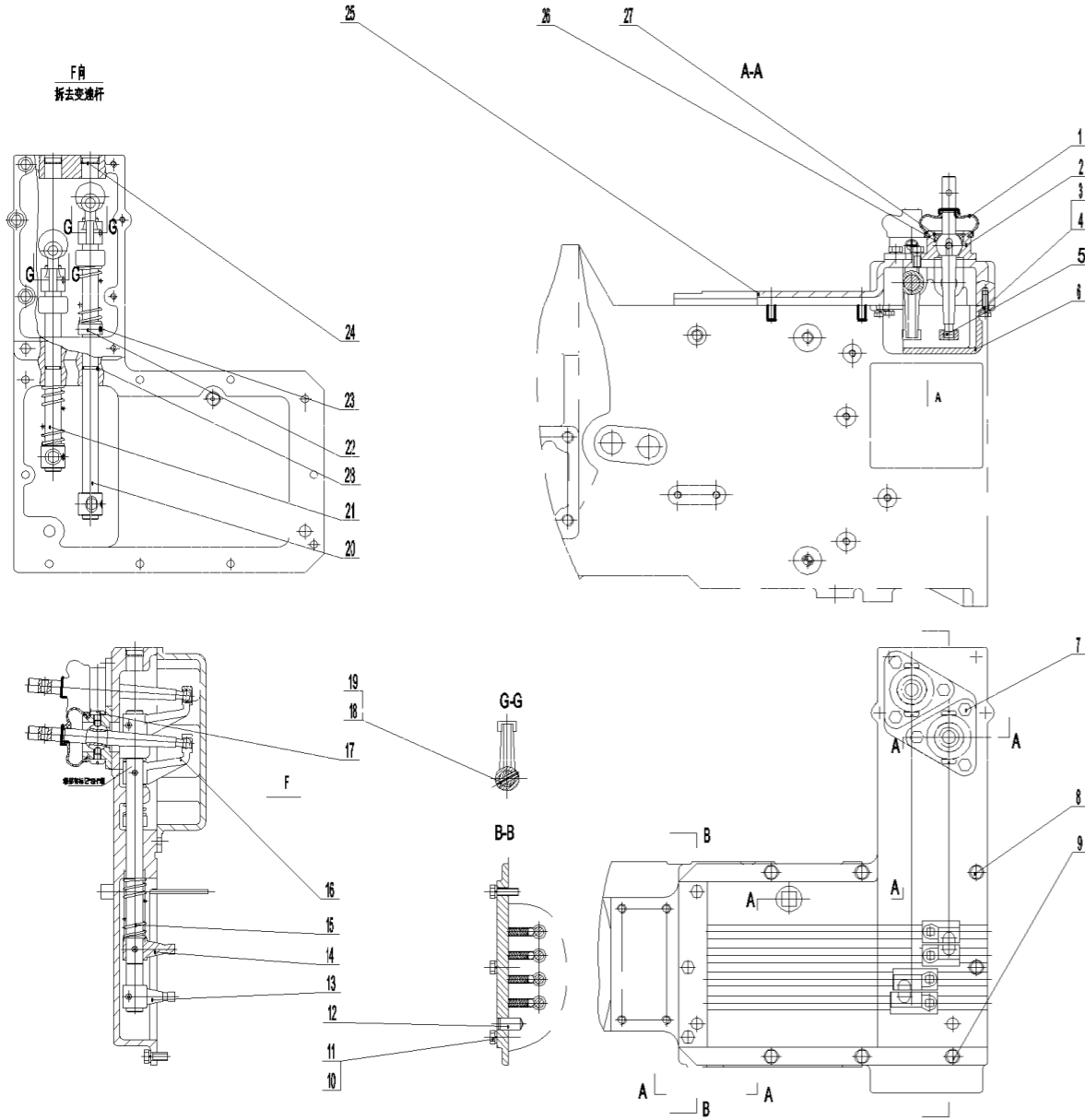
1. 装配前各零件应清洗干净, 无油污、锈迹, 装配时涂防锈油。
2. 装配时各零件应装配到位, 螺栓应拧紧到位。
3. 装配后应检查各零件装配到位, 无异响, 各零件应无松动现象。

23	GBT893.1-40	销轴	2						
28	SH900.37.181	压簧	2						
27	SH900.37.176	衬套	1						操作杆
26	QCT388-24	碗形塞片	2						
25	GBT93-1-3X30	垫圈	2						
24	GBT93-1-5X30	垫圈	2						
23	LE1204.37.184	主变速操纵传递杆	1						操作杆
22	SH900.37.185	套筒	1						操作杆
21	GBT93-1-3X32	垫圈	1						
20	GB13452.1-1987.65-B	衬套	2						
19	SH900.37.181	压簧	2						操作杆
18	LE1204.37.157	副变速操纵传递杆	1						
17	SH900.37.203	定位螺栓	4						
16	LE1204.37.156	换挡拨头	2						操作杆
15	GBT93-1-5X32	垫圈	5						
14	GBT93-1-3X32	垫圈	4						
13	GB119.1-16m6X32	销	2						
12	GB15783-M10X30-A3L	螺栓	3						
11	GB15783-10-A3L	垫圈	16						
10	SH900.37.180	内操纵拨快	2						操作杆
9	2.0114.311.2	螺栓	2						
8	GB15783-M10X25-A3L	螺栓	5						
7	GB15783-M10X20-A3L	螺栓	5						
6	GB15783-B-A3L	垫圈	8						
5	GB15783-M10X20-A2L	螺栓	8						
4	LE1204.37.201	下盖	1						操作杆
3	LE1204.37.150	副变速杆	2						操作杆
2	LE1204.37.153	副变速杆	2						操作杆
1	SH900.37.174	防尘套	2						操作杆

序号	零件编号	零件名称	数量	图号
1	SH900.37.174	防尘套 DUST SLEEVE	2	SH900.37.174
2	LE1204.37.153	副变速变速杆支座 RANGE GEAR	2	LE1204.37.153
3	LE1204.37.150	副变速变速杆支座 DOWN JOYSTICK	2	LE1204.37.150
4	LE1204.37.201	下盖 DOWN COVER	1	LE1204.37.201
5	2.0114.207.2	螺栓 SCREW M8x20	8	2.0114.207.2
6	GBT93-8-A3L	垫圈 WASHER	8	GBT93-8-A3L
7	2.0114.307.2	螺栓 SCREW M10x20	6	2.0114.307.2
8	2.0112.324.2	螺栓 HEX BOLT M10x1.5x75	2	2.0112.324.2
9	2.0114.309.2	螺栓 SCREW M10x25	5	2.0114.309.2
10	SH900.37.180	内操纵拨快 INNER MANIPULATION	2	SH900.37.180
11	GBT93-10-A3L	垫圈 WASHER	16	GBT93-10-A3L
12	2.0114.311.2	螺栓 SCREW M10x30	3	2.0114.311.2
13	GBT119.1-16m6X32	销 PIN	2	GBT119.1-16m6X32
14	2.1630.713.2	重型开槽弹簧式直销 SPRING-TYPE	4	2.1630.713.2
15	2.1630.513.2	重型开槽弹簧式直销 SPRING-TYPE	5	2.1630.513.2
16	LE1204.37.156	换挡拨头 RANGE GEAR OPERATOR	2	LE1204.37.156
17	SH900.37.203	定位螺栓 POSITIONING BOLT	4	SH900.37.203
18	LE1204.37.157	副变速操纵传递杆 RANGE GEAR	1	LE1204.37.157
19	SH900.37.181	压簧 PRESSURE SPRING	2	SH900.37.181
20	2.1630.213.2	弹性圆柱销 SPRING-TYPE STRAIGHT	1	2.1630.213.2
21	SH900.37.185	套筒 SLEEVE	1	SH900.37.185
22	LE1204.37.184	主变速操纵传递杆 MAIN GEAR SHIFT	1	LE1204.37.184
23	2.1630.552.2	重型开槽弹簧式直销 SPRING-TYPE	2	2.1630.552.2
24	2.1630.252.2	重型开槽弹簧式直销 SPRING-TYPE	2	2.1630.252.2
25	QCT388-24	碗形塞片 BOWL TYPE EXPANSION	2	QCT388-24
26	SH900.37.176	变速箱盖 SH900.37.176	1	SH900.37.176
27	SH900.37.191	盖板 COVER	2	SH900.37.191
28	GBT893.1-40	轴用弹性挡圈 CIRCLIPS FOR HOLE	2	GBT893.1-40

COVER ASS.LY  
A23.37.900.4

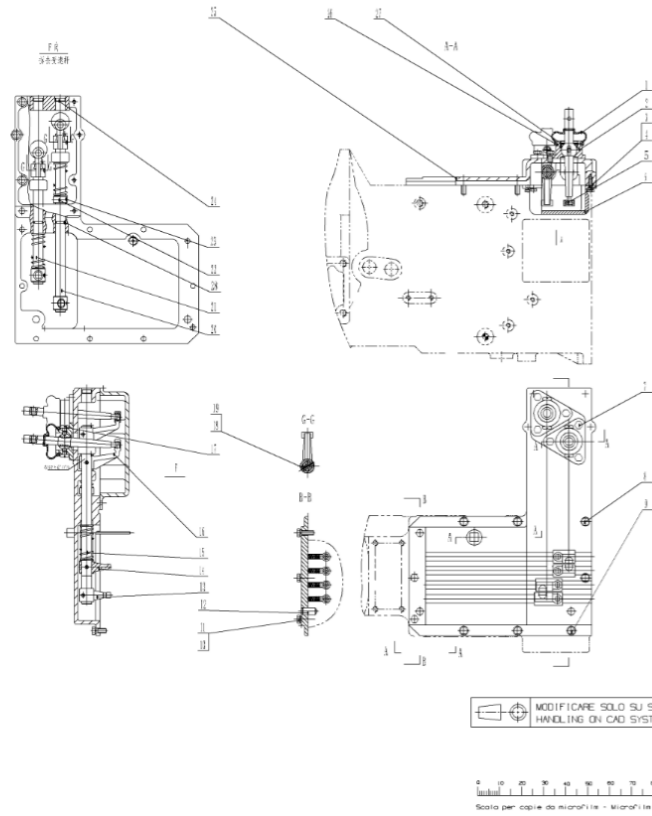
A23.37.904.4 COVER ASS.LY



A23.37.904.4\_0 变速箱盖总成 ( 16F+8R ) COVER ASS.Y ( 16F+8R )

序号	零件编号	零件名称	数量	图号
1	SH900.37.174	防尘套 DUST SLEEVE	2	SH900.37.174
2	SH900.37.175	操纵杆支座 JOYSTICK SUPPORT	2	SH900.37.175
3	GBT5781-M8X20-A3L	螺栓 BOLT	8	GBT5781-M8X20-A3L
4	GBT93-8-A3L	垫圈 WASHER	8	GBT93-8-A3L
5	SH900.37.178/10	变速杆 gear?shift?lever	2	SH900.37.178/10
6	SH900.37.177	盖 COVER	1	SH900.37.177
7	GBT5781-M10X20-A3L	螺栓 BOLT	6	GBT5781-M10X20-A3L
8	GBT5780-M10X75-A3L	螺栓 BOLT	2	GBT5780-M10X75-A3L
9	GBT5781-M10X25-A3L	螺栓 BOLT	5	GBT5781-M10X25-A3L
10	GBT5780-M10X40-A3L	螺栓 BOLT	3	GBT5780-M10X40-A3L
11	GBT93-10-A3L	垫圈 WASHER	16	GBT93-10-A3L
12	GBT119.1-16m6X32	销 PIN	2	GBT119.1-16m6X32
13	SH900.37.208	拨叉头 Fork head	1	SH900.37.208
14	SH900.37.180	拨叉头 Fork head	1	SH900.37.180
15	SH900.37.181	压簧 PRESSURE SPRING	2	SH900.37.181
16	SH900.37.182/10	变速杆操纵拨叉 SHIFT LEVER	2	SH900.37.182/10
17	SH900.37.203	定位螺栓 POSITIONING BOLT	4	SH900.37.203
18	GBT879.1-8X32	销 PIN	4	GBT879.1-8X32
19	GBT879.1-5X32	销 PIN	5	GBT879.1-5X32
20	SH900.37.183-1	副变速操纵传递杆 range shift operationg	1	SH900.37.183-1
21	SH900.37.184-1	主变速操纵传递杆 main shift operationg	1	SH900.37.184-1
22	SH900.37.185	套筒 SLEEVE	1	SH900.37.185
23	GBT879.1-3X32	销 PIN	1	GBT879.1-3X32
24	QCT388-24	塞块 PLUG PIECE	2	QCT388-24
25	SH900.37.176	变速箱盖 gearbox cover	1	SH900.37.176
26	SH900.37.191	盖 COVER	2	SH900.37.191
27	GBT893.1-40	弹性挡圈 CIRCLIP	2	GBT893.1-40
28	GBT3452.1-17X2.65-G	O形密封圈 O RING	2	GBT3452.1-17X2.65-G

## A23.37.904.4\_1 变速箱盖总成 ( 16F+8R ) COVER ASS.Y ( 16F+8R )



### 技术要求

1. 装配前各零件清洗干净, 无油污、杂质, 装配前在油中清洗油腔;
2. 密封面涂平密封胶时, 橡胶密封件按图装配;
3. 装配后先使操纵杆保持慢速自如、可靠; 再进行其他各项调试。

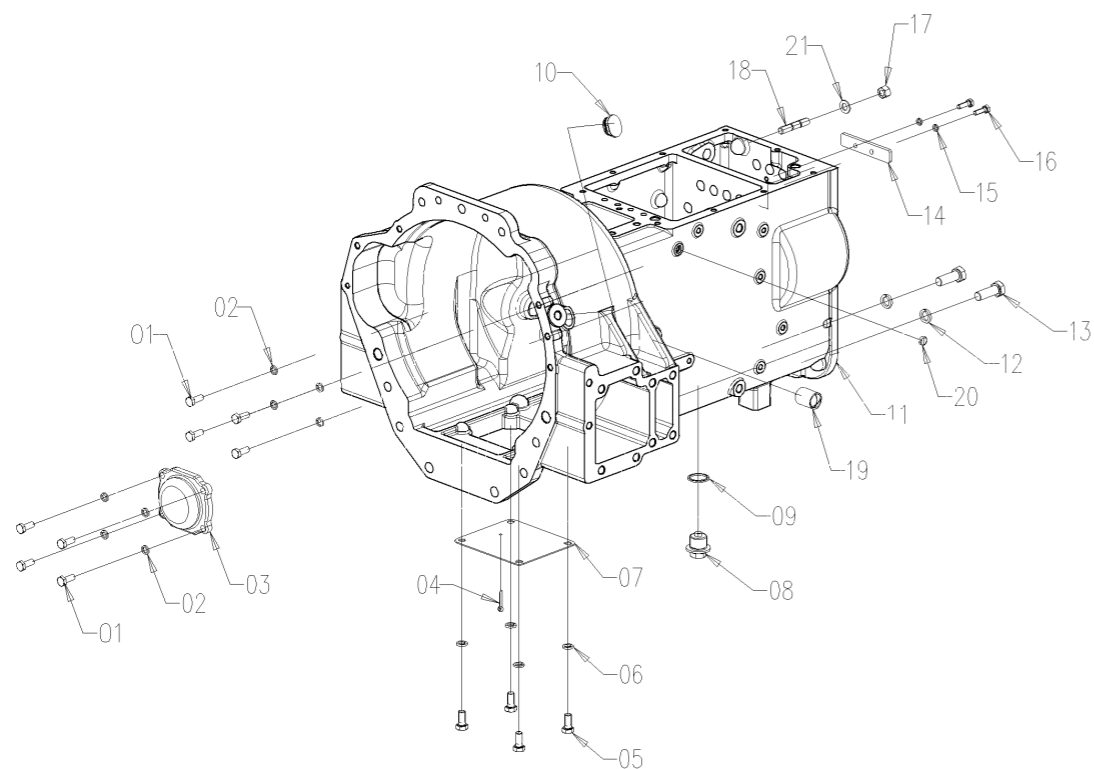
序号	零件编号	零件名称	数量	图号
1	SH900.37.174	防尘套 DUST SLEEVE	2	SH900.37.174
2	SH900.37.175	操纵杆支座 JOYSTICK SUPPORT	2	SH900.37.175
3	2.0114.207.2	螺栓 SCREW M8x20	8	2.0114.207.2
4	GBT93-8-A3L	垫圈 WASHER	8	GBT93-8-A3L
5	SH900.37.178/10	下操纵杆 SHIFT LEVER	2	SH900.37.178/10
6	SH900.37.177	盖 COVER	1	SH900.37.177
7	2.0114.307.2	螺栓 SCREW M10x20	6	2.0114.307.2
8	2.0112.324.2	六角螺栓 HEX BOLT M10x1.5x75	2	2.0112.324.2
9	2.0114.309.2	螺栓 SCREW M10x25	5	2.0114.309.2
10	2.0114.313.2	螺栓 SCREW M10x35	3	2.0114.313.2
11	GBT93-10-A3L	垫圈 WASHER	16	GBT93-10-A3L
12	GBT119.1-16m6X32	销 PIN	2	GBT119.1-16m6X32
13	SH900.37.208	拨叉头 INNER CONTROL PULL HEAD	1	SH900.37.208
14	SH900.37.180	内操纵拨块 INNER MANIPULATION	1	SH900.37.180
15	SH900.37.181	压簧 PRESSURE SPRING	2	SH900.37.181
16	SH900.37.182/10	变速杆控制叉 SHIFT LEVER	2	SH900.37.182/10
17	SH900.37.203	定位螺栓 POSITIONING BOLT	4	SH900.37.203
18	2.1630.713.2	重型开槽弹簧式直销 SPRING-TYPE	4	2.1630.713.2
19	2.1630.513.2	重型开槽弹簧式直销 SPRING-TYPE	5	2.1630.513.2
20	SH900.37.183-1	副变速操纵传递杆 AUXILIARY	1	SH900.37.183-1
21	SH900.37.184-1	主变速操纵传递杆 MAIN	1	SH900.37.184-1
22	SH900.37.185	套筒 SLEEVE	1	SH900.37.185
23	2.1630.213.2	弹性圆柱销 SPRING-TYPE STRAIGHT	1	2.1630.213.2
24	QCT388-24	碗形塞片 BOWL TYPE EXPANSION	2	QCT388-24
25	SH900.37.176	变速箱盖 SH900.37.176	1	SH900.37.176
26	SH900.37.191	盖板 COVER	2	SH900.37.191
27	GBT893.1-40	轴用弹性挡圈 CIRCLIPS FOR HOLE	2	GBT893.1-40

Disegnato - Drawn	14/11/2017	Disegnato - Drawn	14/11/2017
Modificato - Modified	15/11/2017	Modificato - Modified	15/11/2017
Approvato - Approved	15/11/2017	Approvato - Approved	15/11/2017
Disegnato - Drawn	15/11/2017	Disegnato - Drawn	15/11/2017
Modificato - Modified	15/11/2017	Modificato - Modified	15/11/2017
Approvato - Approved	15/11/2017	Approvato - Approved	15/11/2017
Disegnato - Drawn	15/11/2017	Disegnato - Drawn	15/11/2017
Modificato - Modified	15/11/2017	Modificato - Modified	15/11/2017
Approvato - Approved	15/11/2017	Approvato - Approved	15/11/2017

COVER ASS.LY

A23.37.904.4

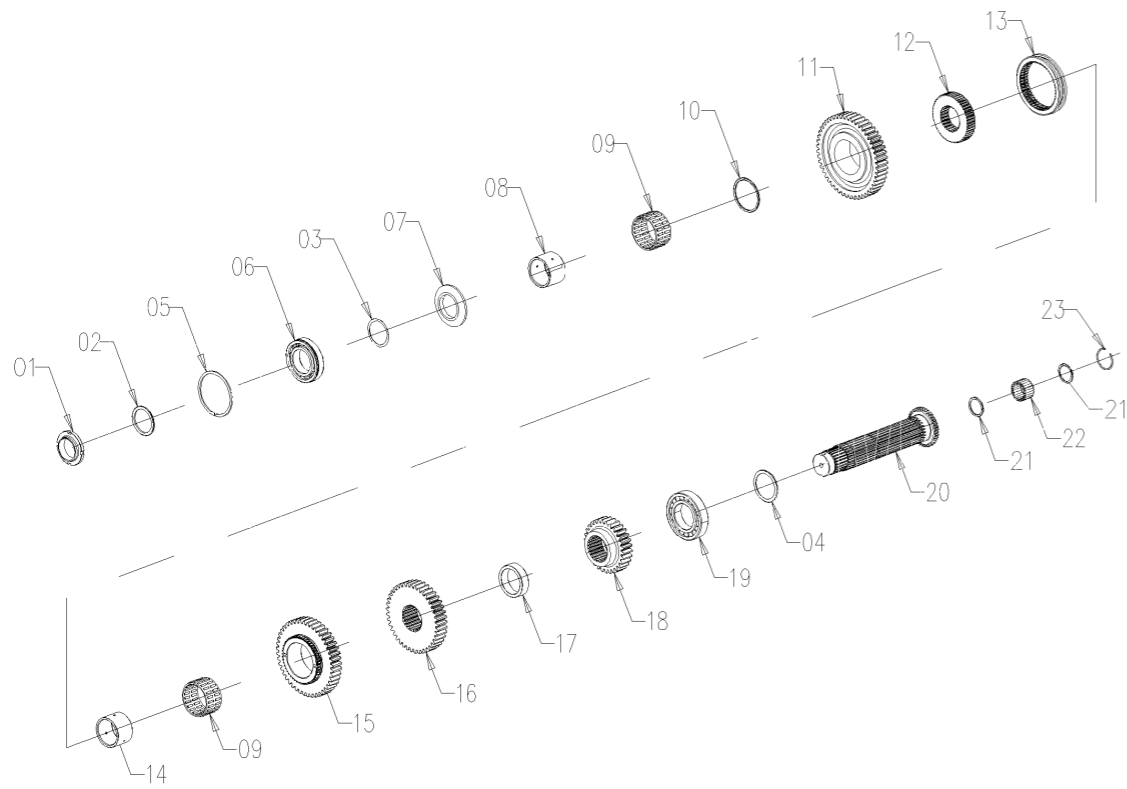
序号	零件编号	零件名称	数量	图号
1	SH900.37.174	防尘套 DUST SLEEVE	2	SH900.37.174
2	SH900.37.175	操纵杆支座 JOYSTICK SUPPORT	2	SH900.37.175
3	2.0114.207.2	螺栓 SCREW M8x20	8	2.0114.207.2
4	GBT93-8-A3L	垫圈 WASHER	8	GBT93-8-A3L
5	SH900.37.178/10	下操纵杆 SHIFT LEVER	2	SH900.37.178/10
6	SH900.37.177	盖 COVER	1	SH900.37.177
7	2.0114.307.2	螺栓 SCREW M10x20	6	2.0114.307.2
8	2.0112.324.2	六角螺栓 HEX BOLT M10x1.5x75	2	2.0112.324.2
9	2.0114.309.2	螺栓 SCREW M10x25	5	2.0114.309.2
10	2.0114.313.2	螺栓 SCREW M10x35	3	2.0114.313.2
11	GBT93-10-A3L	垫圈 WASHER	16	GBT93-10-A3L
12	GBT119.1-16m6X32	销 PIN	2	GBT119.1-16m6X32
13	SH900.37.208	拨叉头 INNER CONTROL PULL HEAD	1	SH900.37.208
14	SH900.37.180	内操纵拨块 INNER MANIPULATION	1	SH900.37.180
15	SH900.37.181	压簧 PRESSURE SPRING	2	SH900.37.181
16	SH900.37.182/10	变速杆控制叉 SHIFT LEVER	2	SH900.37.182/10
17	SH900.37.203	定位螺栓 POSITIONING BOLT	4	SH900.37.203
18	2.1630.713.2	重型开槽弹簧式直销 SPRING-TYPE	4	2.1630.713.2
19	2.1630.513.2	重型开槽弹簧式直销 SPRING-TYPE	5	2.1630.513.2
20	SH900.37.183-1	副变速操纵传递杆 AUXILIARY	1	SH900.37.183-1
21	SH900.37.184-1	主变速操纵传递杆 MAIN	1	SH900.37.184-1
22	SH900.37.185	套筒 SLEEVE	1	SH900.37.185
23	2.1630.213.2	弹性圆柱销 SPRING-TYPE STRAIGHT	1	2.1630.213.2
24	QCT388-24	碗形塞片 BOWL TYPE EXPANSION	2	QCT388-24
25	SH900.37.176	变速箱盖 SH900.37.176	1	SH900.37.176
26	SH900.37.191	盖板 COVER	2	SH900.37.191
27	GBT893.1-40	轴用弹性挡圈 CIRCLIPS FOR HOLE	2	GBT893.1-40



A23.37.910.4 FRONT BOX ACCESSORY ASS.Y

### A23.37.910.4\_1 前箱附件总成FRONT BOX ACCESSORY ASS.Y

序号	零件编号	零件名称	数量	图号
1	GBT5783-M10X25-A3L	螺栓 BOLT	8	GBT5783-M10X25-A3L
2	GBT93-10-A3L	垫圈 WASHER	8	GBT93-10-A3L
3	SH900.37.106	从动轴端盖 DRIVEN SHAFT END	1	SH900.37.106
4	GBT91-5X25-A3L	销 PIN	1	GBT91-5X25-A3L
5	GBT5783-M12X25-A3L	螺栓 BOLT	4	GBT5783-M12X25-A3L
6	GBT93-12-A3L	垫圈 WASHER	4	GBT93-12-A3L
7	SH900.37.154	盖 COVER	1	SH900.37.154
8	SH900.37.016/10	排油螺塞 OIL DRAINAGE SCREW	1	SH900.37.016/10
9	JBT982-30	密封环 SEALING RINGS	1	JBT982-30
10	SH900.37.216	橡胶塞 RUBBER STOPPER	1	SH900.37.216
11	CD904A.37.101/10	前板 FRONT BOX	1	CD904A.37.101/10
12	GBT93-16-A3L	垫圈 WASHER	2	GBT93-16-A3L
13	GBT5783-M16X45-10.9-	螺栓 BOLT	2	GBT5783-M16X45-10.9-A3L
14	SH900.37.104	限制板 LIMIT PLATE	1	SH900.37.104
15	GBT93-8-A3L	垫圈 WASHER	2	GBT93-8-A3L
16	GBT5783-M8X25-A2L	螺栓 BOLT	2	GBT5783-M8X25-A2L
17	GBT6176-M12X1.5-10-A3L	螺母 NUT	10	GBT6176-M12X1.5-10-A3L
18	GBT900-AM12X1.5X40-	螺柱 STUD	10	GBT900-AM12X1.5X40-10.9-A3L
19	SH900.37.105	分离叉轴衬套 SEPARATION FORK	4	SH900.37.105
20	QCT388-14	碗形膨胀塞 BOWL TYPE WXPANSION	1	QCT388-14
21	2.1475.004.7	锥形垫圈M12 CONICAL WASHERS	10	2.1475.004.7

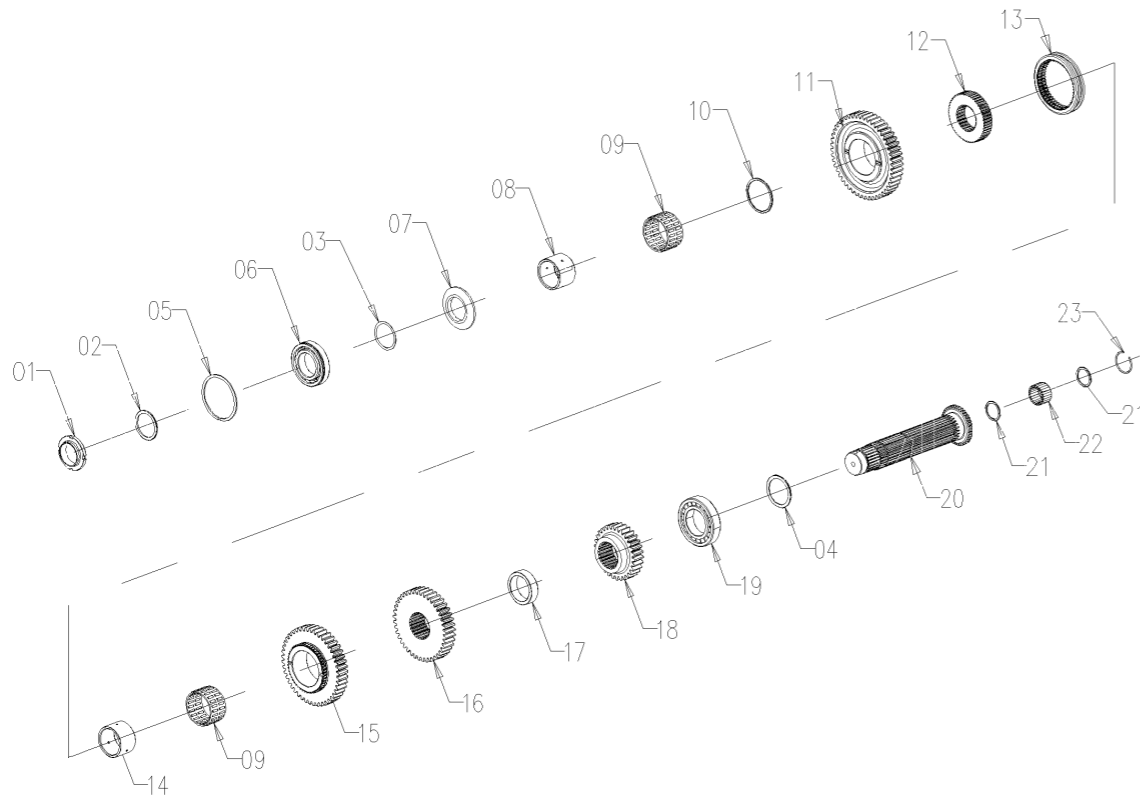


A23.37.913.4 MAIN GEARS ASS.Y

### A23.37.913.4\_1 主变速齿轮总成 (16F+8R 梭式档) MAIN GEARS ASS.Y(16F+8R shuttle gear)

序号	零件编号	零件名称	数量	图号
1	LE1204.37.203	锁紧螺母 LOCK NUT	1	LE1204.37.203
2	A23.37.007.0	隔圈 SPACER	1	A23.37.007.0
3	SH900.37.152	垫片 SHIM	0	SH900.37.152
4	A23.37.008.0	隔圈 SPACER	1	A23.37.008.0
5	GBT305-90/96.5	卡环 SNAP RING	1	GBT305-90/96.5
6	GBT276-6210N/P6	轴承 BEARING	1	GBT276-6210N/P6
7	SH900.37.151	中间轴止腿推环 CHECK THE LEG	1	SH900.37.151
8	SH900.37.149	滚针内环43.5 43.5 INNER RING	1	SH900.37.149
9	JBT7918-K64X74X41ZW	轴承 BEARING	2	JBT7918-K64X74X41ZW
10	A23.37.002.0	滚针隔套 NEEDLE SPACER	1	A23.37.002.0
11	SH900.37.107	第一速度齿轮 FIRST GEAR	1	SH900.37.107
12	SH900.41.121	变速啮合齿轮 GEAR MESHING GEAR	1	SH900.41.121
13	SH900.37.111	齿轮啮合套 GEAR	1	SH900.37.111
14	SH900.37.109	滚针内环41.5 41.5 INNER RING	1	SH900.37.109
15	SH900.37A.113	档齿轮从动齿轮 GEAR DRIVEN	1	SH900.37A.113
16	SH900.37A.112	档从动齿轮 GEAR DRIVEN GEAR	1	SH900.37A.112
17	SH900.37.145	档隔套 GEAR SLEEVE	1	SH900.37.145
18	SH900.37A.110	档从动齿轮 GEAR DRIVEN GEAR	1	SH900.37A.110
19	GBT283-NUP211E	轴承 BEARING	1	GBT283-NUP211E
20	LE1204.37.137/30	中心轴 INTERMEDIATE SHAFT	1	LE1204.37.137/30
21	LE1204.37.211	垫圈 WASHER	2	LE1204.37.211
22	GBT309-P5X23.8-G2-3-5	滚针 NEEDLE ROLLER	23	GBT309-P5X23.8-G2-3-5
23	GBT895.1-42	花键套 RING	1	GBT895.1-42

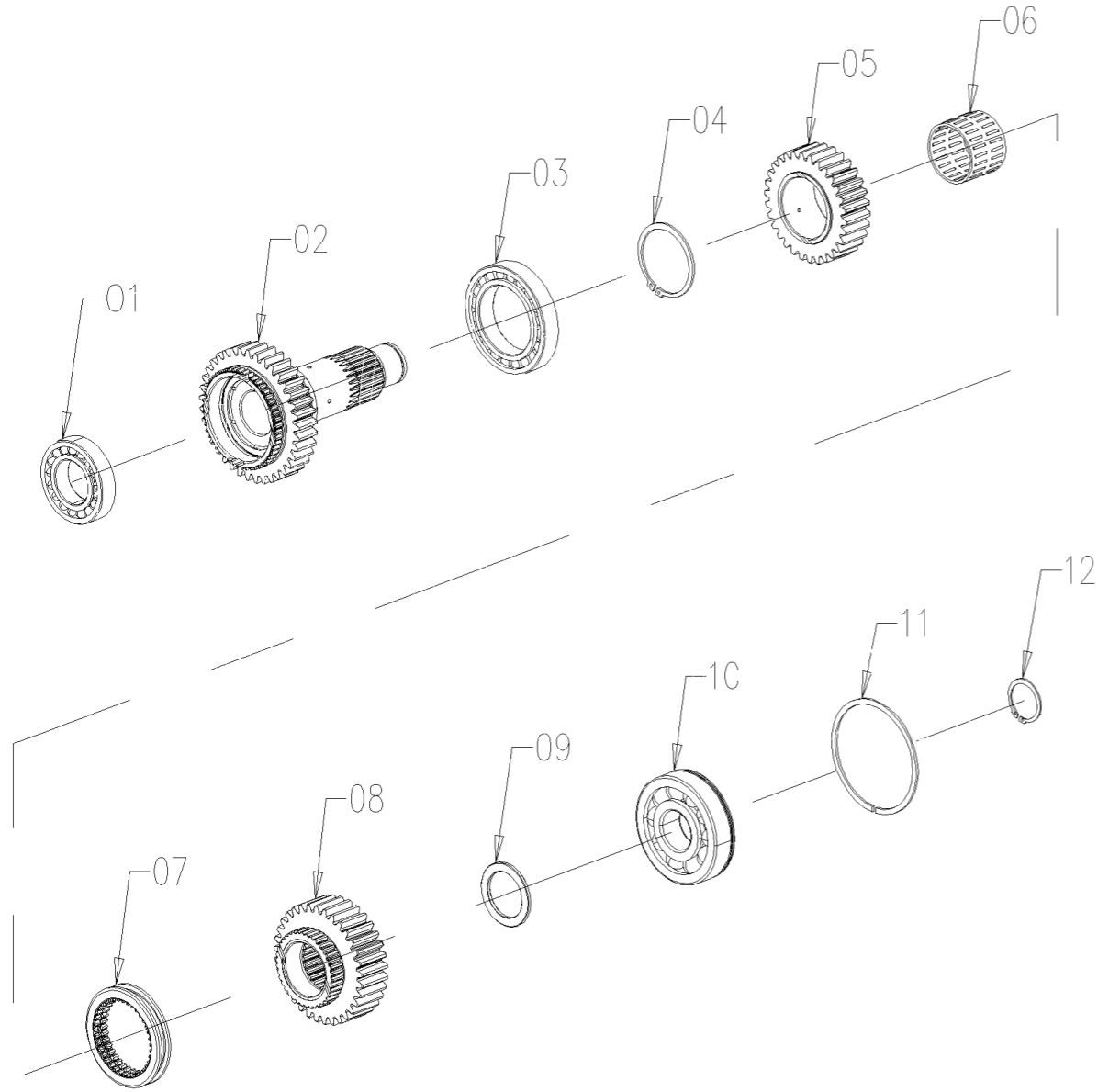
A23.37.913.4 MAIN GEARS ASS.Y



A23.37.913.4\_2 主变速齿轮总成 (16F+8R 梭式档) MAIN GEARS ASS.Y(16F+8R shuttle gear)

序号	零件编号	零件名称	数量	图号
1	LE1204.37.203	锁紧螺母 LOCK NUT	1	LE1204.37.203
2	A23.37.007.0	隔圈 SPACER	1	A23.37.007.0
3	SH900.37.152	垫片 SHIM	0	SH900.37.152
4	A23.37.008.0	隔圈 SPACER	1	A23.37.008.0
5	GBT305-90/96.5	卡环 SNAP RING	1	GBT305-90/96.5
6	GBT276-6210N/P6	轴承 BEARING	1	GBT276-6210N/P6
7	SH900.37.151	中间轴止腿推环 CHECK THE LEG	1	SH900.37.151
8	SH900.37.149	滚针内环43.5 43.5 INNER RING	1	SH900.37.149
9	JBT7918-K64X74X41ZW	轴承 BEARING	2	JBT7918-K64X74X41ZW
10	A23.37.002.0	滚针隔套 NEEDLE SPACER	1	A23.37.002.0
11	SH900.37.107	第一速度齿轮 FIRST GEAR	1	SH900.37.107
12	SH900.41.121	变速啮合齿轮 GEAR MESHING GEAR	1	SH900.41.121
13	SH900.37.111	齿轮啮合套 GEAR	1	SH900.37.111
14	SH900.37.109	滚针内环41.5 41.5 INNER RING	1	SH900.37.109
15	SH900.37A.113	档齿轮从动齿轮 GEAR DRIVEN	1	SH900.37A.113
16	SH900.37A.112	档从动齿轮 GEAR DRIVEN GEAR	1	SH900.37A.112
17	SH900.37.145	档隔套 GEAR SLEEVE	1	SH900.37.145
18	SH900.37A.110	档从动齿轮 GEAR DRIVEN GEAR	1	SH900.37A.110
19	GBT283-NUP211E	轴承 BEARING	1	GBT283-NUP211E
20	LE1204.37.137/30	中心轴 INTERMEDIATE SHAFT	1	LE1204.37.137/30
21	LE1204.37.211	垫圈 WASHER	2	LE1204.37.211
22	GBT309-P5X23.8-G2-3-5	滚针 NEEDLE ROLLER	23	GBT309-P5X23.8-G2-3-5
23	GBT895.1-42	花键套 RING	1	GBT895.1-42

# A23.37.914.4 RANGE GEARS ASS.Y



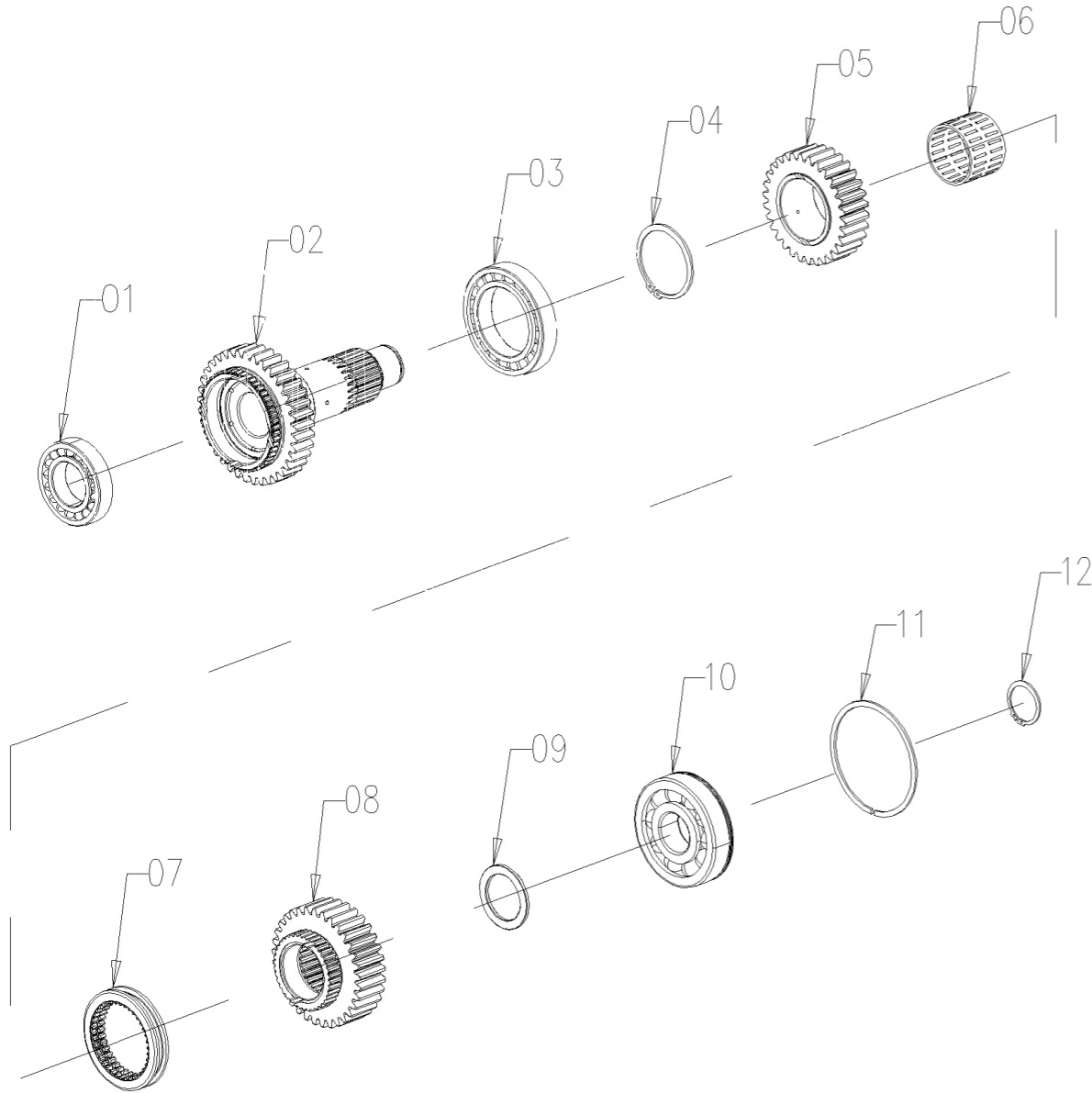
## A23.37.914.4\_0 副变速齿轮总成 (16F+8R 梭式档) RANGE GEARS ASS.Y(16F+8R shuttle gear)

序号	零件编号	零件名称	数量	图号
1	GBT288-20209	轴承 BEARING	1	GBT288-20209
2	SH900.37A.107	梭式换挡中间轴 SHUTTLE TYPE	1	SH900.37A.107
3	GBT283-NUP1014M	轴承 BEARING	1	GBT283-NUP1014M
4	GBT894.1-70	弹性挡圈 CIRCLIP	1	GBT894.1-70
5	SH900.37A.104	副变速低档主动齿轮 AUXILIARY	1	SH900.37A.104
6	JBT7918-K55X62X46ZW	轴承 BEARING	1	JBT7918-K55X62X46ZW
7	LE1204.37.114	副变速套筒 RANGE LOW SHIFT	1	LE1204.37.114
8	SH900.37A.106	梭式换挡主动齿轮 SHUTTLE TYPE	1	SH900.37A.106
9	SH900.37A.121	中间环 INTERMEDIATE RING	1	SH900.37A.121
10	GBT276-6408N	轴承 BEARING	1	GBT276-6408N
11	GBT305-110/116.6	挡圈 CHECK RING	1	GBT305-110/116.6
12	GBT894.1-40	弹性挡圈 CIRCLIP	1	GBT894.1-40

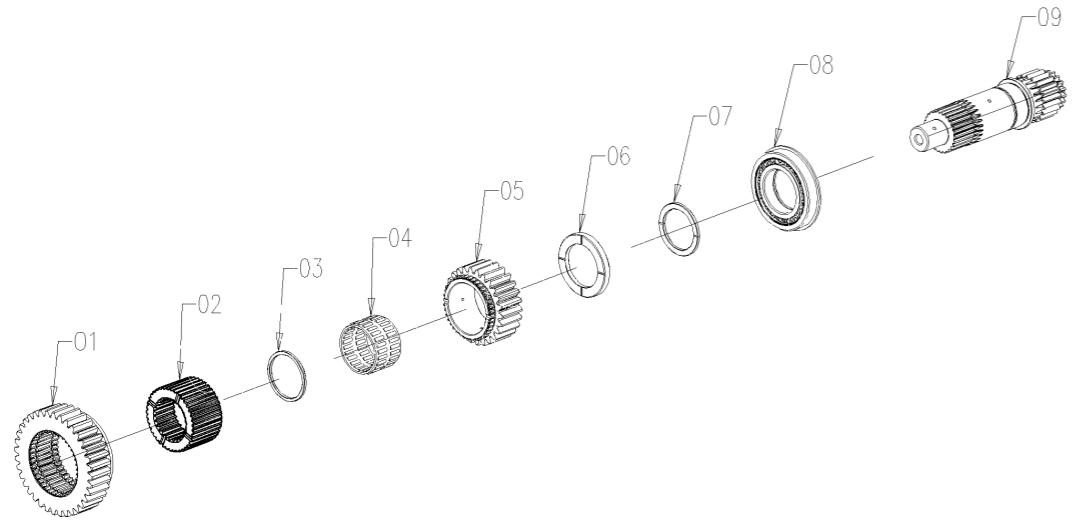
# A23.37.914.4 RANGE GEARS ASS.Y

## A23.37.914.4\_1 副变速齿轮总成 (16F+8R 梭式档) RANGE GEARS ASS.Y(16F+8R shuttle gear)

序号	零件编号	零件名称	数量	图号
1	GBT288-20209	轴承 BEARING	1	GBT288-20209
2	SH900.37A.107	梭式换挡中间轴 SHUTTLE TYPE	1	SH900.37A.107
3	GBT283-NUP1014M	轴承 BEARING	1	GBT283-NUP1014M
4	GBT894.1-70	弹性挡圈 CIRCLIP	1	GBT894.1-70
5	SH900.37A.104	副变速低档主动齿轮 AUXILIARY	1	SH900.37A.104
6	JBT7918-K55X62X46ZW	轴承 BEARING	1	JBT7918-K55X62X46ZW
7	LE1204.37.114	副变速套筒 RANGE LOW SHIFT	1	LE1204.37.114
8	SH900.37A.106	梭式换挡主动齿轮 SHUTTLE TYPE	1	SH900.37A.106
9	SH900.37A.121	中间环 INTERMEDIATE RING	1	SH900.37A.121
10	GBT276-6408N	轴承 BEARING	1	GBT276-6408N
11	GBT305-110/116.6	挡圈 CHECK RING	1	GBT305-110/116.6
12	GBT894.1-40	弹性挡圈 CIRCLIP	1	GBT894.1-40







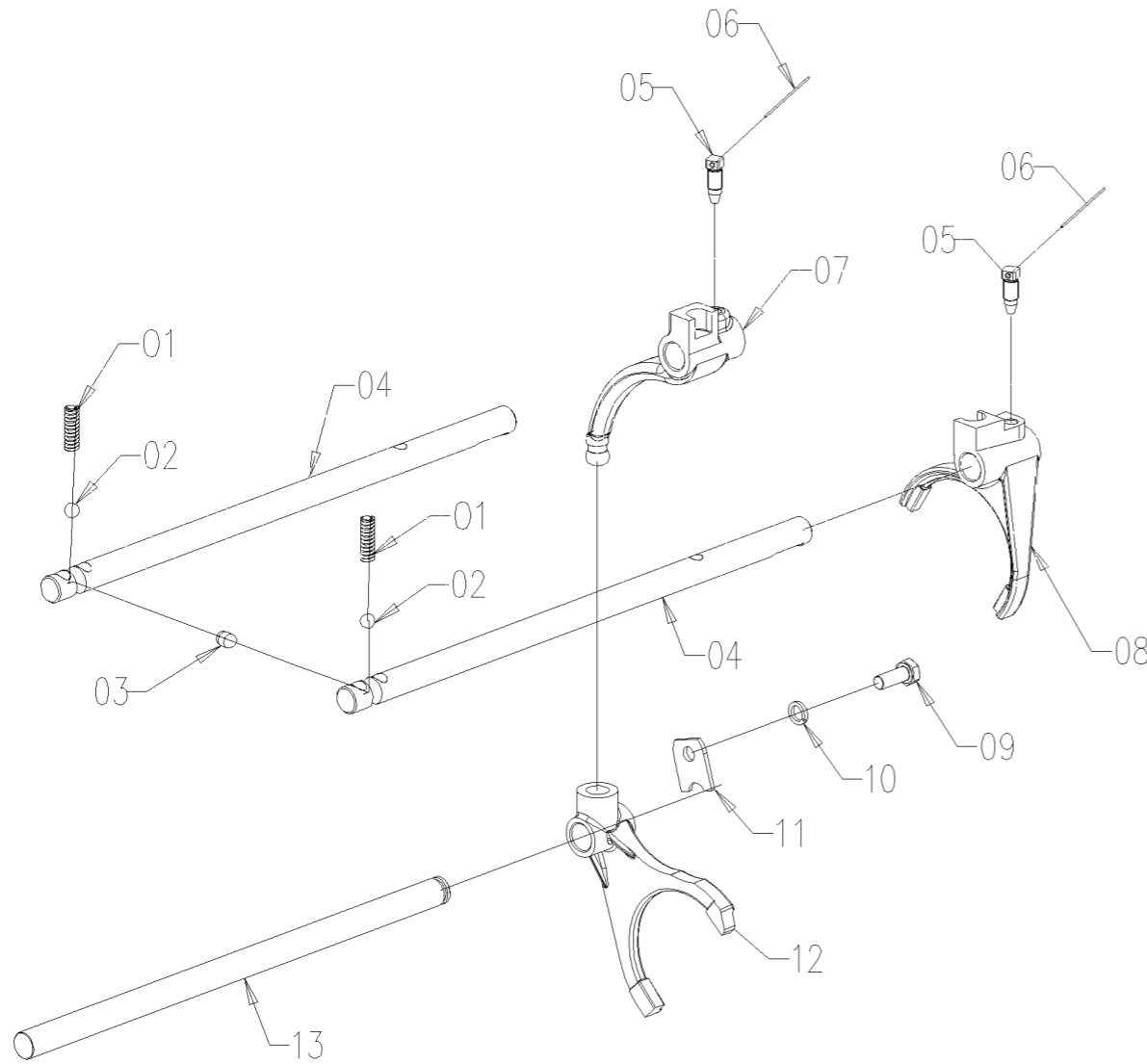
A23.37.915.4 OUTPUT SHAFT ASS.Y

### A23.37.915.4\_2 输出轴总成 (16F+8R 梭式档) OUTPUT SHAFT ASS.Y(16F+8R shuttle gear)

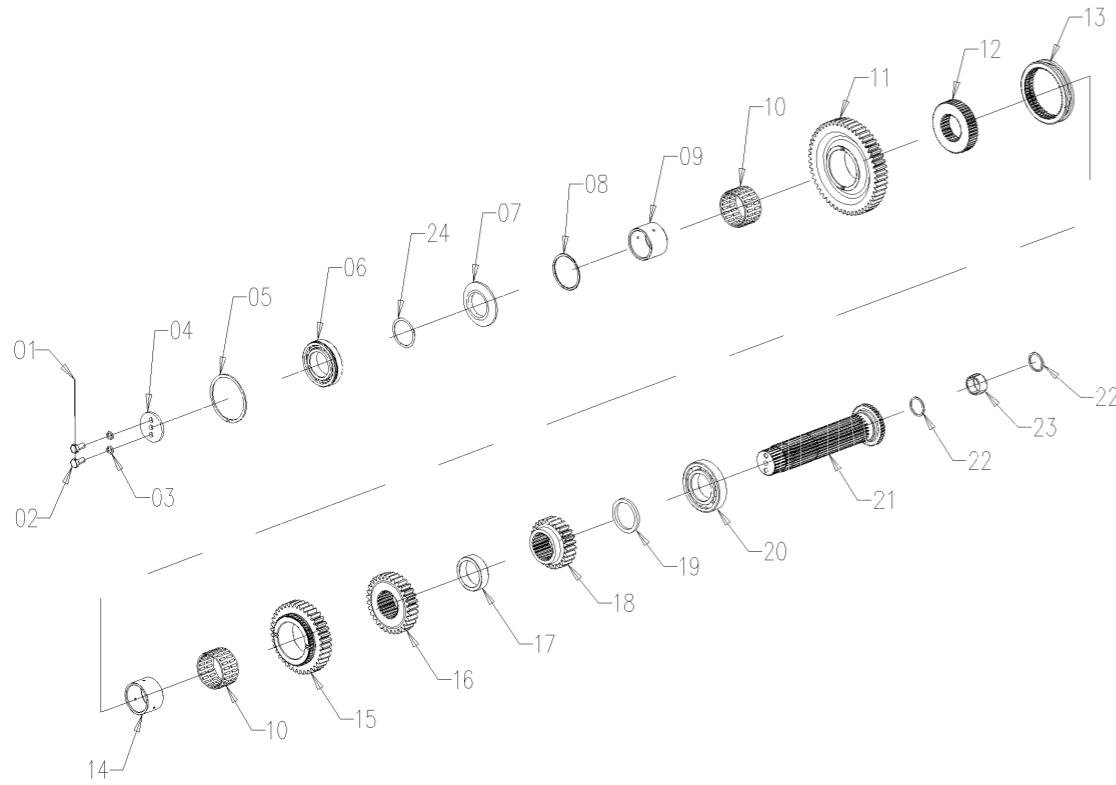
序号	零件编号	零件名称	数量	图号
1	SH900.37A.108	梭式换档啮合套 SHUTTLE TYPE GEAR	1	SH900.37A.108
2	LE1204.37.140	副变速从动齿座 RANGE MESHING	1	LE1204.37.140
3	LE1204.37.141	滚针隔套 NEEDLE SLEEVE	1	LE1204.37.141
4	JBT7918-K55X65X43ZW	轴承 BEARING	1	JBT7918-K55X65X43ZW
5	SH900.37A.114	梭式换档从动齿轮 SHUTTLE TYPE	1	SH900.37A.114
6	SH900.37A.116	止推环 THRUST RING RETAINER	1	SH900.37A.116
7	LE1204.37.144	止推环 THRUST COLLAR	1	LE1204.37.144
8	LE1204.37.205	圆柱滚子轴承NUP211E CRLINDRICAL	1	LE1204.37.205
9	LE1204.37.145/30	输出轴 OUTPUT SHAFT	1	LE1204.37.145/30

# A23.37.917.4 RANGE SHIFT ASS.Y

## A23.37.917.4\_0 副变速换挡总成 (16F+8R 梭式档) RANGE SHIFT ASS.Y(16F+8R shuttle gear)



序号	零件编号	零件名称	数量	图号
1	SH900.37.135A	定位弹簧 POSITIONING SPRING	2	SH900.37.135A
2	GBT308-10-G100-b	球 BALL	2	GBT308-10-G100-b
3	SH900.37.159	互锁销 INTERLOCK PIN	1	SH900.37.159
4	SH900.37.158	副变速拨叉轴 AUXILIARY GEAR	2	SH900.37.158
5	SH900.38.110	紧定螺钉 SET SCREW	2	SH900.38.110
6	YBT5294-SZ-F-1.4	低碳钢丝 LOW CARBON STEEL WIRE	2	YBT5294-SZ-F-1.4
7	LE1204.37.165	梭式换挡拨杆 SHUTTLE TYPE SHIFT	1	LE1204.37.165
8	LE1204.37.188-1	副变速拨叉 RANGE GEAR LOWER	1	LE1204.37.188-1
9	GBT5783-M10X25-A3L	螺栓 BOLT	1	GBT5783-M10X25-A3L
10	GBT93-10-A3L	垫圈 WASHER	1	GBT93-10-A3L
11	SH900.37.119	锁片II LOCK II	1	SH900.37.119
12	LE1204.37.166-1	副变速叉 RANGE GEAR SHIFTING	1	LE1204.37.166-1
13	SH900.37.125	拨叉轴 FORK ROD	1	SH900.37.125

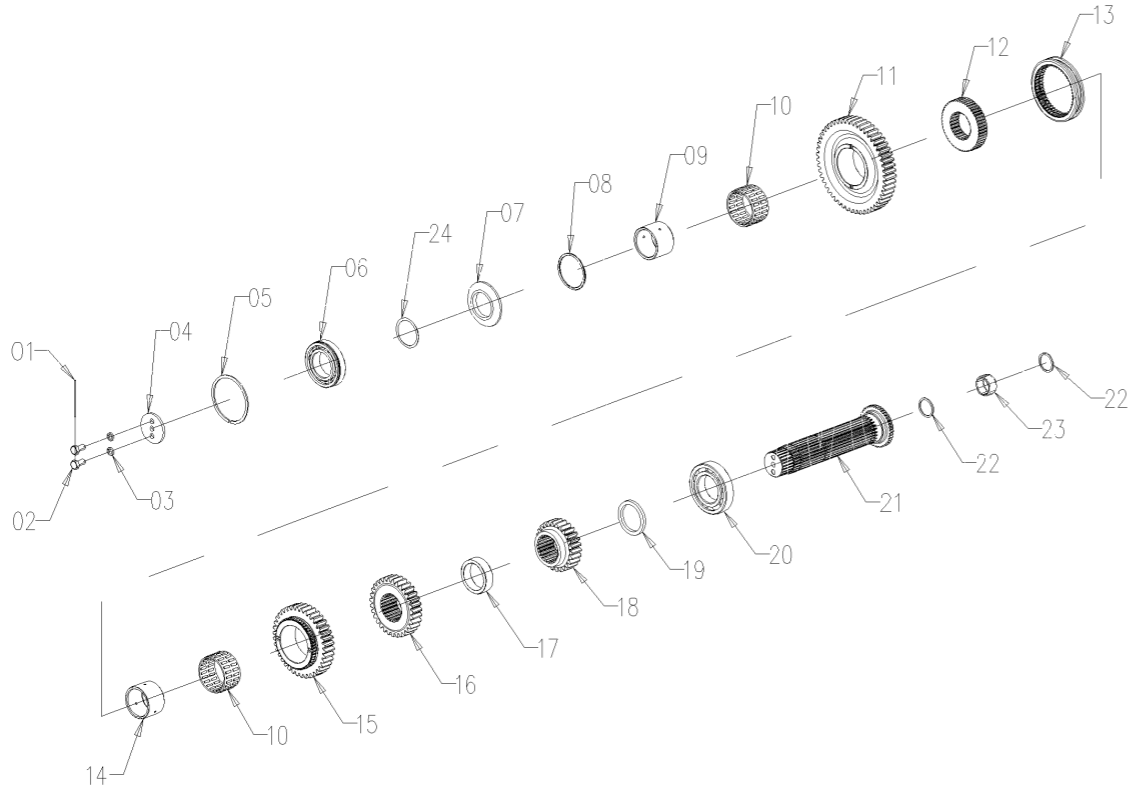


A23.37.923.4 MAIN GEARS ASS.Y

### A23.37.923.4\_0 主变速齿轮总成 (16F+8R 微爬档) MAIN GEARS ASS.Y(16F+8R micro crawl gear)

序号	零件编号	零件名称	数量	图号
1	YBT5294-SZ-F-1.4	低碳钢丝 LOW CARBON STEEL WIRE	1	YBT5294-SZ-F-1.4
2	GBT32.1-M10X20-A3L	螺栓 BOLT	2	GBT32.1-M10X20-A3L
3	GBT93-10-A3L	垫圈 WASHER	2	GBT93-10-A3L
4	SH900.37.153	挡板 BAFFLE	1	SH900.37.153
5	GBT305-90/96.5	卡环 SNAP RING	1	GBT305-90/96.5
6	GBT276-6210N/P6	轴承 BEARING	1	GBT276-6210N/P6
7	SH900.37.151	中间轴止腿推环 CHECK THE LEG	1	SH900.37.151
8	A23.37.002.0	滚针隔套 NEEDLE SPACER	1	A23.37.002.0
9	SH900.37.149	滚针内环43.5 43.5 INNER RING	1	SH900.37.149
10	JBT7918-K64X74X41ZW	轴承 BEARING	2	JBT7918-K64X74X41ZW
11	SH900.37B.102	齿轮 GEAR	1	SH900.37B.102
12	SH900.41.121	啮合座 GEAR MESHING GEAR	1	SH900.41.121
13	SH900.37.111	齿轮啮合套 、 GEAR	1	SH900.37.111
14	SH900.37.109	滚针内环41.5 41.5 INNER RING	1	SH900.37.109
15	SH900.37B.104	齿轮 GEAR	1	SH900.37B.104
16	SH900.37B.106	齿轮 GEAR	1	SH900.37B.106
17	SH900.37.145	、 档隔套 、 GEAR SLEEVE	1	SH900.37.145
18	SH900.37B.108	齿轮 GEAR	1	SH900.37B.108
19	SH900.37.143	隔套 SLEEVE	1	SH900.37.143
20	GBT276-6211	轴承 BEARING	1	GBT276-6211
21	SH900.37.148	花键轴 COUNTER SHAFT	1	SH900.37.148
22	SH900.37.142	滚针隔套 NEEDLE SLEEVE	2	SH900.37.142
23	JBT7918-K32X39X20	轴承 BARING	1	JBT7918-K32X39X20
24	SH900.37.152	垫片 SHIM	0	SH900.37.152

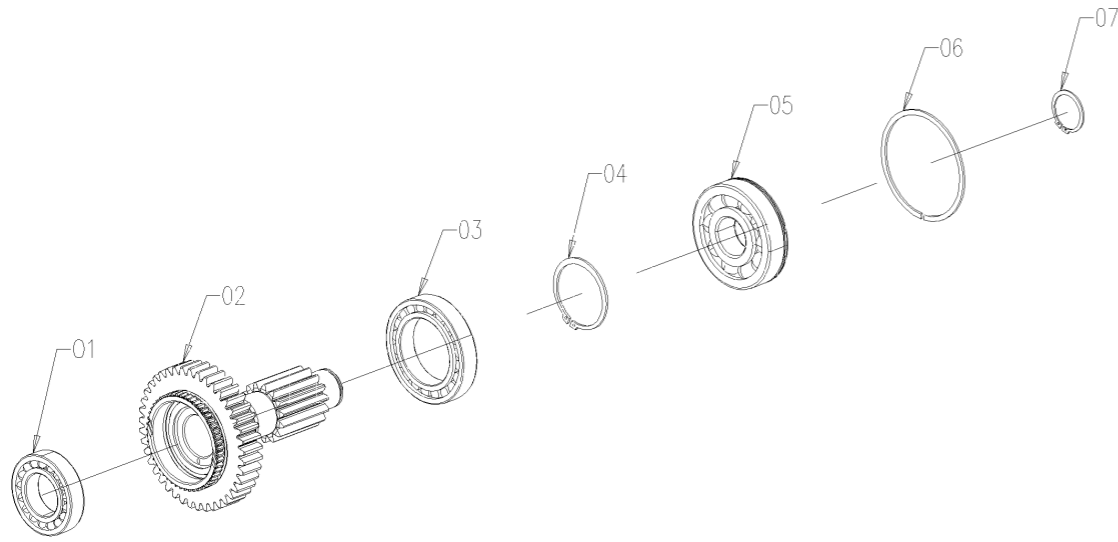
A23.37.923.4 MAIN GEARS ASS.Y



A23.37.923.4\_1 主变速齿轮总成 (16F+8R 微爬档) MAIN GEARS ASS.Y(16F+8R micro crawl gear)

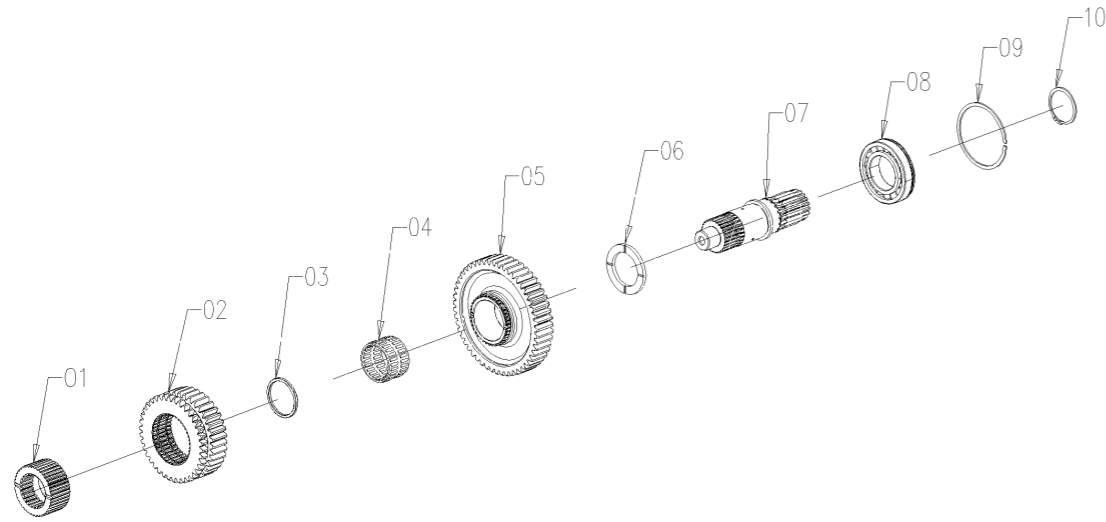
序号	零件编号	零件名称	数量	图号
1	YBT5294-SZ-F-1.4	低碳钢丝 LOW CARBON STEEL WIRE	1	YBT5294-SZ-F-1.4
2	GBT32.1-M10X20-A3L	螺栓 BOLT	2	GBT32.1-M10X20-A3L
3	GBT93-10-A3L	垫圈 WASHER	2	GBT93-10-A3L
4	SH900.37.153	挡板 BAFFLE	1	SH900.37.153
5	GBT305-90/96.5	卡环 SNAP RING	1	GBT305-90/96.5
6	GBT276-6210N/P6	轴承 BEARING	1	GBT276-6210N/P6
7	SH900.37.151	中间轴止腿推环 CHECK THE LEG	1	SH900.37.151
8	A23.37.002.0	滚针隔套 NEEDLE SPACER	1	A23.37.002.0
9	SH900.37.149	滚针内环43.5 43.5 INNER RING	1	SH900.37.149
10	JBT7918-K64X74X41ZW	轴承 BEARING	2	JBT7918-K64X74X41ZW
11	SH900.37B.102	齿轮 GEAR	1	SH900.37B.102
12	SH900.41.121	啮合座 GEAR MESHING GEAR	1	SH900.41.121
13	SH900.37.111	齿轮啮合套 、 GEAR	1	SH900.37.111
14	SH900.37.109	滚针内环41.5 41.5 INNER RING	1	SH900.37.109
15	SH900.37B.104	齿轮 GEAR	1	SH900.37B.104
16	SH900.37B.106	齿轮 GEAR	1	SH900.37B.106
17	SH900.37.145	、 档隔套 、 GEAR SLEEVE	1	SH900.37.145
18	SH900.37B.108	齿轮 GEAR	1	SH900.37B.108
19	SH900.37.143	隔套 SLEEVE	1	SH900.37.143
20	GBT276-6211	轴承 BEARING	1	GBT276-6211
21	SH900.37.148	花键轴 COUNTER SHAFT	1	SH900.37.148
22	SH900.37.142	滚针隔套 NEEDLE SLEEVE	2	SH900.37.142
23	JBT7918-K32X39X20	轴承 BARING	1	JBT7918-K32X39X20
24	SH900.37.152	垫片 SHIM	0	SH900.37.152

A23.37.924.4\_0 副变速齿轮总成 (16F+8R 微爬档) RANGE GEARS ASS.Y(16F+8R micro crawl gear)



A23.37.924.4 RANGE GEARS ASS.Y

序号	零件编号	零件名称	数量	图号
1	GBT288-20209	轴承 BEARING	1	GBT288-20209
2	SH900.37B.107	齿轮轴 GEAR SHAFT	1	SH900.37B.107
3	GBT283-NUP1014M	轴承 BEARING	1	GBT283-NUP1014M
4	GBT894.1-70	弹性挡圈 CIRCLIP	1	GBT894.1-70
5	GBT276-6408N	轴承 BEARING	1	GBT276-6408N
6	GBT305-110/116.6	挡圈 CHECK RING	1	GBT305-110/116.6
7	GBT894.1-40	弹性挡圈 CIRCLIP	1	GBT894.1-40

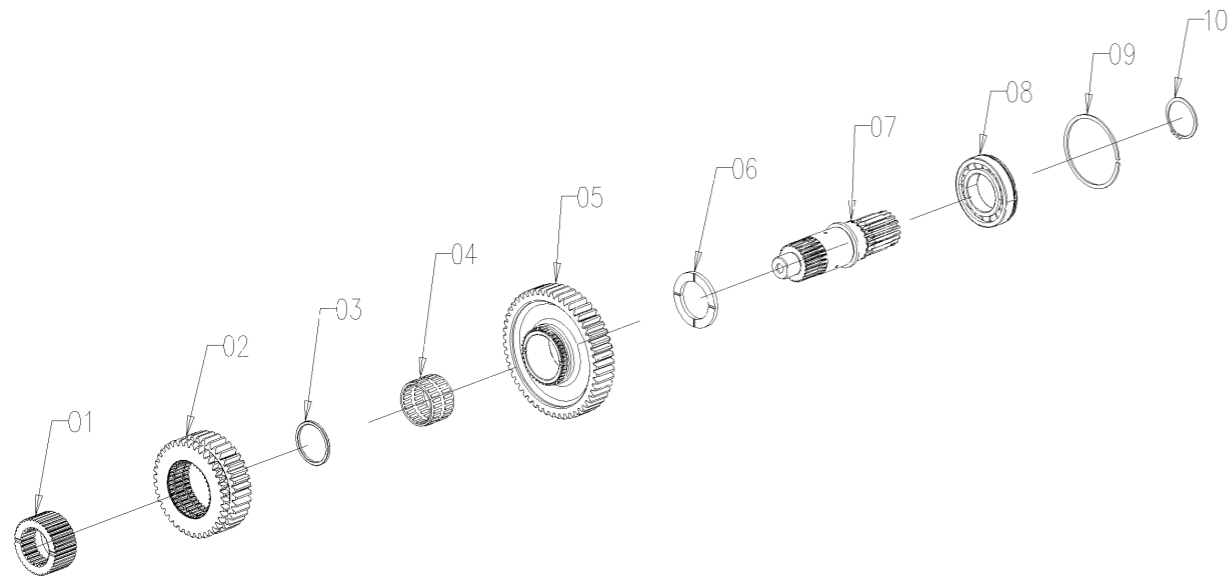


A23.37.925.4 OUTPUT SHAFT ASS.Y

### A23.37.925.4\_0 输出轴总成 (16F+8R 梭式档) OUTPUT SHAFT ASS.Y(16F+8R shuttle gear)

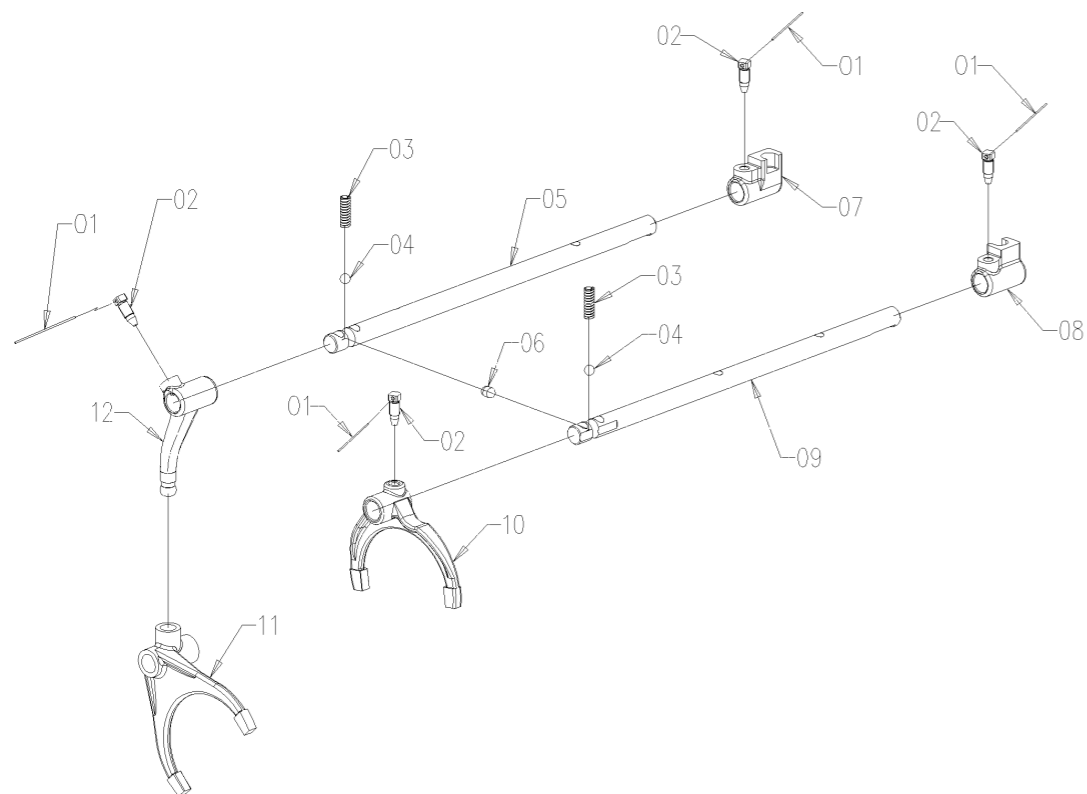
序号	零件编号	零件名称	数量	图号
1	SH900.37.141	倒挡齿轮从动齿轮座 REVERSE GEAR	1	SH900.37.141
2	SH900.37.140	倒挡齿轮从动齿轮 REVERSE GEAR	1	SH900.37.140
3	A23.37.003.0	滚针隔套 NEEDLE SPACER	1	A23.37.003.0
4	JBT7918-K55X65X43ZW	轴承 BEARING	1	JBT7918-K55X65X43ZW
5	SH900.37.138	齿轮 AUXILIARY GEAR LOW GEAR	1	SH900.37.138
6	SH900.37.134	垫圈 WASHER	1	SH900.37.134
7	SH900.37.165	输出轴 OUTPUT SHAFT	1	SH900.37.165
8	GBT276-6211N/P6	深槽滚珠轴承 DEEP GROOVE BALL	1	GBT276-6211N/P6
9	GBT305-100/106.5	挡圈 CHECK RING	1	GBT305-100/106.5
10	GBT894.1-55	轴用弹性挡圈 CIRCLIPS FOR SHAFT	1	GBT894.1-55

A23.37.925.4 OUTPUT SHAFT ASS.Y



A23.37.925.4\_1 输出轴总成 (16F+8R 梭式档) OUTPUT SHAFT ASS.Y(16F+8R shuttle gear)

序号	零件编号	零件名称	数量	图号
1	SH900.37.141	倒挡齿轮从动齿轮座 REVERSE GEAR	1	SH900.37.141
2	SH900.37.140	倒挡齿轮从动齿轮 REVERSE GEAR	1	SH900.37.140
3	A23.37.003.0	滚针隔套 NEEDLE SPACER	1	A23.37.003.0
4	JBT7918-K55X65X43ZW	轴承 BEARING	1	JBT7918-K55X65X43ZW
5	SH900.37.138	齿轮 AUXILIARY GEAR LOW GEAR	1	SH900.37.138
6	SH900.37.134	垫圈 WASHER	1	SH900.37.134
7	SH900.37.165	输出轴 OUTPUT SHAFT	1	SH900.37.165
8	GBT276-6211N/P6	深槽滚珠轴承 DEEP GROOVE BALL	1	GBT276-6211N/P6
9	GBT305-100/106.5	挡圈 CHECK RING	1	GBT305-100/106.5
10	GBT894.1-55	轴用弹性挡圈 CIRCLIPS FOR SHAFT	1	GBT894.1-55

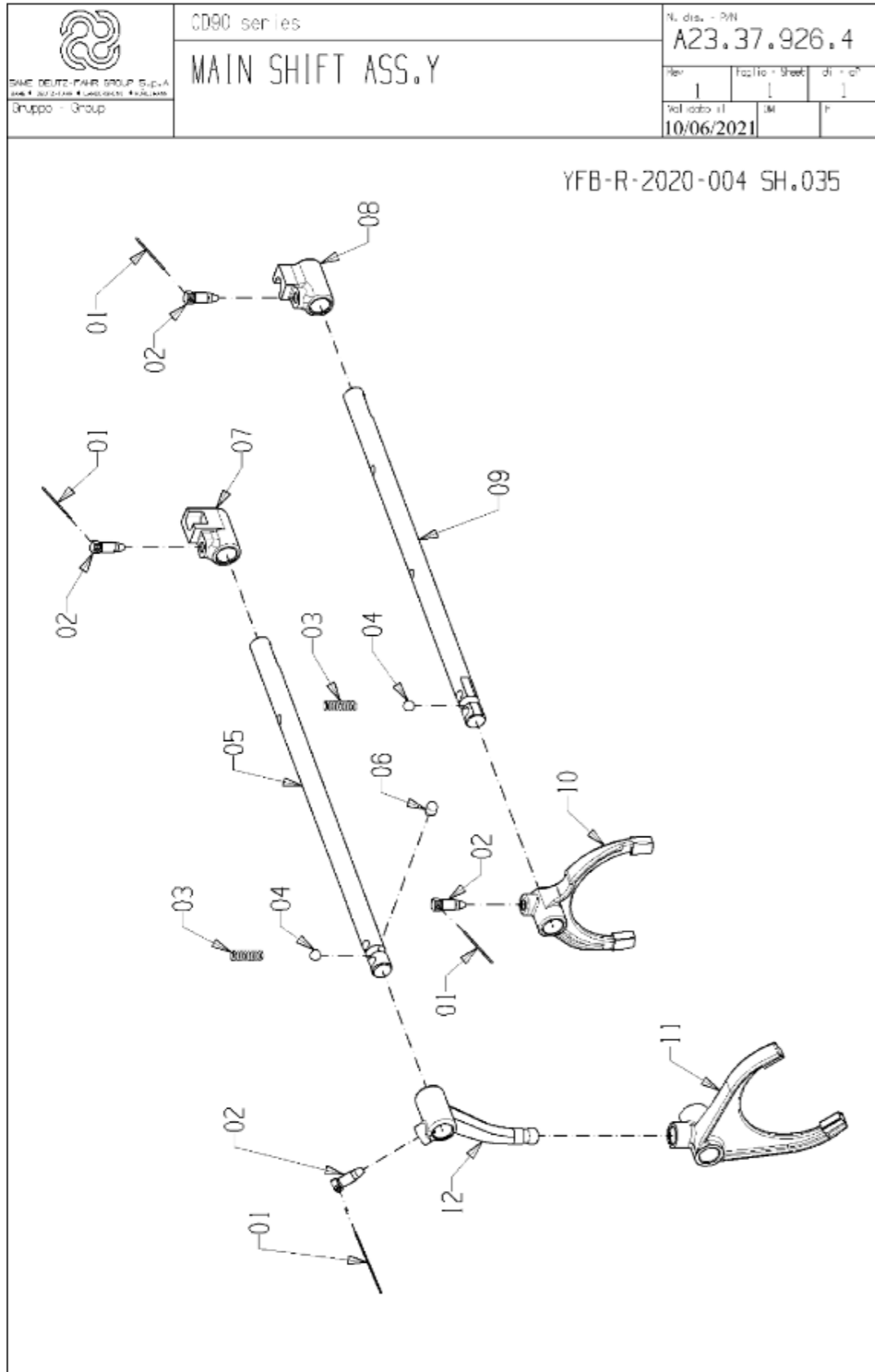


A23.37.926.4 MAIN SHIFT ASS.Y

### A23.37.926.4\_0 主变速换挡总成 MAIN SHIFT ASS.Y

序号	零件编号	零件名称	数量	图号
1	YBT5294-SZ-F-1.4	低碳钢丝 LOW CARBON STEEL WIRE	4	YBT5294-SZ-F-1.4
2	SH900.38.110	紧定螺钉 SET SCREW	4	SH900.38.110
3	SH900.37.135A	定位弹簧 POSITIONING SPRING	2	SH900.37.135A
4	GBT308-10-G100-b	球 BALL	2	GBT308-10-G100-b
5	SH900.37.156	- 档拨叉轴 GEAR SHIFTING FORK	1	SH900.37.156
6	SH900.37.159	互锁销 INTERLOCK PIN	1	SH900.37.159
7	SH900.37.166	- 档拨头 GEAR SHIFTING HEAD	1	SH900.37.166
8	SH900.37.167	- 档拨头 GEAR SHIFTING HEAD	1	SH900.37.167
9	SH900.37.157	- 档拨叉轴 GEAR SHIFTING FORK	1	SH900.37.157
10	SH900.37.164	、 档拨叉 、 SHIFT FORK	1	SH900.37.164
11	SH900.37.161	、 档拨叉 、 SHIFT FORK	1	SH900.37.161
12	SH900.37.160	、 档变速杆 、 GEAR LEVER	1	SH900.37.160





### A23.37.926.4\_1 主变速换挡总成 MAIN SHIFT ASS.Y

序号	零件编号	零件名称	数量	图号
1	YBT5294-SZ-F-1.4	低碳钢线 LOW CARBON STEEL WIRE	按需	YBT5294-SZ-F-1.4
2	SH900.38.110	紧定螺钉 SET SCREW	4	SH900.38.110
3	SH900.37.135A	定位弹簧 POSITIONING SPRING	2	SH900.37.135A
4	GBT308-10-G100-b	球 BALL	2	GBT308-10-G100-b
5	SH900.37.156	- 档拨叉轴 GEAR SHIFTING FORK	1	SH900.37.156
6	SH900.37.159	连锁销 INTERLOCK PIN	1	SH900.37.159
7	SH900.37.166	换挡头 GEAR SHIFTING HEAD	1	SH900.37.166
8	SH900.37.167	换挡头 GEAR SHIFTING HEAD	1	SH900.37.167
9	SH900.37.157	- 档拨叉轴 GEAR SHIFTING FORK	1	SH900.37.157
10	SH900.37.164	III-IV 档拨叉 III-IV SHIFT FORK	1	SH900.37.164
11	SH900.37.161	I-II 档拨叉 I-II SHIFT FORK	1	SH900.37.161
12	SH900.37.160	变速杆 I-II GEAR LEVER	1	SH900.37.160



SIME DEUTZ-FAHR GROUP S.p.A.  
 Via S. Zaccaria 4 - 40024 CESENA (FC) - ITALY  
 Gruppo - Group

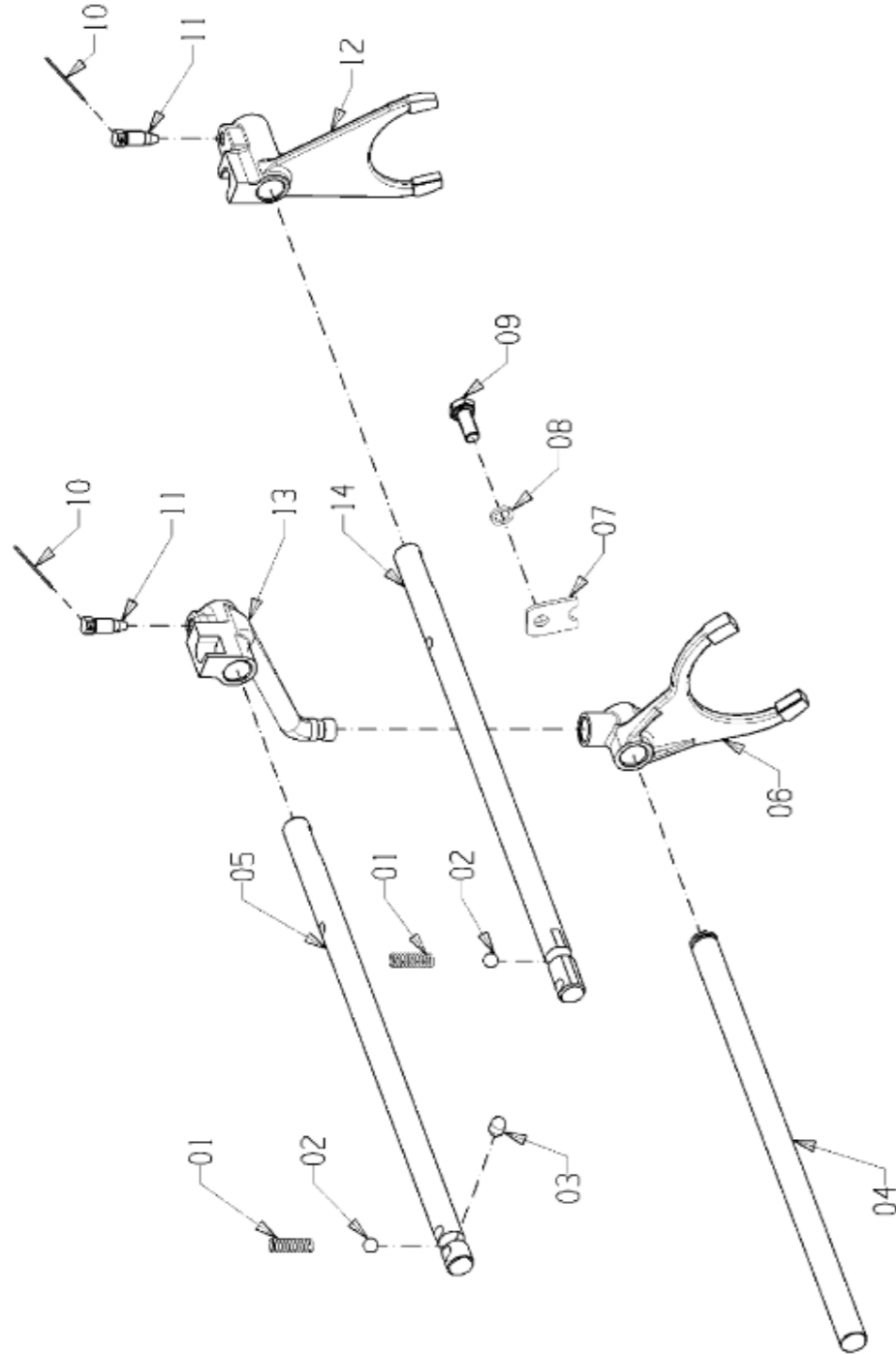
CD90 series

# RANGE SHIFT ASS.Y

N. dis. - P/N  
**A23.37.927.4**

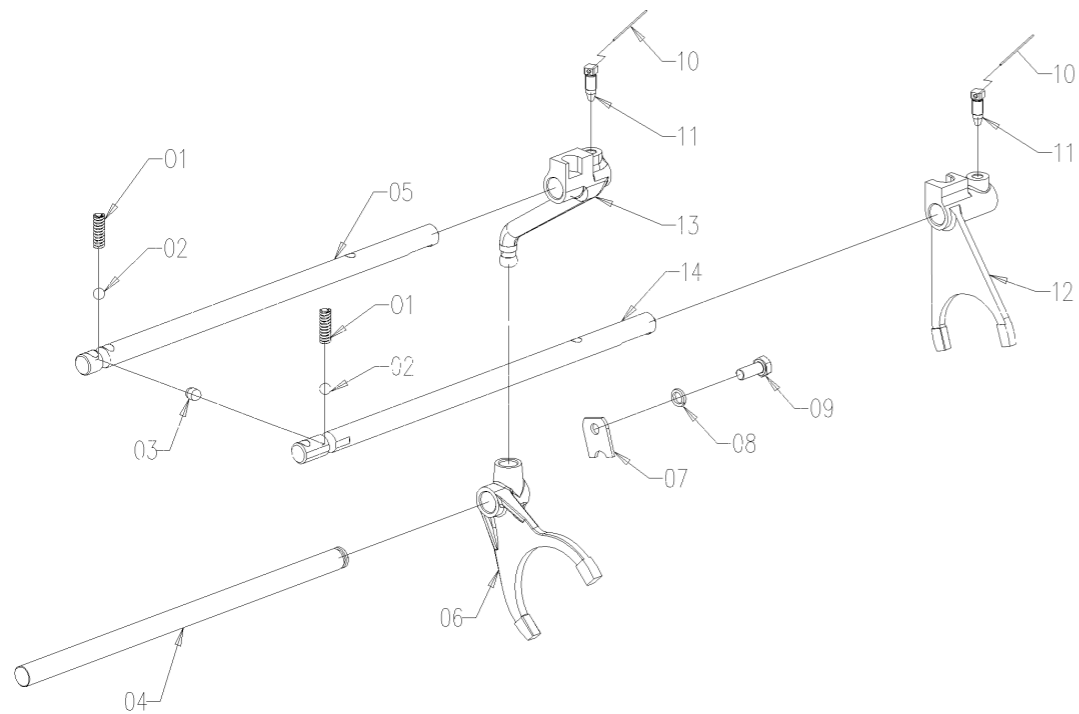
Rev	1	1	1
10/06/2021	DM	F	

YFB-R-2020-004 SH.035



## A23.37.927.4 副变速换挡总成 RANGE SHIFT ASS.Y

序号	零件编号	零件名称	数量	图号
1	SH900.37.135A	POSITIONING SPRING POSITIONING	2	SH900.37.135A
2	GBT308-10-G100-b	BALL BALL	2	GBT308-10-G100-b
3	SH900.37.159	INTERLOCK PIN INTERLOCK PIN	1	SH900.37.159
4	SH900.37.125	FORK ROD FORK ROD	1	SH900.37.125
5	SH900.37.158	AUXILIARY GEAR SHIFTING FORK	1	SH900.37.158
6	SH900.37.162	AUXILIARY GEAR SHIFTING FORK	1	SH900.37.162
7	SH900.37.119	LOCK II LOCK II	1	SH900.37.119
8	GBT93-10-A3L	WASHER WASHER	1	GBT93-10-A3L
9	2.0114.309.2	SCREW M10x25 SCREW M10x25	1	2.0114.309.2
10	YBT5294-SZ-F-1.4	LOW CARBON STEEL WIRE LOW	按需	YBT5294-SZ-F-1.4
11	SH900.38.110	SET SCREW SET SCREW	2	SH900.38.110
12	SH900.37.124A	REVERSE GEAR SHIFTING FORK	1	SH900.37.124A
13	SH900.37.163	AUXILIARY GEAR SHIFT LEVER	1	SH900.37.163
14	SH900.37.123	REVERSE GEAR SHIFTING FORK	1	SH900.37.123



A23.37.927.4 RANGE SHIFT ASS.Y

### A23.37.927.4\_0 副变速换挡总成 RANGE SHIFT ASS.Y

序号	零件编号	零件名称	数量	图号
1	SH900.37.135A	定位弹簧 POSITIONING SPRING	2	SH900.37.135A
2	GBT308-10-G100-b	球 BALL	2	GBT308-10-G100-b
3	SH900.37.159	互锁销 INTERLOCK PIN	1	SH900.37.159
4	SH900.37.125	拨叉轴 FORK ROD	1	SH900.37.125
5	SH900.37.158	副变速拨叉轴 AUXILIARY GEAR	1	SH900.37.158
6	SH900.37.162	副变速拨叉 AUXILIARY GEAR	1	SH900.37.162
7	SH900.37.119	锁片 II LOCK II	1	SH900.37.119
8	GBT93-10-A3L	垫圈 WASHER	1	GBT93-10-A3L
9	GBT5783-M10X25-A3L	螺栓 BOLT	1	GBT5783-M10X25-A3L
10	YBT5294-SZ-F-1.4	低碳钢丝 LOW CARBON STEEL WIRE	2	YBT5294-SZ-F-1.4
11	SH900.38.110	紧定螺钉 SET SCREW	2	SH900.38.110
12	SH900.37.124A	倒档拨叉 REVERSE GEAR SHIFTING	1	SH900.37.124A
13	SH900.37.163	副变速拨杆 AUXILIARY GEAR SHIFT	1	SH900.37.163
14	SH900.37.123	倒档拨叉轴 REVERSE GEAR SHIFTING	1	SH900.37.123



SIEMENS DEUTZ P44R GROUP S.p.A.  
 VIA S. GIUSEPPE 100 - 37030 S. GIUSEPPE (PD) - ITALIA  
 Gruppo - Group

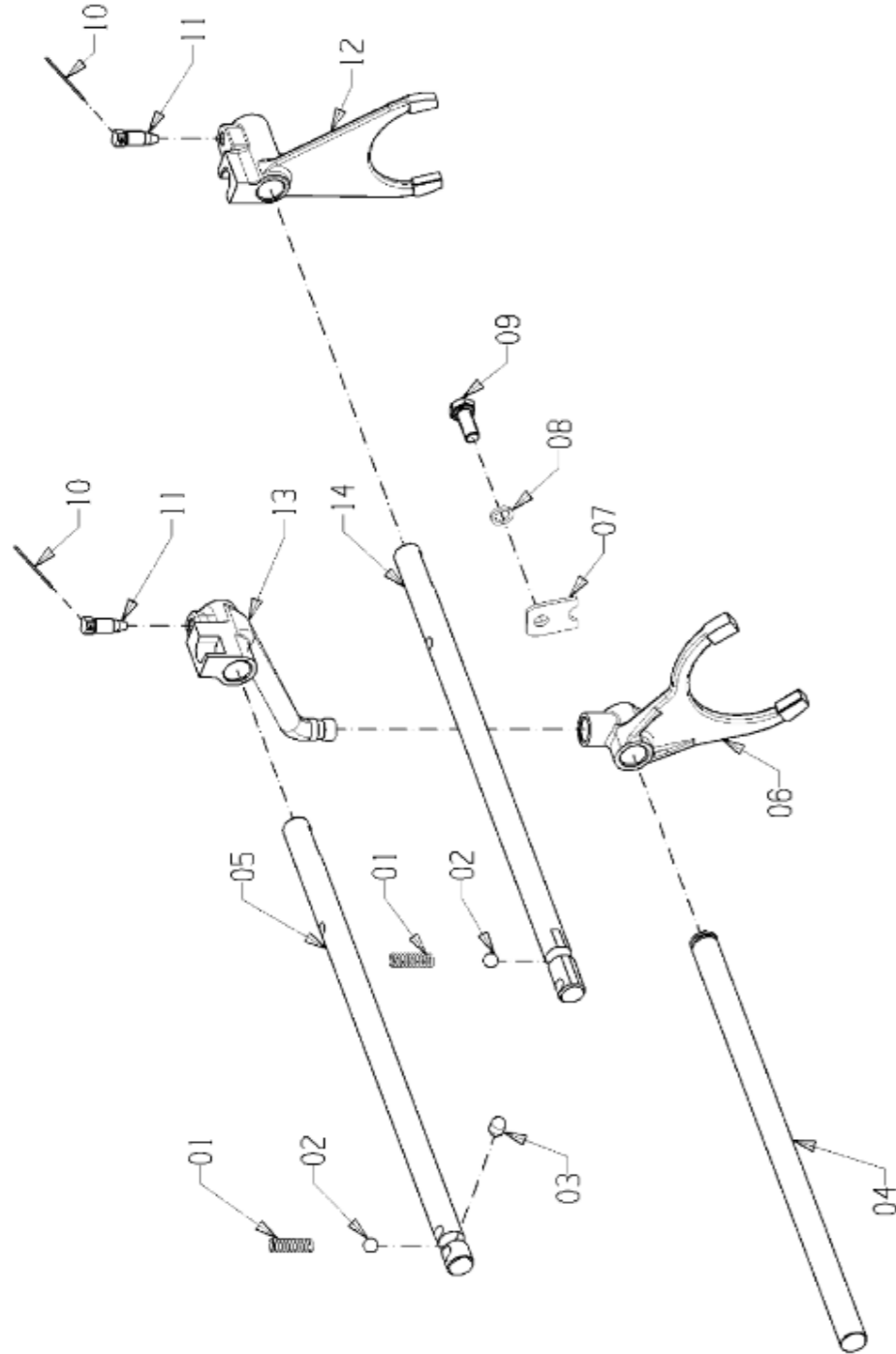
CD90 series

RANGE SHIFT ASS.Y

N. dis. - P/N  
**A23.37.927.4**

Rev	Facile Sheet	di - di'
1	1	1
Validato il 10/06/2021		

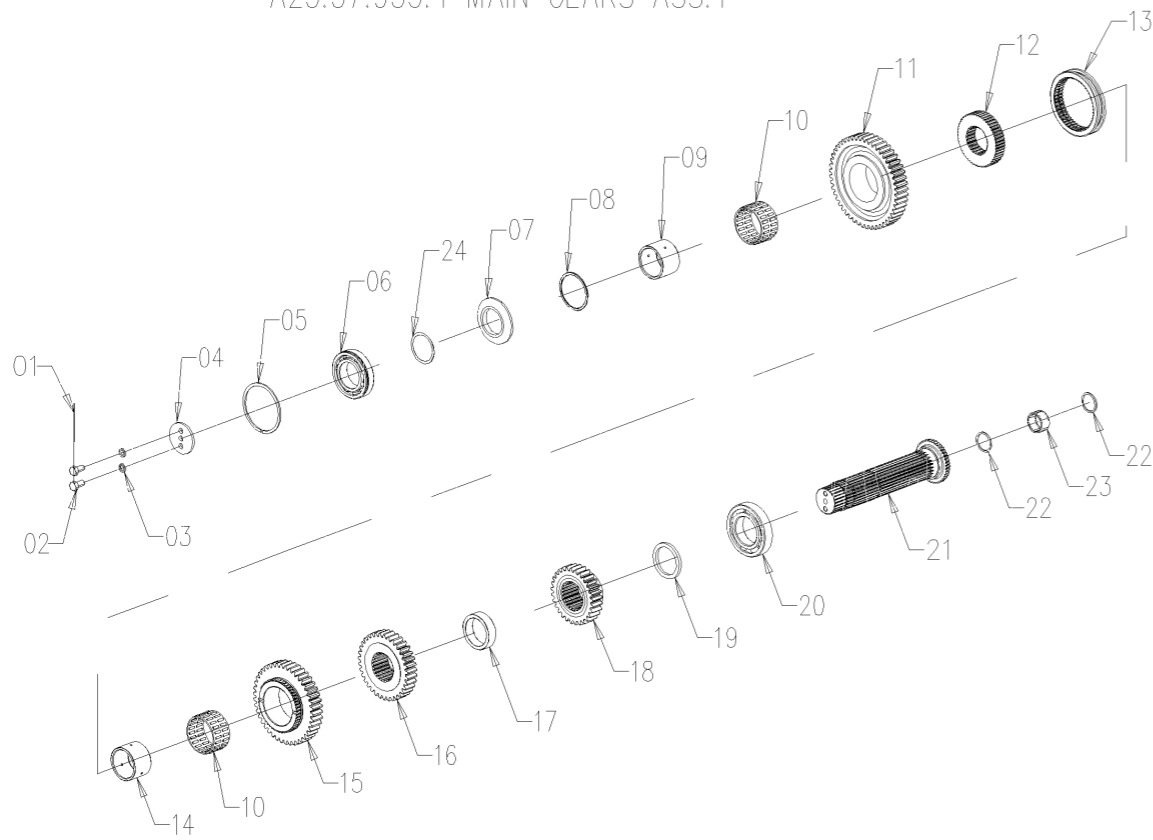
YFB-R-2020-004 SH.035



**A23.37.927.4\_1 副变速换档总成 RANGE SHIFT ASS.Y**

序号	零件编号	零件名称	数量	图号
1	SH900.37.135A	定位弹簧 POSITIONING SPRING	2	SH900.37.135A
2	GBT308-10-G100-b	球 BALL	2	GBT308-10-G100-b
3	SH900.37.159	连锁销 INTERLOCK PIN	1	SH900.37.159
4	SH900.37.125	拨叉轴 FORK ROD	1	SH900.37.125
5	SH900.37.158	副变速拨叉轴 AUXILIARY GEAR	1	SH900.37.158
6	SH900.37.162	副变速拨叉轴 AUXILIARY GEAR	1	SH900.37.162
7	SH900.37.119	锁片II LOCK II	1	SH900.37.119
8	GBT93-10-A3L	垫圈 WASHER	1	GBT93-10-A3L
9	2.0114.309.2	螺栓 SCREW M10x25	1	2.0114.309.2
10	YBT5294-SZ-F-1.4	低碳钢线 LOW CARBON STEEL WIRE	按需	YBT5294-SZ-F-1.4
11	SH900.38.110	紧定螺钉 SET SCREW	2	SH900.38.110
12	SH900.37.124A	倒档拨叉 REVERSE GEAR SHIFTING	1	SH900.37.124A
13	SH900.37.163	副变速拨杆 AUXILIARY GEAR SHIFT	1	SH900.37.163
14	SH900.37.123	倒档拨叉轴 REVERSE GEAR SHIFTING	1	SH900.37.123

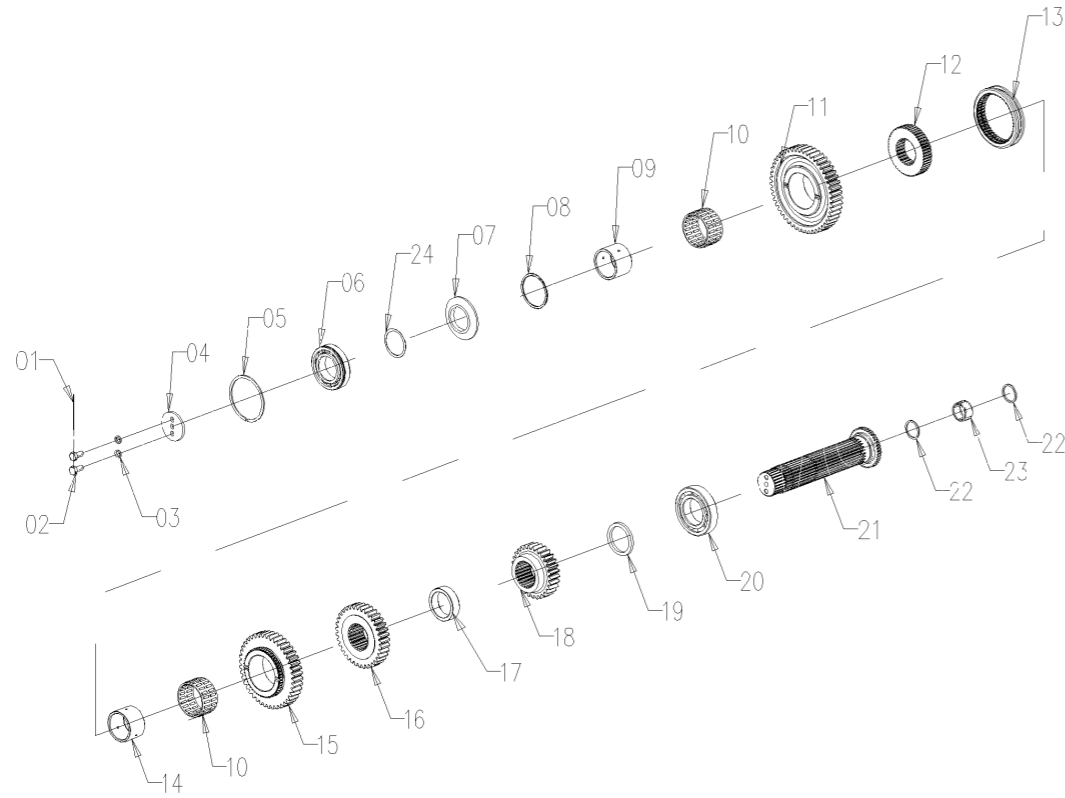
A23.37.933.4 MAIN GEARS ASS.Y



A23.37.933.4\_0 主变速齿轮总成 (16F+8R 爬行档) MAIN GEARS ASS.Y(16F+8R crawl gear)

序号	零件编号	零件名称	数量	图号
1	YBT5294-SZ-F-1.4	低碳钢丝 LOW CARBON STEEL WIRE	1	YBT5294-SZ-F-1.4
2	GBT32.1-M10X20-A3L	螺栓 BOLT	2	GBT32.1-M10X20-A3L
3	GBT93-10-A3L	垫圈 WASHER	2	GBT93-10-A3L
4	SH900.37.153	挡板 BAFFLE	1	SH900.37.153
5	GBT305-90/96.5	卡环 SNAP RING	1	GBT305-90/96.5
6	GBT276-6210N/P6	轴承 BEARING	1	GBT276-6210N/P6
7	SH900.37.151	中间轴止腿推环 CHECK THE LEG	1	SH900.37.151
8	A23.37.002.0	滚针隔套 NEEDLE SPACER	1	A23.37.002.0
9	SH900.37.149	滚针内环43.5 43.5 INNER RING	1	SH900.37.149
10	JBT7918-K64X74X41ZW	轴承 BEARING	2	JBT7918-K64X74X41ZW
11	SH900.37.107	一档齿轮 FIRST GEAR	1	SH900.37.107
12	SH900.41.121	啮合座 GEAR MESHING GEAR	1	SH900.41.121
13	SH900.37.111	齿轮啮合套 GEAR	1	SH900.37.111
14	SH900.37.109	滚针内环41.5 41.5 INNER RING	1	SH900.37.109
15	SH900.37.147	档齿轮从动齿轮 GEAR DRIVEN	1	SH900.37.147
16	SH900.37.146	三挡从动齿轮 THIRD GEAR	1	SH900.37.146
17	SH900.37.145	档隔套 GEAR SLEEVE	1	SH900.37.145
18	SH900.37.144	四挡从动齿轮 FOURTH GEAR	1	SH900.37.144
19	SH900.37.143	隔套 SLEEVE	1	SH900.37.143
20	GBT276-6211	轴承 BEARING	1	GBT276-6211
21	SH900.37.148	花键轴 COUNTER SHAFT	1	SH900.37.148
22	SH900.37.142	滚针隔套 NEEDLE SLEEVE	2	SH900.37.142
23	JBT7918-K32X39X20	轴承 BARING	1	JBT7918-K32X39X20
24	SH900.37.152	垫片 SHIM	0	SH900.37.152

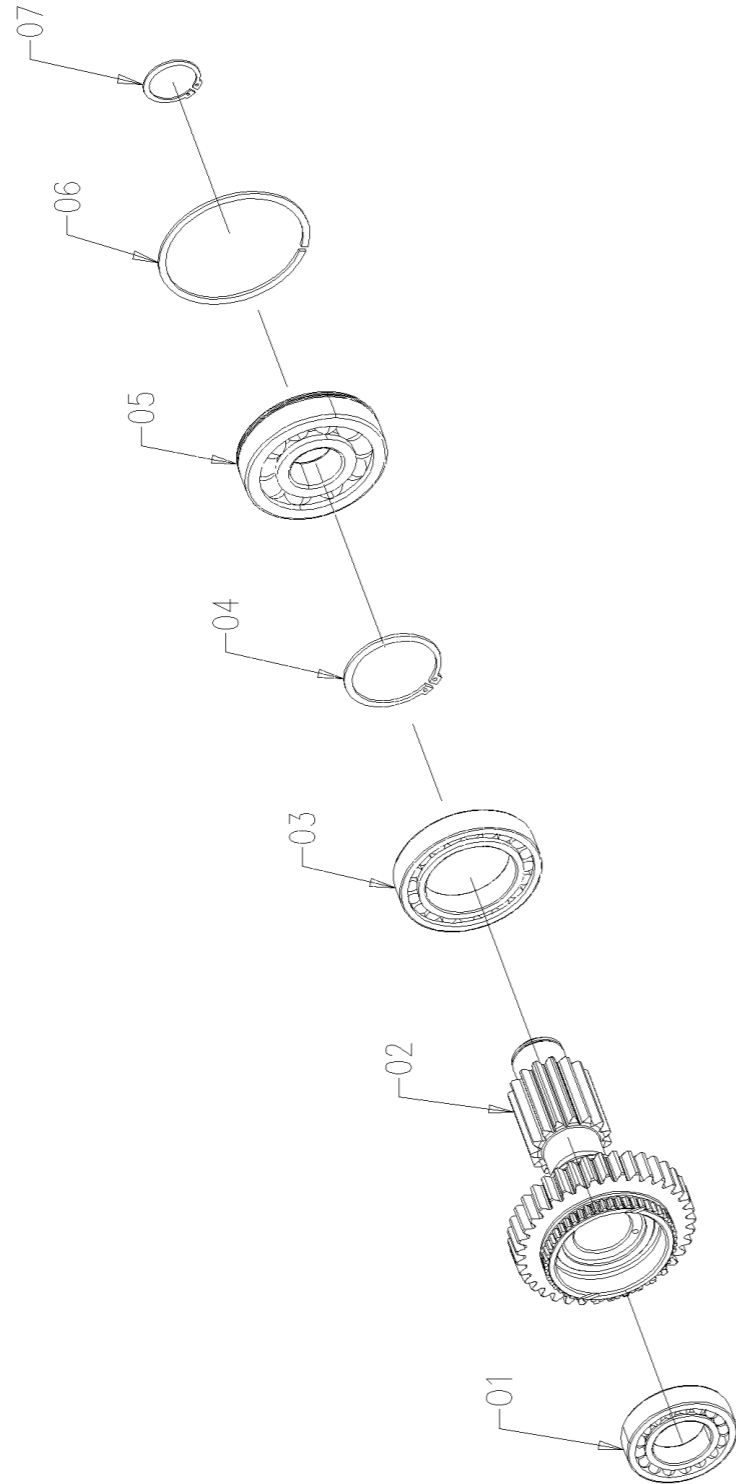
A23.37.933.4 MAIN GEARS ASS.Y



A23.37.933.4\_1 主变速齿轮总成 (16F+8R 爬行档) MAIN GEARS ASS.Y(16F+8R crawl gear)

序号	零件编号	零件名称	数量	图号
1	YBT5294-SZ-F-1.4	低碳钢丝 LOW CARBON STEEL WIRE	1	YBT5294-SZ-F-1.4
2	GBT32.1-M10X20-A3L	螺栓 BOLT	2	GBT32.1-M10X20-A3L
3	GBT93-10-A3L	垫圈 WASHER	2	GBT93-10-A3L
4	SH900.37.153	挡板 BAFFLE	1	SH900.37.153
5	GBT305-90/96.5	卡环 SNAP RING	1	GBT305-90/96.5
6	GBT276-6210N/P6	轴承 BEARING	1	GBT276-6210N/P6
7	SH900.37.151	中间轴止腿推环 CHECK THE LEG	1	SH900.37.151
8	A23.37.002.0	滚针隔套 NEEDLE SPACER	1	A23.37.002.0
9	SH900.37.149	滚针内环43.5 43.5 INNER RING	1	SH900.37.149
10	JBT7918-K64X74X41ZW	轴承 BEARING	2	JBT7918-K64X74X41ZW
11	SH900.37.107	一档齿轮 FIRST GEAR	1	SH900.37.107
12	SH900.41.121	啮合座 GEAR MESHING GEAR	1	SH900.41.121
13	SH900.37.111	齿轮啮合套 GEAR	1	SH900.37.111
14	SH900.37.109	滚针内环41.5 41.5 INNER RING	1	SH900.37.109
15	SH900.37.147	档齿轮从动齿轮 GEAR DRIVEN	1	SH900.37.147
16	SH900.37.146	三挡从动齿轮 THIRD GEAR	1	SH900.37.146
17	SH900.37.145	档隔套 GEAR SLEEVE	1	SH900.37.145
18	SH900.37.144	四档从动齿轮 FOURTH GEAR	1	SH900.37.144
19	SH900.37.143	隔套 SLEEVE	1	SH900.37.143
20	GBT276-6211	轴承 BEARING	1	GBT276-6211
21	SH900.37.148	花键轴 COUNTER SHAFT	1	SH900.37.148
22	SH900.37.142	滚针隔套 NEEDLE SLEEVE	2	SH900.37.142
23	JBT7918-K32X39X20	轴承 BARING	1	JBT7918-K32X39X20
24	SH900.37.152	垫片 SHIM	0	SH900.37.152

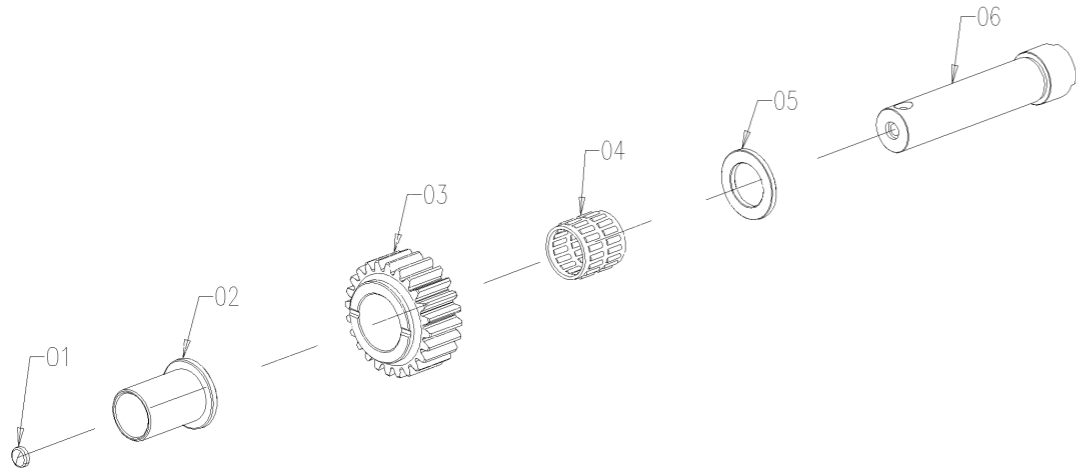
# A23.37.934.4 RANGE GEARS ASS.Y



# A23.37.934.4\_0 副变速齿轮总成 (16F+8R 爬行档) RANGE SHIFT ASS.Y(16F+8R crawl gear)

序号	零件编号	零件名称	数量	图号
1	GBT288-20209	轴承 BEARING	1	GBT288-20209
2	SH900.37.114	对轴 COUNTER SHAFT	1	SH900.37.114
3	GBT283-NUP1014M	轴承 BEARING	1	GBT283-NUP1014M
4	GBT894.1-70	弹性挡圈 CIRCLIP	1	GBT894.1-70
5	GBT276-6408N	轴承 BEARING	1	GBT276-6408N
6	GBT305-110/116.6	挡圈 CHECK RING	1	GBT305-110/116.6
7	GBT894.1-40	弹性挡圈 CIRCLIP	1	GBT894.1-40

### A23.37.951.4\_0 倒档惰轮总成 (16F+8R 梭式档) IDLER SHAFT ASS.Y(16F+8R shuttle gear)



A23.37.951.4 IDLER SHAFT ASS.Y

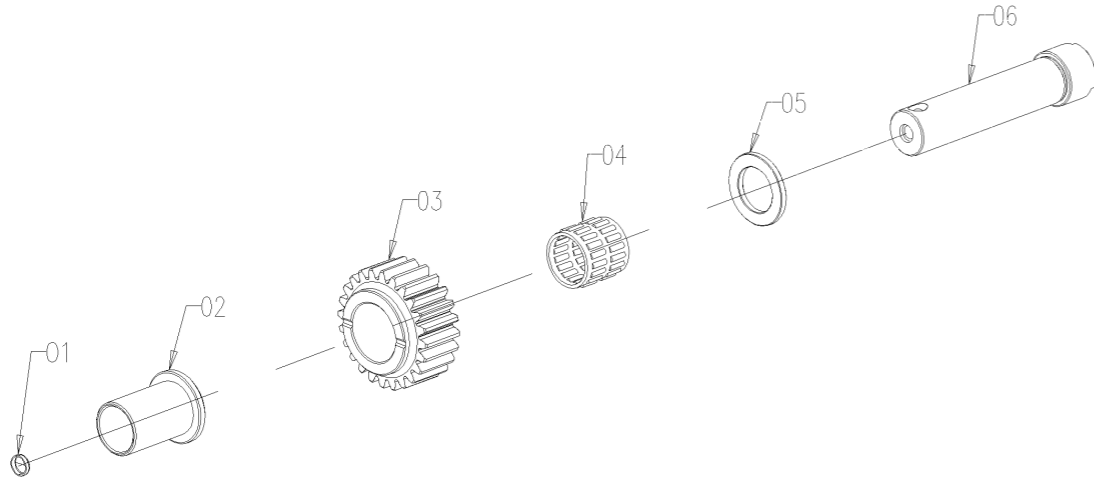
序号	零件编号	零件名称	数量	图号
1	QCT388-14	碗形膨胀塞 BOWL TYPE WXPANSION	1	QCT388-14
2	SH900.37A.119	惰轮间隔套筒 IDLER GEAR SPACER	1	SH900.37A.119
3	SH900.37A.117	惰轮 IDLER GEAR	1	SH900.37A.117
4	JBT7918-K35X45X43ZW	轴承 BEARING	1	JBT7918-K35X45X43ZW
5	SH900.37A.120	隔圈 RING	1	SH900.37A.120
6	SH900.37A.118	惰轮轴 IDLER GEAR SHAFT	1	SH900.37A.118



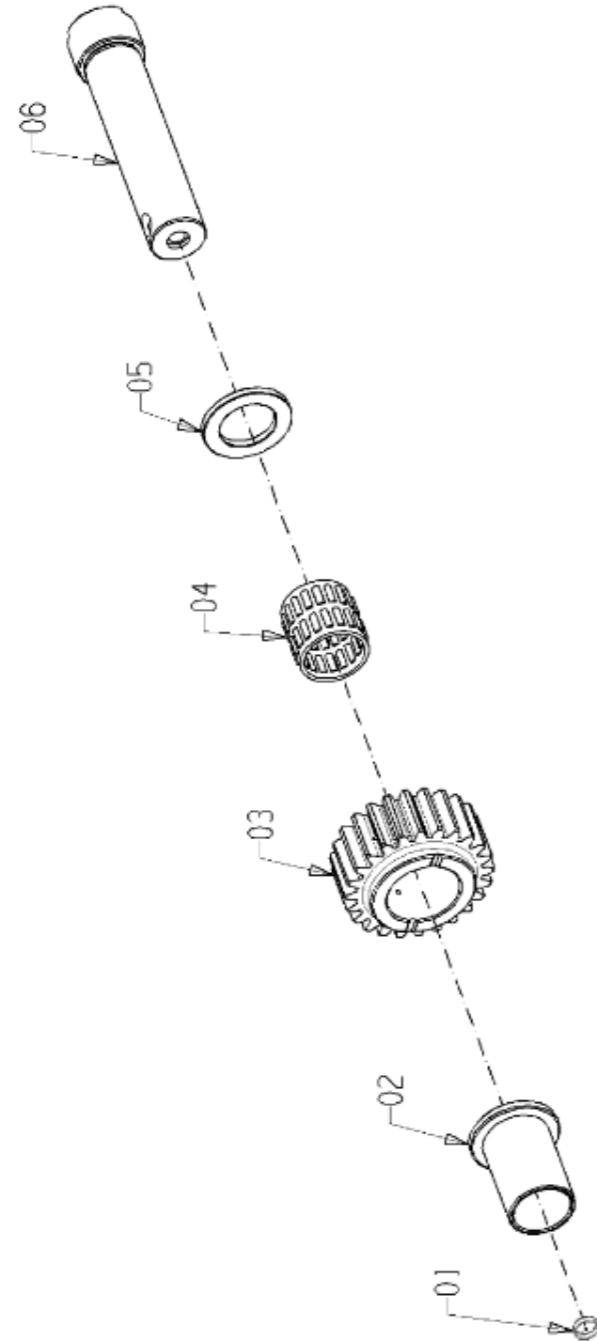
A23.37.951.4 IDLER SHAFT ASS.Y

A23.37.951.4\_1 倒档惰轮总成 (16F+8R 梭式档) IDLER SHAFT ASS.Y(16F+8R shuttle gear)

序号	零件编号	零件名称	数量	图号
1	QCT388-14	碗形膨胀塞 BOWL TYPE WXPANSION	1	QCT388-14
2	SH900.37A.119	惰轮间隔套筒 IDLER GEAR SPACER	1	SH900.37A.119
3	SH900.37A.117	惰轮 IDLER GEAR	1	SH900.37A.117
4	JBT7918-K35X45X43ZW	轴承 BEARING	1	JBT7918-K35X45X43ZW
5	SH900.37A.120	隔圈 RING	1	SH900.37A.120
6	SH900.37A.118	惰轮轴 IDLER GEAR SHAFT	1	SH900.37A.118

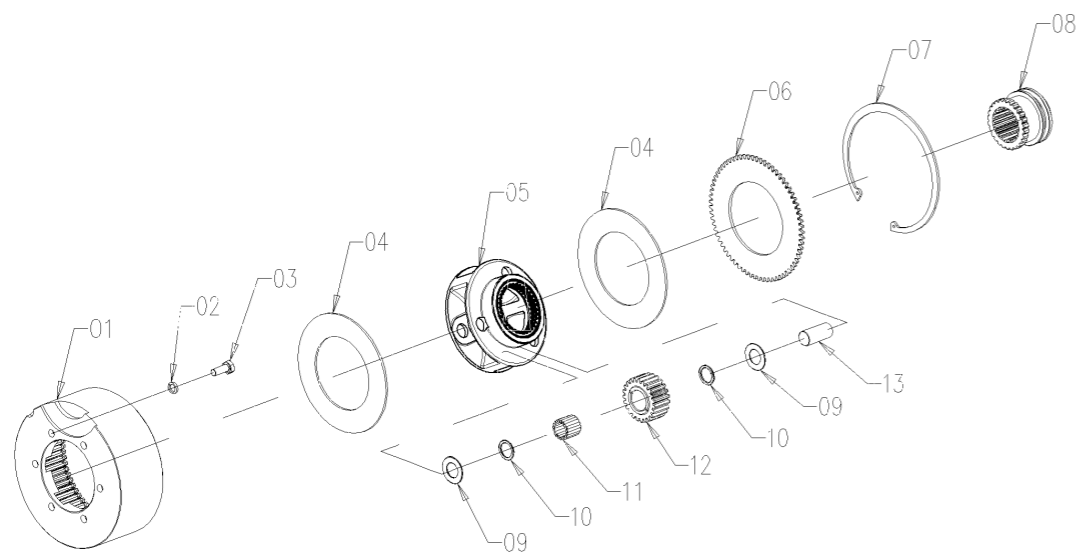


YFB-R-2020-004 SH.035



A23.37.951.4\_2 倒档惰轮总成 (16F+8R 梭式档) IDLER SHAFT ASS.Y(16F+8R shuttle gear)

序号	零件编号	零件名称	数量	图号
1	QCT388-14	碗形塞片 BOWL TYPE WXPANSION	1	QCT388-14
2	SH900.37A.119	惰轮间隔套筒 IDLER GEAR SPACER	1	SH900.37A.119
3	SH900.37A.117	惰轮 IDLER GEAR	1	SH900.37A.117
4	JBT7918-K35X45X43ZW	轴承 BEARING	1	JBT7918-K35X45X43ZW
5	SH900.37A.120	花键套 RING	1	SH900.37A.120
6	SH900.37A.118	惰轮轴 IDLER GEAR SHAFT	1	SH900.37A.118



A23.37.952.4 PLANETARY REDUCER ASS.Y

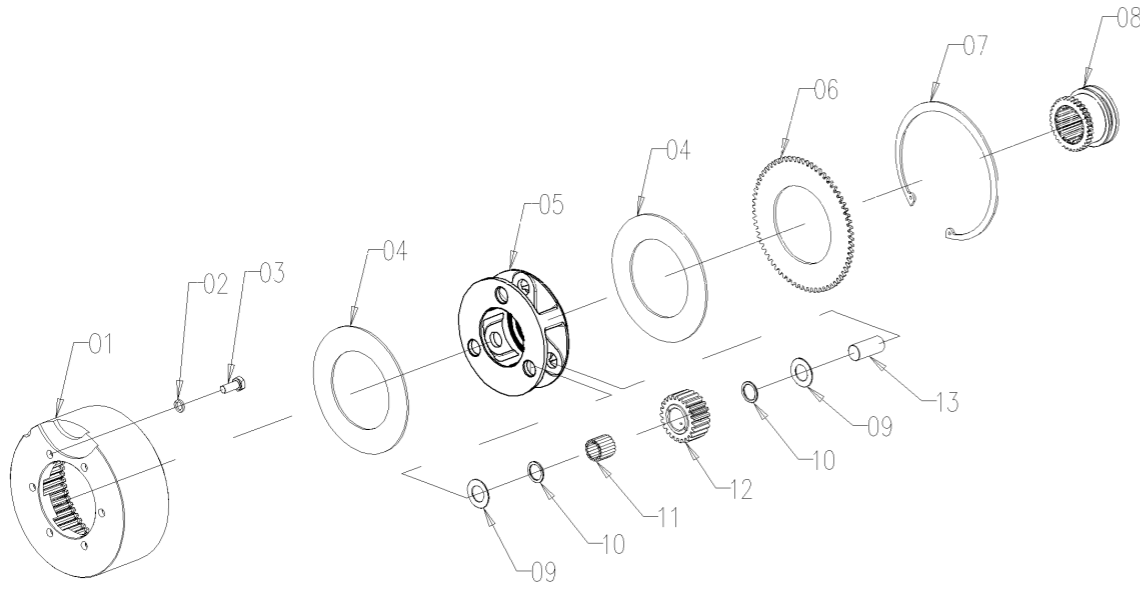
### A23.37.952.4\_0 行星减速总成 (16F+8R 梭式档) PLANETARY REDUCER ASS.Y(16F+8R shuttle gear)

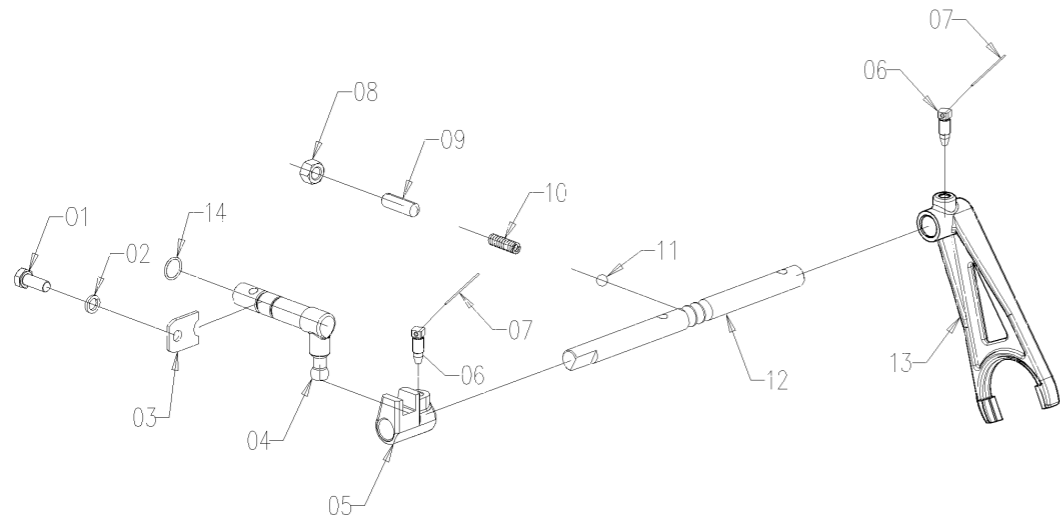
序号	零件编号	零件名称	数量	图号
1	SH900.37A.115	内齿圈 INNER GEAR RING	1	SH900.37A.115
2	GBT93-10-A3L	垫圈 WASHER	6	GBT93-10-A3L
3	GBT5783-M10X25-A3L	螺栓 BOLT	6	GBT5783-M10X25-A3L
4	LE1204.37.185	行星架隔垫 PLANET CARRIER	2	LE1204.37.185
5	SH900.37.013	行星架铆合 PLANETARY FRAME	1	SH900.37.013
6	LE1204.37.186	行星载体槽盘 PLANET CARRIER	1	LE1204.37.186
7	GBT893.1-170	弹性挡圈 CIRCLIP	1	GBT893.1-170
8	SH900.37.116	传动齿轮组 DRIVING GEAR SETS	1	SH900.37.116
9	A23.37.004.0	行星齿轮垫片 PLANETARY GEAR	6	A23.37.004.0
10	A23.37.005.0	滚针隔套 NEEDLE SPACER	6	A23.37.005.0
11	GBT309-P4X25.8-G3-3-6	滚针 NEEDLE ROLLER	57	GBT309-P4X25.8-G3-3-6
12	LE1204.37.187	行星齿轮 EPOCYCLIC GEAR	3	LE1204.37.187
13	SH900.37.131	行星齿轮轴 PLANET WHEEL AXLE	3	SH900.37.131

A23.37.952.4 PLANETARY REDUCER ASS.Y

A23.37.952.4\_1 行星减速总成 (16F+8R 梭式档) PLANETARY REDUCER ASS.Y(16F+8R shuttle gear)

序号	零件编号	零件名称	数量	图号
1	SH900.37A.115	内齿圈 INNER GEAR RING	1	SH900.37A.115
2	GBT93-10-A3L	垫圈 WASHER	6	GBT93-10-A3L
3	GBT5783-M10X25-A3L	螺栓 BOLT	6	GBT5783-M10X25-A3L
4	LE1204.37.185	行星架隔垫 PLANET CARRIER	2	LE1204.37.185
5	SH900.37.013	行星架铆合 PLANETARY FRAME	1	SH900.37.013
6	LE1204.37.186	行星载体槽盘 PLANET CARRIER	1	LE1204.37.186
7	GBT893.1-170	弹性挡圈 CIRCLIP	1	GBT893.1-170
8	SH900.37.116	传动齿轮组 DRIVING GEAR SETS	1	SH900.37.116
9	A23.37.004.0	行星齿轮垫片 PLANETARY GEAR	6	A23.37.004.0
10	A23.37.005.0	滚针隔套 NEEDLE SPACER	6	A23.37.005.0
11	GBT309-P4X25.8-G3-3-6	滚针 NEEDLE ROLLER	57	GBT309-P4X25.8-G3-3-6
12	LE1204.37.187/10	行星齿轮 EPOCYCLIC GEAR	3	LE1204.37.187/10
13	SH900.37.131	行星齿轮轴 PLANET WHEEL AXLE	3	SH900.37.131





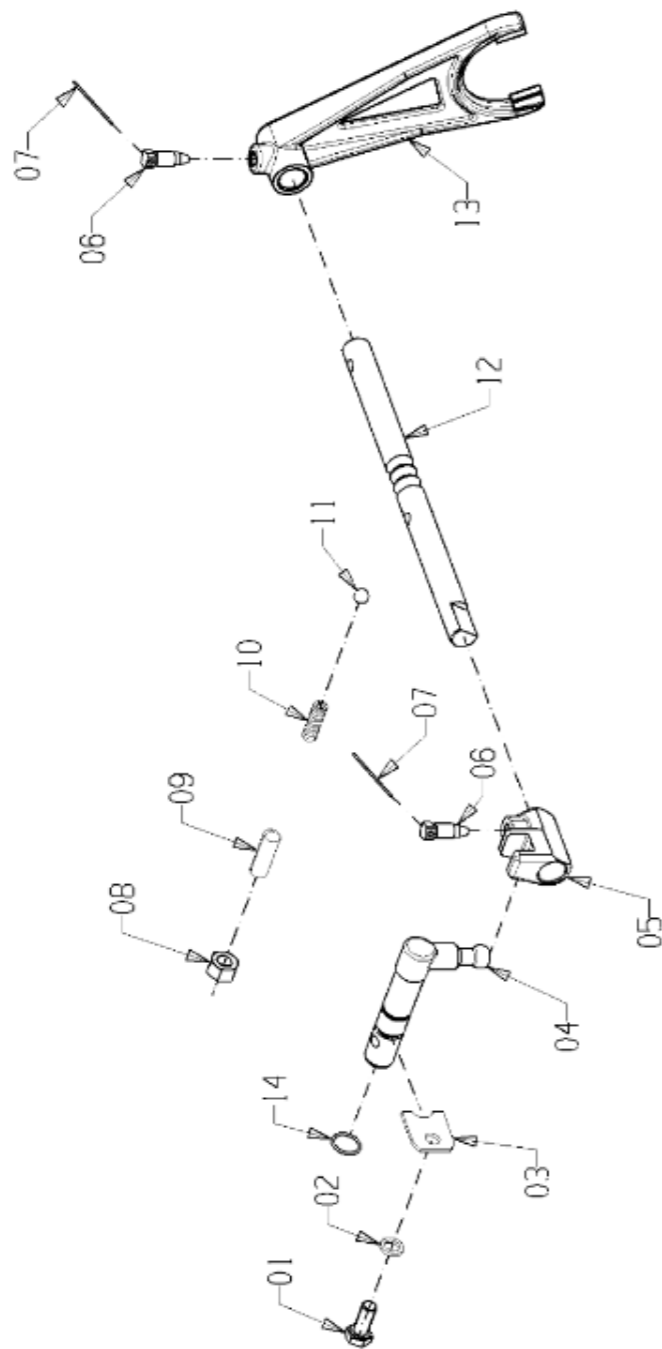
A23.37.960.4 H-L SHIFT ASS.Y

### A23.37.960.4\_0 高低档换挡总成 H-L SHIFT ASS.Y

序号	零件编号	零件名称	数量	图号
1	GBT5783-M10X25-A3L	螺栓 BOLT	1	GBT5783-M10X25-A3L
2	GBT93-10-A3L	垫圈 WASHER	1	GBT93-10-A3L
3	SH900.37.119	锁片II LOCK II	1	SH900.37.119
4	SH900.37.137	爬行档摇臂 CRAWLING GEAR	1	SH900.37.137
5	SH900.37.115	爬行档拨头 CRAWLING GEAR	1	SH900.37.115
6	SH900.38.110	紧定螺钉 SET SCREW	2	SH900.38.110
7	YBT5294-SZ-F-1.4	低碳钢丝网 LOW CARBON STEEL	2	YBT5294-SZ-F-1.4
8	GBT6170-M12-A3L	螺母 NUT	1	GBT6170-M12-A3L
9	GBT71-M12X40-A3L	螺钉 SCREW	1	GBT71-M12X40-A3L
10	SH900.37.135A	定位弹簧 POSITIONING SPRING	1	SH900.37.135A
11	GBT308-10-G100-b	球 BALL	1	GBT308-10-G100-b
12	SH900.37B.109	叉轴 FORK SHAFT	1	SH900.37B.109
13	SH900.37.118-1	爬行档拨叉 CRAWLING GEAR	1	SH900.37.118-1
14	GBT3452.1-17X1.8-G	O形密封圈 O RING	1	GBT3452.1-17X1.8-G

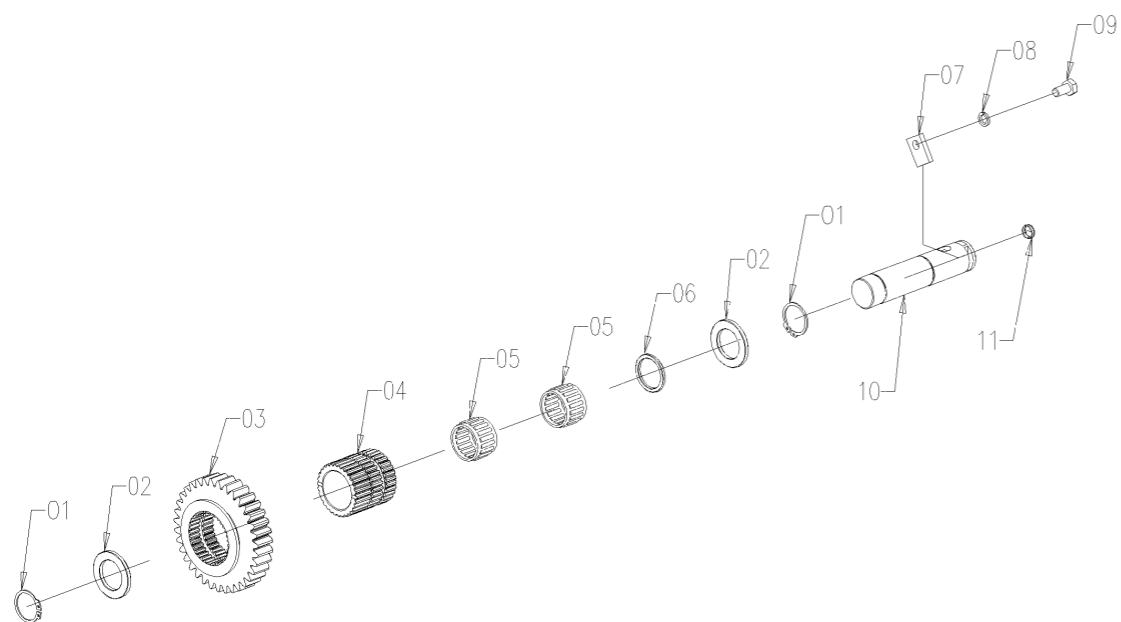
 SIME DEUTZ-FAHR GROUP S.p.A. Gruppo - Group	CD90 series	N. dis. - P/N <b>A23.37.960.4</b>													
	<b>H-L SHIFT ASS.Y</b>	<table border="1"> <tr> <td>Rev</td> <td>Edizione</td> <td>Stato</td> <td>di - di</td> </tr> <tr> <td>1</td> <td>1</td> <td>1</td> <td>1</td> </tr> </table> <table border="1"> <tr> <td>Validato il</td> <td>IM</td> <td>P</td> </tr> <tr> <td>10/06/2021</td> <td></td> <td></td> </tr> </table>	Rev	Edizione	Stato	di - di	1	1	1	1	Validato il	IM	P	10/06/2021	
Rev	Edizione	Stato	di - di												
1	1	1	1												
Validato il	IM	P													
10/06/2021															

YFB-R-2020-004 SH.035



### A23.37.960.4\_1 高低档换挡总成 H-L SHIFT ASS.Y

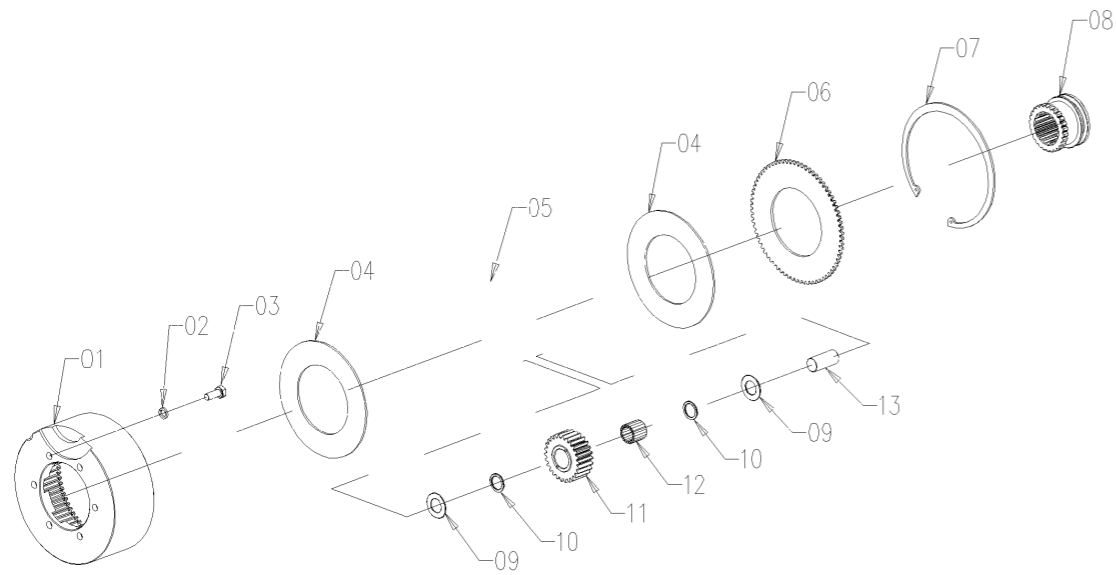
序号	零件编号	零件名称	数量	图号
1	2.0114.309.2	螺栓 SCREW M10x25	1	2.0114.309.2
2	GBT93-10-A3L	垫圈 WASHER	1	GBT93-10-A3L
3	SH900.37.119	锁片 II LOCK II	1	SH900.37.119
4	SH900.37.137	爬行档摇臂 CRAWLING GEAR	1	SH900.37.137
5	SH900.37.115	爬行换挡头 CRAWLING GEAR	1	SH900.37.115
6	SH900.38.110	紧定螺钉 SET SCREW	2	SH900.38.110
7	YBT5294-SZ-F-1.4	低碳钢线 LOW CARBON STEEL WIRE	按需	YBT5294-SZ-F-1.4
8	2.1011.107.2	螺母 NUT M12x1.75	1	2.1011.107.2
9	GBT71-M12X40-A3L	螺栓 bolt	1	GBT71-M12X40-A3L
10	SH900.37.135A	定位弹簧 POSITIONING SPRING	1	SH900.37.135A
11	GBT308-10-G100-b	球 BALL	1	GBT308-10-G100-b
12	SH900.37B.109	叉轴 FORK SHAFT	1	SH900.37B.109
13	SH900.37.118-1	爬行换挡叉 CRAWLING GEAR	1	SH900.37.118-1
14	GBT3452.1-17X1.8-G	O型圈 O-RING	1	GBT3452.1-17X1.8-G



A23.37.961.4 IDLER SHAFT ASS.Y

### A23.37.961.4\_0 倒档惰轮总成 (16F+8R) IDLER SHAFT ASS.Y (16F+8R)

序号	零件编号	零件名称	数量	图号
1	GBT894.1-35	弹性挡圈 CIRCLIP	2	GBT894.1-35
2	SH900.37A.120	花键套 RING	2	SH900.37A.120
3	SH900.37.170A	倒档齿轮 REVERSE GEAR	1	SH900.37.170A
4	SH900.37.222	倒档齿轮座 REVERSE GEAR SEAT	1	SH900.37.222
5	JBT7918-K35X45X30	轴承 BEARING	2	JBT7918-K35X45X30
6	A23.37.001.0	滚针隔套 NEEDLE SPACER	1	A23.37.001.0
7	SH900.37.117	锁片 LOCK I	1	SH900.37.117
8	GBT93-10-A3L	垫圈 WASHER	1	GBT93-10-A3L
9	GBT5783-M10X20-A3L	螺栓 BOLT	1	GBT5783-M10X20-A3L
10	SH900.37.122A/10	倒档轴 REVERSE SHAFT	1	SH900.37.122A/10
11	QCT388-14	碗形膨胀塞 BOWL TYPE WXPANSION	1	QCT388-14



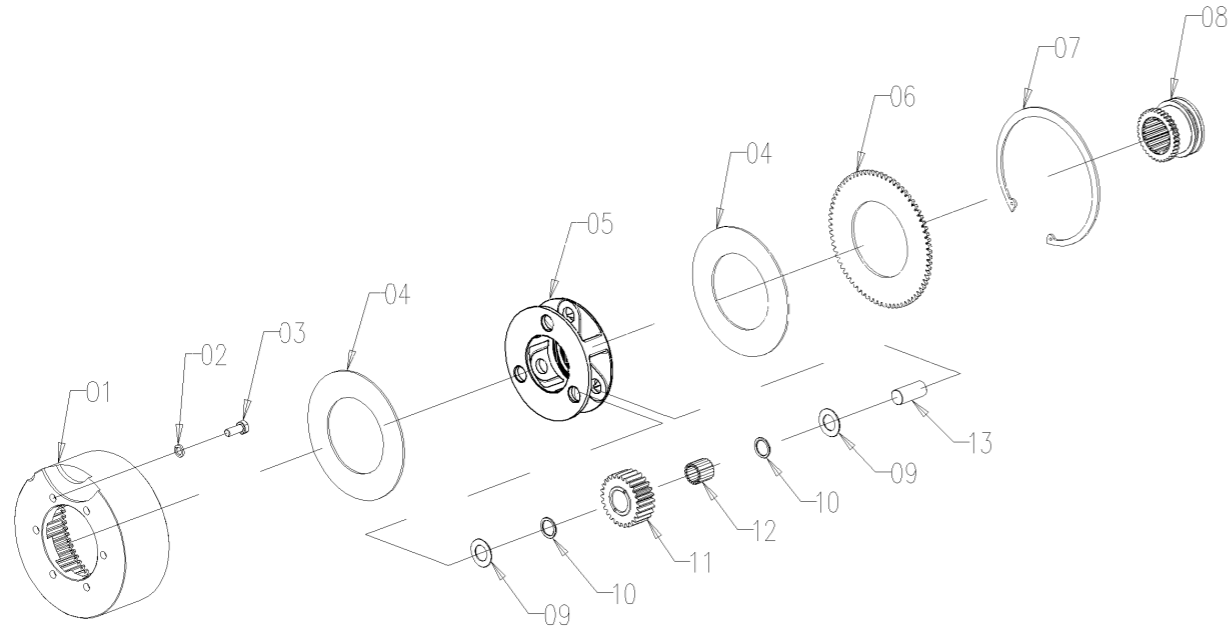
A23.37.962.4 PLANETARY REDUCER ASS.Y

### A23.37.962.4\_0 行星减速总成 ( 16F+8R ) PLANETARY REDUCER ASS.Y ( 16F+8R )

序号	零件编号	零件名称	数量	图号
1	SH900.37.133	内齿圈 GEAR RING	1	SH900.37.133
2	GBT93-10-A3L	垫圈 WASHER	6	GBT93-10-A3L
3	GBT5783-M10X25-A3L	螺栓 BOLT	6	GBT5783-M10X25-A3L
4	SH900.37.128	行星架隔垫 PLANET CARRIER	2	SH900.37.128
5	SH900.37.013	行星架铆合 PLANETARY FRAME	1	SH900.37.013
6	SH900.37.127	齿轮盘 GEAR DISC	1	SH900.37.127
7	GBT893.1-175	弹性挡圈 CIRCLIP	1	GBT893.1-175
8	SH900.37.116	传动齿轮组 DRIVING GEAR SETS	1	SH900.37.116
9	A23.37.004.0	行星齿轮垫片 PLANETARY GEAR	6	A23.37.004.0
10	A23.37.005.0	滚针隔套 NEEDLE SPACER	6	A23.37.005.0
11	SH900.37.132	最终传动行星齿轮 PLANET GEAR	3	SH900.37.132
12	GBT309-P4X25.8-G3-3-6	滚针 NEEDLE ROLLER	57	GBT309-P4X25.8-G3-3-6
13	SH900.37.131	行星齿轮轴 PLANET WHEEL AXLE	3	SH900.37.131



# A23.37.962.4 PLANETARY REDUCER ASS.Y



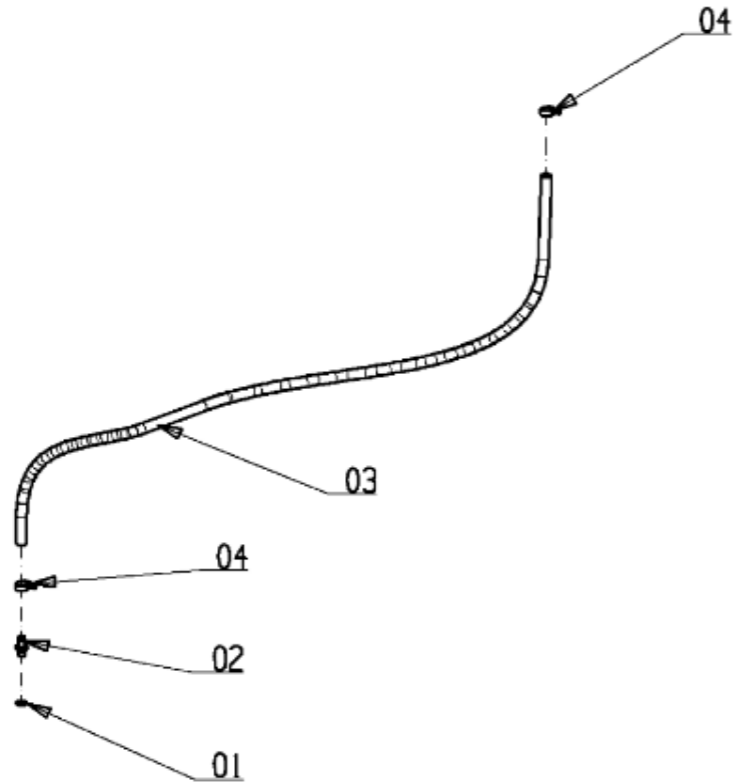
## A23.37.962.4\_1 行星减速总成 ( 16F+8R ) PLANETARY REDUCER ASS.Y ( 16F+8R )

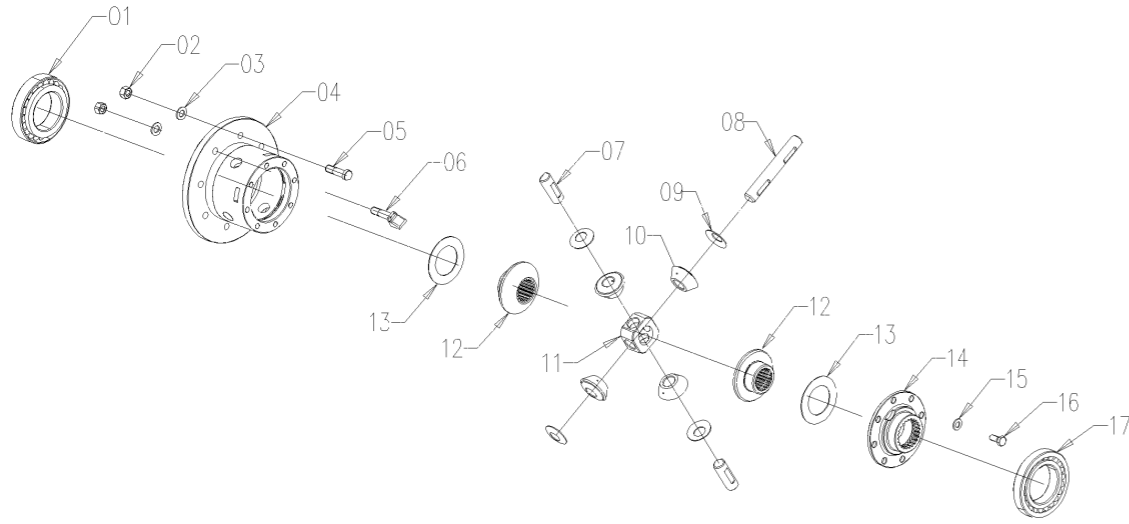
序号	零件编号	零件名称	数量	图号
1	SH900.37.133	内齿圈 GEAR RING	1	SH900.37.133
2	GBT93-10-A3L	垫圈 WASHER	6	GBT93-10-A3L
3	GBT5783-M10X25-A3L	螺栓 BOLT	6	GBT5783-M10X25-A3L
4	SH900.37.128	行星架隔垫 PLANET CARRIER	2	SH900.37.128
5	SH900.37.013	行星架铆合 PLANETARY FRAME	1	SH900.37.013
6	SH900.37.127	齿轮盘 GEAR DISC	1	SH900.37.127
7	GBT893.1-175	弹性挡圈 CIRCLIP	1	GBT893.1-175
8	SH900.37.116	传动齿轮组 DRIVING GEAR SETS	1	SH900.37.116
9	A23.37.004.0	行星齿轮垫片 PLANETARY GEAR	6	A23.37.004.0
10	A23.37.005.0	滚针隔套 NEEDLE SPACER	6	A23.37.005.0
11	SH900.37.132	最终传动行星齿轮 PLANET GEAR	3	SH900.37.132
12	GBT309-P4X25.8-G3-3-6	滚针 NEEDLE ROLLER	57	GBT309-P4X25.8-G3-3-6
13	SH900.37.131	行星齿轮轴 PLANET WHEEL AXLE	3	SH900.37.131

YFB-R-2017-011 SH.011

A23.38.902.4\_0 传动呼吸器总成 TRANSMISSION BREATHER ASS.

序号	零件编号	零件名称	数量	图号
1	JBT982-12	组合密封垫圈 SEALING RING	1	JBT982-12
2	SH900.38.159	呼吸接头 BREATHING JOINT	1	SH900.38.159
3	SH900.38.160/10	BREATHING HOSE BREATHING	1	SH900.38.160/10
4	JBT8870-D20	软管夹 HOSE CLAMPS	2	JBT8870-D20





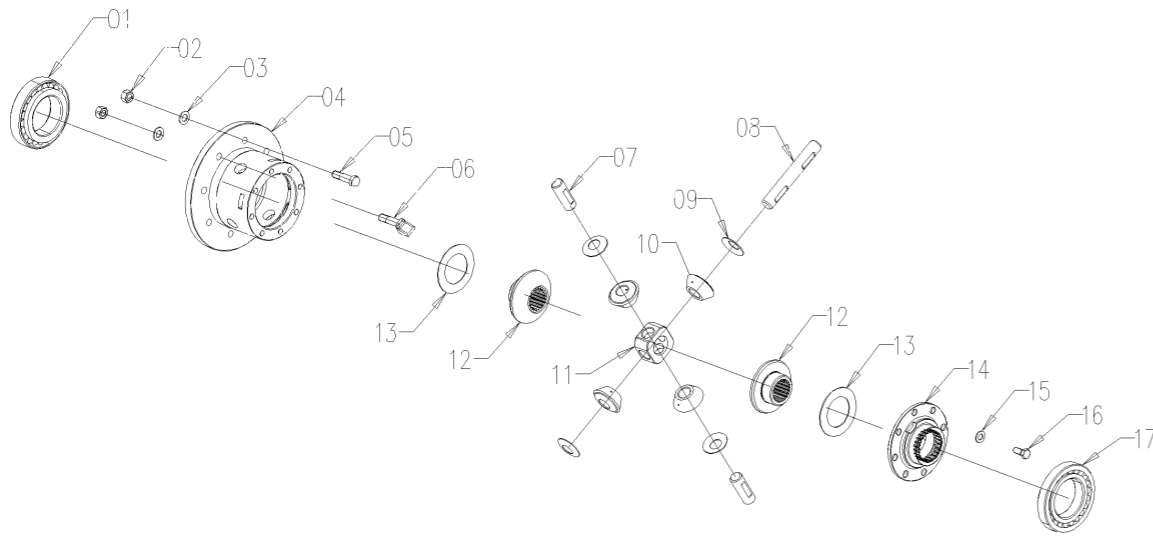
A23.38.903.4 DIFFERENTIAL ASS.Y

### A23.38.903.4\_0 差速器总成 DIFFERENTIAL ASS.Y

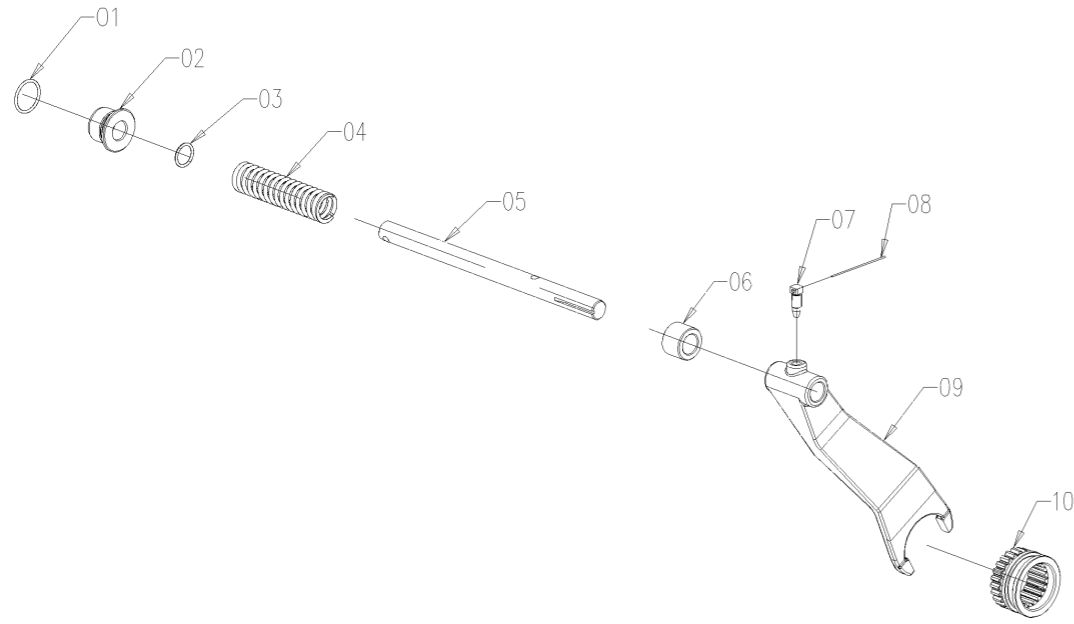
序号	零件编号	零件名称	数量	图号
1	GBT297-32216	轴承 BEARING	1	GBT297-32216
2	GBT6171-M14X1.5-10-A3L	螺母 NUT	8	GBT6171-M14X1.5-10-A3L
3	2.1475.005.7	垫圈 CONICAL WASHERS M14	8	2.1475.005.7
4	SH900.38.152	差速齿轮箱 DIFFERENTIAL HOUSING	1	SH900.38.152
5	SH900.38.151	大圆锥齿轮固定螺钉 BIG BEVEL GEAR	4	SH900.38.151
6	SH900.38.150	行星齿轮轴止动螺钉 PLANET GEAR	4	SH900.38.150
7	SH900.38.145/20	短行星齿轮轴 SHORT PLANET GEAR	2	SH900.38.145/20
8	SH900.38.153/10	最终传动行星轮轴 PLANET GEAR	1	SH900.38.153/10
9	A23.38.002.0	行星齿轮垫片 PLANETARY GEAR	4	A23.38.002.0
10	SH900.38.148/10	最终传动行星齿轮 PLANET GEAR	4	SH900.38.148/10
11	SH900.38.154	中心环 CENTER RING	1	SH900.38.154
12	SH900.38.144	半轴齿轮 SEMI SHAFT GEAR	2	SH900.38.144
13	A23.38.001.0	齿轮垫片 DIFF. GEAR SPACER	2	A23.38.001.0
14	SH900.38.142	差速器盖 DIFFERENTIAL COVER	1	SH900.38.142
15	2.1475.004.2	垫圈 CONICAL WASHERS M12	8	2.1475.004.2
16	GBT5783-M12X25-A3L	螺栓 BOLT	8	GBT5783-M12X25-A3L
17	GBT297-30216	轴承 BEARING	1	GBT297-30216

A23.38.903.4 DIFFERENTIAL ASS.Y

A23.38.903.4\_1 差速器总成DIFFERENTIAL ASS.Y



序号	零件编号	零件名称	数量	图号
1	GBT297-32216	轴承 BEARING	1	GBT297-32216
2	GBT6171-M14X1.5-10-A3L	螺母 NUT	8	GBT6171-M14X1.5-10-A3L
3	2.1475.005.7	垫圈 CONICAL WASHERS M14	8	2.1475.005.7
4	SH900.38.152	差速齿轮箱 DIFFERENTIAL HOUSING	1	SH900.38.152
5	SH900.38.151	大圆锥齿轮固定螺钉 BIG BEVEL GEAR	4	SH900.38.151
6	SH900.38.150	行星齿轮轴止动螺钉 PLANET GEAR	4	SH900.38.150
7	SH900.38.145/20	短行星齿轮轴 SHORT PLANET GEAR	2	SH900.38.145/20
8	SH900.38.153/10	最终传动行星轮轴 PLANET GEAR	1	SH900.38.153/10
9	A23.38.002.0	行星齿轮垫片 PLANETARY GEAR	4	A23.38.002.0
10	SH900.38.148/10	最终传动行星齿轮 PLANET GEAR	4	SH900.38.148/10
11	SH900.38.154	中心环 CENTER RING	1	SH900.38.154
12	SH900.38.144	半轴齿轮 SEMI SHAFT GEAR	2	SH900.38.144
13	A23.38.001.0	齿轮垫片 DIFF. GEAR SPACER	2	A23.38.001.0
14	SH900.38.142	差速器盖 DIFFERENTIAL COVER	1	SH900.38.142
15	2.1475.004.2	垫圈 CONICAL WASHERS M12	8	2.1475.004.2
16	GBT5783-M12X25-A3L	螺栓 BOLT	8	GBT5783-M12X25-A3L
17	GBT297-30216	轴承 BEARING	1	GBT297-30216



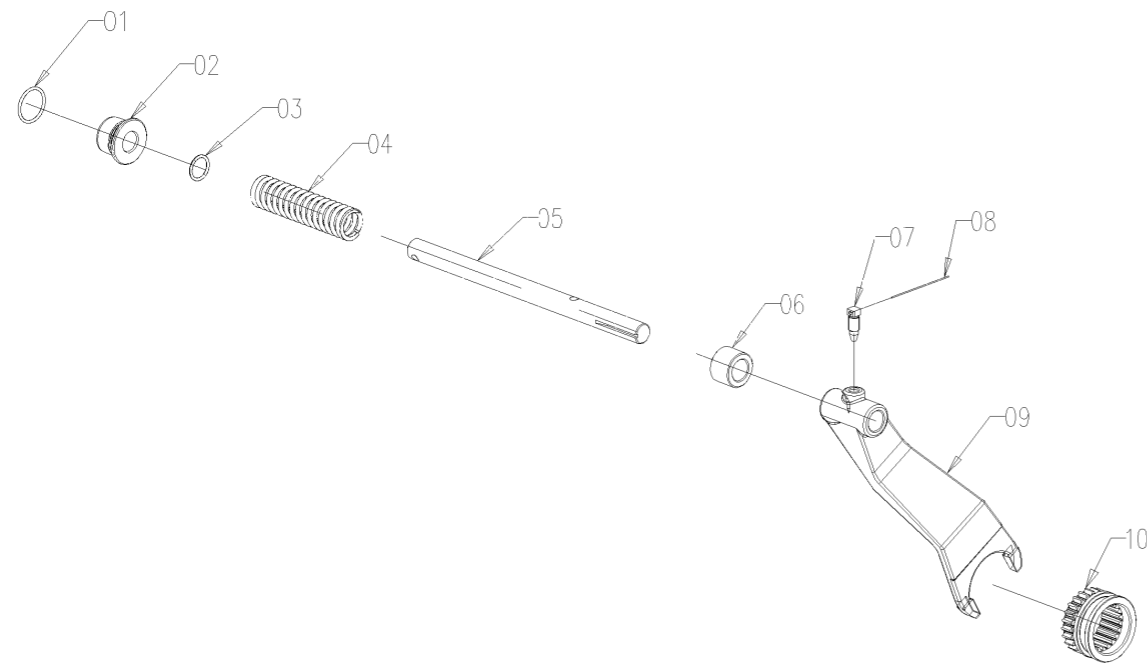
A23.38.904.4 DIFFERENTIAL CONTROL ASS.Y

### A23.38.904.4\_0 差速器操纵总成 DIFFERENTIAL CONTROL ASS.Y

序号	零件编号	零件名称	数量	图号
1	GBT3452.1-30X2.65-G	O形密封圈 O-RING	1	GBT3452.1-30X2.65-G
2	SH900.38.114	拨叉轴座 SHIFT FORK SHAFT SEAT	1	SH900.38.114
3	GBT3452.1-20X2.65-G	O形密封圈 O-RING	1	GBT3452.1-20X2.65-G
4	SH900.38.113	差速锁弹簧 DIFFERENTIAL LOCK	1	SH900.38.113
5	SH900.38.109	差速锁叉轴 DIFFERENTIAL LOCK	1	SH900.38.109
6	SH900.38.112	套筒 SLEEVE	1	SH900.38.112
7	SH900.38.110	紧定螺钉 SET SCREW	1	SH900.38.110
8	YBT5294-SZ-F-1.4	低碳钢丝 LOW CARBON STEEL WIRE	0	YBT5294-SZ-F-1.4
9	SH900.38.111	差速锁拨叉 DIFFERENTIAL LOCK	1	SH900.38.111
10	SH900.38.126	差速锁啮合套筒 DIFFERENTIAL LOCK	1	SH900.38.126

# A23.38.904.4 DIFFERENTIAL CONTROL ASS.Y

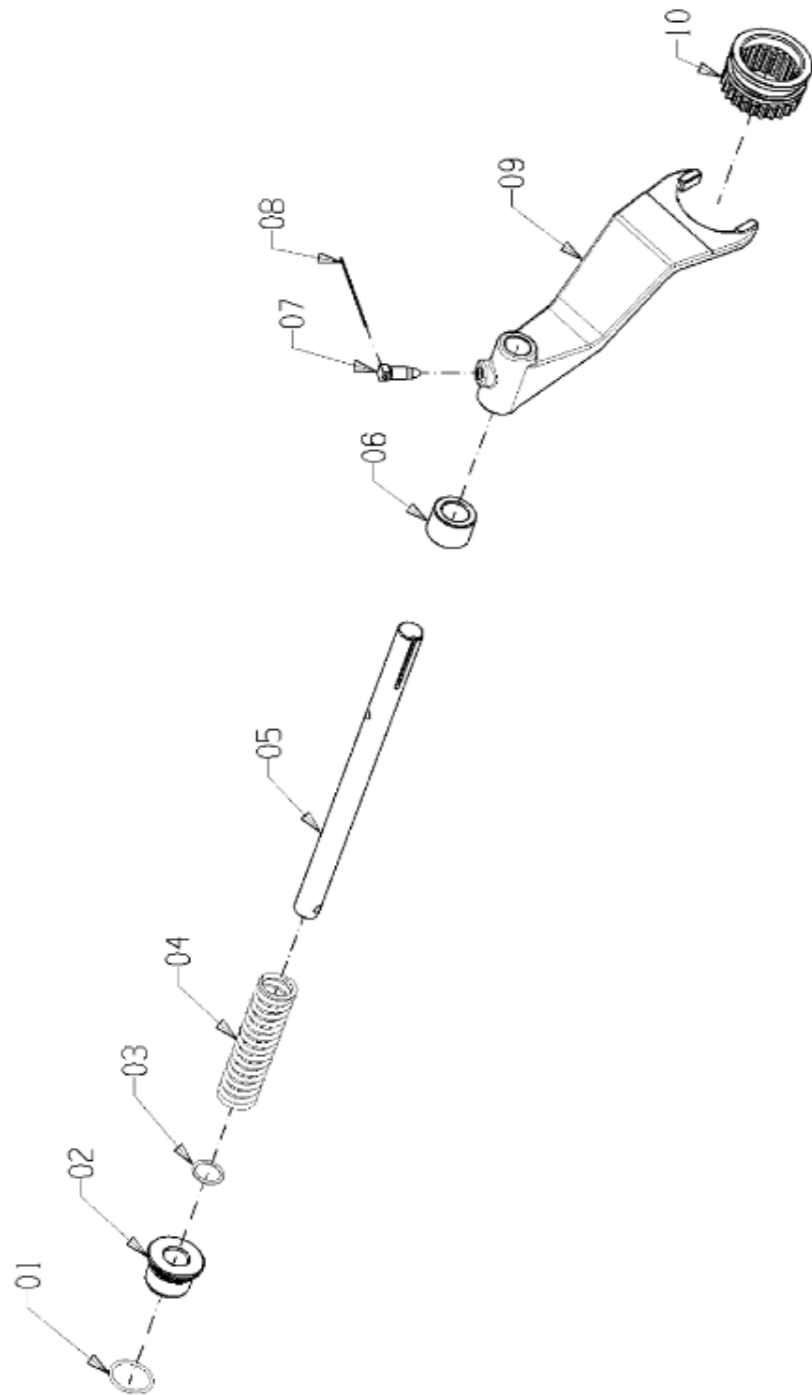
# A23.38.904.4\_1 差速器操纵总成 DIFFERENTIAL CONTROL ASS.Y



序号	零件编号	零件名称	数量	图号
1	GBT3452.1-30X2.65-G	O形密封圈 O-RING	1	GBT3452.1-30X2.65-G
2	SH900.38.114	拨叉轴座 SHIFT FORK SHAFT SEAT	1	SH900.38.114
3	GBT3452.1-20X2.65-G	O形密封圈 O-RING	1	GBT3452.1-20X2.65-G
4	SH900.38.113	差速锁弹簧 DIFFERENTIAL LOCK	1	SH900.38.113
5	SH900.38.109	差速锁叉轴 DIFFERENTIAL LOCK	1	SH900.38.109
6	SH900.38.112	套筒 SLEEVE	1	SH900.38.112
7	SH900.38.110	紧定螺钉 SET SCREW	1	SH900.38.110
8	YBT5294-SZ-F-1.4	低碳钢丝 LOW CARBON STEEL WIRE	0	YBT5294-SZ-F-1.4
9	SH900.38.111	差速锁拨叉 DIFFERENTIAL LOCK	1	SH900.38.111
10	SH900.38.126	差速锁啮合套筒 DIFFERENTIAL LOCK	1	SH900.38.126

 SME DEUTZ-FAHR GROUP S.p.A. Gruppo - Group	CD90 series	N. dis. - P/N	
	DIFFERENTIAL CONTROL ASS.Y	A23.38.904.4	
		3	1
23/12/2021		IM	F

YFB-R-2018-003 SH.042

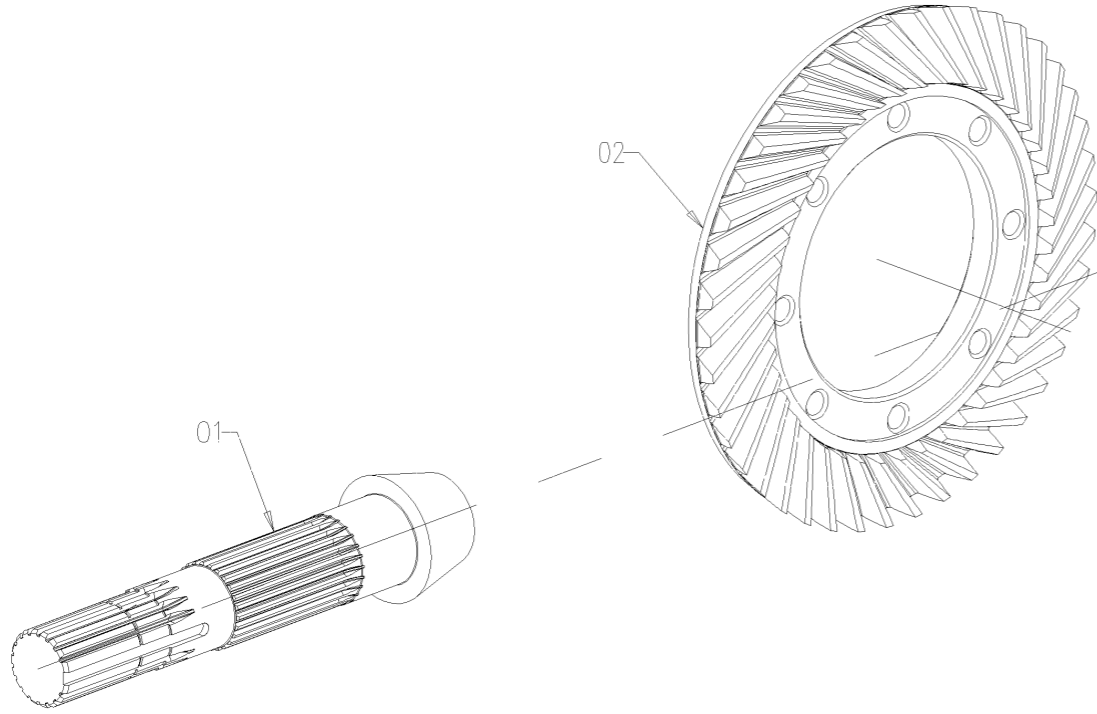


### A23.38.904.4\_3 差速器操纵总成 DIFFERENTIAL CONTROL ASS.Y

序号	零件编号	零件名称	数量	图号
1	GBT3452.1-30X2.65-G	O型圈 O RING	1	GBT3452.1-30X2.65-G
2	SH900.38.114	呼吸软管 SHIFT FORK SHAFT SEAT	1	SH900.38.114
3	GBT3452.1-20X2.65-G	O型圈 O RING	1	GBT3452.1-20X2.65-G
4	SH900.38.113	差速锁弹簧 DIFFERENTIAL LOCK	1	SH900.38.113
5	SH900.38.109	差速锁叉轴 DIFFERENTIAL LOCK	1	SH900.38.109
6	SH900.38.112	套筒 SLEEVE	1	SH900.38.112
7	SH900.38.110	紧定螺钉 SET SCREW	1	SH900.38.110
8	YBT5294-SZ-F-1.4	低碳钢线 LOW CARBON STEEL WIRE	按需	YBT5294-SZ-F-1.4
9	SH900.38.111	差速锁拨叉 DIFFERENTIAL LOCK	1	SH900.38.111
10	SH900.38.126	差速锁啮合套筒 DIFFERENTIAL LOCK	1	SH900.38.126

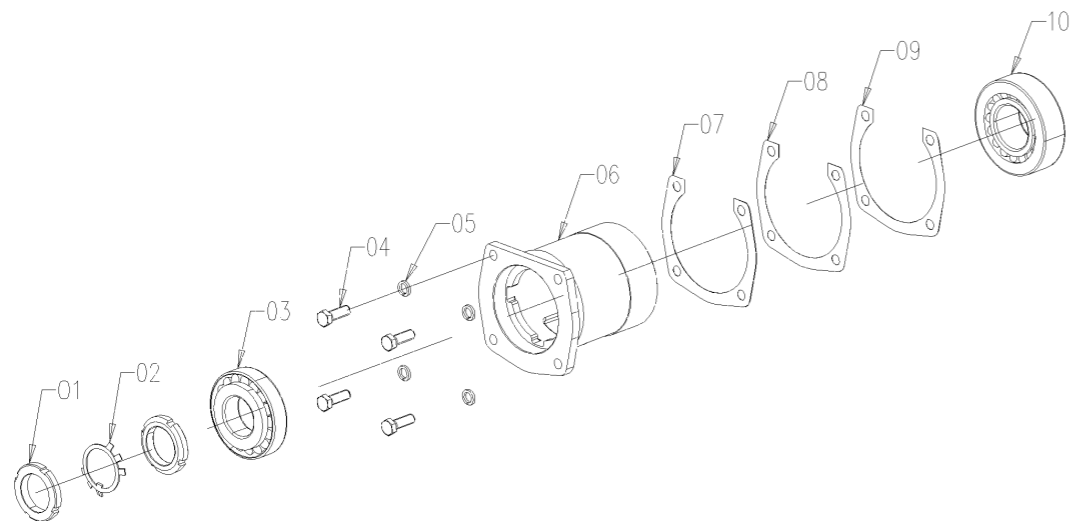
### A23.38.905.4\_0 大小锥齿轮总成BEVEL GEAR ASS.Y

序号	零件编号	零件名称	数量	图号
1	SH900.38.131	小圆锥齿轮 BEVEL PINION	1	SH900.38.131
2	SH900.38.146	大圆锥齿轮 LARGE CONICAL GEAR	1	SH900.38.146



A23.38.905.4 BEVEL GEAR ASS.Y

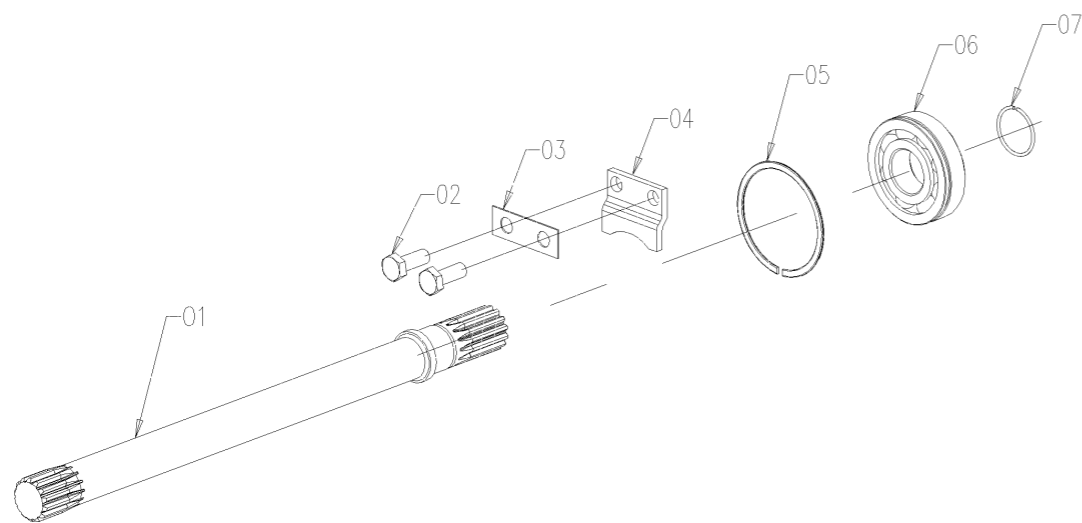




A23.38.908.4 SMALL BEVEL BEARING ASS.Y

### A23.38.908.4\_1 小圆锥轴承座总成SMALL BEVEL BEARING ASS.Y

序号	零件编号	零件名称	数量	图号
1	GBT812-M50X1.5	圆螺母 ROUND NUT	2	GBT812-M50X1.5
2	GBT858-50	圆螺母用六角垫圈 TAB WASHER FOR	1	GBT858-50
3	GBT297-30310	轴承 BEARING	1	GBT297-30310
4	GBT5783-M12X35-10.9-	螺栓 BOLT	4	GBT5783-M12X35-10.9-A3L
5	GBT93-12-A3L	垫圈 WASHER	4	GBT93-12-A3L
6	SH900.38.130/10	小齿轮轴承座 PINION BEARING SEAT	1	SH900.38.130/10
7	SH900.38.128/10	调整垫 ADJUSTING PAD	0	SH900.38.128/10
8	SH900.38.163/10	调整垫 ADJUSTING PAD	0	SH900.38.163/10
9	SH900.38.164/10	调整垫 ADJUSTING PAD	0	SH900.38.164/10
10	GBT297-32311	轴承 BEARING	1	GBT297-32311



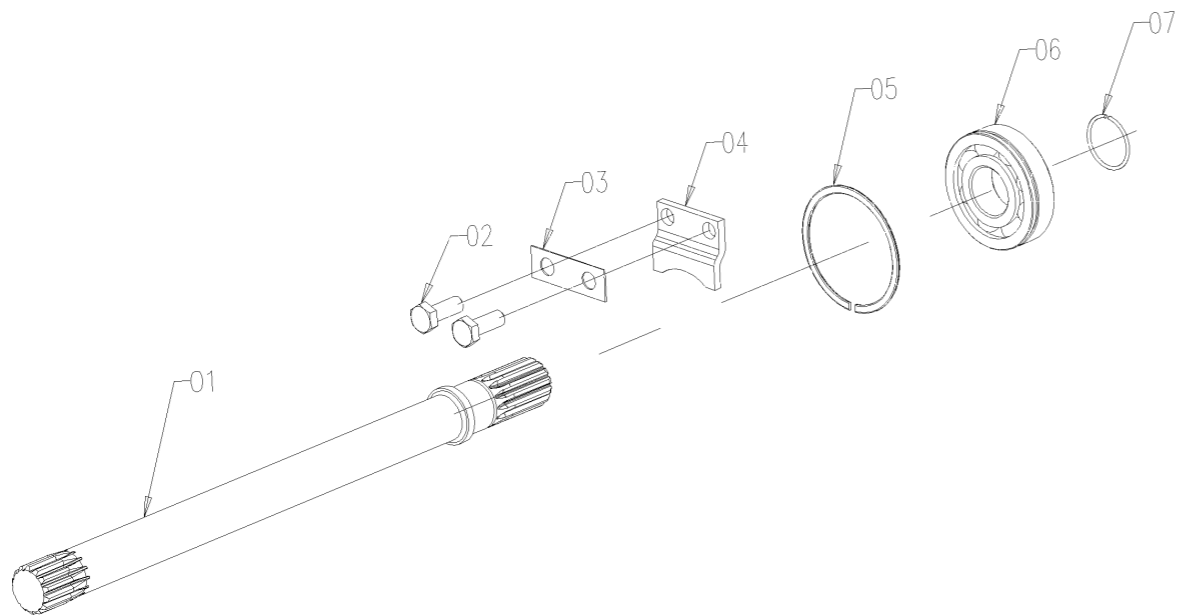
A23.38.909.4 PTO MIDDLE SHAFT ASS.Y

### A23.38.909.4\_0 PTO中间轴总成PTO MIDDLE SHAFT ASS.Y

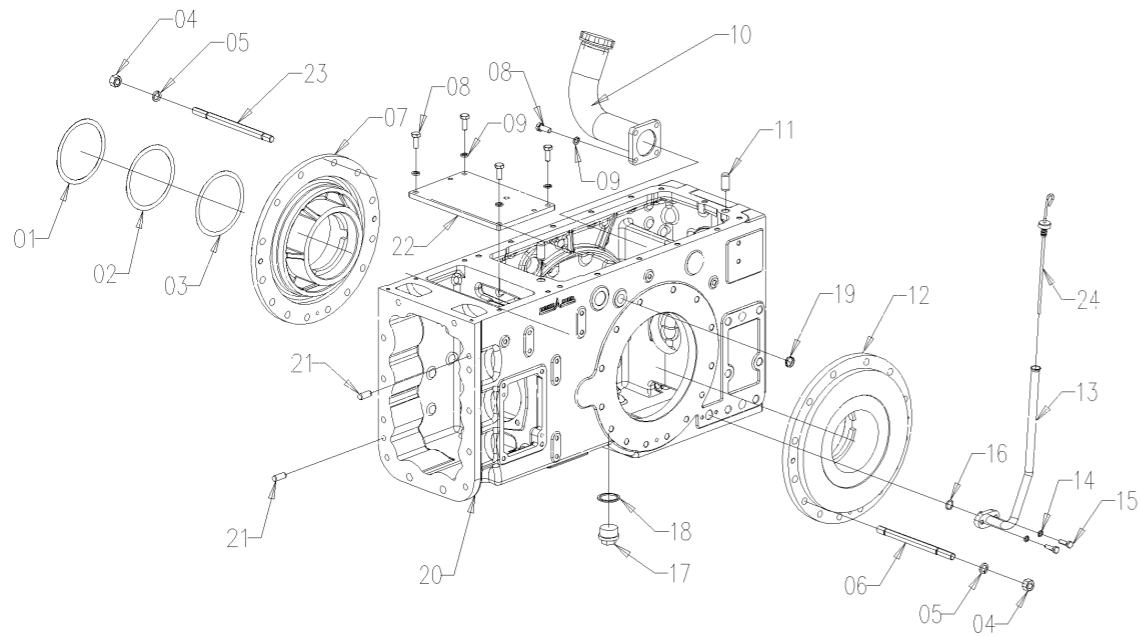
序号	零件编号	零件名称	数量	图号
1	SH900.38.118	中间轴 PTO MIDDLE SHAFT	1	SH900.38.118
2	GBT5783-M10X25-A3L	螺栓 BOLT	2	GBT5783-M10X25-A3L
3	SH900.38.119	压板锁片 CLAMP PLATE	1	SH900.38.119
4	SH900.38.120	板 PLATE	1	SH900.38.120
5	GBT305-72/78.6	止动环 THRUST RING	1	GBT305-72/78.6
6	GBT276-6306N	轴承 BEARING	1	GBT276-6306N
7	GBT895.2-30	弹性挡圈 CIRCLIP	1	GBT895.2-30

# A23.38.909.4 PTO MIDDLE SHAFT ASS.Y

# A23.38.909.4\_1 PTO中间轴总成PTO MIDDLE SHAFT ASS.Y



序号	零件编号	零件名称	数量	图号
1	SH900.38.118	中间轴 PTO MIDDLE SHAFT	1	SH900.38.118
2	GBT5783-M10X25-A3L	螺栓 BOLT	2	GBT5783-M10X25-A3L
3	SH900.38.119	压板锁片 CLAMP PLATE	1	SH900.38.119
4	SH900.38.120	板 PLATE	1	SH900.38.120
5	GBT305-72/78.6	止动环 THRUST RING	1	GBT305-72/78.6
6	GBT276-6306N	轴承 BEARING	1	GBT276-6306N
7	GBT895.2-30	弹性挡圈 CIRCLIP	1	GBT895.2-30

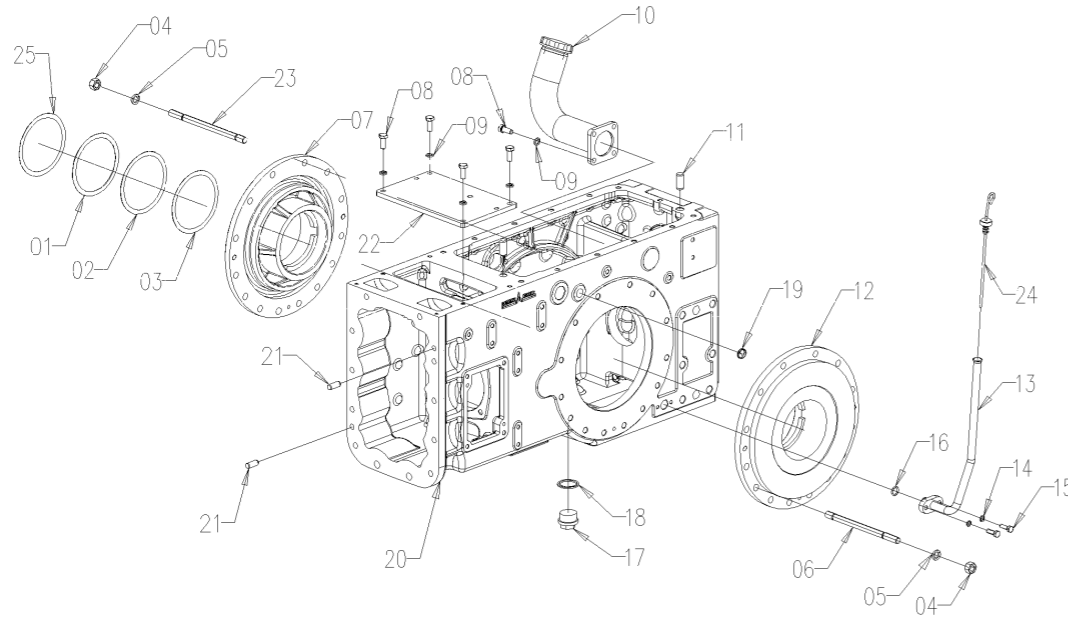


A23.38.910.4 REAR BOX ACCESSORY ASS.Y

### A23.38.910.4\_2 后箱附件总成 REAR BOX ACCESSORY ASS.Y

序号	零件编号	零件名称	数量	图号
1	SH900.38.162	调整垫圈 ADJUSTING WASHER	0	SH900.38.162
2	SH900.38.117	调整垫圈 ADJUSTING WASHER	0	SH900.38.117
3	SH900.38.161	调整垫圈 ADJUSTING WASHER	0	SH900.38.161
4	GBT6171-M14X1.5-10-A3L	螺母 NUT	28	GBT6171-M14X1.5-10-A3L
5	GBT93-14-A3L	垫圈 WASHER	28	GBT93-14-A3L
6	GBT899-AM14X1.5X190-	螺柱 STUD	26	GBT899-AM14X1.5X190-10.9-
7	0.026.3892.0	右轴承座 RIGHT BEARING SEAT	1	0.026.3892.0
8	GBT5783-M10X25-A3L	螺栓 BOLT	8	GBT5783-M10X25-A3L
9	GBT93-10-A3L	垫圈 WASHER	8	GBT93-10-A3L
10	SH900.38.011	加油管组件 FUEL PIPE ASSY	1	SH900.38.011
11	GBT119.1-16m6X35	销 PIN	2	GBT119.1-16m6X35
12	0.026.3891.0	左轴承座 LEFT BEARING SEAT	1	0.026.3891.0
13	DF904.38.013/10	油尺弯头焊件 OIL RULE ELBOW	1	DF904.38.013/10
14	GBT93-8-A3L	垫圈 WASHER	2	GBT93-8-A3L
15	GBT5783-M8X25-A2L	螺栓 BOLT	2	GBT5783-M8X25-A2L
16	GBT3452.1-15X2.65-G	O形圈 O RING	1	GBT3452.1-15X2.65-G
17	SH900.38.018/10	排油螺塞 OIL DRAINAGE SCREW	1	SH900.38.018/10
18	JBT982-36	组合密封垫圈 SEALING RINGS	1	JBT982-36
19	QCT388-20	碗形膨胀塞 BOWL TYPE EXPANSION	1	QCT388-20
20	A23.38.003.0/20	后壳体 REAR HOUSING	1	A23.38.003.0/20
21	GBT119.1-12m6X30	销 PIN	2	GBT119.1-12m6X30
22	SH900.38.105A	后桥箱上盖 REAR AXLE BOX TOP	1	SH900.38.105A
23	GBT899-AM14X1.5X200-	螺柱 STUD	2	GBT899-AM14X1.5X200-10.9-
24	SH900.38.016	油尺组件 DIPSTICK ASSY	1	SH900.38.016

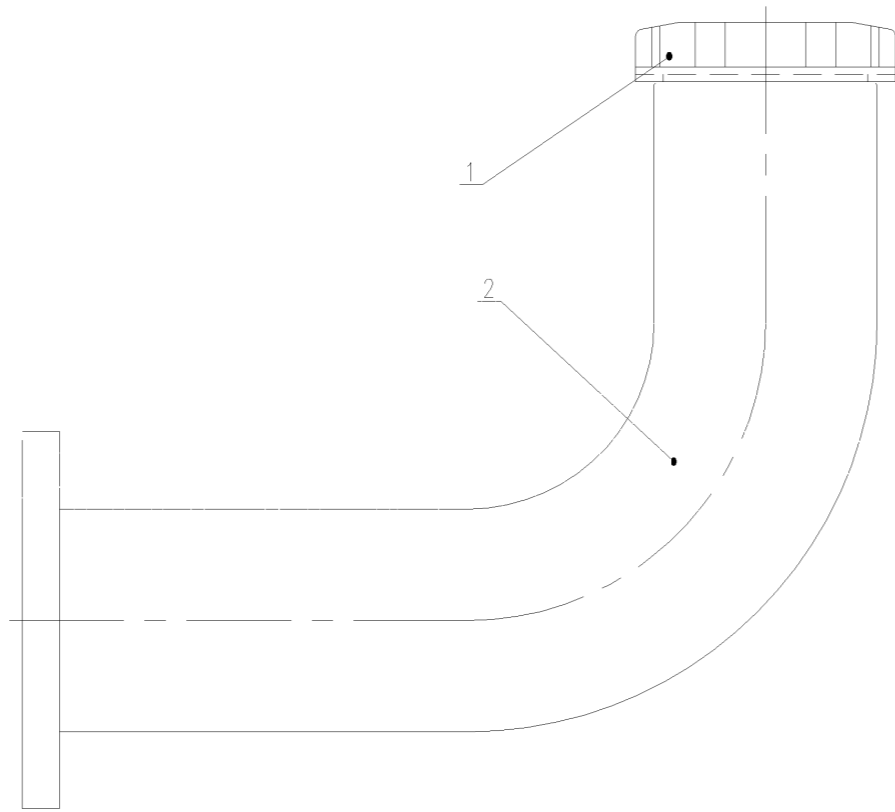
A23.38.910.4 REAR BOX ACCESSORY ASS.Y



A23.38.910.4\_3 后箱附件总成 REAR BOX ACCESSORY ASS.Y

序号	零件编号	零件名称	数量	图号
1	SH900.38.162	调整垫圈 ADJUSTING WASHER	0	SH900.38.162
2	SH900.38.117	调整垫圈 ADJUSTING WASHER	0	SH900.38.117
3	SH900.38.161	调整垫圈 ADJUSTING WASHER	0	SH900.38.161
4	GBT6171-M14X1.5-10-A3L	螺母 NUT	28	GBT6171-M14X1.5-10-A3L
5	GBT93-14-A3L	垫圈 WASHER	28	GBT93-14-A3L
6	GBT899-AM14X1.5X190-	螺柱 STUD	26	GBT899-AM14X1.5X190-10.9-
7	0.026.3892.0	右轴承座 RIGHT BEARING SEAT	1	0.026.3892.0
8	GBT5783-M10X25-A3L	螺栓 BOLT	8	GBT5783-M10X25-A3L
9	GBT93-10-A3L	垫圈 WASHER	8	GBT93-10-A3L
10	SH900.38.011	加油管组件 FUEL PIPE ASSY	1	SH900.38.011
11	GBT119.1-16m6X35	销 PIN	2	GBT119.1-16m6X35
12	0.026.3891.0	左轴承座 LEFT BEARING SEAT	1	0.026.3891.0
13	DF904.38.013/10	油尺弯头焊件 OIL RULE ELBOW	1	DF904.38.013/10
14	GBT93-8-A3L	垫圈 WASHER	2	GBT93-8-A3L
15	GBT5783-M8X25-A2L	螺栓 BOLT	2	GBT5783-M8X25-A2L
16	GBT3452.1-15X2.65-G	O形圈 O RING	1	GBT3452.1-15X2.65-G
17	SH900.38.018/10	排油螺塞 OIL DRAINAGE SCREW	1	SH900.38.018/10
18	JBT982-36	组合密封垫圈 SEALING RINGS	1	JBT982-36
19	QCT388-20	碗形膨胀塞 BOWL TYPE EXPANSION	1	QCT388-20
20	A23.38.003.0/20	后壳体 REAR HOUSING	1	A23.38.003.0/20
21	GBT119.1-12m6X30	销 PIN	2	GBT119.1-12m6X30
22	SH900.38.105A	后桥箱上盖 REAR AXLE BOX TOP	1	SH900.38.105A
23	GBT899-AM14X1.5X200-	螺柱 STUD	2	GBT899-AM14X1.5X200-10.9-
24	SH900.38.016	油尺组件 DIPSTICK ASSY	1	SH900.38.016
25	A26.38.011.0	调整垫圈 ADJUST WASHER	1	A26.38.011.0

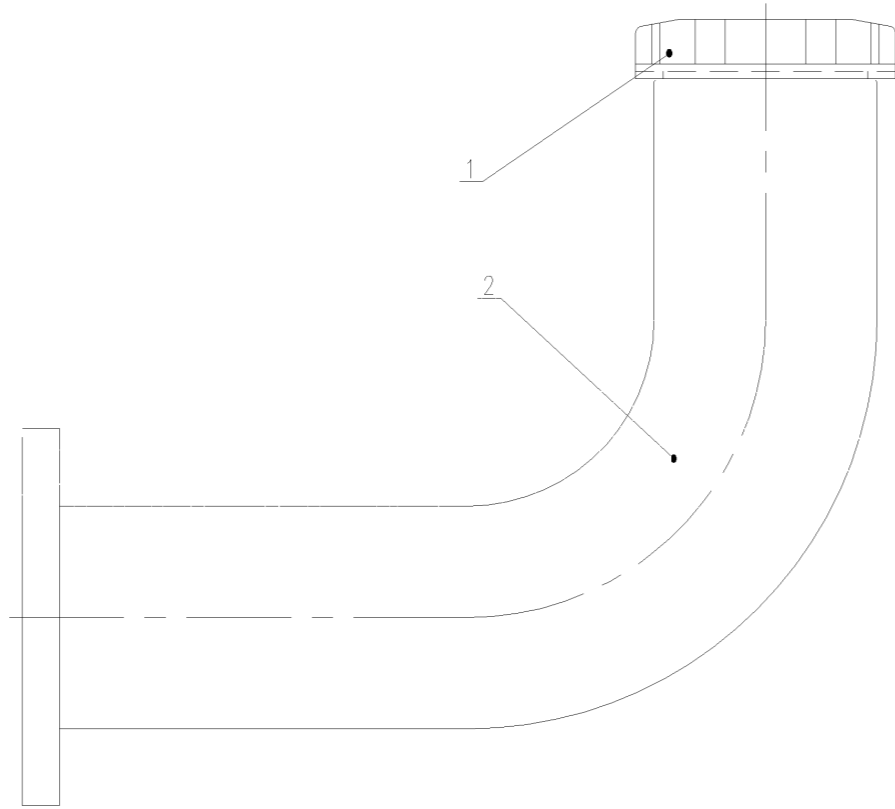
SH900.38.011 加油管组件



**SH900.38.011 加油管组件 FUEL PIPE ASSY**

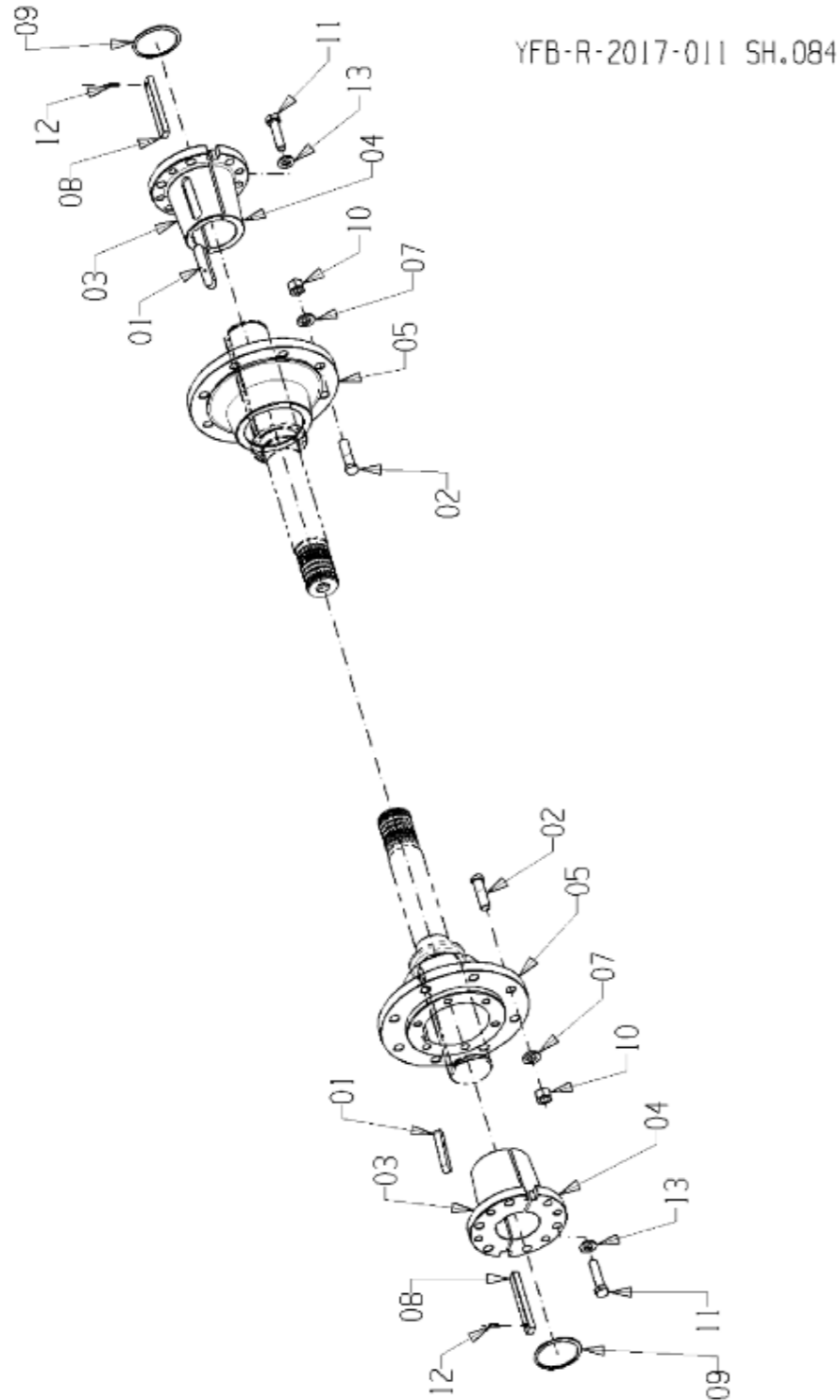
序号	零件编号	零件名称	数量	图号
1	SH900.38.132	加油口盖 FILLER CAP	1	SH900.38.132
2	SH900.38.135	加油管 GAS PIPE	1	SH900.38.135

SH900.38.011 加油管组件



SH900.38.011 加油管组件 FUEL PIPE ASSY

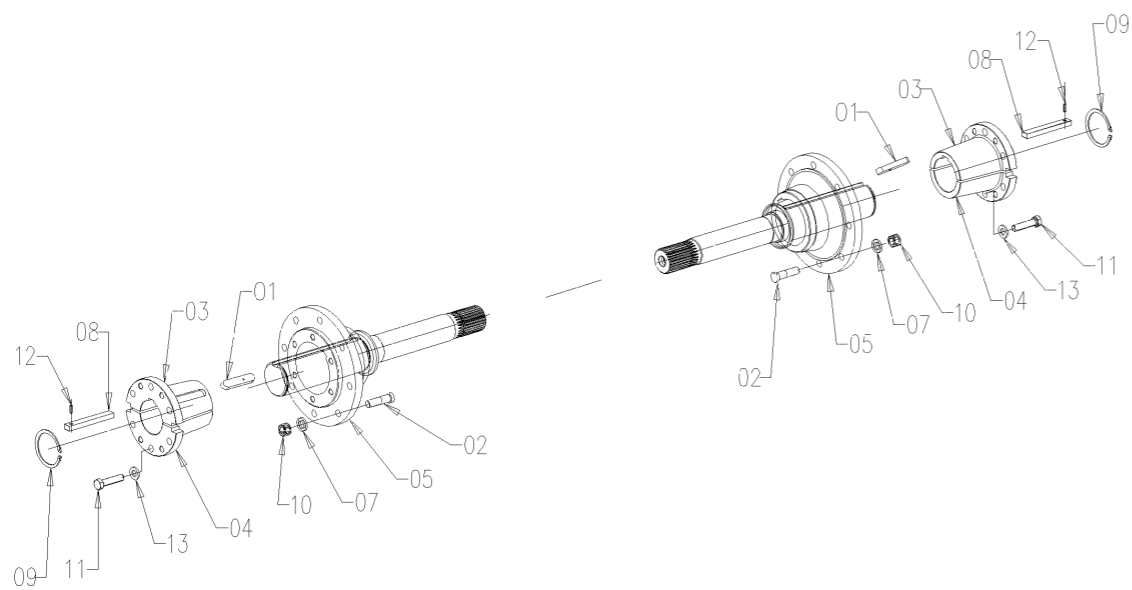
序号	零件编号	零件名称	数量	图号
1	SH900.38.132	加油口盖 FILLER CAP	1	SH900.38.132
2	SH900.38.135	加油管 GAS PIPE	1	SH900.38.135



**A23.39.900.4 轮毂总成 (无级调节轮距) HUB ASS.LY(steplessly adjustable wheelbase)**

序号	零件编号	零件名称	数量	图号
1	SH954.34.110	平键 FLAT KEY	2	SH954.34.110
2	SH954.34.109/20	固定螺栓 FIX BOLT	16	SH954.34.109/20
3	SH954.34.106	轮辋 RIM	2	SH954.34.106
4	SH954.34.105	轮辋 RIM	2	SH954.34.105
5	SH954.34.104	轮毂盖 RIM COVER	2	SH954.34.104
7	2.1475.108.2	锥形垫圈 CONICAL WASHER M20	16	2.1475.108.2
8	LE1204.34.104	平键 22X155 FLAT KEY 22X155	2	LE1204.34.104
9	2.1414.056.2	轴用挡圈-标准型 D 95 RETAINING	2	2.1414.056.2
10	2.1012.311.2	螺母 NUT	16	2.1012.311.2
11	GBT5786-M18X1.5X75-	螺栓 BOLT	12	GBT5786-M18X1.5X75-12.9-A3L
12	GBT119.1-6m8X22	销 PIN	2	GBT119.1-6m8X22
13	2.1475.107.7	垫圈 CONICAL WASHER M18	12	2.1475.107.7

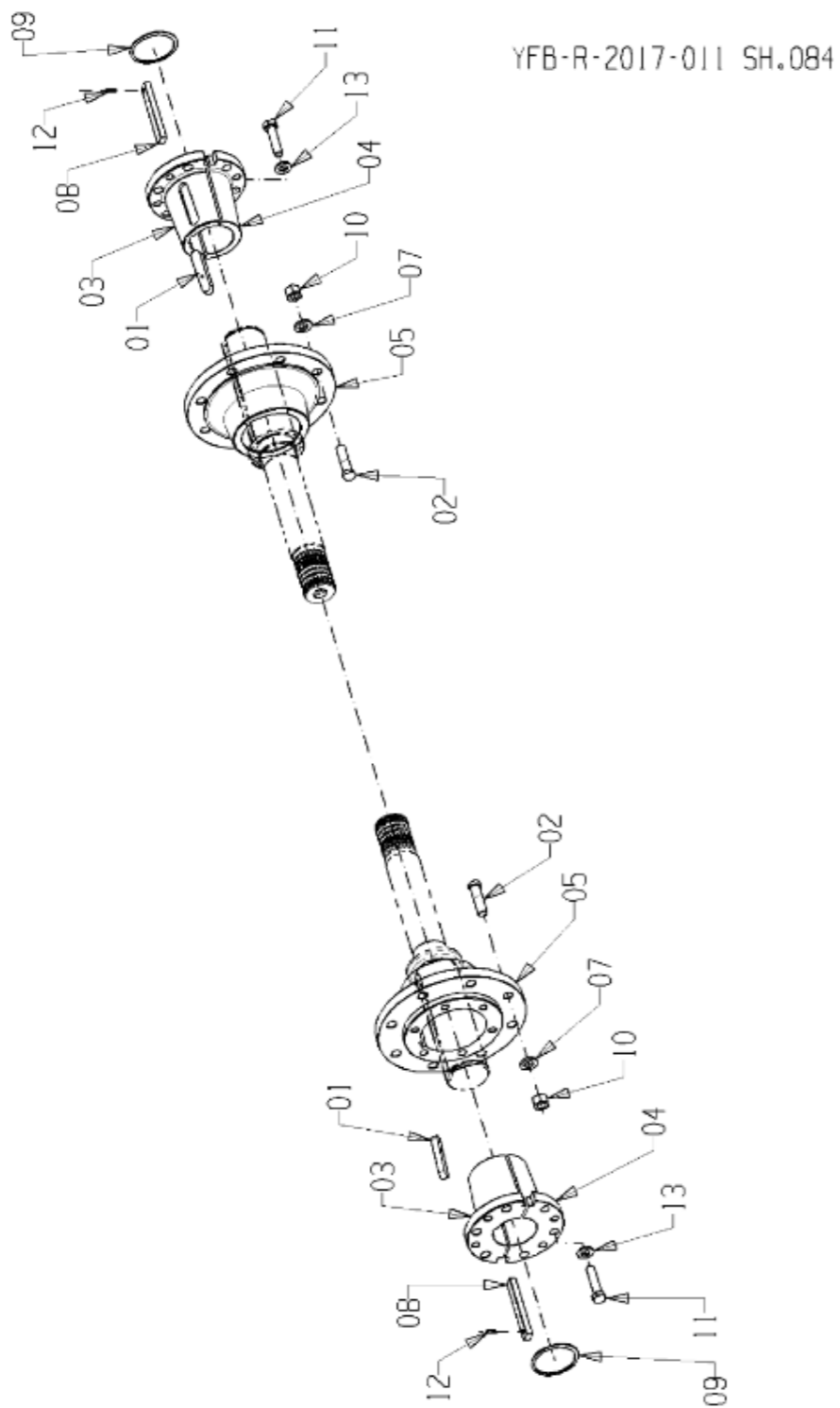




A23.39.900.4 HUB ASS.LY

### A23.39.900.4\_2 轮毂总成 (无级调节轮距) HUB ASS.LY(steplessly adjustable wheelbase)

序号	零件编号	零件名称	数量	图号
1	SH954.34.110	平键22 × 110 FLAT KEY	2	SH954.34.110
2	SH954.34.109/20	固定螺栓 FIX BOLT	16	SH954.34.109/20
3	SH954.34.106	轮辋 RIM	2	SH954.34.106
4	SH954.34.105	轮辋 RIM	2	SH954.34.105
5	SH954.34.104	轮毂盖 RIM COVER	2	SH954.34.104
7	2.1475.108.2	垫圈 CONICAL WASHER M20	16	2.1475.108.2
8	LE1204.34.104	平键 22X155 FLAT KEY 22X155	2	LE1204.34.104
9	GBT894.1-95	轴用弹性挡圈 CIRCLIP FOR SHAFT	2	GBT894.1-95
10	GBT6176-M20X1.5-10-A3L	螺母 NUT	16	GBT6176-M20X1.5-10-A3L
11	GBT5786-M18X1.5X75-	螺栓 BOLT	12	GBT5786-M18X1.5X75-12.9-A3L
12	GBT119.1-6m8X22	销 PIN	2	GBT119.1-6m8X22
13	2.1475.107.7	垫圈 CONICAL WASHER M18	12	2.1475.107.7

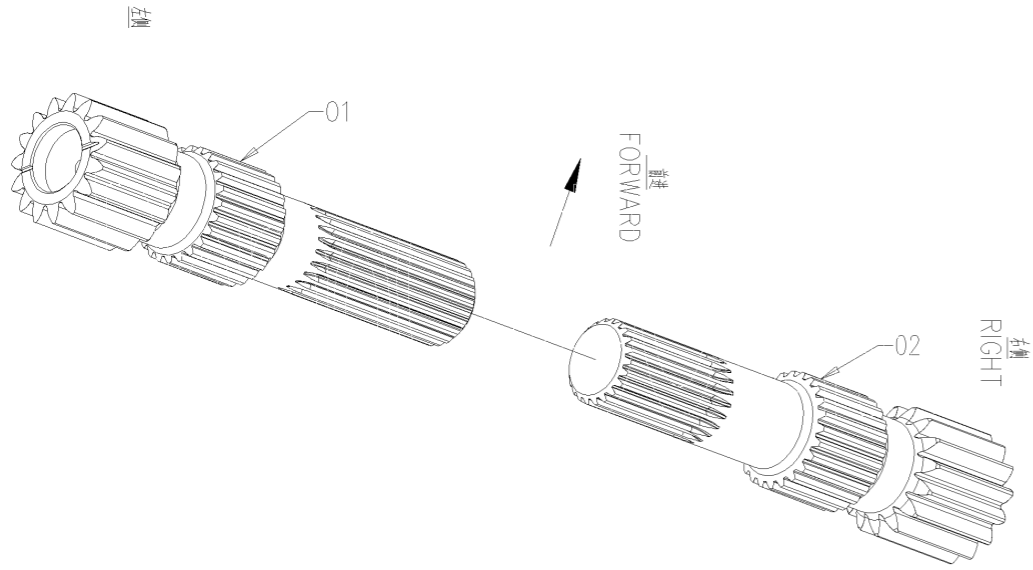


A23.39.900.4\_4 轮毂总成 (无级调节轮距) HUB ASS.LY(steplessly adjustable wheelbase)

序号	零件编号	零件名称	数量	图号
1	SH954.34.110	平键 FLAT KEY	2	SH954.34.110
2	SH954.34.109/20	固定螺栓 FIX BOLT	16	SH954.34.109/20
3	SH954.34.106	轮辋 RIM	2	SH954.34.106
4	SH954.34.105	轮辋 RIM	2	SH954.34.105
5	SH954.34.104	轮毂盖 RIM COVER	2	SH954.34.104
6	2.1475.108.2	锥形垫圈 CONICAL WASHER M20	16	2.1475.108.2
7	LE1204.34.104	平键 22X155 FLAT KEY 22X155	2	LE1204.34.104
8	2.1414.056.2	轴用挡圈-标准型 D 95 RETAINING	2	2.1414.056.2
9	2.1012.311.2	螺母 NUT	16	2.1012.311.2
10	GBT5786-M18X1.5X75-	螺栓 BOLT	12	GBT5786-M18X1.5X75-12.9-A3L
11	GBT119.1-6m8X22	销 PIN	2	GBT119.1-6m8X22
12	2.1475.107.7	垫圈 CONICAL WASHER M18	12	2.1475.107.7

### A23.39.912.4\_0 太阳轮总成Sun Wheel Assemblies

序号	零件编号	零件名称	数量	图号
1	SH904.39.101	左半轴 LEFT HALF SHAFT	1	SH904.39.101
2	SH904.39.118	右半轴 RIGHT HALF SHAFT	1	SH904.39.118

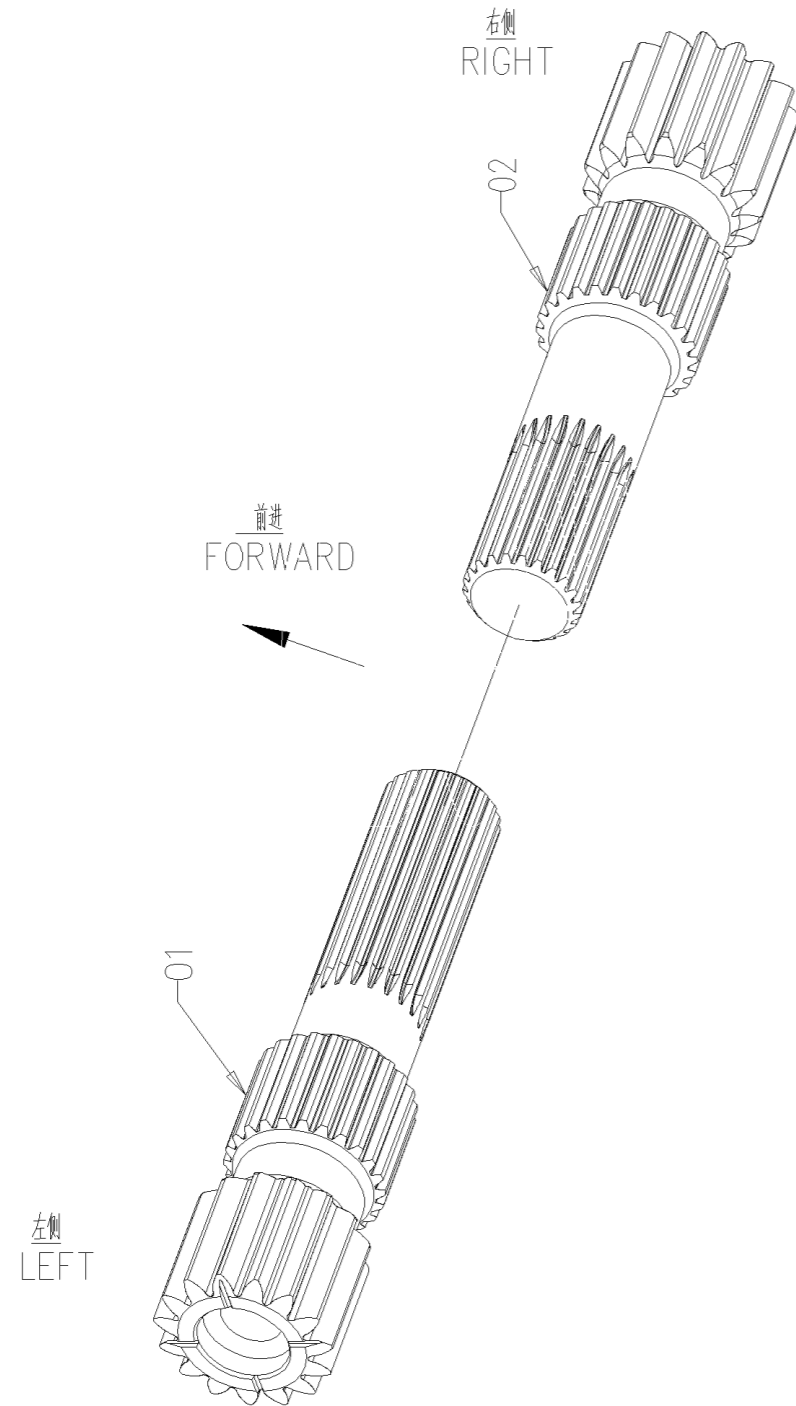


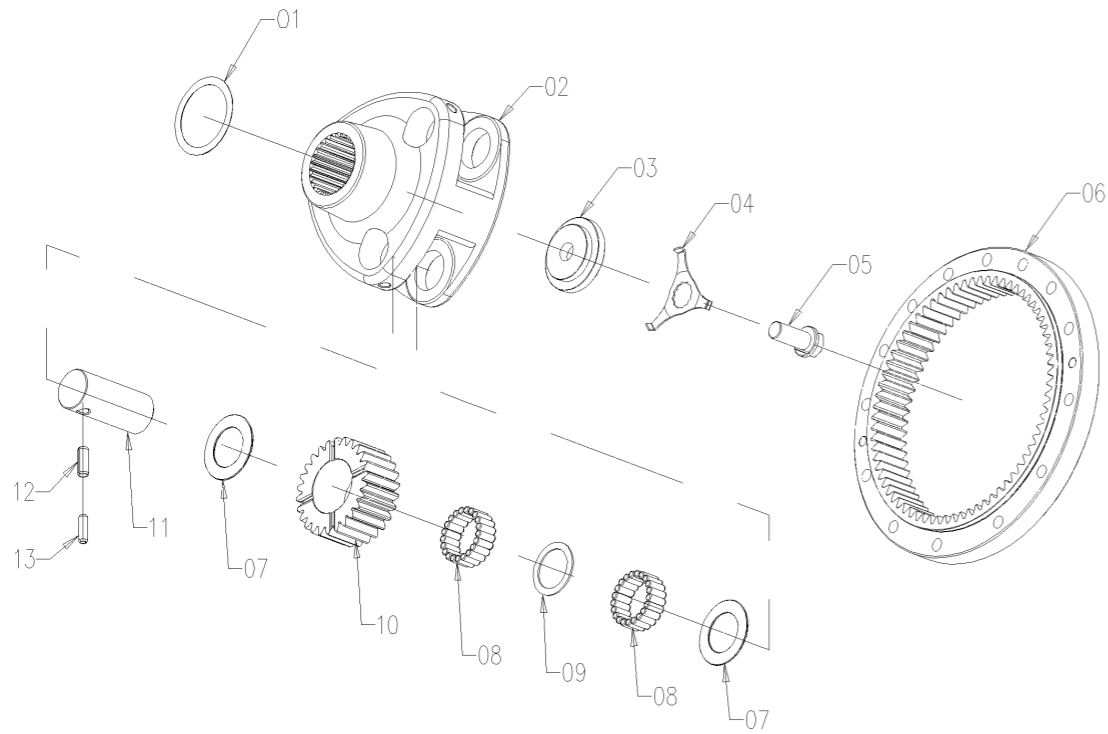
A23.39.912.4 SUN GEARS ASS.Y

# A23.39.912.4 SUN GEARS ASS.Y

## A23.39.912.4\_1 太阳轮总成Sun Wheel Assemblies

序号	零件编号	零件名称	数量	图号
1	SH904.39.101	左半轴 LEFT HALF SHAFT	1	SH904.39.101
2	SH904.39.118	右半轴 RIGHT HALF SHAFT	1	SH904.39.118



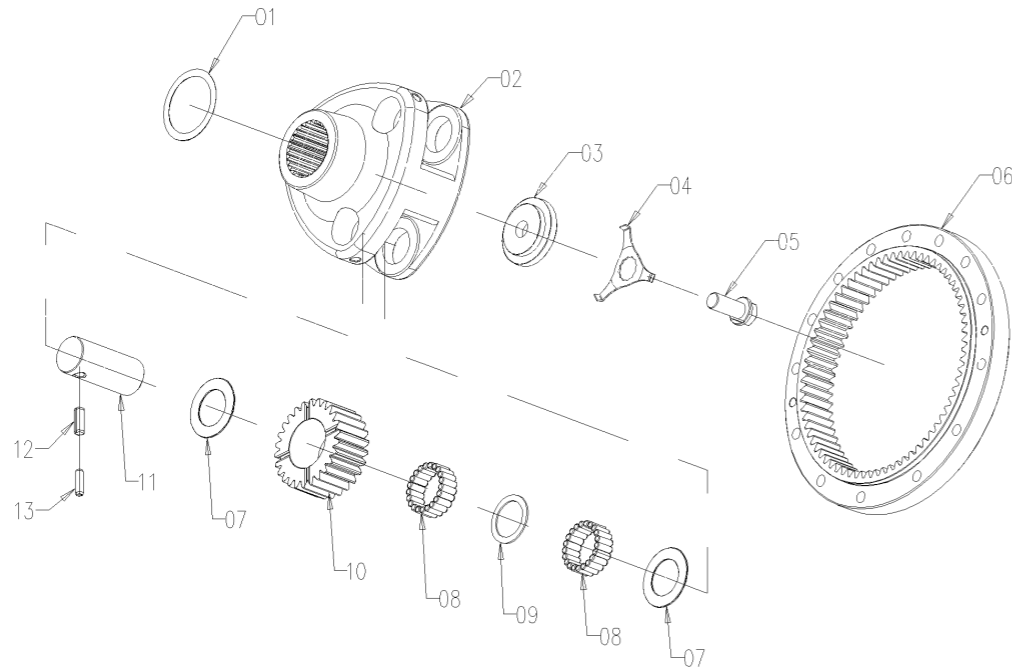


A23.39.913.4 PLANET GEARS ASS.Y

### A23.39.913.4\_0 行星齿轮总成 Planetary gear assemblies

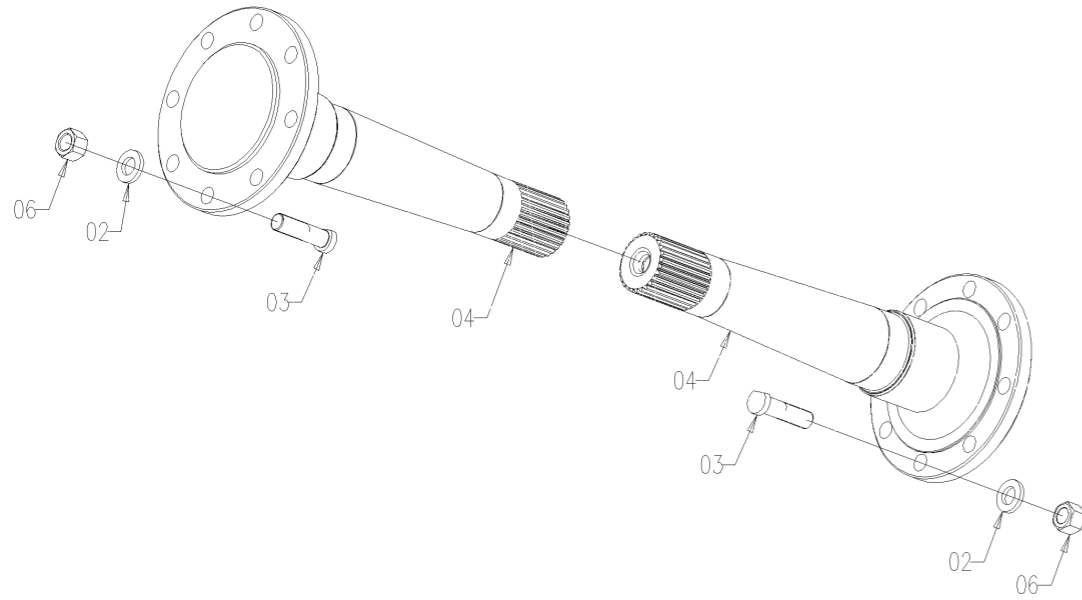
序号	零件编号	零件名称	数量	图号
1	SH900.39.111	调整垫圈 ADJUSTING WASHER	0	SH900.39.111
2	SH900.39.102	行星轮架 PLANET WHEEL FRAME	2	SH900.39.102
3	SH900.39.109	压垫 PRESSURE PAD	2	SH900.39.109
4	SH900.39.110	锁片 LOCK SHEET	2	SH900.39.110
5	SH900.39.107	行星架固定螺栓 PLANET CARRIER	2	SH900.39.107
6	SH904.39.106	最终传动齿圈 FINAL DRIVE GEAR	2	SH904.39.106
7	A23.39.001.0	隔圈 SPACER	12	A23.39.001.0
8	GBT309-P8X23.8-G3-3-6	滚针 NEEDLE ROLLER	252	GBT309-P8X23.8-G3-3-6
9	SH900.39.105	滚针隔套 NEEDLE SLEEVE	6	SH900.39.105
10	SH904.39.103	行星齿轮 PLANETARY GEAR	6	SH904.39.103
11	SH900.39.104	行星齿轮轴 SH900.39.104	6	SH900.39.104
12	GBT879.2-12X32	销 PIN	6	GBT879.2-12X32
13	GBT879.1-10X32	销 PIN	6	GBT879.1-10X32

A23.39.913.4 PLANET GEARS ASS.Y



A23.39.913.4\_1 行星齿轮总成 Planetary gear assemblies

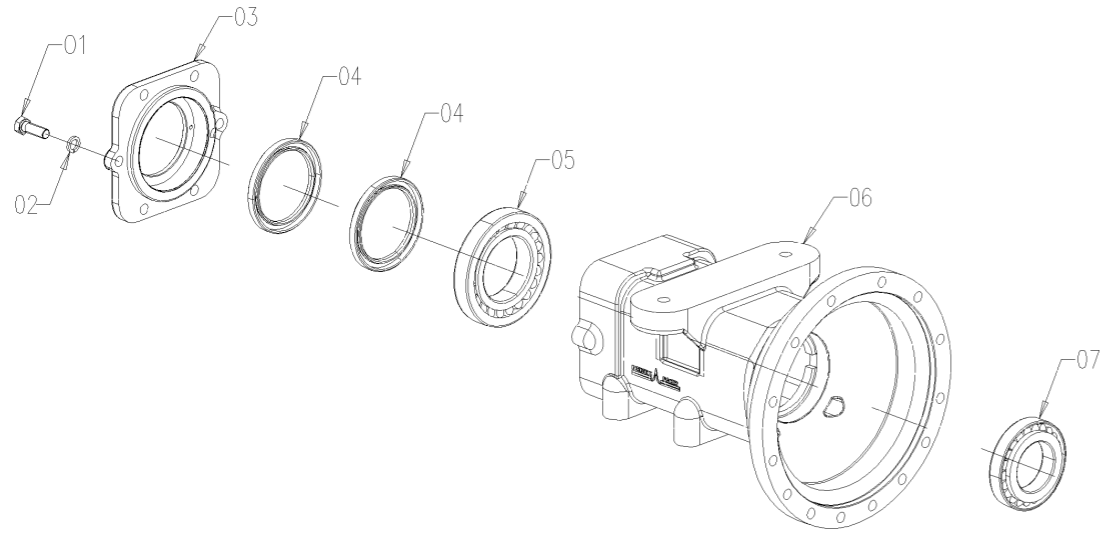
序号	零件编号	零件名称	数量	图号
1	SH900.39.111	调整垫圈 ADJUSTING WASHER	0	SH900.39.111
2	SH900.39.102	行星轮架 PLANET WHEEL FRAME	2	SH900.39.102
3	SH900.39.109	压垫 PRESSURE PAD	2	SH900.39.109
4	SH900.39.110	锁片 LOCK SHEET	2	SH900.39.110
5	SH900.39.107	行星架固定螺栓 PLANET CARRIER	2	SH900.39.107
6	SH904.39.106	最终传动齿圈 FINAL DRIVE GEAR	2	SH904.39.106
7	A23.39.001.0	隔圈 SPACER	12	A23.39.001.0
8	GBT309-P8X23.8-G3-3-6	滚针 NEEDLE ROLLER	252	GBT309-P8X23.8-G3-3-6
9	SH900.39.105	滚针隔套 NEEDLE SLEEVE	6	SH900.39.105
10	SH904.39.103	行星齿轮 PLANETARY GEAR	6	SH904.39.103
11	SH900.39.104	行星齿轮轴 SH900.39.104	6	SH900.39.104
12	GBT879.2-12X32	销 PIN	6	GBT879.2-12X32
13	GBT879.1-10X32	销 PIN	6	GBT879.1-10X32



**A23.39.914.4\_2 驱动轴总成 (有级调节轮距) DRIVING SHAFT ASS.Y(steped wheelbase adjustment)**

序号	零件编号	零件名称	数量	图号
2	2.1475.108.2	垫圈 CONICAL WASHER M20	16	2.1475.108.2
3	SH954.34.109/20	固定螺栓 FIX BOLT	16	SH954.34.109/20
4	SH950.39.102/10	驱动轴 DRIVE SHAFT	2	SH950.39.102/10
6	GBT6176-M20X1.5-10-A3L	螺母 NUT	16	GBT6176-M20X1.5-10-A3L

A23.39.914.4 DRIVING SHAFT ASS.Y



A23.39.920.4 REAR AXLE HOUSING ASS.Y

### A23.39.920.4\_0 最终传动壳体总成 REAR AXLE HOUSING ASS.Y

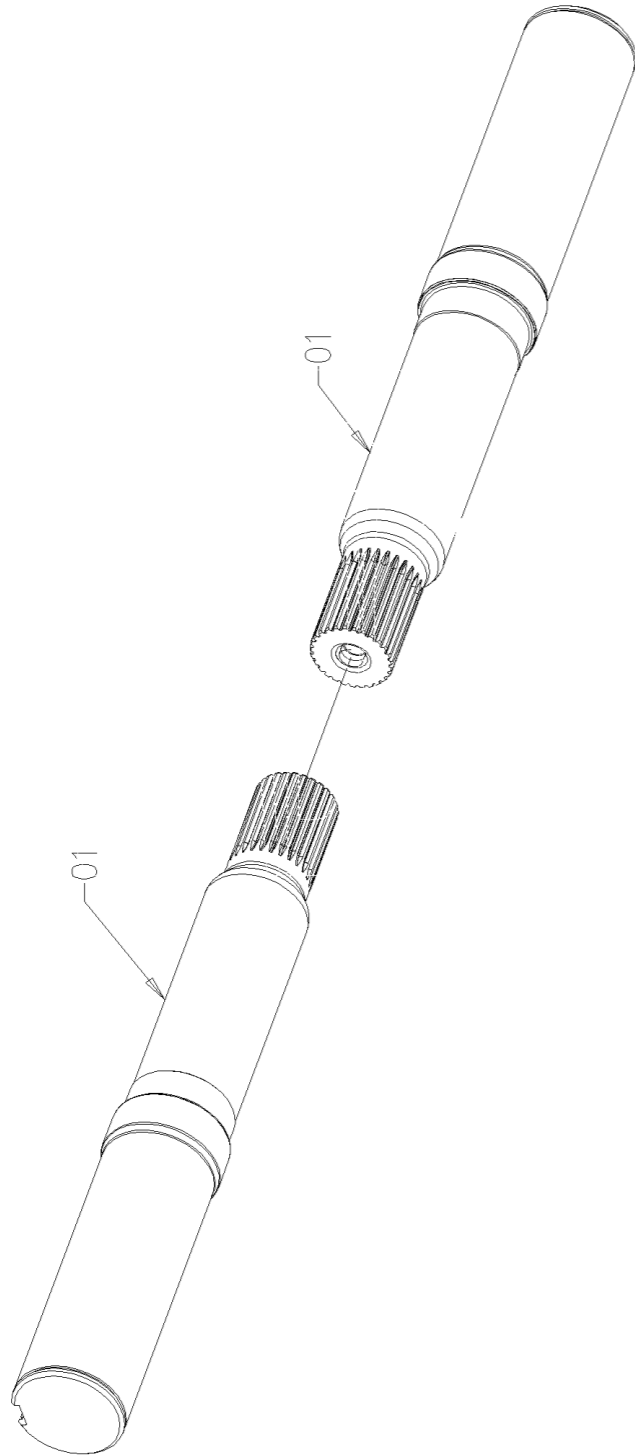
序号	零件编号	零件名称	数量	图号
1	GBT5783-M14X40-A3L	螺栓 BOLT	12	GBT5783-M14X40-A3L
2	GBT93-14-A3L	垫圈 WASHER	12	GBT93-14-A3L
3	SH950.39.103	端盖 END COVER	2	SH950.39.103
4	GBT13871.1-FB-100130-D	油封 OIL SEAL	4	GBT13871.1-FB-100130-D
5	GBT297-30218	轴承 BEARING	2	GBT297-30218
6	SH950.39.101/20	最终传动壳 FINAL DRIVE HOUSING	2	SH950.39.101/20
7	GBT297-30214	轴承 BEARING	2	GBT297-30214



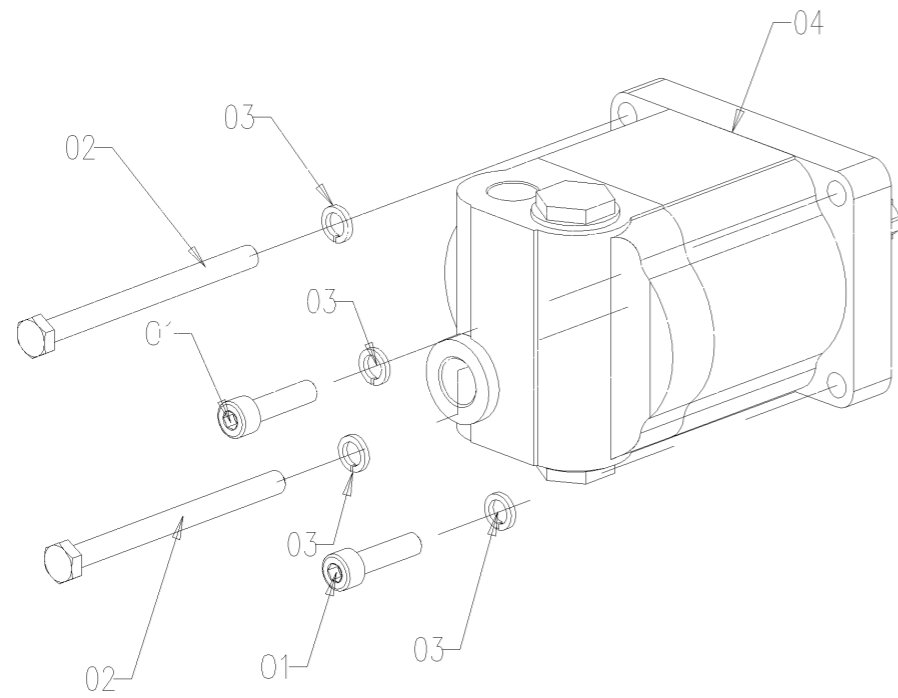
# A23.39.924.4 DRIVING SHAFT ASS.Y

## A23.39.924.4\_1 驱动轴总成 (无级调节轮距) DRIVING SHAFT ASS.Y(steplessly adjustable wheelbase)

序号	零件编号	零件名称	数量	图号
1	SH954.39.101/10	驱动轴 DRIVE SHAFT	2	SH954.39.101/10



# A23.40.901.4 STEERING PUMP INSTALLATION ASS.Y



## A23.40.901.4\_1 转向泵安装总成 STEERING PUMP ASS.

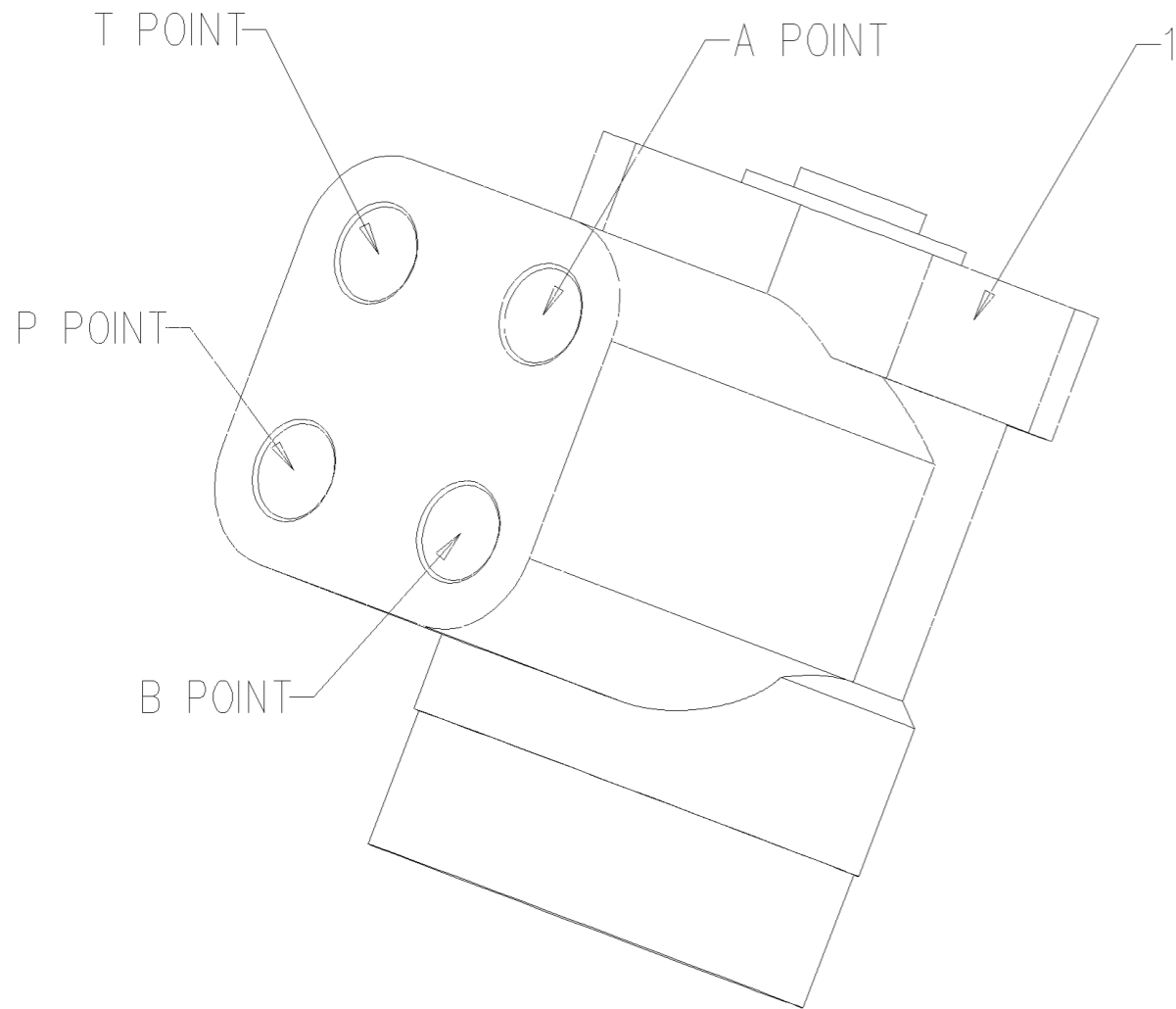
序号	零件编号	零件名称	数量	图号
1	GBT70.1-MX30-A2L	螺钉 SCREW	2	GBT70.1-MX30-A2L
2	GBT5782-M8X100-A2L	螺栓 BOLT	2	GBT5782-M8X100-A2L
3	GBT93-8-A3L	垫圈 WASHER	4	GBT93-8-A3L
4	CD904A.40.011	恒流溢流泵 PUMP	1	CD904A.40.011

A23.40.904.4\_0 转向器总成STEERING UNIT ASS.

序号	零件编号	零件名称
1	SH900.40.013	转向器 STEERING UNIT

数量	图号
1	SH900.40.013

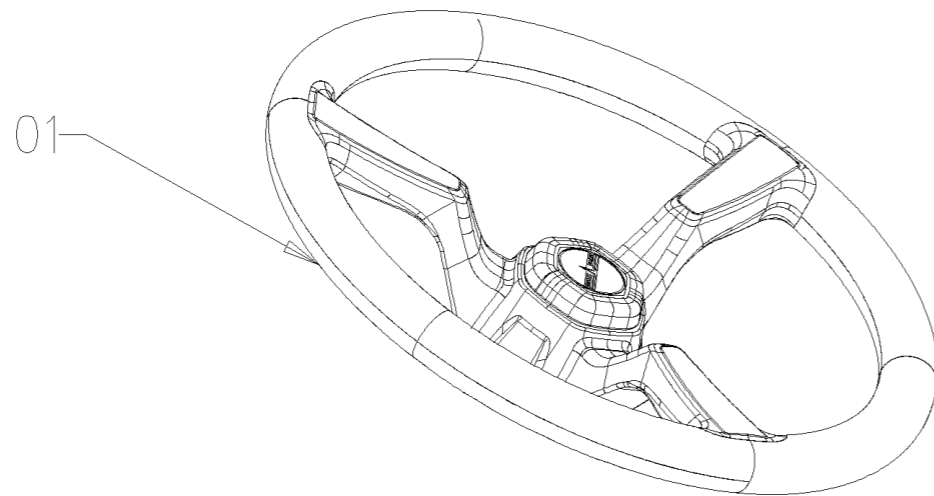
A23.40.904.4 STEERING UNIT ASS.



# A23.40.916.4 STEERING WHEEL ASS.Y

## A23.40.916.4\_0 转向操纵总成 STEERING COMMAND ASS.Y

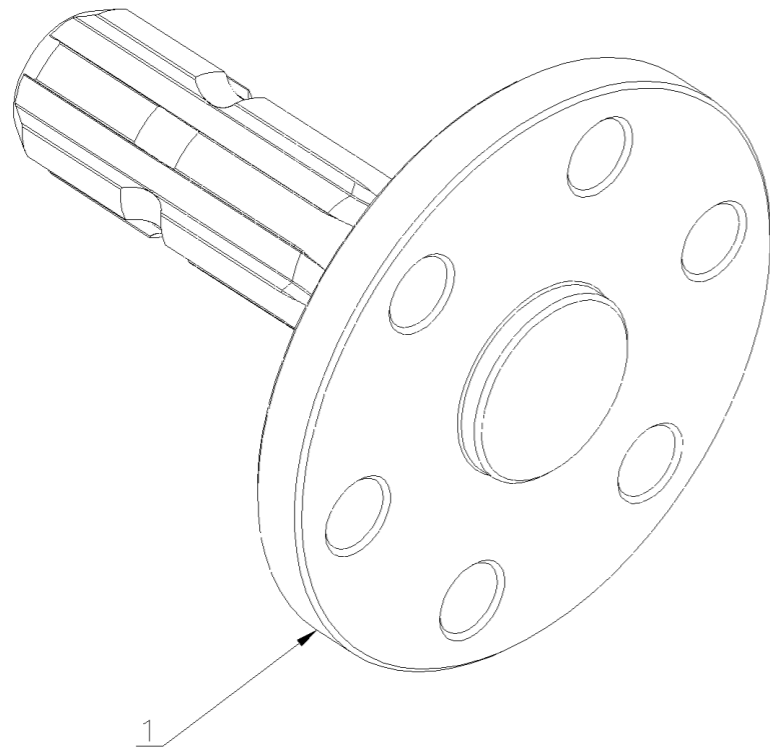
序号	零件编号	零件名称	数量	图号
1	CD554.40.028/10	方向盘 STEERING WHEEL	1	CD554.40.028/10



### A23.41.900.4 PTO SHAFT 6 KEYS

### A23.41.900.4\_0 动力输出轴 6键 D35 (分体式) PTO SHAFT 6 KEYS D35 (split type)

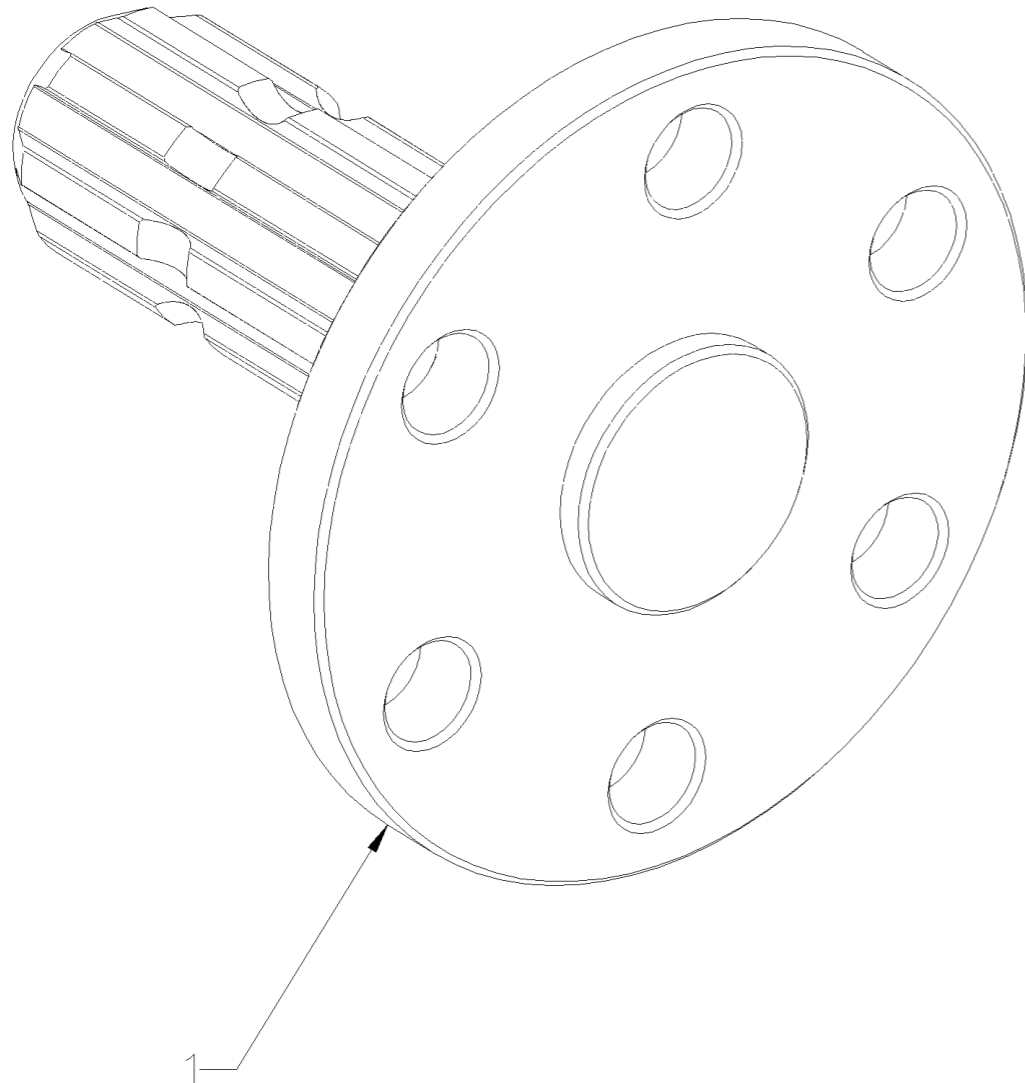
序号	零件编号	零件名称	数量	图号
1	SH900.41.116A/10	动力输出轴 PTO SHAFT	1	SH900.41.116A/10



# A23.41.901.4 PTO SHAFT 8 KEYS

## A23.41.901.4\_0 动力输出轴 8键 D38 (分体式) PTO SHAFT 8 KEYS D38 (split type)

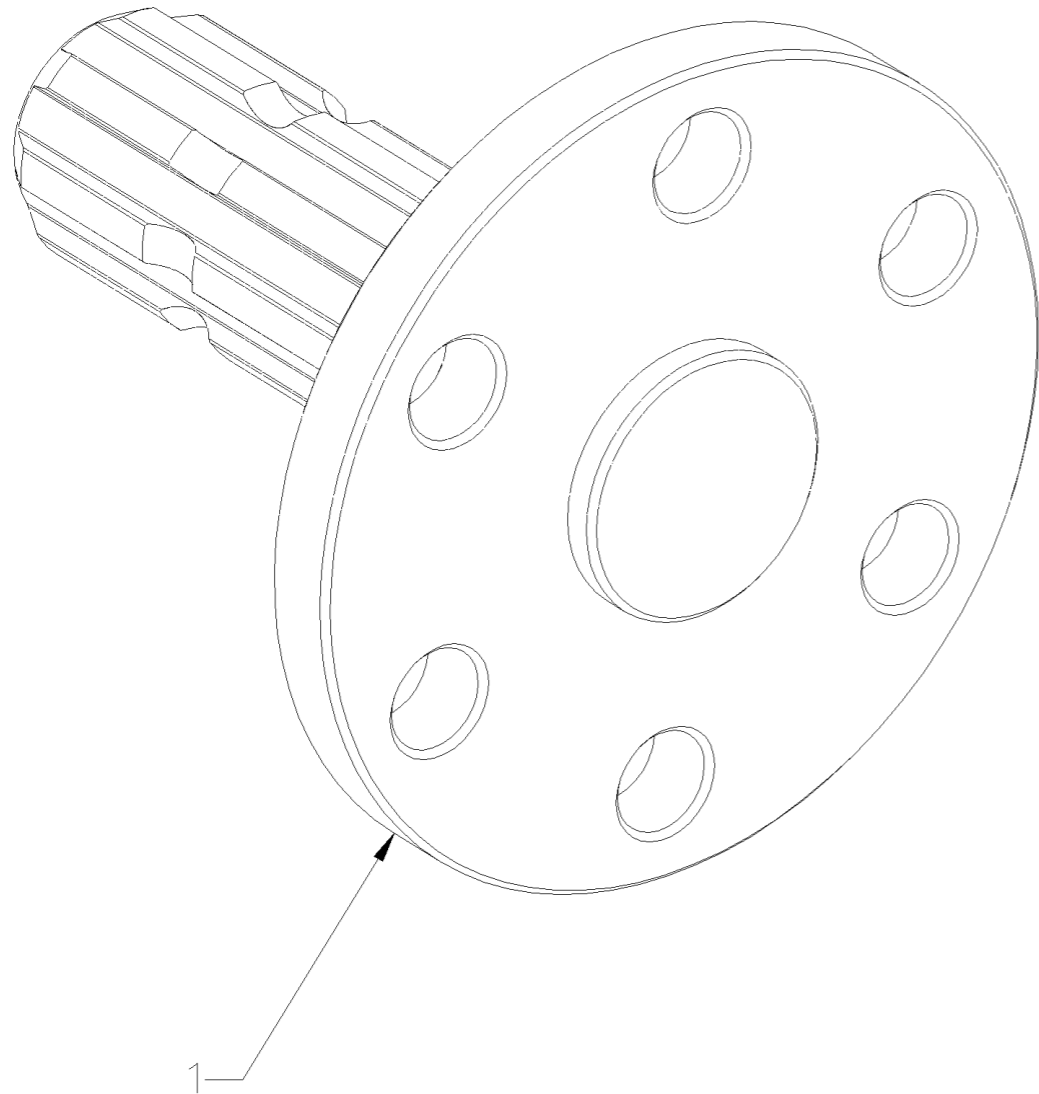
序号	零件编号	零件名称	数量	图号
1	SH900.41.116	动力输出轴 PTO SHAFT	1	SH900.41.116



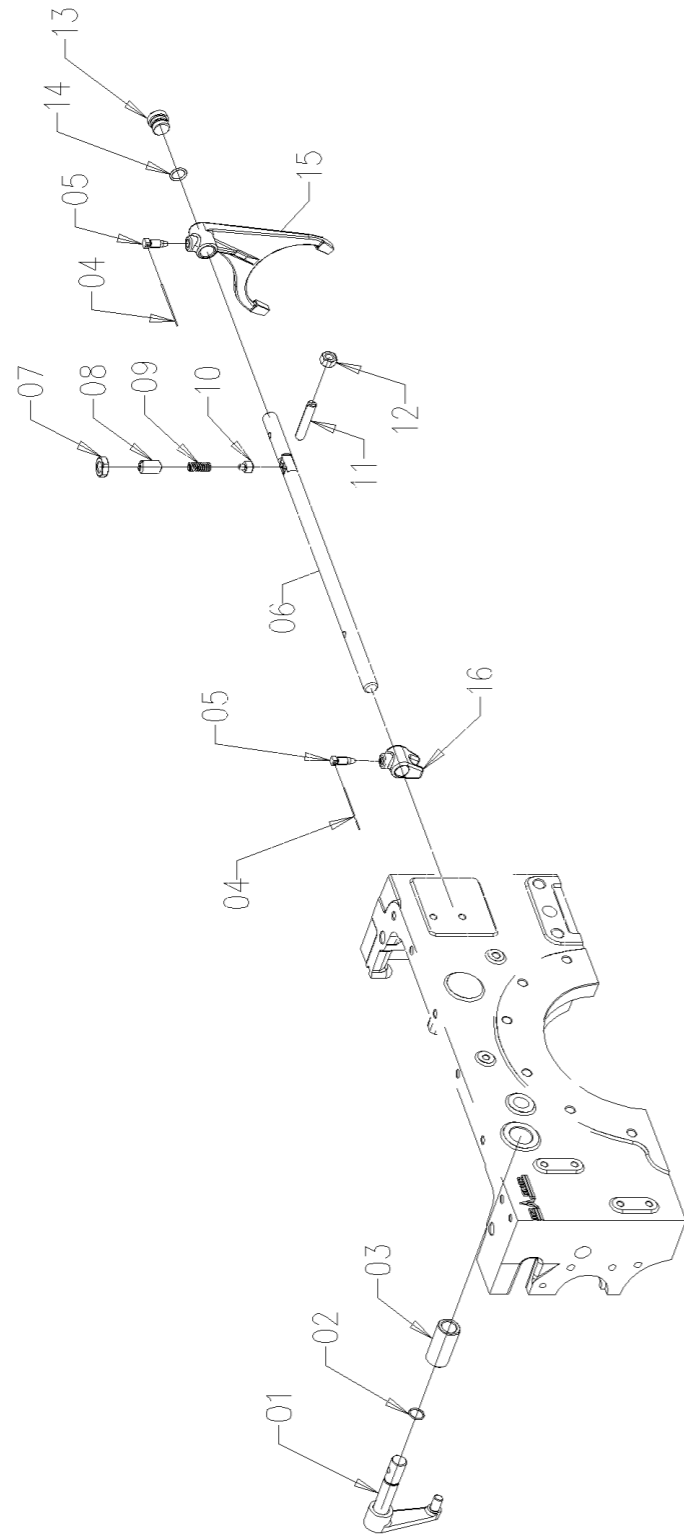
# A23.41.901.4 PTO SHAFT 8 KEYS

## A23.41.901.4\_1 动力输出轴 8键 D38 (分体式) PTO SHAFT 8 KEYS D38 (split type)

序号	零件编号	零件名称	数量	图号
1	SH900.41.116	动力输出轴 PTO SHAFT	1	SH900.41.116



# A23.41.902.4 PTO SHIFT ASS.Y



## A23.41.902.4\_0 拨叉总成 PTO SHIFT ASS.Y

序号	零件编号	零件名称	数量	图号
1	SH900.41.012	摇臂内焊件 PTO INNER ROCKER	1	SH900.41.012
2	GBT3452.1-17X1.8-G	O形密封圈 O RING	1	GBT3452.1-17X1.8-G
3	SH900.41.104	套管 BUSHING	1	SH900.41.104
4	YBT5294-SZ-F-1.4	低碳钢丝 LOW CARBON STEEL WIRE	2	YBT5294-SZ-F-1.4
5	SH900.38.110	紧定螺钉 SET SCREW	2	SH900.38.110
6	SH900.41.128	拨叉轴 SHIFTING FORK SHAFT	1	SH900.41.128
7	GBT6172.1-M16-A3L	螺母 NUT	1	GBT6172.1-M16-A3L
8	GBT71-M16X30-A3L	螺钉 SCREW	1	GBT71-M16X30-A3L
9	SH900.41.133	锁销弹簧 LOCK PIN SPRING	1	SH900.41.133
10	SH900.41.132	锁定销 LOCK PIN	1	SH900.41.132
11	GBT71-M12X65-A3L	螺钉 SCREW	1	GBT71-M12X65-A3L
12	GBT6170-M12-A3L	螺母 NUT	1	GBT6170-M12-A3L
13	SH900.41.131	塞子 PLUG	1	SH900.41.131
14	GBT3452.1-17X2.65-G	O形密封圈 O RING	1	GBT3452.1-17X2.65-G
15	SH900.41.130	高低档拨叉 HIGH AND LOW SHIFT	1	SH900.41.130
16	SH900.41.127	拨头 STRICKER	1	SH900.41.127





SIME DEUTZ-FAHR GROUP S.p.A.  
 Via E. Mattei 11 - 40018 BOLOGNA - ITALIA  
 Gruppo - Group

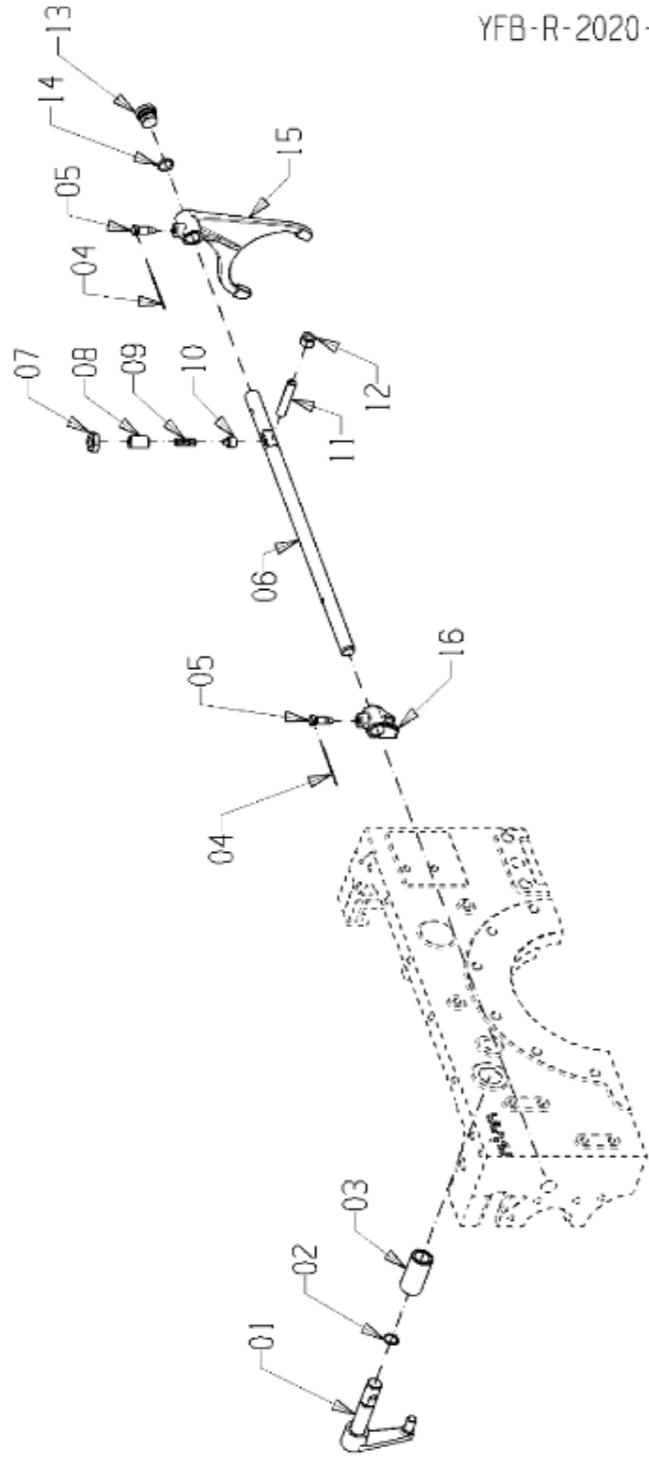
CD90 series

PTO SHIFT ASS.Y

N. dis. - PN  
 A23.41.902.4

Rev	Facilita Sheet	di	di
1	1	1	1
Val. valido al		IM	P
10/06/2021			

YFB-R-2020-004 SH.035



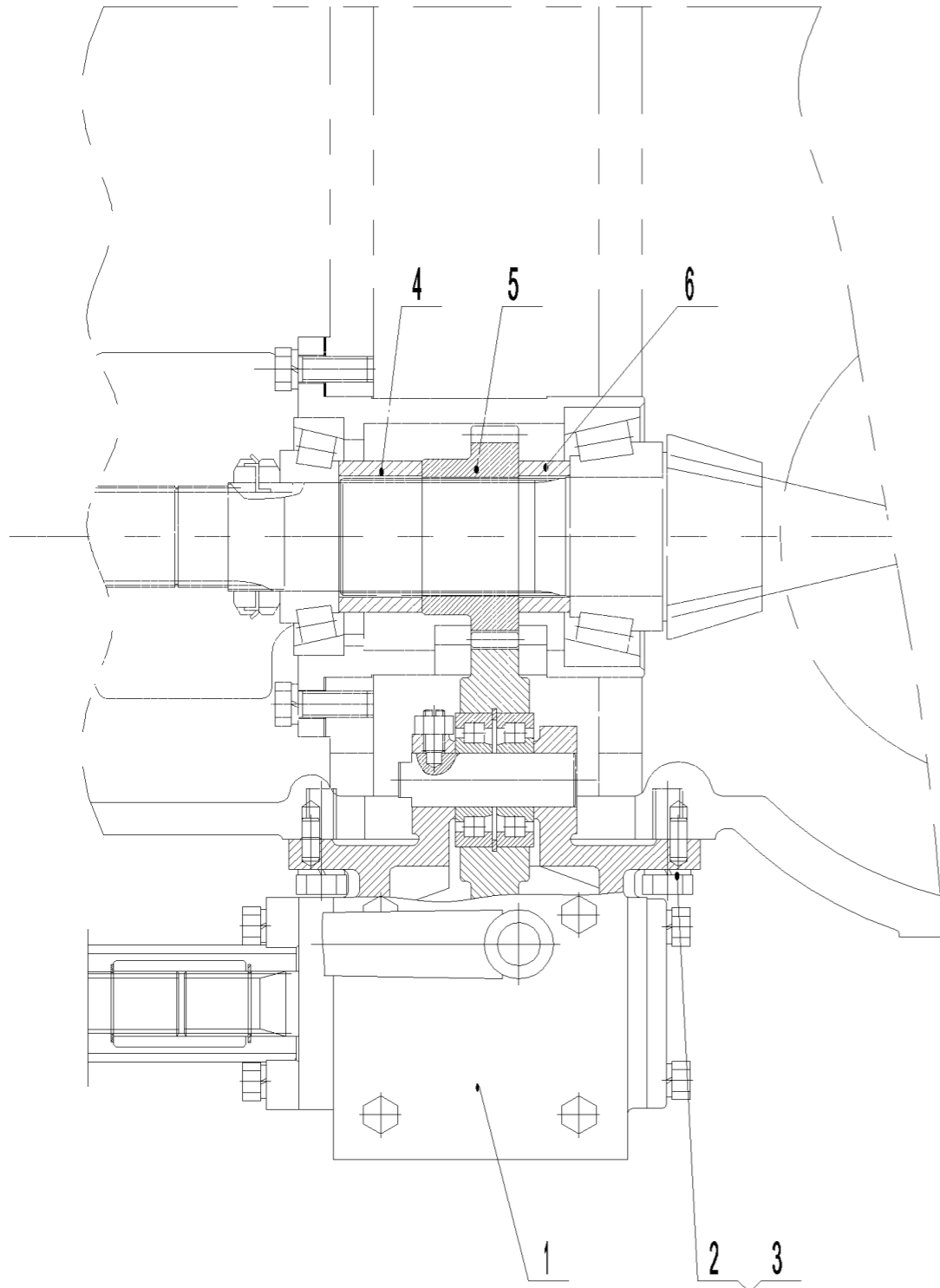
### A23.41.902.4\_1 拨叉总成 PTO SHIFT ASS.Y

序号	零件编号	零件名称	数量	图号
1	SH900.41.012	摇臂内焊件 PTO INNER ROCKER	1	SH900.41.012
2	GBT3452.1-17X1.8-G	O型圈 O-RING	1	GBT3452.1-17X1.8-G
3	SH900.41.104	套管 BUSHING	1	SH900.41.104
4	YBT5294-SZ-F-1.4	低碳钢丝 LOW CARBON STEEL WIRE	按需	YBT5294-SZ-F-1.4
5	SH900.38.110	紧定螺钉 SET SCREW	2	SH900.38.110
6	SH900.41.128	拨叉轴 SHIFTING FORK SHAFT	1	SH900.41.128
7	2.1011.209.2	螺母 NUT M16x2	1	2.1011.209.2
8	GBT71-M16X30-A3L	螺栓 SCREW	1	GBT71-M16X30-A3L
9	SH900.41.133	锁销弹簧 LOCK PIN SPRING	1	SH900.41.133
10	SH900.41.132	锁销 LOCK PIN	1	SH900.41.132
11	GBT71-M12X65-A3L	螺栓 SCREW	1	GBT71-M12X65-A3L
12	2.1011.107.2	螺母 NUT M12x1.75	1	2.1011.107.2
13	SH900.41.131	塞子 PLUG	1	SH900.41.131
14	GBT3452.1-17X2.65-G	O型圈 O-RING	1	GBT3452.1-17X2.65-G
15	SH900.41.130	高低档拨叉 H-L SHIFT FORK	1	SH900.41.130
16	SH900.41.127	贴纸 STRICKER	1	SH900.41.127

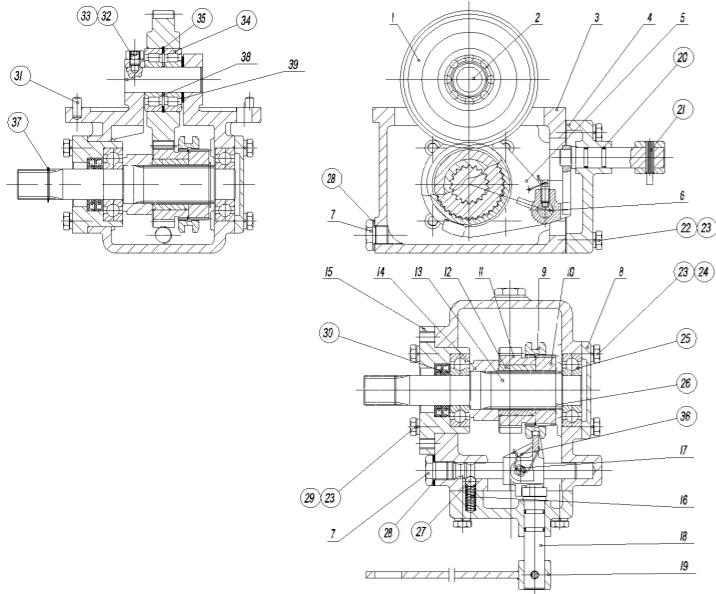
A23.42.901.4 4WD GEARS ASS.LY

A23.42.901.4\_0 分动箱总成 (21/27) 4WD GEARS ASS.LY (21/27)

序号	零件编号	零件名称	数量	图号
1	A23.42.001.4	分动箱箱体总成 Transition box body	1	A23.42.001.4
2	GBT5783-M14X40-A3L	螺栓 BOLT	4	GBT5783-M14X40-A3L
3	GBT93-14-A3L	垫圈 WASHER	4	GBT93-14-A3L
4	SH904.42.101	隔套 spacer bush	1	SH904.42.101
5	SH904.42.102	主动齿轮 ?driving gear	1	SH904.42.102
6	SH904.42.109	隔套 spacer bush	1	SH904.42.109



A23.42.001.4 TRANSFER CASE ASS.LY



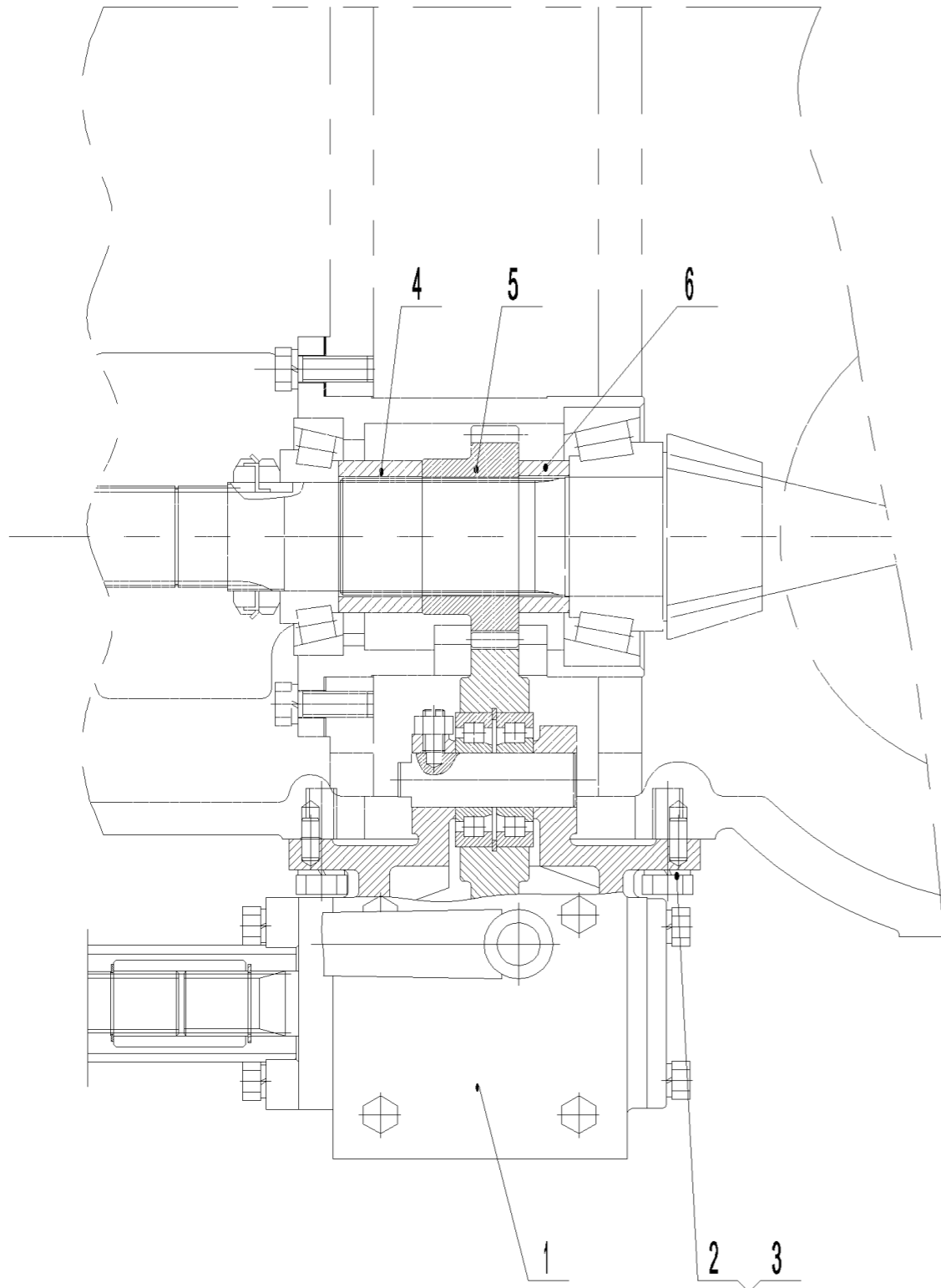
A23.42.001.4 分动箱箱体总成 Distributor box assembly

序号	零件编号	零件名称	数量	图号
1	SH904.42.103	中间齿轮 ?intermediate?gear	1	SH904.42.103
2	SH904.42.104	中间齿轮轴 intermediate?gear?shaft	1	SH904.42.104
3	SH904.42.105	分动箱壳 transfer case housing	1	SH904.42.105
4	SH904.42.106	侧盖 ?Side Cover	1	SH904.42.106
5	SH904.42.107	分离拨叉 Release fork	1	SH904.42.107
6	SH904.42.108	拨叉轴 declutch shift shaft	1	SH904.42.108
7	SH904.42.113	螺堵 plug	3	SH904.42.113
8	SH904.42.112	后盖 rear?cover	1	SH904.42.112
9	SH904.42.114	啮合套 sliding sleeve	1	SH904.42.114
10	SH904.42.115	啮合齿座 Meshing tooth holder	1	SH904.42.115
11	SH904.42.116	被动齿轮 driven gear	1	SH904.42.116
12	SH904.42.117	衬套 bushing	1	SH904.42.117
13	SH904.42.118	分动箱齿轮轴 Transmission box gear	1	SH904.42.118
14	SH904.42.119	隔套 spacer bush	1	SH904.42.119
15	SH904.42.120	前盖 protegulum	1	SH904.42.120
16	SH904.42.124	弹簧 coil spring	1	SH904.42.124
17	SH904.42.121	紧定螺钉 stopper?screw	1	SH904.42.121
18	SH904.42.013	拨杆焊合 FORK SHAFT WELDMENT	1	SH904.42.013
19	SH904.42.014	摇臂焊合 Rocker arm welded	1	SH904.42.014
20	GBT3452.1-15X2.65-G	O形圈 O RING	2	GBT3452.1-15X2.65-G
21	GBT879.1-8X32	销 PIN	1	GBT879.1-8X32
22	GBT5783-M10X40-A3L	螺栓 BOLT	4	GBT5783-M10X40-A3L
23	GBT93-10-A3L	垫圈 WASHER	12	GBT93-10-A3L
24	GBT5783-M10X25-A3L	螺栓 BOLT	4	GBT5783-M10X25-A3L
25	GBT276-6306	轴承 BEARING	2	GBT276-6306
26	GBT894.1-38	弹性挡圈 CIRCLIP	1	GBT894.1-38
27	GBT308-10-G100-b	球 BALL	1	GBT308-10-G100-b
28	JBT982-18	垫圈 WASHER	3	JBT982-18
29	GBT5783-M10X30-A3L	螺栓 BOLT	4	GBT5783-M10X30-A3L
30	GBT13871.1-B-030052-D	油封 OIL SEAL	2	GBT13871.1-B-030052-D
31	GBT119.1-8m6X20	销 PIN	2	GBT119.1-8m6X20
32	GBT6170-M10-A3L	螺母 NUT	1	GBT6170-M10-A3L
33	GBT79-M10X20-A3L	螺丝钉 SCREW	1	GBT79-M10X20-A3L
34	GBT283-NJ305	轴承 BEARING	2	GBT283-NJ305
35	GBT893.1-62	弹性挡圈 CIRCLIP	1	GBT893.1-62
36	YBT5294-SZ-F-1.00	连接销 STEEL WIRE	1	YBT5294-SZ-F-1.00
37	GBT894.1-29	挡圈 CIRCLIP	1	GBT894.1-29
38	SH904.42.142	隔套 spacer bush	1	SH904.42.142
39	SH904.42.143	止推环 ?thrust collar	1	SH904.42.143

# A23.42.902.4 4WD GEARS ASS.LY

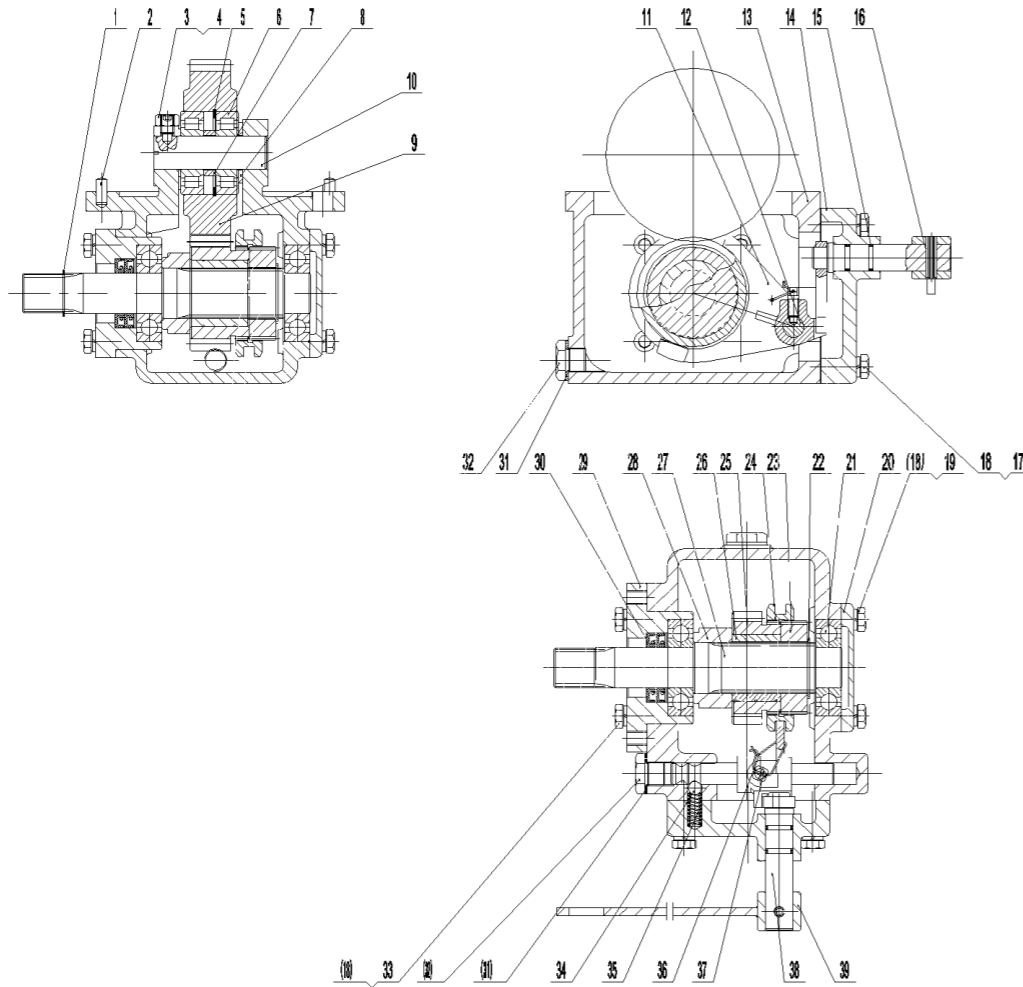
# A23.42.902.4\_0 分动箱总成 (19/22) 4WD GEARS ASS.LY (19/22)

序号	零件编号	零件名称	数量	图号
1	A23.42.002.4	分动箱箱体总成 Transition box body	1	A23.42.002.4
2	GBT5783-M14X40-A3L	螺栓 BOLT	4	GBT5783-M14X40-A3L
3	GBT93-14-A3L	垫圈 WASHER	4	GBT93-14-A3L
4	SH904.42.101	隔套 spacer bush	1	SH904.42.101
5	SH904.42A.101	主动齿轮 ?driving gear	1	SH904.42A.101
6	SH904.42.109	隔套 spacer bush	1	SH904.42.109



### A23.42.002.4 分动箱箱体总成 Distributor box assembly

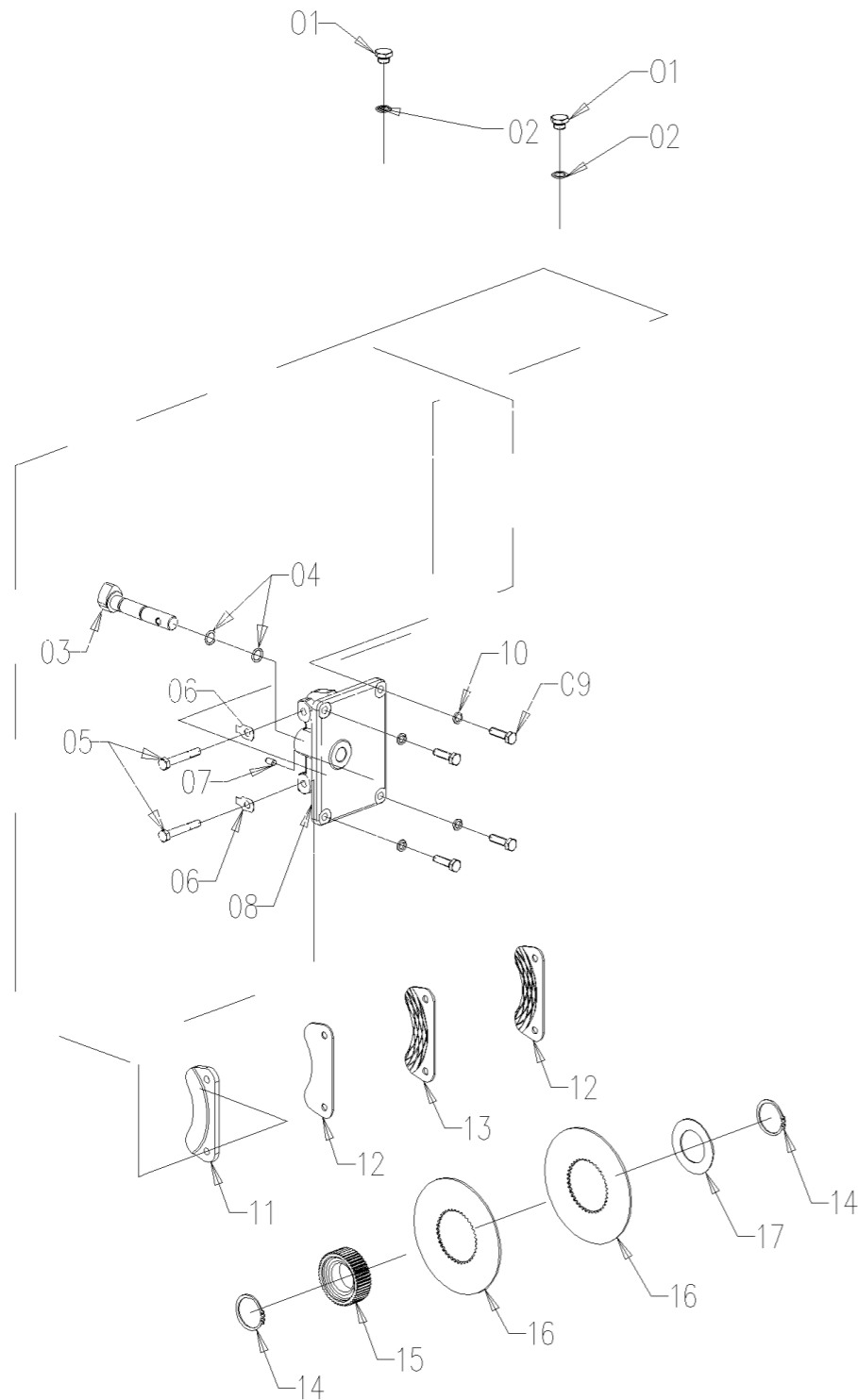
A23.42.002.4 TRANSFER CASE ASS.LY



序号	零件编号	零件名称	数量	图号
1	GBT894.1-29	挡圈 CIRCLIP	1	GBT894.1-29
2	GBT119.1-8m6X20	销 PIN	2	GBT119.1-8m6X20
3	GBT6170-M10-A3L	螺母 NUT	1	GBT6170-M10-A3L
4	GBT79-M10X20-A3L	螺丝钉 SCREW	1	GBT79-M10X20-A3L
5	GBT893.1-62	弹性挡圈 CIRCLIP	1	GBT893.1-62
6	GBT283-NJ305	轴承 BEARING	2	GBT283-NJ305
7	SH904.42A.102	隔套 spacer bush	1	SH904.42A.102
8	SH904.42A.103	止推环 ?thrust collar	1	SH904.42A.103
9	SH904.42A.104	中间齿轮 ?intermediate?gear	1	SH904.42A.104
10	SH904.42A.105	中间齿轮轴 intermediate?gear?shaft	1	SH904.42A.105
11	SH904.42.107	分离拨叉 Release fork	1	SH904.42.107
12	SH904.42.108	拨叉轴 declutch shift shaft	1	SH904.42.108
13	SH904.42A.106	分动箱壳 transfer case housing	1	SH904.42A.106
14	SH904.42.106	侧盖 ?Side Cover	1	SH904.42.106
15	GBT3452.1-15X2.65-G	O形圈 O RING	2	GBT3452.1-15X2.65-G
16	GBT879.1-8X32	销 PIN	1	GBT879.1-8X32
17	GBT5783-M10X40-A3L	螺栓 BOLT	4	GBT5783-M10X40-A3L
18	GBT93-10-A3L	垫圈 WASHER	12	GBT93-10-A3L
19	GBT5783-M10X25-A3L	螺栓 BOLT	4	GBT5783-M10X25-A3L
20	SH904.42.112	后盖 rear?cover	1	SH904.42.112
21	GBT276-6306	轴承 BEARING	2	GBT276-6306
22	GBT894.1-38	弹性挡圈 CIRCLIP	1	GBT894.1-38
23	SH904.42.115	啮合齿座 Meshing tooth holder	1	SH904.42.115
24	SH904.42.114	啮合套 sliding sleeve	1	SH904.42.114
25	SH904.42A.107	被动齿轮 driven gear	1	SH904.42A.107
26	SH904.42A.108	衬套 bushing	1	SH904.42A.108
27	SH904.42.118	分动箱齿轮轴 Transmission box gear	1	SH904.42.118
28	SH904.42A.109	隔套 spacer bush	1	SH904.42A.109
29	SH904.42.120	前盖 protegulum	1	SH904.42.120
30	GBT13871.1-B-030052-D	油封 OIL SEAL	2	GBT13871.1-B-030052-D
31	JBT982-18	垫圈 WASHER	3	JBT982-18
32	SH904.42.113	螺堵 plug	3	SH904.42.113
33	GBT5783-M10X30-A3L	螺栓 BOLT	4	GBT5783-M10X30-A3L
34	GBT308-10-G100-b	球 BALL	1	GBT308-10-G100-b
35	SH904.42.124	弹簧 coil spring	1	SH904.42.124
36	YBT5294-SZ-F-1.00	连接销 STEEL WIRE	1	YBT5294-SZ-F-1.00
37	SH904.42.121	紧定螺钉 stopper?screw	1	SH904.42.121
38	SH904.42.013	拨杆焊合 FORK SHAFT WELDMENT	1	SH904.42.013
39	SH904.42.014	摇臂焊合 Rocker arm welded	1	SH904.42.014

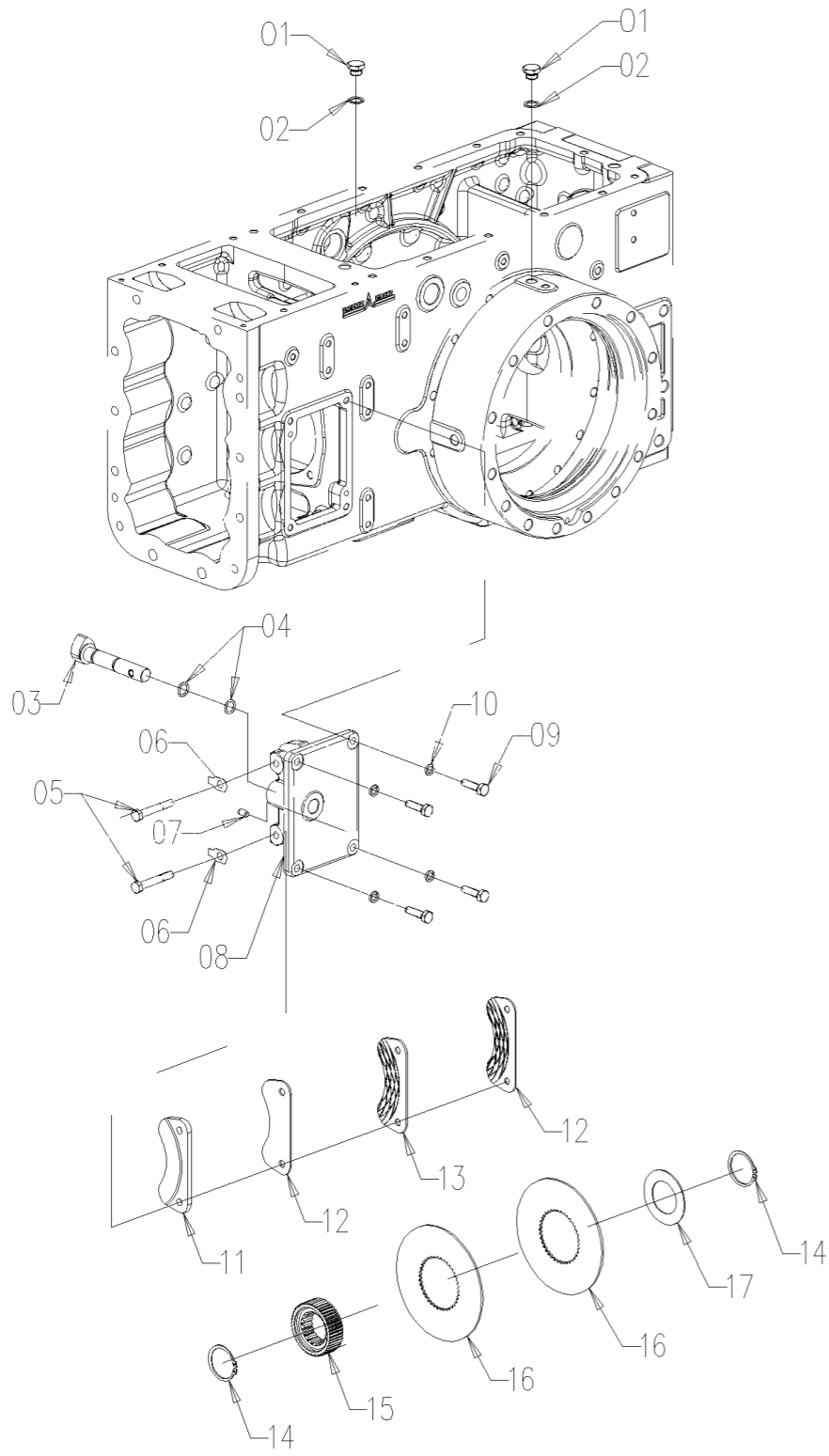
# A23.43.902.4 PARK BRAKE ASS.Y

# A23.43.902.4\_0 驻车制动总成PARK BRAKE ASS.Y



序号	零件编号	零件名称	数量	图号
1	2.3110.404.2	螺塞 TAPPO M16X1.5	2	2.3110.404.2
2	2.1560.012.0	密封圈 SEALING RING	2	2.1560.012.0
3	SH900.43.169	制动凸轮轴 BRAKE CAM SHAFT	1	SH900.43.169
4	GBT3452.1-15X2.65-G	O形圈 O RING	2	GBT3452.1-15X2.65-G
5	SH900.43.194	螺栓 BOLT	2	SH900.43.194
6	GBT854-10	垫圈 WASHER	2	GBT854-10
7	GBT119.1-8m6X15	销 PIN	2	GBT119.1-8m6X15
8	SH900.43.132	盖座 COVER SEAT	1	SH900.43.132
9	GBT5783-M10X35-A3L	螺栓 BOLT	4	GBT5783-M10X35-A3L
10	GBT93-10-A3L	垫圈 WASHER	4	GBT93-10-A3L
11	SH900.43.131	板 PLATE	1	SH900.43.131
12	SH900.43.023	摩擦件 FRICTION PIECE	2	SH900.43.023
13	SH900.43.024	中间摩擦块 INTERMEDIATE	1	SH900.43.024
14	GBT894.1-48	轴用弹性挡圈 CIRCLIPS FOR SHAFT	2	GBT894.1-48
15	SH900.43.136	花键套轮 SPLINE SLEEVE WHEEL	1	SH900.43.136
16	SH900.43.141	花键孔钢薄板 STEEL SHEET	2	SH900.43.141
17	SH900.43.142	调整垫圈 ADJUSTING WASHER	0	SH900.43.142

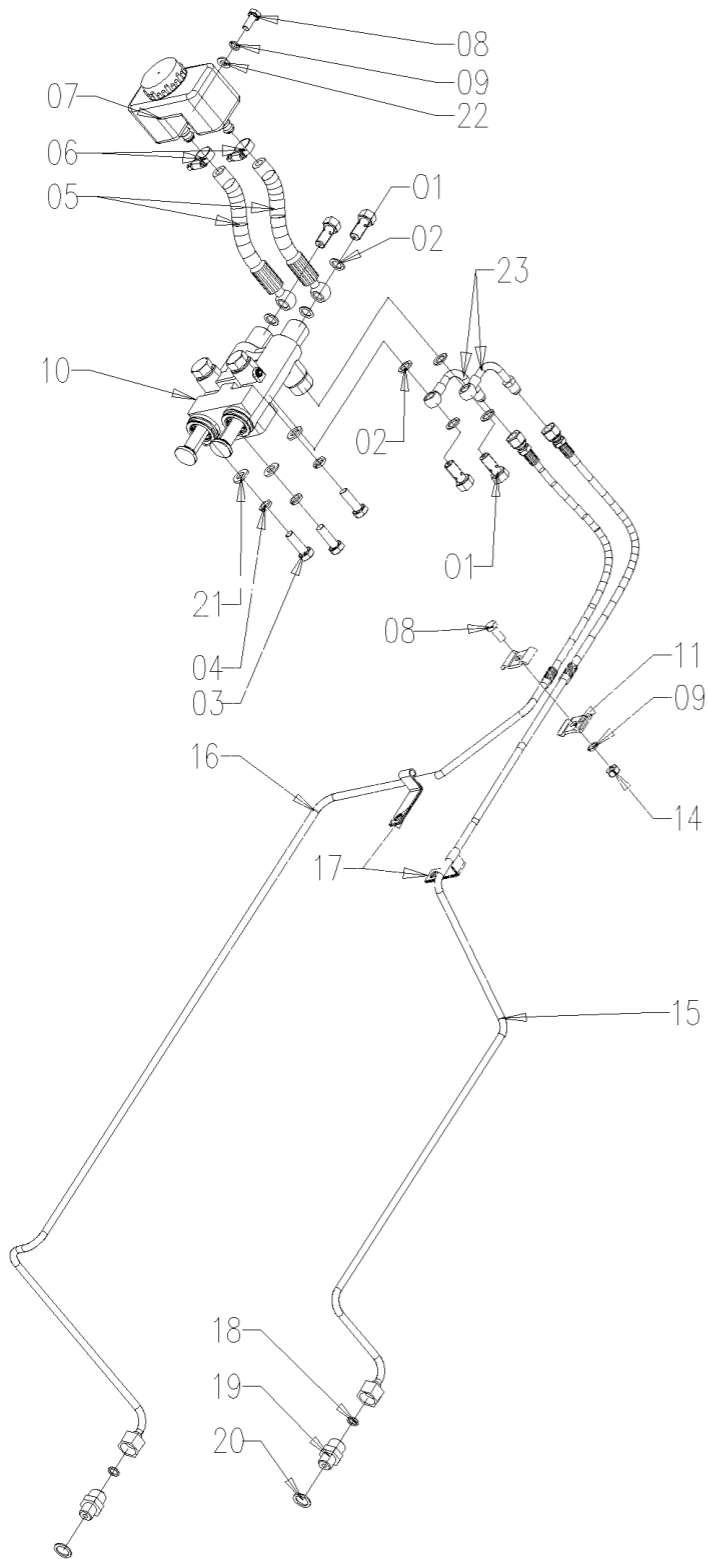
# A23.43.902.4 PARK BRAKE ASS.Y



# A23.43.902.4\_1 驻车制动总成PARK BRAKE ASS.Y

序号	零件编号	零件名称	数量	图号
1	2.3110.404.2	螺塞 TAPPO M16X1.5	2	2.3110.404.2
2	2.1560.012.0	密封圈 SEALING RING	2	2.1560.012.0
3	SH900.43.169	制动凸轮轴 BRAKE CAM SHAFT	1	SH900.43.169
4	GBT3452.1-15X2.65-G	O形圈 O RING	2	GBT3452.1-15X2.65-G
5	SH900.43.194	螺栓 BOLT	2	SH900.43.194
6	GBT854-10	垫圈 WASHER	2	GBT854-10
7	GBT119.1-8m6X15	销 PIN	2	GBT119.1-8m6X15
8	SH900.43.132	盖座 COVER SEAT	1	SH900.43.132
9	GBT5783-M10X35-A3L	螺栓 BOLT	4	GBT5783-M10X35-A3L
10	GBT93-10-A3L	垫圈 WASHER	4	GBT93-10-A3L
11	SH900.43.131	板 PLATE	1	SH900.43.131
12	SH900.43.023	摩擦件 FRICTION PIECE	2	SH900.43.023
13	SH900.43.024	中间摩擦块 INTERMEDIATE	1	SH900.43.024
14	GBT894.1-48	轴用弹性挡圈 CIRCLIPS FOR SHAFT	2	GBT894.1-48
15	SH900.43.136	花键套轮 SPLINE SLEEVE WHEEL	1	SH900.43.136
16	SH900.43.141	花键孔钢薄板 STEEL SHEET	2	SH900.43.141
17	SH900.43.142	调整垫圈 ADJUSTING WASHER	0	SH900.43.142

# A23.43.903.4 BRAKE PIPE ASS.



# A23.43.903.4\_2 制动管路总成 BRAKE PIPE ASS.Y

序号	零件编号	零件名称	数量	图号
1	SH900.43.115	油管接头螺钉 CONNECT SCREW	4	SH900.43.115
2	2.1560.008.0	垫圈 12.2X18 SEALING RING	8	2.1560.008.0
3	GBT5783-M10X30-A3L	螺栓 BOLT	3	GBT5783-M10X30-A3L
4	GBT93-10-A3L	垫圈 WASHER	3	GBT93-10-A3L
5	A23.43.005.3	运油软管总成 OIL HOSE ASSY	2	A23.43.005.3
6	JBT8870-D25	软管夹 HOSE CLAMP	2	JBT8870-D25
7	SH900.43.018	制动油箱 BRAKE OIL TANK	1	SH900.43.018
8	GBT5783-M8X20-A2L	螺栓 BOLT	2	GBT5783-M8X20-A2L
9	GBT93-8-A3L	垫圈 WASHER	2	GBT93-8-A3L
10	A23.43.002.0	制动泵总成 BRAKE PUMP	1	A23.43.002.0
11	DF904.43.053	制动管夹 BRAKE PIPE CLAMP	2	DF904.43.053
14	GBT6170-M8-A2L	螺母 NUT	1	GBT6170-M8-A2L
15	A23.43.006.3	制动管总成 RH BRAKE PIPE ASS.Y	1	A23.43.006.3
16	A23.43.007.3	左刹车管总成 LH BRAKE PIPE ASS.Y	1	A23.43.007.3
17	A11.43.014.0	制动管夹 BRAKE PIPE CLAMP-RH	2	A11.43.014.0
18	GBT3452.1-10X1.8-G	O形圈 O RING	2	GBT3452.1-10X1.8-G
19	SH900.43.130	连接器 CONNECTOR	2	SH900.43.130
20	2.1560.012.0	密封圈 SEALING RING	2	2.1560.012.0
21	GBT97.1-10-A3L	垫圈 WASHER	3	GBT97.1-10-A3L
22	GBT97.1-8-A3L	垫圈 WASHER	1	GBT97.1-8-A3L
23	A23.43.004.3	制动管 BRAKE PIPE ASS.Y	2	A23.43.004.3





CD90 SERIES

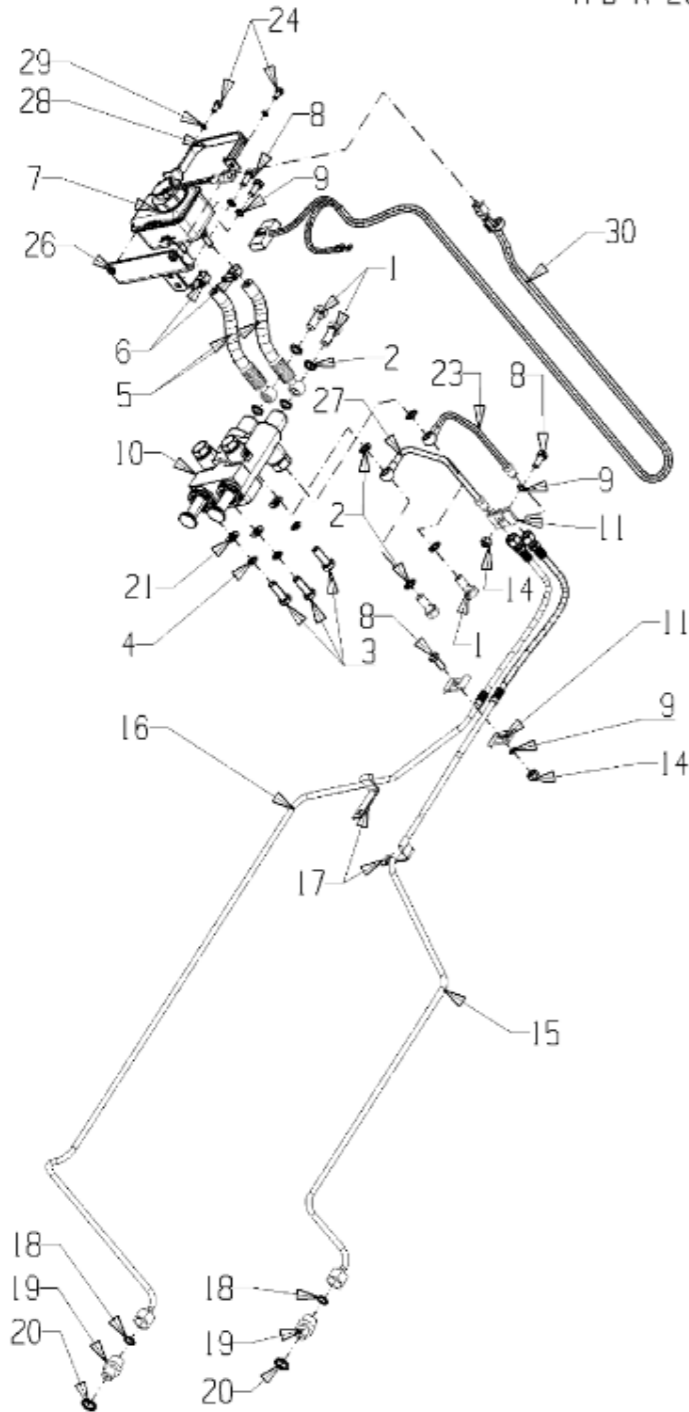
## BRAKE PIPE ASS.Y

N. dis. - P/N

A23.43.903.4

Rev	Facilita - Sheet	di - di
3	1	1
Validato il	IM	P
20/08/2022		

YFB-R-2017-011 SH.090



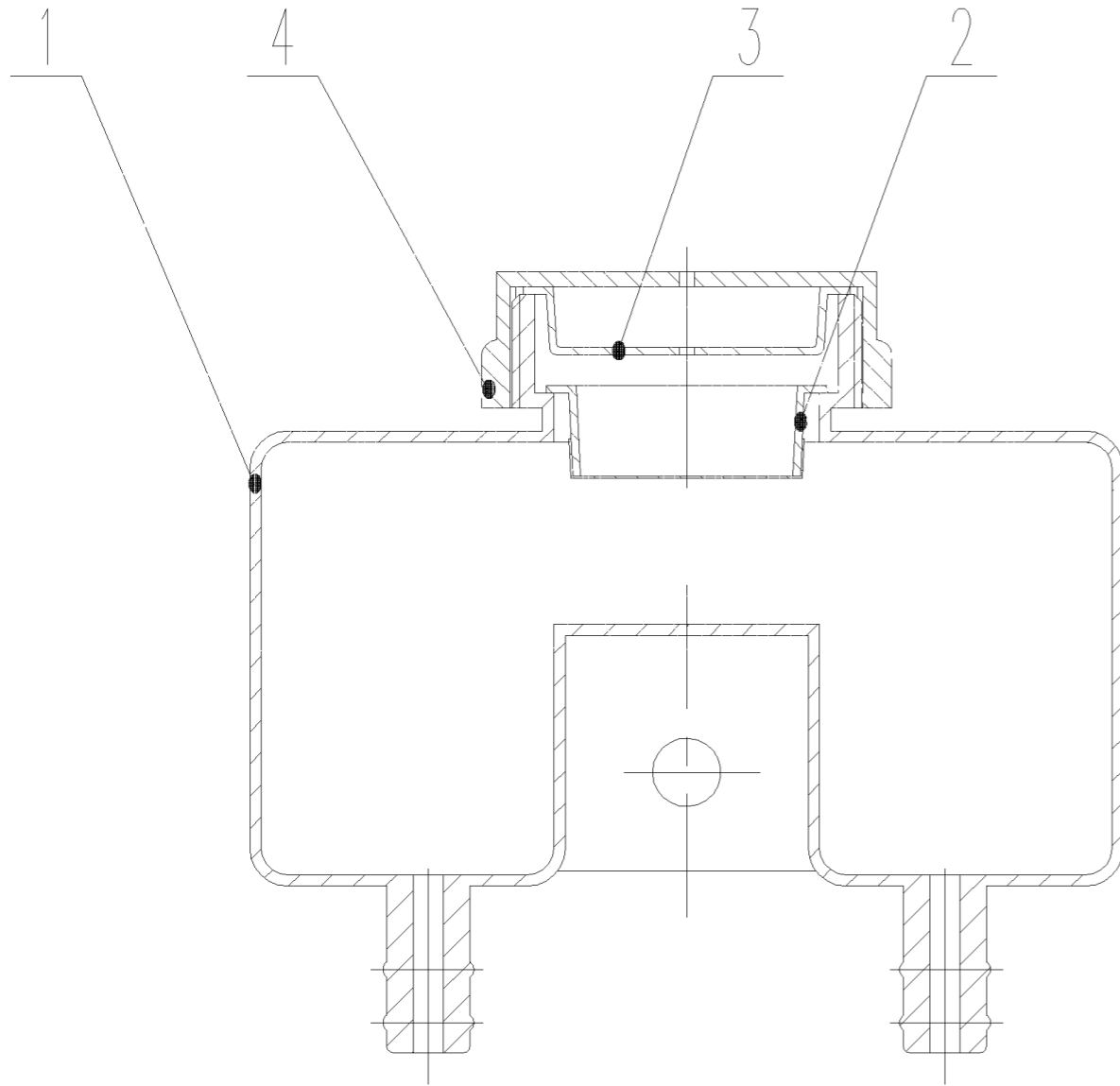
## A23.43.903.4\_3 制动管路总成 BRAKE PIPE ASS.Y

序号	零件编号	零件名称	数量	图号
1	SH900.43.115	油管接头螺钉 CONNECT SCREW	4	SH900.43.115
2	2.1560.008.0	密封圈 SEALING RING	8	2.1560.008.0
3	2.0114.311.2	螺栓 SCREW M10x30	3	2.0114.311.2
4	2.1473.008.2	弹簧垫圈 SPRING WASHER M10	3	2.1473.008.2
5	A23.43.005.3/10	运油软管总成 BRAKE OIL PIPE ASS.Y	2	A23.43.005.3/10
6	2.6851.018.0	软管夹 FASCETTA 11-17	2	2.6851.018.0
7	A11.43.021.4	制动油壶 BRAKE OIL TANK	1	A11.43.021.4
8	2.0114.207.2	螺栓 SCREW M8x20	4	2.0114.207.2
9	2.1473.007.2	弹簧垫圈 SPRING WASHER M8	4	2.1473.007.2
10	A23.43.002.0	制动泵 BRAKE PUMP	1	A23.43.002.0
11	DF904.43.053	制动管夹 DOUBLE CLAMPS	4	DF904.43.053
14	2.1011.105.2	螺母 NUT M8x1.25	2	2.1011.105.2
15	A23.43.006.3/10	右制动管总成 RH BRAKE PIPE ASS.Y	1	A23.43.006.3/10
16	A23.43.007.3/10	左制动管总成 LH BRAKE PIPE ASS.Y	1	A23.43.007.3/10
17	A11.43.014.0	右制动管夹 BRAKE PIPE CLAMP-RH	2	A11.43.014.0
18	GBT3452.1-11.8X1.8-G	O型圈 O RING	2	GBT3452.1-11.8X1.8-G
19	SH900.43.130	连接器 CONNECTOR	2	SH900.43.130
20	2.1560.012.0	组合密封垫圈 SEALING RING	2	2.1560.012.0
21	2.1310.006.2	垫圈 WASHER 10	3	2.1310.006.2
23	A23.43.004.3/10	制动管路总成 BRAKE PIPE ASS.Y	1	A23.43.004.3/10
24	2.0114.003.2	螺栓 SCREW M6x12	2	2.0114.003.2
26	A11.43.031.3	支架焊接 BRACKET WELDED	1	A11.43.031.3
27	A23.43.012.3	制动器出管 LF-BRAKE OUTLET PIPE	1	A23.43.012.3
28	CD554A.13.106/10	膨胀水箱固定绑带 EXPANSION TANK	1	CD554A.13.106/10
29	2.1473.006.2	弹簧垫圈 SPRING WASHER M6	2	2.1473.006.2
30	A23.48.027.4	制动油位线束 BRAKE OIL LEVEL W.H.	1	A23.48.027.4

SH900.43.018 制动油箱

SH900.43.018 制动油箱 BRAKE OIL TANK

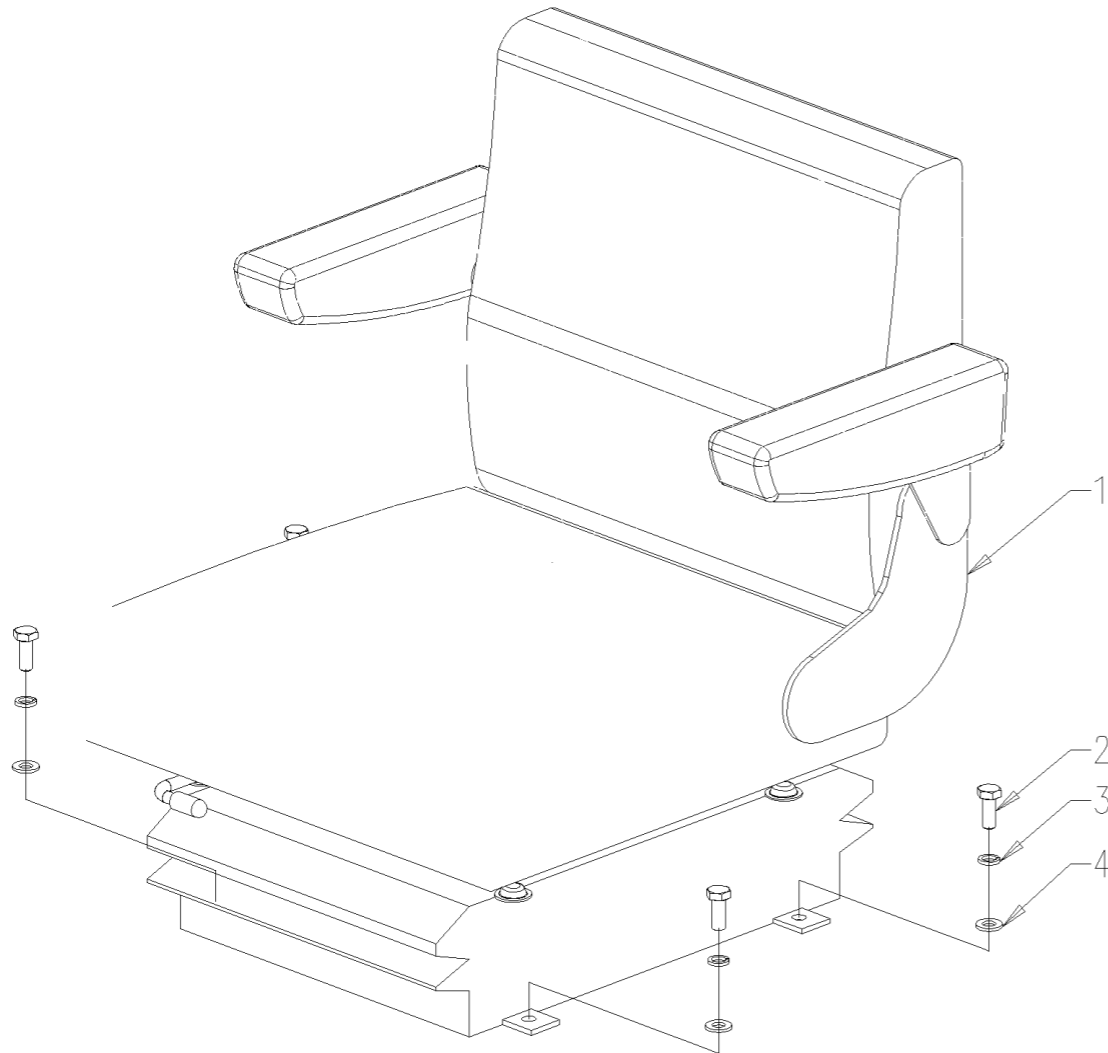
序号	零件编号	零件名称	数量	图号
1	SH900.43.213	制动油箱体 BRAKE OIL TANK BODY	1	SH900.43.213
2	SH900.43.042	滤网总成 STRAINER ASSY	1	SH900.43.042
3	SH900.43.214	盖 COVER	1	SH900.43.214
4	SH900.43.215	制动油杯盖 BRAKE OIL CUP COVER	1	SH900.43.215



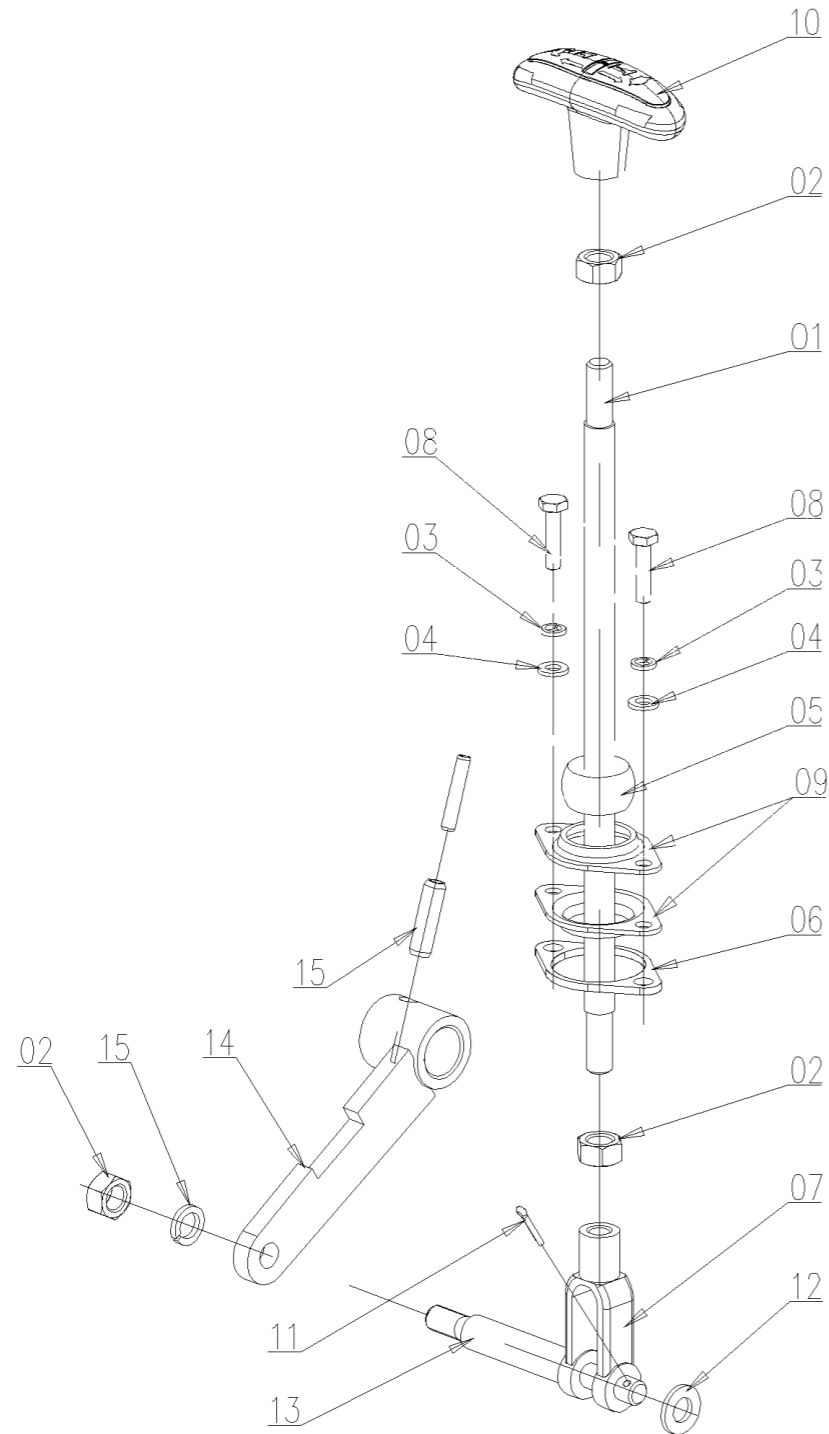
# A23.44.900.4 SEAT ASS.Y

## A23.44.900.4\_1 优化黑色PVC悬浮座椅（带安全带/扶手） SEAT ASS.Y

序号	零件编号	零件名称	数量	图号
1	A23.44.001.4/10	PVC 座椅 PVC SEAT	1	A23.44.001.4/10
2	GBT5783-M10X25-A3L	螺栓 BOLT	4	GBT5783-M10X25-A3L
3	GBT93-10-A3L	垫圈 WASHER	4	GBT93-10-A3L
4	GBT97.1-10-A3L	垫圈 WASHER	4	GBT97.1-10-A3L



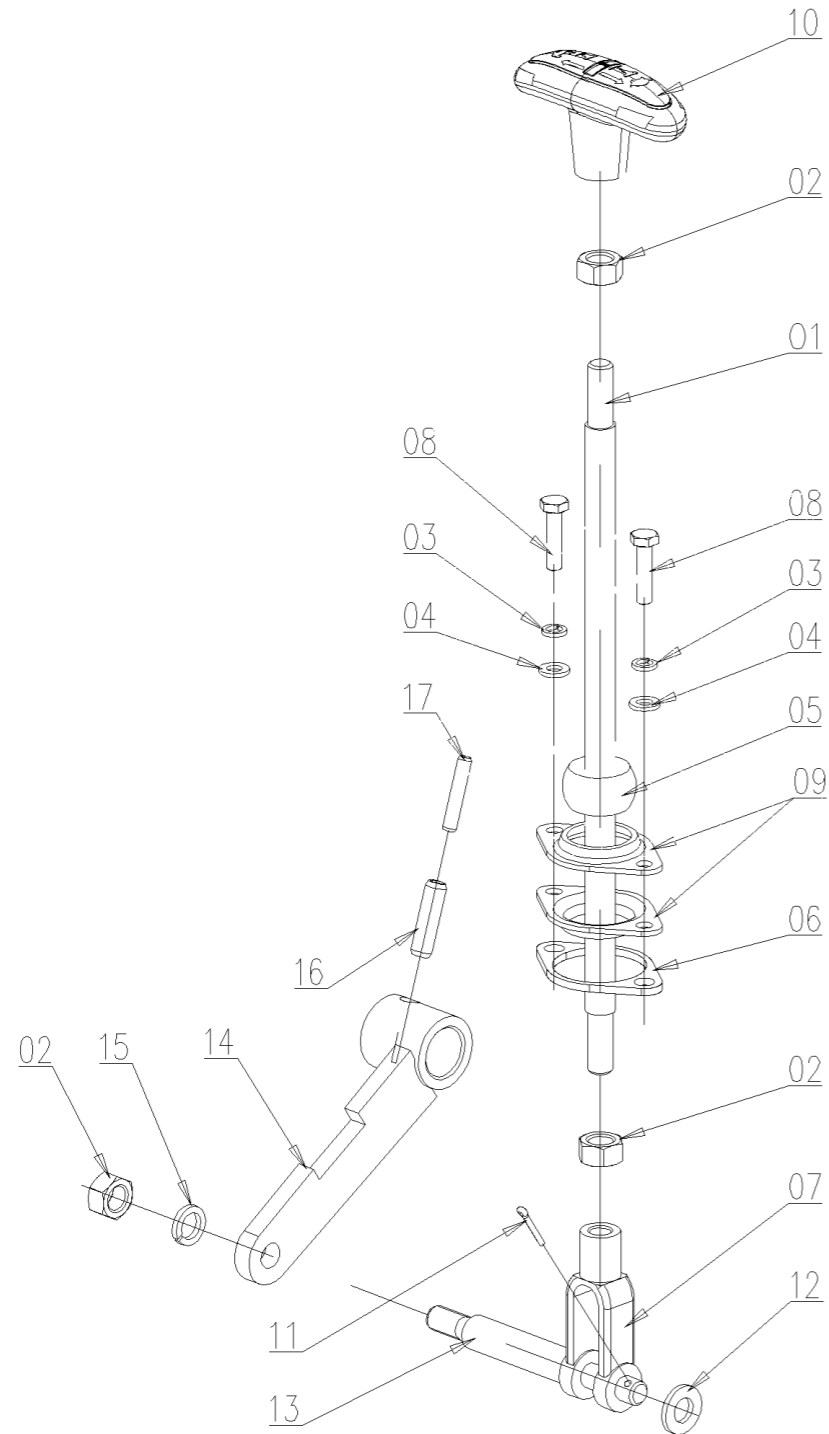
# A23.45.903.4 CREEPER COMMAND ASS.Y



# A23.45.903.4\_1 爬行档操纵总成CREEPER COMMAND ASS.

序号	零件编号	零件名称	数量	图号
1	SH900.37.121	爬行杆 CREEPER LEVER	1	SH900.37.121
2	GBT6170-M10-A3L	螺母 NUT	3	GBT6170-M10-A3L
3	GBT93-6-A3L	垫圈 WASHER	2	GBT93-6-A3L
4	GBT97.1-6-A3L	垫圈 WASHER	2	GBT97.1-6-A3L
5	SH404.42.113	导向套 GUIDER SLEEVE	1	SH404.42.113
6	A23.45.001.0	导向套 GUIDE SLEEVE	1	A23.45.001.0
7	SH900.41.102	连接叉 CLEVIS	1	SH900.41.102
8	GBT5783-M6X25-A3L	螺栓 BOLT	2	GBT5783-M6X25-A2L
9	SH404.42.114	导向套 GUIDE SLEEVE	2	SH404.42.114
10	A23.45.078.4/10	手柄球 KNOB_CREEPER	1	A23.45.078.4/10
11	GBT91-2.5X16-A3L	销 PIN	1	GBT91-2.5X16-A3L
12	GBT97.1-10-A3L	垫圈 WASHER	1	GBT97.1-10-A3L
13	SH900.37.120	杆销 LEVER PIN	1	SH900.37.120
14	SH900.37.011	杆总成 LEVER ASS.LY	1	SH900.37.011
15	GBT93-10-A3L	垫圈 WASHER	1	GBT93-10-A3L
16	GBT879.1-8X30	销 PIN	1	GBT879.1-8X30
17	GBT879.1-5X30	销 PIN	1	GBT879.1-5X30

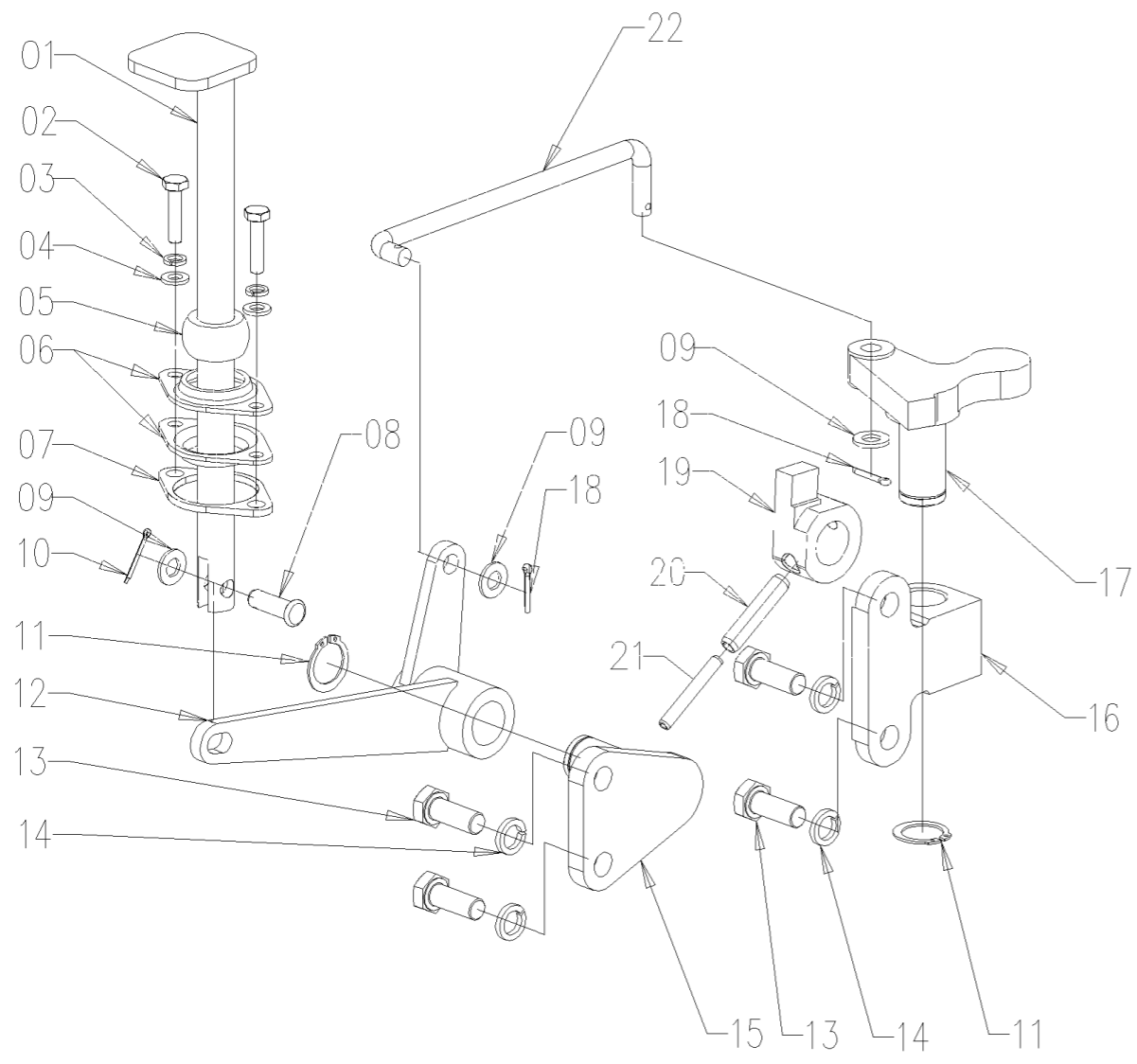
# A23.45.903.4 CREEPER COMMAND ASS.Y



# A23.45.903.4\_2 爬行档操纵总成CREEPER COMMAND ASS.

序号	零件编号	零件名称	数量	图号
1	SH900.37.121	爬行杆 CREEPER LEVER	1	SH900.37.121
2	GBT6170-M10-A3L	螺母 NUT	3	GBT6170-M10-A3L
3	GBT93-6-A3L	垫圈 WASHER	2	GBT93-6-A3L
4	GBT97.1-6-A3L	垫圈 WASHER	2	GBT97.1-6-A3L
5	SH404.42.113	导向套 GUIDER SLEEVE	1	SH404.42.113
6	A23.45.001.0	导向套 GUIDE SLEEVE	1	A23.45.001.0
7	SH900.41.102	连接叉 CLEVIS	1	SH900.41.102
8	GBT5783-M6X25-A2L	螺栓 BOLT	2	GBT5783-M6X25-A2L
9	SH404.42.114	导向套 GUIDE SLEEVE	2	SH404.42.114
10	A23.45.078.4/10	手柄球 KNOB_CREEPER	1	A23.45.078.4/10
11	GBT91-2.5X16-A3L	销 PIN	1	GBT91-2.5X16-A3L
12	GBT97.1-10-A3L	垫圈 WASHER	1	GBT97.1-10-A3L
13	SH900.37.120	杆销 LEVER PIN	1	SH900.37.120
14	SH900.37.011	杆总成 LEVER ASS.LY	1	SH900.37.011
15	GBT93-10-A3L	垫圈 WASHER	1	GBT93-10-A3L
16	GBT879.1-8X30	销 PIN	1	GBT879.1-8X30
17	GBT879.1-5X30	销 PIN	1	GBT879.1-5X30

# A23.45.904.4 DIFFERENTIAL LOCK COMMAND ASS'Y

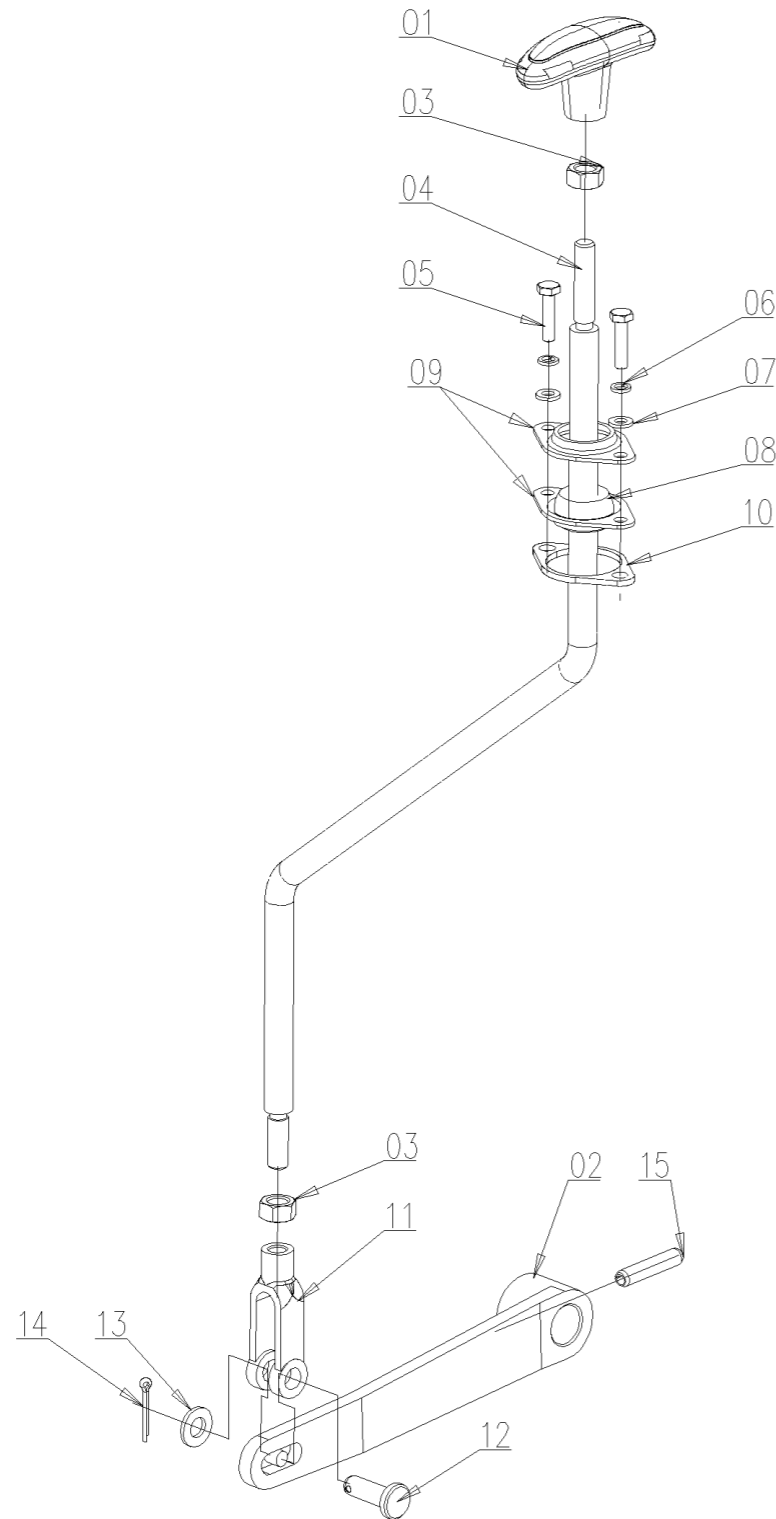


## A23.45.904.4\_1 差速锁操纵总成 DIFFERENTIAL LOCK COMMAND ASS.Y

序号	零件编号	零件名称	数量	图号
1	SH900.38.013	差速锁操纵杆 DIFFERENTIAL LOCK	1	SH900.38.013
2	GBT5783-M6X25-A2L	螺栓 BOLT	2	GBT5783-M6X25-A2L
3	GBT93-6-A3L	垫圈 WASHER	2	GBT93-6-A3L
4	GBT97.1-6-A3L	垫圈 WASHER	2	GBT97.1-6-A3L
5	CD1204.45.106	导向套 GUIDE SLEEVE	1	CD1204.45.106
6	SH404.42.114	导向套 GUIDE SLEEVE	2	SH404.42.114
7	A23.45.001.0	导向套 GUIDE SLEEVE	1	A23.45.001.0
8	GBT882-B8X24-A3L	销 PIN	1	GBT882-B8X24-A3L
9	GBT97.1-8-A3L	垫圈 WASHER	3	GBT97.1-8-A3L
10	GBT91-2X20-A3L	销 PIN	1	GBT91-2X20-A3L
11	GBT894.1-20	弹性挡圈 CIRCLIP	2	GBT894.1-20
12	SH900.38.012	差速锁摇臂焊件 DIFFERENTIAL LOCK	1	SH900.38.012
13	GBT5783-M10X25-A3L	螺栓 BOLT	4	GBT5783-M10X25-A3L
14	GBT93-10-A3L	垫圈 WASHER	4	GBT93-10-A3L
15	SH900.38.106	支架 BRACKET	1	SH900.38.106
16	SH900.38.103	支架 BRACKET	1	SH900.38.103
17	SH900.38.102	旋转杆 ROTATING LEVER	1	SH900.38.102
18	GBT91-2.5X16-A3L	销 PIN	2	GBT91-2.5X16-A3L
19	SH900.38.115	板 PLATE	1	SH900.38.115
20	GBT879.1-8X40	销 PIN	1	GBT879.1-8X40
21	GBT879.1-5X40	销 PIN	1	GBT879.1-5X40
22	SH900.38.104	差速锁定摇臂拉杆 DIFFERENTIAL	1	SH900.38.104

A23.45.905.4 PTO COMMAND ASS.Y

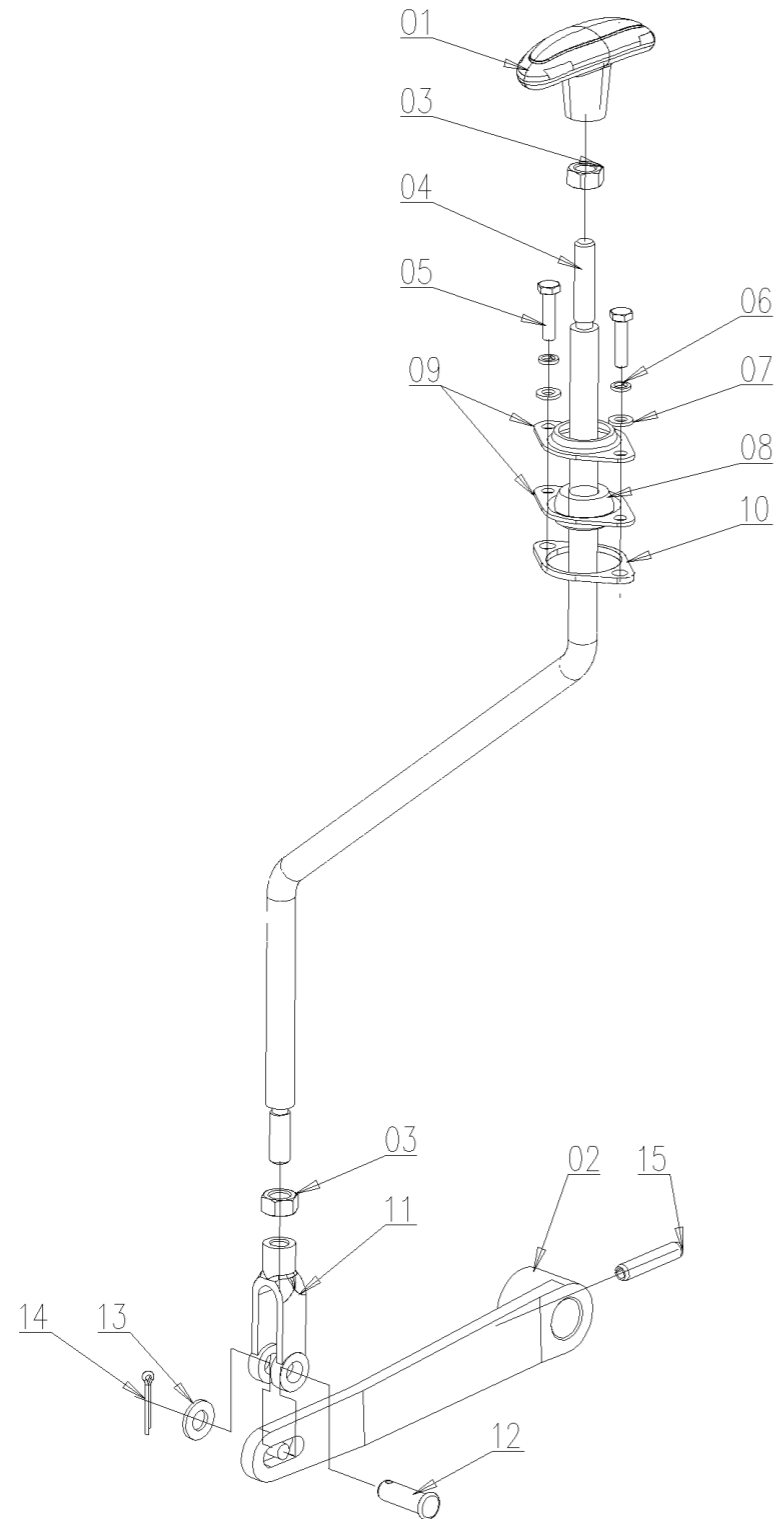
A23.45.905.4\_2 动力输出操纵总成 ( PTO 760/1000 rpm ) P.T.O SPEED COMMAND ASS.(760/1000)



序号	零件编号	零件名称	数量	图号
1	A23.45.073.4/10	速度标牌(760/1000) P.T.O SPEED	1	A23.45.073.4/10
2	SH900.41.103	动力输出外摇臂 PTO OUTER ROCKER	1	SH900.41.103
3	GBT6170-M10-A3L	螺母 NUT	2	GBT6170-M10-A3L
4	SH900.41.101	动力输出操纵杆 PTO CONTROL	1	SH900.41.101
5	GBT5783-M6X25-A2L	螺栓 BOLT	2	GBT5783-M6X25-A2L
6	GBT93-6-A3L	垫圈 WASHER	2	GBT93-6-A3L
7	GBT97.1-6-A3L	垫圈 WASHER	2	GBT97.1-6-A3L
8	LE1204.45.107	导向套 GUIDE SLEEVE	1	LE1204.45.107
9	SH404.42.114	导向套 GUIDE SLEEVE	2	SH404.42.114
10	A23.45.001.0	导向套 GUIDE SLEEVE	1	A23.45.001.0
11	SH400.21.126	拉杆前叉 PULL ROD FRONT FORK	1	SH400.21.126
12	GBT882-B10X30-A3L	销 PIN	1	GBT882-B10X30-A3L
13	GBT97.1-10-A3L	垫圈 WASHER	1	GBT97.1-10-A3L
14	GBT91-3.2X25-A3L	销 PIN	1	GBT91-3.2X25-A3L
15	GBT879.1-8X40	销 PIN	1	GBT879.1-8X40

A23.45.905.4 PTO COMMAND ASS.Y

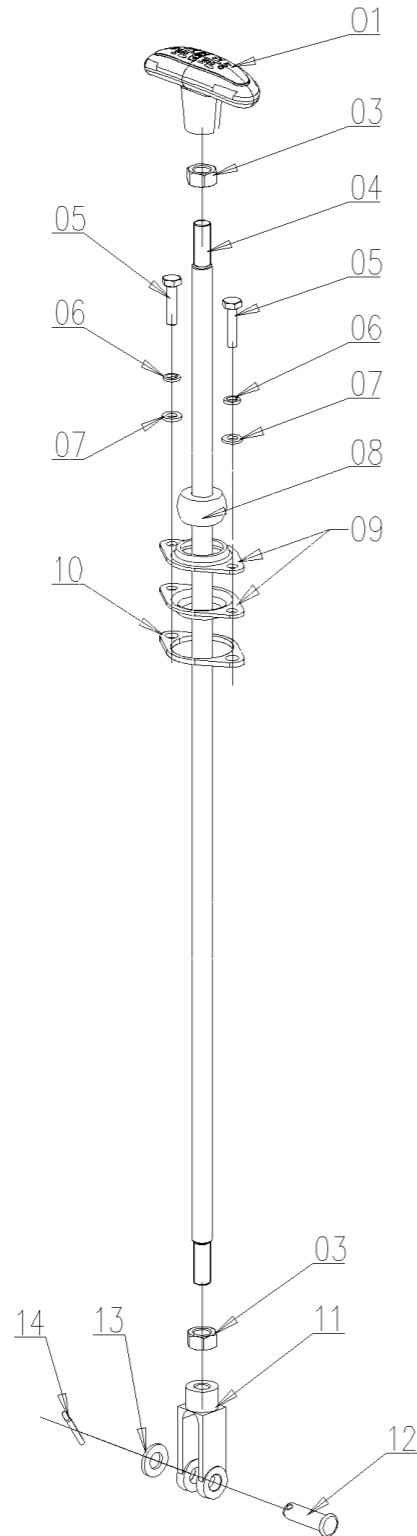
A23.45.905.4\_3 动力输出操纵总成 ( PTO 760/1000 rpm ) P.T.O SPEED COMMAND ASS.(760/1000)



序号	零件编号	零件名称	数量	图号
1	A23.45.073.4/10	速度标牌(760/1000) P.T.O SPEED	1	A23.45.073.4/10
2	SH900.41.103	动力输出外摇臂 PTO OUTER ROCKER	1	SH900.41.103
3	GBT6170-M10-A3L	螺母 NUT	2	GBT6170-M10-A3L
4	SH900.41.101	动力输出操纵杆 PTO CONTROL	1	SH900.41.101
5	GBT5783-M6X25-A2L	螺栓 BOLT	2	GBT5783-M6X25-A2L
6	GBT93-6-A3L	垫圈 WASHER	2	GBT93-6-A3L
7	GBT97.1-6-A3L	垫圈 WASHER	2	GBT97.1-6-A3L
8	LE1204.45.107	导向套 GUIDE SLEEVE	1	LE1204.45.107
9	SH404.42.114	导向套 GUIDE SLEEVE	2	SH404.42.114
10	A23.45.001.0	导向套 GUIDE SLEEVE	1	A23.45.001.0
11	SH400.21.126	拉杆前叉 PULL ROD FRONT FORK	1	SH400.21.126
12	GBT882-B10X30-A3L	销 PIN	1	GBT882-B10X30-A3L
13	GBT97.1-10-A3L	垫圈 WASHER	1	GBT97.1-10-A3L
14	GBT91-3.2X25-A3L	销 PIN	1	GBT91-3.2X25-A3L
15	GBT879.1-8X40	销 PIN	1	GBT879.1-8X40



# A23.45.906.4 4WD ENGAGEMENT CONTROL ASS.Y

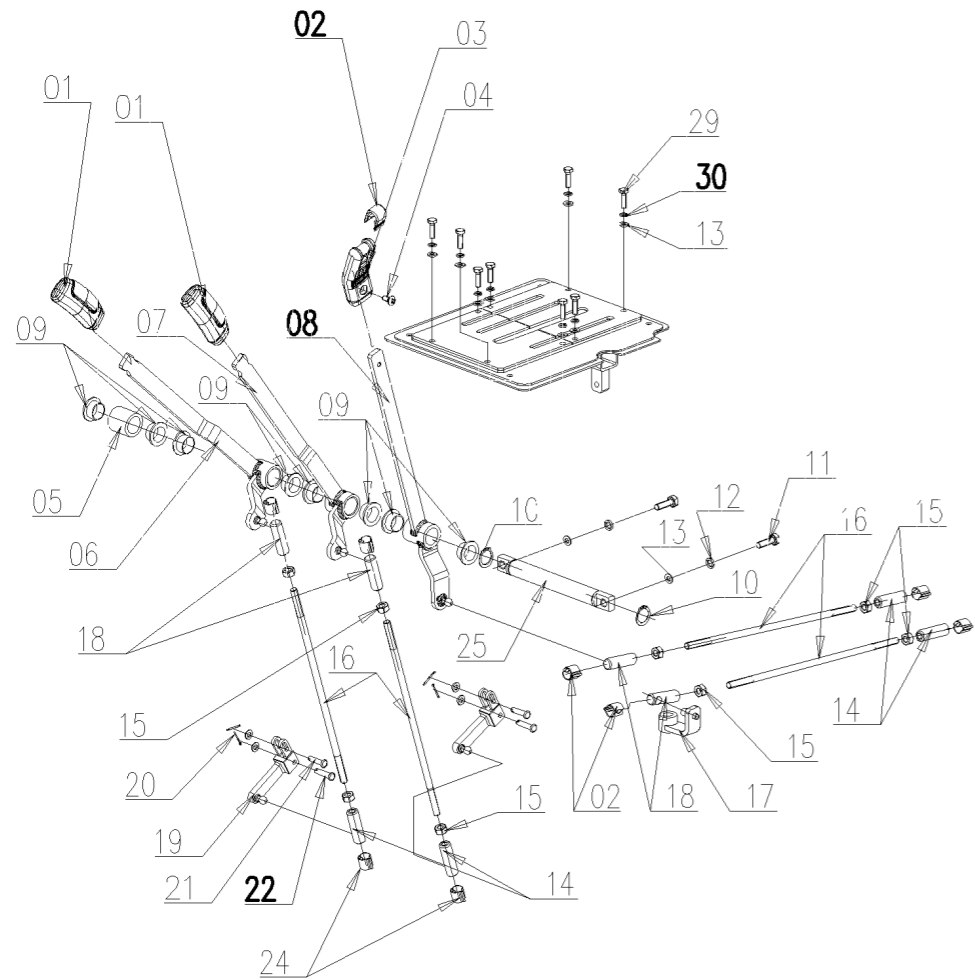


# A23.45.906.4\_2 四驱操纵总成4WD ENGAGEMENT CONTROL ASS.Y

序号	零件编号	零件名称	数量	图号
1	A23.45.076.4/10	手柄套 4.W.D HANDLE COVER	1	A23.45.076.4/10
3	GBT6170-M10-A3L	螺母 NUT	2	GBT6170-M10-A3L
4	A23.45.062.0	杆 4.W.D LEVER	1	A23.45.062.0
5	GBT5783-M6X25-A2L	螺栓 BOLT	2	GBT5783-M6X25-A2L
6	GBT93-6-A3L	垫圈 WASHER	2	GBT93-6-A3L
7	GBT97.1-6-A3L	垫圈 WASHER	2	GBT97.1-6-A3L
8	SH404.42.113	导向套 GUIDER SLEEVE	1	SH404.42.113
9	SH404.42.114	导向套 GUIDE SLEEVE	2	SH404.42.114
10	A23.45.001.0	导向套 GUIDE SLEEVE	1	A23.45.001.0
11	SH904.42.126	连接叉 CLEVIS	1	SH904.42.126
12	GBT882-B10X32-A3L	销 PIN	1	GBT882-B10X32-A3L
13	GBT97.1-10-A3L	垫圈 WASHER	1	GBT97.1-10-A3L
14	GBT91-3.2X20-A3L	销 PIN	1	GBT91-3.2X20-A3L

# A23.45.909.4 4 WAY VALVE COMMAND ASS.

YFB-R-2017-011 Sh.011

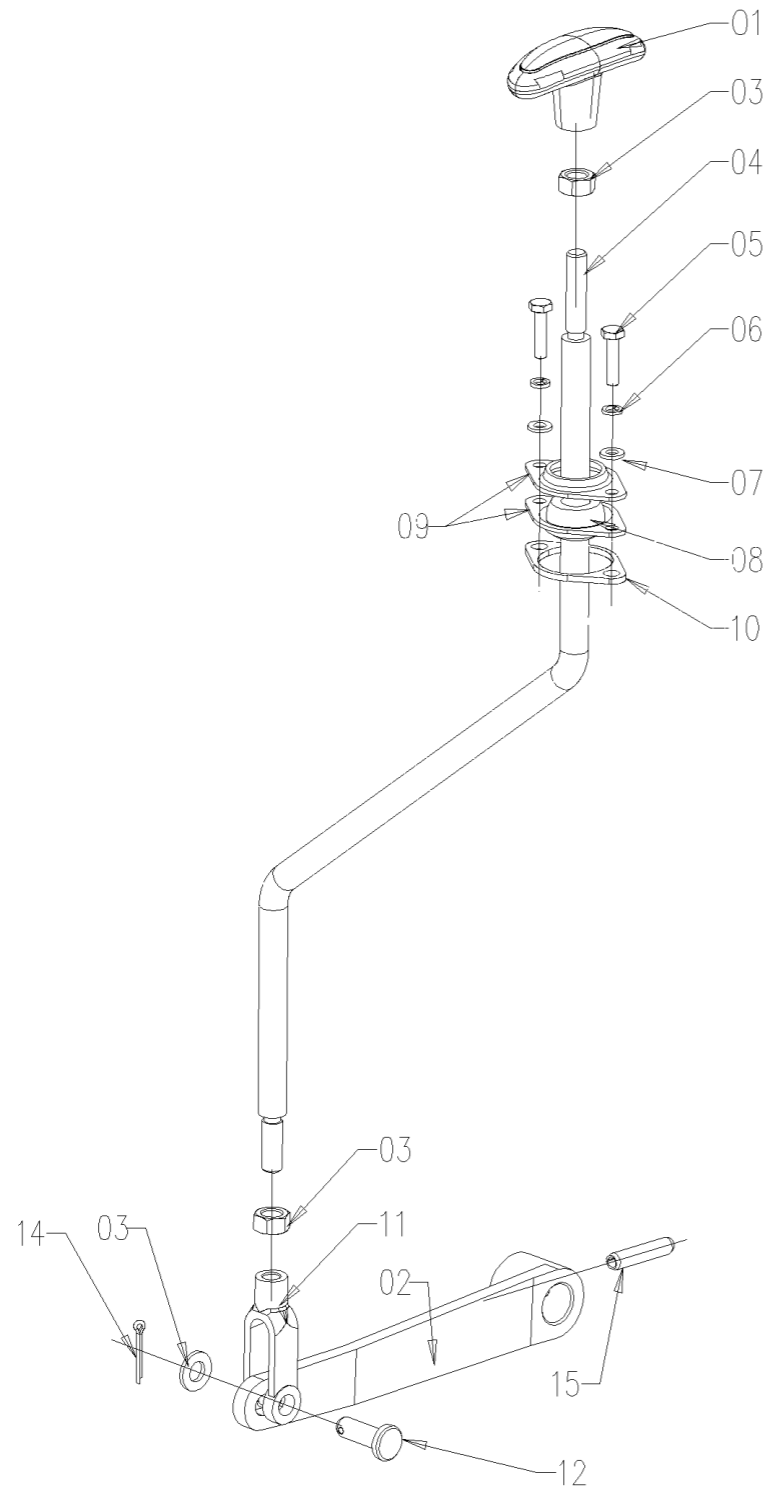


## A23.45.909.4\_2 液压操纵机构总成WAY VALVE COMMAND ASSY.

序号	零件编号	零件名称	数量	图号
1	0.020.3757.0	球形把手 KNOB	2	0.020.3757.0
2	0.020.3200.0	上盖 COUPLING	1	0.020.3200.0
3	0.020.3149.0	球形把手 KNOB	1	0.020.3149.0
4	GBT820-M6X14-4.8-A2L	螺钉 CSREW	1	GBT820-M6X14-4.8-A2L
5	A23.45.058.0	套管 BUSHING	1	A23.45.058.0
6	A23.45.032.3/10	焊接支架-2 WELDING BRACKET-2	1	A23.45.032.3/10
7	A23.45.031.3/10	焊接支架-3 WELDING BRACKET-3	1	A23.45.031.3/10
8	A23.45.030.3/20	焊接支架-4 WELDING BRACKET-4	1	A23.45.030.3/20
9	A23.45.019.0	隔套 SLEEVE	8	A23.45.019.0
10	GBT894.1-20	轴用弹性挡圈 CIRCLIP FOR SHAFT	2	GBT894.1-20
11	GBT5783-M8X25-A3L	螺栓 BOLT	2	GBT5783-M8X25-A3L
12	GBT93-8-A3L	垫圈 WASHER	2	GBT93-8-A3L
13	GBT97.1-6-A3L	垫圈 WASHER	14	GBT97.1-6-A3L
14	A11.55.018.0	球座 BALL SEAT	4	A11.55.018.0
15	GBT6170-M8-A3L	螺母 NUT	8	GBT6170-M8-A3L
16	A23.45.037.0	操纵杆 LEVER	4	A23.45.037.0
17	A23.45.038.3/10	摇臂 ROCKET ARM	1	A23.45.038.3/10
18	A11.55.017.0	左侧球座 BALL SEAT-LEFT	4	A11.55.017.0
19	A23.45.035.3/10	阀铰链 VALVE HINGE	2	A23.45.035.3/10
20	GBT91-1.6X18-A2L	销 PIN	4	GBT91-1.6X18-A2L
21	GBT882-B6X24-A3L	销 PIN	2	GBT882-B6X24-A3L
22	GBT882-B6X26-A3L	销 PIN	2	GBT882-B6X26-A3L
24	0.020.5466.0	弹簧 SPRING	8	0.020.5466.0
25	A23.45.018.0	轴 SHAFT	1	A23.45.018.0
29	GBT5783-M6X20-A3L	螺栓 BOLT	8	GBT5783-M6X20-A3L
30	GBT93-6-A3L	垫圈 WASHER	8	GBT93-6-A3L

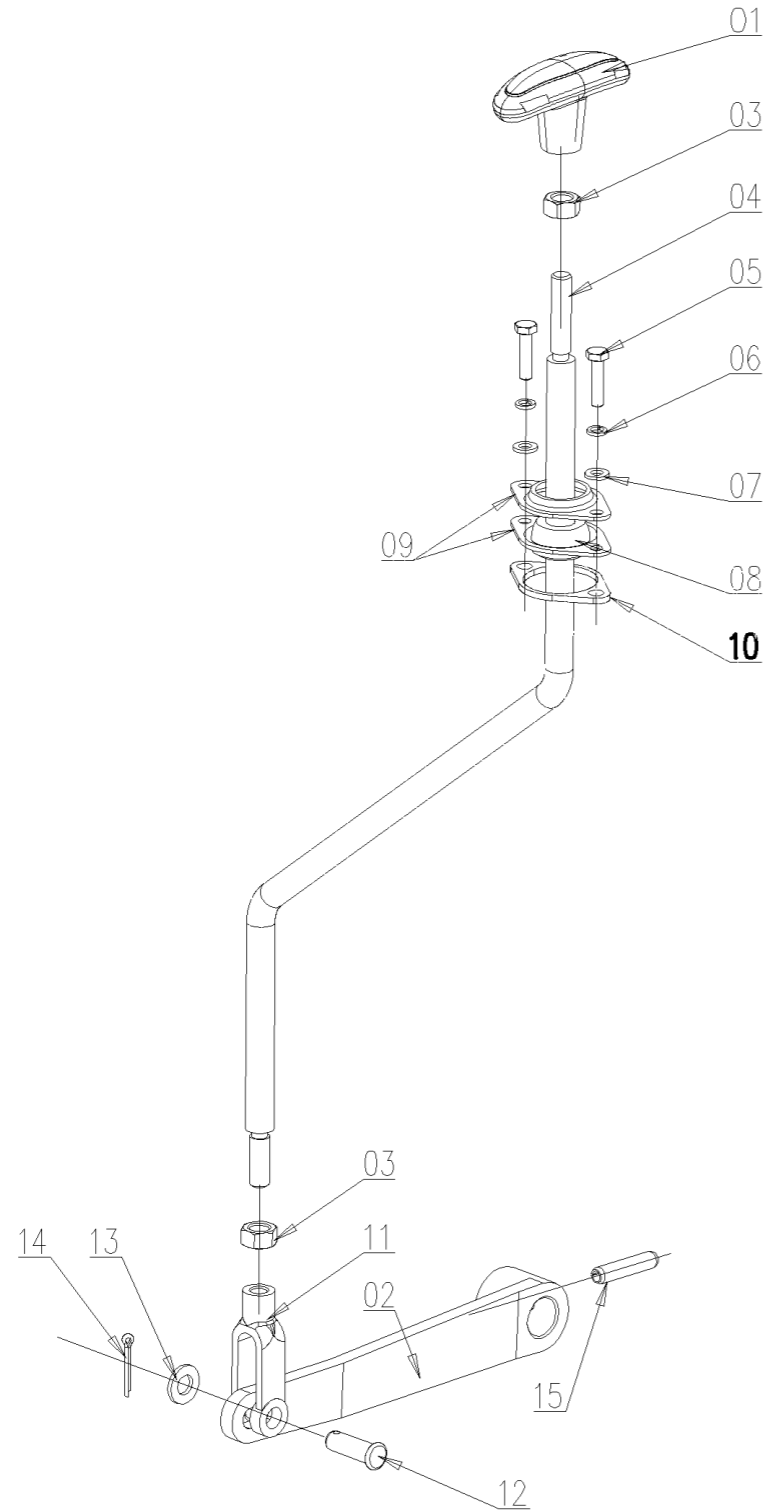
A23.45.910.4 PTO COMMAND ASS.Y

A23.45.910.4\_2 动力输出操纵总成 (PTO 760/850 rpm) P.T.O SPEED COMMAND ASS.(760/850)



序号	零件编号	零件名称	数量	图号
1	A23.45.091.4/10	速度标牌 (760/850) P.T.O SPEED	1	A23.45.091.4/10
2	SH900.41.103	动力输出外摇臂 PTO OUTER ROCKER	1	SH900.41.103
3	GBT6170-M10-A3L	螺母 NUT	2	GBT6170-M10-A3L
4	SH900.41.101	动力输出操纵杆 PTO CONTROL	1	SH900.41.101
5	GBT5783-M6X25-A2L	螺栓 BOLT	2	GBT5783-M6X25-A2L
6	GBT93-6-A3L	垫圈 WASHER	2	GBT93-6-A3L
7	GBT97.1-6-A3L	垫圈 WASHER	2	GBT97.1-6-A3L
8	LE1204.45.107	导向套 GUIDE SLEEVE	1	LE1204.45.107
9	SH404.42.114	导向套 GUIDE SLEEVE	2	SH404.42.114
10	A23.45.001.0	导向套 GUIDE SLEEVE	1	A23.45.001.0
11	SH400.21.126	拉杆前叉 PULL ROD FRONT FORK	1	SH400.21.126
12	GBT882-B10X30-A3L	销 PIN	1	GBT882-B10X30-A3L
13	GBT97.1-10-A3L	垫圈 WASHER	1	GBT97.1-10-A3L
14	GBT91-3.2X25-A3L	销 PIN	1	GBT91-3.2X25-A3L
15	GBT879.1-8X40	销 PIN	1	GBT879.1-8X40

A23.45.910.4 PTO COMMAND ASS.Y

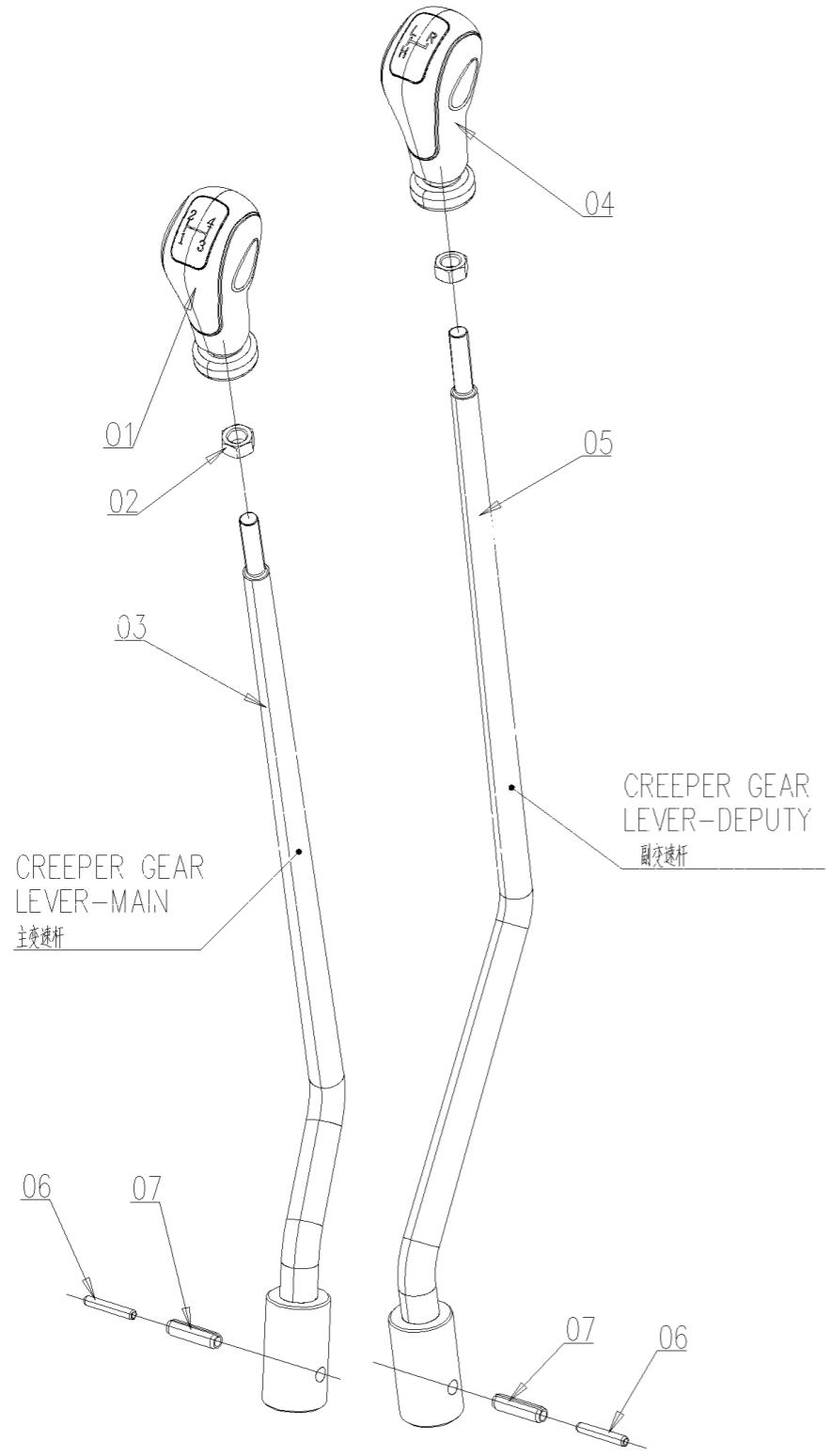


A23.45.910.4\_3 动力输出操纵总成 (PTO 760/850 rpm) P.T.O SPEED COMMAND ASS.(760/850)

序号	零件编号	零件名称	数量	图号
1	A23.45.091.4/10	速度标牌 (760/850) P.T.O SPEED	1	A23.45.091.4/10
2	SH900.41.103	动力输出外摇臂 PTO OUTER ROCKER	1	SH900.41.103
3	GBT6170-M10-A3L	螺母 NUT	2	GBT6170-M10-A3L
4	SH900.41.101	动力输出操纵杆 PTO CONTROL	1	SH900.41.101
5	GBT5783-M6X25-A2L	螺栓 BOLT	2	GBT5783-M6X25-A2L
6	GBT93-6-A3L	垫圈 WASHER	2	GBT93-6-A3L
7	GBT97.1-6-A3L	垫圈 WASHER	2	GBT97.1-6-A3L
8	LE1204.45.107	导向套 GUIDE SLEEVE	1	LE1204.45.107
9	SH404.42.114	导向套 GUIDE SLEEVE	2	SH404.42.114
10	A23.45.001.0	导向套 GUIDE SLEEVE	1	A23.45.001.0
11	SH400.21.126	拉杆前叉 PULL ROD FRONT FORK	1	SH400.21.126
12	GBT882-B10X30-A3L	销 PIN	1	GBT882-B10X30-A3L
13	GBT97.1-10-A3L	垫圈 WASHER	1	GBT97.1-10-A3L
14	GBT91-3.2X25-A3L	销 PIN	1	GBT91-3.2X25-A3L
15	GBT879.1-8X40	销 PIN	1	GBT879.1-8X40

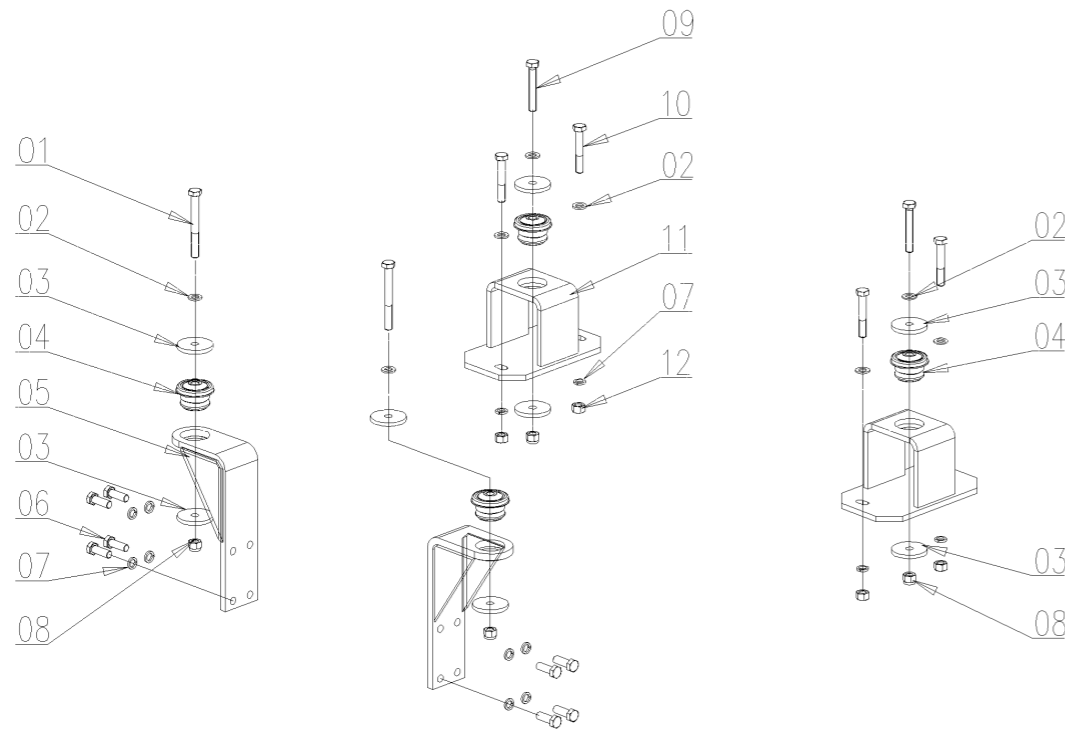
# A23.45.912.4 SHIFT LEVEL ASS.Y

# A23.45.912.4\_2 变速杆操纵总成 (16F+8R) TRANSMISSION COMMAND ASSY(CREPPER)



序号	零件编号	零件名称	数量	图号
1	A31.45.009.3/10	手柄球 KNOB_GEAR SHIFT	1	A31.45.009.3/10
2	GBT6170-M10-A3L	螺母 NUT	2	GBT6170-M10-A3L
3	A23.45.005.3	主变速杆 CREEPER GEAR LEVER-	1	A23.45.005.3
4	A46.37.001.4/10	副变速手柄球 RANGE SHIFT KNOB	1	A46.37.001.4/10
5	A23.45.006.3	副变速杆 CREEPER GEAR LEVER-	1	A23.45.006.3
6	GBT879.1-5X32	销 PIN	2	GBT879.1-5X32
7	GBT879.1-8X32	销 PIN	2	GBT879.1-8X32

# A23.45.913.4 SUPPORT ASSEMBLY



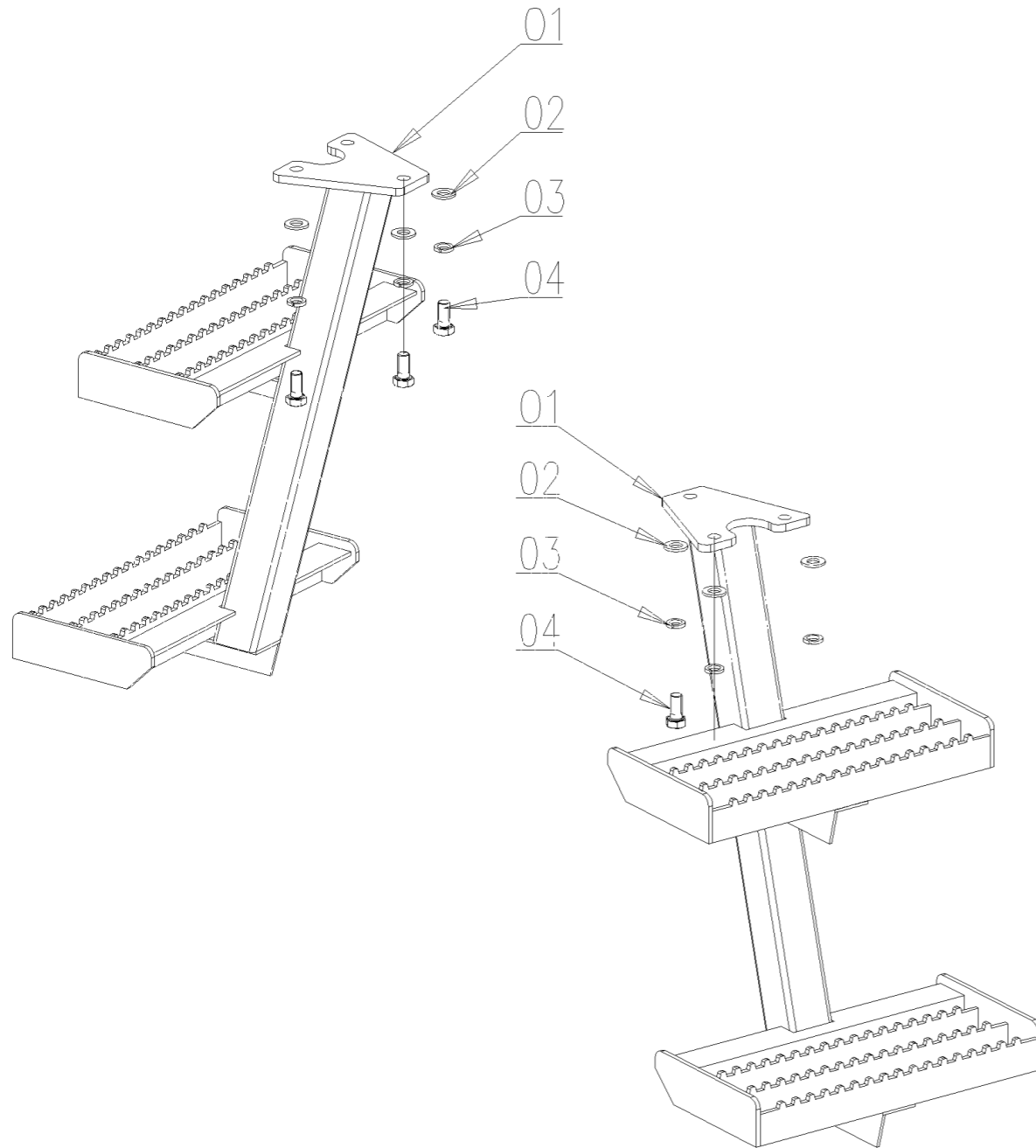
## A23.45.913.4\_0 地板支撑总成 (地板+安全架) SUPPORT ASSEMBLY(floor + safety rack)

序号	零件编号	零件名称	数量	图号
1	GBT5782-M16X140-A3L	螺栓 BOLT	2	GBT5782-M16X140-A3L
2	GBT97.1-16-A3L	垫圈 WASHER	8	GBT97.1-16-A3L
3	CD904A.45.104	减震垫板 CUSHION	8	CD904A.45.104
4	LD700.47.031	阻尼块 DAMPING BLOCK	4	LD700.47.031
5	SH900.45A.038A	地板前连接板焊合件 FLOOR O FRONT	2	SH900.45A.038A
6	GBT5783-M16X45-10.9-	螺栓 BOLT	8	GBT5783-M16X45-10.9-A3L
7	GBT93-16-A3L	垫圈 WASHER	12	GBT93-16-A3L
8	GBT889.1-M16-A3L	螺母 NUT	4	GBT889.1-M16-A3L
9	GBT5782-M16X100-A3L	螺栓 BOLT	2	GBT5782-M16X100-A3L
10	GBT5782-M16X95-A3L	螺栓 BOLT	4	GBT5782-M16X95-A3L
11	CD904A.45A.031	支架 BRACKET	2	CD904A.45A.031
12	GBT6170-M16-A3L	螺母 NUT	4	GBT6170-M16-A3L

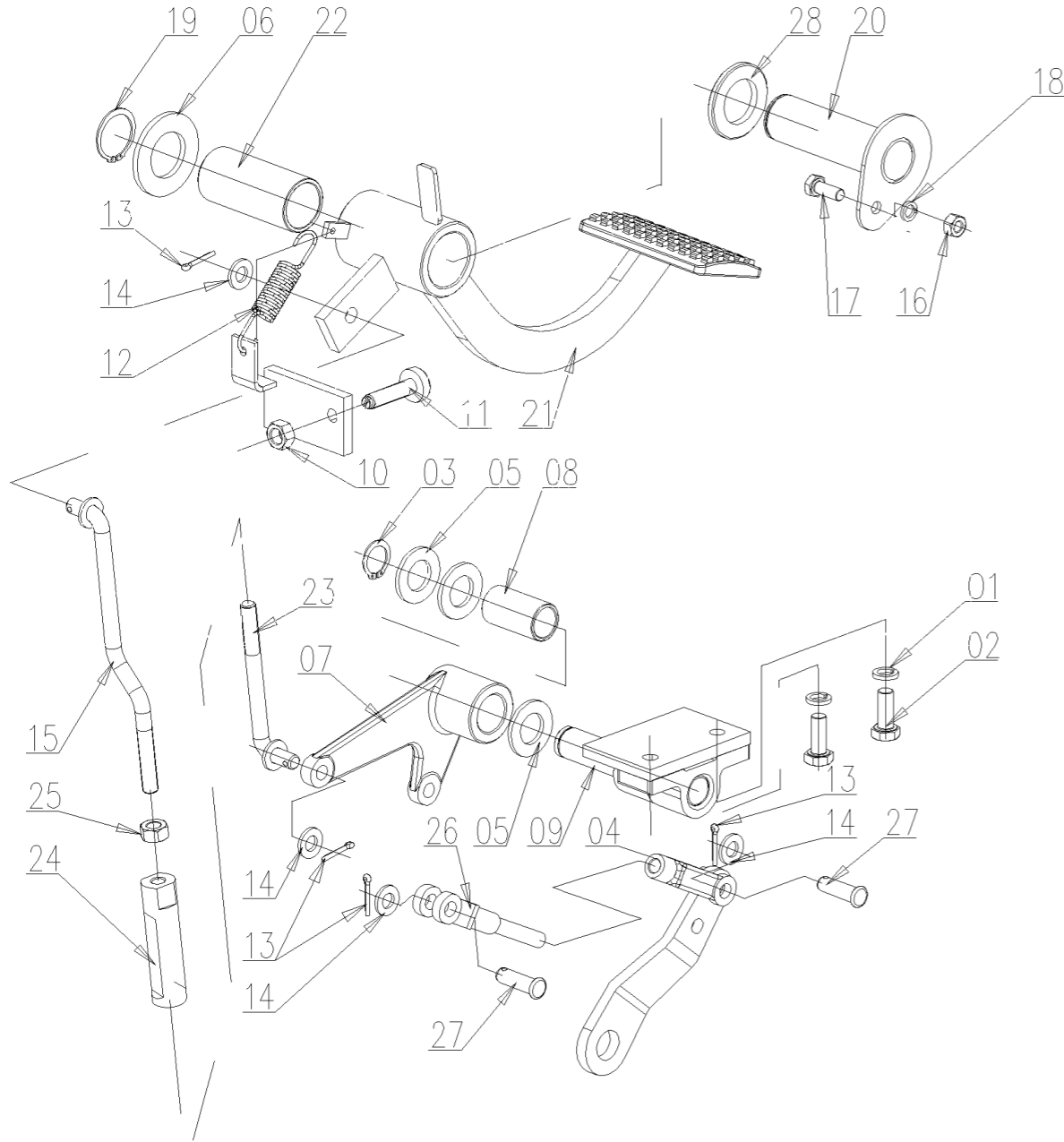
# A23.45.914.4 THE LADDER ASSEMBLY

## A23.45.914.4\_1 上车梯总成 THE LADDER ASSEMBLY

序号	零件编号	零件名称	数量	图号
1	CD904.45.033	脚踏总成 PEDAL ASSY	2	CD904.45.033
2	GBT97.1-12-A3L	垫圈 WASHER	6	GBT97.1-12-A3L
3	GBT93-12-A3L	垫圈 WASHER	6	GBT93-12-A3L
4	GBT5783-M12X25-A3L	螺栓 BOLT	6	GBT5783-M12X25-A3L



# A23.45.919.4 MAIN CLUTCH COMMAND ASS.Y

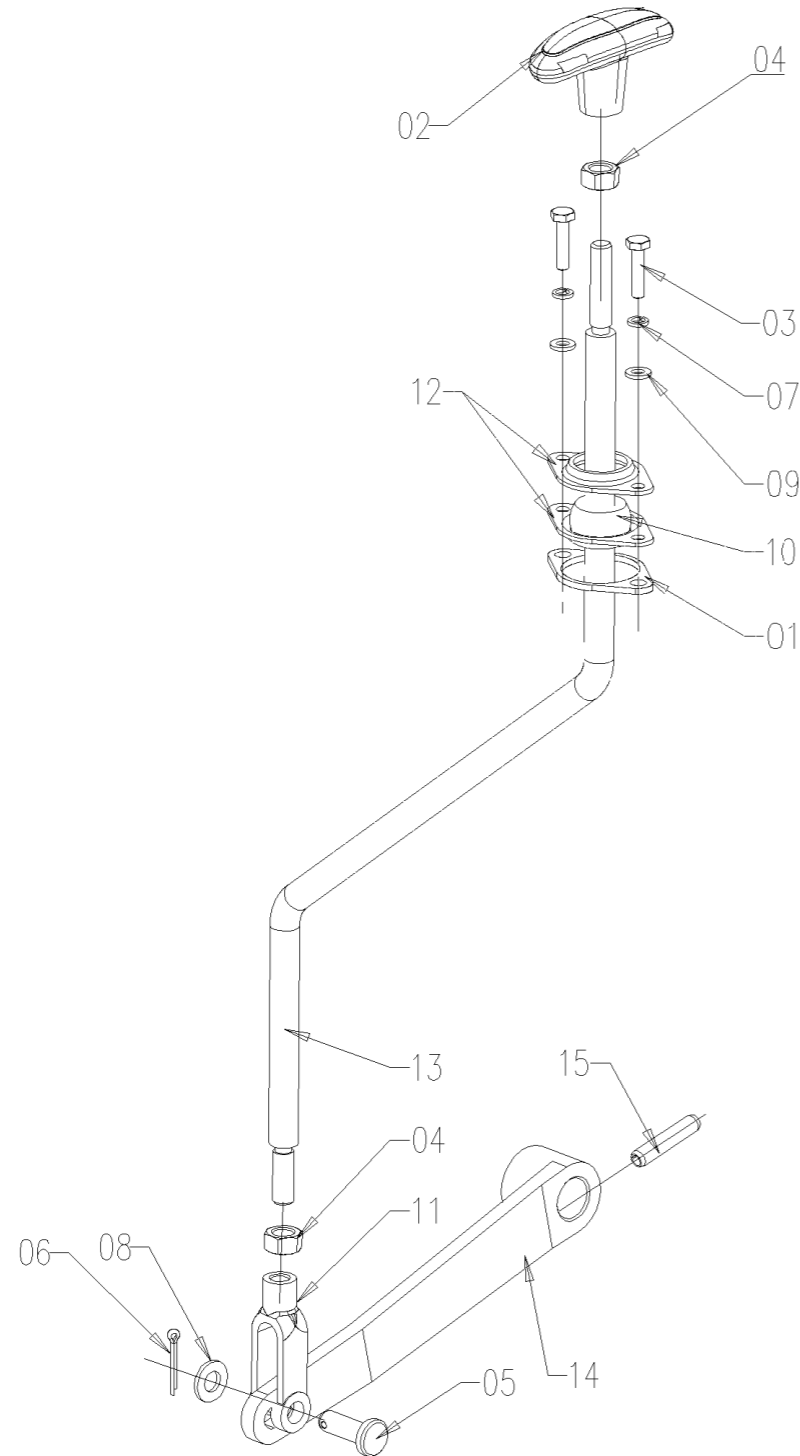


## A23.45.919.4\_2 主离合器操纵总成MAIN CLUTCH CONTROL ASSY.

序号	零件编号	零件名称	数量	图号
1	GBT93-10-A3L	垫圈 WASHER	2	GBT93-10-A3L
2	GBT5783-M10X25-A3L	螺栓 BOLT	2	GBT5783-M10X25-A3L
3	GBT894.1-20	弹性挡圈 CIRCLIP	1	GBT894.1-20
4	SH900.21.117	拨叉 FORK	1	SH900.21.117
5	GBT97.1-20-A3L	垫圈 WASHER	3	GBT97.1-20-A3L
6	SH900.21.118	摩擦垫圈 FRICTION WASHER	1	SH900.21.118
7	SH900.21.107	主离合器摇臂 MAIN CLUTCH ROCKER	1	SH900.21.107
8	SH900.21.123	套筒 SLEEVE	1	SH900.21.123
9	SH900.21.022	主离合器摇臂座焊合 MAIN CLUTCH	1	SH900.21.022
10	GBT6170-M10-A3L	螺母 NUT	1	GBT6170-M10-A3L
11	SH900.43.030	调整螺钉合件 ADJUSTING SCREW	1	SH900.43.030
12	SH900.21.101	副离合器回位弹簧 AUXILIARY CLUTCH	1	SH900.21.101
13	GBT91-3.2X20-A3L	销 PIN	4	GBT91-3.2X20-A3L
14	GBT97.1-10-A3L	垫圈 WASHER	4	GBT97.1-10-A3L
15	SH900.21.011	主离合器长拉杆焊合件 MAIN CLUTCH	1	SH900.21.011
16	GBT6170-M8-A2L	螺母 NUT	1	GBT6170-M8-A2L
17	GBT5783-M8X20-A2L	螺栓 BOLT	1	GBT5783-M8X20-A2L
18	GBT93-8-A3L	垫圈 WASHER	1	GBT93-8-A3L
19	GBT894.1-30	弹性挡圈 CIRCLIP	1	GBT894.1-30
20	SH900.21.021	主离合器踏板轴焊合 MAIN CLUTCH	1	SH900.21.021
21	SH900.21.012	离合器踏板焊合 CLUTCH PEDAL	1	SH900.21.012
22	SH900.21.122	套筒 SLEEVE	1	SH900.21.122
23	SH900.21.015	主离合器短拉杆焊合 MAIN CLUTCH	1	SH900.21.015
24	SH900.21.105	调节管 ADJUSTING TUBE	1	SH900.21.105
25	GBT6171-M10X1-A2L	螺母 NUT	1	GBT6171-M10X1-A2L
26	SH900.21.108	主离合器短拉杆 MAIN CLUTCH	1	SH900.21.108
27	GBT882-B10X32-A3L	销 PIN	2	GBT882-B10X32-A3L
28	SH900.43.181	套筒 SLEEVE	1	SH900.43.181



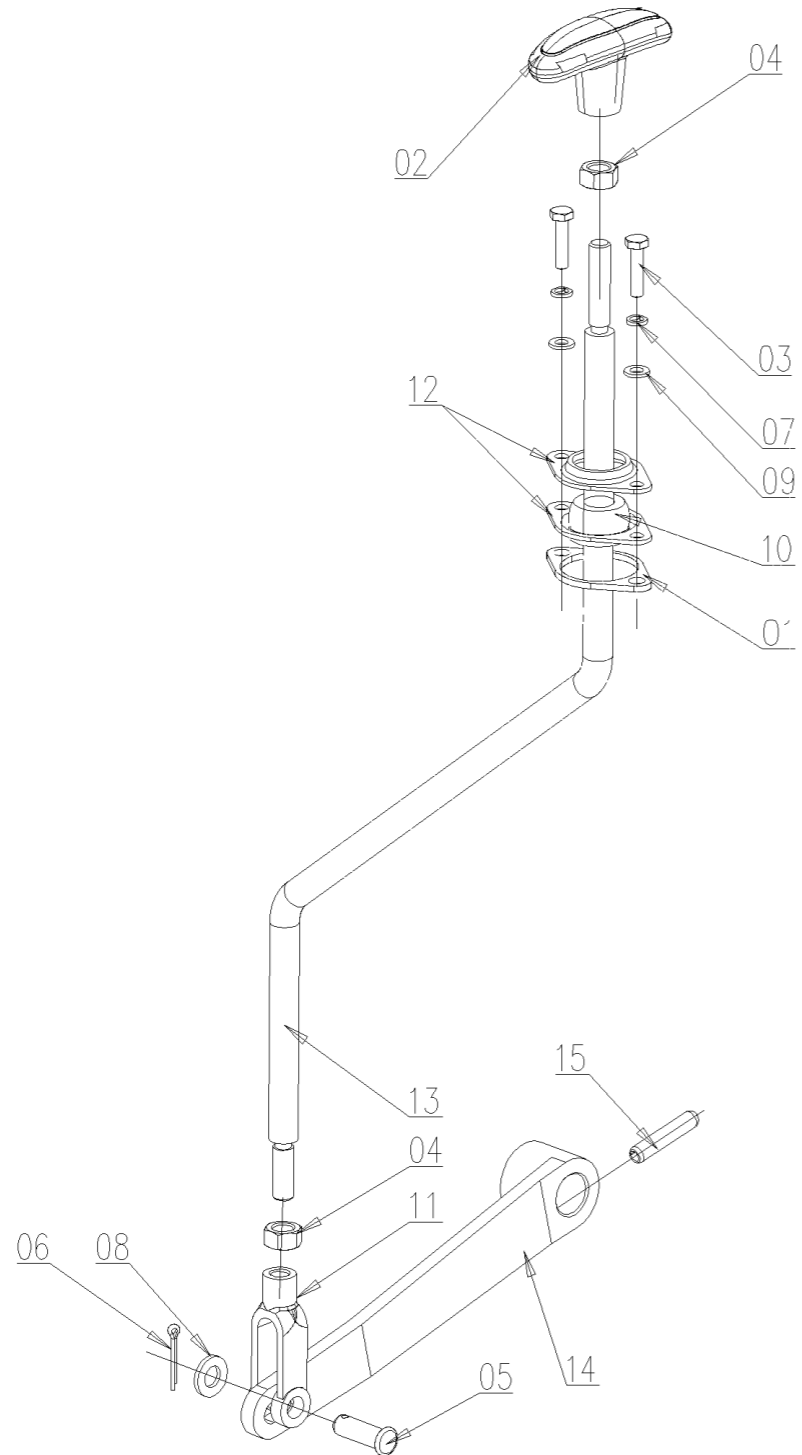
# A23.45.925.4 PTO COMMAND ASS.Y



# A23.45.925.4\_1 动力输出操纵总成 (PTO 540/760 rpm) P.T.O SPEED COMMAND ASS.(540/760)

序号	零件编号	零件名称	数量	图号
1	A23.45.001.0	导向套 GUIDE SLEEVE	1	A23.45.001.0
2	A23.45.089.4/10	速度标牌 (540/760) P.T.O SPEED	1	A23.45.089.4/10
3	GBT5783-M6X25-A2L	螺栓 BOLT	2	GBT5783-M6X25-A2L
4	GBT6170-M10-A3L	螺母 NUT	2	GBT6170-M10-A3L
5	2.1671.408.2	销轴 10x30 CLEVIS PINS WITH HEAD	1	2.1671.408.2
6	GBT91-3.2X25-A3L	销 PIN	1	GBT91-3.2X25-A3L
7	GBT93-6-A3L	垫圈 WASHER	2	GBT93-6-A3L
8	GBT97.1-10-A3L	垫圈 WASHER	1	GBT97.1-10-A3L
9	GBT97.1-6-A3L	垫圈 WASHER	2	GBT97.1-6-A3L
10	LE1204.45.107	导向套 GUIDE SLEEVE	1	LE1204.45.107
11	SH400.21.126	拉杆前叉 PULL ROD FRONT FORK	1	SH400.21.126
12	SH404.42.114	导向套 GUIDE SLEEVE	2	SH404.42.114
13	SH900.41.101	动力输出操纵杆 PTO CONTROL	1	SH900.41.101
14	SH900.41.103	动力输出外摇臂 PTO OUTER ROCKER	1	SH900.41.103
15	GBT879.1-8X40	销 PIN	1	GBT879.1-8X40

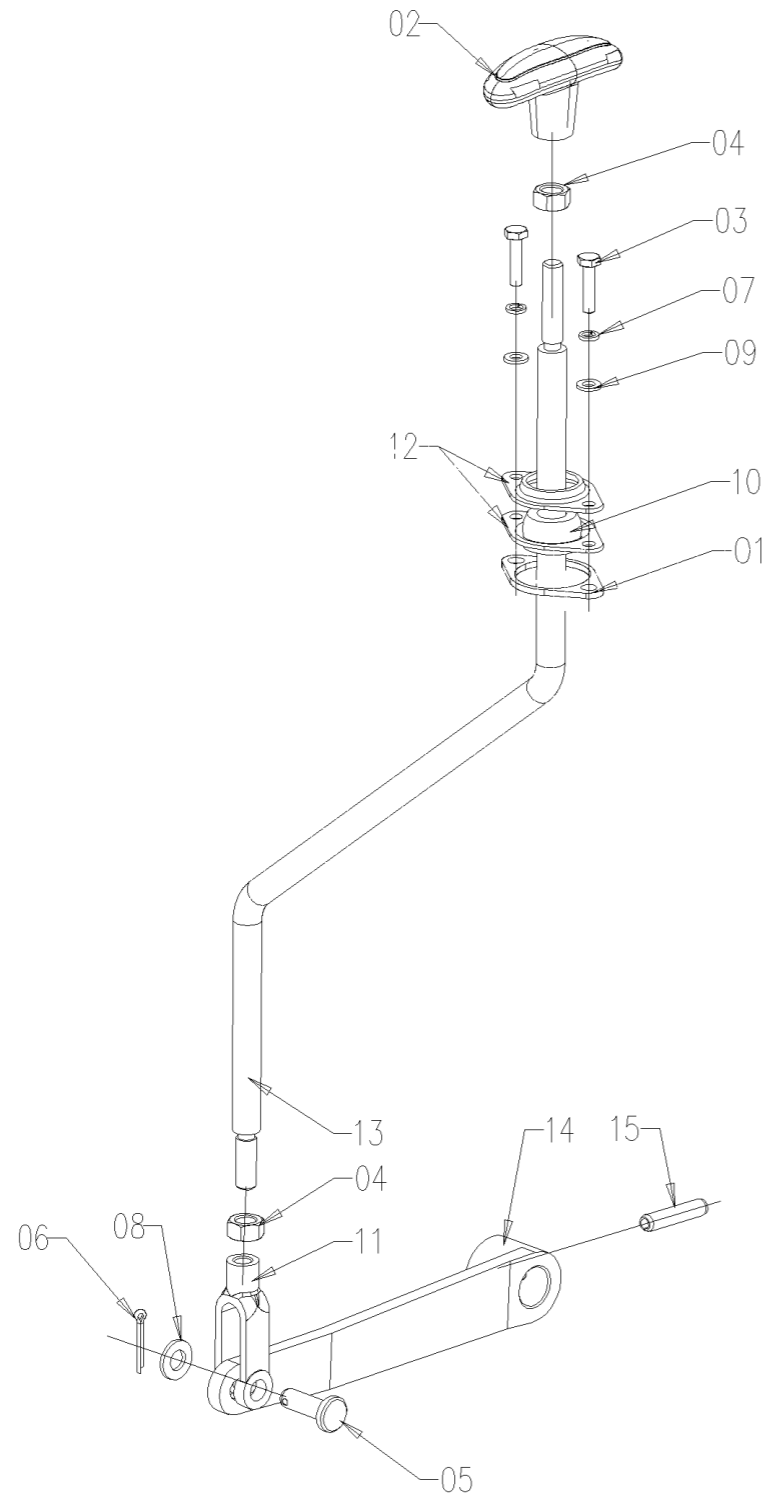
# A23.45.925.4 PTO COMMAND ASS.Y



# A23.45.925.4\_2 动力输出操纵总成 ( PTO 540/760 rpm ) P.T.O SPEED COMMAND ASS.(540/760)

序号	零件编号	零件名称	数量	图号
1	A23.45.001.0	导向套 GUIDE SLEEVE	1	A23.45.001.0
2	A23.45.089.4/10	速度标牌 (540/760) P.T.O SPEED	1	A23.45.089.4/10
3	GBT5783-M6X25-A2L	螺栓 BOLT	2	GBT5783-M6X25-A2L
4	GBT6170-M10-A3L	螺母 NUT	2	GBT6170-M10-A3L
5	GBT882-B10X30-A3L	销 PIN	1	GBT882-B10X30-A3L
6	GBT91-3.2X25-A3L	销 PIN	1	GBT91-3.2X25-A3L
7	GBT93-6-A3L	垫圈 WASHER	2	GBT93-6-A3L
8	GBT97.1-10-A3L	垫圈 WASHER	1	GBT97.1-10-A3L
9	GBT97.1-6-A3L	垫圈 WASHER	2	GBT97.1-6-A3L
10	LE1204.45.107	导向套 GUIDE SLEEVE	1	LE1204.45.107
11	SH400.21.126	拉杆前叉 PULL ROD FRONT FORK	1	SH400.21.126
12	SH404.42.114	导向套 GUIDE SLEEVE	2	SH404.42.114
13	SH900.41.101	动力输出操纵杆 PTO CONTROL	1	SH900.41.101
14	SH900.41.103	动力输出外摇臂 PTO OUTER ROCKER	1	SH900.41.103
15	GBT879.1-8X40	销 PIN	1	GBT879.1-8X40

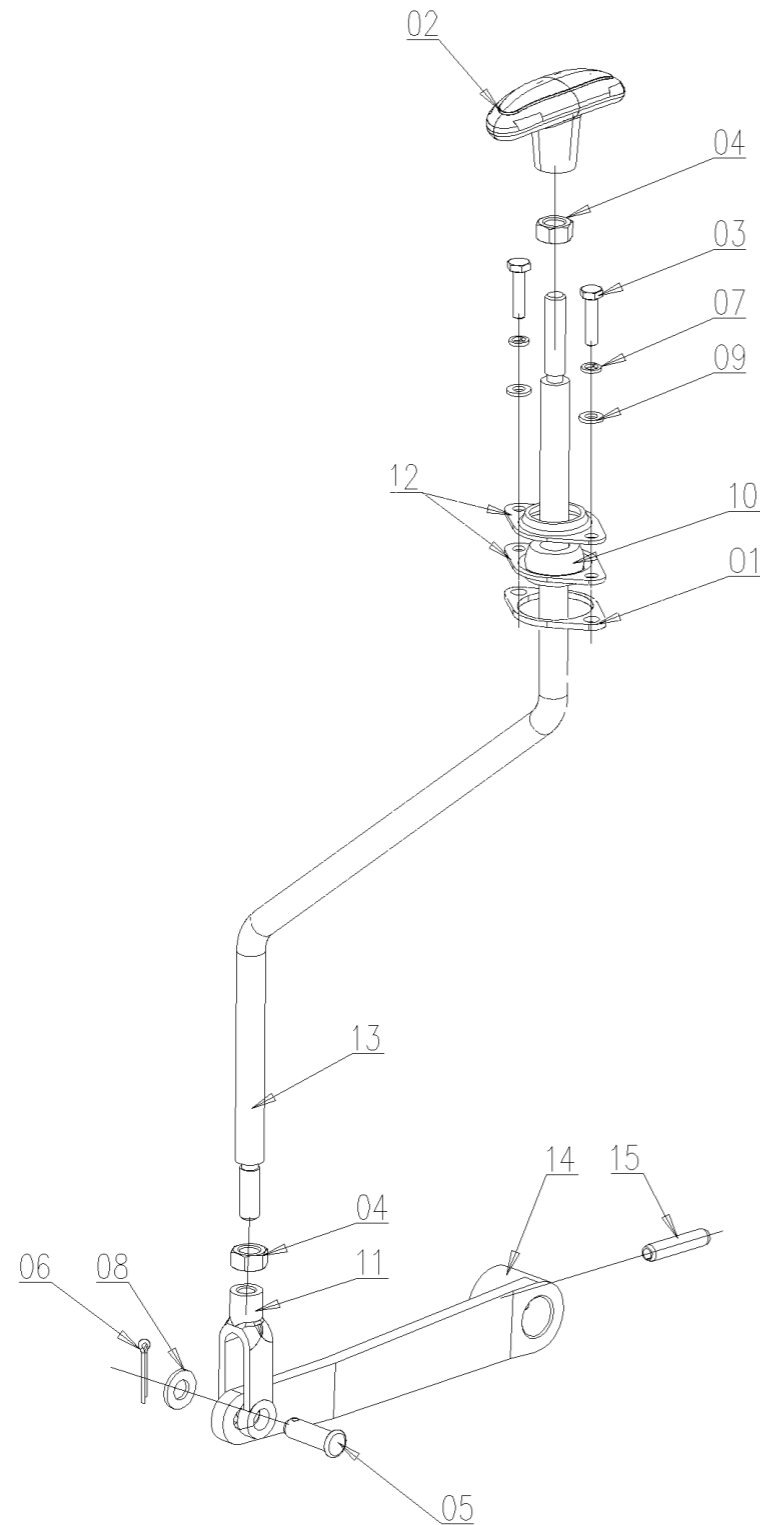
# A23.45.935.4 PTO COMMAND ASS.Y



# A23.45.935.4\_1 动力输出操纵总成 ( PTO 540/1000 rpm ) P.T.O SPEED COMMAND ASS.(540/1000)

序号	零件编号	零件名称	数量	图号
1	A23.45.001.0	导向套 GUIDE SLEEVE	1	A23.45.001.0
2	A23.45.092.4/10	速度标牌(540/1000) P.T.O SPEED	1	A23.45.092.4/10
3	GBT5783-M6X25-A2L	螺栓 BOLT	2	GBT5783-M6X25-A2L
4	GBT6170-M10-A3L	螺母 NUT	2	GBT6170-M10-A3L
5	2.1671.408.2	销轴 10x30 CLEVIS PINS WITH HEAD	1	2.1671.408.2
6	GBT91-3.2X25-A3L	销 PIN	1	GBT91-3.2X25-A3L
7	GBT93-6-A3L	垫圈 WASHER	2	GBT93-6-A3L
8	GBT97.1-10-A3L	垫圈 WASHER	1	GBT97.1-10-A3L
9	GBT97.1-6-A3L	垫圈 WASHER	2	GBT97.1-6-A3L
10	LE1204.45.107	导向套 GUIDE SLEEVE	1	LE1204.45.107
11	SH400.21.126	拉杆前叉 PULL ROD FRONT FORK	1	SH400.21.126
12	SH404.42.114	导向套 GUIDE SLEEVE	2	SH404.42.114
13	SH900.41.101	动力输出操纵杆 PTO CONTROL	1	SH900.41.101
14	SH900.41.103	动力输出外摇臂 PTO OUTER ROCKER	1	SH900.41.103
15	GBT879.1-8X40	销 PIN	1	GBT879.1-8X40

# A23.45.935.4 PTO COMMAND ASS.Y

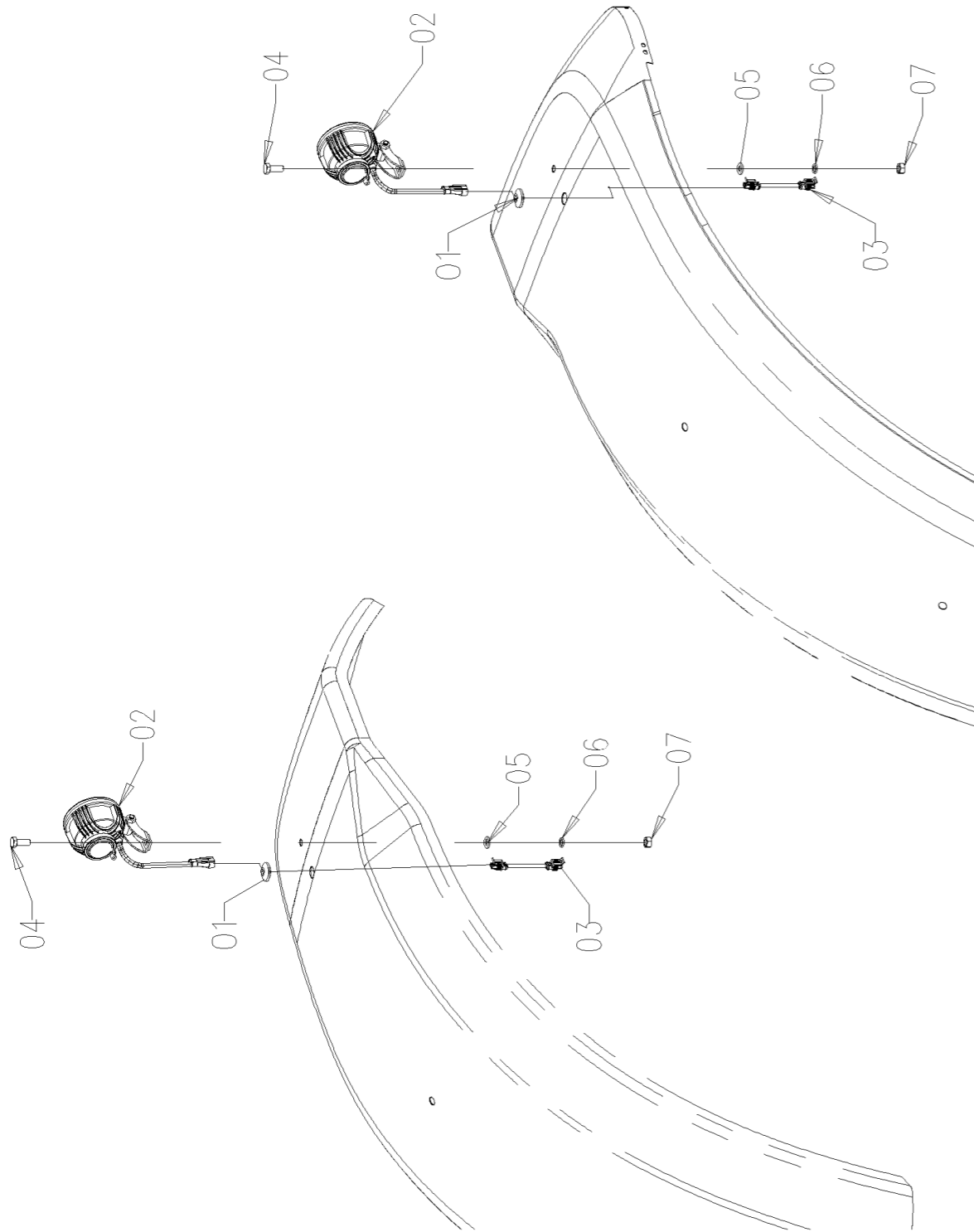


# A23.45.935.4\_2 动力输出操纵总成 ( PTO 540/1000 rpm ) P.T.O SPEED COMMAND ASS.(540/1000)

序号	零件编号	零件名称	数量	图号
1	A23.45.001.0	导向套 GUIDE SLEEVE	1	A23.45.001.0
2	A23.45.092.4/10	速度标牌(540/1000) P.T.O SPEED	1	A23.45.092.4/10
3	GBT5783-M6X25-A2L	螺栓 BOLT	2	GBT5783-M6X25-A2L
4	GBT6170-M10-A3L	螺母 NUT	2	GBT6170-M10-A3L
5	GBT882-B10X30-A3L	销 PIN	1	GBT882-B10X30-A3L
6	GBT91-3.2X25-A3L	销 PIN	1	GBT91-3.2X25-A3L
7	GBT93-6-A3L	垫圈 WASHER	2	GBT93-6-A3L
8	GBT97.1-10-A3L	垫圈 WASHER	1	GBT97.1-10-A3L
9	GBT97.1-6-A3L	垫圈 WASHER	2	GBT97.1-6-A3L
10	LE1204.45.107	导向套 GUIDE SLEEVE	1	LE1204.45.107
11	SH400.21.126	拉杆前叉 PULL ROD FRONT FORK	1	SH400.21.126
12	SH404.42.114	导向套 GUIDE SLEEVE	2	SH404.42.114
13	SH900.41.101	动力输出操纵杆 PTO CONTROL	1	SH900.41.101
14	SH900.41.103	动力输出外摇臂 PTO OUTER ROCKER	1	SH900.41.103
15	GBT879.1-8X40	销 PIN	1	GBT879.1-8X40

# A23.48.912.4 WORK LAMP ASS.Y

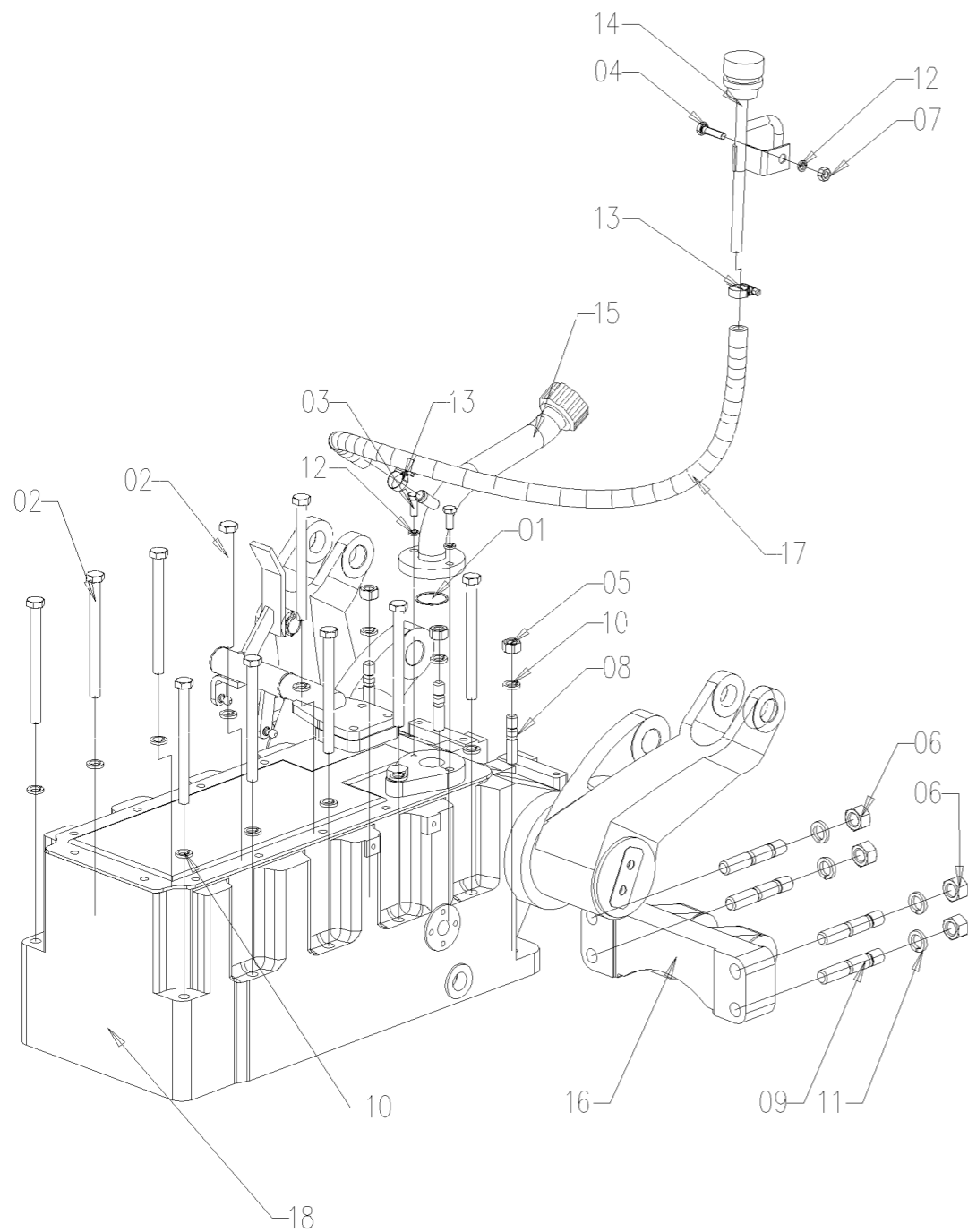
# A23.48.912.4\_1 挡泥板工作灯安装总成 FENDER WORK LIGHT ASS.Y



序号	零件编号	零件名称	数量	图号
1	CD554.48.105	橡胶垫圈 RUBBER RING	2	CD554.48.105
2	A39.48.026.0/10	工作灯 WORK LAMP	2	A39.48.026.0/10
3	A39.48.044.0	工作灯线束 WORK LAMP W.H.	2	A39.48.044.0
4	GBT5783-M10X25-A3L	螺栓 BOLT	2	GBT5783-M10X25-A3L
5	GBT97.1-10-A3L	垫圈 WASHER	2	GBT97.1-10-A3L
6	GBT93-10-A3L	垫圈 WASHER	2	GBT93-10-A3L
7	GBT6170-M10-A3L	螺母 NUT	2	GBT6170-M10-A3L

# LIFT ASSY A23.55.900.4

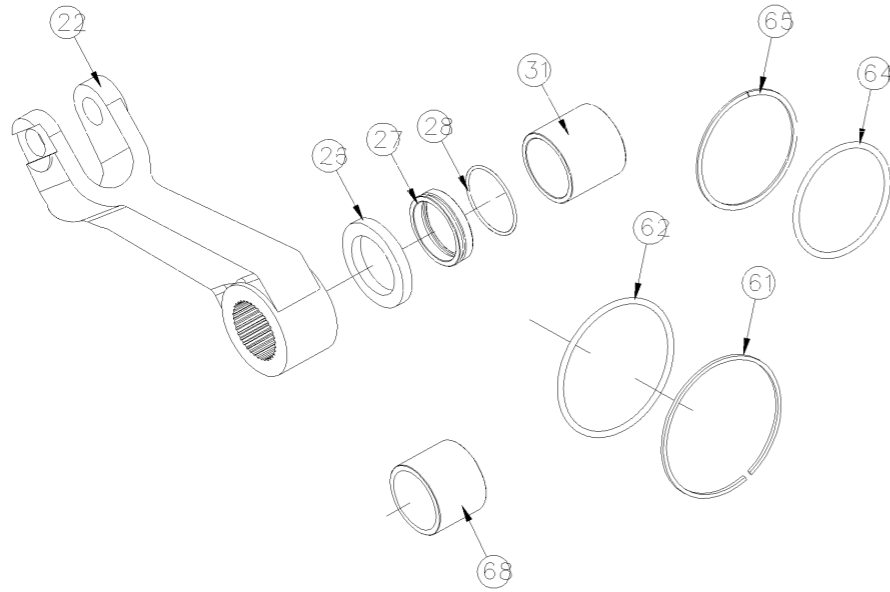
YFB-R-2016-016 SH.012



## A23.55.900.4\_2 提升器总成 REAR LIFT ASS.

序号	零件编号	零件名称	数量	图号
1	GBT3452.1-32.5X1.8-G	O形圈 O RING	1	GBT3452.1-32.5X1.8-G
2	GBT5782-M12X140-10.9-	螺栓 BOLT	10	GBT5782-M12X140-10.9-A3L
3	GBT5783-M8X20-A2L	螺栓 BOLT	2	GBT5783-M8X20-A2L
4	GBT5783-M8X30-A2L	螺栓 BOLT	1	GBT5783-M8X30-A2L
5	GBT6170-M12-10-A3L	螺母 NUT	3	GBT6170-M12-10-A3L
6	GBT6170-M16-10-A3L	螺母 NUT	4	GBT6170-M16-10-A3L
7	GBT6170-M8-A2L	螺母 NUT	1	GBT6170-M8-A2L
8	GBT899-AM12X40-10.9-	双头螺柱 STUD	3	GBT899-AM12X40-10.9-A3L
9	GBT899-AM16X70-10.9-	双头螺柱 STUD	4	GBT899-AM16X70-10.9-A3L
10	GBT93-12-A3L	垫圈 WASHER	13	GBT93-12-A3L
11	GBT93-16-A3L	垫圈 WASHER	4	GBT93-16-A3L
12	GBT93-8-A3L	垫圈 WASHER	3	GBT93-8-A3L
13	JBT8870-D20	喉箍 HOSE CLAMP	2	JBT8870-D20
14	SH704-1.55.015-1	呼吸器组件 RESPIRATOR ASS	1	SH704-1.55.015-1
15	SH900.55.012	呼吸器连接管焊合件 RESPIRATOR	1	SH900.55.012
16	SH900.55.148	上拉杆支座 UPPER LINK SUPPORT	1	SH900.55.148
17	SH900.55.162/10	升降器呼吸软管 BREATHING HOSE	1	SH900.55.162/10
18	A23.55.001.0/10	后提升 REAR LIFT	1	A23.55.001.0/10

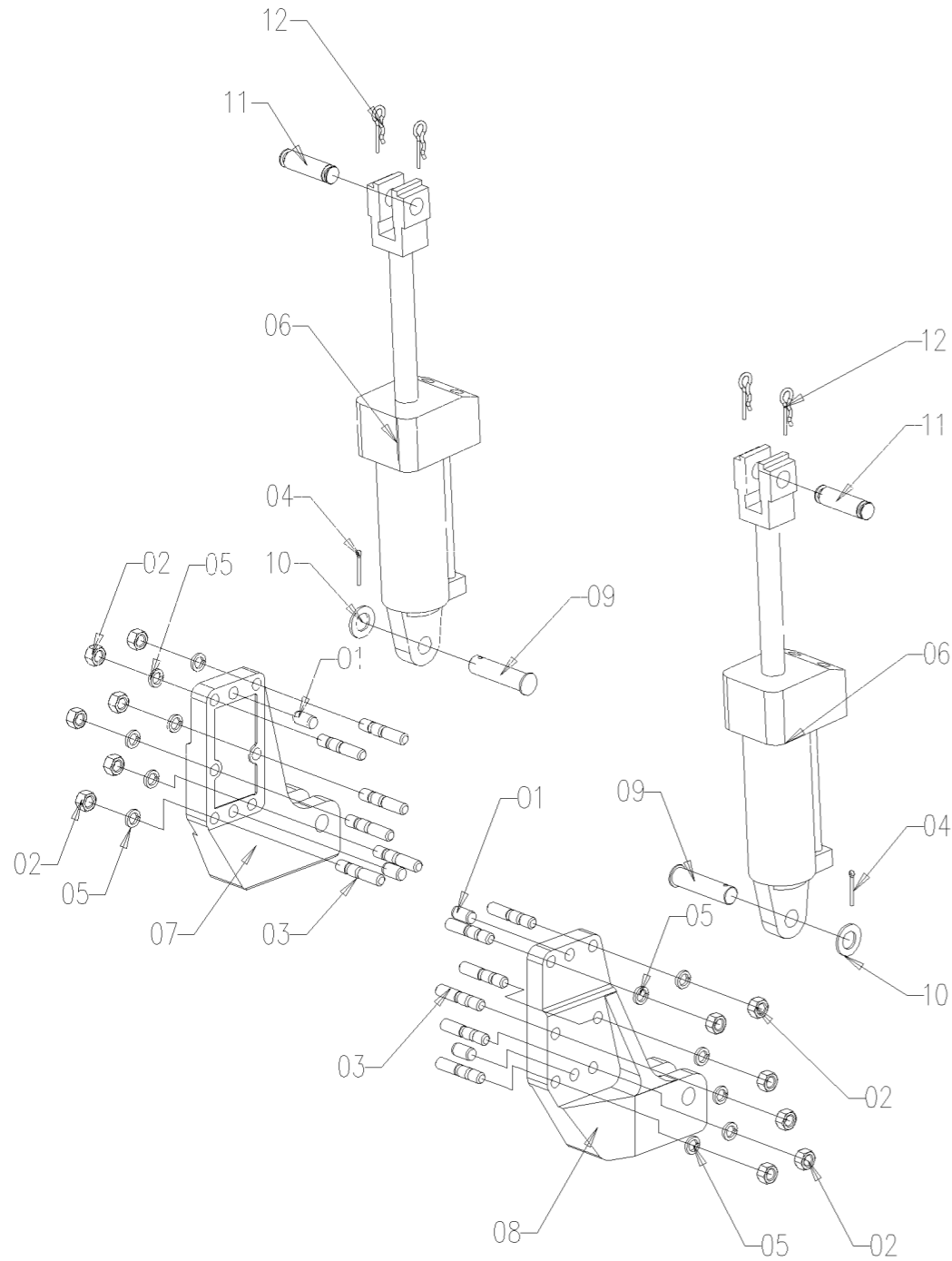
# A23.55.001.0/10 后提升



## A23.55.001.0/10 后提升 REAR LIFT

序号	零件编号	零件名称	数量	图号
22	FT800.55.107A	升降臂 lift arm	2	FT800.55.107A
26	TD904.55.1.109	圆环 ring	2	TD904.55.1.109
27	FT800.55.106B	轴套 bush	2	FT800.55.106B
28	GB3452.1-92	O形圈60X2.65 O ring 60X2.65	2	GB3452.1-92
29	GB3452.1-92	O形圈56X2.65 O ring 56X2.65	2	GB3452.1-92
30	GB3452.1-92	O形圈56X5.7 O ring 56X5.7	2	GB3452.1-92
31	TD904.55.1.105	轴套B shaft sleeve B	1	TD904.55.1.105
61	FT65.55.121	环 ring	1	FT65.55.121
62	GB3452.1-92	O型圈118X3.55 O型圈118X3.55	1	GB3452.1-92
64	GB3452.1-92	O型圈100X5.3 O型圈100X5.3	2	GB3452.1-92
65	FT65.55.165	环 ring	2	FT65.55.165
68	TD904.55.1.107	轴套A shaft sleeve A	1	TD904.55.1.107

A23.55.901.4 OUTER CYLINDER ASS.  
YFB-R-2016-016 SH.012



A23.55.901.4\_0 外置油缸安装总成 OUTER CYLINDER ASS.

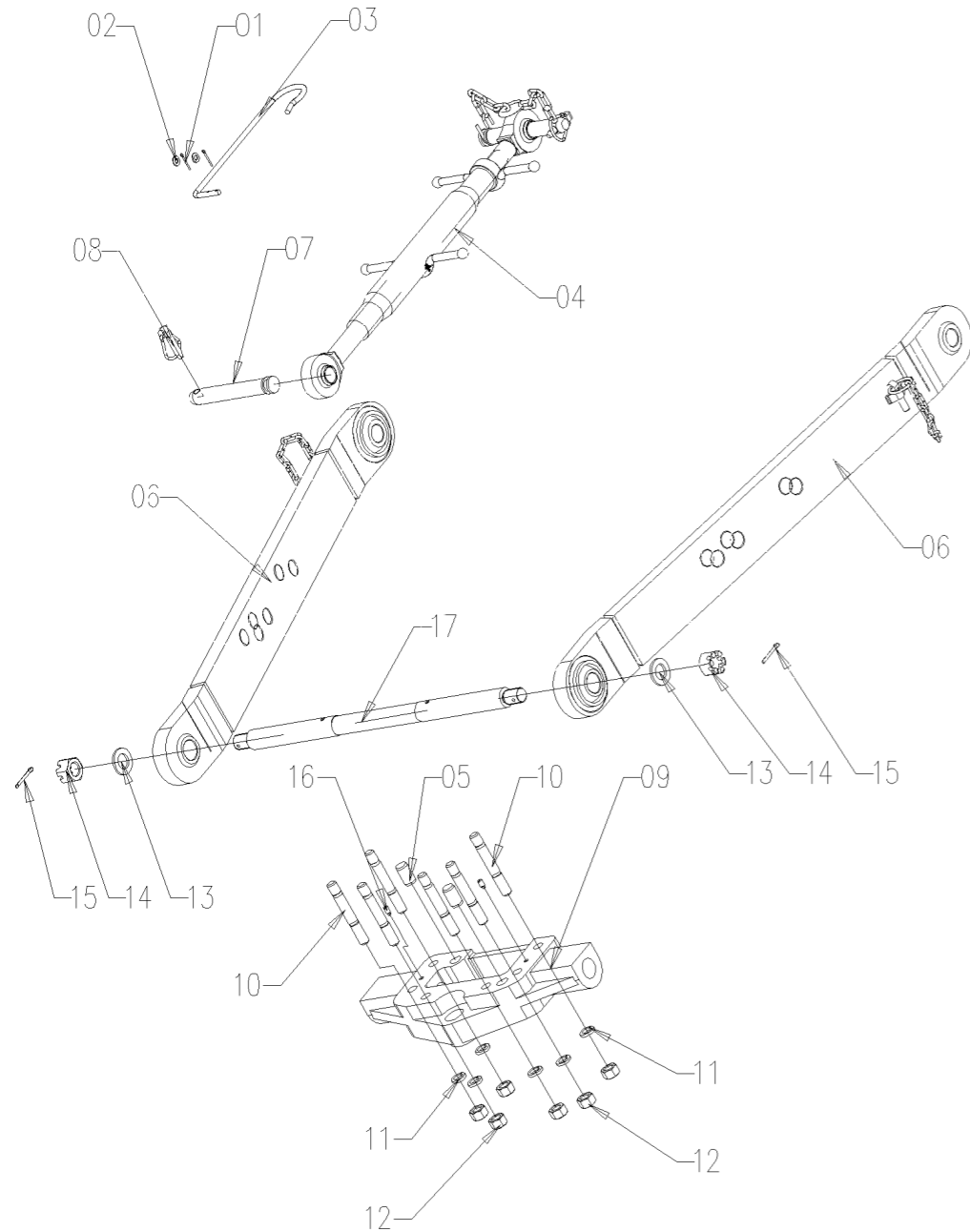
序号	零件编号	零件名称	数量	图号
1	GBT119.1-20m6X35	销 PIN	4	GBT119.1-20m6X35
2	GBT6170-M18-10-A3L	螺母 NUT	12	GBT6170-M18-10-A3L
3	GBT899-GM18X65-10.9-	双头螺柱 STUD	12	GBT899-GM18X65-10.9-A3L
4	GBT91-5X45-A3L	销 PIN	2	GBT91-5X45-A3L
5	GBT93-18-A3L	垫圈 WASHER	12	GBT93-18-A3L
6	SH900.55.014	油缸组件 LIFT CYL ASS	2	SH900.55.014
7	SH900.55.107	右连接架 RH HYD CYL SUPPORT	1	SH900.55.107
8	SH900.55.108	左连接架 LH HYD CYL SUPPORT	1	SH900.55.108
9	SH900.55.115	销轴 PIN FOR CYL	2	SH900.55.115
10	SH900.55.147	垫圈 WASHER	2	SH900.55.147
11	SH900.55.102	连接销 CONNECTING PIN	2	SH900.55.102
12	SH900.55.103	弹簧销 SPRING PIN	4	SH900.55.103



# A23.56.900.4 3 POINT LINKAGE ASS.

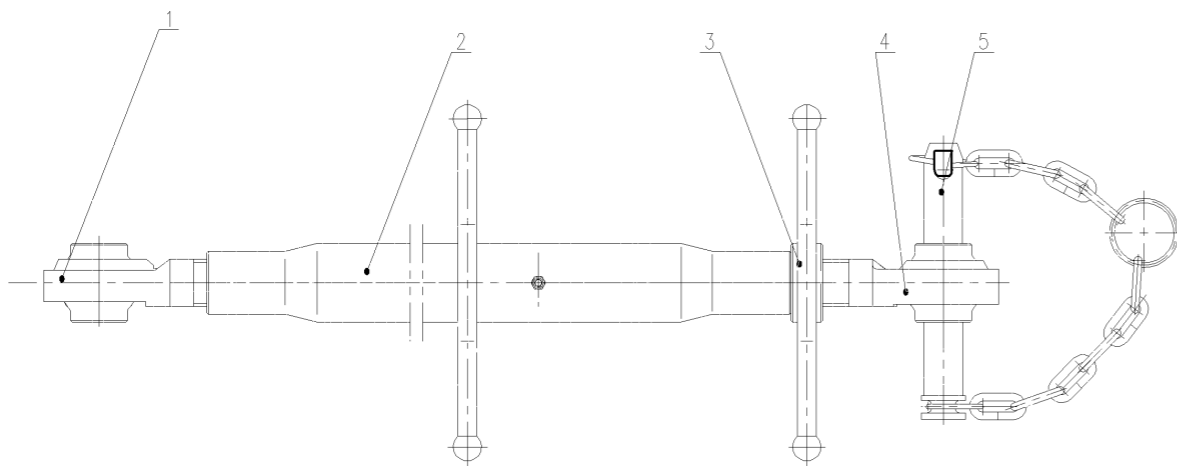
YFB-R-2017-010 SH.015

# A23.56.900.4\_0 三点悬挂安装总成 3 POINT LINKAGE ASS.



序号	零件编号	零件名称	数量	图号
1	GBT91-2.5X25-A3L	销 PIN	2	GBT91-2.5X25-A3L
2	GBT97.1-8-A3L	垫圈 WASHER	2	GBT97.1-8-A3L
3	SH900.56.101/10	挂钩 HOOK	1	SH900.56.101/10
4	SH900.56.030-1	上拉杆总成 UPPER LINK ASS.	1	SH900.56.030-1
5	GBT119.1-20m6X35	销 PIN	2	GBT119.1-20m6X35
6	SH900.56.018	下拉杆焊合 LOWER LINK WELDING	2	SH900.56.018
7	SH900.56.106	中间拉杆销 INTERMEDIATE ROD PIN	1	SH900.56.106
8	SH400.56.025	锁销总成 LOCK PIN ASSEMBLY	1	SH400.56.025
9	SH900.56.111	下拉杆支架 LOWER ROD BRACKET	1	SH900.56.111
10	GBT899-AM16X95-10.9-	双头螺栓 STUD	6	GBT899-AM16X95-10.9-A3L
11	GBT93-16-A3L	垫圈 WASHER	6	GBT93-16-A3L
12	GBT6170-M16-10-A3L	螺母 NUT	6	GBT6170-M16-10-A3L
13	GBT95-24-A3L	垫圈 WASHER	2	GBT95-24-A3L
14	GBT9459-M24X2-A3L	螺母 NUT	2	GBT9459-M24X2-A3L
15	GBT91-5X40-A3L	销 PIN	2	GBT91-5X40-A3L
16	GBT72-M8X16-A2L	螺栓 SCREW	2	GBT72-M8X16-A2L
17	SH900.56.103	下拉杆支撑杆 LOWER PULL ROD	1	SH900.56.103

SH900.56.030-1 上拉杆总成



SH900.56.030-1 上拉杆组件 UPPER LINKAGE ASSY

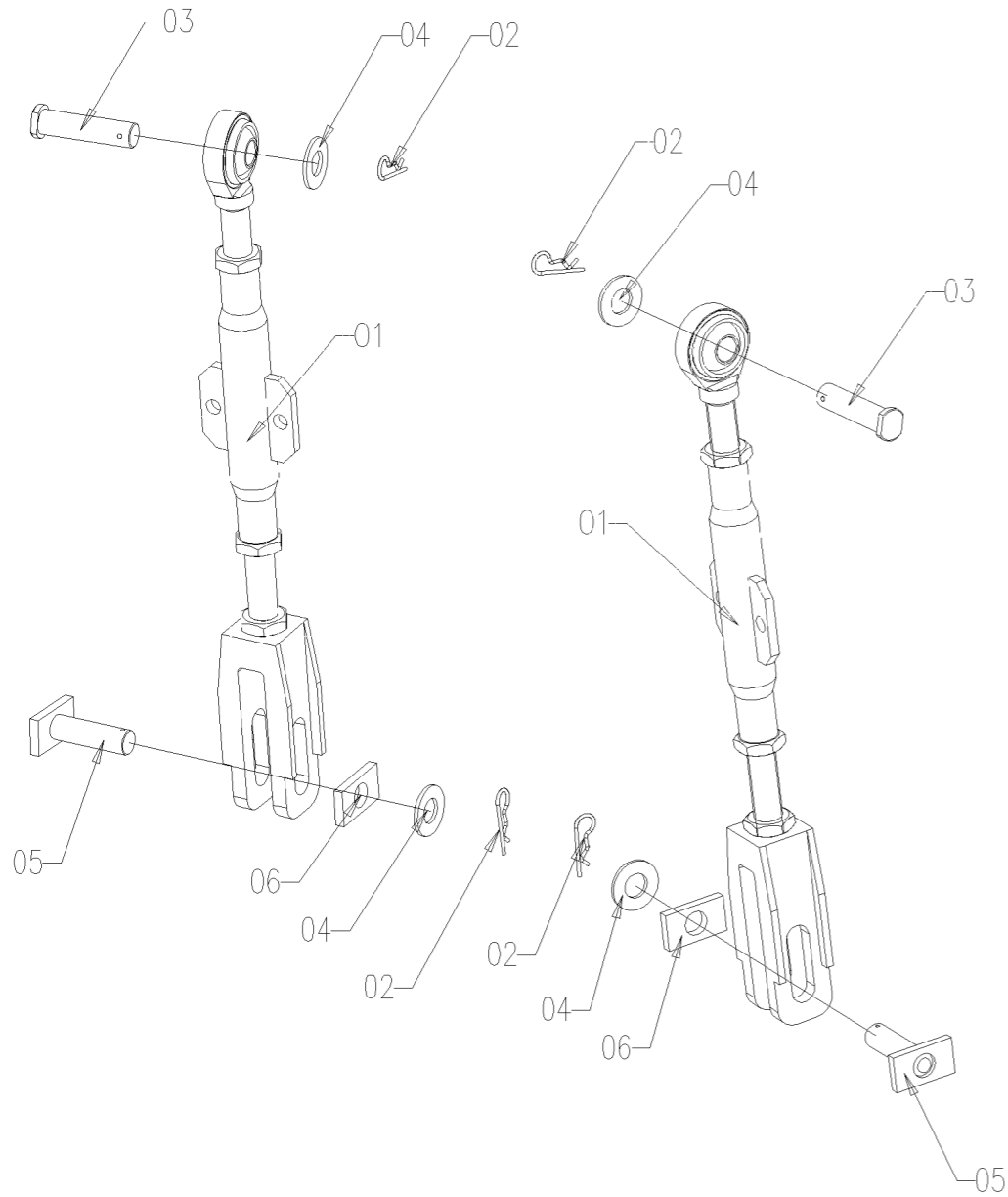
序号	零件编号	零件名称	数量	图号
1	SH900.56.011	上拉杆后调节螺杆挤压总成	1	SH900.56.011
2	SH900.56.014-1	调节螺管手柄焊合 ADJUSTING	1	SH900.56.014-1
3	SH900.56.013-1	上拉杆锁紧螺帽焊合 UPPER PULL	1	SH900.56.013-1
4	SH900.56.015	上拉杆前调节螺杆挤压总成 FRONT	1	SH900.56.015
5	SH900.56.024	上拉杆销及锁销总成 UPPER ROD PIN	1	SH900.56.024

# A23.56.901.4 LIFTING ROD ASS.Y

YFB-R-2017-010 SH.015

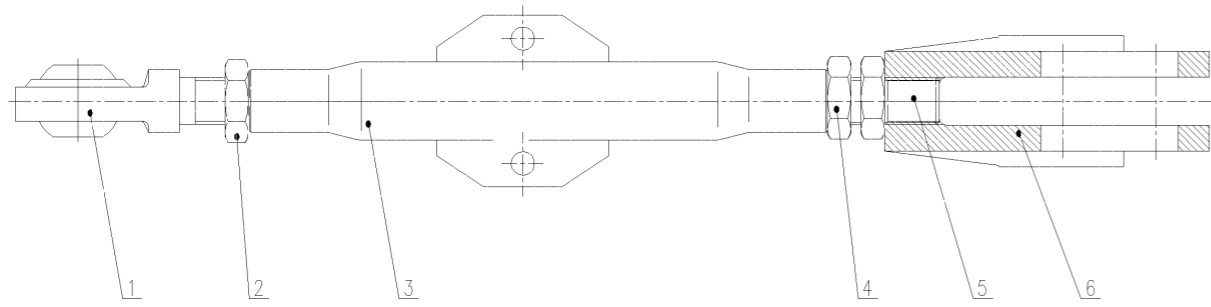
## A23.56.901.4\_0 提升杆安装总成 LIFTING ROD ASS.

序号	零件编号	零件名称	数量	图号
1	SH900.56.031	提升杆总成 LIFTING ROD ASSY	2	SH900.56.031
2	SH900.56.105	弹簧锁销 SPRING LOCKING PIN	4	SH900.56.105
3	SH900.56.107	提升杆上销轴 LIFTING ROD TOP PIN	2	SH900.56.107
4	SH900.56.108	垫圈 WASHER	4	SH900.56.108
5	SH900.56.027/10	导销焊合件 GUIDE PIN WELDMENT	2	SH900.56.027/10
6	SH900.56.155/10	垫片 SHIM	2	SH900.56.155/10



### SH900.56.031 提升杆总成 LIFTING ROD ASSY

SH900.56.031 提升杆总成

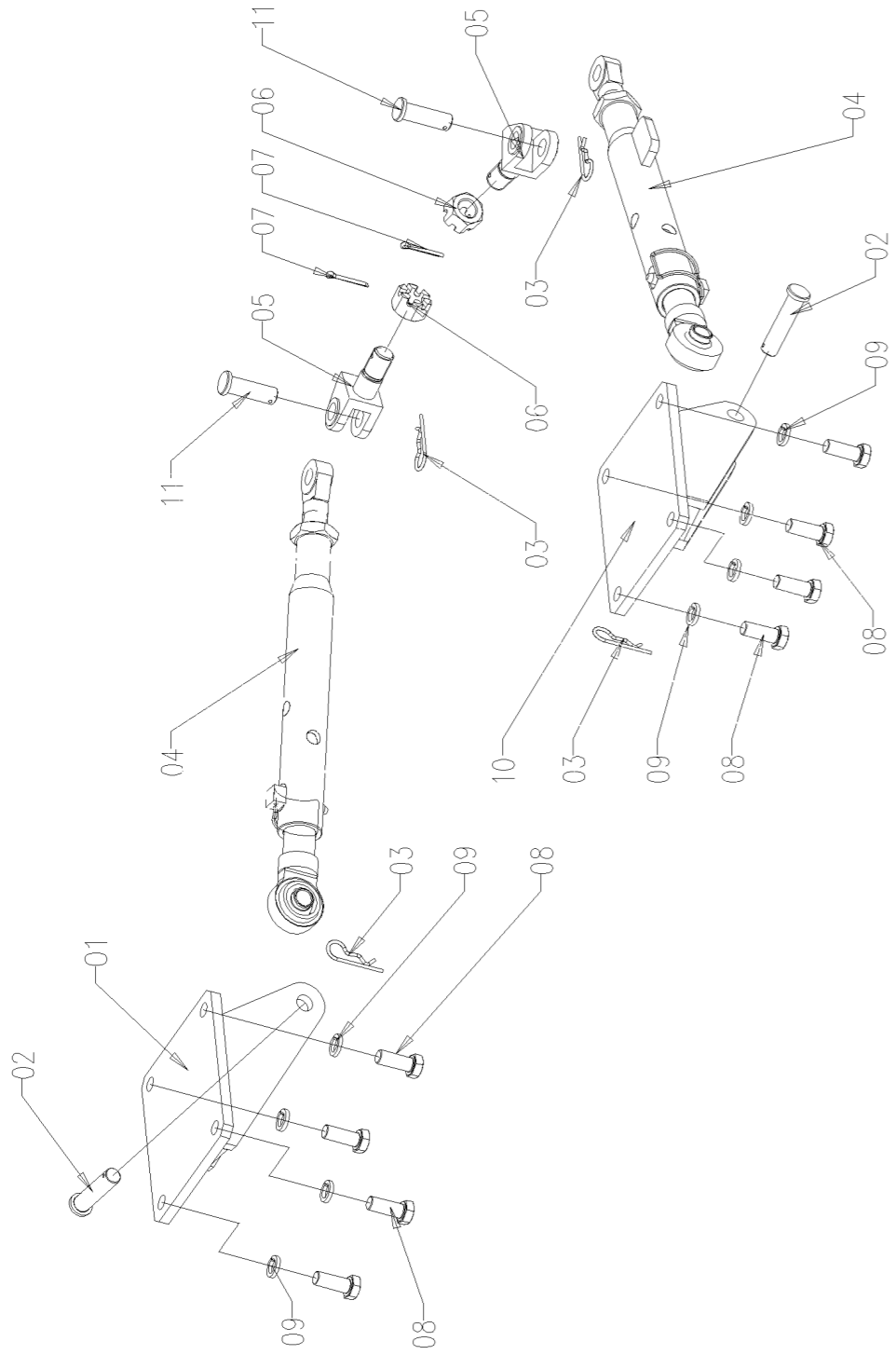


序号	零件编号	零件名称	数量	图号
1	SH900.56.016	上螺杆铆合件 SCREW RIVETING	1	SH900.56.016
2	GBT5796.3-TR30X3-A3L	螺母 NUT	1	GBT5796.3-TR30X3-A3L
3	SH900.56.017	提升杆导管焊合 LIFT THREAD TUBE	1	SH900.56.017
4	SH900.56.153	提升下螺杆 LIFTING SCREW	1	SH900.56.153
5	GBT5796.3-TR30X3-LH-	梯形螺母 NUT	2	GBT5796.3-TR30X3-LH-A3L
6	SH900.56.102	提升杆叉 LIFT LINK FORK	1	SH900.56.102

# LIMIT ROD ASS. A23.56.902.4

YFB-R-2017-010 SH.015

## A23.56.902.4\_0 限位杆安装总成LIMIT ROD ASS.

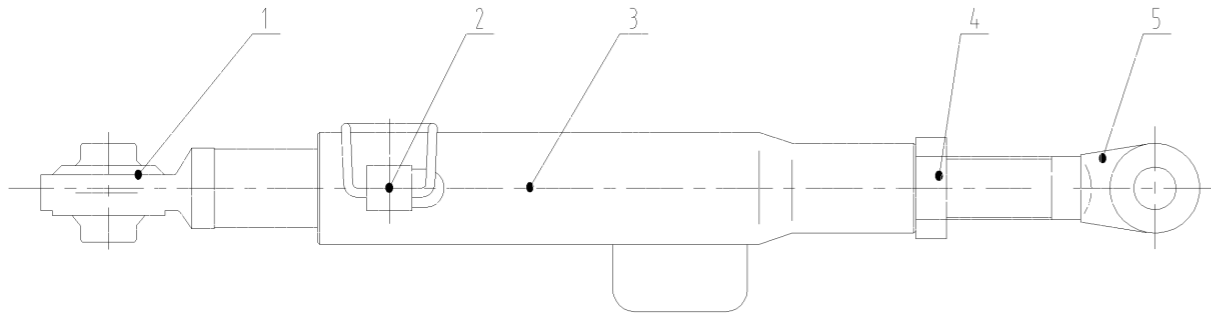


序号	零件编号	零件名称	数量	图号
1	SH900.56.019	右限位杆连接叉焊合 RIGHT	1	SH900.56.019
2	SH900.56.104	销轴 PIN SHAFT	2	SH900.56.104
3	SH900.56.105	弹簧锁销 SPRING LOCKING PIN	4	SH900.56.105
4	SH900.56.032	限位杆总成 LIMIT ROD ASSY	2	SH900.56.032
5	SH900.56.110	限位杆螺栓 LIMIT ROD BOLT	2	SH900.56.110
6	GBT9459-M24X2-A3L	螺母 NUT	2	GBT9459-M24X2-A3L
7	GBT91-5X40-A3L	销 PIN	2	GBT91-5X40-A3L
8	GBT5783-M16X40-10.9-	螺栓 BOLT	8	GBT5783-M16X40-10.9-A3L
9	GBT93-16-A3L	垫圈 WASHER	8	GBT93-16-A3L
10	SH900.56.025	左限位杆连接叉焊合 LEFT LIMIT ROD	1	SH900.56.025
11	SH900.56.150	销轴 PIN SHAFT	2	SH900.56.150

### SH900.56.032 限位杆组件 LIMIT ROD ASSY

序号	零件编号	零件名称	数量	图号
1	SH900.56.020	限位杆合件 LIMITED ROD ASS.	1	SH900.56.020
2	SH900.56.034	限位锁销组合 LIMIT PIN	1	SH900.56.034
3	SH900.56.022	限位杆导管焊合 LIMITED THREAD	1	SH900.56.022
4	GBT5796.3-TR28X3-A3L	梯形螺母 NUT	1	GBT5796.3-TR28X3-A3L
5	SH900.56.109	调节螺杆 ADJUSTING SCREW	1	SH900.56.109

限位杆总成 SH900.56.032

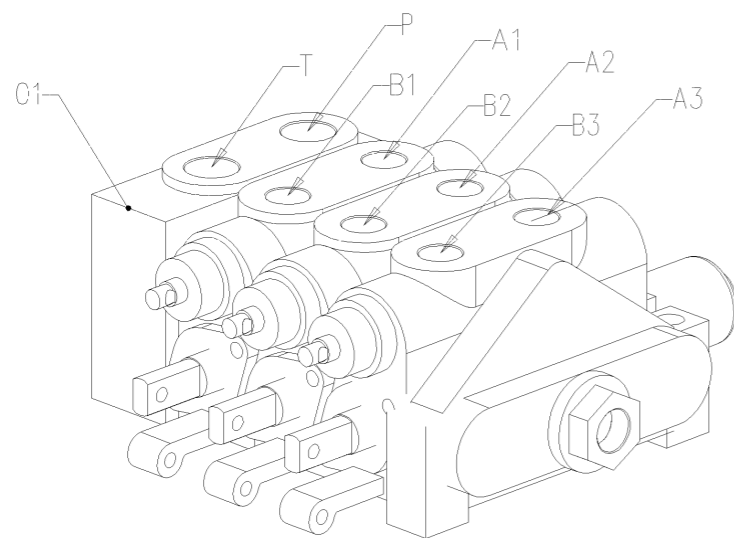


A23.58.903.4 VALVE ASS.Y

YFB-R-2016-016 SH.002

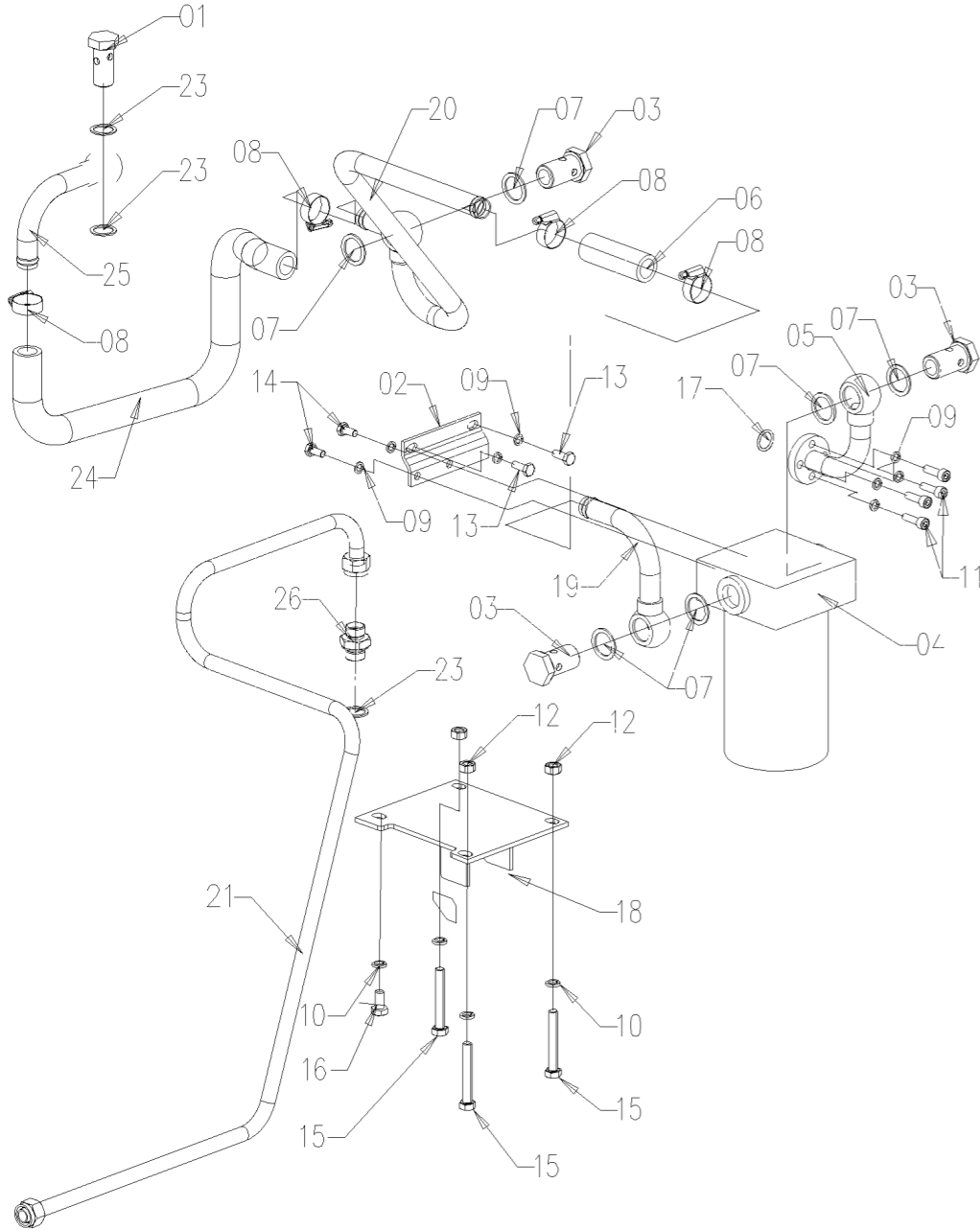
**A23.58.903.4\_1 多路阀总成MULTIWAY VALVE**

序号	零件编号	零件名称	数量	图号
1	A23.58.001.0/10	多路阀 MULTIWAY VALVE	1	A23.58.001.0/10



# A23.58.904.4 VALVE PIPE ASS.Y

YFB-R-2020-004 SH.029



## A23.58.904.4\_5 多路阀油管总成 VALVE PIPE ASS.Y

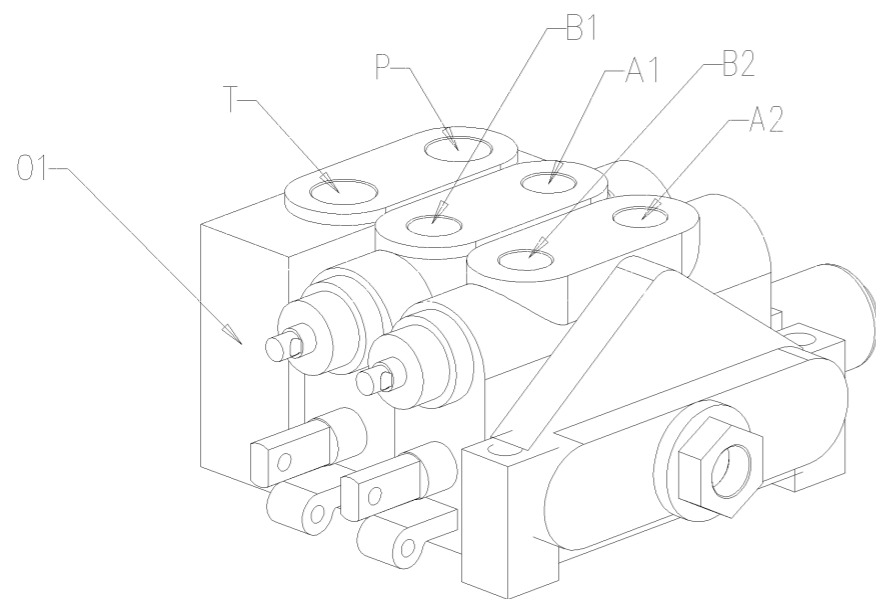
序号	零件编号	零件名称	数量	图号
1	SH400.58.112	空心螺栓 HOLLOW BOLT	1	SH400.58.112
2	SH900.58.182	油滤光片夹 OIL FILTER HOLDER	1	SH900.58.182
3	SH900.58.101	空心螺栓 HOLLOW BOLT M27X1.5	3	SH900.58.101
4	SH900.58.025	回油过滤总成 RETURN OIL FILTER	1	SH900.58.025
5	SH900.58.020/20	回油管焊接 OIL RETURN PIPE	1	SH900.58.020/20
6	SH400.58.106	吸油橡胶管 OIL SUCTION RUBBER	1	SH400.58.106
7	A68.58.003.0	组合密封垫圈 SEALING RING 27.3x36	6	A68.58.003.0
8	JBT8870-D32	软管夹H HOSE CLAMPS	4	JBT8870-D32
9	GBT93-8-A3L	垫圈 WASHER	8	GBT93-8-A3L
10	GBT93-10-A3L	垫圈 WASHER	4	GBT93-10-A3L
11	GBT70.1-M8X25-A2L	螺栓 BOLT	4	GBT70.1-M8X25-A2L
12	GBT6170-M10-A3L	螺母 NUT	3	GBT6170-M10-A3L
13	GBT5783-M8X20-A2L	螺栓 BOLT	2	GBT5783-M8X20-A2L
14	GBT5783-M8X16-A2L	螺栓 BOLT	2	GBT5783-M8X16-A2L
15	GBT5783-M10X70-A3L	螺栓 BOLT	3	GBT5783-M10X70-A3L
16	GBT5783-M10X20-A3L	螺栓 BOLT	1	GBT5783-M10X20-A3L
17	GBT3452.1-19X2.65-G	O形圈 O RING	1	GBT3452.1-19X2.65-G
18	A23.58.016.3/10	阀门支架 VALVE BRACKET	1	A23.58.016.3/10
19	A23.58.015.3	回油管焊接 RETURN PIPE WELDED	1	A23.58.015.3
20	A23.58.013.3/10	回油管组件 RETURN PIPE ASS.	1	A23.58.013.3/10
21	A23.58.004.3	出油管 OUTLET PIPE ASS.	1	A23.58.004.3
23	2.1560.018.0	组合密封圈 SEALING RING	3	2.1560.018.0
24	A23.58.021.0/10	喉箍 RETURN HOSE	1	A23.58.021.0/10
25	A23.58.022.3	回油管焊接 RETURN PIPE WELDED	1	A23.58.022.3
26	SH904.58.170	卡套式端直通接头体 CONNECTOR	1	SH904.58.170



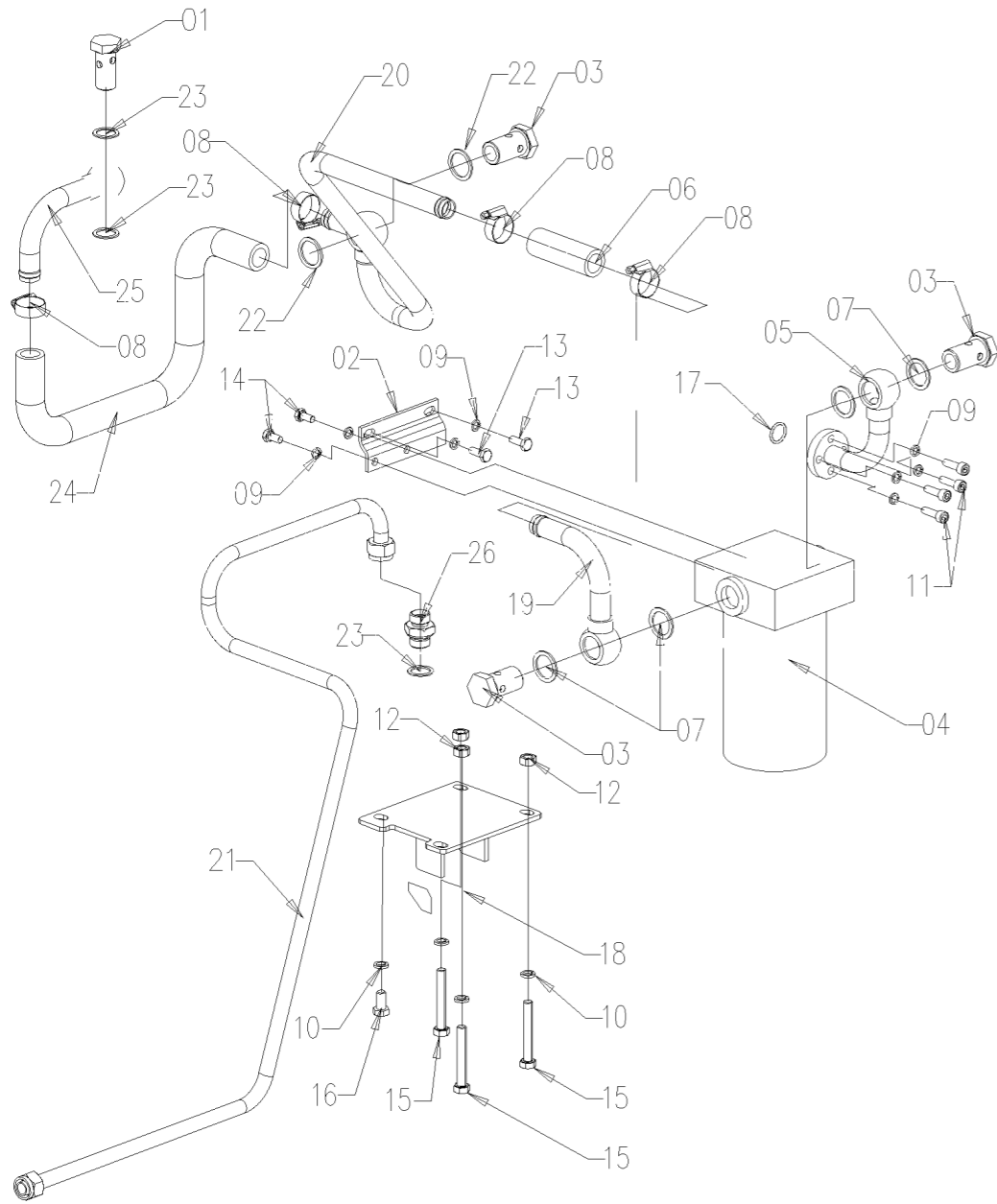
# A23.58.913.4MULTIWAY VALVE

## A23.58.913.4\_0 多路阀总成MULTIWAY VALVE

序号	零件编号	零件名称	数量	图号
1	A23.58.030.0	多路阀 MULTIWAY VALVE	1	A23.58.030.0



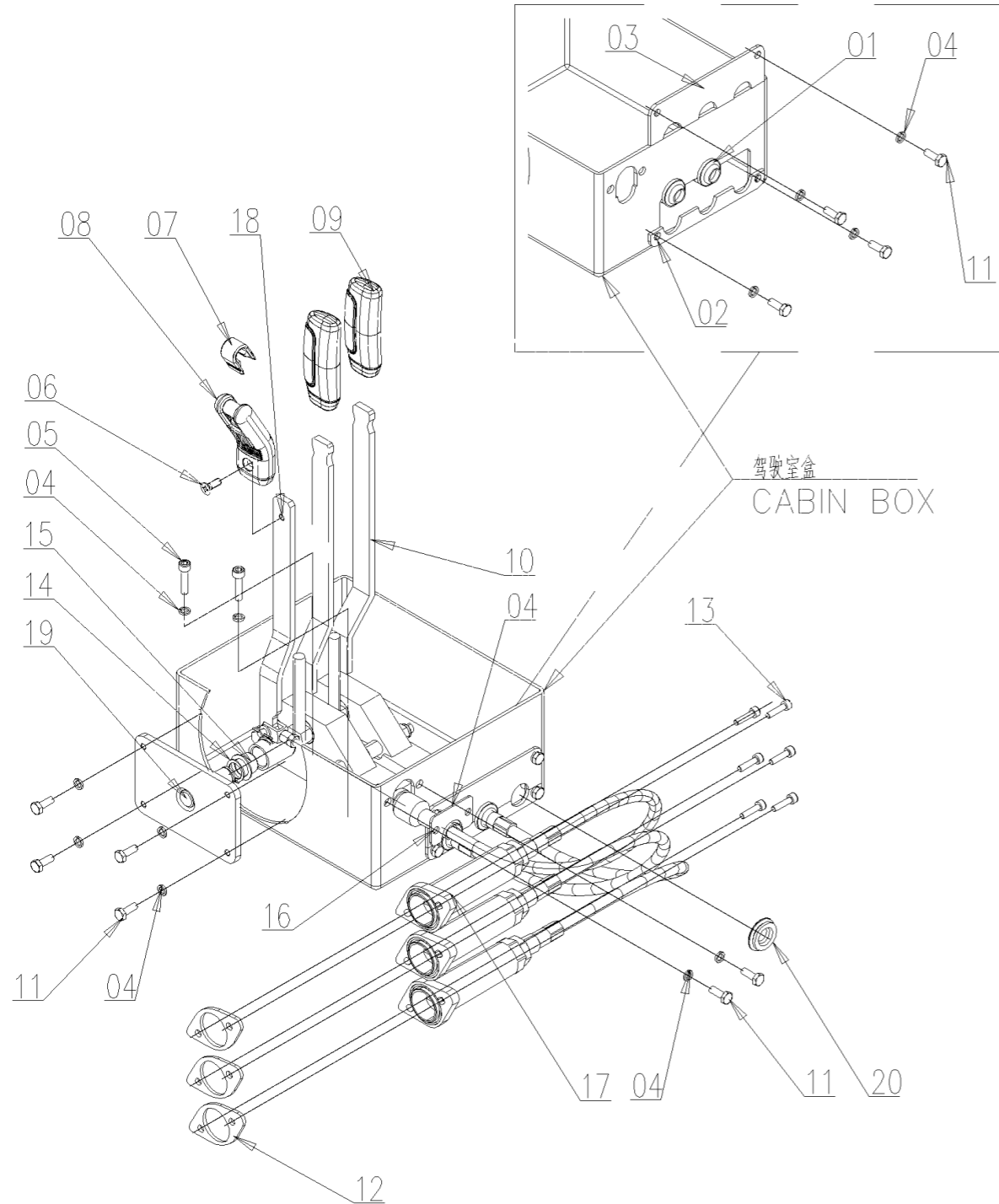
A23.58.914.4 VALVE PIPE ASS.Y  
YFB-R-2020-004 SH.029



A23.58.914.4\_3 多路阀油管总成MULTIWAY VALVE PIPE ASS.

序号	零件编号	零件名称	数量	图号
1	SH400.58.112	空心螺栓 HOLLOW BOLT	1	SH400.58.112
2	SH900.58.182	滤油器固定支架 OIL FILTER HOLDER	1	SH900.58.182
3	SH900.58.101	空心螺栓 HOLLOW BOLT M27X1.5	3	SH900.58.101
4	SH900.58.025	回油过滤器总成 RETURN OIL FILTER	1	SH900.58.025
5	SH900.58.020/20	回油管焊接 OIL RETURN PIPE	1	SH900.58.020/20
6	SH400.58.106	吸油胶管 OIL SUCTION RUBBER PIPE	1	SH400.58.106
7	A68.58.003.0	组合密封垫圈 SEALING RING 27.3x36	4	A68.58.003.0
8	JBT8870-D32	喉箍 HOSE CLAMPS	4	JBT8870-D32
9	GBT93-8-A3L	垫圈 WASHER	8	GBT93-8-A3L
10	GBT93-10-A3L	垫圈 WASHER	4	GBT93-10-A3L
11	GBT70.1-M8X25-A2L	螺栓 BOLT	4	GBT70.1-M8X25-A2L
12	GBT6170-M10-A3L	螺母 NUT	3	GBT6170-M10-A3L
13	GBT5783-M8X20-A2L	螺栓 BOLT	2	GBT5783-M8X20-A2L
14	GBT5783-M8X16-A2L	螺栓 BOLT	2	GBT5783-M8X16-A2L
15	GBT5783-M10X70-A3L	螺栓 BOLT	3	GBT5783-M10X70-A3L
16	GBT5783-M10X20-A3L	螺栓 BOLT	1	GBT5783-M10X20-A3L
17	GBT3452.1-19X2.65-G	O形垫圈 O RING	1	GBT3452.1-19X2.65-G
18	A23.58.024.3	阀门支架 VALVE BRACKET	1	A23.58.024.3
19	A23.58.015.3	回油管焊接 RETURN PIPE WELDING	1	A23.58.015.3
20	A23.58.013.3/10	回油管组件 RETURN PIPE ASS.	1	A23.58.013.3/10
21	A23.58.023.3	出油管 OUTLET PIPE ASS.	1	A23.58.023.3
22	2.1560.022.0	组合密封垫圈 SEALING RING 28.3x36	2	2.1560.022.0
23	2.1560.018.0	组合密封垫圈 SEALING RING	3	2.1560.018.0
24	A23.58.025.0	喉箍 RETURN HOSE	1	A23.58.025.0
25	A23.58.022.3	回油管焊接 RETURN PIPE WELDED	1	A23.58.022.3
26	SH904.58.170	卡套式端直通接头体 DIRECT JOINT	1	SH904.58.170

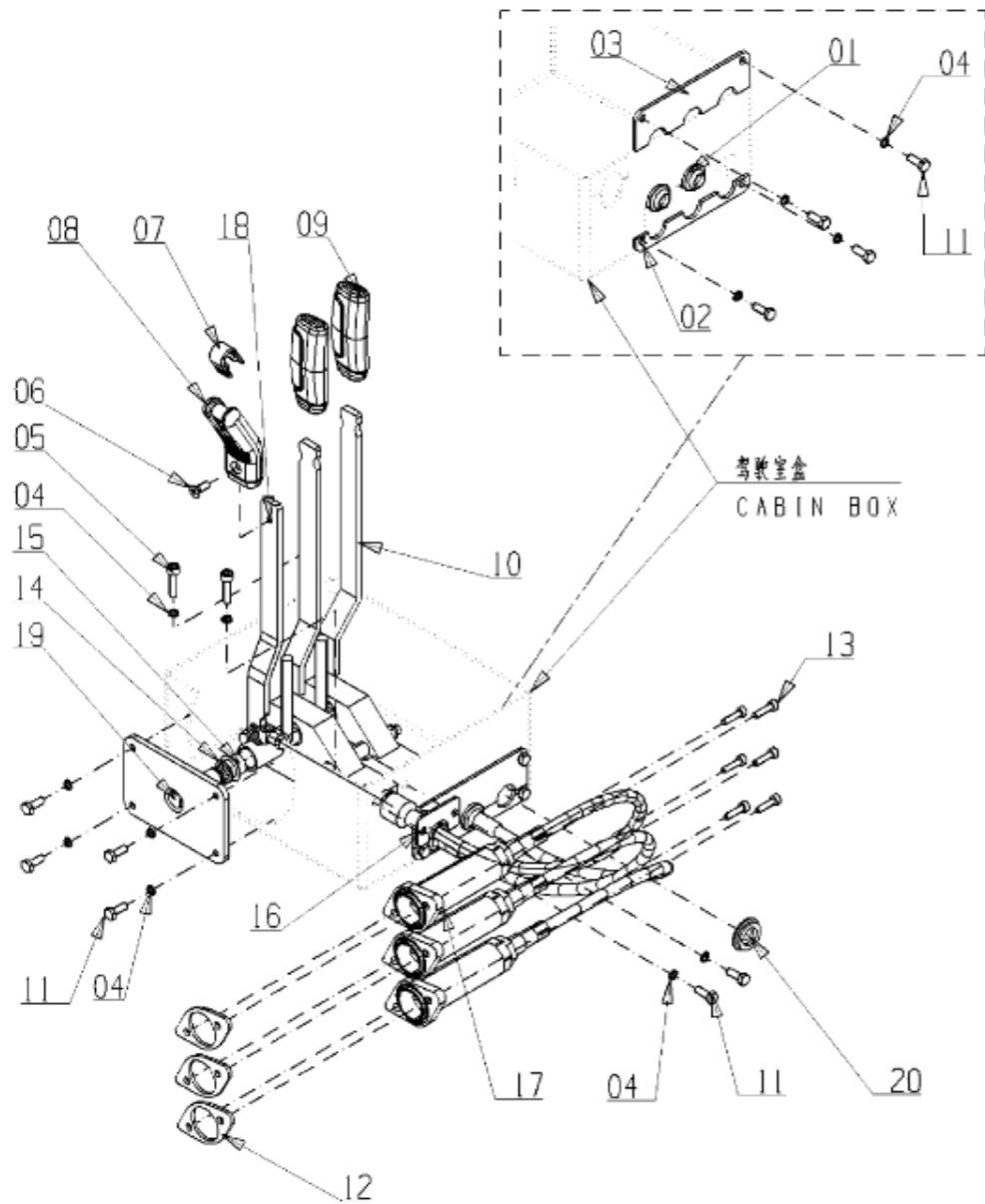
# A23.58.917.4 VALVE COMMAND ASS.Y



## A23.58.917.4\_3 液压操纵总成 VALVE COMMAND ASS.Y

序号	零件编号	零件名称	数量	图号
1	A31.45.011.0	橡胶垫片 RUBBER GASKET	2	A31.45.011.0
2	A31.45.013.0/10	固定板 FIXING PLATE	1	A31.45.013.0/10
3	A31.45.012.0/10	固定板 FIXING PLATE	1	A31.45.012.0/10
4	GBT93-6-A3L	垫圈 WASHER	12	GBT93-6-A3L
5	GBT70.1-M6X25-A2L	螺钉 SCREW	2	GBT70.1-M6X25-A2L
6	GBT819.1-M6X16-A2L	螺丝钉 SCREW	1	GBT819.1-M6X16-A2L
7	0.020.3200.0	手柄球 KNOB	1	0.020.3200.0
8	0.020.3149.0	把手 HANDLE	1	0.020.3149.0
9	0.020.3757.0	手柄球 KNOB	2	0.020.3757.0
10	A23.58.026.4	液压缸控制 CONTROL FOR	1	A23.58.026.4
11	GBT5783-M6X16-A2L	螺栓 BOLT	10	GBT5783-M6X16-A2L
12	A68.45.066.0/10	板 SPOOL VALVE PLATE	3	A68.45.066.0/10
13	GBT70.1-M5X20-A2L	螺栓 BOLT	6	GBT70.1-M5X20-A2L
14	2.1410.004.2	挡圈 CIRCLIP	2	2.1410.004.2
15	2.2841.071.0	滑动轴承16x18x12 SLINDING	2	2.2841.071.0
16	A31.45.019.0	板 PLATE	1	A31.45.019.0
17	A31.45.020.4	转轴 LIFT CONTROL BOWDEN	1	A31.45.020.4
18	A31.45.021.2/10	提升器控制杆 LIFT CONTROL ARM	1	A31.45.021.2/10
19	A31.45.022.2	提升器控制轴 LIFT CONTROL SHAFT	1	A31.45.022.2
20	A23.58.027.0	橡胶盖 RUBBER CAP	1	A23.58.027.0

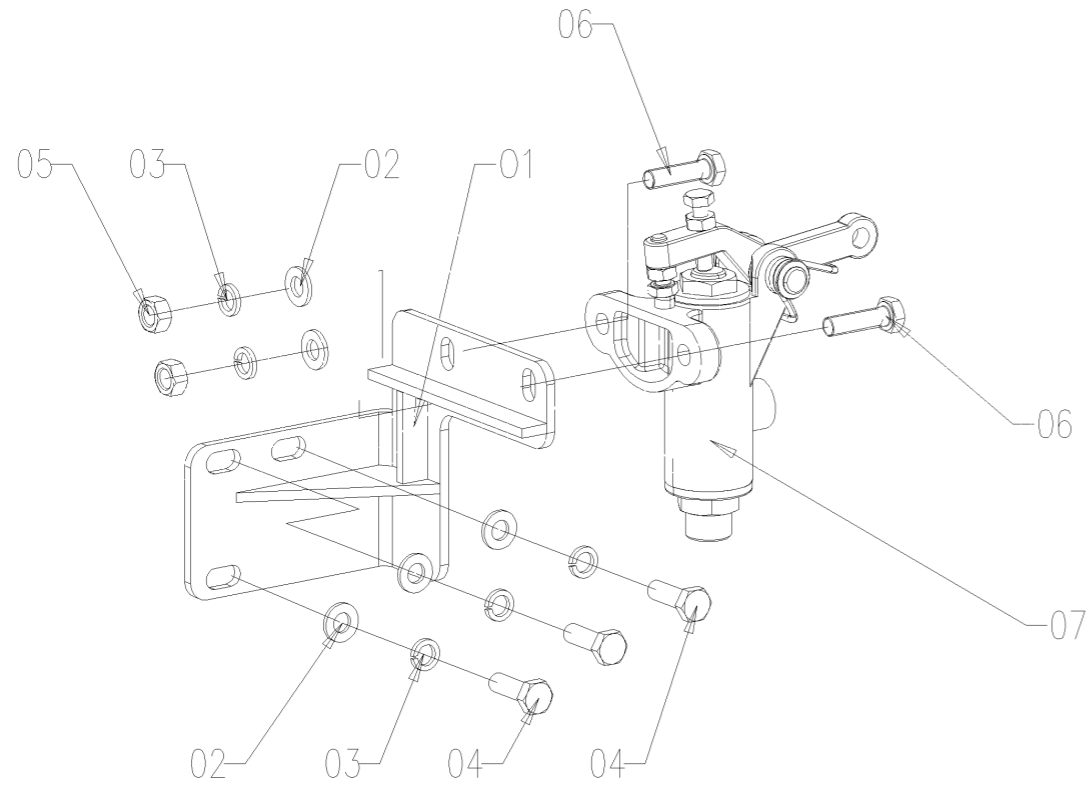
YFB-R-2017-011 SH.085



A23.58.917.4\_4 液压操纵总成 VALVE COMMAND ASS.Y

序号	零件编号	零件名称	数量	图号
1	A31.45.011.0	橡胶垫片 RUBBER GASKET	2	A31.45.011.0
2	A31.45.013.0/10	固定板 FIXING PLATE	1	A31.45.013.0/10
3	A31.45.012.0/10	固定板 FIXING PLATE	1	A31.45.012.0/10
4	2.1473.006.2	弹簧垫圈 SPRING WASHER M6	12	2.1473.006.2
5	2.0312.108.2	螺栓 SOCKET SCREW M6x1x25	2	2.0312.108.2
6	GBT819.1-M6X16-A2L	螺栓 SCREW	1	GBT819.1-M6X16-A2L
7	0.020.3200.0	手柄球 COUPLING	1	0.020.3200.0
8	0.020.3149.0	球形把手 KNOB	1	0.020.3149.0
9	0.020.3757.0	手柄球 KNOB	2	0.020.3757.0
10	A23.58.026.4	液压缸控制 CONTROL FOR	1	A23.58.026.4
11	2.0114.005.2	螺栓 SCREW M6x16	10	2.0114.005.2
12	A68.45.066.0/10	板 SPOOL VALVE PLATE	3	A68.45.066.0/10
13	2.0312.006.2	螺钉 SOCKET SCREW M5x0.8x20	6	2.0312.006.2
14	2.1410.004.2	挡圈 ANELLO 16	2	2.1410.004.2
15	2.2841.071.0	轴承 SLINDING BEARING 16x18x12	2	2.2841.071.0
16	A31.45.019.0	板 PLATE	1	A31.45.019.0
17	A31.45.020.4	转轴 LIFT CONTROL BOWDEN	1	A31.45.020.4
18	A31.45.021.2/10	提升器控制杆 LIFT CONTROL ARM	1	A31.45.021.2/10
19	A31.45.022.2	提升器控制轴 LIFT CONTROL SHAFT	1	A31.45.022.2
20	A23.58.027.0	橡胶盖 RUBBER CAP	1	A23.58.027.0

# A23.80.901.4 BRAKE VALVE INSTALL ASS.



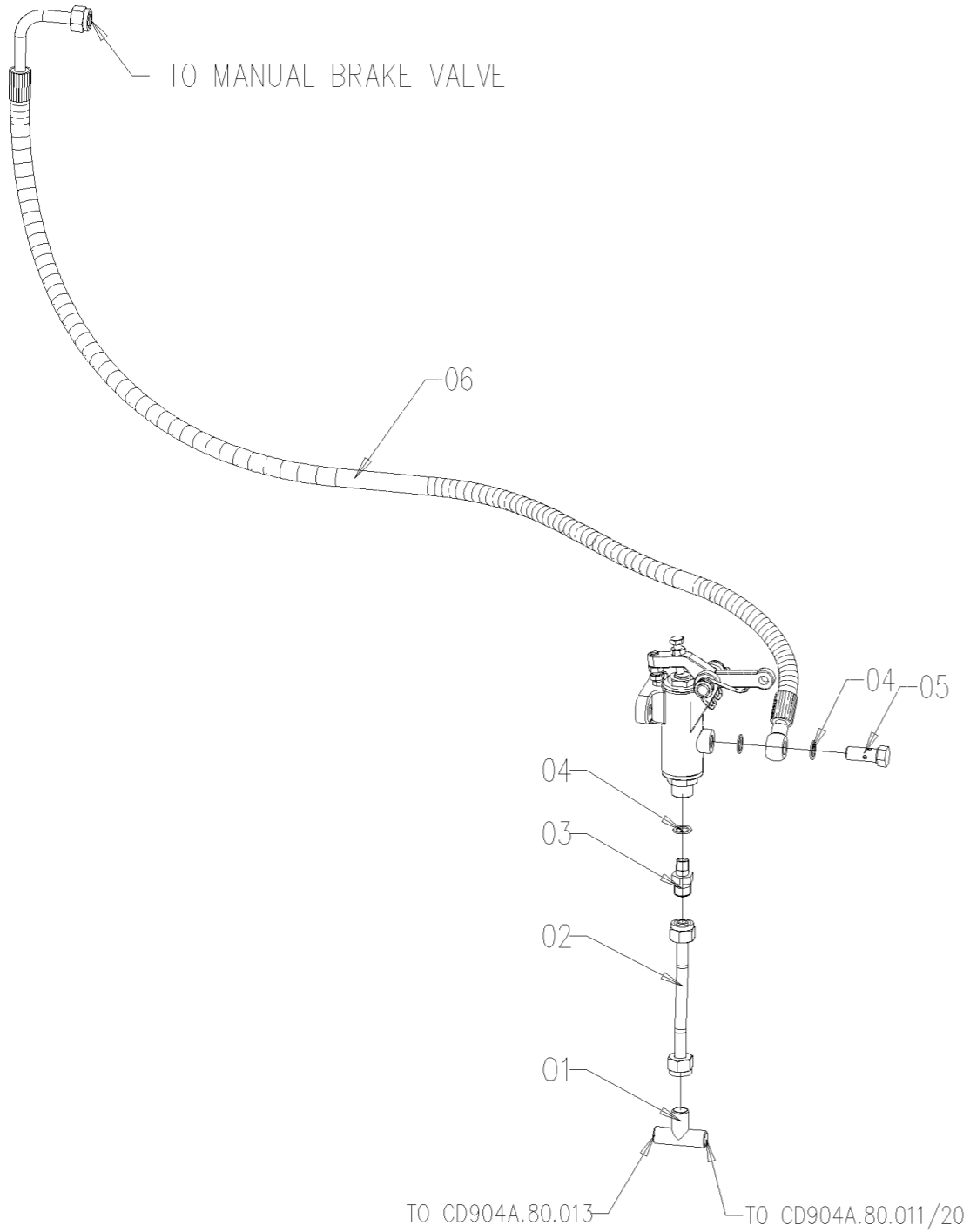
## A23.80.901.4\_1 脚制动阀安装总成 (气刹) BRAKE VALVE INSTALL ASS.

序号	零件编号	零件名称	数量	图号
1	A23.80.003.2	制动阀支架 BRAKE VALVE BRACKET	1	A23.80.003.2
2	GBT97.1-10-A3L	垫圈 WASHER	5	GBT97.1-10-A3L
3	GBT93-10-A3L	垫圈 WASHER	5	GBT93-10-A3L
4	GBT5783-M10X30-A3L	螺栓 BOLT	3	GBT5783-M10X30-A3L
5	GBT6170-M10-A3L	螺母 NUT	2	GBT6170-M10-A3L
6	GBT5783-M10X35-A3L	螺栓 BOLT	2	GBT5783-M10X35-A3L
7	SH900.80.012	驻车制动阀总成 PARKING BRAKE	1	SH900.80.012

# A23.80.902.4 BRAKE VALVE PIPE ASS.

# A23.80.902.4\_1 脚制动阀安装总成 (气刹) BRAKE VALVE INSTALL ASS.

序号	零件编号	零件名称	数量	图号
1	SH900.80.105	三接头体 THREE WAY	1	SH900.80.105
2	CD904A.80.012	空气管连接 CONNECTING AIR PIPE	1	CD904A.80.012
3	CD904A.80.103	排气弯管接头 JOINT	1	CD904A.80.103
4	2.1560.010.0	垫圈 14.2X20 SEALING RING	3	2.1560.010.0
5	SH900.40.133	空心螺栓 HOLLOW BOLT	1	SH900.40.133
6	A23.80.004.3	手动阀进气管 MANUAL VALVE AIR	1	A23.80.004.3

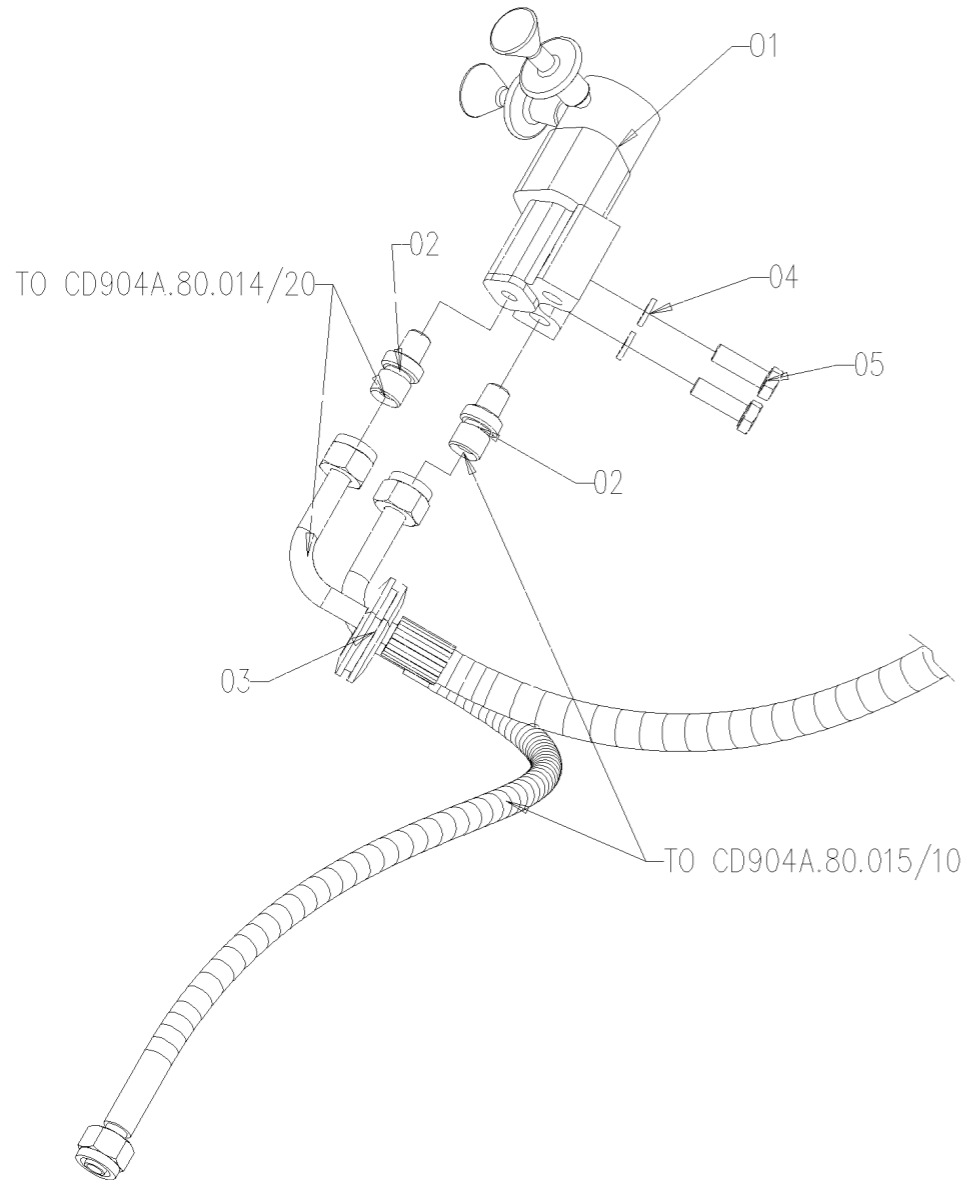


# MANUAL BRAKE VALVE ASS. A23.80.903.4

YFB-R-2016-016 SH.009

## A23.80.903.4\_0 手制动阀总成 MANUAL BRAKE VALVE ASS.

序号	零件编号	零件名称	数量	图号
1	SH900.80.020	手动控制阀总成 HAND CONTROL	1	SH900.80.020
2	SH900.80.118	接头 FITTING	2	SH900.80.118
3	CD904A.80.101	橡胶密封圈 SEALING RING	1	CD904A.80.101
4	GBT93-10-A3L	弹簧垫圈 SPRING WASHER	2	GBT93-10-A3L
5	GBT5783-M10X30-A3L	螺栓 BOLT	2	GBT5783-M10X30-A3L

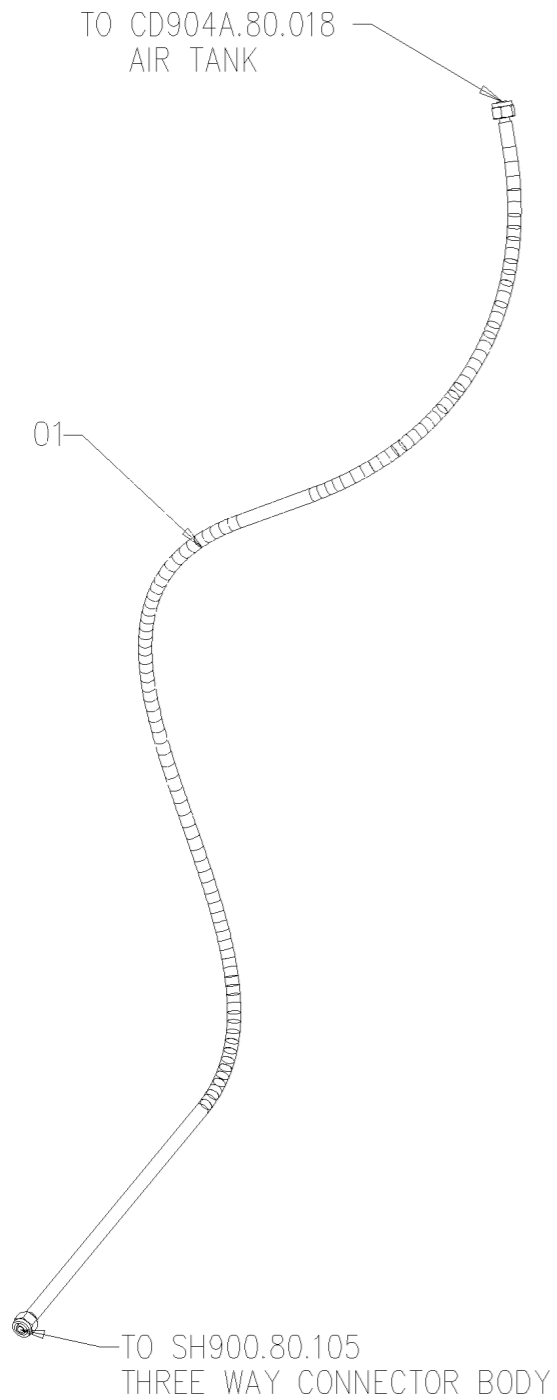


# AIR TANK PIPE ASS. A23.80.904.4

YFB-R-2016-016 SH.009

## A23.80.904.4\_0 储气筒管总成 AIR CYLINDER PIPE ASS.

序号	零件编号	零件名称	数量	图号
1	CD904A.80.013	储气筒进气管总成 AIR RESERVIOR	1	CD904A.80.013

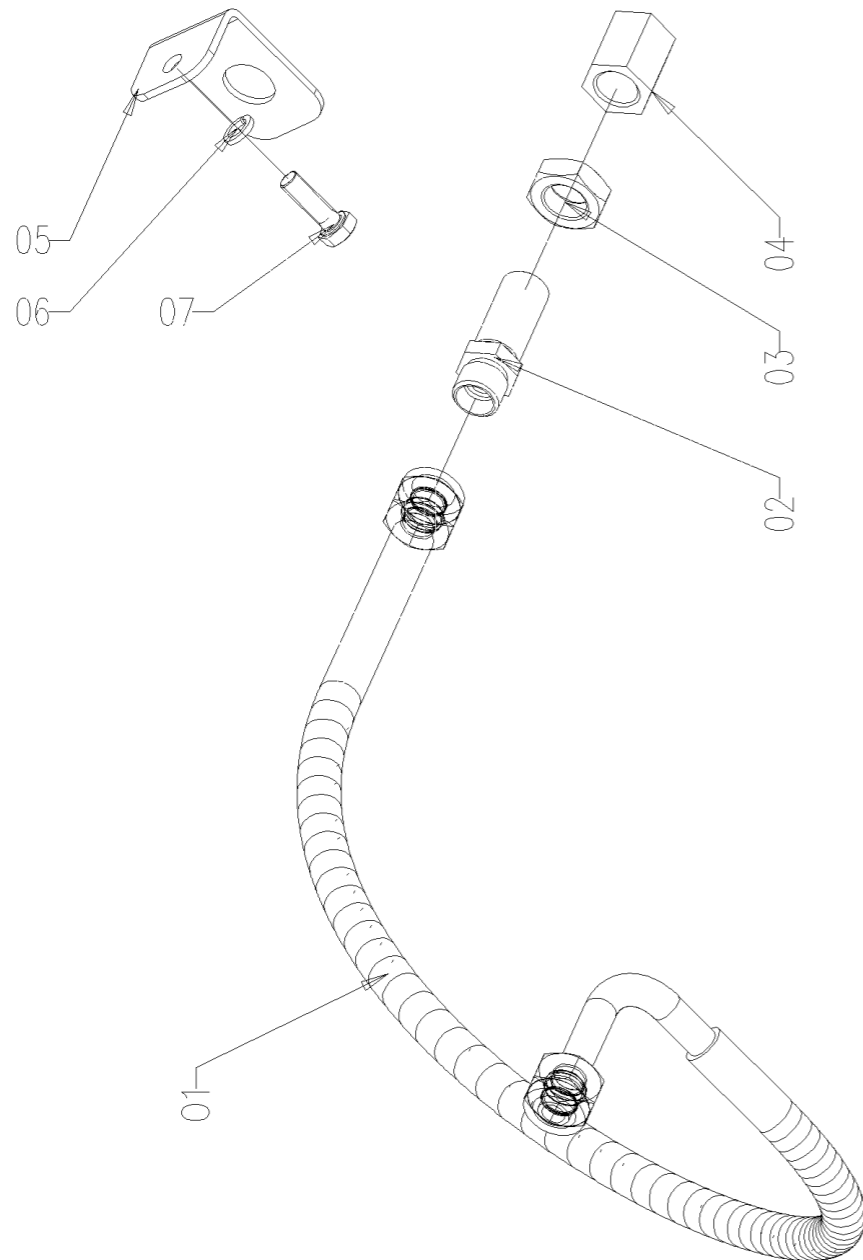




# A23.80.907.4 MANUAL VALVE PIPE ASS.

# A23.80.907.4\_3 手制动阀出气管总成 (气刹) MANUAL VALVE PIPE ASS.

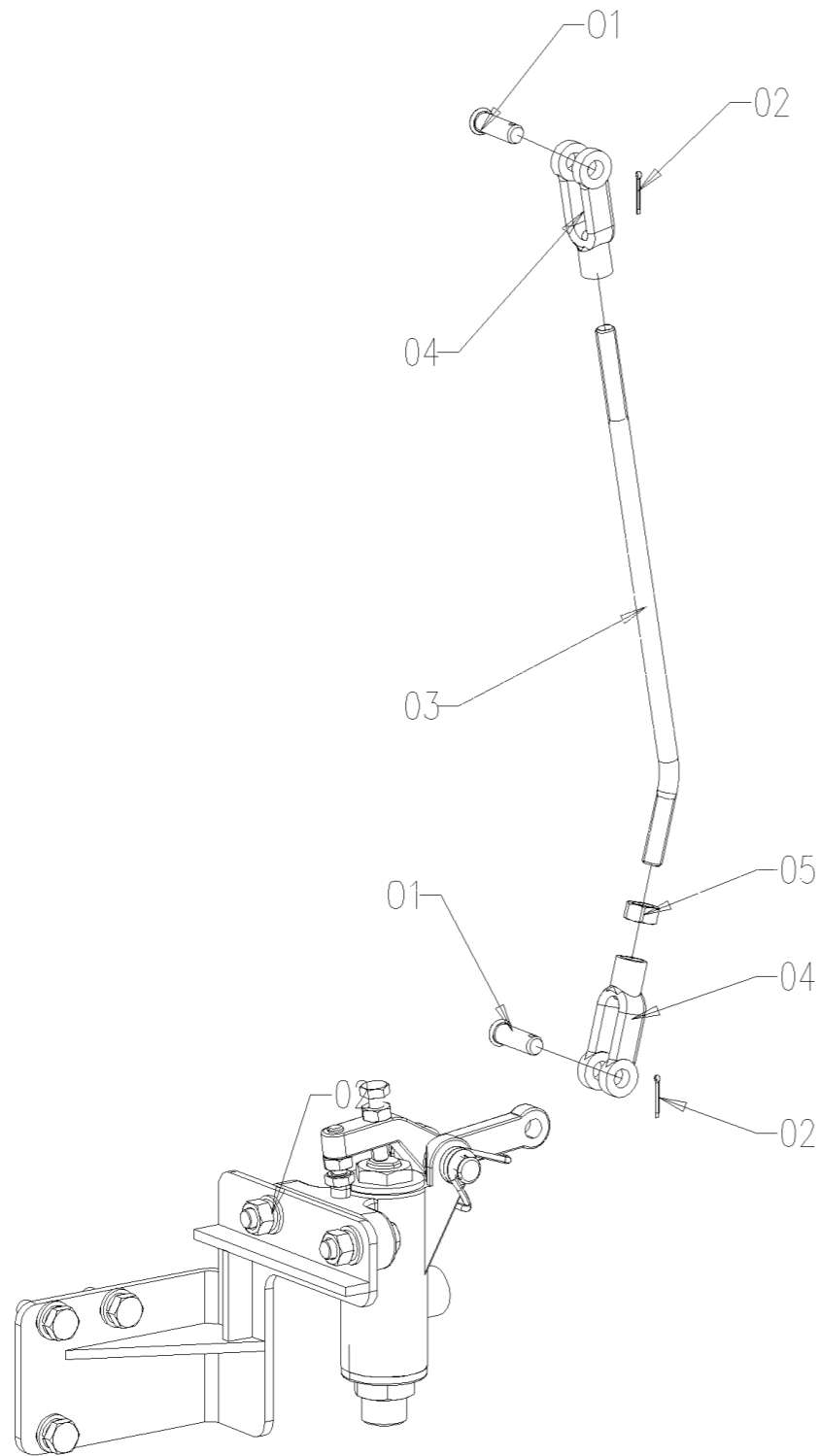
序号	零件编号	零件名称	数量	图号
1	A23.80.005.3/10	气闸气管路 AIR BRAKE AIR PIPELINE	1	A23.80.005.3/10
2	SH900.80.104	拖车输气管接头 TRAILER	1	SH900.80.104
3	GBT6173-18X1.5-A3L	螺母 NUT	1	GBT6173-18X1.5-A3L
4	CD554.80.105	套筒 SLEEVE	1	CD554.80.105
5	B80.80.006.0	支架 BRACKEY	1	B80.80.006.0
6	GBT5783-M8X25-A2L	螺栓 BOLT	1	GBT5783-M8X25-A2L
7	GBT93-8-A3L	垫圈 WASHER	1	GBT93-8-A3L



# A23.80.909.4 PNEUMATIC BRAKE COMMAND ASS.Y

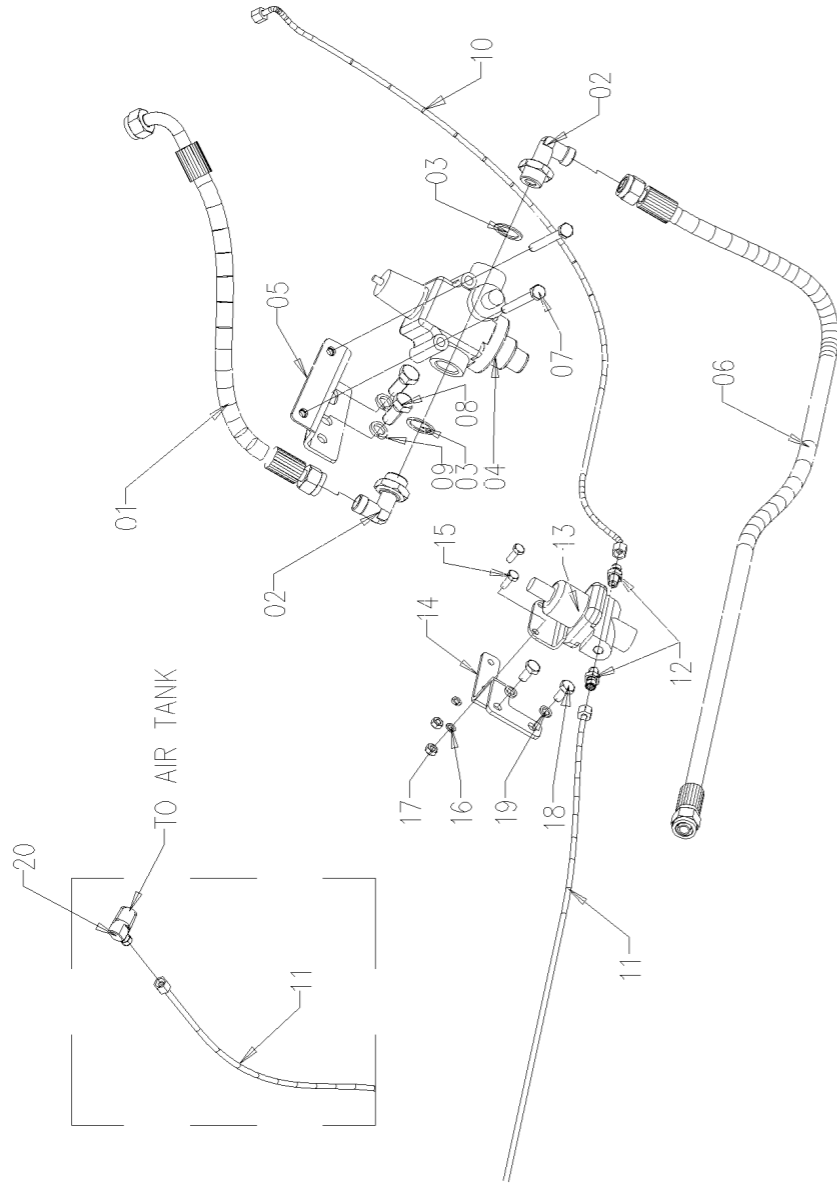
## A23.80.909.4\_0 脚制动阀拉杆总成 (气刹) PNEUMATIC BRAKE COMMAND ASS.Y

序号	零件编号	零件名称	数量	图号
1	GBT882-B10X30-A3L	销 PIN	2	GBT882-B10X30-A3L
2	GBT91-2X16-A3L	销 PIN	2	GBT91-2X16-A3L
2	GBT91-2x16-A3L	销 PIN	2	GBT91-2x16-A3L
3	A23.80.002.0	拉杆 PULL ROD	1	A23.80.002.0
4	LD700.43.134	右旋连接叉 COUPLEING FOLK	2	LD700.43.134
5	GBT6170-M10-A3L	螺母 NUT	1	GBT6170-M10-A3L



# COMPRESSOR DELIVERY PIPE ASS.Y A23.80.910.4

YFB-R-2018-009 SH.016



## A23.80.910.4\_0 气泵出气管总成COMPRESSOR DELIVERY PIPE ASS.Y

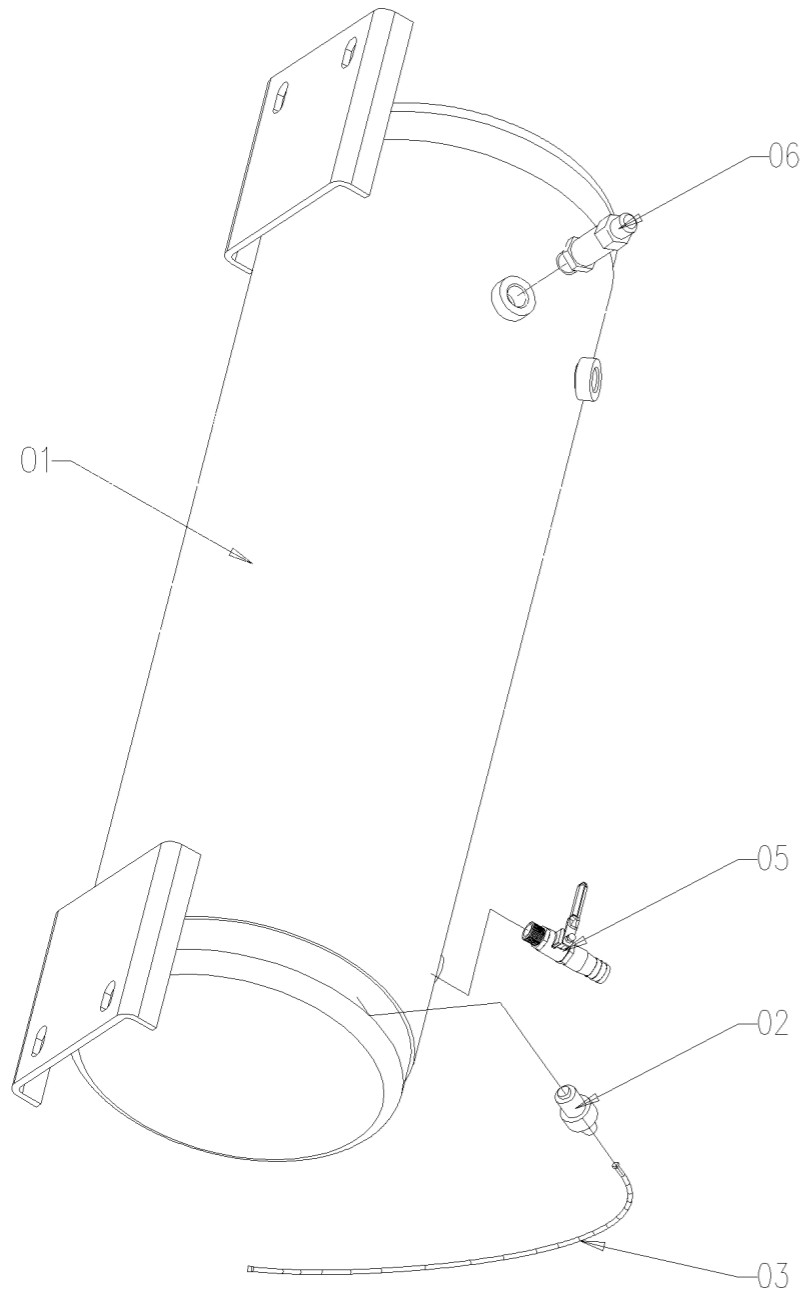
序号	零件编号	零件名称	数量	图号
1	A23.80.009.3	气泵出气管 AIR PUMP OUTLET PIPE	1	A23.80.009.3
2	B80.10.007.2	接头组件 JOINT ASS'Y	2	B80.10.007.2
3	2.1560.018.0	组合密封垫圈 SEALING RING	2	2.1560.018.0
4	A23.80.006.0	空气卸荷阀 AIR UNLOADING VALVE	1	A23.80.006.0
5	A23.80.008.3/20	支架 BRACKET	1	A23.80.008.3/20
6	A23.80.010.3	气泵出气管 AIR PUMP OUTLET PIPE	1	A23.80.010.3
7	GBT5783-M8X80-A2L	螺栓 BOLT	2	GBT5783-M8X80-A2L
8	GBT5783-M12X25-A3L	螺栓 BOLT	2	GBT5783-M12X25-A3L
9	GBT93-12-A3L	垫圈 WASHER	2	GBT93-12-A3L
10	A23.80.014.3	减压阀管 RELIEF VALVE PIPE	1	A23.80.014.3
11	A23.80.015.3	减压阀管 RELIEF VALVE PIPE	1	A23.80.015.3
12	A23.80.012.0	螺纹接头 FITTING NPT1/8-M10X1	2	A23.80.012.0
13	A23.80.007.0	减压阀 AIR RELIEF VALVE	1	A23.80.007.0
14	A23.80.011.0	阀门支架 VALVE BRACKET	1	A23.80.011.0
15	GBT5783-M6X16-A2L	螺栓 BOLT	2	GBT5783-M6X16-A2L
16	GBT93-6-A3L	垫圈 WASHER	2	GBT93-6-A3L
17	GBT6170-M6-A2L	螺母 NUT	2	GBT6170-M6-A2L
18	GBT5783-M8X16-A2L	螺栓 BOLT	2	GBT5783-M8X16-A2L
19	GBT93-8-A3L	垫圈 WASHER	2	GBT93-8-A3L
20	A23.80.016.0	接头 FITTING	1	A23.80.016.0

# AIR TANK INSTALL ASS. A23.80.915.4

YFB-R-2018-009 SH.016

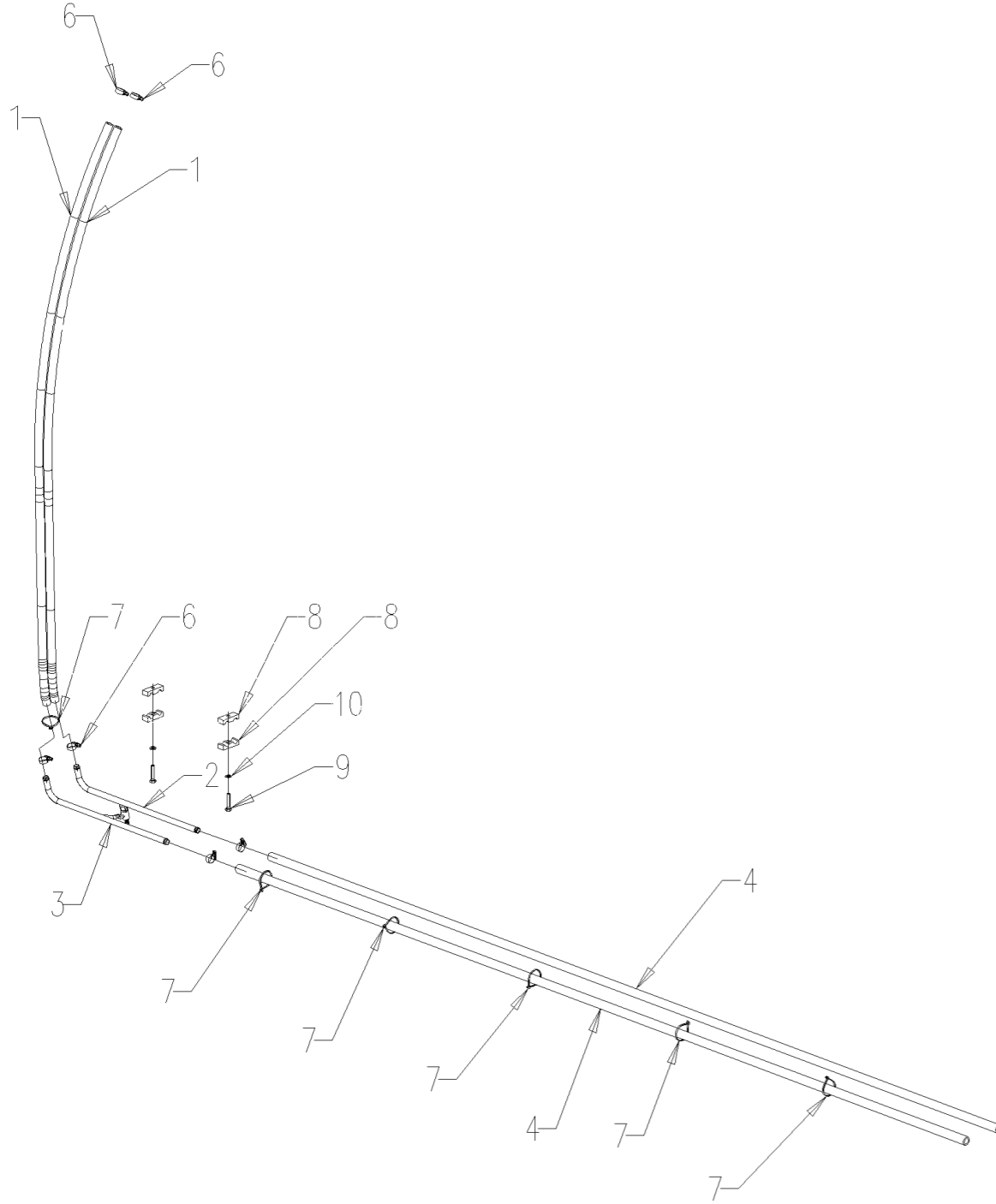
## A23.80.915.4\_5 储气罐安装总成 AIR TANK INSTALL ASS.

序号	零件编号	零件名称	数量	图号
1	CD904A.80.018/20	储气罐 AIR RESERVIOR	1	CD904A.80.018/20
2	SH900.48.045	气压报警开关 AIR PRESSURE	1	SH900.48.045
3	SH900.48.028	气压报警线束总成 AIR PRESSURE	1	SH900.48.028
5	SH400.45.010	暖风进水阀总成 WARM AIR WATER	1	SH400.45.010
6	B09.80.001.0	泄压阀 RELIEF VALVE	1	B09.80.001.0



# A23.81.913.4 WATER PIPE ASS.Y

## A23.81.913.4\_1 暖风水管 WATER PIPES

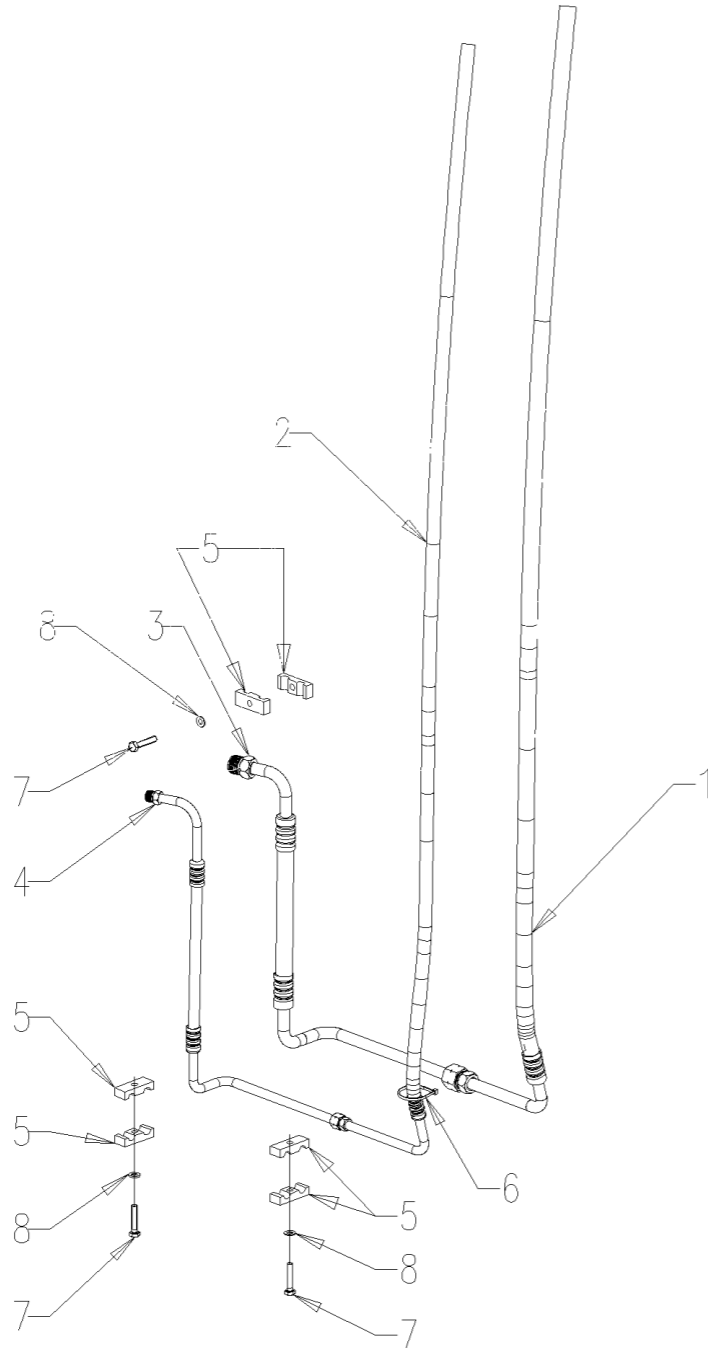


序号	零件编号	零件名称	数量	图号
1	A68.81.002.0	输水管总成 WATER PIPE ASS.	1	A68.81.002.0
2	A68.81.003.4	铝管(阀) ALUMINIUM PIPE(WITH	1	A68.81.003.4
3	A68.81.004.0	铝管(没有阀) ALUMINIUM	1	A68.81.004.0
4	A80.81.005.0	输水管 WATER PIPE	2	A80.81.005.0
6	2.6851.019.0	喉箍 HOSE CLAMP 13-20	6	2.6851.019.0
7	2.6852.101.0	扎带 SELF LOCKING CABLE TIES 142	6	2.6852.101.0
8	A80.45.104.0	块 BLOCK	4	A80.45.104.0
9	GBT5783-M8X40-A2L	螺栓 BOLT	2	GBT5783-M8X40-A2L
10	GBT97.1-8-A3L	垫圈 WASHER	2	GBT97.1-8-A3L

# A23.81.923.4 HVAC PIPE ASS.Y

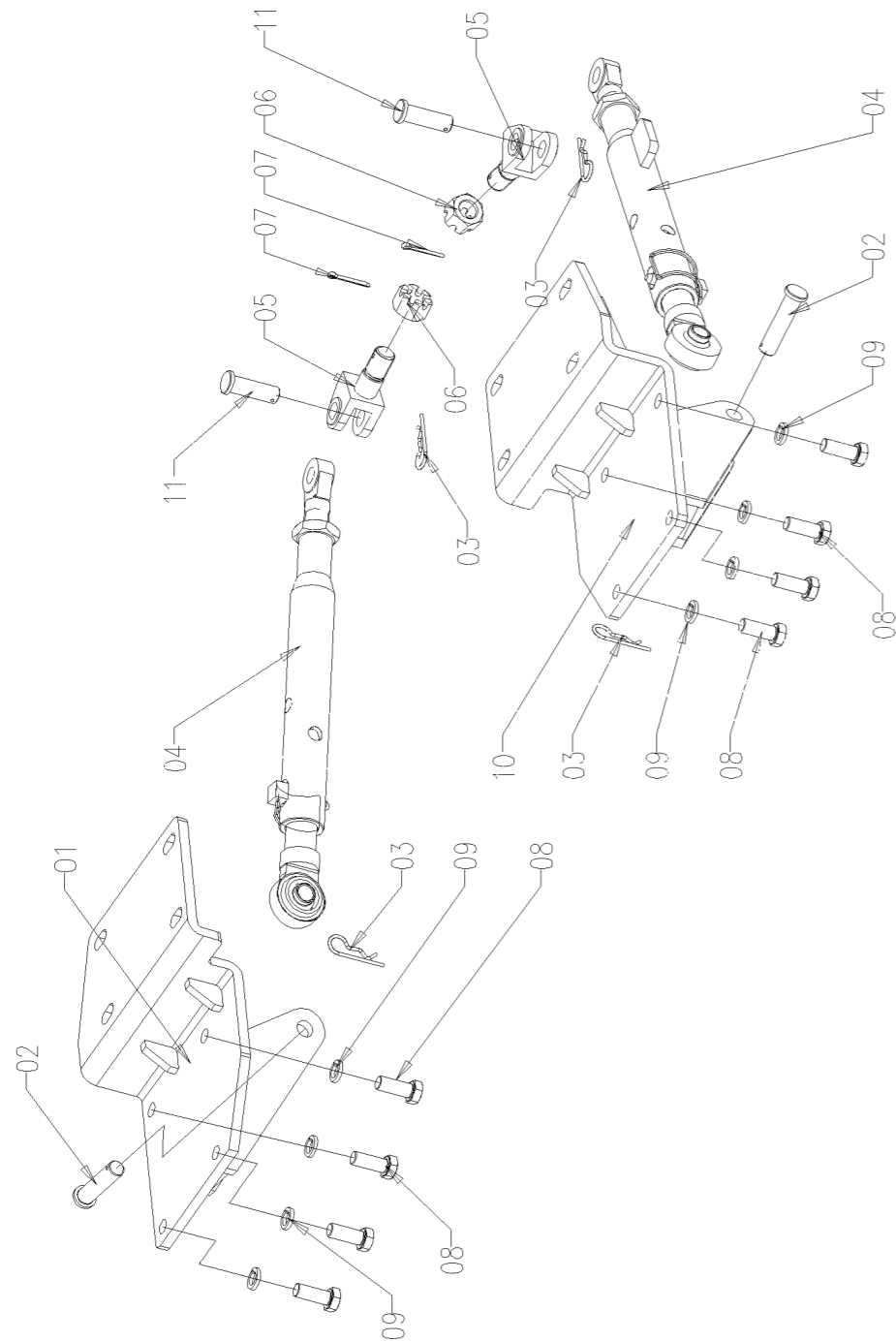
## A23.81.923.4\_1 空调管路 AC PIPES

序号	零件编号	零件名称	数量	图号
1	A68.81.009.4	压缩机输液管(蒸发器至外径大) AC	1	A68.81.009.4
2	A68.81.010.4	压缩机输液管(蒸发器至外小直径) AC	1	A68.81.010.4
3	A68.81.011.4	弯曲铝管 BEND ALUMINIUM PIPE-	1	A68.81.011.4
4	A68.81.012.4	小直径铝管 BENG ALUMINIUM PIPE-	1	A68.81.012.4
5	A80.45.104.0	块 BLOCK	6	A80.45.104.0
6	2.6852.101.0	扎带 SELF LOCKING CABLE TIES 142	1	2.6852.101.0
7	GBT5783-M8X40-A2L	螺栓 BOLT	3	GBT5783-M8X40-A2L
8	GBT97.1-8-A3L	垫圈 WASHER	3	GBT97.1-8-A3L



# A27.56.902.4 LIMIT ROD ASS.

YFB-R-2017-010 SH.015



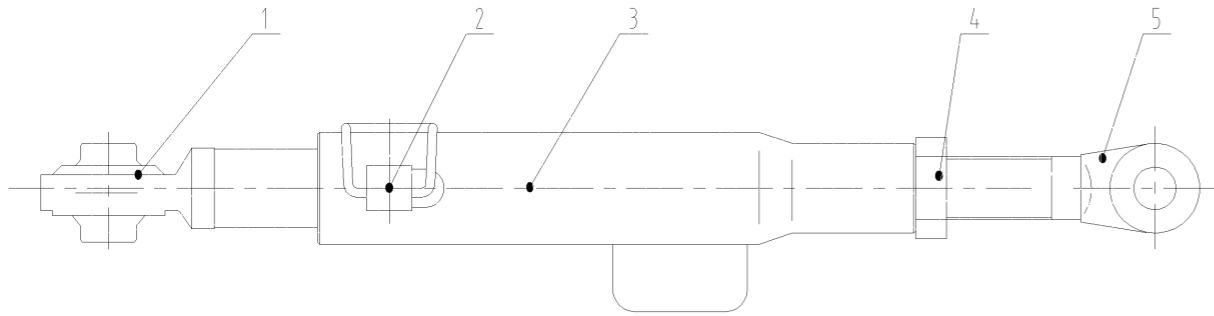
## A27.56.902.4\_0 限位杆安装总成LIMIT ROD ASS.

序号	零件编号	零件名称	数量	图号
1	CD1104A.56.011/10	右限位座焊合 RIGHT LIMITING ROD	1	CD1104A.56.011/10
2	SH900.56.104	销轴 PIN SHAFT	2	SH900.56.104
3	SH900.56.105	弹簧锁销 SPRING LOCKING PIN	4	SH900.56.105
4	SH900.56.032	限位杆总成 LIMIT ROD ASSY	2	SH900.56.032
5	SH900.56.110	限位杆螺栓 LIMIT ROD BOLT	2	SH900.56.110
6	GBT9459-M24X2-A3L	螺母 NUT	2	GBT9459-M24X2-A3L
7	GBT91-5X40-A3L	销 PIN	2	GBT91-5X40-A3L
8	GBT5783-M16X40-10.9-	螺栓 BOLT	8	GBT5783-M16X40-10.9-A3L
9	GBT93-16-A3L	垫圈 WASHER	8	GBT93-16-A3L
10	CD1104A.56.012/10	左限位座焊合 LEFT LIMIT ROD	1	CD1104A.56.012/10
11	SH900.56.150	销轴 PIN SHAFT	2	SH900.56.150

### SH900.56.032 限位杆组件 LIMIT ROD ASSY

序号	零件编号	零件名称	数量	图号
1	SH900.56.020	限位杆合件 LIMITED ROD ASS.	1	SH900.56.020
2	SH900.56.034	限位锁销组合 LIMIT PIN	1	SH900.56.034
3	SH900.56.022	限位杆导管焊合 LIMITED THREAD	1	SH900.56.022
4	GBT5796.3-TR28X3-A3L	梯形螺母 NUT	1	GBT5796.3-TR28X3-A3L
5	SH900.56.109	调节螺杆 ADJUSTING SCREW	1	SH900.56.109

限位杆总成 SH900.56.032

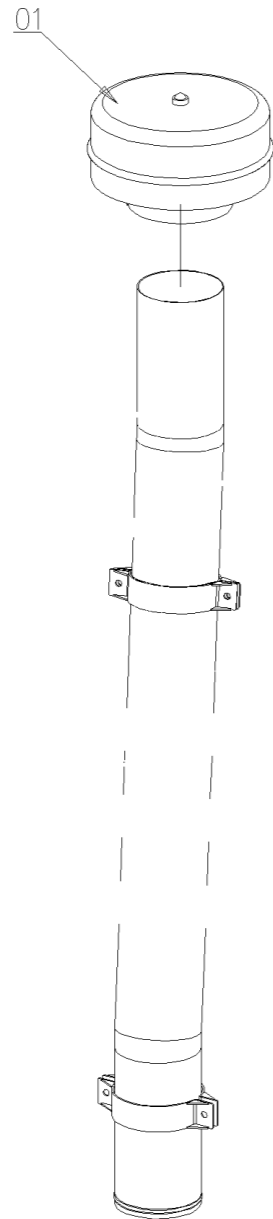




# A31.11.910.4 AIR PRE-FILTER ASS.Y

## A31.11.910.4\_0 预滤清器总成 (普通) Pre-filter assembly (plain)

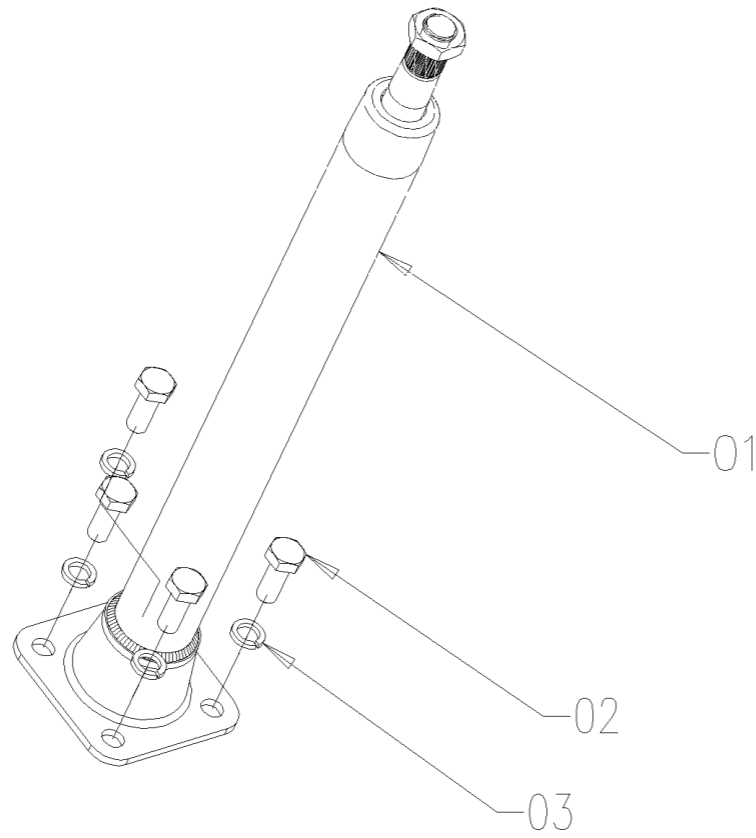
序号	零件编号	零件名称	数量	图号
1	LE1204.11.012	空气预滤器 PRE-CLEANER	1	LE1204.11.012



# A31.40.916.4 STEERING COMMAND ASS.Y

## A31.40.916.4\_0 固定转向管柱 STEERING COMMAND ASS.Y

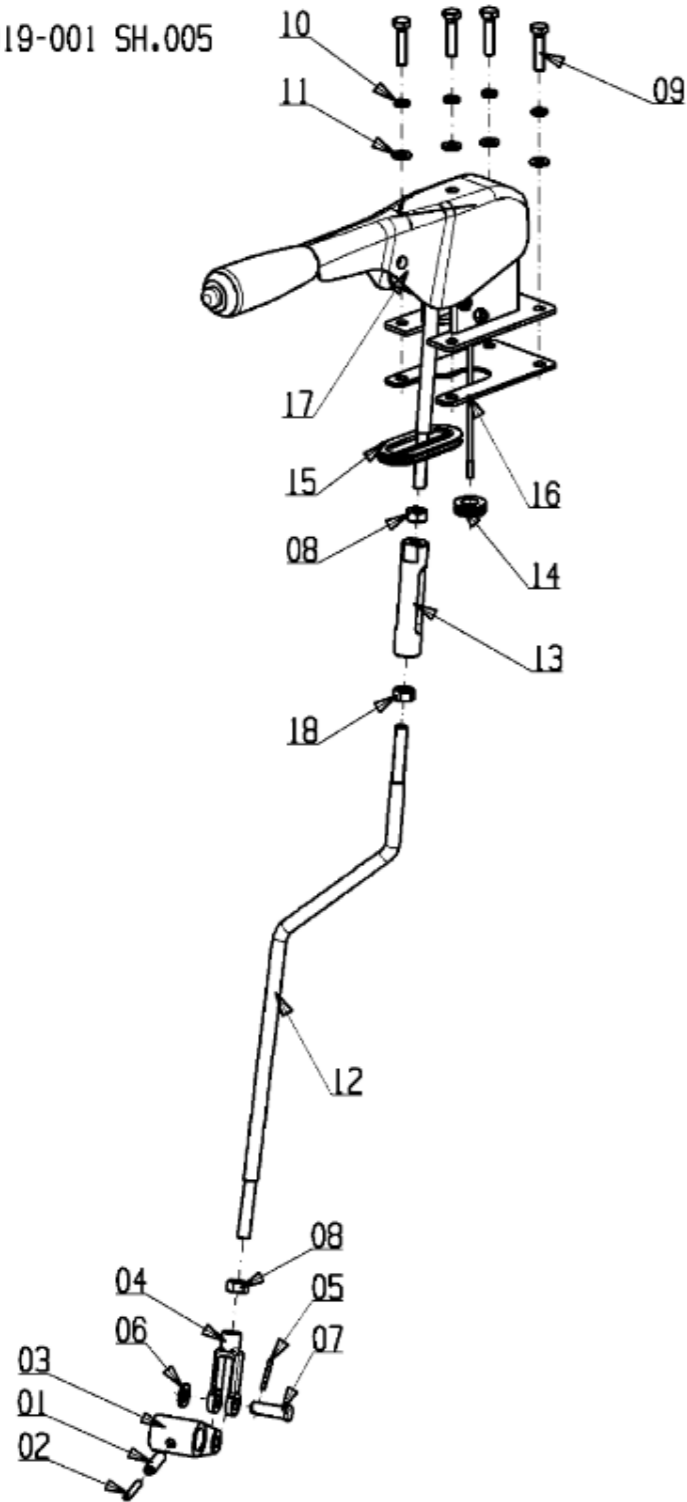
序号	零件编号	零件名称	数量	图号
1	SH900.40.012	操纵杆总成 STEERING COLUMN	1	SH900.40.012
2	GBT5783-M10X25-A3L	螺栓 BOLT	4	GBT5783-M10X25-A3L
3	GBT93-10-A3L	垫圈 WASHER	4	GBT93-10-A3L



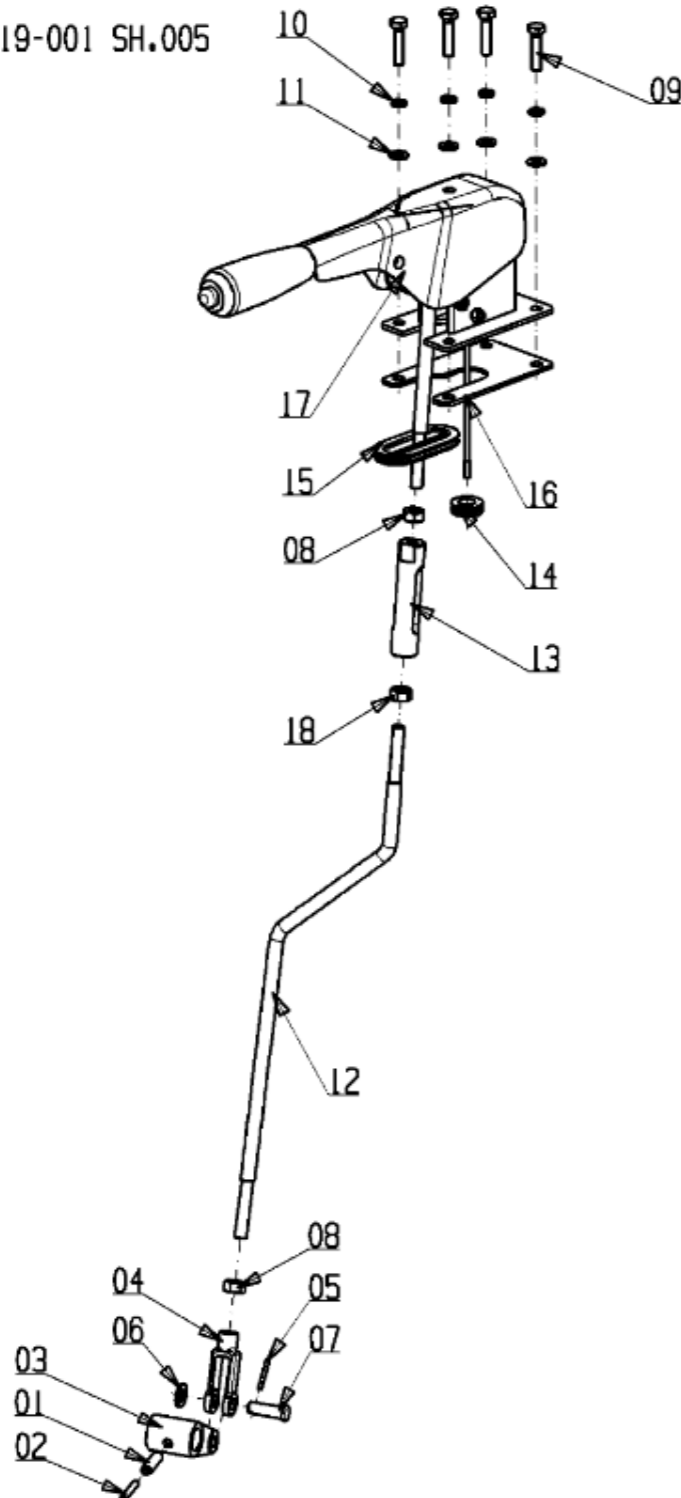
**A23.45.911.4\_2 手刹总成 PARK BRAKE COMMAND ASS.Y**

序号	零件编号	零件名称	数量	图号
18	GBT6171-M10X1-LH-A2L	螺母 NUT	1	GBT6171-M10X1-LH-A2L

YFB-R-2019-001 SH.005



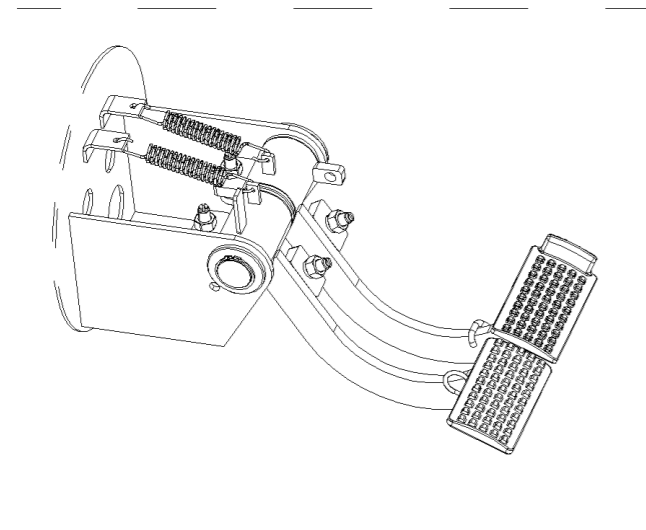
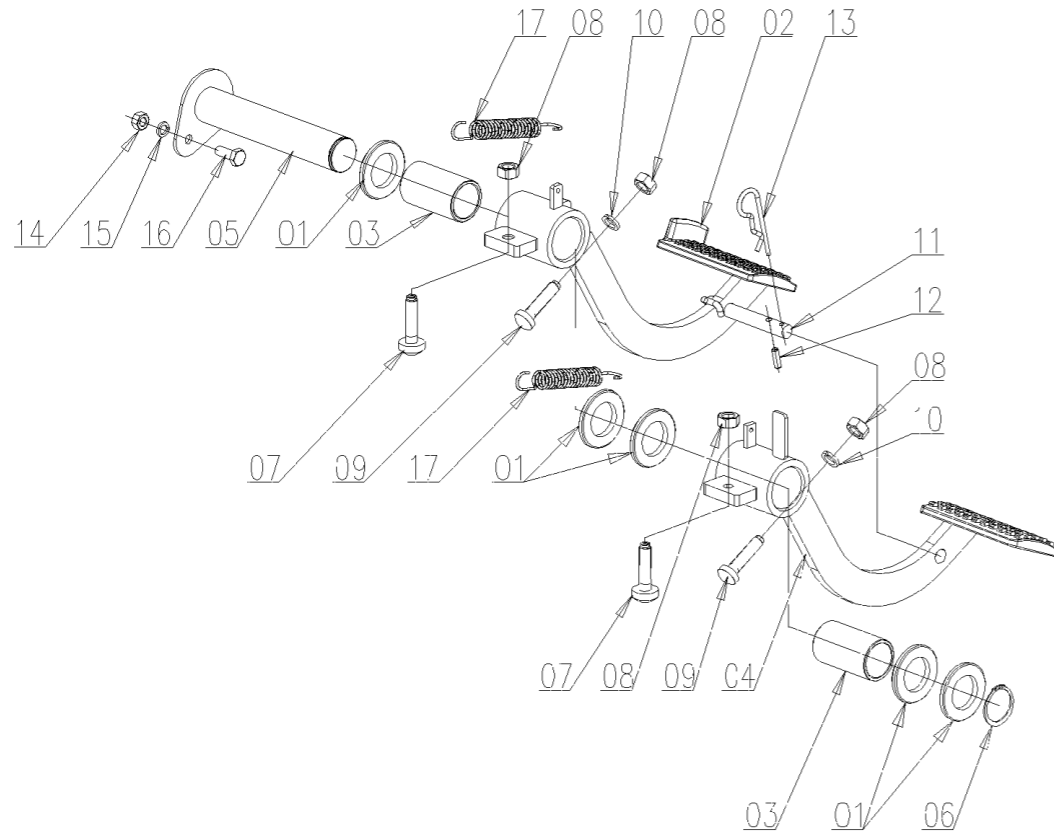
YFB-R-2019-001 SH.005



**A31.45.906.4\_2 手刹总成 PARK BRAKE COMMAND ASS.Y**

序号	零件编号	零件名称	数量	图号
1	GBT879.1-8X30	销 PIN	1	GBT879.1-8X30
2	GBT879.1-5X30	销 PIN	1	GBT879.1-5X30
3	SH900.43.170	杆 LEVER	1	SH900.43.170
4	SH900.21.117	拨叉 FORK	1	SH900.21.117
5	GBT91-3.2X20-A3L	销 PIN	1	GBT91-3.2X20-A3L
6	GBT97.1-10-A3L	垫圈 WASHER	1	GBT97.1-10-A3L
7	GBT882-B10X32-A3L	销 PIN	1	GBT882-B10X32-A3L
8	GBT6171-M10X1-A2L	螺母 NUT	2	GBT6171-M10X1-A2L
9	GBT5783-M8X35-A2L	螺栓 BOLT	4	GBT5783-M8X35-A2L
10	GBT93-8-A3L	垫圈 WASHER	4	GBT93-8-A3L
11	GBT97.1-8-A3L	垫圈 WASHER	4	GBT97.1-8-A3L
12	A23.45.010.0/20	手闸低杠杆 HANDBRAKE LOWER	1	A23.45.010.0/20
13	SH900.43.145	手制动调节管 SPECIAL FORK	1	SH900.43.145
14	2.6560.008.0	导缆器环14x27x2.5 FAIRLEAD RINGS	1	2.6560.008.0
15	A23.45.050.0	垫圈 GASKET	1	A23.45.050.0
16	A23.45.002.0	垫圈 GASKET	1	A23.45.002.0
17	A23.45.060.4/30	手制动 HANDBRAKE	1	A23.45.060.4/30
18	GBT6171-M10X1-LH-A2L	螺母 NUT	1	GBT6171-M10X1-LH-A2L

# A31.45.909.4 BRAKE COMMAND ASS.Y



# A31.45.909.4\_2 制动踏板操纵总成 PEDAL ASS.LY FOR BRAKE

序号	零件编号	零件名称	数量	图号
1	SH900.43.181	套筒 SLEEVE	5	SH900.43.181
2	SH900.43.040	右制动踏板焊合件 RIGHT BRAKE	1	SH900.43.040
3	SH900.43.166	套303560 BRAKE PEDAL SHAFT	2	SH900.43.166
4	SH900.43.041	左制动踏板焊合件 LEFT BRAKE	1	SH900.43.041
5	SH900.43.016	制动踏板轴焊合件 BRAKE PEDAL	1	SH900.43.016
6	GBT894.1-30	弹性挡圈 CIRCLIP	1	GBT894.1-30
7	SH900.43.030	调整螺钉合件 ADJUSTING SCREW	2	SH900.43.030
8	GBT6170-M10-A3L	螺母 NUT	4	GBT6170-M10-A3L
9	SH900.43.103	调整螺钉 ADJUSTING SCREW	2	SH900.43.103
10	GBT93-10-A3L	垫圈 WASHER	2	GBT93-10-A3L
11	SH900.43.011	联锁杆焊件 INTERLOCKING ROD	1	SH900.43.011
12	GBT879.1-5X18	销 PIN	1	GBT879.1-5X18
13	SH900.56.105	锁销 SPRING LOCKING PIN	1	SH900.56.105
14	GBT6170-M8-A2L	螺母 NUT	1	GBT6170-M8-A2L
15	GBT93-8-A3L	垫圈 WASHER	1	GBT93-8-A3L
16	GBT5783-M8X20-A2L	螺栓 BOLT	1	GBT5783-M8X20-A2L
17	SH900.21.101	副离合回位弹簧 AUXILIARY CLUTCH	2	SH900.21.101

# A31.51.900.4 MAINTENANCE GREASE LABEL

## A31.51.900.4\_0 黄油嘴加注标识 MAINTENANCE GREASE LABEL

序号	零件编号	零件名称	数量	图号
1	0.024.0988.0	黄油加注点标识 MAINTENANCE	1	0.024.0988.0

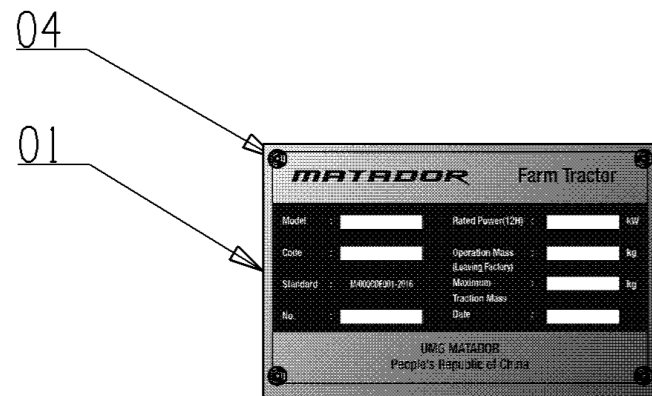
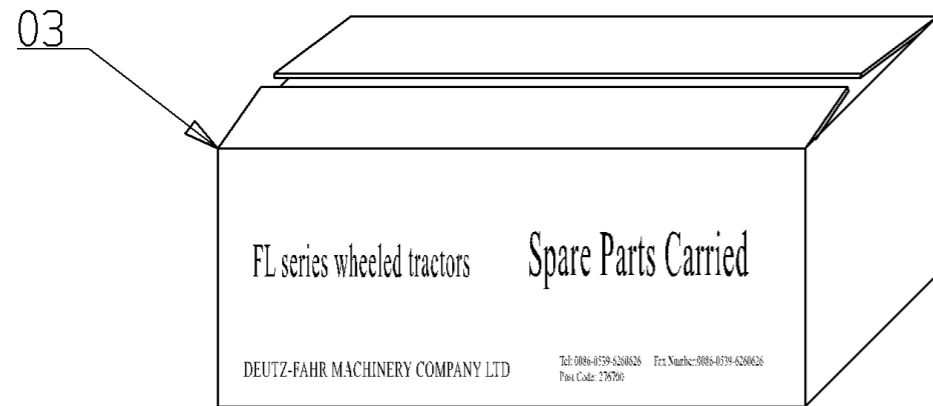
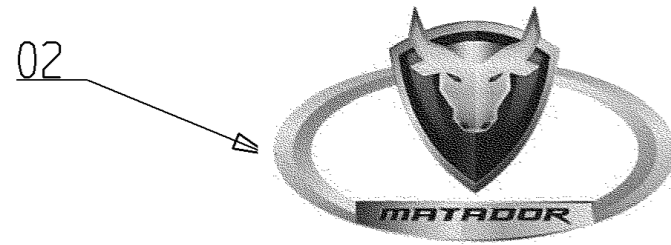


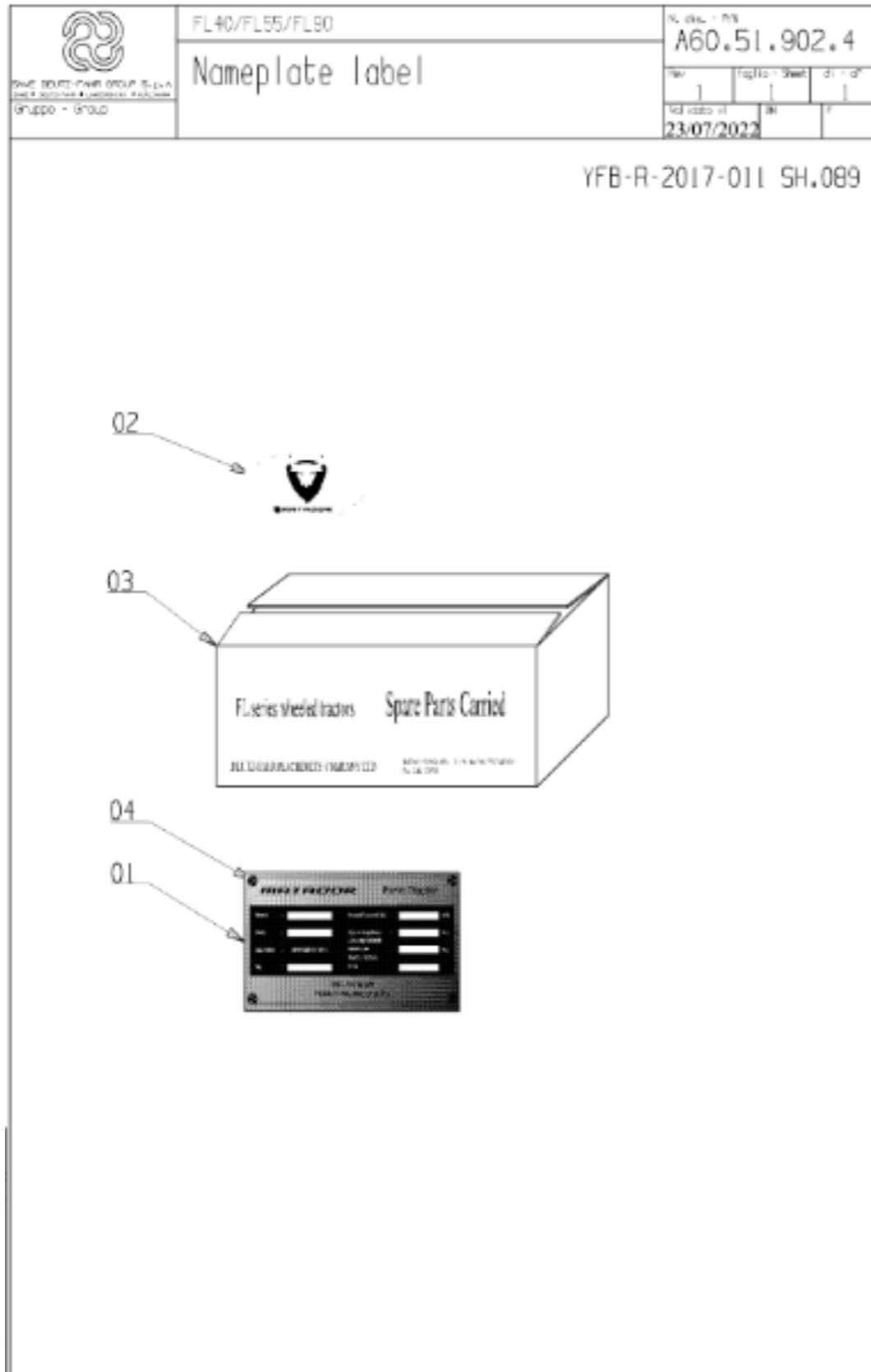
# A60.51.902.4 NAMEPLATE LABEL

YFB-R-2017-011 SH.007

## A60.51.902.4\_0 铭牌标识 NAMEPLATE LABEL

序号	零件编号	零件名称	数量	图号
1	LD754.51.104A	产品铭牌 ID LABEL	1	LD754.51.104A
2	LD754.51.102A	前标 FRONT LOGO	1	LD754.51.102A
3	B61.51.006.0	包装箱 PACKAGE BOX	1	B61.51.006.0
4	GBT12618.1-3X15	铆钉 BLIND RIVETS	4	GBT12618.1-3X15



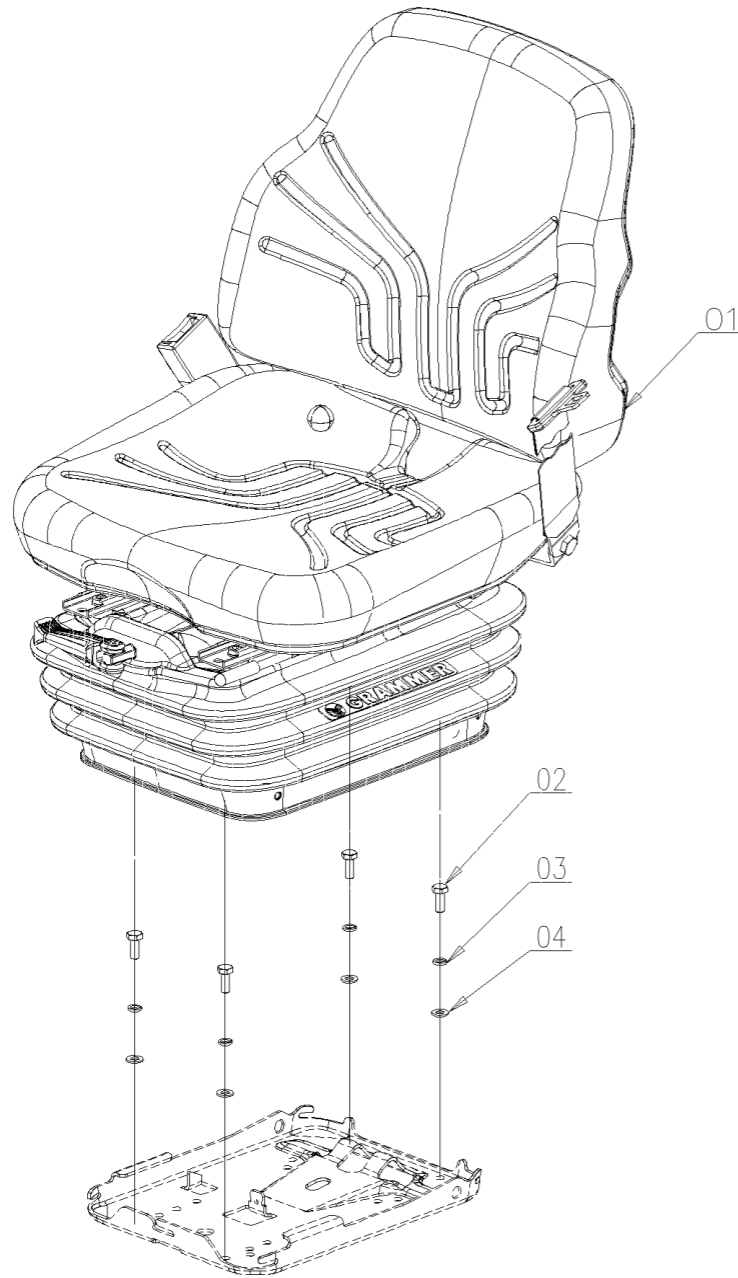


### A60.51.902.4\_1 铭牌标识 NAMEPLATE LABEL

序号	零件编号	零件名称	数量	图号
1	LD754.51.104A	产品铭牌 NAME PLATE	1	LD754.51.104A
2	LD754.51.102A	前标 FRONT LABEL	1	LD754.51.102A
3	B61.51.006.0	包装箱 PACKAGE BOX	1	B61.51.006.0
4	GBT12618.1-3X15	铆钉 RIVET	4	GBT12618.1-3X15



A68.44.900.4 SEAT ASS.



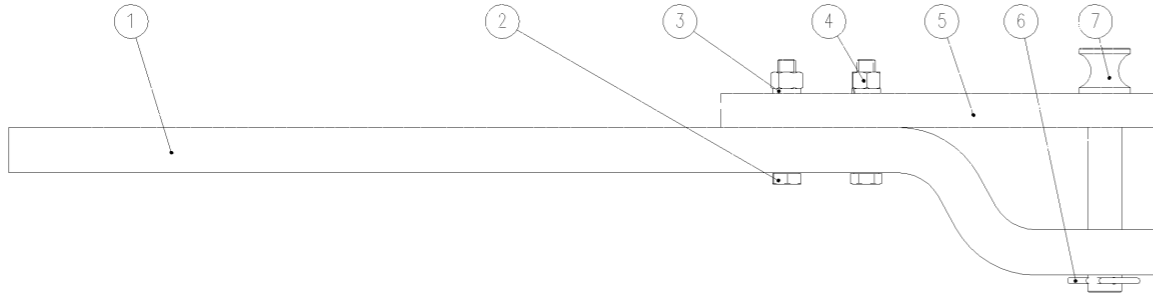
A68.44.900.4\_1 格拉默座椅 (PVC 坐墊及安全带) GRAMMER (PVC CUSION WITH SAFTY BELT)

序号	零件编号	零件名称	数量	图号
1	A68.44.001.4	座椅总成 SEAT(GRAMMERPVC)	1	A68.44.001.4
2	GBT5783-M8X20-A2L	螺栓 BOLT	4	GBT5783-M8X20-A2L
3	GBT93-8-A3L	垫圈 WASHER	4	GBT93-8-A3L
4	GBT97.1-8-A3L	垫圈 WASHER	4	GBT97.1-8-A3L

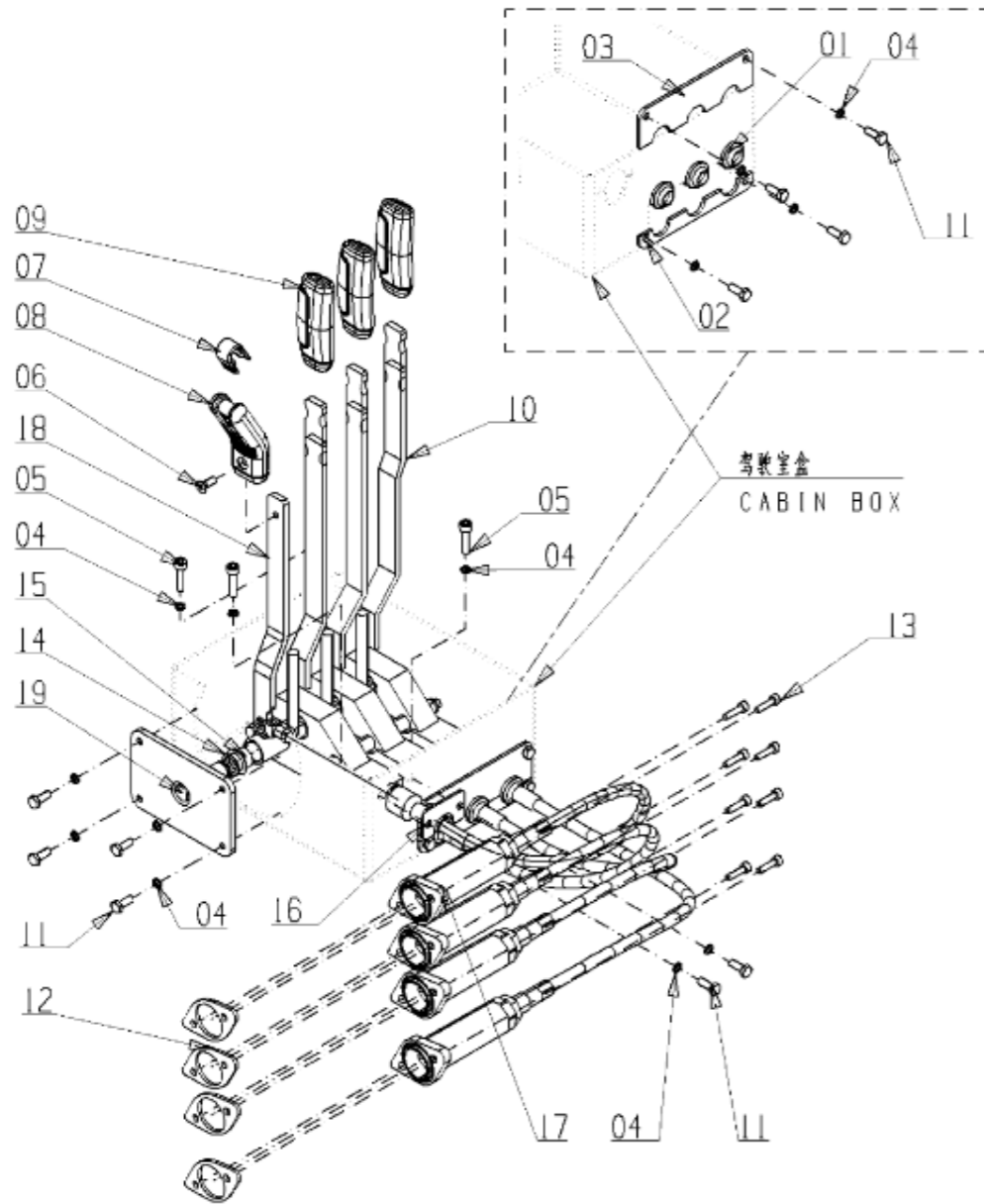
### A73.35.008.4 摆杆组件 SWING BAR ASSY.

A73.35.008.4 SWING BAR ASSY.

序号	零件编号	零件名称	数量	图号
1	A73.35.005.0	摆杆 SWING BAR	1	A73.35.005.0
2	GBT5782-M16X100-A3L	螺栓 BOLT	2	GBT5782-M16X100-A3L
3	GBT93-16-A3L	垫圈 WASHER	2	GBT93-16-A3L
4	GBT6170-M16-A3L	螺母 NUT	2	GBT6170-M16-A3L
5	A73.35.004.0	连接板 CONNECTING PLATE	1	A73.35.004.0
6	SH900.35.102	弹簧锁销 SPRING LOCK PIN	1	SH900.35.102
7	SH900.35.101	牵引销 TRACTION PIN	1	SH900.35.101



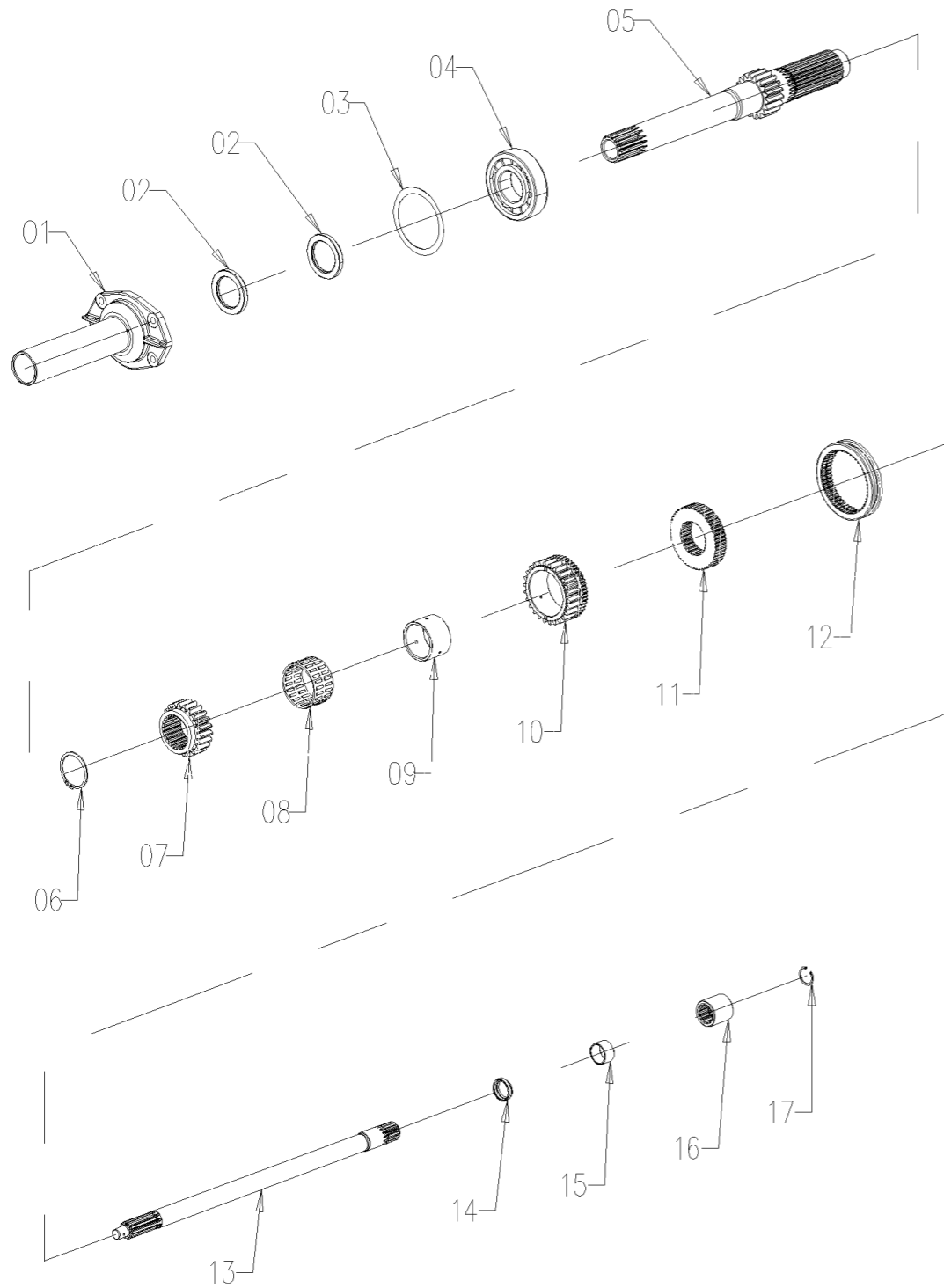
YFB-R-2017-011 SH.085



A78.58.917.4\_1 液压操纵总成 VALVE COMMAND ASS.Y

序号	零件编号	零件名称	数量	图号
1	A31.45.011.0	橡胶垫片 RUBBER GASKET	3	A31.45.011.0
2	A31.45.013.0/10	固定板 FIXING PLATE	1	A31.45.013.0/10
3	A31.45.012.0/10	固定板 FIXING PLATE	1	A31.45.012.0/10
4	2.1473.006.2	弹簧垫圈 SPRING WASHER M6	13	2.1473.006.2
5	2.0312.108.2	螺栓 SOCKET SCREW M6x1x25	3	2.0312.108.2
6	GBT819.1-M6X16-A2L	螺栓 SCREW	1	GBT819.1-M6X16-A2L
7	0.020.3200.0	手柄球 COUPLING	1	0.020.3200.0
8	0.020.3149.0	手柄球 KNOB	1	0.020.3149.0
9	0.020.3757.0	手柄球 KNOB	3	0.020.3757.0
10	B80.45.012.4	液压缸控制 CONTROL FOR	1	B80.45.012.4
11	2.0114.005.2	螺栓 SCREW M6x16	10	2.0114.005.2
12	A68.45.066.0/10	板 SPOOL VALVE PLATE	4	A68.45.066.0/10
13	2.0312.006.2	螺钉 SOCKET SCREW M5x0.8x20	8	2.0312.006.2
14	2.1410.004.2	挡圈 ANELLO 16	2	2.1410.004.2
15	2.2841.071.0	轴承 SLINDING BEARING 16x18x12	2	2.2841.071.0
16	A31.45.019.0	板 PLATE	1	A31.45.019.0
17	A31.45.020.4	转轴 LIFT CONTROL BOWDEN	1	A31.45.020.4
18	A31.45.021.2/10	提升器控制杆 LIFT CONTROL ARM	1	A31.45.021.2/10
19	A31.45.022.2	提升器控制轴 LIFT CONTROL SHAFT	1	A31.45.022.2

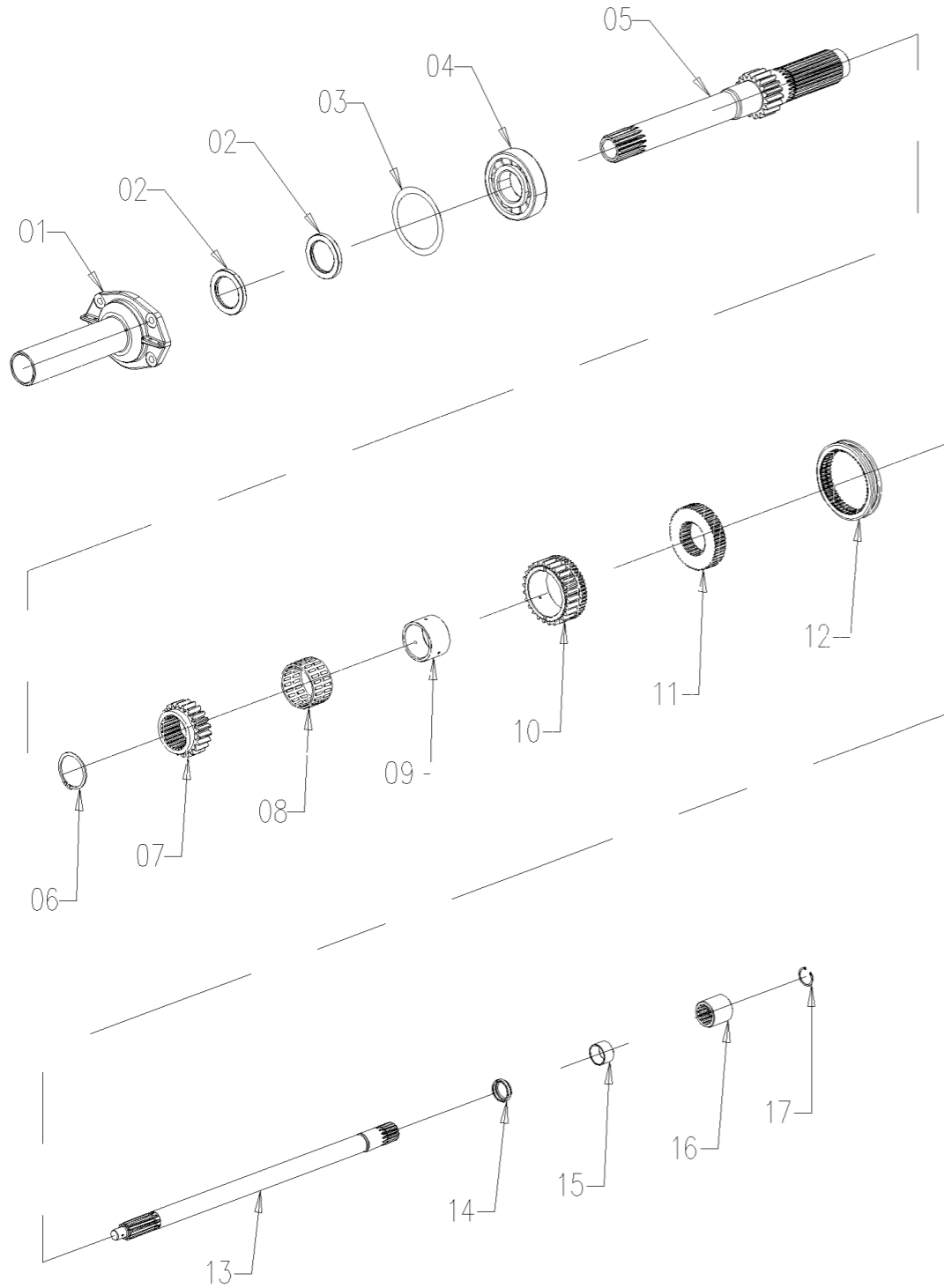
# A80.37.912.4 INPUT SHAFT ASS.Y



# A80.37.912.4\_0 输入轴总成 (16F+8R 梭式档) INPUT SHAFT ASS.Y (16F+8R shuttle gear)

序号	零件编号	零件名称	数量	图号
1	SH900.37.102A	输入轴轴承 INPUT SHAFT BEARING	1	SH900.37.102A
2	GBT13871.1-FB-050072-D	油封 OIL SEAL	2	GBT13871.1-FB-050072-D
3	SH900.37.217	调整垫圈 ADJUSTING WASHER	0	SH900.37.217
4	GBT276-6310	轴承 BEARING	1	GBT276-6310
5	SH900.37.103A	输入轴 INPUT SHAFT	1	SH900.37.103A
6	GBT894.1-55	轴用弹性挡圈 CIRCLIPS FOR SHAFT	1	GBT894.1-55
7	SH900.37A.109	档齿轮传动齿轮 GEAR DRIVING	1	SH900.37A.109
8	JBT7918-K64X74X41ZW	轴承 BEARING	1	JBT7918-K64X74X41ZW
9	SH900.37.109	滚针内环41.5 41.5 INNER RING	1	SH900.37.109
10	SH900.37A.105	档主动齿轮 GEAR DRIVE GEAR	1	SH900.37A.105
11	SH900.41.121	啮合座 GEAR MESHING GEAR	1	SH900.41.121
12	SH900.37.111	齿轮啮合套 GEAR	1	SH900.37.111
13	SH900.37.101	前轴 PTO FRONT SHAFT	1	SH900.37.101
14	SH900.37.112/10	输入轴座 INPUT SHAFT SEAL	1	SH900.37.112/10
15	SH900.37.113	输入轴轴承座 INPUT SHAFT	1	SH900.37.113
16	SH900.41.105	连接套筒 PTO CONNECTING SLEEVE	1	SH900.41.105
17	GBT893.1-28	弹性挡圈 CIRCLIP	1	GBT893.1-28

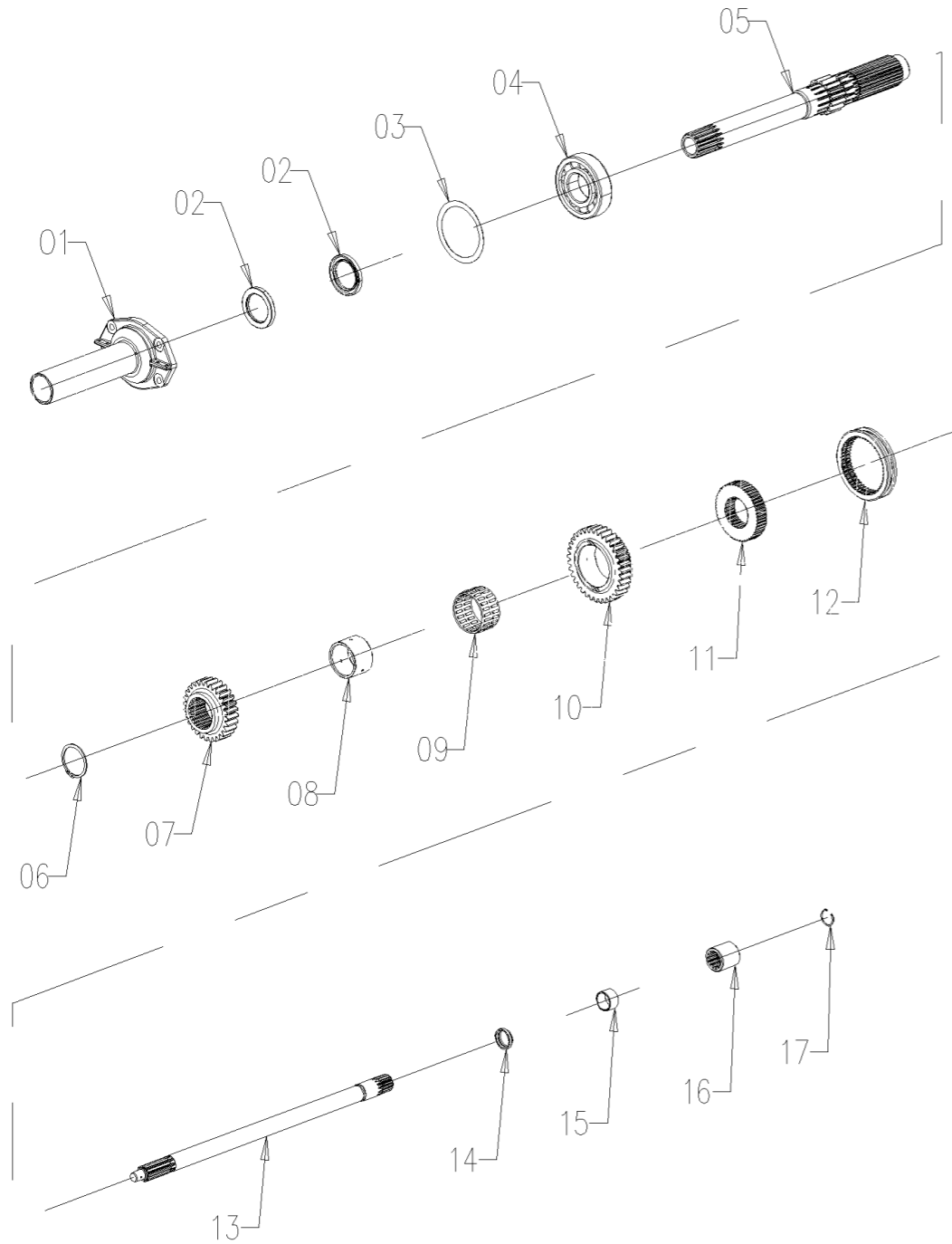
# A80.37.912.4 INPUT SHAFT ASS.Y



# A80.37.912.4\_1 输入轴总成 (16F+8R 梭式档) INPUT SHAFT ASS.Y (16F+8R shuttle gear)

序号	零件编号	零件名称	数量	图号
1	SH900.37.102A	输入轴轴承 INPUT SHAFT BEARING	1	SH900.37.102A
2	GBT13871.1-FB-050072-D	油封 OIL SEAL	2	GBT13871.1-FB-050072-D
3	SH900.37.217	调整垫圈 ADJUSTING WASHER	0	SH900.37.217
4	GBT276-6310	轴承 BEARING	1	GBT276-6310
5	SH900.37.103A	输入轴 INPUT SHAFT	1	SH900.37.103A
6	GBT894.1-55	轴用弹性挡圈 CIRCLIPS FOR SHAFT	1	GBT894.1-55
7	SH900.37A.109	档齿轮传动齿轮 GEAR DRIVING	1	SH900.37A.109
8	JBT7918-K64X74X41ZW	轴承 BEARING	1	JBT7918-K64X74X41ZW
9	SH900.37.109	滚针内环41.5 41.5 INNER RING	1	SH900.37.109
10	SH900.37A.105	档主动齿轮 GEAR DRIVE GEAR	1	SH900.37A.105
11	SH900.41.121	啮合座 GEAR MESHING GEAR	1	SH900.41.121
12	SH900.37.111	齿轮啮合套 GEAR	1	SH900.37.111
13	SH900.37.101	前轴 PTO FRONT SHAFT	1	SH900.37.101
14	SH900.37.112/10	输入轴座 INPUT SHAFT SEAL	1	SH900.37.112/10
15	SH900.37.113	输入轴轴承座 INPUT SHAFT	1	SH900.37.113
16	SH900.41.105	连接套筒 PTO CONNECTING SLEEVE	1	SH900.41.105
17	GBT893.1-28	弹性挡圈 CIRCLIP	1	GBT893.1-28

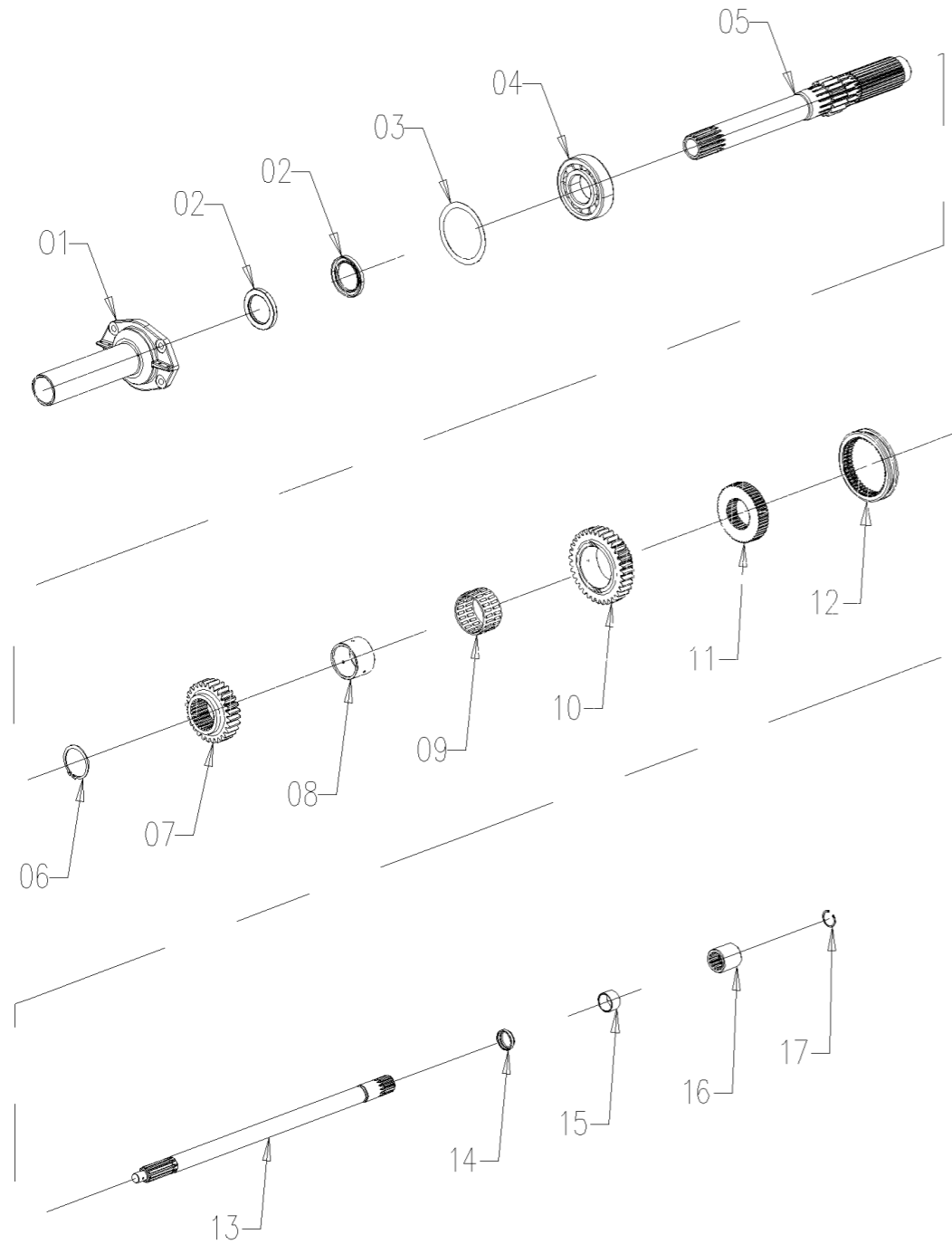
# A80.37.922.4 INPUT SHAFT ASS.Y



# A80.37.922.4\_0 输入轴总成 (16F+8R 微爬档) INPUT SHAFT ASS.Y (16F+8R micro crawl gear)

序号	零件编号	零件名称	数量	图号
1	SH900.37.102A	输入轴轴承 INPUT SHAFT BEARING	1	SH900.37.102A
2	GBT13871.1-FB-050072-D	油封 OIL SEAL	2	GBT13871.1-FB-050072-D
3	SH900.37.217	调整垫圈 ADJUSTING WASHER	0	SH900.37.217
4	GBT276-6310	轴承 BEARING	1	GBT276-6310
5	SH900.37B.101	输入轴 INPUT SHAFT	1	SH900.37B.101
6	GBT894.1-55	轴用弹性挡圈 CIRCLIPS FOR SHAFT	1	GBT894.1-55
7	SH900.37B.103	齿轮 GEAR	1	SH900.37B.103
8	SH900.37.109	滚针内环41.5 41.5 INNER RING	1	SH900.37.109
9	JBT7918-K64X74X41ZW	轴承 BEARING	1	JBT7918-K64X74X41ZW
10	SH900.37B.105	齿轮 GEAR	1	SH900.37B.105
11	SH900.41.121	啮合座 GEAR MESHING GEAR	1	SH900.41.121
12	SH900.37.111	齿轮啮合套 GEAR	1	SH900.37.111
13	SH900.37.101	前轴 PTO FRONT SHAFT	1	SH900.37.101
14	SH900.37.112/10	输入轴座 INPUT SHAFT SEAL	1	SH900.37.112/10
15	SH900.37.113	输入轴轴承座 INPUT SHAFT	1	SH900.37.113
16	SH900.41.105	连接套筒 PTO CONNECTING SLEEVE	1	SH900.41.105
17	GBT893.1-28	弹性挡圈 CIRCLIP	1	GBT893.1-28

# A80.37.922.4 INPUT SHAFT ASS.Y



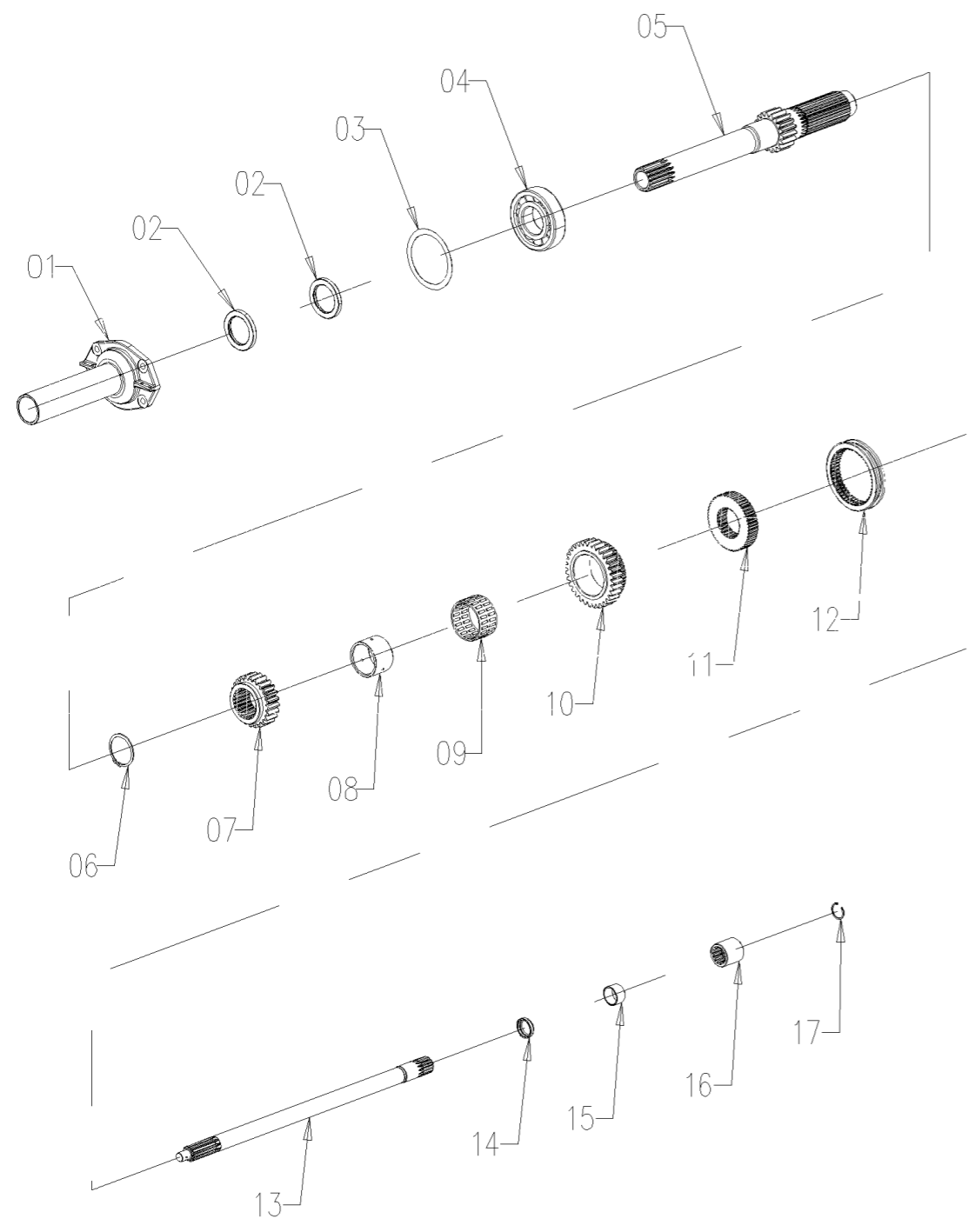
# A80.37.922.4\_1 输入轴总成 (16F+8R 微爬档) INPUT SHAFT ASS.Y (16F+8R micro crawl gear)

序号	零件编号	零件名称	数量	图号
1	SH900.37.102A	输入轴轴承 INPUT SHAFT BEARING	1	SH900.37.102A
2	GBT13871.1-FB-050072-D	油封 OIL SEAL	2	GBT13871.1-FB-050072-D
3	SH900.37.217	调整垫圈 ADJUSTING WASHER	0	SH900.37.217
4	GBT276-6310	轴承 BEARING	1	GBT276-6310
5	SH900.37B.101	输入轴 INPUT SHAFT	1	SH900.37B.101
6	GBT894.1-55	轴用弹性挡圈 CIRCLIPS FOR SHAFT	1	GBT894.1-55
7	SH900.37B.103	齿轮 GEAR	1	SH900.37B.103
8	SH900.37.109	滚针内环41.5 41.5 INNER RING	1	SH900.37.109
9	JBT7918-K64X74X41ZW	轴承 BEARING	1	JBT7918-K64X74X41ZW
10	SH900.37B.105	齿轮 GEAR	1	SH900.37B.105
11	SH900.41.121	啮合座 GEAR MESHING GEAR	1	SH900.41.121
12	SH900.37.111	齿轮啮合套 GEAR	1	SH900.37.111
13	SH900.37.101	前轴 PTO FRONT SHAFT	1	SH900.37.101
14	SH900.37.112/10	输入轴座 INPUT SHAFT SEAL	1	SH900.37.112/10
15	SH900.37.113	输入轴轴承座 INPUT SHAFT	1	SH900.37.113
16	SH900.41.105	连接套筒 PTO CONNECTING SLEEVE	1	SH900.41.105
17	GBT893.1-28	弹性挡圈 CIRCLIP	1	GBT893.1-28

# A80.37.932.4 INPUT SHAFT ASS.Y

# A80.37.932.4\_0 输入轴总成 (16F+8R 爬行档) INPUT SHAFT ASS.Y (16F+8R crawl gear)

序号	零件编号	零件名称	数量	图号
1	SH900.37.102A	输入轴轴承 INPUT SHAFT BEARING	1	SH900.37.102A
2	GBT13871.1-FB-050072-D	油封 OIL SEAL	2	GBT13871.1-FB-050072-D
3	SH900.37.217	调整垫圈 ADJUSTING WASHER	0	SH900.37.217
4	GBT276-6310	轴承 BEARING	1	GBT276-6310
5	SH900.37.103A	输入轴 INPUT SHAFT	1	SH900.37.103A
6	GBT894.1-55	轴用弹性挡圈 CIRCLIPS FOR SHAFT	1	GBT894.1-55
7	SH900.37.108	档主动齿轮 GEAR DRIVING GEAR	1	SH900.37.108
8	SH900.37.109	滚针内环41.5 41.5 INNER RING	1	SH900.37.109
9	JBT7918-K64X74X41ZW	轴承 BEARING	1	JBT7918-K64X74X41ZW
10	SH900.37.110	档传动齿轮 SPEED DRIVE GEAR	1	SH900.37.110
11	SH900.41.121	啮合座 GEAR MESHING GEAR	1	SH900.41.121
12	SH900.37.111	齿轮啮合套 GEAR	1	SH900.37.111
13	SH900.37.101	前轴 PTO FRONT SHAFT	1	SH900.37.101
14	SH900.37.112/10	输入轴座 INPUT SHAFT SEAL	1	SH900.37.112/10
15	SH900.37.113	输入轴轴承座 INPUT SHAFT	1	SH900.37.113
16	SH900.41.105	连接套筒 PTO CONNECTING SLEEVE	1	SH900.41.105
17	GBT893.1-28	弹性挡圈 CIRCLIP	1	GBT893.1-28

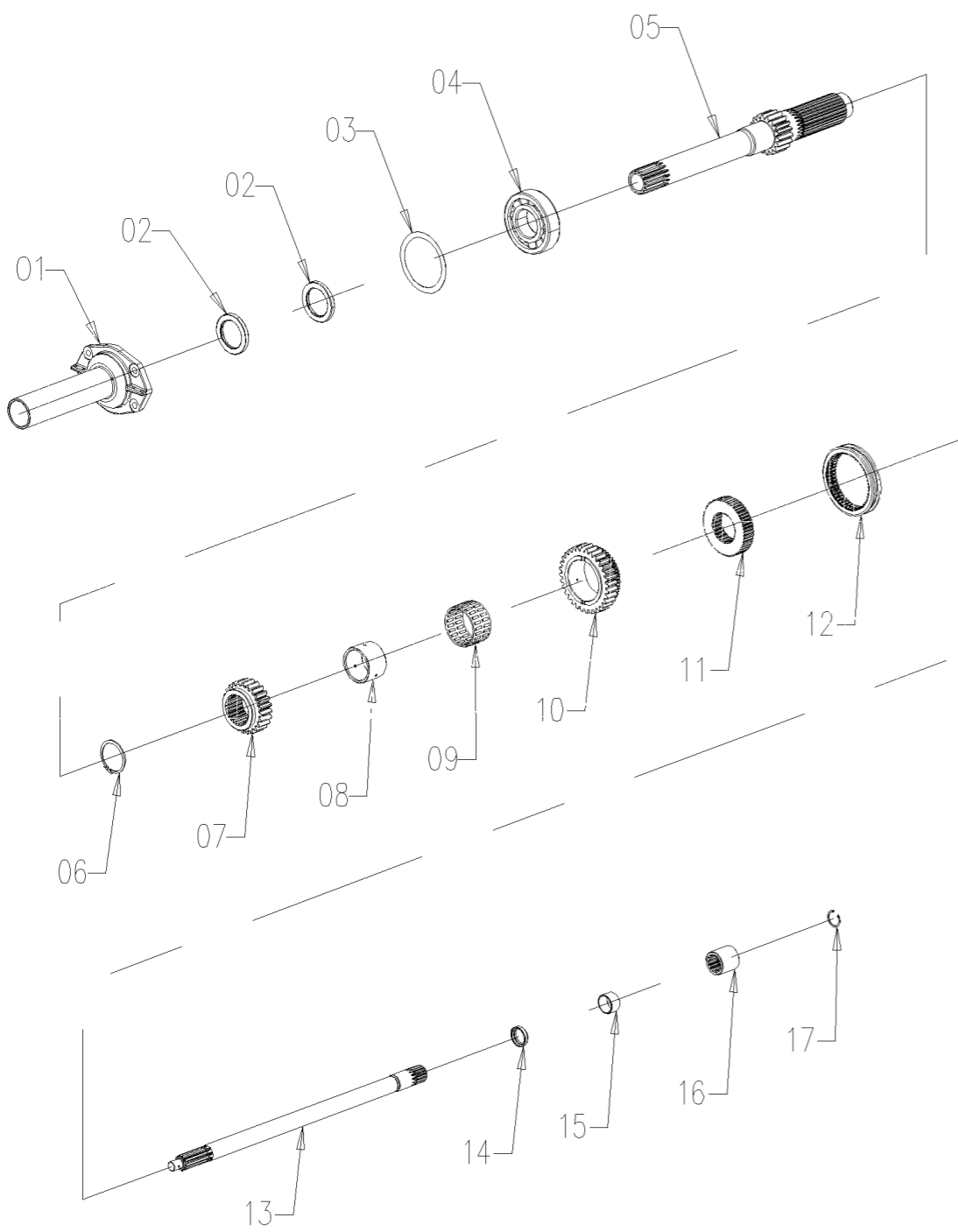




# A80.37.932.4 INPUT SHAFT ASS.Y

# A80.37.932.4\_1 输入轴总成 (16F+8R 爬行档) INPUT SHAFT ASS.Y (16F+8R crawl gear)

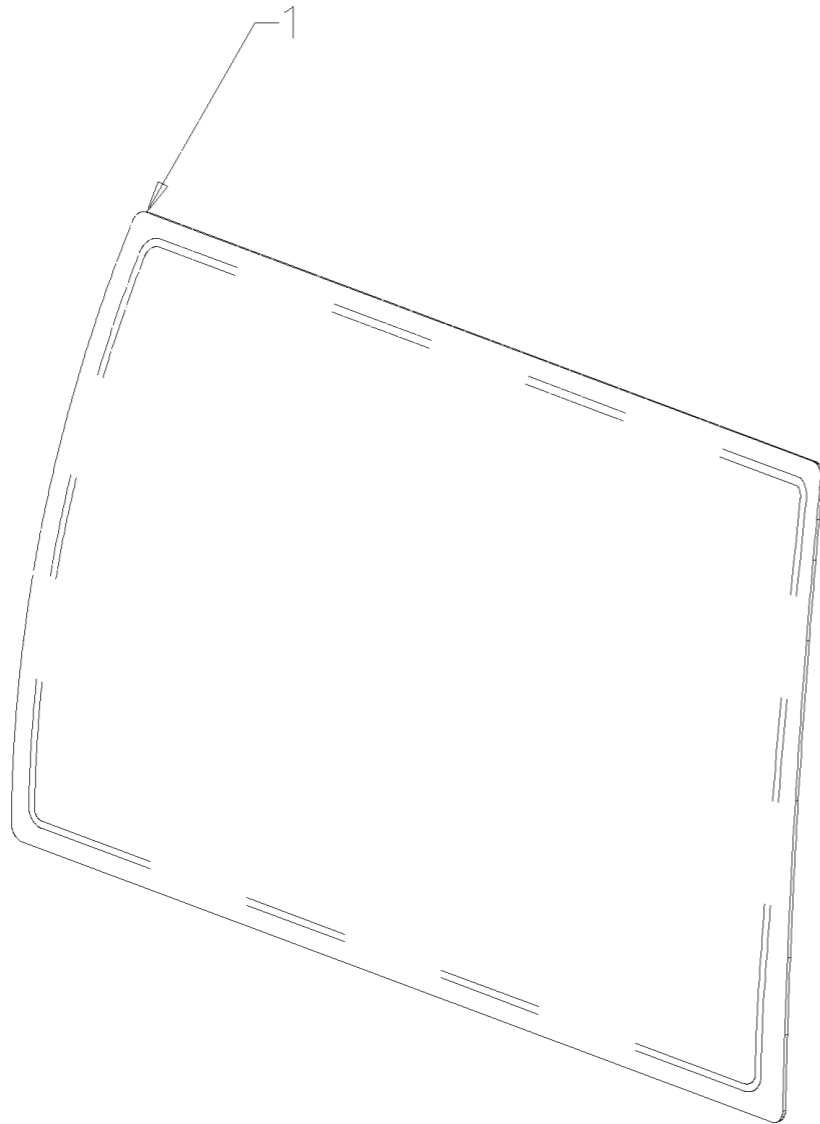
序号	零件编号	零件名称	数量	图号
1	SH900.37.102A	输入轴轴承 INPUT SHAFT BEARING	1	SH900.37.102A
2	GBT13871.1-FB-050072-D	油封 OIL SEAL	2	GBT13871.1-FB-050072-D
3	SH900.37.217	调整垫圈 ADJUSTING WASHER	0	SH900.37.217
4	GBT276-6310	轴承 BEARING	1	GBT276-6310
5	SH900.37.103A	输入轴 INPUT SHAFT	1	SH900.37.103A
6	GBT894.1-55	轴用弹性挡圈 CIRCLIPS FOR SHAFT	1	GBT894.1-55
7	SH900.37.108	档主动齿轮 GEAR DRIVING GEAR	1	SH900.37.108
8	SH900.37.109	滚针内环41.5 41.5 INNER RING	1	SH900.37.109
9	JBT7918-K64X74X41ZW	轴承 BEARING	1	JBT7918-K64X74X41ZW
10	SH900.37.110	档传动齿轮 III SPEED DRIVE GEAR	1	SH900.37.110
11	SH900.41.121	啮合座 GEAR MESHING GEAR	1	SH900.41.121
12	SH900.37.111	齿轮啮合套 GEAR	1	SH900.37.111
13	SH900.37.101	前轴 PTO FRONT SHAFT	1	SH900.37.101
14	SH900.37.112/10	输入轴座 INPUT SHAFT SEAL	1	SH900.37.112/10
15	SH900.37.113	输入轴轴承座 INPUT SHAFT	1	SH900.37.113
16	SH900.41.105	连接套筒 PTO CONNECTING SLEEVE	1	SH900.41.105
17	GBT893.1-28	弹性挡圈 CIRCLIP	1	GBT893.1-28



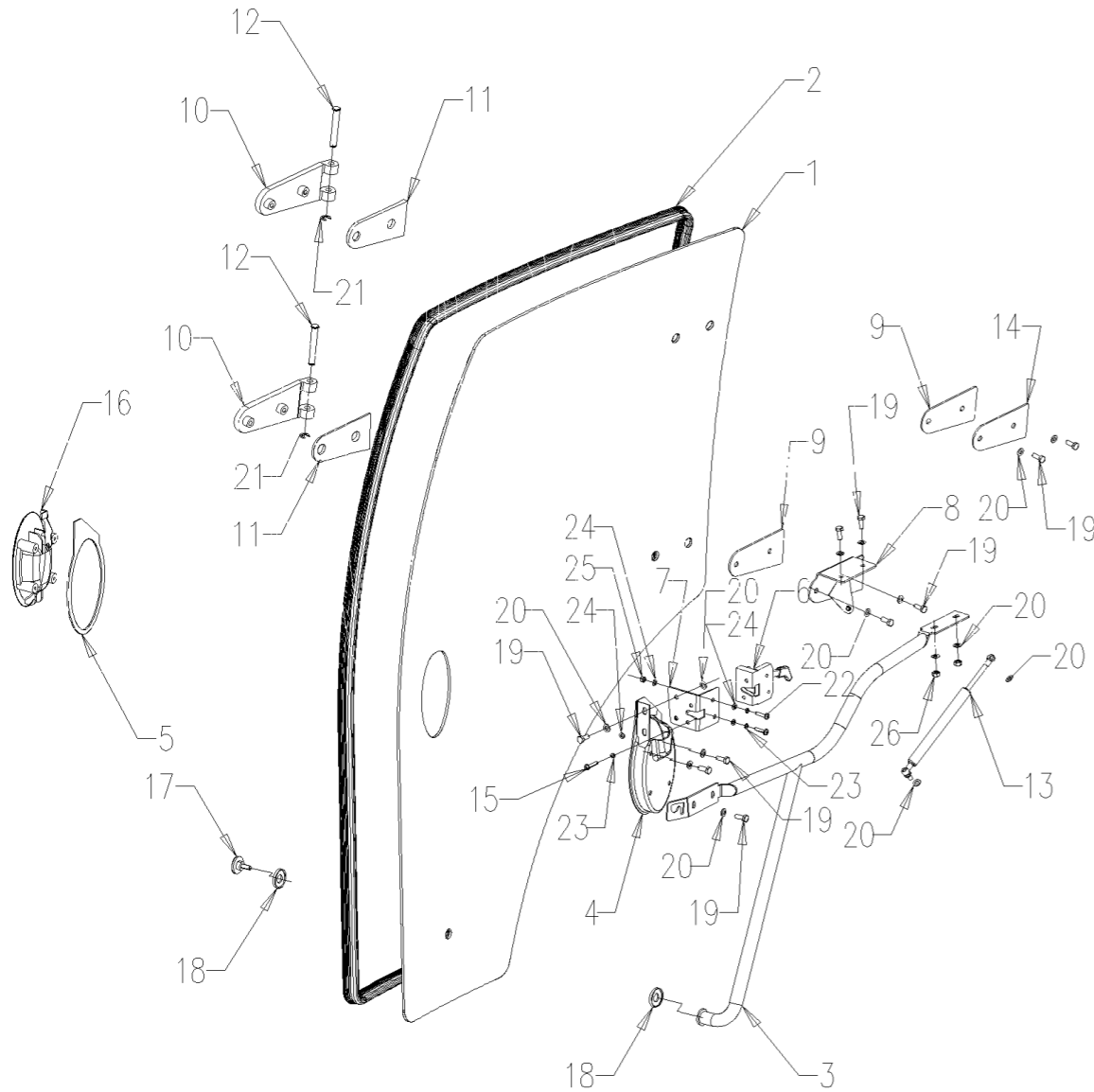
A80.45.901.4 FRONT WINDOW ASS.Y

A80.45.901.4\_0 前窗玻璃 FRONT WINDOW ASS.Y

序号	零件编号	零件名称	数量	图号
1	A80.45.005.0	前窗 FRONT WINDOW	1	A80.45.005.0



# A80.45.902.4 RH DOOR ASS.Y

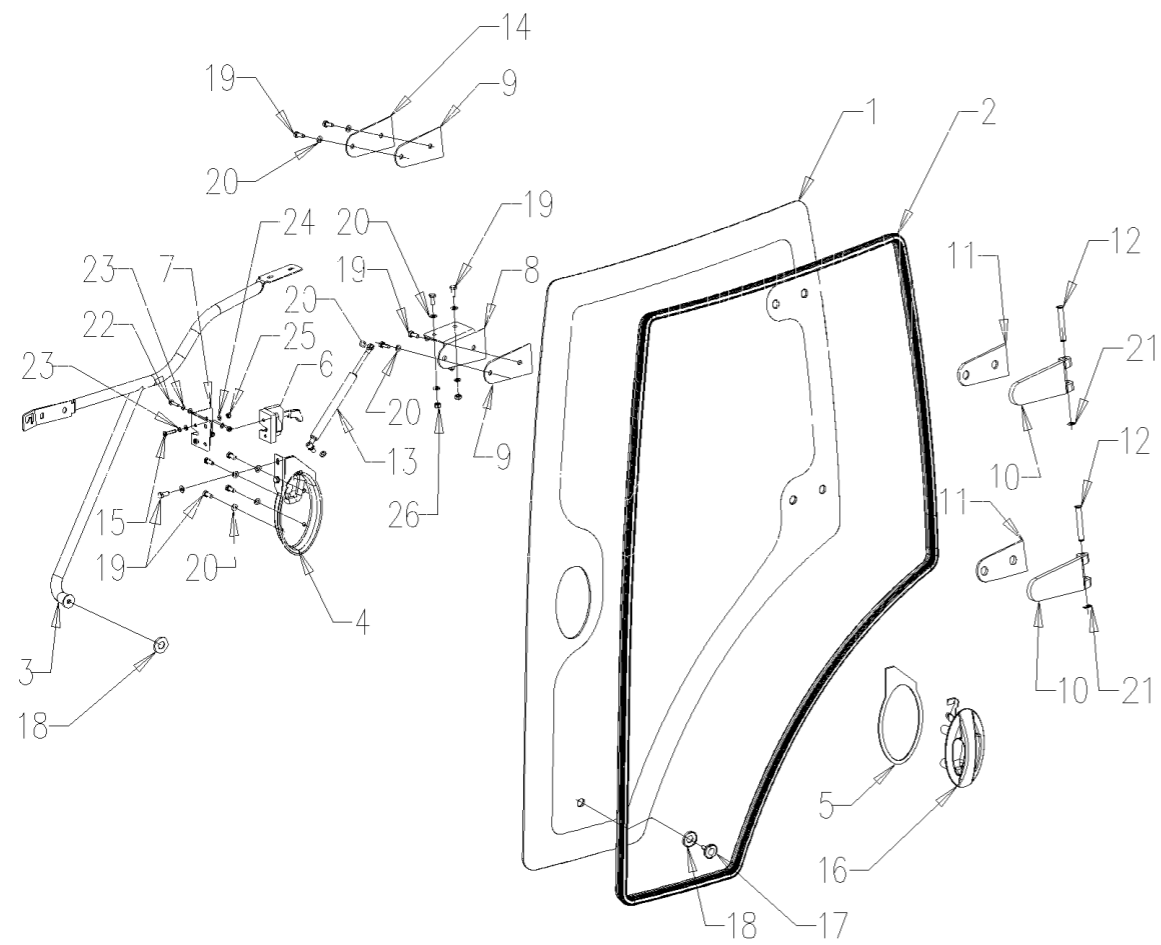


## A80.45.902.4\_0 右门总成 RH DOOR ASS.Y

序号	零件编号	零件名称	数量	图号
1	A80.45.025.0	右门 RH DOOR	1	A80.45.025.0
2	A80.45.026.0	橡胶帽 RUBBER	1	A80.45.026.0
3	A80.45.027.3	右门把手 RH DOOR HANDLE	1	A80.45.027.3
4	A80.45.041.3	门锁固定支架 DOOR LOCK FIXED	1	A80.45.041.3
5	A80.45.044.0	门锁橡胶 DOOR LOCK RUBBER	1	A80.45.044.0
6	A80.45.045.0	门锁 DOOR LOCK	1	A80.45.045.0
7	A80.45.040.0	支架 BRACKET	1	A80.45.040.0
8	A80.45.034.3	气弹簧支承 GAS SPRING BRACKET	1	A80.45.034.3
9	A80.45.037.0	橡胶帽 RUBBER	2	A80.45.037.0
10	A80.45.033.0	? 门锁链 DOOR HINGE	2	A80.45.033.0
11	A80.45.039.0	橡胶帽 RUBBER	2	A80.45.039.0
12	A80.45.047.0	销 PIN	2	A80.45.047.0
13	A80.45.048.0	气弹簧 GAS SPRING	1	A80.45.048.0
14	A80.45.038.0	支架 BRACKET	1	A80.45.038.0
15	2.0332.409.2	螺钉 CROSS SCREW M6x1x30	2	2.0332.409.2
16	A80.45.046.0	门锁把手 DOOR LOCK HANDLE	1	A80.45.046.0
17	A39.45.047.0	塑料头螺栓 M8X20 PLASTIC HEAD	1	A39.45.047.0
18	A39.45.048.0	橡胶垫片 RUBBER GASKET	2	A39.45.048.0
19	GBT5783-M8X20-A2L	螺栓 BOLT	12	GBT5783-M8X20-A2L
20	GBT97.1-8-A3L	垫圈 WASHER	18	GBT97.1-8-A3L
21	2.1430.011.7	挡圈 ANELLO DI SICUR. X ALBERI	2	2.1430.011.7
22	2.0332.408.2	螺钉 CROSS SCREW M6x1x25	2	2.0332.408.2
23	GBT93-6-A3L	垫圈 WASHER	4	GBT93-6-A3L
24	GBT97.1-6-A3L	垫圈 WASHER	8	GBT97.1-6-A3L
25	GBT6170-M6-A2L	螺母 NUT	4	GBT6170-M6-A2L
26	GBT6170-M8-A2L	螺母 NUT	4	GBT6170-M8-A2L

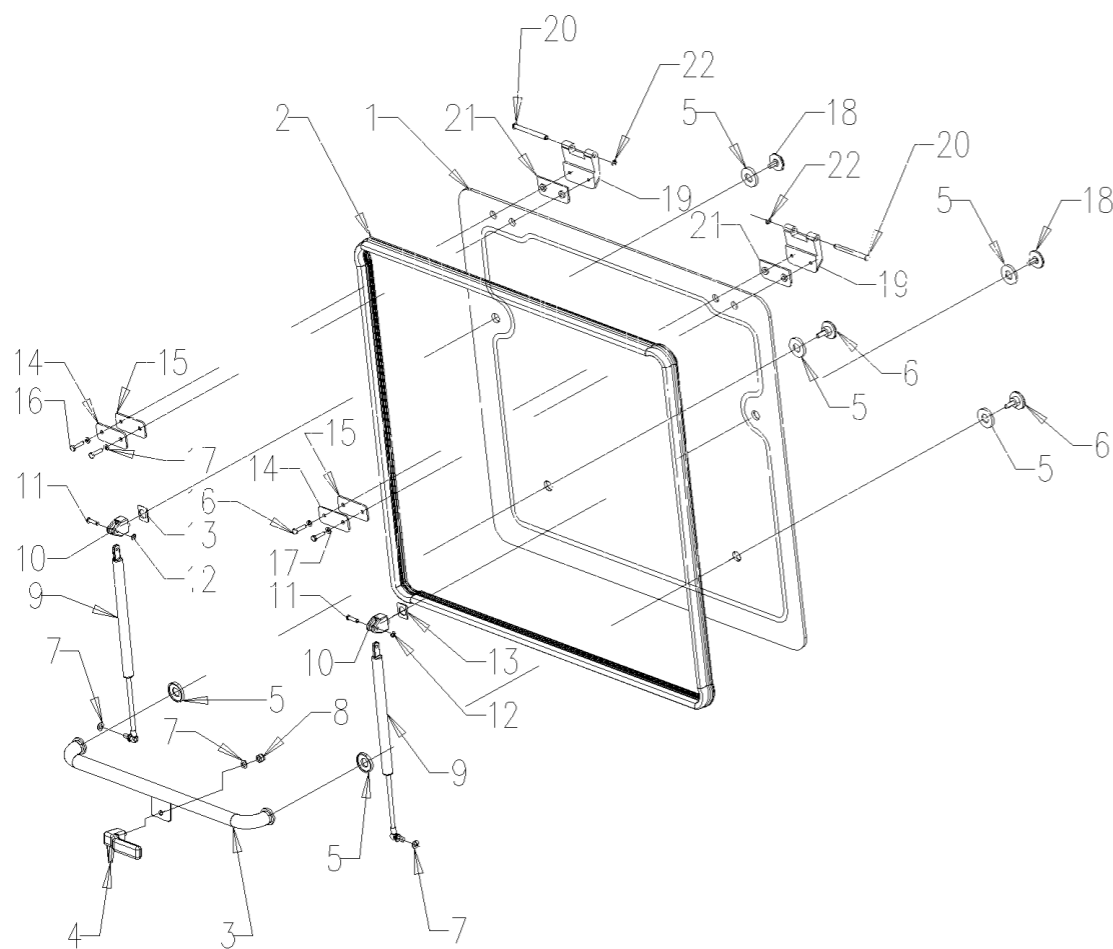
# A80.45.903.4 LH DOOR ASS.Y

## A80.45.903.4\_0 左门总成 LH DOOR ASS.Y



序号	零件编号	零件名称	数量	图号
1	A80.45.049.0	左门 LH DOOR	1	A80.45.049.0
2	A80.45.026.0	橡胶帽 RUBBER	1	A80.45.026.0
3	A80.45.050.3	左门把手 LH DOOR HANDLE	1	A80.45.050.3
4	A80.45.058.3	门锁固定支架 DOOR LOCK FIXED	1	A80.45.058.3
5	A80.45.044.0	门锁橡胶 DOOR LOCK RUBBER	1	A80.45.044.0
6	A80.45.056.0	左门锁 LH DOOR LOCK	1	A80.45.056.0
7	A80.45.057.0	支架 BRACKET	1	A80.45.057.0
8	A80.45.054.3	支架 BRACKET	1	A80.45.054.3
9	A80.45.037.0	橡胶帽 RUBBER	2	A80.45.037.0
10	A80.45.033.0	? 门锁链 DOOR HINGE	2	A80.45.033.0
11	A80.45.039.0	橡胶帽 RUBBER	2	A80.45.039.0
12	A80.45.047.0	销 PIN	2	A80.45.047.0
13	A80.45.048.0	气弹簧 GAS SPRING	1	A80.45.048.0
14	A80.45.038.0	支架 BRACKET	1	A80.45.038.0
15	2.0332.409.2	螺钉 CROSS SCREW M6x1x30	2	2.0332.409.2
16	A80.45.061.0	左门把手 LH DOOR HANDLE	1	A80.45.061.0
17	A39.45.047.0	塑料头螺栓 M8X20 PLASTIC HEAD	1	A39.45.047.0
18	A39.45.048.0	橡胶垫片 RUBBER GASKET	2	A39.45.048.0
19	GBT5783-M8X20-A2L	螺栓 BOLT	12	GBT5783-M8X20-A2L
20	GBT97.1-8-A3L	垫圈 WASHER	18	GBT97.1-8-A3L
21	2.1430.011.7	挡圈 ANELLO DI SICUR. X ALBERI	2	2.1430.011.7
22	2.0332.408.2	螺钉 CROSS SCREW M6x1x25	2	2.0332.408.2
23	GBT93-6-A3L	垫圈 WASHER	4	GBT93-6-A3L
24	GBT97.1-6-A3L	垫圈 WASHER	8	GBT97.1-6-A3L
25	GBT6170-M6-A2L	螺母 NUT	4	GBT6170-M6-A2L
26	GBT6170-M8-A2L	螺母 NUT	4	GBT6170-M8-A2L

# A80.45.904.4 REAR WINDOW ASS.Y

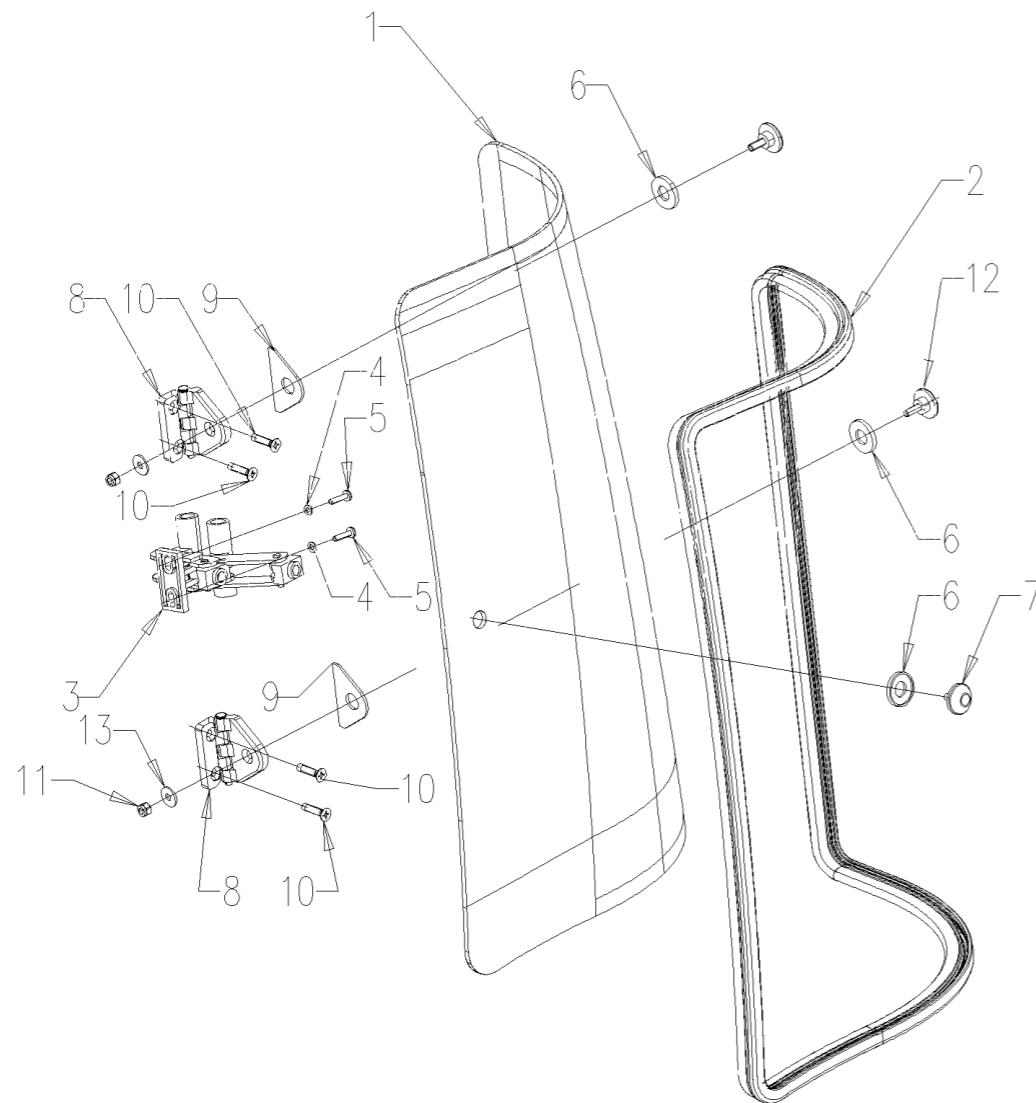


## A80.45.904.4\_0 后窗总成 REAR WINDOW ASS.Y

序号	零件编号	零件名称	数量	图号
1	A80.45.063.0	后挡玻璃 REAR WINDOW GLASS	1	A80.45.063.0
2	A80.45.064.0	后窗橡胶 REAR WINDOW RUBBER	1	A80.45.064.0
3	A80.45.068.3	把手 HANDLE	1	A80.45.068.3
4	A80.45.066.0	后窗把手 REAR WINDOW HANDLE	1	A80.45.066.0
5	A39.45.048.0	橡胶垫片 RUBBER GASKET	6	A39.45.048.0
6	A39.45.047.0	塑料头螺栓 M8X20 PLASTIC HEAD	2	A39.45.047.0
7	GBT97.1-8-A3L	垫圈 WASHER	3	GBT97.1-8-A3L
8	GBT889.1-M8-A2L	螺母 NUT	1	GBT889.1-M8-A2L
9	A80.45.076.0	气弹簧 GAS SPRING	2	A80.45.076.0
10	A80.45.067.0	气弹簧铰链 GAS SPRING HINGE	2	A80.45.067.0
11	A80.45.077.0	销 PIN	2	A80.45.077.0
12	2.1430.006.7	挡圈 ANELLO ELASTICO 5	2	2.1430.006.7
13	A80.45.074.0	垫圈 GASKET	2	A80.45.074.0
14	A80.45.075.0	板 PLATE	2	A80.45.075.0
15	A80.45.070.0	垫圈 GASKET	2	A80.45.070.0
16	GBT5783-M6X25-A2L	螺栓 BOLT	4	GBT5783-M6X25-A2L
17	GBT97.1-6-A3L	垫圈 WASHER	4	GBT97.1-6-A3L
18	A80.45.072.0	手柄球 KNOB	2	A80.45.072.0
19	A80.45.069.0	铰链 HINGE	2	A80.45.069.0
20	A80.45.073.0	销 PIN	2	A80.45.073.0
21	A80.45.071.0	垫圈 GASKET	2	A80.45.071.0
22	2.1430.007.2	挡圈 WASHER	2	2.1430.007.2

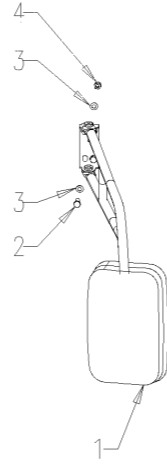
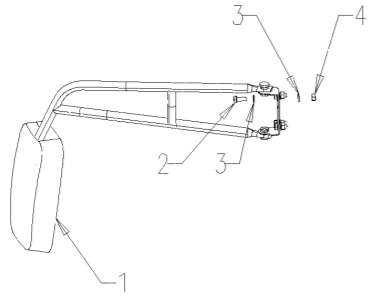
# A80.45.905.4 LH REAR WINDOW ASS.Y

## A80.45.905.4\_0 左后侧窗总成 LH REAR WINDOW ASS.Y



序号	零件编号	零件名称	数量	图号
1	A80.45.078.0	左侧后窗 LH REAR WINDOW	1	A80.45.078.0
2	A80.45.079.0	橡胶帽 RUBBER	1	A80.45.079.0
3	A80.45.080.0	把手 HANDLE	1	A80.45.080.0
4	GBT97.1-6-A3L	垫圈 WASHER	2	GBT97.1-6-A3L
5	2.0332.408.2	螺钉 CROSS SCREW M6x1x25	2	2.0332.408.2
6	A39.45.048.0	橡胶垫片 RUBBER GASKET	3	A39.45.048.0
7	A80.45.072.0	手柄球 KNOB	1	A80.45.072.0
8	A80.45.081.0	铰链 HINGE	2	A80.45.081.0
9	A80.45.082.0	垫圈 GASKET	2	A80.45.082.0
10	GBT819.1-M8X35-A2L	螺钉 SCREW	4	GBT819.1-M8X35-A2L
11	GBT889.1-M8-A2L	螺母 NUT	2	GBT889.1-M8-A2L
12	A39.45.047.0	塑料头螺栓 M8X20 PLASTIC HEAD	2	A39.45.047.0
13	GBT96.1-8-A3L	垫圈 WASHER	2	GBT96.1-8-A3L

A80.45.906.4 REAR MIRROR ASS.Y



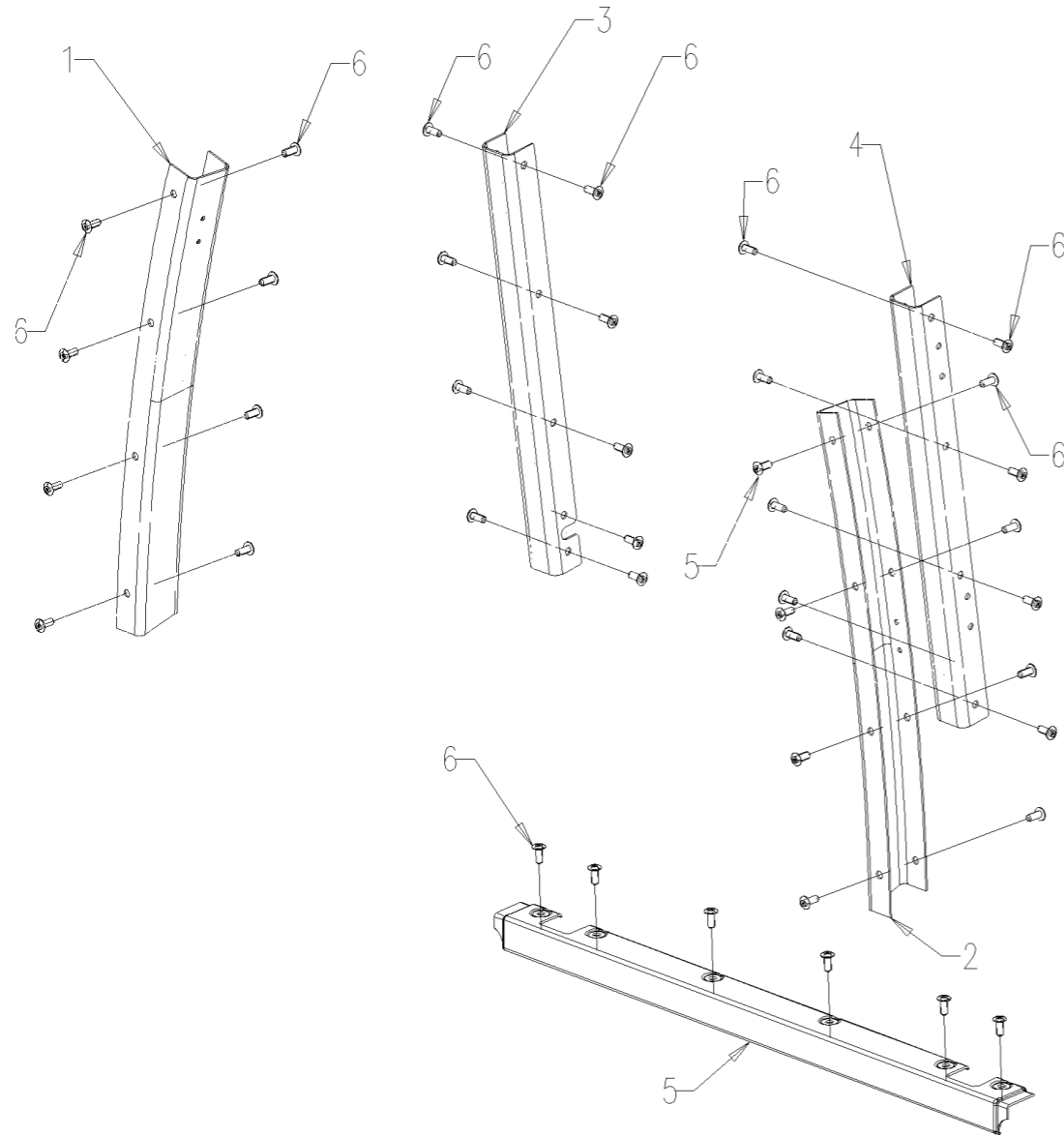
A80.45.906.4\_0 后视镜总成 REAR MIRROR ASS.Y

序号	零件编号	零件名称	数量	图号
1	A80.45.084.4	后视镜 REAR MIRROR	2	A80.45.084.4
2	GBT5783-M8X20-A2L	螺栓 BOLT	8	GBT5783-M8X20-A2L
3	GBT97.1-8-A3L	垫圈 WASHER	16	GBT97.1-8-A3L
4	GBT6170-M8-A2L	螺母 NUT	8	GBT6170-M8-A2L

# A80.45.907.4 COLUMN GUARD ASS.Y

## A80.45.907.4\_0 立柱内饰 COLUMN GUARD ASS.Y

序号	零件编号	零件名称	数量	图号
1	A80.45.012.0	右支柱盖 RH B PILLAR COVER	1	A80.45.012.0
2	A80.45.013.0	左支柱盖 LH B PILLAR COVER	1	A80.45.013.0
3	A80.45.086.0	右支柱盖 RH C PILLAR COVER	1	A80.45.086.0
4	A80.45.087.0	左侧柱盖 LH C PILLAR COVER	1	A80.45.087.0
5	A80.45.089.0	? 后盖 REAR COVER	1	A80.45.089.0
6	A80.45.088.0	塑胶螺钉 PLASTIC SCREW	40	A80.45.088.0

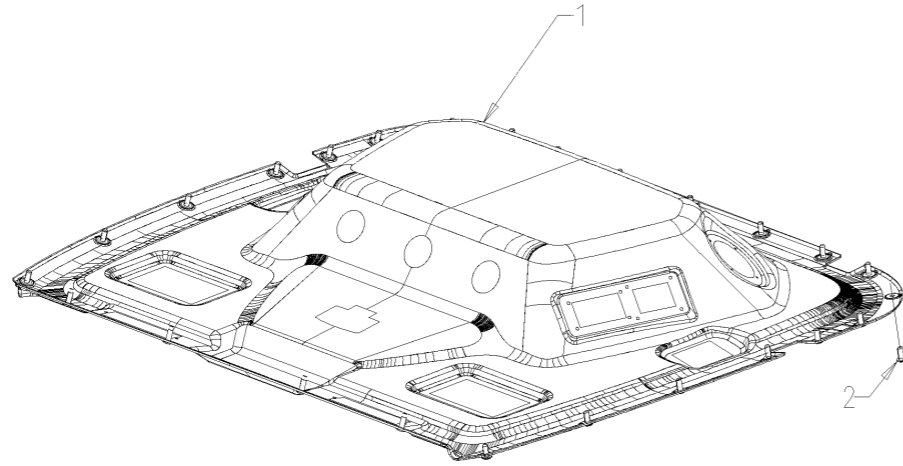




A80.45.908.4 TOP CONSOLE ASS.Y

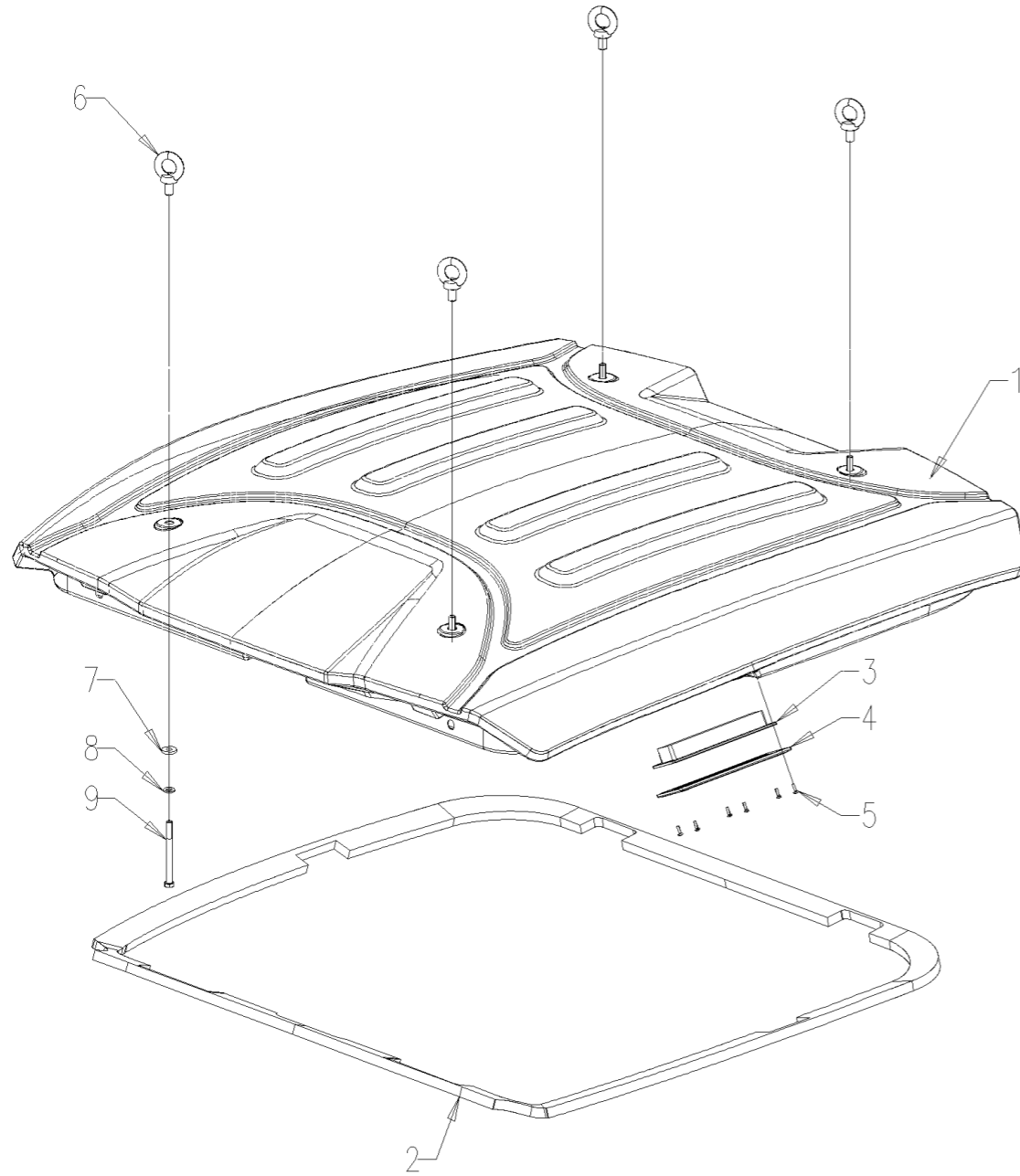
**A80.45.908.4\_0 顶内饰 TOP CONSOLE ASS.Y**

序号	零件编号	零件名称	数量	图号
1	A80.45.014.4	内顶总成 TOP CONSOLE ASS.Y	1	A80.45.014.4
2	A80.45.088.0	塑胶螺钉 PLASTIC SCREW	25	A80.45.088.0



# A80.45.909.4 TOP COVER ASS.Y

## A80.45.909.4\_0 顶棚 TOP COVER ASS.Y

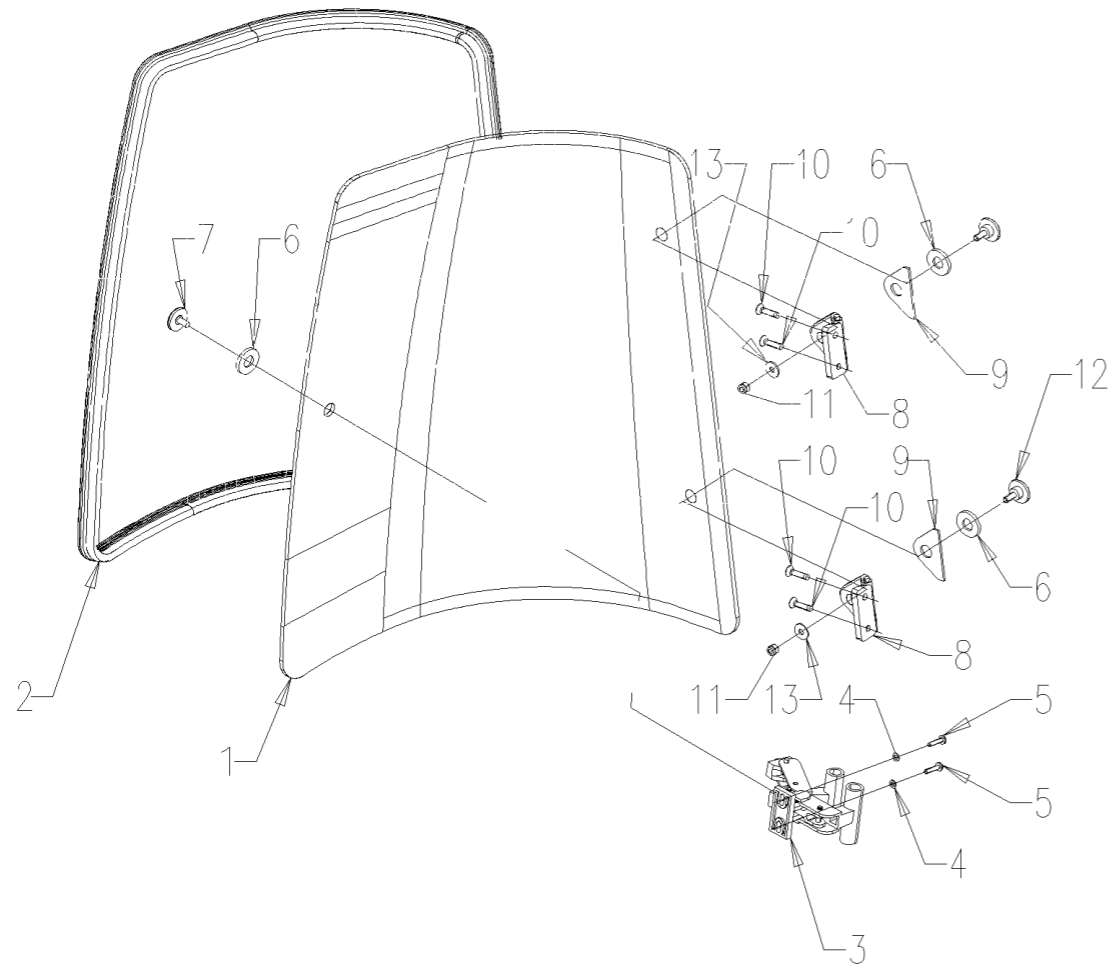


序号	零件编号	零件名称	数量	图号
1	A80.45.015.2	车顶 ROOF	1	A80.45.015.2
2	A80.45.090.0	车顶垫片 ROOF GASKET	1	A80.45.090.0
3	A80.45.091.0	空气过滤器 AIR FILTER	2	A80.45.091.0
4	A39.45.125.0	进气口 FRESH AIR INLET	2	A39.45.125.0
5	GBT818-M5X16-A2L	螺钉 SCREW	12	GBT818-M5X16-A2L
6	GBT825-M16-A3L	螺钉 SCREW	4	GBT825-M16-A3L
7	2.1569.211.0	垫圈 GUARNIZIONE 11.5X30X5	4	2.1569.211.0
8	GBT97.1-12-A3L	垫圈 WASHER	4	GBT97.1-12-A3L
9	2.0112.435.2	螺栓 HEX BOLT M12x1.75x130	4	2.0112.435.2

# A80.45.915.4 RH REAR WINDOW ASS.Y

## A80.45.915.4\_0 右后侧窗总成 RH REAR WINDOW ASS.Y

序号	零件编号	零件名称	数量	图号
1	A80.45.083.0	后窗 RH REAR WINDOW	1	A80.45.083.0
2	A80.45.079.0	橡胶帽 RUBBER	1	A80.45.079.0
3	A80.45.080.0	把手 HANDLE	1	A80.45.080.0
4	GBT97.1-6-A3L	垫圈 WASHER	2	GBT97.1-6-A3L
5	2.0332.408.2	螺钉 CROSS SCREW M6x1x25	2	2.0332.408.2
6	A39.45.048.0	橡胶垫片 RUBBER GASKET	3	A39.45.048.0
7	A80.45.072.0	手柄球 KNOB	1	A80.45.072.0
8	A80.45.081.0	铰链 HINGE	2	A80.45.081.0
9	A80.45.082.0	垫圈 GASKET	2	A80.45.082.0
10	GBT819.1-M8X35-A2L	螺钉 SCREW	4	GBT819.1-M8X35-A2L
11	GBT889.1-M8-A2L	螺母 NUT	2	GBT889.1-M8-A2L
12	A39.45.047.0	塑料头螺栓 M8X20 PLASTIC HEAD	2	A39.45.047.0
13	GBT96.1-8-A3L	垫圈 WASHER	2	GBT96.1-8-A3L

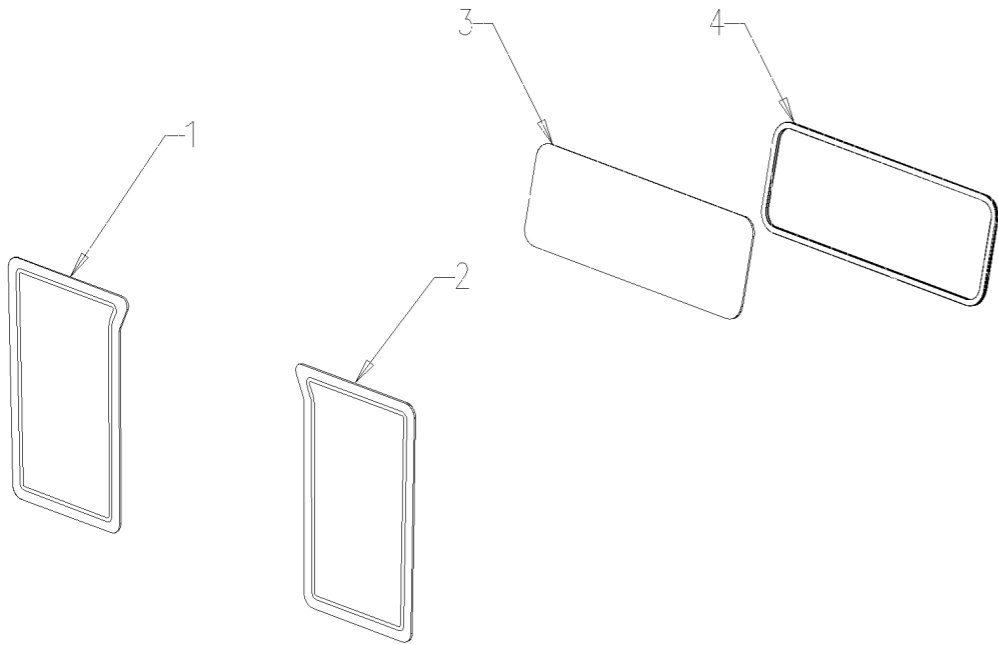


### A80.45.925.4\_0 玻璃总成 GLASSES ASS.Y

序号	零件编号	零件名称	数量	图号
1	A80.45.021.0	右下玻璃 RH BELOW GLASS	1	A80.45.021.0
2	A80.45.022.0	左下玻璃 LH BELOW GLASS	1	A80.45.022.0
3	A80.45.023.0	后下面玻璃 REAR BELOW GLASS	1	A80.45.023.0
4	A80.45.024.0	玻璃胶皮 GLASS RUBBER	1	A80.45.024.0

GLASSES ASS.LY A80.45.925.4

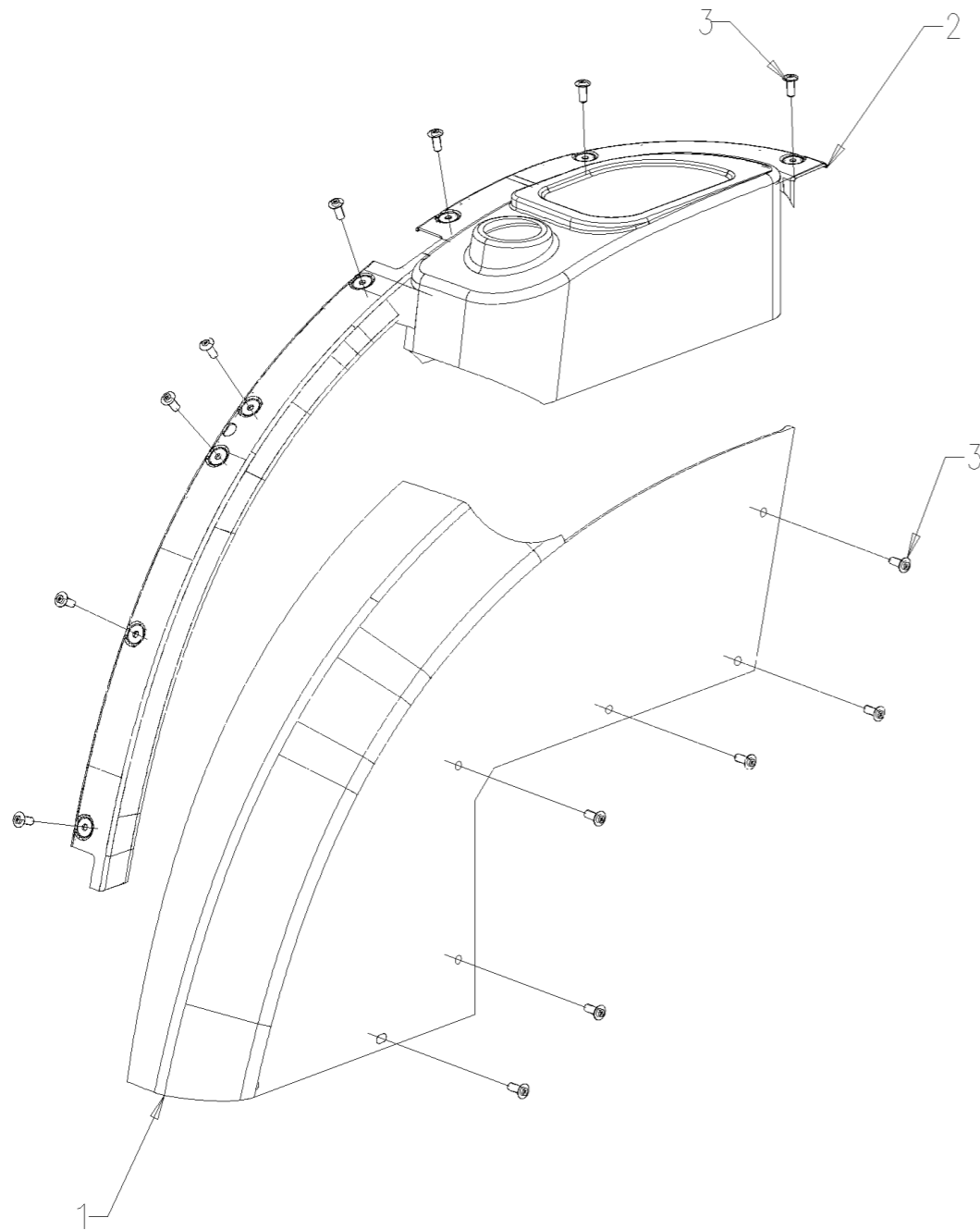
YFB-R-2016-016 SH.016



# A80.45.930.4 RH CONSOLE ASS.Y

## A80.45.930.4\_0 右轮罩内饰总成 RH CONSOLE ASS.Y

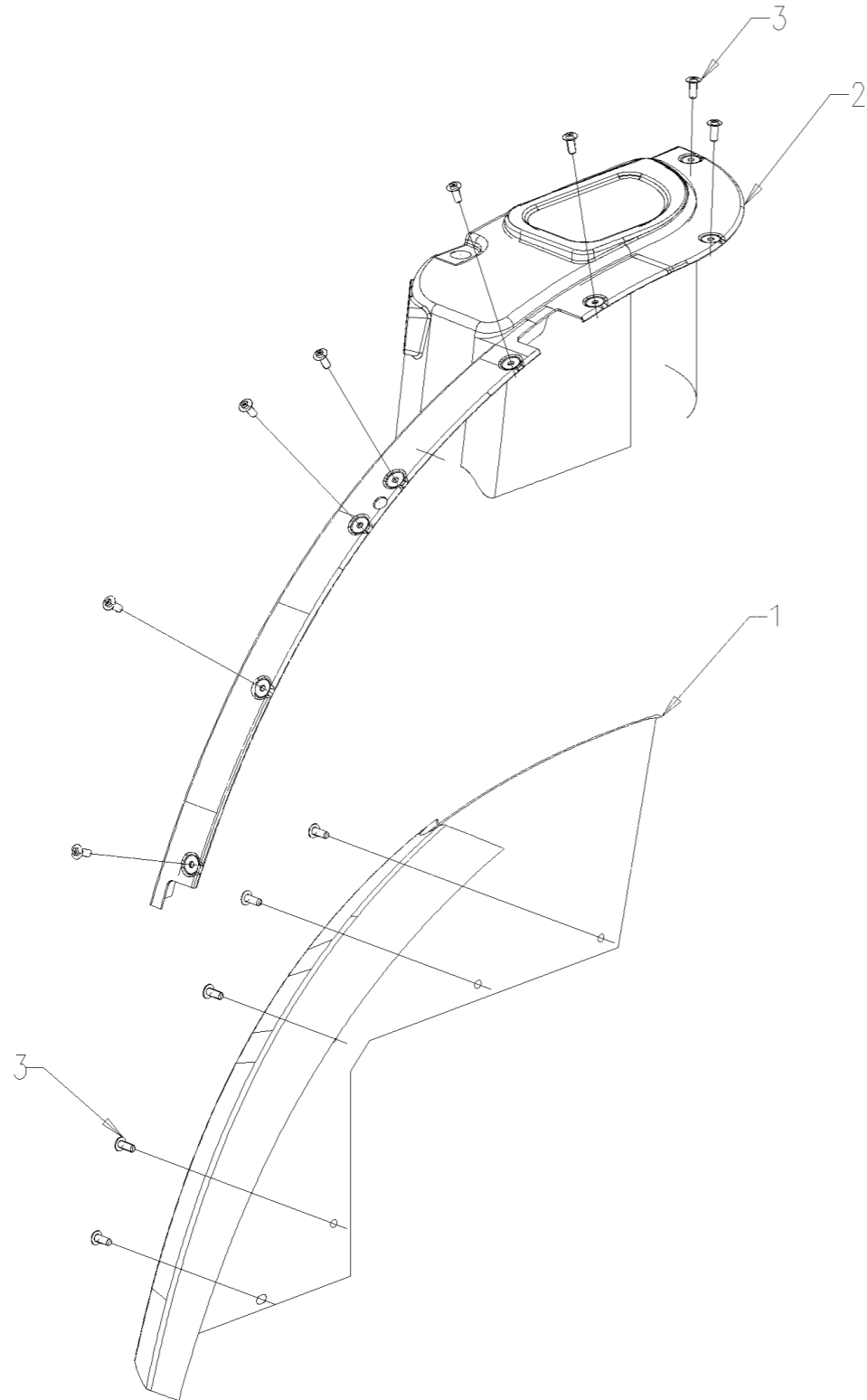
序号	零件编号	零件名称	数量	图号
1	A80.45.092.0	驾驶室盖 RH WHEEL HOUSE COVER	1	A80.45.092.0
2	A80.45.093.0	控制台 RH CONSOLE	1	A80.45.093.0
3	A80.45.088.0	塑胶螺钉 PLASTIC SCREW	14	A80.45.088.0



# A80.45.931.4 LH CONSOLE ASS.Y

# A80.45.931.4\_0 左轮罩内饰 LH CONSOLE ASS.Y

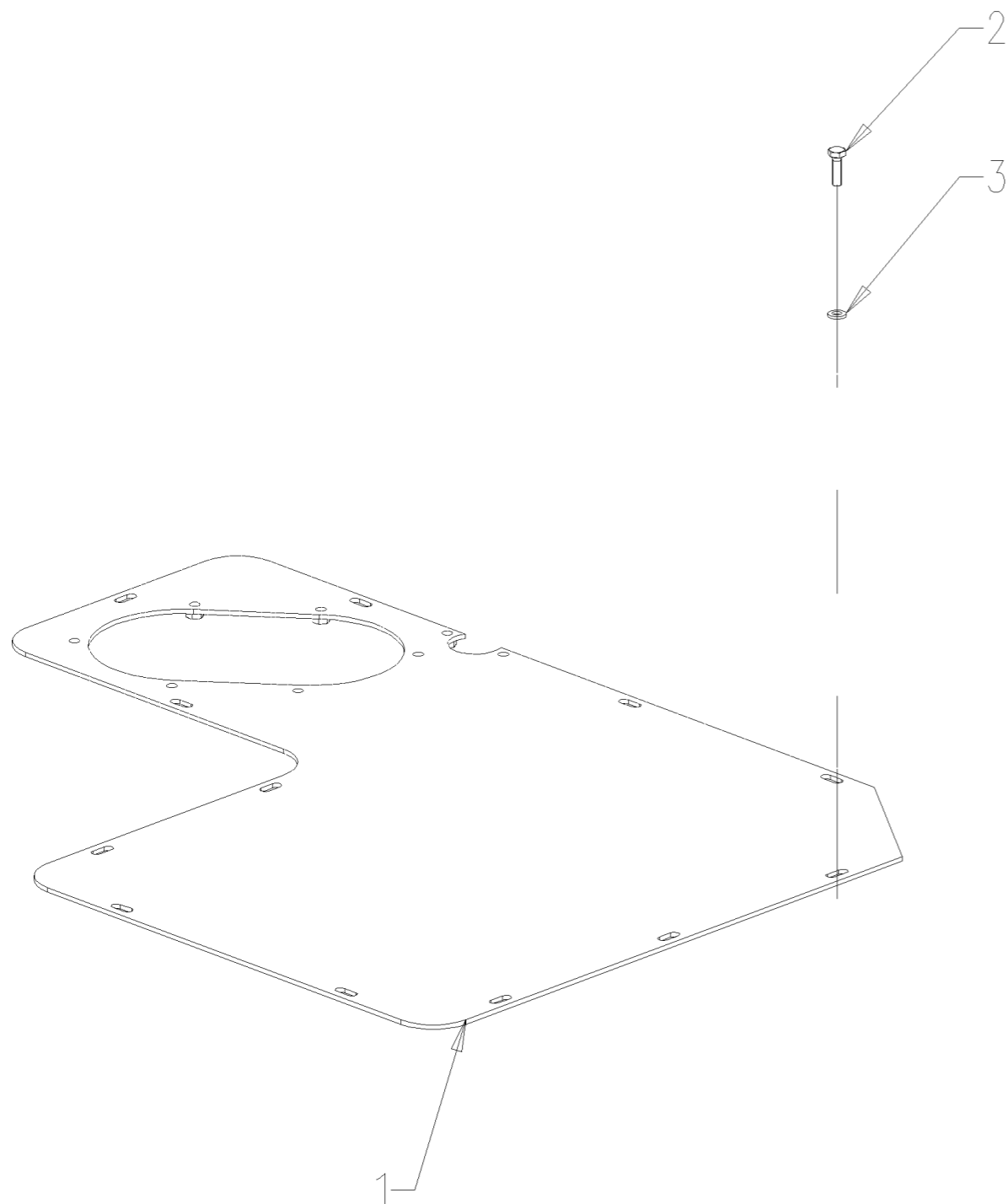
序号	零件编号	零件名称	数量	图号
1	A80.45.094.0	左驾驶室盖 LH WHEEL HOUSE	1	A80.45.094.0
2	A80.45.095.2	左侧控制台 LH CONSOLE	1	A80.45.095.2
3	A80.45.088.0	塑胶螺钉 PLASTIC SCREW	13	A80.45.088.0



# A80.45.962.4 FRONT FLOOR COVER

## A80.45.962.4\_0 前地板盖总成 (驾驶室) FRONT FLOOR COVER (Cab)

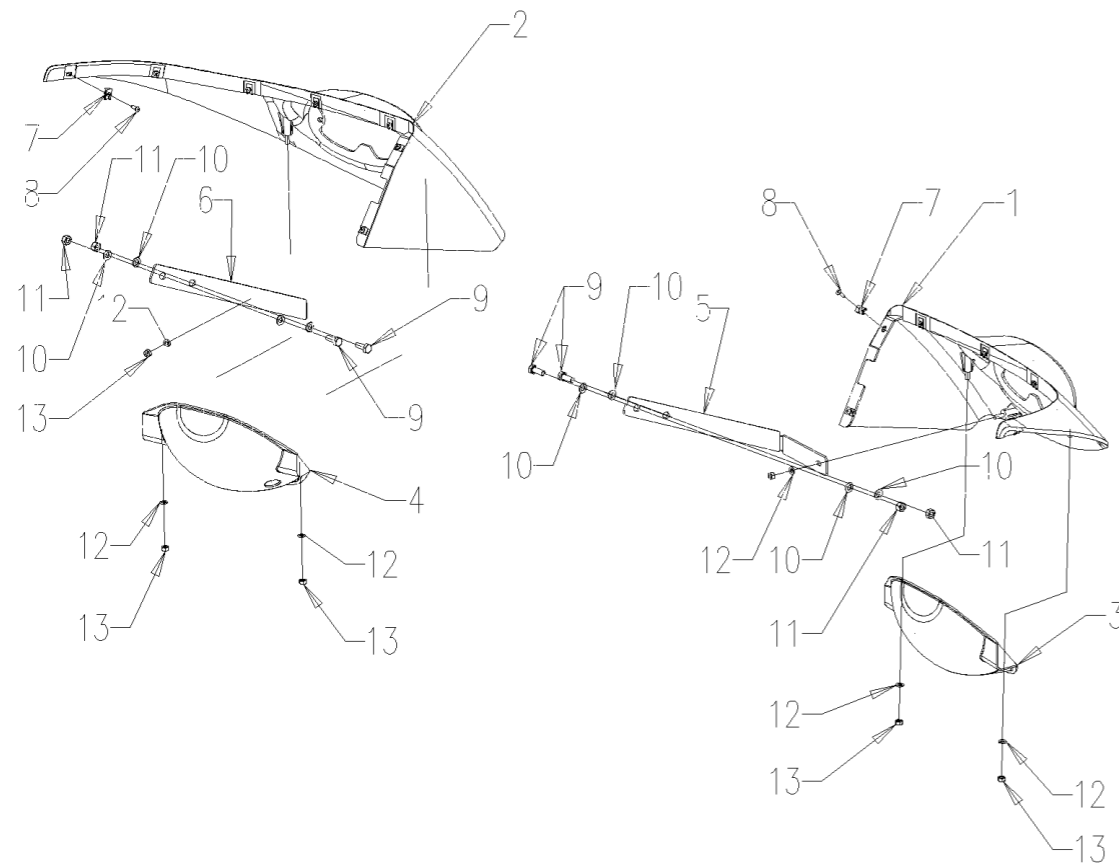
序号	零件编号	零件名称	数量	图号
1	CD904A.45A.025	地板维修盖焊合 PLATFORM	1	CD904A.45A.025
2	GBT5783-M6X20-A2L	螺栓 BOLT	12	GBT5783-M6X20-A2L
3	GBT97.1-6-A3L	垫圈 WASHER	12	GBT97.1-6-A3L



# A80.45.964.4 REAR LAMP COVERS

## A80.45.964.4\_0 后尾灯罩 REAR LAMP COVER

序号	零件编号	零件名称	数量	图号
1	A80.45.096.2	左后灯盖 LH REAR LAMP COVER	1	A80.45.096.2
2	A80.45.097.2	右后灯盖 RH REAR LAMP COVER	1	A80.45.097.2
3	A80.45.098.0	左灯罩 LH LAMP COVER	1	A80.45.098.0
4	A80.45.099.0	右灯罩 RH LAMP COVER	1	A80.45.099.0
5	A80.45.100.0	左支架 LH BRACKET	1	A80.45.100.0
6	A80.45.101.0	右支架 RH BRACKET	1	A80.45.101.0
7	A23.45.103.0	夹板 CLIP-SELF-TAPPING SCREW 4.2	14	A23.45.103.0
8	2.0350.455.2	螺钉 SCREW ST4.2x16 - C	14	2.0350.455.2
9	GBT5783-M8X20-A2L	螺栓 BOLT	4	GBT5783-M8X20-A2L
10	GBT97.1-8-A3L	垫圈 WASHER	8	GBT97.1-8-A3L
11	GBT6170-M8-A2L	螺母 NUT	4	GBT6170-M8-A2L
12	GBT97.1-6-A3L	垫圈 WASHER	6	GBT97.1-6-A3L
13	GBT6170-M6-A2L	螺母 NUT	6	GBT6170-M6-A2L

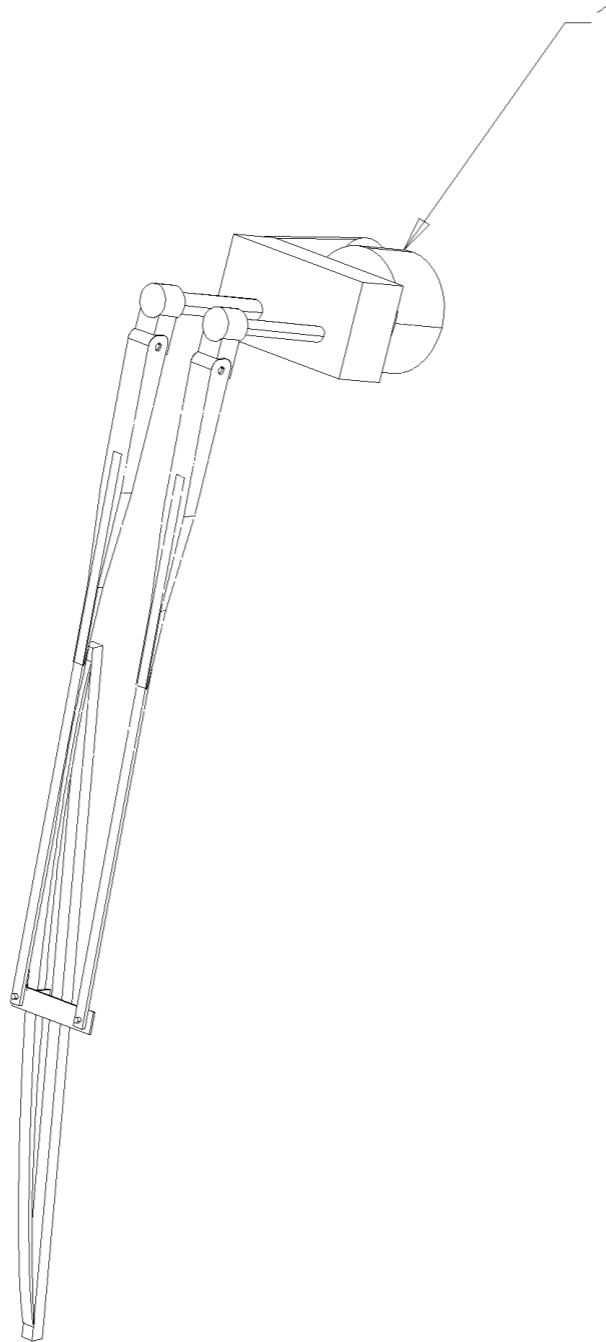




# A80.48.904.4 FRONT WIPER ASS.Y

## A80.48.904.4\_0 前雨刮器 FRONT WIPER ASS.Y

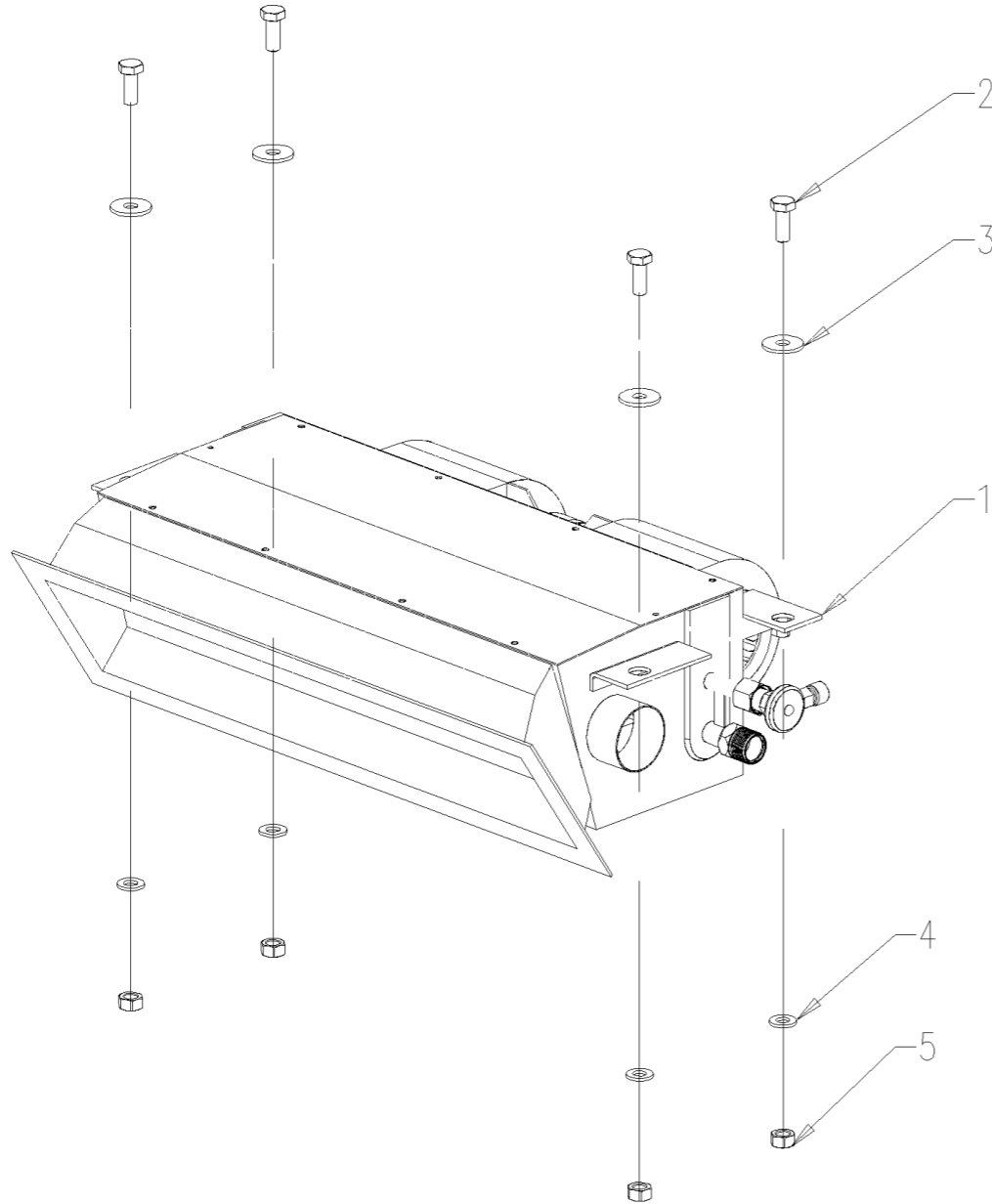
序号	零件编号	零件名称	数量	图号
1	A80.48.001.4	前雨刮器总成 FRONT WIPER ASS.Y	1	A80.48.001.4



# A80.81.903.4 AC EVAPORATOR ASS.Y

## A80.81.903.4\_1 蒸发器总成 AC EVAPORATOR ASS.Y

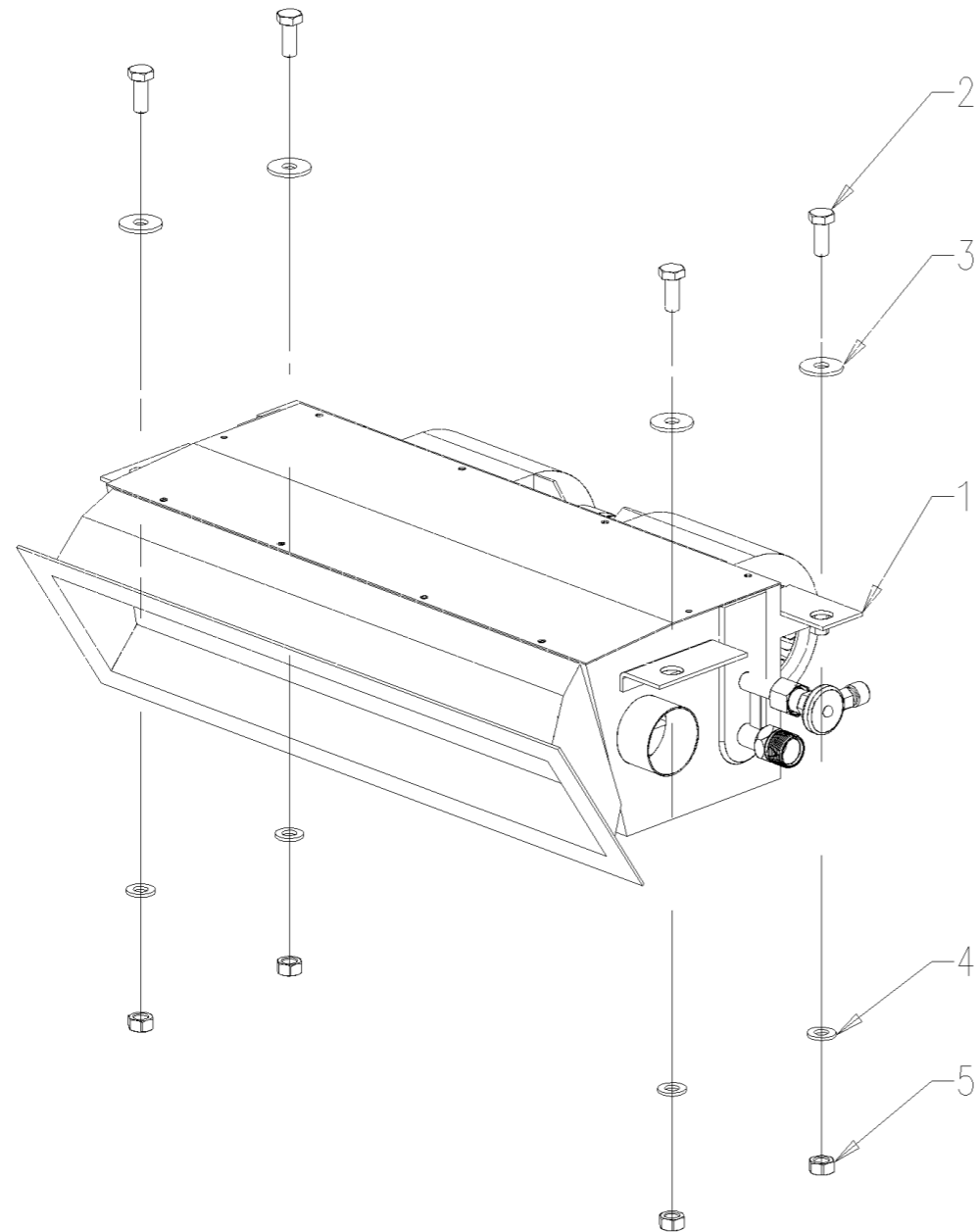
序号	零件编号	零件名称	数量	图号
1	A80.81.001.4	空调蒸发器 AC EVAPORATOR	1	A80.81.001.4
2	GBT5783-M10X25-A3L	螺栓 BOLT	4	GBT5783-M10X25-A3L
3	GBT96.1-10-A3L	垫圈 WASHER	4	GBT96.1-10-A3L
4	GBT97.1-10-A3L	垫圈 WASHER	4	GBT97.1-10-A3L
5	GBT6170-M10-A3L	螺母 NUT	4	GBT6170-M10-A3L



# A80.81.904.4 HTR ASS.Y

## A80.81.904.4\_1 暖风机总成 HTR ASS.Y

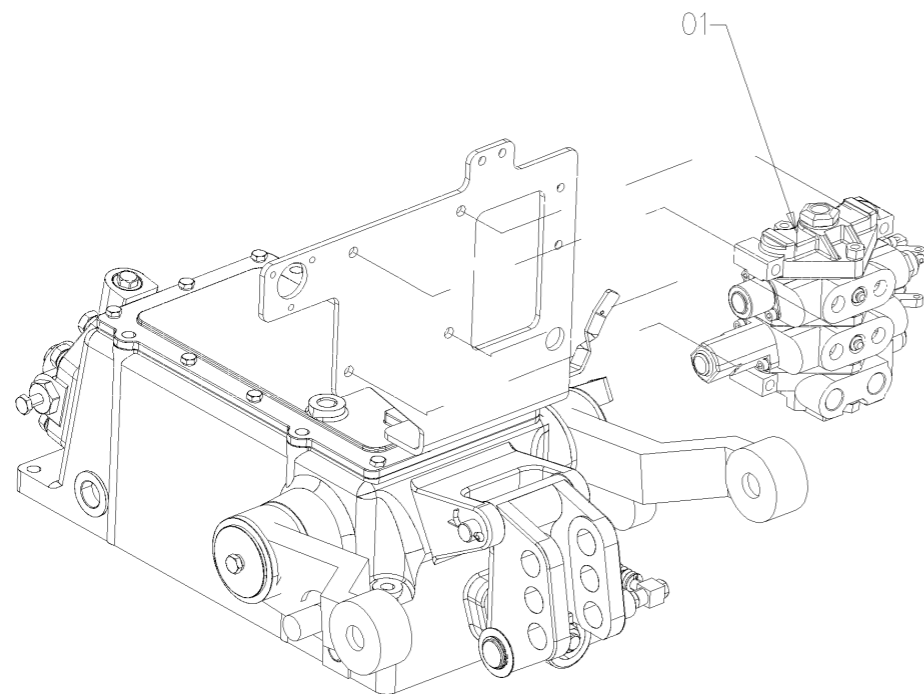
序号	零件编号	零件名称	数量	图号
1	A80.81.008.4	暖通空调插件 HTR	1	A80.81.008.4
2	GBT5783-M10X25-A3L	螺栓 BOLT	4	GBT5783-M10X25-A3L
3	GBT96.1-10-A3L	垫圈 WASHER	4	GBT96.1-10-A3L
4	GBT97.1-10-A3L	垫圈 WASHER	4	GBT97.1-10-A3L
5	GBT6170-M10-A3L	螺母 NUT	4	GBT6170-M10-A3L



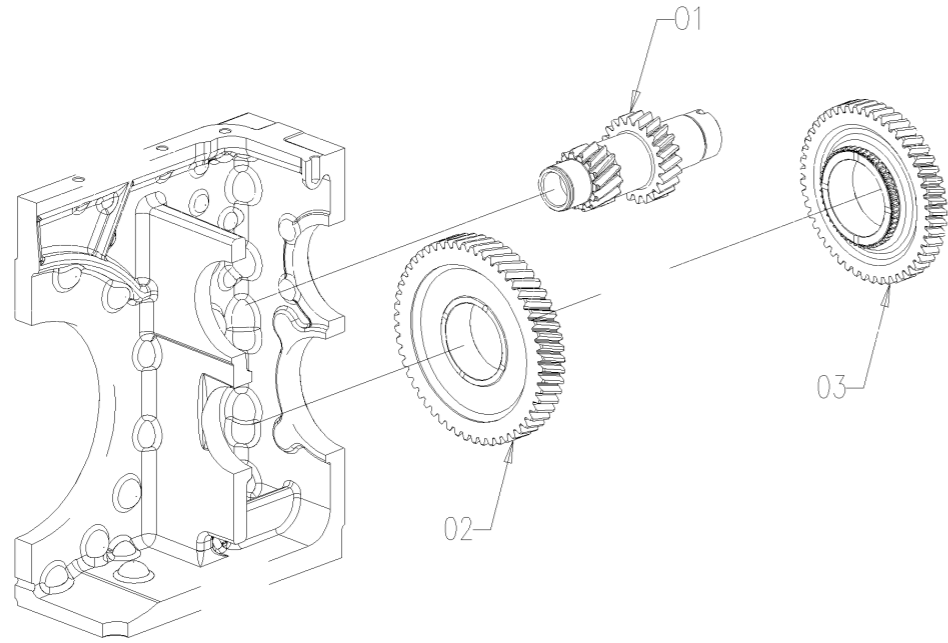
A85.58.903.4\_1 MULTI-WAY VALVE ASS.

A85.58.903.4\_1 多路阀总成 MULTI-WAY VALVE ASS.

序号	零件编号	零件名称	数量	图号
1	A85.58.008.0/10	多路阀总成	1	A85.58.008.0/10



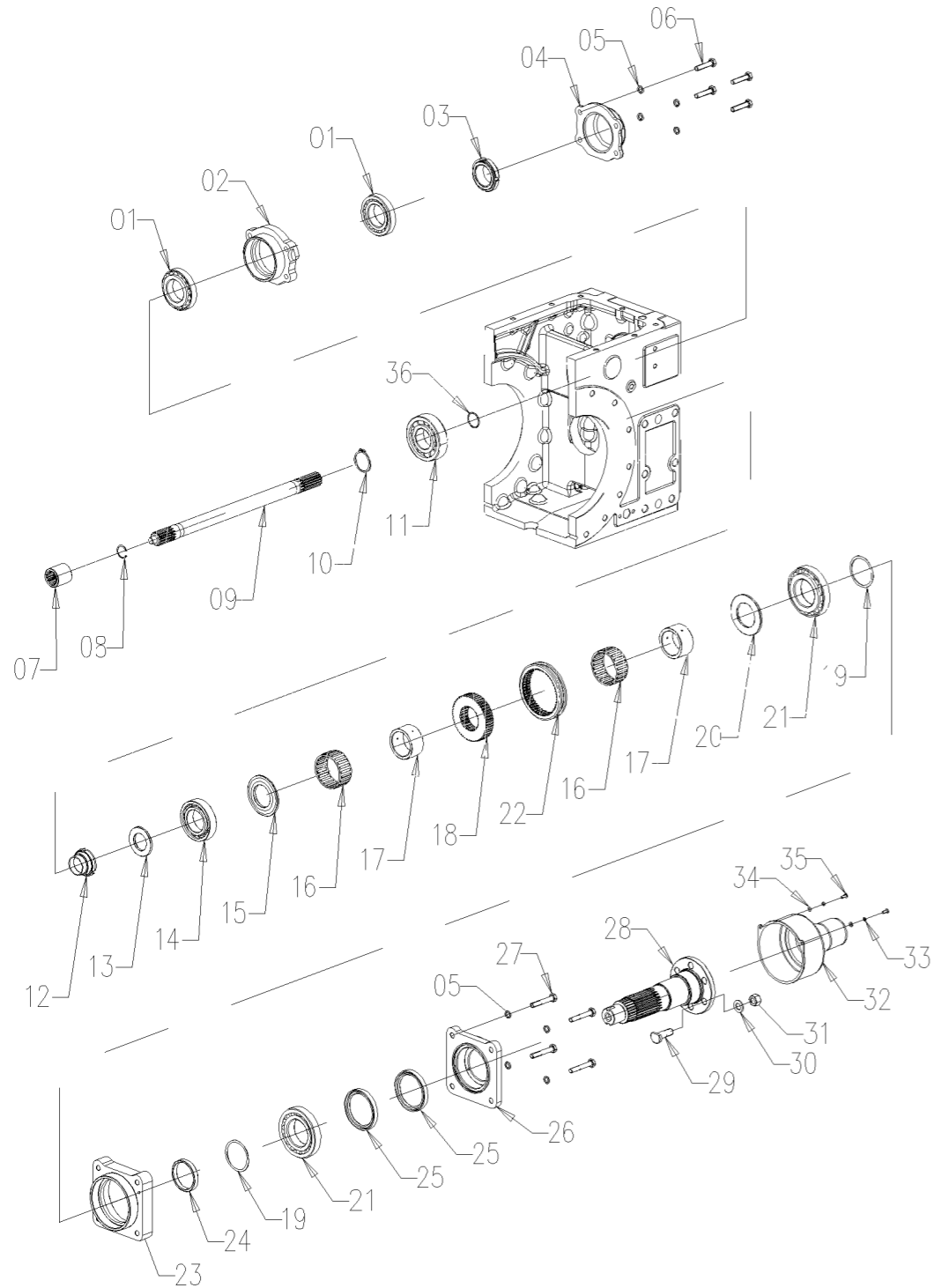
# A88.41.900.4 PTO GEARS ASS.Y



## A88.41.900.4\_2 动力输出齿轮总成 PTO GEARS ASS.Y

序号	零件编号	零件名称	数量	图号
1	SH900.41C.101-10	输出驱动齿轮 OUTPUT DRIVE GEAR	1	SH900.41C.101-10
2	SH900.41C.102	低速从动齿轮 LOW GEAR DRIVEN	1	SH900.41C.102
3	SH900.41.120	高速从动齿轮 HIGH GEAR DRIVEN	1	SH900.41.120

A88.41.905.4 PTO ACCESSORY ASS.Y  
YFB-R-2018-003 SH.042



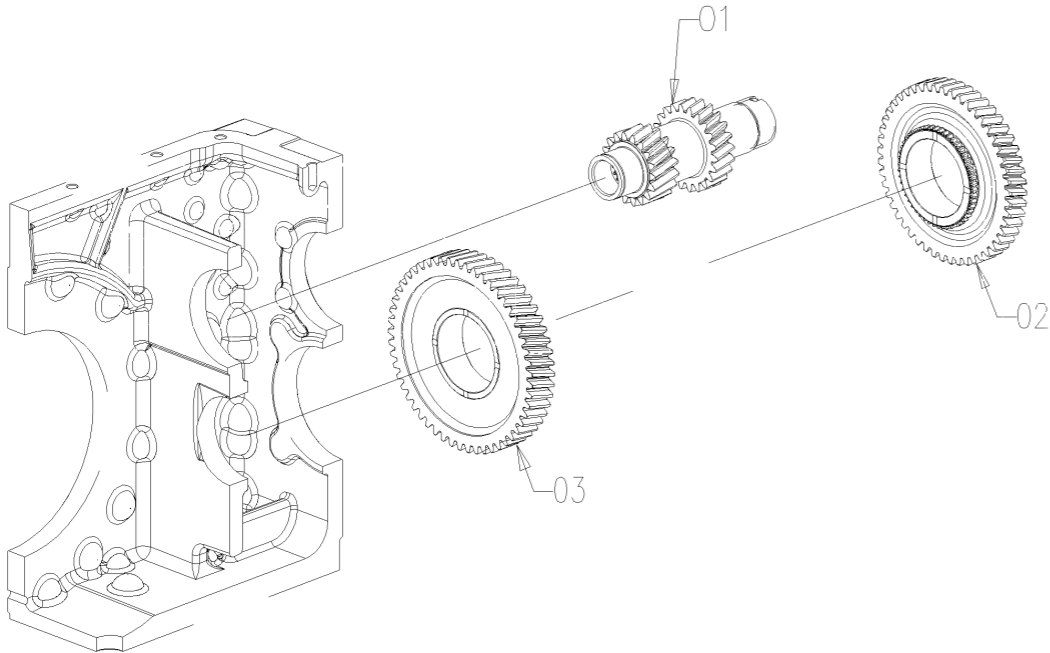
A88.41.905.4\_2 附件总成 PTO SHIFT ASS.Y

序号	零件编号	零件名称	数量	图号
1	GBT297-30210	轴承 BEARING	2	GBT297-30210
2	SH900.41.108	输出主动轴承座 OUTPUT ACTIVE	1	SH900.41.108
3	SH900.41.145	自锁螺母 LOCK ROUND NUT	1	SH900.41.145
4	SH900.41.109	动力输出防护帽 PTO END CAP	1	SH900.41.109
5	GBT93-10-A3L	垫圈 WASHER	8	GBT93-10-A3L
6	2.0114.316.2	螺栓 SCREW M10x45	4	2.0114.316.2
7	SH900.41.105	动力输出连接套 PTO CONNECTING	1	SH900.41.105
8	GBT893.1-28	弹性挡圈 CIRCLIP	1	GBT893.1-28
9	SH900.41.106	动力输出传动轴 PTO DRIVE SHAFT	1	SH900.41.106
10	GBT894.1-45	弹性挡圈 CIRCLIP	1	GBT894.1-45
11	GBT276-6309	轴承 BEARING	1	GBT276-6309
12	SH900.41.126	锁紧螺母 LOCK NUT	1	SH900.41.126
13	SH900.41.125	垫圈 WASHER	1	SH900.41.125
14	GBT276-6210	轴承 BEARING	1	GBT276-6210
15	SH900.41.124	挡圈 RING	1	SH900.41.124
16	JBT7918-K68X78X34	轴承 BEARING	2	JBT7918-K68X78X34
17	SH900.41.122	滚针套 NEEDLE SLEEVE	2	SH900.41.122
18	SH900.41.121	高低档啮合座 GEAR MESHING GEAR	1	SH900.41.121
19	SH900.41.111	调整垫 ADJUSTING PAD	2	SH900.41.111
20	SH900.41.119	挡圈 RING	1	SH900.41.119
21	GBT297-30212	轴承 BEARING	2	GBT297-30212
22	SH900.37.111	、 齿轮啮合套 、 GEAR	1	SH900.37.111
23	A11.41.003.0	轴承座 BEARING SEAT	1	A11.41.003.0
24	SH900.41.118	隔套 SLEEVE	1	SH900.41.118
25	GBT13871.1-FB-070090-D	油封 OIL SEAL	2	GBT13871.1-FB-070090-D
26	A11.41.004.0	输出端盖 OUTPUT END COVER	1	A11.41.004.0
27	2.0112.321.2	六角螺柱 HEX BOLT M10x1.5x60	4	2.0112.321.2
28	SH900.41.115	输出驱动轴 OUTPUT DRIVEN SHAFT	1	SH900.41.115
29	SH900.41.113	半圆头螺栓 BOLTS	6	SH900.41.113
30	2.1475.005.7	锥形垫圈 CONICAL WASHERS M14	6	2.1475.005.7
31	2.1012.408.2	六角螺母 HEX NUT M14x1.5	6	2.1012.408.2
32	SH900.41.117/10	防护罩 PROTECTIVE COVER	1	SH900.41.117/10
33	GBT93-5-A3L	垫圈 WASHER	2	GBT93-5-A3L
34	2.1310.001.2	垫圈 WASHER 5	2	2.1310.001.2
35	2.0332.304.2	十字螺栓 CROSS SCREW M5x0.8x12	2	2.0332.304.2
36	GBT895.2-30	弹性挡圈 CIRCLIP	1	GBT895.2-30

# A88.41.910.4 PTO GEARS ASS.Y

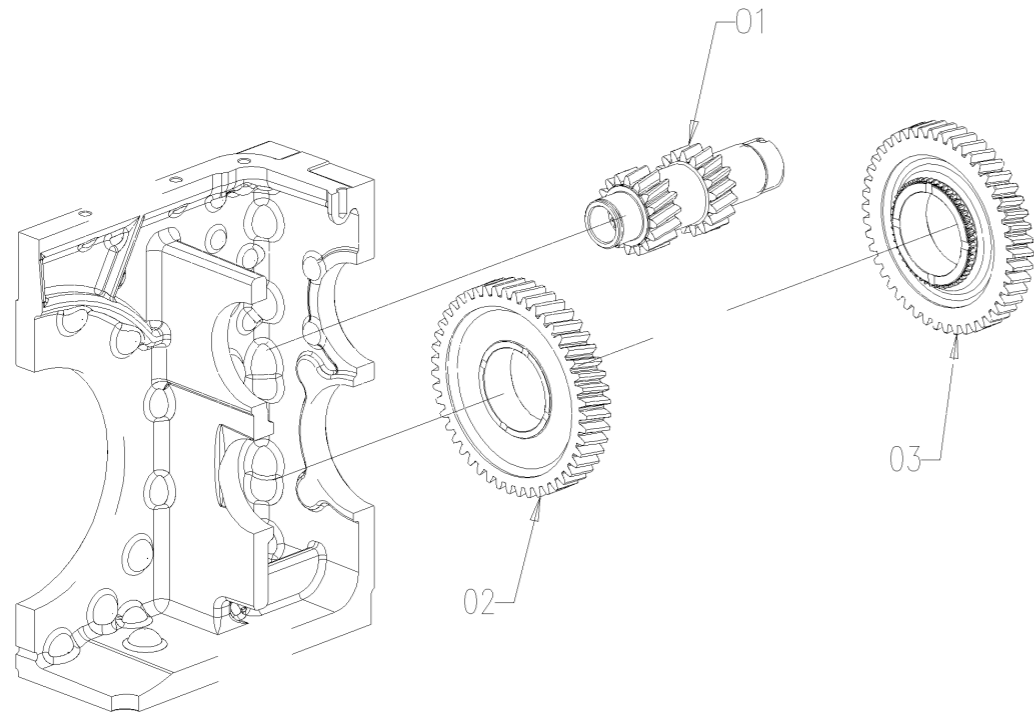
## A88.41.910.4\_1 动力输出齿轮总成 PTO GEARS ASS.Y

序号	零件编号	零件名称	数量	图号
1	SH900.41.107-10	输出驱动齿轮 OUTPUT DRIVE GEAR	1	SH900.41.107-10
2	SH900.41.120	高速从动齿轮 HIGH GEAR DRIVEN	1	SH900.41.120
3	SH900.41.123	低速齿轮 LOW GEAR	1	SH900.41.123



# A88.41.920.4 PTO GEARS ASS.Y

## A88.41.920.4\_1 动力输出齿轮总成 PTO GEARS ASS.Y



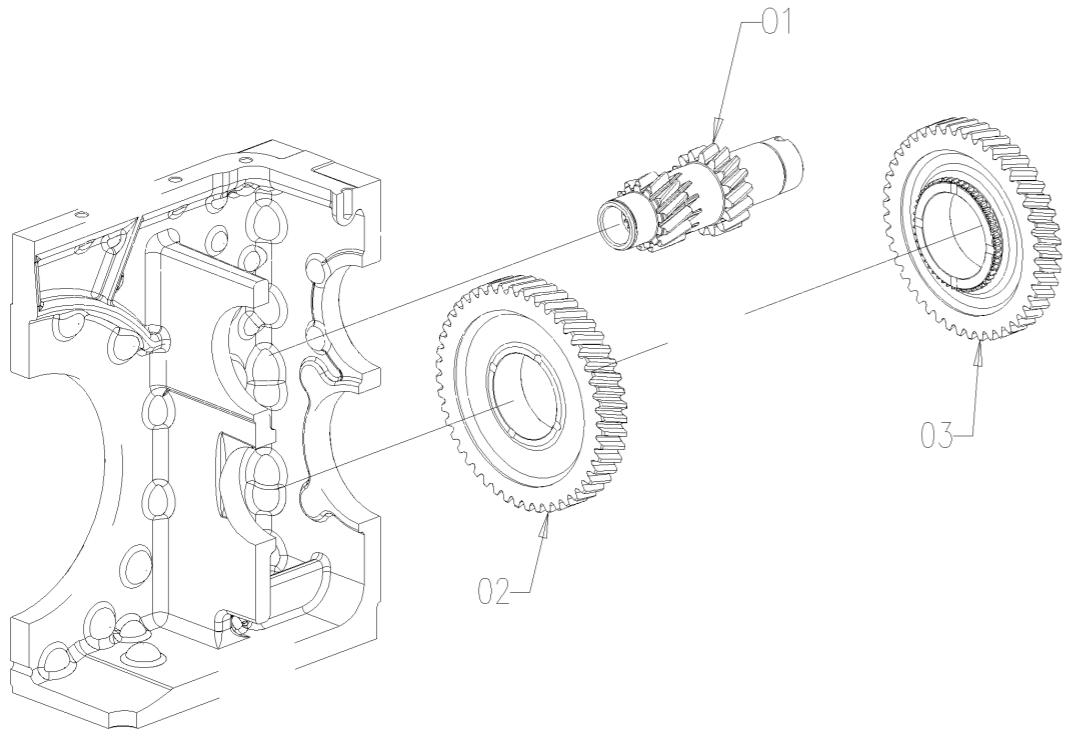
序号	零件编号	零件名称	数量	图号
1	SH900.41A.101-10	输出驱动齿轮 OUTPUT DRIVE GEAR	1	SH900.41A.101-10
2	SH900.41A.102	低速从动齿轮 LOW GEAR DRIVEN	1	SH900.41A.102
3	SH900.41A.103	高速从动齿轮 HIGH GEAR DRIVEN	1	SH900.41A.103



# A88.41.930.4 PTO GEARS ASS.Y

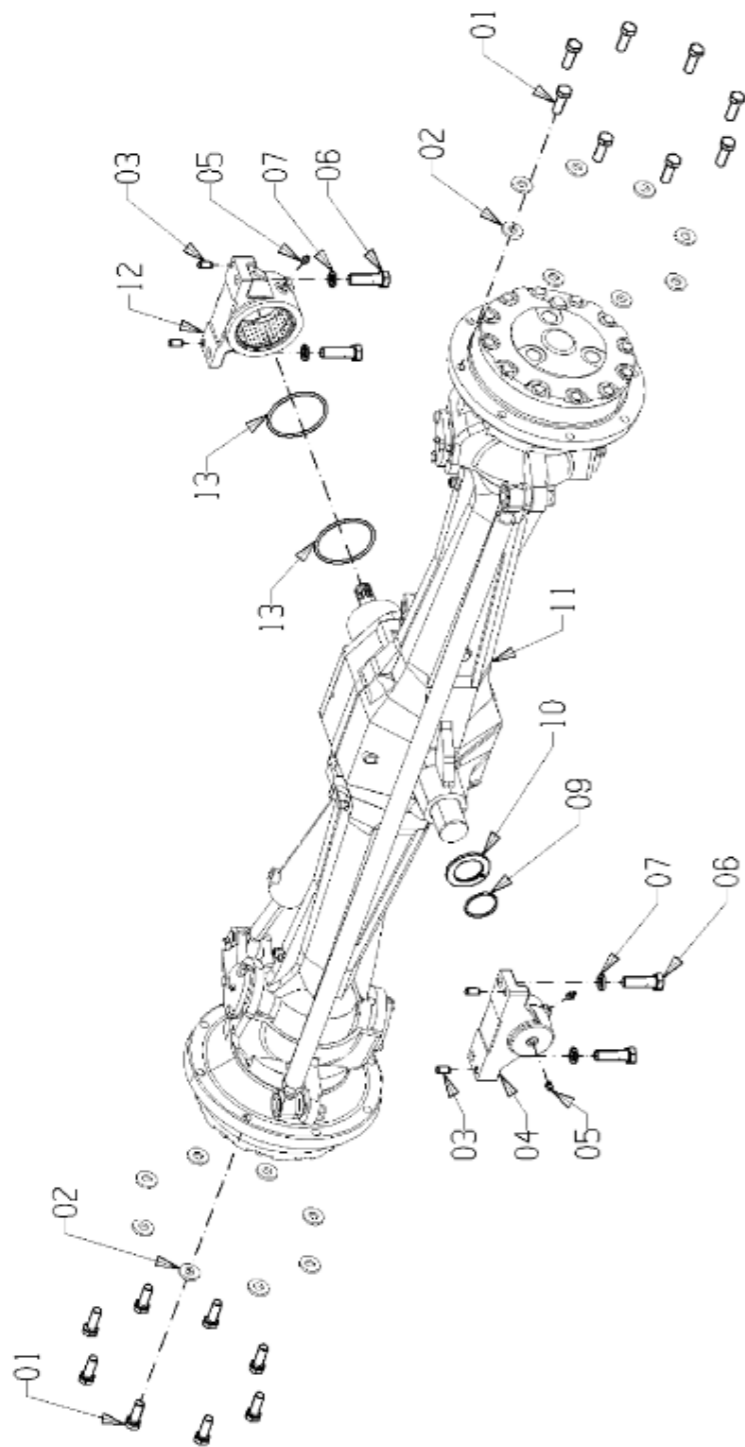
## A88.41.930.4\_1 动力输出齿轮总成 PTO GEARS ASS.Y

序号	零件编号	零件名称	数量	图号
1	SH900.41B.101-10	输出驱动齿轮 OUTPUT DRIVE GEAR	1	SH900.41B.101-10
2	SH900.41B.103	低速从动齿轮 LOW GEAR DRIVEN	1	SH900.41B.103
3	SH900.41B.102	高速从动齿轮 HIGH GEAR DRIVEN	1	SH900.41B.102



 SAME DEUTZ-FAHR GROUP S.p.A. Gruppo - Group	CD90 SERIES	N. dis. - PN <b>B09.31.900.4</b>
	<b>FRONT AXLE ASS.Y</b>	Rev. 4 09/06/2021

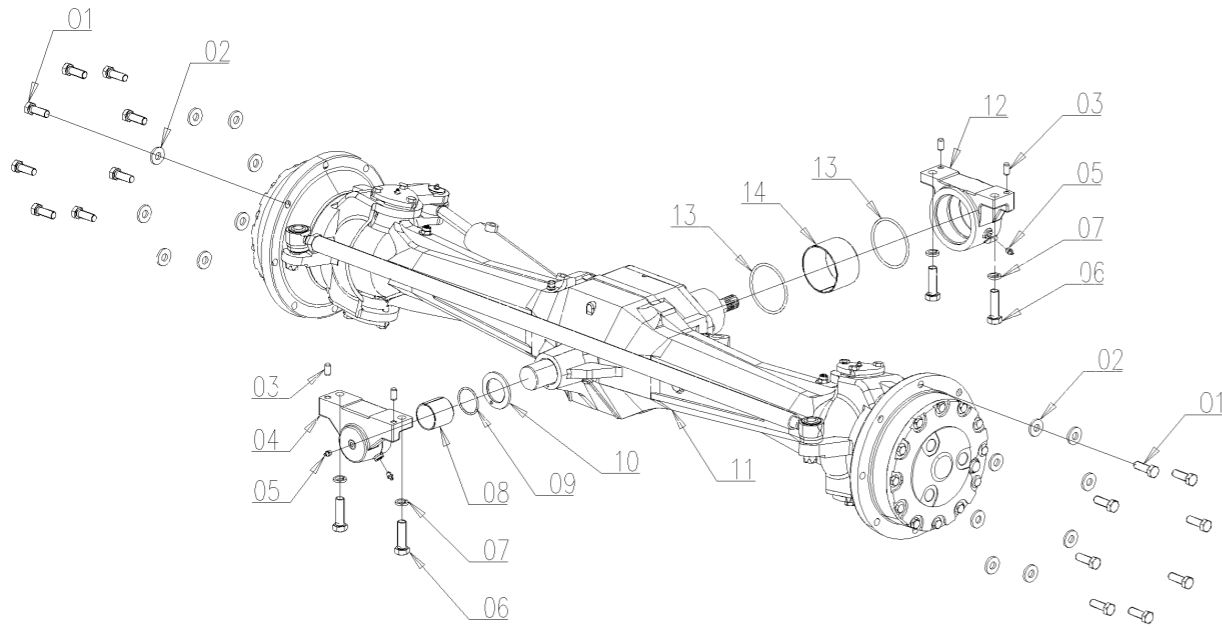
YFB-R-2020-004 SH.035



### B09.31.900.4 前桥总成 FRONT AXLE ASS.Y

序号	零件编号	零件名称	数量	图号
1	GBT5786-M16X1.5X45-	螺栓 BOLT	16	GBT5786-M16X1.5X45-10.9-A3L
2	SH904.31.193	垫圈 GASKET 17385	16	SH904.31.193
3	GBT119.1-12h8X24	销 PIN	4	GBT119.1-12h8X24
4	SH904.31.187	轴承 BEARING	1	SH904.31.187
5	2.3820.105.2	油嘴 GREASE NIPPLE	3	2.3820.105.2
6	2.0123.721.2	螺栓 BOLT	4	2.0123.721.2
7	GBT93-18-A3L	垫圈 WASHER	4	GBT93-18-A3L
9	GBT3452.1-53X3.55-G	O形密封圈 O RING	1	GBT3452.1-53X3.55-G
10	SH904.31.189	前减摩环 ANTI-FRICTION RING	1	SH904.31.189

B09.31.900.4 FRONT AXLE ASSY

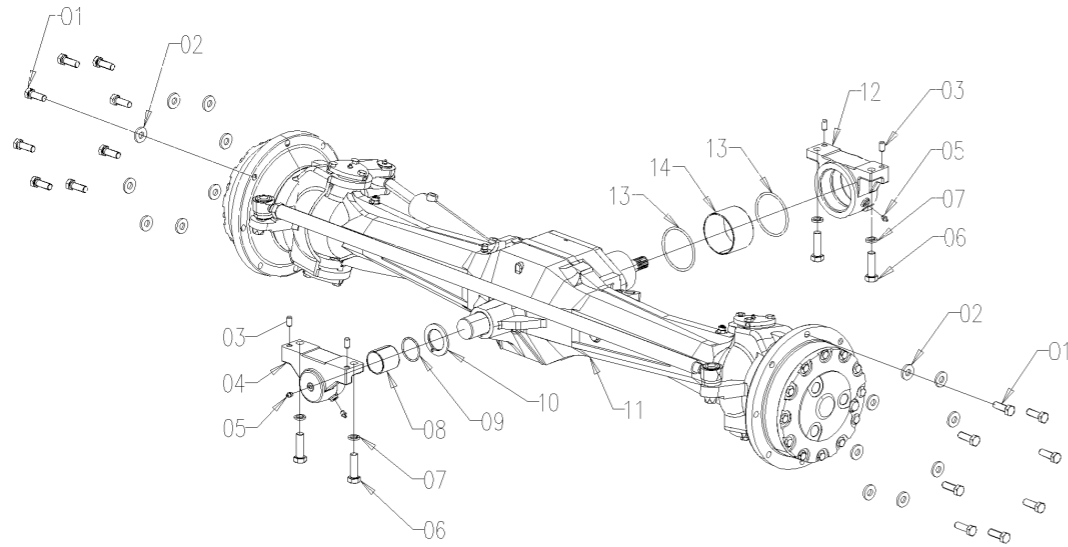


B09.31.900.4\_1 前桥总成 (i=21.125) FRONT AXLE ASS.Y


序号	零件编号	零件名称	数量	图号
1	GBT5786-M16X1.5X45-	螺栓 BOLT	16	GBT5786-M16X1.5X45-A3L
2	SH904.31.193	垫圈 17385 GASKET 17385	16	SH904.31.193
3	GBT119.1-12h8x24	销 PIN	4	GBT119.1-12h8x24
4	SH904.31.187	轴承 BEARING	1	SH904.31.187
5	JBT7940.1-M10X1	油杯 GREASE CUP	3	JBT7940.1-M10X1
6	GBT5785-M18X1.5X60-	螺栓 BOLT	4	GBT5785-M18X1.5X60-8.8-A3L
7	GBT93-18-A3L	垫圈 WASHER	4	GBT93-18-A3L
8	SH904.31.188	套管 BUSHING	1	SH904.31.188
9	GBT3452.1-52.6x3.55-G	O形密封圈 O-RING	1	GBT3452.1-52.6x3.55-G
10	SH904.31.189	前减摩环 ANTI-FRICTION RING	1	SH904.31.189
11	SH904.31.010	前桥 DRIVE AXLE ASSEMBLY	1	SH904.31.010
12	SH904.31.190	轴承 BEARING	1	SH904.31.190
13	GBT3452.1-99.6x5.3-G	O形密封圈 O-RING	2	GBT3452.1-99.6x5.3-G
14	SH904.31.191	套管 BUSHING	1	SH904.31.191

B09.31.900.4 FRONT AXLE ASS.Y

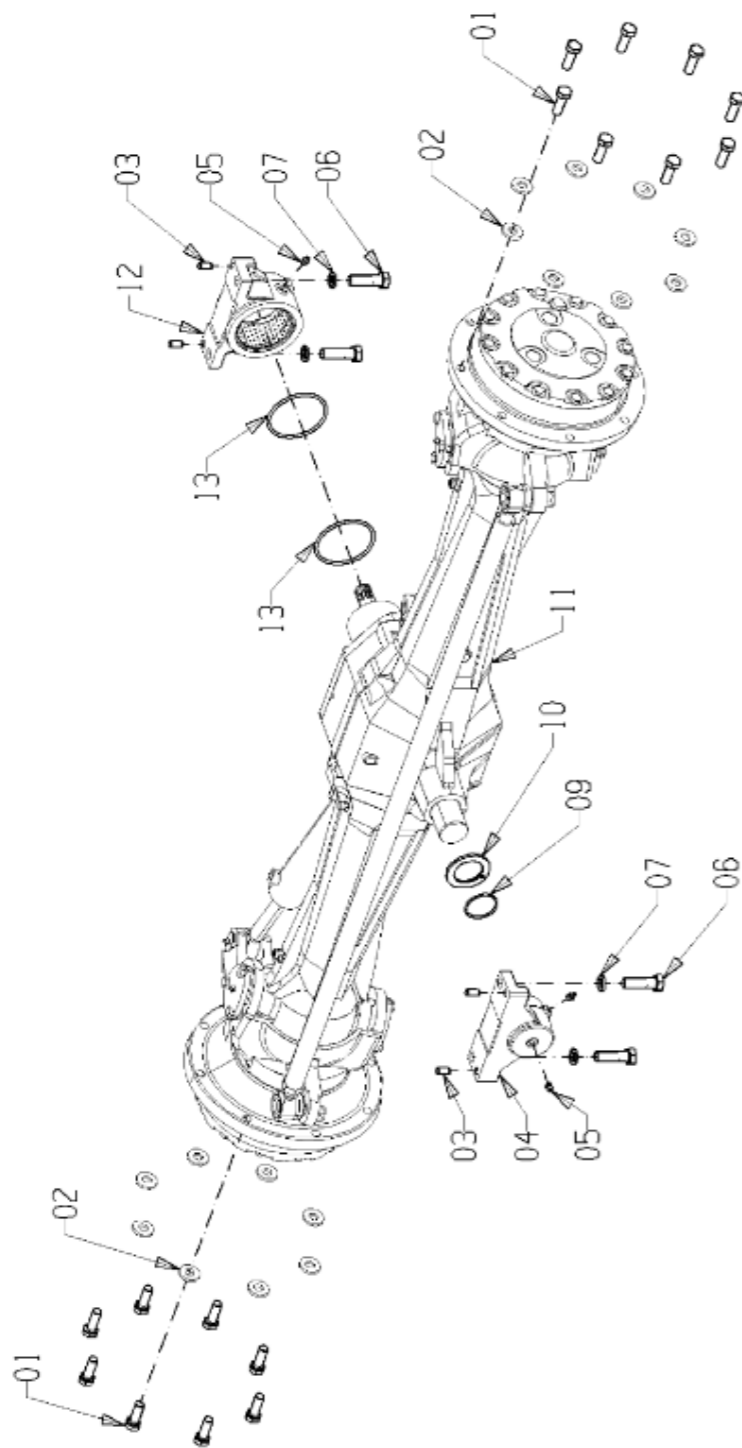
B09.31.900.4\_2 前桥总成 (i=21.125) FRONT AXLE ASS.Y



序号	零件编号	零件名称	数量	图号
1	GBT5786-M16X1.5X45-	螺栓 BOLT	16	GBT5786-M16X1.5X45-A3L
2	SH904.31.193	垫圈 17385 GASKET 17385	16	SH904.31.193
3	GBT119.1-12h8X24	销 PIN	4	GBT119.1-12h8X24
4	SH904.31.187	轴承 BEARING	1	SH904.31.187
5	JBT7940.1-M10X1	油杯 GREASE CUP	3	JBT7940.1-M10X1
6	GBT5785-M18X1.5X60-	螺栓 BOLT	4	GBT5785-M18X1.5X60-10.9-A3L
7	GBT93-18-A3L	垫圈 WASHER	4	GBT93-18-A3L
8	SH904.31.188	套管 BUSHING	1	SH904.31.188
9	GBT3452.1-53X3.55-G	O形密封圈 O RING	1	GBT3452.1-53X3.55-G
10	SH904.31.189	前减摩环 ANTI-FRICTION RING	1	SH904.31.189
11	SH904.31.010	前桥 FRONT AXLE	1	SH904.31.010
12	SH904.31.190	轴承 BEARING	1	SH904.31.190
13	GBT3452.1-100X5.3-G	O形圈 O RING	2	GBT3452.1-100X5.3-G
14	SH904.31.191	套管 BUSHING	1	SH904.31.191

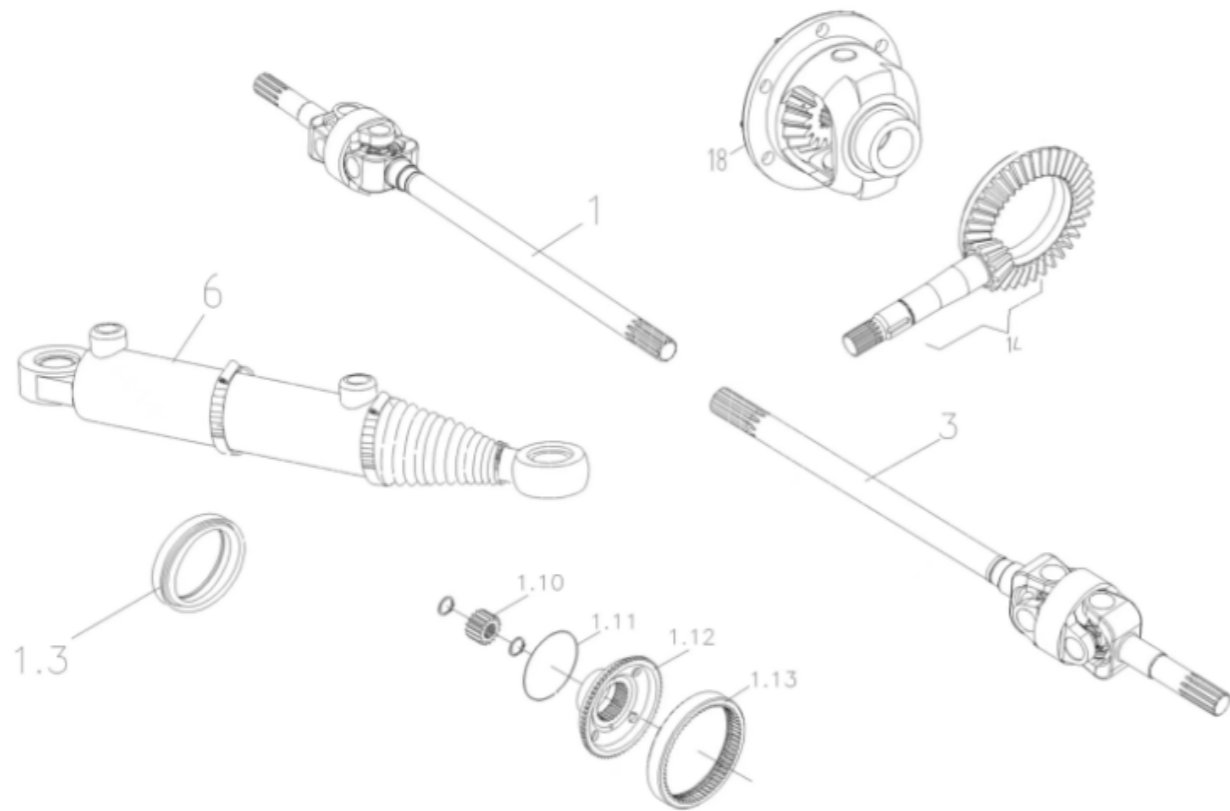
 SAME DEUTZ-FAHR GROUP S.p.A. Gruppo - Group	CD90 SERIES <b>FRONT AXLE ASS.Y</b>	N. dis. - PN <b>B09.31.900.4</b>
	4	09/06/2021

YFB-R-2020-004 SH.035



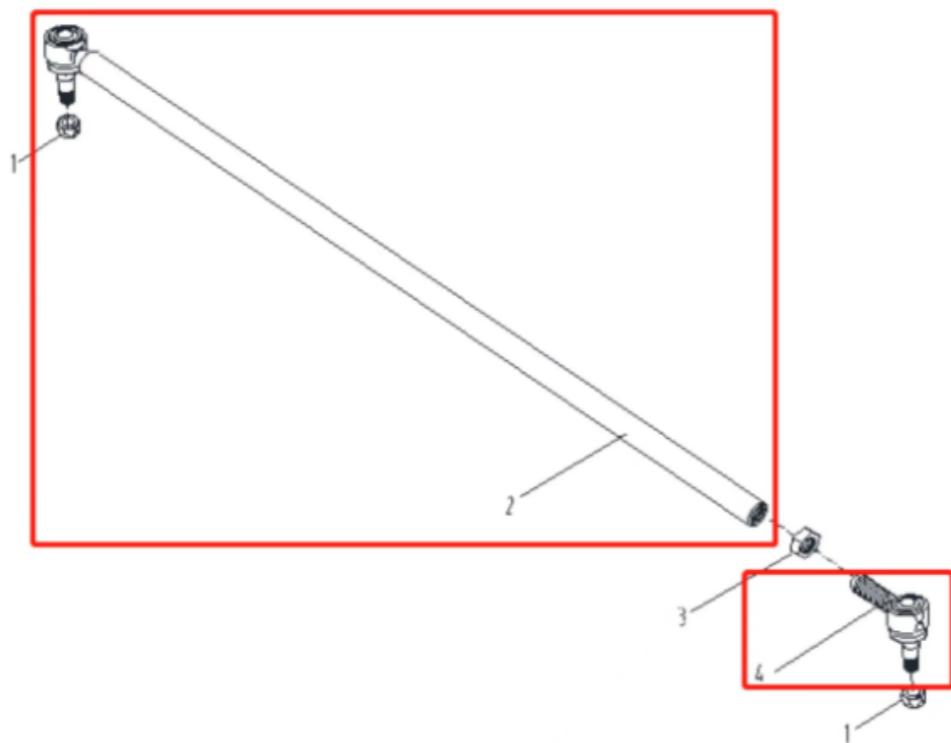
### B09.31.900.4\_4 前桥总成 FRONT AXLE ASS.Y

序号	零件编号	零件名称	数量	图号
1	GBT5786-M16X1.5X45-	螺栓 BOLT	16	GBT5786-M16X1.5X45-10.9-A3L
2	SH904.31.193	垫圈17385 GASKET 17385	16	SH904.31.193
3	GBT119.1-12h8X24	销 PIN	4	GBT119.1-12h8X24
4	SH904.31.187	轴承 BEARING	1	SH904.31.187
5	2.3820.105.2	油嘴 GREASE NIPPLE	3	2.3820.105.2
6	2.0123.721.2	螺栓 BOLT	4	2.0123.721.2
7	GBT93-18-A3L	垫圈 WASHER	4	GBT93-18-A3L
8	GBT3452.1-53X3.55-G	O型圈 O RING	1	GBT3452.1-53X3.55-G
9	SH904.31.189	前减摩环 ANTI-FRICTION RING	1	SH904.31.189
10	SH904.31.010	前桥 FRONT AXLE	1	SH904.31.010
11	SH904.31.190	轴承 BEARING	1	SH904.31.190
11	SH904.31.010	前桥 FRONT AXLE	1	SH904.31.010
12	SH904.31.190	轴承 BEARING	1	SH904.31.190
12	GBT3452.1-100X5.3-G	O型圈 O RING	2	GBT3452.1-100X5.3-G
13	GBT3452.1-100X5.3-G	O形圈 O RING	2	GBT3452.1-100X5.3-G



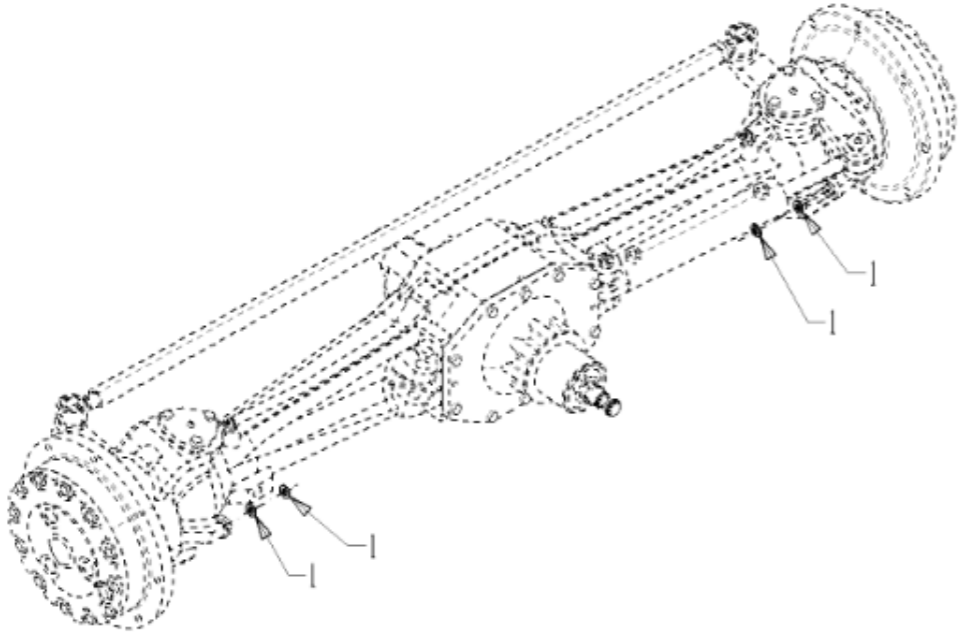
### SH904.31.010 前桥 FRONT AXLE

序号	零件编号	零件名称	数量	图号
1	240100061053	左万向传动轴总成 Left universal drive	1	240100061053
1.1	240100029666	太阳齿轮 Sun gear	2	240100029666
1.11	240100029621	齿轮挡圈 Retaining ring for ring gear	2	240100029621
1.12	240100029667	环形齿轮架 Ring gear carrier	2	240100029667
1.13	240100029618	环形齿轮 Ring gear	2	240100029618
1.3	240100009966	轮毂油封 Oil seal for hub	2	240100009966
2	02011601A011	转向拉杆组件 Steering tie rod assembly	1	02011601A011
3	240100061054	右侧万向传动轴总成 Right universal	1	240100061054
4	020125010046	球节总成 Ball joint assy.	1	020125010046
6	240100010726	转向液压缸 Steering hydraulic cylinder	1	240100010726
14	240100051767	锥齿轮副 Bevel gear pair	1	240100051767
18	240100123679	差速器总成 Differential assy	1	240100123679



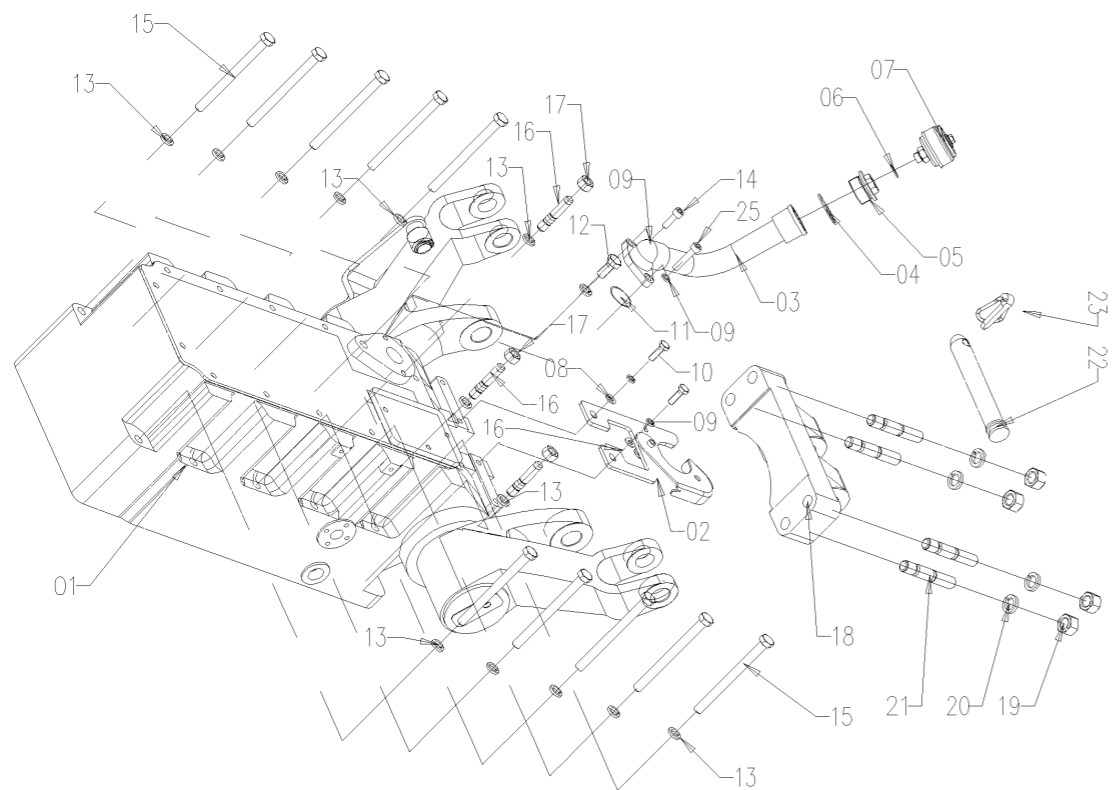
 SAME DEUTZ-FAHR GROUP S.p.A. SAME • DEUTZ-FAHR • LOMBARDINI • ARLONI Gruppo - Group	CD90 series	N. dis. - P/N	
	WASHER ASS.Y	B09.31.902.4	
	Rev	Foglio - Sheet	di - of
	○		
	Validato il	DM	F

YFB-R-2017-011 SH.090



**B09.31.902.4\_0 垫圈总成 WASHER ASS.Y**

序号	零件编号	零件名称	数量	图号
1	2.1310.007.2	垫圈 WASHER 12	4	2.1310.007.2



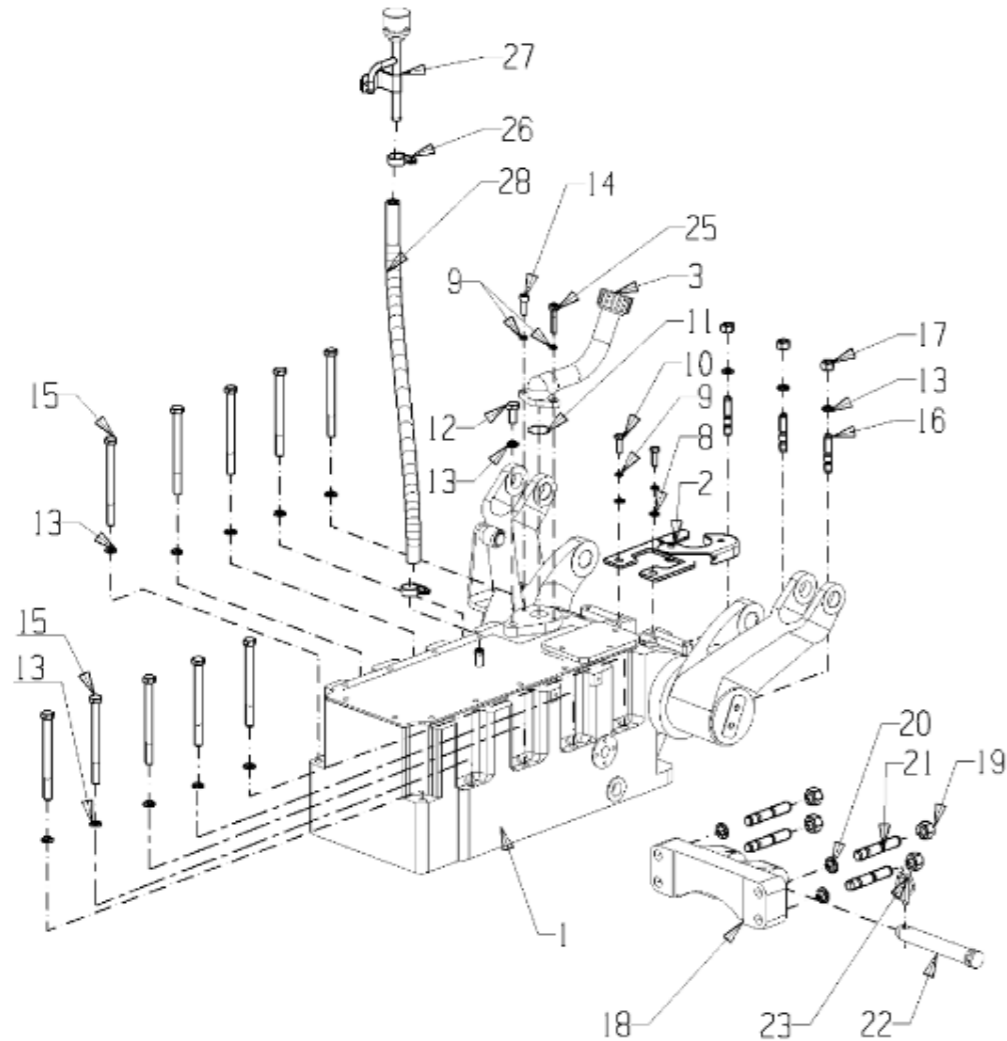
B09.55.900.4 REAR LIFT ASS.Y

### B09.55.900.4\_1 提升器总成 REAR LIFT ASS.Y

序号	零件编号	零件名称	数量	图号
1	A11.55.016.4	后支撑总成 REAR LIFT ASS.	1	A11.55.016.4
2	A68.56.003.4/10	托臂式支架 BRACKET ASS.LY	1	A68.56.003.4/10
3	A11.55.020.3/10	机油滤清器焊合 OIL FILLER WELDED	1	A11.55.020.3/10
4	A08.55.004.0	垫圈 WASHER	1	A08.55.004.0
5	A08.55.006.0	螺母 NUT	1	A08.55.006.0
6	2.1560.010.0	垫圈 14.2X20 SEALING RING	1	2.1560.010.0
7	0.445.3150.4/20	过滤器 FILTRO ARIA PER SFIATO	1	0.445.3150.4/20
8	GBT97.1-8-A3L	垫圈 WASHER	2	GBT97.1-8-A3L
9	GBT93-8-A3L	垫圈 WASHER	4	GBT93-8-A3L
10	GBT5783-M8X25-A2L	螺栓 BOLT	2	GBT5783-M8X25-A2L
11	GBT3452.1-32.5X1.8-G	O形密封圈 O RING	1	GBT3452.1-32.5X1.8-G
12	GBT5783-M12X25-10.9-	螺栓 BOLT	1	GBT5783-M12X25-10.9-A3L
13	GBT93-12-A3L	垫圈 WASHER	14	GBT93-12-A3L
14	GBT70.1-M8X25-A2L	螺钉 SCREW	1	GBT70.1-M8X25-A2L
15	GBT5782-M12X140-10.9-	螺栓 BOLT	10	GBT5782-M12X140-10.9-A3L
16	GBT899-AM12x45-10.9-	螺柱 STUD	3	GBT899-AM12x45-10.9-A3L
17	GBT6170-M12-10-A3L	螺母 NUT	3	GBT6170-M12-10-A3L
18	SH900.55.148	上拉杆支座 UPPER ROD BEARING	1	SH900.55.148
19	GBT6170-M16-A3L	螺母 NUT	4	GBT6170-M16-A3L
20	GBT93-16-A3L	垫圈 WASHER	4	GBT93-16-A3L
21	GBT899-AM16X70-10.9-	螺柱 STUD	4	GBT899-AM16X70-10.9-A3L
22	SH900.56.106	销 PIN	1	SH900.56.106
23	SH400.56.025	销 PIN	1	SH400.56.025
25	GBT70.1-M8X40-A2L	螺钉 SCREW	1	GBT70.1-M8X40-A2L



YFB-R-2017-011 SH.090



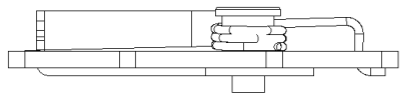
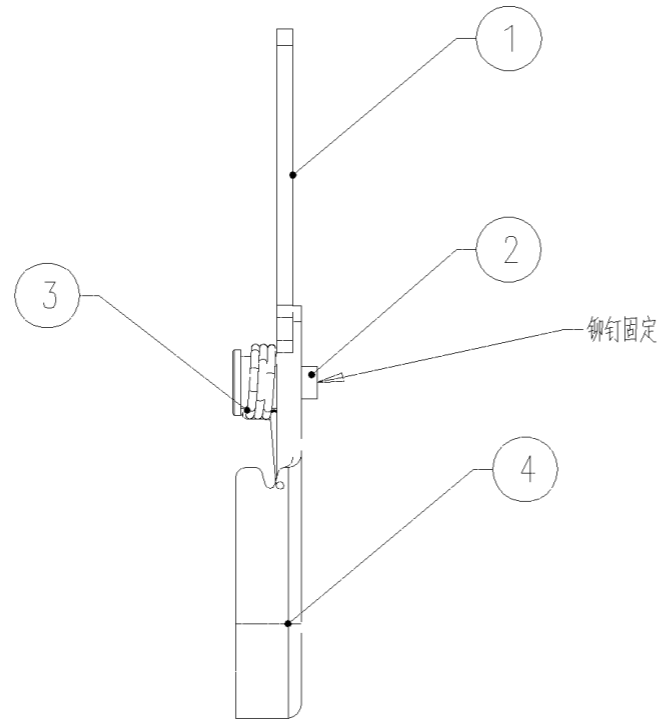
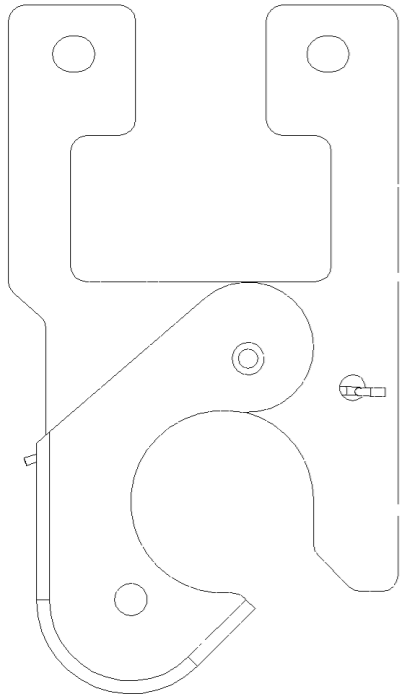
**B09.55.900.4\_3 提升器总成 REAR LIFT ASS.Y**

序号	零件编号	零件名称	数量	图号
1	A11.55.016.4/10	后支撑总成 REAR LIFT ASS.Y	1	A11.55.016.4/10
2	A68.56.003.4/10	托臂式支架 BRACKET ASS.LY	1	A68.56.003.4/10
3	B09.55.001.3/10	油口总成 OIL FILLER ASS.Y	1	B09.55.001.3/10
4	2.1310.004.2	垫圈 WASHER 8	2	2.1310.004.2
5	2.1473.007.2	弹簧垫圈 SPRING WASHER M8	4	2.1473.007.2
6	2.0114.209.2	螺栓 SCREW M8x25	2	2.0114.209.2
7	GBT3452.1-32.5X1.8-G	O型圈 O-RING	1	GBT3452.1-32.5X1.8-G
8	2.0115.409.2	螺栓 SCREW M12x25	1	2.0115.409.2
9	2.1473.009.2	弹簧垫圈 SPRING WASHER M12	14	2.1473.009.2
10	2.0312.208.2	螺栓 SOCKET SCREW M8x1.25x25	1	2.0312.208.2
11	2.0113.437.2	螺栓 BOLT M12x140	10	2.0113.437.2
12	2.0424.210.2	双头螺母 STUD M12x1.75x45	3	2.0424.210.2
13	2.1012.107.2	螺母 HEX NUT M12x1.75	3	2.1012.107.2
14	SH900.55.148	上拉杆支座 UPPER ROD BEARING	1	SH900.55.148
15	2.1011.109.2	螺母 NUT M16x2	4	2.1011.109.2
16	2.1473.011.2	弹簧垫圈 SPRING WASHER M16	4	2.1473.011.2
17	2.0424.415.2	双头螺母 STUD M16x2x70	4	2.0424.415.2
18	SH900.56.106	中间拉杆销 INTERMEDIATE ROD PIN	1	SH900.56.106
19	SH400.56.025	销 LOCK PIN ASSEMBLY	1	SH400.56.025
20	2.0312.214.2	螺钉 SOCKET SCREW M8x1.25x40	1	2.0312.214.2
21	2.6851.001.0	软管夹 HOSE CLAMP 16-25	2	2.6851.001.0
22	CD554.55.014/10	呼吸器 BREATHER	1	CD554.55.014/10
23	A11.55.012.0/10	通气软管 BREATHER HOSE	1	A11.55.012.0/10

### A68.56.003.4/10 托臂式支架 BRACKET ASS.LY

序号	零件编号	零件名称	数量	图号
1	A68.56.004.0/10	支架 BRACKET	1	A68.56.004.0/10
2	0.76038.58.0	销 PIN	1	0.76038.58.0
3	2.4099.042.2	弹簧垫圈 SPRING WASHER	1	2.4099.042.2
4	0.76038.57.0	钩 clasp	1	0.76038.57.0

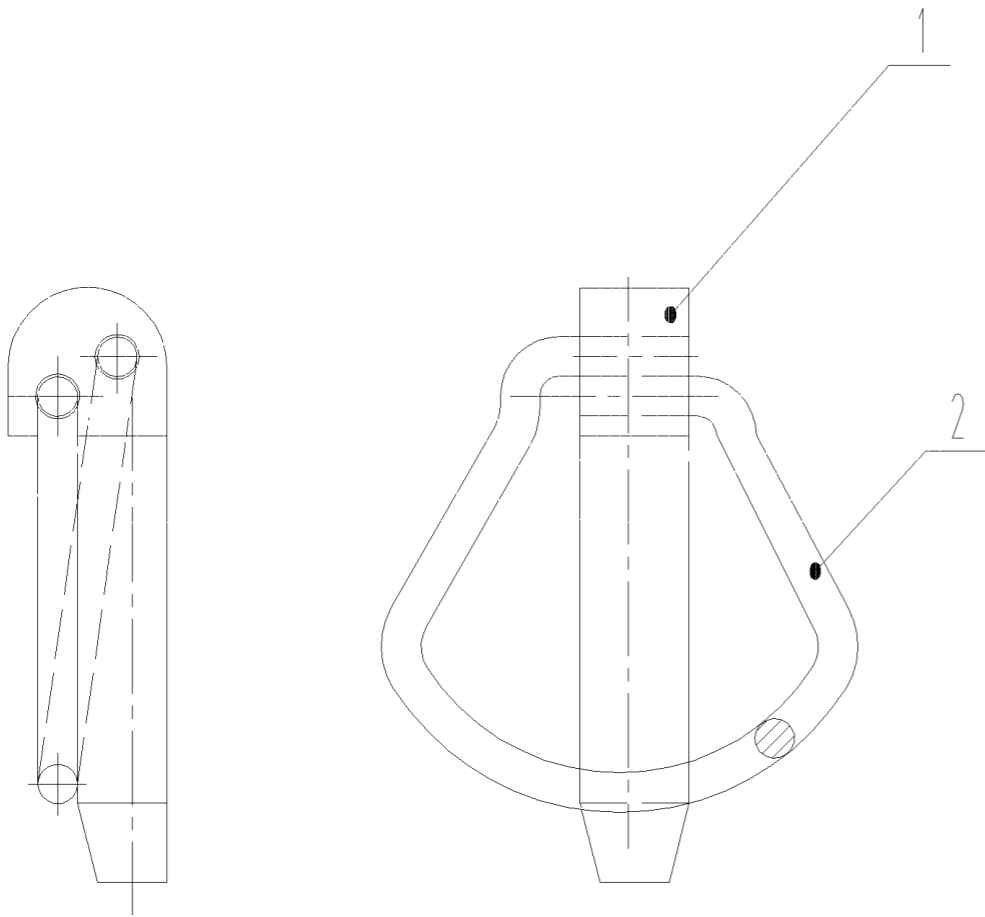
A68.56.003.4/10 BRACKET ASS.LY



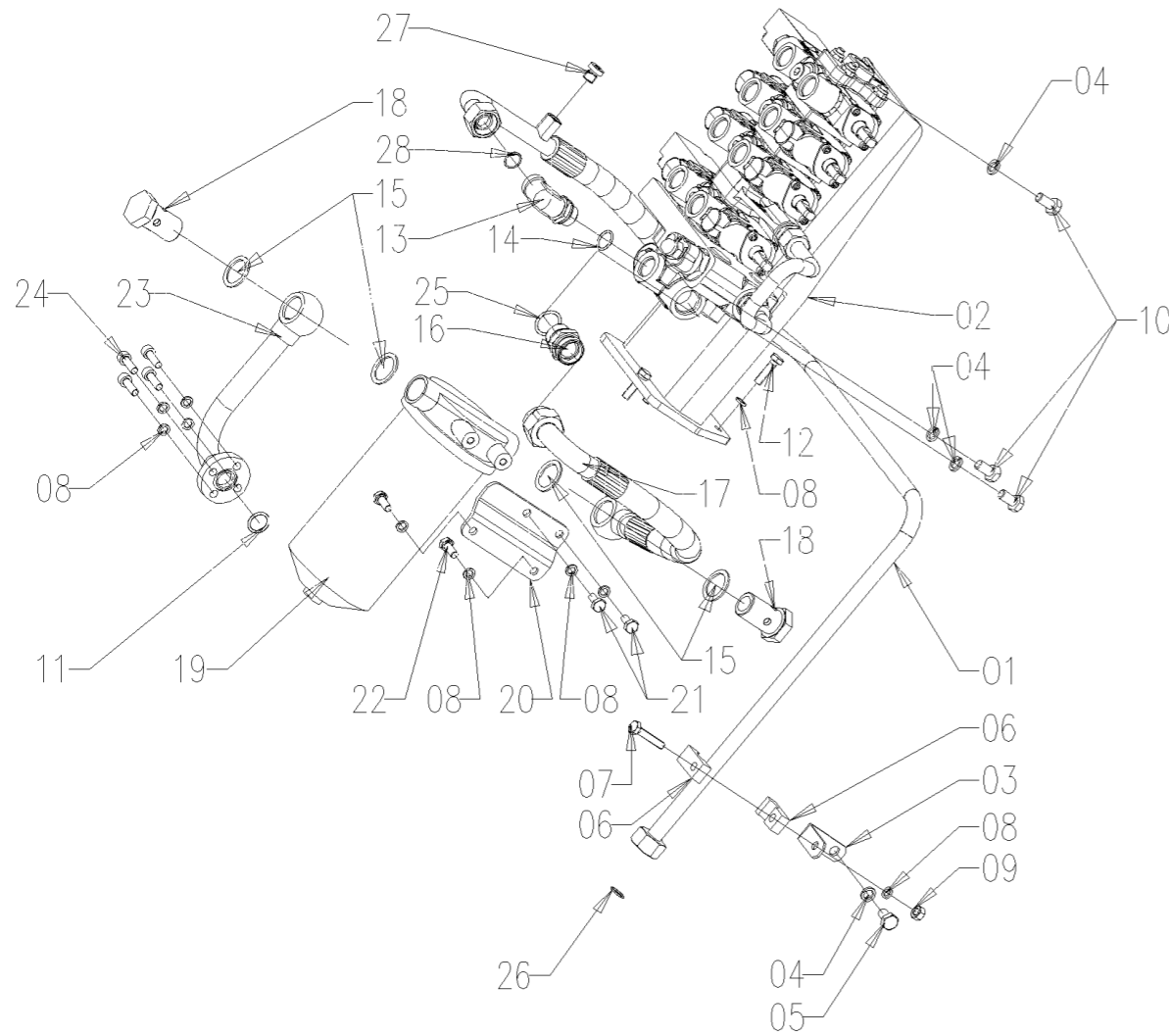
SH400.56.025 锁销总成 LOCK PIN ASSEMBLY

序号	零件编号	零件名称	数量	图号
1	SH400.56.119	销 PIN	1	SH400.56.119
2	SH400.56.118	锁销弹簧 LOCK PIN RING	1	SH400.56.118

SH400.56.025 锁销总成



# B09.58.904.4 VALVE PIPE ASS.Y



## B09.58.904.4\_1 多路阀进出油管总成 VALVE INLET AND OUTLET PIPE ASS.Y

序号	零件编号	零件名称	数量	图号
1	A11.58.030.3/30	进水管尾阀总成 VALVE INLET PIPE	1	A11.58.030.3/30
2	A23.58.033.2	焊接多阀支架 MULTIPLE VALVE	1	A23.58.033.2
3	A23.58.035.0	支架 BRACKET	1	A23.58.035.0
4	GBT93-10-A3L	垫圈 WASHER	4	GBT93-10-A3L
5	GBT5783-M10X16-A3L	螺栓 BOLT	1	GBT5783-M10X16-A3L
6	CD554.40.107	单孔夹16 SINGLE TUBE CLIP 16	2	CD554.40.107
7	GBT5783-M8X40-A2L	螺栓 BOLT	1	GBT5783-M8X40-A2L
8	GBT93-8-A3L	垫圈 WASHER	12	GBT93-8-A3L
9	GBT6170-M8-A2L	螺母 NUT	1	GBT6170-M8-A2L
10	GBT5783-M10X20-A3L	螺栓 BOLT	3	GBT5783-M10X20-A3L
11	GBT3452.1-19X2.65-G	O形圈 O RING	1	GBT3452.1-19X2.65-G
12	GBT5783-M8X30-A2L	螺栓 BOLT	3	GBT5783-M8X30-A2L
13	GBT3738-08-L18	卡套式可调向端弯通管接头 FITTING	1	GBT3738-08-L18
14	GBT3452.1-19.3X2.2-G	O形圈 O RING	1	GBT3452.1-19.3X2.2-G
15	A68.58.003.0	组合密封垫圈 SEALING RING 27.3x36	4	A68.58.003.0
16	GBT3733-08-L22F	接头 FITTING	1	GBT3733-08-L22F
17	0.028.1972.3	回油管 RETURN PIPE WELDING2	1	0.028.1972.3
18	SH900.58.101	空心螺栓 HOLLOW BOLT M27X1.5	2	SH900.58.101
19	DF1204.58B.020	管路滤清器总成 RETURN FILTER ASS.	1	DF1204.58B.020
20	DF904.58B.101	回流过滤器支架 RETURN FILTER	1	DF904.58B.101
21	GBT5783-M8X16-A2L	螺栓 BOLT	2	GBT5783-M8X16-A2L
22	GBT5783-M8X20-A2L	螺栓 BOLT	2	GBT5783-M8X20-A2L
23	DF904.58B.017	出油管总成 OUTLET PIPE ASS.	1	DF904.58B.017
24	GBT70.1-M8X25-A2L	螺栓 SCREW	4	GBT70.1-M8X25-A2L
25	GBT3452.1-23.6X2.9-G	O形圈 O RING	1	GBT3452.1-23.6X2.9-G
26	GBT3452.1-14X1.5-G	O形圈 O RING	2	GBT3452.1-14X1.5-G
27	2.3139.024.2	螺塞 TAPPO T.C.E.I. M12x1.5	1	2.3139.024.2



SME DEUTZ-FAHR GROUP S.p.A.  
 20137 ZEGNÀ • CASE DREZZI • SULLARNO  
 Gruppo - Group

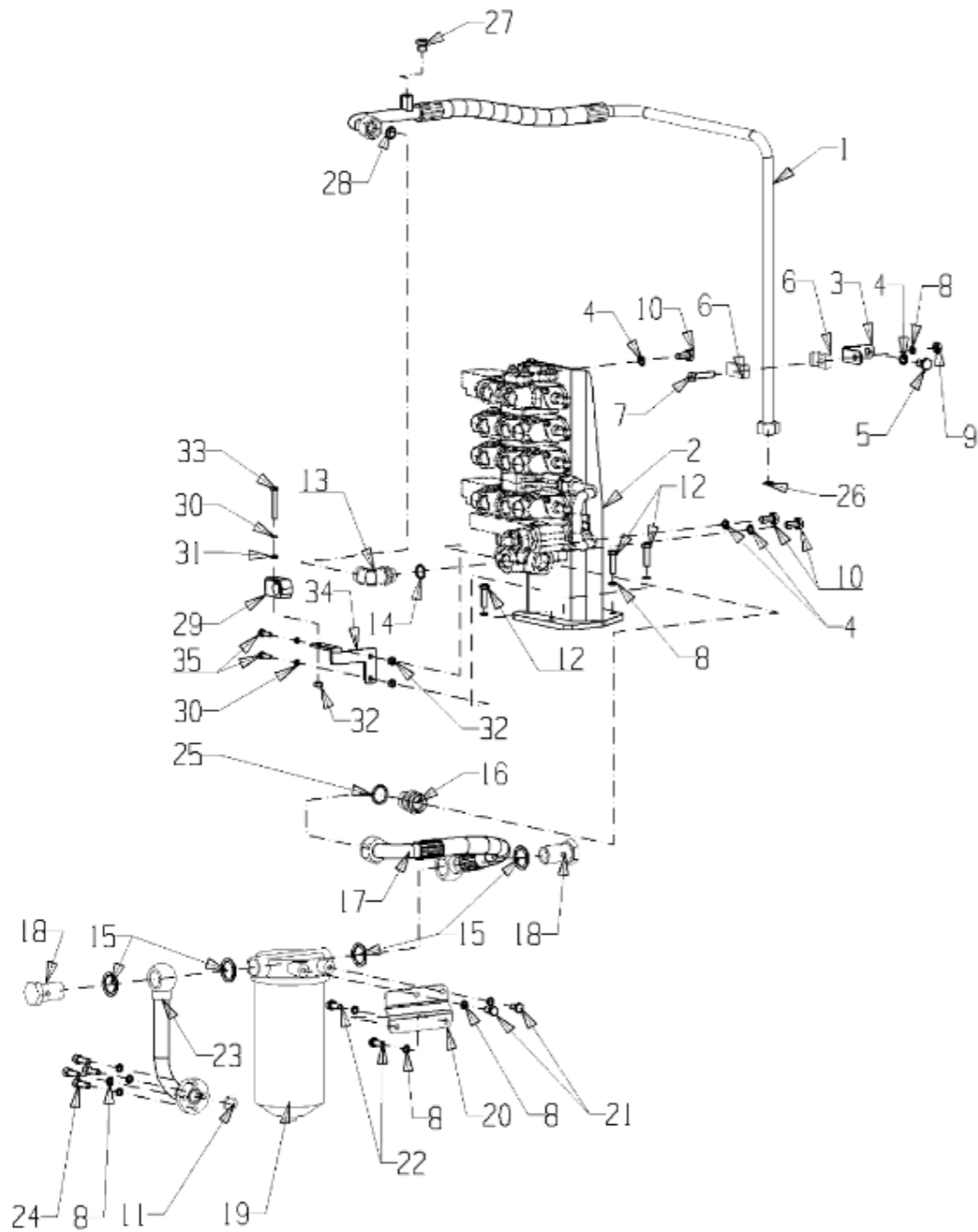
CD90 SERIES

VALVE PIPE ASS.Y

N. dis. - PN  
 B09.58.904.4

Rev	Facile Sheet	di	di
2	1	1	1
23/08/2022			

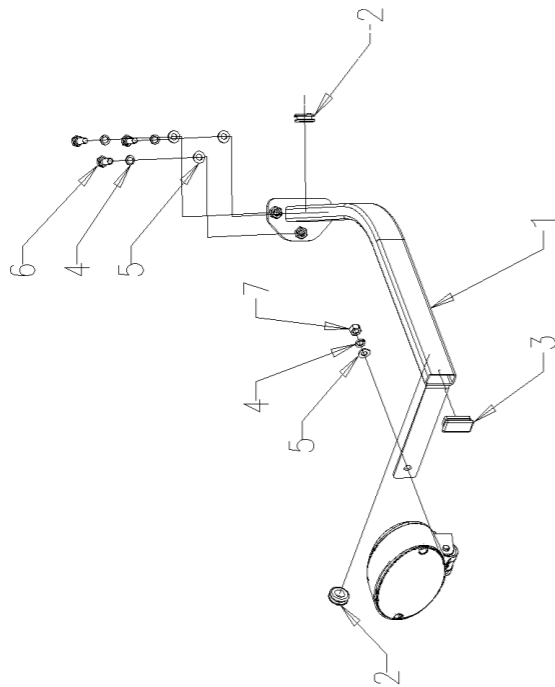
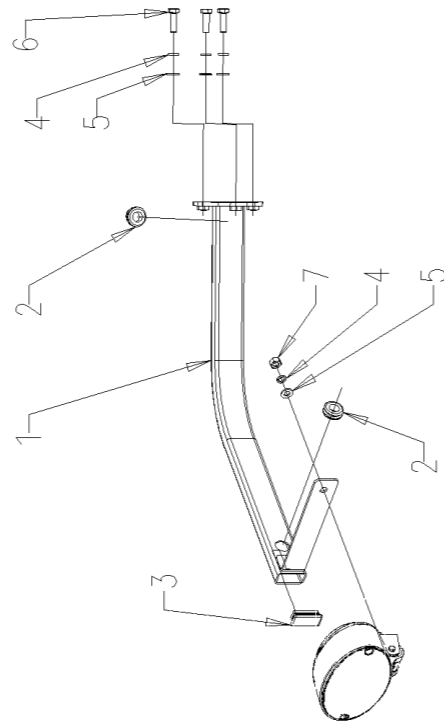
YFB-R-2017-011 SH.090



B09.58.904.4\_2 多路阀进出油管总成 VALVE INLET AND OUTLET PIPE ASS.Y

序号	零件编号	零件名称	数量	图号
1	A11.58.030.3/30	进水管尾阀总成 VALVE INLET PIPE	1	A11.58.030.3/30
2	A23.58.033.2/10	焊接多阀支架 MULTIPLE VALVE	1	A23.58.033.2/10
3	A23.58.035.0	支架 BRACKET	1	A23.58.035.0
4	2.1473.008.2	垫圈 SPRING WASHER M10	4	2.1473.008.2
5	2.0114.305.2	螺栓 SCREW M10x16	1	2.0114.305.2
6	CD554.40.107	单孔夹16 SINGLE TUBE CLIP 16	2	CD554.40.107
7	2.0114.215.2	螺栓 SCREW M8x40	1	2.0114.215.2
8	2.1473.007.2	垫圈 SPRING WASHER M8	12	2.1473.007.2
9	2.1011.105.2	螺母 NUT M8x1.25	1	2.1011.105.2
10	2.0114.307.2	螺栓 SCREW M10x20	3	2.0114.307.2
11	GBT3452.1-19X2.65-G	O形圈 O RING	1	GBT3452.1-19X2.65-G
12	2.0114.211.2	螺栓 SCREW M8x30	3	2.0114.211.2
13	GBT3738-08-L18	卡套式可调向端弯通管接头 FITTING	1	GBT3738-08-L18
14	GBT3452.1-19.3X2.2-G	O形圈 O RING	1	GBT3452.1-19.3X2.2-G
15	A68.58.003.0	组合密封垫圈 SEALING RING 27.3x36	4	A68.58.003.0
16	GBT3733-08-L22F	接头 FITTING	1	GBT3733-08-L22F
17	0.028.1972.3	回油管 RETURN PIPE WELDING2	1	0.028.1972.3
18	SH900.58.101	空心螺栓 HOLLOW BOLT M27X1.5	2	SH900.58.101
19	DF1204.58B.020	管路滤清器总成 RETURN FILTER ASS.	1	DF1204.58B.020
20	DF904.58B.101	回流过滤器支架 RETURN FILTER	1	DF904.58B.101
21	2.0114.205.2	螺栓 SCREW M8x16	2	2.0114.205.2
22	2.0114.207.2	螺栓 SCREW M8x20	2	2.0114.207.2
23	DF904.58B.017	出油管总成 OUTLET PIPE ASS.	1	DF904.58B.017
24	2.0312.208.2	螺栓 SOCKET SCREW M8x1.25x25	4	2.0312.208.2
25	GBT3452.1-23.6X2.9-G	O形圈 O RING	1	GBT3452.1-23.6X2.9-G
26	GBT3452.1-14X1.5-G	O形圈 O RING	1	GBT3452.1-14X1.5-G
27	2.3139.024.2	螺塞 TAPPO T.C.E.I. M12x1.5	1	2.3139.024.2
28	GBT3452.1-16X1.5-G	O形圈 O RING	1	GBT3452.1-16X1.5-G
29	2.3320.109.0	管形夹具 TUBE CLAMP 18	1	2.3320.109.0
30	2.1473.006.2	垫圈 SPRING WASHER M6	3	2.1473.006.2
31	2.1310.002.2	垫圈 WASHER 6	1	2.1310.002.2
32	2.1011.003.2	螺母 M6X1 NUT M6x1	3	2.1011.003.2
33	2.0114.016.2	螺栓 SCREW M6x45	1	2.0114.016.2
34	B09.58.012.0	支架 BRACKET	1	B09.58.012.0
35	2.0114.007.2	螺栓 SCREW M6x20	2	2.0114.007.2

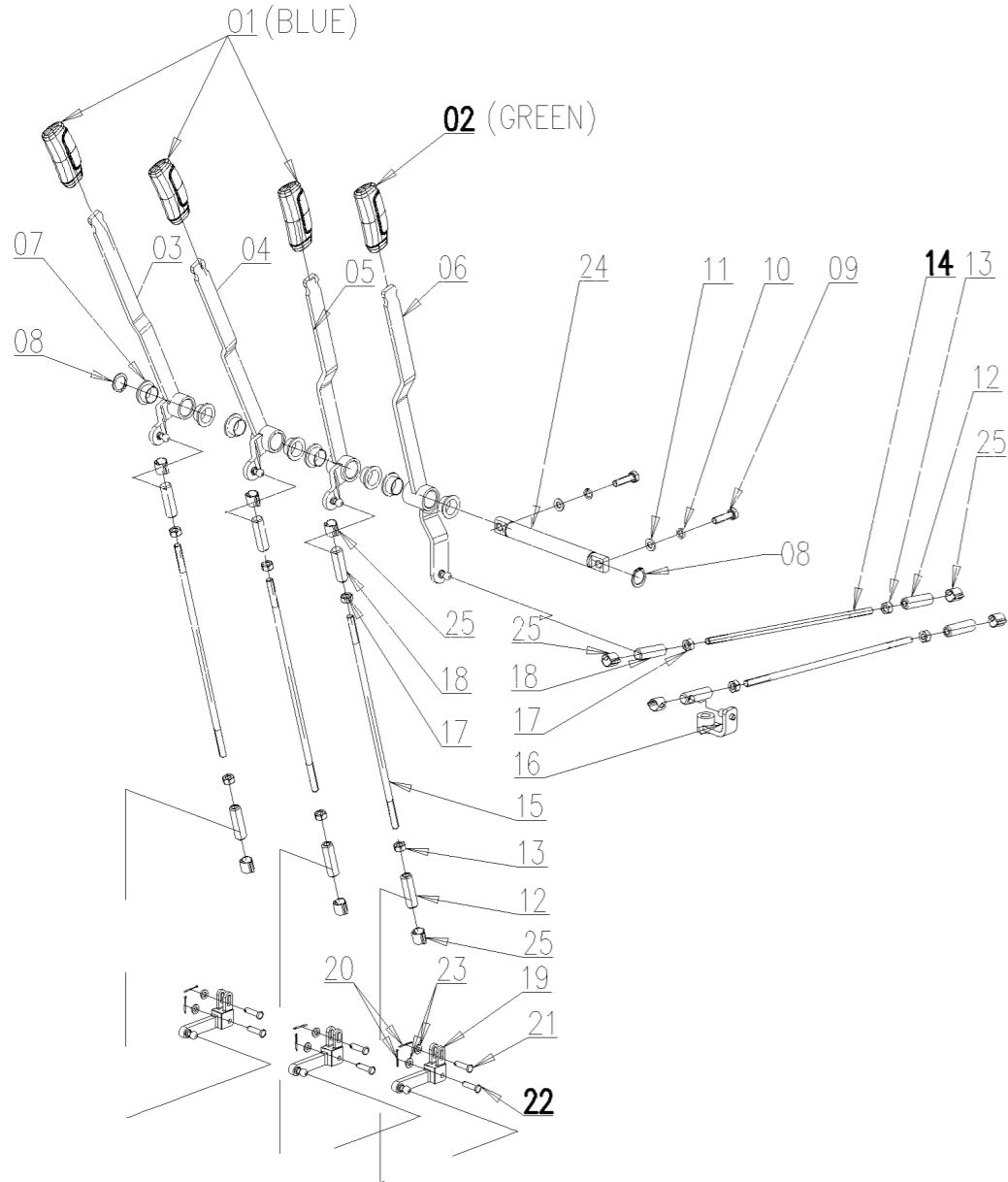
# B29.45.905.4 DIRECT LAMP ARM ASS.Y



# B29.45.905.4\_2 左右转向灯支架 RH/LH LIGHT SUPPORT ASS.Y

序号	零件编号	零件名称	数量	图号
1	B29.45.023.3/20	直射灯臂 DIRECT LAMP ARM	2	B29.45.023.3/20
2	CD904.45.105	橡胶帽 RUBBER	4	CD904.45.105
3	CD904.45.106	塑料塞 PLASTIC PLUG	2	CD904.45.106
4	GBT93-8-A3L	垫圈 WASHER	8	GBT93-8-A3L
5	GBT97.1-8-A3L	垫圈 WASHER	8	GBT97.1-8-A3L
6	GBT5783-M8X25-A2L	螺栓 BOLT	6	GBT5783-M8X25-A2L
7	GBT6170-M8-A2L	螺母 NUT	2	GBT6170-M8-A2L

B36.45.908.4 VALVE COMMAND ASS.Y  
YFB-R-2020-004 SH.025



B36.45.908.4\_2 提升和多路阀操纵总成 VALVE COMMAND ASS.Y

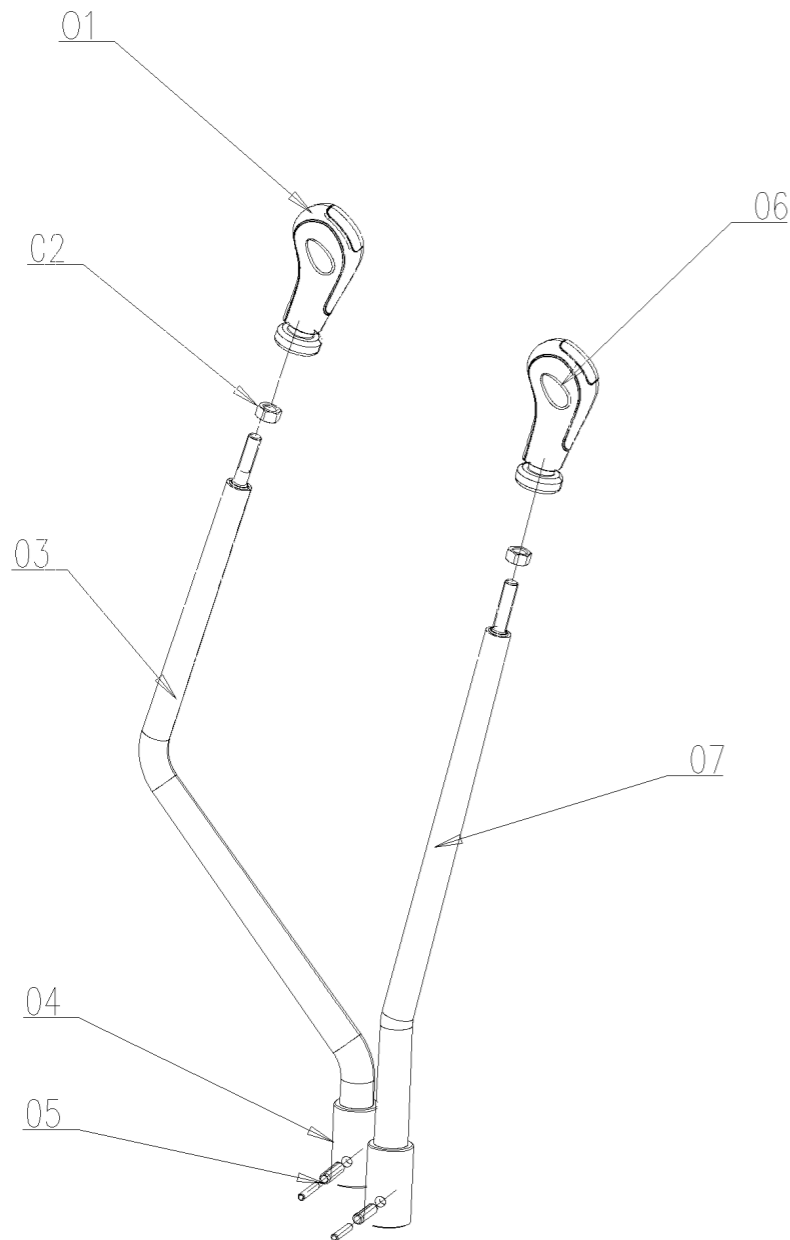
序号	零件编号	零件名称	数量	图号
1	0.020.3757.0	球形把手 KNOB	3	0.020.3757.0
2	A08.55.015.0	球形把手 KNOB	1	A08.55.015.0
3	B36.45.016.3/10	焊接支架-1 WELDING BRACKET-1	1	B36.45.016.3/10
4	B36.45.014.3/10	焊接支架-2 WELDING BRACKET-2	1	B36.45.014.3/10
5	B36.45.012.3/10	焊接支架-3 WELDING BRACKET-3	1	B36.45.012.3/10
6	B36.45.010.3/10	焊接支架-4 WELDING BRACKET-4	1	B36.45.010.3/10
7	A23.45.019.0	隔套 SLEEVE	8	A23.45.019.0
8	GBT894.1-20	弹性挡圈 CIRCLIP	2	GBT894.1-20
9	GBT5783-M8X30-A2L	螺栓 BOLT	2	GBT5783-M8X30-A2L
10	GBT93-8-A3L	垫圈 WASHER	2	GBT93-8-A3L
11	GBT97.1-8-A3L	垫圈 WASHER	2	GBT97.1-8-A3L
12	A11.55.018.0	球座 BALL SEAT	5	A11.55.018.0
13	GBT6170-M8-A2L	螺母 NUT	5	GBT6170-M8-A2L
14	A23.45.037.0	操纵杆 LEVER	2	A23.45.037.0
15	B36.45.002.0	操纵杆 LEVER	3	B36.45.002.0
16	A23.45.038.3/10	摇臂 ROCKET ARM	1	A23.45.038.3/10
17	GBT6170-M8-LH-A2L	螺母 NUT	5	GBT6170-M8-LH-A2L
18	A11.55.017.0	左侧球座 BALL SEAT-LEFT	5	A11.55.017.0
19	A23.45.035.3/10	阀铰链 VALVE HINGE	3	A23.45.035.3/10
20	GBT91-1.6X18-A3L	销 PIN	6	GBT91-1.6X18-A3L
21	GBT882-B6X24-A3L	销 PIN	6	GBT882-B6X24-A3L
23	GBT97.1-6-A3L	垫圈 WASHER	6	GBT97.1-6-A3L
24	A23.45.018.0	传动轴 SHAFT	1	A23.45.018.0
25	0.020.5466.0	弹簧 SPRING	10	0.020.5466.0

# B52.45.902.4 GEARSHIFT ASSY.

YFB-R-2017-011 SH.047

## B52.45.902.4\_1 变速杆操纵总成 MAIN GEAR SHIFT LEVER ASS.Y

序号	零件编号	零件名称	数量	图号
1	A23.45.072.4/10	副变速换挡手柄 KNOB_RANGE SHIFT	1	A23.45.072.4/10
2	GBT6170-M10-A3L	螺母 NUT	2	GBT6170-M10-A3L
3	SH900.37A.012	副操纵杆焊合件 AUXILIARY	1	SH900.37A.012
4	GBT879.1-8X32	销 PIN	2	GBT879.1-8X32
5	GBT879.1-5X32	销 PIN	2	GBT879.1-5X32
6	A23.45.027.4/10	主变速换挡手柄 KNOB_GEAR SHIFT	1	A23.45.027.4/10
7	B52.45.002.3	主操纵杆焊合件 MAIN GEAR SHIFT	1	B52.45.002.3



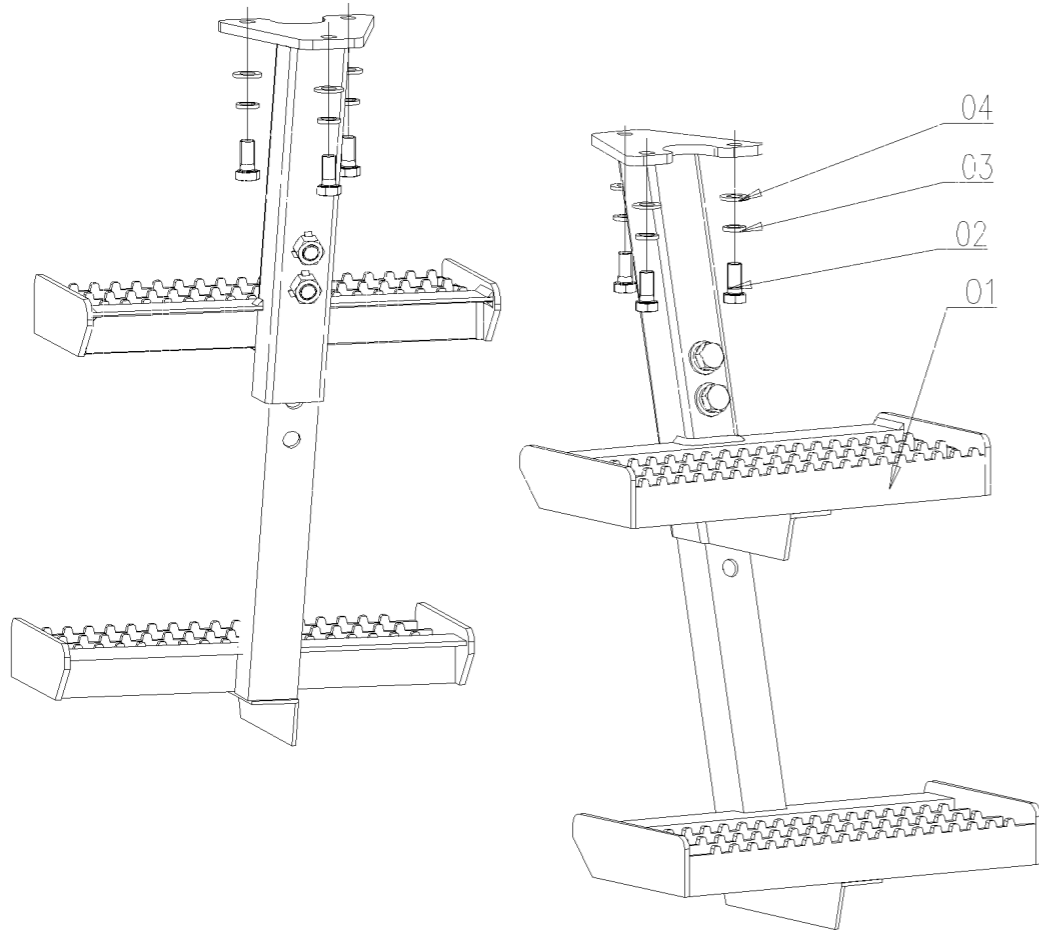


B52.45.905.4 STEP ASSY.

YFB-S-2017-011Sh.002

B52.45.905.4\_0 上车梯总成 STEP ASSY.

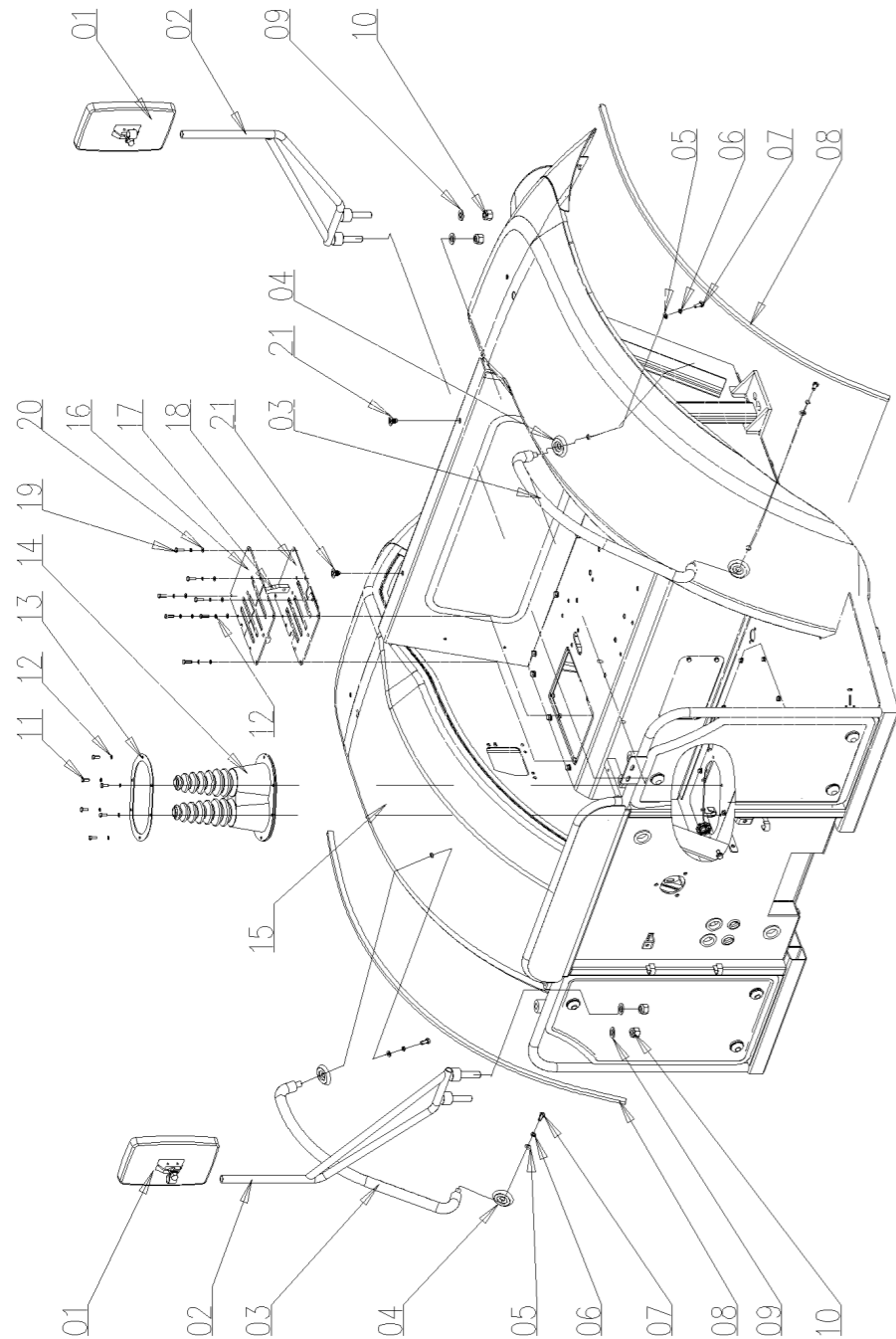
序号	零件编号	零件名称	数量	图号
1	CD804.45A.010/10	上车梯组件 STEP ASSY.	2	CD804.45A.010/10
2	GBT5783-M12X25-A3L	螺栓 BOLT	6	GBT5783-M12X25-A3L
3	GBT93-12-A3L	垫圈 WASHER	6	GBT93-12-A3L
4	GBT97.1-12-A3L	垫圈 WASHER	6	GBT97.1-12-A3L



# B52.45.908.4 PLATFORM ASSEMBLY

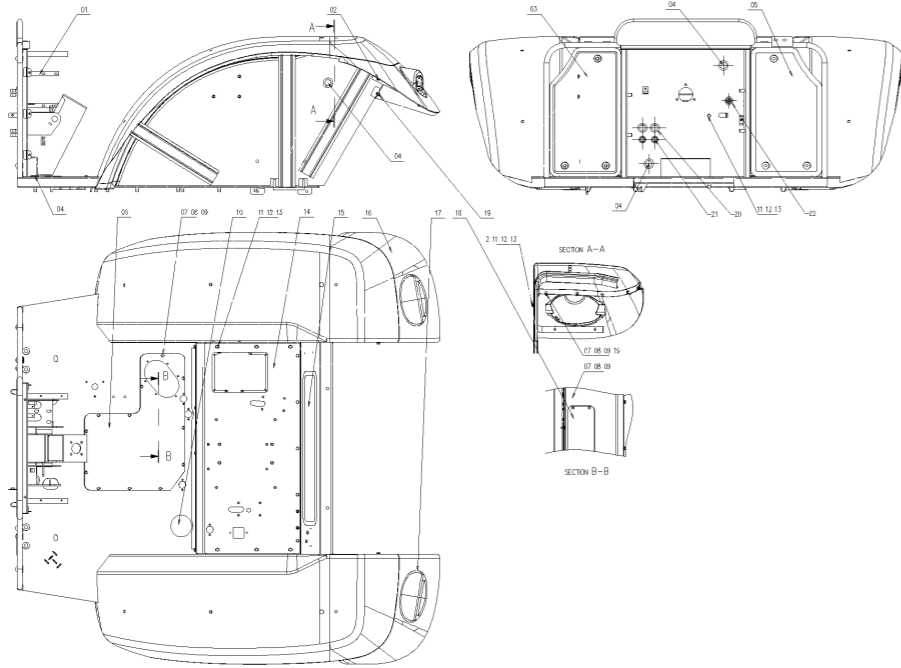
YFB-R-2017-11 SH078

## B52.45.908.4\_4 地板总成 PLATFORM ASSEMBLY



序号	零件编号	零件名称	数量	图号
1	SH900.45A.032	后视镜组件 REAR VIEW MIRROR	2	SH900.45A.032
2	CD904A.45A.030	后视镜支架焊合 REAR VIEW MIRROR	2	CD904A.45A.030
3	CD904A.45A.032	上车扶手 ARMREST	2	CD904A.45A.032
4	SH300.47.246	垫圈 WASHER	4	SH300.47.246
5	2.1310.004.2	垫圈 WASHER 8	4	2.1310.004.2
6	GBT93-8-A3L	垫圈 WASHER	4	GBT93-8-A3L
7	2.0114.207.2	螺栓 SCREW M8x20	4	2.0114.207.2
8	CD904A.45A.122	护板胶条 SHIELD STRIP	2	CD904A.45A.122
9	2.1310.010.2	垫圈 WASHER 16	4	2.1310.010.2
10	GBT889.1-M16-A3L	螺母 NUT	4	GBT889.1-M16-A3L
11	2.0114.005.2	螺栓 SCREW M6x16	6	2.0114.005.2
12	GBT93-6-A3L	垫圈 WASHER	13	GBT93-6-A3L
13	CD904A.45A.102	压板 PLATE	1	CD904A.45A.102
14	CD904A.45A.121	变速杆防尘罩 DUST COVER	1	CD904A.45A.121
15	B52.45.010.4/30	地板 PLATFORM	1	B52.45.010.4/30
16	A11.45.110.0/20	压板 PLATE	1	A11.45.110.0/20
17	A11.45.111.2/20	支撑 SUPPORT_WA	1	A11.45.111.2/20
18	A11.45.001.0/20	垫片 GASKET	1	A11.45.001.0/20
19	2.0114.007.2	螺栓 SCREW M6x20	7	2.0114.007.2
20	2.1310.002.2	垫圈 WASHER 6	7	2.1310.002.2
21	2.3199.114.0	螺钉 TAPPO	2	2.3199.114.0

# B52.45.010.4/30 PLATFORM



## B52.45.010.4/30 地板 PLATFORM

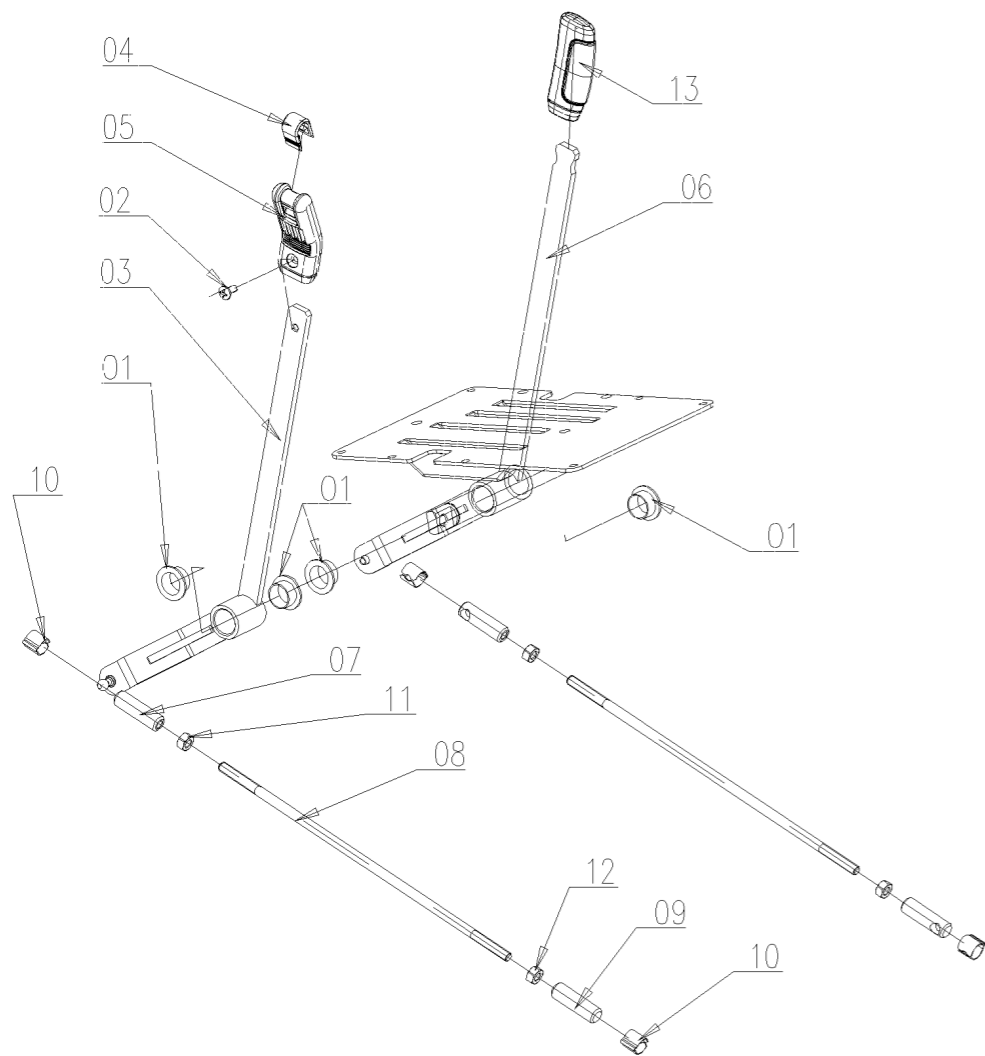
序号	零件编号	零件名称	数量	图号
1	CD904.45A.011/50	地板焊合 PLATFORM WELDING	1	CD904.45A.011/50
2	2.1011.105.2	螺母 NUT M8x1.25	2	2.1011.105.2
3	CD904A.45A.023	右玻璃组件 RIGHT WINDSHIELD	1	CD904A.45A.023
4	CD904A.45A.103	线束塞40 40 SHEATH	6	CD904A.45A.103
5	CD904A.45A.024	左玻璃组件 LEFT GLASS ASSEMBLY	1	CD904A.45A.024
6	CD904A.45A.025	底板维修焊合 PLATFORM REPAIRING	1	CD904A.45A.025
7	2.0114.007.2	螺栓 SCREW M6x20	30	2.0114.007.2
8	2.1310.002.2	垫圈 WASHER 6	44	2.1310.002.2
9	GBT93-6-A3L	垫圈 WASHER	30	GBT93-6-A3L
10	SH900.45A.205	橡胶盖 RUBBER COVER	1	SH900.45A.205
11	2.0114.207.2	螺栓 SCREW M8x20	18	2.0114.207.2
12	2.1310.004.2	垫圈 WASHER 8	18	2.1310.004.2
13	GBT93-8-A3L	垫圈 WASHER	18	GBT93-8-A3L
14	B52.45.006.3	后地板焊合 REAR PLATFORM	1	B52.45.006.3
15	CD904A.45A.027	后玻璃组件 REAR WINDSHIELD	1	CD904A.45A.027
16	CD904A.45A.028	右后尾灯组件 RIGHT REAR COVER	1	CD904A.45A.028
17	CD904A.45A.029	左后尾灯组件 LEFT REAR COVER	1	CD904A.45A.029
18	CD904A.45A.107	压板 PLATE	1	CD904A.45A.107
19	2.1011.103.2	螺母 NUT M6x1	14	2.1011.103.2
20	A23.45.232.0	胶圈 RUBBER GASKET	2	A23.45.232.0
21	A23.45.231.0	胶圈 RUBBER GASKET	2	A23.45.231.0
22	2.6569.069.0/10	胶圈 Gommino	1	2.6569.069.0/10

# REAR LIFT CONTROL LEVERS B52.55.902.4

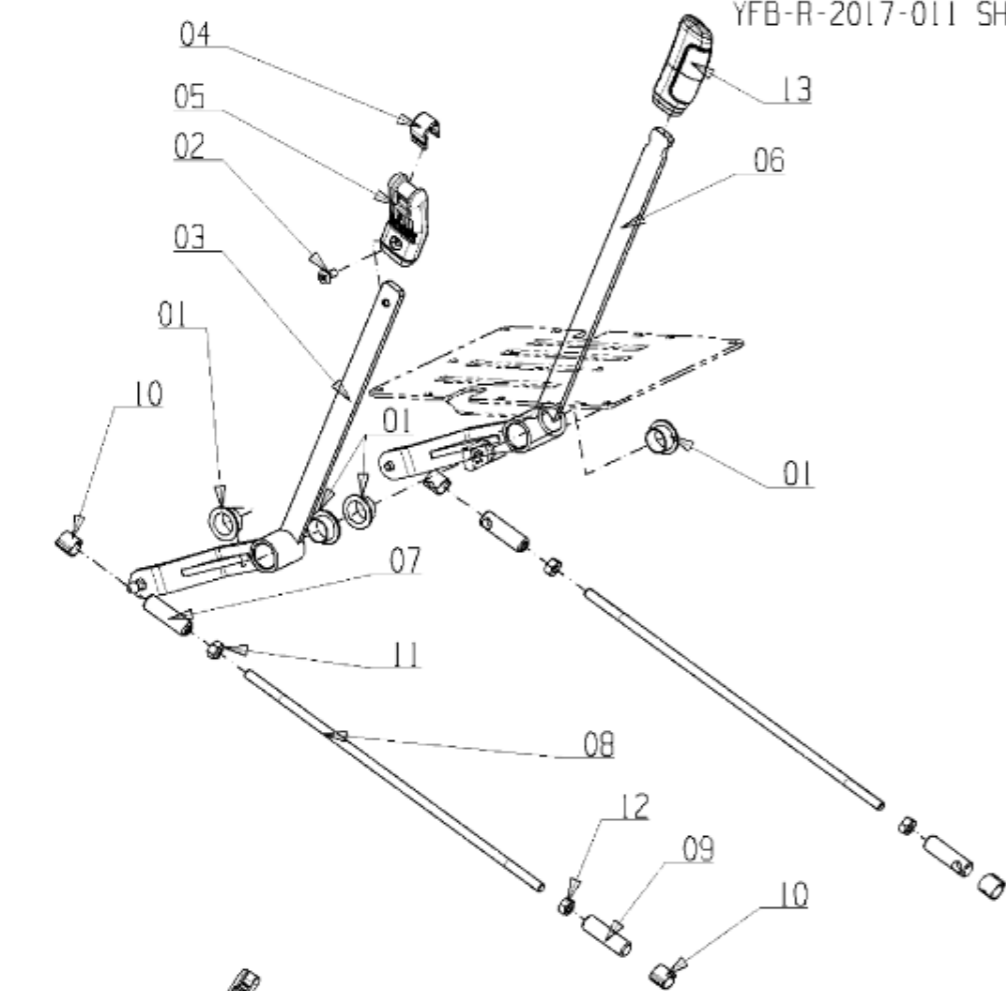
YFB-S-2017-011 SH.002

## B52.55.902.4\_0 提升操纵总成 REAR LIFT CONTROL LEVERS

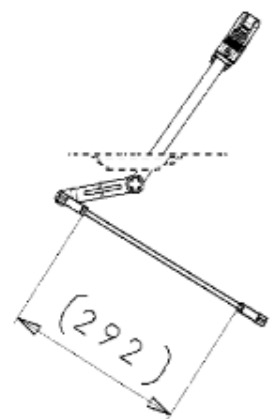
序号	零件编号	零件名称	数量	图号
1	A23.45.019.0	隔套 SLEEVE	4	A23.45.019.0
2	GBT820-M6X14-4.8-A2L	螺钉 SCREW	1	GBT820-M6X14-4.8-A2L
3	A11.55.008.3/30	操纵杆1焊接 LEVER 1 WELDMENT	1	A11.55.008.3/30
4	0.020.3200.0	联轴器 COUPLING	1	0.020.3200.0
5	0.020.3149.0	球形把手 KNOB	1	0.020.3149.0
6	A11.55.009.3/30	操纵杆2焊接 LEVER 2 WELDMENT	1	A11.55.009.3/30
7	A11.55.017.0	左侧球座 BALL SEAT-LEFT	2	A11.55.017.0
8	B52.55.001.0	操纵杆 LEVER	2	B52.55.001.0
9	A11.55.018.0	球座 BALL SEAT	2	A11.55.018.0
10	0.020.5466.0	弹簧 SPRING	4	0.020.5466.0
11	GBT6170-M8-A2L	螺母 NUT	2	GBT6170-M8-A2L
12	GBT6170-M8-LH-A2L	螺母 NUT	2	GBT6170-M8-LH-A2L
13	A08.55.015.0	球形把手 KNOB	1	A08.55.015.0



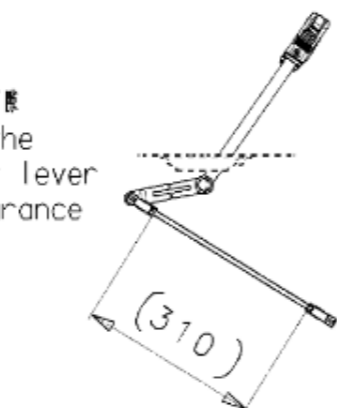
YFB-R-2017-011 SH.085



装配完成后调整提升操纵杆和换挡杆到合适的间隙  
 After assembly, adjust the  
 lifting lever and shift lever  
 to the appropriate clearance



配16+8档合套变速箱  
 16F+8R SHIFT SLEEVE



配16+8档合套 爬行/超级变速箱  
 16F+8R SHIFT SLEEVE -CREEPER  
 16F+8R SHIFT SLEEVE -SUPER CREEPER

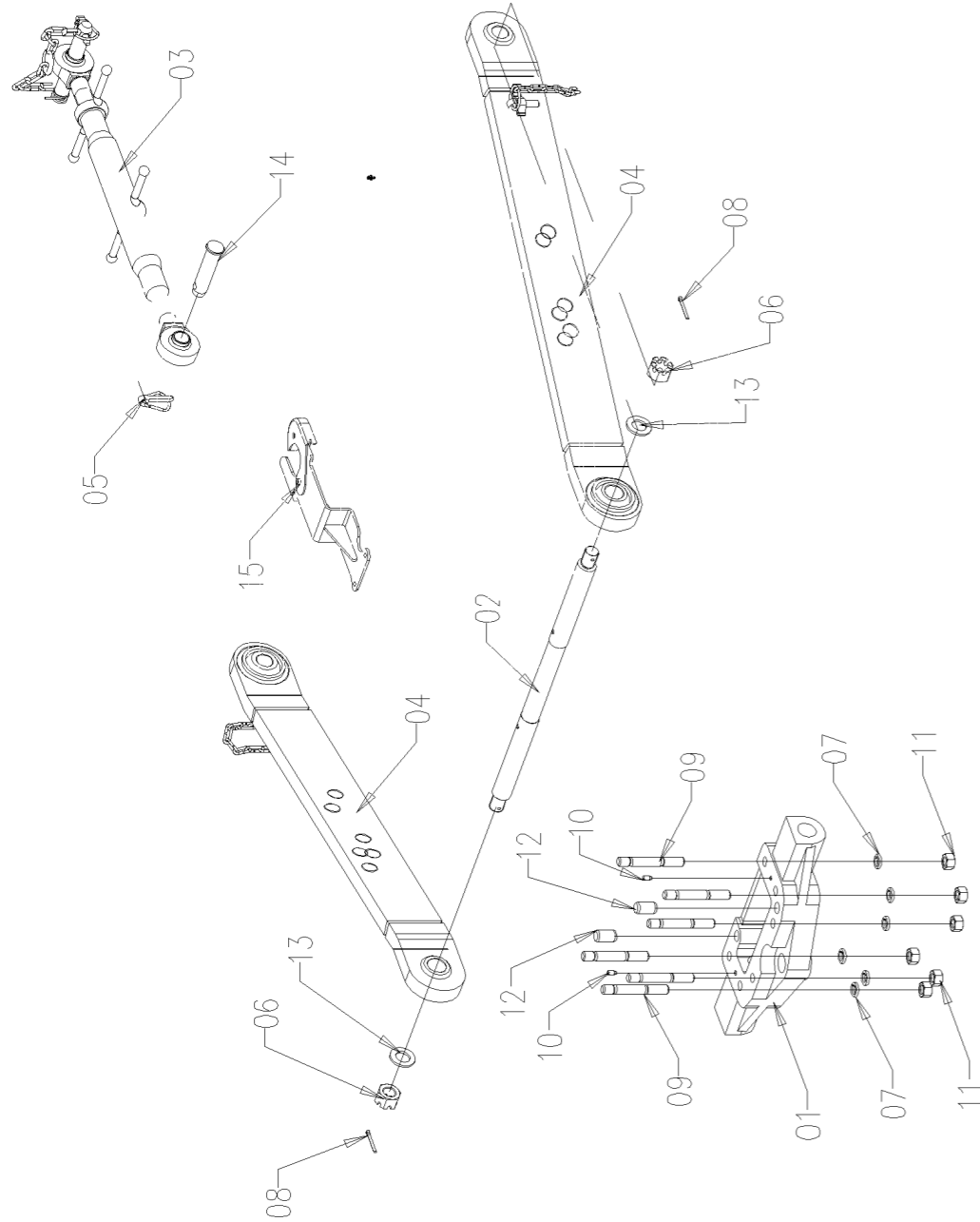
B52.55.902.4\_1 提升操纵总成 REAR LIFT CONTROL LEVERS

序号	零件编号	零件名称	数量	图号
1	A23.45.019.0	套筒 SLEEVE	4	A23.45.019.0
2	2.0322.405.3	十字螺栓 CROSS SCREW M6x1x14	1	2.0322.405.3
3	A11.55.008.3/30	操纵杆1焊接 LEVER 1 WELDMENT	1	A11.55.008.3/30
4	0.020.3200.0	手柄球 COUPLING	1	0.020.3200.0
5	0.020.3149.0	手柄球 KNOB	1	0.020.3149.0
6	A11.55.009.3/30	操纵杆2焊接 LEVER 2 WELDMENT	1	A11.55.009.3/30
7	A11.55.017.0	左球面座 BALL SEAT-LEFT	2	A11.55.017.0
8	B52.55.001.0/10	操纵杆 LEVER	2	B52.55.001.0/10
9	A11.55.018.0	球座 BALL SEAT	2	A11.55.018.0
10	0.020.5466.0	弹性挡圈 SPRING	4	0.020.5466.0
11	2.1011.105.2	螺母 NUT M8x1.25	2	2.1011.105.2
12	GBT6170-M8-LH-A2L	螺母 NUT	2	GBT6170-M8-LH-A2L
13	A08.55.015.0	手柄球 KNOB	1	A08.55.015.0

# B52.56.910.4 3 POINT LINKAGE ASS.

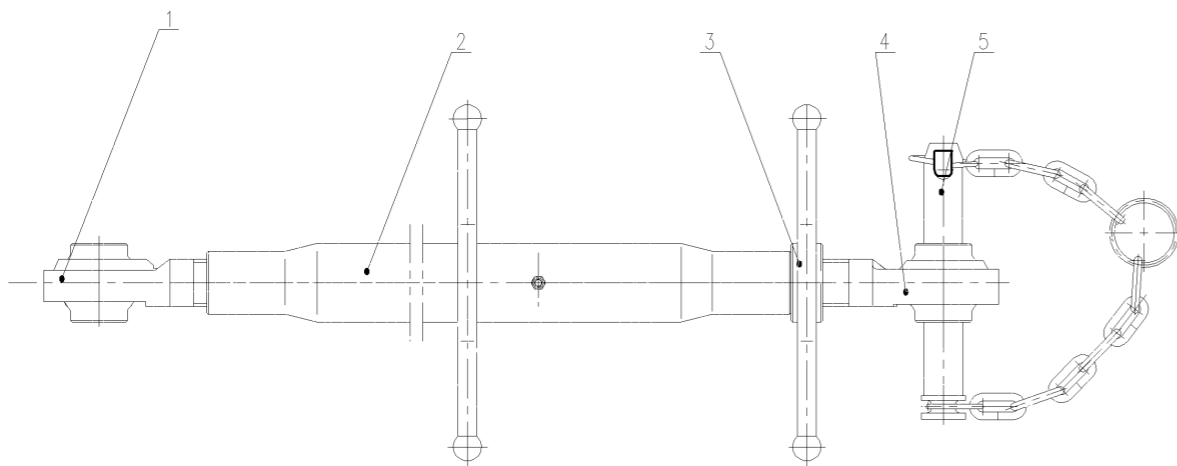
YFB-R-2017-011 SH.011

# B52.56.910.4\_0 三点悬挂安装总成 3 POINT LINKAGE



序号	零件编号	零件名称	数量	图号
1	SH900.56.111	下拉杆支架 LOWER ROD BRACKET	1	SH900.56.111
2	SH900.56.103	下拉杆支撑杆 LOWER PULL ROD	1	SH900.56.103
3	SH900.56.030-1	上拉杆总成 UPPER PULL ROD ASSY	1	SH900.56.030-1
4	SH900.56.018	下拉杆焊接总成 LOWER LINK	2	SH900.56.018
5	SH400.56.025	锁销总成 LOCK PIN ASSEMBLY	1	SH400.56.025
6	GBT9459-M24X2-A3L	螺母 NUT	2	GBT9459-M24X2-A3L
7	GBT93-16-A3L	弹簧垫圈 SPRING WASHER	6	GBT93-16-A3L
8	GBT91-5X40	销 PIN	2	GBT91-5X40
9	GBT899-M16X95-A3L	双头螺栓 STUD-GM	6	GBT899-M16X95-A3L
10	GBT72-M8X16-A2L	螺栓 SCREW	2	GBT72-M8X16-A2L
11	GBT6170-M16-A3L	螺母 NUT	6	GBT6170-M16-A3L
12	GBT119.1-20X35	销 PIN	2	GBT119.1-20X35
13	GBT95-24-A3L	垫圈 WASHER	2	GBT95-24-A3L
14	DF904.56.107	提升杆锁销 LIFTING ROD LOCK PIN	1	DF904.56.107
15	0.030.2147.3	托架总成 BRACKET ASS.	1	0.030.2147.3

SH900.56.030-1 上拉杆总成

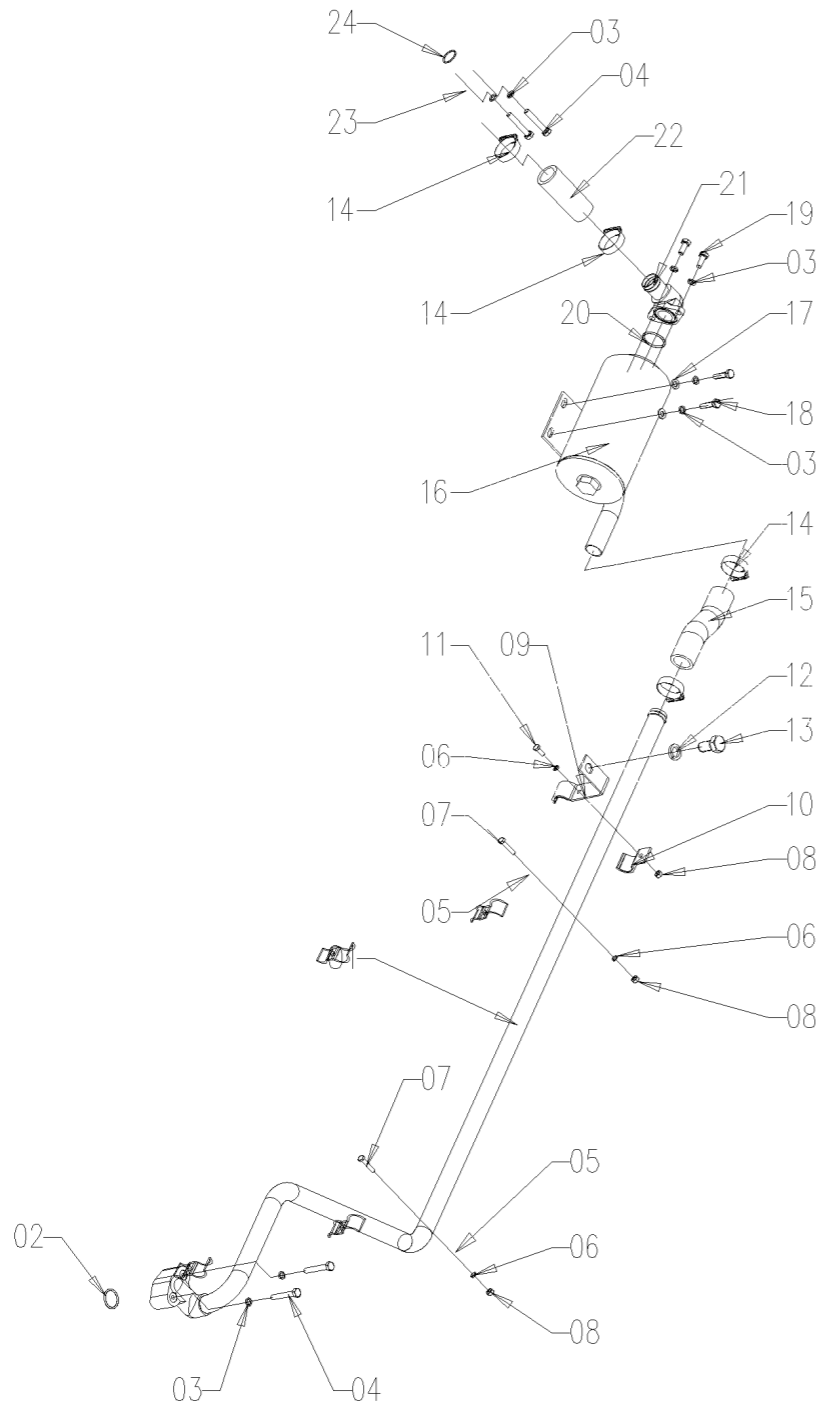


### SH900.56.030-1 上拉杆组件 UPPER LINKAGE ASSY

序号	零件编号	零件名称	数量	图号
1	SH900.56.011	上拉杆后调节螺杆挤压总成	1	SH900.56.011
2	SH900.56.014-1	调节螺管手柄焊合 ADJUSTING	1	SH900.56.014-1
3	SH900.56.013-1	上拉杆锁紧螺帽焊合 UPPER PULL	1	SH900.56.013-1
4	SH900.56.015	上拉杆前调节螺杆挤压总成 FRONT	1	SH900.56.015
5	SH900.56.024	上拉杆销及锁销总成 UPPER ROD PIN	1	SH900.56.024

# B52.58.900.4 SUCTION PIPE ASS.Y

YFB-R-2017-011 SH.011



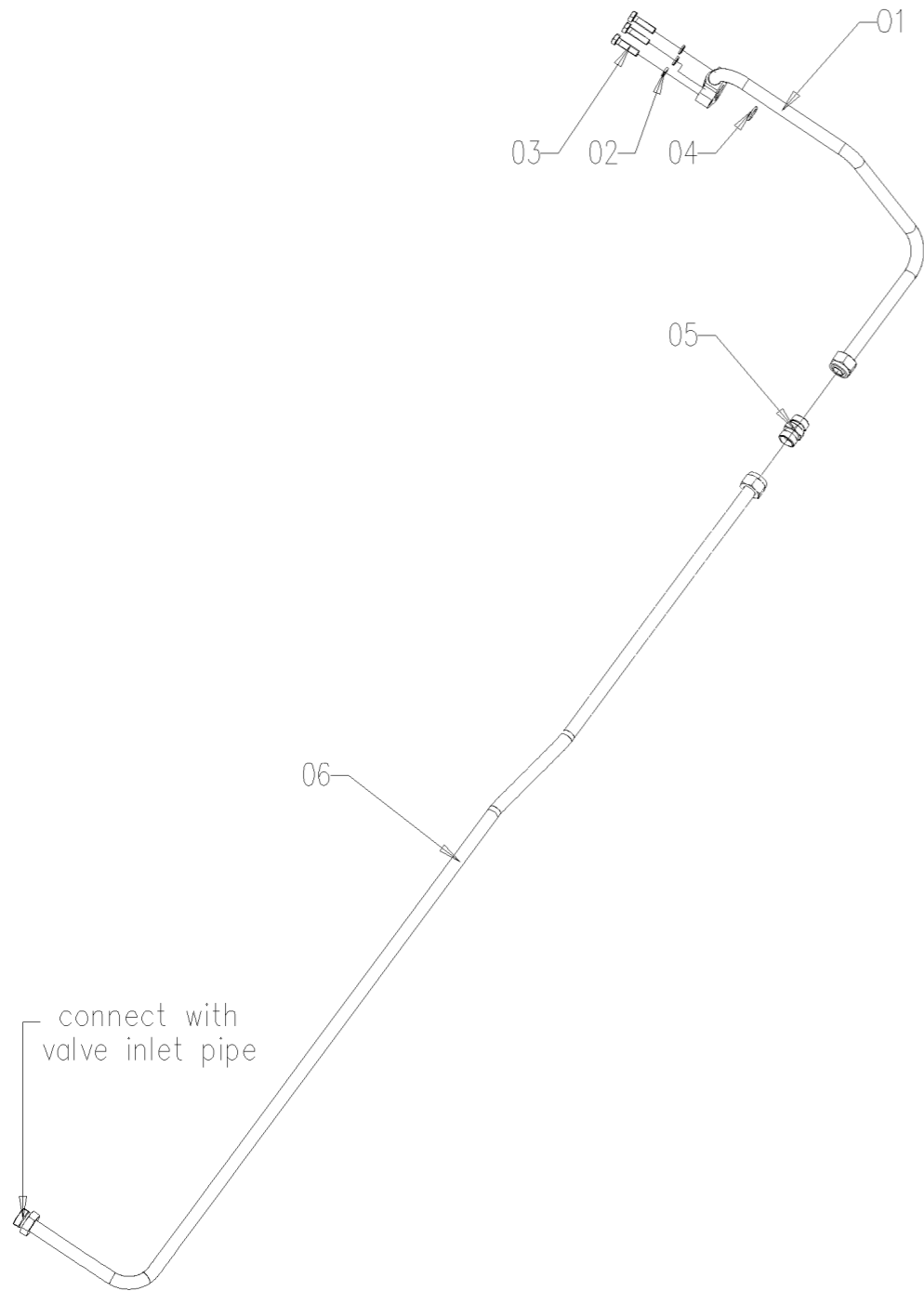
# B52.58.900.4\_0 吸油管路总成 INLET PIPE ASS.

序号	零件编号	零件名称	数量	图号
1	B52.58.002.3	吸入管焊接 SUCTION PIPE WELDED	1	B52.58.002.3
2	GBT3452.1-26.5X2.65-G	O形密封圈 O RING	1	GBT3452.1-26.5X2.65-G
3	GBT93-8-A3L	弹簧垫圈 SPRING WASHER	8	GBT93-8-A3L
4	GBT5783-M8X50-A2L	螺栓 BOLT	4	GBT5783-M8X50-A2L
5	SH900.58.034	油管夹组件 TUBING CLAMP ASSY	4	SH900.58.034
6	GBT93-6-A3L	弹簧垫圈 SPRING WASHER	3	GBT93-6-A3L
7	GBT5783-M6X30-A2L	螺栓 BOLT	2	GBT5783-M6X30-A2L
8	GBT6170-M6-A2L	螺母 NUT	3	GBT6170-M6-A2L
9	A23.58.019.3	油管夹组件 TUBING CLAMP	1	A23.58.019.3
10	SH900.58.043	下管夹组件 PIPE CLAMPS	1	SH900.58.043
11	GBT5783-M6X16-A2L	螺栓 BOLT	1	GBT5783-M6X16-A2L
12	GBT93-16-A3L	垫圈 WASHER	1	GBT93-16-A3L
13	GBT5783-M16X30-A3L	螺栓 BOLT	1	GBT5783-M16X30-A3L
14	JBT8870-D40	喉箍 HOSE CLAMP	4	JBT8870-D40
15	A23.58.002.0	吸入管 SUCTION PIPE	1	A23.58.002.0
16	CD904A.58.012/10	滤油器 OIL FILTER	1	CD904A.58.012/10
17	GBT97.1-8-A3L	平垫圈 PLAIN WASHER	2	GBT97.1-8-A3L
18	GBT5783-M8X30-A2L	螺栓 BOLT	2	GBT5783-M8X30-A2L
19	GBT5783-M8X20-A2L	螺栓 BOLT	2	GBT5783-M8X20-A2L
20	GBT3452.1-32.5X2.65-G	O形密封圈 O RING	1	GBT3452.1-32.5X2.65-G
21	SH900.58.018	吸油短管焊合-1 OIL TUBE	1	SH900.58.018
22	B52.58.004.0	吸入软管 SUCTION HOSE	1	B52.58.004.0
23	SH900.58.019	吸油短管焊合-1 OIL TUBE	1	SH900.58.019
24	GBT3452.1-21.2X1.8-G	O形密封圈 O RING	1	GBT3452.1-21.2X1.8-G



# B52.58.902.4 OUTLET PIPE ASS.Y

YFB-R-2017-011 SH.041

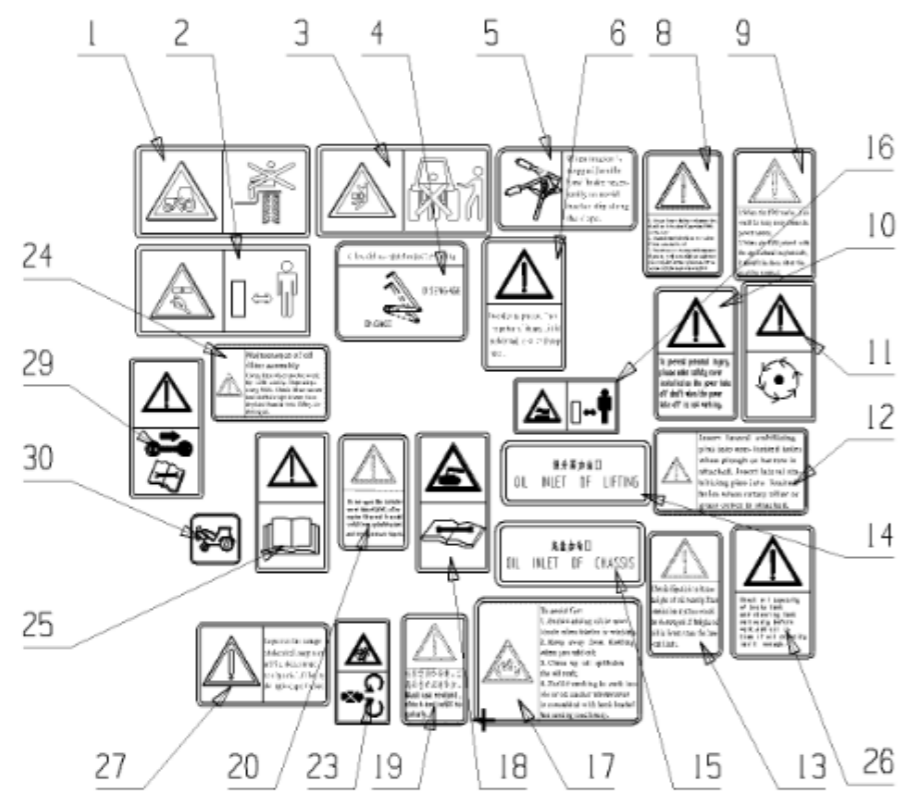


## B52.58.902.4\_1 提升泵出油管总成 OUTLET PIPE ASS.

序号	零件编号	零件名称	数量	图号
1	CD904A.58.014	出油管 OUTLET PIPE	1	CD904A.58.014
2	GBT93-8-A3L	垫圈 WASHER	3	GBT93-8-A3L
3	GBT5783-M8X30-A2L	螺栓 BOLT	3	GBT5783-M8X30-A2L
4	GBT3452.1-15X2.65-G	组合密封圈 SEAL RING	1	GBT3452.1-15X2.65-G
5	GBT3737.2-83-G16	接头 FITTING	1	GBT3737.2-83-G16
6	B52.58.003.3/10	压力油管接头 PRESSURE OIL PIPE ASS.	1	B52.58.003.3/10

 SAME DEUTZ-FAHR GROUP S.p.A. VIA S. GIUSEPPE 4, 37040 VERONA, ITALIA Gruppo - Group	FL40/FL55	N. dis. - P/N <b>B61.51.901.4</b>
	<b>UNIVERSAL LABELS ASS.Y</b>	Rev: 4 Foglio - Sheet: 1 di - of: 1 Val idato il: 01/01/2019

YFB-R-2019-001 SH.042



**B61.51.901.4\_4 通用标识 UNIVERSAL LABELS ASS.Y**

序号	零件编号	零件名称	数量	图号
1	SH900.51.136	挡泥板禁止乘坐标识	1	SH900.51.136
2	SH900.51.132	安全警告标识	1	SH900.51.132
3	SH900.51.135	安全警告标识	1	SH900.51.135
4	SH900.51B.103	差速锁标识	1	SH900.51B.103
5	SH900.51B.110	驻车制动标识	1	SH900.51B.110
6	SH900.51B.122	后横板安全标识	1	SH900.51B.122
8	B61.51.009.0/10	动力输出安全标识 IV	1	B61.51.009.0/10
9	SH900.51B.117	动力输出 安全标识	1	SH900.51B.117
10	SH900.51B.116	动力输出 安全标识III	1	SH900.51B.116
11	SH900.51.118	动力输出 安全标识II	1	SH900.51.118
12	SH900.51B.119	限位销安全标识	1	SH900.51B.119
13	SH900.51B.125	传动液位检测标识	1	SH900.51B.125
14	SH900.51.153	提升器加油口标识	1	SH900.51.153
15	SH900.51.154	底盘加油口标识	1	SH900.51.154
16	SH900.51.152	高温防烫标识(小)	1	SH900.51.152
17	SH900.51B.112	加油防火标识	1	SH900.51B.112
18	SH900.51.122	蓄电池安全标识	1	SH900.51.122
19	A11.51.004.0	冷却系统标识	1	A11.51.004.0
20	B61.51.010.0	水箱口防烫标识	1	B61.51.010.0
23	SH900.51.125	安全警告标识	1	SH900.51.125
24	SH900.51B.102	吸油滤清器保养标识	1	SH900.51B.102
25	SH900.51.130	阅读说明书	1	SH900.51.130
26	SH900.51B.120	制动转向油箱油位安全标识	1	SH900.51B.120
27	SH900.51B.123	保险丝安全标识	1	SH900.51B.123
29	SH900.51.138	安全警告标识 I	1	SH900.51.138
30	2.9939.835.0/10	机罩标识	1	2.9939.835.0/10



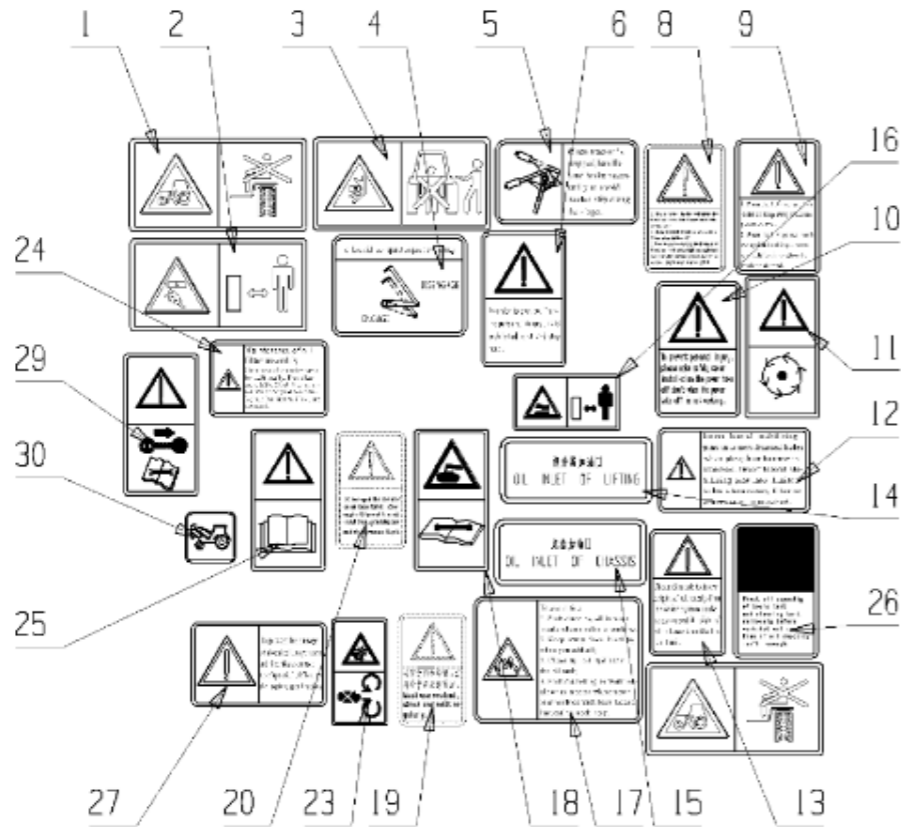
FL40/FL55

UNIVERSAL LABELS ASS.Y

N. dis. - P/N  
B61.51.901.4

Rev	1	Sheet	di	1
1	5	1	1	1
2	23/07/2022			

YFB-R-2017-011 SH.085



B61.51.901.4\_5 通用标识 UNIVERSAL LABELS ASS.Y

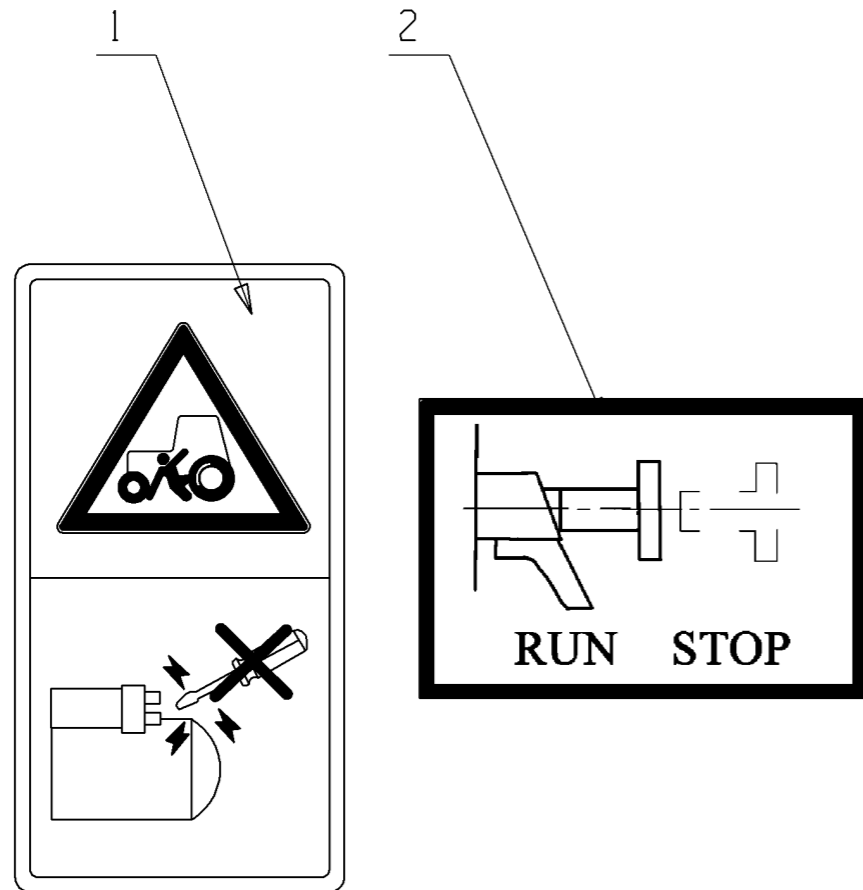
序号	零件编号	零件名称	数量	图号
1	SH900.51.136	挡泥板禁止乘坐标识 WARNING	2	SH900.51.136
2	SH900.51.132	安全警告标识 WARNING PLATE	1	SH900.51.132
3	SH900.51.135	安全警告标 WARNING PLATE	1	SH900.51.135
4	SH900.51B.103	差速锁标识 DIFFERENTIAL LOCK	1	SH900.51B.103
5	SH900.51B.110	驻车制动标识 PARKING BRAKE	1	SH900.51B.110
6	SH900.51B.122	后横板安全标识 REAR TRANSVERSE	1	SH900.51B.122
8	B61.51.009.0/10	动力输出安全标识 PTO SAFTY	1	B61.51.009.0/10
9	SH900.51B.117	动力输出安全标识 SECURITY	1	SH900.51B.117
10	SH900.51B.116	动力输出安全标识 PTO SAFETY	1	SH900.51B.116
11	SH900.51.118	动力输出安全标识 PTO SAFETY	1	SH900.51.118
12	SH900.51B.119	限位销安全标识 SECURITY	1	SH900.51B.119
13	SH900.51B.125	传动液位检测标识 SECURITY	1	SH900.51B.125
14	SH900.51.153	提升器加油口标识 LIFT REFUELING	1	SH900.51.153
15	SH900.51.154	底盘加油口(强压) CHASSIS FUEL	1	SH900.51.154
16	SH900.51.152	高温防烫标识(小) HIGH	1	SH900.51.152
17	SH900.51B.112	加油防火标识 SECURITY	1	SH900.51B.112
18	SH900.51.122	蓄电池标识 BATTERY LOGO	1	SH900.51.122
19	A11.51.004.0	冷却系统标签 COOLING SYSTEM	1	A11.51.004.0
20	B61.51.010.0	水箱口防烫标识 RADIATOR ANTI-	1	B61.51.010.0
23	SH900.51.125	安全警告标识 VII SAFETY LOGO VII	1	SH900.51.125
24	SH900.51B.102	吸油滤清器保养标识 SECURITY	1	SH900.51B.102
25	SH900.51.130	阅读说明书标识 READING	1	SH900.51.130
26	SH900.51B.120	制动转向油箱油位安全标识 OIL TANK	1	SH900.51B.120
27	SH900.51B.123	保险丝安全标识 SECURITY	1	SH900.51B.123
29	SH900.51.138	安全警告标识 SAFETY WARNING	1	SH900.51.138
30	2.9939.835.0/10	机罩开启标识 BONNET	1	2.9939.835.0/10

# B61.51.902.4 START AND STOP LABEL

## B61.51.902.4\_0 熄火、安全启动标识 ENGINE START AND STOP LABEL

序号	零件编号	零件名称	数量	图号
1	SH900.51.124	安全启动标识 STARTING SAFETY	1	SH900.51.124
2	SH900.51B.126	熄火拉线操作标识 FLAMEOUT CABLE	1	SH900.51B.126

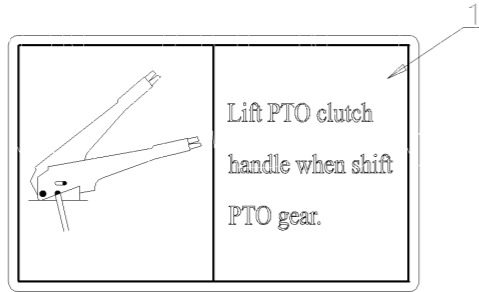
YFB-R-2017-011 SH.002



B61.51.903.4\_1 副离合器控制标签 AUXILIARY CLUTCH COMMAND LABEL

序号	零件编号	零件名称	数量	图号
1	B61.51.012.0	副离合操纵标识 副离合操纵标识	1	B61.51.012.0

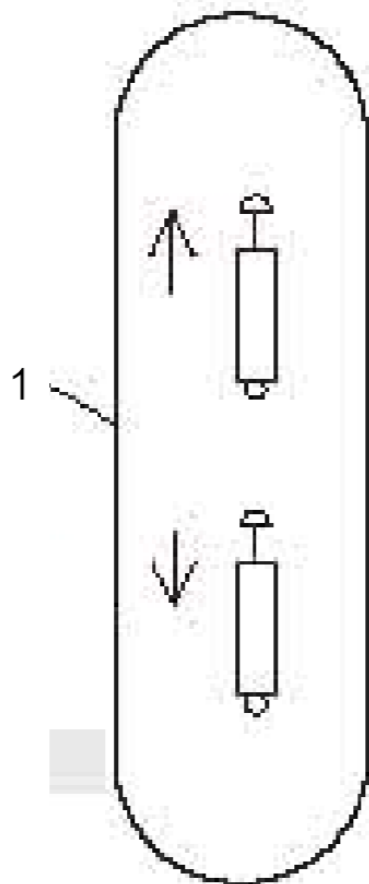
B61.51.903.4 AUXILIARY CLUTCH COMMAND LABEL



B61.51.905.4 MULTI COMMAND LABEL

B61.51.905.4\_0 多路阀操纵标识总成(2路) MULTI-VALVE COMMAND LABEL

序号	零件编号	零件名称	数量	图号
1	SH904.51.114	多路换向阀操纵标识 多路换向阀操纵	1	SH904.51.114



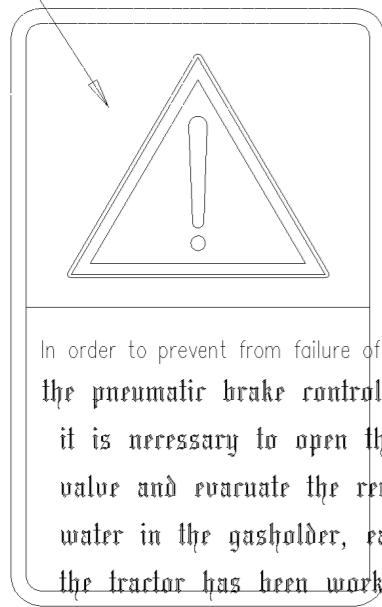
# Air brake label B61.51.906.4

## B61.51.906.4\_0 气刹标识总成 AIR BRAKE LABEL

序号	零件编号	零件名称	数量	图号
1	SH900.51B.129	气刹标识	1	SH900.51B.129

YFB-R-2017-011 SH.002

01

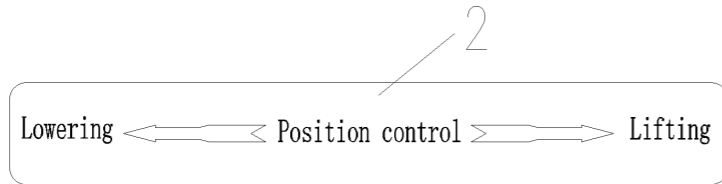
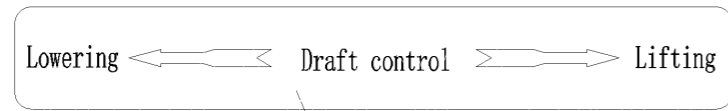


In order to prevent from failure of the pneumatic brake control system, it is necessary to open the drain valve and evacuate the remnant water in the gasholder, each time the tractor has been working for 50hrs.

# B61.51.908.4 NON-ENFORCED LIFT COMMOND LABEL

## B61.51.908.4\_0 非强压提升操纵标识总成（后提升）NON-ENFORCED LIFT C.L. ASS.Y

序号	零件编号	零件名称	数量	图号
1	CD454.51D.101	力调节标识 力调节标识	1	CD454.51D.101
2	CD454.51D.102	位调节标识 位调节标识	1	CD454.51D.102

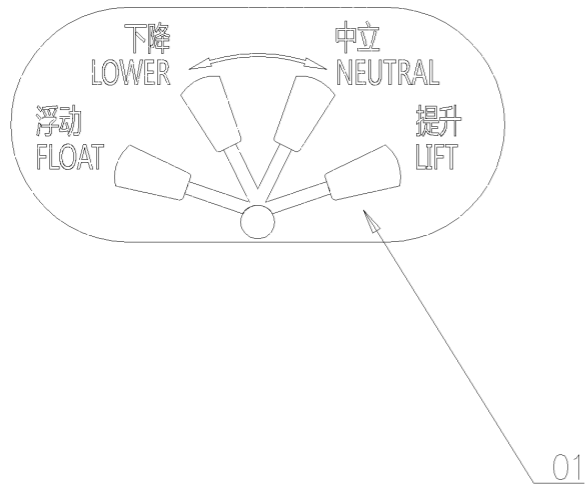




B61.51.909.4\_0 强压提升操纵标识 (后提升) ENFORCED LIFT C.L. ASS.Y

序号	零件编号	零件名称	数量	图号
1	SH900.51B.111	强压操纵标识 强压操纵标识	1	SH900.51B.111

B61.51.909.4 ENFORCED LIFT C.L. ASS.Y

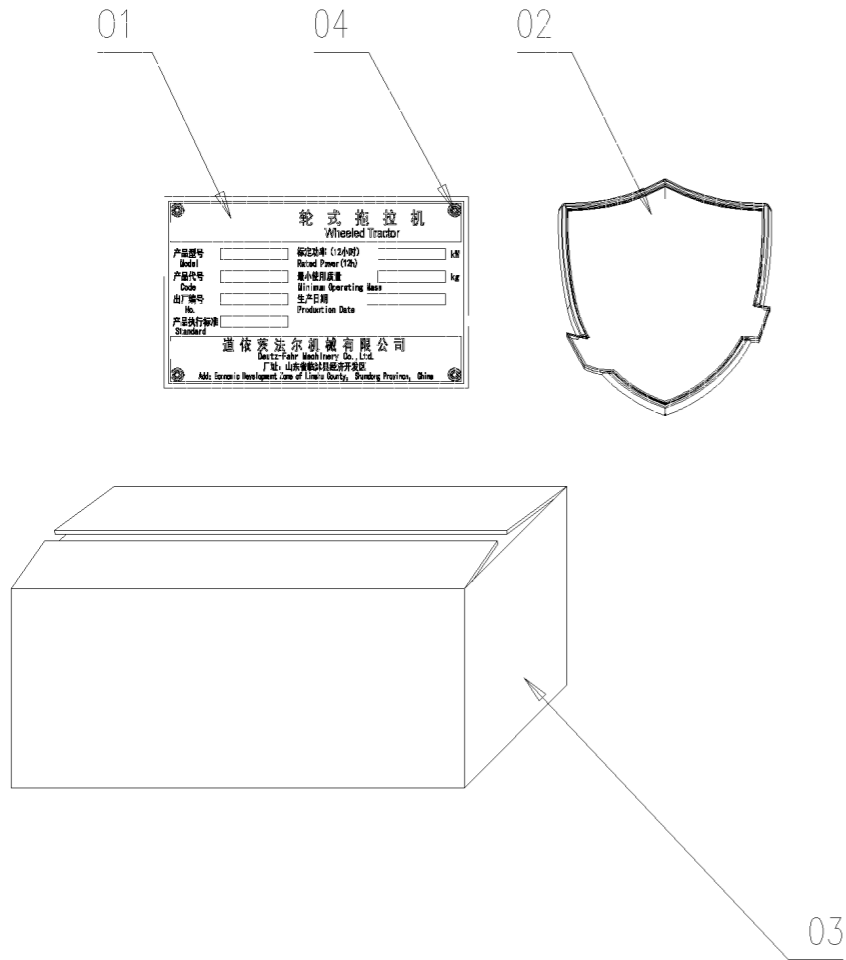


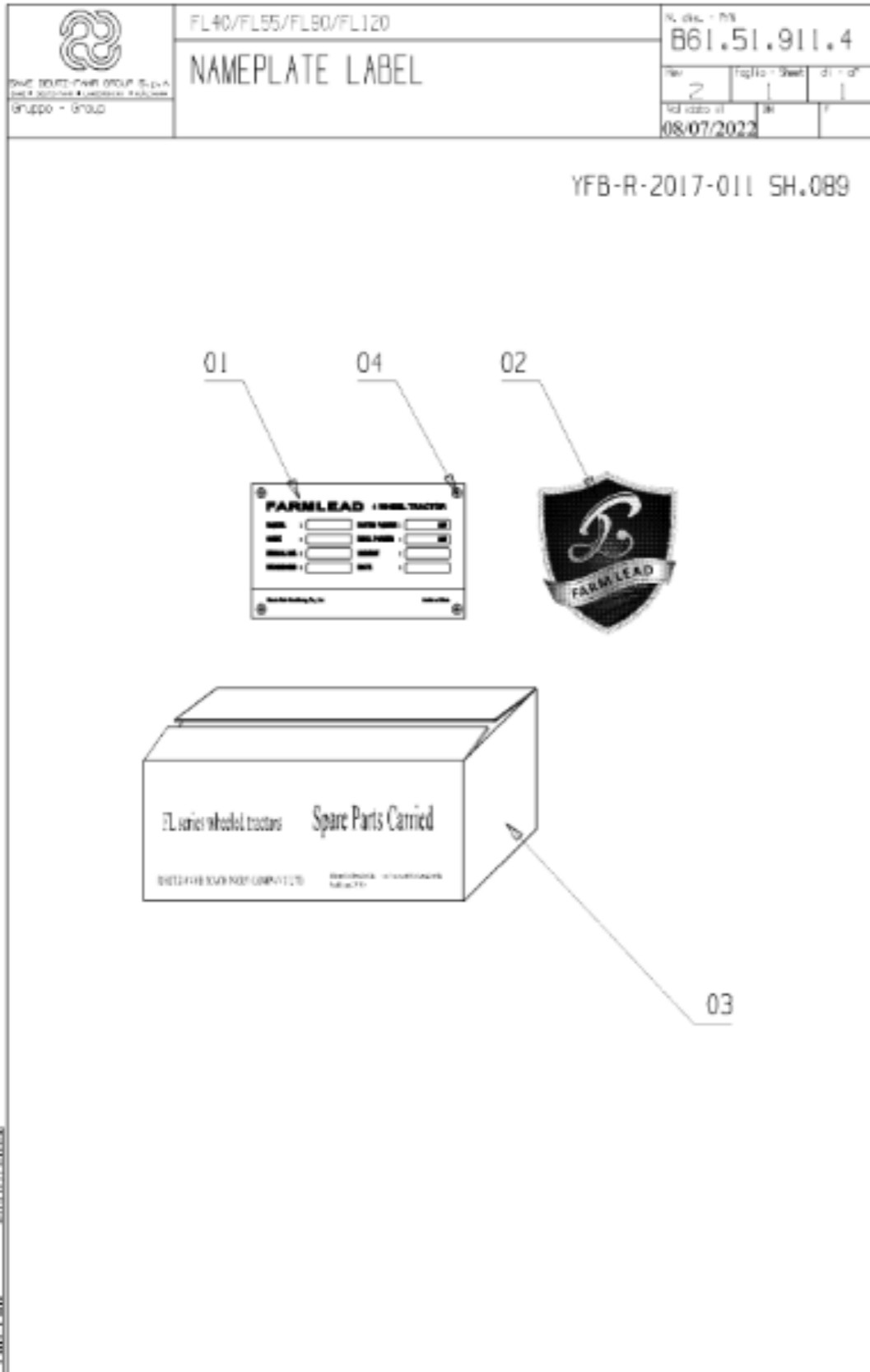
# Nameplate label B61.51.911.4

YFB-R-2017-001 SH.041

## B61.51.911.4\_1 铭牌标识 NAMEPLATE LABEL

序号	零件编号	零件名称	数量	图号
1	B61.51.001.0	铭牌标识	1	B61.51.001.0
2	B61.51.005.3	前标	1	B61.51.005.3
3	B61.51.006.0	包装箱	1	B61.51.006.0
4	GB/T 12618	抽芯铆钉 3X15	4	GB/T 12618

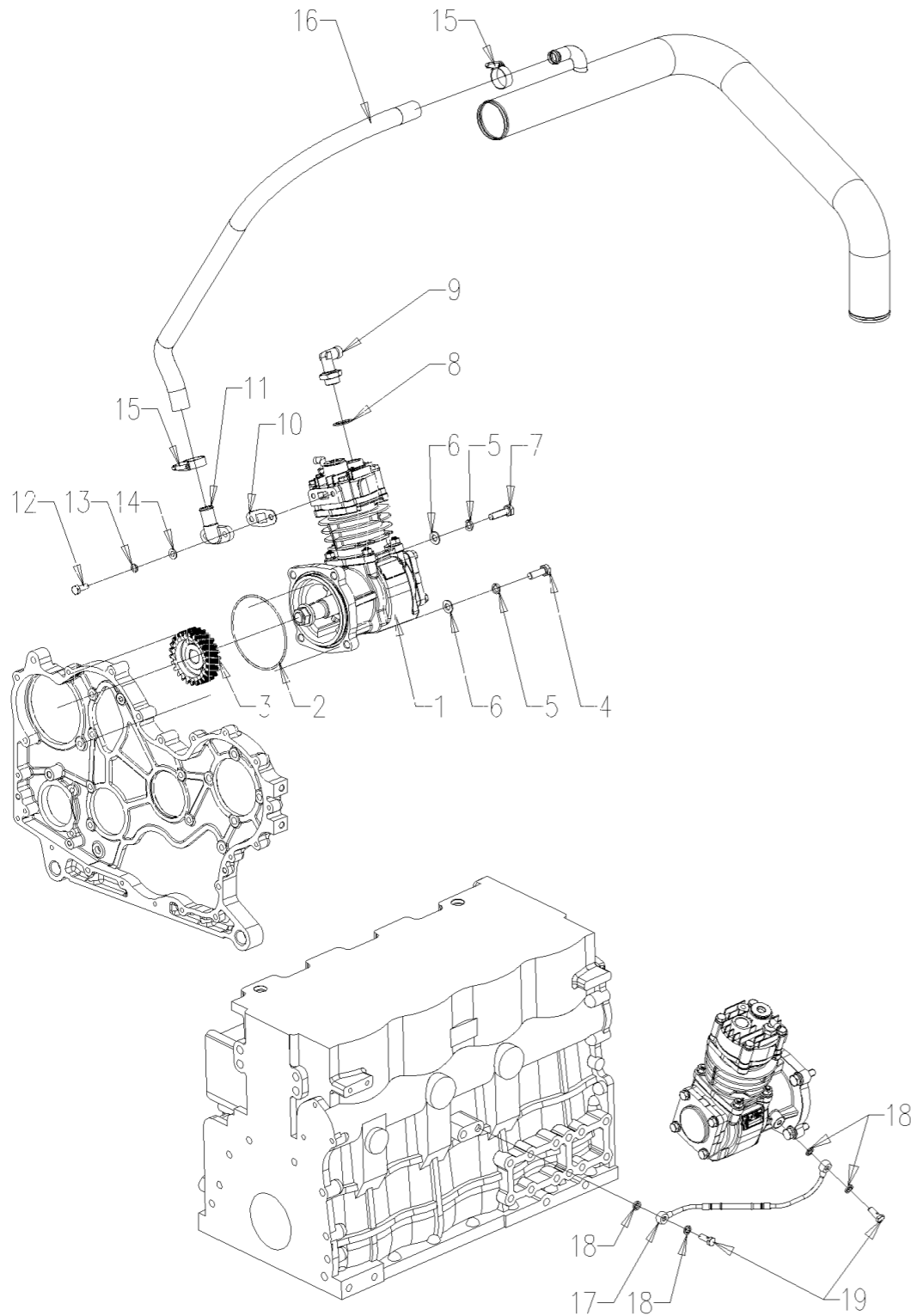




### B61.51.911.4\_2 铭牌标识 NAMEPLATE LABEL

序号	零件编号	零件名称	数量	图号
1	A62.51.002.0/20	铭牌 FARMLEAD NAMEPLATE	1	A62.51.002.0/20
2	B61.51.005.3	前标 FRONT LOGO	1	B61.51.005.3
3	B61.51.006.0	包装箱 PACKAGE BOX	1	B61.51.006.0
4	GBT12618.1-3X15	铆钉 RIVET	4	GBT12618.1-3X15

# B80.10.901.4 AIR BREAK SYSTEM



## B80.10.901.4\_0 气泵总成 (气刹) AIR BREAK SYSTEM

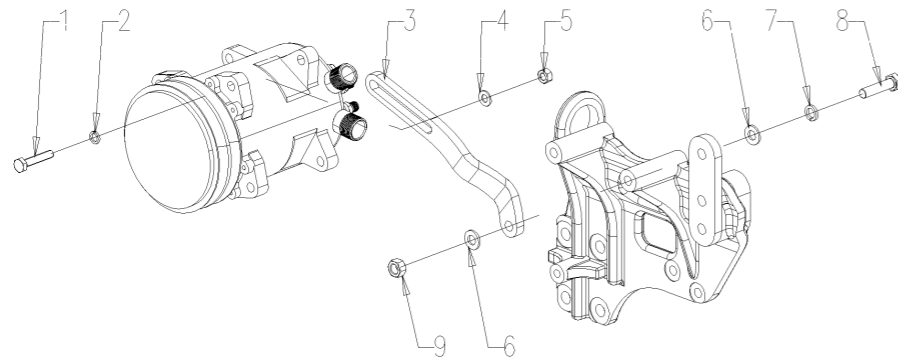
序号	零件编号	零件名称	数量	图号
1	B80.10.002.4	气泵外形 AIR PUMP	1	B80.10.002.4
2	GBT3452.1-112X2.65	O形密封圈 O RING	1	GBT3452.1-112X2.65
2	GBT3452.1-112X2.65-G	O形密封圈 O RING	1	GBT3452.1-112X2.65-G
3	B80.10.004.0	空气压缩机齿轮 AIR PUMP GEAR	1	B80.10.004.0
4	GBT5786-M10X1X30-A3L	螺栓 BOLT	1	GBT5786-M10X1X30-A3L
5	GBT93-10-A3L	垫圈 WASHER	4	GBT93-10-A3L
6	GBT97.1-10-A3L	垫圈 WASHER	4	GBT97.1-10-A3L
7	GBT5783-M10X35-A3L	螺栓 BOLT	3	GBT5783-M10X35-A3L
8	B80.10.010.0	垫圈 WASHER	1	B80.10.010.0
9	B80.10.007.2	出气接头组件 JOINT ASS.Y	1	B80.10.007.2
10	B80.10.008.0	垫圈 GASKET	1	B80.10.008.0
11	B80.10.006.0	排气弯管接头 JOINT	1	B80.10.006.0
12	GBT5783-M8X20-A2L	螺栓 BOLT	2	GBT5783-M8X20-A2L
13	GBT93-8-A3L	垫圈 WASHER	2	GBT93-8-A3L
14	GBT97.1-8-A3L	垫圈 WASHER	2	GBT97.1-8-A3L
15	JBT8870-D32	软管夹 HOSE CLAMP	2	JBT8870-D32
16	B80.10.009.0	空压机进气胶管 AIR PUMP HOSE	1	B80.10.009.0
17	B80.10.005.2	油泵 OIL PUMP	1	B80.10.005.2
18	JBT982-8	密封垫圈 SEALING WASHER	4	JBT982-8
19	B80.10.003.0	接头螺栓 EYE BOLT	2	B80.10.003.0

# B80.10.902.4 A/C COMPRESSOR MOUNTING

YFB-S-2017-011 SH.002

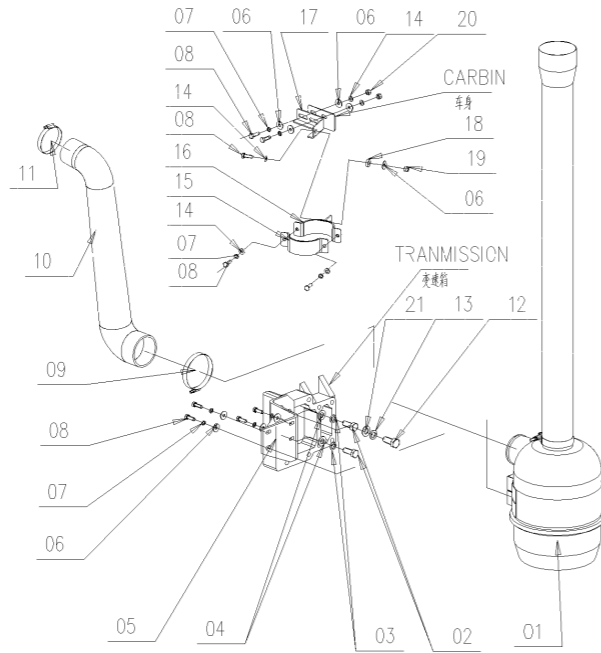
# B80.10.902.4\_0 压缩机调整总成 AIR CONDITIONING COMPRESSOR MOUNTING

序号	零件编号	零件名称	数量	图号
1	GBT5783-M8X40-A2L	螺栓 BOLT	1	GBT5783-M8X40-A2L
2	GBT93-8-A3L	垫圈 WASHER	1	GBT93-8-A3L
3	B80.10.013.0	支架 SUPPORT	1	B80.10.013.0
4	GBT97.1-8-A3L	垫圈 WASHER	1	GBT97.1-8-A3L
5	GBT6170-M8-A2L	螺母 NUT	1	GBT6170-M8-A2L
6	GBT97.1-10-A3L	垫圈 WASHER	2	GBT97.1-10-A3L
7	GBT93-10-A3L	弹簧垫圈 SPRING WASHER	1	GBT93-10-A3L
8	GBT5783-M10X40-A3L	螺栓 BOLT	1	GBT5783-M10X40-A3L
9	GBT6170-M10-A3L	螺母 NUT	1	GBT6170-M10-A3L



B80.11.909.4 AIR FILTER AND AIR FILTER INTAKE PIPE ASS.Y

YFB-R-2017-011 SH.073

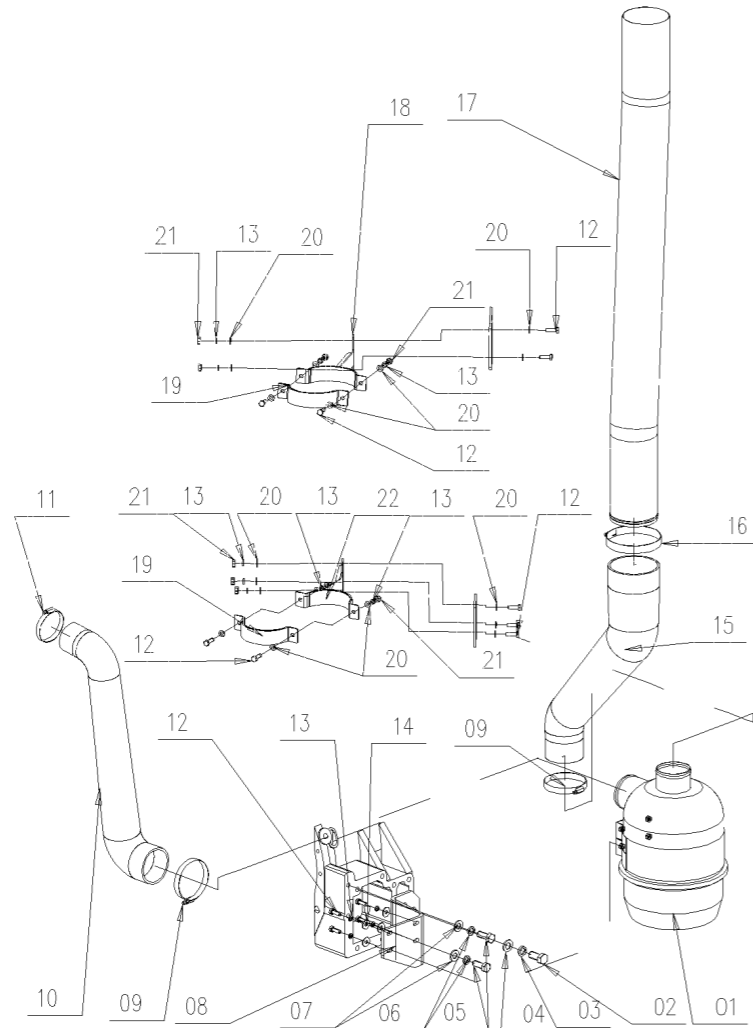


B80.11.909.4\_0 空滤和空滤进气管总成 AIR FILTER AND AIR FILTER INTAKE PIPE ASS.Y

序号	零件编号	零件名称	数量	图号
1	CD904.11.011A	空气过滤器 AIR FILTER	1	CD904.11.011A
2	2.0114.513.2	螺栓 SCREW M14x35	2	2.0114.513.2
3	GBT93-14-A3L	垫圈 WASHER	2	GBT93-14-A3L
4	2.1310.009.2	垫圈 WASHER 14	2	2.1310.009.2
5	CD904A.11.011	空气过滤器支架 AIR FILTER BRACKET	1	CD904A.11.011
6	2.1312.004.2	垫圈 WASHER 8	9	2.1312.004.2
7	GBT93-8-A3L	垫圈 WASHER	8	GBT93-8-A3L
8	2.0114.209.2	螺栓 SCREW M8x25	9	2.0114.209.2
9	JBT8870-D100	喉箍 HOSE CLAMPS	1	JBT8870-D100
10	B80.11.002.0/10	进气软管 AIR INLET HOSE	1	B80.11.002.0/10
11	JBT8870-D80	喉箍 HOSE CLAMPS	1	JBT8870-D80
12	2.0114.613.2	螺栓 SCREW M16x35	1	2.0114.613.2
13	GBT93-16-A2L	垫圈 WASHER	1	GBT93-16-A2L
14	2.1310.004.2	垫圈 WASHER 8	5	2.1310.004.2
15	CD904A.11.013B	固定弯板 FIXED PLATE	1	CD904A.11.013B
16	B80.11.001.3	连接板 CONNECTING PLATE	1	B80.11.001.3
17	CD904.11.013A	预滤钢管支架 AIR FILTER SUPPORT	1	CD904.11.013A
18	SH900.13.107	橡胶垫圈 RUBBER RING	1	SH900.13.107
19	GBT889.1-M8-A2L	螺母 NUT	1	GBT889.1-M8-A2L
20	2.1011.105.2	螺母 NUT	2	2.1011.105.2
21	2.1310.010.2	垫圈 WASHER 16	1	2.1310.010.2

B80.11.919.4 AIR FILTER AND AIR FILTER INTAKE PIPE ASS.Y

YFB-R-2017-011 SH.073



B80.11.919.4\_0 空滤和空滤进气管总成 AIR FILTER AND AIR FILTER INTAKE PIPE ASS.Y

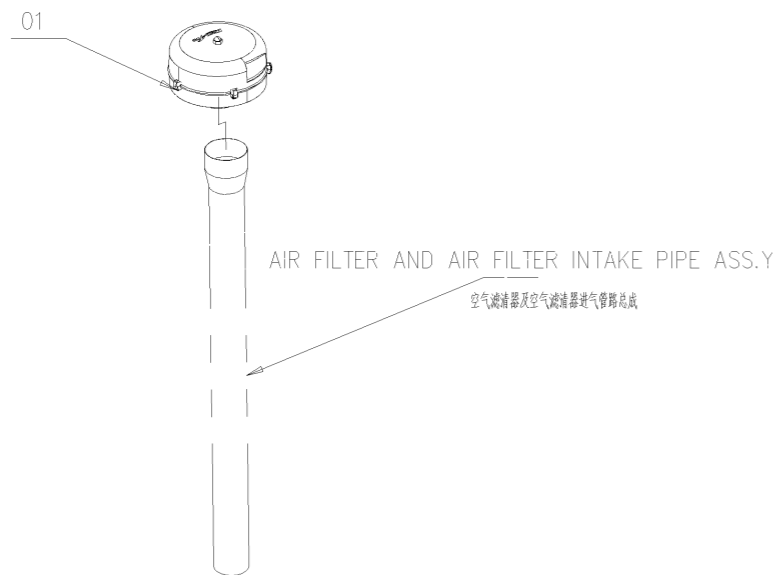
序号	零件编号	零件名称	数量	图号
1	CD904.11.010	空气过滤器 AIR FILTER	1	CD904.11.010
2	2.0114.613.2	螺栓 SCREW M16x35	1	2.0114.613.2
3	GBT93-16-A3L	垫圈 WASHER	1	GBT93-16-A3L
4	2.1310.010.2	垫圈 WASHER 16	1	2.1310.010.2
5	2.0114.513.2	螺栓 SCREW M14x35	2	2.0114.513.2
6	GBT93-14-A3L	垫圈 WASHER	2	GBT93-14-A3L
7	2.1310.009.2	垫圈 WASHER 14	2	2.1310.009.2
8	SH950.11.011	支架 BRACKET	1	SH950.11.011
9	JBT8870-D100	喉箍 HOSE CLAMPS	2	JBT8870-D100
10	B80.11.002.0/10	进气软管 AIR INLET HOSE	1	B80.11.002.0/10
11	JBT8870-D80	喉箍 HOSE CLAMPS	1	JBT8870-D80
12	2.0114.209.2	螺栓 SCREW M8x25	13	2.0114.209.2
13	GBT93-8-A3L	垫圈 WASHER	13	GBT93-8-A3L
14	2.1312.004.2	垫圈 WASHER 8	4	2.1312.004.2
15	CD904.11.102/30	进气软管 AIR INTAKE HOSE	1	CD904.11.102/30
16	JBT8870-D130	喉箍 HOSE CLAMPS	1	JBT8870-D130
17	A23.11.005.0/10	进气管 AIR INLET TUBE	1	A23.11.005.0/10
18	A23.11.006.2/20	顶部固定支架 TOP FIXING BRACKET	1	A23.11.006.2/20
19	A23.11.008.2/20	半箍 HALF HOOP	2	A23.11.008.2/20
20	2.1310.004.2	垫圈 WASHER 8	18	2.1310.004.2
21	2.1011.105.2	螺母 NUT M8x1.25	9	2.1011.105.2
22	A23.11.007.2/20	固定支架 BLOW FIXING BRACKET	1	A23.11.007.2/20

B80.11.920.4 AIR PRE-FILTER ASS.Y

YFB-R-2017-011 SH.073

**B80.11.920.4\_0 空气预滤清器总成 AIR PRE-FILTER ASS.Y**

序号	零件编号	零件名称	数量	图号
1	CD1104A.11B.014B	空气预滤器 PRECLEANER ASSY	1	CD1104A.11B.014B







DAVE DEUTZ-FAHR GROUP S.p.A.  
DAVE DEUTZ-FAHR & CARROZZINI & SILLBERG  
Gruppo - Group

FL90 SERIES YUCHAI CN11

# AIR FILTER INTAKE PIPE ASS.Y

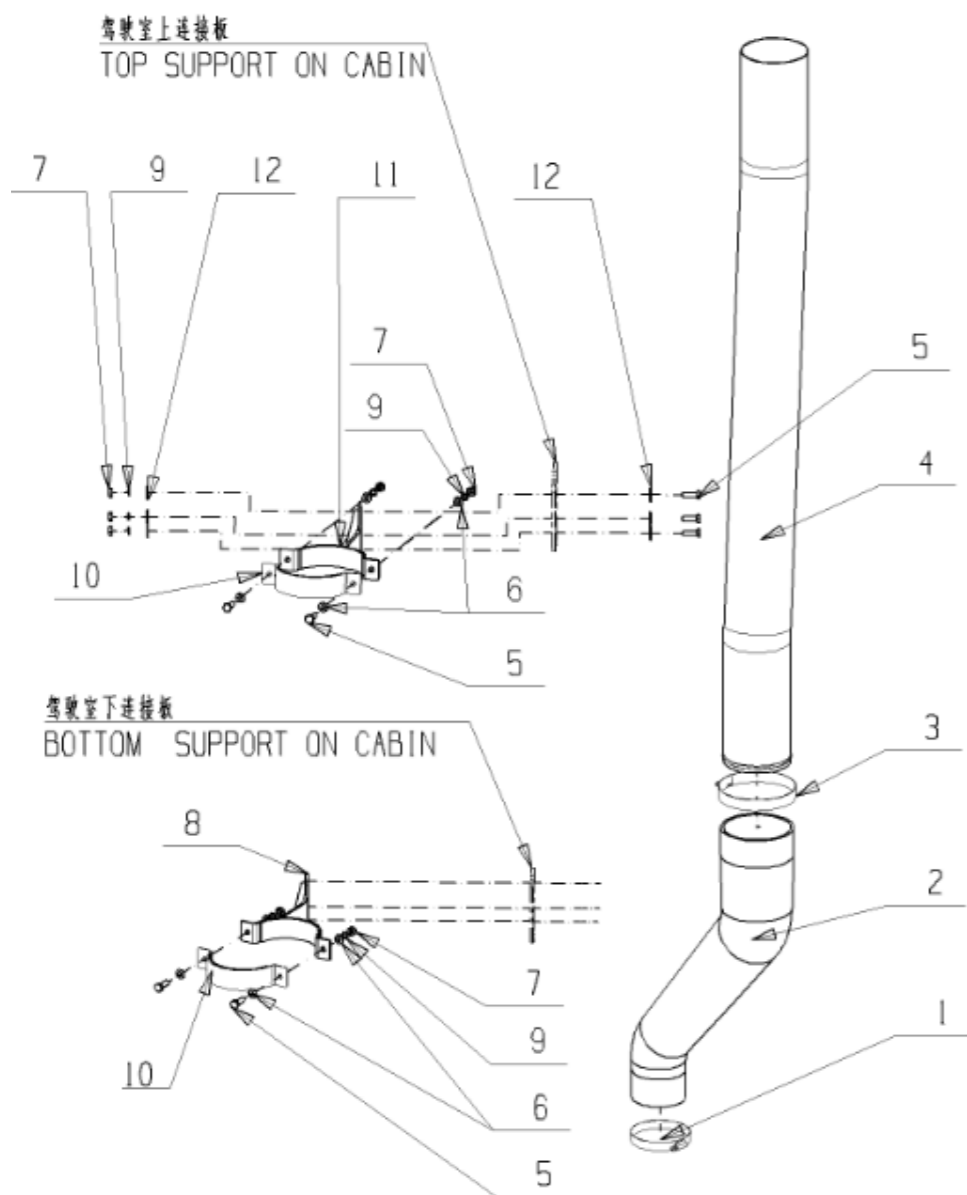
N. dis. - P/N  
B80.11.922.4

Rev.	Fig./ro - Sheet	di - of
2	1	1
Validato il	DM	F

YFB-R-2017-011 SH.092

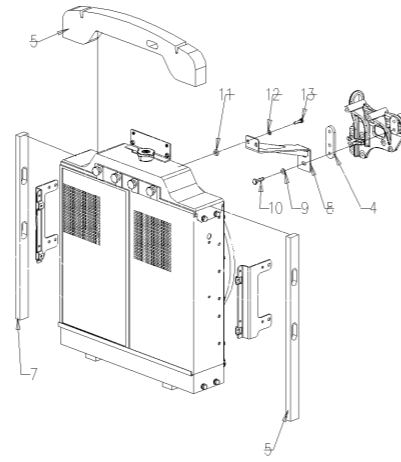
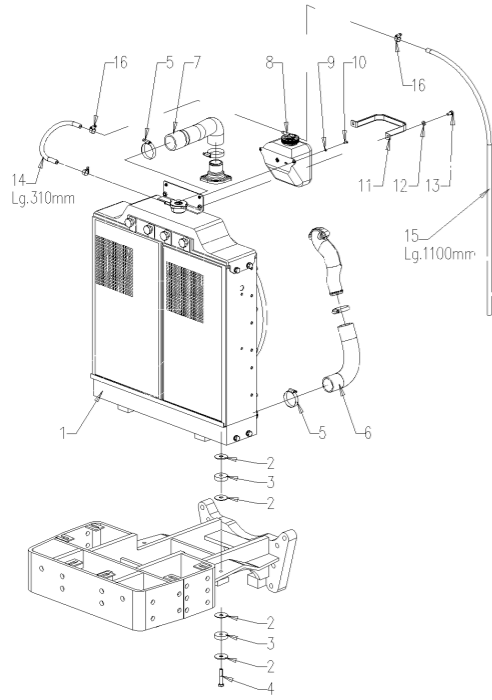
## B80.11.922.4\_2 空滤进气管路总成 AIR FILTER INTAKE PIPE ASS.Y

序号	零件编号	零件名称	数量	图号
1	JBT8870-D100	软管夹 HOSE CLAMPS	1	JBT8870-D100
2	CD904.11.102/30	进气软管 AIR INTAKE HOSE	1	CD904.11.102/30
3	JBT8870-D130	软管夹 HOSE CLAMPS	1	JBT8870-D130
4	A23.11.005.0/10	进气管 AIR INLET TUBE	1	A23.11.005.0/10
5	2.0114.209.2	螺栓 SCREW M8x25	7	2.0114.209.2
6	2.1310.004.2	垫圈 WASHER 8	8	2.1310.004.2
7	2.1011.105.2	螺母 NUT M8x1.25	7	2.1011.105.2
8	A23.11.007.2/30	固定支架 LOW BRACKET	1	A23.11.007.2/30
9	2.1473.007.2	弹簧垫圈 SPRING WASHER M8	7	2.1473.007.2
10	A23.11.008.2/20	半卡箍 HALF HOOP	2	A23.11.008.2/20
11	A23.11.006.2/30	顶部固定支架 TOP BRACKET	1	A23.11.006.2/30
12	2.1312.004.2	垫圈 WASHER 8	6	2.1312.004.2



B80.13.900.4 COOLING SYSTEM

YFB-R-2019-001 SH.051

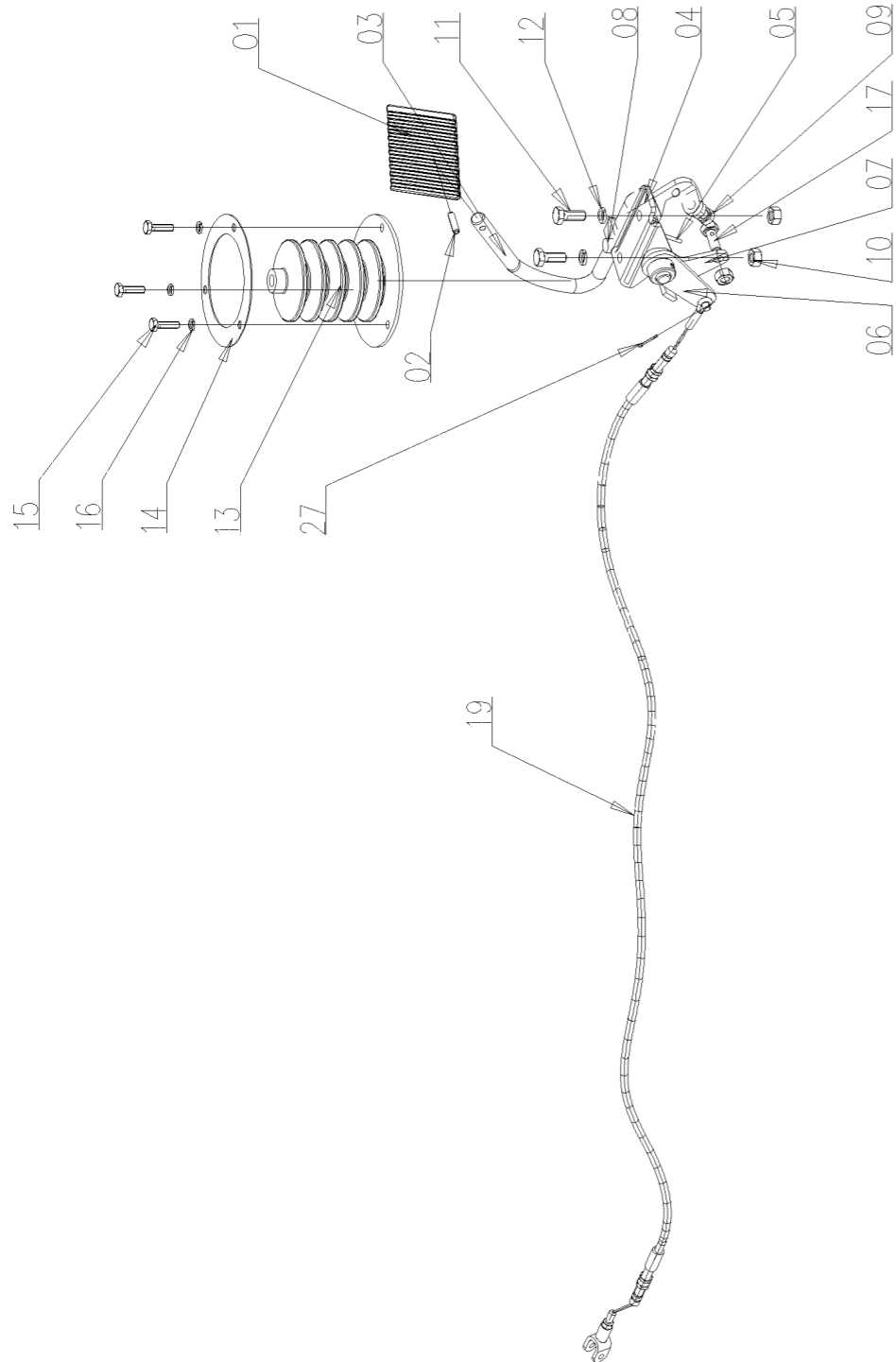


B80.13.900.4\_1 冷却系总成 COOLING SYSTEM

序号	零件编号	零件名称	数量	图号
1	B80.13.001.4	散热器总成 RADIATOR ASS'Y	1	B80.13.001.4
2	LE1204.13.110	垫片 GASKET	16	LE1204.13.110
3	LE1204.13.111	橡皮垫 RUBBER CUSHION	8	LE1204.13.111
4	GBT5782-M10X55-A3L	螺栓 BOLT	4	GBT5782-M10X55-A3L
5	JBT8870-d60	喉箍 HOSE CLAMP	4	JBT8870-d60
6	B80.13.005.0	散热器出水管 RADIATOR OUTLET	1	B80.13.005.0
7	CD1104A.13.102/10	进水口软管 WATER INLET HOSE	1	CD1104A.13.102/10
8	CD1204.13.012	膨胀水箱 EXPANSION TANK	1	CD1204.13.012
9	GBT97.1-4-A3L	垫圈 WASHER	2	GBT97.1-4-A3L
10	GBT5783-M4X12-A2L	螺栓 BOLT	2	GBT5783-M4X12-A2L
11	0.023.2676.2	膨胀水箱固定支架 EXPANSION TANK	1	0.023.2676.2
12	GBT97.1-8-A3L	垫圈 WASHER	4	GBT97.1-8-A3L
13	GBT5783-M8X16-A2L	螺栓 BOLT	2	GBT5783-M8X16-A2L
14	0.026.5598.0	水散热器软管 WATER RADIATOR	1	0.026.5598.0
15	0.026.5598.0	水散热器软管 WATER RADIATOR	1	0.026.5598.0
16	JBT8870-d16	喉箍 HOSE CLAMP	3	JBT8870-d16
17	B80.13.004.0	连接板 CONNECTING PLATE	1	B80.13.004.0
18	CD1104A.13.014/10	支架 BRACKET	1	CD1104A.13.014/10
19	GBT97.1-10-A3L	垫圈 WASHER	2	GBT97.1-10-A3L
20	GBT5783-M10X35-A3L	螺栓 BOLT	2	GBT5783-M10X35-A3L
21	SH900.13.107	橡胶垫圈 RUBBER RING	2	SH900.13.107
22	GBT5783-M8X30-A2L	螺栓 BOLT	2	GBT5783-M8X30-A2L
23	CD904A.13.101/10	海绵块 SPONGE	1	CD904A.13.101/10
24	CD1104A.13.108	海绵块 SPONGE	2	CD1104A.13.108

# B80.20.901.4 FOOT THROTTLE ASSY.

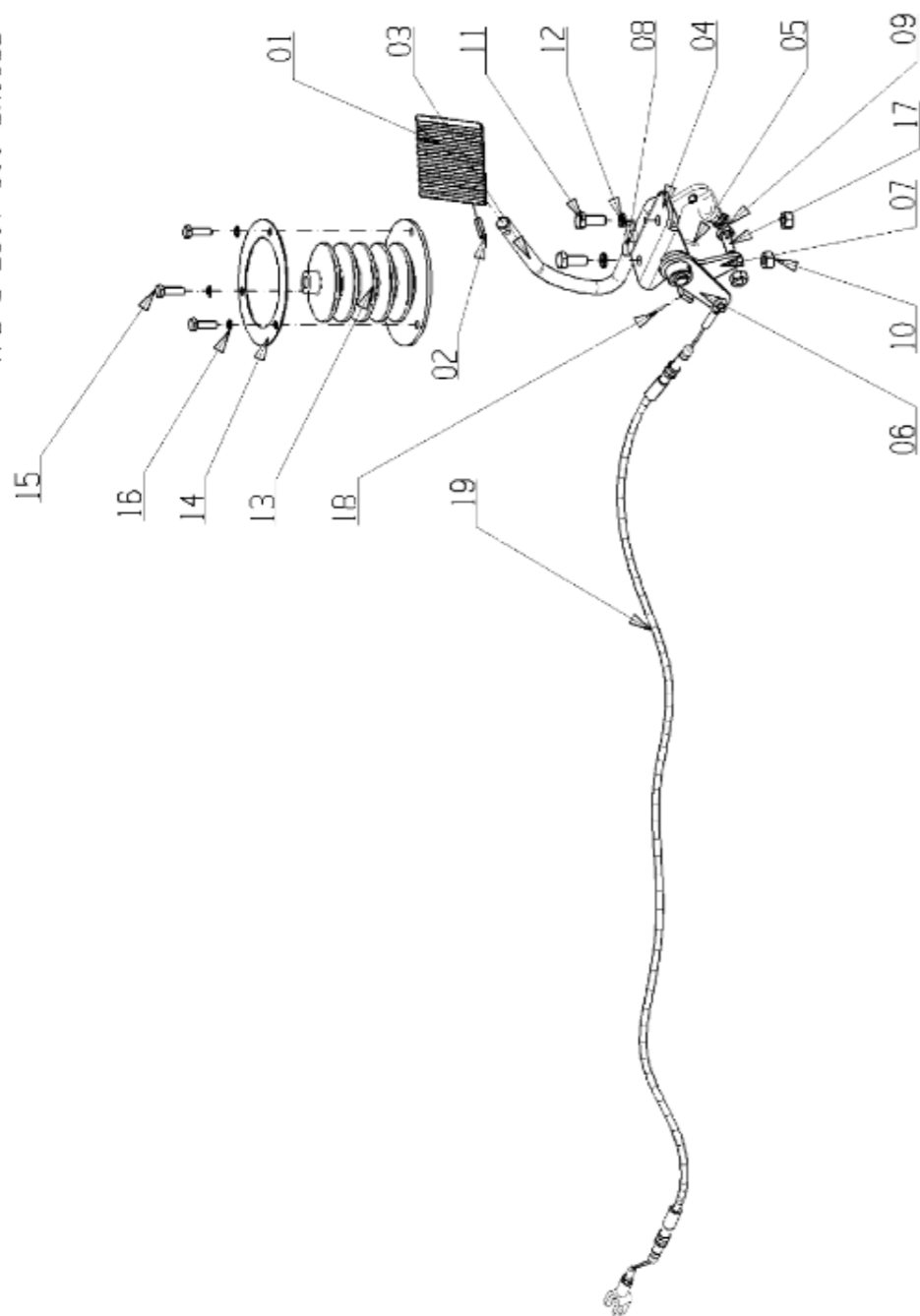
YFB-S-2017-011 SH.002



## B80.20.901.4\_0 脚油门操纵总成 FOOT THROTTLE ASS.Y

序号	零件编号	零件名称	数量	图号
1	SH400.20.101	脚踏板 PEDAL	1	SH400.20.101
2	GBT879.1-5X20	销 PIN	2	GBT879.1-5X20
3	SH900.20.013	脚踏板摇臂焊合 PEDAL ARM	1	SH900.20.013
4	SH400.20.102	油门支架 THROTTLE TRESTLE	1	SH400.20.102
5	SH400.20.104	扭簧 TORSIONAL SPRING	1	SH400.20.104
6	SH900.20.011	油门摇臂焊合 THROTTLE ARM	1	SH900.20.011
7	SH400.20.106	手油门摇臂 HAND THROTTLE	1	SH400.20.106
8	SH400.20.115	减振胶垫 SHOCK ABSORBING PAD	1	SH400.20.115
9	GBT5783-M8X45-A2L	螺栓 BOLT	1	GBT5783-M8X45-A2L
10	GBT6170-M8-A2L	螺母 NUT	4	GBT6170-M8-A2L
11	GBT5783-M8X20-A2L	螺栓 BOLT	2	GBT5783-M8X20-A2L
12	GBT93-8-A3L	弹簧垫圈 SPRING WASHER	2	GBT93-8-A3L
13	SH400.20.116	脚油门防尘套 FOOT THROTTLE	1	SH400.20.116
14	SH400.20.117	防尘罩压板 DUSTPROOF COVER	1	SH400.20.117
15	GBT5783-M6X20-A2L	螺栓 BOLT	3	GBT5783-M6X20-A2L
16	GBT93-6-A3L	弹簧垫圈 SPRING WASHER	3	GBT93-6-A3L
17	SH900.20.157	螺栓 BOLT	1	SH900.20.157
18	GBT91-2x12-A3L	销 PIN	1	GBT91-2x12-A3L
19	SH900.20.014	脚油门拉线总成 FOOT THROTTLE	1	SH900.20.014

YFB-S-2017-011 SH.085



B80.20.901.4\_1 脚油门操纵总成 FOOT THROTTLE ASS.Y

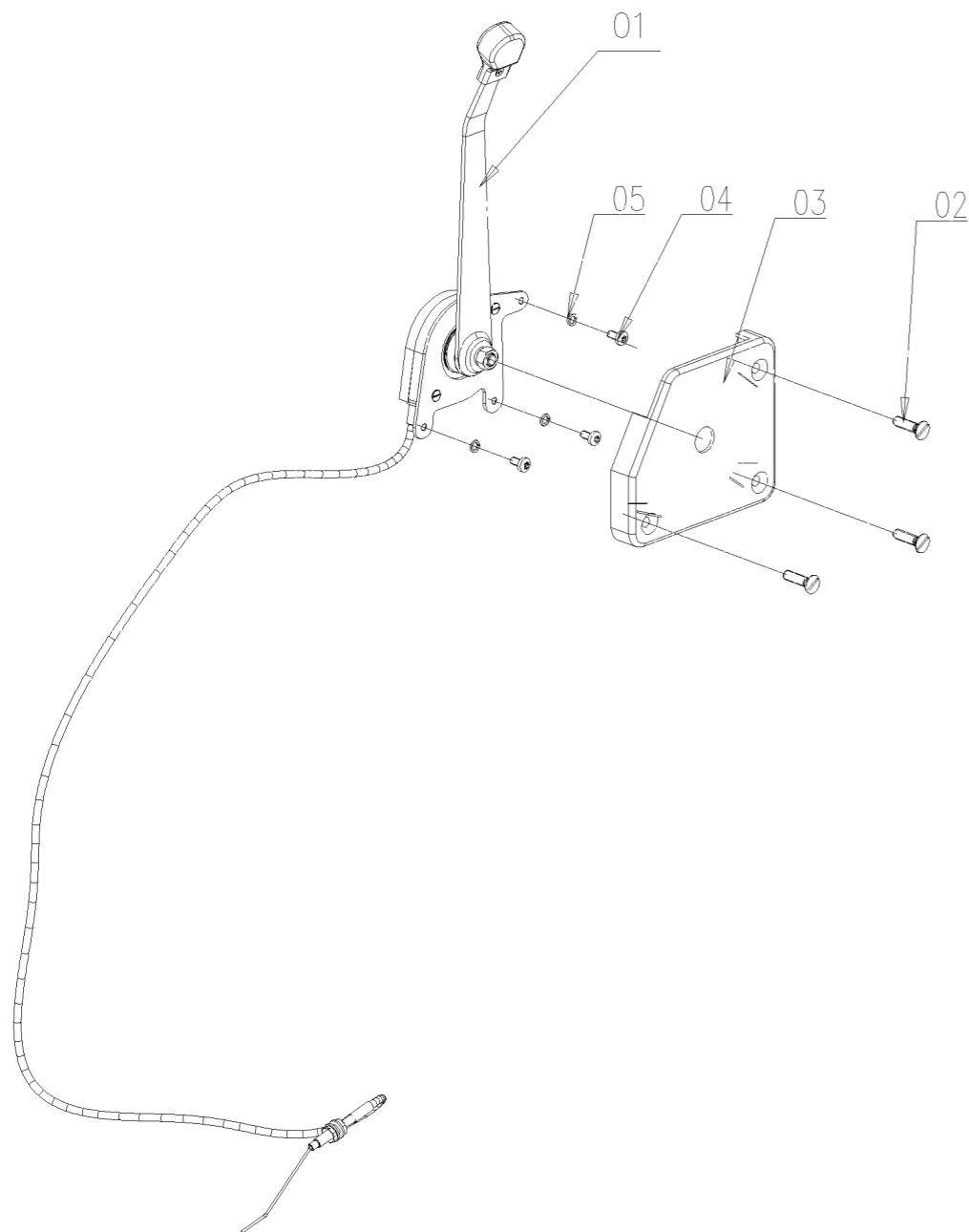
序号	零件编号	零件名称	数量	图号
1	SH400.20.101	脚踏板 PEDAL	1	SH400.20.101
2	2.1630.510.2	弹簧型直销 SPRING-TYPE STRAIGHT	2	2.1630.510.2
3	SH900.20.013	脚踏板摇臂焊合 PEDAL ARM	1	SH900.20.013
4	SH400.20.102	油门支架 THROTTLE TRESTLE	1	SH400.20.102
5	SH400.20.104	扭簧 TORSIONAL SPRING	1	SH400.20.104
6	SH900.20.011	油门摇臂焊合 THROTTLE ARM	1	SH900.20.011
7	SH400.20.106	手油门摇臂 HAND THROTTLE	1	SH400.20.106
8	SH400.20.115	减振胶垫 SHOCK ABSORBING PAD	1	SH400.20.115
9	2.0114.216.2	螺栓 SCREW M8x45	1	2.0114.216.2
10	2.1011.105.2	螺母 NUT M8x1.25	4	2.1011.105.2
11	2.0114.207.2	螺栓 SCREW M8x20	2	2.0114.207.2
12	2.1473.007.2	弹簧垫圈 SPRING WASHER M8	2	2.1473.007.2
13	SH400.20.116	脚油门防尘套 FOOT THROTTLE	1	SH400.20.116
14	SH400.20.117	防尘罩压板 DUSTPROOF COVER	1	SH400.20.117
15	2.0114.007.2	螺栓 SCREW M6x20	3	2.0114.007.2
16	2.1473.006.2	弹簧垫片 SPRING WASHER M6	3	2.1473.006.2
17	SH900.20.157	螺栓 BOLT	1	SH900.20.157
18	2.1690.205.2	销 SPLIT PIN 2-12	1	2.1690.205.2
19	SH900.20.014	脚油门拉线总成 FOOT THROTTLE	1	SH900.20.014

# HAND THROTTLE ASSY. B80.20.902.4

YFB-R-2017-011 SH.011

## B80.20.902.4\_1 手油门操纵总成 HAND THROTTLE ASS.Y

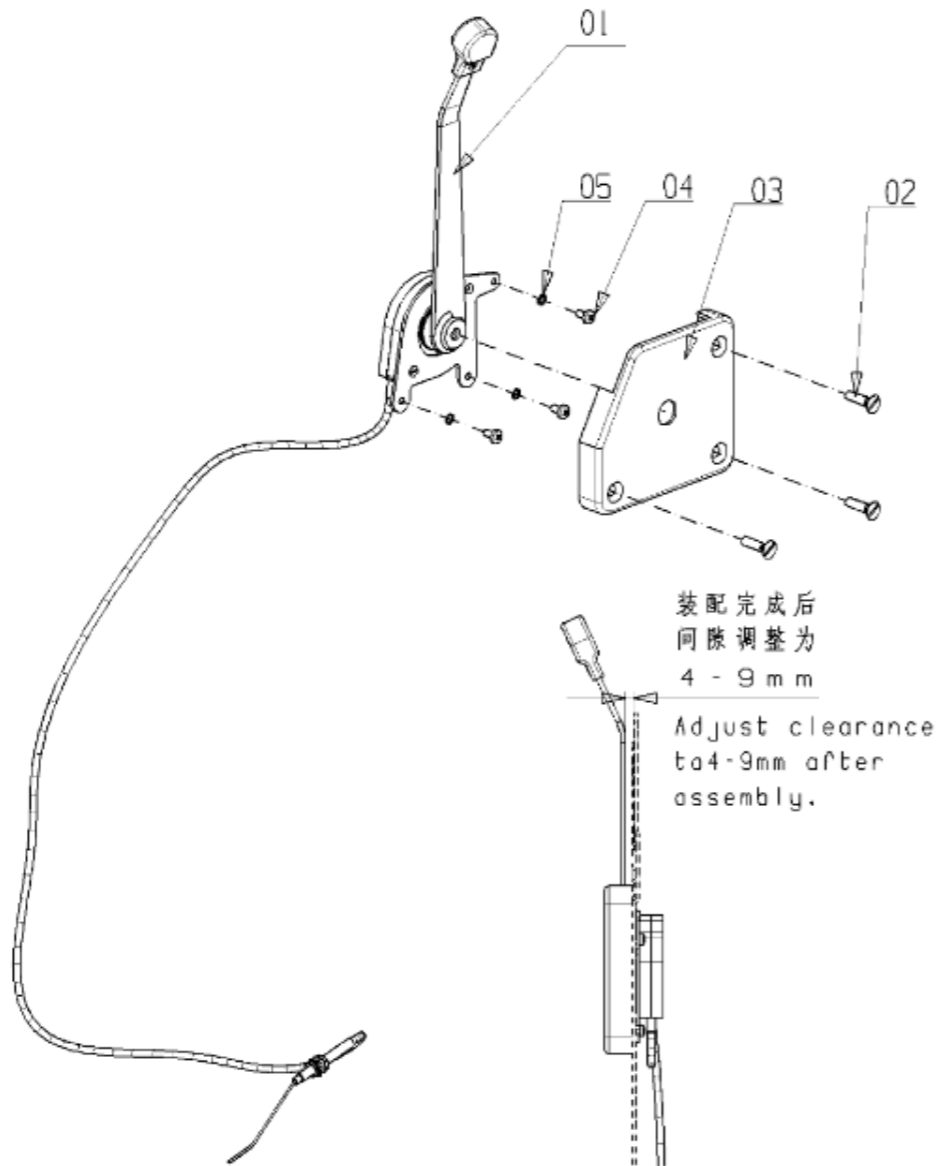
序号	零件编号	零件名称	数量	图号
1	CD904.20.019/20	手油门组件 HAND THROTTLE ASSY.	1	CD904.20.019/20
2	GBT68-M8X30-A2L	螺钉 SCREW	3	GBT68-M8X30-A2L
3	SH400.20.111	手油门盖 HAND THROTTLE COVER	1	SH400.20.111
4	GBT818-M6X12-A2L	螺钉 SCREW	3	GBT818-M6X12-A2L
5	GBT93-6-A3L	弹簧垫圈 SPRING WASHER	3	GBT93-6-A3L



YFB-R-2017-011 SH.085

**B80.20.902.4\_2 手油门操纵总成 HAND THROTTLE ASS.Y**

序号	零件编号	零件名称	数量	图号
1	CD904.20.019/20	手油门组件 HAND THROTTLE ASSY.	1	CD904.20.019/20
2	GBT68-M8X30-A2L	螺栓 SCREW	3	GBT68-M8X30-A2L
3	SH400.20.111	手油门盖 HAND THROTTLE COVER	1	SH400.20.111
4	2.0332.404.2	螺栓 CROSS SCREW M6x1x12	3	2.0332.404.2
5	2.1473.006.2	弹簧垫圈 SPRING WASHER M6	3	2.1473.006.2

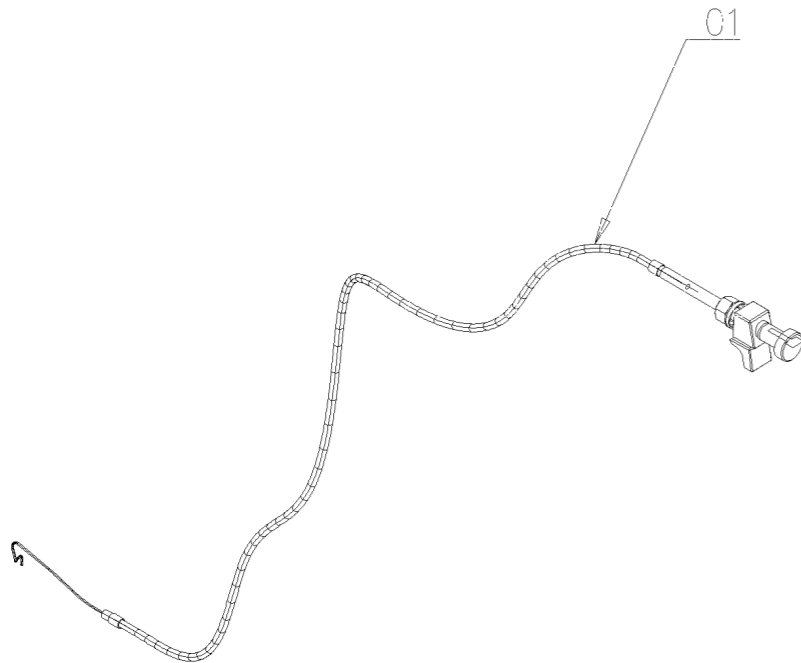


B80.20.903.4\_0 熄火拉线总成 FOOT THROTTLE ASSY.

序号	零件编号	零件名称	数量	图号
1	SH900.20.018	熄火拉线总成 FLAME OUT CABLE	1	SH900.20.018

B80.20.903.4 FLAMEOUT CABLE ASSY.

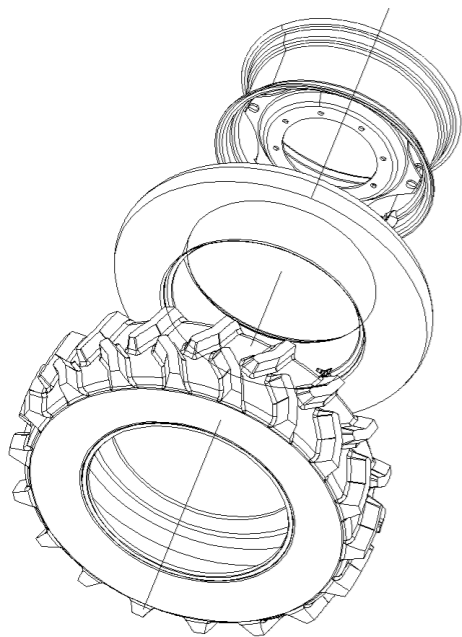
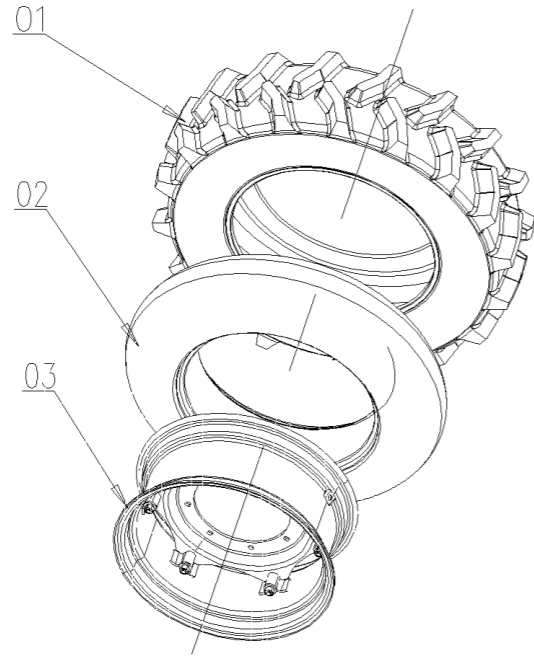
YFB-S-2017-011Sh.002



# B80.32.900.4 FRONT TIRE ASS.Y ( NORMAL TIRE )

## B80.32.900.4\_0 前轮总成 ( 斜交胎 11.2-24 , 分动箱 21/27 ) FRONT TYRE 11.2-24 ASSY

序号	零件编号	零件名称	数量	图号
1	GBT2979-11.2-24-10PR-R1	外胎 OUTER TIRE	2	GBT2979-11.2-24-10PR-R1
2	GBT2979-11.2-24-R1	内胎 INNER TIRE	2	GBT2979-11.2-24-R1
3	SH904.32.010	轮辋 RIM COMPONENT	2	SH904.32.010

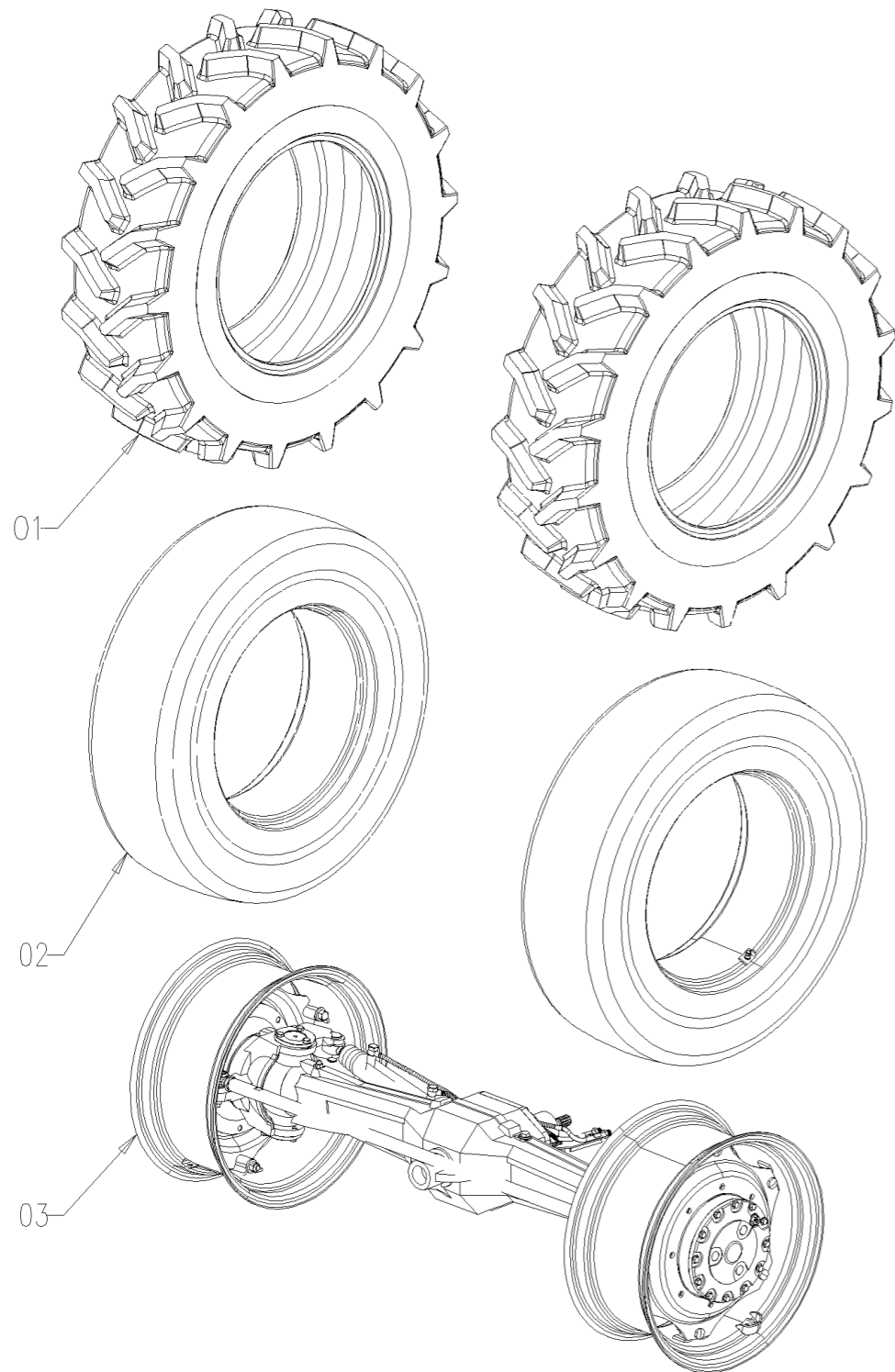




# B80.32.901.4 FRONT TIRE ASS.Y ( NORMAL TIRE )

# B80.32.901.4\_0 前轮总成 (斜交胎 13.6-24) FRONT TYRE 13.6-24 ASSY

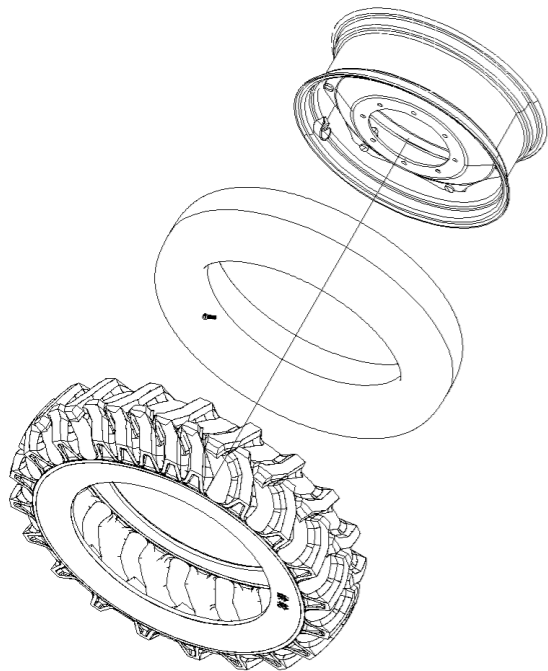
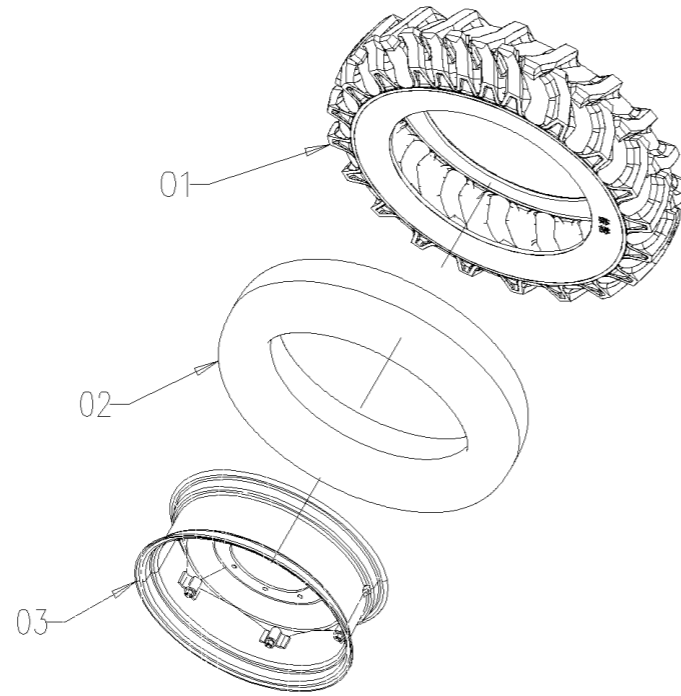
序号	零件编号	零件名称	数量	图号
1	GBT2979-13.6-24-8PR-R1	外胎 OUTER TIRE	2	GBT2979-13.6-24-8PR-R1
2	GBT2979-13.6-24-R1	内胎 INNER TIRE	2	GBT2979-13.6-24-R1
3	SH904.32A.011	轮辋 RIM COMPONENT	2	SH904.32A.011



B80.32.902.4 FRONT TIRE ASS.Y ( NORMAL TIRE )

B80.32.902.4\_0 前轮总成 (斜交胎 11.2-28有级调节, 分动箱 21/27) FRONT TIRE ASS.Y (11.2-28-R1)

序号	零件编号	零件名称	数量	图号
1	GBT2979-11.2-28-8PR-R1	外胎 OUTER TIRE	2	GBT2979-11.2-28-8PR-R1
2	GBT2979-11.2-28-R1	内胎 INNER TIRE	2	GBT2979-11.2-28-R1
3	SH904.32.011B	轮辋合件 Rim fitting	2	SH904.32.011B

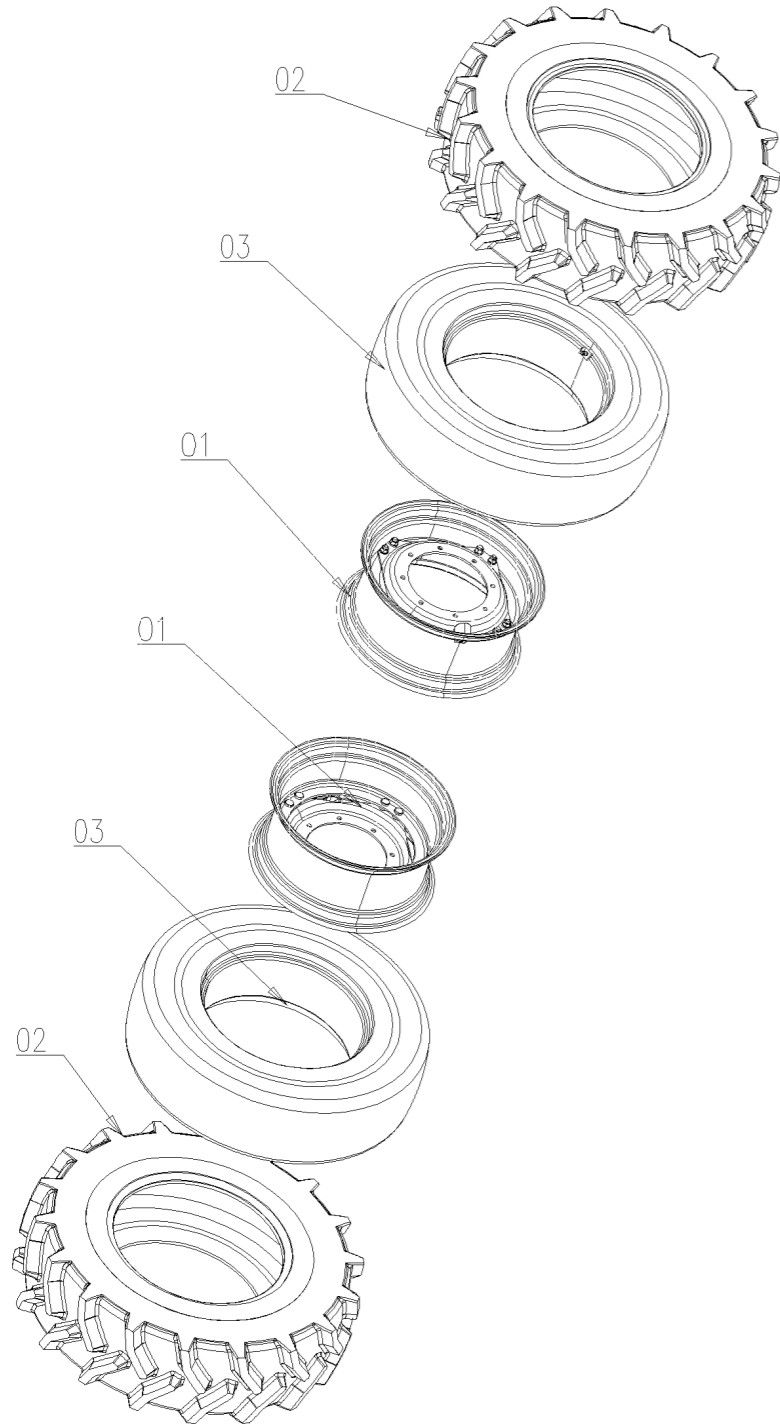


# B80.32.903.4 TYRE ASSEMBLY

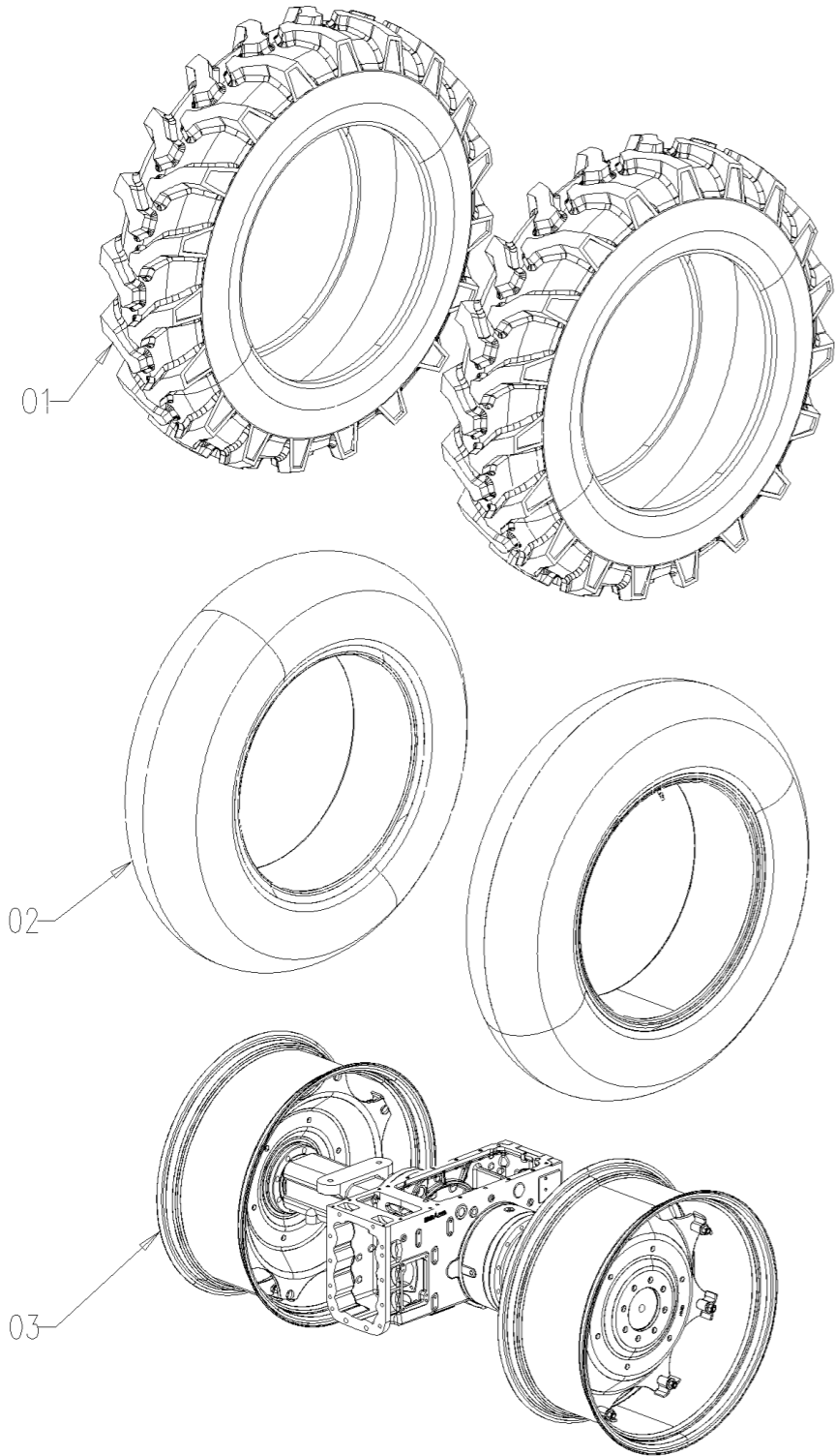
YFB-R-2017-011 SH.043

## B80.32.903.4\_0 前轮总成 TYRE ASSEMBLY

序号	零件编号	零件名称	数量	图号
1	B80.32.001.4	轮辋 RIM COMPONENT	2	B80.32.001.4
2	GBT2979-13.6-24-8PR-R1	外轮胎 OUTER TUBE	2	GBT2979-13.6-24-8PR-R1
3	GBT2979-13.6-24-R1	内轮胎 INNER TIRE	2	GBT2979-13.6-24-R1



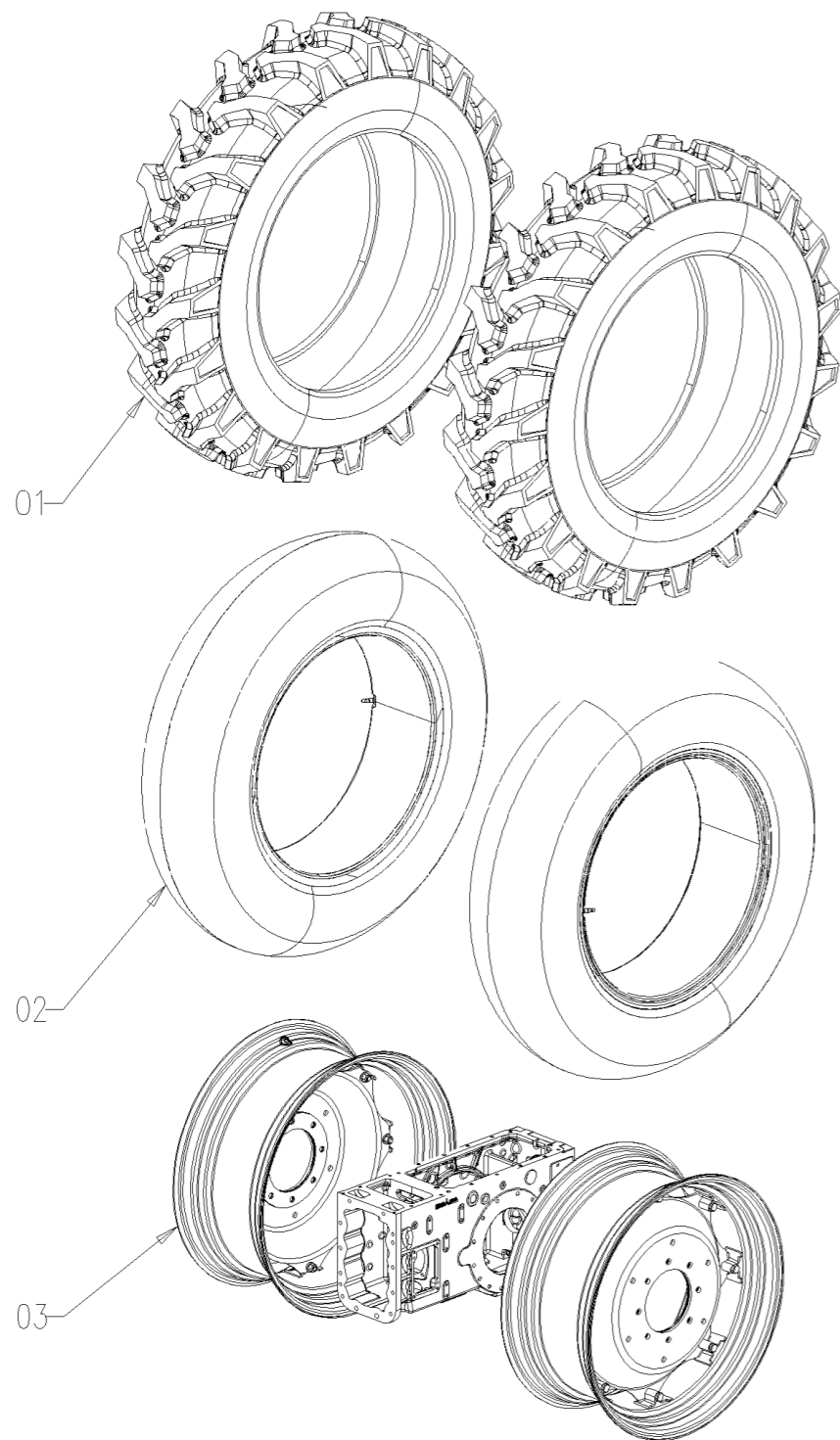
# B80.34.900.4 REAR TIRE ASS.Y ( NORMAL TIRE )



# B80.34.900.4\_0 后轮总成 (斜交胎 有级调节) REAR TIRE ASS.Y (16.9-34-R1)

序号	零件编号	零件名称	数量	图号
1	GBT2979-16.9-34-10PR-R1	外胎 OUTER TIRE	2	GBT2979-16.9-34-10PR-R1
2	GBT2979-16.9-34-R1	内胎 INNER TIRE	2	GBT2979-16.9-34-R1
3	SH904.34.010	轮辋 RIM COMPONENT	2	SH904.34.010

B80.34.901.4 REAR TIRE ASS.Y ( NORMAL TIRE )



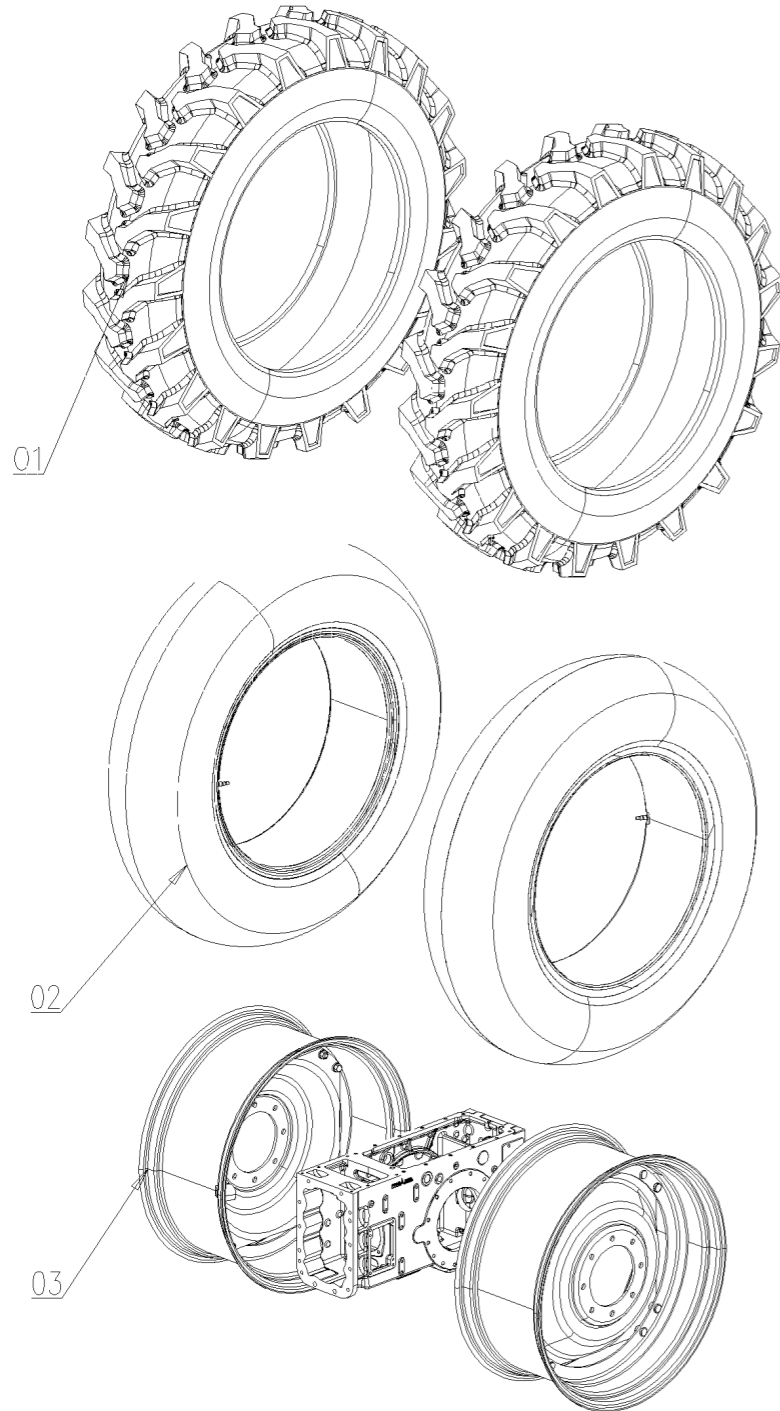
B80.34.901.4\_1 后轮总成 (斜交胎 有级调节) REAR TIRE ASS.Y (16.9-34-R1)

序号	零件编号	零件名称	数量	图号
1	GBT2979-16.9-34-10PR-R1	外胎 OUTER TIRE	2	GBT2979-16.9-34-10PR-R1
2	GBT2979-16.9-34-R1	内胎 INNER TIRE	2	GBT2979-16.9-34-R1
3	SH954.34.010	轮辋 RIM COMPONENT	2	SH954.34.010

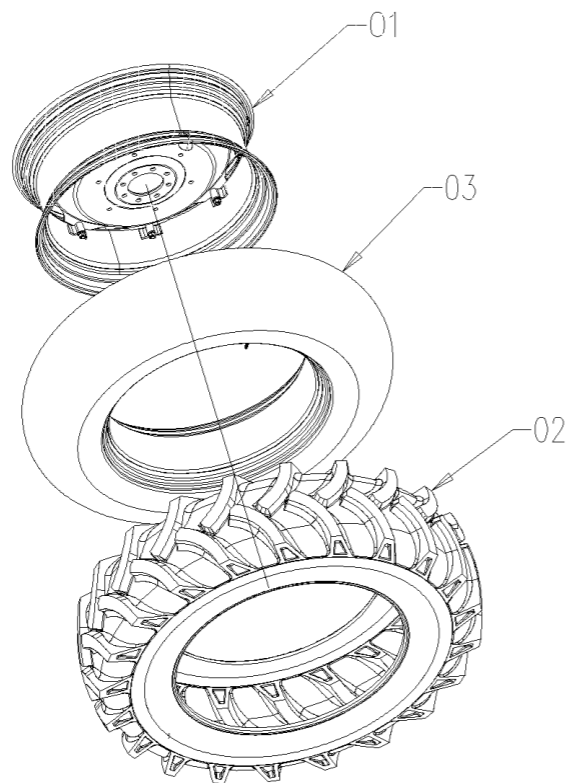
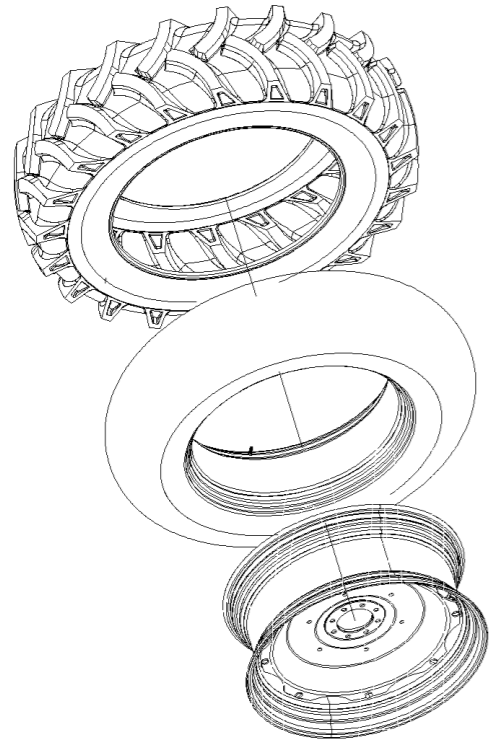
# B80.34.902.4 REAR TYRE 16.9-34 ASSY

# B80.34.902.4\_0 后轮总成无级可调 REAR TYRE 16.9-34 ASSY (STEPLESS TRACK ENHANCED RIM)

序号	零件编号	零件名称	数量	图号
1	GBT2979-16.9-34-10PR-R1	外轮胎 OUTER TIRE	2	GBT2979-16.9-34-10PR-R1
2	GBT2979-16.9-34-R1	内轮胎 INNER TIRE	2	GBT2979-16.9-34-R1
3	A65.34.001.2	轮辋 RIM COMPONENT	2	A65.34.001.2



# B80.34.903.4 REAR TIRE ASS.Y ( NORMAL TIRE )

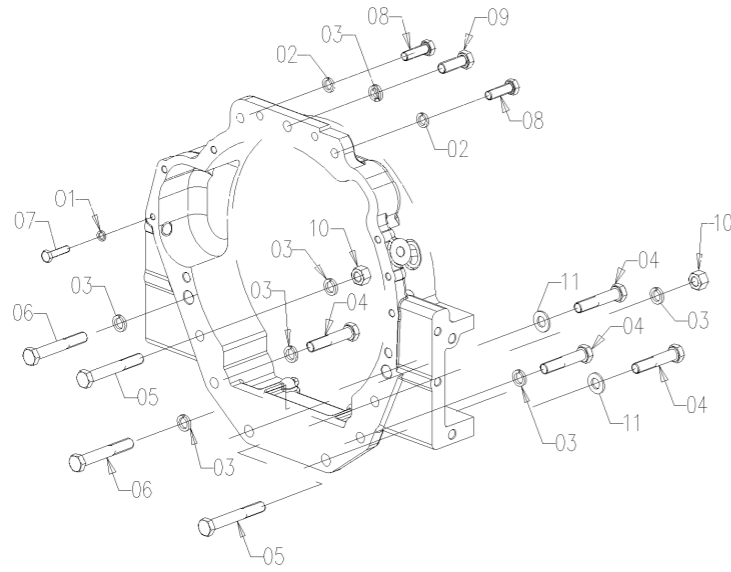


# B80.34.903.4\_0 后轮总成 ( 斜交胎 16.9-38 有级调节 , 分动箱 21/27 ) REAR TIRE ASS.Y ( bias-ply 16.9-38 stepped adjustment, splitter box 21/27 )

序号	零件编号	零件名称	数量	图号
1	SH904.34.011B	轮辋合件 Rim fitting	2	SH904.34.011B
2	GBT2979-16.9-38-10PR-R1	外胎 OUTER TIRE	2	GBT2979-16.9-38-10PR-R1
3	GBT2979-16.9-38-R1	内胎 INNER TIRE	2	GBT2979-16.9-38-R1

B80.37.911.4 FRONT GEARBOX FIXED ASS.Y

YFB-R-2017-011 SH.078



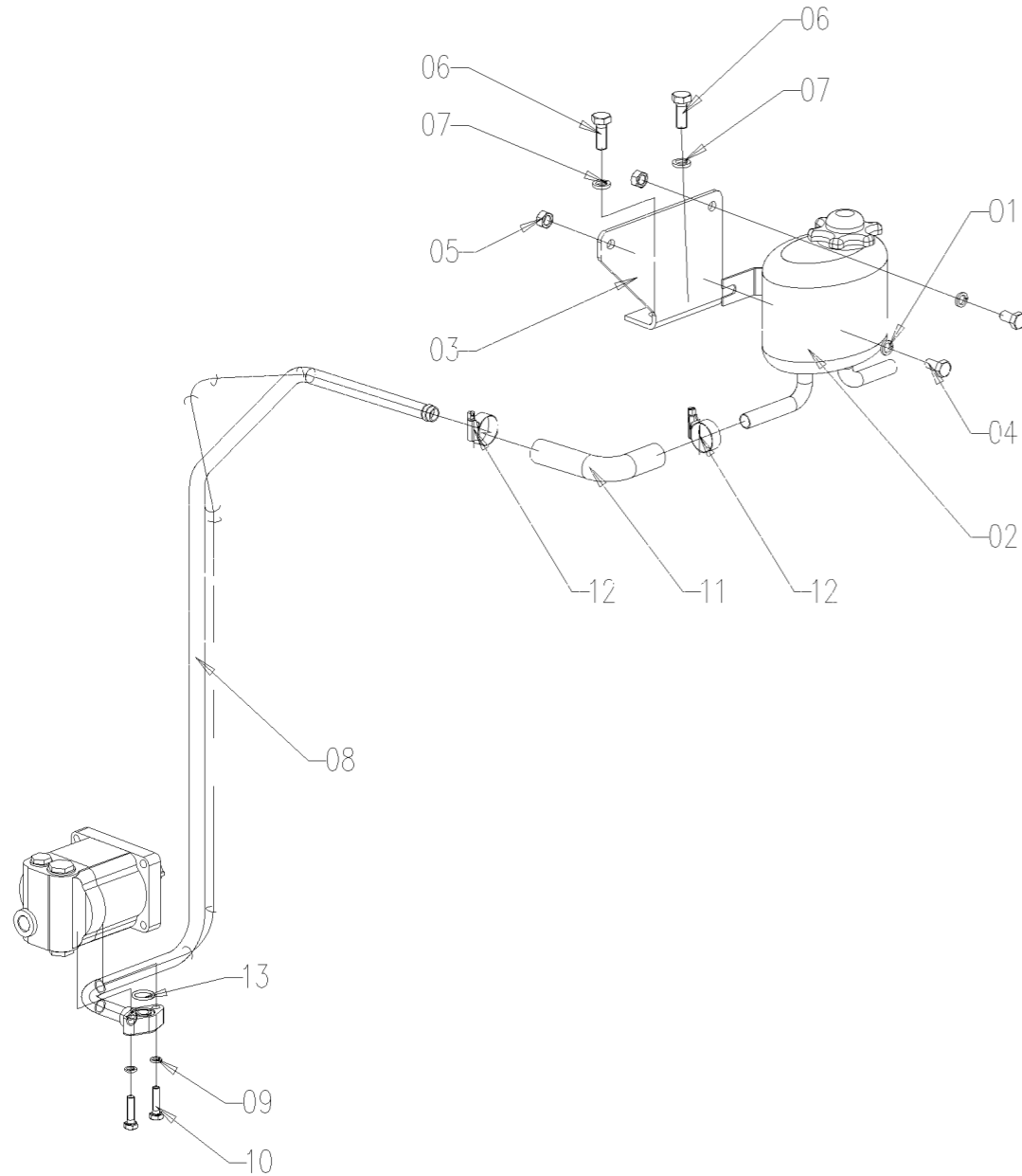
B80.37.911.4\_2 前连接螺栓总成 FRONT GEARBOX FIXED ASS.Y

序号	零件编号	零件名称	数量	图号
1	GBT93-10-A3L	垫圈 WASHER	1	GBT93-10-A3L
2	GBT93-14-A3L	垫圈 WASHER	2	GBT93-14-A3L
3	GBT93-16-A3L	垫圈 WASHER	7	GBT93-16-A3L
4	2.0113.625.2	螺栓 BOLT M16x80	4	2.0113.625.2
5	2.0113.631.2	螺栓 BOLT M16x110	2	2.0113.631.2
6	2.0113.630.2	螺栓 BOLT M16x105	2	2.0113.630.2
7	2.0115.315.2	螺栓 SCREW M10x40	1	2.0115.315.2
8	2.0115.516.2	螺栓 SCREW M14x45	2	2.0115.516.2
9	2.0115.616.2	螺栓 SCREW M16x45	1	2.0115.616.2
10	2.1012.109.2	六角螺母 HEX NUT M16x2	2	2.1012.109.2
11	2.1475.006.7	锥形垫圈 CONICAL WASHERS M16	2	2.1475.006.7



B80.40.900.4 INLET PIPE ASS.Y  
YFB-R-2017-011 SH.011

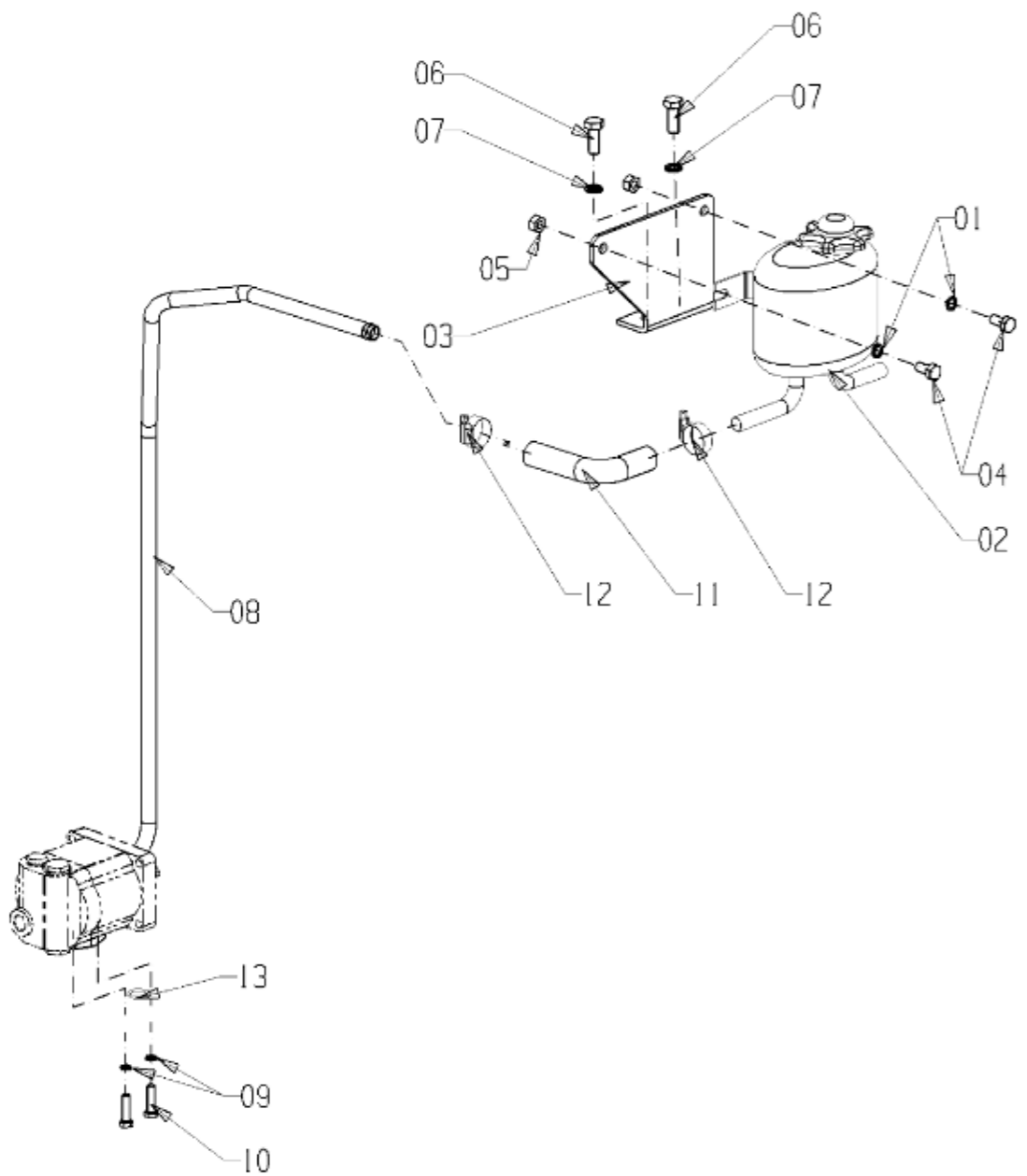
B80.40.900.4\_1 转向泵吸油管总成 INLET PIPE ASS.Y



序号	零件编号	零件名称	数量	图号
1	GBT93-10-A3L	垫圈 WASHER	2	GBT93-10-A3L
2	SH900.40.025	油箱 OIL TANK	1	SH900.40.025
3	CD904.40.104	转向油箱支架 STEERING OIL TANK	1	CD904.40.104
4	GBT5783-M10X20-A3L	螺栓 BOLT	2	GBT5783-M10X20-A3L
5	GBT6170-M10-A3L	螺母 NUT	2	GBT6170-M10-A3L
6	GBT5783-M12X30-A3L	螺栓 BOLT	2	GBT5783-M12X30-A3L
7	GBT93-12-A3L	垫圈 WASHER	2	GBT93-12-A3L
8	B80.40.002.3/10	进油管组件 INLET PIPE ASS.	1	B80.40.002.3/10
9	GBT93-8-A3L	垫圈 WASHER	2	GBT93-8-A3L
10	GBT5783-M8X30-A3L	螺栓 BOLT	2	GBT5783-M8X30-A3L
11	B80.40.003.0	软管 HOSE	1	B80.40.003.0
12	JBT8870-D32	喉箍 HOSE CLAMP	2	JBT8870-D32
13	GBT3452.1-19X2.65-G	O形密封圈 O RING	1	GBT3452.1-19X2.65-G

 SME DEUTZ-FAHR GROUP S.p.A. Gruppo - Group	FL90 SERIES	N. dis. - P/N	
	INLET PIPE ASS.Y	B80.40.900.4	
		Rev	Foglio - Sheet
	11/07/2022		

YFB-R-2017-011 SH.085



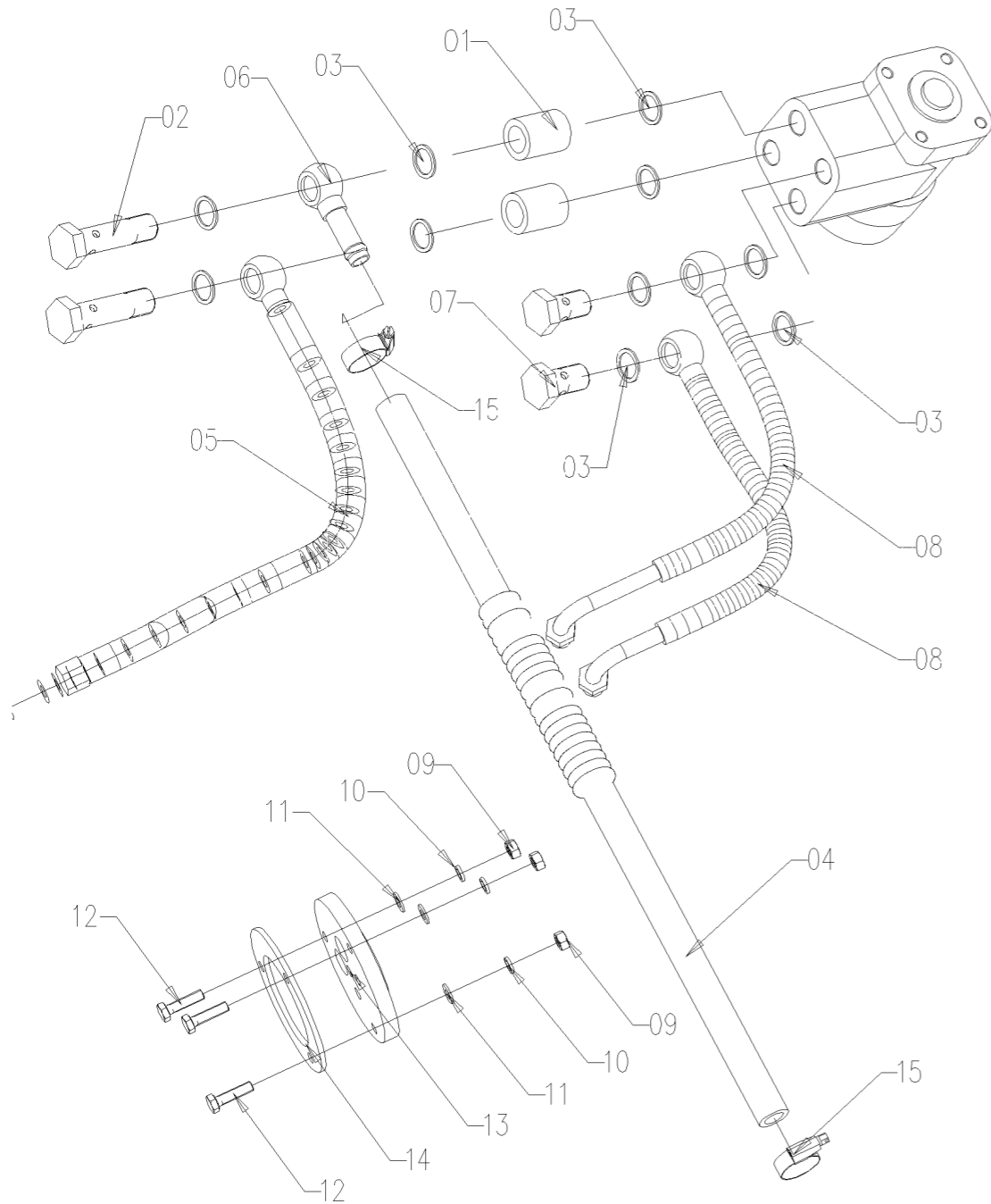
### B80.40.900.4\_2 转向泵吸油管总成 INLET PIPE ASS.Y

序号	零件编号	零件名称	数量	图号
1	2.1473.008.2	弹簧垫圈 SPRING WASHER M10	2	2.1473.008.2
2	SH900.40.025	转向油箱及呼吸器总成 OIL TANK	1	SH900.40.025
3	CD904.40.104	转向油箱支架 STEERING OIL TANK	1	CD904.40.104
4	GBT5783-M10X20-A3L	销 BOLT	2	GBT5783-M10X20-A3L
5	GBT6170-M10-A3L	螺母 NUT	2	GBT6170-M10-A3L
6	GBT5783-M12X30-A3L	销 BOLT	2	GBT5783-M12X30-A3L
7	2.1473.009.2	弹簧垫圈 SPRING WASHER M12	2	2.1473.009.2
8	B80.40.002.3/20	进油管组件 INLET PIPE ASS.Y	1	B80.40.002.3/20
9	2.1473.007.2	弹簧垫圈 SPRING WASHER M8	2	2.1473.007.2
10	GBT5783-M8X30-A3L	销 BOLT	2	GBT5783-M8X30-A3L
11	B80.40.003.0	软管 HOSE	1	B80.40.003.0
12	JBT8870-D32	软管夹 HOSE CLAMPS	2	JBT8870-D32
13	GBT3452.1-19X2.65-G	O型圈 O RING	1	GBT3452.1-19X2.65-G

# B80.40.903.4 STEERING PIPE ASS.

YFB-R-2017-011 SH.011

# B80.40.903.4\_0 转向器管路安装总成 Steering line mounting assembly



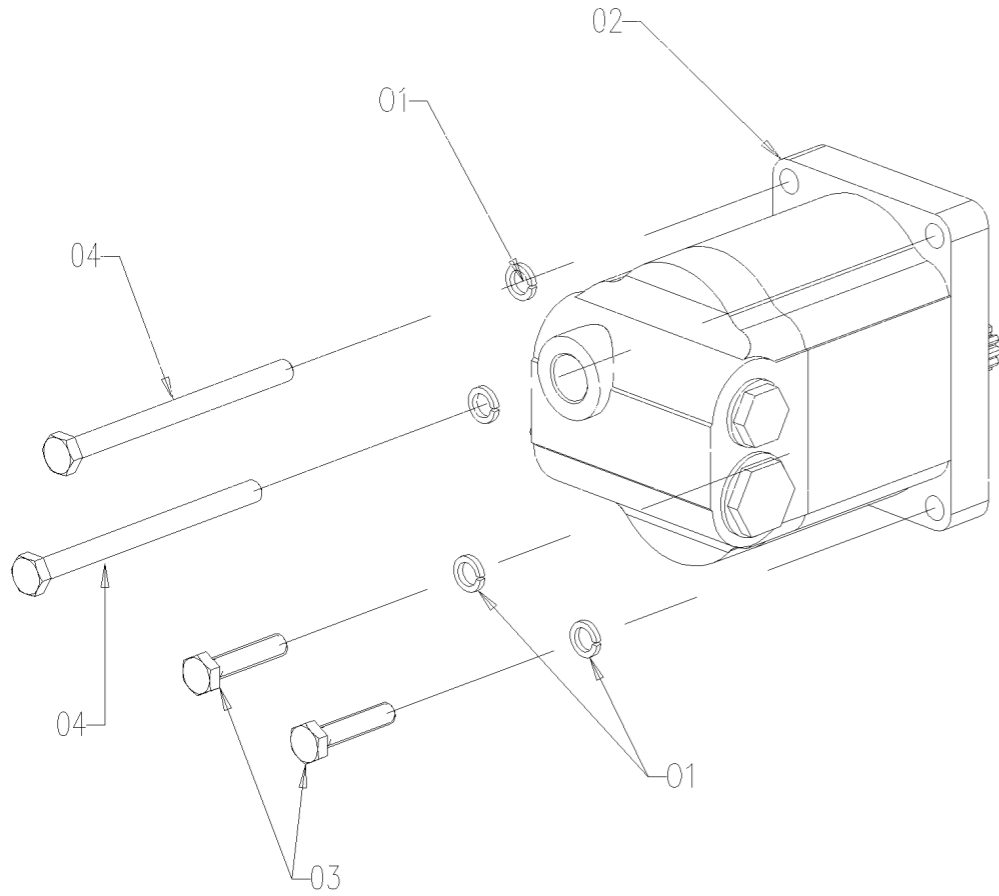
序号	零件编号	零件名称	数量	图号
1	SH900.40.101	短接管 SHORT CONNECTING PIPE	2	SH900.40.101
2	SH900.40.102	空心螺栓 HOLLOW BOLT	2	SH900.40.102
3	2.1560.016.0	铜垫圈 COPPER WASHER	10	2.1560.016.0
4	CD904.40.103/10	转向油箱长胶管 STEERING TANK	1	CD904.40.103/10
5	SH900.40.014	高压软管总成 HIGH PRESSURE HOSE	1	SH900.40.014
6	SH900.40.018	转向器回油管铰接头 RETRACTOR	1	SH900.40.018
7	SH900.40.105	空心短螺栓 HOLLOW BOLT	2	SH900.40.105
8	SH900.40.019	高压软管总成3 HIGH PRESSURE	2	SH900.40.019
9	GBT6170-M8-A2L	螺母 NUT	3	GBT6170-M8-A2L
10	GBT93-8-A3L	垫圈 WASHER	3	GBT93-8-A3L
11	GBT97.1-8-A3L	垫圈 WASHER	3	GBT97.1-8-A3L
12	GBT5783-M8X30-A2L	螺栓 BOLT	3	GBT5783-M8X30-A2L
13	SH900.40.106	减振块 VIBRATION BLOCK	1	SH900.40.106
14	SH900.40.138	转向油管压板 TURN TUBING	1	SH900.40.138
15	JBT8870-D32	喉箍 HOSE CLAMP	2	JBT8870-D32

# B80.40.911.4 STEERING PUMP ASS.Y

YFB-S-2017-011 SH.052

## B80.40.911.4\_0 转向输油管总成STEERING DELIVERY PIPE ASS.Y

序号	零件编号	零件名称	数量	图号
1	GBT93-8-A3L	垫圈 WASHER	4	GBT93-8-A3L
2	B80.40.013.0	转向泵 STEERING PUMP	1	B80.40.013.0
3	GBT5783-M8X35-A2L	螺栓 BOLT	2	GBT5783-M8X35-A2L
4	GBT5782-M8X105-A2L	螺栓 BOLT	2	GBT5782-M8X105-A2L



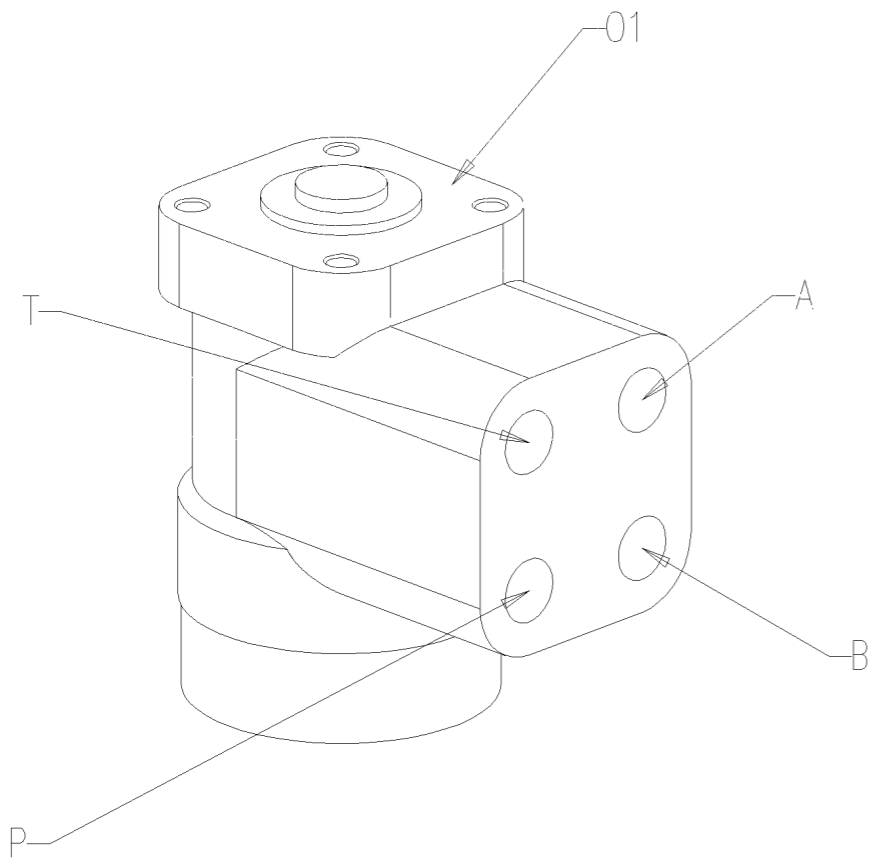
B80.40.914.4\_0 转向器总成 STEERING UNIT

序号	零件编号	零件名称
1	LE1204.40.013	转向器 STEERING UNIT

数量	图号
1	LE1204.40.013

B80.40.914.4 STEERING UNIT

YFB-R-2017-011 SH.052





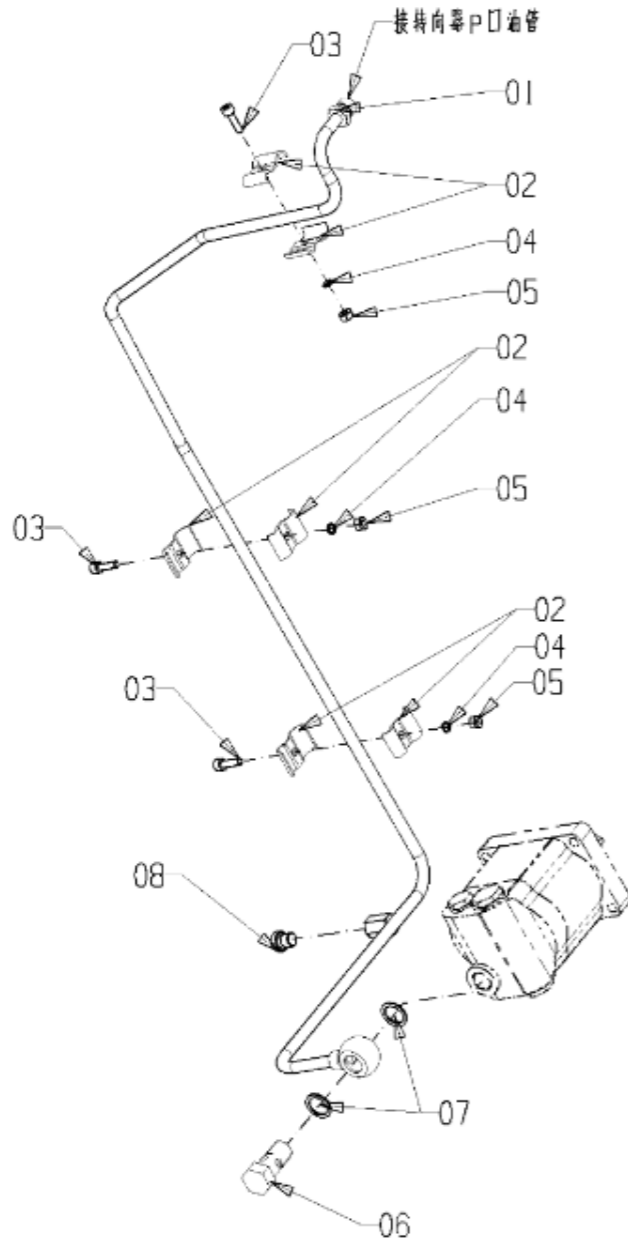
SAME DEUTZ-FAHR GROUP S.p.A.  
 Via S. Felice 100 - 37030 Lione (Verona) - Italia  
 Gruppo - Group

FL90 SERIES

STEERING PUMP DELIVERY PIPE ASS.Y

Nu. dis. - P/N	
B80.40.922.4	
Ass. Y	
Val. valid. al	30/06/2022

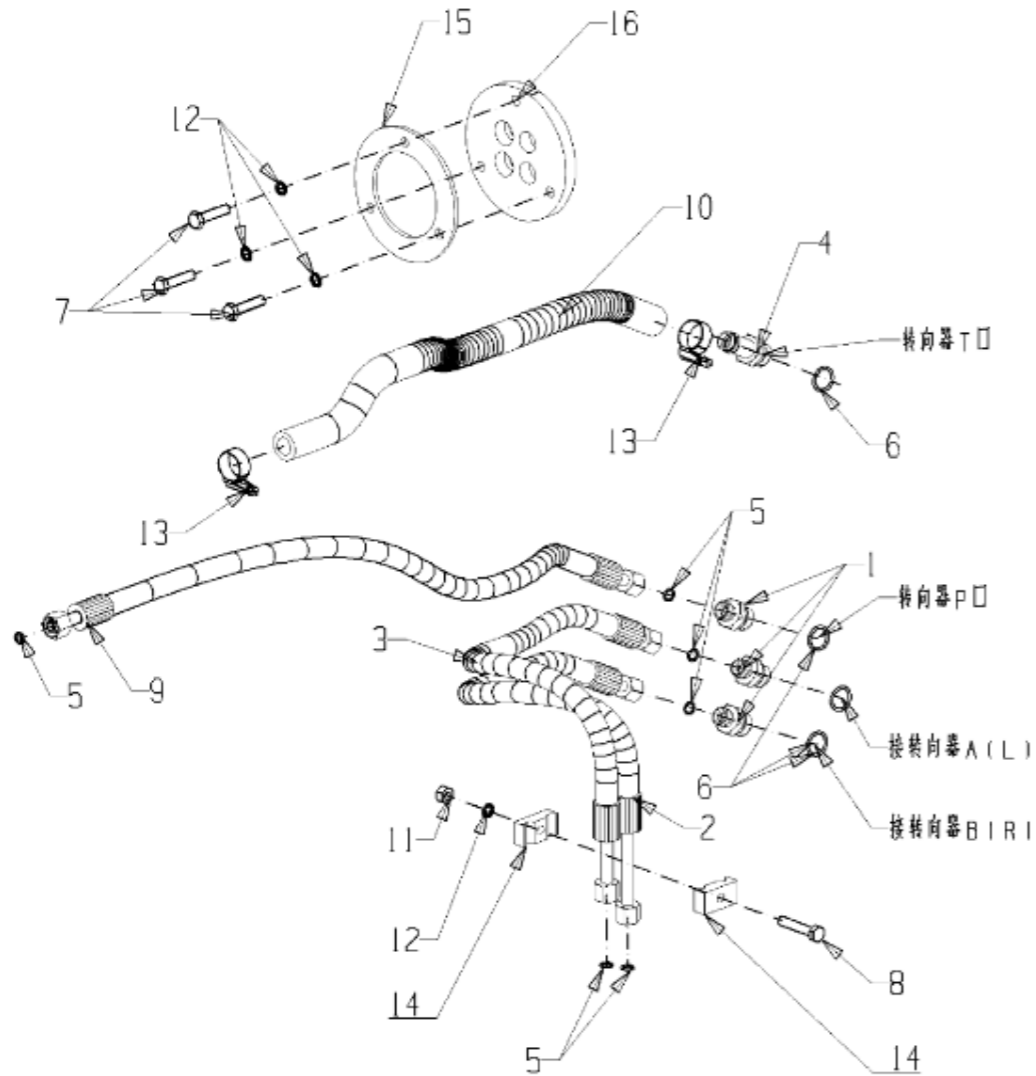
YFB-R-2017-011 SH.085



B80.40.922.4\_1 转向泵输出油管总成 STEERING PUMP DELIVERY PIPE ASS.Y

序号	零件编号	零件名称	数量	图号
1	B80.40.001.3/30	泵出油管 PUMP OUTLET PIPE	1	B80.40.001.3/30
2	LE1204.40.111	油管夹 OIL PIPE CLAMP	6	LE1204.40.111
3	2.0312.106.2	螺钉 SOCKET SCREW M6x1x20	3	2.0312.106.2
4	2.1473.006.2	弹簧垫圈 SPRING WASHER M6	3	2.1473.006.2
5	2.1011.103.2	螺母 NUT M6x1	3	2.1011.103.2
6	SH900.40.110	空心螺栓 HOLLOW BOLT M18X1.5	1	SH900.40.110
7	2.1560.014.0	密封圈 SEALING RING	2	2.1560.014.0
8	2.3139.024.2	螺塞 TAPPO T.C.E.I. M12x1.5	1	2.3139.024.2

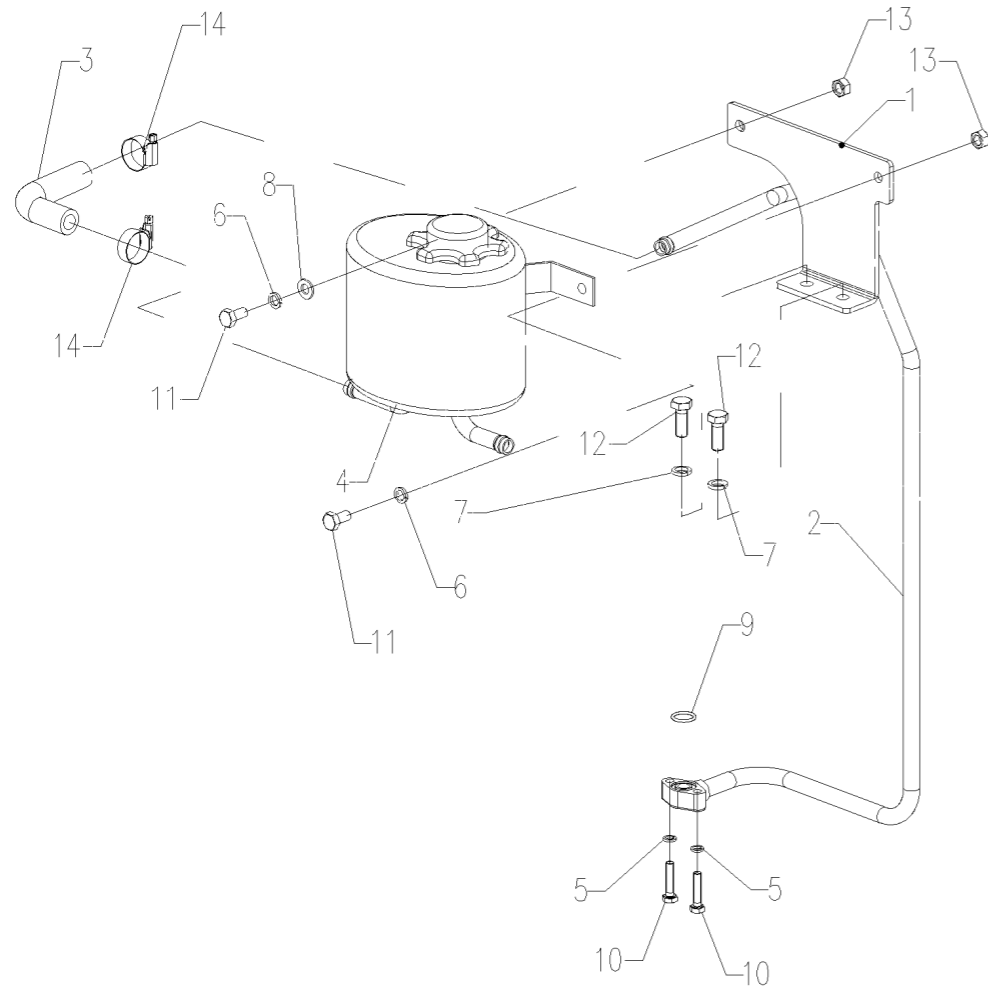
YFB-R-2017-011 SH.085



B80.40.923.4\_1 转向器管路安装总成 STEERING UNIT PIPE ASS.Y

序号	零件编号	零件名称	数量	图号
1	A11.40.061.0	卡套式端直通接头体 FITTING	3	A11.40.061.0
2	B80.40.017.3	右转向管 RIGHT PIPE	1	B80.40.017.3
3	B80.40.018.3	左转向管 LEFT PIPE	1	B80.40.018.3
4	B29.40.006.3	回油接头焊合 RETURN PIPE ASS.	1	B29.40.006.3
5	GBT3452.1-8X1.5-G	O型圈 O RING	6	GBT3452.1-8X1.5-G
6	GBT3452.1-17.3X2.2-G	O型圈 O RING	4	GBT3452.1-17.3X2.2-G
7	2.0114.213.2	螺栓 SCREW M8x35	3	2.0114.213.2
8	2.0114.215.2	螺栓 SCREW M8x40	1	2.0114.215.2
9	A23.40.003.3/10	进气软管总成 INLET HOSE	1	A23.40.003.3/10
10	CD804A.40A.101/10	回油软管 RETURN HOSE	1	CD804A.40A.101/10
11	2.1011.105.2	螺母 NUT M8x1.25	1	2.1011.105.2
12	2.1473.007.2	弹簧垫圈 SPRING WASHER M8	4	2.1473.007.2
13	2.6851.001.0	软管夹 HOSE CLAMP 16-25	2	2.6851.001.0
14	SH900.40.112	双孔夹 DOUBLE CLIP	2	SH900.40.112
15	SH900.40.138	转向油管压板 STEERING OIL PIPE	1	SH900.40.138
16	CD1204A.40B.101/10	橡胶条 RUBBER	1	CD1204A.40B.101/10

B80.40.930.4 STEERING SUCTION PIPE ASS.Y  
YFB-R-2017-011 SH.052



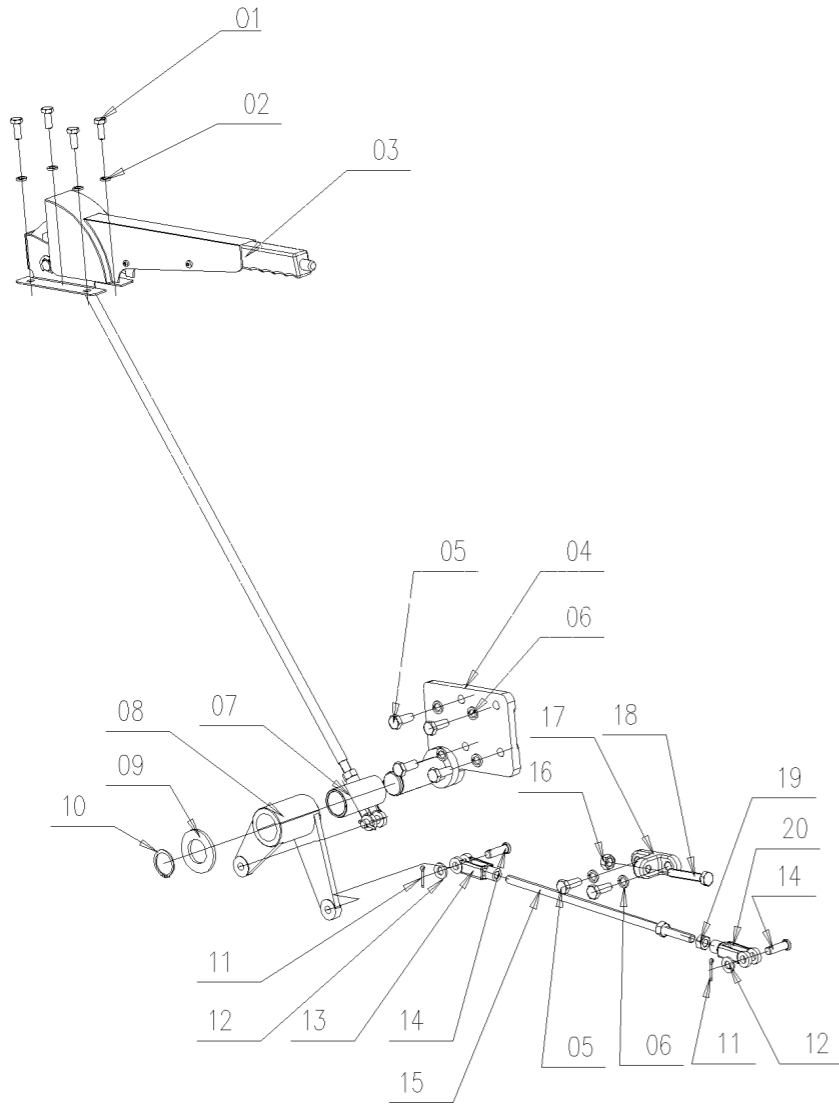
B80.40.930.4\_0 转向泵吸油管总成 STEERING SUCTION PIPE ASS.Y

序号	零件编号	零件名称	数量	图号
1	B80.40.012.2	转向油箱支架 STEERING OIL TANK	1	B80.40.012.2
2	B80.40.002.3/10	进油管总成 INLET PIPE ASS.	1	B80.40.002.3/10
3	B80.40.003.0	软管 HOSE	1	B80.40.003.0
4	B80.40.009.0	转向油箱 STEERING OIL TANK	1	B80.40.009.0
5	GBT93-8-A3L	垫圈 WASHER	2	GBT93-8-A3L
6	GBT93-10-A3L	垫圈 WASHER	2	GBT93-10-A3L
7	GBT93-12-A3L	垫圈 WASHER	2	GBT93-12-A3L
8	GBT97.1-10-A3L	垫圈 WASHER	1	GBT97.1-10-A3L
9	GBT3452.1-19X2.65-G	O形密封圈 O RING	1	GBT3452.1-19X2.65-G
10	GBT5783-M8X35-A2L	螺栓 BOLT	2	GBT5783-M8X35-A2L
11	GBT5783-M10X20-A3L	螺栓 BOLT	2	GBT5783-M10X20-A3L
12	GBT5783-M12X30-A3L	螺栓 BOLT	2	GBT5783-M12X30-A3L
13	GBT6170-M10-A3L	螺母 NUT	2	GBT6170-M10-A3L
14	JBT8870-D32	喉箍 HOSE CLAMPS	2	JBT8870-D32



# B80.45.901.4 DEPUTY CLUTCH COMMAND ASSEMBLY

YFB-R-2017-011 SH.011



## B80.45.901.4\_0 副离合器操纵总成 DEPUTY CLUTCH COMMAND ASSEMBLY

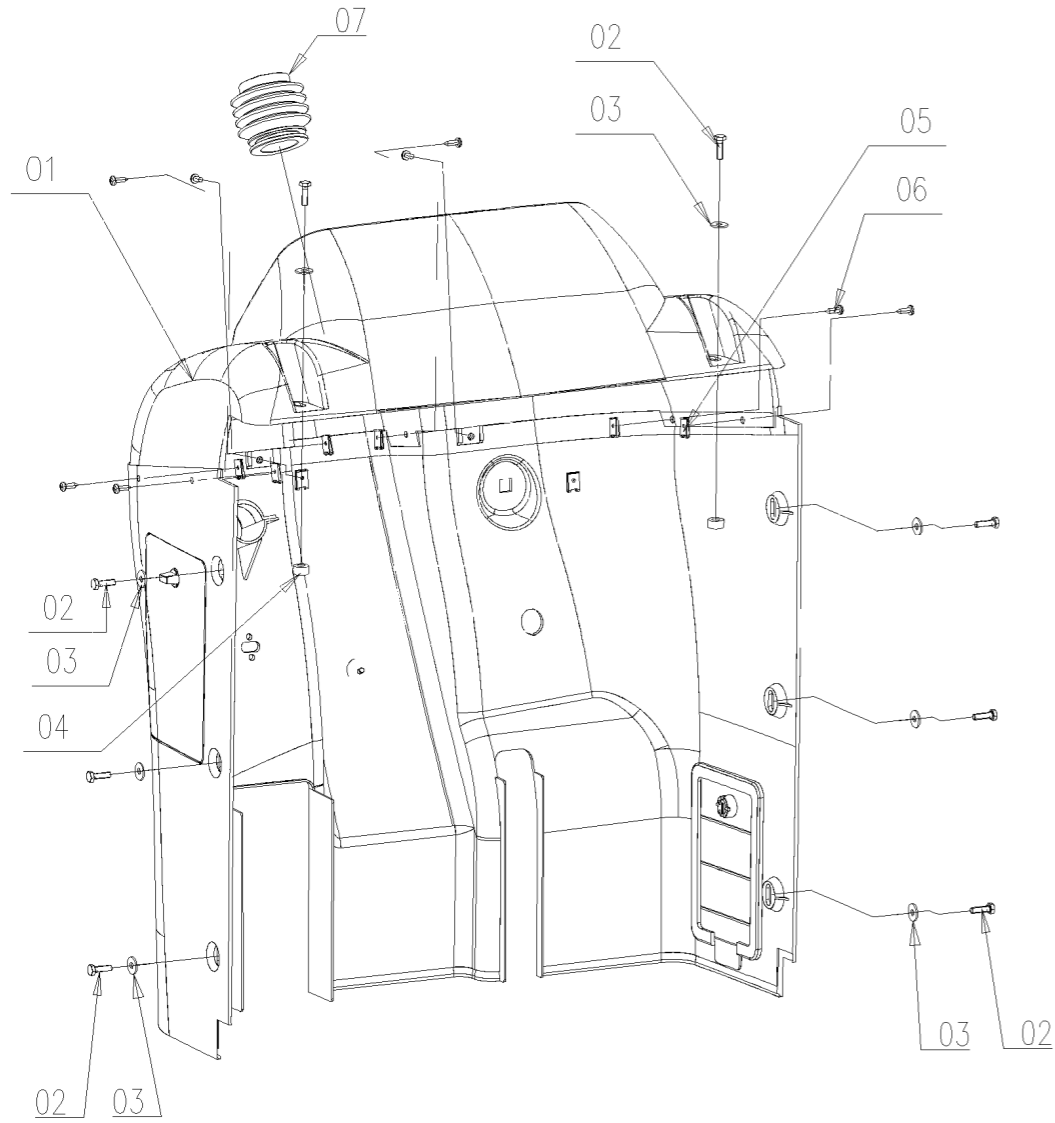
序号	零件编号	零件名称	数量	图号
1	GBT5783-M8X20-A2L	螺栓 BOLT	4	GBT5783-M8X20-A2L
2	GBT93-8-A3L	弹簧垫圈 SPRING WASHER	4	GBT93-8-A3L
3	SH900.21.013/10	辅助离合器杆总成 AUXILIARY	1	SH900.21.013/10
4	SH900.21.016	副离合支承座焊合 BRACKET ASS.LY	1	SH900.21.016
5	GBT5783-M10X25-A3L	螺栓 BOLT	6	GBT5783-M10X25-A3L
6	GBT93-10-A3L	弹簧垫圈 SPRING WASHER	6	GBT93-10-A3L
7	SH900.21.120	套 BUSHING	1	SH900.21.120
8	SH900.21.119	隔套 LEVER	1	SH900.21.119
9	SH900.21.118	摩擦垫圈 FRICTION WASHER	1	SH900.21.118
10	GBT894.1-30	轴用弹性挡圈 CIRCLIP FOR SHAFT	1	GBT894.1-30
11	GBT91-3.2X20-A3L	销 PIN	2	GBT91-3.2X20-A3L
12	GBT97.1-10-A3L	平垫圈 PLAIN WASHER	2	GBT97.1-10-A3L
13	SH900.21.117	叉 FORK	1	SH900.21.117
14	GBT882-B10X32-A3L	销 PIN	2	GBT882-B10X32-A3L
15	SH900.21.020	副离合拉杆焊合 TIE ROD	1	SH900.21.020
16	GBT6170-M10-A3L	螺母 NUT	1	GBT6170-M10-A3L
17	SH900.21.116	限位座 LIMITING SEAT	1	SH900.21.116
18	GBT5783-M10X60-A3L	螺栓 BOLT	1	GBT5783-M10X60-A3L
19	GBT6171-M10X1-A3L	螺母 NUT	1	GBT6171-M10X1-A3L
20	SH900.21.115	叉 FORK	1	SH900.21.115

# DASHBOARD ASSEMBLY B80.45.904.4

YFB-R-2020-004 SH.020

## B80.45.904.4\_1 仪表台总成 DASHBOARD ASSEMBLY

序号	零件编号	零件名称	数量	图号
1	SH900.45.037	仪表台组件 INSTRUMENT PANEL	1	SH900.45.037
2	GBT5783-M6X20-A2L	螺栓 BOLT	8	GBT5783-M6X20-A2L
3	GBT96.1-6-A3L	垫圈 WASHER	8	GBT96.1-6-A3L
4	CD904A.45A.120	垫圈 WASHER	2	CD904A.45A.120
5	ZBT31004-ST4.8x20A-A3L	弹簧螺母 SPRING NUT	8	ZBT31004-ST4.8x20A-A3L
6	GBT845-ST4.8X16	螺钉 TAPPING SCREW	8	GBT845-ST4.8X16
7	SH900.40.151	转向管护套 STEERING TUBE JACKET	1	SH900.40.151

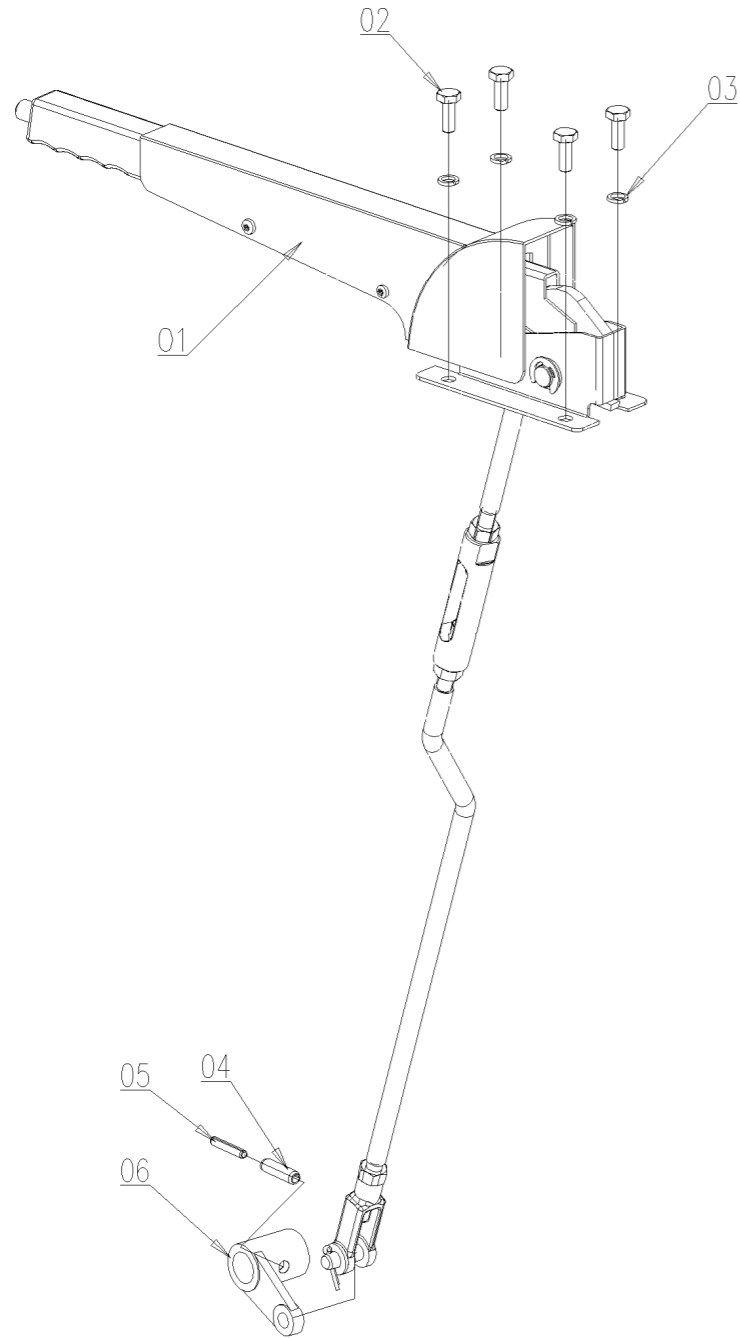


# PARK BRAKE COMMAND ASS.Y B80.45.907.4

YFB-R-2020-004 SH.025

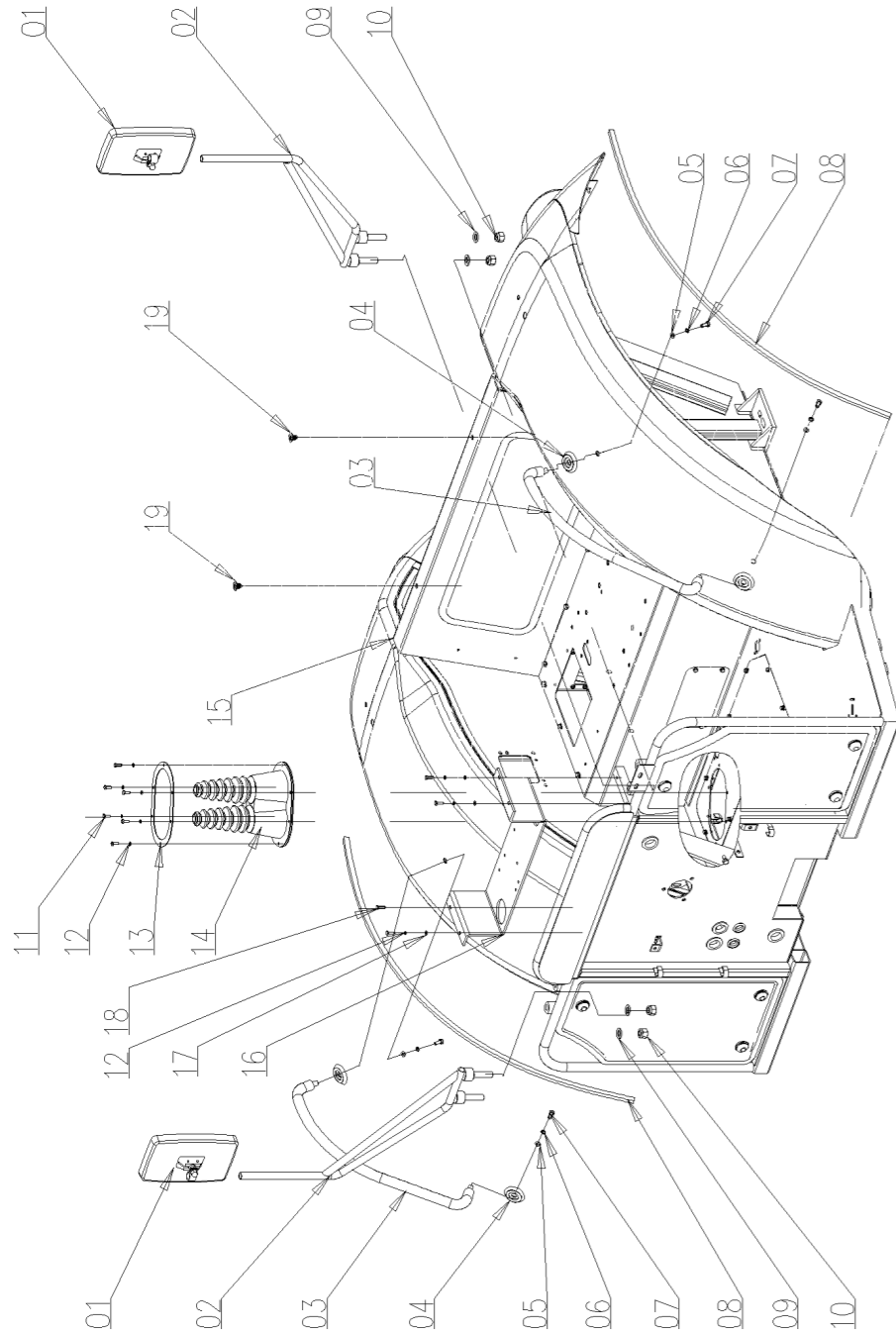
## B80.45.907.4\_2 停车制动操纵总成 HAND BRAKE COMMAND ASSEMBLY

序号	零件编号	零件名称	数量	图号
1	SH900.43.004/10	制动操纵杆总成 BRAKE CONTROL	1	SH900.43.004/10
2	GBT5783-M8X20-A2L	螺栓 BOLT	4	GBT5783-M8X20-A2L
3	GBT93-8-A3L	垫圈 WASHER	4	GBT93-8-A3L
4	GBT879.1-8X30	销 PIN	1	GBT879.1-8X30
5	GBT879.1-5X30	销 PIN	1	GBT879.1-5X30
6	SH900.43.170	操纵杆 LEVER	1	SH900.43.170



# B80.45.908.4 PLATFORM ASSEMBLY

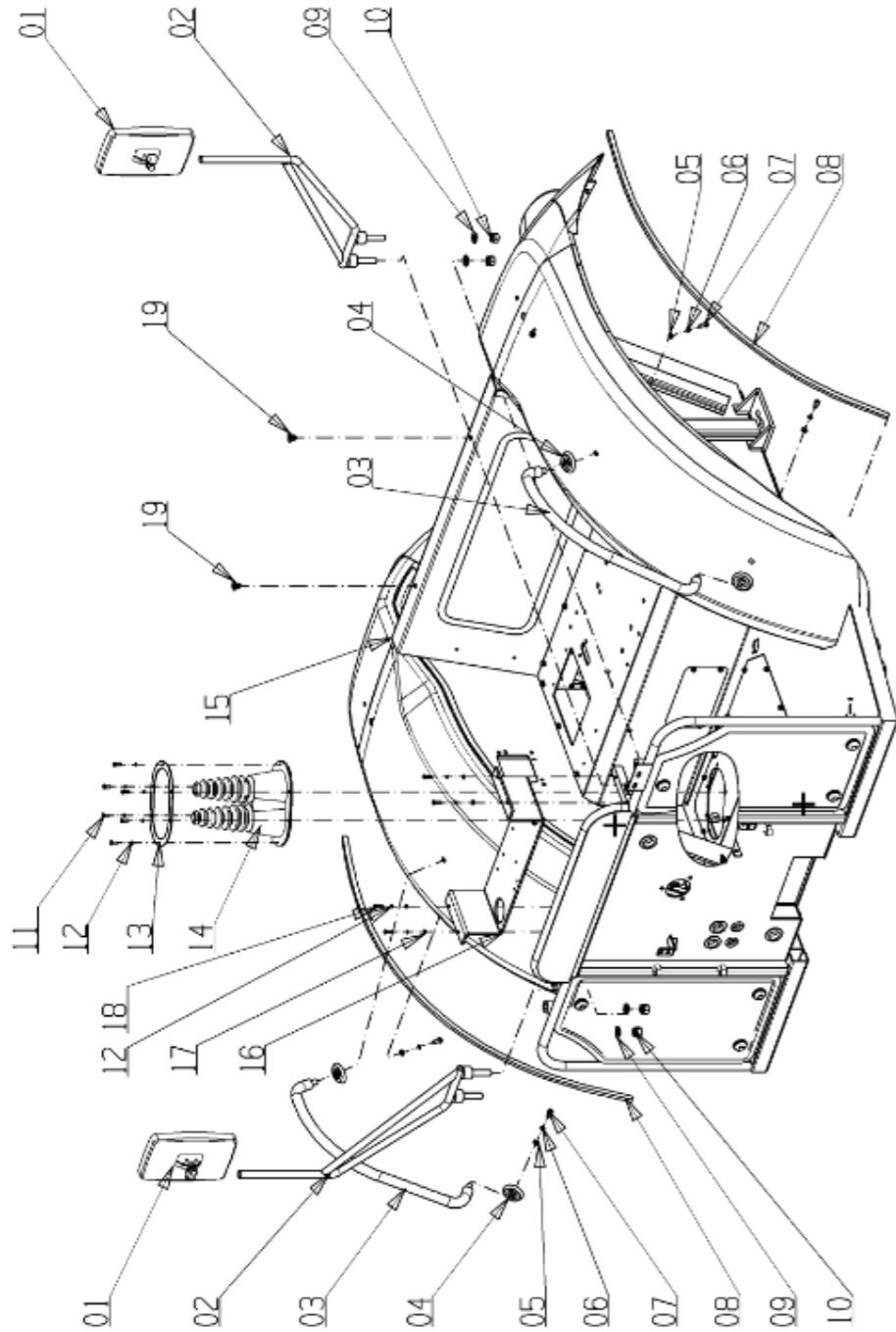
YFB-R-2017-011 SH.078



## B80.45.908.4\_3 地板总成 PLATFORM ASSEMBLY

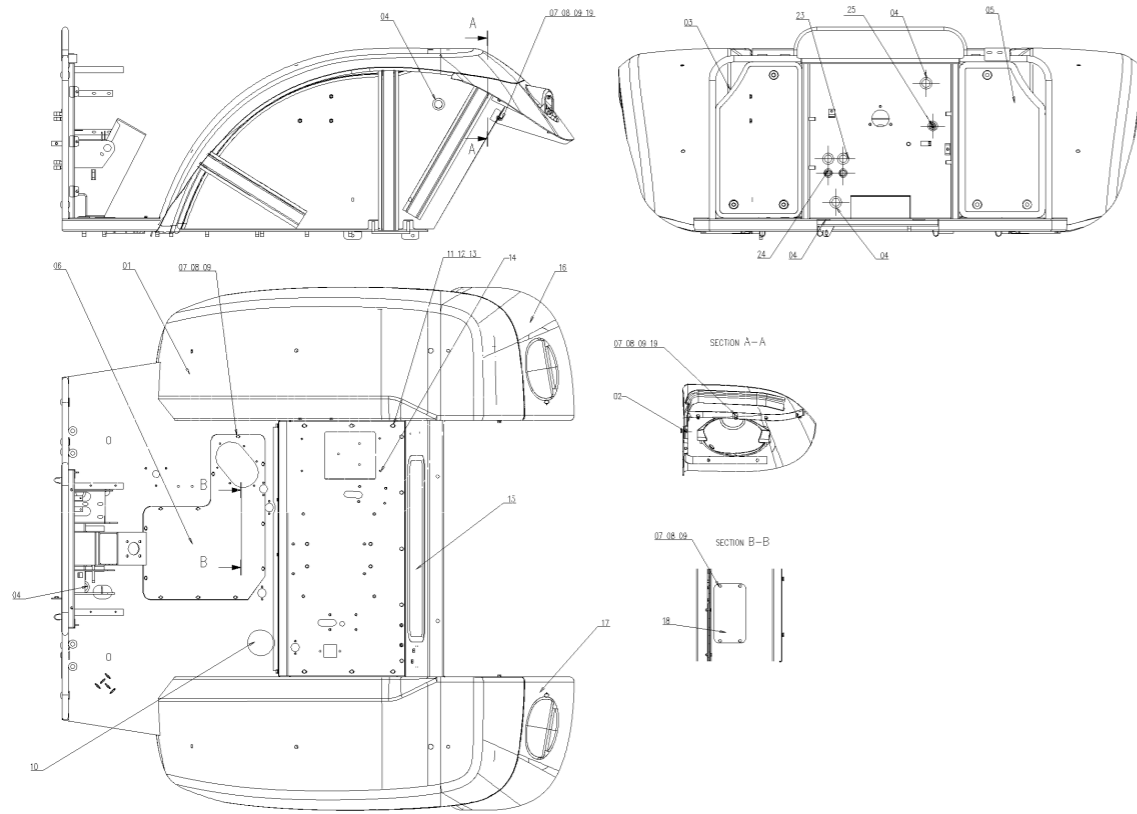
序号	零件编号	零件名称	数量	图号
1	SH900.45A.032	后视镜组件 REAR VIEW MIRROR	2	SH900.45A.032
2	CD904A.45A.030	后视镜支架焊合 REAR VIEW MIRROR	2	CD904A.45A.030
3	CD904A.45A.032	上车扶手 ARMREST	2	CD904A.45A.032
4	SH300.47.246	垫圈 WASHER	4	SH300.47.246
5	2.1310.004.2	垫圈 WASHER 8	4	2.1310.004.2
6	GBT93-8-A3L	垫圈 WASHER	4	GBT93-8-A3L
7	2.0114.207.2	螺栓 SCREW M8x20	4	2.0114.207.2
8	CD904A.45A.122	护板胶条 SHIELD STRIP	2	CD904A.45A.122
9	2.1310.010.2	垫圈 WASHER 16	4	2.1310.010.2
10	GBT889.1-M16-A3L	螺母 NUT	4	GBT889.1-M16-A3L
11	2.0114.005.2	螺栓 SCREW M6x16	6	2.0114.005.2
12	GBT93-6-A3L	垫圈 WASHER	9	GBT93-6-A3L
13	CD904A.45A.102	压板 PLATE	1	CD904A.45A.102
14	CD904A.45A.121	变速杆防尘罩 DUST COVER	1	CD904A.45A.121
15	B80.45.010.4/30	地板 PLATFORM	1	B80.45.010.4/30
16	SH900.45A.188	隔板 BAFFLE	1	SH900.45A.188
17	2.1310.002.2	垫圈 WASHER 6	4	2.1310.002.2
18	2.0114.007.2	螺栓 SCREW M6x20	4	2.0114.007.2
19	2.3199.114.0	螺钉 TAPPO	2	2.3199.114.0

YFB-R-2017-011 SH.092



### B80.45.908.4\_5 地板总成 PLATFORM ASSEMBLY

序号	零件编号	零件名称	数量	图号
1	SH900.45A.032	后视镜组件 REAR VIEW MIRROR	2	SH900.45A.032
2	CD904A.45A.030	后视镜支架焊合 REAR VIEW MIRROR	2	CD904A.45A.030
3	CD904A.45A.032	上车扶手 ARMREST	2	CD904A.45A.032
4	SH300.47.246	垫圈 WASHER	4	SH300.47.246
5	2.1310.004.2	垫圈 WASHER 8	4	2.1310.004.2
6	2.1473.007.2	弹簧垫圈 SPRING WASHER M8	4	2.1473.007.2
7	2.0114.207.2	螺栓 SCREW M8x20	4	2.0114.207.2
8	CD904A.45A.122	护板胶条 SHIELD STRIP	2	CD904A.45A.122
9	2.1310.010.2	垫圈 WASHER 16	4	2.1310.010.2
10	2.1122.009.2	螺母 Pa LOCK NUT M16x2	4	2.1122.009.2
11	2.0114.005.2	螺栓 SCREW M6x16	6	2.0114.005.2
12	2.1473.006.2	弹簧垫圈 SPRING WASHER M6	10	2.1473.006.2
13	CD904A.45A.102	压板 PLATE	1	CD904A.45A.102
14	CD904A.45A.121	防尘罩 DUST COVER	1	CD904A.45A.121
15	B80.45.010.4/50	地板 PLATFORM	1	B80.45.010.4/50
16	SH900.45A.188	隔板 BAFFLE	1	SH900.45A.188
17	2.1310.002.2	垫圈 WASHER 6	4	2.1310.002.2
18	2.0114.007.2	螺栓 SCREW M6x20	4	2.0114.007.2
19	2.3199.114.0	螺纹塞 TAPPO	2	2.3199.114.0



## B80.45.010.4/30 地板 PLATFORM

序号	零件编号	零件名称	数量	图号
1	CD904.45A.011/50	地板焊合 PLATFORM WELDING	1	CD904.45A.011/50
2	2.1011.105.2	螺母 NUT M8x1.25	2	2.1011.105.2
3	CD904A.45A.023	右玻璃组件 RIGHT WINDSHIELD	1	CD904A.45A.023
4	CD904A.45A.103	40线束塞 40 SHEATH	6	CD904A.45A.103
5	CD904A.45A.024	左玻璃组件 LEFT GLASS ASSEMBLY	1	CD904A.45A.024
6	CD904A.45A.025	地板维修盖焊合 PLATFORM	1	CD904A.45A.025
7	2.0114.007.2	螺栓 SCREW M6x20	30	2.0114.007.2
8	2.1310.002.2	垫圈 WASHER 6	44	2.1310.002.2
9	GBT93-6-A3L	垫圈 WASHER	30	GBT93-6-A3L
10	SH900.45A.205	橡胶盖 RUBBER COVER	1	SH900.45A.205
11	2.0114.207.2	螺栓 SCREW M8x20	18	2.0114.207.2
12	2.1310.004.2	垫圈 WASHER 8	18	2.1310.004.2
13	GBT93-8-A3L	垫圈 WASHER	18	GBT93-8-A3L
14	A23.45.224.3/20	后地板 REAR FLOOR	1	A23.45.224.3/20
15	CD904A.45A.027	后玻璃组件 REAR WINDSHIELD	1	CD904A.45A.027
16	CD904A.45A.028	右后尾罩组件 RIGHT REAR COVER	1	CD904A.45A.028
17	CD904A.45A.029	左后尾罩组件 LEFT REAR COVER	1	CD904A.45A.029
18	CD904A.45A.107	盖板 PLATE	1	CD904A.45A.107
19	2.1011.103.2	螺母 NUT M6x1	14	2.1011.103.2
23	A23.45.232.0	胶圈 RUBBER GASKET	2	A23.45.232.0
24	A23.45.231.0	胶圈 RUBBER GASKET	2	A23.45.231.0
25	2.6569.069.0/10	胶圈 Gommino	1	2.6569.069.0/10

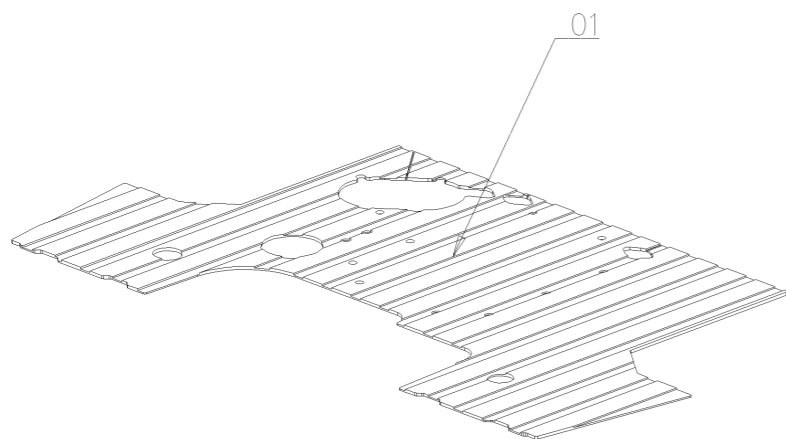
B80.45.912.4 FLOOR MAT

YFB-S-2017-011 SH.002

**B80.45.912.4\_1 地板垫总成 FLOOR MAT**

序号	零件编号	零件名称
1	B80.45.001.0	地板垫 FLOOR MAT

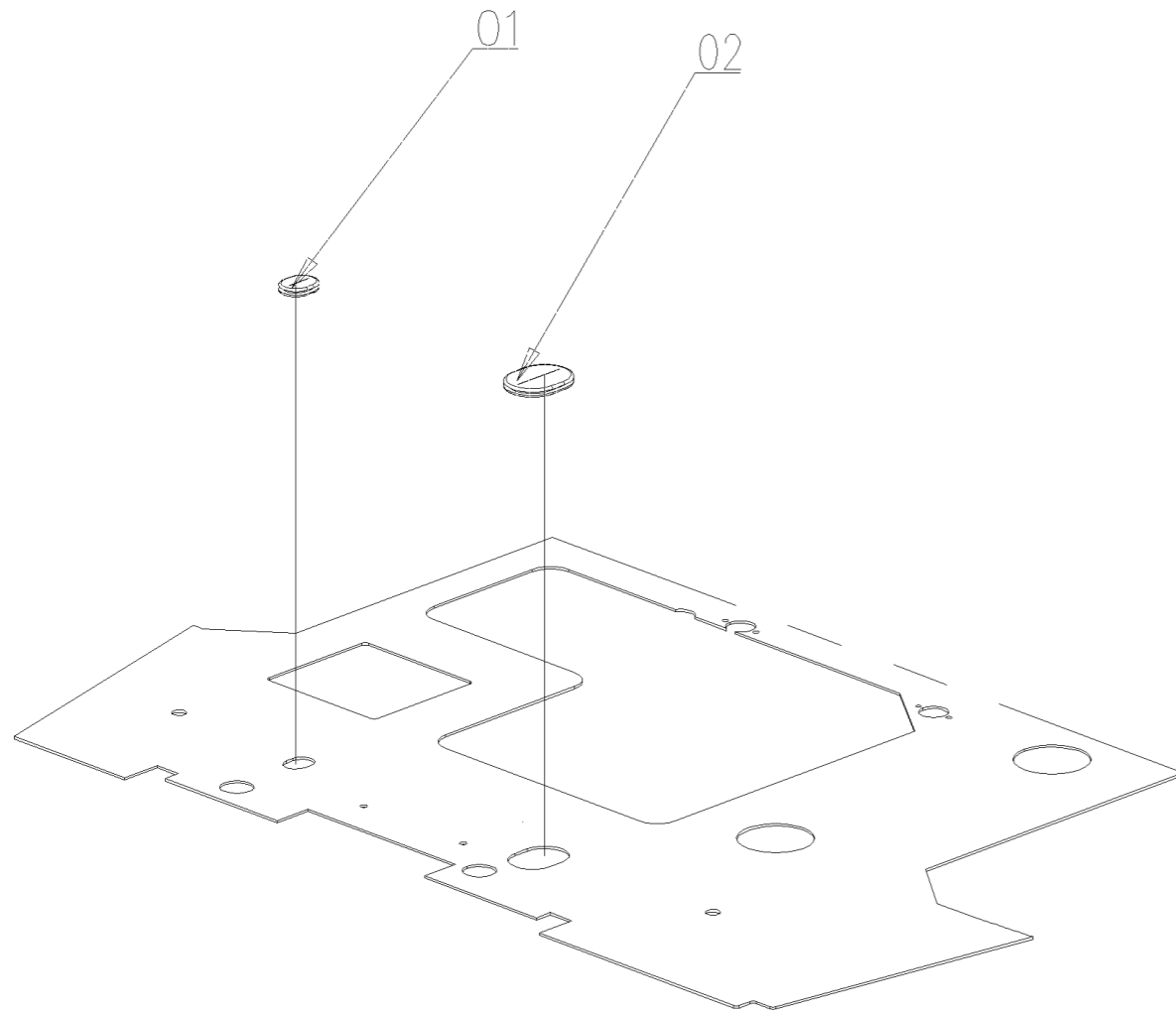
数量	图号
1	B80.45.001.0



# B80.45.917.4 FLOOR ACCESSORY ASSY.

## B80.45.917.4\_0 地板附件总成 FLOOR ACCESSORY ASSY.

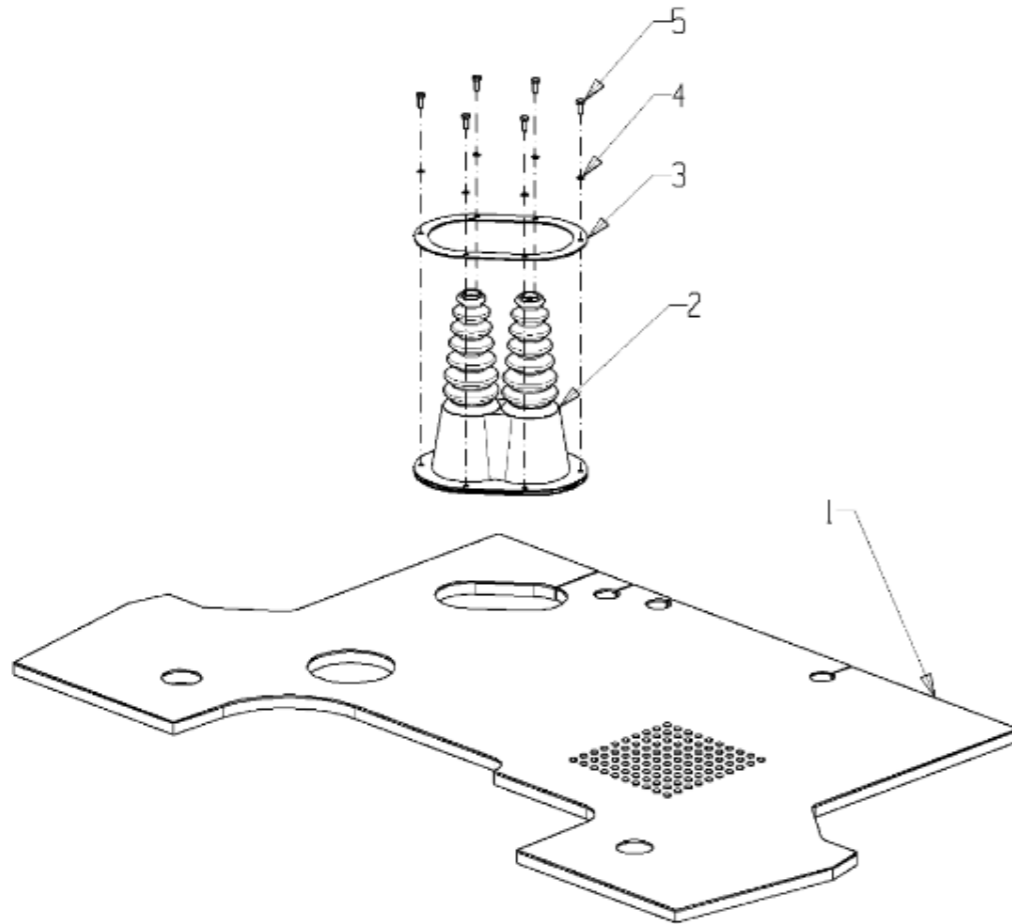
序号	零件编号	零件名称	数量	图号
1	CD904A.45A.105	密封塞 30X40 SEALING SHEATH 30X40	1	CD904A.45A.105
2	CD904A.45A.106	密封塞57X77 SEALING SHEATH 57X77	1	CD904A.45A.106





**B80.45.932.4 地板垫 FLOORMAT ASS.Y**

序号	零件编号	零件名称	数量	图号
1	CD1204.45.101/20	地板垫皮 PLATFORM MAT	1	CD1204.45.101/20
2	CD904A.45A.121	防尘罩 DUST COVER	1	CD904A.45A.121
3	CD904A.45A.102	压板 PLATE	1	CD904A.45A.102
4	2.1473.006.2	弹簧垫圈 SPRING WASHER M6	6	2.1473.006.2
5	2.0114.005.2	螺栓 SCREW M6x16	6	2.0114.005.2

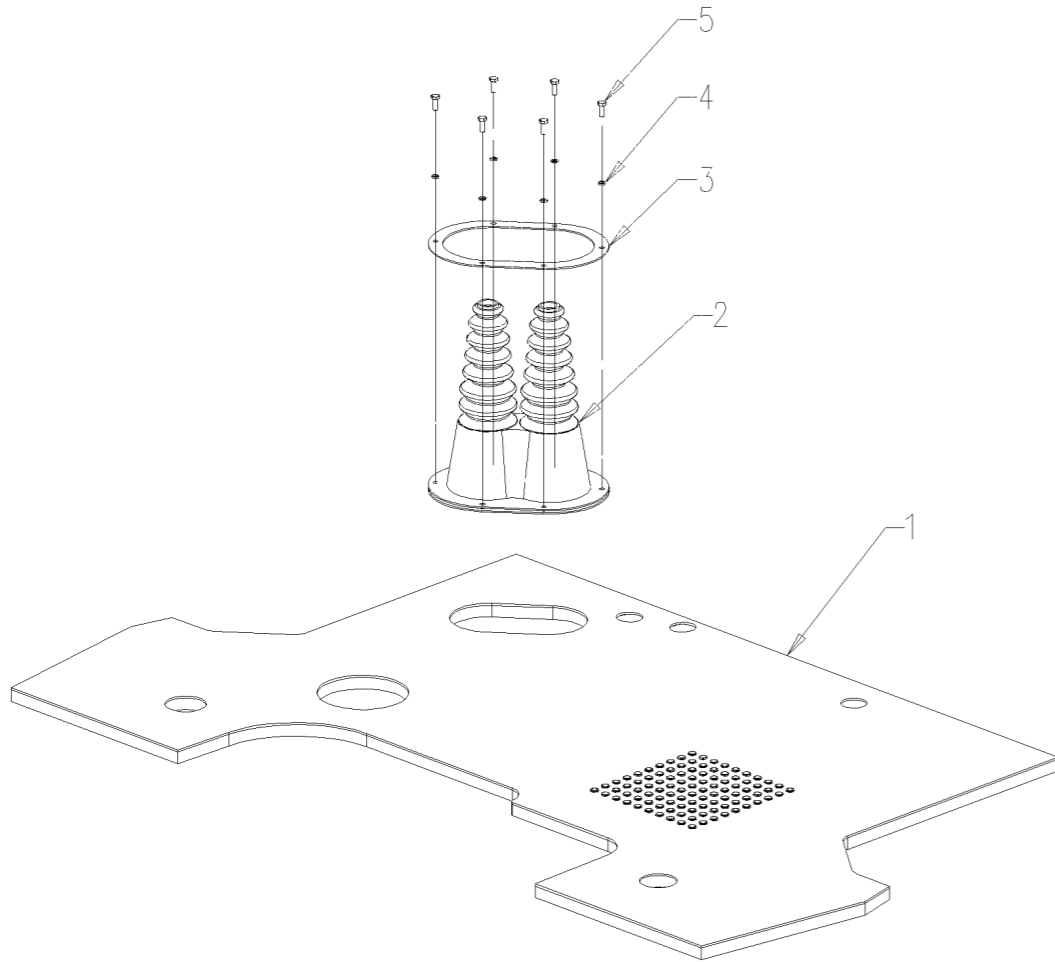


# FLOORMAT ASS.Y B80.45.932.4

YFB-R-2017-011 SH.048

## B80.45.932.4\_1 地板垫总成 FLOOR MAT

序号	零件编号	零件名称	数量	图号
1	CD1204.45.101/10	地板垫皮 PLATFORM MAT	1	CD1204.45.101/10
2	CD904A.45A.121	变速杆防尘罩 DUST COVER	1	CD904A.45A.121
3	CD904A.45A.102	压板 PLATE	1	CD904A.45A.102
4	GBT93-6-A3L	垫圈 WASHER	6	GBT93-6-A3L
5	GBT5783-M6X16-A2L	螺栓 BOLT	6	GBT5783-M6X16-A2L





SIME DEUTZ-FAHR GROUP S.p.A.  
Gruppo - Group  
CHINA GROUP

FL120 SERIES YTO CN11

RH COVER ASS.Y

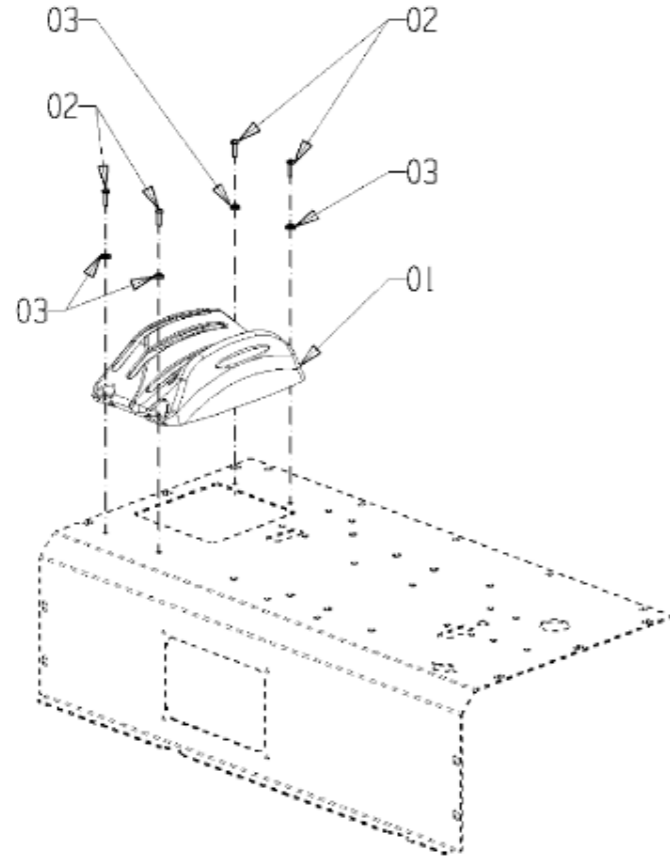
N. dis. - P/N  
B80.45.940.4

Rev	Fac. No. - Sheet	di - di'
0	1	1
Validato il	IM	P
15/12/2021		

YFB-R-2017-011 SH.079

B80.45.940.4\_0 右侧操纵盖板总成 RH COVER ASS.Y

序号	零件编号	零件名称	数量	图号
1	A23.45.049.0/10	阻燃罩 COVER	1	A23.45.049.0/10
2	2.0332.408.3	螺栓 CROSS SCREW M6x1x25	4	2.0332.408.3
3	0.020.3772.0	螺栓帽 UNDER SCREW	4	0.020.3772.0

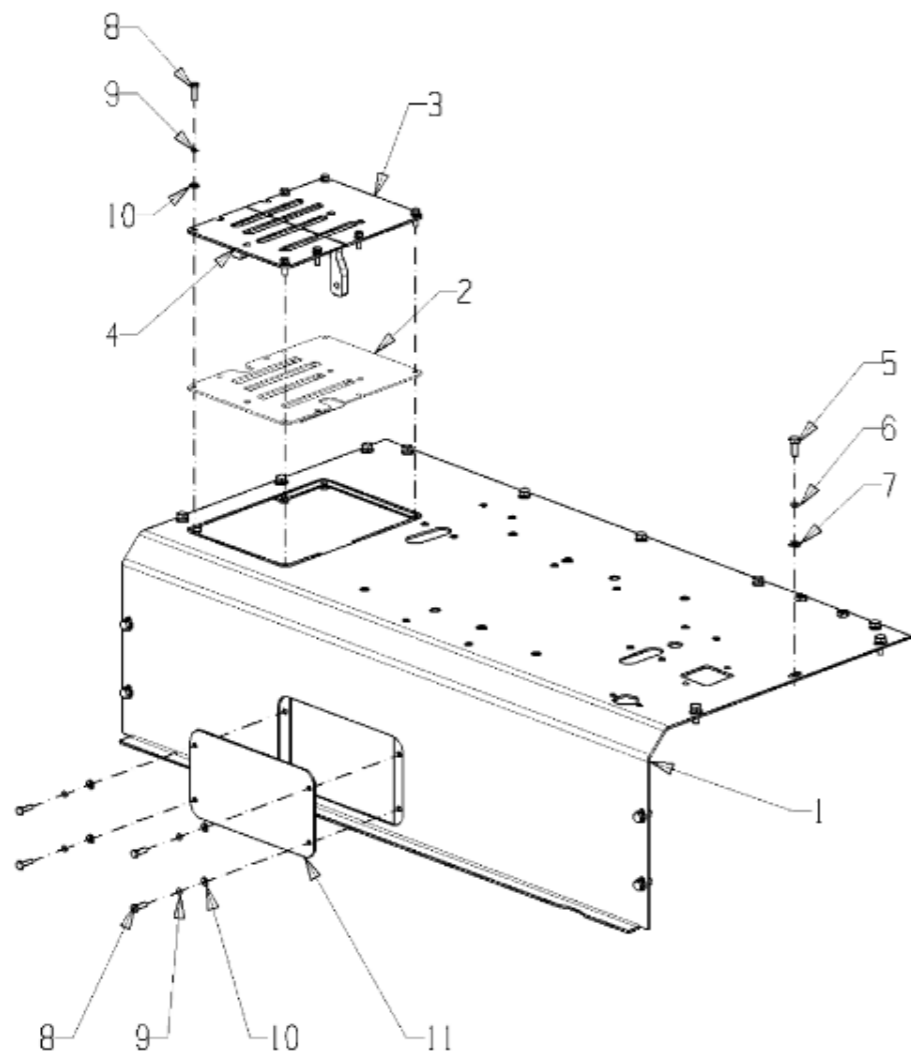


 SME DEUTZ-FAHR GROUP S.p.A. Gruppo - Group <b>CHINA GROUP</b>	FL90 YUCHAI CNTT	N. dis. - P/N
	REAR FLOOR COVER	B80.45.962.4
		Rev. 1 23/12/2021

YFB-R-2017-011 SH.078

### B80.45.962.4\_0 后地板 REAR FLOOR COVER

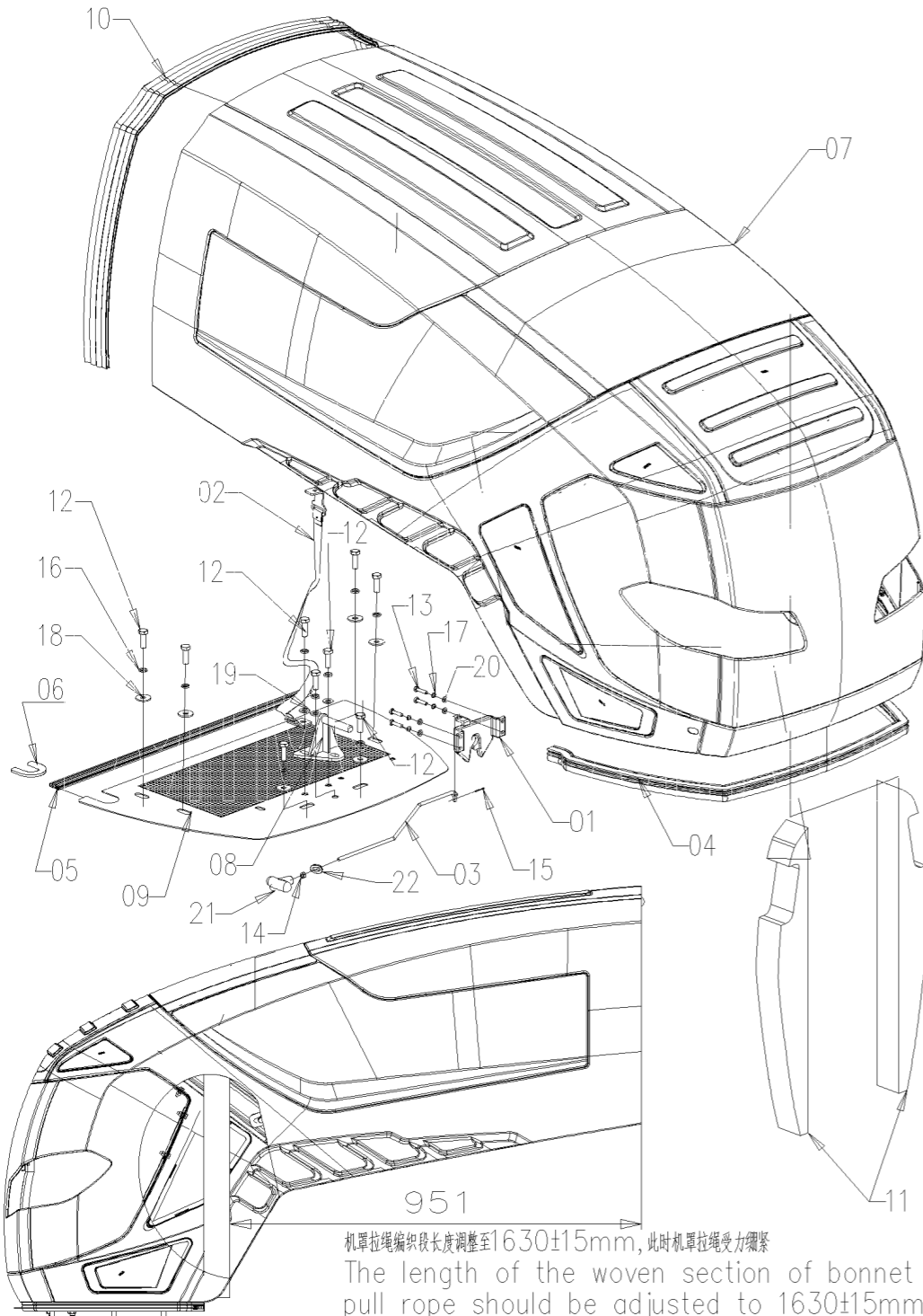
序号	零件编号	零件名称	数量	图号
1	B80.45.023.3	后地板焊合 REAR PLATFORM	1	B80.45.023.3
2	A11.45.001.0/20	垫圈 GASKET	1	A11.45.001.0/20
3	A11.45.110.0/20	压板 PLATE	1	A11.45.110.0/20
4	A11.45.111.2/20	支架 SUPPORT_WA	1	A11.45.111.2/20
5	2.0114.207.2	螺栓 SCREW M8x20	15	2.0114.207.2
6	GBT93-8-A3L	垫圈 WASHER	15	GBT93-8-A3L
7	2.1310.004.2	垫圈 WASHER 8	15	2.1310.004.2
8	2.0114.007.2	螺栓 SCREW M6x20	11	2.0114.007.2
9	GBT93-6-A3L	垫圈 WASHER	11	GBT93-6-A3L
10	2.1310.002.2	垫圈 WASHER 6	11	2.1310.002.2
11	CD904A.45A.107	压板 PLATE	1	CD904A.45A.107



# BONNET ASS.Y B80.47.900.4

YFB-R-2017-011 SH.030

## B80.47.900.4\_2 机罩总成 BONNET ASS.Y



序号	零件编号	零件名称	数量	图号
1	CD1204.47.019	机罩锁 BONNET LOCK	1	CD1204.47.019
2	C45.47.044.4	绳组件 ROPE COMPONENT	1	C45.47.044.4
3	CD1204.47.024/10	机罩锁拉杆焊合 LOCK ROD	1	CD1204.47.024/10
4	CD1204.47.216/10	机罩前底胶条 SEALING STRIP	1	CD1204.47.216/10
5	CD1204.47.217	前围板密封条 SEALING STRIP	1	CD1204.47.217
6	B80.47.002.0	密封胶条 SEALING STRIP	1	B80.47.002.0
7	C25.47.001.4	机罩总成 BONNET ASS.	1	C25.47.001.4
8	CD904.47.015	机罩锁座 BONNET LOCK SEAT	1	CD904.47.015
9	B80.47.001.3/10	下托板 BOTTOM PLATE	1	B80.47.001.3/10
10	CD904.47.103	机罩后胶条 BONNET SEALING STRIP	1	CD904.47.103
11	CD904A.47.107/10	机罩侧密封海绵 BONNET SIDE	2	CD904A.47.107/10
12	GBT5783-M10X30-A3L	螺栓 BOLT	9	GBT5783-M10X30-A3L
13	GBT5783-M6X25-A2L	螺栓 BOLT	4	GBT5783-M6X25-A2L
14	GBT6170-M6-A2L	螺母 NUT	1	GBT6170-M6-A2L
15	GBT91-1.6X18-A3L	销 PIN	1	GBT91-1.6X18-A3L
16	GBT93-10-A3L	垫圈 WASHER	9	GBT93-10-A3L
17	GBT93-6-A3L	垫圈 WASHER	4	GBT93-6-A3L
18	GBT96.1-10-A3L	垫圈 WASHER	12	GBT96.1-10-A3L
19	GBT97.1-10-A3L	垫圈 WASHER	3	GBT97.1-10-A3L
20	GBT97.1-6-A3L	垫圈 WASHER	4	GBT97.1-6-A3L
21	SH554A.47.018/10	手柄总成 HANDLE ASSY	1	SH554A.47.018/10
22	SH554A.47.125-1	隔套 SLEEVE	1	SH554A.47.125-1
23	GBT6170-M10-A3L	螺母 NUT	6	GBT6170-M10-A3L

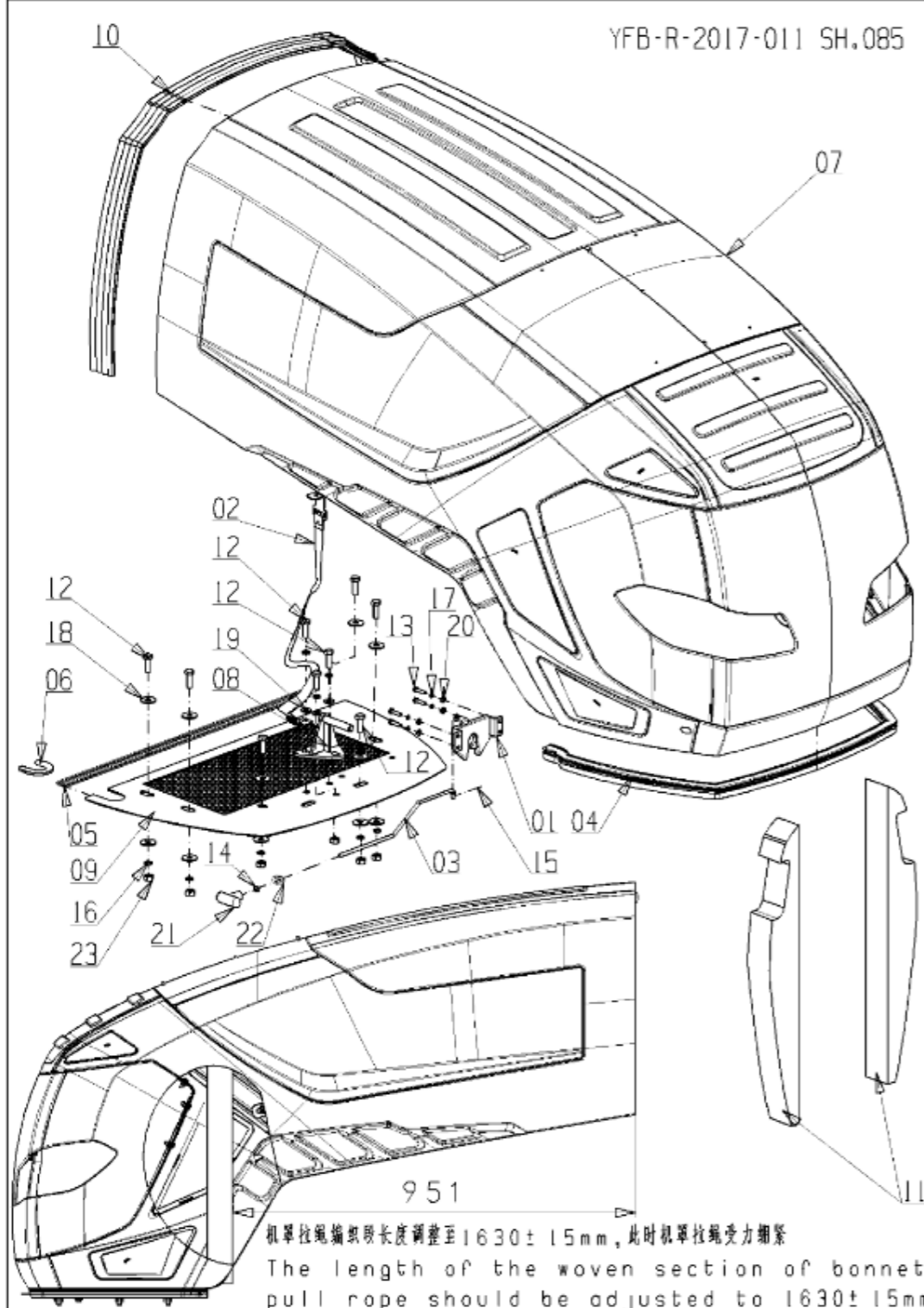


FL90 SERIES

BONNET ASS.Y

N. dis. - P/N  
B80.47.900.4

Rev	Facile Sheet	di - di'
4	1	1
Validato il		
10/03/2022		

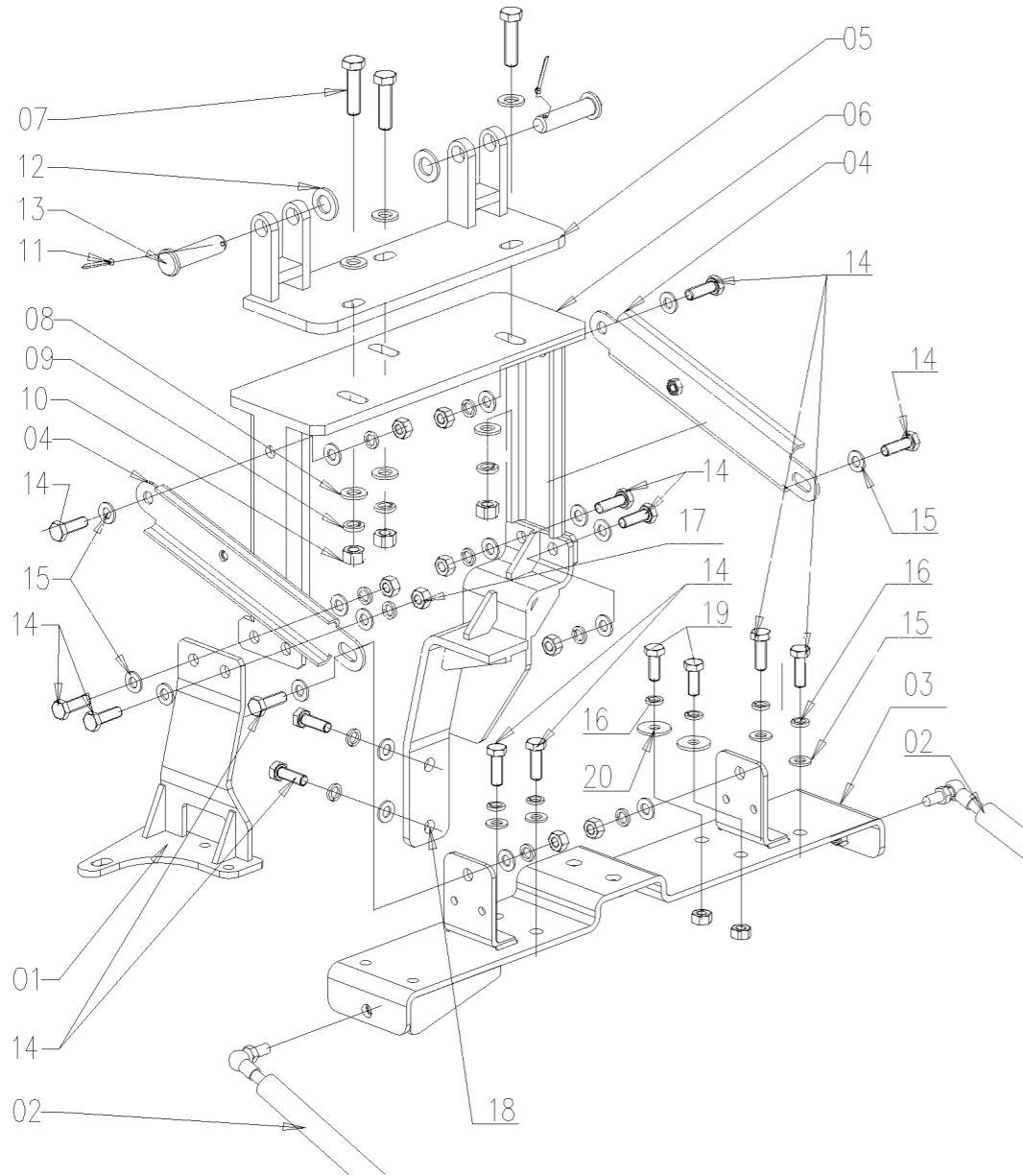


## B80.47.900.4\_4 机罩总成 BONNET ASS.Y

序号	零件编号	零件名称	数量	图号
1	CD1204.47.019	机罩锁 BONNET LOCK	1	CD1204.47.019
2	C45.47.044.4	绳组件 ROPE COMPONENT	1	C45.47.044.4
3	CD1204.47.024/10	机罩锁拉杆焊合 LOCK ROD	1	CD1204.47.024/10
4	CD1204.47.216/10	密封条 SEALING STRIP	1	CD1204.47.216/10
5	CD1204.47.217	密封条 SEALING STRIP	1	CD1204.47.217
6	B80.47.002.0	密封条 SEALING STRIP	1	B80.47.002.0
7	C25.47.001.4	机罩总成 BONNET ASS.	1	C25.47.001.4
8	CD904.47.015	机罩锁座 BONNET LOCK SEAT	1	CD904.47.015
9	B80.47.001.3/10	下托板 BOTTOM PLATE	1	B80.47.001.3/10
10	CD904.47.103	机罩后胶条 BONNET SEALING STRIP	1	CD904.47.103
11	CD904A.47.107/10	机罩侧密封海绵 BONNET SIDE	2	CD904A.47.107/10
12	2.0114.311.2	螺栓 SCREW M10x30	9	2.0114.311.2
13	2.0114.009.2	螺栓 SCREW M6x25	4	2.0114.009.2
14	2.1011.103.2	螺母 NUT M6x1	1	2.1011.103.2
15	2.1690.107.2	销 SPLIT PIN 1.6-18	1	2.1690.107.2
16	2.1473.008.2	弹簧垫圈 SPRING WASHER M10	9	2.1473.008.2
17	2.1473.006.2	弹簧垫圈 SPRING WASHER M6	4	2.1473.006.2
18	2.1312.005.2	垫圈 WASHER 10	12	2.1312.005.2
19	2.1310.006.2	垫圈 WASHER 10	3	2.1310.006.2
20	2.1310.002.2	垫圈 WASHER 6	4	2.1310.002.2
21	SH554A.47.018/10	手柄总成 HANDLE ASSY	1	SH554A.47.018/10
22	SH554A.47.125-1	套筒 SLEEVE	1	SH554A.47.125-1
23	2.1011.106.2	螺母 NUT M10x1.5	6	2.1011.106.2

# B80.47.901.4 BONNET SUPPORT ASSEMBLY

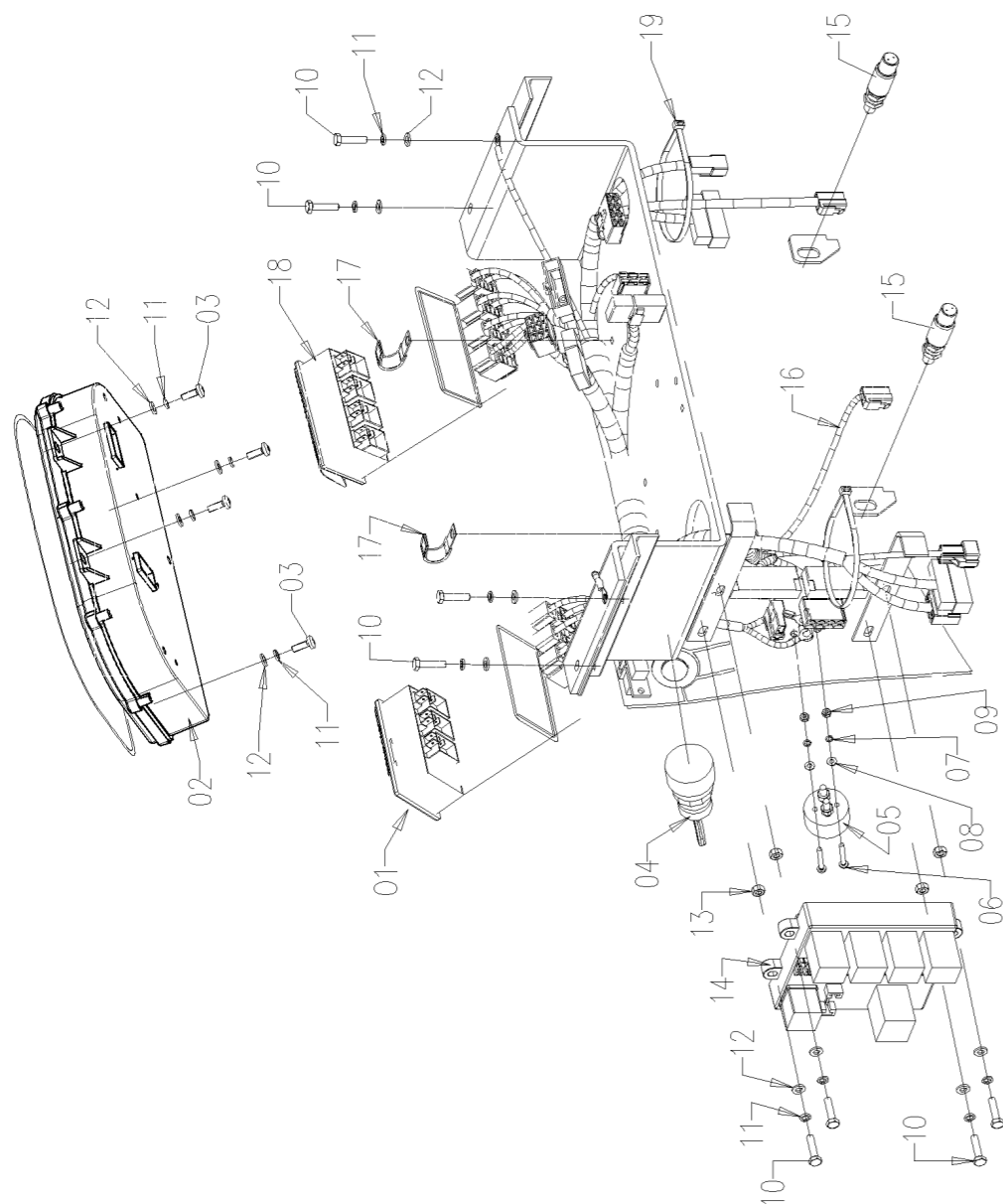
YFB-R-2017-011 SH.064



## B80.47.901.4\_2 机罩支撑总成 BONNET SUPPORT ASS.Y

序号	零件编号	零件名称	数量	图号
1	CD904.47.018/20	右铰链支撑架 RIGHT HINGE	1	CD904.47.018/20
2	CD904.47.211	气弹簧 GAS SPRING	2	CD904.47.211
3	CD1104.47.011/10	气弹簧支架 GAS SPRING SUPPORT	1	CD1104.47.011/10
4	CD904.47.101/20	支撑板 SUPPORT PLATE	2	CD904.47.101/20
5	CD904.47.013	铰链座焊合 HINGE SEAT	1	CD904.47.013
6	CD904.47.014	铰链座支撑焊合 HINGE SUPPORT	1	CD904.47.014
7	2.0114.416.2	螺栓 BOLT	3	2.0114.416.2
8	2.1310.007.2	垫圈 WASHER	6	2.1310.007.2
9	GBT93-12-A3L	垫圈 WASHER	3	GBT93-12-A3L
10	2.1011.107.2	螺母 NUT	3	2.1011.107.2
11	2.1690.312.2	销 PIN	2	2.1690.312.2
12	2.1310.010.2	垫圈 WASHER	2	2.1310.010.2
13	2.1671.717.2	销 PIN	2	2.1671.717.2
14	2.0114.311.2	螺栓 BOLT	14	2.0114.311.2
15	2.1310.006.2	垫圈 WASHER	22	2.1310.006.2
16	GBT93-10-A3L	垫圈 WASHER	16	GBT93-10-A3L
17	2.1011.106.2	螺母 NUT	10	2.1011.106.2
18	CD1104.47.013	机罩支撑焊合 BONNET SUPPORT	1	CD1104.47.013
19	2.0114.309.2	螺栓 BOLT	2	2.0114.309.2
20	2.1312.005.2	垫圈 WASHER	2	2.1312.005.2

B80.48.901.4 BODY W.H ASSEMBLY  
YFB-R-2017-011 SH.006



B80.48.901.4\_0 车身线束安装总成 Body harness mounting assembly

序号	零件编号	零件名称	数量	图号
1	LD800.48.031	右侧四联翘板式开关 RIGHT	1	LD800.48.031
2	B80.48.033	组合式仪表 COMBINATION	1	B80.48.033
3	GB818-M6X16-A3L	螺钉 SCREW	4	GB818-M6X16-A3L
4	SH400.48.039	点火锁 IGNITION LOCK	1	SH400.48.039
5	SH900.48.048	工作灯插座 PORTABLE LAMP	1	SH900.48.048
6	GBT68-M4X30-A3L	螺栓 BOLT	2	GBT68-M4X30-A3L
7	GBT93-4-A3L	垫圈 WASHER	2	GBT93-4-A3L
8	GBT96-4-A3L	垫圈 WASHER	2	GBT96-4-A3L
9	GBT6170-M4-A2L	螺母 NUT	2	GBT6170-M4-A2L
10	GBT5783-M6X25-A2L	螺栓 BOLT	8	GBT5783-M6X25-A2L
11	GBT93-6-A3L	垫圈 WASHER	12	GBT93-6-A3L
12	GBT97.1-6-A3L	垫圈 WASHER	12	GBT97.1-6-A3L
13	GBT6170-M6-A2L	螺母 NUT	8	GBT6170-M6-A2L
14	CD1204.48.034	中央电器盒 CENTRAL ELECTRICAL	1	CD1204.48.034
15	SH400.48.047	制动开关 BRAKE SWITCH	1	SH400.48.047
16	CD1204.48.020	车身线束总成 BODY HARNESS ASSY	1	CD1204.48.020
17	SH400.48.112	线束紧固夹 HARNESS	2	SH400.48.112
18	CD1204.48.029	左侧四联翘板式开关 LEFT	1	CD1204.48.029
19	2.6852.203.0	自锁式扎带 SELF LOCKING CABLE	5	2.6852.203.0

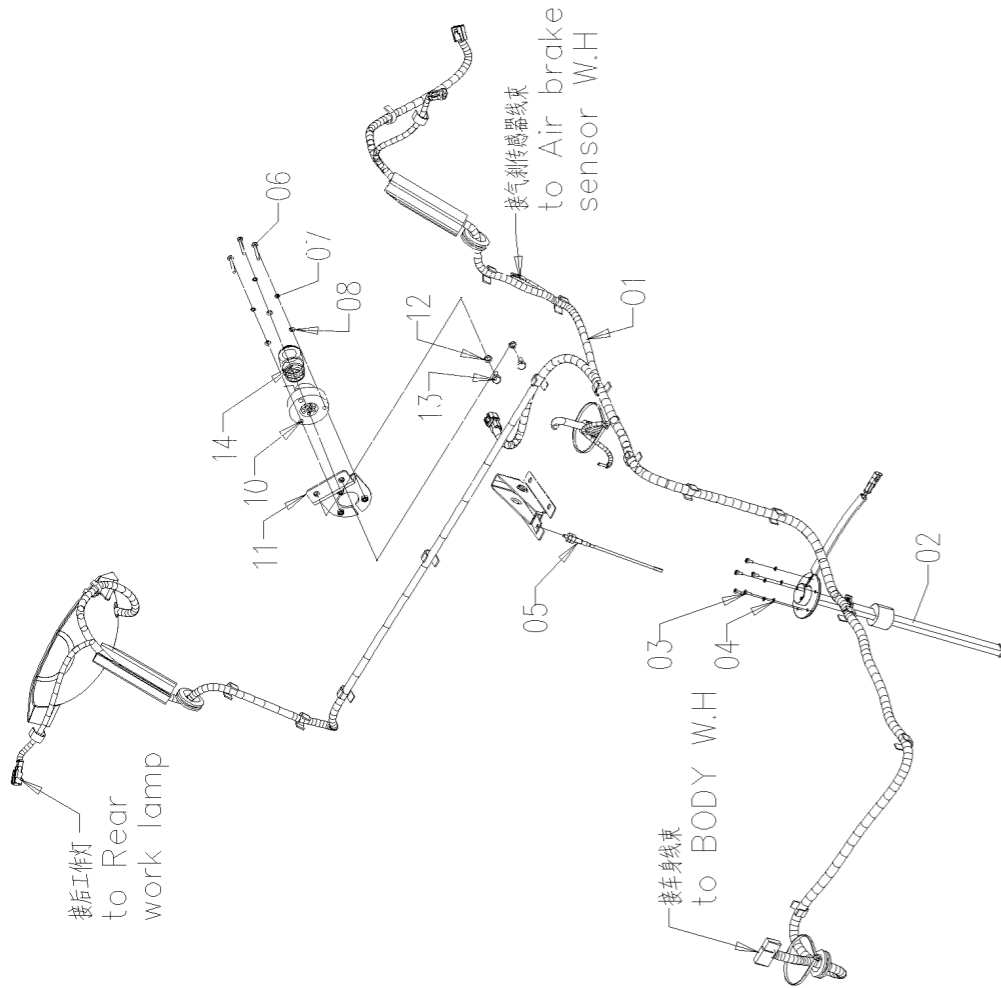


# B80.48.903.4 REAR W.H ASSEMBLY

YFB-R-2020-001 SH.012

## B80.48.903.4\_1 后线束安装总成 Rear wire harness mounting assembly

序号	零件编号	零件名称	数量	图号
1	CD904A.48.020A	后灯线束总成 BACK LIGHT HARNESS	1	CD904A.48.020A
2	DF904.48.023	油量传感器 FUEL SENSOR	1	DF904.48.023
3	GBT818-M4X10-A2L	螺钉 SCREW	5	GBT818-M4X10-A2L
4	GBT93-4-A3L	垫圈 WASHER	5	GBT93-4-A3L
5	SH900.48.049	驻车制动开关 PARKING BRAKE	1	SH900.48.049
6	GBT818-M5X35-A2L	螺钉 SCREW	3	GBT818-M5X35-A2L
7	GBT93-5-A3L	垫圈 WASHER	3	GBT93-5-A3L
8	GBT97.1-5-A3L	垫圈 WASHER	3	GBT97.1-5-A3L
10	A56.48.010.0	后挂车七孔插座 REAR TRAILER	1	A56.48.010.0
11	B80.48.008.3	挂车插座支架 TAILER SOCKET	1	B80.48.008.3
12	GBT93-8-A3L	垫圈 WASHER	2	GBT93-8-A3L
13	GBT5783-M8X16-A2L	螺栓 BOLT	2	GBT5783-M8X16-A2L
14	A56.48.011.0	后拖车插头 REAR TRAILER PLUG	1	A56.48.011.0

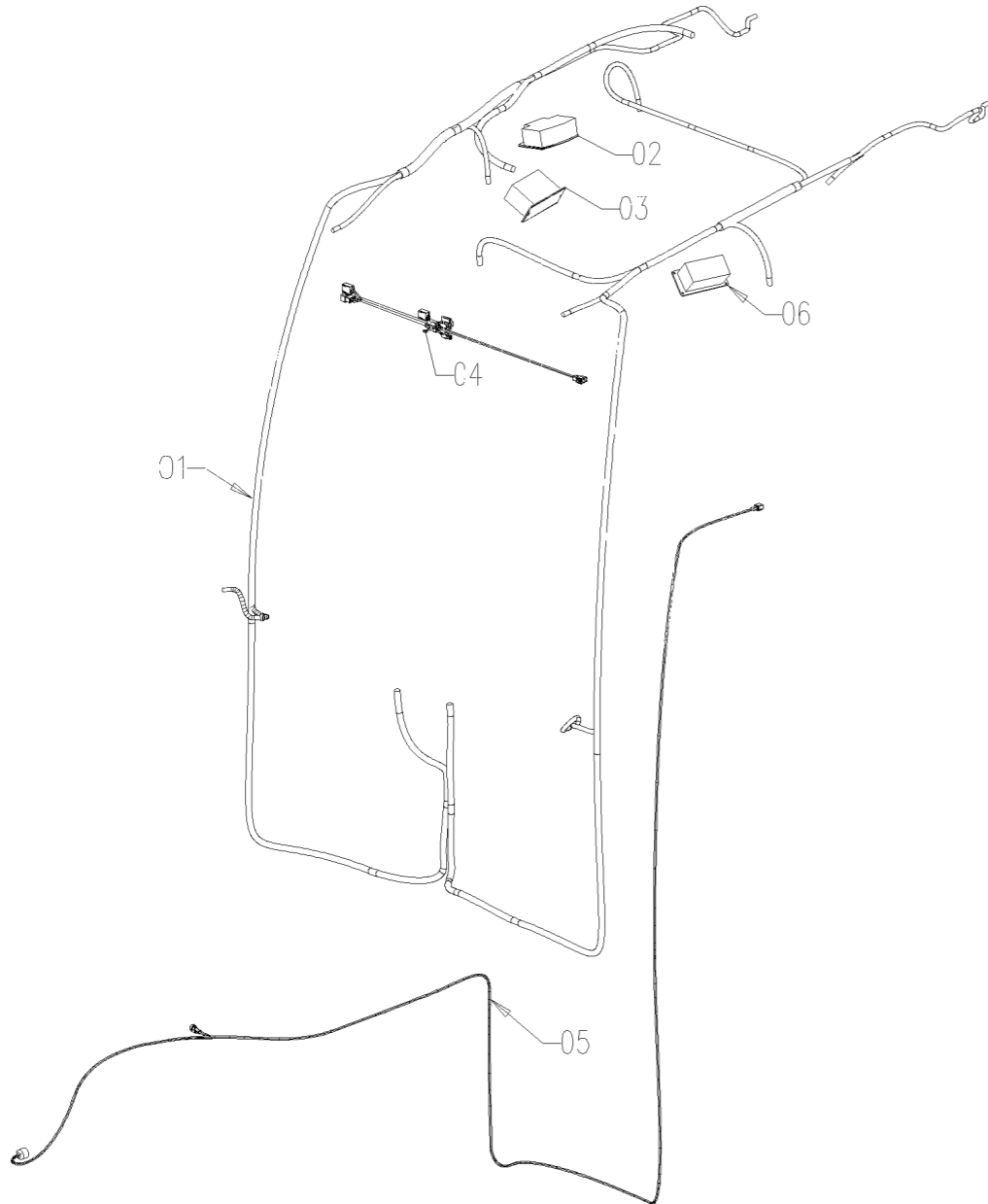


CABIN W.H. ASS.Y B80.48.904.4

YFB-R-2017-011 SH.055

B80.48.904.4\_1 驾驶室线束总成 Cab wiring harness assembly

序号	零件编号	零件名称	数量	图号
1	CD1204.48.027/30	驾驶室线束 CABIN W.H.	1	CD1204.48.027/30
2	SH900.48.058	驾驶室灯 CAB CEILING LAMP	1	SH900.48.058
3	SH900.48.059	收音机 RADIO	1	SH900.48.059
4	CD1204.48.044	蒸发器线束 EVAPORATOR WIRING	1	CD1204.48.044
5	CD1204.48.045	压力开关线束 PRESSURE SWITCH	1	CD1204.48.045
6	A39.48.038.0	空调控制面板 AC CONTROL	1	A39.48.038.0

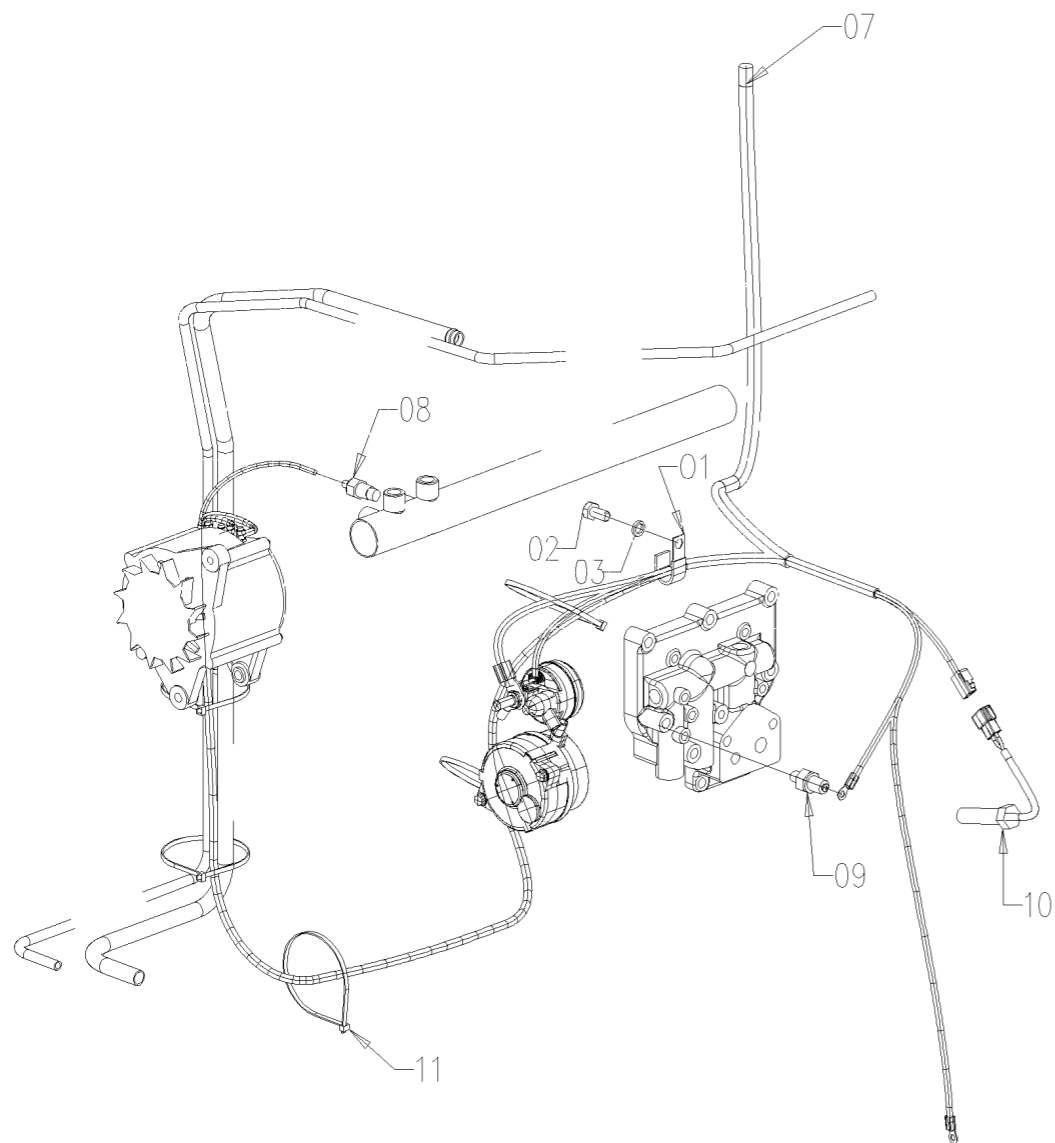


# ENGINE W.H. ASS.Y B80.48.905.4

YFB-R-2017-011 SH.044

## B80.48.905.4\_2 发动机线束安装总成 Engine harness mounting assembly

序号	零件编号	零件名称	数量	图号
1	SH400.48.114	线束紧固夹 HARNESS ANCHORAGE	1	SH400.48.114
2	GBT5783-M10X20-A3L	螺栓 BOLT	1	GBT5783-M10X20-A3L
3	GB93-10-A3L	垫圈 WASHER	1	GB93-10-A3L
7	B80.48.009.0	发动机线束总成 ENGINE HARNESS	1	B80.48.009.0
8	SH900.48.032	水温传感器 WATER TEMPERATURE	1	SH900.48.032
9	CD554.48.026	机油压力报警器 ENGINE OIL	1	CD554.48.026
10	SH900.48.033	转速传感器 SPEED SENSOR	1	SH900.48.033
11	2.6852.203.0	自锁式扎带 SELF LOCKING CABLE	4	2.6852.203.0

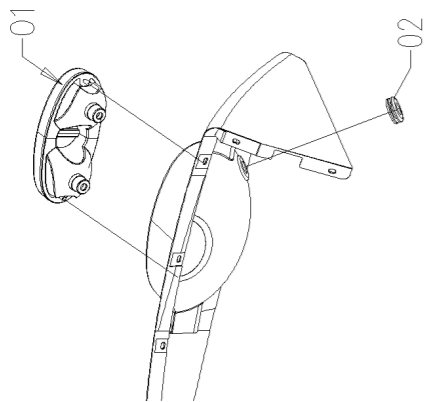
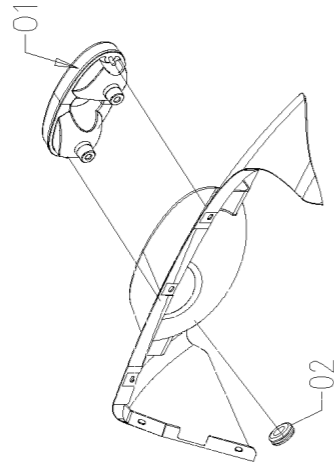


# INDICATOR ASSEMBLY B80.48.909.4

YFB-R-2017-011 SH.006

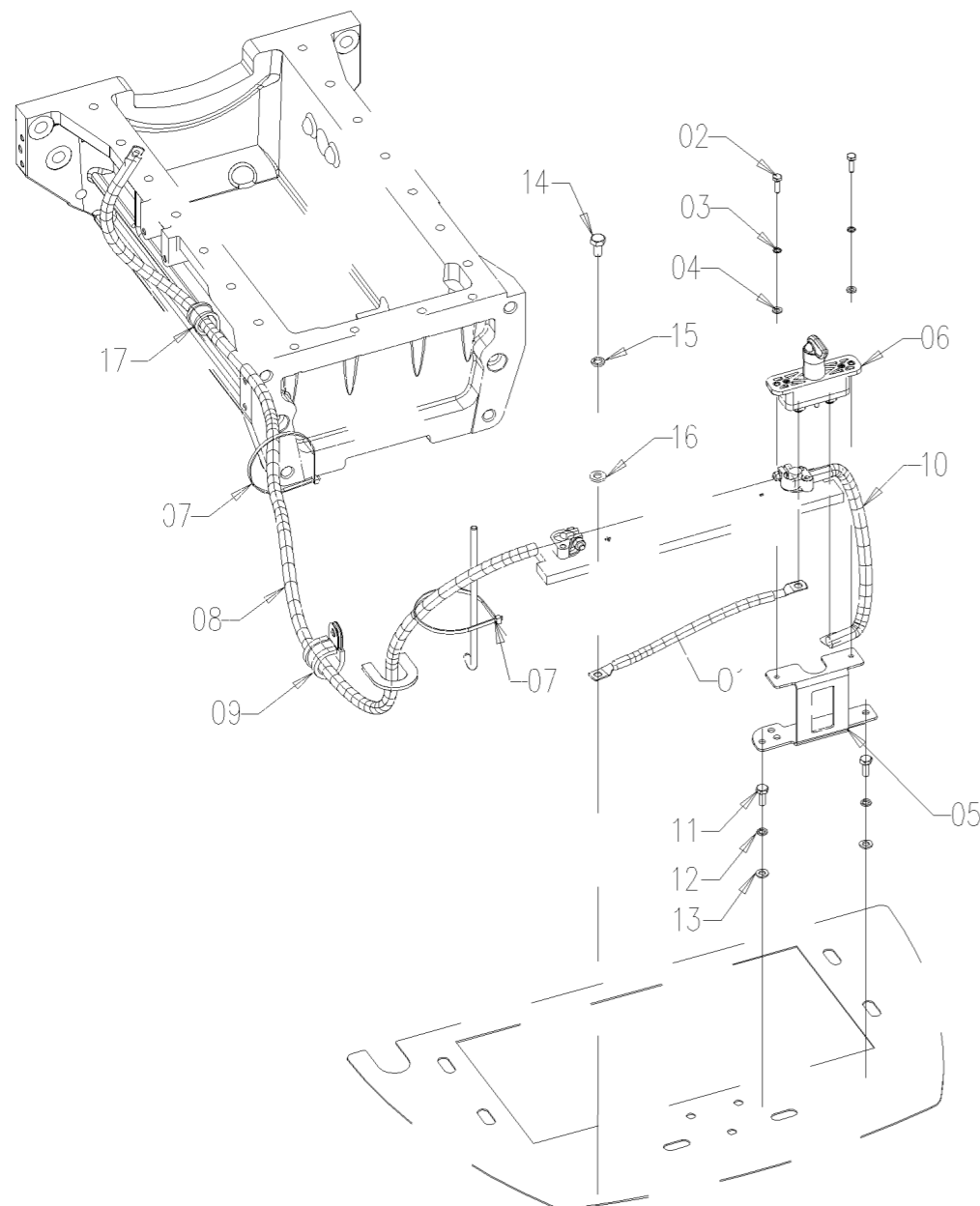
## B80.48.909.4\_0 信号灯安装总成 Signal light mounting assembly

序号	零件编号	零件名称	数量	图号
1	CD1204.48.030	后尾灯总成	2	CD1204.48.030
2	SH400.48.118	穿线胶圈(二)	2	SH400.48.118



# B80.48.910.4 POWER SUPPLY W.H. ASS.Y

YFB-R-2017-011 SH.030



## B80.48.910.4\_1 电源线束安装总成 Power harness mounting assembly

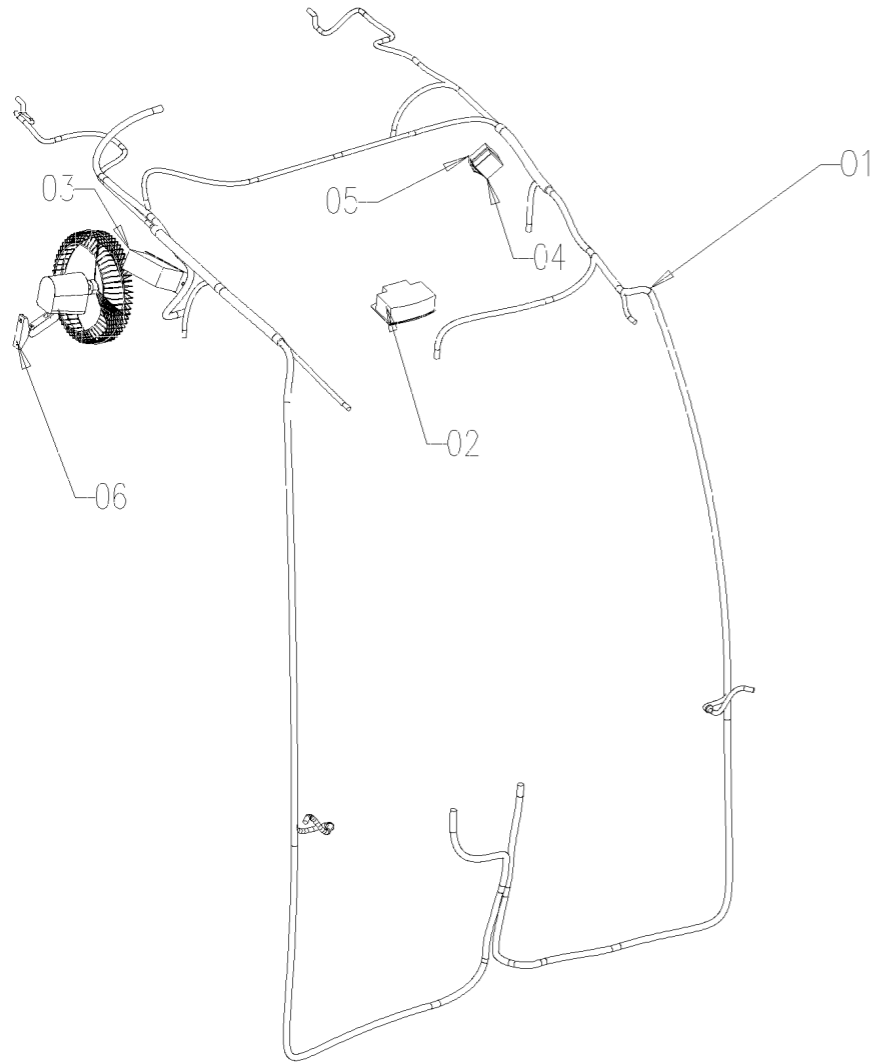
序号	零件编号	零件名称	数量	图号
1	CD904.48.020	启动电源线总成 STARTING POWER	1	CD904.48.020
2	GBT5783-M6X20-A2L	螺栓 BOLT	2	GBT5783-M6X20-A2L
3	GBT93-6-A3L	垫圈 SPRING WASHER	2	GBT93-6-A3L
4	GBT97.1-6-A3L	垫圈 PLAIN WASHER	2	GBT97.1-6-A3L
5	B29.48.003.0/10	电源开关支架 POWER SWITCH	1	B29.48.003.0/10
6	CD554.48.030	电源开关 MAINS SWITCH	1	CD554.48.030
7	2.6852.203.0	自锁式扎带 SELF LOCKING CABLE	2	2.6852.203.0
8	LE1204.48.021	电源线总成 POWER WIRE ASSY	1	LE1204.48.021
9	2.6839.057.0	线束紧固夹 CLIP	1	2.6839.057.0
10	B80.48.006.0	蓄电池搭铁线总成 BATTERY	1	B80.48.006.0
11	GBT5783-M8X20-A2L	螺栓 BOLT	2	GBT5783-M8X20-A2L
12	GBT93-8-A3L	垫圈 SPRING WASHER	2	GBT93-8-A3L
13	GBT97.1-8-A3L	垫圈 PLAIN WASHER	2	GBT97.1-8-A3L
14	GBT5783-M10X20-A3L	螺栓 BOLT	1	GBT5783-M10X20-A3L
15	GBT93-8-A3L	垫圈 SPRING WASHER	1	GBT93-8-A3L
16	GBT97.1-8-A3L	垫圈 PLAIN WASHER	1	GBT97.1-8-A3L
17	2.6839.057.0	线束紧固夹 CLIP	1	2.6839.057.0

# CABIN-ELECTRICAL PARTS B80.48.914.4

YFB-R-2017-011 SH.055

## B80.48.914.4\_1 驾驶室线束总成 Cab wiring harness assembly

序号	零件编号	零件名称	数量	图号
1	CD1204.48.027/30	驾驶室线束 CABIN W.H.	1	CD1204.48.027/30
2	SH900.48.058	驾驶室灯 CAB CEILING LAMP	1	SH900.48.058
3	SH900.48.059	收音机 RADIO	1	SH900.48.059
4	A23.48.014.0	暖风开关 HEATING CONTROL SW.	1	A23.48.014.0
5	A23.48.015.0	风扇开关 FAN SW.	1	A23.48.015.0
6	SH900.48.057	风扇 FAN	1	SH900.48.057

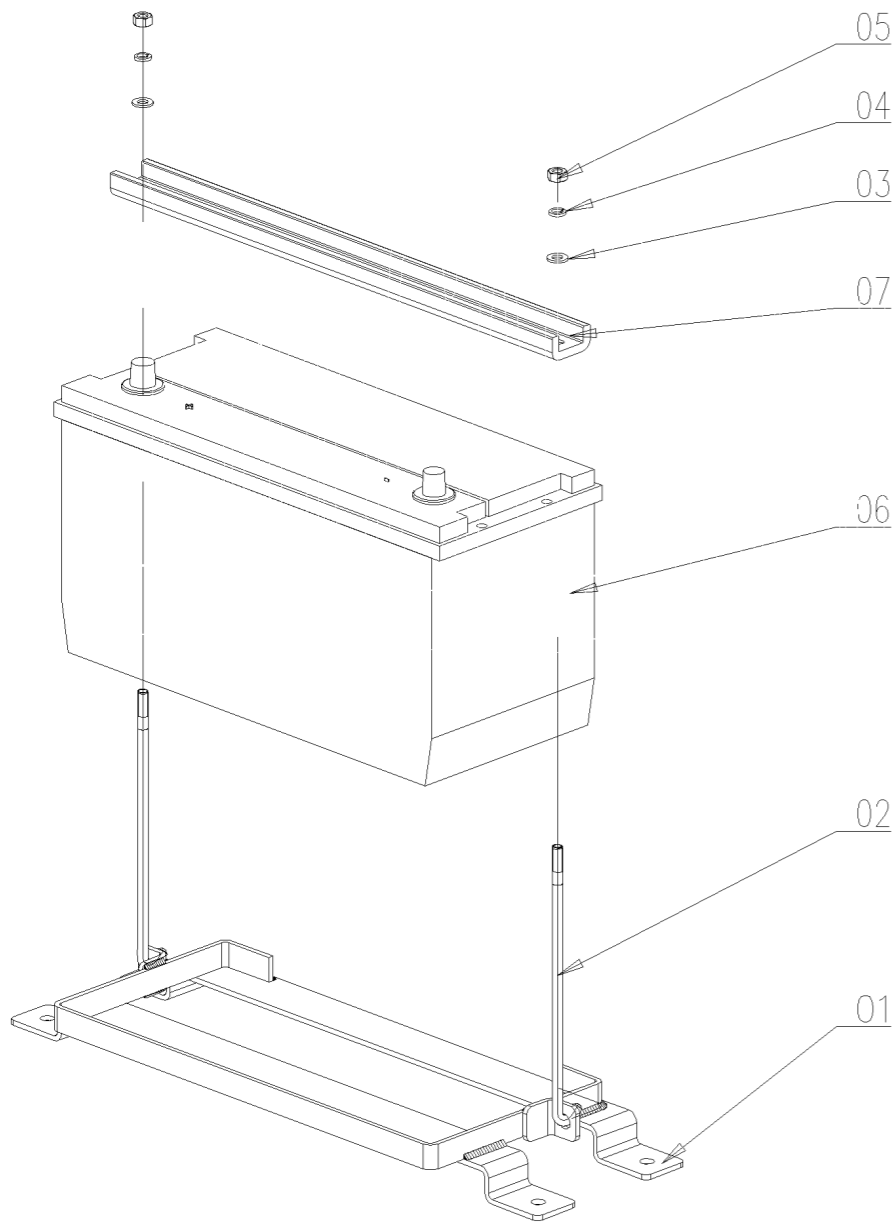


# B80.48.916.4 BATTERY ASSEMBLY

YFB-S-2017-011 Sh.002

## B80.48.916.4\_0 蓄电池安装总成 BATTERY MOUNTING ASSY.

序号	零件编号	零件名称	数量	图号
1	B80.48.003.3	电池固定支架 BATTERY FIXING	1	B80.48.003.3
2	B80.48.005.0	杆 ROD	2	B80.48.005.0
3	GBT97.1-8-A3L	平垫 PLAIN WASHER	2	GBT97.1-8-A3L
4	GBT93-8-A3L	弹簧垫圈 SPRING WASHER	2	GBT93-8-A3L
5	GBT6170-M8-A3L	螺母 NUT	2	GBT6170-M8-A3L
6	SH900.48.036	蓄电池 6-QW-120 BATTERY 6-QW-120	1	SH900.48.036
7	B80.48.004.2	压板 PRESS PLATE	1	B80.48.004.2

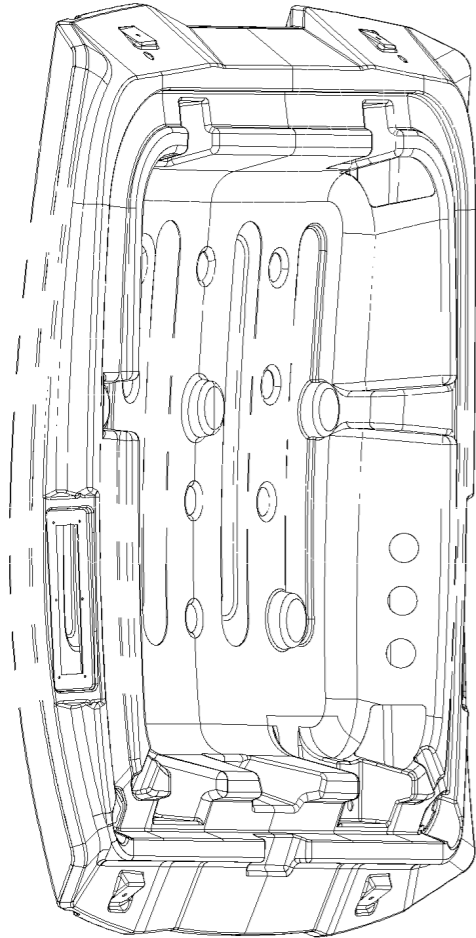


# WORK LAMP ASS.Y B80.48.917.4

YFB-R-2017-011 SH.055

## B80.48.917.4\_1 工作灯总成 WORK LAMP ASS.Y

序号	零件编号	零件名称	数量	图号
1	2.8039.359.0	驾驶室顶工作灯 ROOF WORK LIGHT	4	2.8039.359.0



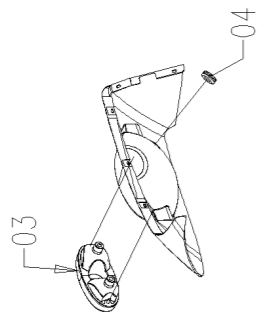
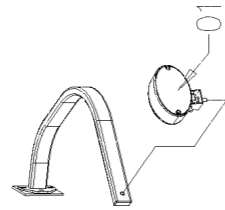
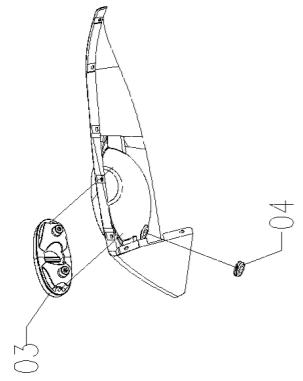
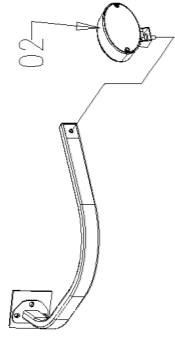


# INDICATOR ASSEMBLY B80.48.919.4

YFB-R-2017-011 SH.006

## B80.48.919.4\_0 信号灯安装总成 Signal light mounting assembly

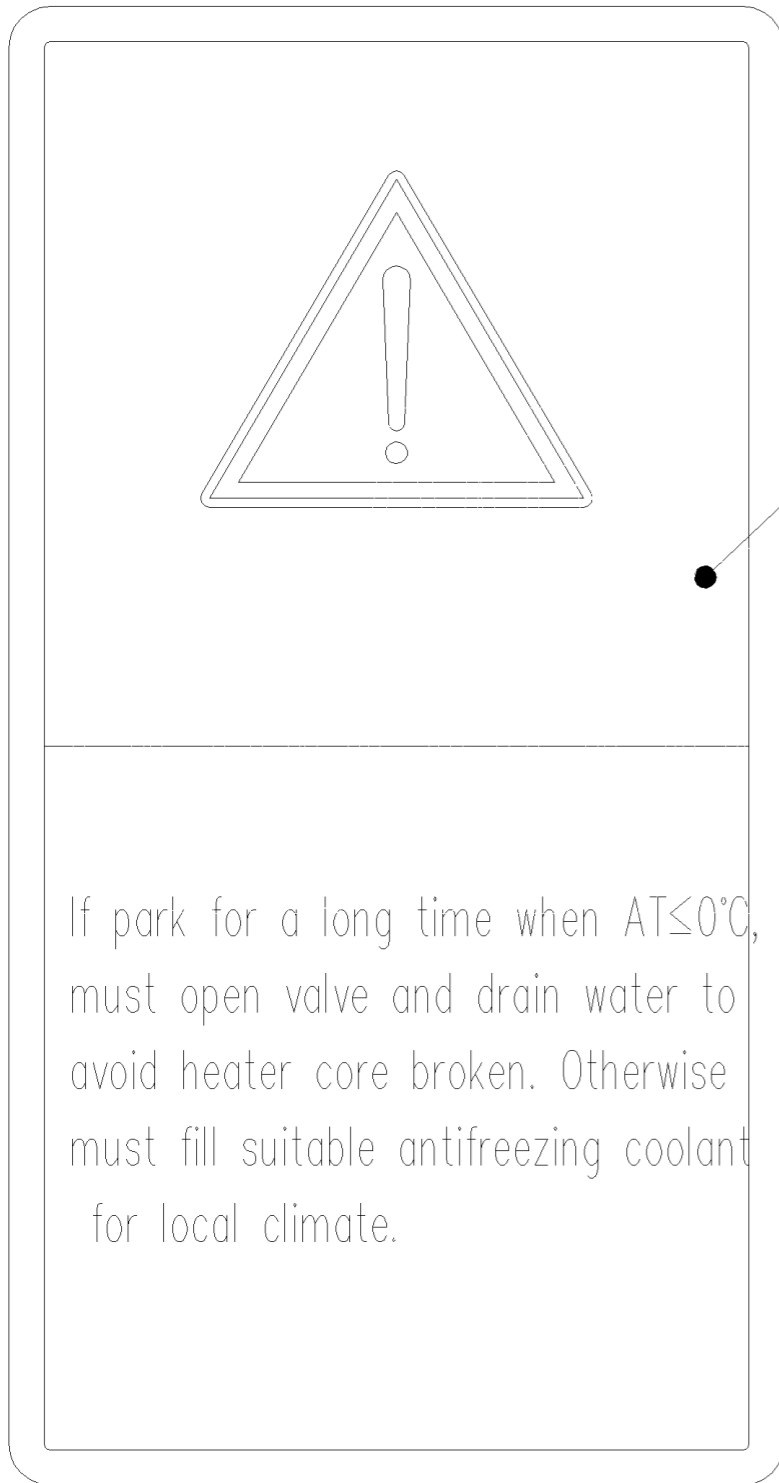
序号	零件编号	零件名称	数量	图号
1	CD1204.48.041/20	右转向位置灯总成	1	CD1204.48.041/20
2	CD1204.48.032/20	左转向位置灯总成	1	CD1204.48.032/20
4	CD1204.48.030	后尾灯总成	2	CD1204.48.030
4	SH400.48.118	穿线胶圈(二)	2	SH400.48.118



# B80.51.904.4 DRAIN WATER LABEL

## B80.51.904.4\_0 放水提醒 WATER RELEASING REMINDER

序号	零件编号	零件名称	数量	图号
1	B80.51.101.0	放水提醒标识 WATER RELEASING	1	B80.51.101.0

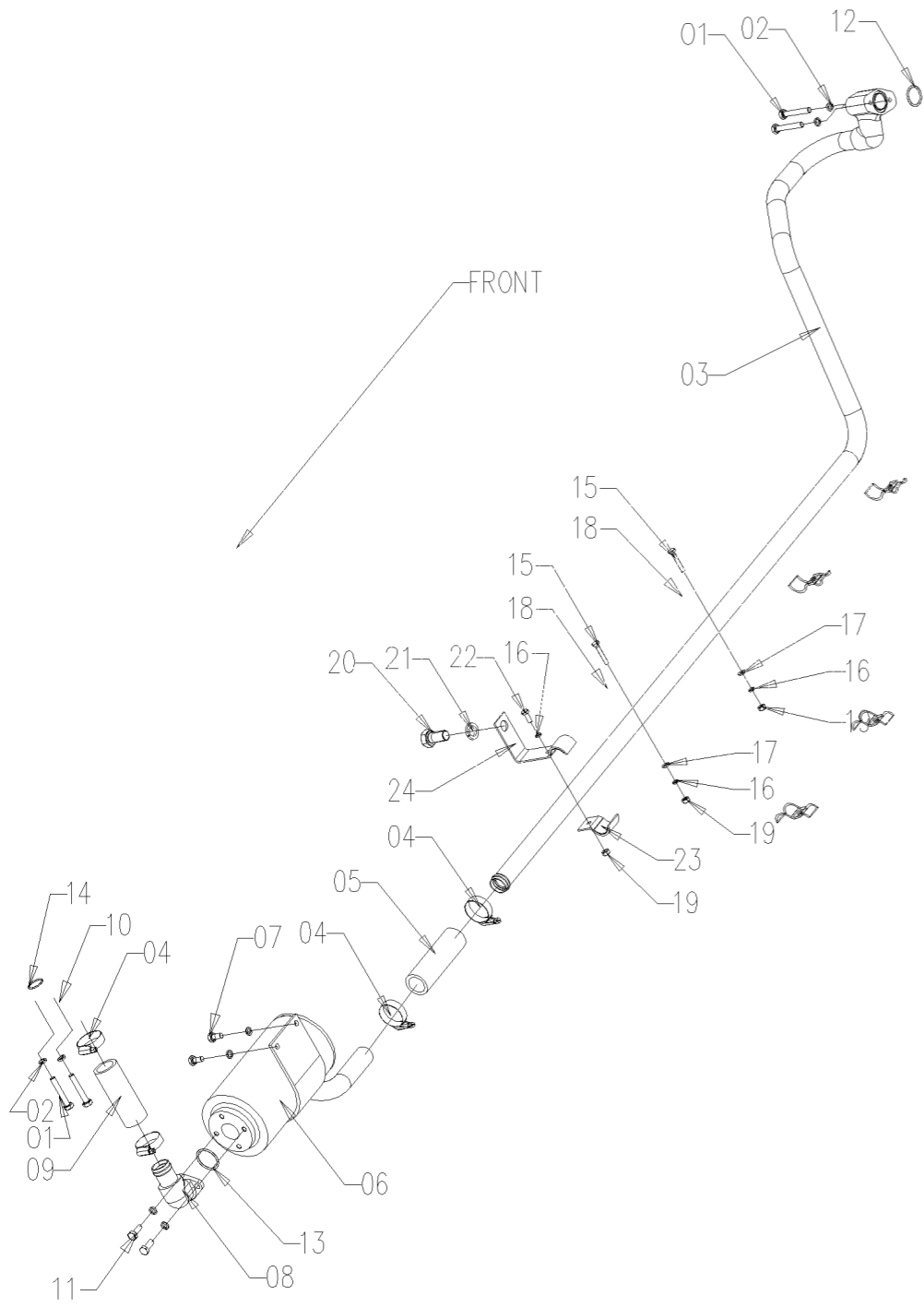


1

# B80.58.900.4 SUCTION PIPE ASS.

YFB-R-2019-001 SH.037

# B80.58.900.4\_1 吸油管路总成 Oil suction assembly



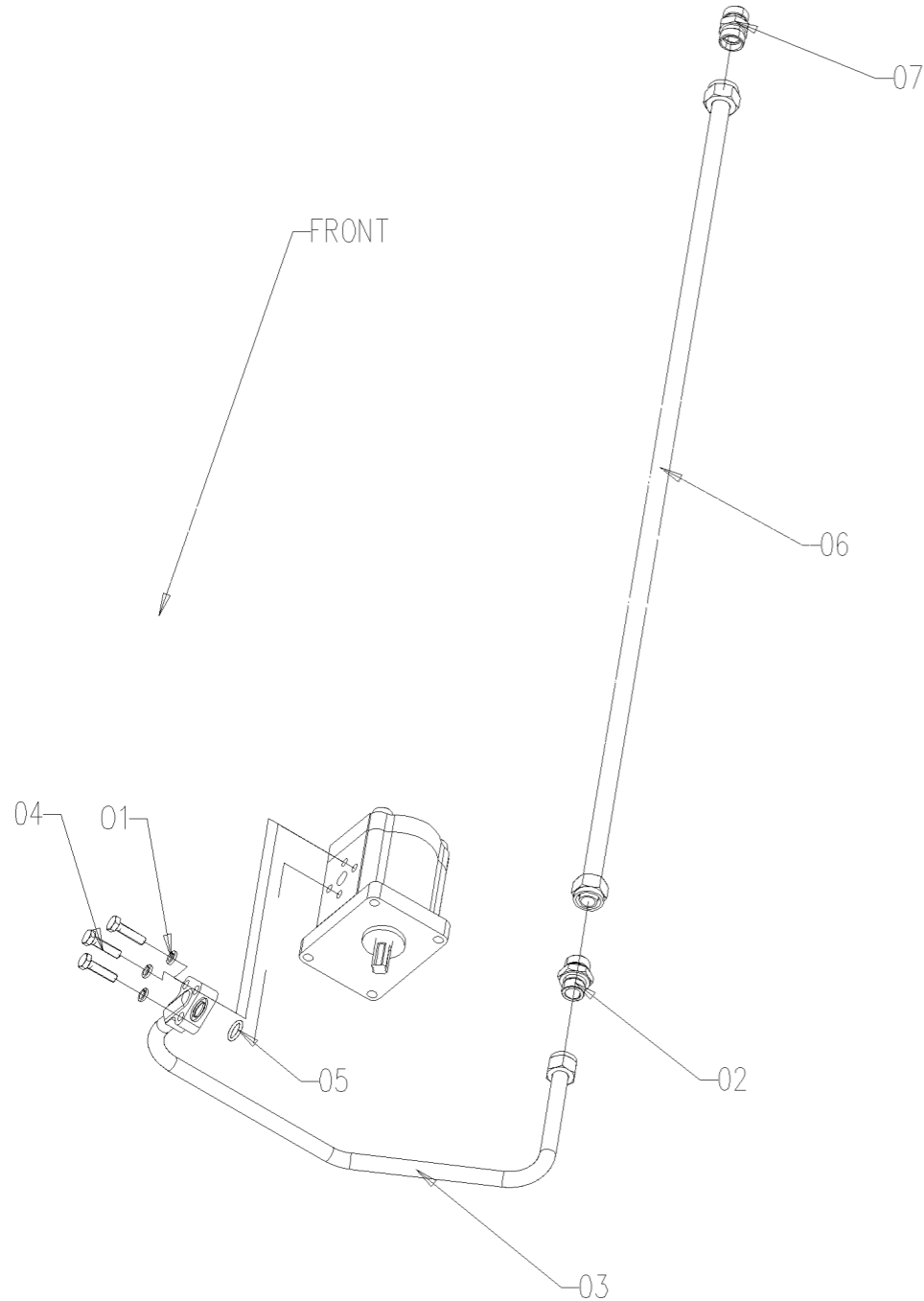
序号	零件编号	零件名称	数量	图号
1	GBT5783-M8X50-A2L	螺栓 BOLT	4	GBT5783-M8X50-A2L
2	GBT93-8-A3L	垫圈 WASHER	8	GBT93-8-A3L
3	SH900.58.014-1	提升器出油管焊合 LIFT PIPE	1	SH900.58.014-1
4	JBT8870-D40	喉箍 HOSE CLAMP	4	JBT8870-D40
5	SH900.58.102	胶管 RUBBER HOSE	1	SH900.58.102
6	SH900A.58.011	滤油器总成 OIL FILTER ASSEMBLY	1	SH900A.58.011
7	GBT5783-M8X16-A2L	螺栓 BOLT	2	GBT5783-M8X16-A2L
8	SH900.58.018	吸油短管焊合-1 OIL TUBE	1	SH900.58.018
9	SH900.58.102A	胶管 RUBBER HOSE	1	SH900.58.102A
10	SH900.58.019	吸油短管焊合-2 OIL TUBE	1	SH900.58.019
11	GBT5783-M8X20-A2L	螺栓 BOLT	2	GBT5783-M8X20-A2L
12	GBT3452.1-26.5X2.65-G	O型密封圈 O RING	1	GBT3452.1-26.5X2.65-G
13	GBT3452.1-32.5X2.65-G	O型密封圈 O RING	1	GBT3452.1-32.5X2.65-G
14	GBT3452.1-21.2X1.8-G	O型密封圈 O RING	1	GBT3452.1-21.2X1.8-G
15	GBT5783-M6X35-A2L	螺栓 BOLT	2	GBT5783-M6X35-A2L
16	GBT93-6-A3L	弹簧垫圈 WAQSHER	3	GBT93-6-A3L
17	GBT97.1-6-A3L	弹簧垫圈 WAQSHER	2	GBT97.1-6-A3L
18	SH900.58.034	油管夹合件 TUBING CLAMP ASSY	4	SH900.58.034
19	GBT6170-M6-A2L	螺母 NUT	3	GBT6170-M6-A2L
20	GBT5783-M16X30-A2L	螺栓 BOLT	1	GBT5783-M16X30-A2L
21	GBT93-16-A3L	垫圈 WASHER	1	GBT93-16-A3L
22	GBT5783-M6X16-A2L	螺栓 BOLT	1	GBT5783-M6X16-A2L
23	SH900.58.043	下管夹组件 PIPE CLAMPS	1	SH900.58.043
24	SH900.58.042	下管夹组件 PIPE CLAMPS	1	SH900.58.042

B80.58.902.4 OUTLET PIPE ASS.

YFB-R-2017-011 SH.011

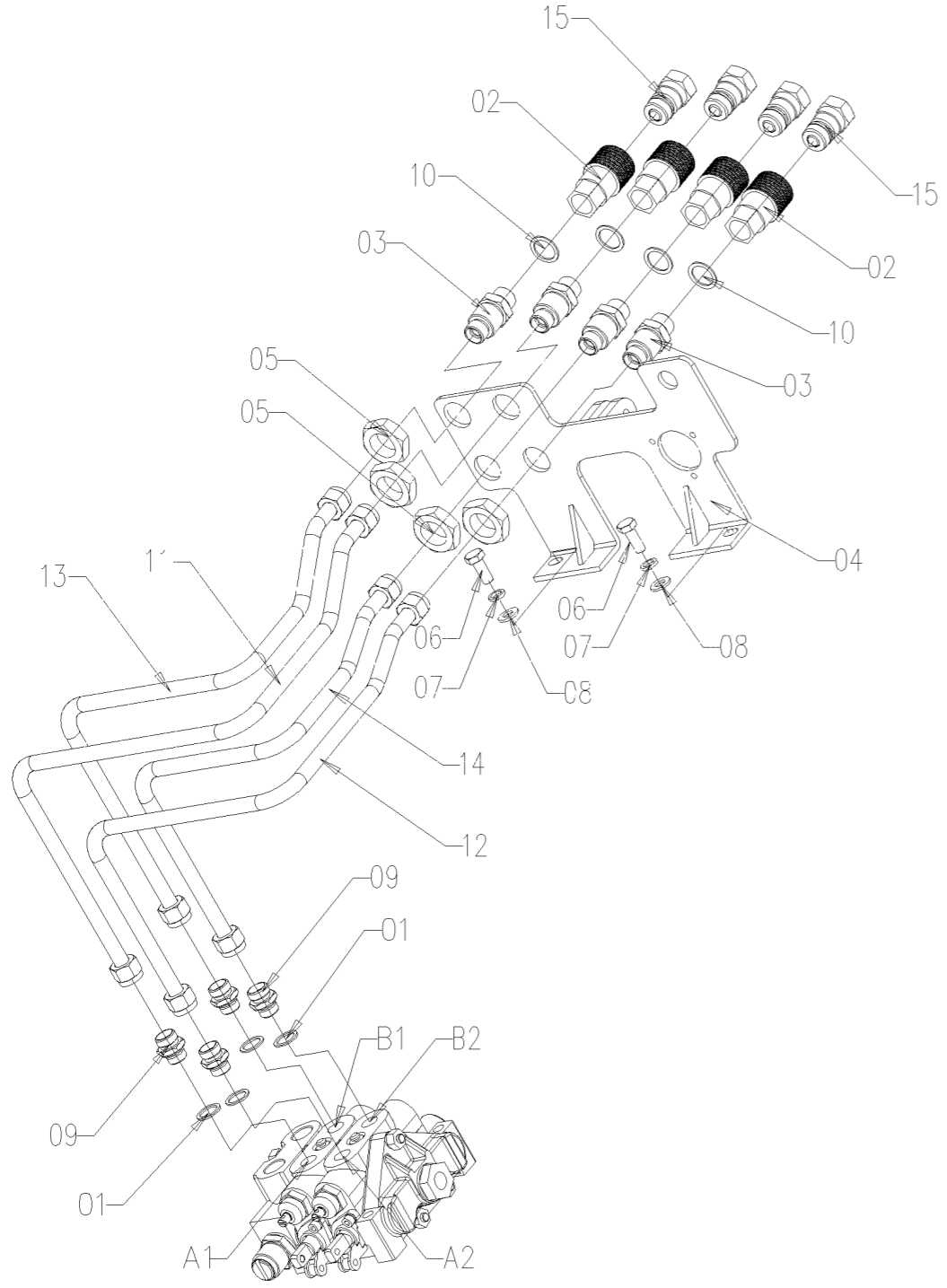
B80.58.902.4\_0 提升泵出油管总成 Lift pump oil output pipe assembly

序号	零件编号	零件名称	数量	图号
1	GBT93-8-A3L	垫圈 WASHER	3	GBT93-8-A3L
2	SH900.58.172	卡套式端直通接头体 FITTING	1	SH900.58.172
3	SH900.58.017-1	压力油管总成 PRESSURE OIL PIPE	1	SH900.58.017-1
4	GBT5783-M8X30-A2L	螺栓 BOLT	3	GBT5783-M8X30-A2L
5	GBT3452.1-15X2.65-G	O形垫圈 O RING	1	GBT3452.1-15X2.65-G
6	SH900.58.016	高压油管中间钢管焊合 HIGH	1	SH900.58.016
7	GBT3737.2-83-G16	卡套式端直通接头体 FITTING	1	GBT3737.2-83-G16



# OUTLET PIPE SAA. B80.58.905.4

YFB-R-2017-011 SH.011



## B80.58.905.4\_0 多路阀输出油管总成 Multi-way valve output pipe assembly

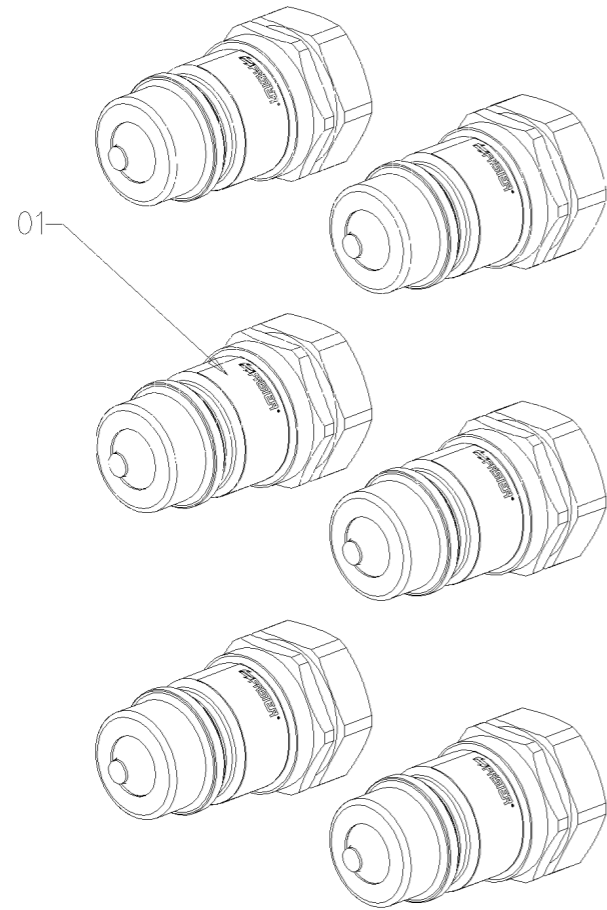
序号	零件编号	零件名称	数量	图号
1	2.1560.014.0	组合密封垫圈 SEALING RING	4	2.1560.014.0
2	SH904.58.012	快换接头总成 QUICK CHANGE JIONT	4	SH904.58.012
3	SH904.58.167	卡套式端直通接头体 FITTING	4	SH904.58.167
4	SH900.58.013	快换接头连接板焊合 QUICK CHANGE	1	SH900.58.013
5	GBT6172-M27X2-A3L	螺母 NUT	4	GBT6172-M27X2-A3L
6	GBT5783-M10X25-A3L	螺栓 BOLT	2	GBT5783-M10X25-A3L
7	GBT93-10-A3L	垫圈 WASHER	2	GBT93-10-A3L
8	GBT97.1-10-A3L	垫圈 WASHER	2	GBT97.1-10-A3L
9	SH904.58.171	卡套式端直通接头体 FITTING	4	SH904.58.171
10	2.1560.018.0	组合密封垫圈 SEALING RING	4	2.1560.018.0
11	SH904.58.030/10	多路阀输出油管总成 PIPE ASSEMBLY	1	SH904.58.030/10
12	SH904.58.031/10	多路阀输出油管总成 PIPE ASSEMBLY	1	SH904.58.031/10
13	SH904.58.028/10	多路阀输出油管总成 PIPE ASSEMBLY	1	SH904.58.028/10
14	SH904.58.029/10	多路阀输出油管总成 PIPE ASSEMBLY	1	SH904.58.029/10
15	SH904.58.015	快换阳接头总成 QUICK CHANGE	4	SH904.58.015

B80.58.908.4\_0 快换接头 QUICK COUPLES ASS.

序号	零件编号	零件名称	数量	图号
1	SH904.58.015	快换阳接头总成 M. QUICK COUPLER	6	SH904.58.015

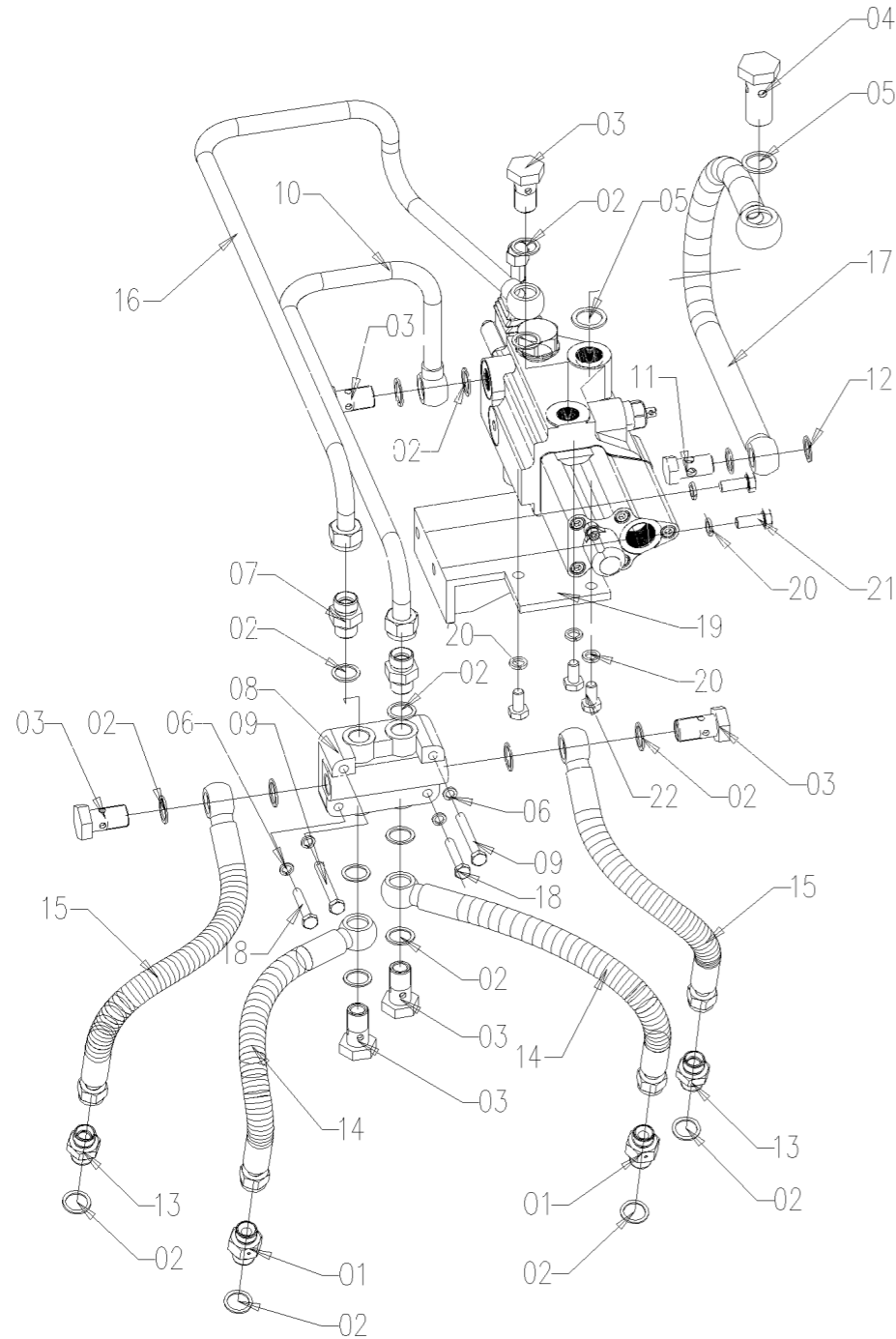
B80.58.908.4 QUICK COUPLES ASS.Y-M22X1.5

YFB-R-2017-011 SH.064



# B80.58.909.4 DISTRIBUTOR PIPE ASS.

YFB-R-2017-011 SH.011



# B80.58.909.4\_0 分配器油管总成 Distributor oil hose assembly

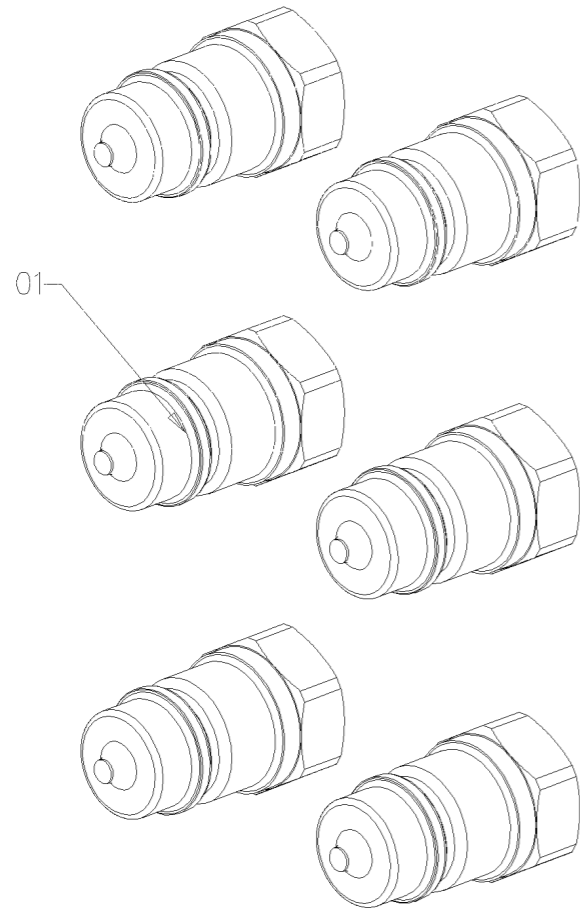
序号	零件编号	零件名称	数量	图号
1	SH900.58.011	缓降阀总成 SLOW DOWN VALVE	2	SH900.58.011
2	2.1560.016.0	组合密封垫圈 SEALING RING	18	2.1560.016.0
3	SH900.40.105	空心螺栓 HOLLOW BOLT	6	SH900.40.105
4	SH900.58.169	空心螺栓 HOLLOW BOLT	1	SH900.58.169
5	2.1560.020.0	组合密封垫圈 SEALING RING	2	2.1560.020.0
6	GBT93-8-A3L	垫圈 WASHER	4	GBT93-8-A3L
7	SH900.58.105	卡套式端直通接头 FITTING	2	SH900.58.105
8	LE1204.58.134-1	油管连接块 SPLITE-FLOW VALVE	1	LE1204.58.134-1
9	GBT5783-M8X65-A2L	螺栓 BOLT	2	GBT5783-M8X65-A2L
10	SH900.58.023	分配器输出油管总成1 DISTRIBUTOR	1	SH900.58.023
11	SH900.58.111	空心螺栓 HOLLOW BOLT	1	SH900.58.111
12	2.1560.014.0	组合密封垫圈 SEALING RING	2	2.1560.014.0
13	SH900.58.108	卡套式端直通接头 FITTING	2	SH900.58.108
14	SH900.58.021	油缸进油管总成-1 OIL CYLINDER	2	SH900.58.021
15	SH900.58.022	油缸进油管总成-2 OIL CYLINDER	2	SH900.58.022
16	SH900.58.032	分配器输出油管总成2 DISTRIBUTOR	1	SH900.58.032
17	SH904.58.026	分配器进油管总成 PIPE ASSEMBLY	1	SH904.58.026
18	GBT5783-M8X45-A2L	螺栓 BOLT	2	GBT5783-M8X45-A2L
19	SH900.58.038	分配器固定板焊合件 DISTRIBUTOR	1	SH900.58.038
20	GBT93-10-A3L	垫圈 WASHER	5	GBT93-10-A3L
21	GBT5783-M10X25-A3L	螺栓 BOLT	2	GBT5783-M10X25-A3L
22	GBT5783-M10X20-A3L	螺栓 BOLT	3	GBT5783-M10X20-A3L

B80.58.918.4\_0 快换接头 QUICK COUPLES ASS.

序号	零件编号	零件名称	数量	图号
1	0.98309.51.3/10	快换阳接头总成 M. QUICK COUPLER	6	0.98309.51.3/10

B80.58.918.4 QUICK COUPLES ASS.Y-G 1/2

YFB-R-2017-011 SH.064



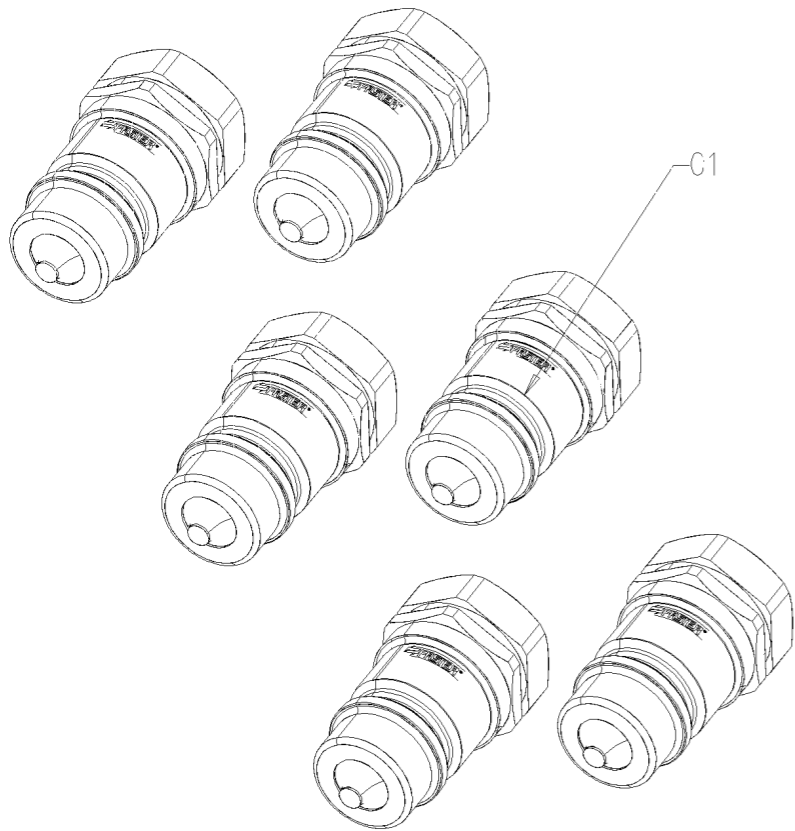


B80.58.928.4\_0 快换接头 QUICK COUPLES ASS.

序号	零件编号	零件名称	数量	图号
1	A73.58.003.0	快换阳接头总成 M. QUICK COUPLER	6	A73.58.003.0

B80.58.928.4 QUICK COUPLES ASS.Y-NPT 1/2

YFB-R-2017-011 SH.064

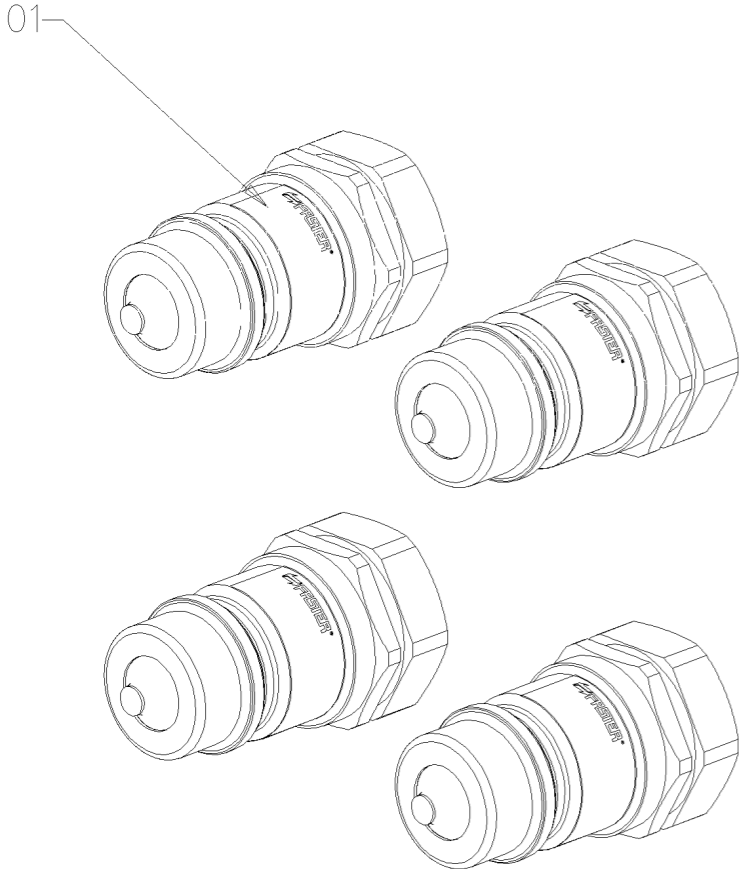


B80.58.955.4 QUICK COUPLES ASS.

YFB-R-2017-011 SH.064

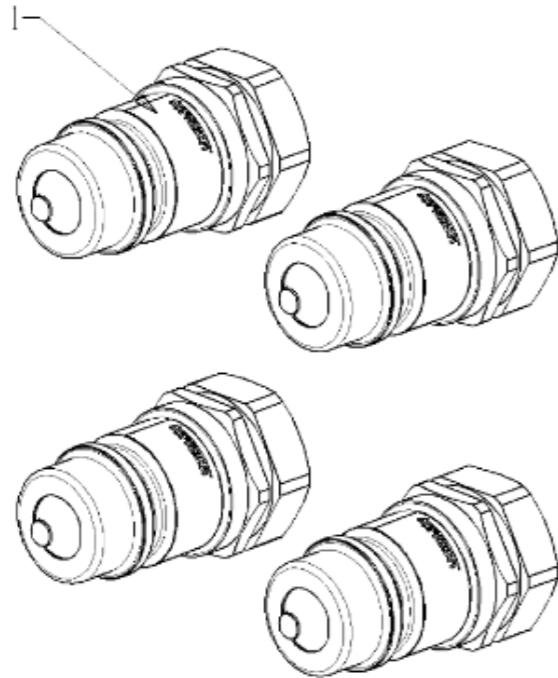
B80.58.955.4\_0 快换接头 QUICK COUPLES ASS.

序号	零件编号	零件名称	数量	图号
1	SH904.58.015	快换阳接头总成 M. QUICK COUPLER	4	SH904.58.015



 SAME DEUTZ-FAHR GROUP S.p.A. Gruppo - Group	FL90 SERIES - FL120 SERIES	N. dis. - P/N <b>B80.58.955.4</b>	
	<b>QUICK COUPLES ASS.Y</b>	Rev. 1	Facile - Sheet 1
		Edizione 16/07/2022	

YFB-R-2020-009 SH.011



Note:  
Part 1 are placed in accessories box.

### B80.58.955.4\_1 快换接头 QUICK COUPLES ASS.

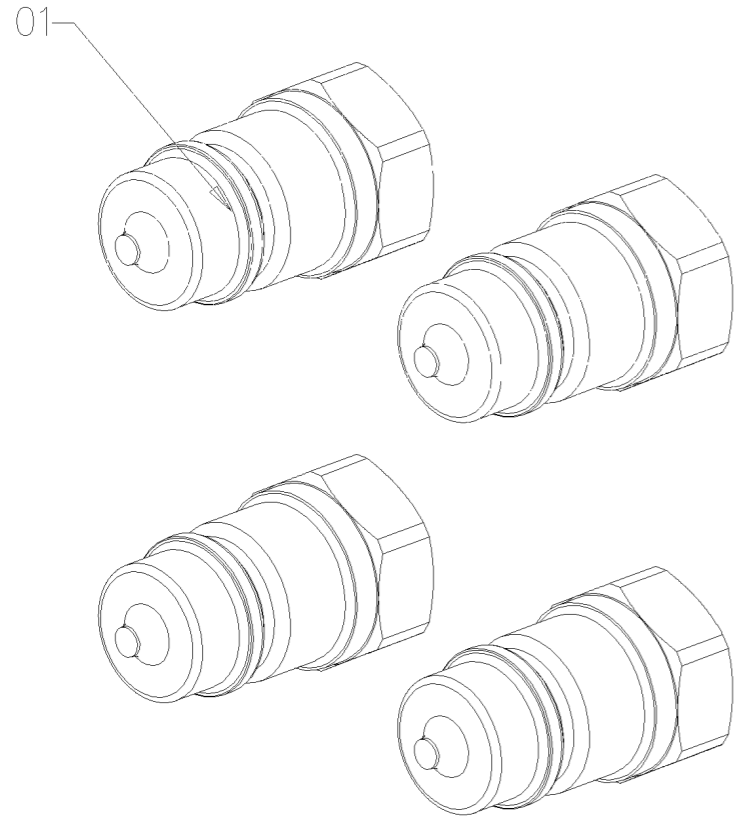
序号	零件编号	零件名称	数量	图号
1	A02.58.094.0	快速耦合器 M. QUICK COUPLER	4	A02.58.094.0

B80.58.965.4\_0 快换接头 QUICK COUPLES ASS.

序号	零件编号	零件名称	数量	图号
1	0.98309.51.3/10	快换阳接头总成 M. QUICK COUPLER	4	0.98309.51.3/10

B80.58.965.4 QUICK COUPLES ASS.

YFB-R-2017-011 SH.064

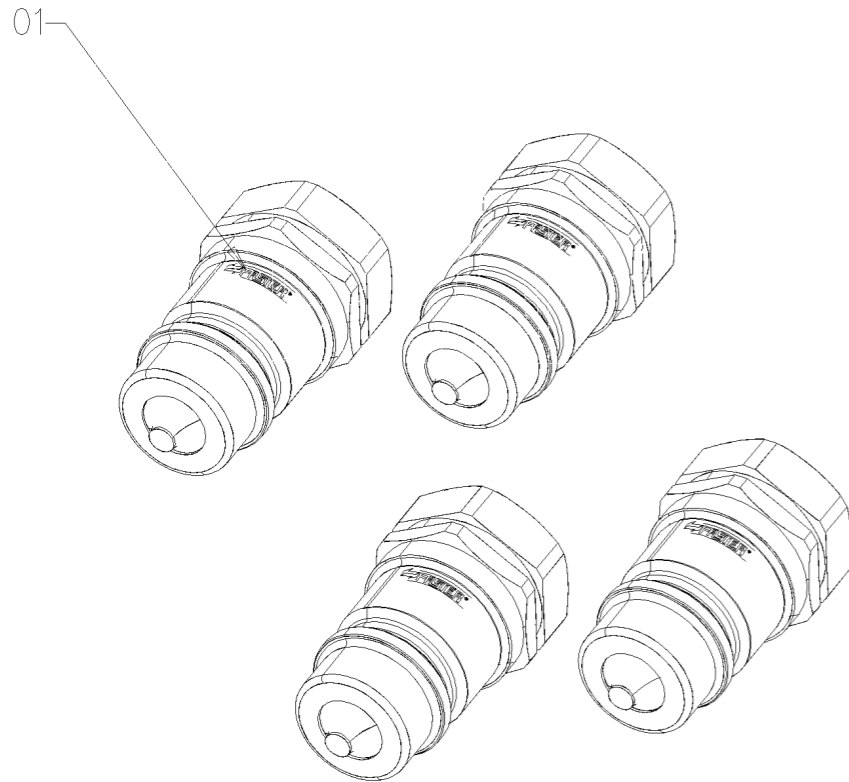


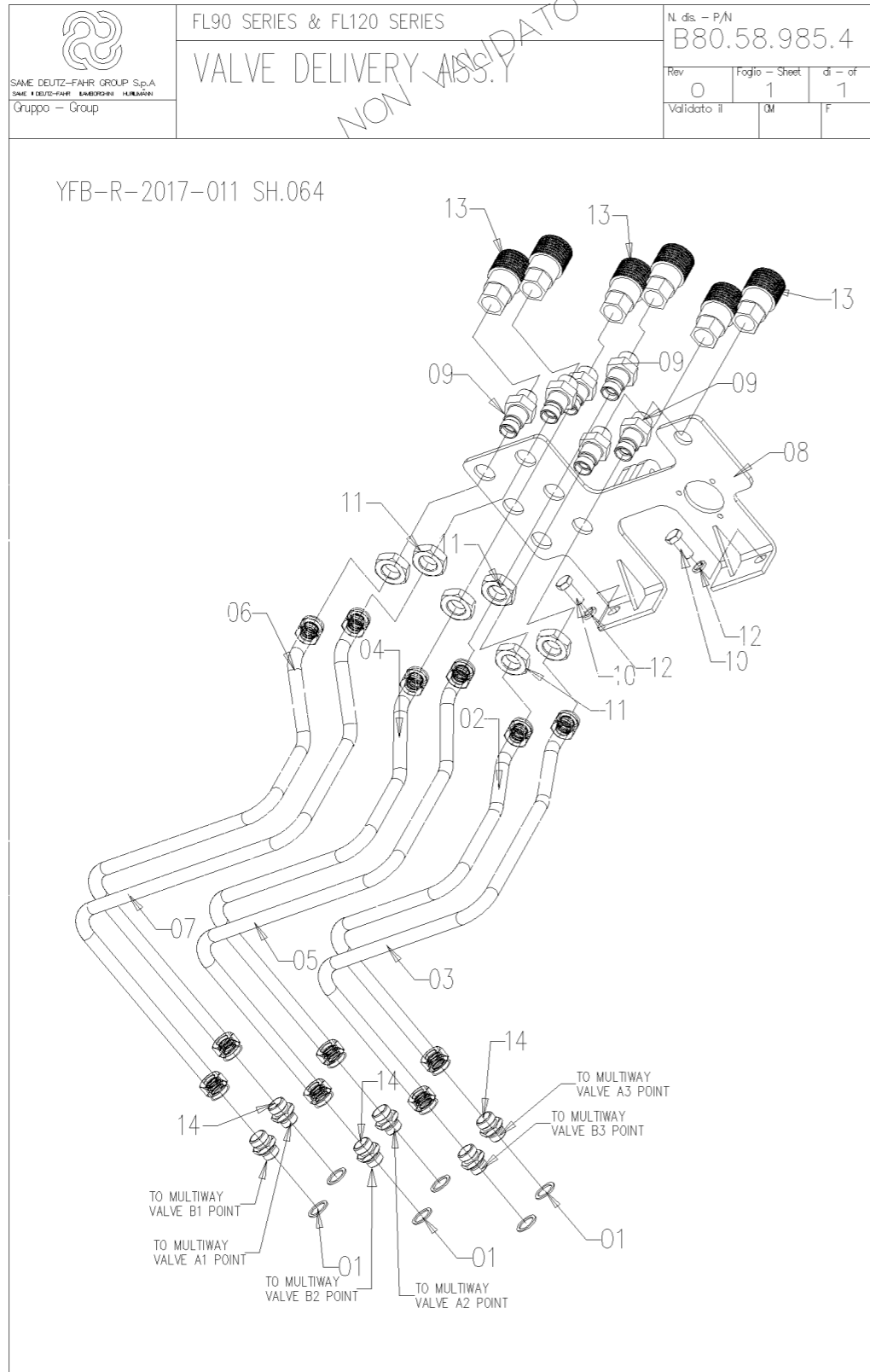
B80.58.975.4\_0 快换接头 QUICK COUPLES ASS.

序号	零件编号	零件名称	数量	图号
1	A73.58.003.0	快换阳接头总成 M. QUICK COUPLER	4	A73.58.003.0

B80.58.975.4 QUICK COUPLES ASS.

YFB-R-2017-011 SH.064





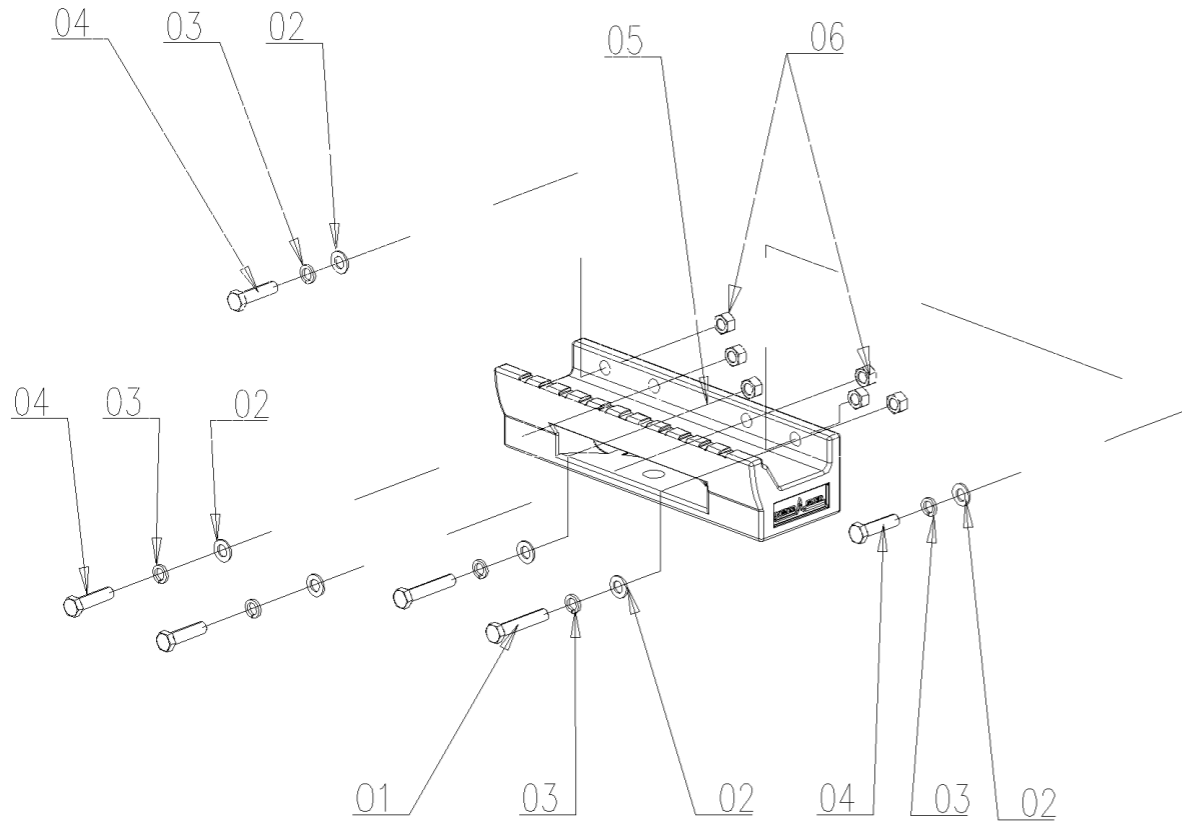
### B80.58.985.4\_0 多路阀输出油管总成 Multi-way valve output pipe assembly

序号	零件编号	零件名称	数量	图号
1	2.1560.014.0	组合密封垫圈 SEALING RING	6	2.1560.014.0
2	A23.58.005.3	输出管总成1 OUTPUT PIPE ASS.1	1	A23.58.005.3
3	A23.58.006.3	输出管总成2 OUTPUT PIPE ASS.2	1	A23.58.006.3
4	A23.58.007.3	输出管总成3 OUTPUT PIPE ASS.3	1	A23.58.007.3
5	A23.58.008.3	输出管总成4 OUTPUT PIPE ASS.4	1	A23.58.008.3
6	A23.58.009.3	输出管总成5 OUTPUT PIPE ASS.5	1	A23.58.009.3
7	A23.58.010.3	输出管总成6 OUTPUT PIPE ASS.6	1	A23.58.010.3
8	A23.58.017.3	快换接头板焊接 QUICK-	1	A23.58.017.3
9	CD554.58.111	快换接头连接头 QUICK CONNECTOR	6	CD554.58.111
10	GBT5783-M10X25-A3L	螺栓 BOLT	2	GBT5783-M10X25-A3L
11	GBT6172-M22X1.5-A3L	螺母 NUT	6	GBT6172-M22X1.5-A3L
12	GBT93-10-A3L	垫圈 WASHER	2	GBT93-10-A3L
13	SH904.58.012	快换接头总成 FEMALE QUICK	6	SH904.58.012
14	SH904.58.171	卡套式端直通接头体 SLEEVE	6	SH904.58.171

# B80.74.900.4 FRONT BALLAST SUPPORT ASS.Y

## B80.74.900.4\_1 前配重架总成 FRONT BALLAST SUPPORT ASS.Y

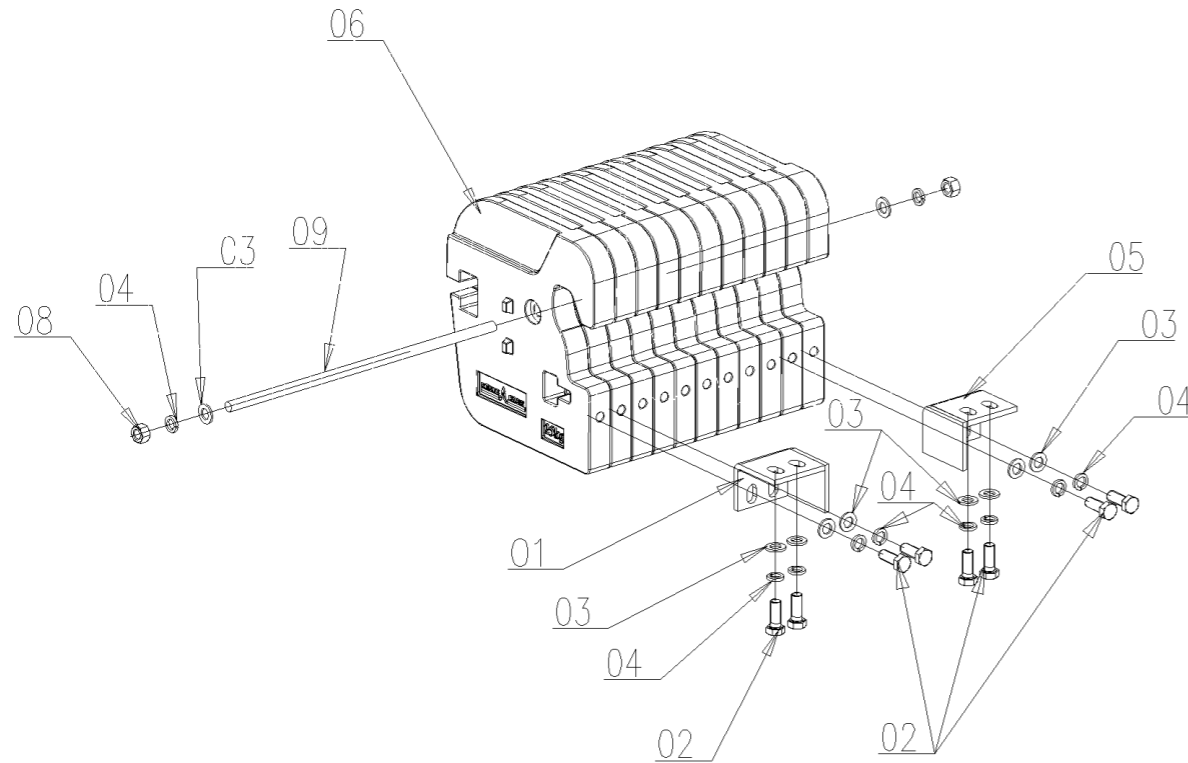
序号	零件编号	零件名称	数量	图号
1	GBT5785-M18X1.5X95-	螺栓 BOLT	2	GBT5785-M18X1.5X95-10.9-A3L
2	GBT97.1-18-A3L	垫圈 WASHER	6	GBT97.1-18-A3L
3	GBT93-18-A3L	垫圈 WASHER	6	GBT93-18-A3L
4	GBT5785-M18X1.5X70-	螺栓 BOLT	4	GBT5785-M18X1.5X70-10.9-A3L
5	SH900.74.102/10	平衡支架 COUNTERWEIGHT	1	SH900.74.102/10
6	GBT5785-M18X1.5X70-	螺栓 BOLT	4	GBT5785-M18X1.5X70-10.9-A3L



# B80.74.903.4 FRONT BALLAST ASS.Y

## B80.74.903.4\_1 前配重总成 (275kg) FRONT BALLAST ASSY.

序号	零件编号	零件名称	数量	图号
1	SH900.74.011	前配重左支架焊合件 FRONT BALLAST	1	SH900.74.011
2	GBT5783-M16X40-10.9-	螺栓 BOLT	8	GBT5783-M16X40-10.9-A3L
3	GBT97.1-16-A3L	垫圈 WASHER	10	GBT97.1-16-A3L
4	GBT93-16-A3L	垫圈 WASHER	10	GBT93-16-A3L
5	SH900.74.012	前配重右支架焊合件 FRONT	1	SH900.74.012
6	SH900.74.101/10	配重 COUNTERWEIGHT	11	SH900.74.101/10
8	GBT6170-M16-10-A3L	螺母 NUT	2	GBT6170-M16-10-A3L
9	SH900.74.103-1	连接螺栓 CONNECTING BOLT	1	SH900.74.103-1

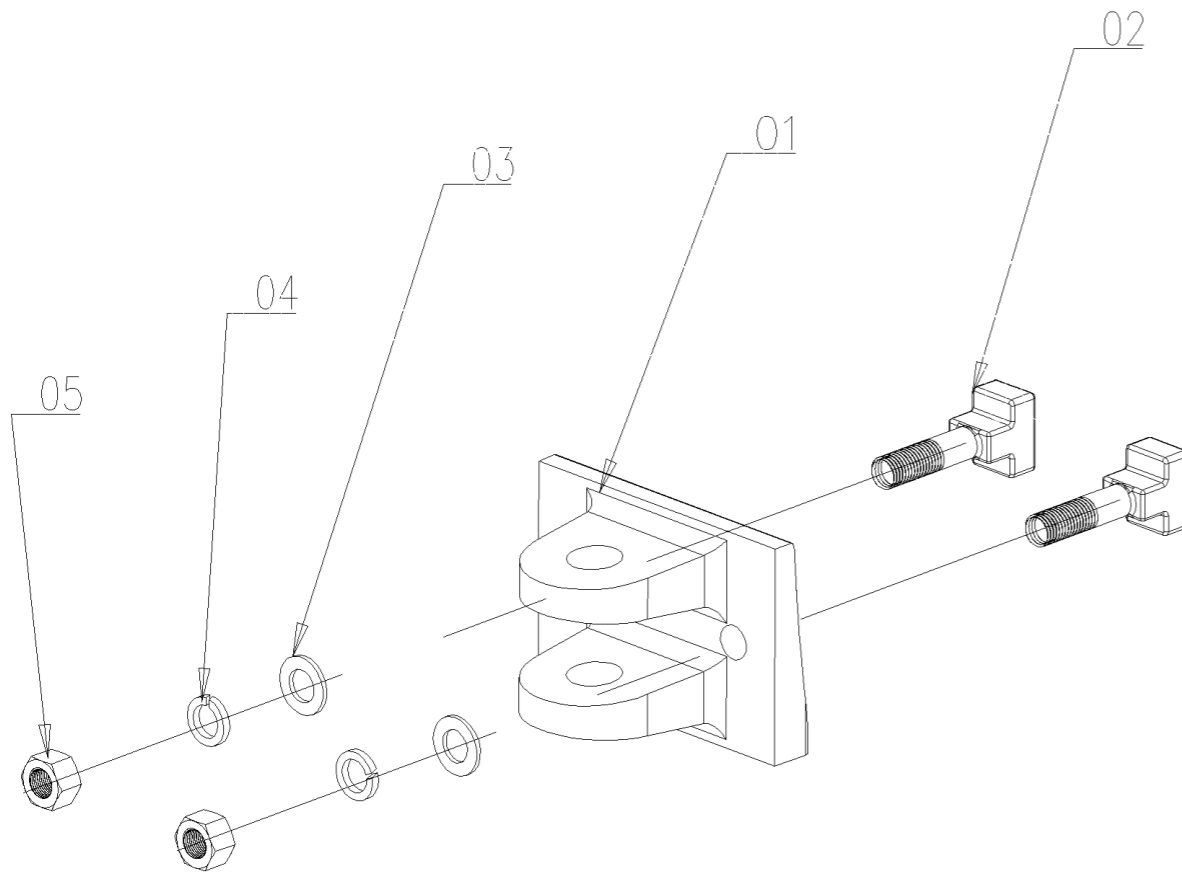




# B80.74.904.4 FRONT TRACTION ASS.Y

## B80.74.904.4\_0 前牵引总成 FRONT TRACTION ASSY.

序号	零件编号	零件名称	数量	图号
1	SH900.74.107	牵引耳 TOWING LUG	1	SH900.74.107
2	SH400.75.102	连接螺栓 JOINT BOLT	2	SH400.75.102
3	GBT97.1-20-A3L	垫圈 WASHER	2	GBT97.1-20-A3L
4	GBT93-20-A3L	垫圈 WASHER	2	GBT93-20-A3L
5	GBT6170-M20-A3L	螺母 NUT	2	GBT6170-M20-A3L

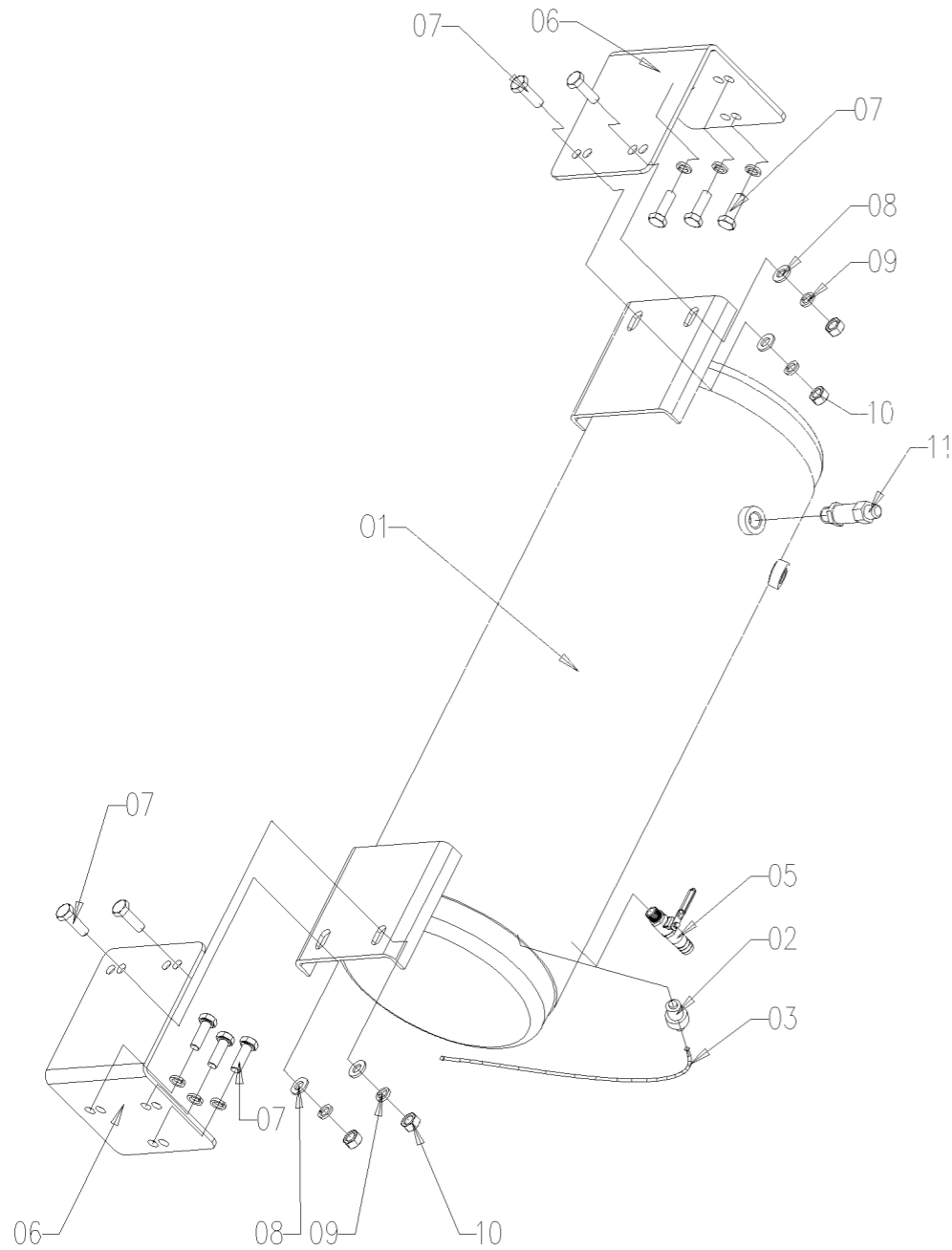


# B80.80.905.4 PNEUMATIC RESERVOIR ASS.Y

YFB-R-2017-011 SH.041

## B80.80.905.4\_4 储气筒安装总成 PNEUMATIC RESERVOIR ASS.Y

序号	零件编号	零件名称	数量	图号
1	CD904A.80.018/30	储气罐 AIR TANK	1	CD904A.80.018/30
2	SH900.48.045	气压报警开关 AIR PRESSURE	1	SH900.48.045
3	SH900.48.028	气压报警线束总成 AIR PRESSURE	1	SH900.48.028
5	SH400.45.010	暖风进水阀总成 WARM AIR WATER	1	SH400.45.010
6	B80.80.001.2	储气罐支架 AIR TANK BRACKET	2	B80.80.001.2
7	GBT5783-M10X30-A3L	螺栓 BOLT	10	GBT5783-M10X30-A3L
8	GBT97.1-10-A3L	垫圈 WASHER	4	GBT97.1-10-A3L
9	GBT93-10-A3L	垫圈 WASHER	10	GBT93-10-A3L
10	GBT6170-M10-A3L	螺母 NUT	4	GBT6170-M10-A3L
11	B09.80.001.0	安全阀总成 RELIEF VALVE ASS.Y	1	B09.80.001.0

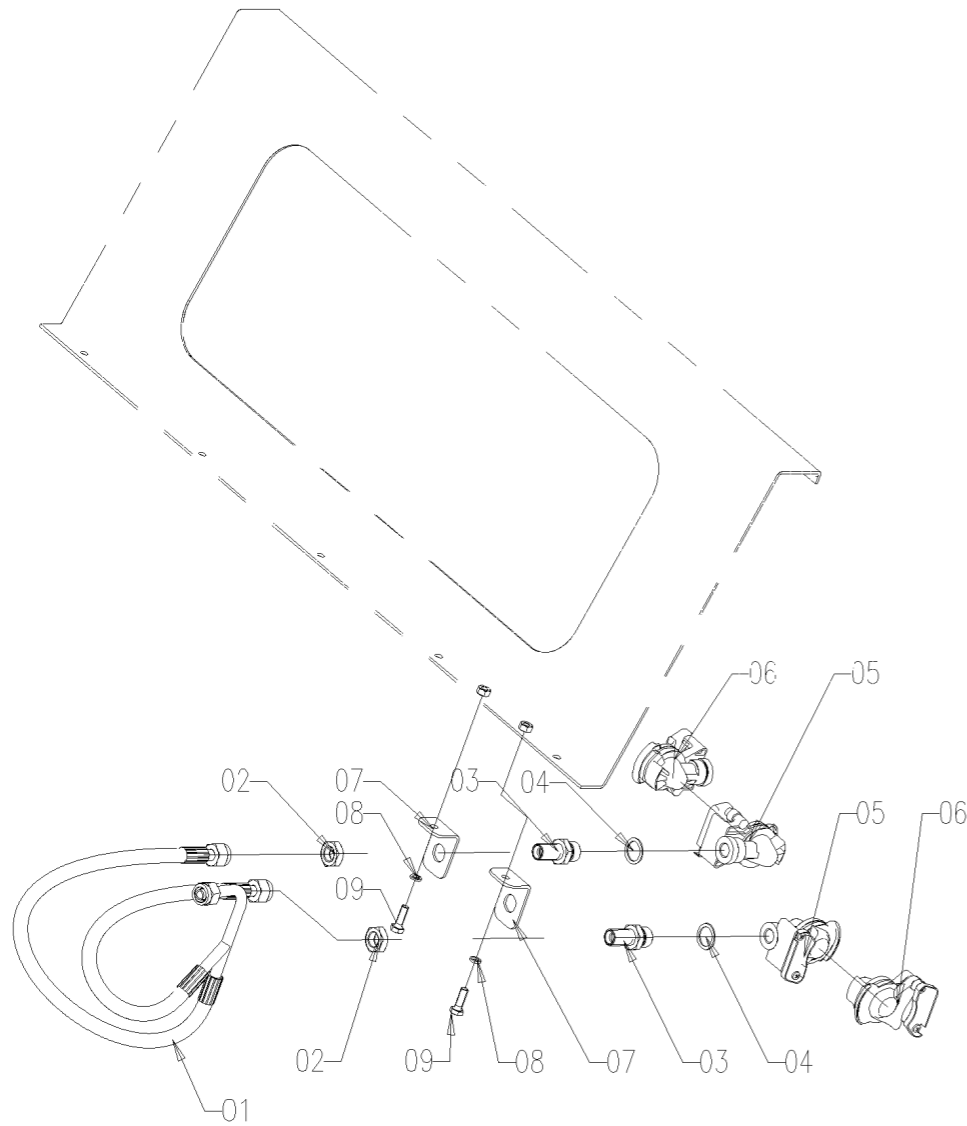


# B80.80.907.4 PARK BRAKE VALVE PIPE ASS.Y

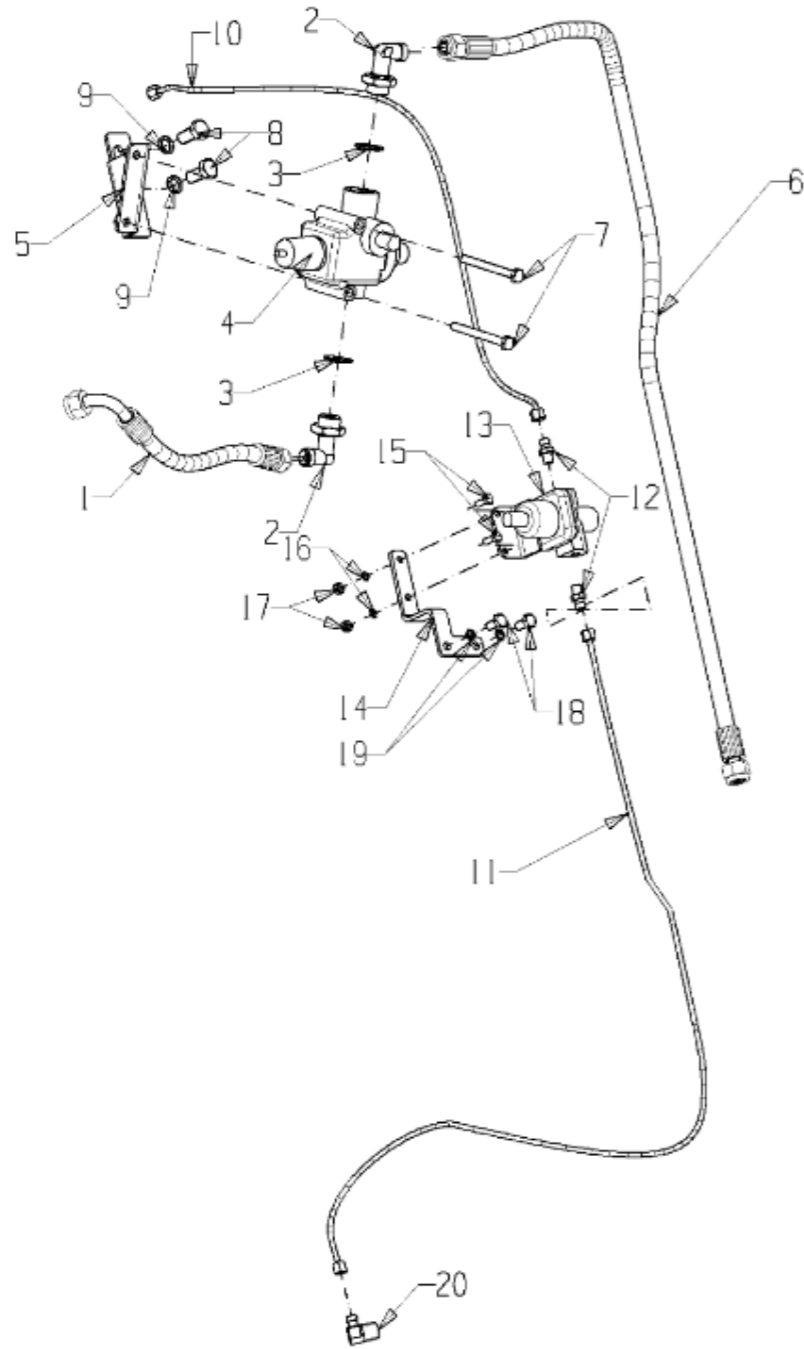
YFB-R-2020-001 SH.017

## B80.80.907.4\_1 驻车制动阀管路总成 PARK BRAKE VALVE PIPE ASS.Y

序号	零件编号	零件名称	数量	图号
1	B80.80.004.3	输出管总成 OUTPUT PIPE ASS.	1	B80.80.004.3
2	GBT6173-M18X1.5-A3L	螺母 NUT	2	GBT6173-M18X1.5-A3L
3	B80.80.003.0/10	卡套式端直通接头体 FITTING	2	B80.80.003.0/10
4	2.1560.018.0	组合密封垫圈 SEALING RING	2	2.1560.018.0
5	B80.80.002.0	单回路阴接头 F. QUICK COUPLER	2	B80.80.002.0
6	B80.80.005.0	单回路阳接头 M. QUICK COUPLER	2	B80.80.005.0
7	B80.80.006.0	支架 BRACKET	2	B80.80.006.0
8	GBT93-8-A3L	垫圈 WASHER	2	GBT93-8-A3L
9	GBT5783-M8X25-A2L	螺栓 BOLT	2	GBT5783-M8X25-A2L



YFB-R-2017-011 SH.090

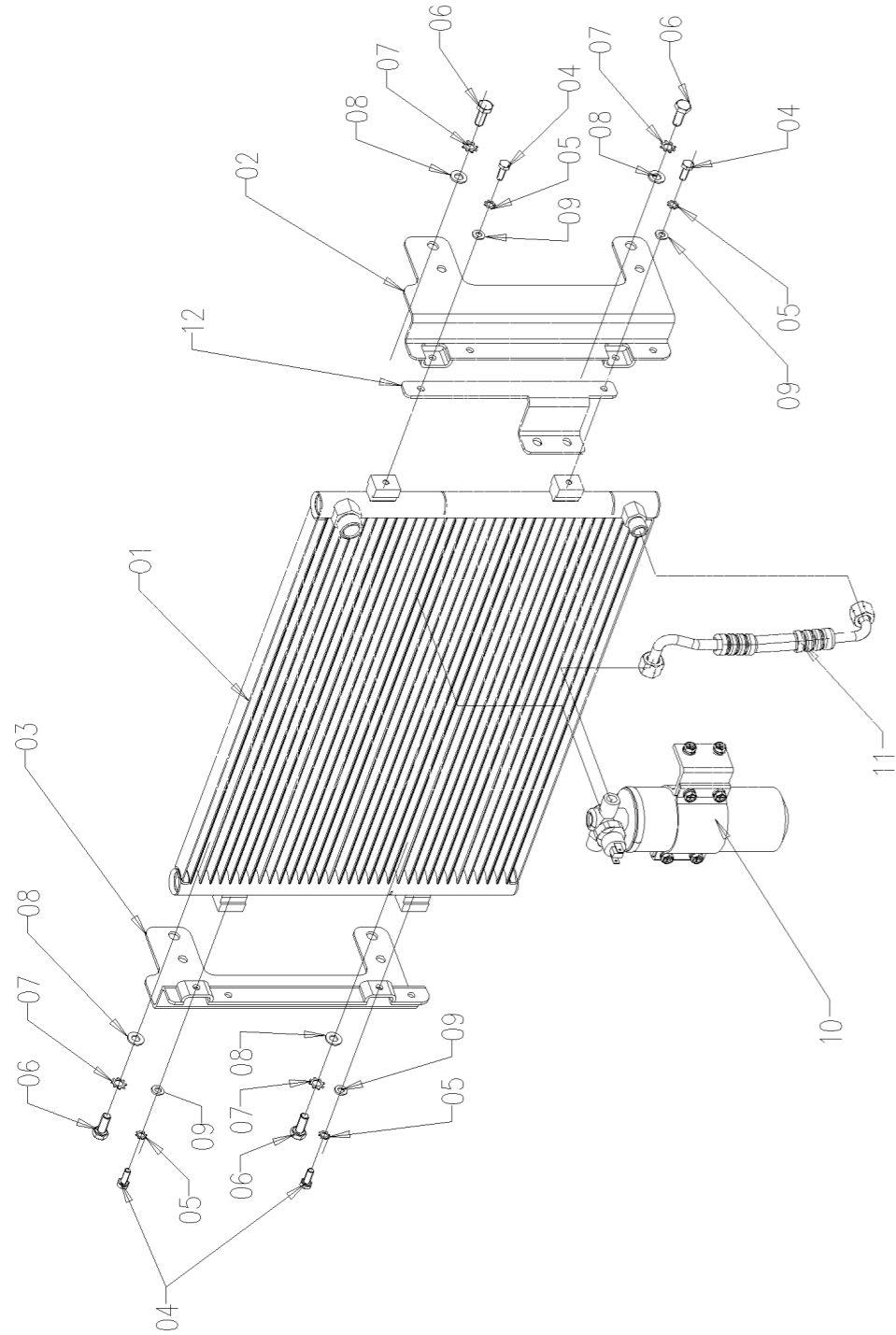


**B80.80.910.4\_1 气泵出气管总成 COMPRESSOR DELIVERY PIPE ASS.Y**

序号	零件编号	零件名称	数量	图号
1	A23.80.009.3	气泵出气管 AIR PUMP OUTLET PIPE	1	A23.80.009.3
2	B80.10.007.2	接头组件 JOINT ASS'Y	2	B80.10.007.2
3	2.1560.018.0	密封圈 SEALING RING	2	2.1560.018.0
4	A23.80.006.0	空气卸荷阀 AIR UNLOADING VALVE	1	A23.80.006.0
5	A23.80.008.3/20	支架 BRACKET	1	A23.80.008.3/20
6	A23.80.010.3	气泵出气管 AIR PUMP OUTLET PIPE	1	A23.80.010.3
7	GBT5783-M8X80-A2L	销 BOLT	2	GBT5783-M8X80-A2L
8	2.0114.409.2	螺栓 SCREW M12x25	2	2.0114.409.2
9	2.1473.009.2	弹簧垫圈 SPRING WASHER M12	2	2.1473.009.2
10	A23.80.014.3	减压阀管 RELIEF VALVE PIPE	1	A23.80.014.3
11	E04.80.006.3	安全阀管 RELIEF VALVE PIPE	1	E04.80.006.3
12	A23.80.012.0	螺纹接头 FITTING NPT1/8-M10X1	2	A23.80.012.0
13	A23.80.007.0/10	排气阀 AIR RELIEF VALVE	1	A23.80.007.0/10
14	A23.80.011.0	阀门支架 VALVE BRACKET	1	A23.80.011.0
15	2.0114.005.2	螺栓 SCREW M6x16	2	2.0114.005.2
16	2.1473.006.2	弹簧垫圈 SPRING WASHER M6	2	2.1473.006.2
17	2.1011.103.2	螺母 NUT M6x1	2	2.1011.103.2
18	2.0114.205.2	螺栓 SCREW M8x16	2	2.0114.205.2
19	2.1473.007.2	弹簧垫圈 SPRING WASHER M8	2	2.1473.007.2
20	A23.80.016.0	接头 FITTING	1	A23.80.016.0

# B80.81.902.4 AC CONDENSER ASS.Y

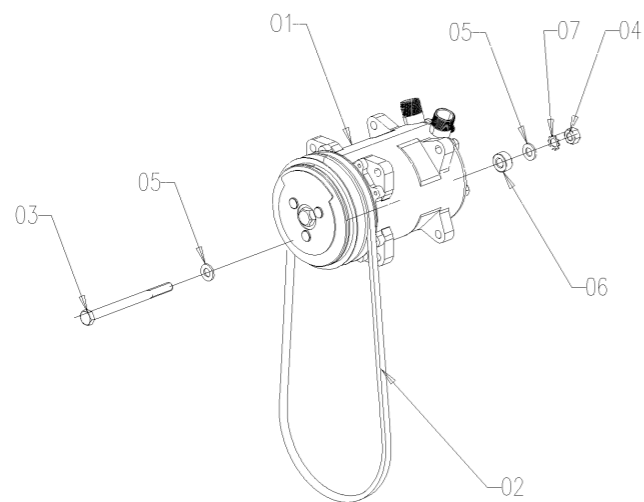
YFB-R-2020-004 SH.036



## B80.81.902.4\_0 冷凝器总成 AIR CONDITIONING CONDENSER ASS.Y

序号	零件编号	零件名称	数量	图号
1	A23.81.013.0	冷凝器 CONDENSOR	1	A23.81.013.0
2	A23.81.007.2	冷凝器右支架 AC CONDENSER	1	A23.81.007.2
3	A23.81.006.2	冷凝器左支架 AC CONDENSER LEFT	1	A23.81.006.2
4	2.0112.005.2	六角螺栓 HEX BOLT M6x1x16	4	2.0112.005.2
5	2.1470.002.2	锁紧垫圈 LOCK WASHER 6	4	2.1470.002.2
6	2.0112.207.2	六角螺栓 HEX BOLT M8x1.25x20	4	2.0112.207.2
7	2.1470.004.2	锁紧垫圈 LOCK WASHER 8	4	2.1470.004.2
8	2.1310.004.2	垫圈 WASHER 8	4	2.1310.004.2
9	2.1310.002.2	垫圈 WASHER 6	4	2.1310.002.2
10	A23.81.011.0	干燥瓶总成 RECEIVER DRIER	1	A23.81.011.0
11	A23.81.012.2	干燥瓶管 RESERVOIR DRAIN PIPE	1	A23.81.012.2
12	A23.81.010.0	冷凝器支架 AC CONDENSER	1	A23.81.010.0

B80.81.910.4 AC COMPRESSOR ASS.Y  
YFB-R-2020-004 SH.036



B80.81.910.4\_0 空调压缩机总成 AIR CONDITIONING COMPRESSOR ASS.Y

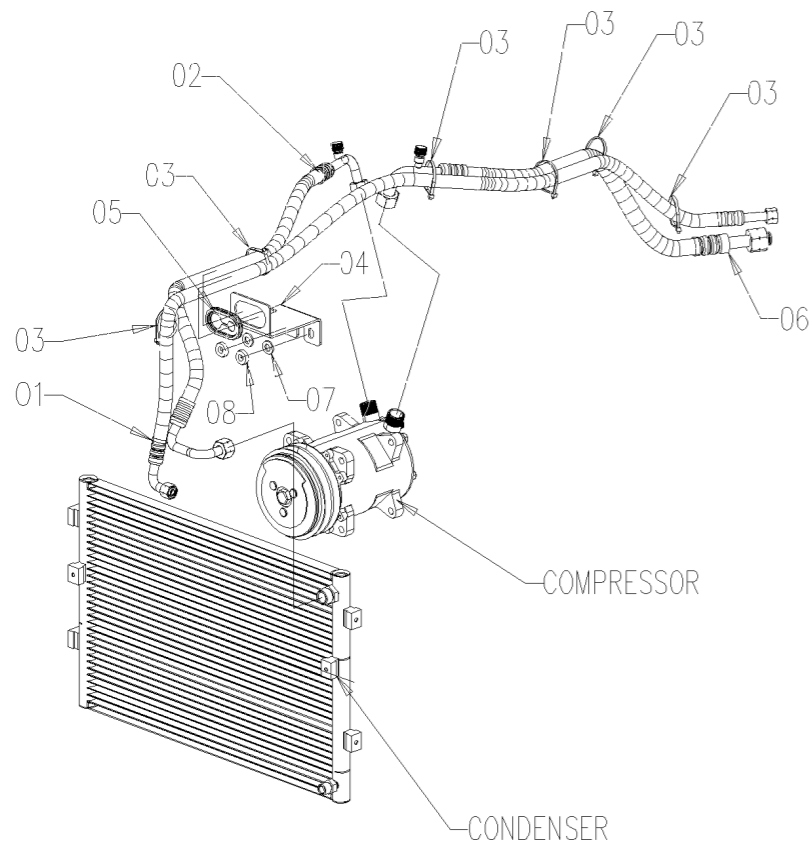
序号	零件编号	零件名称	数量	图号
1	CD904.81.012	空调压缩机 AIR COMPRESSOR	1	CD904.81.012
2	GBT11544-A970LI	空调压缩机传动带 COMPRESSOR	1	GBT11544-A970LI
3	2.0113.335.2	螺栓 BOLT M10x130	1	2.0113.335.2
4	2.1011.106.2	螺母 NUT M10x1.5	1	2.1011.106.2
5	2.1310.006.2	垫圈 WASHER 10	2	2.1310.006.2
6	B80.45.011.0	隔套 BUSHING	1	B80.45.011.0
7	2.1470.006.2	锁紧垫圈 LOCK WASHER 10	1	2.1470.006.2

# B80.81.911.4 AC COMPRESSOR PIPE ASS.Y

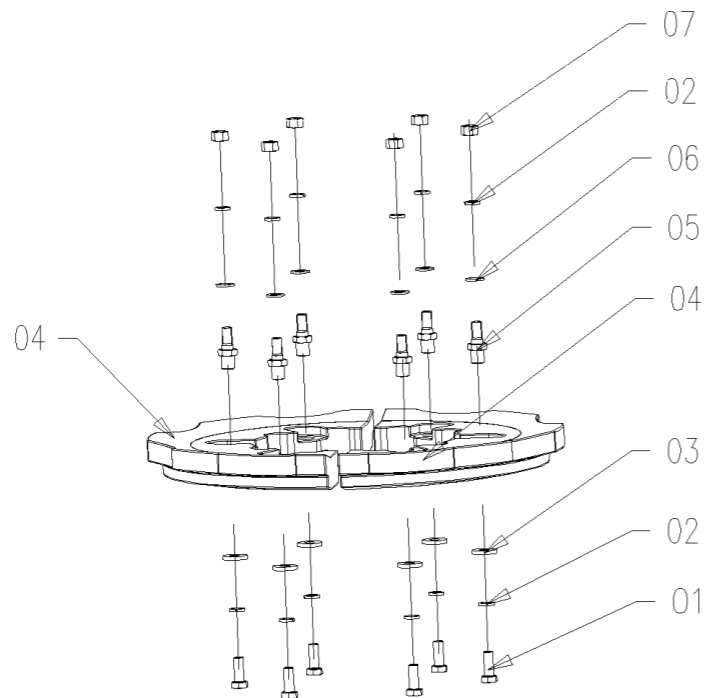
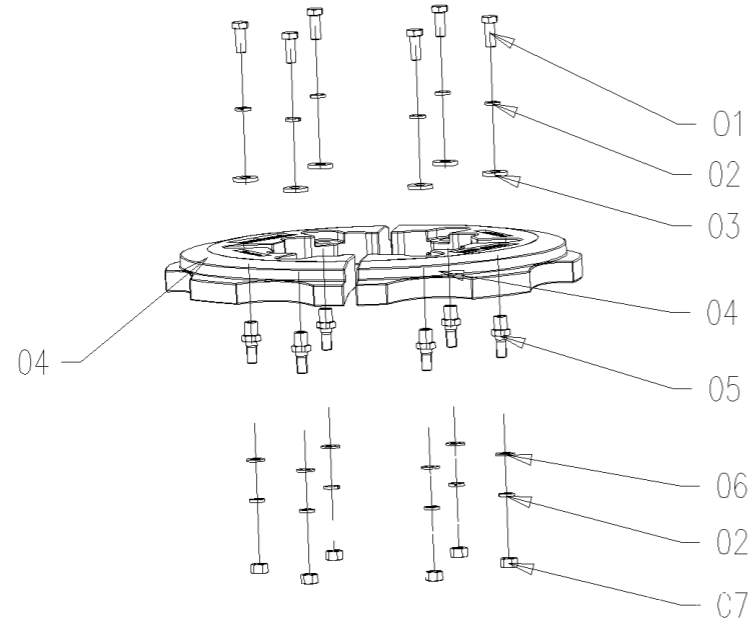
YFB-R-2020-004 SH.036

## B80.81.911.4\_0 空调压缩机管路总成 AIR CONDITIONING COMPRESSOR ASS.Y

序号	零件编号	零件名称	数量	图号
1	B80.81.003.2	冷凝器出口管 CONDENSER OUTLET	1	B80.81.003.2
2	B80.81.001.2	压缩机出口管 COMPRESSOR OUTLET	1	B80.81.001.2
3	2.6852.101.0	自锁扎带 SELF LOCKING CABLE TIES	6	2.6852.101.0
4	A23.81.002.0/10	软管支架 AC SOFT PIPE BRACKET	1	A23.81.002.0/10
5	0.023.2683.0	垫圈 GASKET	1	0.023.2683.0
6	B80.81.002.2	压缩机入口管 COMPRESSOR INLET	1	B80.81.002.2
7	2.1310.006.2	垫圈 WASHER 10	2	2.1310.006.2
8	SH900.13.107	橡胶垫圈 RUBBER RING	2	SH900.13.107



# B80.91.903.4 REAR BALLAST ASS.Y

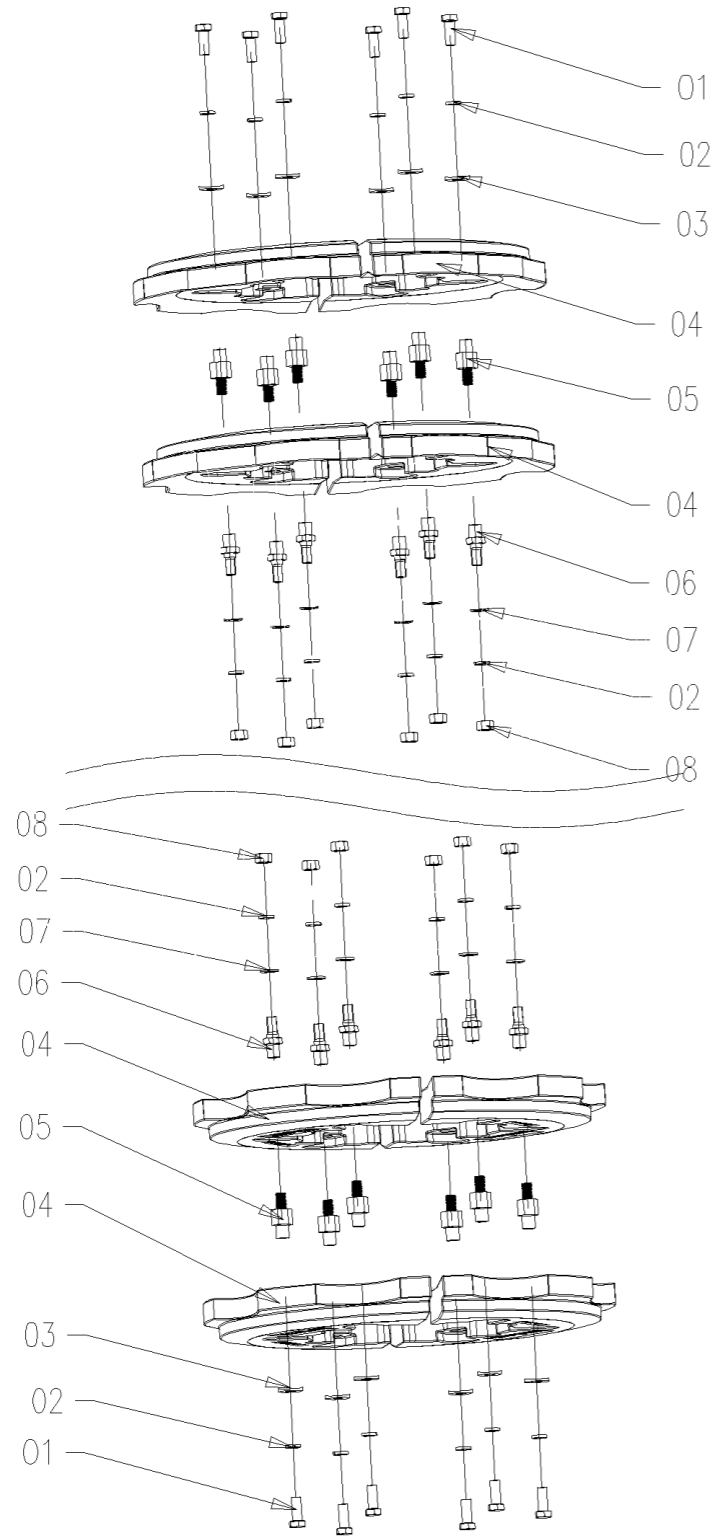


# B80.91.903.4\_0 后配重总成 (1层, 共计160 kg) REAR BALLAST ASS.Y

序号	零件编号	零件名称	数量	图号
1	GB/T5783-M16X40-10.9-	螺栓 BOLT	12	GB/T5783-M16X40-10.9-A3L
2	GB/T93-16-A3L	垫圈 WASHER	24	GB/T93-16-A3L
3	SH900.91.105	垫圈 WASHER	12	SH900.91.105
4	CD904A.91.101/10	后配重 REAR BALLAST	4	CD904A.91.101/10
5	SH900.91.104	后配重螺栓 Rear counterweight bolt	12	SH900.91.104
6	GB/T97.1-16-A3L	垫圈 WASHER	12	GB/T97.1-16-A3L
7	GB/T6170-M16-10-A3L	螺母 NUT	12	GB/T6170-M16-10-A3L



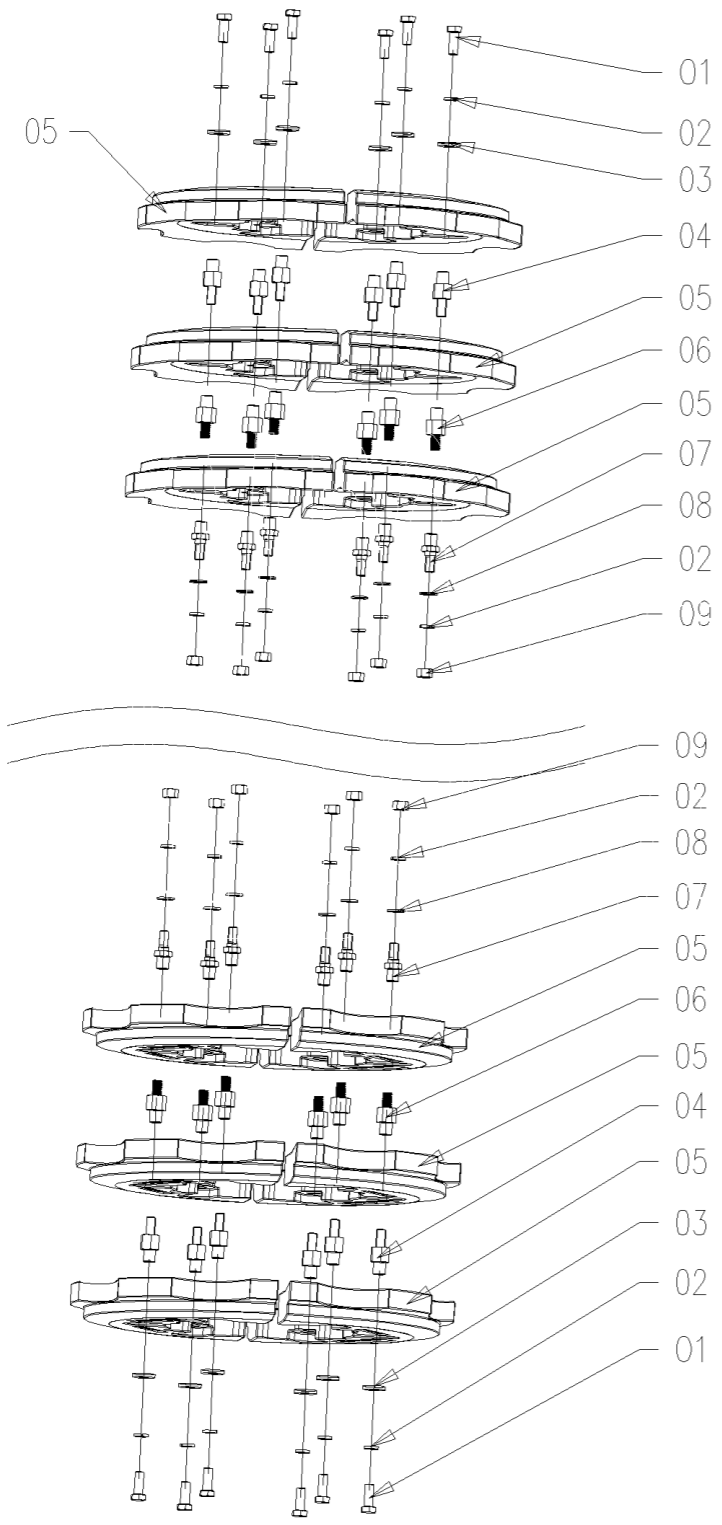
# B80.91.904.4 REAR BALLAST ASS.Y



# B80.91.904.4\_0 后配重总成 (2层, 共计320 kg) REAR BALLAST ASS.Y

序号	零件编号	零件名称	数量	图号
1	GBT5783-M16x40-10.9-	螺栓 BOLT	12	GBT5783-M16x40-10.9-A3L
2	GBT93-16-A3L	垫圈 WASHER	24	GBT93-16-A3L
3	SH900.91.105	垫圈 WASHER	12	SH900.91.105
4	CD904A.91.101/10	后配重 REAR BALLAST	8	CD904A.91.101/10
5	SH900.91.103	后配重螺栓 Rear counterweight bolt	12	SH900.91.103
6	SH900.91.104	后配重螺栓 Rear counterweight bolt	12	SH900.91.104
7	GBT97.1-16-A3L	垫圈 WASHER	12	GBT97.1-16-A3L
8	GBT6170-M16-10-A3L	螺母 NUT	12	GBT6170-M16-10-A3L

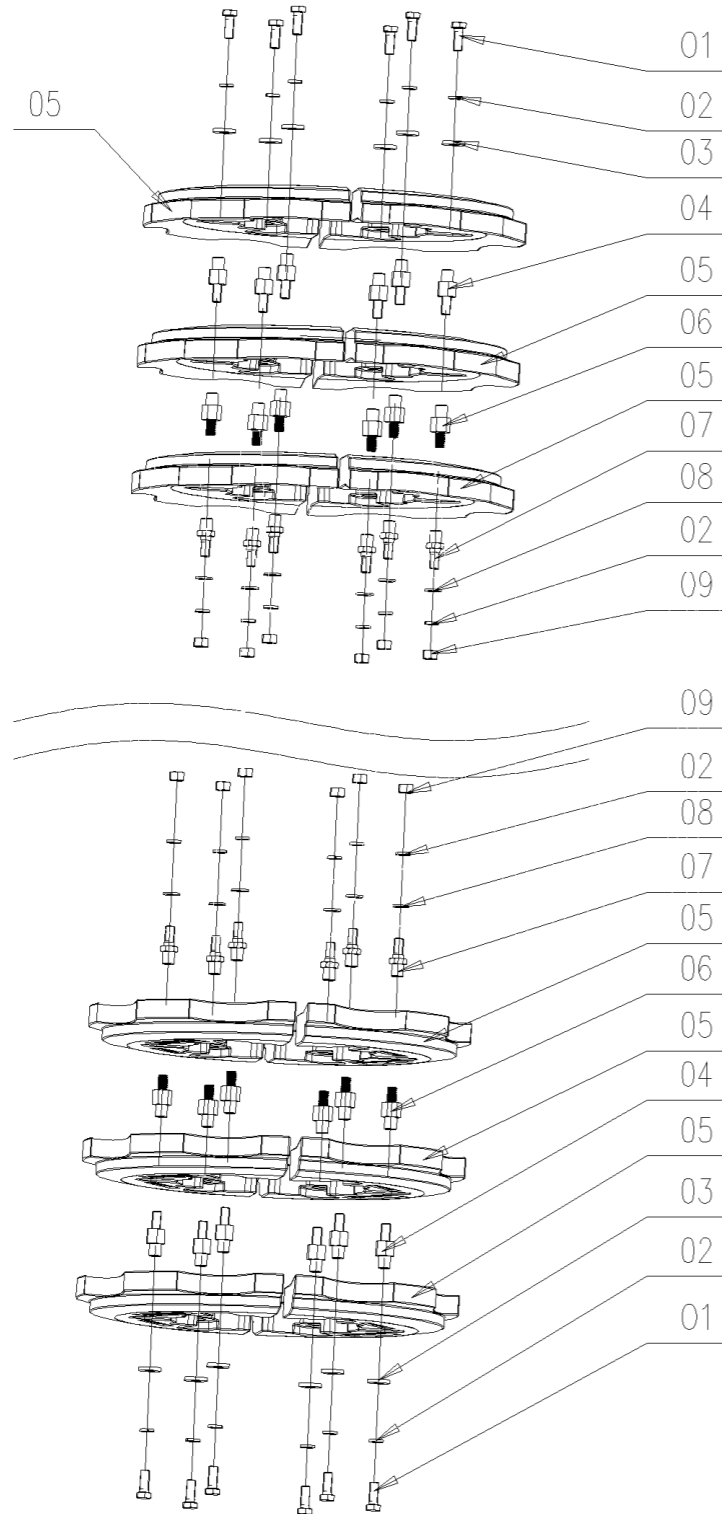
# B80.91.905.4 REAR BALLAST ASS.Y



# B80.91.905.4\_0 后配重总成 (3层, 共计480 kg) REAR BALLAST ASS.Y

序号	零件编号	零件名称	数量	图号
1	GBT5783-M16x40-A3L	螺栓 BOLT	12	GBT5783-M16x40-A3L
2	GBT93-16-A3L	垫圈 WASHER	24	GBT93-16-A3L
3	SH900.91.105	垫圈 WASHER	12	SH900.91.105
4	SH900.91.102	后配重螺栓 Rear counterweight bolt	12	SH900.91.102
5	CD904A.91.101/10	后配重 REAR BALLAST	12	CD904A.91.101/10
6	SH900.91.103	后配重螺栓 Rear counterweight bolt	12	SH900.91.103
7	SH900.91.104	后配重螺栓 Rear counterweight bolt	12	SH900.91.104
8	GBT97.1-16-A3L	垫圈 WASHER	12	GBT97.1-16-A3L
9	GBT6170-M16-A3L	螺母 NUT	12	GBT6170-M16-A3L

# B80.91.905.4 REAR BALLAST ASS.Y

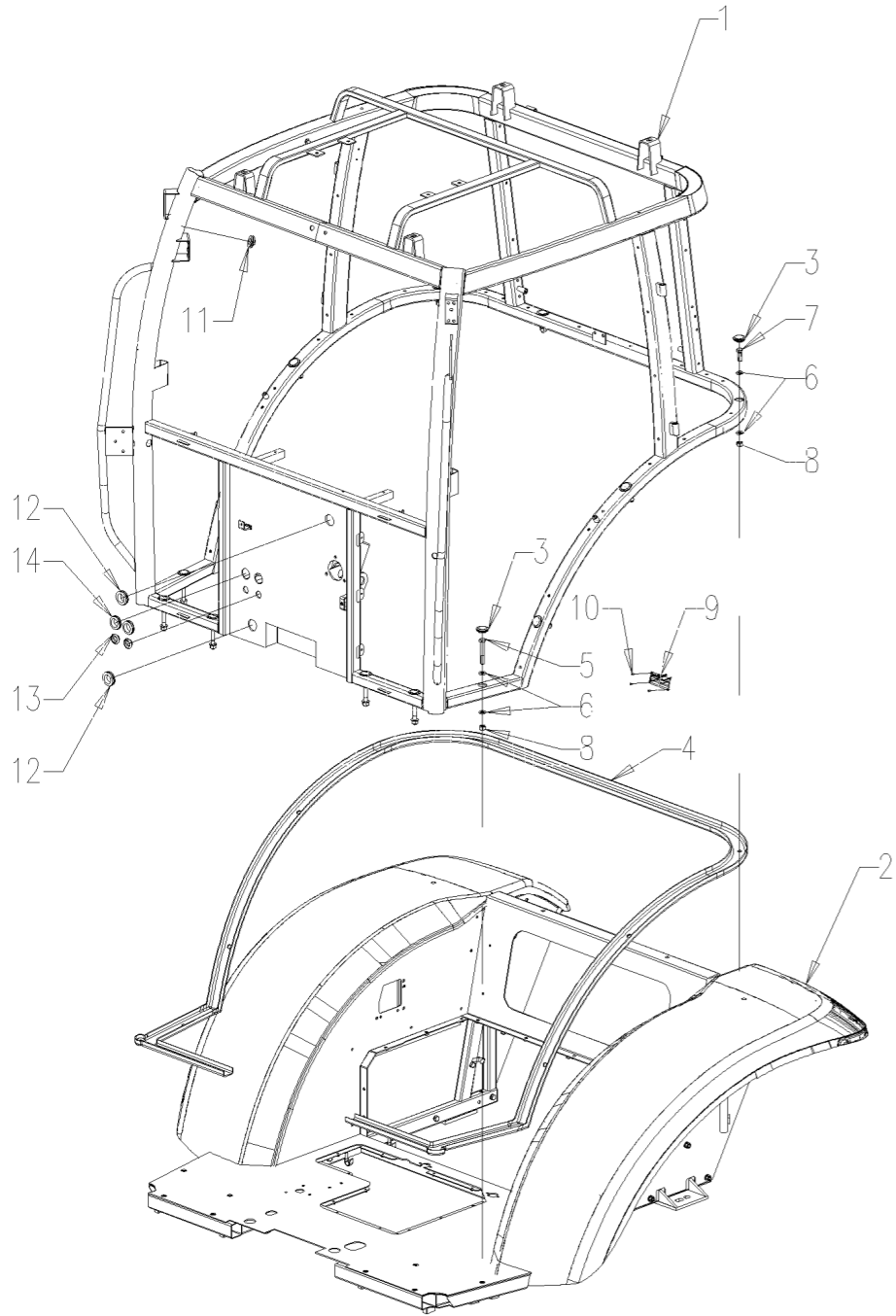


## B80.91.905.4\_1 后配重总成 (3层, 共计480 kg) REAR BALLAST ASS.Y

序号	零件编号	零件名称	数量	图号
1	GBT5783-M16X40-10.9-	螺栓 BOLT	12	GBT5783-M16X40-10.9-A3L
2	GBT93-16-A3L	垫圈 WASHER	24	GBT93-16-A3L
3	SH900.91.105	垫圈 WASHER	12	SH900.91.105
4	SH900.91.102	后配重螺栓 Rear counterweight bolt	12	SH900.91.102
5	CD904A.91.101/10	后配重 REAR BALLAST	12	CD904A.91.101/10
6	SH900.91.103	后配重螺栓 Rear counterweight bolt	12	SH900.91.103
7	SH900.91.104	后配重螺栓 Rear counterweight bolt	12	SH900.91.104
8	GBT97.1-16-A3L	垫圈 WASHER	12	GBT97.1-16-A3L
9	GBT6170-M16-10-A3L	螺母 NUT	12	GBT6170-M16-10-A3L

# CABIN STRUCTURE ASS.Y B84.45.900.4

YFB-R-2017-011 SH.048



## B84.45.900.4\_1 驾驶室总成 CABIN STRUCTURE ASS.Y

序号	零件编号	零件名称	数量	图号
1	B84.45.001.3/10	上层驾驶室框架 UPPER CABIN	1	B84.45.001.3/10
2	B84.45.005.4	地板焊接总成 FLOOR WELDING	1	B84.45.005.4
3	0.026.5183.0	塞子 PLUG D.30.5	14	0.026.5183.0
4	B36.45.038.0/10	橡胶垫 RUBBER	1	B36.45.038.0/10
5	2.0112.425.2	六角螺栓 HEX BOLT M12x1.75x80	6	2.0112.425.2
6	2.1310.007.2	垫圈 WASHER 12	28	2.1310.007.2
7	2.0112.413.2	六角螺栓 HEX BOLT M12x1.75x35	8	2.0112.413.2
8	2.1011.107.2	螺母 NUT M12x1.75	14	2.1011.107.2
9	0.034.4543.0/10	标签 OECD LABEL	1	0.034.4543.0/10
10	2.1855.010.0	铆钉 BLIND RIVETS 3.4	4	2.1855.010.0
11	2.6569.069.0/10	橡胶塞 Gommino	1	2.6569.069.0/10
12	CD904A.45A.103	线束塞 40 SHEATH	2	CD904A.45A.103
13	A23.45.231.0	橡胶垫 RUBBER GASKET	2	A23.45.231.0
14	A23.45.232.0	橡胶垫 RUBBER GASKET	2	A23.45.232.0



SIME DEUTZ-FAHR GROUP S.p.A.  
Gruppo - Group  
CHINA GROUP

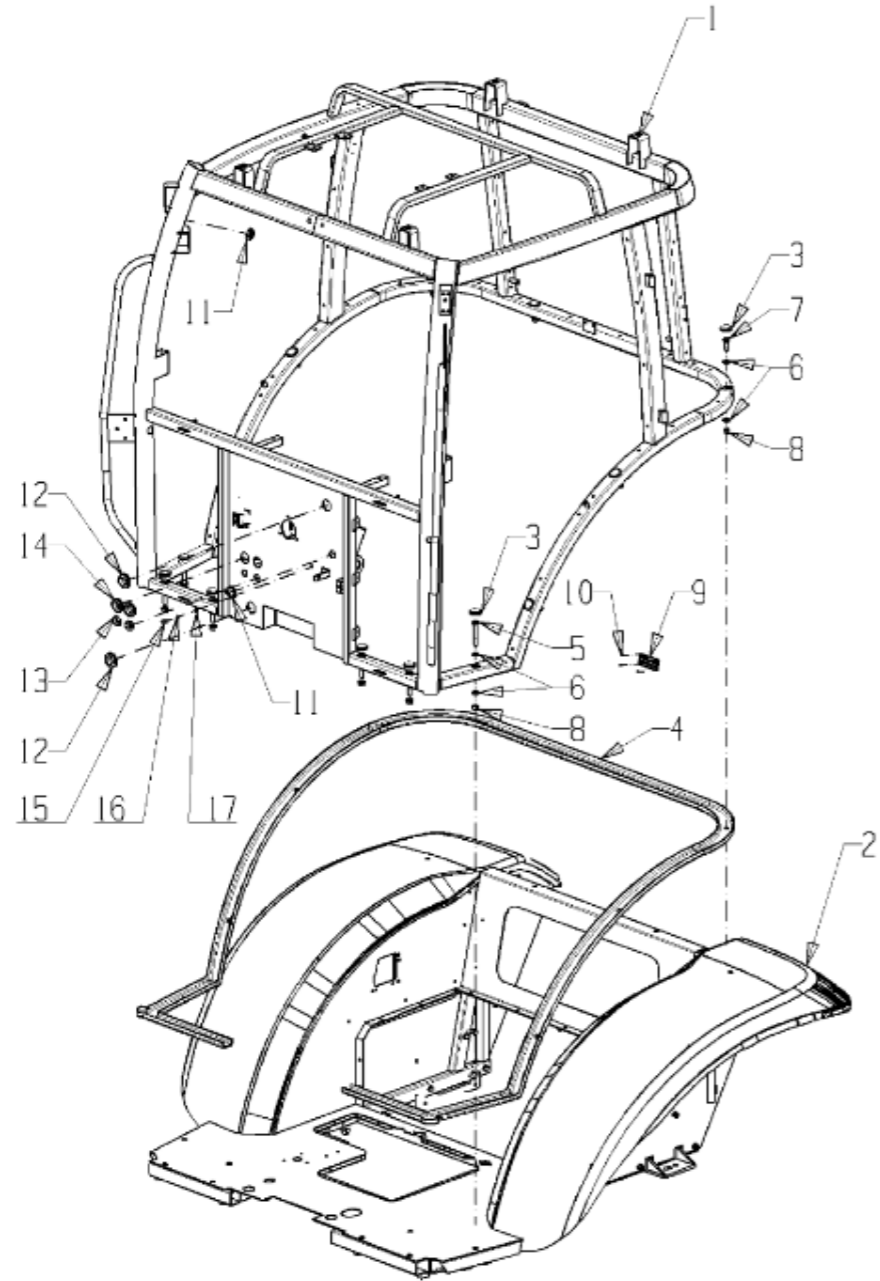
FL90 SERIES YUCHAI CNT1

CABIN STRUCTURE ASS.Y

N. dis. - P/N  
B84.45.900.4

Rev	1	2	3
11/07/2022			

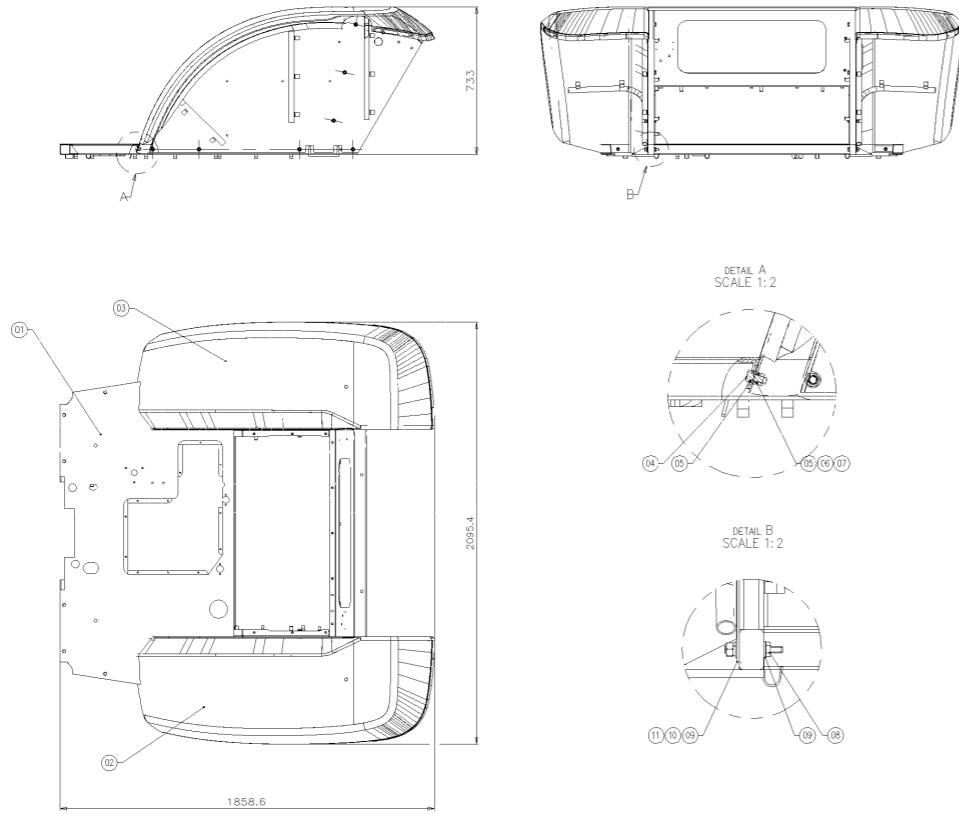
YFB-R-2017-011 SH.090



B84.45.900.4\_3 驾驶室总成 CABIN STRUCTURE ASS.Y

序号	零件编号	零件名称	数量	图号
1	B84.45.001.3/30	上层驾驶室框架 UPPER CABIN	1	B84.45.001.3/30
2	B84.45.005.4/10	地板焊接总成 FLOOR WELDING	1	B84.45.005.4/10
3	0.026.5183.0	塞子 D.30.5 PLUG D.30.5	14	0.026.5183.0
4	B36.45.038.0/10	橡胶条 RUBBER	1	B36.45.038.0/10
5	2.0112.425.2	螺栓 HEX BOLT M12x1.75x80	6	2.0112.425.2
6	2.1310.007.2	垫圈 WASHER 12	28	2.1310.007.2
7	2.0112.413.2	螺栓 HEX BOLT M12x1.75x35	8	2.0112.413.2
8	2.1011.107.2	螺母 NUT M12x1.75	14	2.1011.107.2
9	0.034.4543.0/10	铭牌 OECD LABEL	1	0.034.4543.0/10
10	2.1855.010.0	铆钉 BLIND RIVETS 3.4	4	2.1855.010.0
11	2.6569.069.0/10	橡胶塞 Gommino	2	2.6569.069.0/10
12	CD904A.45A.103	线束塞40 40 SHEATH	2	CD904A.45A.103
13	A23.45.231.0	橡胶垫片 RUBBER GASKET	2	A23.45.231.0
14	A23.45.232.0	橡胶垫片 RUBBER GASKET	2	A23.45.232.0
15	2.0114.207.2	螺栓 SCREW M8x20	1	2.0114.207.2
16	2.1473.007.2	弹簧垫圈 SPRING WASHER M8	1	2.1473.007.2
17	2.1310.004.2	垫圈 WASHER 8	1	2.1310.004.2

### B84.45.005.4 地板焊接 FLOOR WELDING ASS.Y

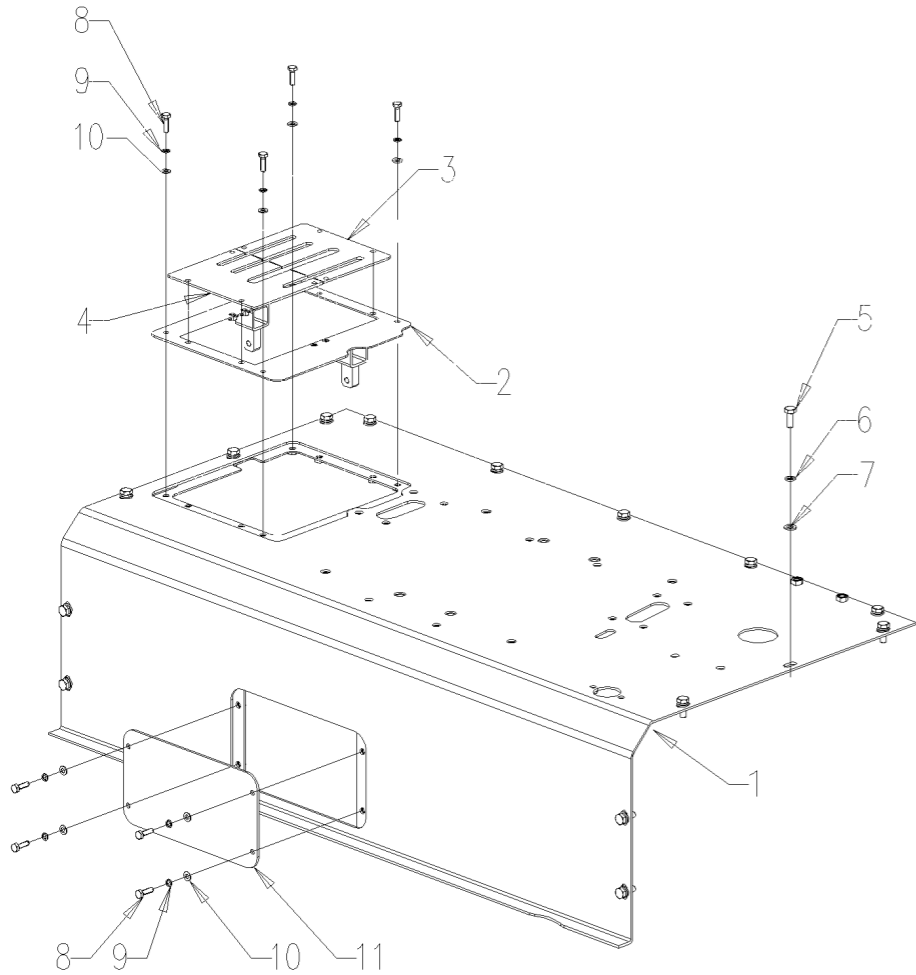


序号	零件编号	零件名称	数量	图号
1	B84.45.006.3	驾驶室地板焊合 CABIN FLOOR	1	B84.45.006.3
2	A23.45.183.3/10	左挡泥板焊合件 LEFT FENDER	1	A23.45.183.3/10
3	B84.45.010.3	右挡泥板焊合 RIGHT FENDER	1	B84.45.010.3
4	GBT5783-M8X20-A2L	螺栓 BOLT	2	GBT5783-M8X20-A2L
5	GBT97.1-8-A3L	垫圈 WASHER	4	GBT97.1-8-A3L
6	GBT93-8-A3L	垫圈 WASHER	2	GBT93-8-A3L
7	GBT6170-M8-A2L	螺母 NUT	2	GBT6170-M8-A2L
8	GBT5783-M10X50-A3L	螺栓 BOLT	14	GBT5783-M10X50-A3L
9	GBT97.1-10-A3L	垫圈 WASHER	28	GBT97.1-10-A3L
10	GBT93-10-A3L	垫圈 WASHER	14	GBT93-10-A3L
11	GBT6170-M10-A3L	螺母 NUT	14	GBT6170-M10-A3L

B84.45.962.4 REAR FLOOR COVER  
YFB-R-2017-011 SH.033

B84.45.962.4\_0 后地板总成 REAR FLOOR COVER

序号	零件编号	零件名称	数量	图号
1	B84.45.012.3	座板焊合 SEAT PLATE WELDMENT	1	B84.45.012.3
2	B80.45.006.3/10	托架 BRACKET	1	B80.45.006.3/10
3	A23.45.053.0	压板 PLATE	1	A23.45.053.0
4	A23.45.052.0	压板 PLATE	1	A23.45.052.0
5	GBT5783-M8X20-A2L	螺栓 BOLT	15	GBT5783-M8X20-A2L
6	GBT93-8-A3L	垫圈 WASHER	15	GBT93-8-A3L
7	GBT97.1-8-A3L	垫圈 WASHER	15	GBT97.1-8-A3L
8	GBT5783-M6X20-A2L	螺栓 BOLT	8	GBT5783-M6X20-A2L
9	GBT93-6-A3L	垫圈 WASHER	8	GBT93-6-A3L
10	GBT97.1-6-A3L	平垫圈 PLAIN WASHER	8	GBT97.1-6-A3L
11	CD904A.45A.107	压板 PLATE	1	CD904A.45A.107

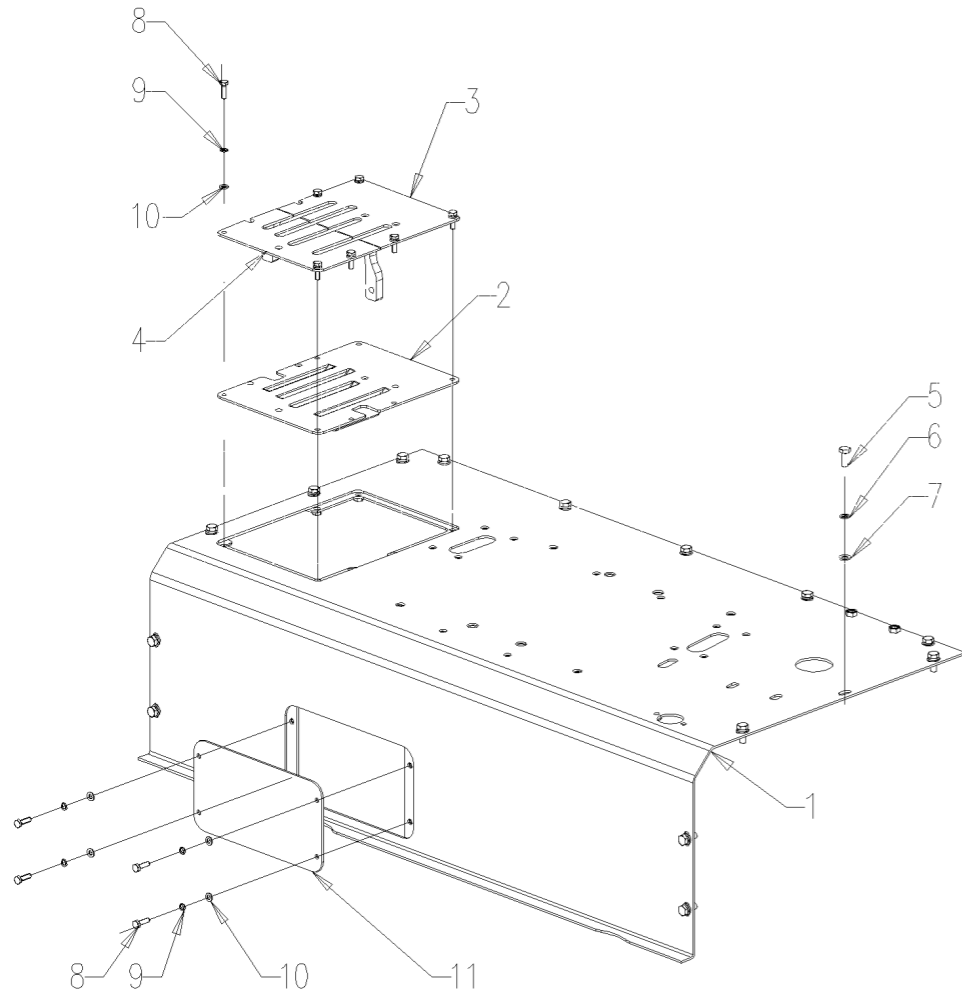


# B84.45.972.4 REAR FLOOR COVER

YFB-R-2017-011 SH.033

## B84.45.972.4\_0 后地板总成 REAR FLOOR COVER

序号	零件编号	零件名称	数量	图号
1	B84.45.013.3	座板焊合 REAR PLATFORM	1	B84.45.013.3
2	A11.45.001.0/20	垫片 GASKET	1	A11.45.001.0/20
3	A11.45.110.0/20	压板 PLATE	1	A11.45.110.0/20
4	A11.45.111.2/20	支架 SUPPORT_WA	1	A11.45.111.2/20
5	GBT5783-M8X20-A2L	螺栓 BOLT	15	GBT5783-M8X20-A2L
6	GBT93-8-A3L	垫圈 WASHER	15	GBT93-8-A3L
7	GBT97.1-8-A3L	垫圈 WASHER	15	GBT97.1-8-A3L
8	GBT5783-M6X20-A2L	螺栓 BOLT	11	GBT5783-M6X20-A2L
9	GBT93-6-A3L	垫圈 WASHER	11	GBT93-6-A3L
10	GBT97.1-6-A3L	垫圈 WASHER	11	GBT97.1-6-A3L
11	CD904A.45A.107	压板 PLATE	1	CD904A.45A.107

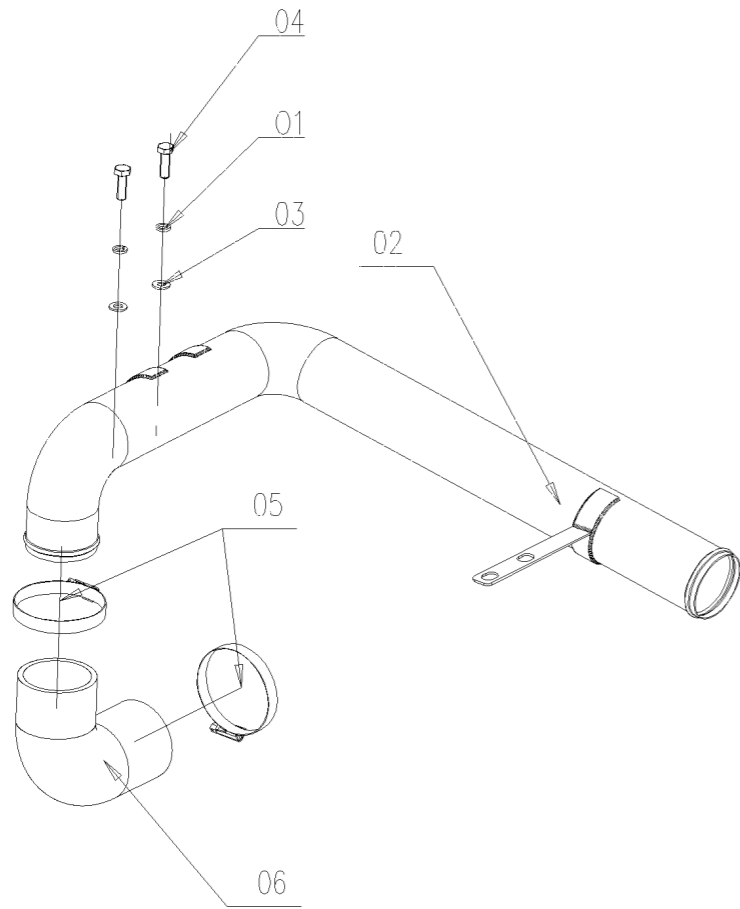




B86.11.903.4 AIR FILTER OUTLET PIPE ASS.Y  
YFB-R-2017-011 SH.064

B86.11.903.4\_0 空气滤清器出气管路总成 AIR FILTER OUTLET PIPE ASS.Y

序号	零件编号	零件名称	数量	图号
1	GBT93-8-A3L	垫圈 WASHER	2	GBT93-8-A3L
2	CD1104.11.011/10	进气弯管 INLET ELBOW	1	CD1104.11.011/10
3	2.1310.004.2	垫圈 WASHER	2	2.1310.004.2
4	2.0114.209.2	螺栓 BOLT	2	2.0114.209.2
5	JBT8870-D80	喉箍 HOSE CLAMPS	2	JBT8870-D80
6	CD904.11.106	进气胶管 AIR INTAKE HOSE	1	CD904.11.106

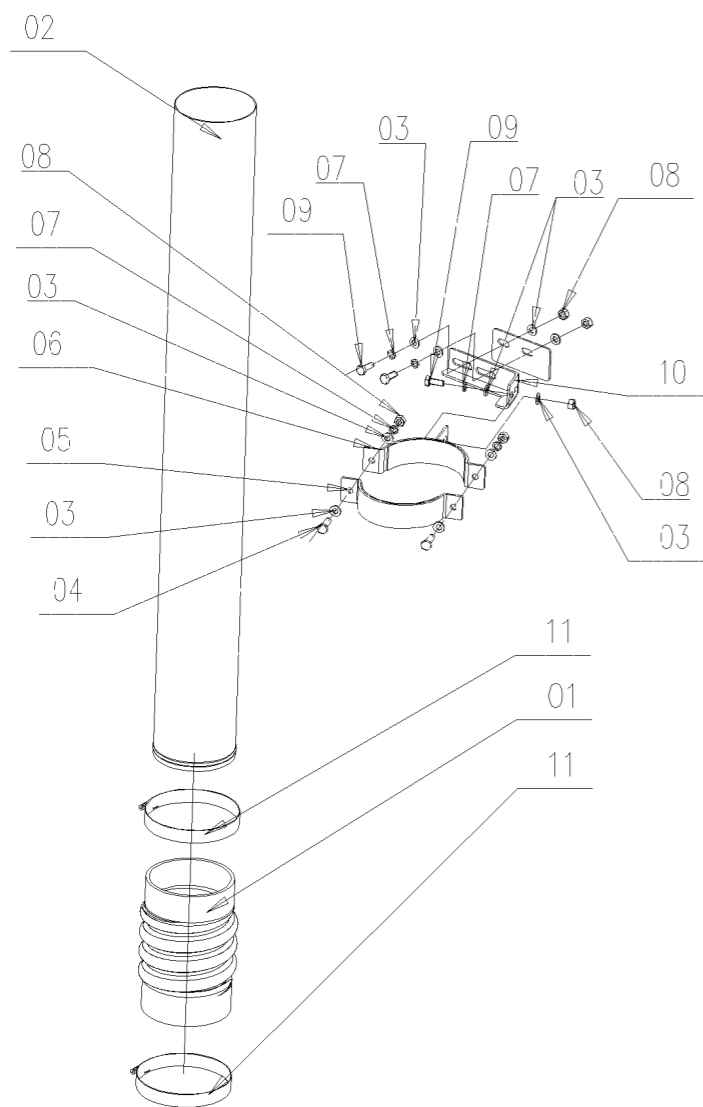


# B86.11.912.4 AIR FILTER INTAKE PIPE ASS.Y

YFB-R-2017-011 SH.064

## B86.11.912.4\_0 空气滤清器进气管路总成 AIR FILTER INTAKE PIPE ASS.Y

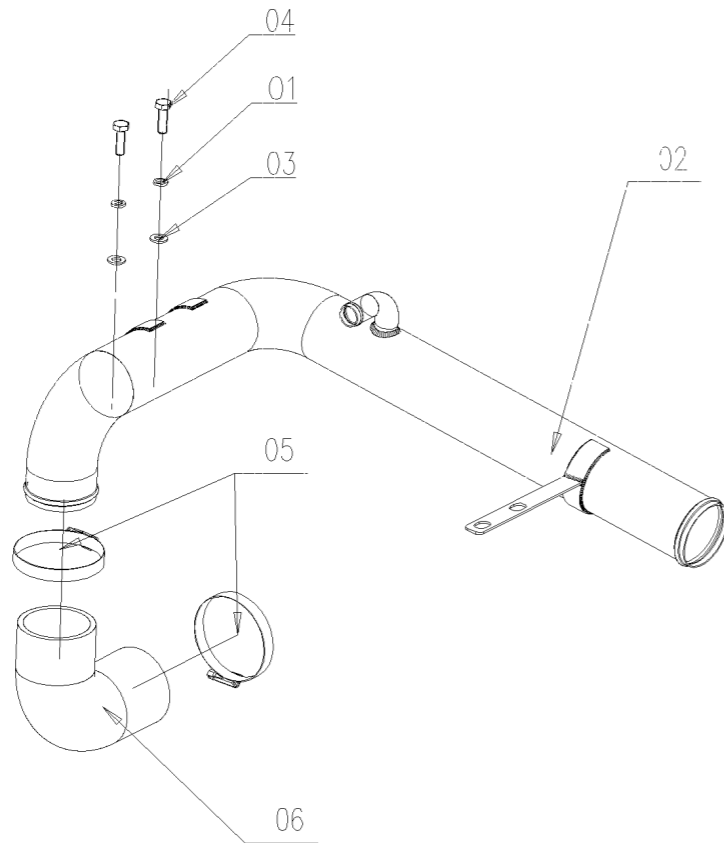
序号	零件编号	零件名称	数量	图号
1	B95.11.002.0	进气软管 AIR INLET HOSE	1	B95.11.002.0
2	B95.11.001.0	进气管 AIR INLET PIPE	1	B95.11.001.0
3	2.1310.004.2	垫圈 WASHER	10	2.1310.004.2
4	2.0114.209.2	螺栓 BOLT	2	2.0114.209.2
5	A23.11.008.2/20	半箍 HALF HOOP	1	A23.11.008.2/20
6	B95.11.003.3	支架焊接 BRACKET WELDMENT	1	B95.11.003.3
7	GBT93-8-A3L	垫圈 WASHER	5	GBT93-8-A3L
8	2.1011.105.2	螺母 NUT	5	2.1011.105.2
9	2.0114.207.2	螺栓 BOLT	3	2.0114.207.2
10	B95.11.004.2	连接支架 CONNECT BRACKET	1	B95.11.004.2
11	JBT8870-D130	喉箍 HOSE CLAMPS	2	JBT8870-D130



B86.11.913.4 AIR FILTER OUTLET PIPE ASS.Y  
YFB-R-2017-011 SH.064

B86.11.913.4\_0 空气滤清器出气管路总成 AIR FILTER OUTLET PIPE ASS.Y

序号	零件编号	零件名称	数量	图号
1	GBT93-8-A3L	垫圈 WASHER	2	GBT93-8-A3L
2	B86.11.001.2/10	进气弯头 INLET ELBOW	1	B86.11.001.2/10
3	2.1310.004.2	垫圈 WASHER	2	2.1310.004.2
4	2.0114.209.2	螺栓 BOLT	2	2.0114.209.2
5	JBT8870-D80	喉箍 HOSE CLAMPS	2	JBT8870-D80
6	CD904.11.106	进气胶管 AIR INTAKE HOSE	1	CD904.11.106

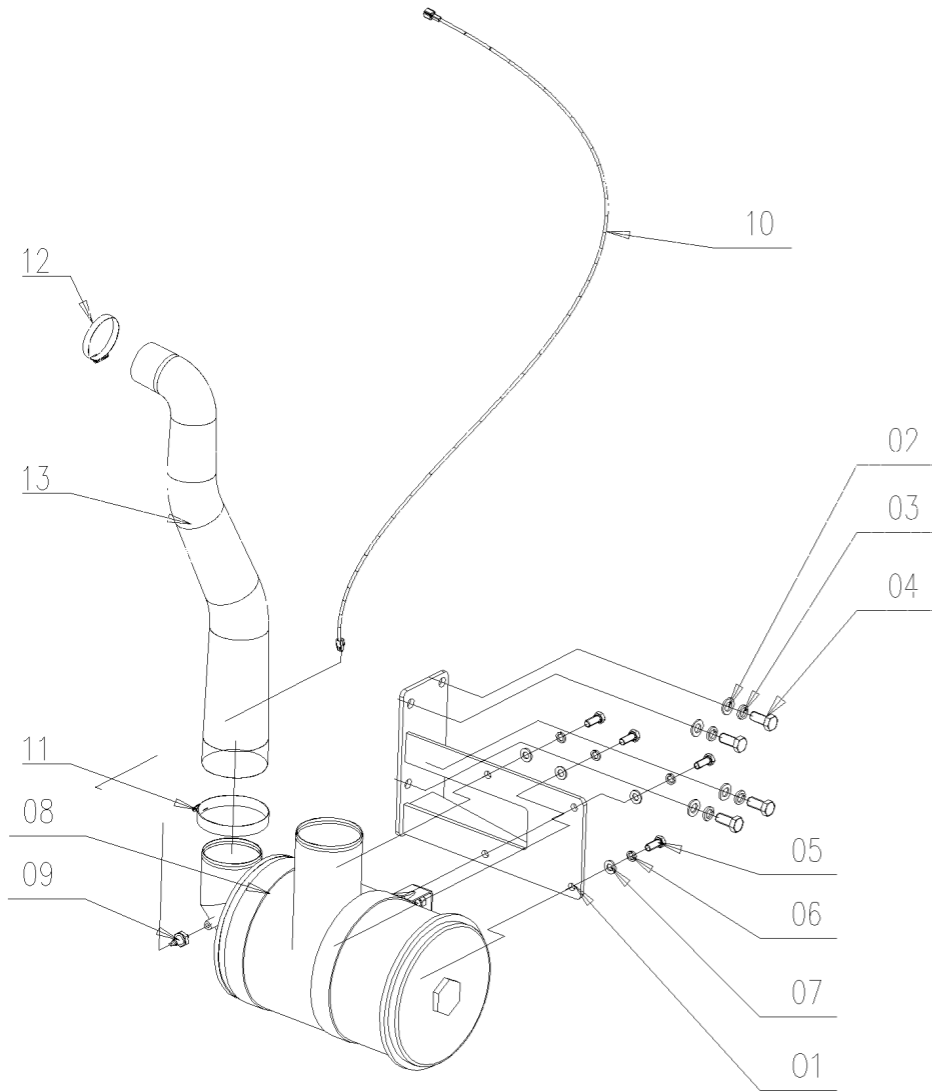


# B86.11.921.4 AIR FILTER ASS.Y

YFB-R-2017-011 SH.064

## B86.11.921.4\_0 空气滤清器总成 AIR FILTER ASS.Y

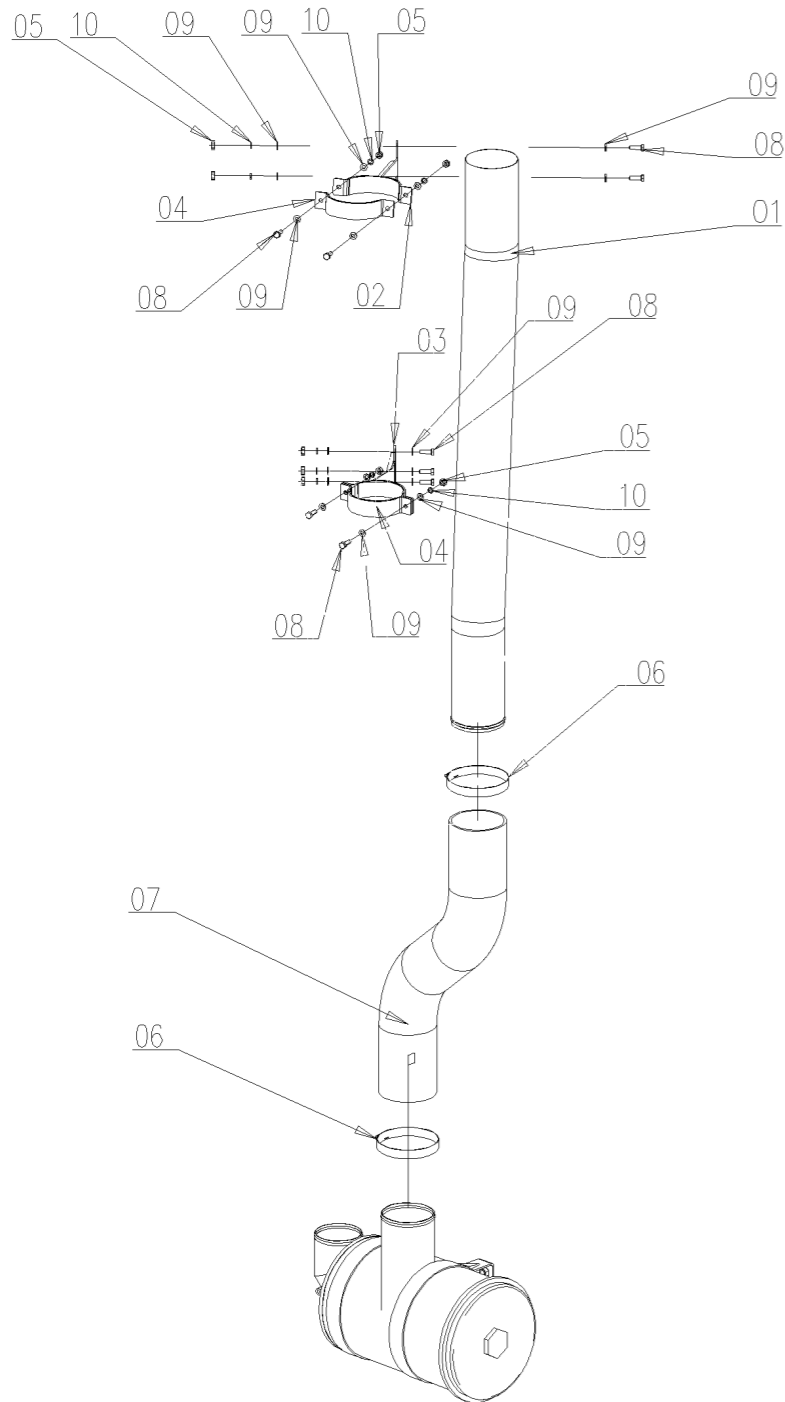
序号	零件编号	零件名称	数量	图号
1	CD1104.11.012/10	干式空气过滤器支架 DRY AIR FILTER	1	CD1104.11.012/10
2	2.1310.010.2	垫圈 WASHER	4	2.1310.010.2
3	GBT93-16-A3L	垫圈 WASHER	4	GBT93-16-A3L
4	2.0114.613.2	螺栓 BOLT	4	2.0114.613.2
5	2.0114.411.2	螺栓 BOLT	4	2.0114.411.2
6	GBT93-12-A3L	垫圈 WASHER	4	GBT93-12-A3L
7	2.1310.007.2	垫圈 WASHER	4	2.1310.007.2
8	CD904A.11.010A	空气滤清器 AIR FILTER	1	CD904A.11.010A
9	LE1204.48.042	气压报警传感器 AIR PRESSURE	1	LE1204.48.042
10	CD1204.48A.020	空滤堵塞报警线束总成 AIR PRESSURE	1	CD1204.48A.020
11	JBT8870-D120	喉箍 HOSE CLAMPS	1	JBT8870-D120
12	JBT8870-D80	喉箍 HOSE CLAMPS	1	JBT8870-D80
13	CD1104.11.102/10	进气软管 AIR INTAKE HOSE	1	CD1104.11.102/10



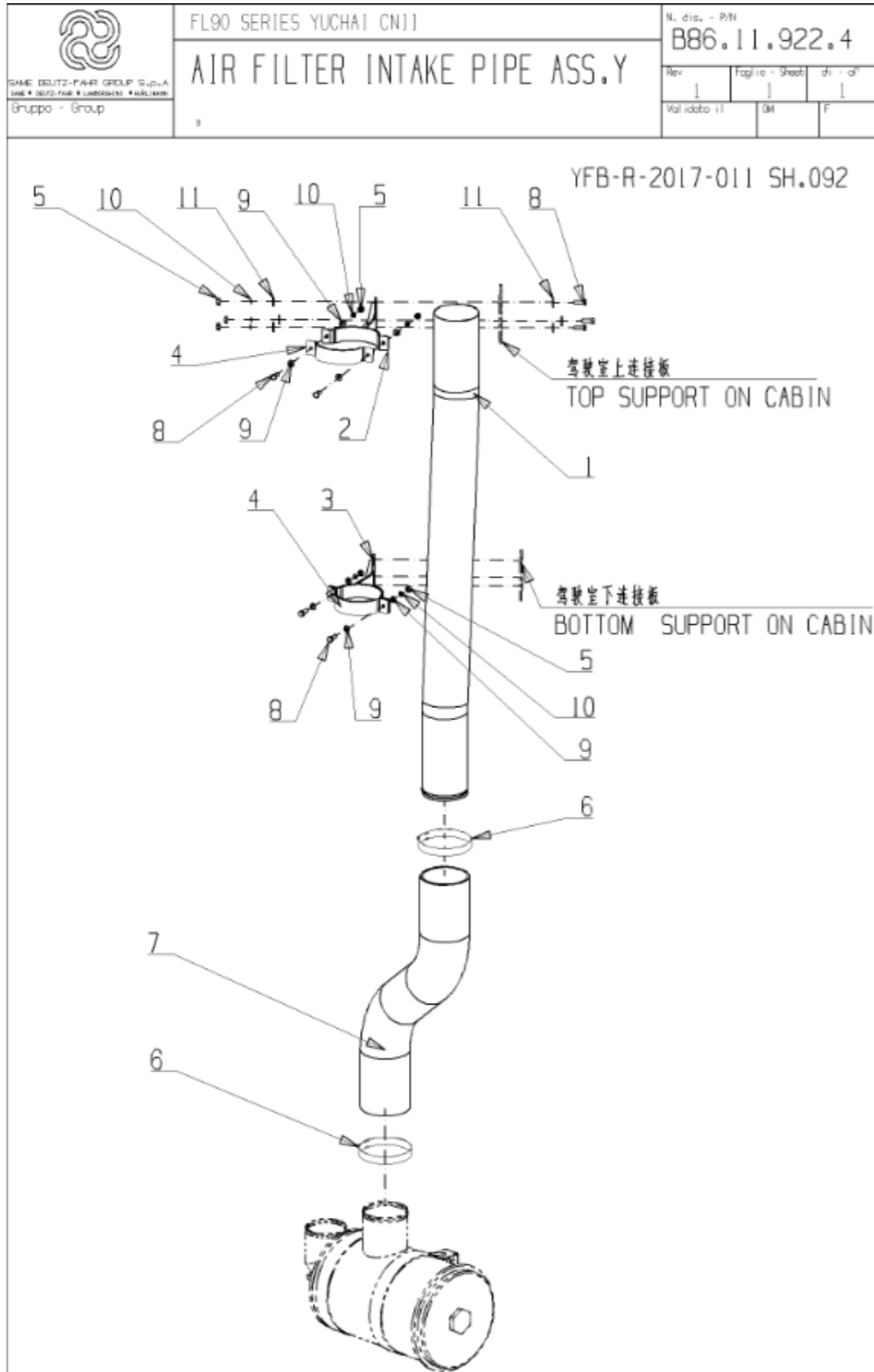
# B86.11.922.4 AIR FILTER INTAKE PIPE ASS.Y

YFB-R-2017-011 SH.064

# B86.11.922.4\_0 空气滤清器进气管路总成 AIR FILTER INTAKE PIPE ASS.Y



序号	零件编号	零件名称	数量	图号
1	A23.11.005.0/10	进气管 AIR INLET TUBE	1	A23.11.005.0/10
2	A23.11.006.2/20	顶部固定支架 TOP FIXING BRACKET	1	A23.11.006.2/20
3	A23.11.007.2/20	固定支架 BLOW FIXING BRACKET	1	A23.11.007.2/20
4	A23.11.008.2/20	半箍 HALF HOOP	2	A23.11.008.2/20
5	2.1011.105.2	螺母 NUT	9	2.1011.105.2
6	JBT8870-D130	喉箍 HOSE CLAMPS	2	JBT8870-D130
7	CD1104.11.101/20	进气软管 AIR INTAKE HOSE	1	CD1104.11.101/20
8	2.0114.209.2	螺栓 BOLT	9	2.0114.209.2
9	2.1310.004.2	垫圈 WASHER	18	2.1310.004.2
10	GBT93-8-A3L	垫圈 WASHER	9	GBT93-8-A3L



### B86.11.922.4\_1 空气滤清器进气管路总成 AIR FILTER INTAKE PIPE ASS.Y

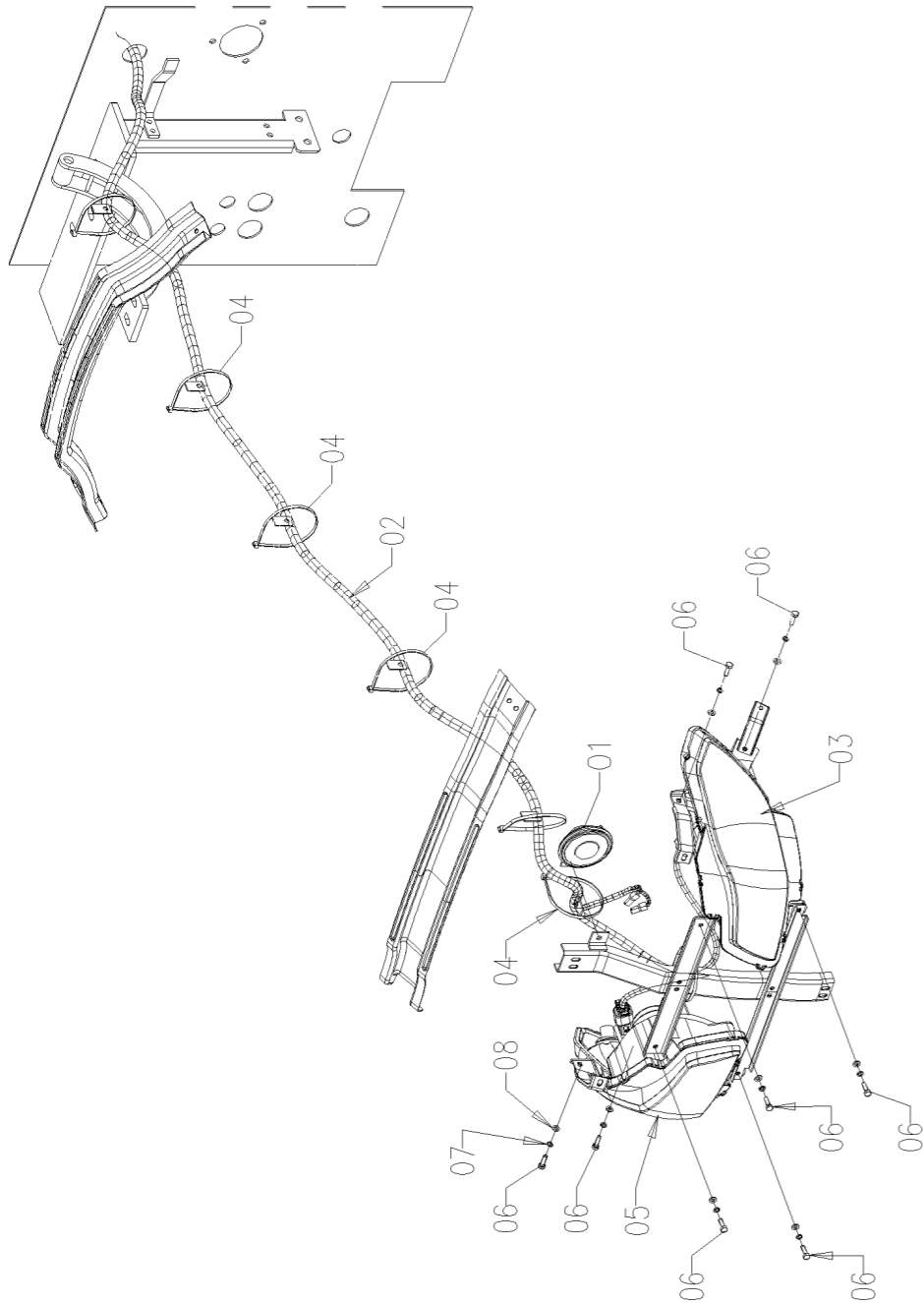
序号	零件编号	零件名称	数量	图号
1	A23.11.005.0/10	进气管 AIR INLET TUBE	1	A23.11.005.0/10
2	A23.11.006.2/30	顶部固定支架 TOP BRACKET	1	A23.11.006.2/30
3	A23.11.007.2/30	固定支架 LOW BRACKET	1	A23.11.007.2/30
4	A23.11.008.2/20	半卡箍 HALF HOOP	2	A23.11.008.2/20
5	2.1011.105.2	螺母 NUT M8x1.25	7	2.1011.105.2
6	JBT8870-D130	软管夹 HOSE CLAMPS	2	JBT8870-D130
7	CD1104.11.101/20	进气软管 AIR INTAKE HOSE	1	CD1104.11.101/20
8	2.0114.209.2	螺栓 SCREW M8x25	7	2.0114.209.2
9	2.1310.004.2	垫圈 WASHER 8	8	2.1310.004.2
10	2.1473.007.2	弹簧垫圈 SPRING WASHER M8	7	2.1473.007.2
11	2.1312.004.2	垫圈 WASHER 8	6	2.1312.004.2

# BONNET W.H ASSEMBLY B89.48.902.4

YFB-R-2017-011 SH.006

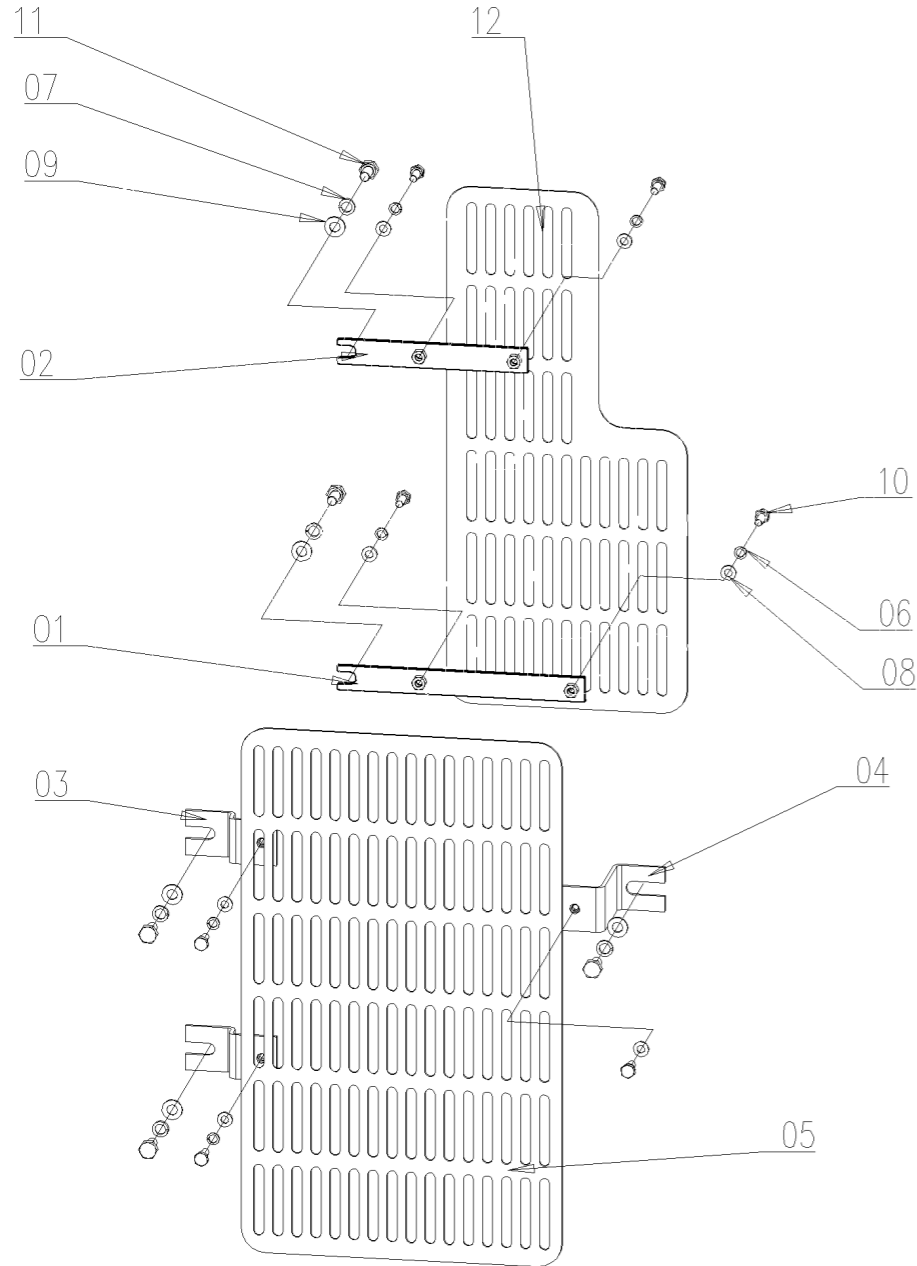
## B89.48.902.4\_0 机罩线束总成 BONNET W.H ASSEMBLY

序号	零件编号	零件名称	数量	图号
1	CD1204.48.037	电喇叭 ELECTRIC HORN	1	CD1204.48.037
2	CD1204.48.022	前灯线束总成 FRONT LAMP WIRING	1	CD1204.48.022
3	CD1204.48.036	右前照灯总成 RIGHT HEADLIGHT	1	CD1204.48.036
4	2.6852.203.0	自锁扎带 SELF LOCKING CABLE TIES	3	2.6852.203.0
5	CD1204.48.035	左前照灯总成 LEFT HEADLIGHT	1	CD1204.48.035
6	GBT5783-M6X20-A2L	螺栓 BOLT	8	GBT5783-M6X20-A2L
7	GBT93-6-A3L	垫圈 WASHER	8	GBT93-6-A3L
8	GBT97.1-6-A3L	垫圈 WASHER	8	GBT97.1-6-A3L



# B95.47.901.4 FAN PROTECTION

## YFB-R-2017-011 Sh.011



### B95.47.901.4\_0 发动机防护总成LH/RH GUARD ASS.Y

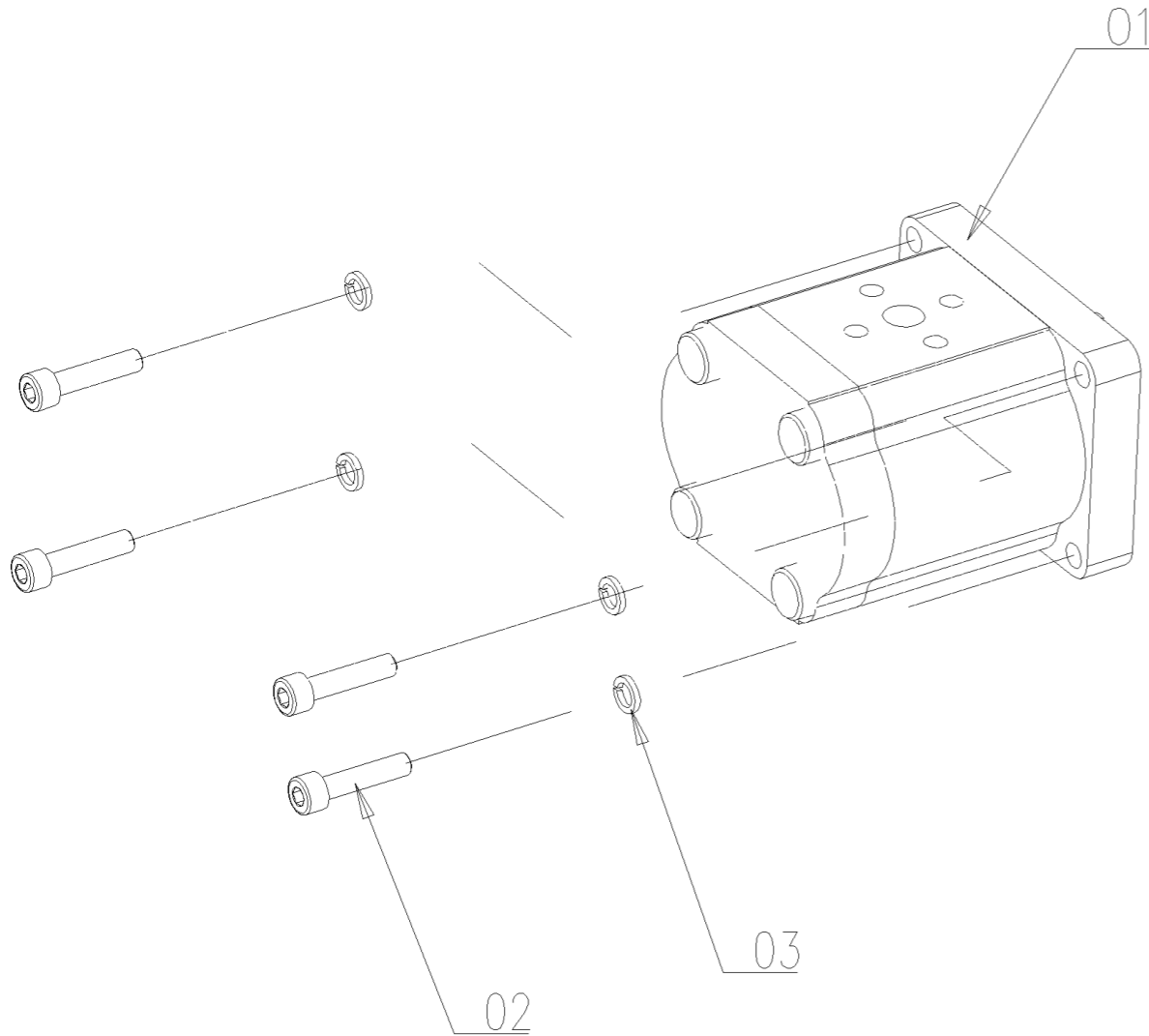
序号	零件编号	零件名称	数量	图号
1	B95.47.004.3	支撑板焊件 SUPPORT PLATE	1	B95.47.004.3
2	B95.47.005.3	支撑板焊件 SUPPORT PLATE WELD	1	B95.47.005.3
3	CD904A.47.018	左侧防护板支架焊合1 LEFT SHIELD	2	CD904A.47.018
4	CD904A.47.019	左侧防护板支架焊合2 LEFT SHIELD	1	CD904A.47.019
5	CD904A.47.101	防护板 SHIELD	1	CD904A.47.101
6	GBT93-6-A3L	垫圈 WASHER	6	GBT93-6-A3L
7	GBT93-8-A3L	垫圈 WASHER	4	GBT93-8-A3L
8	GBT97.1-6-A3L	垫圈 WASHER	6	GBT97.1-6-A3L
9	GBT97.1-8-A3L	垫圈 WASHER	4	GBT97.1-8-A3L
10	GBT5783-M6X16-A2L	螺栓 BOLT	6	GBT5783-M6X16-A2L
11	GBT5783-M8X16-A2L	螺栓 BOLT	4	GBT5783-M8X16-A2L
12	SH1004.47.114	右侧防护板 LEFT PLATE	1	SH1004.47.114



### C05.58.901.4\_0 齿轮泵安装总成 GEAR PUMP ASS.Y

序号	零件编号	零件名称	数量	图号
1	C60.58.001.0	渐开线齿轮泵 PUMP CBN-20	1	C60.58.001.0
2	GBT70.1-M8X35-A2L	螺栓 BOLT	4	GBT70.1-M8X35-A2L
3	GBT93-8-A3L	垫圈 WASHER	4	GBT93-8-A3L

C05.58.901.4 GEAR PUMP ASS.

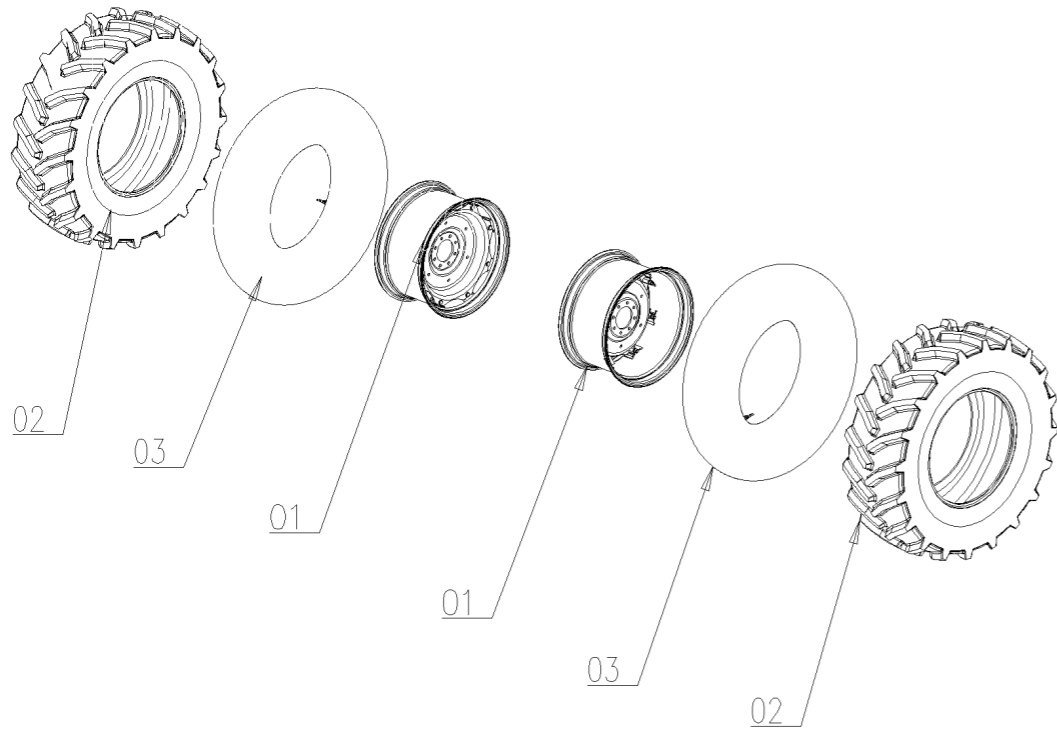


# C54.34.900.4 REAR WHEEL ASSY.

## C54.34.900.4\_1 后轮总成 REAR WHEELS ASSEMBLY

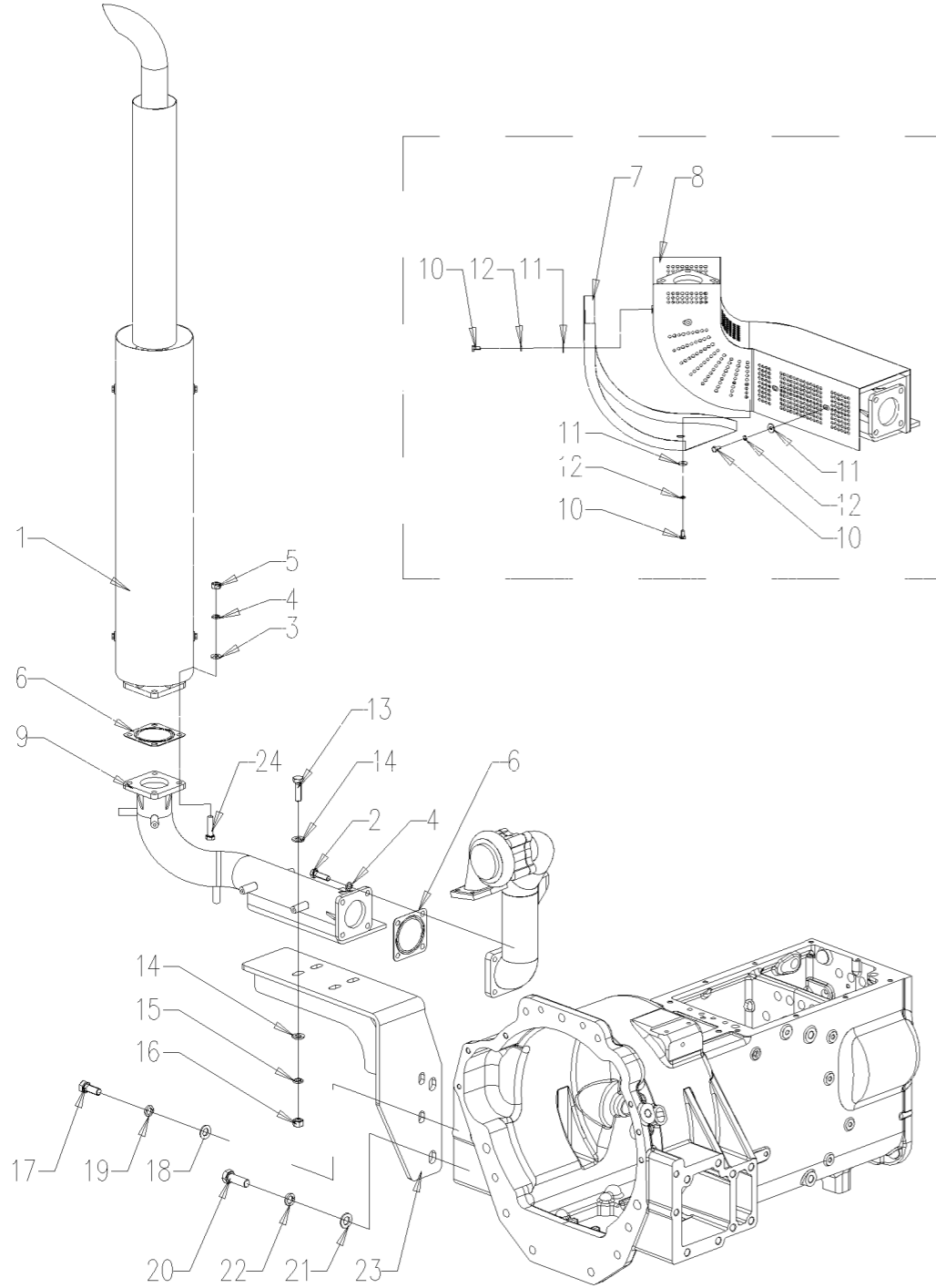
序号	零件编号	零件名称	数量	图号
1	C54.34.001.2	轮辋组件 RIM COMPONENT	2	C54.34.001.2
2	GBT2979-18.4-30-12PR-R1	外轮胎 OUTER TIRE	2	GBT2979-18.4-30-12PR-R1
3	GBT2979-18.4-30-R1	内轮胎 INNER TIRE	2	GBT2979-18.4-30-R1

YFB-R-2017-002 SH.005



# CD904.22.001 EXHAUST SYSTEM ASSEMBLY

YFB-R-2017-011 SH.016



## CD904.22.001\_3 排气系统总成 EXHAUST SYSTEM ASSEMBLY

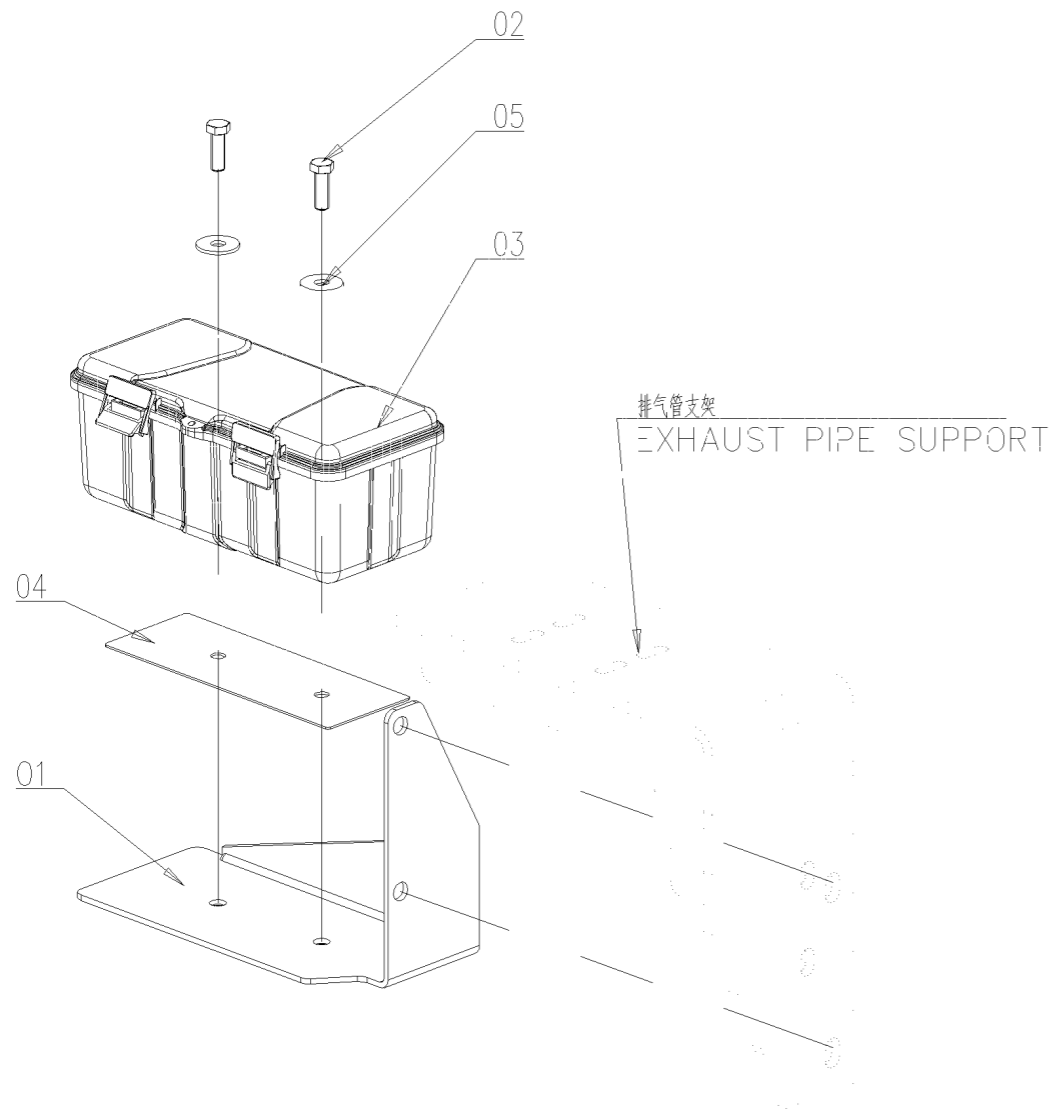
序号	零件编号	零件名称	数量	图号
1	SH950.22.103/10	消声器总成 MUFFLER ASSEMBLY	1	SH950.22.103/10
2	GBT5783-M10X35-A3L	螺栓 BOLT	4	GBT5783-M10X35-A3L
3	GBT97.1-10-A3L	垫圈 WASHER	4	GBT97.1-10-A3L
4	GBT93-10-A3L	垫圈 WASHER	8	GBT93-10-A3L
5	GBT6170-M10-A3L	螺母 NUT	4	GBT6170-M10-A3L
6	CD904.22.101	垫片 GASKET	2	CD904.22.101
7	CD904.22.011/10	弯管防护焊合 EXHAUST PIPE SHIELD	1	CD904.22.011/10
8	CD904.22.012/20	弯管防护焊合 EXHAUST PIPE SHIELD	1	CD904.22.012/20
9	CD904.22.013/10	弯管防护 EXHAUST PIPE	1	CD904.22.013/10
10	GBT5783-M6X12-A2L	螺栓 BOLT	8	GBT5783-M6X12-A2L
11	GBT96-6-A3L	垫圈 WASHER	8	GBT96-6-A3L
12	GBT93-6-A3L	垫圈 WASHER	8	GBT93-6-A3L
13	GBT5783-M12X40-A3L	螺栓 BOLT	4	GBT5783-M12X40-A3L
14	GBT97.1-12-A3L	垫圈 WASHER	8	GBT97.1-12-A3L
15	GBT93-12-A3L	螺栓 BOLT	4	GBT93-12-A3L
16	GBT6170-M12-A3L	螺母 NUT	4	GBT6170-M12-A3L
17	GBT5783-M14X35-10.9-	螺栓 BOLT	2	GBT5783-M14X35-10.9-A3L
18	GBT97.1-14-A3L	垫圈 WASHER	2	GBT97.1-14-A3L
19	GBT93-14-A3L	垫圈 WASHER	2	GBT93-14-A3L
20	GBT5783-M16X45-10.9-	螺栓 BOLT	2	GBT5783-M16X45-10.9-A3L
21	GBT97.1-16-A3L	垫圈 WASHER	2	GBT97.1-16-A3L
22	GBT93-16-A3L	垫圈 WASHER	2	GBT93-16-A3L
23	B80.22.001.2	支架 BRACKET	1	B80.22.001.2
24	GBT5783-M10X40-A3L	螺栓 BOLT	4	GBT5783-M10X40-A3L

CD904.49.001 TOOLBOX ASS.Y

YFB-R-2018-005 SH.045

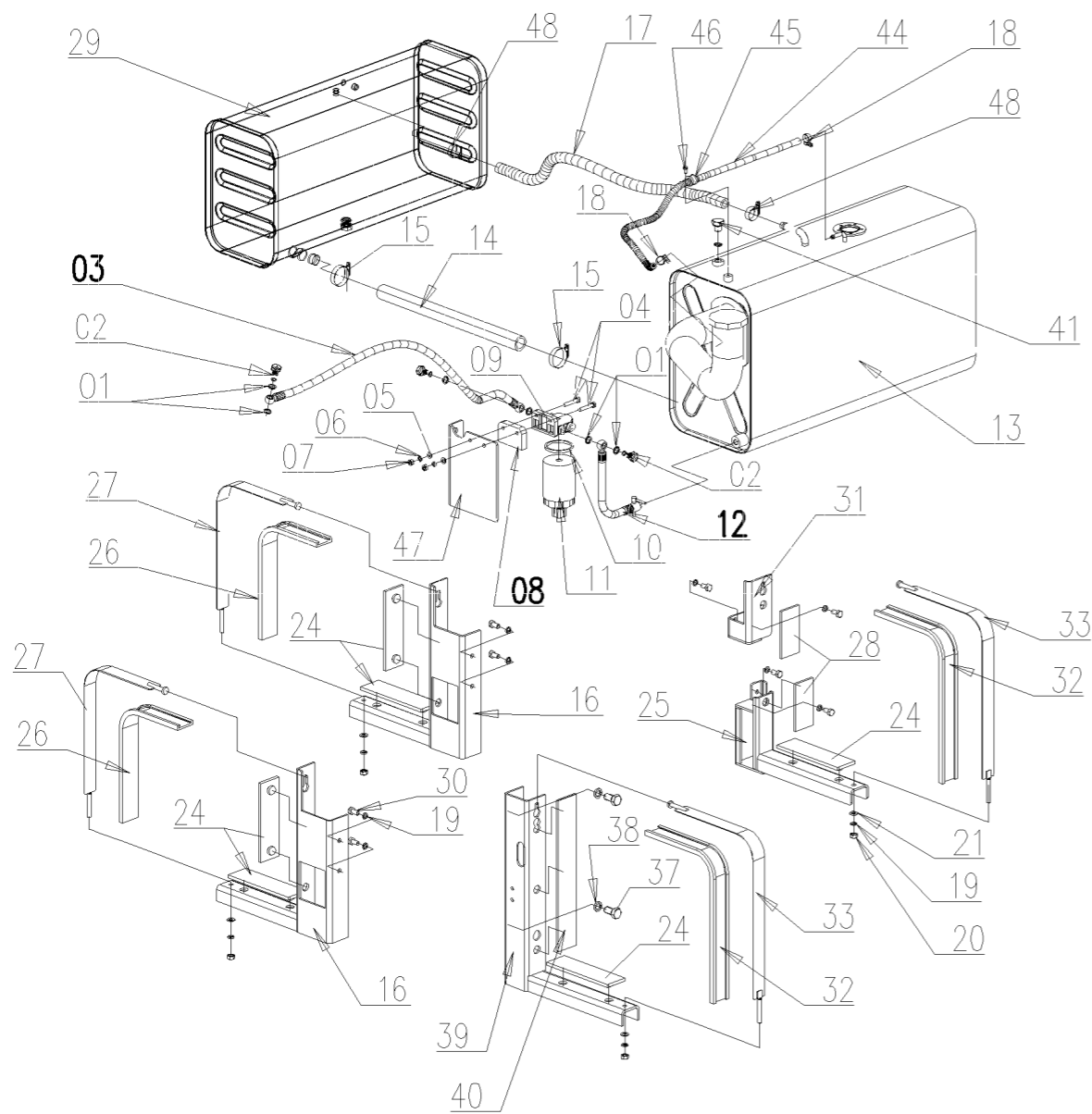
CD904.49.001\_3 工具箱总成 TOOLBOX ASS.Y

序号	零件编号	零件名称	数量	图号
1	CD904.49.011/20	工具箱支撑 TOOL BOX SUPPORT	1	CD904.49.011/20
2	2.0114.413.2	螺栓 SCREW M12x35	2	2.0114.413.2
3	SH704-1.49.020/20	工具箱 TOOLBOX	1	SH704-1.49.020/20
4	SH704-1.49.205/10	工具箱橡胶 TOOLBOX RUBBER	1	SH704-1.49.205/10
5	2.1312.006.2	垫圈 WASHER 12	2	2.1312.006.2



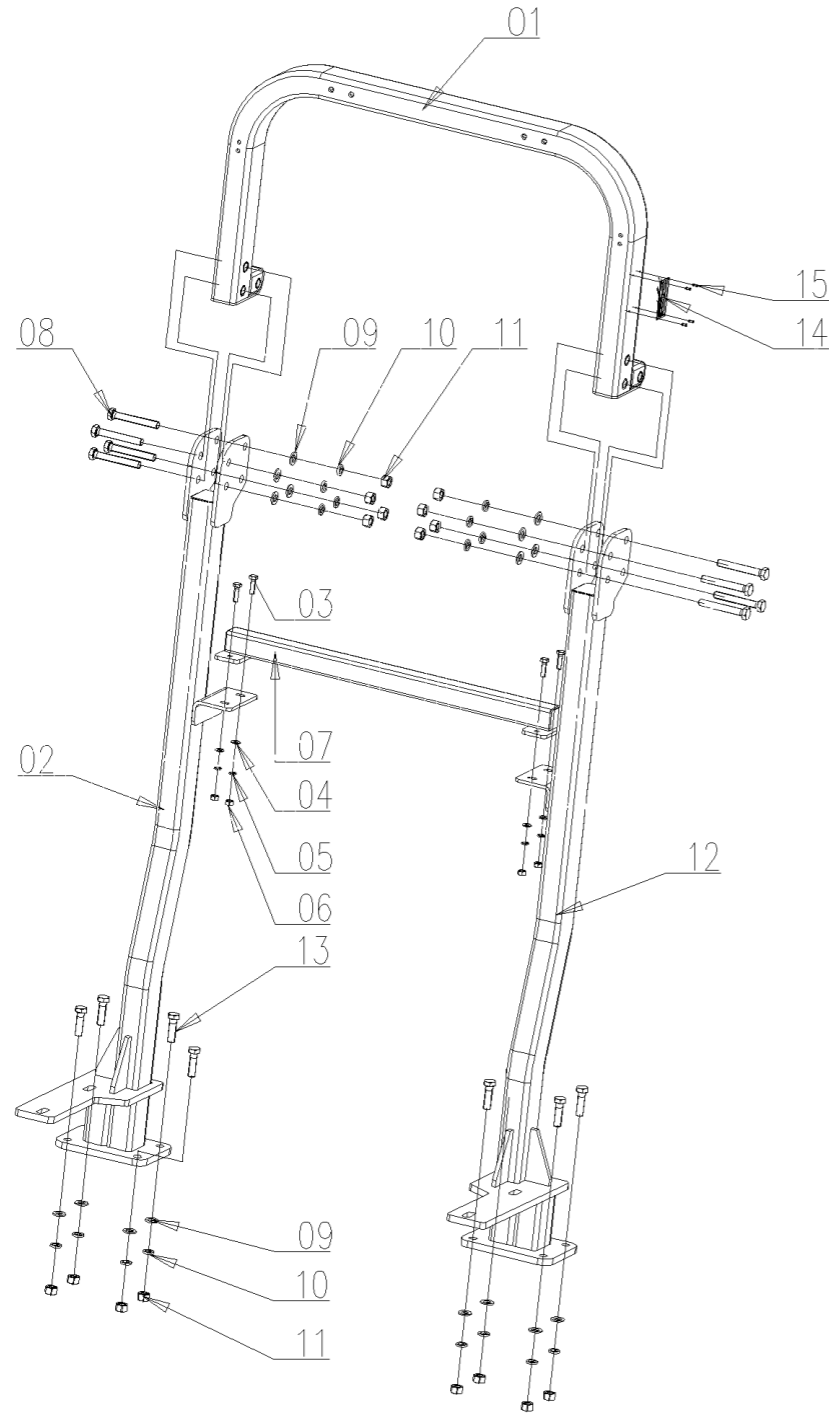
# CD904.50.001 FUEL TANK ASSEMBLY

## CD904.50.001\_3 燃油系统总成 FUEL TANK ASSEMBLY



序号	零件编号	零件名称	数量	图号
1	JBT982-14	垫圈 WASHER	7	JBT982-14
2	SH900.50.146	空心螺栓 HOLLOW BOLT	3	SH900.50.146
3	SH900.50.022	软管总成 HOSE ASSY	1	SH900.50.022
4	GBT5781-M8X45-A3L	螺栓 BOLT	2	GBT5781-M8X45-A3L
5	GBT97.1-8-A3L	平垫 PLAIN WASHER	2	GBT97.1-8-A3L
6	GBT93-8-A3L	弹簧垫圈 SPRING WASHER	2	GBT93-8-A3L
7	GBT6170-M8-A2L	螺母 NUT	2	GBT6170-M8-A2L
8	SH900.50.142	滤清器减震垫 FILTER DAMPING PAD	1	SH900.50.142
9	SH900.50.143	滤清器座 FILTER SEAT	1	SH900.50.143
10	SH900.50.145	柴油滤清器胶垫 DIESEL OIL FILTER	1	SH900.50.145
11	SH900.50.144	柴油滤清器 DIESEL OIL FILTER	1	SH900.50.144
12	CD904A.50.013	出油管总成 FUEL OUTLET HOSE	1	CD904A.50.013
13	CD904.50.015/30	主油箱 MAIN FUEL TANK	1	CD904.50.015/30
14	SH900.50.110	夹布输油胶管 LOWER PIPE	1	SH900.50.110
15	JBT8870-d50	喉箍 HOSE CLAMP	2	JBT8870-d50
16	SH900.50.012	副油箱支架焊合 AUXILIARY FUEL	2	SH900.50.012
17	SH900.50.111	连接胶管 CONNECTING HOSE	1	SH900.50.111
18	JBT8870-D20	喉箍 HOSE CLAMP	2	JBT8870-D20
19	GBT93-10-A3L	弹簧垫圈 SPRING WASHER	12	GBT93-10-A3L
20	GBT6170-M10-A3L	螺母 NUT	4	GBT6170-M10-A3L
21	GBT97.1-10-A3L	平垫 PLAIN WASHER	4	GBT97.1-10-A3L
24	SH900.50.138	橡胶垫板 FRONT RUBBER	6	SH900.50.138
25	SH900.50.013	主油箱支架焊合件 MAIN OIL TANK	1	SH900.50.013
26	SH900.50.140	固定带胶带 RH RUBBER BELT	2	SH900.50.140
27	SH900.50.023	固定带焊合 RH METAL BELT	2	SH900.50.023
28	SH900.50.139	橡胶垫板 REAR RUBBER	2	SH900.50.139
29	SH900.50.016	副油箱 AUX FUEL TANK	1	SH900.50.016
30	GBT5783-M10X20-A3L	螺栓 BOLT	8	GBT5783-M10X20-A3L
31	SH900.50.011	主油箱支架焊合件 MAIN OIL TANK	1	SH900.50.011
32	SH900.50.114	固定带胶带 LH RUBBER BELT	2	SH900.50.114
33	SH900.50.018	固定带焊合 LH METAL BELT	2	SH900.50.018
37	GBT5783-M16X30-A3L	螺栓 BOLT	2	GBT5783-M16X30-A3L
38	GBT93-16-A3L	垫圈 WASHER	2	GBT93-16-A3L
39	SH900.50.019	主油箱支架焊合 MAIN OIL TANK	1	SH900.50.019
40	SH900.50.141	长橡胶垫板 RUBBER	1	SH900.50.141
41	CD1204.50A.101	螺栓 PLUG	1	CD1204.50A.101
44	CD904.50.103	呼吸软管 BREATHING HOSE	1	CD904.50.103
45	2.6839.053.0	固定管夹 FASCETTA	1	2.6839.053.0
46	GBT5783-M6X12-A2L	螺栓 BOLT	1	GBT5783-M6X12-A2L
47	SH900.45A.198-1	前地板左联接板 FRONT FLOOR LEFT	1	SH900.45A.198-1
48	JBT8870-D32	喉箍 HOSE CLAMPS	2	JBT8870-D32

# CD904A.46.001 ROPS ASS.Y

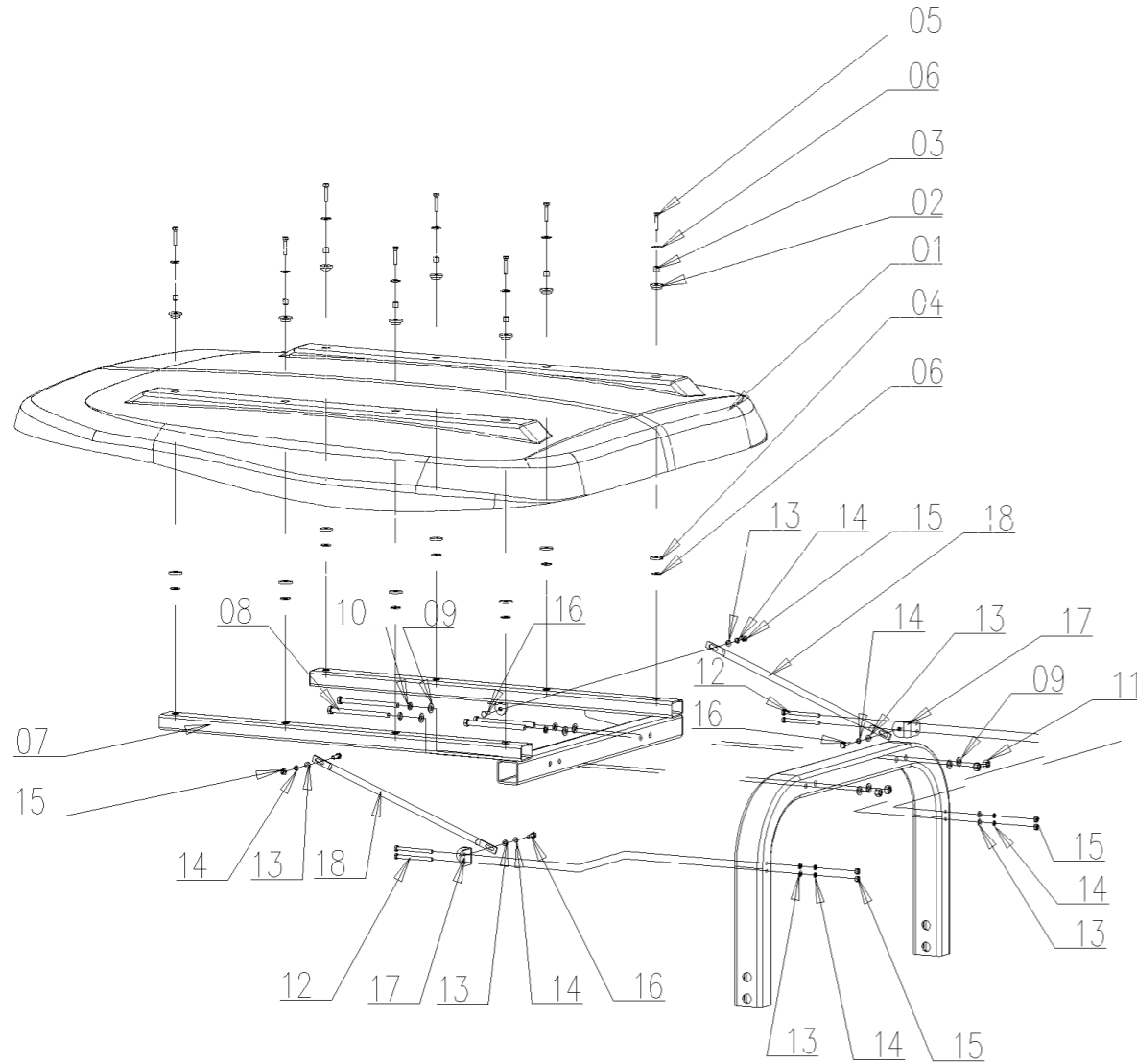


## CD904A.46.001\_3 安全架总成 (地板+安全架)

序号	零件编号	零件名称	数量	图号
1	CD904A.46.011/20	安全架上梁 SAFETY FRAME HEAD	1	CD904A.46.011/20
2	CD904A.46.012/20	右支撑梁 RIGHT SUPPORT BEAM	1	CD904A.46.012/20
3	GBT5783-M10X35-A3L	螺栓 BOLT	4	GBT5783-M10X35-A3L
4	GBT97.1-10-A3L	垫圈 WASHER	4	GBT97.1-10-A3L
5	GBT93-10-A3L	垫圈 WASHER	4	GBT93-10-A3L
6	GBT6170-M10-A3L	螺母 NUT	4	GBT6170-M10-A3L
7	CD904A.46.014	连接板 CONNECTING PLATE	1	CD904A.46.014
8	GBT5782-M16X110-A3L	螺栓 BOLT	8	GBT5782-M16X110-A3L
9	GBT97.1-16-A3L	垫圈 WASHER	16	GBT97.1-16-A3L
10	GBT93-16-A3L	垫圈 WASHER	16	GBT93-16-A3L
11	GBT6170-M16-A3L	螺母 NUT	16	GBT6170-M16-A3L
12	CD904A.46.013/20	左支撑梁 LEFT SUPPORT BEAM	1	CD904A.46.013/20
13	GBT5782-M16X55-A3L	螺栓 BOLT	8	GBT5782-M16X55-A3L
14	GBT12618.1-3X10	空心铆钉 BLIND RIVETS	4	GBT12618.1-3X10
15	0.034.4543.0/10	OECD标识 OECD LABEL	1	0.034.4543.0/10

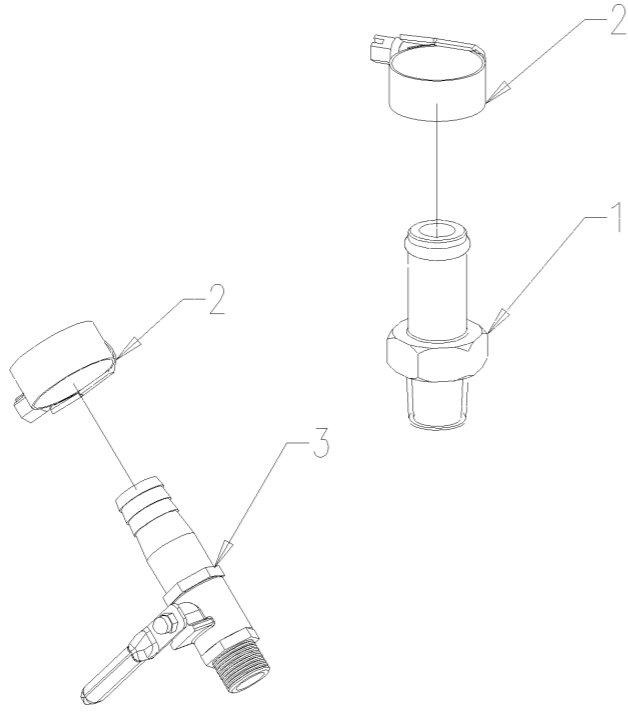
CD904A.46.002 SUNSHADE ASS.Y

CD904A.46.002\_1 遮阳棚总成 FOOT THROTTLE ASSEMBLY



序号	零件编号	零件名称	数量	图号
1	CD904A.46.015/10	遮阳棚 SUNSHADE	1	CD904A.46.015/10
2	CD904A.46.110	前扎带胶垫 RUBBER CUSHION	8	CD904A.46.110
3	CD904A.46.111	套筒 SLEEVE	8	CD904A.46.111
4	CD904A.46.112	橡胶垫圈 RUBBER WASHER	8	CD904A.46.112
5	GBT5783-M8X40-A2L	螺栓 BOLT	8	GBT5783-M8X40-A2L
6	GBT96.1-8-A3L	垫圈 WASHER	16	GBT96.1-8-A3L
7	CD904A.46.016/20	联合框架焊件 JOINT FRAME	1	CD904A.46.016/20
8	GBT5782-M12X165-A3L	螺栓 BOLT	4	GBT5782-M12X165-A3L
9	GBT97.1-12-A3L	垫圈 WASHER	8	GBT97.1-12-A3L
10	GBT93-12-A3L	垫圈 WASHER	4	GBT93-12-A3L
11	GBT6170-M12-A3L	螺母 NUT	4	GBT6170-M12-A3L
12	GBT5782-M8X100-A2L	螺栓 BOLT	4	GBT5782-M8X100-A2L
13	GBT97.1-8-A3L	垫圈 WASHER	8	GBT97.1-8-A3L
14	GBT93-8-A3L	垫圈 WASHER	8	GBT93-8-A3L
15	GBT6170-M8-A2L	螺母 NUT	6	GBT6170-M8-A2L
16	GBT5783-M8X25-A2L	螺栓 BOLT	4	GBT5783-M8X25-A2L
17	DF304.46.015	支架 BRACKET	2	DF304.46.015
18	DF304.46.101/10	支撑 SUPPORT	2	DF304.46.101/10

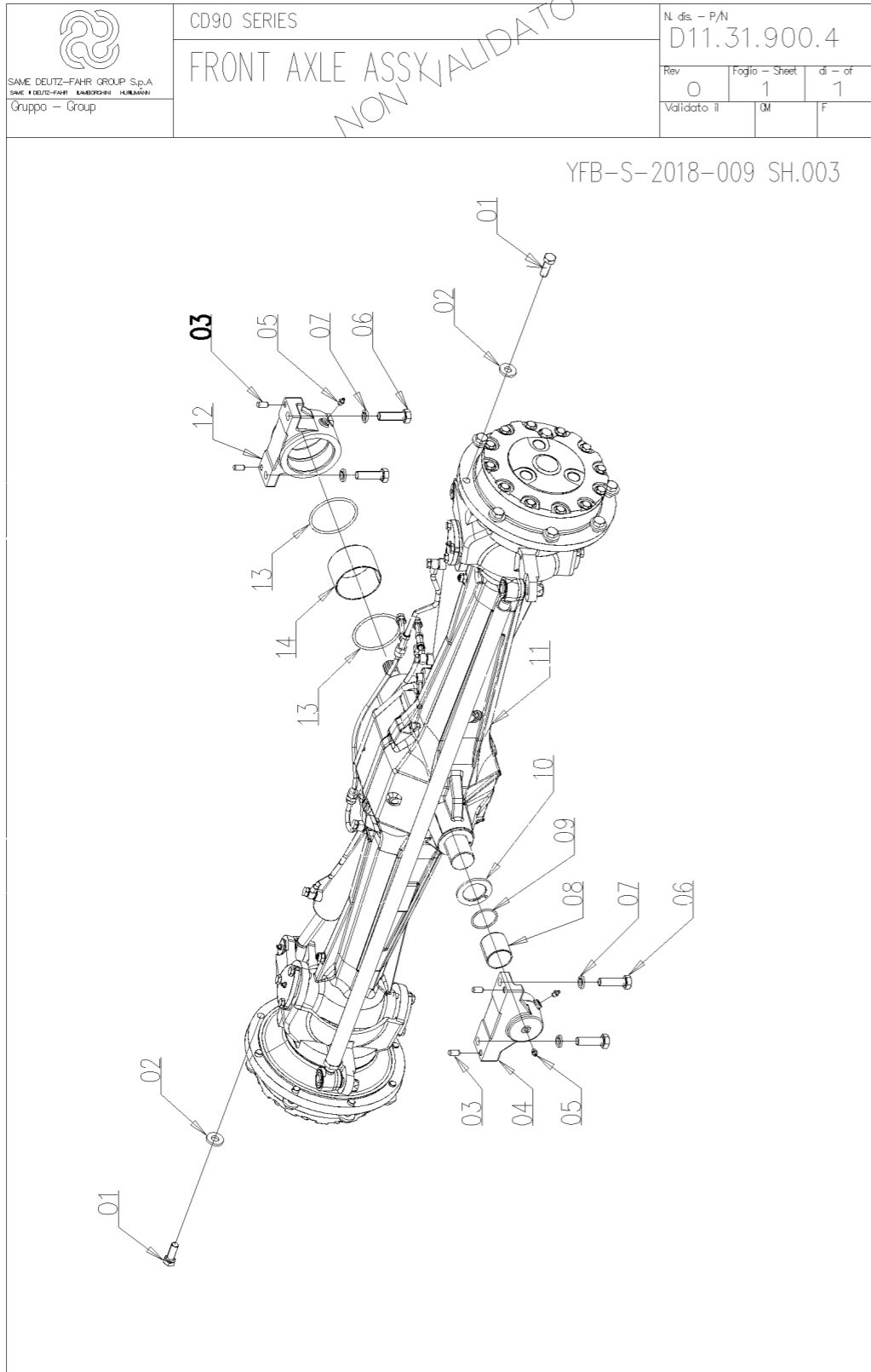
# CD904A.81.002 HEATING FITTING ASS.Y



## CD904A.81.002\_1 暖风接头总成 (驾驶室) HEATING FITTING ASS.Y(CAB)

序号	零件编号	零件名称	数量	图号
1	2.3249.853.2	橡胶软管接头 RUBBER HOSE FITTING	1	2.3249.853.2
2	2.6851.001.0	软管夹 HOSE CLAMP 16-25	2	2.6851.001.0
3	CD904A.81.014	水阀 WATER VALVE	1	CD904A.81.014





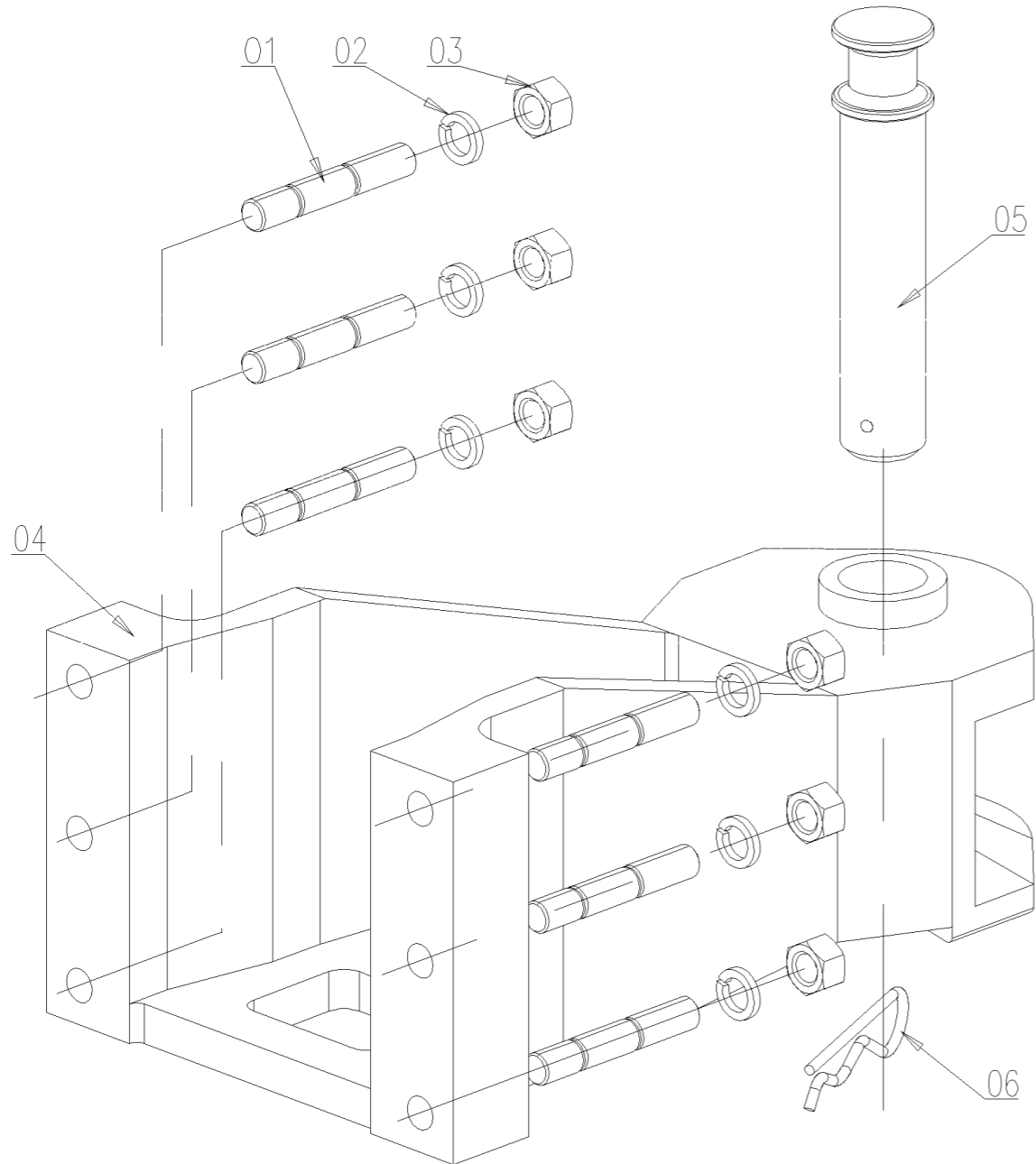
### D11.31.900.4\_0 前桥总成 FRONT AXLE ASS.Y

序号	零件编号	零件名称	数量	图号
1	GBT5786-M16X1.5X45-	螺栓 BOLT	16	GBT5786-M16X1.5X45-A3L
2	SH904.31.193	垫圈 GASKET 17385	16	SH904.31.193
3	GBT119.1-12h8X24	销 PIN	4	GBT119.1-12h8X24
4	SH904.31.187	支撑座 BEARING	1	SH904.31.187
5	JBT7940.1-M10X1	油嘴 GREASE NIPPLE	3	JBT7940.1-M10X1
6	GBT5785-M18X1.5X60-	螺栓 BOLT	4	GBT5785-M18X1.5X60-8.8-A3L
7	GBT93-18-A3L	垫圈 WASHER	4	GBT93-18-A3L
8	SH904.31.188	套管 BUSHING	1	SH904.31.188
9	GBT3452.1-52.6x3.55-G	O形密封圈 O-RING	1	GBT3452.1-52.6x3.55-G
10	SH904.31.189	前减摩环 ANTI-FRICTION RING	1	SH904.31.189
11	SH904.31.010A	前桥 FRONT AXLE	1	SH904.31.010A
12	SH904.31.190	支撑座 BEARING	1	SH904.31.190
13	GBT3452.1-99.6x5.3-G	O形密封圈 O-RING	2	GBT3452.1-99.6x5.3-G
14	SH904.31.191	套管 BUSHING	1	SH904.31.191

# SH900.53.001 TRALER HITCH ASS.Y

## SH900.53.001\_0 拖挂装置总成 (普通) Towing unit assembly (common)

序号	零件编号	零件名称	数量	图号
1	GBT899-AM16X75-A3L	螺柱 STUD	6	GBT899-AM16X75-A3L
2	GBT93-16-A3L	垫圈 WASHER	6	GBT93-16-A3L
3	GBT6170-M16-A3L	螺母 NUT	6	GBT6170-M16-A3L
4	SH900.53.101	拖挂架 Drag the rack	1	SH900.53.101
5	SH900.53.102	挂钩销 hanger pin	1	SH900.53.102
6	SH900.53.103	弹性锁销 spring plunger	1	SH900.53.103

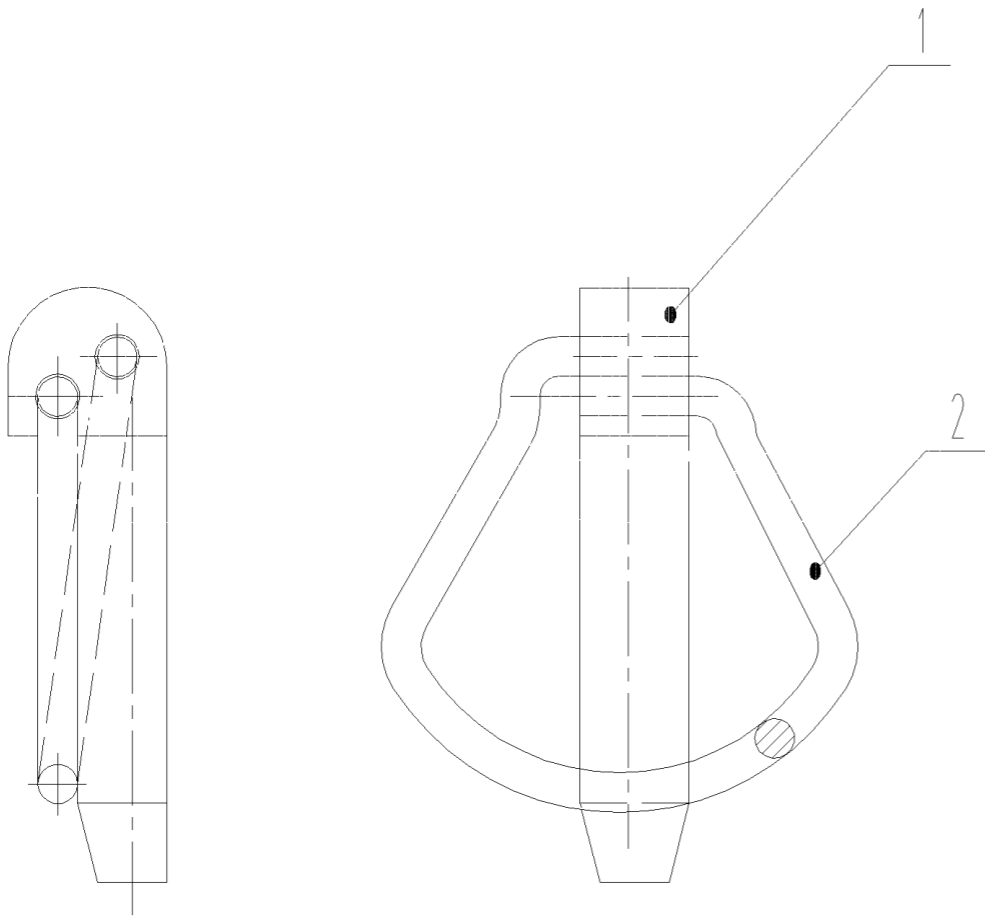


SH400.56.025 锁销总成 LOCK PIN ASSEMBLY

序号	零件编号	零件名称	数量	图号
1	SH400.56.119	销 PIN	1	SH400.56.119
2	SH400.56.118	锁销弹簧 LOCK PIN RING	1	SH400.56.118

SH400.56.025

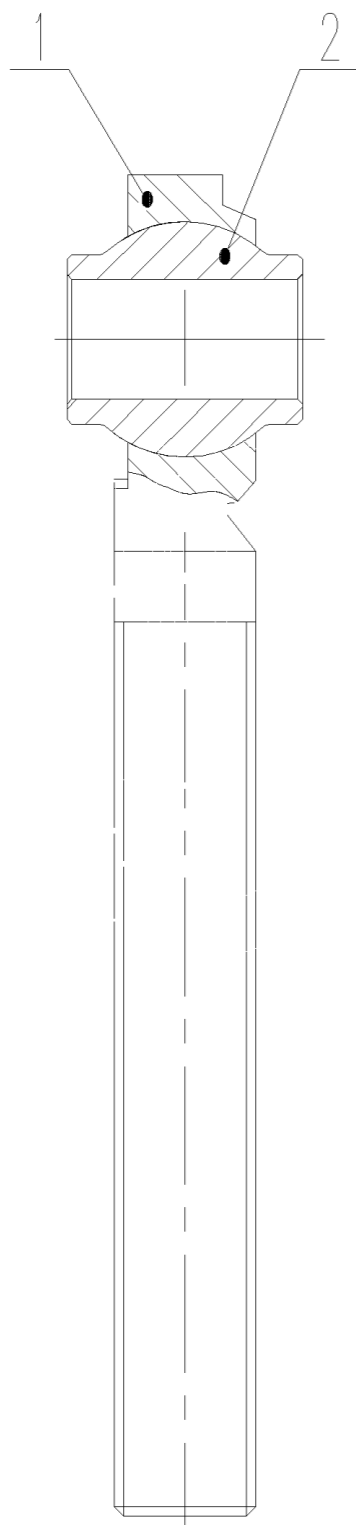
锁销总成



SH900.56.011 上拉杆后调节螺杆挤压总成

SH900.56.011 上拉杆后调节螺杆挤压总成 ADJUSTING SCREW ASSY

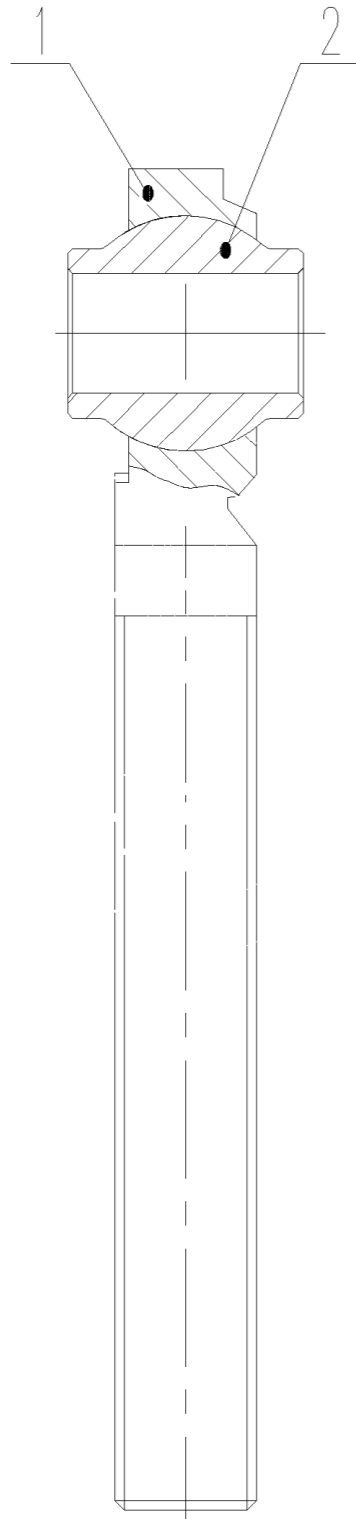
序号	零件编号	零件名称	数量	图号
1	SH900.56.114	上拉杆后调节螺杆 UPPER PULL ROD	1	SH900.56.114
2	SH900.56.115	上拉杆球形接头 UPPER PULL ROD	1	SH900.56.115



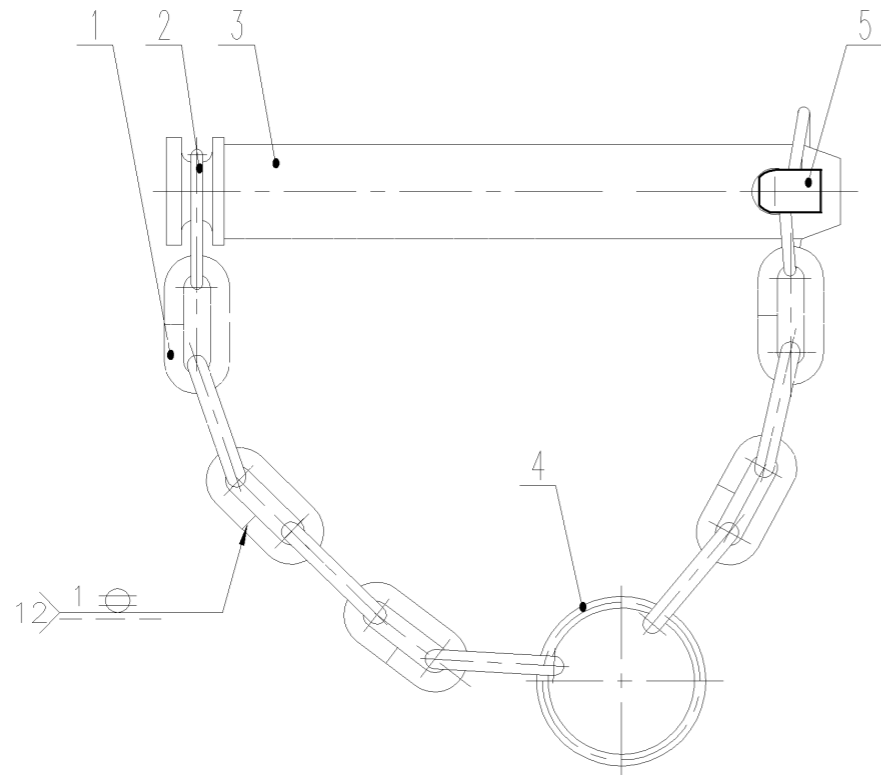
SH900.56.015 上拉杆前调节螺杆挤压总成

SH900.56.015 上拉杆前调节螺杆挤压总成 FRONT THREAD ROD ASS

序号	零件编号	零件名称	数量	图号
1	SH900.56.124	拉杆调节丝杠 PULLING ROD	1	SH900.56.124
2	SH900.56.115	上拉杆球形接头 UPPER PULL ROD	1	SH900.56.115



SH900.56.024 上拉杆销及锁销总成



SH900.56.024 上拉杆销及锁销总成 UPPER ROD PIN AND LOCK ASSY

序号	零件编号	零件名称	数量	图号
1	SH900.56.145	锁链 CHAIN	10	SH900.56.145
2	SH900.56.146	双耳环 DOUBLE EARRINGS	1	SH900.56.146
3	SH900.56.106	销 PIN	1	SH900.56.106
4	SH900.56.147	锁销环 LOCK RING	1	SH900.56.147
5	SH400.56.025	销 PIN	1	SH400.56.025

SH900.56.016 上螺杆铆合件

SH900.56.016 螺钉铆接件 SCREW RIVETING PIECES

序号	零件编号	零件名称	数量	图号
1	SH900.56.125	上螺杆 TOP SCREW	1	SH900.56.125
2	SH900.56.126	上螺杆球头 TOP SCREW HEAD	1	SH900.56.126

