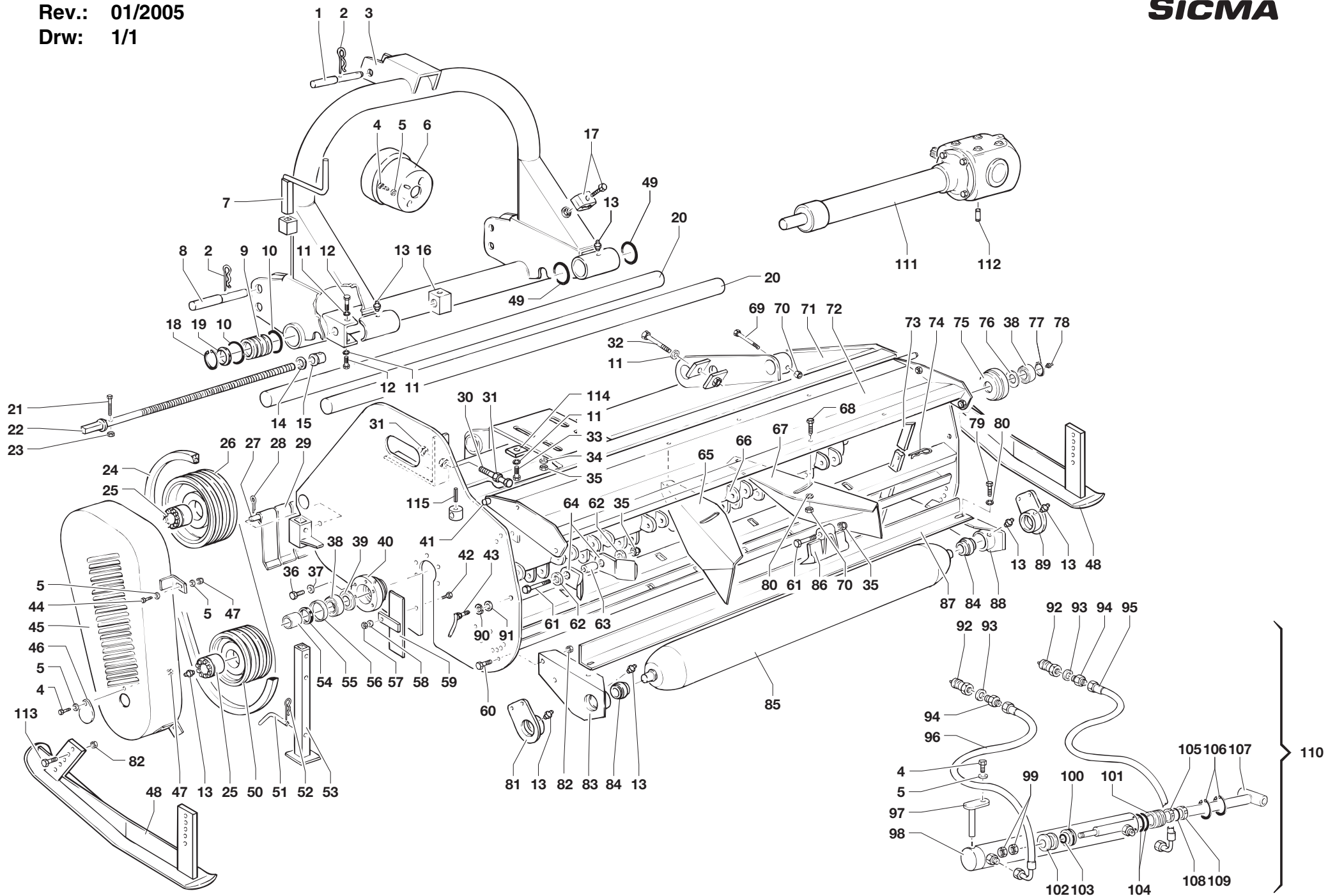


Type: TRINCIATUTTO
Mod.: TRX
Rev.: 01/2005
Drw: 1/1



Type: TRINCIATUTTO**Mod.: TRX****Rev.: 01/2005****Tab: 1/1****Pag. 1/2**

RIF.	CODICE	DENOMINAZIONE	DESCRIPTION	BENENNUNG	DESIGNATION
1	4309180	Perno 3° punto superiore	Pin	Bolzen	Axe
2	6351005	Coppiglia a "R" ø 5	Split pin	Splint	Goupille
3	5006601	Arco scorrevole	Mobile arc	Beweglicher bogen	Arc mobile
4	31508020	Vite M 8x1,25x20 UNI 5739	Screw M 8x1,25x20 UNI 5739	Schraube M 8x1,25x20 UNI 5739	Vis M 8x1,25x20 UNI 5739
5	34120008	Rondella piana ø 8 UNI 6592	Washer ø 8 UNI 6592	Scheibe ø 8 UNI 6592	Rondelle ø 8 UNI 6592
6	1883510	Protezione giunto	Protection	Schutz	Protection
7	4002235	Manovella per spostamento	Lever	Gelenkhebel	Manivelle
8	4208292	Perno 3° punto inferiore	Pin	Bolzen	Axe
9	4782300	Boccola di scorrimento	Bushing	Buchse	Douille
10	6800836	Guarnizione OR 836	O.Ring 836	O.Ring 836	Bague d'étanchéité 836
11	34121016	Rondella Grower ø 16 UNI 1751	Washer ø 16 UNI 1751	Scheibe ø 16 UNI 1751	Rondelle ø 16 UNI 1751
12	31516025	Vite M 16x2x25 UNI 5739	Screw M 16x2x25 UNI 5739	Schraube M 16x2x25 UNI 5739	Vis M 16x2x25 UNI 5739
13	6560008	Ingrassatore dritto M 8x1,25	Grease nipple M 8x1,25	Schmiernippel M 8x1,25	Graisseur M 8x1,25
14	34120024	Rondella piana ø 24 UNI 6592	Washer ø 24 UNI 6592	Scheibe ø 24 UNI 6592	Rondelle ø 24 UNI 6592
15	5206324	Boccola per spostamento	Bushing	Buchse	Douille
16	5336326	Madrevite per spostamento	Female screw	Gegenmutter	Femelle
17	6832044	Collare doppio 3/8"	Collar 3/8"	Schelle 3/8"	Collier 3/8"
18	6310065	Seeger I 65	Circlip I 65	Seegersicherung I 65	Bague d'arrêt I 65
19	6038342	Raschiatore WRM 177208	Oil scraper WRM 177208	Abstreifring WRM 177208	Bague de reclage WRM 177208
20	5426601	Albero cromato	Shaft	Welle	Arbre
21	31306045	Vite M 6x1x45 UNI 5737	Screw M 6x1x45 UNI 5737	Schraube M 6x1x45 UNI 5737	Vis M 6x1x45 UNI 5737
22	5006610	Vite per spostam. TRX140-160-185	Screw TRX140-160-185	Schraube TRX140-160-185	Vis TRX140-160-185
22	5006611	Vite per spostamento TRX 220	Screw TRX 220	Schraube TRX 220	Vis TRX 220
23	34106006	Dado aut. M 6 PG alto UNI 7473	Self locking nut M 6 PG	Nutmutter M 6 PG	Ecrou autobloquant M 6 PG
24	6721450	Cinghia SPB 1450	V-type belt SPB 1450	Keilriemen SPB 1450	Courroie trapézoïdale SPB 1450
25	6364080	Calettatore CN54/N ø 40/80	Self-locking units	Spannsätze	Bague conique d'assemblage
26	5644070	Puleggia SPB 225x4	Driving pulley 225x4	Zuführungsrolle 225x4	Poulie de comm. 225x4
27	5236613	Perno per palette TRX 140	Pin TRX 140	Bolzen TRX 140	Axe TRX 140
27	5236617	Perno per palette TRX 160	Pin TRX 160	Bolzen TRX 160	Axe TRX 160
27	5236615	Perno per palette TRX 185	Pin TRX 185	Bolzen TRX 185	Axe TRX 185
27	5236616	Perno per palette TRX 220	Pin TRX 220	Bolzen TRX 220	Axe TRX 220
28	6340550	Coppiglia dritta ø 5x50	Cotter pin ø 5x50	Splint ø 5x50	Goupille ø 5x50
29	5136608	Palette di protezione larga	Protection blade	Palette	Palette protection
29	5136609	Palette di protezione stretta	Protection blade	Palette	Palette protection
30	30216120	Vite M 16x2x120 UNI 5739	Screw M 16x2x120 UNI 5739	Schraube M 16x2x120 UNI 5739	Vis M 16x2x120 UNI 5739
31	34000016	Dado M 16 PG UNI 5587	Nut M 16 PG UNI 5587	Mutter M 16 PG UNI 5587	Ecrou M 16 PG UNI 5587
32	31316100	Vite M 16x2x100 UNI 5737	Screw M 16x2x100 UNI 5737	Schraube M 16x2x100 UNI 5737	Vis M 16x2x100 UNI 5737
33	30216035	Vite M 16x2x35 UNI 5739	Screw M 16x2x35 UNI 5739	Schraube M 16x2x35 UNI 5739	Vis M 16x2x35 UNI 5739
34	34020016	Rondella piana ø 16 UNI 6592	Washer ø 16 UNI 6592	Scheibe ø 16 UNI 6592	Rondelle ø 16 UNI 6592
35	34106016	Dado aut. M 16 PG alto UNI 7473	Self locking nut M 16 PG	Nutmutter M 16 PG	Ecrou autobloquant M 16 PG
36	30214030	Vite M 14x2x30 UNI 5739	Screw M 14x2x30 UNI 5739	Schraube M 14x2x30 UNI 5739	Vis M 14x2x30 UNI 5739
37	34022014	Rondella dentellata ø 14 UNI 6798	Washer ø 14 UNI 6798	Scheibe ø 14 UNI 6798	Rondelle ø 14 UNI 6798
38	2822208	Cuscinetto 22208	Bearing 22208	Lager 22208	Roulement 22208
39	2122208	Nilos 22208/JV	Nilos 22208/JV	Nilos 22208/JV	Nilos 22208/JV
40	5706098	Supporto lato puleggia	Support	Lager	Support
41	5236601	Perno coperchio TRX 140	Pin TRX 140	Bolzen TRX 140	Axe TRX 140
41	5236602	Perno coperchio TRX 160	Pin TRX 160	Bolzen TRX 160	Axe TRX 160
41	5236603	Perno coperchio TRX 185	Pin TRX 185	Bolzen TRX 185	Axe TRX 185
41	5236604	Perno coperchio TRX 220	Pin TRX 220	Bolzen TRX 220	Axe TRX 220
42	30210025	Vite M 10x1,5x25 UNI 5739	Screw M 10x1,5x25 UNI 5739	Schraube M 10x1,5x25 UNI 5739	Vis M 10x1,5x25 UNI 5739
43	5006532	Perno regolazione coperchio	Pin	Bolzen	Axe
44	31508025	Vite M 8x1,25x25 UNI 5739	Screw M 8x1,25x25 UNI 5739	Schraube M 8x1,25x25 UNI 5739	Vis M 8x1,25x25 UNI 5739
45	5006602	Carter cinghie	Carter belts	Riemengahäuse	Carter courroies
46	5134389	Coperchio a goccia	Cover	Deckel	Couvercle
47	34106008	Dado aut. M 8 PG alto UNI 7473	Self locking nut M 8 PG	Nutmutter M 8 PG	Ecrou autobloquant M 8 PG
48	5006603	Complessivo slitta dx=sx	Skip	Schlitten	Glissière
49	6838713	Guarnizione anello guida	Seal	Dichtung	Garniture
50	5645102	Puleggia SPB 170x4 gole	Driving pulley 170x4	Zuführungsrolle 170x4	Poulie de comm. 170x4
51	4236115	Perno bloccaggio piedino	Pin	Bolzen	Axe
52	6351003	Coppiglia a "R" ø 3x60	Split pin	Splint	Goupille
53	5006114	Piedino di appoggio	Foot	Fuss	Pied
54	5535117	Distanziale puleggia condotta	Spacer	Abstandstück	Entretoise
55	6205072	Paraolio ø 50x72x8 PP	Oil seal ø 50x72x8 PP	Oelabdichtung ø 50x72x8 PP	Pare-huile ø 50x72x8 PP
56	5596108	Anello portaparaolio	Metal ring	Distanzring	Anneau
57	34000010	Dado M 10 PG UNI 5587	Nut M 10 PG UNI 5587	Mutter M 10 PG UNI 5587	Ecrou M 10 PG UNI 5587
58	34021010	Rondella Grower ø10 UNI 1751	Washer ø 10 UNI 1751	Scheibe ø 10 UNI 1751	Rondelle ø 10 UNI 1751
59	5006619	Chiusura asola	Protection	Schutz	Protection
60	30212030	Vite M 12x1,75x30 UNI 5739	Screw M 12x1,75x30 UNI 5739	Schraube M 12x1,75x30 UNI 5739	Vis M 12x1,75x30 UNI 5739
61	5716502	Vite fissaggio martello M 16x95	Screw M 16x95	Schraube M 16x95	Vis M 16x95
62	5596542	Distanziale per coltelli	Spacer	Distanzstück	Entretoise
63	5536541	Boccola distanziale coltelli	Bushing	Buchse	Douille
64	5816618	Coltelli a "Y"	"Y" blade	"Y" Messer	Couteau en "Y"
65	5136646	Deflettore lato sx	Left deflector	Deflektor	Défecteurgauche
66	5006649	Alberone TRX 140	Shaft TRX 140	Welle TRX 140	Arbre TRX 140
66	5006653	Alberone TRX 160	Shaft TRX 160	Welle TRX 160	Arbre TRX 160
66	5006651	Alberone TRX 185	Shaft TRX 185	Welle TRX 185	Arbre TRX 185
66	5006654	Alberone TRX 220	Shaft TRX 220	Welle TRX 220	Arbre TRX 220
67	5136645	Deflettore lato dx	Right deflector	Deflektor	Défecteurdroit

Type: TRINCIATUTTO**Mod.: TRX****Rev.: 01/2005****Tab: 1/1****Pag. 2/2**

RIF.	CODICE	DENOMINAZIONE	DESCRIPTION	BENENNUNG	DESIGNATION
68	31510020	Vite M 10x1,5x20 UNI 5739	Screw M 10x1,5x20 UNI 5739	Schraube M 10x1,5x20 UNI 5739	Vis M 10x1,5x20 UNI 5739
69	31310080	Vite M 10x1,5x80 UNI 5737	Screw M 10x1,5x80 UNI 5737	Schraube M 10x1,5x80 UNI 5737	Vis M 10x1,5x80 UNI 5737
70	34106010	Dado aut. M 10 PG alto UNI 7473	Self locking nut M 10 PG	Nutmutter M 10 PG	Ecrou autobloquant M 10 PG
71	5006613	Scocca TRX 140	Frame TRX 140	Gestell TRX 140	Cadre TRX 140
71	5006614	Scocca TRX 160	Frame TRX 160	Gestell TRX 160	Cadre TRX 160
71	5006615	Scocca TRX 185	Frame TRX 185	Gestell TRX 185	Cadre TRX 185
71	5006616	Scocca TRX 220	Frame TRX 220	Gestell TRX 220	Cadre TRX 220
72	5006633	Coperchio TRX 140	Bonnet TRX 140	Deckel TRX 140	Capot TRX 140
72	5006634	Coperchio TRX 160	Bonnet TRX 160	Deckel TRX 160	Capot TRX 160
72	5006635	Coperchio TRX 185	Bonnet TRX 185	Deckel TRX 185	Capot TRX 185
72	5006636	Coperchio TRX 220	Bonnet TRX 220	Deckel TRX 220	Capot TRX 220
73	5836548	Rampone	Lug	Klammer	Béquille
74	6351005	Spina a "R" ø 5	Split pin ø 5	Splint ø 5	Coupille ø 5
75	5706099	Supporto lato esterno	Support	Lager	Support
76	2022208	Nilos 22208/AV	Nilos 22208/AV	Nilos 22208/AV	Nilos 22208/AV
77	6320040	Seeger E 40	Circlip	Seegersicherung	Bague d'arrêt
78	6560010	Ingrassatore diritto M 10x1,5	Grease nipple M 10x1,5	Schmiernippel M 10x1,5	Graisseur M 10x1,5
79	30210030	Vite M 10x1,5x30 UNI 5739	Screw M 10x1,5x30 UNI 5739	Schraube M 10x1,5x30	Vis M 10x1,5x30 UNI 5739
80	34020010	Rondella piana ø 10 UNI 6592	Washer ø 10 UNI 6592	Scheibe ø 10 UNI 6592	Rondelle ø 10 UNI 6592
81	5006640	Supporto rullo interno sx	Left roller support	Linker Rollenträger	Support rouleau gauche
82	34106012	Dado aut. M 12 PG alto UNI 7473	Self locking nut M 12 PG	Nutmutter M 12 PG	Ecrou autobloquant M 12 PG
83	5006581	Supporto rullo sinistro	Left roller support	Linker Rollenträger	Support rouleau gauche
84	2030030	Cuscinetto UC-206 D30	Bearing UC-206 D30	Lager UC-206 D30	Roulement UC-206 D30
85	5006044	Rullo stabilizzatore TRX 140	Roller TRX 140	Rolle TRX 140	Rouleau TRX 140
85	5006538	Rullo stabilizzatore TRX 160	Roller TRX 160	Rolle TRX 160	Rouleau TRX 160
85	5006536	Rullo stabilizzatore TRX 185	Roller TRX 185	Rolle TRX 185	Rouleau TRX 185
85	5006537	Rullo stabilizzatore TRX 220	Roller TRX 220	Rolle TRX 220	Rouleau TRX 220
86	5716648	Martello	Hammer	Hammer	Marteau
87	5866544	Angolare raschiarullo TRX 140	Scraper TRX 140	Schrapper TRX 140	Râclette TRX 140
87	5866548	Angolare raschiarullo TRX 160	Scraper TRX 160	Schrapper TRX 160	Râclette TRX 160
87	5866546	Angolare raschiarullo TRX 185	Scraper TRX 185	Schrapper TRX 185	Râclette TRX 185
87	5866547	Angolare raschiarullo TRX 220	Scraper TRX 220	Schrapper TRX 220	Râclette TRX 220
88	5006580	Supporto rullo destro	Right roller support	Rechter Rollenträger	Support rouleau droit
89	5006639	Supporto rullo interno dx	Right roller support	Rechter Rollenträger	Support rouleau droit
90	34121012	Rondella Grower ø12 UNI 1751	Washer ø 12 UNI 1751	Scheibe ø 12 UNI 1751	Rondelle ø 12 UNI 1751
91	34120012	Rondella piana ø 12 UNI 6592	Washer ø 12 UNI 6592	Scheibe ø 12 UNI 6592	Rondelle ø 12 UNI 6592
92	6037683	Innesto rapido 1/2" M.	Quick release 1/2" M	Schnellverschluss 1/2" M	Joint d'étanchéité 1/2" M
93	6470012	Rondella in rame 1/2"	Washer 1/2"	Scheibe 1/2"	Rondelle 1/2"
94	6037390	Nipples 3/8" - 1/2"	Nipple 3/8" - 1/2"	Nipple 3/8" - 1/2"	Nipple 3/8" - 1/2"
95	6492200	Tubo mandata R1 3/8" CD L= 2000	Hose R1 3/8" CD L= 2000	Schlauch R1 3/8" CD L= 2000	Tuyau R1 3/8" CD L= 2000
96	6492250	Tubo scarico R1 3/8" CD L= 2500	Hose R1 3/8" CD L= 2500	Schlauch R1 3/8" CD L= 2500	Tuyau R1 3/8" CD L= 2500
97	5006599	Perno fissaggio martinetto	Pin	Bolzen	Axe
98	5006703	Camicia martinetto TRX	Cylinder	Zylinder	Cylindre
99	34003018	Dado M 18x1,5 PG UNI 5588	Nut M 18x1,5 PG UNI 5588	Mutter M 18x1,5 PG UNI 5588	Ecrou M 18x1,5 PG UNI 5588
100	6838283	Guarnizione DBM 196133	Seal DBM 196133	Dichtung DBM 196133	Garniture DBM 196133
101	5242372	Ghiera pistone	Plug	Gewinding	Virole
102	5202373	Pistone	Piston	Kolben	Piston
103	6836617	Guarnizione OR 617	O.Ring 617	O.Ring 617	Bague d'étanchéité 617
104	6836827	Guarnizione OR 827	O.Ring 827	O.Ring 827	Bague d'étanchéité 827
105	6838029	Guarnizione B 129098/1	Seal B 129098/1	Dichtung B 129098/1	Garniture B 129098/1
106	6310053	Seeger I ø 53	Circlip I ø 53	Seegersicherung I ø 53	Bague d'arrêt I ø 53
107	5006623	Stelo martinetto TRX	Rod	Stange	Tige
108	6836120	Guarnizione OR 120	O.Ring 120	O.Ring 120	Bague d'étanchéité 120
109	6038325	Raschiatore WRM 098129	Oil scraper WRM 098129	Abstreifring WRM 098129	Bague de reclage WRM 098129
110	5006624	Martinetto per spostamento TRX	Complete cylinder	Komplet winde	Verin complet
111	8060615	Rinvio EC-60 TRX 140 • 160 • 185	Angle transmission	Winkelforgelege	Renvoi à angle
111	8060780	Rinvio EC-60 TRX 220	Angle transmission	Winkelforgelege	Renvoi à angle
112	5306298	Prigioniero 16x45	Stud 16x45	Gewindestift 16x45	Prisonnier 16x45
113	31512040	Vite M 12x1,75x40 UNI 5739	Screw M 12x1,75x40 UNI 5739	Schraube M 12x1,75x40 UNI 5739	Vis M 12x1,75x40 UNI 5739
114	5836617	Spessore fissaggio moltiplicatore	Spacer	Abstandstüch	Entretoise
115	6330536	Spina elastica ø5x36	Elastic pin	Spannstift	Goupille elastique