

USER MANUAL



GROWMAK
Larem



USER MANUAL

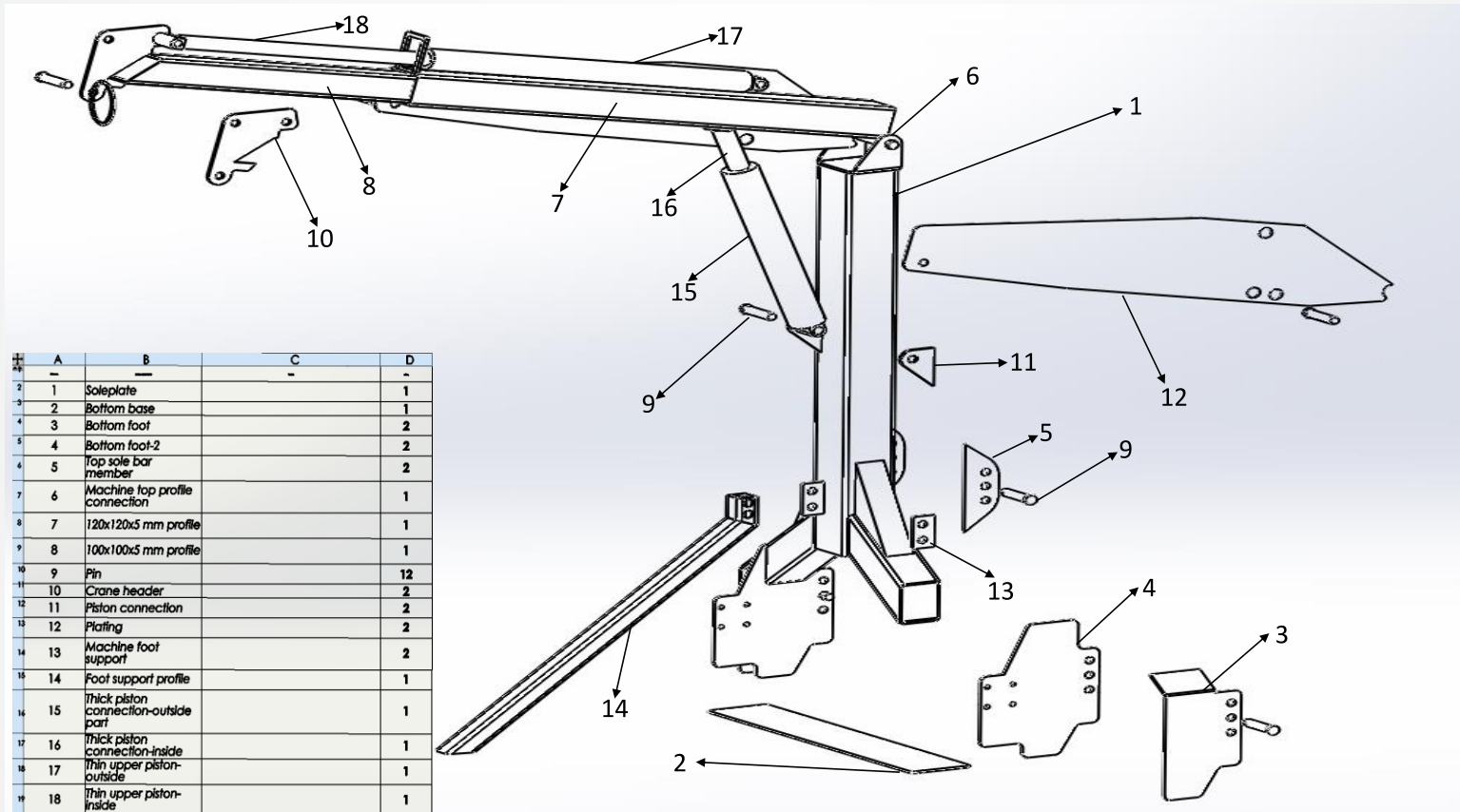
Tractor rear loader is manufactured in single and double hydraulic cylinder types. Also uniform models are made.

- Three-point hanging system.
- Machine carrier roof.
- Hydraulic cylinder and hose connections, discharge lever of the unloading mechanism, back there is a puller spring and foot.

CONSIDERATIONS DURING TRANSPORTATION AND SHIPMENT

- When loading the machine into the relevant transport vehicles; it must be protected against friction and hard impacts.
- Against bumps and frictions during the transportation of machines loaded on the transport vehicle the necessary fixing and fixing materials should be used for its protection.

CRANE



TRACTOR BACK PISTON CRANE

INSTALLATION AND PREPARATION OF THE MACHINE FOR USE

- **INSTALLATION OF THE MACHINE**

When the three-point hydraulic regular machine is attached to the tractor, the tractor is brought closer to the machine. First first the lower left connecting rod, the lower right connecting rod and finally the upper connecting rod to the machine it hangs out. The machine connected to the tractor is centered relative to the tractor axis with the tractor side tension arms. The desired direction and status should be set via the opened machine.

- **SAFE OPERATION OF THE MACHINE**

Pin, bolt and hydraulic cylinder and hose connections before the machine is put into use it should be checked that the parts that get old over time should be replaced. At the end of each operation, the machine it must be cleaned and stored in a suitable environment.

SAFETY INSTRUCTIONS FOR USE

- The hydraulic cylinder must be in the closed (machine down) state when adjusting.
- When installing the machine on the tractor, the front weights of the tractor are sufficient to ensure the balance wear.
- Move the machine parallel to the floor before the machine is moved.
- No one is between the tractor and the machine when moving the machine to a parallel position to the ground to start it Dec it should not be found.
- When working with the machine, no one should be under and near the machine
- It should be ensured that the hydraulic hose is attached to the tractor in such a way that it does not protrude.
- Be sure to read the user manual before using it.

MAINTENANCE AND REPAIR INSTRUCTIONS

- Replace the worn parts and bolts in a timely manner.
- Keep it in a closed place until you use it again.
- Never use non-original spare parts.

DAILY MAINTENANCE

- Hydraulic cylinder and hose connections, connection pins and bolts unloading the mechanism should be checked.

ANNUAL MAINTENANCE

- At the end of the work, make a general cleaning of the machine
- Check all parts of the machine. Damaged, worn or unusable parts if there is, replace it with a new one
- Keep the machine in a suitable place after cleaning.