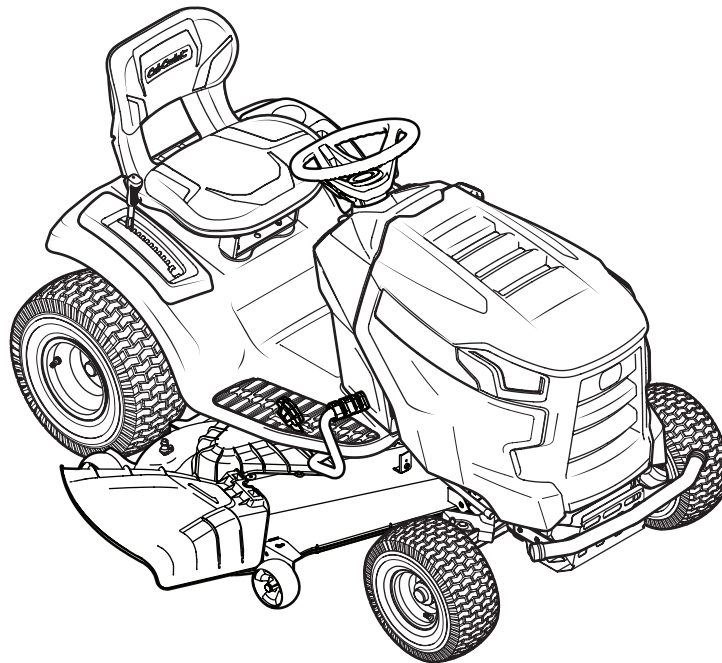


---

# *Cub Cadet*<sup>®</sup>

## ILLUSTRATED PARTS MANUAL



### Enduro Series™ Lawn/Garden Tractor

---

CUB CADET LLC, P.O. BOX 361131 CLEVELAND, OHIO 44136-0019

---

# To The Owner

## Thank You

Thank you for purchasing a Cub Cadet Lawn Tractor. It was carefully engineered to provide excellent performance when properly operated and maintained.

All information in this manual is relative to the most recent product information available at the time of printing. Please be aware that this Illustrated Part's Manual may cover a range of product specifications for various models.

Components listed and/or illustrated in this manual may not be applicable to all models. We reserve the right to change product specifications, designs and equipment without notice and without incurring obligation.

Throughout this manual, all references to *right* (RH) and *left* (LH) are observed from the operating position.

## Table of Contents

<a href="#"><u>Front and Rear Wheels</u></a> .....	<a href="#"><u>3</u></a>	<a href="#"><u>50-inch Deck (GT)</u></a> .....	<a href="#"><u>36</u></a>
<a href="#"><u>Steering</u></a> .....	<a href="#"><u>4</u></a>	<a href="#"><u>54-inch Deck (Stamped)</u></a> .....	<a href="#"><u>38</u></a>
<a href="#"><u>Frame</u></a> .....	<a href="#"><u>6</u></a>	<a href="#"><u>54-inch Deck (LT Fab)</u></a> .....	<a href="#"><u>40</u></a>
<a href="#"><u>Manual PTO</u></a> .....	<a href="#"><u>8</u></a>	<a href="#"><u>54-inch Deck (GT Fab)</u></a> .....	<a href="#"><u>42</u></a>
<a href="#"><u>Electric PTO</u></a> .....	<a href="#"><u>9</u></a>	<a href="#"><u>Engine Accessories (Kohler Single)</u></a> .....	<a href="#"><u>44</u></a>
<a href="#"><u>Seat</u></a> .....	<a href="#"><u>10</u></a>	<a href="#"><u>Engine Accessories (Kohler Twin)</u></a> .....	<a href="#"><u>45</u></a>
<a href="#"><u>Front Axle</u></a> .....	<a href="#"><u>11</u></a>	<a href="#"><u>MTD X90</u></a> .....	<a href="#"><u>46</u></a>
<a href="#"><u>Deck Lift</u></a> .....	<a href="#"><u>12</u></a>	<a href="#"><u>Hydrostatic Transmission (Tuff-Torq 618-06972)</u></a>	<a href="#"><u>48</u></a>
<a href="#"><u>Pedals</u></a> .....	<a href="#"><u>13</u></a>	<a href="#"><u>Hydrostatic Transmission (Tuff-Torq 618-06974)</u></a>	<a href="#"><u>52</u></a>
<a href="#"><u>Fender (GT)</u></a> .....	<a href="#"><u>14</u></a>	<a href="#"><u>LT Labels</u></a> .....	<a href="#"><u>56</u></a>
<a href="#"><u>Fender (LT)</u></a> .....	<a href="#"><u>16</u></a>	<a href="#"><u>GT Labels</u></a> .....	<a href="#"><u>57</u></a>
<a href="#"><u>Hood</u></a> .....	<a href="#"><u>18</u></a>	<a href="#"><u>Electrical Schematic (Man. PTO)</u></a> .....	<a href="#"><u>58</u></a>
<a href="#"><u>Fuel Tank and Dash</u></a> .....	<a href="#"><u>20</u></a>	<a href="#"><u>Electrical Schematic (Elec. PTO)</u></a> .....	<a href="#"><u>59</u></a>
<a href="#"><u>Electrical</u></a> .....	<a href="#"><u>22</u></a>	<a href="#"><u>Kohler KT745-3001</u></a> .....	<a href="#"><u>60</u></a>
<a href="#"><u>Drive System (GT)</u></a> .....	<a href="#"><u>24</u></a>	<a href="#"><u>Kohler KT735-3012</u></a> .....	<a href="#"><u>76</u></a>
<a href="#"><u>Drive System (LT)</u></a> .....	<a href="#"><u>26</u></a>	<a href="#"><u>Kohler KT725-3013</u></a> .....	<a href="#"><u>92</u></a>
<a href="#"><u>42-inch Deck</u></a> .....	<a href="#"><u>28</u></a>	<a href="#"><u>Kohler KT730-3016</u></a> .....	<a href="#"><u>108</u></a>
<a href="#"><u>46-inch Deck (Stamped)</u></a> .....	<a href="#"><u>30</u></a>	<a href="#"><u>Kohler KT740-3013</u></a> .....	<a href="#"><u>124</u></a>
<a href="#"><u>46-inch Deck (Fab)</u></a> .....	<a href="#"><u>32</u></a>	<a href="#"><u>Kohler SV541-3212</u></a> .....	<a href="#"><u>141</u></a>
<a href="#"><u>50-inch Deck (LT)</u></a> .....	<a href="#"><u>34</u></a>		

## Record Product Information

To ease in ordering replacement parts, please locate the model plate on the equipment and record the information in the provided area to the right. You can locate the model plate by looking beneath the seat.

### MODEL NUMBER

--	--	--	--	--	--	--	--	--	--	--

### SERIAL NUMBER

--	--	--	--	--	--	--	--	--	--	--

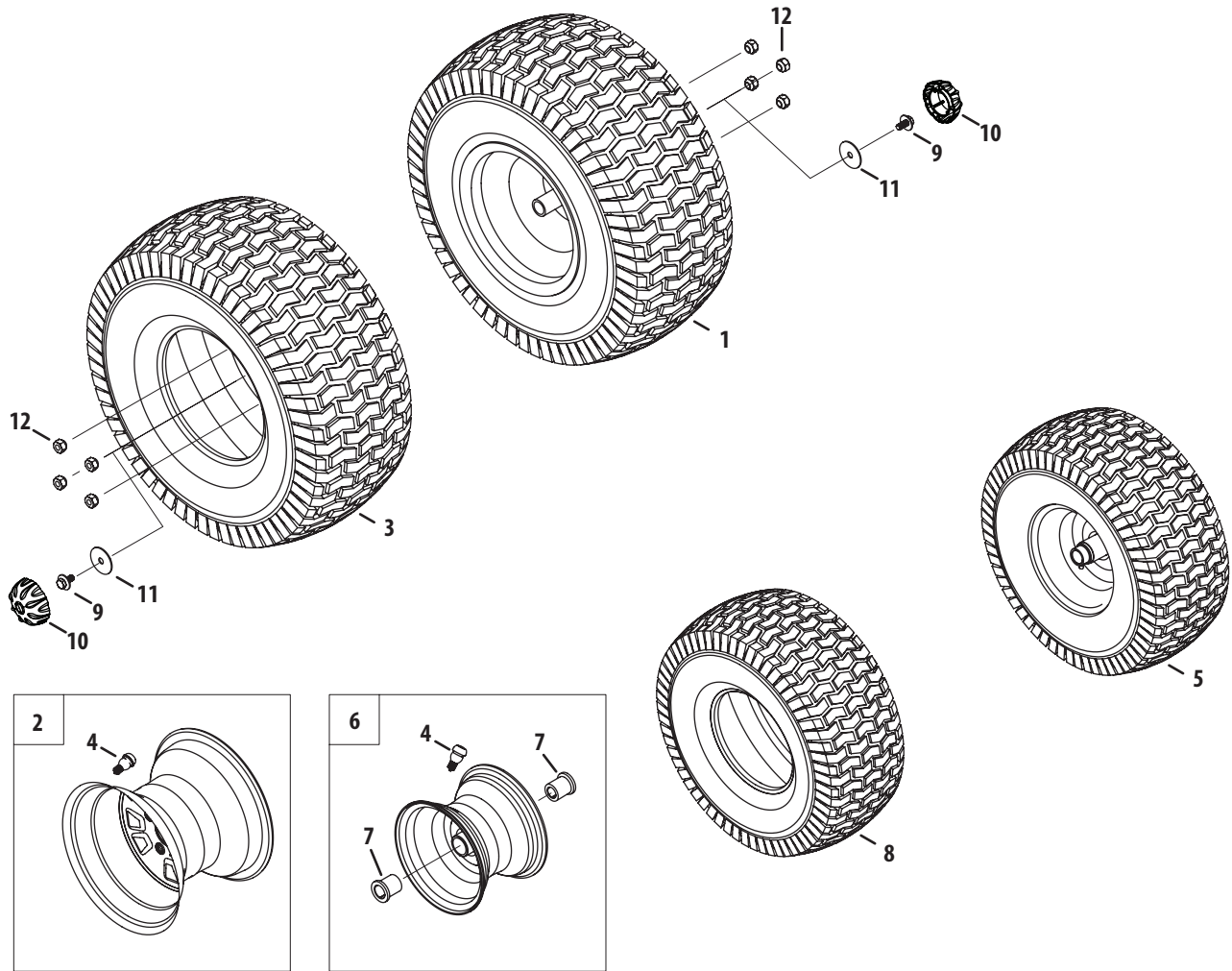
## Painted Parts

When ordering painted service parts, a four digit color suffix must be added to the part number (e.g. 783-XXXXX-0637). Please refer to the table below for current color codes:

0637	Black
4021	Yellow (Cub Cadet)
0499	Beige (Cub Cadet)

0685	Blue (Cub Cadet)
0691	Black Jack (Cub Cadet Commercial)

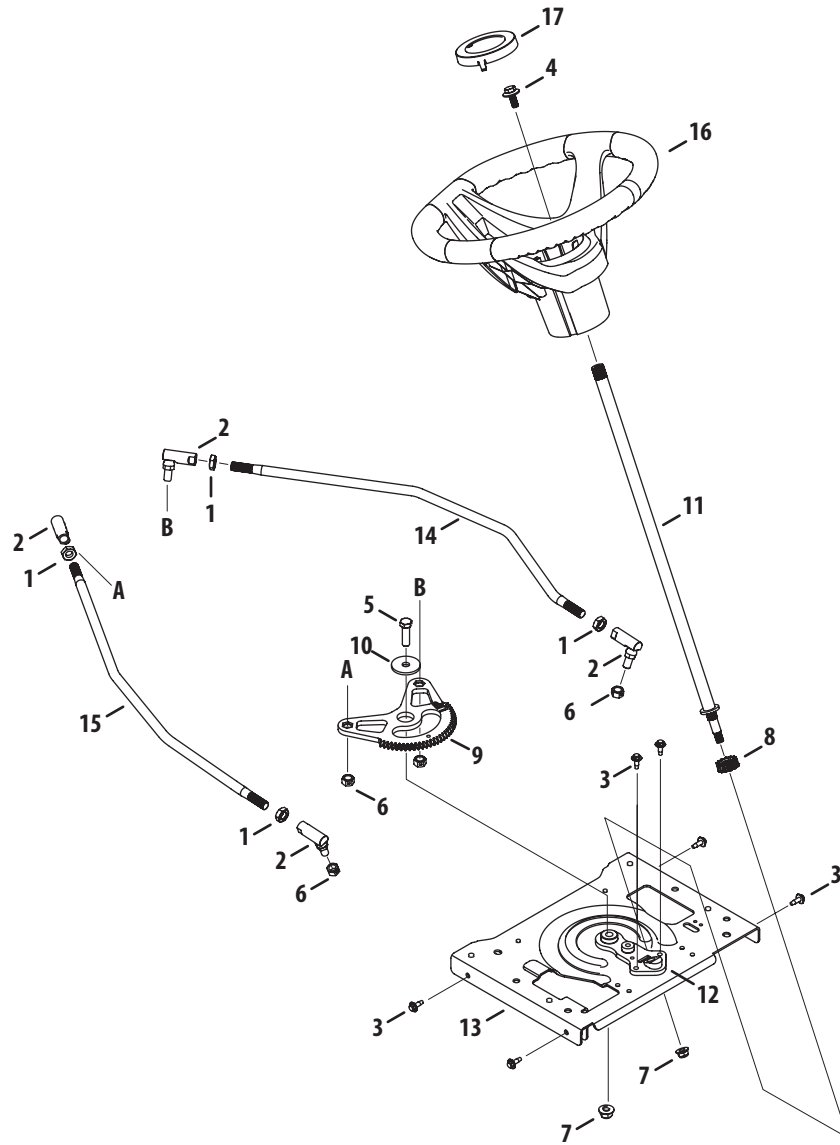
## Front and Rear Wheels



Ref.	Part Number	Description
1.	634-0104-0931	Wheel, Complete, 20 x 8 x 8
—	634-05107-0936	Wheel, Complete, 22 x 9.5 x 12 (GT)
2.	634-04369-0499	Rim Ass'y, 8.0 x 7.0 x .750 ID
—	634-04238-0499	Rim Ass'y, 12.0 x 7.0 (GT)
3.	734-1730-0901	Tire, 20 x 8 x 8 Sq Shoulder
—	734-05065-0906	Tire, 22 x 9.5 x 12 Sq Shoulder (GT)
4.	934-0255	Valve, Tubeless Air
5.	634-05149-0931	Wheel, Complete, 15 x 6 x 6
—	634-05082-0936	Wheel, Complete, 16 x 6.5 x 8 (GT)

Ref.	Part Number	Description
6.	634-05081-0499	Rim Ass'y, 6.0 x 4.5, Flnge Bearings
—	634-05083-0499	Rim Ass'y, 8.0 x 5.38, (GT)
7.	741-05094	Bearing, Flange, .760 ID
8.	734-1731-0901	Tire, 15 x 6 x 6 Sq Shoulder
—	734-04641	Tire, 16 x 6.5 x 8 Sq Shoulder (GT)
9.	710-06154A	Screw, 5/16-24 x .850
10.	731-2290A	Hub Cap
11.	736-0430	Flat Washer, .350 x 1.59 x .062
12.	712-3050	Lug Nut 7/16-14 (GT)

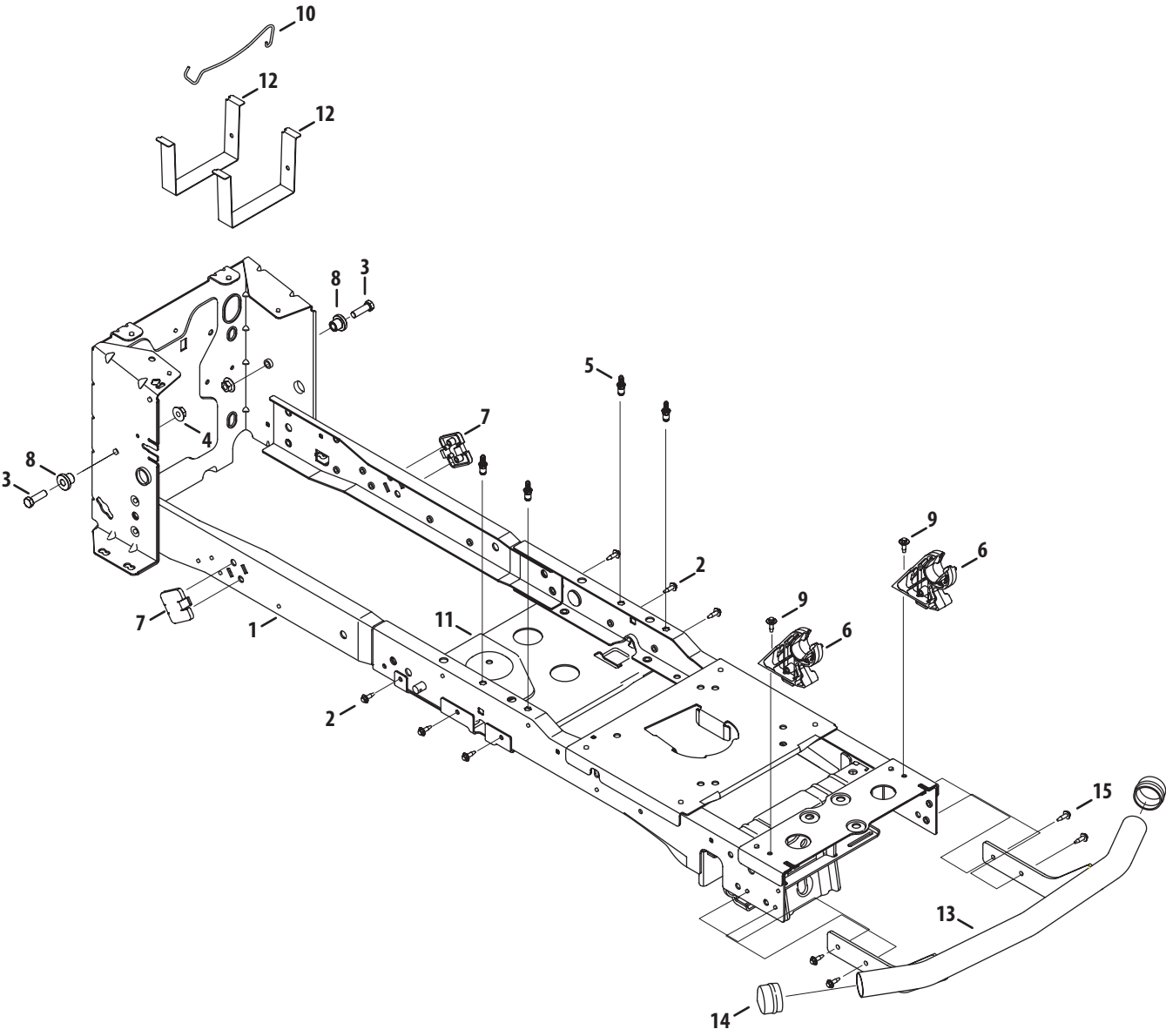
# Steering





Ref.	Part Number	Description
1.	712-05093	Jam Nut, 7/16-20
2.	723-05009	Ball Joint, 7/16-20, Lock
3.	710-06133	Screw, M6-1 x .625
4.	710-06154A	Screw, 5/16-24 x .850
5.	710-3005	Hex Cap Screw, 3/8-16 x 1.25
6.	912-0214	Nut, Hex Lock, 3/8-24, Grb
7.	712-04065	Nut, Flange Lock, 3/8-16, Grf,
8.	717-05193A	Pinion Gear, 13T
9.	717-05225	Steering Gear
10.	936-0227	Flat Washer, .390 x 1.5 x .134
11.	738-05043	Shaft, Steering, .625 OD x 20
12.	748-05071	Steering Support
13.	783-08386	Steering Mounting Plate
14.	747-06456	Steering Rod, LH
15.	747-06457	Steering Rod, RH
16.	631-05102	Steering Wheel
17.	731-09764A	Cap, Steering Wheel

# Frame

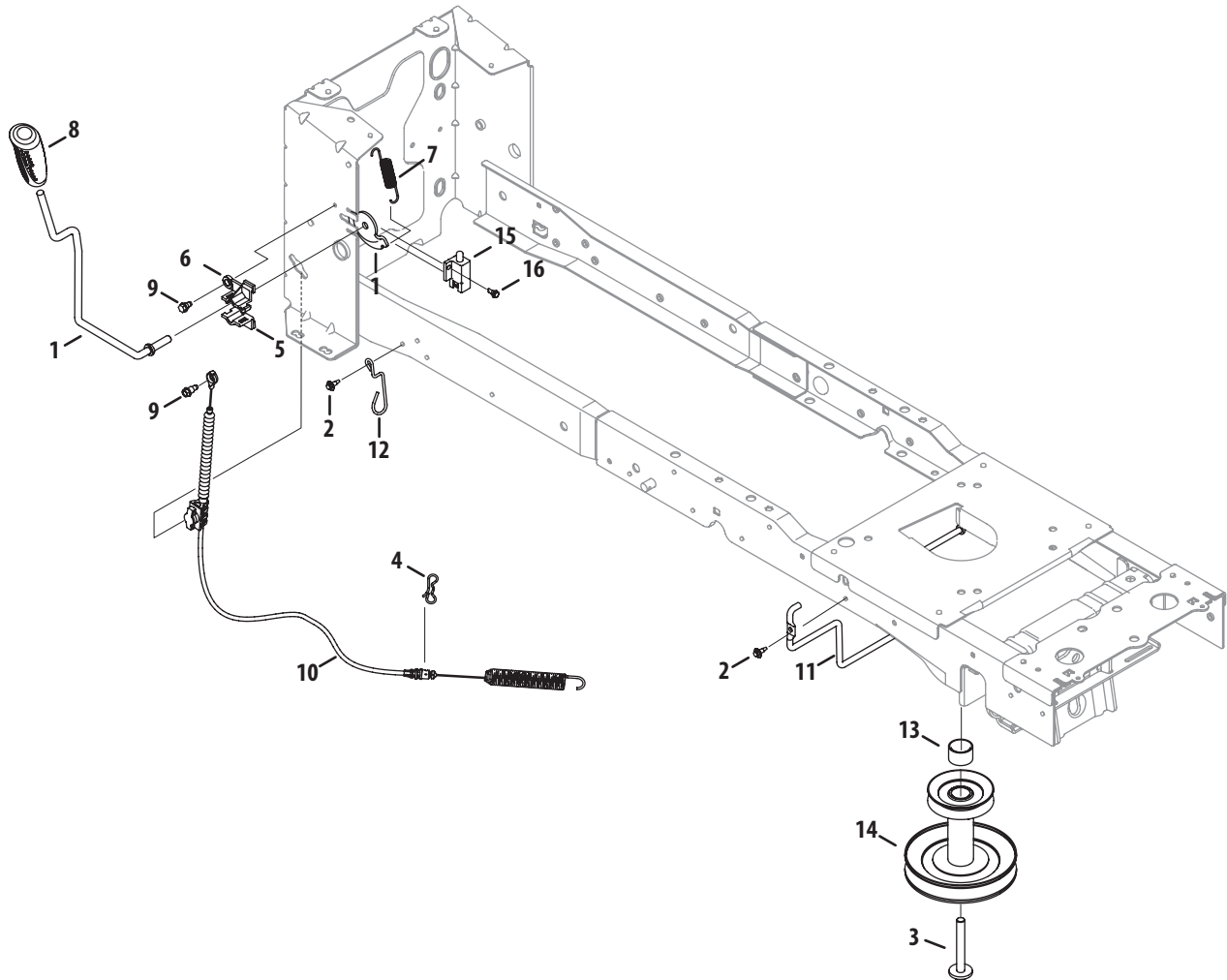


# Frame

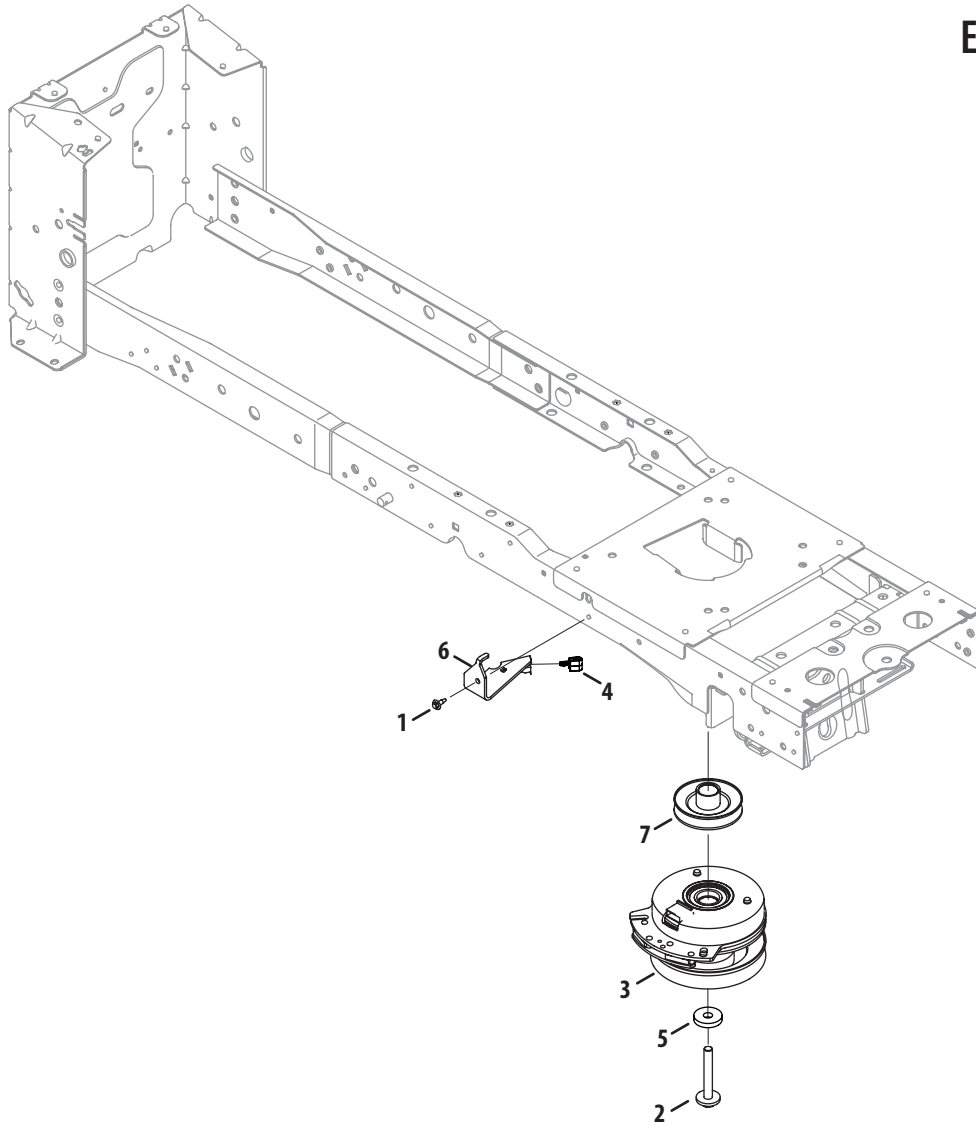
Ref.	Part Number	Description
1.	983-05067	Frame Assembly
2.	710-06133	Screw, M6-1 x .625
3.	710-3005	Hex Cap Screw, 3/8-16 x 1.25
4.	712-04217	Flange Lock Nut, 3/8-16
5.	728-05015	Rivet, 1/4-20 x .750
6.	731-10069A	Pivot Bracket
7.	731-10281	Wear Pad
8.	738-04058	Shoulder Spacer, .38 x 1.0 x .70
9.	738-05090	Shoulder Screw, M6-1
10.	747-06329	Rod, Battery
11.	783-08276	Lower Frame Brace Bracket
12.	783-08567	Battery Bracket
13.	683-05155†	Bumper Assenbly
14.	731-05368†	Hub Cap
15.	710-06012A†	Hex Flange Screw, 3/8-16

† If Equipped

# Manual PTO

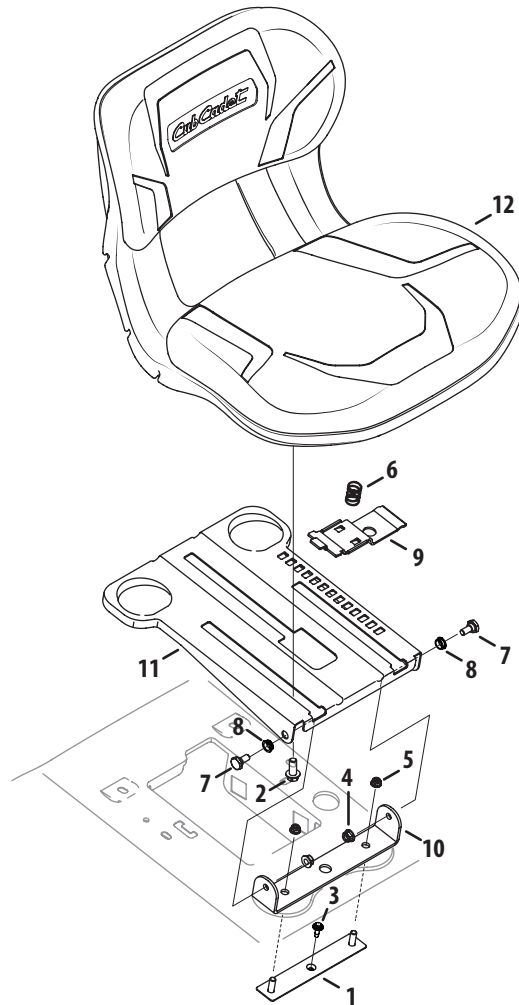


Ref.	Part Number	Description
1.	983-05105	PTO Handle Assembly
2.	710-06133	Screw, M6-1 x .625
3.	710-06266	Hex Cap Screw, 7/16-20 x 3.50
4.	714-05005	Bow-Tie Cotter Pin
5.	731-10066	PTO Handle Mount, RH
6.	731-10067	PTO Handle Mount, Top
7.	732-05119	Extension Spring, .56 OD x 4.52 LG
8.	720-05086	Grip
9.	738-04425	Shoulder Screw, .342 x .335, 1/4-28
10.	946-05087	PTO Cable
11.	747-06239	Engine Pulley Keeper Rod
12.	747-06308	Cable Guide
13.	748-05078	Spacer, Engine Pulley
—	748-05079	Spacer, Engine Pulley (MTD Engine)
14.	956-04067A	Pulley, Engine, 3.56 x 6.12 Dia.
15.	725-04363	Switch, Interlock
16.	738-04237A	Shoulder Screw, #10-32 x .500



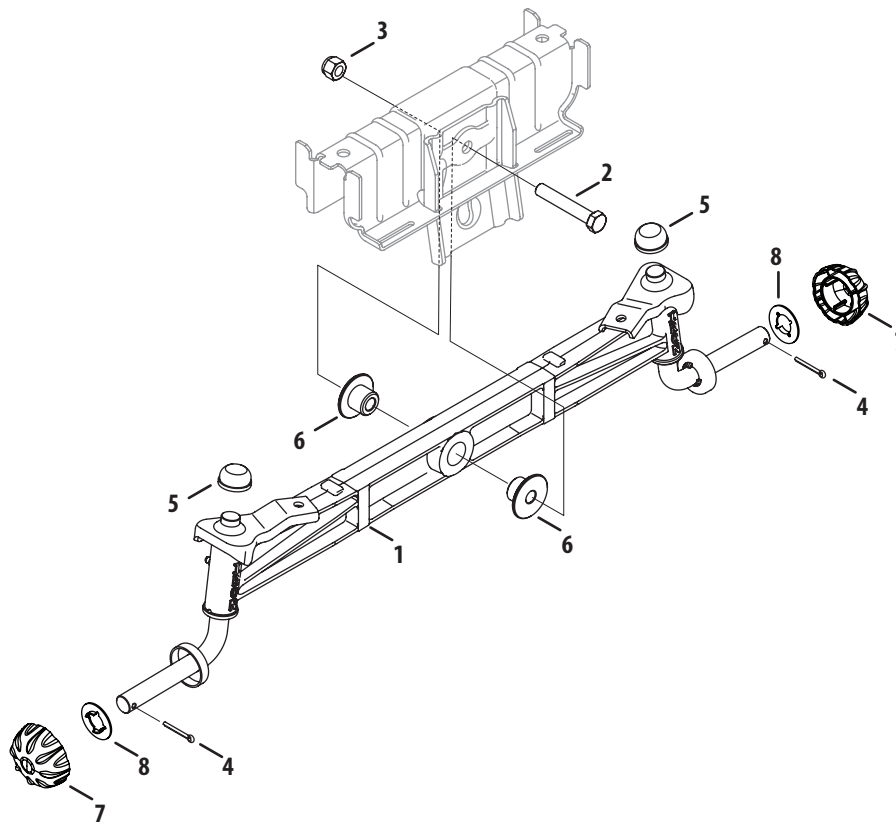
Ref.	Part Number	Description
1.	710-06133	Screw, M6-1 x .625
2.	710-06266	Hex Cap Screw, 7/16-20 x 3.50
3.	917-05209	Clutch, Electric PTO
4.	731-10576	Grommit
5.	736-05107	Flat Washer, .450 x 1.375 x .250
6.	783-08656	Clutch Bracket
7.	756-05061A	Engine Pulley

# Seat



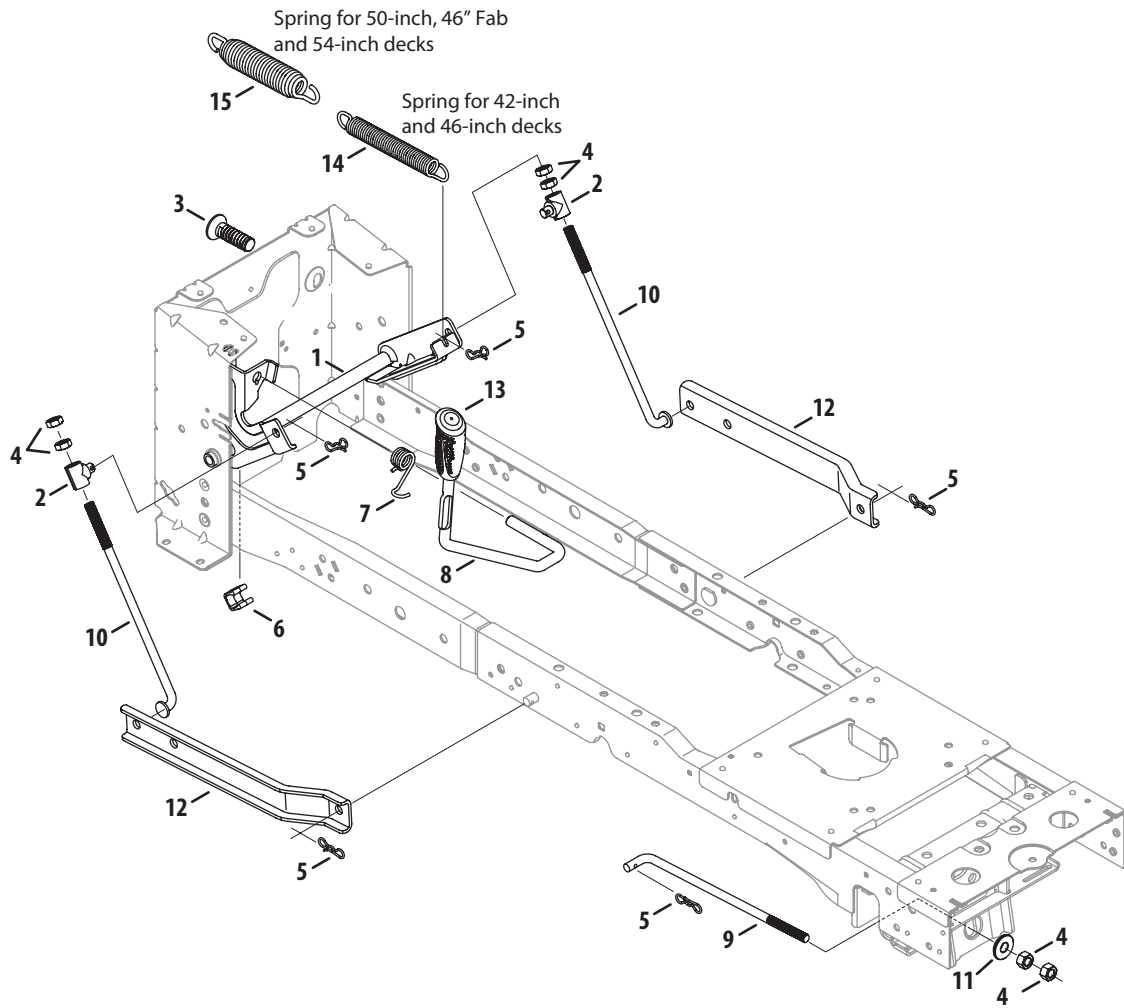
Ref.	Part Number	Description
1.	983-05111	Seat Pivot Plate Assembly
2.	710-04482	Hex Flange Screw, 3/8/16, .875, Gr5
3.	710-06133	Screw, M6-1 x .625
4.	712-04063	Nut, Flange Lock, 5/16-18, Grf
5.	712-04064	Nut, Flange Lock, 1/4-20, Nylon
6.	732-04563	Compression Spring, .68 x 1.065 x .055
7.	938-0140	Shoulder Screw, .435 x .178, 5/16 x .56
8.	741-05128	Flange Bearing, .4385 ID
9.	783-06050	Seat Lever
10.	783-08451	Pivot Bracket, Short
11.	783-08550	Bracket, Mounting, Seat
12.	757-05009	Seat, High, Cub

# Front Axle



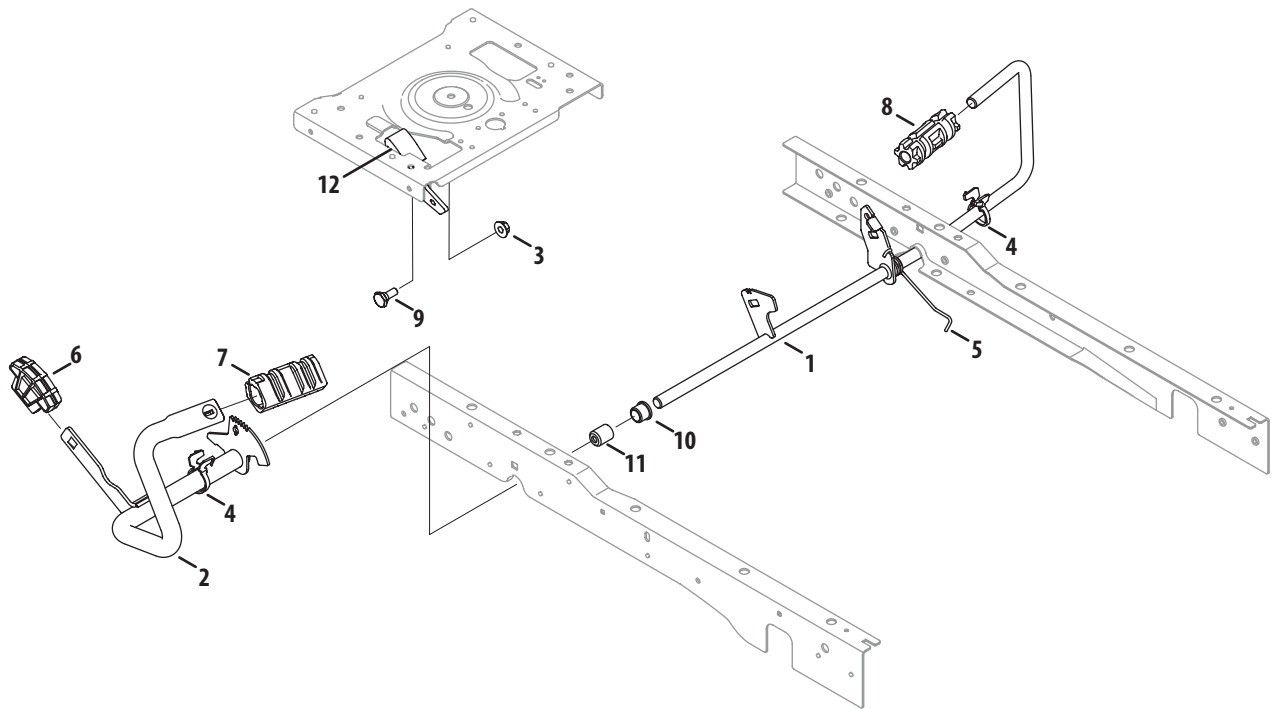
Ref.	Part Number	Description
1.	983-05145	Front Axle Assembly
2.	710-0182	Hex Cap Screw, 1/2-13 x 3.00
3.	712-3083	Nut, Hex Lock, 1/2-13
4.	714-0162	Pin, Cotter, 5/32, 1.25
5.	726-0341	Push Cap, 3/4
6.	738-05056	Shoulder Spacer, 1.00 x .515 x .760
7.	731-2290A	Hub Cap
8.	736-04228A	Washer, Flat, .350 x 1.559 x .062

# Deck Lift



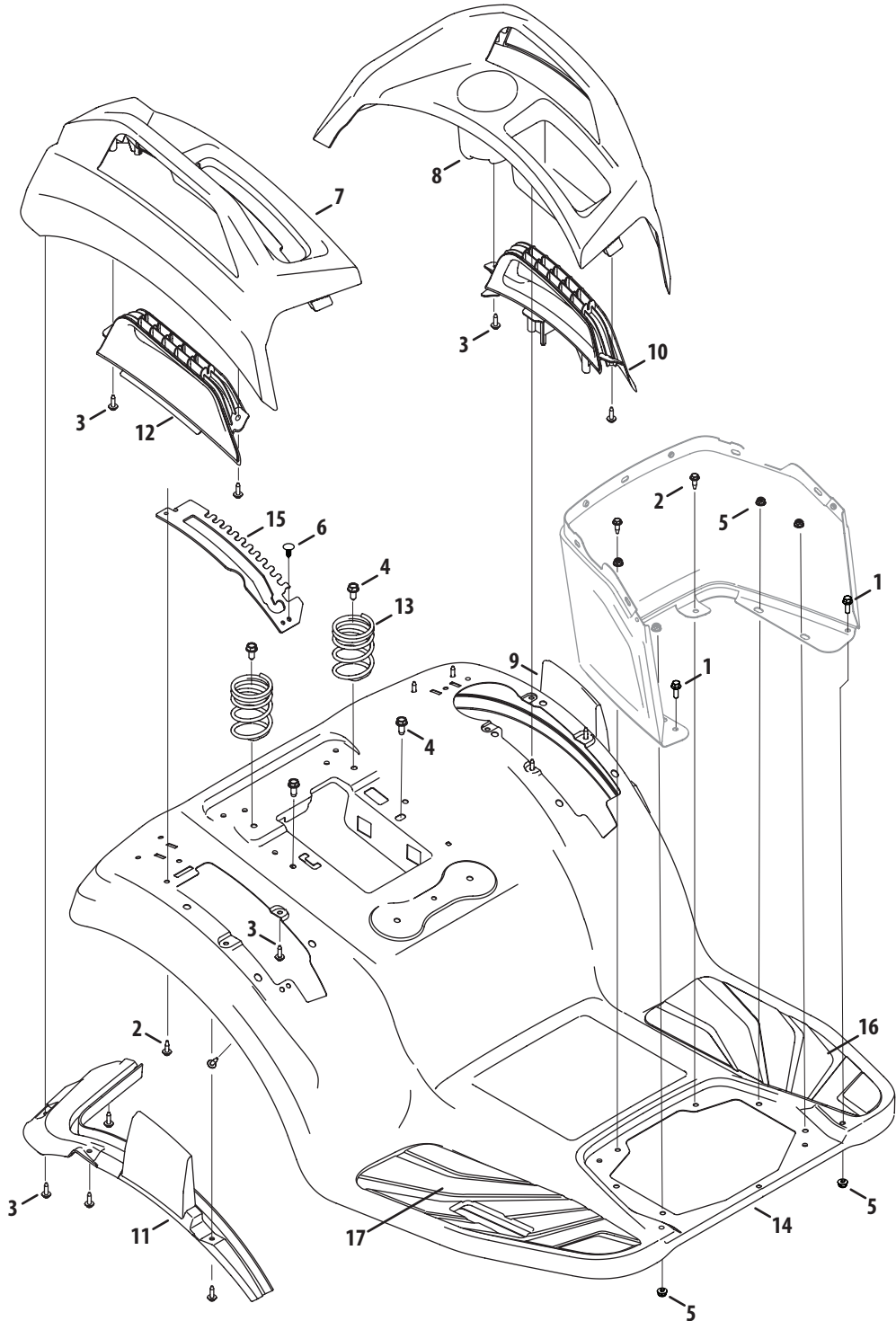
Ref.	Part Number	Description
1.	983-05077	Shaft Assembly, Lift
2.	711-06143A	Ferrule, .510 x .496
3.	711-06346	Spring Insert
4.	912-3048	Nut, Jam, 1/2-13
5.	714-05005	Bow-Tie Cotter Pin
6.	731-09629A	Spacer, .76 ID x .93 LG
7.	732-05086A	Torsion Spring
8.	747-06186A	Deck Lift Handle
9.	747-06247A	Deck Lift Rod
10.	747-06392	Lift Adjustment Link
11.	748-04069	Pivot Cup
12.	783-08280	Rear Lift Arm
13.	720-05087	Grip
14.	732-05241	Lift Assist Spring, (42"/46")
15.	732-05242	Lift Assist Spring, (46" Fab/50"/54")





Ref.	Part Number	Description
1.	947-05033	Brake Pedal Assembly
2.	949-05026	FWD/REV Pedal Assembly
3.	712-04217	Flange Lock Nut, 3/8-16
4.	731-09957A	Clip
5.	732-05155	Torsion Spring, .725 ID
6.	735-05028	Reverse Pedal Pad
7.	735-05030	Forward Pedal Pad
8.	735-05051	Brake Pedal Pad
9.	938-0380	Shoulder Screw, .50 x .27, 3/8-16
10.	741-05074	Flange Bearing, .63 x .84 x .71
11.	741-05085	Plastic Sleeve Bearing
12.	748-04203	Cruise Latch

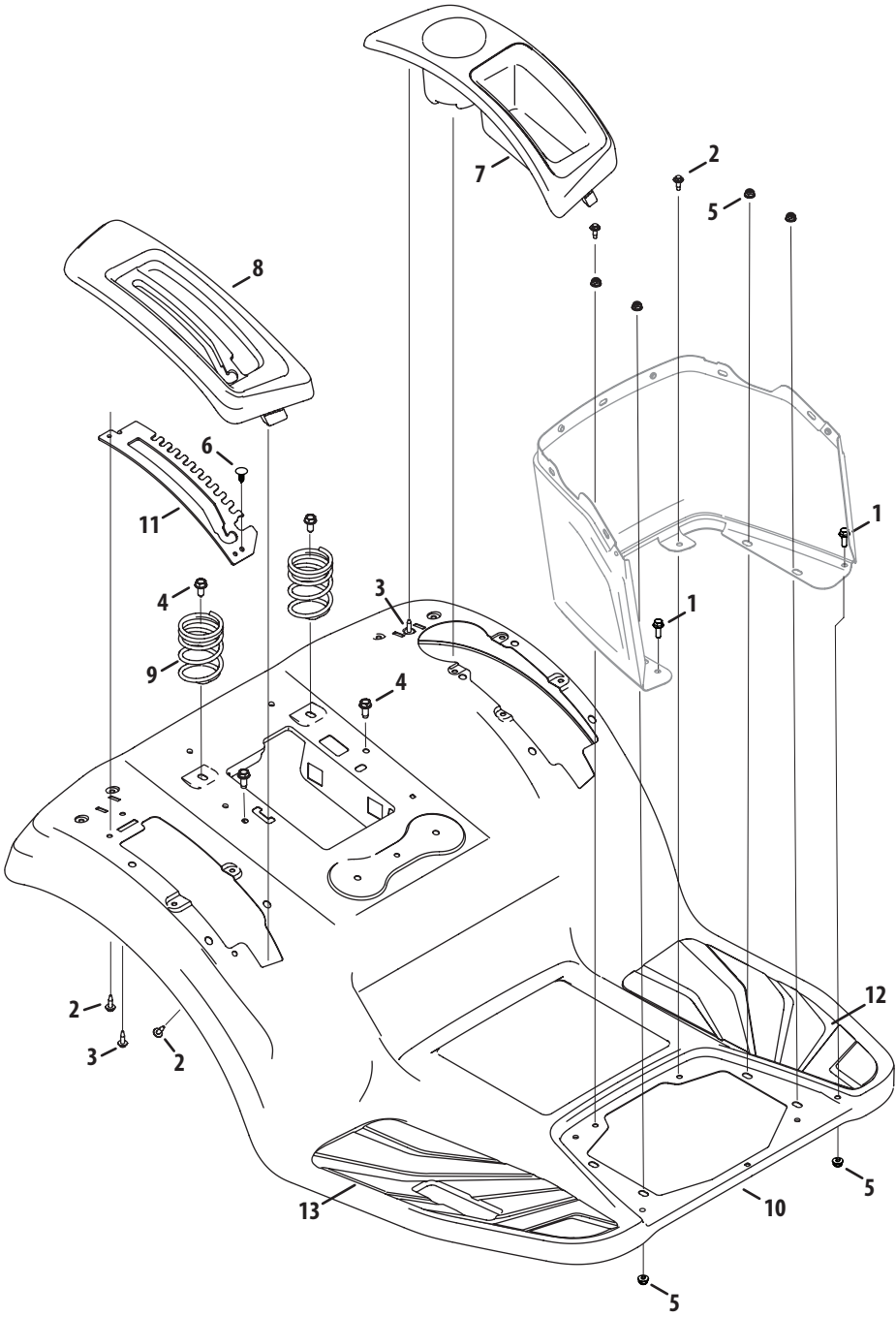
# Fender (GT)



## Fender (GT)

Ref.	Part Number	Description
1.	710-04666	Hex flange Screw, 1/4-20 x .75
2.	710-06133	Screw, M6-1 x .625
3.	710-06147	Screw, 1/4-10 x .75
4.	710-1260A	Screw, Self-tapping, 5/16-18, 0.750,
5.	712-04064	Nut, Flange Lock, 1/4-20, Nylon
6.	726-3046	Ratchet Clip, .250 DIA
7.	731-09767	Upper Cover, RH
8.	731-09768	Upper Cover, LH
9.	731-10354	Lower Cover, LH
10.	731-10434	Cover Handle, LH
11.	731-10523	Lower Cover, RH
12.	731-10524	Cover Handle. RH
13.	732-05182	Compression Spring, 2.50 x 3.951 x .207
14.	783-08279	Fender
15.	783-08559	Lift Index Bracket
16.	731-09731	Pad, Foot, LH
17.	731-09812	Pad, Foot, RH

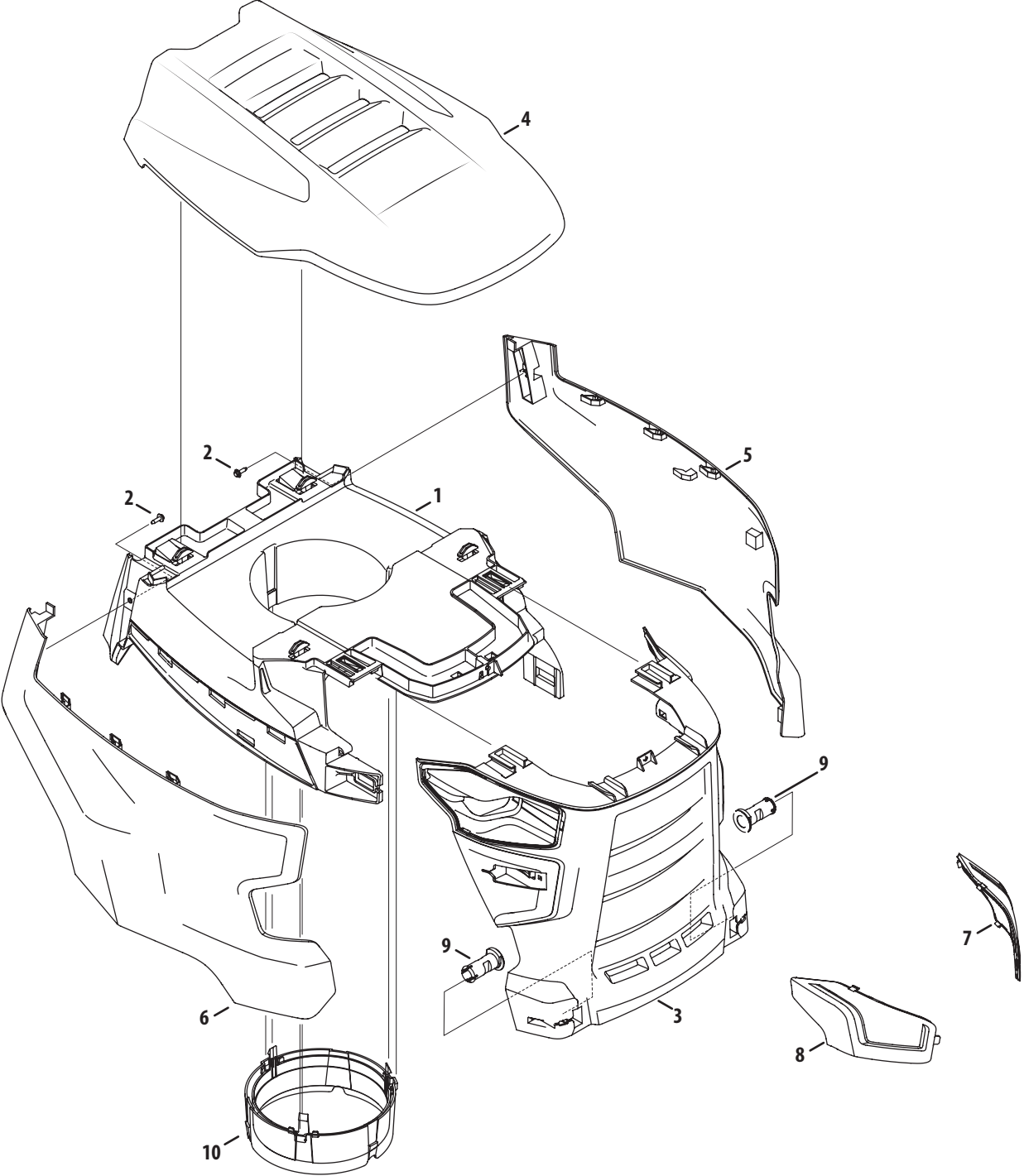
# Fender (LT)



## Fender (LT)

<b>Ref.</b>	<b>Part Number</b>	<b>Description</b>
1.	710-04666	Hex flange Screw, 1/4-20 x .75
2.	710-06133	Screw, M6-1 x .625
3.	710-06147	Screw, 1/4-10 x .75
4.	710-1260A	Screw, Self-tapping, 5/16-18, 0.750,
5.	712-04064	Nut, Flange Lock, 1/4-20, Nylon
6.	726-3046	Ratchet Clip, .250 DIA
7.	731-10172	Cover, LH
8.	631-05261	Cover, RH, Manual PTO
—	631-05259	Cover, RH, Electric PTO
9.	732-05182	Compression Spring, 2.50 x 3.951 x .207
10.	783-08279	Fender
11.	783-08559	Lift Index Bracket
12.	731-09731	Pad, Foot, LH
13.	731-09812	Pad, Foot, RH

# Hood

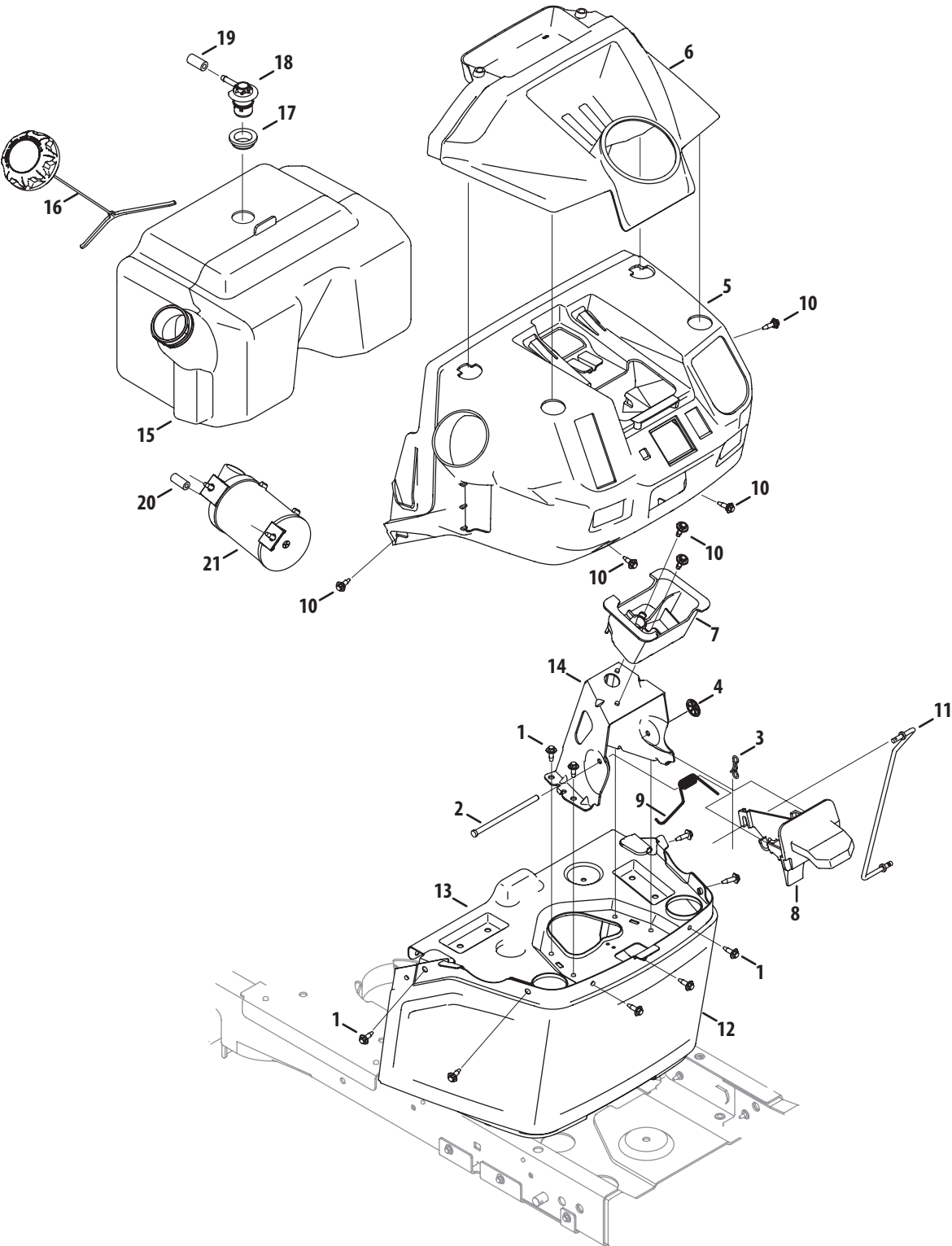


# Hood

<b>Ref.</b>	<b>Part Number</b>	<b>Description</b>
1.	631-05249	Hood Frame
2.	710-06147	Screw, 1/4-10 x .75
3.	931-09849	Grill
4.	931-09850	Hood, Top
5.	931-09852	Hood, Side, LH
6.	931-09853	Hood, Side, RH
7.	931-09856	Headlight Lens, LH
8.	931-09857	Headlight Lens, RH
9.	731-10070	Hood Pin
10.	731-11629†	Plenum

† If Equipped

# Fuel Tank and Dash

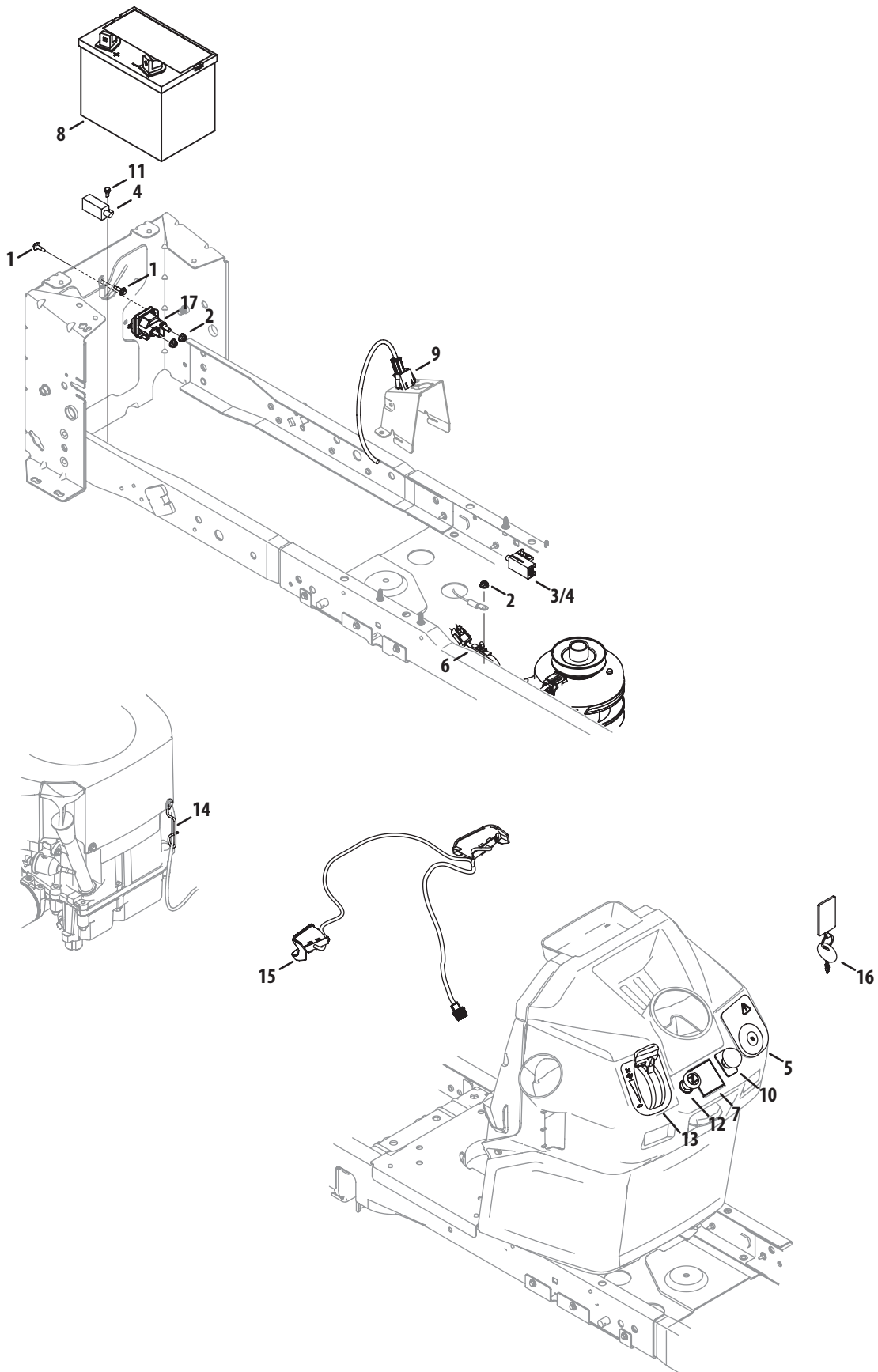




## Fuel Tank and Dash

Ref.	Part Number	Description
1.	710-06133	Screw, M6-1 x .625
2.	711-06378	Hinge Pin, .25 Dia x 4.50 LG
3.	714-04040	Pin, Cotter, Bow-Tie 72
4.	926-04012	Push Nut, .25 dia.
5.	931-09815	Upper Dash
6.	931-09816	Dash Cap
7.	731-10618	Steering Shaft Bearing
8.	731-10636	Dash Lever
9.	732-05199	Torsion Spring, .330 ID
10.	738-05090	Shoulder Screw, .368 x .115, M6-1
11.	747-06192	Control Rod
12.	783-08391	Lower Dash
13.	783-08453	Dash Plate
14.	783-08538	Steering Bearing Mounting Bracket
15.	951-05101	Tank, Fuel, 3 Gal.
16.	951-14767	Fuel Cap
—	951-12426A	Cap, Fuel Carb
17.	735-04081	Grommet, Rubber, 23.0 ID
18.	751-12118	Valve, Rollover Grommet
19.	751-12089-34	Hose, Vent (Kohler Courage Single)
—	751-12089-45	Hose, Vent (Kohler 7000)
—	751-12089-28	Hose, Vent (MTD Engine)
—	751-10749-22	Hose Vent (CARB)
20	751-10750-28	Hose, Fuel, Low Perm, 7/32 Yellow (CARB)
21	951-12372	Carbon Canister (CARB)

# Electrical

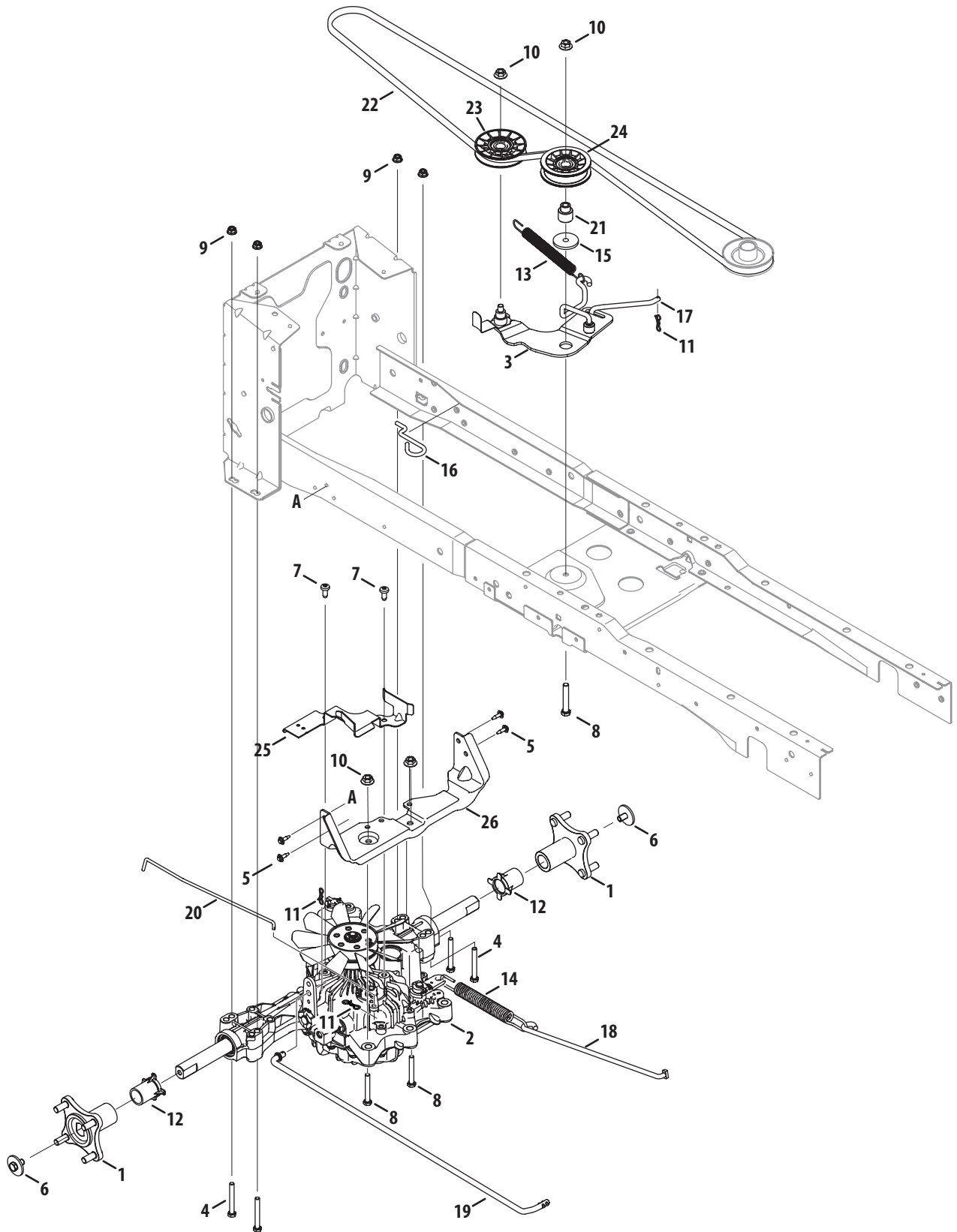


Ref.	Part Number	Description
1.	710-06133	Screw, M6-1 x .625
2.	712-04064	Nut, Flange Lock, 1/4-20, Nylon
3.	725-04232	Switch, 3-Pole (Man. PTO)
4.	725-04363	Switch, Interlock
5.	925-06119	Key Switch (Man. PTO)
—	725-06102A	Key Switch (Elec. PTO)
6.	725-06173	Jumper Harness (Elec. PTO)
7.	925-06170	Hour Meter
—	925-06221	Hour Meter (GT)
8.	925-1707D	Battery
9.	925-06261	Dash Harness (Man. PTO)
—	925-06129	Dash Harness (Elec. PTO)
10.	925-3233	PTO Switch (Elec. PTO)
—	731-10634	Dash Plug (Man. PTO)
11.	738-04237A	Shoulder Screw, #10-32 x .500
12.	731-09956	Choke Plug
13.	946-05097	Throt/Choke Cable, 21"
—	946-05098	Throt/Choke Cable, 43.5"
—	746-05255	Throt/Choke Cable, 28"
14.	747-06308†	Cable Guide Rod
15.	925-05041	Headlight Harness Assembly
16.	625-05000	Key, Assembly
17.	725-06153	Solenoid
—	925-06130††	Harness Assembly, Main (Man. PTO)
—	925-06127††	Harness Assembly, Main (Elec. PTO)
—	925-06167††	Reverse Harness

† If Equipped

†† Not Shown

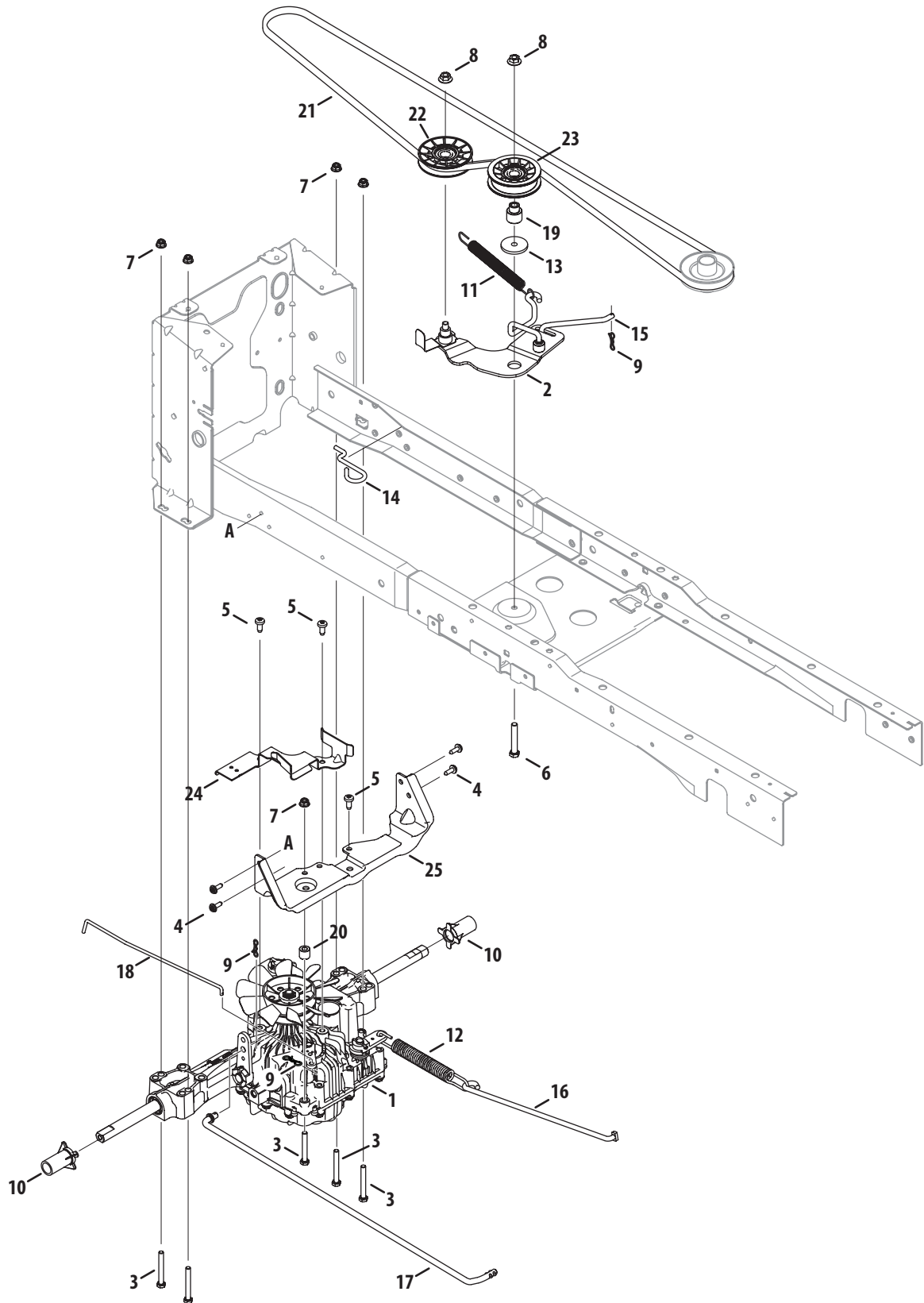
# Drive System (GT)



## Drive System (GT)

Ref.	Part Number	Description
1.	918-04317	Hub Assembly, Wheel
2.	918-06974	Transmission, Tuff Torq K58
3.	983-05090	Idler bracket Assembly
4.	710-0176	Hex Screw, 5/16-18, 2.75, Gr5, Std
5.	710-06133	Screw, M6-1 x .625
6.	710-06168	Hex Cap Screw, 3/8-16 x .750
7.	710-1611B	Screw, Self-tapping, 5/16-18, 0.750
8.	710-3011	Hex Screw, 3/8-16, 2.25, Gr5
9.	712-04063	Nut, Flange Lock, 5/16-18, Nylon
10.	712-04217	Flange Lock Nut, 3/8-16
11.	714-04040	Pin, Cotter, Bow-Tie 72
12.	731-10547	Sleeve, 1.02 ID x 1.75
13.	732-05108	Spring, Extension, .700 Dia x 8.41
14.	732-05146	Spring, Extension, .90 Dia x 8.14
15.	738-04162C	Shoulder Spacer, .884 x .190
16.	747-05608	Deck Spring Rod
17.	747-06193	Idler Link
18.	747-06251A	Rod, Brake, Tuff Torq
19.	747-06281A	Rod, Control, Tuff Torq
20.	747-06447	Rod, Transmission, Bypass
21.	748-05037A	Shoulder Spacer
22.	954-05027	Belt, V-Type
23.	756-05024	Idler Pulley, 3.56 OD
24.	756-05032	Idler Pulley, 3.00 OD
25.	783-08342	Belt Keeper Bracket
26.	783-08463	Transmission Bracket

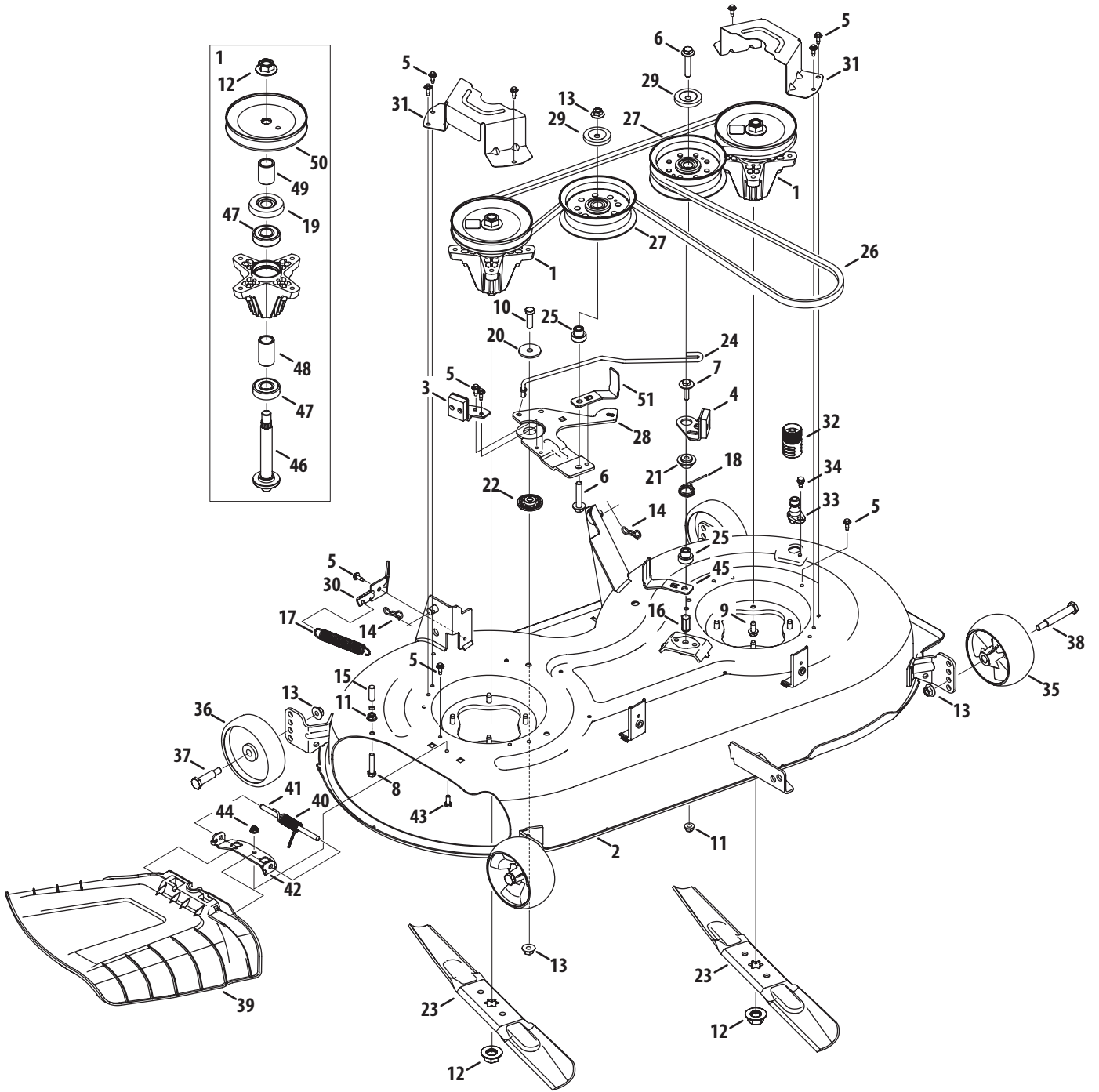
# Drive System (LT)



## Drive System (LT)

Ref.	Part Number	Description
1.	918-06972	Transmission, Tuff Torq K46
2.	983-05090	Idler bracket Assembly
3.	710-0378	Hex Screw, 5/16-18, 2.50, Gr5, Std
4.	710-06133	Screw, M6-1 x .625
5.	710-1611B	Screw, Self-tapping, 5/16-18, 0.750
6.	710-3011	Hex Screw, 3/8-16, 2.25, Gr5
7.	712-04063	Nut, Flange Lock, 5/16-18, Nylon
8.	712-04217	Flange Lock Nut, 3/8-16
9.	714-04040	Pin, Cotter, Bow-Tie 72
10.	731-08237	Sleeve, .765 Id x 2.11
11.	732-05108	Spring, Extension, .700 Dia x 8.41
12.	732-05146	Spring, Extension, .90 Dia x 8.14
13.	738-04162C	Shoulder Spacer, .884 x .190
14.	747-05608	Deck Spring Rod
15.	747-06193	Idler Link
16.	747-06251A	Rod, Brake, Tuff Torq
17.	747-06281A	Rod, Control, Tuff Torq
18.	747-06447	Rod, Transmission, Bypass
19.	748-05037A	Shoulder Spacer
20.	750-06201	Spacer, .34 x .75 x .63
21.	954-05027	Belt, V-Type
22.	756-05024	Idler Pulley, 3.56 OD
23.	756-05032	Idler Pulley, 3.00 OD
24.	783-08342	Belt Keeper Bracket
25.	783-08463	Transmission Bracket

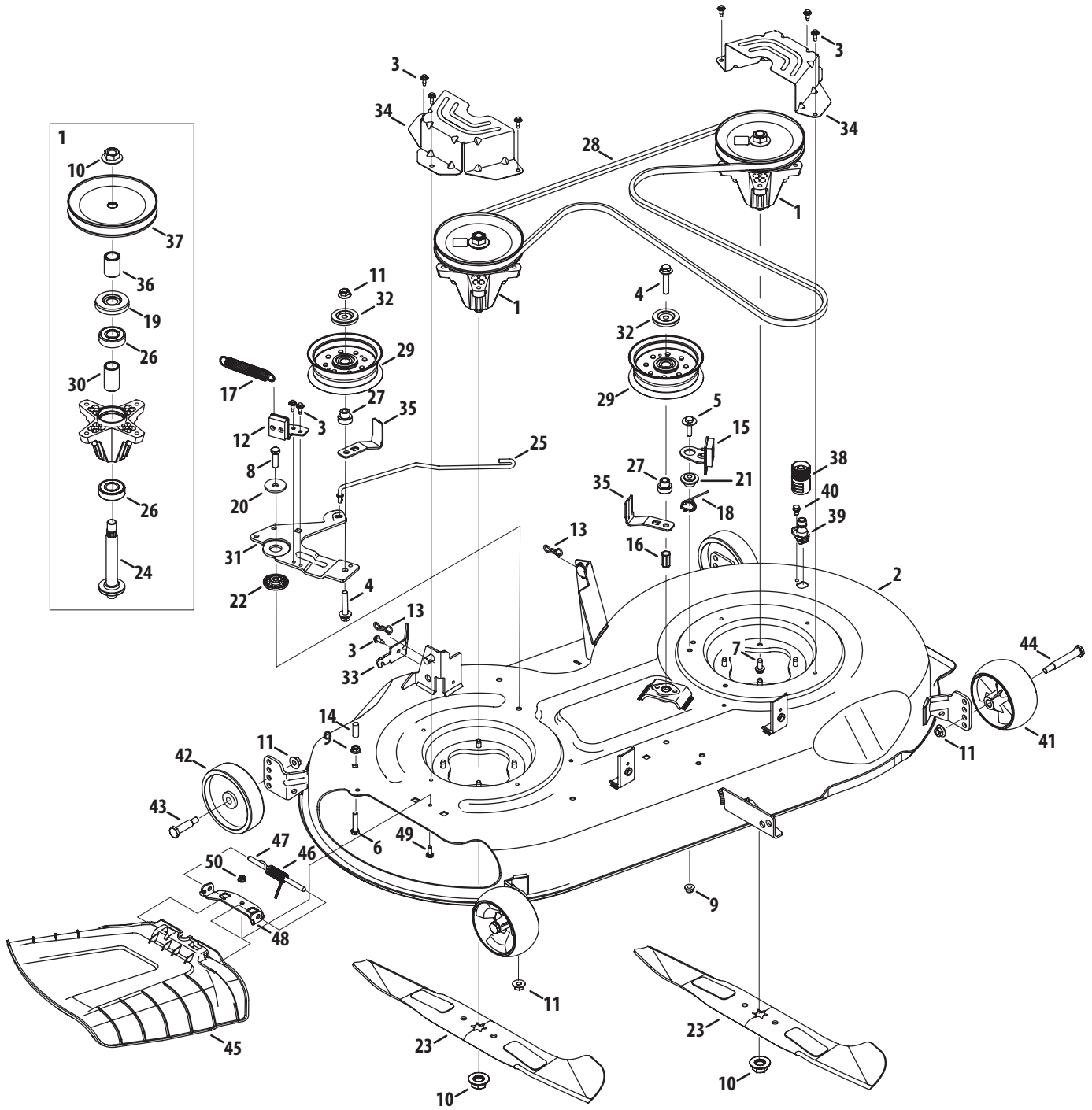
# 42-inch Deck





Ref.	Part Number	Description	Ref.	Part Number	Description
1.	918-06976	Spindle Ass'y, Pulley, 6.3 Dia	26.	954-05021	Belt, V-Type, A Sec x 99.75
2.	983-05076	Deck Assembly, 42"	27.	756-05034	Pulley, Idler, 4.50" Dia.
3.	983-05182	Brake Assembly, Deck, RH	28.	783-08284	Idler Bracket
4.	983-05183	Brake Assembly, Deck, LH	29.	783-08389	Pulley Cap
5.	710-06133	Screw, M6-1 x .625	30.	783-08406	Bracket, Cable, PTO
6.	710-06178	Hex Cap Screw, 3/8-16 x 2.00	31.	783-08510	Belt Cover
7.	710-06213	Hex Cap Screw, 5/16-18 x 1.25	32.	921-04041	Coupler, Water
8.	710-0805A	Hex Cap Screw, 5/16-18 x 1.50	33.	731-07487	Deck Wash Nozzle
9.	710-1260A	Screw, Self-tapping, 5/16-18, 0.750,	34.	738-04502	Shoulder Screw, 1/4-20 x 0.50
10.	710-3005	Hex Cap Screw, 3/8-16 x 1.25	35.	734-04155	Wheel, Deck, 5.0 Dia. Ball
11.	712-04063	Nut, Flange Lock, 5/16-18, Nylon	36.	734-0973	Wheel, Deck 5.0 x 1.38
12.	712-0417A	Nut, Flange, 5/8-18	37.	938-0373	Bolt, Shoulder, .496 x 1.525, 3/8-16
13.	712-04217	Flange Lock Nut, 3/8-16	38.	938-3056	Bolt, Shoulder, .496 x 2.50, 3/8-16
14.	714-05005	Bow-Tie Cotter Pin	39.	631-04354	Chute Deflector Assembly
15.	720-05075	Vinyl Cap, .29 x 1.00	40.	732-05261	Spring, Torsion, .440 ID x 1.75
16.	728-05016	Rivet Nut, 3/8-16	41.	747-06290A	Hinge Pin
17.	732-04629	Spring, Extension, .750 x .477	42.	783-08504A	Bracket, Chute, 42"
18.	732-05151	Spring, Torsion, LH Brake	43.	710-0751	Hex Cap Screw, 1/4-20 x .62
19.	783-08435	Bearing Shield	44.	712-04064	Nut, Flange Lock, 1/4-20, Nylon
20.	936-0227	Flat Washer, .39 x 1.5 x .134	45.	783-08690	Belt Keeper
21.	738-05088	Shoulder Spacer, .75 x .145	46.	738-1010A	Shaft, Spindle, 5.75
22.	738-05099	Shoulder Spacer, .854 x .191	47.	941-0919B	Bearing, Ball, .787id x 1.85 Od x .551
23.	942-04308	Blade, Cut, 21.23" 2-In-1, Cub	48.	750-04936	Spacer, .792 x 1.060 x 1.860
24.	747-06452	Rod, Brake, Deck	49.	750-06142	Spacer, .800 x 1.10 x 1.470
25.	748-05029A	Shoulder Spacer, Idler	50.	756-05031	Pulley, Deck, 5.40 Dia.

# 46-inch Deck (Stamped)

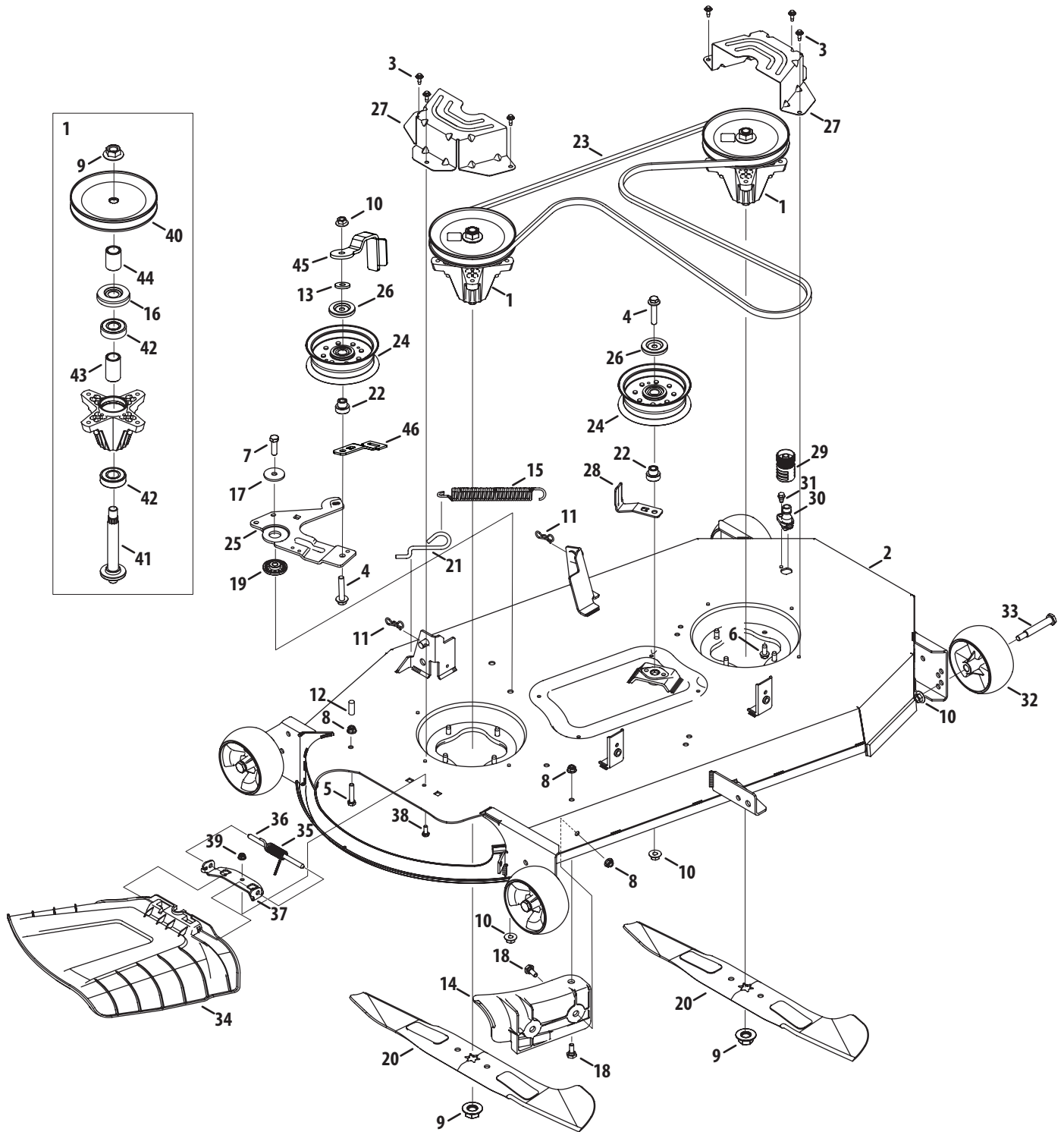


## 46-inch Deck (Stamped)

Ref.	Part Number	Description
1.	918-06977	Spindle Ass'y, Pulley, 6.93 Dia
2.	983-05078	Deck Assembly, 46"
3.	710-06133	Screw, M6-1 x .625
4.	710-06178	Hex Cap Screw, 3/8-16 x 2.00
5.	710-06213	Hex Cap Screw, 5/16-18 x 1.25
6.	710-0805A	Hex Cap Screw, 5/16-18 x 1.50
7.	710-1260A	Screw, Self-tapping, 5/16-18, 0.750,
8.	710-3005	Hex Cap Screw, 3/8-16 x 1.25
9.	712-04063	Nut, Flange Lock, 5/16-18, Nylon
10.	712-0417A	Nut, Flange, 5/8-18
11.	712-04217	Flange Lock Nut, 3/8-16
12.	983-05182	Brake Assembly, Deck, RH
13.	714-05005	Bow-Tie Cotter Pin
14.	720-05075	Vinyl Cap, .29 x 1.00
15.	983-05183	Brake Assembly, Deck, LH
16.	728-05016	Rivet Nut, 3/8-16
17.	732-04629	Spring, Extension, .750 x .477
18.	732-05151	Spring, Torsion, LH Brake
19.	783-08435	Bearing Shield
20.	936-0227	Flat Washer, .39 x 1.5 x .134
21.	738-05088	Shoulder Spacer, .75 x .145
22.	738-05099	Shoulder Spacer, .854 x .191
23.	942-04244A	Blade, Cut, 23.25" 2-In-1, Cub
24.	738-1010A	Shaft, Spindle, 5.75
25.	747-06452	Rod, Brake, Deck

Ref.	Part Number	Description
26.	941-0919B	Bearing, Ball, .787id x 1.85 Od x .551
27.	748-05029A	Shoulder Spacer, Idler
28.	954-05022A	Belt, V-Type, A Sec x 108.3
29.	756-05034	Pulley, Idler, 4.50" Dia.
30.	750-04936	Spacer, .792 x 1.060 x 1.860
31.	783-08284	Idler Bracket
32.	783-08389	Pulley Cap
33.	783-08406	Bracket, Cable, PTO
34.	783-08547	Belt Cover
35.	783-08690	Belt Keeper
36.	750-06142	Spacer, .800 x 1.10 x 1.470
37.	756-05030	Pulley, Deck, 6.74 Dia.
38.	921-04041	Coupler, Water
39.	731-07487	Deck Wash Nozzle
40.	738-04502	Shoulder Screw, 1/4-20 x 0.50
41.	734-04155	Wheel, Deck, 5.0 Dia. Ball
42.	734-0973	Wheel, Deck 5.0 x 1.38
43.	938-0373	Bolt, Shoulder, .496 x 1.525, 3/8-16
44.	938-3056	Bolt, Shoulder, .496 x 2.50, 3/8-16
45.	631-04354	Chute Deflector Assembly
46.	732-05261	Spring, Torsion, .440 ID x 1.75
47.	747-06290A	Hinge Pin
48.	783-08504A	Bracket, Chute, 42"
49.	710-0751	Hex Cap Screw, 1/4-20 x .62
50.	712-04064	Nut, Flange Lock, 1/4-20, Nylon

# 46-inch Deck (Fab)

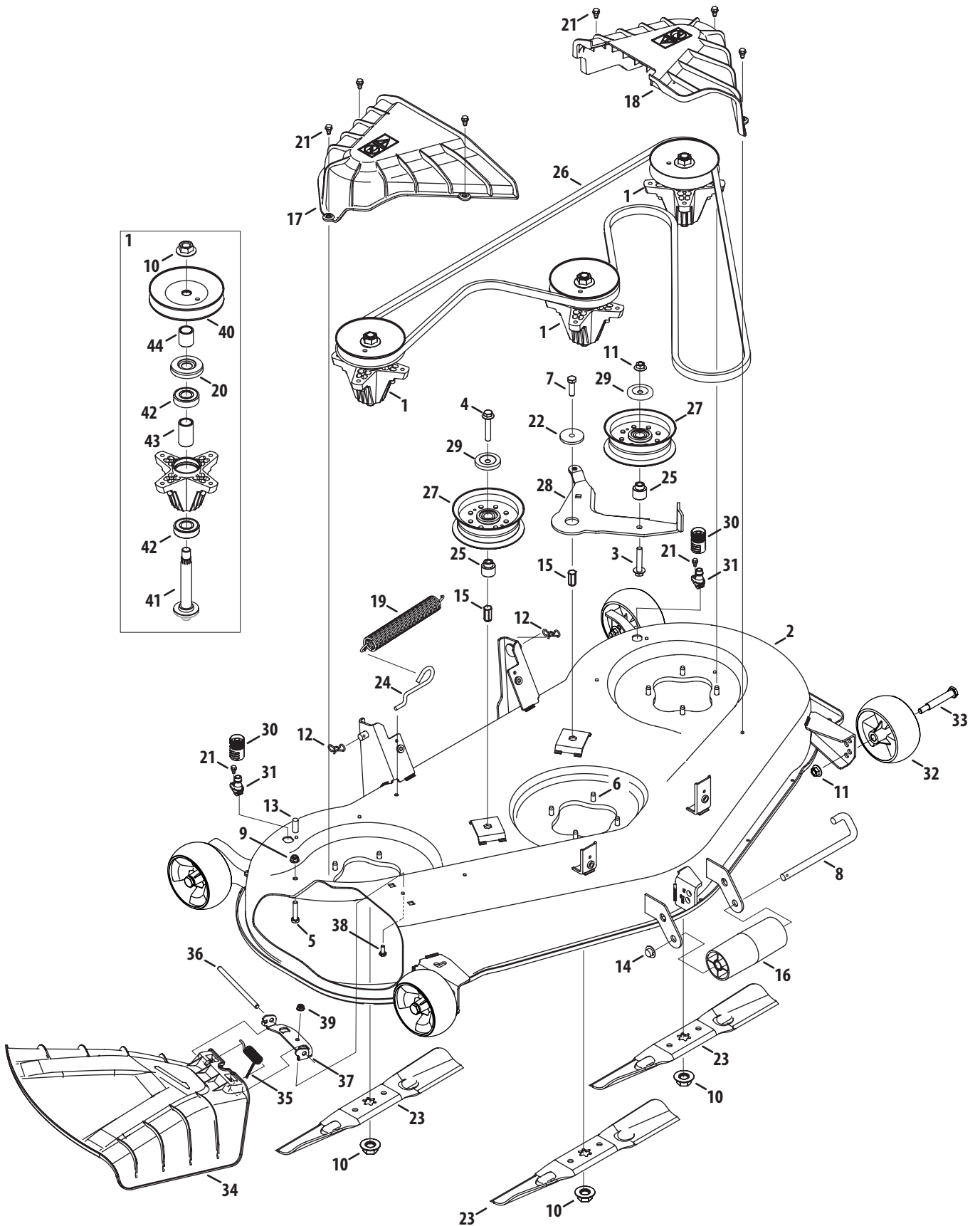


## 46-inch Deck (Fab)

Ref.	Part Number	Description
1.	918-06977	Spindle Ass'y, Pulley, 6.93 Dia
2.	683-05153	Deck Assembly, 46"
3.	710-06133	Screw, M6-1 x .625
4.	710-06178	Hex Cap Screw, 3/8-16 x 2.00
5.	710-0376	Hex Cap Screw, 5/16-18 x 1.00
6.	710-1260A	Screw, Self-tapping, 5/16-18, 0.750,
7.	710-3005	Hex Cap Screw, 3/8-16 x 1.25
8.	712-04063	Nut, Flange Lock, 5/16-18, Nylon
9.	712-0417A	Nut, Flange, 5/8-18
10.	712-04217	Flange Lock Nut, 3/8-16
11.	714-05005	Bow-Tie Cotter Pin
12.	720-05010	Vinyl Cap, .29 x .50
13.	736-0258	Flat Washer, .385 x 1.00 x .135
14.	731-10629	Baffle, Discharge
15.	732-04960	Extension Spring, .94 Dia. x 7.57
16.	783-08435	Bearing Shield
17.	936-0227	Flat Washer, .39 x 1.5 x .134
18.	938-04033	Shoulder Screw, .428 x .160, 5/16-18
19.	738-05099	Shoulder Spacer, .854 x .191
20.	942-04244A	Blade, Cut, 23.25" 2-In-1, Cub
21.	747-05608	Deck Spring Rod
22.	748-05029A	Shoulder Spacer, Idler
23.	754-05087	Belt, V-Type, A Sec x 108.3

Ref.	Part Number	Description
24.	756-05034	Pulley, Idler, 4.50" Dia.
25.	783-08284A	Idler Bracket
26.	783-08389	Pulley Cap
27.	783-08547	Belt Cover
28.	783-08690	Belt Keeper
29.	921-04041	Coupler, Water
30.	731-07487	Deck Wash Nozzle
31.	738-04502	Shoulder Screw, 1/4-20 x 0.50
32.	734-04155	Wheel, Deck, 5.0 Dia. Ball
33.	938-3056	Bolt, Shoulder, .496 x 2.50, 3/8-16
34.	631-04354	Chute Deflector Assembly
35.	732-05261	Spring, Torsion, .440 ID x 1.75
36.	747-06290A	Hinge Pin
37.	783-08504A	Bracket, Chute, 42"
38.	710-0751	Hex Cap Screw, 1/4-20 x .62
39.	712-04064	Nut, Flange Lock, 1/4-20, Nylon
40.	756-05030	Pulley, Deck, 6.74 Dia.
41.	738-1010A	Shaft, Spindle, 5.75
42.	941-0919B	Bearing, Ball, .787id x 1.85 Od x .551
43.	750-04936	Spacer, .792 x 1.060 x 1.860
44.	750-06142	Spacer, .800 x 1.10 x 1.470
45.	783-08619	Idler Keeper
46.	783-08867	Belt Keeper

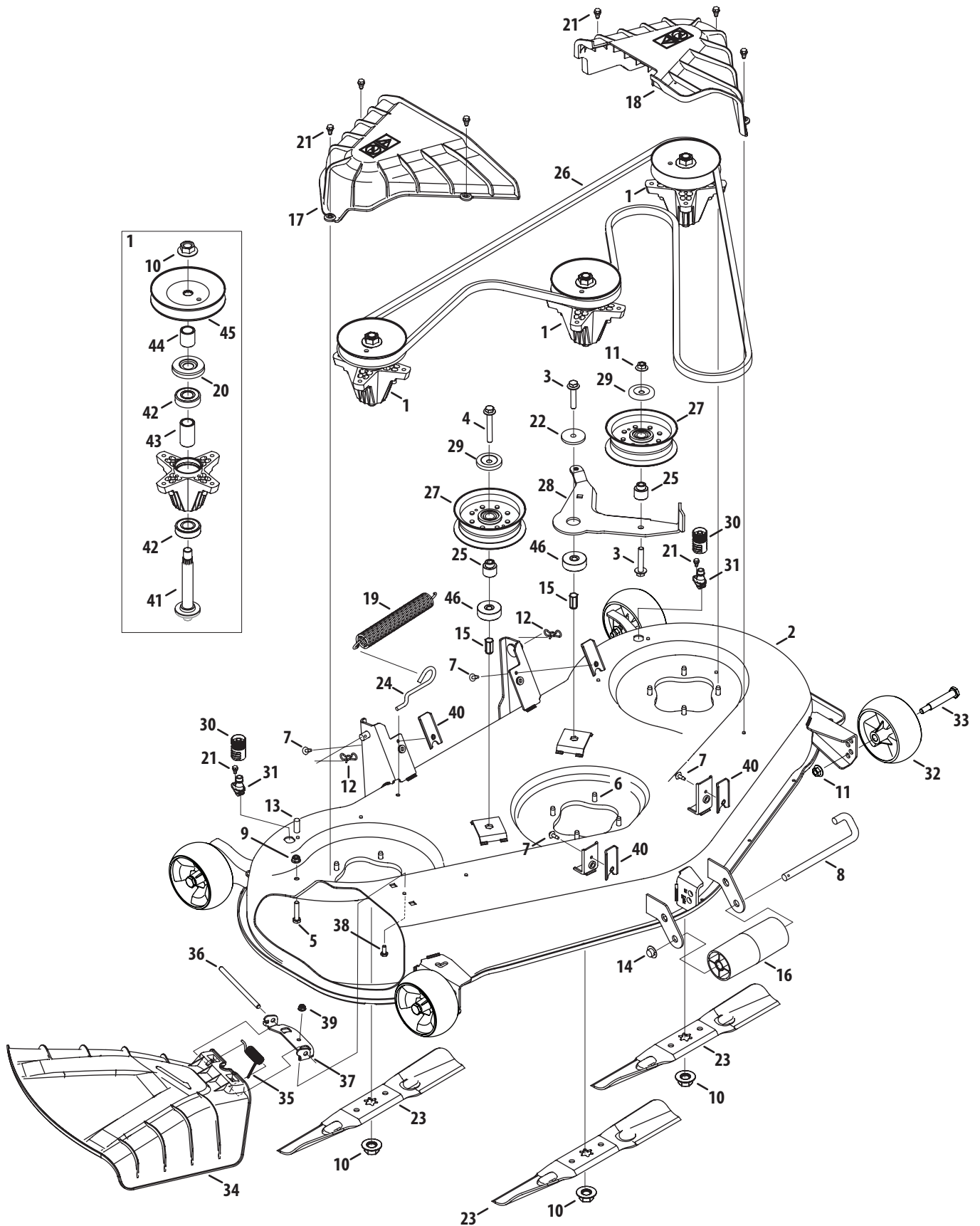
# 50-inch Deck (LT)



## 50-inch Deck (LT)

Ref.	Part Number	Description	Ref.	Part Number	Description
1.	918-06981	Spindle Ass'y, Pulley, 5.37 Dia	23.	942-05052A	Blade, Cut, 17.27" 2-In-1, Cub
2.	983-05103	Deck Assembly, 50"	24.	747-05608	Deck Spring Rod
3.	710-06178	Hex Cap Screw, 3/8-16 x 2.00	25.	748-05037A	Shoulder Spacer
4.	710-06215	Hex Cap Screw, 3/8-16 x 2.25	26.	954-04077A	Belt, V-Type, B Sec x 134
5.	710-0805A	Hex Cap Screw, 5/16-18 x 1.50	27.	756-05034	Pulley, Idler, 4.50" Dia.
6.	710-1260A	Screw, Self-tapping, 5/16-18, 0.750,	28.	783-08309A	Pivot Idler bracket
7.	710-3005	Hex Cap Screw, 3/8-16 x 1.25	29.	783-08389	Pulley Cap
8.	711-06377	Roller Pin, 1/2 x 7.31 Lg	30.	921-04041	Coupler, Water
9.	712-04063	Nut, Flange Lock, 5/16-18, Nylon	31.	731-07487	Deck Wash Nozzle
10.	712-0417A	Nut, Flange, 5/8-18	32.	734-04155	Wheel, Deck, 5.0 Dia. Ball
11.	712-04217	Flange Lock Nut, 3/8-16	33.	938-3056	Bolt, Shoulder, .496 x 2.50, 3/8-16
12.	714-05005	Bow-Tie Cotter Pin	34.	631-05116	Chute Deflector Assembly
13.	720-05075	Vinyl Cap, .29 x 1.00	35.	732-05261	Spring, Torsion, .440 ID x 1.75
14.	726-0299	Push Cap, 1/2"	36.	747-06290A	Hinge Pin
15.	728-05016	Rivet Nut, 3/8-16	37.	783-08504A	Bracket, Chute, 42"
16.	731-05679B	Front Roller	38.	710-0751	Hex Cap Screw, 1/4-20 x .62
17.	731-09968	Belt Cover, RH	39.	712-04064	Nut, Flange Lock, 1/4-20, Nylon
18.	731-09969A	Belt Cover, LH	40.	756-05036	Pulley, Deck, 5.00 Dia.
19.	732-04927	Spring, Extension, 1.25 OD x 8.5	41.	938-04241	Shaft, Spindle, 5.50
20.	783-08435	Bearing Shield	42.	941-0919B	Bearing, Ball, .787id x 1.85 Od x .551
21.	738-04502	Shoulder Screw, 1/4-20 x 0.50	43.	750-04936	Spacer, .792 x 1.060 x 1.860
22.	738-05082	Shoulder Spacer, .970 x .190	44.	750-06153	Spacer, .792 x 1.060 x 1.191

# 50-inch Deck (GT)



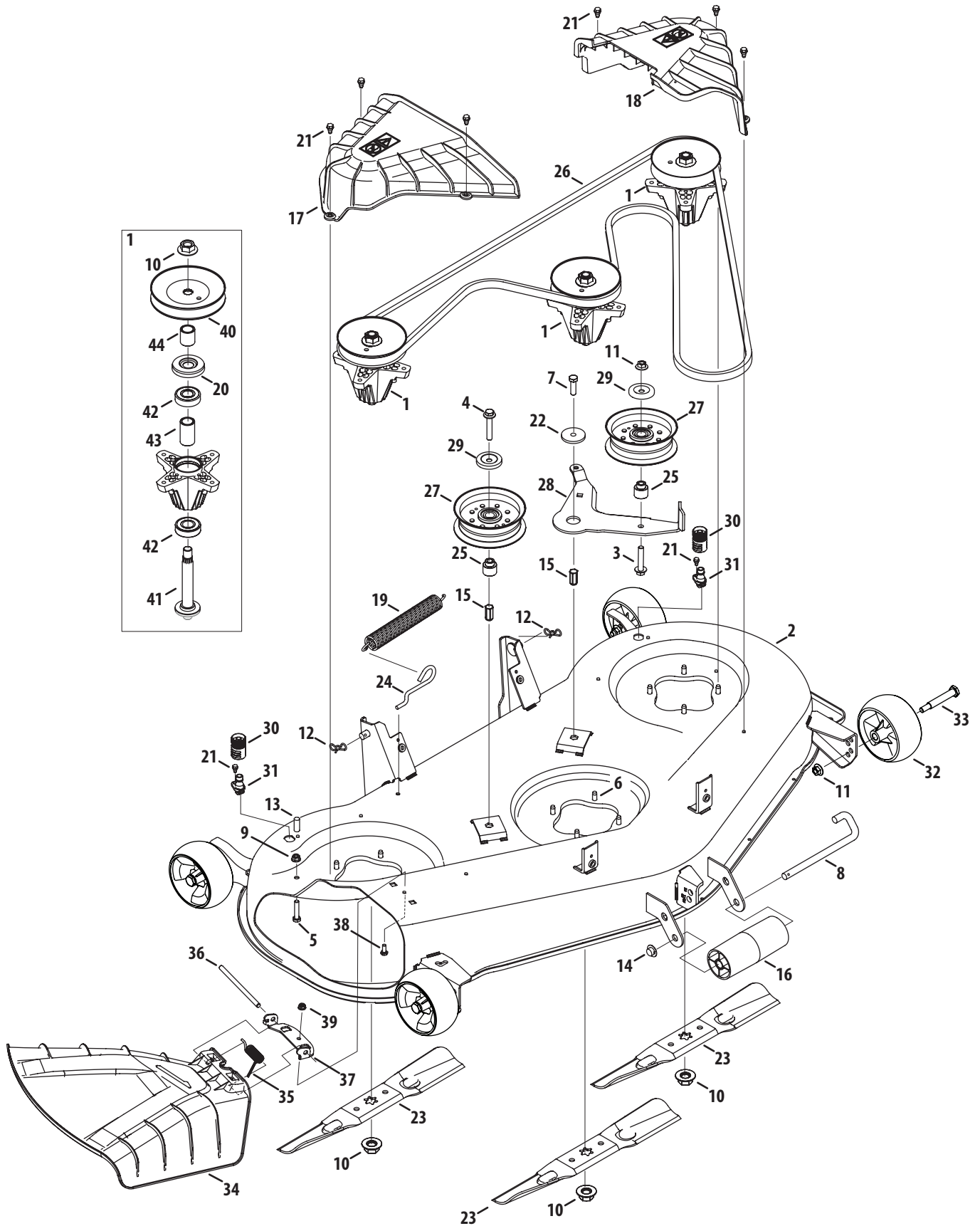


## 50-inch Deck (GT)

Ref.	Part Number	Description
1.	918-06980	Spindle Ass'y, Pulley, 5.37 Dia
2.	983-05103	Deck Assembly, 50"
3.	710-06178	Hex Cap Screw, 3/8-16 x 2.00
4.	710-06214	Hex Cap Screw, 3/8-16 x 2.75
5.	710-0805A	Hex Cap Screw, 5/16-18 x 1.50
6.	710-1260A	Screw, Self-tapping, 5/16-18, 0.750,
7.	710-06133	Screw, M6-1 x .625
8.	711-06377	Roller Pin, 1/2 x 7.31 Lg
9.	712-04063	Nut, Flange Lock, 5/16-18, Nylon
10.	712-0417A	Nut, Flange, 5/8-18
11.	712-04217	Flange Lock Nut, 3/8-16
12.	714-05005	Bow-Tie Cotter Pin
13.	720-05075	Vinyl Cap, .29 x 1.00
14.	726-0299	Push Cap, 1/2"
15.	728-05016	Rivet Nut, 3/8-16
16.	731-05679B	Front Roller
17.	731-09968	Belt Cover, RH
18.	731-09969A	Belt Cover, LH
19.	732-04927	Spring, Extension, 1.25 OD x 8.5
20.	783-08435	Bearing Shield
21.	738-04502	Shoulder Screw, 1/4-20 x 0.50
22.	738-05082	Shoulder Spacer, .970 x .190
23.	942-05052A	Blade, Cut, 17.27" 2-In-1, Cub

Ref.	Part Number	Description
24.	747-05608	Deck Spring Rod
25.	748-05037A	Shoulder Spacer
26.	954-04077A	Belt, V-Type, B Sec x 134
27.	756-05034	Pulley, Idler, 4.50" Dia.
28.	783-08309A	Pivot Idler bracket
29.	783-08389	Pulley Cap
30.	921-04041	Coupler, Water
31.	731-07487	Deck Wash Nozzle
32.	734-04155	Wheel, Deck, 5.0 Dia. Ball
33.	938-3056	Bolt, Shoulder, .496 x 2.50, 3/8-16
34.	631-05116	Chute Deflector Assembly
35.	732-05261	Spring, Torsion, .440 ID x 1.75
36.	747-06290A	Hinge Pin
37.	783-08504A	Bracket, Chute, 42"
38.	710-0751	Hex Cap Screw, 1/4-20 x .62
39.	712-04064	Nut, Flange Lock, 1/4-20, Nylon
40.	783-08404A	Bracket, Lift, Stop
41.	738-1186A	Shaft, Spindle, 6.11
42.	941-0919B	Bearing, Ball, .787id x 1.85 Od x .551
43.	750-04936	Spacer, .792 x 1.060 x 1.860
44.	750-06152	Spacer, .792 x 1.060 x 1.782
45.	756-05036	Pulley, Deck, 5.00 Dia.
46.	750-06184	Spacer, .385 ID x 1.75 OD x .585

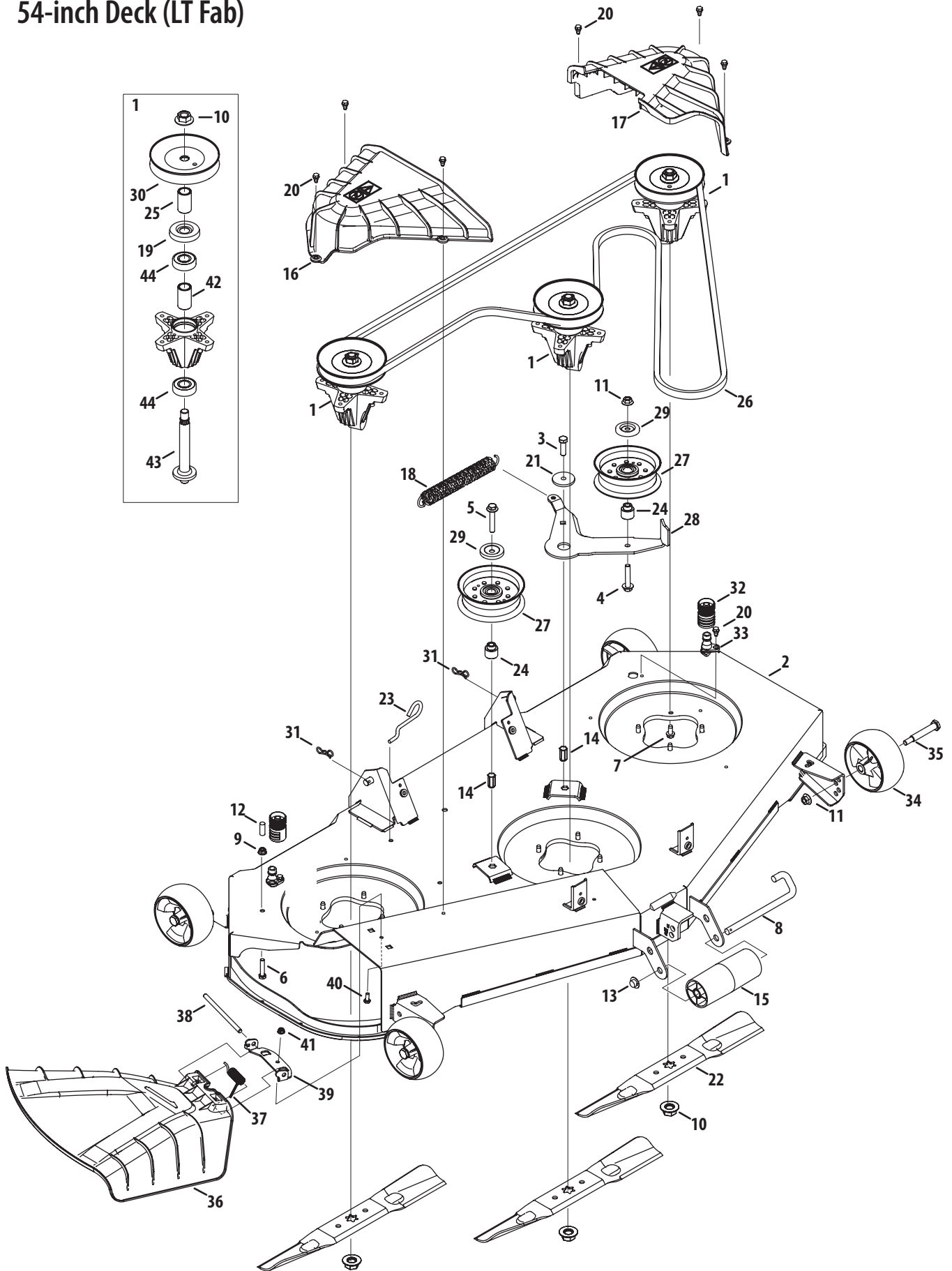
# 54-inch Deck (Stamped)



## 54-inch Deck (Stamped)

Ref.	Part Number	Description	Ref.	Part Number	Description
1.	918-06979	Spindle Ass'y, Pulley, 5.37 Dia	23.	942-05056A	Blade, Cut, 18.67" 2-In-1, Cub
2.	983-05104	Deck Assembly, 54"	24.	747-05608	Deck Spring Rod
3.	710-06178	Hex Cap Screw, 3/8-16 x 2.00	25.	748-05037A	Shoulder Spacer
4.	710-06215	Hex Cap Screw, 3/8-16 x 2.25	26.	954-05025	Belt, V-Type, B Sec x 139
5.	710-0805A	Hex Cap Screw, 5/16-18 x 1.50	27.	756-05034	Pulley, Idler, 4.50" Dia.
6.	710-1260A	Screw, Self-tapping, 5/16-18, 0.750,	28.	783-08309A	Pivot Idler bracket
7.	710-3005	Hex Cap Screw, 3/8-16 x 1.25	29.	783-08389	Pulley Cap
8.	711-06377	Roller Pin, 1/2 x 7.31 Lg	30.	921-04041	Coupler, Water
9.	712-04063	Nut, Flange Lock, 5/16-18, Nylon	31.	731-07487	Deck Wash Nozzle
10.	712-0417A	Nut, Flange, 5/8-18	32.	734-04155	Wheel, Deck, 5.0 Dia. Ball
11.	712-04217	Flange Lock Nut, 3/8-16	33.	938-3056	Bolt, Shoulder, .496 x 2.50, 3/8-16
12.	714-05005	Bow-Tie Cotter Pin	34.	631-05116	Chute Deflector Assembly
13.	720-05075	Vinyl Cap, .29 x 1.00	35.	732-05261	Spring, Torsion, .440 ID x 1.75
14.	726-0299	Push Cap, 1/2"	36.	747-06290A	Hinge Pin
15.	728-05016	Rivet Nut, 3/8-16	37.	783-08504A	Bracket, Chute, 42"
16.	731-05679B	Front Roller	38.	710-0751	Hex Cap Screw, 1/4-20 x .62
17.	731-09968	Belt Cover, RH	39.	712-04064	Nut, Flange Lock, 1/4-20, Nylon
18.	731-09969A	Belt Cover, LH	40.	756-05038	Pulley, Deck, 4.50 Dia.
19.	732-04927	Spring, Extension, 1.25 OD x 8.5	41.	938-04241	Shaft, Spindle, 5.50
20.	783-08435	Bearing Shield	42.	941-0919B	Bearing, Ball, .787id x 1.85 Od x .551
21.	738-04502	Shoulder Screw, 1/4-20 x 0.50	43.	750-04936	Spacer, .792 x 1.060 x 1.860
22.	738-05082	Shoulder Spacer, .970 x .190	44.	750-06153	Spacer, .792 x 1.060 x 1.191

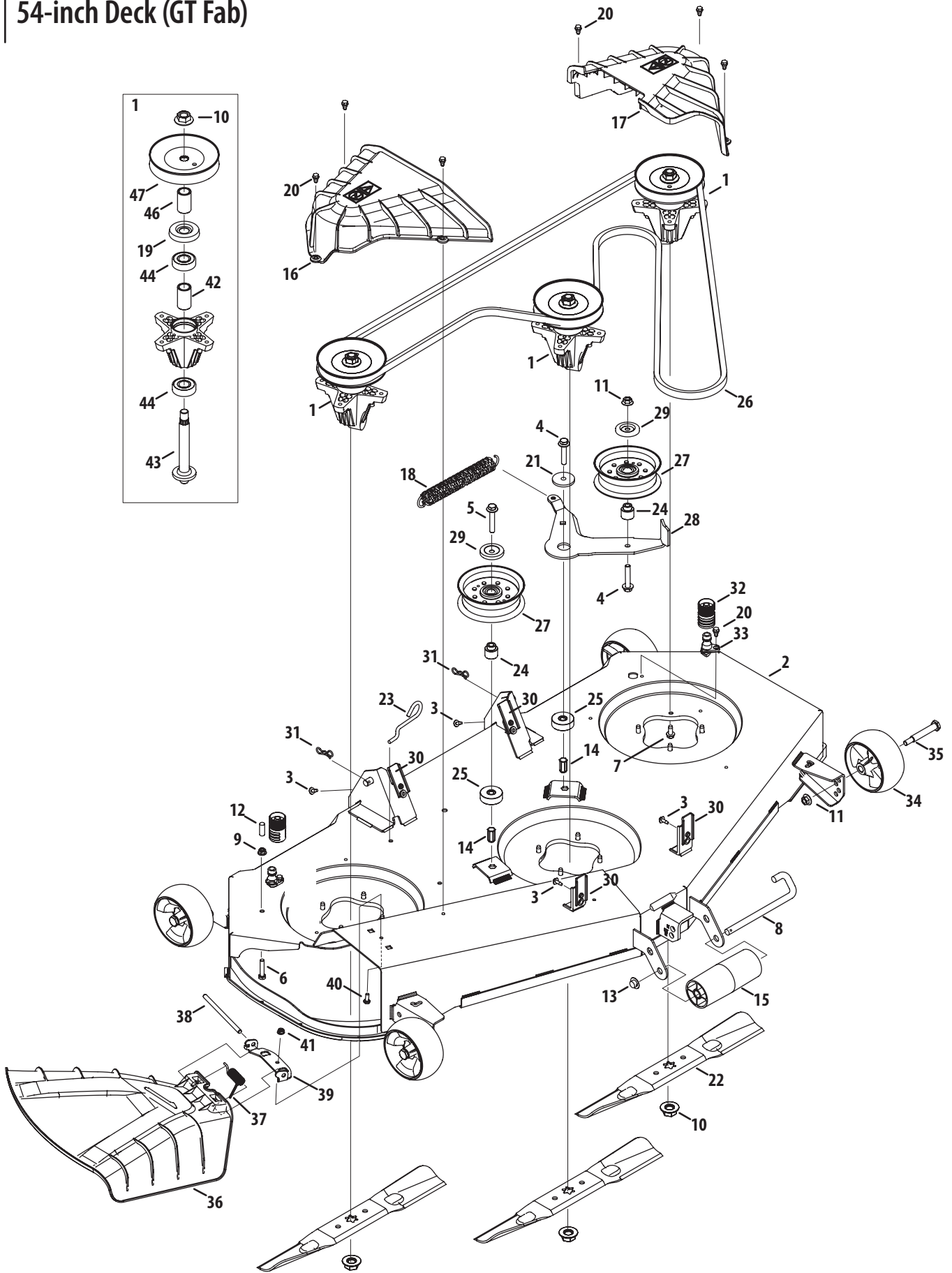
# 54-inch Deck (LT Fab)



## 54-inch Deck (LT Fab)

Ref.	Part Number	Description	Ref.	Part Number	Description
1.	918-06979	Spindle Ass'y, Pulley, 5.37 Dia	23.	747-05608	Deck Spring Rod
2.	683-05138	Deck Assembly, 54"	24.	748-05037A	Shoulder Spacer
3.	710-3005	Hex Cap Screw, 3/8-16 x 1.25	25.	750-06153	Spacer, .792 x 1.060 x 1.191
4.	710-06178	Hex Cap Screw, 3/8-16 x 2.00	26.	954-05025	Belt, V-Type, B Sec x 139
5.	710-06215	Hex Cap Screw, 3/8-16 x 2.25	27.	756-05034	Pulley, Idler, 4.50" Dia.
6.	710-0805A	Hex Cap Screw, 5/16-18 x 1.50	28.	783-08309A	Pivot Idler bracket
7.	710-1260A	Screw, Self-tapping, 5/16-18, 0.750,	29.	783-08389	Pulley Cap
8.	711-06377	Roller Pin, 1/2 x 7.31 Lg	30.	756-05038	Pulley, Deck, 4.50 Dia.
9.	712-04063	Nut, Flange Lock, 5/16-18, Nylon	31.	714-05005	Bow-Tie Cotter Pin
10.	712-0417A	Nut, Flange, 5/8-18	32.	921-04041	Coupler, Water
11.	712-04217	Flange Lock Nut, 3/8-16	33.	731-07487	Deck Wash Nozzle
12.	720-05075	Vinyl Cap, .29 x 1.00	34.	734-04155	Wheel, Deck, 5.0 Dia. Ball
13.	726-0299	Push Cap, 1/2"	35.	938-3056	Bolt, Shoulder, .496 x 2.50, 3/8-16
14.	728-05016	Rivet Nut, 3/8-16	36.	631-05168A	Chute Deflector Assembly
15.	731-05679B	Front Roller	37.	732-05261	Spring, Torsion, .440 ID x 1.75
16.	731-09968	Belt Cover, RH	38.	747-06290A	Hinge Pin
17.	731-09969A	Belt Cover, LH	39.	783-08504A	Bracket, Chute, 42"
18.	732-04927	Spring, Extension, 1.25 OD x 8.5	40.	710-0751	Hex Cap Screw, 1/4-20 x .62
19.	783-08435	Bearing Shield	41.	712-04064	Nut, Flange Lock, 1/4-20, Nylon
20.	738-04502	Shoulder Screw, 1/4-20 x 0.50	42.	750-04936	Spacer, .792 x 1.060 x 1.860
21.	738-05082	Shoulder Spacer, .970 x .190	43.	938-04241	Shaft, Spindle, 5.50
22.	942-05056A	Blade, Cut, 18.67" 2-In-1, Cub	44.	941-0919B	Bearing, Ball, .787id x 1.85 Od x .551

# 54-inch Deck (GT Fab)

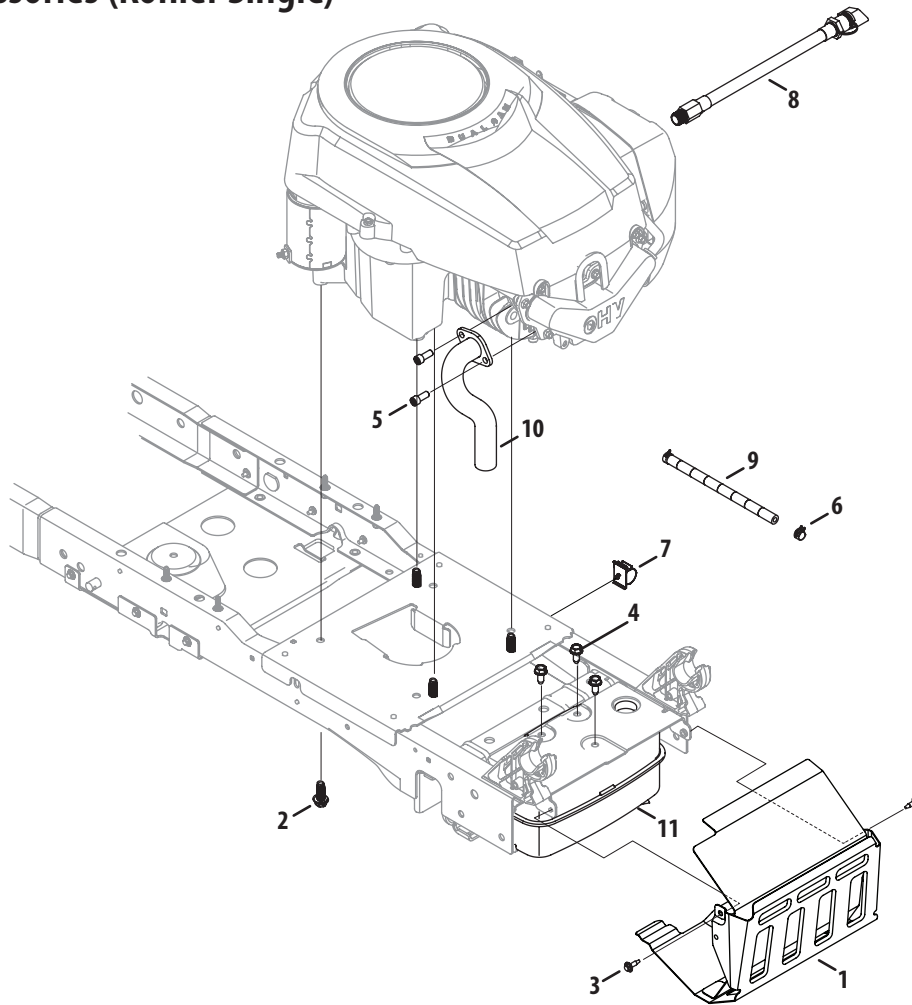


## 54-inch Deck (GT Fab)

Ref.	Part Number	Description
1.	918-06978	Spindle Ass'y, Pulley, 5.37 Dia
2.	683-05138	Deck Assembly, 54"
3.	710-06133	Screw, M6-1 x .625
4.	710-06178	Hex Cap Screw, 3/8-16 x 2.00
5.	710-06214	Hex Cap Screw, 3/8-16 x 2.75
6.	710-0805A	Hex Cap Screw, 5/16-18 x 1.50
7.	710-1260A	Screw, Self-tapping, 5/16-18, 0.750,
8.	711-06377	Roller Pin, 1/2 x 7.31 Lg
9.	712-04063	Nut, Flange Lock, 5/16-18, Nylon
10.	712-0417A	Nut, Flange, 5/8-18
11.	712-04217	Flange Lock Nut, 3/8-16
12.	720-05075	Vinyl Cap, .29 x 1.00
13.	726-0299	Push Cap, 1/2"
14.	728-05016	Rivet Nut, 3/8-16
15.	731-05679B	Front Roller
16.	731-09968	Belt Cover, RH
17.	731-09969A	Belt Cover, LH
18.	732-04927	Spring, Extension, 1.25 OD x 8.5
19.	783-08435	Bearing Shield
20.	738-04502	Shoulder Screw, 1/4-20 x 0.50
21.	738-05082	Shoulder Spacer, .970 x .190
22.	942-05056A	Blade, Cut, 18.67" 2-In-1, Cub
23.	747-05608	Deck Spring Rod

Ref.	Part Number	Description
24.	748-05037A	Shoulder Spacer
25.	750-06184	Spacer, .385 ID x 1.75 OD x .585
26.	954-05025	Belt, V-Type, B Sec x 139
27.	756-05034	Pulley, Idler, 4.50" Dia.
28.	783-08309A	Pivot Idler bracket
29.	783-08389	Pulley Cap
30.	783-08404A	Bracket, Lift, Stop
31.	714-05005	Bow-Tie Cotter Pin
32.	921-04041	Coupler, Water
33.	731-07487	Deck Wash Nozzle
34.	734-04155	Wheel, Deck, 5.0 Dia. Ball
35.	938-3056	Bolt, Shoulder, .496 x 2.50, 3/8-16
36.	631-05168A	Chute Deflector Assembly
37.	732-05261	Spring, Torsion, .440 ID x 1.75
38.	747-06290A	Hinge Pin
39.	783-08504A	Bracket, Chute, 42"
40.	710-0751	Hex Cap Screw, 1/4-20 x .62
41.	712-04064	Nut, Flange Lock, 1/4-20, Nylon
42.	756-05038	Pulley, Deck, 4.50 Dia.
43.	738-1186A	Shaft, Spindle, 6.11
44.	941-0919B	Bearing, Ball, .787id x 1.85 Od x .551
45.	750-04936	Spacer, .792 x 1.060 x 1.860
46.	750-06152	Spacer, .792 x 1.060 x 1.782

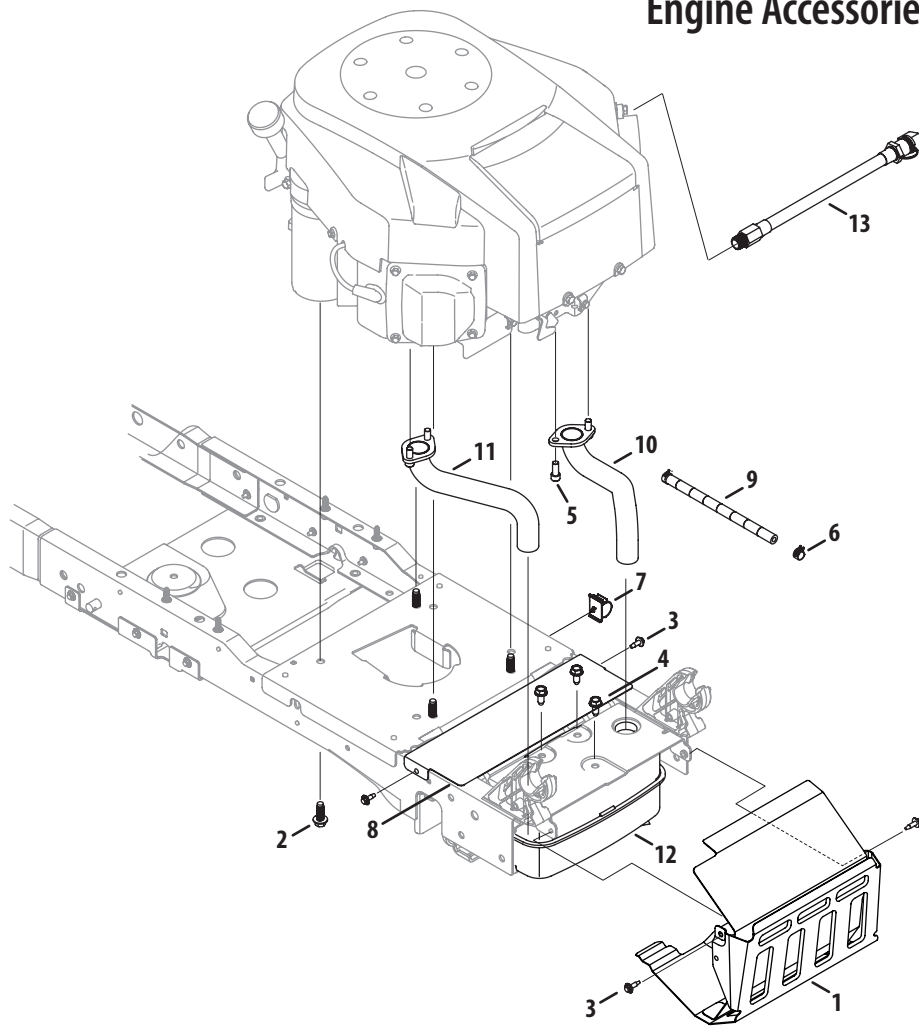
## Engine Accessories (Kohler Single)



Ref.	Part Number	Description
1.	983-05142	Shield Ass'y, Muffler
2.	710-04683B	Screw, Self-tapping, 3/8-16, 1.0
3.	710-06133	Screw, M6-1 x .625
4.	710-06256	Screw, Self-tapping, M8-1.25, .750
5.	710-1314A	Screw, Sukt Head, 5/16-18, .750
6.	726-0205	Clamp, Hose, .490 Dia.
7.	731-10746	Push Mount Wire Clip, .750
8.	751-14836	Drain, Oil
9.	751-10349	Hose, Fuel, Low Permeation, 1/4
10.	751-14480	Exhaust Pipe
11.	751-14504A	Muffler, Kohler

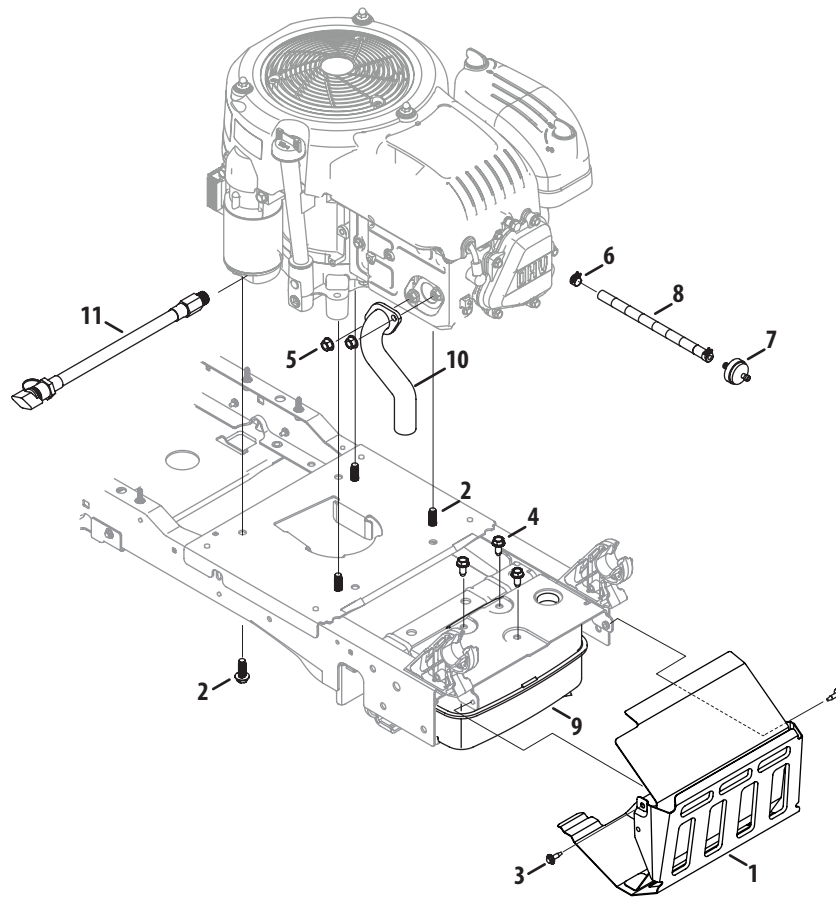


## Engine Accessories (Kohler Twin)



Ref.	Part Number	Description
1.	983-05142	Shield Ass'y, Muffler
2.	710-04683B	Screw, Self-tapping, 3/8-16, 1.0
3.	710-06133	Screw, M6-1 x .625
4.	710-06256	Screw, Self-tapping, M8-1.25, .750
5.	710-1314A	Screw, Sockt Head, 5/16-18, .750
6.	726-0205	Clamp, Hose, .490 Dia.
7.	731-10746	Push Mount Wire Clip, .750
8.	783-08717	Muffler Shield
9.	751-10349	Hose, Fuel, Low Permeation, 1/4
10.	751-14478	Exhaust Pipe, LH
11.	751-14479	Exhaust Pipe, RH
12.	751-14503A	Muffler, Kohler
13.	751-14836	Drain, Oil

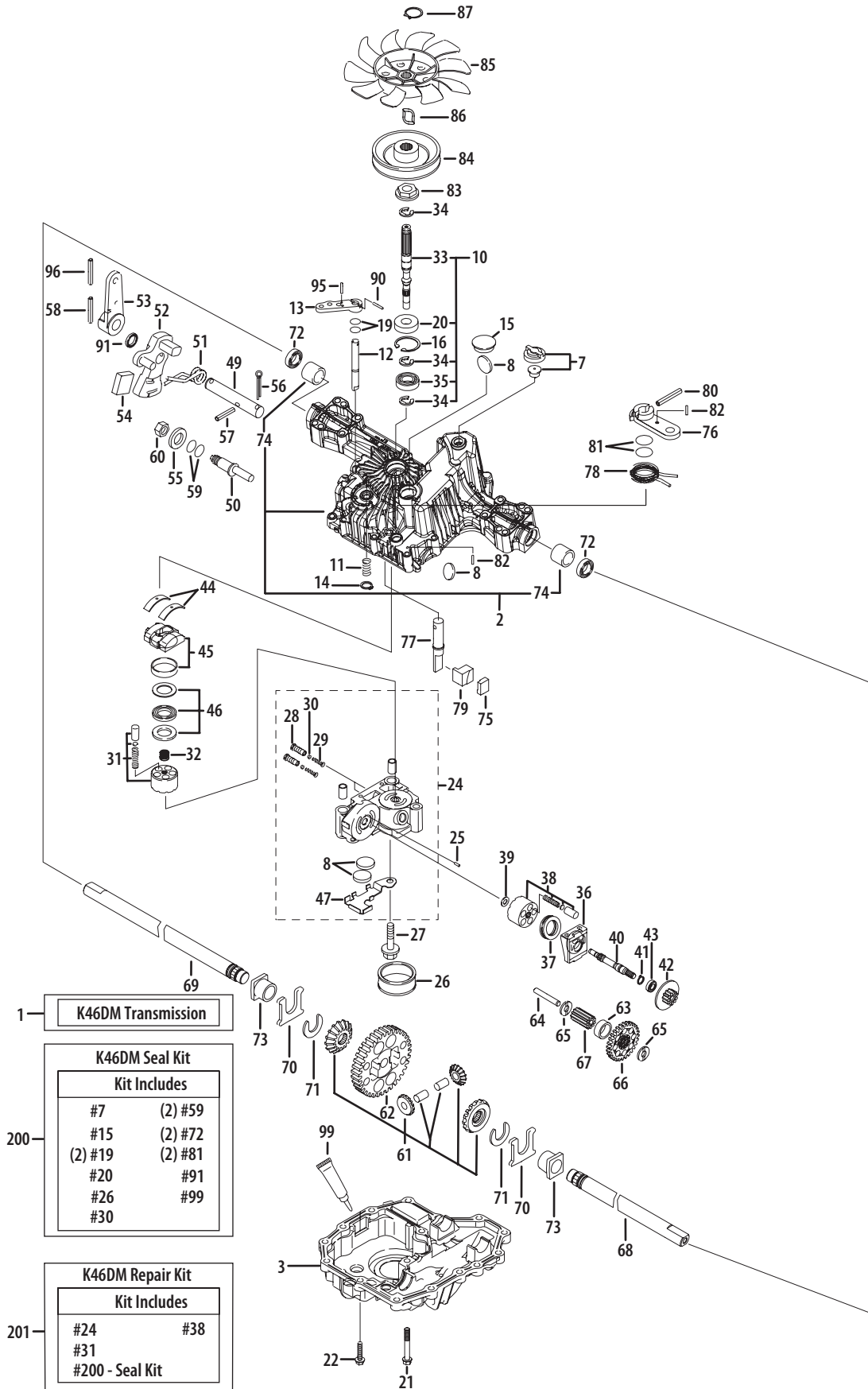
# MTD X90



Ref.	Part Number	Description
1	983-05142	Shield Ass'y, Muffler
2	710-04683C	Screw, 3/8-16 x 1.0
3	710-06133	Screw, M6-1 x .625
4	710-06256	Screw, Self-tapping, M8-1.25, .750
5	712-3086	Flange Nut, M8-1.25
6	726-0205	Clamp Hose, .490 diameter
7	BS-298090S	Fuel Filter
8	751-10349-13	Fuel Hose
9	751-14504A	Muffler, Kohler
10	751-14576	Exhaust Pipe
11	751-14836	Drain, Oil

**This page left intentionally blank.**

# Hydrostatic Transmission (Tuff-Torq 618-06972)



## Hydrostatic Transmission (Tuff-Torq 618-06972)

Ref.	Part Number	Description
1	918-06972	K46DM Transaxle
2	TT-1A646098030	Kit, Housing
3	TT-1A646084181	Lower Case
7	TT-168T2024250	Vent Valve
8	TT-19216324360	Magnet
10	TT-1A646099950	Pump Shaft/Bearing Kit
11	TT-19215427281	Spring 25
12	TT-1A646029510	Bypass Shaft A
13	TT-1A632029520	Bypass Lever
14	TT-22242000100	Snap Ring 10
15	TT-168T2036300	Sealing Cap 30
16	TT-22252000350	Snap Ring C 35
19	TT-24311240100	O-Ring 1A P10A
20	TT-24421153507	Seal TC 153507
21	TT-26476080552	Tapping Screw 8 x 55
22	TT-26476080302	Tapping Screw 8 x 30
24	TT-1A646099070	Kit, Center Case
25	TT-19216824760	Pin 3 x 9.8
26	TT-168T2025220	Filter 105
27	TT-168T2099990	Bolt 10 x 75
28	TT-1A646024800	IDS Valve 1.2
29	TT-1A646024761	IDS Spring
30	TT-1A646024790	IDS Filter 300
31	TT-168T2025090	Kit, Cylinder Block (Pump)
32	TT-1A646025200	Spring
33	TT-1A646025251	Pump Shaft
34	TT-22272000120	E-Ring 12
35	TT-1A646034770	Bearing 6202
36	TT-19216824210	Motor Housing
37	TT-1A646034750	Thrust Bearing 51106
38	TT-168T2025080	Kit, Cylinder Block
39	TT-19216825230	Washer 12 x 24 x 1
40	TT-1A646025271	Motor Shaft
41	TT-19215425310	Snap Ring S15
42	TT-1A646025400	Brake Disc/Motor Gear
43	TT-1A646034760	Bearing 6202
44	TT-187T0027060	Thrust, Plastic
45	TT-168T2084570	Swash Plate Clamp
46	TT-19216399000	Kit, Thrust Bearing (Pump)

Ref.	Part Number	Description
47	TT-1A646029010	Magnet Holder
49	TT-1A646029911	Control Shaft
50	TT-168T2029920	Fulcrum
51	TT-168T2029800	Torsion Spring, Standard
52	TT-1A646029740	Control Lever
53	TT-1A646029400	Control Lever F
54	TT-168T2029360	Jerky Plate
55	TT-22137120000	Washer 12
56	TT-1A646029940	Cotter Pin 1/8" x 3/4"
57	TT-22351060036	Spring Pin 6 x 36
58	TT-22351060040	Roll Pin 6 x 40
59	TT-24311000140	O-Ring P14
60	TT-26776120002	Nut 12
61	TT-1A646031570	Diff Gear Kit
62	TT-1A646033520	Final Gear (54T)
63	TT-1A646033250	Final Pinion Collar
64	TT-1A646033410	Reduction Shaft
65	TT-19216833420	Washer 12 x 32 x 3.2
66	TT-1A646033450	Reduction Gear (37T)
67	TT-168T2033540	Final Pinion Gear (10T)
68	TT-1A646034370	Axle Shaft, Left
69	TT-1A646034380	Axle Shaft, Right
70	TT-19216334261	Thrust Washer
71	TT-19216834270	Ring 17
72	TT-19216334280	Seal 19 x 32 x 8
73	TT-19216834350	Bushing 19 x 25
74	TT-168T2034240	Bushing 19.05
75	TT-1A646036121	Brake Shoe
76	TT-1A646036160	Brake Lever
77	TT-1A646036171	Brake Shaft
78	TT-168T2036180	Brake Return Spring
79	TT-1A646036200	Brake Actuator
80	TT-22351050032	Spring Pin 5 x 32
81	TT-24311000120	O-Ring 1A P12
82	TT-22351040016	Spring Pin 4 x 16
83	TT-1A646025300	Spline Collar
84	TT-1A646025760	Pulley B
85	TT-1A646083070	Fan, Black
86	TT-1A646083060	Wave Washer

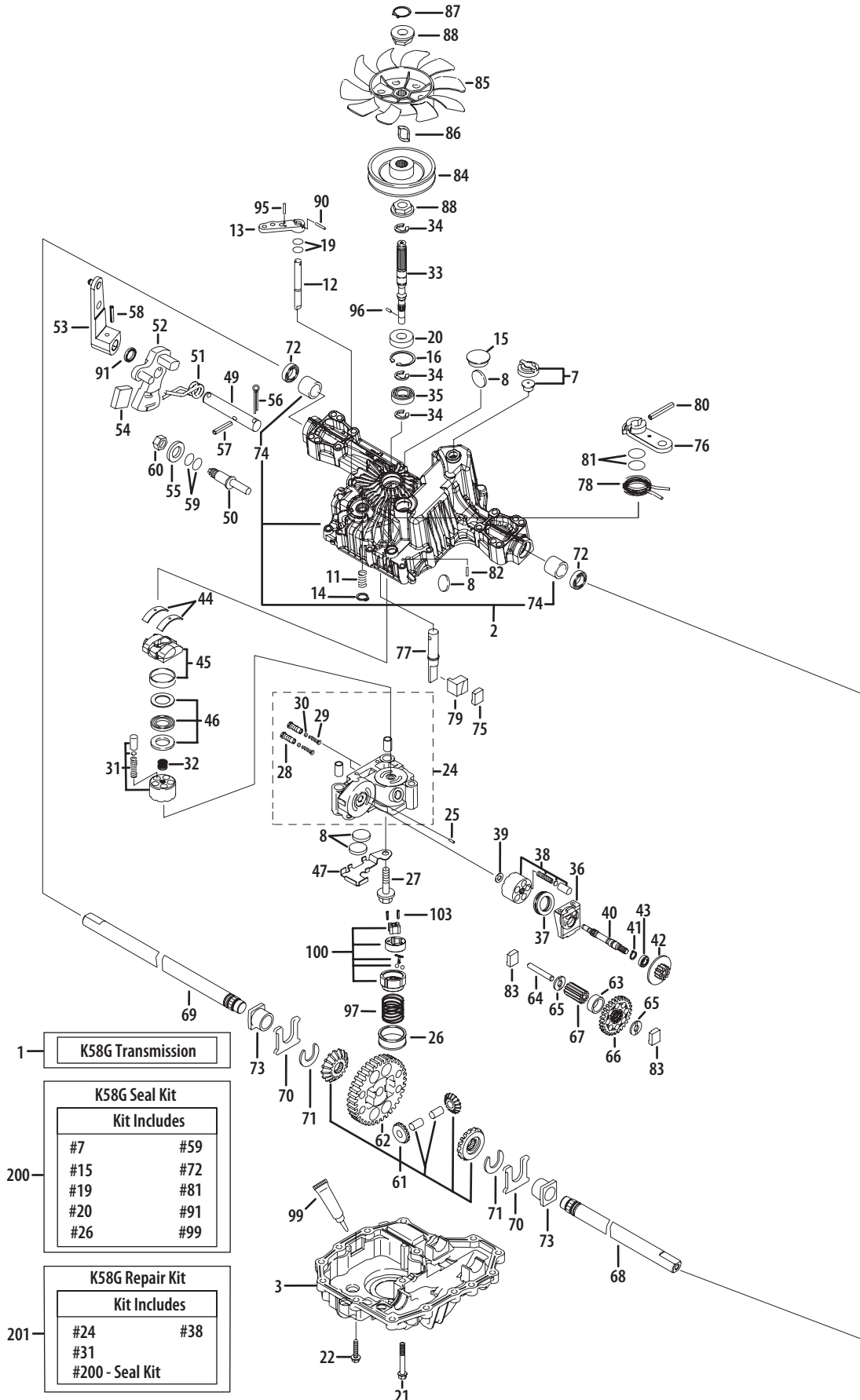
Continued on next page

## Hydrostatic Transmission (Tuff-Torq 618-06972)

<b>Ref.</b>	<b>Part Number</b>	<b>Description</b>
87	TT-19215489090	Snap Ring
90	TT-22351030020	Spring Pin 3.0A x 20
91	TT-1A646024440	Oil Seal 16 x 22 x .03
95	TT-22351030016	Spring Pin 3.0A x 16
96	TT-22351035040	Roll Pin 3.5 x 40
99	N/A	Sealant
200	TT-1A646099140	Kit, Seal Incl. 7, 15, 19, 20, 26, 30, 59, 72, 81, 91 & 99
201	TT-1A646099600	Repair Kit, Incl. 24, 31, 38 & 200

**This page left intentionally blank.**

# Hydrostatic Transmission (Tuff-Torq 618-06974)





## Hydrostatic Transmission (Tuff-Torq 618-06974)

Ref.	Part Number	Description
1	918-06974	K58G Transaxle
2	TT-187Q0024100	Kit, Housing
3	TT-187Q0024160	Lower Case
7	TT-168T2024250	Vent Valve
8	TT-19216324360	Magnet
11	TT-19215427281	Spring 25
12	TT-1A646029510	Bypass Shaft A
13	TT-1A632029520	Bypass Lever
14	TT-22242000100	Snap Ring 10
15	TT-168T2036300	Sealing Cap 30
16	TT-22252000350	Snap Ring C 35
19	TT-24311240100	O-Ring 1A P10A
20	TT-24421153507	Seal TC 153507
21	TT-26476080552	Tapping Screw 8 x 55
22	TT-26476080302	Tapping Screw 8 x 30
24	TT-1A646099220	Kit, Center Case
25	TT-19216824760	Pin 3 x 9.8
26	TT-187Q0024950	Filter
27	TT-168T2099990	Bolt 10 x 75
28	TT-1A646024800	IDS Valve 1.2
29	TT-1A646024761	IDS Spring
30	TT-1A646024790	IDS Filter 300
31	TT-168T2025090	Kit, Cylinder Block (Pump)
32	TT-1A646025200	Spring
33	TT-1A646088840	Pump Shaft
34	TT-22272000120	E-Ring 12
35	TT-24101062020	Bearing 6202C3
36	TT-187Q0024810	Motor Housing
37	TT-187Q0099760	Thrust Ball Bearing
38	TT-168T2025080	Kit, Cylinder Block
39	TT-19216825230	Washer 12 x 24 x 1
40	TT-1A646025271	Motor Shaft
41	TT-19215425310	Snap Ring S15
42	TT-187Q0099400	Motor Gear
43	TT-187Q0089300	Bearing 6202
44	TT-187T0027060	Thrust, Plastic
45	TT-168T2084530	Swash Plate Clamp
46	TT-19216399000	Kit, Thrust Bearing (Pump)
47	TT-1A646029010	Magnet Holder

Ref.	Part Number	Description
49	TT-1A646029911	Control Shaft
50	TT-168T2029920	Fulcrum
51	TT-168T2029800	Torsion Spring, Standard
52	TT-168T2029740	Control Arm A
53	TT-1A646029400	Control Lever F
54	TT-168T2029360	Jerky Plate
55	TT-22137120000	Washer 12
56	TT-1A646029940	Cotter Pin 1/8" x 3/4"
57	TT-22351060036	Spring Pin 6 x 36
58	TT-22351060040	Roll Pin 6 x 40
59	TT-24311000140	O-Ring P14
60	TT-26776120002	Nut 12
61	TT-187Q0031500	Diff Gear Kit
62	TT-187Q0033520	Final Gear
63	TT-187Q0033250	Final Collar
64	TT-187Q0033410	Reduction Shaft
65	TT-19216833420	Washer 12 x 32 x 3.2
66	TT-187Q0033451	Reduction Gear
67	TT-187Q0033530	Final Pinion
68	TT-187Q0034170	Axle Shaft, Left
69	TT-187Q0034180	Axle Shaft, Right
70	TT-1A632034290	Thrust Washer
71	TT-19216734160	Ring 23
72	TT-1A632034370	Seal 25.4 x 42 x 8
73	TT-187Q0034350	Bushing 25.4
74	TT-19215434240	Bushing 25.4
75	TT-1A646036121	Brake Shoe
76	TT-1A646036160	Brake Arm
77	TT-1A646036171	Brake Shaft
78	TT-168T2036180	Brake Return Spring
79	TT-1A646036200	Brake Actuator
80	TT-22351050032	Spring Pin 5 x 32
81	TT-24311000120	O-Ring 1A P12
82	TT-22351040016	Spring Pin
83	TT-187Q0033100	Support Bushing
84	TT-1A646025760	Pulley B
85	TT-187Q0083110	Fan
86	TT-1A646083060	Wave Washer
87	TT-19215489090	Snap Ring

Continued on next page

## Hydrostatic Transmission (Tuff-Torq 618-06974)

Ref.	Part Number	Description
88	TT-1A646025300	Spline Collar
90	TT-22351030020	Spring Pin 3.0A x 20
91	TT-1A646024440	Oil Seal 16 x 22 x .03
95	TT-22351030016	Spring Pin 3.0A x 16
96	TT-1A646088410	Pin 2.5 x 9.8
97	TT-1A646088450	Charge Spring
99	N/A	Sealant
100	TT-187Q0099080	Charge Pump Kit
103	TT-22351030018	Pin 3.0 x 18
200	TT-187Q0099200	Kit, Seal Incl. 7, 15, 19, 20, 26, 59, 72, 81, 91 & 99
201	TT-187Q0099060	Repair Kit, Incl. 24, 31, 38 & 200

**This page left intentionally blank.**

# LT Labels

777D16533



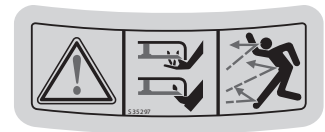
777D16298



777X47146



777S35297



777D19858



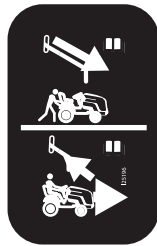
777D19856



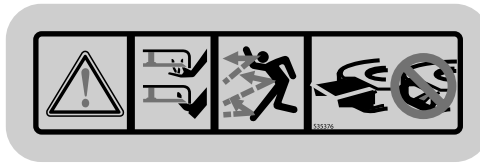
777S35416



777I25196



777S35376 (Fab Deck)



777S35375 (Fab Deck)



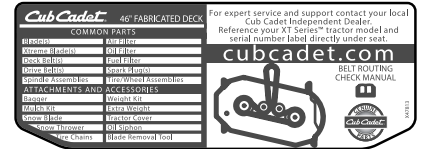
777X47811 (42")



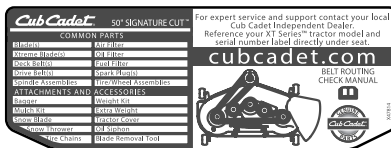
777X47812 (46" Stamped)



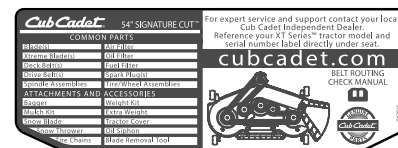
777X47813 (46" Fab)



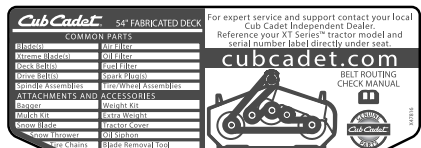
777X47814 (50")



777X47815 (54" Stamped)



777X47816 (54" Fab)



777S35296



777D19542



777D20269



777D20270



777D19546



777D19547



777D2073



777D16533



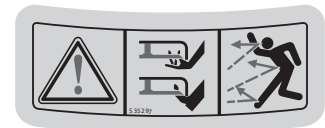
777D16298



777X47146



777S35297



777D19858



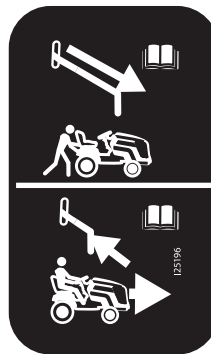
777D19856



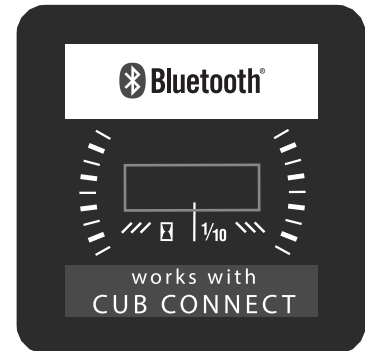
777S35416



777I25196



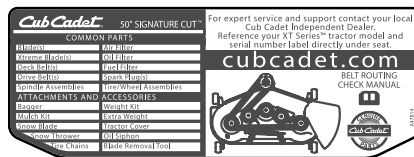
777I25270



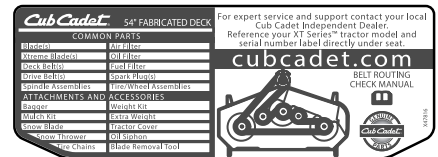
777S35296



777X47814 (50")



777X47816 (54")



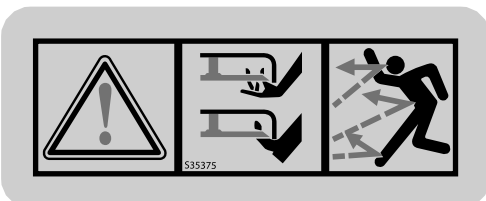
777D19548



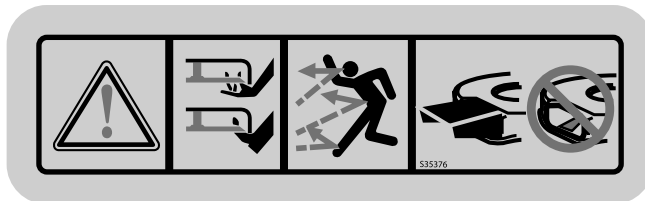
777D19548



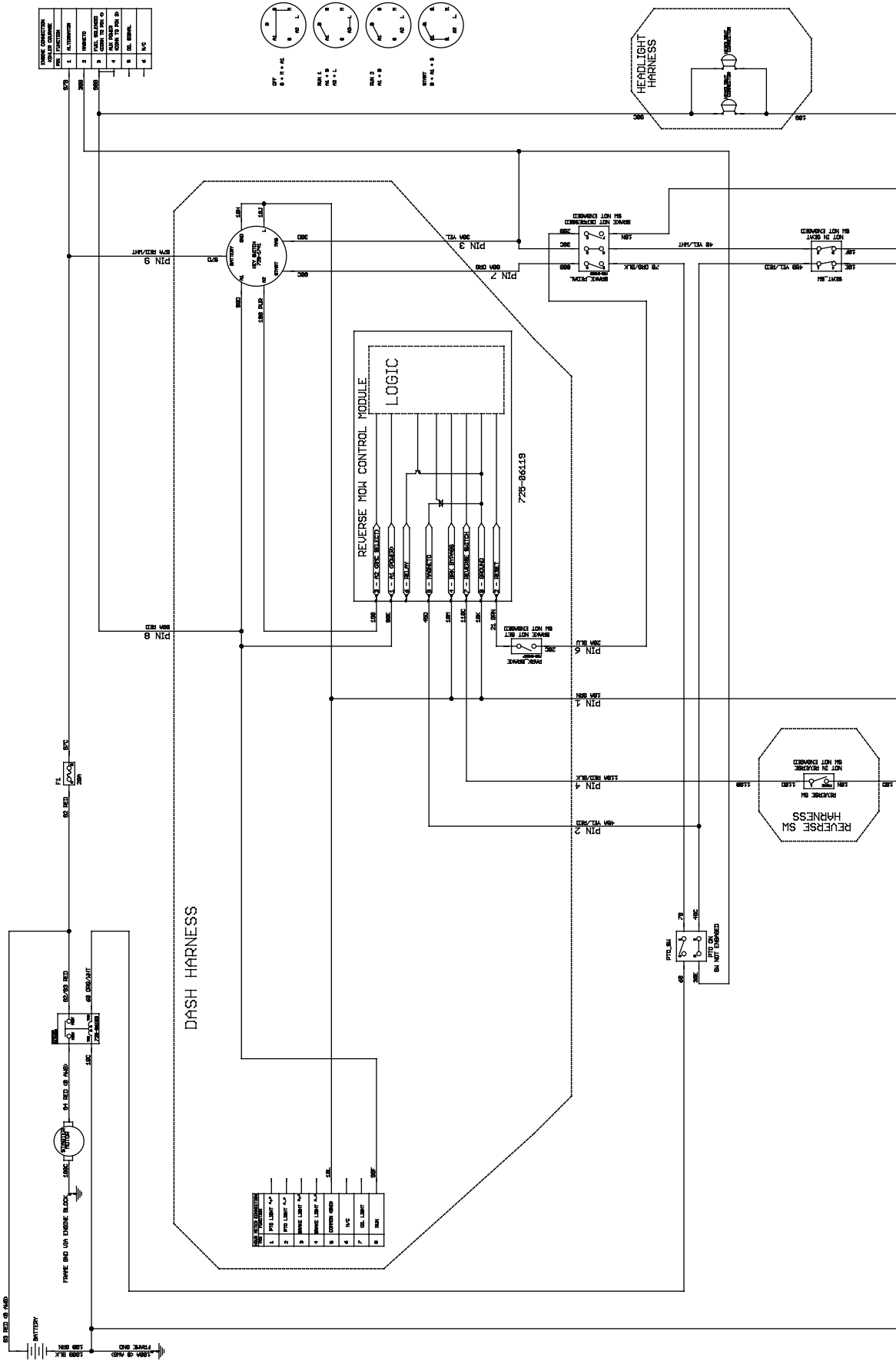
777S35375 (Fab Deck)

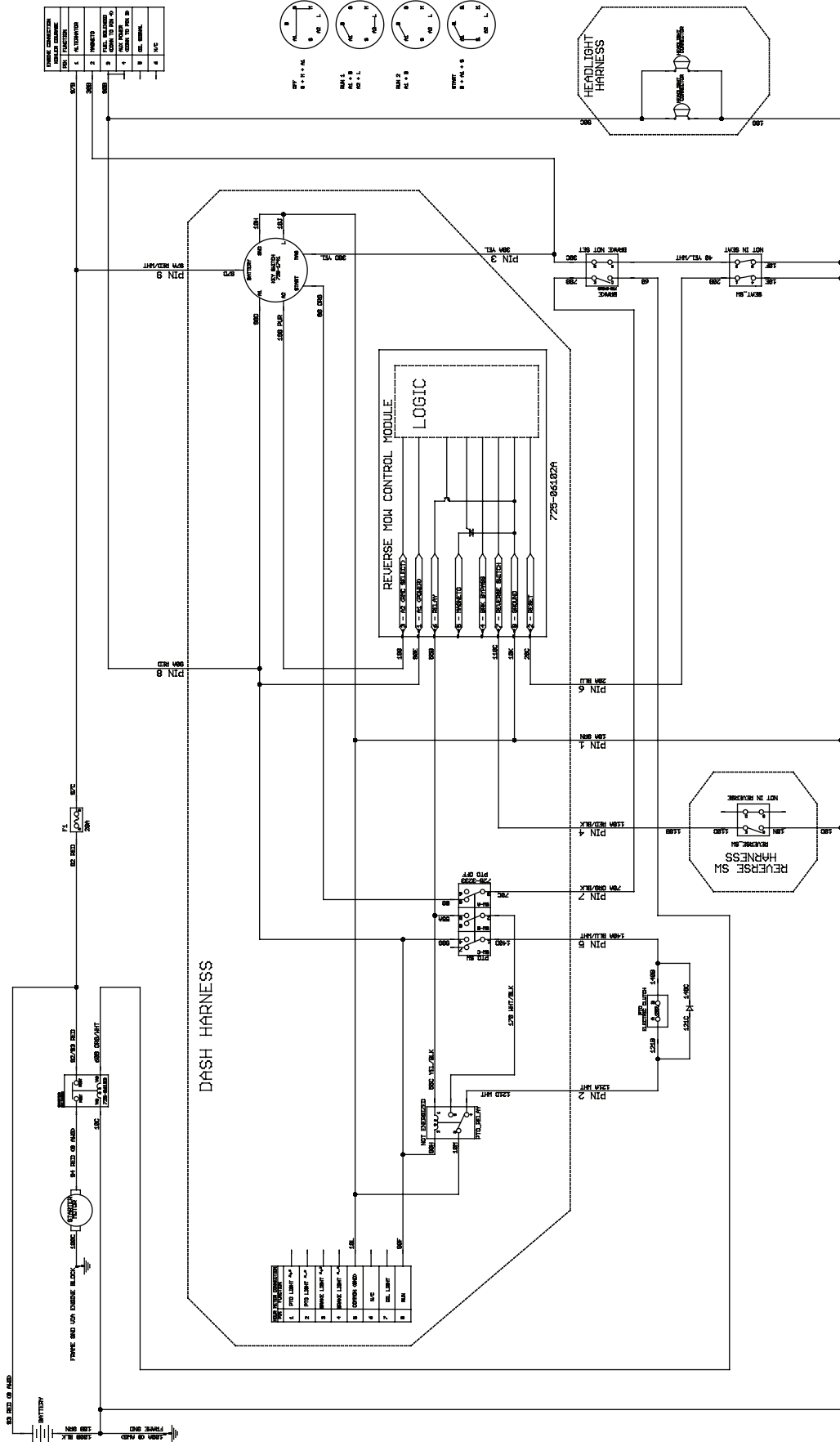


777S35376 (Fab Deck)

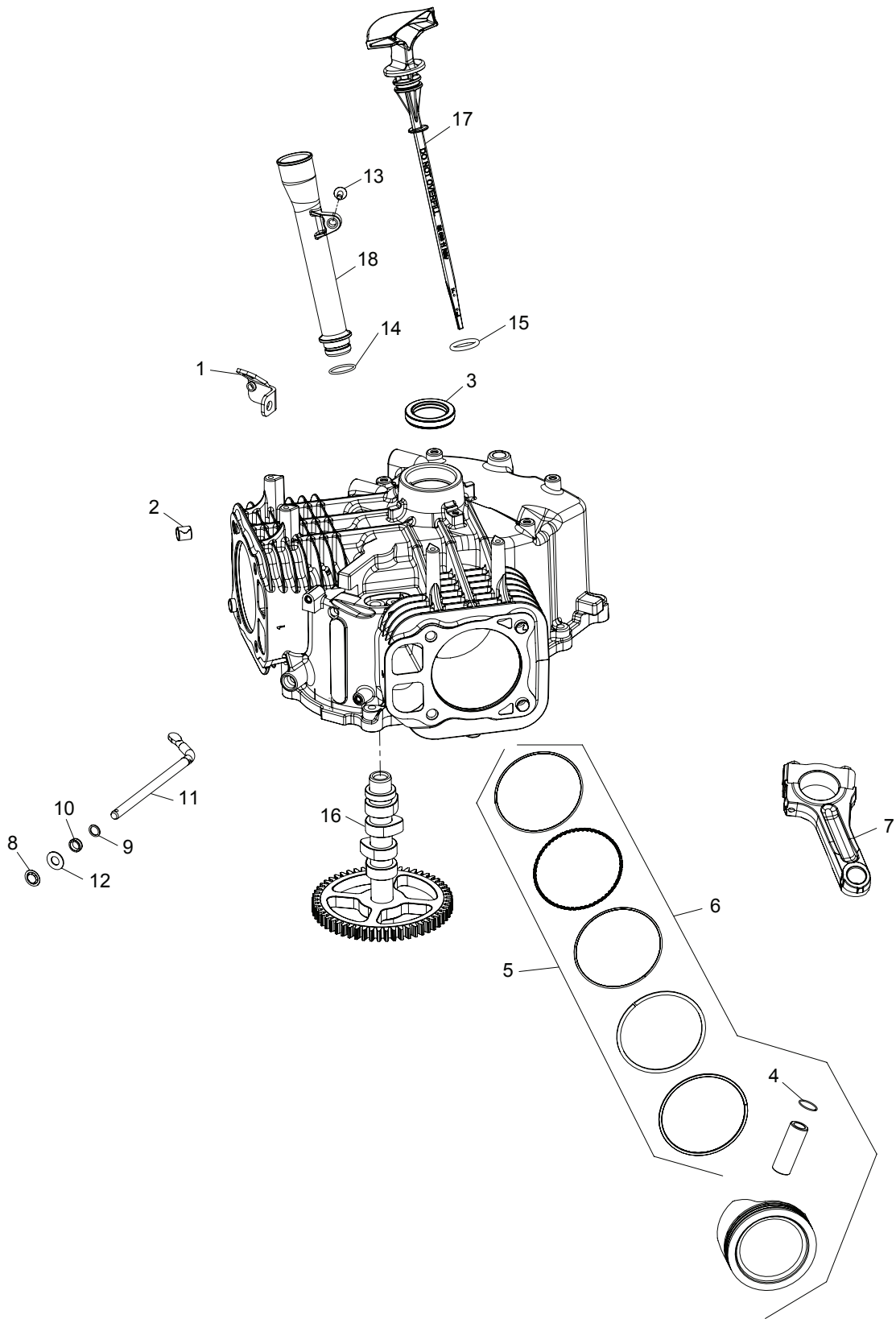


# Electrical Schematic (Man. PTO)





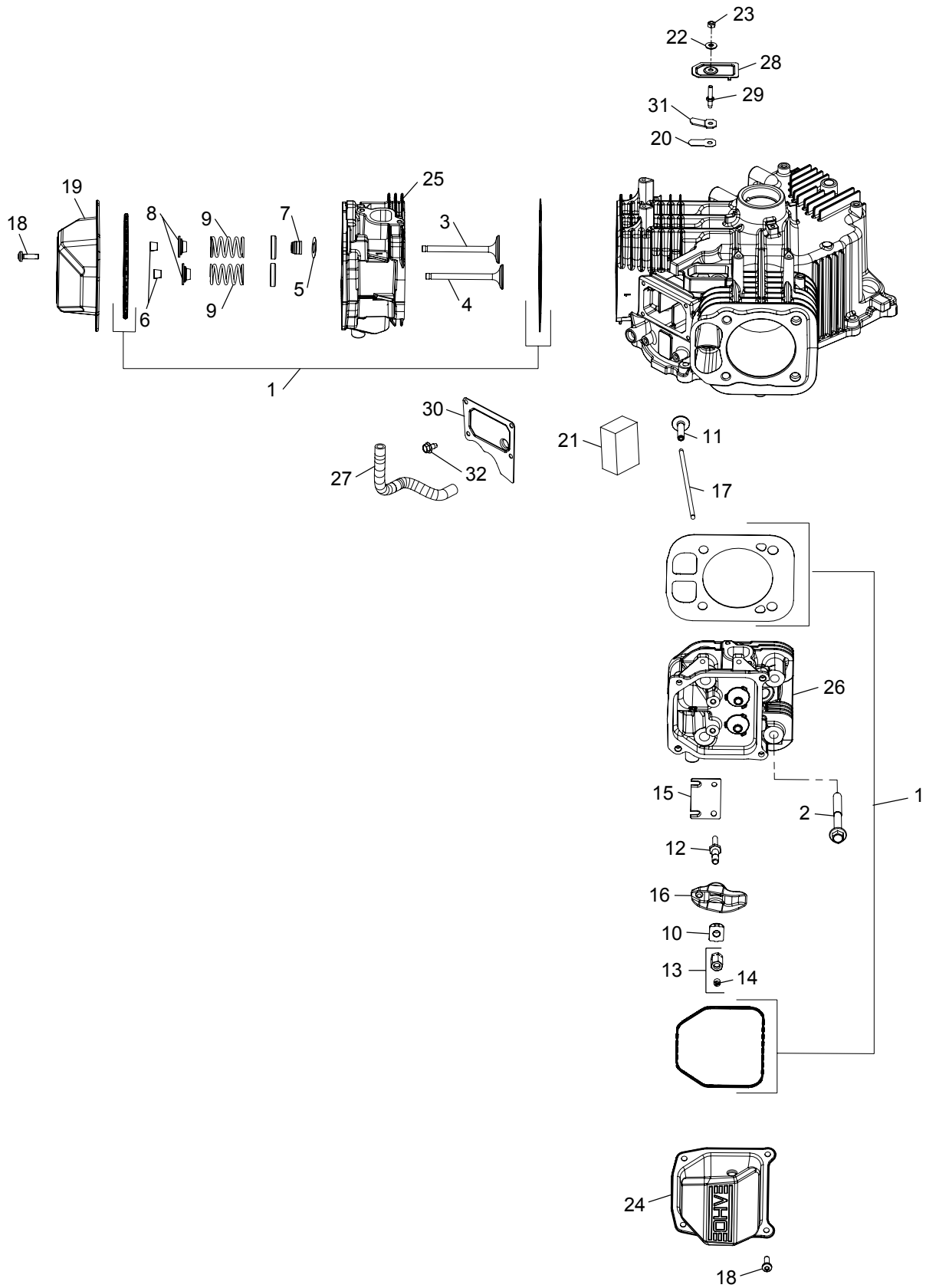
# Kohler KT745-3001 Crankcase





Ref.	Part Number	Description
1	KH-24-126-243-S	Lifting Strap
2	KH-24-380-16-S	Locating Pin
3	KH-24-032-19-S	Oil Seal, 1.78 x 1.26
4	KH-24-018-01-S	Piston Pin Retainer
5	KH-25-108-01-S	Piston Ring Set (STD)
—	KH-25-108-02-S	Piston Ring Set (.08)
—	KH-25-108-03-S	Piston Ring Set (.25)
—	KH-25-108-04-S	Piston Ring Set (.50)
6	KH-25-874-14-S	Piston Kit w/ Ring (STD) (Inc. 4 & 5)
—	KH-25-874-18-S	Piston Kit w/ Ring (.08)
—	KH-25-874-19-S	Piston Kit w/ Ring (.25)
—	KH-25-874-20-S	Piston Kit w/ Ring (.50)
7	KH-24-067-34-S	Connecting Rod (STD)
—	KH-24-067-31-S	Connecting Rod (U/S .010) (25mm)
8	KH-24-018-09-S	Ring Retainer
9	KH-24-468-15-S	Flat Washer, 11/32"
10	KH-28-032-09-S	Governor Cross Shaft Seal
11	KH-24-144-38-S	Governor Cross Shaft
12	KH-M-931010-S	Flat Washer, 9 mm
13	KH-25-086-398-S	Thread Forming Screw
14	KH-12-153-07	O-Ring
15	KH-25-153-09-S	O-Ring
16	KH-32-010-07-S	Camshaft Assembly
17	KH-32-038-12-S	Dipstick Assembly
18	KH-32-123-14-S	Oil Fill Tube Assembly

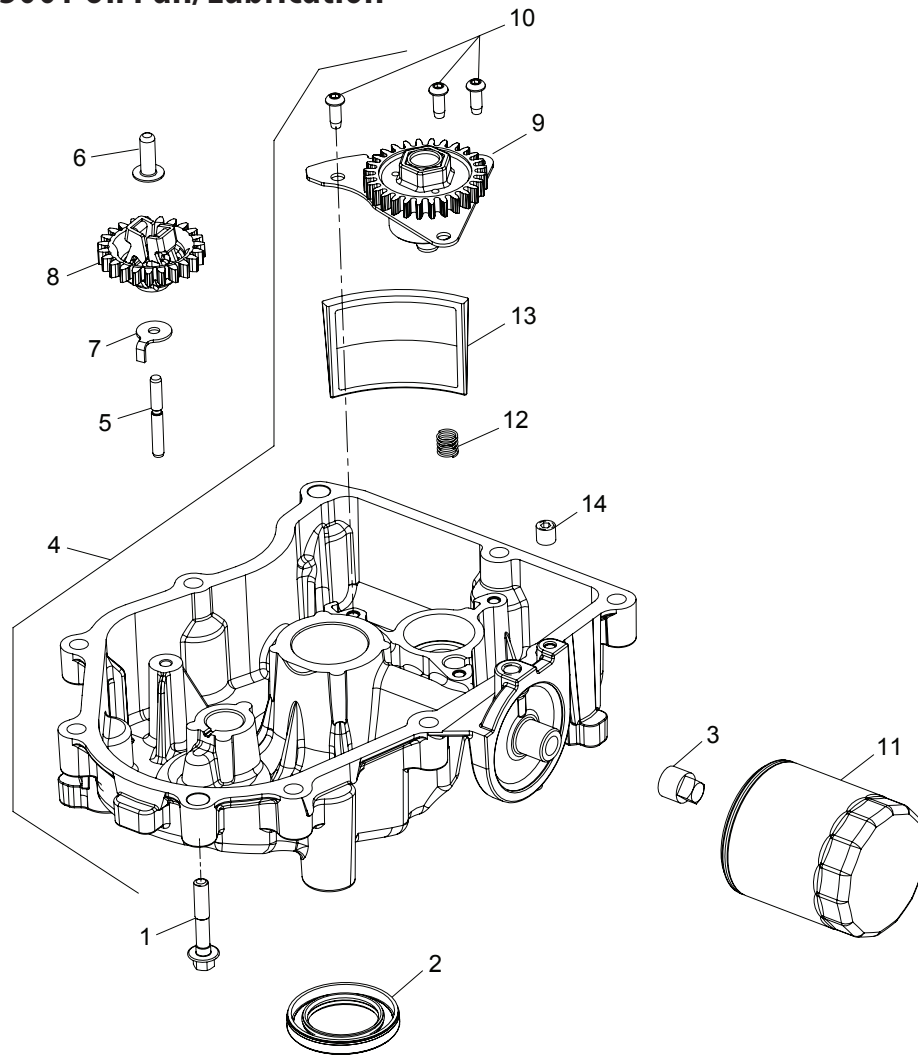
# Kohler KT745-3001 Head/Valve/Breather



## Kohler KT745-3001 Head/Valve/Breather

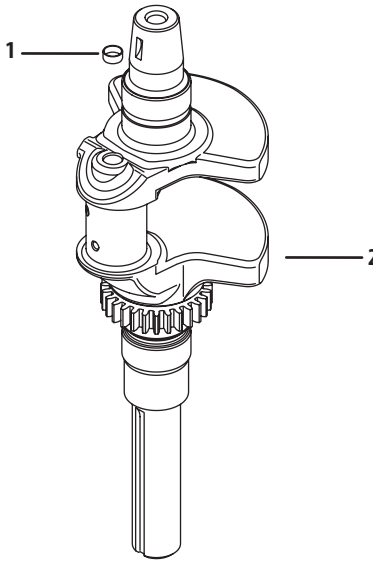
Ref.	Part Number	Description
1	KH-32-841-02-S	Cylinder Head Gasket Kit (Inc. Head Mounting Hardware)
2	KH-62-086-08-S	Flange Screw, M10 x 1.5 x 90
3	KH-32-017-01-S	Intake Valve
4	KH-32-016-01-S	Exhaust Valve
5	KH-275067	Spacer (.010")
6	KH-12-755-03	Retainer Kit
7	KH-25-032-14-S	Valve Band Seal
8	KH-25-173-28-S	Valve Spring Cap
9	KH-32-089-05-S	Valve Spring
10	KH-25-599-01-S	Rocker Arm Pivot
11	KH-32-019-02-S	Tappet
12	KH-32-072-04-S	Rocker Stud
13	KH-32-100-05-S	Hex Nut Assembly (Inc. #14)
14	KH-25-086-168-S	Set Screw
15	KH-32-146-09-S	Guide Plate
16	KH-32-186-03-S	Rocker Arm
17	KH-32-411-04-S	Push Rod
18	KH-25-086-374-S	Pan Head Screw
19	KH-25-096-09-S	Rocker Cover
20	KH-12-402-02	Breather Reed
21	KH-32-050-06-S	Breather Filter
22	KH-32-468-01-S	Sealing Washer
23	KH-M-547050-S	Lock Nut, M5 x 8
24	KH-25-096-11-S	Rocker Cover
25	KH-32-318-21-S	Cylinder Head Assembly Kit, #1 (Inc. Exhaust Mounting Hardware)
26	KH-32-318-22-S	Cylinder Head Assembly Kit, #2 (Inc. Exhaust Mounting Hardware)
27	KH-25-326-62-S	Breather Hose
28	KH-32-096-16-S	Breather Cover
29	KH-32-072-05-S	Stud
30	KH-16-096-02-S	Breather Media Cover
31	KH-66-018-04-S	Reed Retainer
32	KH-25-086-400-S	Thread Forming Screw

# Kohler KT745-3001 Oil Pan/Lubrication



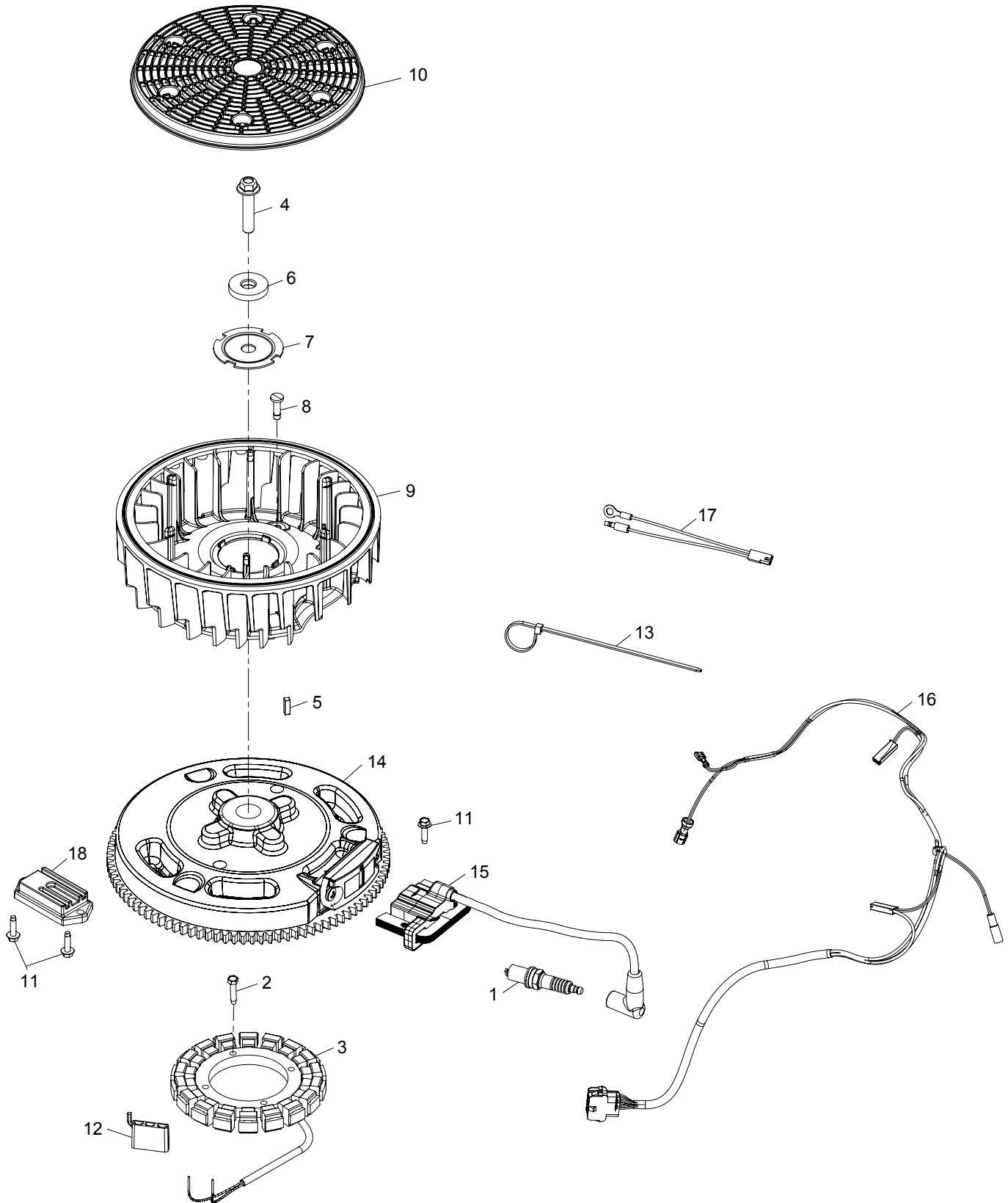
Ref.	Part Number	Description
1	KH-24-086-17-S	Flange Screw, M8 x 1.25 x 45
2	KH-25-032-06-S	Oil Seal, 2.38 x 1.45
3	KH-25-139-57-S	Square Head Pipe Plug, 3/8
4	KH-32-199-17-S	Oil Pan Assembly
5	KH-12-144-02	Governor Gear Shaft
6	KH-12-380-01	Governor Regulating Pin
7	KH-24-448-02-S	Locking Tab
8	KH-32-310-02-S	Governor Gear Kit
9	KH-32-393-18-S	Oil Pump Assembly
10	KH-25-086-414-S	Button Head Screw
11	KH-12-050-01-S	Oil Filter
12	KH-32-089-06-S	Compression Spring
13	KH-32-162-06-S	Oil Screen
14	KH-25-139-60-S	Pipe Plug, 1/8

# Kohler KT745-3001 Crankshaft



Ref.	Part Number	Description
1	KH-52-139-09-S	Cup Plug
2	KH-16-014-12-S	Crankshaft

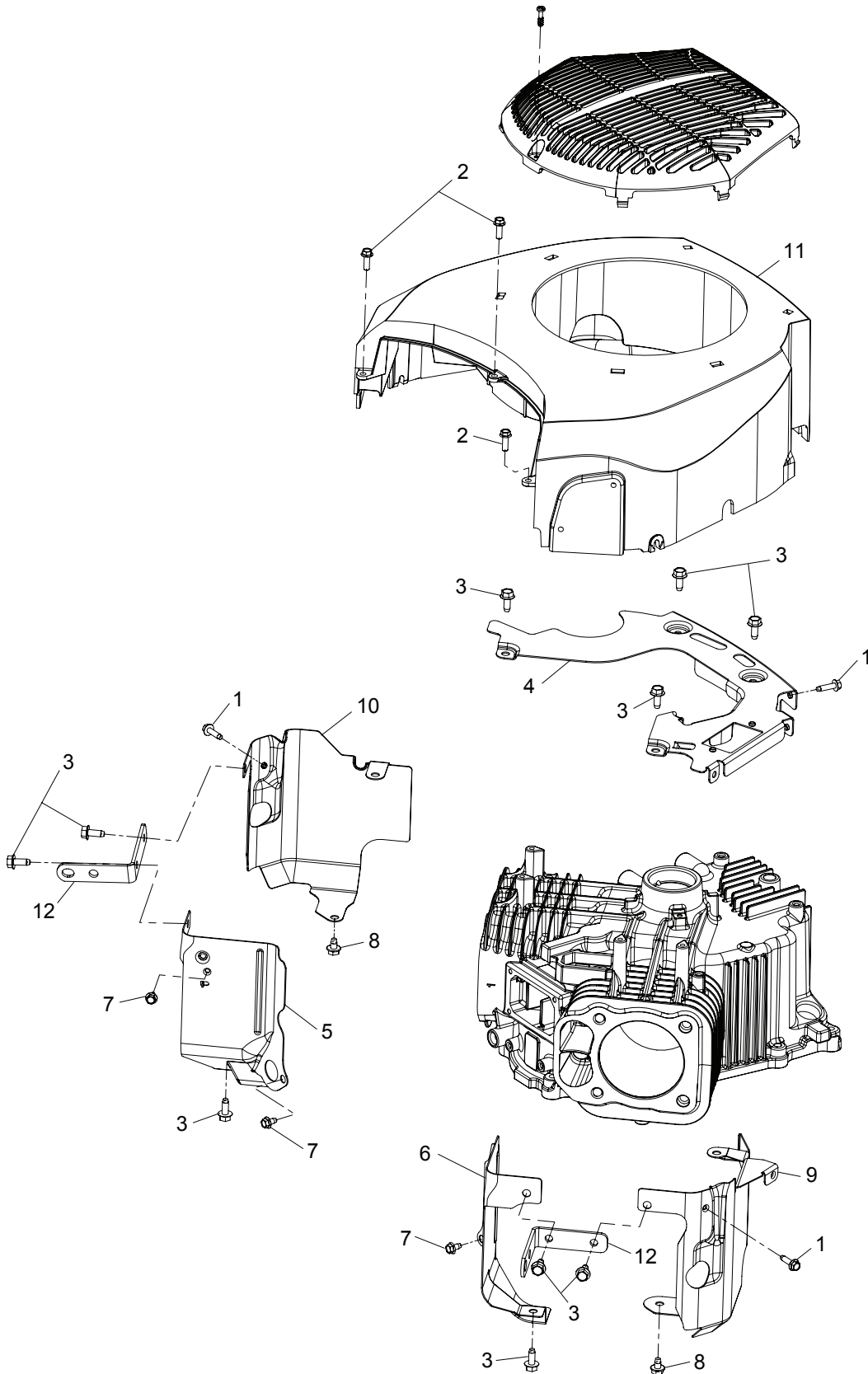
# Kohler KT745-3001 Ignition/Electrical



## Kohler KT745-3001 Ignition/Electrical

<b>Ref.</b>	<b>Part Number</b>	<b>Description</b>
1	KH-12-132-02-S	Spark Plug
2	KH-25-086-402-S	Thread Forming Screw
3	KH-237878	15 Amp Stator Kit
4	KH-25-086-361-S	Hex Flange Screw
5	KH-25-340-04-S	Square Key
6	KH-25-468-09-S	Flat Washer
7	KH-20-146-05-S	Fan Mounting Plate
8	KH-32-018-03-S	Flywheel Fan Retainer
9	KH-32-157-04-S	Fan
10	KH-32-162-03-S	Grass Screen
11	KH-25-086-473-S	Thread Forming Screw
12	KH-25-155-41-S	Connector
13	KH-25-454-03-S	Wire Tie
14	KH-32-025-21-S	Flywheel Assembly
15	KH-32-584-07-S	Ignition Module
16	KH-32-176-34-S	Wiring Harness
17	KH-32-518-02-S	Jumper Lead
18	KH-41-403-10-S	Rectifier Regulator

# Kohler KT745-3001 Blower Housing & Baffles

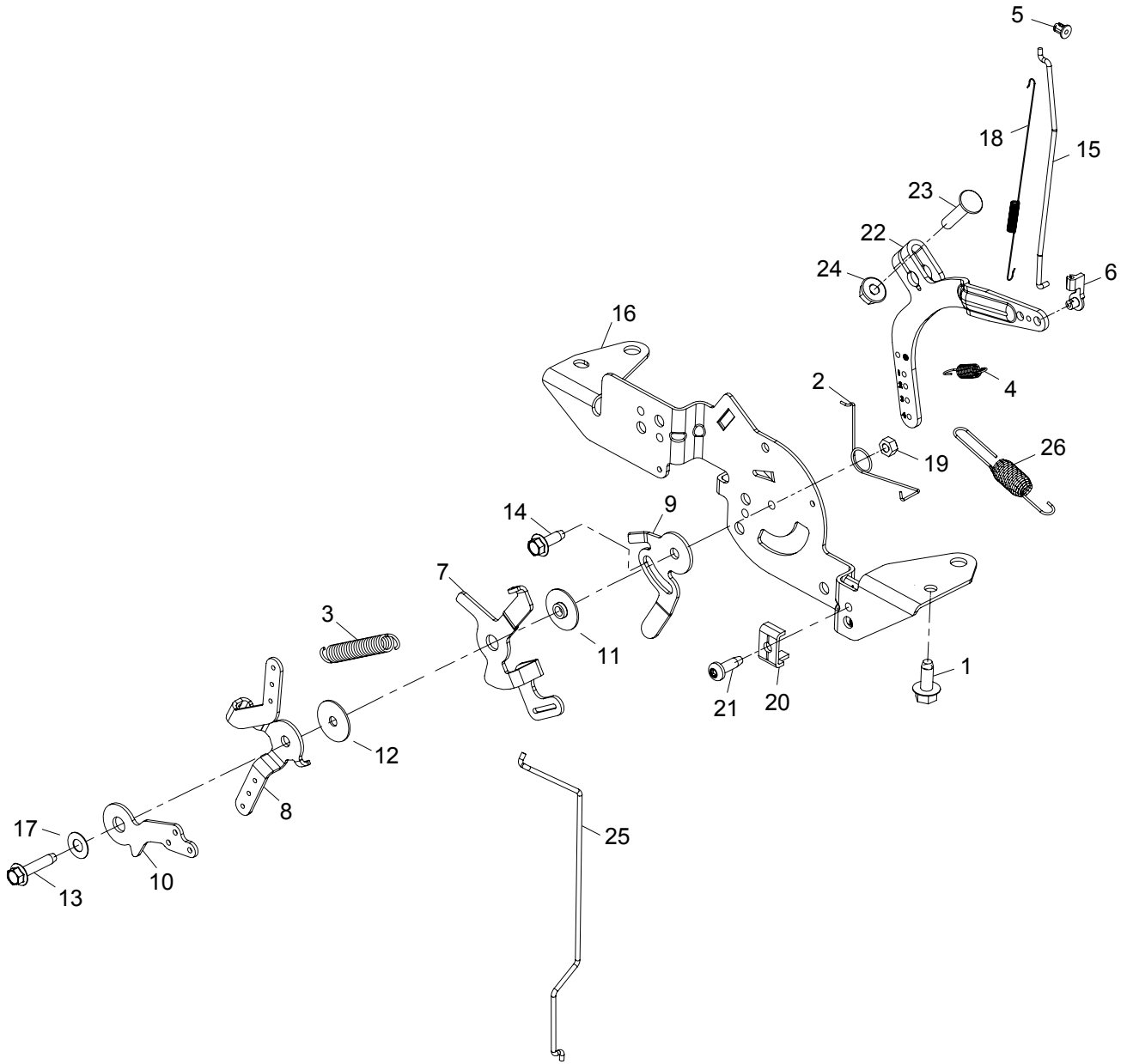




# Kohler KT745-3001 Blower Housing & Baffles

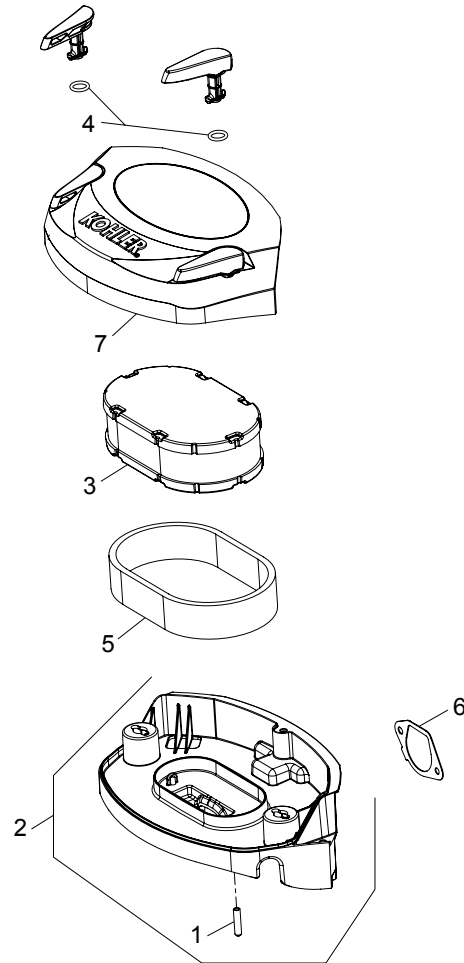
<b>Ref.</b>	<b>Part Number</b>	<b>Description</b>
1	KH-25-086-473-S	Thread Forming Screw
2	KH-25-086-450-S	Hi-Low Screw
3	KH-25-086-397-S	Thread Forming Screw
4	KH-32-146-15-S	Backing Plate
5	KH-32-063-19-S	Valley Baffle, #1 Cylinder
6	KH-32-063-20-S	Valley Baffle, #2 Cylinder
7	KH-25-086-400-S	Thread Forming Screw
8	KH-25-086-406-S	Thread Forming Screw
9	KH-32-063-17-S	Left Barrel Baffle
10	KH-32-063-18-S	Right Barrel Baffle
11	KH-32-027-16-S	Blower Housing
12	KH-32-445-01-S	Lift Strap

# Kohler KT745-3001 Engine Controls

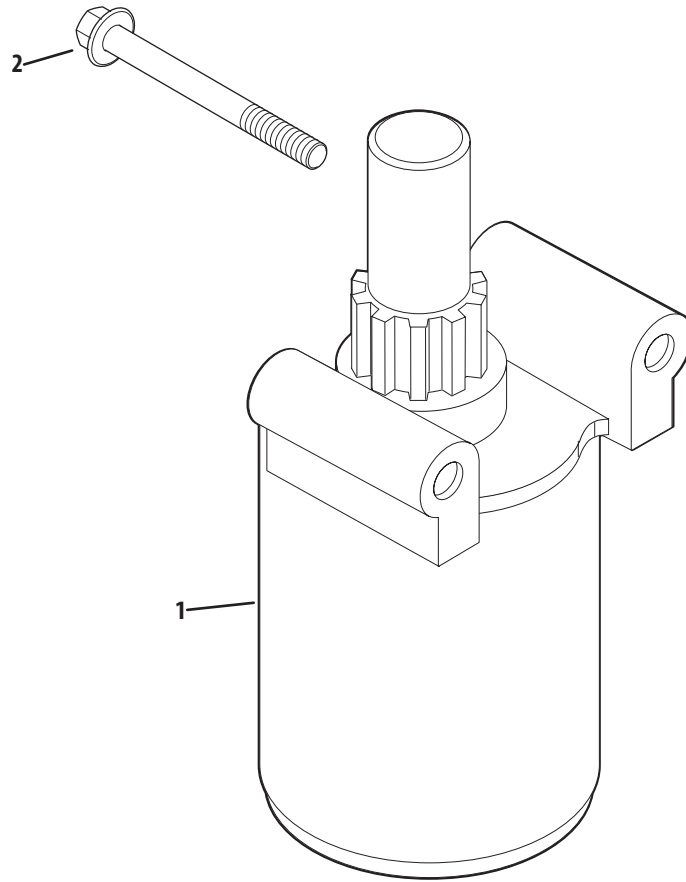


Ref.	Part-Number	Description
1	KH-25-086-397-S	Thread Forming Screw
2	KH-24-089-03	Choke Return Spring
3	KH-32-089-03-S	Speed Control Spring
4	KH-24-089-55-S	Governor Spring
5	KH-25-158-08	Linkage Retaining Bushing
6	KH-25-158-11	Throttle Linkage Bushing
7	KH-32-090-07-S	Governor Spring Lever
8	KH-32-090-08-S	Speed Control Lever
9	KH-32-090-09-S	Speed Setting Lever
10	KH-32-090-12-S	Choke Lever
11	KH-24-112-27-S	Control Assembly Spacer
12	KH-24-468-01	Flat Washer, 5.5mm
13	KH-25-086-429-S	Thread Forming Screw
14	KH-25-086-398-S	Thread Forming Screw
15	KH-32-079-01-S	Throttle Linkage
16	KH-32-126-04-S	Control Bracket
17	KH-41-468-03	Spring Washer, 1/4
18	KH-32-089-07-S	Linkage Spring
19	KH-M-547050-S	Lock Nut, M5 x .8
20	KH-12-237-01	Cable Clamp
21	KH-25-086-405-S	Thread Forming Screw
22	KH-24-090-69-S	Governor Lever
23	KH-24-211-03-S	Bolt, M6 x 1.0 x 25
24	KH-M-641060-S	Flange Nut, M6 x 1.0
25	KH-24-079-22-S	Choke Linkage
26	KH-24-089-25-S	Governor Spring

# Kohler KT745-3001 Air Intake/Filtration

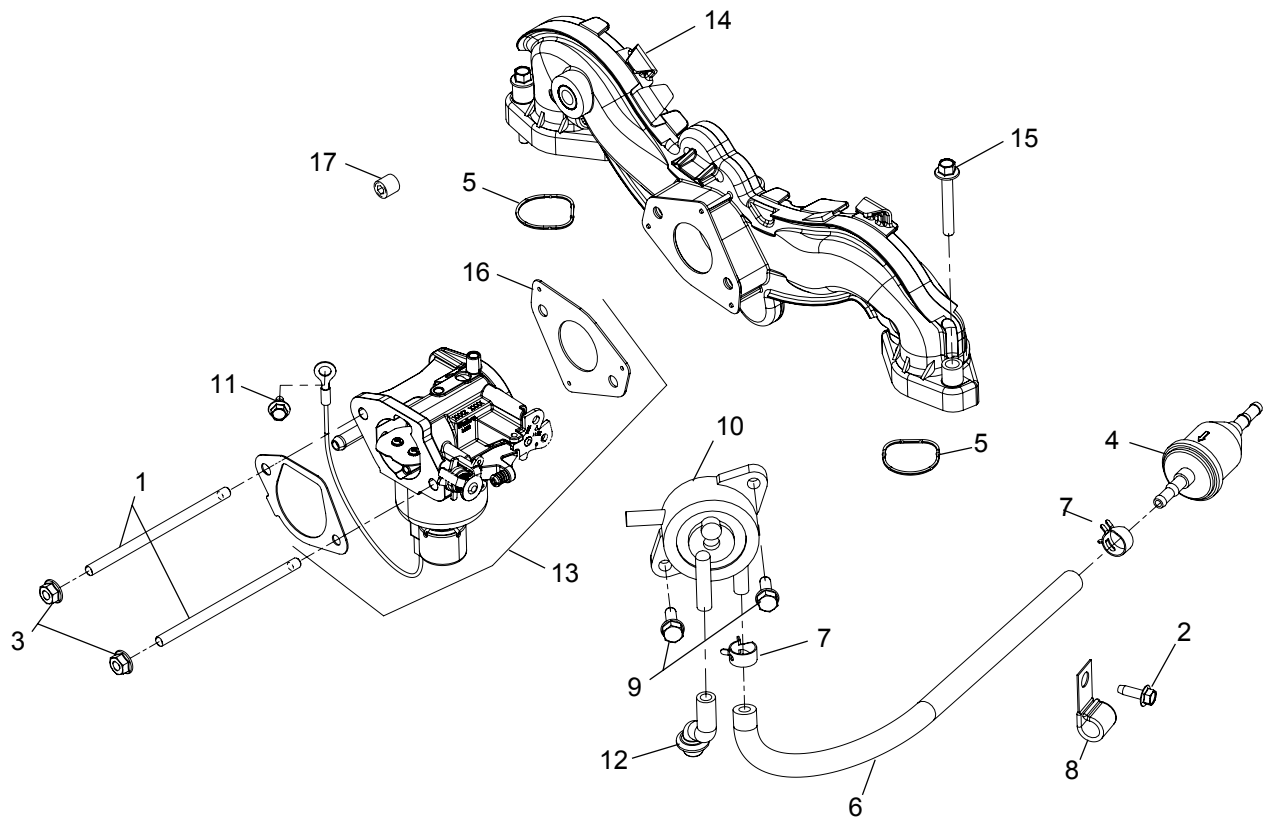


Ref.	Part Number	Description
1	KH-25-173-09-S	Masking Cap
2	KH-32-094-13-S	Air Cleaner Base Assembly
3	KH-32-883-09-S1	Air Filter Element
4	KH-25-153-15-S	O-Ring
5	KH-32-083-10-S	Pre-Cleaner Element
6	KH-32-041-04-S	Air Cleaner Base Gasket
7	KH-32-096-20-S	Air Cleaner Cover Assembly



Ref.	Part Number	Description
1	KH-32-098-04-S	Starter Assembly
2	KH-M-851080-S	Flange Screw, M8 x 1.25 x 80

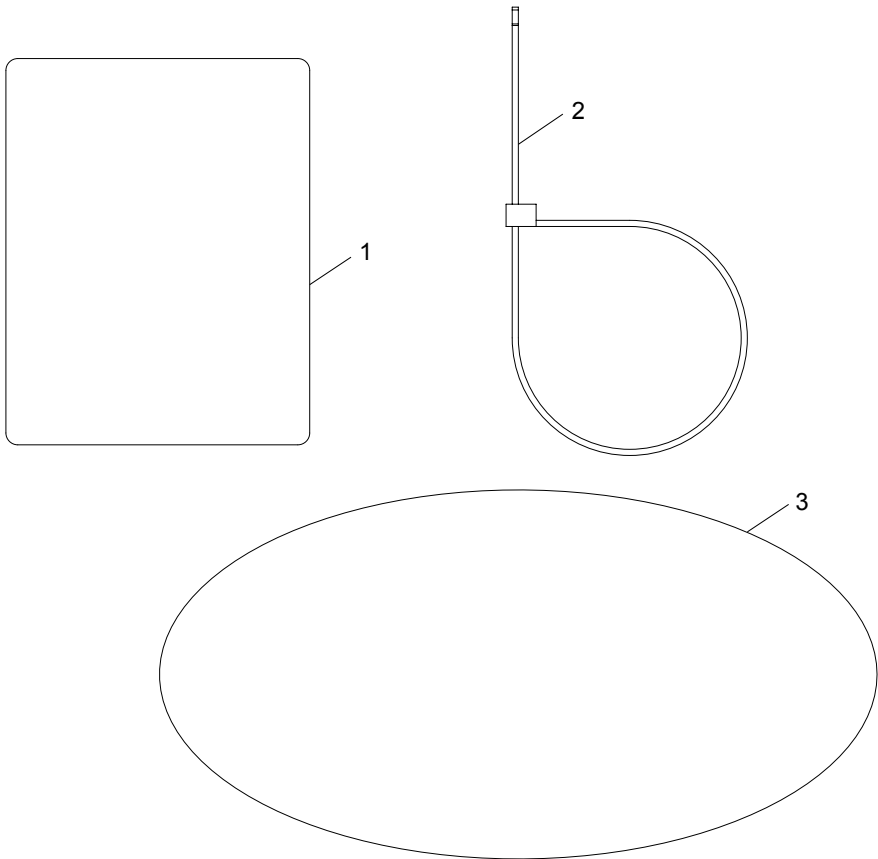
# Kohler KT745-3001 Fuel System



Ref.	Part Number	Description
1	KH-25-072-25-S	Stud
2	KH-25-086-398-S	Thread Forming Screw
3	KH-M-641060-S	Flange Nut, M6 x 1.0
4	KH-25-050-22-S1	Fuel Filter
5	KH-24-153-27-S	Intake Port O-Ring
6	KH-25-111-81-S	Fuel Line, 24"
7	KH-25-237-37-S	Spring Hose Clamp
8	KH-47-154-01-S	Cable Clip
9	KH-24-086-12	Tap Screw, M6 x 1.7 x 18

Ref.	Part Number	Description
10	KH-24-393-16	Fuel Pump
11	KH-25-086-400-S	Thread Forming Screw
12	KH-32-326-08-S	Pulse Pump Hose
13	KH-16-853-01-S	Carburetor Kit
14	KH-24-164-91-S	Intake Manifold Kit
15	KH-M-651040-S	Flange Screw, M6 x 1.0 x 40
16	KH-24-041-52-S	Carburetor Gasket
17	KH-25-139-60-S	Pipe Plug, 1/8

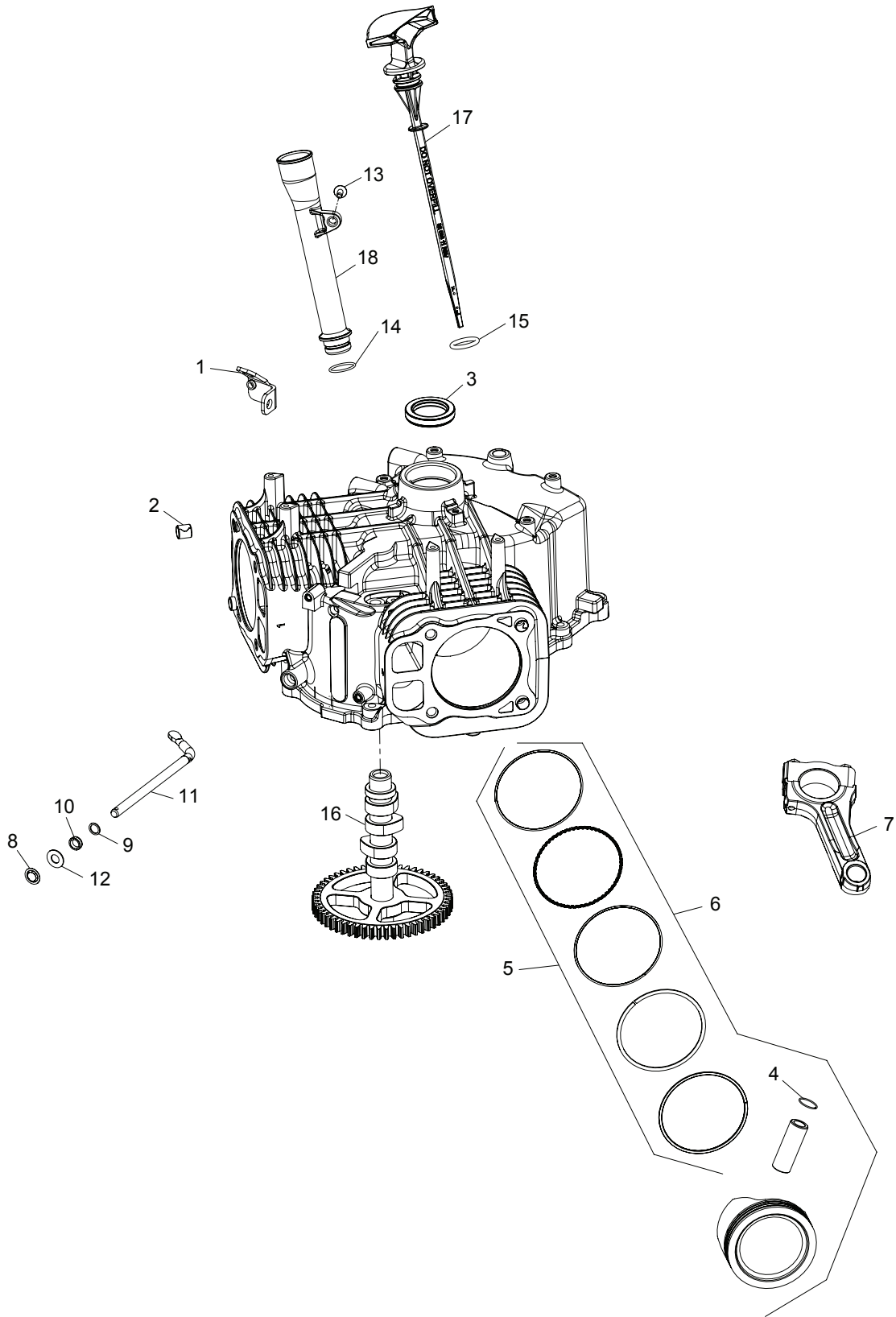
# Kohler KT745-3001 Labels



Artwork is representative.  
 Actual labels may differ depending on model and specification number.

Ref.	Part Number	Description
1	KH-25-113-70-S	Clear Laminate Decal
2	KH-25-454-05-S	Tie
3	KH-32-113-104-S	Decal, 26 HP

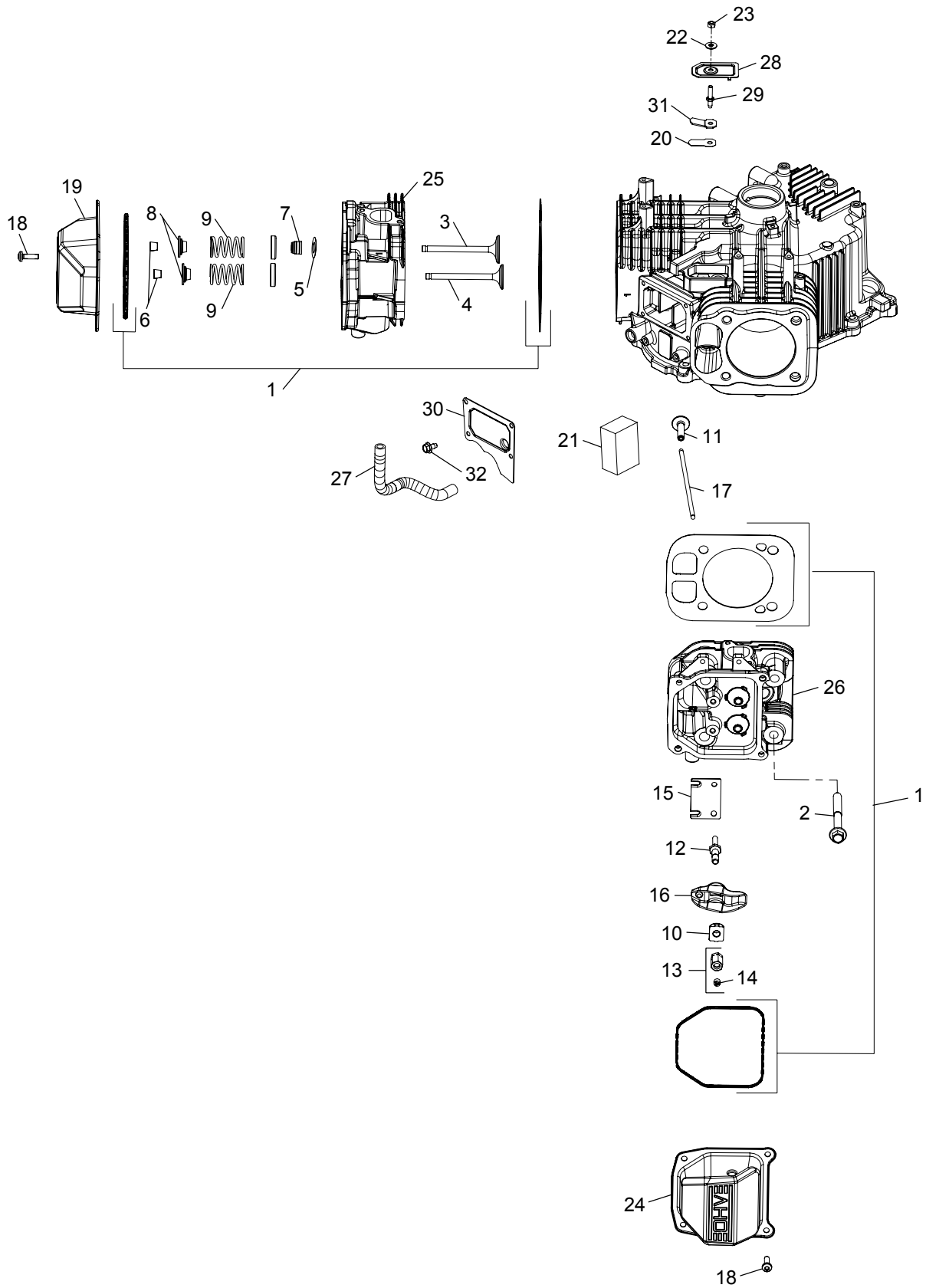
# Kohler KT735-3012 Crankcase





Ref.	Part Number	Description
1	KH-24-126-243-S	Oil Fill Tube Bracket
2	KH-24-380-16-S	Locating Pin
3	KH-24-032-19-S	Oil Seal, 1.78 x 1.26
4	KH-24-018-01-S	Piston Pin Retainer
5	KH-25-108-01-S	Piston Ring Set (STD)
—	KH-25-108-02-S	Piston Ring Set (.08)
—	KH-25-108-03-S	Piston Ring Set (.25)
—	KH-25-108-04-S	Piston Ring Set (.50)
6	KH-25-874-13-S	Piston Kit w/ Ring (STD) (Inc. 4 & 5)
—	KH-25-874-15-S	Piston Kit w/ Ring (.08)
—	KH-25-874-16-S	Piston Kit w/ Ring (.25)
—	KH-25-874-17-S	Piston Kit w/ Ring (.50)
7	KH-24-067-34-S	Connecting Rod (STD)
—	KH-24-067-31-S	Connecting Rod (U/S .010) (25mm)
8	KH-24-018-09-S	Ring Retainer
9	KH-24-468-15-S	Flat Washer, 11/32"
10	KH-28-032-09-S	Governor Cross Shaft Seal
11	KH-24-144-38-S	Governor Cross Shaft
12	KH-M-931010-S	Flat Washer, 9 mm
13	KH-25-086-398-S	Thread Forming Screw
14	KH-12-153-07	O-Ring
15	KH-25-153-09-S	O-Ring
16	KH-32-010-07-S	Camshaft Assembly
17	KH-32-038-12-S	Dipstick Assembly
18	KH-32-123-14-S	Oil Fill Tube Assembly

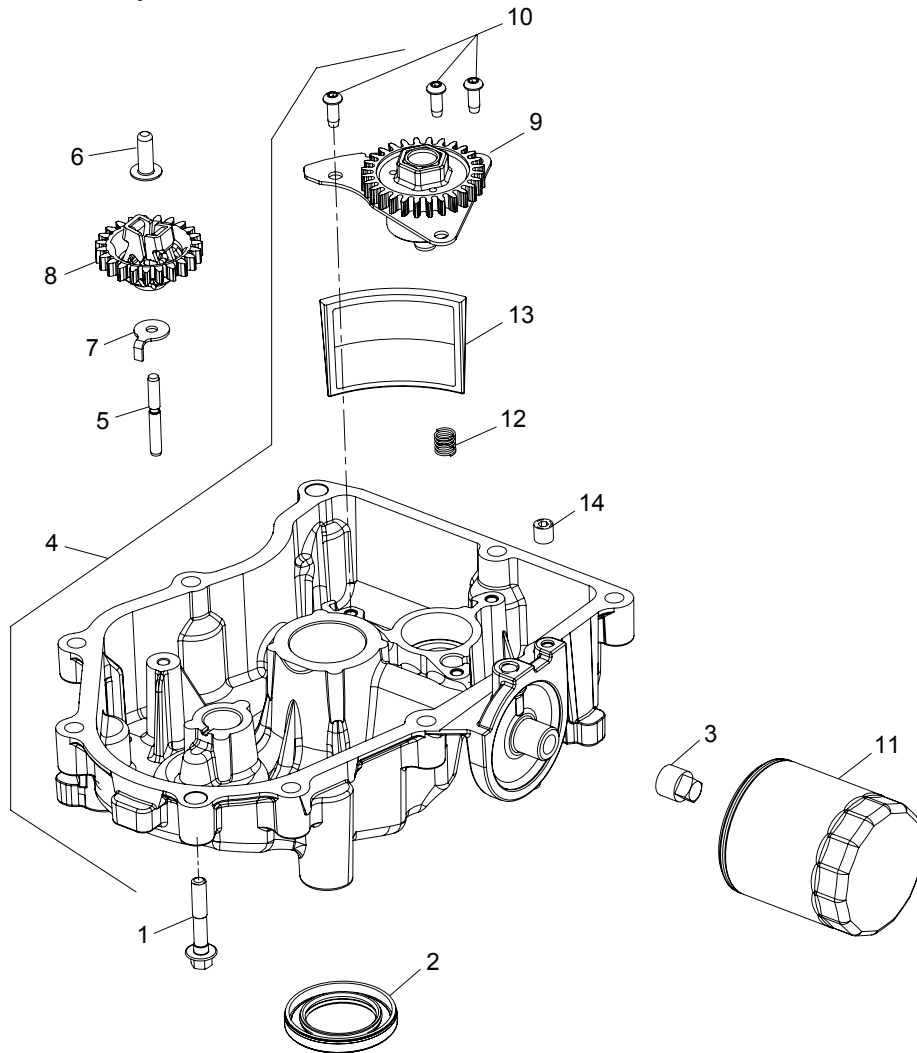
# Kohler KT735-3012 Head/Valve/Breather



## Kohler KT735-3012 Head/Valve/Breather

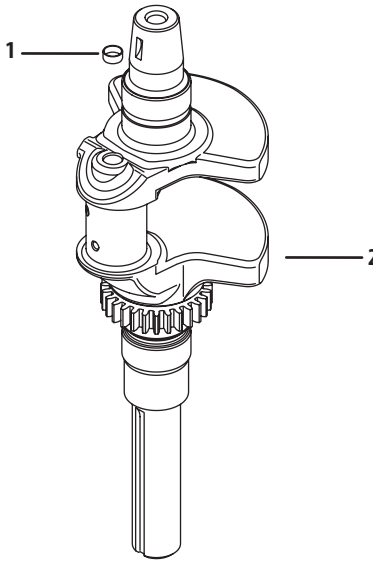
Ref.	Part Number	Description
1	KH-32-841-02-S	Cylinder Head Gasket Kit (Inc. Head Mounting Hardware)
2	KH-62-086-08-S	Flange Screw, M10 x 1.5 x 90
3	KH-32-017-01-S	Intake Valve
4	KH-32-016-01-S	Exhaust Valve
5	KH-275067	Spacer (.010")
6	KH-12-755-03	Retainer Kit
7	KH-25-032-14-S	Valve Band Seal
8	KH-25-173-28-S	Valve Spring Cap
9	KH-32-089-05-S	Valve Spring
10	KH-25-599-01-S	Rocker Arm Pivot
11	KH-32-019-02-S	Tappet
12	KH-32-072-04-S	Rocker Stud
13	KH-32-100-05-S	Hex Nut Assembly (Inc. #14)
14	KH-25-086-168-S	Set Screw
15	KH-32-146-09-S	Guide Plate
16	KH-32-186-03-S	Rocker Arm
17	KH-32-411-04-S	Push Rod
18	KH-25-086-374-S	Pan Head Screw
19	KH-25-096-09-S	Rocker Cover
20	KH-12-402-02	Breather Reed
21	KH-32-050-06-S	Breather Filter
22	KH-32-468-01-S	Sealing Washer
23	KH-M-547050-S	Lock Nut, M5 x 8
24	KH-25-096-11-S	Rocker Cover
25	KH-32-318-21-S	Cylinder Head Assembly Kit, #1 (Inc. Exhaust Mounting Hardware)
26	KH-32-318-22-S	Cylinder Head Assembly Kit, #2 (Inc. Exhaust Mounting Hardware)
27	KH-25-326-62-S	Breather Hose
28	KH-32-096-16-S	Breather Cover
29	KH-32-072-05-S	Stud
30	KH-16-096-02-S	Breather Media Cover
31	KH-66-018-04-S	Reed Retainer
32	KH-25-086-400-S	Thread Forming Screw

# Kohler KT735-3012 Oil Pan/Lubrication



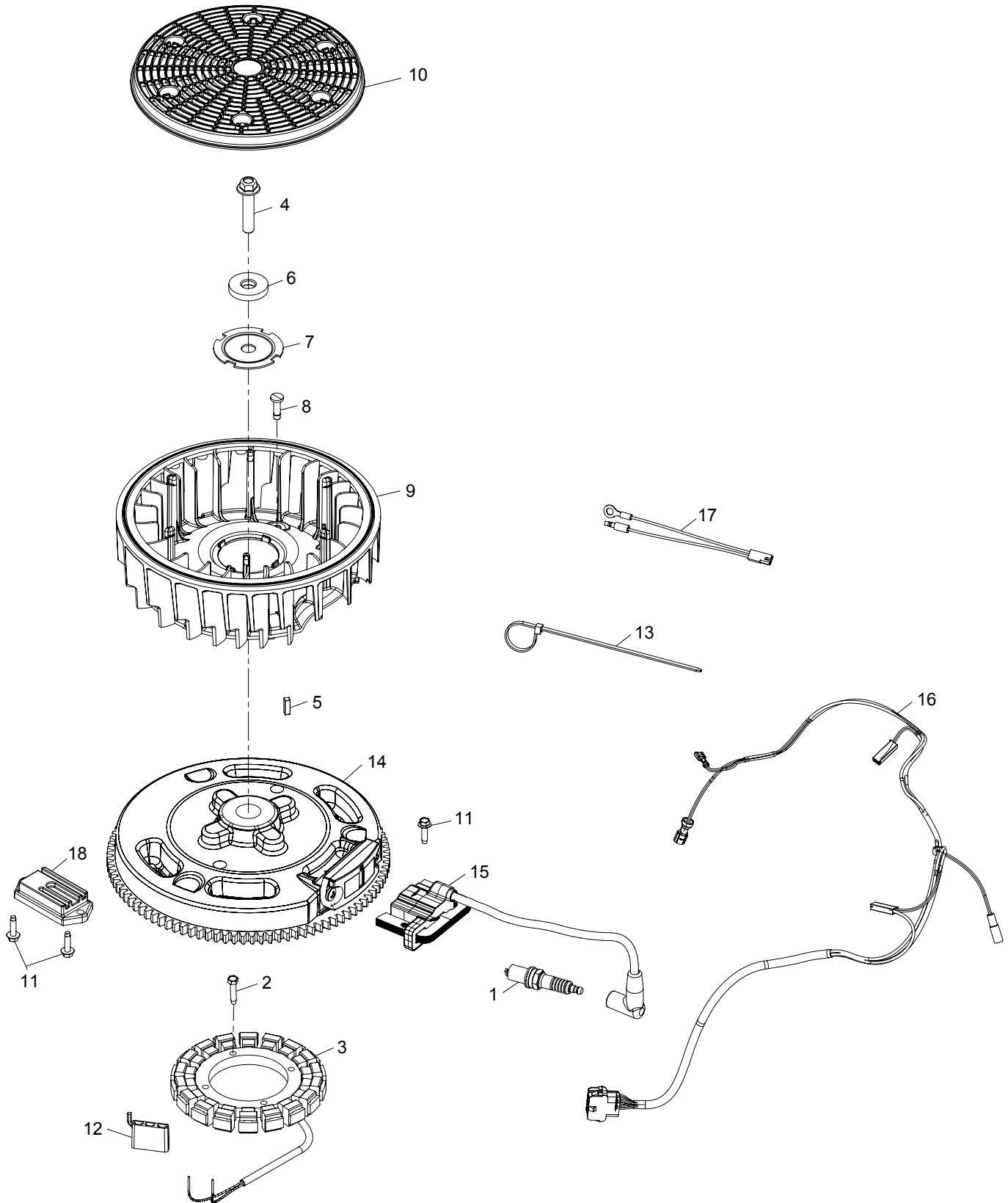
Ref.	Part Number	Description
1	KH-24-086-17-S	Flange Screw, M8 x 1.25 x 45
2	KH-25-032-06-S	Oil Seal, 2.38 x 1.45
3	KH-25-139-57-S	Square Head Pipe Plug, 3/8
4	KH-32-199-17-S	Oil Pan Assembly
5	KH-12-144-02	Governor Gear Shaft
6	KH-12-380-01	Governor Regulating Pin
7	KH-24-448-02-S	Locking Tab
8	KH-32-310-02-S	Governor Gear Kit
9	KH-32-393-18-S	Oil Pump Assembly
10	KH-25-086-414-S	Button Head Screw
11	KH-12-050-01-S	Oil Filter
12	KH-32-089-06-S	Compression Spring
13	KH-32-162-06-S	Oil Screen
14	KH-25-139-60-S	Pipe Plug, 1/8

# Kohler KT735-3012 Crankshaft



Ref.	Part Number	Description
1	KH-52-139-09-S	Cup Plug
2	KH-32-014-327-S	Crankshaft

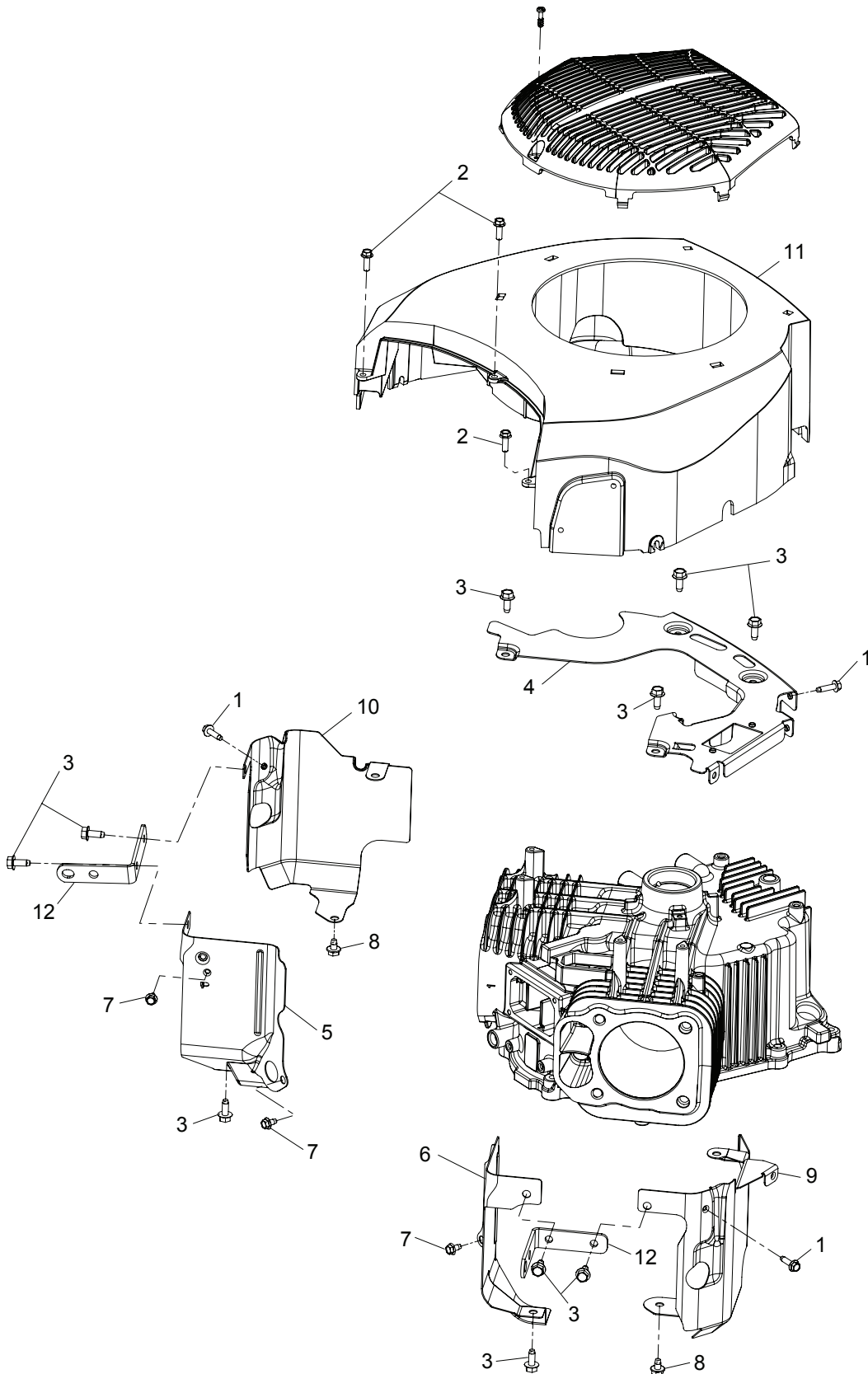
# Kohler KT735-3012 Ignition/Electrical



## Kohler KT735-3012 Ignition/Electrical

<b>Ref.</b>	<b>Part Number</b>	<b>Description</b>
1	KH-12-132-02-S	Spark Plug
2	KH-25-086-402-S	Thread Forming Screw
3	KH-237878	15 Amp Stator Kit
4	KH-25-086-361-S	Hex Flange Screw
5	KH-25-340-04-S	Square Key
6	KH-25-468-09-S	Flat Washer
7	KH-20-146-05-S	Fan Mounting Plate
8	KH-32-018-03-S	Flywheel Fan Retainer
9	KH-32-157-04-S	Fan
10	KH-32-162-03-S	Grass Screen
11	KH-25-086-473-S	Thread Forming Screw
12	KH-25-155-41-S	Connector
13	KH-25-454-03-S	Wire Tie
14	KH-32-025-25-S	Flywheel Assembly
15	KH-32-584-06-S	Ignition Module
16	KH-32-176-34-S	Wiring Harness
17	KH-32-518-02-S	Jumper Lead
18	KH-41-403-10-S	Rectifier Regulator

# Kohler KT735-3012 Blower Housing & Baffles

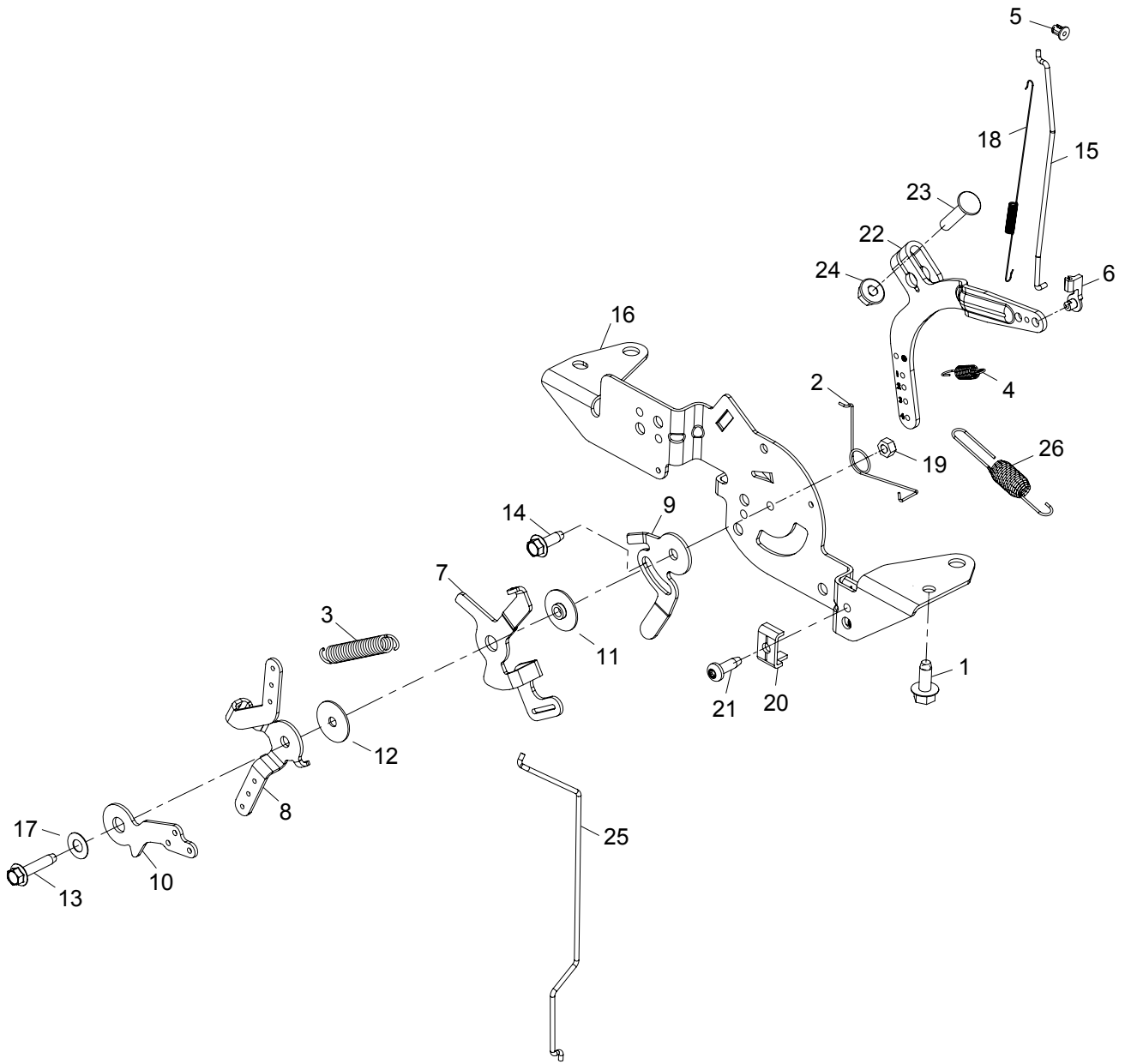




## Kohler KT735-3012 Blower Housing & Baffles

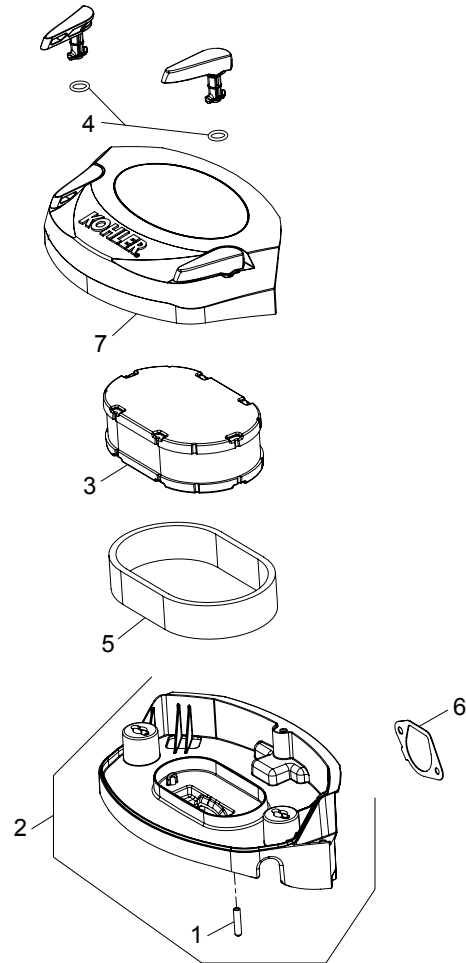
<b>Ref.</b>	<b>Part Number</b>	<b>Description</b>
1	KH-25-086-473-S	Thread Forming Screw
2	KH-25-086-450-S	Hi-Low Screw
3	KH-25-086-397-S	Thread Forming Screw
4	KH-32-146-15-S	Backing Plate
5	KH-32-063-19-S	Valley Baffle, #1 Cylinder
6	KH-32-063-20-S	Valley Baffle, #2 Cylinder
7	KH-25-086-400-S	Thread Forming Screw
8	KH-25-086-406-S	Thread Forming Screw
9	KH-32-063-17-S	Left Barrel Baffle
10	KH-32-063-18-S	Right Barrel Baffle
11	KH-32-027-16-S	Blower Housing
12	KH-32-445-01-S	Lift Strap

# Kohler KT735-3012 Engine Controls

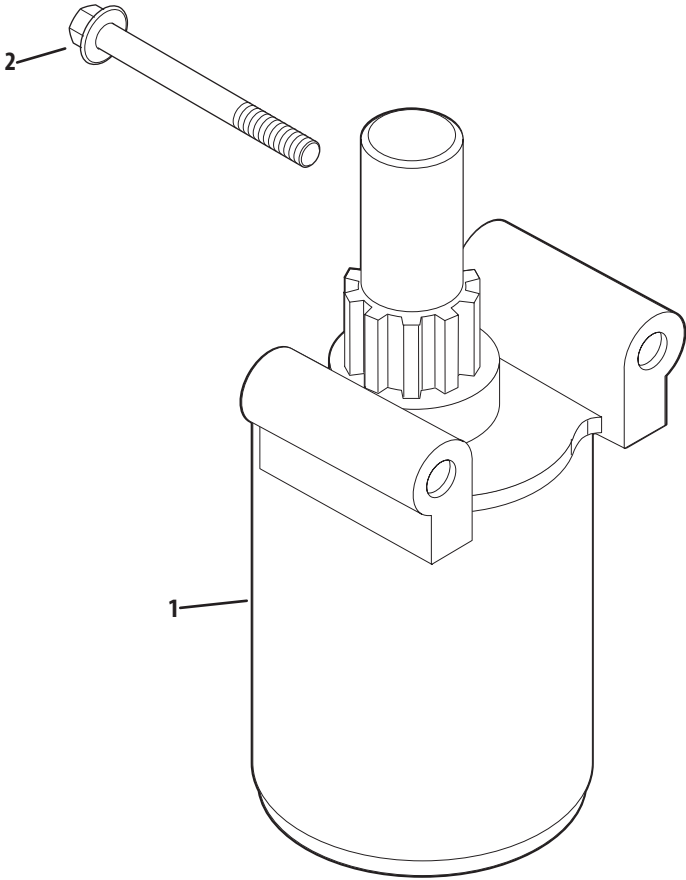


Ref.	Part-Number	Description
1	KH-25-086-397-S	Thread Forming Screw
2	KH-24-089-03	Choke Return Spring
3	KH-32-089-03-S	Speed Control Spring
4	KH-24-089-55-S	Governor Spring
5	KH-25-158-08	Linkage Retaining Bushing
6	KH-25-158-11	Throttle Linkage Bushing
7	KH-32-090-07-S	Governor Spring Lever
8	KH-32-090-08-S	Speed Control Lever
9	KH-32-090-09-S	Speed Setting Lever
10	KH-32-090-12-S	Choke Lever
11	KH-24-112-27-S	Control Assembly Spacer
12	KH-24-468-01	Flat Washer, 5.5mm
13	KH-25-086-429-S	Thread Forming Screw
14	KH-25-086-398-S	Thread Forming Screw
15	KH-32-079-01-S	Throttle Linkage
16	KH-32-126-04-S	Control Bracket
17	KH-41-468-03	Spring Washer, 1/4
18	KH-32-089-07-S	Linkage Spring
19	KH-M-547050-S	Lock Nut, M5 x .8
20	KH-12-237-01	Cable Clamp
21	KH-25-086-405-S	Thread Forming Screw
22	KH-24-090-69-S	Governor Lever
23	KH-24-211-03-S	Bolt, M6 x 1.0 x 25
24	KH-M-641060-S	Flange Nut, M6 x 1.0
25	KH-24-079-22-S	Choke Linkage
26	KH-24-089-25-S	Governor Spring

# Kohler KT735-3012 Air Intake/Filtration

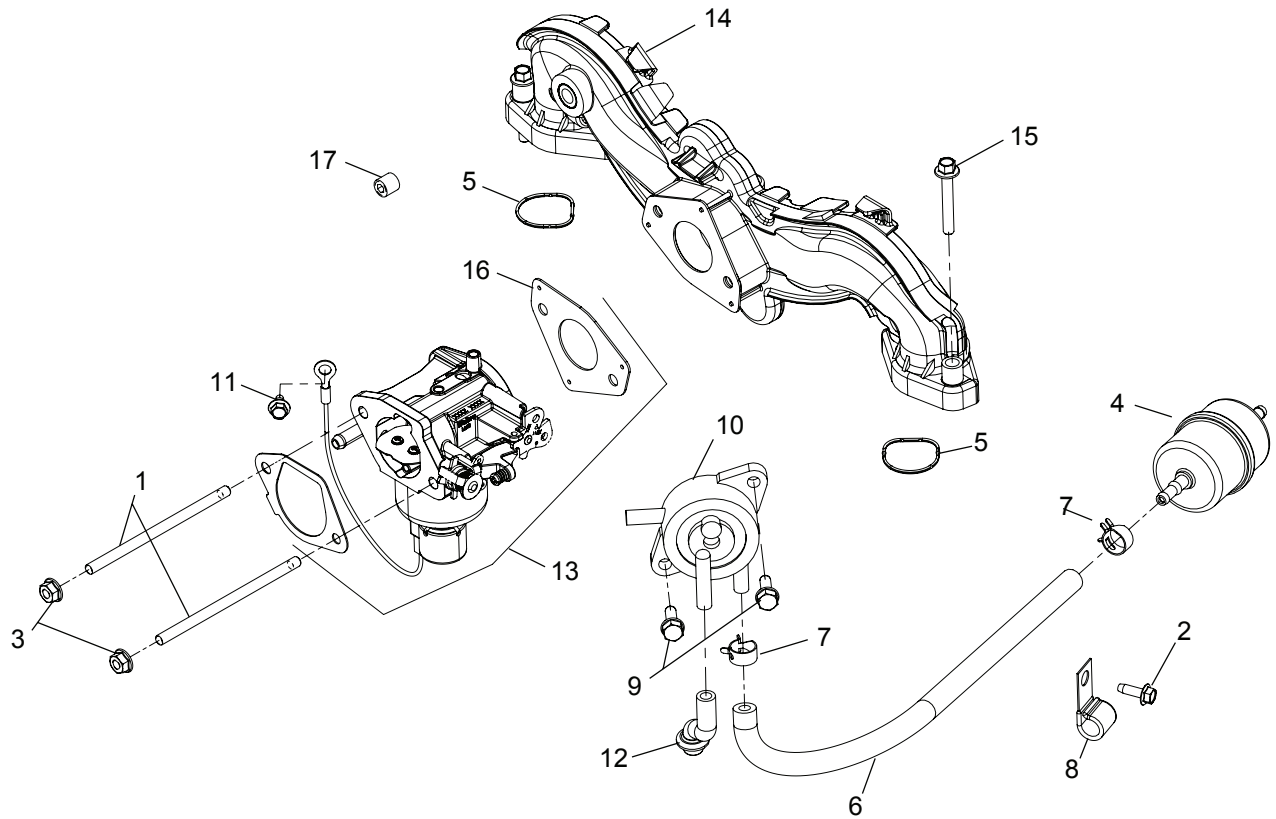


Ref.	Part Number	Description
1	KH-25-173-09-S	Masking Cap
2	KH-32-094-13-S	Air Cleaner Base Assembly
3	KH-32-883-09-S1	Air Filter Element
4	KH-25-153-15-S	O-Ring
5	KH-32-083-10-S	Pre-Cleaner Element
6	KH-32-041-04-S	Air Cleaner Base Gasket
7	KH-32-096-20-S	Air Cleaner Cover Assembly



Ref.	Part Number	Description
1	KH-32-098-04-S	Starter Assembly
2	KH-M-851080-S	Flange Screw, M8 x 1.25 x 80

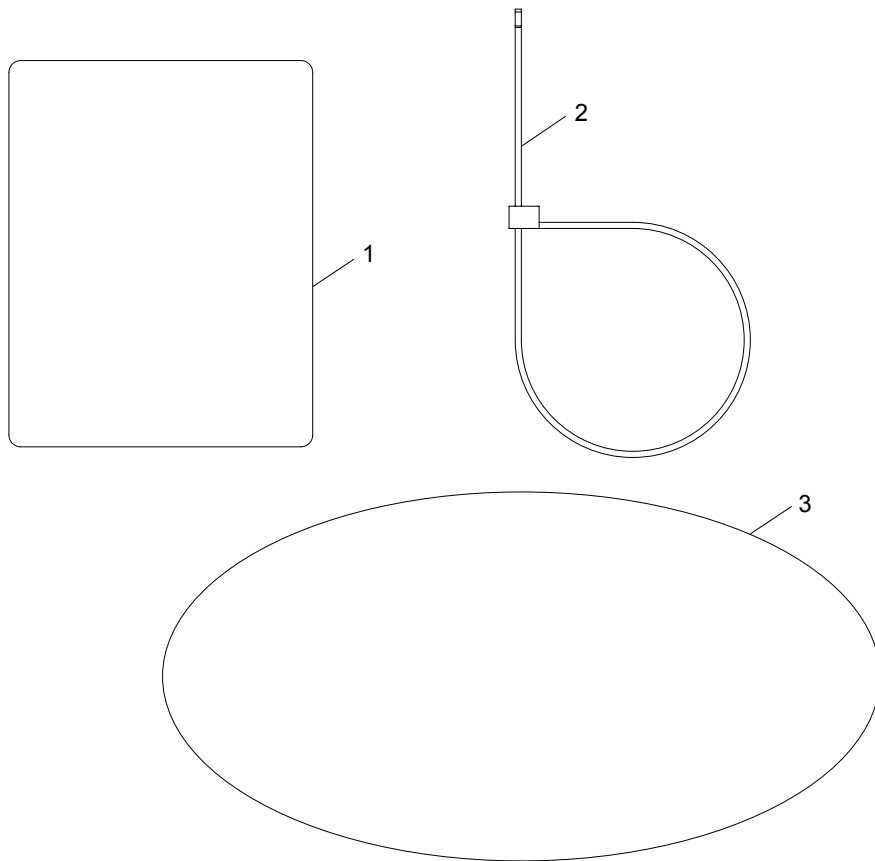
# Kohler KT735-3012 Fuel System



Ref.	Part Number	Description
1	KH-25-072-25-S	Stud
2	KH-25-086-398-S	Thread Forming Screw
3	KH-M-641060-S	Flange Nut, M6 x 1.0
4	KH-24-050-13-S	Fuel Filter
5	KH-24-153-27-S	Intake Port O-Ring
6	KH-25-111-81-S	Fuel Line, 24"
7	KH-25-237-37-S	Spring Hose Clamp
8	KH-47-154-01-S	Cable Clip
9	KH-24-086-12	Tap Screw, M6 x 1.7 x 18

Ref.	Part Number	Description
10	KH-24-393-16	Fuel Pump
11	KH-25-086-400-S	Thread Forming Screw
12	KH-32-326-08-S	Pulse Pump Hose
13	KH-32-853-34-S	Carburetor Kit
14	KH-24-164-91-S	Intake Manifold Kit
15	KH-M-651040-S	Flange Screw, M6 x 1.0 x 40
16	KH-24-041-52-S	Carburetor Gasket
17	KH-25-139-60-S	Pipe Plug, 1/8

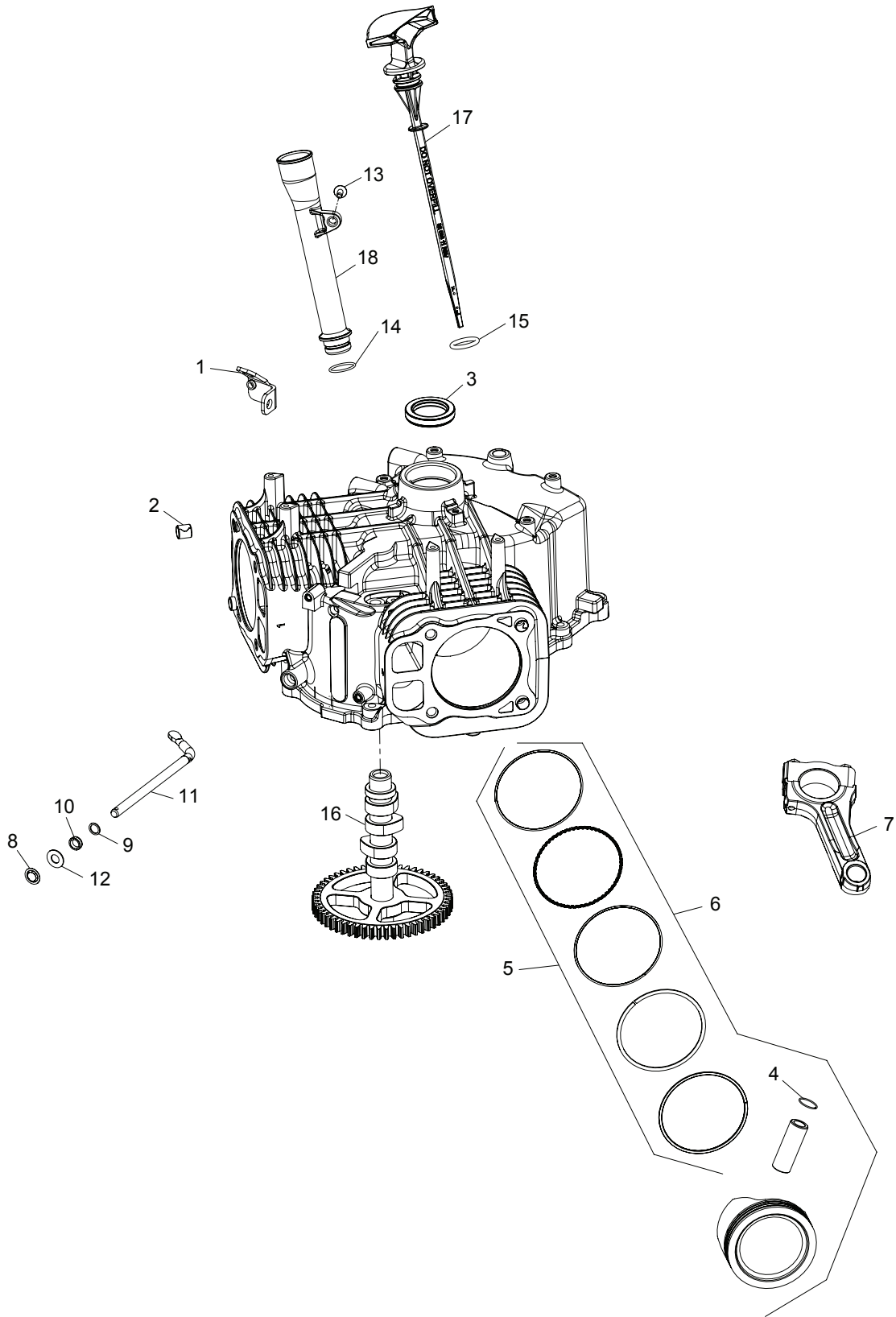
# Kohler KT735-3012 Labels



Artwork is representative.  
Actual labels may differ depending on model and specification number.

Ref.	Part Number	Description
1	KH-25-113-70-S	Clear Laminate Decal
2	KH-25-454-05-S	Tie
3	KH-32-113-106-S	Decal, 24 HP

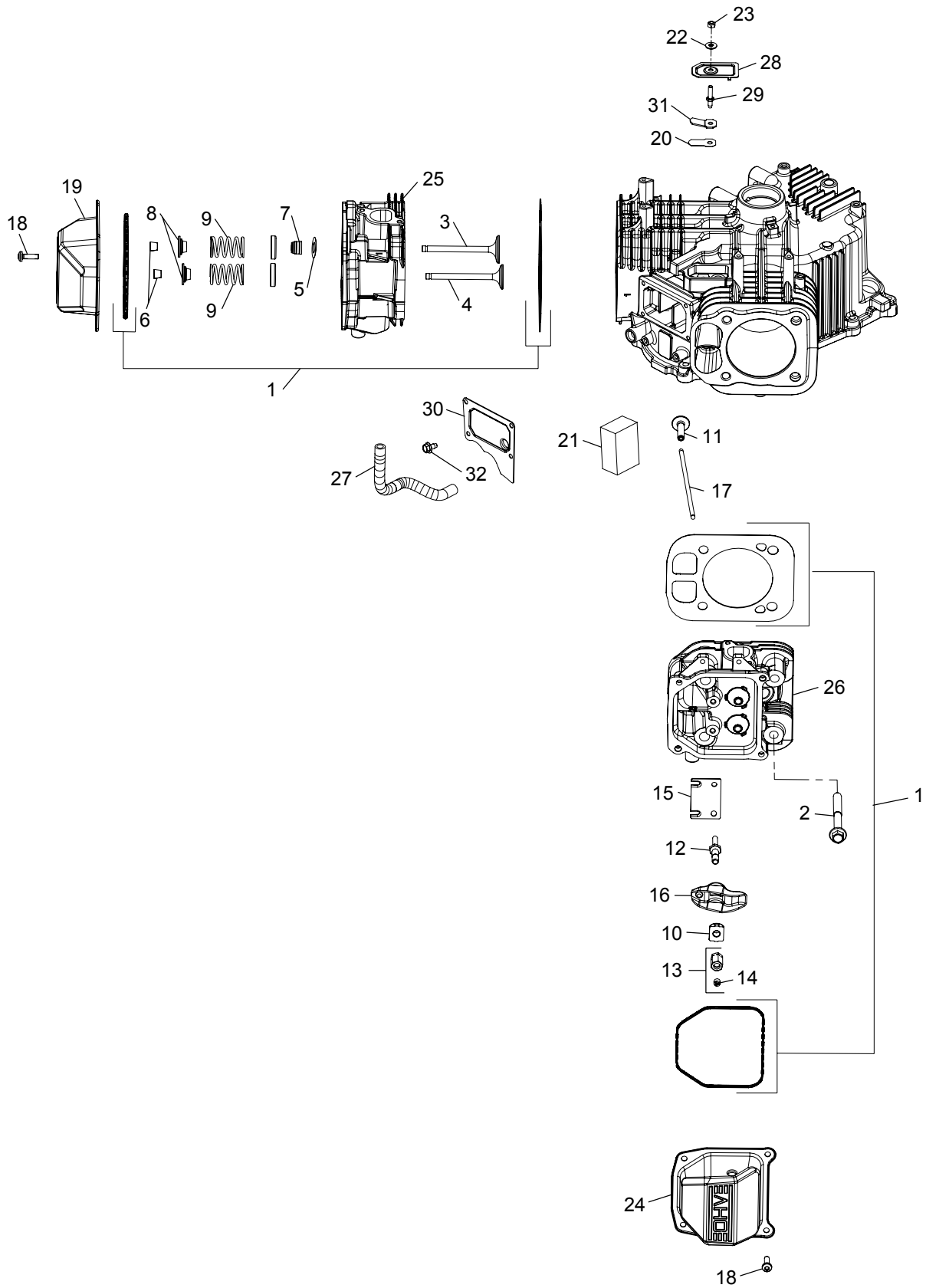
# Kohler KT725-3013 Crankcase





Ref.	Part Number	Description
1	KH-24-126-243-S	Lifting Strap
2	KH-24-380-16-S	Locating Pin
3	KH-24-032-19-S	Oil Seal, 1.78 x 1.26
4	KH-24-018-01-S	Piston Pin Retainer
5	KH-25-108-01-S	Piston Ring Set (STD)
—	KH-25-108-02-S	Piston Ring Set (.08)
—	KH-25-108-03-S	Piston Ring Set (.25)
—	KH-25-108-04-S	Piston Ring Set (.50)
6	KH-25-874-13-S	Piston Kit w/ Ring (STD) (Inc. 4 & 5)
—	KH-25-874-15-S	Piston Kit w/ Ring (.08)
—	KH-25-874-16-S	Piston Kit w/ Ring (.25)
—	KH-25-874-17-S	Piston Kit w/ Ring (.50)
7	KH-24-067-34-S	Connecting Rod (STD)
—	KH-24-067-31-S	Connecting Rod (U/S .010) (25mm)
8	KH-24-018-09-S	Ring Retainer
9	KH-24-468-15-S	Flat Washer, 11/32"
10	KH-28-032-09-S	Governor Cross Shaft Seal
11	KH-24-144-38-S	Governor Cross Shaft
12	KH-M-931010-S	Flat Washer, 9 mm
13	KH-25-086-398-S	Thread Forming Screw
14	KH-12-153-07	O-Ring
15	KH-25-153-09-S	O-Ring
16	KH-32-010-07-S	Camshaft Assembly
17	KH-32-038-12-S	Dipstick Assembly
18	KH-32-123-14-S	Oil Fill Tube Assembly

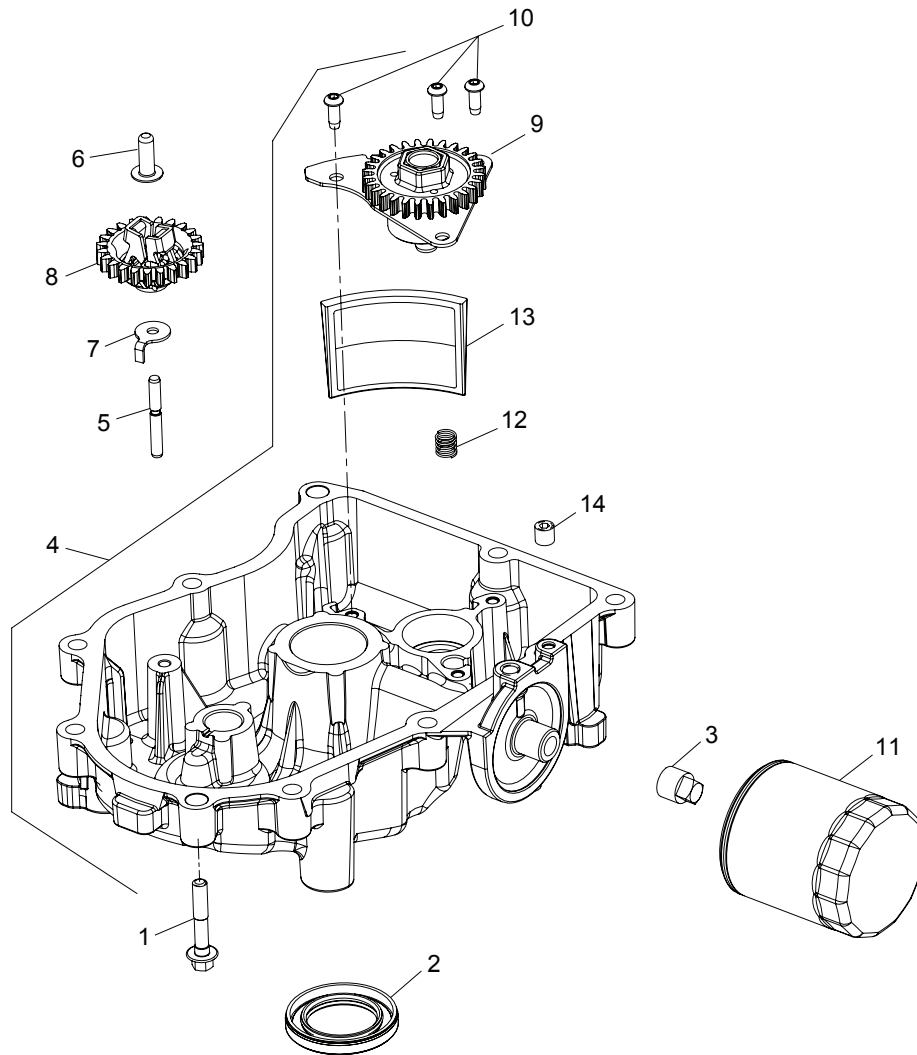
# Kohler KT725-3013 Head/Valve/Breather



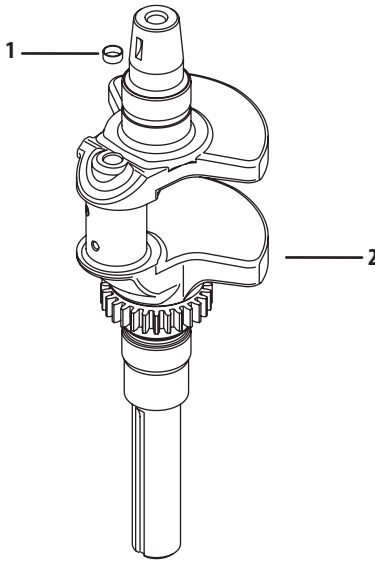
## Kohler KT725-3013 Head/Valve/Breather

Ref.	Part Number	Description
1	KH-32-841-02-S	Cylinder Head Gasket Kit (Inc. Head Mounting Hardware)
2	KH-62-086-08-S	Flange Screw, M10 x 1.5 x 90
3	KH-32-017-01-S	Intake Valve
4	KH-32-016-01-S	Exhaust Valve
5	KH-275067	Spacer (.010")
6	KH-12-755-03	Retainer Kit
7	KH-25-032-14-S	Valve Band Seal
8	KH-25-173-28-S	Valve Spring Cap
9	KH-32-089-05-S	Valve Spring
10	KH-25-599-01-S	Rocker Arm Pivot
11	KH-32-019-02-S	Tappet
12	KH-32-072-04-S	Rocker Stud
13	KH-32-100-05-S	Hex Nut Assembly (Inc. #14)
14	KH-25-086-168-S	Set Screw
15	KH-32-146-09-S	Guide Plate
16	KH-32-186-03-S	Rocker Arm
17	KH-32-411-04-S	Push Rod
18	KH-25-086-374-S	Pan Head Screw
19	KH-25-096-09-S	Rocker Cover
20	KH-12-402-02	Breather Reed
21	KH-32-050-06-S	Breather Filter
22	KH-32-468-01-S	Sealing Washer
23	KH-M-547050-S	Lock Nut, M5 x 8
24	KH-25-096-11-S	Rocker Cover
25	KH-32-318-21-S	Cylinder Head Assembly Kit, #1 (Inc. Exhaust Mounting Hardware)
26	KH-32-318-22-S	Cylinder Head Assembly Kit, #2 (Inc. Exhaust Mounting Hardware)
27	KH-25-326-62-S	Breather Hose
28	KH-32-096-16-S	Breather Cover
29	KH-32-072-05-S	Stud
30	KH-16-096-02-S	Breather Media Cover
31	KH-66-018-04-S	Reed Retainer
32	KH-25-086-400-S	Thread Forming Screw

# Kohler KT725-3013 Oil Pan/Lubrication

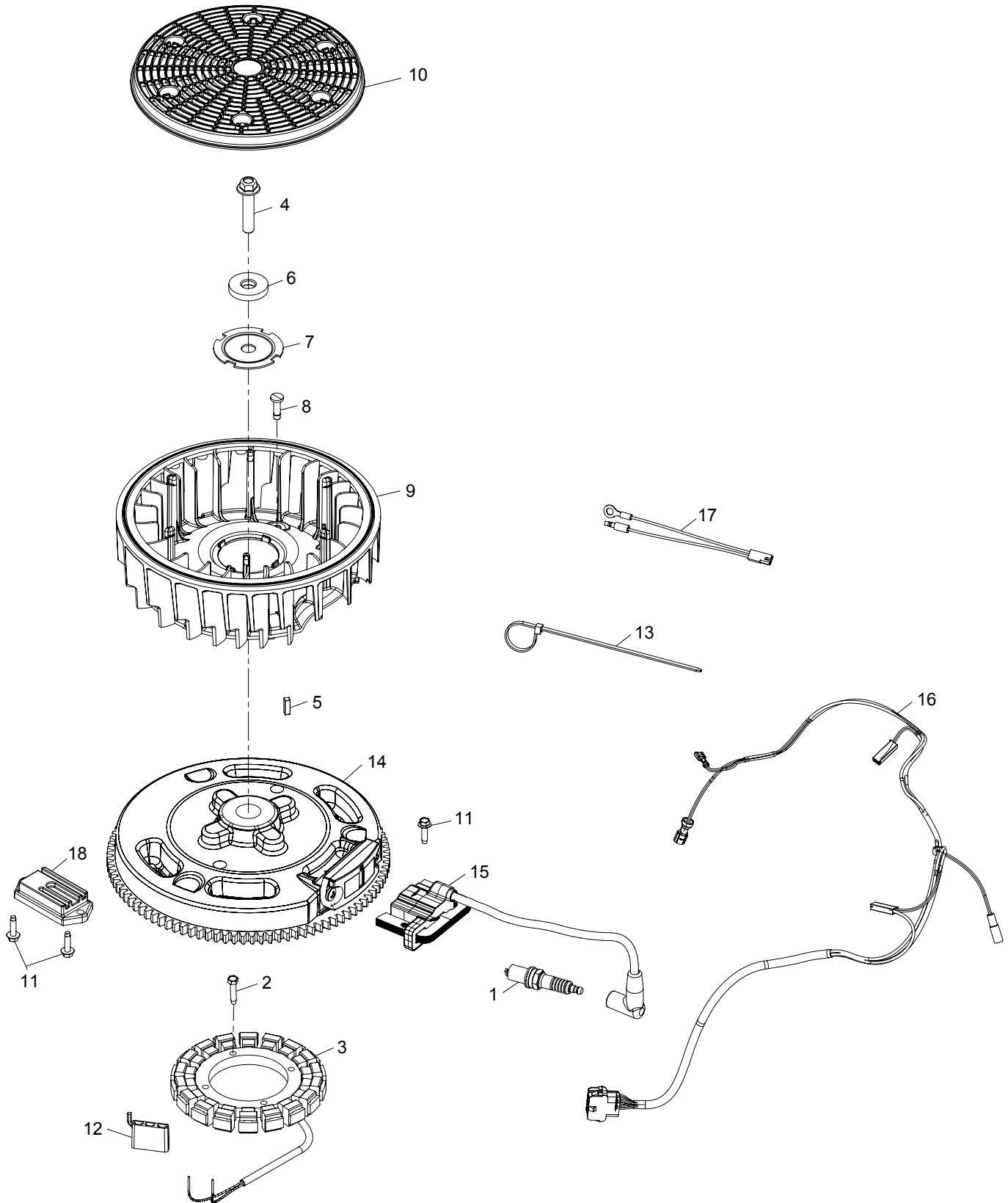


Ref.	Part Number	Description
1	KH-24-086-17-S	Flange Screw, M8 x 1.25 x 45
2	KH-25-032-06-S	Oil Seal, 2.38 x 1.45
3	KH-25-139-57-S	Square Head Pipe Plug, 3/8
4	KH-32-199-17-S	Oil Pan Assembly
5	KH-12-144-02	Governor Gear Shaft
6	KH-12-380-01	Governor Regulating Pin
7	KH-24-448-02-S	Locking Tab
8	KH-32-310-02-S	Governor Gear Kit
9	KH-32-393-18-S	Oil Pump Assembly
10	KH-25-086-414-S	Button Head Screw
11	KH-12-050-01-S	Oil Filter
12	KH-32-089-06-S	Compression Spring
13	KH-32-162-06-S	Oil Screen
14	KH-25-139-60-S	Pipe Plug, 1/8



Ref.	Part Number	Description
1	KH-52-139-09-S	Cup Plug
2	KH-32-014-327-S	Crankshaft

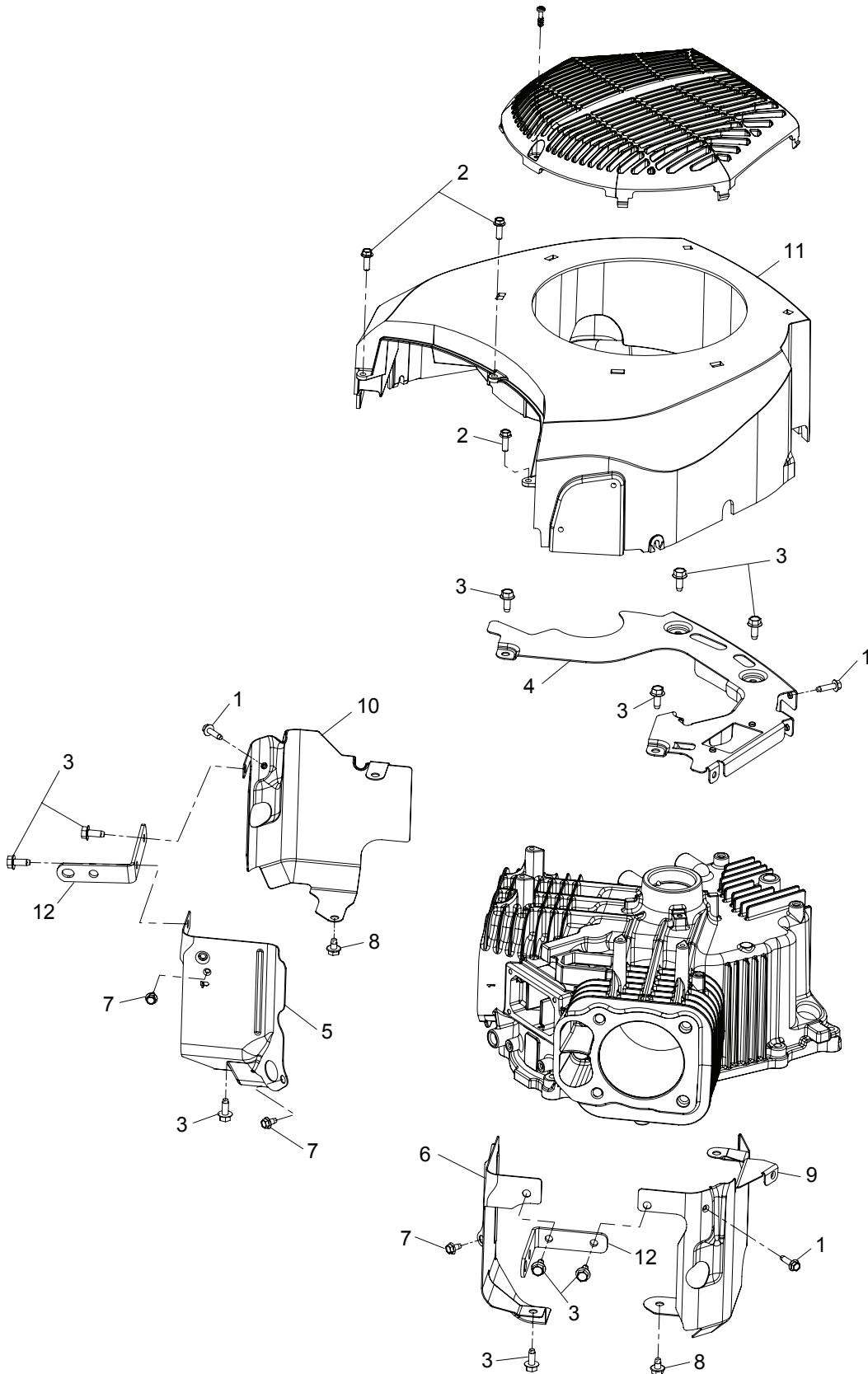
# Kohler KT725-3013 Ignition/Electrical



## Kohler KT725-3013 Ignition/Electrical

<b>Ref.</b>	<b>Part Number</b>	<b>Description</b>
1	KH-12-132-02-S	Spark Plug
2	KH-25-086-402-S	Thread Forming Screw
3	KH-237878	15 Amp Stator Kit
4	KH-25-086-361-S	Hex Flange Screw
5	KH-25-340-04-S	Square Key
6	KH-25-468-09-S	Flat Washer
7	KH-20-146-05-S	Fan Mounting Plate
8	KH-32-018-03-S	Flywheel Fan Retainer
9	KH-32-157-04-S	Fan
10	KH-32-162-03-S	Grass Screen
11	KH-25-086-473-S	Thread Forming Screw
12	KH-25-155-41-S	Connector
13	KH-25-454-03-S	Wire Tie
14	KH-32-025-25-S	Flywheel Assembly
15	KH-32-584-06-S	Ignition Module
16	KH-32-176-34-S	Wiring Harness
17	KH-32-518-02-S	Jumper Lead
18	KH-41-403-10-S	Rectifier Regulator

# Kohler KT725-3013 Blower Housing & Baffles

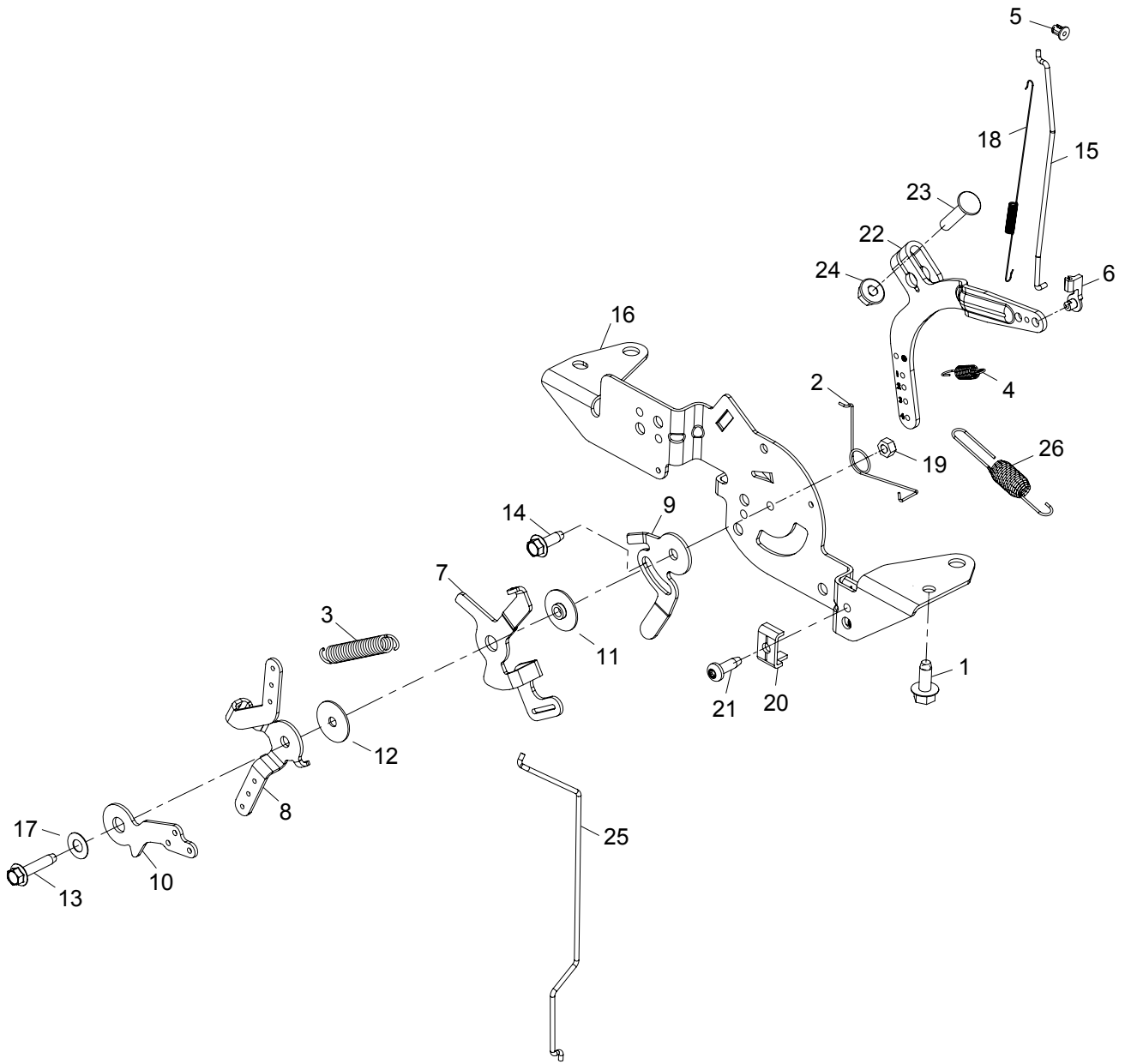




## Kohler KT725-3013 Blower Housing & Baffles

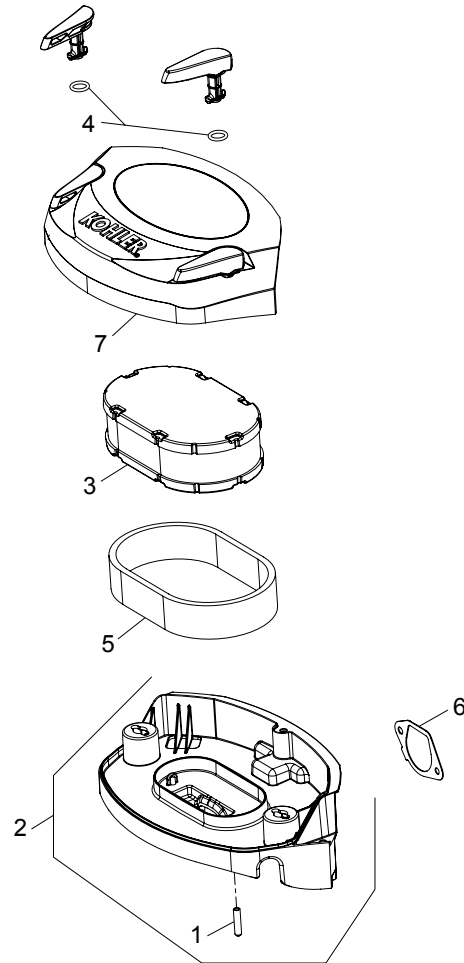
<b>Ref.</b>	<b>Part Number</b>	<b>Description</b>
1	KH-25-086-473-S	Thread Forming Screw
2	KH-25-086-450-S	Hi-Low Screw
3	KH-25-086-397-S	Thread Forming Screw
4	KH-32-146-15-S	Backing Plate
5	KH-32-063-19-S	Valley Baffle, #1 Cylinder
6	KH-32-063-20-S	Valley Baffle, #2 Cylinder
7	KH-25-086-400-S	Thread Forming Screw
8	KH-25-086-406-S	Thread Forming Screw
9	KH-32-063-17-S	Left Barrel Baffle
10	KH-32-063-18-S	Right Barrel Baffle
11	KH-32-027-16-S	Blower Housing
12	KH-32-445-01-S	Lift Strap

# Kohler KT725-3013 Engine Controls

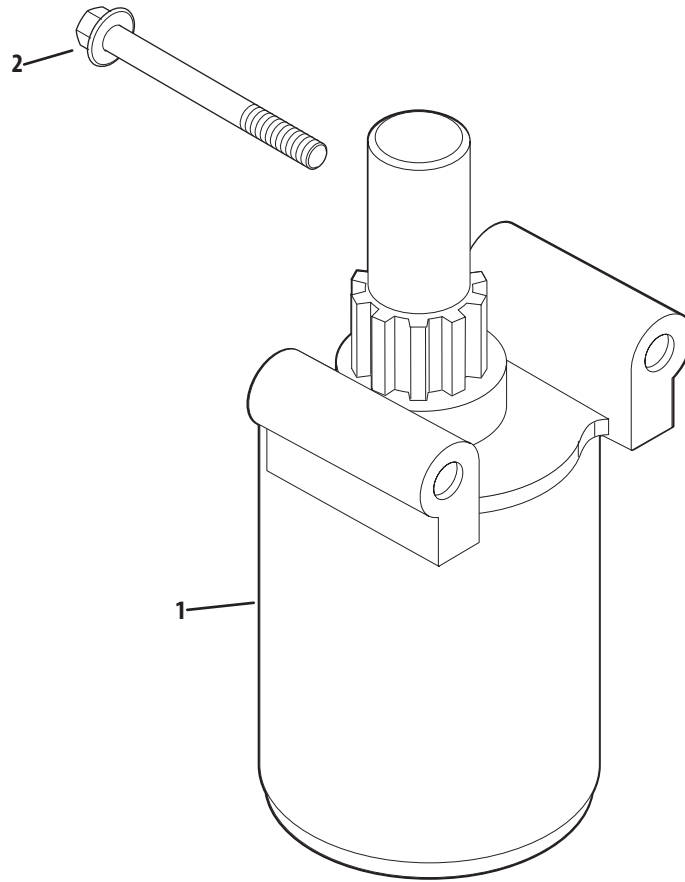


Ref.	Part-Number	Description
1	KH-25-086-397-S	Thread Forming Screw
2	KH-24-089-03	Choke Return Spring
3	KH-32-089-03-S	Speed Control Spring
4	KH-24-089-55-S	Governor Spring
5	KH-25-158-08	Linkage Retaining Bushing
6	KH-25-158-11	Throttle Linkage Bushing
7	KH-32-090-07-S	Governor Spring Lever
8	KH-32-090-08-S	Speed Control Lever
9	KH-32-090-09-S	Speed Setting Lever
10	KH-32-090-12-S	Choke Lever
11	KH-24-112-27-S	Control Assembly Spacer
12	KH-24-468-01	Flat Washer, 5.5mm
13	KH-25-086-429-S	Thread Forming Screw
14	KH-25-086-398-S	Thread Forming Screw
15	KH-32-079-01-S	Throttle Linkage
16	KH-32-126-04-S	Control Bracket
17	KH-41-468-03	Spring Washer, 1/4
18	KH-32-089-07-S	Linkage Spring
19	KH-M-547050-S	Lock Nut, M5 x .8
20	KH-12-237-01	Cable Clamp
21	KH-25-086-405-S	Thread Forming Screw
22	KH-24-090-69-S	Governor Lever
23	KH-24-211-03-S	Bolt, M6 x 1.0 x 25
24	KH-M-641060-S	Flange Nut, M6 x 1.0
25	KH-24-079-22-S	Choke Linkage
26	KH-24-089-25-S	Governor Spring

# Kohler KT725-3013 Air Intake/Filtration

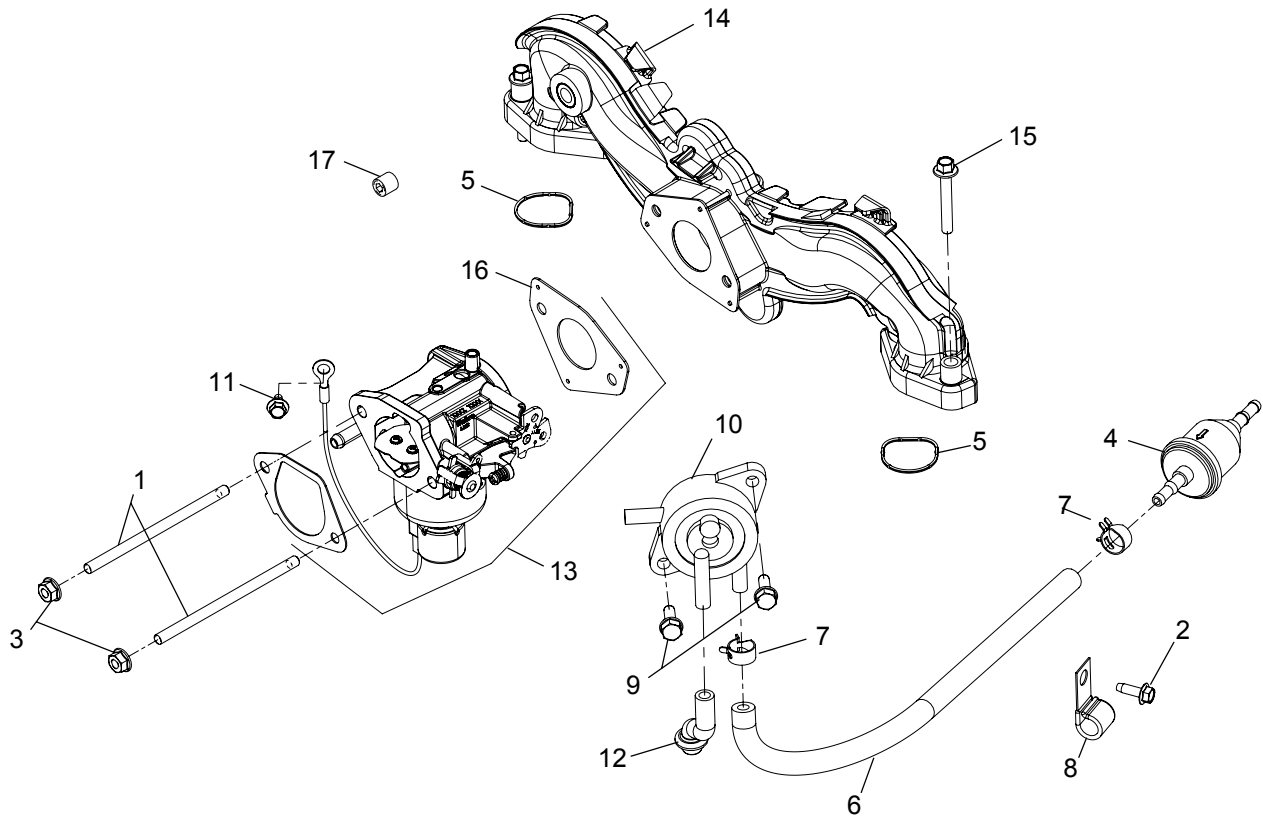


Ref.	Part Number	Description
1	KH-25-173-09-S	Masking Cap
2	KH-32-094-13-S	Air Cleaner Base Assembly
3	KH-32-883-09-S1	Air Filter Element
4	KH-25-153-15-S	O-Ring
5	KH-32-083-10-S	Pre-Cleaner Element
6	KH-32-041-04-S	Air Cleaner Base Gasket
7	KH-32-096-20-S	Air Cleaner Cover Assembly



Ref.	Part Number	Description
1	KH-32-098-04-S	Starter Assembly
2	KH-M-851080-S	Flange Screw, M8 x 1.25 x 80

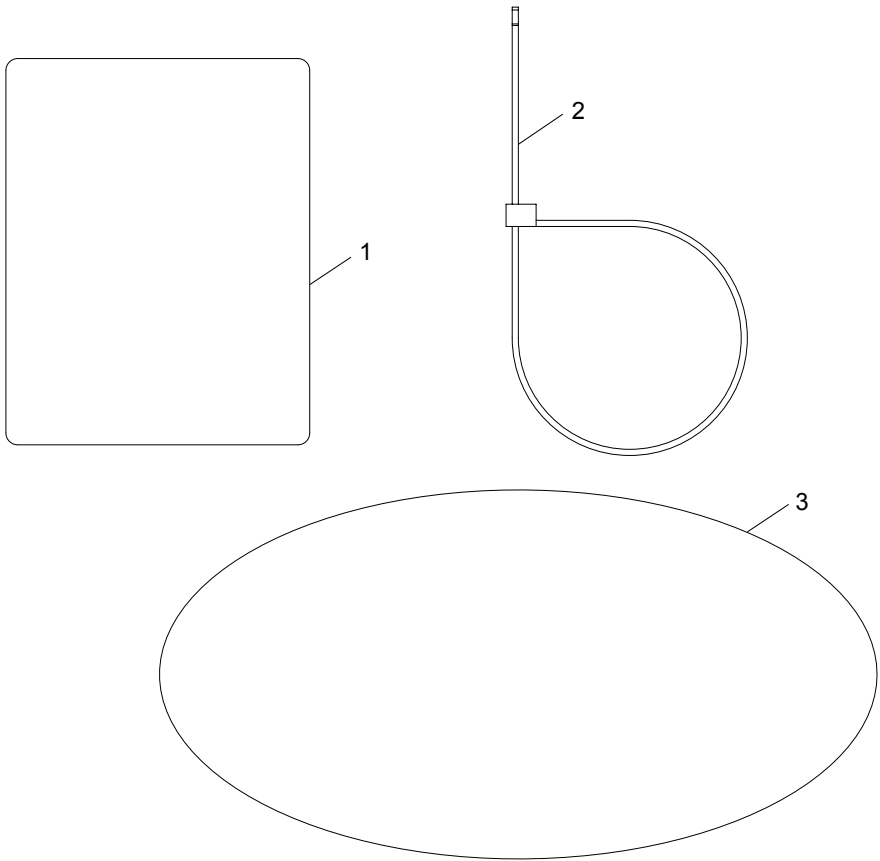
# Kohler KT725-3013 Fuel System



Ref.	Part Number	Description
1	KH-25-072-25-S	Stud
2	KH-25-086-398-S	Thread Forming Screw
3	KH-M-641060-S	Flange Nut, M6 x 1.0
4	KH-25-050-22-S1	Fuel Filter
5	KH-24-153-27-S	Intake Port O-Ring
6	KH-25-111-81-S	Fuel Line, 24"
7	KH-25-237-37-S	Spring Hose Clamp
8	KH-47-154-01-S	Cable Clip
9	KH-24-086-12	Tap Screw, M6 x 1.7 x 18

Ref.	Part Number	Description
10	KH-24-393-16	Fuel Pump
11	KH-25-086-400-S	Thread Forming Screw
12	KH-32-326-08-S	Pulse Pump Hose
13	KH-32-853-43-S	Carburetor Kit
14	KH-24-164-91-S	Intake Manifold Kit
15	KH-M-651040-S	Flange Screw, M6 x 1.0 x 40
16	KH-24-041-52-S	Carburetor Gasket
17	KH-25-139-60-S	Pipe Plug, 1/8

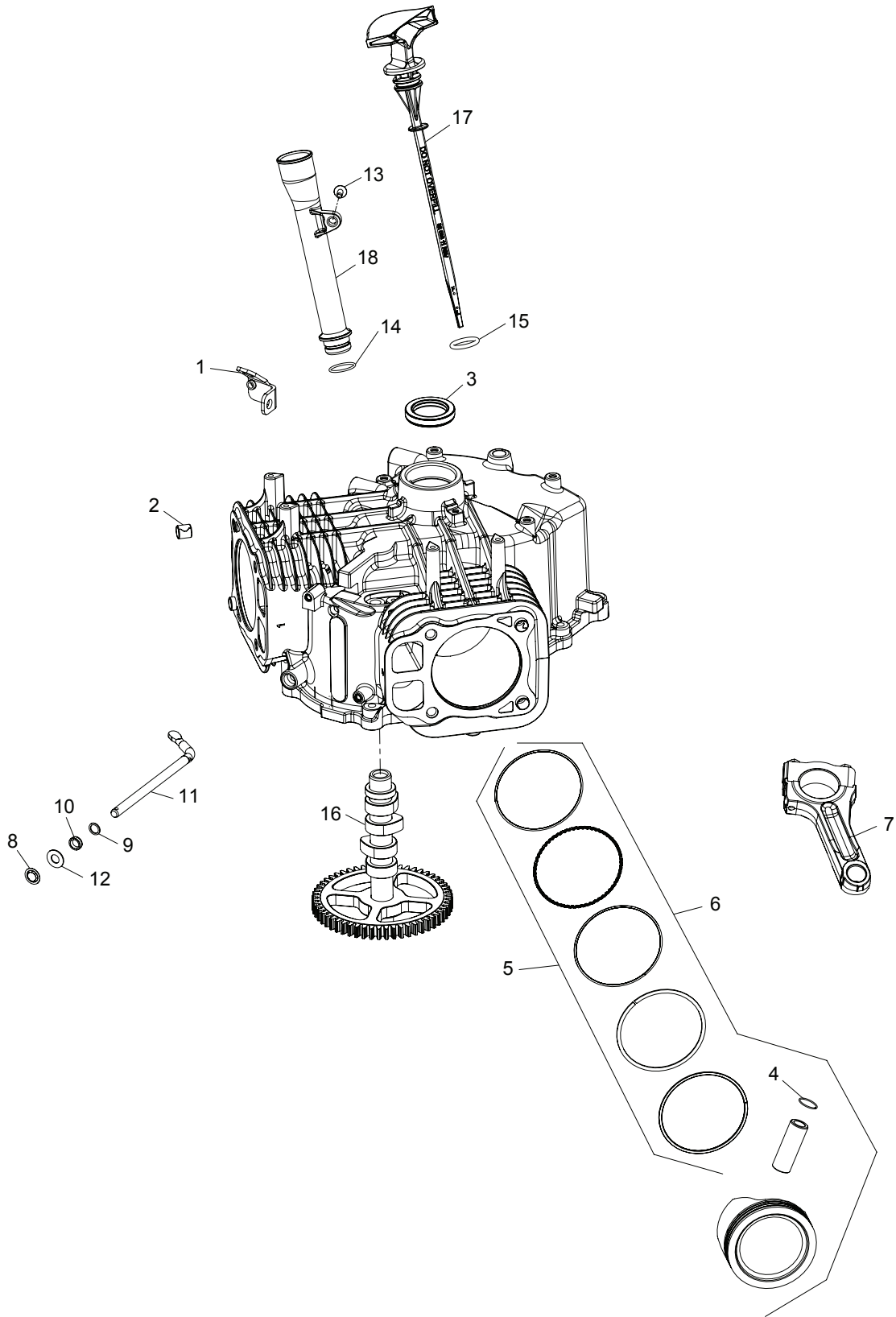
# Kohler KT725-3013 Labels



Artwork is representative.  
 Actual labels may differ depending on model and specification number.

Ref.	Part Number	Description
1	KH-25-113-70-S	Clear Laminate Decal
2	KH-25-454-05-S	Tie
3	KH-32-113-108-S	Decal, 22 HP

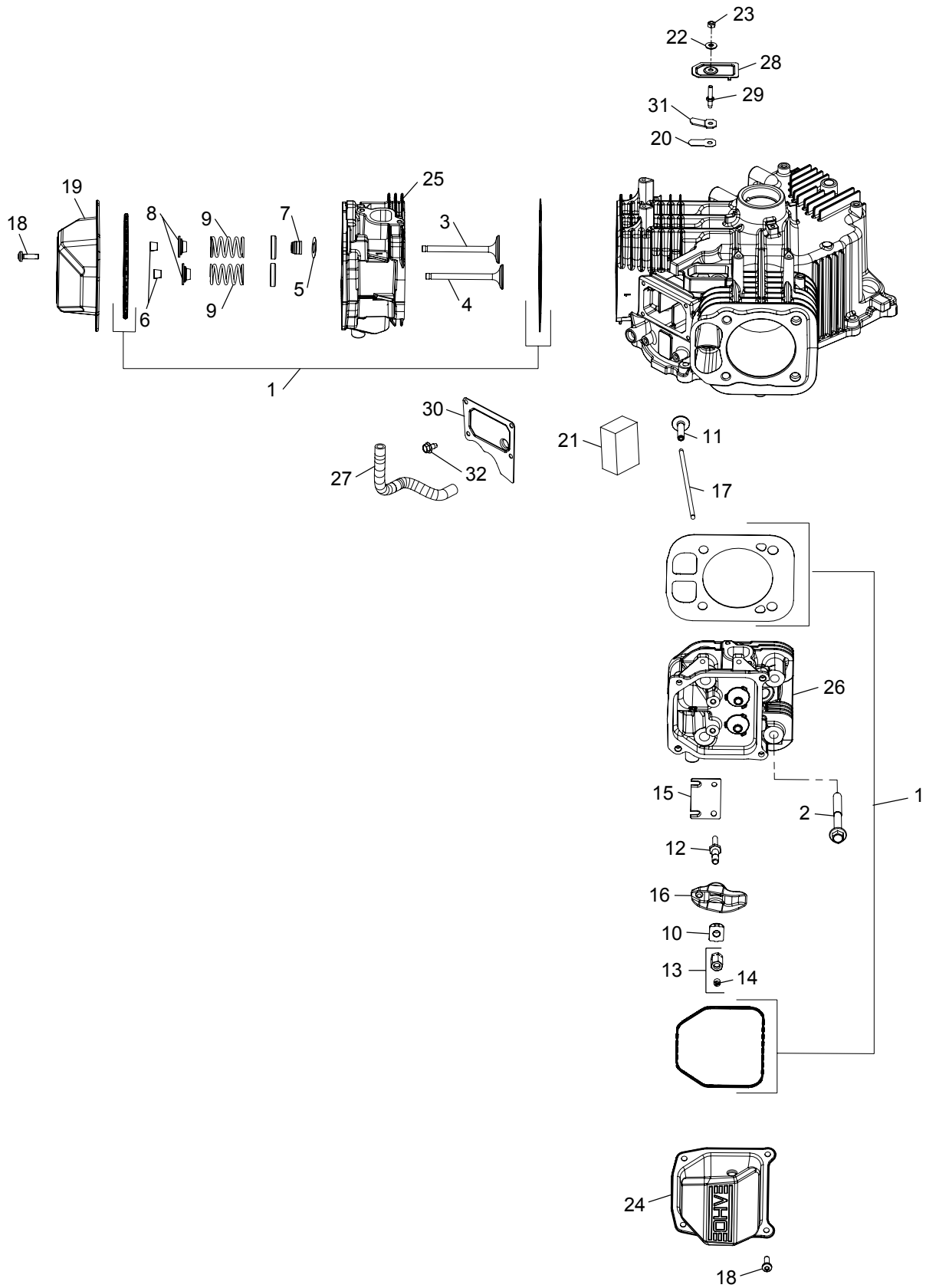
# Kohler KT730-3016 Crankcase





Ref.	Part Number	Description
1	KH-24-126-243-S	Oil Fill Tube Bracket
2	KH-24-380-16-S	Locating Pin
3	KH-24-032-19-S	Oil Seal, 1.78 x 1.26
4	KH-24-018-01-S	Piston Pin Retainer
5	KH-25-108-01-S	Piston Ring Set (STD)
—	KH-25-108-02-S	Piston Ring Set (.08)
—	KH-25-108-03-S	Piston Ring Set (.25)
—	KH-25-108-04-S	Piston Ring Set (.50)
6	KH-25-874-13-S	Piston Kit w/ Ring (STD) (Inc. 4 & 5)
—	KH-25-874-15-S	Piston Kit w/ Ring (.08)
—	KH-25-874-16-S	Piston Kit w/ Ring (.25)
—	KH-25-874-17-S	Piston Kit w/ Ring (.50)
7	KH-24-067-34-S	Connecting Rod (STD)
—	KH-24-067-31-S	Connecting Rod (U/S .010) (25mm)
8	KH-24-018-09-S	Ring Retainer
9	KH-24-468-15-S	Flat Washer, 11/32"
10	KH-28-032-09-S	Governor Cross Shaft Seal
11	KH-24-144-38-S	Governor Cross Shaft
12	KH-M-931010-S	Flat Washer, 9 mm
13	KH-25-086-398-S	Thread Forming Screw
14	KH-12-153-07	O-Ring
15	KH-25-153-09-S	O-Ring
16	KH-32-010-07-S	Camshaft Assembly
17	KH-32-038-12-S	Dipstick Assembly
18	KH-32-123-14-S	Oil Fill Tube Assembly

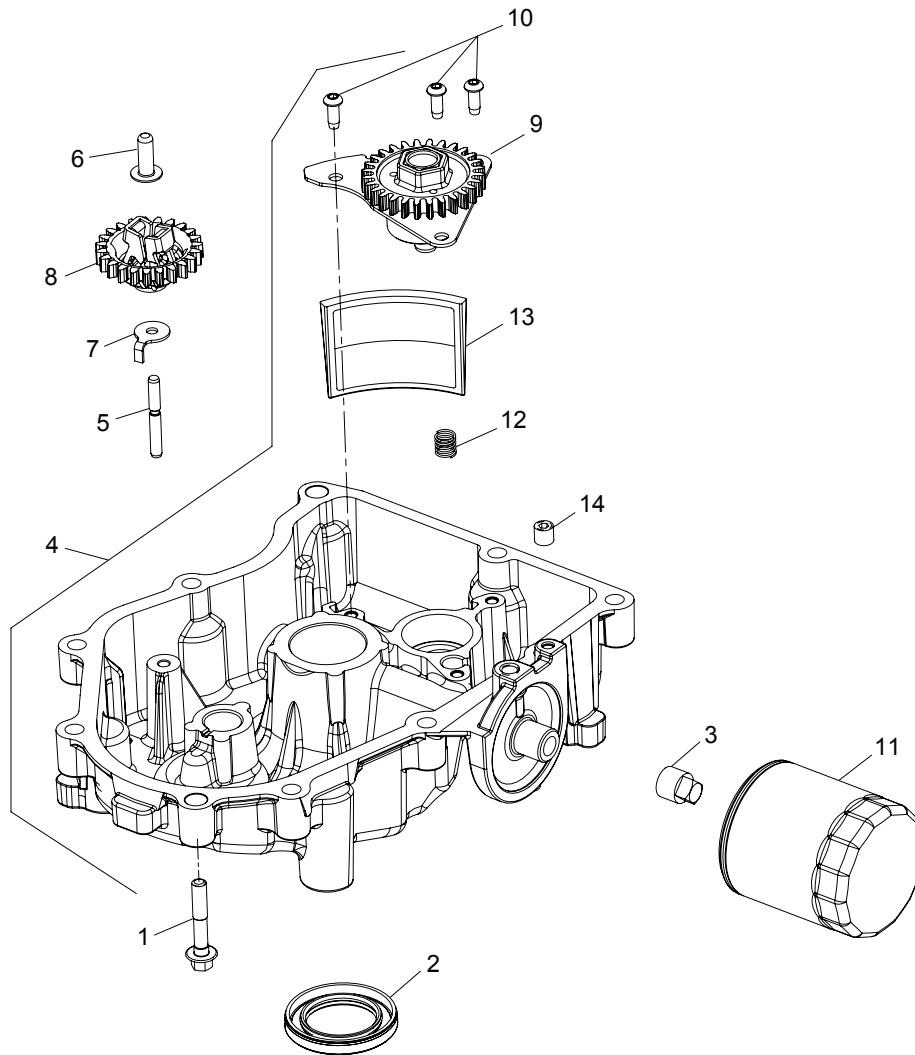
# Kohler KT730-3016 Head/Valve/Breather



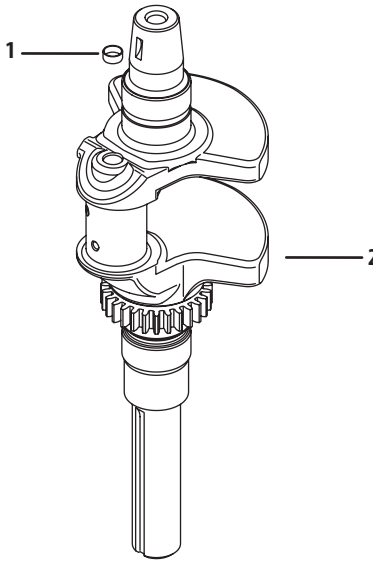
## Kohler KT730-3016 Head/Valve/Breather

Ref.	Part Number	Description
1	KH-32-841-02-S	Cylinder Head Gasket Kit (Inc. Head Mounting Hardware)
2	KH-62-086-08-S	Flange Screw, M10 x 1.5 x 90
3	KH-32-017-01-S	Intake Valve
4	KH-32-016-01-S	Exhaust Valve
5	KH-275067	Spacer (.010")
6	KH-12-755-03	Retainer Kit
7	KH-25-032-14-S	Valve Band Seal
8	KH-25-173-28-S	Valve Spring Cap
9	KH-32-089-05-S	Valve Spring
10	KH-25-599-01-S	Rocker Arm Pivot
11	KH-32-019-02-S	Tappet
12	KH-32-072-04-S	Rocker Stud
13	KH-32-100-05-S	Hex Nut Assembly (Inc. #14)
14	KH-25-086-168-S	Set Screw
15	KH-32-146-09-S	Guide Plate
16	KH-32-186-03-S	Rocker Arm
17	KH-32-411-04-S	Push Rod
18	KH-25-086-374-S	Pan Head Screw
19	KH-25-096-09-S	Rocker Cover
20	KH-12-402-02	Breather Reed
21	KH-32-050-06-S	Breather Filter
22	KH-32-468-01-S	Sealing Washer
23	KH-M-547050-S	Lock Nut, M5 x 8
24	KH-25-096-11-S	Rocker Cover
25	KH-32-318-21-S	Cylinder Head Assembly Kit, #1 (Inc. Exhaust Mounting Hardware)
26	KH-32-318-22-S	Cylinder Head Assembly Kit, #2 (Inc. Exhaust Mounting Hardware)
27	KH-25-326-62-S	Breather Hose
28	KH-32-096-16-S	Breather Cover
29	KH-32-072-05-S	Stud
30	KH-16-096-02-S	Breather Media Cover
31	KH-66-018-04-S	Reed Retainer
32	KH-25-086-400-S	Thread Forming Screw

# Kohler KT730-3016 Oil Pan/Lubrication

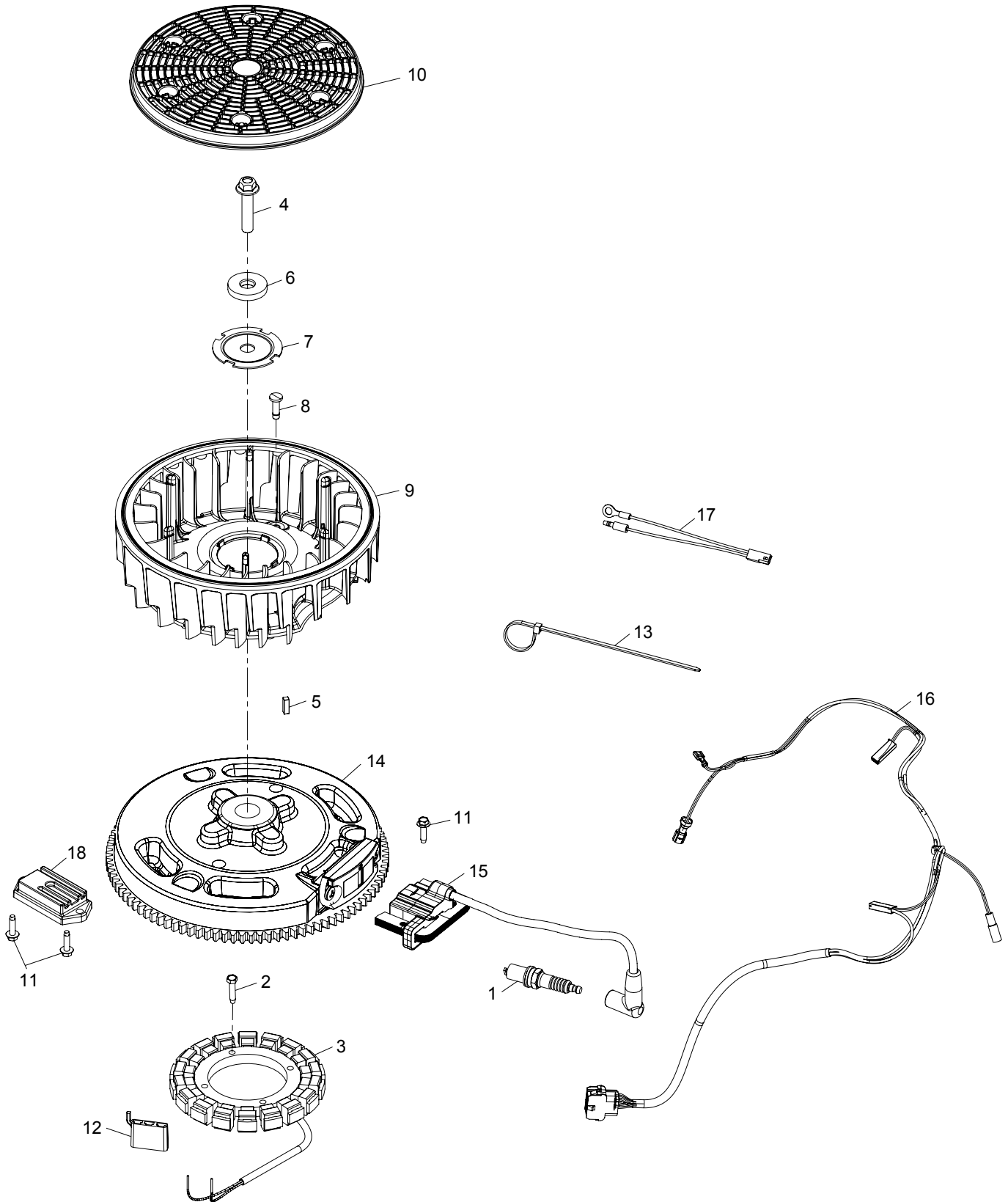


Ref.	Part Number	Description
1	KH-24-086-17-S	Flange Screw, M8 x 1.25 x 45
2	KH-25-032-06-S	Oil Seal, 2.38 x 1.45
3	KH-25-139-57-S	Square Head Pipe Plug, $\frac{3}{8}$
4	KH-32-199-17-S	Oil Pan Assembly
5	KH-12-144-02	Governor Gear Shaft
6	KH-12-380-01	Governor Regulating Pin
7	KH-24-448-02-S	Locking Tab
8	KH-32-310-02-S	Governor Gear Kit
9	KH-32-393-18-S	Oil Pump Assembly
10	KH-25-086-414-S	Button Head Screw
11	KH-12-050-01-S	Oil Filter
12	KH-32-089-06-S	Compression Spring
13	KH-32-162-06-S	Oil Screen
14	KH-25-139-60-S	Pipe Plug, $\frac{1}{8}$



Ref.	Part Number	Description
1	KH-52-139-09-S	Cup Plug
2	KH-32-014-327-S	Crankshaft

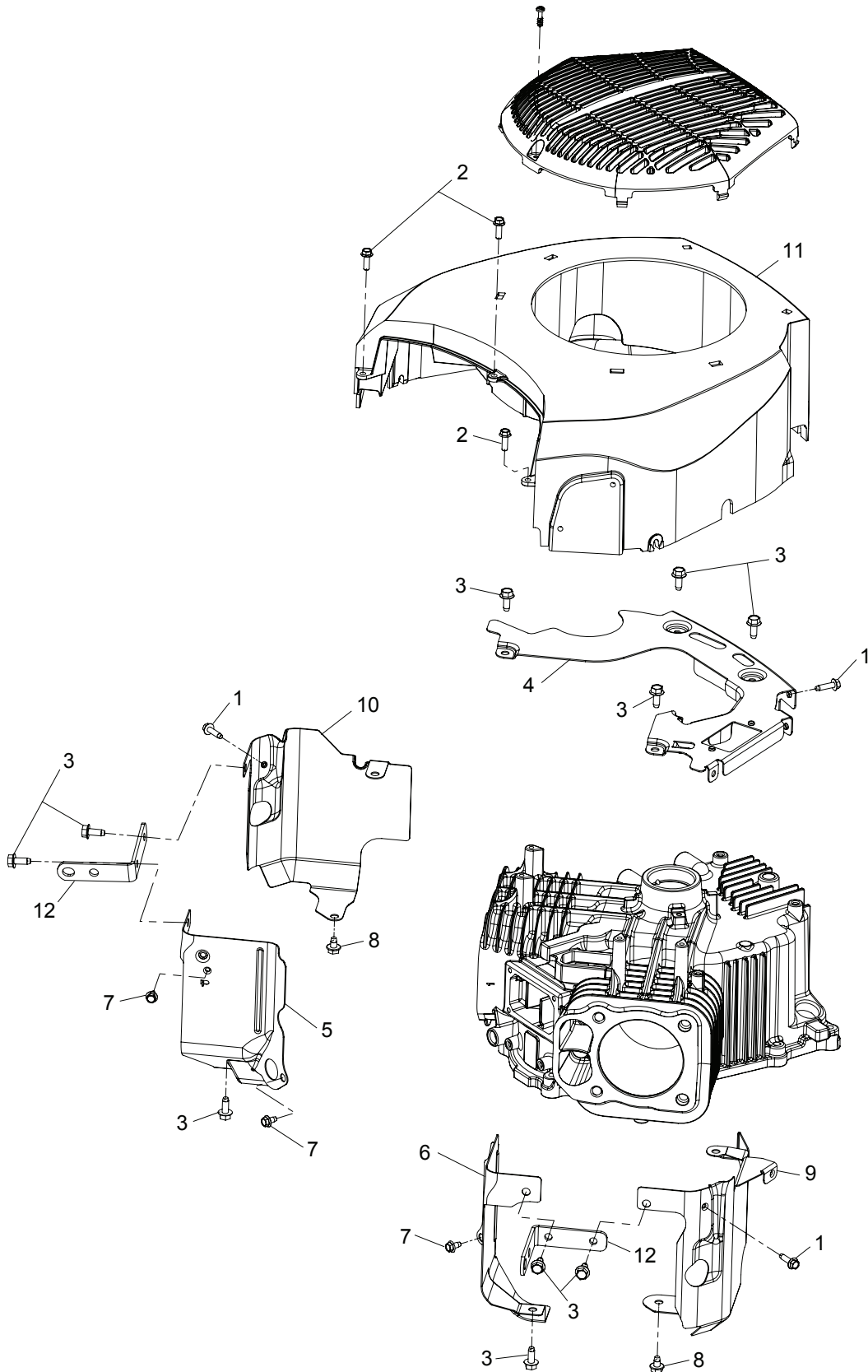
# Kohler KT730-3016 Ignition/Electrical



## Kohler KT730-3016 Ignition/Electrical

Ref.	Part Number	Description
1	KH-12-132-02-S	Spark Plug
2	KH-25-086-402-S	Thread Forming Screw
3	KH-237878	15 Amp Stator Kit
4	KH-25-086-361-S	Hex Flange Screw
5	KH-25-340-04-S	Square Key
6	KH-25-468-09-S	Flat Washer
7	KH-20-146-05-S	Fan Mounting Plate
8	KH-32-018-03-S	Flywheel Fan Retainer
9	KH-32-157-04-S	Fan
10	KH-32-162-03-S	Grass Screen
11	KH-25-086-473-S	Thread Forming Screw
12	KH-25-155-41-S	Connector
13	KH-25-454-03-S	Wire Tie
14	KH-32-025-25-S	Flywheel Assembly
15	KH-32-584-06-S	Ignition Module
16	KH-32-176-34-S	Wiring Harness
17	KH-32-518-02-S	Jumper Lead
18	KH-41-403-10-S	Rectifier Regulator

# Kohler KT730-3016 Blower Housing & Baffles

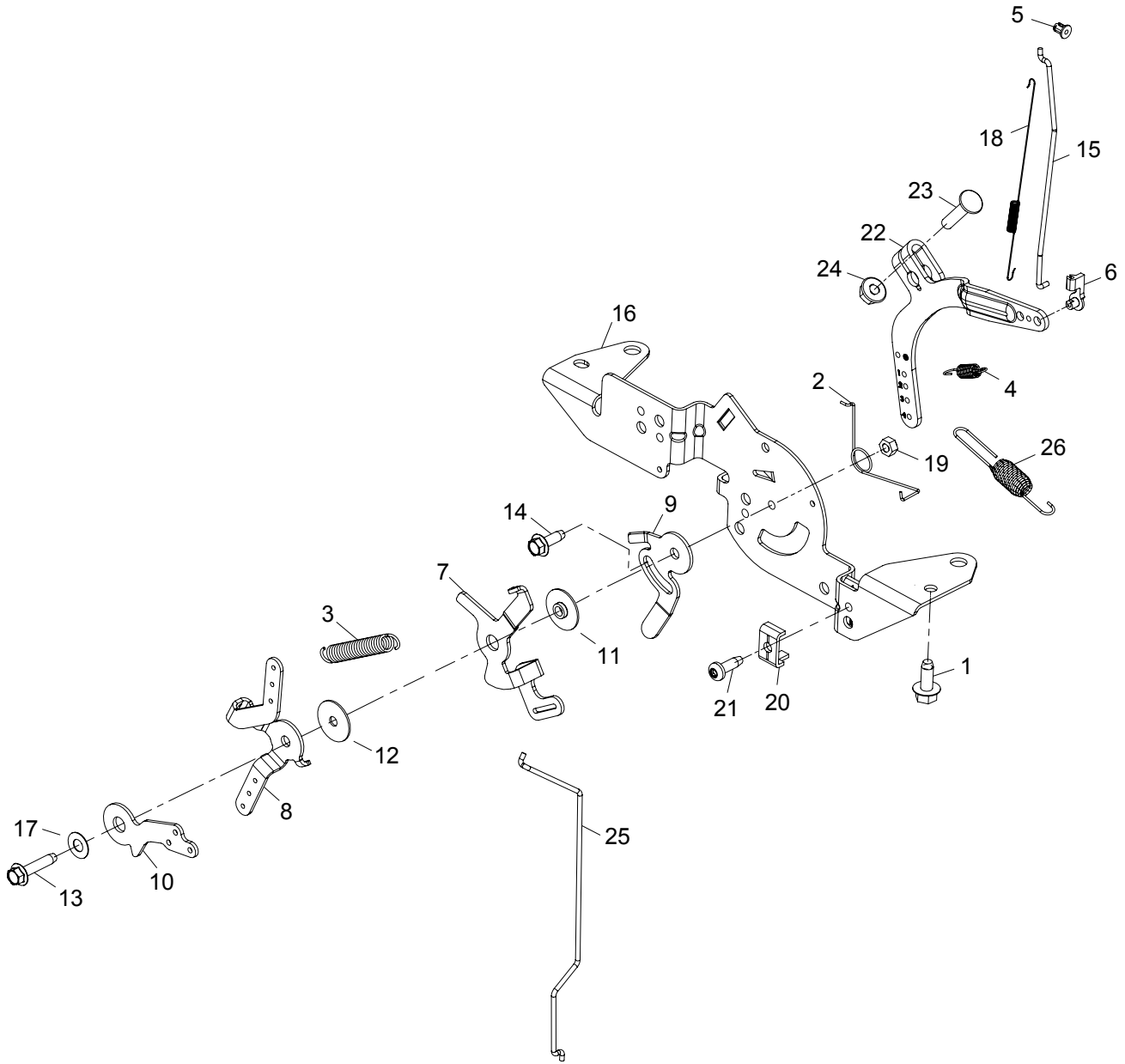




## Kohler KT730-3016 Blower Housing & Baffles

<b>Ref.</b>	<b>Part Number</b>	<b>Description</b>
1	KH-25-086-473-S	Thread Forming Screw
2	KH-25-086-450-S	Hi-Low Screw
3	KH-25-086-397-S	Thread Forming Screw
4	KH-32-146-15-S	Backing Plate
5	KH-32-063-19-S	Valley Baffle, #1 Cylinder
6	KH-32-063-20-S	Valley Baffle, #2 Cylinder
7	KH-25-086-400-S	Thread Forming Screw
8	KH-25-086-406-S	Thread Forming Screw
9	KH-32-063-17-S	Left Barrel Baffle
10	KH-32-063-18-S	Right Barrel Baffle
11	KH-32-027-16-S	Blower Housing
12	KH-32-445-01-S	Lift Strap

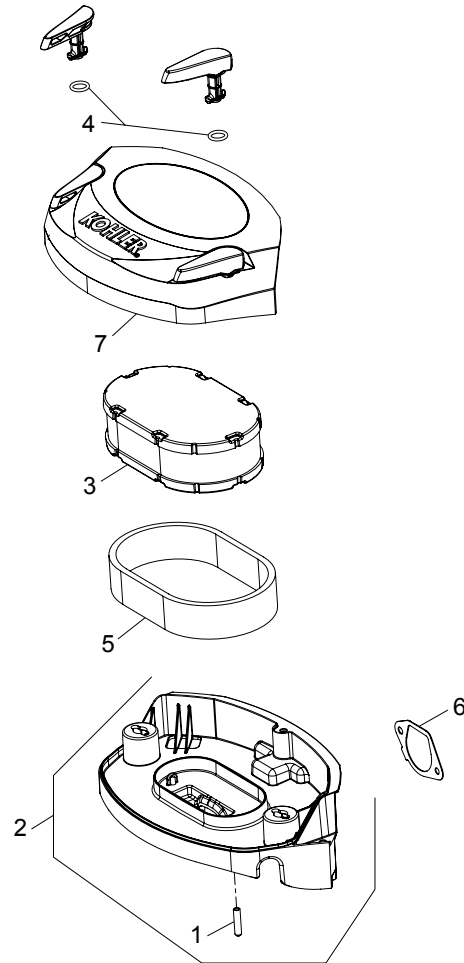
# Kohler KT730-3016 Engine Controls



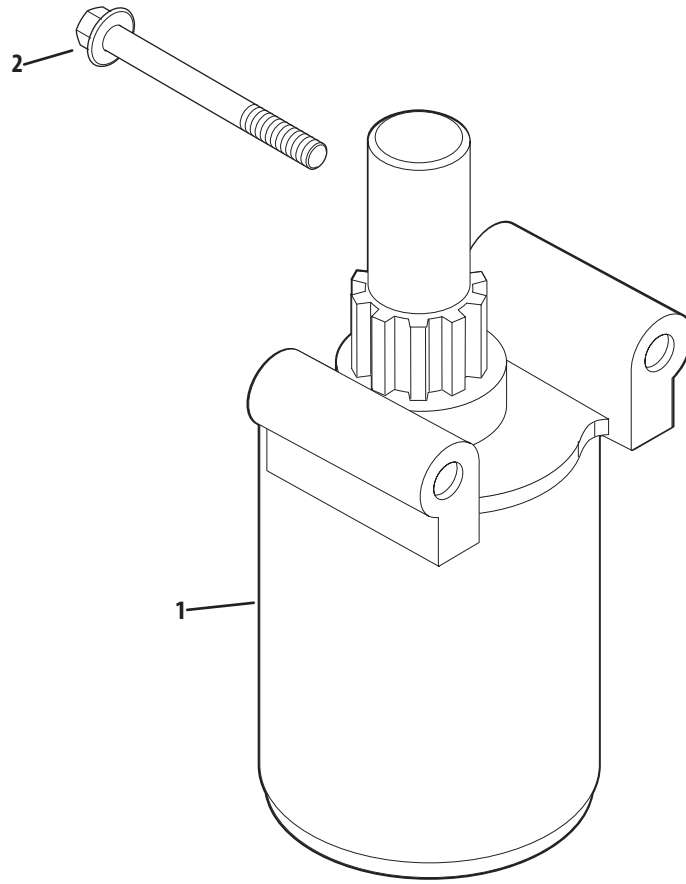
## Kohler KT730-3016 Engine Controls

Ref.	Part-Number	Description
1	KH-25-086-397-S	Thread Forming Screw
2	KH-24-089-03	Choke Return Spring
3	KH-32-089-03-S	Speed Control Spring
4	KH-24-089-55-S	Governor Spring
5	KH-25-158-08	Linkage Retaining Bushing
6	KH-25-158-11	Throttle Linkage Bushing
7	KH-32-090-07-S	Governor Spring Lever
8	KH-32-090-08-S	Speed Control Lever
9	KH-32-090-09-S	Speed Setting Lever
10	KH-32-090-12-S	Choke Lever
11	KH-24-112-27-S	Control Assembly Spacer
12	KH-24-468-01	Flat Washer, 5.5mm
13	KH-25-086-429-S	Thread Forming Screw
14	KH-25-086-398-S	Thread Forming Screw
15	KH-32-079-01-S	Throttle Linkage
16	KH-32-126-04-S	Control Bracket
17	KH-41-468-03	Spring Washer, 1/4
18	KH-32-089-07-S	Linkage Spring
19	KH-M-547050-S	Lock Nut, M5 x .8
20	KH-12-237-01	Cable Clamp
21	KH-25-086-405-S	Thread Forming Screw
22	KH-24-090-69-S	Governor Lever
23	KH-24-211-03-S	Bolt, M6 x 1.0 x 25
24	KH-M-641060-S	Flange Nut, M6 x 1.0
25	KH-24-079-22-S	Choke Linkage
26	KH-24-089-25-S	Governor Spring

# Kohler KT730-3016 Air Intake/Filtration

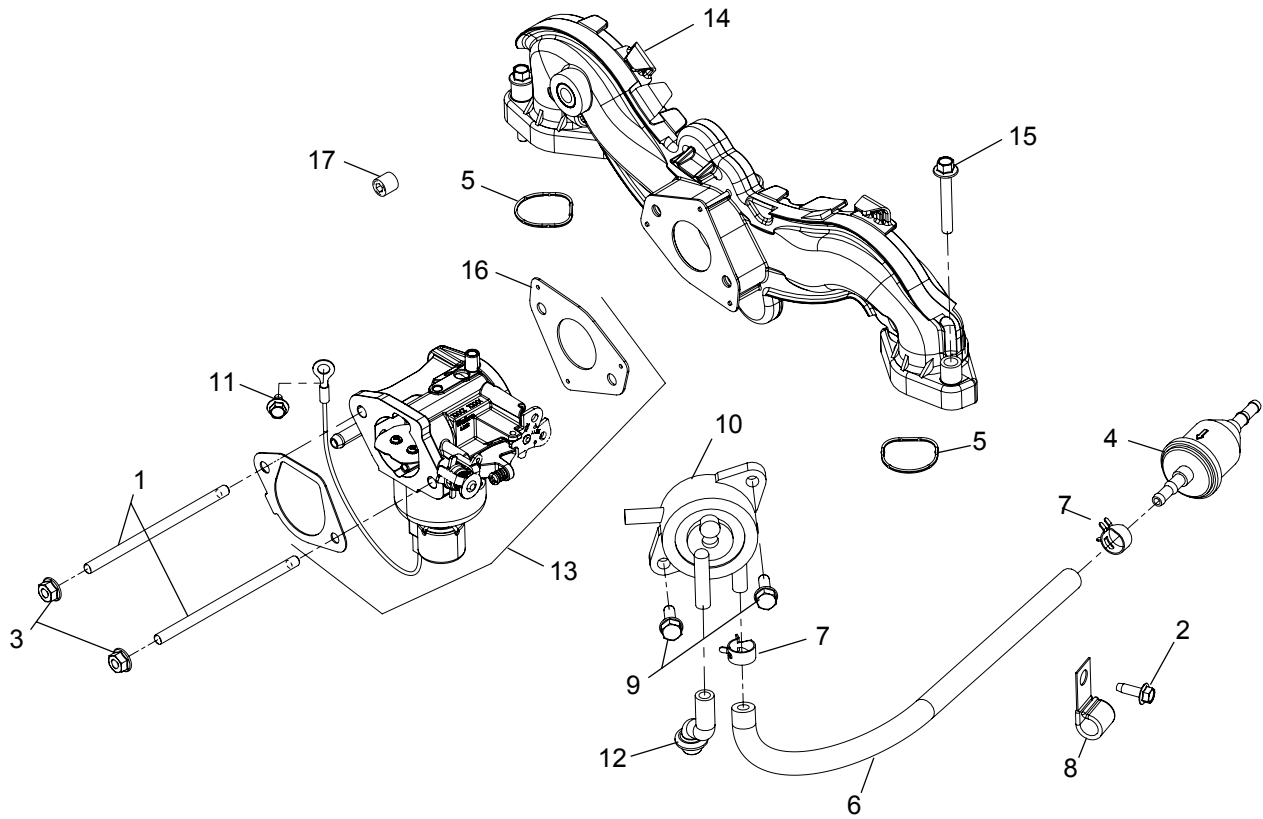


Ref.	Part Number	Description
1	KH-25-173-09-S	Masking Cap
2	KH-32-094-13-S	Air Cleaner Base Assembly
3	KH-32-883-09-S1	Air Filter Element
4	KH-25-153-15-S	O-Ring
5	KH-32-083-10-S	Pre-Cleaner Element
6	KH-32-041-04-S	Air Cleaner Base Gasket
7	KH-32-096-20-S	Air Cleaner Cover Assembly



Ref.	Part Number	Description
1	KH-32-098-04-S	Starter Assembly
2	KH-M-851080-S	Flange Screw, M8 x 1.25 x 80

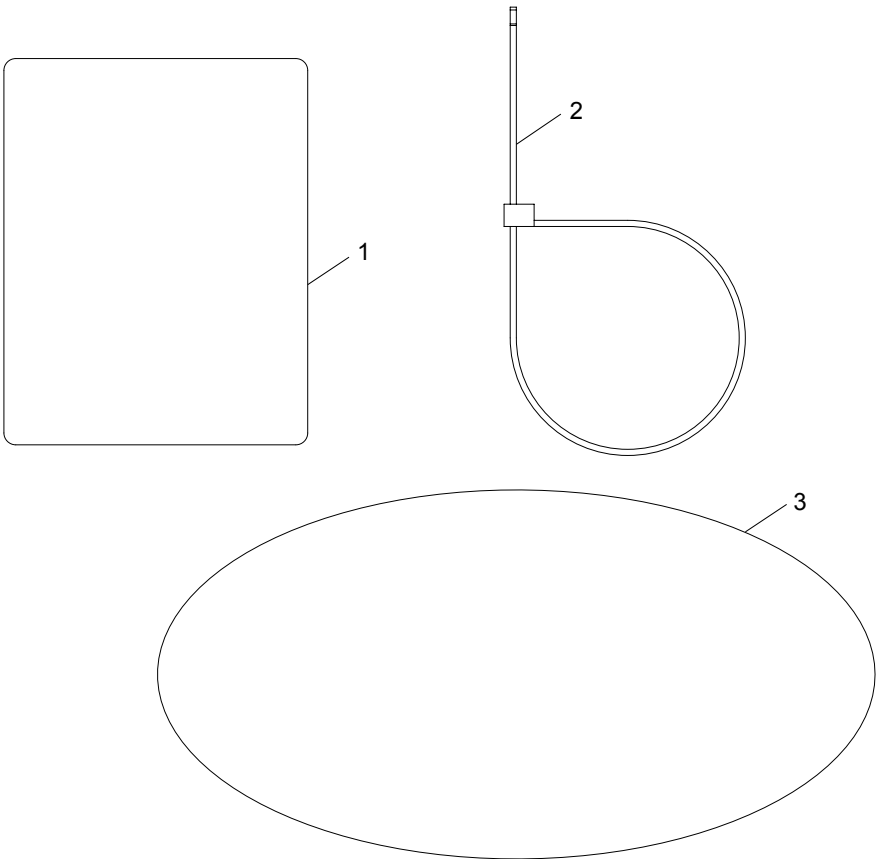
# Kohler KT730-3016 Fuel System



Ref.	Part Number	Description
1	KH-25-072-25-S	Stud
2	KH-25-086-398-S	Thread Forming Screw
3	KH-M-641060-S	Flange Nut, M6 x 1.0
4	KH-25-050-22-S1	Fuel Filter
5	KH-24-153-27-S	Intake Port O-Ring
6	KH-25-111-81-S	Fuel Line, 24"
7	KH-25-237-37-S	Spring Hose Clamp
8	KH-47-154-01-S	Cable Clip
9	KH-24-086-12	Tap Screw, M6 x 1.7 x 18

Ref.	Part Number	Description
10	KH-24-393-16	Fuel Pump
11	KH-25-086-400-S	Thread Forming Screw
12	KH-32-326-08-S	Pulse Pump Hose
13	KH-32-853-34-S	Carburetor Kit
14	KH-24-164-91-S	Intake Manifold Kit
15	KH-M-651040-S	Flange Screw, M6 x 1.0 x 40
16	KH-24-041-52-S	Carburetor Gasket
17	KH-25-139-60-S	Pipe Plug, 1/8

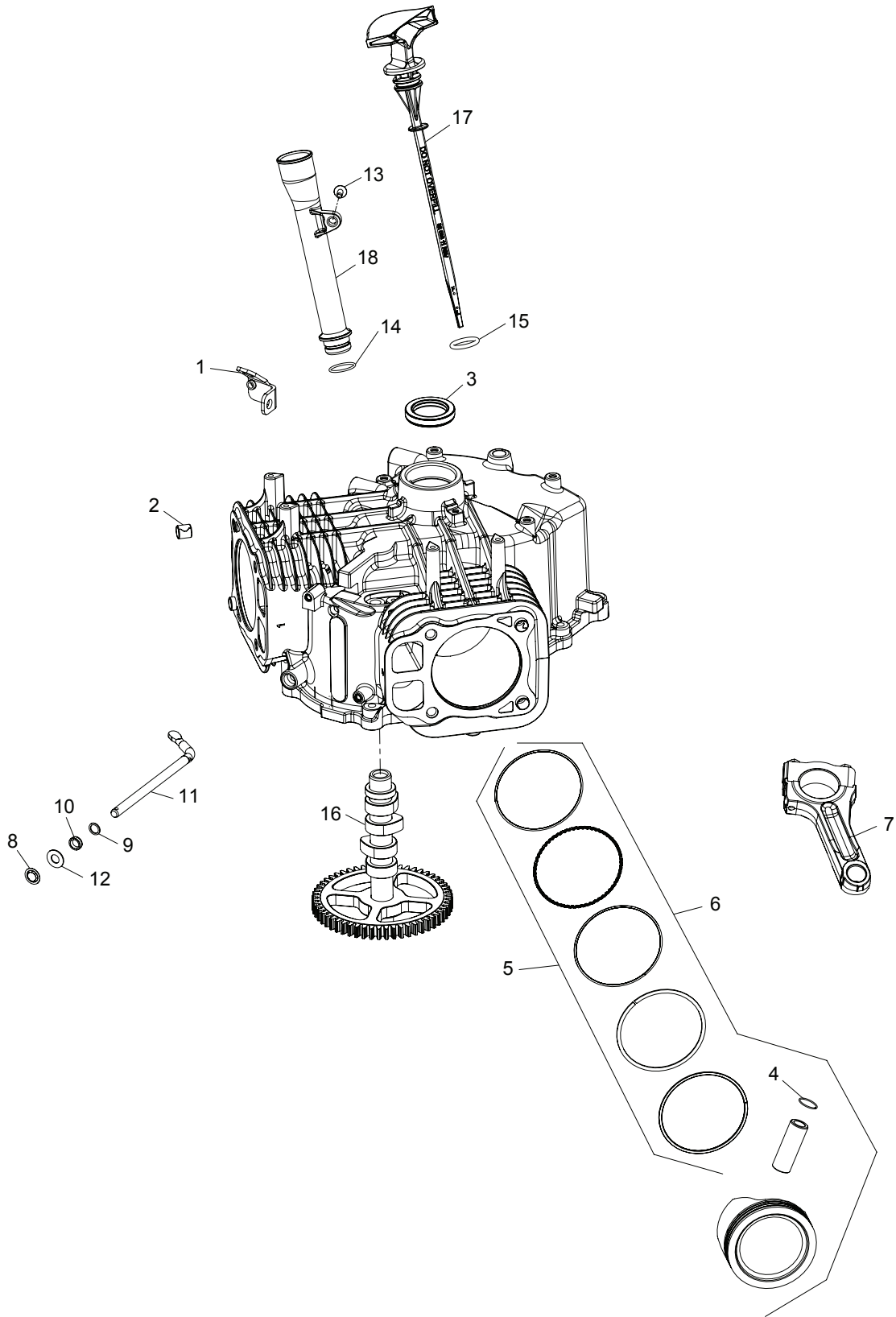
# Kohler KT730-3016 Labels



Artwork is representative.  
Actual labels may differ depending on model and specification number.

Ref.	Part Number	Description
1	KH-25-113-70-S	Clear Laminate Decal
2	KH-25-454-05-S	Tie
3	KH-32-113-107-S	Decal, 23 HP

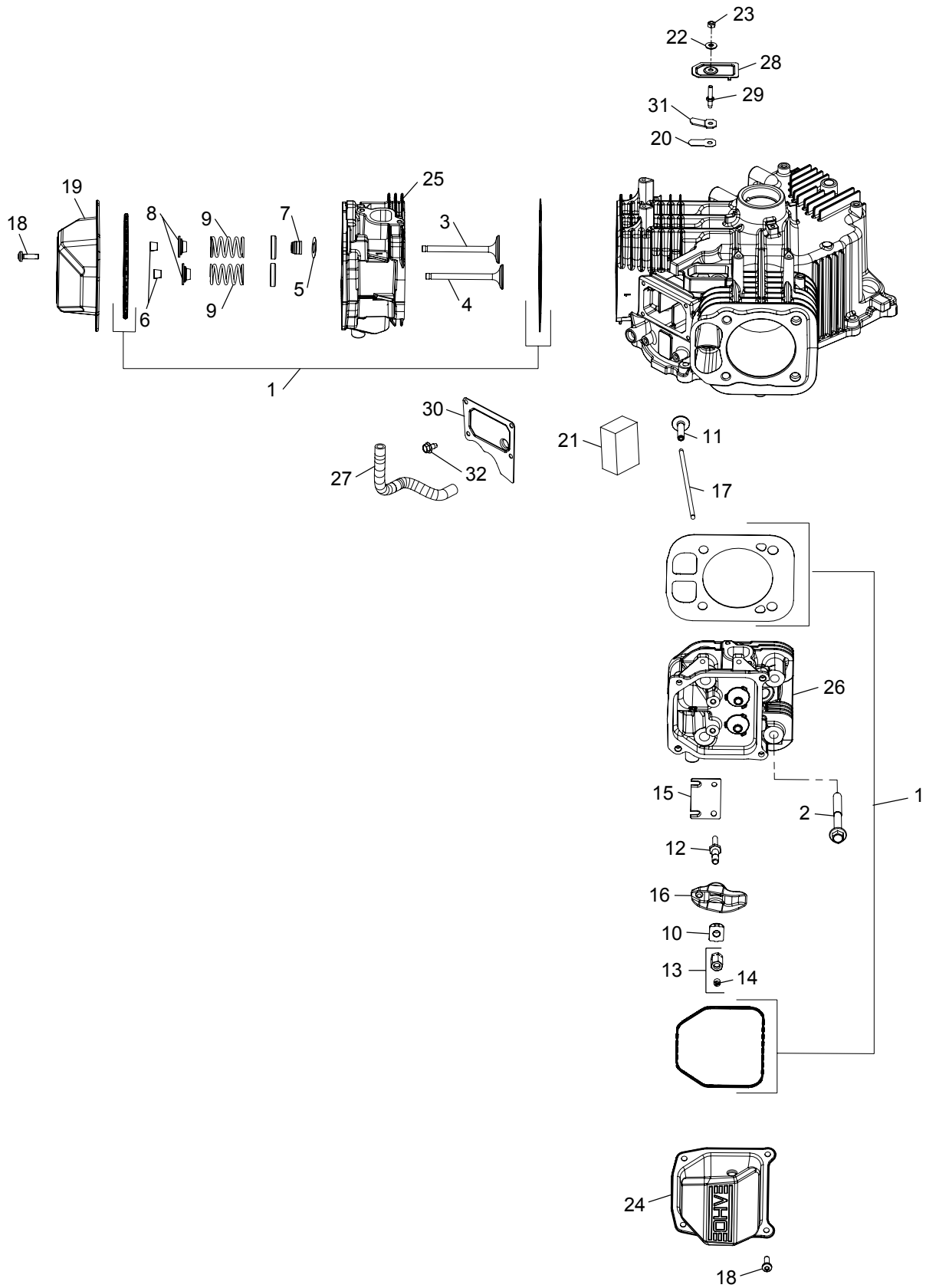
# Kohler KT740-3013 Crankcase





Ref.	Part Number	Description
1	KH-24-126-243-S	Lifting Strap
2	KH-24-380-16-S	Locating Pin
3	KH-24-032-19-S	Oil Seal, 1.78 x 1.26
4	KH-24-018-01-S	Piston Pin Retainer
5	KH-25-108-01-S	Piston Ring Set (STD)
—	KH-25-108-02-S	Piston Ring Set (.08)
—	KH-25-108-03-S	Piston Ring Set (.25)
—	KH-25-108-04-S	Piston Ring Set (.50)
6	KH-25-874-13-S	Piston Kit w/ Ring (STD) (Inc. 4 & 5)
—	KH-25-874-15-S	Piston Kit w/ Ring (.08)
—	KH-25-874-16-S	Piston Kit w/ Ring (.25)
—	KH-25-874-17-S	Piston Kit w/ Ring (.50)
7	KH-24-067-34-S	Connecting Rod (STD)
—	KH-24-067-31-S	Connecting Rod (U/S .010) (25mm)
8	KH-24-018-09-S	Ring Retainer
9	KH-24-468-15-S	Flat Washer, 11/32"
10	KH-28-032-09-S	Governor Cross Shaft Seal
11	KH-24-144-38-S	Governor Cross Shaft
12	KH-M-931010-S	Flat Washer, 9 mm
13	KH-25-086-398-S	Thread Forming Screw
14	KH-12-153-07	O-Ring
15	KH-25-153-09-S	O-Ring
16	KH-32-010-07-S	Camshaft Assembly
17	KH-32-038-12-S	Dipstick Assembly
18	KH-32-123-14-S	Oil Fill Tube Assembly

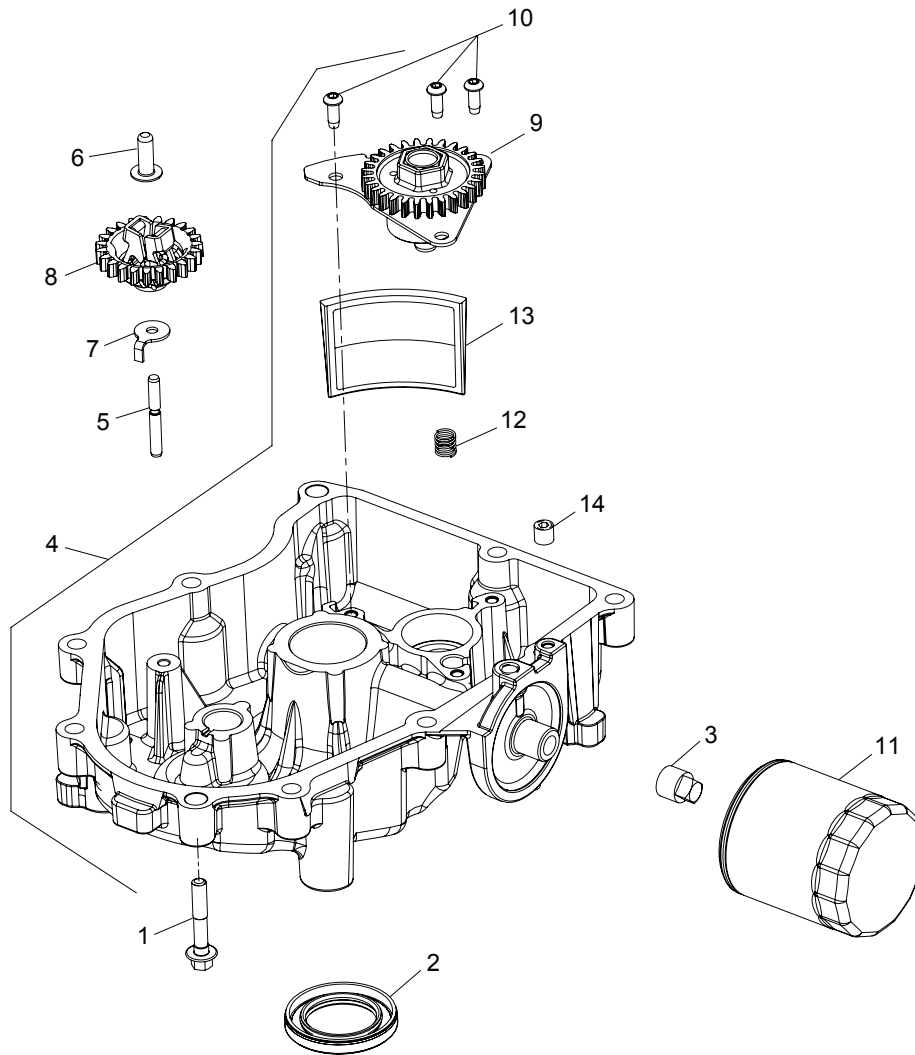
# Kohler KT740-3013 Head/Valve/Breather



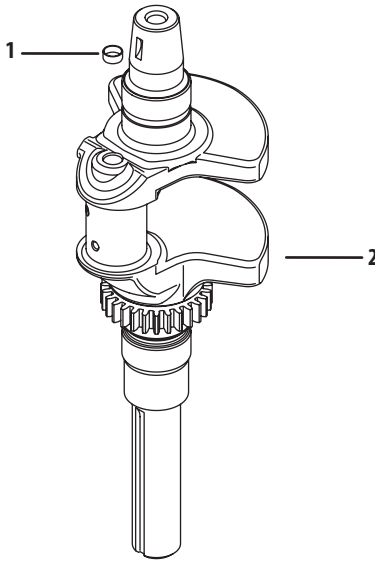
## Kohler KT740-3013 Head/Valve/Breather

Ref.	Part Number	Description
1	KH-32-841-02-S	Cylinder Head Gasket Kit (Inc. Head Mounting Hardware)
2	KH-62-086-08-S	Flange Screw, M10 x 1.5 x 90
3	KH-32-017-01-S	Intake Valve
4	KH-32-016-01-S	Exhaust Valve
5	KH-275067	Spacer (.010")
6	KH-12-755-03	Retainer Kit
7	KH-25-032-14-S	Valve Band Seal
8	KH-25-173-28-S	Valve Spring Cap
9	KH-32-089-05-S	Valve Spring
10	KH-25-599-01-S	Rocker Arm Pivot
11	KH-32-019-02-S	Tappet
12	KH-32-072-04-S	Rocker Stud
13	KH-32-100-05-S	Hex Nut Assembly (Inc. #14)
14	KH-25-086-168-S	Set Screw
15	KH-32-146-09-S	Guide Plate
16	KH-32-186-03-S	Rocker Arm
17	KH-32-411-04-S	Push Rod
18	KH-25-086-374-S	Pan Head Screw
19	KH-25-096-09-S	Rocker Cover
20	KH-12-402-02	Breather Reed
21	KH-32-050-06-S	Breather Filter
22	KH-32-468-01-S	Sealing Washer
23	KH-M-547050-S	Lock Nut, M5 x 8
24	KH-25-096-11-S	Rocker Cover
25	KH-32-318-21-S	Cylinder Head Assembly Kit, #1 (Inc. Exhaust Mounting Hardware)
26	KH-32-318-22-S	Cylinder Head Assembly Kit, #2 (Inc. Exhaust Mounting Hardware)
27	KH-25-326-62-S	Breather Hose
28	KH-32-096-16-S	Breather Cover
29	KH-32-072-05-S	Stud
30	KH-16-096-02-S	Breather Media Cover
31	KH-66-018-04-S	Reed Retainer
32	KH-25-086-400-S	Thread Forming Screw

# Kohler KT740-3013 Oil Pan/Lubrication

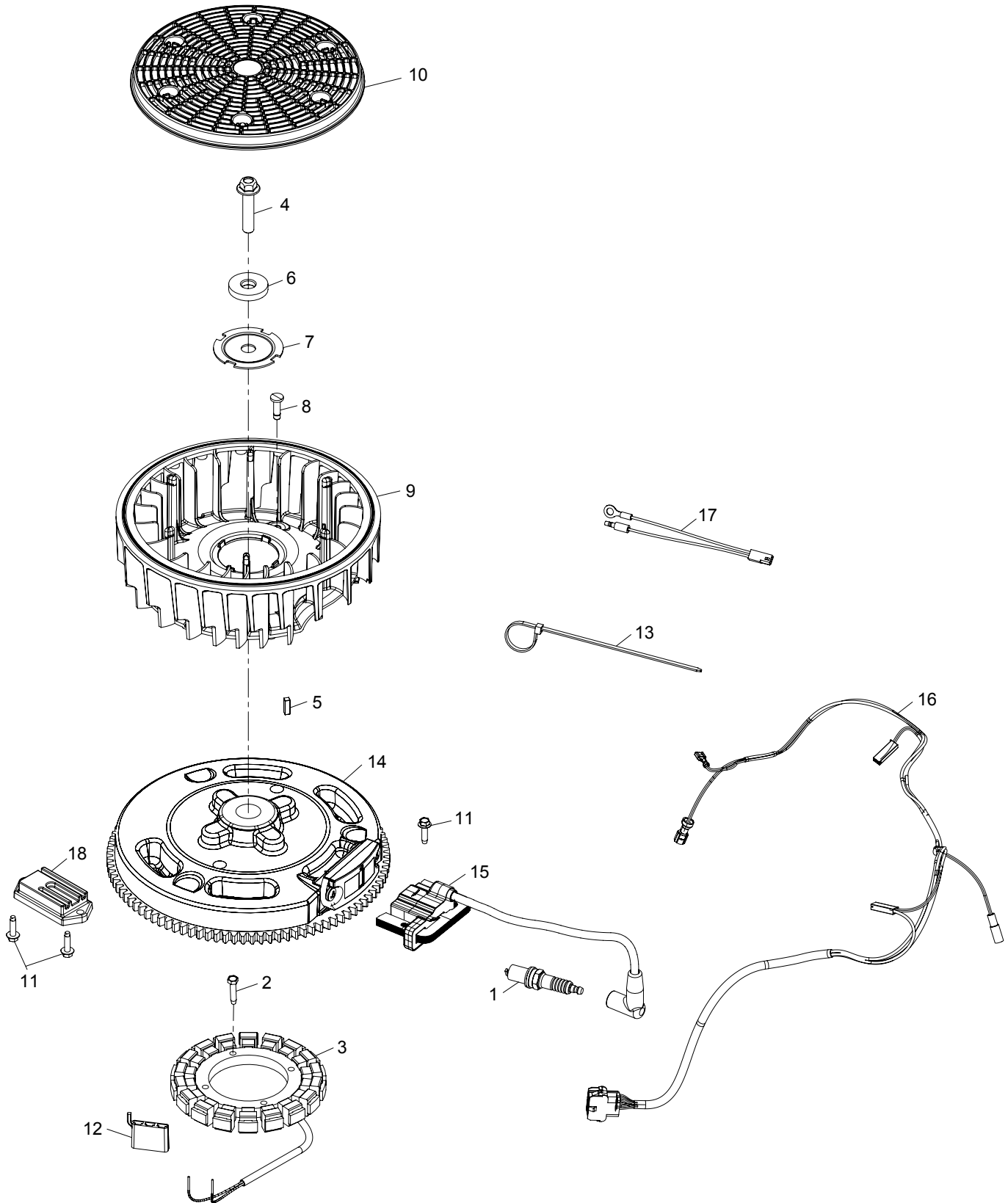


Ref.	Part Number	Description
1	KH-24-086-17-S	Flange Screw, M8 x 1.25 x 45
2	KH-25-032-06-S	Oil Seal, 2.38 x 1.45
3	KH-25-139-57-S	Square Head Pipe Plug, 3/8
4	KH-32-199-17-S	Oil Pan Assembly
5	KH-12-144-02	Governor Gear Shaft
6	KH-12-380-01	Governor Regulating Pin
7	KH-24-448-02-S	Locking Tab
8	KH-32-310-02-S	Governor Gear Kit
9	KH-32-393-18-S	Oil Pump Assembly
10	KH-25-086-414-S	Button Head Screw
11	KH-12-050-01-S	Oil Filter
12	KH-32-089-06-S	Compression Spring
13	KH-32-162-06-S	Oil Screen
14	KH-25-139-60-S	Pipe Plug, 1/8



Ref.	Part Number	Description
1	KH-52-139-09-S	Cup Plug
2	KH-32-014-327-S	Crankshaft

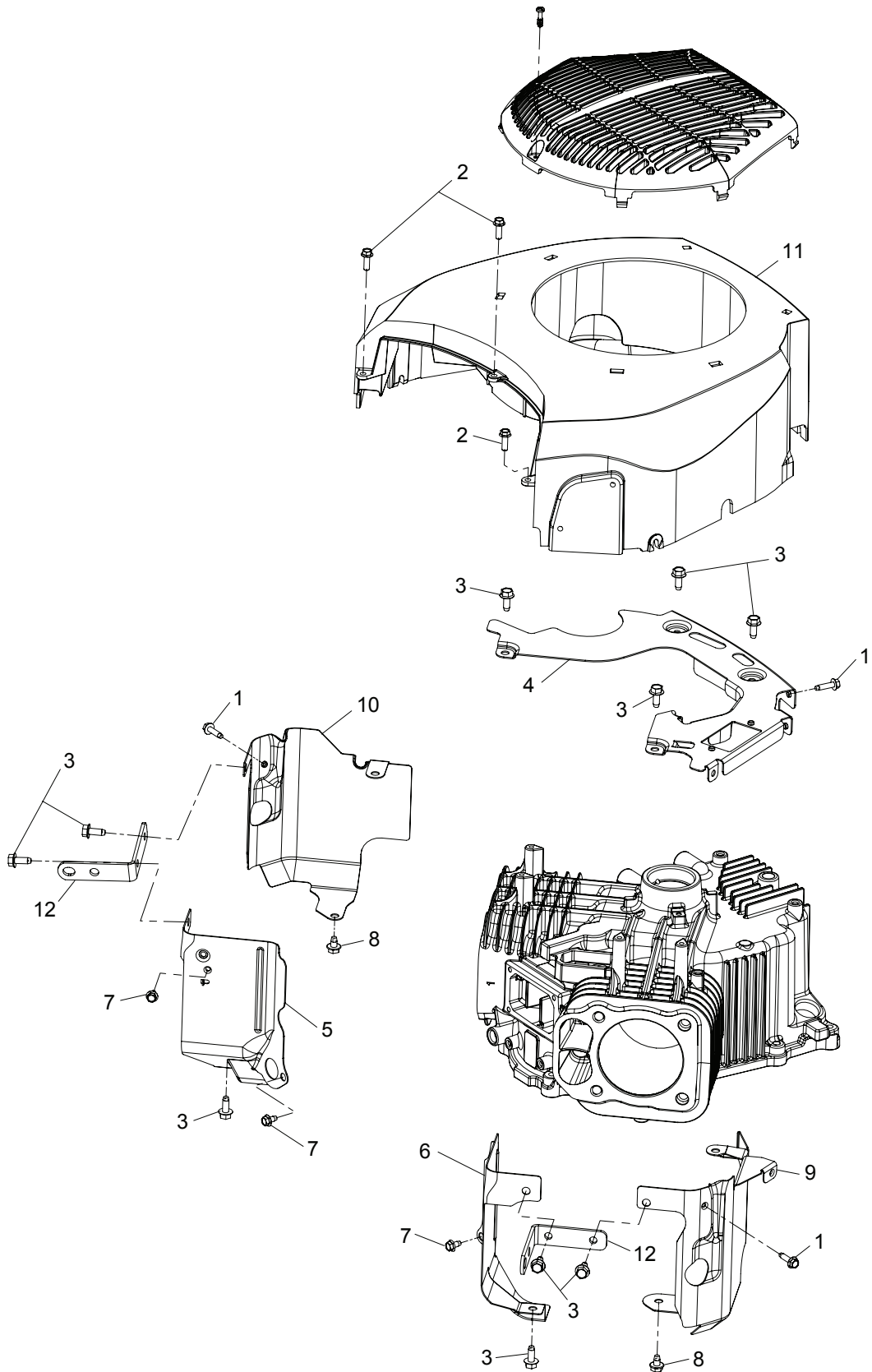
# Kohler KT740-3013 Ignition/Electrical



## Kohler KT740-3013 Ignition/Electrical

<b>Ref.</b>	<b>Part Number</b>	<b>Description</b>
1	KH-12-132-02-S	Spark Plug
2	KH-25-086-402-S	Thread Forming Screw
3	KH-237878	15 Amp Stator Kit
4	KH-25-086-361-S	Hex Flange Screw
5	KH-25-340-04-S	Square Key
6	KH-25-468-09-S	Flat Washer
7	KH-20-146-05-S	Fan Mounting Plate
8	KH-32-018-03-S	Flywheel Fan Retainer
9	KH-32-157-04-S	Fan
10	KH-32-162-03-S	Grass Screen
11	KH-25-086-473-S	Thread Forming Screw
12	KH-25-155-41-S	Connector
13	KH-25-454-03-S	Wire Tie
14	KH-32-025-21-S	Flywheel Assembly
15	KH-32-584-07-S	Ignition Module
16	KH-32-176-34-S	Wiring Harness
17	KH-32-518-02-S	Jumper Lead
18	KH-41-403-10-S	Rectifier Regulator

# Kohler KT740-3013 Blower Housing & Baffles

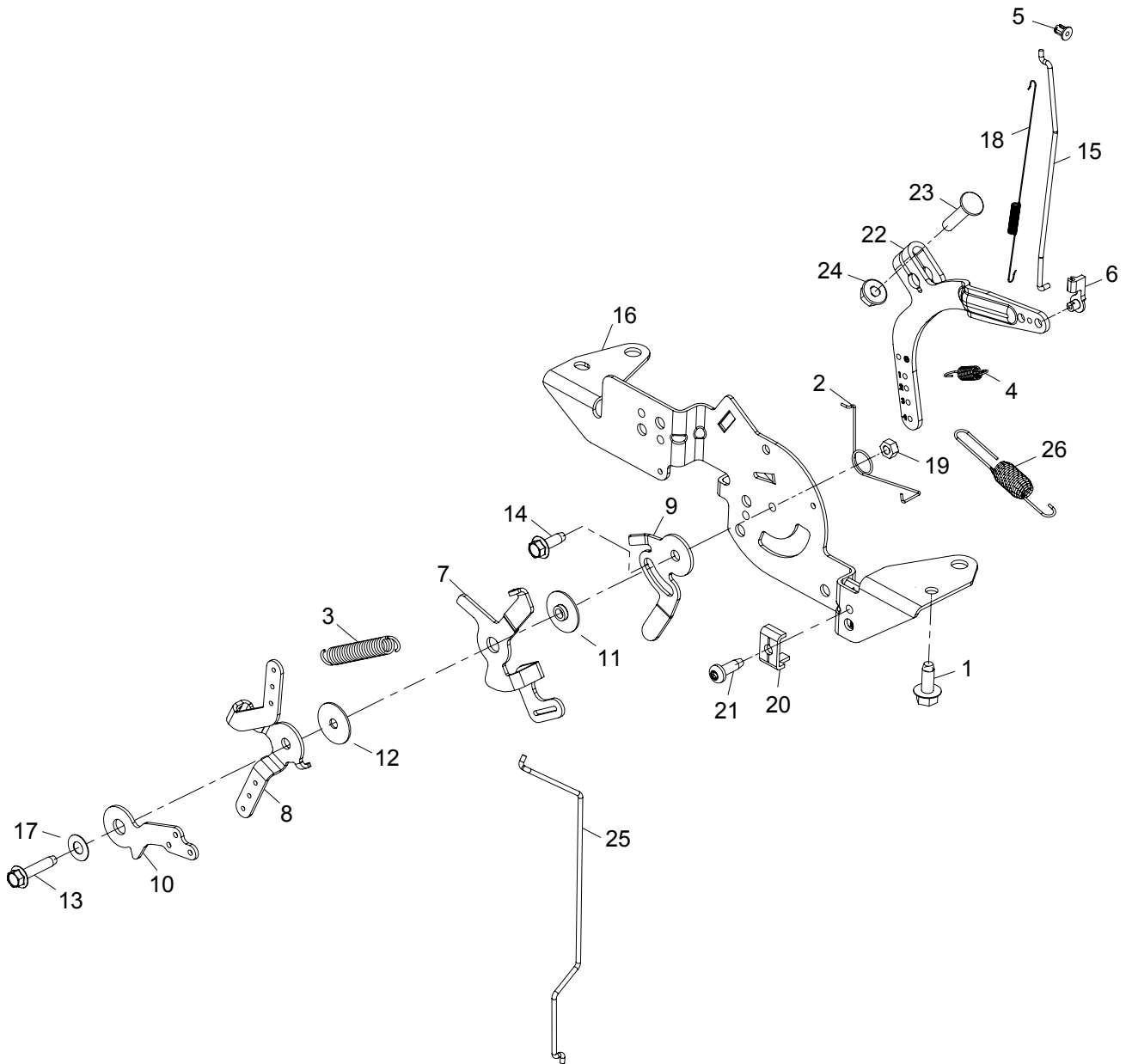




## Kohler KT740-3013 Blower Housing & Baffles

<b>Ref.</b>	<b>Part Number</b>	<b>Description</b>
1	KH-25-086-473-S	Thread Forming Screw
2	KH-25-086-450-S	Hi-Low Screw
3	KH-25-086-397-S	Thread Forming Screw
4	KH-32-146-15-S	Backing Plate
5	KH-32-063-19-S	Valley Baffle, #1 Cylinder
6	KH-32-063-20-S	Valley Baffle, #2 Cylinder
7	KH-25-086-400-S	Thread Forming Screw
8	KH-25-086-406-S	Thread Forming Screw
9	KH-32-063-17-S	Left Barrel Baffle
10	KH-32-063-18-S	Right Barrel Baffle
11	KH-32-027-16-S	Blower Housing
12	KH-32-445-01-S	Lift Strap

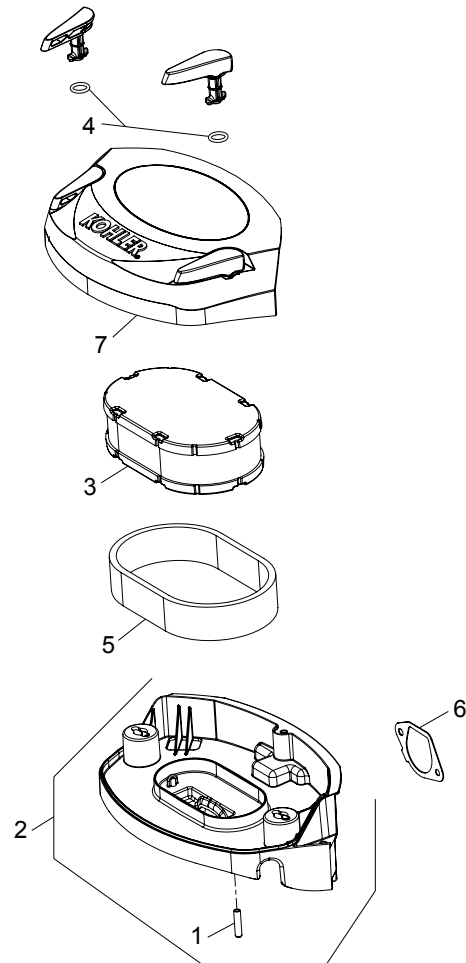
# Kohler KT740-3013 Engine Controls



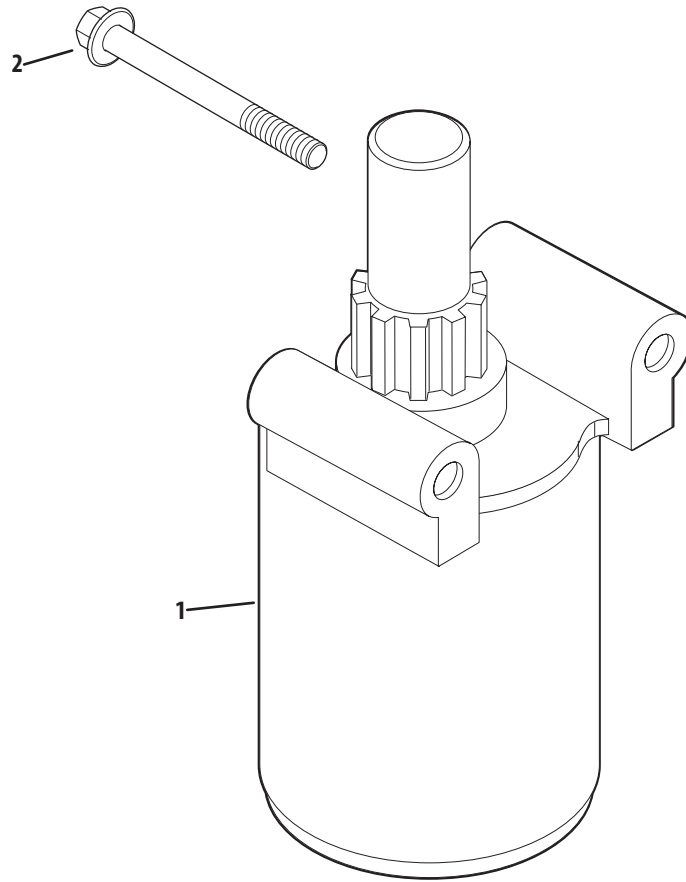
## Kohler KT740-3013 Engine Controls

Ref.	Part-Number	Description
1	KH-25-086-397-S	Thread Forming Screw
2	KH-24-089-03	Choke Return Spring
3	KH-32-089-03-S	Speed Control Spring
4	KH-24-089-55-S	Governor Spring
5	KH-25-158-08	Linkage Retaining Bushing
6	KH-25-158-11	Throttle Linkage Bushing
7	KH-32-090-07-S	Governor Spring Lever
8	KH-32-090-08-S	Speed Control Lever
9	KH-32-090-09-S	Speed Setting Lever
10	KH-32-090-12-S	Choke Lever
11	KH-24-112-27-S	Control Assembly Spacer
12	KH-24-468-01	Flat Washer, 5.5mm
13	KH-25-086-429-S	Thread Forming Screw
14	KH-25-086-398-S	Thread Forming Screw
15	KH-32-079-01-S	Throttle Linkage
16	KH-32-126-04-S	Control Bracket
17	KH-41-468-03	Spring Washer, 1/4
18	KH-32-089-07-S	Linkage Spring
19	KH-M-547050-S	Lock Nut, M5 x .8
20	KH-12-237-01	Cable Clamp
21	KH-25-086-405-S	Thread Forming Screw
22	KH-24-090-69-S	Governor Lever
23	KH-24-211-03-S	Bolt, M6 x 1.0 x 25
24	KH-M-641060-S	Flange Nut, M6 x 1.0
25	KH-24-079-22-S	Choke Linkage
26	KH-24-089-25-S	Governor Spring

# Kohler KT740-3013 Air Intake/Filtration

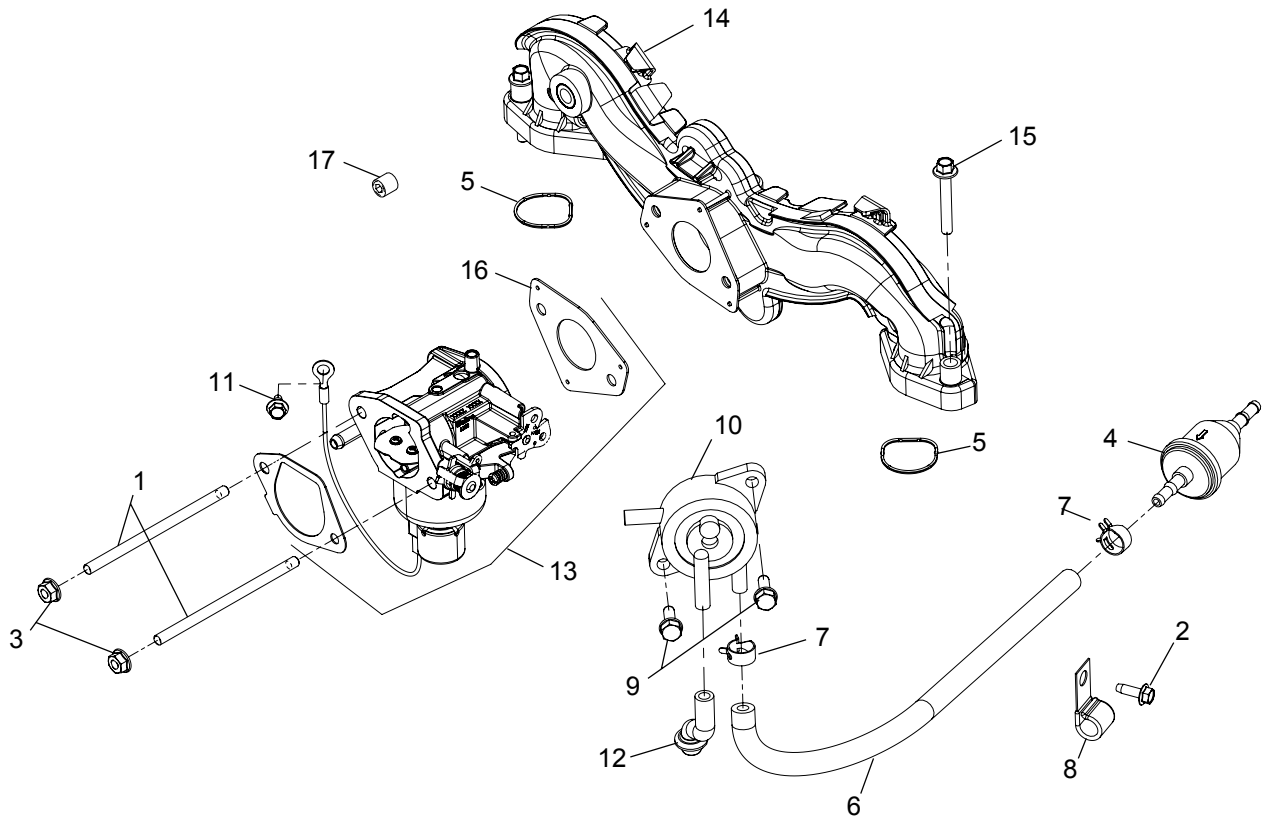


Ref.	Part Number	Description
1	KH-25-173-09-S	Masking Cap
2	KH-32-094-13-S	Air Cleaner Base Assembly
3	KH-32-883-09-S1	Air Filter Element
4	KH-25-153-15-S	O-Ring
5	KH-32-083-10-S	Pre-Cleaner Element
6	KH-32-041-04-S	Air Cleaner Base Gasket
7	KH-32-096-20-S	Air Cleaner Cover Assembly



Ref.	Part Number	Description
1	KH-32-098-04-S	Starter Assembly
2	KH-M-851080-S	Flange Screw, M8 x 1.25 x 80

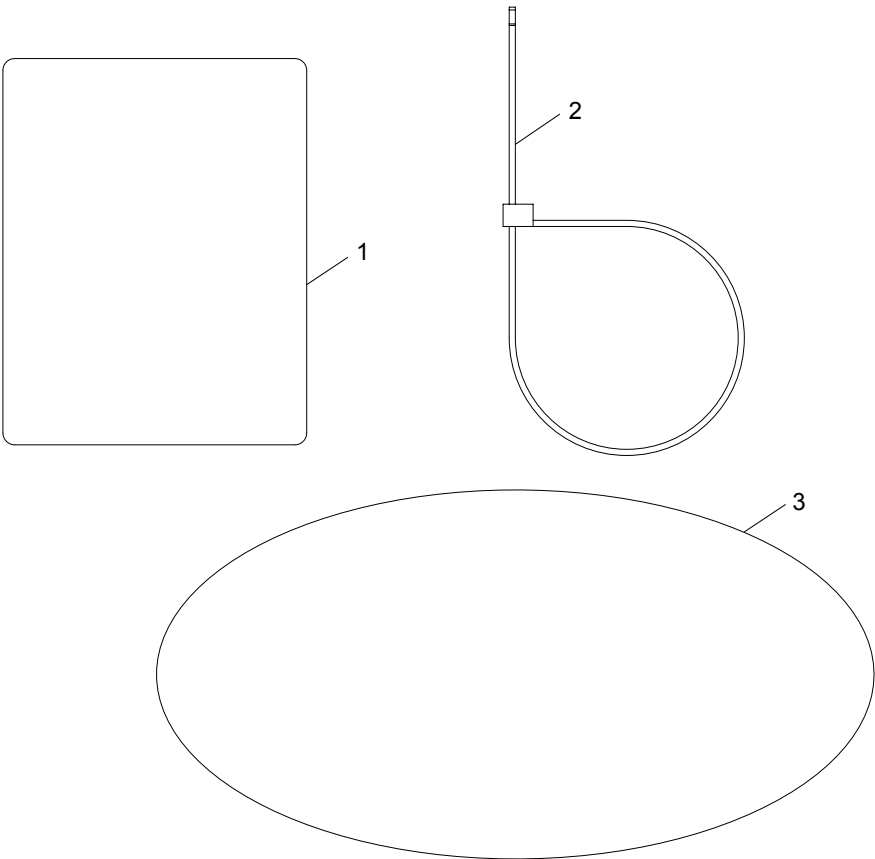
# Kohler KT740-3013 Fuel System



Ref.	Part Number	Description
1	KH-25-072-25-S	Stud
2	KH-25-086-398-S	Thread Forming Screw
3	KH-M-641060-S	Flange Nut, M6 x 1.0
4	KH-25-050-22-S1	Fuel Filter
5	KH-24-153-27-S	Intake Port O-Ring
6	KH-25-111-81-S	Fuel Line, 24"
7	KH-25-237-37-S	Spring Hose Clamp
8	KH-47-154-01-S	Cable Clip
9	KH-24-086-12	Tap Screw, M6 x 1.7 x 18

Ref.	Part Number	Description
10	KH-24-393-16	Fuel Pump
11	KH-25-086-400-S	Thread Forming Screw
12	KH-32-326-08-S	Pulse Pump Hose
13	KH-32-853-34-S	Carburetor Kit
14	KH-24-164-91-S	Intake Manifold Kit
15	KH-M-651040-S	Flange Screw, M6 x 1.0 x 40
16	KH-24-041-52-S	Carburetor Gasket
17	KH-25-139-60-S	Pipe Plug, 1/8

# Kohler KT740-3013 Labels

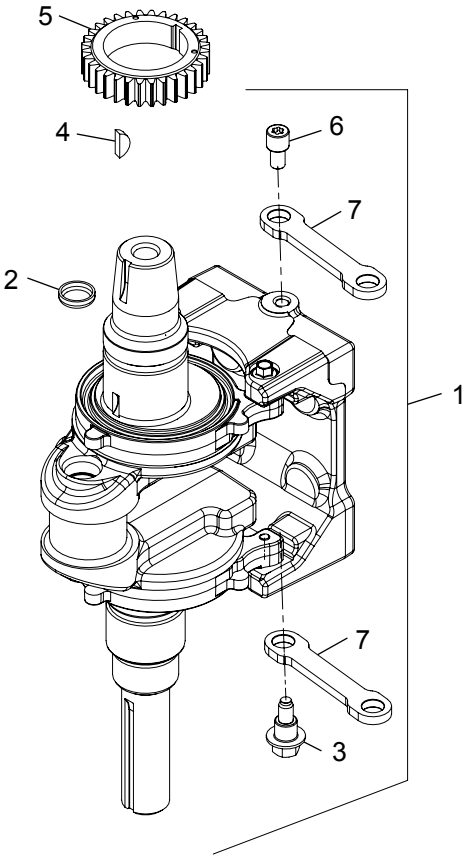


Artwork is representative.  
Actual labels may differ depending on model and specification number.

Ref.	Part Number	Description
1	KH-25-113-70-S	Clear Laminate Decal
2	KH-25-454-05-S	Tie
3	KH-32-113-105-S	Decal, 25 HP

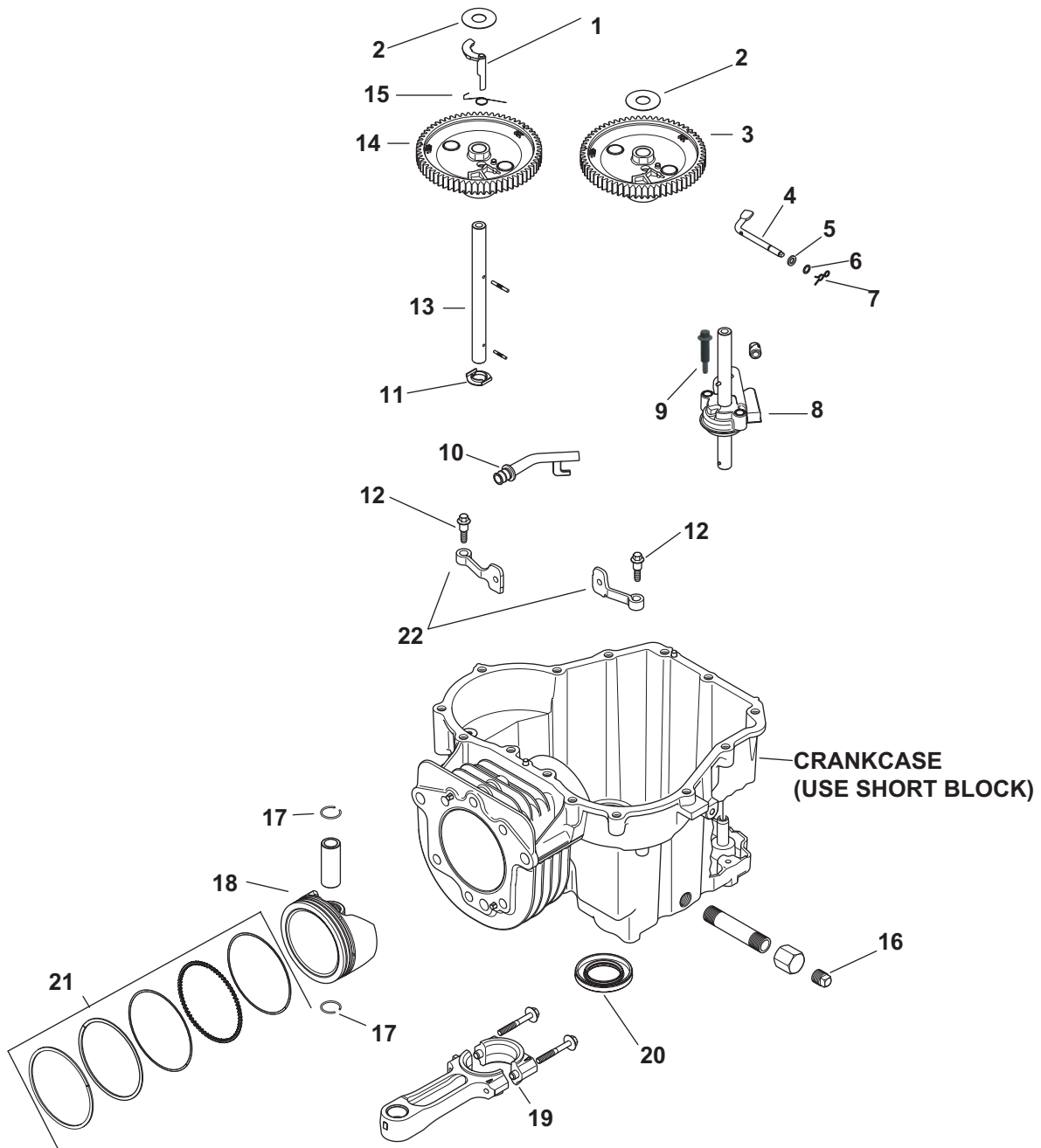






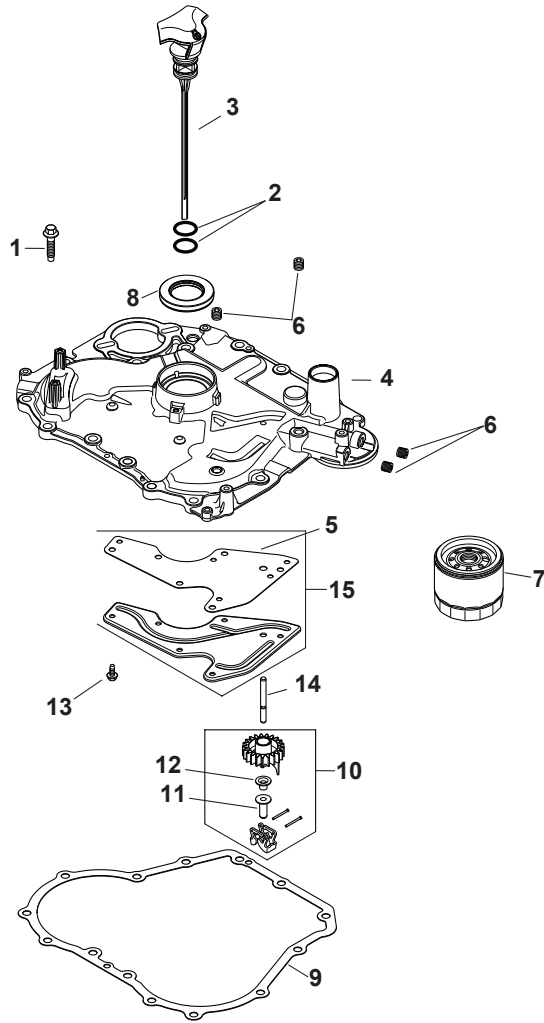
Ref.	Part Number	Description
1	KH-20-014-47-S	Crankshaft Assembly Kit
2	KH-25-139-27-S	Cup Plug
3	KH-25-086-213-S	Shoulder Screw
4	KH-X-42-15	Key, 3/16 X 5/8
5	KH-20-043-15-S	Crankshaft Gear
6	KH-25-086-214-S	Link Pivot Screw
7	KH-20-186-06-S	Balance Weight Linkage

# Kohler SV541-3212 Crankcase



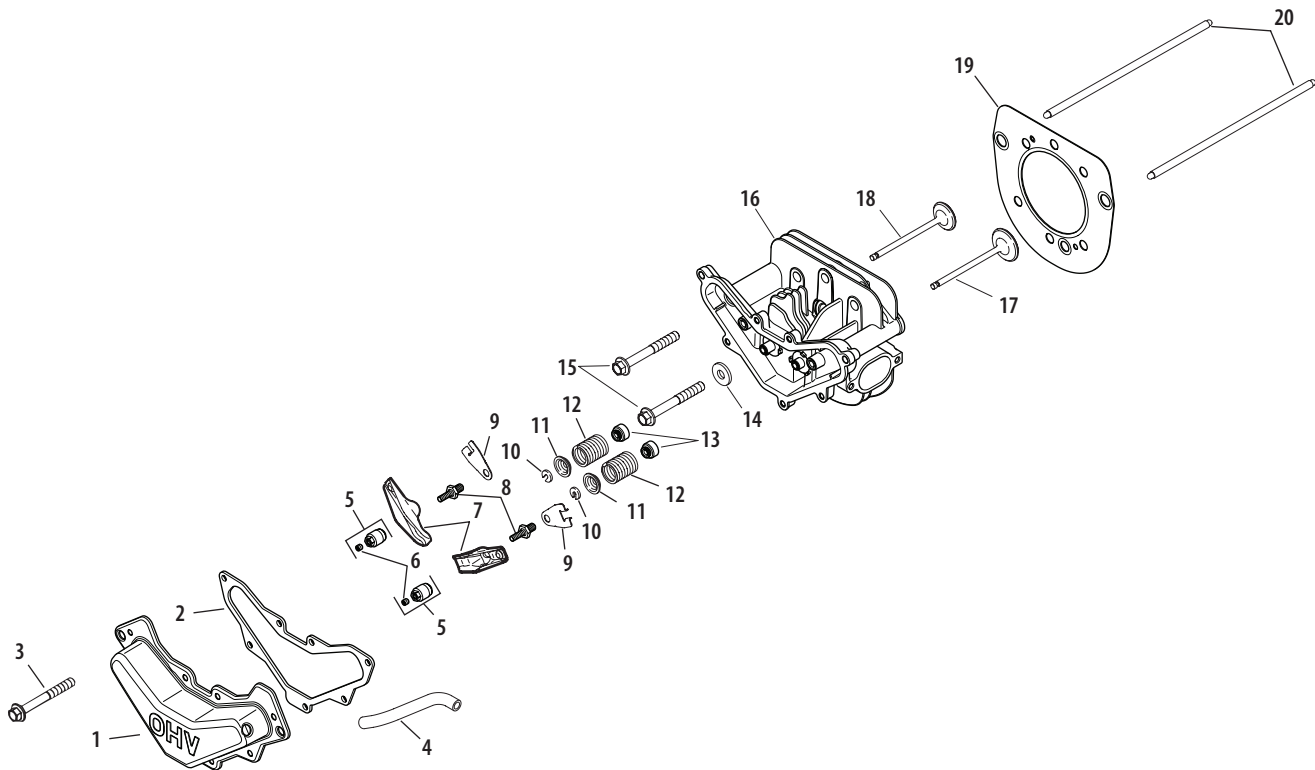
<b>Ref.</b>	<b>Part Number</b>	<b>Description</b>
1	KH-20-044-32-S	Acr. Weight
2	KH-20-468-03-S	Thrust -Acr. Washer
3	KH-20-010-22-S	Cam Gear Assembly, Intake
4	KH-20-144-02-S	Governor Cross Shaft
5	KH-M-631015-S	Flat Washer, 6 Mm
6	KH-X-25-102-S	Flat Washer, 1/4
7	KH-12-154-05	Hitch Pin Clip
8	KH-20-393-02-S	Oil Pump Ass'y Kit
9	KH-20-086-12-S	Oil Pump Screw
10	KH-20-123-02-S	Drainback Tube
11	KH-20-468-08-S	Thrust Washer
12	KH-20-086-06-S	Shd. Thd. Frm. Screw, M6 X 1 X 26
13	KH-20-144-11-S	Cam Center Shaft Kit
14	KH-20-010-23-S	Cam ear Assembly
15	KH-20-089-06-S	Acr. Spring
16	KH-25-139-57-S	Square Head Pipe Plug, 3/8
17	KH-62-018-04-S	Piston Pin Retainer
18	KH-20-874-16-S	Piston w/ Ring Set, 94mm
19	KH-20-067-05-S	Connecting Assembly Rod
20	KH-20-032-08-S	Oil Seal
21	KH-20-108-04-S	Ring Set (94mm)
22	KH-20-090-12-S	Cam Lever Kit

# Kohler SV541-3212 Oil Pan/Lubrication



Ref.	Part Number	Description
1	KH-25-086-421-S	Hex Flange Screw
2	KH-25-153-09-S	O-Ring
3	KH-20-040-08-S	Dipstick Ass'y-Std Yellow (Incl. 2)
4	KH-20-009-35-S	Closure Plate Assembly
5	KH-20-041-19-S	Oil Passage Gasket
6	KH-25-139-60-S	Countersink Pipe Plug, 1/8
7	KH-12-050-01-S	Oil Filter
8	KH-20-032-08-S	Oil Seal
9	KH-20-041-21-S	Closure Plate Gasket
10	KH-25-310-08-S	Governor Gear Assembly (Incl. 11-12)
11	KH-12-380-01	Governor Regulating Pin
12	KH-62-380-02-S	Governor Regulating Pin
13	KH-M-545013-S	Flg. Thd. Frm. Screw, M5 X 0.8 X 13
14	KH-20-144-03-S	Governor Cross Shaft
15	KH-20-096-21-S	Oil Passage Cover Kit (Incl. 5)

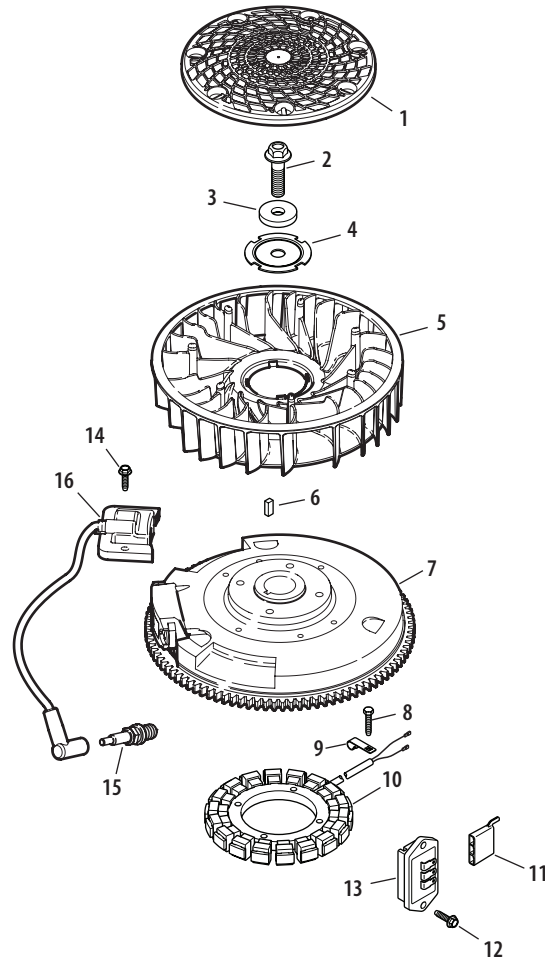
# Kohler SV541-3212 Head/Valve/Breather



Ref.	Part Number	Description
1	KH-20-096-25-S	Valve Cover Assembly
2	KH-20-041-13-S	Valve Cover Gasket
3	KH-25-086-396-S	Flg. Screw, M6 X 1.0 X 20
4	KH-20-326-03-S	Breather Hose
5	KH-20-599-04-S	Rocker Pivot Assembly (Incl. 6)
6	KH-20-086-04-S	Set Screw
7	KH-20-186-01-S	Rocker Arm
8	KH-20-072-08-S	Rocker Stud
9	KH-20-146-03-S	Push Rod Guide Plate
10	KH-20-062-01-S	Retainer Lock
11	KH-20-173-01-S	Valve Spring Cap

Ref.	Part Number	Description
12	KH-20-089-03-S	Valve Spring
13	KH-20-032-10-S	Valve Stem Seal
14	KH-12-468-05	Flat Washer, 13/32
15	KH-20-086-02-S	Flange Screw, M10 X 1.5 X 80
16	KH-20-318-14-S	Kit, Cylinder Head
17	KH-20-016-01-S	Exhaust Valve
18	KH-20-017-01-S	Intake Valve
19	KH-20-841-01-S	Cylinder Head Gasket Kit
20	KH-20-411-05-S	Rod, Push
—	KH-20-755-38-S	Cylinder Head Hardware Kit (Not Shown)

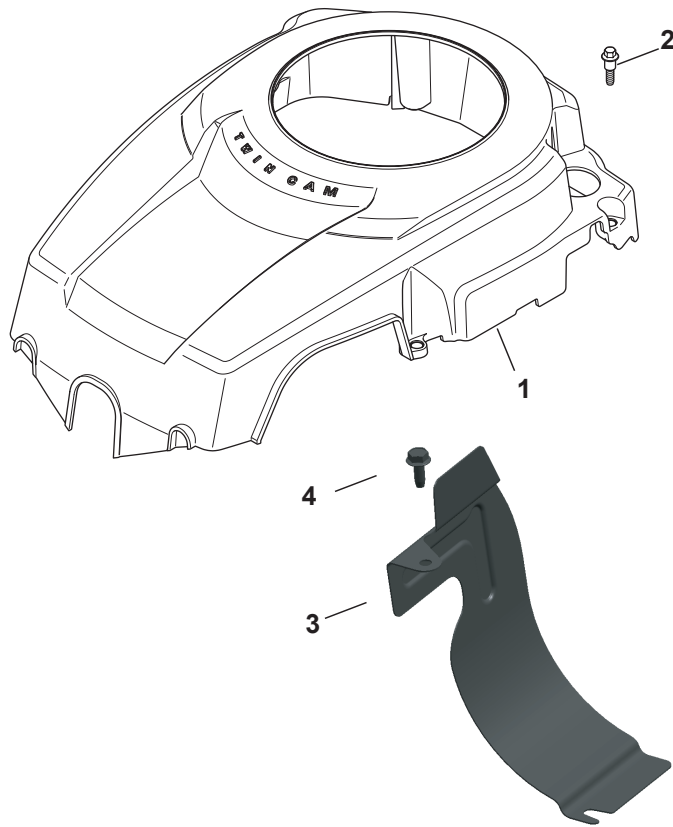
# Kohler SV541-3212 Ignition/Electrical



Ref.	Part Number	Description
1	KH-20-162-02-S	Grass Screen
2	KH-25-086-362-S	Hex Flange Screw
3	KH-25-468-09-S	Flat Washer
4	KH-20-146-05-S	Fan Mounting Plate
5	KH-20-157-01-S	Fan
6	KH-25-340-04-S	Straight Flywheel Key
7	KH-20-025-44-S	Flywheel
8	KH-25-086-402-S	Thd. Frm. Screw, M5 X 0.8 X 25
9	KH-20-154-04-S	Wire Clip
10	KH-237878	15 Amp Stator Kit (Inc. KH-25-452-01-S)

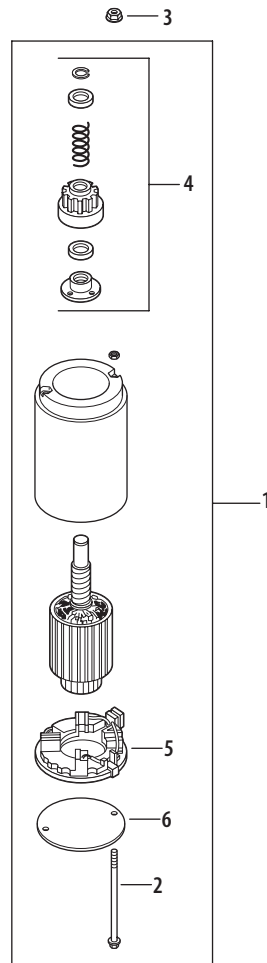
Ref.	Part Number	Description
11	KH-25-155-41-S	Connector
12	KH-25-086-399-S	Flg. Thd. Frm. Screw, M5 X .8 X 20
13	KH-41-403-10-S	Regulator/Rectifier
14	KH-25-086-399-S	Flg. Thd. Frm. Screw, M5 X .8 X 20
15	759-3336	Spark Plug (Std)
16	KH-20-584-03-S	Ignition Module (CDI Fixed)
—	KH-20-176-22-S	Wiring Harness
—	KH-25-454-05-S	Tie

# Kohler SV541-3212 Blower Housing & Baffles



Ref.	Part Number	Description
1	KH-20-027-13-S	Blower Housing
2	KH-20-086-06-S	Shd. Thd. Frm. Screw, M6 X 1 X 26
3	KH-20-063-03-S	Baffle Barrel
4	KH-25-086-397-S	Thread Forming Screw

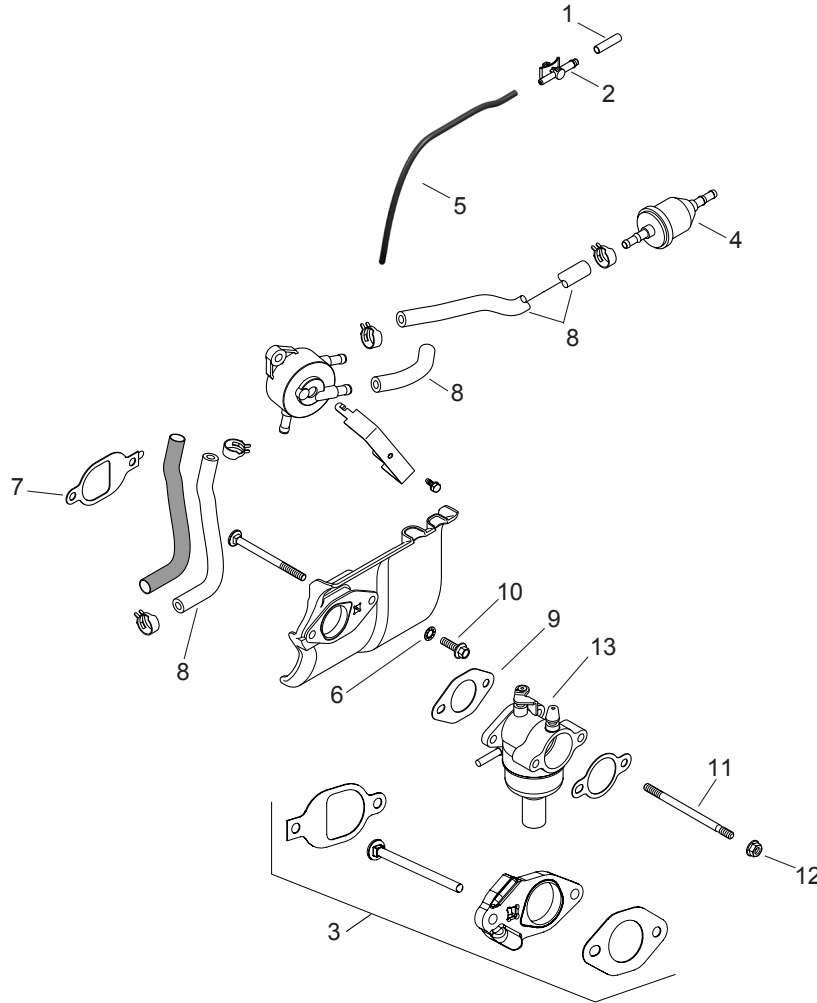
# Kohler SV541-3212 Starting System



Ref.	Part Number	Description
1	KH-20-098-10-S	Starter Assembly (Inc. 4-7)
2	KH-20-211-02-S	Thru Bolt
3	KH-25-100-56-S	Free Spinning Flg. Nut, #10-24
4	N/A	Drive Kit (J.E.)
5	KH-12-221-02-S	Brush Kit
6	KH-20-227-01-S	Drive End Cap (J.E.)



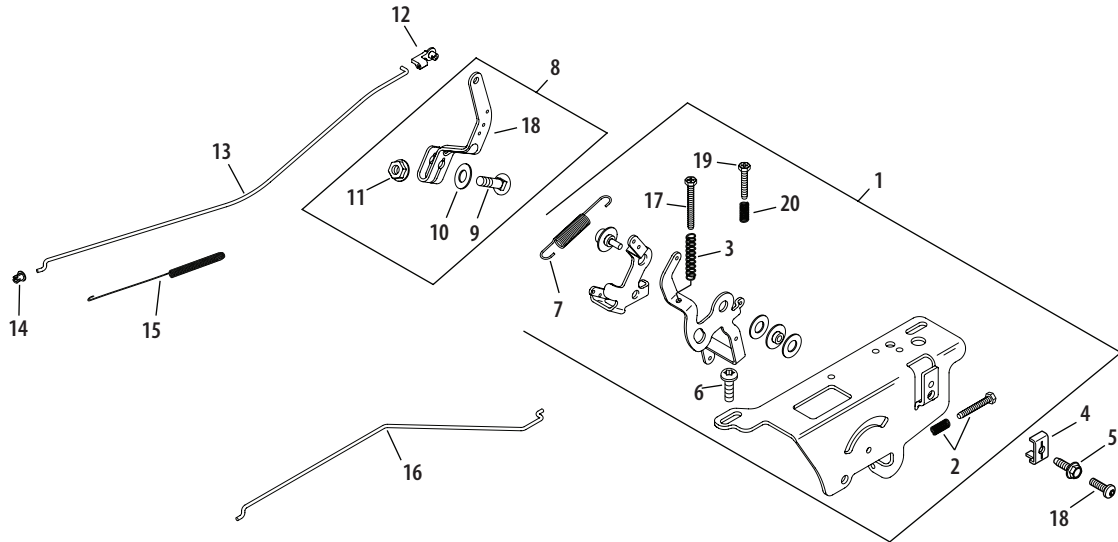
# Kohler SV541-3212 Fuel System



Ref.	Part Number	Description
1	KH-25-173-33-S	Masking Cap
2	KH-25-155-51-S	Evaporative Connector
3	KH-20-112-08-S	Carburetor Spacer Kit
4	KH-25-050-21-S	Fuel Filter
5	KH-25-326-28-S	Evaporative Hose
6	KH-X-22-11	Int. Tooth Lock Washer, 1/4
7	KH-20-041-18-S	Heat Deflector Gasket
8	KH-25-111-81-S	Fuel Line

Ref.	Part Number	Description
9	KH-12-041-01	Carburetor Gasket
10	KH-M-651020-S	Flange Screw, M6 X 1.0 X 20
11	KH-20-072-10-S	Stud
12	KH-M-641060-S	Flange Nut, M6 X 1.0
13	KH-20-853-95-S	Carburetor Kit
—	KH-25-454-05-S	Tie (Not Shown)
—	KH-25-237-37-S	Spring Hose Clamp (Not Shown)

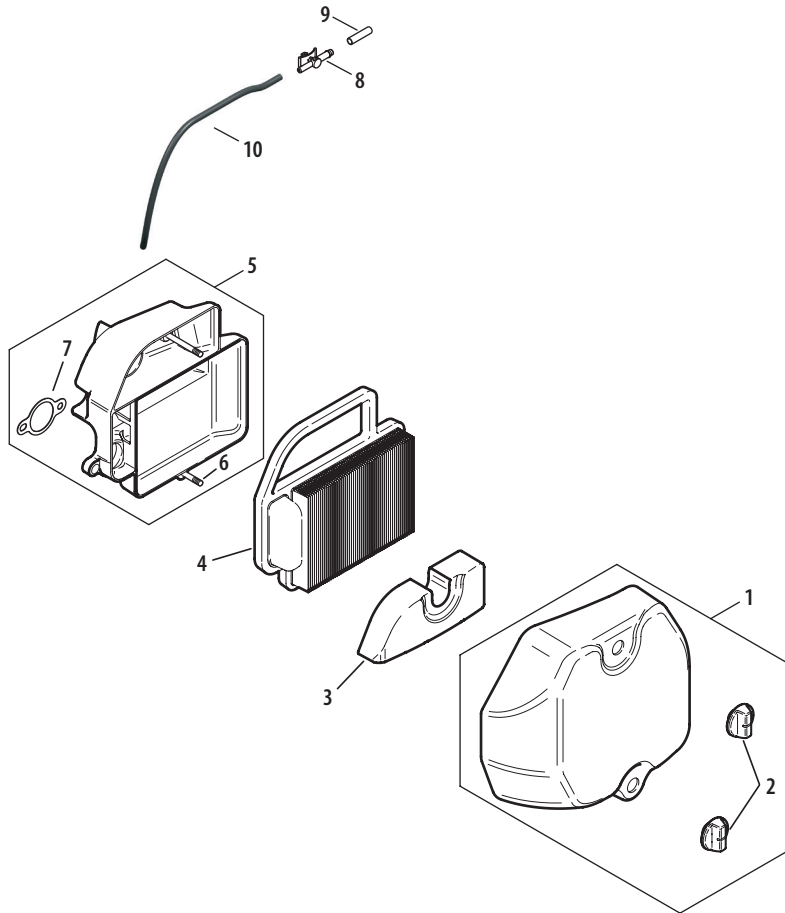
# Kohler SV541-3212 Controls



Ref.	Part Number	Description
1	KH-20-536-06-S	Speed Control Assembly Kit (Inc. 2, 3, 6, 7, 17, 19, 20)
2	KH-25-086-297-S	Idle Adj. Screw & Spring Kit
3	KH-20-089-12-S	Speed Control Spring (Long)
4	KH-12-237-01	Cable Clamp
5	KH-25-086-398-S	Thread Forming Screw
6	KH-25-086-403-S	Lbd. Skt. Screw, M6 X 1.0 X 20
7	KH-20-089-11-S	Governor Spring
8	KH-20-090-11-S	Governor Ass'y Lever (Inc. 9-11)
9	N/A	Rd. Hd. Sq. Nck. Bolt, 1/4-20 X 1
10	KH-X-22-11	Int. Tooth Lock Washer, 1/4

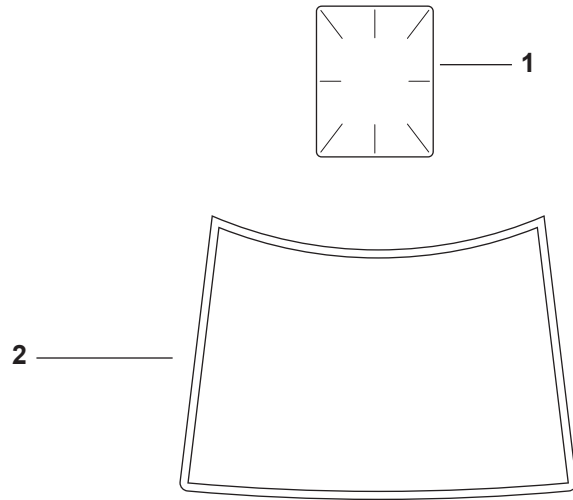
Ref.	Part Number	Description
11	KH-12-100-07-S	Hex Flg Nut, 1/4-20
12	KH-25-158-11	Throttle Linkage Bushing
13	KH-20-079-07-S	Throttle Linkage
14	KH-25-158-08	Linkage Retaining Bushing
15	KH-20-089-10-S	Linkage Spring
16	KH-20-079-05-S	Choke Linkage
17	KH-20-086-18-S	Screw, Choke Adj M4 x 0.7 x 38
18	KH-20-090-11-S	Governor Lever
19	KH-20-086-10-S	Phl. Thd. Frm. Screw, M4 X 0.7 X 25
20	KH-12-089-11-S	Speed Control Spring (Short)

# Kohler SV541-3212 Air Intake/Filtration



Ref.	Part Number	Description
1	KH-20-096-15-S	Air Cleaner Cover Kit (Inc. 2)
2	KH-25-341-04-S	Knob Cover
3	KH-20-883-06-S1	Pre-Cleaner Element (Dry)
4	KH-20-883-06-S1	Air Cleaner Element
5	KH-20-094-11-S	Air Cleaner Base Kit (Inc. 6, 7)
6	KH-20-072-04-S	Air Cleaner Base Stud
7	KH-12-041-02	Air Cleaner Base Gasket
8	KH-25-155-51-S	Evaporative Connector
9	KH-25-173-33-S	Masking Cap
10	KH-25-326-08-S	Hose, Evaporative 20"
—	KH-54-755-01-S	Knob w/Seal Kit (Not Shown)

# Kohler SV541-3212 Decals & Accessories



Artwork is representative.  
Actual labels may differ depending on model and specification number.

Ref.	Part Number	Description
1.	KH-25-113-70-S	Decal, Clear laminate
2.	KH-20-113-85-S	Decal 18HP
—	KH-12-100-07-S	Nut, 1/4-20









To order replacement parts, call a Customer Support Representative at (800) 965-4CUB.  
Locate your nearest Cub Cadet dealer at (877) 282-8684  
or visit [www.cubcadet.com](http://www.cubcadet.com) to find the nearest Cub Cadet dealer in your area.

---

**CUB CADET LLC, P.O. BOX 361131 CLEVELAND, OHIO 44136-0019**

---